

**4406**  
**4408**  
**4412**  
**Corn Head**

Parts Catalog

Print No. 47519259  
Issued 1/2014

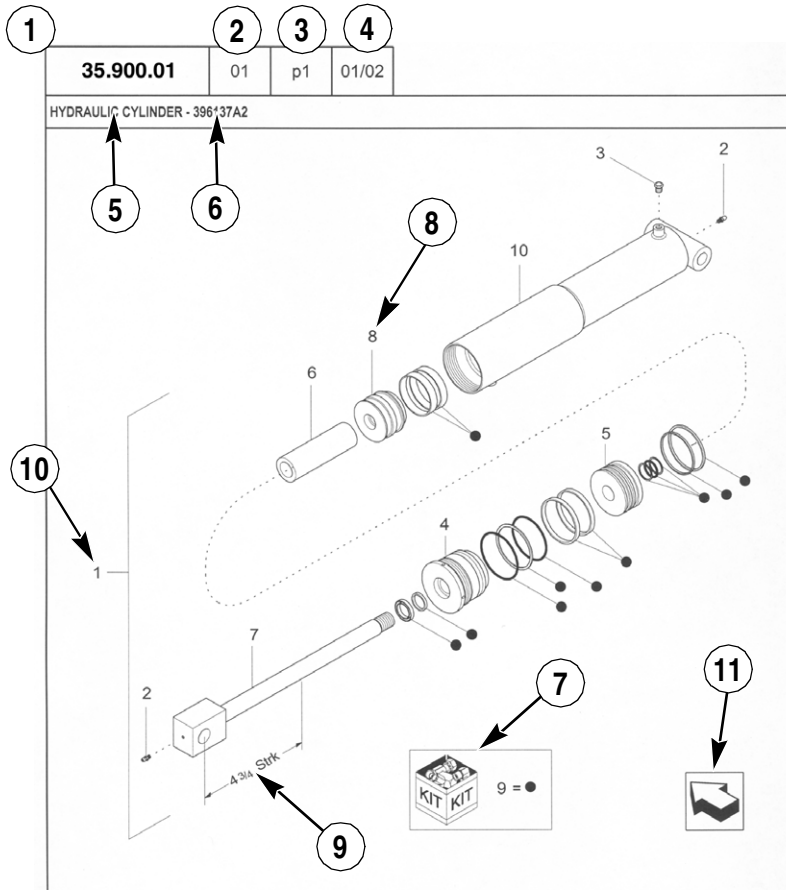


# GENERAL INFORMATION

1. Whenever the terms left and right are used, it should be understood to mean from a position facing in direction of travel.
2. Throughout this manual you may find common hardware not illustrated, but listed in the description column. The service part immediately preceding a hardware listing is the part using these particular items for mounting purposes. This hardware is not included with the service part or assembly when ordered as a replacement.
3. The illustrations show typical assemblies plus individual parts but in all cases may not show the exact shape or detail of parts required. However, the purpose for the illustrations is to identify parts performing like functions. Whenever possible illustrations are located at the beginning of each section or immediately adjacent to the applicable text.
4. CNH America LLC is continually striving to improve its products. We must, therefore, reserve the right to make improvements or changes when it becomes practical and possible to do so, without incurring any obligation to make changes or additions to the equipment sold previously.

**CNH America LLC, Racine, WI 53404 U.S.A.**

# How to Use Your Parts Catalog



HYDRAULIC CYLINDER - 396137A2					
REF	FN	PART NUMBER	YR/SN	QTY	DESCRIPTION
1	1	396137A2	BTW 01/85 & 02/02	1	CYLINDER ASSY. 4-3/4 in strk, Inc 2-10
2		31-95	Before 01/85	2	FITTING
2		219-8	From 01/85	2	NIPPLE, LUBE Grease, 1/4 tpr x 17/32
3		{402475A2}		1	BREATHER
4		402474A1		1	CAP CYLINDER END
5		402468A1	BSN JJC0189200	1	PISTON ROD/GLAND
5		145221C3	ASN JJC0189200	1	PISTON
6		402471A1		1	SPACER
7		402473A1		1	ROD, PISTON
8		402469A1		1	PISTON ROD/GLAND
9		402476A1		1	PACKAGE, SEALS
10		NSS		1	NOT SERVICED SEPARAT CASE ASSEMBLY
(1) 08-20					
STANDARD			MODELS		

---

# How to Use Your Parts Catalog

---

1. Figure Number
2. Sequence code within the Figure Number
3. Page number within the Sequence Code
4. Date of Printing (month / year)
5. Figure Description
6. General information regarding the figure
7. Parts supplied in repair kits per symbol reference
8. Figure call-out of the part number (REF)
9. Technical Specifications relating to the part indicated
10. Figure call-out includes bracketed items, the included items may also be listed in the additional description area
11. Orientation - Arrow indicates front of the machine
12. Footnote - Additional information relating to the part number. In this example, 08-20 equals another figure that this part is shown on.
13. Part Number
  - NSS = Non-serviced parts
  - Bracketed numbers = not available as service parts in this market
14. Not Available as service part in this market
15. YR/SN
  - Year
    - Before 01/85 = Part valid for production January 1985 and before
    - From 01/85 = Part valid for production from January 1985 and after
    - BTW 01/85 & 02/02 = Part valid for machines produced between January 1985 and February 2002.
  - Serial Number (P.I.N.)
    - BSN JJC0268800 = Part valid for serial number JJC0268800 and below
    - ASN JJC0268800 = Part valid for serial number JJC0268800 and above
    - BTW JJC0178000 & JJC0179000 = Part valid for serial numbers between JJC0178000 & JJC0179000
16. Total Quantity of the Part referred to in the page. The quantity can be replaced by the following indications:
  - AR = quantity as required
  - X = as required
17. Part Description
18. Additional description of the part to help confirm identification
19. Figure Notes
20. Model Number(s)

# Explanation of Abbreviations

Abbreviation	Meaning
adj	adjustable
amp	ampere
AR	As required
ASN	Serial number and after / P.I.N. and after
barb	barb
blkhd	bulkhead
boss	boss
BSN	before serial number / before P.I.N
BTW	between
cc	cubic centimetre
chain	chain
cl	class
cp pt	cup point
CRS	Chrome Alloy Steel
CST	Carbon Steel
cu yd	cubic yard
deg	degree
dia	diameter
dr type	drive type
dry	dry
fc	face
fc sl	face seal
fem	female
fem PT	female pipe thread
fl	flare
ft	feet (or foot)
gal	gallon(s)
gr	grade
hd	head
hp	horsepower
ID	inside diameter

Abbreviation	Meaning
in	inch(es)
Inc.	includes
inv fl	inverted flare
K	kilo
kg	kilogram
L	litre
lb	pound(s)
lg	long
LH	left hand
LH thd	left hand thread
links	links
M	(prefix) metric thread size
m	metre
male	male
mm	millimetre
NF	National Fine
No.	number
NS	National Super Fine
OD	outside diameter
ohm	electrical unit of resistance
Or	O-ring
orifice	orifice
P	pitch
piece	piece
psi	pounds per square inch
PT	pipe thread
rd	round
rd holes	round holes
RH	right hand
RH thd	right hand thread
rpm	revolutions per minute

---

# Explanation of Abbreviations

---

Abbreviation	Meaning
sl	self locking
slat	slat
spool	spool
sq	square
SST	Stainless Steel
st	self tapping
stem	stem
strk	stroke
sw	swivel
T	teeth
Teflon	Teflon
thin	thin
thk	thick
tpr	taper

Abbreviation	Meaning
tube	tube
type	type
V	volt(s)
W	watt(s)
way	way
wide	wide
X	as required
yd	yard

## Dimensions

Metric and U.S. hardware dimensions do not show the numeric designations of standard coarse threads. A number following a semi colon (;) is the class or grade of hardware. A comma (,) represents the decimal point (.) used in U.S. dimensions.



---

TABLE OF CONTENTS

---

05.100.01		INITIAL STOCKING LIST
35.518.AI	01	HYDRAULIC MOTOR, ASSY, RH
35.518.AI	02	HYDRAULIC MOTOR, ASSY, LH
35.602.AQ		COUPLING, ASSY, QUICK
55.510.BP	01	MAIN, WIRE HARNESS
55.510.BP	02	SAFETY LIGHT ASSY
58.100.AG	01	PTO ASSY, RH
58.100.AG	02	PTO ASSY, LH
58.100.AG	03	PTO ASSY, DRIVE
58.100.AH	01	DRIVE, HEADER, ASSY, FRONT
58.100.AH	02	DRIVE, HEADER, ASSY, REAR RH
58.100.AH	03	DRIVE, HEADER, ASSY, REAR LH
58.130.AD	01	FRAME, APRONS
58.130.AD	02	FRAME, PROTECTION
58.130.AJ	01	FRAME, 4400
58.130.AJ	02	LATCH, ASSY, FEEDER SECONDARY
58.130.BC	01	DIVIDER, ASSY , LH
58.130.BC	02	DIVIDER, ASSY, RH
58.130.BC	03	DIVIDER, ASSY, INNER
58.210.AK	01	ROLLER, ASSY, RH
58.210.AK	02	ROLLER, ASSY, LH
58.218.AA		HOOD, ASSY, INNER
58.218.AA		HOOD, ASSY, INNER
58.218.AG		AUGER ASSY
58.218.AG		AUGER ASSY
58.228.AG	01	HOOD, AUGER, ASSY, LH OUTER
58.228.AG	02	HOOD, AUGER, ASSY, RH OUTER
58.228.AG	03	HOOD, AUGER ASSY, RH DIVIDER
58.228.AG	04	HOOD, AUGER ASSY, LH DIVIDER
58.230.AI	01	ROW UNIT, WITHOUT CHOPPER
58.230.AI	02	ROW UNIT, WITHOUT CHOPPER
58.230.AI	03	ROW UNIT, WITHOUT CHOPPER
58.230.AI	04	ROW UNIT, WITH CHOPPER
58.230.AI	05	ROW UNIT, WITH CHOPPER



---

TABLE OF CONTENTS

---

58.230.AI	06	ROW UNIT, WITH CHOPPER
58.414.AA	01	GEARBOX, ASSY, CORNHEAD ROW UNIT
58.414.AA	02	GEARBOX, ASSY, CORNHEAD ROW UNIT
88.035.02		DIA, KIT, HYDRAULIC TUBE CAPS
88.055.01	01	DIA, KIT, AUTO HEADER HEIGHT CONTROL W/LATERAL TILT
88.055.01	02	DIA, KIT, AUTO HEADER HEIGHT CONTROL
88.055.01	03	DIA, KIT, AUTO HEADER HEIGHT CONTROL, 2-SENSOR
88.055.01	04	DIA, KIT, AUTO HEADER HEIGHT CONTROL, W/LAT TILT, 3-SENSOR
88.055.02		DIA, KIT, ROW GUIDANCE, 30-INCH
88.058.01		DIA, KIT, AUGER DIVIDER
88.058.02		DIA, KIT, CENTRAL AUGER DISC
88.058.03		DIA, KIT AUGER DELIVERY FLAPS
88.058.04		DIA, KIT, SPEED REDUCTOR
88.058.05		DIA, KIT, TALL CORN ATTACHMENT
88.058.06		DIA, KIT, CHAIN REMOVAL TOOL
88.089.01		DIA, KIT, FIXATION
88.090.01		DIA, KIT, DUSTSCREEN
90.108.AB	01	DECALS, COMMON & MODEL
90.108.AB	02	DECALS, ASSY, CHOPPING
90.108.AC		DECALS, SAFETY



---

SECTION INDEX

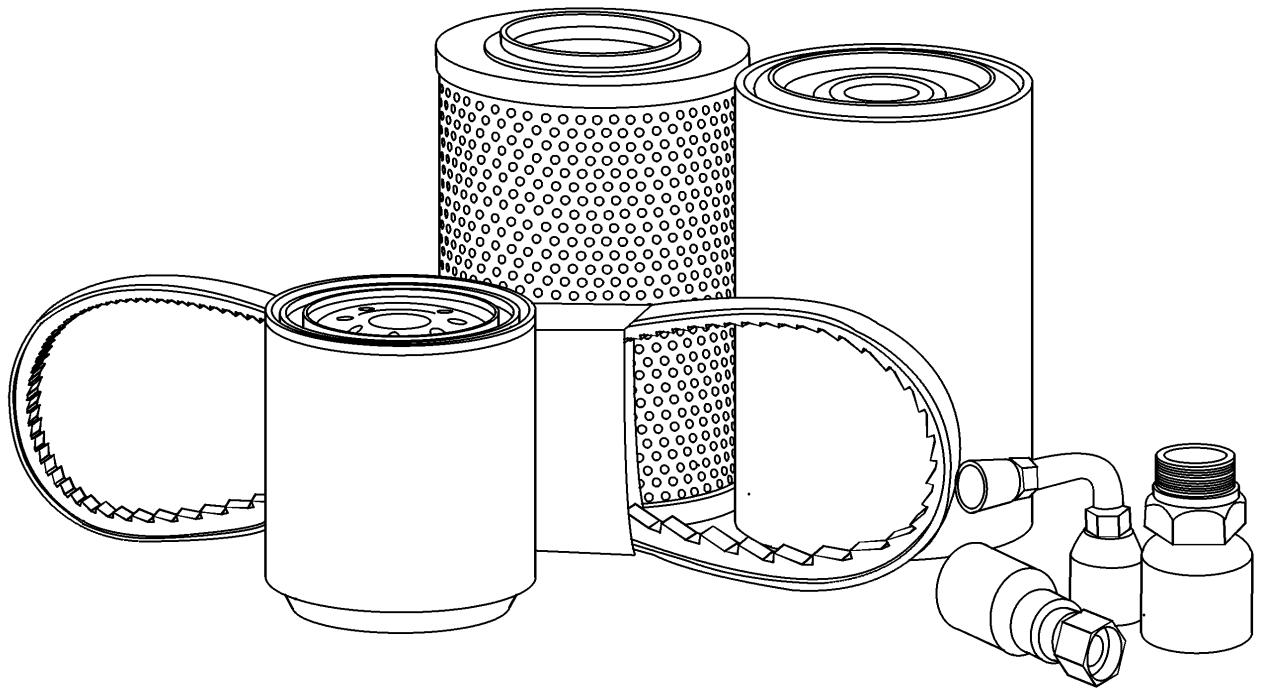
MACHINE COMPLETION & EQUIPMENT

---

05.100.01

INITIAL STOCKING LIST

INITIAL STOCKING LIST



## INITIAL STOCKING LIST

REF FN	PART NUMBER	YR/SN	QTY DESCRIPTION
1	84251979		2 GATHERING CHAIN
2	86616339		1 POTENTIOMETER
3	87473652		1 DRIVEN SPROCKET
4	84977612		2 SLIDING PAD
5	84977235		1 DRIVEN SPROCKET
6	84972758		1 STEEL PLATE
7	47474090		1 PLATE
8	47515996		5 FLAP
9	84496574		4 KNIFE
10	84499693		4 KNIFE
11	322630350		4 BUSHING
12	47358205		1 WEAR STRIP
13	47358208		2 WEAR STRIP
14	84558101		1 GAS STRUT
15	84972762		1 CLUTCH
16	47483715		5 FLAP
16	47510452		5 FLAP
17	47468213		1 DIVIDER
17	47386730		1 CROP DIVIDER
17	84526077		1 CROP DIVIDER
			4406-630 4406-636 4406-638 4408-830 4408-836 4408-838 4412-1230



---

SECTION INDEX

HYDRAULIC SYSTEMS

---

35.518.AI	01	HYDRAULIC MOTOR, ASSY, RH
35.518.AI	02	HYDRAULIC MOTOR, ASSY, LH
35.602.AQ		COUPLING, ASSY, QUICK

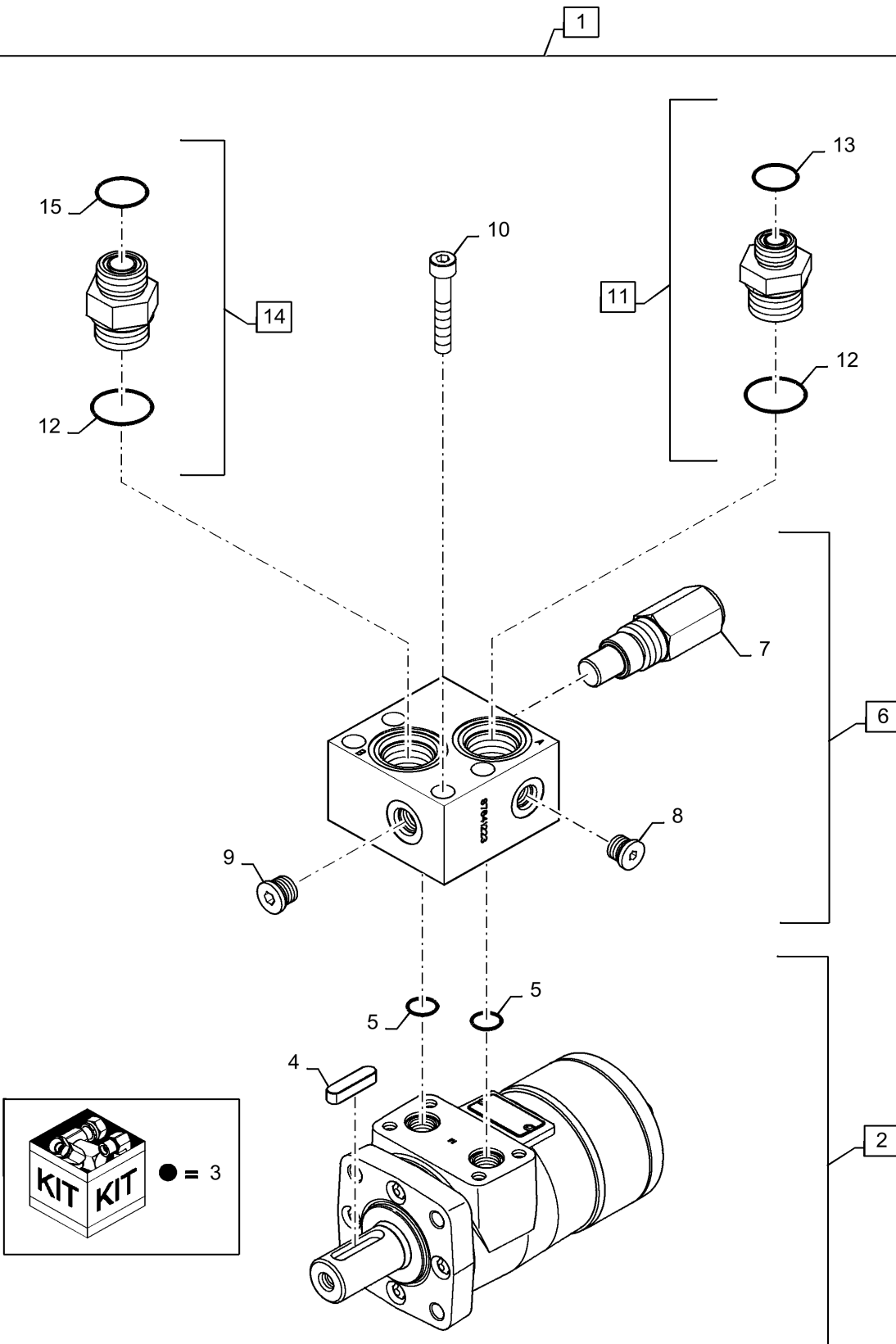
35.518.AI

01

p1

1/2014

HYDRAULIC MOTOR, ASSY, RH





**35.518.AI**

01

p1

1/2014

**HYDRAULIC MOTOR, ASSY, RH**

<b>REF FN</b>	<b>PART NUMBER</b>	<b>YR/SN</b>	<b>QTY DESCRIPTION</b>
1	84142005		1 HYDRAULIC MOTOR Incl 2 - 15
2	84142007		1 HYDRAULIC MOTOR Incl 3 - 5
3	9807617		1 SEAL KIT Incl 4 - 10
4	170030		1 KEY M8 x 7 x 32, Par
5	272344		2 O-RING -112, 90 Duro, .487" ID x .103" Thk
6	87641223		1 VALVE Incl 7 - 9
7	87645709		1 VALVE
8	218-5208		1 PLUG Hex Soc, 1/2"-20 ORB
9	218-5209		1 PLUG Hex Soc, 9/16"-18 ORB
10	73170457		4 HEX SOC SCREW Hex Soc Hd, M8 x 50, 8.8
11	86597761		1 HYD CONNECTOR 13/16"-16 ORFS x M27 x 2 ORB Incl 12 - 13
12	86598103		2 O-RING 23.60mm ID x 2.90mm
13	9992298		1 O-RING 0.489" ID x 0.629" OD x 0.07"
14	86597760		1 HYD CONNECTOR 1"-14 ORFS x M27 x 2 ORB Incl 12, 15
15	9992069		1 O-RING 0.614" ID x 0.754" OD x 0.07"
			4406-630 4406-636 4406- 638 4408-830 4408-836 4408-838 4412-1230

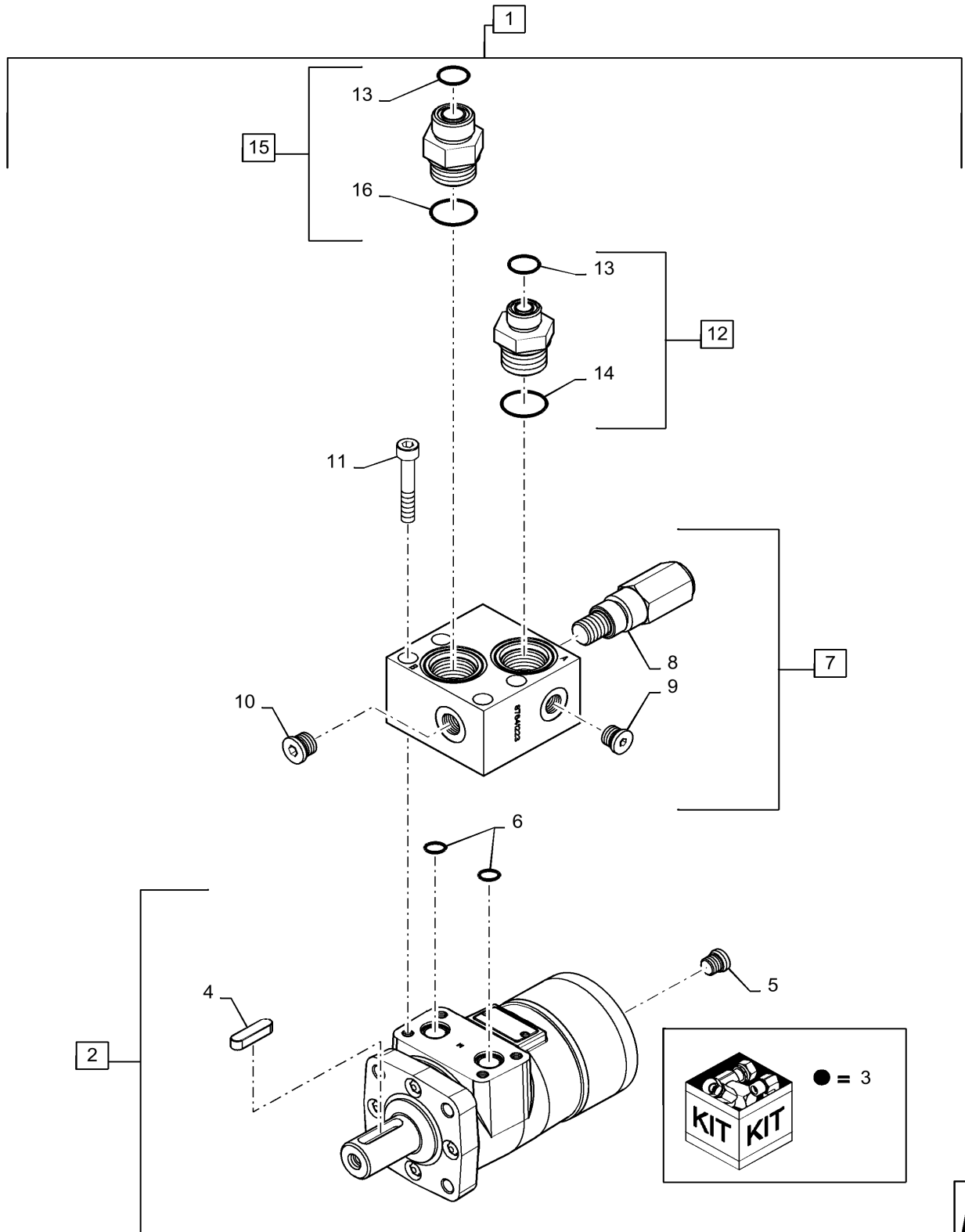
35.518.AI

02

p1

1/2014

HYDRAULIC MOTOR, ASSY, LH



**35.518.AI**

02

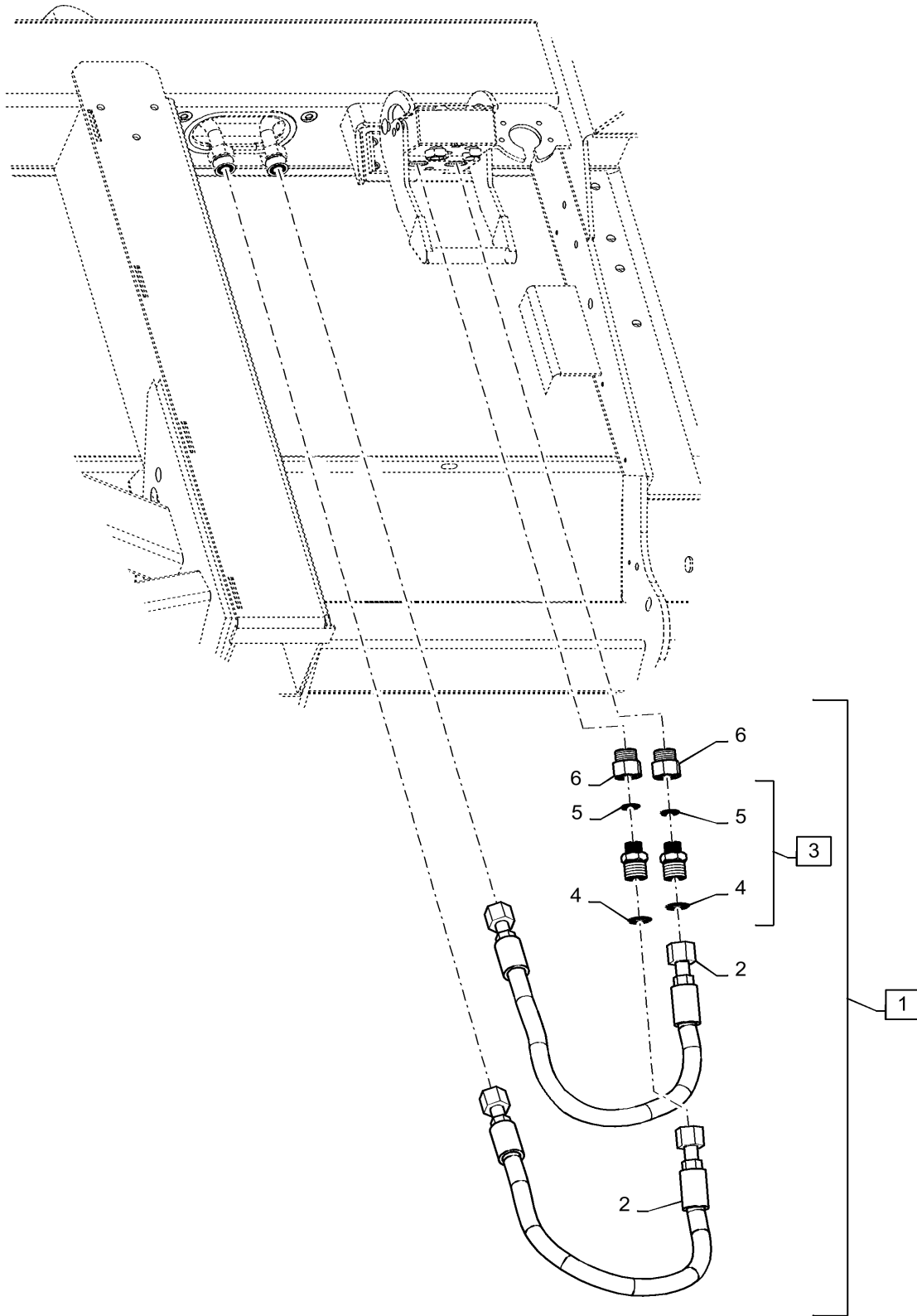
p1

1/2014

**HYDRAULIC MOTOR, ASSY, LH**

REF FN	PART NUMBER	YR/SN	QTY DESCRIPTION
1	84142006		1 HYDRAULIC MOTOR Incl 2 - 16
2	84142008		1 HYDRAULIC MOTOR Incl 3 - 5
3	9807617		1 SEAL KIT Incl 4 - 10
4	170030		1 KEY M8 x 7 x 32, Par
5	278548		1 PLUG Hex Soc, 7/16"-20 ORB
6	272344		2 O-RING -112, 90 Duro, .487" ID x .103" Thk
7	87641223		1 VALVE Incl 8 - 10
8	87645709		1 VALVE
9	218-5208		1 PLUG Hex Soc, 1/2"-20 ORB
10	218-5209		1 PLUG Hex Soc, 9/16"-18 ORB
11	73170457		4 HEX SOC SCREW Hex Soc Hd, M8 x 50, 8.8
12	86597761		1 HYD CONNECTOR 13/16"-16 ORFS x M27 x 2 ORB Incl 13 - 14
13	86598103		2 O-RING 23.60mm ID x 2.90mm
14	9992298		1 O-RING 0.489" ID x 0.629" OD x 0.07"
15	86597760		1 HYD CONNECTOR 1"-14 ORFS x M27 x 2 ORB Incl 13, 16
16	9992069		1 O-RING 0.614" ID x 0.754" OD x 0.07"
			4406-630 4406-636 4406- 638 4408-830 4408-836 4408-838 4412-1230

COUPLING, ASSY, QUICK



**COUPLING, ASSY, QUICK**

REF FN	PART NUMBER	YR/SN	QTY DESCRIPTION
1	47400277		1 HYDRAULIC HOSE Incl 2 - 6
2	47399673		2 HYDRAULIC HOSE
3	86603051		2 HYD CONNECTOR Incl 4 - 5
4	128825		1 O-RING 0.644" ID x 0.087" Width
5	9992069		1 O-RING 0.614" ID x 0.754" OD x 0.07"
6	84435046		2 COUPLING
			4406-630 4406-636 4406-638 4408-830 4408-836 4408-838 4412-1230



---

SECTION INDEX  
ELECTRICAL SYSTEMS

---

55.510.BP	01	MAIN, WIRE HARNESS
55.510.BP	02	SAFETY LIGHT ASSY

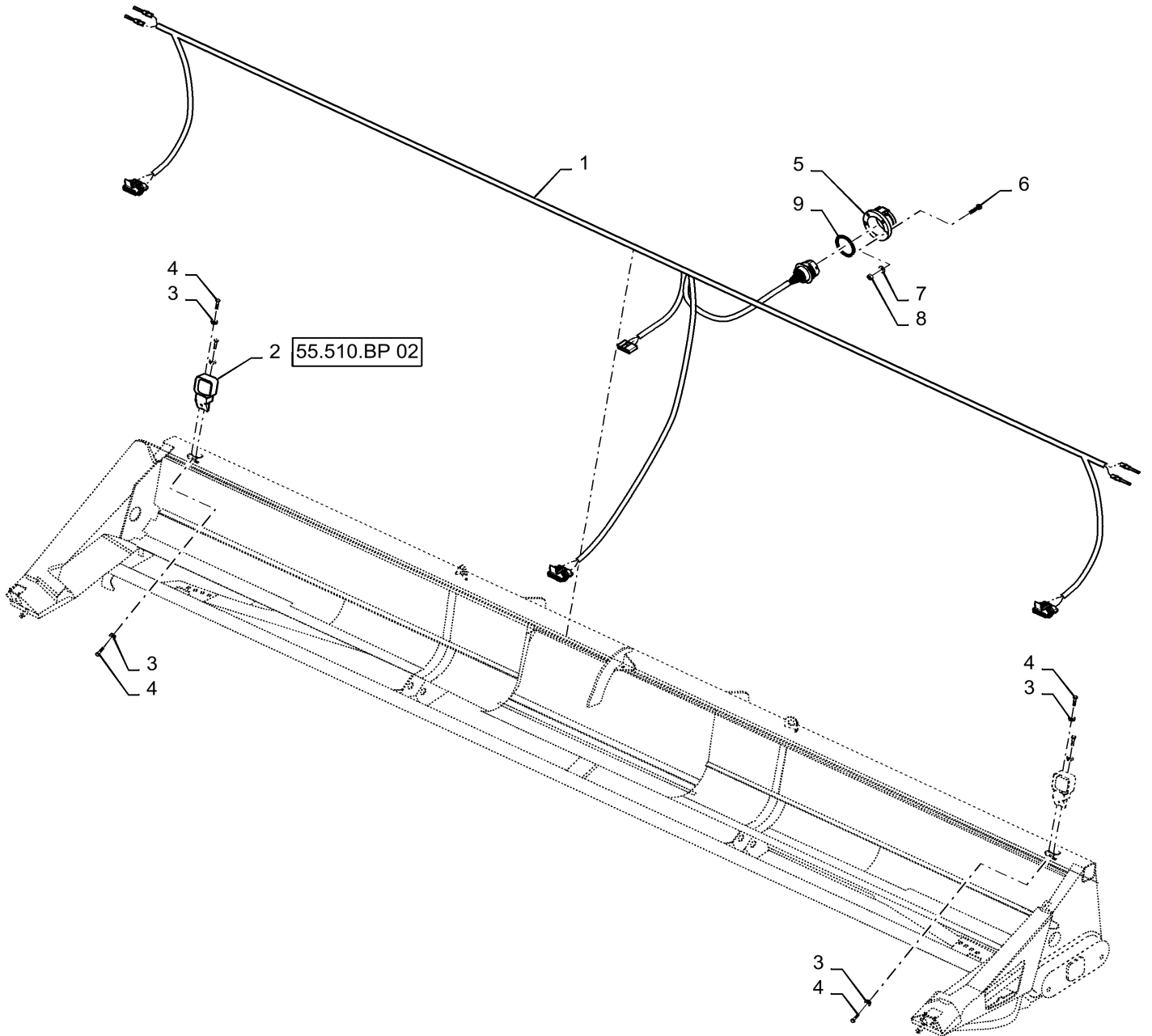
55.510.BP

01

p1

1/2014

MAIN, WIRE HARNESS





**55.510.BP**

01

p1

1/2014

**MAIN, WIRE HARNESS**

<b>REF FN</b>	<b>PART NUMBER</b>	<b>YR/SN</b>	<b>QTY DESCRIPTION</b>
1	87599196		1 WIRE HARNESS
1	86978861		1 WIRE HARNESS
1	86978862		1 WIRE HARNESS
2	NSS		2 NOT SERVICED SEPARATELY Safety Light, Assy
3	322358		6 BELLEVILLE WASHER M8
4	120104		6 BOLT Hex, M8 x 1.25 x 20mm, CI 8.8, Full Thd
5	86606228		1 COVER
6	120098		4 BOLT Hex, M5 x 20, 8.8, Full Thd
7	322356		4 BELLEVILLE WASHER M5.1 x 12 x 1.85, HDN
8	86508813		4 NUT M5, CI 8
9	84037188		1 O-RING 34.2mm ID x 3mm Width
			4406-630 4406-636 4406-638 4408-830 4408-836 4408-838 4412-1230

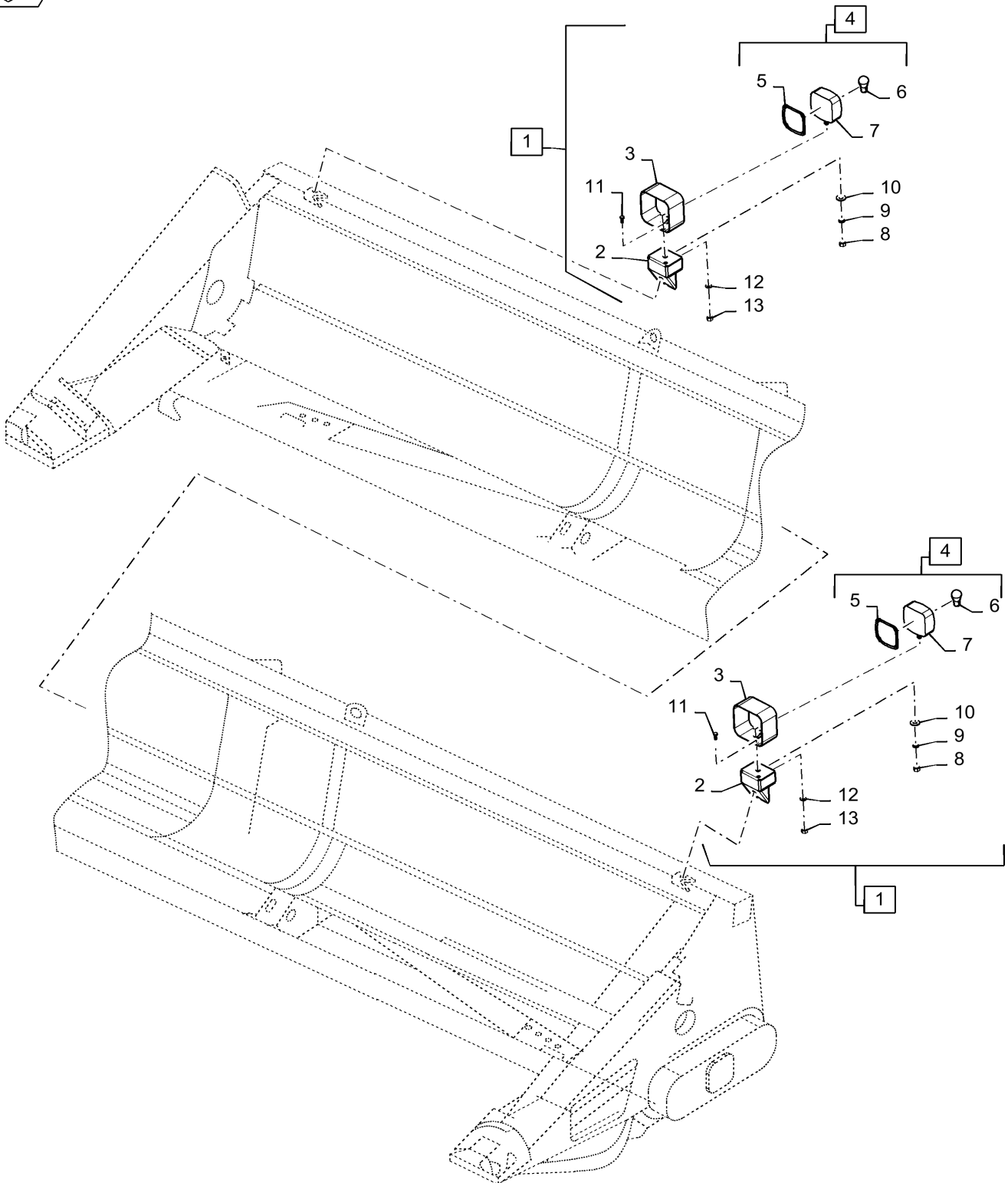
55.510.BP

02

p1

1/2014

SAFETY LIGHT ASSY



## SAFETY LIGHT ASSY

REF FN	PART NUMBER	YR/SN	QTY DESCRIPTION
1	NSS		2 NOT SERVICED SEPARATELY Safety Light Assy, Incl 2 - 13
2	87548201		1 MOUNTING PARTS
3	84325346		1 PROTECTION PLATE
4	86536572		1 LAMP Incl 5 - 10
5	853709		2 GASKET
6	529068		1 BULB #1156, 12V
7	853710		2 LENS
8	280963		1 NUT 1/2"-20, G5
9	80679		1 LOCK WASHER 1/2"
10	80700		1 WASHER 1/2"
11	120104		8 BOLT Hex, M8 x 1.25 x 20mm, Cl 8.8, Full Thd
12	322358		8 BELLEVILLE WASHER M8
13	9706690		2 NUT Hex, M8, 1.25mm Pitch, 6.80mm High, Cl 8, ZND
			4406-630 4406-636 4406- 638 4408-830 4408-836 4408-838 4412-1230



---

SECTION INDEX  
ATTACHMENTS/HEADERS

---

58.100.AG	01	PTO ASSY, RH
58.100.AG	02	PTO ASSY, LH
58.100.AG	03	PTO ASSY, DRIVE
58.100.AH	01	DRIVE, HEADER, ASSY, FRONT
58.100.AH	02	DRIVE, HEADER, ASSY, REAR RH
58.100.AH	03	DRIVE, HEADER, ASSY, REAR LH
58.130.AD	01	FRAME, APRONS
58.130.AD	02	FRAME, PROTECTION
58.130.AJ	01	FRAME, 4400
58.130.AJ	02	LATCH, ASSY, FEEDER SECONDARY
58.130.BC	01	DIVIDER, ASSY , LH
58.130.BC	02	DIVIDER, ASSY, RH
58.130.BC	03	DIVIDER, ASSY, INNER
58.210.AK	01	ROLLER, ASSY, RH
58.210.AK	02	ROLLER, ASSY, LH
58.218.AA		HOOD, ASSY, INNER
58.218.AA		HOOD, ASSY, INNER
58.218.AG		AUGER ASSY
58.218.AG		AUGER ASSY
58.228.AG	01	HOOD, AUGER, ASSY, LH OUTER
58.228.AG	02	HOOD, AUGER, ASSY, RH OUTER
58.228.AG	03	HOOD, AUGER ASSY, RH DIVIDER
58.228.AG	04	HOOD, AUGER ASSY, LH DIVIDER
58.230.AI	01	ROW UNIT, WITHOUT CHOPPER
58.230.AI	02	ROW UNIT, WITHOUT CHOPPER
58.230.AI	03	ROW UNIT, WITHOUT CHOPPER
58.230.AI	04	ROW UNIT, WITH CHOPPER
58.230.AI	05	ROW UNIT, WITH CHOPPER
58.230.AI	06	ROW UNIT, WITH CHOPPER
58.414.AA	01	GEARBOX, ASSY, CORNHEAD ROW UNIT
58.414.AA	02	GEARBOX, ASSY, CORNHEAD ROW UNIT

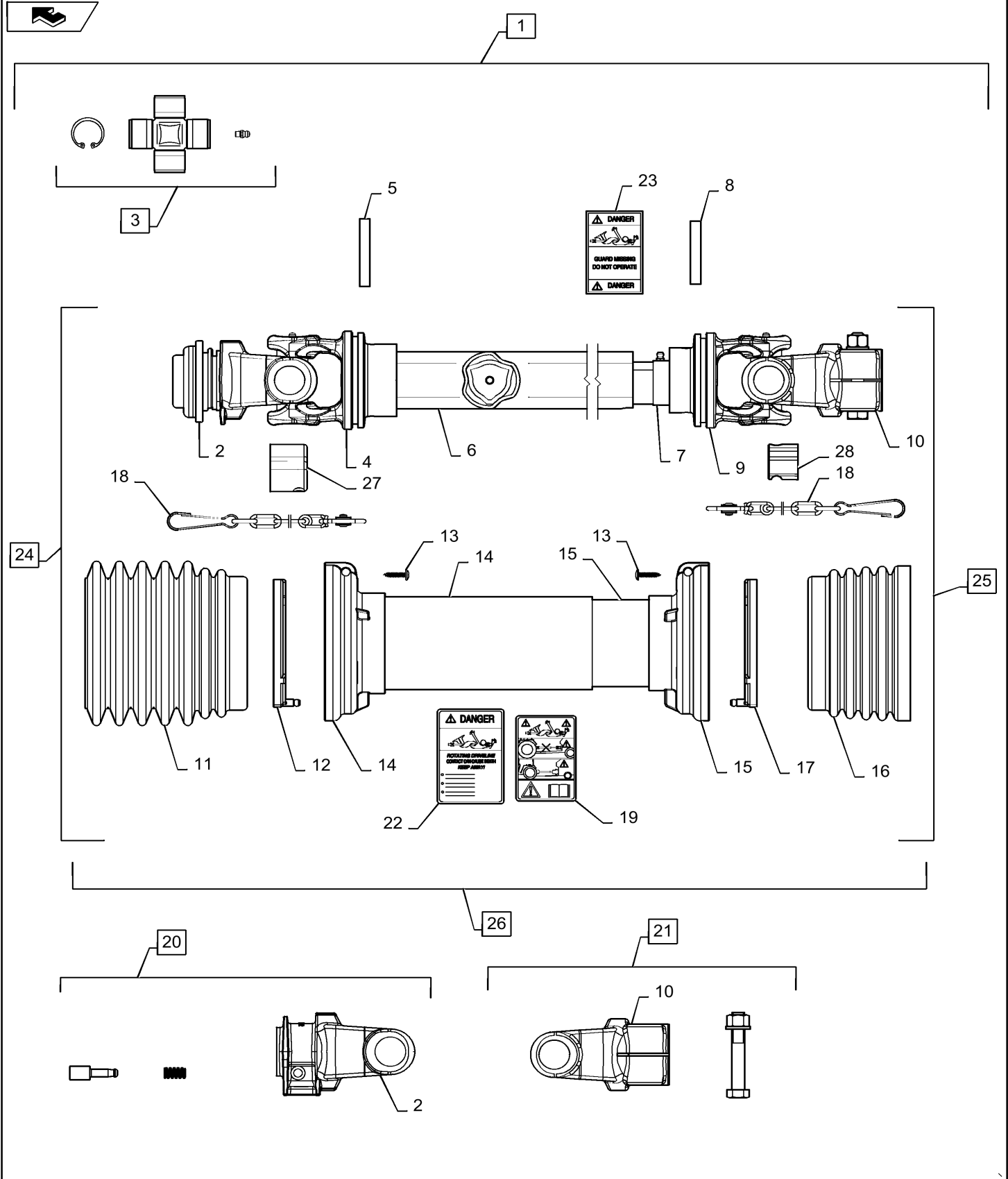
58.100.AG

01

p1

1/2014

PTO ASSY, RH



## PTO ASSY, RH

REF FN	PART NUMBER	YR/SN	QTY DESCRIPTION
1	84604368		1 SHAFT
1	84604370		1 SHAFT
2	87476132		1 YOKE
2	87476133		1 YOKE
3	87685061		2 SPIDER
3	87685063		2 SPIDER
4	87685007		1 YOKE
4	87685022		1 YOKE
5	84976975		1 ROLL PIN
6	87476004		1 TUBE 1335 mm L
6	87476007		1 TUBE 1557 mm L
7	87476185		1 TUBE 1335 mm L
7	87476009		1 TUBE 1557 mm L
8	84036368		1 ROLL PIN
9	87685004		1 YOKE
9	47517425		1 YOKE
10	87685111		1 YOKE
10	87563231		1 YOKE
11	87685037		1 GUARD
12	87517831		1 BEARING COVER 89.4 mm ID x 132 mm OD x 12 mm
13	87587200		6 SELF-TAP SCREW
14	47517415		1 TUBE
14	47517434		1 CONE
15	47517391		1 TUBE
15	47517435		1 CONE
16	47517439		1 CONE
17	87685056		1 RING
18	87685054		2 CHAIN
19	{866520950}		1
20	{87476735}		1
21	87476136		1 KIT
22	87685060		1 BOLT
23	849471		1 DANGER DECAL
			4406-630 4406-636 4406-638 4408-830 4408-836 4408-838 4412-1230

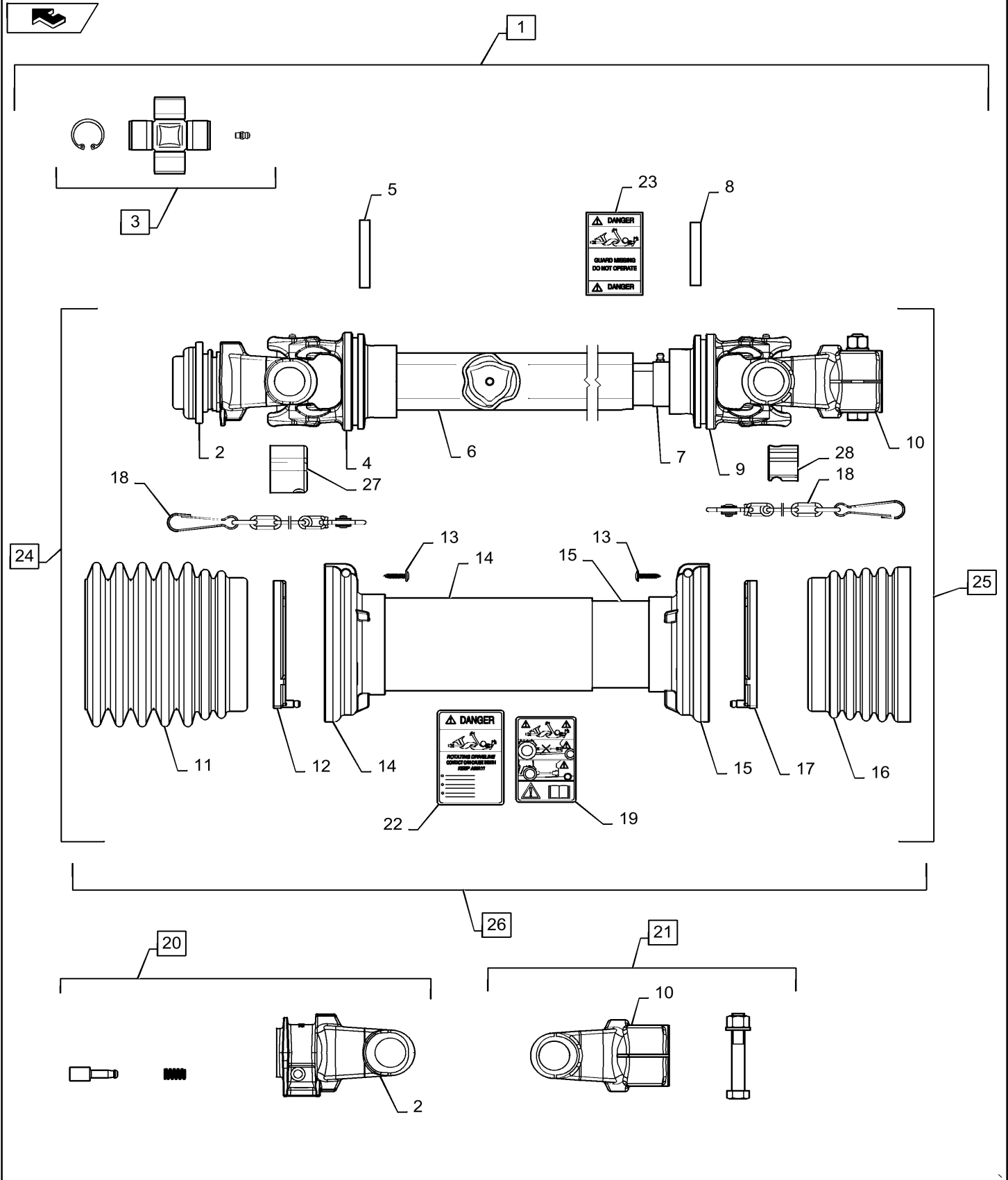
58.100.AG

01

p2

1/2014

PTO ASSY, RH





**PTO ASSY, RH**

<b>REF FN</b>	<b>PART NUMBER</b>	<b>YR/SN</b>	<b>QTY DESCRIPTION</b>
23	87587207		1 LABEL 1388 mm L
24	849472		1 DANGER DECAL
24	87685057		1 LABEL
25	47517417		1 SHAFT
25	47517431		1 SHAFT
26	47517394		1 SHAFT
26	47517432		1 SHAFT
27	47517424		1 SERVICE KIT
27	47517433		1 SERVICE KIT
28	87476134		1 PLUG
29	87476135		1 PLUG

4406-630 4406-636 4406-  
638 4408-830 4408-836  
4408-838 4412-1230

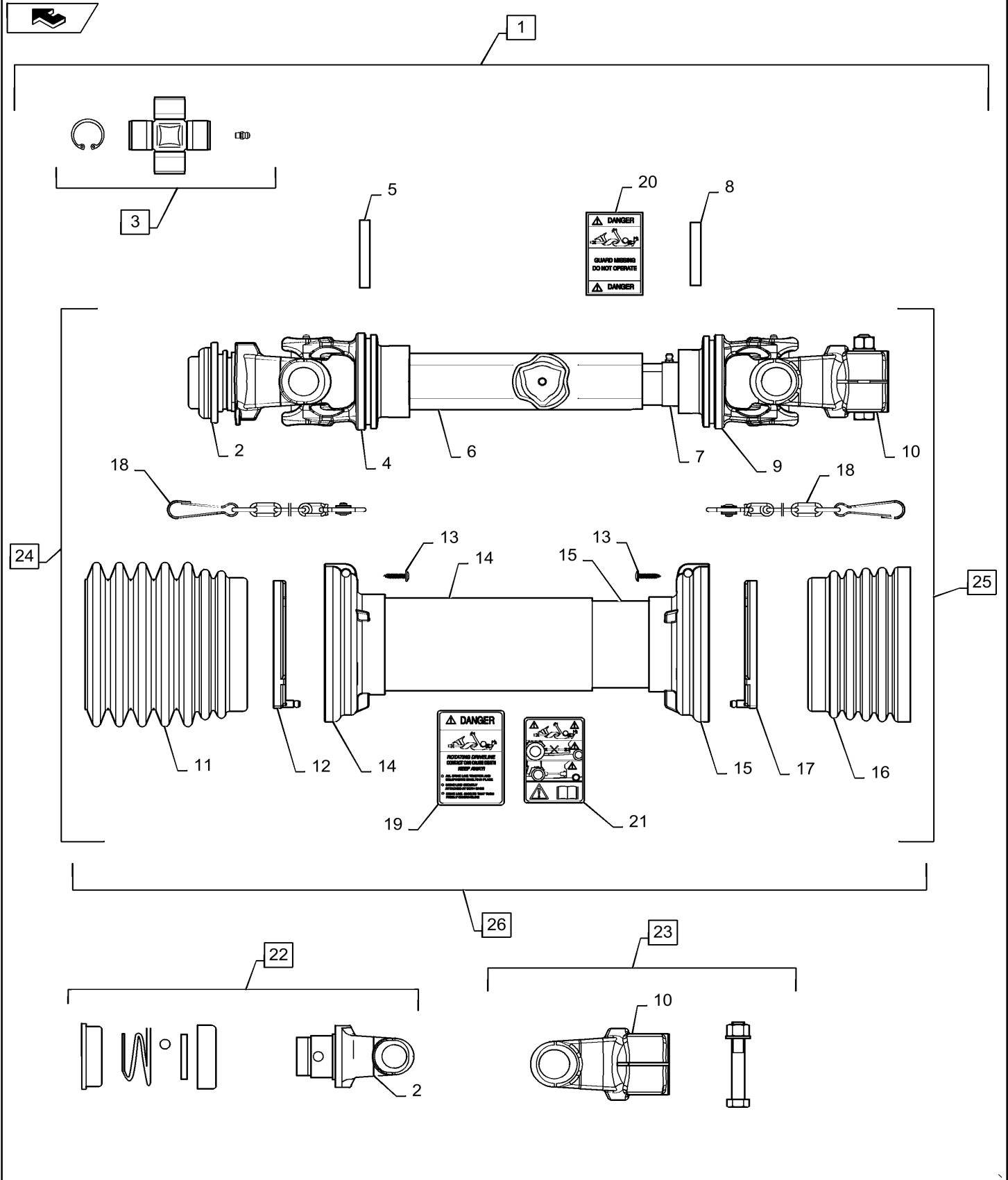
58.100.AG

02

p1

1/2014

PTO ASSY, LH



## PTO ASSY, LH

REF FN	PART NUMBER	YR/SN	QTY DESCRIPTION
1	84604367		1 SHAFT
1	84604369		1 SHAFT
2	87476132		1 YOKE
2	87476133		1 YOKE
3	87685061		2 SPIDER
3	87685063		2 SPIDER
4	87685007		1 YOKE
4	87685022		1 YOKE
5	84976975		1 ROLL PIN
6	87472169		1 TUBE 1335 mm L
6	87476008		1 TUBE 1557 mm L
7	87476185		1 TUBE 1335 mm L
7	87476009		1 TUBE 1557 mm L
8	84036368		1 ROLL PIN
9	87685004		1 YOKE
9	47517425		1 YOKE
10	87685111		1 YOKE
10	87563231		1 YOKE
11	87685037		1 GUARD
12	87517831		1 BEARING COVER 89.4 mm ID x 132 mm OD x 12 mm
13	87587200		6 SELF-TAP SCREW
14	47517390		1 TUBE
14	87476088		1 OUTER SHIELD
15	47517391		1 TUBE
15	87476087		1 INNER SHIELD
16	47517439		1 CONE
17	87685056		1 RING
18	87685054		2 CHAIN
19	849471		1 DANGER DECAL
20	849472		1 DANGER DECAL
21	86520950		1 DECAL
22	87476136		1 KIT
23	87685060		1 BOLT
			4406-630 4406-636 4406-638 4408-830 4408-836 4408-838 4412-1230

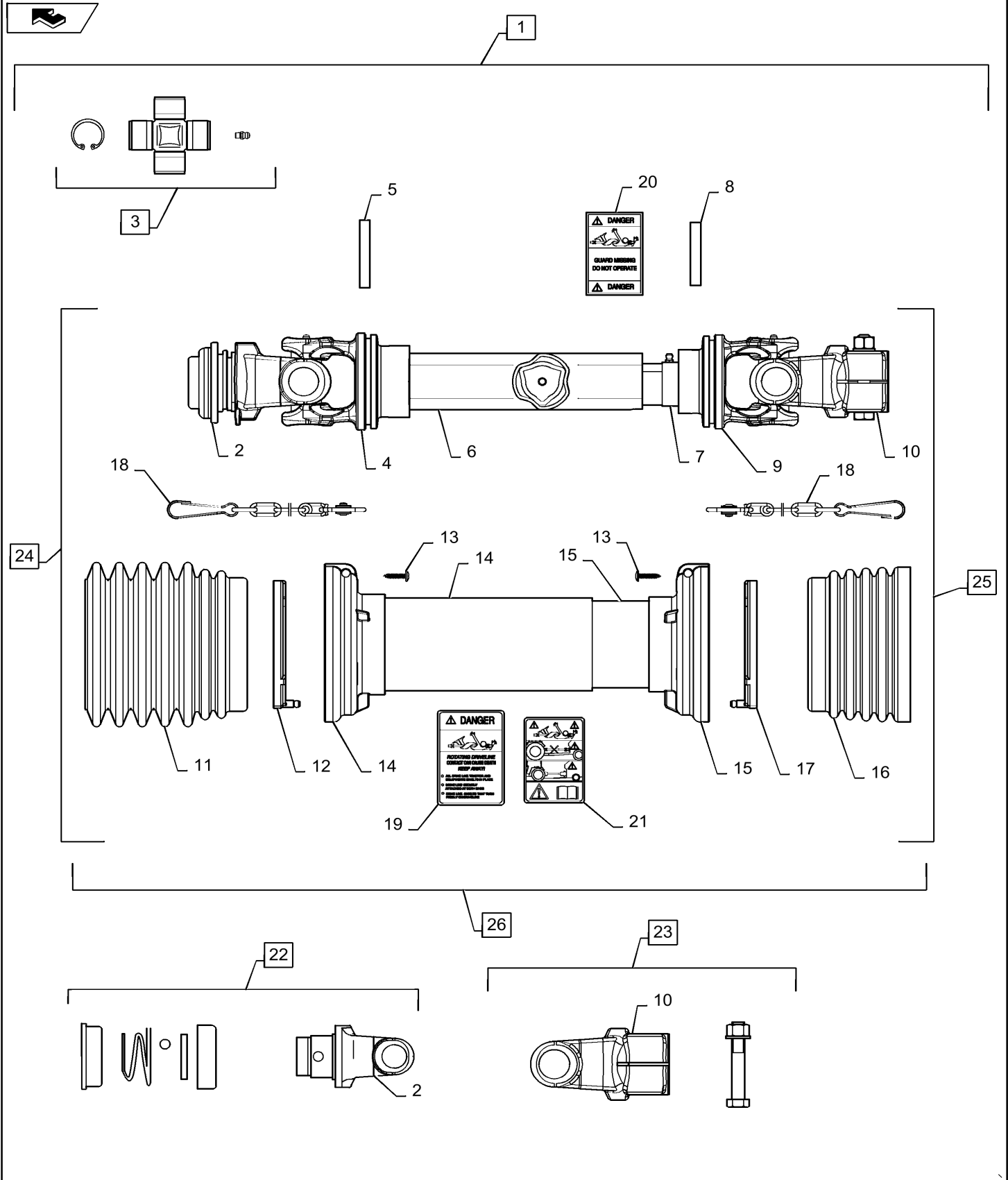
58.100.AG

02

p2

1/2014

PTO ASSY, LH



**PTO ASSY, LH**

<b>REF FN</b>	<b>PART NUMBER</b>	<b>YR/SN</b>	<b>QTY DESCRIPTION</b>
24	47517412		1 SHAFT
24	47517427		1 SHAFT
25	47517394		1 SHAFT
25	47517429		1 SHAFT
26	47517438		1 SERVICE KIT
26	47517430		1 SERVICE KIT

4406-630 4406-636 4406-  
638 4408-830 4408-836  
4408-838 4412-1230

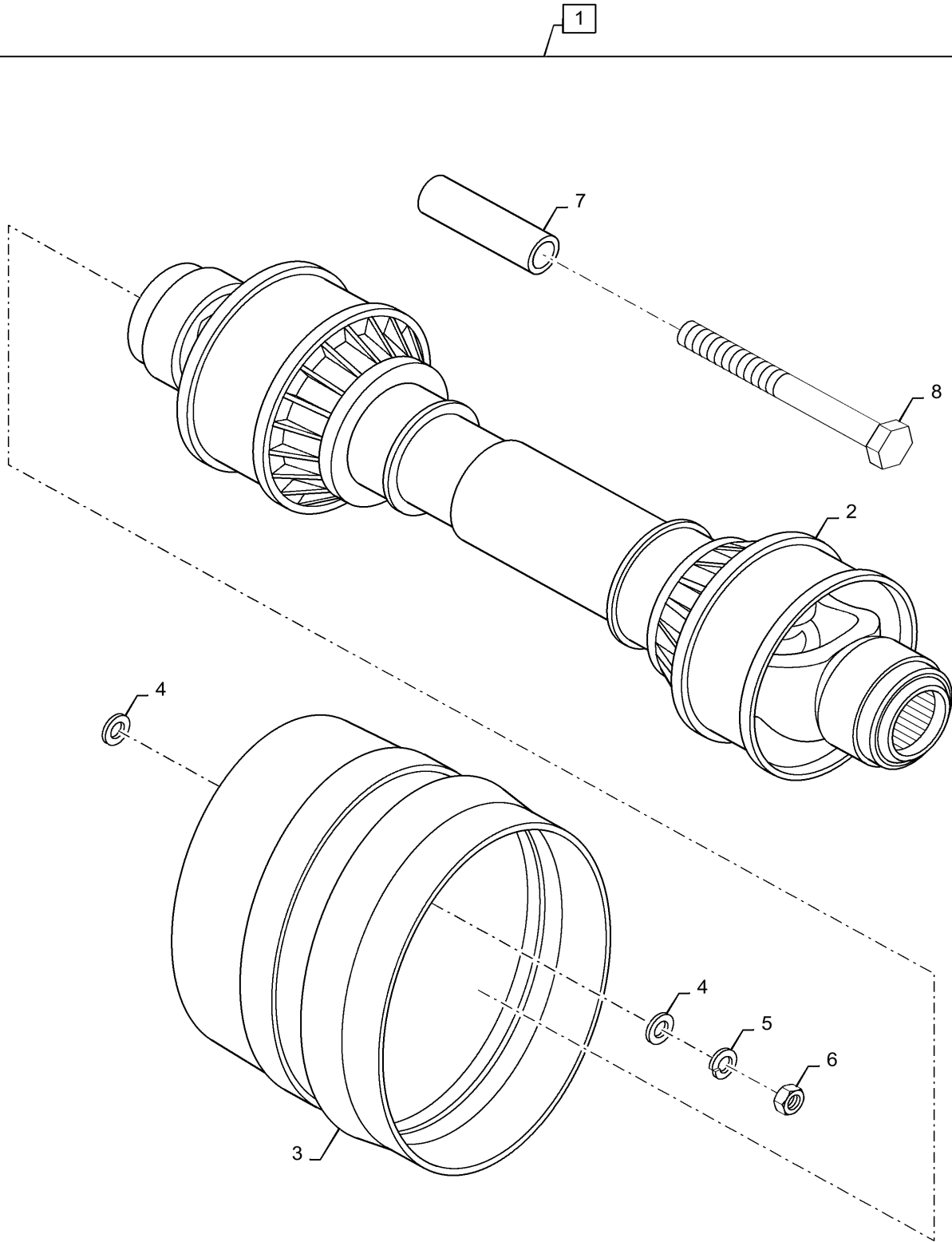
58.100.AG

03

p1

1/2014

PTO ASSY, DRIVE



**PTO ASSY, DRIVE**

<b>REF FN</b>	<b>PART NUMBER</b>	<b>YR/SN</b>	<b>QTY DESCRIPTION</b>
1	84976633		DIA KIT, HARVESTER Incl 2 - 8
2	84976957		PTO SHAFT
3	322361450		SHIELD
4	355501120		WASHER
5	12034671		LOCK WASHER
6	11701711		NUT Hex, M10, CI 8, ZND
7	322697150		SPACER
8	15202521		BOLT Hex, M16 x 180, 8.8
			4406-630 4406-636 4406-638 4408-830 4408-836 4408-838 4412-1230

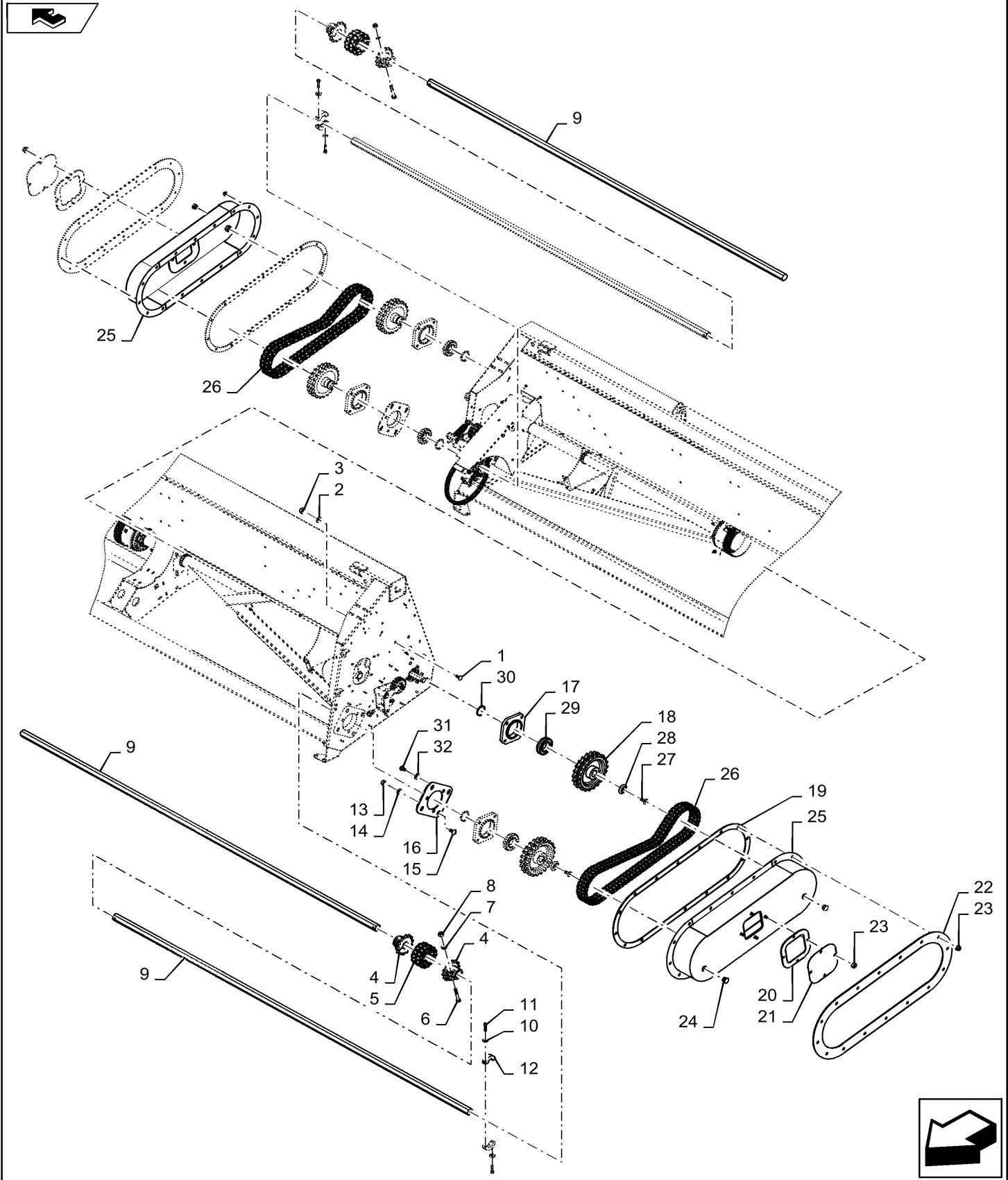
58.100.AH

01

p1

1/2014

DRIVE, HEADER, ASSY, FRONT





## DRIVE, HEADER, ASSY, FRONT

REF FN	PART NUMBER	YR/SN	QTY DESCRIPTION
1	86507486		2 CARRIAGE BOLT Sht Sq Nk, M8 x 20mm, CI 8.8, Full Thd
2	322358		2 BELLEVILLE WASHER M8
3	9706690		2 NUT Hex, M8, 1.25mm Pitch, 6.80mm High, CI 8, ZND
4	322570650		4 DRIVEN SPROCKET
5	340437629		2 CHAIN
6	120070		4 BOLT Hex, M10 x 1.5 x 60mm, CI 8.8
7	140028		4 WASHER M10
8	100016		4 NUT M10, CI 8
9	87482251		4 SHAFT
10	83990583		4 LOCK WASHER M8
11	86531614		4 HEX SOC SCREW M8 x 35mm, CI 12.9, Full Thd
12	84977051		4 HALF-SHELL
13	9706685		8 NUT M12, CI 8
14	140046		8 BELLEVILLE WASHER Belleville, M12
15	374895		8 CARRIAGE BOLT Sht Sq Nk, M12 x 1.75 x 25mm, CI 8.8, Full Thd
16	87477885		2 STEEL PLATE
17	87477884		4 BEARING HOUSING 96 mm ID x 110 mm OD x 23.5 mm
18	87752746		4 SPROCKET
19	84977588		2 GASKET
20	84977581		2 GASKET
21	84977580		2 COVER
22	84977574		2 PLATE
23	86619801		24 FLANGE NUT Prev Torque, Hex Flg, M8, CI 8
24	84977693		4 PLUG
25	87482693		2 SHIELD
26	87480340		2 CHAIN
27	84976774		4 SCREW M12 x 30mm, CI 8.8
28	322453050		4 LOCK WASHER

4406-630 4406-636 4406-638  
4408-830 4408-836  
4408-838 4412-1230

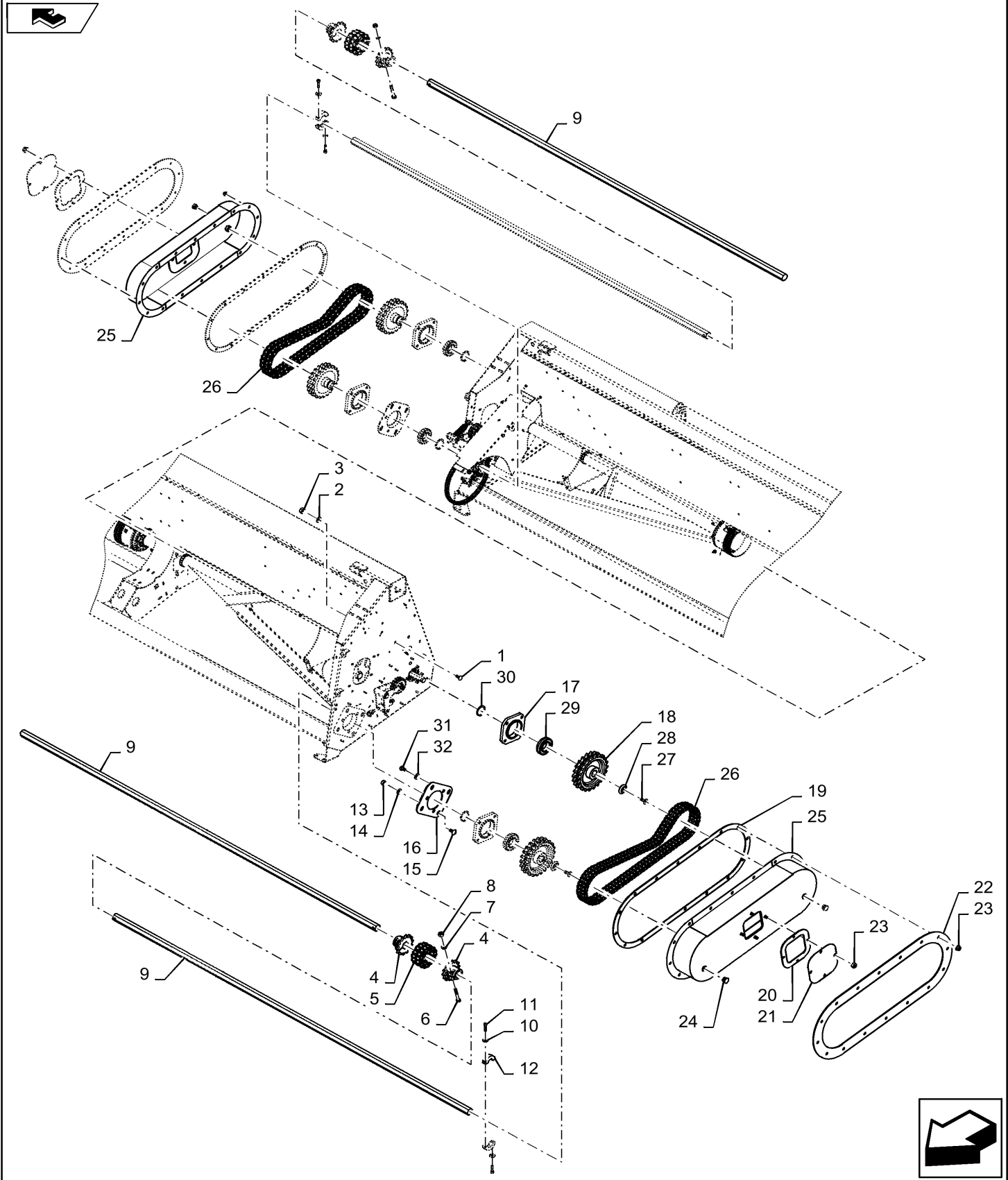
58.100.AH

01

p2

1/2014

DRIVE, HEADER, ASSY, FRONT



**58.100.AH**

01

p2

1/2014

**DRIVE, HEADER, ASSY, FRONT**

<b>REF FN</b>	<b>PART NUMBER</b>	<b>YR/SN</b>	<b>QTY DESCRIPTION</b>
29	340411240		4 SPHERICAL BEARING 45 mm ID x 85 mm OD x 19 mm
30	370007		4 SNAP RING M45, Ext
31	15540221		16 BOLT Hex, M12 x 1.25 x 20mm, Cl 8.8, Full Thd
32	412123		16 LOCK WASHER M12 x 21 x 2.6 Thk

4406-630 4406-636 4406-638 4408-830 4408-836 4408-838 4412-1230

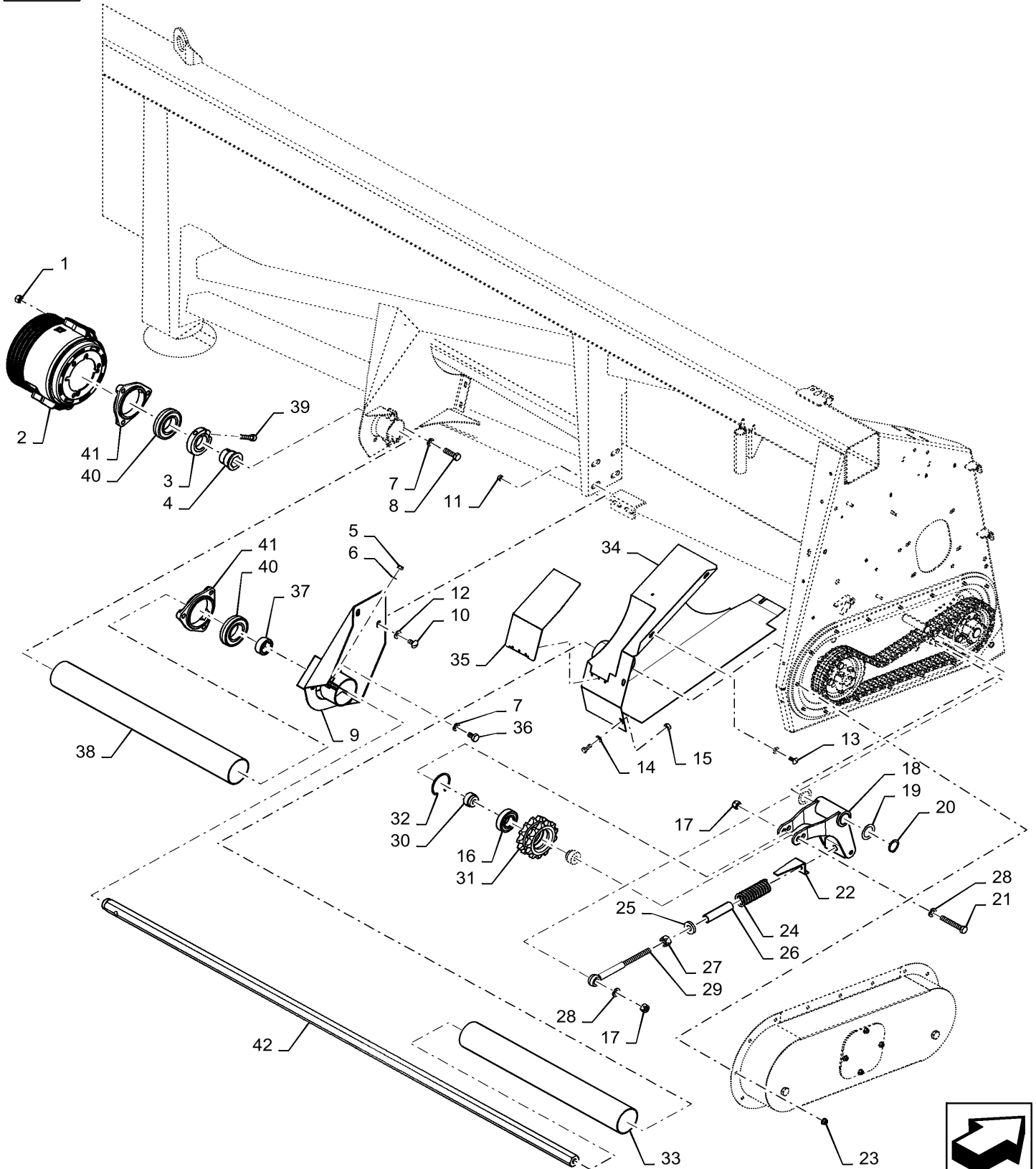
58.100.AH

02

p1

1/2014

DRIVE, HEADER, ASSY, REAR RH



## DRIVE, HEADER, ASSY, REAR RH

REF FN	PART NUMBER	YR/SN	QTY DESCRIPTION
1	{18711711}		6
2	47511322		2 SHIELD
3	87750435		2 LOCKING RING
4	87750436		2 BUSHING
5	86629542		8 NUT M8 x 1.25, CI 8
6	86624184		8 WASHER Flat, 9.00mm ID x 16.00mm OD x 1.60mm, CST, ZND
7	412123		12 LOCK WASHER M12 x 21 x 2.6 Thk
8	86637969		6 BOLT Hex, M12 x 1.25 x 40mm, CI 8.8, Full Thd
9	87616441		2 SUPPORT
10	120041		8 CARRIAGE BOLT Short NK, M10 x 20, CI8.8, Full Thd
11	100016		8 NUT M10, CI 8
12	140045		8 BELLEVILLE WASHER M10
13	86507486		4 CARRIAGE BOLT Sht Sq Nk, M8 x 20mm, CI 8.8, Full Thd
14	322358		4 BELLEVILLE WASHER M8
15	9706690		4 NUT Hex, M8, 1.25mm Pitch, 6.80mm High, CI 8, ZND
16	210043		2 BALL BEARING 30 mm ID x 62 mm OD x 16 mm
17	100038		4 NUT M12 x 1.75, CI 8
18	87758033		2 ARM
19	441176		4 WASHER M31 x 45 x 0.8 Thk
20	370003		2 SNAP RING M30, Ext
21	350460		2 BOLT Hex, M12 x 1.75 x 75mm, CI 8.8
22	84152249		2 INDICATOR
23	86619801		16 FLANGE NUT Prev Torque, Hex Flg, M8, CI 8
24	87758095		2 EXPANDER
25	87758098		2 WASHER
26	87758096		2 TUBE 22 mm OD x 88 mm L
27	86000441		2 NUT M16 x 2, CI 8
			4406-630 4406-636 4406-638 4408-830 4408-836 4408-838 4412-1230

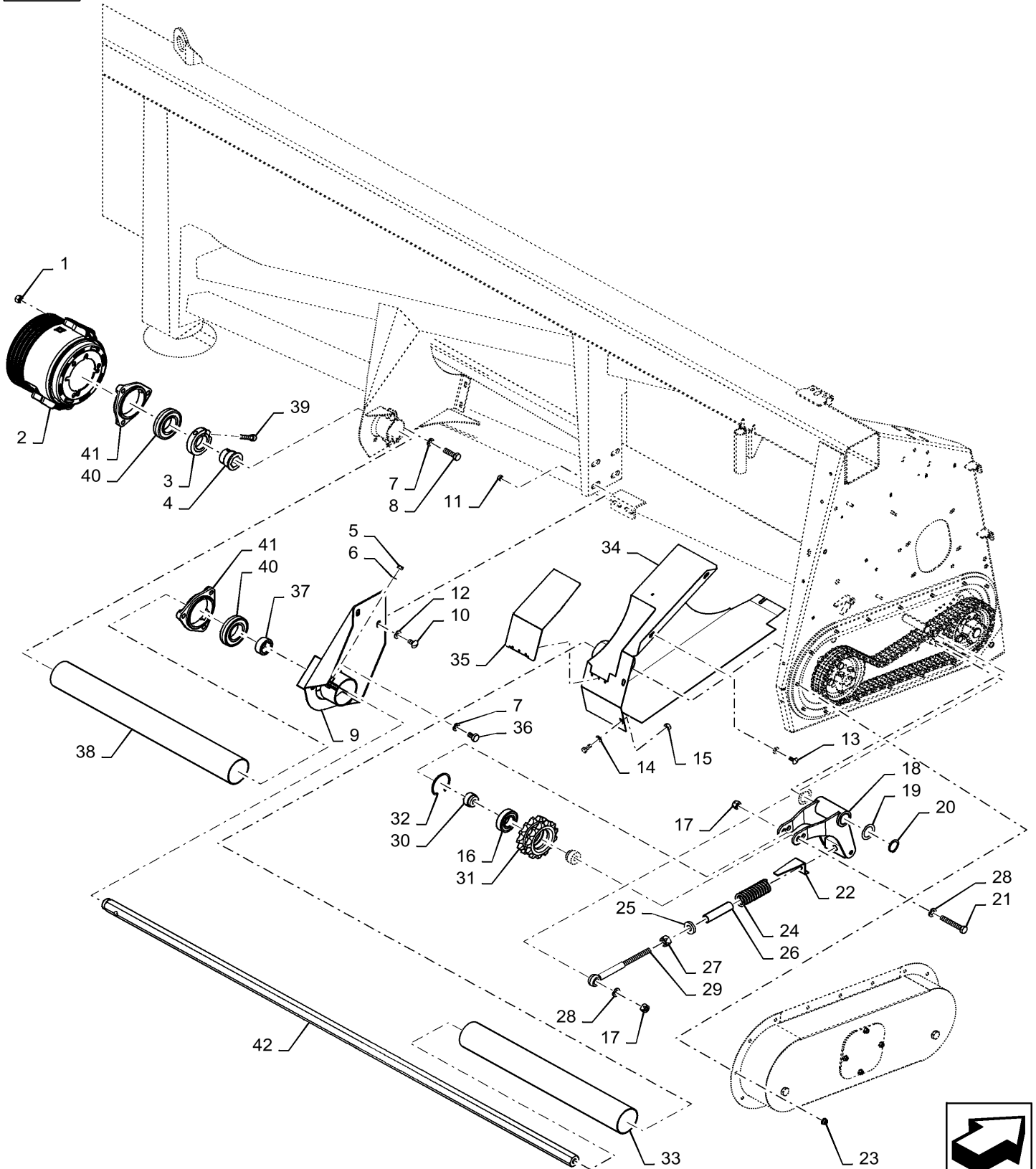
58.100.AH

02

p2

1/2014

DRIVE, HEADER, ASSY, REAR RH



## DRIVE, HEADER, ASSY, REAR RH

REF FN	PART NUMBER	YR/SN	QTY DESCRIPTION
28	140018		4 WASHER M12 x 24 x 2.5
29	87758094		2 EYEBOLT
30	84977641		4 BUSHING
31	87752744		2 SPROCKET
32	370012		2 RING M62, Int
33	87483073		2 SHIELD
34	87480766		1 SHIELD
35	84977648		1 COVER
36	15540221		6 BOLT Hex, M12 x 1.25 x 20mm, Cl 8.8, Full Thd
37	84977638		2 BUSHING
38	87594168		2 SHIELD
39	14420531		2 HEX SOC SCREW Hex Soc Hd, M10 x 45, 10.9
40	340411240		4 SPHERICAL BEARING 45 mm ID x 85 mm OD x 19 mm
41	300019980		4 SUPPORT
42	87482241		1 SHAFT

4406-630 4406-636 4406-638  
4408-830 4408-836  
4408-838 4412-1230

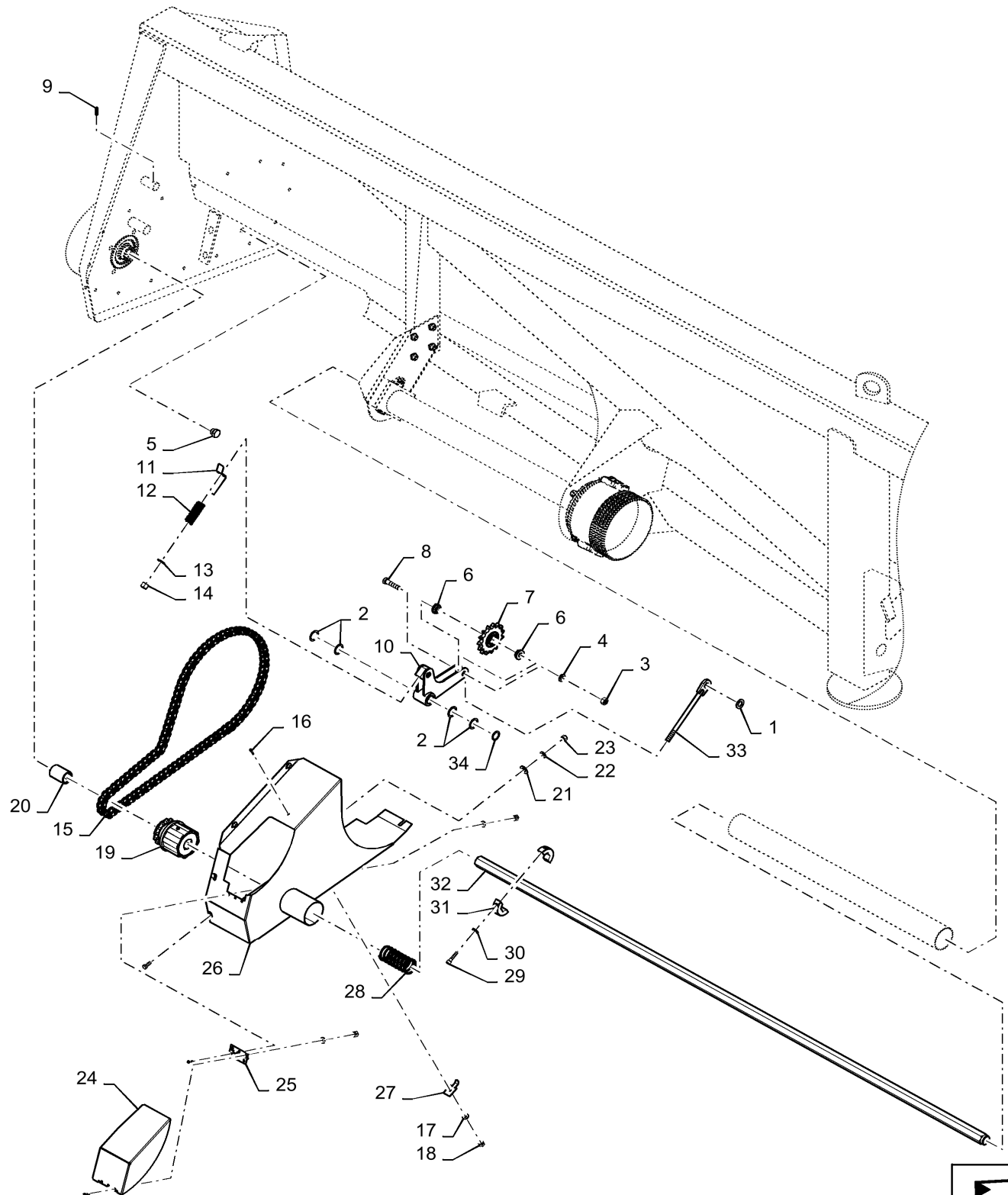
58.100.AH

03

p1

1/2014

DRIVE, HEADER, ASSY, REAR LH





## DRIVE, HEADER, ASSY, REAR LH

REF FN	PART NUMBER	YR/SN	QTY DESCRIPTION
1	140020		2 WASHER M16 x 30 x 3
2	419854		8 WASHER M26 x 35 x 1 Thk
3	9706685		2 NUT M12, CI 8
4	140018		2 WASHER M12 x 24 x 2.5
5	84977693		2 PLUG
6	84561546		4 SPACER
7	84980926		2 SPROCKET
8	9706702		2 BOLT Hex, M12 x 1.75 x 50mm, CI 8.8
9	130045		2 PIN M5 x 26, Slotted
10	84977643		2 IDLER LEVER
11	84989032		2 INDICATOR
12	9817602		2 SPRING
13	86511324		2 WASHER M12 x 24 x 2.5
14	412126		2 NUT M12 x 1.75, CI 8
15	84559624		2 CHAIN
16	86585706		14 SCREW Pan, M4 x 10mm, CI 4.8
17	322355		14 BELLEVILLE WASHER Belleville, M4
18	100012		14 NUT M4, CI 8
19	84568959		2 CLUTCH
20	322525550		2 SLEEVE
21	322358		4 BELLEVILLE WASHER M8
22	140104		4 WASHER
23	9706690		4 NUT Hex, M8, 1.25mm Pitch, 6.80mm High, CI 8, ZND
24	87520647		1 COVER
25	350083		2 HINGE
26	87480763		1 SHIELD
27	47325		2 CLIP
28	353561168		2 SPRING
29	86531614		4 HEX SOC SCREW M8 x 35mm, CI 12.9, Full Thd
30	83990583		4 LOCK WASHER M8
31	84977051		4 HALF-SHELL
32	87482241		2 SHAFT
			4406-630 4406-636 4406- 638 4408-830 4408-836 4408-838 4412-1230

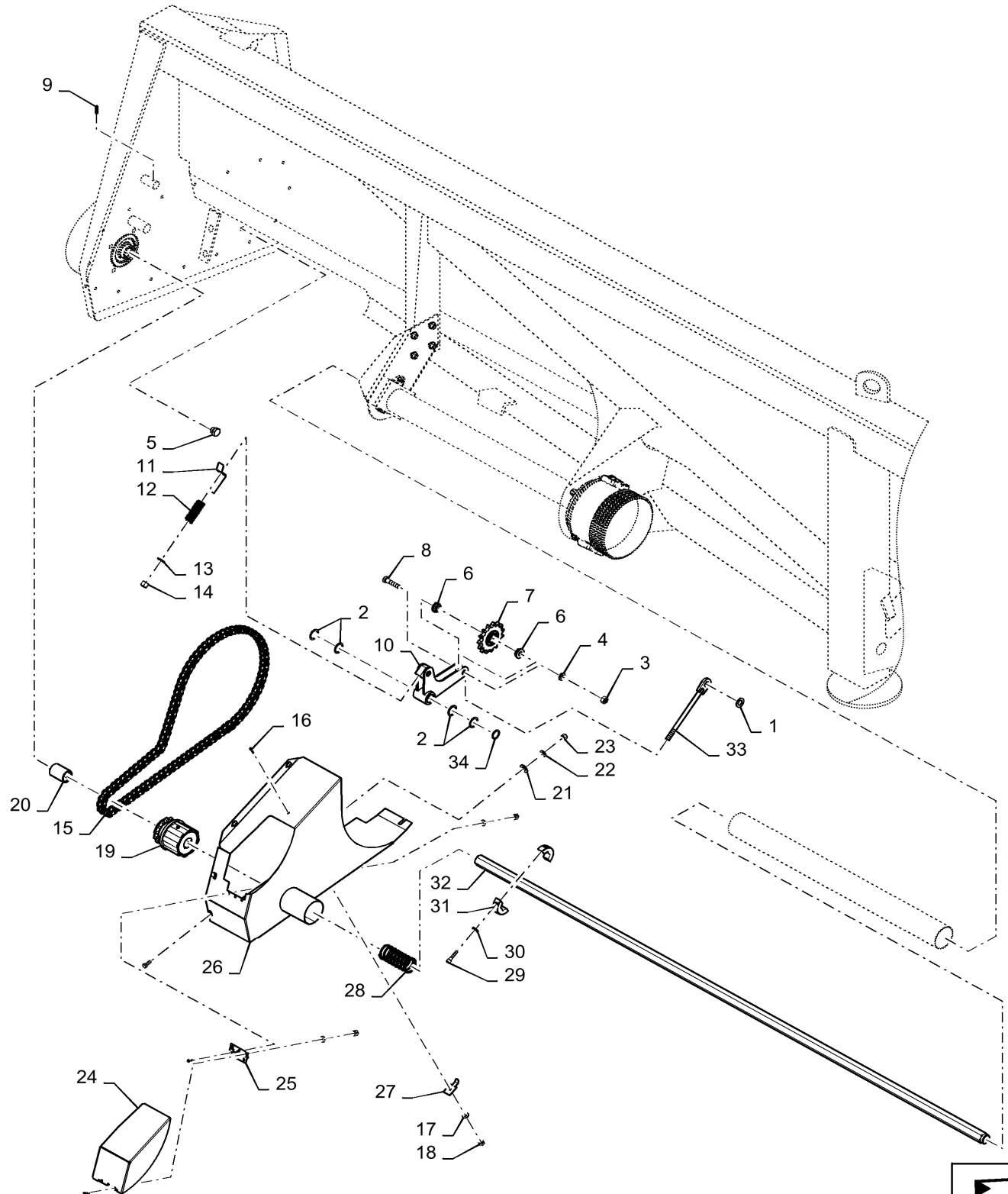
58.100.AH

03

p2

1/2014

DRIVE, HEADER, ASSY, REAR LH



**58.100.AH**

03

p2

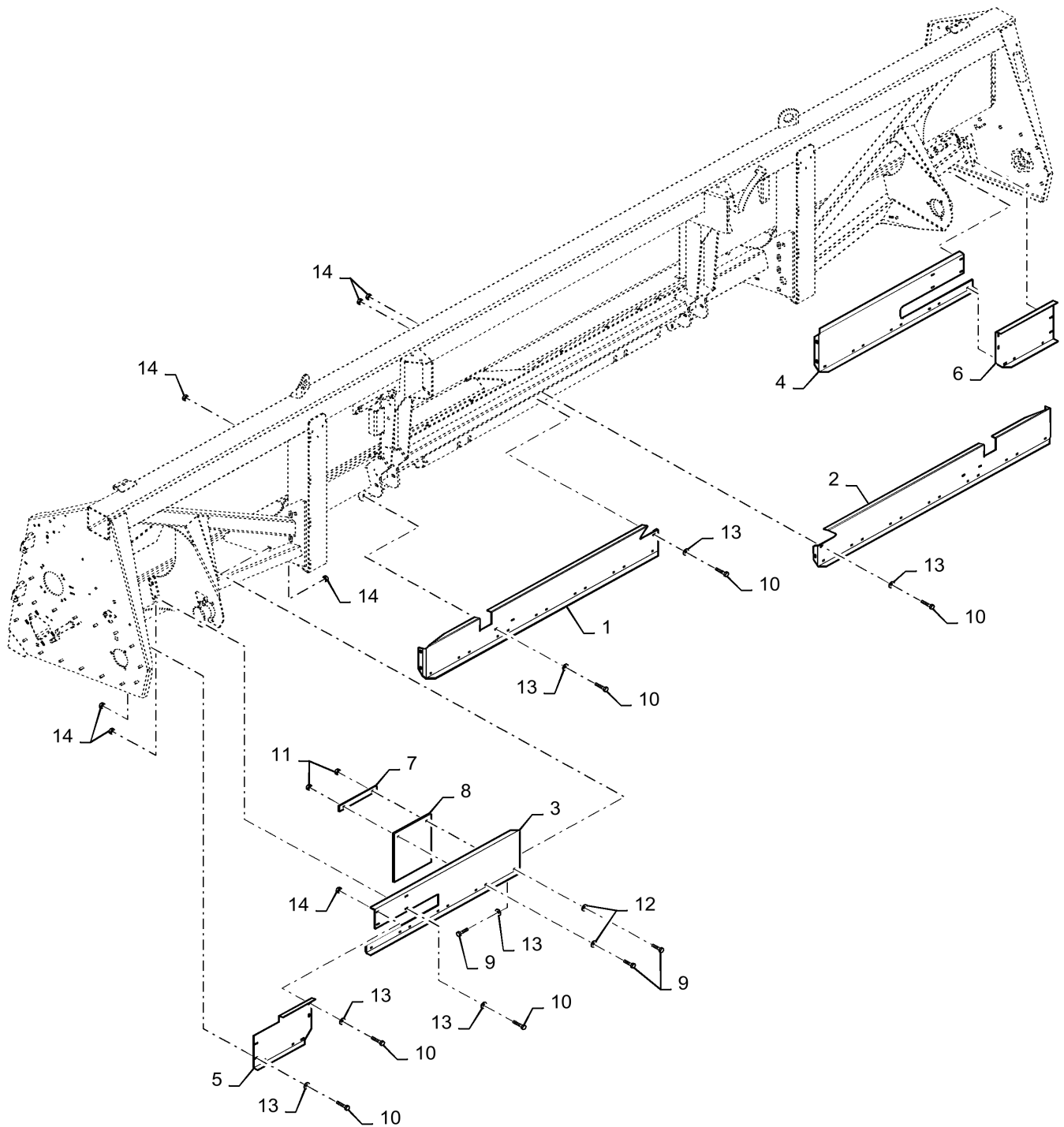
1/2014

**DRIVE, HEADER, ASSY, REAR LH**

<b>REF FN</b>	<b>PART NUMBER</b>	<b>YR/SN</b>	<b>QTY DESCRIPTION</b>
33	84977640		2 THREADED ROD
34	370002		2 CIRCLIP M25, Ext

4406-630 4406-636 4406-638  
4408-830 4408-836  
4408-838 4412-1230

FRAME, APRONS



## FRAME, APRONS

REF FN	PART NUMBER	YR/SN	QTY DESCRIPTION
1	84251003		1 PLATE LH
2	84251028		1 PLATE RH
3	87395099		1 PLATE LH
4	87526025		1 PLATE RH
5	87517229		1 PLATE LH
6	87526028		1 PLATE RH
7	84977660		14 FIXING PLATE Mounting
7	84977660		22 FIXING PLATE Mounting
8	84977584		14 CANVAS Plate
8	84977584		22 CANVAS Plate
9	308761		8 BOLT Short NK, M8 x 25, CI8.8, Full Thd
9	308761		52 BOLT Short NK, M8 x 25, CI8.8, Full Thd
10	86507486		43 CARRIAGE BOLT Sht Sq Nk, M8 x 20mm, CI 8.8, Full Thd
10	86507486		19 CARRIAGE BOLT Sht Sq Nk, M8 x 20mm, CI 8.8, Full Thd
11	86629542		32 NUT M8 x 1.25, CI 8
11	86629542		44 NUT M8 x 1.25, CI 8
12	140016		32 WASHER M8 x 16 x 1.6
12	140016		44 WASHER M8 x 16 x 1.6
13	322358		19 BELLEVILLE WASHER M8
13	322358		27 BELLEVILLE WASHER M8
14	9706690		19 NUT Hex, M8, 1.25mm Pitch, 6.80mm High, CI 8, ZND
14	9706690		27 NUT Hex, M8, 1.25mm Pitch, 6.80mm High, CI 8, ZND
			4406-630 4406-636 4406-638 4408-830 4408-836 4408-838 4412-1230

FRAME, PROTECTION

**ART**

**NOT**

**AVAILABLE**

## FRAME, PROTECTION

REF FN	PART NUMBER	YR/SN	QTY DESCRIPTION
1	84251003		1 PLATE
1	84476402		1 SHEET
2	84251028		1 PLATE
2	84476405		1 SHEET
3	47412324		1 SHIELD
3	87395099		1 PLATE
3	84560684		1 SHIELD
3	87518716		1 PLATE
4	47412321		1 SHIELD
4	87526025		1 PLATE
4	84560738		1 SHIELD
4	87518717		1 PLATE
5	84977660		14 FIXING PLATE
5	84977660		22 FIXING PLATE
5	84977660		26 FIXING PLATE
5	84977660		34 FIXING PLATE
6	84977584		14 CANVAS
6	84977584		22 CANVAS
6	84977584		26 CANVAS
6	84977584		34 CANVAS
7	308761		8 BOLT Short NK, M8 x 25, Cl8.8, Full Thd
7	308761		52 BOLT Short NK, M8 x 25, Cl8.8, Full Thd
7	308761		8 BOLT Short NK, M8 x 25, Cl8.8, Full Thd
7	308761		76 BOLT Short NK, M8 x 25, Cl8.8, Full Thd
8	86507486		43 CARRIAGE BOLT Sht Sq Nk, M8 x 20mm, Cl 8.8, Full Thd
8	86507486		19 CARRIAGE BOLT Sht Sq Nk, M8 x 20mm, Cl 8.8, Full Thd
8	86507486		75 CARRIAGE BOLT Sht Sq Nk, M8 x 20mm, Cl 8.8, Full Thd
			4406-630 4406-636 4406-638 4408-830 4408-836 4408-838 4412-1230

FRAME, PROTECTION

**ART**

**NOT**

**AVAILABLE**



## FRAME, PROTECTION

REF FN	PART NUMBER	YR/SN	QTY DESCRIPTION
8	86507486		23 CARRIAGE BOLT Sht Sq Nk, M8 x 20mm, CI 8.8, Full Thd
9	140016		32 WASHER M8 x 16 x 1.6
9	140016		44 WASHER M8 x 16 x 1.6
9	140016		56 WASHER M8 x 16 x 1.6
9	140016		68 WASHER M8 x 16 x 1.6
10	86629542		32 NUT M8 x 1.25, CI 8
10	86629542		44 NUT M8 x 1.25, CI 8
10	86629542		56 NUT M8 x 1.25, CI 8
10	86629542		68 NUT M8 x 1.25, CI 8
11	322358		19 BELLEVILLE WASHER M8
11	322358		27 BELLEVILLE WASHER M8
11	322358		27 BELLEVILLE WASHER M8
11	322358		31 BELLEVILLE WASHER M8
12	9706690		19 NUT Hex, M8, 1.25mm Pitch, 6.80mm High, CI 8, ZND
12	9706690		27 NUT Hex, M8, 1.25mm Pitch, 6.80mm High, CI 8, ZND
12	9706690		27 NUT Hex, M8, 1.25mm Pitch, 6.80mm High, CI 8, ZND
12	9706690		31 NUT Hex, M8, 1.25mm Pitch, 6.80mm High, CI 8, ZND
13	47412328		2 MOUNTING PLATE
13	47411834		2 MOUNTING PLATE
14	47412327		2 CANVAS
14	47411833		2 CANVAS
15	87517229		1 PLATE
15	84560818		1 SHIELD
15	87518671		1 PLATE
16	87526028		1 PLATE
16	84560806		1 SHIELD
16	87518672		1 PLATE
			4406-630 4406-636 4406-638 4408-830 4408-836 4408-838 4412-1230

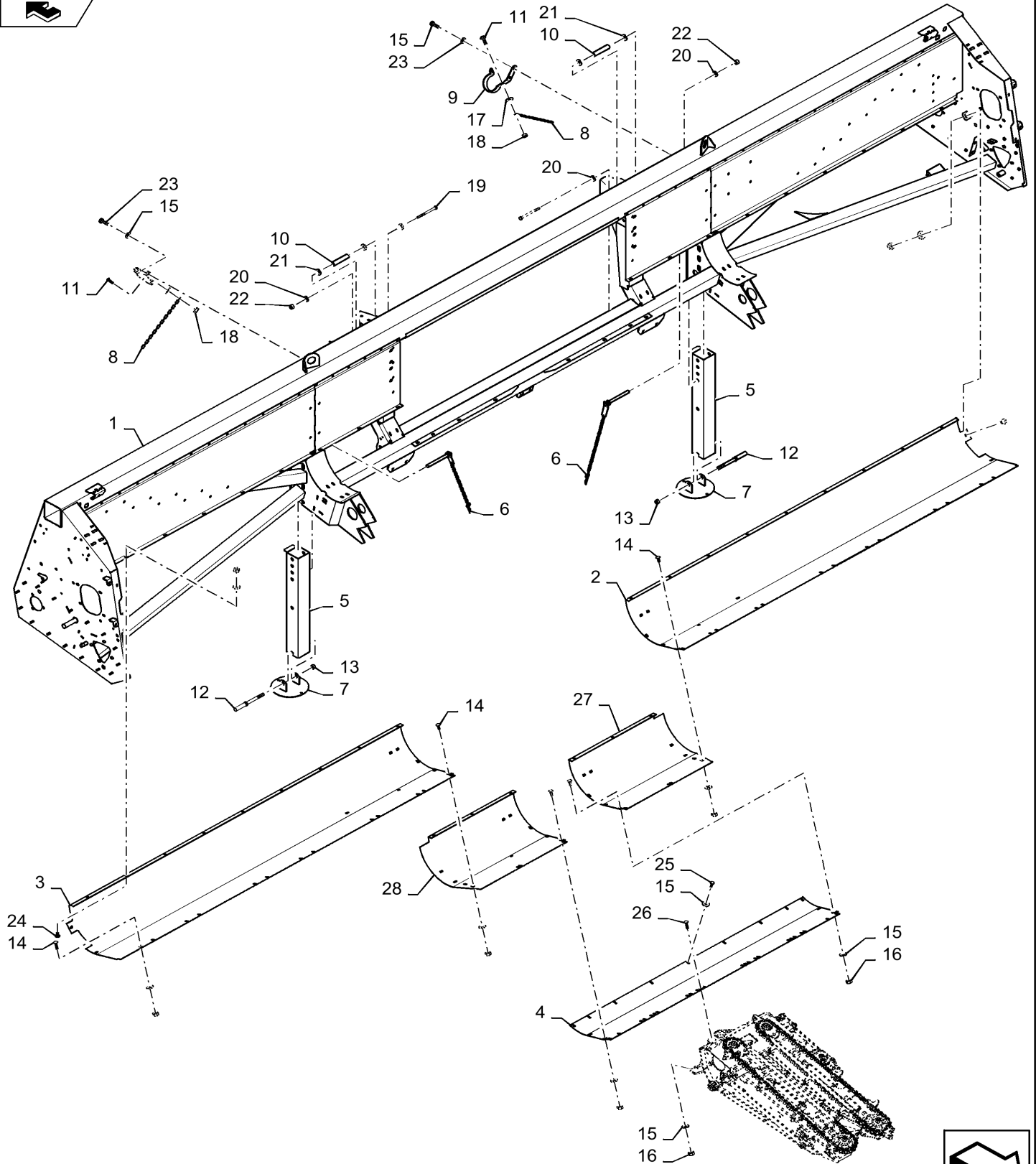
58.130.AJ

01

p1

1/2014

FRAME, 4400



## FRAME, 4400

REF FN	PART NUMBER	YR/SN	QTY DESCRIPTION
1	84582325		1 FRAME Assy
1	84564392		1 FRAME Assy
1	84574702		1 FRAME Assy
1	84582255		1 FRAME Assy
2	84582778		1 TROUGH LH, Auger Floor
2	47359854		1 TROUGH LH, Auger Floor
2	84574639		1 TROUGH LH, Auger Floor
2	47359843		1 TROUGH LH, Auger Floor
3	84582770		1 TROUGH RH, Auger Floor
3	47359852		1 TROUGH RH, Auger Floor
3	84574636		1 TROUGH RH, Auger Floor
3	47359845		1 TROUGH RH, Auger Floor
4	84573684		1 TROUGH
5	84977271		2 SUPPORT
6	84977209		2 PIN
7	84977272		2 SUPPORT
8	87665435		2 CHAIN
9	87593972		2 BRACKET, SUPPORTING
10	84977330		2 BUSHING
11	9706703		2 CARRIAGE BOLT Sht Sq Nk, M6 x 1 x 20mm, CI 8.8, Full Thd
12	87747216		2 BOLT
13	86000441		2 NUT M16 x 2, CI 8
14	86507486		16 CARRIAGE BOLT Sht Sq Nk, M8 x 20mm, CI 8.8, Full Thd
14	86507486		20 CARRIAGE BOLT Sht Sq Nk, M8 x 20mm, CI 8.8, Full Thd
15	322358		49 BELLEVILLE WASHER M8
15	322358		53 BELLEVILLE WASHER M8
15	322358		61 BELLEVILLE WASHER M8
15	322358		83 BELLEVILLE WASHER M8
16	9706690		44 NUT Hex, M8, 1.25mm Pitch, 6.80mm High, CI 8, ZND
			4406-630 4406-636 4406-638 4408-830 4408-836 4408-838 4412-1230

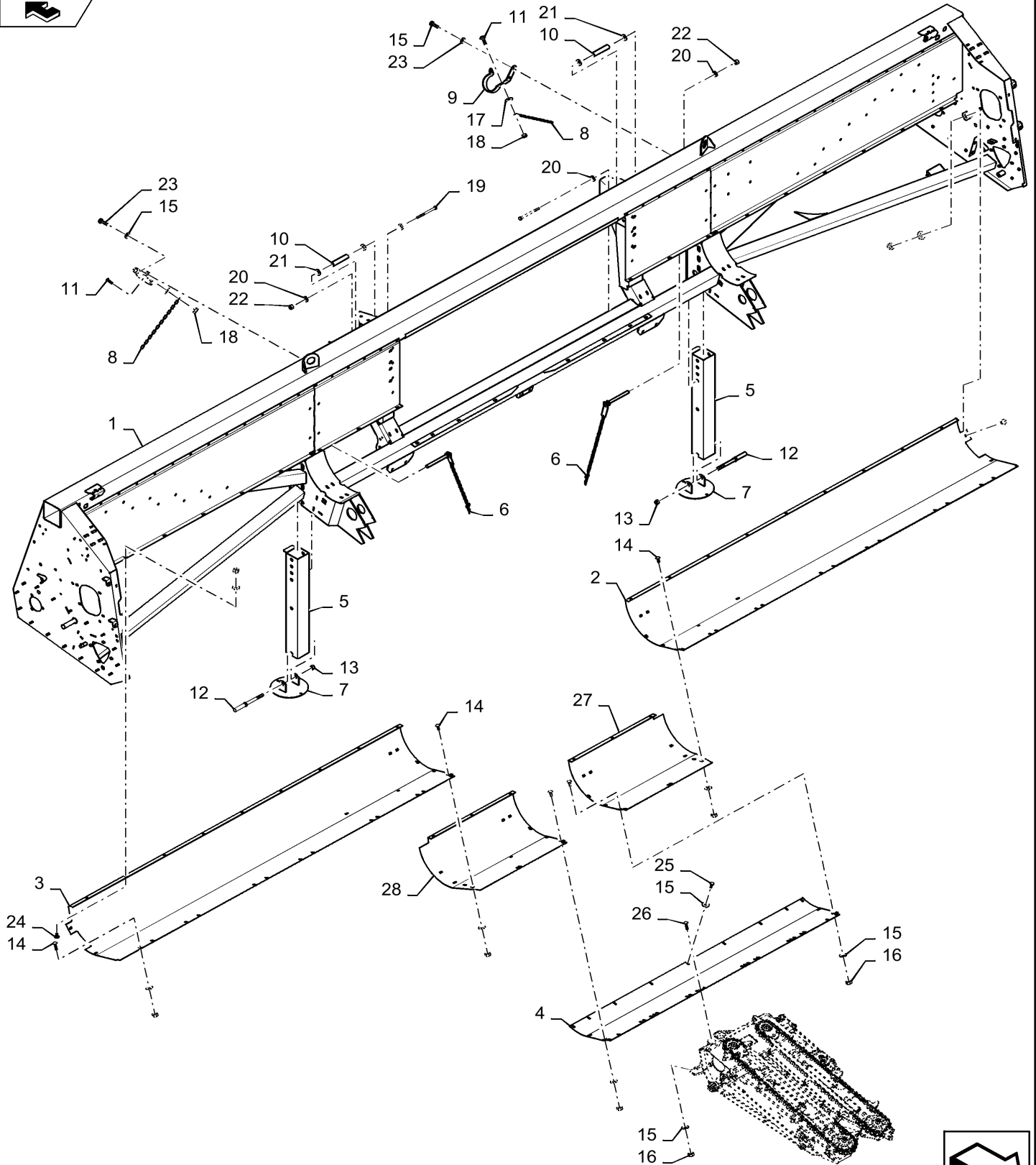
58.130.AJ

01

p2

1/2014

FRAME, 4400



## FRAME, 4400

REF FN	PART NUMBER	YR/SN	QTY DESCRIPTION
16	9706690		48 NUT Hex, M8, 1.25mm Pitch, 6.80mm High, CI 8, ZND
16	9706690		56 NUT Hex, M8, 1.25mm Pitch, 6.80mm High, CI 8, ZND
16	9706690		78 NUT Hex, M8, 1.25mm Pitch, 6.80mm High, CI 8, ZND
17	412649		2 BELLEVILLE WASHER Belleville, M6
18	9706755		2 NUT M6, CI 8
19	44151		2 BOLT Hex, M12 x 1.75 x 150mm, CI 10.9
20	394630		4 WASHER M13 x 28 x 4, HT
21	84011662		4 WASHER
22	412126		2 NUT M12 x 1.75, CI 8
23	43127		4 BOLT Hex, M8 x 1.25 x 25mm, CI 8.8, Full Thd
24	86619060		16 CARRIAGE BOLT Sht Sq Nk, M8 x 16mm, CI 8.8, Full Thd
24	86619060		20 CARRIAGE BOLT Sht Sq Nk, M8 x 16mm, CI 8.8, Full Thd
24	86619060		24 CARRIAGE BOLT Sht Sq Nk, M8 x 16mm, CI 8.8, Full Thd
24	86619060		34 CARRIAGE BOLT Sht Sq Nk, M8 x 16mm, CI 8.8, Full Thd
25	120104		1 BOLT Hex, M8 x 1.25 x 20mm, CI 8.8, Full Thd
26	120038		12 CARRIAGE BOLT Short NK, M8 x 30, CI8.8, Full Thd
26	120038		16 CARRIAGE BOLT Short NK, M8 x 30, CI8.8, Full Thd
26	120038		24 CARRIAGE BOLT Short NK, M8 x 30, CI8.8, Full Thd
27	87476029		1 PANEL
28	87476131		1 PANEL
			4406-630 4406-636 4406-638 4408-830 4408-836 4408-838 4412-1230

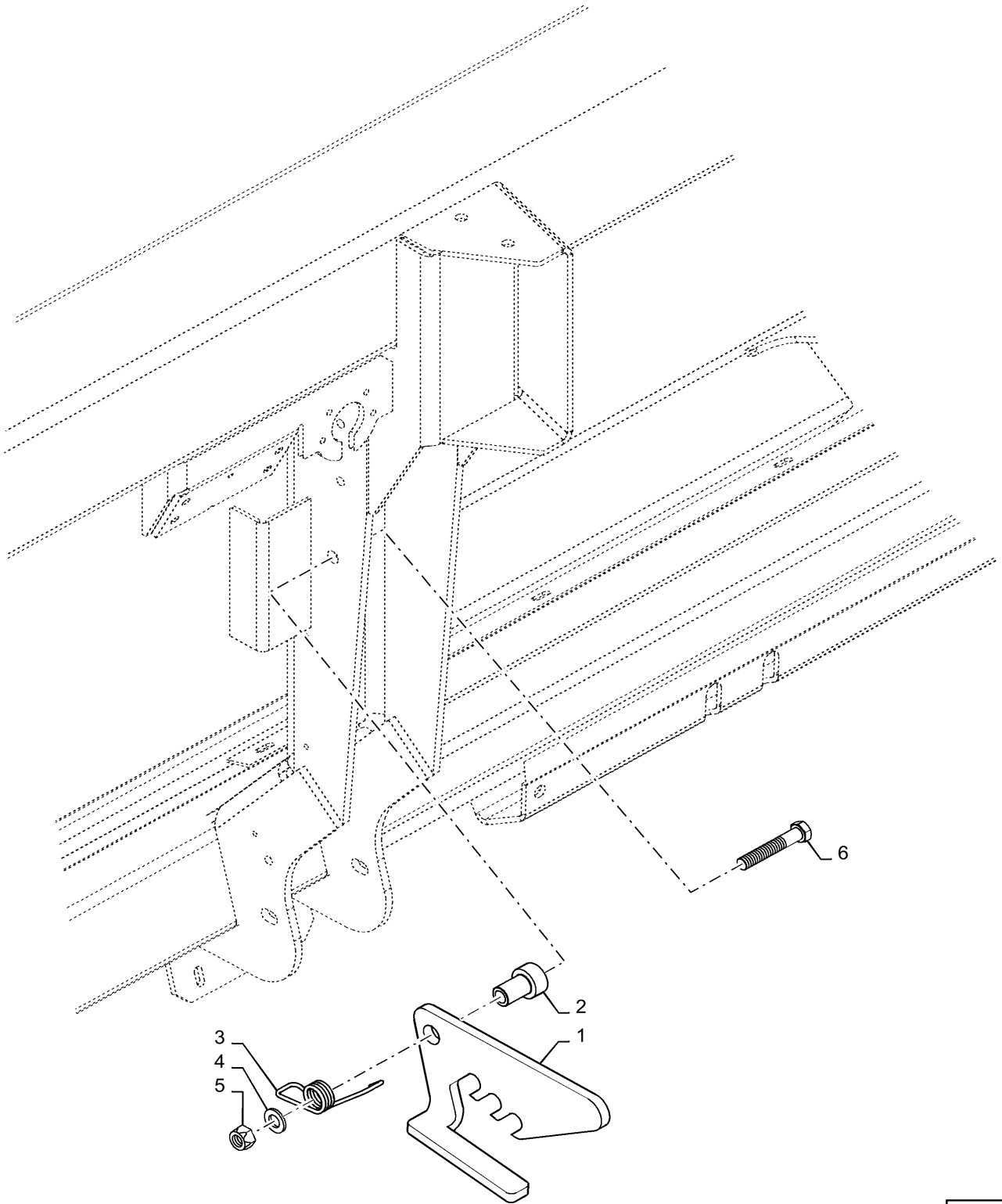
58.130.AJ

02

p1

1/2014

LATCH, ASSY, FEEDER SECONDARY



**58.130.AJ**

02

p1

1/2014

**LATCH, ASSY, FEEDER SECONDARY**

<b>REF FN</b>	<b>PART NUMBER</b>	<b>YR/SN</b>	<b>QTY DESCRIPTION</b>
1	87614284		1 CLIP
2	87595247		1 BUSHING
3	87026147		1 SPRING
4	86511324		1 WASHER M12 x 24 x 2.5
5	100038		1 NUT M12 x 1.75, CI 8
6	9706717		1 BOLT Hex, M12 x 1.75 x 70mm, CI 8.8
			4406-630 4406-636 4406-638 4408-830 4408-836 4408-838 4412-1230

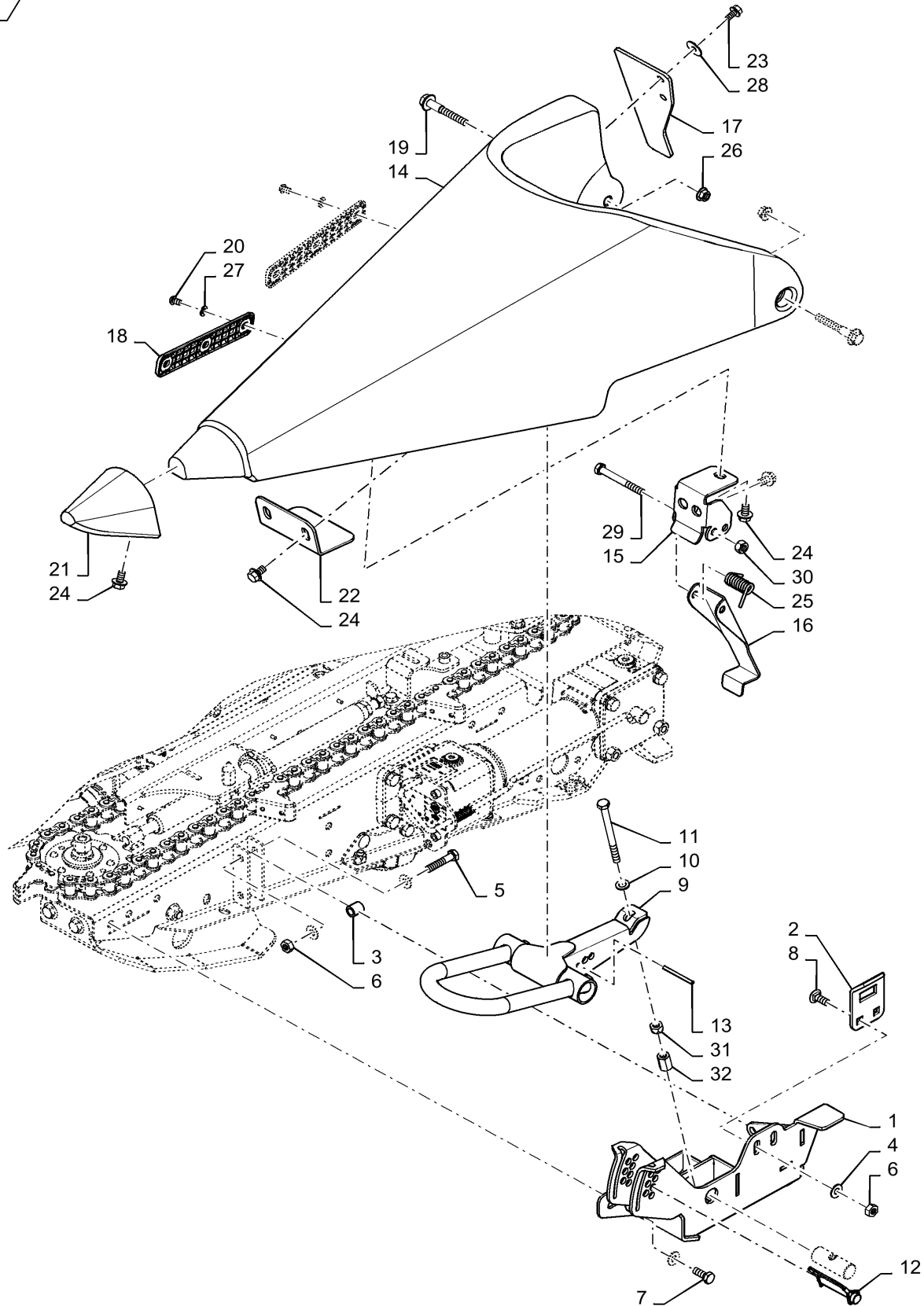
58.130.BC

01

p1

1/2014

DIVIDER, ASSY , LH





**58.130.BC**

01

p1

1/2014

**DIVIDER, ASSY , LH**

REF FN	PART NUMBER	YR/SN	QTY DESCRIPTION
1	47498943		1 SUPPORT LH, Divider
2	84596566		1 PLATE Striker
3	322554950		2 BUSHING
4	140045		8 BELLEVILLE WASHER M10
5	120069		2 BOLT Hex, M10 x 1.5 x 50mm, CI 8.8
6	100016		4 NUT M10, CI 8
7	43139		2 BOLT Hex, M10 x 25mm, CI 8.8
8	86633356		2 CARRIAGE BOLT Short NK, M10 x 25, CI8.8, Full Thd
9	84558127		1 ARM Divider Support
10	86624176		1 WASHER M10 x 20 x 2
11	120118		1 BOLT Hex, M10 x 1.5 x 120mm, CI 8.8, Full Thd
12	87711364		1 PIN Snapper
13	381929		1 LOCK PIN M5 x 60, Slotted
14	84526077		1 CROP DIVIDER LH, Outer
15	47479911		1 MOUNT Divider Lock
16	47479910		1 LOCKING TAB Divider
17	47515996		1 FLAP Outer Divider Ear Saver
18	47358208		2 WEAR STRIP Divider
19	84528927		2 STEP BOLT
20	47368446		6 SCREW Screw
21	84531925		1 POINT Divider
22	47386726		1 PLATE Divider Support
23	86511841		2 BOLT Hvy Hex, M8 x 16mm, CI 8.8, Full Thd
24	86531147		6 BOLT Hex, M10 x 16mm, CI 8.8, Full Thd
25	84581856		1 TORSION SPRING Divider Lock
26	87547587		2 LOCK NUT Prev Torque, Hex Flg, M10, 1.5 Pitch, CI 10
27	86624184		6 WASHER Flat, 9.00mm ID x 16.00mm OD x 1.60mm, CST, ZND
28	87013865		2 WASHER M8 x 28 x 1.6

4406-630 4406-636 4406-638  
4408-830 4408-836  
4408-838 4412-1230

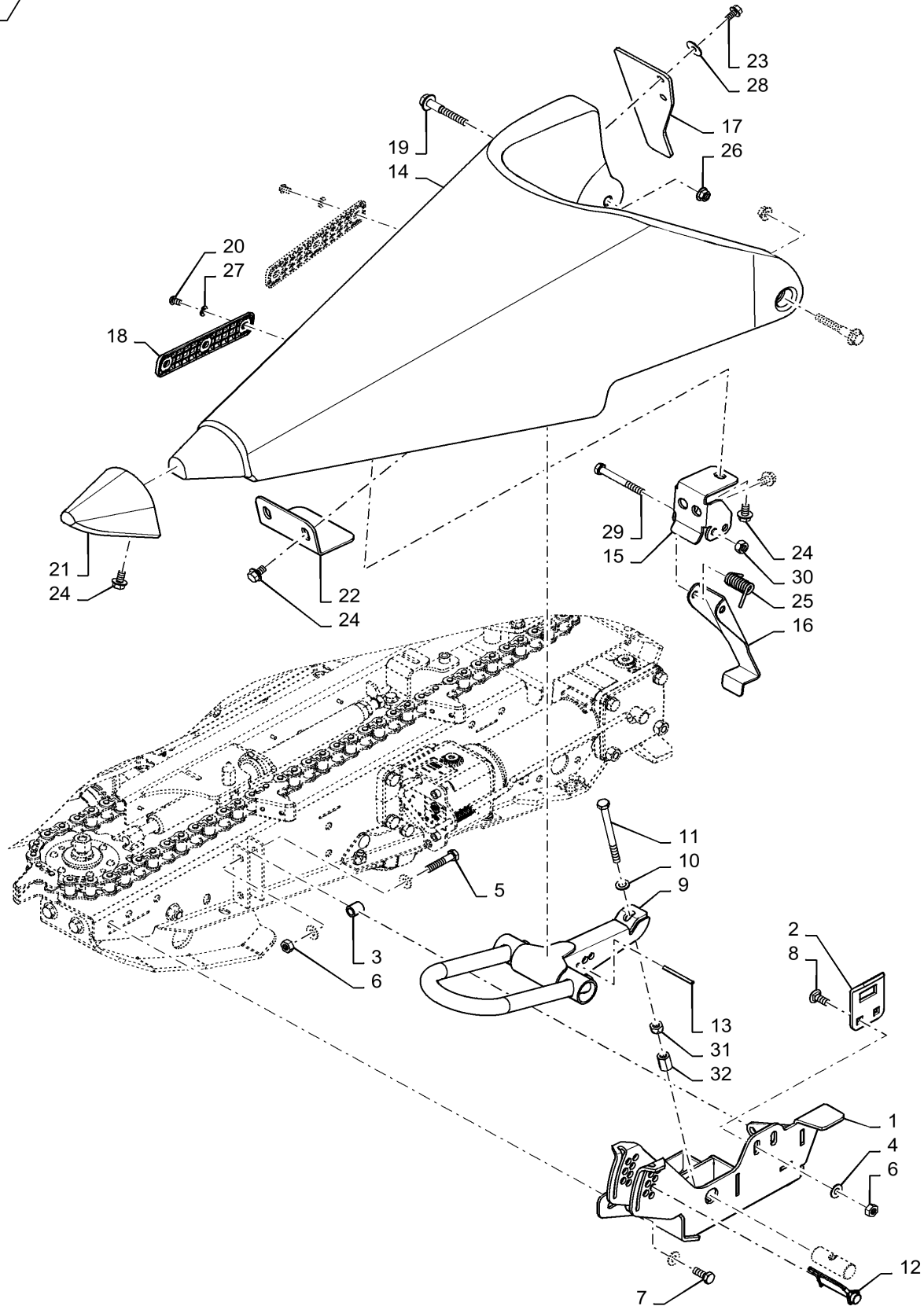
58.130.BC

01

p2

1/2014

DIVIDER, ASSY , LH



**58.130.BC**

01

p2

1/2014

**DIVIDER, ASSY , LH**

<b>REF FN</b>	<b>PART NUMBER</b>	<b>YR/SN</b>	<b>QTY DESCRIPTION</b>
29	87015575		2 BOLT Hex, M10 x 85mm, CI 8.8
30	8475948		2 NUT M10 x 1.5, CI 8
31	756970		1 LOCK NUT
32	{84530355}		1
			4406-630 4406-636 4406-638 4408-830 4408-836 4408-838 4412-1230

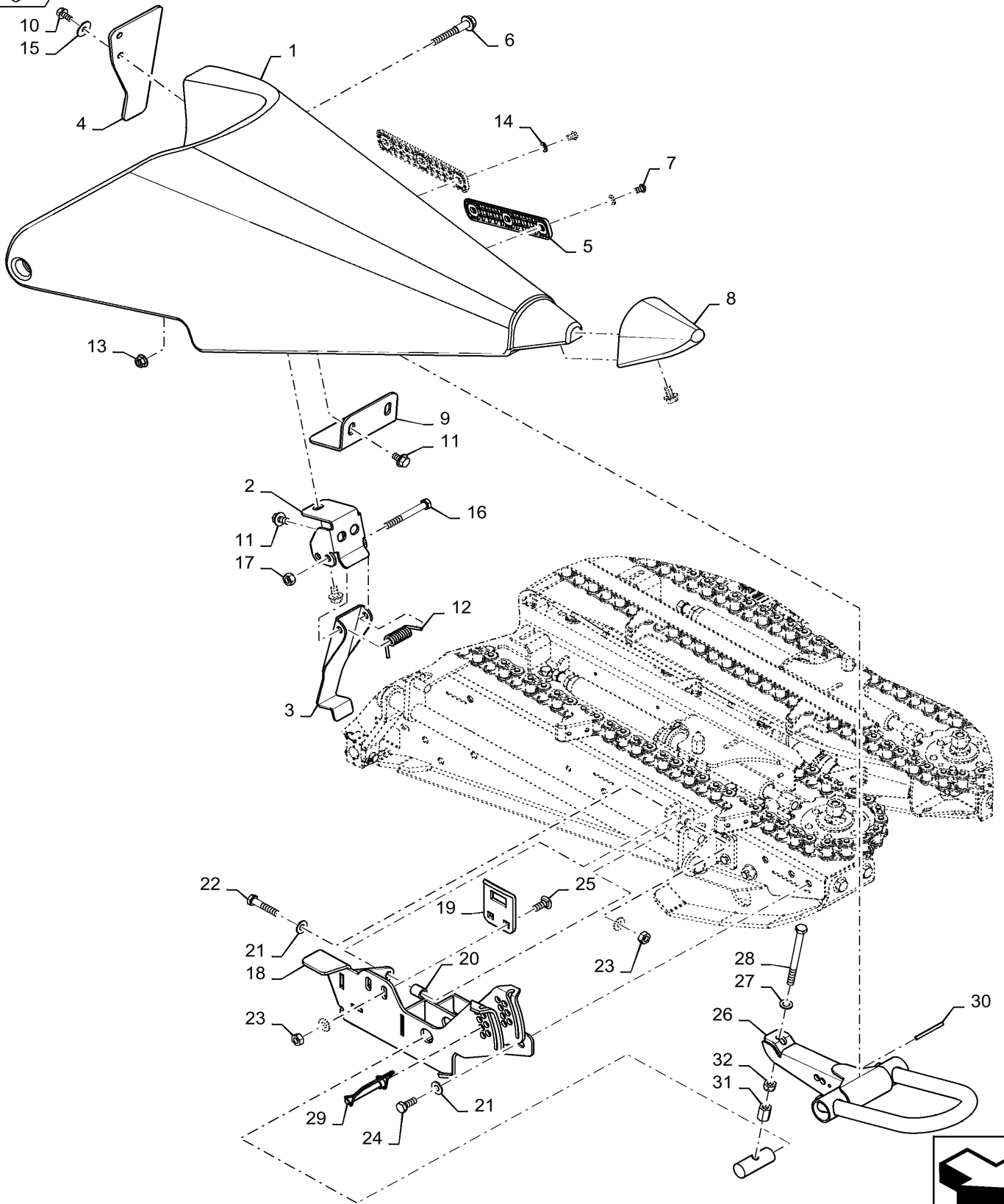
58.130.BC

02

p1

1/2014

DIVIDER, ASSY, RH



**58.130.BC**

02

p1

1/2014

**DIVIDER, ASSY, RH**

<b>REF FN</b>	<b>PART NUMBER</b>	<b>YR/SN</b>	<b>QTY DESCRIPTION</b>
1	47386730		1 CROP DIVIDER RH, Outer
2	47479911		1 MOUNT Divider Lock
3	47479910		1 LOCKING TAB Divider
4	47515996		1 FLAP Outer Divider Ear Saver
5	47358208		2 WEAR STRIP Divider
6	84528927		2 STEP BOLT
7	47368446		6 SCREW Screw
8	84531925		1 POINT Divider
9	47386726		1 PLATE Divider Support
10	86511841		2 BOLT Hvy Hex, M8 x 16mm, CI 8.8, Full Thd
11	86531147		6 BOLT Hex, M10 x 16mm, CI 8.8, Full Thd
12	84581856		1 TORSION SPRING
13	87547587		2 LOCK NUT Prev Torque, Hex Flg, M10, 1.5 Pitch, CI 10
14	86624184		6 WASHER Flat, 9.00mm ID x 16.00mm OD x 1.60mm, CST, ZND
15	87013865		2 WASHER M8 x 28 x 1.6
16	87015575		2 BOLT Hex, M10 x 85mm, CI 8.8
17	8475948		2 NUT M10 x 1.5, CI 8
18	47498949		1 SUPPORT RH Divider
19	84596566		1 PLATE Striker
20	322554950		2 BUSHING
21	140045		8 BELLEVILLE WASHER M10
22	120069		2 BOLT Hex, M10 x 1.5 x 50mm, CI 8.8
23	100016		4 NUT M10, CI 8
24	43139		2 BOLT Hex, M10 x 25mm, CI 8.8
25	86633356		2 CARRIAGE BOLT Short NK, M10 x 25, CI 8.8, Full Thd
26	84558127		1 ARM Divider Support
27	86624176		1 WASHER M10 x 20 x 2
28	120118		1 BOLT Hex, M10 x 1.5 x 120mm, CI 8.8, Full Thd

4406-630 4406-636 4406-638 4408-830 4408-836 4408-838 4412-1230

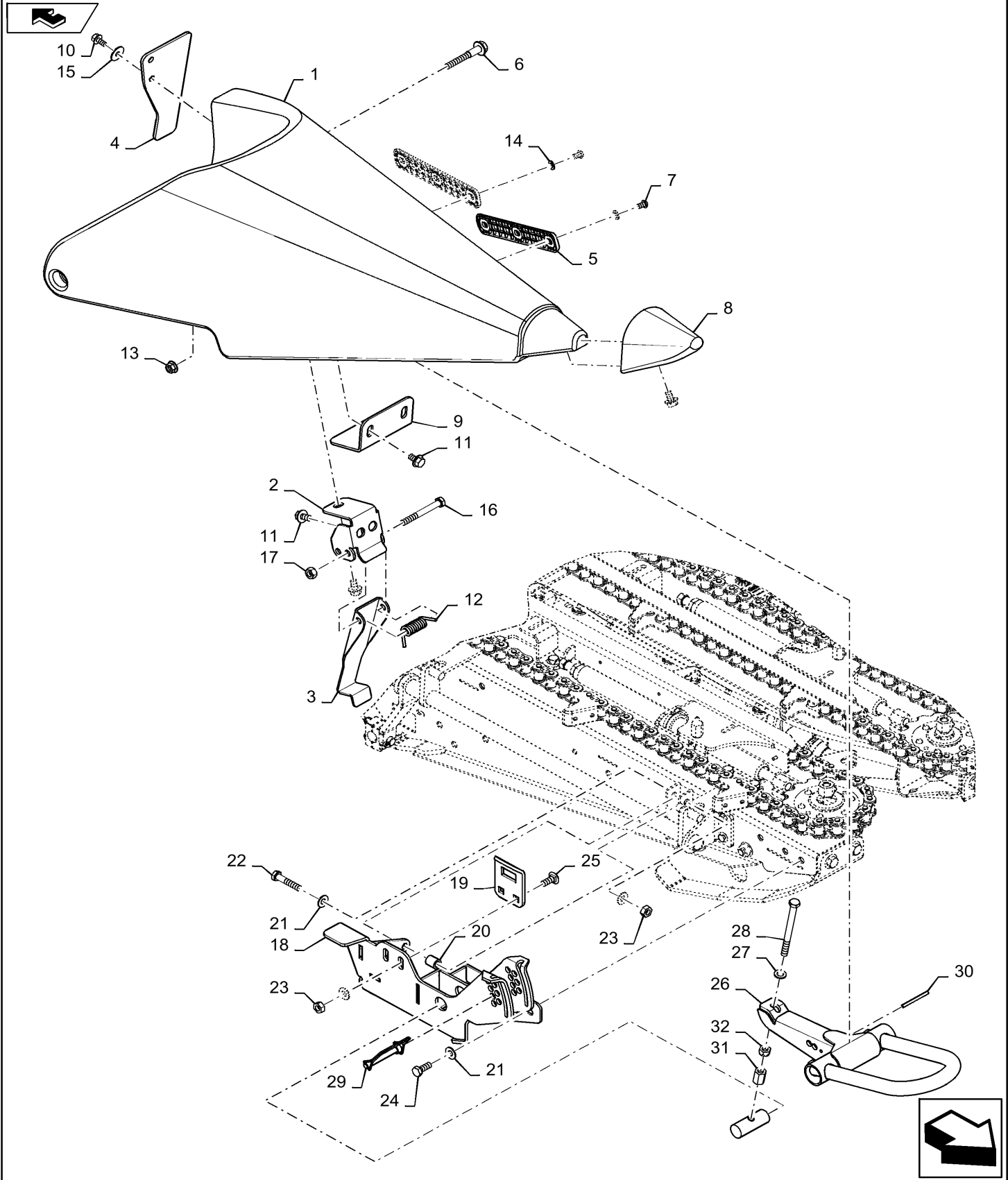
58.130.BC

02

p2

1/2014

DIVIDER, ASSY, RH



**58.130.BC**

02

p2

1/2014

**DIVIDER, ASSY, RH**

<b>REF FN</b>	<b>PART NUMBER</b>	<b>YR/SN</b>	<b>QTY DESCRIPTION</b>
---------------	--------------------	--------------	------------------------

29	87711364		1 PIN Snapper
30	381929		1 LOCK PIN M5 x 60, Slotted
31	{84530355}		1
32	756970		1 LOCK NUT

4406-630 4406-636 4406-638 4408-830 4408-836 4408-838 4412-1230

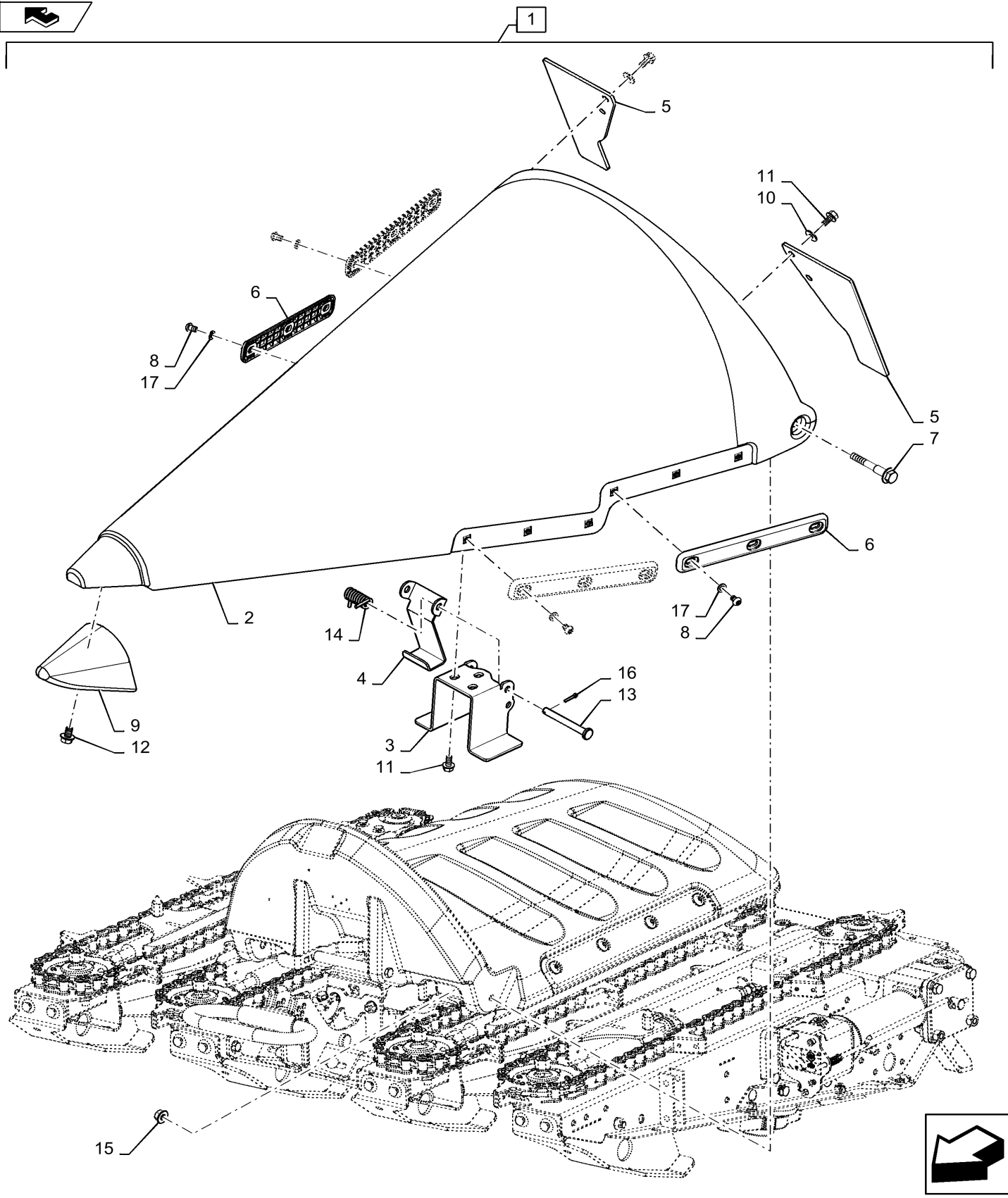
58.130.BC

03

p1

1/2014

DIVIDER, ASSY, INNER





## DIVIDER, ASSY, INNER

REF FN	PART NUMBER	YR/SN	QTY DESCRIPTION
1	NSS		5 NOT SERVICED SEPARATELY Divider Assy, Inner, Incl 2 - 17
1	NSS		7 NOT SERVICED SEPARATELY Divider Assy, Inner, Incl 2 - 17
1	NSS		11 NOT SERVICED SEPARATELY Divider Assy, Inner, Incl 2 - 17
2	47468213		1 DIVIDER
2	47502915		1 CROP DIVIDER
3	47483400		1 MOUNT
4	47483406		1 LOCKING TAB
5	47483715		2 FLAP
6	47358208		4 WEAR STRIP
7	84528927		2 STEP BOLT
8	47368446		12 SCREW
9	84531925		1 POINT
10	86639313		4 WASHER M8 x 20 x 1.6
11	86511841		7 BOLT Hvy Hex, M8 x 16mm, Cl 8.8, Full Thd
12	87646158		2 BOLT
13	84529307		2 CLEVIS PIN
14	84581856		1 TORSION SPRING
15	87547587		2 LOCK NUT Prev Torque, Hex Flg, M10, 1.5 Pitch, Cl 10
16	130003		2 COTTER PIN M3.2 x 20
17	86624184		12 WASHER Flat, 9.00mm ID x 16.00mm OD x 1.60mm, CST, ZND
			4406-630 4406-636 4406-638 4408-830 4408-836 4408-838 4412-1230

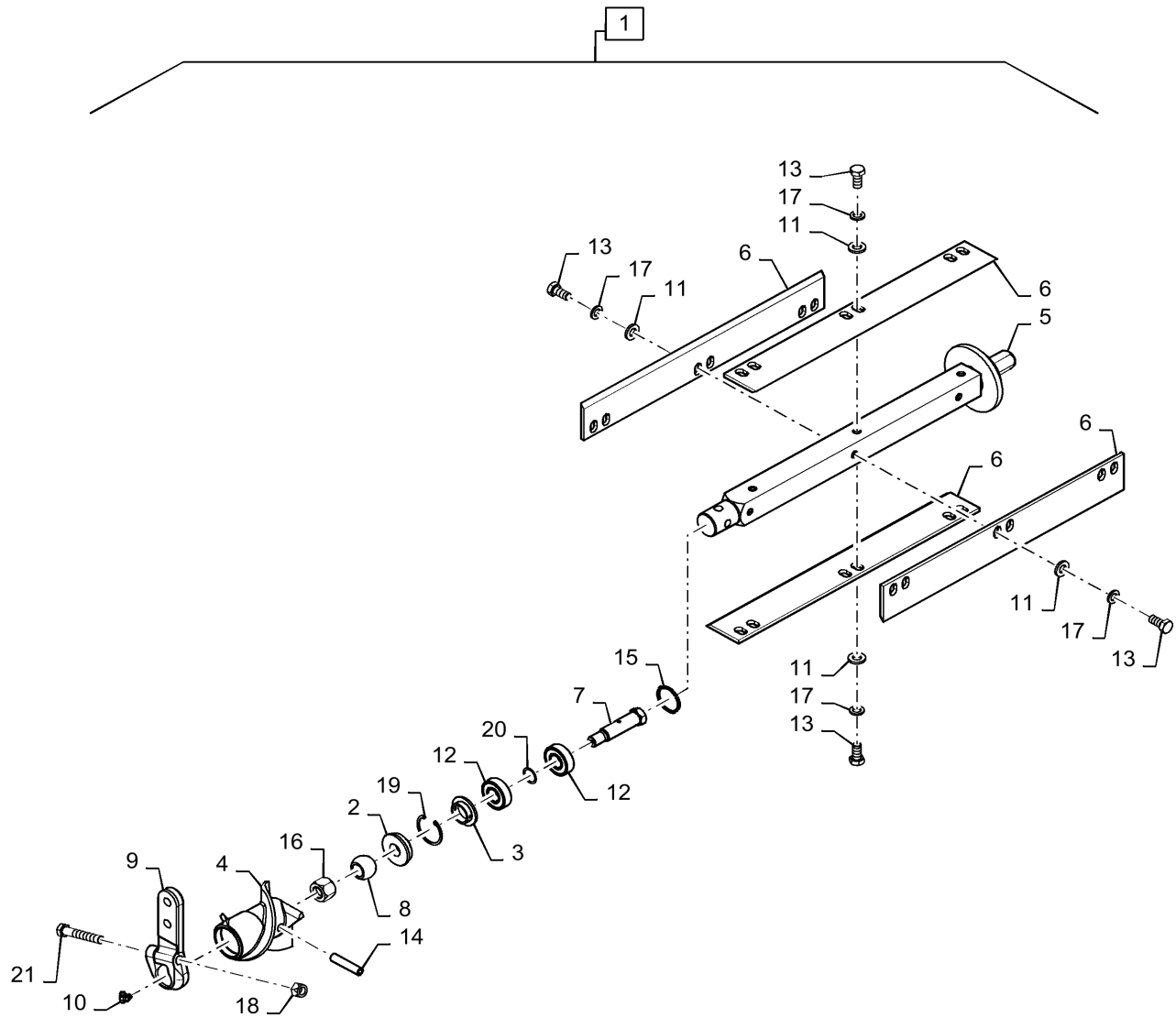
58.210.AK

01

p1

1/2014

ROLLER, ASSY, RH



## ROLLER, ASSY, RH

REF FN	PART NUMBER	YR/SN	QTY DESCRIPTION
1	322640300		1 ROLLER Incl 2 - 21
2	322553150		1 BUSHING
3	322552750		1 SHIELD
4	322530450		1 WORM SCREW
5	322591850		1 ROLLER
6	84499693		4 KNIFE
7	322558550		1 PIN
8	300121143		1 ARTICULATION
9	84972750		1 SUPPORT
10	323713		1 LUBE NIPPLE
11	86588502		12 WASHER M12 x 25 x 3
12	28996510		2 BALL BEARING
13	15540321		12 SCREW Hex, M12 x 1.25 x 25mm, Cl 8.8, Full Thd
14	278910		1 LOCK PIN M12 x 55, Slotted
15	14458680		1 O-RING 1.487" ID x 0.103"
16	12575911		1 NUT M16 x 1.5, Cl 8
17	412123		12 LOCK WASHER M12 x 21 x 2.6 Thk
18	100038		1 NUT M12 x 1.75, Cl 8
19	300647		1 SNAP RING M47, Int
20	355533706		1 WASHER
21	350460		1 BOLT Hex, M12 x 1.75 x 75mm, Cl 8.8
			4406-630 4406-636 4406-638 4408-830 4408-836 4408-838 4412-1230

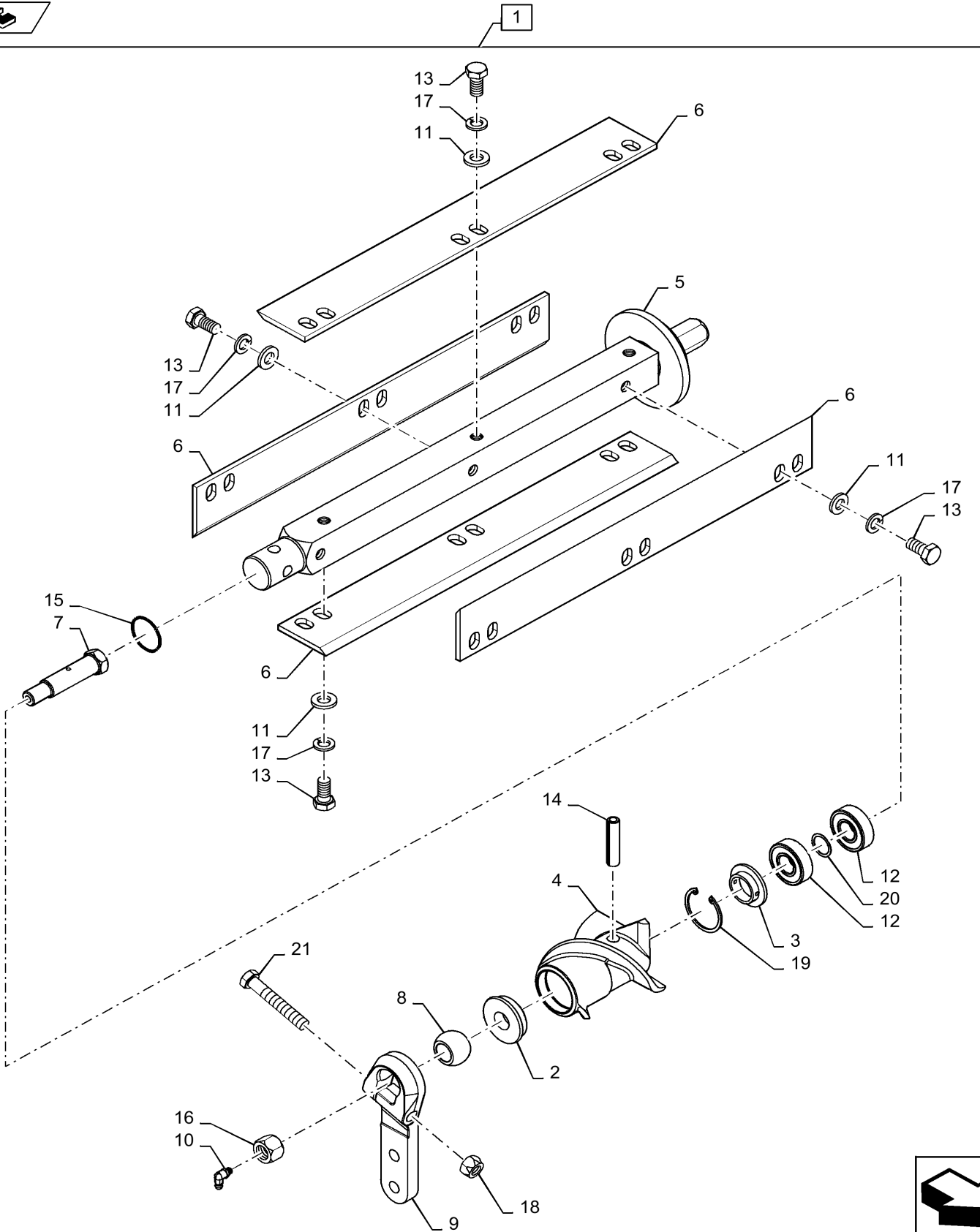
58.210.AK

02

p1

1/2014

ROLLER, ASSY, LH



## ROLLER, ASSY, LH

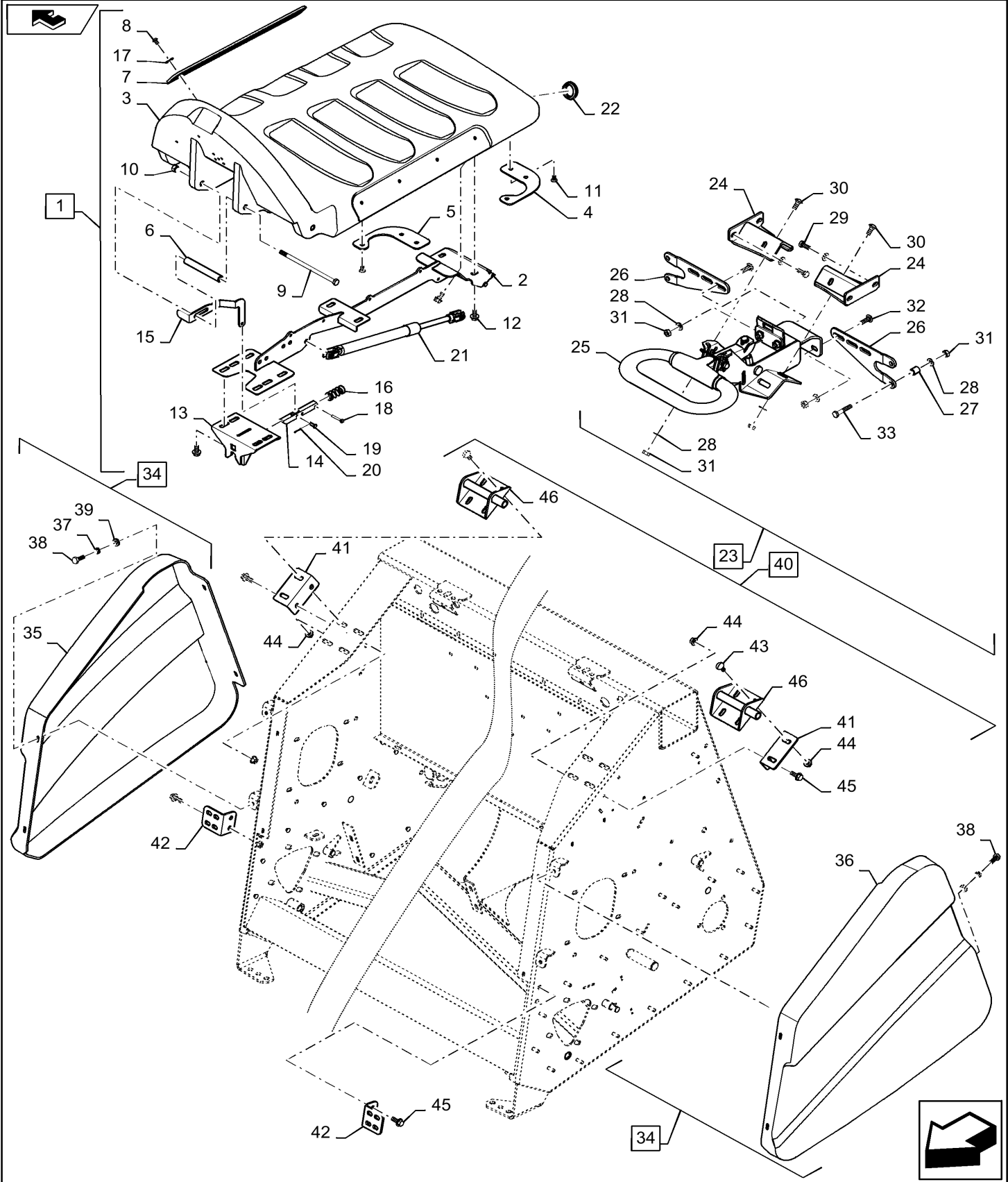
REF FN	PART NUMBER	YR/SN	QTY DESCRIPTION
1	322640100		1 ROLLER Incl 2 - 21
2	322553150		1 BUSHING
3	322552750		1 SHIELD
4	322530550		1 AUGER
5	322591850		1 ROLLER
6	84499693		4 KNIFE
7	322558550		1 PIN
8	300121143		1 ARTICULATION
9	84972748		1 SUPPORT
10	323713		1 LUBE NIPPLE
11	86588502		12 WASHER M12 x 25 x 3
12	28996510		2 BALL BEARING
13	15540321		12 SCREW Hex, M12 x 1.25 x 25mm, Cl 8.8, Full Thd
14	278910		1 LOCK PIN M12 x 55, Slotted
15	14458680		1 O-RING 1.487" ID x 0.103"
16	12575911		1 NUT M16 x 1.5, Cl 8
17	412123		12 LOCK WASHER M12 x 21 x 2.6 Thk
18	100038		1 NUT M12 x 1.75, Cl 8
19	300647		1 SNAP RING M47, Int
20	355533706		1 WASHER
21	350460		1 BOLT Hex, M12 x 1.75 x 75mm, Cl 8.8
			4406-630 4406-636 4406-638 4408-830 4408-836 4408-838 4412-1230

58.218.AA

p1

1/2014

HOOD, ASSY, INNER

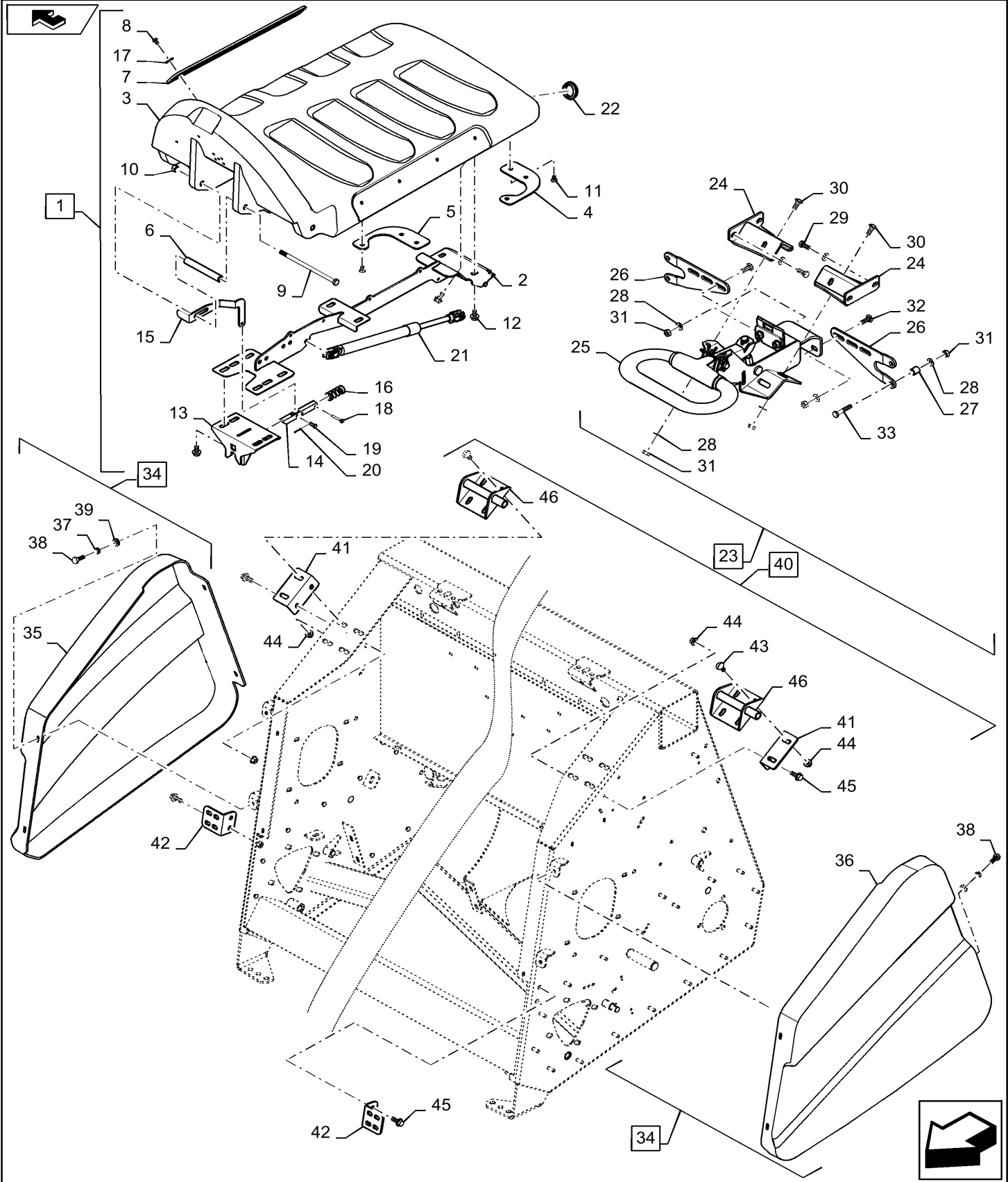


## HOOD, ASSY, INNER

REF FN	PART NUMBER	YR/SN	QTY DESCRIPTION
1	NSS		5 NOT SERVICED SEPARATELY Hood Assy, Inner, Incl 2 - 22
2	47478028		1 FRAME
2	47512146		1 FRAME
3	47468143		1 HOOD
3	47502883		1 HOOD
4	47479866		1 STRIPPER
5	47479867		1 STRIPPER
6	84530075		1 SPACER
7	47358205		2 WEAR STRIP
8	47368446		8 SCREW
9	87015576		1 BOLT Hex, M10 x 205mm, Cl 8.8
10	8475948		1 NUT M10 x 1.5, Cl 8
11	14441931		6 SCREW Hex Soc Flat Hd, M8 x 16, 10.9
12	86050286		12 FLANGE BOLT Hex, M10 x 20mm, Cl 8.8, Full Thd
13	47482922		1 MOUNT
14	84582341		1 PIN
15	47480358		1 LOCKING TAB
16	84583308		1 COMPRESSION SPRING
17	86639313		8 WASHER M8 x 20 x 1.6
18	412686		2 COTTER PIN M5 x 32
19	84019930		1 CLEVIS PIN M6 x 20
20	87016658		1 COTTER PIN
21	84558101		1 GAS STRUT
22	47538592		1 PLUG
23	NSS		5 NOT SERVICED SEPARATELY Support Assy, Incl 24 - 33
24	84571182		2 SUPPORT
24	84571208		2 SUPPORT
25	{47503559}		1
26	84580920		2 SUPPORT
26	84585261		2 SUPPORT
27	322554950		4 BUSHING

4406-630 4406-636 4406-638 4408-830 4408-836 4408-838 4412-1230

HOOD, ASSY, INNER





## HOOD, ASSY, INNER

REF FN	PART NUMBER	YR/SN	QTY DESCRIPTION
28	140045		14 BELLEVILLE WASHER M10
29	43139		4 BOLT Hex, M10 x 25mm, CI 8.8
30	86633356		4 CARRIAGE BOLT Short NK, M10 x 25, CI8.8, Full Thd
31	100016		10 NUT M10, CI 8
32	86512446		2 CARRIAGE BOLT Sht Nk, M10 x 30mm, CI 8.8, Full Thd
33	120069		4 BOLT Hex, M10 x 1.5 x 50mm, CI 8.8
34	NSS		1 NOT SERVICED SEPARATELY Cover Assy, Rear, Incl 35 - 39
35	47377228		1 COVER
36	84526080		1 COVER
37	322357		8 BELLEVILLE WASHER M6
38	120100		8 BOLT Hex, M6 x 1 x 20mm, CI 8.8
39	86624183		8 WASHER M6 x 25 x 1.6
40	NSS		1 NOT SERVICED SEPARATELY Mount Assy, Outer Hood, Incl 41 - 45
41	84541240		2 SUPPORT
41	84570927		2 MOUNT
42	84558112		2 MOUNT
42	47377262		2 MOUNT
43	86633356		8 CARRIAGE BOLT Short NK, M10 x 25, CI8.8, Full Thd
44	9804278		8 FLANGE NUT Hex Flg, M10, 1.5 Pitch, Gr 8
44	9804278		12 FLANGE NUT Hex Flg, M10, 1.5 Pitch, Gr 8
45	9804261		4 BOLT Hex, M10 x 25mm, CI 8.8, Full Thd
45	9804261		8 BOLT Hex, M10 x 25mm, CI 8.8, Full Thd
46	47377215		2 HINGE

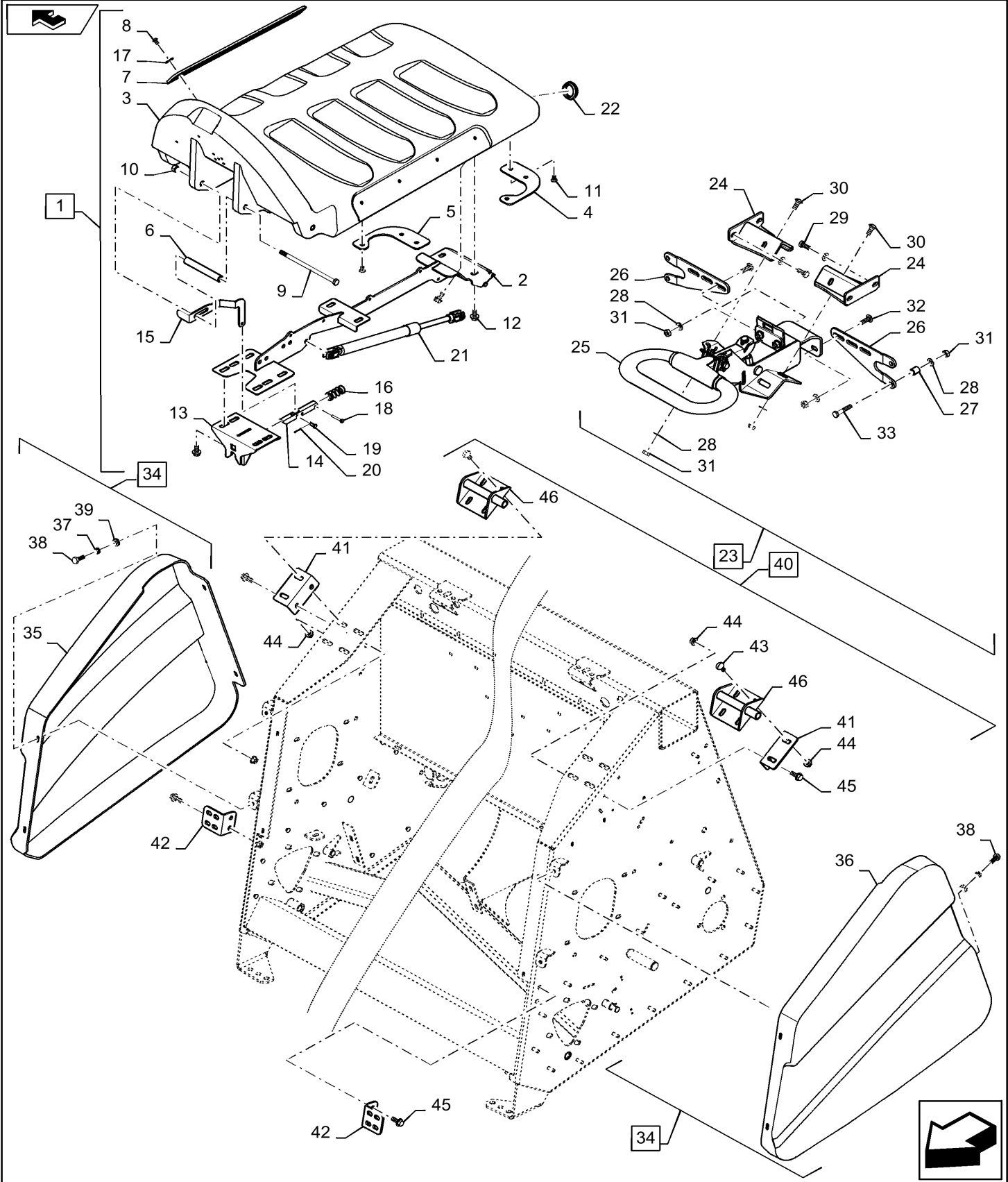
4406-630 4406-636 4406-638  
4408-830 4408-836  
4408-838 4412-1230

58.218.AA

p1

1/2014

HOOD, ASSY, INNER

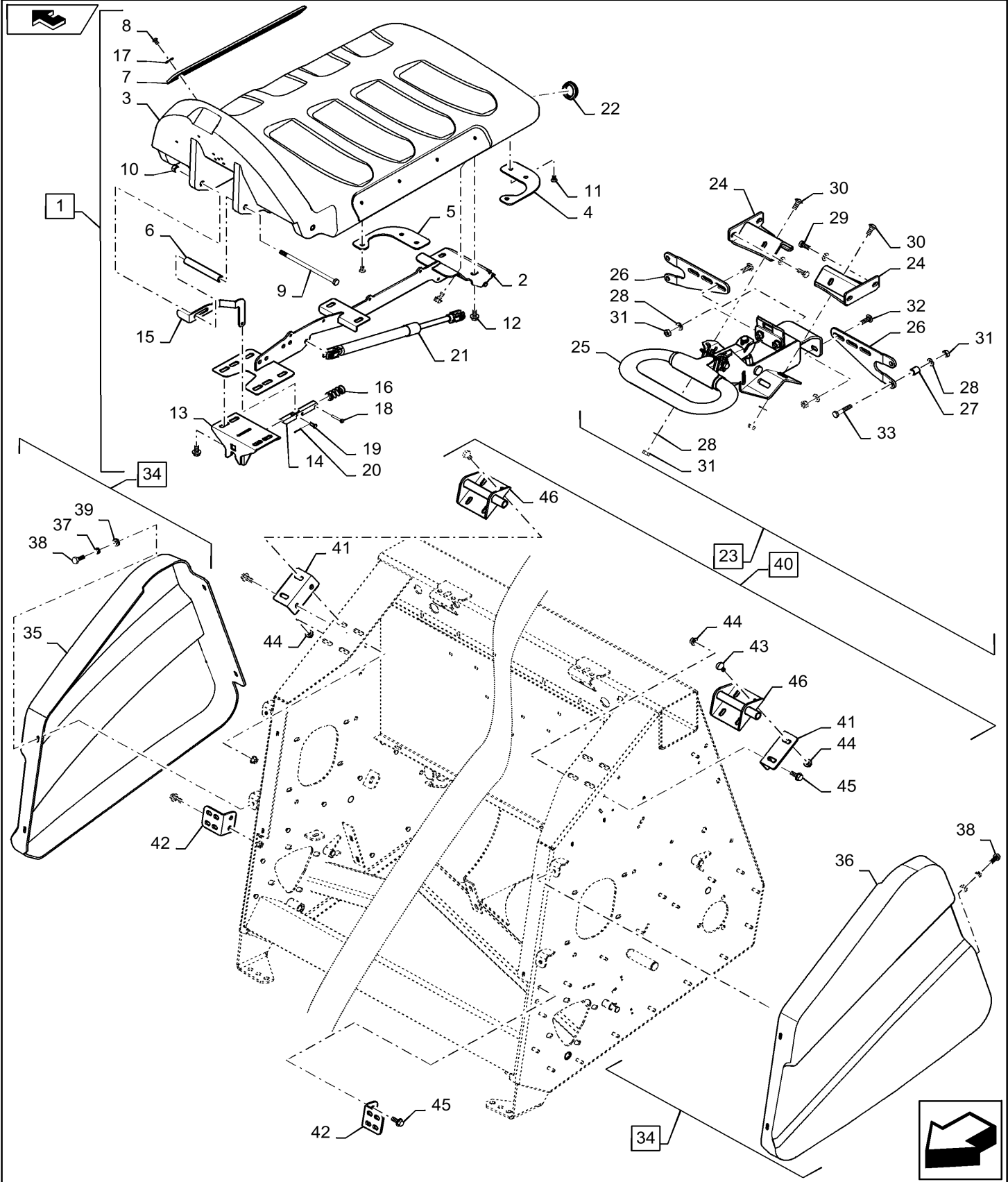


## HOOD, ASSY, INNER

REF FN	PART NUMBER	YR/SN	QTY DESCRIPTION
1	NSS		7 NOT SERVICED SEPARATELY Hood Assy, Incl 2 - 22
1	NSS		11 NOT SERVICED SEPARATELY Hood Assy, Incl 2 - 22
2	47478028		1 FRAME
2	47512146		1 FRAME
2	47478028		1 FRAME
3	47468143		1 HOOD
3	47502883		1 HOOD
3	47468143		1 HOOD
4	47479866		1 STRIPPER
5	47479867		1 STRIPPER
6	84530075		1 SPACER
7	47358205		2 WEAR STRIP
8	47368446		8 SCREW
9	87015576		1 BOLT Hex, M10 x 205mm, CI 8.8
10	8475948		1 NUT M10 x 1.5, CI 8
11	14441931		6 SCREW Hex Soc Flat Hd, M8 x 16, 10.9
12	86050286		12 FLANGE BOLT Hex, M10 x 20mm, CI 8.8, Full Thd
13	47482922		1 MOUNT
14	84582341		1 PIN
15	47480358		1 LOCKING TAB
16	84583308		1 COMPRESSION SPRING
17	86639313		8 WASHER M8 x 20 x 1.6
18	412686		2 COTTER PIN M5 x 32
19	84019930		1 CLEVIS PIN M6 x 20
20	87016658		1 COTTER PIN
21	84558101		1 GAS STRUT
22	47538592		1 PLUG
23	NSS		7 NOT SERVICED SEPARATELY Support Assy, Incl 24 - 33
23	NSS		11 NOT SERVICED SEPARATELY Support Assy, Incl 24 - 33

4406-630 4406-636 4406-638  
4408-830 4408-836  
4408-838 4412-1230

HOOD, ASSY, INNER



## HOOD, ASSY, INNER

REF FN	PART NUMBER	YR/SN	QTY DESCRIPTION
24	84571182		2 SUPPORT
24	84571208		2 SUPPORT
25	{47503559}		1
26	84585261		2 SUPPORT
26	84580920		2 SUPPORT
27	322554950		4 BUSHING
28	140045		14 BELLEVILLE WASHER M10
29	43139		4 BOLT Hex, M10 x 25mm, CI 8.8
30	86633356		4 CARRIAGE BOLT Short NK, M10 x 25, CI8.8, Full Thd
31	100016		10 NUT M10, CI 8
32	86512446		2 CARRIAGE BOLT Sht Nk, M10 x 30mm, CI 8.8, Full Thd
33	120069		4 BOLT Hex, M10 x 1.5 x 50mm, CI 8.8
34	NSS		1 NOT SERVICED SEPARATELY Cover Assy, Rear, Incl 35 - 39
34	NSS		1 NOT SERVICED SEPARATELY Cover Assy, Rear, Incl 35 - 39
35	84526085		1 COVER
35	47377228		1 COVER
36	84526080		1 COVER
36	84526081		1 COVER
37	322357		8 BELLEVILLE WASHER M6
38	120100		8 BOLT Hex, M6 x 1 x 20mm, CI 8.8
39	86624183		8 WASHER M6 x 25 x 1.6
40	NSS		1 NOT SERVICED SEPARATELY Mount Assy, Outer Hood, Incl 41 - 46
40	NSS		1 NOT SERVICED SEPARATELY Mount Assy, Outer Hood, Incl 41 - 46
41	84541240		2 SUPPORT
42	84570927		2 MOUNT
42	84541246		2 ANGLE
43	47377262		2 MOUNT
43	84558112		2 MOUNT

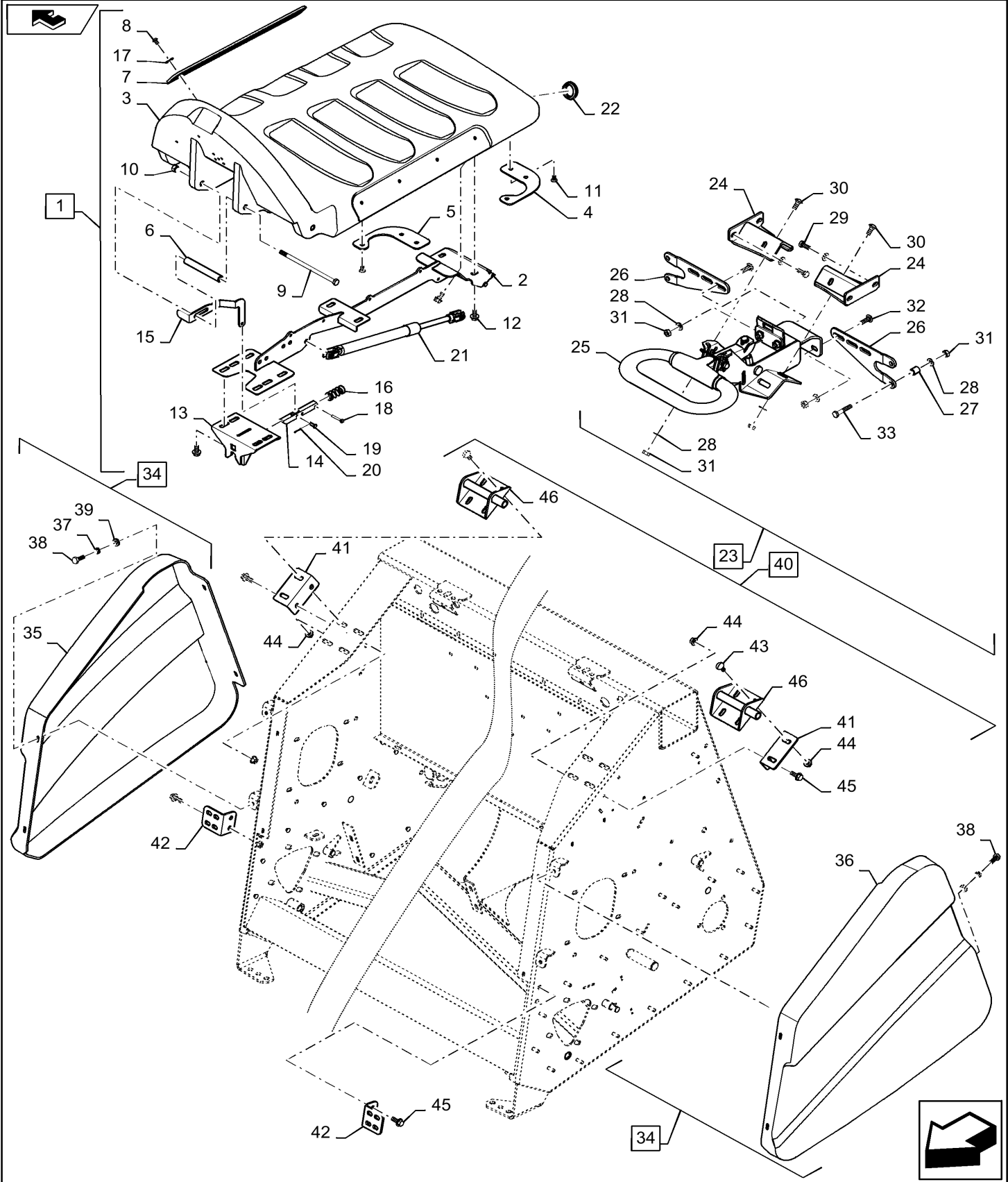
4406-630 4406-636 4406-638 4408-830 4408-836 4408-838 4412-1230

58.218.AA

p3

1/2014

HOOD, ASSY, INNER



**58.218.AA**

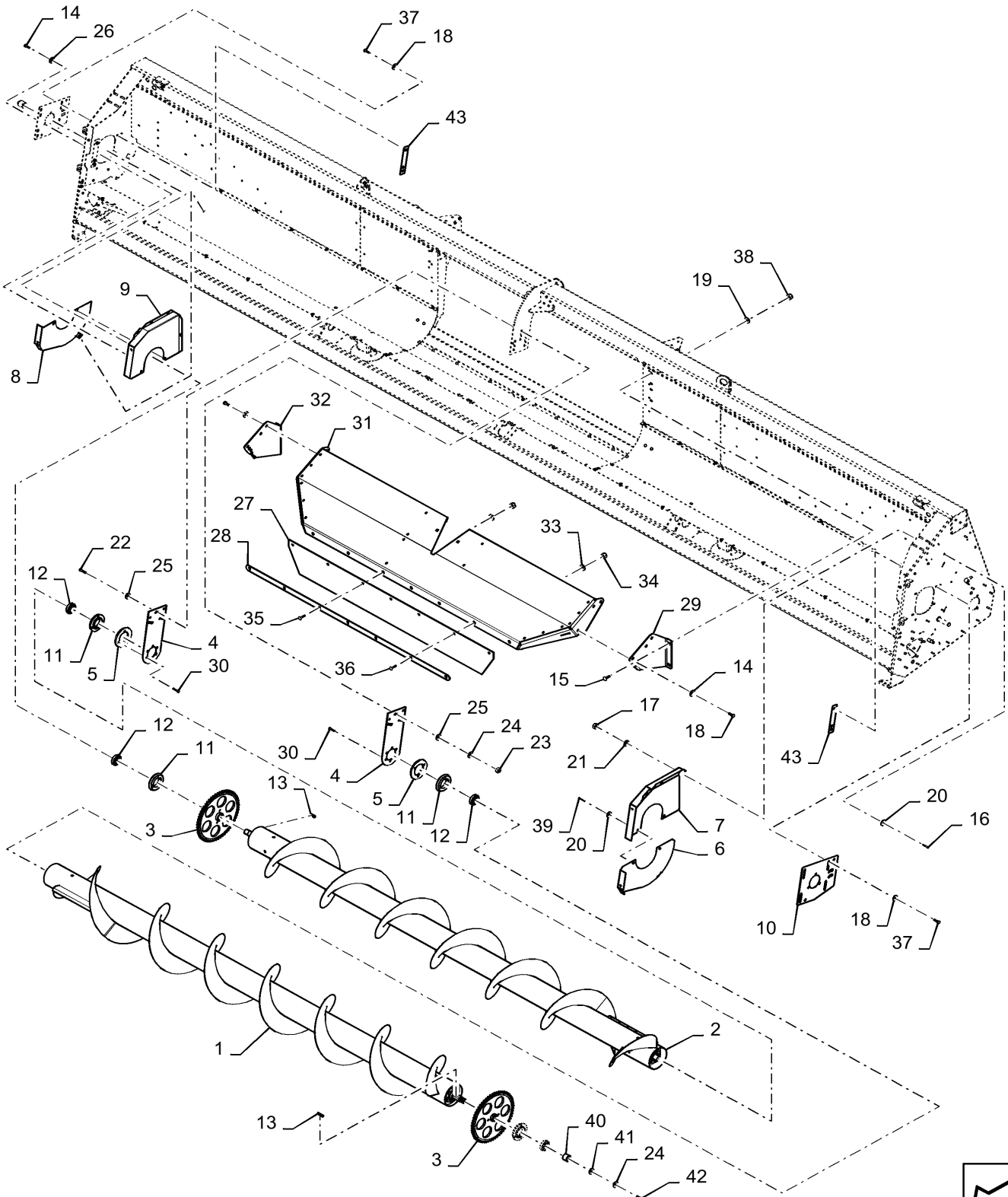
p3

1/2014

**HOOD, ASSY, INNER**

<b>REF FN</b>	<b>PART NUMBER</b>	<b>YR/SN</b>	<b>QTY DESCRIPTION</b>
44	86633356		8 CARRIAGE BOLT Short NK, M10 x 25, CI8.8, Full Thd
45	9804261		12 BOLT Hex, M10 x 25mm, CI 8.8, Full Thd
46	9804278		8 FLANGE NUT Hex Flg, M10, 1.5 Pitch, Gr 8
			4406-630 4406-636 4406-638 4408-830 4408-836 4408-838 4412-1230

AUGER ASSY



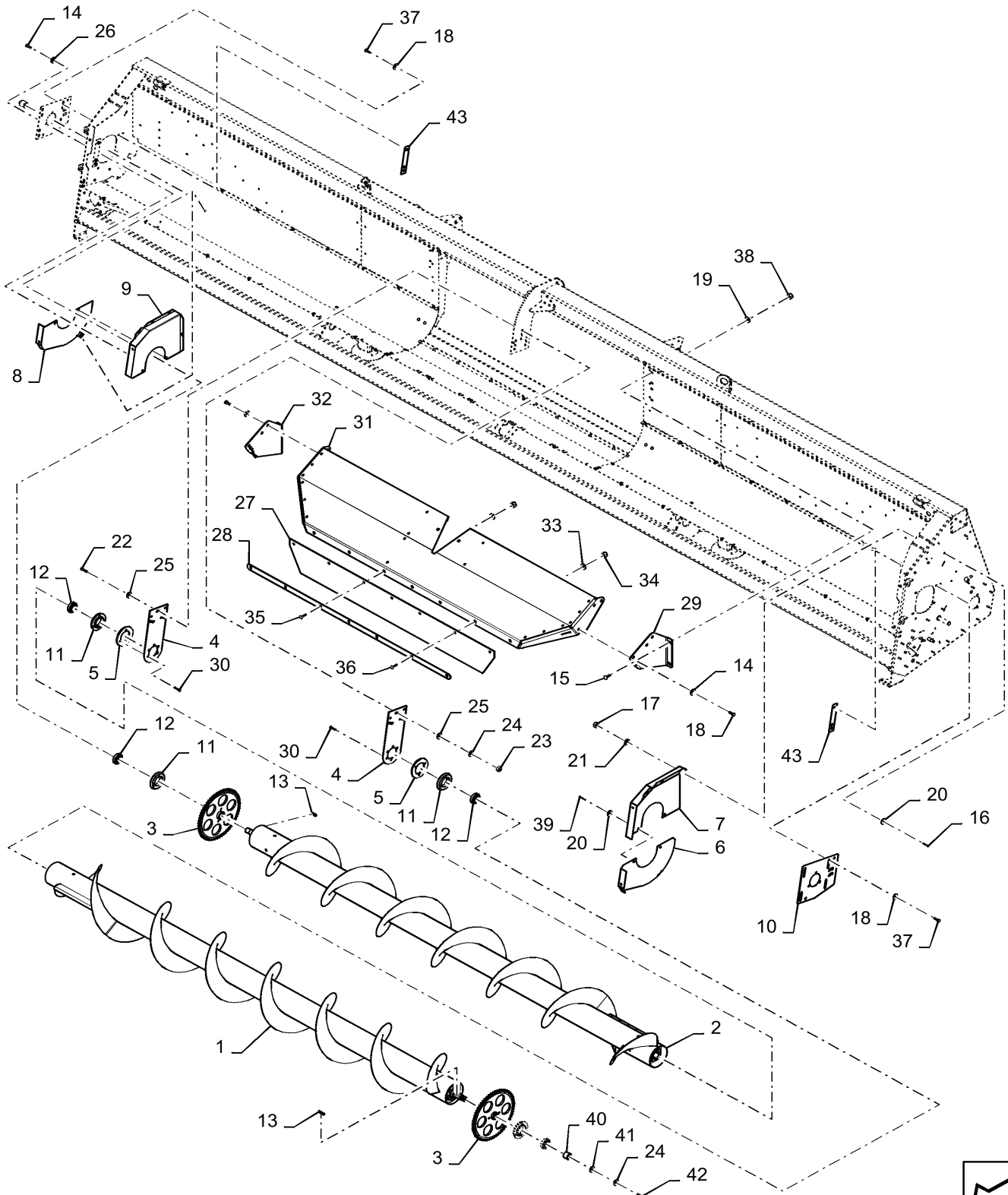


## AUGER ASSY

REF FN	PART NUMBER	YR/SN	QTY DESCRIPTION
1	NSS		1 NOT SERVICED SEPARATELY Auger Assy, LH
1	NSS		1 NOT SERVICED SEPARATELY Auger Assy, LH
2	NSS		1 NOT SERVICED SEPARATELY Auger Assy, RH
2	NSS		1 NOT SERVICED SEPARATELY Auger Assy, RH
3	84559198		2 SPROCKET
4	87747018		2 SUPPORT
5	87737509		2 STEEL PLATE
6	47368760		1 SHIELD
7	47368674		1 SHIELD
8	47368982		1 SHIELD
9	47368978		1 SHIELD
10	47368594		2 BRACKET, SUPPORTING
11	321140350		4 SUPPORT
12	84002007		4 BALL BEARING
13	354775		2 KEY M10 x 8 x 40, Par
14	43139		10 BOLT Hex, M10 x 25mm, CI 8.8
15	86512446		4 CARRIAGE BOLT Sht Nk, M10 x 30mm, CI 8.8, Full Thd
16	86508568		12 BOLT Hex, M6 x 16mm, CI 8.8, Full Thd
17	86625072		10 NUT
18	140045		12 BELLEVILLE WASHER M10
19	140017		4 WASHER M10 x 20 x 2
20	322357		18 BELLEVILLE WASHER M6
21	86588450		10 WASHER M6 x 12 x 1.6 Thk
22	9628065		3 SCREW Hex Cap, M12 x 1.75 x 45.00mm, CI 8.8, ZND
23	9706685		3 NUT M12, CI 8
24	140046		5 BELLEVILLE WASHER Belleville, M12
25	86592701		6 WASHER M12 x 35 x 5, HT

4408-836 4408-838  
4412-1230

AUGER ASSY

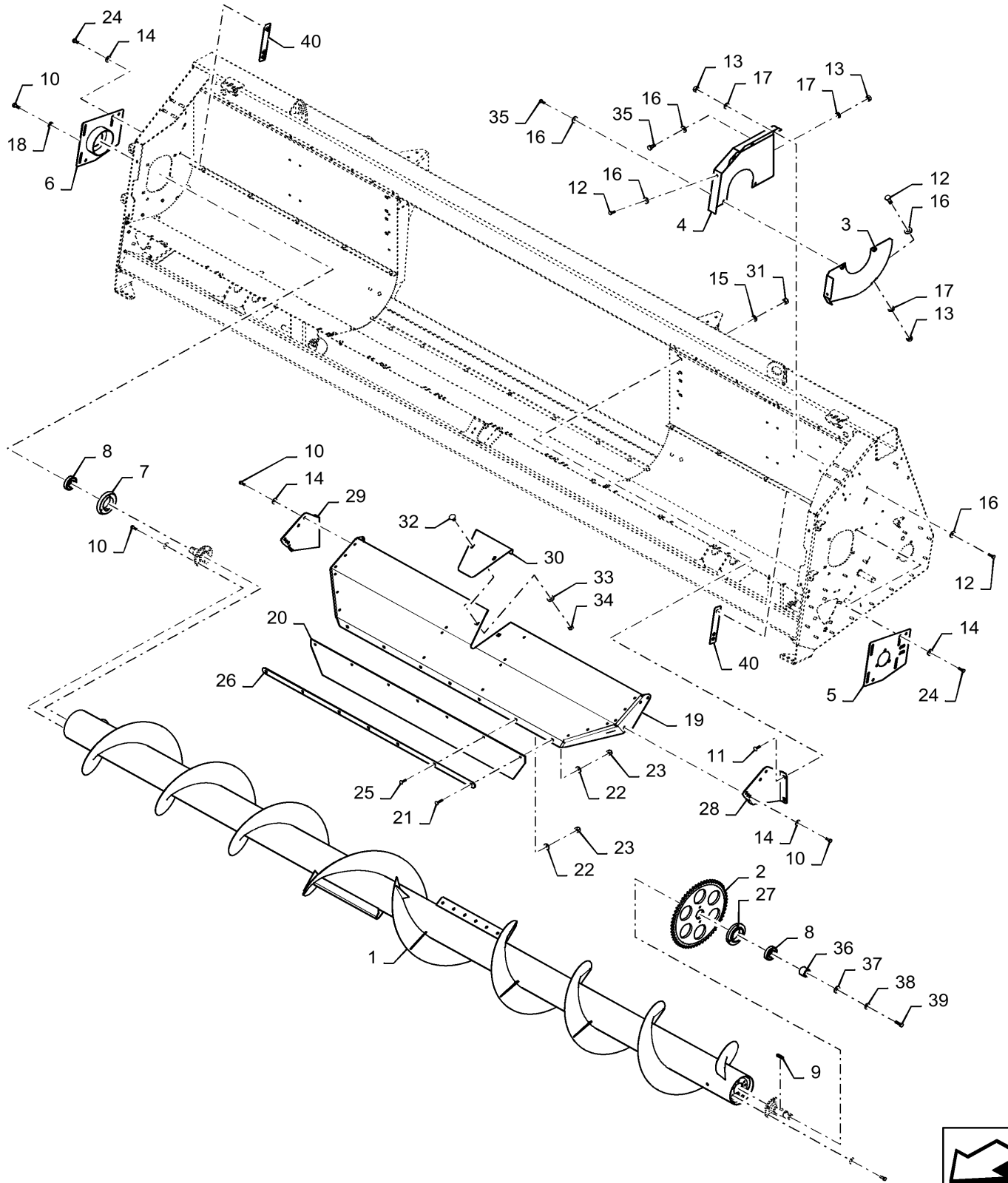


## AUGER ASSY

REF FN	PART NUMBER	YR/SN	QTY DESCRIPTION
26	140028		6 WASHER M10
27	84473397		1 FLEXIBLE SHEATH
28	84473401		1 SLAT
29	84488709		1 SUPPORT
30	9706704		6 BOLT Hex, M10 x 1.5 x 35mm, Cl 8.8, Full Thd
31	84473410		1 SHIELD
32	84473409		1 SUPPORT
33	140041		7 WASHER M8 x 28 x 3
34	86629542		7 NUT M8 x 1.25, Cl 8
35	86512443		4 CARRIAGE BOLT Sht Nk, M8 x 35mm, Cl 8.8, Full Thd
36	308761		3 BOLT Short NK, M8 x 25, Cl8.8, Full Thd
37	43138		8 BOLT Hex, M10 x 1.5 x 20mm, Cl 8.8, Full Thd
38	100037		4 NUT M10 x 1.5, Cl 8, Prev Torque
39	86508616		6 BOLT Hex, M6 x 1 x 12mm, Cl 10.9, Full Thd
40	322530150		2 SPACER
41	355511250		2 WASHER
42	300389		2 BOLT Hex, M12 x 1.75 x 35mm, Cl 8.8, Full Thd
43	47486582		4 BRACKET

4408-836 4408-838  
4412-1230

AUGER ASSY



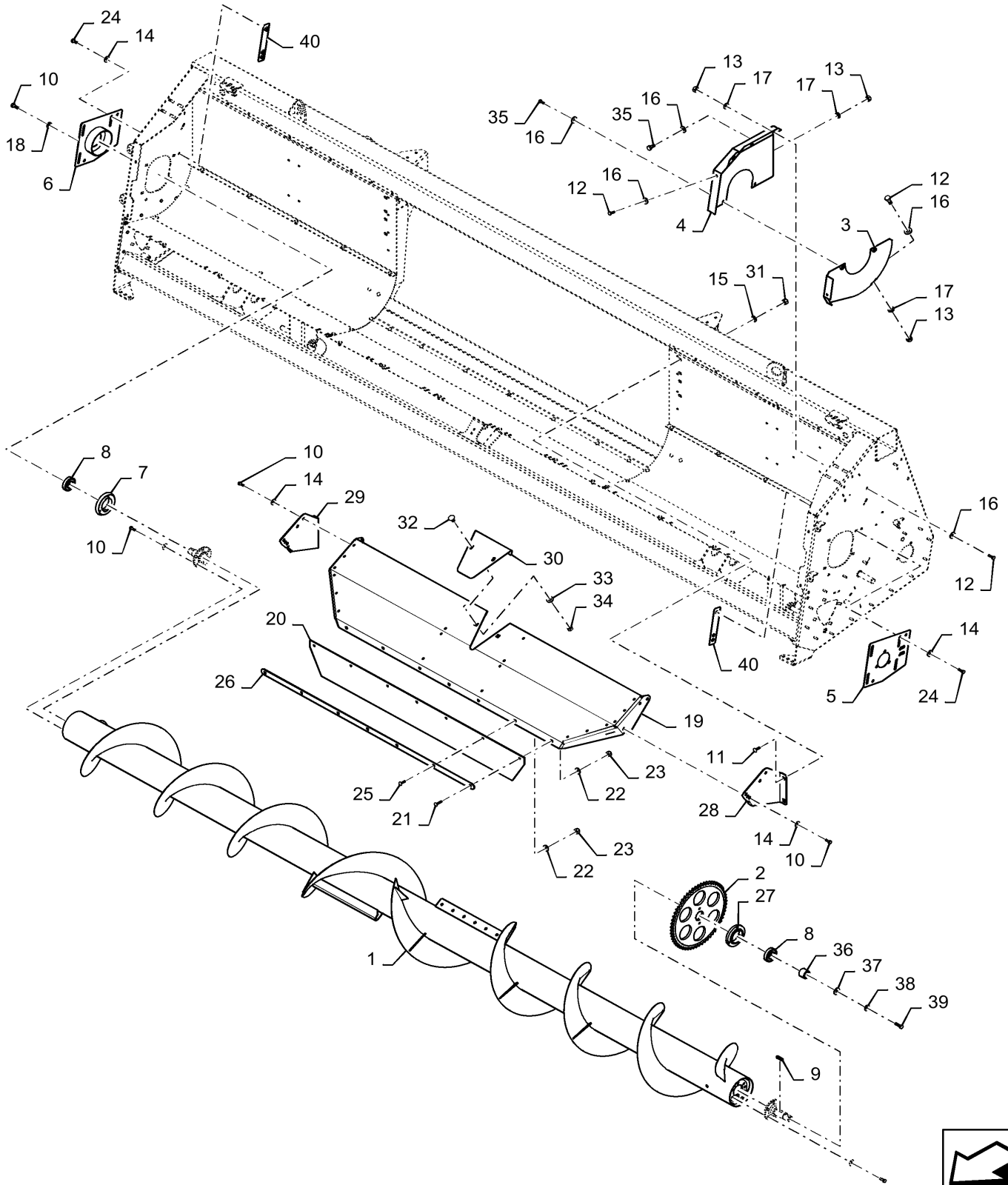
## AUGER ASSY

REF FN	PART NUMBER	YR/SN	QTY DESCRIPTION
1	NSS		1 NOT SERVICED SEPARATELY Auger Assy, 6-Row
1	NSS		1 NOT SERVICED SEPARATELY Auger Assy, 8-Row
2	84559198		1 SPROCKET
3	47368760		1 SHIELD
4	47368674		1 SHIELD
5	47368594		1 BRACKET, SUPPORTING
6	47368644		1 BRACKET, SUPPORTING
7	321140350		1 SUPPORT
8	84002007		2 BALL BEARING
9	354775		1 KEY M10 x 8 x 40, Par
10	43139		10 BOLT Hex, M10 x 25mm, Cl 8.8
11	86512446		4 CARRIAGE BOLT Sht Nk, M10 x 30mm, Cl 8.8, Full Thd
12	86508568		6 BOLT Hex, M6 x 16mm, Cl 8.8, Full Thd
13	86625072		5 NUT
14	140045		12 BELLEVILLE WASHER M10
15	140017		4 WASHER M10 x 20 x 2
16	322357		9 BELLEVILLE WASHER M6
17	86588450		5 WASHER M6 x 12 x 1.6 Thk
18	140028		6 WASHER M10
19	84473410		1 SHIELD
20	84473397		1 FLEXIBLE SHEATH
21	86512443		4 CARRIAGE BOLT Sht Nk, M8 x 35mm, Cl 8.8, Full Thd
22	140041		7 WASHER M8 x 28 x 3
23	86629542		7 NUT M8 x 1.25, Cl 8
24	43138		8 BOLT Hex, M10 x 1.5 x 20mm, Cl 8.8, Full Thd
25	308761		3 BOLT Short NK, M8 x 25, Cl8.8, Full Thd
26	84473401		1 SLAT

4406-630 4406-636

4406-638 4408-830

AUGER ASSY



## AUGER ASSY

REF FN	PART NUMBER	YR/SN	QTY	DESCRIPTION
27	87670203		1	BEARING HOUSING 72 mm ID x 115.5 mm OD
28	84488709		1	SUPPORT
29	84473409		1	SUPPORT
30	87721184		1	PLATE
31	100037		4	NUT M10 x 1.5, CI 8, Prev Torque
32	86619060		4	CARRIAGE BOLT Sht Sq Nk, M8 x 16mm, CI 8.8, Full Thd
33	322358		4	BELLEVILLE WASHER M8
34	9706690		4	NUT Hex, M8, 1.25mm Pitch, 6.80mm High, CI 8, ZND
35	86508616		3	BOLT Hex, M6 x 1 x 12mm, CI 10.9, Full Thd
36	322530150		1	SPACER
37	355511250		1	WASHER
38	140046		1	BELLEVILLE WASHER Belleville, M12
39	300389		1	BOLT Hex, M12 x 1.75 x 35mm, CI 8.8, Full Thd
40	47486582		4	BRACKET
				4406-630 4406-636 4406-638 4408-830

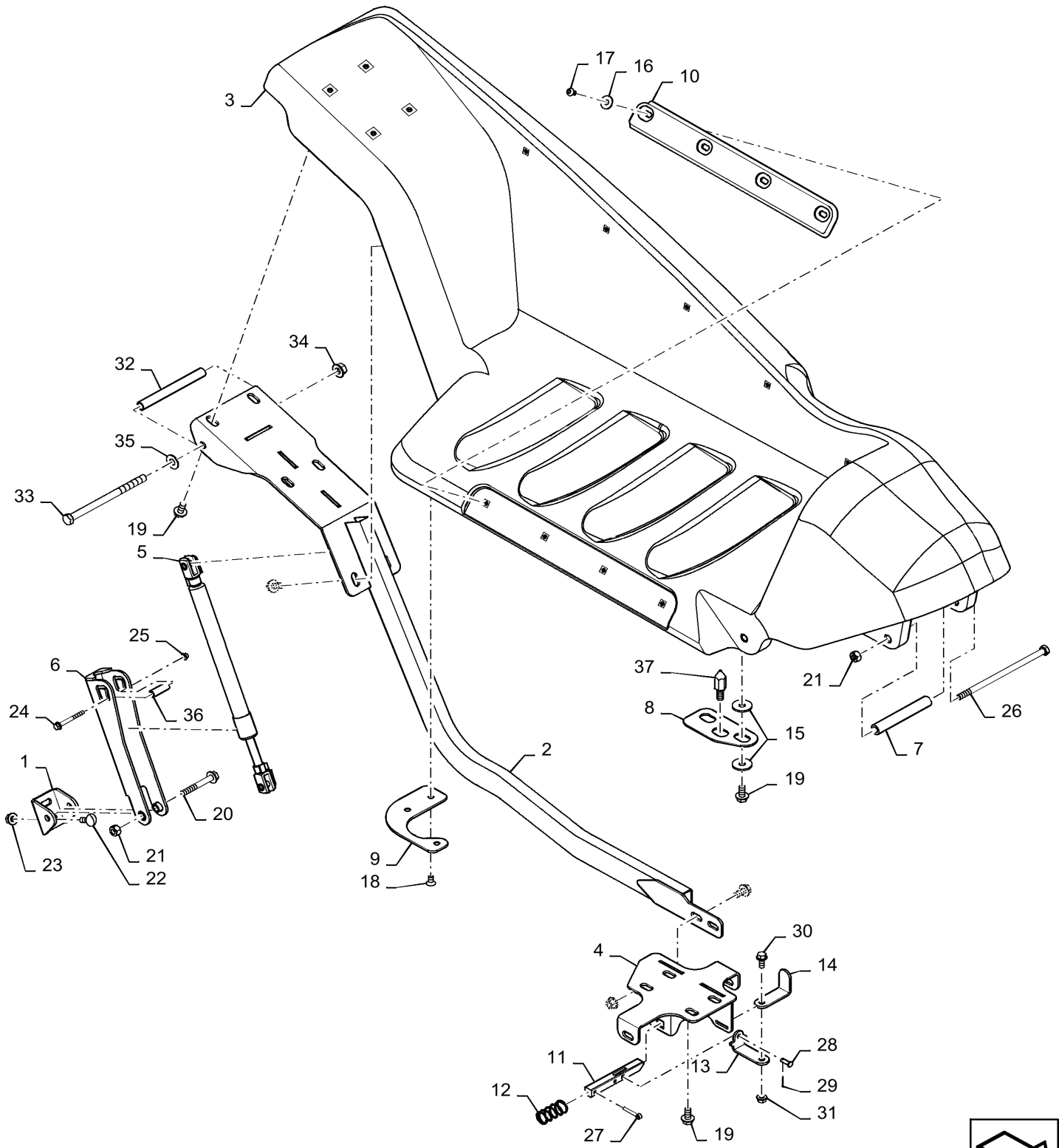
58.228.AG

01

p1

1/2014

HOOD, AUGER, ASSY, LH OUTER





## HOOD, AUGER, ASSY, LH OUTER

REF FN	PART NUMBER	YR/SN	QTY DESCRIPTION
1	84560219		1 BRACKET
2	47494287		1 HINGE
3	47491356		1 HOOD
4	47490930		1 SUPPORT
5	84558101		1 GAS STRUT
6	84558102		1 CHANNEL
7	84530075		1 SPACER
8	47386724		1 PLATE
9	47479867		1 STRIPPER
10	47358205		1 WEAR STRIP
11	84582341		1 PIN
12	84583308		1 COMPRESSION SPRING
13	47394912		1 LOCKING TAB
14	47394913		1 LOCKING TAB
15	140042		4 WASHER M10 x 34 x 3
16	86639313		4 WASHER M8 x 20 x 1.6
17	47368446		4 SCREW
18	14441921		3 SCREW Hex Soc Flat Hd, M8 x 16, 8.8
19	86050286		14 FLANGE BOLT Hex, M10 x 20mm, Cl 8.8, Full Thd
20	86011090		1 BOLT Hex, M10 x 70mm, Cl 8.8
21	8475948		2 NUT M10 x 1.5, Cl 8
22	86633356		2 CARRIAGE BOLT Short NK, M10 x 25, Cl 8.8, Full Thd
23	9804278		4 FLANGE NUT Hex Flg, M10, 1.5 Pitch, Gr 8
24	84188432		1 BOLT
25	87301498		1 FLANGE NUT
26	87015576		1 BOLT Hex, M10 x 205mm, Cl 8.8
27	412686		2 COTTER PIN M5 x 32
28	84019930		1 CLEVIS PIN M6 x 20
29	87016658		1 COTTER PIN
30	9804258		1 BOLT Hvy Hex, M8 x 1.25 x 20mm, Cl 8.8, Full Thd
			4406-630 4406-636 4406-638 4408-830 4408-836 4408-838 4412-1230

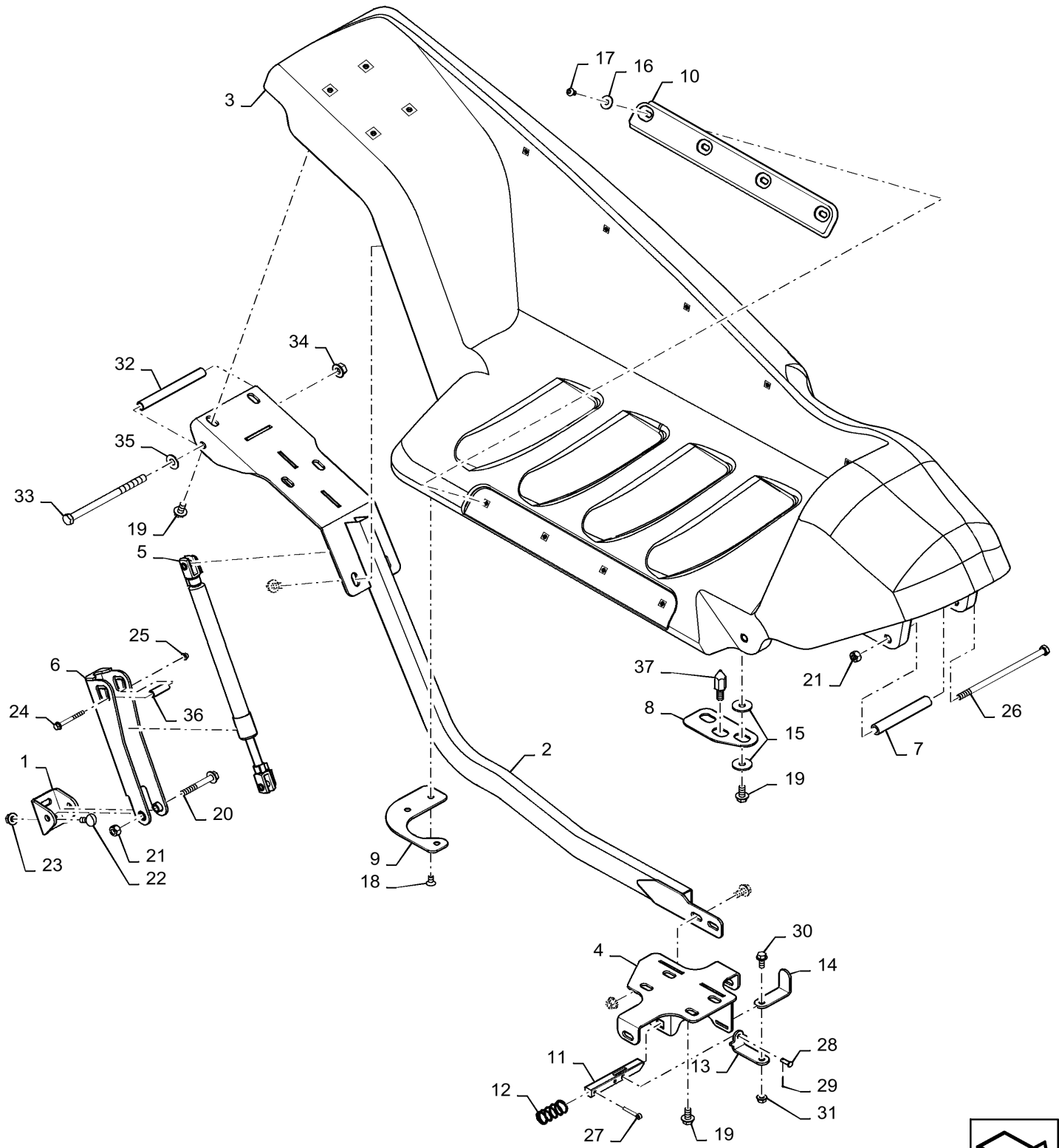
58.228.AG

01

p2

1/2014

HOOD, AUGER, ASSY, LH OUTER



## HOOD, AUGER, ASSY, LH OUTER

REF FN	PART NUMBER	YR/SN	QTY DESCRIPTION
31	87681210		1 FLANGE NUT Hex, M8, CI 10
32	84541231		1 TUBE
33	336383		1 BOLT Hex, M12 x 1.75 x 180mm, CI 8.8
34	9804279		1 FLANGE NUT M12 x 1.75, Flg, CI 8
35	140046		1 BELLEVILLE WASHER Belleville, M12
36	87698776		1 SPACER 1/2" Tube, 8.48mm ID x 12.70mm OD x 36.50mm L
37	322631750		1 DOWEL
			4406-630 4406-636 4406-638 4408-830 4408-836 4408-838 4412-1230

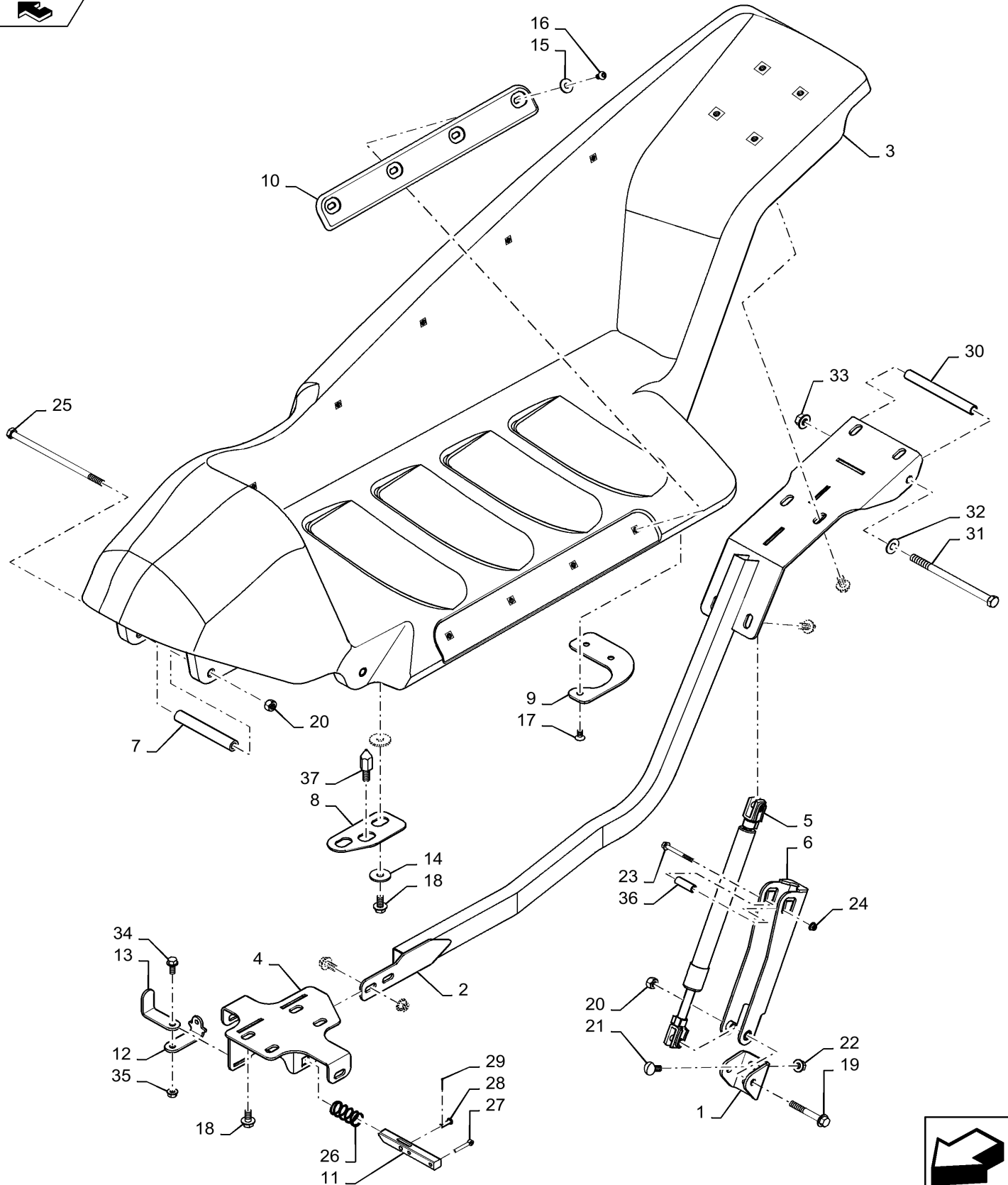
58.228.AG

02

p1

1/2014

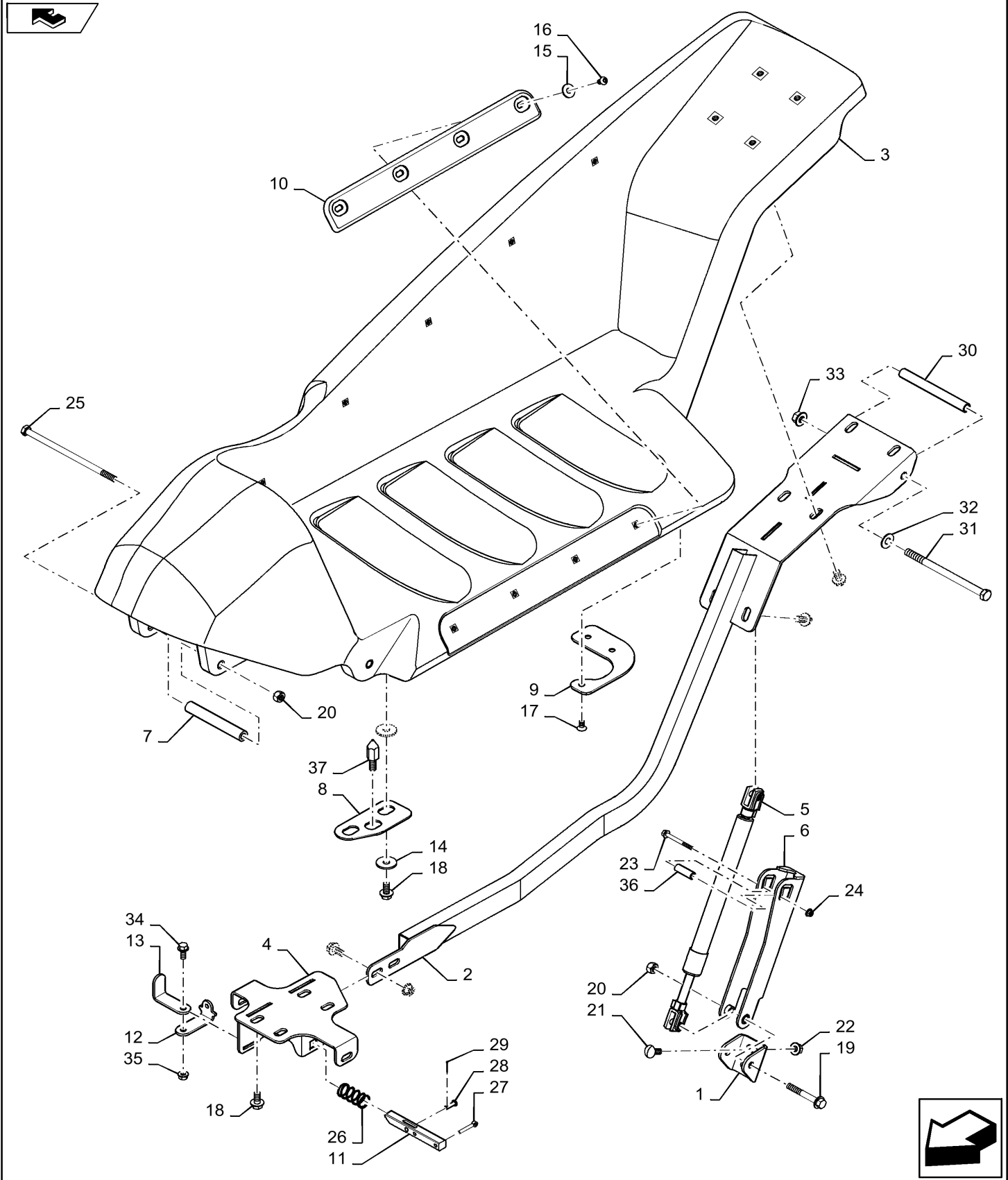
HOOD, AUGER, ASSY, RH OUTER



## HOOD, AUGER, ASSY, RH OUTER

REF FN	PART NUMBER	YR/SN	QTY DESCRIPTION
1	84560219		1 BRACKET
2	47496446		1 HINGE
3	47491368		1 HOOD
4	47490923		1 SUPPORT
5	84558101		1 GAS STRUT
6	84558102		1 CHANNEL
7	84530075		1 SPACER
8	47386724		1 PLATE
9	47479866		1 STRIPPER
10	47358205		1 WEAR STRIP
11	84582341		1 PIN
12	47394912		1 LOCKING TAB
13	47394913		1 LOCKING TAB
14	140042		4 WASHER M10 x 34 x 3
15	86639313		4 WASHER M8 x 20 x 1.6
16	47368446		4 SCREW
17	14441921		3 SCREW Hex Soc Flat Hd, M8 x 16, 8.8
18	86050286		14 FLANGE BOLT Hex, M10 x 20mm, Cl 8.8, Full Thd
19	86011090		1 BOLT Hex, M10 x 70mm, Cl 8.8
20	8475948		2 NUT M10 x 1.5, Cl 8
21	86633356		2 CARRIAGE BOLT Short NK, M10 x 25, Cl8.8, Full Thd
22	9804278		4 FLANGE NUT Hex Flg, M10, 1.5 Pitch, Gr 8
23	84188432		1 BOLT
24	87301498		1 FLANGE NUT
25	87015576		1 BOLT Hex, M10 x 205mm, Cl 8.8
26	87583308		1 SHAFT
27	412686		2 COTTER PIN M5 x 32
28	84019930		1 CLEVIS PIN M6 x 20
29	87016658		1 COTTER PIN
30	84541231		1 TUBE
31	336383		1 BOLT Hex, M12 x 1.75 x 180mm, Cl 8.8
			4406-630 4406-636 4406-638 4408-830 4408-836 4408-838 4412-1230

HOOD, AUGER, ASSY, RH OUTER



**HOOD, AUGER, ASSY, RH OUTER**

REF FN	PART NUMBER	YR/SN	QTY DESCRIPTION
32	140046		1 BELLEVILLE WASHER Belleville, M12
33	9804279		1 FLANGE NUT M12 x 1.75, Flg, CI 8
34	9804258		1 BOLT Hvy Hex, M8 x 1.25 x 20mm, CI 8.8, Full Thd
35	87681210		1 FLANGE NUT Hex, M8, CI 10
36	87698776		1 SPACER 1/2" Tube, 8.48mm ID x 12.70mm OD x 36.50mm L
37	322631750		1 DOWEL
			4406-630 4406-636 4406-638 4408-830 4408-836 4408-838 4412-1230

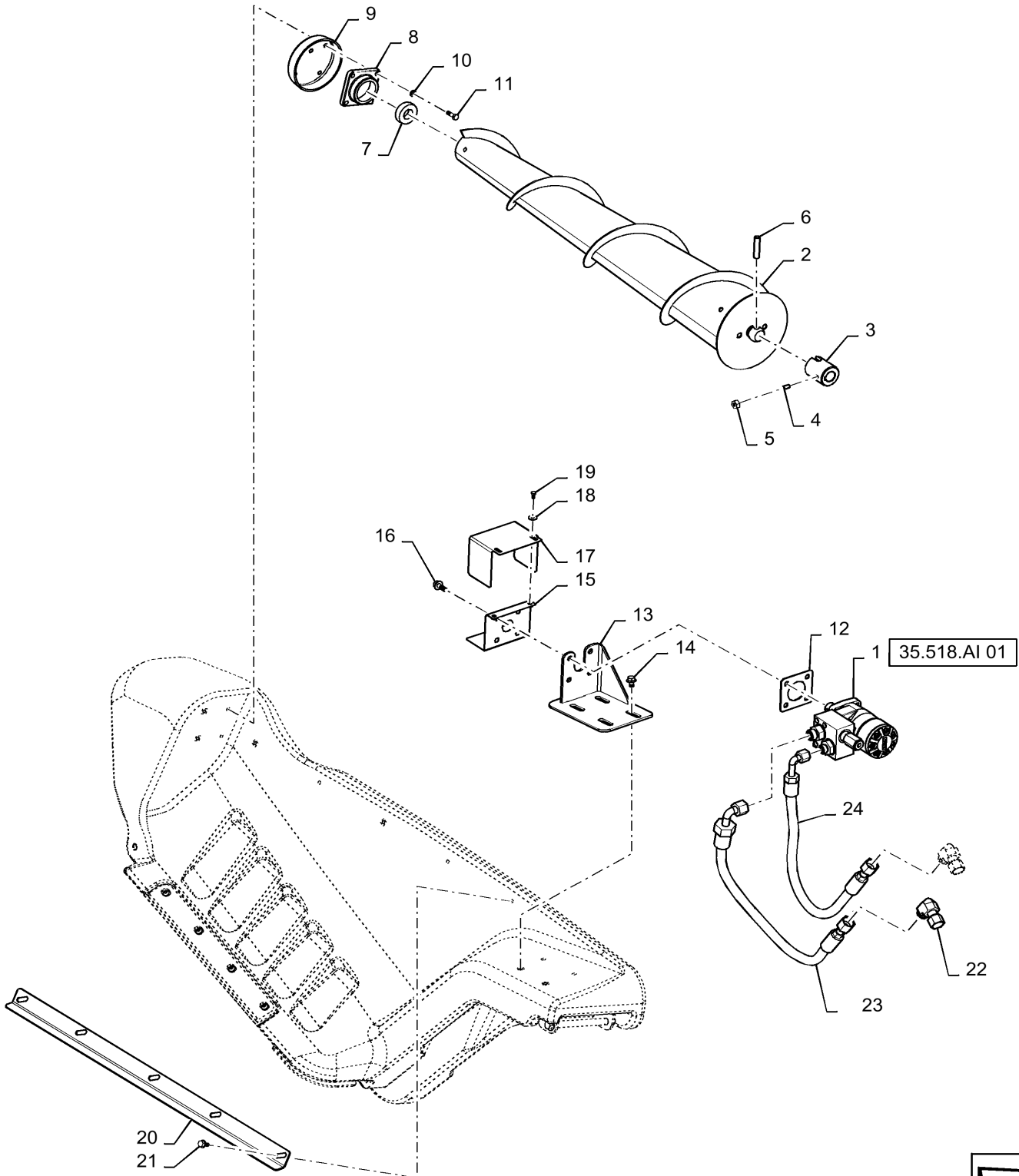
58.228.AG

03

p1

1/2014

HOOD, AUGER ASSY, RH DIVIDER





## HOOD, AUGER ASSY, RH DIVIDER

REF FN	PART NUMBER	YR/SN	QTY DESCRIPTION
1	84142005		1 HYDRAULIC MOTOR
2	84540200		1 AUGER
3	84278079		1 COUPLING
4	300477		1 SET SCREW Hex Soc, M8 x 16, Cup Pt
5	9706690		1 NUT Hex, M8, 1.25mm Pitch, 6.80mm High, Cl 8, ZND
6	278910		1 LOCK PIN M12 x 55, Slotted
7	340411236		1 BALL BEARING
8	47377254		1 HOUSING
9	84278072		1 PROTECTION PLATE
10	83990583		4 LOCK WASHER M8
11	43127		4 BOLT Hex, M8 x 1.25 x 25mm, Cl 8.8, Full Thd
12	84198833		1 SPACER
13	47482835		1 MOUNT
14	87646158		4 BOLT
15	47410532		1 SHIELD
16	87698836		4 BOLT Hvy Hex Flg, M10 x 25mm, Cl 10.9, Full Thd
17	47410536		1 SHIELD
18	322357		2 BELLEVILLE WASHER M6
19	86977726		2 BOLT Hex, M6 x 12mm, Cl 8.8, Full Thd
20	47479864		1 STRIPPER
21	86511841		5 BOLT Hvy Hex, M8 x 16mm, Cl 8.8, Full Thd
22	201-361		2 ELBOW 90°, 1"-14 x 1"-14 Fem Sw ORFS
23	47413632		1 HYDRAULIC HOSE
24	47413659		1 HYDRAULIC HOSE
			4406-630 4406-636 4406-638 4408-830 4408-836 4408-838 4412-1230

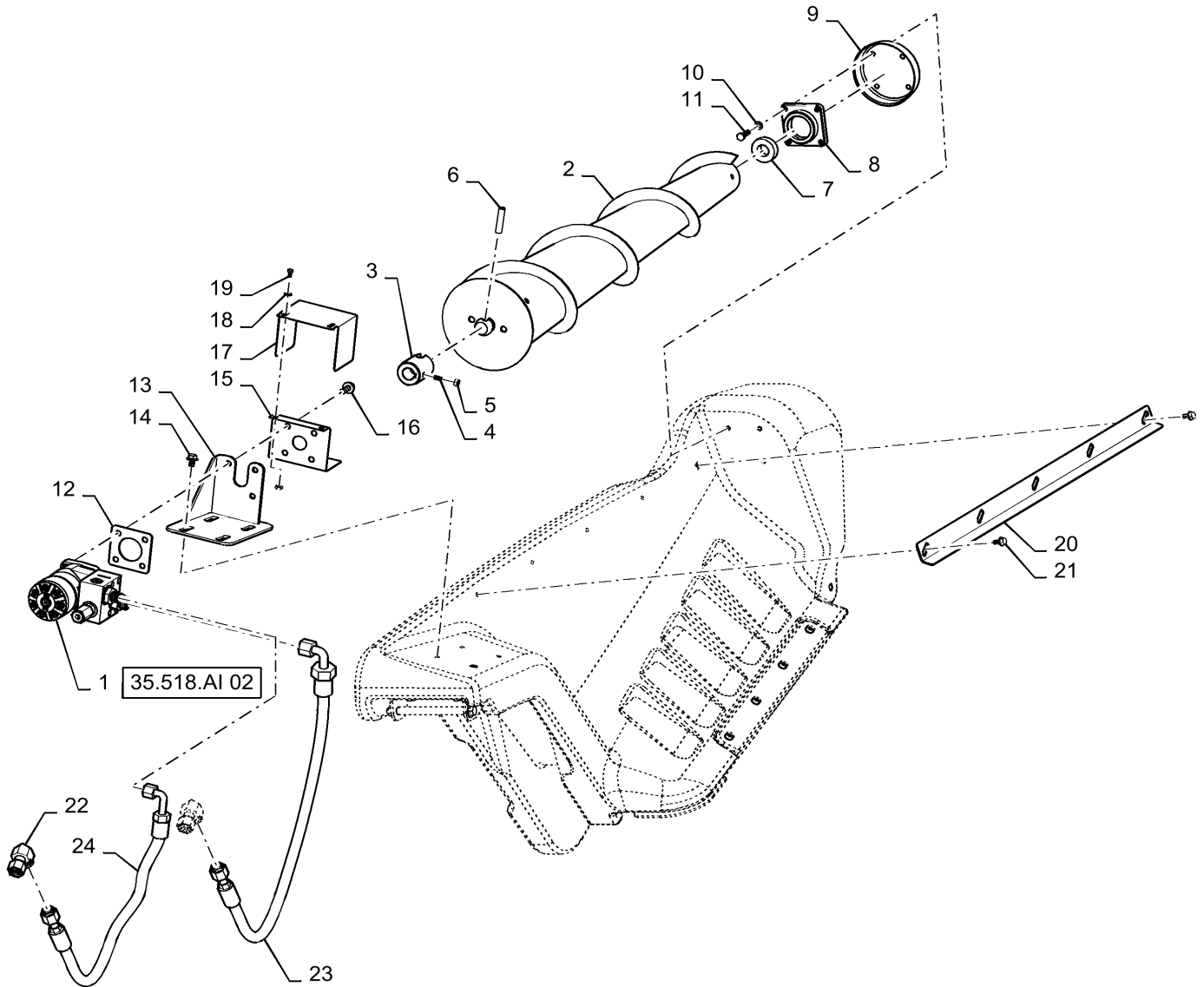
58.228.AG

04

p1

1/2014

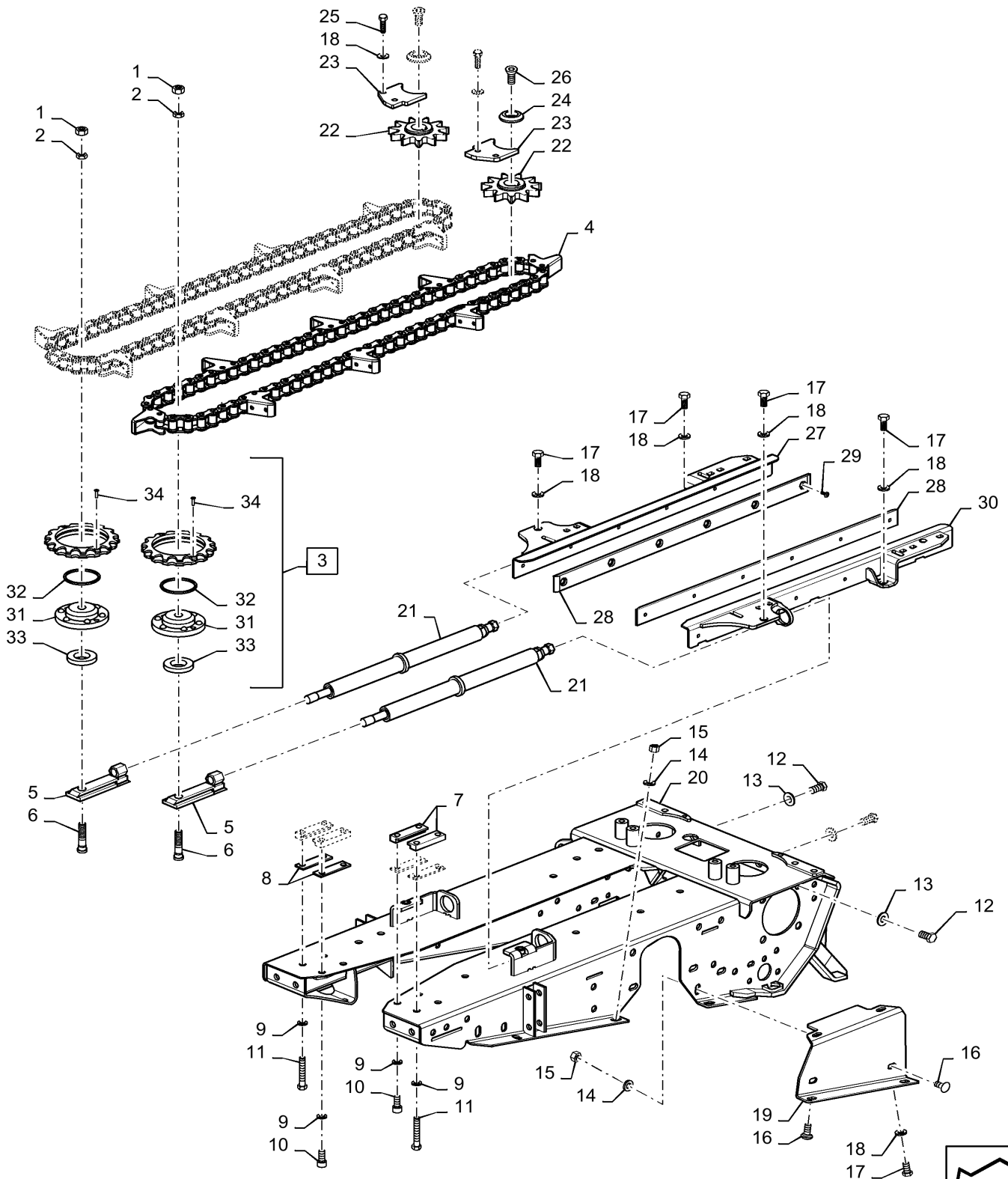
HOOD, AUGER ASSY, LH DIVIDER



## HOOD, AUGER ASSY, LH DIVIDER

REF FN	PART NUMBER	YR/SN	QTY DESCRIPTION
1	84142006		1 HYDRAULIC MOTOR
2	84540202		1 AUGER
3	84278079		1 COUPLING
4	300477		1 SET SCREW Hex Soc, M8 x 16, Cup Pt
5	9706690		1 NUT Hex, M8, 1.25mm Pitch, 6.80mm High, Cl 8, ZND
6	278910		1 LOCK PIN M12 x 55, Slotted
7	340411236		1 BALL BEARING
8	47377254		1 HOUSING
9	84278072		1 PROTECTION PLATE
10	83990583		4 LOCK WASHER M8
11	43127		4 BOLT Hex, M8 x 1.25 x 25mm, Cl 8.8, Full Thd
12	84198833		1 SPACER
13	47482848		1 MOUNT
14	87646158		4 BOLT
15	47410532		1 SHIELD
16	87698836		4 BOLT Hvy Hex Flg, M10 x 25mm, Cl 10.9, Full Thd
17	47410536		1 SHIELD
18	322357		2 BELLEVILLE WASHER M6
19	86977726		2 BOLT Hex, M6 x 12mm, Cl 8.8, Full Thd
20	47479864		1 STRIPPER
21	86511841		5 BOLT Hvy Hex, M8 x 16mm, Cl 8.8, Full Thd
22	201-361		2 ELBOW 90°, 1"-14 x 1"-14 Fem Sw ORFS
23	47413632		1 HYDRAULIC HOSE
24	47413659		1 HYDRAULIC HOSE
			4406-630 4406-636 4406-638 4408-830 4408-836 4408-838 4412-1230

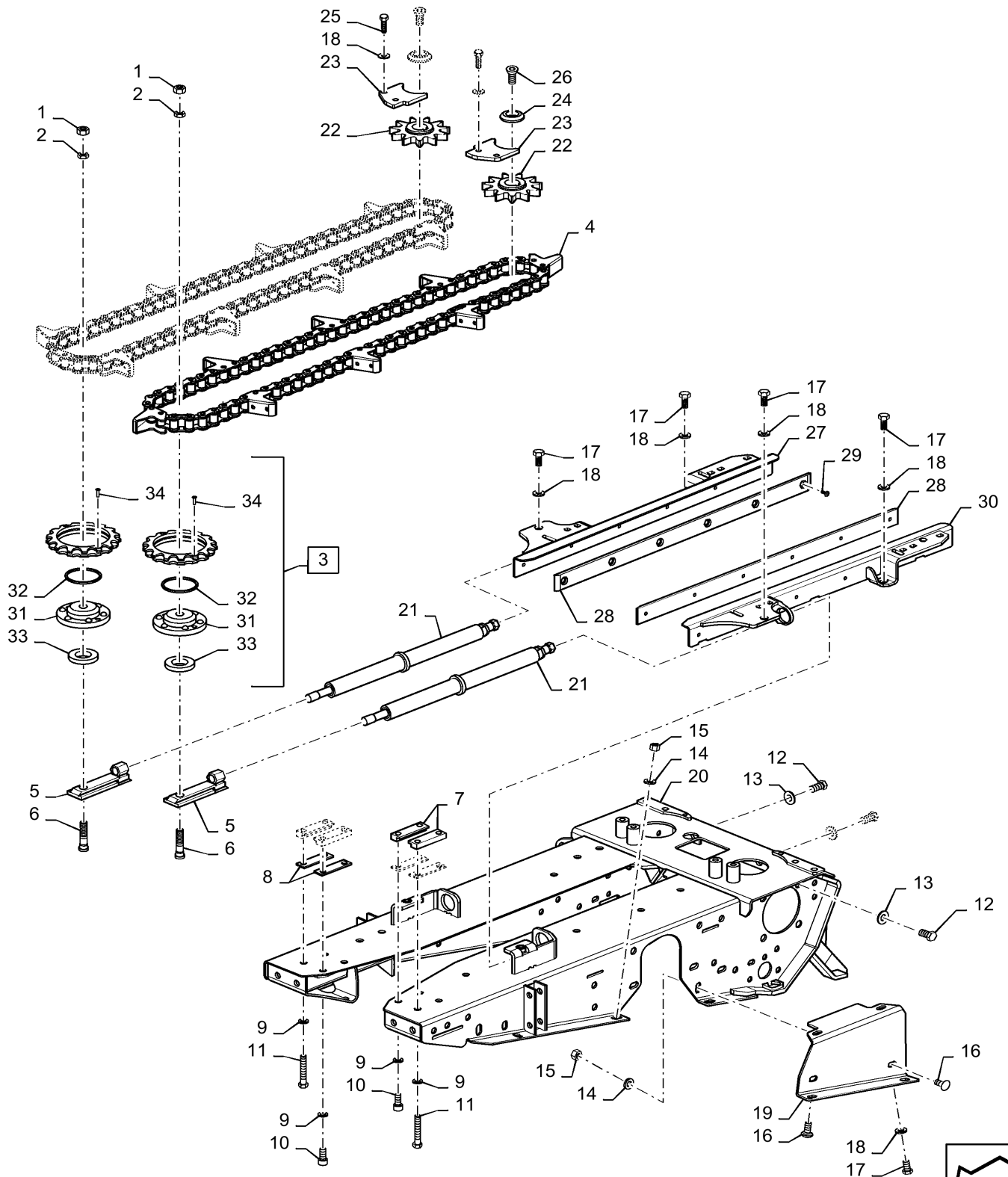
ROW UNIT, WITHOUT CHOPPER



## ROW UNIT, WITHOUT CHOPPER

REF FN	PART NUMBER	YR/SN	QTY DESCRIPTION
1	47455264		2 NUT
2	84305109		2 NUT
3	87473652		2 DRIVEN SPROCKET
4	84977231		1 GATHERING CHAIN Incl 31 - 34
5	84513854		2 GUIDE
6	47455269		2 BOLT
7	84514345		4 GUIDE
8	84514774		4 PLATE
9	140028		8 WASHER M10
10	86508097		4 HEX SOC SCREW M10 x 25mm, CI 12.9, Full Thd
11	120071		4 BOLT Hex, M10 x 65, 8.8
12	300388		10 BOLT Hex, M12 x 25mm, CI 8.8
13	140046		10 BELLEVILLE WASHER Belleville, M12
14	355501130		4 WASHER
15	100037		4 NUT M10 x 1.5, CI 8, Prev Torque
16	86633356		4 CARRIAGE BOLT Short NK, M10 x 25, CI 8.8, Full Thd
17	43138		6 BOLT Hex, M10 x 1.5 x 20mm, CI 8.8, Full Thd
18	140045		10 BELLEVILLE WASHER M10
19	322428950		1 SUPPORT
20	84575119		1 FRAME
21	47451459		2 SPRING
22	84977235		2 DRIVEN SPROCKET
23	84421899		2 PLATE
24	322453050		2 LOCK WASHER
25	43140		4 BOLT Hex, M10 x 30mm, CI 8.8, Full Thd
26	84976774		2 SCREW M12 x 30mm, CI 8.8
27	47478613		1 GUIDE
28	84977612		2 SLIDING PAD
29	445394		12 RIVET Pop, M4.8 x 12.7
30	47478611		1 GUIDE
			4406-630 4406-636 4406-638 4408-830 4408-836 4408-838 4412-1230

ROW UNIT, WITHOUT CHOPPER



**58.230.AI**

01

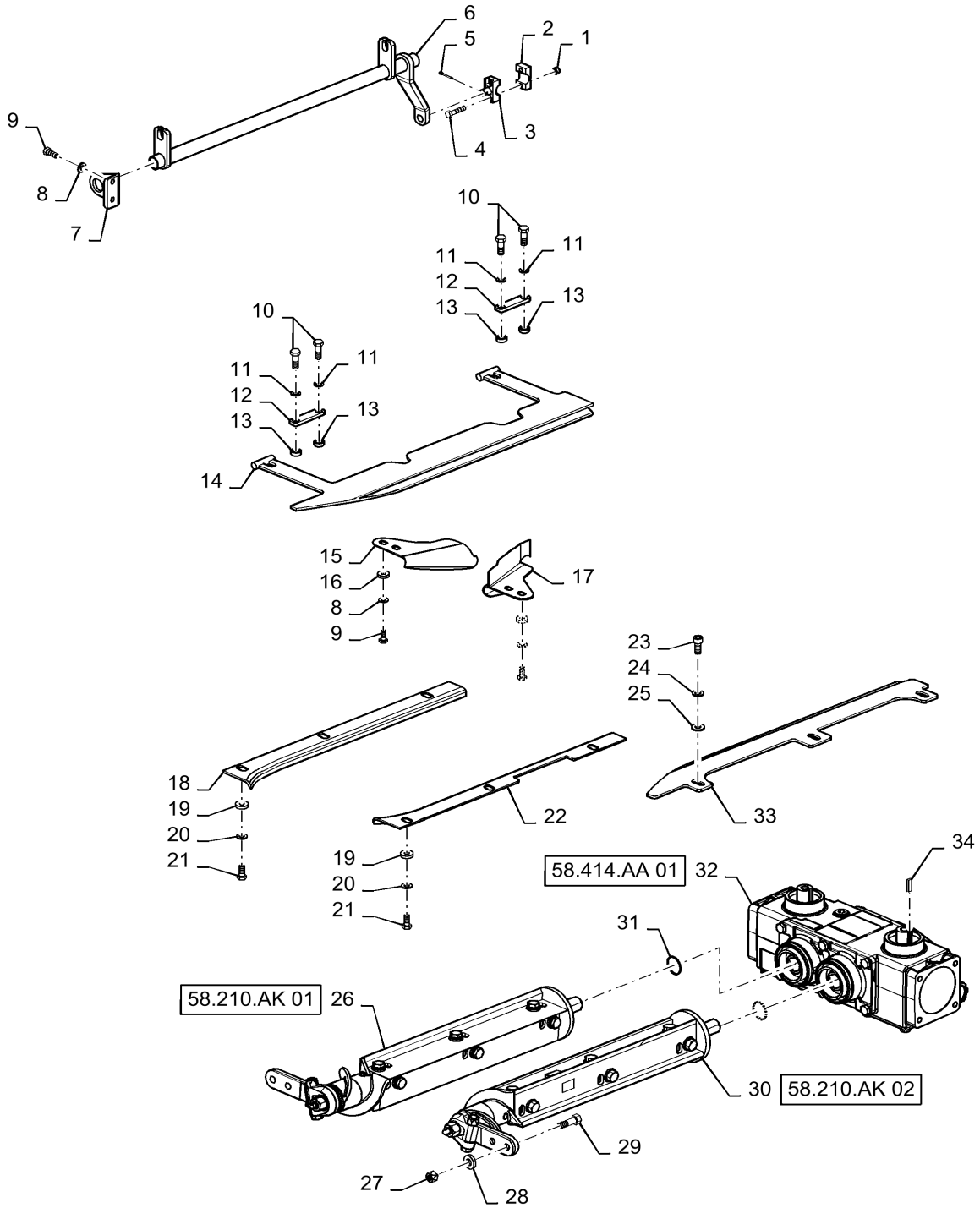
p2

1/2014

**ROW UNIT, WITHOUT CHOPPER**

<b>REF FN</b>	<b>PART NUMBER</b>	<b>YR/SN</b>	<b>QTY DESCRIPTION</b>
31	443898		1 BALL BEARING 25 mm ID x 52 mm OD x 15 mm
32	{84176302}		2 Seal, Sprocket
33	{84170589}		2 Shield, Bushing
34	{84177562}		6 Rivet
			4406-630 4406-636 4406-638 4408-830 4408-836 4408-838 4412-1230

ROW UNIT, WITHOUT CHOPPER

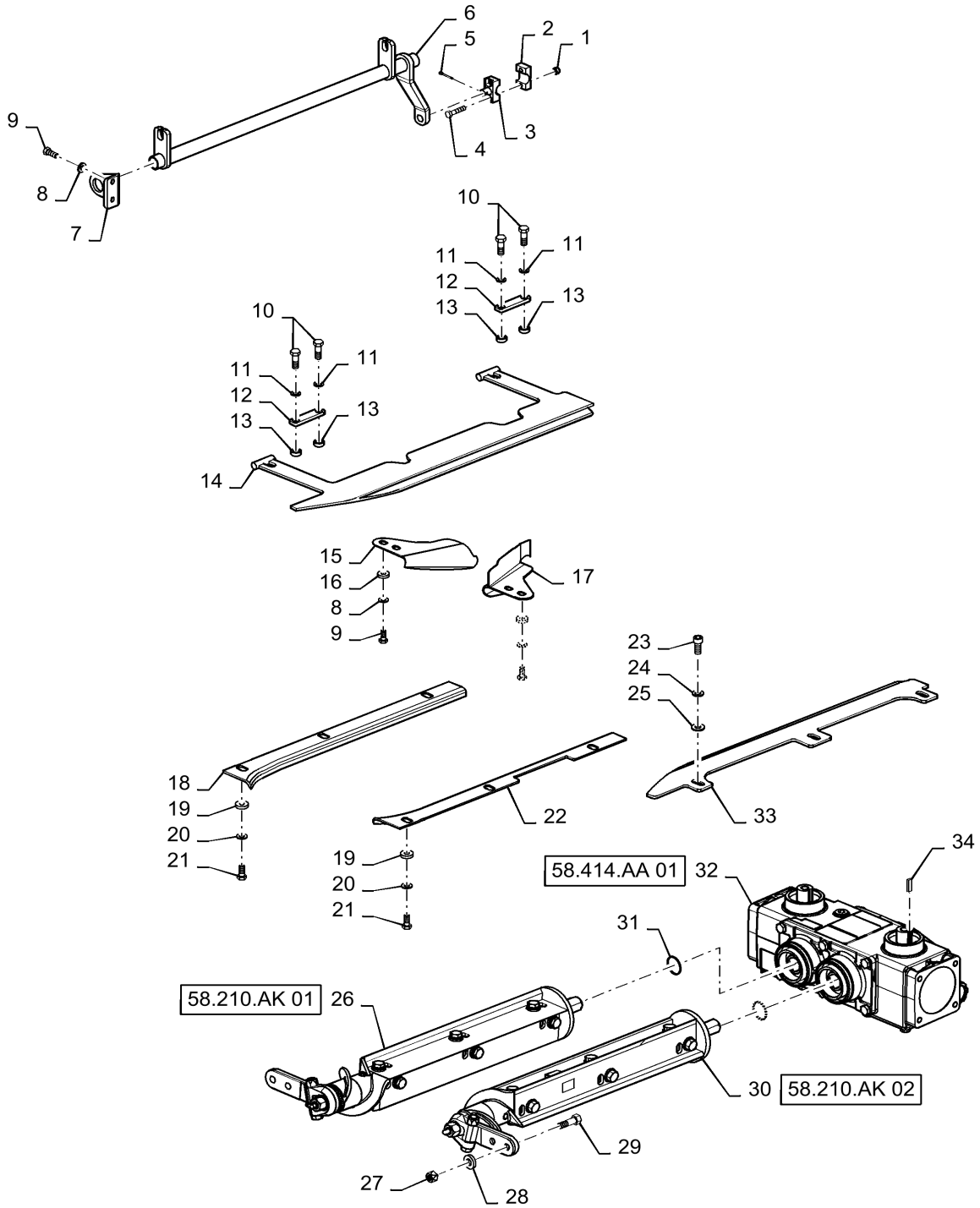




## ROW UNIT, WITHOUT CHOPPER

REF FN	PART NUMBER	YR/SN	QTY DESCRIPTION
1	86629542		2 NUT M8 x 1.25, CI 8
2	84244862		1 CLAMP
3	84244861		1 CLAMP
4	43129		2 BOLT Hex, M8 x 1.25 x 40mm, CI 8.8
5	412685		1 COTTER PIN M4 x 32
6	47455849		1 ARM
7	84267026		1 BRACKET, SUPPORTING
8	322358		6 BELLEVILLE WASHER M8
9	120104		6 BOLT Hex, M8 x 1.25 x 20mm, CI 8.8, Full Thd
10	43140		4 BOLT Hex, M10 x 30mm, CI 8.8, Full Thd
11	140028		4 WASHER M10
12	322448650		2 COVER PLATE
13	84977214		4 BUSHING
14	84972758		1 STEEL PLATE
15	87662218		1 SHIELD
16	86592699		4 WASHER M6 x 23 x 4, HT
17	87662222		1 SHIELD
18	322592050		1 SHEAR BAR
19	84000016		6 WASHER M12 x 30 x 5 Thk
20	140046		6 BELLEVILLE WASHER Belleville, M12
21	300388		6 BOLT Hex, M12 x 25mm, CI 8.8
22	322592150		1 SHEAR BAR
23	86508097		3 HEX SOC SCREW M10 x 25mm, CI 12.9, Full Thd
24	140045		3 BELLEVILLE WASHER M10
25	12626201		3 WASHER M10 x 25 x 3
26	322640300		1 ROLLER
27	412672		4 NUT M12 x 1.75, CI 10
28	12648521		4 WASHER M12 x 28 x 4
29	337563		4 SCREW Hex, M12 x 1.75 x 40mm, CI 10.9, Full Thd
30	322640100		1 ROLLER
			4406-630 4406-636 4406-638 4408-830 4408-836 4408-838 4412-1230

ROW UNIT, WITHOUT CHOPPER



**58.230.AI**

02

p2

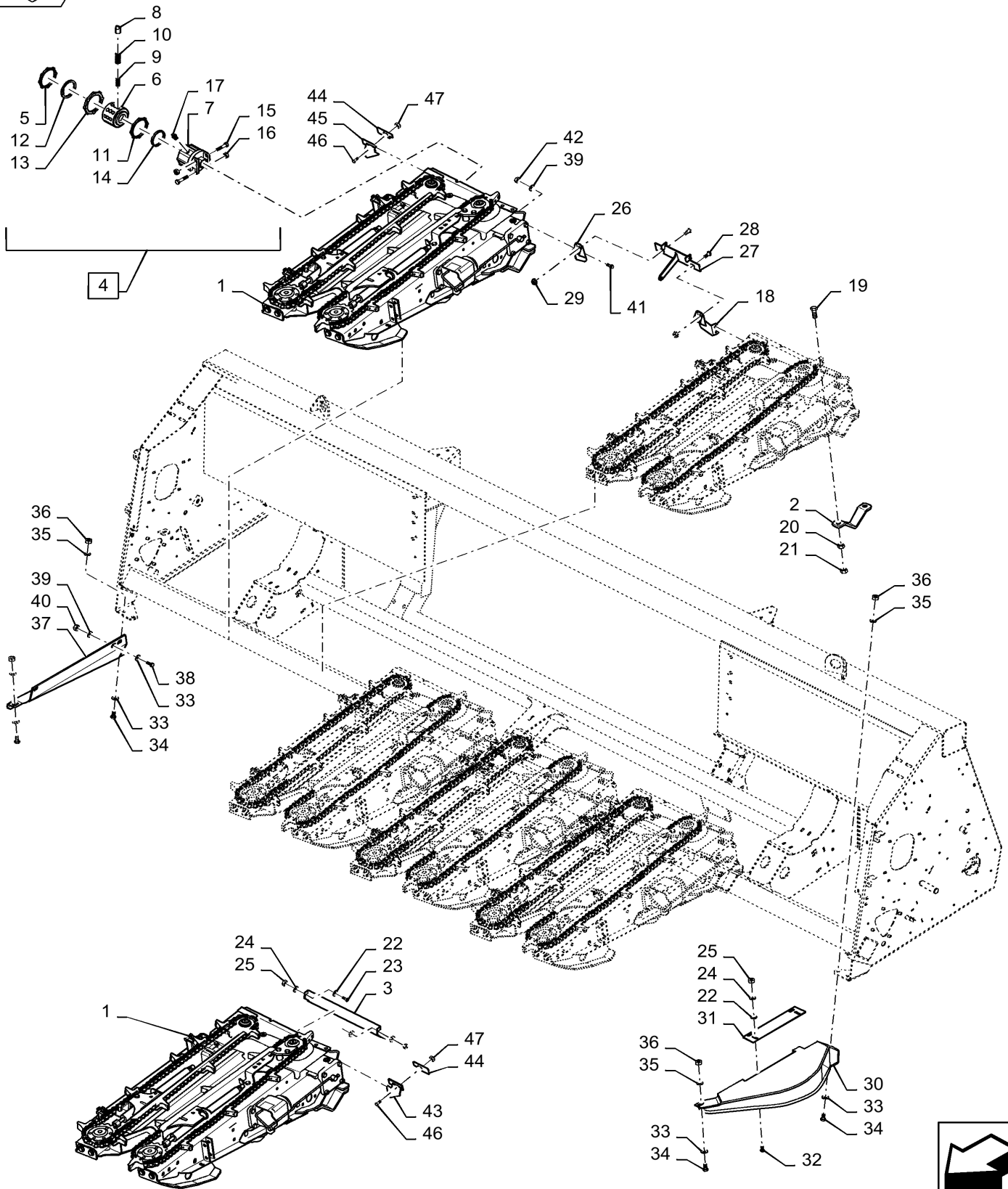
1/2014

**ROW UNIT, WITHOUT CHOPPER**

<b>REF FN</b>	<b>PART NUMBER</b>	<b>YR/SN</b>	<b>QTY DESCRIPTION</b>
31	322593550		2 SEAL
32	84571976		1 GEARBOX
33	47474090		1 PLATE
34	322753050		2 TRACK ASSY

4406-630 4406-636 4406-638 4408-830 4408-836 4408-838 4412-1230

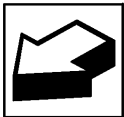
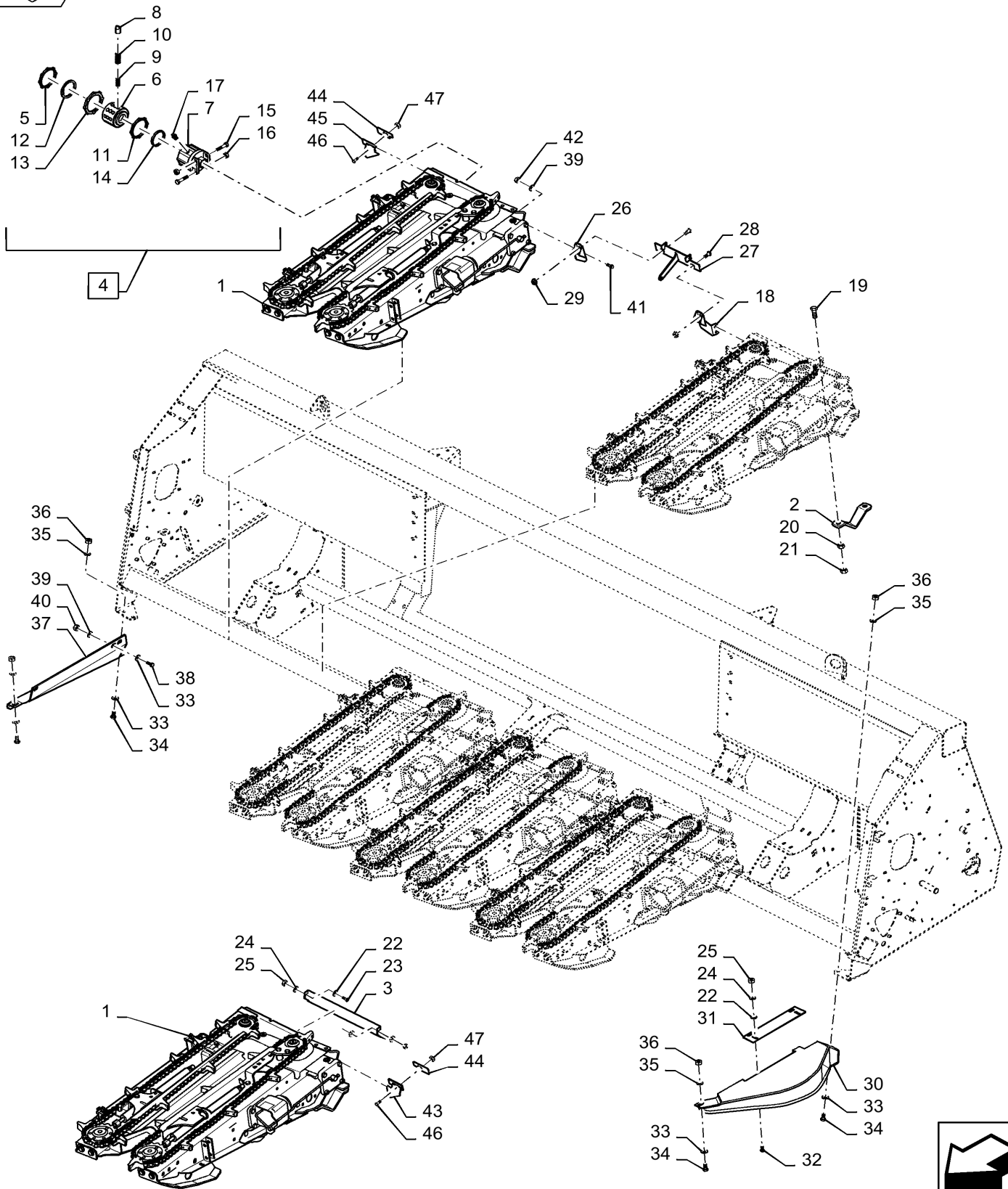
ROW UNIT, WITHOUT CHOPPER



## ROW UNIT, WITHOUT CHOPPER

REF FN	PART NUMBER	YR/SN	QTY DESCRIPTION
1	84572441		8 ROW UNIT
1	84572441		6 ROW UNIT
2	322422250		16 RETAINER COLLAR
2	322422250		12 RETAINER COLLAR
3	322630550		8 SHIELD
3	322630550		6 SHIELD
4	84972762		8 CLUTCH Incl 5 - 17
4	84972762		6 CLUTCH Incl 5 - 17
5	{84456068}		1
6	84977731		1 BOX
7	84977728		1 HUB
8	700703406		20 CAM
9	386510		20 SPRING
10	386511		20 SPRING
11	86636027		1 DISC
12	300633		1 SNAP RING M80, Int
13	86634290		1 SEALING RING
14	86634289		1 SEAL
15	754181		2 BOLT
16	100038		2 NUT M12 x 1.75, CI 8
17	84447449		2 LUBE NIPPLE
18	47478770		7 SUPPORT
18	47478770		5 SUPPORT
19	15981131		32 BOLT Hex, M16 x 1.5 x 60mm, CI 10.9
19	15981131		24 BOLT Hex, M16 x 1.5 x 60mm, CI 10.9
20	10790521		32 NUT M16 x 1.5, CI 10
20	10790521		24 NUT M16 x 1.5, CI 10
21	10791411		32 THIN NUT Thin, M16, 1.50mm Pitch, 8.00mm High, CI 04, ZND
21	10791411		24 THIN NUT Thin, M16, 1.50mm Pitch, 8.00mm High, CI 04, ZND
22	12646701		18 WASHER Flat, 8.15mm ID x 20.00mm OD x 2.00mm, Carbon Steel, ZND
			4406-630 4406-636 4406-638 4408-830 4408-836 4408-838 4412-1230

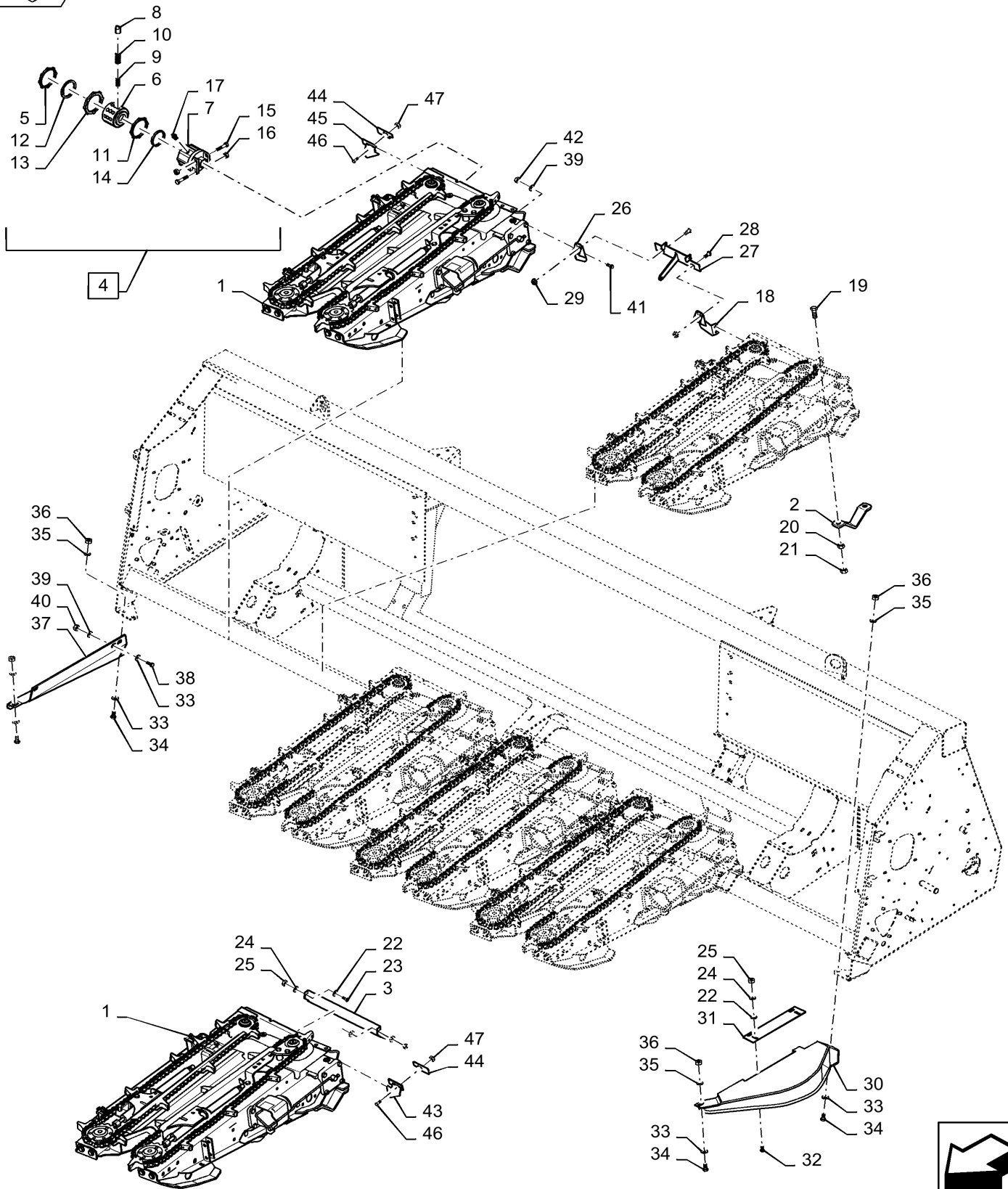
ROW UNIT, WITHOUT CHOPPER



## ROW UNIT, WITHOUT CHOPPER

REF FN	PART NUMBER	YR/SN	QTY DESCRIPTION
22	12646701		14 WASHER Flat, 8.15mm ID x 20.00mm OD x 2.00mm, Carbon Steel, ZND
23	120104		16 BOLT Hex, M8 x 1.25 x 20mm, CI 8.8, Full Thd
23	120104		12 BOLT Hex, M8 x 1.25 x 20mm, CI 8.8, Full Thd
24	322358		18 BELLEVILLE WASHER M8
24	322358		14 BELLEVILLE WASHER M8
25	9706690		18 NUT Hex, M8, 1.25mm Pitch, 6.80mm High, CI 8, ZND
25	9706690		14 NUT Hex, M8, 1.25mm Pitch, 6.80mm High, CI 8, ZND
26	47478767		7 SUPPORT
26	47478767		5 SUPPORT
27	47478036		7 HINGE
27	47478036		5 HINGE
28	86633356		14 CARRIAGE BOLT Short NK, M10 x 25, CI8.8, Full Thd
28	86633356		10 CARRIAGE BOLT Short NK, M10 x 25, CI8.8, Full Thd
29	9804278		14 FLANGE NUT Hex Flg, M10, 1.5 Pitch, Gr 8
29	9804278		10 FLANGE NUT Hex Flg, M10, 1.5 Pitch, Gr 8
30	322531350		1 SHIELD
30	322531350		1 SHIELD
31	322462050		1 COVER PLATE
31	322462050		1 COVER PLATE
32	86619060		2 CARRIAGE BOLT Sht Sq Nk, M8 x 16mm, CI 8.8, Full Thd
32	86619060		2 CARRIAGE BOLT Sht Sq Nk, M8 x 16mm, CI 8.8, Full Thd
33	86625253		6 WASHER M11 x 24 x 2
33	86625253		6 WASHER M11 x 24 x 2
34	300388		4 BOLT Hex, M12 x 25mm, CI 8.8
			4406-630 4406-636 4406-638 4408-830 4408-836 4408-838 4412-1230

ROW UNIT, WITHOUT CHOPPER

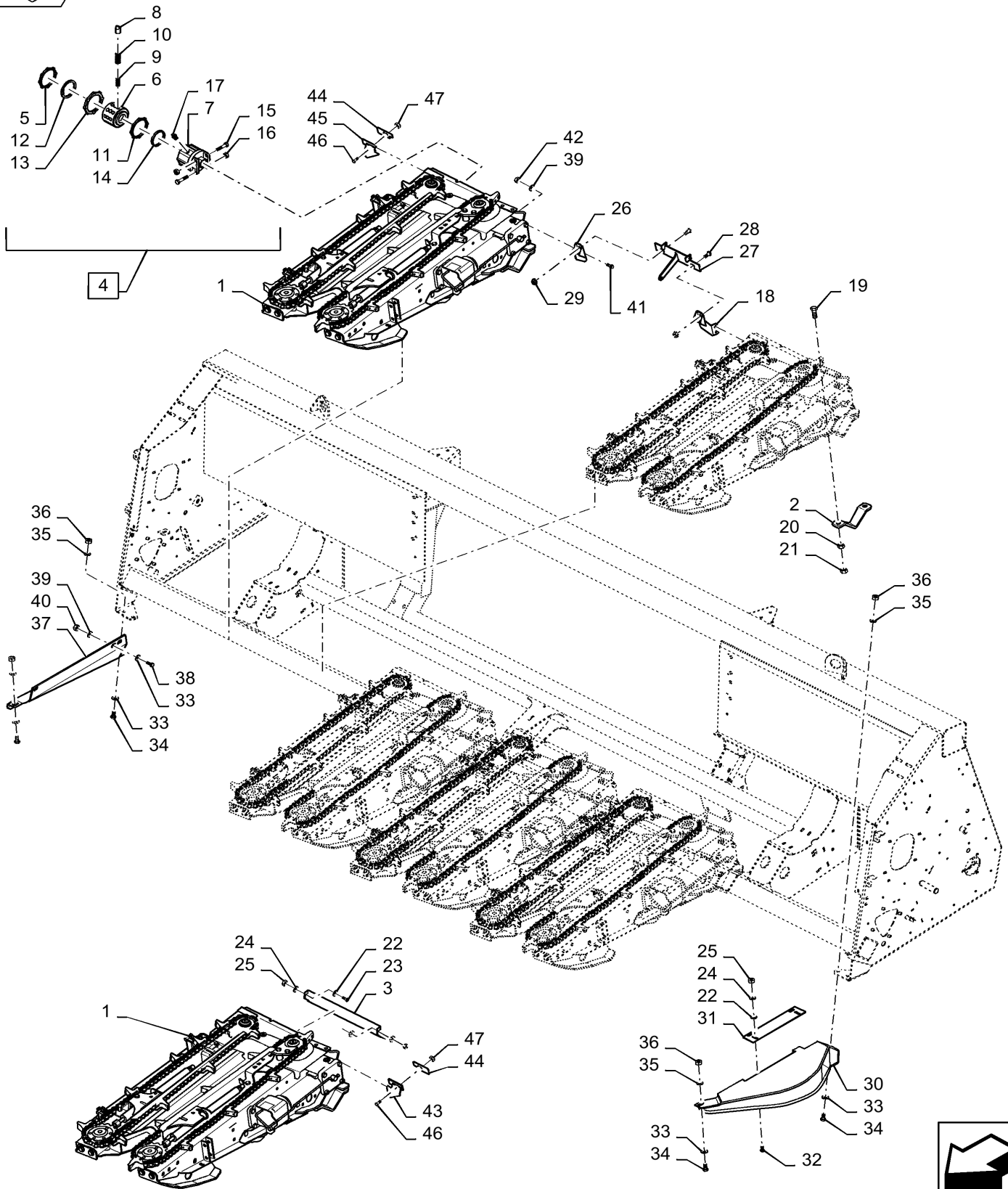




## ROW UNIT, WITHOUT CHOPPER

REF FN	PART NUMBER	YR/SN	QTY DESCRIPTION
34	300388		4 BOLT Hex, M12 x 25mm, CI 8.8
35	140046		4 BELLEVILLE WASHER Belleville, M12
35	140046		4 BELLEVILLE WASHER Belleville, M12
36	9706685		4 NUT M12, CI 8
36	9706685		4 NUT M12, CI 8
37	322457050		1 PLATE
37	322457050		1 PLATE
38	43139		2 BOLT Hex, M10 x 25mm, CI 8.8
38	43139		2 BOLT Hex, M10 x 25mm, CI 8.8
39	140045		30 BELLEVILLE WASHER M10
39	140045		22 BELLEVILLE WASHER M10
40	100016		2 NUT M10, CI 8
40	100016		2 NUT M10, CI 8
41	86705428		28 BOLT Hex, M10 x 20mm, CI 10.9, Full Thd
41	86705428		20 BOLT Hex, M10 x 20mm, CI 10.9, Full Thd
42	86500689		28 NUT M10, CI 10
42	86500689		20 NUT M10, CI 10
43	47581964		1 BRACKET
44	47588351		2 PLATE
45	47588374		1 BRACKET
46	86512439		4 CARRIAGE BOLT Sht Nk, M6 x 16mm, CI 8.8, Full Thd
47	9804276		4 FLANGE NUT M6 x 1, Flg, CI 8
			4406-630 4406-636 4406-638 4408-830 4408-836 4408-838 4412-1230

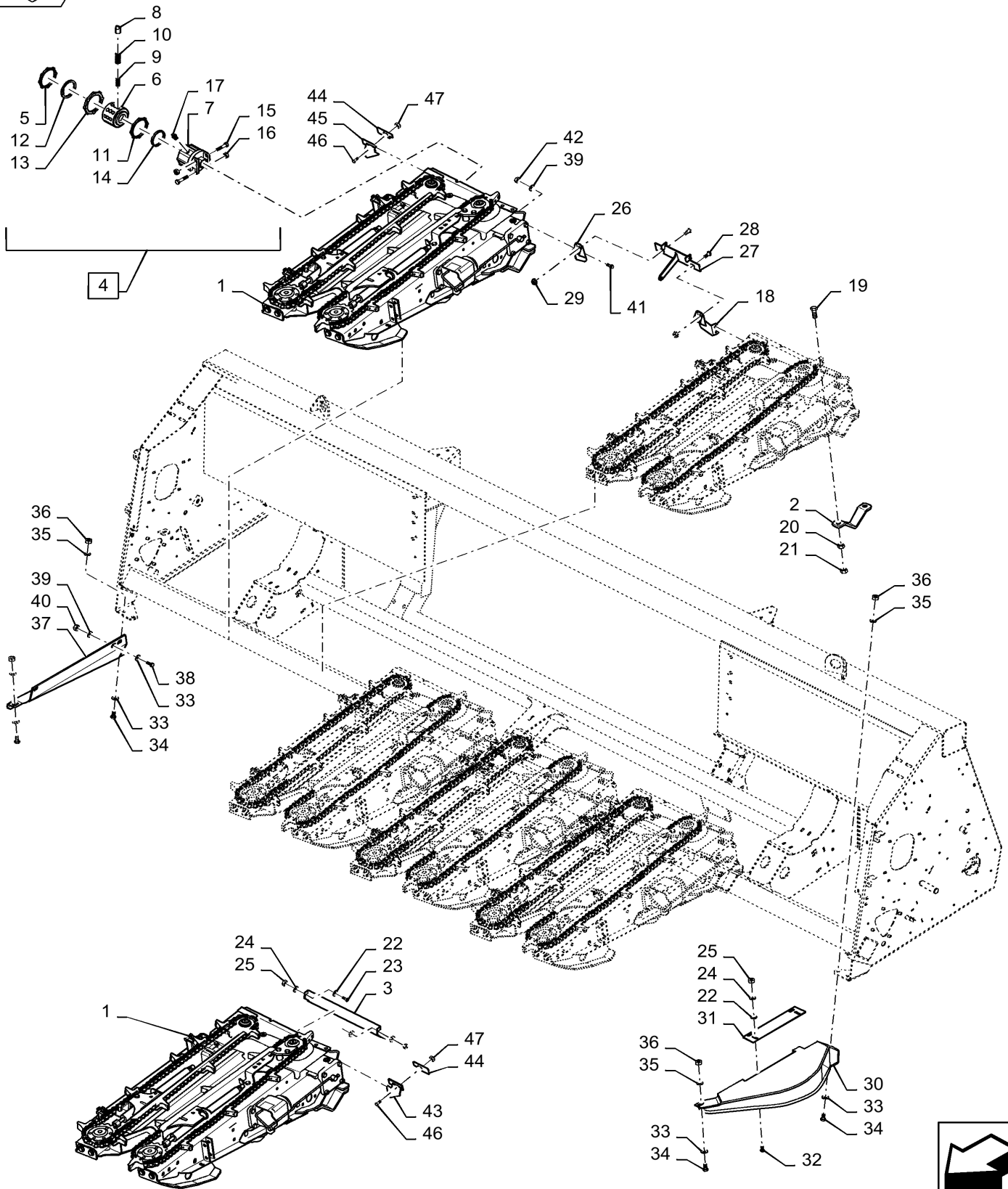
ROW UNIT, WITH CHOPPER



## ROW UNIT, WITH CHOPPER

REF FN	PART NUMBER	YR/SN	QTY DESCRIPTION
1	84572438		6 ROW UNIT
1	84572438		8 ROW UNIT
2	322630550		12 SHIELD
2	322630550		16 SHIELD
3	84972762		6 CLUTCH Incl 4 - 16
3	84972762		8 CLUTCH Incl 4 - 16
4	{84456068}		1
5	84977731		1 BOX
6	84977728		1 HUB
7	700703406		20 CAM
8	386510		20 SPRING
9	386511		20 SPRING
10	86636027		1 DISC
11	300633		1 SNAP RING M80, Int
12	86634290		1 SEALING RING
13	86634289		1 SEAL
14	754181		2 BOLT
15	100038		2 NUT M12 x 1.75, CI 8
16	84447449		2 LUBE NIPPLE
17	47478770		5 SUPPORT
17	47478770		7 SUPPORT
18	15981131		24 BOLT Hex, M16 x 1.5 x 60mm, CI 10.9
18	15981131		32 BOLT Hex, M16 x 1.5 x 60mm, CI 10.9
19	10790521		24 NUT M16 x 1.5, CI 10
19	10790521		32 NUT M16 x 1.5, CI 10
20	10791411		24 THIN NUT Thin, M16, 1.50mm Pitch, 8.00mm High, CI 04, ZND
20	10791411		32 THIN NUT Thin, M16, 1.50mm Pitch, 8.00mm High, CI 04, ZND
21	12646701		14 WASHER Flat, 8.15mm ID x 20.00mm OD x 2.00mm, Carbon Steel, ZND
21	12646701		18 WASHER Flat, 8.15mm ID x 20.00mm OD x 2.00mm, Carbon Steel, ZND
			4406-630 4406-636 4406-638 4408-830 4408-836 4408-838 4412-1230

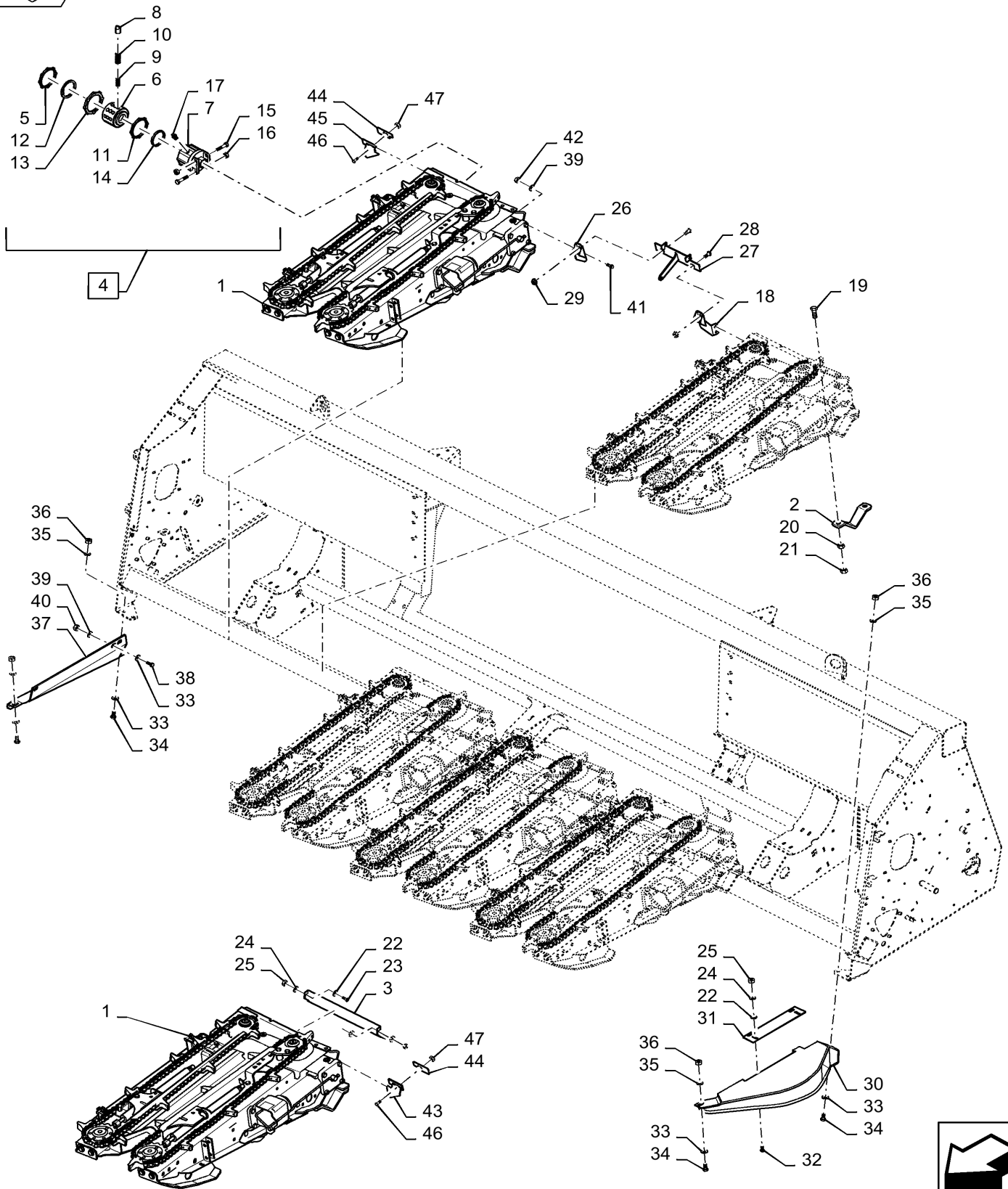
ROW UNIT, WITH CHOPPER



## ROW UNIT, WITH CHOPPER

REF FN	PART NUMBER	YR/SN	QTY DESCRIPTION
22	120104		12 BOLT Hex, M8 x 1.25 x 20mm, CI 8.8, Full Thd
22	120104		16 BOLT Hex, M8 x 1.25 x 20mm, CI 8.8, Full Thd
23	322358		14 BELLEVILLE WASHER M8
23	322358		18 BELLEVILLE WASHER M8
24	9706690		14 NUT Hex, M8, 1.25mm Pitch, 6.80mm High, CI 8, ZND
24	9706690		18 NUT Hex, M8, 1.25mm Pitch, 6.80mm High, CI 8, ZND
25	47478767		5 SUPPORT
25	47478767		7 SUPPORT
26	47478036		5 HINGE
26	47478036		7 HINGE
27	86633356		10 CARRIAGE BOLT Short NK, M10 x 25, CI8.8, Full Thd
27	86633356		14 CARRIAGE BOLT Short NK, M10 x 25, CI8.8, Full Thd
28	9804278		10 FLANGE NUT Hex Flg, M10, 1.5 Pitch, Gr 8
28	9804278		14 FLANGE NUT Hex Flg, M10, 1.5 Pitch, Gr 8
29	322531350		1 SHIELD
29	322531350		1 SHIELD
30	322462050		1 COVER PLATE
30	322462050		1 COVER PLATE
31	86619060		2 CARRIAGE BOLT Sht Sq Nk, M8 x 16mm, CI 8.8, Full Thd
31	86619060		2 CARRIAGE BOLT Sht Sq Nk, M8 x 16mm, CI 8.8, Full Thd
32	86625253		6 WASHER M11 x 24 x 2
32	86625253		6 WASHER M11 x 24 x 2
33	300388		4 BOLT Hex, M12 x 25mm, CI 8.8
33	300388		4 BOLT Hex, M12 x 25mm, CI 8.8
34	140046		4 BELLEVILLE WASHER Belleville, M12
			4406-630 4406-636 4406-638 4408-830 4408-836 4408-838 4412-1230

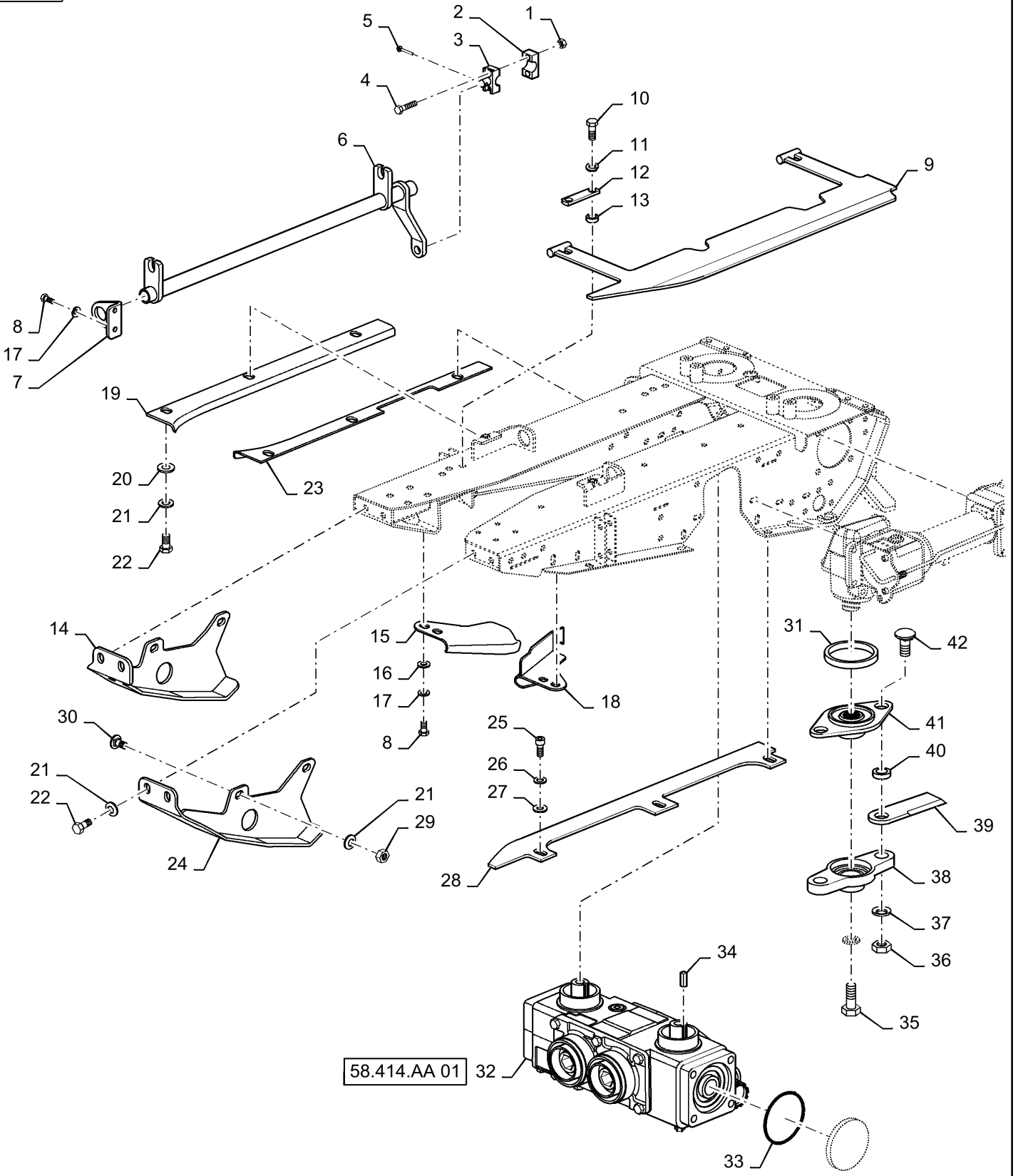
ROW UNIT, WITH CHOPPER



## ROW UNIT, WITH CHOPPER

REF FN	PART NUMBER	YR/SN	QTY DESCRIPTION
34	140046		4 BELLEVILLE WASHER Belleville, M12
35	9706685		4 NUT M12, CI 8
35	9706685		4 NUT M12, CI 8
36	322457050		1 PLATE
36	322457050		1 PLATE
37	43139		2 BOLT Hex, M10 x 25mm, CI 8.8
37	43139		2 BOLT Hex, M10 x 25mm, CI 8.8
38	140045		2 BELLEVILLE WASHER M10
38	140045		2 BELLEVILLE WASHER M10
39	100016		2 NUT M10, CI 8
39	100016		2 NUT M10, CI 8
40	86705428		20 BOLT Hex, M10 x 20mm, CI 10.9, Full Thd
40	86705428		28 BOLT Hex, M10 x 20mm, CI 10.9, Full Thd
41	140045		20 BELLEVILLE WASHER M10
41	140045		28 BELLEVILLE WASHER M10
42	86500689		20 NUT M10, CI 10
42	86500689		28 NUT M10, CI 10
43	47581964		1 BRACKET
44	47588351		2 PLATE
45	47588374		1 BRACKET
46	86512439		4 CARRIAGE BOLT Sht Nk, M6 x 16mm, CI 8.8, Full Thd
47	9804276		4 FLANGE NUT M6 x 1, Flg, CI 8
			4406-630 4406-636 4406-638 4408-830 4408-836 4408-838 4412-1230

ROW UNIT, WITH CHOPPER



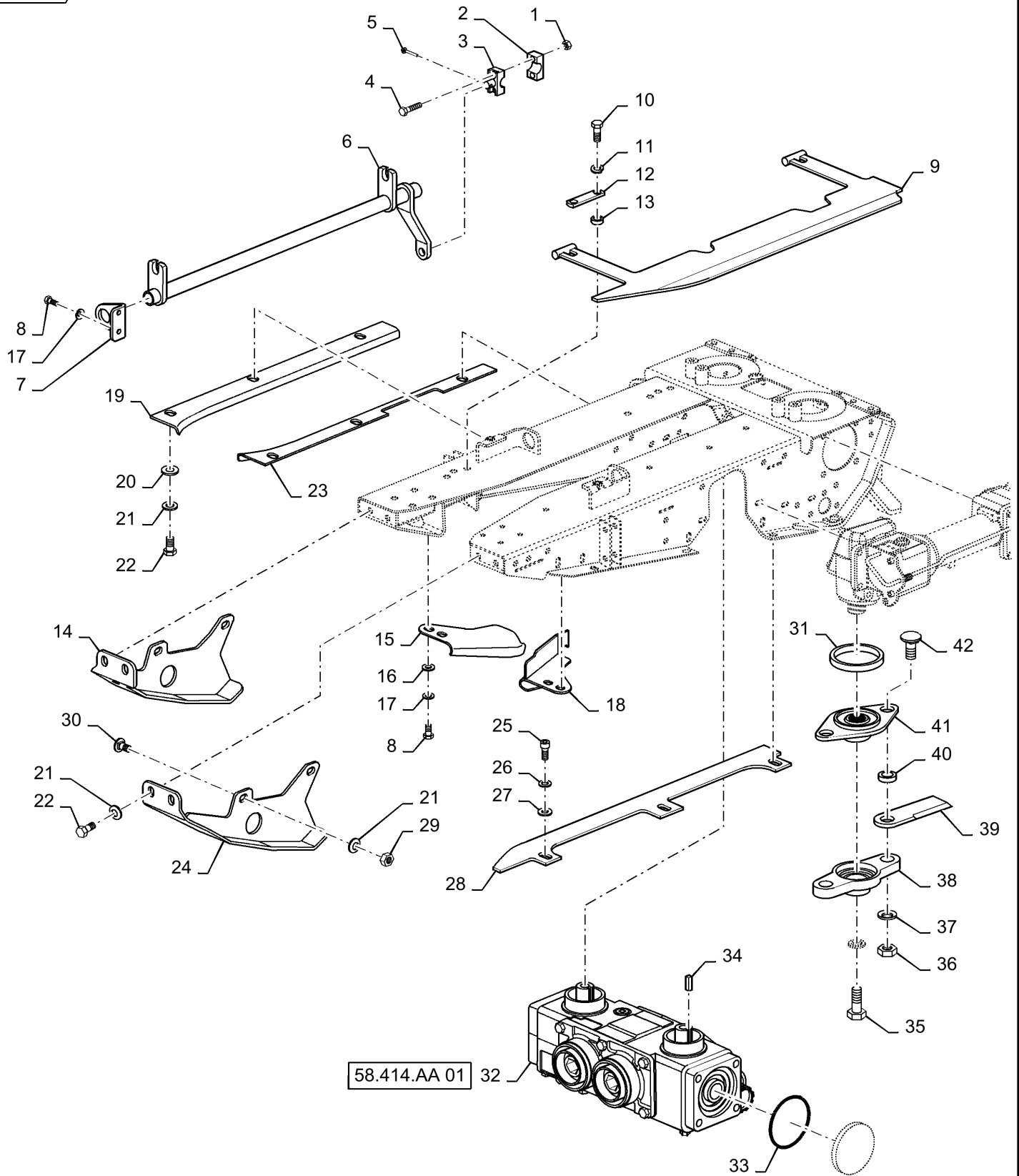
58.414.AA 01



## ROW UNIT, WITH CHOPPER

REF FN	PART NUMBER	YR/SN	QTY DESCRIPTION
1	86629542		2 NUT M8 x 1.25, CI 8
2	84244862		1 CLAMP
3	84244861		1 CLAMP
4	43129		2 BOLT Hex, M8 x 1.25 x 40mm, CI 8.8
5	412685		1 COTTER PIN M4 x 32
6	47455849		1 ARM
7	84267026		1 BRACKET, SUPPORTING
8	140104		6 WASHER
9	84972758		1 STEEL PLATE
10	43140		8 BOLT Hex, M10 x 30mm, CI 8.8, Full Thd
11	140028		12 WASHER M10
12	322448650		2 COVER PLATE
13	84977214		4 BUSHING
14	84528829		1 SKID/SHOE
15	87662218		1 SHIELD
16	86592699		2 WASHER M6 x 23 x 4, HT
17	322358		2 BELLEVILLE WASHER M8
18	87662222		2 SHIELD
19	322592050		1 SHEAR BAR
20	84000016		6 WASHER M12 x 30 x 5 Thk
21	140046		20 BELLEVILLE WASHER Belleville, M12
22	300388		18 BOLT Hex, M12 x 25mm, CI 8.8
23	322592150		1 SHEAR BAR
24	84497506		1 SKID/SHOE
25	86508097		7 HEX SOC SCREW M10 x 25mm, CI 12.9, Full Thd
26	140045		11 BELLEVILLE WASHER M10
27	12626201		3 WASHER M10 x 25 x 3
28	47474090		1 PLATE
29	9706685		4 NUT M12, CI 8
30	374895		4 CARRIAGE BOLT Sht Sq Nk, M12 x 1.75 x 25mm, CI 8.8, Full Thd
31	84977049		1 RING
			4406-630 4406-636 4406- 638 4408-830 4408-836 4408-838 4412-1230

ROW UNIT, WITH CHOPPER



## ROW UNIT, WITH CHOPPER

REF FN	PART NUMBER	YR/SN	QTY DESCRIPTION
32	84571976		1 GEARBOX
33	9828498		1 O-RING 3.987" ID x 4.193" OD x 0.103"
34	322743050		2 KEY
35	15840521		1 SCREW Hex, M16 x 1.5 x 50mm, Cl 8.8, Full Thd
36	12164111		2 NUT M16, Cl 8
37	140048		3 BELLEVILLE WASHER M16
38	322630250		1 FLANGE
39	84496574		2 KNIFE
40	322630350		2 BUSHING
41	84977178		1 HUB
42	84972753		2 CARRIAGE BOLT Sq Nk, M16 x 1.5 x 40mm, Cl 8.8
			4406-630 4406-636 4406-638 4408-830 4408-836 4408-838 4412-1230

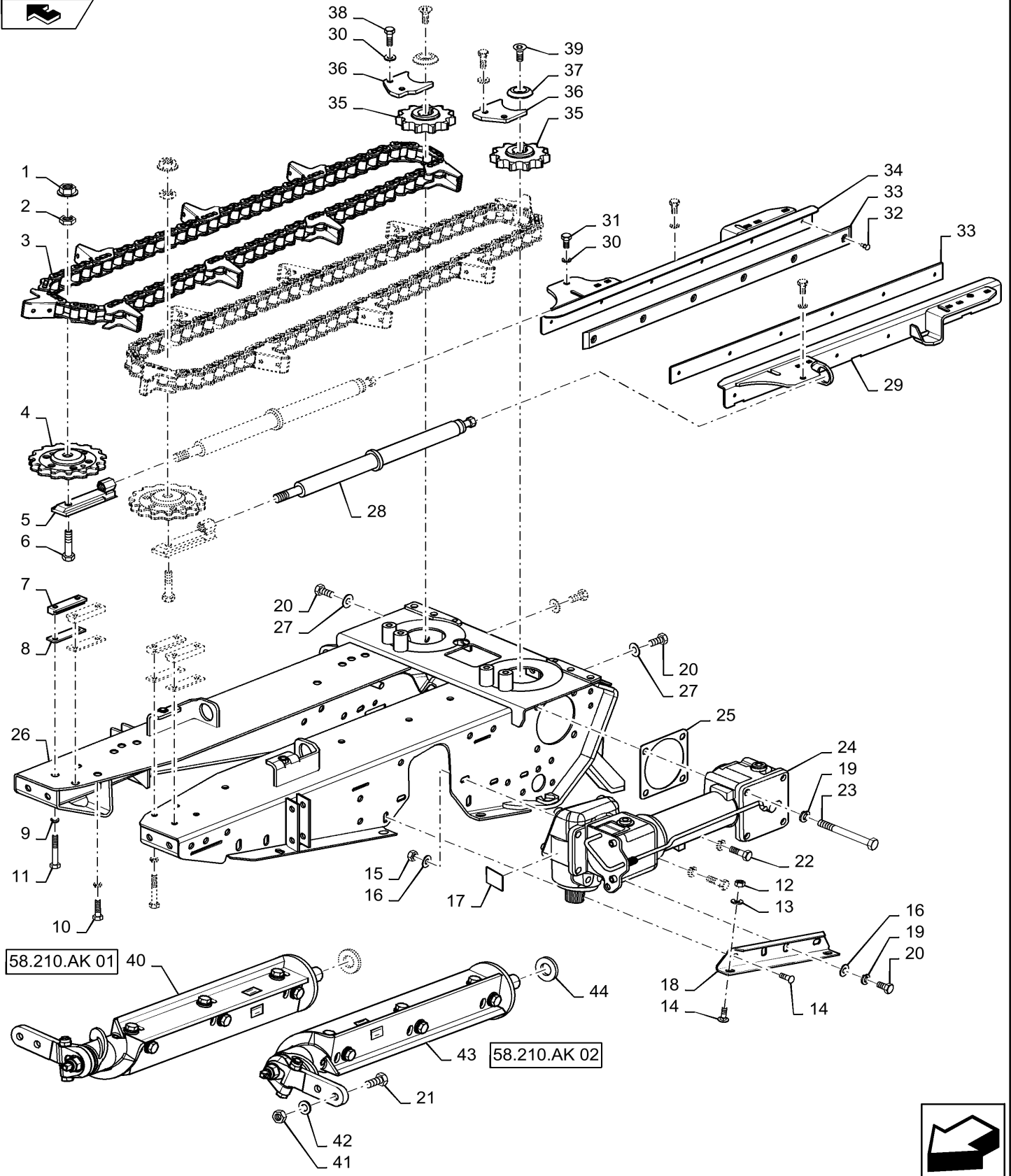
58.230.AI

06

p1

1/2014

ROW UNIT, WITH CHOPPER

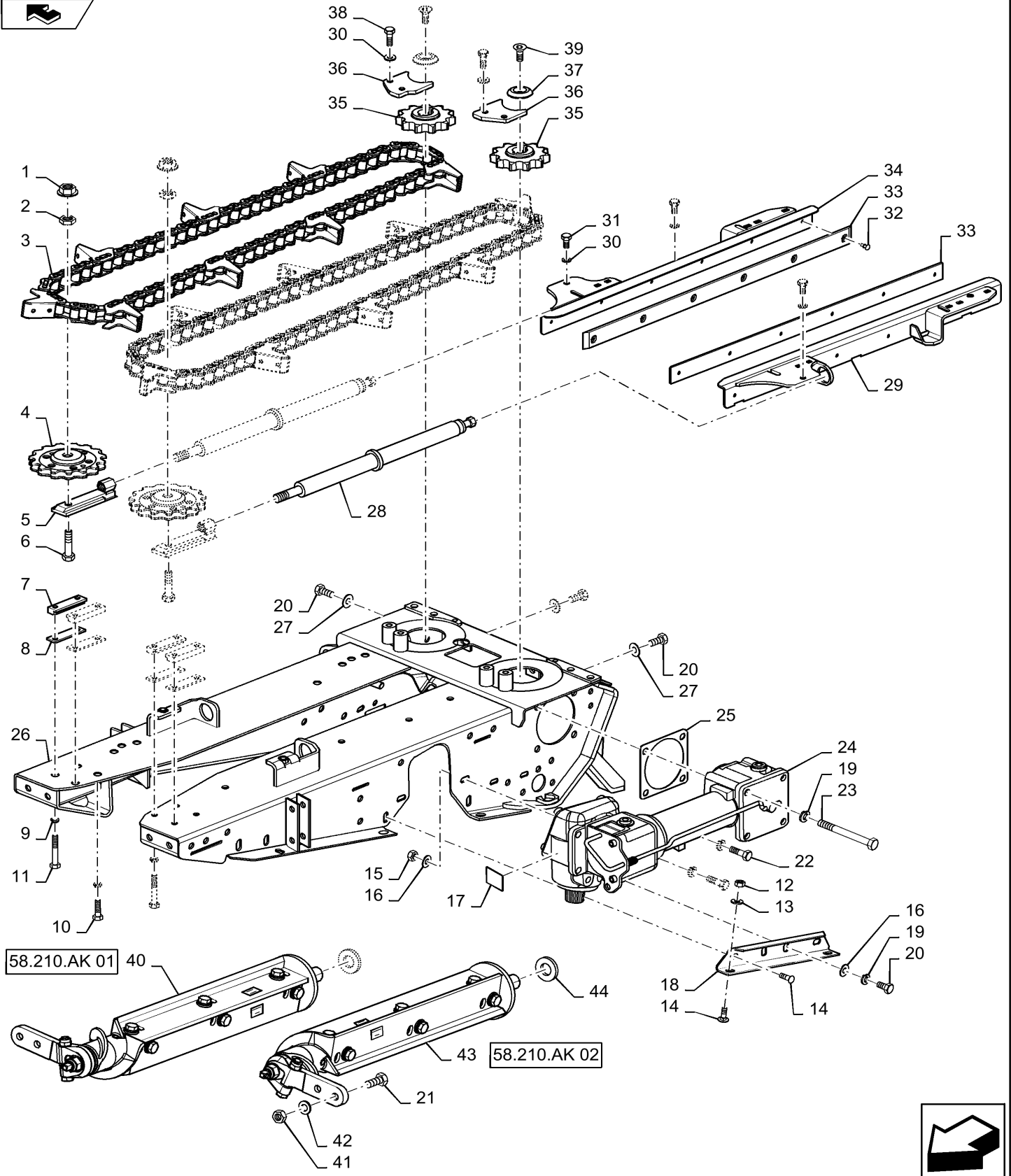


## ROW UNIT, WITH CHOPPER

REF FN	PART NUMBER	YR/SN	QTY DESCRIPTION
1	47455264		2 NUT
2	84305109		2 NUT
3	84977231		2 GATHERING CHAIN
4	87473652		2 DRIVEN SPROCKET
5	84513854		2 GUIDE
6	47455269		2 BOLT
7	84514345		4 GUIDE
8	84514774		4 PLATE
9	140028		12 WASHER M10
10	86508097		7 HEX SOC SCREW M10 x 25mm, CI 12.9, Full Thd
11	120071		4 BOLT Hex, M10 x 65, 8.8
12	100037		4 NUT M10 x 1.5, CI 8, Prev Torque
13	355501130		4 WASHER
14	86633356		4 CARRIAGE BOLT Short NK, M10 x 25, CI 8.8, Full Thd
15	100038		2 NUT M12 x 1.75, CI 8
16	355501330		4 WASHER
17	341000067		1 DECAL
18	322630050		1 BRACKET
19	412123		6 LOCK WASHER M12 x 21 x 2.6 Thk
20	300388		18 BOLT Hex, M12 x 25mm, CI 8.8
21	337563		7 SCREW Hex, M12 x 1.75 x 40mm, CI 10.9, Full Thd
22	14422121		2 HEX SOC SCREW Hex Soc Hd, M12 x 35, 8.8
23	395277		2 BOLT Hex, M12 x 1.75 x 130mm, CI 8.8
24	322592700		1 GEARBOX
24	322592700R		1 REMAN-GEARBOX Reman Gearbox for PN 322592700
	322592700C		CORE-GEARBOX Return Number
25	84977694		1 SHIM
26	84575119		1 FRAME
27	140046		20 BELLEVILLE WASHER Belleville, M12

4406-630 4406-636 4406-638  
4408-830 4408-836  
4408-838 4412-1230

ROW UNIT, WITH CHOPPER



## ROW UNIT, WITH CHOPPER

REF FN	PART NUMBER	YR/SN	QTY DESCRIPTION
28	47451459		2 SPRING
29	47478611		1 GUIDE
30	140045		11 BELLEVILLE WASHER M10
31	43138		4 BOLT Hex, M10 x 1.5 x 20mm, CI 8.8, Full Thd
32	445394		12 RIVET Pop, M4.8 x 12.7
33	84977612		2 SLIDING PAD
34	47478613		1 GUIDE
35	{84972235}		2
36	84421899		2 PLATE
37	322453050		2 LOCK WASHER
38	43140		8 BOLT Hex, M10 x 30mm, CI 8.8, Full Thd
39	84976774		2 SCREW M12 x 30mm, CI 8.8
40	322640300		1 ROLLER
41	412672		4 NUT M12 x 1.75, CI 10
42	12648521		4 WASHER M12 x 28 x 4
43	322640100		1 ROLLER
44	322593550		2 SEAL
			4406-630 4406-636 4406-638 4408-830 4408-836 4408-838 4412-1230

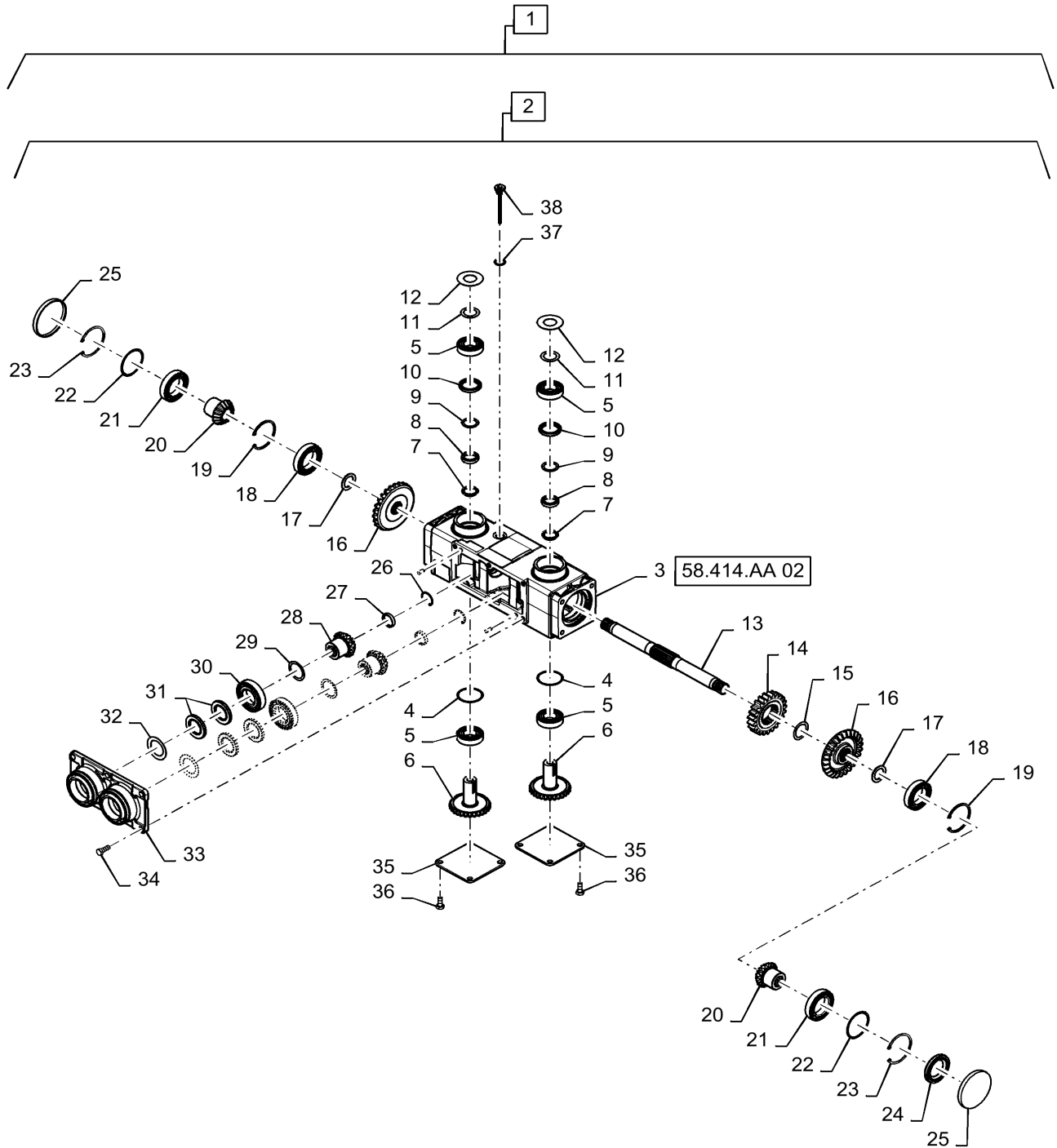
58.414.AA

01

p1

1/2014

GEARBOX, ASSY, CORNHEAD ROW UNIT





## GEARBOX, ASSY, CORNHEAD ROW UNIT

REF FN	PART NUMBER	YR/SN	QTY DESCRIPTION
1	84571976		1 GEARBOX Incl 2 - 38
2	84571575		1 GEARBOX Incl 3 - 38
3	84523341		1 HOUSING
4	322495600		2 SET OF RINGS
5	28042330		4 BALL BEARING
6	84571576		2 GEAR
7	14458080		2 O-RING 1.112" ID x 1.318" OD x .103"
8	322495750		2 BUSHING
9	322577550		2 ADJUSTING PLATE
10	84522103		2 OIL SEAL
11	322495850		2 ADJUSTING PLATE
12	322496050		2 WASHER
13	322496950		1 SHAFT
14	322497750		1 GEAR
15	322493800		1 SET OF RINGS
16	322497050		2 GEAR
17	322497850		2 ADJUSTING PLATE
18	20685450		2 BALL BEARING 30 mm ID x 62 mm OD x 16 mm
19	370012		2 RING M62, Int
20	84571577		2 BEVEL GEAR
21	28042490		2 BALL BEARING
22	322496200		2 SET OF RINGS
23	382103		2 SNAP RING M75, Int
24	353583184		1 OIL SEAL
25	322496850		2 DUST CAP
26	300642		2 CIRCLIP M35, Int
27	322644650		2 PROTECTION CAP
28	322644450		2 GEAR
29	322493200		2 SET OF RINGS
30	20915780		2 BALL BEARING 40.00mm ID x 80.00mm OD x 18.00mm
31	322578450		4 OIL SCRAPER RING
32	322497950		2 WASHER

4406-630 4406-636 4406-638  
4408-830 4408-836  
4408-838 4412-1230

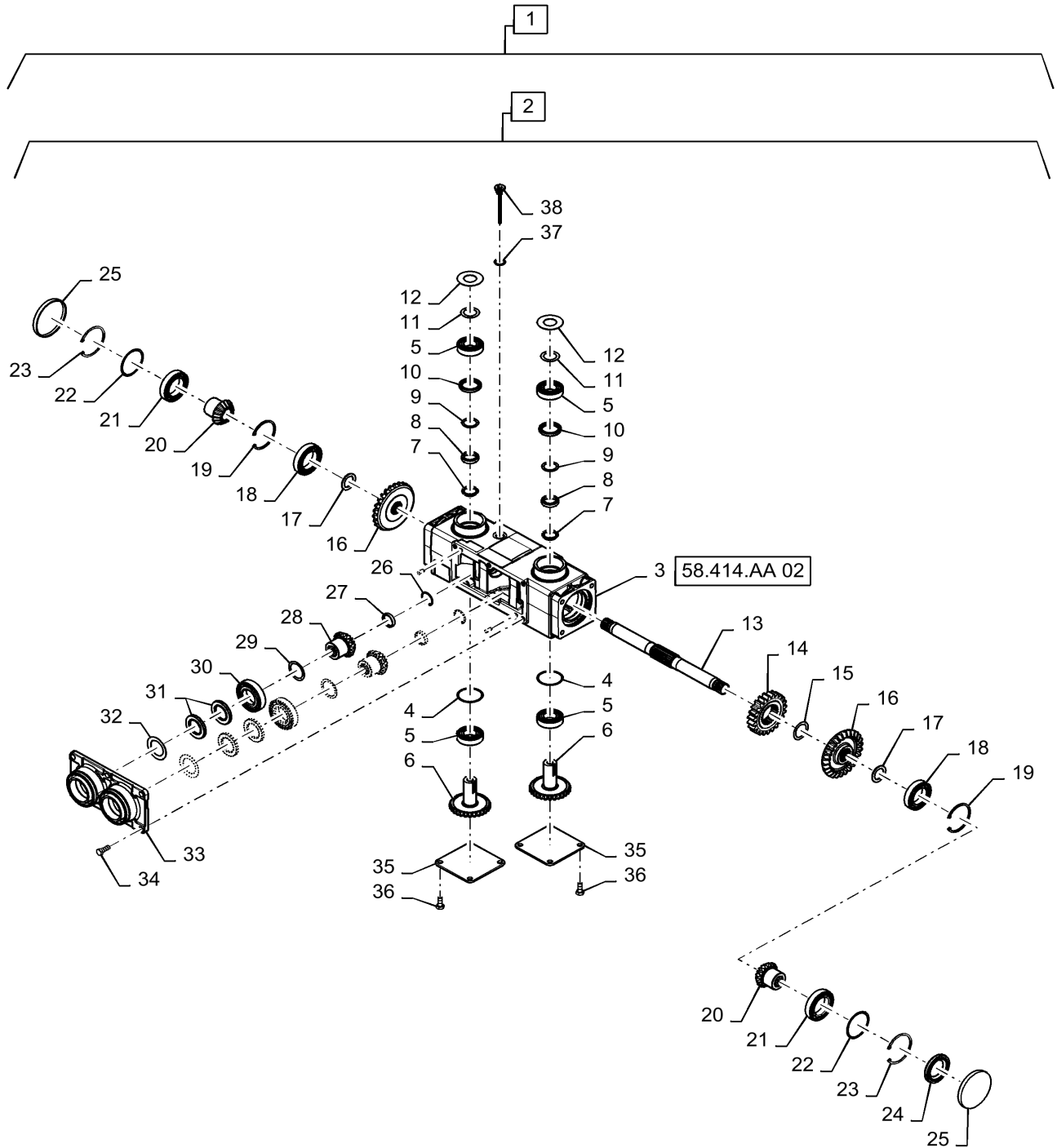
58.414.AA

01

p2

1/2014

GEARBOX, ASSY, CORNHEAD ROW UNIT



**58.414.AA**

01

p2

1/2014

**GEARBOX, ASSY, CORNHEAD ROW UNIT**

<b>REF FN</b>	<b>PART NUMBER</b>	<b>YR/SN</b>	<b>QTY DESCRIPTION</b>
33	322644250		1 COVER
34	9706687		6 BOLT Hex, M12 x 1.75 x 30mm, Cl 8.8, Full Thd
35	322494150		2 COVER
36	11106221		8 SCREW Hex, M10 x 25, 8.8, Full Thd
37	10263460		1 SEAL 22.30mm ID x 28.00mm OD, 1.50mm, Copper
38	322644550		1 INDICATOR

4406-630 4406-636 4406-638  
4408-830 4408-836  
4408-838 4412-1230

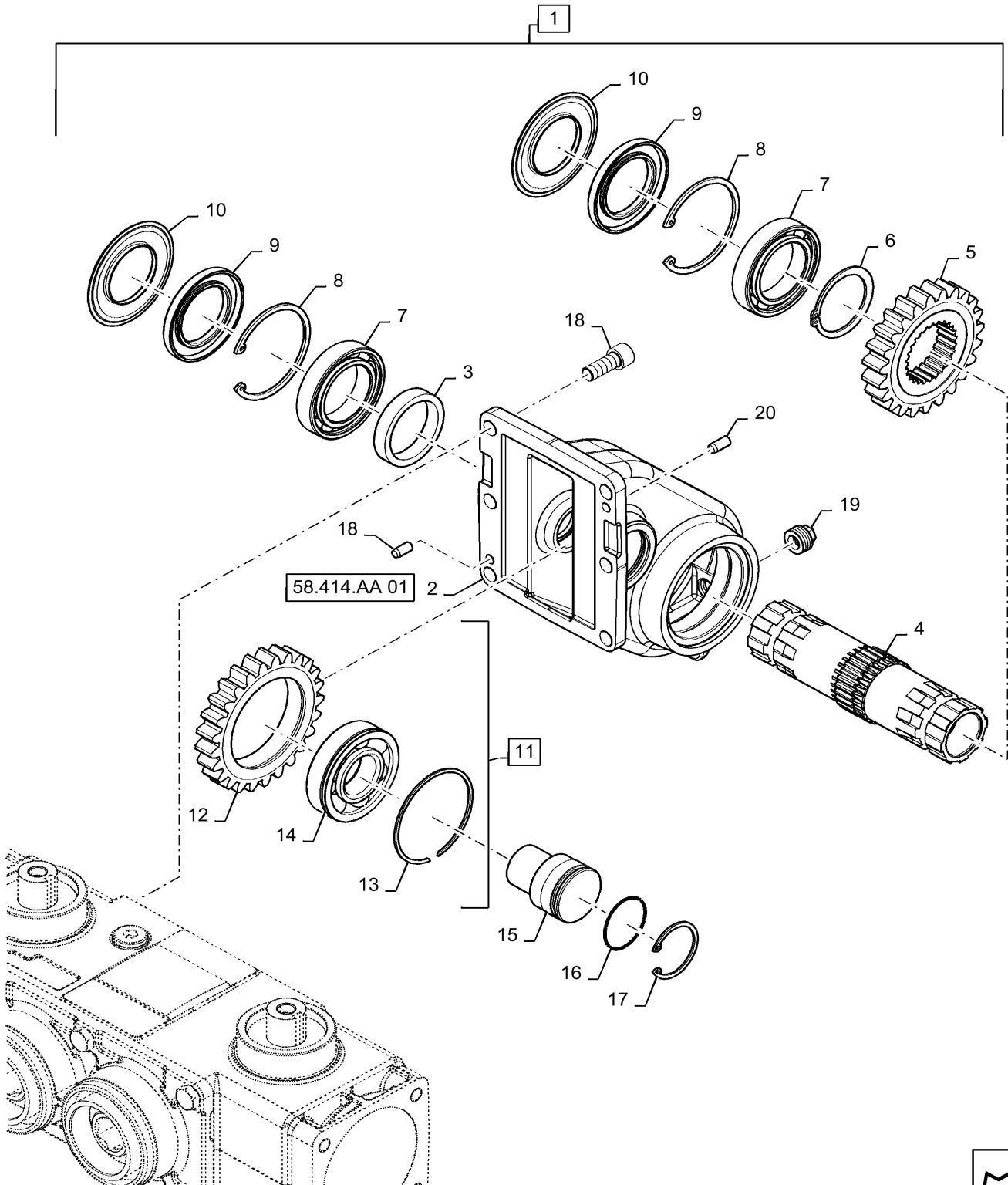
58.414.AA

02

p1

1/2014

GEARBOX, ASSY, CORNHEAD ROW UNIT



## GEARBOX, ASSY, CORNHEAD ROW UNIT

REF FN	PART NUMBER	YR/SN	QTY DESCRIPTION
1	84571575		1 GEARBOX Incl 2 - 20
2	84297800		1 HOUSING
3	322497450		1 SHIM
4	322497250		1 SHAFT
5	322497550		1 GEAR
6	327911		1 CIRCLIP M55, Ext
7	28042500		2 BALL BEARING 50mm x 80mm x 16mm
8	300633		2 SNAP RING M80, Int
9	322498850		2 OIL SCRAPER RING
10	322497350		2 PROTECTION CAP
11	84390159		1 GEAR Incl 12 - 14
12	322497650		1 GEAR
13	84390160		1 RING
14	84355790		1 BALL BEARING
15	84571580		1 SHAFT
16	511212		1 O-RING 1.674" ID x 1.88" OD x 0.103"
17	300647		1 SNAP RING M47, Int
18	14422021		6 HEX SOC SCREW Hex Soc Hd, M12 x 30, 8.8
19	322496550		1 PLUG
20	10337410		4 DOWEL M8 x 18
			4406-630 4406-636 4406-638 4408-830 4408-836 4408-838 4412-1230



---

SECTION INDEX

ACCESSORIES

---

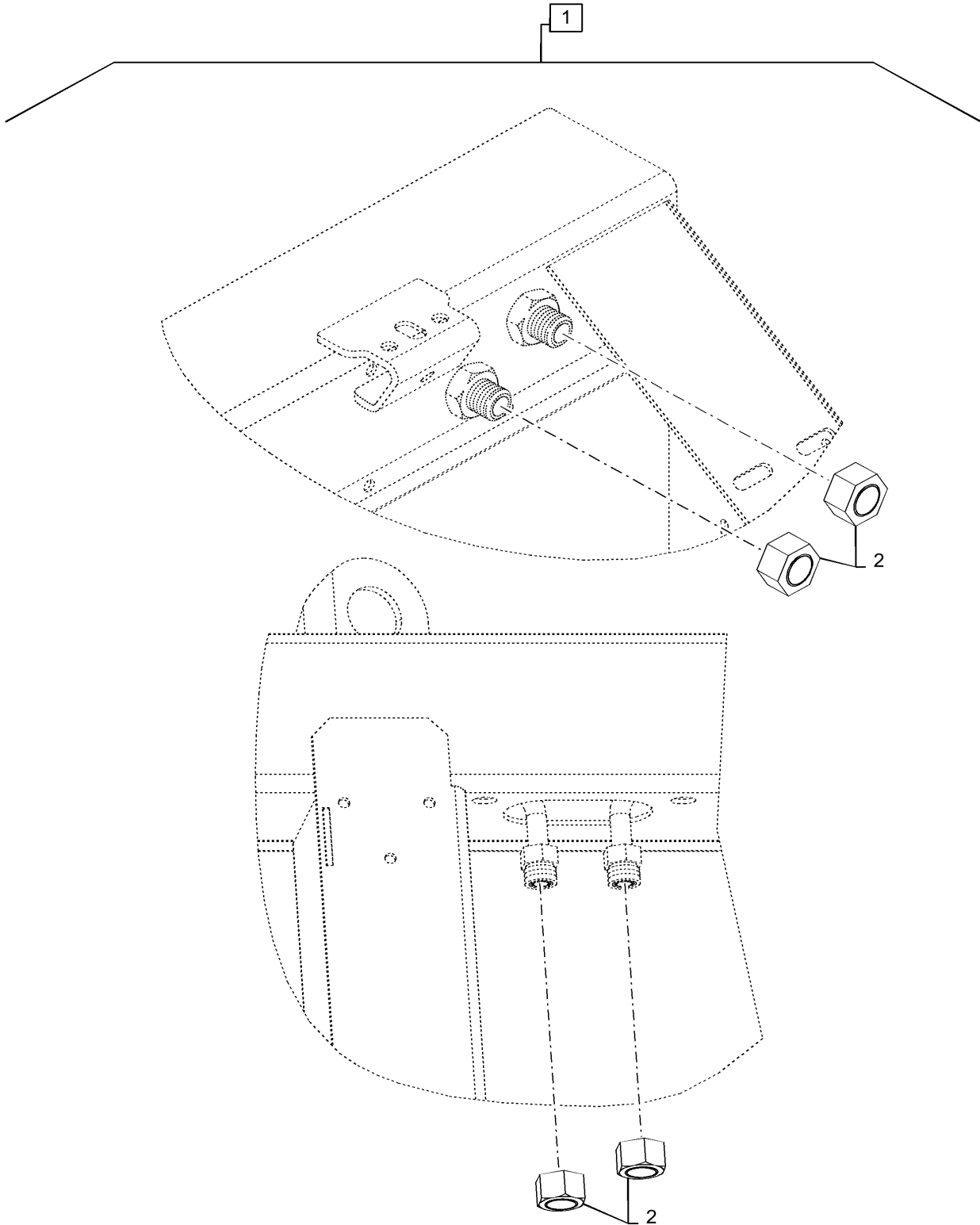
88.035.02		DIA, KIT, HYDRAULIC TUBE CAPS
88.055.01	01	DIA, KIT, AUTO HEADER HEIGHT CONTROL W/LATERAL TILT
88.055.01	02	DIA, KIT, AUTO HEADER HEIGHT CONTROL
88.055.01	03	DIA, KIT, AUTO HEADER HEIGHT CONTROL, 2-SENSOR
88.055.01	04	DIA, KIT, AUTO HEADER HEIGHT CONTROL, W/LAT TILT, 3-SENSOR
88.055.02		DIA, KIT, ROW GUIDANCE, 30-INCH
88.058.01		DIA, KIT, AUGER DIVIDER
88.058.02		DIA, KIT, CENTRAL AUGER DISC
88.058.03		DIA, KIT AUGER DELIVERY FLAPS
88.058.04		DIA, KIT, SPEED REDUCTOR
88.058.05		DIA, KIT, TALL CORN ATTACHMENT
88.058.06		DIA, KIT, CHAIN REMOVAL TOOL
88.089.01		DIA, KIT, FIXATION
88.090.01		DIA, KIT, DUSTSCREEN

88.035.02

p1

1/2014

DIA, KIT, HYDRAULIC TUBE CAPS





**88.035.02**

p1

1/2014

**DIA, KIT, HYDRAULIC TUBE CAPS**

<b>REF FN</b>	<b>PART NUMBER</b>	<b>YR/SN</b>	<b>QTY DESCRIPTION</b>
1	47400278		1 CAP Incl 2
2	9840576		6 CAP 1"-14 ORFS
			4406-630 4406-636 4406-638 4408-830 4408-836 4408-838 4412-1230

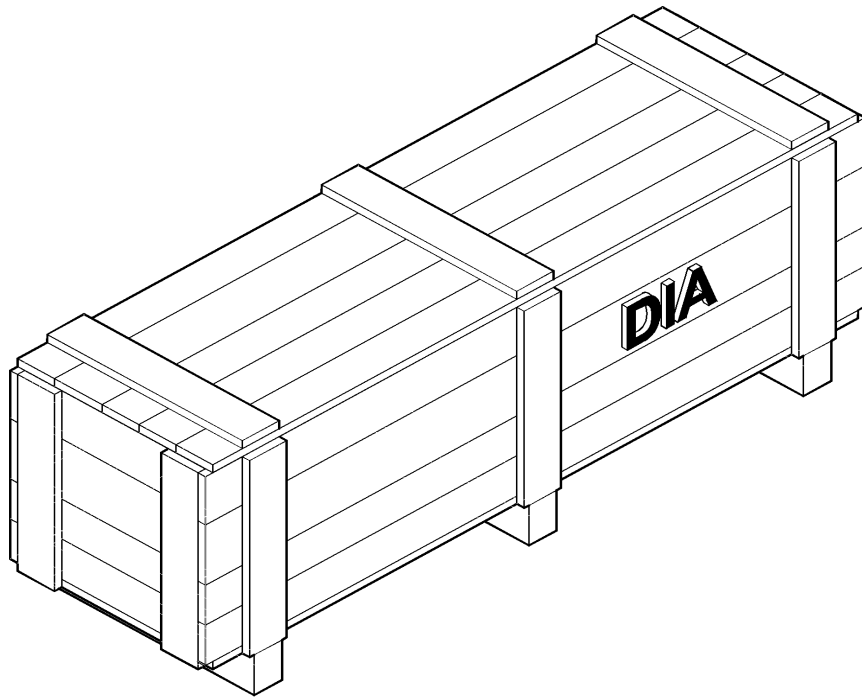
**88.055.01**

01

p1

1/2014

**DIA, KIT, AUTO HEADER HEIGHT CONTROL W/LATERAL TILT**



## DIA, KIT, AUTO HEADER HEIGHT CONTROL W/LATERAL TILT

REF FN	PART NUMBER	YR/SN	QTY DESCRIPTION
1	47505877		1 SERVICE KIT Incl 2 - 25
2	47505110		1 INSTRUCTION
3	47399993		3 SUPPORT
4	84543535		3 SENSOR
5	47372889		3 ROD
6	43130		3 BOLT Hex, M8 x 1.25 x 50mm, CI 8.8
7	86629542		12 NUT M8 x 1.25, CI 8
8	322358		6 BELLEVILLE WASHER M8
9	120103		6 BOLT Hex, M8 x 16, 8.8
10	87646158		6 BOLT
11	47361005		3 WIRE HARNESS
12	47361006		3 WIRE HARNESS
13	9837692		6 CLAMP
14	82033028		21 COLLAR CLAMP
15	86590413		6 BASE
16	84043237		18 SCREW Pan, M4.8 x 19mm
17	86566989		6 CABLE TIE M4.75 x 190.5 L
18	47412138		2 WIRE HARNESS
19	431352		6 CLAMP
20	47412139		1 WIRE HARNESS
21	47415223		6 MOUNT
22	86511841		18 BOLT Hvy Hex, M8 x 16mm, CI 8.8, Full Thd
23	43129		3 BOLT Hex, M8 x 1.25 x 40mm, CI 8.8
24	87716495		3 CLAMP
25	445395		3 RIVET Pop, M4.8 x 18.1
			4406-630 4406-636 4406-638 4408-830 4408-836 4408-838 4412-1230

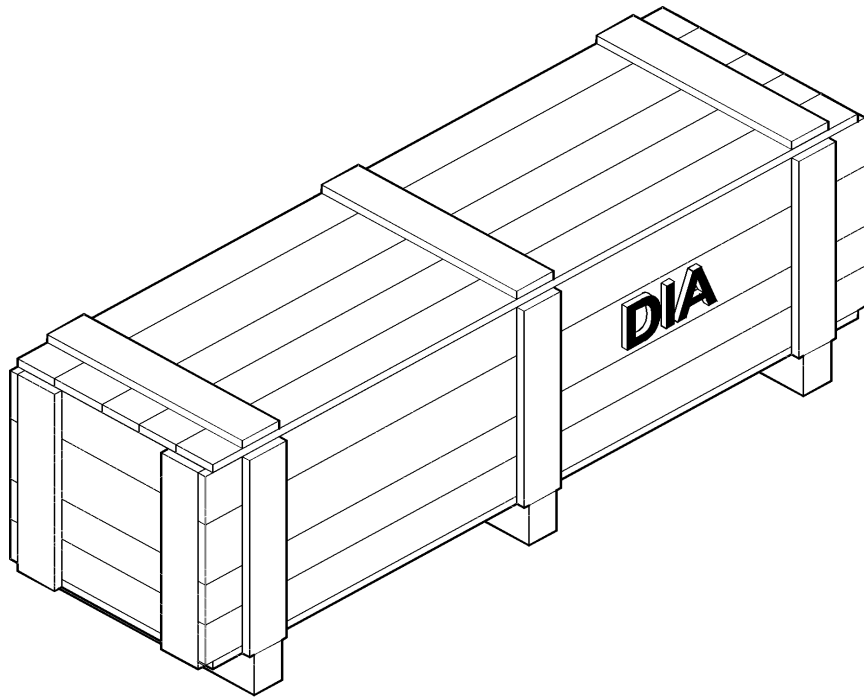
**88.055.01**

02

p1

1/2014

**DIA, KIT, AUTO HEADER HEIGHT CONTROL**



## DIA, KIT, AUTO HEADER HEIGHT CONTROL

REF FN	PART NUMBER	YR/SN	QTY DESCRIPTION
1	47505876		1 SERVICE KIT
2	47505110		1 INSTRUCTION
3	47399993		1 SUPPORT
4	84543535		1 SENSOR
5	47372889		1 ROD
6	43130		1 BOLT Hex, M8 x 1.25 x 50mm, CI 8.8
7	86629542		2 NUT M8 x 1.25, CI 8
8	322358		2 BELLEVILLE WASHER M8
9	120103		2 BOLT Hex, M8 x 16, 8.8
10	87646158		2 BOLT
11	47361005		1 WIRE HARNESS
12	47361006		1 WIRE HARNESS
13	9837692		2 CLAMP
14	82033028		5 COLLAR CLAMP
15	86590413		2 BASE
16	84043237		6 SCREW Pan, M4.8 x 19mm
17	86566989		2 CABLE TIE M4.75 x 190.5 L
18	47412139		1 WIRE HARNESS
19	47415223		2 MOUNT
20	86511841		6 BOLT Hvy Hex, M8 x 16mm, CI 8.8, Full Thd
21	43129		1 BOLT Hex, M8 x 1.25 x 40mm, CI 8.8
22	87716495		1 CLAMP
23	445395		1 RIVET Pop, M4.8 x 18.1
			4406-630 4406-636 4406-638 4408-830 4408-836 4408-838 4412-1230

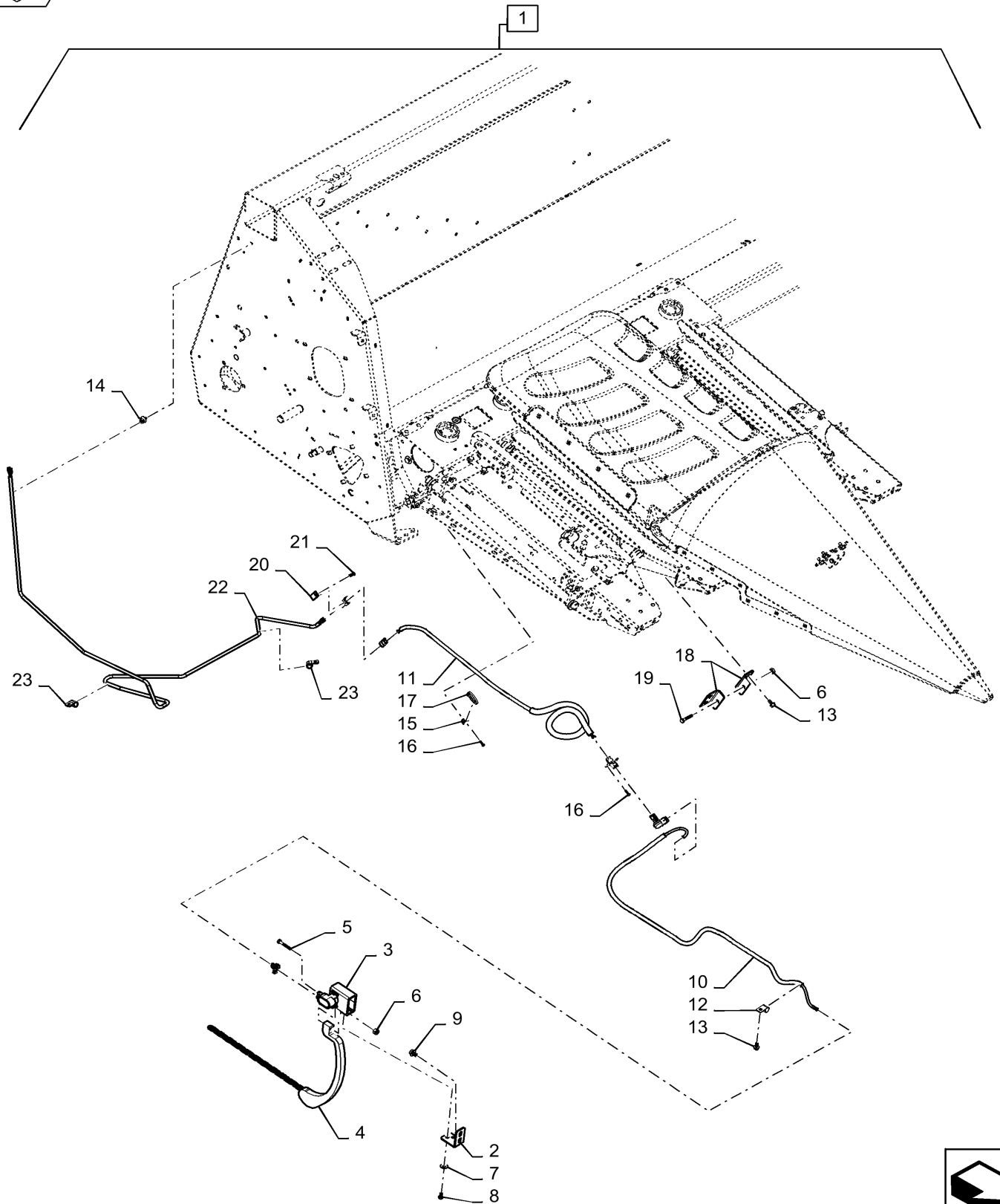
88.055.01

03

p1

1/2014

DIA, KIT, AUTO HEADER HEIGHT CONTROL, 2-SENSOR



**88.055.01**

03

p1

1/2014

**DIA, KIT, AUTO HEADER HEIGHT CONTROL, 2-SENSOR**

REF FN	PART NUMBER	YR/SN	QTY DESCRIPTION
1	NSS		1 NOT SERVICED SEPARATELY AHHC, Rigid, 2-Sensor, Incl 2 - 23
2	47417716		2 SUPPORT
3	87034708		2 SENSOR
4	47372889		2 ROD
5	43130		2 BOLT Hex, M8 x 1.25 x 50mm, CI 8.8
6	86629542		10 NUT M8 x 1.25, CI 8
7	322358		4 BELLEVILLE WASHER M8
8	120103		4 BOLT Hex, M8 x 16, 8.8
9	87646158		4 BOLT
10	47417661		2 WIRE HARNESS
11	47361006		2 WIRE HARNESS
12	9837692		4 CLAMP
13	86511841		12 BOLT Hvy Hex, M8 x 16mm, CI 8.8, Full Thd
14	82033028		16 COLLAR CLAMP
15	86590413		4 BASE
16	84043237		12 SCREW Pan, M4.8 x 19mm
17	86566989		4 CABLE TIE M4.75 x 190.5 L
18	47415223		4 MOUNT
19	43129		2 BOLT Hex, M8 x 1.25 x 40mm, CI 8.8
20	87716495		2 CLAMP
21	445395		2 RIVET Pop, M4.8 x 18.1
22	47412138		2 WIRE HARNESS
23	431352		6 CLAMP

**4406-630 4406-636  
4406-638**

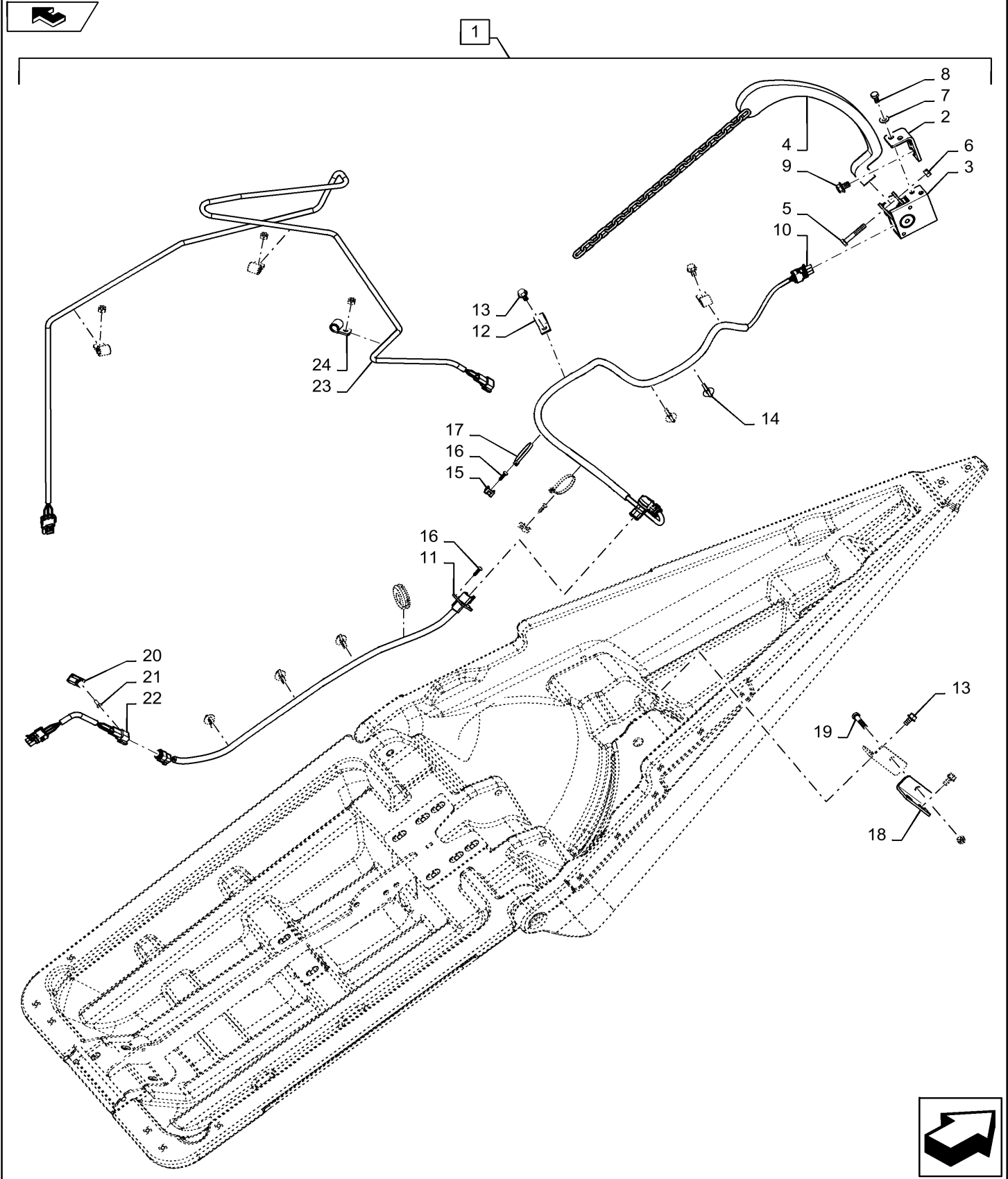
88.055.01

04

p1

1/2014

DIA, KIT, AUTO HEADER HEIGHT CONTROL, W/LAT TILT, 3-SENSOR





**88.055.01**

04

p1

1/2014

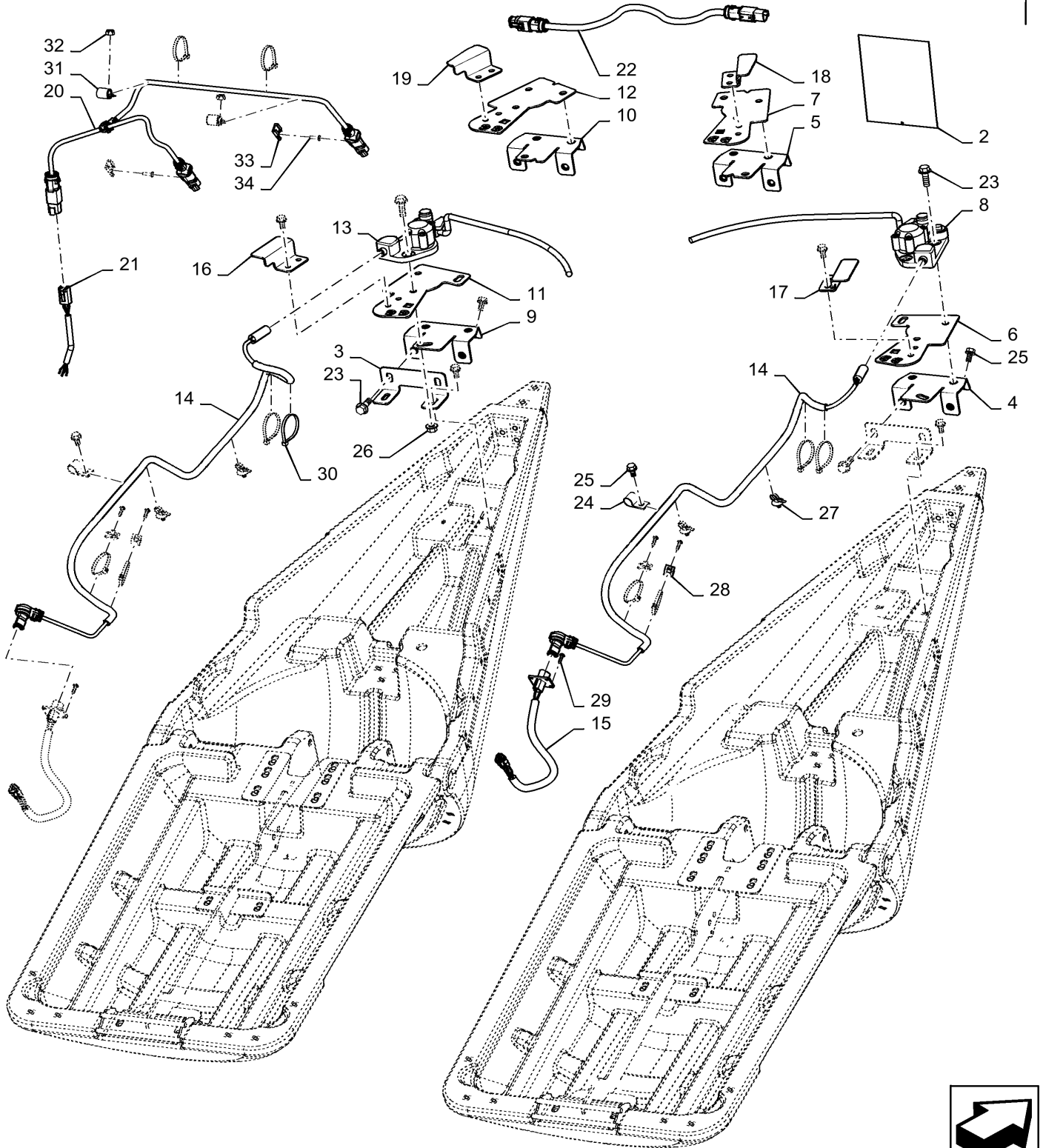
**DIA, KIT, AUTO HEADER HEIGHT CONTROL, W/LAT TILT, 3-SENSOR**

<b>REF FN</b>	<b>PART NUMBER</b>	<b>YR/SN</b>	<b>QTY DESCRIPTION</b>
1	NSS		1 NOT SERVICED SEPARATELY AHHC, w/Lateral Tilt, 3-Sensor, Incl 2 - 24
2	47399993		3 SUPPORT
3	84543535		3 SENSOR
4	47372889		3 ROD
5	43130		3 BOLT Hex, M8 x 1.25 x 50mm, CI 8.8
6	86629542		12 NUT M8 x 1.25, CI 8
7	322358		6 BELLEVILLE WASHER M8
8	120103		6 BOLT Hex, M8 x 16, 8.8
9	87646158		6 BOLT
10	47361005		3 WIRE HARNESS
11	47361006		3 WIRE HARNESS
12	9837692		6 CLAMP
13	86511841		18 BOLT Hvy Hex, M8 x 16mm, CI 8.8, Full Thd
14	82033028		21 COLLAR CLAMP
15	86590413		6 BASE
16	84043237		18 SCREW Pan, M4.8 x 19mm
17	86566989		6 CABLE TIE M4.75 x 190.5 L
18	47415223		6 MOUNT
19	43129		3 BOLT Hex, M8 x 1.25 x 40mm, CI 8.8
20	87716495		3 CLAMP
21	445395		3 RIVET Pop, M4.8 x 18.1
22	47412139		1 WIRE HARNESS
23	47412138		2 WIRE HARNESS
24	431352		6 CLAMP
			4406-630 4406-636 4406-638 4408-830 4408-836 4408-838 4412-1230

DIA, KIT, ROW GUIDANCE, 30-INCH



1



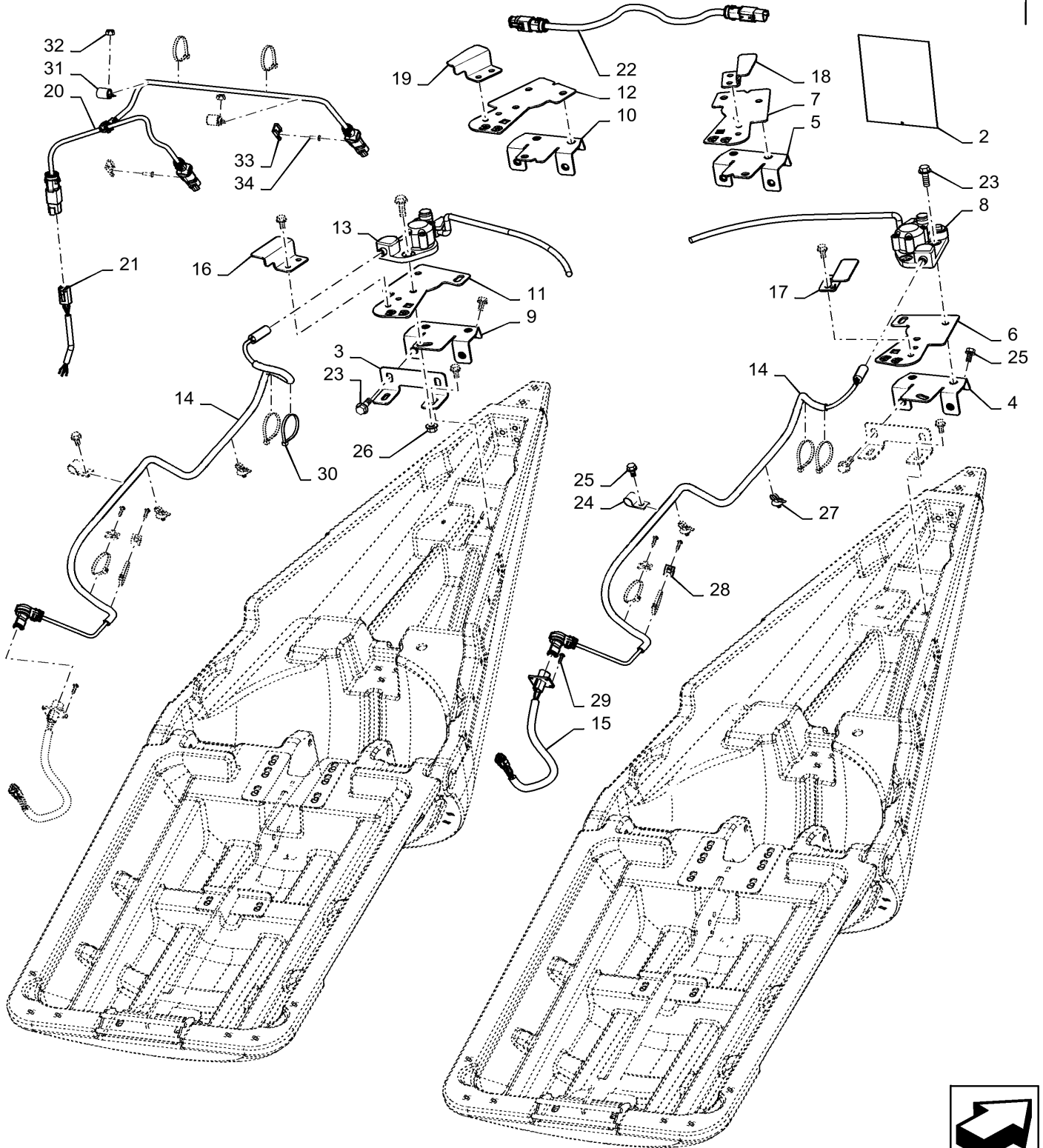
## DIA, KIT, ROW GUIDANCE, 30-INCH

REF FN	PART NUMBER	YR/SN	QTY DESCRIPTION
1	47557059		1 SERVICE KIT Row Guidance, 30-Inch, Incl 2 - 34
2	47502300		1 INSTRUCTION
3	47553194		2 SUPPORT
4	47553191		1 SUPPORT
5	47554681		1 SUPPORT
6	47370982		1 PLATE
7	47511382		1 PLATE
8	87487708		1 SENSOR
9	47553197		1 SUPPORT
10	47554685		1 SUPPORT
11	47370984		1 PLATE
12	47511384		1 PLATE
13	87487709		1 SENSOR
14	47361004		2 WIRE HARNESS
15	47361006		2 WIRE HARNESS
16	47470607		1 PROTECTOR
17	47470905		1 PROTECTOR
18	47511388		1 PROTECTOR
19	47511390		1 PROTECTOR
20	47412142		1 WIRE HARNESS
21	84345133		1 WIRE HARNESS
22	47514291		1 WIRE HARNESS
23	9804262		10 BOLT Hex, M10 x 30mm, Cl 8.8. Full Thd
24	9837692		2 CLAMP
25	86511841		14 BOLT Hvy Hex, M8 x 16mm, Cl 8.8, Full Thd
26	9804278		2 FLANGE NUT Hex Flg, M10, 1.5 Pitch, Gr 8
27	82033028		12 COLLAR CLAMP
28	86590413		4 BASE
29	84043237		12 SCREW Pan, M4.8 x 19mm
30	86566989		18 CABLE TIE M4.75 x 190.5 L
			4406-630 4408-830 4412-1230

DIA, KIT, ROW GUIDANCE, 30-INCH



1



**88.055.02**

p2

1/2014

**DIA, KIT, ROW GUIDANCE, 30-INCH**

<b>REF FN</b>	<b>PART NUMBER</b>	<b>YR/SN</b>	<b>QTY DESCRIPTION</b>
31	431352		2 CLAMP
32	86629542		2 NUT M8 x 1.25, CI 8
33	87716495		2 CLAMP
34	445395		2 RIVET Pop, M4.8 x 18.1

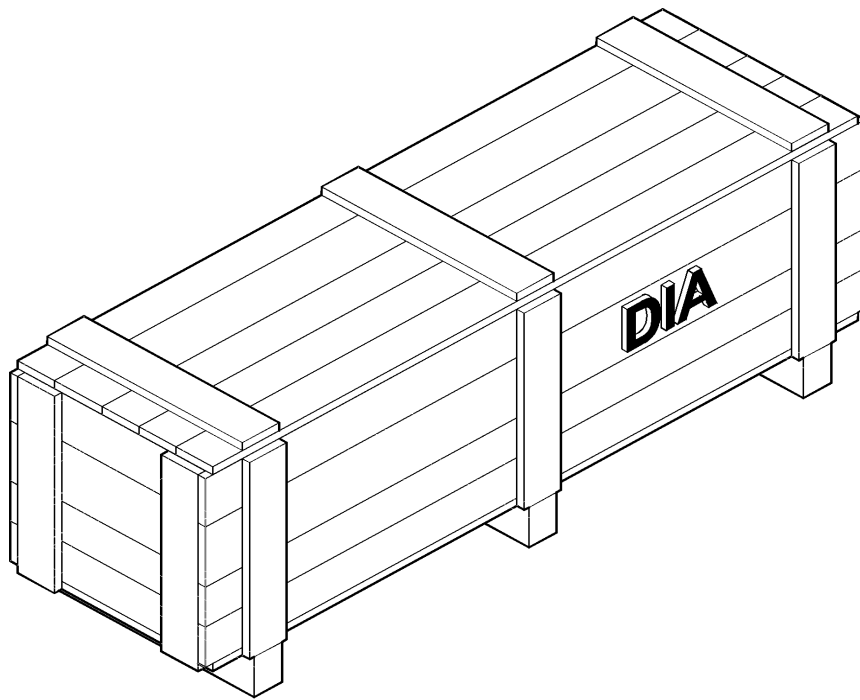
4406-630 4408-830  
4412-1230

**88.058.01**

p1

1/2014

**DIA, KIT, AUGER DIVIDER**



## DIA, KIT, AUGER DIVIDER

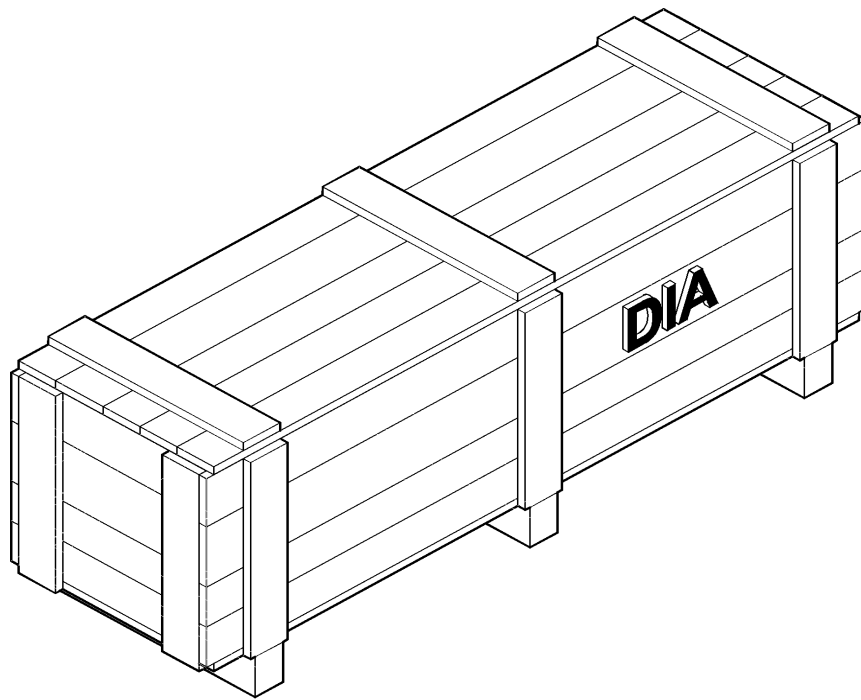
REF FN	PART NUMBER	YR/SN	QTY DESCRIPTION
1	47376590		1 SERVICE KIT
2	47506550		1 INSTRUCTION
3	84142006		1 HYDRAULIC MOTOR
4	84142005		1 HYDRAULIC MOTOR
5	84540202		1 AUGER
6	84540200		1 AUGER
7	84278079		2 COUPLING
8	300477		2 SET SCREW Hex Soc, M8 x 16, Cup Pt
9	9706690		2 NUT Hex, M8, 1.25mm Pitch, 6.80mm High, Cl 8, ZND
10	278910		2 LOCK PIN M12 x 55, Slotted
11	340411236		2 BALL BEARING
12	47377254		2 HOUSING
13	84278072		2 PROTECTION PLATE
14	83990583		8 LOCK WASHER M8
15	43127		8 BOLT Hex, M8 x 1.25 x 25mm, Cl 8.8, Full Thd
16	84198833		2 SPACER
17	47482848		1 MOUNT
18	47482835		1 MOUNT
19	87646158		8 BOLT
20	47410532		2 SHIELD
21	87698836		8 BOLT Hvy Hex Flg, M10 x 25mm, Cl 10.9, Full Thd
22	47410536		2 SHIELD
23	322357		4 BELLEVILLE WASHER M6
24	86977726		4 BOLT Hex, M6 x 12mm, Cl 8.8, Full Thd
25	47479864		2 STRIPPER
26	86511841		10 BOLT Hvy Hex, M8 x 16mm, Cl 8.8, Full Thd
27	201-361		4 ELBOW 90°, 1"-14 x 1"-14 Fem Sw ORFS
28	47413632		2 HYDRAULIC HOSE
29	47413659		2 HYDRAULIC HOSE
			4406-630 4406-636 4406-638 4408-830 4408-836 4408-838 4412-1230

**88.058.01**

p2

1/2014

**DIA, KIT, AUGER DIVIDER**





**88.058.01**

p2

1/2014

**DIA, KIT, AUGER DIVIDER**

<b>REF FN</b>	<b>PART NUMBER</b>	<b>YR/SN</b>	<b>QTY DESCRIPTION</b>
---------------	--------------------	--------------	------------------------

30	47399673		2 HYDRAULIC HOSE
31	86603051		2 HYD CONNECTOR
31	84435046		2 COUPLING

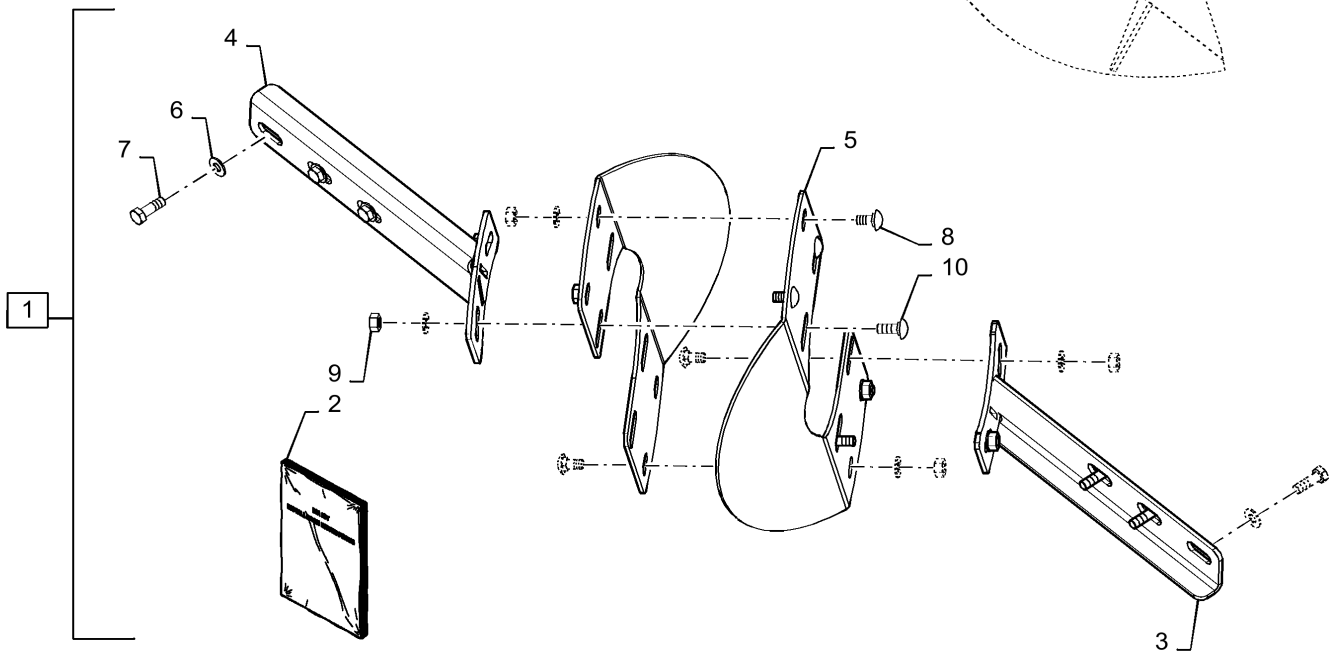
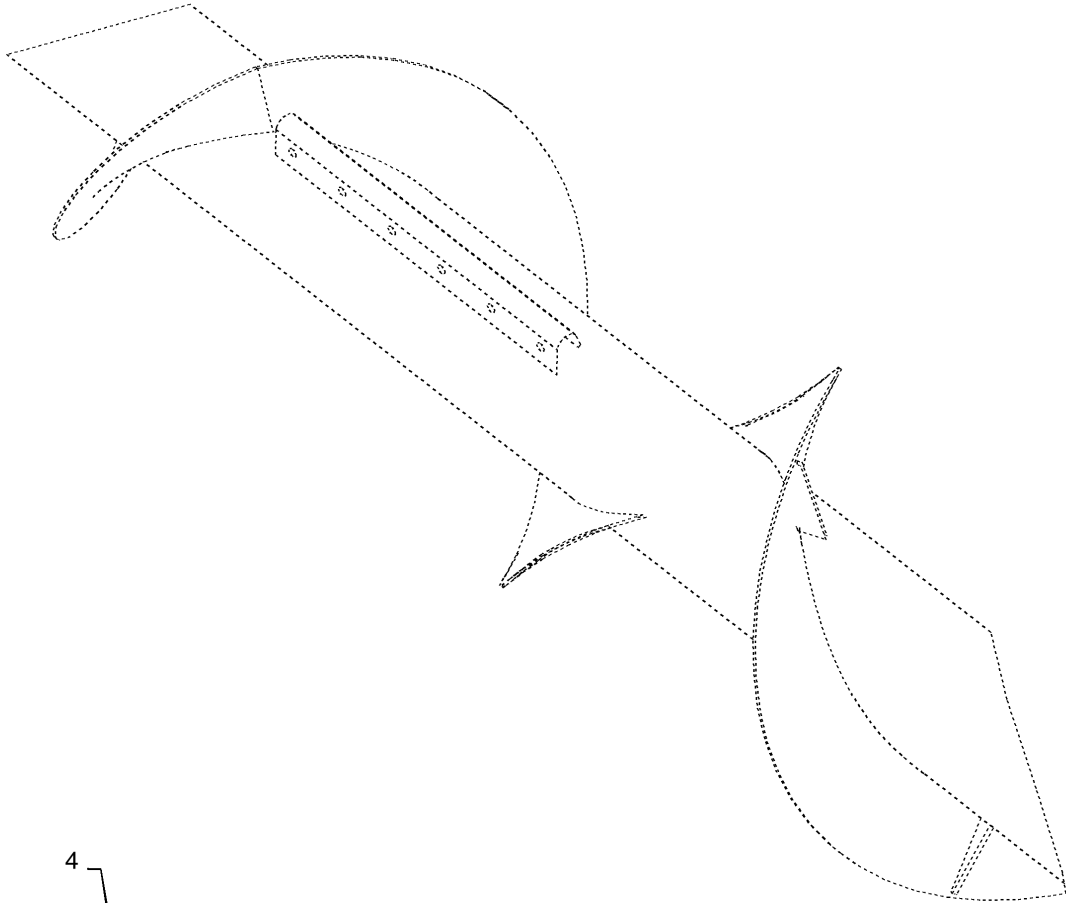
4406-630 4406-636 4406-638 4408-830 4408-836 4408-838 4412-1230

88.058.02

p1

1/2014

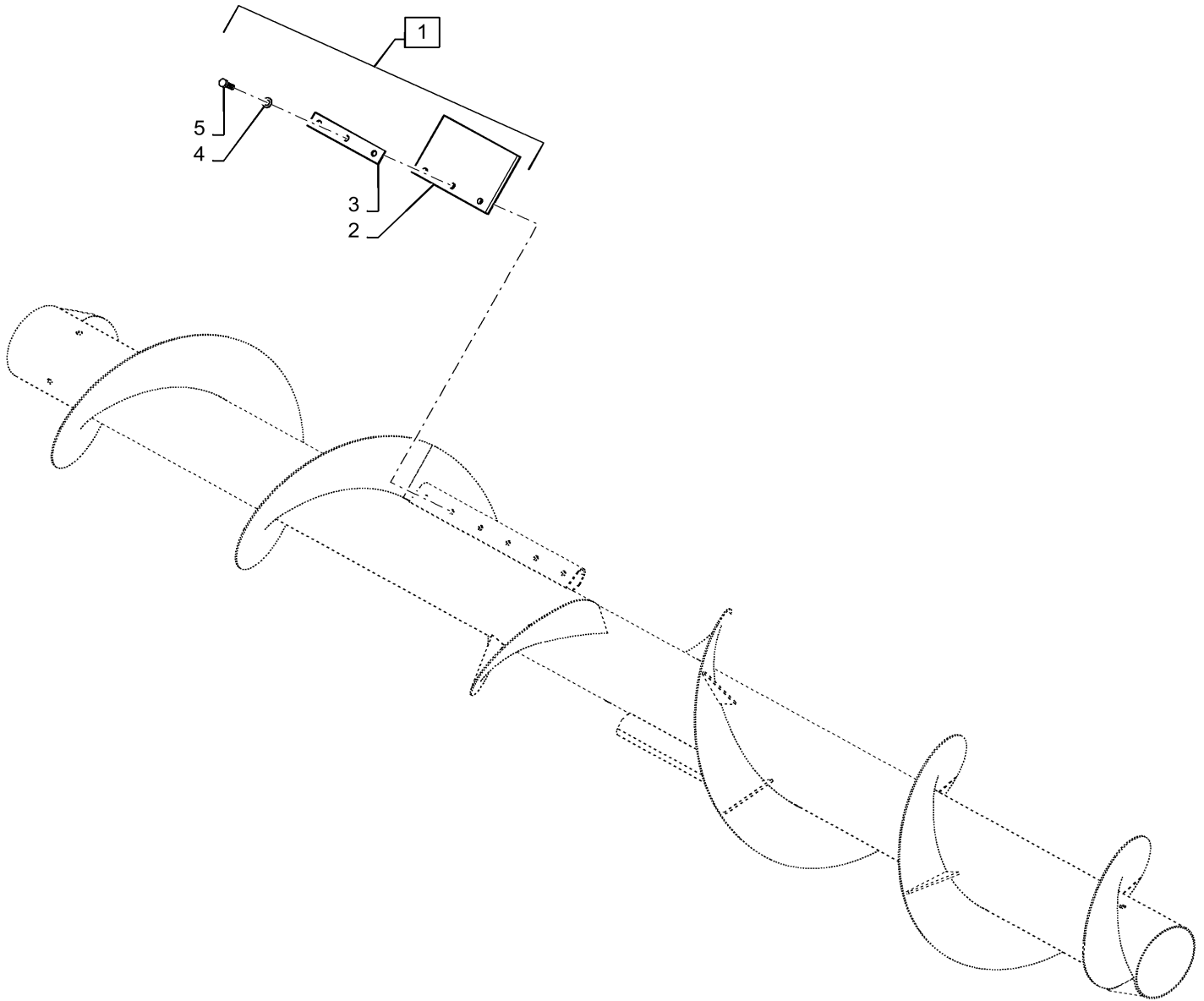
DIA, KIT, CENTRAL AUGER DISC



## DIA, KIT, CENTRAL AUGER DISC

REF FN	PART NUMBER	YR/SN	QTY DESCRIPTION
1	84361624		1 DIA KIT, HARVESTER Incl 2 - 10
2	84364390		1 INSTRUCTION
3	84361590		1 SUPPORT
4	84361592		1 SUPPORT
5	84485727		2 DISC
6	140045		14 BELLEVILLE WASHER M10
7	43140		6 BOLT Hex, M10 x 30mm, CI 8.8, Full Thd
8	120041		4 CARRIAGE BOLT Short NK, M10 x 20, CI8.8, Full Thd
9	100016		8 NUT M10, CI 8
10	86633356		4 CARRIAGE BOLT Short NK, M10 x 25, CI8.8, Full Thd
			4406-630 4406-636 4406-638 4408-830

DIA, KIT AUGER DELIVERY FLAPS



**88.058.03**

p1

1/2014

**DIA, KIT AUGER DELIVERY FLAPS**

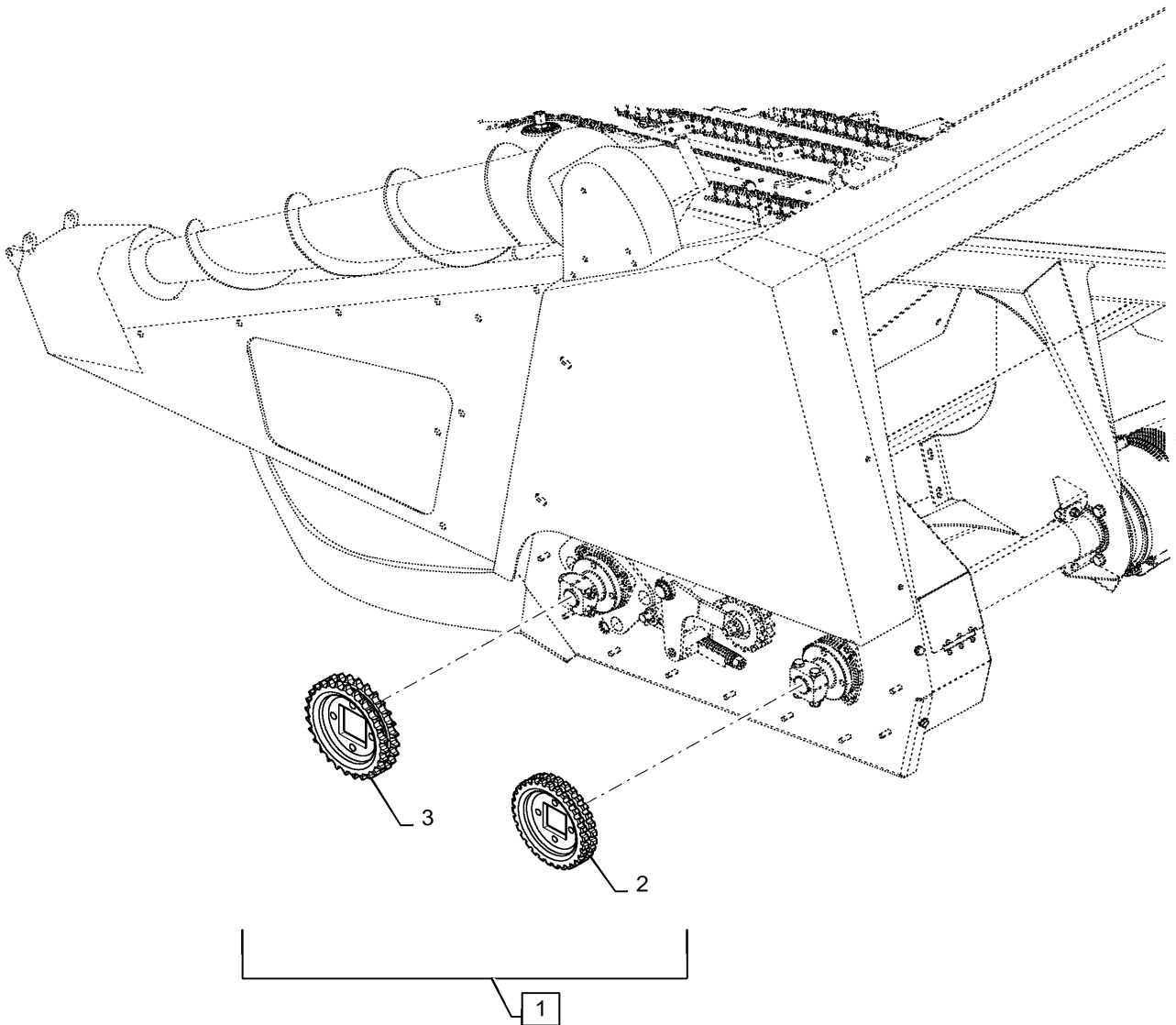
<b>REF FN</b>	<b>PART NUMBER</b>	<b>YR/SN</b>	<b>QTY DESCRIPTION</b>
1	87517559		1 DIA KIT, HARVESTER Incl 2 - 5
2	84976093		2 CANVAS
3	87326231		2 COVER PLATE
4	140017		6 WASHER M10 x 20 x 2
5	43140		6 BOLT Hex, M10 x 30mm, Cl 8.8, Full Thd
			4406-630 4406-636 4406-638 4408-830 4408-836 4408-838 4412-1230

88.058.04

p1

1/2014

DIA, KIT, SPEED REDUCTOR



DIA, KIT, SPEED REDUCTOR

REF FN	PART NUMBER	YR/SN	QTY DESCRIPTION
1	87626190		1 DIA KIT, HARVESTER Incl 2 - 3
1	47489188		1 FIP KIT Incl 2 - 3
2	87622277		2 DRIVING GEAR
2	47489187		2 SPROCKET
3	87568038		2 DRIVING GEAR
3	47489087		2 CONNECTING LINK

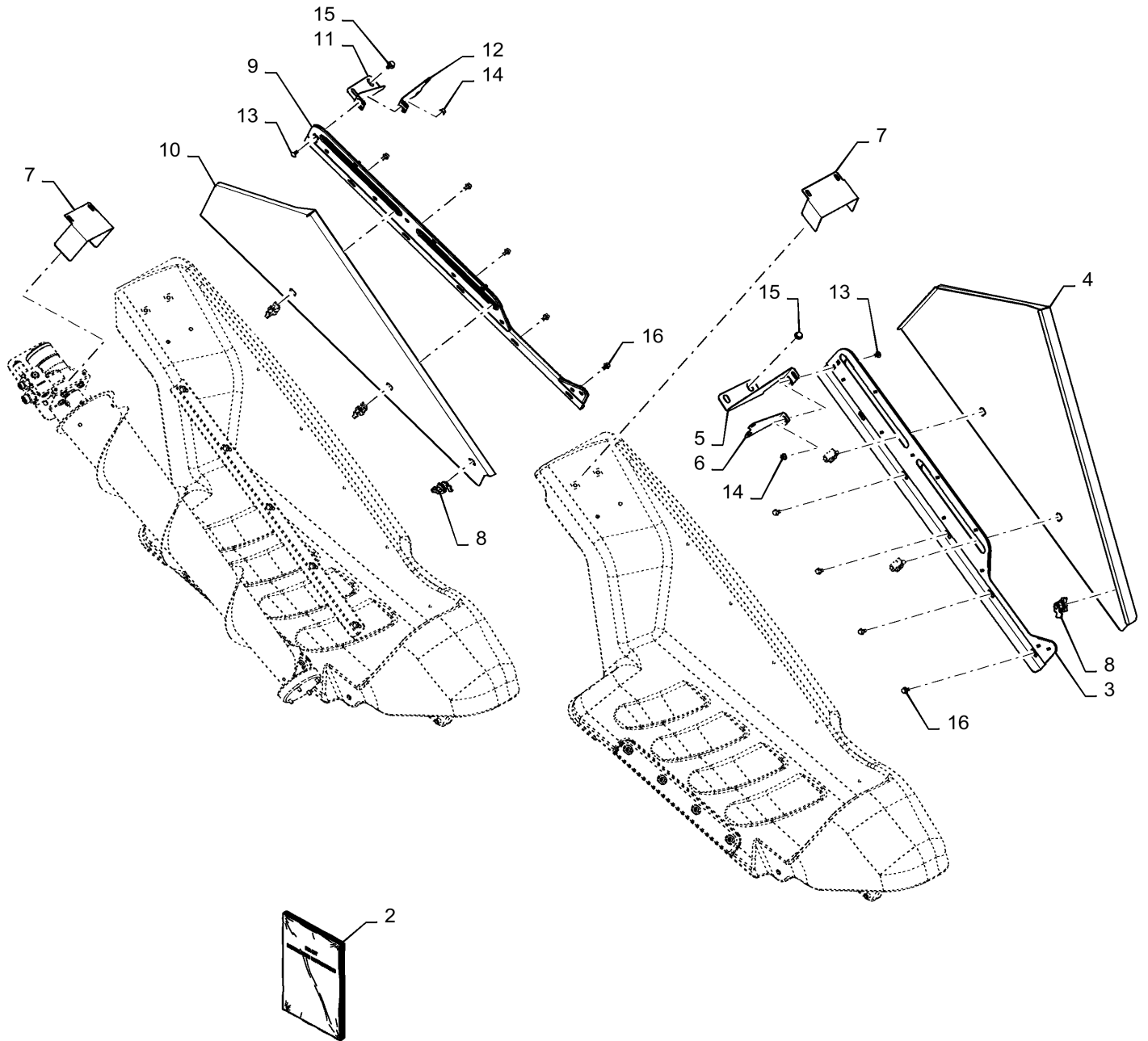
4406-630 4406-636 4406-638 4408-830 4408-836 4408-838 4412-1230

88.058.05

p1

1/2014

DIA, KIT, TALL CORN ATTACHMENT



1





## DIA, KIT, TALL CORN ATTACHMENT

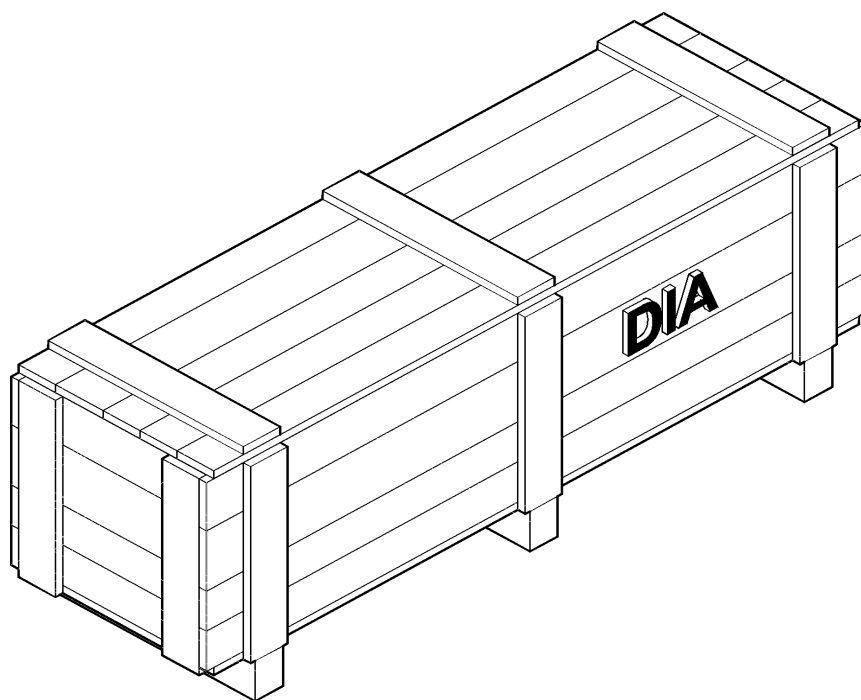
REF FN	PART NUMBER	YR/SN	QTY DESCRIPTION
1	47377859		1 SERVICE KIT Tall Corn Attachment, Incl 2 - 16
2	47569466		1 INSTRUCTION
3	47558919		1 SUPPORT
4	47543031		1 DIVIDER
5	47558918		1 SUPPORT
6	47558922		1 SUPPORT
7	47558850		2 SHIELD
8	138699A1		6 LOCK
9	47558930		1 SUPPORT
10	47558929		1 DIVIDER
11	47565668		1 SUPPORT
12	47565670		1 SUPPORT
13	86619060		4 CARRIAGE BOLT Sht Sq Nk, M8 x 16mm, Cl 8.8, Full Thd
14	9804277		4 FLANGE NUT Hex Flg, M8, 1.25 Pitch, Gr 8
15	87646158		4 BOLT
16	16281924		10 FLANGE BOLT
			4406-630 4406-636 4406- 638 4408-830 4408-836 4408-838 4412-1230

**88.058.06**

p1

1/2014

**DIA, KIT, CHAIN REMOVAL TOOL**



**88.058.06**

p1

1/2014

**DIA, KIT, CHAIN REMOVAL TOOL**

<b>REF FN</b>	<b>PART NUMBER</b>	<b>YR/SN</b>	<b>QTY DESCRIPTION</b>
---------------	--------------------	--------------	------------------------

1	84317153		1 DIA KIT, HARVESTER Incl 2
2	84301942		1 TOOL

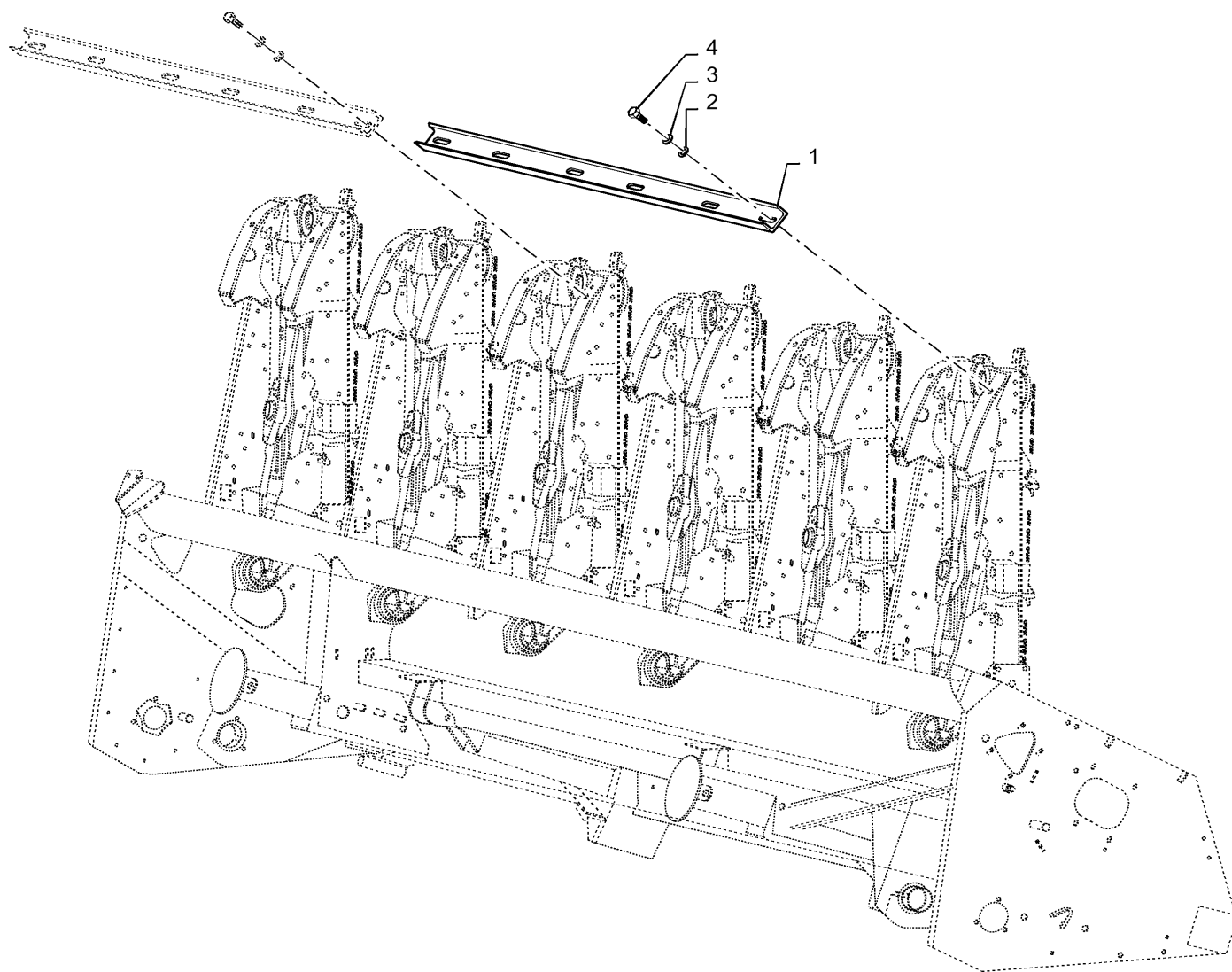
4406-630 4406-636 4406-638 4408-830 4408-836 4408-838 4412-1230

88.089.01

p1

1/2014

DIA, KIT, FIXATION



## DIA, KIT, FIXATION

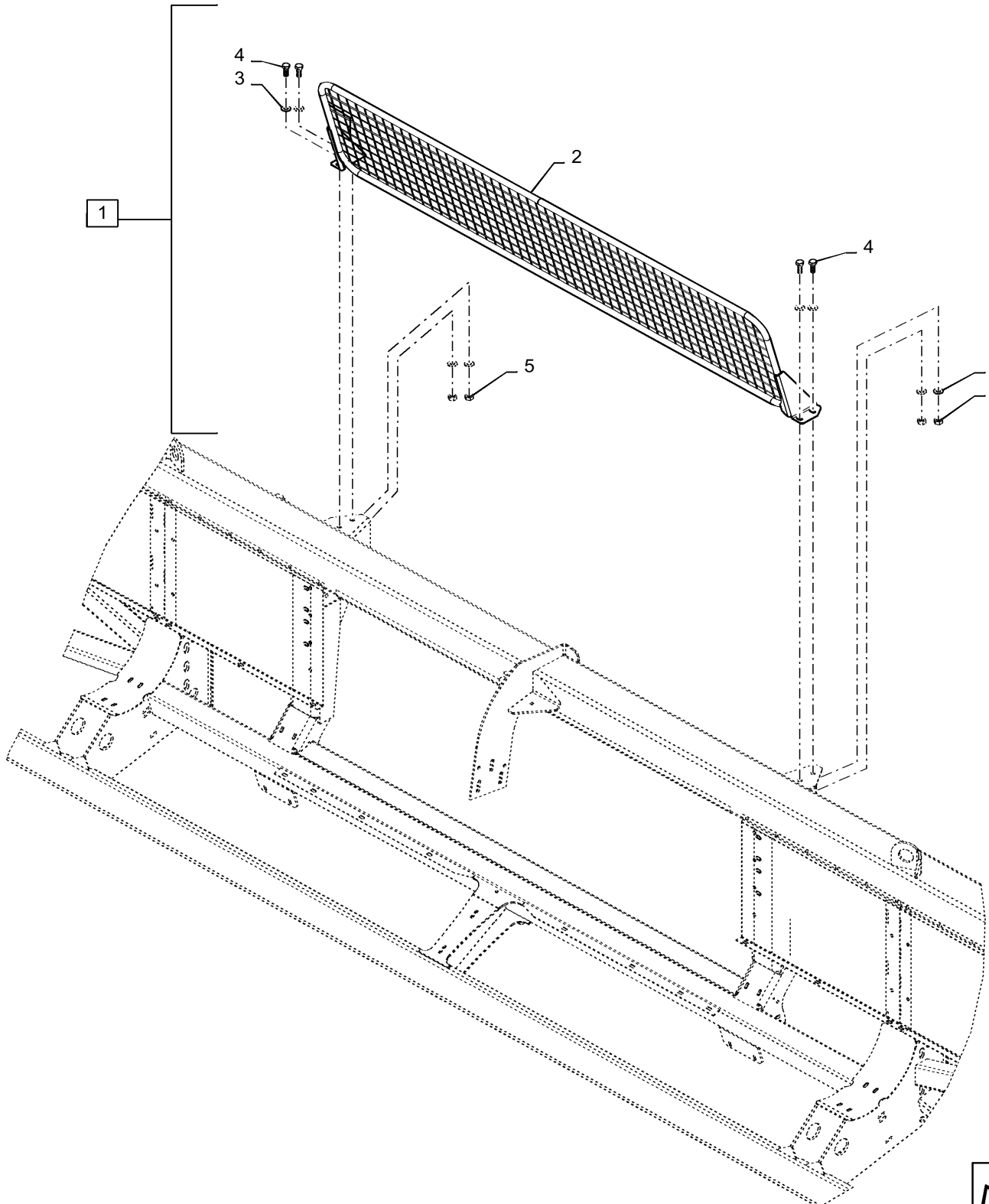
REF FN	PART NUMBER	YR/SN	QTY	DESCRIPTION
1	{84165513}		1	
1	{84165498}		1	
1	47431610		2	PROFILE
2	12646921		8	WASHER M12 x 28 x 3
2	12646921		12	WASHER M12 x 28 x 3
3	140046		8	BELLEVILLE WASHER Belleville, M12
3	140046		12	BELLEVILLE WASHER Belleville, M12
4	9706687		8	BOLT Hex, M12 x 1.75 x 30mm, Cl 8.8, Full Thd
4	9706687		12	BOLT Hex, M12 x 1.75 x 30mm, Cl 8.8, Full Thd
				4406-630 4406-636 4406-638 4408-830 4408-836 4408-838 4412-1230

88.090.01

p1

1/2014

DIA, KIT, DUSTSCREEN



**DIA, KIT, DUSTSCREEN**

<b>REF FN</b>	<b>PART NUMBER</b>	<b>YR/SN</b>	<b>QTY DESCRIPTION</b>
1	47511728		1 DIA KIT, HARVESTER Dust Screen, Incl 2 - 5
2	47510379		1 SHIELD
3	140045		8 BELLEVILLE WASHER M10
4	43139		4 BOLT Hex, M10 x 25mm, Cl 8.8
5	100016		4 NUT M10, Cl 8
			4406-630 4406-636 4406-638 4408-830 4408-836 4408-838 4412-1230





---

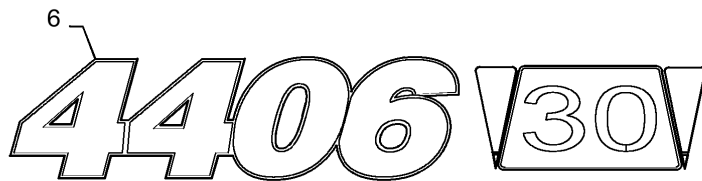
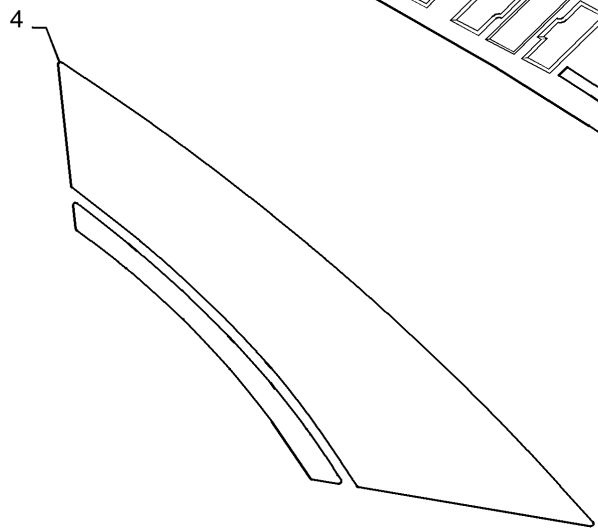
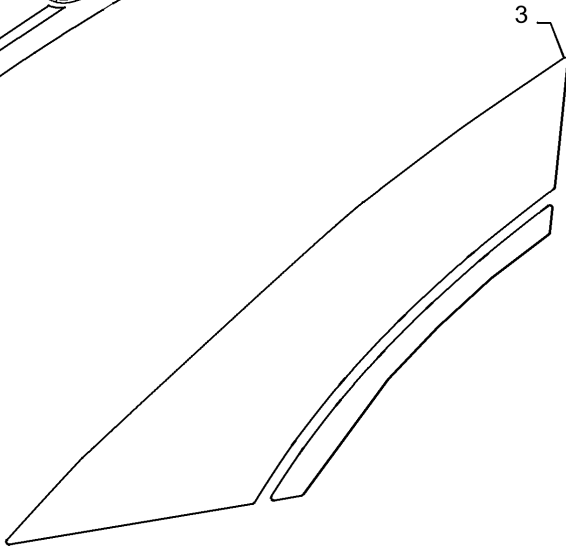
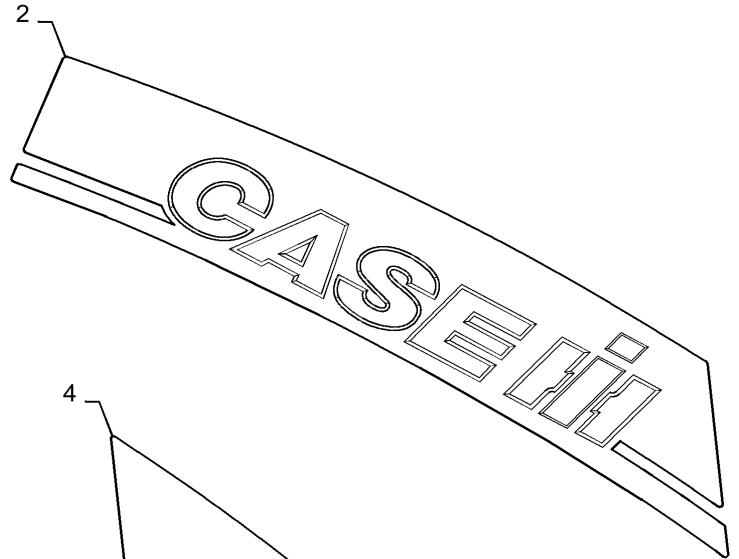
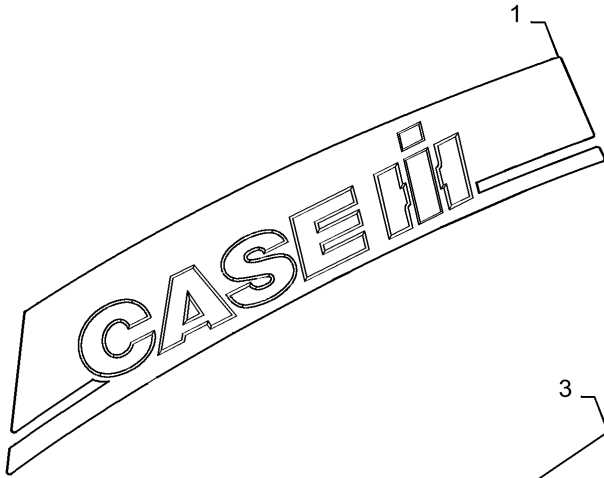
SECTION INDEX

PLATFORM, CAB, BODYWORK & DECALS

---

90.108.AB	01	DECALS, COMMON & MODEL
90.108.AB	02	DECALS, ASSY, CHOPPING
90.108.AC		DECALS, SAFETY

DECALS, COMMON & MODEL

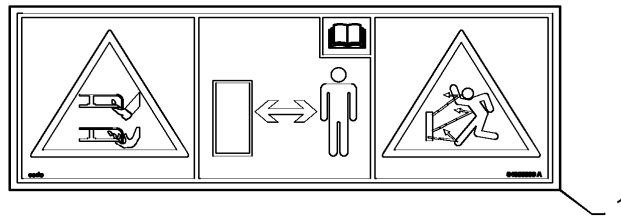
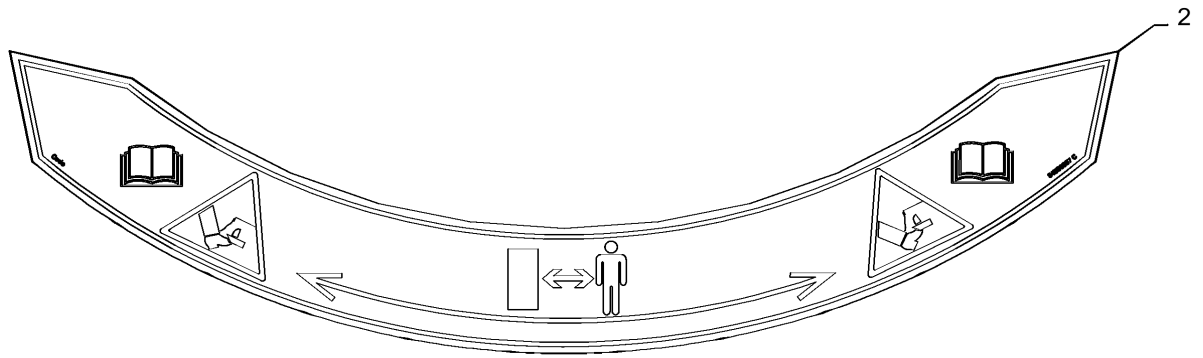


## DECALS, COMMON &amp; MODEL

REF FN	PART NUMBER	YR/SN	QTY DESCRIPTION
1	47561503		1 DECAL CIH, LH
2	47561508		1 DECAL CIH, RH
3	47561509		1 DECAL CIH Hood, LH
4	47561511		1 DECAL CIH Hood, RH
5	84395168		1 DECAL CIH Logo
6	84593126		1 DECAL 4406 - 30
6	84593127		1 DECAL 4406 - 36
6	84593128		1 DECAL 4406 - 38
6	84593129		1 DECAL 4408 - 30
6	84593130		1 DECAL 4408 - 36
6	84593131		1 DECAL 4408 - 38
6	84593132		1 DECAL 4412 - 30

4406-630 4406-636 4406-638 4408-830 4408-836 4408-838 4412-1230

DECALS, ASSY, CHOPPING



**90.108.AB**

02

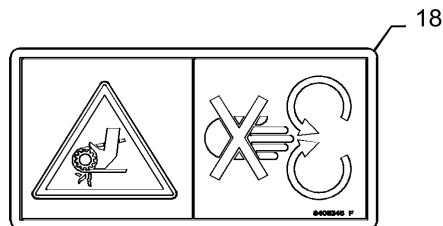
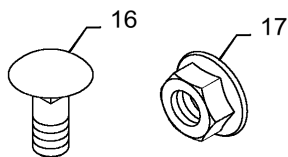
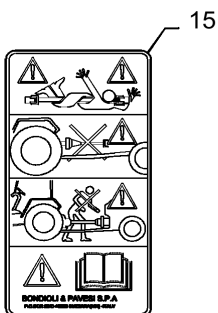
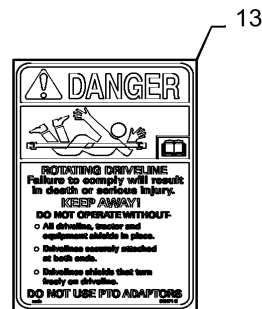
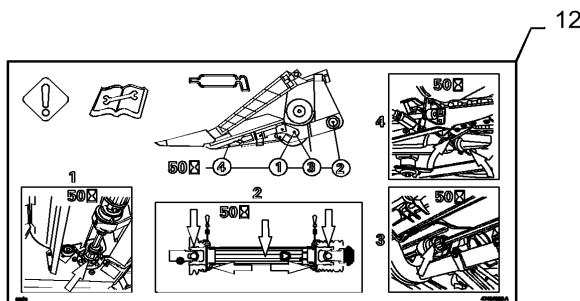
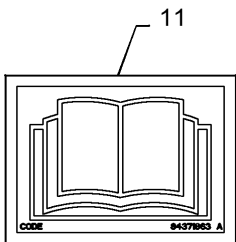
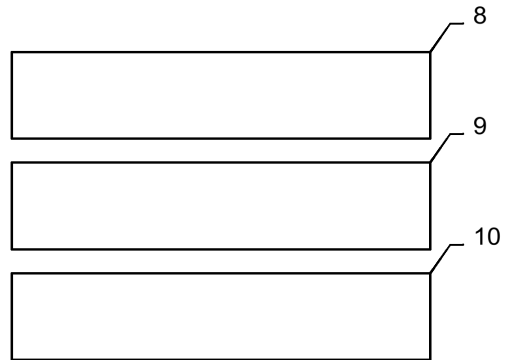
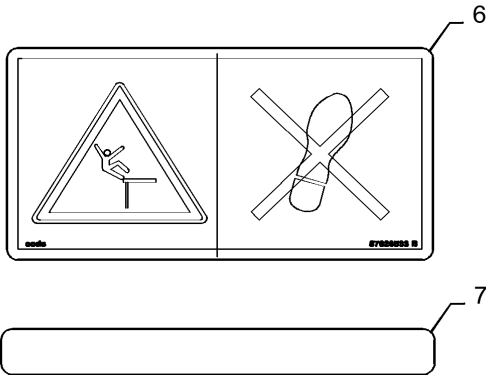
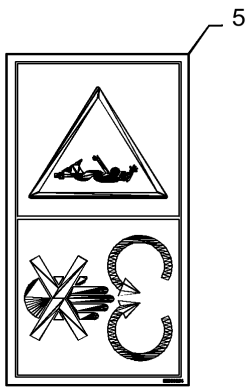
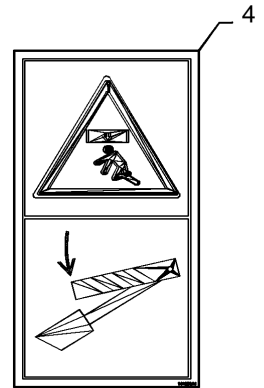
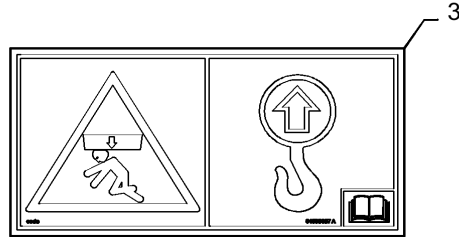
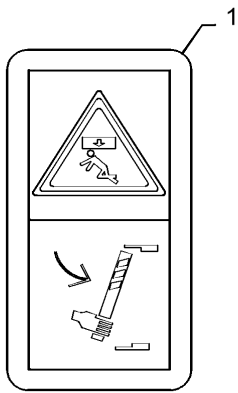
p1

1/2014

**DECALS, ASSY, CHOPPING**

<b>REF FN</b>	<b>PART NUMBER</b>	<b>YR/SN</b>	<b>QTY DESCRIPTION</b>
1	84586899		4 DECAL
2	84586897		1 DECAL
3	47390513		1 DECAL
			4406-630 4406-636 4406-638 4408-830 4408-836 4408-838 4412-1230

DECALS, SAFETY



## DECALS, SAFETY

REF FN	PART NUMBER	YR/SN	QTY DESCRIPTION
1	84068808		2 DANGER DECAL
2	84400502		2 DECAL
3	84593097		2 DECAL
4	144380A1		4 DECAL
5	86999254		2 DANGER DECAL
6	87026533		2 DECAL
7	87022092		3 DECAL
8	86547781		4 REFLECTOR
9	86547782		2 REFLECTOR
10	86547783		4 DECAL
11	84371863		1 DECAL
12	47404386		1 DECAL
13	849471		1 DANGER DECAL
14	849472		1 DANGER DECAL
15	86520950		1 DECAL
16	86512439		4 CARRIAGE BOLT Sht Nk, M6 x 16mm, Cl 8.8, Full Thd
17	87301498		4 FLANGE NUT
18	84011345		2 DECAL
			4406-630 4406-636 4406-638 4408-830 4408-836 4408-838 4412-1230