

STX and Steiger 280 and 330 Series Tractors

Parts Catalog

87719020
(Replaces 87357418)

CASE *III*

Sectional Layout

General	1
Engine	2
Fuel System	3
Electrical System	4
Steering	5
Power Train	6
Brakes	7
Hydraulics	8
Chassis/Attachment	9
Numerical Index	10

How to Use Your Parts Catalog

1 08-01 01 p1 01/02

HYDRAULIC CYLINDER - 396137A2

10 08-01 01 p1 01/02

HYDRAULIC CYLINDER - 396137A2

REF	FN	PART NUMBER	YR/SN	QTY	DESCRIPTION
1	1	396137A2	BTW 01/85 & 02/02	1	CYLINDER ASSY. 4-3/4 in strk, Inc 2-10
2		31-95	Before 01/85	2	FITTING
2		219-8	From 01/85	2	NIPPLE, LUBE Grease, 1/4 tpr x 17/32
3		{402475A2}		1	BREATHER
4		402474A1		1	CAP CYLINDER END
5		402468A1	BSN JJC0189199	1	PISTON ROD/GLAND
5		145221C3	ASN JJC0189200	1	PISTON
6		402471A1		1	SPACER
7		402473A1		1	ROD, PISTON
8		402469A1		1	PISTON ROD/GLAND
9		402476A1		1	PACKAGE, SEALS
10		NSS		1	NOT SERVICED SEPARAT CASE ASSEMBLY

(1) 08-20

STANDARD

MODELS

How to Use Your Parts Catalog

1. Figure Number
2. Sequence code within the Figure Number
3. Page number within the Sequence Code
4. Date of Printing (month / year)
5. Figure Description
6. General information regarding the figure
7. Parts supplied in repair kits per symbol reference
8. Figure call-out of the part number (REF)
9. Technical Specifications relating to the part indicated
10. Figure call-out includes bracketed items, the included items may also be listed in the additional description area
11. Orientation - Arrow indicates front of the machine
12. Footnote - Additional information relating to the part number. In this example, 08-20 equals another figure that this part is shown on.
13. Part Number
 - NSS = Non-serviced parts
 - Bracketed numbers = not available as service parts in this market
14. Not Available as service part in this market
15. YR/SN
 - Year
 - Before 01/85 = Part valid for production January 1985 and before
 - From 01/85 = Part valid for production from January 1985 and after
 - BTW 01/85 & 02/02 = Part valid for machines produced between January 1985 and February 2002.
 - Serial Number (P.I.N.)
 - BSN JJC0268800 = Part valid for serial number JJC0268800 and below
 - ASN JJC0268800 = Part valid for serial number JJC0268800 and above
 - BTW JJC0178000 & JJC0179000 = Part valid for serial numbers between JJC0178000 & JJC0179000
16. Total Quantity of the Part referred to in the page. The quantity can be replaced by the following indications:
 - AR = quantity as required
 - X = as required
17. Part Description
18. Additional description of the part to help confirm identification
19. Figure Notes
20. Model Number(s)

Explanation of Abbreviations

Abbreviation	Meaning
adj	adjustable
amp	ampere
AR	As required
ASN	Serial number and after / P.I.N. and after
barb	barb
blkhd	bulkhead
boss	boss
BSN	before serial number / before P.I.N
BTW	between
cc	cubic centimetre
chain	chain
cl	class
cp pt	cup point
CRS	Chrome Alloy Steel
CST	Carbon Steel
cu yd	cubic yard
deg	degree
dia	diameter
dr type	drive type
dry	dry
fc	face
fc sl	face seal
fem	female
fem PT	female pipe thread
fl	flare
ft	feet (or foot)
gal	gallon(s)
gr	grade
hd	head
hp	horsepower
ID	inside diameter

Abbreviation	Meaning
in	inch(es)
Inc.	includes
inv fl	inverted flare
K	kilo
kg	kilogram
L	litre
lb	pound(s)
lg	long
LH	left hand
LH thd	left hand thread
links	links
M	(prefix) metric thread size
m	metre
male	male
mm	millimetre
NF	National Fine
No.	number
NS	National Super Fine
OD	outside diameter
ohm	electrical unit of resistance
Or	O-ring
orifice	orifice
P	pitch
piece	piece
psi	pounds per square inch
PT	pipe thread
rd	round
rd holes	round holes
RH	right hand
RH thd	right hand thread
rpm	revolutions per minute

Explanation of Abbreviations

Abbreviation	Meaning
sl	self locking
slat	slat
spool	spool
sq	square
SST	Stainless Steel
st	self tapping
stem	stem
strk	stroke
sw	swivel
T	teeth
Teflon	Teflon
thin	thin
thk	thick
tpr	taper

Abbreviation	Meaning
tube	tube
type	type
V	volt(s)
W	watt(s)
way	way
wide	wide
X	as required
yd	yard

Dimensions

Metric and U.S. hardware dimensions do not show the numeric designations of standard coarse threads. A number following a semi colon (;) is the class or grade of hardware. A comma (,) represents the decimal point (.) used in U.S. dimensions.



ALPHABETICAL INDEX

FIGURE

ACCUGUIDE - AFS 200 PRO MOUNTING & RELATED PARTS	04-35
ACCUGUIDE - AFS 600 PRO MOUNTING & RELATED PARTS, ASN Z7F105571	04-35
ACCUGUIDE - HYDRAULIC, STEERING, WITHOUT ACCUSTEER	05-11
ACCUGUIDE, GPS - MOUNTING	04-34
AIR CLEANER ASSEMBLY	02-04
AIR CONDITIONING - AIR FILTER HOUSING ASSEMBLY	09-42
AIR CONDITIONING - BLOWER ASSEMBLY	09-43
AIR CONDITIONING - CLIMATE CONTROL UNIT, WITH AUTO TEMP CONTROL	09-44
AIR CONDITIONING - COMPRESSOR MOUNTING	09-39
AIR CONDITIONING - DUCTS	09-41
AIR CONDITIONING SYSTEM	09-40
AIR COOLER MOUNTING	02-05
AIR INTAKE	02-03
ALARM - BACK-UP	04-10
ALTERNATOR - MOUNTING	04-07
ARTICULATION LOCKS	05-10
AXLE ASSEMBLY - BRAKE AND RIGHT-HAND CARRIER	06-62
AXLE ASSEMBLY - CENTER AND LEFT-HAND CARRIER	06-59
AXLE ASSEMBLY - COVER, FRONT AXLE	06-57
AXLE ASSEMBLY - COVER, REAR AXLE	06-58
AXLE ASSEMBLY - DIFFERENTIAL, WITH DIFFERENTIAL LOCK	06-61
AXLE ASSEMBLY - DIFFERENTIAL, WITHOUT DIFFERENTIAL LOCK	06-60
AXLE ASSEMBLY - FINAL DRIVE, HEAVY DUTY	06-64
AXLE ASSEMBLY - FINAL DRIVE, STANDARD	06-63
AXLE HYDRAULICS - AIR AND LUBRICATION CIRCUIT, WITH ACCUSTEER	08-08
AXLE HYDRAULICS - AIR AND LUBRICATION CIRCUIT, WITHOUT ACCUSTEER	08-07
AXLE HYDRAULICS - COOLING CIRCUIT, WITH ACCUSTEER	08-10
AXLE HYDRAULICS - COOLING CIRCUIT, WITHOUT ACCUSTEER	08-09
AXLE HYDRAULICS - LUBRICATION CIRCUIT, WITH ACCUSTEER	08-06
AXLE HYDRAULICS - LUBRICATION CIRCUIT, WITHOUT ACCUSTEER	08-05
AXLE MOUNTING	06-56
BATTERIES	04-23
BATTERY DOOR ASSEMBLY	09-31
BRAKE CONTROL	07-01
BRAKE VALVE ASSY	07-02
BUMPER	09-32
CAB - FLOORMATS AND DOORS	09-13
CAB - HEADLINER AND CONTROL PANEL, DELUXE AND LUXURY CAB	09-17
CAB - SKIRTS AND GLASS	09-15
CAB MOUNTING	09-11
CABLE - TOW VALVE	08-15
CAMSHAFT	02-20
CENTER LINK	09-36
CLUTCH PEDAL, MANUAL SHIFT TRANSMISSION	06-02
CLUTCH PEDAL, POWER SHIFT TRANSMISSION	06-01
CONSOLE - RIGHT HAND ARMREST, ELECTRIC, ASN Z7F105745	09-19
CONSOLE - RIGHT HAND ARMREST, ELECTRIC, BSN Z7F105745	09-19
CONSOLE - RIGHT-HAND ARMREST, MANUAL	09-18

ALPHABETICAL INDEX

FIGURE

CONTROL PANEL COMPONENTS	04-02
CONTROLS - CONSOLE, RIGHT-HAND	04-01
COUPLER MOUNTS - WITHOUT POWER TAKEOFF AND THREE POINT HITCH	08-36
COUPLER VALVE ASSEMBLY	08-31
COUPLERS - POWER BEYOND	08-35
CRANKCASE, BREATHER	02-19
CRANKSHAFT	02-22
CYLINDER ASSEMBLY - THREE POINT HITCH	08-38
CYLINDER ASSY - ARTICULATION, WITH SENSOR, ASN Z7F105441	05-13
CYLINDER ASSY - ARTICULATION, WITH SENSOR, BSN Z7F105441	05-13
CYLINDER ASSY - ARTICULATION, WITHOUT SENSOR	05-12
CYLINDER ASSY - STEERING, WITH SENSOR, ASN Z7F105371	05-09
CYLINDER ASSY - STEERING, WITH SENSOR, BSN Z7F105371	05-09
CYLINDER ASSY - STEERING, WITHOUT SENSOR	05-08
CYLINDER BLOCK	02-21
CYLINDER HEAD - VALVE MECHANISM	02-17
CYLINDER HEAD COVER	02-16
DECALS	09-53
DECALS	09-52
DECALS	09-54
DECALS, HOOD, ASN Z6F105001	09-51
DECALS, HOOD, BSN Z6F105001	09-51
DOOR ASSEMBLY	09-14
DRAWBAR - EXTENDABLE	09-08
DRAWBAR - HEAVY DUTY, WITH THREE POINT HITCH	09-10
DRAWBAR - HEAVY DUTY, WITHOUT THREE POINT HITCH	09-09
DRIVE SHAFT ASSEMBLY, WITH ACCUSTEER	06-11
DRIVE SHAFT ASSEMBLY, WITHOUT ACCUSTEER	06-10
DRIVE SHAFTS AND MOUNTING, WITH ACCUSTEER TRACTOR	06-09
DRIVE SHAFTS AND MOUNTING, WITHOUT ACCUSTEER	06-08
ELECTRONIC MODULE ASSY	04-24
ENGINE MOUNTING	02-07
EXHAUST SYSTEM	02-06
FILTER AND COOLER OIL	02-14
FIRE EXTINGUISHER	09-50
FLYWHEEL	02-23
FRONT CONSOLE	09-20
FRONT FRAME, WITH ACCUSTEER	09-29
FRONT FRAME, WITHOUT ACCUSTEER	09-28
FRONT GEAR COVER	02-09
FUEL DRAIN	03-08
FUEL FILTER AND CONNECTIONS	03-06
FUEL INJECTION - PUMP AND DRIVE	03-07
FUEL INJECTION SYSTEM	03-04
FUEL LINES	03-03
GEAR PUMP ASSEMBLY	08-26
GRID HEATER - CABLES	04-22
GRILLE	09-33

ALPHABETICAL INDEX

FIGURE

GROUND SPEED SENSOR	04-09
HARNESS - ADVANCED FARMING SYSTEMS	04-19
HARNESS - CAB ROOF	04-14
HARNESS - ENGINE	04-12
HARNESS - FRONT CONSOLE	04-18
HARNESS - FRONT FRAME	04-15
HARNESS - ISO IMPLEMENT	04-37
HARNESS - MAIN CAB, DELUXE AND LUXURY CABS	04-13
HARNESS - REAR FRAME, WITH ELECTRONIC REMOTE AND THREE POINT HITCH	04-17
HARNESS - REAR FRAME, WITH ELECTRONIC REMOTE, WITHOUT THREE POINT HITCH	04-16
HARNESS - TRANSMISSION, POWER SHIFT	04-11
HARNESS, ENGINE CONTROL MODULE	04-20
HEADLAMPS	04-27
HEATER - HOSES	09-38
HIGH OUTPUT HYDRAULICS - PISTON PUMP ASSY	08-25
HIGH OUTPUT HYDRAULICS - PUMP LUBRICATION CIRCUIT, WITH ACCUSTEER	08-22
HIGH OUTPUT HYDRAULICS - PUMP LUBRICATION CIRCUIT, WITHOUT	08-20
HIGH OUTPUT HYDRAULICS - PUMP MOUNTING	08-24
HITCH VALVE ASSEMBLY - ELECTRONIC CONTROLLED	08-33
HOOD - LIFT ARM	09-35
HOOD AND SUPPORT	09-34
HUB ASSEMBLY	06-07
HYDRAULIC OIL COOLER	08-01
HYDRAULIC OIL COOLER - MOUNTING	08-02
HYDRAULIC REMOTE CONTROL VALVE	08-28
HYDRAULIC REMOTE HOSES - ELECTRONIC REMOTE	08-27
HYDRAULIC TANK ASSEMBLY	08-16
HYDRAULICS - FRONT STEERING CYLINDERS, WITH ACCUSTEER	05-07
HYDRAULICS - STEERING, WITH ACCUSTEER	05-06
HYDRAULICS - STEERING, WITHOUT ACCUSTEER	05-05
HYDRAULICS - TWIN FLOW CIRCUITRY	08-39
INSTRUMENT CLUSTER	04-04
INTERIOR TRIM - DELUXE AND LUXURY CABS	09-12
KIT ENGINE OVERHAUL	02-27
LAMP - STROBE	04-30
LAMPS - MARKER	04-28
LAMPS - REAR FRAME AND FIELD	04-26
LAMPS - REAR FRAME, H.I.D.	04-25
LAMPS - SIDE MARKER WARNING	04-29
LINK ASSEMBLY - LIFT	09-06
LINK ASSEMBLY - UPPER	09-05
MAIN AND AUXILIARY VALVE ASSEMBLY - ELECTRONIC CONTROLLED	08-32
MANIFOLD VALVE ASSEMBLY	08-29
MANIFOLDS	02-10
MANUAL SHIFT TRANSMISSION - CONTROL VALVE ASSEMBLY	06-39
MANUAL SHIFT TRANSMISSION - COVERS AND YOKES	06-28
MANUAL SHIFT TRANSMISSION - FIFTH SHAFT ASSEMBLY	06-38

ALPHABETICAL INDEX

FIGURE

MANUAL SHIFT TRANSMISSION - FOURTH SHAFT ASSEMBLY	06-37
MANUAL SHIFT TRANSMISSION - FRONT HOUSING	06-30
MANUAL SHIFT TRANSMISSION - INPUT SHAFT ASSEMBLY	06-34
MANUAL SHIFT TRANSMISSION - INPUT SHAFT ASSEMBLY	06-33
MANUAL SHIFT TRANSMISSION - LOCKOUT VALVE ASSEMBLY	06-40
MANUAL SHIFT TRANSMISSION - REAR HOUSING	06-29
MANUAL SHIFT TRANSMISSION - REGULATOR VALVE ASSEMBLY	06-41
MANUAL SHIFT TRANSMISSION - SECOND SHAFT ASSEMBLY	06-35
MANUAL SHIFT TRANSMISSION - SHAFT ASSEMBLIES AND SHIFTER FORKS	06-31
MANUAL SHIFT TRANSMISSION - SHIFTER FORKS	06-32
MANUAL SHIFT TRANSMISSION - THIRD SHAFT ASSEMBLY	06-36
MANUAL SHIFT TRANSMISSION - VALVE ASSEMBLY MOUNTING	06-27
MIDDLE FRAME, WITH ACCUSTEER	09-30
MIRRORS	09-21
MODULE, ENGINE CONTROL	04-21
MONITOR MOUNTING	09-45
MOTOR RETURN	08-34
MOUNTING - ADVANCED FARMING SYSTEMS	04-33
OIL FILTER - AXLE AND TRANSMISSION	08-03
OIL FILTER - MAIN HYDRAULIC (BELOW BATTERY)	08-04
OIL FILTER - TWIN FLOW HYDRAULICS	08-43
OIL PUMP AND OIL PAN	02-15
PARK BRAKE CIRCUIT, WITH DIFFERENTIAL LOCK, WITH ACCUSTEER	07-06
PARK BRAKE CIRCUIT, WITH DIFFERENTIAL LOCK, WITHOUT ACCUSTEER	07-05
PARK BRAKE CIRCUIT, WITHOUT DIFFERENTIAL LOCK, WITH ACCUSTEER	07-08
PARK BRAKE CIRCUIT, WITHOUT DIFFERENTIAL LOCK, WITHOUT ACCUSTEER	07-07
PISTONS AND CONNECTING RODS, STX & STEIGER 280	02-24
PISTONS AND CONNECTING RODS, STX & STEIGER 330	02-25
POSITIVE RESPONSE SUSPENSION ASSEMBLY - SEAT	09-27
POWER SHIFT TRANSMISSION - COVERS AND YOKES	06-43
POWER SHIFT TRANSMISSION - FIFTH SHAFT ASSEMBLY	06-53
POWER SHIFT TRANSMISSION - FIFTH SHAFT ASSEMBLY	06-52
POWER SHIFT TRANSMISSION - FOURTH SHAFT ASSEMBLY	06-50
POWER SHIFT TRANSMISSION - FOURTH SHAFT ASSEMBLY	06-51
POWER SHIFT TRANSMISSION - HOUSING AND CLUTCHES	06-45
POWER SHIFT TRANSMISSION - INPUT SHAFT ASSEMBLY	06-46
POWER SHIFT TRANSMISSION - INPUT SHAFT ASSEMBLY	06-47
POWER SHIFT TRANSMISSION - RANGE SELECTOR VALVE	06-55
POWER SHIFT TRANSMISSION - REAR HOUSING	06-44
POWER SHIFT TRANSMISSION - REGULATOR VALVE ASSEMBLY	06-54
POWER SHIFT TRANSMISSION - SECOND SHAFT ASSEMBLY	06-48
POWER SHIFT TRANSMISSION - THIRD SHAFT ASSEMBLY	06-49
POWER SHIFT TRANSMISSION - VALVE AND PUMP MOUNTING	06-42
POWER TAKEOFF - CLUTCH ASSEMBLY	06-20
POWER TAKEOFF - CLUTCH LUBRICATION, WITH MANUAL SHIFT	06-12
POWER TAKEOFF - CLUTCH LUBRICATION, WITH POWER SHIFT	06-13
POWER TAKEOFF - DRIVE SHAFT ASSEMBLIES	06-17
POWER TAKEOFF - DRIVE SHAFT MOUNTING	06-16
POWER TAKEOFF - INPUT SHAFT ASSEMBLY	06-21

ALPHABETICAL INDEX

FIGURE

POWER TAKEOFF - SAFETY SHEILDS	06-18
POWER TAKEOFF - TRANSFER CASE ASSEMBLY	06-19
POWER TAKEOFF LUBRICATION	06-15
PRIORITY / STEERING CONTROL VALVE ASSEMBLY, WITH ACCUSTEER	08-13
PRIORITY / STEERING CONTROL VALVE ASSEMBLY, WITHOUT ACCUSTEER	08-12
PRIORITY VALVE AND ATTACHING PARTS	08-21
PRIORITY VALVE AND ATTACHING PARTS, WITH ACCUSTEER	08-23
PUMP, FUEL TRANSFER	03-05
QUICK HITCH	09-07
RADIATOR - HOSES AND TUBES	02-01
RADIATOR MOUNTING	02-02
RADIO AND SPEAKERS	04-03
REAR FRAME	09-37
REGULATOR VALVE ASSEMBLY	08-11
REMOTE VALVE ASSEMBLY - ELECTRONIC REMOTE	08-30
ROCKSHAFT	09-02
ROOF	09-16
SEAT - CUSHION ASSEMBLY	09-25
SEAT - INSTRUCTIONAL	09-23
SEAT - NON-INSTRUCTIONAL	09-22
SEAT - OPERATORS	09-24
SENSOR - HITCH POSITION	04-36
SERVICE BRAKE CIRCUIT, WITH ACCUSTEER	07-04
SERVICE BRAKE CIRCUIT, WITHOUT ACCUSTEER	07-03
SHIFTING UNIT ASSEMBLY, WITH MANUAL SHIFT TRANSMISSION	06-05
STANDARD HYDRAULICS - PISTON PUMP ASSEMBLY	08-19
STANDARD HYDRAULICS - PUMP LUBRICATION CIRCUIT	08-17
STANDARD HYDRAULICS - PUMP MOUNTING	08-18
STARTER ASSY.	04-08
STEERING WHEEL AND COLUMN	05-01
STEERING COLUMN ASSY.	05-04
STEERING CONTROL VALVE	05-14
STORAGE BOX	09-46
SUSPENSION ASSEMBLY - SEAT	09-26
THERMOSTAT - FILTER, WATER	02-18
THREE POINT HITCH	09-01
THREE POINT HITCH - UPPER LINK, WITH POWER TAKEOFF	09-04
THREE POINT HITCH - UPPER LINK, WITHOUT POWER TAKEOFF	09-03
THREE POINT HITCH HYDRAULICS - ELECTRONIC CONTROLLED HITCH	08-37
THROTTLE	03-01
THROTTLE - DECELARATOR CONTROL, ASN Z6F105037	03-02
TOW BLOCK VALVE ASSEMBLY	08-14
TRAILER BRAKES - HYDRAULIC	08-44
TRANSMISSION - LUBRICATION, WITH MANUAL SHIFT TRANSMISSION	06-24
TRANSMISSION - LUBRICATION, WITH POWER SHIFT TRANSMISSION, WITH ACCUSTEER	06-26
TRANSMISSION - LUBRICATION, WITH POWER SHIFT TRANSMISSION, WITHOUT ACCUSTEER	06-25
TRANSMISSION CONTROL ASSEMBLY, WITH MANUAL SHIFT TRANSMISSION	05-02

ALPHABETICAL INDEX

FIGURE

TRANSMISSION CONTROL ASSEMBLY, WITH POWER SHIFT TRANSMISSION	05-03
TRANSMISSION MOUNTING, MANUAL SHIFT TRANSMISSION	06-22
TRANSMISSION MOUNTING, POWER SHIFT TRANSMISSION	06-23
TRANSMISSION SHIFT CONTROLS, MANUAL SHIFT TRANSMISSION	06-04
TRANSMISSION SHIFTER, POWER SHIFT TRANSMISSION	06-03
TURBOCHARGER ASSEMBLY	02-12
TURBOCHARGER SYSTEM	02-11
TWIN FLOW HYDRAULIC CONTROLS	04-32
TWIN FLOW HYDRAULIC MANIFOLD ASSY.	08-41
TWIN FLOW HYDRAULIC PUMP ASSY	08-42
TWIN FLOW HYDRAULICS - AUXILIARY REMOTE MOUNTING	08-40
VALVE - HYDRAULIC TRAILER BRAKE	08-45
VALVE ASSEMBLY - DIFFERENTIAL LOCK	07-09
VALVE ASSEMBLY - POWER TAKE OFF	06-14
VALVE GRIND GASKET KIT	02-26
WASTEGATE ACTUATOR	02-13
WATER PUMP SYSTEM	02-08
WEIGHTS - FRONT FRAME	09-47
WEIGHTS - REAR FRAME	09-48
WEIGHTS - WHEEL	09-49
WHEELS SINGLE AND DUALS WITH SPACERS	06-06
WINDSHIELD WASHER	04-06
WIPER, WINDSHIELD - MOUNTING	04-05
WIRING - TWIN FLOW HYDRAULIC CONTROLS	04-31

TABLE OF CONTENTS

02-01	RADIATOR - HOSES AND TUBES
02-02	RADIATOR MOUNTING
02-03	AIR INTAKE
02-04	AIR CLEANER ASSEMBLY
02-05	AIR COOLER MOUNTING
02-06	EXHAUST SYSTEM
02-07	ENGINE MOUNTING
02-08	WATER PUMP SYSTEM
02-09	FRONT GEAR COVER
02-10	MANIFOLDS
02-11	TURBOCHARGER SYSTEM
02-12	TURBOCHARGER ASSEMBLY
02-13	WASTEGATE ACTUATOR
02-14	FILTER AND COOLER OIL
02-15	OIL PUMP AND OIL PAN
02-16	CYLINDER HEAD COVER
02-17	CYLINDER HEAD - VALVE MECHANISM
02-18	THERMOSTAT - FILTER, WATER
02-19	CRANKCASE, BREATHER
02-20	CAMSHAFT
02-21	CYLINDER BLOCK
02-22	CRANKSHAFT
02-23	FLYWHEEL
02-24	PISTONS AND CONNECTING RODS, STX & STEIGER 280
02-25	PISTONS AND CONNECTING RODS, STX & STEIGER 330
02-26	VALVE GRIND GASKET KIT
02-27	KIT ENGINE OVERHAUL
03-01	THROTTLE
03-02	THROTTLE - DECELERATOR CONTROL, ASN Z6F105037
03-03	FUEL LINES
03-04	FUEL INJECTION SYSTEM
03-05	PUMP, FUEL TRANSFER
03-06	FUEL FILTER AND CONNECTIONS
03-07	FUEL INJECTION - PUMP AND DRIVE
03-08	FUEL DRAIN
04-01	CONTROLS - CONSOLE, RIGHT-HAND
04-02	CONTROL PANEL COMPONENTS
04-03	RADIO AND SPEAKERS
04-04	INSTRUMENT CLUSTER
04-05	WIPER, WINDSHIELD - MOUNTING
04-06	WINDSHIELD WASHER
04-07	ALTERNATOR - MOUNTING
04-08	STARTER ASSY.
04-09	GROUND SPEED SENSOR
04-10	ALARM - BACK-UP
04-11	HARNESS - TRANSMISSION, POWER SHIFT
04-12	HARNESS - ENGINE
04-13	HARNESS - MAIN CAB, DELUXE AND LUXURY CABS
04-14	HARNESS - CAB ROOF
04-15	HARNESS - FRONT FRAME

TABLE OF CONTENTS

04-16		HARNESS - REAR FRAME, WITH ELECTRONIC REMOTE, WITHOUT THREE POINT HITCH
04-17		HARNESS - REAR FRAME, WITH ELECTRONIC REMOTE AND THREE POINT HITCH
04-18		HARNESS - FRONT CONSOLE
04-19		HARNESS - ADVANCED FARMING SYSTEMS
04-20		HARNESS, ENGINE CONTROL MODULE
04-21		MODULE, ENGINE CONTROL
04-22		GRID HEATER - CABLES
04-23		BATTERIES
04-24		ELECTRONIC MODULE ASSY
04-25		LAMPS - REAR FRAME, H.I.D.
04-26		LAMPS - REAR FRAME AND FIELD
04-27		HEADLAMPS
04-28		LAMPS - MARKER
04-29		LAMPS - SIDE MARKER WARNING
04-30		LAMP - STROBE
04-31		WIRING - TWIN FLOW HYDRAULIC CONTROLS
04-32		TWIN FLOW HYDRAULIC CONTROLS
04-33		MOUNTING - ADVANCED FARMING SYSTEMS
04-34		ACCUGUIDE, GPS - MOUNTING
04-35		ACCUGUIDE - AFS 200 PRO MOUNTING & RELATED PARTS
04-35	01	ACCUGUIDE - AFS 600 PRO MOUNTING & RELATED PARTS, ASN Z7F105571
04-36		SENSOR - HITCH POSITION
04-37		HARNESS - ISO IMPLEMENT
05-01		STEERING WHEEL AND COLUMN
05-02		TRANSMISSION CONTROL ASSEMBLY, WITH MANUAL SHIFT TRANSMISSION
05-03		TRANSMISSION CONTROL ASSEMBLY, WITH POWER SHIFT TRANSMISSION
05-04		STEERING COLUMN ASSY.
05-05		HYDRAULICS - STEERING, WITHOUT ACCUSTEER
05-06		HYDRAULICS - STEERING, WITH ACCUSTEER
05-07		HYDRAULICS - FRONT STEERING CYLINDERS, WITH ACCUSTEER
05-08		CYLINDER ASSY - STEERING, WITHOUT SENSOR
05-09		CYLINDER ASSY - STEERING, WITH SENSOR, BSN Z7F105371
05-09	01	CYLINDER ASSY - STEERING, WITH SENSOR, ASN Z7F105371
05-10		ARTICULATION LOCKS
05-11		ACCUGUIDE - HYDRAULIC, STEERING, WITHOUT ACCUSTEER
05-12		CYLINDER ASSY - ARTICULATION, WITHOUT SENSOR
05-13		CYLINDER ASSY - ARTICULATION, WITH SENSOR, BSN Z7F105441
05-13	01	CYLINDER ASSY - ARTICULATION, WITH SENSOR, ASN Z7F105441
05-14		STEERING CONTROL VALVE
06-01		CLUTCH PEDAL, POWER SHIFT TRANSMISSION
06-02		CLUTCH PEDAL, MANUAL SHIFT TRANSMISSION
06-03		TRANSMISSION SHIFTER, POWER SHIFT TRANSMISSION
06-04		TRANSMISSION SHIFT CONTROLS, MANUAL SHIFT TRANSMISSION
06-05		SHIFTING UNIT ASSEMBLY, WITH MANUAL SHIFT TRANSMISSION
06-06		WHEELS SINGLE AND DUALS WITH SPACERS
06-07		HUB ASSEMBLY
06-08		DRIVE SHAFTS AND MOUNTING, WITHOUT ACCUSTEER
06-09		DRIVE SHAFTS AND MOUNTING, WITH ACCUSTEER TRACTOR
06-10		DRIVE SHAFT ASSEMBLY, WITHOUT ACCUSTEER
06-11		DRIVE SHAFT ASSEMBLY, WITH ACCUSTEER

TABLE OF CONTENTS

06-12	POWER TAKEOFF - CLUTCH LUBRICATION, WITH MANUAL SHIFT TRANSMISSION
06-13	POWER TAKEOFF - CLUTCH LUBRICATION, WITH POWER SHIFT TRANSMISSION
06-14	VALVE ASSEMBLY - POWER TAKE OFF
06-15	POWER TAKEOFF LUBRICATION
06-16	POWER TAKEOFF - DRIVE SHAFT MOUNTING
06-17	POWER TAKEOFF - DRIVE SHAFT ASSEMBLIES
06-18	POWER TAKEOFF - SAFETY SHEILDS
06-19	POWER TAKEOFF - TRANSFER CASE ASSEMBLY
06-20	POWER TAKEOFF - CLUTCH ASSEMBLY
06-21	POWER TAKEOFF - INPUT SHAFT ASSEMBLY
06-22	TRANSMISSION MOUNTING, MANUAL SHIFT TRANSMISSION
06-23	TRANSMISSION MOUNTING, POWER SHIFT TRANSMISSION
06-24	TRANSMISSION - LUBRICATION, WITH MANUAL SHIFT TRANSMISSION
06-25	TRANSMISSION - LUBRICATION, WITH POWER SHIFT TRANSMISSION, WITHOUT ACCUSTEER
06-26	TRANSMISSION - LUBRICATION, WITH POWER SHIFT TRANSMISSION, WITH ACCUSTEER
06-27	MANUAL SHIFT TRANSMISSION - VALVE ASSEMBLY MOUNTING
06-28	MANUAL SHIFT TRANSMISSION - COVERS AND YOKES
06-29	MANUAL SHIFT TRANSMISSION - REAR HOUSING
06-30	MANUAL SHIFT TRANSMISSION - FRONT HOUSING
06-31	MANUAL SHIFT TRANSMISSION - SHAFT ASSEMBLIES AND SHIFTER FORKS
06-32	MANUAL SHIFT TRANSMISSION - SHIFTER FORKS
06-33	MANUAL SHIFT TRANSMISSION - INPUT SHAFT ASSEMBLY
06-34	MANUAL SHIFT TRANSMISSION - INPUT SHAFT ASSEMBLY
06-35	MANUAL SHIFT TRANSMISSION - SECOND SHAFT ASSEMBLY
06-36	MANUAL SHIFT TRANSMISSION - THIRD SHAFT ASSEMBLY
06-37	MANUAL SHIFT TRANSMISSION - FOURTH SHAFT ASSEMBLY
06-38	MANUAL SHIFT TRANSMISSION - FIFTH SHAFT ASSEMBLY
06-39	MANUAL SHIFT TRANSMISSION - CONTROL VALVE ASSEMBLY
06-40	MANUAL SHIFT TRANSMISSION - LOCKOUT VALVE ASSEMBLY
06-41	MANUAL SHIFT TRANSMISSION - REGULATOR VALVE ASSEMBLY
06-42	POWER SHIFT TRANSMISSION - VALVE AND PUMP MOUNTING
06-43	POWER SHIFT TRANSMISSION - COVERS AND YOKES
06-44	POWER SHIFT TRANSMISSION - REAR HOUSING
06-45	POWER SHIFT TRANSMISSION - HOUSING AND CLUTCHES
06-46	POWER SHIFT TRANSMISSION - INPUT SHAFT ASSEMBLY
06-47	POWER SHIFT TRANSMISSION - INPUT SHAFT ASSEMBLY
06-48	POWER SHIFT TRANSMISSION - SECOND SHAFT ASSEMBLY
06-49	POWER SHIFT TRANSMISSION - THIRD SHAFT ASSEMBLY
06-50	POWER SHIFT TRANSMISSION - FOURTH SHAFT ASSEMBLY
06-51	POWER SHIFT TRANSMISSION - FOURTH SHAFT ASSEMBLY
06-52	POWER SHIFT TRANSMISSION - FIFTH SHAFT ASSEMBLY
06-53	POWER SHIFT TRANSMISSION - FIFTH SHAFT ASSEMBLY
06-54	POWER SHIFT TRANSMISSION - REGULATOR VALVE ASSEMBLY
06-55	POWER SHIFT TRANSMISSION - RANGE SELECTOR VALVE
06-56	AXLE MOUNTING
06-57	AXLE ASSEMBLY - COVER, FRONT AXLE
06-58	AXLE ASSEMBLY - COVER, REAR AXLE
06-59	AXLE ASSEMBLY - CENTER AND LEFT-HAND CARRIER
06-60	AXLE ASSEMBLY - DIFFERENTIAL, WITHOUT DIFFERENTIAL LOCK

TABLE OF CONTENTS

06-61	AXLE ASSEMBLY - DIFFERENTIAL, WITH DIFFERENTIAL LOCK
06-62	AXLE ASSEMBLY - BRAKE AND RIGHT-HAND CARRIER
06-63	AXLE ASSEMBLY - FINAL DRIVE, STANDARD
06-64	AXLE ASSEMBLY - FINAL DRIVE, HEAVY DUTY
07-01	BRAKE CONTROL
07-02	BRAKE VALVE ASSY
07-03	SERVICE BRAKE CIRCUIT, WITHOUT ACCUSTEER
07-04	SERVICE BRAKE CIRCUIT, WITH ACCUSTEER
07-05	PARK BRAKE CIRCUIT, WITH DIFFERENTIAL LOCK, WITHOUT ACCUSTEER
07-06	PARK BRAKE CIRCUIT, WITH DIFFERENTIAL LOCK, WITH ACCUSTEER
07-07	PARK BRAKE CIRCUIT, WITHOUT DIFFERENTIAL LOCK, WITHOUT ACCUSTEER
07-08	PARK BRAKE CIRCUIT, WITHOUT DIFFERENTIAL LOCK, WITH ACCUSTEER
07-09	VALVE ASSEMBLY - DIFFERENTIAL LOCK
08-01	HYDRAULIC OIL COOLER
08-02	HYDRAULIC OIL COOLER - MOUNTING
08-03	OIL FILTER - AXLE AND TRANSMISSION
08-04	OIL FILTER - MAIN HYDRAULIC (BELOW BATTERY)
08-05	AXLE HYDRAULICS - LUBRICATION CIRCUIT, WITHOUT ACCUSTEER
08-06	AXLE HYDRAULICS - LUBRICATION CIRCUIT, WITH ACCUSTEER
08-07	AXLE HYDRAULICS - AIR AND LUBRICATION CIRCUIT, WITHOUT ACCUSTEER
08-08	AXLE HYDRAULICS - AIR AND LUBRICATION CIRCUIT, WITH ACCUSTEER
08-09	AXLE HYDRAULICS - COOLING CIRCUIT, WITHOUT ACCUSTEER
08-10	AXLE HYDRAULICS - COOLING CIRCUIT, WITH ACCUSTEER
08-11	REGULATOR VALVE ASSEMBLY
08-12	PRIORITY / STEERING CONTROL VALVE ASSEMBLY, WITHOUT ACCUSTEER
08-13	PRIORITY / STEERING CONTROL VALVE ASSEMBLY, WITH ACCUSTEER
08-14	TOW BLOCK VALVE ASSEMBLY
08-15	CABLE - TOW VALVE
08-16	HYDRAULIC TANK ASSEMBLY
08-17	STANDARD HYDRAULICS - PUMP LUBRICATION CIRCUIT
08-18	STANDARD HYDRAULICS - PUMP MOUNTING
08-19	STANDARD HYDRAULICS - PISTON PUMP ASSEMBLY
08-20	HIGH OUTPUT HYDRAULICS - PUMP LUBRICATION CIRCUIT, WITHOUT ACCUSTEER
08-21	PRIORITY VALVE AND ATTACHING PARTS
08-22	HIGH OUTPUT HYDRAULICS - PUMP LUBRICATION CIRCUIT, WITH ACCUSTEER
08-23	PRIORITY VALVE AND ATTACHING PARTS, WITH ACCUSTEER
08-24	HIGH OUTPUT HYDRAULICS - PUMP MOUNTING
08-25	HIGH OUTPUT HYDRAULICS - PISTON PUMP ASSY
08-26	GEAR PUMP ASSEMBLY
08-27	HYDRAULIC REMOTE HOSES - ELECTRONIC REMOTE
08-28	HYDRAULIC REMOTE CONTROL VALVE
08-29	MANIFOLD VALVE ASSEMBLY
08-30	REMOTE VALVE ASSEMBLY - ELECTRONIC REMOTE
08-31	COUPLER VALVE ASSEMBLY
08-32	MAIN AND AUXILIARY VALVE ASSEMBLY - ELECTRONIC CONTROLLED
08-33	HITCH VALVE ASSEMBLY - ELECTRONIC CONTROLLED
08-34	MOTOR RETURN
08-35	COUPLERS - POWER BEYOND
08-36	COUPLER MOUNTS - WITHOUT POWER TAKEOFF AND THREE POINT HITCH
08-37	THREE POINT HITCH HYDRAULICS - ELECTRONIC CONTROLLED HITCH SYSTEM

TABLE OF CONTENTS

08-38		CYLINDER ASSEMBLY - THREE POINT HITCH
08-39		HYDRAULICS - TWIN FLOW CIRCUITRY
08-40		TWIN FLOW HYDRAULICS - AUXILIARY REMOTE MOUNTING
08-41		TWIN FLOW HYDRAULIC MANIFOLD ASSY.
08-42		TWIN FLOW HYDRAULIC PUMP ASSY
08-43		OIL FILTER - TWIN FLOW HYDRAULICS
08-44		TRAILER BRAKES - HYDRAULIC
08-45		VALVE - HYDRAULIC TRAILER BRAKE
09-01		THREE POINT HITCH
09-02		ROCKSHAFT
09-03		THREE POINT HITCH - UPPER LINK, WITHOUT POWER TAKEOFF
09-04		THREE POINT HITCH - UPPER LINK, WITH POWER TAKEOFF
09-05		LINK ASSEMBLY - UPPER
09-06		LINK ASSEMBLY - LIFT
09-07		QUICK HITCH
09-08		DRAWBAR - EXTENDABLE
09-09		DRAWBAR - HEAVY DUTY, WITHOUT THREE POINT HITCH
09-10		DRAWBAR - HEAVY DUTY, WITH THREE POINT HITCH
09-11		CAB MOUNTING
09-12		INTERIOR TRIM - DELUXE AND LUXURY CABS
09-13		CAB - FLOORMATS AND DOORS
09-14		DOOR ASSEMBLY
09-15		CAB - SKIRTS AND GLASS
09-16		ROOF
09-17		CAB - HEADLINER AND CONTROL PANEL, DELUXE AND LUXURY CAB
09-18		CONSOLE - RIGHT-HAND ARMREST, MANUAL
09-19		CONSOLE - RIGHT HAND ARMREST, ELECTRIC, BSN Z7F105745
09-19	01	CONSOLE - RIGHT HAND ARMREST, ELECTRIC, ASN Z7F105745
09-20		FRONT CONSOLE
09-21		MIRRORS
09-22		SEAT - NON-INSTRUCTIONAL
09-23		SEAT - INSTRUCTIONAL
09-24		SEAT - OPERATORS
09-25		SEAT - CUSHION ASSEMBLY
09-26		SUSPENSION ASSEMBLY - SEAT
09-27		POSITIVE RESPONSE SUSPENSION ASSEMBLY - SEAT
09-28		FRONT FRAME, WITHOUT ACCUSTEER
09-29		FRONT FRAME, WITH ACCUSTEER
09-30		MIDDLE FRAME, WITH ACCUSTEER
09-31		BATTERY DOOR ASSEMBLY
09-32		BUMPER
09-33		GRILLE
09-34		HOOD AND SUPPORT
09-35		HOOD - LIFT ARM
09-36		CENTER LINK
09-37		REAR FRAME
09-38		HEATER - HOSES
09-39		AIR CONDITIONING - COMPRESSOR MOUNTING
09-40		AIR CONDITIONING SYSTEM
09-41		AIR CONDITIONING - DUCTS
09-42		AIR CONDITIONING - AIR FILTER HOUSING ASSEMBLY

TABLE OF CONTENTS

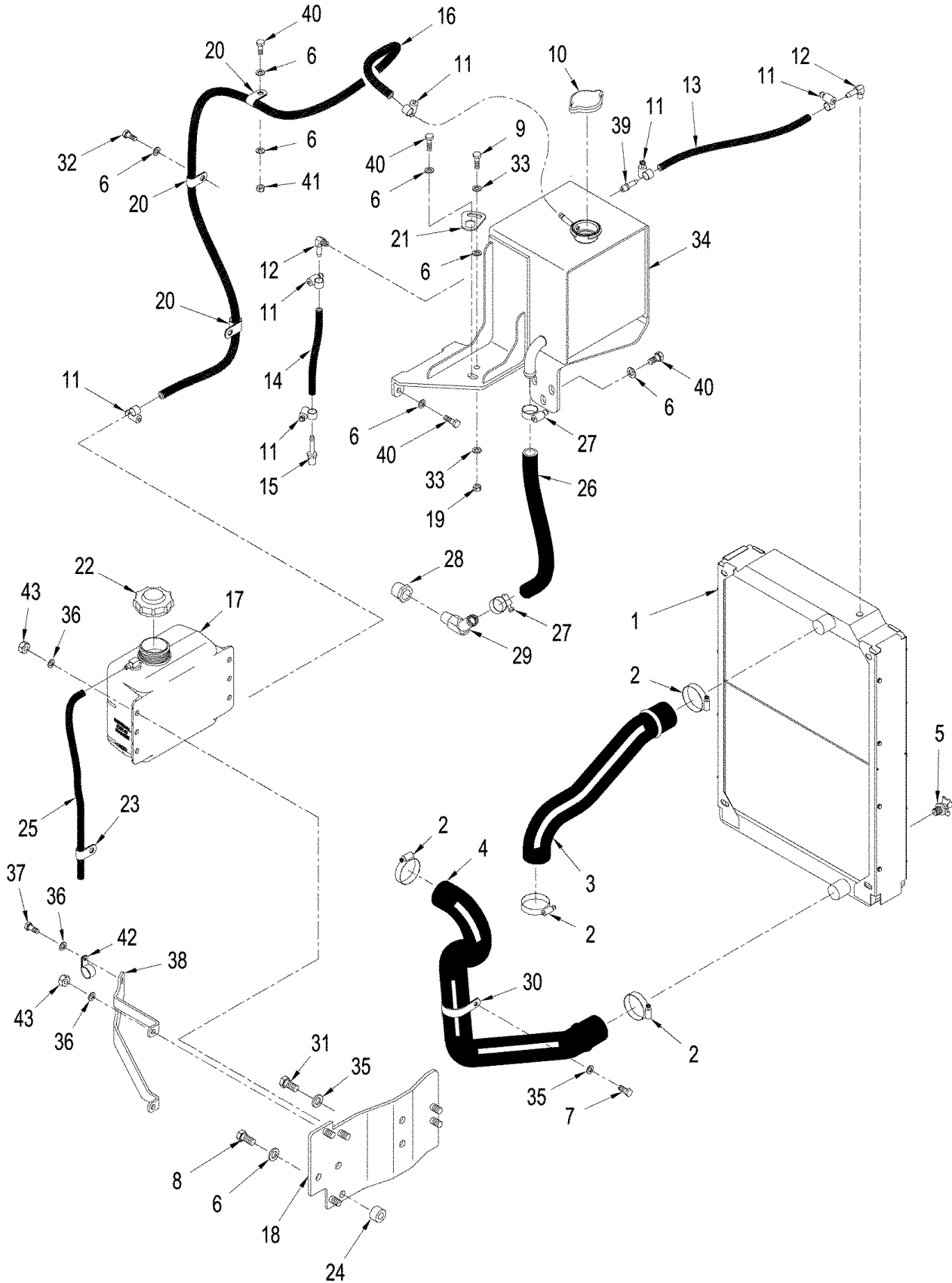
09-43		AIR CONDITIONING - BLOWER ASSEMBLY
09-44		AIR CONDITIONING - CLIMATE CONTROL UNIT, WITH AUTO TEMP CONTROL
09-45		MONITOR MOUNTING
09-46		STORAGE BOX
09-47		WEIGHTS - FRONT FRAME
09-48		WEIGHTS - REAR FRAME
09-49		WEIGHTS - WHEEL
09-50		FIRE EXTINGUISHER
09-51		DECALS, HOOD, BSN Z6F105001
09-51	01	DECALS, HOOD, ASN Z6F105001
09-52		DECALS
09-53		DECALS
09-54		DECALS

SECTION INDEX

Engine

02-01	RADIATOR - HOSES AND TUBES
02-02	RADIATOR MOUNTING
02-03	AIR INTAKE
02-04	AIR CLEANER ASSEMBLY
02-05	AIR COOLER MOUNTING
02-06	EXHAUST SYSTEM
02-07	ENGINE MOUNTING
02-08	WATER PUMP SYSTEM
02-09	FRONT GEAR COVER
02-10	MANIFOLDS
02-11	TURBOCHARGER SYSTEM
02-12	TURBOCHARGER ASSEMBLY
02-13	WASTEGATE ACTUATOR
02-14	FILTER AND COOLER OIL
02-15	OIL PUMP AND OIL PAN
02-16	CYLINDER HEAD COVER
02-17	CYLINDER HEAD - VALVE MECHANISM
02-18	THERMOSTAT - FILTER, WATER
02-19	CRANKCASE, BREATHER
02-20	CAMSHAFT
02-21	CYLINDER BLOCK
02-22	CRANKSHAFT
02-23	FLYWHEEL
02-24	PISTONS AND CONNECTING RODS, STX & STEIGER 280
02-25	PISTONS AND CONNECTING RODS, STX & STEIGER 330
02-26	VALVE GRIND GASKET KIT
02-27	KIT ENGINE OVERHAUL

RADIATOR - HOSES AND TUBES



RADIATOR - HOSES AND TUBES

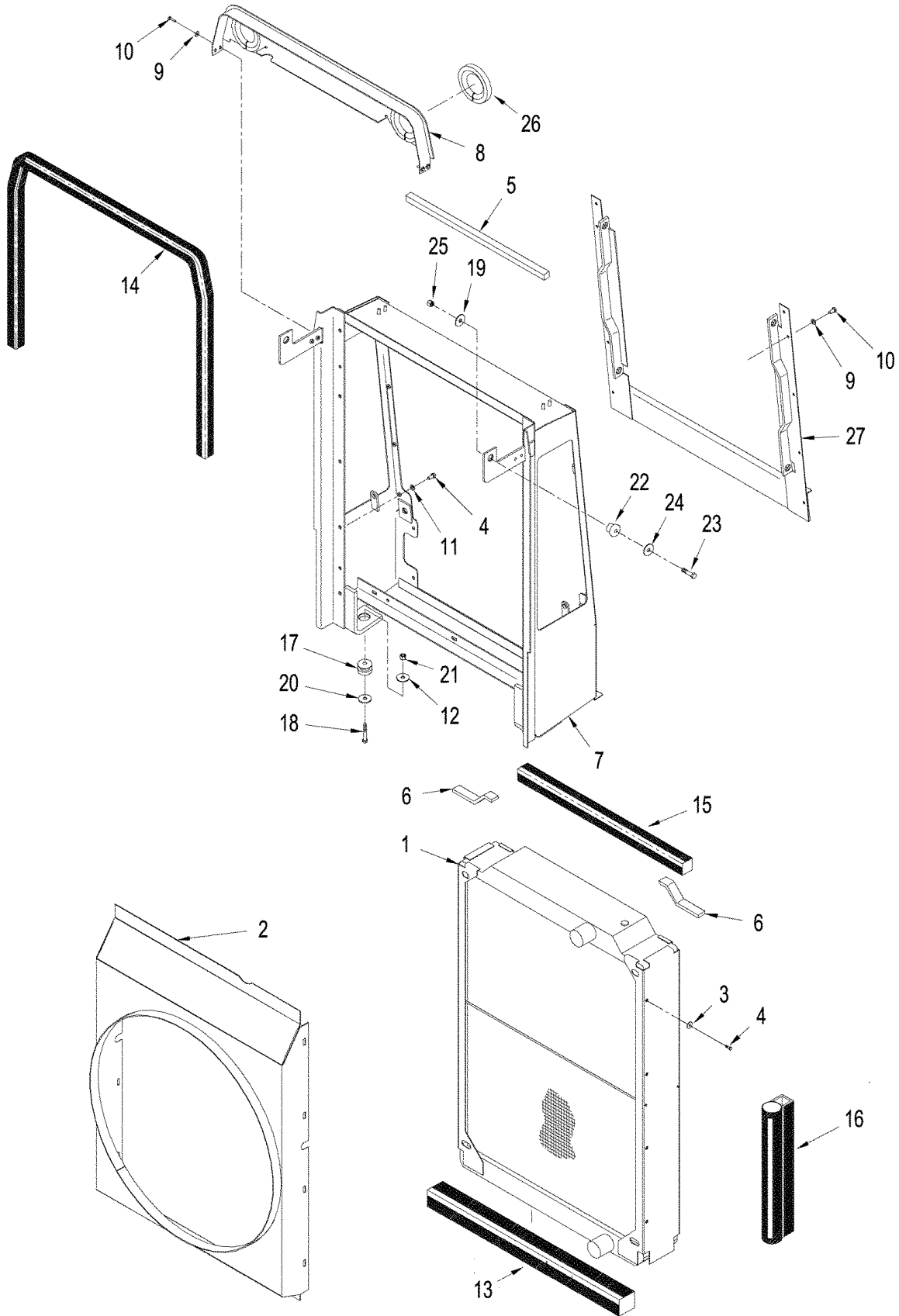
REF	FN	PART NUMBER	YR/SN	QTY	DESCRIPTION
1		87311249		1	RADIATOR
2		L115548		4	CLAMP
3		87311721		1	HOSE, LARGE, Radiator, Upper
4		313877A2		1	HOSE, Radiator, Lower
5		9672304		1	TUBE
6		895-11010		19	WASHER, M10 x 20 x 2
7		627-12020		1	BOLT, Hex, M12 x 20, 10.9, Full Thd
8		827-10040		1	BOLT, Hex, M10 x 40, 10.9, Full Thd
9		627-8025		3	BOLT, Hex, M8 x 25, 10.9
10		A170241		1	CAP, RADIATOR
11		214-1704		6	CLAMP, HOSE, #4, 0.25/0.62 Type M Worm
12		217-292		2	FITTING, 90°, 1/4" Hose x 1/8" NPTF, Barbed
13		435449A1		1	HOSE, Vent To Radiator
14		31-2691		1	HOSE, Engine Vent, Cut From A21561
15		217-119		1	FITTING, 1/4" Hose x 1/4" NPTF, Barbed
16		435458A1		1	HOSE, 1489 mm (59 in.), Cut From 31-2855
17		A184395		1	RESERVOIR, Coolant Recovery
18		430216A1		1	BRACKET, Mounting
19		829-1408		1	NUT, M8, CI 10
20		515-23143		4	CLAMP, 9/16", Insul, 3/8" Bolt
21		406622A1		1	PLATE, LOCKING
22		238903A1		1	CAP, FILLER
23		515-22127		1	CLAMP, 1/2", Insul, 5/16" Bolt
24		372947A1		1	SPACER
25		31-3063		1	HOSE, Overflow Bottle, 406 mm (16"), Cut From 31-1182
26		373657A1		1	HOSE, Engine Fill, Cut From 32-297
27		214-1416		2	CLAMP, HOSE, #16, 0.81/1.50 Type F Worm
28		217-45		1	REDUCER, 3/4"-14 NPTF x 1/2"-18 Fem NPTF
29		217-185		1	FITTING, 45°, 3/4" Hose x 1/2" NPTF Beaded
30		515-25635		1	CLAMP, 2 1/2", Insul, 1/2" Bolt
31		627-12025		2	BOLT, Hex, M12 x 25, 10.9
32		627-10020		1	BOLT, Hex, M10 x 20, 10.9, Full Thd
33		895-15008		2	WASHER, M8 x 20 x 1.6
34		87516695		4	TANK, Deaeration
					STX330 STX280 STEIGER 280 STEIGER 330

RADIATOR - HOSES AND TUBES

REF	FN	PART NUMBER	YR/SN	QTY	DESCRIPTION
35		896-11012		3	WASHER, M13.5 x 24.5 x 3, HT
36		895-11008		6	WASHER, M8 x 16 x 1.6
37		627-8020		6	BOLT, Hex, M8 x 20, 10.9
38		373057A2		1	BRACKET
39		217-120		1	ELBOW, 1/4" Hose x 1/8" NPTF, Barbed
40		627-10025		5	BOLT, Hex, M10 x 25, 10.9, Full Thd
41		829-1410		2	NUT, M10, CI 10
42		515-2295		1	CLAMP, 3/8", Insul, 5/16" Bolt
43		832-10408		6	NUT, LOCK, M8 x 1.25, CI 8

	STX330 STX280 STEIGER 280 STEIGER 330
--	---

RADIATOR MOUNTING

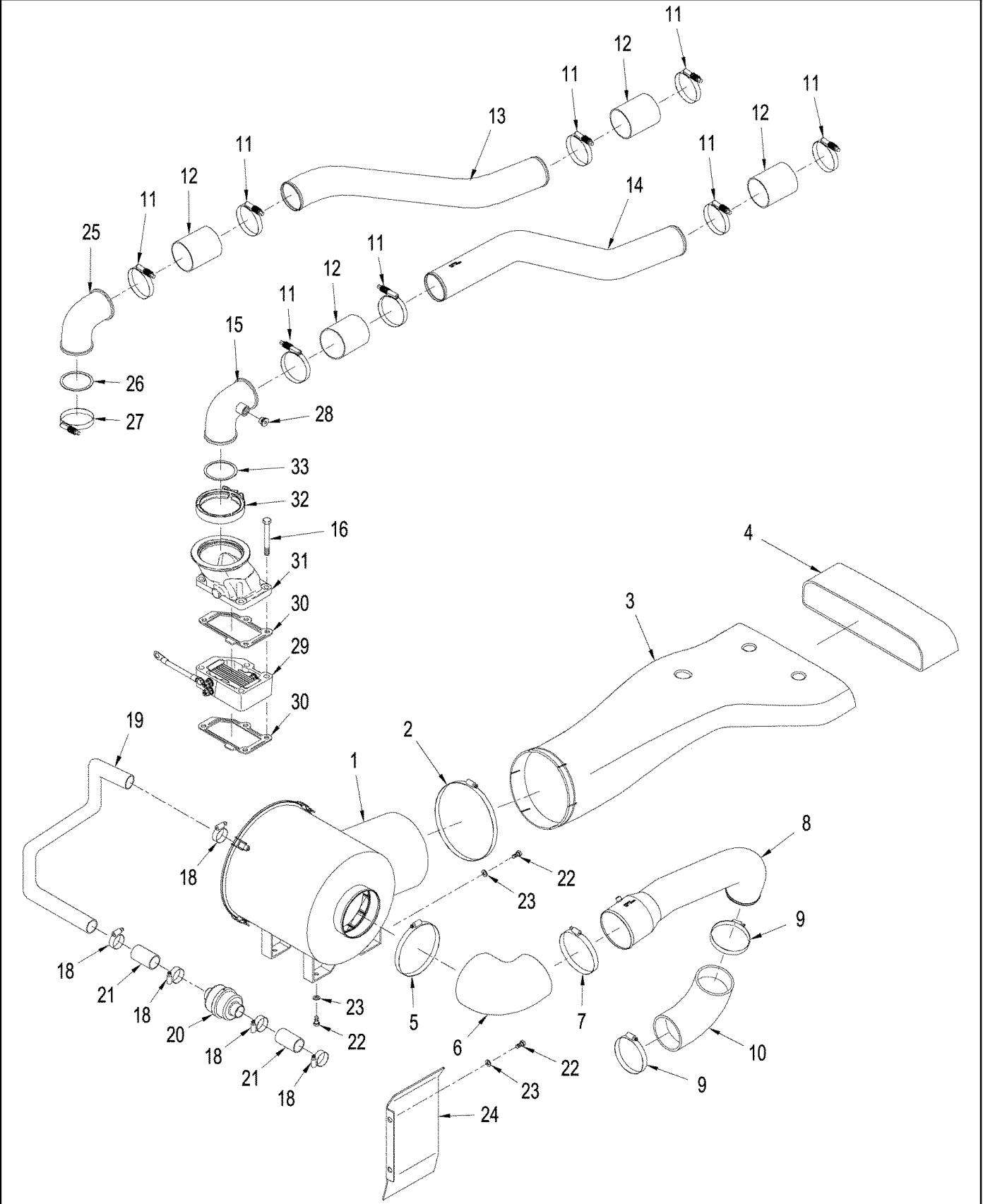


RADIATOR MOUNTING

REF	FN	PART NUMBER	YR/SN	QTY	DESCRIPTION
1		87311249		1	RADIATOR
2		298266A2		1	SHROUD
3		895-15008		8	WASHER, M8 x 20 x 1.6
4		627-8020		18	BOLT, Hex, M8 x 20, 10.9
5		336684A1		1	SEAL
6		336689A1		2	SEAL, 200 mm (8 in.)
7		87430172		1	FRAME
8		373582A2		1	BRACKET, Hood
9		895-25006		4	WASHER, M6 x 18 x 1.6
10		627-6020		4	BOLT, Hex, M6 x 20, 10.9
11		895-11008		10	WASHER, M8 x 16 x 1.6
12		19-961		2	WASHER, 17/32" x 1 1/2" x 1/8"
13		336685A1		1	SEAL, 835 mm (33 in.)
14		336690A1		1	SEAL, 2660 mm (105 in.), cut from 90-6833T1
15		336688A1		1	SEAL, 845 mm (33 in.)
16		336691A1		2	SEAL, 342 mm (13 in.), cut from 90-2894A1
17		435465A1		2	MOUNT, RUBBER
18		827-12100		2	BOLT, Hex, M12 x 100, 10.9
19		496-41041		2	WASHER, 13/32" x 1 1/8" x .134"
20		895-11012		2	WASHER, M12 x 24 x 2.5
21		832-10412		2	NUT, LOCK, M12 x 1.75, CI 8
22		179601A1		2	RUBBER BLOCK
23		827-10040		2	BOLT, Hex, M10 x 40, 10.9, Full Thd
24		895-11010		2	WASHER, M10 x 20 x 2
25		832-10410		2	NUT, LOCK, M10 x 1.5, CI 8
26		364921A1		2	SEAL, Cut From 90-2894T1
27		355933A2		1	BRACKET, Support

STX330 STX280
STEIGER 280 STEIGER 330

AIR INTAKE

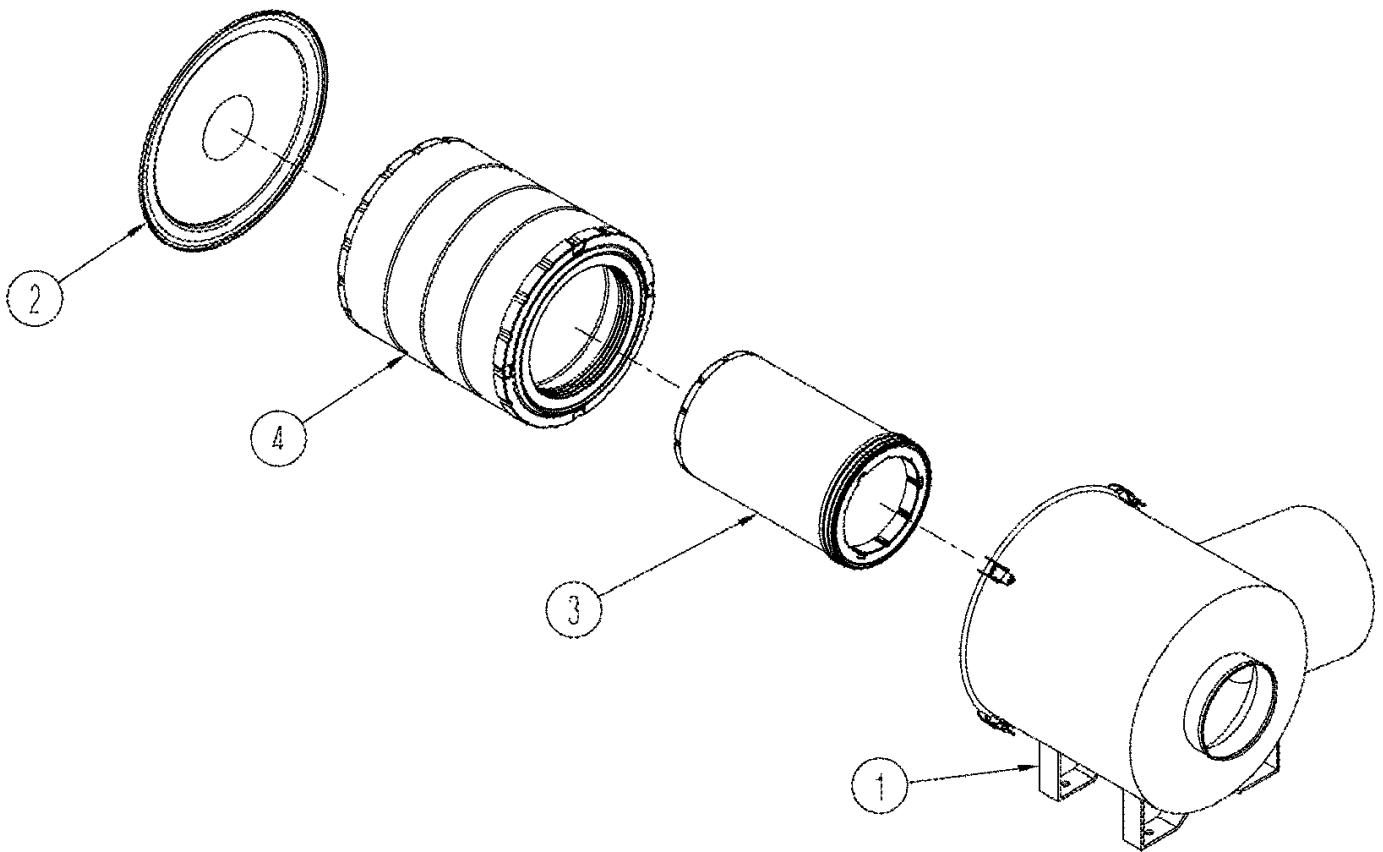


AIR INTAKE

REF	FN	PART NUMBER	YR/SN	QTY	DESCRIPTION
1		87449306		1	AIR CLEANER, See Figure: 02-04
2		214-31160		1	CLAMP, HOSE, 9.25/10.125 HD Worm, W/liner
3		87449310		1	DUCT, AIR
4		341855A2		1	INSULATION, FOAM
5		214-32112		1	CLAMP, HOSE, 6.25/7.125 HD Worm, W/liner
6		87418236		1	ELBOW, 90, Reducing
7		214-3296		1	CLAMP, HOSE, 5.25/6.125 HD Worm, W/liner
8		87449100		1	TUBE, AIR INTAKE, Air Intake
9		214-3280		2	CLAMP, HOSE, 4.25/5.125 HD Worm, W/liner
10		335853A1		1	ELBOW, Air Intake
11		87599619		8	CLAMP, SPECIAL
12		329737A1		4	HOSE, 110 mm (4")
13		87449065		1	TUBE, AIR INTAKE, Charged Air
14		364260A3		1	TUBE, AIR INTAKE
15		J918327		1	PIPE, 90, Air Intake
16		845-8080		4	BOLT, Hex Flg, M8 x 80, 8.8
18		214-3240		4	CLAMP, HOSE, 1.75/2.625 HD Worm, W/liner
19		87449319		1	TUBE, Aspirator
20		307123A1		1	VALVE, Aspirator Exhaust
21		370853A2		3	HOSE, Aspirator, Cut From 31-2901
22		627-10020		6	BOLT, Hex, M10 x 20, 10.9, Full Thd
23		895-11010		6	WASHER, M10 x 20 x 2
24		87449316		1	SHIELD, Heat
25		87450405		1	ELBOW, 90, Air Intake
26		87434592		1	SEAL
27		87434593		1	CLAMP, V-Band
28		J008465		1	PLUG
29		87335271		1	HEATER, Air Intake
30		87335272		2	GASKET, Connection
31		87340026		1	CONNECTOR, MULTIPOLE, Intake
32		J069053		1	CLAMP, V-Band
33		J883284		1	O-RING, Air Transfer

STEIGER 280 STX330
STX280 STEIGER 330

AIR CLEANER ASSEMBLY

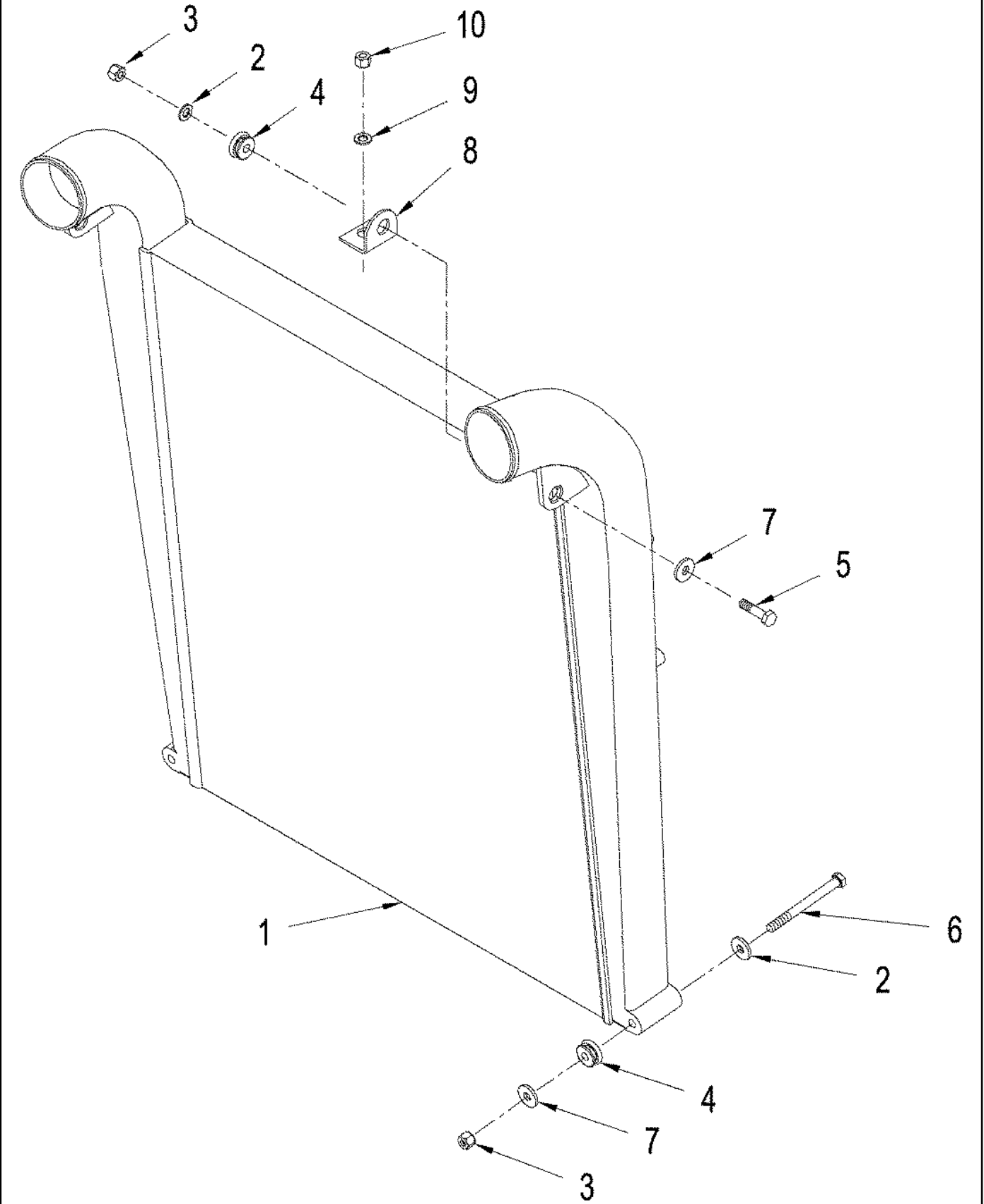


AIR CLEANER ASSEMBLY

REF	FN	PART NUMBER	YR/SN	QTY	DESCRIPTION
		87449306		1	AIR CLEANER, Inc. 1 - 4
1		NSS		1	NOT SERVICED SEPARATELY, Housing
2		379554A1		1	COVER
3		87409407		1	FILTER, AIR, Safety
4		87409371		1	FILTER, AIR, Primary

	STX330 STX280 STEIGER 280 STEIGER 330
--	---

AIR COOLER MOUNTING

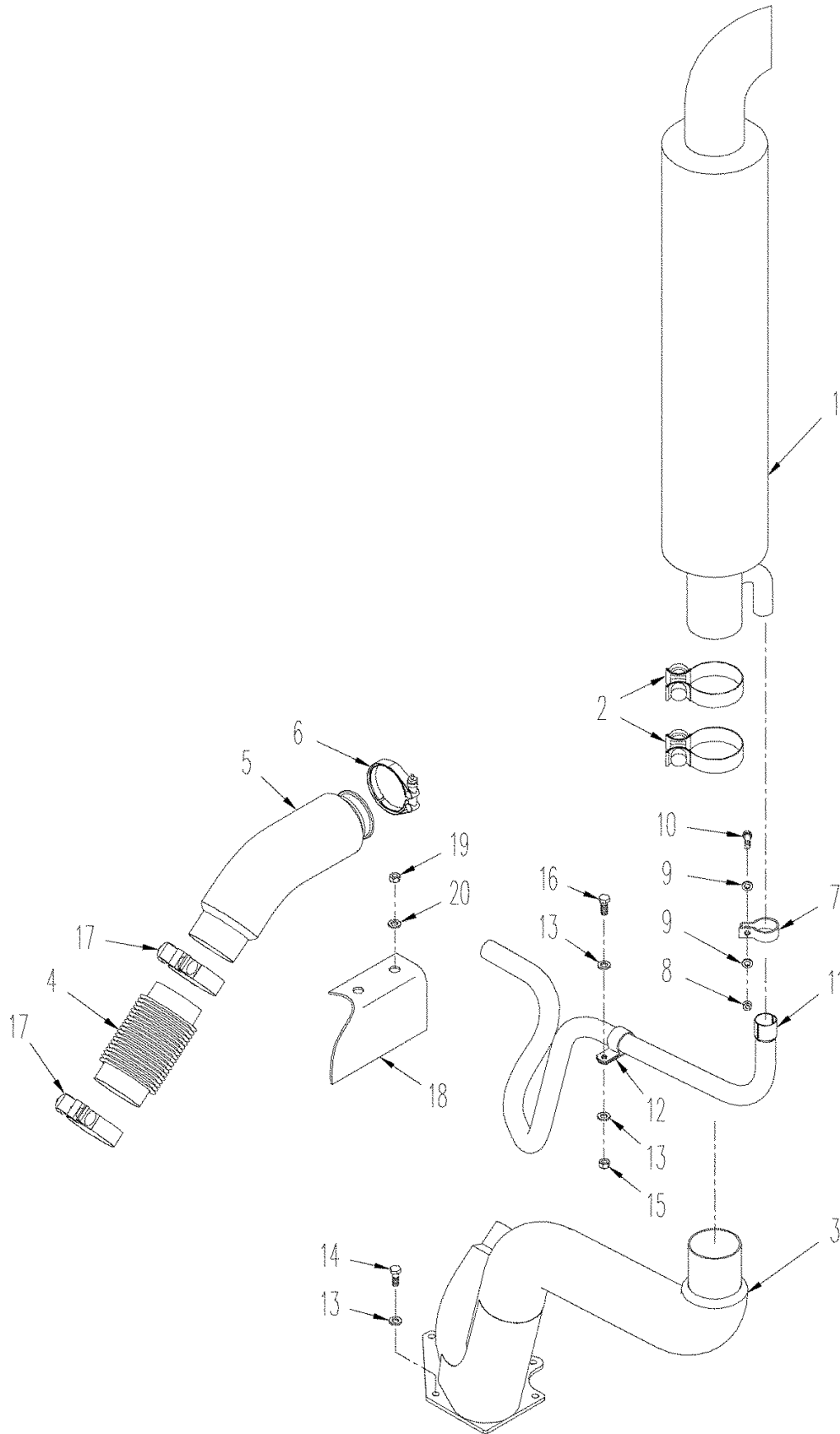


AIR COOLER MOUNTING

REF	FN	PART NUMBER	YR/SN	QTY	DESCRIPTION
1		259332A4		1	COOLER
2		895-11010		4	WASHER, M10 x 20 x 2
3		832-10410		4	NUT, LOCK, M10 x 1.5, CI 8
4		434177A1		4	MOUNT, RUBBER
5		827-10045		2	BOLT, Hex, M10 x 45, 10.9
6		827-10110		2	BOLT, Hex, M10 x 110, 10.9
7		496-41041		4	WASHER, 13/32" x 1 1/8" x .134"
8		361250A1		1	BRACKET, Mounting, CAC
9		895-15008		2	WASHER, M8 x 20 x 1.6
10		829-1408		2	NUT, M8, CI 10

	STX330 STX280 STEIGER 280 STEIGER 330
--	---

EXHAUST SYSTEM

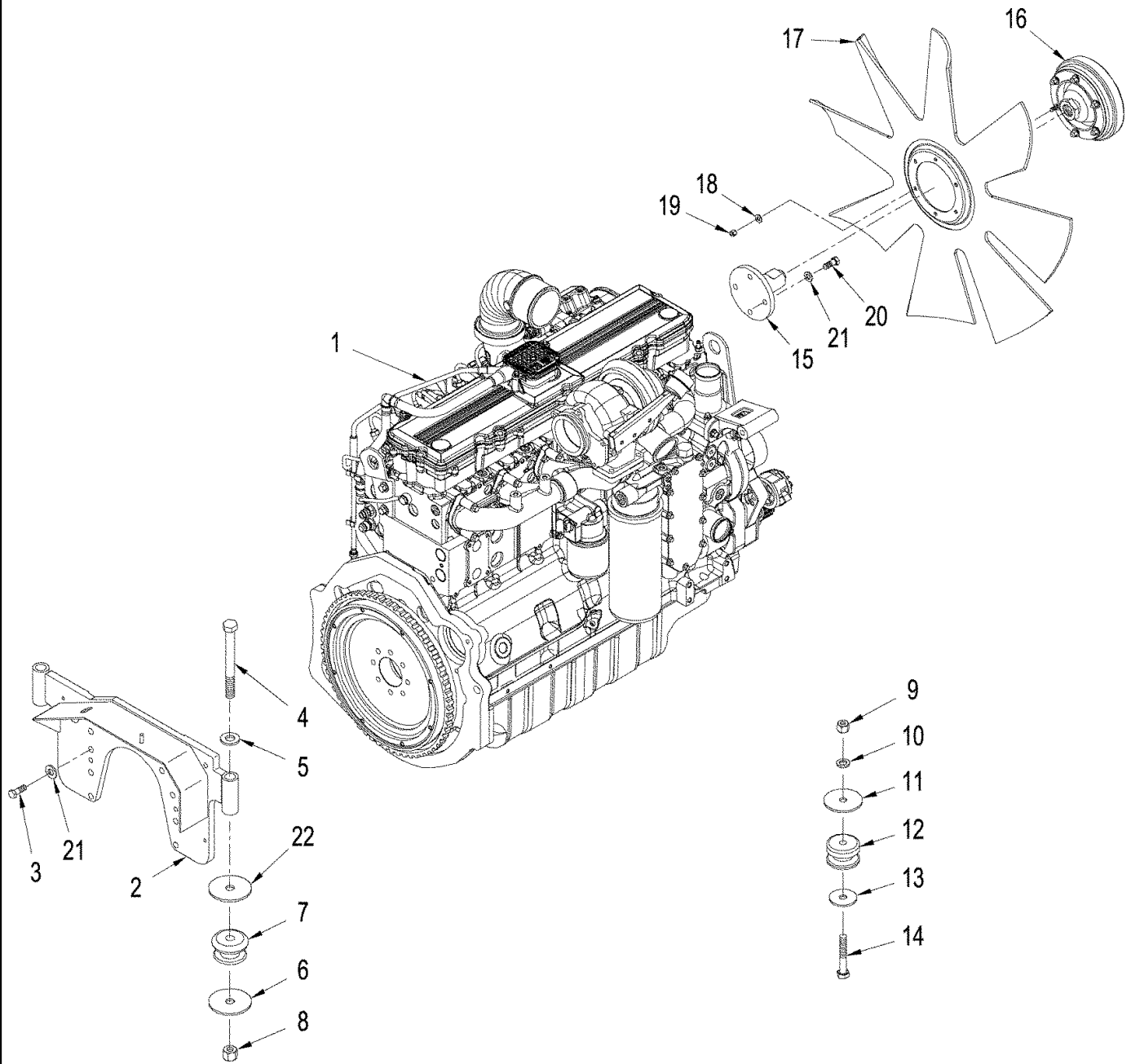


EXHAUST SYSTEM

REF	FN	PART NUMBER	YR/SN	QTY	DESCRIPTION
1		359633A2		1	MUFFLER
1		391769A1		1	MUFFLER, Spark Arresting
2		131853A1		1	CLAMP
3		395809A1		1	TUBE, Insulated
4		386743A2		1	TUBE, Flexible
5		359630A2		1	TUBE, Insulated
6		A170807		1	CLAMP, Includes hardware
7		334985A1		1	CLAMP
8		829-1410		1	NUT, M10, CI 10
9		895-11010		2	WASHER, M10 x 20 x 2
10		627-10035		1	BOLT, Hex, M10 x 35, 10.9, Full Thd
11		359632A3		1	TUBE, Precleaner
12		515-25381		1	CLAMP, 1 1/2", Insul, 1/2" Bolt
13		896-11012		5	WASHER, M13.5 x 24.5 x 3, HT
14		627-12030		3	BOLT, Hex, M12 x 30, 10.9
15		829-1412		1	NUT, M12, CI 10
16		627-12035		1	BOLT, Hex, M12 x 35, 10.9
17		90-8319T1		2	CLAMP
18		87448911		1	SHIELD, Heat
19		627-10020		2	BOLT, Hex, M10 x 20, 10.9, Full Thd
20		895-25010		2	WASHER, M11 x 30 x 2.5
		394848A1		1	KIT, Muffler, Spark Arresting, Inc. 1 and 2

	<p>STX330 STX280 STEIGER 280 STEIGER 330</p>
--	--

ENGINE MOUNTING



ENGINE MOUNTING

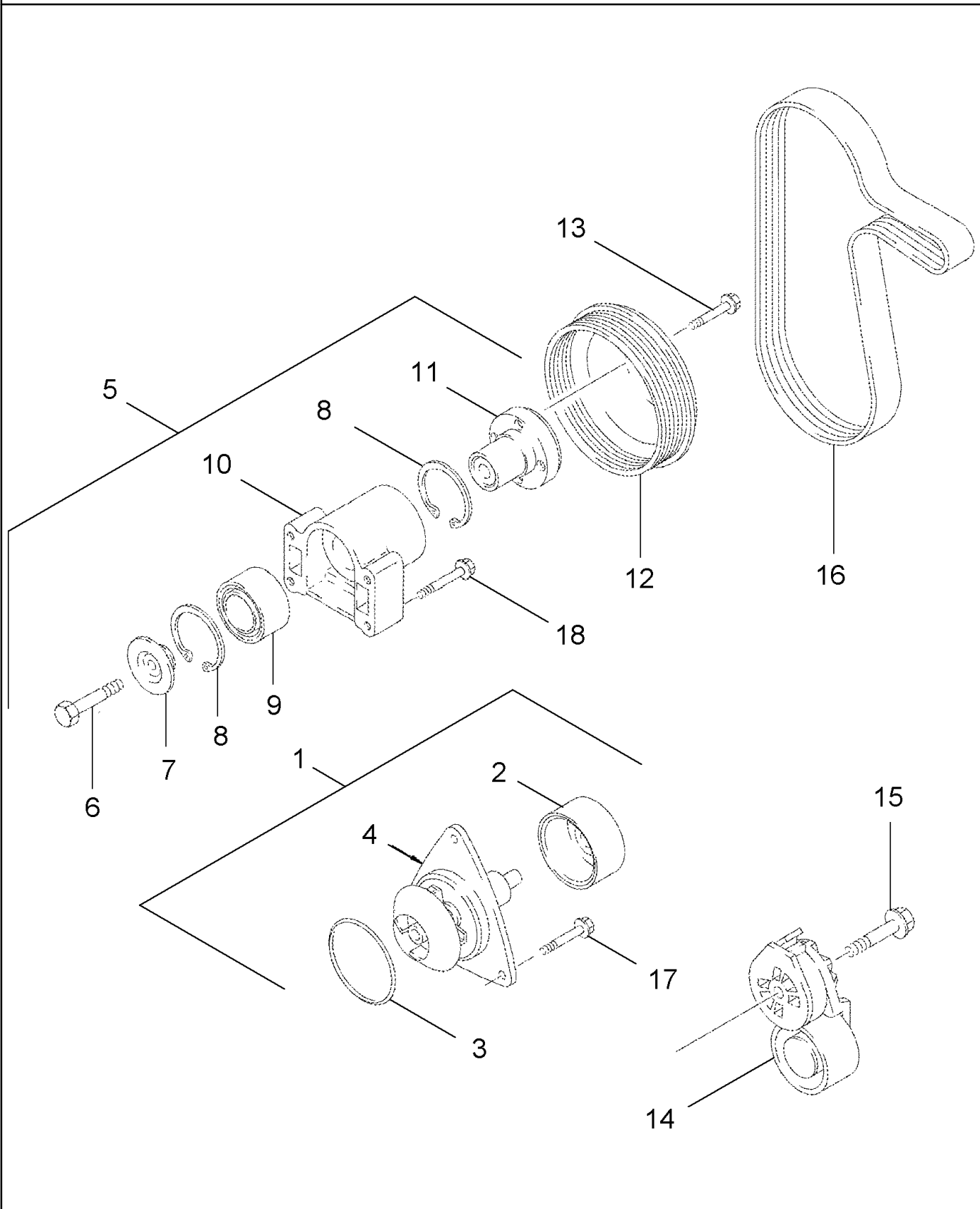
REF	FN	PART NUMBER	YR/SN	QTY	DESCRIPTION
1	1, 2	87539020		1	ENGINE, BASIC
1	3, 4	87539021		1	ENGINE, BASIC
2		379558A1		1	HOUSING
3		627-12040		10	BOLT, Hex, M12 x 40, 10.9, Full Thd
4		827-20190		4	BOLT, Hex, M20 x 190, 10.9
5		896-15020		2	WASHER, M20 x 44.5 x 5, HT
6		495-81238		4	WASHER, 13/16" x 3" x .238", HDN
7		304561A1		2	MOUNT, ENGINE
8		832-10420		2	NUT, LOCK, M20 x 2.5, CI 8
9		832-10416		1	NUT, LOCK, M16 x 2, CI 8
10		896-11016		1	WASHER, M17.5 x 30 x 4, HT
11		51-128		1	WASHER, 21/32 x 3-1/2 x 3/16
12		24-231		1	MOUNT, RUBBER
13		19-408		1	WASHER, 21/32 x 2-1/2 x 7/32
14		827-16110		1	BOLT, Hex, M16 x 110, 10.9
15		336336A2		1	SHAFT, Support
16		353846A1		1	DRIVE, Fan Cooling
17		314317A1		1	FAN
18		895-15008		6	WASHER, M8 x 20 x 1.6
19		832-10408		6	NUT, LOCK, M8 x 1.25, CI 8
20		627-12030		4	BOLT, Hex, M12 x 30, 10.9
21		896-11012		14	WASHER, M13.5 x 24.5 x 3, HT
22		331663A1		2	WASHER, 20.6 x 98.6 x 1.7 mm

- (1) STX280
(2) STEIGER 280
(3) STX330
(4) STEIGER 330

Note: Basic and reman engines are generic engines. The engines are complete internally. However, not all external parts are supplied with the engines. Check the configuration of the engine being removed, with the configuration of the engine being installed for any external components not supplied with the engine being installed. Reuse parts from the engine that has just been removed. Do not return the old engine, until the unit is reassembled.

STEIGER 280 STX330
STX280 STEIGER 330

WATER PUMP SYSTEM

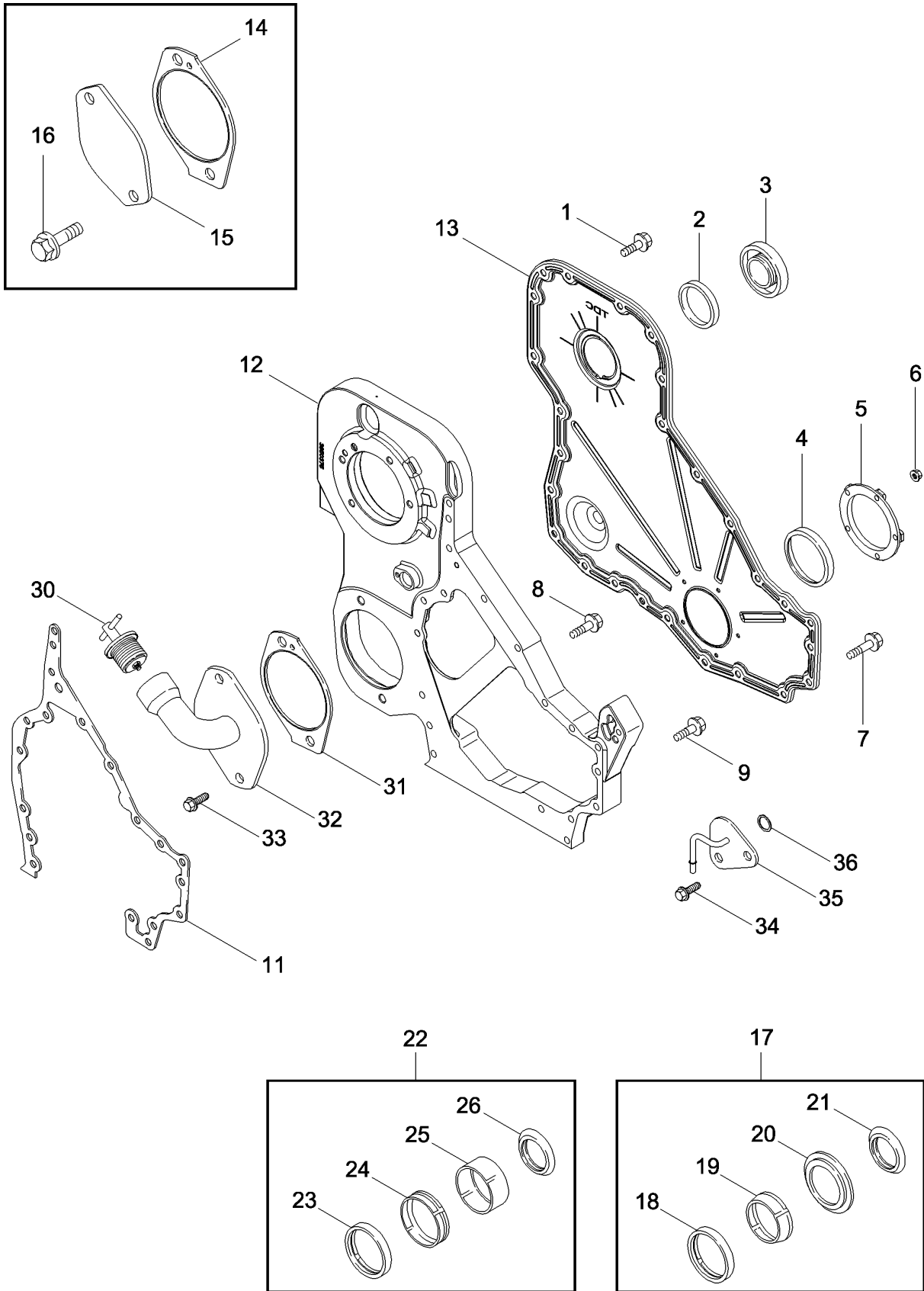


WATER PUMP SYSTEM

REF	FN	PART NUMBER	YR/SN	QTY	DESCRIPTION
1		87308650		1	KIT, WATER PUMP REPAIR, Inc.2 - 4
2		NSS		1	NOT SERVICED SEPARATELY, Pulley
3		238-5244		1	O-RING, -244, 70 Duro, 4.234" ID x .139" Thk
4		NSS		1	NOT SERVICED SEPARATELY, Pump
5		J942896		1	SUPPORT, Includes 6 - 10
6		J907769		1	BOLT, M10 x 70
7		J923044		1	RETAINER
8		100-21250		2	RING, SNAP, 2.50", Int, #250
9		J910739		1	BEARING, BALL
10		NSS		1	NOT SERVICED SEPARATELY, Support
11		J911924		1	HUB
12		J914462		1	PULLEY
13		844-10020		4	BOLT, Hex Flg, M10 x 20, 8.8
14		87436755		1	TENSIONER, BELT
15		J282433		1	BOLT, M10 x 85
16		87363088		1	BELT, V-Ribbed, Rubber Backed, 1702 mm (67 in.)
17		87351192		3	BOLT
18		844-10050		4	BOLT, Hex Flg, M10 x 50, 8.8

STEIGER 280 STX330
 STX280 STEIGER 330

FRONT GEAR COVER

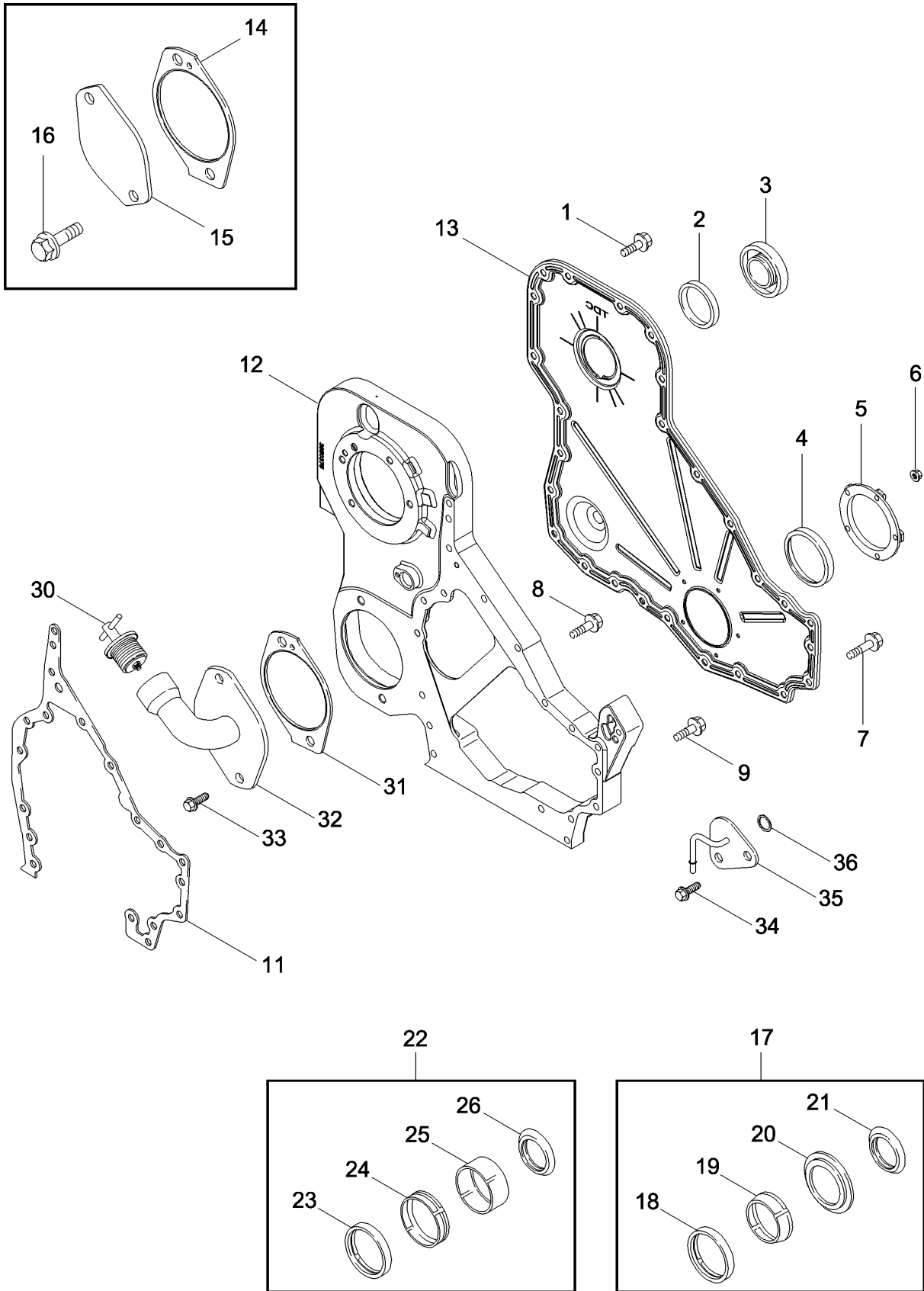


FRONT GEAR COVER

REF	FN	PART NUMBER	YR/SN	QTY	DESCRIPTION
1		845-8016		15	BOLT, Hex Flg, M8 x 16, 8.8, Full Thd
2		J903475		1	SEAL
3		J903463		1	COVER
4		NSS		1	NOT SERVICED SEPARATELY, Seal, Order A77790 or A77808
5		J941786		1	CARRIER
6		J938077		5	NUT, M6
7		J926863		11	BOLT, M8 x 50
8		J943885		3	BOLT, M8 x 40
9		J926846		3	BOLT, M8 x 20
11		J944293		1	GASKET
12		87349295		1	HOUSING
13		87350310		1	COVER
14		J940245		1	GASKET
15		J940246		1	COVER, Accessory Drive
16		857-12025		2	BOLT, Hex Flg, M12 x 25, 10.9
17		A77790		1	KIT, SEALS, Crankshaft, Front, Inc. 22 - 25
18		NSS		1	NOT SERVICED SEPARATELY, Seal, Oil Front
19		NSS		1	NOT SERVICED SEPARATELY, Tool
20		NSS		1	NOT SERVICED SEPARATELY, Tool, Seal Install
21		J918113		1	SHIELD, Dust
22		A77808		1	KIT, SERVICE, Crankshaft, Front, Inc. 27 - 30
23		NSS		1	NOT SERVICED SEPARATELY, Seal, Oil, Oversized
24		NSS		1	NOT SERVICED SEPARATELY, Sleeve
25		NSS		1	NOT SERVICED SEPARATELY, Tool
26		J924987		1	SHIELD
27		J920706		1	PLUG, (Not Shown)
28		217-438		2	PLUG, Hex Soc, 1/2"-14, (Not Shown)
29		263136		1	PLUG, MAGNETIC, Hex Soc, 3/4"-14 NPTF, (Not Shown)
30		314441A1		1	CAP, FILLER
31		J940245		1	GASKET
32		NSS		1	NOT SERVICED SEPARATELY, Tube, Oil Fill
33		854-12025		2	BOLT, Hex Flg, M12 x 25, 10.9
34		854-12030		2	BOLT, Hex Flg, M12 x 1.75 x 30, 10.9

STEIGER 280 STX330
STX280 STEIGER 330

FRONT GEAR COVER

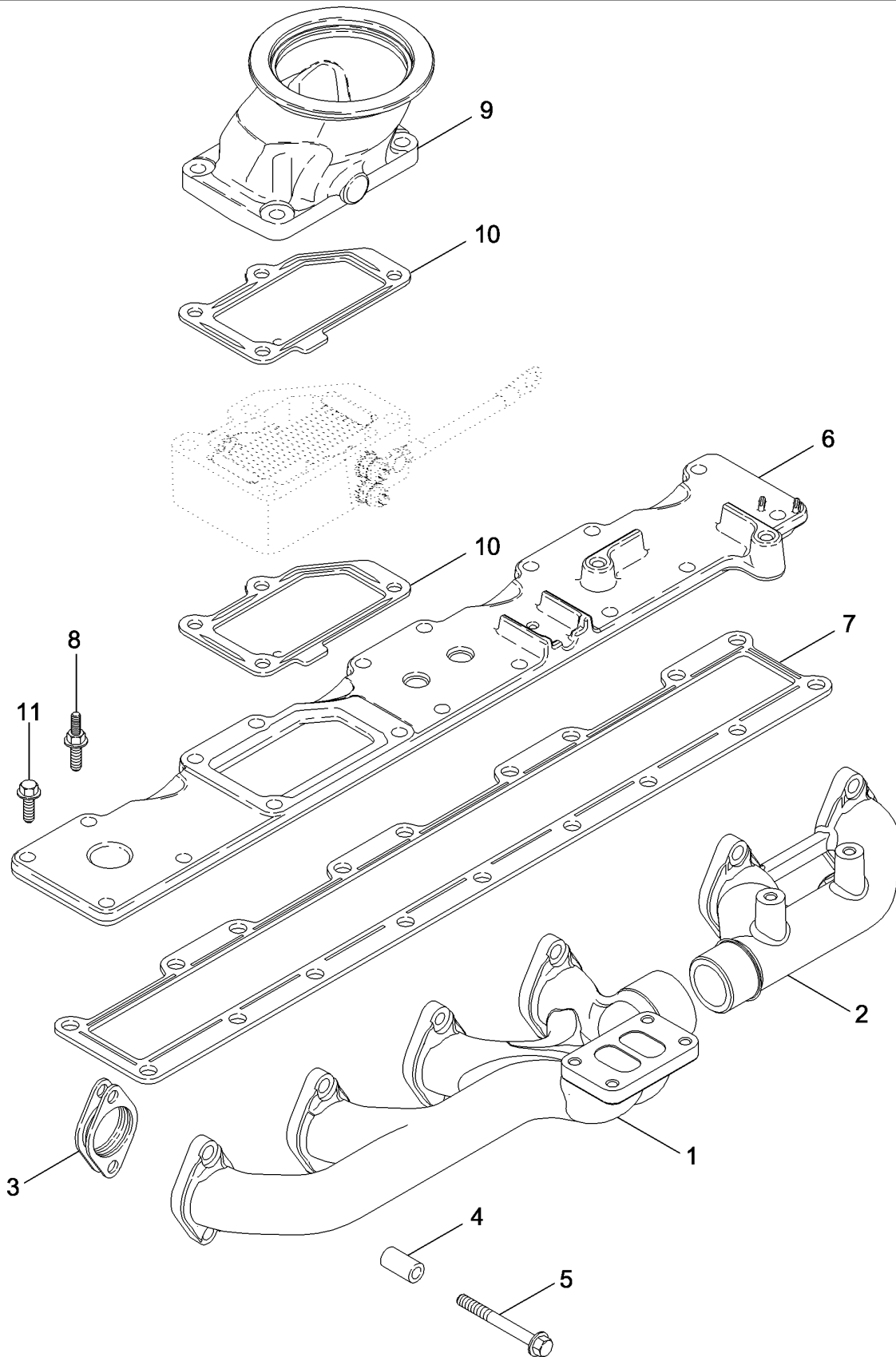


FRONT GEAR COVER

REF	FN	PART NUMBER	YR/SN	QTY	DESCRIPTION
35		87358314		1	CONNECTION, 3 WAY, Oil Drain
36		J906696		1	SEAL

	STEIGER 280 STX330 STX280 STEIGER 330
--	--

MANIFOLDS

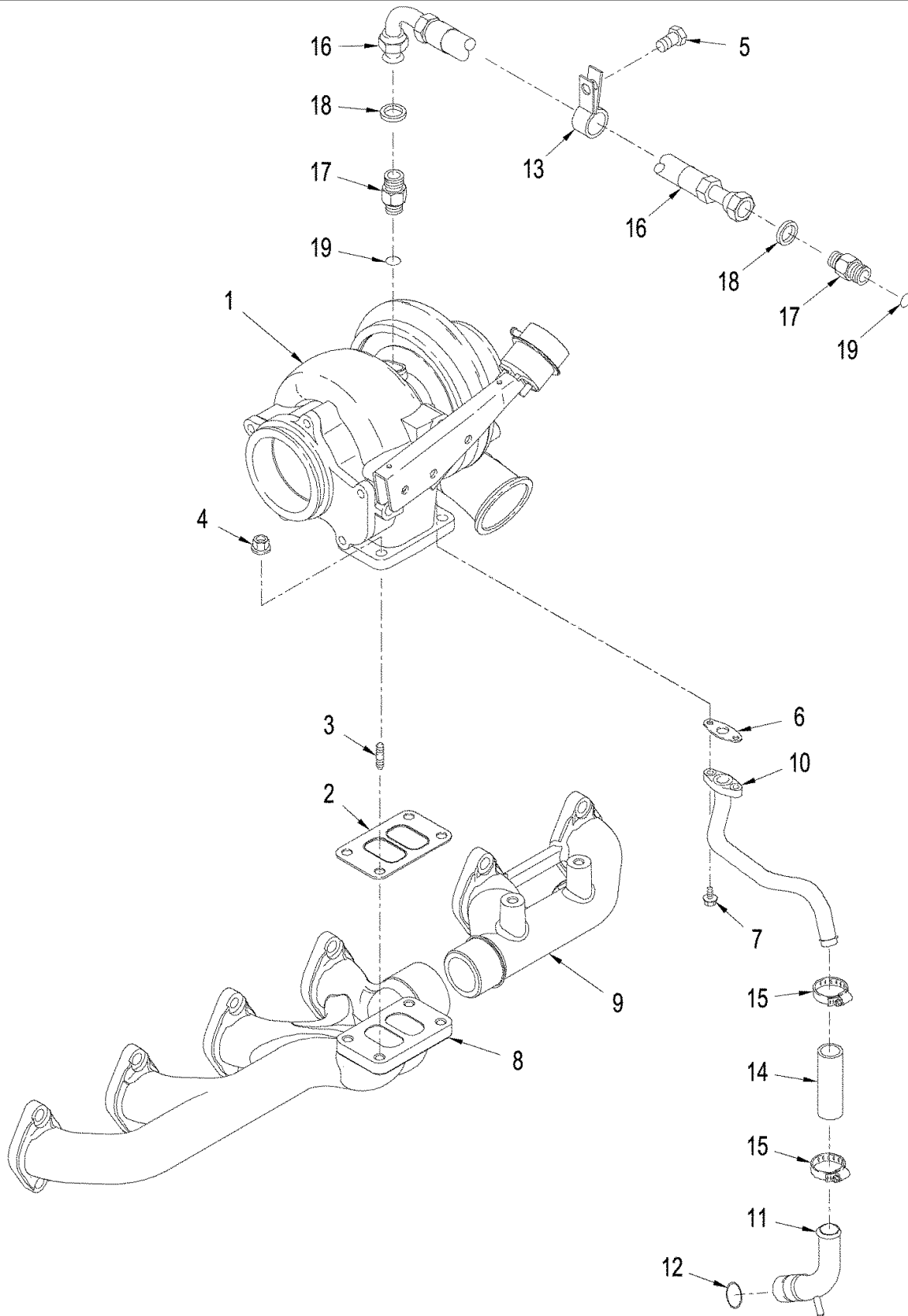


MANIFOLDS					
------------------	--	--	--	--	--

REF	FN	PART NUMBER	YR/SN	QTY	DESCRIPTION
1		87344862		1	MANIFOLD, EXHAUST
2		87344861		1	MANIFOLD, EXHAUST
3		J937479		6	GASKET, MANIFOLD
4		J945252		12	SPACER, 35 mm (1-3/8 in.)
5		J944593		12	BOLT, M8 x 65
6		87340282		1	COVER
7		J944646		1	GASKET, MANIFOLD
8		87340279		1	SCREW, M8 x 35
9		87340026		1	CONNECTOR, MULTIPOLE
10		J944647		2	GASKET
11		845-8030		13	BOLT, Hex Flg, M8 x 30, 8.8

	STEIGER 280 STX330 STX280 STEIGER 330
--	--

TURBOCHARGER SYSTEM

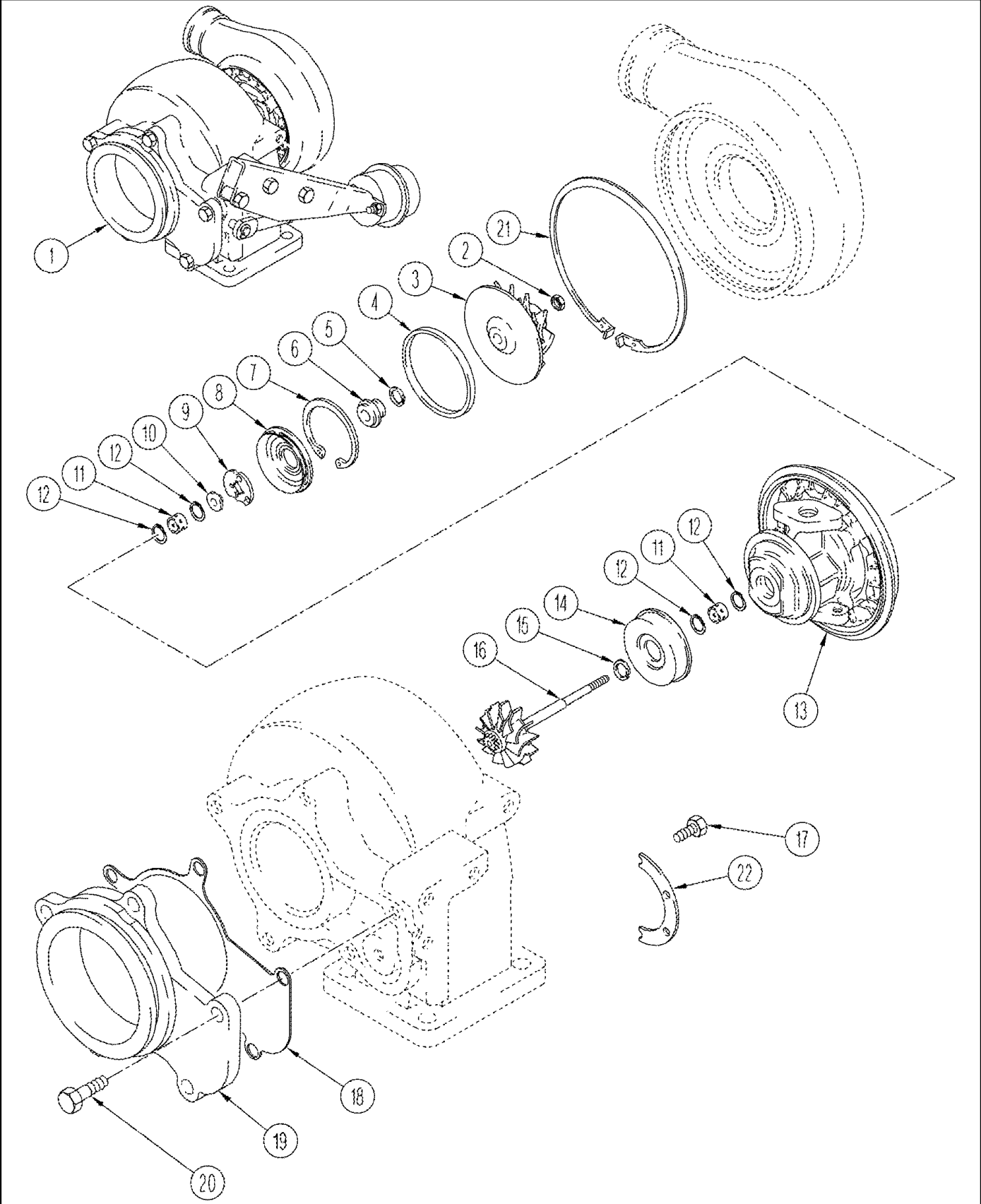


TURBOCHARGER SYSTEM

REF	FN	PART NUMBER	YR/SN	QTY	DESCRIPTION
1		J800401		1	TURBOCHARGER, See Figure: 02-12
2		J901356		1	GASKET
3		J818823		4	STUD, M10 x 40
4		J818824		4	NUT, M10
5		615-8012		1	BOLT, Hex, M8 x 12, 8.8, Full Thd
6		J937706		1	GASKET
7		845-8020		2	BOLT, Hex Flg, M8 x 20, 8.8, Full Thd, M8 x 20
8		87344862		1	MANIFOLD, EXHAUST, See Figure: 02-10
9		87344861		1	MANIFOLD, EXHAUST, See Figure: 02-10
10		J945108		1	TUBE
11		J948079		1	TUBE
12		238-7018		1	O-RING, -018, CI 7, .739" ID x .070" Thk
14		J286499		1	HOSE, 76 mm (3")
13		87434675		1	CLAMP, 1/2 ID
15		214-1512		2	CLAMP, HOSE, #12, .69/1.25 Type F Worm, W/liner
16		87345099		1	HOSE, FLEXIBLE
17		J922789		2	CONNECTOR, HYD., Inc. 18 and 19
18		J678603		1	O-RING, 9.3 ID x 2.2 mm
19		313262A1		1	SEAL, 9.2 ID x 1.7 mm

STEIGER 280 STX330
 STX280 STEIGER 330

TURBOCHARGER ASSEMBLY

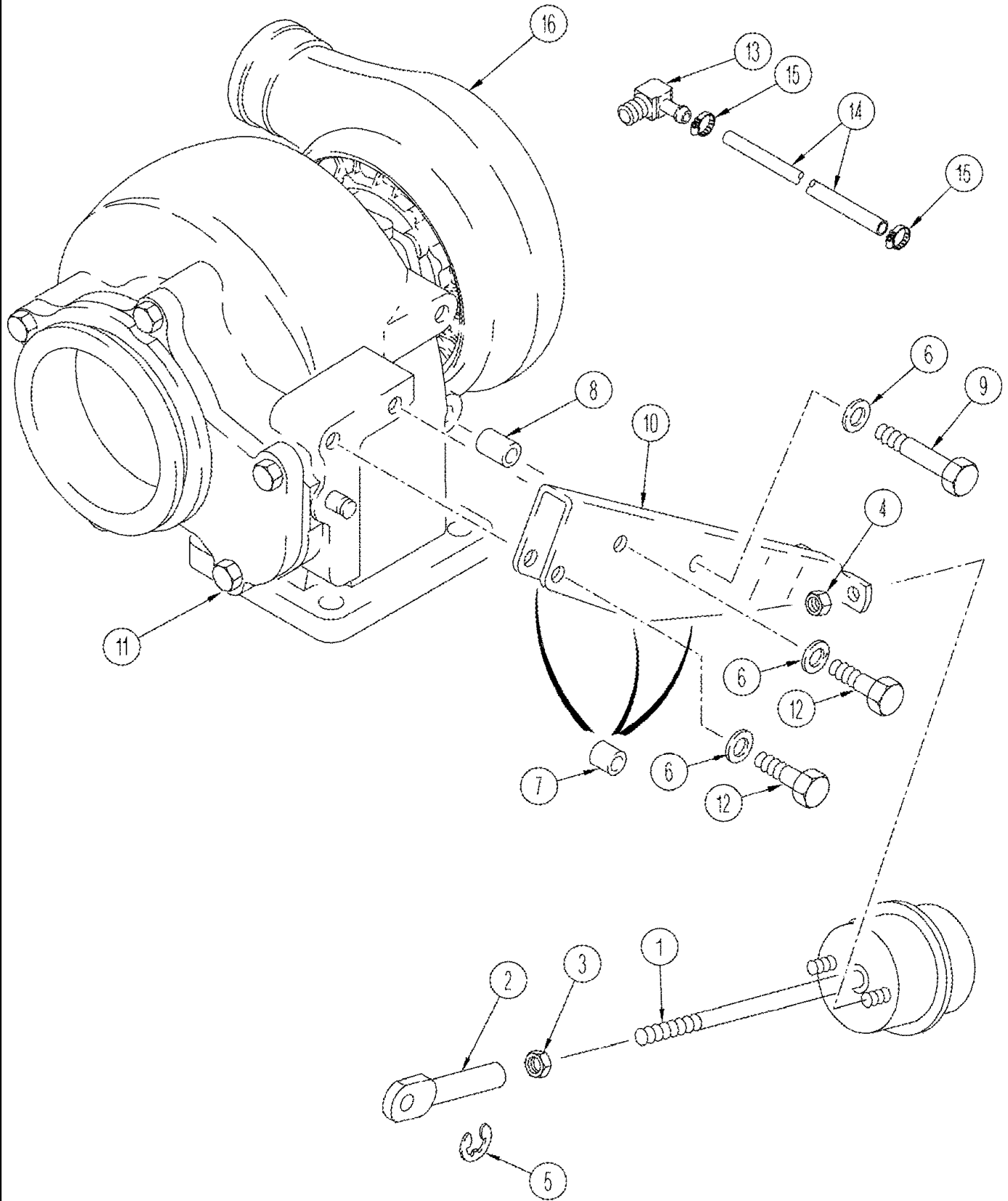


TURBOCHARGER ASSEMBLY

REF	FN	PART NUMBER	YR/SN	QTY	DESCRIPTION
		J800401		1	TURBOCHARGER, Inc. 2 - 16, Also See Figure: 02-13
1		J591196		1	HOUSING
2		NSS		1	NOT SERVICED SEPARATELY, Nut
3		NSS		1	NOT SERVICED SEPARATELY, Impeller
4		NSS		1	NOT SERVICED SEPARATELY, Seal
5		NSS		1	NOT SERVICED SEPARATELY, Seal
6		NSS		1	NOT SERVICED SEPARATELY, Slinger
7		NSS		1	NOT SERVICED SEPARATELY, Ring
8		NSS		1	NOT SERVICED SEPARATELY, Baffle
9		NSS		1	NOT SERVICED SEPARATELY, Bearing, Thrust
10		NSS		1	NOT SERVICED SEPARATELY, Collar
11		NSS		2	NOT SERVICED SEPARATELY, Bearing, Journal
12		NSS		4	NOT SERVICED SEPARATELY, Ring
13		NSS		1	NOT SERVICED SEPARATELY, Housing
14		NSS		1	NOT SERVICED SEPARATELY, Shield
15		NSS		1	NOT SERVICED SEPARATELY, Seal
16		NSS		1	NOT SERVICED SEPARATELY, Rotor and Shaft
17		J759917		6	SET SCREW
18		J537960		1	GASKET
19		J537979		1	ADAPTER
20		614-8020		5	BOLT, Hex, M8 x 20, 8.8
21		J533163		1	RING, SNAP
22		J534309		2	PLATE
		J575169		1	KIT, REPAIR, Inc. 2, 4, 5, 7, 8, 9, 11, 12, 15, 17

STEIGER 280 STX330
STX280 STEIGER 330

WASTEGATE ACTUATOR

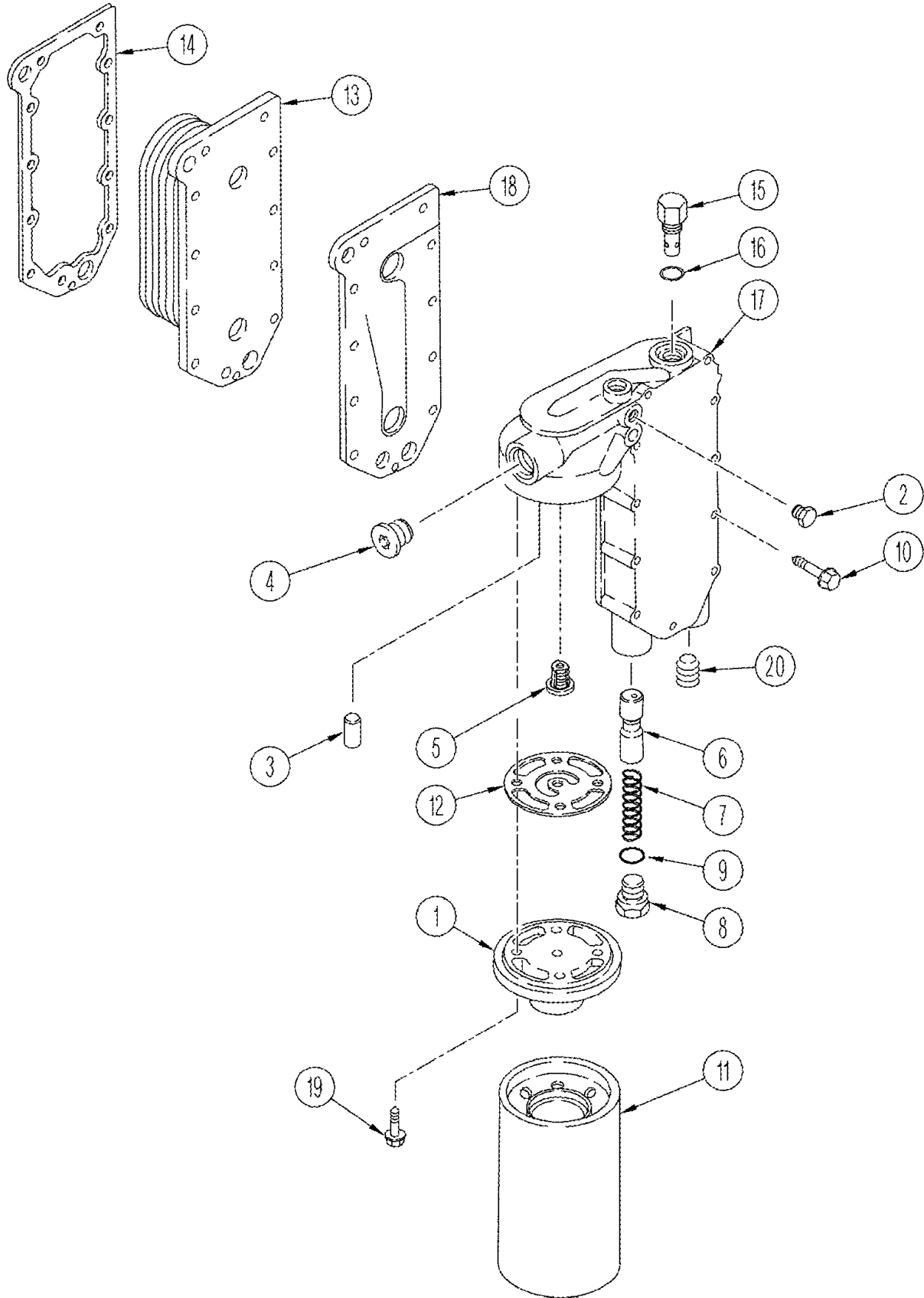


WASTEGATE ACTUATOR

REF	FN	PART NUMBER	YR/SN	QTY	DESCRIPTION
		J800401		1	TURBOCHARGER, Inc. 1 - 16, Also See Figure: 02-12
1		J529856		1	ACTUATOR
2		J528177		1	LINK
3		425-155		1	NUT, Jam, 5/16"-24, G5
4		J528204		2	NUT
5		J528221		1	RING, SNAP
6		895-11008		3	WASHER, M8 x 16 x 1.6
7		J532195		3	SPACER, 13.6 mm
8		J532196		1	SPACER, 19 mm
9		814-8050		1	BOLT, Hex, M8 x 50, 8.8
10		J532671		1	BRACKET
11		NSS		1	NOT SERVICED SEPARATELY, Housing
12		814-8035		2	BOLT, Hex, M8 x 35, 8.8
13		J528121		1	ELBOW
14		A78037		1	HOSE
15		214-1704		2	CLAMP, HOSE, #4, 0.25/0.62 Type M Worm
16		NSS		1	NOT SERVICED SEPARATELY, Compressor

STEIGER 280 STX330
STX280 STEIGER 330

FILTER AND COOLER OIL

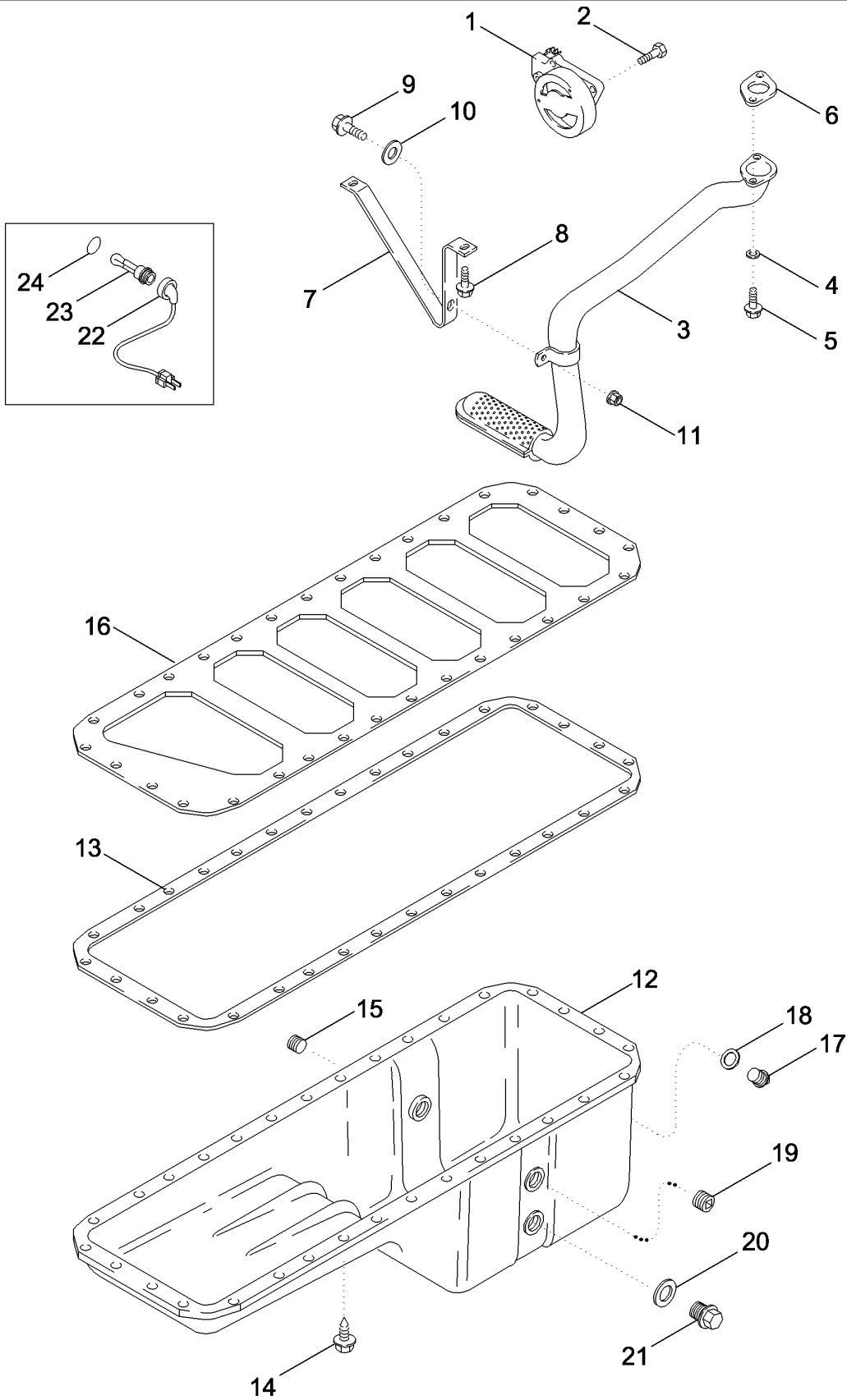


FILTER AND COOLER OIL

REF	FN	PART NUMBER	YR/SN	QTY	DESCRIPTION
1		87340627		1	HEAD, FILTER
2		J906619		2	PLUG, 1/8" PT
3		A77722		1	PIN
4		263136		1	PLUG, MAGNETIC, Hex Soc, 3/4"-14 NPTF
5		J936365		1	VALVE, PRESSURE RELIEF
6		J945967		1	PLUNGER
7		87340755		1	SPRING
8		J931084		1	PLUG, 24 mm, Inc. 9
9		J930911		1	O-RING, 3/4" ID x 1/16"
10		87421315		8	SCREW, M8 x 65; 10.9
10		87409553		1	BOLT, With stud
11		87349575		1	FILTER, ENGINE OIL
12		87447957		1	GASKET
13		87452245		1	CORE-OIL COOLER, Support
14		J918174		1	GASKET
		J934410		1	VALVE, BY-PASS, Bypass, Inc. 15 and 16
15		NSS		1	NOT SERVICED SEPARATELY, Valve, Bypass
16		A77724		1	O-RING
17		87314031		1	COVER
18		J929011		1	GASKET
19		J907860		4	BOLT, M8 x 25
20		217-466		1	PLUG, DRAIN, Sq Soc, 1/2"-14, NTPF

STEIGER 280 STX330
 STX280 STEIGER 330

OIL PUMP AND OIL PAN



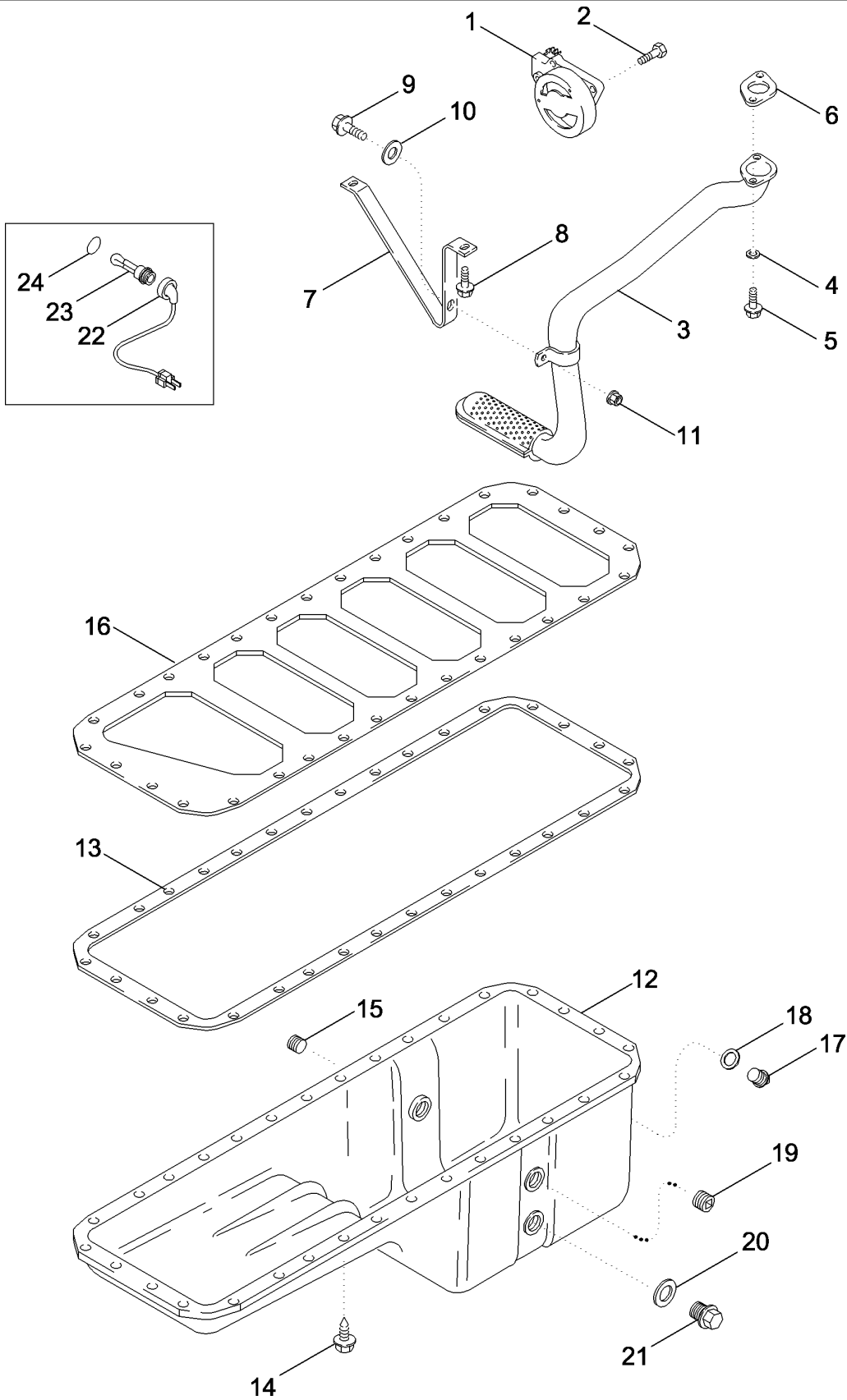
OIL PUMP AND OIL PAN

REF	FN	PART NUMBER	YR/SN	QTY	DESCRIPTION
1		J991123		1	PUMP, ENGINE OIL
1		JR991123		1	REMAN-PUMP, ENGINE OIL, N.A. Only
1		JC991123		1	CORE-PUMP, ENGINE OIL
2		J900677		4	BOLT, M8 x 30
3	1, 2	J910787		1	TUBE
3	3, 4	J944264		1	TUBE
4		J926865		2	SPACER
5		845-6030		2	BOLT, Hex Flg, M6 x 30, 8.8
6		87447959		1	GASKET
7		J927611		1	BRACKET
8		845-6015		2	BOLT, Hex Flg, M6 x 15, 8.8, Full Thd
9		845-6020		1	BOLT, Hex Flg, M6 x 20, 8.8, Full Thd
10		J910960		1	WASHER
11		825-2406		1	NUT, M6 x 1, Flg, Cl 8
12	1, 2	87359023		1	PAN, ENGINE OIL
12	3, 4	87357469		1	PAN, ENGINE OIL
13		NSS		1	NOT SERVICED SEPARATELY, Seal, Order A77679
14		J907860		32	BOLT, M8 x 25
15		J924148		1	PLUG, M22
16		87308050		1	GASKET
17		J924147		1	PLUG, M18
18		J920773		1	WASHER, SEALING
19		J924147		1	PLUG, M18
20		J902425		1	WASHER
21	3, 4	86637727		1	PLUG, DRAIN, Sq Soc, 1 1/4"-11 1/2, NTPF
		A77580		1	KIT, SERVICE, Heater, 120V, Inc. 22 and 23
22		J906388		1	ELEMENT, HEATING
23		196466A1		1	CABLE, ELECTRIC, 1829 mm (72 in.)
		A77666		1	KIT, SERVICE, Heater, 240V, Inc. 22 and 23
22		J906389		1	ELEMENT, HEATING
23		J905114		1	CABLE, ELECTRIC, 1829 mm (72 in.)

- (1) STX280
(2) STEIGER 280
(3) STX330
(4) STEIGER 330

STEIGER 280 STX330
STX280 STEIGER 330

OIL PUMP AND OIL PAN



02-15

p2

10/06

OIL PUMP AND OIL PAN

REF	FN	PART NUMBER	YR/SN	QTY	DESCRIPTION
-----	----	-------------	-------	-----	-------------

24		J902425		1	WASHER
----	--	---------	--	---	--------

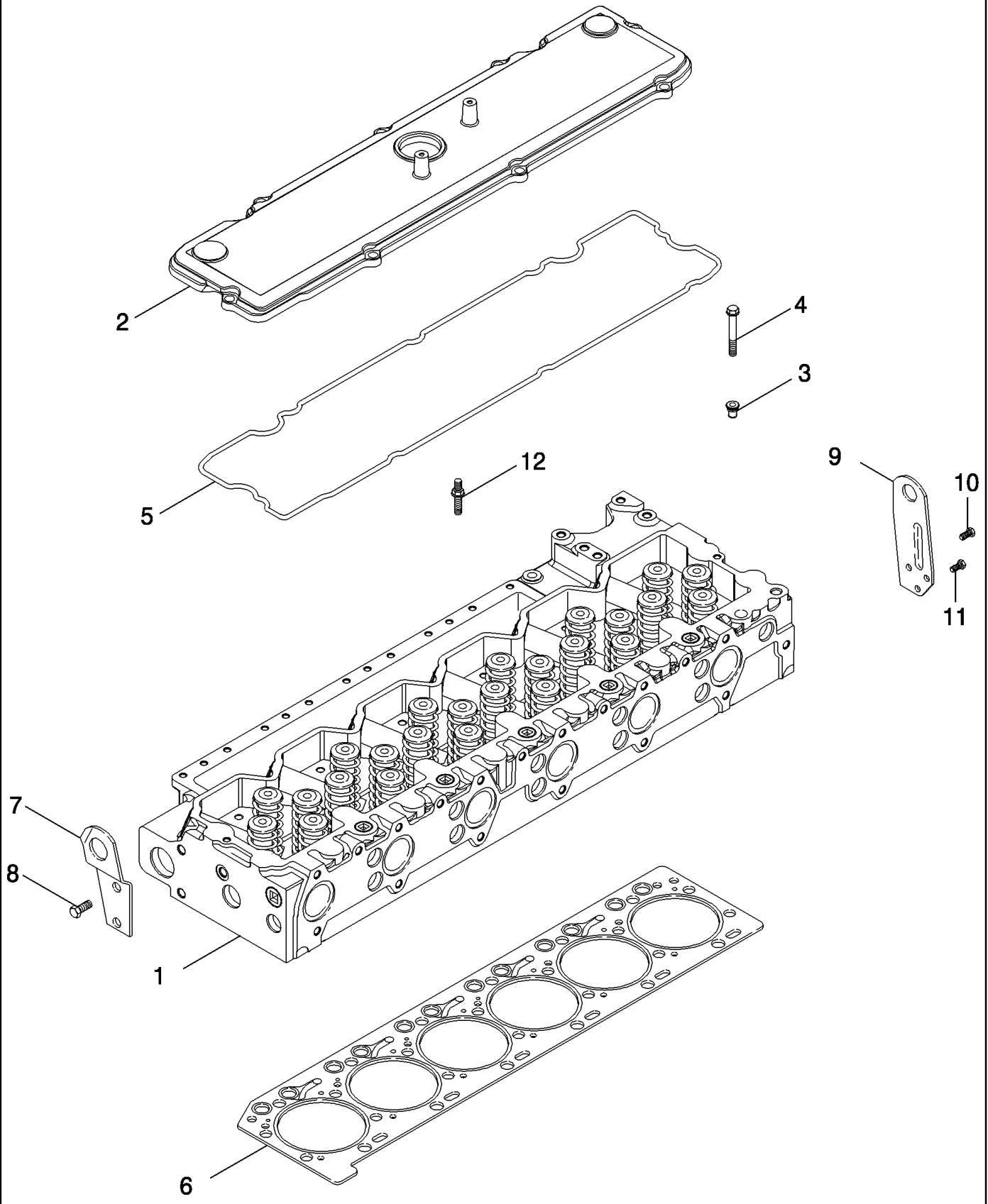
STEIGER 280 STX330
STX280 STEIGER 330

02-16

p1

02/06

CYLINDER HEAD COVER

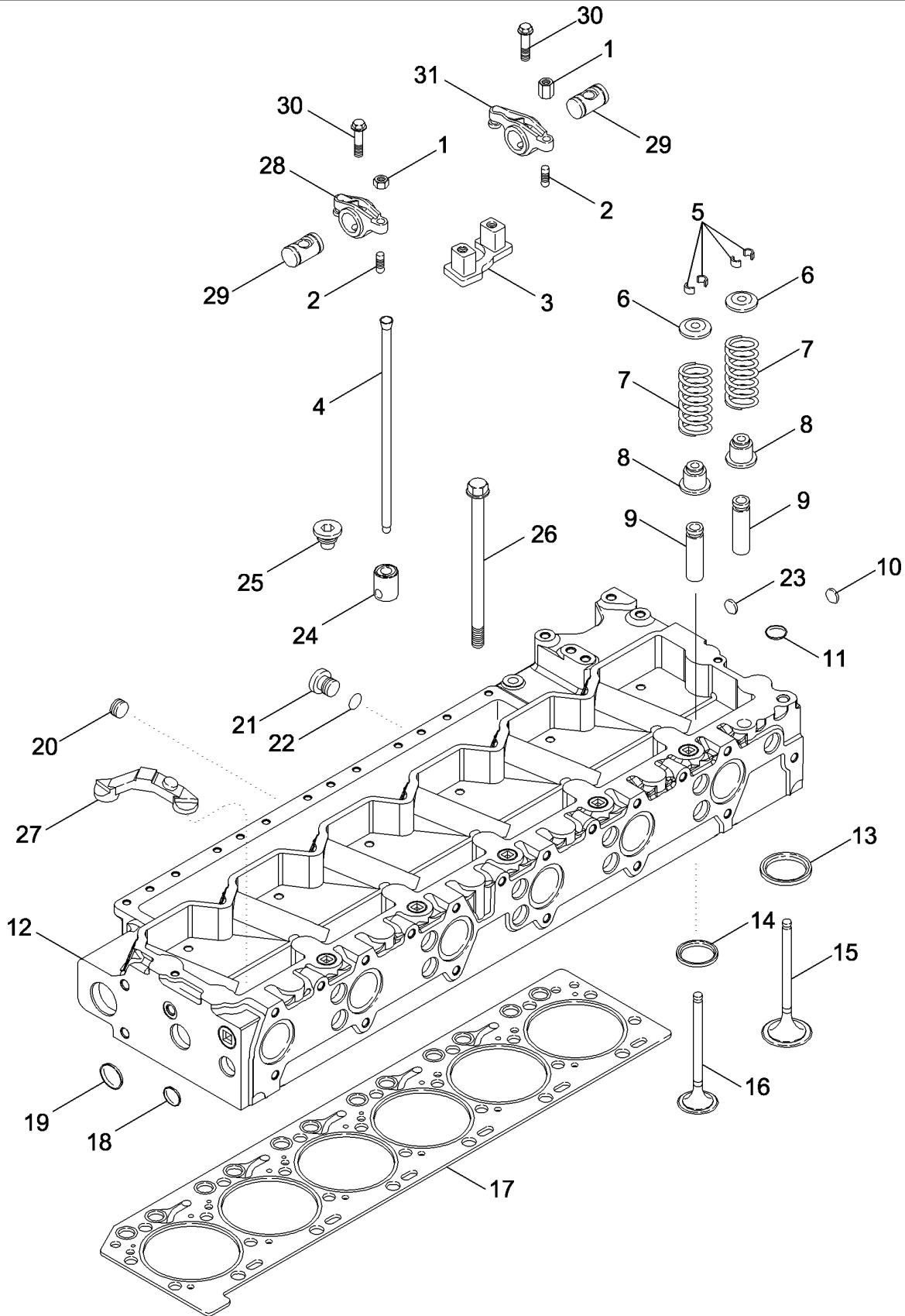


CYLINDER HEAD COVER

REF	FN	PART NUMBER	YR/SN	QTY	DESCRIPTION
1		REF		1	INSTRUCTION, Head, Cylinder, See Figure: 02-17
2		87345871		1	COVER, VALVE
3		87342136		8	ISOLATOR
4		J900632		7	BOLT, Hex Flg, M8 x 35, 8.8
5		87345861		1	GASKET
6		87344132		1	GASKET, CYLINDER HEAD, Cylinder Head
7		87340305		1	BRACKET, Front
8		854-12025		2	BOLT, Hex Flg, M12 x 25, 10.9
9		87340301		1	EYE, LIFTING, Rear
10		854-10020		2	BOLT, Hex Flg, M10 x 20, 10.9
11		87340324		1	BOLT
12		87340279		1	SCREW, M8 x 35

STEIGER 280 STX330
STX280 STEIGER 330

CYLINDER HEAD - VALVE MECHANISM



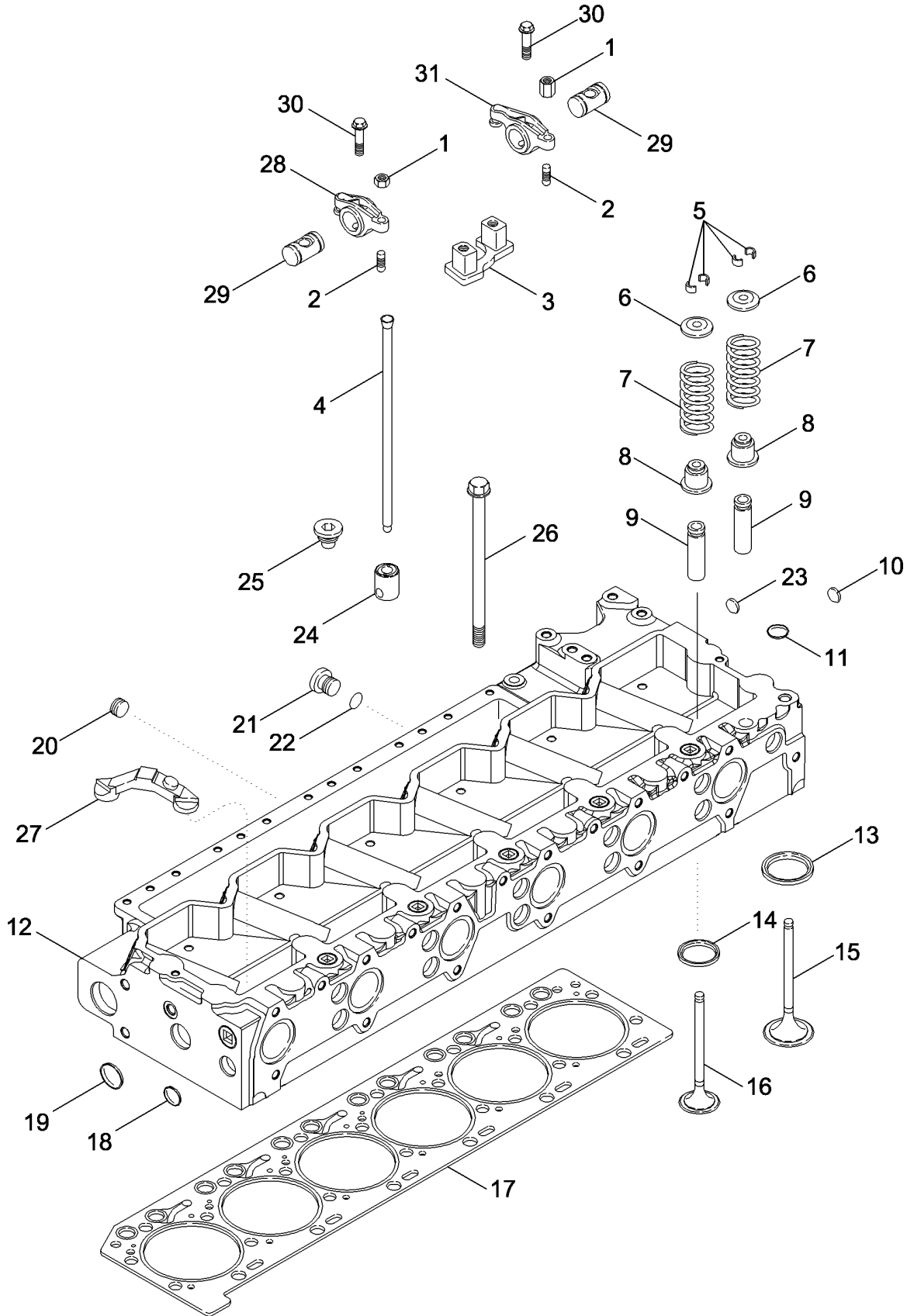
CYLINDER HEAD - VALVE MECHANISM

REF	FN	PART NUMBER	YR/SN	QTY	DESCRIPTION
	1, 2	87343687		1	HEAD ASSY., With Valves, Inc. 1 - 16, 18, 19 & 23
	3, 4	87360284		1	HEAD, With Valves, Inc. 1 - 16, 18, 19 & 23
1		A77902		1	NUT, 3/8" - 24 NF
2		NSS		1	NOT SERVICED SEPARATELY, Insert
3		J941140		6	SUPPORT
4		87435955		12	ROD, PUSH
5		J900250		48	SCREW, Collet
6		J944452		24	RETAINER, Rotator, Valve
7		J944711		24	SPRING, VALVE
8		J943888		12	SEAL
9		J948102		24	GUIDE, VALVE
10		A77590		2	PLUG
11		87344079		6	PLUG
12		NSS		1	NOT SERVICED SEPARATELY, Head, Cylinder, Stripped, Inc. 1A - 7
13		J940152		12	INSERT, Intake
14	1, 2	87344002		12	INSERT, Valve Exhaust
14	3, 4	87344002		12	INSERT, Exhaust
15		87343688		12	VALVE, ENGINE, INLET, STD, Inlet
16		87343693		12	VALVE, ENG EXHAUST, STD, Exhaust
17		87344132		1	GASKET, CYLINDER HEAD
18	1, 2	87344118		1	PLUG, Expansion
18	3, 4	41-1024		2	PLUG, Cup, 1 1/2"
19		{ }			
19		J945093		1	PLUG, Expansion
20		217-438		1	PLUG, Hex Soc, 1/2"-14
21		J678923		1	PLUG, 10 mm, Inc. 22
22		637-72081		1	O-RING, CI 7, 8.1MM ID x 1.6 Thk
23		87344108		1	PLUG
24		87435851		12	TAPPET
25		87435854		12	GUIDE

- (1) STX280
(2) STEIGER 280
(3) STX330
(4) STEIGER 330

STEIGER 280 STX330
STX280 STEIGER 330

CYLINDER HEAD - VALVE MECHANISM

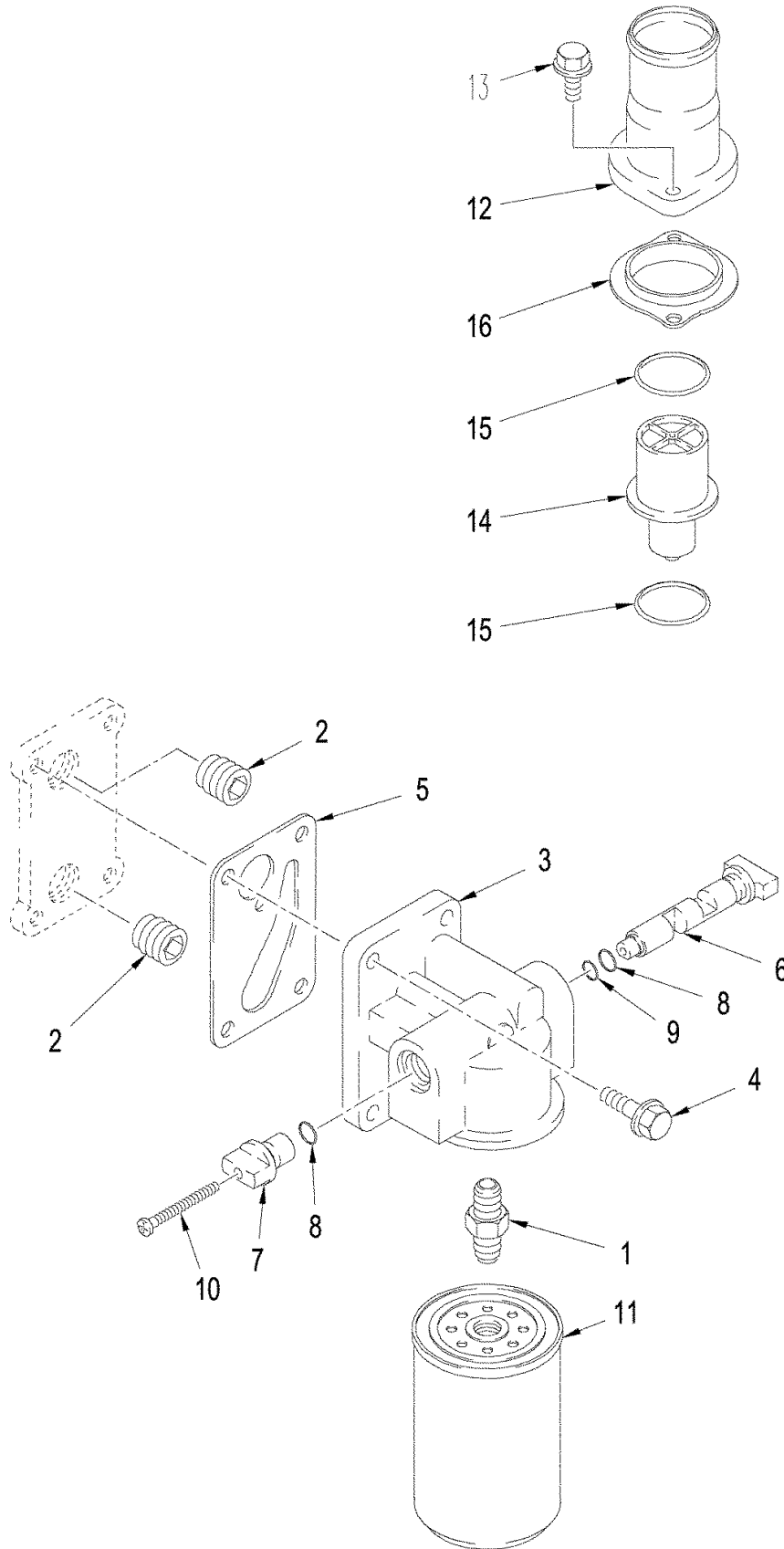


CYLINDER HEAD - VALVE MECHANISM

REF	FN	PART NUMBER	YR/SN	QTY	DESCRIPTION
26		87344126		26	BOLT, M14 x 160
27		J943445		12	VALVE
28		87435953		6	ROCKER ARM
29		87435951		6	SHAFT
30		J943933		12	SCREW
31		87435952		6	ROCKER ARM

	STEIGER 280 STX330 STX280 STEIGER 330
--	--

THERMOSTAT - FILTER, WATER

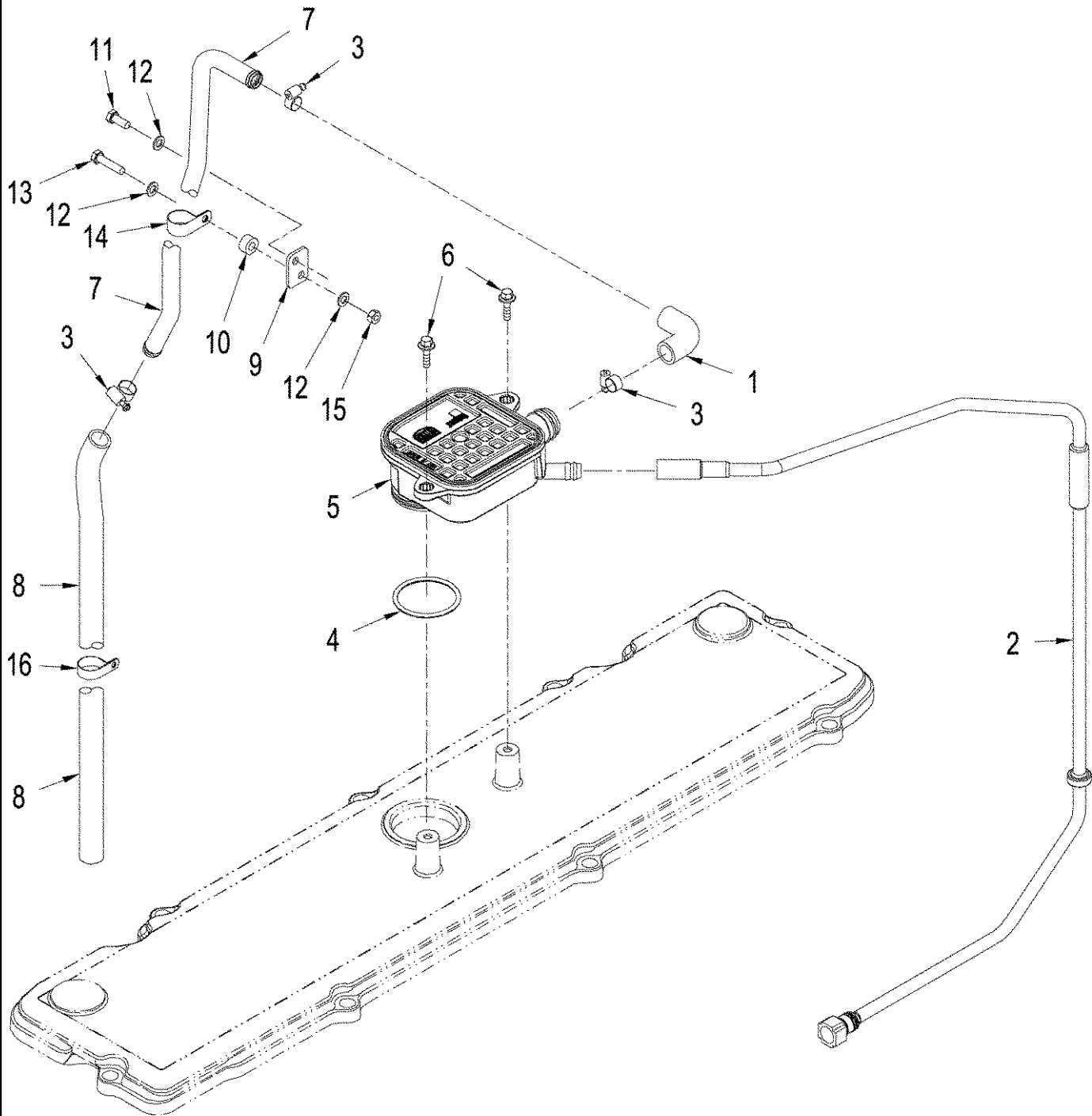


THERMOSTAT - FILTER, WATER

REF	FN	PART NUMBER	YR/SN	QTY	DESCRIPTION
1		A77623		1	ADAPTER
2		263136		2	PLUG, MAGNETIC, Hex Soc, 3/4"-14 NPTF
3		J943738		1	HEAD, FILTER, Filter
4		845-8025		4	BOLT, Hex Flg, M8 x 25, 8.8
5		J937367		1	GASKET
6		J943739		1	VALVE, SHUT-OFF
7		J943740		1	VALVE, SHUT-OFF
8		87423041		2	O-RING, 7/16" ID x 3/32"
9		238-5013		1	O-RING, -013, 70 Duro, .426" ID x .070" Thk
10		J944454		1	SCREW
11		J100304		1	FILTER, ENGINE OIL, Filter, Water
12		J944429		1	OUTLET
13		845-8025		2	BOLT, Hex Flg, M8 x 25, 8.8
14		87579684		1	THERMOSTAT, Inc. 15
15		238-5227		2	O-RING, -227, 70 Duro, 2.109" ID x .139" Thk
16		J945603		1	GASKET

STEIGER 280 STX330
 STX280 STEIGER 330

CRANKCASE, BREATHER

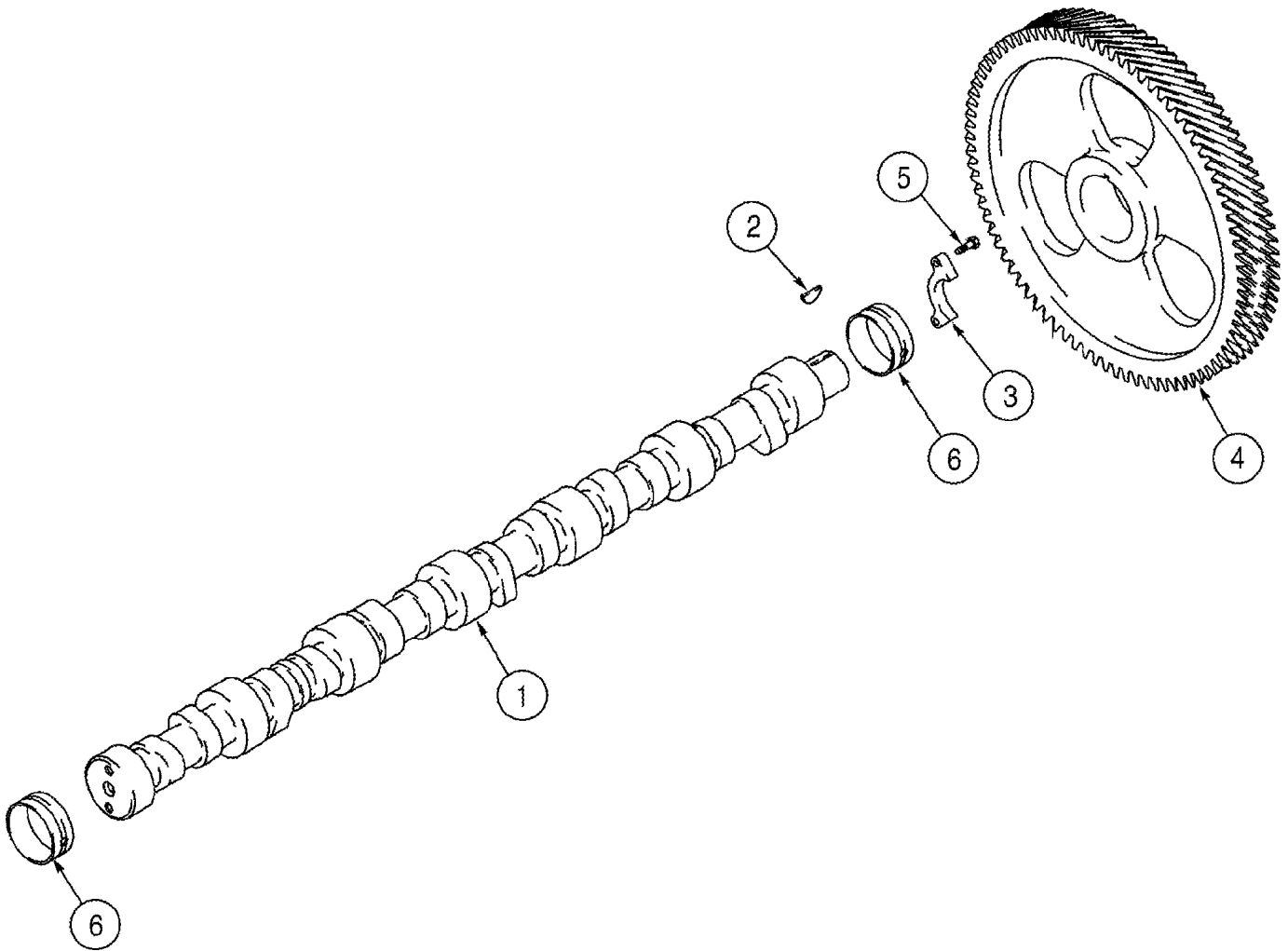


CRANKCASE, BREATHER

REF	FN	PART NUMBER	YR/SN	QTY	DESCRIPTION
1		87448912		1	HOSE, Elbow
2		87338653		1	TUBE, Lubrication Oil Drain
3		214-1520		3	CLAMP, HOSE, #20, .81/1.75 Type F Worm, W/liner
4		87338651		1	O-RING
5		87338649		1	BREATHER, Valve
6		J901865		2	BOLT, Hex Flg, M6 x 20, 8.8, Full Thd
7		87448914		1	TUBE, Engine Breather
8		340972A1		1	HOSE, Breather
9		87448920		1	BRACKET, Mounting
10		371838A1		1	SPACER
11		827-8020		1	BOLT, Hex, M8 x 20, 10.9
12		895-11008		3	WASHER, M8 x 16 x 1.6
13		827-8035		1	BOLT, Hex, M8 x 35, 10.9
14		515-22254		1	CLAMP, 1", Insul, 5/16" Bolt
15		829-1408		1	NUT, M8, CI 10
16		515-22349		1	CLAMP, 1 3/8", Insul, 5/16" Bolt

	STEIGER 280 STX330 STX280 STEIGER 330
--	--

CAMSHAFT

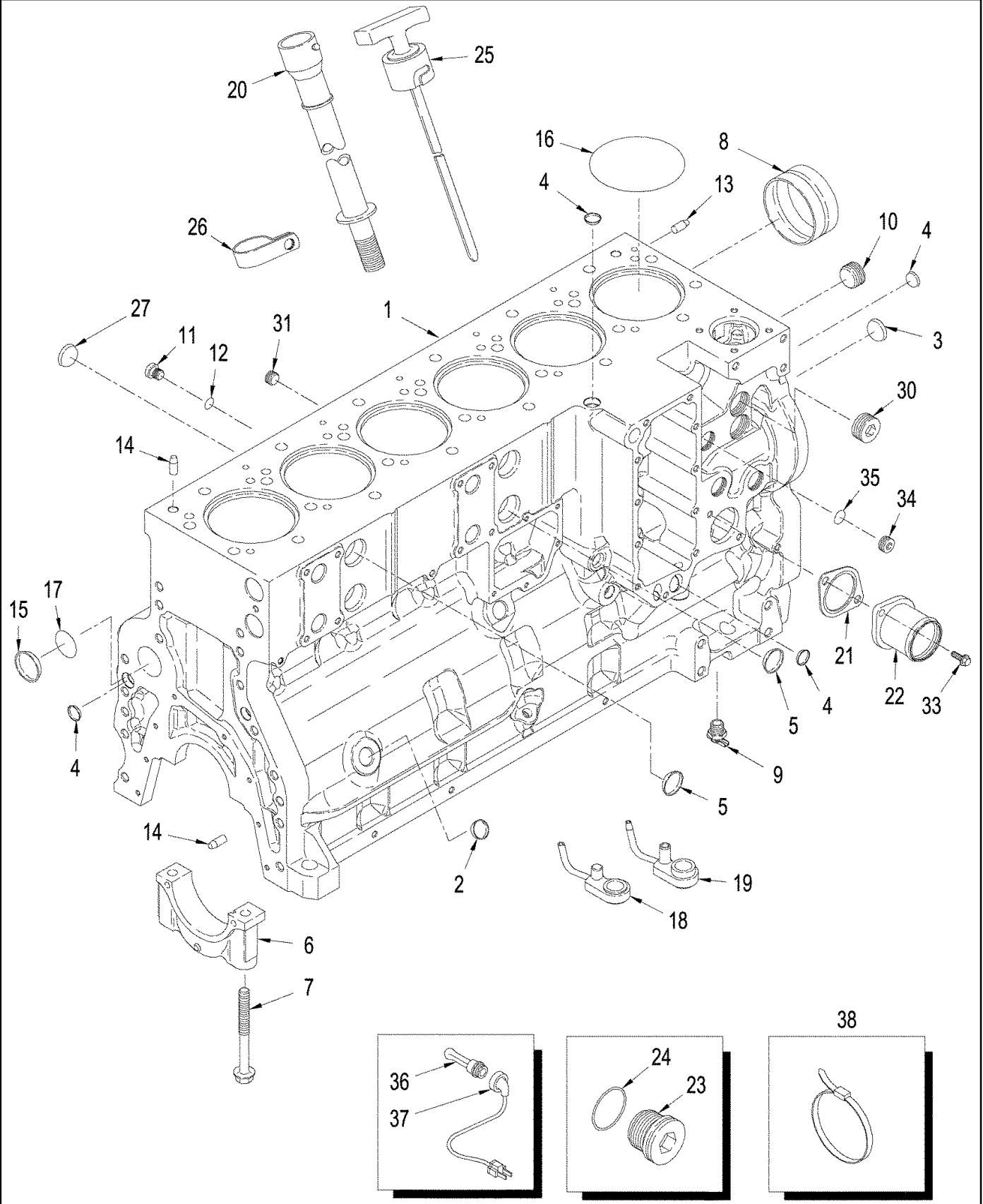


CAMSHAFT						
-----------------	--	--	--	--	--	--

REF	FN	PART NUMBER	YR/SN	QTY	DESCRIPTION
1		87342996		1	CAMSHAFT
2		87453128		1	PIN
3		J944001		1	SUPPORT
4		87342988		1	GEAR
5		J900227		2	SCREW, Hex, M8 x 1.25 x 22
6		J945329		7	BEARING, CAMSHAFT

	STEIGER 280 STX330 STX280 STEIGER 330
--	---

CYLINDER BLOCK



CYLINDER BLOCK

REF	FN	PART NUMBER	YR/SN	QTY	DESCRIPTION
	1	87539020		1	ENGINE, BASIC, Basic, 280hp
	1	87539021		1	ENGINE, BASIC, Basic, 330hp
	2	87390942		1	ENGINE, SHORT, Short, Inc. 1 - 8, 280hp
	2	87544190		1	ENGINE, SHORT, Short, Inc. 1 - 8, 330hp
1		NSS		1	NOT SERVICED SEPARATELY, Block, Engine, Stripped
2		J943808		1	PLUG, 22 mm
3		A77586		3	PLUG, 43 mm
4		A77506		4	PLUG, 21 mm
5		J905401		4	PLUG, 35 mm
6		87444056		7	CAP, Main Bearing
7		87444059		14	BOLT, M14 x 128
8		J945329		7	BEARING, CAMSHAFT
		87338079			KIT, Inc. 9 - 15, 17 - 19, 23, 24, 27, 31 & 42
9		217-103		2	COCK, DRAIN, 1/4 PT
10		86625135		1	PLUG, Hex Soc, 1"-11 1/2 NPTF
11		J678923		6	PLUG, 10 mm, Inc. 12
12		637-72081		1	O-RING, CI 7, 8.1MM ID x 1.6 Thk
13		J900257		4	PIN, 16 mm
14		J901846		8	PIN
15		41-3044		2	PLUG, Exp, 2 3/4", (70 mm)
16		J907177		6	O-RING
17		J926048		2	O-RING, 66 mm ID
18		87338171		6	NOZZLE
19		87337015		12	NOZZLE
20		87418224		1	TUBE, Dipstick
21		J945603		1	GASKET, Water Inlet
22		J913030		1	FITTING, Water Inlet
23		J678921		1	PLUG, 14 mm, Inc. 24
24		J678912		1	O-RING
25		87418222		1	DIPSTICK
26		A77508		1	CLAMP, 7/16 ID
27		A77530		3	PLUG, 1-13/64" OD

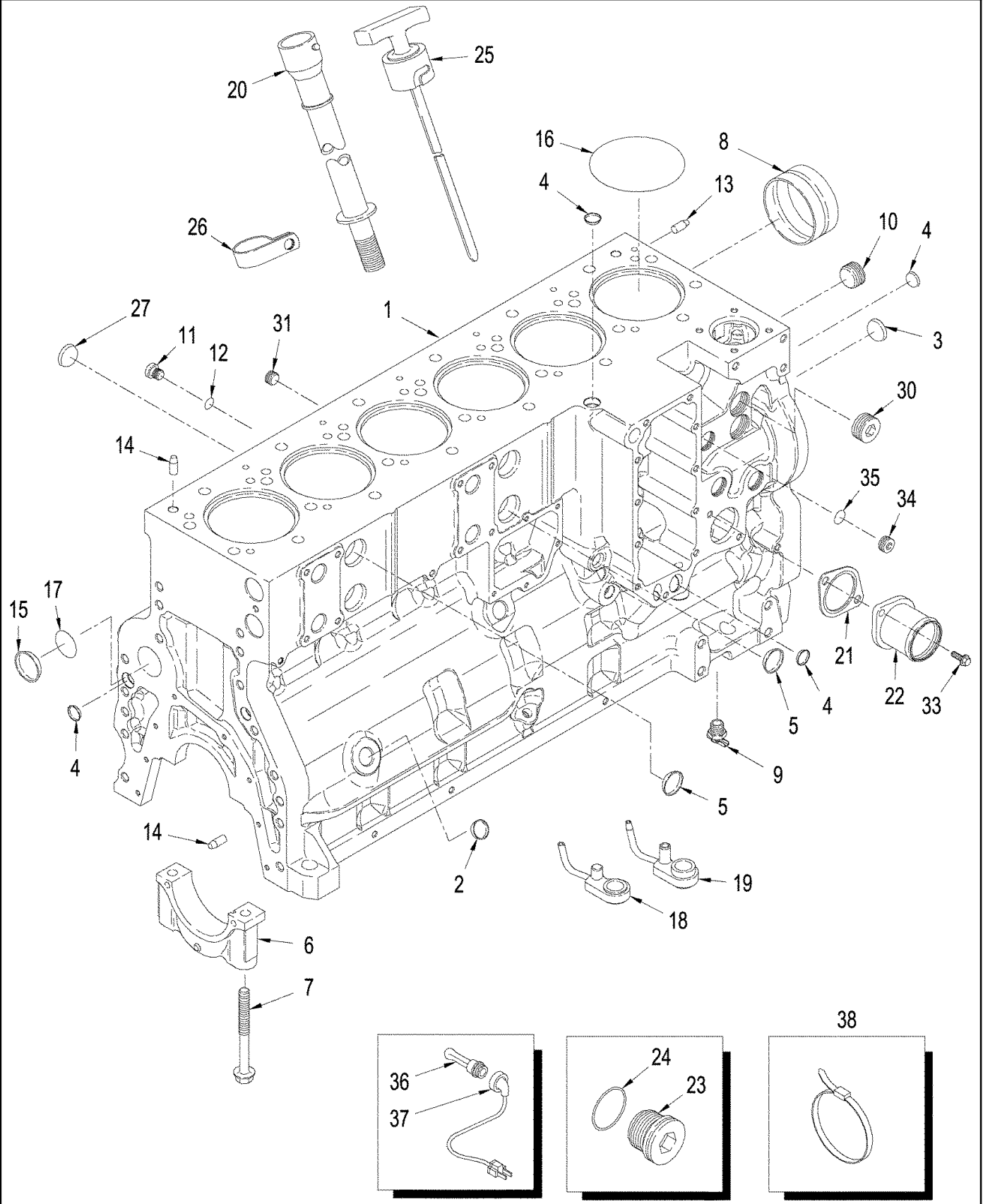
(1) See Note, Less, Starter, Alternator, Fan, Fan Belt, Air Cleaner, Muffler, Exhaust Manifold, Flywheel and Housing, Oil Fill and Dipstick, Injectors and Lines, Front Pulley, Belt Tensioner, Turbocharger and Aftercooler

(2) Stripped Short Block, Pistons, Connecting Rods and Bearings, Crankshaft and Bearings

Note: Basic and reman engines are generic engines. These engines are complete internally. However, not all external parts are supplied with the engines. Check the configuration of the engine being removed, with the configuration of the engine being installed for any external components not supplied with the engine being installed. Reuse parts from the engine that has just been removed. Do not return the old engine, until the unit is reassembled.

STEIGER 280 STX330
STX280 STEIGER 330

CYLINDER BLOCK



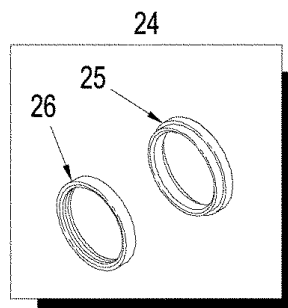
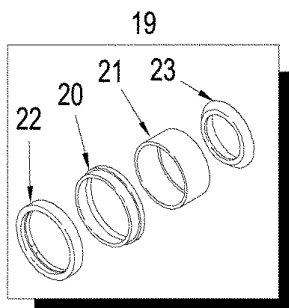
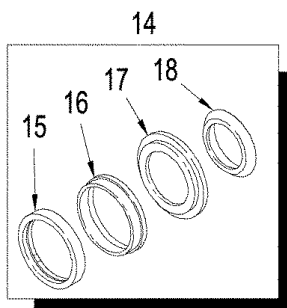
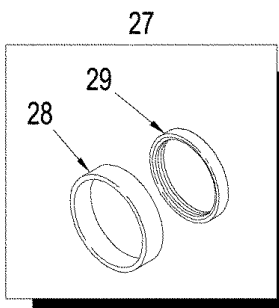
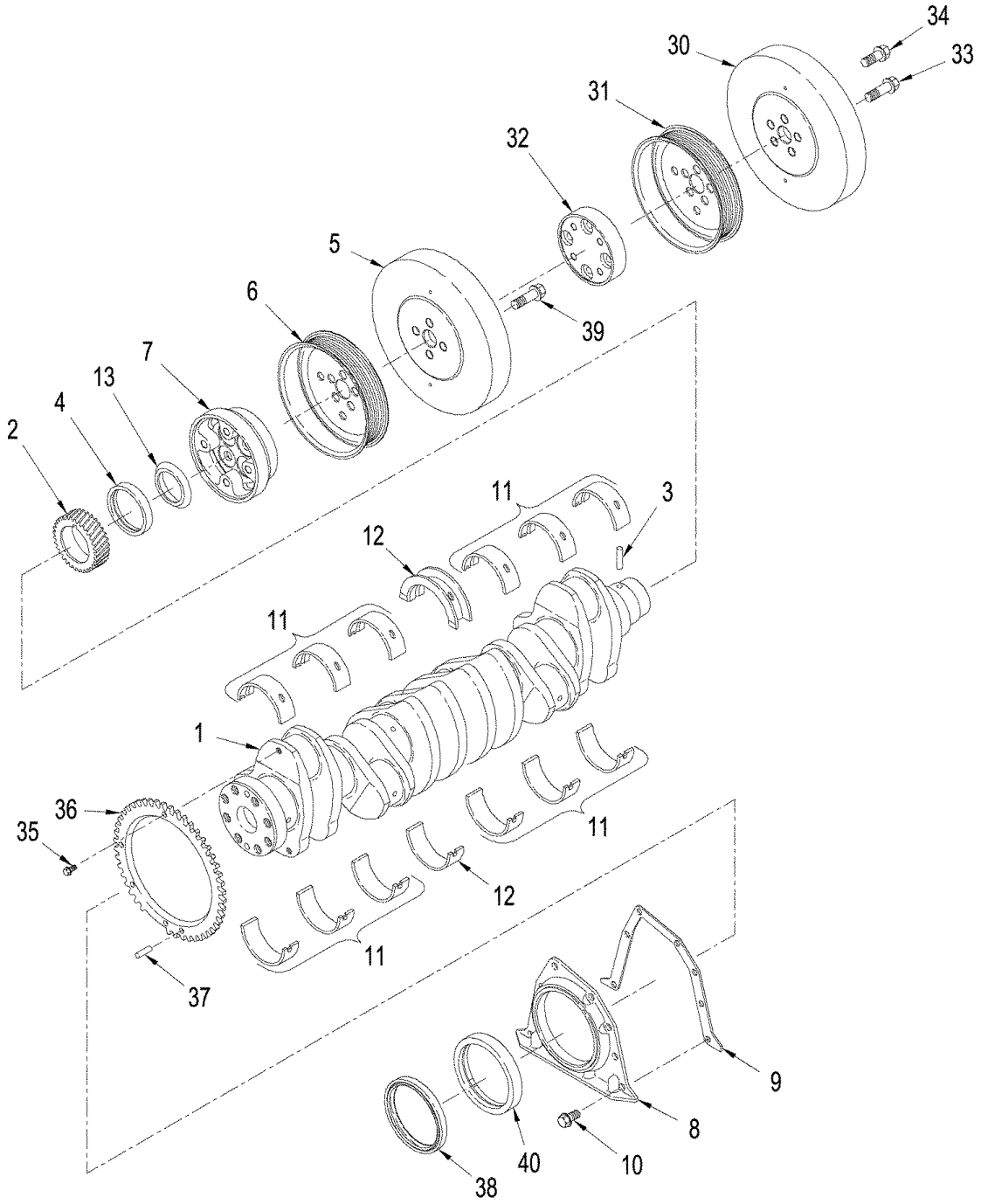
CYLINDER BLOCK

REF	FN	PART NUMBER	YR/SN	QTY	DESCRIPTION
28		87337018		6	BOLT, (Not Shown)
29		J909025		6	SCREW, M8 x 1.25 x 55 (Not Shown)
30		263136		5	PLUG, MAGNETIC, Hex Soc, 3/4"-14 NPTF
31		217-438		6	PLUG, Hex Soc, 1/2"-14
32		A77586		3	PLUG, (Not Shown)
33		845-8020		2	BOLT, Hex Flg, M8 x 20, 8.8, Full Thd
34		313244A1		2	PLUG, Hex Socket, 22 mm, Inc. 35
35		313246A1		1	O-RING, 19 ID x 2,2 mm
		186134A1		1	KIT, Engine Block Heater, 120 Volt, Inc. 36 - 38
36		196466A1		1	CABLE, ELECTRIC, 1829 mm (72 in)
37		NSS		1	NOT SERVICED SEPARATELY, Element, 120V
		387050A1		1	KIT, Coolant Heater, 240V, Inc. 36 - 38
36		J905114		1	CABLE, ELECTRIC, 305 mm (12 in)
37		NSS		1	NOT SERVICED SEPARATELY, Element, 240V
38		19-135		1	STRAP, Tie, 356 mm (14")
		87348859		1	KIT, ENGINE OVERHAUL, See Figure: 02-27, Not Illustrated
		87359888		1	KIT, ENGINE OVERHAUL, See Figure: 02-27, Not Illustrated
39		J678912		1	O-RING, (Not Shown)
40		637-72081		1	O-RING, CI 7, 8.1MM ID x 1.6 Thk, (Not Shown)
41		J900956		3	PLUG, (Not Shown)
42		87338185		1	BOLT, (Not Shown)
43		217-432		1	PLUG, Hex Soc, 1/4"-18, (Not Shown)
44		NSS		1	NOT SERVICED SEPARATELY, Screw, Cap, (Not Shown)
45		J678923		6	PLUG, (Not Shown)
46		J678921		1	PLUG, (Not Shown)

Note: Basic and reman engines are generic engines. These engines are complete internally. However, not all external parts are supplied with the engines. Check the configuration of the engine being removed, with the configuration of the engine being installed for any external components not supplied with the engine being installed. Reuse parts from the engine that has just been removed. Do not return the old engine, until the unit is reassembled.

STEIGER 280 STX330
STX280 STEIGER 330

CRANKSHAFT



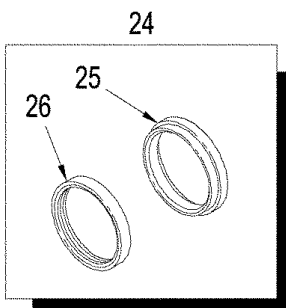
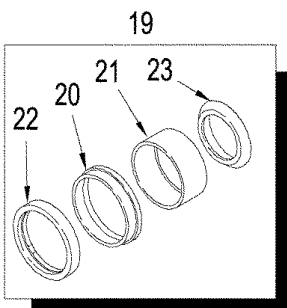
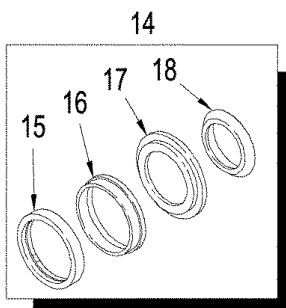
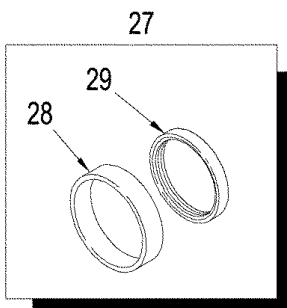
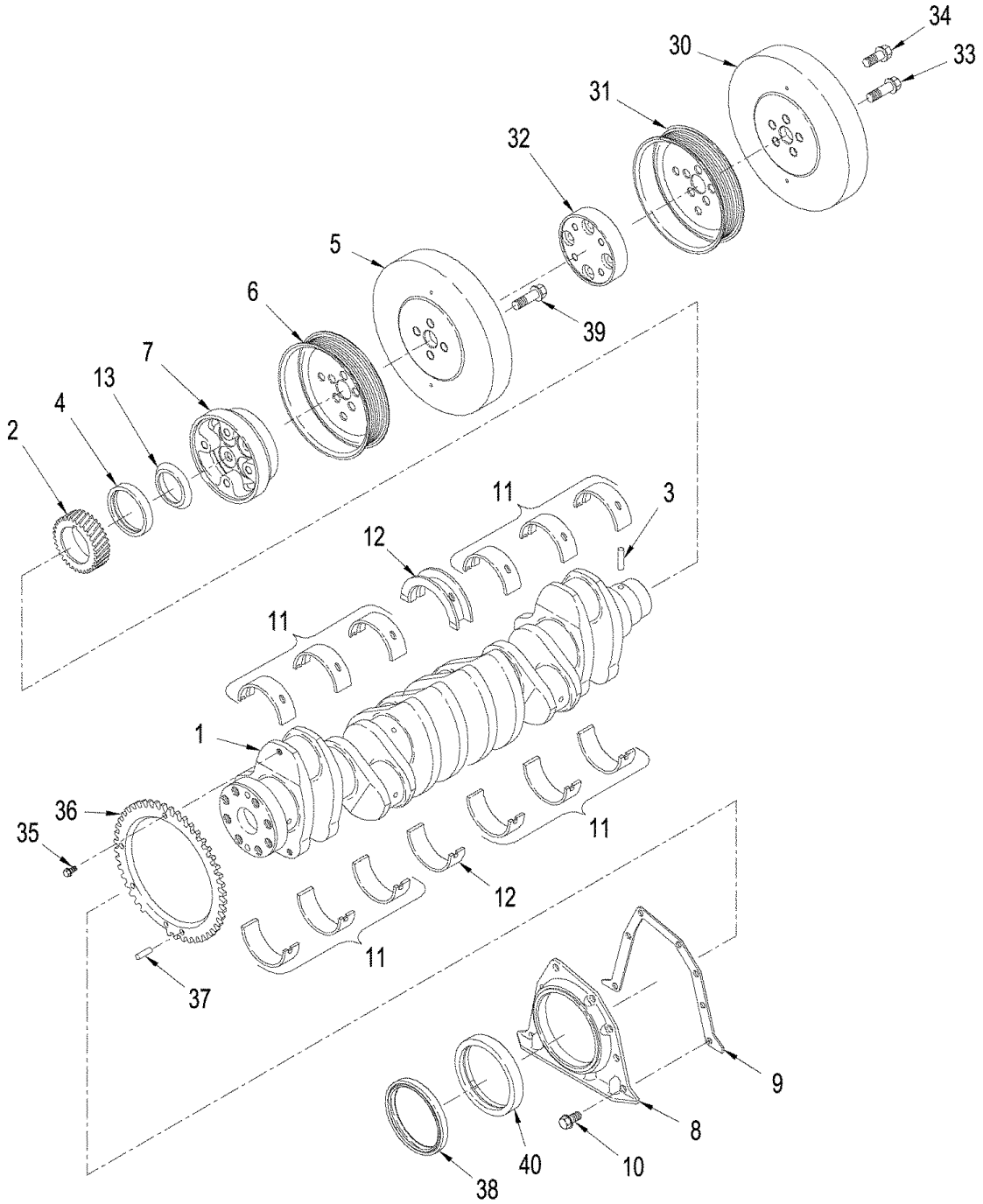
CRANKSHAFT

REF	FN	PART NUMBER	YR/SN	QTY	DESCRIPTION
1	1, 2	87335711		1	CRANKSHAFT, With Speed Indicator Ring, Inc. 30 - 32
1	3, 4	87356215		1	CRANKSHAFT, With Speed Indicator, Inc. 30 -32
1	1, 2	87342925		1	REMAN-CRANKSHAFT, Remanufactured, N.A. Only, Inc. 30 - 32
1	3, 4	87356216		1	REMAN-CRANKSHAFT, Remanufactured, N.A. Only, Inc. 30 - 32
1	1, 2	87337253		1	CORE-CRANKSHAFT, Inc. 30 - 32
1	3, 4	87356217		1	CORE-CRANKSHAFT, Inc. 30 - 32
2		J918776		1	GEAR
3		J904483		1	PIN
4		NSS		1	NOT SERVICED SEPARATELY, Seal, , Order A77790
5	1, 2	87349482		1	DAMPER, Vibration
6	1, 2	J943660		1	PULLEY
7	1, 2	87357647		1	ADAPTER
8		J933384		1	COVER, REAR
9		J914301		1	GASKET
10		87409160		8	SCREW, M6 x 16
11		J945930		6	BEARING, CRANKSHAFT, Main, Standard
11		J945931		6	BEARING, CRANKSHAFT, Main, Oversize, 0.25 mm
11		J945932		6	BEARING, CRANKSHAFT, Main, Oversize, 0.50 mm
11		J945933		6	BEARING, CRANKSHAFT, Main, Oversize, 0.75 mm
11		J945934		6	BEARING, CRANKSHAFT, Main, Oversize, 1.00 mm
12		J945929		1	BEARING, CRANKSHAFT, Thrust, Standard
12		J945922		1	BEARING, CRANKSHAFT, Thrust, Oversize, 0.25 mm
12		J945923		1	BEARING, CRANKSHAFT, Thrust, Oversize, 0.50 mm
12		J945924		1	BEARING, CRANKSHAFT, Thrust, Oversize, 0.75 mm
12		J945925		1	BEARING, CRANKSHAFT, Thrust, Oversize, 1.00 mm
12		J945926		1	BEARING, CRANKSHAFT, Thrust, Standard, Oversize 0.25 mm

- (1) STX280
- (2) STEIGER 280
- (3) STX330
- (4) STEIGER 330

STEIGER 280 STX330
STX280 STEIGER 330

CRANKSHAFT



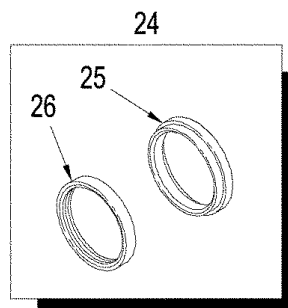
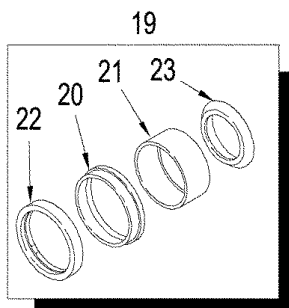
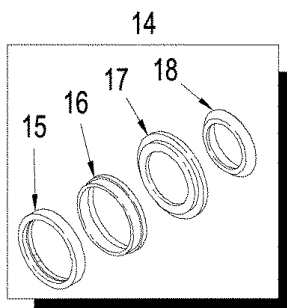
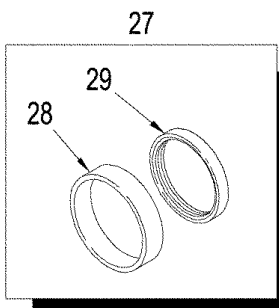
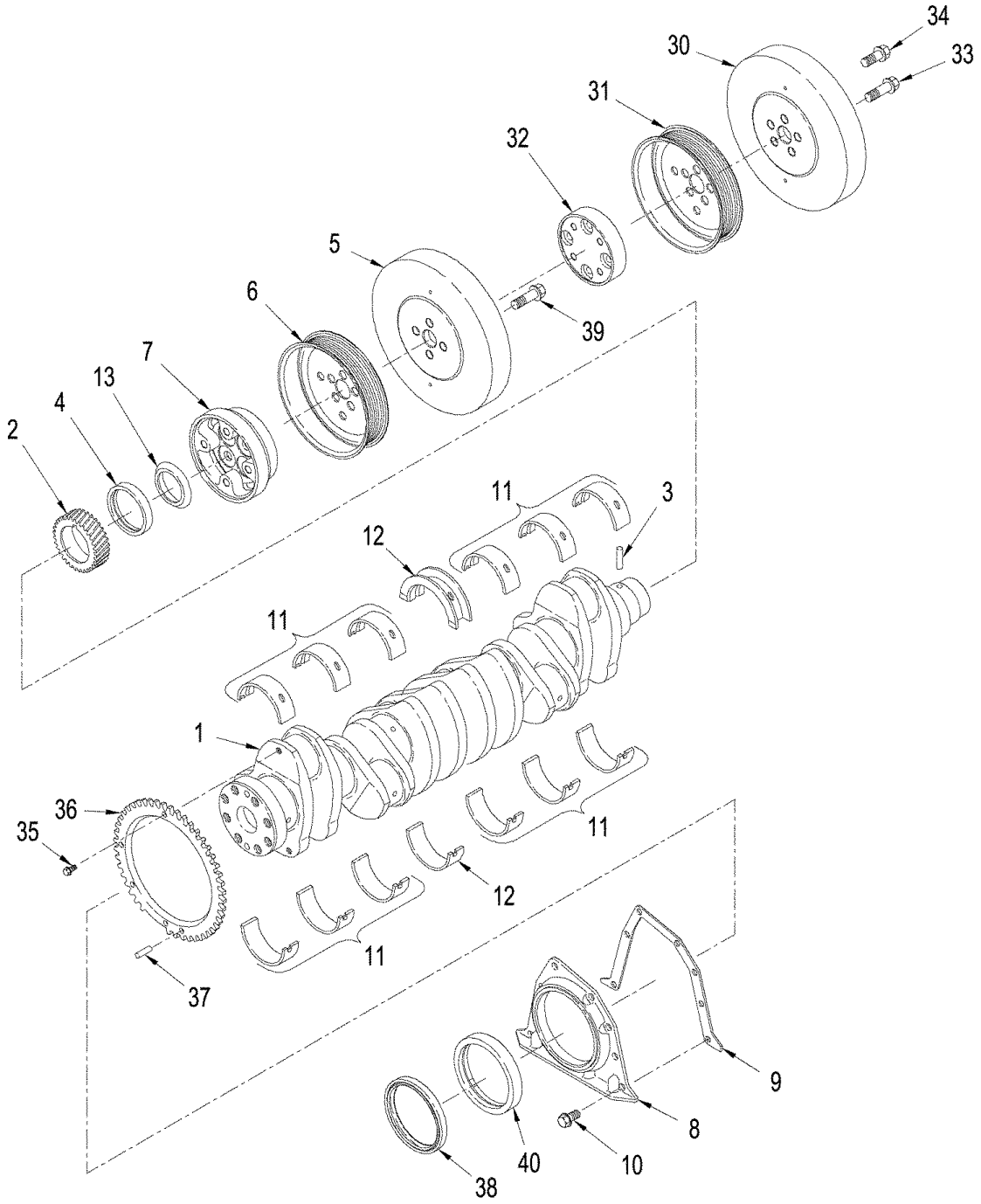
CRANKSHAFT

REF	FN	PART NUMBER	YR/SN	QTY	DESCRIPTION
12		J945927		1	BEARING, CRANKSHAFT, Thrust, Standard, Oversize 0.50 mm
12		J945928		1	BEARING, CRANKSHAFT, Thrust, Oversize 0.50 mm
13		J918113		1	SHIELD, Order A77790
14		A77790		1	KIT, SEALS, Crankshaft, Front, Inc. 15 - 18
15		NSS		1	NOT SERVICED SEPARATELY, Seal
16		NSS		1	NOT SERVICED SEPARATELY, Tool
17		NSS		1	NOT SERVICED SEPARATELY, Tool
18		J918113		1	SHIELD
19		A77808		1	KIT, SERVICE, Sleeve, Crankshaft, Front, Inc. 20 - 23
20		NSS		1	NOT SERVICED SEPARATELY, Sleeve
21		NSS		1	NOT SERVICED SEPARATELY, Tool
22		NSS		1	NOT SERVICED SEPARATELY, Seal
23		J924987		1	SHIELD
24		J934486		1	KIT, SERVICE, Crankshaft, Rear, Inc. 25 and 26
25		NSS		1	NOT SERVICED SEPARATELY, Seal
26		NSS		1	NOT SERVICED SEPARATELY, Sleeve
27		A77810		1	KIT, SERVICE, Crankshaft, Rear, Inc. 28 and 29
28		NSS		1	NOT SERVICED SEPARATELY, Sleeve, Wear
29		NSS		1	NOT SERVICED SEPARATELY, Seal, Oil
30	1, 2	87357611		1	DAMPER
31	1, 2	J943978		1	PULLEY
32	1, 2	87357579		1	ADAPTER
33	1, 2	854-12055		4	BOLT, Hex Flg, M12 x 55, 10.9
34	1, 2	J914118		5	SCREW, M14 x 60
35		87335729		4	BOLT, M6 x 1 x 12
36		87335719		1	RING, Speed Indicator
37		J329899		1	DOWEL
38		87434865		1	SEAL, Slinger, Rear Oil
39	3, 4	87357652		4	BOLT, M14 x 35

- (1) STX330
(2) STEIGER 330
(3) STX280
(4) STEIGER 280

STEIGER 280 STX330
STX280 STEIGER 330

CRANKSHAFT

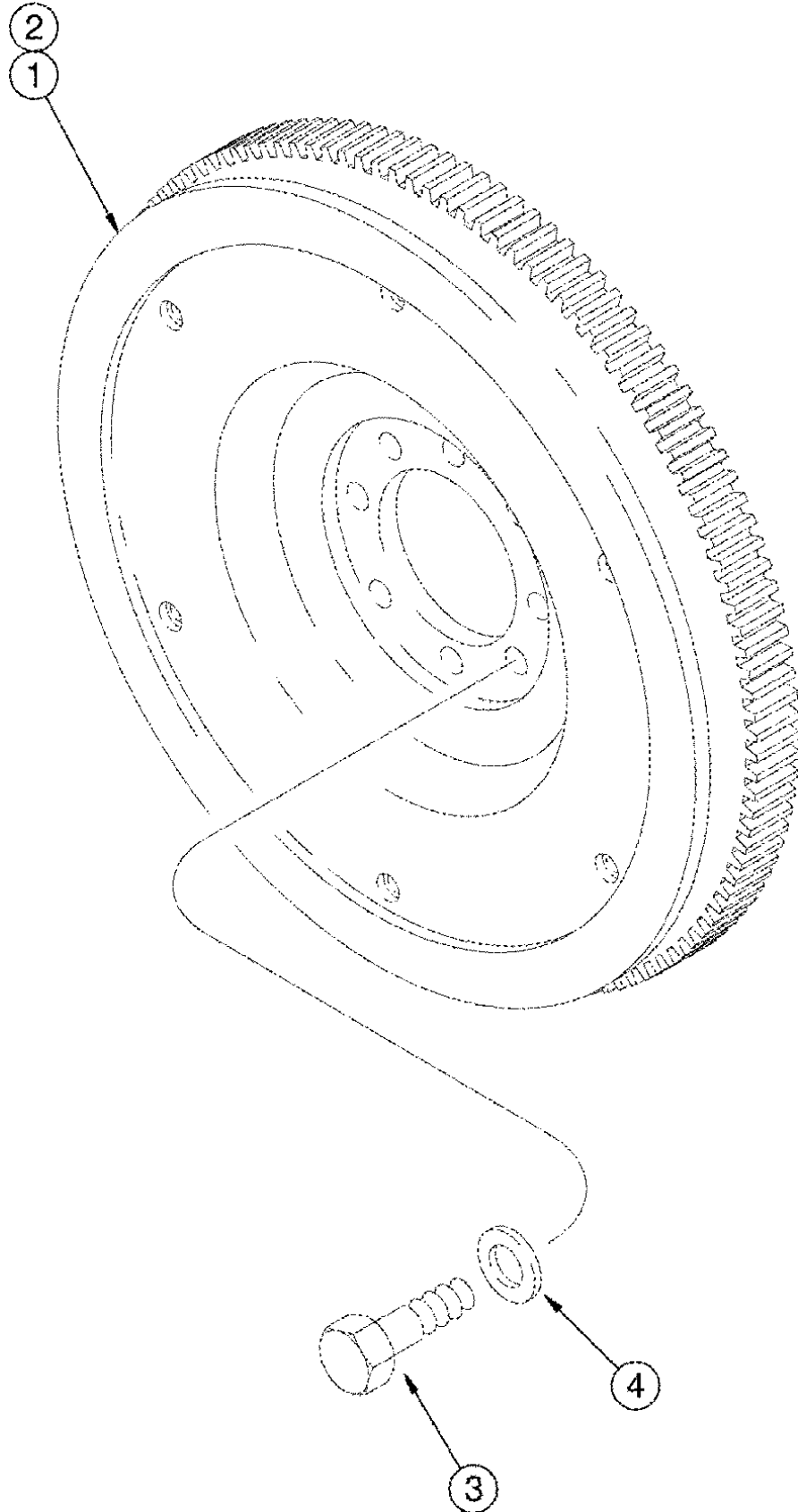


CRANKSHAFT

REF	FN	PART NUMBER	YR/SN	QTY	DESCRIPTION
40		NSS		1	NOT SERVICED SEPARATELY, Seal, Order J934486

	STEIGER 280 STX330 STX280 STEIGER 330
--	--

FLYWHEEL



02-23

p1

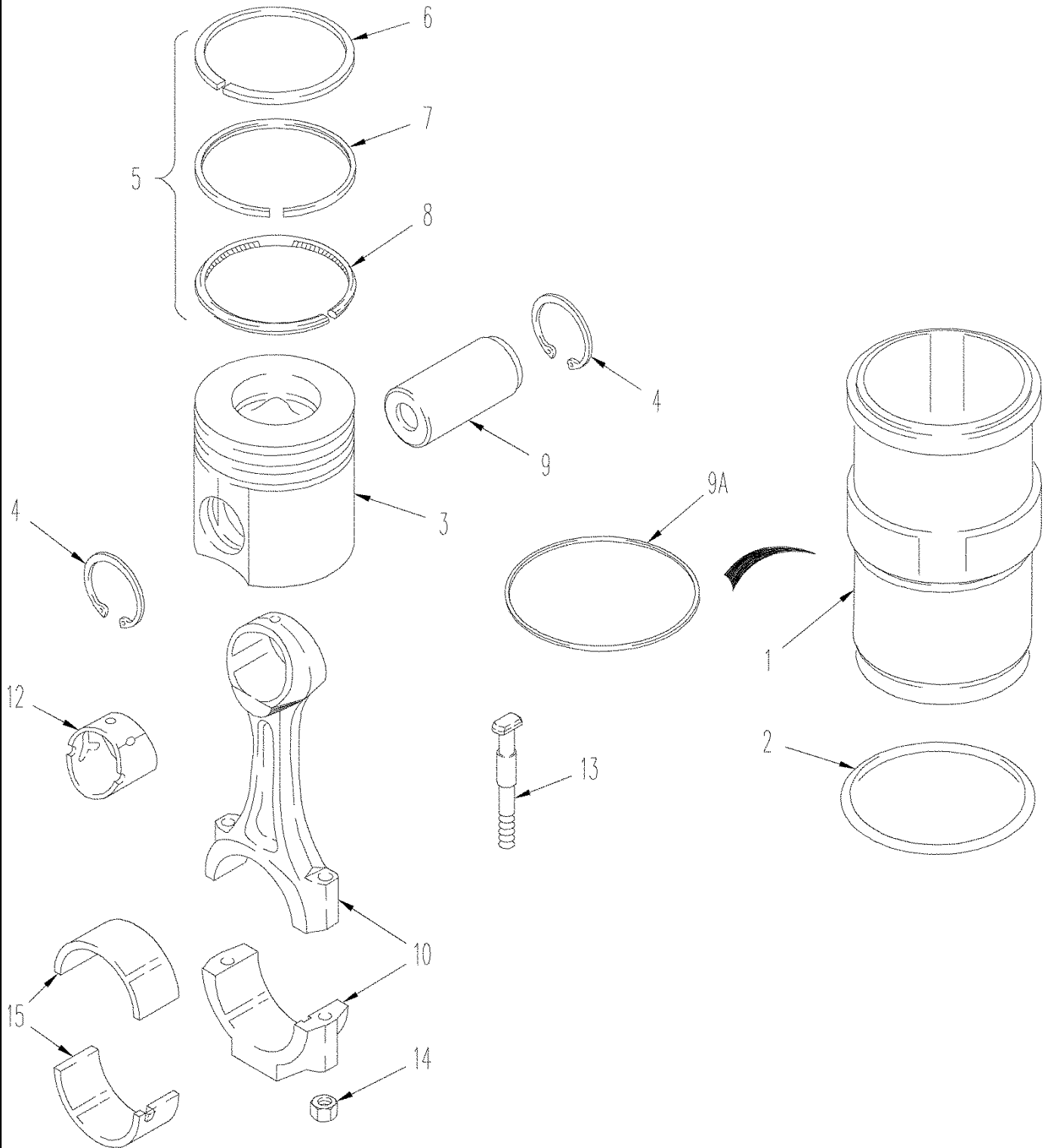
12/05

FLYWHEEL

REF	FN	PART NUMBER	YR/SN	QTY	DESCRIPTION
1		J918624		1	FLYWHEEL, Inc. 2
2		J908546		1	GEAR
3		J901395		8	SCREW, Hex, M12 x 1.25 x 32, Spc, M12 x 32
4		J900269		8	WASHER

STEIGER 280 STX330
STX280 STEIGER 330

PISTONS AND CONNECTING RODS, STX & STEIGER 280

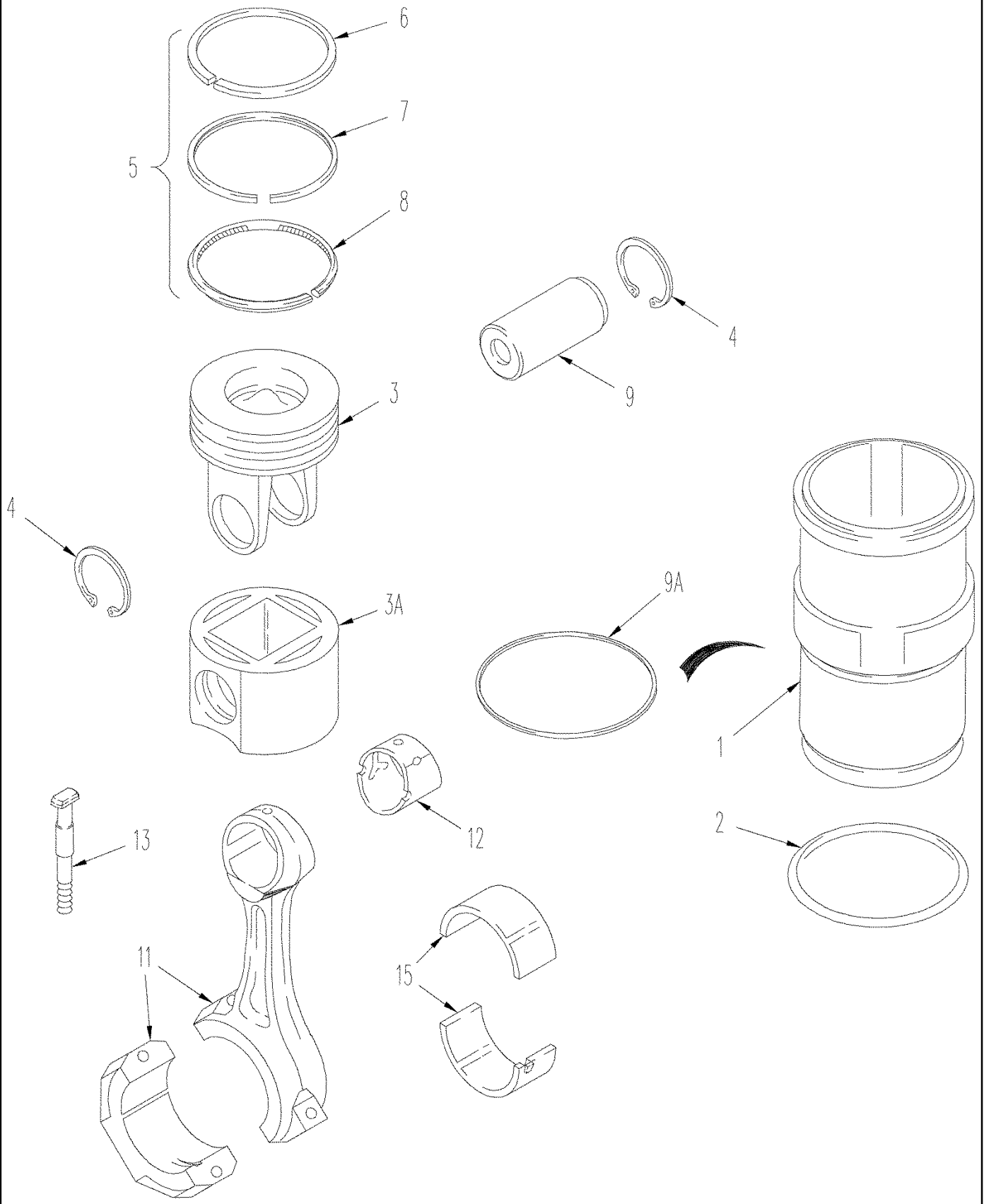


PISTONS AND CONNECTING RODS, STX & STEIGER 280

REF	FN	PART NUMBER	YR/SN	QTY	DESCRIPTION
		87343262		6	KIT, Piston and Sleeve, Standard, Inc. 1, 2, 3, 4 - 8
1		J948095		1	SLEEVE CYLINDER
2		J907177		1	O-RING
		87378369		1	KIT, PISTON & RINGS, Standard, Inc. 3, 4 - 8
3		NSS		1	NOT SERVICED SEPARATELY, PISTON
4		100-21175		2	RING, SNAP, 1.75", Int, #175
5		87343194		1	KIT, PISTON RINGS, Standard, Inc. 6 - 8
6		NSS		1	NOT SERVICED SEPARATELY, Ring, Top
7		NSS		1	NOT SERVICED SEPARATELY, Ring, Middle
8		NSS		1	NOT SERVICED SEPARATELY, Ring, Bottom
9		87342670		6	PIN, PISTON
9A		J924445		AR	SHIM, 0.254 mm (0.010 in.)
9A		J924446		AR	SHIM, 0.381 mm (0.015 in.)
9A		J924447		AR	SHIM, 0.508 mm (0.020 in.)
9A		J924448		AR	SHIM, 0.762 mm (0.030 in.)
9A		J924449		AR	SHIM, 1.016 mm (0.040 in.)
		87342865		6	ROD, CONNECTING, Connecting, Inc. 10 - 14
		87342978		1	REMAN-ROD CONNECTING, Remanufactured, N.A. Only
		87342975		1	CORE-ROD CONNECTING
10		NSS		1	NOT SERVICED SEPARATELY, Rod
12		87343250		1	BUSHING
13		J928870		2	BOLT
14		J934864		2	NUT
15		87443389		6	BEARING LINER, Standard
15		87443529		6	BEARING LINER, Undersize 0.25 mm
15		87443532		6	BEARING LINER, Undersize 0.50 mm
15		87443533		6	BEARING LINER, Undersize 0.75 mm
15		87443534		6	BEARING LINER, Undersize 1.00 mm

STEIGER 280
STX280

PISTONS AND CONNECTING RODS, STX & STEIGER 330



PISTONS AND CONNECTING RODS, STX & STEIGER 330

REF	FN	PART NUMBER	YR/SN	QTY	DESCRIPTION
		87359865		6	KIT, Piston and Sleeve, Standard, Inc. 1, 2, 3A - 8, 9
1		J948095		1	SLEEVE CYLINDER
2		J907177		1	O-RING
		A77853		1	KIT, PISTON & RINGS, Inc. 3A, 4, 6 - 8
3		NSS		1	NOT SERVICED SEPARATELY, Piston
3A		NSS		1	NOT SERVICED SEPARATELY, Skirt
4		100-21175		2	RING, SNAP, 1.75", Int, #175
5		87343194		6	KIT, PISTON RINGS, Inc. 6 - 8
6		NSS		1	NOT SERVICED SEPARATELY, Ring, Top
7		NSS		1	NOT SERVICED SEPARATELY, Ring, Middle
8		NSS		1	NOT SERVICED SEPARATELY, Ring, Bottom
9		87342670		1	PIN, PISTON
9A		J924445		AR	SHIM, 0.254 mm (0.010 in.)
9A		J924446		AR	SHIM, 0.381 mm (0.015 in.)
9A		J924447		AR	SHIM, 0.508 mm (0.020 in.)
9A		J924448		AR	SHIM, 0.762 mm (0.030 in.)
9A		J924449		AR	SHIM, 1.016 mm (0.040 in.)
		87356548		6	ROD, CONNECTING, Inc. 11 - 13
		87356732		1	REMAN-ROD CONNECTING, Remanufactured, N.A. Only, Inc. 11 - 13
		87356735		1	CORE-ROD CONNECTING
11		NSS		1	NOT SERVICED SEPARATELY, Rod
12		87343250		1	BUSHING
13		J944679		2	BOLT
15		87443389		6	BEARING LINER, Standard
15		87443529		6	BEARING LINER, Undersize 0.25 mm
15		87443532		6	BEARING LINER, Undersize 0.50 mm
15		87443533		6	BEARING LINER, Undersize 0.75 mm
15		87443534		6	BEARING LINER, Undersize 1.00 mm
		87546493		1	KIT, REPAIR, Piston Replacement, Inc. 1 - 3 & 11

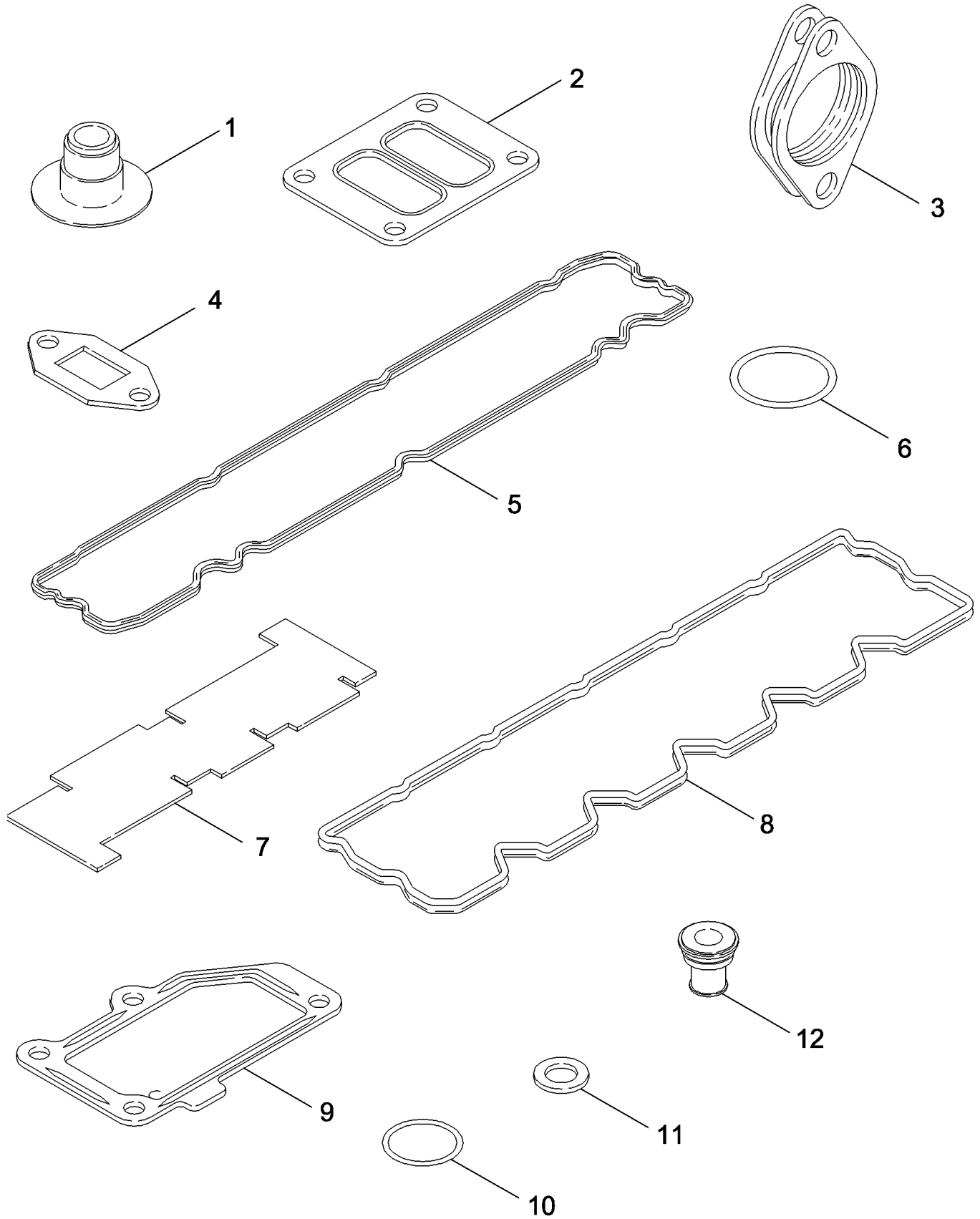
STX330
STEIGER 330

02-26

p1

08/06

VALVE GRIND GASKET KIT



02-26

p1

08/06

VALVE GRIND GASKET KIT

REF	FN	PART NUMBER	YR/SN	QTY	DESCRIPTION
		87348974		1	KIT, GASKET, Valve Grind, Inc. 1 - 12
1		J943888		12	SEAL, Valve Stem
2		J901356		1	GASKET, Turbocharger
3		J937479		6	GASKET, MANIFOLD, Exhaust
4		J937706		1	GASKET, Oil Drain
5		87345861		1	GASKET, Valve Cover
6		87348322		6	SEAL, Injector
7		87404692		1	GAUGE, Length
8		87344755		1	GASKET, Rocker Lever Housing
9		87335272		2	GASKET, Intake
10		J678603		1	O-RING, 9.3 ID x 2.2 mm
11		313262A1		1	SEAL, 9.2 ID x 1.7 mm
12		87342136		5	ISOLATOR

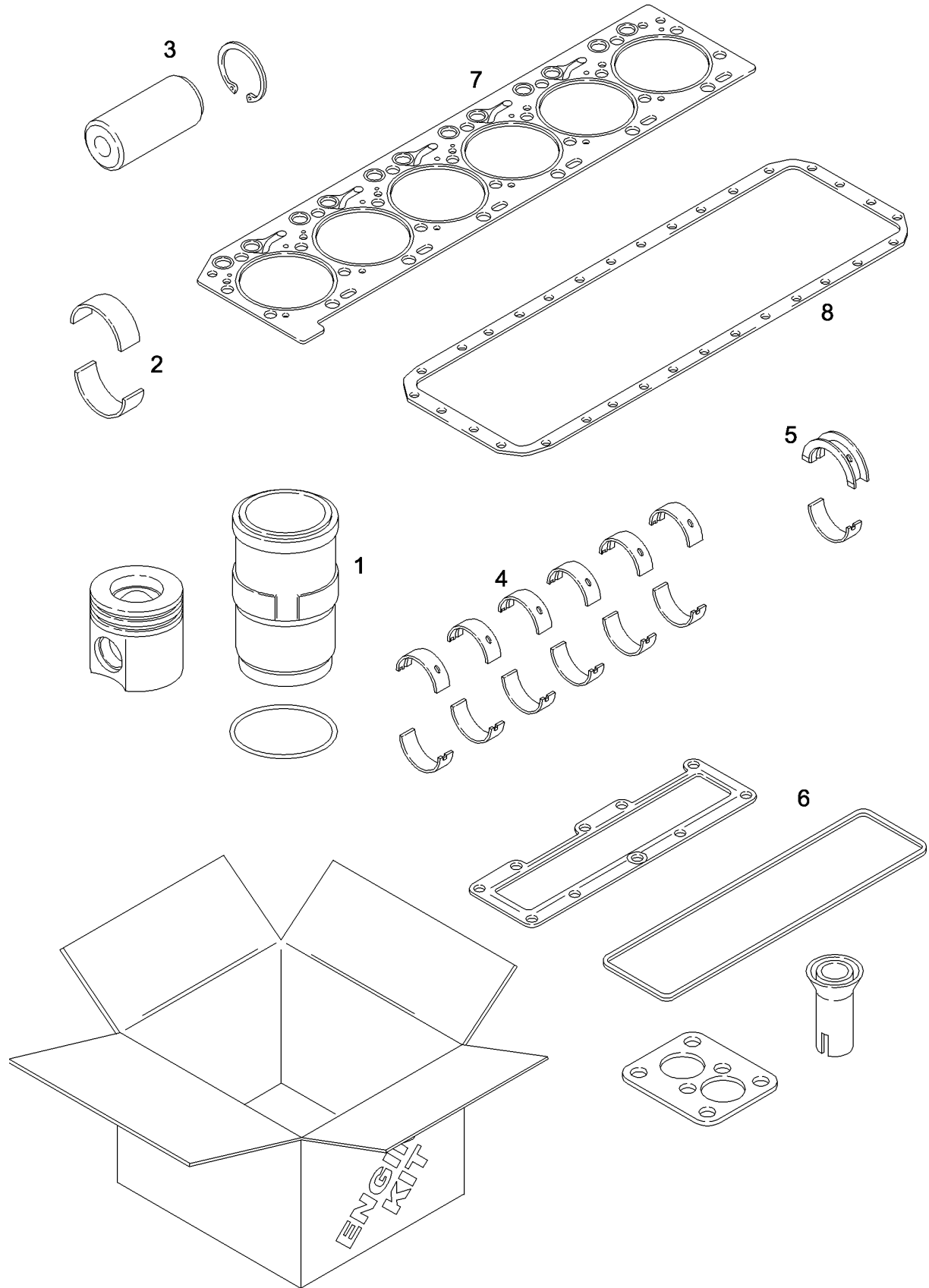
STEIGER 280 STX330
 STX280 STEIGER 330

02-27

p1

04/06

KIT ENGINE OVERHAUL



KIT ENGINE OVERHAUL

REF	FN	PART NUMBER	YR/SN	QTY	DESCRIPTION
	1, 2	87348859		1	KIT, ENGINE OVERHAUL, Inc. 1 - 7
	3, 4	87359888		1	KIT, ENGINE OVERHAUL, Inc. 1 and 2
1	1, 2	87343262		6	KIT
1	3, 4	87359889		6	KIT
2	1, 2	87443389		6	BEARING LINER, Connecting Rod, Standard
2	3, 4	87356776		6	KIT, SERVICE
3		87342670		6	PIN, PISTON, Piston
4		J945930		6	BEARING, CRANKSHAFT, Main, Standard
5		J945929		1	BEARING, CRANKSHAFT, Thrust, Standard
6	5, 6	87348974		1	KIT, GASKET, Valve Grind
7		87344132		1	GASKET, CYLINDER HEAD
8		87308050		1	GASKET, Oil Pan

- (1) STX280
- (2) STEIGER 280
- (3) STX330
- (4) STEIGER 330
- (5) STEIGER 280 / 330
- (6) STX280 / 330

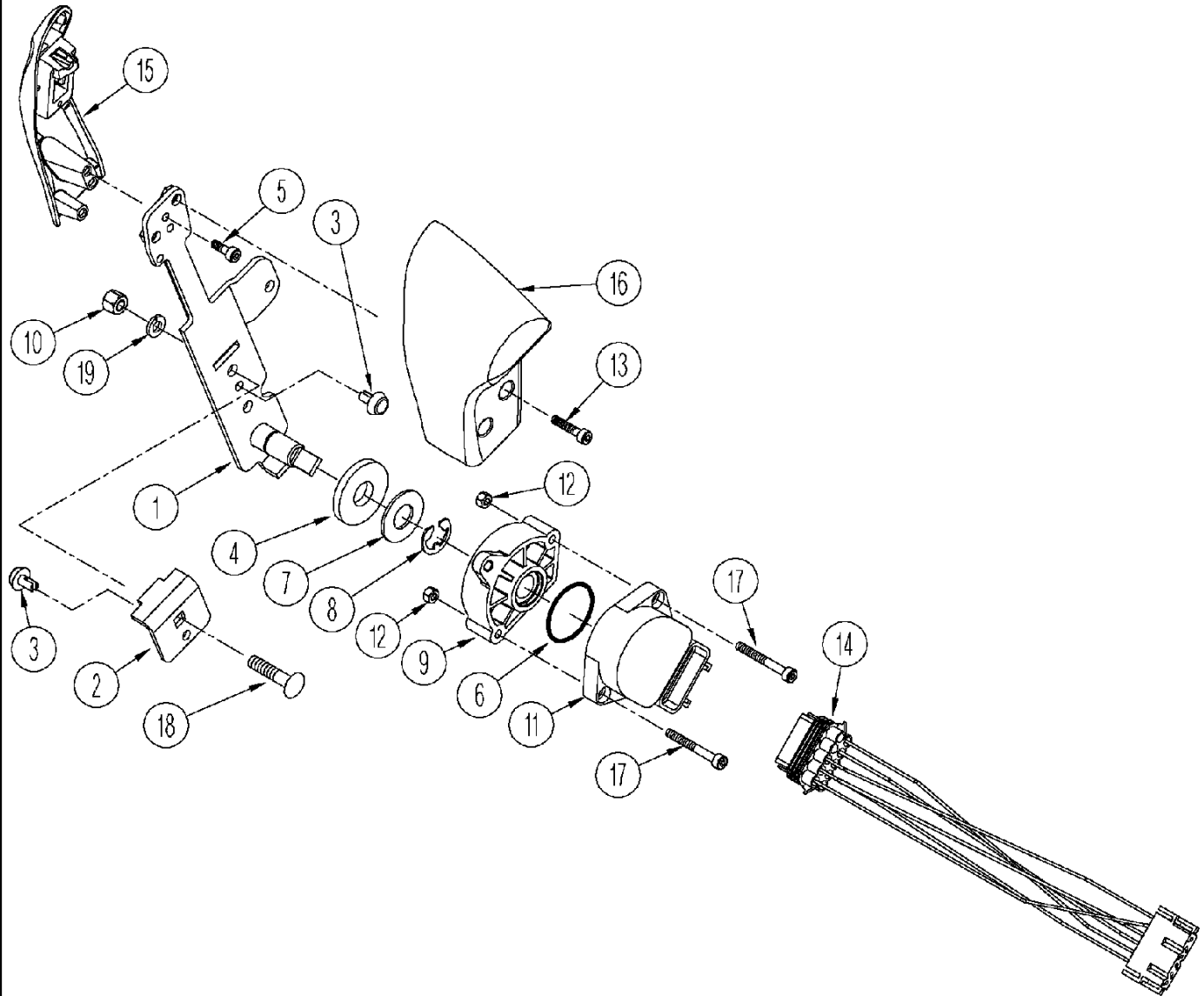
STEIGER 280 STX330
STX280 STEIGER 330

SECTION INDEX

Fuel System

03-01	THROTTLE
03-02	THROTTLE - DECELERATOR CONTROL, ASN Z6F105037
03-03	FUEL LINES
03-04	FUEL INJECTION SYSTEM
03-05	PUMP, FUEL TRANSFER
03-06	FUEL FILTER AND CONNECTIONS
03-07	FUEL INJECTION - PUMP AND DRIVE
03-08	FUEL DRAIN

THROTTLE



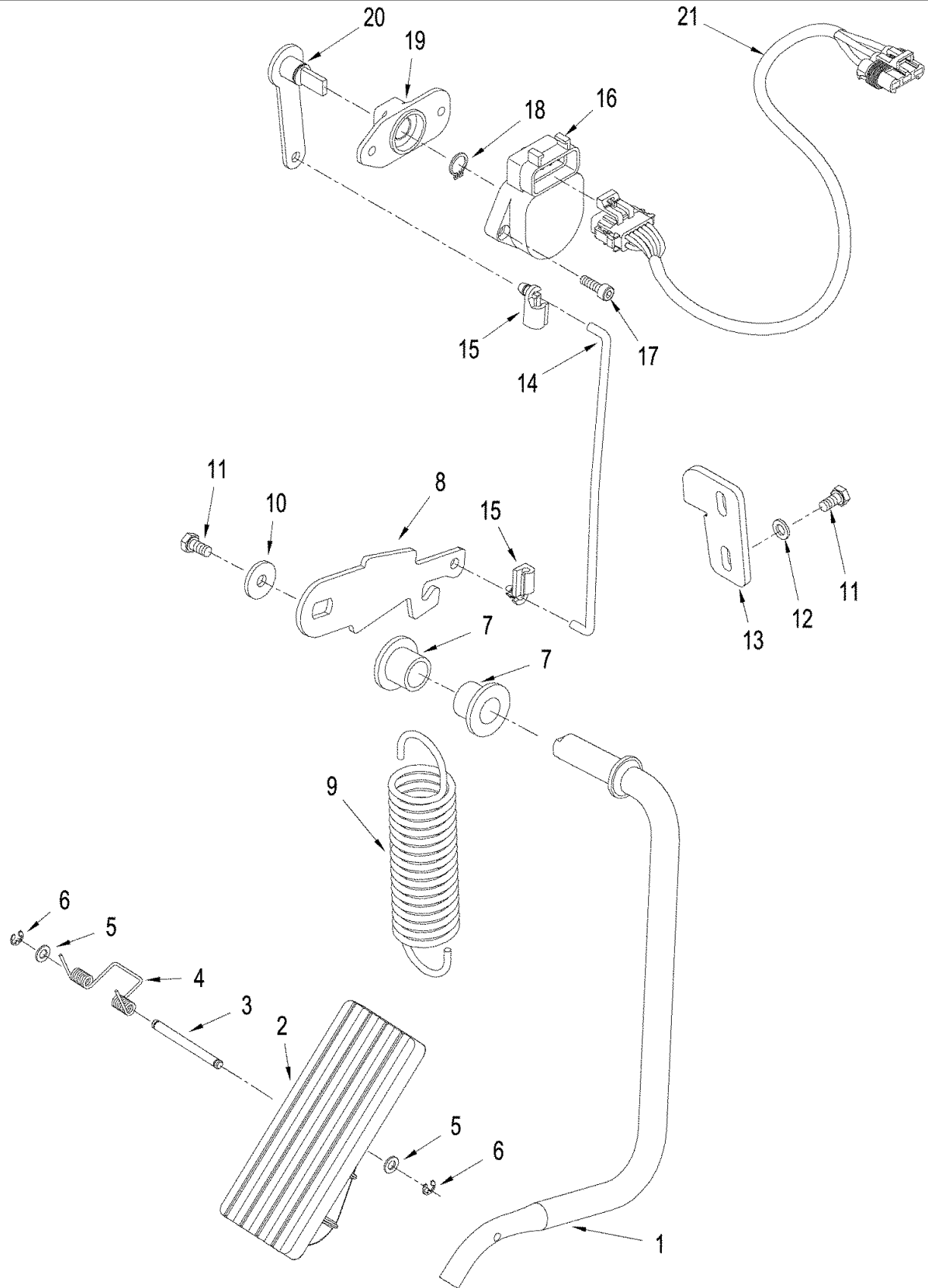
THROTTLE

REF	FN	PART NUMBER	YR/SN	QTY	DESCRIPTION
1	1	402797A1		1	SUPPORT
1	2	367607A1		1	SUPPORT
2		258734A2		1	SUPPORT
3		259040A1		2	PAD, WEAR
4		237486A1		2	WASHER
5		368048A1		3	SCREW, M4 x 12
6		238-6025		1	O-RING, -.025, 90 Duro, 1.176" ID x .070" Thk
7		495-81022		1	WASHER, 17/32" x 1 1/8" x .060"
8		103-3350		1	RING, LOCKING, #50, .392" Dia, E-Type
9		239491A1		1	BUSHING
10		832-10406		2	NUT, LOCK, M6 x 1, CI 8
11	2,3	259012A1		1	POTENTIOMETER
11	4	402751A1		1	POTENTIOMETER
12		832-46404		2	NUT, LOCK, M4 x .7, CI 8
13		864-4020		2	SCREW, Hex Soc Hd, M4 x 20, 8.8
14	2,3	276352A1		1	HARNES, Throttle
15		87622401		1	GRIP, Switch
16	3	293388A2		1	GRIP, Throttle
16		388705A1		1	GRIP, Throttle
16		388864A1		1	GRIP, Throttle, Leather
17		864-4035		2	SCREW, Hex Soc Hd, M4 x 35, 8.8
18		811-6030		1	BOLT, CARRIAGE, Short NK, M6 x 30, CI8.8, Full Thd
19		892-11006		1	WASHER, LOCK, M6

- (1) With Manual Shift Transmission
(2) With Power Shift Transmission
(3) with Manual Shift Transmission with ARU
(4) with Manual Shift Transmission without ARU

STX330 STX280
STEIGER 280 STEIGER 330

THROTTLE - DECELARATOR CONTROL, ASN Z6F105037

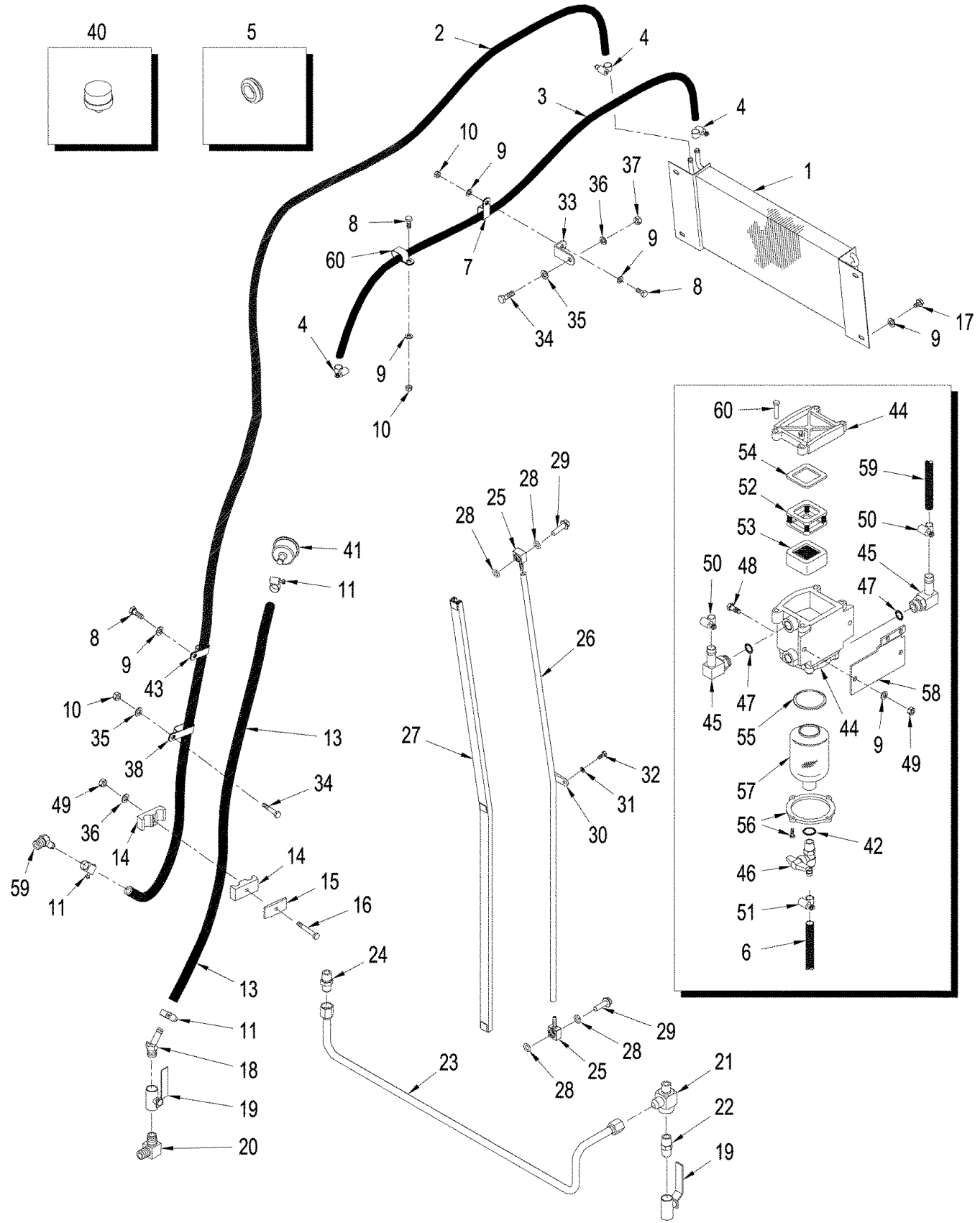


THROTTLE - DECELARATOR CONTROL, ASN Z6F105037

REF	FN	PART NUMBER	YR/SN	QTY	DESCRIPTION
1		328353A2		1	ROD
2		298842A1		1	SKID/SHOE
3		255291A1		1	PIN
4		256776A1		1	SPRING
5		895-11005		2	WASHER, M5 x 10 x 1
6		800-435		2	CIRCLIP, M5
7		300891A1		2	BEARING
8		248844A1		1	LEVER
9		278211A1		1	SPRING
10		396-41028		1	WASHER, .281" x 7/8" x .098", HDN
11		627-6012		3	BOLT, Hex, M6 x 12, 10.9
12		895-11006		2	WASHER, M6
13		281115A1		1	BRACKET
14		281125A1		1	ROD
15		60-2404T1		2	RETAINER
16		259012A1		1	POTENTIOMETER
17		864-5016		2	SCREW, Hex Soc Hd, M5 x 16, 8.8
18		800-1112		1	RING, SNAP, M12, Ext
19		258524A2		1	BUSHING
20		313273A2		1	PIN
21		87545500		1	HARNESS, Decel

STX330	STX280
STEIGER 280	STEIGER 330

FUEL LINES

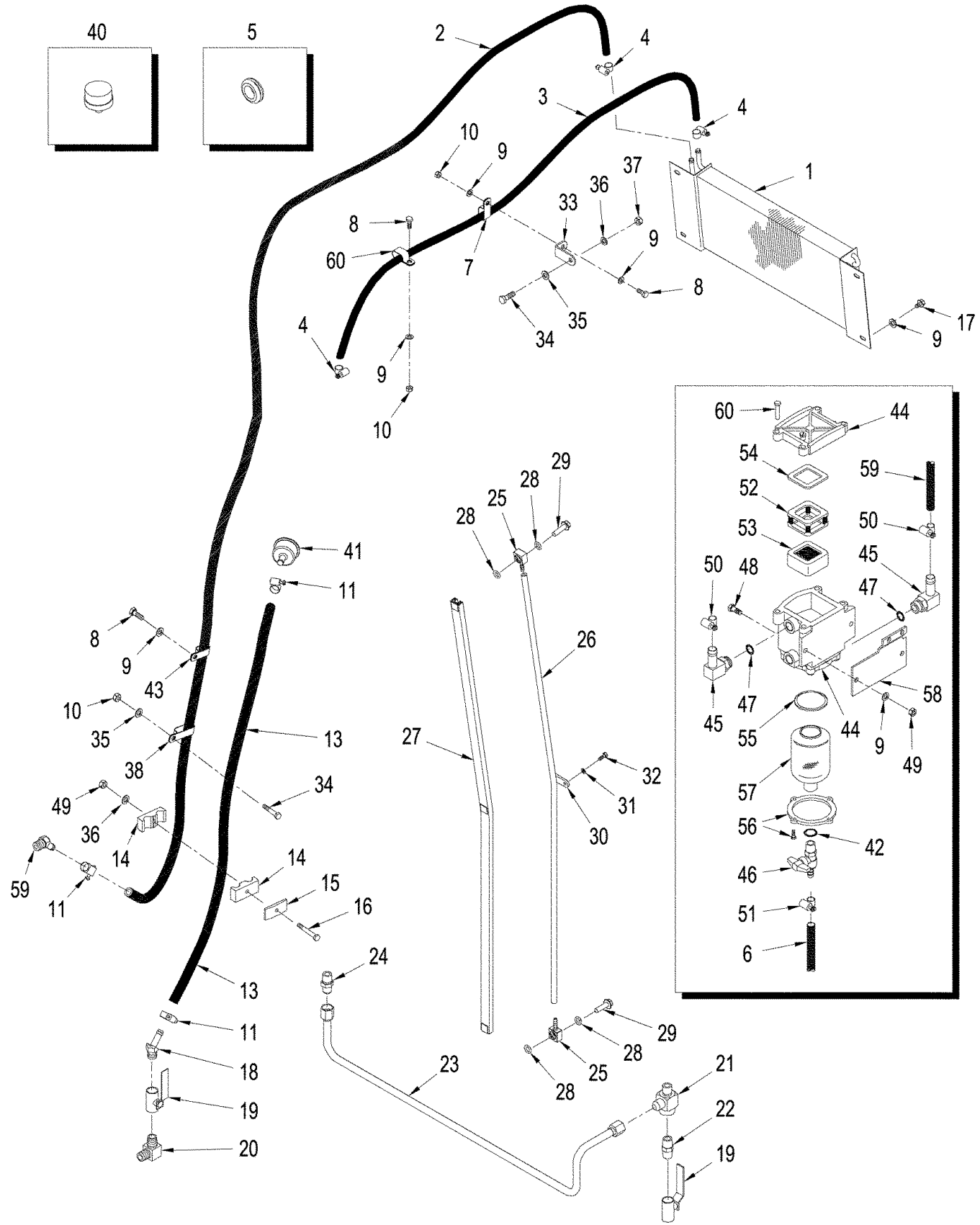


FUEL LINES

REF	FN	PART NUMBER	YR/SN	QTY	DESCRIPTION
1		319549A1		1	COOLER
2		87450700		1	HOSE, Cold Return, Cooler to Tank
3		87450701		1	HOSE, Hot Return, Cooler to Tank
4		214-1704		4	CLAMP, HOSE, #4, 0.25/0.62 Type M Worm
5		248-2146		2	GROMMET, 5/8" ID x 7/8" Groove Dia
6		87414236		1	HOSE, Drain
7		31-1070		1	CLAMP, 5/8", 3/8" Bolt, Double
8		627-8025		3	BOLT, Hex, M8 x 25, 10.9
9		895-11008		18	WASHER, M8 x 16 x 1.6
10		832-10408		4	NUT, LOCK, M8 x 1.25, CI 8
11		214-1408		2	CLAMP, HOSE, #08, 0.50/0.91 Type F Worm
12		217-142		1	ELBOW, 45°, 3/8" Hose x 1/4" NPTF Beaded
13		87450765		1	HOSE, Fuel Supply
14		515-22159		4	CLAMP, 5/8", Insul, 5/16" Bolt
15		50-2533T1		2	PLATE
16		827-8065		1	BOLT, Hex, M8 x 65, 10.9
17		627-8020		5	BOLT, Hex, M8 x 20, 10.9
18		217-186		1	FITTING, 45°, 1/2" Hose x 1/2" NPTF Beaded
19		31-1267		2	VALVE, SHUT-OFF, Ball
20		217-1226		1	ELBOW, 90°, 1/2"-14 Male
21		31-1000		1	TEE, 1/2 PT x 1/2 PT x 7/8 fl
22		217-1072		1	CONNECTOR, HYD., 1/2"-14 NPTF
23		314287A2		1	TUBE
24		218-445		1	CONNECTOR, HYD., 7/8"-14, 37° x 1/2"-14, NPTF
25		352767A1		2	CONNECTOR, HYD.
26		337240A1		1	HOSE, Sight Gauge, 1222 mm (48 in.), Cut From 337242A1
27		349870A1		1	CHANNEL, Sight Gauge
28		337248A1		4	O-RING
29		844-10035		2	BOLT, Hex Flg, M10 x 35, 8.8
30		402800A1		1	BRACKET
31		895-11006		1	WASHER, M6
32		627-6016		1	BOLT, Hex, M6 x 16, 10.9
33		369960A1		1	BRACKET, Fuel Line
34		627-10030		2	BOLT, Hex, M10 x 30, 10.9, Full Thd

STX330 STX280
STEIGER 280 STEIGER 330

FUEL LINES

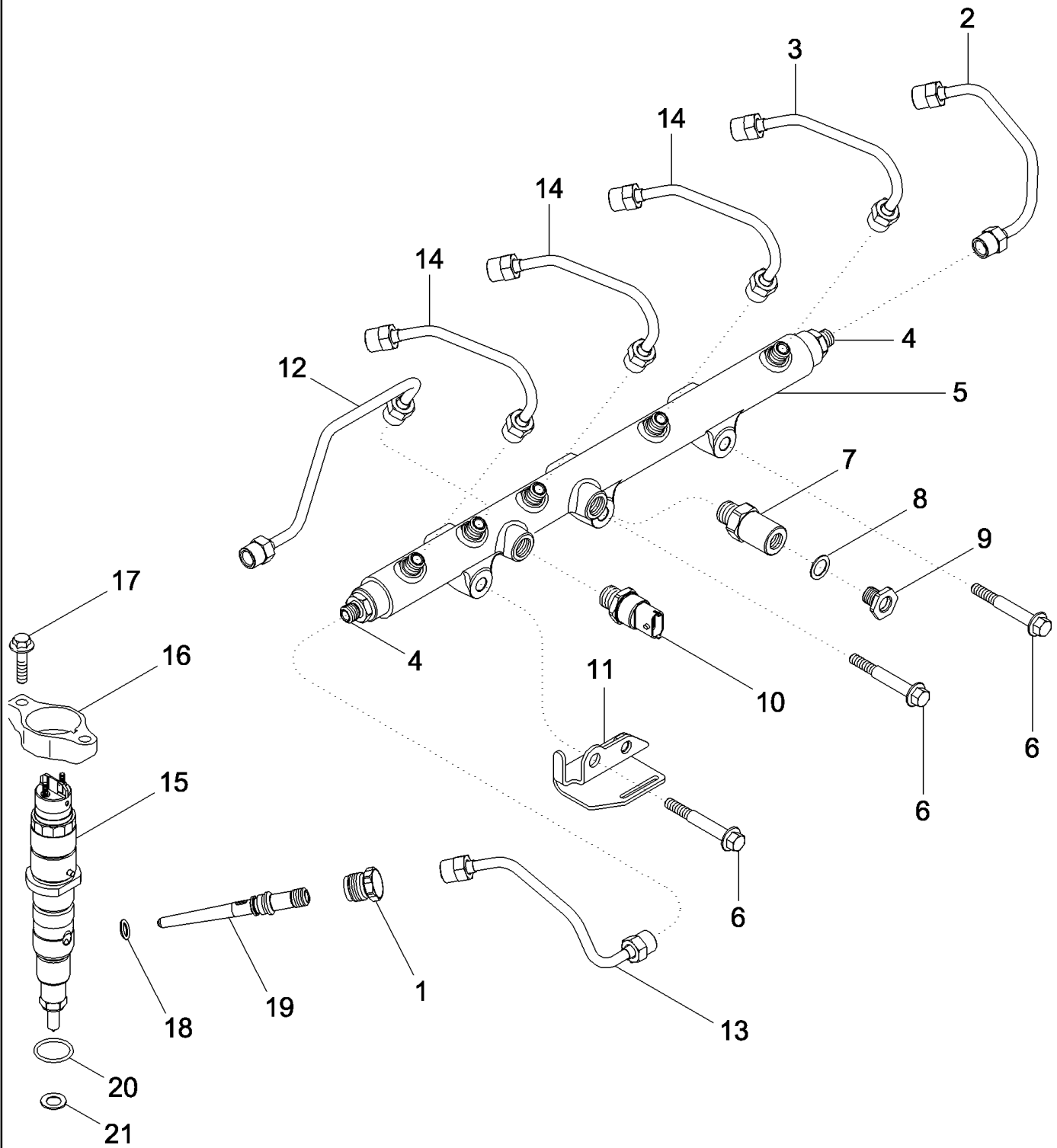


FUEL LINES

REF	FN	PART NUMBER	YR/SN	QTY	DESCRIPTION
35		895-11010		3	WASHER, M10 x 20 x 2
36		892-11010		1	WASHER, LOCK, M10
37		829-1410		1	NUT, M10, CI 10
38		L101181		2	CLAMP
39		515-22159		3	CLAMP, 5/8", Insul, 5/16" Bolt
40		90-7732T1		1	BREATHER
41		31-3129		1	ADAPTER, 7/8"-14
		87409378		1	FILTER, FUEL, Strainer, Inc. 42, 44, 46 & 52 - 57
42		369843A1		1	GASKET
43		515-25444		1	CLAMP, 1 3/4", Insul, 7/16" Bolt
44		NSS		1	NOT SERVICED SEPARATELY, Housing, Filter
45		217-367		2	FITTING, 90°, 1/2" Hose x 7/8"-14 ORB Beaded, Or, Inc. 47
46		369844A1		1	DRAINCOCK/TAP, SUPPLY, Valve
47		237-6010		1	O-RING, 10-1, 90 Duro, .755" ID x .097" Thk
48		627-8020		2	BOLT, Hex, M8 x 20, 10.9
49		829-1408		2	NUT, M8, CI 10
50		214-1408		2	CLAMP, HOSE, #08, 0.50/0.91 Type F Worm
51		214-1406		1	CLAMP, HOSE, #06, .44/.78 Type F Worm
52		87333679		1	SPRING, Fuel Frame
53		87409379		1	FILTER, 30 Micron
54		87333676		1	GASKET, Fuel Strainer
55		87331930		1	GASKET
56		87333671		1	RING, Retainer
57		87409380		1	FILTER, Bowl, Clear
58		87341631		1	BRACKET, Fuel Filter
59		87314470		1	HOSE, 485 mm (19")
60		87608457		1	BOLT, SPECIAL

STX330 STX280
STEIGER 280 STEIGER 330

FUEL INJECTION SYSTEM



FUEL INJECTION SYSTEM

REF	FN	PART NUMBER	YR/SN	QTY	DESCRIPTION
1		87347221		6	RETAINER
2		87348184		1	TUBE
3		87348175		1	TUBE
4		87348150		2	FITTING, High Pressure Fuel
5		87376171		1	FITTING, Inc. 4, 7-10
6		854-10070		3	BOLT, Hex Flg, M10 x 70, 10.9
7		87347275		1	VALVE, PRESSURE RELIEF
8		87348161		1	WASHER, SEALING
9		87348154		1	ADAPTER
10		87347273		1	SENSOR
11		NSS		1	NOT SERVICED SEPARATELY, Bracket
12		87348190		1	TUBE
13		87348171		1	TUBE
14		87348283		3	TUBE
15	1, 2	87538122		6	INJECTOR, FUEL SYSTEM, Inc. 20 & 21
15	3, 4	87538123		6	INJECTOR, FUEL SYSTEM, Inc. 20 & 21
16		87343005		6	CLAMP
17		87343006		12	BOLT
18		87348322		6	SEAL
19		87348301		6	FITTING, Inc. 18
20		4890926		6	O-RING, Seal
21		4899689		6	WASHER, SEALING
		87347257		1	KIT, Fuel Manifold, Inc. 4, 5, 7-10

- (1) STX280
- (2) STEIGER 280
- (3) STX330
- (4) STEIGER 330

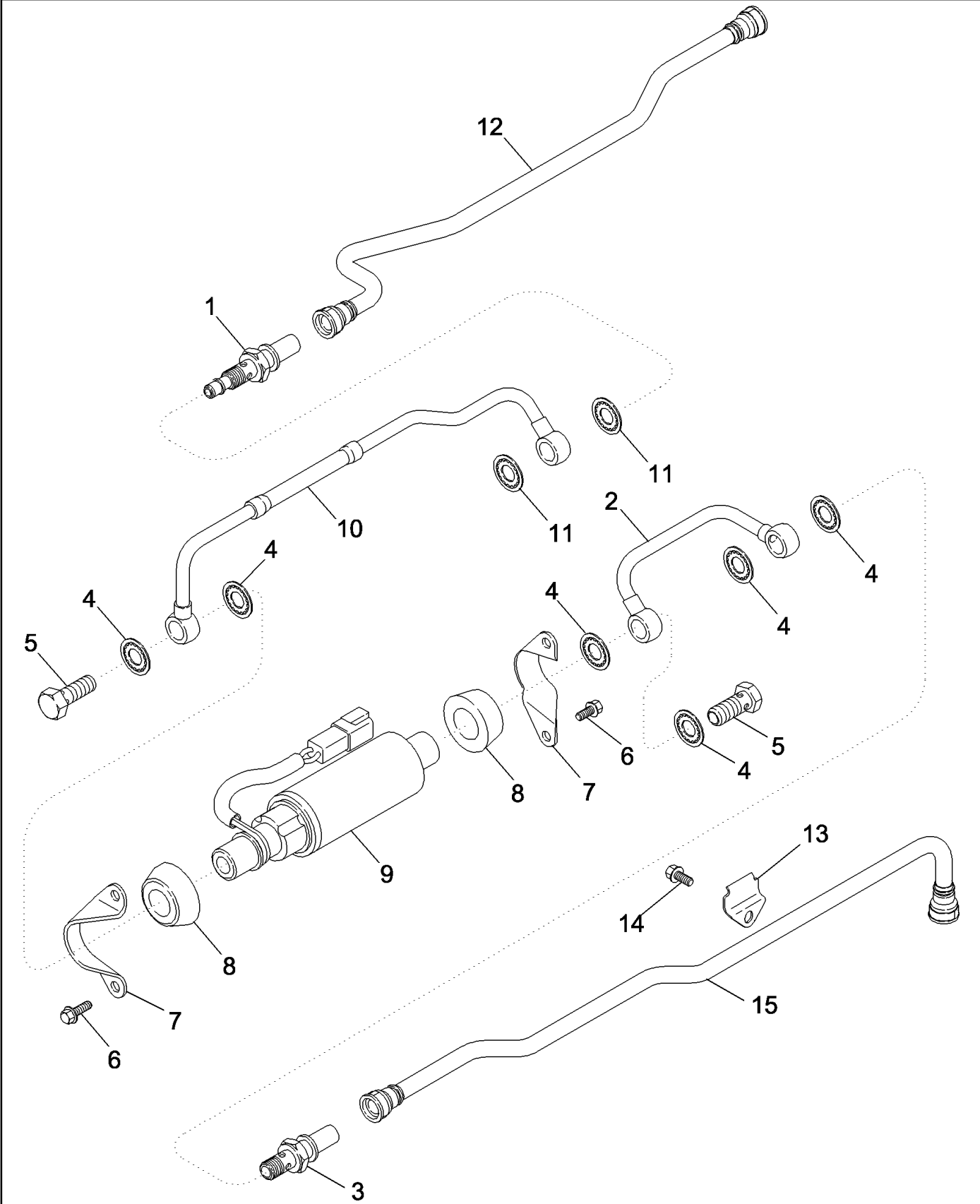
STEIGER 280 STX330
STX280 STEIGER 330

03-05

p1

08/06

PUMP, FUEL TRANSFER



03-05

p1

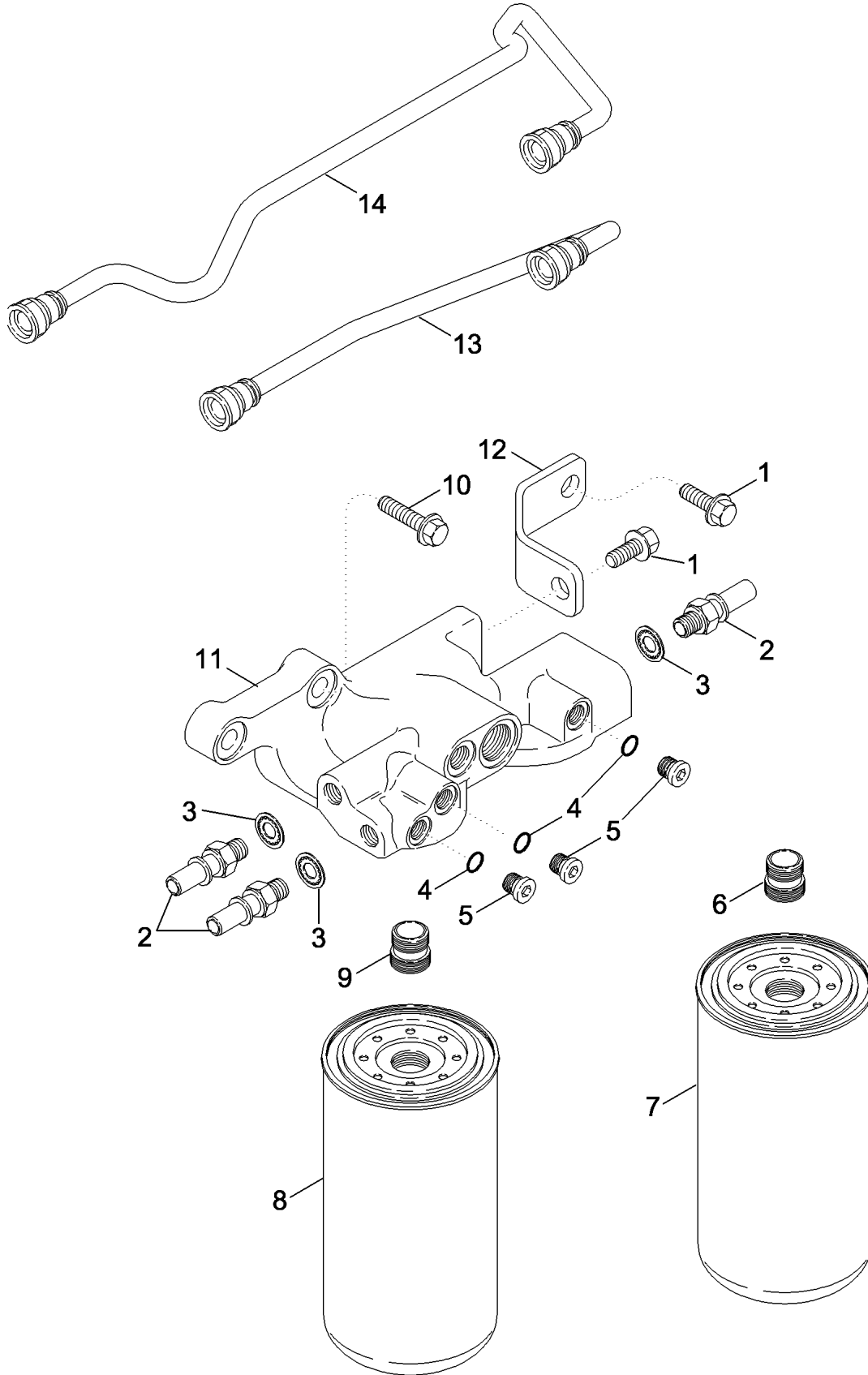
08/06

PUMP, FUEL TRANSFER

REF	FN	PART NUMBER	YR/SN	QTY	DESCRIPTION
1		87346904		1	VALVE, CHECK
2		87346902		1	TUBE ASSY., Fuel Supply
3		87346936		1	ADAPTER
4		87346600		6	WASHER, SEALING
5		J903035		2	BOLT, BANJO
6		845-6015		4	BOLT, Hex Flg, M6 x 15, 8.8, Full Thd
7		87346733		2	BRACKET
8		87346917		2	ISOLATOR
9		87346909		1	PUMP, FUEL INJECTION
10		87346734		1	TUBE ASSY., Fuel Supply
11		87417767		2	WASHER, SEALING
12		87339066		1	TUBE ASSY.
13		87339057		1	BRACKET
14		J925883		1	SCREW, M8 x 16, CL10.9
15		87339061		1	TUBE ASSY.

STEIGER 280 STX330
 STX280 STEIGER 330

FUEL FILTER AND CONNECTIONS



03-06

p1

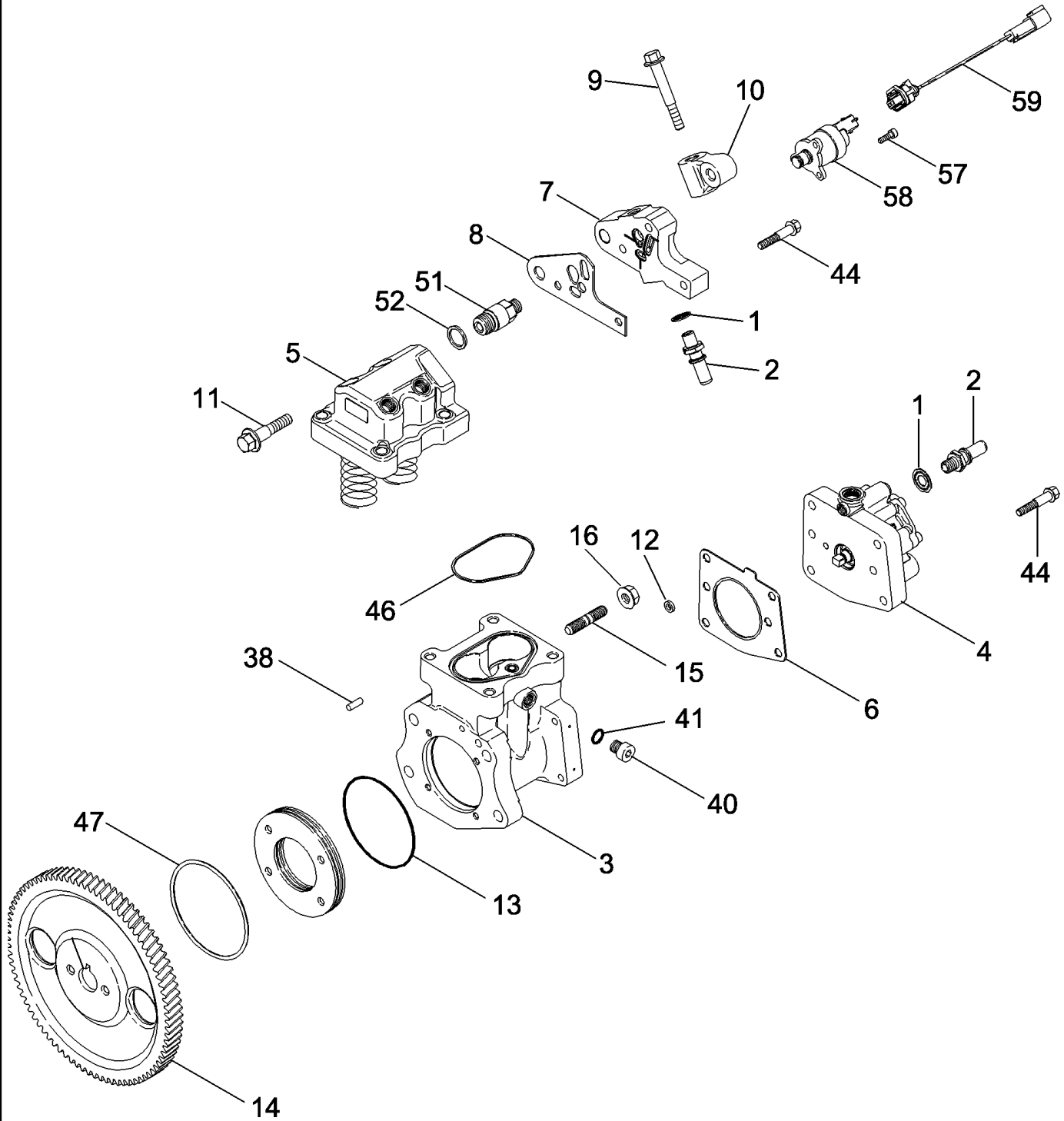
08/06

FUEL FILTER AND CONNECTIONS

REF	FN	PART NUMBER	YR/SN	QTY	DESCRIPTION
1		844-10020		2	BOLT, Hex Flg, M10 x 20, 8.8
2		87349484		3	ADAPTER
3		87346600		3	WASHER, SEALING
4		637-72081		3	O-RING, CI 7, 8.1MM ID x 1.6 Thk
5		J678923		3	PLUG, 10 mm
6		87356155		1	ADAPTER
7		87356193		1	FILTER, FUEL
8		87360565		1	FILTER, FUEL
9		87349753		1	ADAPTER
10		87349727		2	BOLT
11		87356155		1	ADAPTER
12		87356110		1	BRACKET
13		87341273		1	TUBE ASSY., Fuel Supply
14		87341277		1	TUBE, Fuel Supply

STEIGER 280 STX330
STX280 STEIGER 330

FUEL INJECTION - PUMP AND DRIVE

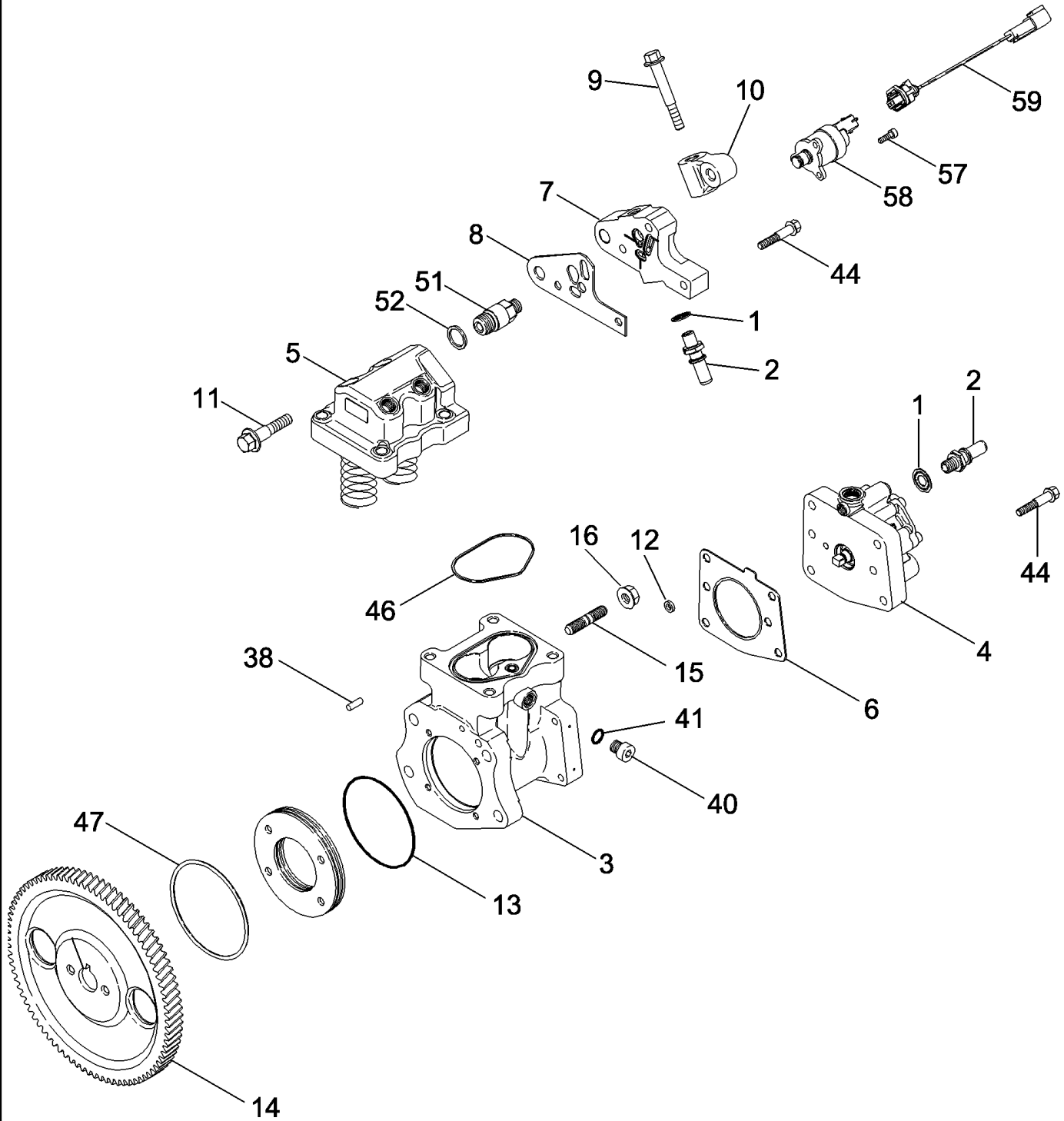


FUEL INJECTION - PUMP AND DRIVE

REF	FN	PART NUMBER	YR/SN	QTY	DESCRIPTION
1		87346600		3	WASHER, SEALING
2		87349484		3	ADAPTER
3		87351467		1	BODY, Fuel Pump
4		87351478		1	PUMP, FUEL
5		87684601		1	HEAD, Fuel Pump
6		87377387		1	GASKET, Cover Plate
7		87351486		1	ADAPTER, Fuel Pump
8		87351493		1	GASKET, Fuel Pump to Gear Pump
9		844-10070		1	BOLT, Hex Flg, M10 x 70, 8.8
10		87346420		1	SUPPORT
11		854-12050		1	BOLT, Hex Flg, M12 x 50, 10.9
12		J926722		1	SEAL
13		238-7241		2	O-RING, -241, CI 7, 3.859" ID x .139" Thk
14		J942764		1	GEAR, Fuel Pump
15		J937123		4	STUD, M10 x 55 mm (2-5/32 in)
16		825-2410		4	NUT, M10 x 1.5, Flg, CI 8
38		J329899		1	DOWEL, Dowel
39		J330252		1	WASHER, (Not Shown)
40		J678923		3	PLUG, Inc. 41
41		637-72081		1	O-RING, CI 7, 8.1MM ID x 1.6 Thk
42		J867640		1	O-RING, (Not Shown)
43		J926593		1	NUT, M20 x 1.5 (Not Shown)
44		854-8040		7	BOLT, Hex Flg, M8 x 40, 10.9
45		87351459		4	SCREW, (Not Shown)
46		J4010636		1	O-RING, Pump Body
47		87351514		1	SEAL
48		87351521		4	BOLT, (Not Shown)
49		J867641		4	O-RING, (Not Shown)
50		J867651		2	SEAL, (Not Shown)
51		87351522		1	FITTING, High Pressure
52		87351523		1	WASHER, SEALING
53		87351524		2	WASHER, SEALING, (Not Shown)
54		87351525		2	PLUG, (Not Shown)
55		87351528		2	PLUG, (Not Shown)
56		87351531		2	WASHER, SEALING, (Not Shown)

STEIGER 280 STX330
STX280 STEIGER 330

FUEL INJECTION - PUMP AND DRIVE

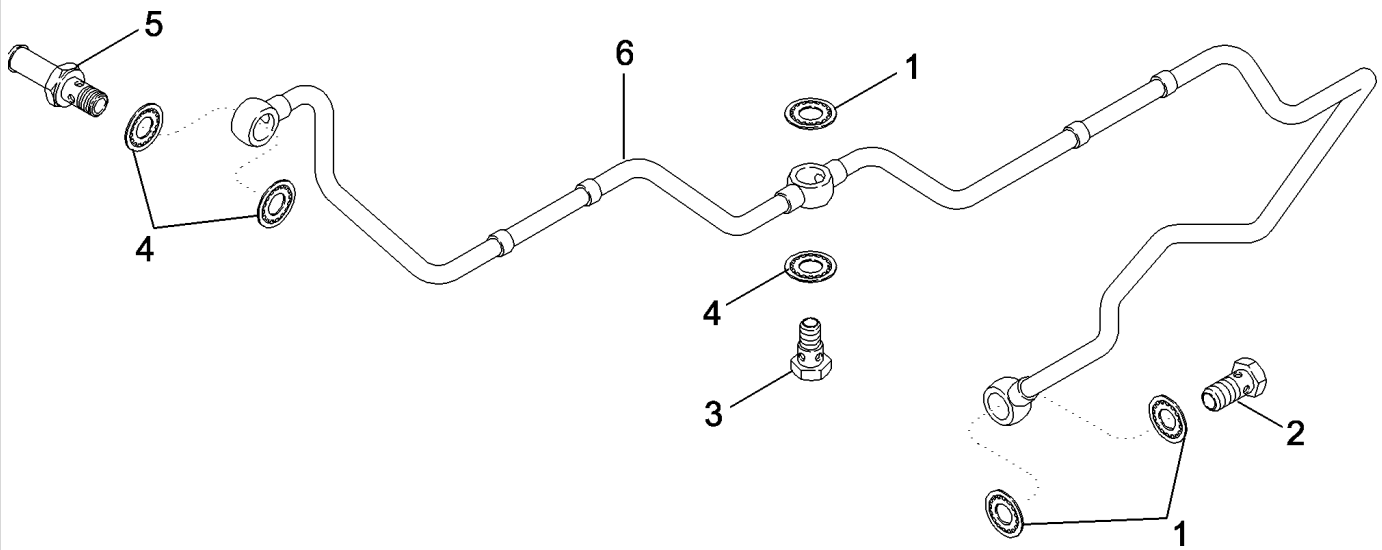


FUEL INJECTION - PUMP AND DRIVE

REF	FN	PART NUMBER	YR/SN	QTY	DESCRIPTION
57		87351533		3	SCREW
58		87351534		1	ACTUATOR, ETR Fuel
59		NSS		1	NOT SERVICED SEPARATELY, Harness, Wire, Order 87351534
60		87351536		1	ADAPTER, Fuel Pump (Not Shown)
61		87351504		1	HUB, Distributor Drive (Not Shown)

	STEIGER 280 STX330 STX280 STEIGER 330
--	--

FUEL DRAIN



FUEL DRAIN					
-------------------	--	--	--	--	--

REF	FN	PART NUMBER	YR/SN	QTY	DESCRIPTION
1		87417767		3	WASHER, SEALING
2		J924725		1	BOLT, BANJO
3		87346562		1	VALVE, CHECK
4		87346600		3	WASHER, SEALING
5		87346609		1	SCREW
6		87346608		1	TUBE ASSY.

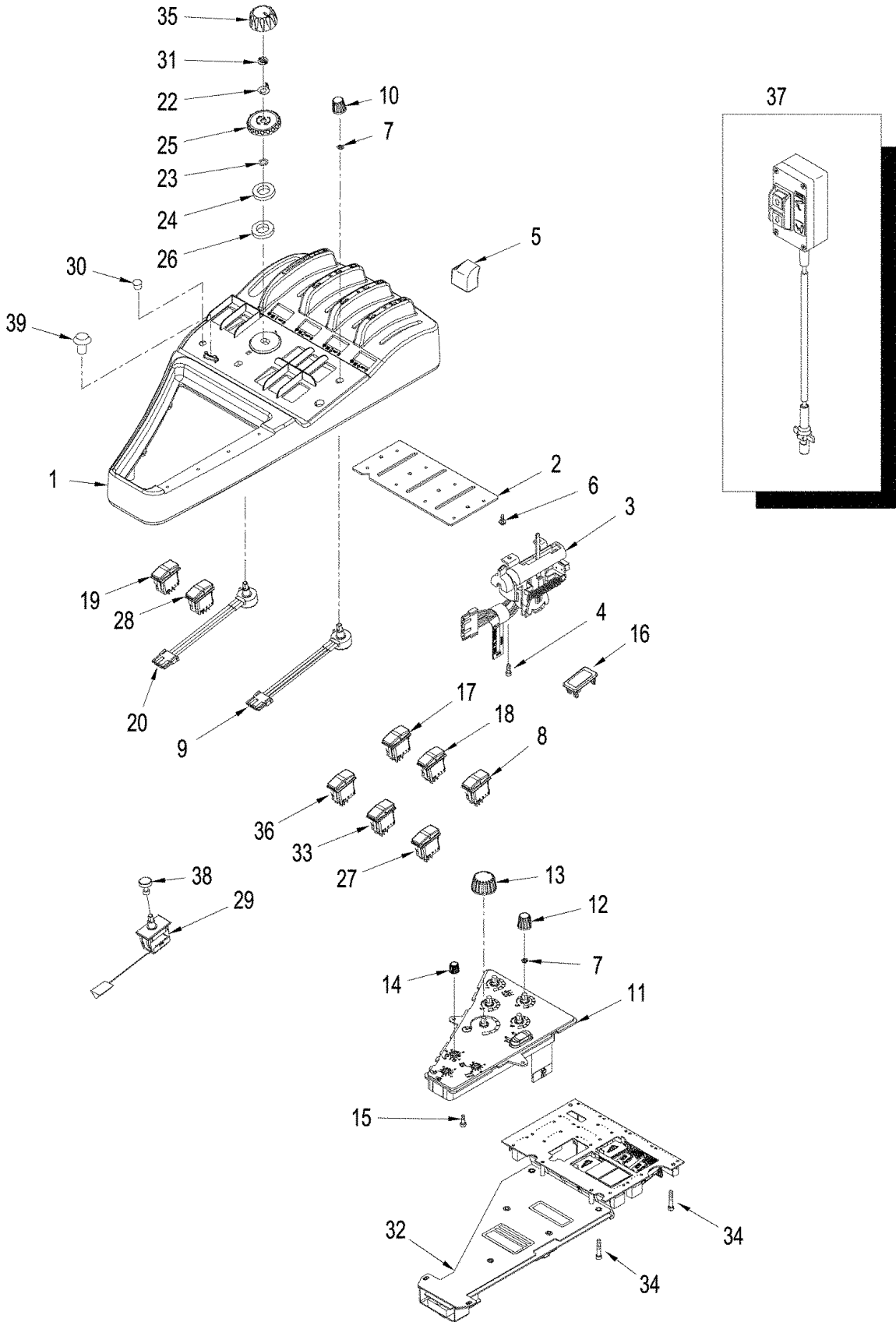
	STEIGER 280 STX330 STX280 STEIGER 330
--	--

SECTION INDEX

Electrical System

04-01	CONTROLS - CONSOLE, RIGHT-HAND
04-02	CONTROL PANEL COMPONENTS
04-03	RADIO AND SPEAKERS
04-04	INSTRUMENT CLUSTER
04-05	WIPER, WINDSHIELD - MOUNTING
04-06	WINDSHIELD WASHER
04-07	ALTERNATOR - MOUNTING
04-08	STARTER ASSY.
04-09	GROUND SPEED SENSOR
04-10	ALARM - BACK-UP
04-11	HARNESS - TRANSMISSION, POWER SHIFT
04-12	HARNESS - ENGINE
04-13	HARNESS - MAIN CAB, DELUXE AND LUXURY CABS
04-14	HARNESS - CAB ROOF
04-15	HARNESS - FRONT FRAME
04-16	HARNESS - REAR FRAME, WITH ELECTRONIC REMOTE, WITHOUT THREE POINT HITCH
04-17	HARNESS - REAR FRAME, WITH ELECTRONIC REMOTE AND THREE POINT HITCH
04-18	HARNESS - FRONT CONSOLE
04-19	HARNESS - ADVANCED FARMING SYSTEMS
04-20	HARNESS, ENGINE CONTROL MODULE
04-21	MODULE, ENGINE CONTROL
04-22	GRID HEATER - CABLES
04-23	BATTERIES
04-24	ELECTRONIC MODULE ASSY
04-25	LAMPS - REAR FRAME, H.I.D.
04-26	LAMPS - REAR FRAME AND FIELD
04-27	HEADLAMPS
04-28	LAMPS - MARKER
04-29	LAMPS - SIDE MARKER WARNING
04-30	LAMP - STROBE
04-31	WIRING - TWIN FLOW HYDRAULIC CONTROLS
04-32	TWIN FLOW HYDRAULIC CONTROLS
04-33	MOUNTING - ADVANCED FARMING SYSTEMS
04-34	ACCUGUIDE, GPS - MOUNTING
04-35	ACCUGUIDE - AFS 200 PRO MOUNTING & RELATED PARTS
04-35	01 ACCUGUIDE - AFS 600 PRO MOUNTING & RELATED PARTS, ASN Z7F105571
04-36	SENSOR - HITCH POSITION
04-37	HARNESS - ISO IMPLEMENT

CONTROLS - CONSOLE, RIGHT-HAND

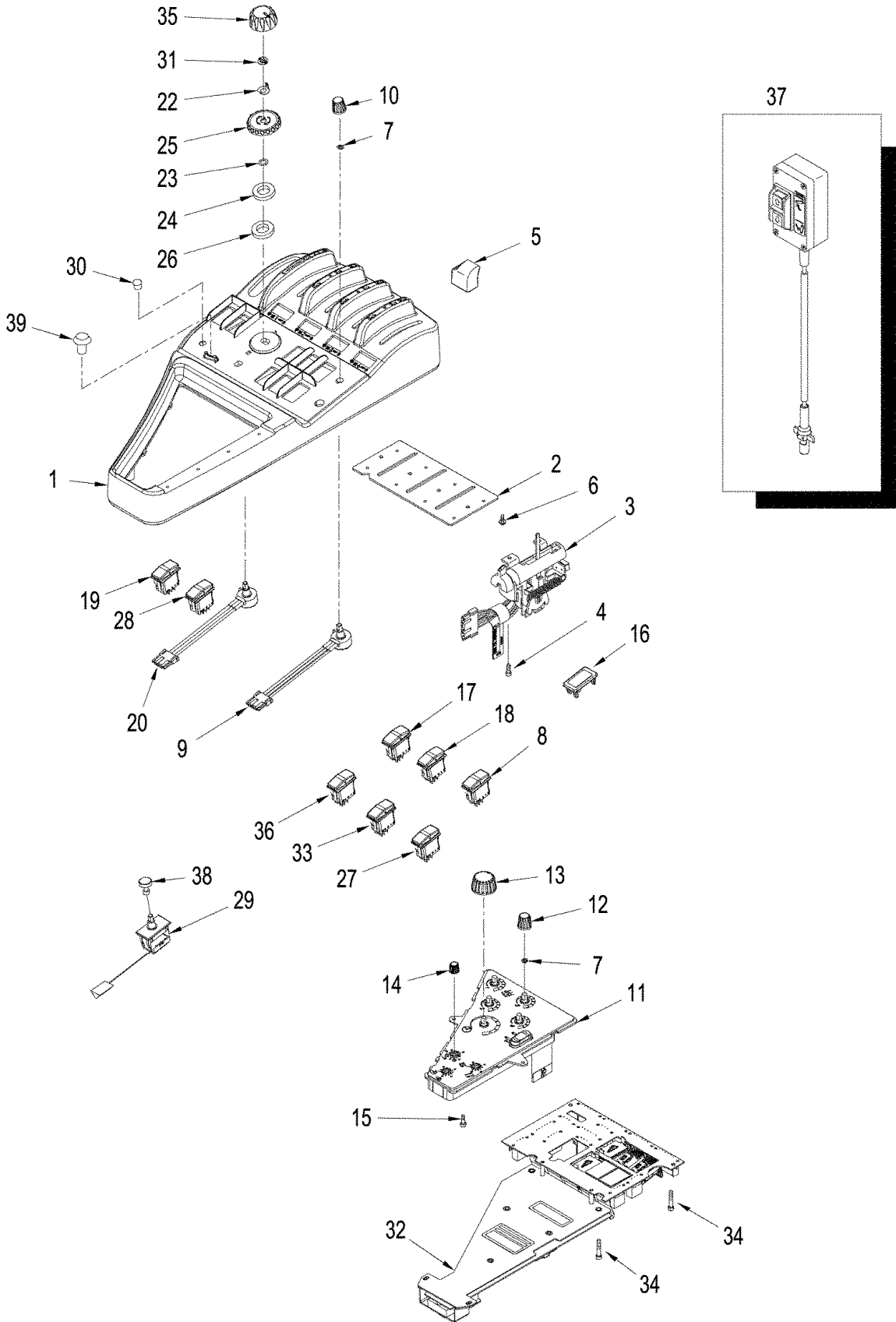


CONTROLS - CONSOLE, RIGHT-HAND

REF	FN	PART NUMBER	YR/SN	QTY	DESCRIPTION
1		87314378		1	CONSOLE, Housing, Upper, with Decals, See Figure: 09-19
		87395318		1	CONTROL, Inc. 2 - 4
2		230098A1		1	PLATE
3		87395299		4	VALVE, CONTROL, Remote Auxiliary
4		281-3446		8	SCREW, SELF TAP, Hex Wash Hd, #8 x 3/8"
5		406962A1		4	KNOB, Electronic Remote Control
6		864-4020		4	SCREW, Hex Soc Hd, M4 x 20, 8.8
7		A39888		2	NUT, 3/8"
8		86989947		1	SWITCH, Valve, Fifth Auxiliary Remote
9		256305A2		1	POTENTIOMETER, Flow Control
10		276797A1		1	KNOB, Flow Control
11	1	339735A1		1	PANEL, Secondary
11	2	238290A4		1	PANEL, Secondary
12		276797A1		4	KNOB, Flow Control
13		187820A1		1	BUTTON, Remote Valve Timer Control
14		223433A1		2	KNOB, Electronic Draft Control
15		760-14316		2	SCREW, SELF TAP, Pan Hd, M4.2 x 16
16		406324A2		2	PLUG
17		87361920		1	SWITCH, Differential Lock, Rear
18		87361921		1	SWITCH, Differential Lock, Front
18	3	87334815		1	SWITCH, Four Wheel Drive Steering, If Used
19		86990406		1	SWITCH, Hitch Position
20		87399301		1	POTENTIOMETER, TPH Position
22		87436077		1	WASHER, Stainless Steel
23		87435947		1	SPRING, Potentiometer Detent
24		87435853		1	RING, Hitch Position
25		87435194		1	KNOB, Retent Position Indicator Wheel
26		87435852		1	SPACER
27		86989951		1	SWITCH, Auxiliary Auto Mode, Remotes 1 & 3, If Used
28		87422017		1	SWITCH, Head Land / Turn Sequence
(1)	With Three Point Hitch				
(2)	Without Three Point Hitch				
(3)	Used with ACCUSTEER applications				

STX330	STX280
STEIGER 280	STEIGER 330

CONTROLS - CONSOLE, RIGHT-HAND



CONTROLS - CONSOLE, RIGHT-HAND

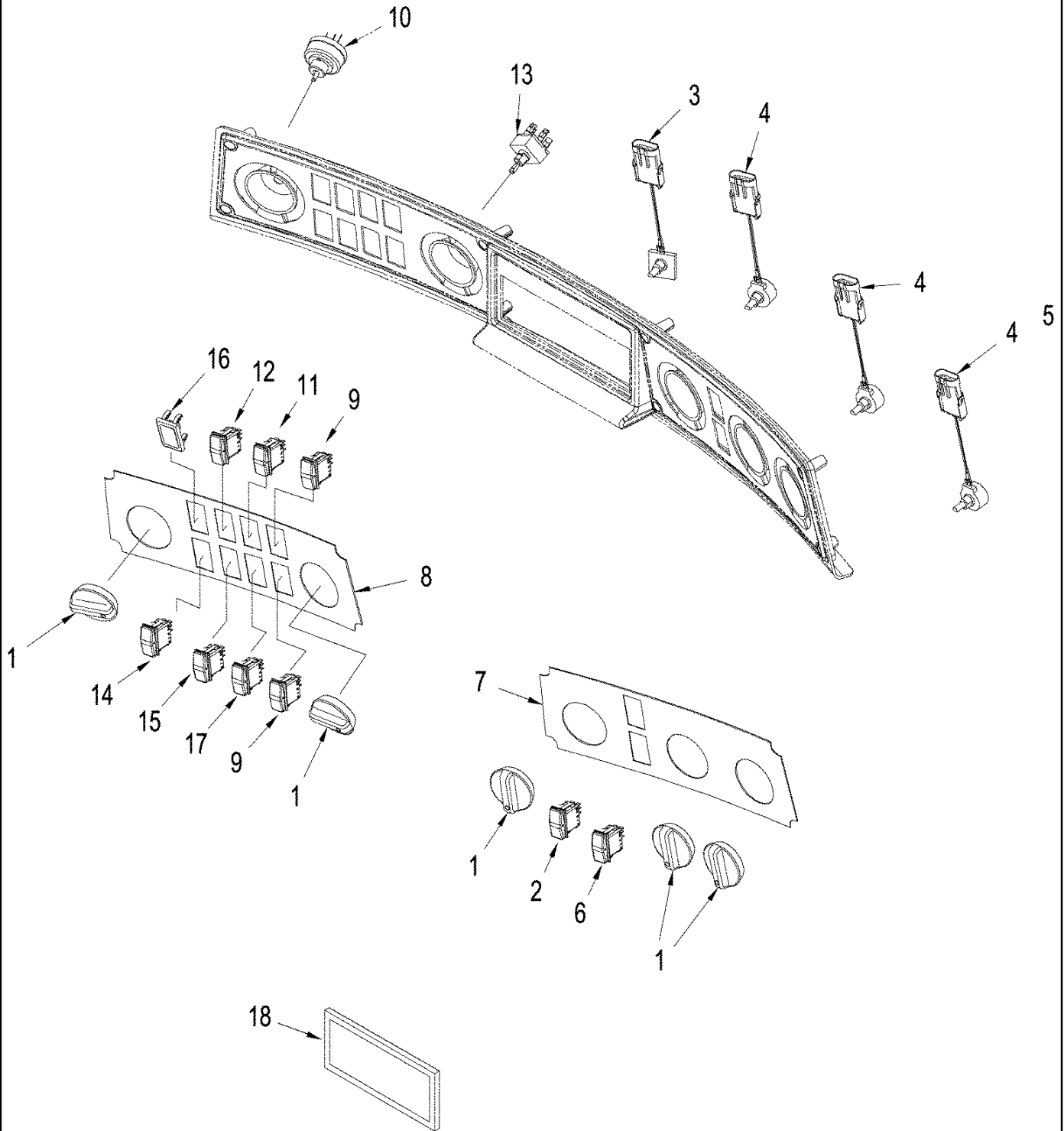
REF	FN	PART NUMBER	YR/SN	QTY	DESCRIPTION
29		414495A1		1	SWITCH, Power Takeoff
30	1	353-402		1	PLUG, Dome, .375" hole, Nylon
31		87435946		1	WASHER
32	2	87524858		1	CONTROL, Armrest Processor Module
33		87323840		1	SWITCH, Switch, Autoshift
34		87536486		6	SCREW, M4 x 16; 8.8
35		87434770		1	KNOB, Knob, Hitch Position Control
36		87414327		2	SWITCH, EDC, Slip Limit Control
37		382247A1		1	SWITCH, Remote
38		411705A3		1	KNOB, Power Takeoff
39		87323840		1	SWITCH, Switch, ACCUGUIDE, If Used

(1) Without Three Point Hitch

(2) Download Software from Service Tool.

STX330 STX280
STEIGER 280 STEIGER 330

CONTROL PANEL COMPONENTS

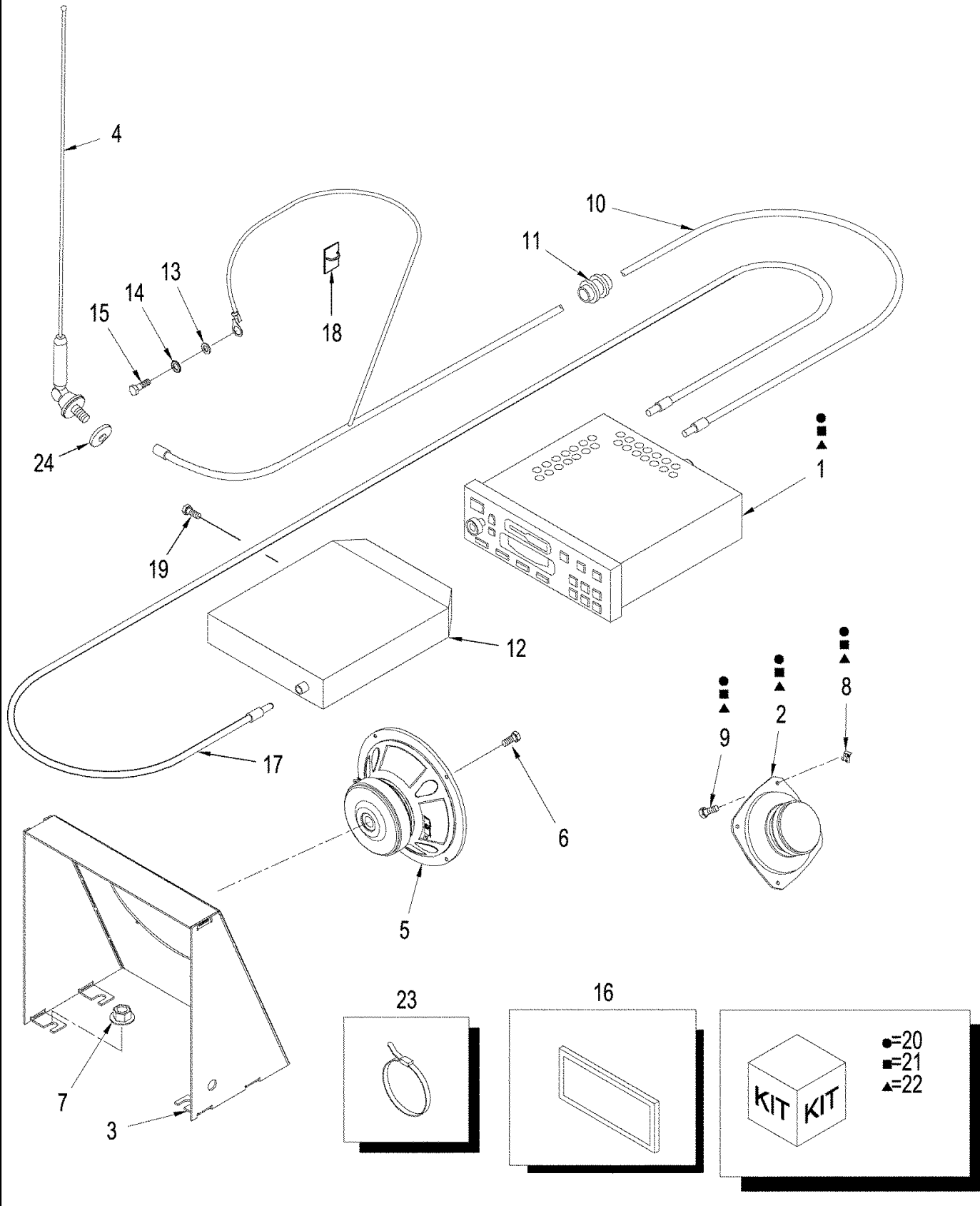


CONTROL PANEL COMPONENTS

REF	FN	PART NUMBER	YR/SN	QTY	DESCRIPTION
1		1331046C2		5	CAP, WASHER, Knob
2		87454558		1	SWITCH, Climate Control
3		92100C2		1	SWITCH, Blower Motor
4		418107A1		AR	POTENTIOMETER
5		345439A1		1	POTENTIOMETER, Vent Motor
6		87305994		1	SWITCH, Defog
7		87450974		1	DECAL, Climate Control, See Figure: 09-53
8		431230A1		1	DECAL, Light Panel
9		86989939		2	SWITCH, WINDSHIELD WIPER, Rear and Lower Front Wiper
10		177250A1		1	SWITCH, LIGHTS, Rotary, Work Lamps
11		86989955		1	SWITCH, Cruise Control
12		87414325		1	SWITCH, Strobe Lamp
13		345262A1		1	SWITCH, Front Washer / Wiper
14		87442098		1	SWITCH, LIGHTS, Road Lamp / Flasher
15		330116A1		1	SWITCH, Auxiliary, Implement
16		86000535		4	PLUG, 1.427" x .62", Plastic
17		86989953		1	SWITCH, Cruise Control, Increase / Decrease
18		1535219C1		1	COVER, Without Radio

STX330 STX280
STEIGER 280 STEIGER 330

RADIO AND SPEAKERS



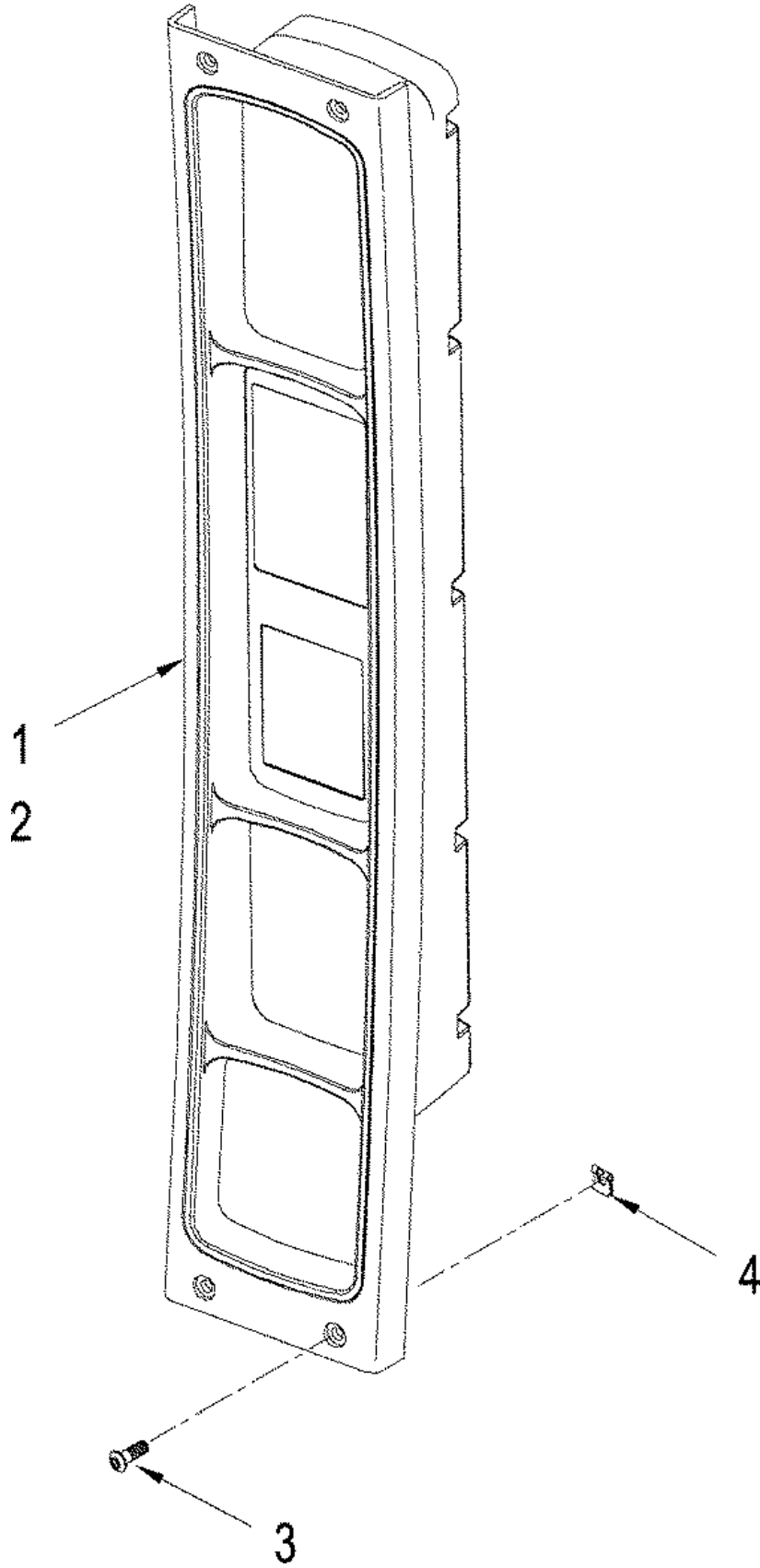
RADIO AND SPEAKERS

REF	FN	PART NUMBER	YR/SN	QTY	DESCRIPTION
1		87552288		1	RADIO, AM / FM / WB
1		355623A2		1	RADIO, AM / FM / WB / Cassette
1		325061A2		1	RADIO, AM/FM/WB, With Cassette Tape, CD Changer Ready
2		258342A2		2	SPEAKER, Co-Axial
3		388445A1		1	HOUSING, Subwoofer
4		360215A1		1	ANTENNA
5		388444A1		1	SPEAKER, 8", Subwoofer
6		760-14316		4	SCREW, SELF TAP, Pan Hd, M4.2 x 16, Australian Models
7		825-5148		4	NUT, M8, Flg Ser
8		177269A1		8	NUT
9		1270741C1		8	SCREW, SELF TAP, Cross Pan Hd, #8 x 1"
10		360432A2		1	HARNES, Antenna, Inc. 11
11		NSS		1	NOT SERVICED SEPARATELY, Grommet
12		317688A1		1	PLAYER, COMPACT DISC, Delco, 6 Disc
13		895-11006		1	WASHER, M6
14		893-11006		1	WASHER, LOCK, Ext Tooth, M6
15		779-14613		1	SCREW, SELF TAP, Hex Hd, M6.3 x 13
16		1535219C1		1	COVER, without Radio
17		449071A1		1	HARNES, CD Player, 5486 mm (216")
18		388489A1		2	CLIP, ELECTRICAL
18		435436A1		AR	MOUNT, RUBBER, Adhesive Backed
19		864-5012		3	SCREW, Hex Soc Hd, M5 x 12, 8.8
20		334229A1		1	KIT, AM / FM / WB / Cassette / CD, Inc. 1, 2, 8, 9
21		186158A1		1	KIT, AM / FM / WB, Inc. 1, 2, 8, 9
22		719582003		1	KIT, Single CD Player / Radio
23		50-2037T1		1	STRAP, Tie
23		435437A1		1	STRAP, CABLE, 3/16" x 7 1/4", Tie, 7-1/4"
24	1	87343754		1	SPACER

(1) Australian Application

STX330	STX280
STEIGER 280	STEIGER 330

INSTRUMENT CLUSTER



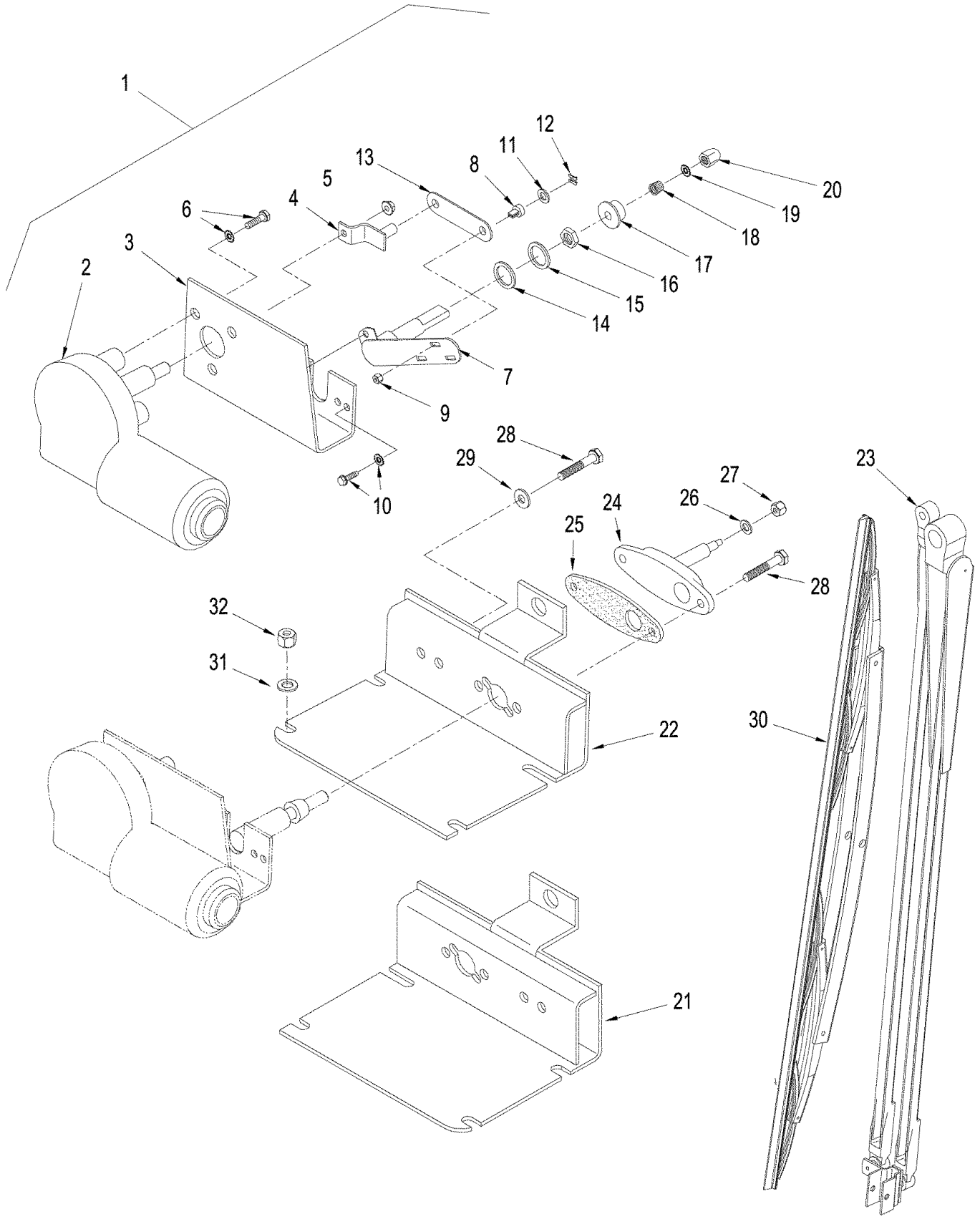
INSTRUMENT CLUSTER

REF	FN	PART NUMBER	YR/SN	QTY	DESCRIPTION
1		87350682	BSN Z6F105268	1	MODULE, Basic
1		87549279	ASN Z6F105268	1	MODULE, Basic
1		87350683	BSN Jan A6F105268	1	MODULE, Deluxe
1		87520588	ASN Z6F105268	1	MODULE, Deluxe, Dual Can
2	1	NSS		1	NOT SERVICED SEPARATELY, Software, Not Illustrated
3		260-16516		4	SCREW, SELF TAP, Cross Pan Hd, #10 x 1"
4		177269A1		4	NUT, Spring

(1) Download Software from Service Tool.

	<p>STX330 STX280 STEIGER 280 STEIGER 330</p>
--	---

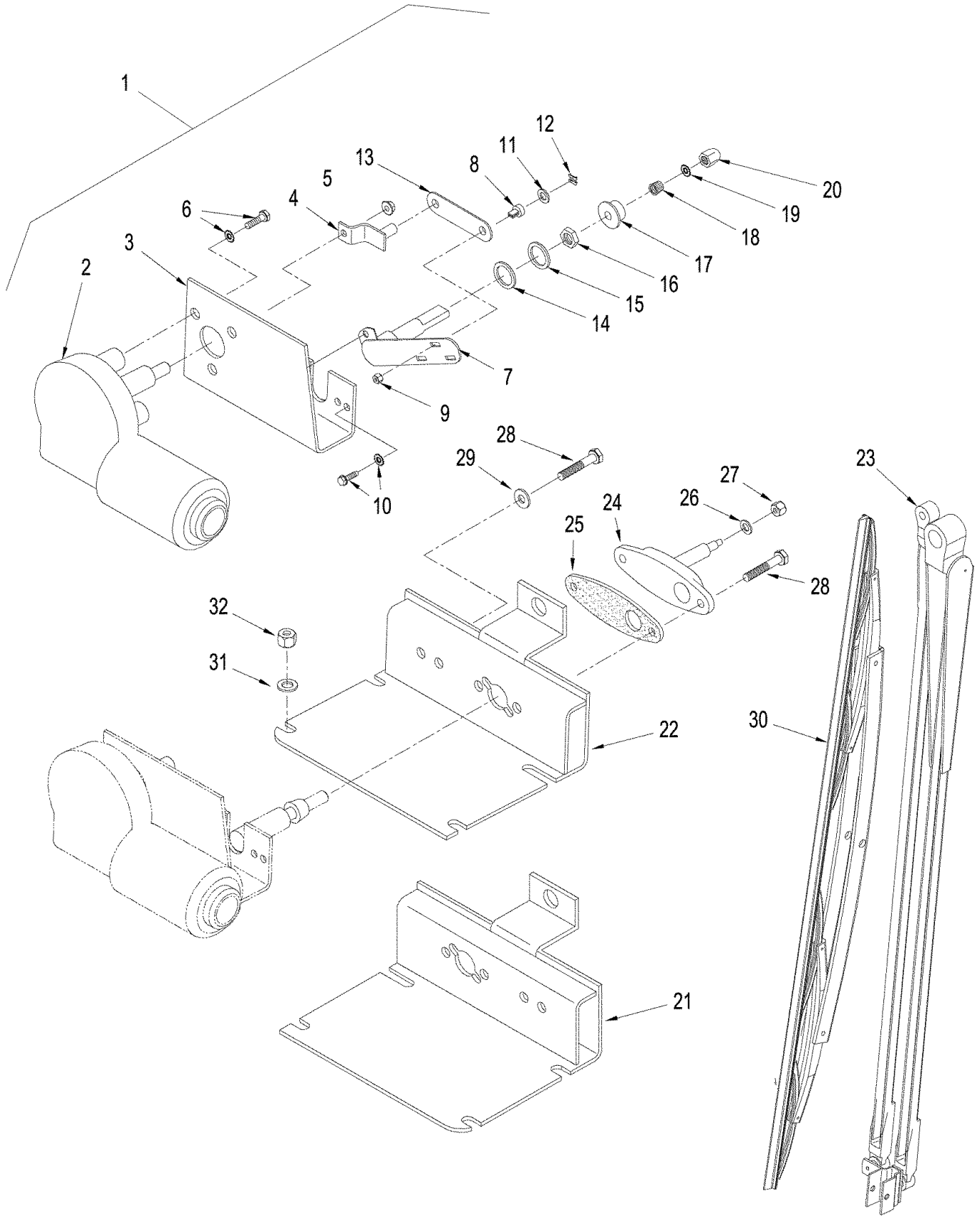
WIPER, WINDSHIELD - MOUNTING



WIPER, WINDSHIELD - MOUNTING

REF	FN	PART NUMBER	YR/SN	QTY	DESCRIPTION
		248812A4		1	WIPER MOTOR, Rear, Upper, All Cab Options, Inc. 2 - 20, 22, 24 - 29
		87408490		1	WIPER MOTOR, Front, Rear, All Cab Options, Inc. 2 - 20, 22, 24 - 29
1		87308226		1	WIPER MOTOR, Front, Lower, RH, Inc. 2 - 20
1		87308230		1	WIPER MOTOR, Front, Lower, LH, Inc. 2 - 20
1		87308180		1	WIPER MOTOR, Rear, Upper, Inc. 2 - 20
1		87307954		1	WIPER MOTOR, Front, Upper, Inc. 2 - 20
2		87307958		1	WIPER MOTOR, Front & Rear
3		60-6633T1		1	SUPPORT
4		87307957		1	ARM
5		825-5148		1	NUT, M8, Flg Ser
6		444867A1		3	SCREW, Button Hd
7		60-6581T91		1	DRIVE ASSY.
8		NSS		1	NOT SERVICED SEPARATELY, Pin
9		NSS		1	NOT SERVICED SEPARATELY, Nut, Lock
10		1-2686		2	SCREW, Inc. Lock Washer
11		1-2684		2	WASHER
12		1-2685		2	CLIP
13		1-2683		1	LINK
14		60-3495T1		1	WASHER, Fiber
15		60-3496T2		1	WASHER, Steel
16		60-3497T1		1	NUT
17		60-3498T1		1	COVER
18		60-3499T2		1	KNOB, Knurled
19		60-6634T1		1	PLATE, LOCKING
20		60-6635T1		1	NUT, Special
21		87362320		1	PLATE, MOUNTING, Lower, Right-Hand
22		87362317		1	PLATE, MOUNTING, Upper / Lower Left-Hand
23		87557932		3	WIPER ARM, 20"
		60-1436T91		1	PIVOT ASSY., Pantograph, Inc. 24 - 27
24		NSS		1	NOT SERVICED SEPARATELY, Body
25		2-4190T1		1	GASKET
26		2-4191T1		1	WASHER
27		2-4192T1		1	NUT
					STX330 STX280 STEIGER 280 STEIGER 330

WIPER, WINDSHIELD - MOUNTING



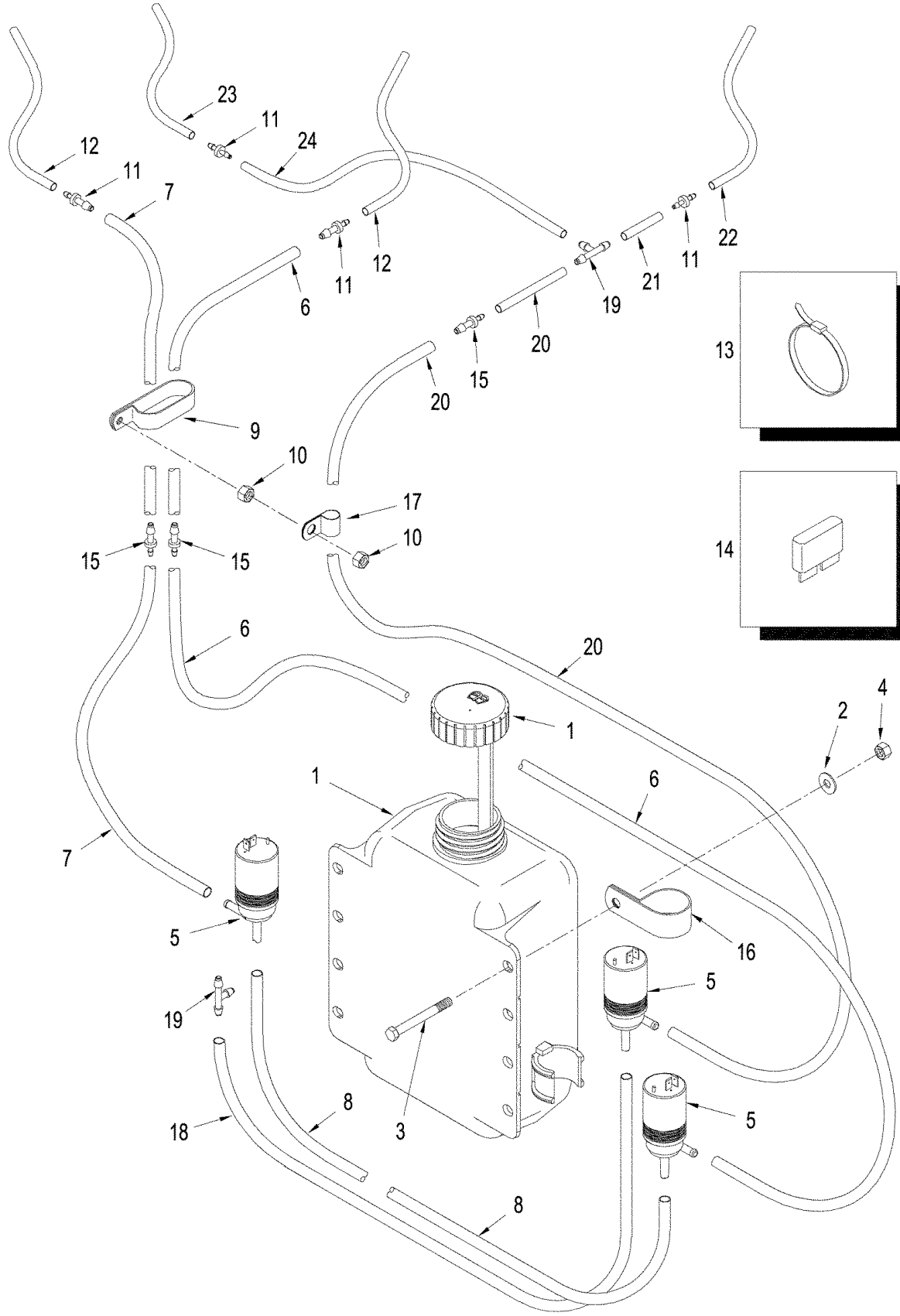
WIPER, WINDSHIELD - MOUNTING

REF	FN	PART NUMBER	YR/SN	QTY	DESCRIPTION
28		414-424		3	BOLT, Hex, 1/4"-28 x 1 1/2", G5
29		495-11028		1	WASHER, 1/4", SAE
30		334715A1		2	BLADE, 660 mm (26 in), Front, Lower
30		353273A1		2	BLADE, 559 mm (22 in), Front / Rear Upper
31		895-11008		10	WASHER, M8 x 16 x 1.6
32		832-10408		9	NUT, LOCK, M8 x 1.25, Cl 8
33	1	86000535		1	PLUG, 1.427" x .62", Plastic, Switch Hole, Not Illustrated

(1) Deluxe Cab

	STX330 STX280 STEIGER 280 STEIGER 330
--	---

WINDSHIELD WASHER

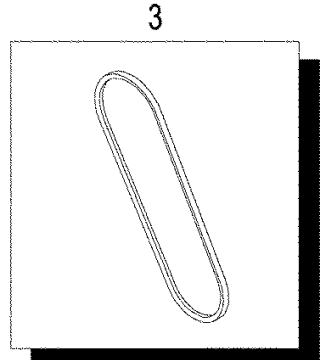
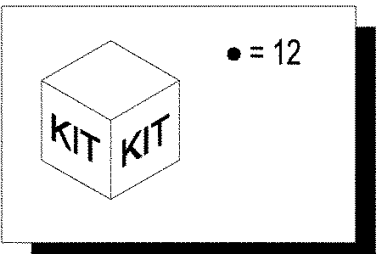
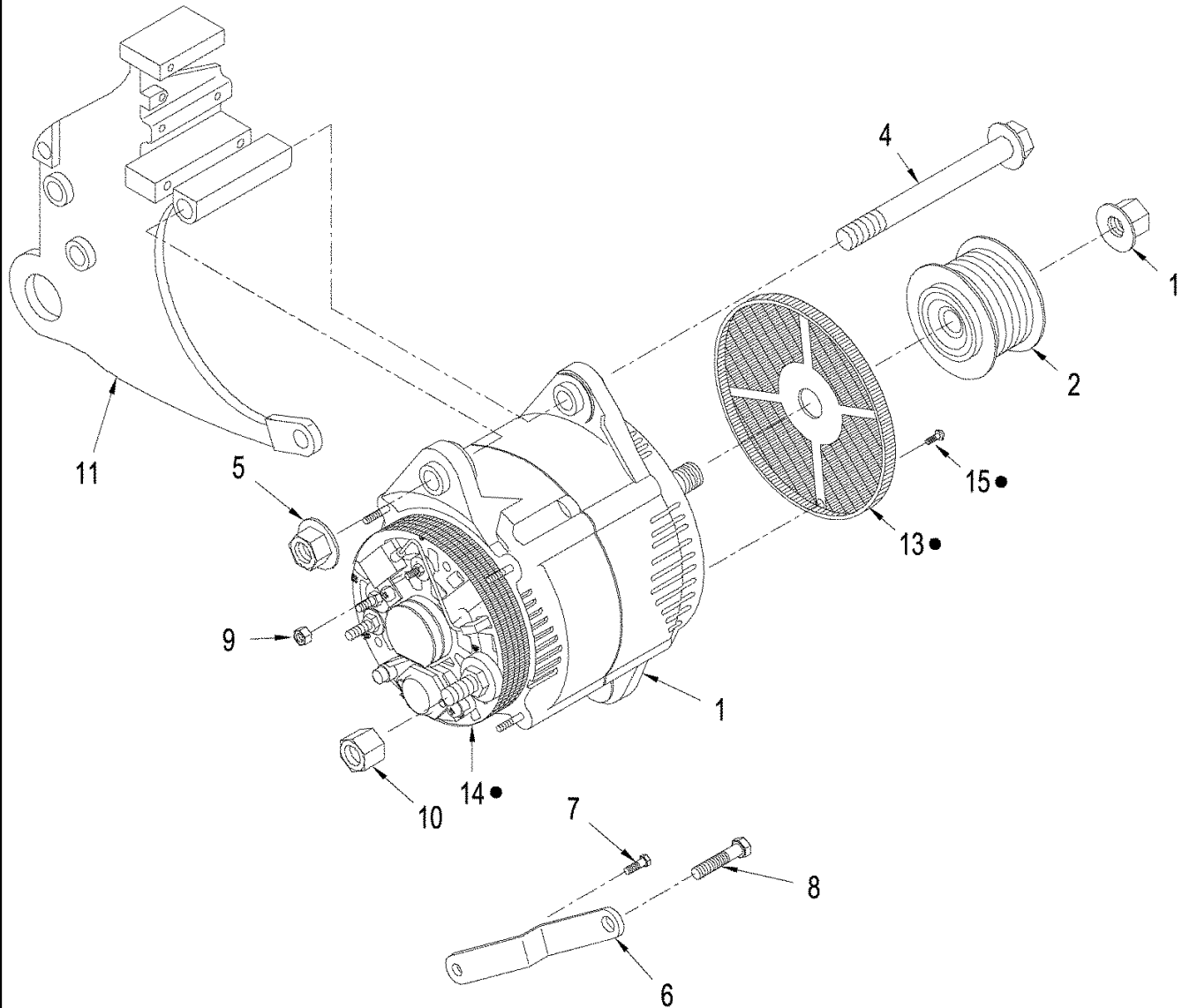


WINDSHIELD WASHER

REF	FN	PART NUMBER	YR/SN	QTY	DESCRIPTION
1		313576A1		1	RESERVOIR
2		895-11008		4	WASHER, M8 x 16 x 1.6
3		811-8030		4	BOLT, CARRIAGE, Short NK, M8 x 30, CI8.8, Full Thd
4		829-1408		7	NUT, M8, CI 10
5		1964696C2		3	PUMP
6		398715A1		1	HOSE, 4775 mm (188 in), Front Wiper
7		398714A1		1	HOSE, 3302 mm (130 in), Rear Wiper
8		31-2422		2	HOSE, 254 mm (10 in), Cut From 4-1056
9		369708A1		4	CLAMP
10		829-1410		AR	NUT, M10, CI 10
11		31-2364		4	FITTING, 3/16 x 7/64
12		31-2608		2	HOSE, 200 mm (8 in), Rear Wiper
13		435437A1		6	STRAP, CABLE, 3/16" x 7 1/4", 7-1/4"
14		121414A1		1	FUSE, 20 Amp
14		121416A1		1	FUSE, 30 Amp
15		324203A1		2	VALVE, CHECK
16		515-24349		1	CLAMP, 1 3/8", Insul, 7/16" Bolt
17		515-2495		4	CLAMP, 3/8", Insul, 7/16" Bolt
18		31-2866		1	HOSE, 160 mm (24 in), Cut From 4-1056T1
19		31-2363		3	TEE
20		31-2936		1	HOSE, 4775 mm (188 in), Cut From 4-1056T1
21		384139A1		1	HOSE ASSY.
22		384141A1		1	HOSE ASSY.
23		384142A1		1	HOSE ASSY., 250 mm (10 in), Cut From 31-2607T1
24		384140A1		1	HOSE ASSY.

STX330	STX280
STEIGER 280	STEIGER 330

ALTERNATOR - MOUNTING



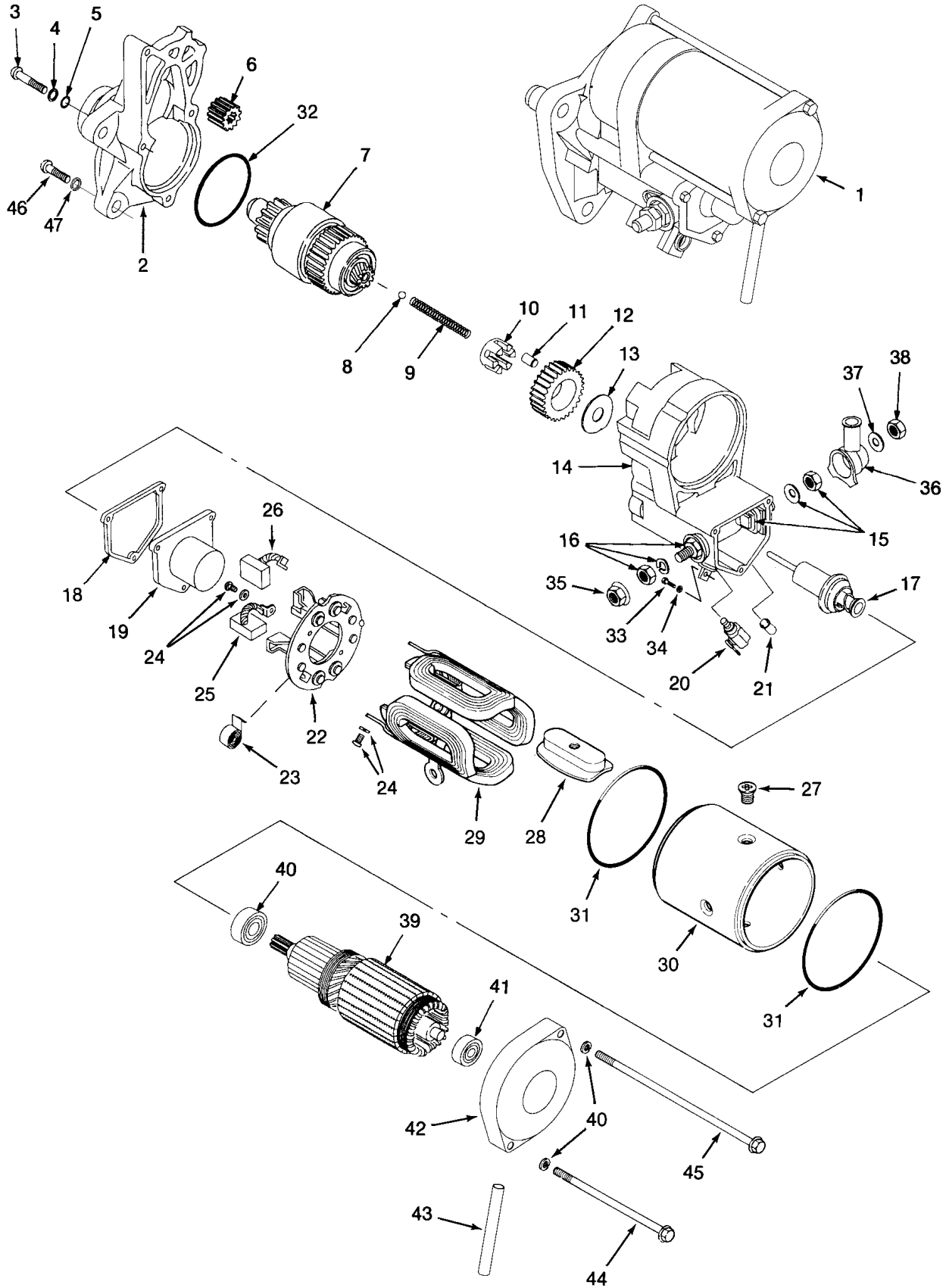
ALTERNATOR - MOUNTING

REF	FN	PART NUMBER	YR/SN	QTY	DESCRIPTION
1		87439313		1	ALTERNATOR, 150 Amp
1		87439317		1	ALTERNATOR, 175 Amp
2		87452703		1	PULLEY
3		87437226		1	BELT, Accessor Drive, Alternator & A/C
4	1	NSS		1	NOT SERVICED SEPARATELY, Bolt, Mounting
5	1	NSS		1	NOT SERVICED SEPARATELY, Nut, Flg
6	1	NSS		1	NOT SERVICED SEPARATELY, Bracket, Support
7	1	NSS		1	NOT SERVICED SEPARATELY, Bolt
8	1	NSS		1	NOT SERVICED SEPARATELY, Bolt
9	1	NSS		4	NOT SERVICED SEPARATELY, Nut
10	1	NSS		1	NOT SERVICED SEPARATELY, Nut
11		87310736		1	SUPPORT, Bracket
12		87612406		1	KIT, Debris Screen, Inc. 13 - 15
13		NSS		1	NOT SERVICED SEPARATELY, Screen, Front
14		NSS		1	NOT SERVICED SEPARATELY, Screen, Rear
15		NSS		4	NOT SERVICED SEPARATELY, Screw

(1) Order from Your Engine Dealer.

	<p>STX330 STX280 STEIGER 280 STEIGER 330</p>
--	--

STARTER ASSY.

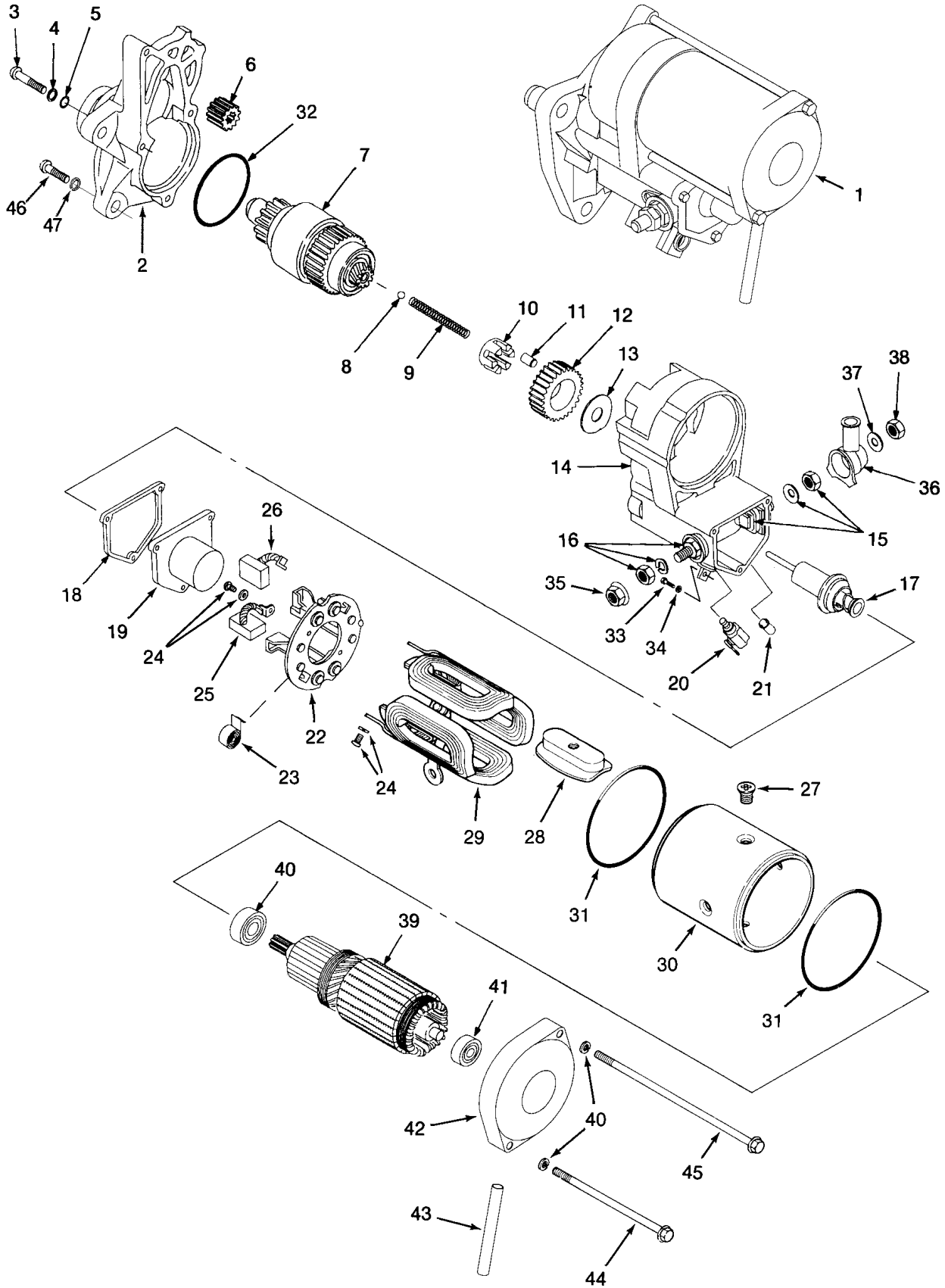


STARTER ASSY.

REF	FN	PART NUMBER	YR/SN	QTY	DESCRIPTION
1		223900A2		1	MOTOR, STARTER, Engine, Inc. 2 - 46
2		258841A1		1	HOUSING
3		A47129		3	BOLT
4		495-81252		3	WASHER, #12
5		A47130		3	O-RING
6		A49809		1	PINION
7		258840A1		1	CLUTCH ASSEMBLY
8		211-1311		1	BALL, 11/32" Dia
9		A47232		1	SPRING, 2-13/16"
10		A47236		1	RETAINER
11		A47235		5	ROLLER
12		A49810		1	GEAR
13		141360A1		1	RETAINER
14		258861A1		1	SWITCH, Inc. 15 - 21
15		258871A1		1	KIT, SERVICE
16		258869A1		1	KIT, SERVICE
17		258874A1		1	PLUNGER
18		NSS		1	NOT SERVICED SEPARATELY, Seal
19		NSS		1	NOT SERVICED SEPARATELY, Cover
20		258877A1		1	TERMINAL CONNECTOR
21		141353A1		1	BUSHING
22		A49806		1	BRUSH HOLDER, Inc. 23
23		A47249		4	SPRING
24		141361A1		4	SCREW
25		A49807		2	BRUSH
26		A49808		2	BRUSH
		A49804		1	HOUSING, Inc. 27 - 30
27		NSS		1	NOT SERVICED SEPARATELY, Screw
28		NSS		4	NOT SERVICED SEPARATELY, Shoe
29		NSS		1	NOT SERVICED SEPARATELY, Coil
30		NSS		1	NOT SERVICED SEPARATELY, Housing
31		298253A1		2	RIM
32		A47229		1	O-RING
33		258820A1		1	SCREW, M5 x 8
34		892-11005		1	WASHER, LOCK, M5

STX330 STX280
STEIGER 280 STEIGER 330

STARTER ASSY.

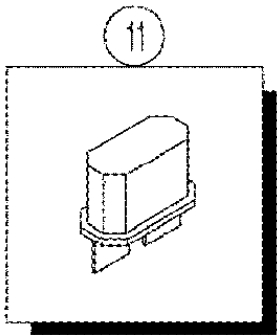
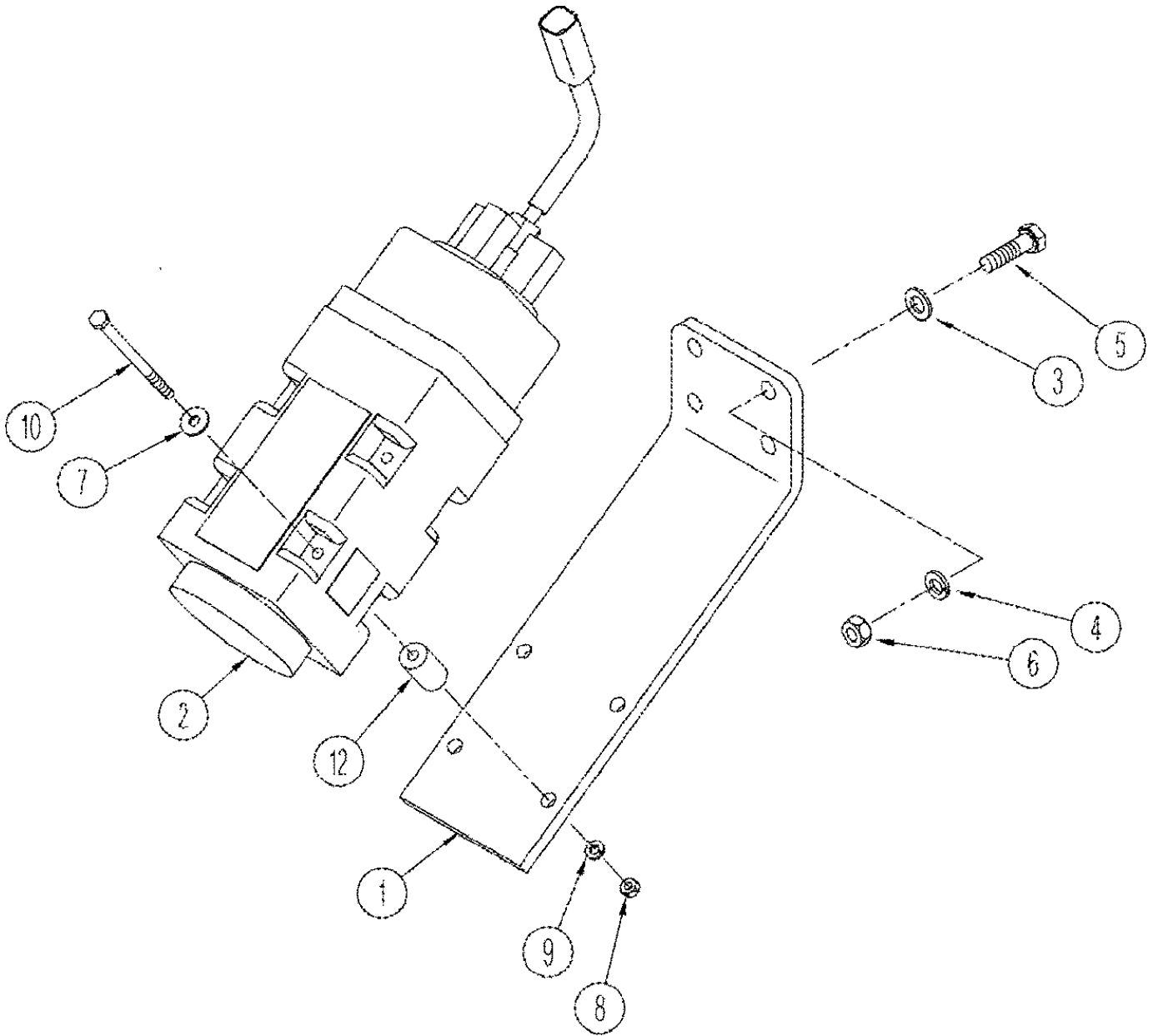


STARTER ASSY.

REF	FN	PART NUMBER	YR/SN	QTY	DESCRIPTION
35		NSS		1	NOT SERVICED SEPARATELY, Nut
36		A49805		1	COVER
37		892-11012		1	WASHER, LOCK, M12
38		829-1412		1	NUT, M12, CI 10
39		A49801		1	ROTOR, Inc. 40, 41
40		A49815		1	WASHER
41		452698C1		1-2	BEARING, BALL
42		258880A1		1	FRAME
43		258883A1		1	BUSHING
44		104594A1		1	BOLT, M7 x 144
45		104593A1		1	BOLT, M7 x 206
46		868-12040		3	SCREW, 12 pt, Flg Hd, M12 x 40, 12.9, CL12.9
47		892-11012		3	WASHER, LOCK, M12

STX330	STX280
STEIGER 280	STEIGER 330

GROUND SPEED SENSOR

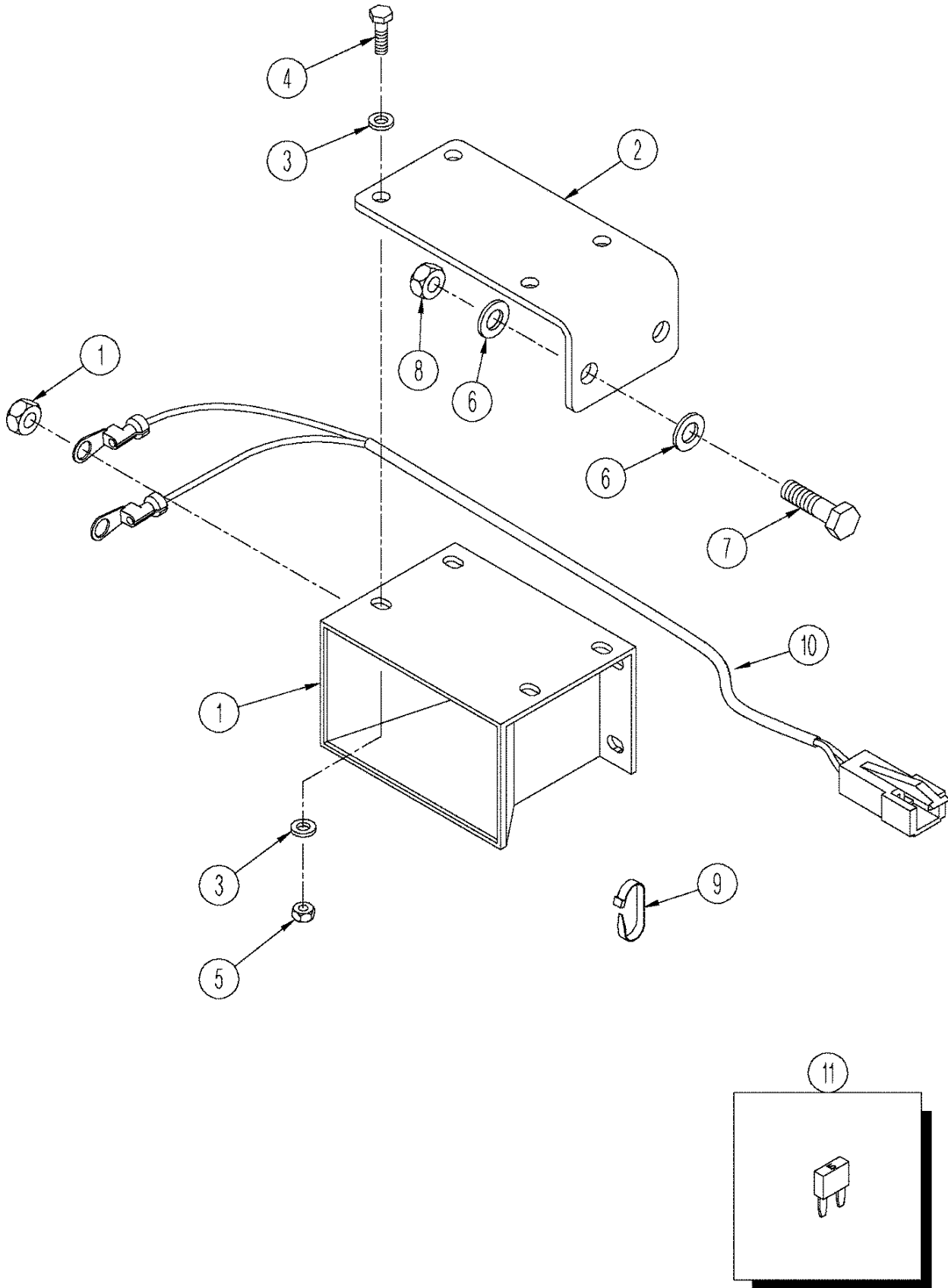


GROUND SPEED SENSOR

REF	FN	PART NUMBER	YR/SN	QTY	DESCRIPTION
		334233A1		1	KIT, Ground Speed, Inc. 1 - 12
1		414936A1		1	SUPPORT
2		228760A1		1	RADAR, Ground Speed
3		895-11010		4	WASHER, M10 x 20 x 2
4		892-11010		4	WASHER, LOCK, M10
5		627-10035		4	BOLT, Hex, M10 x 35, 10.9, Full Thd
6		829-1410		4	NUT, M10, CI 10
7		895-25006		4	WASHER, M6 x 18 x 1.6
8		829-1406		4	NUT, M6, CI 10
9		892-11006		4	WASHER, LOCK, M6
10		827-6100		4	BOLT, Hex, M6 x 100, 10.9
11		121412A1		1	FUSE, 10 amp
12		414937A1		4	SPACER

STX330	STX280
STEIGER 280	STEIGER 330

ALARM - BACK-UP

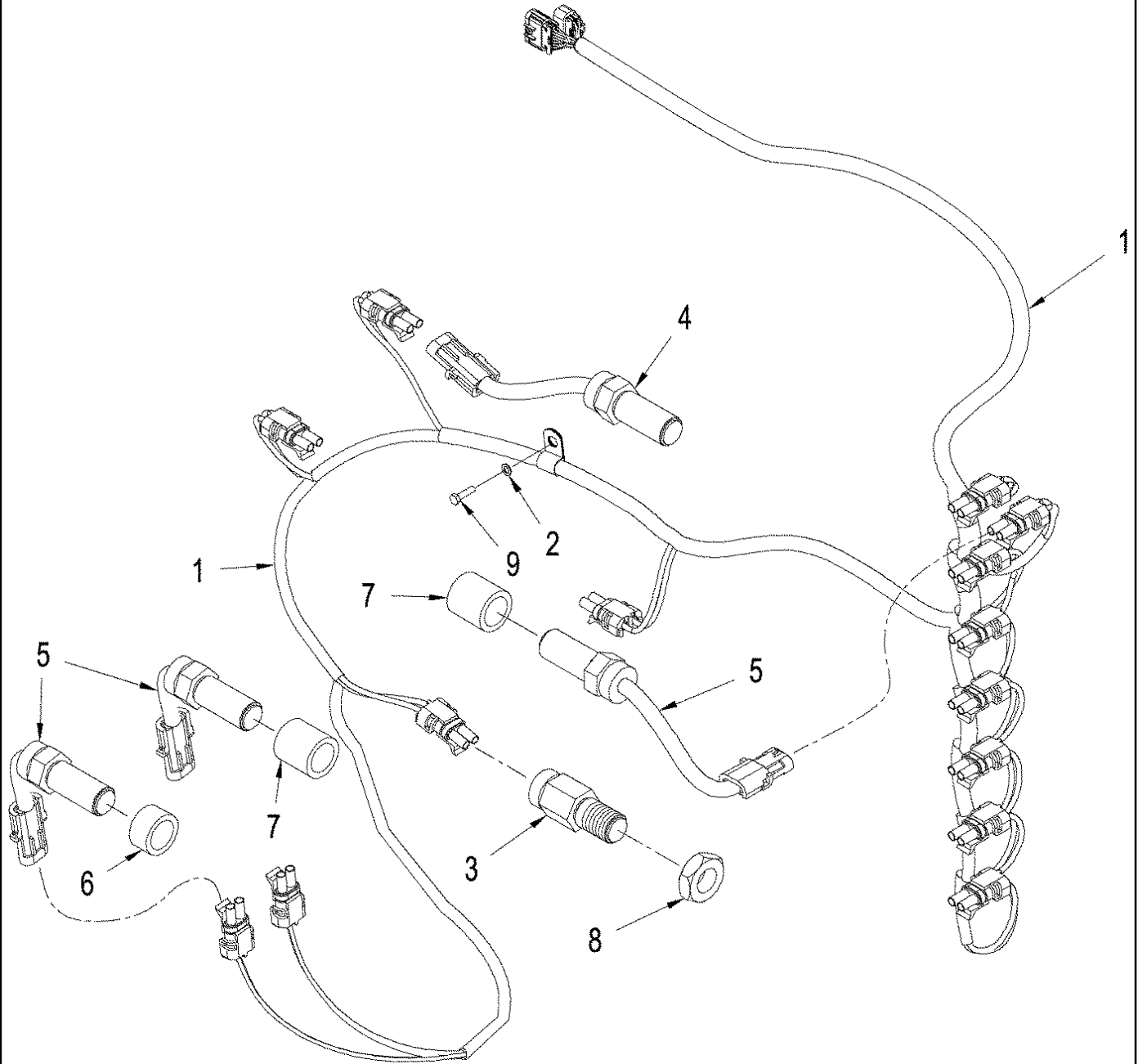


ALARM - BACK-UP

REF	FN	PART NUMBER	YR/SN	QTY	DESCRIPTION
1		D121972		1	ALARM, Inc. Nuts
2		440134A1		1	BRACKET, Mounting
3		896-11006		8	WASHER, M6 x 13 x 2, HT
4		627-6020		4	BOLT, Hex, M6 x 20, 10.9
5		829-1406		4	NUT, M6, CI 10
6		895-11010		4	WASHER, M10 x 20 x 2
7		627-10040		2	BOLT, Hex, M10 x 40, 10.9, Full Thd
8		829-1410		2	NUT, M10, CI 10
9		22-824		2	STRAP, CABLE, 3/16" x 7 1/4", 7 in.
10		391364A1		1	HARNESS
11		121410A1		1	FUSE, 5 amp

STX330	STX280
STEIGER 280	STEIGER 330

HARNESS - TRANSMISSION, POWER SHIFT



HARNES - TRANSMISSION, POWER SHIFT

REF	FN	PART NUMBER	YR/SN	QTY	DESCRIPTION
1		87332140		1	HARNES, Transmission, Powershift
2		895-11008		2	WASHER, M8 x 16 x 1.6
3		A186004		1	SENSOR, For MPH in Output Shaft Housing
4		86987513		1	SENSOR, Pressure
5		87449451		3	SENSOR, Sensor, Gear Speed
6		87351750		1	SPACER, 29.385 mm
7		87351748		2	SPACER, 15.217 mm
8		934120R1		4	NUT, Thin, M20 x 1.5, M20; 10
9		627-8016		2	BOLT, Hex, M8 x 16, 10.9

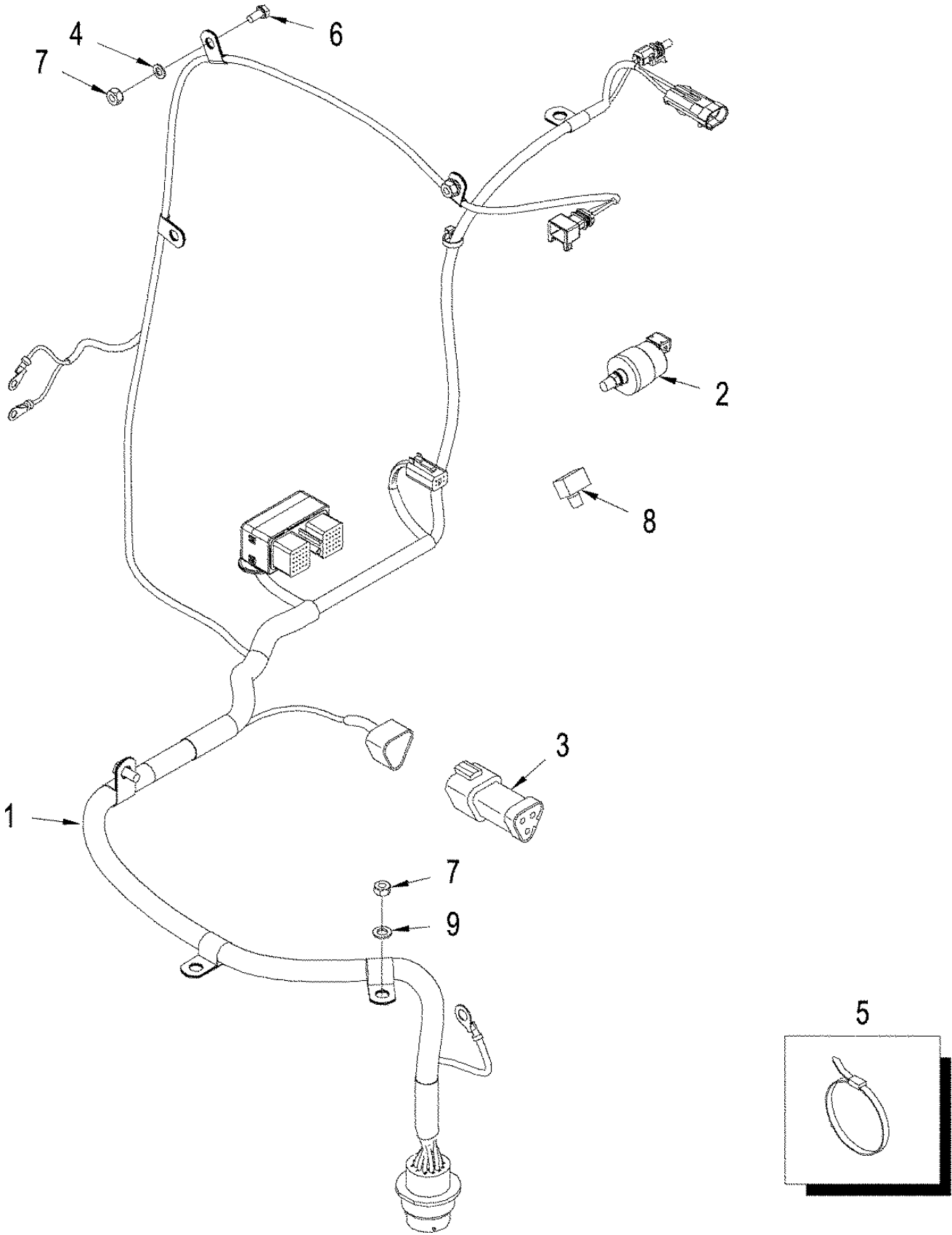
STX330 STX280
STEIGER 280 STEIGER 330

04-12

p1

08/07

HARNESS - ENGINE

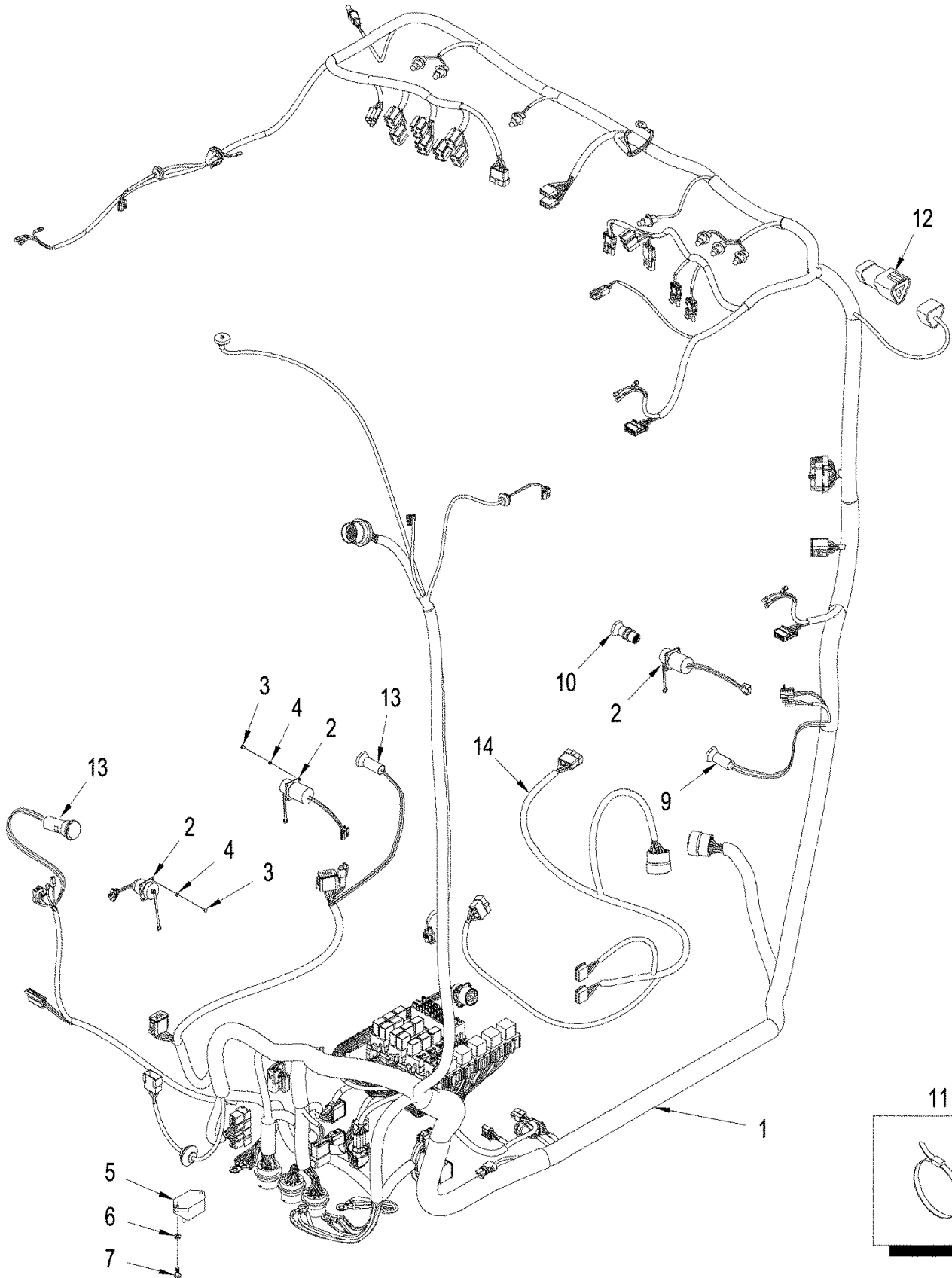


HARNES - ENGINE

REF	FN	PART NUMBER	YR/SN	QTY	DESCRIPTION
1		87610877		1	HARNES, 8.3L / 9.0L Engine
2		293797A1		1	SWITCH, Air Restriction
3		397496A1		1	CONNECTOR, ELEC, Passive
4		895-11008		9	WASHER, M8 x 16 x 1.6
5		L11541		1	STRAP, Tie, 7-8" Nylon
6		614-8020		3	BOLT, Hex, M8 x 20, 8.8
7		829-1408		5	NUT, M8, CI 10
8		217-1014		1	ELBOW, 90°, 1/8"-27 Female x 1/8"-27 Male

STX330	STX280
STEIGER 280	STEIGER 330

HARNESS - MAIN CAB, DELUXE AND LUXURY CABS



HARNESS - MAIN CAB, DELUXE AND LUXURY CABS

REF	FN	PART NUMBER	YR/SN	QTY	DESCRIPTION
	1	87366657	BSN Z6F105001	1	MODULE, Electronics, Inc. 1, See Figure: 04-24
	2	87366658	BSN Z6F105001	1	MODULE, Electronics, Inc. 1, See Figure: 04-24
1	2,1	NSS	BSN Z6F105001	1	NOT SERVICED SEPARATELY, Harness, Main Cab
1		{87601590}	ASN Z6F105001	1	Cab
1		{87601591}	ASN Z6F105001	1	Cab
2		227739A2		3	CONNECTOR, ELEC, Power
3		383986A1		12	RIVET
4		895-11003		12	WASHER, M3
5		20-2041T2		1	CIRCUIT BREAKER
6		895-11006		2	WASHER, M6
7		840-1620		2	SCREW, Cross Pan Hd, M6 x 20
8		279265A2		1	SWITCH, Differential Lock Brake, Not Illustrated
9		87452321		1	OUTLET
10		388810A1		1	ELEMENT, Pop-Out Lighter, If used
11		L18331		7	STRAP, CABLE, Tie, 7"
12		84058092		1	CONNECTOR, TERMINAL
13		388813A1		2	OUTLET, Power
14		87332624		1	HARNESS, ACCUSTEER
15		388811A1		1	LIGHTER, CIGARETTE, Not Illustrated

(1) With Power Shift Transmission

(2) With Manual Shift Transmission

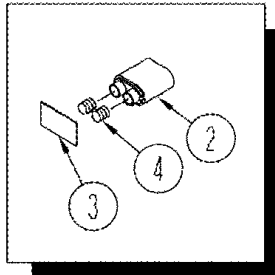
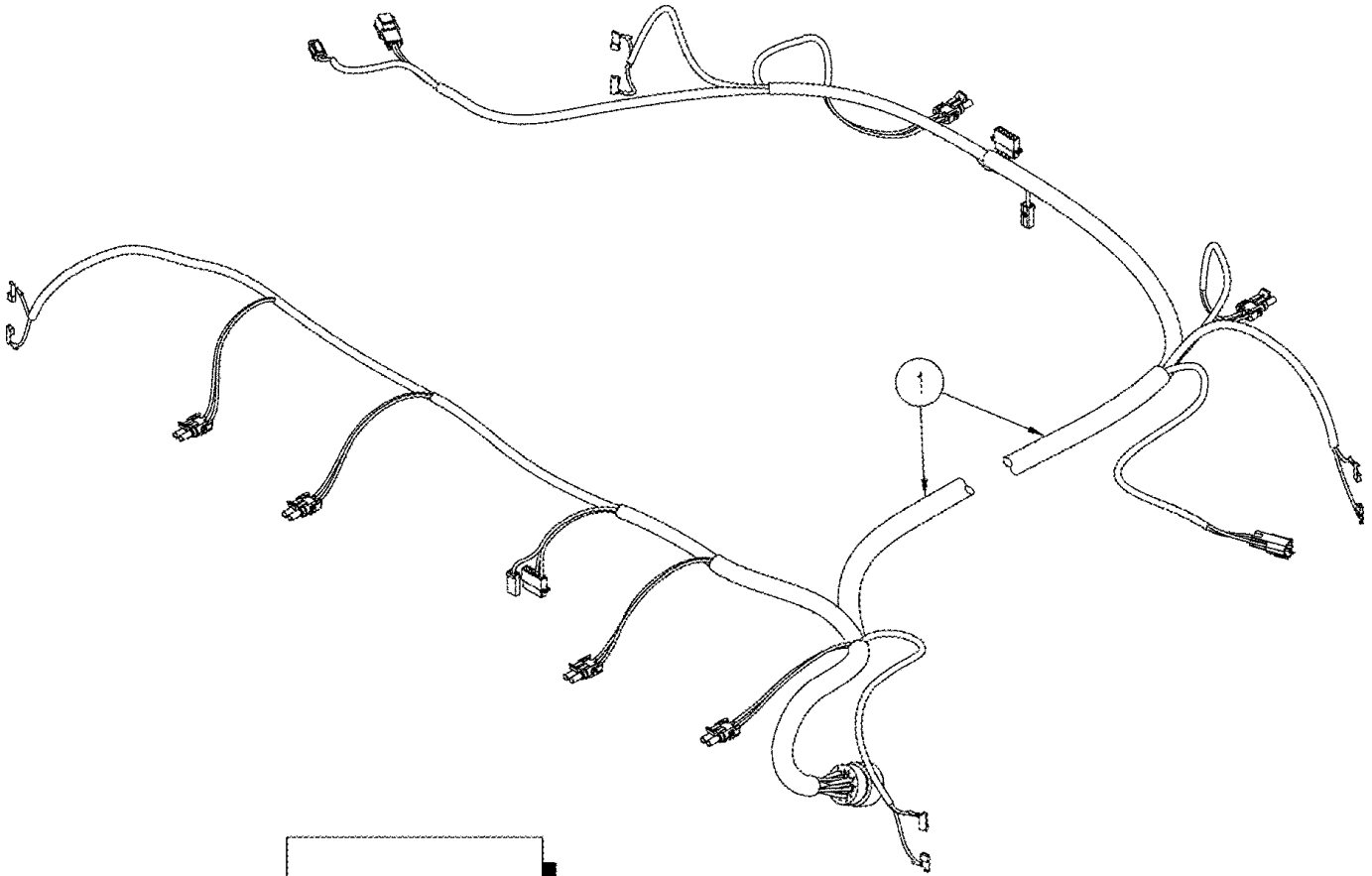
STX330	STX280
STEIGER 280	STEIGER 330

04-14

p1

08/07

HARNESS - CAB ROOF

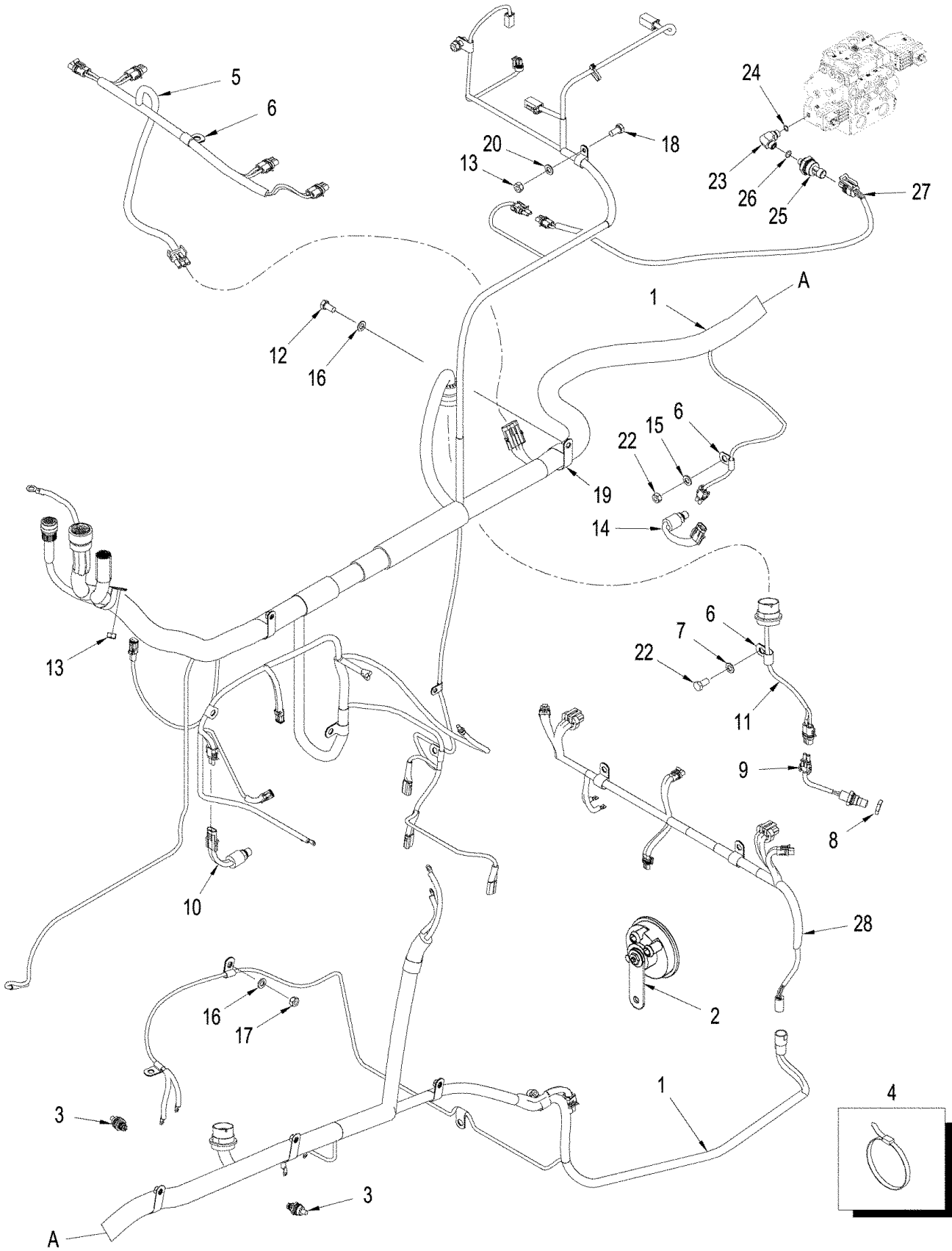


HARNESS - CAB ROOF

REF	FN	PART NUMBER	YR/SN	QTY	DESCRIPTION
1		373457A1		1	HARNESS
2		245483C1		2	CONNECTOR, ELEC, Two Cavity, Used without Field Lights
3		392149A1		2	DECAL, Used without Field Lights
4		225127C1		4	TERMINAL CONNECTOR, Type V4

	STX330 STX280 STEIGER 280 STEIGER 330
--	---

HARNESS - FRONT FRAME



HARNESS - FRONT FRAME

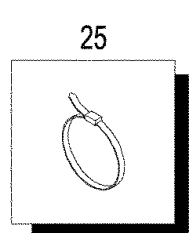
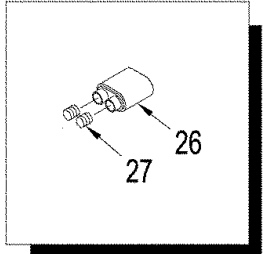
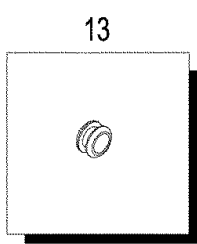
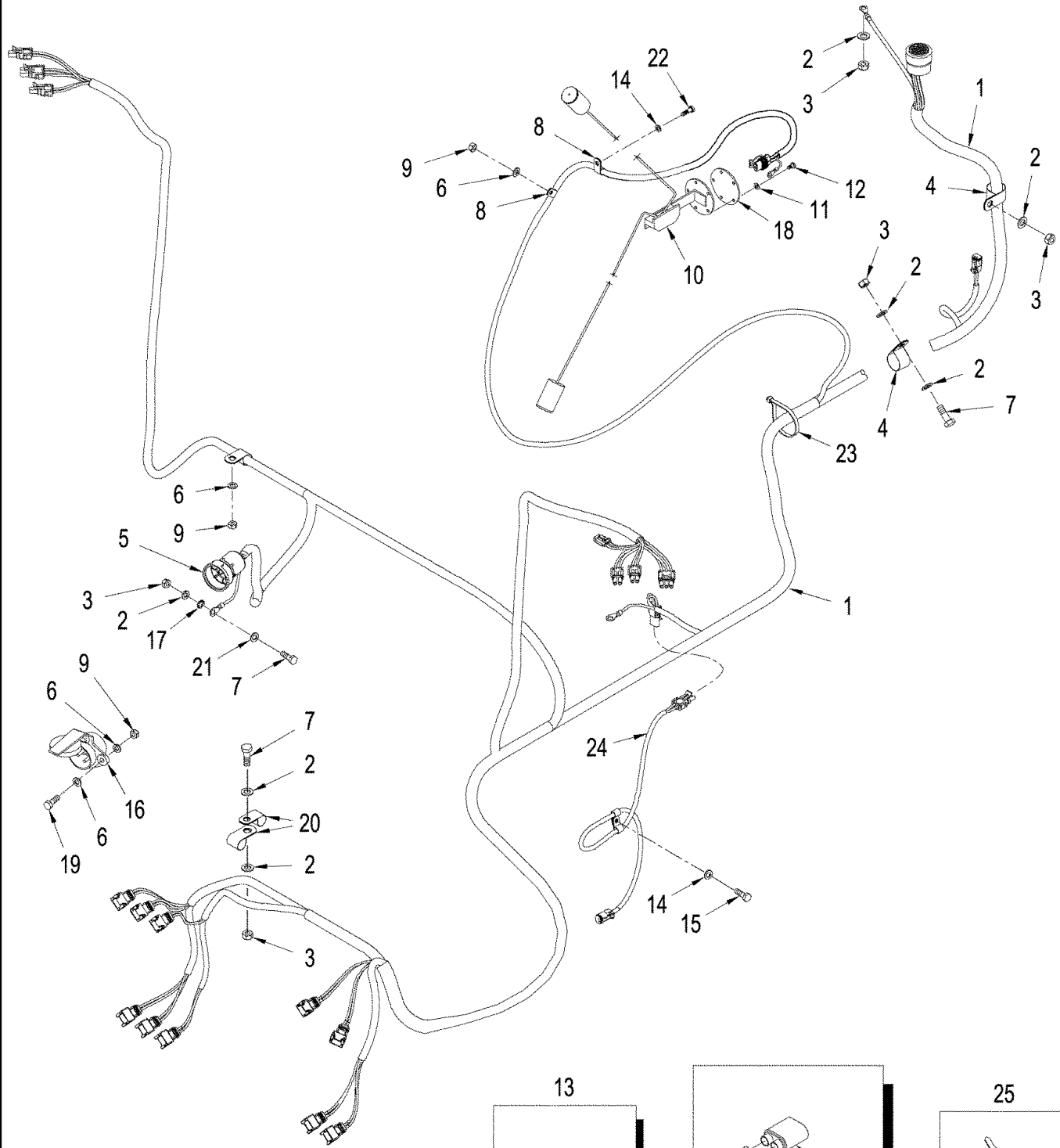
REF	FN	PART NUMBER	YR/SN	QTY	DESCRIPTION
1		87550730		1	HARNESS, Front Frame
1	1	87582251		1	HARNESS, Front Frame, Not Illustrated
2		237582A1		1	HORN, FC9
3		302557A2		2	SENDER UNIT, Temperature, Axle Filter
4		L11541		3	STRAP, Tie
5		371122A2		1	HARNESS, Lower Wiper
6		515-2295		1	CLAMP, 3/8", Insul, 5/16" Bolt
7		896-11012		1	WASHER, M13.5 x 24.5 x 3, HT
8		934120R1		1	NUT, Thin, M20 x 1.5, M20; 10
9		A186004		1	SENSOR, For MPH in Output Shaft Housing
10		339529A1		1	SWITCH, Pressure, Park Brake
11	2	87332146		1	HARNESS, Transmission
12		614-8025		1	BOLT, Hex, M8 x 25, 8.8
13		829-1410		3	NUT, M10, CI 10
14		330124A1		1	SWITCH, Temperature, Axle Lube, M18 orb x 1.5
15		896-11012		1	WASHER, M13.5 x 24.5 x 3, HT
16		895-11008		13	WASHER, M8 x 16 x 1.6
17		829-1408		12	NUT, M8, CI 10
18		614-10025		2	BOLT, Hex, M10 x 25, 8.8, Full Thd
19		515-24444		2	CLAMP, 1 3/4", Insul, 7/16" Bolt, 44.4 mm
20		895-11010		5	WASHER, M10 x 20 x 2
21		515-23412		1	CLAMP, 1 5/8", Insul, 3/8" Bolt, 41.2 mm
22		614-12016		2	BOLT, Hex, M12 x 16, 8.8, Full Thd
23		87539795		1	ELBOW, 90, M12 or x 14, Inc. 24
24		637-63093		1	O-RING, CI 6, 9.3MM ID x 2.2 Thk
25		375644A1		1	SENSOR, Pressure, Inc. 26
26		637-63113		1	O-RING, CI 6, 11.3MM ID x 2.2 Thk
27		87551744		1	HARNESS, WIRE, Steering Pressure Sensor
28		87337671		1	HARNESS, Light Bar

(1) Used with ACCUSTEER applications

(2) With Manual Shift Transmission

STX330	STX280
STEIGER 280	STEIGER 330

HARNESS - REAR FRAME, WITH ELECTRONIC REMOTE, WITHOUT THREE POINT HITCH

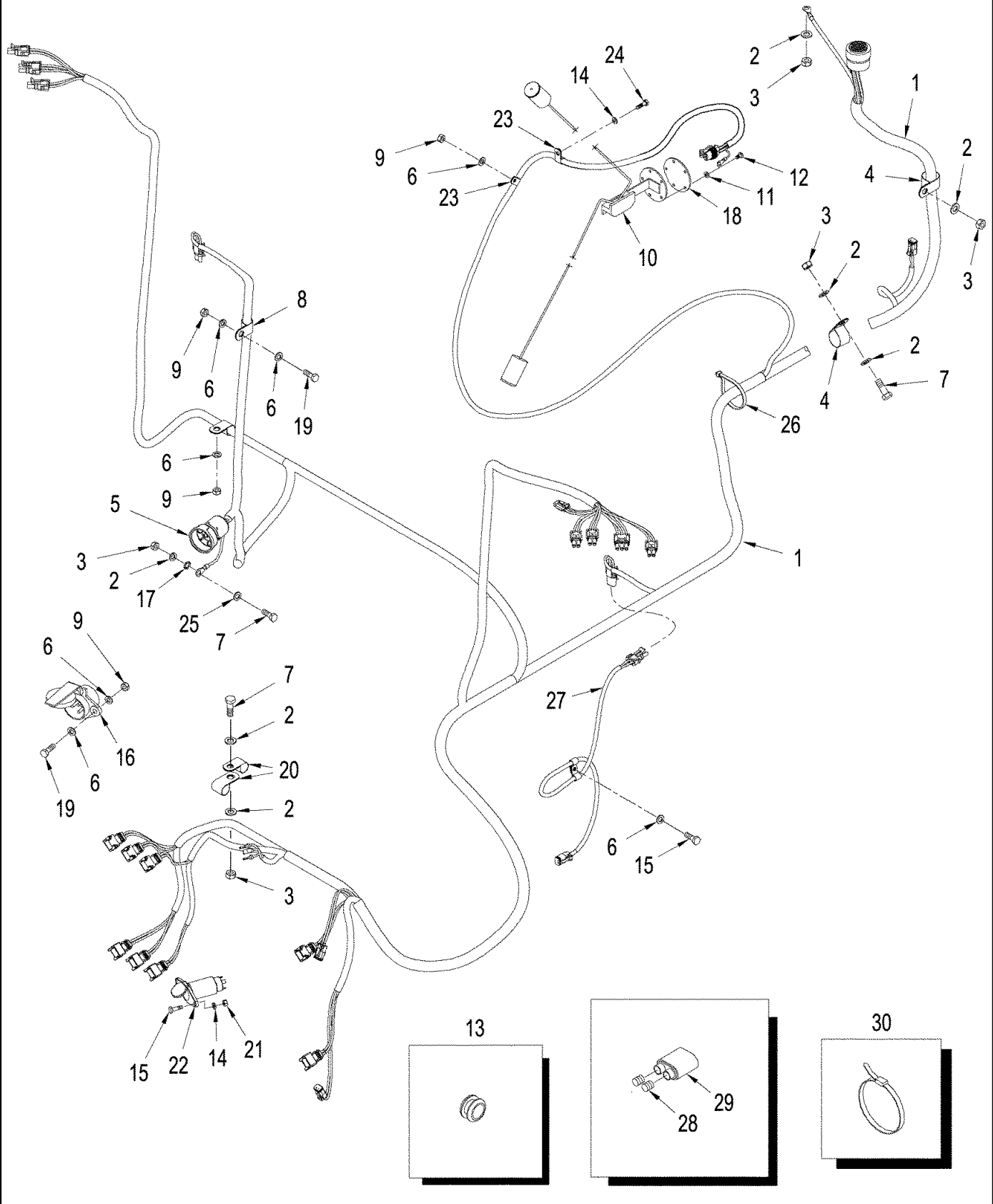


HARNESS - REAR FRAME, WITH ELECTRONIC REMOTE, WITHOUT THREE POINT HITCH

REF	FN	PART NUMBER	YR/SN	QTY	DESCRIPTION
1		87354882		1	HARNESS
2		895-11010		6	WASHER, M10 x 20 x 2
3		829-1410		6	NUT, M10, CI 10
4		515-24302		3	CLAMP, 1 3/16", Insul, 7/16" Bolt
5		481849C1		1	COVER, Connector
6		895-11008		12	WASHER, M8 x 16 x 1.6
7		614-10030		2	BOLT, Hex, M10 x 30, 8.8
8		515-23127		2	CLAMP, 1/2", Insul, 3/8" Bolt
9		829-1408		9	NUT, M8, CI 10
10		87434677		1	SENDER UNIT, Fuel Level, Inc. 18
11		895-11005		6	WASHER, M5 x 10 x 1
12		614-5010		6	BOLT, Hex, M5 x 10, 8.8, Full Thd
13		328265A1		3	GROMMET
14		895-11006		3	WASHER, M6
15		614-6020		4	BOLT, Hex, M6 x 20, 8.8
16		121645C1		1	SOCKET/RECEPTACLE
17		493-41033		1	WASHER, LOCK, Ext Tooth, 5/16"
18		104812C3		1	GASKET
19		627-8025		5	BOLT, Hex, M8 x 25, 10.9
20		515-24190		2	CLAMP, 3/4", Insul, 7/16" Bolt
21		892-11010		1	WASHER, LOCK, M10
22		614-6012		1	BOLT, Hex, M6 x 12, 8.8
23		440567A1		3	CABLE ASSY.
24		392227A1		1	HARNESS, Differential Lock
25		435437A1		2	STRAP, CABLE, 3/16" x 7 1/4", Tie, 184 mm (7-1/4 in.)
26		245483C1		4	CONNECTOR, ELEC, Without Field Lights
27		225127C1		8	TERMINAL CONNECTOR

STX330 STX280
 STEIGER 280 STEIGER 330

HARNESS - REAR FRAME, WITH ELECTRONIC REMOTE AND THREE POINT HITCH

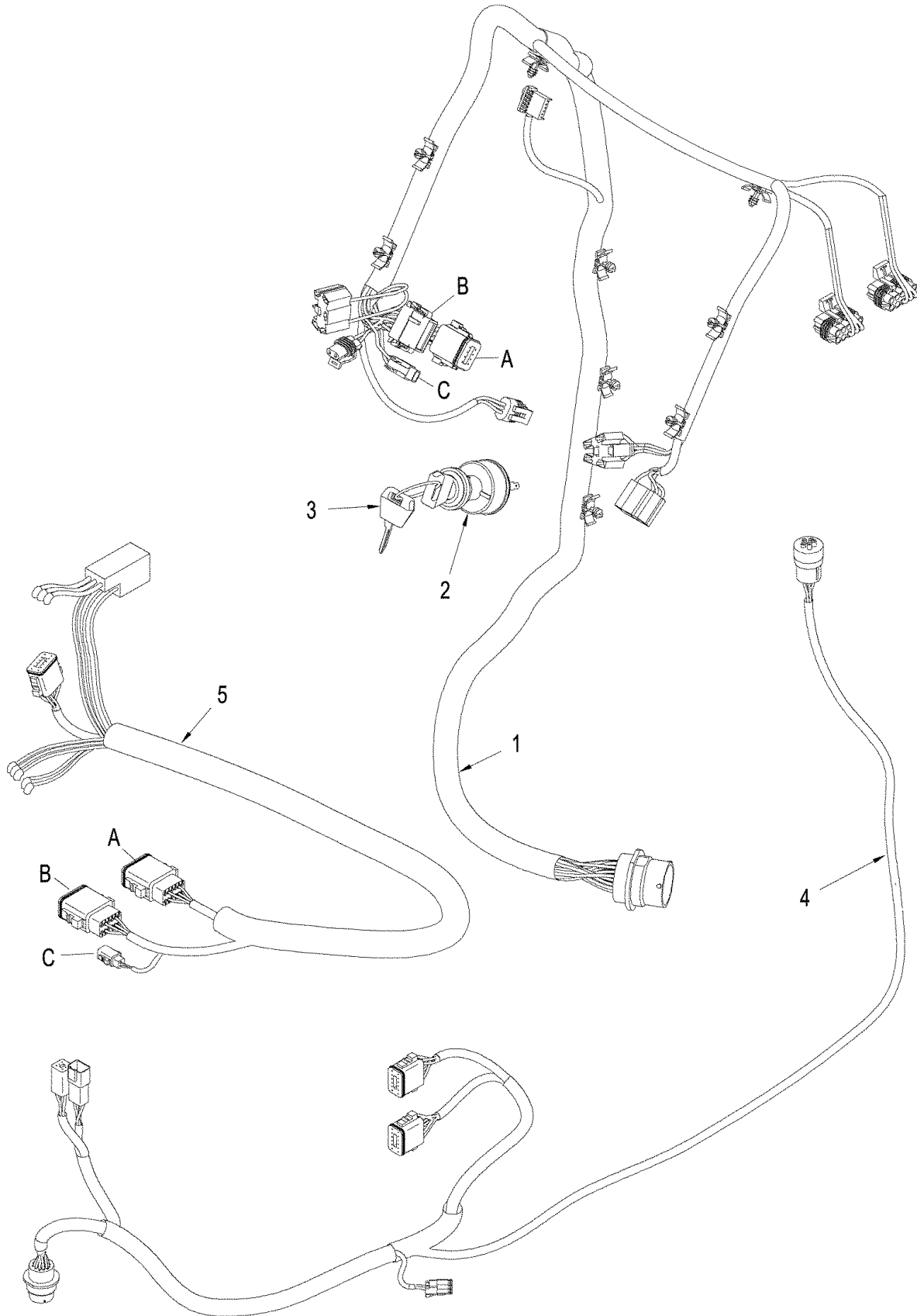


HARNESS - REAR FRAME, WITH ELECTRONIC REMOTE AND THREE POINT HITCH

REF	FN	PART NUMBER	YR/SN	QTY	DESCRIPTION
1		87354880		1	HARNESS
2		895-11010		6	WASHER, M10 x 20 x 2
3		829-1410		6	NUT, M10, CI 10
4		515-24302		3	CLAMP, 1 3/16", Insul, 7/16" Bolt, 1 ID
5		481849C1		1	COVER
6		895-11008		13	WASHER, M8 x 16 x 1.6
7		614-10035		8	BOLT, Hex, M10 x 35, 8.8, Full Thd
8		515-2495		1	CLAMP, 3/8", Insul, 7/16" Bolt
9		829-1408		10	NUT, M8, CI 10
10		87434677		1	SENDER UNIT, Fuel Level, Inc. 18
11		895-11005		6	WASHER, M5 x 10 x 1
12		840-1510		5	SCREW, Cross Pan Hd, M5 x 10
13		328265A1		3	GROMMET
14		895-11006		3	WASHER, M6
15		614-6020		2	BOLT, Hex, M6 x 20, 8.8
16		121645C1		1	SOCKET/RECEPTACLE, N.A. Only
17		493-41033		1	WASHER, LOCK, Ext Tooth, 5/16"
18		104812C3		1	GASKET
19		627-8025		6	BOLT, Hex, M8 x 25, 10.9
20		515-2595		1	CLAMP, 3/8", Insul, 1/2" Bolt
21		829-1406		2	NUT, M6, CI 10
22		367322A1		1	CONNECTOR, Remote, Three-Point Hitch
23		515-23127		2	CLAMP, 1/2", Insul, 3/8" Bolt
24		614-6012		1	BOLT, Hex, M6 x 12, 8.8
25		892-11010		1	WASHER, LOCK, M10
26		435437A1		2	STRAP, CABLE, 3/16" x 7 1/4", 184 mm (7-1/4 in.)
27		392227A1		1	HARNESS, Differential Lock
28		225127C1		8	TERMINAL CONNECTOR
29		245483C1		4	CONNECTOR, ELEC, Without Field Lights
30		440567A1		1	CABLE ASSY., 508 mm (20 in.)

STX330 STX280
 STEIGER 280 STEIGER 330

HARNESS - FRONT CONSOLE



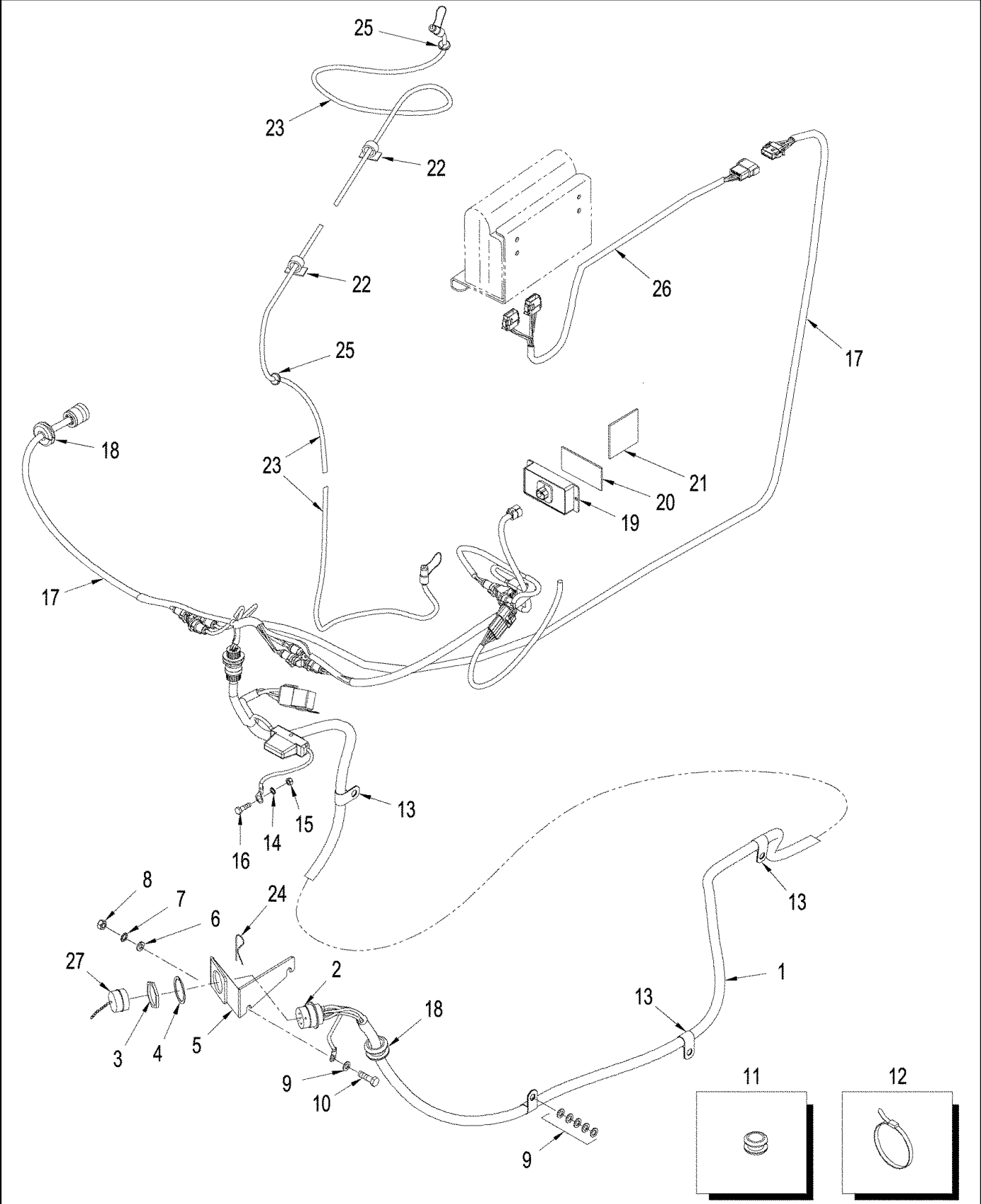
HARNES - FRONT CONSOLE

REF	FN	PART NUMBER	YR/SN	QTY	DESCRIPTION
1	1	87332145		1	HARNES, Front Console
1	2	87332137		1	HARNES, Front Console
2		363914A1		1	SWITCH, IGNITION, Inc. 3
3		86502201		1	SET OF 2 KEYS
4	3	87332624		1	HARNES, Steering Control
	2	86993721		1	CONTROL, With Self-Cancel, Inc. 5, Also See Figure: 05-03
	1	414332A1		1	CONTROL, With Self-Cancel, Inc. 4, Also See Figure: 05-02
5	2	375681A1		1	HARNES, Transmission Control And Turn Signal Self-Cancelling Sensor (Sensor Not Serviced Separately)
5	1	416123A1		1	HARNES, WIRE, With Self-Cancel

- (1) With Manual Shift Transmission
(2) With Power Shift Transmission
(3) With ACCUSTEER

STX330 STX280
STEIGER 280 STEIGER 330

HARNESS - ADVANCED FARMING SYSTEMS

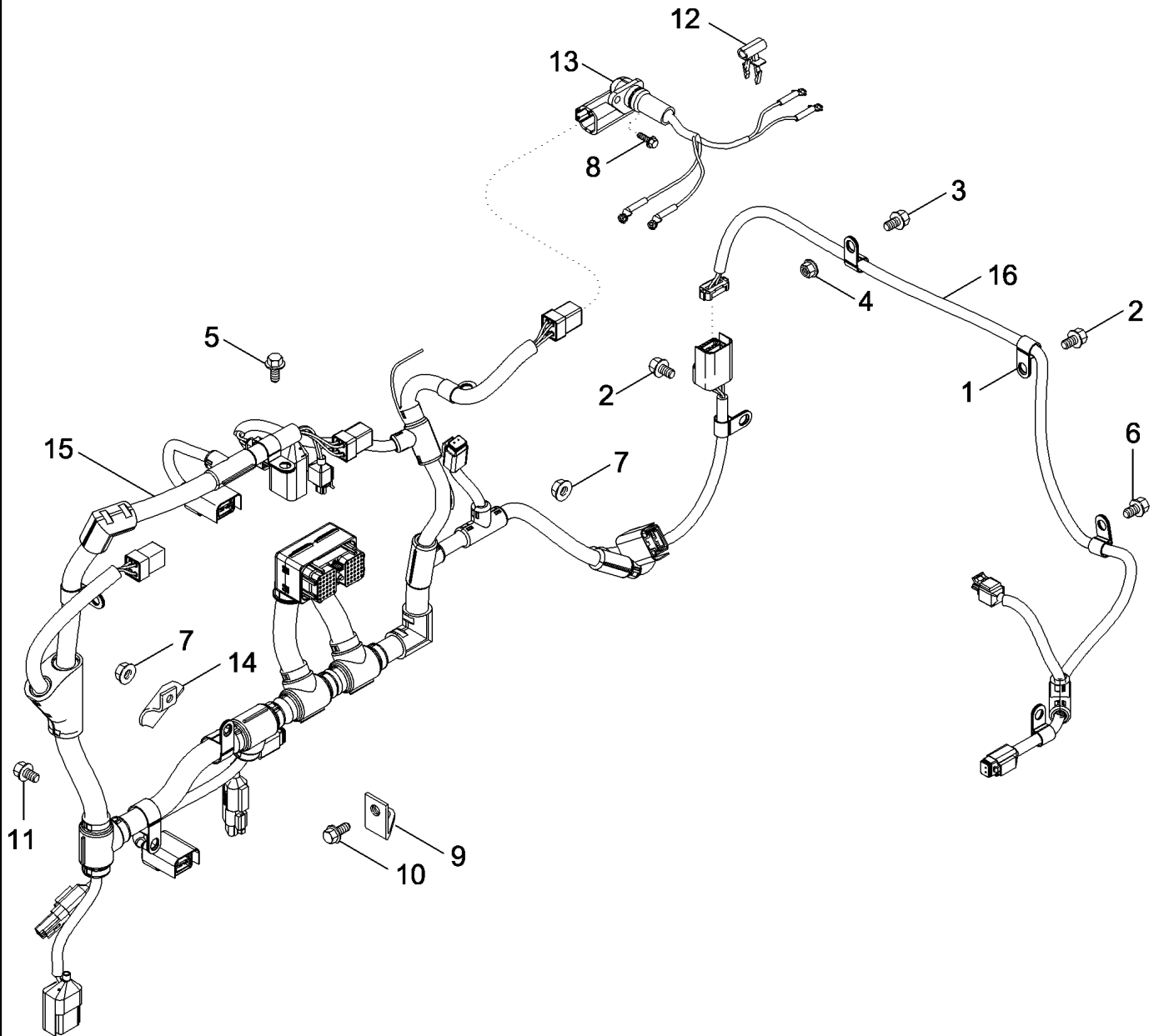


HARNESS - ADVANCED FARMING SYSTEMS

REF	FN	PART NUMBER	YR/SN	QTY	DESCRIPTION
1		405029A2		1	HARNESS, AFS CHASSIS
2		352506A1		1	CONNECTOR, ELEC
3		459329C1		1	NUT
4		459330C1		1	WASHER, LOCK
5		405387A2		1	PLATE, AFS CONNECTOR
6		893-11010		1	WASHER, LOCK, Ext Tooth, M10
7		892-11010		2	WASHER, LOCK, M10
8		829-1410		2	NUT, M10, CI 10
9		895-18010		7	WASHER, M10 x 18 x 1.6
10		614-10035		2	BOLT, Hex, M10 x 35, 8.8, Full Thd
11		328265A1		1	GROMMET
12		435437A1		3	STRAP, CABLE, 3/16" x 7 1/4"
13		515-25190		2	CLAMP, 3/4", Insul, 1/2" Bolt, M19
14		892-11005		1	WASHER, LOCK, M5
15		825-1405		1	NUT, M5, CI 8
16		614-5012		1	BOLT, Hex, M5 x 12, 8.8, Full Thd
17		87364530		1	HARNESS, Cab
18		248-23108		1	GROMMET, 3/4" ID x 1 7/16" Groove Dia, Str Cut
19		284638A2		1	CONNECTOR, ELEC
20		406450A1		2	FASTENER, DUAL LOCK
21		406449A1		2	FASTENER, DUAL LOCK
22		169850C2		2	ANCHOR
23		405687A1		1	CABLE, Receiver
24		136-157		2	PIN, SPLIT (COTTER), Int, 9/64" x .054", Cotter
25		248-2340		2	GROMMET, 3/8" ID x 5/8" Groove Dia, Str Cut
26		87414764		1	HARNESS, AFS Jumper
27		245041C1		1	CAP

STX330 STX280
STEIGER 280 STEIGER 330

HARNESS, ENGINE CONTROL MODULE



HARNESS, ENGINE CONTROL MODULE

REF	FN	PART NUMBER	YR/SN	QTY	DESCRIPTION
1		515-23127		1	CLAMP, 1/2", Insul, 3/8" Bolt
2		313490A1		2	BOLT, M10 x 14
3		615-8012		1	BOLT, Hex, M8 x 12, 8.8, Full Thd
4		76191876		1	NUT
5		845-6010		1	BOLT, Hex Flg, M6 x 10, 8.8, Full Thd
6		97010C1		1	BOLT, SPREADER, M6 x 12
7		825-2406		3	NUT, M6 x 1, Flg, CI 8
8		845-6015		3	BOLT, Hex Flg, M6 x 15, 8.8, Full Thd
9		J919294		1	SUPPORT, Tube, Fuel Supply
10		87346341		1	BOLT
11		J925883		1	SCREW, M8 x 16: 10.9
12		NSS		8	NOT SERVICED SEPARATELY, Clip, Harness
13		87346235		1	HARNESS, WIRE, Injector Wiring
14		87346319		1	BRACE
15		87346337		1	HARNESS, WIRE, Engine ECM
16		87346339		1	HARNESS, WIRE, Temperature Sensor

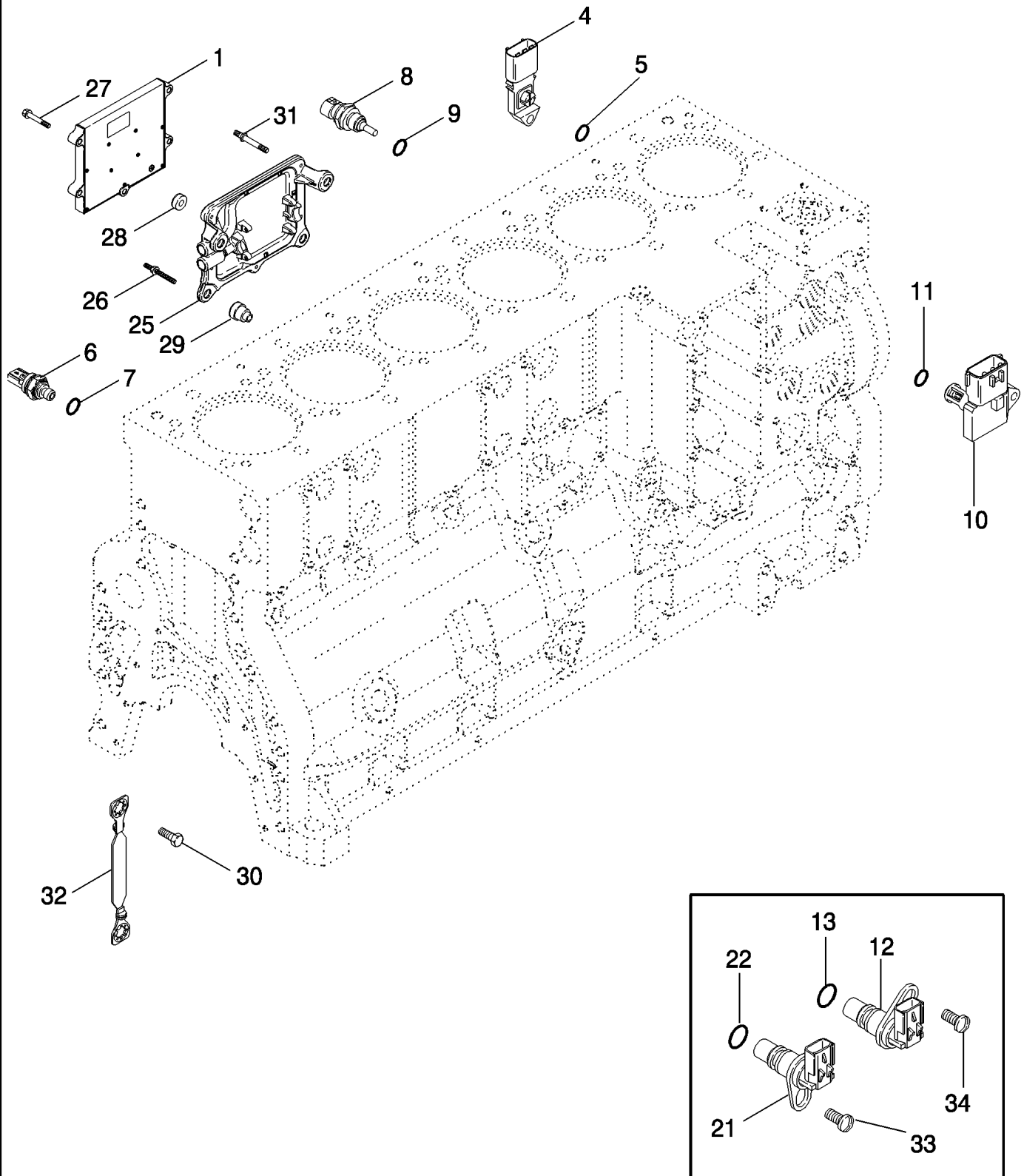
STEIGER 280 STX330
 STX280 STEIGER 330

04-21

p1

02/07

MODULE, ENGINE CONTROL

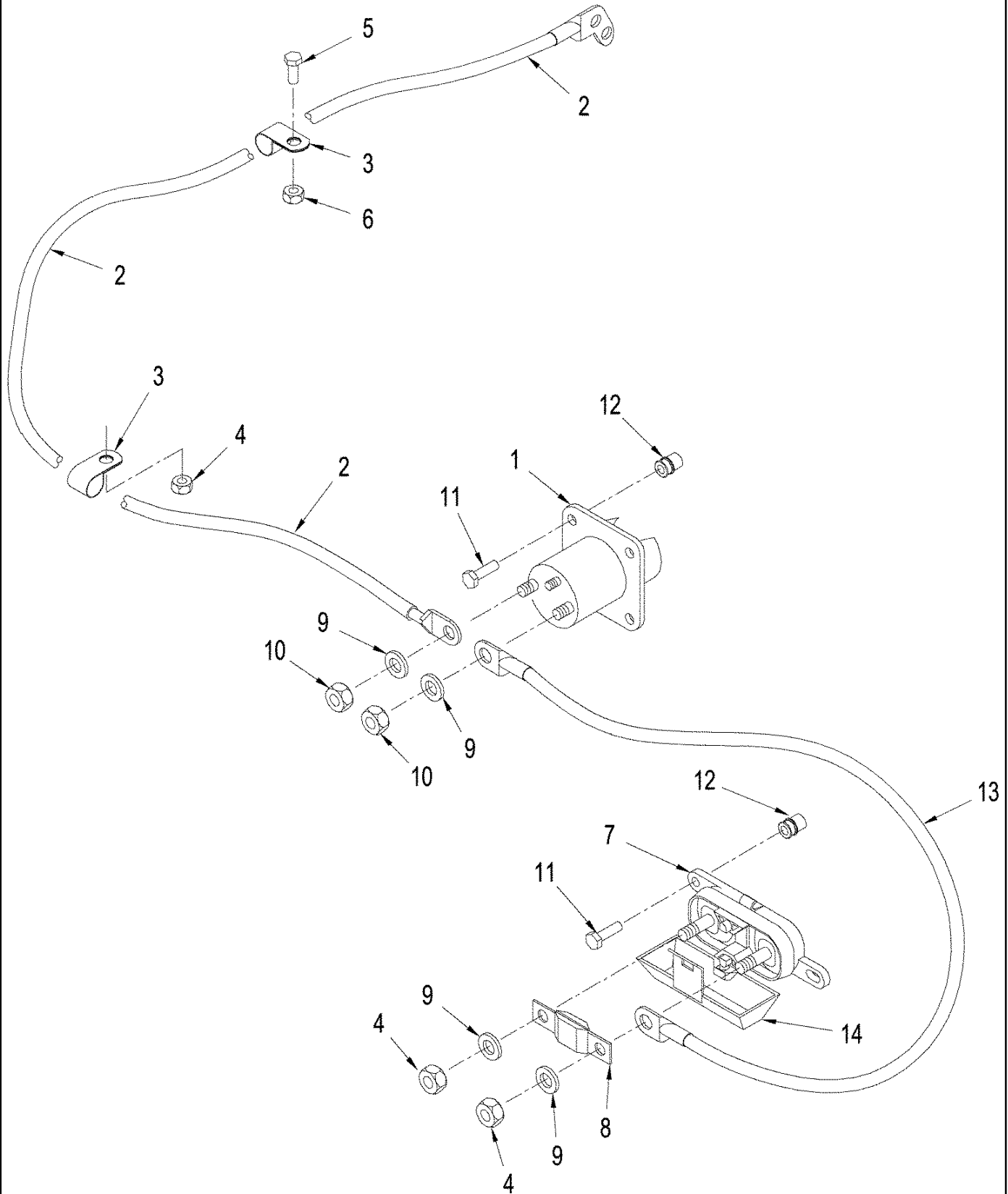


MODULE, ENGINE CONTROL

REF	FN	PART NUMBER	YR/SN	QTY	DESCRIPTION
1		87342185		1	MODULE, Electronic Control
2		87341845		1	SCREW, Not Illustrated
3		J900589		1	NUT, M8 x 1.25, Not Illustrated
4		87341871		1	SENSOR, Pressure, Inc. 5
5		J330202		1	O-RING, 11,3 ID x 2,2 mm
6		87342100		1	SENSOR, Pressure, Inc. 7
7		87341887		1	O-RING, 11,3 ID x 2,2 mm
8		87341875		1	SENSOR, Temperature, Inc. 9
9		87341887		1	O-RING, 11,3 ID x 2,2 mm
10		87584643		1	SENSOR, Inc. 11
11		87342065		1	SEAL, RUBBER, 11,3 ID x 2,2 mm
12		87352952		1	SENSOR, Position, Inc. 13
13		87352938		1	O-RING
14		845-6015		1	BOLT, Hex Flg, M6 x 15, 8.8, Full Thd, Not Illustrated
21		87341787		1	SENSOR, Inc. 22
22		87352938		1	O-RING
25		87342193		1	MODULE, Electronic Control
26		J944816		3	SCREW
27		845-8045		4	BOLT, Hex Flg, M8 x 45, 8.8
28		87341822		4	ISOLATOR
29		87341823		4	ISOLATOR
30		845-8040		2	BOLT, Hex Flg, M8 x 40, 8.8
31		87341816		1	SCREW
32		87341820		1	STRAP, GROUND, Ground
33		845-8020		1	BOLT, Hex Flg, M8 x 20, 8.8, Full Thd
34		J920854		1	SCREW, Hex Hd, M5 x .8 x 20, w/LW

STEIGER 280 STX330
 STX280 STEIGER 330

GRID HEATER - CABLES

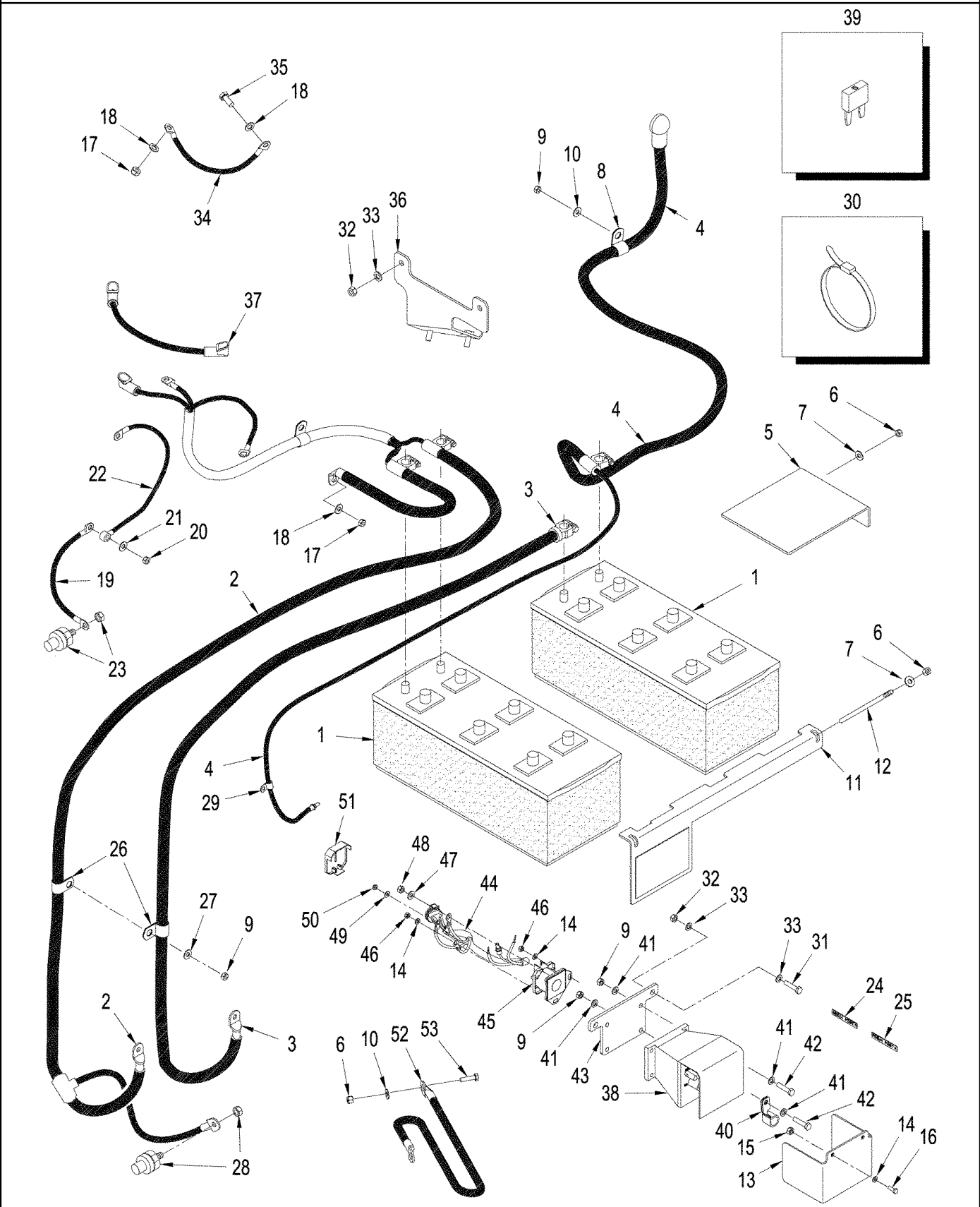


GRID HEATER - CABLES

REF	FN	PART NUMBER	YR/SN	QTY	DESCRIPTION
1		87455571		1	SOLENOID, Grid Heater, 200 A
2		87342409		1	CABLE, Fuse to Air Heater Relay
3		515-24190		2	CLAMP, 3/4", Insul, 7/16" Bolt
4		829-1410		3	NUT, M10, CI 10
5		614-8020		1	BOLT, Hex, M8 x 20, 8.8
6		829-1408		1	NUT, M8, CI 10
7		440038A1		1	JUNCTION BLOCK, Fuse Block
8		87455597		1	FUSE, 200 A
9		895-11006		4	WASHER, M6
10		231-1445		2	NUT, LOCK, 5/16"-18, GB
11		627-6020		4	BOLT, Hex, M6 x 20, 10.9
12		404287A1		4	INSERT, Knurled
13		87365712		1	CABLE, Fuse to Air Heater Relay
14		87341554		1	COVER, Glowplug Relay

STX330	STX280
STEIGER 280	STEIGER 330

BATTERIES

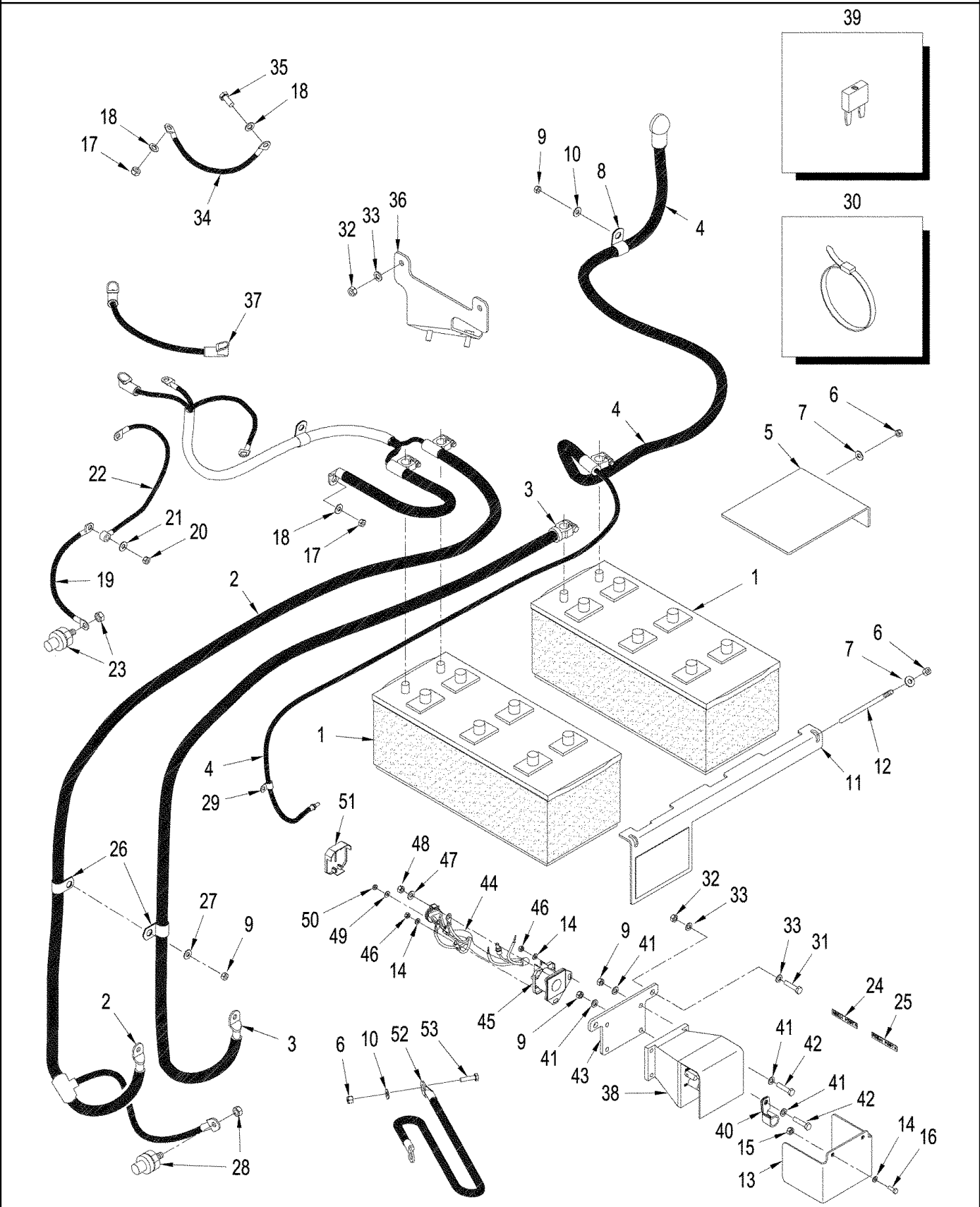


BATTERIES

REF	FN	PART NUMBER	YR/SN	QTY	DESCRIPTION
1		BCH4DLTW		2	BATTERY, WET, 24V / 1000 cca, for Purchase in the United States
1		CBCH4DLTW		2	BATTERY, WET, 24V / 1000 cca, for Purchase in Canada
2		87451581		1	CABLE ASSY., Power / Ground, 12V
3		87451579		1	CABLE ASSY., Ground, 24V
4		87451580		1	CABLE ASSY., Starter, 24V
5		87451582		1	SHIELD, Terminal
6		832-10408		6	NUT, LOCK, M8 x 1.25, CI 8
7		896-15008		4	WASHER, M8 x 21.5 x 2.5, HT
8		515-24238		4	CLAMP, 15/16", Insul, 7/16" Bolt
9		829-1408		6	NUT, M8, CI 10
10		895-15008		7	WASHER, M8 x 20 x 1.6
11		87431631		1	CLAMP BRACKET, Battery Hold Down
12		87413678		2	ROD, Battery Hold Down
13		87437207		1	SHIELD, Relay
14		895-11006		2	WASHER, M6
15		830-33006		2	NUT
16		627-6016		2	BOLT, Hex, M6 x 16, 10.9
17		829-1412		2	NUT, M12, CI 10
18		892-11012		3	WASHER, LOCK, M12
19		87448367		1	CABLE, GROUND, Jump Start Ground, 24V
20		832-10412		1	NUT, LOCK, M12 x 1.75, CI 8
21		896-11012		1	WASHER, M13.5 x 24.5 x 3, HT
22		87448368		1	CABLE, GROUND, Ground Jumper, 12 / 24V
23		87452063		1	CONNECTOR, TERMINAL, Jumper
24		87427317		1	DECAL, (-) Negative Post
25		87427096		1	DECAL, (+) Positive Post
26		515-25254		2	CLAMP, 1", Insul, 1/2" Bolt
27		895-15008		7	WASHER, M8 x 20 x 1.6
28		582785C91		1	CONNECTOR, TERMINAL, Terminal Jumper
29		516-23190		1	CLAMP, J, 3/4", Insul, 3/8" Bolt
30		L11541		2	STRAP, Tie, M15
31		627-10030		2	BOLT, Hex, M10 x 30, 10.9, Full Thd
32		829-1410		4	NUT, M10, CI 10

STX330 STX280
STEIGER 280 STEIGER 330

BATTERIES



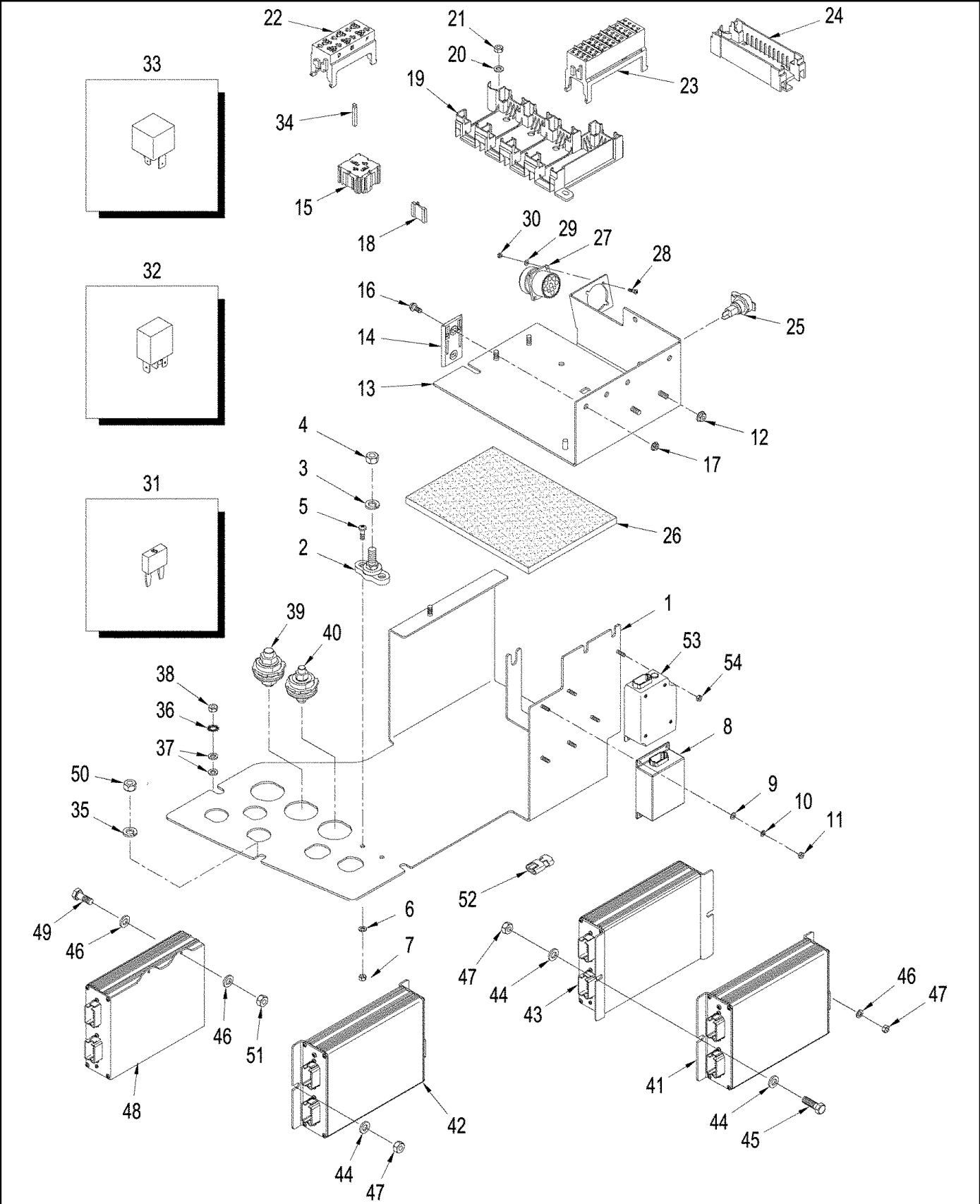
BATTERIES

REF	FN	PART NUMBER	YR/SN	QTY	DESCRIPTION
33		895-11010		6	WASHER, M10 x 20 x 2
34		367786A1		1	STRAP, Engine Ground
35		614-12025		1	BOLT, Hex, M12 x 25, 8.8
36		365035A6		1	BRACKET, Cab Harness
37		364590A1		1	CABLE, Circuit Breaker
38		389120		1	SWITCH, Relay, Inc. 39
39		420580		2	PLATE, Fuse, 80 Amp
40		R43926		1	CLAMP, 90 Twist, 3/4"
41		895-11008		1	WASHER, M8 x 16 x 1.6
42		627-8035		4	BOLT, Hex, M8 x 35, 10.9
43		87417495		1	PLATE, Mounting
44		87417510		1	HARNESS, Relay, 12 / 24V
45		183038A1		1	SWITCH, SOLENOID, Switch, with Barrier
46		829-1406		2	NUT, M6, CI 10
47		495-11034		2	WASHER, 5/16", SAE
48		425-105		2	NUT, 5/16"-18, G5
49		495-31022		1	WASHER, #10
50		225-14210		1	NUT, #10-32
51		178148A1		1	COVER
52	1	373555A1		1	STRAP, Ground
53	1	627-8030		2	BOLT, Hex, M8 x 30, 10.9

(1) Used with ACCUSTEER applications

STX330 STX280
STEIGER 280 STEIGER 330

ELECTRONIC MODULE ASSY



ELECTRONIC MODULE ASSY

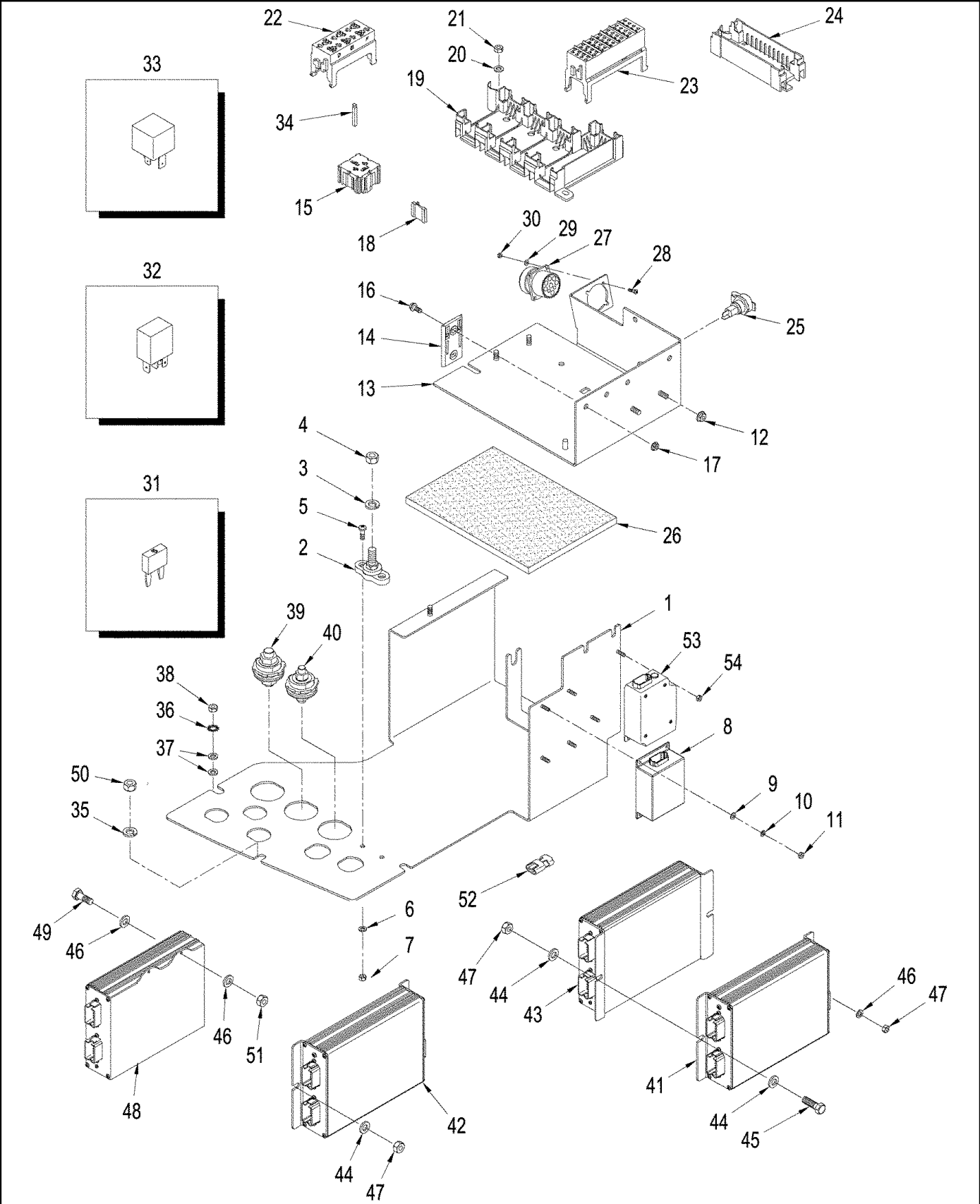
REF	FN	PART NUMBER	YR/SN	QTY	DESCRIPTION
1		87416914		1	BRACKET
2		20-1451T1		1	BLOCK, Junction
3		892-11010		1	WASHER, LOCK, M10
4		425-106		1	NUT, 3/8"-16, G5
5		840-1516		2	SCREW, Cross Pan Hd, M5 x 16
6		895-11005		2	WASHER, M5 x 10 x 1
7		824-1405		2	NUT, M5, CI 5
8		397346A1		1	FLASHER UNIT, Module, Interface
9		895-11004		4	WASHER, M4
10	1	892-11004		4	WASHER, LOCK, M4
11	1	824-1404		4	NUT, M4, CI 5
11		832-10404		4	NUT, LOCK, M4 x .7, CI 8
12		825-5146		3	NUT, M6, Flg Ser
	2	87366657	BSN Z6F105001	1	MODULE, Electronics, Inc. 13 - 34, Also See Figure: 04-13
	1	87366658	BSN Z6F105001	1	MODULE, Electronics, Inc. 13 - 34, Also See Figure: 04-13
		87557939	ASN Z6F105001	1	MODULE, Electronics, Inc. 13 - 34, Also See Figure: 04-13
13		87416914	BSN Z6F105001	1	BRACKET, Plate, Mounting
13		{87416911}	ASN Z6F105001	1	Plate, Mounting
14		367147A1		3	BRACKET, Mounting
15		367145A1		5	BLOCK, Terminal
16		841-4512		3	SCREW, Hex Wash Hd, M5 x 12
17		825-5145		3	NUT, M5, Flg Ser
18		367146A1		4	WEDGE
19		191135A1		1	BASE
20		895-11006		3	WASHER, M6
21		829-1406		3	NUT, M6, CI 10
22		144417A1		3	BLOCK, CONNECTING
23		144421A1		2	BLOCK, CONNECTING
24		194319A1		1	TERMINAL
25		300655A1		1	SOCKET, POWER

(1) With Manual Shift Transmission

(2) With Power Shift Transmission

STX330	STX280
STEIGER 280	STEIGER 330

ELECTRONIC MODULE ASSY



ELECTRONIC MODULE ASSY

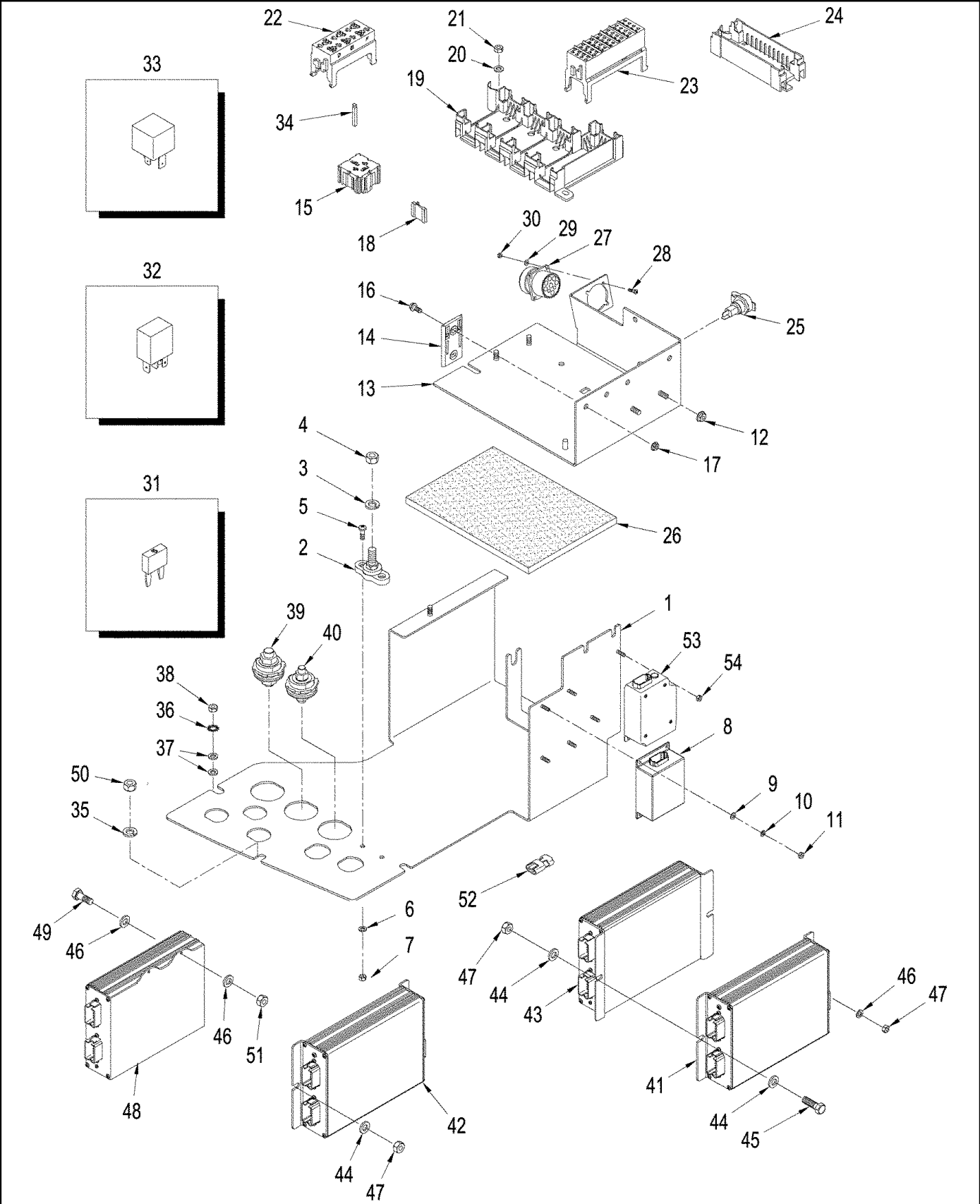
REF	FN	PART NUMBER	YR/SN	QTY	DESCRIPTION
26		349062A1		1	PAD, RUBBER
27		310057A1		1	CONNECTOR, ELEC
28		840-1312		4	SCREW, Cross Pan Hd, M3 x 12
29		895-11003		4	WASHER, M3
30		824-1403		4	NUT, M3, CI 5
31		121416A1		AR	FUSE, 30 amp
31		121415A1		AR	FUSE, 25 amp
31		121414A1		AR	FUSE, 20 amp
31		121413A1		AR	FUSE, 15 amp
31		121412A1		AR	FUSE, 10 amp
31		121411A1		AR	FUSE, 7.5 amp
31		121410A1		AR	FUSE, 5 amp
31		368224A1		2	DIODE, Mini, 1 amp, Differential Lock
32		87414866		AR	RELAY, 20 amp
33		368459A1		AR	RELAY, 70 amp
34		430116A1		10	LOCK
35		895-11008		6	WASHER, M8 x 16 x 1.6
36		893-11010		2	WASHER, LOCK, Ext Tooth, M10
37		895-11010		4	WASHER, M10 x 20 x 2
38		829-1410		2	NUT, M10, CI 10
39		190158A1		1	BLOCK, Junction
40		311430A1		1	BLOCK, Junction
41	1	87354994		1	CONTROL UNIT, Three-Point Hitch
42		399302A3		1	CONSOLE, Auxiliary
43	2,1	87363090	BSN Z6F105160	1	MODULE, Steering Control
43	2,1	{87560497}	ASN Z6F105160	1	Steering Control
44		895-11008		4	WASHER, M8 x 16 x 1.6
45		627-8016		1	BOLT, Hex, M8 x 16, 10.9
46		895-11005		3	WASHER, M5 x 10 x 1
47		829-1408		3	NUT, M8, CI 10
48	1	87573403	BSN Z6F105039	1	MODULE, Transmission
48	1	87587161	ASN Z6F105039	1	MODULE, Transmission
49		840-1616		2	SCREW, Cross Pan Hd, M6 x 16

(1) Download Software from Service Tool.

(2) With ACCUSTEER

STX330	STX280
STEIGER 280	STEIGER 330

ELECTRONIC MODULE ASSY

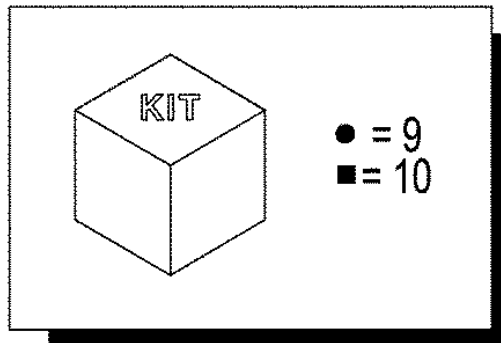
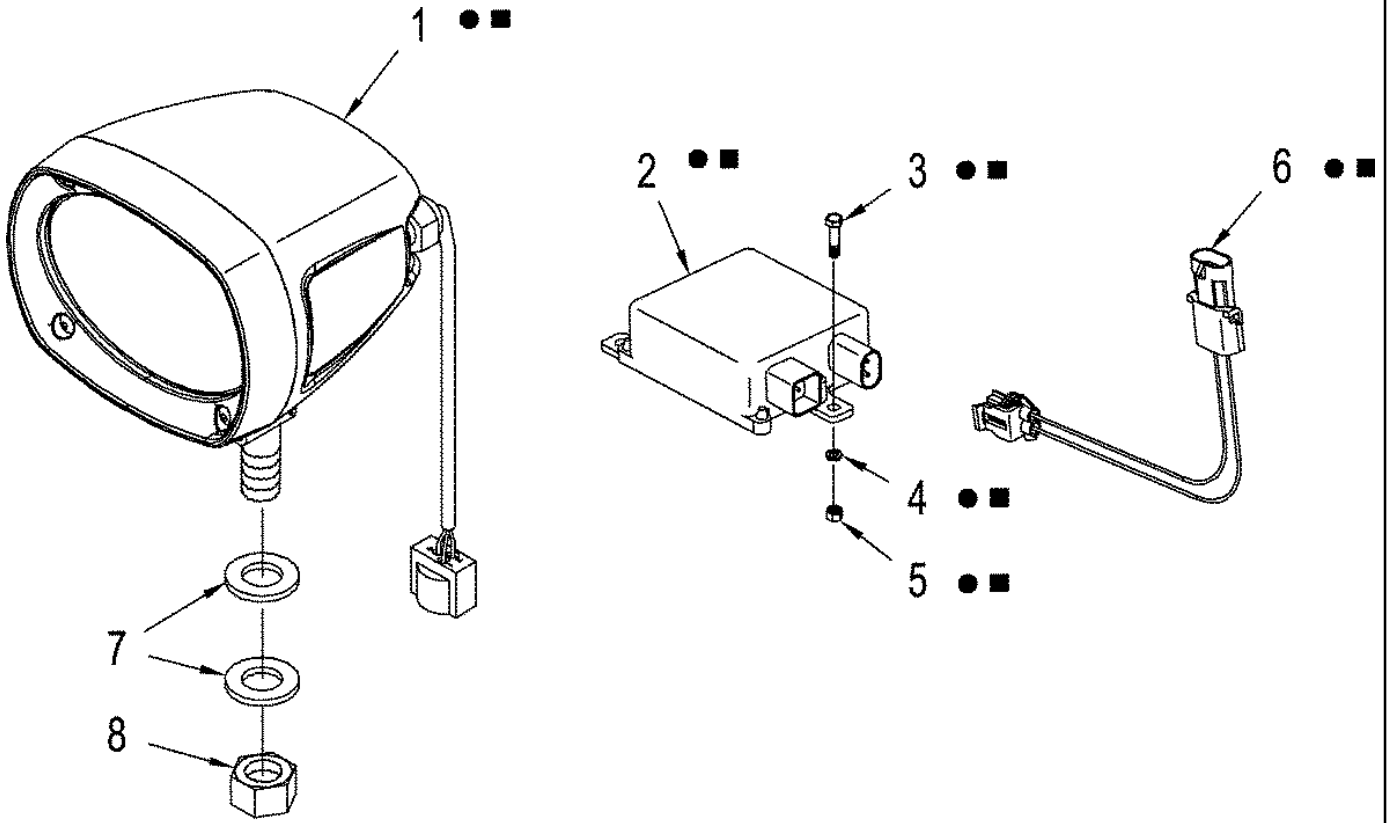


ELECTRONIC MODULE ASSY

REF	FN	PART NUMBER	YR/SN	QTY	DESCRIPTION
50		829-1408		6	NUT, M8, CI 10
51		832-10406		2	NUT, LOCK, M6 x 1, CI 8
52		87537124		1	CONNECTOR, TERMINAL, Jumper, Can
53		86989612		1	MODULE, ISO ECU, If Used
54		832-10406		2	NUT, LOCK, M6 x 1, CI 8

	STX330 STX280 STEIGER 280 STEIGER 330
--	---

LAMPS - REAR FRAME, H.I.D.

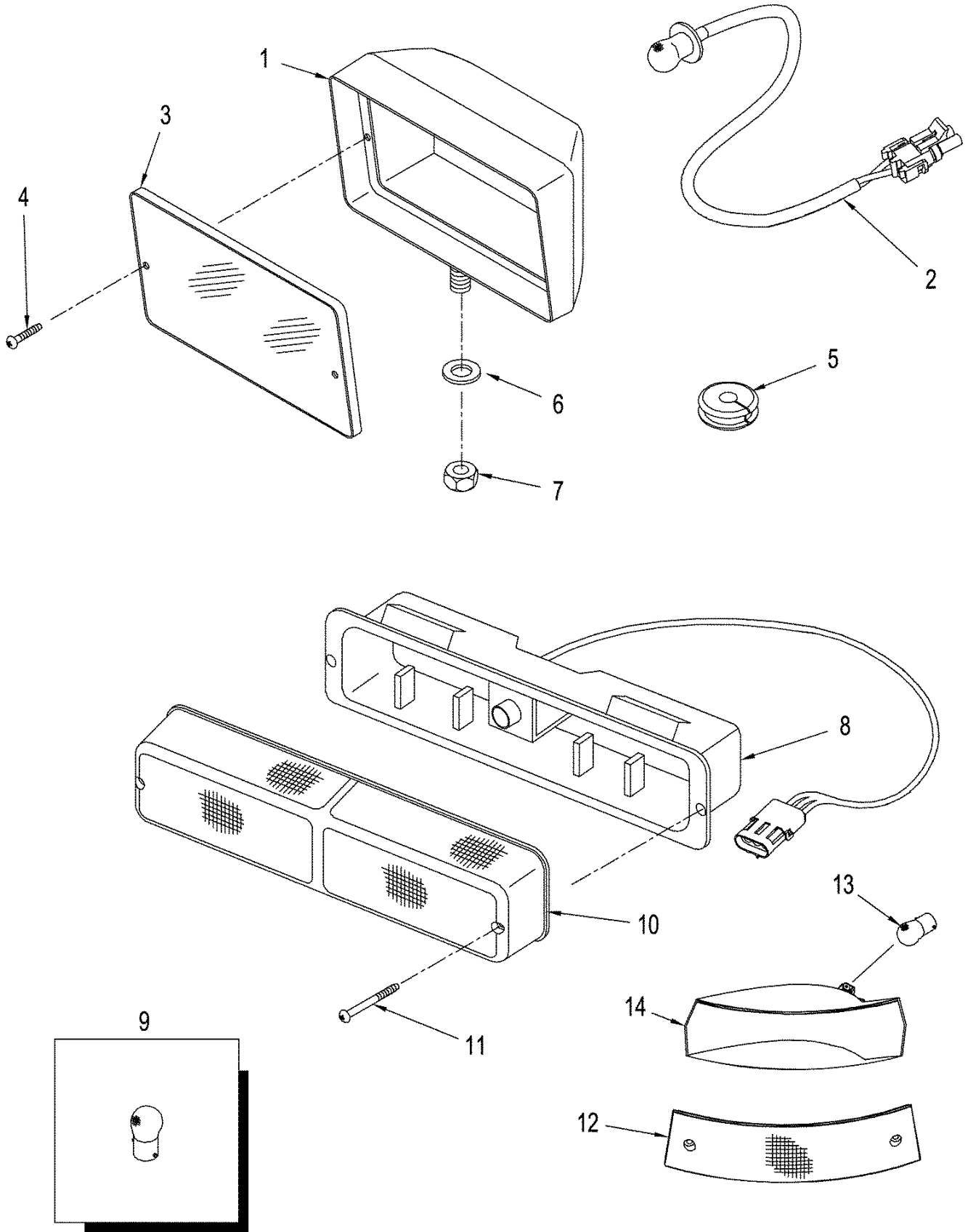


LAMPS - REAR FRAME, H.I.D.

REF	FN	PART NUMBER	YR/SN	QTY	DESCRIPTION
1		87419587		2	LAMP, Flood
1		87419591		2	LAMP, Trap
2		447742A1		AR	BALLAST, Rear H.I.D.
3		614-5020		AR	BOLT, Hex, M5 x 20, 8.8, Full Thd
4		895-11005		AR	WASHER, M5 x 10 x 1
5		832-10405		AR	NUT, LOCK, M5 x .8, CI 8
6		87419583		AR	CABLE, Ballast to Rear Harness
7		896-15012		8	WASHER, M12 x 28.5 x 4, HT
8		829-1410		4	NUT, M10, CI 10
9		719618003		1	KIT, FIP, H.I.D., Rear Flood, Inc. 1 - 6
10		719702013		1	KIT, FIP, H.I.D., Rear Trap, Inc. 1 - 6

	STX330 STX280 STEIGER 280 STEIGER 330
--	---

LAMPS - REAR FRAME AND FIELD

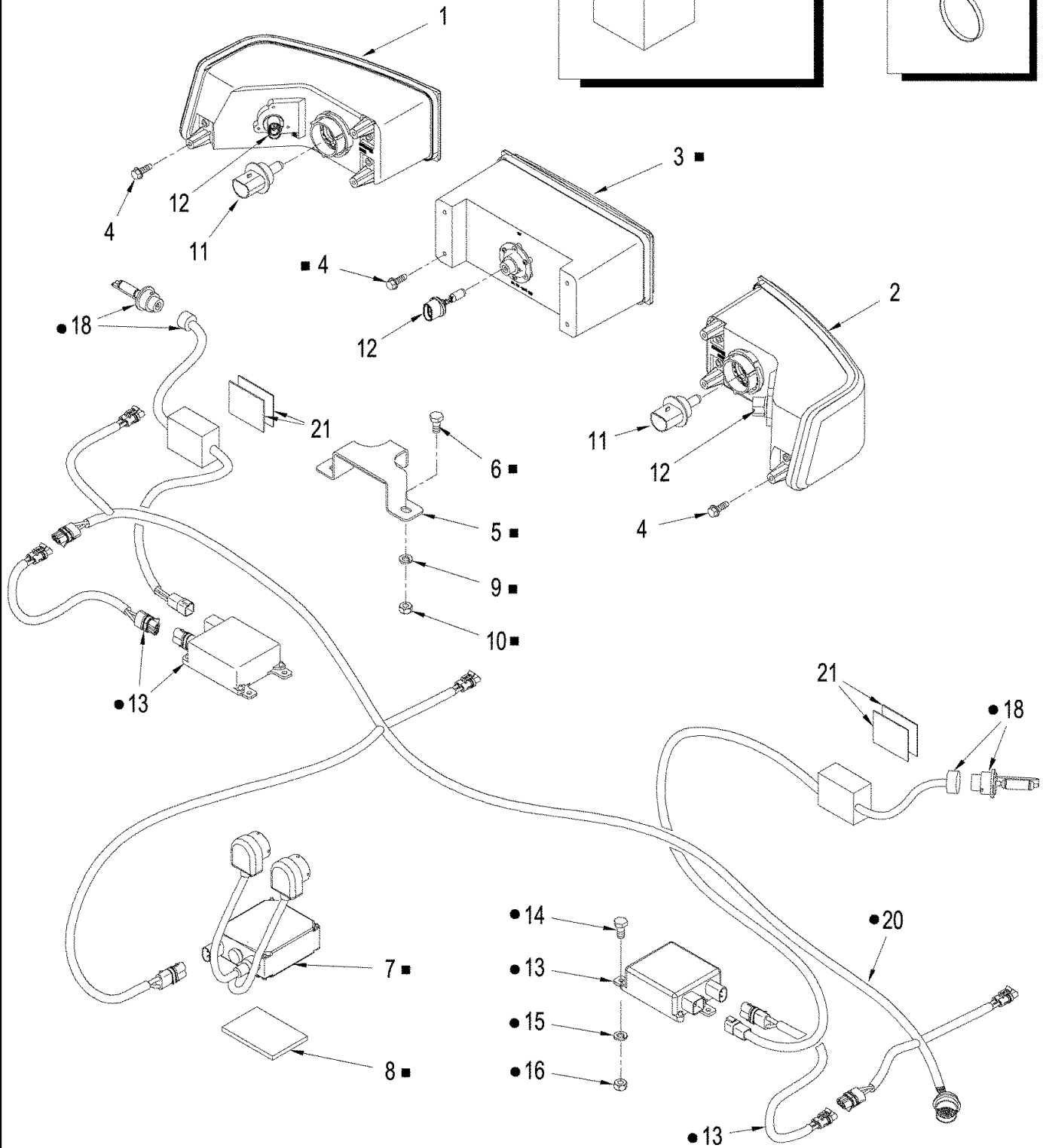
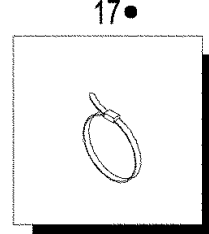
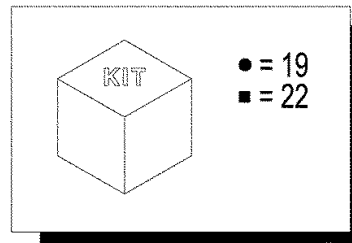


LAMPS - REAR FRAME AND FIELD

REF	FN	PART NUMBER	YR/SN	QTY	DESCRIPTION
		92269C1		2 - 4	LAMP, WORK, Inc. 1 - 4
1		1964806C1		1	BEZEL
2		1312210C2		1	BULB, 12V - 55W
3		276498A1		1	LENS
4		260-54312		2	SCREW, SELF TAP, Cross Pan Hd, #6 x 3/4"
5		87030421		4	GROMMET, 3/8" ID x 1 1/4" Groove Dia, Str Cut
6		895-11010		2	WASHER, M10 x 20 x 2
7		829-1410		2	NUT, M10, CI 10
		429385A1		1	LIGHT, WORK, Rear Frame, Inc. 8 - 10
		417788A1		1	LIGHT, WORK, Rear Frame, Inc. 8 - 10
8		NSS		1	NOT SERVICED SEPARATELY, Plate, Backing
9		3131227R1		1	BULB, P25-1, 12V, 25W, Amber Turn Lamp
9		3131234R1		1	BULB, P25-2, 12V, 5W, Red Brake Light
10		NSS		1	NOT SERVICED SEPARATELY, Lens, Red and Amber
11		NSS		2	NOT SERVICED SEPARATELY, Screw
		320246A1		4	LAMP, Warning, Cab Roof, Inc. 12 - 14
12		183748A1		1	LENS
13		A41264		1	BULB, #1156, 12V
14		NSS		1	NOT SERVICED SEPARATELY, Housing

STX330	STX280
STEIGER 280	STEIGER 330

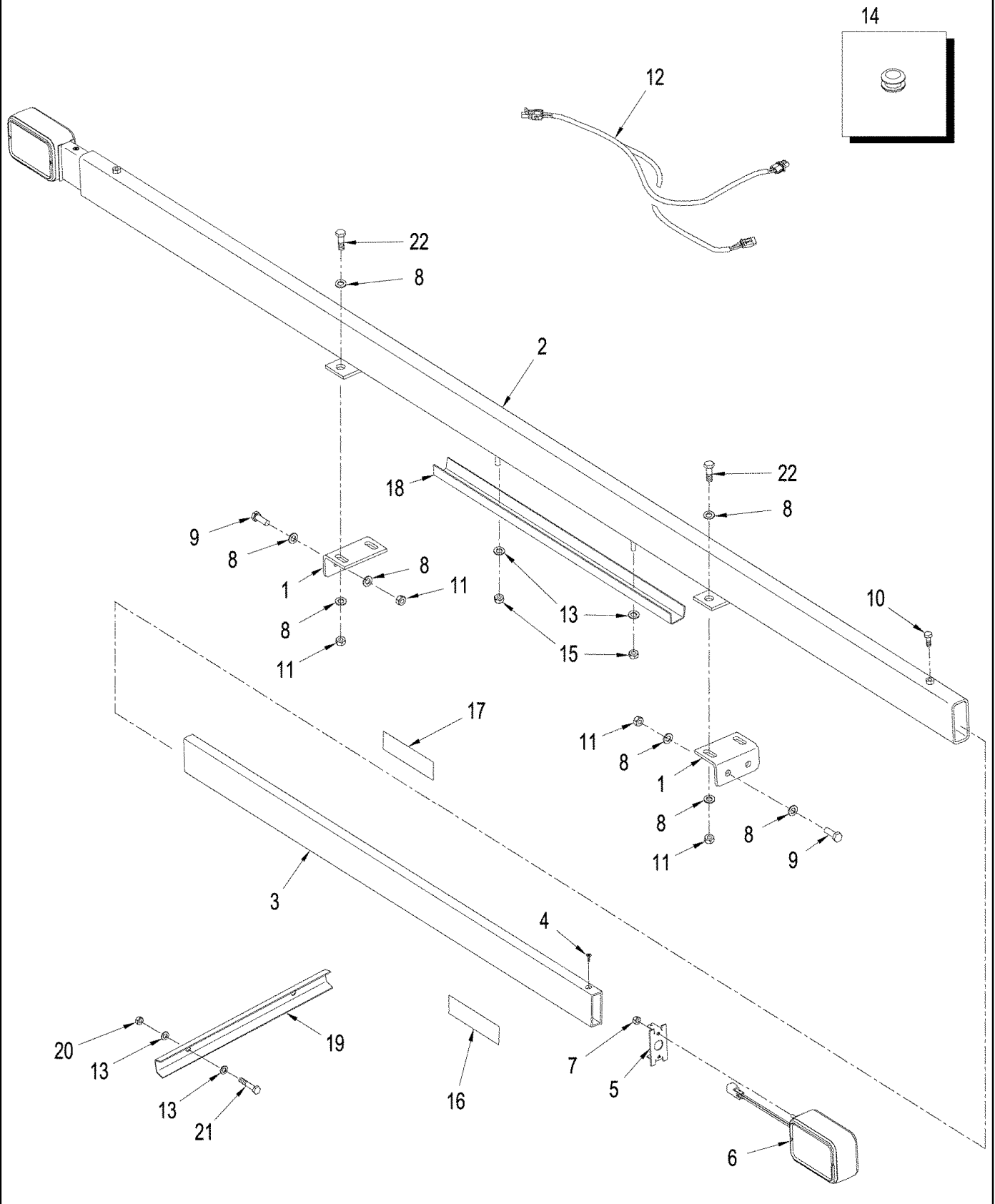
HEADLAMPS



HEADLAMPS

REF	FN	PART NUMBER	YR/SN	QTY	DESCRIPTION
1		365842A1		1	HEADLAMP, LH, Hi / Lo, with Work Lamp, Inc. 11 and 12
2		365841A1		1	HEADLAMP, RH, Hi / Lo, with Work Lamp, Inc. 11 and 12
3		232454A2		1	LAMP, WORK, Center, Halogen, Inc. 12
3		232455A2		1	LAMP, WORK, Center, High Intensity Discharge (H.I.D.)
4		281-54712		10	SCREW, Hex Wash Hd, 1/4"-20 x 3/4", 1/4" st x 3/4"
5		333646A1		1	CLAMP, Ballast, High Intensity Discharge (H.I.D.)
6		627-8016		2	BOLT, Hex, M8 x 16, 10.9
7		322332A1		1	BALLAST, Center, High Intensity Discharge (H.I.D.)
8		333643A1		1	GASKET
9		892-11008		2	WASHER, LOCK, M8
10		829-1408		2	NUT, M8, CI 10
11		388872A1		AR	BULB, Headlamp
12		323093A1		AR	BULB, 885-12V, Halogen Work Lamp
13		87427690		2	BALLAST, Harness and Front Jumper, RH & LH, Inc. 18
14		614-5020		AR	BOLT, Hex, M5 x 20, 8.8, Full Thd
15		895-11005		AR	WASHER, M5 x 10 x 1
16		832-10405		AR	NUT, LOCK, M5 x .8, CI 8
17		435437A1		4	STRAP, CABLE, 3/16" x 7 1/4", Tie, 175 - 200 mm
18		87366792		2	BULB, H.I.D., w/ Harness
19		719619026		1	KIT, H.I.D. Light, Front Corner, Inc. 14 - 18 & 20
20		87366790		1	BALLAST, Light Bar
21		406450A1		4	FASTENER, Dual Lock
22		334234A1		1	KIT, H.I.D. Front Center, Inc. 3 - 10
					STX330 STX280 STEIGER 280 STEIGER 330

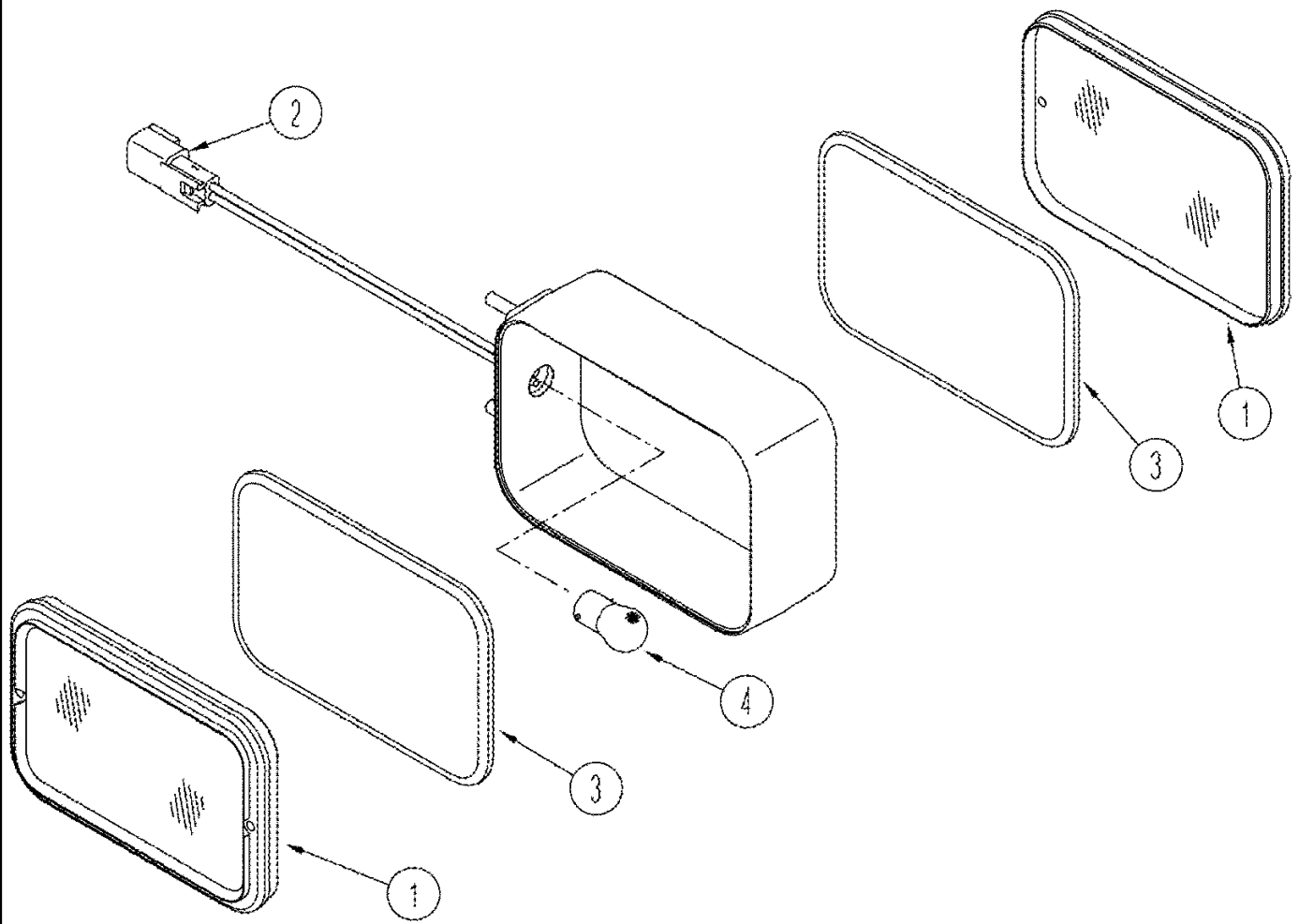
LAMPS - MARKER



LAMPS - MARKER

REF	FN	PART NUMBER	YR/SN	QTY	DESCRIPTION
1		367194A1		2	SUPPORT
2		362493A1		1	TUBE
3		362491A1		1	TUBE
4		843-2512		4	SCREW, Hex Flat Hd, M5 x 12, 4.8
5		362496A1		2	BRACKET
6		367321A1		2	LAMP, Warning, See Figure: 04-29
7		824-1405		4	NUT, M5, CI 5, M5; 5
8		895-11010		16	WASHER, M10 x 20 x 2
9		627-10040		4	BOLT, Hex, M10 x 40, 10.9, Full Thd
10		627-8020		2	BOLT, Hex, M8 x 20, 10.9
11		829-1410		8	NUT, M10, CI 10
12		87520424		1	HARNESS, Marker Lamp
13		895-11008		6	WASHER, M8 x 16 x 1.6
14		248-2399		2	GROMMET, 3/8" ID x 1" Groove Dia, Str Cut, 3/4"
15		832-10408		4	NUT, LOCK, M8 x 1.25, CI 8
16		297221A1		4	DECAL, Red and Orange
17		297223A1		4	DECAL, Yellow
18		362624A1		2	CHANNEL
19		311376A2		1	CHANNEL
20		829-1408		4	NUT, M8, CI 10
21		827-8050		2	BOLT, Hex, M8 x 50, 10.9
22		627-10030		4	BOLT, Hex, M10 x 30, 10.9, Full Thd
					STX330 STX280 STEIGER 280 STEIGER 330

LAMPS - SIDE MARKER WARNING

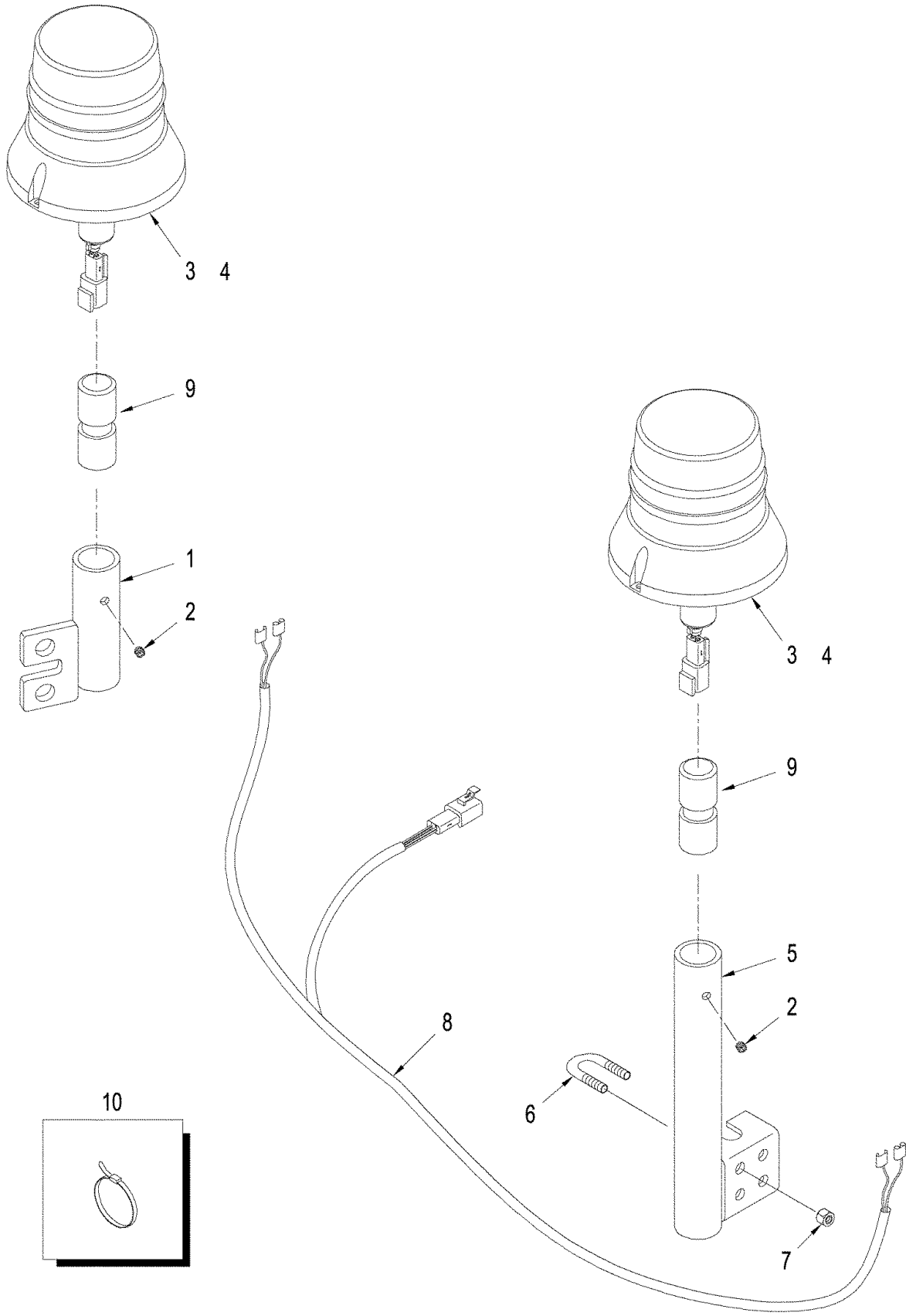


LAMPS - SIDE MARKER WARNING

REF	FN	PART NUMBER	YR/SN	QTY	DESCRIPTION
		367321A1		1	LAMP, Warning, Inc. 1 - 4
1		232212A1		2	LENS, Amber
2		222136A1		1	CONNECTOR, ELEC, 2 Pin
3		233561A1		2	O-RING
4		A41264		1	BULB, #1156, 12V

	STX330 STX280 STEIGER 280 STEIGER 330
--	---

LAMP - STROBE



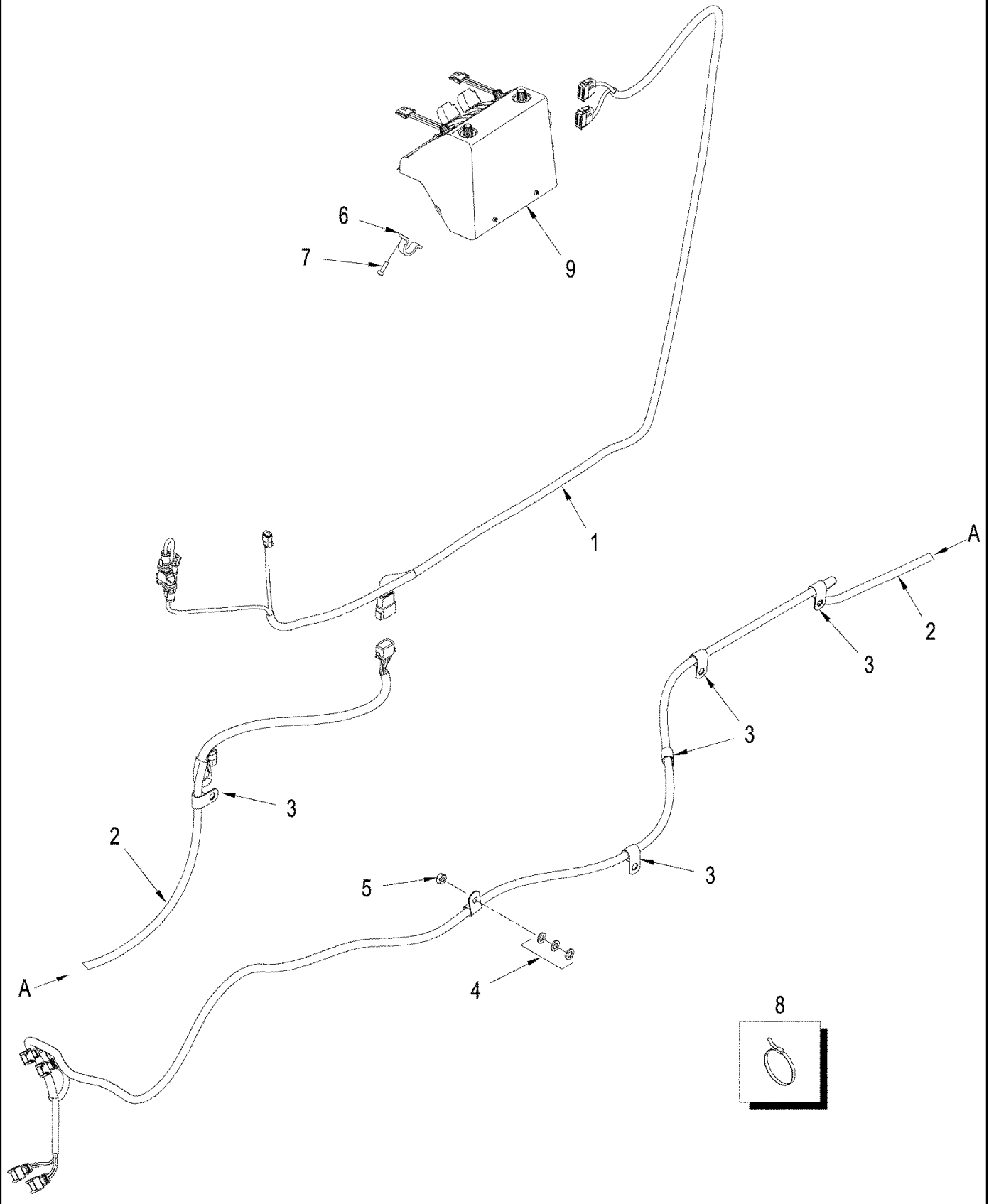
LAMP - STROBE

REF	FN	PART NUMBER	YR/SN	QTY	DESCRIPTION
1		383983A1		1	BRACKET, Mounting
2		878-1066		1	SET SCREW, Hex Soc, M6 x 6, Cup Pt
3		175048A1		1	BEACON, Strobe, Inc. 4
4		323095A1		1	BULB
5	1	387938A2		1	SUPPORT ASSY., Mounting
6	1	253105A1		2	U-BOLT, M8
7	1	832-10408		4	NUT, LOCK, M8 x 1.25, CI 8
8	1	396484A1		1	HARNESS, Beacon Light
9		244106A1		1	CONNECTOR, ELEC, Tube Support
10		L18331		1	STRAP, CABLE, Tie

(1) Europe Option

STX330 STX280
STEIGER 280 STEIGER 330

WIRING - TWIN FLOW HYDRAULIC CONTROLS

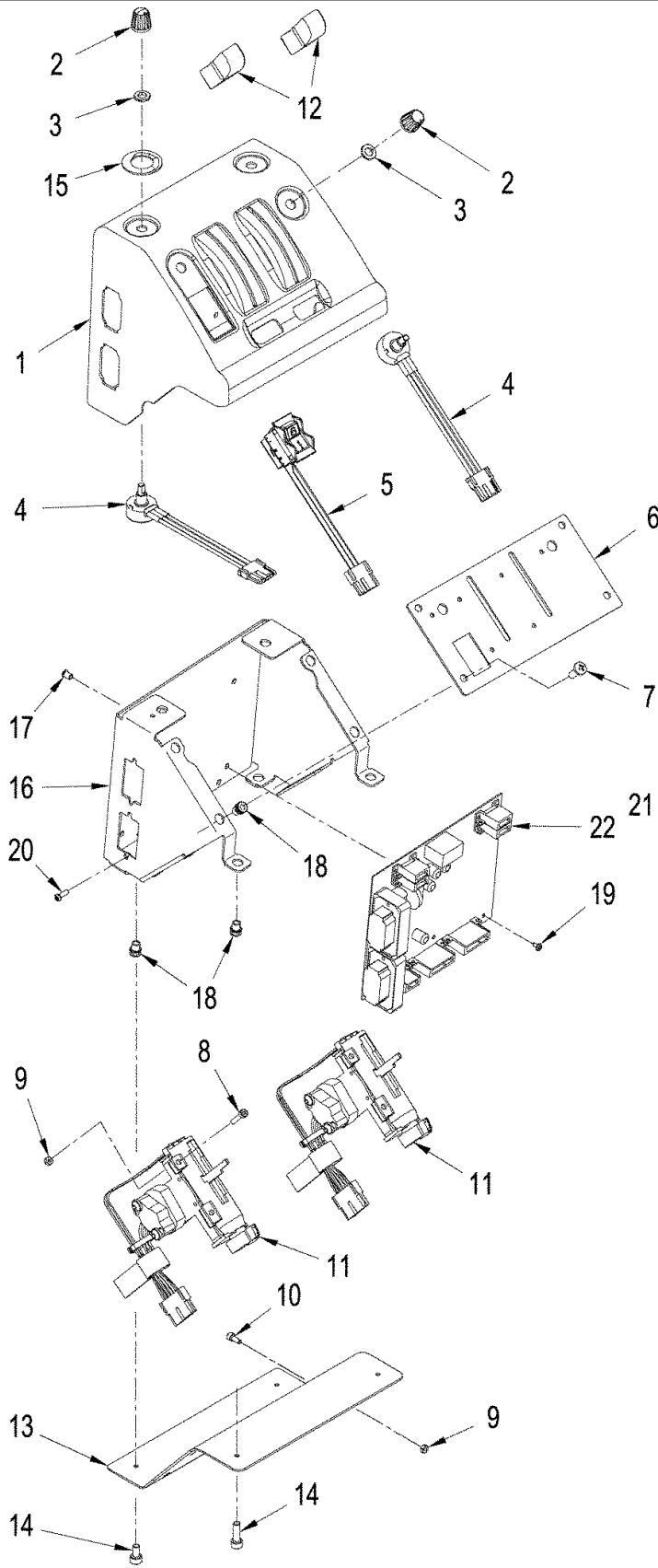


WIRING - TWIN FLOW HYDRAULIC CONTROLS

REF	FN	PART NUMBER	YR/SN	QTY	DESCRIPTION
1		430834A1		1	HARNESS, Cab
2		430835A1		1	HARNESS
3		515-25190		6	CLAMP, 3/4", Insul, 1/2" Bolt
4		895-11010		3	WASHER, M10 x 20 x 2
5		829-1310		1	NUT, M10, CI 10
6		412027A2		2	CLAMP, Pipe
7		565-104		4	SCREW, Hex Soc Hd, M6 x 20, 8.8
8		435437A1		2	STRAP, CABLE, 3/16" x 7 1/4", Cable
9		REF		1	INSTRUCTION, Box, Control, See Figure: 04-32

STX330	STX280
STEIGER 280	STEIGER 330

TWIN FLOW HYDRAULIC CONTROLS



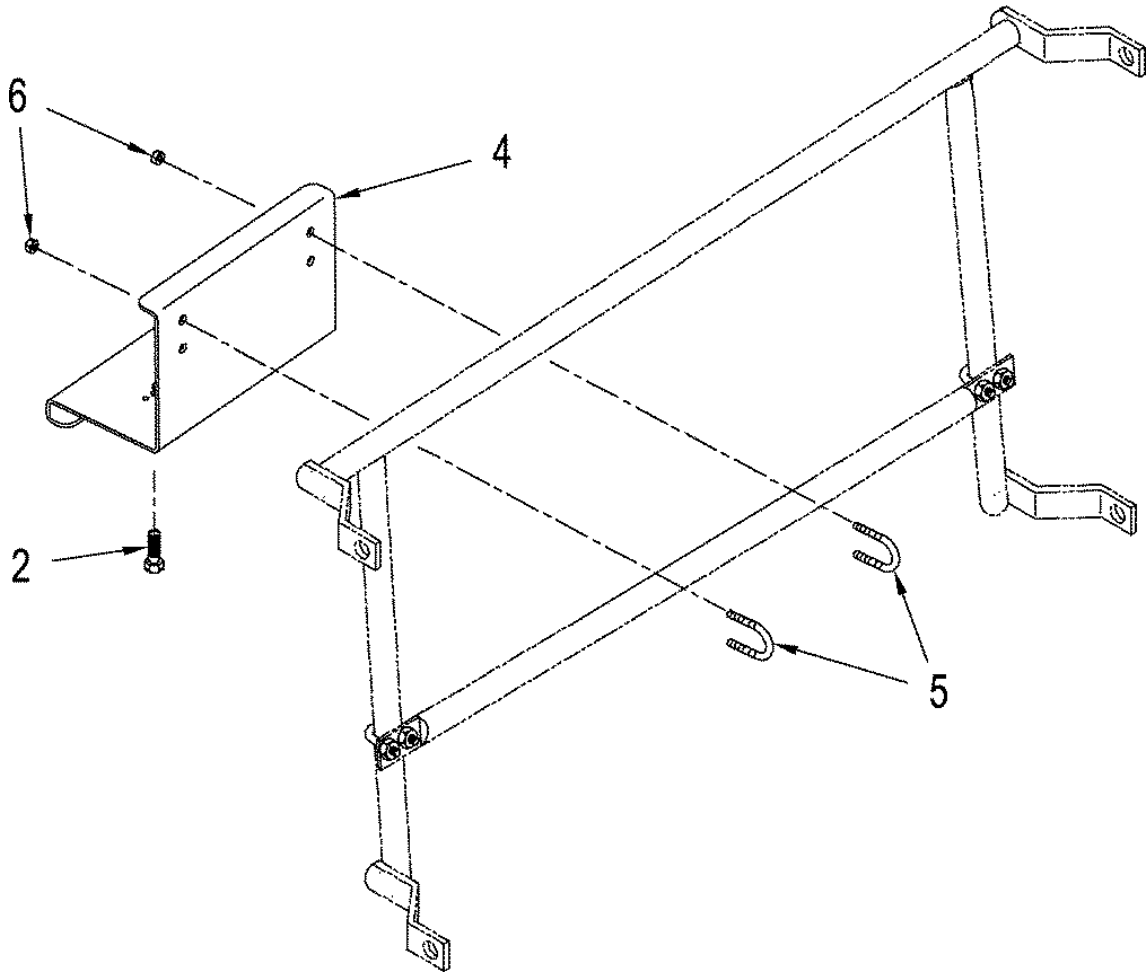
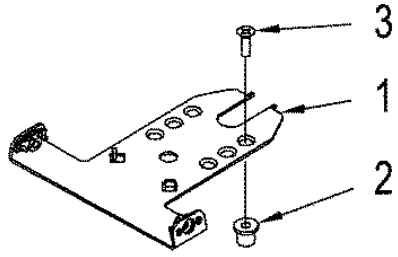
TWIN FLOW HYDRAULIC CONTROLS

REF	FN	PART NUMBER	YR/SN	QTY	DESCRIPTION
1		442120A2		1	COVER
2		276797A1		4	KNOB, Flow Control
3		444868A1		8	NUT, 3/4
4		256305A2		4	POTENTIOMETER, Draft Control
5		413148A1		1	SWITCH
6		NSS		1	NOT SERVICED SEPARATELY, Plate, Mounting
7		444867A1		4	SCREW, Pan Hd, M6 x 16, CL4.8
8		864-4020		4	SCREW, Hex Soc Hd, M4 x 20, 8.8
9		824-1404		6	NUT, M4, Cl 5
10		864-4010		2	SCREW, Hex Soc Hd, M4 x 10, 8.8
11		406961A1		2	LEVER ASSY., Electrohydraulic
12		406962A1		2	KNOB
13		418148A2		1	COVER, Plate
14		565-103		2	SCREW, Hex Soc Hd, M6 x 12, 8.8
15		438237A1		1	DECAL, Flow Control
16		411981A3		1	BRACKET, Mounting
17		412295A1		5	SPACER
18		404287A1		12	INSERT
19		47112222		5	SCREW, M4 x 6
20		25-HT00012		4	SCREW
21	1	NSS		1	NOT SERVICED SEPARATELY, Software
22		412070A1		1	BOARD, PRINTED CIRCUIT

(1) Download Software from Service Tool.

STX330 STX280
STEIGER 280 STEIGER 330

MOUNTING - ADVANCED FARMING SYSTEMS

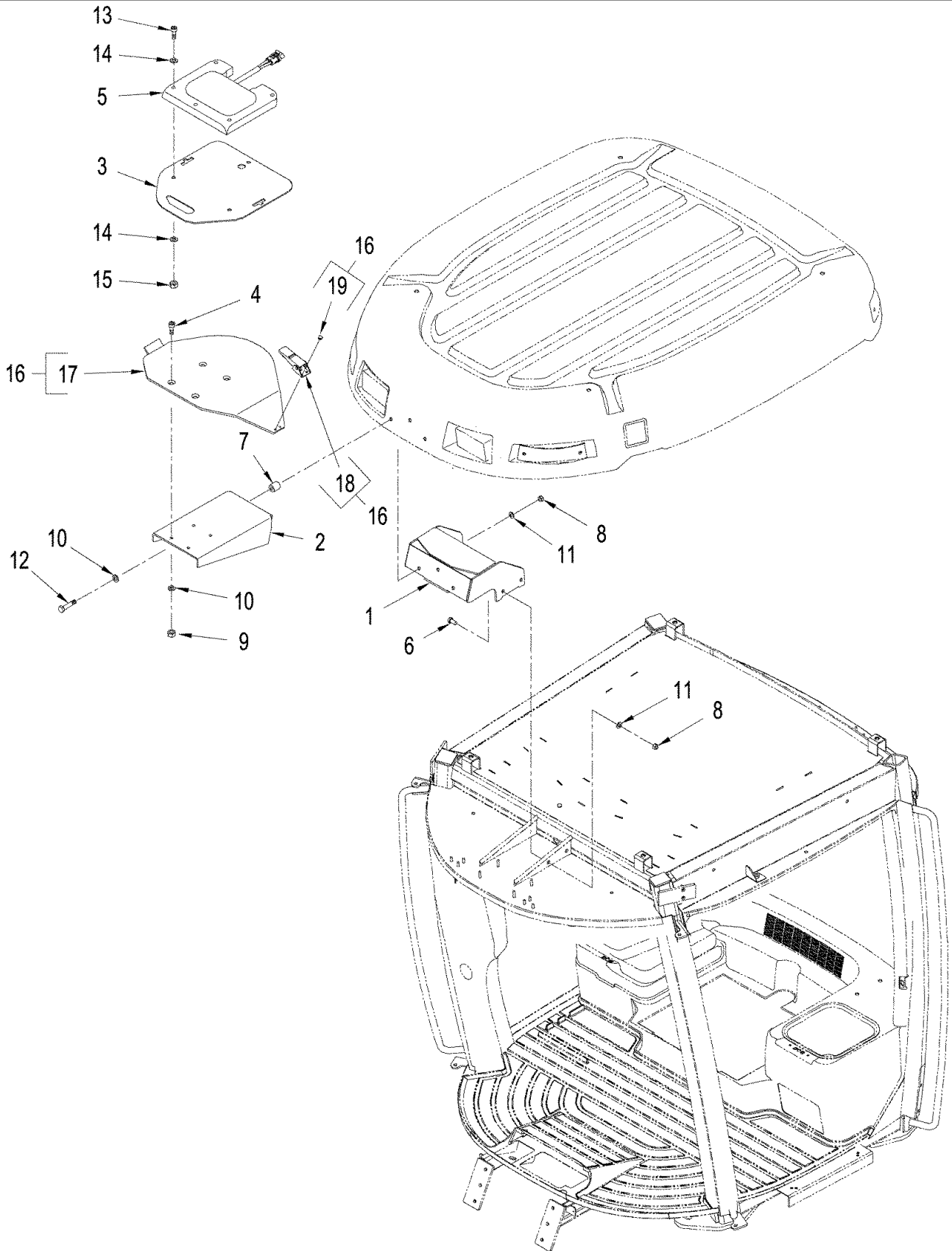


MOUNTING - ADVANCED FARMING SYSTEMS

REF	FN	PART NUMBER	YR/SN	QTY	DESCRIPTION
1		279293A2		1	SUPPORT, Bracket, Beacon
2		D135342		4	ISOLATOR
3		443-13116		4	SCREW, Cross Flat Hd, 5/16"-18 x 1"
4		87414514		1	MOUNTING PARTS, AFS Display
5		19-6258		2	U-BOLT
6		425-104		4	NUT, 1/4"-20, G5

	<p>STX330 STX280 STEIGER 280 STEIGER 330</p>
--	--

ACCUGUIDE, GPS - MOUNTING

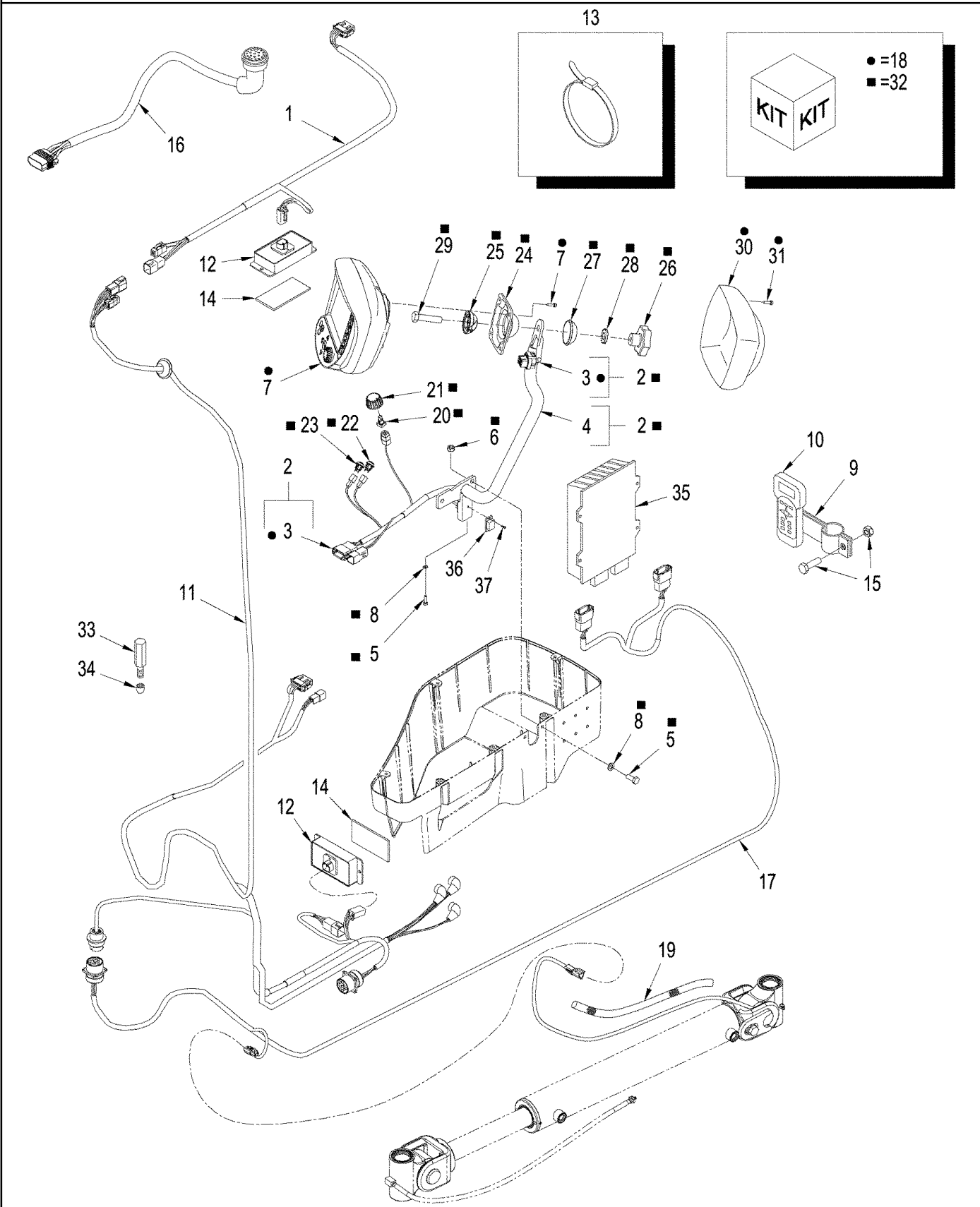


ACCUGUIDE, GPS - MOUNTING

REF	FN	PART NUMBER	YR/SN	QTY	DESCRIPTION
1		87304763		1	MOUNTING PARTS
2		87304768		1	BRACKET, Antenna Mounting
3		87568855		1	PLATE, MOUNTING, Receiver Carrying
4		843-1825		4	SCREW, Hex Flat Hd, M8 x 25, 4.8
5		87308224		1	MODULE, Receiver
6		627-10020		4	BOLT, Hex, M10 x 20, 10.9, Full Thd
7		87304771		3	SPACER
8		829-1410		4	NUT, M10, CI 10
9		832-10408		4	NUT, LOCK, M8 x 1.25, CI 8
10		627-8030		7	BOLT, Hex, M8 x 30, 10.9
11		895-11010		7	WASHER, M10 x 20 x 2
12		827-10055		3	BOLT, Hex, M10 x 55, 10.9
13		814-8060		3	BOLT, Hex, M8 x 60, 8.8
14		895-11006		6	WASHER, M6
15		825-5146		3	NUT, M6, Flg Ser
16		87528080		1	PLATE, BASE, GPS Antenna, Inc. 17 - 19
17		87528045		1	PLATE, BASE
18		87308870		1	LATCH
19		87308841		2	RIVET, Pop, 5/32" x .425"

STX330	STX280
STEIGER 280	STEIGER 330

ACCUGUIDE - AFS 200 PRO MOUNTING & RELATED PARTS



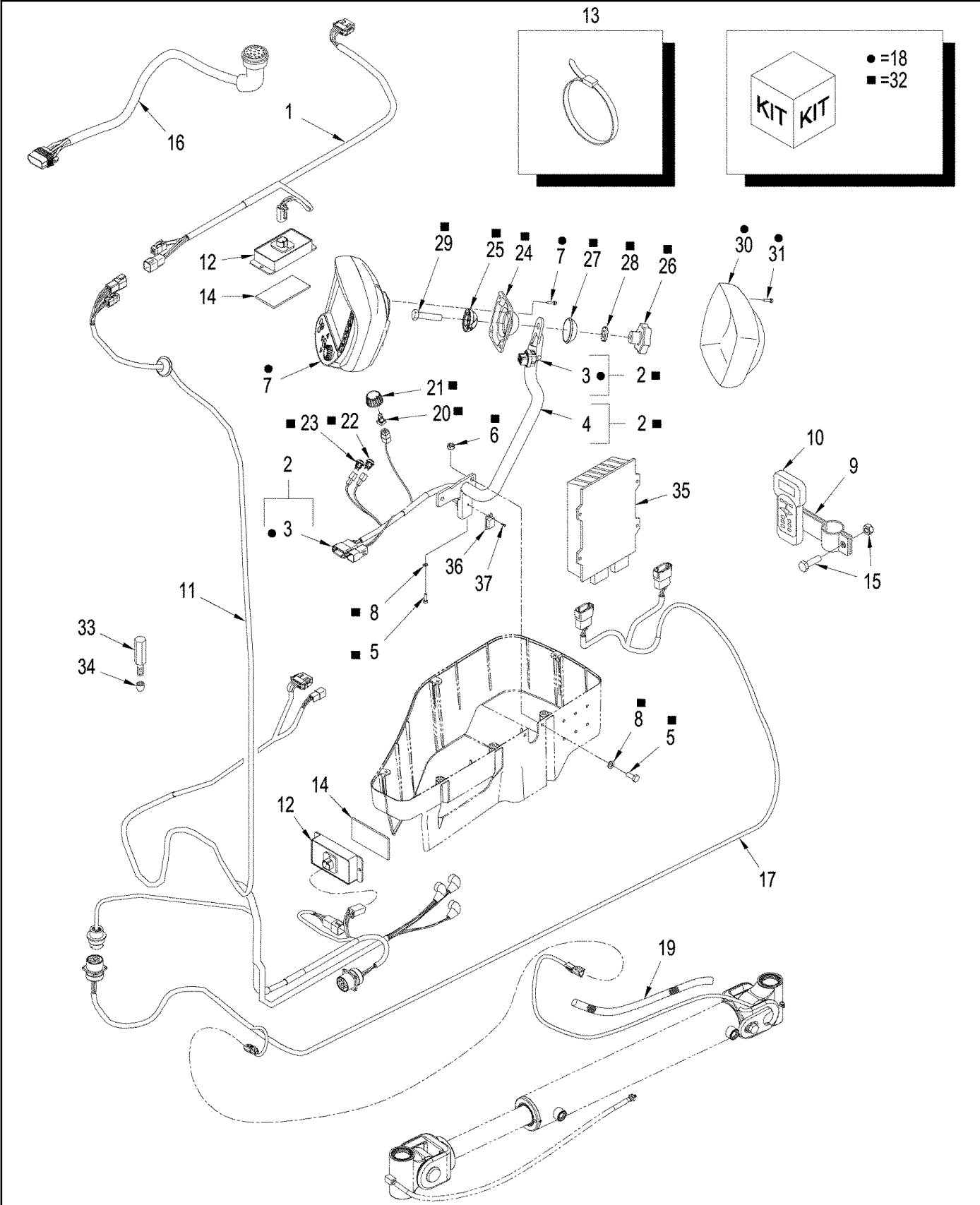
ACCUGUIDE - AFS 200 PRO MOUNTING & RELATED PARTS

REF	FN	PART NUMBER	YR/SN	QTY	DESCRIPTION
1		87580504		1	HARNESS, Cab Roof
2		87566063		1	HARNESS, AFS, Inc. 3, 4
3		NSS		1	NOT SERVICED SEPARATELY, Harness, Virtual Terminal
4		NSS		1	NOT SERVICED SEPARATELY, Tube, Mounting
5		627-8020		3	BOLT, Hex, M8 x 20, 10.9
6		829-1408		3	NUT, M8, CI 10
7	1	NSS		1	NOT SERVICED SEPARATELY, Monitor, AFS 200 Pro, Small Wide Color Virtual Terminal
8		895-11008		3	WASHER, M8 x 16 x 1.6
9		87428367		1	BRACKET, Mounting
10		87428366		1	MODULE, RDL Radio
11		87584843		1	HARNESS, Cab
12		284638A2		2	CONNECTOR, ELEC, Active Terminator
13		L11541		15	STRAP, Tie
14		406450A1		2	FASTENER, Velcro
15		87428369		1	SET, Bolt
16		87428396		1	CABLE ASSY., RTK Radio to Antenna
17		87331556		1	HARNESS, Chasis
18		719631026		1	KIT, Wide Terminal Color Display, Inc. 7, 30, 31
19		A64737		1	SLEEVE, Protective
20		87365742		1	SWITCH, Optical Encoder
21		87454709		1	KNOB, Encoder
22		87453957		1	SWITCH, Home
23		87453959		1	SWITCH, Escape
24		87325557		1	PLATE, MOUNTING, Ball Joint
25		82038414		1	PROTECTION CAP, Ball
26		87353504		1	KNOB
27		82039389		1	WASHER, CUP, Ball Joint
28		896-15012		1	WASHER, M12 x 28.5 x 4, HT
29		814-12050		1	BOLT, Hex, M12 x 50, 8.8
30		87325765		1	COVER, Ball Joint
31		87536486		6	SCREW, M4 x 16, CL12.9

(1) Order from ACCUGUIDE Price Book.

STX330	STX280
STEIGER 280	STEIGER 330

ACCUGUIDE - AFS 200 PRO MOUNTING & RELATED PARTS

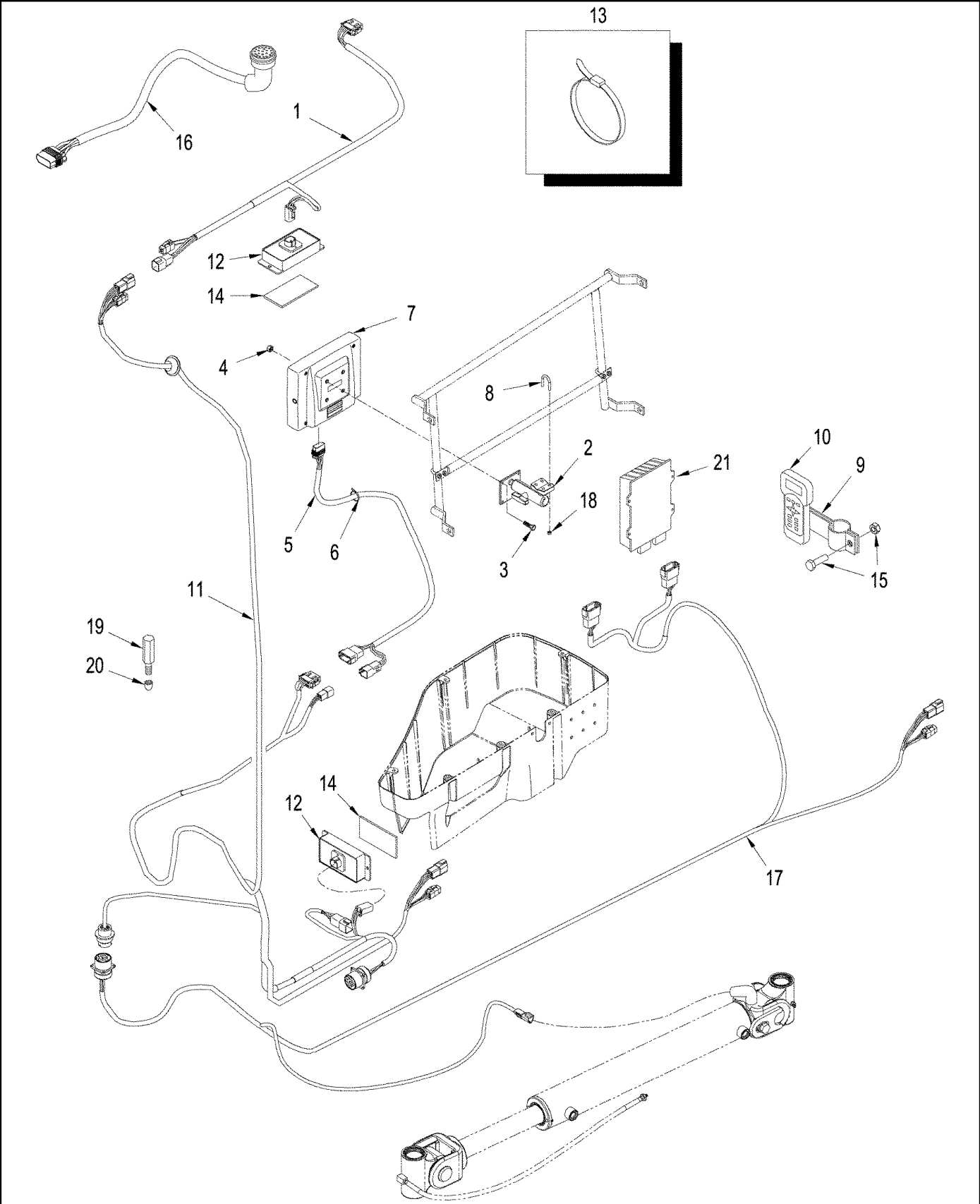


ACCUGUIDE - AFS 200 PRO MOUNTING & RELATED PARTS

REF	FN	PART NUMBER	YR/SN	QTY	DESCRIPTION
32		87555072		1	DIA KIT, TRACTOR, Mounting, Inc. 2, 5 - 8, 20 - 29, 31 & 32
33		87423195		4	SPACER
34		440570A1		4	STUD
35		87346979		1	CONTROL, Module, NAV II
36		87588663		1	COVER, CAP, USB
37		440-1044		2	SCREW, Cross Oval Hd, #4-40 x 1/4"
38		{87593934}		1	USB Mount, Not Illustrated

STX330	STX280
STEIGER 280	STEIGER 330

ACCUGUIDE - AFS 600 PRO MOUNTING & RELATED PARTS, ASN Z7F105571



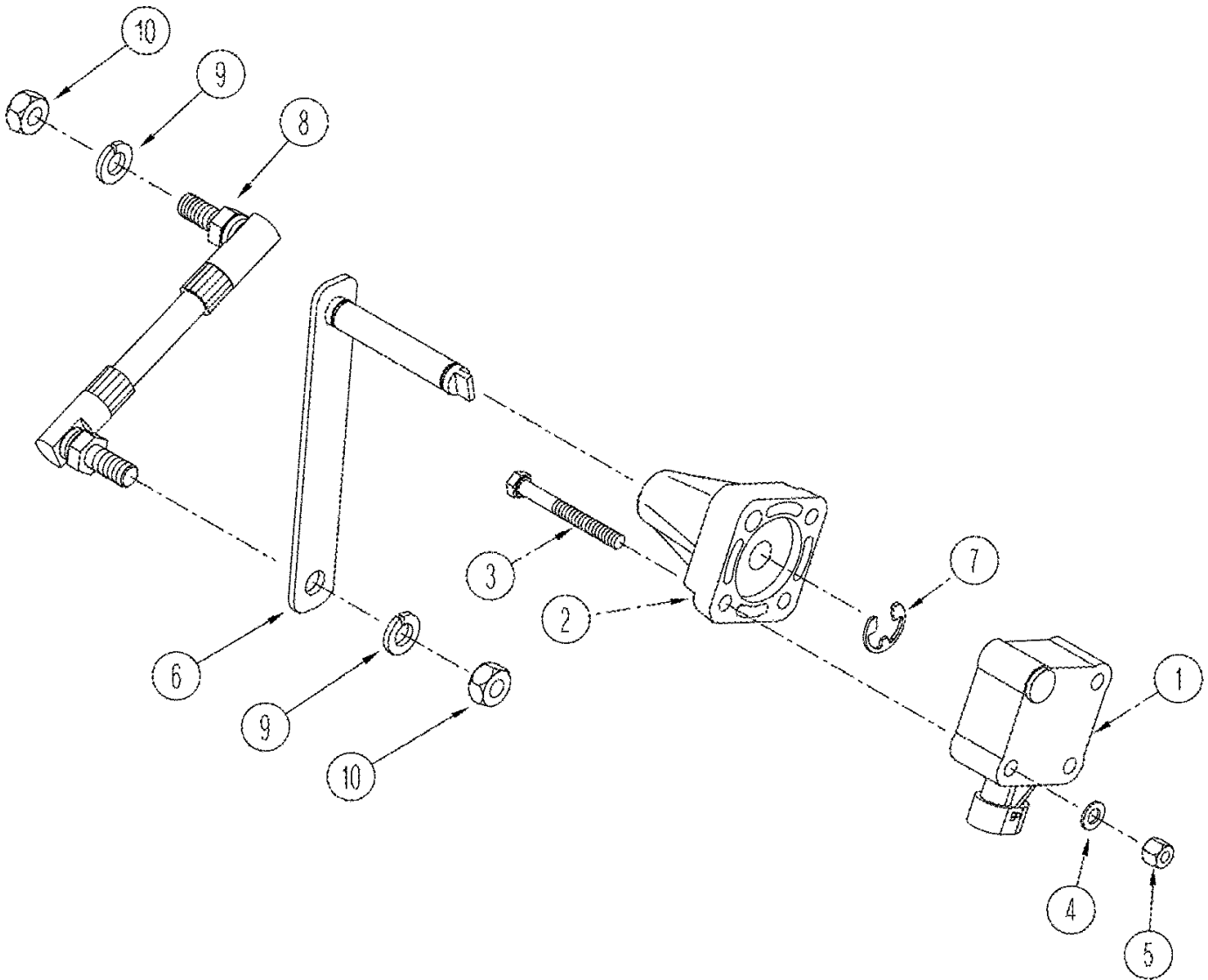
ACCUGUIDE - AFS 600 PRO MOUNTING & RELATED PARTS, ASN Z7F105571

REF	FN	PART NUMBER	YR/SN	QTY	DESCRIPTION
1		87580504		1	HARNESS, Cab Roof
2		87386396		1	ARM, SUPPORTING, AFS 600 Pro, Touch Screen
3		614-6016		4	BOLT, Hex, M6 x 16, 8.8
4		829-1406		4	NUT, M6, CI 10
5		87566059		1	HARNESS, AFS 600 Pro, Touch Screen Display
6		L11541		1	STRAP, Tie
7	1	NSS		1	NOT SERVICED SEPARATELY, Monitor, AFS 600 Pro, Touch Screen Display
8		19-6258		2	U-BOLT
9		87428367		1	BRACKET, Mounting, RDL Radio
10		87428366		1	MODULE, RDL Radio
11		87601405		1	HARNESS, Cab
12		284638A2		2	CONNECTOR, ELEC, Active Terminator
13		L11541		15	STRAP, Tie
14		406450A1		2	FASTENER, Velcro
15		87428369		1	SET, Bolt
16		87428396		1	CABLE ASSY., RTK Radio to Antenna
17		87582250		1	HARNESS, Chasis
18		425-104		4	NUT, 1/4"-20, G5, Optical Encoder
19		87423195		4	SPACER
20		440570A1		4	STUD
21		87346979		1	CONTROL, Module, NAV II

(1) Order from ACCUGUIDE Price Book.

STX330	STX280
STEIGER 280	STEIGER 330

SENSOR - HITCH POSITION

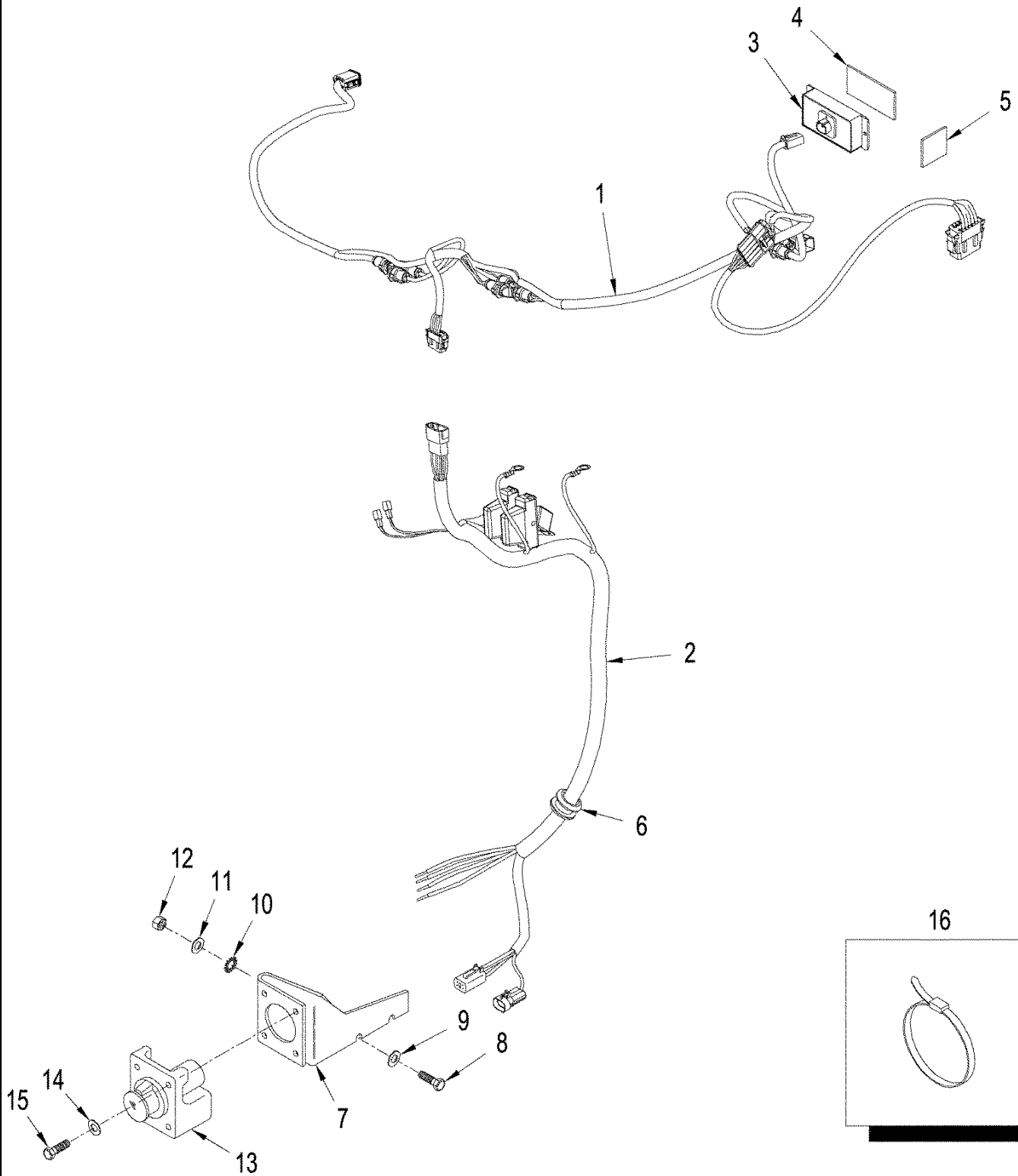


SENSOR - HITCH POSITION

REF	FN	PART NUMBER	YR/SN	QTY	DESCRIPTION
1		283659A1		1	SENSOR, Hitch Position
2		305020A2		1	BUSHING
3		614-5045		3	BOLT, Hex, M5 x 45, 8.8, Full Thd
4		895-11005		3	WASHER, M5 x 10 x 1
5		832-10405		3	NUT, LOCK, M5 x .8, CI 8
6		353926A1		1	ARM
7		800-4310		2	CIRCLIP, M10
8		358978A1		1	ROD, Tie
9		892-11008		2	WASHER, LOCK, M8
10		829-1408		2	NUT, M8, CI 10

	STX330 STX280 STEIGER 280 STEIGER 330
--	---

HARNESS - ISO IMPLEMENT



HARNESS - ISO IMPLEMENT

REF	FN	PART NUMBER	YR/SN	QTY	DESCRIPTION
1		87566384		1	HARNESS, ISO Cab
2		87342623		1	HARNESS, ISO Chasis
3		284638A2		1	CONNECTOR, ELEC, Active Terminator
4		406450A1		2	FASTENER, Dual Lock
5		406449A1		1	FASTENER, Dual Lock
6		328265A1		1	GROMMET
7		87359272		1	BRACKET, Connector
8		627-10035		2	BOLT, Hex, M10 x 35, 10.9, Full Thd
9		895-18010		2	WASHER, M10 x 18 x 1.6
10		893-11010		2	WASHER, LOCK, Ext Tooth, M10
11		892-11010		2	WASHER, LOCK, M10
12		829-1410		2	NUT, M10, CI 10
13		87418273		1	CONNECTOR, ELEC, Receptacle box
14		895-11006		4	WASHER, M6
15		779-14625		4	SCREW, SELF TAP, Hex Hd, M6.3 x 25
16		435437A1		11	STRAP, CABLE, 3/16" x 7 1/4", Tie, 175 - 200 mm

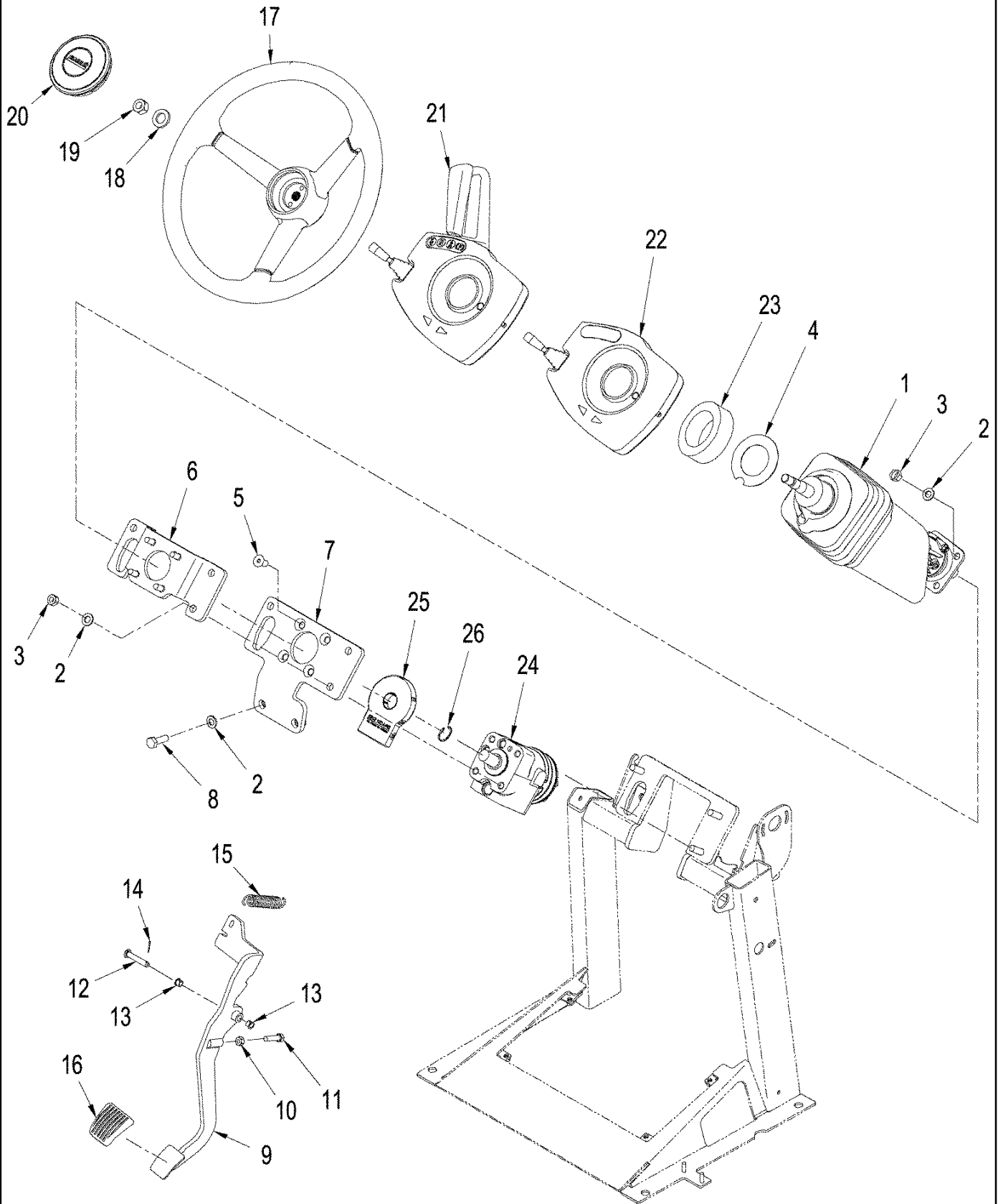
	STX330 STX280 STEIGER 280 STEIGER 330
--	---

SECTION INDEX

Steering

05-01		STEERING WHEEL AND COLUMN
05-02		TRANSMISSION CONTROL ASSEMBLY, WITH MANUAL SHIFT TRANSMISSION
05-03		TRANSMISSION CONTROL ASSEMBLY, WITH POWER SHIFT TRANSMISSION
05-04		STEERING COLUMN ASSY.
05-05		HYDRAULICS - STEERING, WITHOUT ACCUSTEER
05-06		HYDRAULICS - STEERING, WITH ACCUSTEER
05-07		HYDRAULICS - FRONT STEERING CYLINDERS, WITH ACCUSTEER
05-08		CYLINDER ASSY - STEERING, WITHOUT SENSOR
05-09		CYLINDER ASSY - STEERING, WITH SENSOR, BSN Z7F105371
05-09	01	CYLINDER ASSY - STEERING, WITH SENSOR, ASN Z7F105371
05-10		ARTICULATION LOCKS
05-11		ACCUGUIDE - HYDRAULIC, STEERING, WITHOUT ACCUSTEER
05-12		CYLINDER ASSY - ARTICULATION, WITHOUT SENSOR
05-13		CYLINDER ASSY - ARTICULATION, WITH SENSOR, BSN Z7F105441
05-13	01	CYLINDER ASSY - ARTICULATION, WITH SENSOR, ASN Z7F105441
05-14		STEERING CONTROL VALVE

STEERING WHEEL AND COLUMN



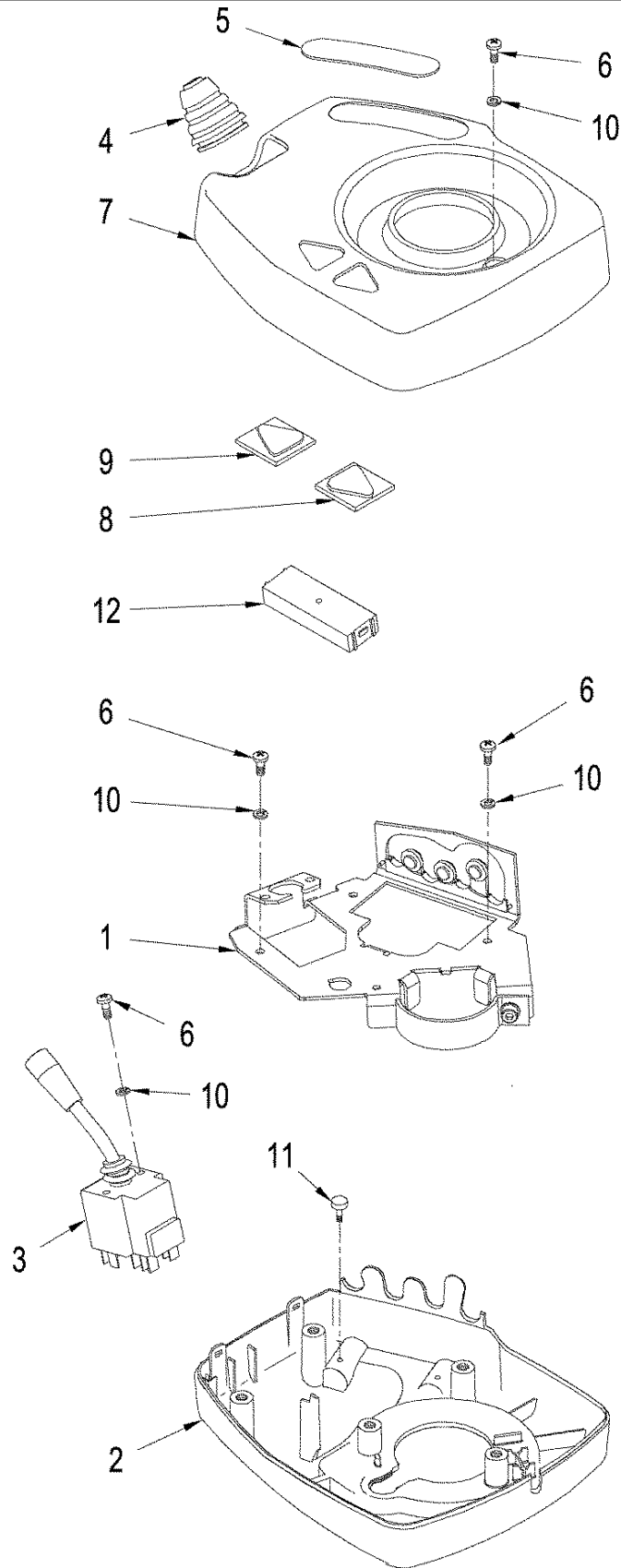
STEERING WHEEL AND COLUMN

REF	FN	PART NUMBER	YR/SN	QTY	DESCRIPTION
1		87387459		1	STEERING COLUMN, Steering, See Figure: 05-04
2		895-11010		9	WASHER, M10 x 20 x 2
3		829-1410		7	NUT, M10, CI 10
4		1977448C2		1	WASHER, Support
5		220056A1		4	SCREW, Hex Soc Flat Hd, M10 x 20, 8.8
6		87448525		1	BRACKET, Mounting, Steering Column
7		87309685		1	BRACKET, Mounting, Column / Pump
8		614-10030		2	BOLT, Hex, M10 x 30, 8.8
9		87448446		1	PEDAL, w/ Steering Adjustment
10		829-1508		1	NUT, M8, CI 10
11		514-633		1	BOLT, Hex, M8 x 30, 8.8, Full Thd
12		729-845		1	PIN, CLEVIS, M8 x 45, M8 x 45
13		282892A1		2	BUSHING, Nylon
14		733-2012		1	PIN, SPLIT (COTTER), M2 x 12
15		311812A1		1	SPRING, Extension
16		323657A1		1	PAD, Foot Release Pedal
17	1	301200A1		1	WHEEL (STEERING)
17	2	359033A1		1	WHEEL (STEERING)
18		896-11016		1	WASHER, M17.5 x 30 x 4, HT
19		825-11414		1	NUT, M14 x 1.5, CI 8
20		361024A3		1	CAP
21	3	86993721		1	CONTROL, Transmission, w/ Self Cancel, See Figure: 05-03
22	4	414332A1		1	CONTROL, Transmission, w/ Self Cancel, See Figure: 05-02
23		253679A1		1	RING, Magnetic
24		87426127		1	STEERING HYDRAULIC, Orbital, Steering Control, See Figure: 05-14
25	5	87448760		1	SENSOR, Angular Steering
26	5	800-1125		1	RING, SNAP, M25, Ext, Retaining

- (1) Deluxe Cab
(2) Luxury Cab
(3) With Power Shift Transmission
(4) With Manual Shift Transmission
(5) Used with ACCUSTEER applications

STX330 STX280
STEIGER 280 STEIGER 330

TRANSMISSION CONTROL ASSEMBLY, WITH MANUAL SHIFT TRANSMISSION



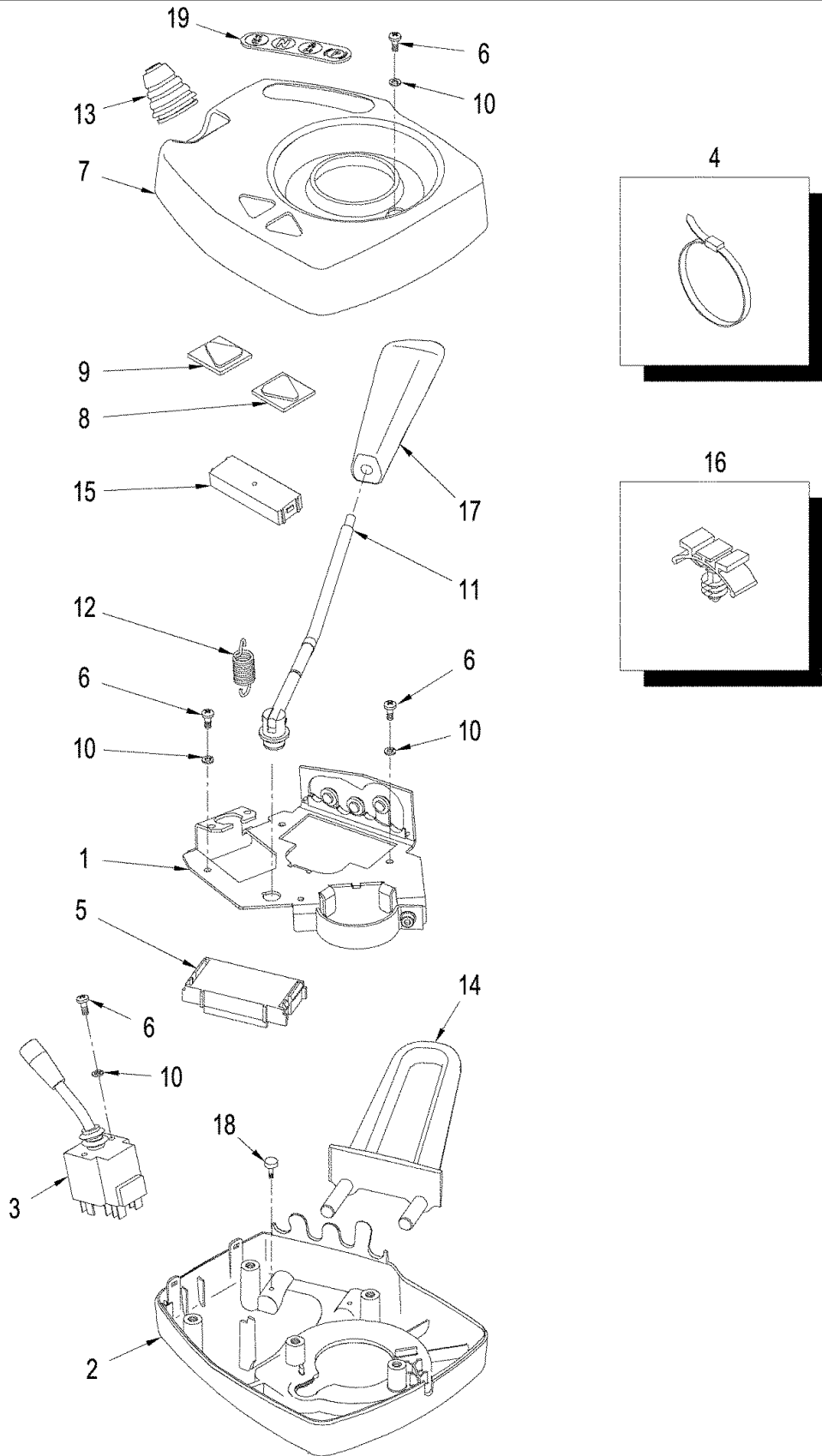
TRANSMISSION CONTROL ASSEMBLY, WITH MANUAL SHIFT TRANSMISSION

REF	FN	PART NUMBER	YR/SN	QTY	DESCRIPTION
	1	414332A1		1	CONTROL, Inc. 1 - 3, 5 - 10, 12 & 13
1		325362A1		1	CHASSIS
2		NSS		1	NOT SERVICED SEPARATELY, Housing, Lower
3	1	284777A1		1	SWITCH
4		325068A1		1	BELLOWS
5		414330A1		1	DECAL, Plate, Decal
6		840-1410		7	SCREW, Cross Pan Hd, M4 x 10
7		NSS		1	NOT SERVICED SEPARATELY, Housing, Upper
8		303466A1		1	SYMBOLS, Right-Hand
9		303467A1		1	SYMBOLS, Left-Hand
10		892-11004		7	WASHER, LOCK, M4
11		905974R1		2	SCREW, SELF TAP, Pan Hd, M2.9 x 13
12		303465A2		1	LAMP

(1) With Self Cancel

STX330	STX280
STEIGER 280	STEIGER 330

TRANSMISSION CONTROL ASSEMBLY, WITH POWER SHIFT TRANSMISSION



TRANSMISSION CONTROL ASSEMBLY, WITH POWER SHIFT TRANSMISSION

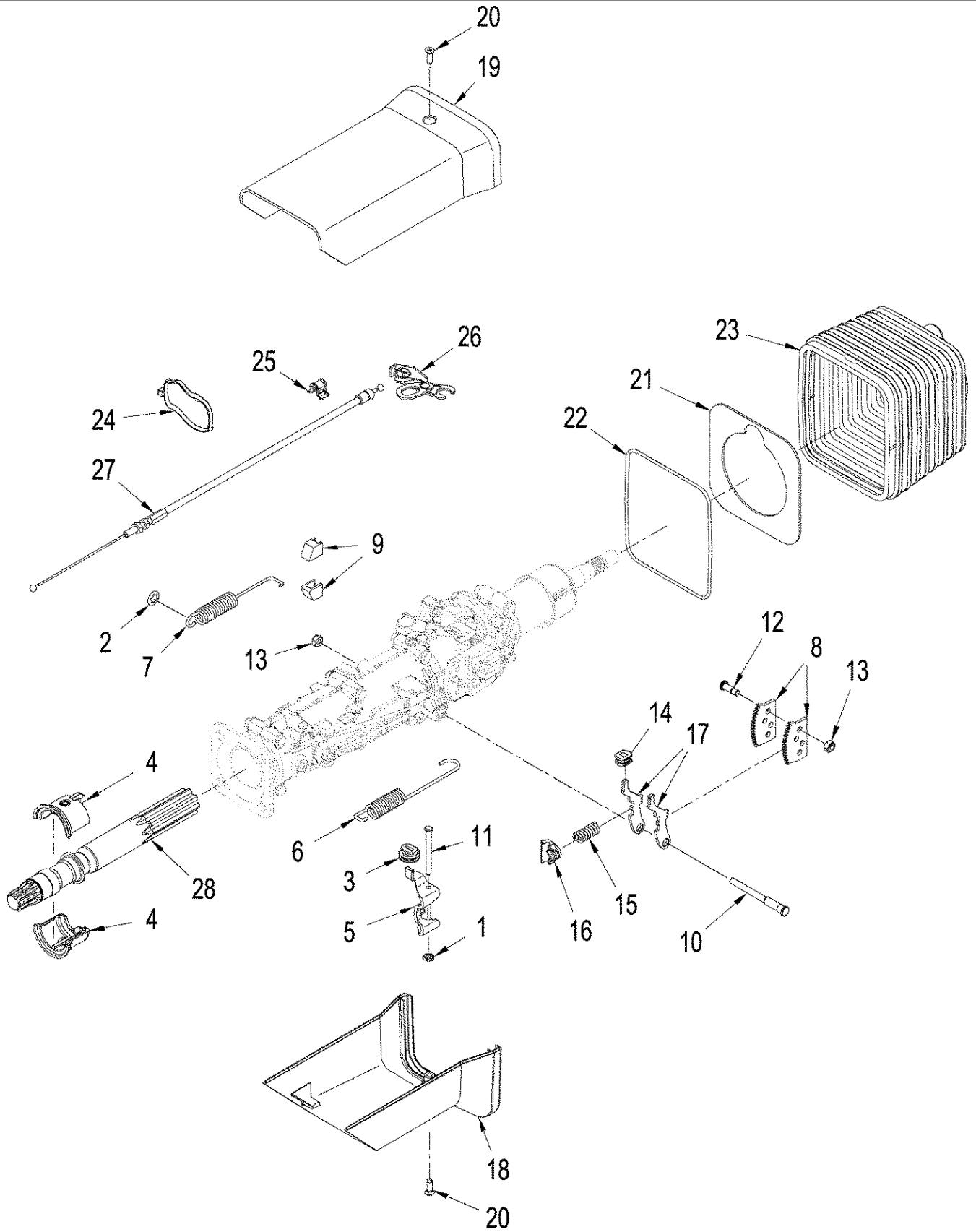
REF	FN	PART NUMBER	YR/SN	QTY	DESCRIPTION
	1	86993721		1	CONTROL, Inc. 1 - 3, 5 - 15, 17 - 19
1		325362A1		1	CHASSIS
2		325065A1		1	HOUSING, Lower
3	1	284777A1		1	SWITCH
4		22-824		1	STRAP, CABLE, 3/16" x 7 1/4", 7 in
5	2	86991897		1	SWITCH
6		840-1410		7	SCREW, Cross Pan Hd, M4 x 10
7		325064A1		1	HOUSING, Upper
8		303466A1		1	SYMBOLS, Right-Hand
9		303467A1		1	SYMBOLS, Left-Hand
10		892-11004		7	WASHER, LOCK, M4
11		325363A1		1	LEVER
12		250939A1		1	SPRING
13		325068A1		1	BELLOWS
14		325066A2		1	GUARD
15		303465A2		1	LAMP
16		392699A1		1	FASTENER
17		325533A1		1	HANDLE
18		905974R1		2	SCREW, SELF TAP, Pan Hd, M2.9 x 13
19		358353A1		1	SYMBOLS

(1) With Self Cancel

(2) Without Neutral Start

STX330	STX280
STEIGER 280	STEIGER 330

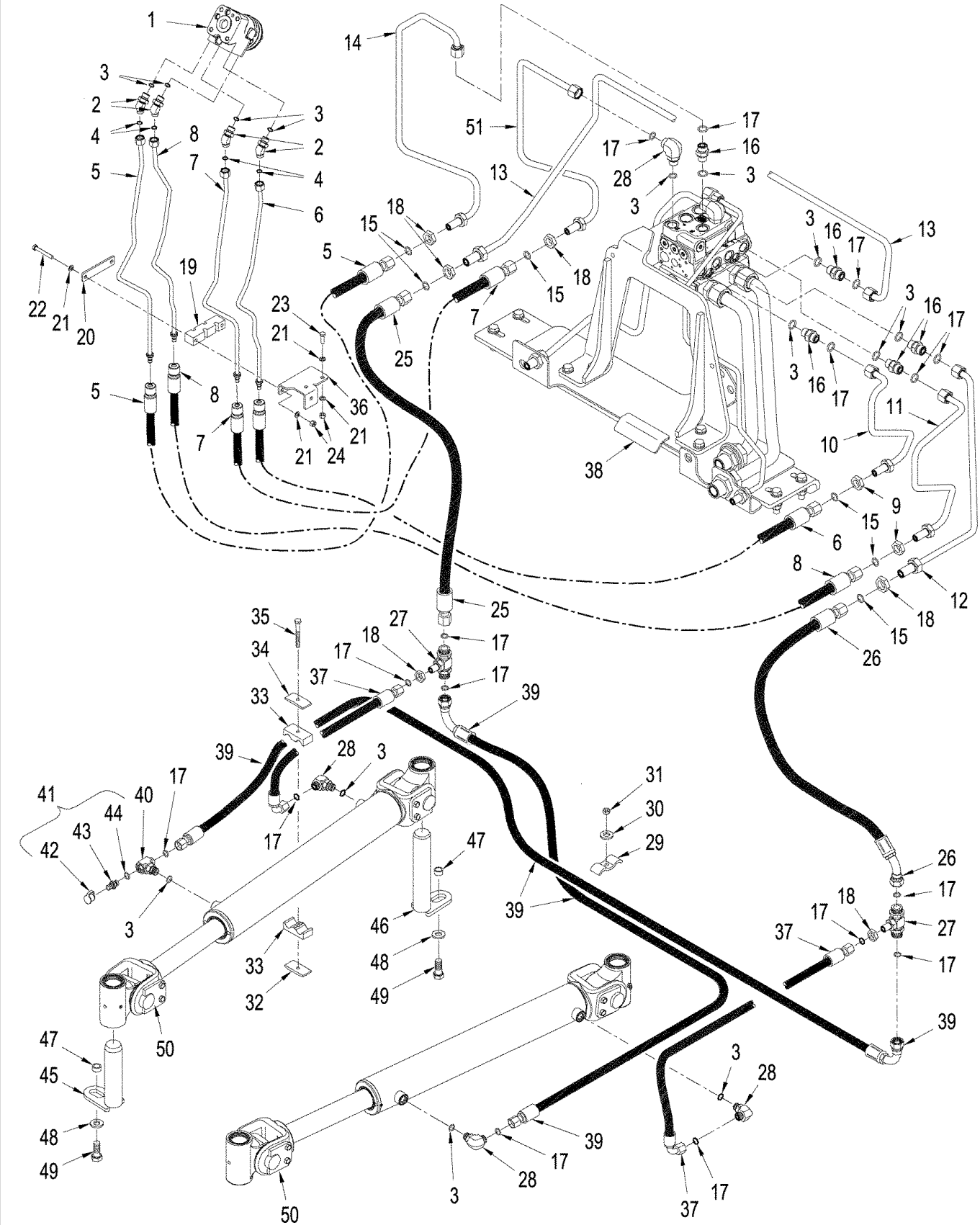
STEERING COLUMN ASSY.



STEERING COLUMN ASSY.

REF	FN	PART NUMBER	YR/SN	QTY	DESCRIPTION
		87387459		1	STEERING COLUMN, Steering, Inc. 1 - 28
		87377005		1	KIT, SERVICE, Renovation, Inc. 1 - 17
1		NSS		1	NOT SERVICED SEPARATELY, Washer, Locking
2		NSS		1	NOT SERVICED SEPARATELY, Washer, Locking
3		NSS		1	NOT SERVICED SEPARATELY, Bushing, Telescoping Spring
4		NSS		2	NOT SERVICED SEPARATELY, Bearing, Axial
5		NSS		1	NOT SERVICED SEPARATELY, Arm, Regulating
6		NSS		1	NOT SERVICED SEPARATELY, Spring, Tilt Return
7		NSS		1	NOT SERVICED SEPARATELY, Spring, Telescoping
8		NSS		2	NOT SERVICED SEPARATELY, Plate, Tilt Position
9		NSS		2	NOT SERVICED SEPARATELY, Stop, Tilt, 24"
10		NSS		1	NOT SERVICED SEPARATELY, Pin, Clevis
11		NSS		1	NOT SERVICED SEPARATELY, Screw, Hook
12		NSS		2	NOT SERVICED SEPARATELY, Screw, M6 x 18
13		NSS		3	NOT SERVICED SEPARATELY, Nut, Locking, M6
14		NSS		1	NOT SERVICED SEPARATELY, Bushing, Catch
15		NSS		1	NOT SERVICED SEPARATELY, Spring, Catch
16		NSS		1	NOT SERVICED SEPARATELY, Spring, Seat
17		NSS		2	NOT SERVICED SEPARATELY, Catch
		87377007		1	KIT, SERVICE, Cover, Inc. 18 - 20
18		NSS		1	NOT SERVICED SEPARATELY, Cover, Upper
19		NSS		1	NOT SERVICED SEPARATELY, Cover, Lower
20		NSS		2	NOT SERVICED SEPARATELY, Screw, M5 x 16
		87377012		1	KIT, SERVICE, Boot, Inc. 21 - 23
21		NSS		1	NOT SERVICED SEPARATELY, Plate, Support
22		NSS		1	NOT SERVICED SEPARATELY, Wire, Support
23		NSS		1	NOT SERVICED SEPARATELY, Boot
		87377013		1	KIT, SERVICE, Release Lever, Inc. 24 - 27
24		NSS		1	NOT SERVICED SEPARATELY, Tie, Cable
25		NSS		1	NOT SERVICED SEPARATELY, Retainer, Cable
26		NSS		1	NOT SERVICED SEPARATELY, Lever, Release
27		NSS		1	NOT SERVICED SEPARATELY, Cable
28		NSS		1	NOT SERVICED SEPARATELY, Shaft
					STX330 STX280 STEIGER 280 STEIGER 330

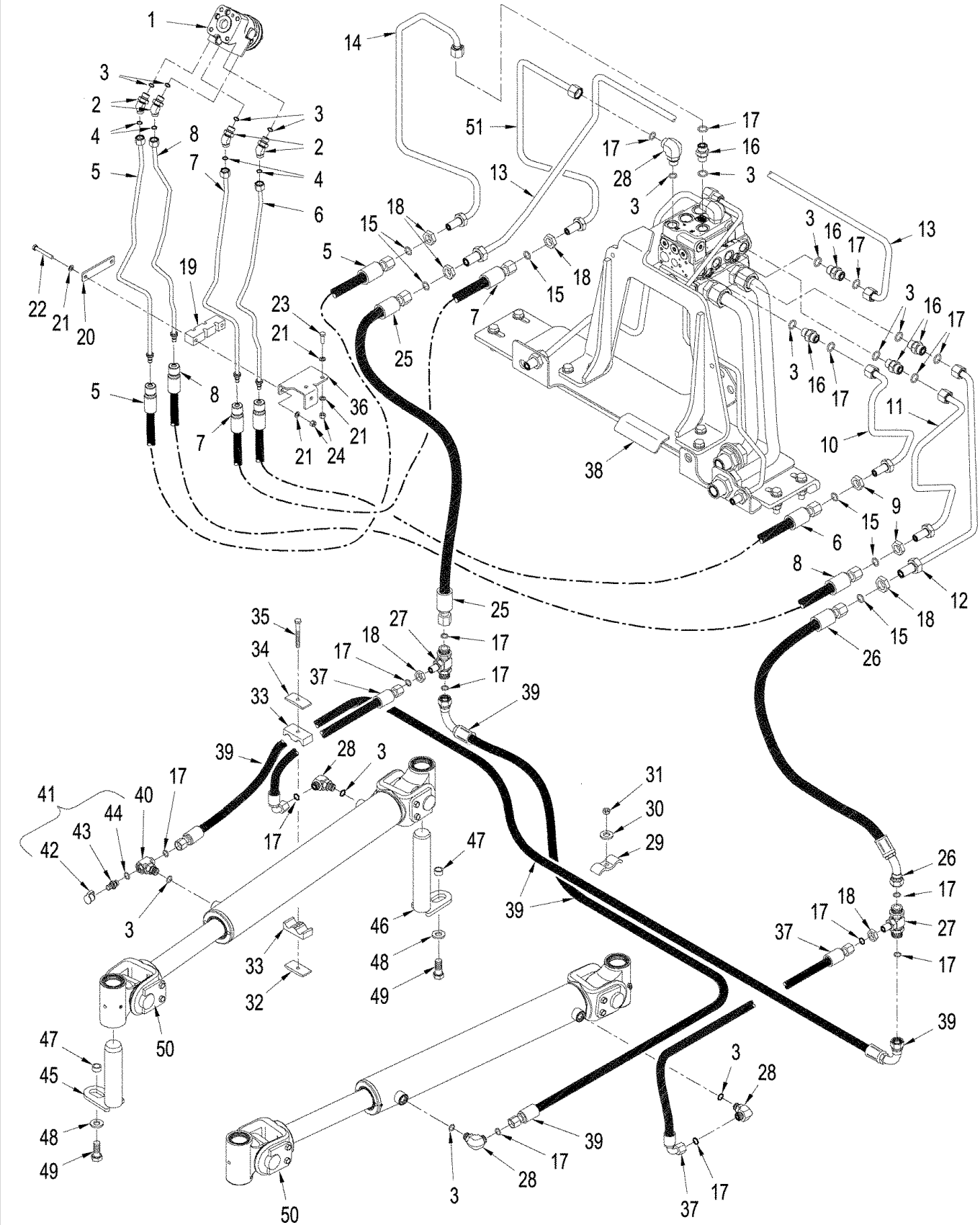
HYDRAULICS - STEERING, WITHOUT ACCUSTEER



HYDRAULICS - STEERING, WITHOUT ACCUSTEER

REF	FN	PART NUMBER	YR/SN	QTY	DESCRIPTION
1		87426127		1	STEERING HYDRAULIC, Pilot Steering, See Figure: 05-14
2		700-446		4	ELBOW, 45°, 11/16"-18 ORFS x M18 x 1.5 ORB, Inc. 3 & 4
3		637-63153		1	O-RING, CI 6, 15.3MM ID x 2.2 Thk
4		238-6012		1	O-RING, -012, 90 Duro, .364" ID x .070" Thk
5		87308576		1	TUBE ASSY., to Port 'T'
6		87308652		1	TUBE ASSY., to Port 'L'
7		87308635		1	TUBE ASSY., to Port 'P'
8		87308647		1	TUBE ASSY., to Port 'R'
9		701-909		4	NUT, LOCK, 11/16"-16, Blkhd
10		87368663		1	TUBE, Port 'R'
11		87368664		1	TUBE, Port 'L'
12		87368662		1	TUBE, Port 'CR'
13		87368661		1	TUBE, Port 'CL'
14		87351173		1	TUBE, Port 'TS'
15		238-6012		5	O-RING, -012, 90 Duro, .364" ID x .070" Thk
16		700-102		5	CONNECTOR, HYD., 13/16"-16 ORFS x M18 x 1.5 ORB, Inc. 3 & 17
17		238-6014		1	O-RING, -014, 90 Duro, .489" ID x .070" Thk
18		701-903		4	NUT, LOCK, 13/16"-16, ORFS Blkhd
19		87436024		1	MOUNTING PARTS, Hose Mounting
20		87403324		1	BRACKET, SUPPORTING, Mounting
21		895-11008		10	WASHER, M8 x 16 x 1.6
22		827-8060		2	BOLT, Hex, M8 x 60, 10.9
23		627-8025		2	BOLT, Hex, M8 x 25, 10.9
24		829-1408		6	NUT, M8, CI 10
25		393606A1		1	HOSE
26		393607A1		1	HOSE
27		701-452		2	TEE, 13/16"-16 ORFS, Blkhd Br, Inc. 17
28		700-305		4	ELBOW, 90°, 13/16"-18 ORFS x M18 x 1.5 ORB, Inc. 3 & 17
29		242563A1		1	CLAMP
30		895-11010		7	WASHER, M10 x 20 x 2
31		829-1410		3	NUT, M10, CI 10
					STX330 STX280 STEIGER 280 STEIGER 330

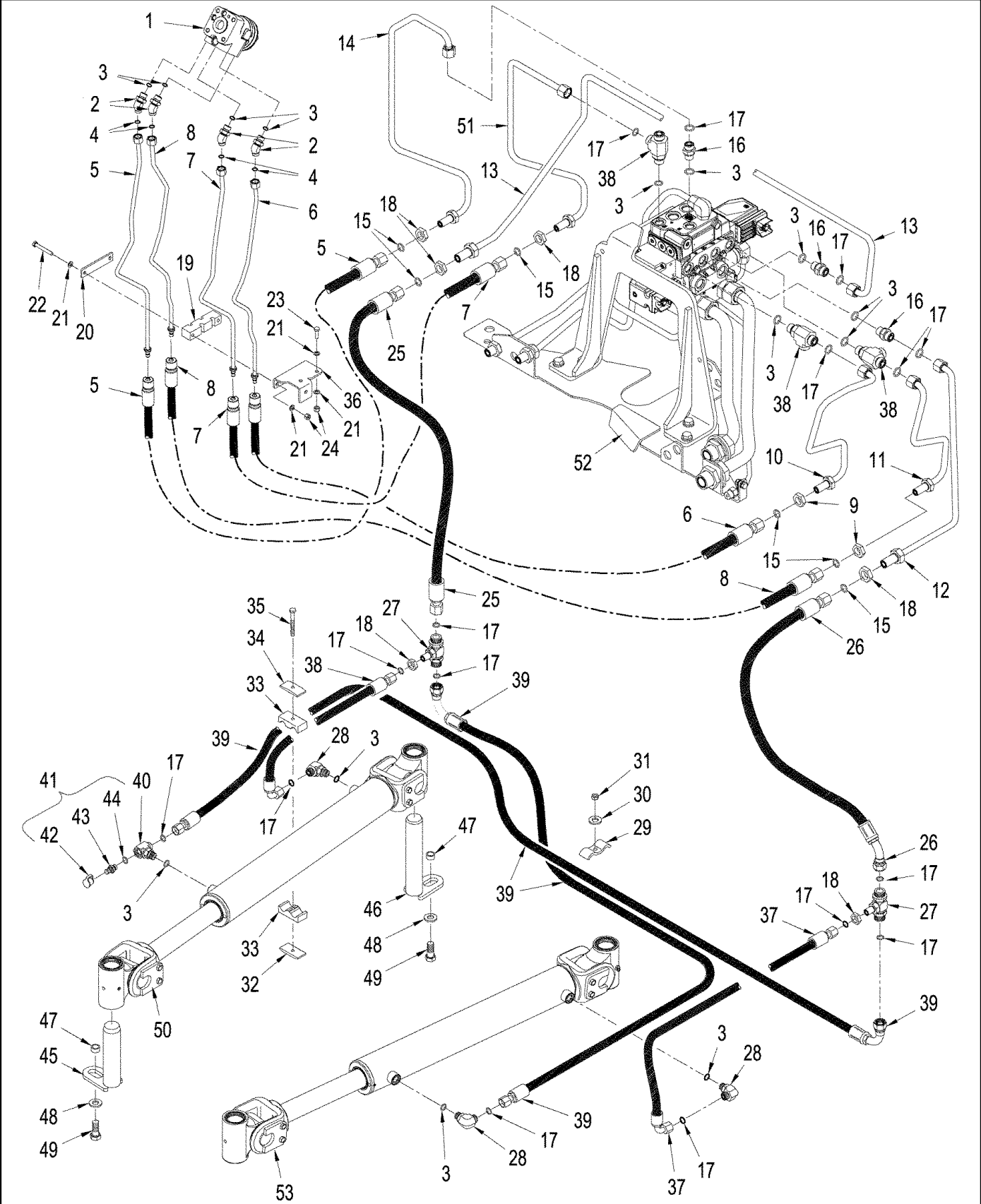
HYDRAULICS - STEERING, WITHOUT ACCUSTEER



HYDRAULICS - STEERING, WITHOUT ACCUSTEER

REF	FN	PART NUMBER	YR/SN	QTY	DESCRIPTION
32		399431A1		2	PLATE, Single Clamp
33		399102A1		4	CLAMP, Single
34		279519A1		2	PLATE, LARGE, Cover
35		827-6050		4	BOLT, Hex, M6 x 50, 10.9
36		87435128		1	BRACKET, SUPPORTING, Tube Holder
37		367244A1		2	HOSE
38		87442925	BSN Z7F105376	1	VALVE, CONTROL, Priority / EHPS, See Figure: 08-12, Also See Figure 08-21 for Mounting Parts
38		87585897	ASN Z7F105376	1	VALVE, HYDRAULIC, Priority / EHPS, See Figure: 08-12, Also see Figure: 08-21 for Mounting Parts
39		352114A1		2	HOSE
40		364967A1		1	TEE, M18 or x 13/16" fc sl, Inc. 3 & 17
41		178889A1		1	FITTING, Diagnostic, Inc. 42 - 44
42		H434163		1	DUST CAP, Dust
43		NSS		1	NOT SERVICED SEPARATELY, Fitting, Diagnostic, Inc. 44
44		637-63113		1	O-RING, CI 6, 11.3MM ID x 2.2 Thk
45		256295A1		2	PIN
46		360493A1		2	PIN, M38 x 260
47		70-5967T1		4	SPACER
48		496-21066		4	WASHER, 21/32" x 1 5/16" x .150"
49		627-16035		4	BOLT, Hex, M16 x 35, 10.9
50		87447305		2	HYDRAULIC CYLINDER, Articulation, without Sensor, See Figure: 05-12
51		87351175		1	TUBE, Port 'PS'
					STX330 STX280 STEIGER 280 STEIGER 330

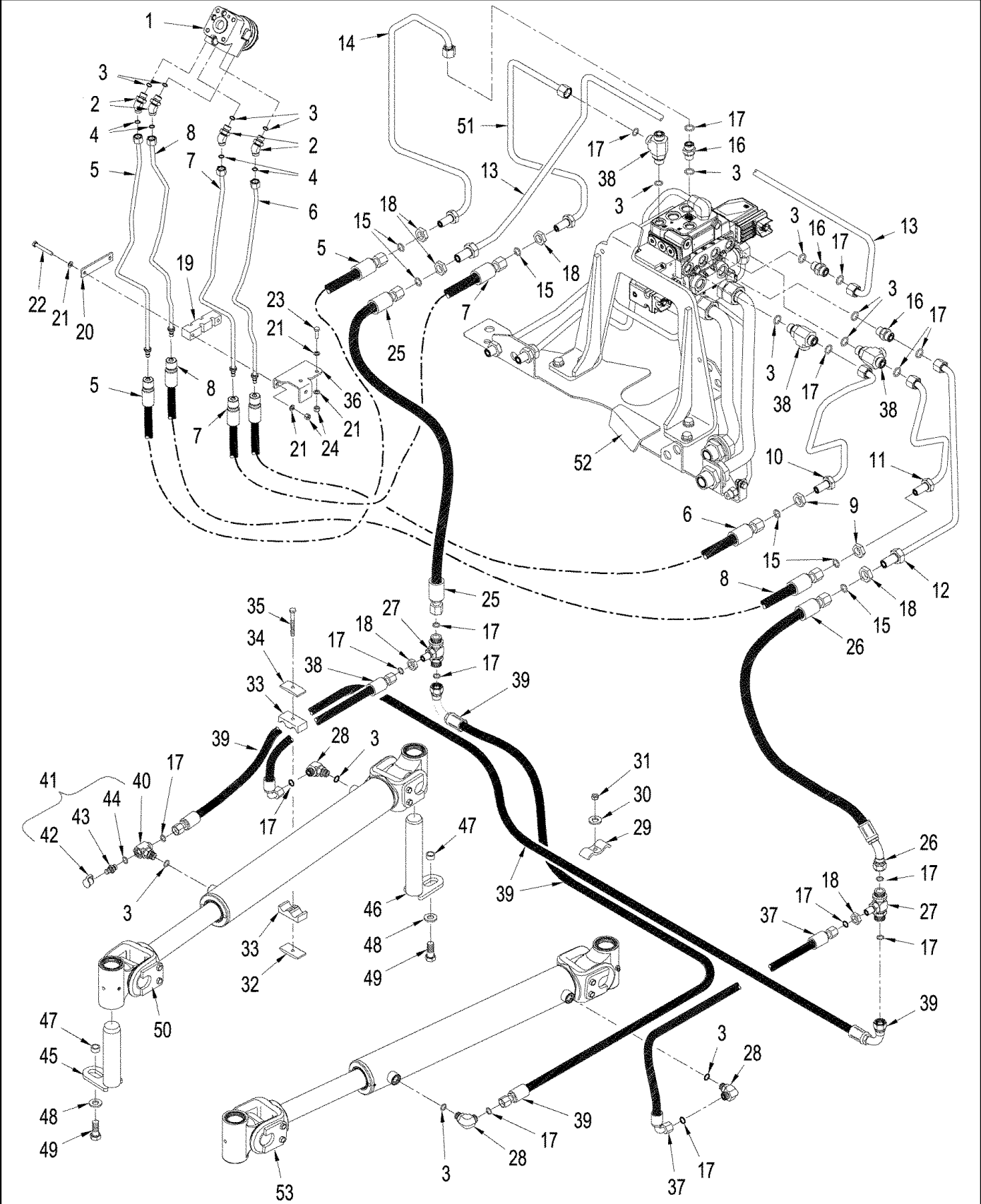
HYDRAULICS - STEERING, WITH ACCUSTEER



HYDRAULICS - STEERING, WITH ACCUSTEER

REF	FN	PART NUMBER	YR/SN	QTY	DESCRIPTION
1		87426127		1	STEERING HYDRAULIC, Pilot Steering, See Figure: 05-14
2		700-446		4	ELBOW, 45°, 11/16"-18 ORFS x M18 x 1.5 ORB, Inc. 3 & 4
3		637-63153		1	O-RING, CI 6, 15.3MM ID x 2.2 Thk
4		238-6012		1	O-RING, -012, 90 Duro, .364" ID x .070" Thk
5		87308576		1	TUBE ASSY., to Port 'T'
6		87308652		1	TUBE ASSY., to Port 'L'
7		87308635		1	TUBE ASSY., to Port 'P'
8		87308647		1	TUBE ASSY., to Port 'R'
9		701-909		4	NUT, LOCK, 11/16"-16, Blkhd
10		87308568		1	TUBE ASSY., Port 'R'
11		87308572		1	TUBE ASSY., Port 'L'
12		87450242		1	TUBE ASSY., Port 'CR'
13		87450949		1	TUBE ASSY., Port 'CL'
14		87351173		1	TUBE, Port 'TS'
15		238-6012		5	O-RING, -012, 90 Duro, .364" ID x .070" Thk
16		700-102		5	CONNECTOR, HYD., 13/16"-16 ORFS x M18 x 1.5 ORB, Inc. 3 & 17
17		238-6014		1	O-RING, -014, 90 Duro, .489" ID x .070" Thk
18		701-903		4	NUT, LOCK, 13/16"-16, ORFS Blkhd
19		87436024		1	MOUNTING PARTS, Hose Mounting
20		87403324		1	BRACKET, SUPPORTING, Mounting
21		895-11008		10	WASHER, M8 x 16 x 1.6
22		827-8060		2	BOLT, Hex, M8 x 60, 10.9
23		627-8025		2	BOLT, Hex, M8 x 25, 10.9
24		829-1408		6	NUT, M8, CI 10
25		393606A1		1	HOSE
26		393607A1		1	HOSE
27		701-452		2	TEE, 13/16"-16 ORFS, Blkhd Br, Inc. 17
28		700-305		3	ELBOW, 90°, 13/16"-18 ORFS x M18 x 1.5 ORB, Inc. 3 & 17
29		242563A1		1	CLAMP
30		895-11010		7	WASHER, M10 x 20 x 2
31		829-1412		1	NUT, M12, CI 10
					STX330 STX280 STEIGER 280 STEIGER 330

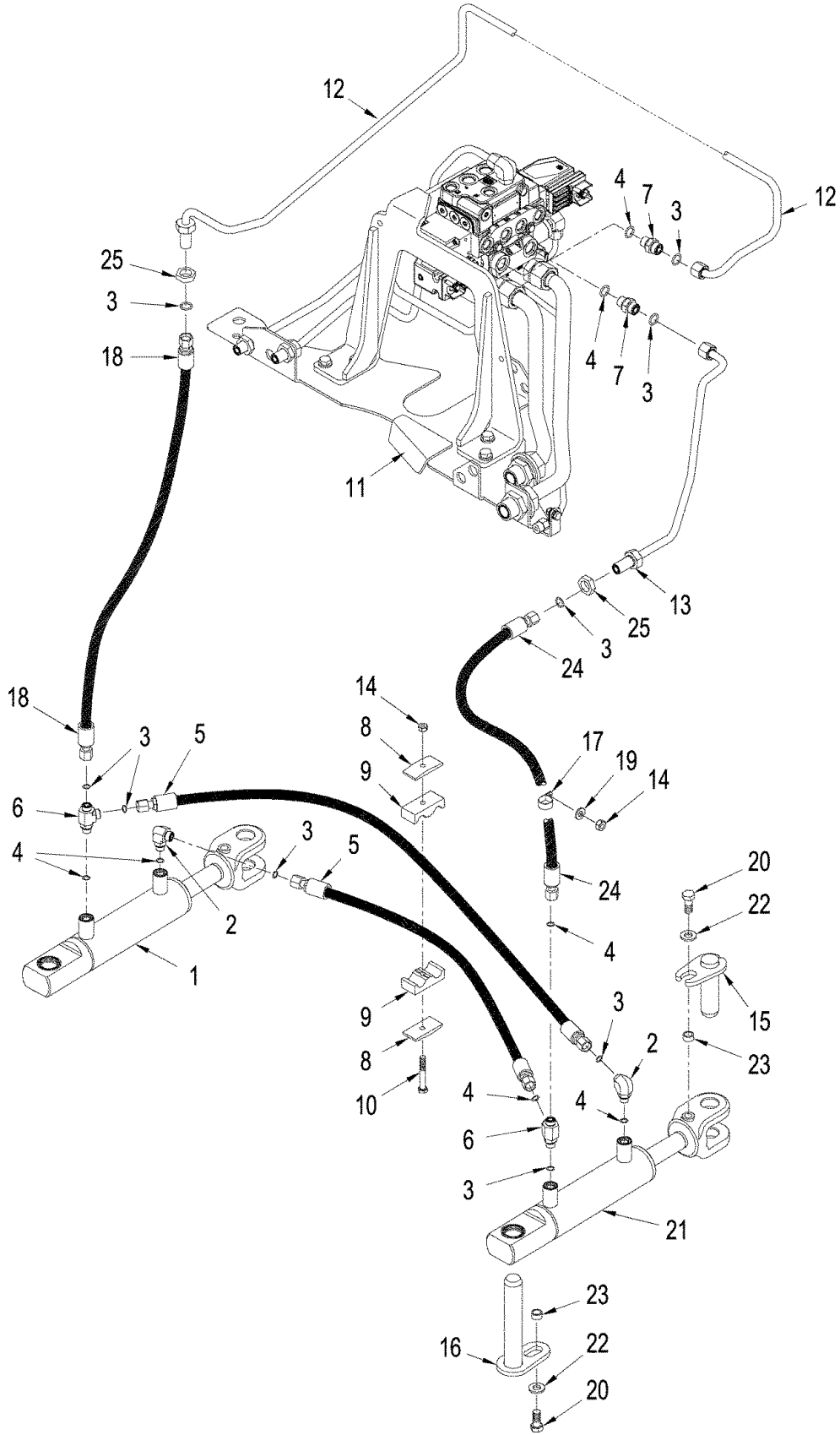
HYDRAULICS - STEERING, WITH ACCUSTEER



HYDRAULICS - STEERING, WITH ACCUSTEER

REF	FN	PART NUMBER	YR/SN	QTY	DESCRIPTION
32		399431A1		2	PLATE, Single Clamp
33		399102A1		4	CLAMP, Single
34		279519A1		2	PLATE, LARGE, Cover
35		827-6050		4	BOLT, Hex, M6 x 50, 10.9
36		87435128		1	BRACKET, SUPPORTING, Tube Holder
37		367244A1		2	HOSE
38		700-412		3	TEE, 13/16"-16 ORFS x M18 x 1.5 ORB Run, Inc. 3 & 17
39		352114A1		2	HOSE
40		364967A1		1	TEE, M18 or x 13/16" fc sl, Inc. 3 & 17
41		178889A1		1	FITTING, Diagnostic, Inc. 42 - 44
42		H434163		1	DUST CAP, Dust
43		NSS		1	NOT SERVICED SEPARATELY, Fitting, Diagnostic, Inc. 44
44		637-63113		1	O-RING, CI 6, 11.3MM ID x 2.2 Thk
45		256295A1		2	PIN
46		360493A1		2	PIN, M38 x 260
47		70-5967T1		4	SPACER
48		496-21066		4	WASHER, 21/32" x 1 5/16" x .150"
49		627-16035		4	BOLT, Hex, M16 x 35, 10.9
50		87447305		1	HYDRAULIC CYLINDER, Articulation, without Sensor, See Figure: 05-12
51		87351175		1	TUBE, Port 'PS'
52		87436467	BSN Z7F105452	1	VALVE, HYDRAULIC, Priority / EHPS, See Figure: 08-13, Also See Figure: 08-23 for Mounting Parts
52		87585899	ASN Z7F105452	1	VALVE, HYDRAULIC, Priority / EHPS, See Figure: 08-13, Also See Figure: 08-23 for Mounting Parts
53		87529570	BSN Z7F105441	1	CYLINDER, Articulation, with Sensor, See Figure: 05-13
53		87552144	ASN Z7F105441	1	CYLINDER STEERING, Articulation, with Sensor, See Figure: 05-13 (01)
					STX330 STX280 STEIGER 280 STEIGER 330

HYDRAULICS - FRONT STEERING CYLINDERS, WITH ACCUSTEER



HYDRAULICS - FRONT STEERING CYLINDERS, WITH ACCUSTEER

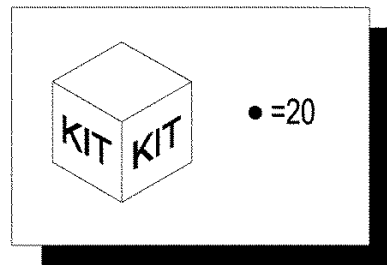
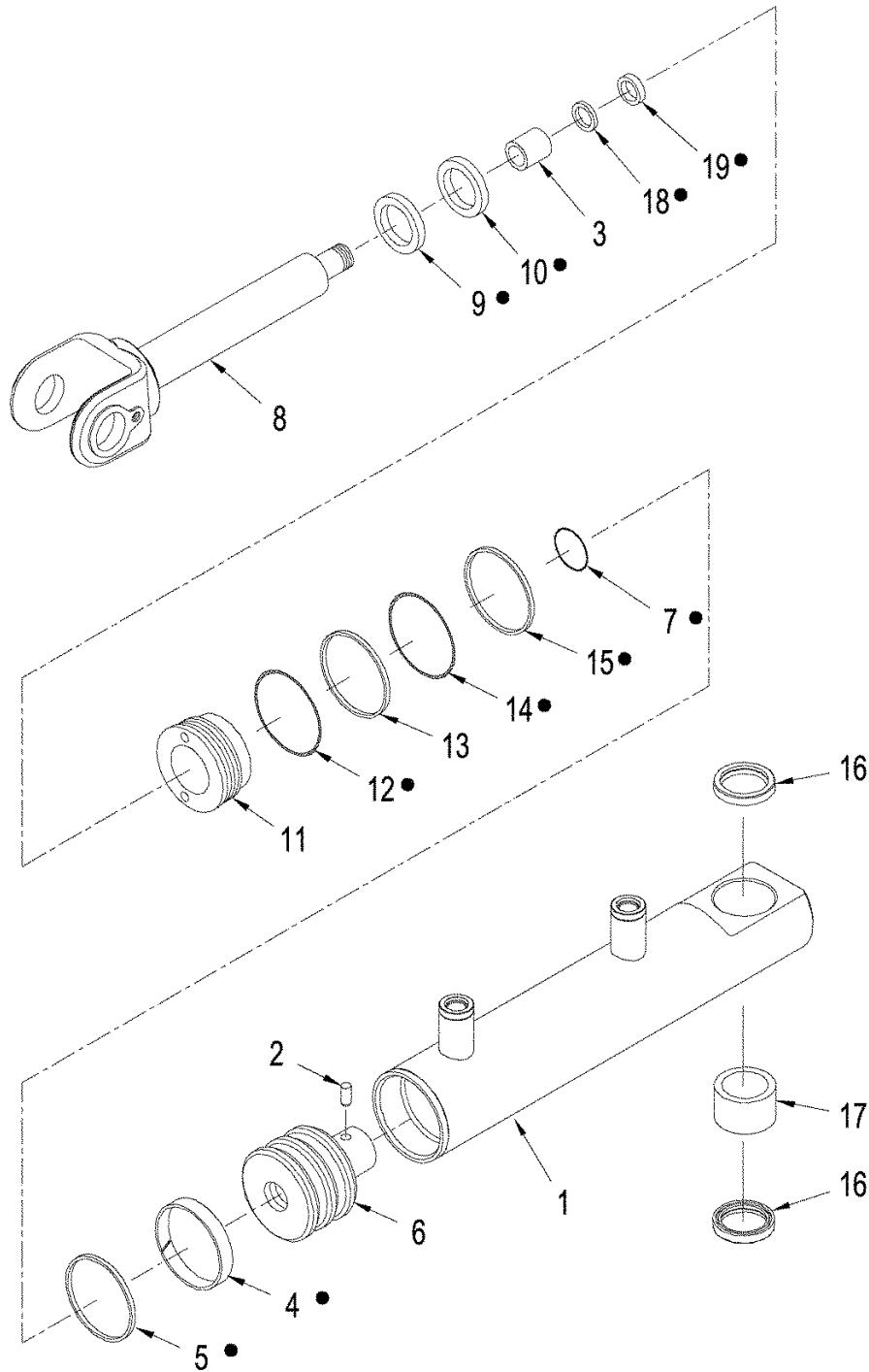
REF	FN	PART NUMBER	YR/SN	QTY	DESCRIPTION
1		87529572	BSN Z7F105371	1	CYLINDER, with Sensor, See Figure: 05-09
1		87552135	ASN Z7F105371	1	CYLINDER STEERING, with Sensor, See Figure: 05-09 (01)
2		700-305		2	ELBOW, 90°, 13/16"-18 ORFS x M18 x 1.5 ORB, Inc. 3 and 4
3		238-6014		1	O-RING, -014, 90 Duro, .489" ID x .070" Thk
4		637-63153		1	O-RING, CI 6, 15.3MM ID x 2.2 Thk
5		363072A1		2	HOSE
6		700-412		2	TEE, 13/16"-16 ORFS x M18 x 1.5 ORB Run, Inc. 3 & 4
7		700-102		2	CONNECTOR, HYD., 13/16"-16 ORFS x M18 x 1.5 ORB, Inc. 3 & 4
8		50-2533T1		2	PLATE, Cover
9		50-2551T1		2	CLAMP, Double Tube
10		277010A2		2	HOSE ASSY.
11		87442925	BSN Z7F105452	1	VALVE, CONTROL, Priority / EHPS, See Figure: 08-13
11		87585899	ASN Z7F105452	1	VALVE, HYDRAULIC, Priority / EHPS, See Figure: 08-13
12		87308379		1	TUBE ASSY., Port 'B'
13		87450240		1	TUBE ASSY., Port 'A'
14		829-1408		3	NUT, M8, CI 10
15		256296A1		2	PIN, 240 mm (9-1/2")
16		281673A2		2	PIN, 140 mm (5-1/2")
17		515-25635		1	CLAMP, 2 1/2", Insul, 1/2" Bolt
18		87452072		1	HOSE ASSY.
19		895-11008		1	WASHER, M8 x 16 x 1.6
20		627-16035		4	BOLT, Hex, M16 x 35, 10.9
21		87304293		1	CYLINDER STEERING, Steering, without Sensor, See Figure: 05-08
22		496-21066		4	WASHER, 21/32" x 1 5/16" x .150"
23		70-5967T1		4	SPACER
24		827-8060		1	BOLT, Hex, M8 x 60, 10.9
25		701-903		2	NUT, LOCK, 13/16"-16, ORFS Blkhd
					STX330 STX280 STEIGER 280 STEIGER 330

05-08

p1

01/07

CYLINDER ASSY - STEERING, WITHOUT SENSOR

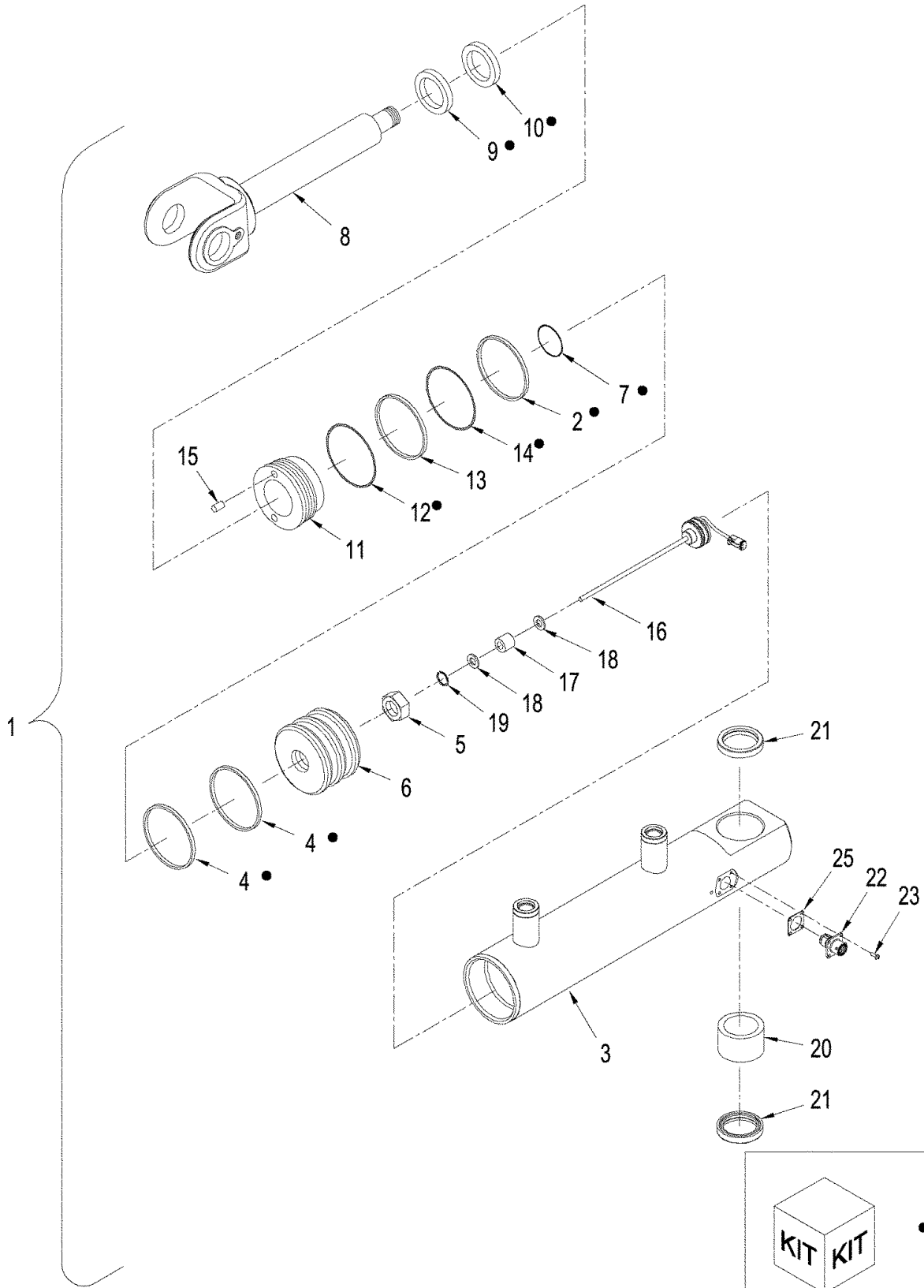


CYLINDER ASSY - STEERING, WITHOUT SENSOR

REF	FN	PART NUMBER	YR/SN	QTY	DESCRIPTION
		87304293		1	CYLINDER STEERING, Inc. 1 - 19
1		87378703		1	TUBE
2		878-20814		1	SET SCREW, Hex Soc, M8 x 14, Cone Pt
3		87378697		1	BUSHING
4		NSS		1	NOT SERVICED SEPARATELY, Ring, Wear
5		NSS		1	NOT SERVICED SEPARATELY, Seal, Piston
6		87378698		1	PISTON
7		NSS		1	NOT SERVICED SEPARATELY, O-Ring
8		87378700		1	ROD
9		NSS		1	NOT SERVICED SEPARATELY, Wiper, Seal
10		NSS		1	NOT SERVICED SEPARATELY, Retainer
11		87378702		1	ROD
12		NSS		1	NOT SERVICED SEPARATELY, Seal, Gland
13		87378704		1	WASHER, Ring, Backup
14		NSS		1	NOT SERVICED SEPARATELY, O-Ring
15		NSS		1	NOT SERVICED SEPARATELY, Ring, Backup
16		87378705		2	PIN
17		87378696		1	BUSHING
18		NSS		1	NOT SERVICED SEPARATELY, Seal, Rod
19		NSS		1	NOT SERVICED SEPARATELY, Ring, Backup
20		87378693		1	KIT, Inc. 4, 5, 7, 9, 10, 12, 14

STX330	STX280
STEIGER 280	STEIGER 330

CYLINDER ASSY - STEERING, WITH SENSOR, BSN Z7F105371



CYLINDER ASSY - STEERING, WITH SENSOR, BSN Z7F105371

REF	FN	PART NUMBER	YR/SN	QTY	DESCRIPTION
1		87529572		1	CYLINDER, Inc. 2 - 21
2		NSS		1	NOT SERVICED SEPARATELY, Ring, Backup
3		87397772		1	CASE
4		87397844		1	SPACER
5		232-46318		1	NUT, LOCK, 1 1/8"-12, GC
6		87397769		1	PISTON
7		NSS		1	NOT SERVICED SEPARATELY, O-Ring
8		87397771		1	SHAFT
9		NSS		1	NOT SERVICED SEPARATELY, Wiper, Seal
10		NSS		1	NOT SERVICED SEPARATELY, Retainer
11		87397770		1	HEAD
12		NSS		1	NOT SERVICED SEPARATELY, O-Ring
13		NSS		2	NOT SERVICED SEPARATELY, Washer
14		NSS		1	NOT SERVICED SEPARATELY, O-Ring
15		NSS		1	NOT SERVICED SEPARATELY, Screw, 1/4"-20 NC x 3/8"
16		87328595		1	CYLINDER, Rod Sensor, Front Steering
17		87397843		1	MAGNET, Magnet
18		NSS		2	NOT SERVICED SEPARATELY, Spacer
19		87532453		1	RING, SNAP, Retainer
20		388124A1		1	BUSHING
21		D95142		2	SEAL, Wiper
22		87451958		1	CONNECTOR, ELEC, Socket, 4 Pin
23		87022296		4	SCREW, Cross Pan Hd, M3 x 8
24		387790A1		1	KIT, SEALS, Inc. 2, 4, 7, 9, 10, 12 - 14 & 25
25		87364409		1	GASKET

STX330 STX280
STEIGER 280 STEIGER 330

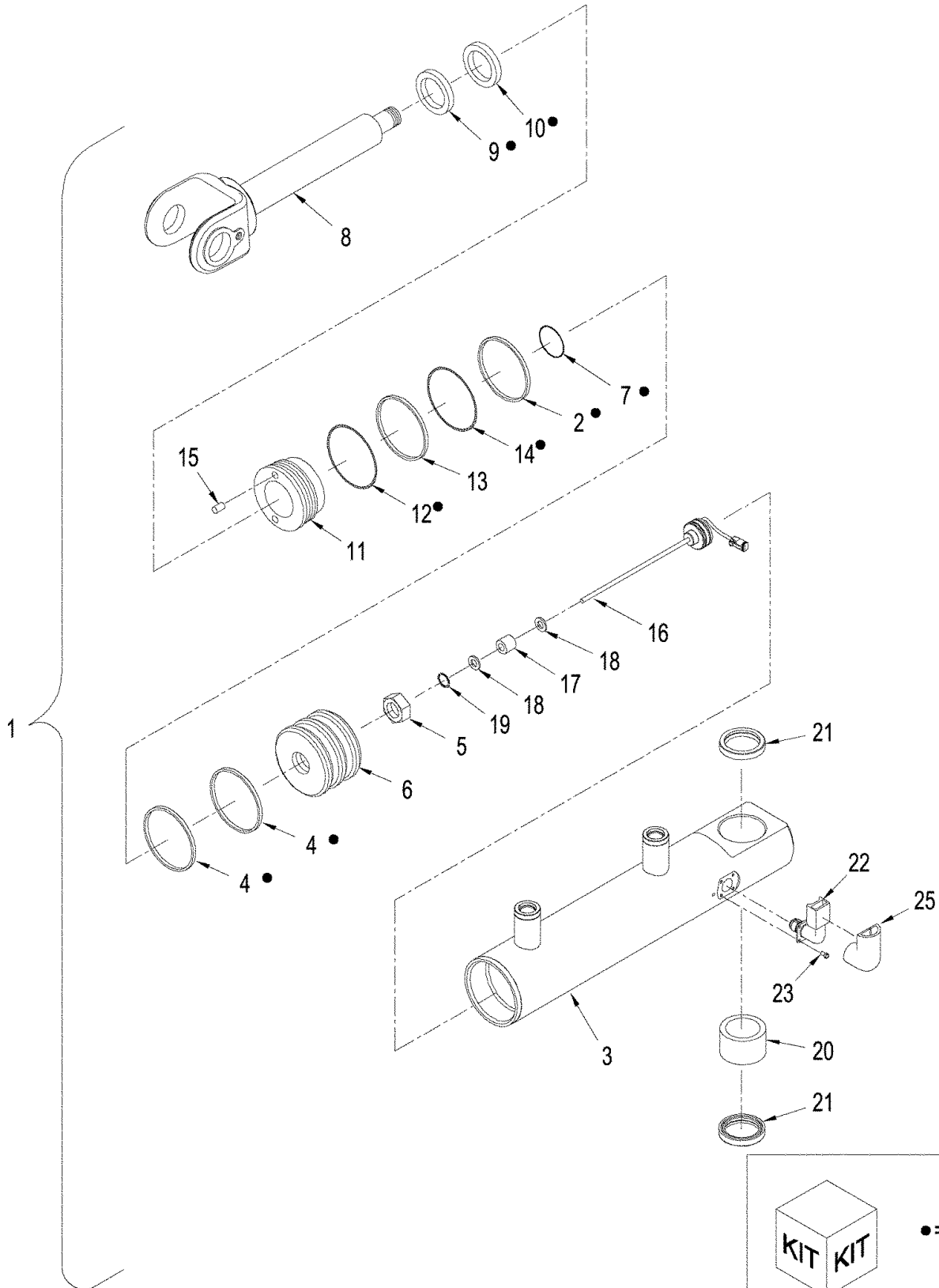
05-09

01

p1

02/07

CYLINDER ASSY - STEERING, WITH SENSOR, ASN Z7F105371



05-09

01

p1

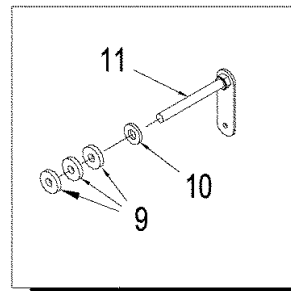
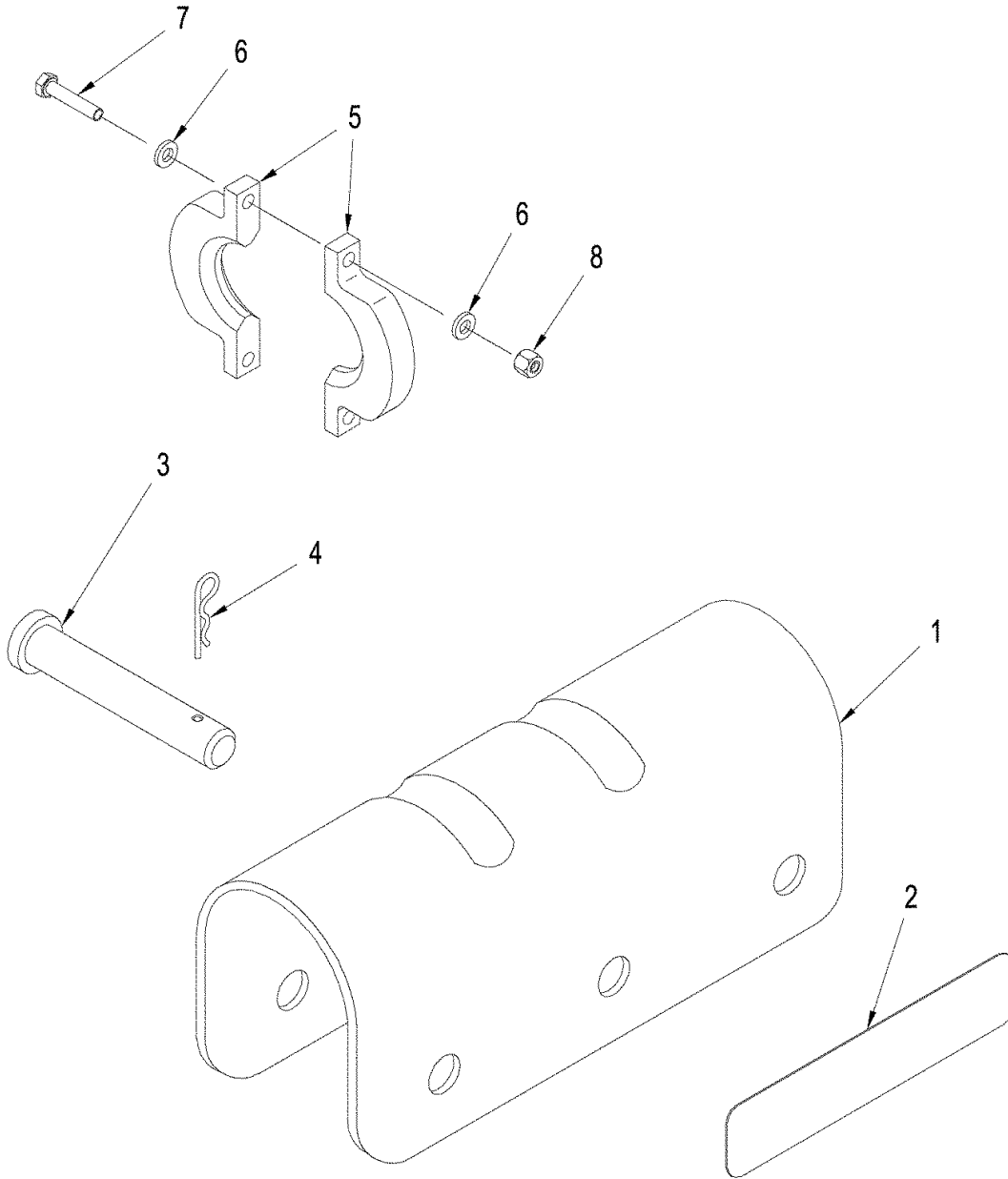
02/07

CYLINDER ASSY - STEERING, WITH SENSOR, ASN Z7F105371

REF	FN	PART NUMBER	YR/SN	QTY	DESCRIPTION
1		87552135		1	CYLINDER STEERING, Inc. 2 - 21
2		NSS		1	NOT SERVICED SEPARATELY, Ring, Backup
3		87397772		1	CASE
4		87397844		1	SPACER
5		232-46318		1	NUT, LOCK, 1 1/8"-12, GC
6		87397769		1	PISTON
7		NSS		1	NOT SERVICED SEPARATELY, O-Ring
8		87397771		1	SHAFT
9		NSS		1	NOT SERVICED SEPARATELY, Wiper, Seal
10		NSS		1	NOT SERVICED SEPARATELY, Retainer
11		87397770		1	HEAD
12		NSS		1	NOT SERVICED SEPARATELY, O-Ring
13		NSS		2	NOT SERVICED SEPARATELY, Washer
14		NSS		1	NOT SERVICED SEPARATELY, O-Ring
15		NSS		1	NOT SERVICED SEPARATELY, Screw, 1/4"-20 NC x 3/8"
16		87552134		1	SENSOR, Rod, Front Steering
17		87397843		1	MAGNET, Magnet
18		NSS		2	NOT SERVICED SEPARATELY, Spacer
19		87532453		1	RING, SNAP, Retainer
20		388124A1		1	BUSHING
21		D95142		2	SEAL, Wiper
22		276426A1		1	CONNECTOR, ELEC, Socket, 4 Pin
23		87022296		4	SCREW, Cross Pan Hd, M3 x 8
24		387790A1		1	KIT, SEALS, Inc. 2, 4, 7, 9, 10, 12 - 14 & 25
25		87552166		1	SEAL, Boot

STX330 STX280
STEIGER 280 STEIGER 330

ARTICULATION LOCKS

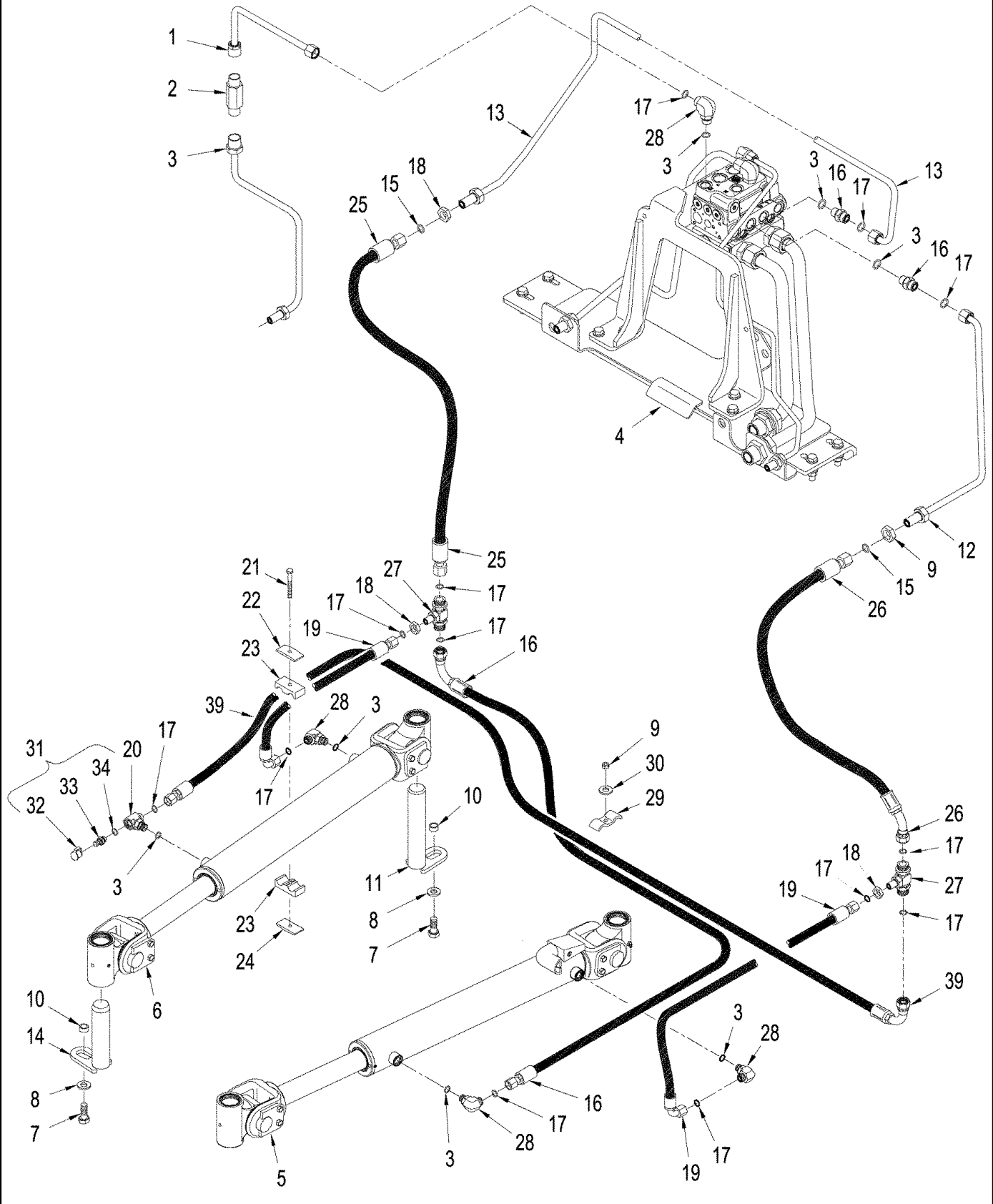


ARTICULATION LOCKS

REF	FN	PART NUMBER	YR/SN	QTY	DESCRIPTION
1	1	87337941		1	LOCKING-DEVICE, 216 mm (8-1/2")
1		87337944		1	LOCKING-DEVICE, Short, 188 mm (7-13/32")
1		403803A1		1	LOCK, Stop, 108 mm (4-1/4")
1		87337945		1	LOCKING-DEVICE, Stop, 202 mm (8")
2		440518A1		1	DECAL
3		427-8325		1	PIN, CLEVIS, 1/2" x 3 1/4"
4		435425A1		1	PIN, Hair, 1/8"
5		87337925		AR	LOCKING-DEVICE, Half, Articulation, 14 mm (Two required per cylinder)
6		896-11006		4	WASHER, M6 x 13 x 2, HT
7		627-6030		2	BOLT, Hex, M6 x 30, 10.9, Full Thd
8		832-10406		2	NUT, LOCK, M6 x 1, CI 8
9		321232A1		3	BUSHING
10		896-15012		1	WASHER, M12 x 28.5 x 4, HT
11		406390A1		1	HANDLE
(1) Used without Stops					

	STX330 STX280 STEIGER 280 STEIGER 330
--	--

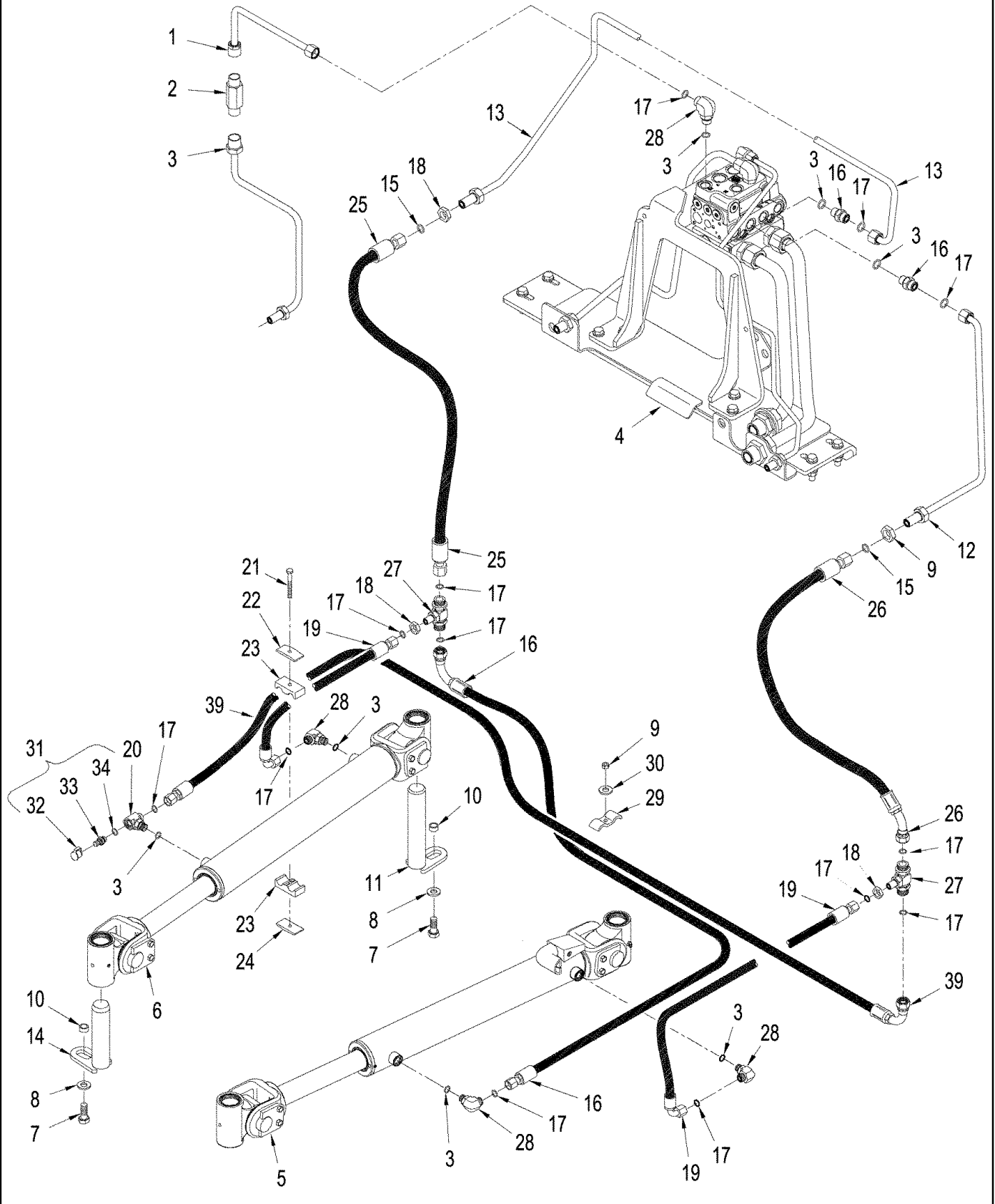
ACCUGUIDE - HYDRAULIC, STEERING, WITHOUT ACCUSTEER



ACCUGUIDE - HYDRAULIC, STEERING, WITHOUT ACCUSTEER

REF	FN	PART NUMBER	YR/SN	QTY	DESCRIPTION
1		87349012		1	TUBE, Flow Switch to Port 'PS'
2		87452749		1	SWITCH, PRESSURE, In-Line Flow
3		87349022		1	TUBE, Pressure to Flow Switch
4		87436468	BSN Z7F105391	1	VALVE, CONTROL, Priority / EHPS, See Figure: 08-12
4		87585898	ASN Z7F105391	1	VALVE, HYDRAULIC, Priority / EHPS, See Figure: 08-12
5		87529570	BSN Z7F105441	1	CYLINDER, Articulation, with Sensor, See Figure: 05-13
5		87552144	ASN Z7F105441	1	CYLINDER STEERING, Articulation, with Sensor, See Figure: 05-13 (01)
6		87447305		1	HYDRAULIC CYLINDER, Articulation, without Sensor, See Figure: 05-12
7		627-16035		4	BOLT, Hex, M16 x 35, 10.9
8		496-21066		4	WASHER, 21/32" x 1 5/16" x .150"
9		829-1412		1	NUT, M12, CI 10
10		70-5967T1		4	SPACER
11		360493A1		2	PIN
12		87450242		1	TUBE ASSY., Port 'CR'
13		87450949		1	TUBE ASSY., Port 'CL'
14		256295A1		2	PIN
15		238-6012		5	O-RING, -012, 90 Duro, .364" ID x .070" Thk
16		352114A1		2	HOSE
17		238-6014		1	O-RING, -014, 90 Duro, .489" ID x .070" Thk
18		701-903		4	NUT, LOCK, 13/16"-16, ORFS Blkhd
19		367244A1		2	HOSE
20		364967A1		1	TEE, M18 or x 13/16" fc sl, Inc. 3 & 17
21		827-6050		4	BOLT, Hex, M6 x 50, 10.9
22		279519A1		2	PLATE, LARGE, Cover
23		399102A1		4	CLAMP, Single
24		399431A1		2	PLATE, Single Clamp
25		393606A1		1	HOSE
26		393607A1		1	HOSE
27		701-452		2	TEE, 13/16"-16 ORFS, Blkhd Br, Inc. 17
					STX330 STX280 STEIGER 280 STEIGER 330

ACCUGUIDE - HYDRAULIC, STEERING, WITHOUT ACCUSTEER

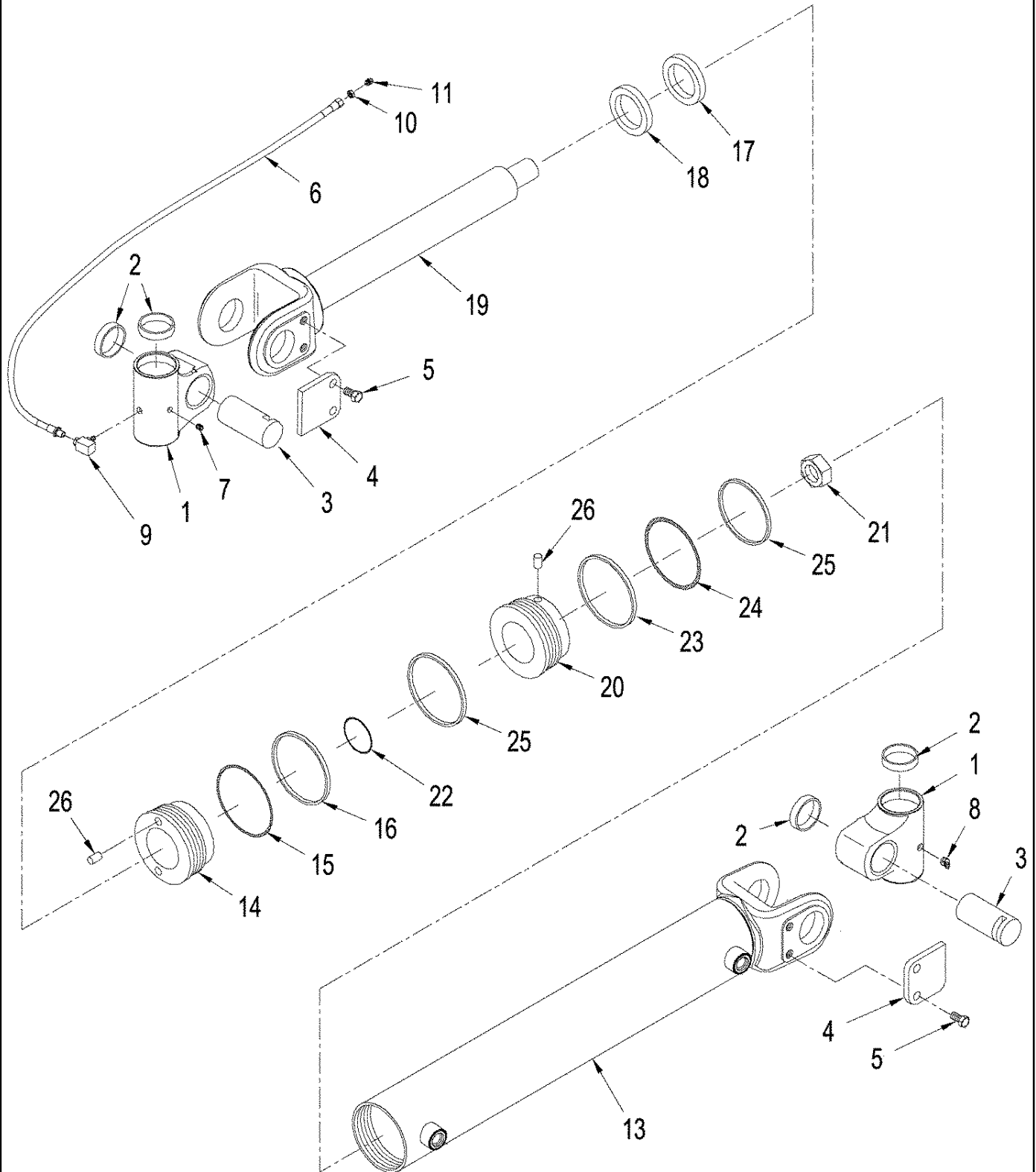


ACCUGUIDE - HYDRAULIC, STEERING, WITHOUT ACCUSTEER

REF	FN	PART NUMBER	YR/SN	QTY	DESCRIPTION
28		700-305		4	ELBOW, 90°, 13/16"-18 ORFS x M18 x 1.5 ORB, Inc. 3 & 17
29		242563A1		1	CLAMP
30		895-11010		7	WASHER, M10 x 20 x 2
31		178889A1		1	FITTING, Diagnostic, Inc. 33 - 34
32		H434163		1	DUST CAP, Dust
33		NSS		1	NOT SERVICED SEPARATELY, Fitting, Diagnostic, Inc. 35
34		637-63113		1	O-RING, CI 6, 11.3MM ID x 2.2 Thk

STX330 STX280
STEIGER 280 STEIGER 330

CYLINDER ASSY - ARTICULATION, WITHOUT SENSOR

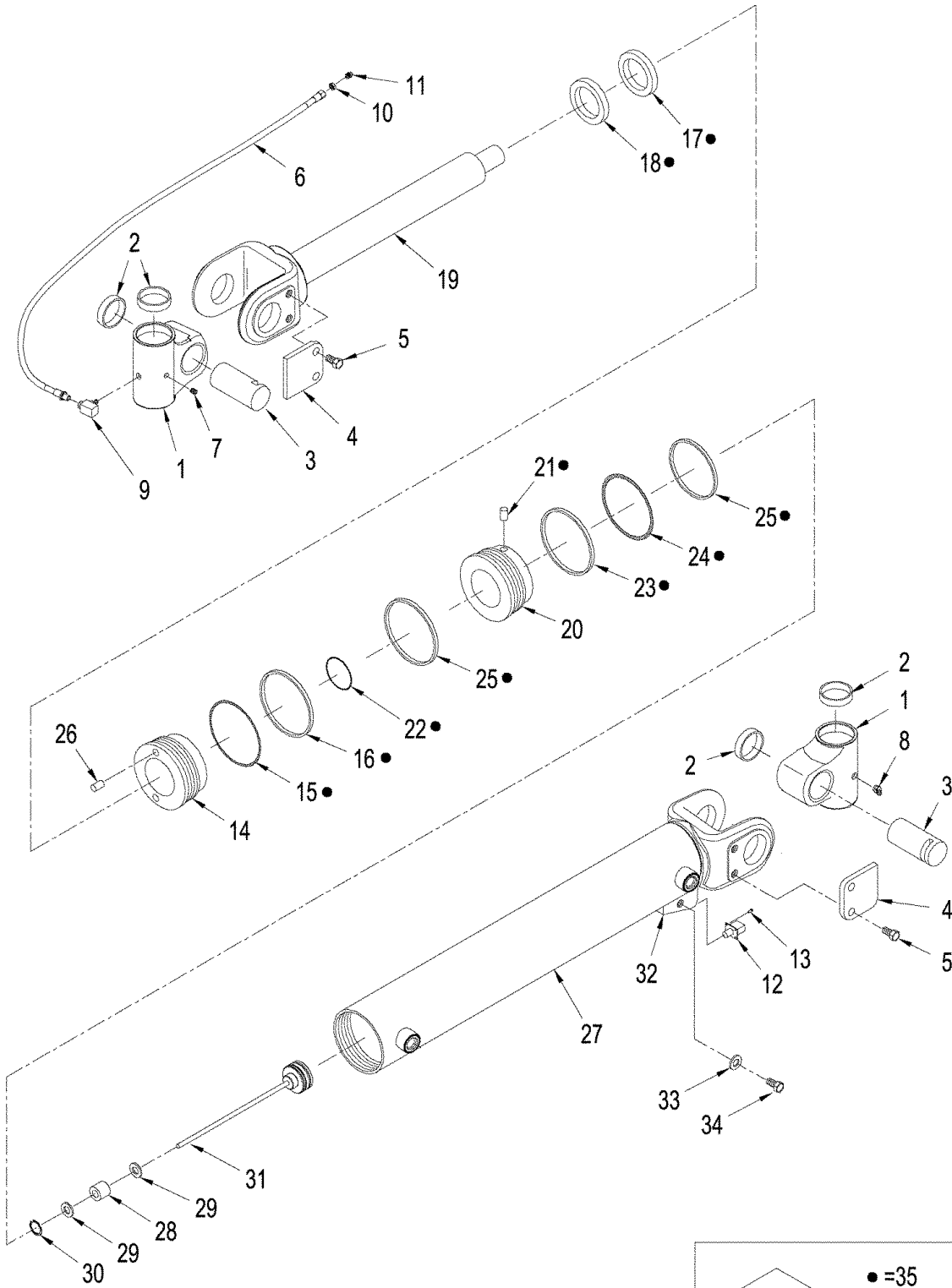


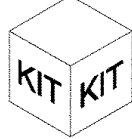
CYLINDER ASSY - ARTICULATION, WITHOUT SENSOR

REF	FN	PART NUMBER	YR/SN	QTY	DESCRIPTION
1		410700A1		2	KNUCKLE JOINT
2		D95142		8	SEAL
3		87447988		2	PIN
4		87447987		2	PLATE
5		627-12025		4	BOLT, Hex, M12 x 25, 10.9
6		937781R92		1	HOSE, 838 mm (33 in)
7		86637724		2	PLUG, Hex Soc, 1/8"-27 NPTF, 1/8 PT
8		219-36		1	NIPPLE, LUBE, 45°, 1/8" NPT x 7/8" lg
9		217-1014		1	ELBOW, 90°, 1/8"-27 Female x 1/8"-27 Male
10		F53473		1	NUT
11		86636814		1	NIPPLE, LUBE, 1/4"-28 x .52" lg
		87447305		1	HYDRAULIC CYLINDER, Inc. 13 - 26
13		87397787		1	CASE, Barrel
14		87397782		1	HEAD
15		NSS		1	NOT SERVICED SEPARATELY, Ring
16		NSS		1	NOT SERVICED SEPARATELY, O-Ring
17		NSS		1	NOT SERVICED SEPARATELY, Seal
18		NSS		1	NOT SERVICED SEPARATELY, Wiper
19		87397786		1	SHAFT, Piston
20		87397773		1	PISTON
21		NSS		1	NOT SERVICED SEPARATELY, Nut, Lock, 1-1/4" NF
22		NSS		1	NOT SERVICED SEPARATELY, O-Ring
23		NSS		1	NOT SERVICED SEPARATELY, Ring, Piston
24		NSS		1	NOT SERVICED SEPARATELY, Seal, Piston
25		NSS		2	NOT SERVICED SEPARATELY, Ring, Wear
26		NSS		1	NOT SERVICED SEPARATELY, Screw
		87397777		1	KIT, SEALS, Seals, Inc. 15 - 18, 22 - 26

STX330 STX280
STEIGER 280 STEIGER 330

CYLINDER ASSY - ARTICULATION, WITH SENSOR, BSN Z7F105441

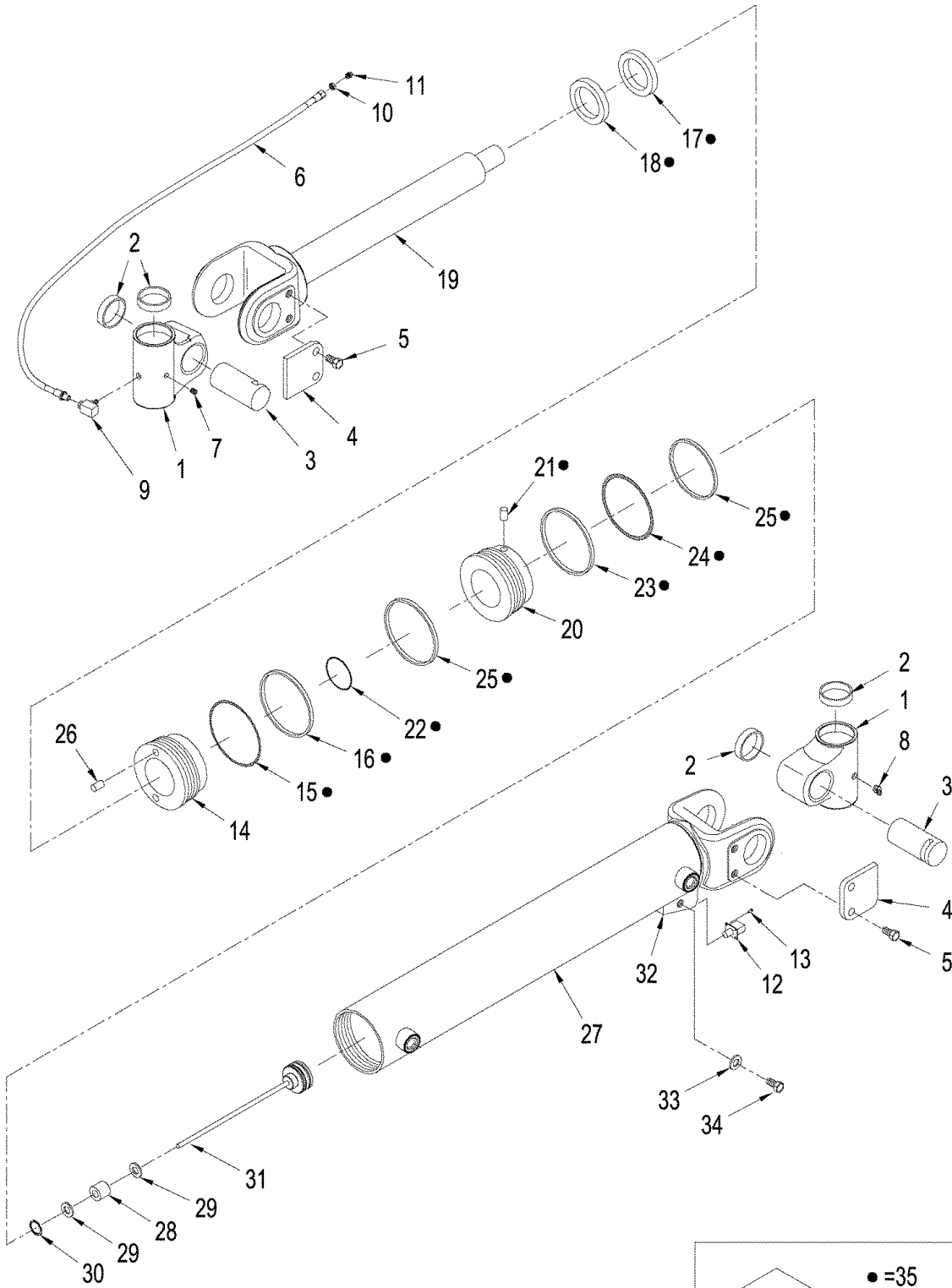


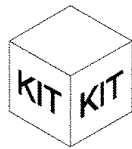
 ● = 35

CYLINDER ASSY - ARTICULATION, WITH SENSOR, BSN Z7F105441

REF	FN	PART NUMBER	YR/SN	QTY	DESCRIPTION
1		410700A1		2	KNUCKLE JOINT
2		D95142		8	SEAL
3		87447988		2	PIN
4		87447987		2	PLATE, Retainer
5		627-12025		4	BOLT, Hex, M12 x 25, 10.9
6		937781R92		1	HOSE, 838 mm (33 in)
7		86637724		2	PLUG, Hex Soc, 1/8"-27 NPTF
8		219-36		1	NIPPLE, LUBE, 45°, 1/8" NPT x 7/8" lg
9		217-1014		1	ELBOW, 90°, 1/8"-27 Female x 1/8"-27 Male
10		F53473		1	NUT, 1/8 PT
11		86636814		1	NIPPLE, LUBE, 1/4"-28 x .52" lg
12		87451958		1	CONNECTOR, ELEC, Socket, 4-Pin
13		87397784		4	CASE
		87529570		1	CYLINDER, Inc. 14 - 34
14		87397782		1	HEAD
15		NSS		1	NOT SERVICED SEPARATELY, Ring
16		NSS		1	NOT SERVICED SEPARATELY, O-Ring
17		NSS		1	NOT SERVICED SEPARATELY, Seal
18		NSS		1	NOT SERVICED SEPARATELY, Wiper
19		87397783		1	SHAFT, Piston
20		87397773		1	PISTON
21		NSS		1	NOT SERVICED SEPARATELY, Cup, Screw, .380"
22		NSS		1	NOT SERVICED SEPARATELY, O-Ring
23		NSS		1	NOT SERVICED SEPARATELY, Ring, Piston
24		NSS		1	NOT SERVICED SEPARATELY, Seal, Piston
25		NSS		2	NOT SERVICED SEPARATELY, Ring, Wear
26		NSS		1	NOT SERVICED SEPARATELY, Screw, 1/4"-NC x 3/8"
27		87397784		1	CASE, Barrel
28		87397843		1	MAGNET
29		87397844		2	SPACER
30		87532453		1	RING, SNAP
31		87328594		1	CYLINDER, Rod Sensor, Rear Articulation
32		87397788		1	GUARD, Sensor Wire
33		895-11006		1	WASHER, M6
					STX330 STX280 STEIGER 280 STEIGER 330

CYLINDER ASSY - ARTICULATION, WITH SENSOR, BSN Z7F105441



 ● = 35

CYLINDER ASSY - ARTICULATION, WITH SENSOR, BSN Z7F105441

REF	FN	PART NUMBER	YR/SN	QTY	DESCRIPTION
34		627-6012		1	BOLT, Hex, M6 x 12, 10.9
35		87397777		1	KIT, SEALS, Seal, Inc. 15 - 18, 22 - 26

	STX330 STX280 STEIGER 280 STEIGER 330
--	---

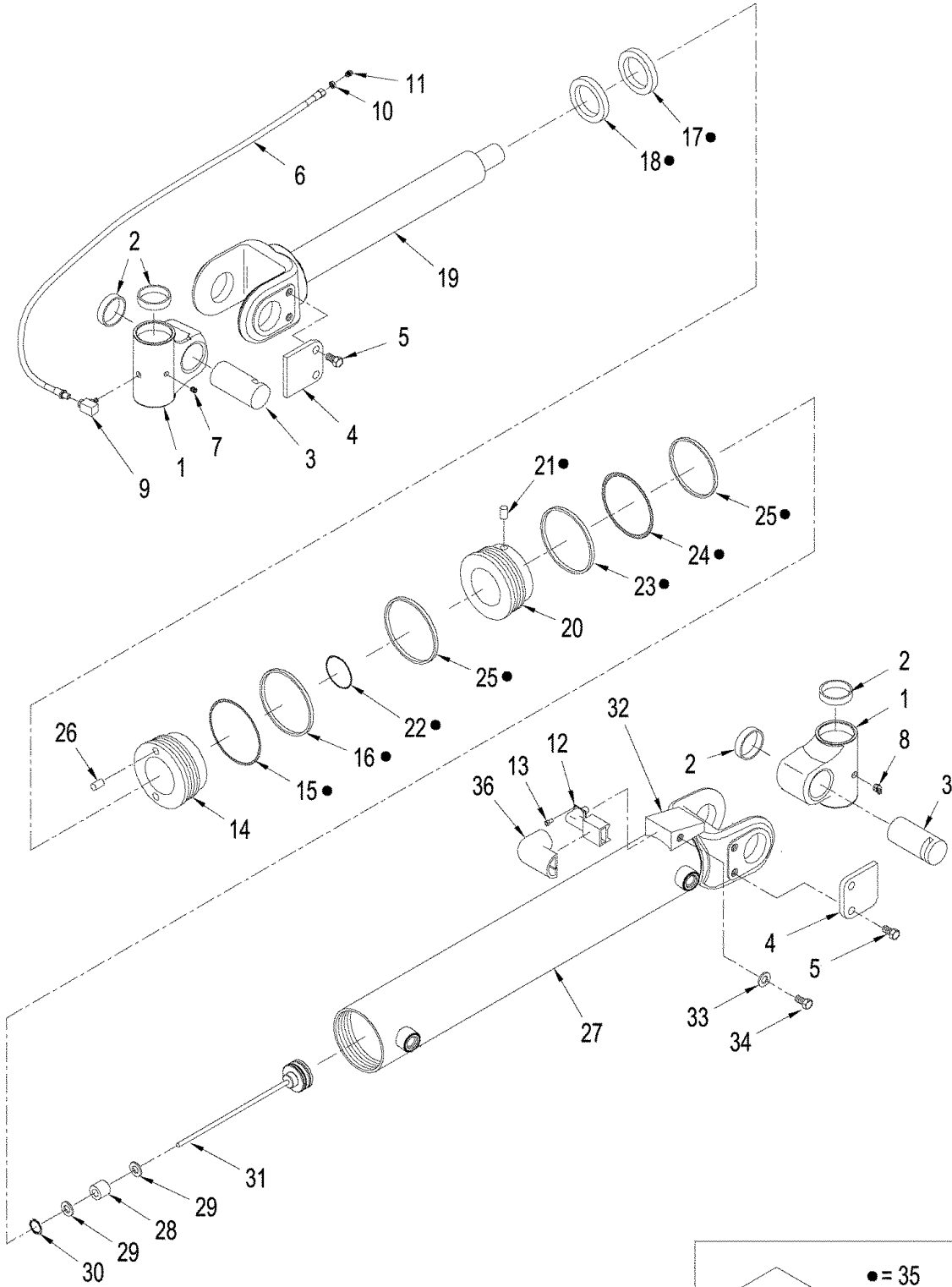
05-13

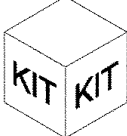
01

p1

02/07

CYLINDER ASSY - ARTICULATION, WITH SENSOR, ASN Z7F105441



 ● = 35

05-13

01

p1

02/07

CYLINDER ASSY - ARTICULATION, WITH SENSOR, ASN Z7F105441

REF	FN	PART NUMBER	YR/SN	QTY	DESCRIPTION
1		410700A1		2	KNUCKLE JOINT
2		D95142		8	SEAL
3		87447988		2	PIN
4		87447987		2	PLATE, Retainer
5		627-12025		4	BOLT, Hex, M12 x 25, 10.9
6		937781R92		1	HOSE, 838 mm (33 in)
7		217-429		2	PLUG, Hex Soc, 1/8"-27 NPTF
8		219-36		1	NIPPLE, LUBE, 45°, 1/8" NPT x 7/8" lg
9		217-1014		1	ELBOW, 90°, 1/8"-27 Female x 1/8"-27 Male
10		F53473		1	NUT, 1/8 PT
11		219-20		1	NIPPLE, LUBE, 1/4"-28 x .52" lg
12		276426A1		1	CONNECTOR, ELEC, Socket, 4-Pin
13		87397784		4	CASE
		87552144		1	CYLINDER STEERING, Inc. 14 - 34
14		87397782		1	HEAD
15		NSS		1	NOT SERVICED SEPARATELY, Ring
16		NSS		1	NOT SERVICED SEPARATELY, O-Ring
17		NSS		1	NOT SERVICED SEPARATELY, Seal
18		NSS		1	NOT SERVICED SEPARATELY, Wiper
19		87397783		1	SHAFT, Piston
20		87397773		1	PISTON
21		NSS		1	NOT SERVICED SEPARATELY, Cup, Screw, .380"
22		NSS		1	NOT SERVICED SEPARATELY, O-Ring
23		NSS		1	NOT SERVICED SEPARATELY, Ring, Piston
24		NSS		1	NOT SERVICED SEPARATELY, Seal, Piston
25		NSS		2	NOT SERVICED SEPARATELY, Ring, Wear
26		NSS		1	NOT SERVICED SEPARATELY, Screw, 1/4"-NC x 3/8"
27		87397784		1	CASE, Barrel
28		87397843		1	MAGNET
29		87397844		2	SPACER
30		87532453		1	RING, SNAP
31		87552141		1	SENSOR, Rod, Rear Articulation
32		87397788		1	GUARD, Sensor Wire
33		895-11006		1	WASHER, M6

STEIGER 280
STEIGER 330

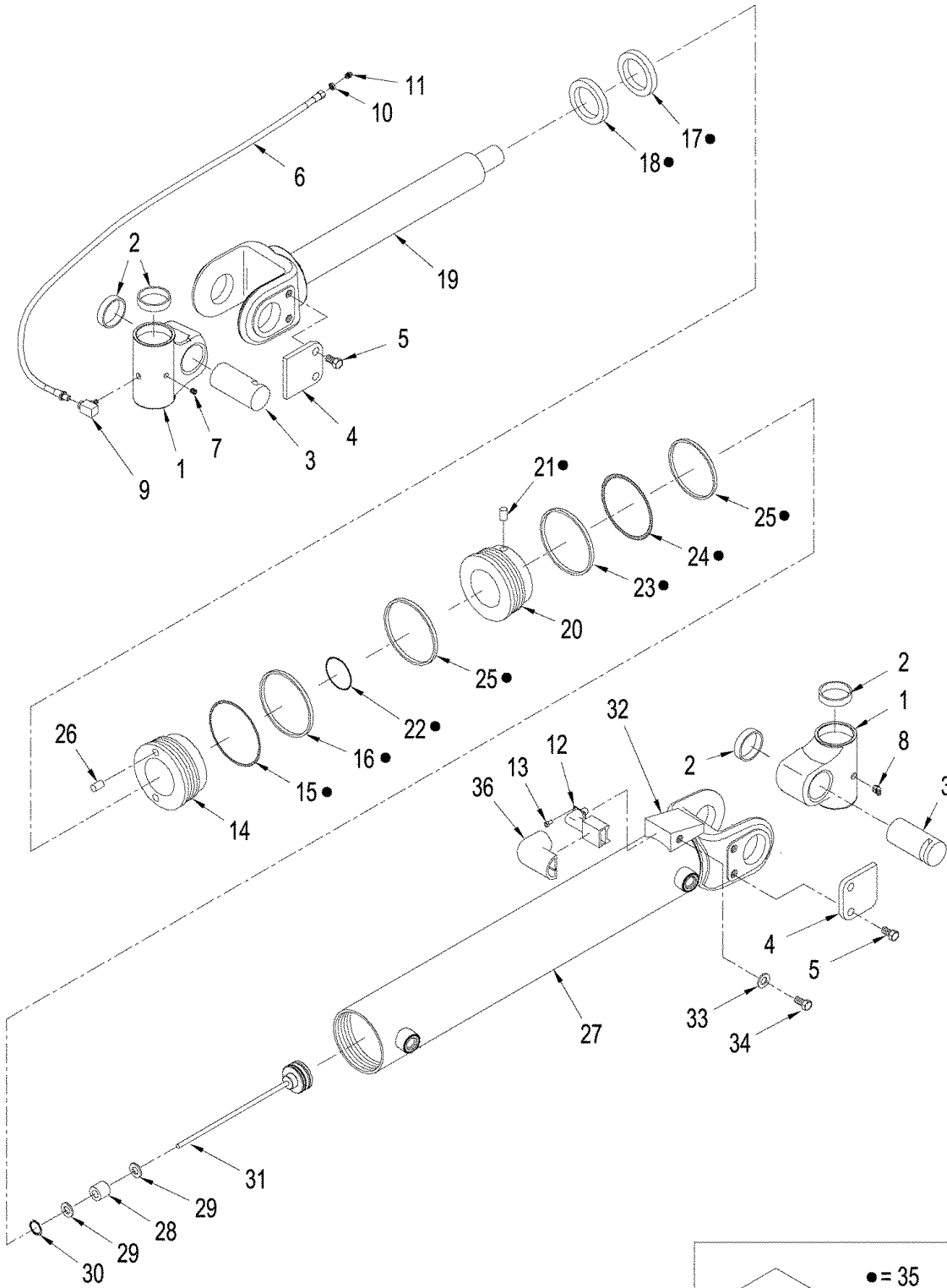
05-13

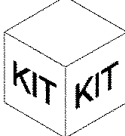
01

p2

02/07

CYLINDER ASSY - ARTICULATION, WITH SENSOR, ASN Z7F105441



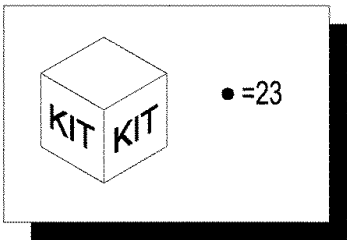
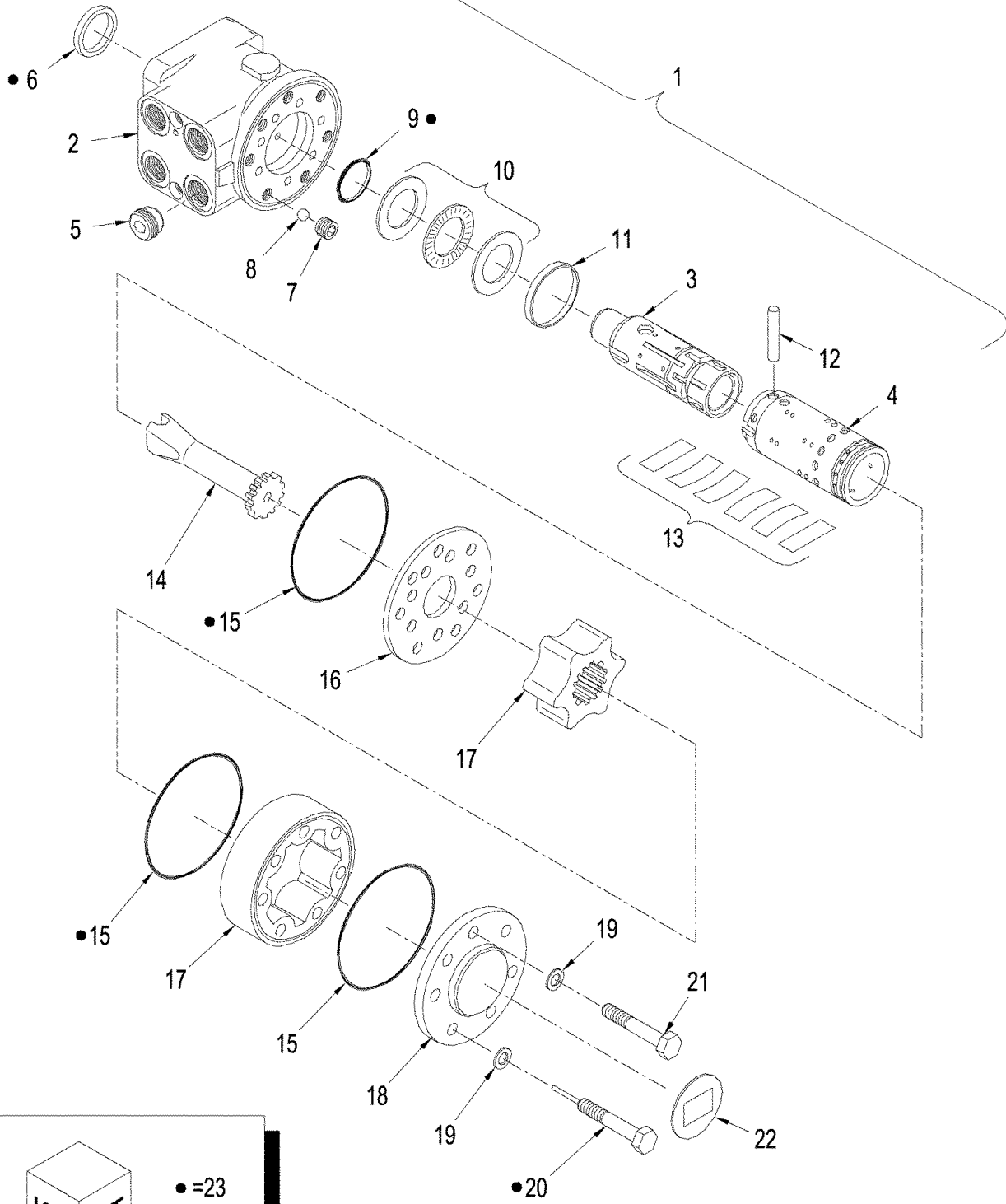
 ● = 35

CYLINDER ASSY - ARTICULATION, WITH SENSOR, ASN Z7F105441

REF	FN	PART NUMBER	YR/SN	QTY	DESCRIPTION
34		627-6012		1	BOLT, Hex, M6 x 12, 10.9
35		87397777		1	KIT, SEALS, Seal, Inc. 15 - 18, 22 - 26
36		87552166		1	SEAL, Boot

STEIGER 280
STEIGER 330

STEERING CONTROL VALVE



STEERING CONTROL VALVE

REF	FN	PART NUMBER	YR/SN	QTY	DESCRIPTION
1		87426127		1	STEERING HYDRAULIC, Control Orbital, Inc. 2 - 22
2		NSS		1	NOT SERVICED SEPARATELY, Housing
3		NSS		1	NOT SERVICED SEPARATELY, Spool
4		NSS		1	NOT SERVICED SEPARATELY, Sleeve
5		NSS		1	NOT SERVICED SEPARATELY, Valve, Check
6		NSS		1	NOT SERVICED SEPARATELY
7		NSS		1	NOT SERVICED SEPARATELY, Bushing
8		NSS		1	NOT SERVICED SEPARATELY, Ball
9		NSS		1	NOT SERVICED SEPARATELY
10		NSS		1	NOT SERVICED SEPARATELY, Bearing Assy.
11		NSS		1	NOT SERVICED SEPARATELY, Ring
12		NSS		1	NOT SERVICED SEPARATELY, Pin, Cross
13		NSS		6	NOT SERVICED SEPARATELY, Springs
14		NSS		1	NOT SERVICED SEPARATELY, Shaft, Cardan
15		NSS		3	NOT SERVICED SEPARATELY
16		NSS		1	NOT SERVICED SEPARATELY, Plate, Distributor
17		NSS		1	NOT SERVICED SEPARATELY, Gear Wheel, Set
18		NSS		1	NOT SERVICED SEPARATELY, Cover, End
19		NSS		7	NOT SERVICED SEPARATELY
20		NSS		1	NOT SERVICED SEPARATELY, Screw, with Pin
21		NSS		6	NOT SERVICED SEPARATELY, Screw
22		NSS		1	NOT SERVICED SEPARATELY, Plate, Name
23		87345879		1	KIT, Inc. 6, 9, 15, & 19

STX330 STX280
STEIGER 280 STEIGER 330

SECTION INDEX

Power Train

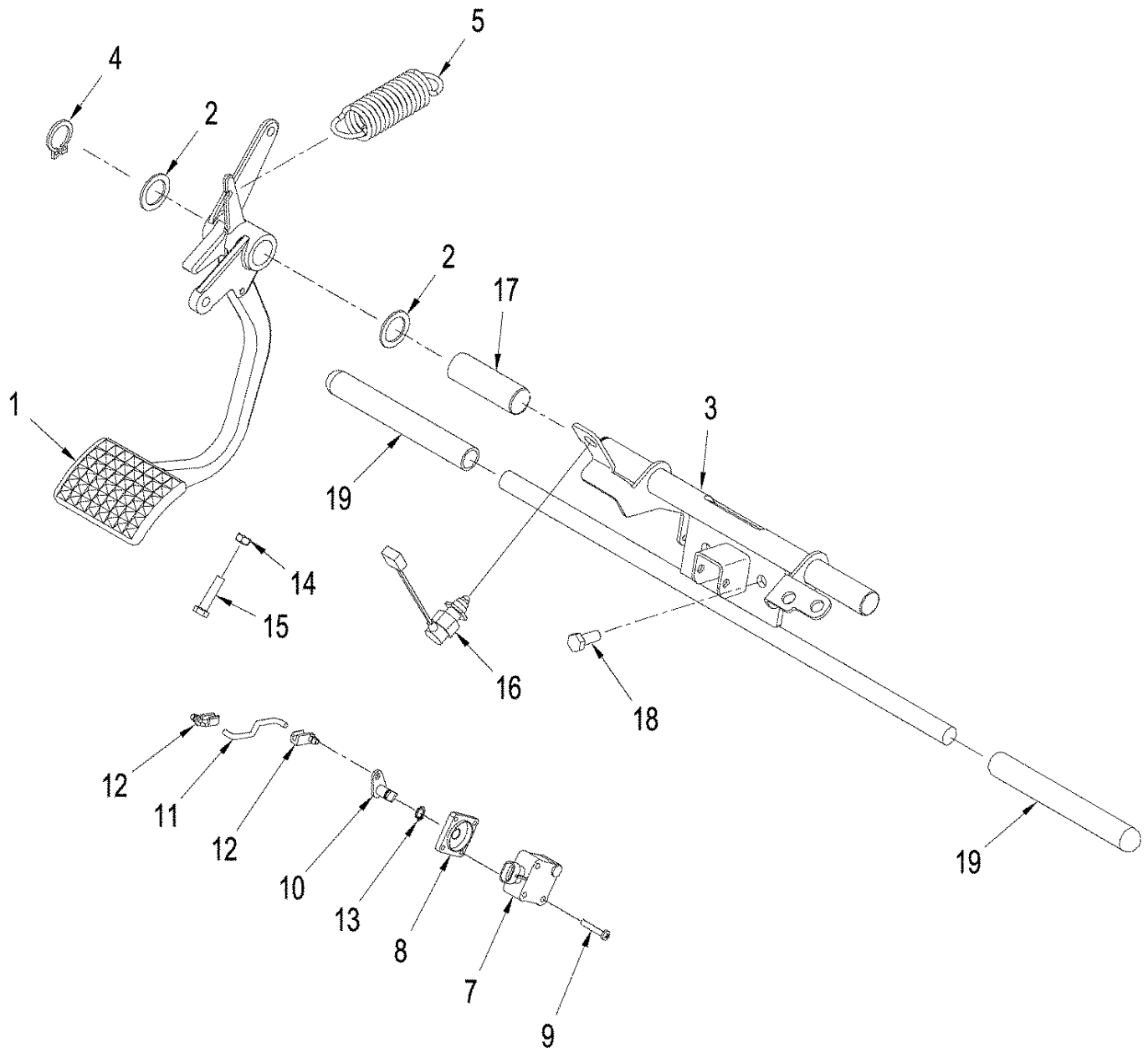
06-01	CLUTCH PEDAL, POWER SHIFT TRANSMISSION
06-02	CLUTCH PEDAL, MANUAL SHIFT TRANSMISSION
06-03	TRANSMISSION SHIFTER, POWER SHIFT TRANSMISSION
06-04	TRANSMISSION SHIFT CONTROLS, MANUAL SHIFT TRANSMISSION
06-05	SHIFTING UNIT ASSEMBLY, WITH MANUAL SHIFT TRANSMISSION
06-06	WHEELS SINGLE AND DUALS WITH SPACERS
06-07	HUB ASSEMBLY
06-08	DRIVE SHAFTS AND MOUNTING, WITHOUT ACCUSTEER
06-09	DRIVE SHAFTS AND MOUNTING, WITH ACCUSTEER TRACTOR
06-10	DRIVE SHAFT ASSEMBLY, WITHOUT ACCUSTEER
06-11	DRIVE SHAFT ASSEMBLY, WITH ACCUSTEER
06-12	POWER TAKEOFF - CLUTCH LUBRICATION, WITH MANUAL SHIFT TRANSMISSION
06-13	POWER TAKEOFF - CLUTCH LUBRICATION, WITH POWER SHIFT TRANSMISSION
06-14	VALVE ASSEMBLY - POWER TAKE OFF
06-15	POWER TAKEOFF LUBRICATION
06-16	POWER TAKEOFF - DRIVE SHAFT MOUNTING
06-17	POWER TAKEOFF - DRIVE SHAFT ASSEMBLIES
06-18	POWER TAKEOFF - SAFETY SHEILDS
06-19	POWER TAKEOFF - TRANSFER CASE ASSEMBLY
06-20	POWER TAKEOFF - CLUTCH ASSEMBLY
06-21	POWER TAKEOFF - INPUT SHAFT ASSEMBLY
06-22	TRANSMISSION MOUNTING, MANUAL SHIFT TRANSMISSION
06-23	TRANSMISSION MOUNTING, POWER SHIFT TRANSMISSION
06-24	TRANSMISSION - LUBRICATION, WITH MANUAL SHIFT TRANSMISSION
06-25	TRANSMISSION - LUBRICATION, WITH POWER SHIFT TRANSMISSION, WITHOUT ACCUSTEER
06-26	TRANSMISSION - LUBRICATION, WITH POWER SHIFT TRANSMISSION, WITH ACCUSTEER
06-27	MANUAL SHIFT TRANSMISSION - VALVE ASSEMBLY MOUNTING
06-28	MANUAL SHIFT TRANSMISSION - COVERS AND YOKES
06-29	MANUAL SHIFT TRANSMISSION - REAR HOUSING
06-30	MANUAL SHIFT TRANSMISSION - FRONT HOUSING
06-31	MANUAL SHIFT TRANSMISSION - SHAFT ASSEMBLIES AND SHIFTER FORKS
06-32	MANUAL SHIFT TRANSMISSION - SHIFTER FORKS
06-33	MANUAL SHIFT TRANSMISSION - INPUT SHAFT ASSEMBLY
06-34	MANUAL SHIFT TRANSMISSION - INPUT SHAFT ASSEMBLY
06-35	MANUAL SHIFT TRANSMISSION - SECOND SHAFT ASSEMBLY
06-36	MANUAL SHIFT TRANSMISSION - THIRD SHAFT ASSEMBLY
06-37	MANUAL SHIFT TRANSMISSION - FOURTH SHAFT ASSEMBLY
06-38	MANUAL SHIFT TRANSMISSION - FIFTH SHAFT ASSEMBLY
06-39	MANUAL SHIFT TRANSMISSION - CONTROL VALVE ASSEMBLY
06-40	MANUAL SHIFT TRANSMISSION - LOCKOUT VALVE ASSEMBLY
06-41	MANUAL SHIFT TRANSMISSION - REGULATOR VALVE ASSEMBLY
06-42	POWER SHIFT TRANSMISSION - VALVE AND PUMP MOUNTING
06-43	POWER SHIFT TRANSMISSION - COVERS AND YOKES
06-44	POWER SHIFT TRANSMISSION - REAR HOUSING
06-45	POWER SHIFT TRANSMISSION - HOUSING AND CLUTCHES
06-46	POWER SHIFT TRANSMISSION - INPUT SHAFT ASSEMBLY
06-47	POWER SHIFT TRANSMISSION - INPUT SHAFT ASSEMBLY
06-48	POWER SHIFT TRANSMISSION - SECOND SHAFT ASSEMBLY
06-49	POWER SHIFT TRANSMISSION - THIRD SHAFT ASSEMBLY

SECTION INDEX

Power Train

06-50	POWER SHIFT TRANSMISSION - FOURTH SHAFT ASSEMBLY
06-51	POWER SHIFT TRANSMISSION - FOURTH SHAFT ASSEMBLY
06-52	POWER SHIFT TRANSMISSION - FIFTH SHAFT ASSEMBLY
06-53	POWER SHIFT TRANSMISSION - FIFTH SHAFT ASSEMBLY
06-54	POWER SHIFT TRANSMISSION - REGULATOR VALVE ASSEMBLY
06-55	POWER SHIFT TRANSMISSION - RANGE SELECTOR VALVE
06-56	AXLE MOUNTING
06-57	AXLE ASSEMBLY - COVER, FRONT AXLE
06-58	AXLE ASSEMBLY - COVER, REAR AXLE
06-59	AXLE ASSEMBLY - CENTER AND LEFT-HAND CARRIER
06-60	AXLE ASSEMBLY - DIFFERENTIAL, WITHOUT DIFFERENTIAL LOCK
06-61	AXLE ASSEMBLY - DIFFERENTIAL, WITH DIFFERENTIAL LOCK
06-62	AXLE ASSEMBLY - BRAKE AND RIGHT-HAND CARRIER
06-63	AXLE ASSEMBLY - FINAL DRIVE, STANDARD
06-64	AXLE ASSEMBLY - FINAL DRIVE, HEAVY DUTY

CLUTCH PEDAL, POWER SHIFT TRANSMISSION



6

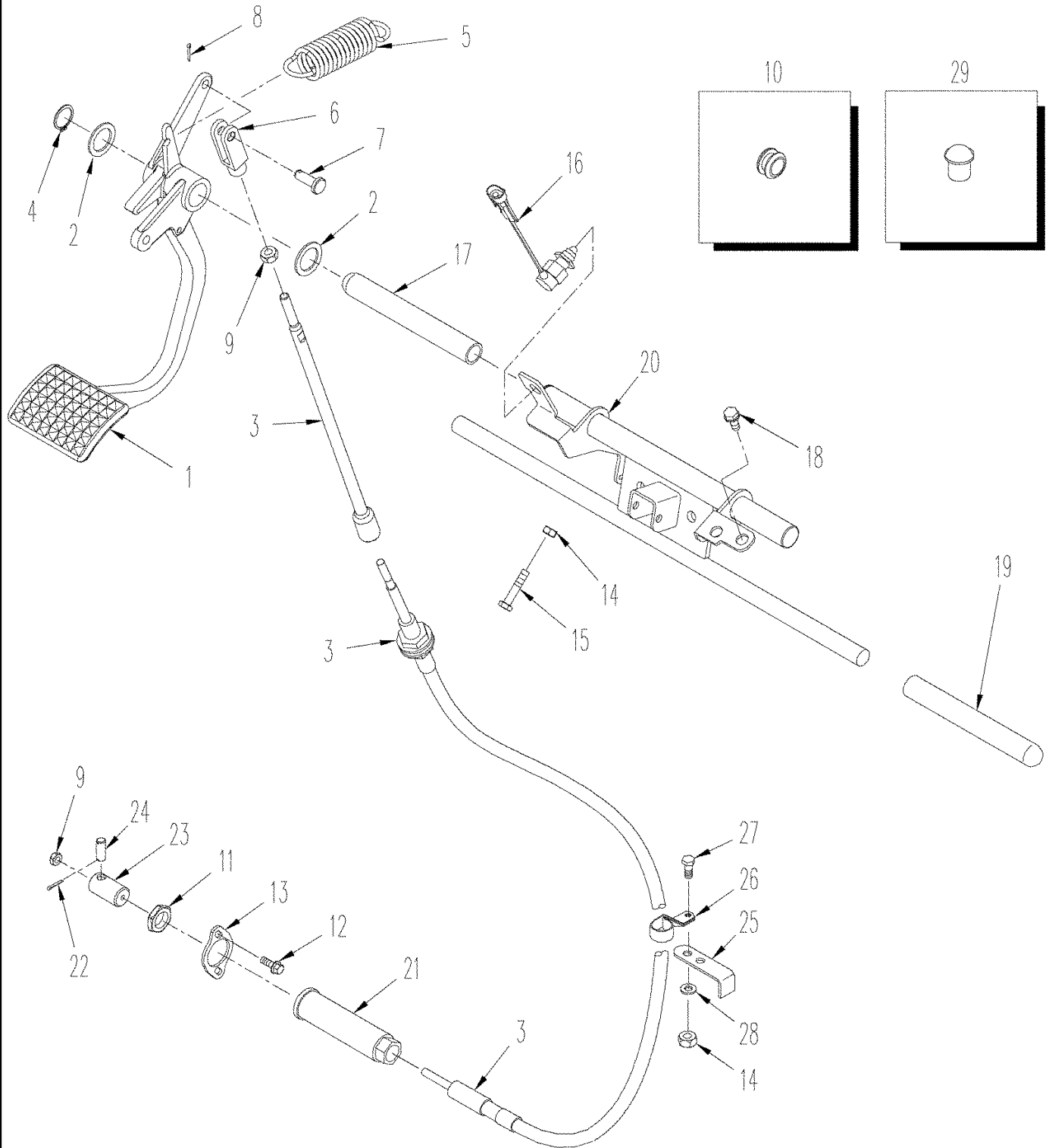


CLUTCH PEDAL, POWER SHIFT TRANSMISSION

REF	FN	PART NUMBER	YR/SN	QTY	DESCRIPTION
1		222462A2		1	PEDAL
2		281093A1		2	WASHER
3		87448885		1	SUPPORT
4		627-10020		1	BOLT, Hex, M10 x 20, 10.9, Full Thd
5		278210A1		1	SPRING
6		353-422		1	PLUG, Dome, 1.250" hole, Nylon, Plunger
7		283659A1		1	SENSOR, Clutch Position
8		305155A2		1	BUSHING
9		840-1530		2	SCREW, Cross Pan Hd, M5 x 30
10		322409A1		1	PIN
11		222463A2		1	LINK
12		60-2404T1		2	RETAINER, Clip
13		800-1110		1	RING, SNAP, M10, Ext, M10
14		829-1408		1	NUT, M8, CI 10
15		614-8035		1	BOLT, Hex, M8 x 35, 8.8
16		355341A1		1	SWITCH, Plunger
17		281893A1		1	BEARING
18		614-10025		2	BOLT, Hex, M10 x 25, 8.8, Full Thd
19		321961A1		2	MOLDING

STEIGER 280 STX330
 STX280 STEIGER 330

CLUTCH PEDAL, MANUAL SHIFT TRANSMISSION

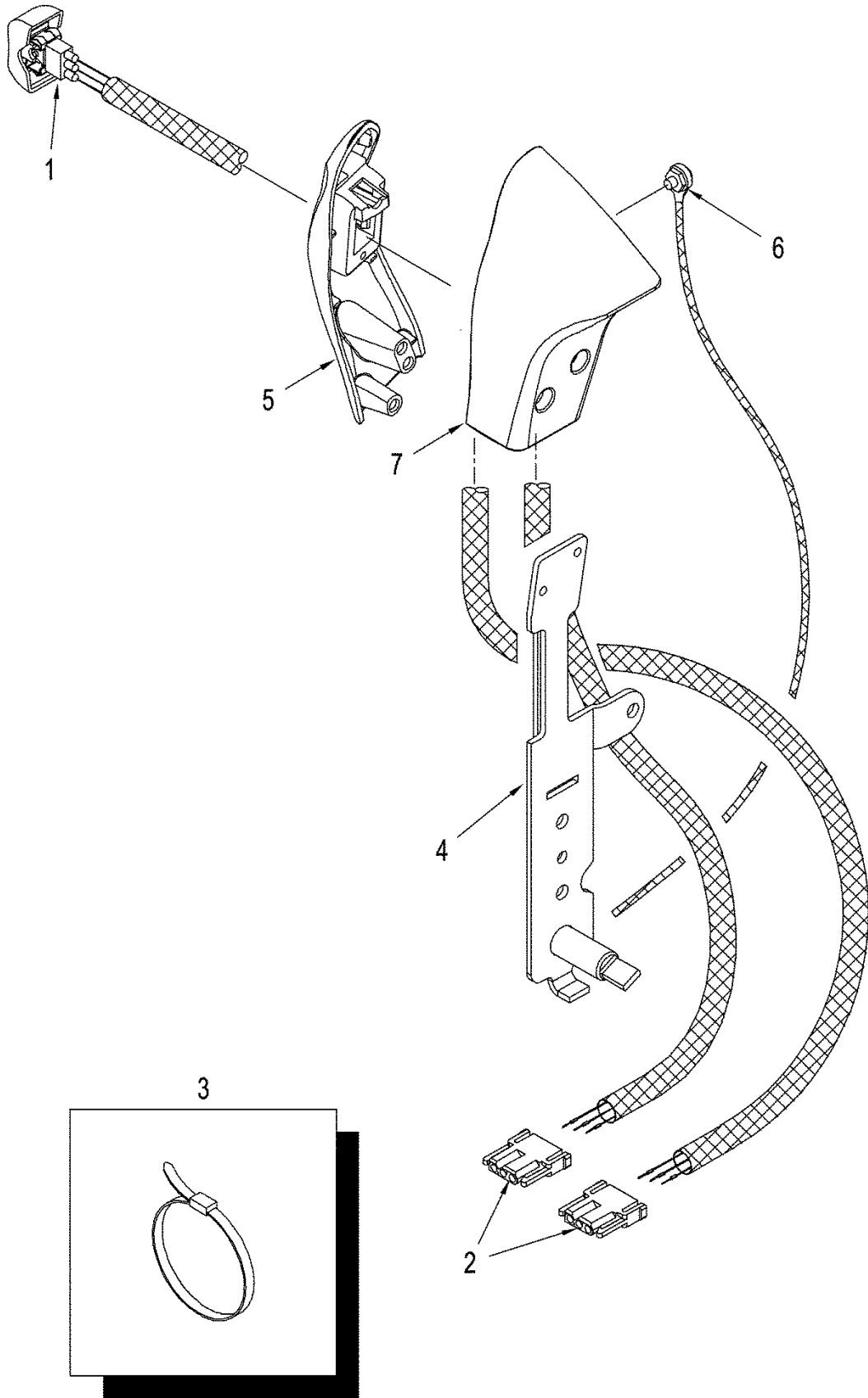


CLUTCH PEDAL, MANUAL SHIFT TRANSMISSION

REF	FN	PART NUMBER	YR/SN	QTY	DESCRIPTION
1		222462A2		1	PEDAL
2		281093A1		2	WASHER
3		435476A1		1	CABLE
4		800-1125		1	RING, SNAP, M25, Ext
5		278210A1		1	SPRING
6		397144A1		1	CLEVIS
7		427-6081		1	PIN, CLEVIS, 3/8" x 11/16"
8		432-612		1	PIN, SPLIT (COTTER), 3/32" x 3/4"
9		425-155		3	NUT, Jam, 5/16"-24, G5
10		248-2376		1	GROMMET, 5/8" ID x 1 1/4" Groove Dia, Str Cut
11		19-885		1	NUT
12		458-412		2	BOLT, Hex Flg, 1/4"-20 x 3/4", G5, Full Thd
13		90-8048T1		1	FLANGE
14		829-1408		2	NUT, M8, CI 10
15		627-8035		1	BOLT, Hex, M8 x 35, 10.9
16		417927A1		1	SWITCH, Plunger
17		281893A1		1	BEARING
18		614-10025		2	BOLT, Hex, M10 x 25, 8.8, Full Thd
19		321961A1		2	MOLDING
20		87448885		1	SUPPORT
21		90-8047T1		1	SLEEVE
22		32-212		2	PIN, SPLIT (COTTER), 1/32" x 3/4"
23		60-6241T1		1	END, Cable
24		19-6041		1	PIN
25		437369A1		1	BRACKET
26		R43926		1	CLAMP
29		353-422		1	PLUG, Dome, 1.250" hole, Nylon, Clutch Cable Clearance Hole
27		627-8025		1	BOLT, Hex, M8 x 25, 10.9
28		895-11008		1	WASHER, M8 x 16 x 1.6

STEIGER 280 STX330
STX280 STEIGER 330

TRANSMISSION SHIFTER, POWER SHIFT TRANSMISSION



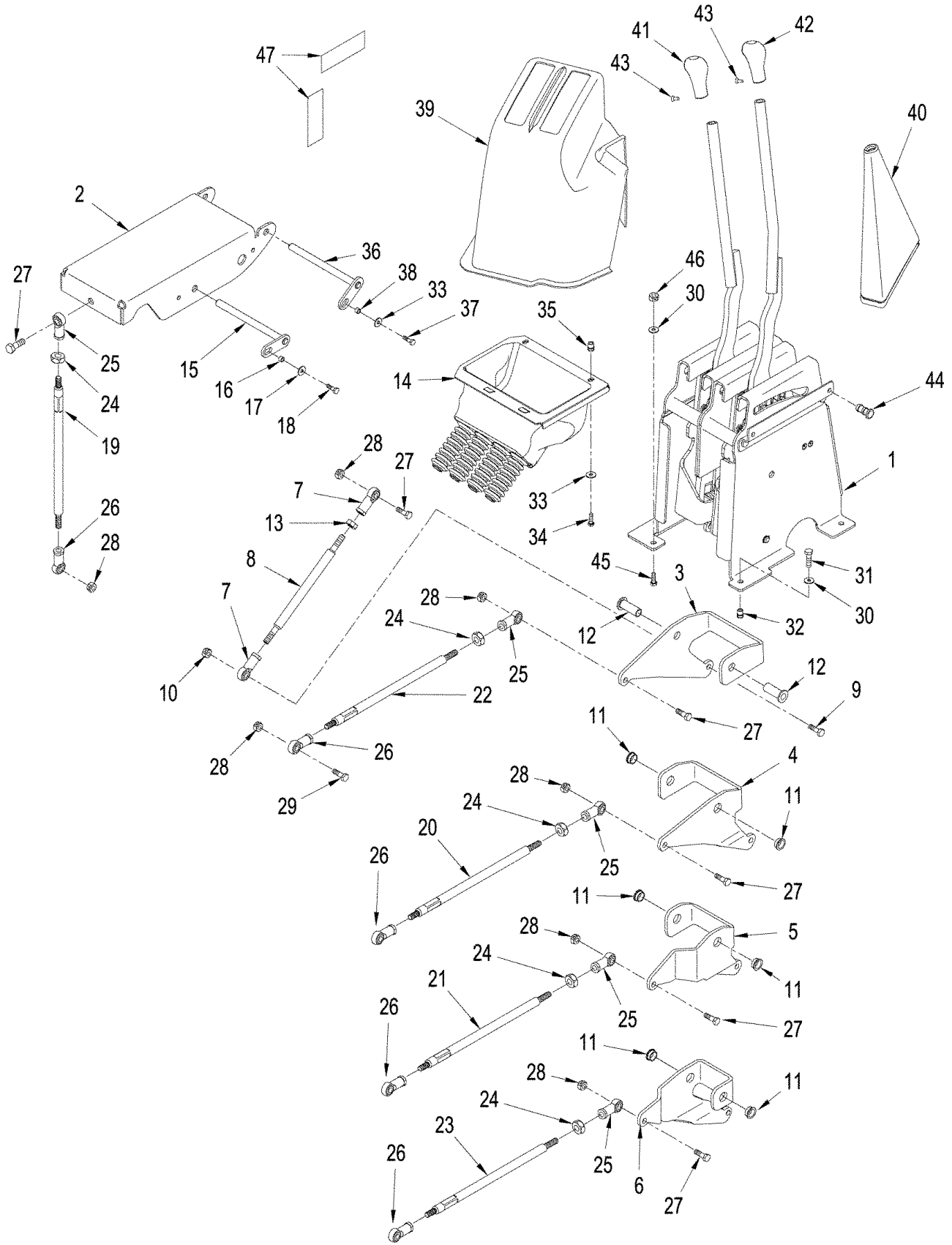
TRANSMISSION SHIFTER, POWER SHIFT TRANSMISSION

REF	FN	PART NUMBER	YR/SN	QTY	DESCRIPTION
1	1	258010A2		1	SWITCH, Rocker
1	2	428314A1		1	SWITCH, Rocker
2		235676A1		2	CONNECTOR
3		22-824		2	STRAP, CABLE, 3/16" x 7 1/4", 7"
4		367607A1		1	SUPPORT
5		87622401		1	GRIP, Switch Face
6	1	388706A1		1	PUSH BUTTON, Select-Shift
7	2	293388A2		1	GRIP, Throttle, Vinyl
7	1	388705A1		1	GRIP, Throttle, Vinyl
7	1	388864A1		1	GRIP, Throttle, Leather

- (1) With Power Shift Transmission
- (2) With Manual Shift Transmission

	STEIGER 280 STX330 STX280 STEIGER 330
--	--

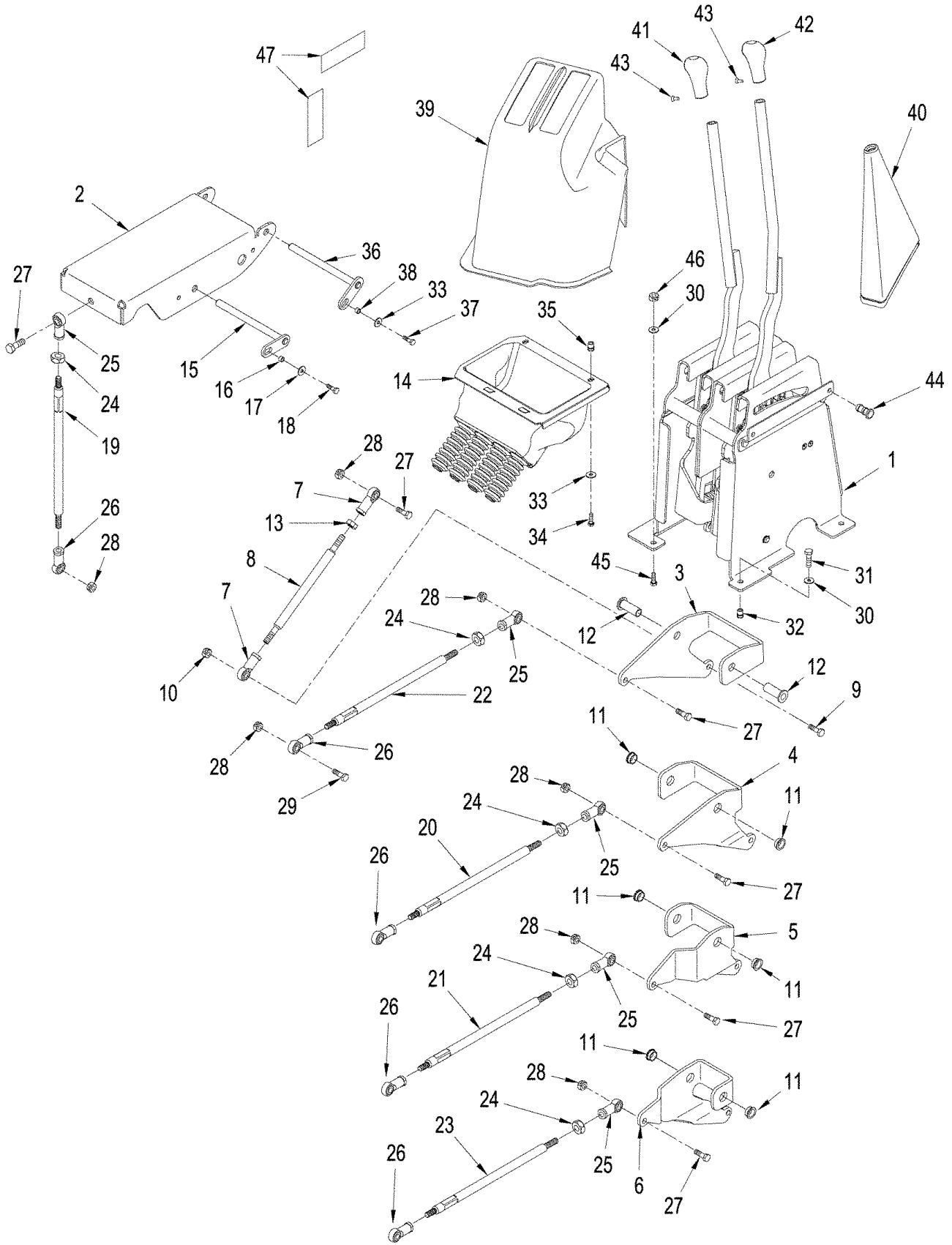
TRANSMISSION SHIFT CONTROLS, MANUAL SHIFT TRANSMISSION



TRANSMISSION SHIFT CONTROLS, MANUAL SHIFT TRANSMISSION

REF	FN	PART NUMBER	YR/SN	QTY	DESCRIPTION
1		REF		1	INSTRUCTION, See Figure: 06-05
		387647A1		1	BELLCRANK, Inc. 2 - 18
2		396435A2		1	SUPPORT
3		396444A1		1	CRANK, Linkage Pivot
4		396445A1		1	CRANK, Linkage Pivot
5		396446A1		1	CRANK, Linkage Pivot
6		396447A1		1	CRANK, Linkage Pivot
7		402749A1		8	BALL JOINT
8		431198A1		4	ROD
9		627-10030		4	BOLT, Hex, M10 x 30, 10.9, Full Thd
10		403749A1		4	NUT, M10
11		431052A1		6	BUSHING
12		398870A1		2	BUSHING
13		829-1410		4	NUT, M10, CI 10
14		412355A1		1	BELLOWS
15		430415A1		1	PIN ASSY.
16		430546A1		1	SPACER
17		895-25006		1	WASHER, M6 x 18 x 1.6
18		627-6020		1	BOLT, Hex, M6 x 20, 10.9
		431209A1		1	ROD, Inc. 19, 24 - 26
		431210A1		1	ROD, Inc. 20, 24 - 26
		431211A1		1	ROD, Inc. 21, 24 - 26
		431213A1		1	ROD, Inc. 22, 24 - 26
		431212A1		1	ROD, Inc. 23, 24 - 26
19		NSS		1	NOT SERVICED SEPARATELY, ROD, 487 mm (19 in)
20		NSS		1	NOT SERVICED SEPARATELY, ROD, 806 mm (32 in)
21		NSS		1	NOT SERVICED SEPARATELY, ROD, 789 mm (31 in)
22		NSS		1	NOT SERVICED SEPARATELY, ROD, 638 mm (25 in)
23		NSS		1	NOT SERVICED SEPARATELY, ROD, 594 mm (23 in)
24		NSS		1	NOT SERVICED SEPARATELY, NUT
					STEIGER 280 STX330 STX280 STEIGER 330

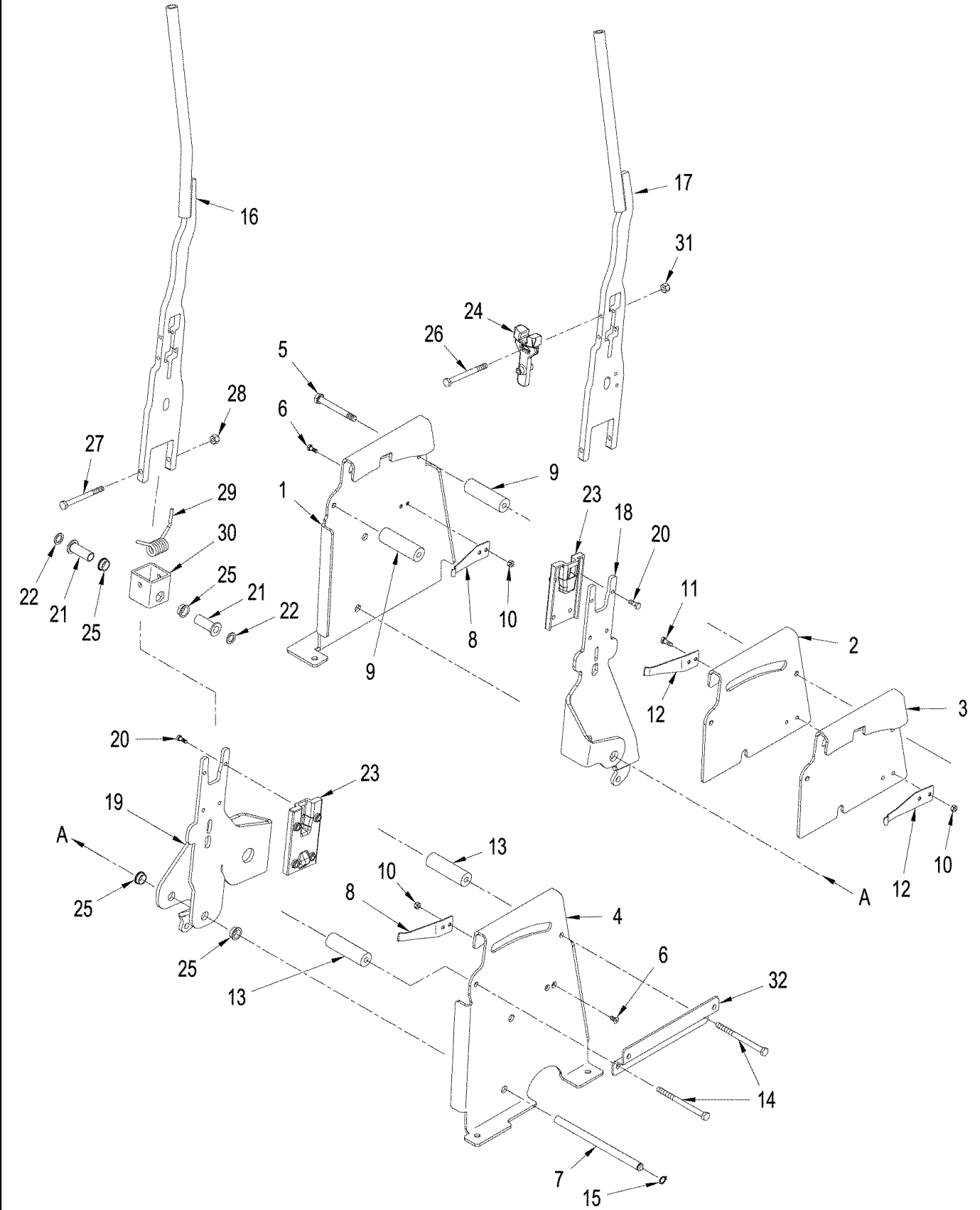
TRANSMISSION SHIFT CONTROLS, MANUAL SHIFT TRANSMISSION



TRANSMISSION SHIFT CONTROLS, MANUAL SHIFT TRANSMISSION

REF	FN	PART NUMBER	YR/SN	QTY	DESCRIPTION
25		402749A1		1	BALL JOINT, Right-Hand
26		404639A1		1	BALL JOINT, Left-Hand
27		627-10030		9	BOLT, Hex, M10 x 30, 10.9, Full Thd
28		403749A1		13	NUT, M10; 8
29		627-10035		4	BOLT, Hex, M10 x 35, 10.9, Full Thd
30		895-15008		5	WASHER, M8 x 20 x 1.6
31		627-8030		5	BOLT, Hex, M8 x 30, 10.9
32		408566A1		3	INSERT
33		895-25006		2	WASHER, M6 x 18 x 1.6
34		614-6020		2	BOLT, Hex, M6 x 20, 8.8
35		404287A1		2	INSERT
36		430415A1		1	PIN ASSY.
37		627-6020		1	BOLT, Hex, M6 x 20, 10.9
38		430546A1		1	SPACER
39		410846A4		1	SHROUD
40		412354A2		2	BELLOWS
41		418038A1		1	GRIP
42		418039A1		1	GRIP
43		871-5012		2	SCREW, Hex Soc Flat Hd, M5 x 12, 10.9
44		369929A1		2	FASTENER, Christmas Tree
45		449068A1		2	STUD
46		829-1408		2	NUT, M8, CI 10
47		357564A1		2	FASTENER, Velcro
					STEIGER 280 STX330 STX280 STEIGER 330

SHIFTING UNIT ASSEMBLY, WITH MANUAL SHIFT TRANSMISSION

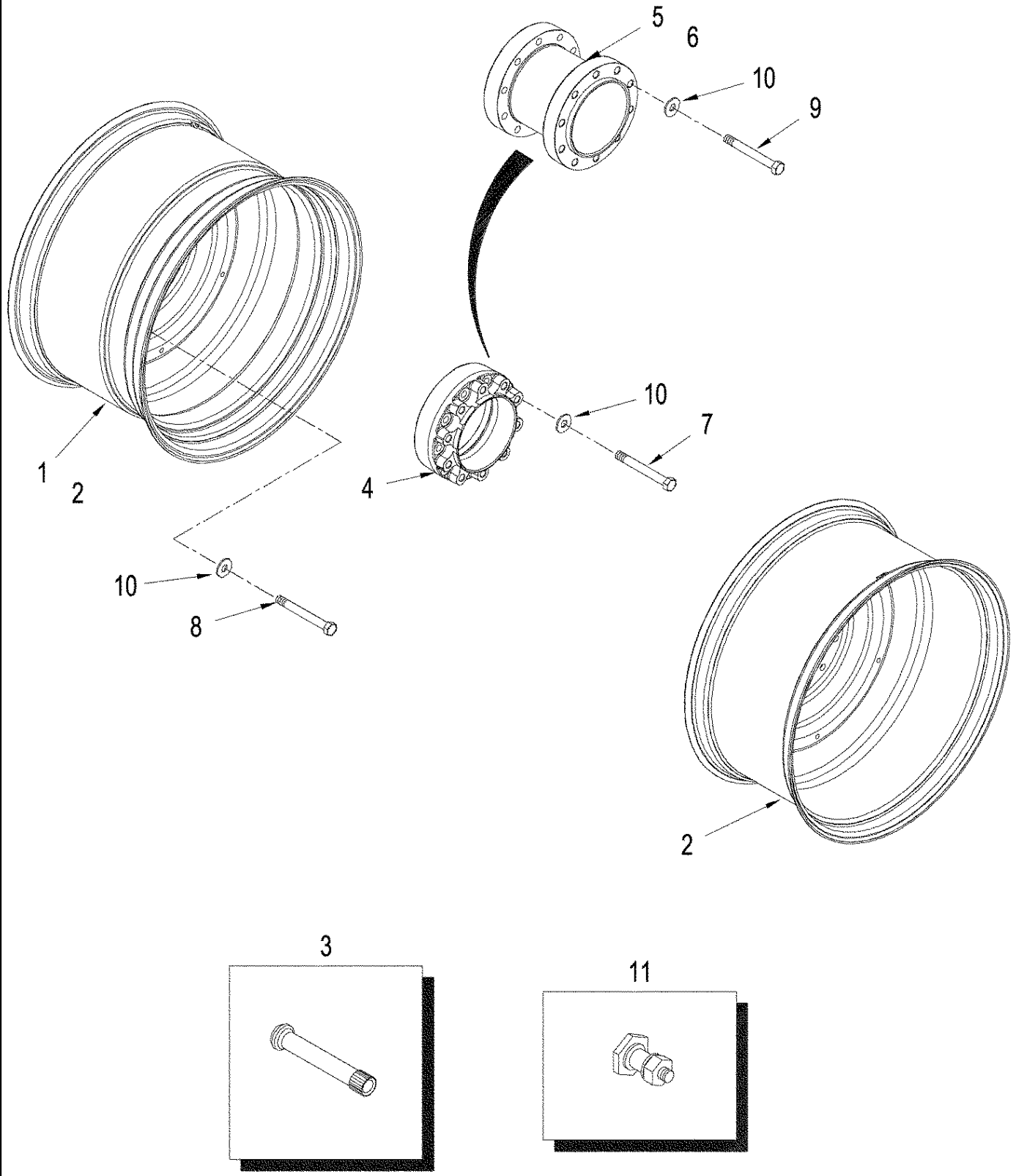


SHIFTING UNIT ASSEMBLY, WITH MANUAL SHIFT TRANSMISSION

REF	FN	PART NUMBER	YR/SN	QTY	DESCRIPTION
1		404630A3		1	PANEL, SIDE, Left-Hand
2		404632A3		1	PANEL, SIDE, Center Left-Hand
3		404633A3		1	PANEL, SIDE, Center Right-Hand
4		404631A3		1	PANEL, SIDE, Right-Hand
5		627-8030		2	BOLT, Hex, M8 x 30, 10.9
6		543-704		4	SCREW, Hex Flat Hd, M6 x 12, 4.8
7		430841A1		1	PIN ASSY.
8		409795A2		2	CLIP, SPRING
9		404635A1		2	SPACER
10		829-1406		6	NUT, M6, CI 10
11		614-6020		2	BOLT, Hex, M6 x 20, 8.8
12		409796A2		2	CLIP, SPRING
13		404634A1		2	SPACER
14		827-8110		2	BOLT, Hex, M8 x 110, 10.9
15		800-1112		1	RING, SNAP, M12, Ext, 12 mm
16		409790A4		1	LEVER ASSY., Gear Shifter
17		409793A3		1	LEVER ASSY., Range Shifter
18		404644A2		2	LEVER ASSY., Left-Hand
19		419660A2		2	LEVER, Right-Hand
20		614-6016		16	BOLT, Hex, M6 x 16, 8.8
21		398870A1		4	BUSHING
22		895-18012		2	WASHER, M12 x 20 x 2
23		419737A1		4	GUIDE
24		419597A2		2	LINKAGE
25		431052A1		8	BUSHING
26		827-6060		4	BOLT, Hex, M6 x 60, 10.9
27		827-8090		2	BOLT, Hex, M8 x 90, 10.9
28		832-10408		2	NUT, LOCK, M8 x 1.25, CI 8
29		409797A1		2	TORSION SPRING
30		396431A1		2	TUBE
31		832-10406		4	NUT, LOCK, M6 x 1, CI 8
32		87426775		1	BRACKET, Shroud

STEIGER 280 STX330
STX280 STEIGER 330

WHEELS SINGLE AND DUALS WITH SPACERS



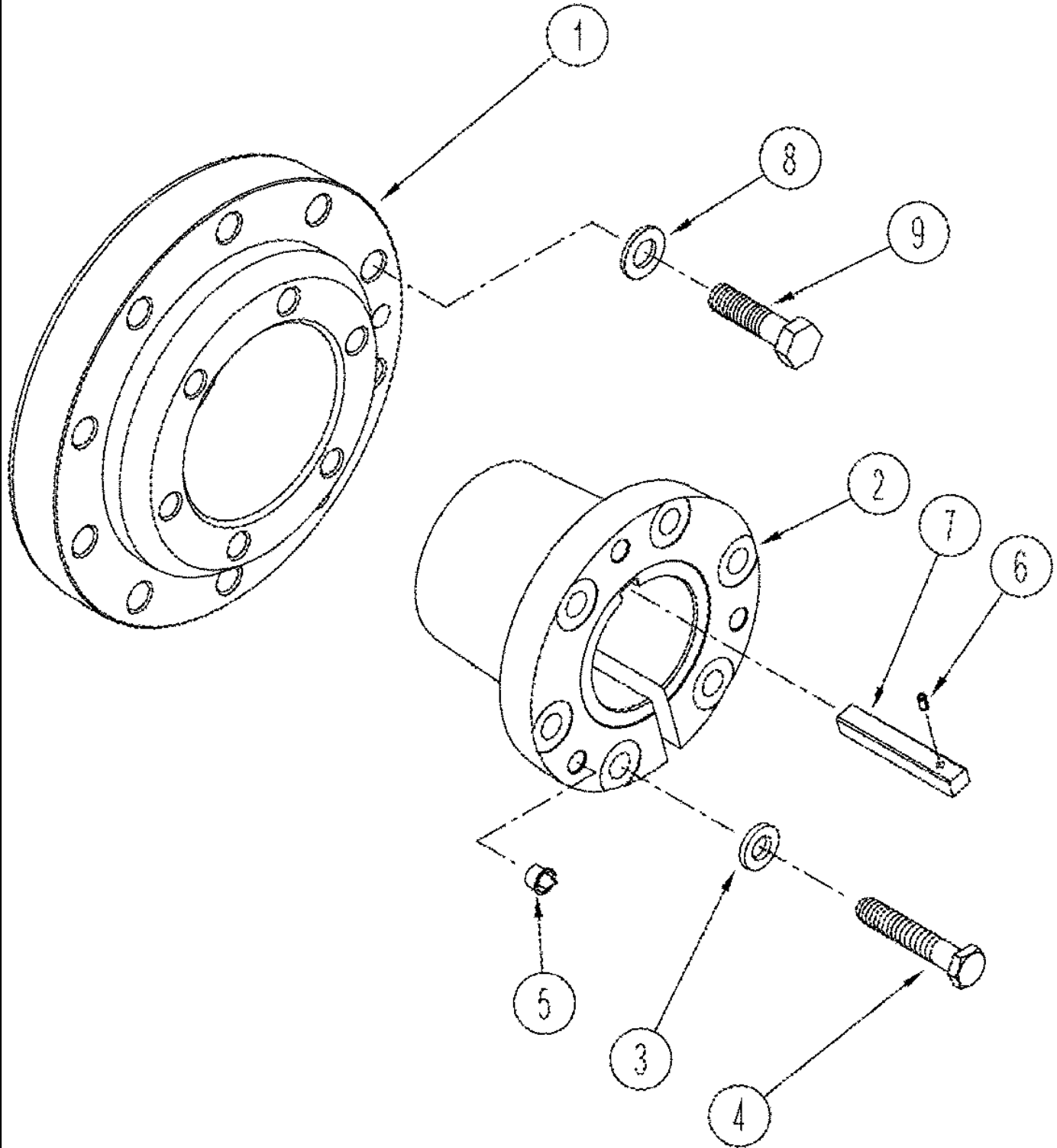
WHEELS SINGLE AND DUALS WITH SPACERS

REF	FN	PART NUMBER	YR/SN	QTY	DESCRIPTION
1	1	193273A1		AR	WHEEL, 27 x 32, Single
2	2	305792A1		AR	WHEEL, MW23A x 42, Single or Dual
2	3	193300A2		AR	WHEEL, MW23A x 38, Single or Dual
2	4	396113A1		AR	RIM, W16A x 46, Single or Dual
2	5	222665A1		AR	WHEEL, W18A x 38, Single or Dual
2	6	193857A1		AR	WHEEL, W18A x 42, Single or Dual
2	7	276687A1		AR	WHEEL, MW20A x 42, Single or Dual
2	8	311352A1		AR	WHEEL, 28 x 42, Single or Dual
2	9	403037A1		AR	WHEEL, MW25 x 38, Single or Dual
2	10	196254A1		AR	WHEEL, W13 x 46, Single or Dual
2	11	221362A1		AR	WHEEL, WH16A x 42, Single or Dual
2	12	326630A1		AR	WHEEL, W12 x 50, Single or Dual
2	13	87443702		AR	WHEEL, 46 x FDW20A, Single or Dual
3		A20058		AR	VALVE STEM
4		405822A1		1	SPACER, 127 mm (5 in)
5		405823A1		1	SPACER, 254 mm (10 in)
6		405824A1		1	SPACER, 330 mm (13 in)
7		827-22160		10	BOLT, Hex, M22 x 150, 10.9
8		827-22080		40	BOLT, Hex, M22 x 80, 10.9, Full Thd
9		827-22130		10	BOLT, Hex, M22 x 130, 10.9
10		896-11022		40	WASHER, M22 x 44 x 4, HT
11		87352762		AR	PLUG, Rim Hole, 5/8"

- (1) For Tires: 30.5L-32
(2) For Tires: 710/70R42
(3) For Tires: 650/85R38, 710/70R38, 710/65-38
(4) For Tires: 480/80R46, 520/85R46, 18.4R46
(5) For Tires: 520/85R38, 20.8R38
(6) For Tires: 520/85R42, 20.8R42
(7) For Tires: 620/70R42
(8) For Tires: 850/55-42, 900/50R42
(9) For Tires: 800/70R38
(10) For Tires: 420/80R46, 14.9R46
(11) For Tires: 480/80R42, 18.4R42
(12) For Tires: 380/90R54
(13) For Tires: 620/70R46

STEIGER 280 STX330
STX280 STEIGER 330

HUB ASSEMBLY



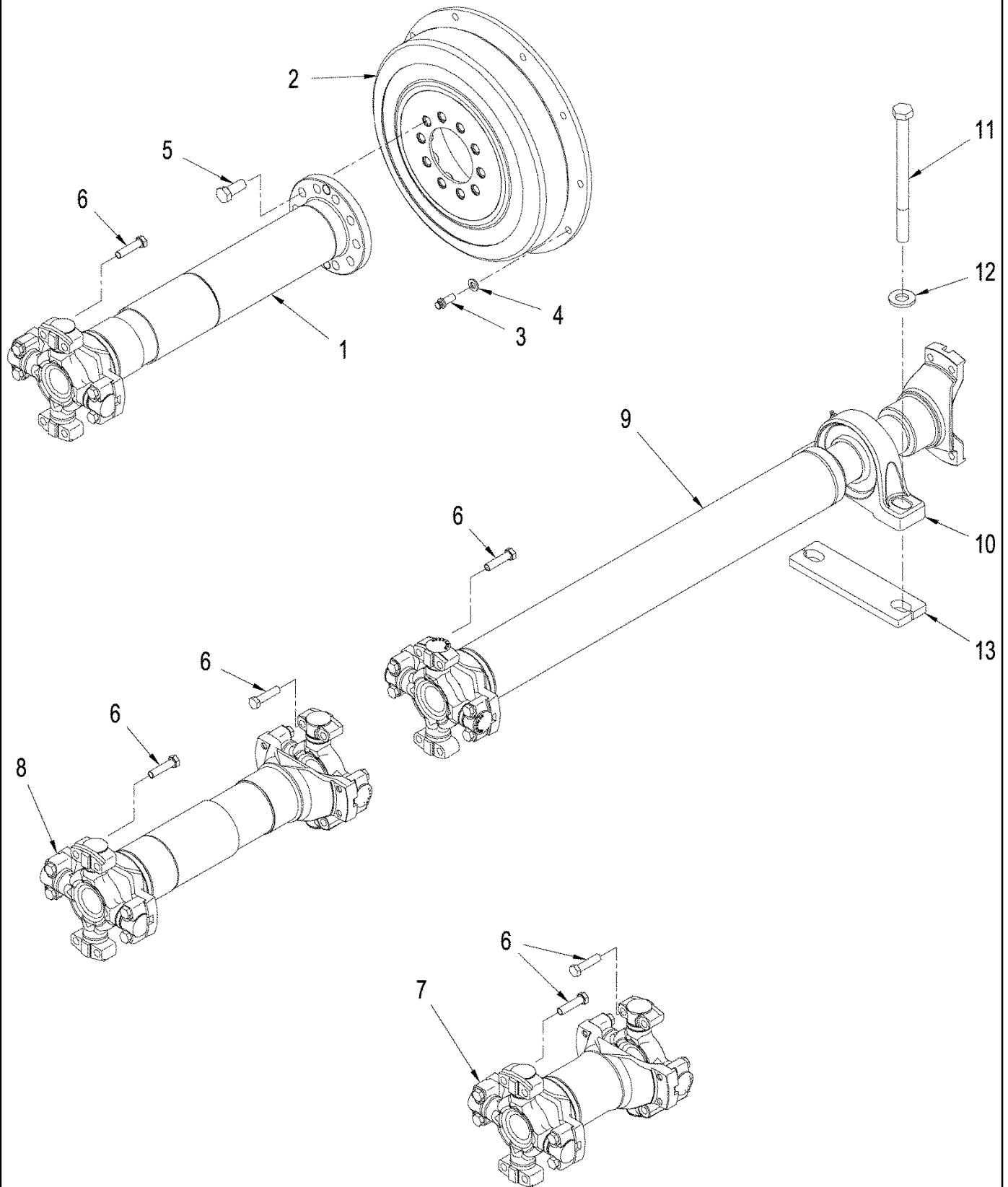
HUB ASSEMBLY

REF	FN	PART NUMBER	YR/SN	QTY	DESCRIPTION
1		405812A1		1	HUB
2		405815A1		1	BUSHING, 102 mm (4 in.)
2	1	405816A1		1	BUSHING, 115 mm (4-1/2 in.)
3		396-31081		6	WASHER, 13/16" x 1 1/2" x .219", HDN
4		228273A1		6	BOLT, M20 x 110; 10.9
5		303401A1		3	PLUG
6		38-11608		4	PIN, LOCK, 1/4" x 1/2", Slotted
7		A63219		4	KEY, 3/4 x 6
8		896-11022		10	WASHER, M22 x 44 x 4, HT
9		827-22080		10	BOLT, Hex, M22 x 80, 10.9, Full Thd

(1) Used on Heavy Duty Models

	STEIGER 280 STX330 STX280 STEIGER 330
--	--

DRIVE SHAFTS AND MOUNTING, WITHOUT ACCUSTEER



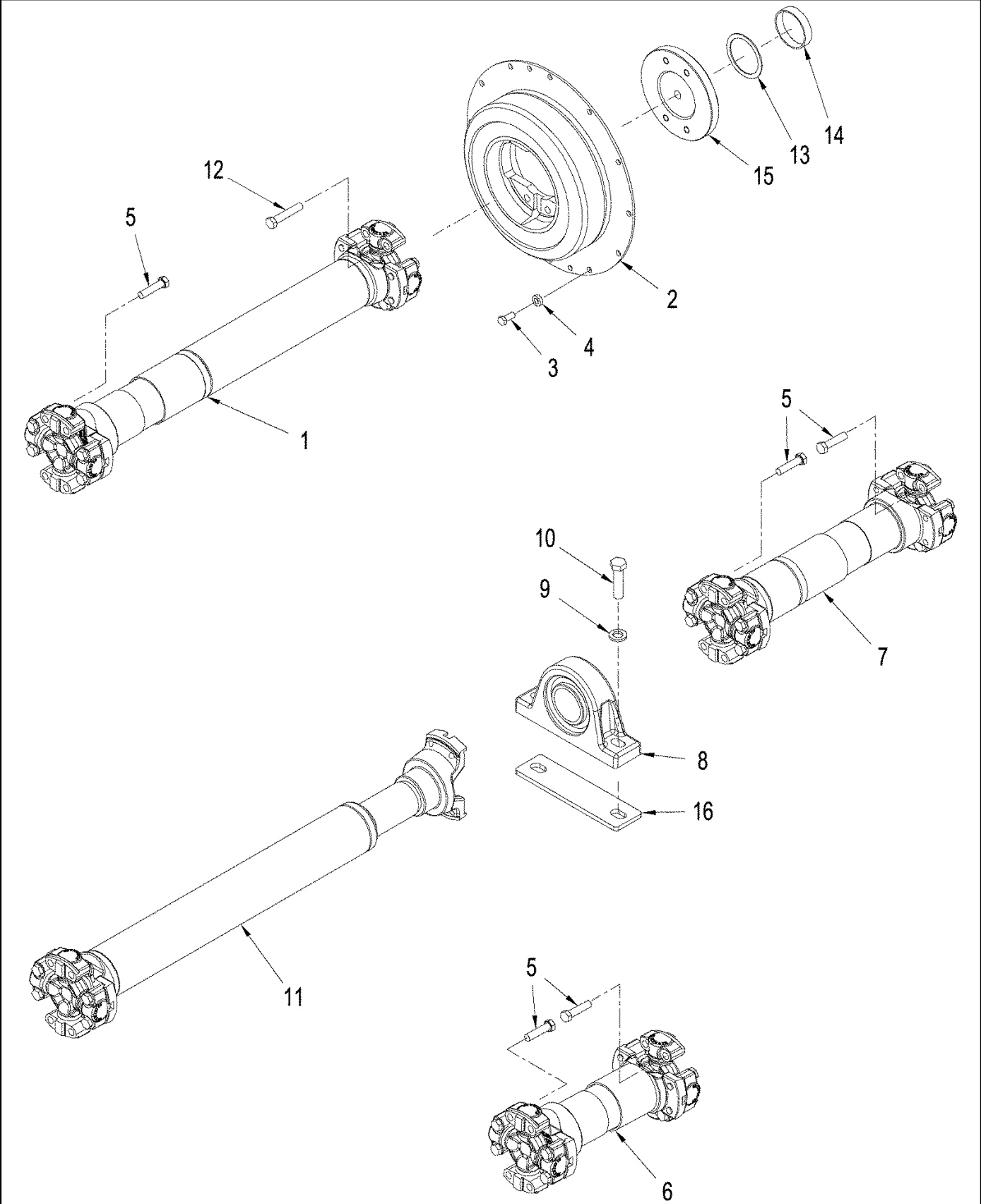
DRIVE SHAFTS AND MOUNTING, WITHOUT ACCUSTEER

REF	FN	PART NUMBER	YR/SN	QTY	DESCRIPTION
1	1, 2, 3	402171A1		1	SHAFT, DRIVE, Input, See Figure: 06-10
1	1, 4, 5	402178A1		1	SHAFT, DRIVE, Input, See Figure: 06-10
1	6, 2, 3	402170A1		1	SHAFT, DRIVE, Input, See Figure: 06-10
1	6, 4, 5	402177A1		1	SHAFT, DRIVE, Input, See Figure: 06-10
2	2, 3	357929A1		1	DAMPER, Vibration
2	4, 5	357931A1		1	DAMPER, Vibration
3		426-614		12	BOLT, Hex, 3/8"-16 x 7/8", G8, Full Thd
4		496-81023		12	WASHER, 13/32" x 3/4" x 7/32"
5	2, 3	426-824		8	BOLT, Hex, 1/2"-13 x 1 1/2", G8, Full Thd
5	4, 5	426-1028		10	BOLT, Hex, 5/8"-11 x 1 3/4", G8, Full Thd
6		827-12050		24	BOLT, Hex, M12 x 50, 10.9
7	2, 3	402173A1		1	SHAFT, DRIVE, Front Axle, See Figure: 06-10
7	4, 5	402180A1		1	SHAFT, DRIVE, Front Axle, See Figure: 06-10
8	2, 3	402175A1		1	SHAFT, DRIVE, Articulation, See Figure: 06-10
8	4, 5	402182A1		1	SHAFT, DRIVE, Articulation, See Figure: 06-10
9	2, 3	402176A1		1	SHAFT, DRIVE, Rear Axle, See Figure: 06-10
9	4, 5	402183A1		1	SHAFT, DRIVE, Rear Axle, See Figure: 06-10
10	2, 3	409684A1		1	BEARING, Pillow Block, See Figure: 06-10
10	4, 5	451767A1		1	BEARING, Pillow Block, See Figure: 06-10
11		627-16060		2	BOLT, Hex, M16 x 60, 10.9, Full Thd
12	2, 3	896-11016		2	WASHER, M17.5 x 30 x 4, HT
12	4, 5	496-41066		2	WASHER, 21/32" x 1 1/2" x .188", HDN
13		410560A1		1	SPACER

- (1) With Manual Shift Transmission
(2) STX280
(3) STEIGER 280
(4) STX330
(5) STEIGER 330
(6) With Power Shift Transmission

STEIGER 280 STX330
STX280 STEIGER 330

DRIVE SHAFTS AND MOUNTING, WITH ACCUSTEER TRACTOR



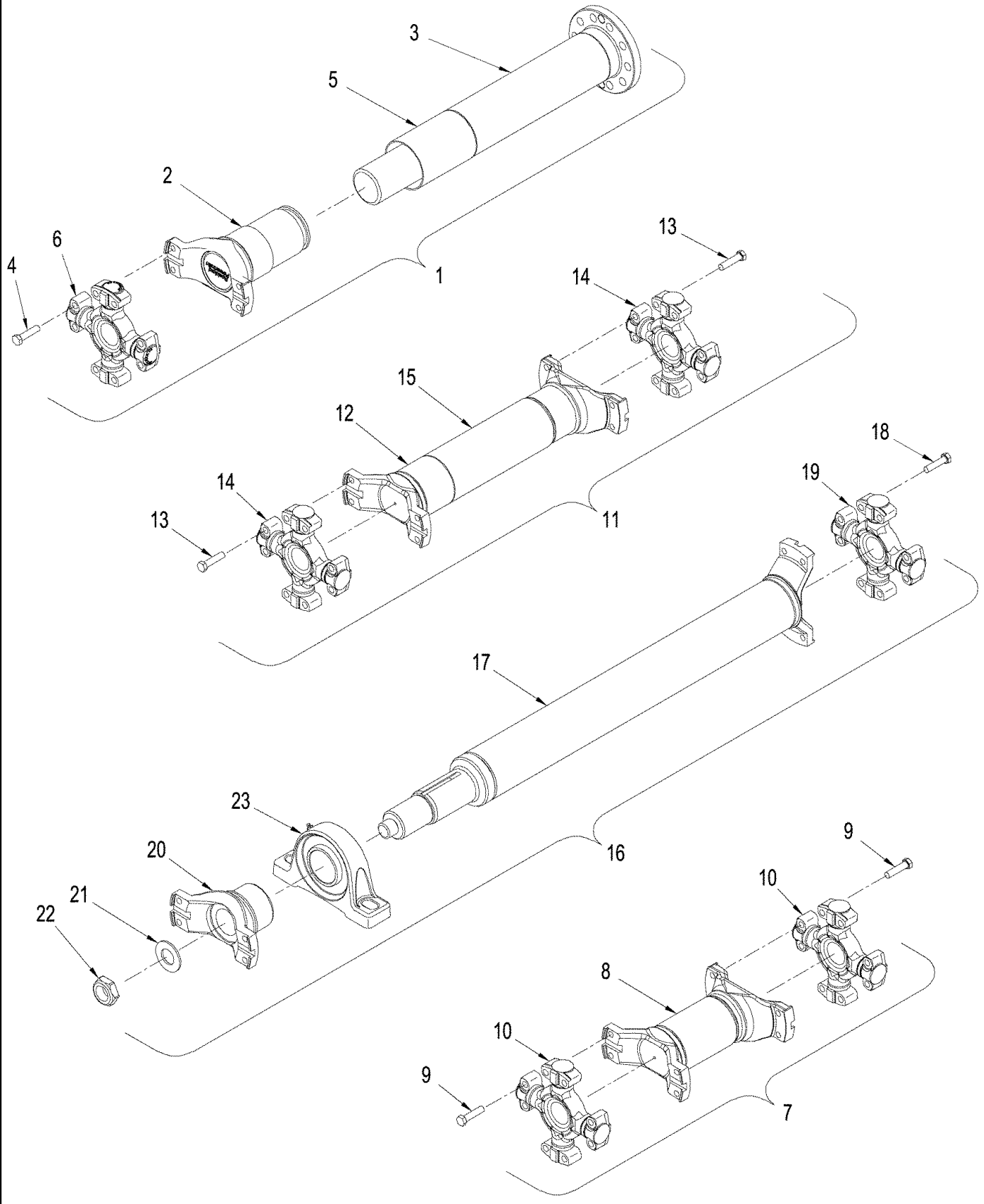
DRIVE SHAFTS AND MOUNTING, WITH ACCUSTEER TRACTOR

REF	FN	PART NUMBER	YR/SN	QTY	DESCRIPTION
1	1, 2	402172A1		1	SHAFT, DRIVE, Input, See Figure: 06-11
1	3, 4	402179A1		1	SHAFT, DRIVE, Input, See Figure: 06-11
2	1, 2	357928A1		1	DAMPER, Vibration
2	3, 4	357930A1		1	DAMPER, Vibration
3		426-614		12	BOLT, Hex, 3/8"-16 x 7/8", G8, Full Thd
4		496-81023		12	WASHER, 13/32 x 3/4 x 7/32
5		827-12050		24	BOLT, Hex, M12 x 50, 10.9
6	1, 2	402174A1		1	SHAFT, DRIVE, Front Axle, See Figure: 06-11
6	3, 4	402181A1		1	SHAFT, DRIVE, Front Axle, See Figure: 06-11
7	1, 2	402175A1		1	SHAFT, DRIVE, Articulation, See Figure: 06-11
7	3, 4	402182A1		1	SHAFT, DRIVE, Articulation, See Figure: 06-11
8	1, 2	409684A1		1	BEARING, Pillow Block, See Figure: 06-11
8	3, 4	451767A1		1	BEARING, Pillow Block, See Figure: 06-11
9	1, 2	896-11016		2	WASHER, M17.5 x 30 x 4, HT
9	3, 4	496-41066		2	WASHER, 21/32" x 1 1/2" x .188", HDN
10		627-16060		2	BOLT, Hex, M16 x 60, 10.9, Full Thd
11	1, 2	402176A1		1	SHAFT, DRIVE, Rear Axle, See Figure: 06-11
11	3, 4	402183A1		1	SHAFT, DRIVE, Rear Axle, See Figure: 06-11
12	3, 4	827-12070		4	BOLT, Hex, M12 x 70, 10.9
12	1, 2	827-12065		4	BOLT, Hex, M12 x 65, 10.9
13		362360A1		1	BEARING, Thrust
14		362359A1		1	BEARING, Pivot
15	1, 2	362627A1		1	ADAPTER, Thrust
15	3, 4	358175A2		1	ADAPTER, Thrust
16	1, 2	410560A1		AR	SPACER
17	3, 4	896-15020		AR	WASHER, M20 x 44.5 x 5, HT

- (1) STX280
- (2) STEIGER 280
- (3) STX330
- (4) STEIGER 330

STEIGER 280 STX330
STX280 STEIGER 330

DRIVE SHAFT ASSEMBLY, WITHOUT ACCUSTEER



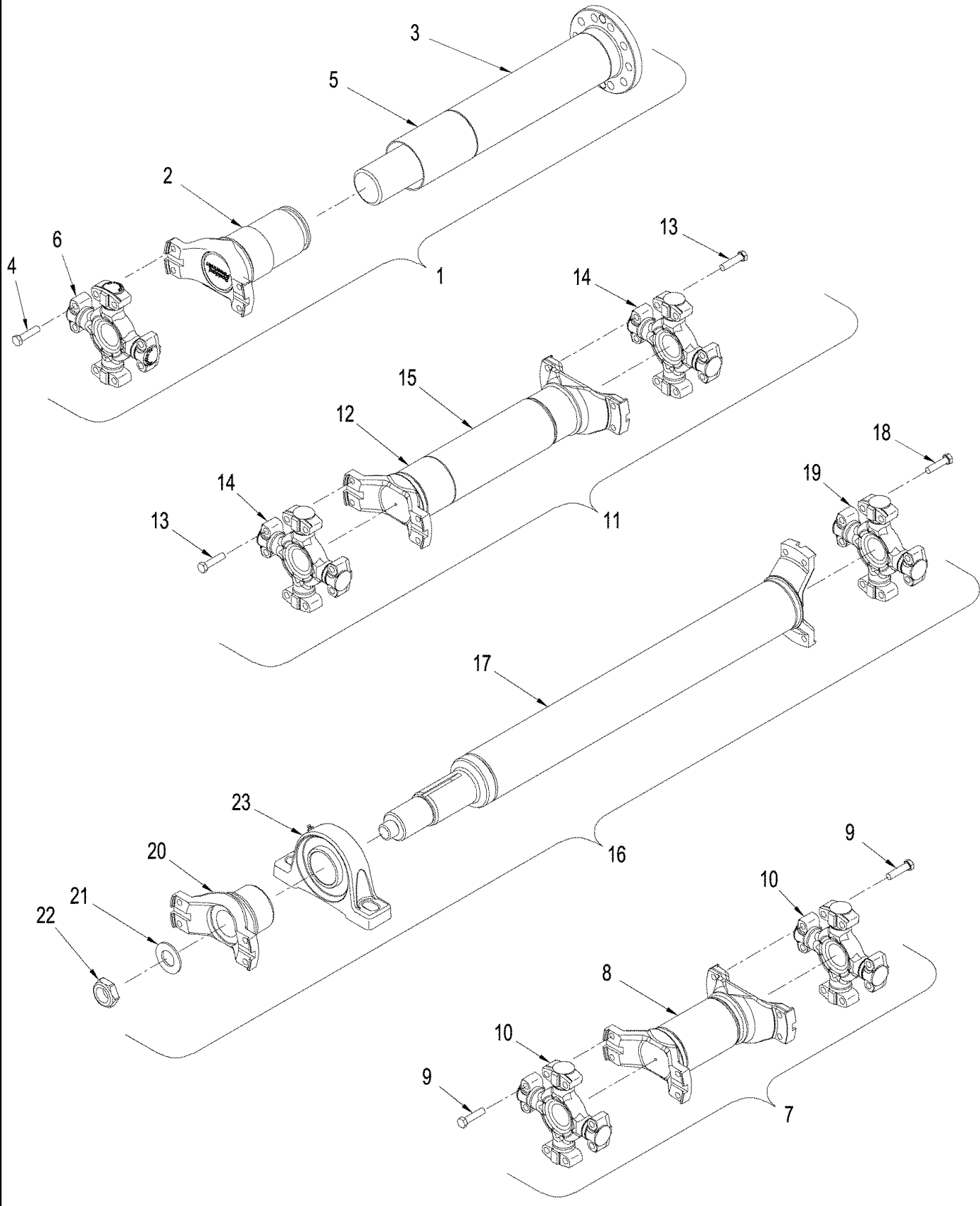
DRIVE SHAFT ASSEMBLY, WITHOUT ACCUSTEER

REF	FN	PART NUMBER	YR/SN	QTY	DESCRIPTION
1	1, 2, 3	402171A1		1	SHAFT, DRIVE, Input, Inc. 1 - 6
1	1, 4, 5	402178A1		1	SHAFT, DRIVE, Input, Inc. 1 - 6
1	6, 2, 3	402170A1		1	SHAFT, DRIVE, Input, Inc. 1 - 6
1	6, 4, 5	402177A1		1	SHAFT, DRIVE, Input, Inc. 1 - 6
2		NSS		1	NOT SERVICED SEPARATELY, Shaft, Slip Yoke
3		NSS		1	NOT SERVICED SEPARATELY, Shaft, Flanged
4		827-12050		4	BOLT, Hex, M12 x 50, 10.9
5	2, 3	411524A1		1	SEAL
5	4, 5	404151A1		1	SEAL
6	2, 3	431620A1		1	SPIDER, U-JOINT, 7C
6	4, 5	86000308		1	KIT, Spider Bearing, 8C
7	2, 3	402173A1		1	SHAFT, DRIVE, Front Axle, Inc. 8 - 10
7	4, 5	402180A1		1	SHAFT, DRIVE, Front Axle, Inc. 8 - 10
8		NSS		1	NOT SERVICED SEPARATELY, Shaft
9		827-12050		8	BOLT, Hex, M12 x 50, 10.9
10	2, 3	431620A1		2	SPIDER, U-JOINT, 7C
10	4, 5	431621A1		2	SPIDER ASSY., 8C
11	2, 3	402175A1		1	SHAFT, DRIVE, Articulation, Inc. 12 - 15
11	4, 5	402182A1		1	SHAFT, DRIVE, Articulation, Inc. 12 - 15
12		NSS		1	NOT SERVICED SEPARATELY, Shaft, Slip Yoke
13		827-12050		8	BOLT, Hex, M12 x 50, 10.9
14	2, 3	431620A1		2	SPIDER, U-JOINT, 7C
14	4, 5	431621A1		2	SPIDER ASSY., 8C
15	2, 3	411524A1		1	SEAL
15	4, 5	404151A1		1	SEAL
16	2, 3	303506A1		1	SHAFT, DRIVE, Rear Axle, Inc. 17 - 22
16	4, 5	305096A1		1	SHAFT, DRIVE, Rear Axle, Inc. 17 - 22
17		NSS		1	NOT SERVICED SEPARATELY, Shaft
18		827-12050		4	BOLT, Hex, M12 x 50, 10.9

- (1) With Manual Shift Transmission
(2) STX280
(3) STEIGER 280
(4) STX330
(5) STEIGER 330
(6) With Power Shift Transmission

STEIGER 280 STX330
STX280 STEIGER 330

DRIVE SHAFT ASSEMBLY, WITHOUT ACCUSTEER

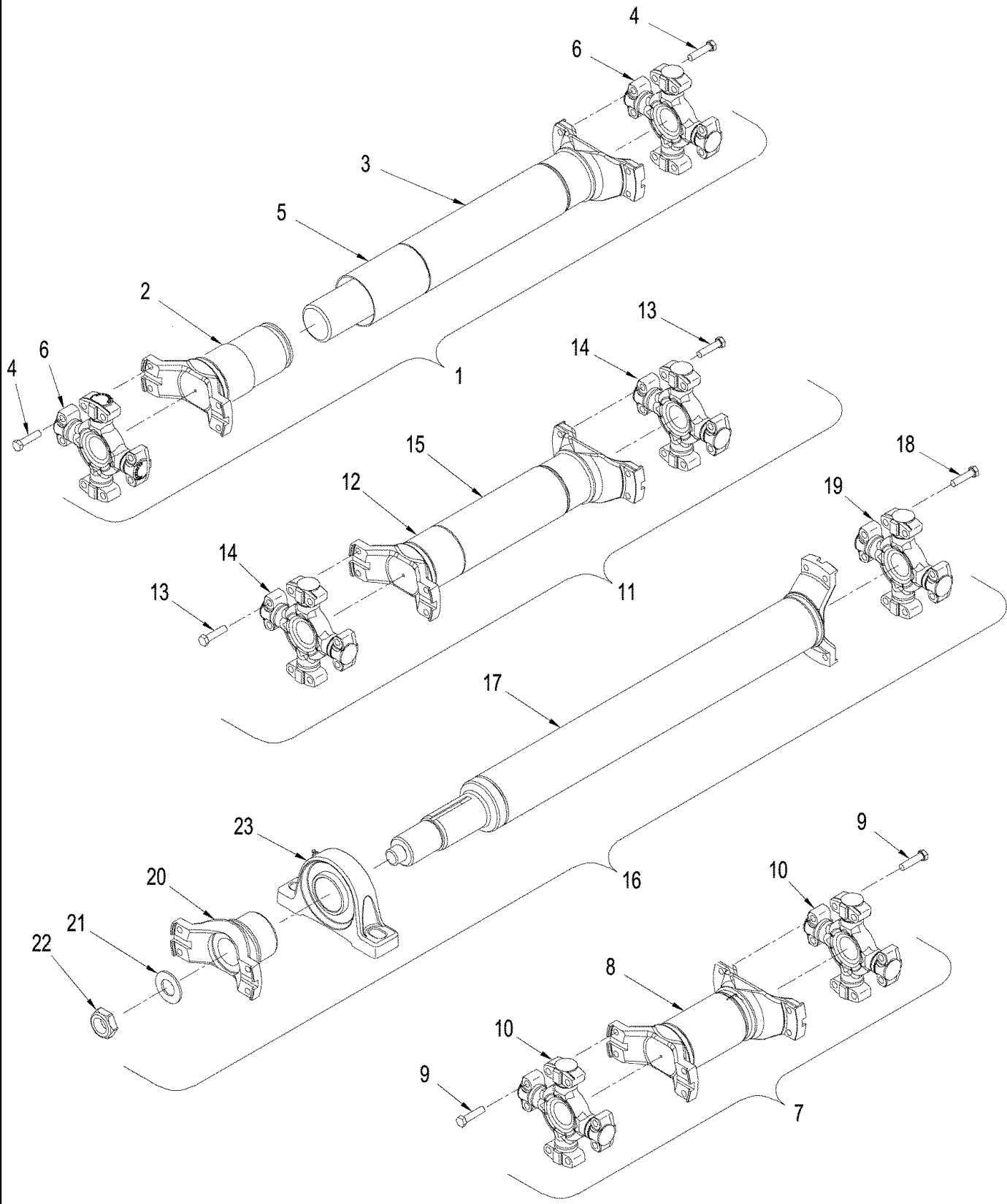


DRIVE SHAFT ASSEMBLY, WITHOUT ACCUSTEER

REF	FN	PART NUMBER	YR/SN	QTY	DESCRIPTION
19	1, 2	431620A1		1	SPIDER, U-JOINT, 7C
19	3, 4	431621A1		1	SPIDER ASSY., 8C
20	3, 4	404451A1		1	YOKE, 8C
20	1, 2	411525A1		1	YOKE, 7C
21		396-11131		1	WASHER, 1 5/16" x 2 1/2" x .150"
22		131-487		1	NUT, LOCK, 1 1/4"-18
23	1, 2	409684A1		1	BEARING, Pillow Block
23	3, 4	451767A1		1	BEARING, Pillow Block
<p>(1) STX280 (2) STEIGER 280 (3) STX330 (4) STEIGER 330</p>					

	STEIGER 280 STX330 STX280 STEIGER 330
--	--

DRIVE SHAFT ASSEMBLY, WITH ACCUSTEER

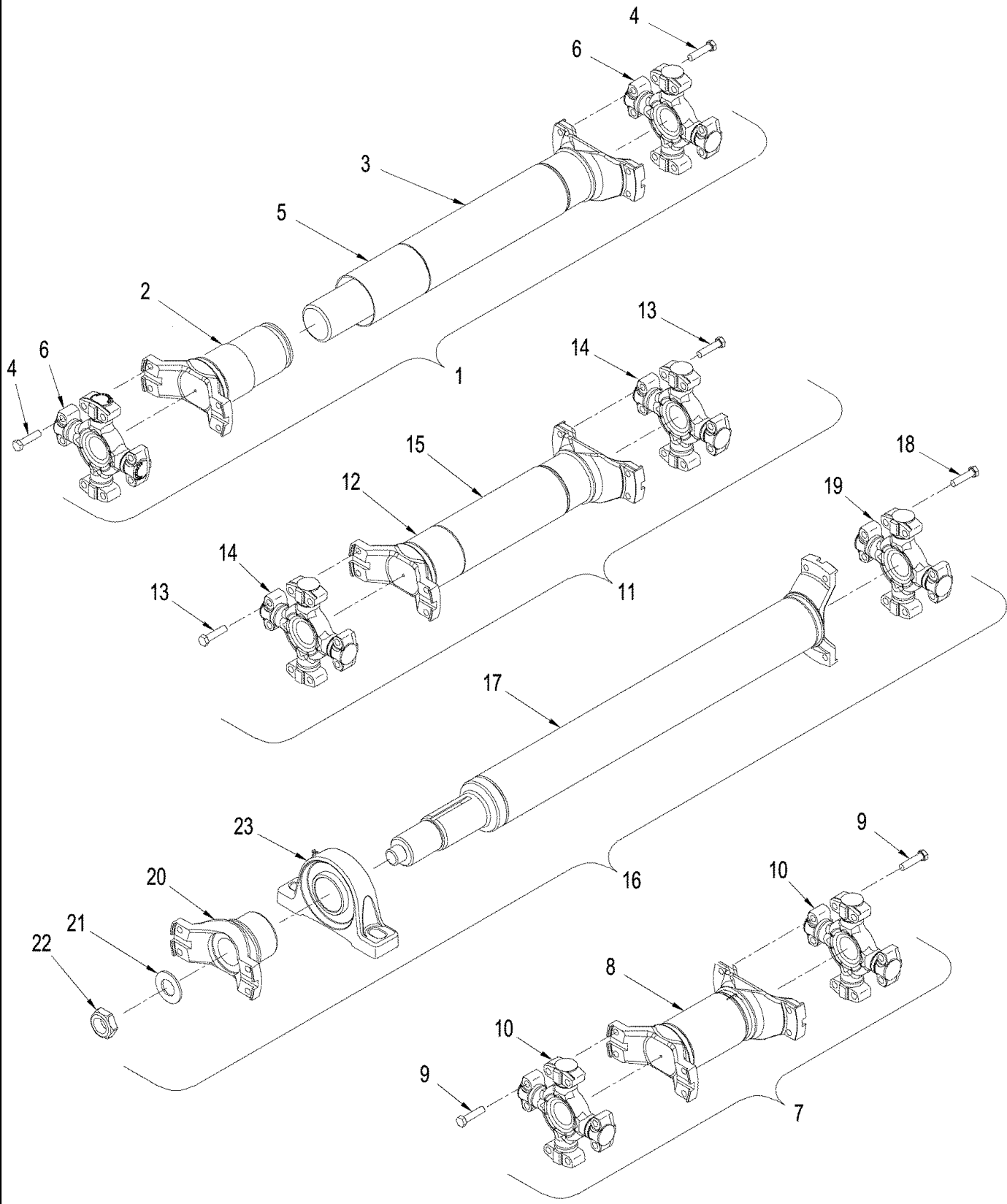


DRIVE SHAFT ASSEMBLY, WITH ACCUSTEER

REF	FN	PART NUMBER	YR/SN	QTY	DESCRIPTION
1	1,2	402172A1		1	SHAFT, DRIVE, Input, Inc. 1 - 6
1	3,4	402179A1		1	SHAFT, DRIVE, Input, Inc. 1 - 6
2		NSS		1	NOT SERVICED SEPARATELY, Shaft, Slip Yoke
3		NSS		1	NOT SERVICED SEPARATELY, Shaft, Flanged
4	1,2	827-12050		8	BOLT, Hex, M12 x 50, 10.9
4	3,4	827-12060		8	BOLT, Hex, M12 x 60, 10.9
5	1,2	411524A1		1	SEAL
5	3,4	404151A1		1	SEAL
6	1,2	431620A1		2	SPIDER, U-JOINT, 7C
6	3,4	431621A1		1	SPIDER ASSY., Spider Bearing, 8C
7	1,2	402174A1		1	SHAFT, DRIVE, Front Axle, Inc. 8 - 10
7	3,4	402181A1		1	SHAFT, DRIVE, Front Axle, Inc. 8 - 10
8		NSS		1	NOT SERVICED SEPARATELY, Shaft, Slip Yoke
9		827-12050		8	BOLT, Hex, M12 x 50, 10.9
10	1,2	431620A1		1	SPIDER, U-JOINT, 7C
10	3,4	431621A1		1	SPIDER ASSY., 8C
11	1,2	402175A1		1	SHAFT, DRIVE, Articulation, Inc. 12 - 15
11	3,4	402182A1		1	SHAFT, DRIVE, Articulation, Inc. 12 - 15
12		NSS		1	NOT SERVICED SEPARATELY, Shaft, Slip Yoke
13		827-12050		8	BOLT, Hex, M12 x 50, 10.9
14	1,2	431620A1		2	SPIDER, U-JOINT, 7C
14	3,4	431621A1		2	SPIDER ASSY., 8C
15	1,2	411524A1		1	SEAL
15	3,4	404151A1		1	SEAL
16	1,2	402176A1		1	SHAFT, DRIVE, Rear Axle, Inc. 14 - 19
16	3,4	402183A1		1	SHAFT, DRIVE, Rear Axle, Inc. 14 - 19
17		NSS		1	NOT SERVICED SEPARATELY, Shaft
18		827-12050		4	BOLT, Hex, M12 x 50, 10.9
19	1,2	431620A1		1	SPIDER, U-JOINT, 7C
19	3,4	431621A1		1	SPIDER ASSY., 8C
20	3,4	404451A1		1	YOKE, 8C
(1)		STX280			
(2)		STEIGER 280			
(3)		STX330			
(4)		STEIGER 330			

STEIGER 280 STX330
STX280 STEIGER 330

DRIVE SHAFT ASSEMBLY, WITH ACCUSTEER



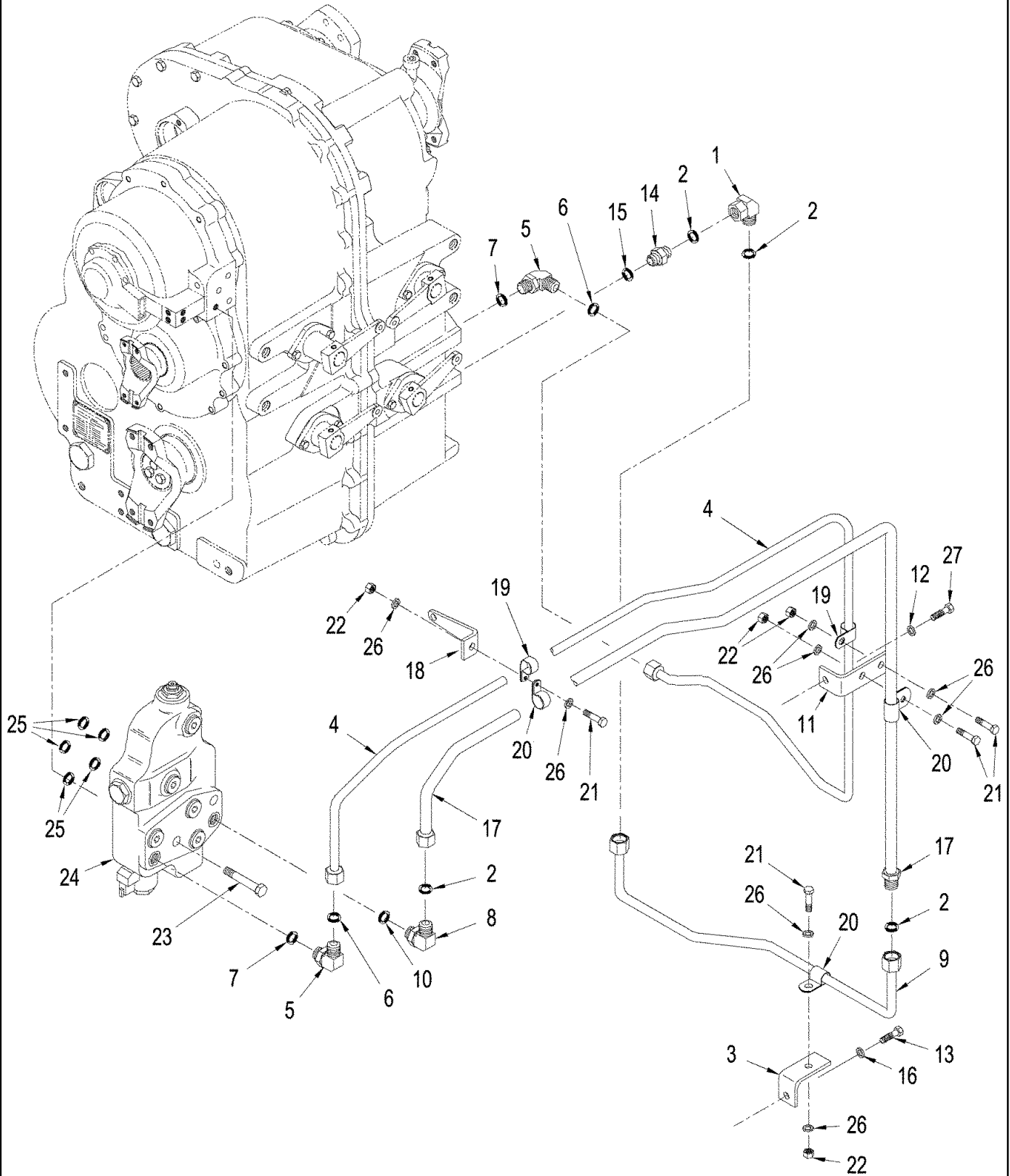
DRIVE SHAFT ASSEMBLY, WITH ACCUSTEER

REF	FN	PART NUMBER	YR/SN	QTY	DESCRIPTION
20	1, 2	411525A1		1	YOKE, 7C
21		396-11131		1	WASHER, 1 5/16" x 2 1/2" x .150"
22		131-487		1	NUT, LOCK, 1 1/4"-18
23	1, 2	409684A1		1	BEARING
23	3, 4	451767A1		1	BEARING

- (1) STX280
- (2) STEIGER 280
- (3) STX330
- (4) STEIGER 330

STEIGER 280 STX330
STX280 STEIGER 330

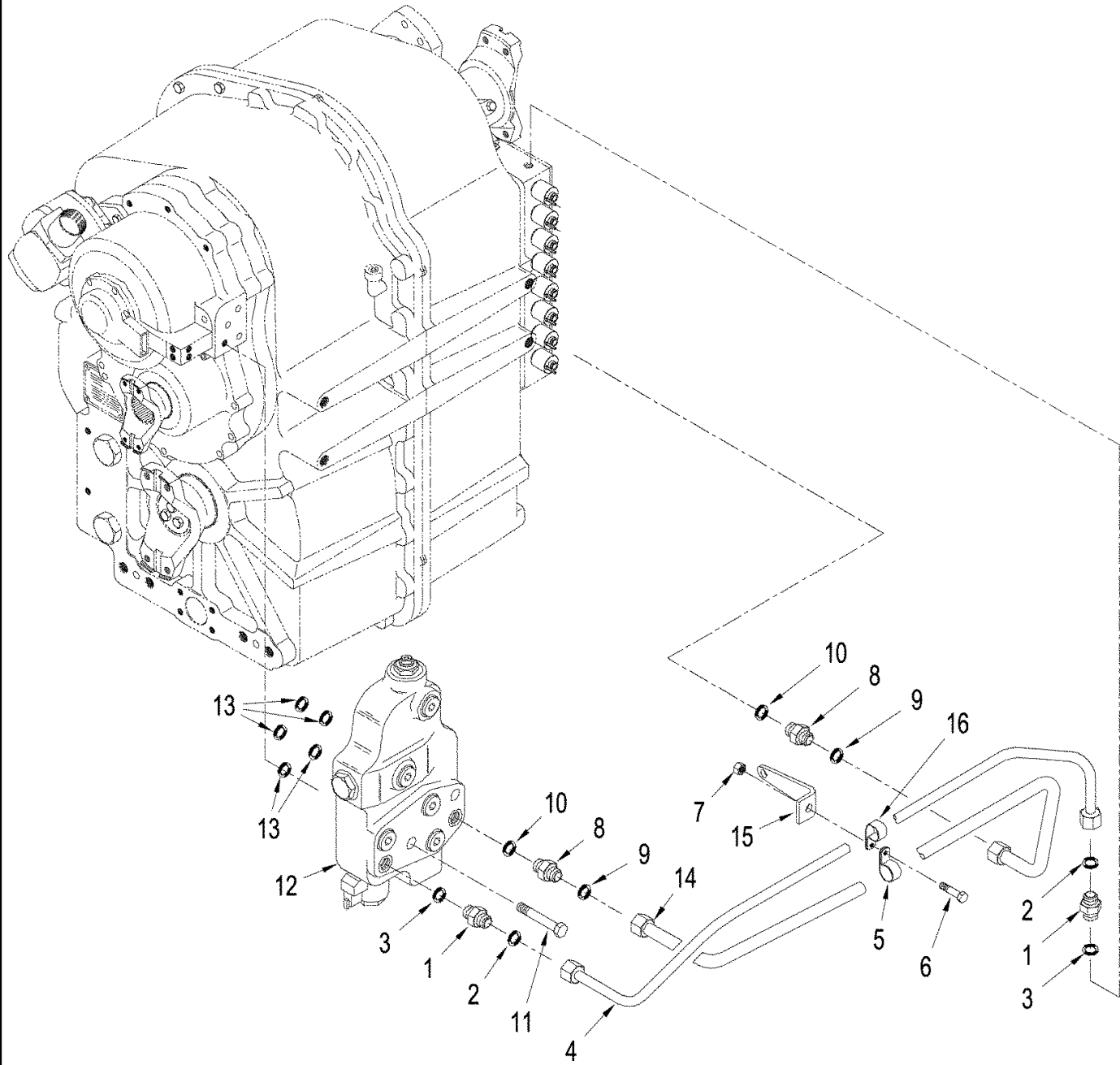
POWER TAKEOFF - CLUTCH LUBRICATION, WITH MANUAL SHIFT TRANSMISSION



POWER TAKEOFF - CLUTCH LUBRICATION, WITH MANUAL SHIFT TRANSMISSION

REF	FN	PART NUMBER	YR/SN	QTY	DESCRIPTION
1		701-320		1	ELBOW, 90°, 13/16"-16 ORFS x 13/16"-16 Fem Sw, Inc. 2
2		238-6014		4	O-RING, -014, 90 Duro, .489" ID x .070" Thk
3		435901A1		1	BRACKET
4		435596A1		1	TUBE ASSY.
5		700-304		2	ELBOW, 90°, 11/16"-18 ORFS x M14 x 1.5 ORB, Incl. 6, 7
6		238-6012		1	O-RING, -012, 90 Duro, .364" ID x .070" Thk
7		637-63113		1	O-RING, CI 6, 11.3MM ID x 2.2 Thk
8		700-305		1	ELBOW, 90°, 13/16"-18 ORFS x M18 x 1.5 ORB, Inc. 2, 10
9		435902A1		1	TUBE ASSY.
10		637-63153		1	O-RING, CI 6, 15.3MM ID x 2.2 Thk
11		401365A2		1	BRACKET
12		896-11012		1	WASHER, M13.5 x 24.5 x 3, HT
13		627-16035		2	BOLT, Hex, M16 x 35, 10.9
14		700-102		1	CONNECTOR, HYD., 13/16"-16 ORFS x M18 x 1.5 ORB, Inc. 15, 2
15		637-64236		1	O-RING, CI 6, 23.6MM ID x 2.9 Thk
16		895-11016		1	WASHER, M16 x 30 x 3
17		435598A1		1	TUBE ASSY.
18		401398A1		1	BRACKET
19		515-2295		2	CLAMP, 3/8", Insul, 5/16" Bolt
20		515-22127		3	CLAMP, 1/2", Insul, 5/16" Bolt
21		627-8030		4	BOLT, Hex, M8 x 30, 10.9
22		829-1408		4	NUT, M8, CI 10
23		827-10070		2	BOLT, Hex, M10 x 70, 10.9
24		413944A1		1	VALVE, Power Takeoff, See Figure: 06-14
25		238-5112		5	O-RING, -112, 70 Duro, .487" ID x .103" Thk
27		627-12030		1	BOLT, Hex, M12 x 30, 10.9
26		895-11008		8	WASHER, M8 x 16 x 1.6
					STEIGER 280 STX330 STX280 STEIGER 330

POWER TAKEOFF - CLUTCH LUBRICATION, WITH POWER SHIFT TRANSMISSION

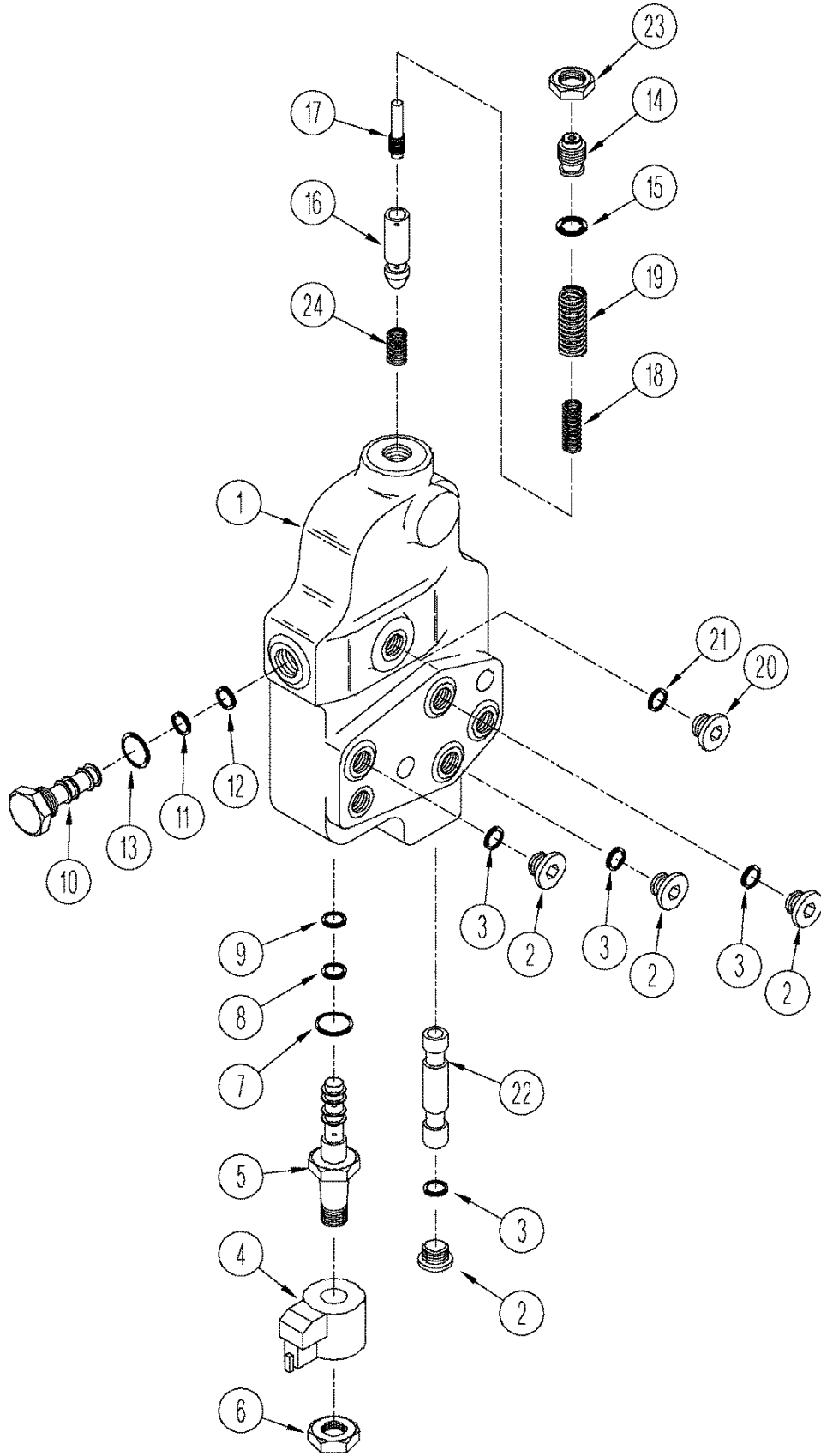


POWER TAKEOFF - CLUTCH LUBRICATION, WITH POWER SHIFT TRANSMISSION

REF	FN	PART NUMBER	YR/SN	QTY	DESCRIPTION
1		700-101		2	CONNECTOR, HYD., 11/16"-16 ORFS x M14 x 1.5 ORB, Incl. 2, 3
2		238-6012		1	O-RING, -012, 90 Duro, .364" ID x .070" Thk
3		637-63113		1	O-RING, CI 6, 11.3MM ID x 2.2 Thk
4		87436852		1	TUBE ASSY.
5		515-22127		1	CLAMP, 1/2", Insul, 5/16" Bolt
6		614-8020		1	BOLT, Hex, M8 x 20, 8.8
7		829-1408		1	NUT, M8, CI 10
8		700-102		2	CONNECTOR, HYD., 13/16"-16 ORFS x M18 x 1.5 ORB, Inc. 9, 10
9		238-6014		1	O-RING, -014, 90 Duro, .489" ID x .070" Thk
10		637-63153		1	O-RING, CI 6, 15.3MM ID x 2.2 Thk
11		828-10070		2	BOLT, Hex, M10 x 70, 10.9
12		413944A1		1	VALVE, Power Takeoff, See Figure: 06-14
13		238-5112		5	O-RING, -112, 70 Duro, .487" ID x .103" Thk
14		414550A1		1	TUBE ASSY.
15		414553A1		1	BRACKET
16		515-2295		1	CLAMP, 3/8", Insul, 5/16" Bolt

STEIGER 280 STX330
 STX280 STEIGER 330

VALVE ASSEMBLY - POWER TAKE OFF

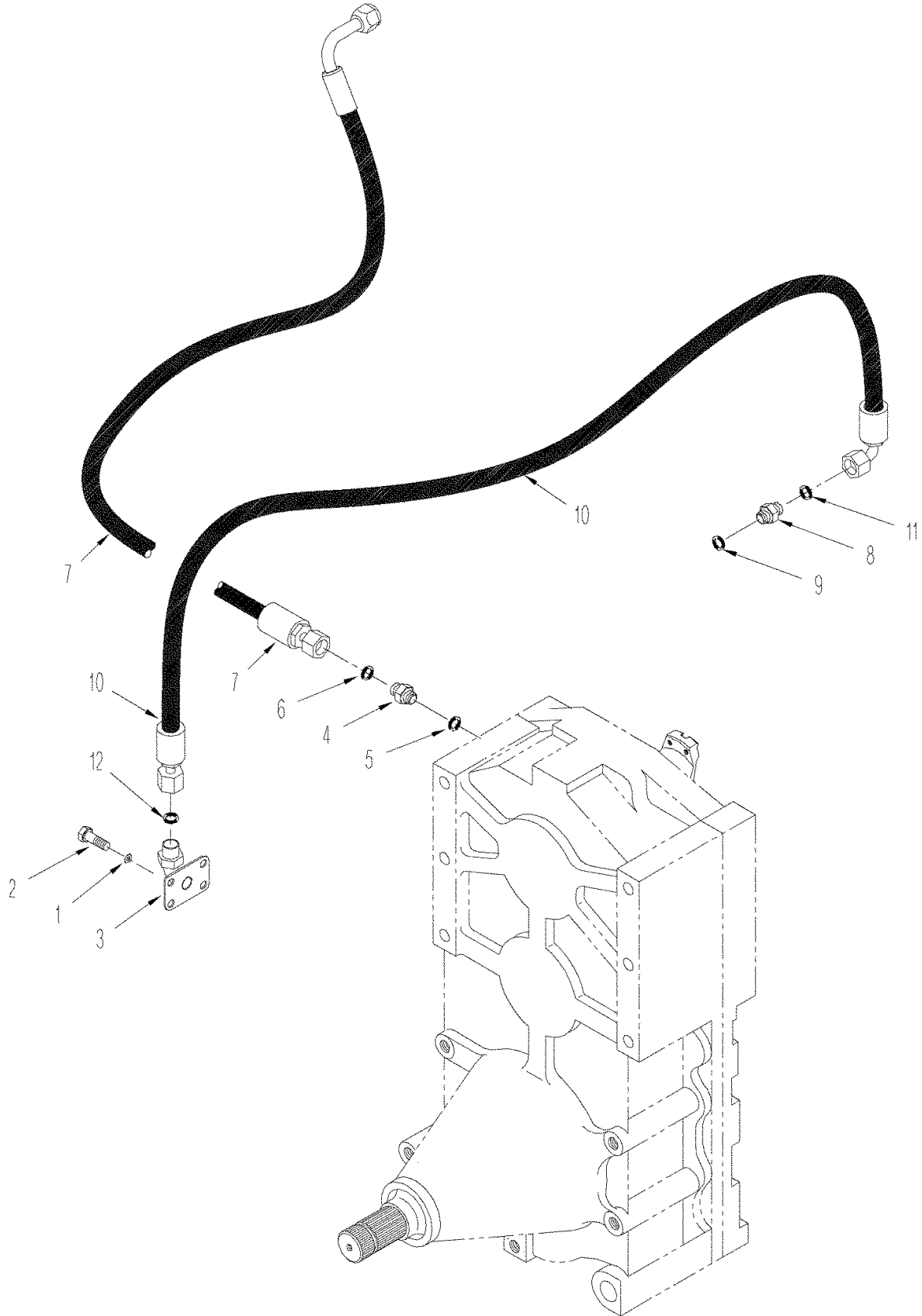


VALVE ASSEMBLY - POWER TAKE OFF

REF	FN	PART NUMBER	YR/SN	QTY	DESCRIPTION
		413944A1		1	VALVE, Power Takeoff, Inc. 1 - 24
1		NSS		1	NOT SERVICED SEPARATELY, Body
2		221578A1		4	PLUG, Hex Soc, M18 x 1.5, ORB, Includes 3
3		637-63153		4	O-RING, CI 6, 15.3MM ID x 2.2 Thk
		318822A1		1	VALVE, SOLENOID, Inc. 4 - 9
4		NSS		1	NOT SERVICED SEPARATELY, Coil
5		NSS		1	NOT SERVICED SEPARATELY, Valve, Solenoid
6		NSS		1	NOT SERVICED SEPARATELY, Nut
7		237-6008		1	O-RING, 8-1, 90 Duro, .644" ID x .087" Thk
8		238-5014		1	O-RING, -014, 70 Duro, .489" ID x .070" Thk
9		238-5013		1	O-RING, -013, 70 Duro, .426" ID x .070" Thk
		315514A1		1	PLUG, Inc. 10 - 13
10		NSS		1	NOT SERVICED SEPARATELY, Plug
11		238-6014		1	O-RING, -014, 90 Duro, .489" ID x .070" Thk
12		238-6013		1	O-RING, -012, 90 Duro, .364" ID x .070" Thk
13		237-6008		1	O-RING, 8-1, 90 Duro, .644" ID x .087" Thk
		345794A1		1	PLUG, Inc. 14, 15
14		NSS		1	NOT SERVICED SEPARATELY, Plug
15		637-64236		1	O-RING, CI 6, 23.6MM ID x 2.9 Thk
16		319664A1		1	SLEEVE
17		319665A1		1	PISTON
18		319661A1		1	SPRING, Inner
19		319660A1		1	SPRING, Outer
20		221576A1		1	PLUG, Hex Soc, M14 x 1.5, ORB, Includes 21
21		637-63113		1	O-RING, CI 6, 11.3MM ID x 2.2 Thk
22		320036A1		1	SPOOL
23		322118A1		1	NUT
24		319659A1		1	SPRING

STEIGER 280 STX330
 STX280 STEIGER 330

POWER TAKEOFF LUBRICATION

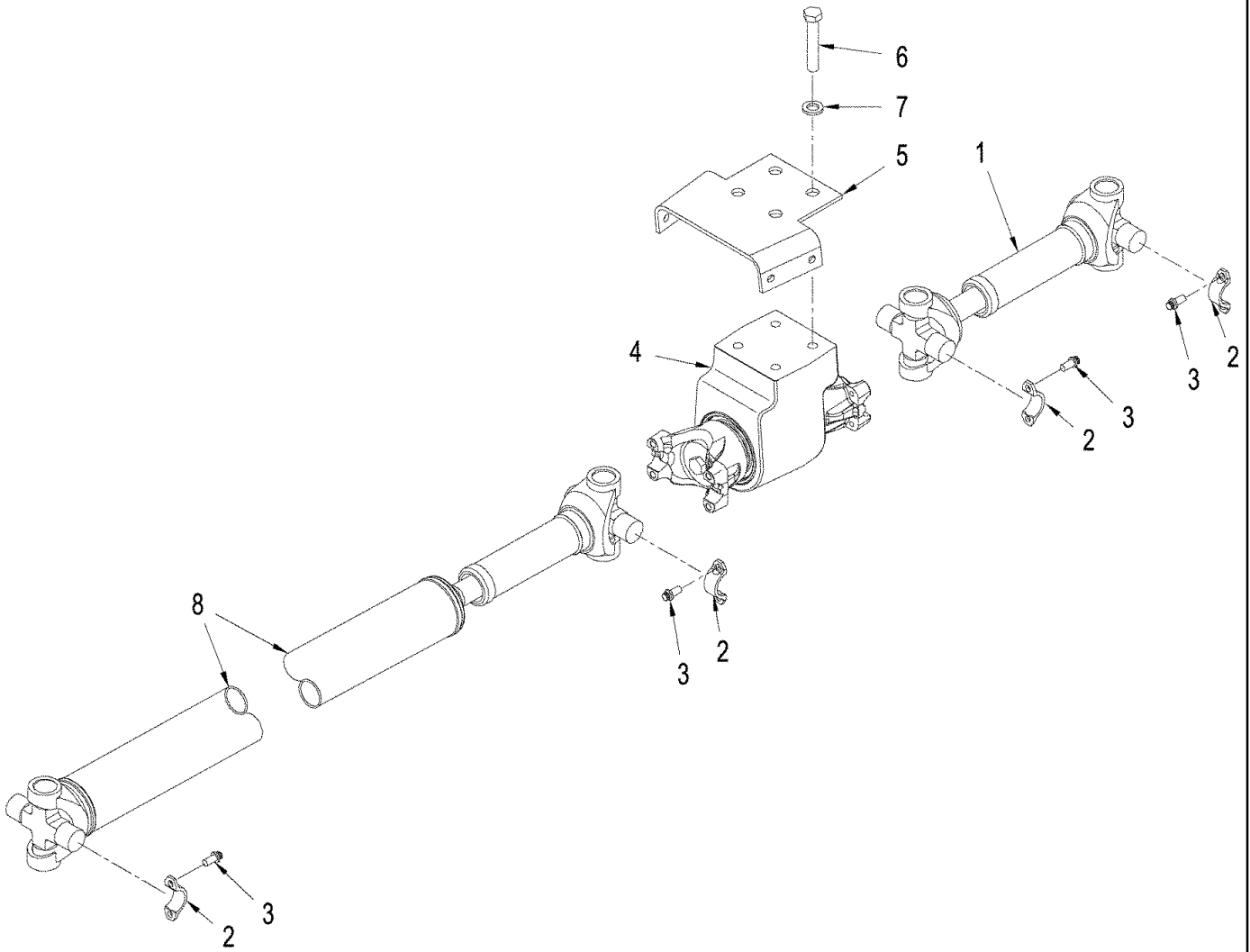


POWER TAKEOFF LUBRICATION

REF	FN	PART NUMBER	YR/SN	QTY	DESCRIPTION
1		895-11010		4	WASHER, M10 x 20 x 2
2		627-10025		4	BOLT, Hex, M10 x 25, 10.9, Full Thd
3		86992408		1	FITTING, Flange
4		700-102		2	CONNECTOR, HYD., 13/16"-16 ORFS x M18 x 1.5 ORB, Inc. 14 and 15
5		637-63153		2	O-RING, CI 6, 15.3MM ID x 2.2 Thk
6		238-6014		2	O-RING, -014, 90 Duro, .489" ID x .070" Thk
7		86992554		1	HOSE ASSY., 2781 mm (109 in.)
8		700-103		1	CONNECTOR, HYD., 1"-14 ORFS x M22 x 1.5 ORB, Inc. 9 and 11
9		637-63133		1	O-RING, CI 6, 13.3MM ID x 2.2 Thk
10		86992553		1	HOSE ASSY., 1217 mm (48 in.)
11		238-6016		1	O-RING, -016, 90 Duro, .614" ID x .070" Thk
12		238-6018		1	O-RING, -018, 90 Duro, .739" ID x .070" Thk

STEIGER 280 STX330
 STX280 STEIGER 330

POWER TAKEOFF - DRIVE SHAFT MOUNTING

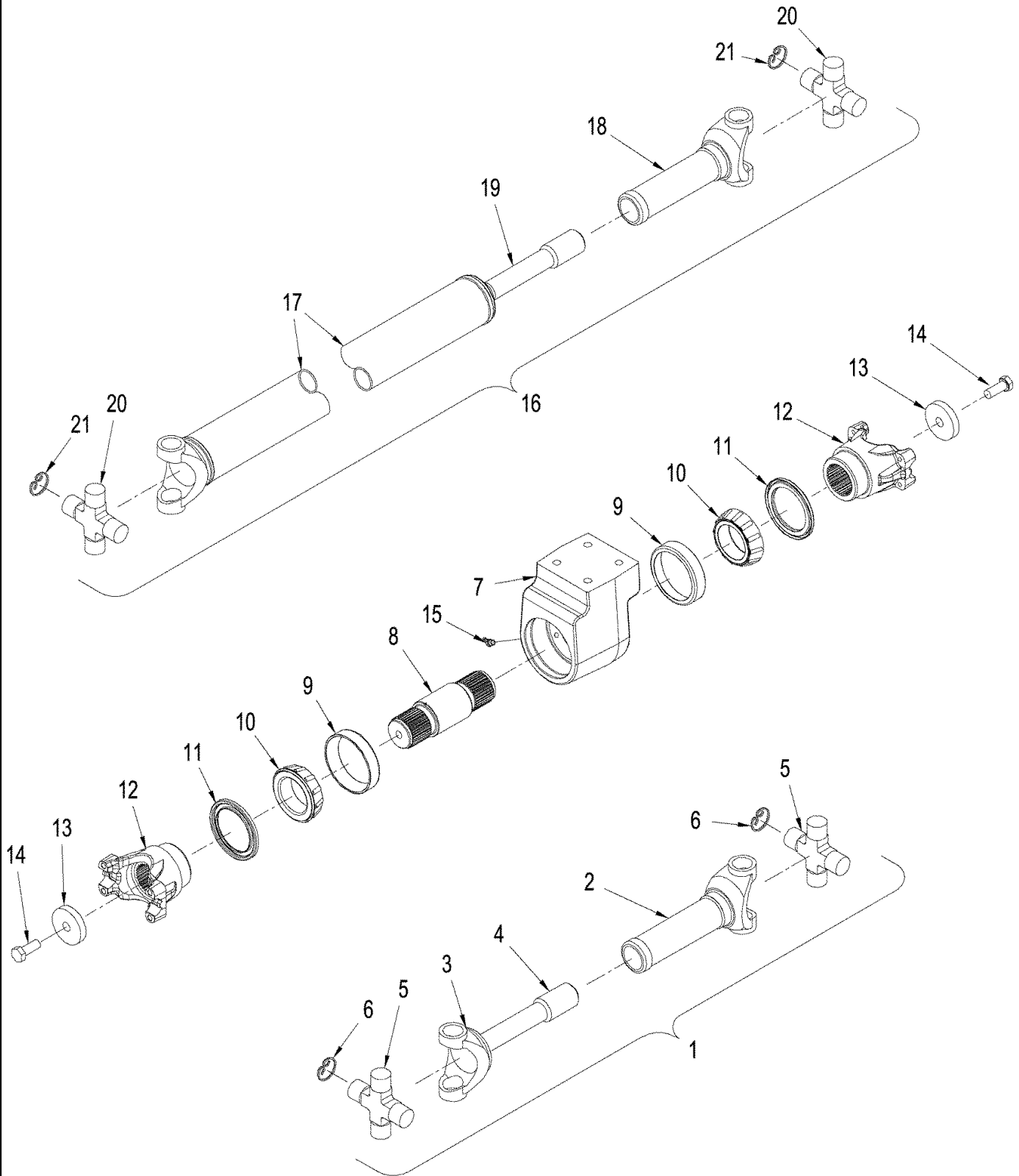


POWER TAKEOFF - DRIVE SHAFT MOUNTING

REF	FN	PART NUMBER	YR/SN	QTY	DESCRIPTION
1		404601A1		1	SHAFT, DRIVE, Articulation, See Figure: 06-17
2		L116943		8	SPIDER, U-JOINT
3		868-10020		16	SCREW, 12 Pt Hd, M10 x 20, 12.9
4		NSS		1	NOT SERVICED SEPARATELY, Hanger, See Figure: 06-17
5		404604A1		1	BRACKET, Mounting
6		827-16070		4	BOLT, Hex, M16 x 70, 10.9
7		896-11016		4	WASHER, M17.5 x 30 x 4, HT
8		404602A1		1	SHAFT, DRIVE, Rear, See Figure: 06-17

STEIGER 280 STX330
STX280 STEIGER 330

POWER TAKEOFF - DRIVE SHAFT ASSEMBLIES

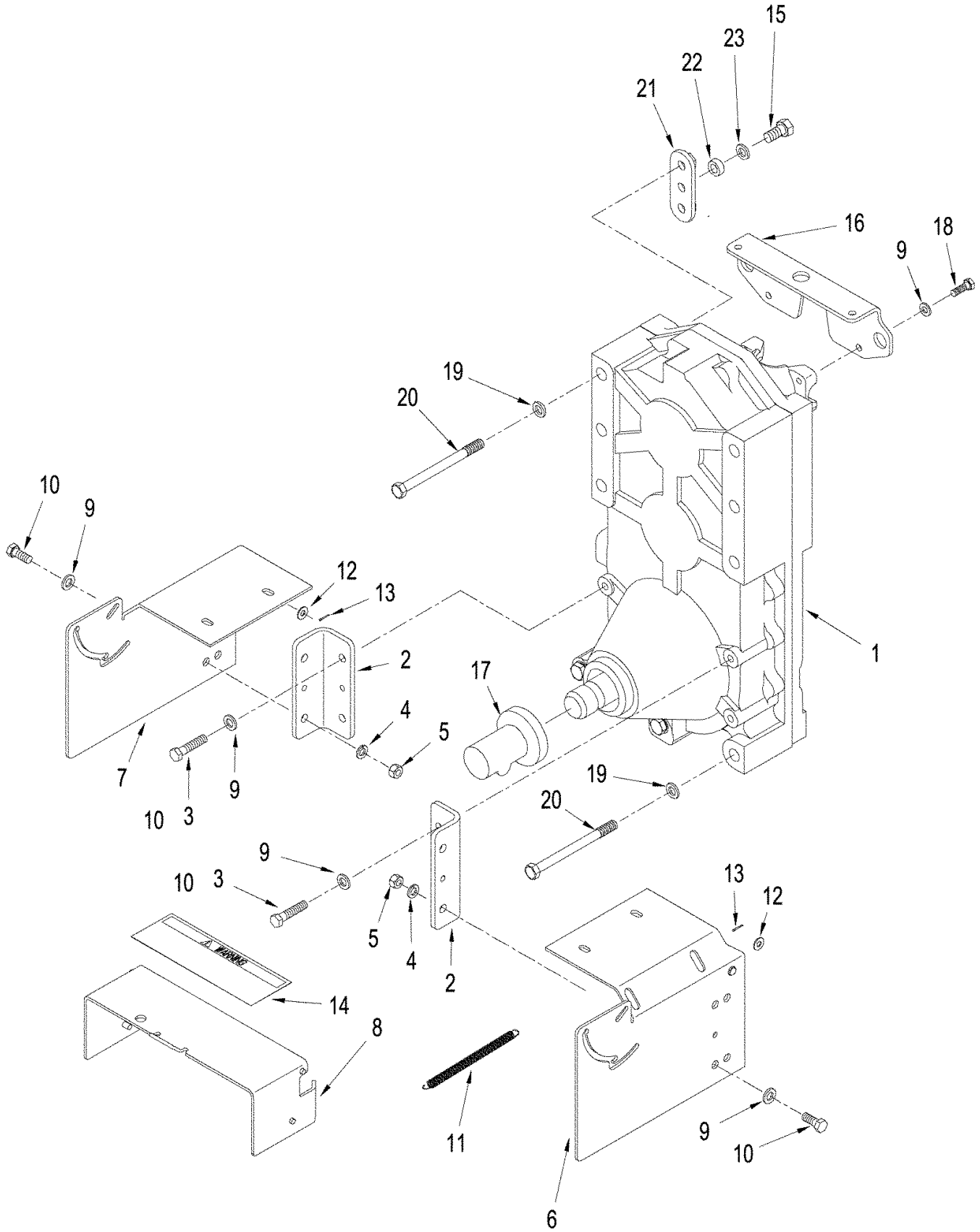


POWER TAKEOFF - DRIVE SHAFT ASSEMBLIES

REF	FN	PART NUMBER	YR/SN	QTY	DESCRIPTION
1		404601A1		1	SHAFT, DRIVE, Articulation, Inc. 2 - 6
2		NSS		1	NOT SERVICED SEPARATELY, Shaft, Slip Yoke
3		NSS		1	NOT SERVICED SEPARATELY, Shaft, Flanged
4		33-1001T1		1	RETAINER, SEAL
5		33-1004T2		2	BEARING, Inc. 6
6		S92378		4	SNAP RING
7		399447A1		1	HOUSING, BEARING
8		399446A1		1	SHAFT, Drive
9		90-1322T1		2	BEARING SET
10		90-1862T1		2	BEARING, CONE
11		435537A1		2	SEAL
12		398554A1		2	YOKE
13		19-5864		2	WASHER, 5/8 x 2-3/4 x 1/2
14		627-16040		2	BOLT, Hex, M16 x 40, 10.9
15		219-36		1	NIPPLE, LUBE, 45°, 1/8" NPT x 7/8" lg
16		404602A1		1	SHAFT, DRIVE, Rear, Inc. 17 - 21
17		NSS		1	NOT SERVICED SEPARATELY, Shaft, Rear
18		NSS		1	NOT SERVICED SEPARATELY, Shaft, Slip Yoke
19		33-1001T1		1	RETAINER, SEAL
20		33-1004T2		2	BEARING, Inc. 2
21		S92378		4	SNAP RING

STEIGER 280 STX330
 STX280 STEIGER 330

POWER TAKEOFF - SAFETY SHEILDS



POWER TAKEOFF - SAFETY SHEILDS

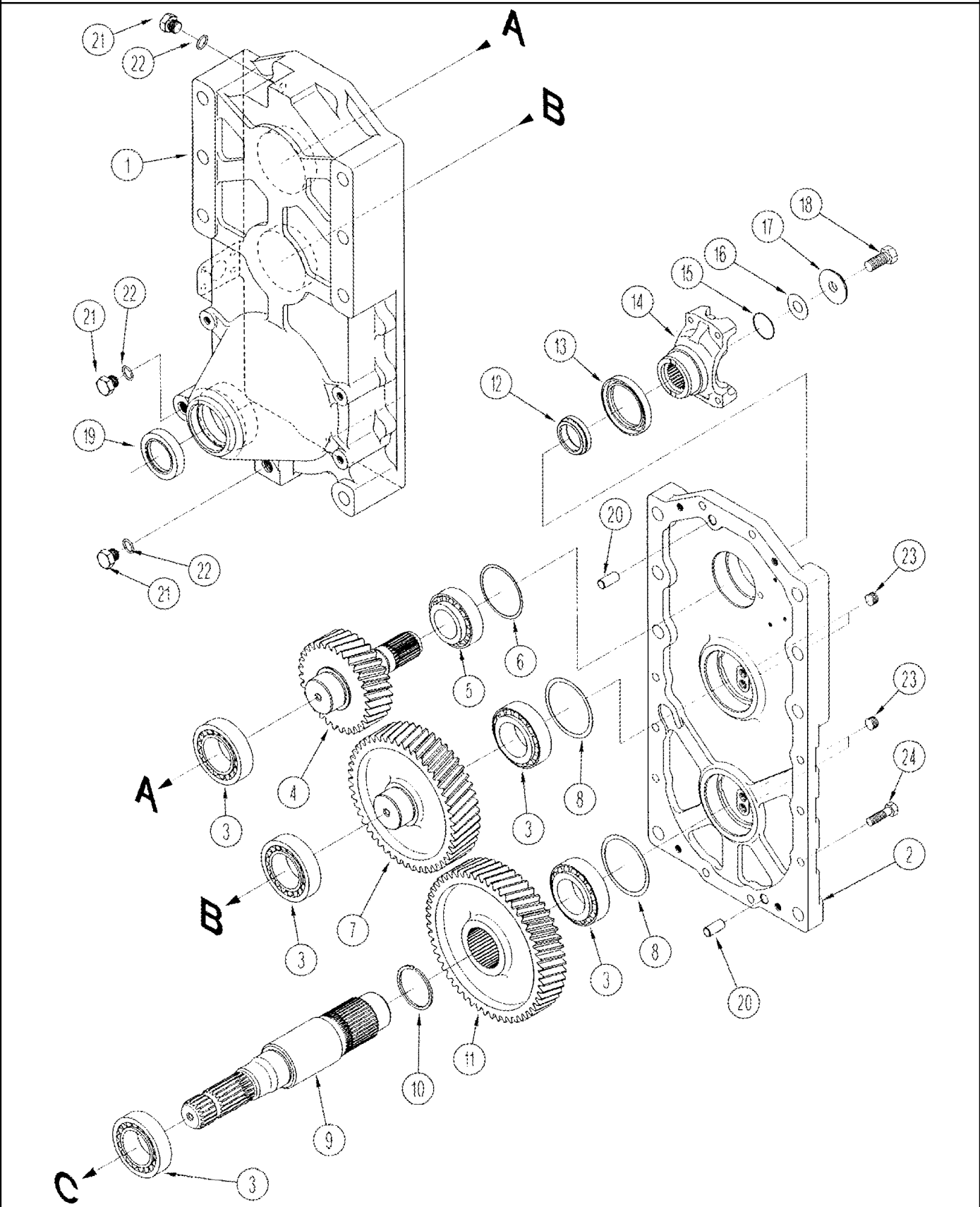
REF	FN	PART NUMBER	YR/SN	QTY	DESCRIPTION
1		403073A1		1	GEARBOX ASSY, Transfer, See Figure: 06-19
2		405394A1		2	BRACE
3	1	827-12055		4	BOLT, Hex, M12 x 55, 10.9
4		892-11012		4	WASHER, LOCK, M12
5		829-1412		4	NUT, M12, CI 10
6		405396A1		1	COVER, Right-Hand
7		361983A3		1	COVER, Left-Hand
8		363006A2		1	SHIELD, Flip-Up
9		896-11012		8	WASHER, M13.5 x 24.5 x 3, HT
10	1	627-12030		4	BOLT, Hex, M12 x 30, 10.9
10	2	627-12030		8	BOLT, Hex, M12 x 30, 10.9
11		365853A1		2	SPRING
12		895-15008		2	WASHER, M8 x 20 x 1.6
13		733-2012		2	PIN, SPLIT (COTTER), M2 x 12
14		327567A3		1	DECAL, Safety, See Figure: 09-52
15		627-16025		2	BOLT, Hex, M16 x 25, 10.9, Full Thd
16		405398A1		1	BRACKET, If Used
17		383716A1		1	SHIELD, PTO Shaft
18		627-10030		2	BOLT, Hex, M10 x 30, 10.9, Full Thd
19		896-11020		8	WASHER, M20 x 37.5 x 4, HT
20	1	827-20230		8	BOLT, Hex, M20 x 230, 10.9
20	2	827-20190		8	BOLT, Hex, M20 x 190, 10.9
21		259389A1		2	PLATE
22		70-5967T1		2	SPACER
23		896-11016		2	WASHER, M17.5 x 30 x 4, HT

(1) With Three Point Hitch

(2) Without Three Point Hitch

STEIGER 280 STX330
 STX280 STEIGER 330

POWER TAKEOFF - TRANSFER CASE ASSEMBLY

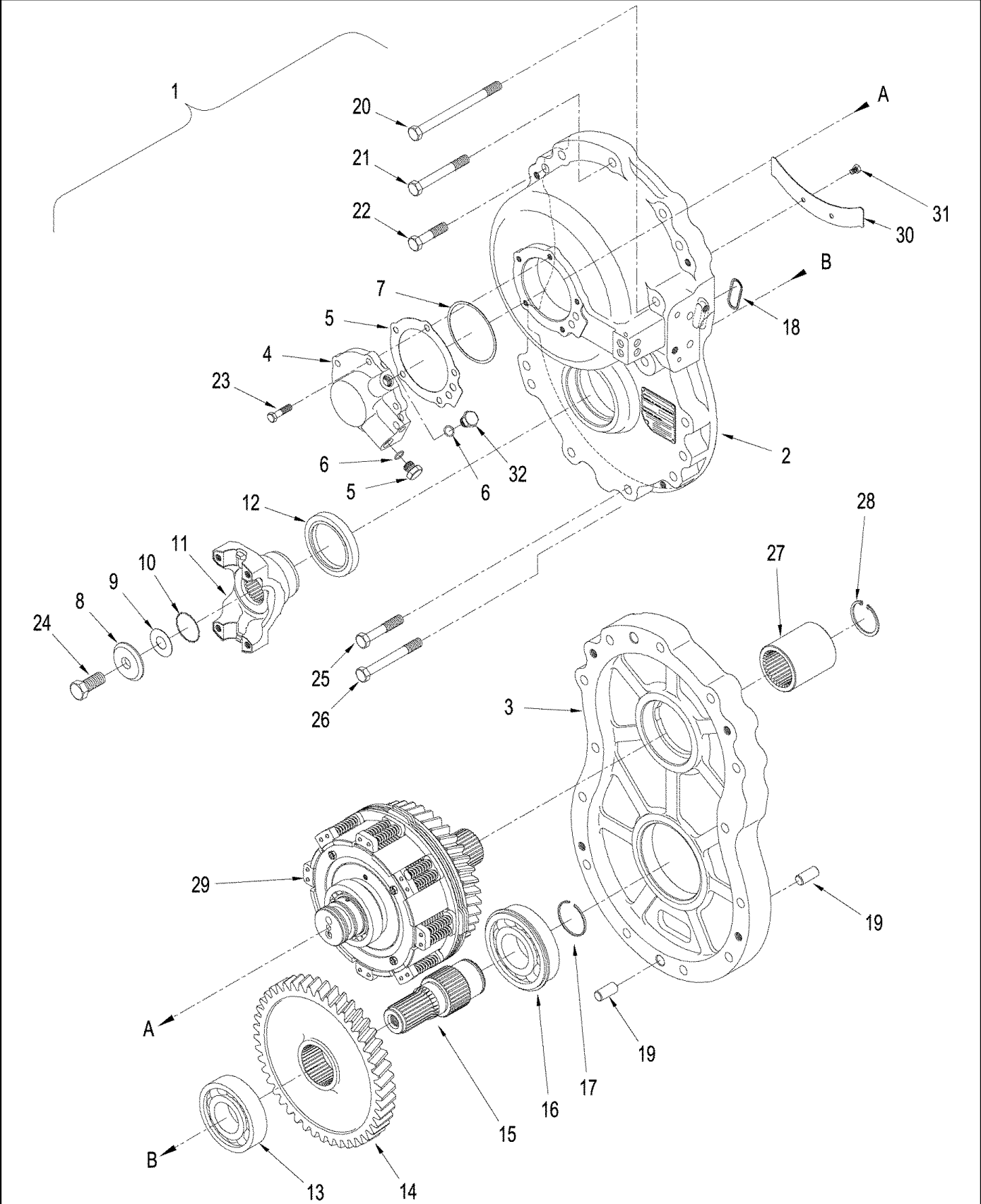


POWER TAKEOFF - TRANSFER CASE ASSEMBLY

REF	FN	PART NUMBER	YR/SN	QTY	DESCRIPTION
		403073A1		1	GEARBOX ASSY, Transfer, Inc. 1 - 24
1		375500A1		1	HOUSING, Rear
2		375501A1		1	HOUSING, Front
3		428183A1		5	BEARING
4		375502A1		1	GEAR, Input
5		375503A1		1	BEARING
6		375504A1		AR	SHIM
6		375505A1		AR	SHIM
6		375506A1		AR	SHIM
6		375507A1		AR	SHIM
7		375508A1		1	GEAR, Idler
8		428665A1		AR	SHIM, 0.10 mm (0.004 in.)
8		428666A1		AR	SHIM, 0.30 mm (0.012 in.)
8		428667A1		AR	SHIM, 0.50 mm (0.020 in.)
8		428668A1		AR	SHIM, 0.70 mm (0.027 in.)
8		428669A1		AR	SHIM, 0.15 mm (0.006 in.)
9		375509A1		1	SHAFT, Output
10		S2240S00F		1	SNAP RING
11		375510A1		1	GEAR, Output
12		375511A1		1	SPACER
13		S8820S00F		1	SEAL, OIL
14		398447A1		1	YOKE
15		375512A1		1	O-RING
16		S9950S00F		AR	SHIM, 0.10 mm (0.004 in.)
16		S9960S00F		AR	SHIM, 0.30 mm (0.012 in.)
16		S9970S00F		AR	SHIM, 0.51 mm (0.020 in.)
16		S9980S00F		AR	SHIM, 0.71 mm (0.027 in.)
17		S8860S00F		1	WASHER, THRUST
18		514-1021		1	BOLT, Hex, M16 x 1.5 x 35, 10.9, Full Thd
19		375514A1		1	SEAL, OIL
20		427530A1		2	DOWEL
21		220066A1		3	PLUG, M18 x 1.5, ORB, Inc. 22
22		637-63153		3	O-RING, Cl 6, 15.3MM ID x 2.2 Thk
23		375515A1		4	PLUG
24		514-830		10	BOLT, Hex, M12 x 1.25 x 25, 8.8, Full Thd

STEIGER 280 STX330
STX280 STEIGER 330

POWER TAKEOFF - CLUTCH ASSEMBLY



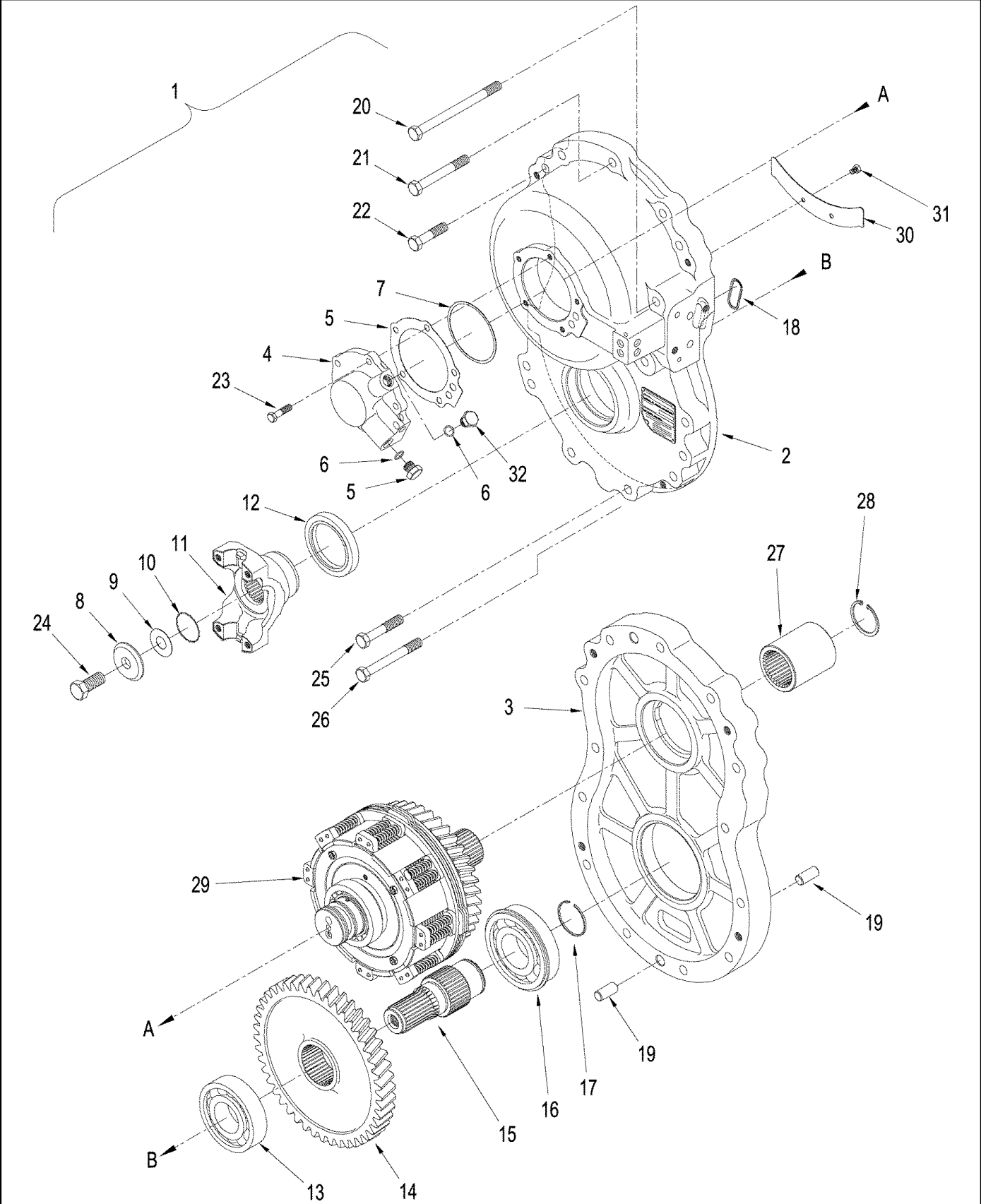
POWER TAKEOFF - CLUTCH ASSEMBLY

REF	FN	PART NUMBER	YR/SN	QTY	DESCRIPTION
1		87601931		1	CLUTCH. PTO, Inc. 2 - 32
2		375550A1		1	HOUSING, Rear Cover
3		87601932		1	HOUSING, Front Cover
4		375552A1		1	HOUSING
5		375553A1		1	GASKET
6		637-63113		1	O-RING, CI 6, 11.3MM ID x 2.2 Thk
7		S9910S00F		AR	SHIM, 0.10 mm (0.004 in.)
7		S9920S00F		AR	SHIM, 0.30 mm (0.012 in.)
7		S9930S00F		AR	SHIM, 0.50 mm (0.020 in.)
7		S9940S00F		AR	SHIM, 0.70 mm (0.027 in.)
8		S8860S00F		1	WASHER, THRUST
9		S9950S00F		AR	SHIM, 0.10 mm (0.004 in.)
9		S9960S00F		AR	SHIM, 0.30 mm (0.012 in.)
9		S9970S00F		AR	SHIM, 0.51 mm (0.020 in.)
9		S9980S00F		AR	SHIM, 0.71 mm (0.027 in.)
10		375512A1		1	O-RING
11		398447A1		1	YOKE
12		S8820S00F		1	SEAL, OIL
13		ST293		1	BEARING, BALL
14		375554A1		1	GEAR, Driven
15		375555A1		1	SHAFT, Output
16		375559A1		1	BEARING, BALL
17		375560A1		1	SNAP RING
18		375556A1		1	GASKET
19		427530A1		4	DOWEL
20		SM8124208		2	BOLT
21		514-846		4	BOLT, Hex, M12 x 1.25 x 90, 8.8
22		514-855		2	BOLT, Hex, M12 x 1.25 x 50, 8.8, Full Thd
23		614-8030		5	BOLT, Hex, M8 x 30, 8.8
24		514-1021		1	BOLT, Hex, M16 x 1.5 x 35, 10.9, Full Thd
25		514-847		2	BOLT, Hex, M12 x 1.25 x 50, 8.8
26		514-854		7	BOLT, Hex, M12 x 1.25 x 100, 8.8, Full Thd
27	1	428660A1		1	SLEEVE
28	1	800-2147		1	RING, SNAP, M47, Int

(1) Used on Power Shift Models

STEIGER 280 STX330
STX280 STEIGER 330

POWER TAKEOFF - CLUTCH ASSEMBLY

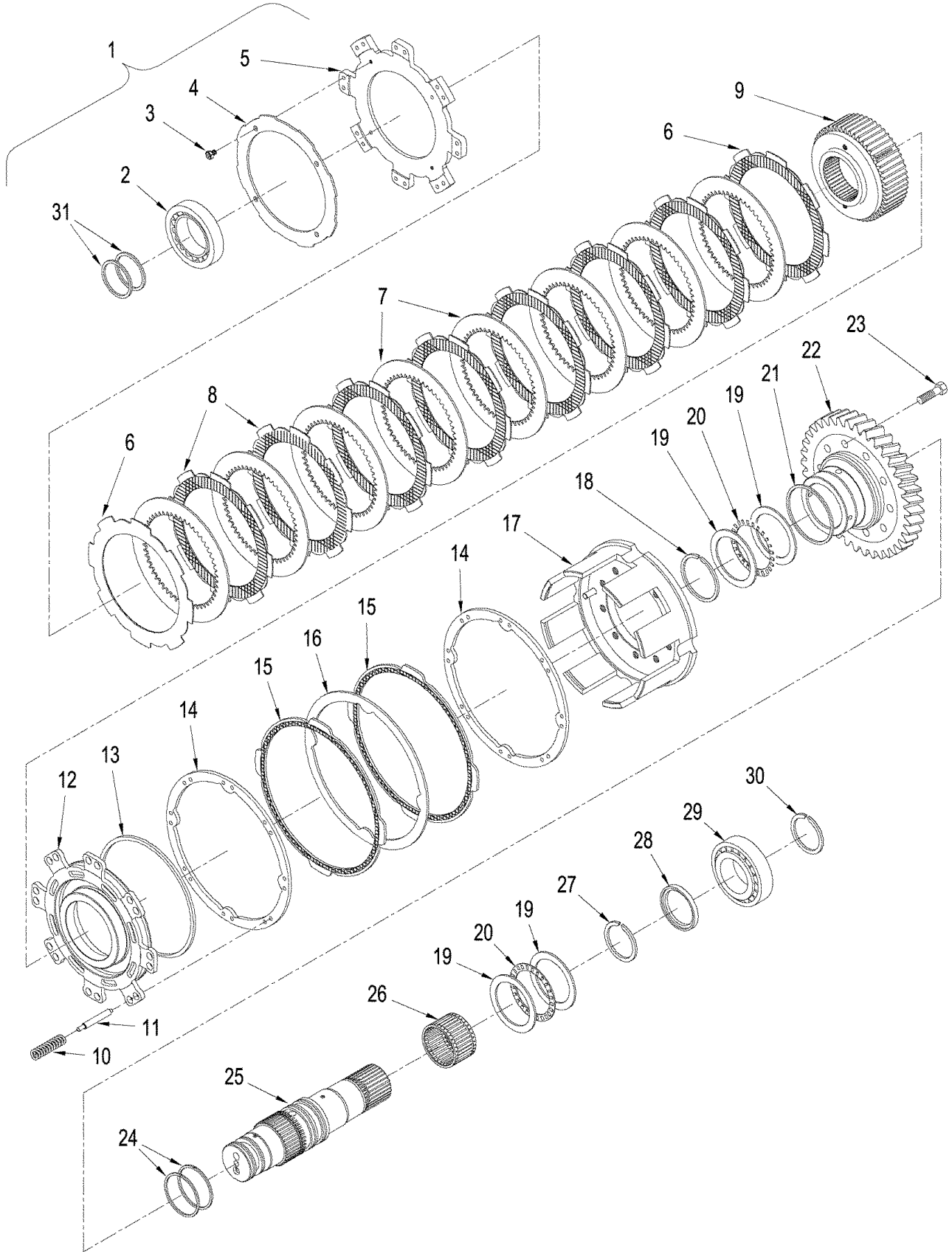


POWER TAKEOFF - CLUTCH ASSEMBLY

REF	FN	PART NUMBER	YR/SN	QTY	DESCRIPTION
29		NSS		1	NOT SERVICED SEPARATELY, Shaft, Input, See Figure: 06-21
30		376972A1		1	TROUGH
31		614-6012		2	BOLT, Hex, M6 x 12, 8.8
32		86611704		9	PLUG, Inc. 6

	STEIGER 280 STX330 STX280 STEIGER 330
--	--

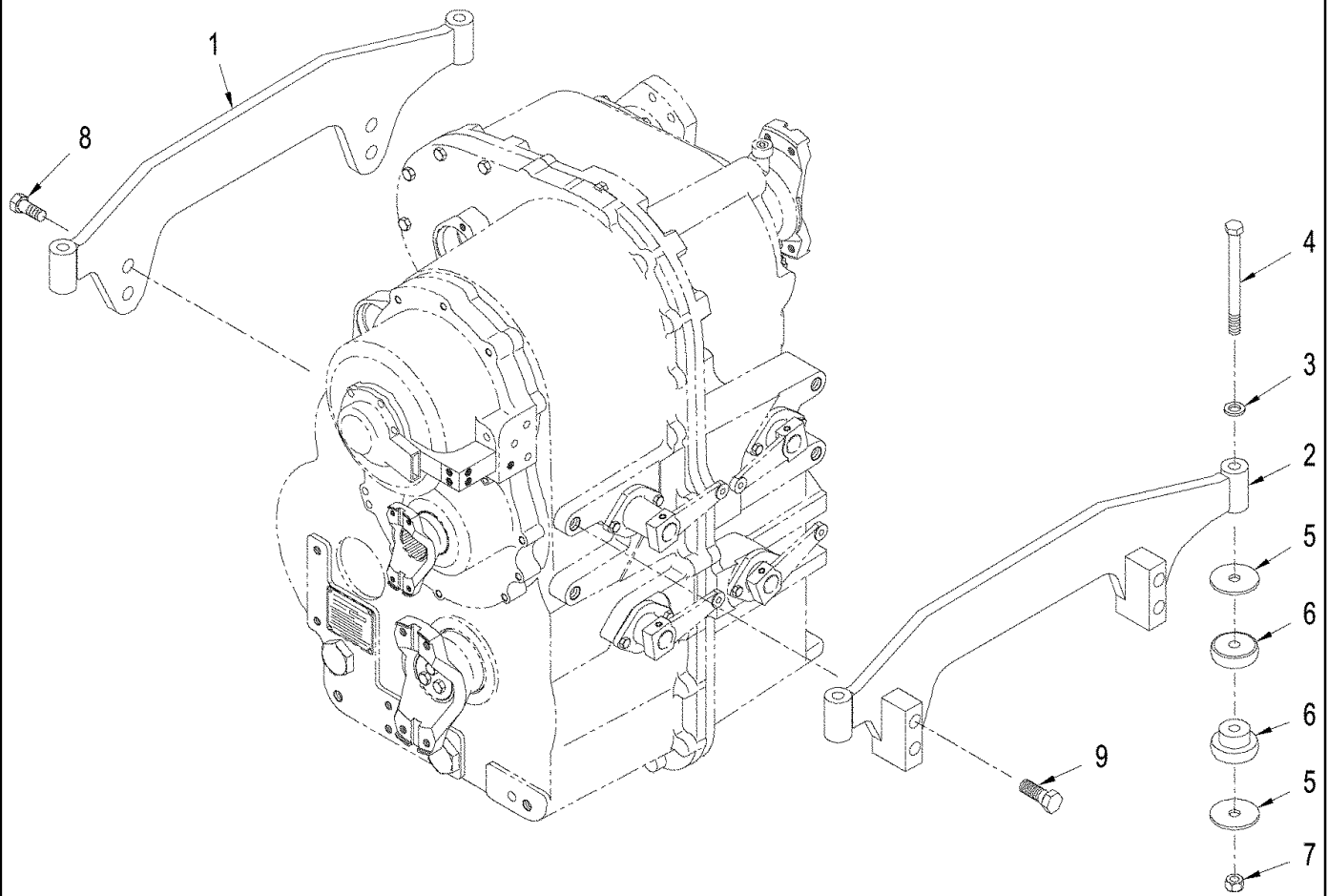
POWER TAKEOFF - INPUT SHAFT ASSEMBLY



POWER TAKEOFF - INPUT SHAFT ASSEMBLY

REF	FN	PART NUMBER	YR/SN	QTY	DESCRIPTION
1		87601933		1	SHAFT, PTO, Input
2		S8730S00F		1	BEARING, ROLLER
3		375523A1		4	BOLT
4		375525A1		1	PLATE
5		375527A1		1	PLATE
6		375528A1		2	DISC, CLUTCH, Faced
7		S2080S00F		8	DISC, CLUTCH, 2.4 mm
8		375529A1		7	DISC, CLUTCH, Faced
9		375530A1		1	HUB
10		375531A1		16	SPRING, COIL, Brake Return
11		375532A1		16	PIN
12		375533A1		1	PISTON
13		352834A1		1	RING
14		375534A1		2	PLATE, BRAKE, Steel
15		375535A1		2	PLATE, BRAKE, Faced
16		375536A1		1	PLATE, BRAKE, Steel
17		375538A1		1	DRUM
18		S2240S00F		1	SNAP RING
19		S2220S00F		4	WASHER, THRUST, 2.4 mm
20		572182R1		2	BEARING, THRUST
21		S5510S00F		1	RING
22		375540A1		1	PINION, Drive
23		514-730		10	BOLT, Hex, M10 x 1.25 x 35, 8.8, Full Thd
24		375541A1		2	RETAINER, SEAL
25		87601935		1	SHAFT, PTO, Input
26		375543A1		1	BEARING
27		375544A1		1	RING, SNAP
28		375545A1		1	WASHER
29		375546A1		1	BEARING, CUP
29		186621A1		1	BEARING, CONE
30		375547A1		AR	RING, SNAP, 2.8 mm (0.110 in.)
30		375548A1		AR	RING, SNAP, 2.9 mm (0.114 in.)
31		S3070S00F		2	RING, Seal
30		375544A1		AR	RING, SNAP, 3.0 mm (0.118 in.)
					STEIGER 280 STX330 STX280 STEIGER 330

TRANSMISSION MOUNTING, MANUAL SHIFT TRANSMISSION

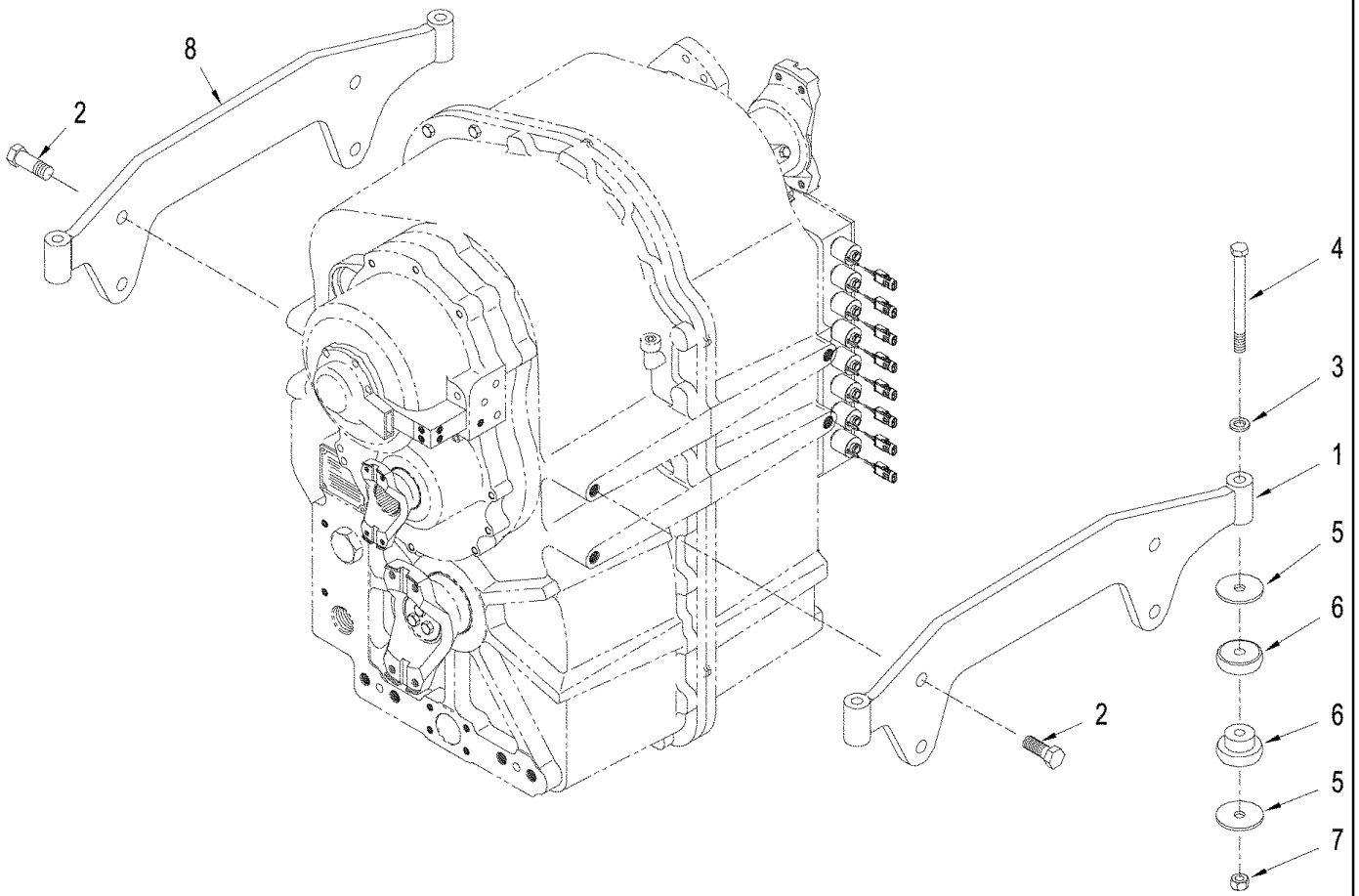


TRANSMISSION MOUNTING, MANUAL SHIFT TRANSMISSION

REF	FN	PART NUMBER	YR/SN	QTY	DESCRIPTION
1		407288A1		1	PLATE, Transmission Mounting, LH
2		397261A1		1	PLATE, Transmission Mounting, RH
3		896-11016		4	WASHER, M17.5 x 30 x 4, HT
4		827-16180		4	BOLT, Hex, M16 x 180, 10.9
5		379610A1		8	WASHER
6		227810A1		4	MOUNT, RUBBER
7		829-1416		4	NUT, M16, CI 10
8		627-20050		4	BOLT, Hex, M20 x 50, 10.9
9		827-20120		4	BOLT, Hex, M20 x 120, 10.9

STEIGER 280 STX330
STX280 STEIGER 330

TRANSMISSION MOUNTING, POWER SHIFT TRANSMISSION

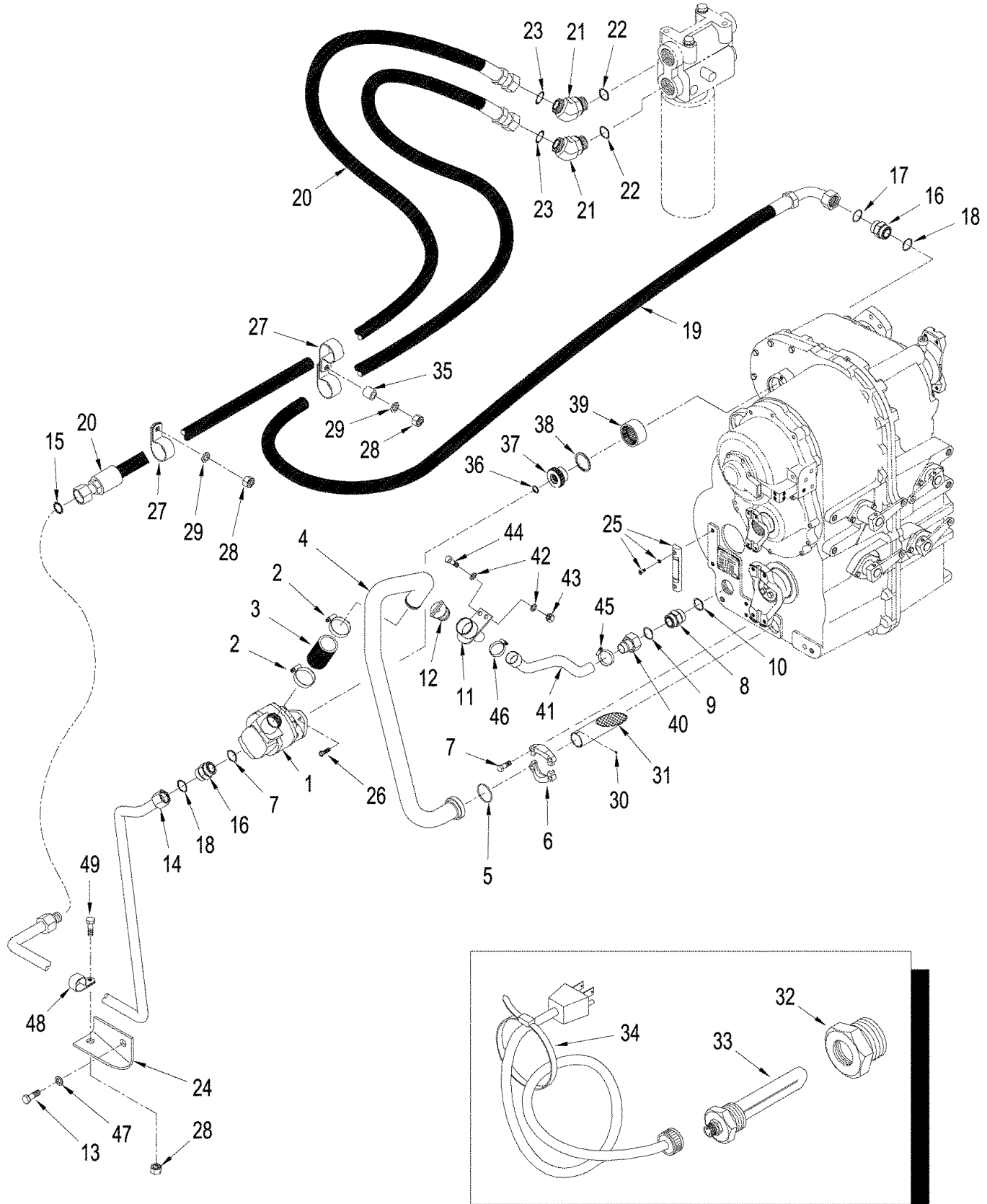


TRANSMISSION MOUNTING, POWER SHIFT TRANSMISSION

REF	FN	PART NUMBER	YR/SN	QTY	DESCRIPTION
1		407288A1		1	PLATE, Mounting
2		627-20050		8	BOLT, Hex, M20 x 50, 10.9
3		896-11016		4	WASHER, M17.5 x 30 x 4, HT
4		827-16180		4	BOLT, Hex, M16 x 180, 10.9
5		379610A1		8	WASHER, 16.7 x 71.4 x 4.8 mm
6		227810A1		4	MOUNT, RUBBER
7		829-1416		4	NUT, M16, CI 10
8		87335426		1	PLATE, MOUNTING, Mounting

	STEIGER 280 STX330 STX280 STEIGER 330
--	---

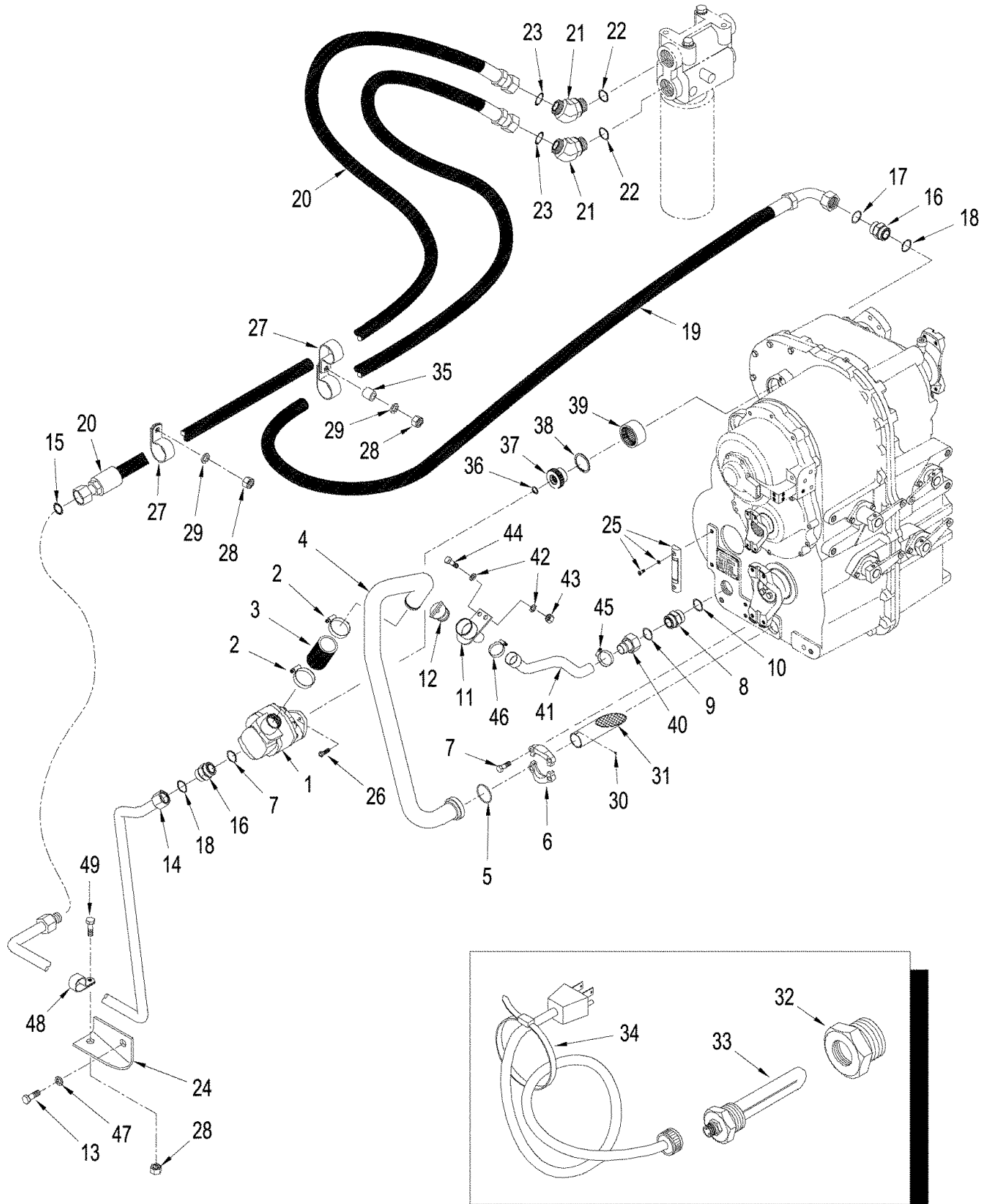
TRANSMISSION - LUBRICATION, WITH MANUAL SHIFT TRANSMISSION



TRANSMISSION - LUBRICATION, WITH MANUAL SHIFT TRANSMISSION

REF	FN	PART NUMBER	YR/SN	QTY	DESCRIPTION
1		370546A1		1	PUMP, Oil
2		214-3140		2	CLAMP, HOSE, 1.25/2.625 HD Worm
3		427140A1		1	HOSE, 102 mm (4 in.)
4		418735A1		1	TUBE ASSY., Suction
5		238-6228		1	O-RING, -228, 90 Duro, 2.234" ID x .139" Thk
6		A14141		2	FLANGE
7		627-12035		4	BOLT, Hex, M12 x 35, 10.9
8		700-133		1	CONNECTOR, HYD., 1 11/16"-12 ORFS x M42 x 2 ORB, Inc. 9 and 10
9		238-6025		1	O-RING, -025, 90 Duro, 1.176" ID x .070" Thk
10		637-64296		1	O-RING, CI 6, 29.6MM ID x 2.9 Thk
11		414480A2		1	TUBE ASSY., Transmission Fill
12		325737A1		1	CAP
13		627-16035		1	BOLT, Hex, M16 x 35, 10.9
14		438258A1		1	TUBE ASSY.
15		238-6021		1	O-RING, -021, 90 Duro, .926" ID x .070" Thk
16		700-105		2	CONNECTOR, HYD., 1 7/16"-12 ORFS x M22 x 2 ORB, Inc. 17 and 18
17		637-64296		1	O-RING, CI 6, 29.6MM ID x 2.9 Thk
18		238-6021		1	O-RING, -021, 90 Duro, .926" ID x .070" Thk
19		375334A2		1	HOSE ASSY., Supply, 1486 mm (58-1/2 in.)
20		440897A1		1	HOSE ASSY., Outlet
21		700-318		2	ELBOW, 45°, 1 7/16"-12 ORFS x M33 x 2 ORB, Inc. 31 and 32
22		637-64296		1	O-RING, CI 6, 29.6MM ID x 2.9 Thk
23		238-6025		1	O-RING, -025, 90 Duro, 1.176" ID x .070" Thk
24		442250A1		2	BRACKET
25		L116247		1	GAUGE, Inc. Hardware
26		514-721		2	BOLT, Hex, M10 x 1.25 x 30, CI8.8, Full Thd
27		515-24349		5	CLAMP, 1 3/8", Insul, 7/16" Bolt, 1-3/8 ID
28		829-1408		4	NUT, M8, CI 10
29		895-11008		5	WASHER, M8 x 16 x 1.6
30		S14701960		1	BALL
31		370551A1		1	TUBE ASSY.
		186135A1		1	KIT, Transmission Heater, Inc. 32 - 34
					STEIGER 280 STX330 STX280 STEIGER 330

TRANSMISSION - LUBRICATION, WITH MANUAL SHIFT TRANSMISSION

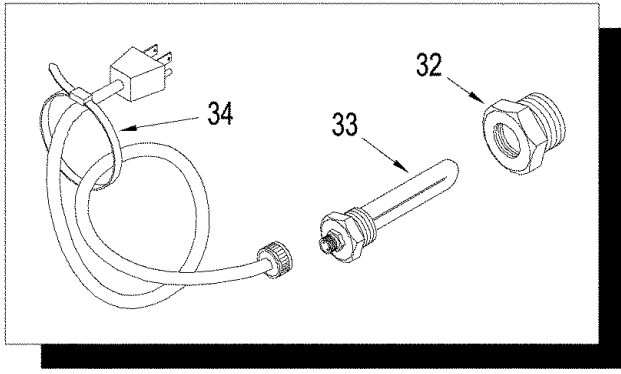
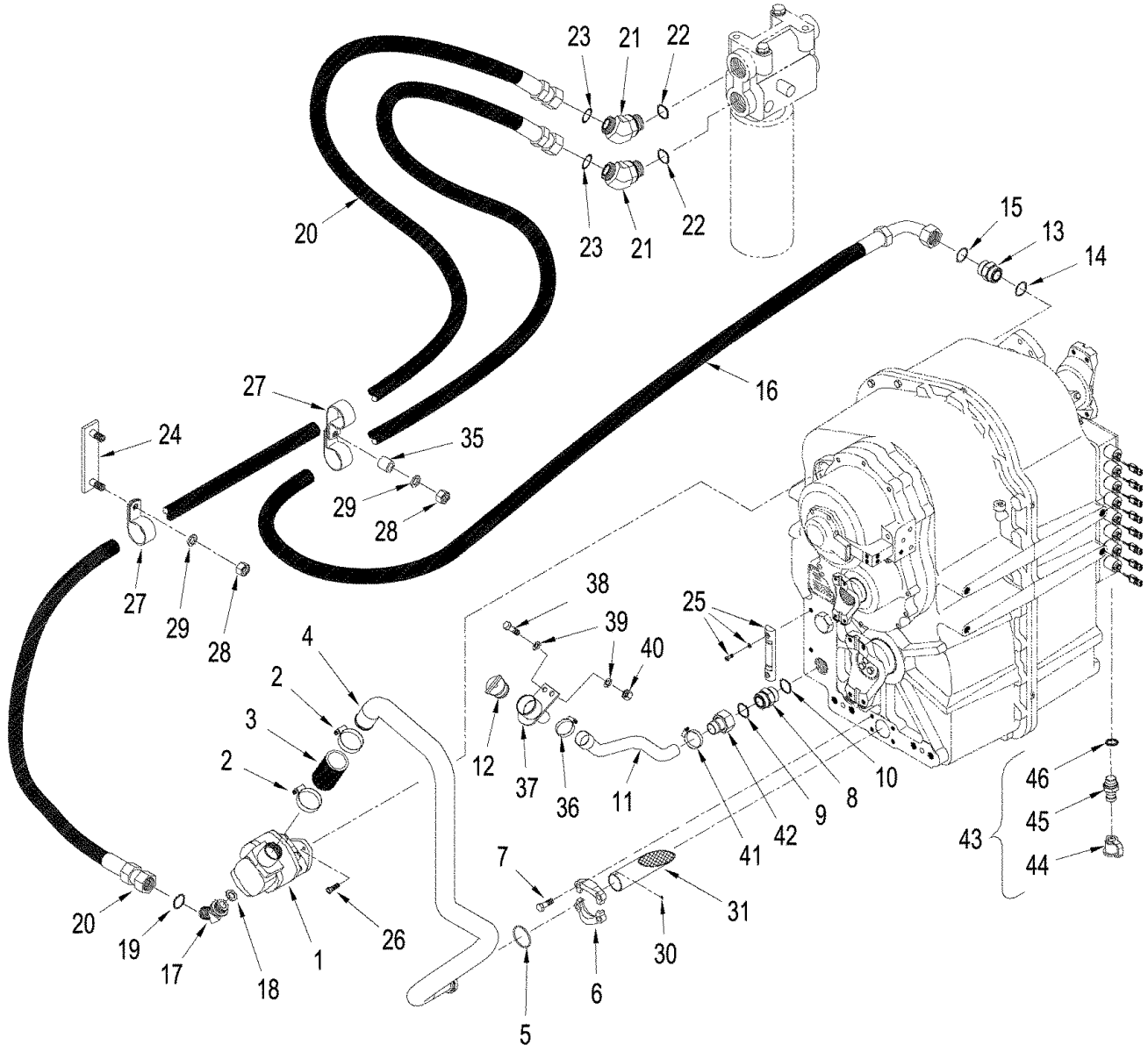


TRANSMISSION - LUBRICATION, WITH MANUAL SHIFT TRANSMISSION

REF	FN	PART NUMBER	YR/SN	QTY	DESCRIPTION
32		367930A1		1	ADAPTER
33		385486A1		1	HEATER ASSY., With Cord
34		22-824		5	STRAP, CABLE, 3/16" x 7 1/4", 7 in.
35		90-7586T1		1	SPACER
36		427516A1		1	SNAP RING
37		427523A1		1	ADAPTER
38		800-2150		1	RING, SNAP, M50, Int
39		427521A1		1	COUPLING
40		429193A1		1	TUBE ASSY.
41		429721A2		1	HOSE
42		895-11010		4	WASHER, M10 x 20 x 2
43		832-10410		2	NUT, LOCK, M10 x 1.5, CI 8
45		214-1420		1	CLAMP, HOSE, #20, 0.81/1.75 Type F Worm, No. 20
46		214-1428		1	CLAMP, HOSE, #28, 1.31/2.25 Type F Worm
44		827-10045		2	BOLT, Hex, M10 x 45, 10.9
45		214-1420		1	CLAMP, HOSE, #20, 0.81/1.75 Type F Worm, No. 20
46		214-1428		1	CLAMP, HOSE, #28, 1.31/2.25 Type F Worm
47		895-11016		1	WASHER, M16 x 30 x 3
48		515-23254		1	CLAMP, 1", Insul, 3/8" Bolt
49		627-8020		1	BOLT, Hex, M8 x 20, 10.9

STEIGER 280 STX330
 STX280 STEIGER 330

TRANSMISSION - LUBRICATION, WITH POWER SHIFT TRANSMISSION, WITHOUT ACCUSTEER

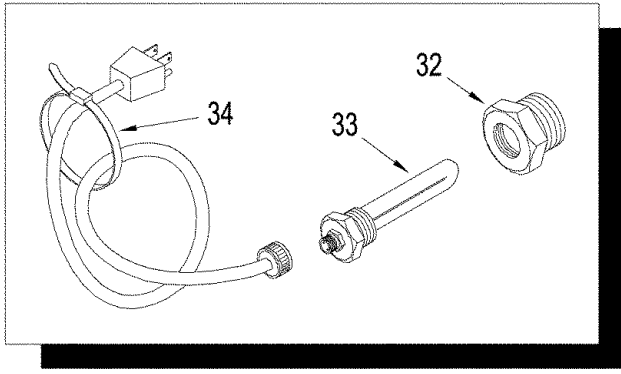
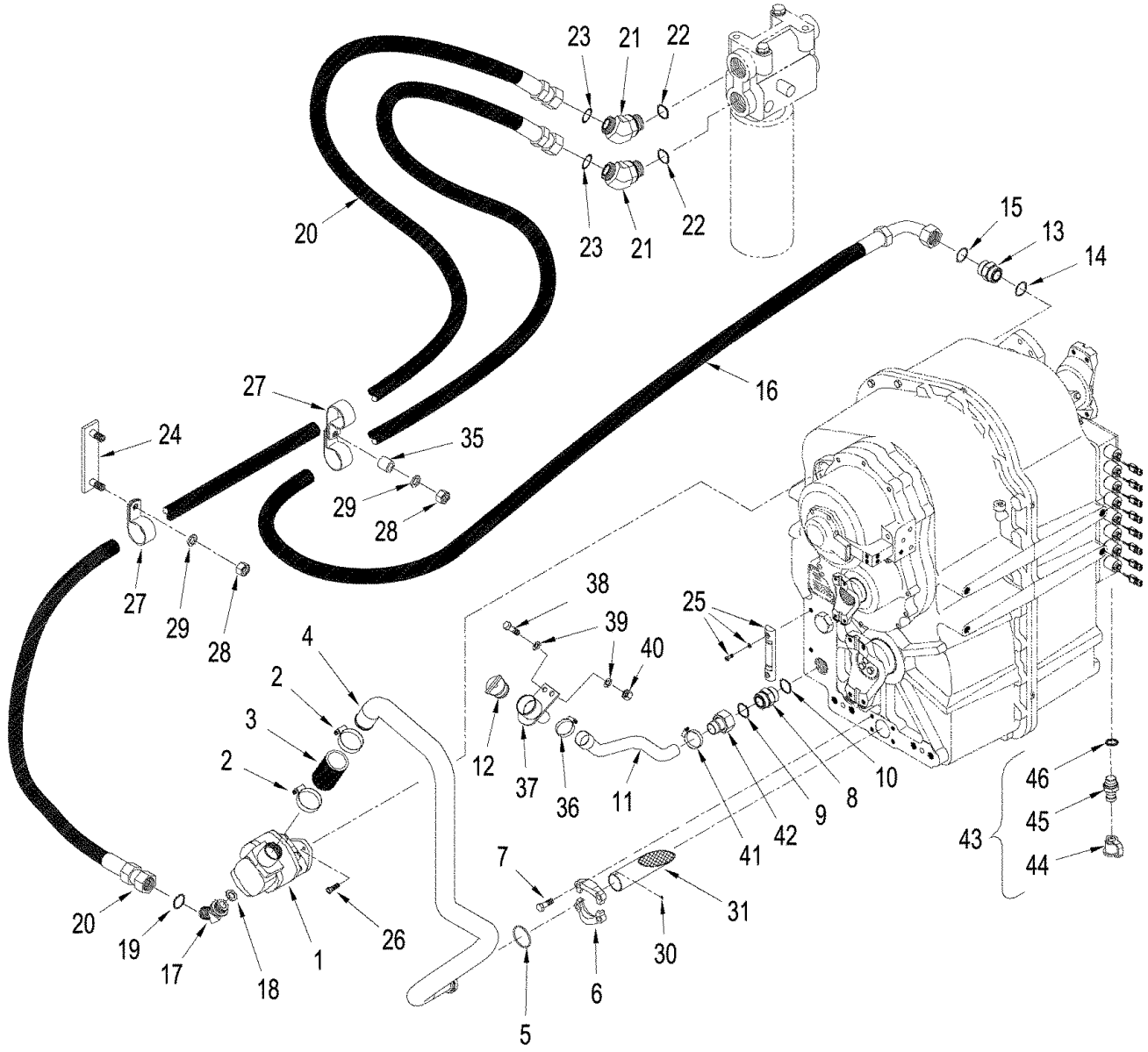


TRANSMISSION - LUBRICATION, WITH POWER SHIFT TRANSMISSION, WITHOUT ACCUSTEER

REF	FN	PART NUMBER	YR/SN	QTY	DESCRIPTION
1		370546A1		1	PUMP, Oil
2		214-3140		2	CLAMP, HOSE, 1.25/2.625 HD Worm
3		31-2427		1	HOSE, 102 mm (4 in.), Cut From 1-4568
4		408581A1		1	TUBE
5		238-6228		1	O-RING, -228, 90 Duro, 2.234" ID x .139" Thk
6		A14141		2	FLANGE
7		627-12035		4	BOLT, Hex, M12 x 35, 10.9
8		700-133		1	CONNECTOR, HYD., 1 11/16"-12 ORFS x M42 x 2 ORB, Inc. 8 and 9
9		238-6025		1	O-RING, -025, 90 Duro, 1.176" ID x .070" Thk
10		637-64296		1	O-RING, CI 6, 29.6MM ID x 2.9 Thk
11		429721A2		1	HOSE, Transmission Fill
12		325737A1		1	CAP
13		700-105		1	CONNECTOR, HYD., 1 7/16"-12 ORFS x M22 x 2 ORB, Inc. 14 and 15
14		637-64296		1	O-RING, CI 6, 29.6MM ID x 2.9 Thk
15		238-6021		1	O-RING, -021, 90 Duro, .926" ID x .070" Thk
16		365378A1		1	HOSE ASSY., Outlet, 1429 mm (56 in.)
17		700-318		1	ELBOW, 45°, 1 7/16"-12 ORFS x M33 x 2 ORB, Inc. 18 and 19
18		637-64296		1	O-RING, CI 6, 29.6MM ID x 2.9 Thk
19		238-6021		1	O-RING, -021, 90 Duro, .926" ID x .070" Thk
20		365377A2		1	HOSE ASSY., Supply, 2650 mm (104 in.)
21		700-318		2	ELBOW, 45°, 1 7/16"-12 ORFS x M33 x 2 ORB, Inc. 22 and 23
22		637-64296		1	O-RING, CI 6, 29.6MM ID x 2.9 Thk
23		238-6025		1	O-RING, -025, 90 Duro, 1.176" ID x .070" Thk
24		324089A1		2	PLATE ASSY.
25		L116247		1	GAUGE, Inc. Hardware
26		514-721		2	BOLT, Hex, M10 x 1.25 x 30, CI8.8, Full Thd
27		515-24349		5	CLAMP, 1 3/8", Insul, 7/16" Bolt, 1-3/8 ID
28		829-1408		4	NUT, M8, CI 10
29		895-11008		4	WASHER, M8 x 16 x 1.6
30		S14701960		1	BALL, Steel
31		370551A1		1	TUBE ASSY.

STEIGER 280 STX330
STX280 STEIGER 330

TRANSMISSION - LUBRICATION, WITH POWER SHIFT TRANSMISSION, WITHOUT ACCUSTEER

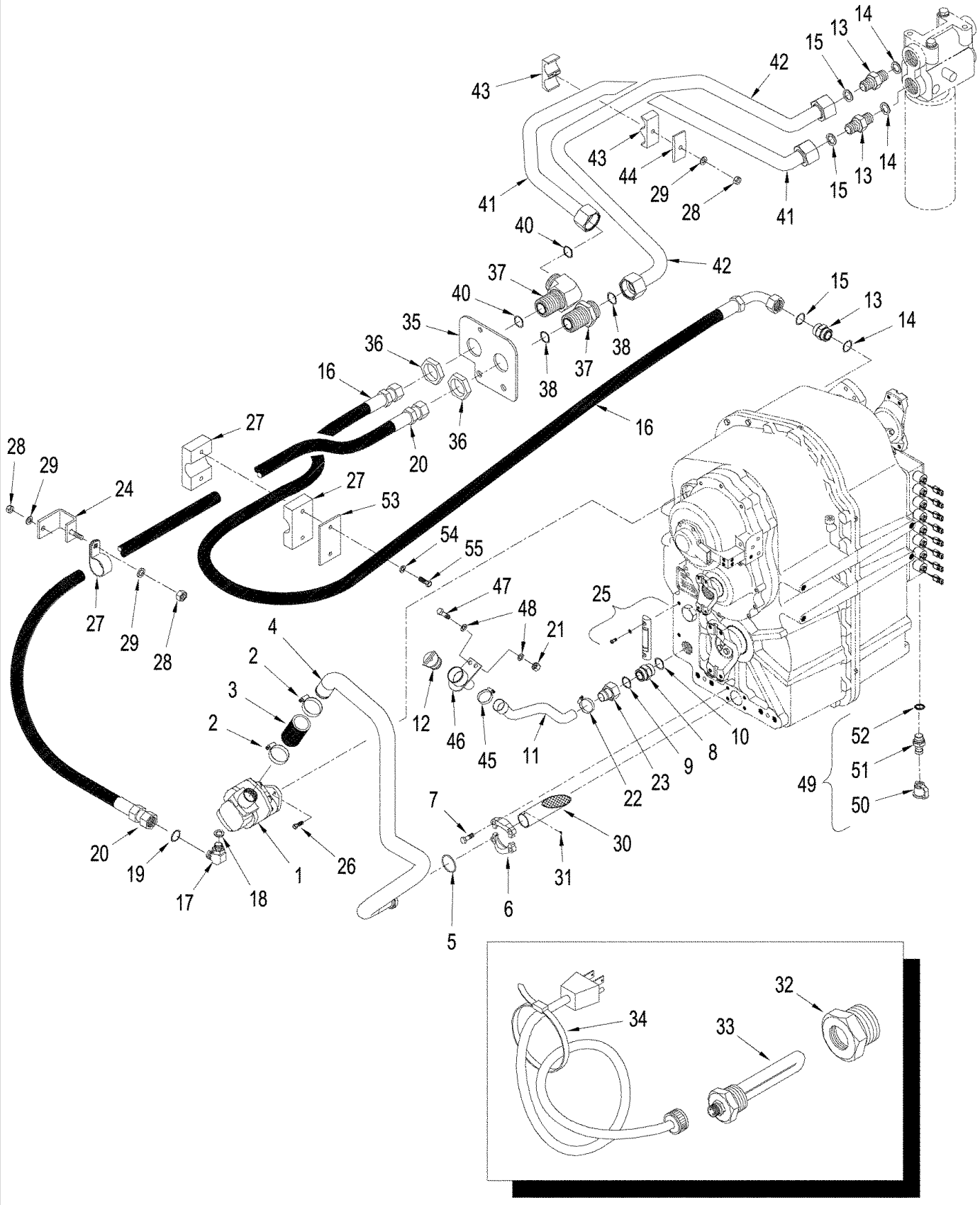


TRANSMISSION - LUBRICATION, WITH POWER SHIFT TRANSMISSION, WITHOUT ACCUSTEER

REF	FN	PART NUMBER	YR/SN	QTY	DESCRIPTION
		186135A1		1	KIT, Transmission Heater, Inc. 32 - 34
32		367930A1		1	ADAPTER
33		385486A1		1	HEATER ASSY., With Cord Set, 300 W
34		22-824		5	STRAP, CABLE, 3/16" x 7 1/4", 7 in.
35		90-7586T1		1	SPACER
36		214-1428		1	CLAMP, HOSE, #28, 1.31/2.25 Type F Worm
37		414480A2		1	TUBE ASSY., Transmission Fill
38		827-10045		2	BOLT, Hex, M10 x 45, 10.9
39		895-11010		4	WASHER, M10 x 20 x 2
40		832-10410		2	NUT, LOCK, M10 x 1.5, CI 8
41		214-1420		1	CLAMP, HOSE, #20, 0.81/1.75 Type F Worm
42		429193A1		1	TUBE ASSY., Fitting, 1-1/4" barb x 1-1/4" fc sl
43		178889A1		1	FITTING, Diagnostic, Inc. 44 - 46
44		H434163		1	DUST CAP, Dust
45		NSS		1	NOT SERVICED SEPARATELY, Fitting, Inc. 46
46		637-63113		1	O-RING, CI 6, 11.3MM ID x 2.2 Thk

STEIGER 280 STX330
 STX280 STEIGER 330

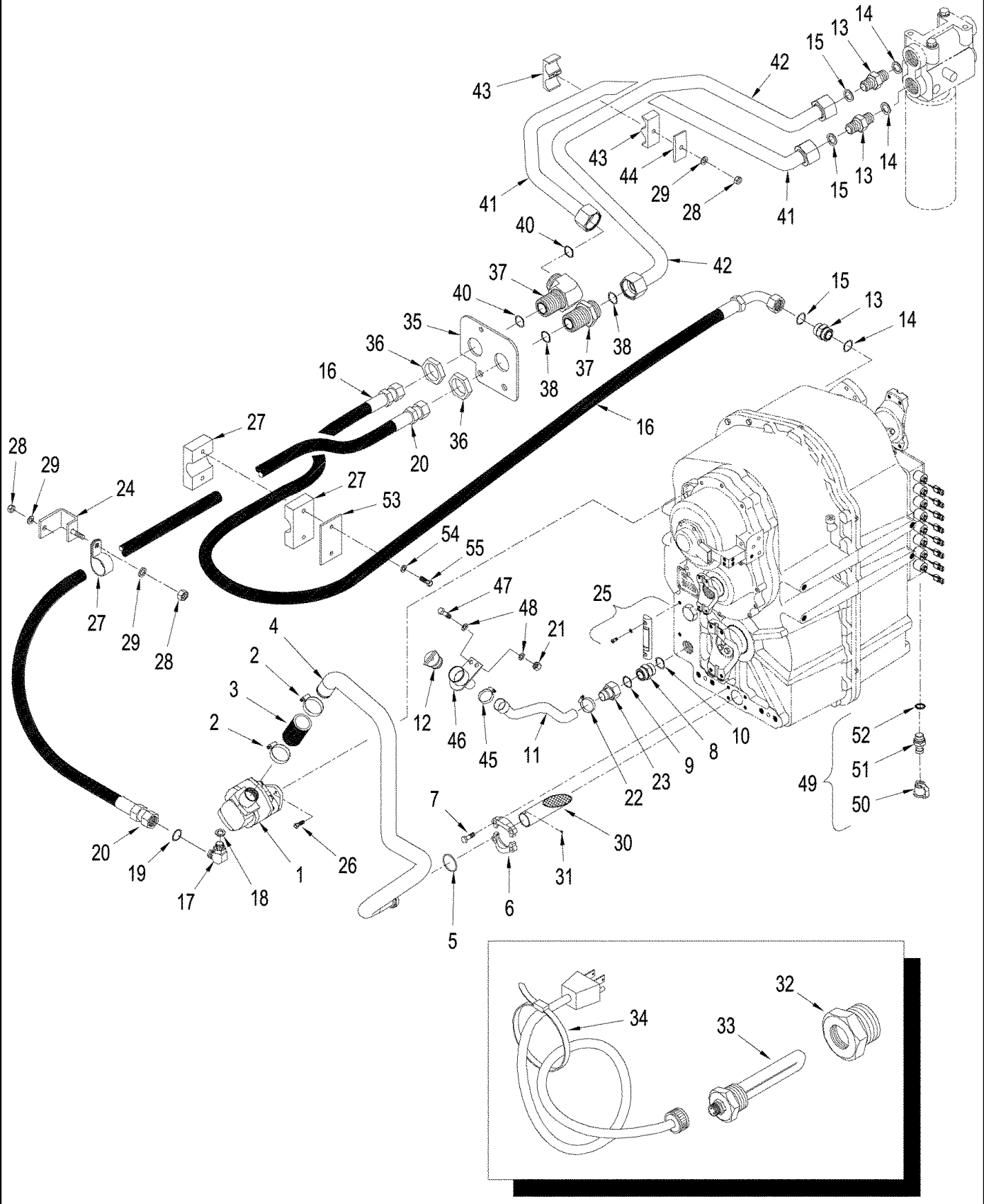
TRANSMISSION - LUBRICATION, WITH POWER SHIFT TRANSMISSION, WITH ACCUSTEER



TRANSMISSION - LUBRICATION, WITH POWER SHIFT TRANSMISSION, WITH ACCUSTEER

REF	FN	PART NUMBER	YR/SN	QTY	DESCRIPTION
1		370546A1		1	PUMP, Oil
2		214-3140		2	CLAMP, HOSE, 1.25/2.625 HD Worm
3		31-2427		1	HOSE, 102 mm (4 in.), Cut From 1-4568
4		320382A1		1	TUBE
5		238-6228		1	O-RING, -228, 90 Duro, 2.234" ID x .139" Thk
6		A14141		2	FLANGE
7		426-824		4	BOLT, Hex, 1/2"-13 x 1 1/2", G8, Full Thd
8		700-133		1	CONNECTOR, HYD., 1 11/16"-12 ORFS x M42 x 2 ORB, Inc. 8 and 9
9		238-6025		1	O-RING, -025, 90 Duro, 1.176" ID x .070" Thk
10		637-64296		1	O-RING, CI 6, 29.6MM ID x 2.9 Thk
11		429721A2		1	HOSE, Transmission Fill
12		325737A1		1	CAP
13		700-105		3	CONNECTOR, HYD., 1 7/16"-12 ORFS x M22 x 2 ORB, Inc. 14 and 15
14		637-64296		1	O-RING, CI 6, 29.6MM ID x 2.9 Thk
15		238-6021		1	O-RING, -021, 90 Duro, .926" ID x .070" Thk
16		374549A2		1	HOSE ASSY., Supply, 2650 mm (104 in.)
17		700-318		1	ELBOW, 45°, 1 7/16"-12 ORFS x M33 x 2 ORB, Inc. 18 and 19
18		637-64296		1	O-RING, CI 6, 29.6MM ID x 2.9 Thk
19		238-6021		1	O-RING, -021, 90 Duro, .926" ID x .070" Thk
20		87545942		1	HOSE ASSY., Outlet, 2020 mm (79-1/2")
21		832-10410		2	NUT, LOCK, M10 x 1.5, CI 8
22		214-1420		1	CLAMP, HOSE, #20, 0.81/1.75 Type F Worm
23		429193A1		1	TUBE ASSY., Fitting, 1-1/4" barb x 1-11/16" fc sl
24		434574A1		2	BRACKET
25		L116247		1	GAUGE, Inc. Hardware
26		514-721		2	BOLT, Hex, M10 x 1.25 x 30, CI8.8, Full Thd
27		429384A1		2	CLAMP
28		829-1408		3	NUT, M8, CI 10
29		895-11008		3	WASHER, M8 x 16 x 1.6
30		S14701960		1	BALL, Steel
31		370551A1		1	TUBE ASSY.
		186135A1		1	KIT, Transmission Heater, Inc. 32 - 34
					STEIGER 280 STX330 STX280 STEIGER 330

TRANSMISSION - LUBRICATION, WITH POWER SHIFT TRANSMISSION, WITH ACCUSTEER

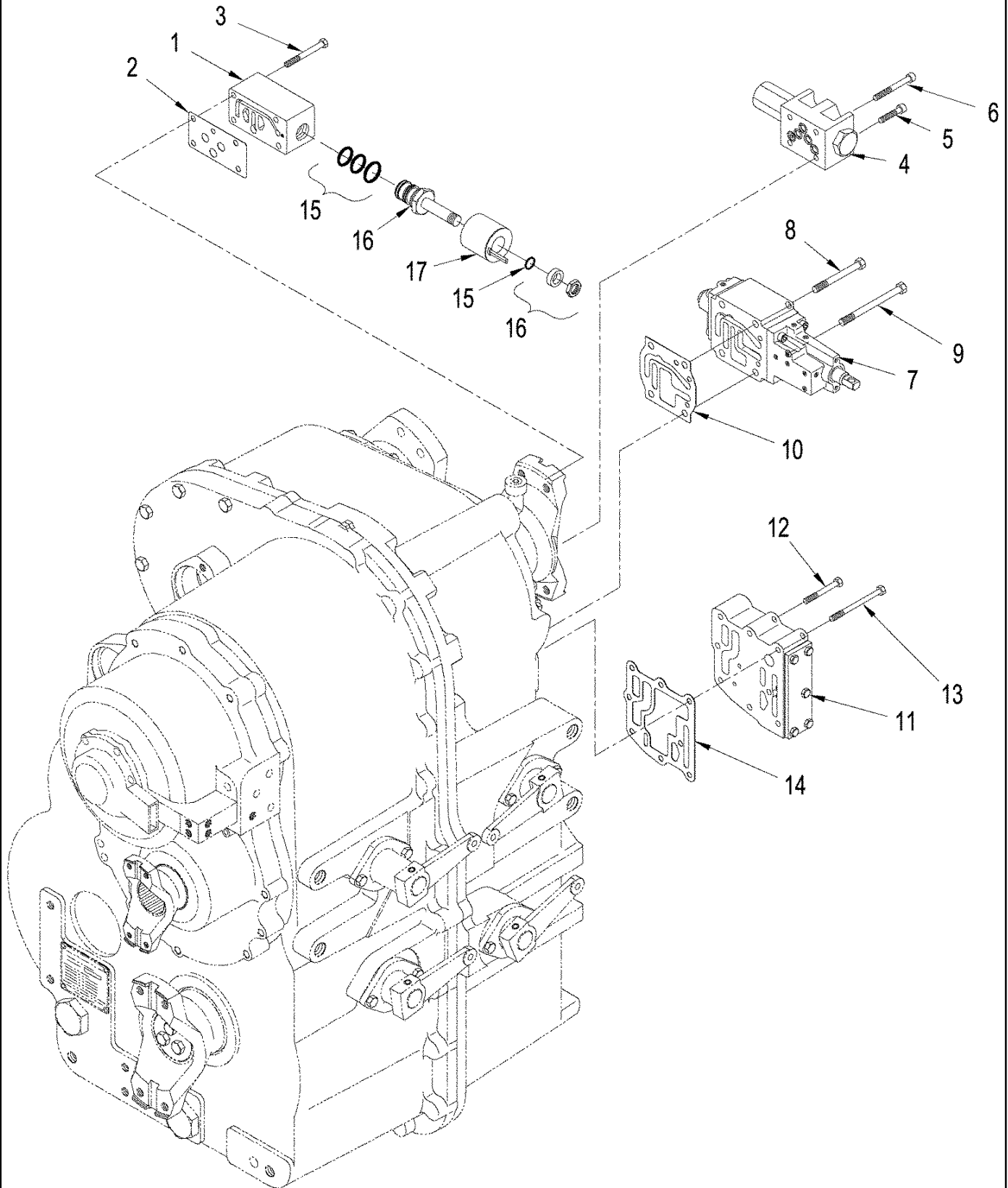


TRANSMISSION - LUBRICATION, WITH POWER SHIFT TRANSMISSION, WITH ACCUSTEER

REF	FN	PART NUMBER	YR/SN	QTY	DESCRIPTION
32		367930A1		1	ADAPTER
33		385486A1		1	HEATER ASSY., With Cord Set, 300 W
34		22-824		5	STRAP, CABLE, 3/16" x 7 1/4", 7 in.
35		374530A1		1	BRACKET
36		701-908		2	NUT, LOCK, 1 7/16"-12, ORFS Blkhd
37		701-116		1	UNION, 1 7/16"-12 ORFS, Blkhd, Inc. 38
38		238-6021		2	O-RING, -021, 90 Duro, .926" ID x .070" Thk
39		701-363		1	ELBOW, 90°, 1 7/16"-12, ORFS, Blkhd, Inc. 40
40		238-6021		2	O-RING, -021, 90 Duro, .926" ID x .070" Thk
41		416506A1		1	TUBE ASSY.
42		416508A1		1	TUBE ASSY.
43		50-2534T1		2	CLAMP
44		50-2533T1		1	PLATE
45		214-1428		1	CLAMP, HOSE, #28, 1.31/2.25 Type F Worm
46		414480A2		1	TUBE ASSY., Transmission Fill
47		827-10045		2	BOLT, Hex, M10 x 45, 10.9
48		895-11010		4	WASHER, M10 x 20 x 2
49		178889A1		1	FITTING, Diagnostic, Inc. 50 - 51
50		H434163		1	DUST CAP, Dust
51		NSS		1	NOT SERVICED SEPARATELY, Fitting, Inc. 52
52		637-63113		1	O-RING, CI 6, 11.3MM ID x 2.2 Thk
53		429414A1		1	PLATE, COVER
54		895-25006		2	WASHER, M6 x 18 x 1.6
55		827-6080		2	BOLT, Hex, M6 x 80, 10.9

STEIGER 280 STX330
 STX280 STEIGER 330

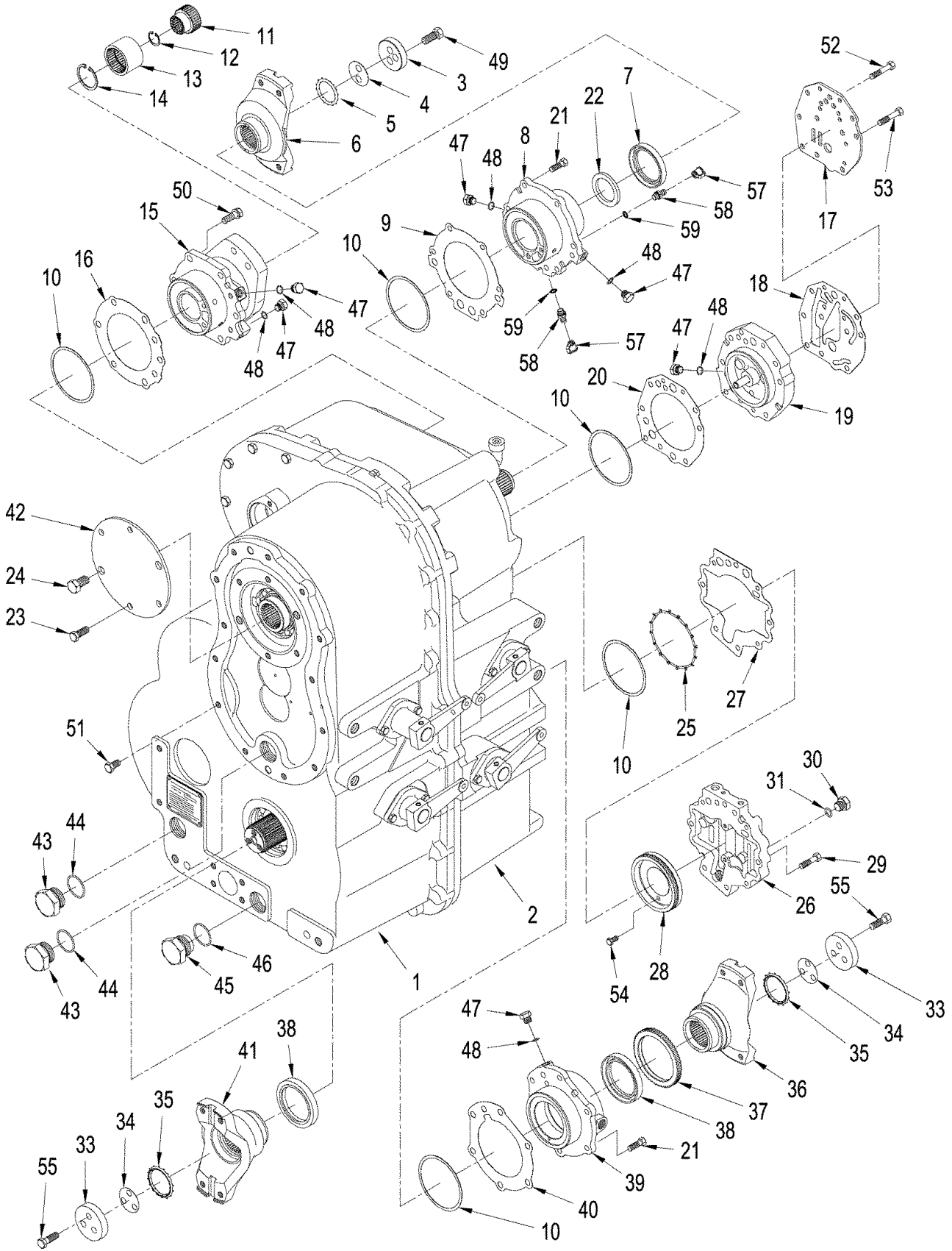
MANUAL SHIFT TRANSMISSION - VALVE ASSEMBLY MOUNTING



MANUAL SHIFT TRANSMISSION - VALVE ASSEMBLY MOUNTING

REF	FN	PART NUMBER	YR/SN	QTY	DESCRIPTION
1		428114A1		1	VALVE, Hi / Low
2		428123A1		1	GASKET
3		814-8075		4	BOLT, Hex, M8 x 75, 8.8
4		428091A1		1	VALVE, Lockout, See Figure: 06-40
5		427594A1		2	SCREW
6		427593A1		2	SCREW
7		428083A1		1	VALVE, Control, See Figure: 06-39
8		514-729		2	BOLT, Hex, M10 x 90, 8.8
9		514-739		2	BOLT, Hex, M10 x 1.25 x 120, 8.8
10		427581A1		1	GASKET
11		428096A1		1	VALVE, Regulator, See Figure: 06-41
12		614-8065		5	BOLT, Hex, M8 x 65, 8.8, Full Thd
13		614-8075		3	BOLT, Hex, M8 x 75, 8.8, Full Thd
14		S1150S02F		1	GASKET
		371737A1		1	VALVE, SOLENOID, Three-way, Inc. 15 - 17
15		NSS		4	NOT SERVICED SEPARATELY, O-Ring
16		370600A1		1	VALVE, SOLENOID, Pilot Assy.
17		371739A1		1	COIL
					STEIGER 280 STX330 STX280 STEIGER 330

MANUAL SHIFT TRANSMISSION - COVERS AND YOKES



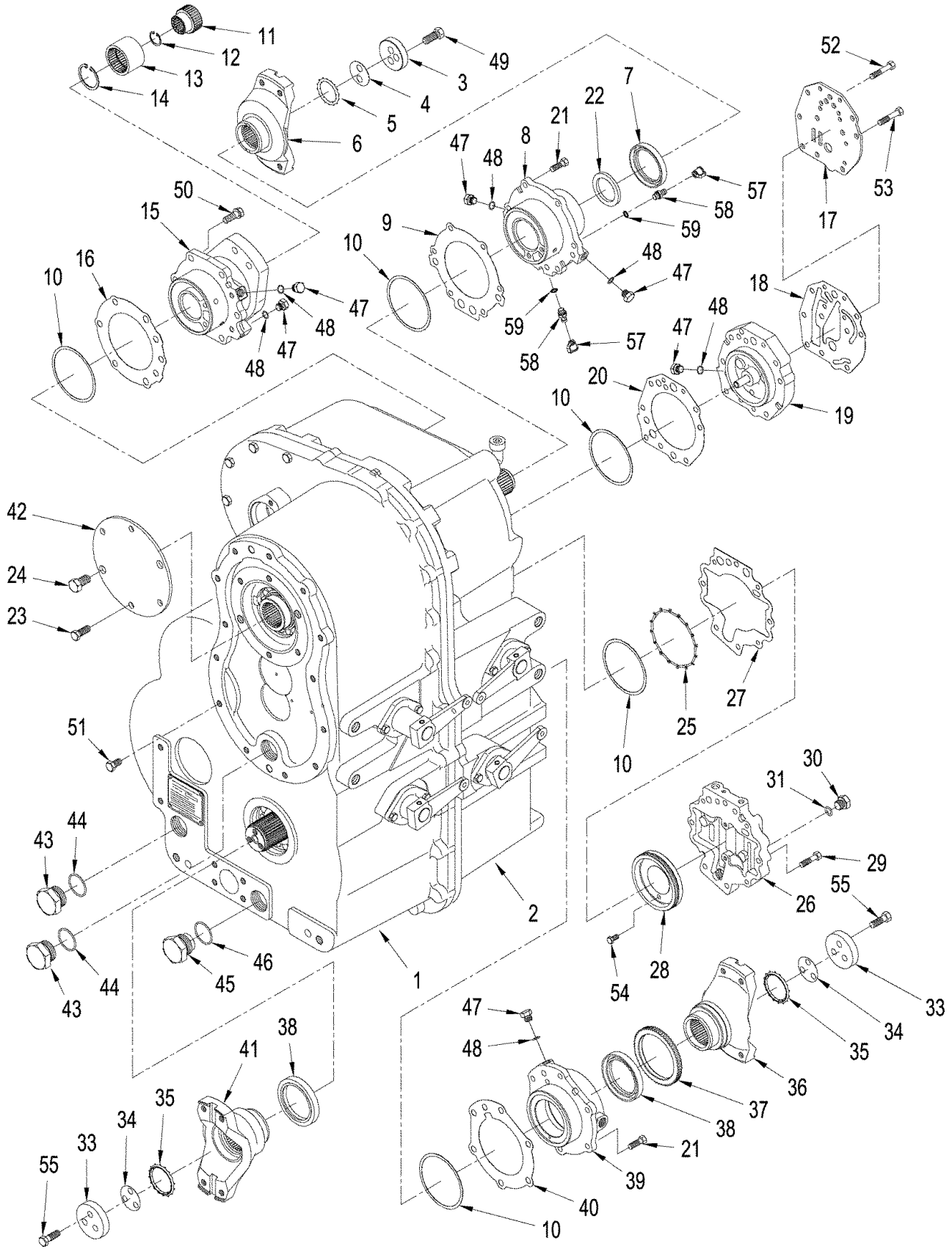
MANUAL SHIFT TRANSMISSION - COVERS AND YOKES

REF	FN	PART NUMBER	YR/SN	QTY	DESCRIPTION
1		427538A1		1	HOUSING, Rear
2		427588A1		1	HOUSING, Front
3		427539A1		1	PLATE, RETAINING
4		427560A1		AR	SHIM, 0,10 mm (0.004 in)
4		427561A1		AR	SHIM, 0,30 mm (0.012 in)
4		427562A1		AR	SHIM, 0,70 mm (0.028 in)
5		428162A1		1	O-RING
6	1, 2	373133A1		1	COUPLING FLANGE, 7C, Input
6	3, 4	373136A1		1	COUPLING FLANGE, 8C, Input
7		428159A1		1	SEAL, OIL
8		428098A1		1	RETAINER, Input
9		428099A1		1	GASKET
10		427564A1		AR	SHIM, 0,10 mm (0.004 in)
10		427565A1		AR	SHIM, 0,15 mm (0.006 in)
10		427566A1		AR	SHIM, 0,30 mm (0.012 in)
10		427567A1		AR	SHIM, 0,50 mm (0.020 in)
10		427568A1		AR	SHIM, 0,70 mm (0.028 in)
11		362566A1		1	ADAPTER, Pump
12		800-2128		1	RING, SNAP, M28, Int
13		362567A1		1	COUPLING
14		800-2150		1	RING, SNAP, M50, Int
15		428126A1		1	RETAINER, Second Shaft
16		428100A1		1	GASKET, Second Shaft
17		427592A1		1	PLATE, RETAINING
18		427591A1		1	GASKET
19		427557A1		1	RETAINER, Third Shaft
20		427582A1		1	GASKET, Third shaft
21		514-721		12	BOLT, Hex, M10 x 1.25 x 30, Cl8.8, Full Thd
22		427569A1		1	WASHER
23		514-834		4	BOLT, Hex, M12 x 1.25 x 30, 8.8, Full Thd
24		427559A1		2	SCREW

- (1) STX280
(2) STEIGER 280
(3) STX330
(4) STEIGER 330

STEIGER 280 STX330
STX280 STEIGER 330

MANUAL SHIFT TRANSMISSION - COVERS AND YOKES



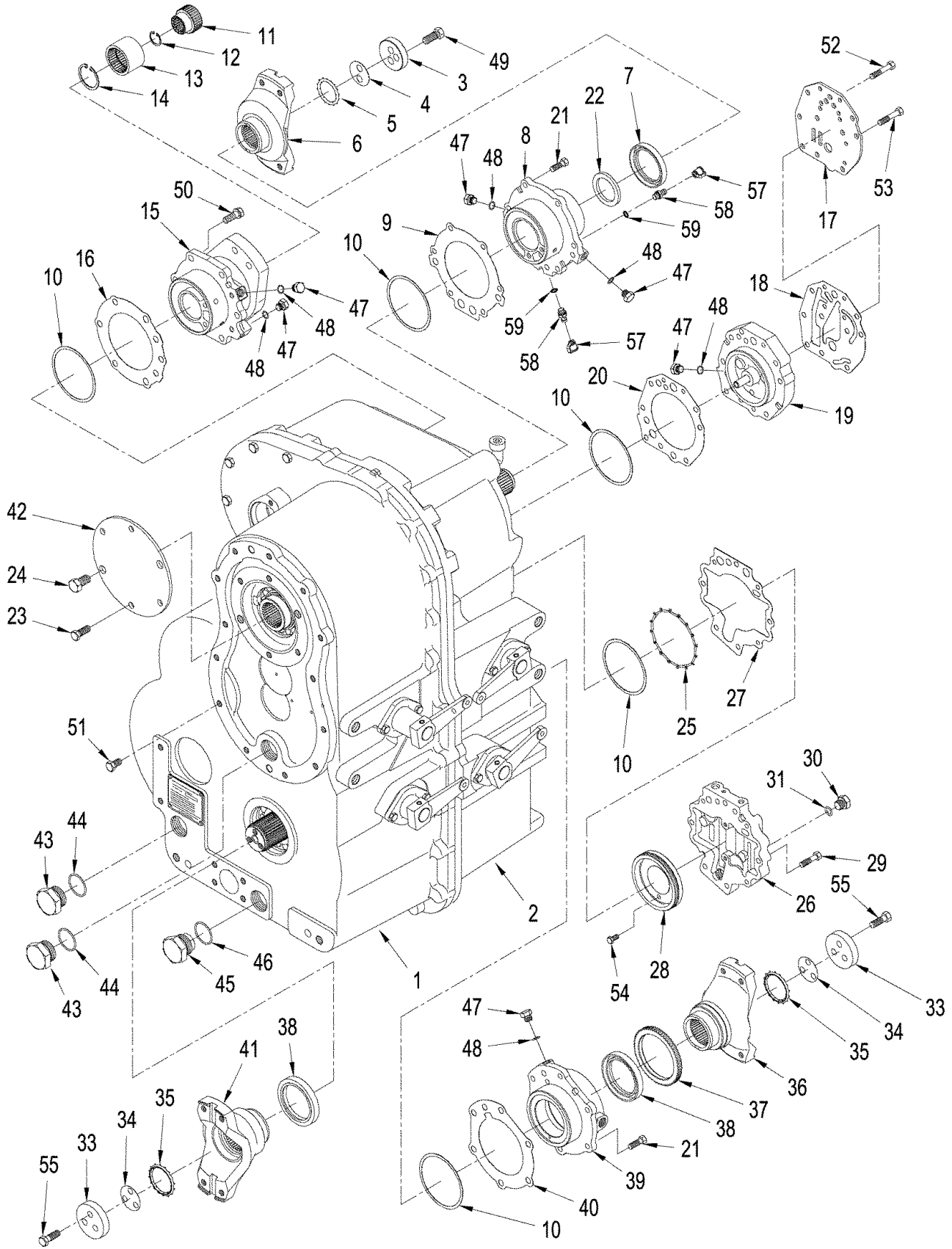
MANUAL SHIFT TRANSMISSION - COVERS AND YOKES

REF	FN	PART NUMBER	YR/SN	QTY	DESCRIPTION
25		428149A1		1	O-RING
26		427586A1		1	PLATE ASSY., Ditch
27		427583A1		1	GASKET
28		427556A1		1	RETAINER, Fourth Shaft
29		514-718		5	BOLT, Hex, M10 x 1.25 x 40, 8.8, Full Thd
30		220066A1		1	PLUG, M18 x 1.5, ORB, M18, Inc. 31
31		637-63153		1	O-RING, CI 6, 15.3MM ID x 2.2 Thk
32		800-2116		1	RING, SNAP, M16, Int
33		427515A1		2	PLATE, RETAINING
34		427517A1		AR	SHIM, 0,10 mm (0,004 in)
34		427519A1		AR	SHIM, 0,30 mm (0,012 in)
35		428165A1		2	O-RING
36	1, 2	427552A1		1	YOKE, 7C, Output
36	3, 4	427551A1		1	YOKE, 8C, Output
37		427549A1		1	RING
38		427514A1		2	SEAL, OIL
39		427563A1		1	RETAINER, Output
40		427547A1		1	GASKET
41	1, 2	373135A1		1	COUPLING FLANGE, 7C, Output
41	3, 4	373138A1		1	COUPLING FLANGE, 8C, Output
42		427558A1		1	COVER, Power Takeoff
43		303493A1		2	PLUG, Hex Soc, M42 x 2, ORB, M42, Inc. 44
44		637-64386		2	O-RING, CI 6, 38.6MM ID x 2.9 Thk
45		375456A1		1	PLUG, DRAIN, M42, Inc. 46
46		637-64386		1	O-RING, CI 6, 38.6MM ID x 2.9 Thk
47		220064A1		3	PLUG, M14 x 1.5, ORB, M14, Inc. 48
48		637-63113		1	O-RING, CI 6, 11.3MM ID x 2.2 Thk
49		428181A1		3	BOLT, M14 x 35; CL8.8
50		428180A1		6	BOLT, M10 x 35
51		514-841		1	BOLT, Hex, M12 x 1.25 x 20, 8.8, Full Thd
52		514-738		2	BOLT, Hex, M10 x 1.25 x 45, 8.8, Full Thd

- (1) STX280
(2) STEIGER 280
(3) STX330
(4) STEIGER 330

STEIGER 280 STX330
STX280 STEIGER 330

MANUAL SHIFT TRANSMISSION - COVERS AND YOKES

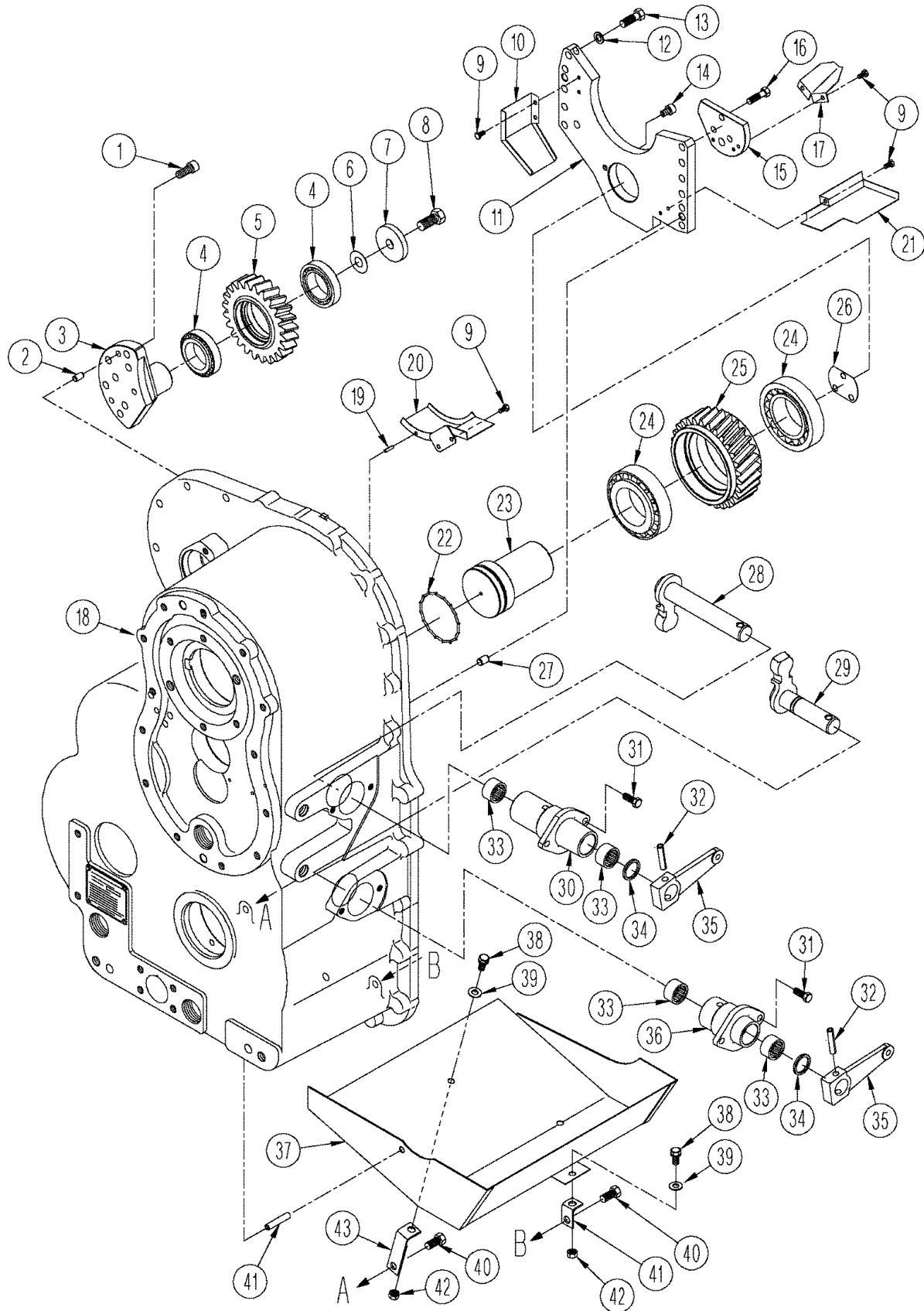


MANUAL SHIFT TRANSMISSION - COVERS AND YOKES

REF	FN	PART NUMBER	YR/SN	QTY	DESCRIPTION
53		514-720		4	BOLT, Hex, M10 x 1.25 x 50, 8.8, Full Thd
54		614-8016		2	BOLT, Hex, M8 x 16, 8.8
55		514-832		6	BOLT, Hex, M12 x 1.25 x 35, 8.8, Full Thd
56		514-842		4	BOLT, Hex, M12 x 1.25 x 25, 8.8, Full Thd
		178889A1		2	FITTING, Diagnostic, Inc. 57 - 59
57		H434163		1	DUST CAP
58		NSS		1	NOT SERVICED SEPARATELY, FITTING
59		637-63113		1	O-RING, CI 6, 11.3MM ID x 2.2 Thk

STEIGER 280 STX330
STX280 STEIGER 330

MANUAL SHIFT TRANSMISSION - REAR HOUSING

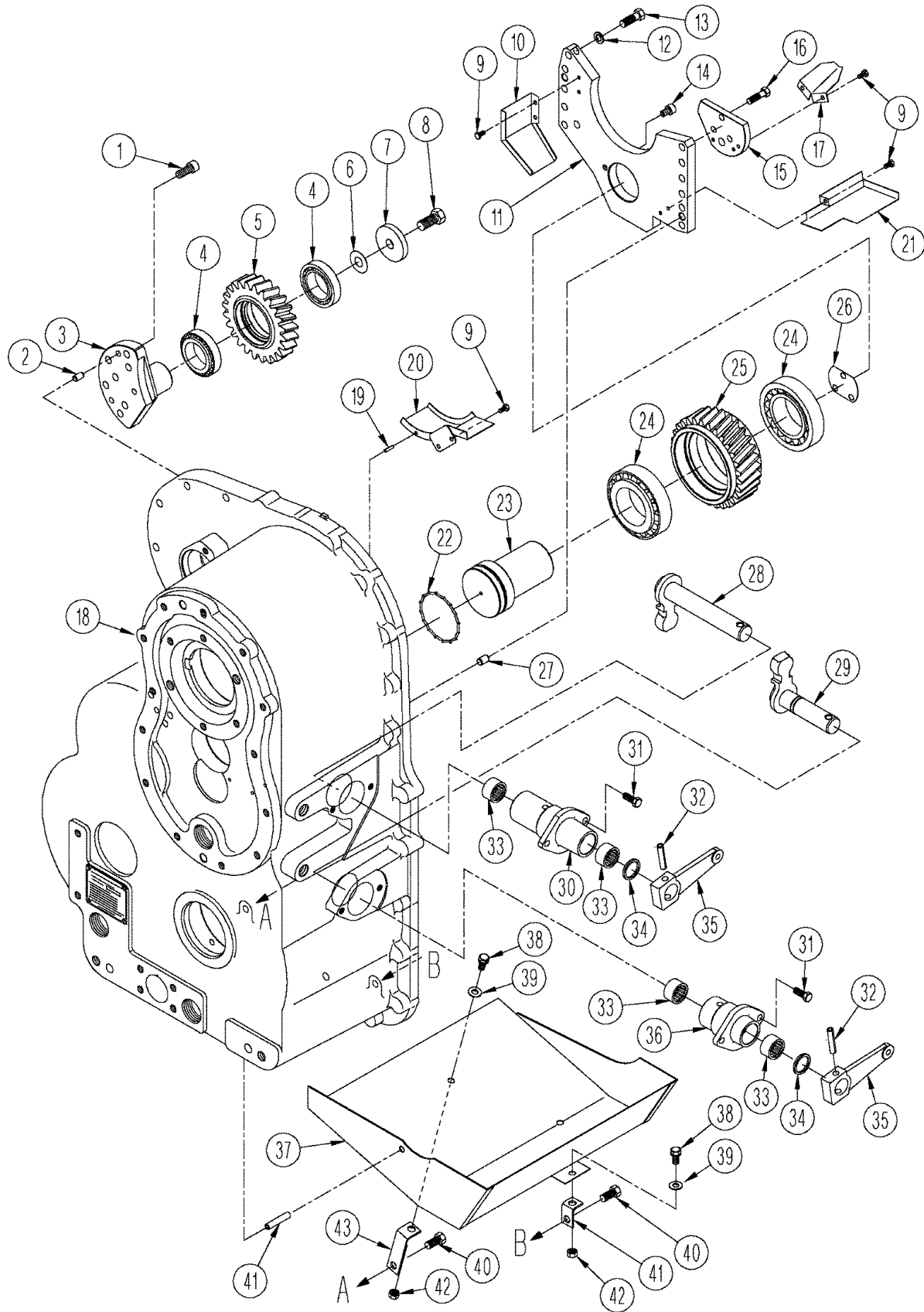


MANUAL SHIFT TRANSMISSION - REAR HOUSING

REF	FN	PART NUMBER	YR/SN	QTY	DESCRIPTION
1		427666A1		7	SCREW
2		428151A1		2	DOWEL
3		427664A1		1	SHAFT, Reverse Idler
4		427662A1		2	BEARING, ROLLER, TAPERED
5		427659A1		1	GEAR, IDLER, Reverse
6		S9950S00F		AR	SHIM
6		S9960S00F		AR	SHIM
6		S9970S00F		AR	SHIM
6		S9980S00F		AR	SHIM
7		427661A1		1	WASHER, Retaining
8		514-1021		1	BOLT, Hex, M16 x 1.5 x 35, 10.9, Full Thd
9		614-6012		7	BOLT, Hex, M6 x 12, 8.8
10		427578A1		1	TROUGH
11		427616A1		1	PLATE, SUPPORT
12		428172A1		12	WASHER
13		514-832		12	BOLT, Hex, M12 x 1.25 x 35, 8.8, Full Thd
14		427553A1		1	SCREW
15		427554A1		1	WASHER
16		514-730		3	BOLT, Hex, M10 x 1.25 x 35, 8.8, Full Thd
17		427576A1		1	TROUGH
18		427538A1		1	HOUSING
19		838-5518		1	PIN, LOCK, M5 x 18, Slotted
20		427579A1		1	TROUGH, First Gear
21		427580A1		1	TROUGH, Second Gear
22		428157A1		1	O-RING
23		427615A1		1	SHAFT, Idler
24		427613A1		2	BEARING, ROLLER, TAPERED
25		427614A1		1	GEAR, IDLER
26		427570A1		AR	SHIM, 0,10 mm (0,004 in)
26		427571A1		AR	SHIM, 0,15 mm (0,006 in)
26		427572A1		AR	SHIM, 0,30 mm (0,012 in)
26		427573A1		AR	SHIM, 0,70 mm (0,028 in)
27		428152A1		2	DOWEL
28		428144A1		1	LEVER, 1-R Gears
29		428146A1		1	LEVER, A-B Range

STEIGER 280 STX330
STX280 STEIGER 330

MANUAL SHIFT TRANSMISSION - REAR HOUSING

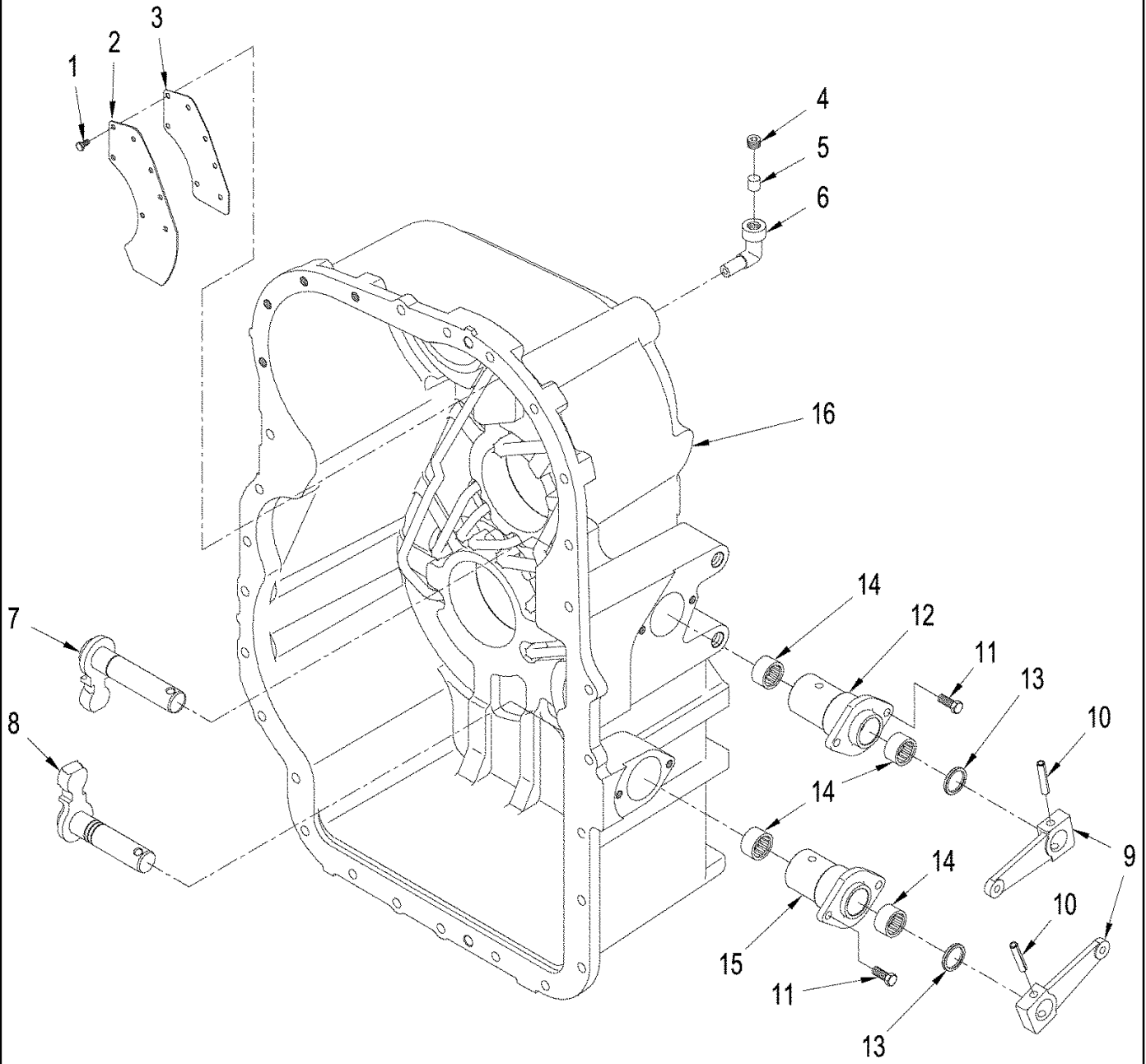


MANUAL SHIFT TRANSMISSION - REAR HOUSING

REF	FN	PART NUMBER	YR/SN	QTY	DESCRIPTION
30		428140A1		1	SUPPORT, Lever, 1-R Gears
31		514-712		4	BOLT, Hex, M10 x 1.25 x 25, 8.8, Full Thd
32		SM831050		3	PIN
33		428128A1		4	BEARING, NEEDLE
34		428129A1		2	SEAL, OIL
35		428127A1		2	LEVER, Range Shifter
36		428142A1		1	SUPPORT, Lever, A-B Range
37		427546A1		1	BAFFLE
38		514-703		2	BOLT, Hex, M10 x 1.25 x 20, 8.8, Full Thd
39		SM8915440		2	WASHER
40		514-842		2	BOLT, Hex, M12 x 1.25 x 25, 8.8, Full Thd
41		427548A1		1	STRAP, Left-Hand
42		825-11410		2	NUT, M10 x 1.25, CI 8
43		427545A1		1	STRAP, Right-Hand

STEIGER 280 STX330
 STX280 STEIGER 330

MANUAL SHIFT TRANSMISSION - FRONT HOUSING

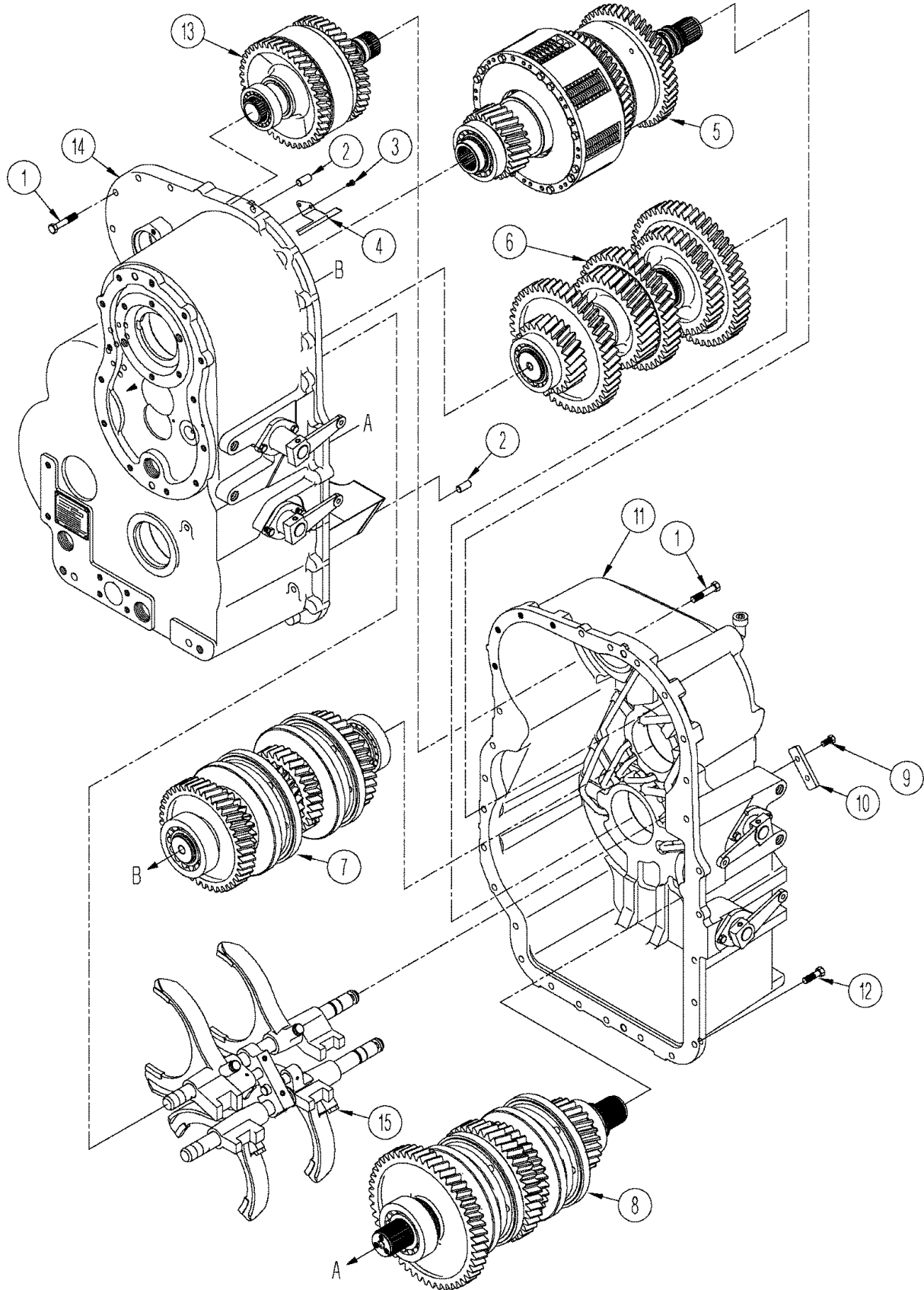


MANUAL SHIFT TRANSMISSION - FRONT HOUSING

REF	FN	PART NUMBER	YR/SN	QTY	DESCRIPTION
1		614-6012		7	BOLT, Hex, M6 x 12, 8.8
2		427575A1		1	BAFFLE
3		427574A1		1	GASKET
4		428156A1		1	PLUG
5		427524A1		1	BREATHER
6		370632A1		1	TUBE, Breather
7		428145A1		1	LEVER, 2-3 Gears
8		428147A1		1	LEVER, C-D Range
9		428127A1		2	LEVER, Range Shift
10		SM831050		2	PIN
11		514-712		4	BOLT, Hex, M10 x 1.25 x 25, 8.8, Full Thd
12		428141A1		1	SUPPORT, Lever, 2-3 Gears
13		428129A1		2	SEAL, OIL
14		428128A1		1	BEARING, NEEDLE
15		428143A1		1	SUPPORT, Lever, C-D Range
16		427588A1		1	HOUSING, Front

STEIGER 280 STX330
 STX280 STEIGER 330

MANUAL SHIFT TRANSMISSION - SHAFT ASSEMBLIES AND SHIFTER FORKS

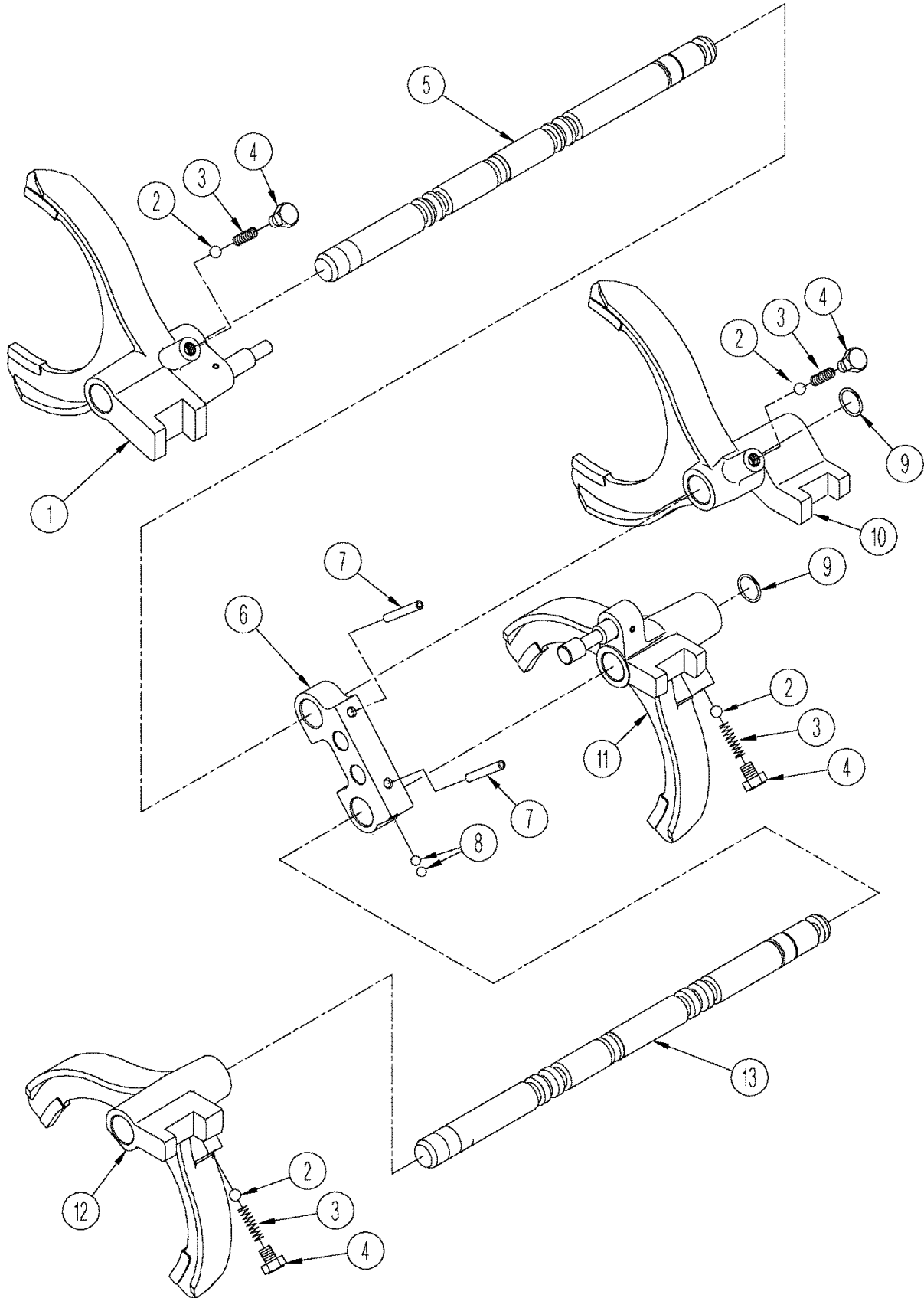


MANUAL SHIFT TRANSMISSION - SHAFT ASSEMBLIES AND SHIFTER FORKS

REF	FN	PART NUMBER	YR/SN	QTY	DESCRIPTION
1		514-843		13	BOLT, Hex, M12 x 1.25 x 60, 8.8, Full Thd
2		427530A1		2	DOWEL
3		614-6012		2	BOLT, Hex, M6 x 12, 8.8
4		427577A1		1	TROUGH, Reverse Idler
5		428120A1		1	SHAFT ASSY., Input, See Figure: 06-33 & 06-34
6		427681A1		1	SHAFT ASSY., Fourth, See Figure: 06-37
7		427647A1		1	SHAFT ASSY., Third, See Figure: 06-36
8		427690A1		1	SHAFT ASSY., Fifth, See Figure: 06-38
9		514-703		2	BOLT, Hex, M10 x 1.25 x 20, 8.8, Full Thd
10		428138A1		1	PLATE
11		427588A1		1	HOUSING, Front
12		514-830		16	BOLT, Hex, M12 x 1.25 x 25, 8.8, Full Thd
13		428121A1		1	SHAFT ASSY., Second, See Figure: 06-35
14		427538A1		1	HOUSING, Rear
15		428130A1		1	FORK, SHIFTER, 1-R Gears, See Figure: 06-32
15		428131A1		1	FORK, SHIFTER, 2-3 Gears, See Figure: 06-32
15		428133A1		1	FORK, SHIFTER, C-D Range, See Figure: 06-32
15		428132A1		1	FORK, SHIFTER, A-B Range, See Figure: 06-32

STEIGER 280 STX330
STX280 STEIGER 330

MANUAL SHIFT TRANSMISSION - SHIFTER FORKS

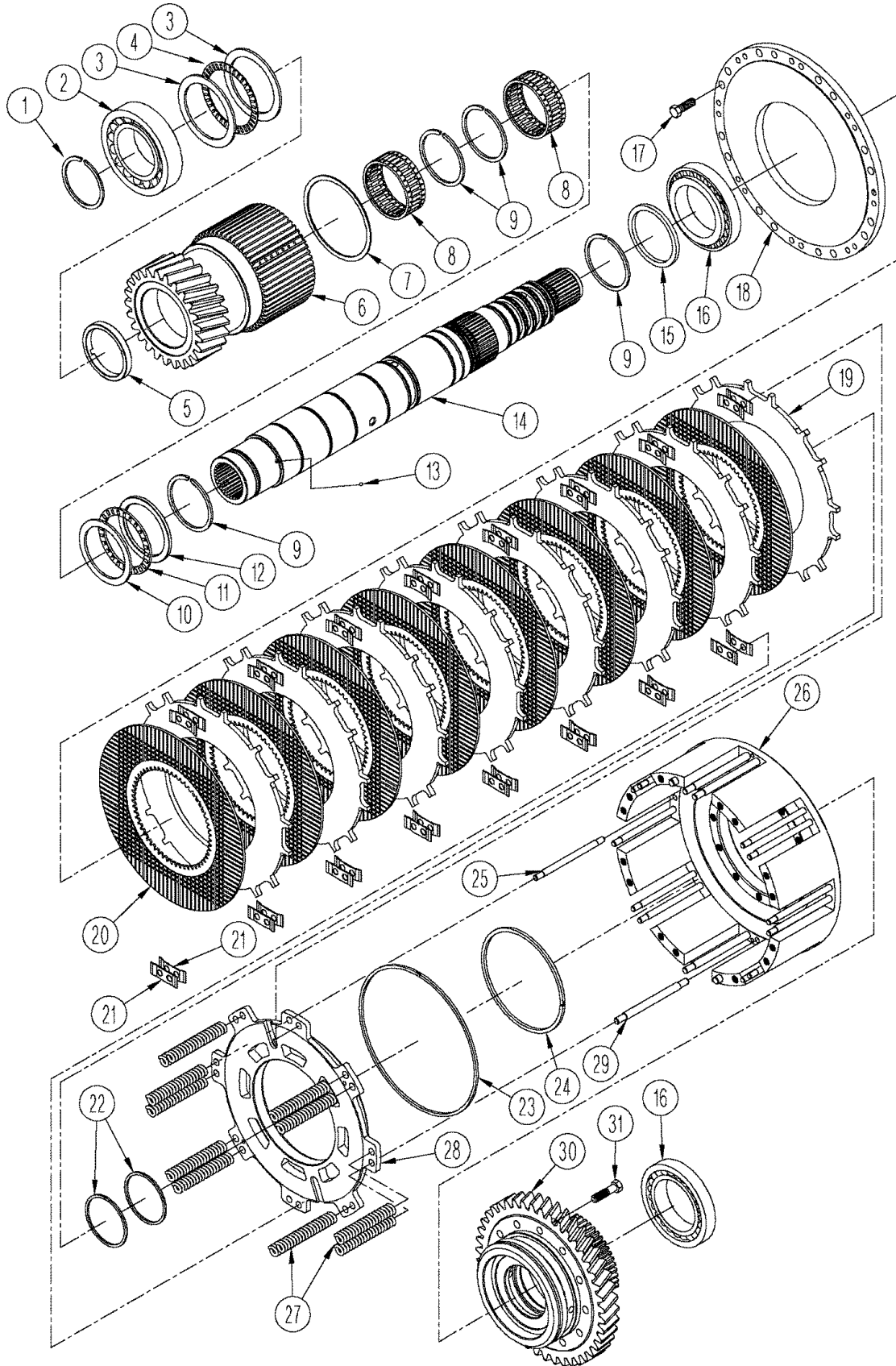


MANUAL SHIFT TRANSMISSION - SHIFTER FORKS

REF	FN	PART NUMBER	YR/SN	QTY	DESCRIPTION
1		428130A1		1	FORK, SHIFTER, 1-R Gears
2		428155A1		4	BALL
3		428139A1		4	SPRING
4		428154A1		4	PLUG
5		428135A1		1	ROD, Speed Shaft
6		428134A1		1	PLATE, Interlock
7		838-5860		2	PIN, LOCK, M8 x 60, Slotted
8		428150A1		2	BALL
9		428137A1		2	O-RING
10		428131A1		1	FORK, SHIFTER, 2-3 Gears
11		428133A1		1	FORK, SHIFTER, C-D Range
12		428132A1		1	FORK, SHIFTER, A-B Range
13		428136A1		1	ROD, Range Shaft

STEIGER 280 STX330
STX280 STEIGER 330

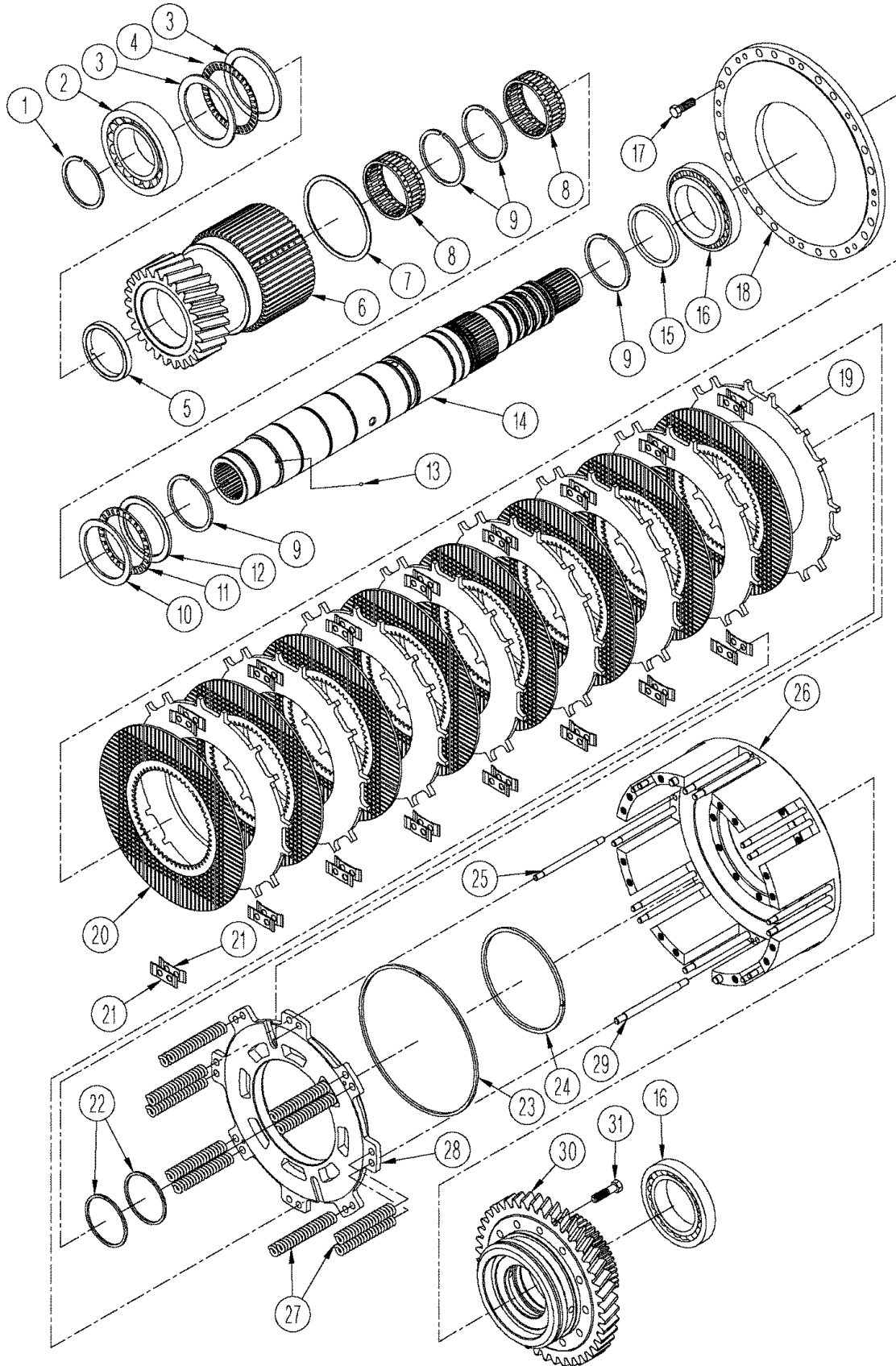
MANUAL SHIFT TRANSMISSION - INPUT SHAFT ASSEMBLY



MANUAL SHIFT TRANSMISSION - INPUT SHAFT ASSEMBLY

REF	FN	PART NUMBER	YR/SN	QTY	DESCRIPTION
		428120A1		1	SHAFT ASSY., Input, Inc. 1 - 31, Also See Figure: 06-34
1		427643A1		AR	RING, SNAP, 2,4 mm
1		427644A1		AR	RING, 2,5 mm
1		427645A1		AR	RING, 2,6 mm
1		427646A1		AR	RING, 2,7 mm
2		427613A1		1	BEARING, ROLLER, TAPERED
3		427620A1		2	WASHER, THRUST
4		427617A1		1	BEARING, THRUST
5		427619A1		1	COLLAR
6		427610A1		1	GEAR, Input
7		427608A1		1	SNAP RING
8		427612A1		2	BEARING, NEEDLE
9		S5040S00F		3	RING
10		S5230S00F		1	WASHER, THRUST
11		A75158		1	BEARING, THRUST
12		427618A1		2	WASHER, THRUST
13		S14701960		1	BALL
14		428101A1		1	SHAFT, High / Low Input
15		427621A1		AR	WASHER, Thrust, 5,10 mm
15		427622A1		AR	WASHER, Thrust, 5,15 mm
15		427623A1		AR	WASHER, Thrust, 5,20 mm
15		427624A1		AR	WASHER, Thrust, 5,25 mm
15		427625A1		AR	WASHER, Thrust, 5,30 mm
15		427626A1		AR	WASHER, Thrust, 5,35 mm
15		427627A1		AR	WASHER, Thrust, 5,40 mm
15		427628A1		AR	WASHER, Thrust, 5,45 mm
15		427629A1		AR	WASHER, Thrust, 5,50 mm
15		427630A1		AR	WASHER, Thrust, 5,55 mm
15		427631A1		AR	WASHER, Thrust, 5,60 mm
15		427632A1		AR	WASHER, Thrust, 5,65 mm
15		427633A1		AR	WASHER, Thrust, 5,70 mm
15		427634A1		AR	WASHER, Thrust, 5,75 mm
15		427635A1		AR	WASHER, Thrust, 5,80 mm
15		427636A1		AR	WASHER, Thrust, 5,85 mm
					STEIGER 280 STX330 STX280 STEIGER 330

MANUAL SHIFT TRANSMISSION - INPUT SHAFT ASSEMBLY

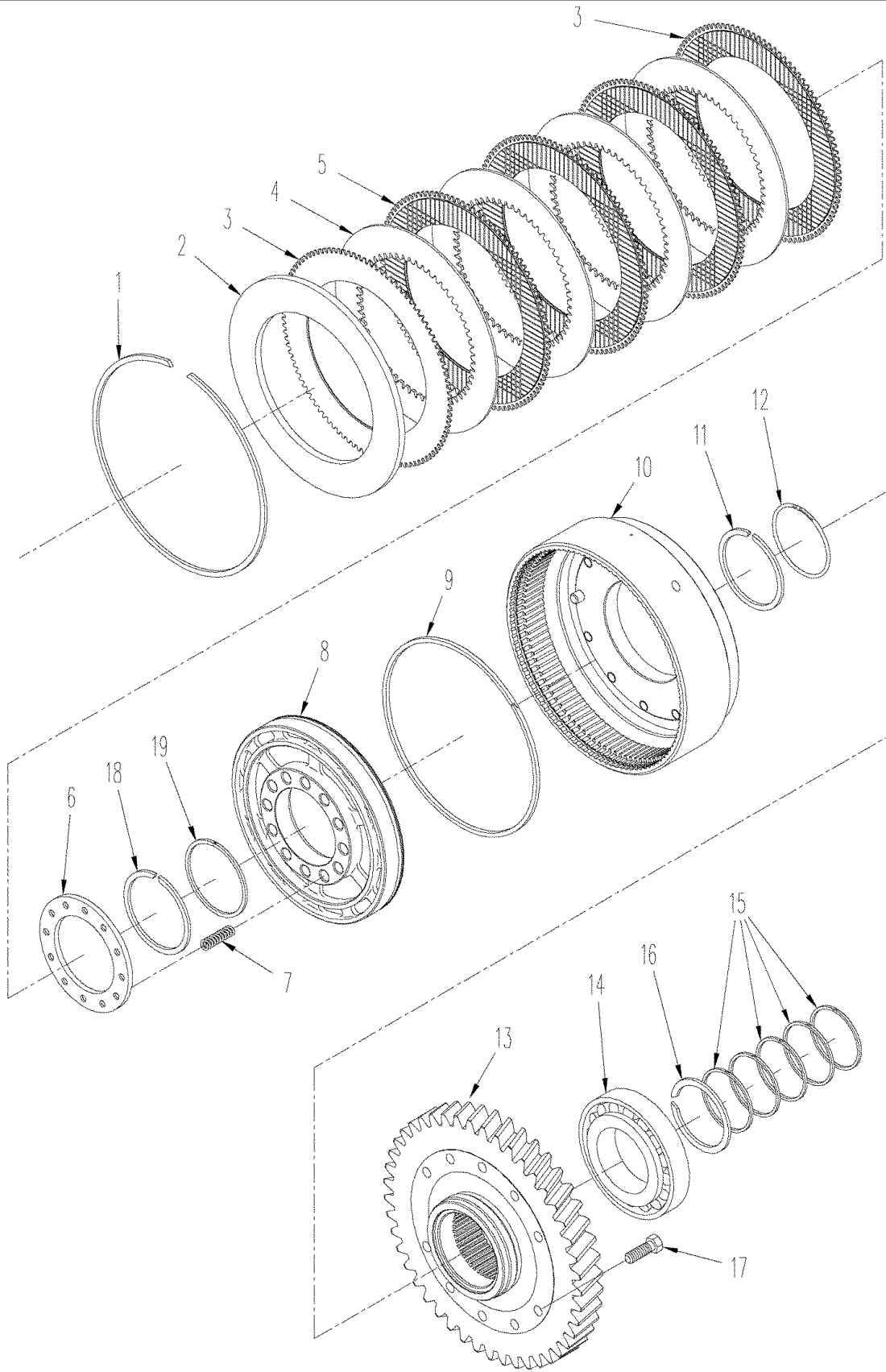


MANUAL SHIFT TRANSMISSION - INPUT SHAFT ASSEMBLY

REF	FN	PART NUMBER	YR/SN	QTY	DESCRIPTION
15		427637A1		AR	WASHER, Thrust, 5,90 mm
15		427638A1		AR	WASHER, Thrust, 5,95 mm
15		427639A1		AR	WASHER, Thrust, 6,0 mm
15		427640A1		AR	WASHER, Thrust, 6,05 mm
15		427641A1		AR	WASHER, Thrust, 6,10 mm
15		427642A1		AR	WASHER, Thrust, 6,15 mm
16		428112A1		2	BEARING ASSY
17		514-721		10	BOLT, Hex, M10 x 1.25 x 30, Cl8.8, Full Thd
18		427595A1		1	COVER
19		427602A1		AR	DISC, CLUTCH, If Used, 6,8 mm (0.268 in)
19		427603A1		AR	DISC, CLUTCH, If Used, 7,2 mm (0.283 in)
20		427601A1		8	DISC, CLUTCH, Faced
21		427606A1		32	SPRING, Clutch Separator
22		S4410S00F		3	RING, Seal
23		427600A1		1	SEALRING
24		427599A1		1	SEALRING
25		427605A1		12	GUIDE
26		427607A1		1	DRUM, Clutch
27		427596A1		12	SPRING
28		427604A1		1	PISTON, Clutch
29		427597A1		4	GUIDE
30		428119A1		1	GEAR, High
31		514-718		12	BOLT, Hex, M10 x 1.25 x 40, 8.8, Full Thd

STEIGER 280 STX330
 STX280 STEIGER 330

MANUAL SHIFT TRANSMISSION - INPUT SHAFT ASSEMBLY

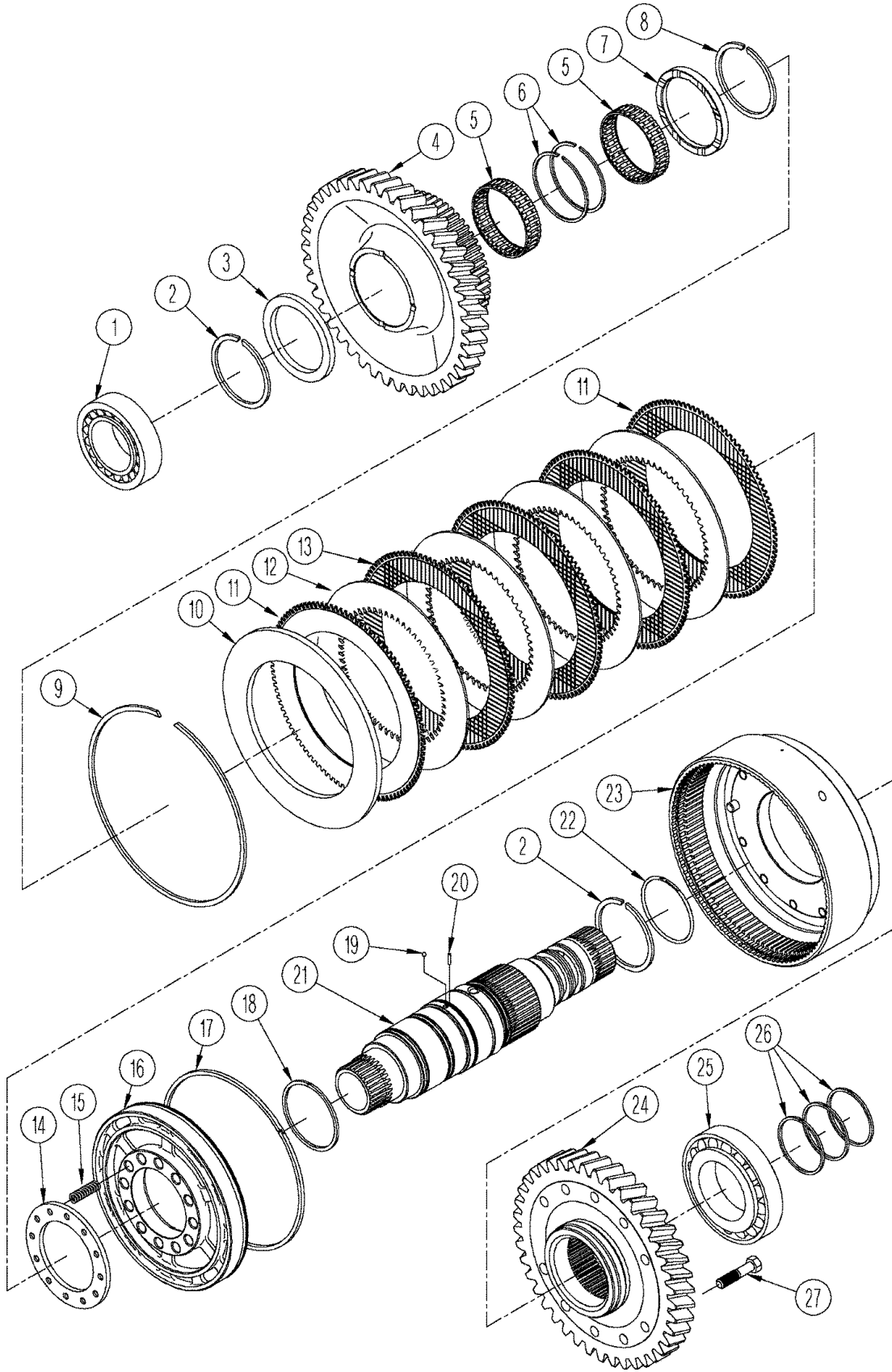


MANUAL SHIFT TRANSMISSION - INPUT SHAFT ASSEMBLY

REF	FN	PART NUMBER	YR/SN	QTY	DESCRIPTION
		428120A1		1	SHAFT ASSY., Input, Inc. 1 - 19, Also See Figure: 06-33
1		428108A1		1	SNAP RING
2		428104A1		1	PLATE
3		428110A1		2	DISC, CLUTCH, Faced
4		S4070S00F		AR	DISC, CLUTCH, If Used, 2,4 mm (0.094 in)
4		S4110S00F		AR	DISC, CLUTCH, If Used, 2,1 mm (0.083 in)
5		427534A1		3	DISC, CLUTCH, Faced
6		428109A1		1	PLATE, Spring return
7		S2640S00F		12	SPRING
8		428111A1		1	PISTON, Clutch
9		S2630S00F		1	RING, Seal
10		428106A1		1	DRUM, High / Low clutch
11		428163A1		1	SNAP RING
12		428107A1		1	O-RING
13		428105A1		1	GEAR, Drive
14		428103A1		2	BEARING, ROLLER, TAPERED
15		427674A1		AR	SHIM, 2,5 mm
15		427675A1		AR	SHIM, 2,6 mm
15		427676A1		AR	SHIM, 2,7 mm
15		427678A1		AR	SHIM, 2,8 mm
15		427679A1		AR	SHIM, 2,9 mm
15		427680A1		AR	SHIM, 3,0 mm
16		428102A1		5	RING, SNAP
17		514-721		10	BOLT, Hex, M10 x 1.25 x 30, Cl8.8, Full Thd
18		S5040S00F		1	RING, Snap
19		S4410S00F		1	RING, Locking

STEIGER 280 STX330
STX280 STEIGER 330

MANUAL SHIFT TRANSMISSION - SECOND SHAFT ASSEMBLY

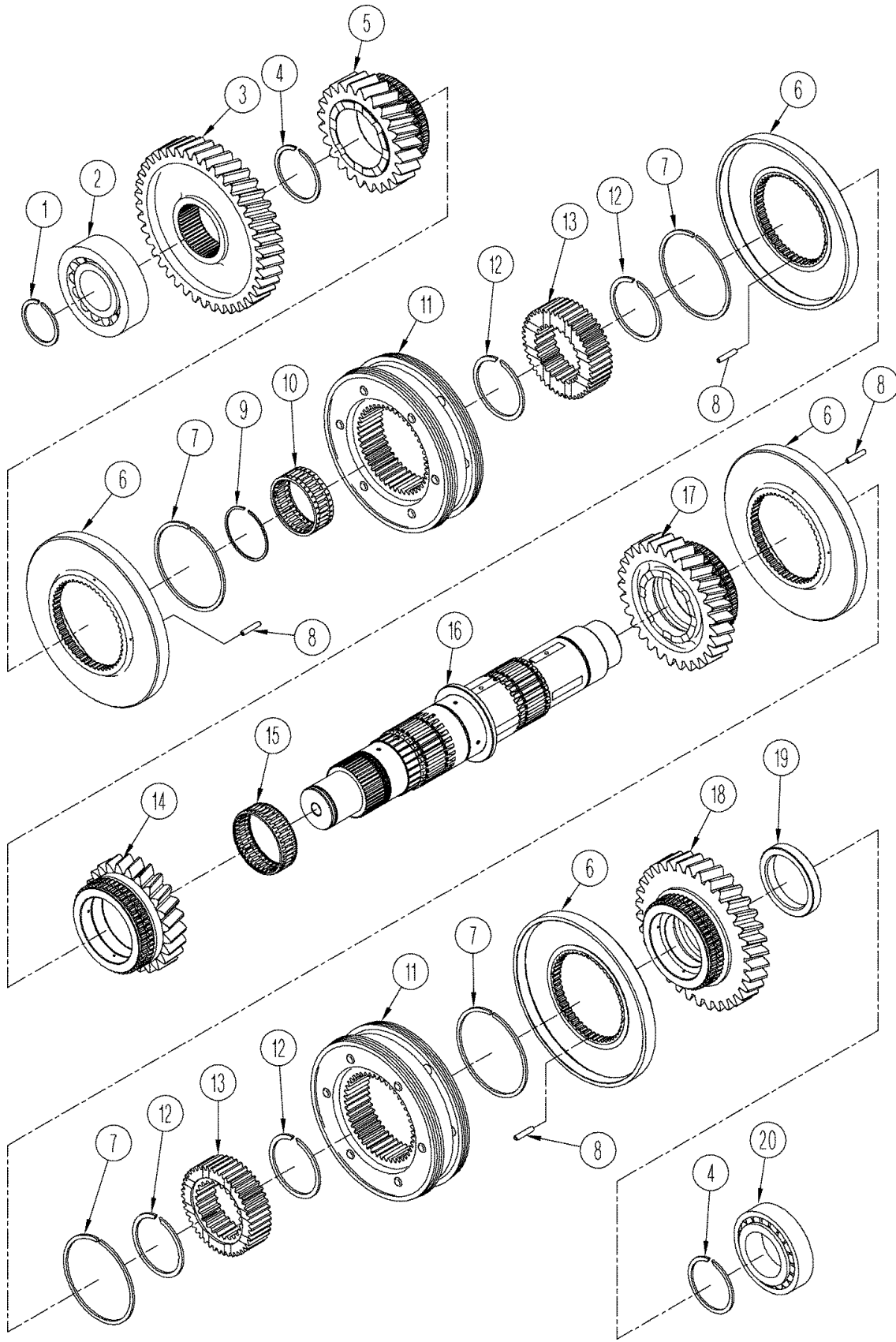


MANUAL SHIFT TRANSMISSION - SECOND SHAFT ASSEMBLY

REF	FN	PART NUMBER	YR/SN	QTY	DESCRIPTION
		428121A1		1	SHAFT ASSY., Second, Inc. 1 - 27
1		428183A1		1	BEARING
2		428163A1		1	SNAP RING
3		428115A1		1	WASHER
4		428116A1		1	GEAR, High Clutch
5		428125A1		2	BEARING, NEEDLE
6		428124A1		2	SNAP RING
7		428117A1		1	WASHER
8		S5040S00F		1	RING
9		428108A1		1	SNAP RING
10		428104A1		1	PLATE, Ctutch End
11		428110A1		2	DISC, CLUTCH, Faced
12		S4070S00F		AR	DISC, CLUTCH, If Used, 2,4 mm (0,094 in)
12		S4110S00F		AR	DISC, CLUTCH, If Used, 2,1 mm (0,083 in)
13		427534A1		3	DISC, CLUTCH, Faced
14		428109A1		1	PLATE, Spring Return
15		S2640S00F		12	SPRING
16		428111A1		1	PISTON, Clutch
17		S2630S00F		1	RING
18		S4410S00F		1	RING
19		428153A1		1	BALL
20		428118A1		1	NEEDLE
21		428113A1		1	SHAFT ASSY.
22		428107A1		1	O-RING
23		428106A1		1	DRUM
24		428122A1		1	GEAR, Input
25		428103A1		1	BEARING, ROLLER, TAPERED
26		S3070S00F		3	RING
27		428178A1		10	BOLT

STEIGER 280 STX330
STX280 STEIGER 330

MANUAL SHIFT TRANSMISSION - THIRD SHAFT ASSEMBLY

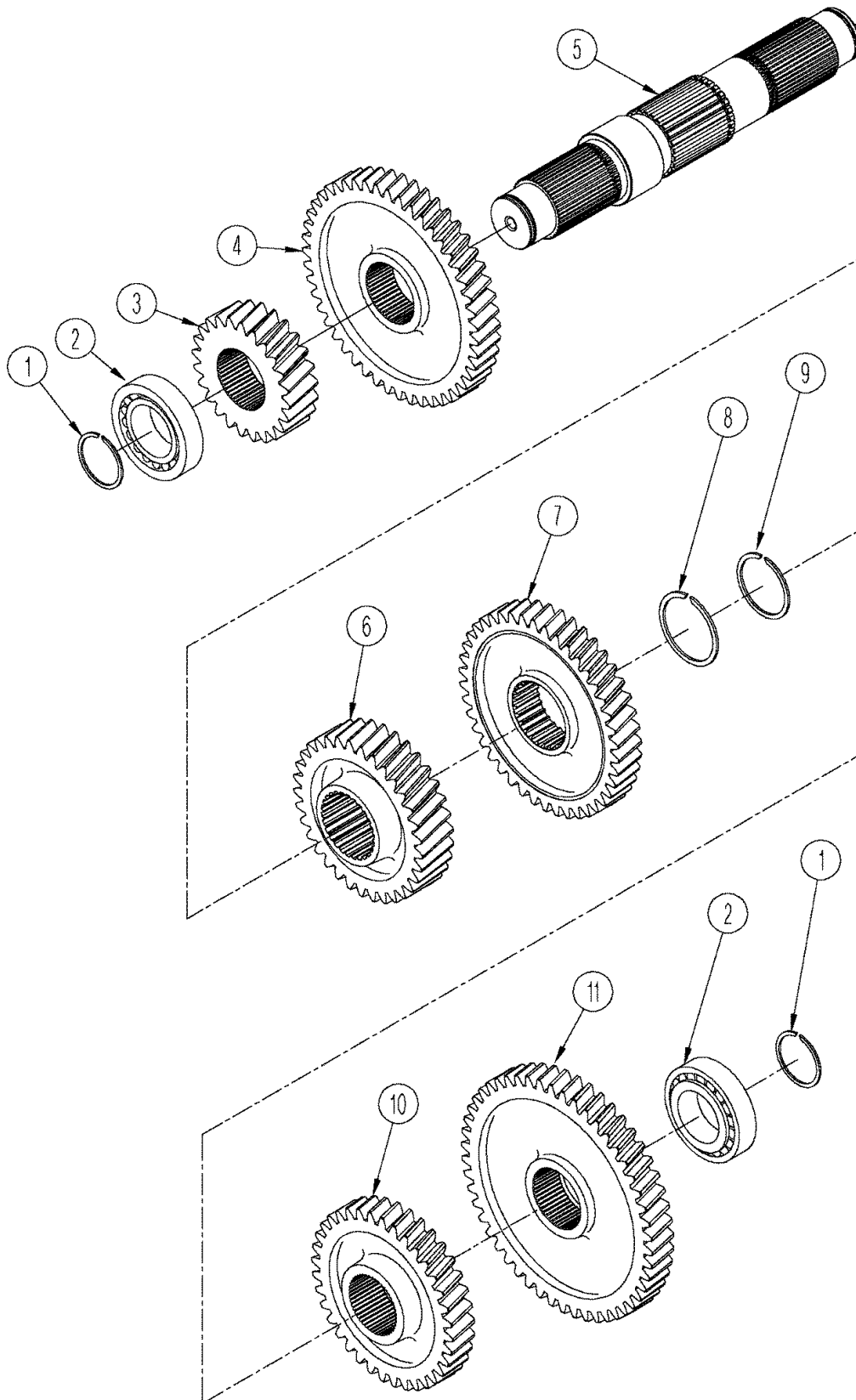


MANUAL SHIFT TRANSMISSION - THIRD SHAFT ASSEMBLY

REF	FN	PART NUMBER	YR/SN	QTY	DESCRIPTION
		427647A1		1	SHAFT ASSY., Third, Inc. 1 - 20
1		427668A1		AR	SNAP RING, 2,5 mm
1		427669A1		AR	SNAP RING, 2,6 mm
1		427670A1		AR	SNAP RING, 2,7 mm
1		427671A1		AR	SNAP RING, 2,8 mm
1		427672A1		AR	SNAP RING, 2,9 mm
1		427673A1		AR	SNAP RING, 3,0 mm
2		428074A1		1	BEARING, ROLLER, TAPERED
3		427656A1		1	GEAR, Drive
4		S5040S00F		2	RING
5		372071A1		1	GEAR, First
6		427663A1		4	DISC, Synchro Speed
7		427654A1		4	SNAP RING
8		SM832508		16	PIN
9		427653A1		1	SNAP RING
10		S5070S00F		1	BEARING, NEEDLE
11		427667A1		2	SLEEVE ASSY, Synchro Speed
12		S5090S00F		4	SNAP RING
13		427655A1		2	HUB, Clutch
14		427657A1		1	GEAR, Reverse
15		427660A1		1	BEARING, NEEDLE
16		427648A1		1	SHAFT, Speed
17		372072A1		1	GEAR, Second
18		427658A1		1	GEAR, Third
19		427651A1		1	SPACER
20		427649A1		1	BEARING, ROLLER, TAPERED

STEIGER 280 STX330
 STX280 STEIGER 330

MANUAL SHIFT TRANSMISSION - FOURTH SHAFT ASSEMBLY

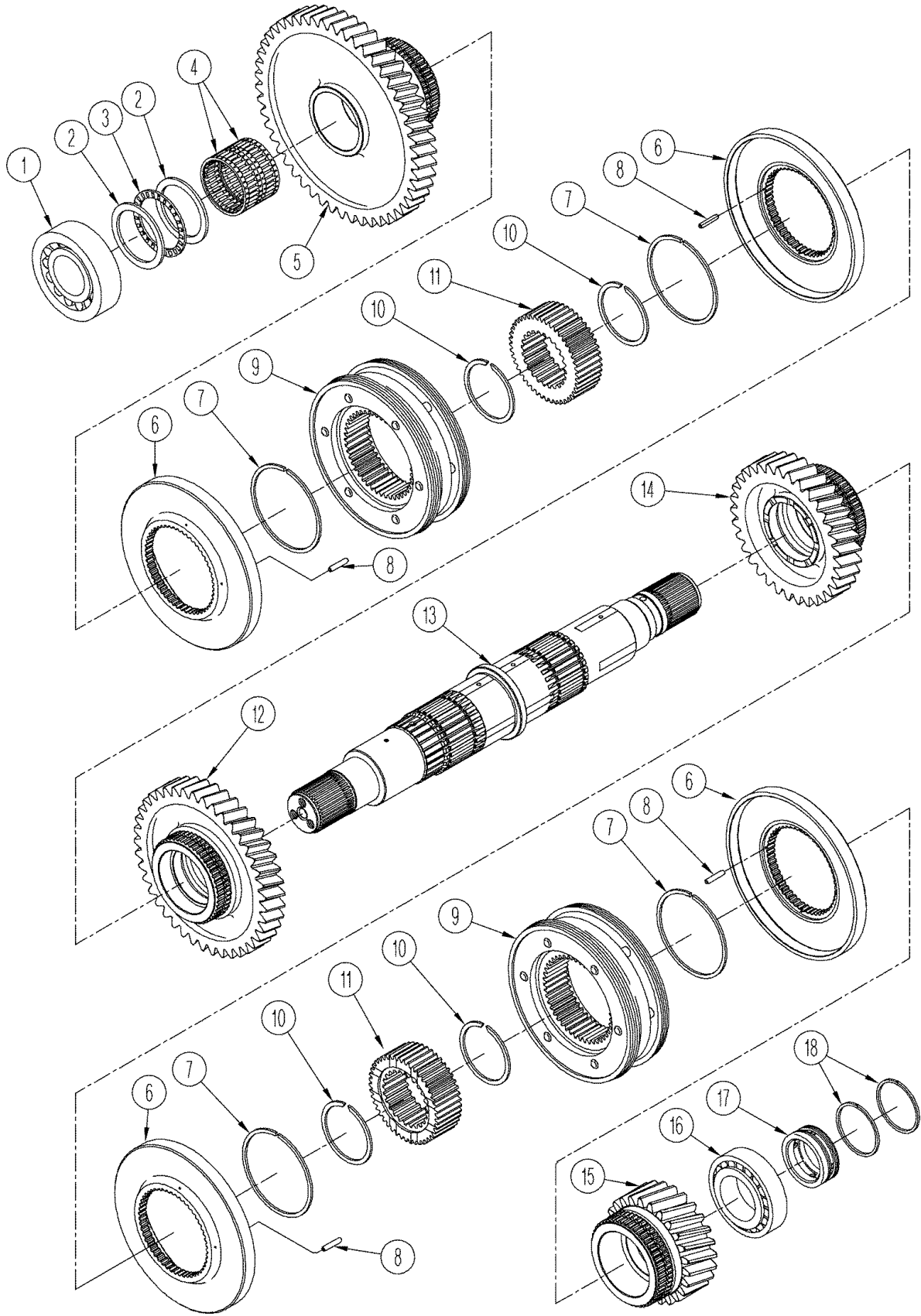


MANUAL SHIFT TRANSMISSION - FOURTH SHAFT ASSEMBLY

REF	FN	PART NUMBER	YR/SN	QTY	DESCRIPTION
		427681A1		1	SHAFT ASSY., Fourth, Inc. 1 - 11
1		427674A1		AR	SHIM, 2,5 mm
1		427675A1		AR	SHIM, 2,6 mm
1		427676A1		AR	SHIM, 2,7 mm
1		427678A1		AR	SHIM, 2,8 mm
1		427679A1		AR	SHIM, 2,9 mm
1		427680A1		AR	SHIM, 3,0 mm
2		427649A1		2	BEARING, ROLLER, TAPERED
3		427684A1		1	GEAR, A Range
4		427685A1		1	GEAR, First
5		427682A1		1	SHAFT, Center
6		427686A1		1	GEAR, B Range
7		427687A1		1	GEAR, Second
8		S5090S00F		1	SNAP RING
9		S5040S00F		1	RING
10		427688A1		1	GEAR, Third
11		427689A1		1	GEAR, D Range

STEIGER 280 STX330
 STX280 STEIGER 330

MANUAL SHIFT TRANSMISSION - FIFTH SHAFT ASSEMBLY

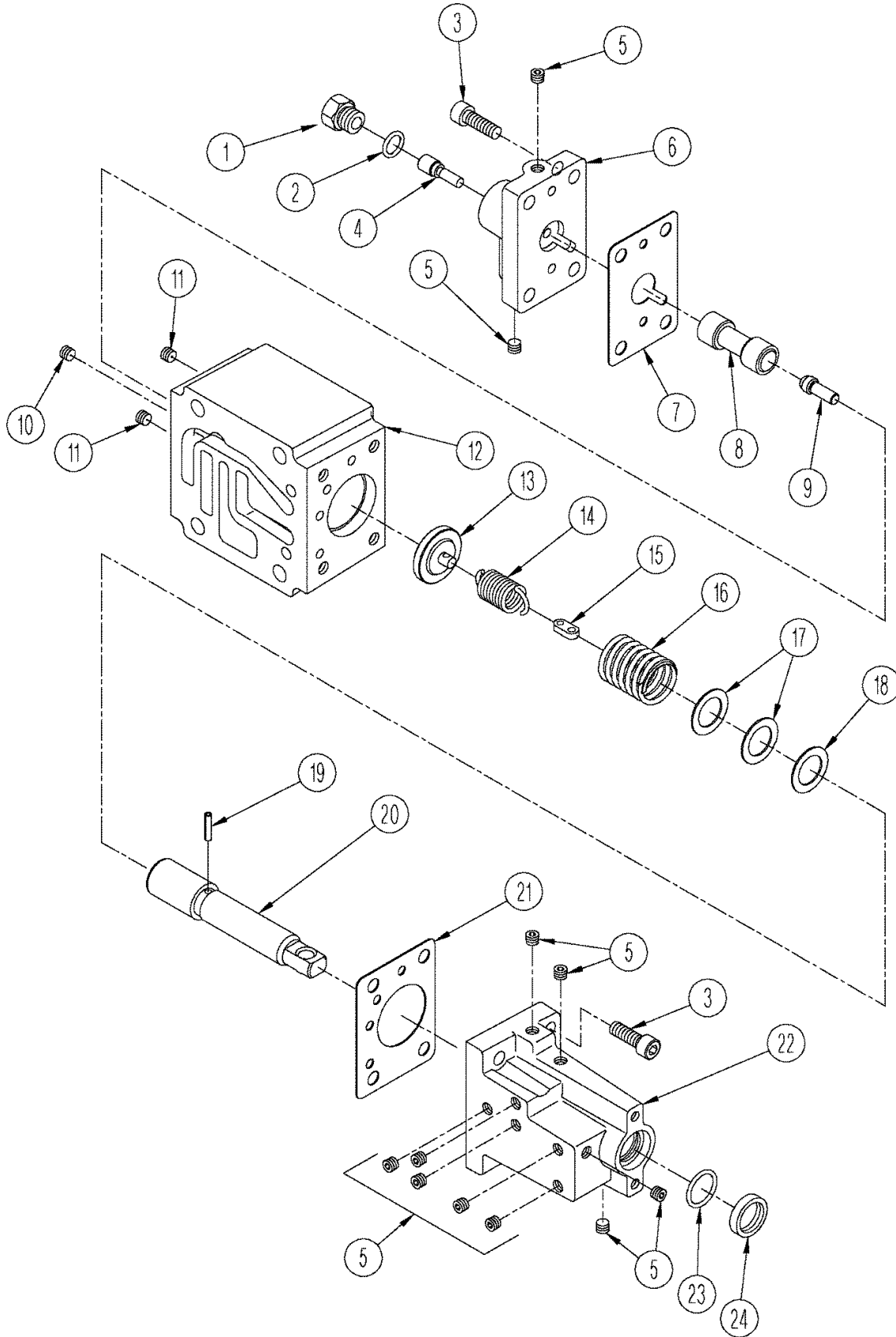


MANUAL SHIFT TRANSMISSION - FIFTH SHAFT ASSEMBLY

REF	FN	PART NUMBER	YR/SN	QTY	DESCRIPTION
		427690A1		1	SHAFT ASSY., Fifth, Inc. 1 - 18
1		428074A1		1	BEARING, ROLLER, TAPERED
2		S5230S00F		2	WASHER, THRUST
3		A75158		1	BEARING, THRUST
4		S5070S00F		2	BEARING, NEEDLE
5		428076A1		1	GEAR, A Range
6		428081A1		4	DISC, Synchron Range
7		427654A1		8	SNAP RING
8		SM832508		16	PIN
9		428082A1		2	SLEEVE ASSY, Synchron Range
10		S5090S00F		4	SNAP RING
11		428075A1		2	HUB, Clutch Range
12		428077A1		1	GEAR, B Range
13		427691A1		1	SHAFT, Output
14		428079A1		1	GEAR, C Range
15		428080A1		1	GEAR, D Range
16		427649A1		1	BEARING, ROLLER, TAPERED
17		427683A1		1	RING
18		S4150S00F		2	RING, Seal

STEIGER 280 STX330
 STX280 STEIGER 330

MANUAL SHIFT TRANSMISSION - CONTROL VALVE ASSEMBLY

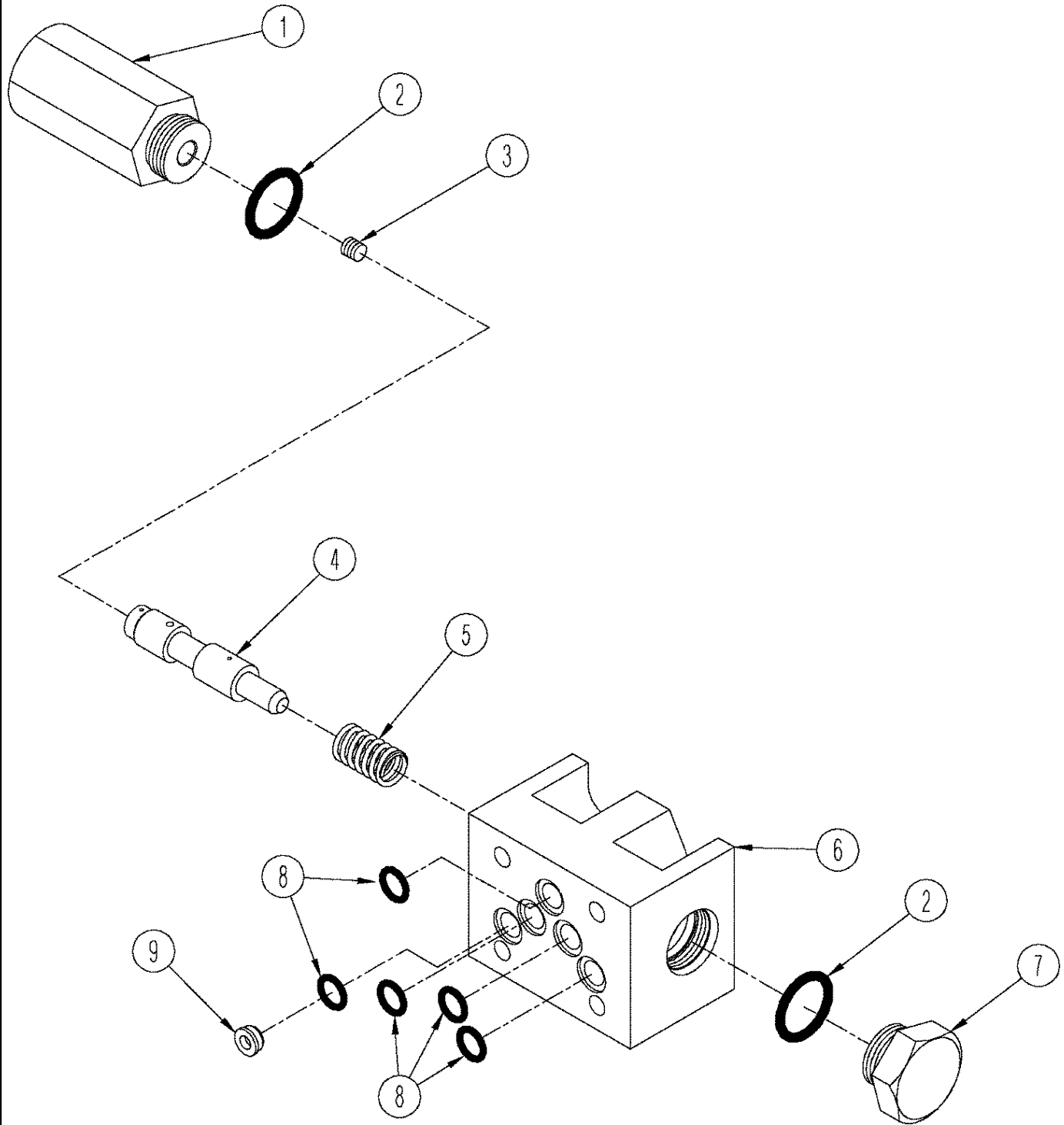


MANUAL SHIFT TRANSMISSION - CONTROL VALVE ASSEMBLY

REF	FN	PART NUMBER	YR/SN	QTY	DESCRIPTION
		428083A1		1	VALVE, Control, Inc. 1 - 24
1		S6170S00F		1	PLUG, Inc. 2
2		S6180S00F		1	O-RING
3		S6260S00F		8	SCREW
4		S6010S00F		1	SPOOL
5		S6220S00F		11	PLUG
6		S6020S00F		1	COVER
7		S6030S00F		1	GASKET
8		S6040S00F		1	SPOOL
9		S6160S00F		1	PIN
10		S6240S00F		1	ORIFICE
11		S6230S00F		1	ORIFICE
12		428084A1		1	BODY, VALVE
13		S6060S00F		1	SEAT, SPRING
14		S6210S00F		1	SPRING
15		S6080S00F		1	LINK, CONNECTING
16		S6150S00F		1	SPRING
17		S6140S00F		AR	SHIM
18		S6200S00F		1	SPACER
19		S6130S00F		1	PIN, ROLL
20		S6100S00F		1	HOUSING
21		427537A1		1	GASKET
22		428085A1		1	COVER
23		S6120S00F		1	O-RING
24		S6110S00F		1	SEAL

STEIGER 280 STX330
 STX280 STEIGER 330

MANUAL SHIFT TRANSMISSION - LOCKOUT VALVE ASSEMBLY

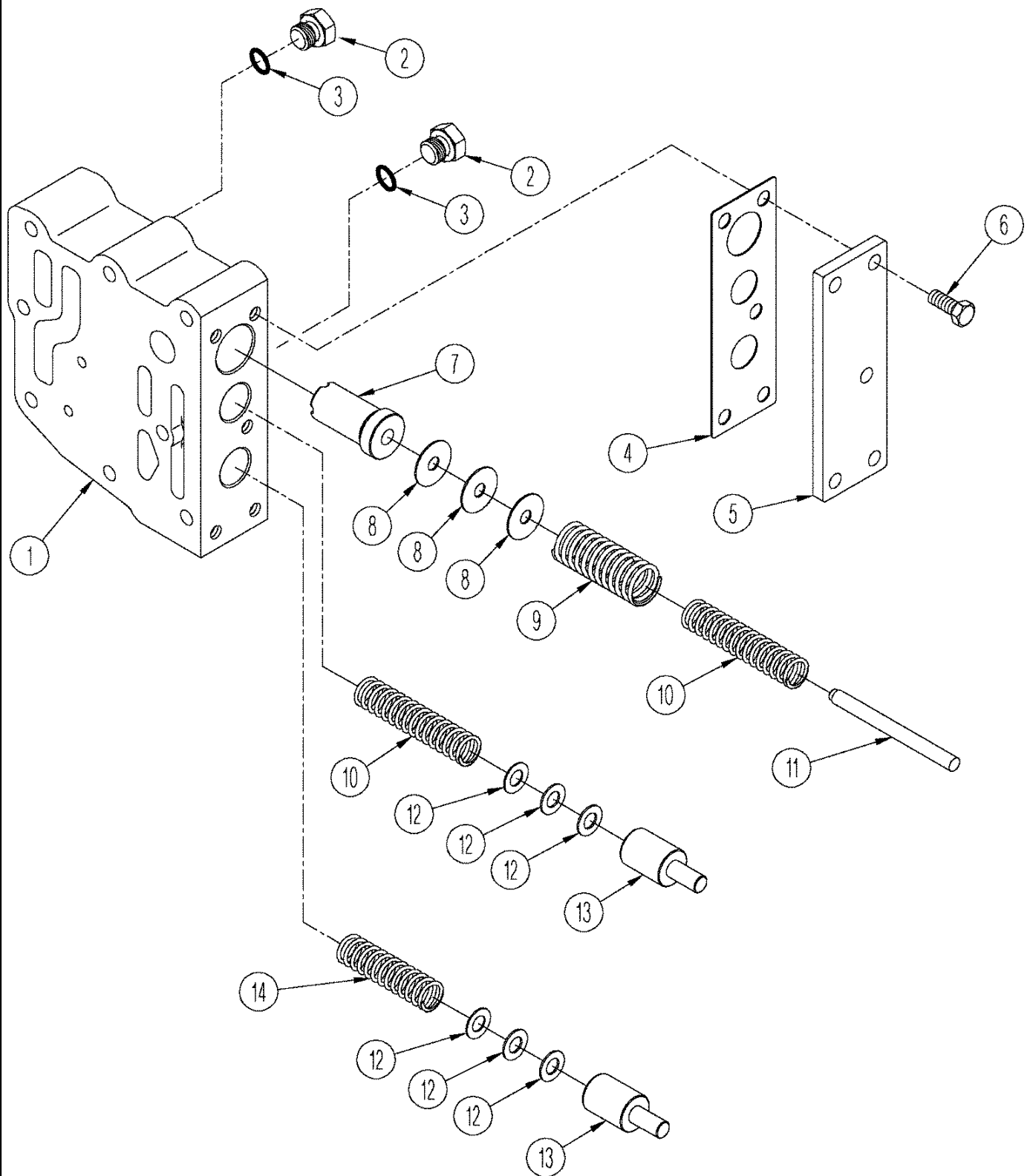


MANUAL SHIFT TRANSMISSION - LOCKOUT VALVE ASSEMBLY

REF	FN	PART NUMBER	YR/SN	QTY	DESCRIPTION
		428091A1		1	VALVE, Lockout, Inc. 1 - 9
1		428090A1		1	PLUG
2		428086A1		1	O-RING
3		428094A1		1	PLUG
4		428089A1		1	SPOOL
5		428088A1		1	SPRING
6		428092A1		1	BODY, VALVE
7		428087A1		1	PLUG
8		428093A1		5	O-RING
9		428095A1		1	ORIFICE

	STEIGER 280 STX330 STX280 STEIGER 330
--	--

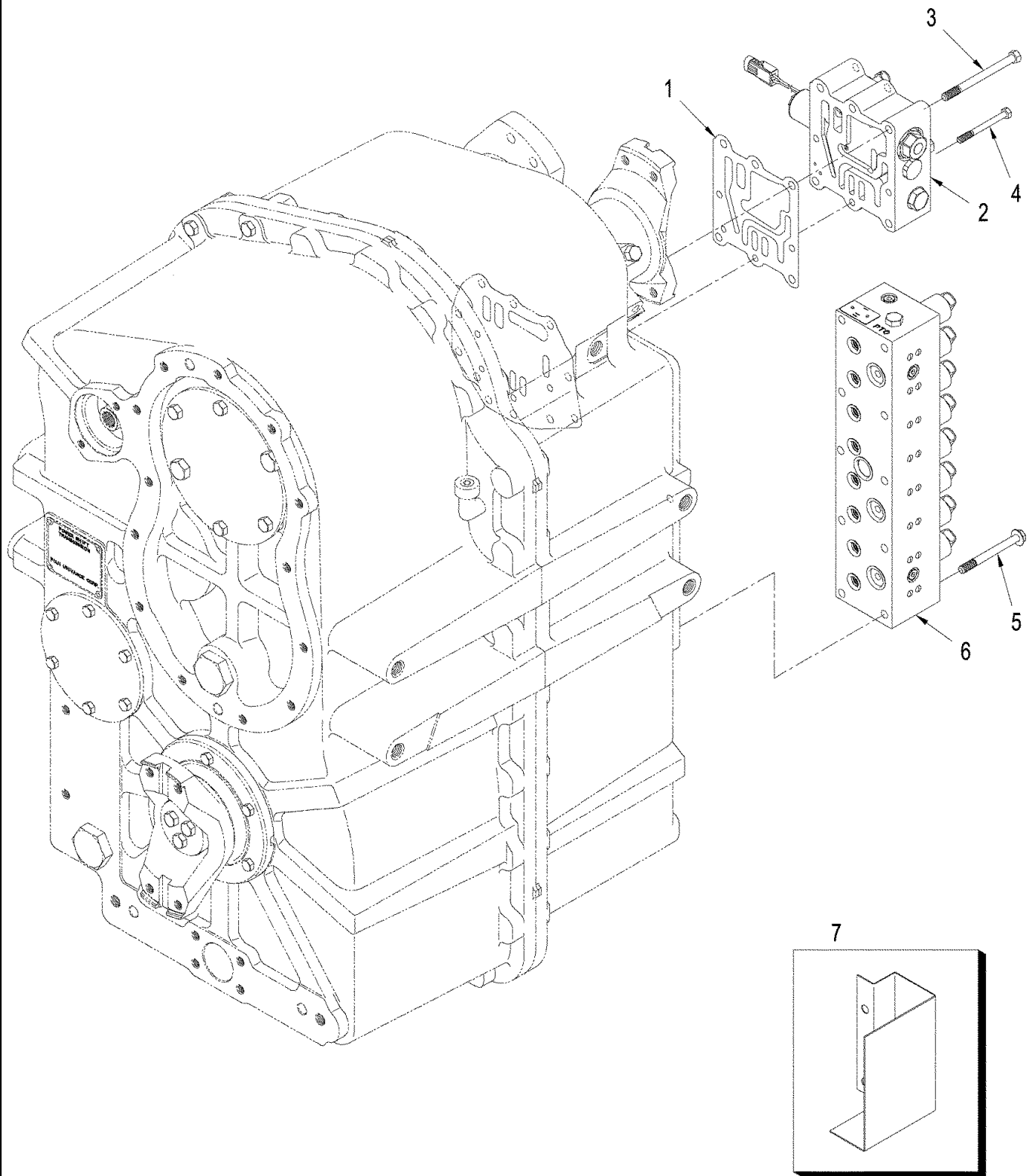
MANUAL SHIFT TRANSMISSION - REGULATOR VALVE ASSEMBLY



MANUAL SHIFT TRANSMISSION - REGULATOR VALVE ASSEMBLY

REF	FN	PART NUMBER	YR/SN	QTY	DESCRIPTION
		428096A1		1	VALVE, Regulator, Inc. 1 - 14
1		428097A1		1	BODY
2		220064A1		2	PLUG, M14 x 1.5, ORB, Inc. 3
3		637-63113		2	O-RING, CI 6, 11.3MM ID x 2.2 Thk
4		S7090S00F		1	GASKET
5		S7110S00F		1	COVER
6		614-8020		5	BOLT, Hex, M8 x 20, 8.8
7		S7030S01F		1	VALVE, Pressure regulator
8		S7010S00F		AR	SHIM
9		S7120S00F		1	SPRING
10		S7050S00F		2	SPRING
11		S7020S00F		1	STEM, Pressure Regulator
12		S7080S00F		AR	SHIM
13		S7060S00F		2	VALVE, Lube
14		S7070S00F		1	SPRING
					STEIGER 280 STX330 STX280 STEIGER 330

POWER SHIFT TRANSMISSION - VALVE AND PUMP MOUNTING

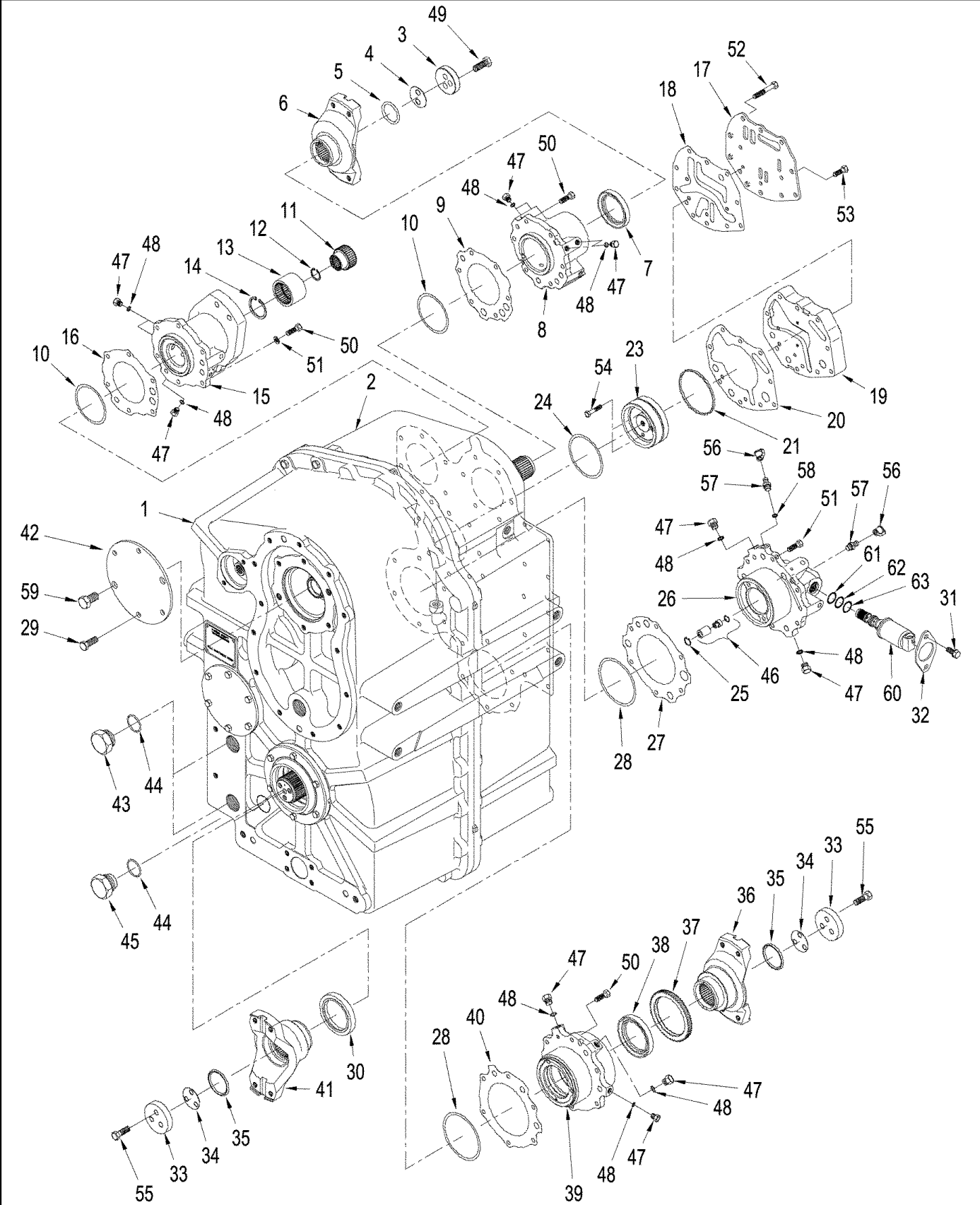


POWER SHIFT TRANSMISSION - VALVE AND PUMP MOUNTING

REF	FN	PART NUMBER	YR/SN	QTY	DESCRIPTION
1		87351408		1	GASKET
2		87350388		1	VALVE, Regulator, See Figure: 06-54
3		514-739		5	BOLT, Hex, M10 x 1.25 x 120, 8.8
4		614-8080		3	BOLT, Hex, M8 x 80, 8.8, Full Thd
5		87362227		10	BOLT
6		87350421		1	VALVE, Range Selector, See Figure: 06-55
7		87335429		1	COVER, Solenoid

	STEIGER 280 STX330 STX280 STEIGER 330
--	---

POWER SHIFT TRANSMISSION - COVERS AND YOKES



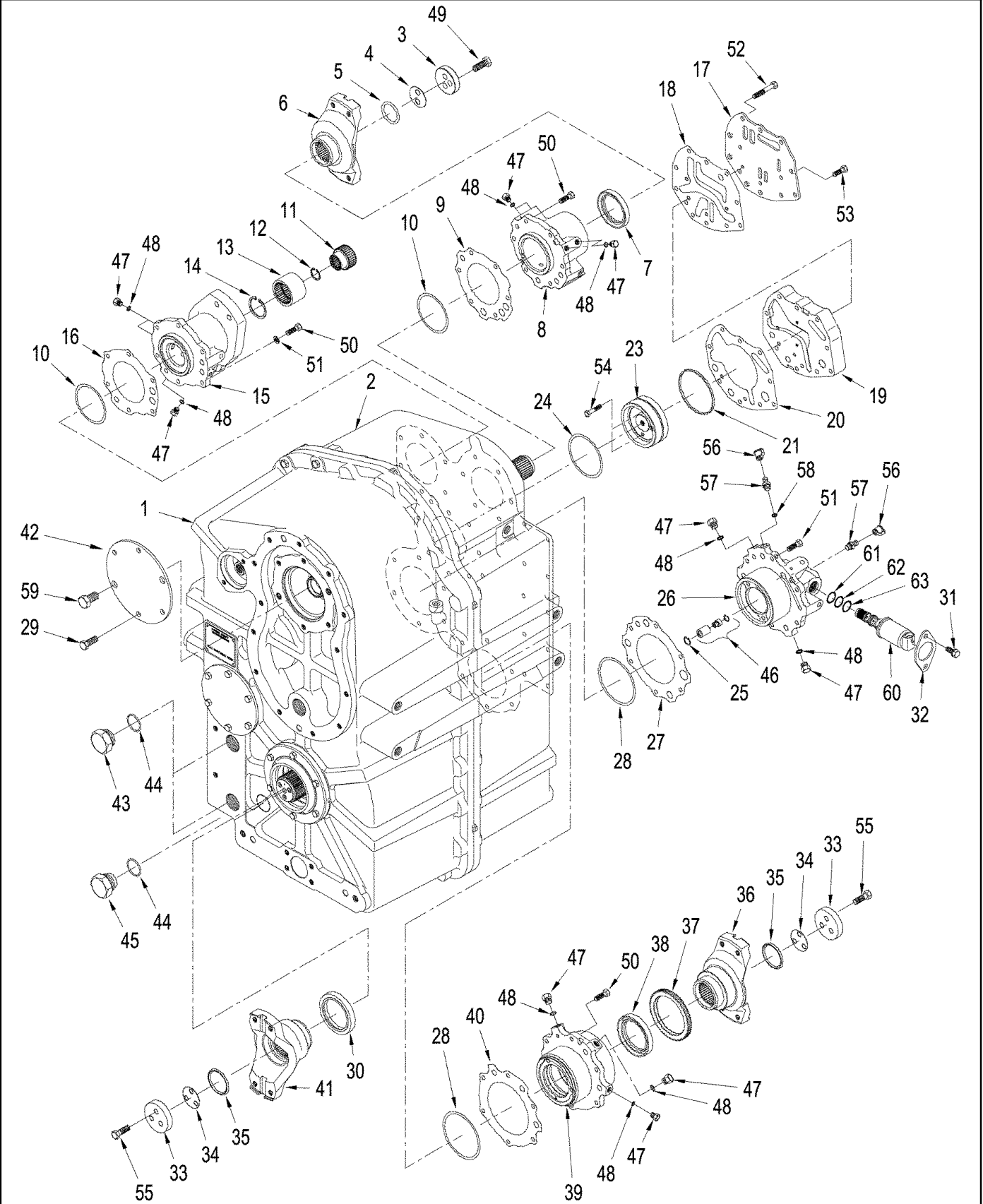
POWER SHIFT TRANSMISSION - COVERS AND YOKES

REF	FN	PART NUMBER	YR/SN	QTY	DESCRIPTION
1		87350466		1	TRANSMISSION HOUSING, Rear
2		87350479		1	HOUSING, Front
3		427539A1		1	PLATE, RETAINING
4		427560A1		AR	SHIM, 0,10 mm (0,004 in)
4		427561A1		AR	SHIM, 0,30 mm (0,012 in)
4		427562A1		AR	SHIM, 0,50 mm (0,020in)
5		428162A1		1	O-RING
6	1, 2	373133A1		1	COUPLING FLANGE, 7C, Input
6	3, 4	373136A1		1	COUPLING FLANGE, 8C, Input
7		428159A1		1	SEAL, OIL
8		362564A1		1	RETAINER
9		362565A1		1	GASKET
10		359242A1		AR	SHIM, 0,10 mm (0,004 in)
10		359243A1		AR	SHIM, 0,15 mm (0,006 in)
10		359244A1		AR	SHIM, 0,3 mm (0,012)
10		359251A1		AR	SHIM, 0,5 mm (0,020)
11		362566A1		1	ADAPTER
12		800-2128		1	RING, SNAP, M28, Int
13		362567A1		1	COUPLING
14		428681A1		1	SNAP RING
15		87542516		1	RETAINER, Second Shaft
16		362569A1		1	GASKET, Second Shaft
17		87351326		1	PLATE
18		87351331		1	GASKET
19		87351392		1	PLATE
20		87351393		1	GASKET, Third Shaft
21		362574A1		1	O-RING
23		87362252		1	RETAINER, Third Shaft
24		359252A1		AR	SHIM, 0,10 mm (0,004 in)
24		359253A1		AR	SHIM, 0,15 mm (0,006 in)
24		362576A1		AR	SHIM, 0,3 mm (0,012 in)

- (1) STX280
(2) STEIGER 280
(3) STX330
(4) STEIGER 330

STEIGER 280 STX330
STX280 STEIGER 330

POWER SHIFT TRANSMISSION - COVERS AND YOKES



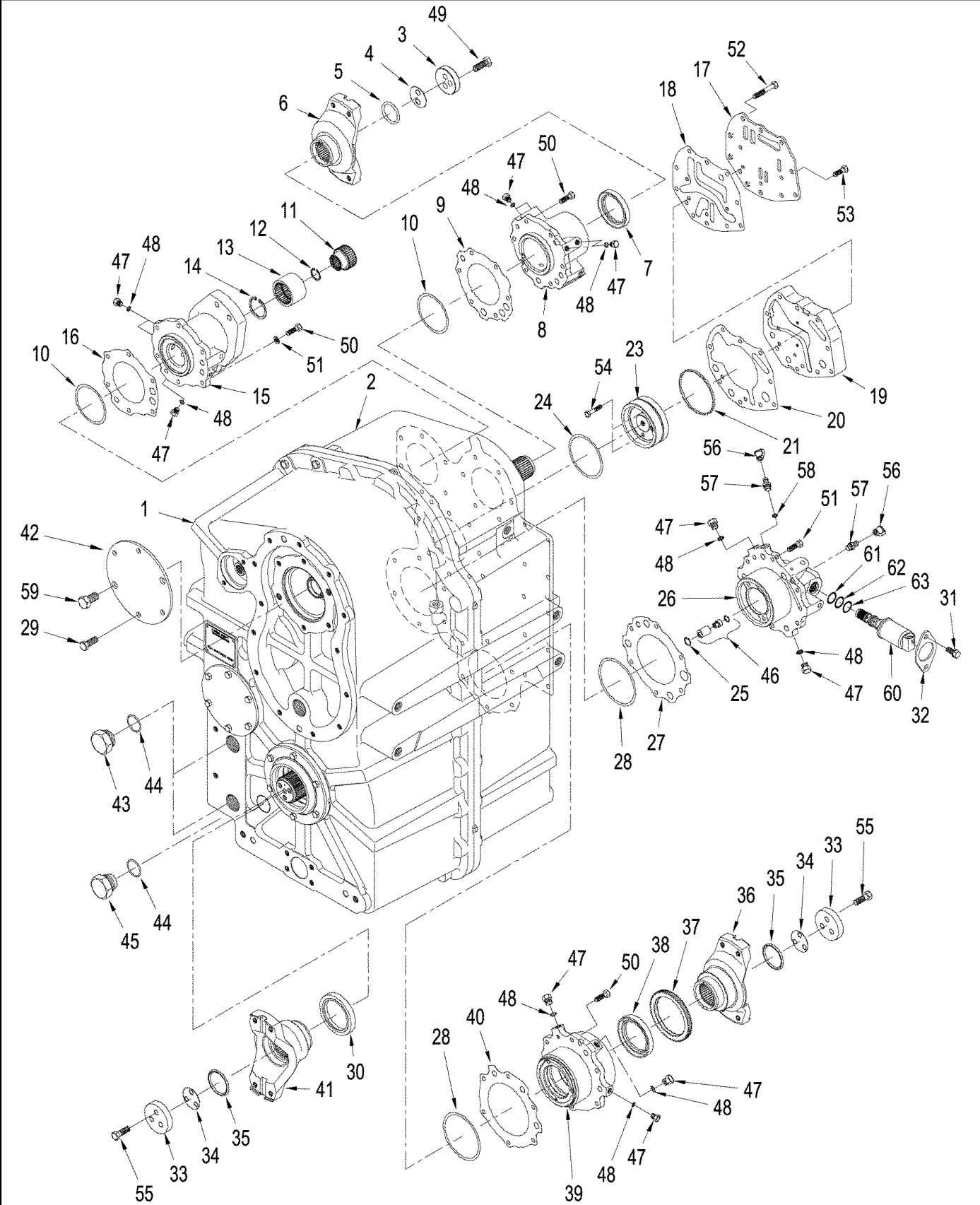
POWER SHIFT TRANSMISSION - COVERS AND YOKES

REF	FN	PART NUMBER	YR/SN	QTY	DESCRIPTION
24		362577A1		AR	SHIM, 0,5 mm (0,020 in)
25		100-2156		1	RING, SNAP, 0.562", Int, #56
26		87351399		1	MANIFOLD VALVE, Clutch
27		362580A1		1	GASKET
28		427564A1		AR	SHIM, 0,10 mm (0,004 in)
28		427565A1		AR	SHIM, 0,15 mm (0,006 in)
28		427566A1		AR	SHIM, 0,30 mm (0,012 in)
28		427567A1		AR	SHIM, 0,50 mm (0,020 in)
28		427568A1		AR	SHIM, 0,70 mm (0,027 in)
29		514-842		4	BOLT, Hex, M12 x 1.25 x 25, 8.8, Full Thd
30		87351325		1	SEAL, OIL
31		614-8020		2	BOLT, Hex, M8 x 20, 8.8
32		87351402		1	PLATE, Valve Retainer
33		427515A1		2	PLATE, RETAINING
34		427517A1		AR	SHIM, 0,10 mm
34		427519A1		AR	SHIM, 0,30 mm
35		428165A1		2	O-RING
36	1, 2	373134A1		1	COUPLING FLANGE, 7C, Output
36	3, 4	373137A1		1	COUPLING FLANGE, 8C, Output
37		362601A1		1	RING
38		427514A1		2	SEAL, OIL
39		362602A1		1	RETAINER, Output
40		362603A1		1	GASKET
41	1, 2	87351324		1	YOKE, 7C, Output
41	3, 4	87351323		1	YOKE, 8C, Output
42		427558A1		1	COVER, Power Takeoff
43		303493A1		2	PLUG, Hex Soc, M42 x 2, ORB, M42 orb x 2, Inc. 44
44		637-64386		3	O-RING, CI 6, 38.6MM ID x 2.9 Thk
45		375456A1		1	PLUG, DRAIN, M42 orb x 2, Inc. 46
46		87350436		1	VALVE, CHECK, Check, 4,45 mm
47		220064A1		14	PLUG, M14 x 1.5, ORB, M14 - 1,5, Inc. 48

- (1) STX280
(2) STEIGER 280
(3) STX330
(4) STEIGER 330

STEIGER 280 STX330
STX280 STEIGER 330

POWER SHIFT TRANSMISSION - COVERS AND YOKES

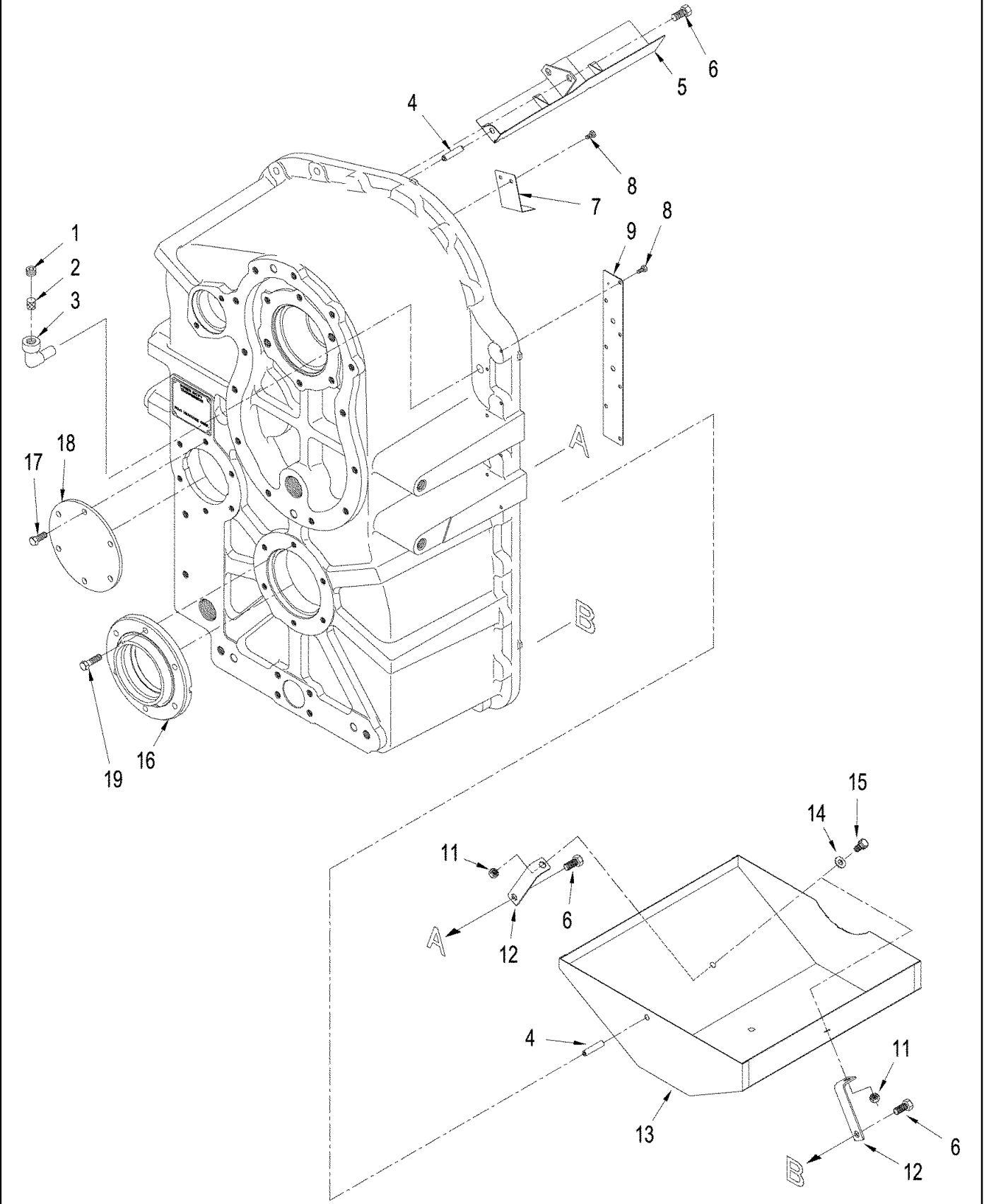


POWER SHIFT TRANSMISSION - COVERS AND YOKES

REF	FN	PART NUMBER	YR/SN	QTY	DESCRIPTION
48		637-63113		1	O-RING, CI 6, 11.3MM ID x 2.2 Thk
49		514-915		2	BOLT, Hex, M14 x 1.5 x 35, 8.8, Full Thd
50		514-730		24	BOLT, Hex, M10 x 1.25 x 35, 8.8, Full Thd
51		892-11010		6	WASHER, LOCK, M10
52		514-712		2	BOLT, Hex, M10 x 1.25 x 25, 8.8, Full Thd
53		514-723		4	BOLT, Hex, M10 x 1.25 x 60, 8.8
54		614-8040		2	BOLT, Hex, M8 x 40, 8.8, Full Thd
55		514-853		6	BOLT, Hex, M12 x 1.25 x 35, 10.9, Full Thd
		178889A1		1	FITTING, Diagnostic, Inc. 56 - 58
56		H434163		1	DUST CAP
57		NSS		1	NOT SERVICED SEPARATELY, Fitting
58		637-63113		1	O-RING, CI 6, 11.3MM ID x 2.2 Thk
59		427559A1		2	SCREW
60		87357396		1	VALVE, SOLENOID, Pulse with Modulation, Inc. 61 - 63
61		87014033		1	O-RING, -019, CI 7, .801" ID x .070" Thk
62		238-7016		1	O-RING, -016, CI 7, .614" ID x .070" Thk
63		238-7015		1	O-RING, -015, CI 7, .551" ID x .070" Thk

STEIGER 280 STX330
 STX280 STEIGER 330

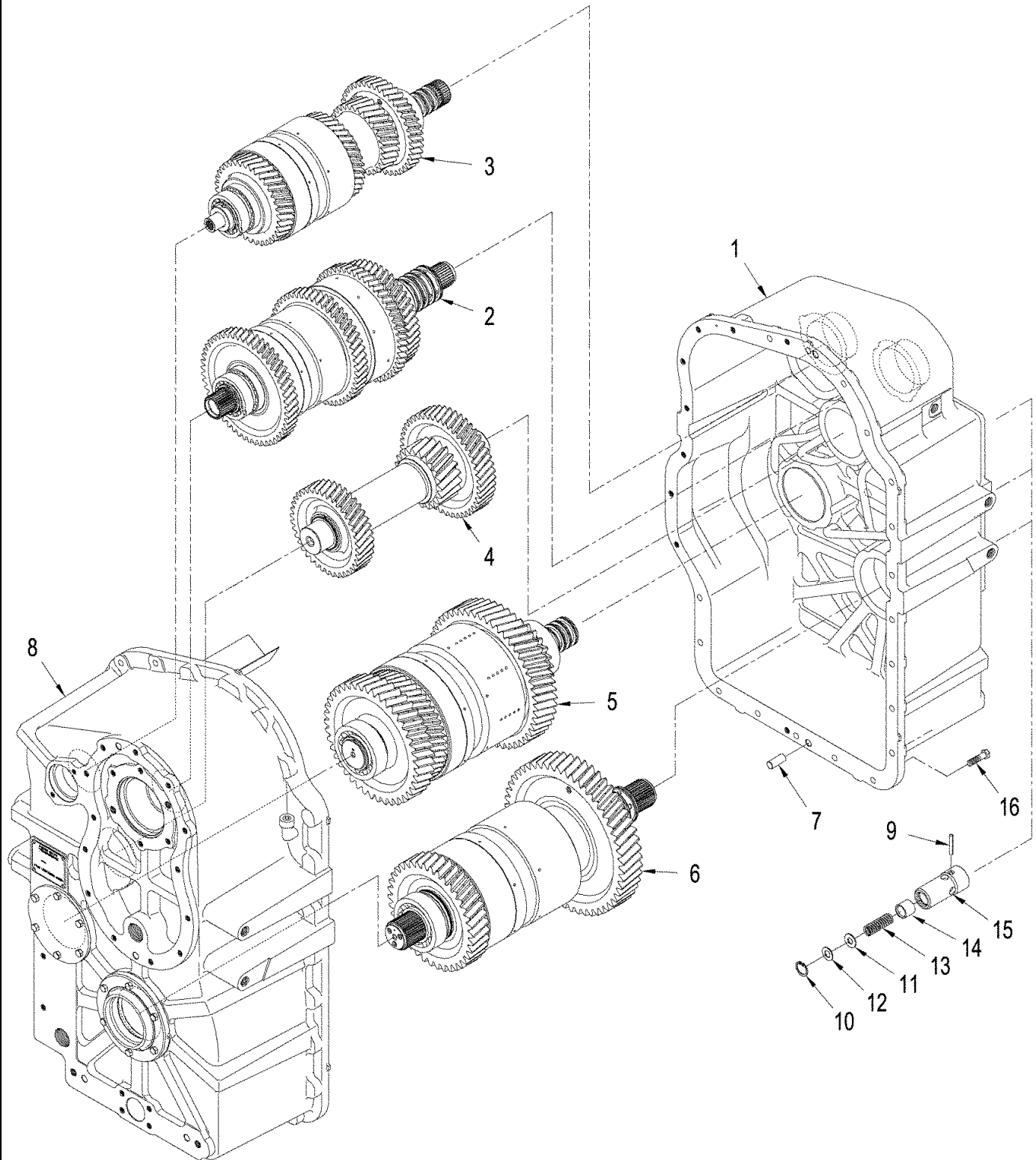
POWER SHIFT TRANSMISSION - REAR HOUSING



POWER SHIFT TRANSMISSION - REAR HOUSING

REF	FN	PART NUMBER	YR/SN	QTY	DESCRIPTION
1		428156A1		1	PLUG
2		427524A1		1	BREATHER
3		370632A1		1	TUBE, Breather
4		838-51040		2	PIN, LOCK, M10 x 40, Slotted
5		87350473		1	GUTTER, Oil
6		514-842		2	BOLT, Hex, M12 x 1.25 x 25, 8.8, Full Thd
7		370634A1		1	TROUGH, Second
8		614-6012		9	BOLT, Hex, M6 x 12, 8.8
9		370635A2		1	BAFFLE, Air
10		87350466		1	TRANSMISSION HOUSING, Rear
11		825-11410		2	NUT, M10 x 1.25, CI 8
12		370637A1		2	BRACKET
13		87350496		1	BAFFLE, Transmission Oil
14		895-11010		2	WASHER, M10 x 20 x 2
15		514-703		2	BOLT, Hex, M10 x 1.25 x 20, 8.8, Full Thd
16		87350470		1	RETAINER, Rear, Output
17		838-51045		6	PIN, LOCK, M10 x 45, Slotted
18		87350468		1	COVER, Rear, Fourth
19		514-730		6	BOLT, Hex, M10 x 1.25 x 35, 8.8, Full Thd
					STEIGER 280 STX330 STX280 STEIGER 330

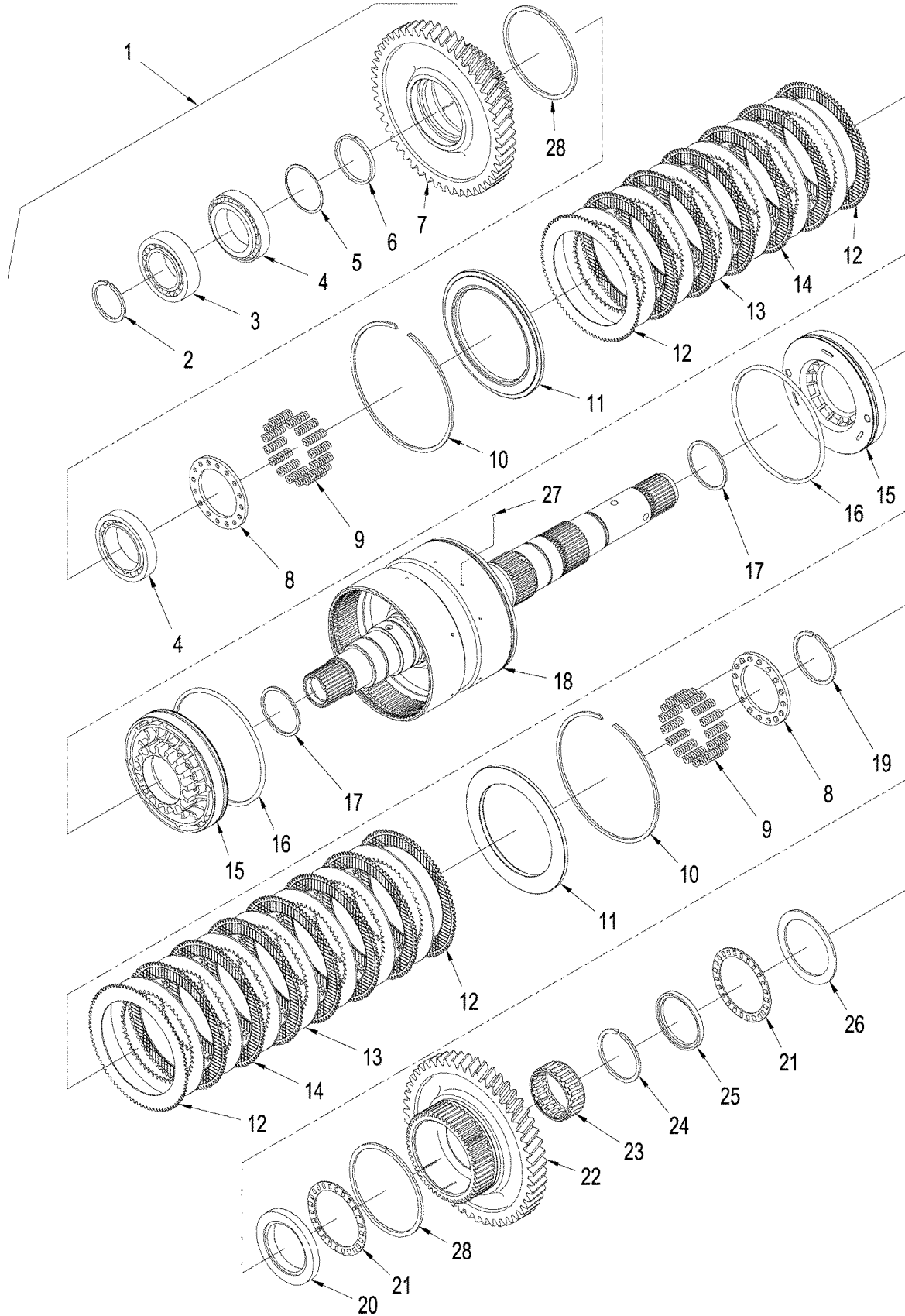
POWER SHIFT TRANSMISSION - HOUSING AND CLUTCHES



POWER SHIFT TRANSMISSION - HOUSING AND CLUTCHES

REF	FN	PART NUMBER	YR/SN	QTY	DESCRIPTION
1		87350479		1	HOUSING, Front
2		87350228	BSN Z6F105039	1	SHAFT, CLUTCH INPUT, Input, 7C, (8" Yoke) See Figure: 06-46 & 06-47
2		87552053	ASN Z6F105039	1	SHAFT, CLUTCH INPUT, Input, 7C, (8" Yoke) See Figure: 06-46 & 06-47
3		87350268		1	SHAFT, CLUTCH INPUT, Second, See Figure: 06-48
4		REF		1	INSTRUCTION, Shaft, Third, Order Components, See Figure: 06-49
5		87350312		1	SHAFT, CLUTCH INPUT, Fourth, See Figure: 06-50 & 06-51
6		87350349		1	SHAFT, CLUTCH INPUT, Fifth, See Figure: 06-52 & 06-53
7		427530A1		2	DOWEL
8		87350466		1	TRANSMISSION HOUSING, Rear
9		838-1318		4	PIN, LOCK, M3 x 18, Slotted
10		800-2112		4	RING, SNAP, M12, Int
11		895-11005		4	WASHER, M5 x 10 x 1
12		370542A1		4	SHIM
13		370543A1		4	SPRING
14		370544A1		4	SPOOL
15		370545A1		4	CAP
16		514-831		25	BOLT, Hex, M12 x 1.25 x 45, 8.8, Full Thd
					STEIGER 280 STX330 STX280 STEIGER 330

POWER SHIFT TRANSMISSION - INPUT SHAFT ASSEMBLY

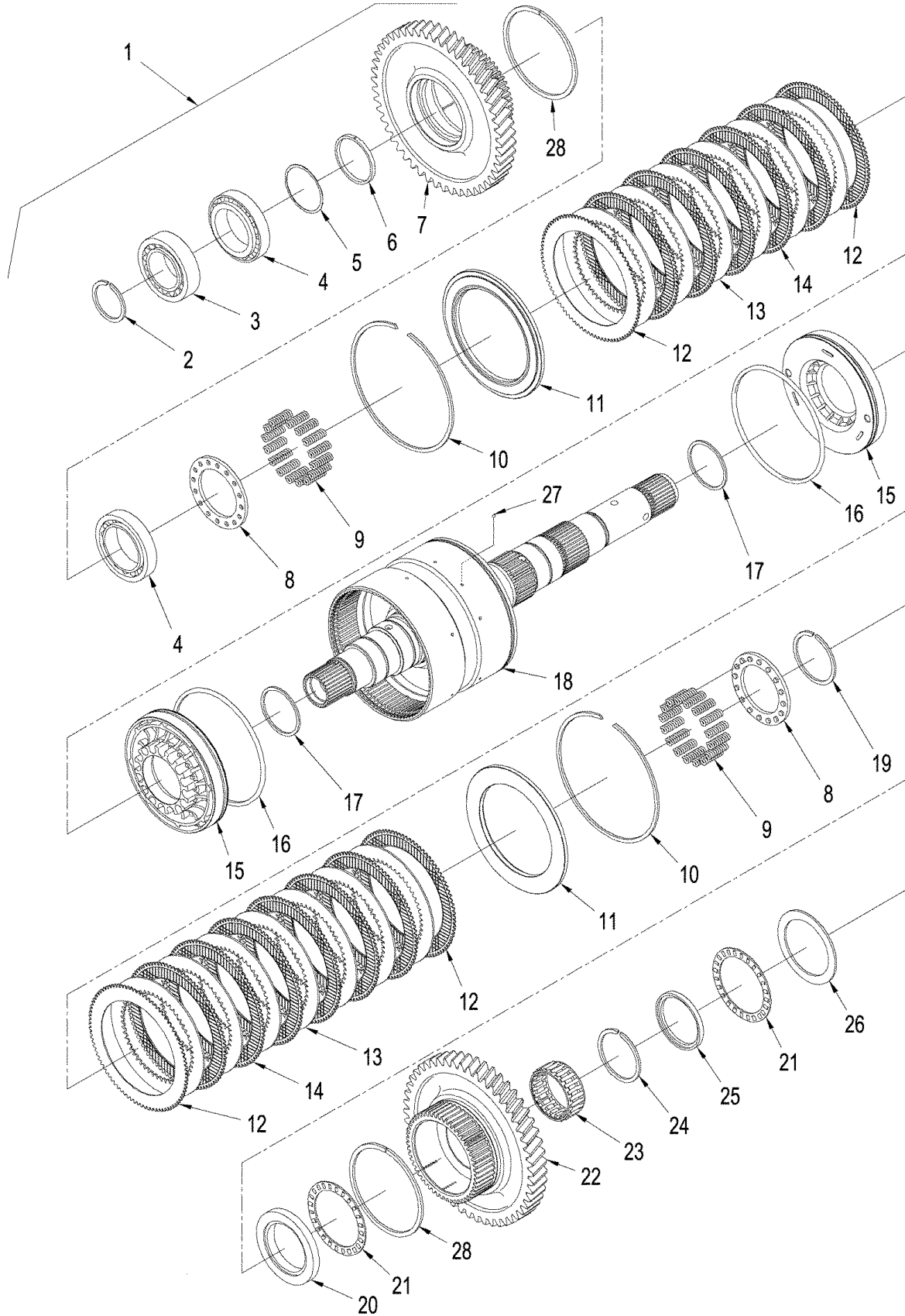


POWER SHIFT TRANSMISSION - INPUT SHAFT ASSEMBLY

REF	FN	PART NUMBER	YR/SN	QTY	DESCRIPTION
1		87350228	BSN Z6F105039	1	SHAFT, CLUTCH INPUT, Inc. 2 - 28, 7C, (8" Yoke) Also See Figure: 06-47
1		87552053	ASN Z6F105039	1	SHAFT, CLUTCH INPUT, Inc. 2 - 28, 7C, (8" Yoke) Also See Figure: 06-47
2		352378A1		AR	SNAP RING, 2,5 mm
2		352394A1		AR	SNAP RING, 2,6 mm
2		352397A1		AR	SNAP RING, 2,7 mm
2		352400A1		AR	SNAP RING, 2,8 mm
2		352815A1		AR	SNAP RING, 2,9 mm
2		352816A1		AR	SNAP RING, 3,0 mm
3		428183A1		1	BEARING
4		352817A1		4	BEARING
5		352818A1		AR	SHIM, 0,15 mm (0.006 in)
5		352819A1		AR	SHIM, 0,18 mm (0.007 in)
5		352820A1		AR	SHIM, 0,20 mm (0.008 in)
5		352821A1		AR	SHIM, 0,25 mm (0.010 in)
5		352822A1		AR	SHIM, 0,30 mm (0.012 in)
5		352823A1		AR	SHIM, 0,50 mm (0.020 in)
6		352825A1		1	SPACER
7		87350229		1	GEAR, 1R
8		87350230		2	PLATE, Retainer Springs
9		362616A1		32	SPRING, Return
10		352829A1		2	SNAP RING
11		87350231		2	PLATE, Clutch End
12		352831A1		4	DISC, CLUTCH, Faced
13		S2080S00F		AR	DISC, CLUTCH, If Used, 2,4 mm (0.094 in)
13		S2090S00F		AR	DISC, CLUTCH, If Used, 2,1 mm (0.083 in)
14		352832A1		11-13	DISC, CLUTCH, Faced
15		87350236		2	PISTON, 7"
16		87431391		2	RING, Seal
17		S2610S00F		2	RING
18		87350255		1	SHAFT, Drum Assy.
19		428163A1		1	SNAP RING
20		353059A1		1	WASHER, THRUST
21		353060A1		2	BEARING, THRUST

STEIGER 280 STX330
STX280 STEIGER 330

POWER SHIFT TRANSMISSION - INPUT SHAFT ASSEMBLY

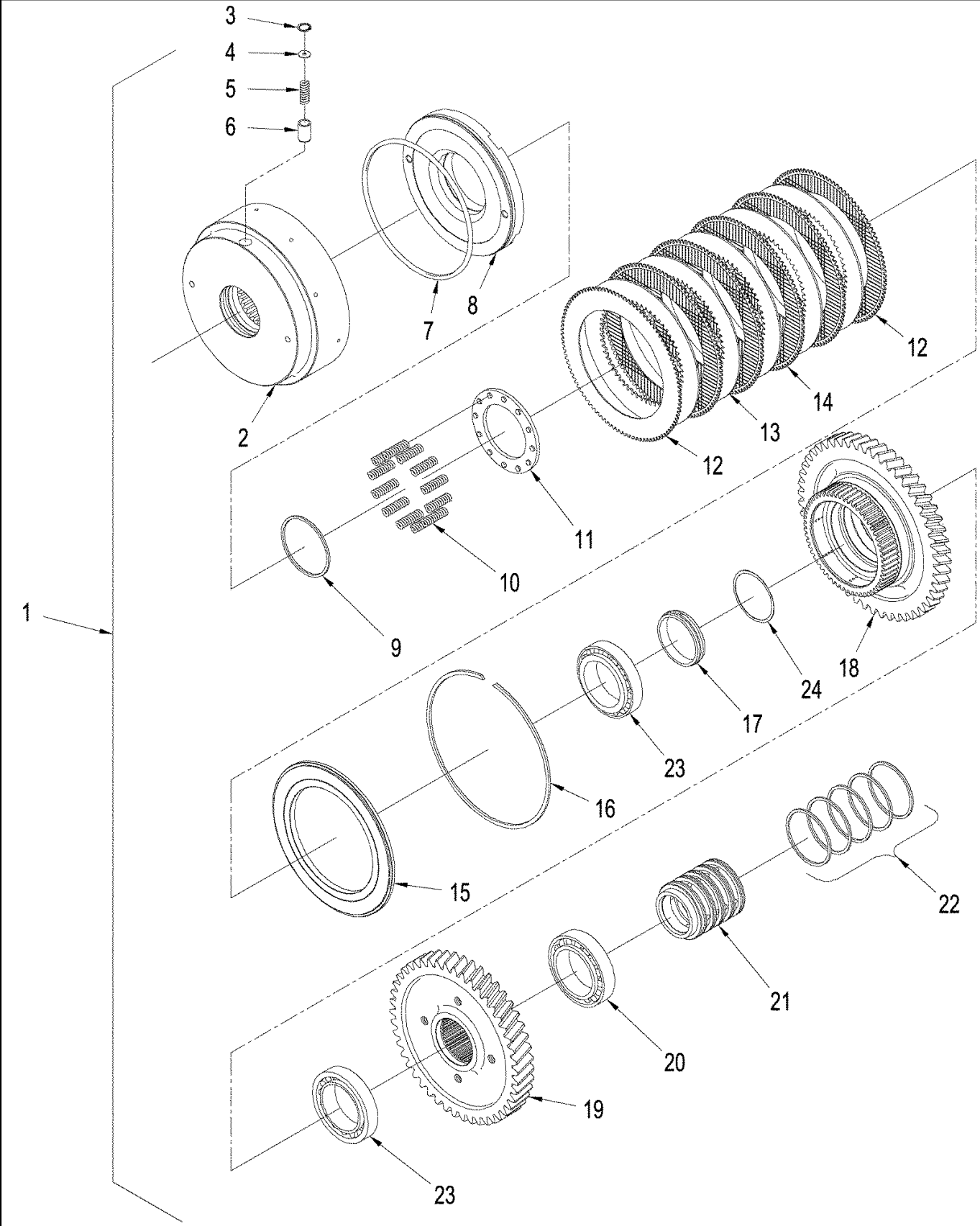


POWER SHIFT TRANSMISSION - INPUT SHAFT ASSEMBLY

REF	FN	PART NUMBER	YR/SN	QTY	DESCRIPTION
22		87350258		1	GEAR, 1M
23		87350260		1	BEARING, NEEDLE
24		358866A1		1	SNAP RING
25		358867A1		1	SPACER
26		358908A1		1	WASHER, THRUST
27		S14701960		1	BALL
28		87431394		2	RING, Seal

STEIGER 280 STX330
STX280 STEIGER 330

POWER SHIFT TRANSMISSION - INPUT SHAFT ASSEMBLY

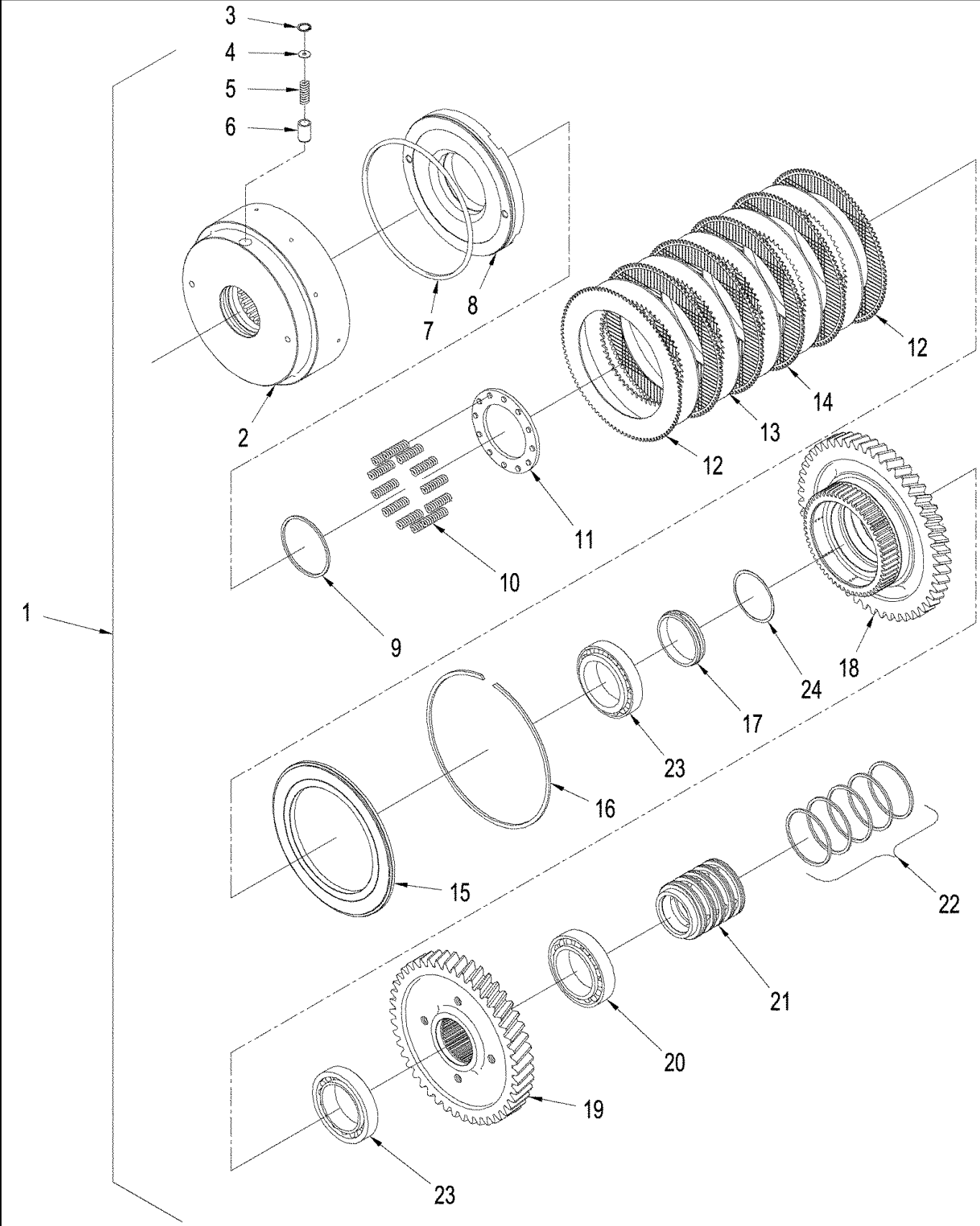


POWER SHIFT TRANSMISSION - INPUT SHAFT ASSEMBLY

REF	FN	PART NUMBER	YR/SN	QTY	DESCRIPTION
1		87350228	BSN Z6F105039	1	SHAFT, CLUTCH INPUT, 7C, (8" Yoke) Inc. 2 - 25, Also See Figure: 06-46
1		87552053	ASN Z6F105039	1	SHAFT, CLUTCH INPUT, 7C, (8" Yoke) Inc. 2 - 25, Also See Figure: 06-46
2		358918A1	BSN Z6F105039	1	DRUM, 1F, Clutch
2		87552054	ASN Z6F105039	1	DRUM, 1F, Clutch
3		800-2116	BSN Z6F105039	1	RING, SNAP, M16, Int
4		S3220S00F	BSN Z6F105039	1	SHIM, 0,70 mm (0,028 in)
5		S3210S00F	BSN Z6F105039	1	SPRING
6		S3200S00F	BSN Z6F105039	1	VALVE, DRAIN
7		87431393	BSN Z6F105039	1	RING, Seal
7		87431391	ASN Z6F105039	1	RING, Seal
8		358970A1	BSN Z6F105039	1	PISTON
8		87552055	ASN Z6F105039	1	PISTON
9		S5510S00F		1	RING
10		358971A1	BSN Z6F105039	12	SPRING
10		358971A1	ASN Z6F105039	20	SPRING
11		358972A1	BSN Z6F105039	1	PLATE, Spring
11		87552056	ASN Z6F105039	1	SPRING, Plate
12		370555A1		2	DISC, CLUTCH, Faced
13		S4070S00F		AR	DISC, CLUTCH, If Used, 2,4 mm (0,094 in)
13		S4110S00F		AR	DISC, CLUTCH, If Used, 2,1 mm (0,083 in)
14		370556A1		4	DISC, CLUTCH, Faced
15		442803A1		1	PLATE, End
16		428108A1		1	SNAP RING
17		359203A1		1	SPACER
18		359204A1		1	GEAR, 1F
19		87350261		1	GEAR, DRIVING, Drive
20		533725R1		1	BEARING
21		359207A1		1	CARRIER, Seal
22		S4150S00F		5	RING, Seal
23		352817A1		2	BEARING, Roller
24		352818A1		AR	SHIM, 0,15 mm
24		352819A1		AR	SHIM, 0,18 mm
24		352820A1		AR	SHIM, 0,20 mm

STEIGER 280 STX330
STX280 STEIGER 330

POWER SHIFT TRANSMISSION - INPUT SHAFT ASSEMBLY



06-47

p2

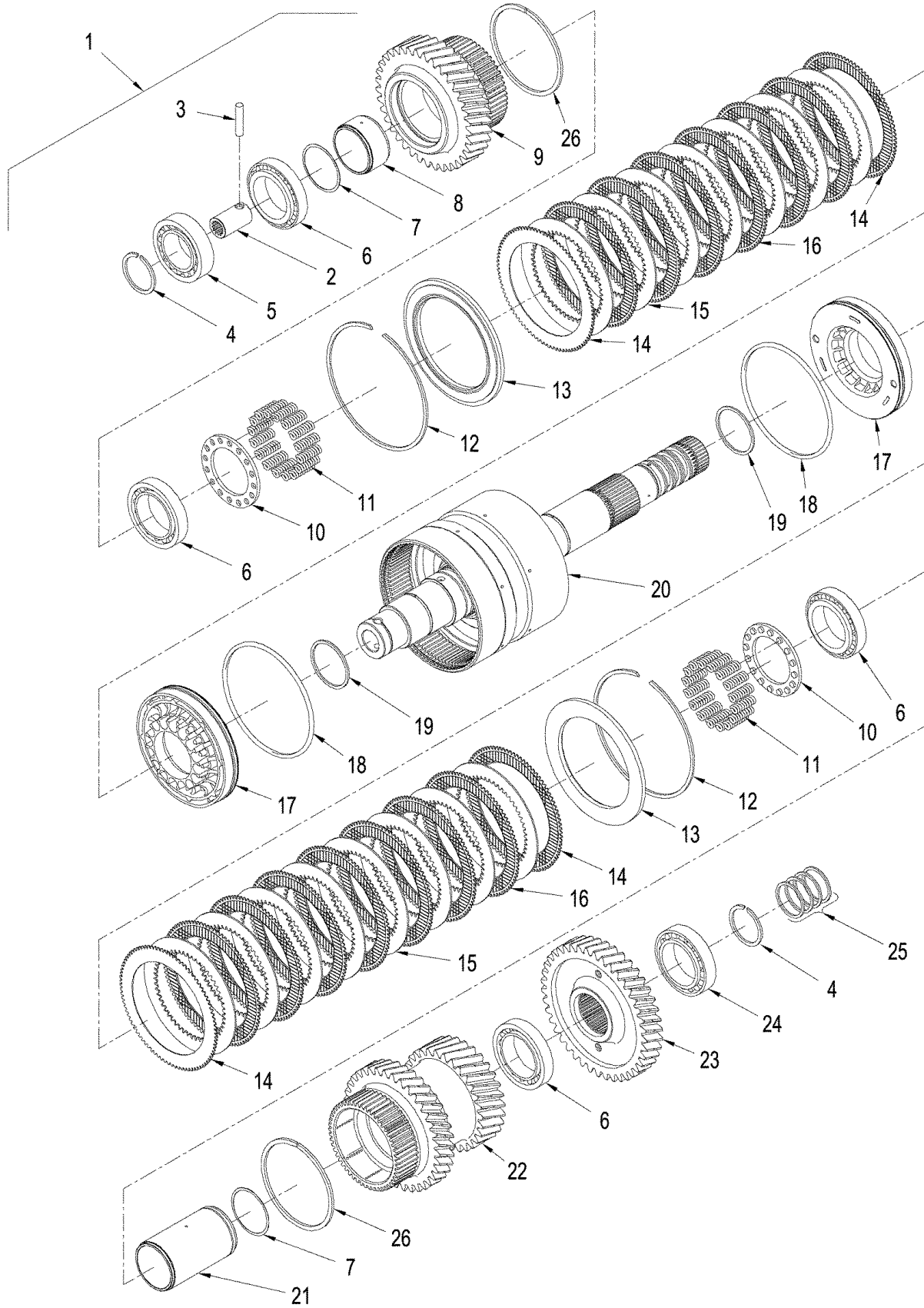
05/07

POWER SHIFT TRANSMISSION - INPUT SHAFT ASSEMBLY

REF	FN	PART NUMBER	YR/SN	QTY	DESCRIPTION
24		352821A1		AR	SHIM, 0,25 mm
24		352822A1		AR	SHIM, 0,30 mm
24		352823A1		AR	SHIM, 0,50 mm

STEIGER 280 STX330
STX280 STEIGER 330

POWER SHIFT TRANSMISSION - SECOND SHAFT ASSEMBLY

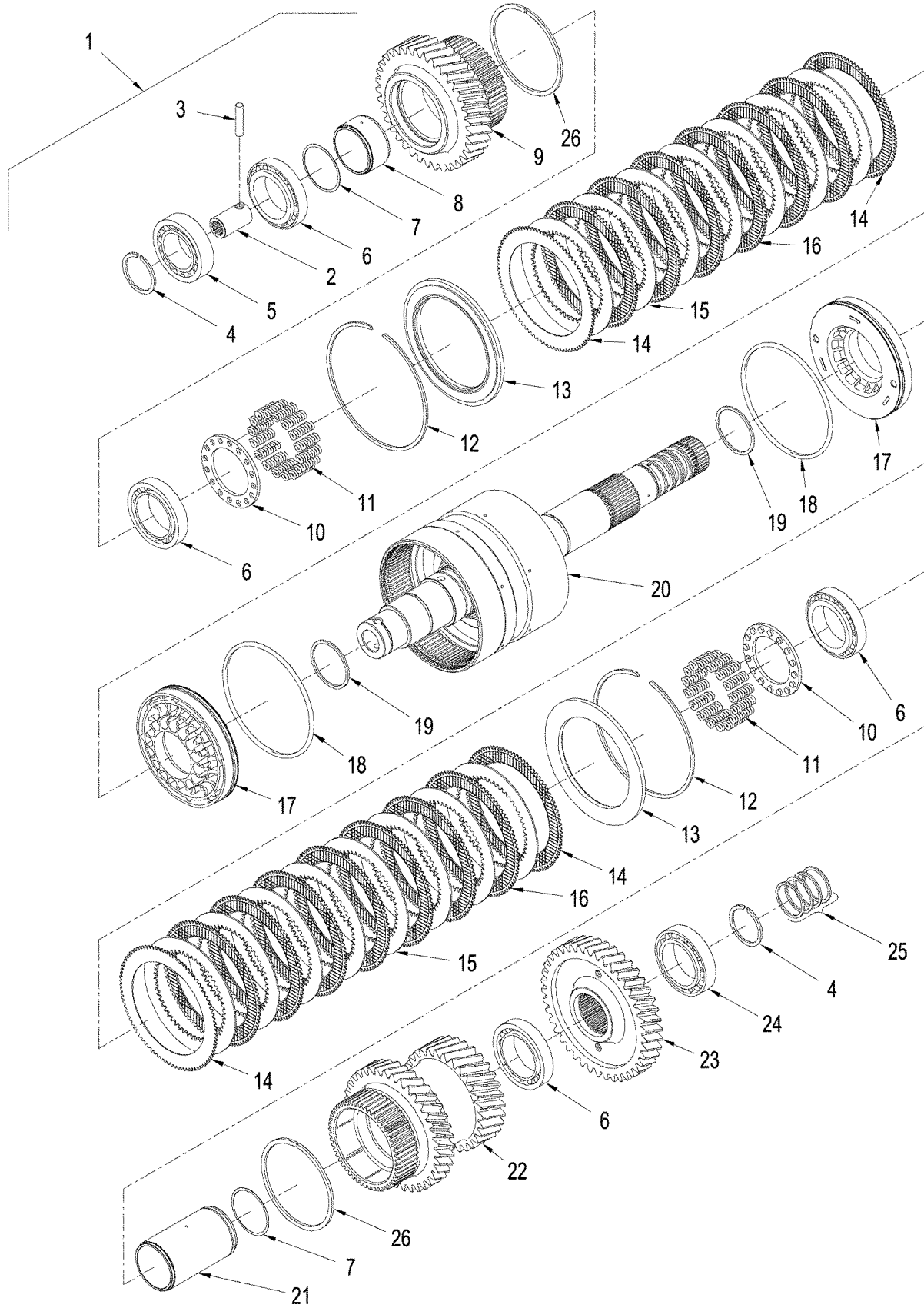


POWER SHIFT TRANSMISSION - SECOND SHAFT ASSEMBLY

REF	FN	PART NUMBER	YR/SN	QTY	DESCRIPTION
1		87350268		1	SHAFT, CLUTCH INPUT, Second, Inc. 2 - 26
2		428673A1		1	COUPLING, SPLINED
3		428674A1		1	DOWEL
4		352378A1		AR	SNAP RING, 2,5 mm
4		352394A1		AR	SNAP RING, 2,6 mm
4		352397A1		AR	SNAP RING, 2,7 mm
4		352400A1		AR	SNAP RING, 2,8 mm
4		352815A1		AR	SNAP RING, 2,9 mm
4		352816A1		AR	SNAP RING, 3,0 mm
5		428183A1		1	BEARING
6		352817A1		4	BEARING
7		352818A1		AR	SHIM, 0,15 mm
7		352819A1		AR	SHIM, 0,18 mm
7		352820A1		AR	SHIM, 0,20 mm
7		352821A1		AR	SHIM, 0,25 mm
7		352822A1		AR	SHIM, 0,30 mm
7		352823A1		AR	SHIM, 0,50 mm
8		87350273		1	SPACER
9		87350277		1	GEAR, 2R
10		87350230		2	PLATE, Retaining Spring
11		362616A1		32	SPRING
12		352829A1		2	SNAP RING
13		87350231		2	PLATE, Clutch End
14		352831A1		4	DISC, CLUTCH, Faced
15		S2080S00F		AR	DISC, CLUTCH, If Used, 2,4 mm (0.094 in)
15		S2090S00F		AR	DISC, CLUTCH, If Used, 2,1 mm (0.083 in)
16		352832A1		11-13	DISC, CLUTCH, Faced, 7"
17		87350236		2	PISTON, 7"
18		87431391		2	RING, Seal
19		S2610S00F		2	RING
20		87350301		1	SHAFT, Drum
21		87350305		1	SPACER, Bearing
22		87350306		1	GEAR, 2M
23		87350307		1	GEAR, DRIVEN, Driven
24		359206A1		1	BEARING, ROLLER, TAPERED

STEIGER 280 STX330
 STX280 STEIGER 330

POWER SHIFT TRANSMISSION - SECOND SHAFT ASSEMBLY

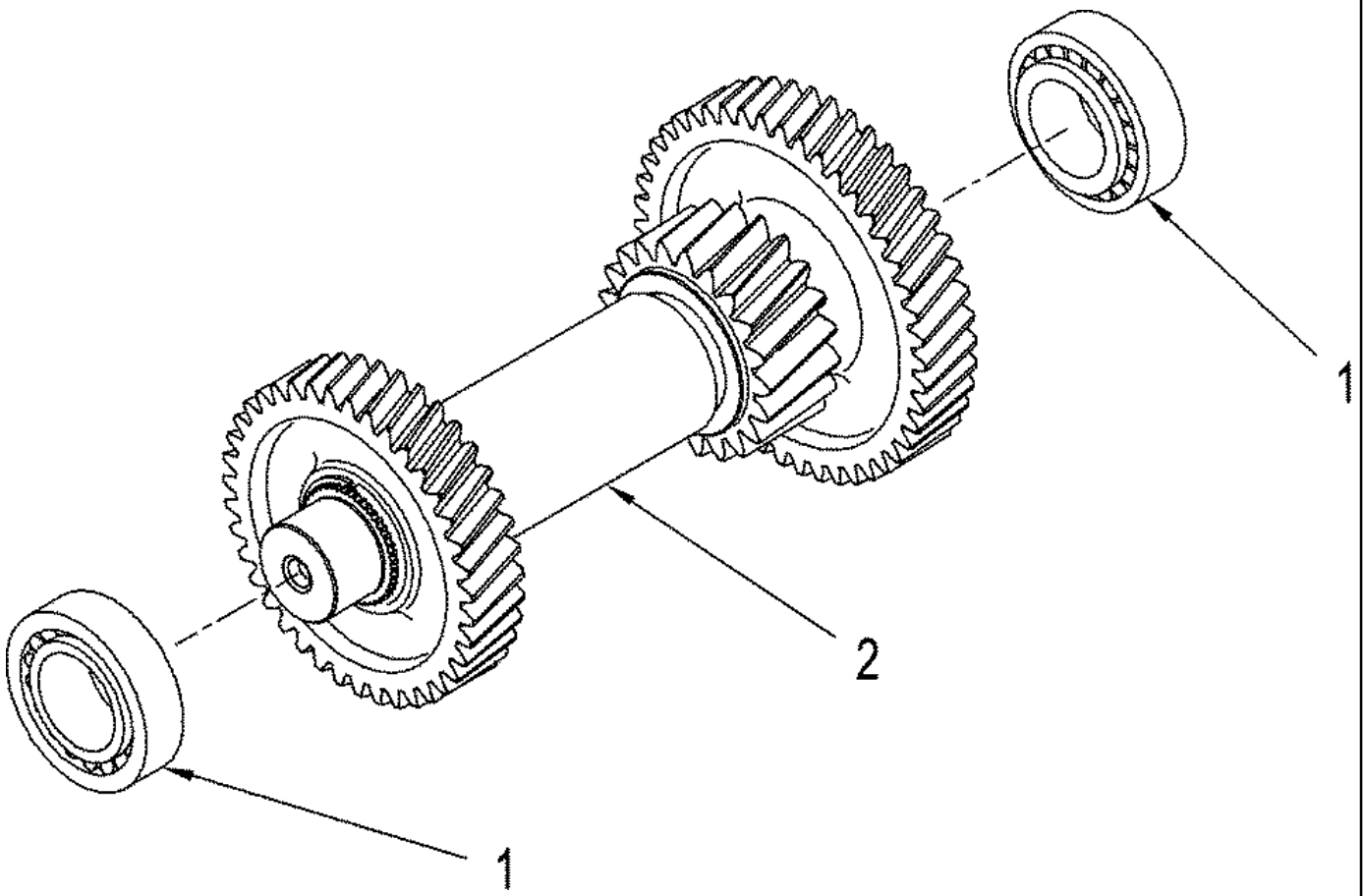


POWER SHIFT TRANSMISSION - SECOND SHAFT ASSEMBLY

REF	FN	PART NUMBER	YR/SN	QTY	DESCRIPTION
25		S3070S00F		4	RING
26		87431394		2	RING, Seal

	STEIGER 280 STX330 STX280 STEIGER 330
--	--

POWER SHIFT TRANSMISSION - THIRD SHAFT ASSEMBLY

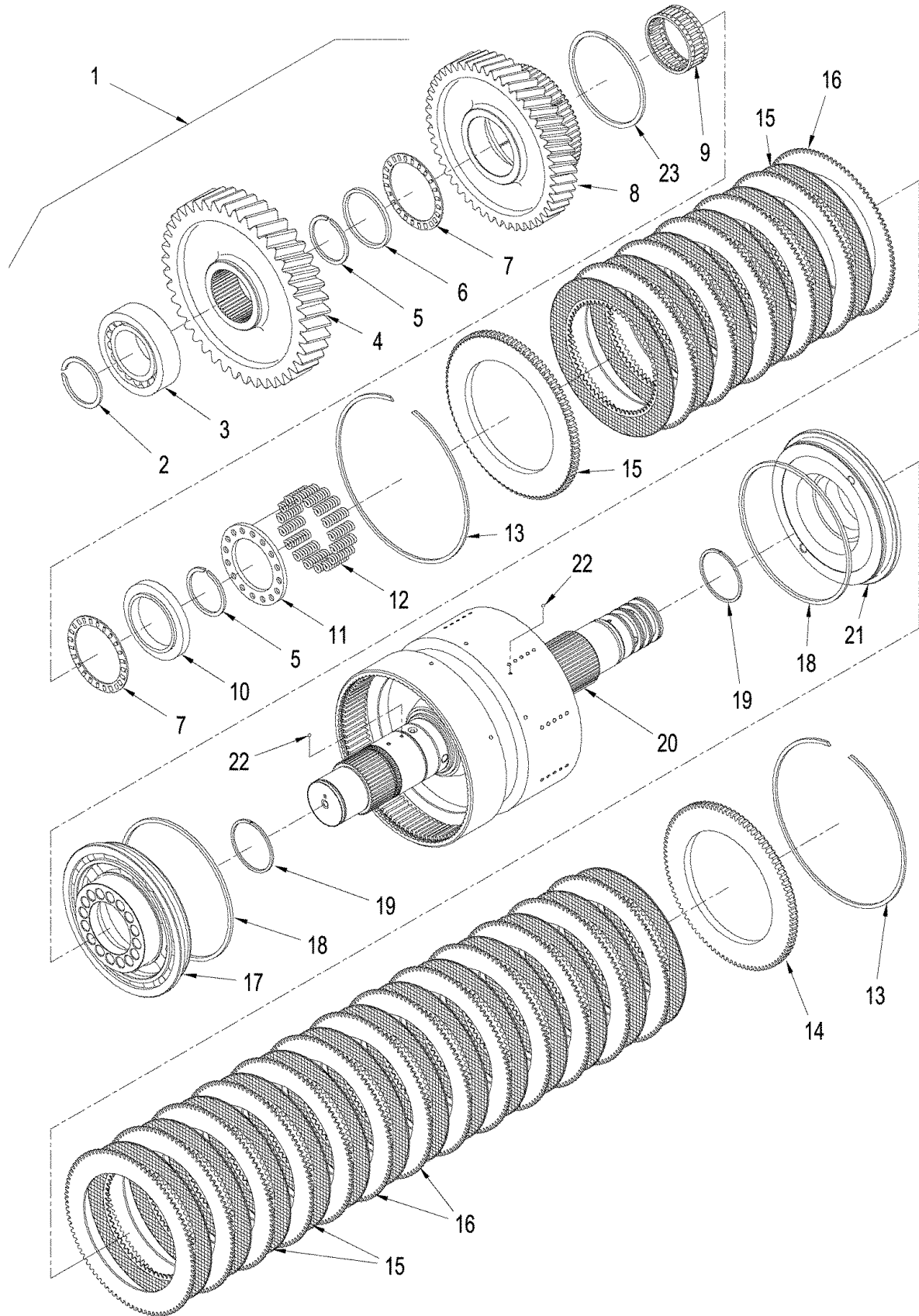


POWER SHIFT TRANSMISSION - THIRD SHAFT ASSEMBLY

REF	FN	PART NUMBER	YR/SN	QTY	DESCRIPTION
1		87431397		2	BEARING
2		87350476		1	SHAFT, GEAR

	STEIGER 280 STX330 STX280 STEIGER 330
--	--

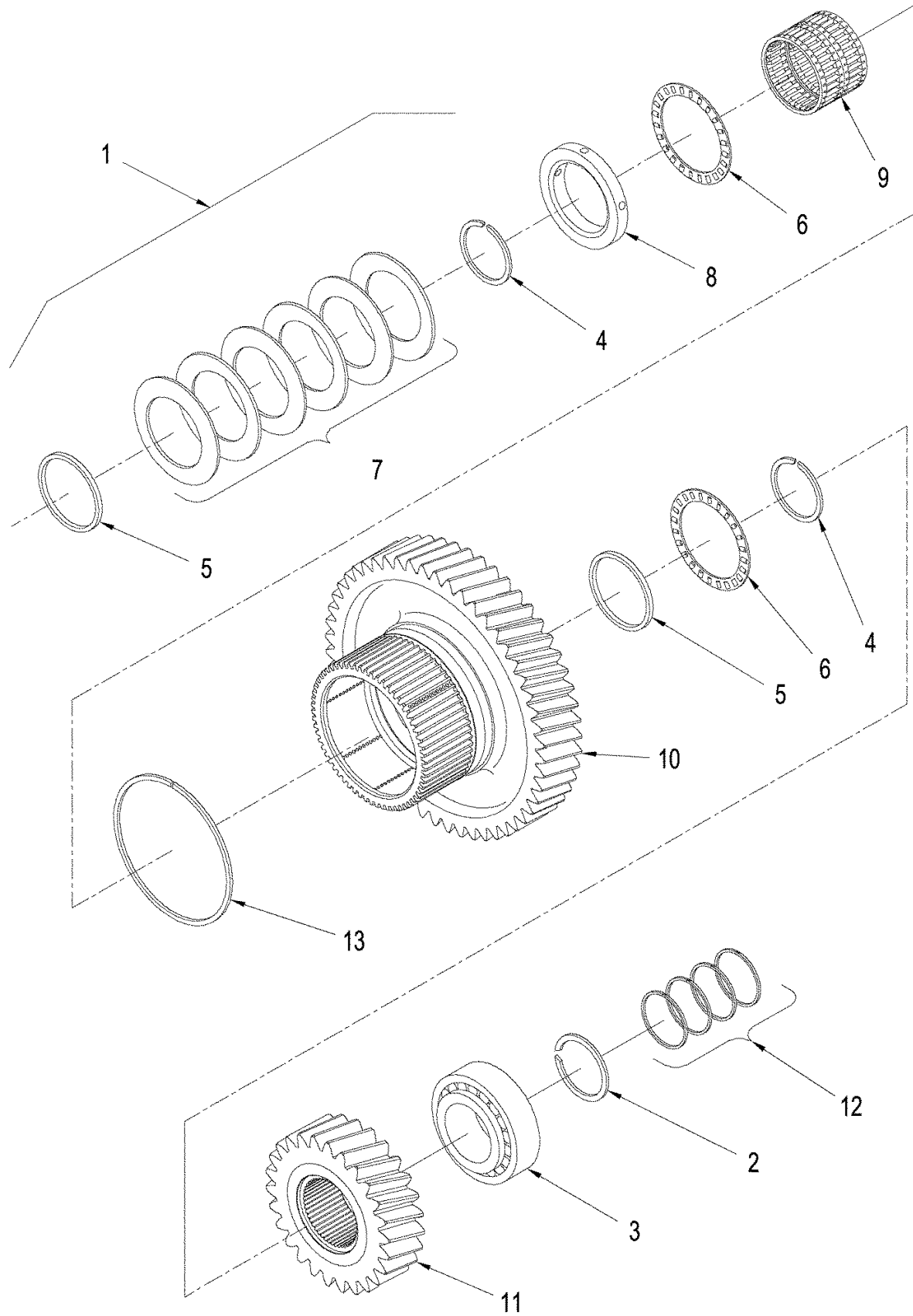
POWER SHIFT TRANSMISSION - FOURTH SHAFT ASSEMBLY



POWER SHIFT TRANSMISSION - FOURTH SHAFT ASSEMBLY

REF	FN	PART NUMBER	YR/SN	QTY	DESCRIPTION
1		87350312		1	SHAFT, CLUTCH INPUT, Fourth, Inc.2 - 23, Also See Figure: 06-51
2		427674A1		AR	SHIM, 2,50 mm
2		427675A1		AR	SHIM, 2,60 mm
2		427676A1		AR	SHIM, 2,70 mm
2		427678A1		AR	SHIM, 2,80 mm
2		427679A1		AR	SHIM, 2,90 mm
2		427680A1		AR	SHIM, 3,00 mm
3		428675A1		2	BEARING
4		87350315		1	GEAR, DRIVING, Drive
5		S5040S00F		4	RING
6		362611A1		3	SPACER
7		87640391		4	BEARING, NEEDLE
8		87350316		1	GEAR, DRIVEN, Driven
9		87350319		1	BEARING, NEEDLE
10		87350321		1	WASHER, THRUST
11		362615A1		1	PLATE, Spring Retainer
12		362616A1		16	SPRING
13		359235A1		2	SNAP RING
14		87350325		2	PLATE, END, Clutch End
15		362618A1		19	DISC, CLUTCH
16		362628A1		AR	DISC, CLUTCH, If Used, 2,4 mm (0.094 in)
16		362629A1		AR	DISC, CLUTCH, If Used, 2,6 mm (0.102 in)
17		364822A1		1	PISTON
18		87431400		2	RING, Seal
19		S4410S00F		2	RING
20		87350328		1	SHAFT, Drum
21		364825A1		1	PISTON
22		S14701960		2	BALL
23		392073A1		2	SEALRING
					STEIGER 280 STX330 STX280 STEIGER 330

POWER SHIFT TRANSMISSION - FOURTH SHAFT ASSEMBLY

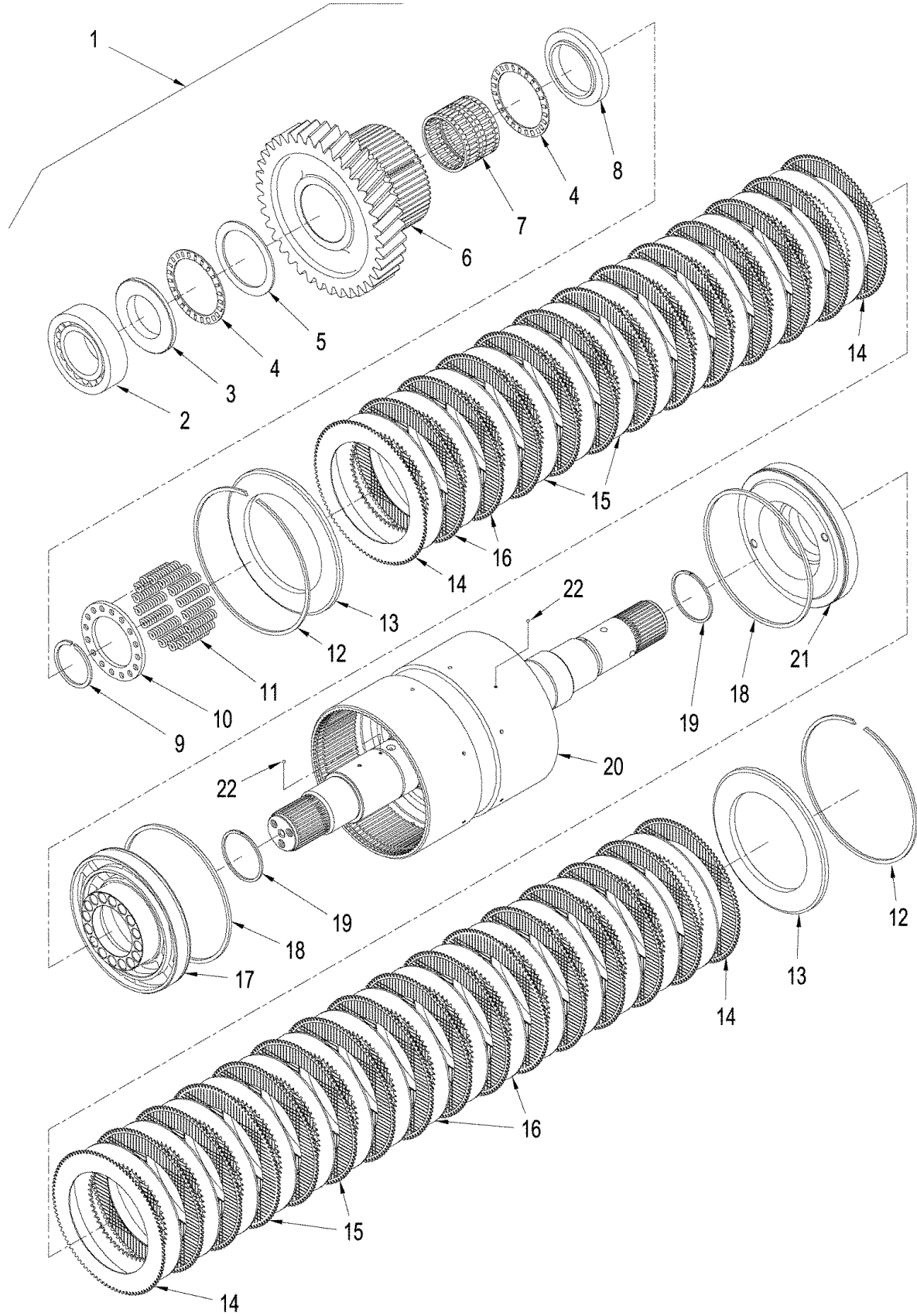


POWER SHIFT TRANSMISSION - FOURTH SHAFT ASSEMBLY

REF	FN	PART NUMBER	YR/SN	QTY	DESCRIPTION
1		87350312		1	SHAFT, CLUTCH INPUT, Fourth, Inc. 2 - 13, Also See Figure: 06-50
2		427674A1		AR	SHIM, 2,50 mm
2		427675A1		AR	SHIM, 2,60 mm
2		427676A1		AR	SHIM, 2,70 mm
2		427678A1		AR	SHIM, 2,80 mm
2		427679A1		AR	SHIM, 2,90 mm
2		427680A1		AR	SHIM, 3,00 mm
3		428675A1		2	BEARING, Roller
4		S5040S00F		4	RING, Retaining
5		362611A1		3	SPACER
6		87640391		4	BEARING, NEEDLE
7		364826A1		6	PLATE, Spring
8		87350331		1	WASHER, THRUST
9		S5070S00F		2	BEARING, NEEDLE
10		87350334		1	GEAR, DRIVEN
11		87350339		1	GEAR, DRIVING, Drive
12		87431401		4	RING, Seal
13		392073A1		1	SEALRING

STX330 STX280
STEIGER 280 STEIGER 330

POWER SHIFT TRANSMISSION - FIFTH SHAFT ASSEMBLY

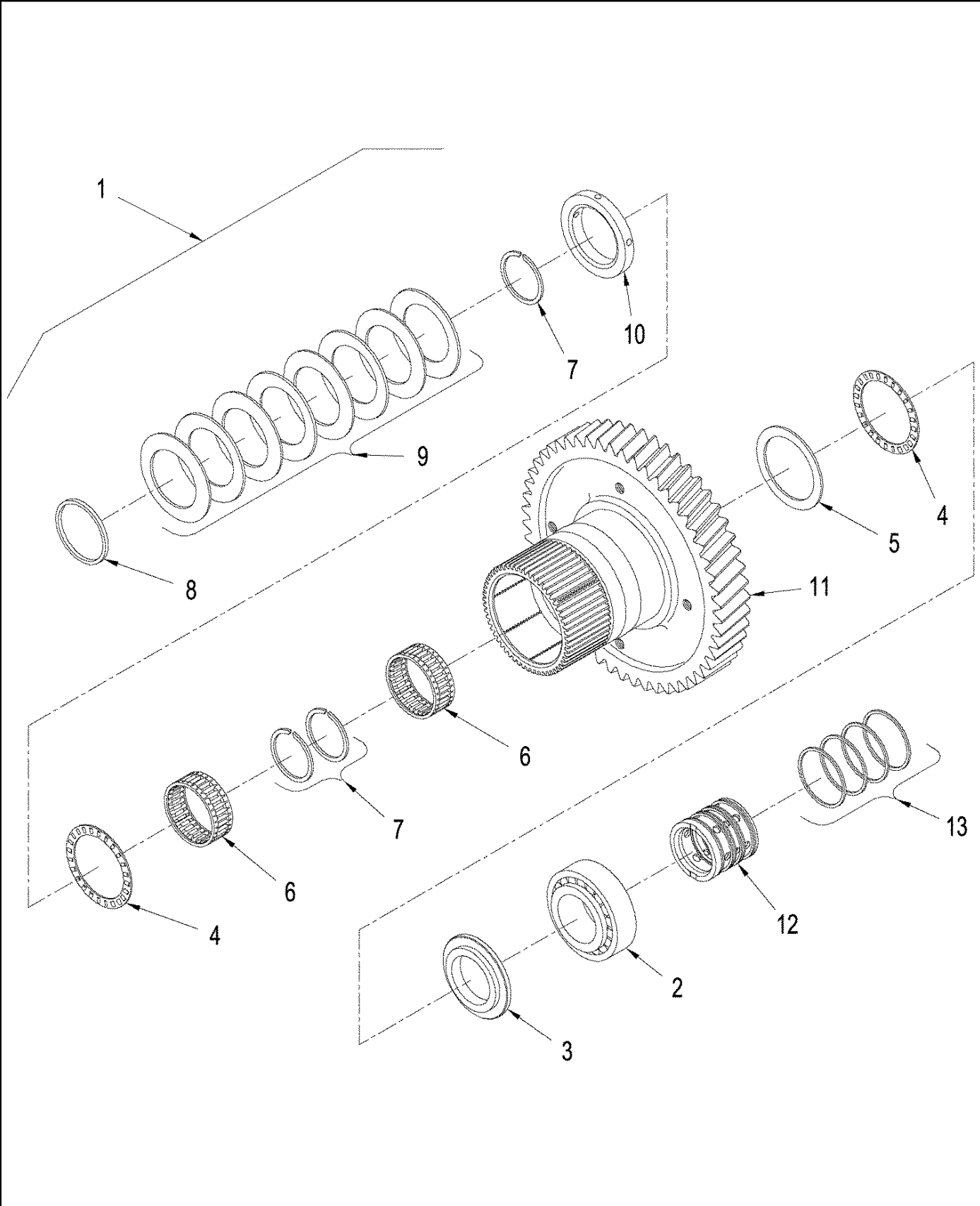


POWER SHIFT TRANSMISSION - FIFTH SHAFT ASSEMBLY

REF	FN	PART NUMBER	YR/SN	QTY	DESCRIPTION
1		87350349		1	SHAFT, CLUTCH INPUT, Fifth, Inc. 2 - 22, Also See Figure: 06-53
2		428675A1		2	BEARING
3		364831A1		2	WASHER, THRUST
4		87640391		4	BEARING, NEEDLE
5		358908A1		2	WASHER, THRUST
6		87350355		1	GEAR, DRIVEN, Driven
7		S5070S00F		4	BEARING, NEEDLE
8		87350321		1	WASHER, THRUST
9		S5040S00F		4	RING
10		362615A1		1	PLATE, Spring Retaining
11		364833A1		16	SPRING
12		428108A1		2	SNAP RING
13		87350360		2	PLATE
14		370555A1		4	DISC, CLUTCH, Faced
15		S4070S00F		AR	DISC, CLUTCH, If Used, 2,4 mm (0.094 in)
15		S4110S00F		AR	DISC, CLUTCH, If Used, 2,1 mm (0.083 in)
16		370556A1		25	DISC, CLUTCH, Faced
17		370558A1		1	PISTON
18		87431400		2	RING, Seal
19		S4410S00F		2	RING
20		87350368		1	SHAFT, Drum
21		370562A1		1	PISTON
22		S14701960		2	BALL

STX330	STX280
STEIGER 280	STEIGER 330

POWER SHIFT TRANSMISSION - FIFTH SHAFT ASSEMBLY

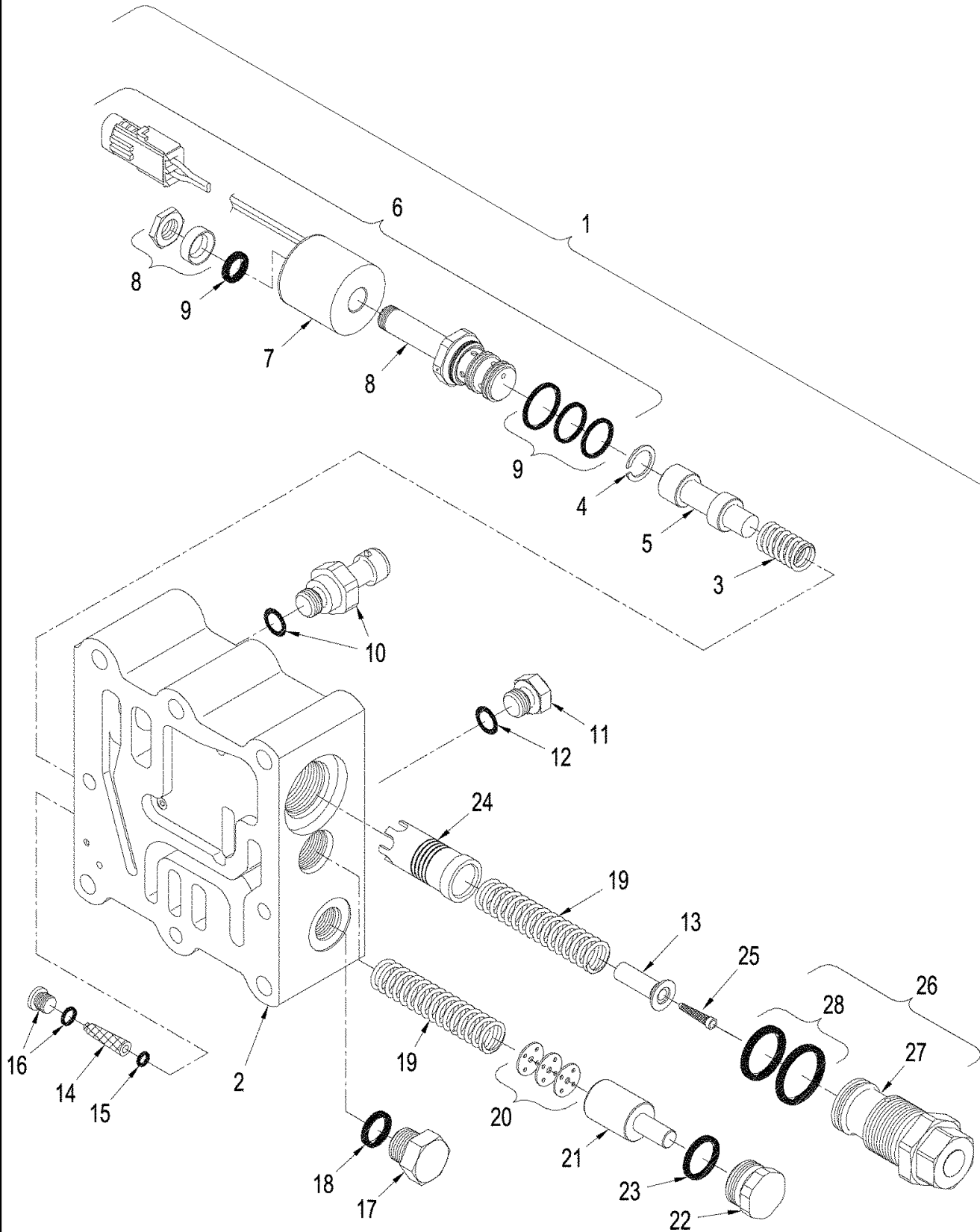


POWER SHIFT TRANSMISSION - FIFTH SHAFT ASSEMBLY

REF	FN	PART NUMBER	YR/SN	QTY	DESCRIPTION
1		87350349		1	SHAFT, CLUTCH INPUT, Fifth, Inc. 2 - 13, Also See Figure: 06-52
2		428675A1		1	BEARING, Roller
3		364831A1		1	WASHER, THRUST
4		87640391		2	BEARING, NEEDLE, Needle
5		358908A1		1	WASHER, THRUST
6		S5070S00F		1	BEARING, NEEDLE
7		S5040S00F		4	RING, Retaining
8		362611A1		1	SPACER
9		364826A1		8	PLATE, Spring
10		87350331		1	WASHER, THRUST
11		87350374		1	GEAR, DRIVEN, Driven
12		370568A1		1	CARRIER, Seal
13		S4150S00F		4	RING, Seal

STX330 STX280
STEIGER 280 STEIGER 330

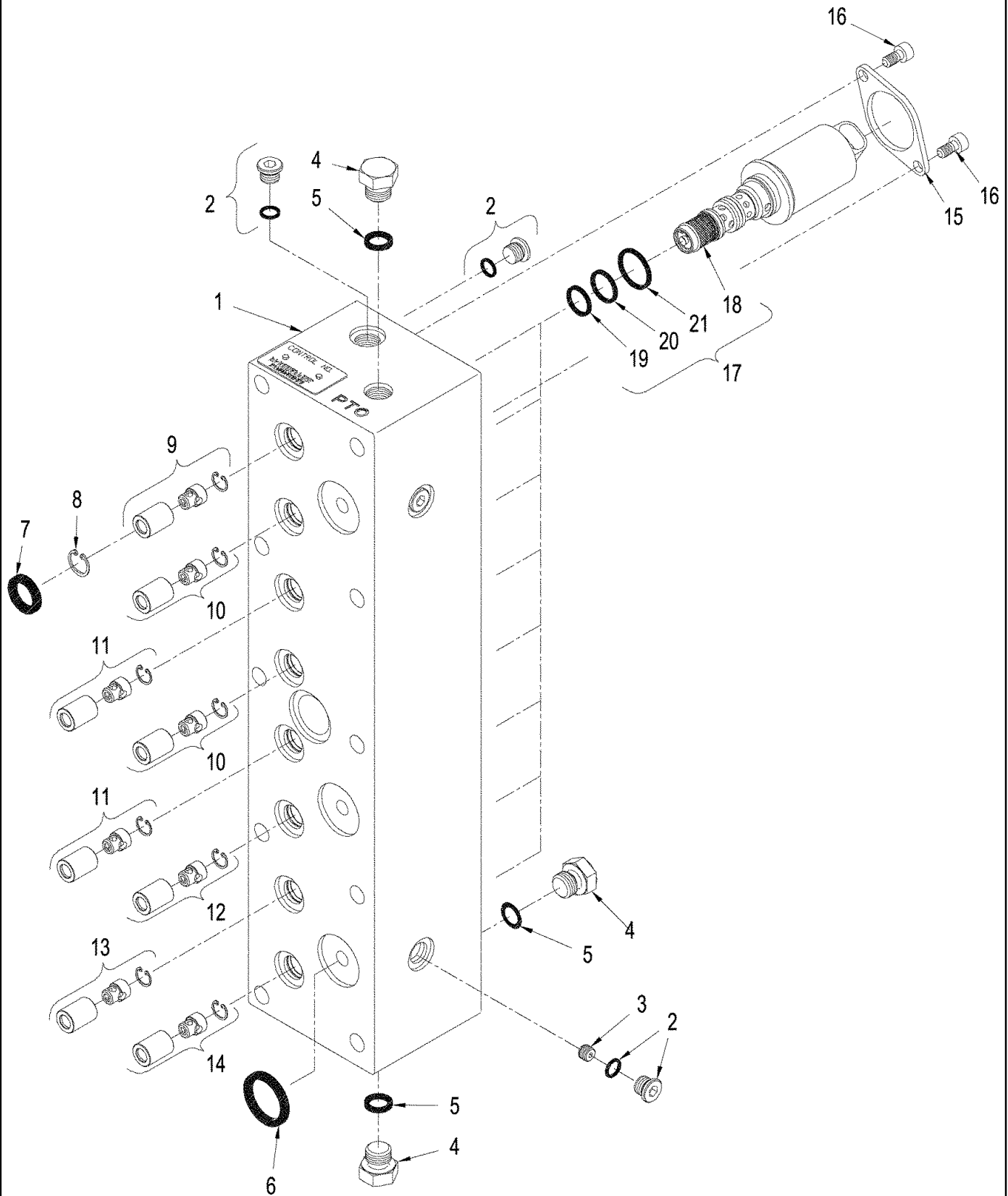
POWER SHIFT TRANSMISSION - REGULATOR VALVE ASSEMBLY



POWER SHIFT TRANSMISSION - REGULATOR VALVE ASSEMBLY

REF	FN	PART NUMBER	YR/SN	QTY	DESCRIPTION
1		87350388		1	VALVE, Regulator, Inc. 2 - 26
2		NSS		1	NOT SERVICED SEPARATELY, Body, Valve
3		370596A1		1	SPRING
4		428679A1		1	SNAP RING
5		370597A1		1	SPOOL
6		371737A1		1	VALVE, SOLENOID, Three way, Inc. 7 - 9
7		371739A1		2	COIL
8		370600A1		1	VALVE, SOLENOID, Pilot Assy.
9		371738A1		1	KIT, O-Ring
10		404450A1		1	SENSOR, Pressure
11		220064A1		1	PLUG, M14 x 1.5, ORB, Inc. 12
12		637-63113		1	O-RING, CI 6, 11.3MM ID x 2.2 Thk
13		87350417		1	COVER, FILTER, Filter
14		87409404		1	FILTER, Conical
15		428676A1		1	O-RING
16		428678A1		1	PLUG, Inc. O-Ring
17		220066A1		1	PLUG, M18 x 1.5, ORB, Inc. 18
18		637-63153		1	O-RING, CI 6, 15.3MM ID x 2.2 Thk
19		398443A1		2	SPRING
20		398445A1		AR	SHIM
21		398444A1		1	VALVE, Spool
22		87431407		1	PLUG, Inc. 23
23		87431408		1	O-RING
24		87350419		1	SPOOL, Main Pressure
25		87362229		1	SCREEN, FILTER, Screen
26		87350395		1	VALVE, PILOT, Pilot, Inc. 27 - 28
27		NSS		1	NOT SERVICED SEPARATELY, Valve, Pilot
28		87350407		1	KIT, O-Ring
					STX330 STX280 STEIGER 280 STEIGER 330

POWER SHIFT TRANSMISSION - RANGE SELECTOR VALVE

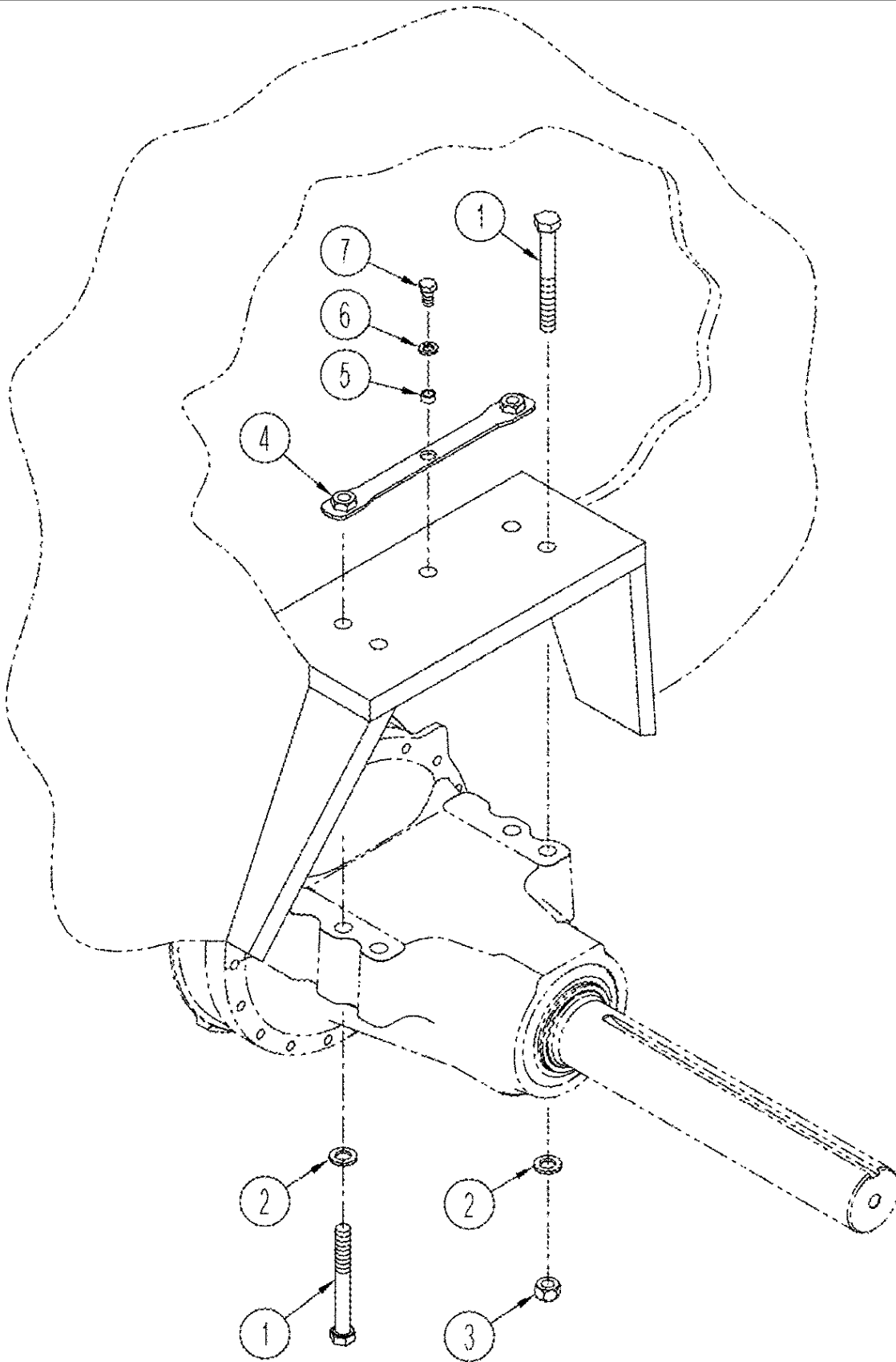


POWER SHIFT TRANSMISSION - RANGE SELECTOR VALVE

REF	FN	PART NUMBER	YR/SN	QTY	DESCRIPTION
		87350421		1	VALVE, Range Selector, Inc. 1 - 17
1		NSS		1	NOT SERVICED SEPARATELY, Body, Valve
2		87350425		7	PLUG, STOP
3		87350428		2	ORIFICE, Orifice
4		220064A1		10	PLUG, M14 x 1.5, ORB, M14, Inc. 5
5		637-63113		1	O-RING, CI 6, 11.3MM ID x 2.2 Thk
6		238-5214		4	O-RING, -214, 70 Duro, .984" ID x .139" Thk
7		238-5208		8	O-RING, -208, 70 Duro, .609" ID x .139" Thk
8		100-2156		8	RING, SNAP, 0.562", Int, #56
9		87350429		1	VALVE, CHECK, Check, 3,45 mm
10		87350431		2	VALVE, CHECK, Check, 2,51 mm
11		87350432		2	VALVE, CHECK, Check, 2,36 mm
12		87350433		1	VALVE, CHECK, Check, 2,82 mm
13		87350434		1	VALVE, CHECK, Check, 5,54 mm
14		87350435		1	VALVE, CHECK, Check, 4,80 mm
15		87350463		8	PLATE, Valve Retainer
16		864-6012		16	SCREW, Hex Soc Hd, M6 x 12, 8.8
17		87357396		8	VALVE, SOLENOID, PWM Solenoid, Inc. 18 - 21
18		NSS		1	NOT SERVICED SEPARATELY, Body, Valve
19		87014033		1	O-RING, -019, CI 7, .801" ID x .070" Thk
20		238-7016		1	O-RING, -016, CI 7, .614" ID x .070" Thk
21		238-7015		1	O-RING, -015, CI 7, .551" ID x .070" Thk

STX330 STX280
STEIGER 280 STEIGER 330

AXLE MOUNTING

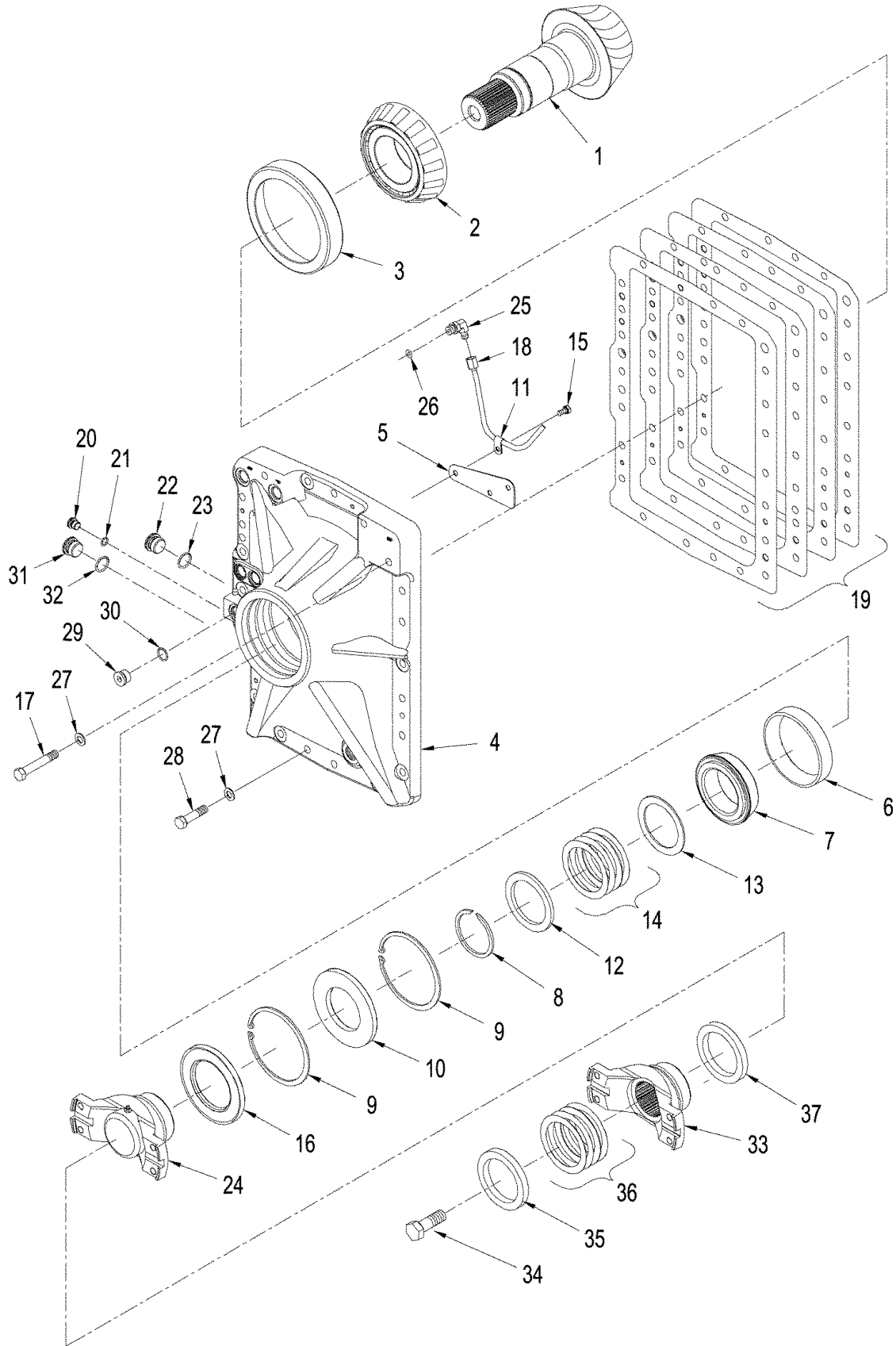


AXLE MOUNTING					
----------------------	--	--	--	--	--

REF	FN	PART NUMBER	YR/SN	QTY	DESCRIPTION
1		827-24200		8	BOLT, Hex, M24 x 200, 10.9
2		896-11024		8	WASHER, M24 x 44.5 x 5, HT
3		829-1424		AR	NUT, M24, CI 10, Use (4) Rear Axle and (8) Front Axle
4		296050A1		2	PLATE, Mounting, Rear Axle
5		70-5967T1		2	SPACER
6		896-11016		2	WASHER, M17.5 x 30 x 4, HT
7		627-16030		2	BOLT, Hex, M16 x 30, 10.9, Full Thd

	STX330 STX280 STEIGER 280 STEIGER 330
--	---

AXLE ASSEMBLY - COVER, FRONT AXLE



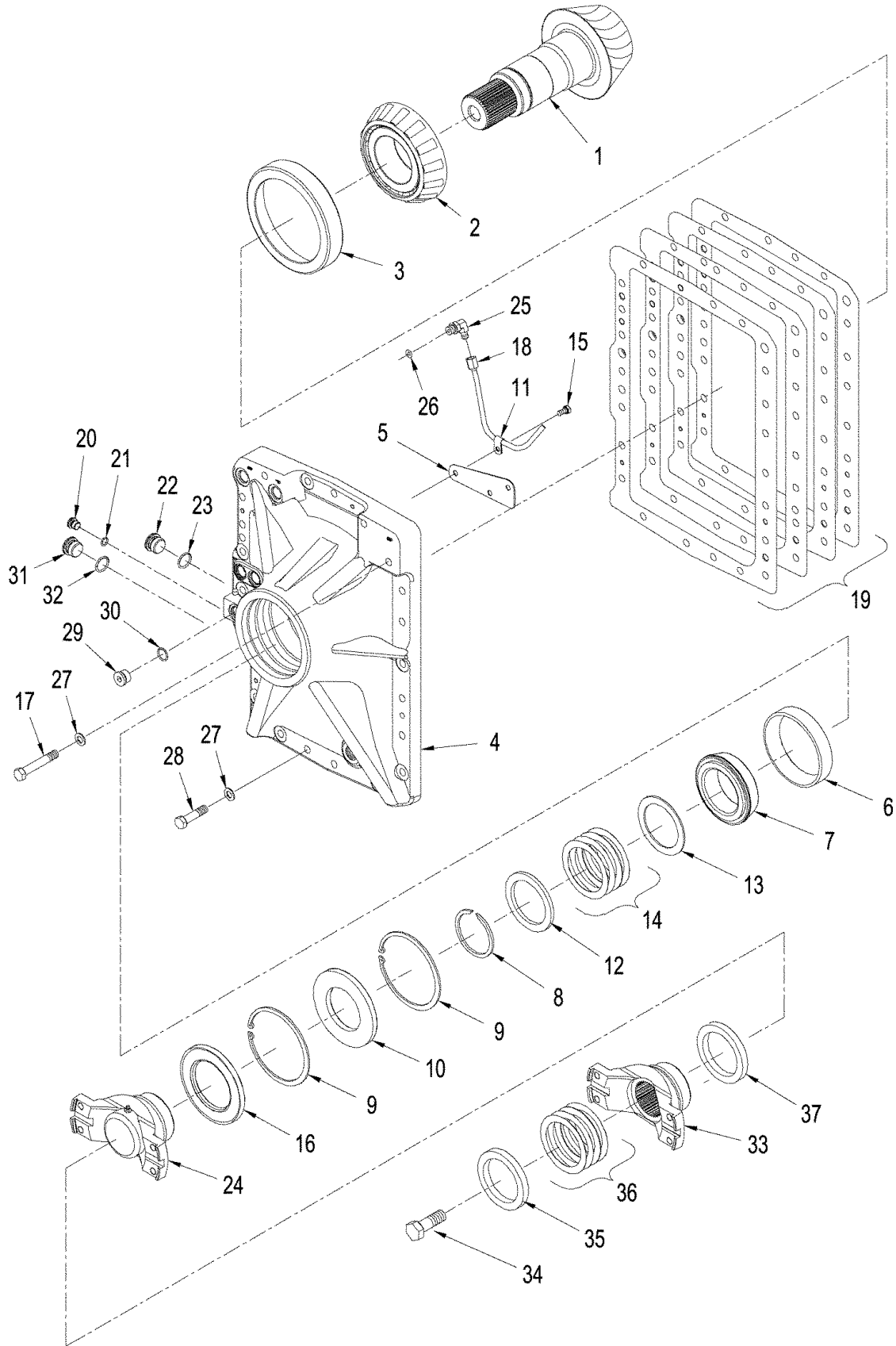
AXLE ASSEMBLY - COVER, FRONT AXLE

REF	FN	PART NUMBER	YR/SN	QTY	DESCRIPTION
		302259A2		1	GEAR SET, Pinion Shaft, See Figures: 06-60 & 06-61, Inc. 1
1		NSS		1	NOT SERVICED SEPARATELY, Shaft, Pinion, 12 T / 53 T
2		248118A1		1	BEARING, CONE
3		248114A1		1	BEARING SET
4		86985627		1	COVER
5		246146A1		1	BAFFLE
6		191440A1		1	BEARING, CUP
7		67190R91		1	BEARING, CONE
8		229515A1		1	SNAP RING, M4
9		100-21550		2	RING, SNAP, 5.50", Int, #550
10		87432424		1	SEAL, Pinion Input Shaft
11		515-2279		1	CLAMP, 5/16", Insul, 5/16" Bolt, M7.9
12		228968A2		1	SPACER, Thick
13		191713A1		1	SPACER, Thin
14		191709A1		AR	SHIM, 0.076 mm
14		191711A1		AR	SHIM, 0.101 mm
14		191712A1		AR	SHIM, 0.130 mm
14		220785A1		AR	SHIM, 0.508 mm
15		628-8016		4	BOLT, Hex, M8 x 16, 10.9, Full Thd
16	1	284186A1		1	SEAL
17		828-12080		8	BOLT, Hex, M12 x 80, 10.9
18		234433A1		1	TUBE, Lubrication
19		226492A2		AR	SHIM, 0.076 mm
19		226493A2		AR	SHIM, 0.101 mm
19		226494A2		AR	SHIM, 0.130 mm
19		226496A2		AR	SHIM, 0.508 mm
20		221573A1		2	PLUG, Hex Soc, M12 x 1.5, ORB, Includes 21
21		637-63093		2	O-RING, CI 6, 9.3MM ID x 2.2 Thk
22		221579A1		1	PLUG, Hex Soc, M22 x 1.5, ORB, Inc. 23
23		637-63193		1	O-RING, CI 6, 19.3MM ID x 2.2 Thk

(1) Used without ACCUSTEER

STX330	STX280
STEIGER 280	STEIGER 330

AXLE ASSEMBLY - COVER, FRONT AXLE



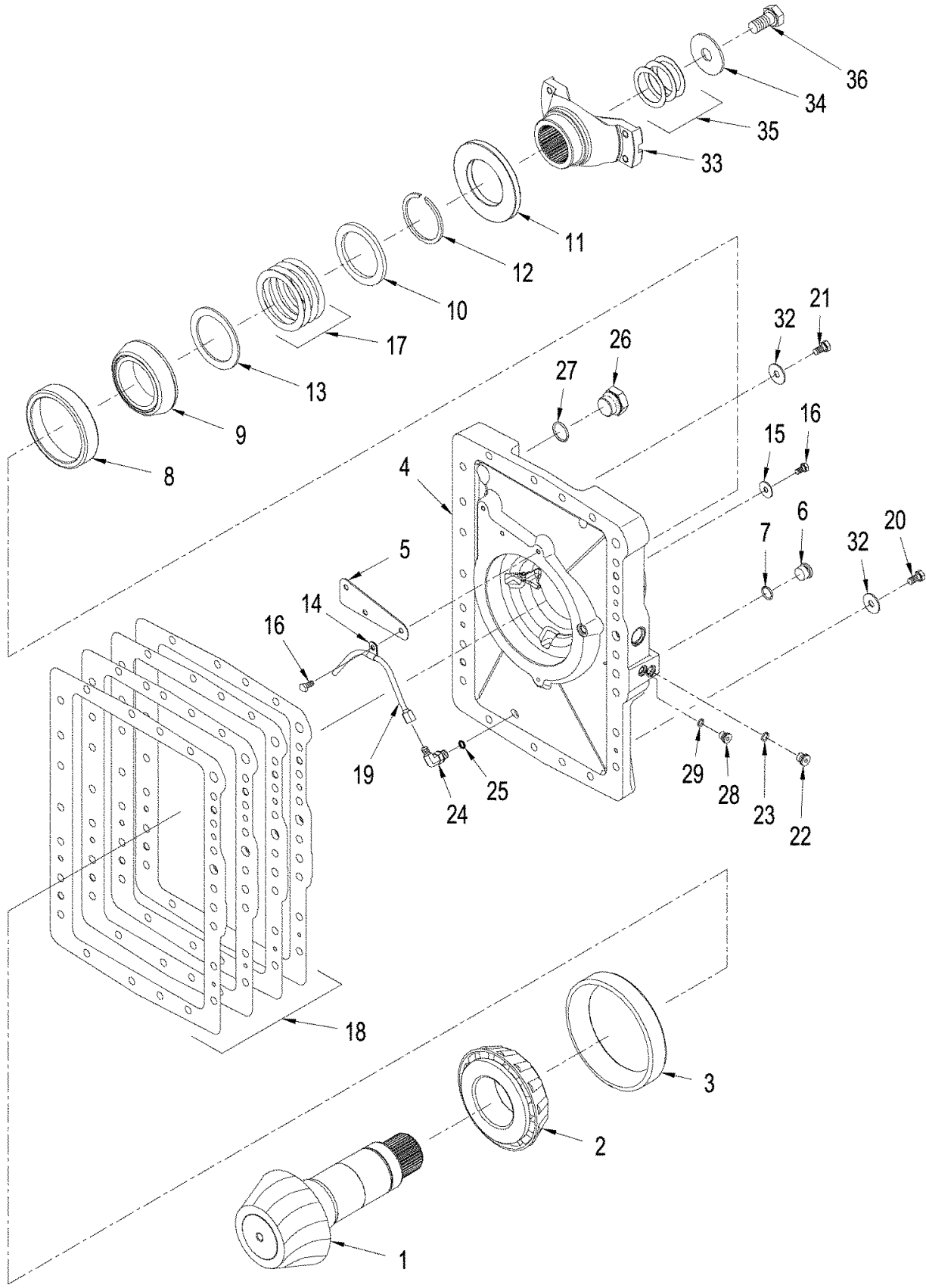
AXLE ASSEMBLY - COVER, FRONT AXLE

REF	FN	PART NUMBER	YR/SN	QTY	DESCRIPTION
24	1, 2, 3	375092A1		1	YOKE, 7C
24	1, 4, 5	395209A1		1	YOKE, 8C
25		86985636		1	ELBOW, Orificed, 5/16 x 3/8, Inc. 26
26		237-6006		1	O-RING, 6-1, 90 Duro, .468" ID x .078" Thk
27		896-12012		22	WASHER, M12 x 24.5 x 3, HT
28		828-12045		14	BOLT, Hex, M12 x 45, 10.9, Full Thd
29		86625138		1	PLUG, Hex Soc, 7/8"-14 ORB, Includes 30
30		237-6010		1	O-RING, 10-1, 90 Duro, .755" ID x .097" Thk
31		221576A1		1	PLUG, Hex Soc, M14 x 1.5, ORB, Includes 32
32		637-63113		1	O-RING, CI 6, 11.3MM ID x 2.2 Thk
33	6, 2, 3	395208A1		1	YOKE, 7C
33	6, 4, 5	395207A1		1	YOKE, 8C
34	6	828-24110		1	BOLT, Hex, M24 x 110, 10.9
35	6	228967A2		1	WASHER
36	6	178545A1		AR	SHIM, 0.076 mm
36	6	178546A1		AR	SHIM, 0.101 mm
36	6	178547A1		AR	SHIM, 0.130 mm
36	6	220779A1		AR	SHIM, 0.508 mm
37		228969A2		1	SPACER

- (1) Without ACCUSTEER
(2) STX280
(3) STEIGER 280
(4) STX330
(5) STEIGER 330
(6) With ACCUSTEER

STX330 STX280
STEIGER 280 STEIGER 330

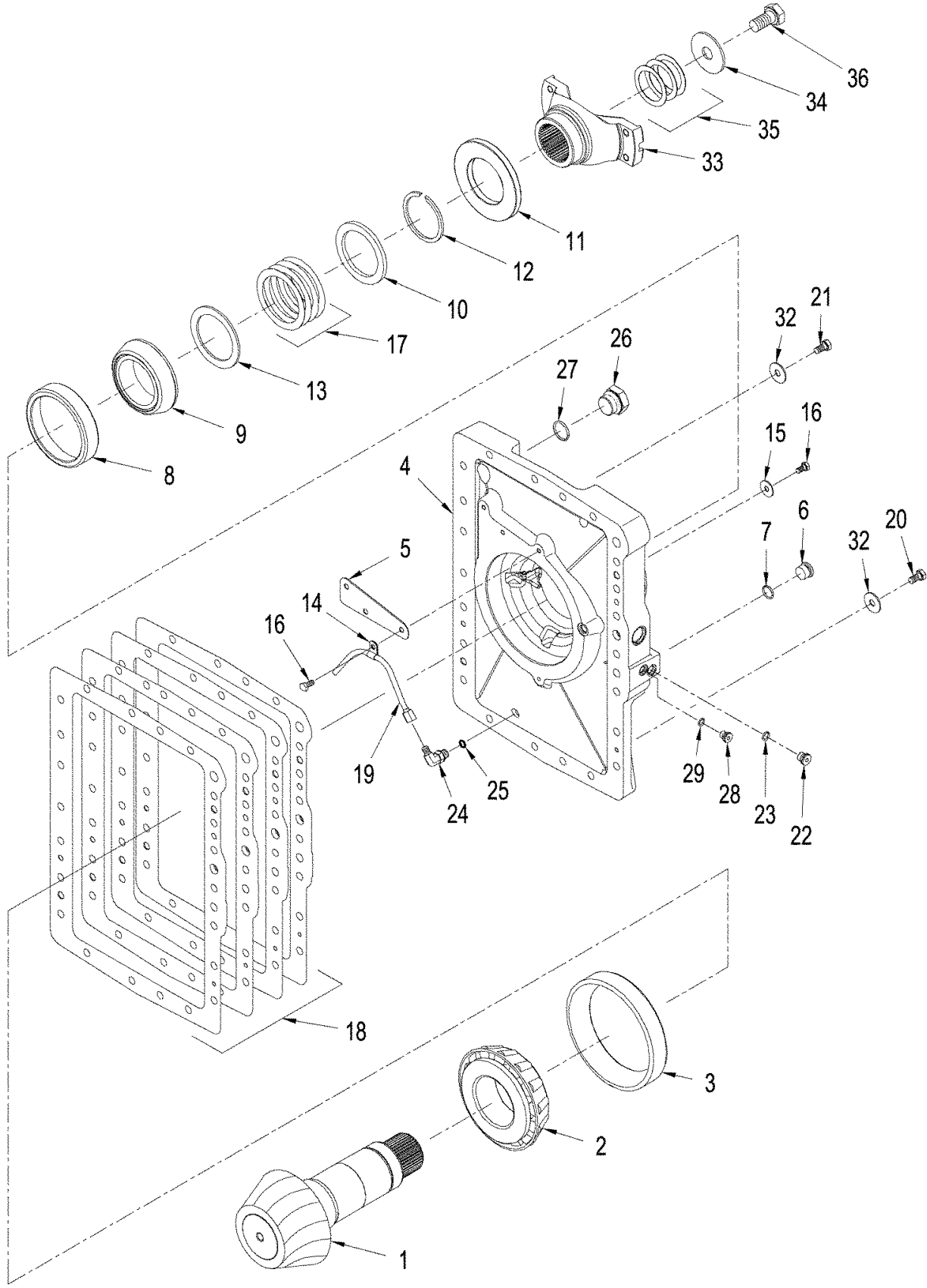
AXLE ASSEMBLY - COVER, REAR AXLE



AXLE ASSEMBLY - COVER, REAR AXLE

REF	FN	PART NUMBER	YR/SN	QTY	DESCRIPTION
		302260A1		1	GEAR SET, Pinion Shaft, See Figures 6-57 & 6-60 , Inc. 1
1		NSS		1	NOT SERVICED SEPARATELY, Shaft, Pinion, 12 T / 53 T
2		248118A1		1	BEARING, CONE
3		248114A1		1	BEARING SET
4		86985626		1	COVER
5		246146A1		1	BAFFLE
6		86625138		1	PLUG, Hex Soc, 7/8"-14 ORB, Includes 7
7		237-6010		1	O-RING, 10-1, 90 Duro, .755" ID x .097" Thk
8		191440A1		1	BEARING, CUP
9		67190R91		1	BEARING, CONE
10		228968A2		1	SPACER, Thick
11		87432424		1	SEAL
12		229515A1		1	SNAP RING, M4
13		191713A1		1	SPACER, Thin
14		515-2279		1	CLAMP, 5/16", Insul, 5/16" Bolt, M7.9
15		95-31038		3	WASHER, 5/16"
16		628-8016		6	BOLT, Hex, M8 x 16, 10.9, Full Thd
17		191709A1		AR	SHIM, 0.076 mm
17		191711A1		AR	SHIM, 0.101 mm
17		191712A1		AR	SHIM, 0.130 mm
17		220785A1		AR	SHIM, 0.508 mm
18		226492A2		AR	SHIM, 0.076 mm
18		226493A2		AR	SHIM, 0.101 mm
18		226494A2		AR	SHIM, 0.130 mm
18		226496A2		AR	SHIM, 0.508 mm
19		234432A1		1	TUBE, Lubrication
20		828-12045		14	BOLT, Hex, M12 x 45, 10.9, Full Thd
22		221573A1		1	PLUG, Hex Soc, M12 x 1.5, ORB, M12 or x 13, Includes 23
23		637-63093		1	O-RING, CI 6, 9.3MM ID x 2.2 Thk
24		86985636		1	ELBOW, Orificed, 5/16 x 3/8, Inc. 25
25		237-6006		1	O-RING, 6-1, 90 Duro, .468" ID x .078" Thk
26		220069A1		1	PLUG, M33 x 2, ORB, M33 or x 2, Inc. 27
					STX330 STX280 STEIGER 280 STEIGER 330

AXLE ASSEMBLY - COVER, REAR AXLE



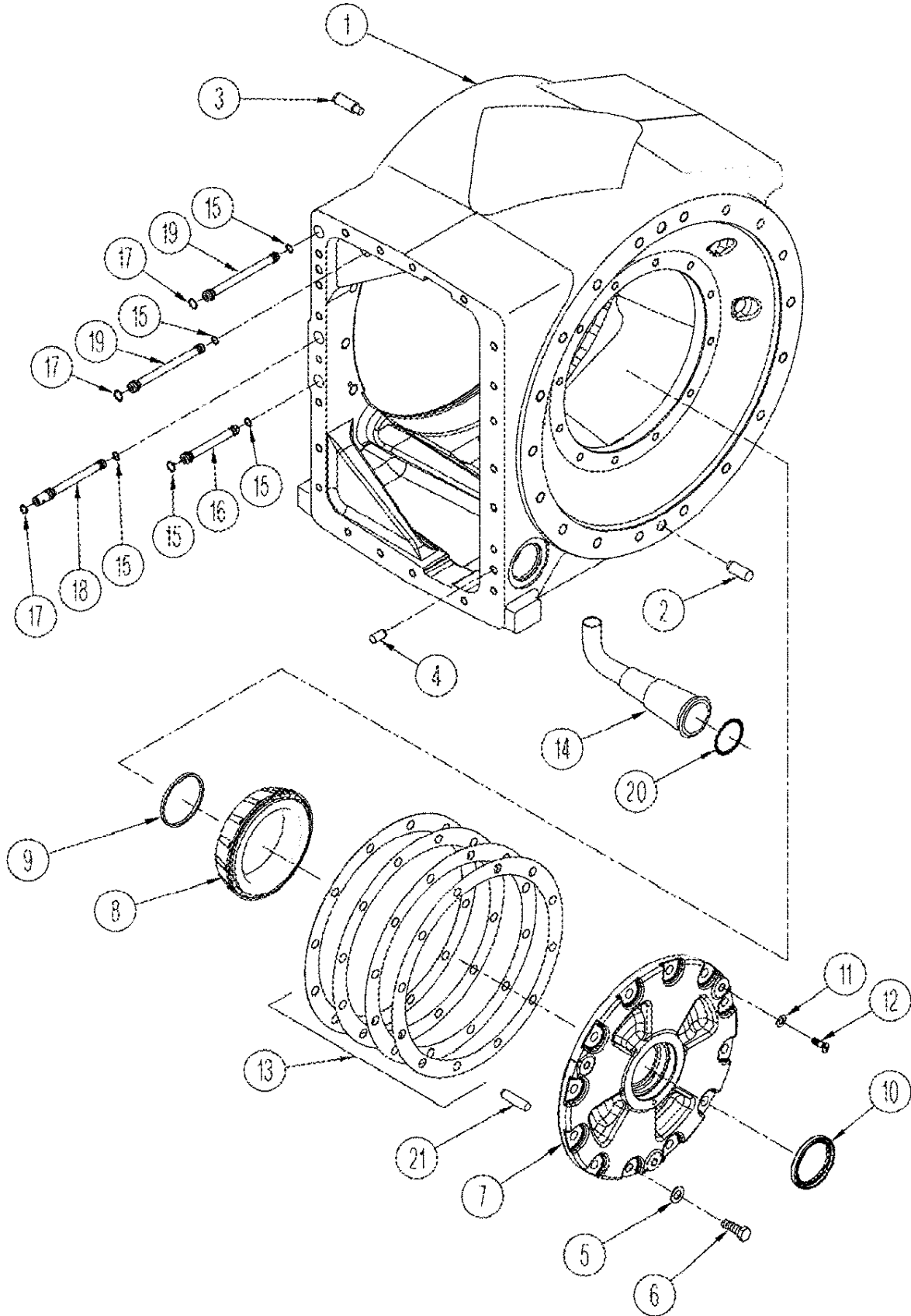
AXLE ASSEMBLY - COVER, REAR AXLE

REF	FN	PART NUMBER	YR/SN	QTY	DESCRIPTION
27		637-64296		1	O-RING, CI 6, 29.6MM ID x 2.9 Thk
28		221576A1		1	PLUG, Hex Soc, M14 x 1.5, ORB, Includes 29
29		637-63113		1	O-RING, CI 6, 11.3MM ID x 2.2 Thk
30		221579A1		1	PLUG, Hex Soc, M22 x 1.5, ORB, Inc. 31
31		637-63193		1	O-RING, CI 6, 19.3MM ID x 2.2 Thk
32		896-12012		22	WASHER, M12 x 24.5 x 3, HT
33	1, 2	395208A1		1	YOKE, 7C
33	3, 4	395207A1		1	YOKE, 8C
36		828-24110		1	BOLT, Hex, M24 x 110, 10.9
34		228967A2		1	WASHER
35		178545A1		AR	SHIM, 0.076 mm
35		178546A1		AR	SHIM, 0.101 mm
35		178547A1		AR	SHIM, 0.130 mm
35		220779A1		AR	SHIM, 0.508 mm

- (1) STX280
- (2) STEIGER 280
- (3) STX330
- (4) STEIGER 330

STX330 STX280
STEIGER 280 STEIGER 330

AXLE ASSEMBLY - CENTER AND LEFT-HAND CARRIER

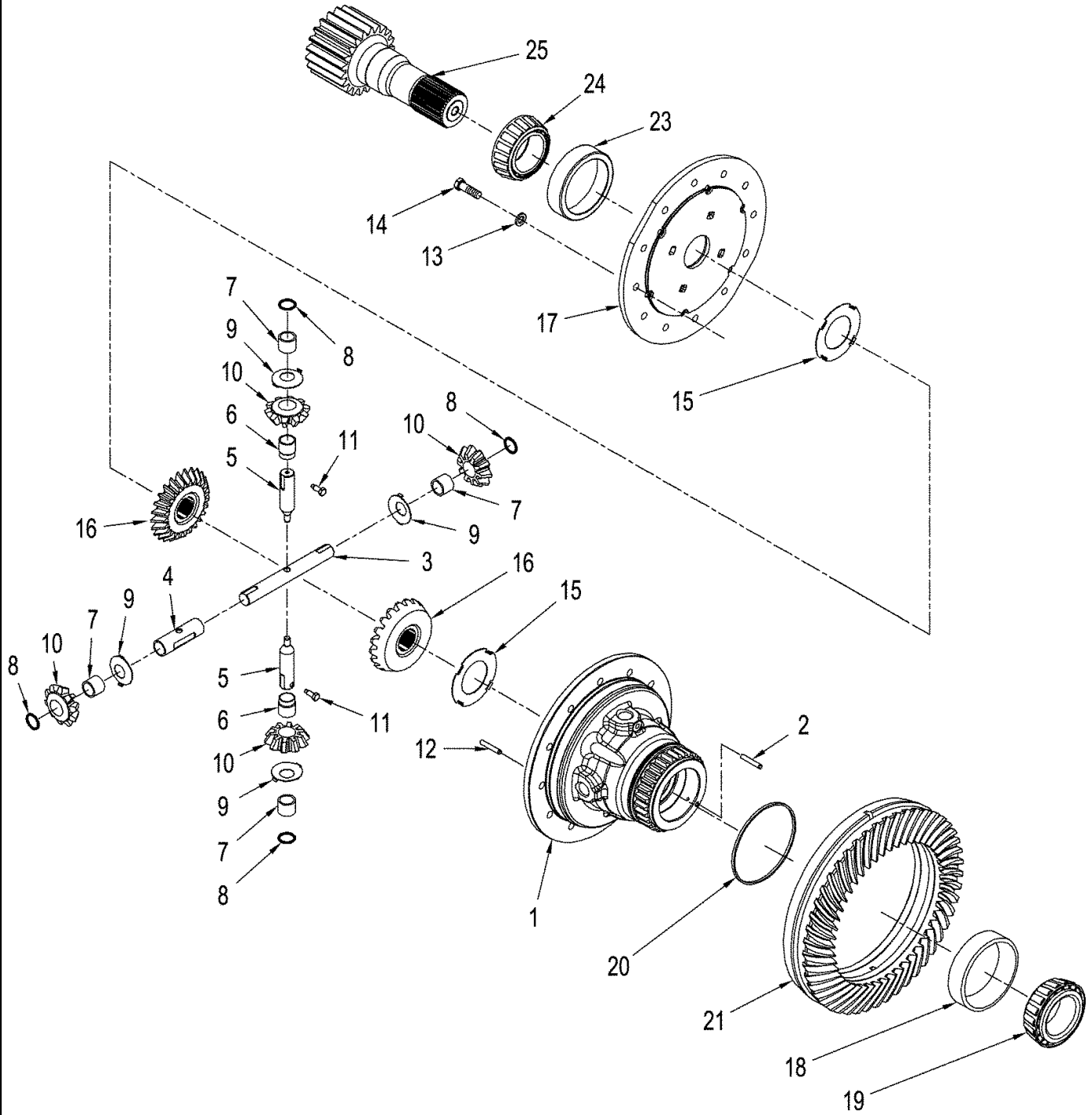


AXLE ASSEMBLY - CENTER AND LEFT-HAND CARRIER

REF	FN	PART NUMBER	YR/SN	QTY	DESCRIPTION
		388968A1		1	CARRIER ASSY., Center, Inc. 1 - 4
1		NSS		1	NOT SERVICED SEPARATELY, Carrier
2		NSS		2	NOT SERVICED SEPARATELY, Pin, Dowel
3		NSS		2	NOT SERVICED SEPARATELY, Pin, 16 x 40 mm
4		NSS		2	NOT SERVICED SEPARATELY, Pin, 12 x 25 mm
5		1251958C1		12	WASHER
6		628-12035		12	BOLT, Hex, M12 x 35, 10.9, Full Thd
7		231637A2		1	CARRIER, Bearing, Left-Hand
8		253932A1		1	BEARING, CONE
9		139060C2		1	RING
10		139059C1		1	SEAL
11		95-81100		3	WASHER, 33/64" x 7/8" x .049"
12		843-1812		3	SCREW, Hex Flat Hd, M8 x 12, 4.8
13		255121A1		AR	SHIM, 0.076 mm
13		255122A1		AR	SHIM, 0.101 mm
13		255123A1		AR	SHIM, 0.130 mm
13		255124A1		AR	SHIM, 0.508 mm
14		229553A3		1	TUBE, Suction
15		238-6013		5	O-RING, -012, 90 Duro, .364" ID x .070" Thk
16		245162A1		1	TUBE, Jumper, Lubrication
17		238-6015		3	O-RING, -015, 90 Duro, .551" ID x .070" Thk
18		86985628		1	TUBE, Jumper, Lubrication
19		228893A2		2	TUBE, Service/Park Brake
20		238-5226		1	O-RING, -226, 70 Duro, 1.984" ID x .139" Thk
21		837-6055		1	DOWEL, M6 x 55, 6 x 55 mm

STX330	STX280
STEIGER 280	STEIGER 330

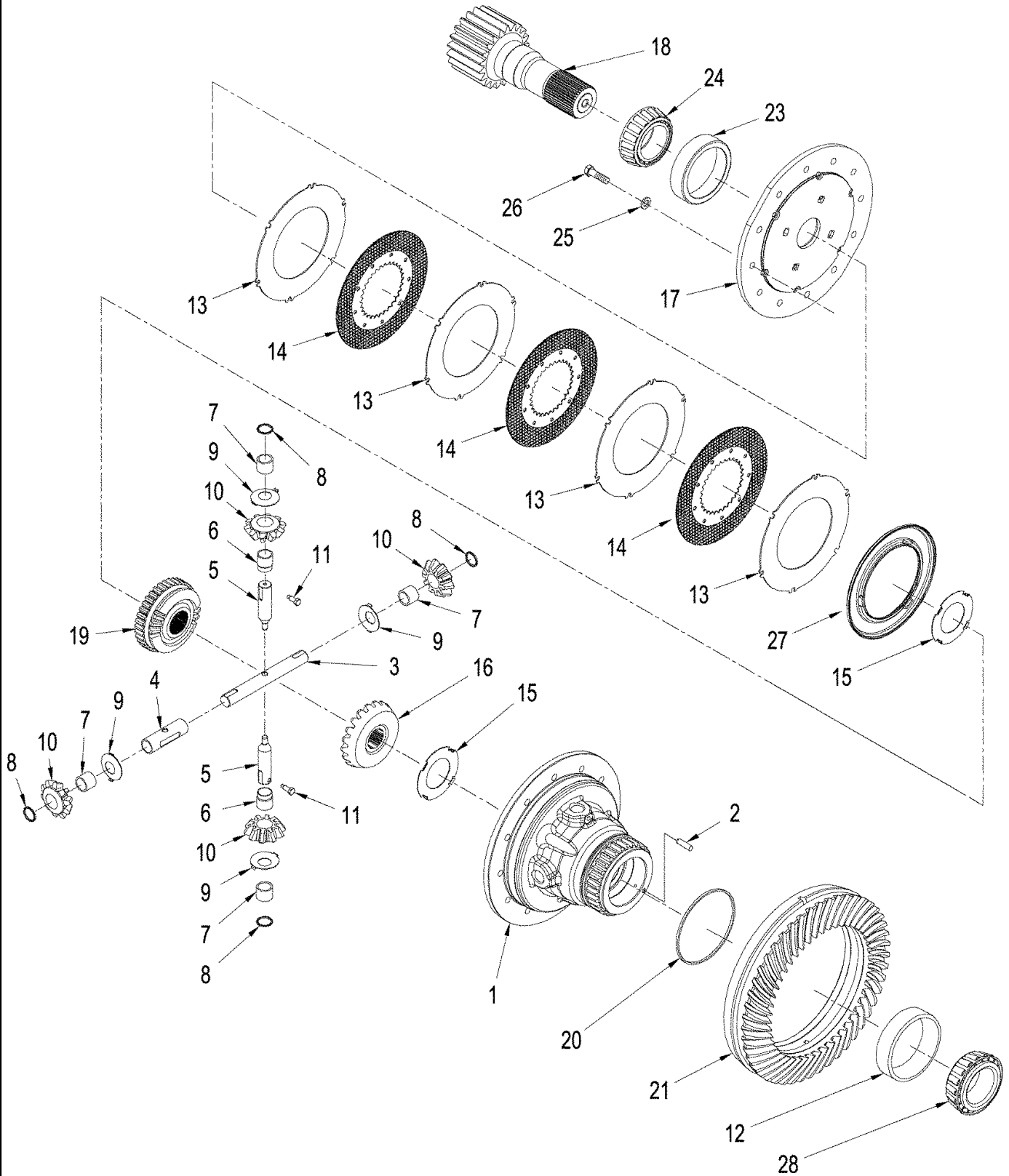
AXLE ASSEMBLY - DIFFERENTIAL, WITHOUT DIFFERENTIAL LOCK



AXLE ASSEMBLY - DIFFERENTIAL, WITHOUT DIFFERENTIAL LOCK

REF	FN	PART NUMBER	YR/SN	QTY	DESCRIPTION
		87522608		1	DIFFERENTIAL ASSY, Inc. 1 & 2
1		NSS		1	NOT SERVICED SEPARATELY, Housing
2		87520606		1	PLUG, Sealing, 10 mm
3		92907C1		1	SHAFT, Pinion, Long
4		1289349C1		1	SPACER, Long Pinion
5		92906C1		2	SHAFT, SHORT, Pinion
6		1289350C1		2	SPACER
7		1270697C1		112	NEEDLE, 28 Per Gear
8		1289348C1		4	RING, Retaining
9		92718C2		4	WASHER
10		92905C1		4	PINION
11		1997421C1		2	BOLT, Cross Pin
12		137023A1		6	DOWEL, 10 x 60 mm
13		896-11016		24	WASHER, M17.5 x 30 x 4, HT
14		828-16055		24	BOLT, Hex, M16 x 55, 10.9, Full Thd
15		87629650		2	WASHER, THRUST
16		1259633C3		2	GEAR, Bevel, T20
17		87597982		1	COVER, Housing
18		622337C1		1	BEARING, CUP
19		622336C1		1	BEARING, CONE
20		148939C1		1	SEAL
		302259A2		1	GEAR SET, Pinion Shaft, Front Axle, See Figures 06-57 & 06-58, Inc. 21
		302260A1		1	GEAR SET, Pinion Shaft, Rear Axle, See Figures 06-57 & 06-58, Inc. 22, Not Illustrated
21		NSS		1	NOT SERVICED SEPARATELY, Gear, Drive, Front Axle, 53 T
22		NSS		1	NOT SERVICED SEPARATELY, Gear, Drive, Rear Axle, 53 T, Not Illustrated
23		253931A1		1	BEARING SET
24		253932A1		1	BEARING, CONE
25		310693A1		1	SHAFT, Sun Gear, Short
26		388308A1		1	SEAL, Not Illustrated
					STX330 STX280 STEIGER 280 STEIGER 330

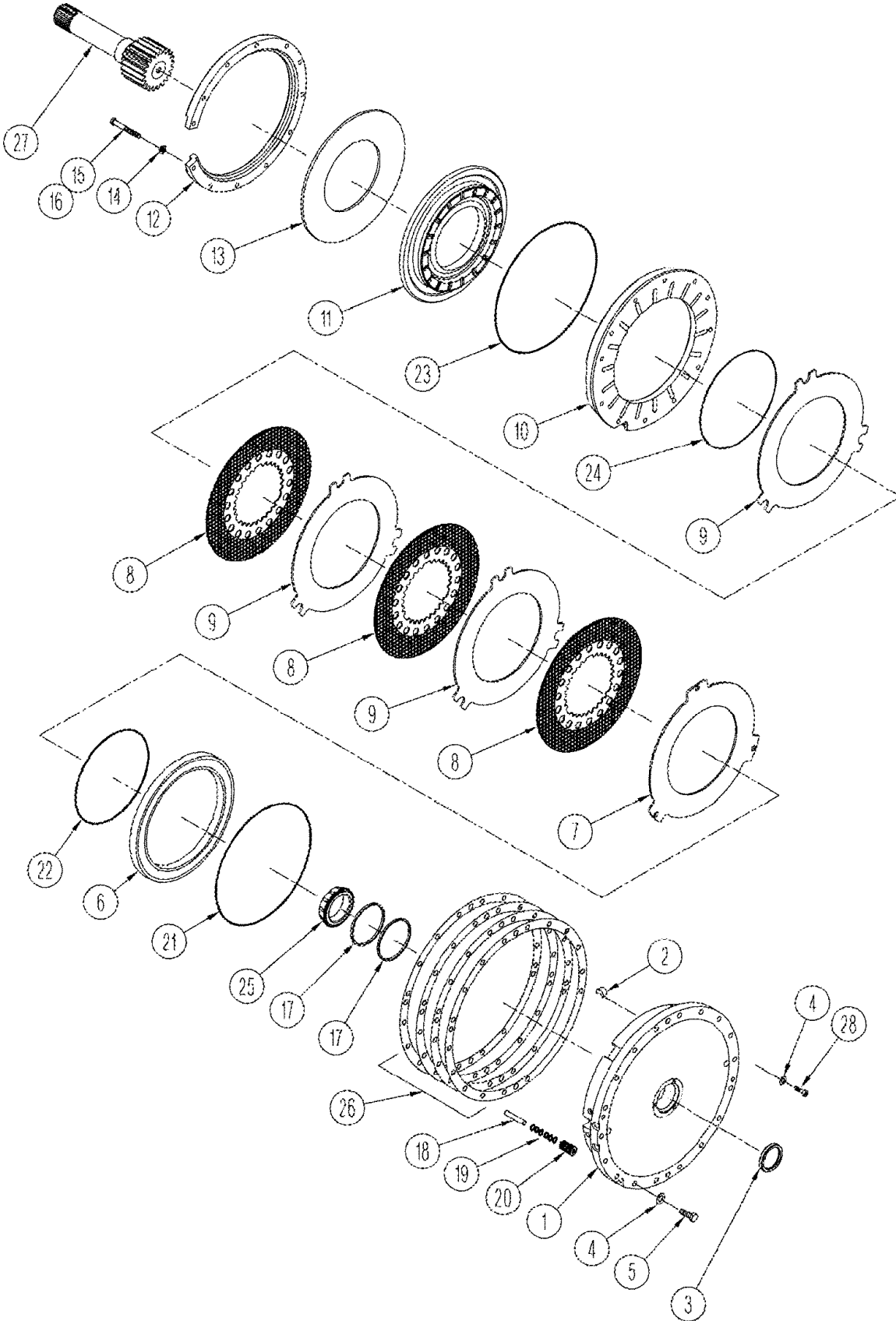
AXLE ASSEMBLY - DIFFERENTIAL, WITH DIFFERENTIAL LOCK



AXLE ASSEMBLY - DIFFERENTIAL, WITH DIFFERENTIAL LOCK

REF	FN	PART NUMBER	YR/SN	QTY	DESCRIPTION
		87304962		1	DIFFERENTIAL ASSY, Inc. 1 and 2
1		NSS		1	NOT SERVICED SEPARATELY, Housing
2		87520606		1	PLUG, 10 mm
3		92907C1		1	SHAFT, Pinion, Long
4		1289349C1		1	SPACER, Long Pinion
5		92906C1		2	SHAFT, SHORT, Pinion
6		1289350C1		2	SPACER
7		1270697C1		112	NEEDLE, 28 Per Gear
8		1289348C1		4	RING, Retaining
9		92718C2		4	WASHER
10		92905C1		4	PINION
11		1997421C1		2	BOLT, Cross Pin
12		A63171		1	BEARING, CUP
13		87452270		4	PLATE, Separator
14		120679C1		3	PLATE, Friction
15		87629650		2	WASHER, THRUST
16		1259633C3		1	GEAR, Bevel, 20T
17		{87629958}		1	Housing
18		310693A1		1	SHAFT, Sun Gear, Short
19		1259634C3		1	PINION, Lock
20		148939C1		1	SEAL
		302259A2		1	GEAR SET, Pinion Shaft, Front Axle, See Figures: 06-57 & 06-58, Inc. 21
		302260A1		1	GEAR SET, Pinion Shaft, Rear Axle, See Figures: 06-57 & 06-58, Inc. 22, Not Illustrated
21		NSS		1	NOT SERVICED SEPARATELY, Gear, Drive, Front Axle, 53 T
22		NSS		1	NOT SERVICED SEPARATELY, Gear, Drive, Rear Axle, 53 T, Not Illustrated
23		253931A1		1	BEARING SET
24		253932A1		1	BEARING, CONE
25		896-11016		24	WASHER, M17.5 x 30 x 4, HT
26		828-16055		24	BOLT, Hex, M16 x 55, 10.9, Full Thd
27		1997422C1		1	PISTON, Brake
28		622336C1		1	BEARING, CONE
					STX330 STX280 STEIGER 280 STEIGER 330

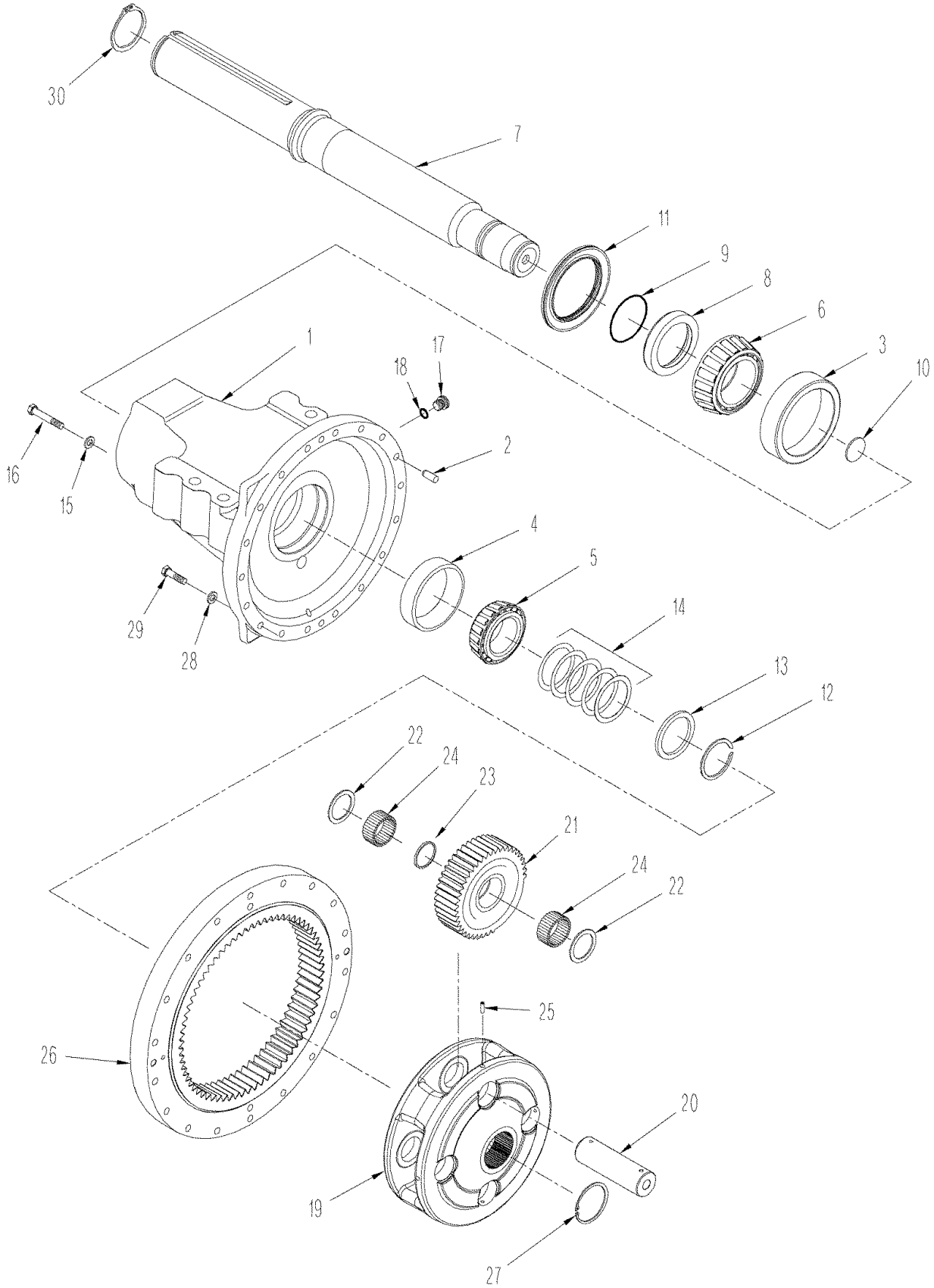
AXLE ASSEMBLY - BRAKE AND RIGHT-HAND CARRIER



AXLE ASSEMBLY - BRAKE AND RIGHT-HAND CARRIER

REF	FN	PART NUMBER	YR/SN	QTY	DESCRIPTION
		398362A1		1	CARRIER, Brake, Inc. 1 and 2
1		NSS		1	NOT SERVICED SEPARATELY, Carrier
2		NSS		1	NOT SERVICED SEPARATELY, Plug, Expansion, 12 mm
3		139059C1		1	SEAL
4		896-12016		18	WASHER, M17.5 x 30 x 4, HT
5		828-16180		15	BOLT, Hex, M16 x 180, 10.9
6		178565A2		1	PISTON, Service Brake
7		228194A3		1	PLATE, Return
8		353363A1		3	PLATE, Friction
9		228193A1		3	PLATE, Separator
10		226252A2		1	PLATE, Backing
11		226318A2		1	PISTON, Park Brake
12		226254A4		1	RING
13		226320A1		1	SPRING
14		896-12012		12	WASHER, M12 x 24.5 x 3, HT
15		828-12080		2	BOLT, Hex, M12 x 80, 10.9
16		828-12090		10	BOLT, Hex, M12 x 90, 10.9
17		388308A1		2	SEAL, Ring
		235507A5		3	ADJUSTER, Inc. 18 - 20
18		37-1832		1	DOWEL, 1/2" x 2", 1/2 X 2
19		100-1450		6	RING, SNAP, #50, Ext
20		1342928C1		9	WASHER
21		238-5387		1	O-RING, -387, 70 Duro, 17.955" ID x .210" Thk
22		238-7277		1	O-RING, -277, CI 7, 11.484" ID x .139" Thk
23		238-7282		1	O-RING, -282, CI 7, 15.955" ID x .139" Thk
24		238-7278		1	O-RING, -277, CI 7, 11.984" ID x .139" Thk
25		622336C1		1	BEARING, CONE
26		178553A1		AR	SHIM, 0.076 mm
26		178554A1		AR	SHIM, 0.101 mm
26		178555A1		AR	SHIM, 0.130 mm
26		198843A1		AR	SHIM, 0.508 mm
27		310692A1		1	SHAFT, Sun Gear, Long
28		390873A1		3	BOLT, SPECIAL
					STX330 STX280 STEIGER 280 STEIGER 330

AXLE ASSEMBLY - FINAL DRIVE, STANDARD

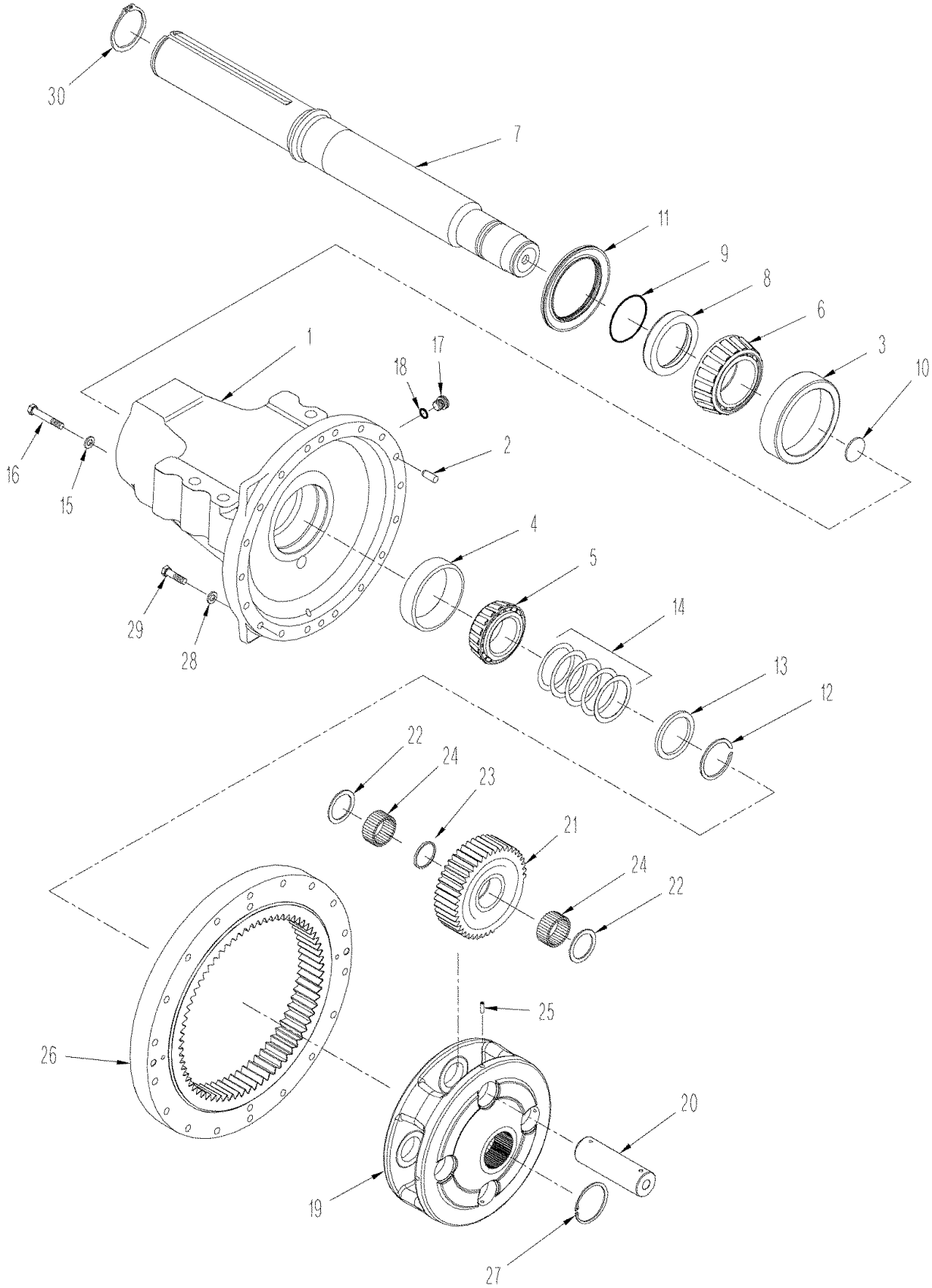


AXLE ASSEMBLY - FINAL DRIVE, STANDARD

REF	FN	PART NUMBER	YR/SN	QTY	DESCRIPTION
		307347A2		1	CARRIER, 102 mm (4.0 in.), Inc. 1 - 4
1		NSS		1	NOT SERVICED SEPARATELY, Housing
2		837-16040		2	DOWEL, M16 x 40
3		619697C1		1	BEARING, CUP
4		368991A1		1	BEARING SET
5		1963841C1		1	BEARING, CONE
6		368992A1		1	BEARING, CONE
		360336A4		1	SHAFT, Axle, 102 mm (4.0 in.), Inc. 7 - 10
7		NSS		1	NOT SERVICED SEPARATELY, Shaft, 102 mm (4.0 in.)
8		87593684		1	BUSHING, Outboard
9		238-5155		1	O-RING, -155, 70 Duro, 3.987" ID x .103" Thk
10		1981270C1		1	INSERT
11		1963839C1		1	SEAL
12		243856A1		1	SNAP RING
13		124744C1		1	RING
14		143921C1		1	SHIM, 0.760 mm
14		143922C1		1	SHIM, 0.300 mm
14		143923C1		1	SHIM, 0.13 mm
14		143924C1		1	SHIM, 0.10 mm
14		143925C1		1	SHIM, 0.076 mm
15		95-31038		4	WASHER, 5/16"
16		628-8016		4	BOLT, Hex, M8 x 16, 10.9, Full Thd
17		221578A1		1	PLUG, Hex Soc, M18 x 1.5, ORB, Includes 18
18		637-63153		1	O-RING, CI 6, 15.3MM ID x 2.2 Thk
19		388366A1		1	CARRIER, GEARS, Planetary
20		310697A3		4	SHAFT
21		310694A2		4	GEAR, PLANETARY, 29 T
22		87435907		6	WASHER
23		86985634		4	SPACER, RING
24		1349347C1		1	BEARING, NEEDLE
25		838-3826		4	PIN, M8 x 26, Coiled
26		310695A1		2	GEAR, RING, 77 T
27		101-11350		2	RING, SNAP, #350, Ext
28		896-12016		36	WASHER, M17.5 x 30 x 4, HT

STX330	STX280
STEIGER 280	STEIGER 330

AXLE ASSEMBLY - FINAL DRIVE, STANDARD

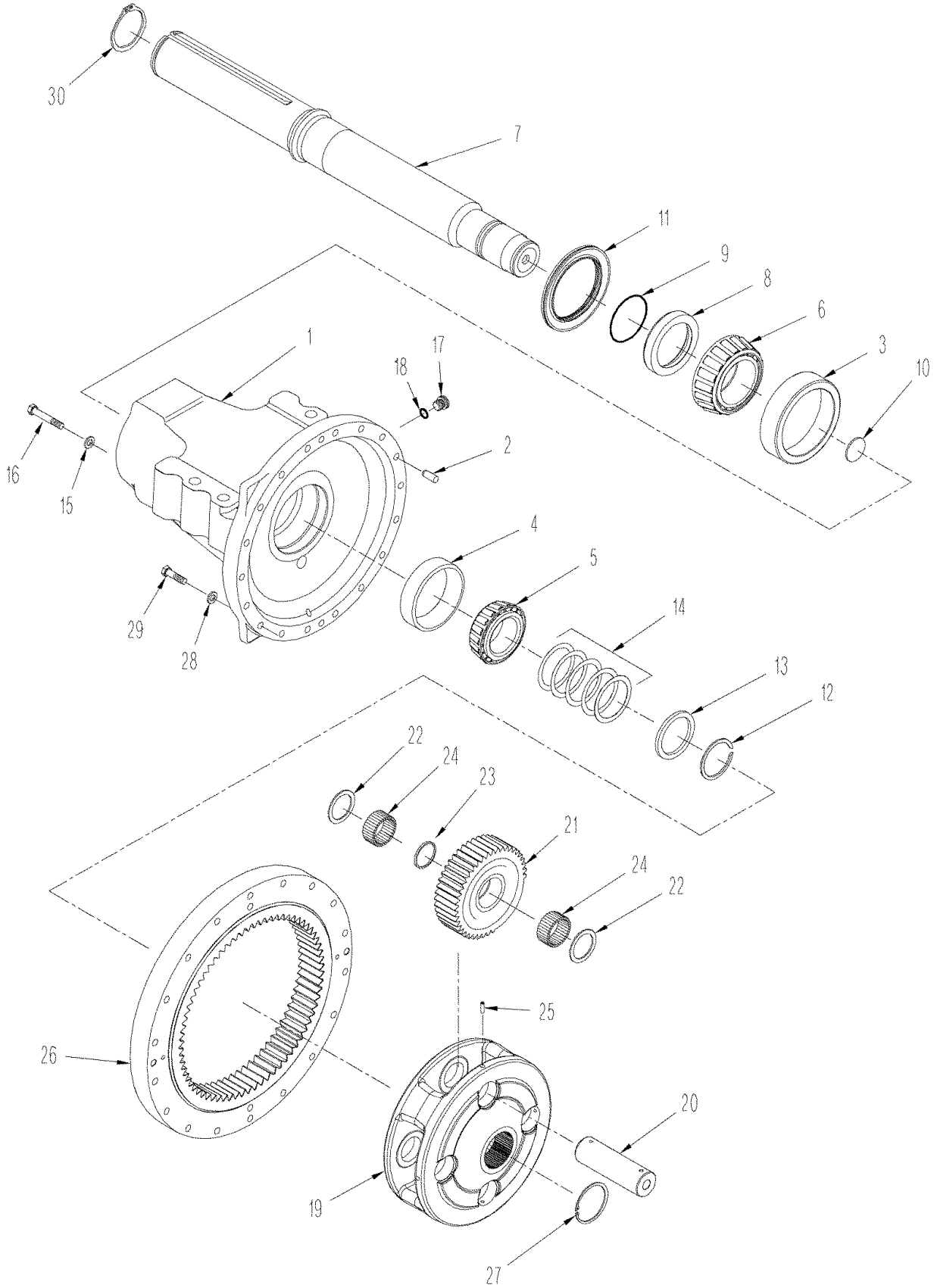


AXLE ASSEMBLY - FINAL DRIVE, STANDARD

REF	FN	PART NUMBER	YR/SN	QTY	DESCRIPTION
29		828-16150		18	BOLT, Hex, M16 x 150, 10.9
30		800-51100		4	RING, SNAP, M100, Ext, Hvy, Axle, 100 mm

	STX330 STX280 STEIGER 280 STEIGER 330
--	---

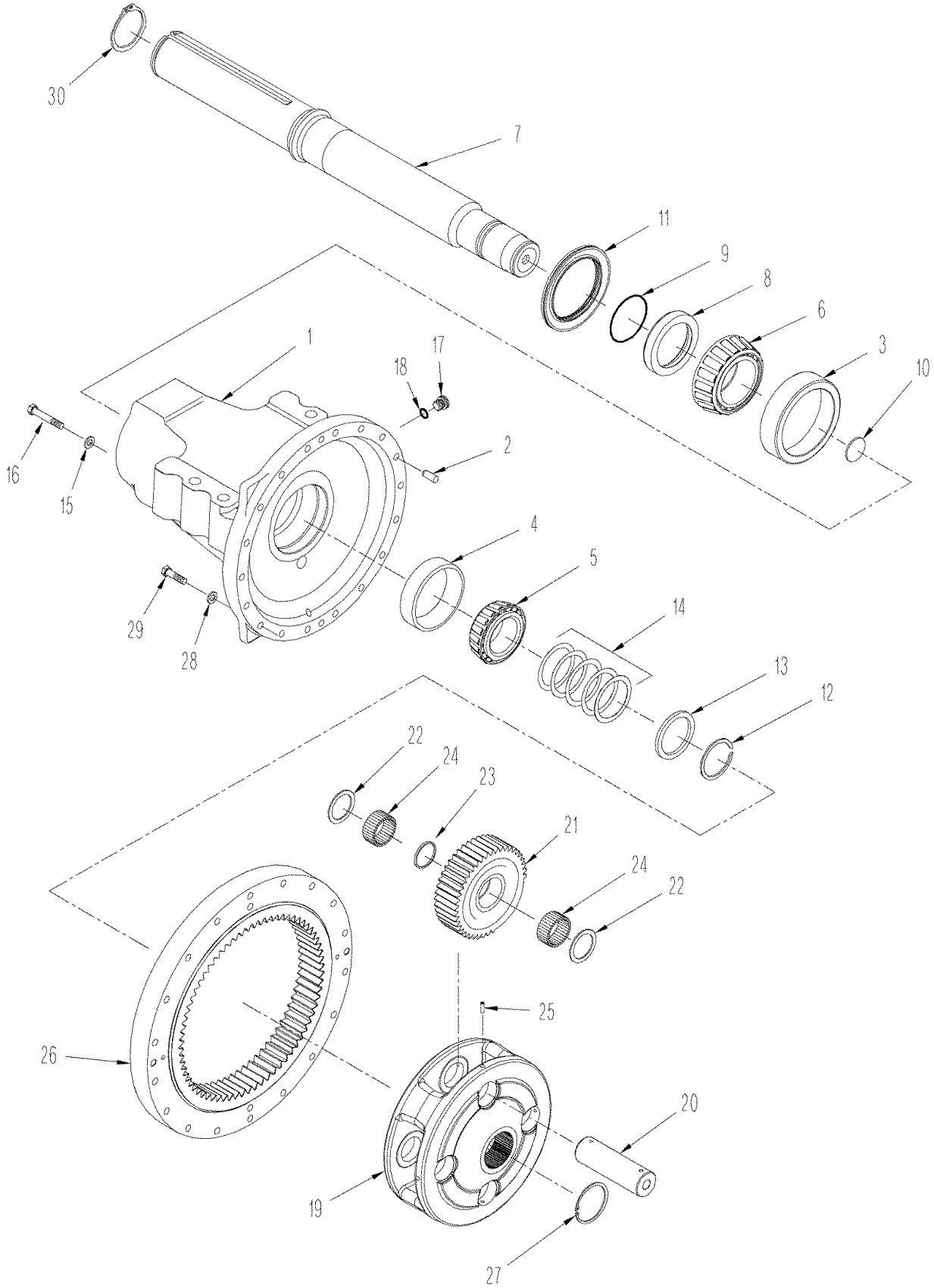
AXLE ASSEMBLY - FINAL DRIVE, HEAVY DUTY



AXLE ASSEMBLY - FINAL DRIVE, HEAVY DUTY

REF	FN	PART NUMBER	YR/SN	QTY	DESCRIPTION
		398438A1		1	HOUSING, AXLE, 115 mm (4.5 in.), Inc. 1 - 4
1		NSS		1	NOT SERVICED SEPARATELY, Housing
2		837-16040		2	DOWEL, M16 x 40
3		237698A1		1	BEARING, CUP
4		A136253		1	BEARING SET
5		1963841C1		1	BEARING, CONE
6		368992A1		1	BEARING, CONE
		310701A5		1	SHAFT, Axle, 115 mm (4.5 in.), Inc. 7 - 10
7		NSS		1	NOT SERVICED SEPARATELY, Shaft, 115 mm (4.5 in.)
8		87593684		1	BUSHING, Outboard
9		238-5246		1	O-RING, -246, 70 Duro, 4.484" ID x .139" Thk
10		1981270C1		1	INSERT
11		1963839C1		1	SEAL
12		243856A1		1	SNAP RING
13		124744C1		1	RING
14		143921C1		1	SHIM, 0.760 mm
14		143922C1		1	SHIM, 0.300 mm
14		143923C1		1	SHIM, 0.13 mm
14		143924C1		1	SHIM, 0.10 mm
14		143925C1		1	SHIM, 0.076 mm
15		95-31038		4	WASHER, 5/16"
16		628-8016		4	BOLT, Hex, M8 x 16, 10.9, Full Thd
17		221578A1		1	PLUG, Hex Soc, M18 x 1.5, ORB, Includes 18
18		637-63153		1	O-RING, CI 6, 15.3MM ID x 2.2 Thk
19		388370A1		1	CARRIER, GEARS, Planetary
20		310697A3		4	SHAFT
21		310694A2		4	GEAR, PLANETARY, 29 T
22		87435907		8	WASHER
23		86985634		4	SPACER, RING
24		1349347C1		8	BEARING, NEEDLE
25		838-3826		4	PIN, M8 x 26, Coiled
26		310695A1		2	GEAR, RING, 77 T
27		101-11350		2	RING, SNAP, #350, Ext
28		896-12016		36	WASHER, M17.5 x 30 x 4, HT
					STX330 STX280 STEIGER 280 STEIGER 330

AXLE ASSEMBLY - FINAL DRIVE, HEAVY DUTY



AXLE ASSEMBLY - FINAL DRIVE, HEAVY DUTY

REF	FN	PART NUMBER	YR/SN	QTY	DESCRIPTION
29		828-16150		18	BOLT, Hex, M16 x 150, 10.9
30		800-11115		4	RING, SNAP, M115, Ext, Axle, 115 mm

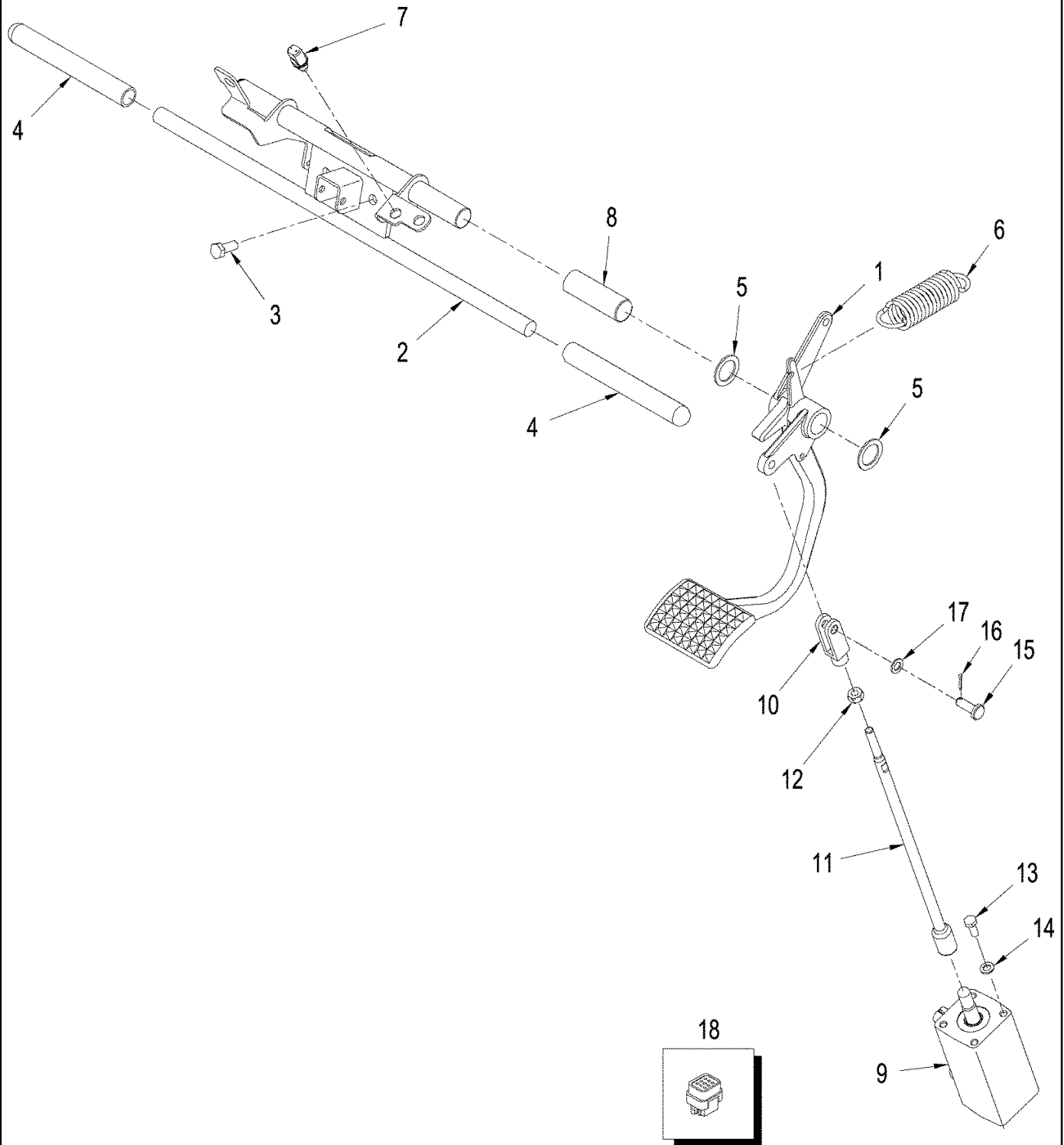
	STX330 STX280 STEIGER 280 STEIGER 330
--	---

SECTION INDEX

Brakes

07-01	BRAKE CONTROL
07-02	BRAKE VALVE ASSY
07-03	SERVICE BRAKE CIRCUIT, WITHOUT ACCUSTEER
07-04	SERVICE BRAKE CIRCUIT, WITH ACCUSTEER
07-05	PARK BRAKE CIRCUIT, WITH DIFFERENTIAL LOCK, WITHOUT ACCUSTEER
07-06	PARK BRAKE CIRCUIT, WITH DIFFERENTIAL LOCK, WITH ACCUSTEER
07-07	PARK BRAKE CIRCUIT, WITHOUT DIFFERENTIAL LOCK, WITHOUT ACCUSTEER
07-08	PARK BRAKE CIRCUIT, WITHOUT DIFFERENTIAL LOCK, WITH ACCUSTEER
07-09	VALVE ASSEMBLY - DIFFERENTIAL LOCK

BRAKE CONTROL

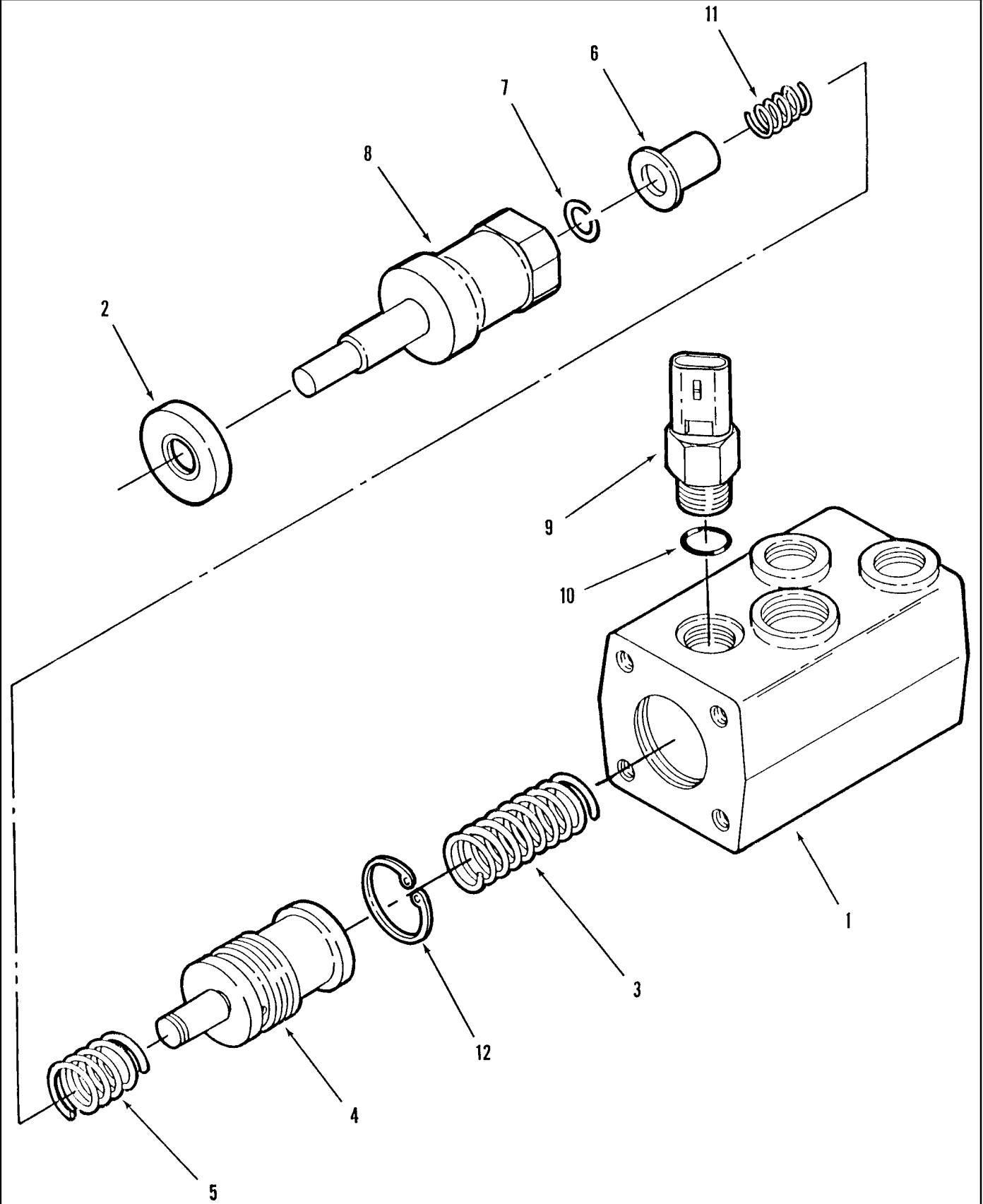


BRAKE CONTROL

REF	FN	PART NUMBER	YR/SN	QTY	DESCRIPTION
1		222462A2		1	PEDAL
2		87448885		1	SUPPORT
3		614-10025		2	BOLT, Hex, M10 x 25, 8.8, Full Thd
4		321961A1		2	MOLDING
5		281093A1		2	WASHER
6		278210A1		1	SPRING
7		279265A2		1	SWITCH, Brake Light
8		281893A1		1	BEARING
9		302822A3		1	VALVE, See Figure: 07-02
10		713-1110		1	CLEVIS, M10 x 40
11		369851A1		1	ROD
12		829-1410		1	NUT, M10, CI 10
13		628-8020		4	BOLT, Hex, M8 x 20, 10.9, Full Thd
15		729-1030		1	PIN, CLEVIS, M10 x 30, 10 x 30 mm
16		733-2512		1	PIN, SPLIT (COTTER), M2.5 x 12
17		895-18010		1	WASHER, M10 x 18 x 1.6
18		345471A1		1	SWITCH, Differential Lock
14		895-11008		4	WASHER, M8 x 16 x 1.6

STX330 STX280
STEIGER 280 STEIGER 330

BRAKE VALVE ASSY

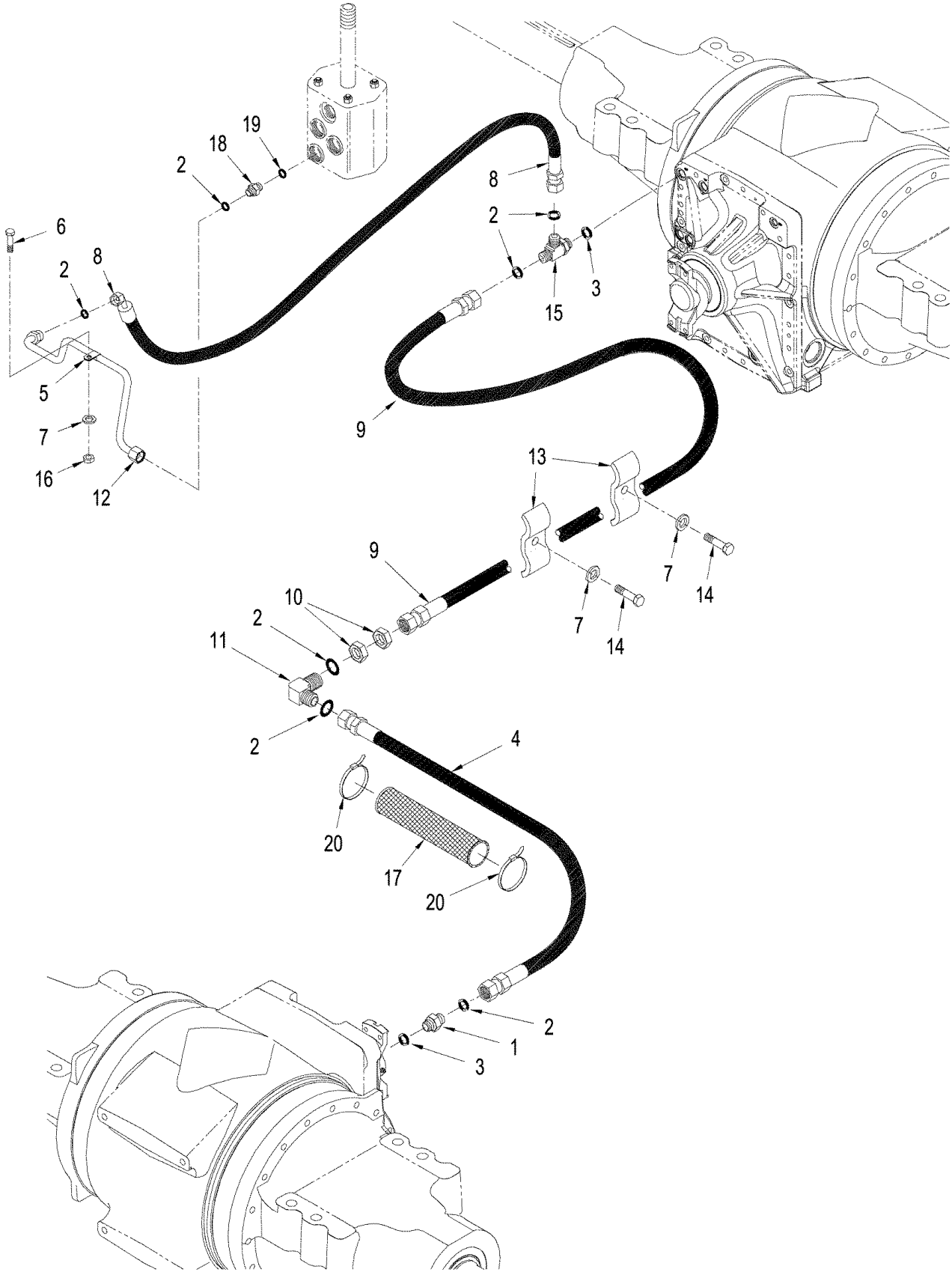


BRAKE VALVE ASSY

REF	FN	PART NUMBER	YR/SN	QTY	DESCRIPTION
		302822A3		1	VALVE, Inc. 1 - 10
1		NSS		1	NOT SERVICED SEPARATELY, Housing
2		195806A1		1	SEAL
3		185613A1		1	SPRING
4		280297A1		1	SPOOL
5		291105A1		1	SPRING, Outer
6		291107A1		1	RETAINER
7		229659A1		1	RING, SNAP
8		291106A1		1	STEM
9		279266A1		1	SWITCH, Inc. 10
10		237-6003		1	O-RING, 3-1, .301" ID x .064" Thk
11		291104A1		1	SPRING
12		100-21150		1	RING, SNAP, 1.50", Int, #150

STX330	STX280
STEIGER 280	STEIGER 330

SERVICE BRAKE CIRCUIT, WITHOUT ACCUSTEER

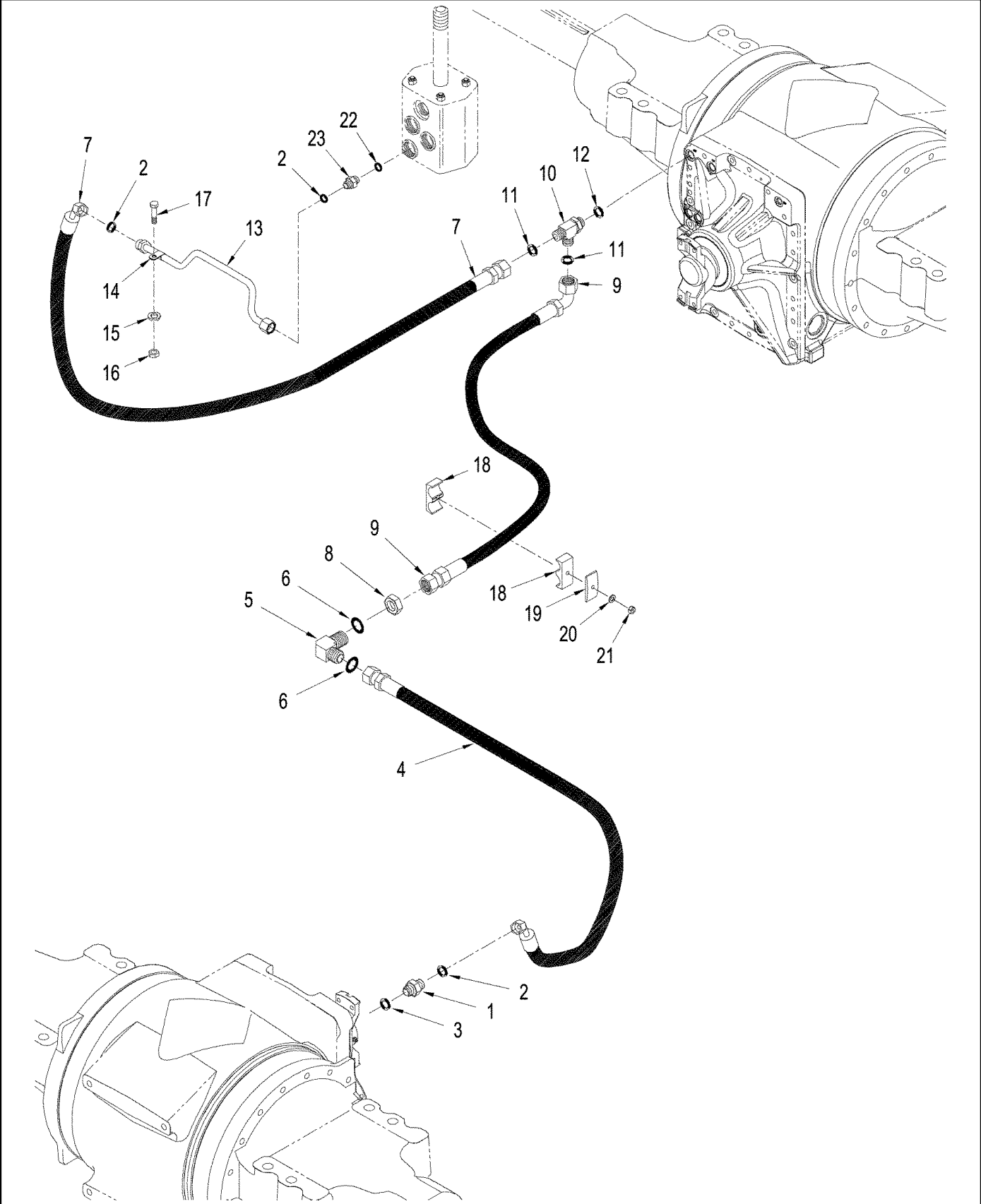


SERVICE BRAKE CIRCUIT, WITHOUT ACCUSTEER

REF	FN	PART NUMBER	YR/SN	QTY	DESCRIPTION
1		401760A1		1	VALVE, Check, 13/16 fc sl x 22 or, Inc. 2 & 3
2		238-6014		8	O-RING, -014, 90 Duro, .489" ID x .070" Thk
3		637-63193		2	O-RING, CI 6, 19.3MM ID x 2.2 Thk
4		360203A3		1	HOSE ASSY., 1803 mm (71 in.)
5		515-22127		1	CLAMP, 1/2", Insul, 5/16" Bolt
6		627-8020		1	BOLT, Hex, M8 x 20, 10.9
7		895-11008		3	WASHER, M8 x 16 x 1.6
8		87366994		1	HOSE, 775 mm (30-1/2")
9		368363A1		1	HOSE, 1615 mm (63-1/2")
10		701-903		1	NUT, LOCK, 13/16"-16, ORFS Blkhd
11		701-301		1	ELBOW, 90°, 13/16"-16, ORFS, Blkhd, Inc. 12
12		87313897		1	TUBE
13		R15257		4	CLAMP
14		827-8050		2	BOLT, Hex, M8 x 50, 10.9
15		700-445		1	TEE, 13/16"-16 ORFS x M22 x 1.5 ORB Run, Inc. 2 & 3
16		829-1408		1	NUT, M8, CI 10
17		S120426		1	SLEEVE, Protection
18		700-102		1	CONNECTOR, HYD., 13/16"-16 ORFS x M18 x 1.5 ORB, Inc. 2 & 19
19		637-63153		1	O-RING, CI 6, 15.3MM ID x 2.2 Thk
20		L18331		2	STRAP, CABLE, Tie

STX330 STX280
STEIGER 280 STEIGER 330

SERVICE BRAKE CIRCUIT, WITH ACCUSTEER

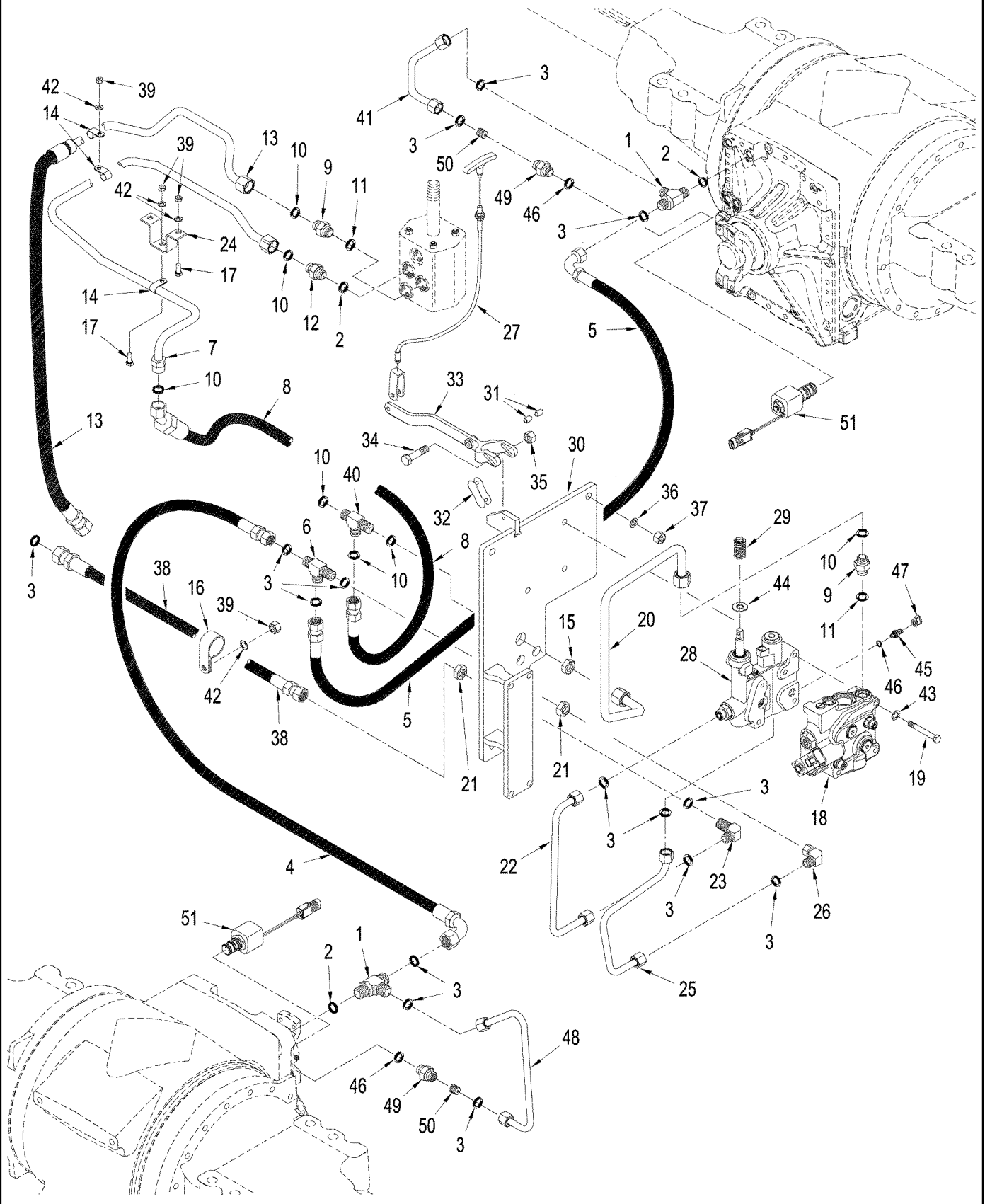


SERVICE BRAKE CIRCUIT, WITH ACCUSTEER

REF	FN	PART NUMBER	YR/SN	QTY	DESCRIPTION
1		401760A1		1	VALVE, Check, M22 or x 13/16 fc sl, Inc. 2 & 3
2		238-6014		1	O-RING, -014, 90 Duro, .489" ID x .070" Thk
3		637-63193		1	O-RING, CI 6, 19.3MM ID x 2.2 Thk
4		360203A3		1	HOSE ASSY., 1803 mm (71 in.)
5		701-301		1	ELBOW, 90°, 13/16"-16, ORFS, Blkhd
6		238-6014		2	O-RING, -014, 90 Duro, .489" ID x .070" Thk
7		87309667		1	HOSE, 1152 mm (45-23/64")
8		701-903		1	NUT, LOCK, 13/16"-16, ORFS Blkhd
9		361951A2		1	HOSE ASSY., 1677 mm (66 in.)
10		700-445		1	TEE, 13/16"-16 ORFS x M22 x 1.5 ORB Run, Inc. 11 & 12
11		238-6014		2	O-RING, -014, 90 Duro, .489" ID x .070" Thk
12		637-63193		1	O-RING, CI 6, 19.3MM ID x 2.2 Thk
13		87309665		1	TUBE
14		515-22127		1	CLAMP, 1/2", Insul, 5/16" Bolt
15		895-11008		1	WASHER, M8 x 16 x 1.6
16		829-1408		1	NUT, M8, CI 10
17		627-8020		1	BOLT, Hex, M8 x 20, 10.9
18		50-2551T1		4	CLAMP, Tube
19		50-2533T1		2	PLATE, Cover
20		895-11008		2	WASHER, M8 x 16 x 1.6
21		829-1408		2	NUT, M8, CI 10
22		637-63153		1	O-RING, CI 6, 15.3MM ID x 2.2 Thk
23		700-102		1	CONNECTOR, HYD., 13/16"-16 ORFS x M18 x 1.5 ORB, Inc. 2 & 23

STX330 STX280
STEIGER 280 STEIGER 330

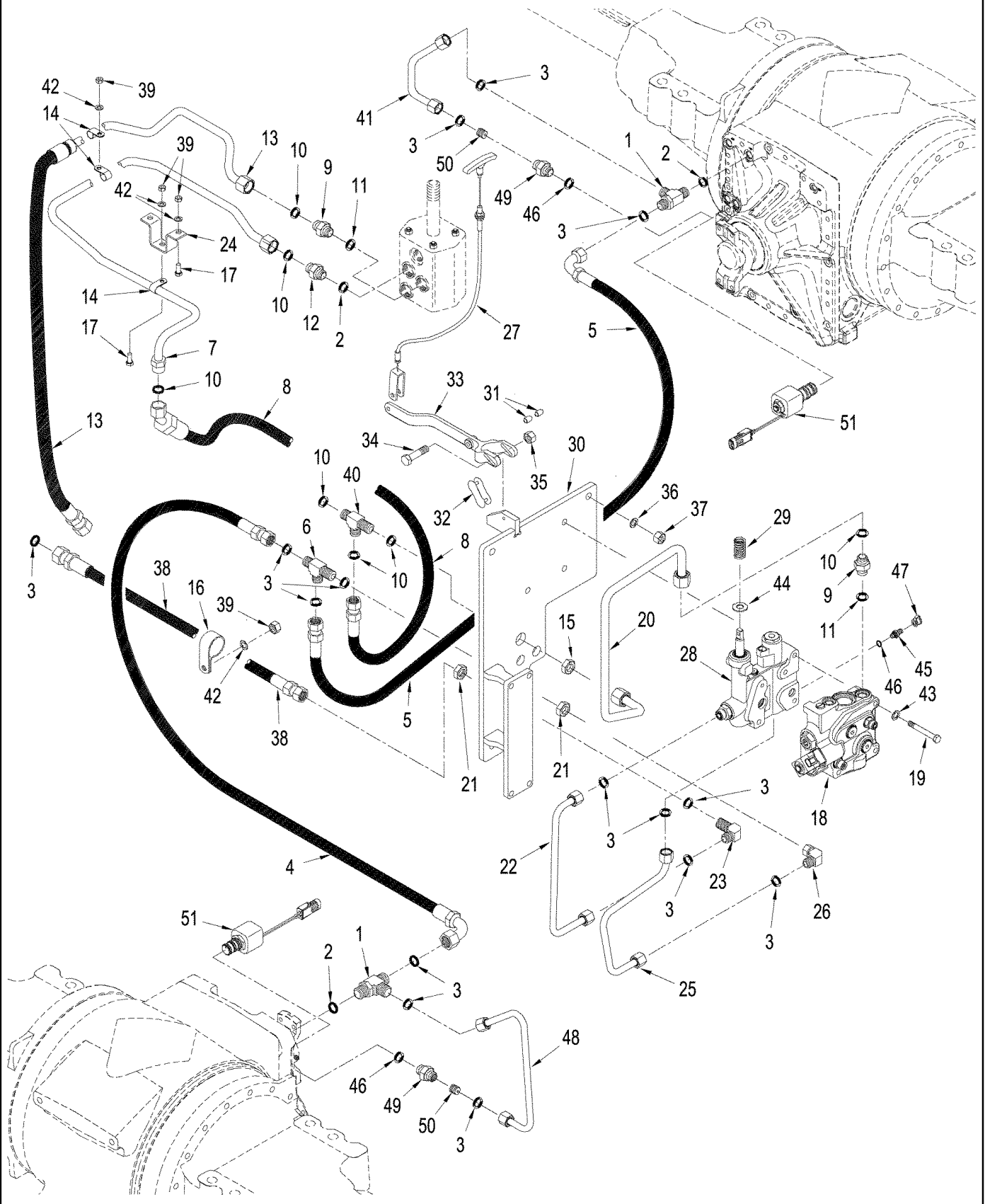
PARK BRAKE CIRCUIT, WITH DIFFERENTIAL LOCK, WITHOUT ACCUSTEER



PARK BRAKE CIRCUIT, WITH DIFFERENTIAL LOCK, WITHOUT ACCUSTEER

REF	FN	PART NUMBER	YR/SN	QTY	DESCRIPTION
1		700-445		2	TEE, 13/16"-16 ORFS x M22 x 1.5 ORB Run, Inc. 2 & 3
2		637-63193		3	O-RING, CI 6, 19.3MM ID x 2.2 Thk
3		238-6014		7	O-RING, -014, 90 Duro, .489" ID x .070" Thk
4		360200A2		1	HOSE ASSY., 1905 mm (75 in.)
5		327479A2		1	HOSE, 1720 mm (67 in.)
6		701-423		1	TEE, 13/16"-16 ORFS, Blkd Run, Inc. 7
7		87366186		1	TUBE, Brake Supply
8		392427A1		1	HOSE ASSY., 1947 mm (76-1/2 in.)
9		700-115		2	CONNECTOR, HYD., 1"-14 ORFS x M18 x 1.5 ORB, Inc. 10 & 11
10		238-6016		7	O-RING, -016, 90 Duro, .614" ID x .070" Thk
11		637-63153		2	O-RING, CI 6, 15.3MM ID x 2.2 Thk
12		700-103		1	CONNECTOR, HYD., 1"-14 ORFS x M22 x 1.5 ORB, Inc. 2 & 10
13		87329133		1	HOSE, Return
14		515-22159		2	CLAMP, 5/8", Insul, 5/16" Bolt
15		701-919		1	NUT, LOCK, 1"-14, ORFS Blkhd
16		515-23206		2	CLAMP, 13/16", Insul, 3/8" Bolt, P-Type
17		627-8020		2	BOLT, Hex, M8 x 20, 10.9
18		411104A2		1	VALVE, Regulator, See Figure: 08-11
19		827-10150		3	BOLT, Hex, M10 x 150, 10.9
20		449827A2		1	TUBE ASSY.
21		701-903		2	NUT, LOCK, 13/16"-16, ORFS Blkhd
22		449796A1		1	TUBE ASSY.
23		701-301		1	ELBOW, 90°, 13/16"-16, ORFS, Blkhd, Inc. 3
24		87310422		1	BRACKET
25		449798A1		1	TUBE ASSY.
26		701-320		1	ELBOW, 90°, 13/16"-16 ORFS x 13/16"-16 Fem Sw, Inc. 3
27		349863A2		1	CABLE, Tow Valve, See Figure 08-14 for Mounting & Parts
28		87679712		1	VALVE, Control, Tow Block, See Figure: 08-14
29		361897A1		1	SPRING
30		449830A1		1	PLATE ASSY.
					STX330 STX280 STEIGER 280 STEIGER 330

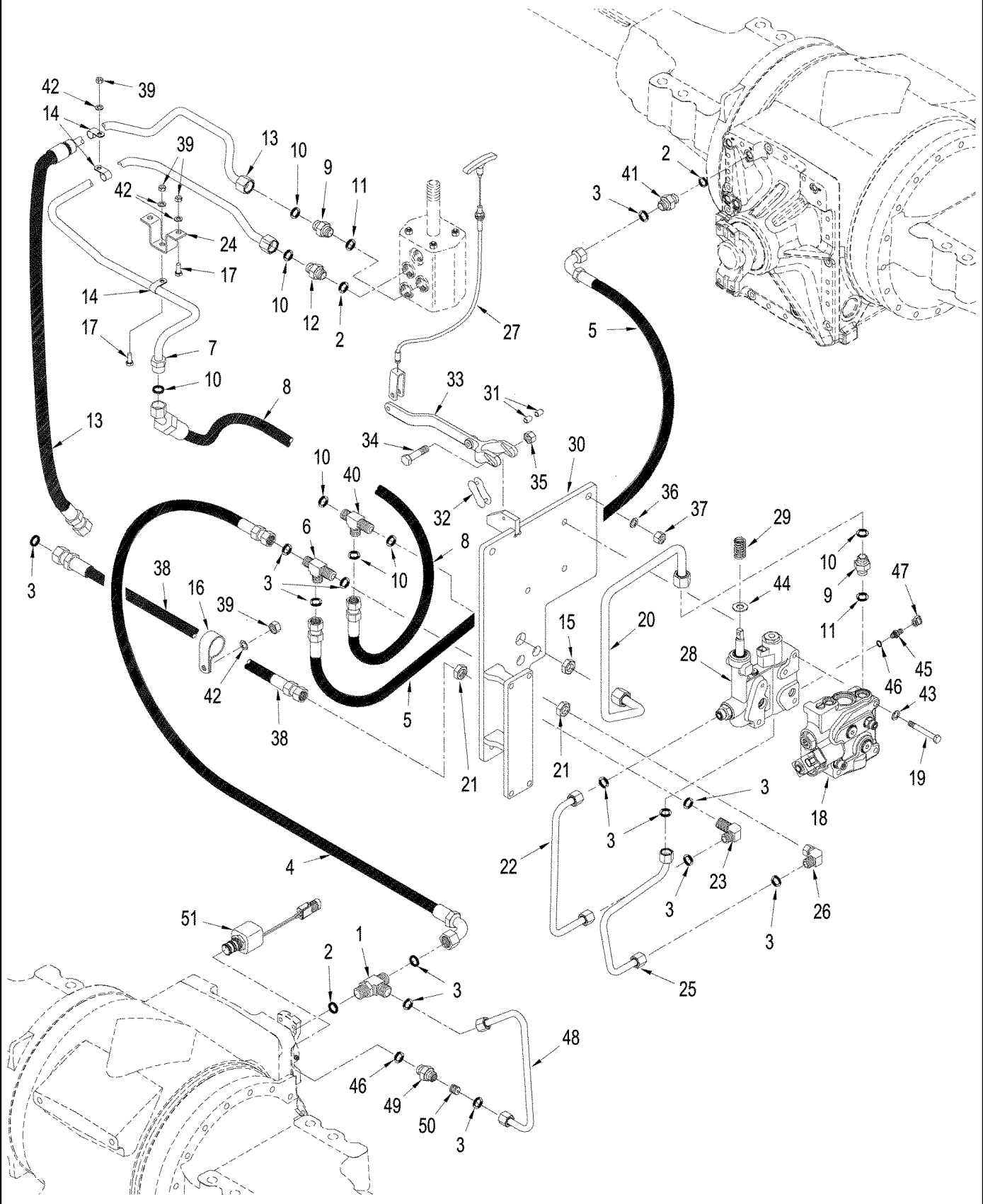
PARK BRAKE CIRCUIT, WITH DIFFERENTIAL LOCK, WITHOUT ACCUSTEER



PARK BRAKE CIRCUIT, WITH DIFFERENTIAL LOCK, WITHOUT ACCUSTEER

REF	FN	PART NUMBER	YR/SN	QTY	DESCRIPTION
31		392748A1		2	SPACER
32		242-4412		1	LINK, CHAIN
33		390918A3		1	ARM
34		827-6070		1	BOLT, Hex, M6 x 70, 10.9
35		832-10406		1	NUT, LOCK, M6 x 1, CI 8
36		895-11012		3	WASHER, M12 x 24 x 2.5
37		829-1412		3	NUT, M12, CI 10
38		327484A2		1	HOSE ASSY., 1033 mm (40-1/2 in.)
39		829-1408		5	NUT, M8, CI 10
40		701-429		1	TEE, 1"-14 ORFS, Blkd Run, Inc. 10
41		416282A1		1	TUBE ASSY.
42		895-11008		5	WASHER, M8 x 16 x 1.6
43		895-18010		3	WASHER, M10 x 18 x 1.6
44		896-12016		1	WASHER, M17.5 x 30 x 4, HT
		178889A1		1	FITTING, Diagnostic, Inc. 45 & 47
45		NSS		1	NOT SERVICED SEPARATELY, Fitting, Inc. 46
46		637-63113		3	O-RING, CI 6, 11.3MM ID x 2.2 Thk
47		H434163		1	DUST CAP, Dust
48		416276A1		1	TUBE ASSY.
		341195A1		2	ORIFICE, Inc. 49 - 50
49		700-154		2	CONNECTOR, HYD., 13/16"-16 ORFS x M14 x 1.5 ORB, Inc. 3 & 46
50		878-10812		1	SET SCREW, Hex Soc, M8 x 12, Cup Pt
51		384977A1		2	VALVE, Solenoid, Differential Lock, See Figure: 07-09
					STX330 STX280 STEIGER 280 STEIGER 330

PARK BRAKE CIRCUIT, WITH DIFFERENTIAL LOCK, WITH ACCUSTEER

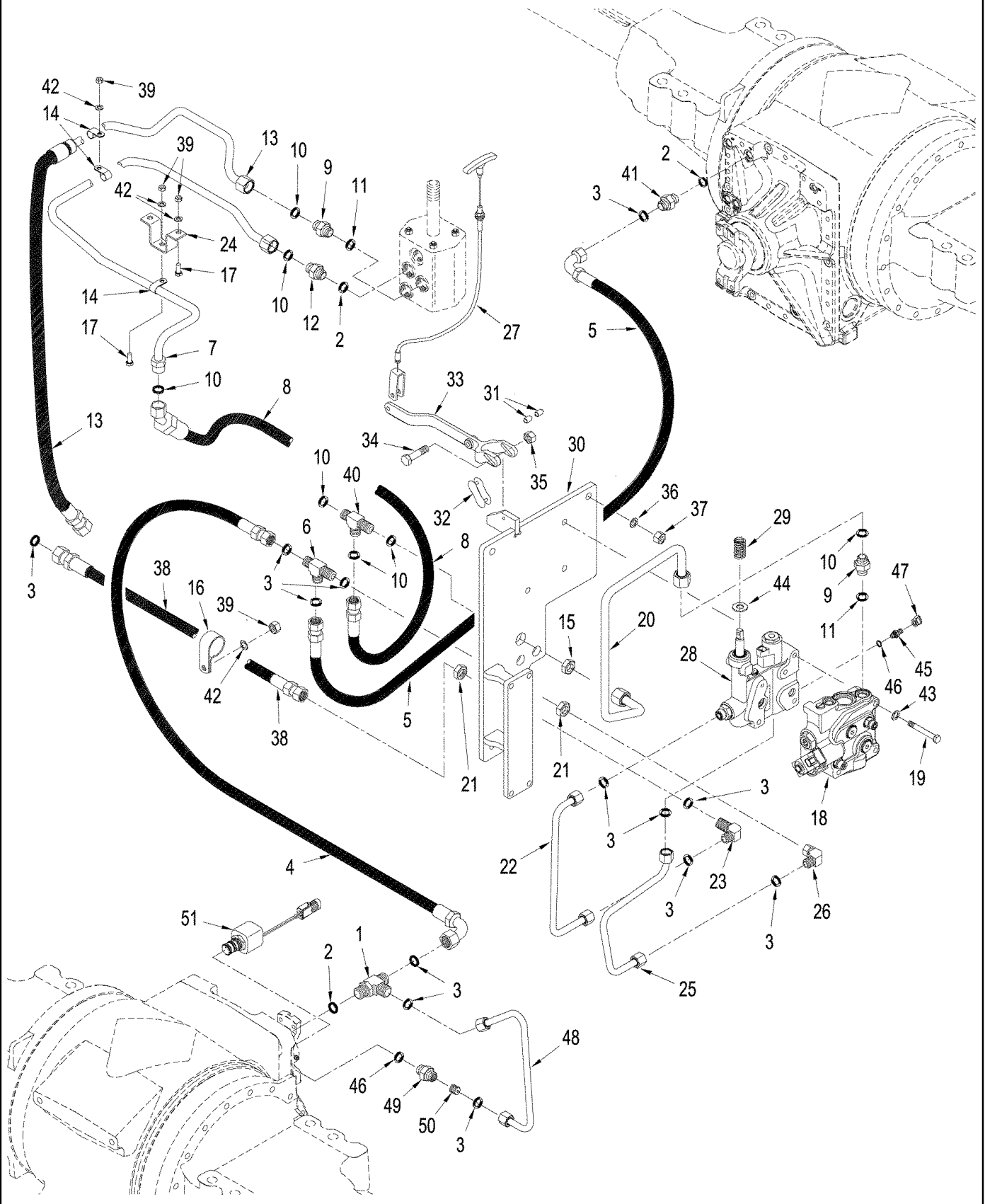


PARK BRAKE CIRCUIT, WITH DIFFERENTIAL LOCK, WITH ACCUSTEER

REF	FN	PART NUMBER	YR/SN	QTY	DESCRIPTION
1		700-445		2	TEE, 13/16"-16 ORFS x M22 x 1.5 ORB Run, Inc. 2 and 3
2		637-63193		3	O-RING, CI 6, 19.3MM ID x 2.2 Thk
3		238-6014		10	O-RING, -014, 90 Duro, .489" ID x .070" Thk
4		360200A2		1	HOSE ASSY., 1905 mm (75 in.)
5		360199A1		1	HOSE ASSY.
6		701-423		1	TEE, 13/16"-16 ORFS, Blkd Run, Inc. 3
7		87366186		1	TUBE
8		87521348		1	HOSE
9		700-115		2	CONNECTOR, HYD., 1"-14 ORFS x M18 x 1.5 ORB, Inc. 10 and 11
10		238-6016		6	O-RING, -016, 90 Duro, .614" ID x .070" Thk
11		637-63153		2	O-RING, CI 6, 15.3MM ID x 2.2 Thk
12		700-103		1	CONNECTOR, HYD., 1"-14 ORFS x M22 x 1.5 ORB, Inc. 2 & 10
13		87329133		1	HOSE, Return
14		515-22159		2	CLAMP, 5/8", Insul, 5/16" Bolt
15		701-919		1	NUT, LOCK, 1"-14, ORFS Blkhd
16		515-23206		2	CLAMP, 13/16", Insul, 3/8" Bolt, P-type
17		627-8020		3	BOLT, Hex, M8 x 20, 10.9
18		411104A2		1	VALVE, Regulator, See Figure: 08-11
19		827-10150		3	BOLT, Hex, M10 x 150, 10.9
20		449827A2		1	TUBE ASSY.
21		701-903		2	NUT, LOCK, 13/16"-16, ORFS Blkhd
22		449796A1		1	TUBE ASSY.
23		701-301		1	ELBOW, 90°, 13/16"-16, ORFS, Blkhd, Inc. 3
24		87310422		1	BRACKET, Mounting
25		449798A1		1	TUBE ASSY.
26		701-320		1	ELBOW, 90°, 13/16"-16 ORFS x 13/16"-16 Fem Sw, Inc. 3
27		349863A2		1	CABLE, Tow Valve, See Figure: 08-15 for Mounting & Parts
28		87679712		1	VALVE, Control, Tow Block, See Figure: 08-14
29		361897A1		1	SPRING
30		449830A1		1	PLATE ASSY.

STX330 STX280
STEIGER 280 STEIGER 330

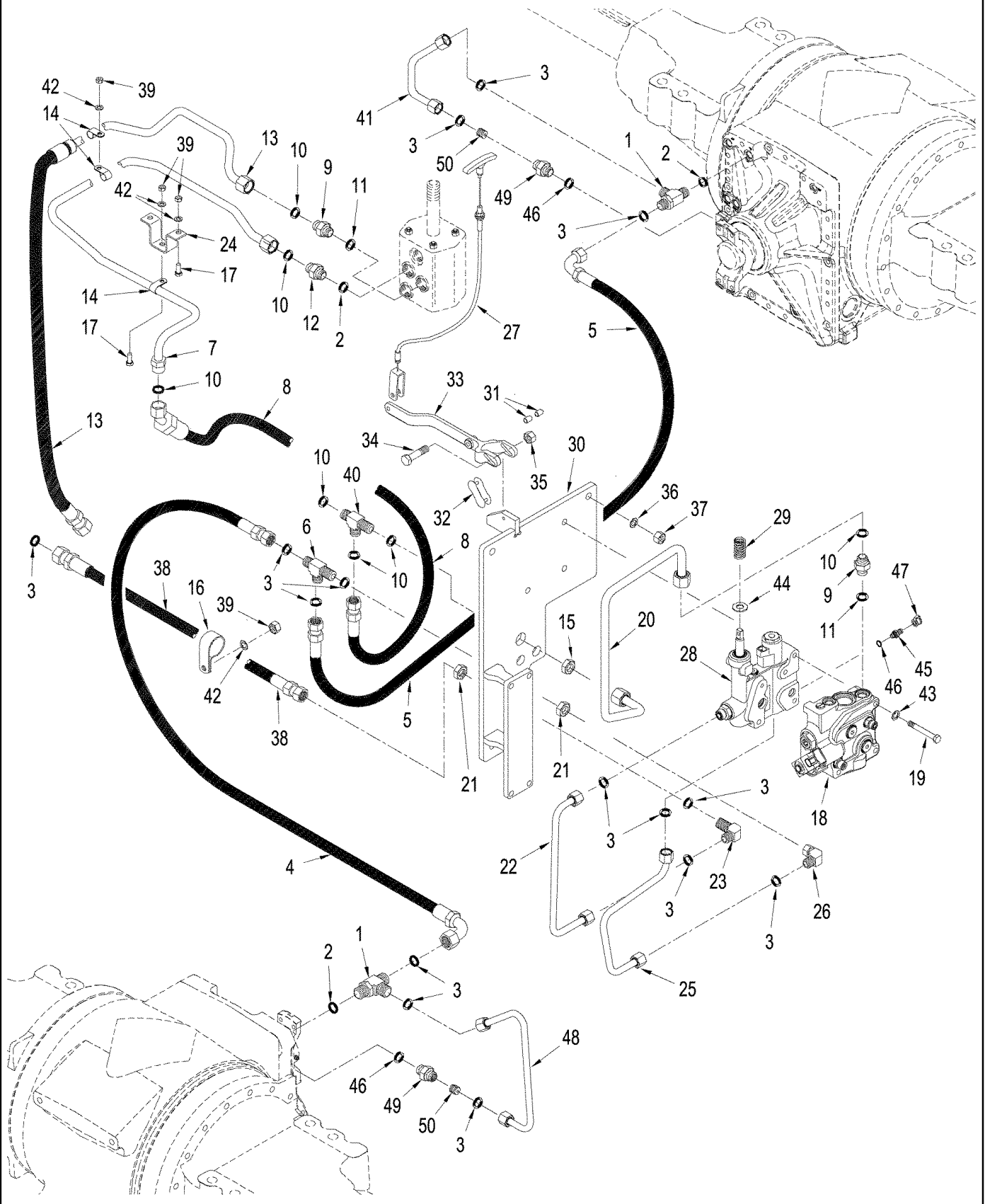
PARK BRAKE CIRCUIT, WITH DIFFERENTIAL LOCK, WITH ACCUSTEER



PARK BRAKE CIRCUIT, WITH DIFFERENTIAL LOCK, WITH ACCUSTEER

REF	FN	PART NUMBER	YR/SN	QTY	DESCRIPTION
31		392748A1		2	SPACER
32		242-4412		1	LINK, CHAIN
33		390918A3		1	ARM
34		827-6070		1	BOLT, Hex, M6 x 70, 10.9
35		832-10406		1	NUT, LOCK, M6 x 1, CI 8
36		895-11012		3	WASHER, M12 x 24 x 2.5
37		829-1412		3	NUT, M12, CI 10
38		327484A2		1	HOSE ASSY., 1033 mm (40-1/2 in.)
39		829-1408		6	NUT, M8, CI 10
40		701-429		1	TEE, 1"-14 ORFS, Blkd Run, Inc. 10
41		700-162		1	CONNECTOR, HYD., 13/16"-16 ORFS x M22 x 1.5 ORB, Inc. 2 & 3
42		895-11008		8	WASHER, M8 x 16 x 1.6
43		895-18010		3	WASHER, M10 x 18 x 1.6
44		896-12016		1	WASHER, M17.5 x 30 x 4, HT
		178889A1		1	FITTING, Diagnostic, Inc. 45 - 47
45		NSS		1	NOT SERVICED SEPARATELY, Fitting, Inc. 46
46		637-63113		3	O-RING, CI 6, 11.3MM ID x 2.2 Thk
47		H434163		1	DUST CAP, Dust
48		416276A1		1	TUBE ASSY.
		341195A1		2	ORIFICE, Inc. 49 & 50
49		700-154		2	CONNECTOR, HYD., 13/16"-16 ORFS x M14 x 1.5 ORB, Inc. 3 & 46
50		878-10812		1	SET SCREW, Hex Soc, M8 x 12, Cup Pt
51		384977A1		1	VALVE, Solenoid, Differential Lock, See Figure: 07-09
					STX330 STX280 STEIGER 280 STEIGER 330

PARK BRAKE CIRCUIT, WITHOUT DIFFERENTIAL LOCK, WITHOUT ACCUSTEER

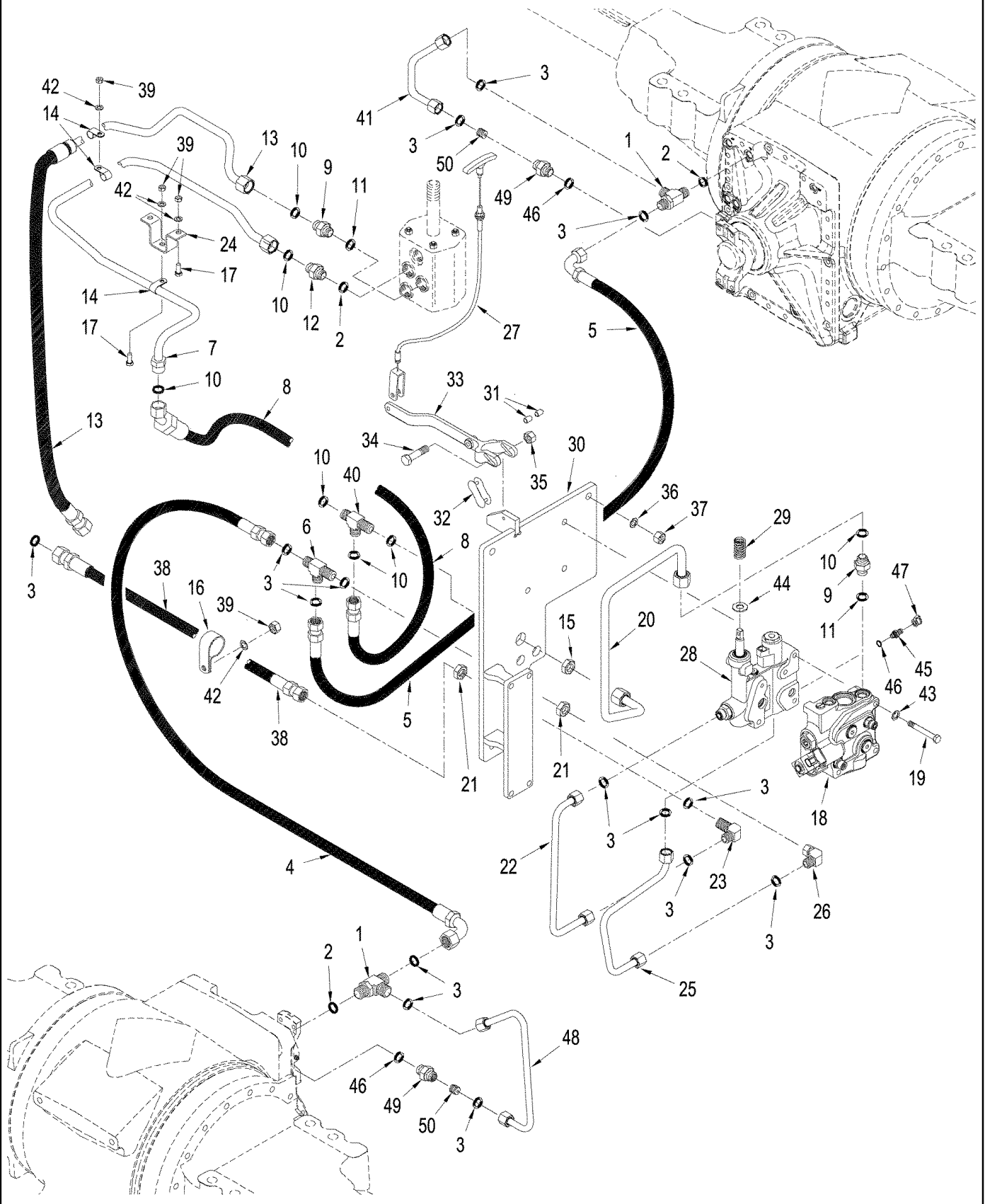


PARK BRAKE CIRCUIT, WITHOUT DIFFERENTIAL LOCK, WITHOUT ACCUSTEER

REF	FN	PART NUMBER	YR/SN	QTY	DESCRIPTION
1		700-445		2	TEE, 13/16"-16 ORFS x M22 x 1.5 ORB Run, Inc. 2 & 3
2		637-63193		3	O-RING, CI 6, 19.3MM ID x 2.2 Thk
3		238-6014		7	O-RING, -014, 90 Duro, .489" ID x .070" Thk
4		360200A2		1	HOSE ASSY., 1905 mm (75 in.)
5		327479A2		1	HOSE, 1720 mm (67 in.)
6		701-423		1	TEE, 13/16"-16 ORFS, Blkd Run, Inc. 7
7		87366186		1	TUBE, Brake Supply
8		392427A1		1	HOSE ASSY., 1947 mm (76-1/2 in.)
9		700-115		2	CONNECTOR, HYD., 1"-14 ORFS x M18 x 1.5 ORB, Inc. 10 & 11
10		238-6016		7	O-RING, -016, 90 Duro, .614" ID x .070" Thk
11		637-63153		2	O-RING, CI 6, 15.3MM ID x 2.2 Thk
12		700-103		1	CONNECTOR, HYD., 1"-14 ORFS x M22 x 1.5 ORB, Inc. 2 & 10
13		87329133		1	HOSE, Return
14		515-22159		2	CLAMP, 5/8", Insul, 5/16" Bolt
15		701-919		1	NUT, LOCK, 1"-14, ORFS Blkhd
16		515-23206		2	CLAMP, 13/16", Insul, 3/8" Bolt, P-Type
17		627-8020		2	BOLT, Hex, M8 x 20, 10.9
18		411104A2		1	VALVE, Regulator, See Figure: 08-11
19		827-10150		3	BOLT, Hex, M10 x 150, 10.9
20		449827A2		1	TUBE ASSY.
21		701-903		2	NUT, LOCK, 13/16"-16, ORFS Blkhd
22		449796A1		1	TUBE ASSY.
23		701-301		1	ELBOW, 90°, 13/16"-16, ORFS, Blkhd, Inc. 3
25		449798A1		1	TUBE ASSY.
26		701-320		1	ELBOW, 90°, 13/16"-16 ORFS x 13/16"-16 Fem Sw, Inc. 3
27		349863A2		1	CABLE, Tow Valve, See Figure: 08-15 for Mounting & Parts
28		87679712		1	VALVE, Control, Tow Block, See Figure: 08-14
29		361897A1		1	SPRING
30		449830A1		1	PLATE ASSY.
31		392748A1		2	SPACER

STX330	STX280
STEIGER 280	STEIGER 330

PARK BRAKE CIRCUIT, WITHOUT DIFFERENTIAL LOCK, WITHOUT ACCUSTEER

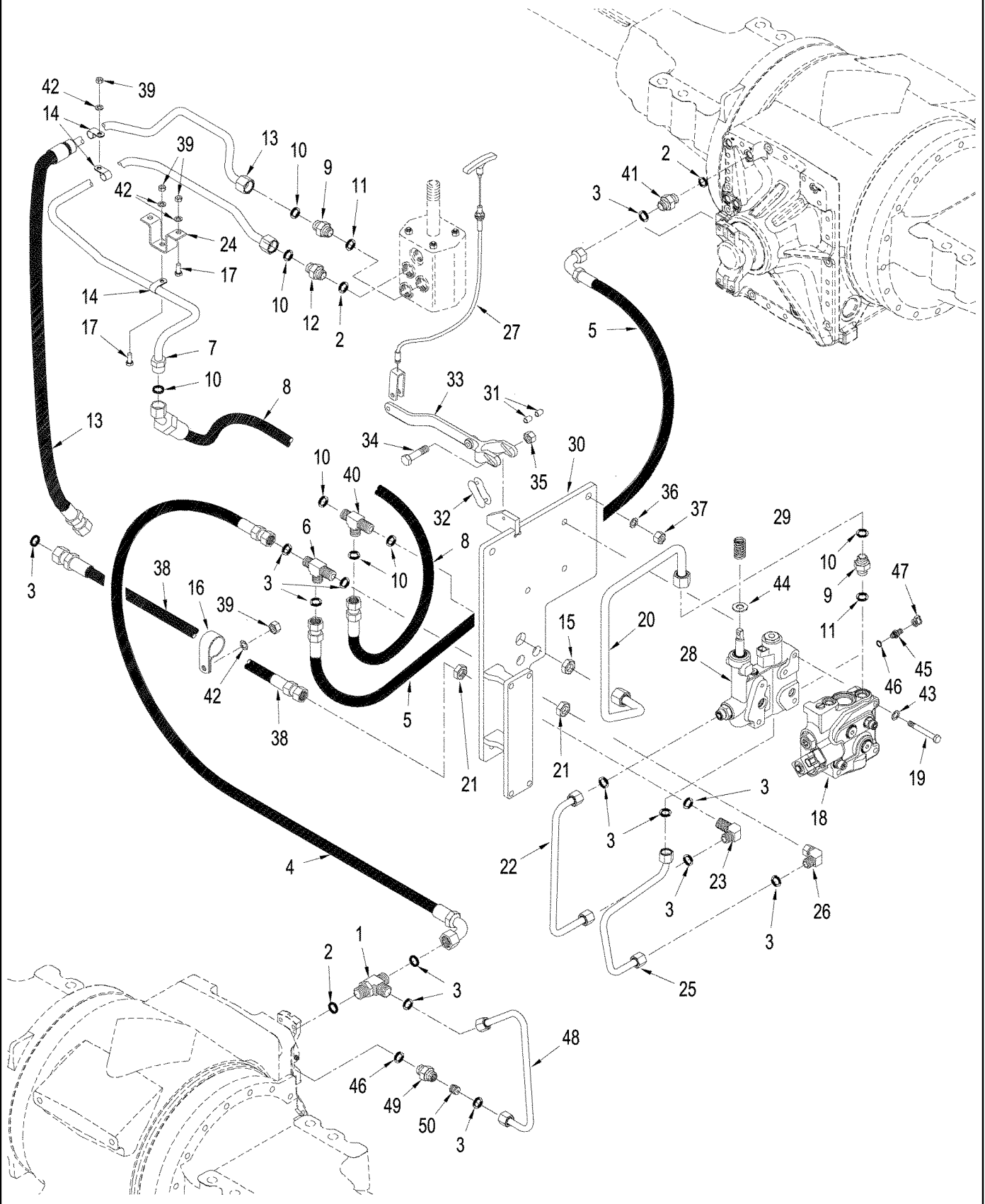


PARK BRAKE CIRCUIT, WITHOUT DIFFERENTIAL LOCK, WITHOUT ACCUSTEER

REF	FN	PART NUMBER	YR/SN	QTY	DESCRIPTION
32		242-4412		1	LINK, CHAIN
33		390918A3		1	ARM
34		827-6070		1	BOLT, Hex, M6 x 70, 10.9
35		832-10406		1	NUT, LOCK, M6 x 1, CI 8
36		895-11012		3	WASHER, M12 x 24 x 2.5
37		829-1412		3	NUT, M12, CI 10
38		327484A2		1	HOSE ASSY., 1033 mm (40-1/2 in.)
39		829-1408		5	NUT, M8, CI 10
40		701-429		1	TEE, 1"-14 ORFS, Blkd Run, Inc. 10
41		416282A1		1	TUBE ASSY.
42		895-11008		5	WASHER, M8 x 16 x 1.6
43		895-18010		3	WASHER, M10 x 18 x 1.6
44		896-12016		1	WASHER, M17.5 x 30 x 4, HT
		178889A1		1	FITTING, Diagnostic, Inc. 45 & 47
45		NSS		1	NOT SERVICED SEPARATELY, Fitting, Inc. 46
46		637-63113		3	O-RING, CI 6, 11.3MM ID x 2.2 Thk
47		H434163		1	DUST CAP, Dust
48		416276A1		1	TUBE ASSY.
		341195A1		2	ORIFICE, Inc. 49 - 50
49		700-154		2	CONNECTOR, HYD., 13/16"-16 ORFS x M14 x 1.5 ORB, Inc. 3 & 46
50		878-10812		1	SET SCREW, Hex Soc, M8 x 12, Cup Pt

STX330	STX280
STEIGER 280	STEIGER 330

PARK BRAKE CIRCUIT, WITHOUT DIFFERENTIAL LOCK, WITH ACCUSTEER

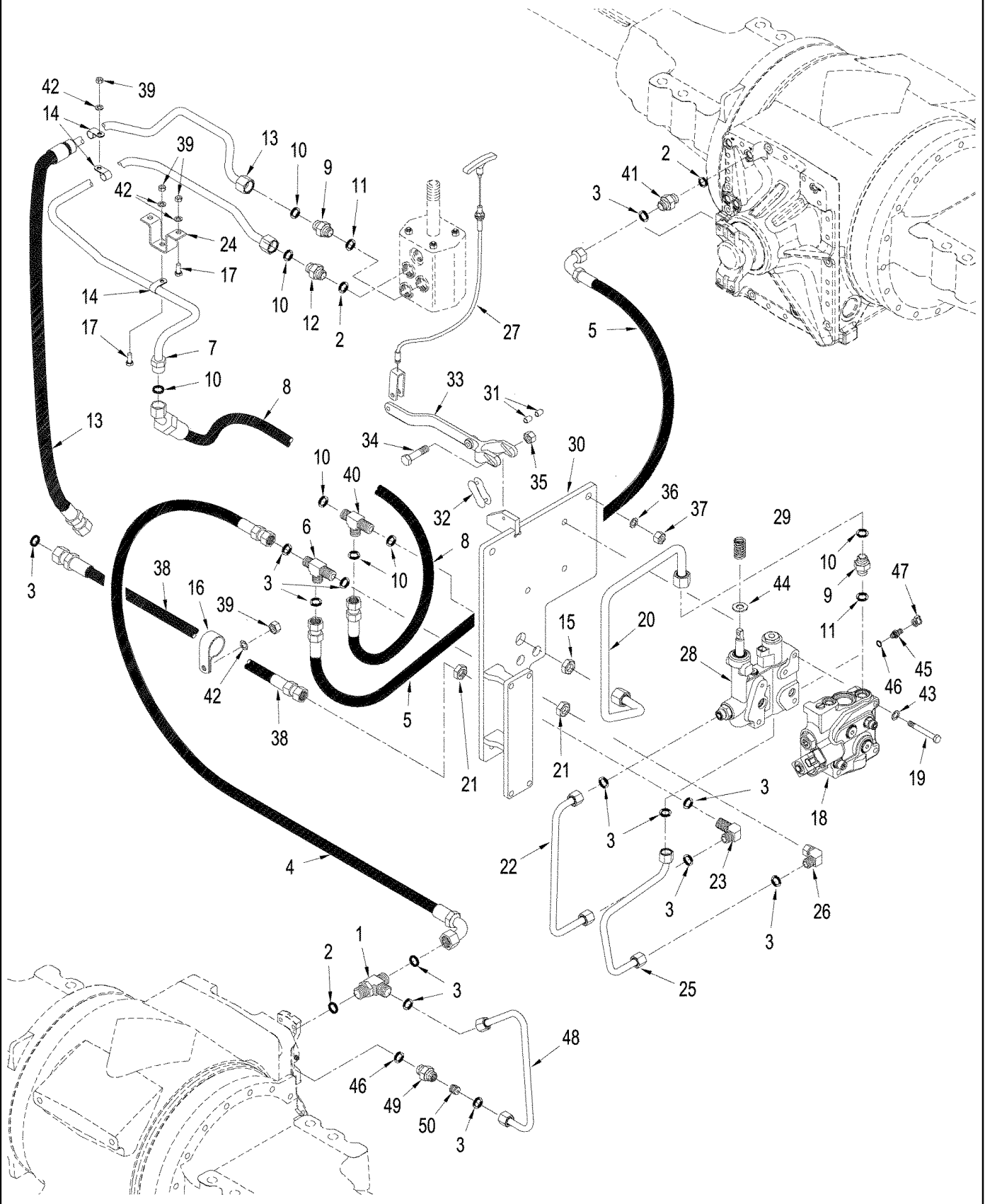


PARK BRAKE CIRCUIT, WITHOUT DIFFERENTIAL LOCK, WITH ACCUSTEER

REF	FN	PART NUMBER	YR/SN	QTY	DESCRIPTION
1		700-445		2	TEE, 13/16"-16 ORFS x M22 x 1.5 ORB Run, Inc. 2 and 3
2		637-63193		3	O-RING, CI 6, 19.3MM ID x 2.2 Thk
3		238-6014		10	O-RING, -014, 90 Duro, .489" ID x .070" Thk
4		360200A2		1	HOSE ASSY., 1905 mm (75 in.)
5		360199A1		1	HOSE ASSY.
6		701-423		1	TEE, 13/16"-16 ORFS, Blkd Run, Inc. 3
7		87366186		1	TUBE
8		87521348		1	HOSE
9		700-115		2	CONNECTOR, HYD., 1"-14 ORFS x M18 x 1.5 ORB, Inc. 10 and 11
10		238-6016		6	O-RING, -016, 90 Duro, .614" ID x .070" Thk
11		637-63153		2	O-RING, CI 6, 15.3MM ID x 2.2 Thk
12		700-103		1	CONNECTOR, HYD., 1"-14 ORFS x M22 x 1.5 ORB, Inc. 2 & 10
13		87329133		1	HOSE, Return
14		515-22159		2	CLAMP, 5/8", Insul, 5/16" Bolt
15		701-919		1	NUT, LOCK, 1"-14, ORFS Blkhd
16		515-23206		2	CLAMP, 13/16", Insul, 3/8" Bolt, P-type
17		627-8020		3	BOLT, Hex, M8 x 20, 10.9
18		411104A2		1	VALVE, Regulator, See Figure: 08-11
19		827-10150		3	BOLT, Hex, M10 x 150, 10.9
20		449827A2		1	TUBE ASSY.
21		701-903		2	NUT, LOCK, 13/16"-16, ORFS Blkhd
22		449796A1		1	TUBE ASSY.
23		701-301		1	ELBOW, 90°, 13/16"-16, ORFS, Blkhd, Inc. 3
24		87310422		1	BRACKET, Mounting
25		449798A1		1	TUBE ASSY.
26		701-320		1	ELBOW, 90°, 13/16"-16 ORFS x 13/16"-16 Fem Sw, Inc. 3
27		349863A2		1	CABLE, Tow Valve, See Figure: 08-15 for Mounting & Parts
28		87679712		1	VALVE, Control, Tow Block, See Figure: 08-14
29		361897A1		1	SPRING
30		449830A1		1	PLATE ASSY.

STX330	STX280
STEIGER 280	STEIGER 330

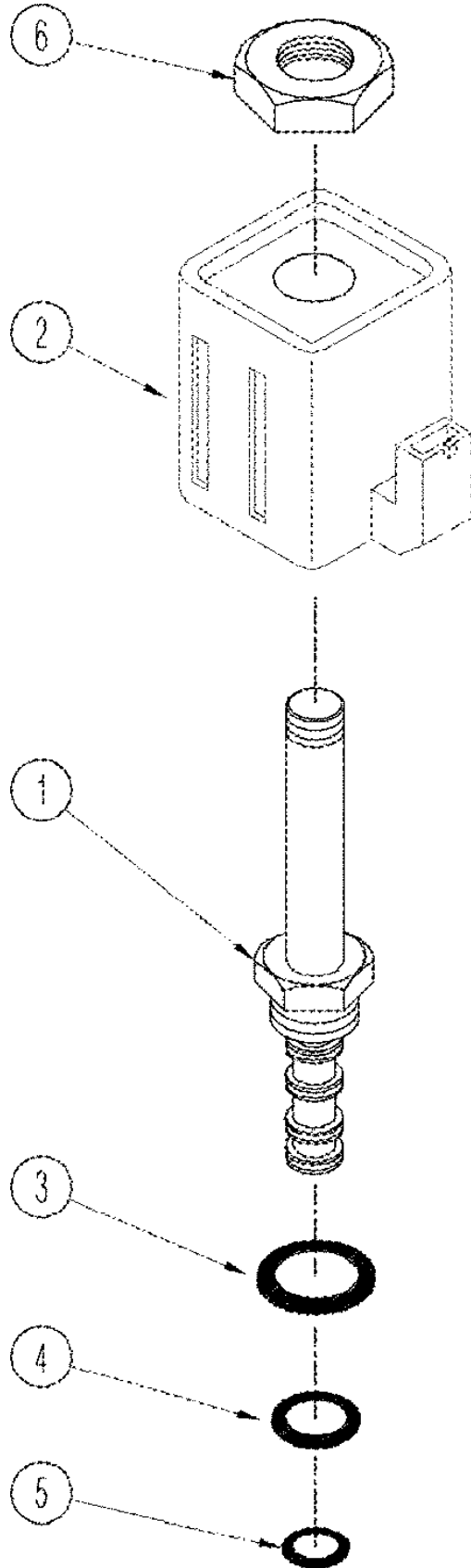
PARK BRAKE CIRCUIT, WITHOUT DIFFERENTIAL LOCK, WITH ACCUSTEER



PARK BRAKE CIRCUIT, WITHOUT DIFFERENTIAL LOCK, WITH ACCUSTEER

REF	FN	PART NUMBER	YR/SN	QTY	DESCRIPTION
31		392748A1		2	SPACER
32		242-4412		1	LINK, CHAIN
33		390918A3		1	ARM
34		827-6070		1	BOLT, Hex, M6 x 70, 10.9
35		832-10406		1	NUT, LOCK, M6 x 1, CI 8
36		895-11012		3	WASHER, M12 x 24 x 2.5
37		829-1412		3	NUT, M12, CI 10
38		327484A2		1	HOSE ASSY., 1033 mm (40-1/2 in.)
39		829-1408		6	NUT, M8, CI 10
40		701-429		1	TEE, 1"-14 ORFS, Blkd Run, Inc. 10
41		700-162		1	CONNECTOR, HYD., 13/16"-16 ORFS x M22 x 1.5 ORB, Inc. 2 & 3
42		895-11008		8	WASHER, M8 x 16 x 1.6
43		895-18010		3	WASHER, M10 x 18 x 1.6
44		896-12016		1	WASHER, M17.5 x 30 x 4, HT
		178889A1		1	FITTING, Diagnostic, Inc. 45 - 47
45		NSS		1	NOT SERVICED SEPARATELY, Fitting, Inc. 46
46		637-63113		3	O-RING, CI 6, 11.3MM ID x 2.2 Thk
47		H434163		1	DUST CAP, Dust
48		416276A1		1	TUBE ASSY.
		341195A1		2	ORIFICE, Inc. 49 & 50
49		700-154		2	CONNECTOR, HYD., 13/16"-16 ORFS x M14 x 1.5 ORB, Inc. 3 & 46
50		878-10812		1	SET SCREW, Hex Soc, M8 x 12, Cup Pt
					STX330 STX280 STEIGER 280 STEIGER 330

VALVE ASSEMBLY - DIFFERENTIAL LOCK



VALVE ASSEMBLY - DIFFERENTIAL LOCK

REF	FN	PART NUMBER	YR/SN	QTY	DESCRIPTION
		384977A1		1	VALVE, Differential Lock, Inc. 1 - 6
1		384976A1		1	CARTRIDGE
2		353941A1		1	COIL
3		237-6010		1	O-RING, 10-1, 90 Duro, .755" ID x .097" Thk
4		238-5015		1	O-RING, -015, 70 Duro, .551" ID x .070" Thk
5		238-5014		1	O-RING, -014, 70 Duro, .489" ID x .070" Thk
6		NSS		1	NOT SERVICED SEPARATELY, Nut

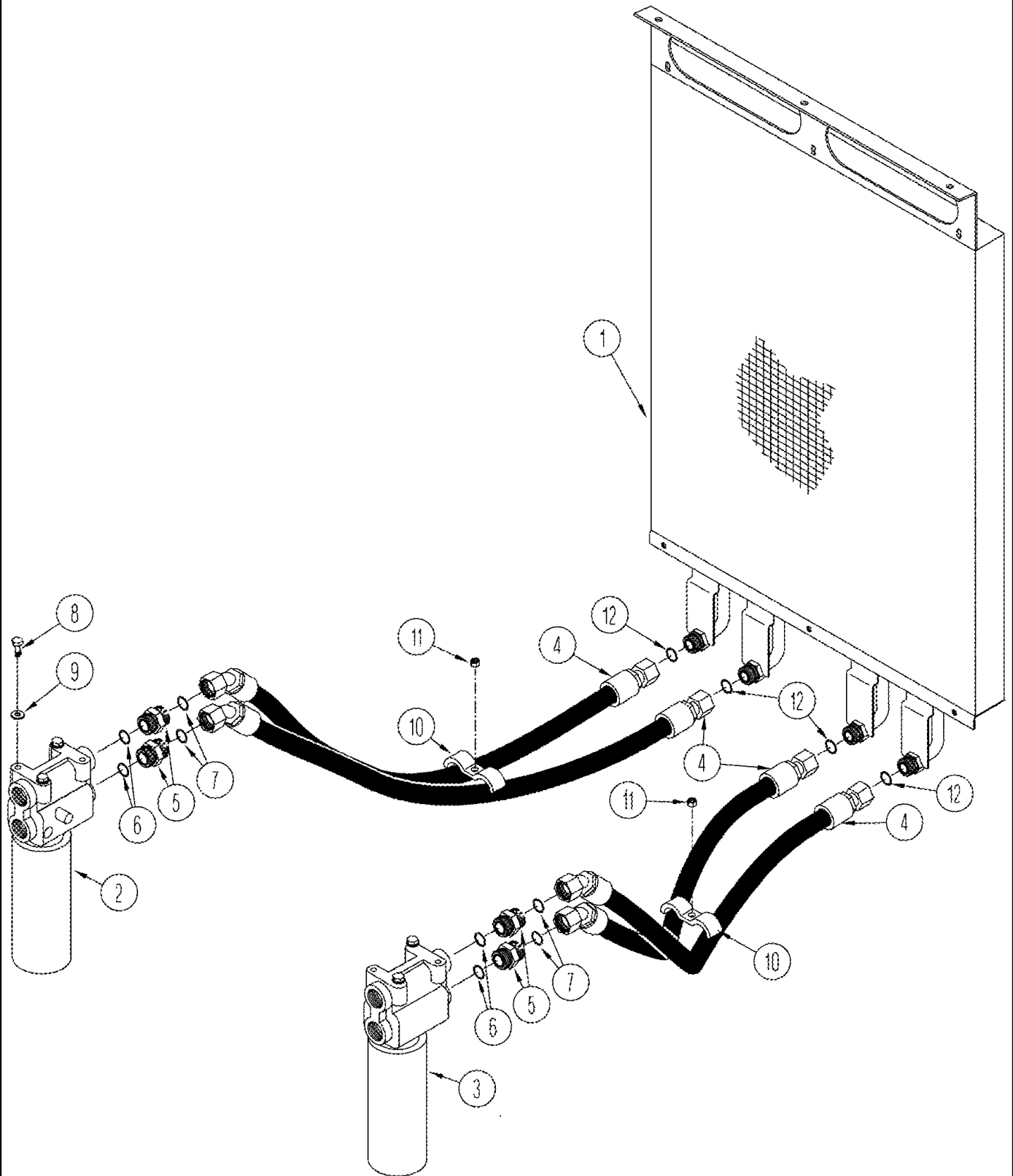
	STX330 STX280 STEIGER 280 STEIGER 330
--	--

SECTION INDEX

Hydraulics

08-01	HYDRAULIC OIL COOLER
08-02	HYDRAULIC OIL COOLER - MOUNTING
08-03	OIL FILTER - AXLE AND TRANSMISSION
08-04	OIL FILTER - MAIN HYDRAULIC (BELOW BATTERY)
08-05	AXLE HYDRAULICS - LUBRICATION CIRCUIT, WITHOUT ACCUSTEER
08-06	AXLE HYDRAULICS - LUBRICATION CIRCUIT, WITH ACCUSTEER
08-07	AXLE HYDRAULICS - AIR AND LUBRICATION CIRCUIT, WITHOUT ACCUSTEER
08-08	AXLE HYDRAULICS - AIR AND LUBRICATION CIRCUIT, WITH ACCUSTEER
08-09	AXLE HYDRAULICS - COOLING CIRCUIT, WITHOUT ACCUSTEER
08-10	AXLE HYDRAULICS - COOLING CIRCUIT, WITH ACCUSTEER
08-11	REGULATOR VALVE ASSEMBLY
08-12	PRIORITY / STEERING CONTROL VALVE ASSEMBLY, WITHOUT ACCUSTEER
08-13	PRIORITY / STEERING CONTROL VALVE ASSEMBLY, WITH ACCUSTEER
08-14	TOW BLOCK VALVE ASSEMBLY
08-15	CABLE - TOW VALVE
08-16	HYDRAULIC TANK ASSEMBLY
08-17	STANDARD HYDRAULICS - PUMP LUBRICATION CIRCUIT
08-18	STANDARD HYDRAULICS - PUMP MOUNTING
08-19	STANDARD HYDRAULICS - PISTON PUMP ASSEMBLY
08-20	HIGH OUTPUT HYDRAULICS - PUMP LUBRICATION CIRCUIT, WITHOUT ACCUSTEER
08-21	PRIORITY VALVE AND ATTACHING PARTS
08-22	HIGH OUTPUT HYDRAULICS - PUMP LUBRICATION CIRCUIT, WITH ACCUSTEER
08-23	PRIORITY VALVE AND ATTACHING PARTS, WITH ACCUSTEER
08-24	HIGH OUTPUT HYDRAULICS - PUMP MOUNTING
08-25	HIGH OUTPUT HYDRAULICS - PISTON PUMP ASSY
08-26	GEAR PUMP ASSEMBLY
08-27	HYDRAULIC REMOTE HOSES - ELECTRONIC REMOTE
08-28	HYDRAULIC REMOTE CONTROL VALVE
08-29	MANIFOLD VALVE ASSEMBLY
08-30	REMOTE VALVE ASSEMBLY - ELECTRONIC REMOTE
08-31	COUPLER VALVE ASSEMBLY
08-32	MAIN AND AUXILIARY VALVE ASSEMBLY - ELECTRONIC CONTROLLED
08-33	HITCH VALVE ASSEMBLY - ELECTRONIC CONTROLLED
08-34	MOTOR RETURN
08-35	COUPLERS - POWER BEYOND
08-36	COUPLER MOUNTS - WITHOUT POWER TAKEOFF AND THREE POINT HITCH
08-37	THREE POINT HITCH HYDRAULICS - ELECTRONIC CONTROLLED HITCH SYSTEM
08-38	CYLINDER ASSEMBLY - THREE POINT HITCH
08-39	HYDRAULICS - TWIN FLOW CIRCUITRY
08-40	TWIN FLOW HYDRAULICS - AUXILIARY REMOTE MOUNTING
08-41	TWIN FLOW HYDRAULIC MANIFOLD ASSY.
08-42	TWIN FLOW HYDRAULIC PUMP ASSY
08-43	OIL FILTER - TWIN FLOW HYDRAULICS
08-44	TRAILER BRAKES - HYDRAULIC
08-45	VALVE - HYDRAULIC TRAILER BRAKE

HYDRAULIC OIL COOLER

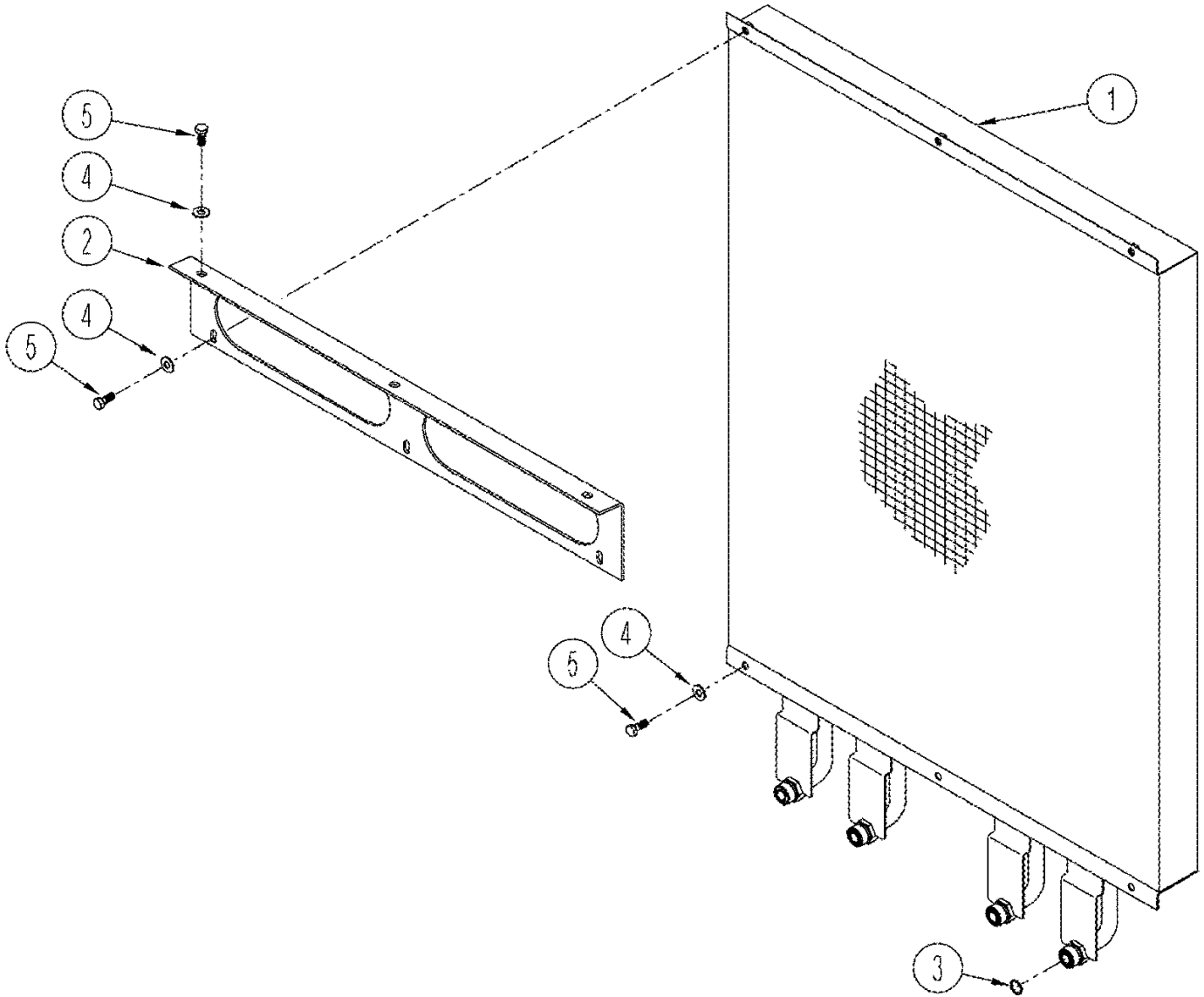


HYDRAULIC OIL COOLER

REF	FN	PART NUMBER	YR/SN	QTY	DESCRIPTION
1		87312759		1	COOLER, Oil
2		REF		1	INSTRUCTION, Filter, Transmission, LH, See Figure: 08-03
3		REF		1	INSTRUCTION, Axle Lubrication, RH, See Figure: 08-03
4		377528A1		4	HOSE ASSY., 971 mm (38 in.)
5		700-104		4	CONNECTOR, HYD., 1 3/16"-12 ORFS x M27 x 2 ORB, Incl. 6, 7
6		637-64236		4	O-RING, CI 6, 23.6MM ID x 2.9 Thk
7		238-6018		4	O-RING, -018, 90 Duro, .739" ID x .070" Thk
8		627-10025		4	BOLT, Hex, M10 x 25, 10.9, Full Thd
9		895-11010		4	WASHER, M10 x 20 x 2
10		R15257		2	CLAMP
11		829-1410		2	NUT, M10, CI 10
12		238-6016		4	O-RING, -016, 90 Duro, .614" ID x .070" Thk

	STEIGER 280 STX330 STX280 STEIGER 330
--	---

HYDRAULIC OIL COOLER - MOUNTING

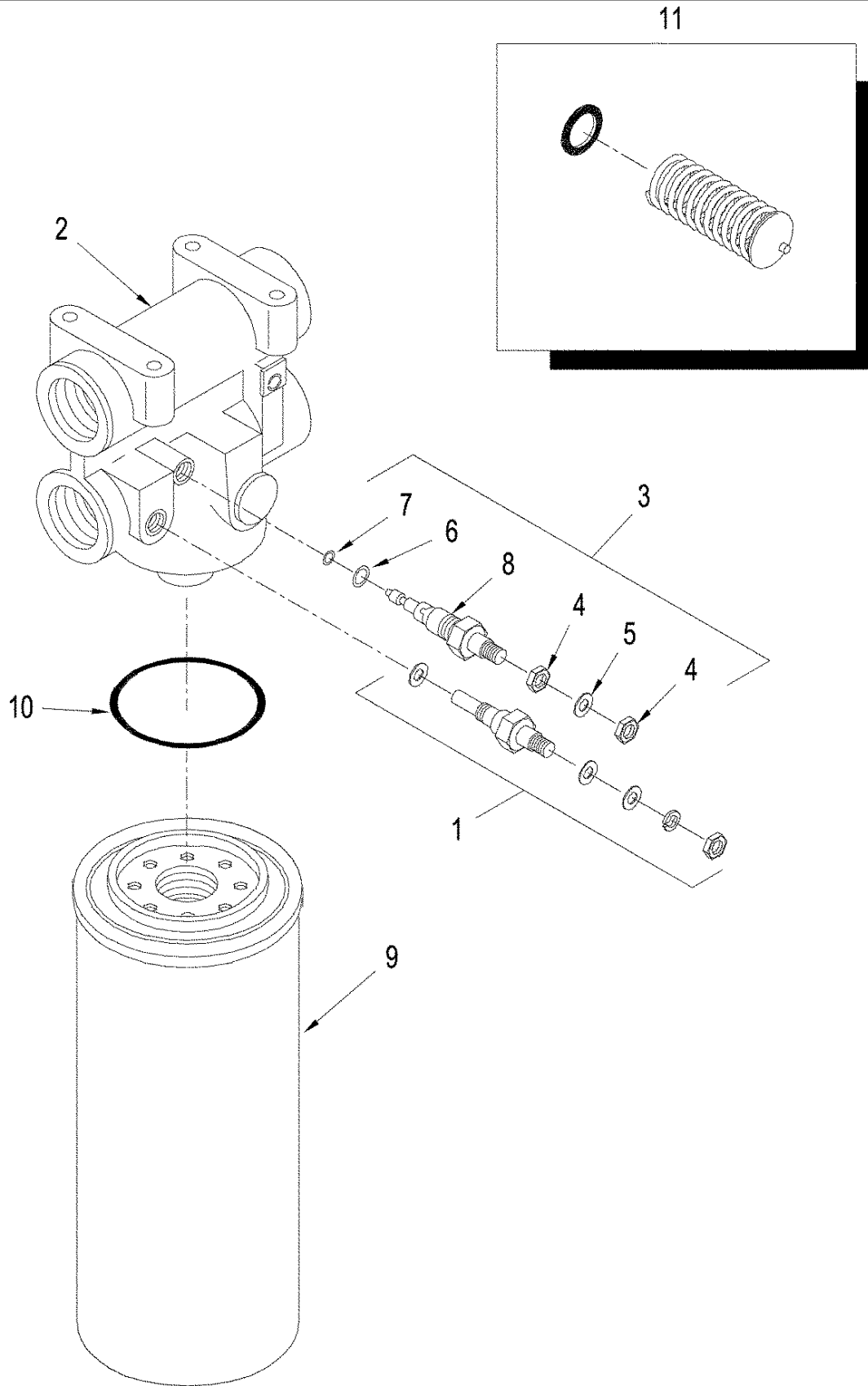


HYDRAULIC OIL COOLER - MOUNTING

REF	FN	PART NUMBER	YR/SN	QTY	DESCRIPTION
1		87312759		1	COOLER, Oil
2		361085A2		1	ANGLE
3		238-6016		4	O-RING, -016, 90 Duro, .614" ID x .070" Thk
4		895-15008		9	WASHER, M8 x 20 x 1.6
5		627-8020		9	BOLT, Hex, M8 x 20, 10.9

	STEIGER 280 STX330 STX280 STEIGER 330
--	--

OIL FILTER - AXLE AND TRANSMISSION

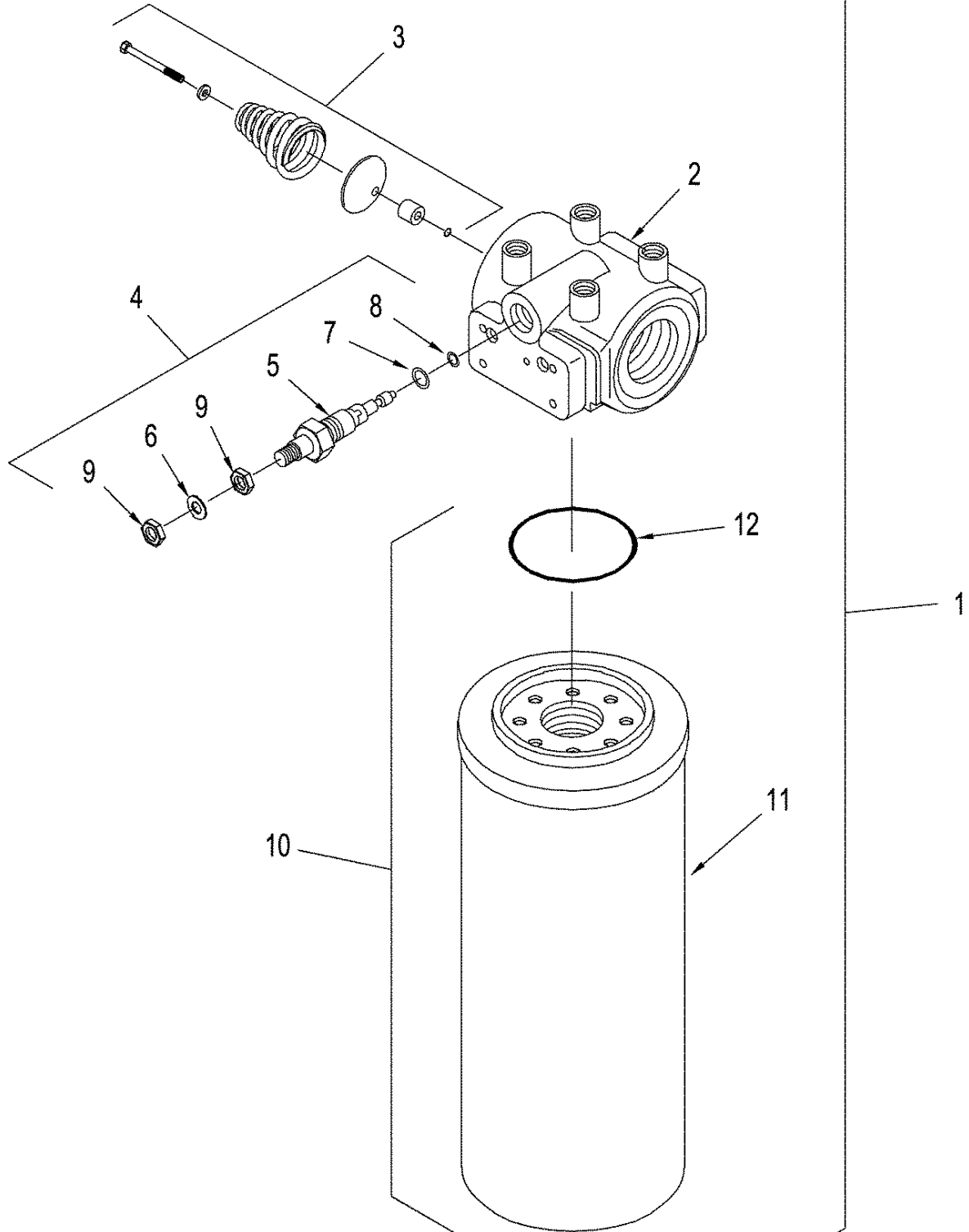


OIL FILTER - AXLE AND TRANSMISSION

REF	FN	PART NUMBER	YR/SN	QTY	DESCRIPTION
1		302557A2		2	SENDER UNIT, Temperature
2		87524849		1	HEAD, FILTER, Axle Lubrication
2		87524848		1	HEAD, FILTER, Transmission Lubrication
3		N6755		1	INDICATOR, Restriction, Inc. 4 - 8
4		129-667		2	NUT, #10-32, LH
5		493-21020		1	WASHER, LOCK, Int Tooth, #10
6		237-6006		1	O-RING, 6-1, 90 Duro, .468" ID x .078" Thk
7		238-5011		1	O-RING, -011, 70 Duro, .301" ID x .070" Thk
8		NSS		1	NOT SERVICED SEPARATELY, Switch
9		1346028C1		1	ELEMENT, Inc. 10
10		1986552C2		1	O-RING
11		50-3590T91		1	KIT, Check Valve

	STEIGER 280 STX330 STX280 STEIGER 330
--	--

OIL FILTER - MAIN HYDRAULIC (BELOW BATTERY)

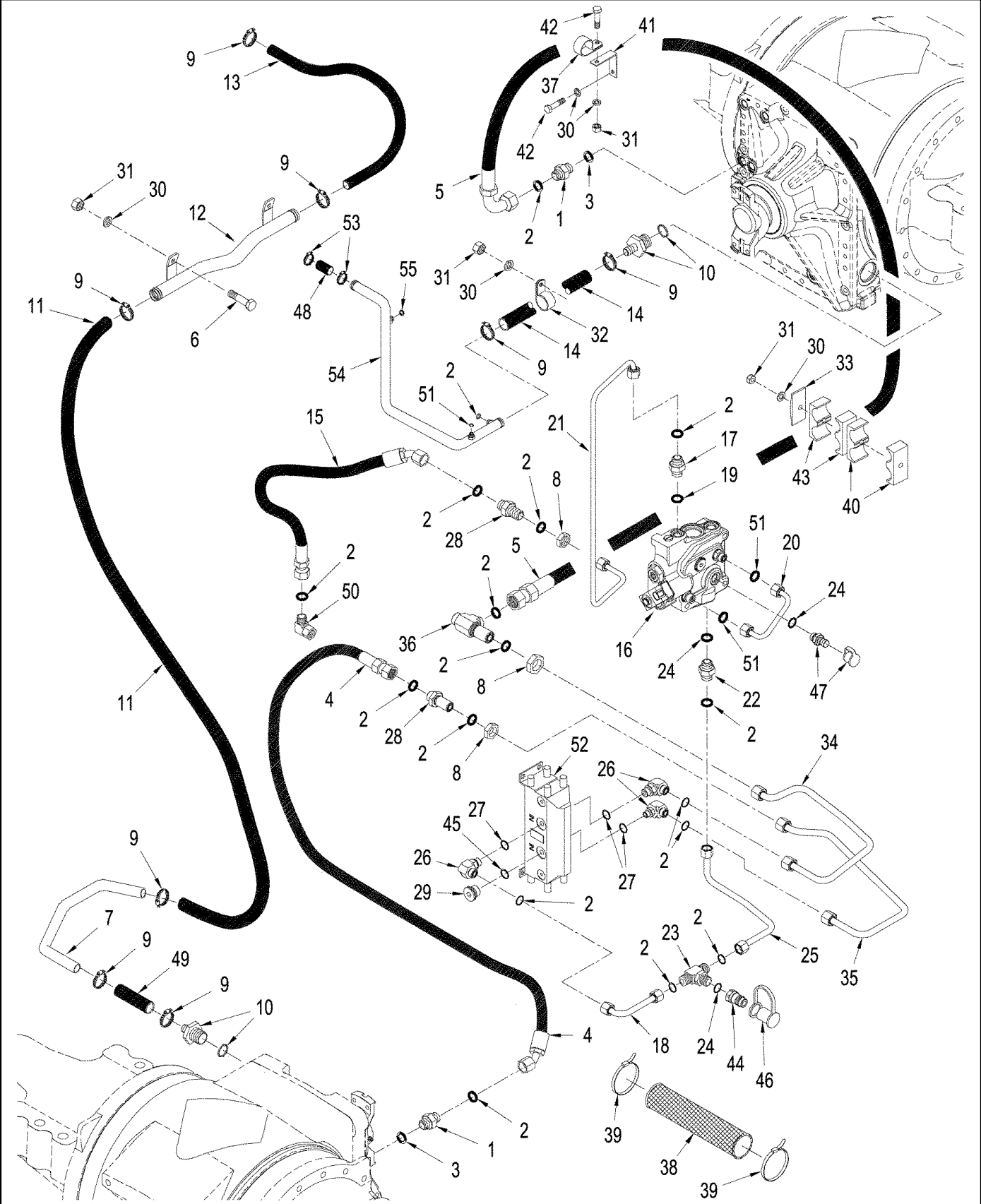


OIL FILTER - MAIN HYDRAULIC (BELOW BATTERY)

REF	FN	PART NUMBER	YR/SN	QTY	DESCRIPTION
1		86991559		1	FILTER ASSY., Main Hydraulic Oil, Inc. 2 - 12
2		87409342		1	HEAD, FILTER
3		NSS		1	NOT SERVICED SEPARATELY, Valve, Bypass
4		N6755		1	INDICATOR, Restriction, Inc. 5 - 9
5		NSS		1	NOT SERVICED SEPARATELY, Indicator
6		493-21020		1	WASHER, LOCK, Int Tooth, #10
7		237-6006		1	O-RING, 6-1, 90 Duro, .468" ID x .078" Thk
8		238-5011		1	O-RING, -011, 70 Duro, .301" ID x .070" Thk
9		129-667		2	NUT, #10-32, LH
10		87404986		1	FILTER, HYDRAULIC OIL, Inc. 8 & 12
11		NSS		1	NOT SERVICED SEPARATELY, Element
12		N9026		1	O-RING

	STEIGER 280 STX330 STX280 STEIGER 330
--	---

AXLE HYDRAULICS - LUBRICATION CIRCUIT, WITHOUT ACCUSTEER

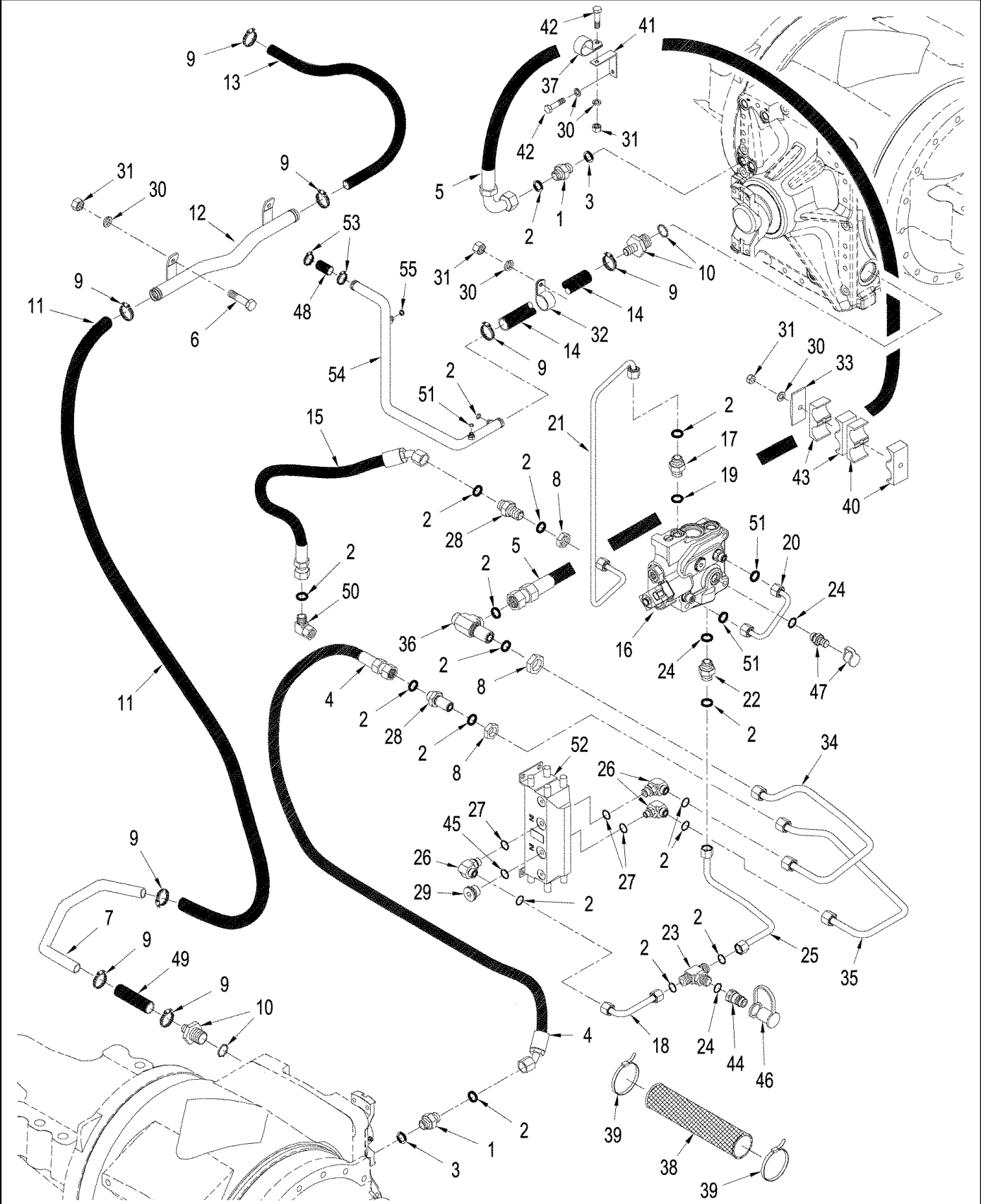


AXLE HYDRAULICS - LUBRICATION CIRCUIT, WITHOUT ACCUSTEER

REF	FN	PART NUMBER	YR/SN	QTY	DESCRIPTION
1		700-162		2	CONNECTOR, HYD., 13/16"-16 ORFS x M22 x 1.5 ORB, Inc. 2 and 3
2		238-6014		9	O-RING, -014, 90 Duro, .489" ID x .070" Thk
3		637-63193		1	O-RING, CI 6, 19.3MM ID x 2.2 Thk
4		360201A4		1	HOSE ASSY., 1925 mm (75-1/2 in.)
5		87313932		1	HOSE, 2080 mm (82")
6		627-8025		1	BOLT, Hex, M8 x 25, 10.9
7		416278A1		1	TUBE ASSY.
8		701-903		3	NUT, LOCK, 13/16"-16, ORFS Blkhd
9		214-1420		6	CLAMP, HOSE, #20, 0.81/1.75 Type F Worm, No. 20
10		337545A1		2	CONNECTOR, HYD., Axle Drain
11		370250A1		1	HOSE, 990 mm (39 in.), Cut From S118383
12		87347801		1	TUBE
13		87386393		1	HOSE, 660 mm (26 in.), Cut From 31-2755
14		437170A1		1	HOSE, 1219 mm (48 in.), Cut From 31-2755
15		406045A1		1	HOSE ASSY., 394 mm (15-1/2 in.)
16		411104A2		1	VALVE, Regulator, See Figure: 08-11
17		700-169		1	CONNECTOR, HYD., 13/16"-16 ORFS x M16 x 1.5 ORB, Inc. 2 and 19
18		87307521		1	TUBE ASSY.
19		637-63133		1	O-RING, CI 6, 13.3MM ID x 2.2 Thk
20		413338A1		1	TUBE ASSY.
21		449800A1		1	TUBE ASSY.
22		700-102		1	CONNECTOR, HYD., 13/16"-16 ORFS x M18 x 1.5 ORB, Inc. 2 and 24
23		700-447		1	TEE, 13/16"-16 ORFS x M22 x 1.5 ORB Br, Inc. 2, 24
24		637-63153		2	O-RING, CI 6, 15.3MM ID x 2.2 Thk
25		87307544		1	TUBE ASSY.
26		201-305		4	ELBOW, 90°, 13/16"-18 x 3/4"-18 Adj, ORFS, 90, 1/2 or x fc sl, Incl. 2 and 27
27		637-63093		1	O-RING, CI 6, 9.3MM ID x 2.2 Thk
28		701-121		2	UNION, 13/16"-16 ORFS, Blkd, Inc. 2
29		71100209		1	PLUG, Hex Soc, 3/4"-16 ORB, Includes 45
30		895-11008		11	WASHER, M8 x 16 x 1.6
31		829-1408		10	NUT, M8, CI 10

STEIGER 280 STX330
STX280 STEIGER 330

AXLE HYDRAULICS - LUBRICATION CIRCUIT, WITHOUT ACCUSTEER

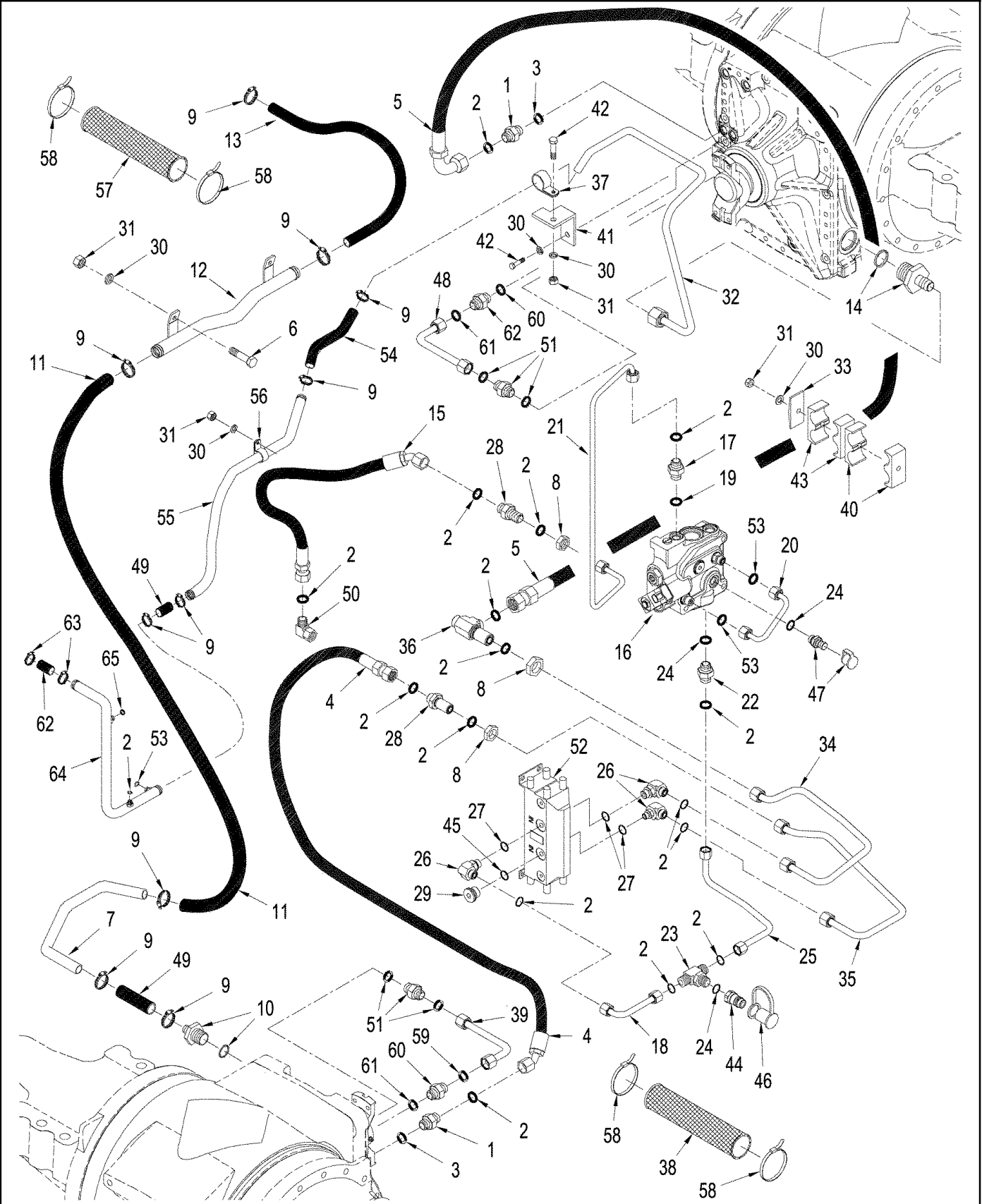


AXLE HYDRAULICS - LUBRICATION CIRCUIT, WITHOUT ACCUSTEER

REF	FN	PART NUMBER	YR/SN	QTY	DESCRIPTION
32		515-23381		2	CLAMP, 1 1/2", Insul, 3/8" Bolt
33		435468A1		3	PLATE
34		449813A2		1	TUBE ASSY.
35		449815A2		1	TUBE ASSY.
36		701-301		1	ELBOW, 90°, 13/16"-16, ORFS, Blkhd, Inc. 2
37		515-22190		1	CLAMP, 3/4", Insul, 5/16" Bolt
38		387840A1		1	SLEEVE, Protective
39		L18337		2	STRAP, CABLE, 9.95"-12.1" lg, 15 in.
40		435470A1		6	CLAMP
41		416512A1		1	SUPPORT
42		627-8020		2	BOLT, Hex, M8 x 20, 10.9
43		435469A1		6	CLAMP
44		392690A1		1	COUPLING, Diagnostic, Inc. 3
45		237-6012		1	O-RING, 12-1, 90 Duro, .924 ID x .118" Thk
46		399032A1		1	CAP
47		358968A1		1	COUPLING, Diagnostic, M18 orb x 1.5 Inc. 24
48		1-4571		1	HOSE, 114 mm (4-1/2"), Cut from 1-4482T1
49		435457A1		1	HOSE, 102 mm (4 in.), Cut From S118383X
50		416278A1		1	TUBE ASSY., 90, M12 x swl, Inc. 2
51		238-6012		3	O-RING, -012, 90 Duro, .364" ID x .070" Thk
52		434727A1		1	MOTOR-PUMP, Axle Air/Lube
53		214-1436		2	CLAMP, HOSE, #36, 1.81/2.75 Type F Worm
54		87368178		1	TUBE, Return
55		238-6016		1	O-RING, -016, 90 Duro, .614" ID x .070" Thk

STEIGER 280 STX330
 STX280 STEIGER 330

AXLE HYDRAULICS - LUBRICATION CIRCUIT, WITH ACCUSTEER

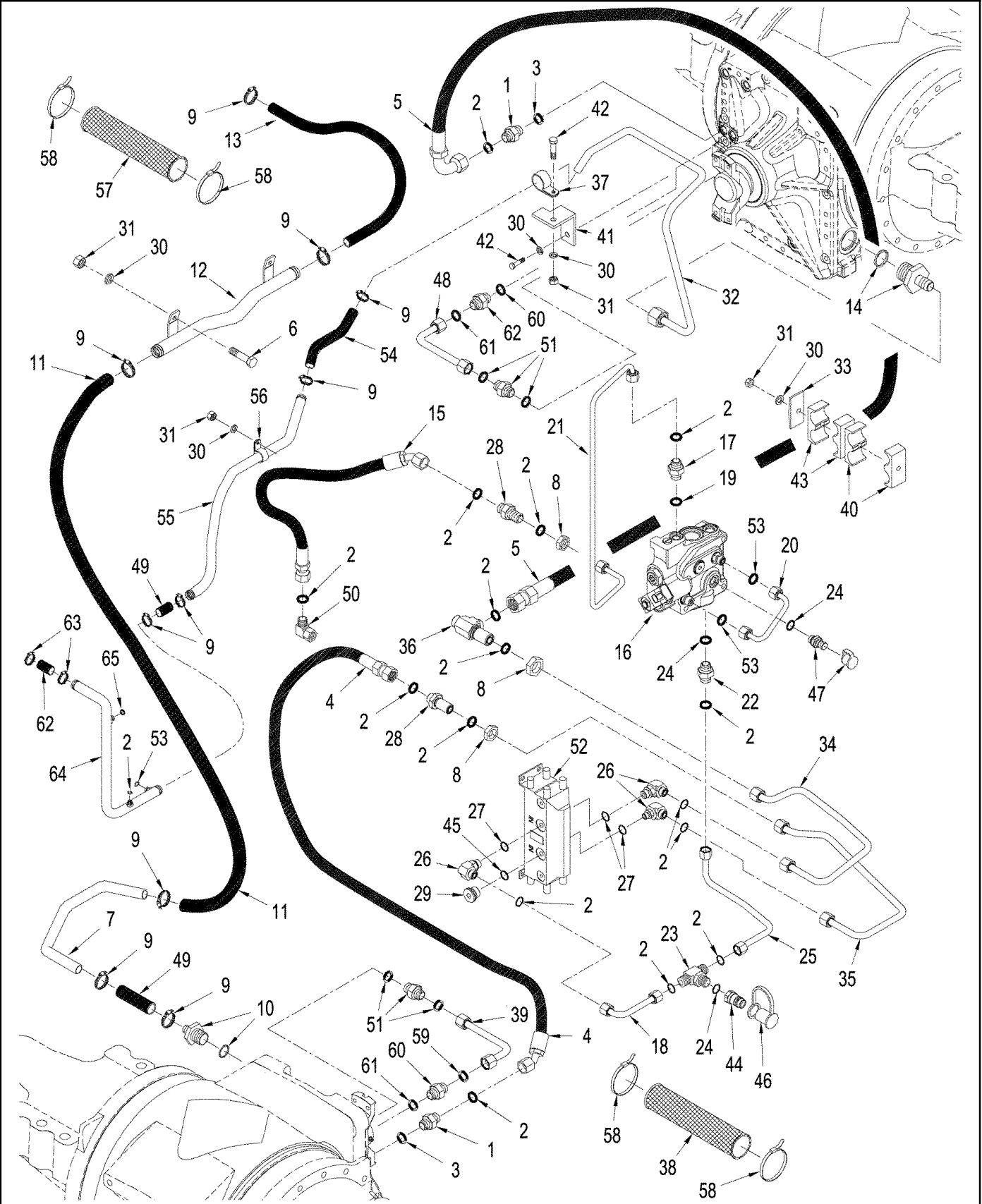


AXLE HYDRAULICS - LUBRICATION CIRCUIT, WITH ACCUSTEER

REF	FN	PART NUMBER	YR/SN	QTY	DESCRIPTION
1		700-162		1	CONNECTOR, HYD., 13/16"-16 ORFS x M22 x 1.5 ORB, Inc. 2 and 3
2		238-6014		9	O-RING, -014, 90 Duro, .489" ID x .070" Thk
3		637-63193		1	O-RING, CI 6, 19.3MM ID x 2.2 Thk
4		360201A4		1	HOSE ASSY., 1925 mm (75-1/2 in.)
5		388391A1		1	HOSE ASSY., 1697 mm (66-13/16")
6		627-8025		2	BOLT, Hex, M8 x 25, 10.9
7		416278A1		1	TUBE ASSY.
8		701-903		3	NUT, LOCK, 13/16"-16, ORFS Blkhd
9		214-1420		6	CLAMP, HOSE, #20, 0.81/1.75 Type F Worm, No. 20
10		337545A1		2	CONNECTOR, HYD., Axle Drain
11		370250A1		1	HOSE, 990 mm (39 in.), Cut From S118383
12		416280A2		1	TUBE ASSY.
13		327491A1		1	HOSE ASSY., 660 mm (26 in.), Cut From 31-2755
14		352734A1		1	CONNECTOR, HYD., Axle Discharge
15		406045A1		1	HOSE ASSY., 394 mm (15-1/2 in.)
16		411104A2		1	VALVE, Regulator, See Figure: 08-11
17		700-169		1	CONNECTOR, HYD., 13/16"-16 ORFS x M16 x 1.5 ORB, Inc. 18 and 19
18		87307521		1	TUBE ASSY.
19		637-63133		1	O-RING, CI 6, 13.3MM ID x 2.2 Thk
20		413338A1		1	TUBE ASSY.
21		449800A1		1	TUBE ASSY.
22		700-102		1	CONNECTOR, HYD., 13/16"-16 ORFS x M18 x 1.5 ORB, Inc. 2 and 24
23		700-447		1	TEE, 13/16"-16 ORFS x M22 x 1.5 ORB Br, Inc. 2, 24
24		637-63153		3	O-RING, CI 6, 15.3MM ID x 2.2 Thk
25		87307544		1	TUBE ASSY.
26		201-305		4	ELBOW, 90°, 13/16"-18 x 3/4"-18 Adj, ORFS, 90, 1/2 or x fc sl, Incl. 2 and 27
27		637-63093		1	O-RING, CI 6, 9.3MM ID x 2.2 Thk
28		701-121		2	UNION, 13/16"-16 ORFS, Blkd, Inc. 2
29		71100209		1	PLUG, Hex Soc, 3/4"-16 ORB, Includes 45
30		895-11008		10	WASHER, M8 x 16 x 1.6
31		829-1408		10	NUT, M8, CI 10

STEIGER 280 STX330
 STX280 STEIGER 330

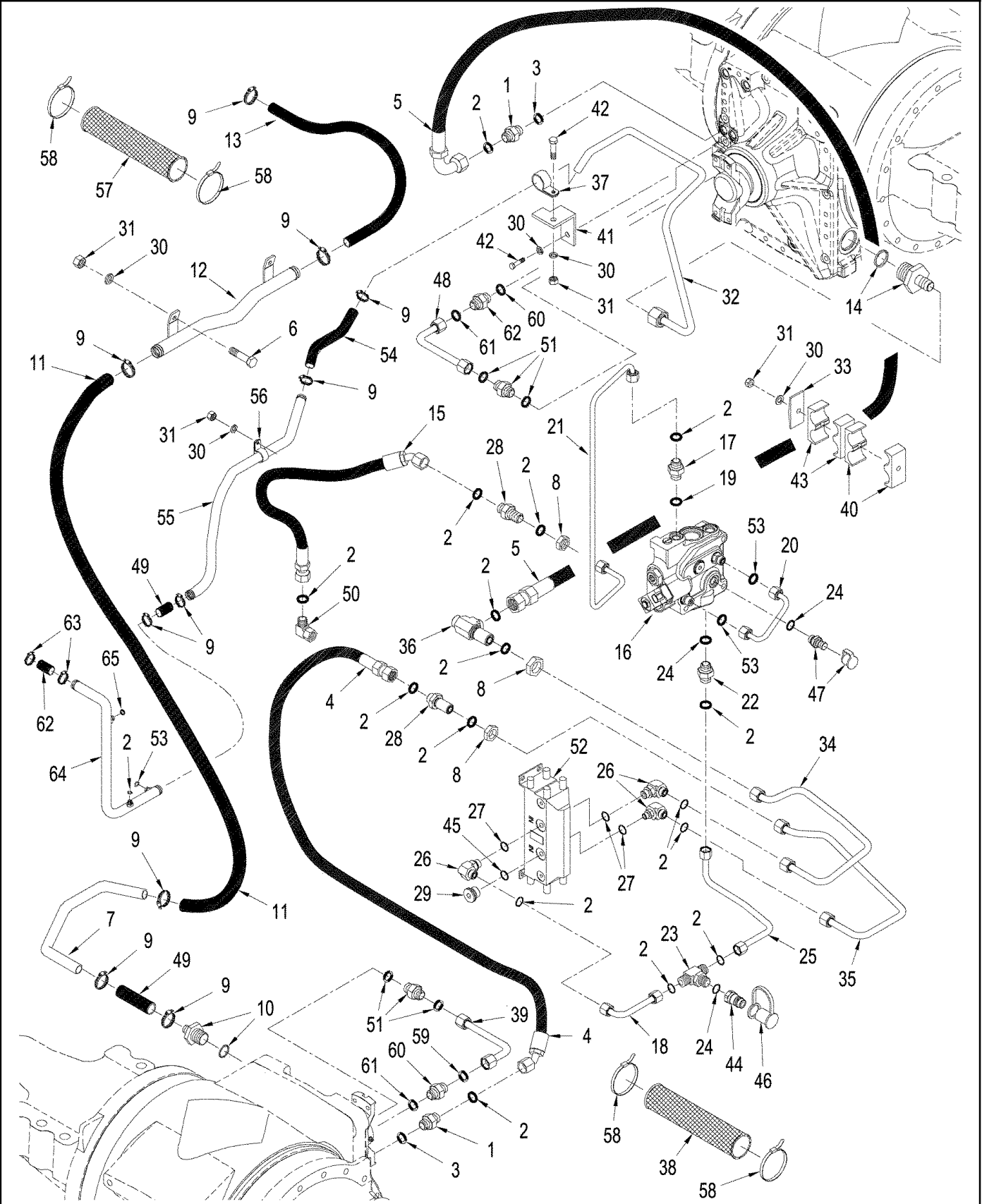
AXLE HYDRAULICS - LUBRICATION CIRCUIT, WITH ACCUSTEER



AXLE HYDRAULICS - LUBRICATION CIRCUIT, WITH ACCUSTEER

REF	FN	PART NUMBER	YR/SN	QTY	DESCRIPTION
32		419605A1		1	TUBE ASSY.
33		50-2533T1		4	PLATE
34		449813A2		1	TUBE ASSY.
35		449815A2		1	TUBE ASSY.
36		701-301		1	ELBOW, 90°, 13/16"-16, ORFS, Blkhd, Inc. 2
37		515-22254		1	CLAMP, 1", Insul, 5/16" Bolt, 3/4 ID
38		387840A1		1	SLEEVE, Protective
39		86991772		1	TUBE, Pinion Lube
40		8500571		1	SPACER
41		358915A1		1	BRACKET
42		627-8020		1	BOLT, Hex, M8 x 20, 10.9
43		50-2551T1		6	CLAMP
44		392690A1		1	COUPLING, Diagnostic, Inc. 24
45		237-6012		1	O-RING, 12-1, 90 Duro, .924 ID x .118" Thk
46		399032A1		1	CAP
47		358968A1		1	COUPLING, Diagnostic, M18 or x 1.5, Inc. 48
48		86991773		1	TUBE, Pinion Lube
49		31-2757		2	HOSE, LARGE
50		701-320		1	ELBOW, 90°, 13/16"-16 ORFS x 13/16"-16 Fem Sw, Inc. 51
51		86985637		2	FITTING, Orificed
52		434727A1		1	MOTOR-PUMP, Axle Air/Lube
53		238-6012		3	O-RING, -012, 90 Duro, .364" ID x .070" Thk
54		408000A1		1	HOSE, 609 mm (24 in.), Cut From 31-2755
55		419607A1		1	TUBE ASSY.
56		515-23270		2	CLAMP, 1 1/16", Insul, 3/8" Bolt
57		S120426		1	SLEEVE, Protective
58		L18331		4	STRAP, CABLE, Hose
59		238-6011		1	O-RING, -011, 90 Duro, .301" ID x .070" Thk
60		700-153		2	CONNECTOR, HYD., 9/16"-18 ORFS x M14 x 1.5 ORB, Inc. 58 & 59
61		637-63113		1	O-RING, CI 6, 11.3MM ID x 2.2 Thk
62		1-4571		1	HOSE, 114 mm (4-1/2"), Cut from 1-4480T1
63		214-1436		2	CLAMP, HOSE, #36, 1.81/2.75 Type F Worm
64		87368178		1	TUBE, Return
					STEIGER 280 STX330 STX280 STEIGER 330

AXLE HYDRAULICS - LUBRICATION CIRCUIT, WITH ACCUSTEER

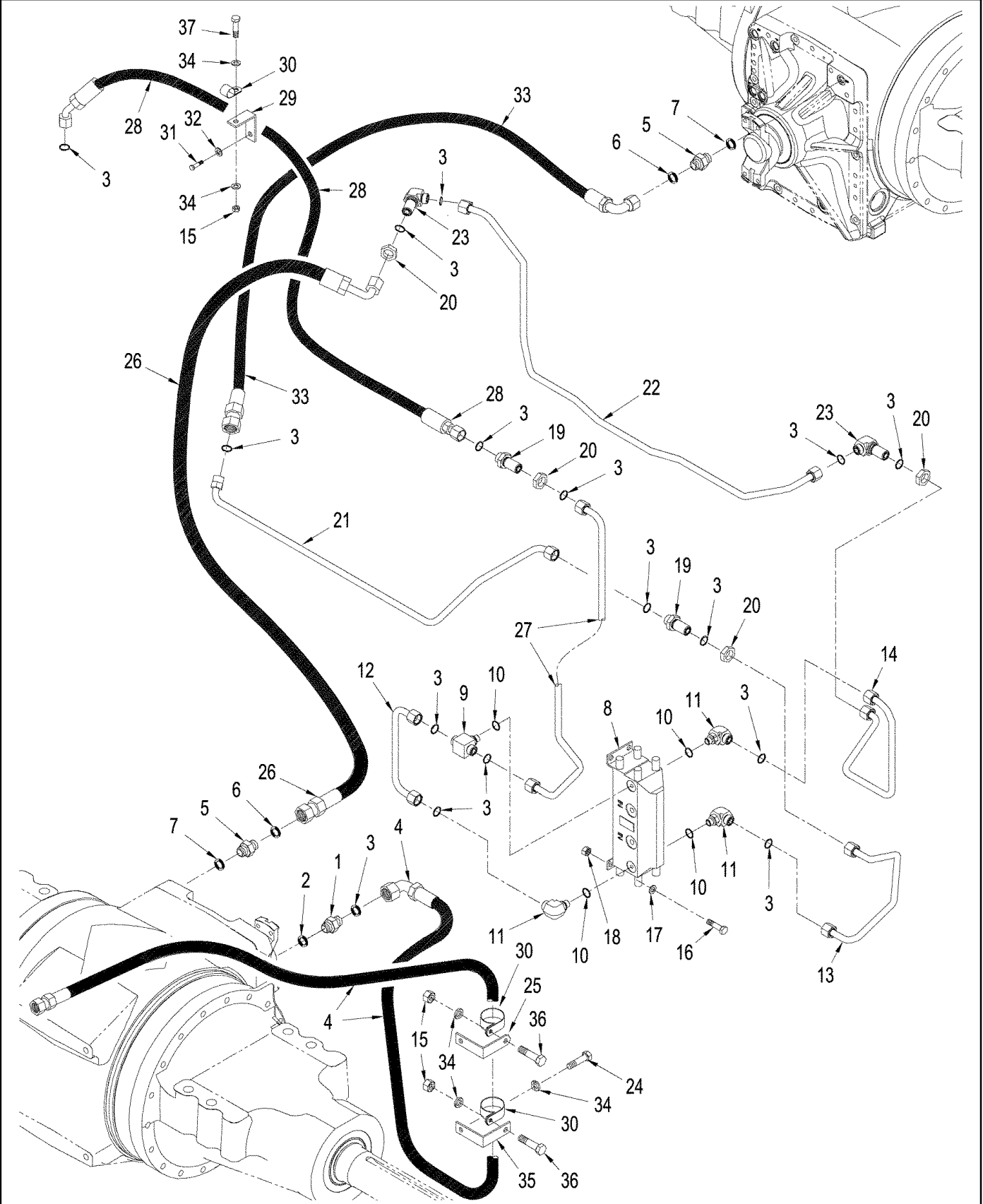


AXLE HYDRAULICS - LUBRICATION CIRCUIT, WITH ACCUSTEER

REF	FN	PART NUMBER	YR/SN	QTY	DESCRIPTION
65		238-6016		1	O-RING, -016, 90 Duro, .614" ID x .070" Thk

	STEIGER 280 STX330 STX280 STEIGER 330
--	--

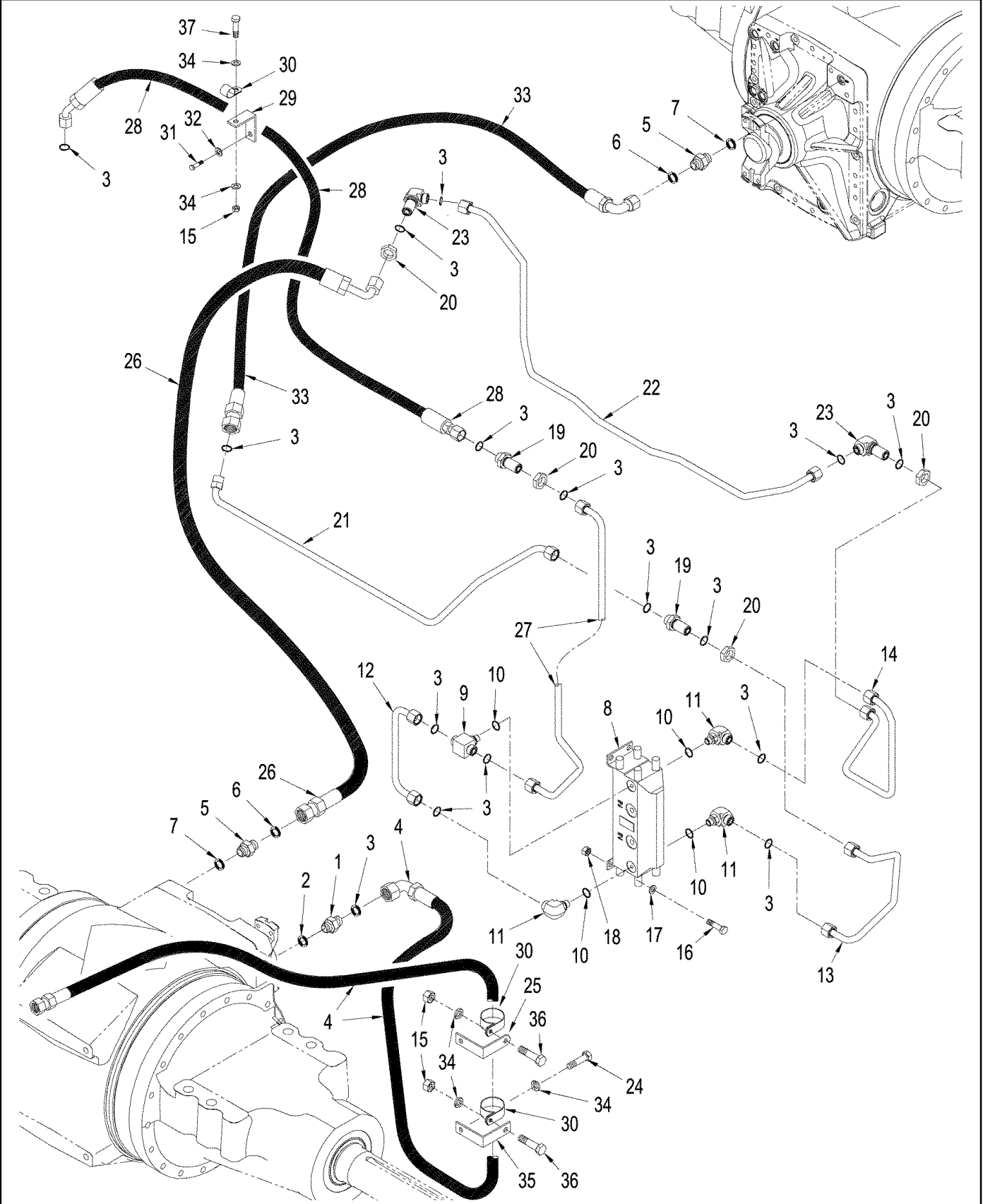
AXLE HYDRAULICS - AIR AND LUBRICATION CIRCUIT, WITHOUT ACCUSTEER



AXLE HYDRAULICS - AIR AND LUBRICATION CIRCUIT, WITHOUT ACCUSTEER

REF	FN	PART NUMBER	YR/SN	QTY	DESCRIPTION
1		700-102		1	CONNECTOR, HYD., 13/16"-16 ORFS x M18 x 1.5 ORB, Inc. 2 and 3
2		637-63153		1	O-RING, CI 6, 15.3MM ID x 2.2 Thk
3		238-6014		10	O-RING, -014, 90 Duro, .489" ID x .070" Thk
4		436926A1		1	HOSE ASSY., 2045 mm (81 in.)
5		700-162		2	CONNECTOR, HYD., 13/16"-16 ORFS x M22 x 1.5 ORB, Inc. 6 and 7
6		238-6014		2	O-RING, -014, 90 Duro, .489" ID x .070" Thk
7		637-63193		2	O-RING, CI 6, 19.3MM ID x 2.2 Thk
8		434727A1		1	MOTOR-PUMP, Axle Air/Lube
9		87323932		1	FITTING, Special, 1/2 or x fc sl, Inc. 3 and 10
10		637-63093		2	O-RING, CI 6, 9.3MM ID x 2.2 Thk
11		201-332		3	ELBOW, 90°, 13/16"-16 x 9/16"-18, Adj, ORFS, Inc. 3 and 10
12		449794A1		1	TUBE ASSY.
13		86988498		1	TUBE ASSY.
14		86988496		1	TUBE ASSY.
15		829-1408		9	NUT, M8, CI 10
16		627-10030		4	BOLT, Hex, M10 x 30, 10.9, Full Thd
17		896-11010		4	WASHER, M10 x 21.5 x 2.5, HT
18		829-1310		4	NUT, M10, CI 10
19		701-121		3	UNION, 13/16"-16 ORFS, Blkd, Inc. 3
20		701-903		4	NUT, LOCK, 13/16"-16, ORFS Blkhd
21		86988505		1	TUBE ASSY.
22		86988503		1	TUBE ASSY.
23		701-301		2	ELBOW, 90°, 13/16"-16, ORFS, Blkhd, Inc. 3
24		627-8020		5	BOLT, Hex, M8 x 20, 10.9
25		369960A1		1	BRACKET, Support
26		86990405		1	HOSE ASSY., 1753 mm (69 in.)
27		87323936		1	TUBE
28		87447885		1	HOSE ASSY., 1178 mm (46-3/8")
29		416102A1		1	SUPPORT, Bracket
30		515-22190		3	CLAMP, 3/4", Insul, 5/16" Bolt
31		514-842		4	BOLT, Hex, M12 x 1.25 x 25, 8.8, Full Thd
32		895-11012		4	WASHER, M12 x 24 x 2.5
					STEIGER 280 STX330 STX280 STEIGER 330

AXLE HYDRAULICS - AIR AND LUBRICATION CIRCUIT, WITHOUT ACCUSTEER

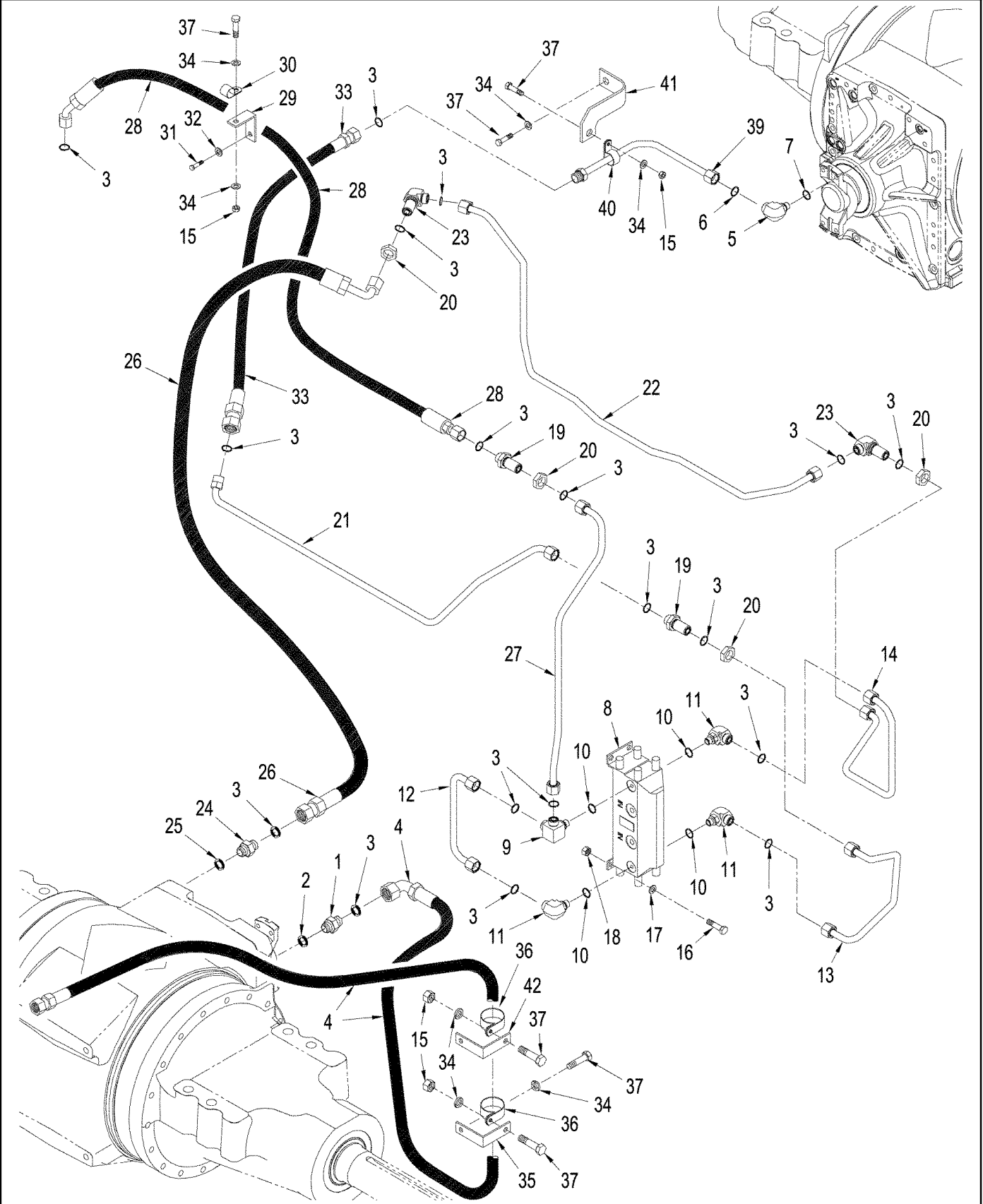


AXLE HYDRAULICS - AIR AND LUBRICATION CIRCUIT, WITHOUT ACCUSTEER

REF	FN	PART NUMBER	YR/SN	QTY	DESCRIPTION
33		86990404		1	HOSE ASSY., 1765 mm (69-1/2 in.)
34		895-11008		5	WASHER, M8 x 16 x 1.6
35		416512A1		1	SUPPORT

	STEIGER 280 STX330 STX280 STEIGER 330
--	---

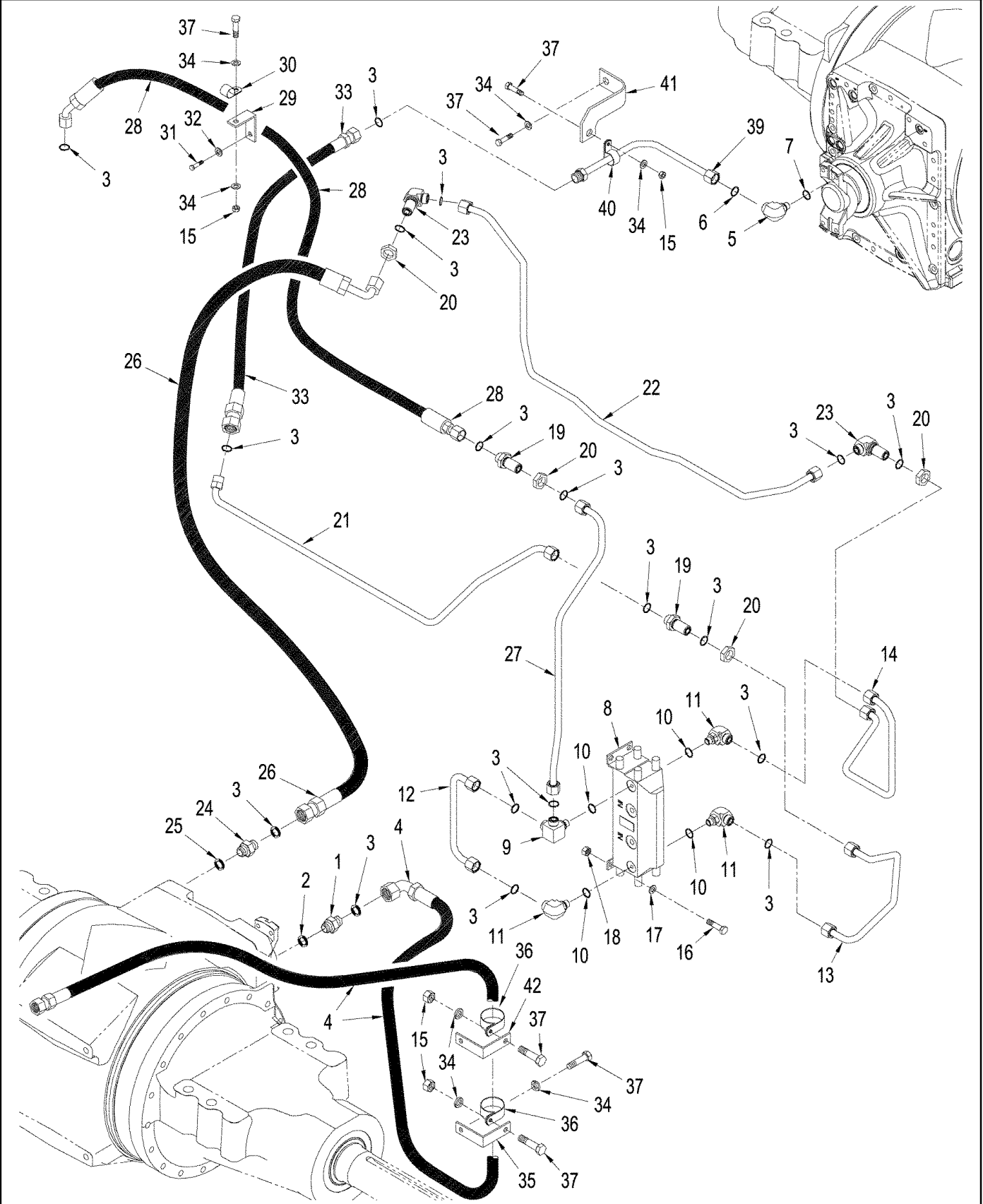
AXLE HYDRAULICS - AIR AND LUBRICATION CIRCUIT, WITH ACCUSTEER



AXLE HYDRAULICS - AIR AND LUBRICATION CIRCUIT, WITH ACCUSTEER

REF	FN	PART NUMBER	YR/SN	QTY	DESCRIPTION
1		700-102		1	CONNECTOR, HYD., 13/16"-16 ORFS x M18 x 1.5 ORB, Inc. 2 and 3
2		637-63153		1	O-RING, CI 6, 15.3MM ID x 2.2 Thk
3		238-6014		10	O-RING, -014, 90 Duro, .489" ID x .070" Thk
4		436926A1		1	HOSE ASSY., 2045 mm (81 in.)
5		700-326		2	ELBOW, 90°, 13/16"-18 ORFS x M22 x 1.5 ORB, Incl. 6, 7
6		238-6014		2	O-RING, -014, 90 Duro, .489" ID x .070" Thk
7		637-63193		2	O-RING, CI 6, 19.3MM ID x 2.2 Thk
8		434727A1		1	MOTOR-PUMP, Axle Air/Lube
9		87323932		1	FITTING, Tee, Special, 1/2 or x fc sl, Inc. 3 and 10
10		637-63093		2	O-RING, CI 6, 9.3MM ID x 2.2 Thk
11		201-332		3	ELBOW, 90°, 13/16"-16 x 9/16"-18, Adj, ORFS, 90, M12 or x 13/16 fc sl, Inc. 3 and 10
12		449794A1		1	TUBE ASSY.
13		86988498		1	TUBE ASSY.
14		86988496		1	TUBE ASSY.
15		829-1408		9	NUT, M8, CI 10
16		627-10030		4	BOLT, Hex, M10 x 30, 10.9, Full Thd
17		896-11010		4	WASHER, M10 x 21.5 x 2.5, HT
18		829-1310		4	NUT, M10, CI 10
19		701-121		3	UNION, 13/16"-16 ORFS, Blkd, Inc. 3
20		701-903		4	NUT, LOCK, 13/16"-16, ORFS Blkhd
21		86988505		1	TUBE ASSY.
22		86988503		1	TUBE ASSY.
23		701-301		2	ELBOW, 90°, 13/16"-16, ORFS, Blkhd, Inc. 3
24		700-162		1	CONNECTOR, HYD., 13/16"-16 ORFS x M22 x 1.5 ORB, Inc. 3 and 25
25		637-63193		2	O-RING, CI 6, 19.3MM ID x 2.2 Thk
26		86990405		1	HOSE ASSY., 1753 mm (69 in.)
27		87323936		1	TUBE, Air Supply, Pump Motor
28		87447885		1	HOSE ASSY.
29		416102A1		1	SUPPORT, Bracket
30		515-22190		1	CLAMP, 3/4", Insul, 5/16" Bolt
31		514-842		4	BOLT, Hex, M12 x 1.25 x 25, 8.8, Full Thd
					STEIGER 280 STX330 STX280 STEIGER 330

AXLE HYDRAULICS - AIR AND LUBRICATION CIRCUIT, WITH ACCUSTEER

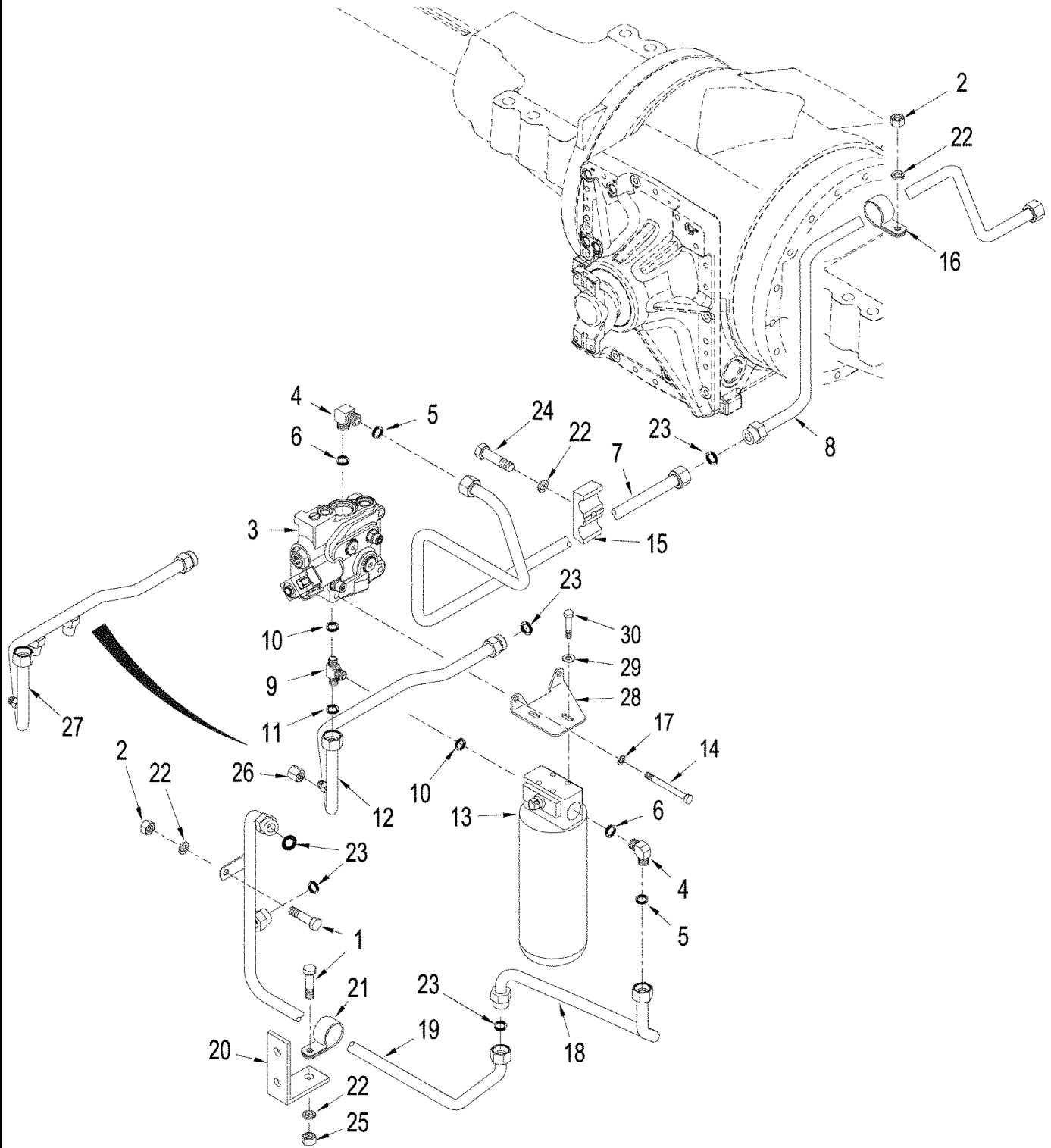


AXLE HYDRAULICS - AIR AND LUBRICATION CIRCUIT, WITH ACCUSTEER

REF	FN	PART NUMBER	YR/SN	QTY	DESCRIPTION
32		895-11012		4	WASHER, M12 x 24 x 2.5
33		86992911		1	HOSE ASSY., 1562 mm (61 in.)
34		895-11008		5	WASHER, M8 x 16 x 1.6
35		416512A1		1	SUPPORT
36		515-23206		2	CLAMP, 13/16", Insul, 3/8" Bolt
37		627-8020		5	BOLT, Hex, M8 x 20, 10.9
38		238-6014		2	O-RING, -014, 90 Duro, .489" ID x .070" Thk
39		86992700		1	TUBE ASSY.
40		515-22127		1	CLAMP, 1/2", Insul, 5/16" Bolt
41		86992787		1	BRACKET
42		369960A1		1	BRACKET, Support

	STEIGER 280 STX330 STX280 STEIGER 330
--	---

AXLE HYDRAULICS - COOLING CIRCUIT, WITHOUT ACCUSTEER



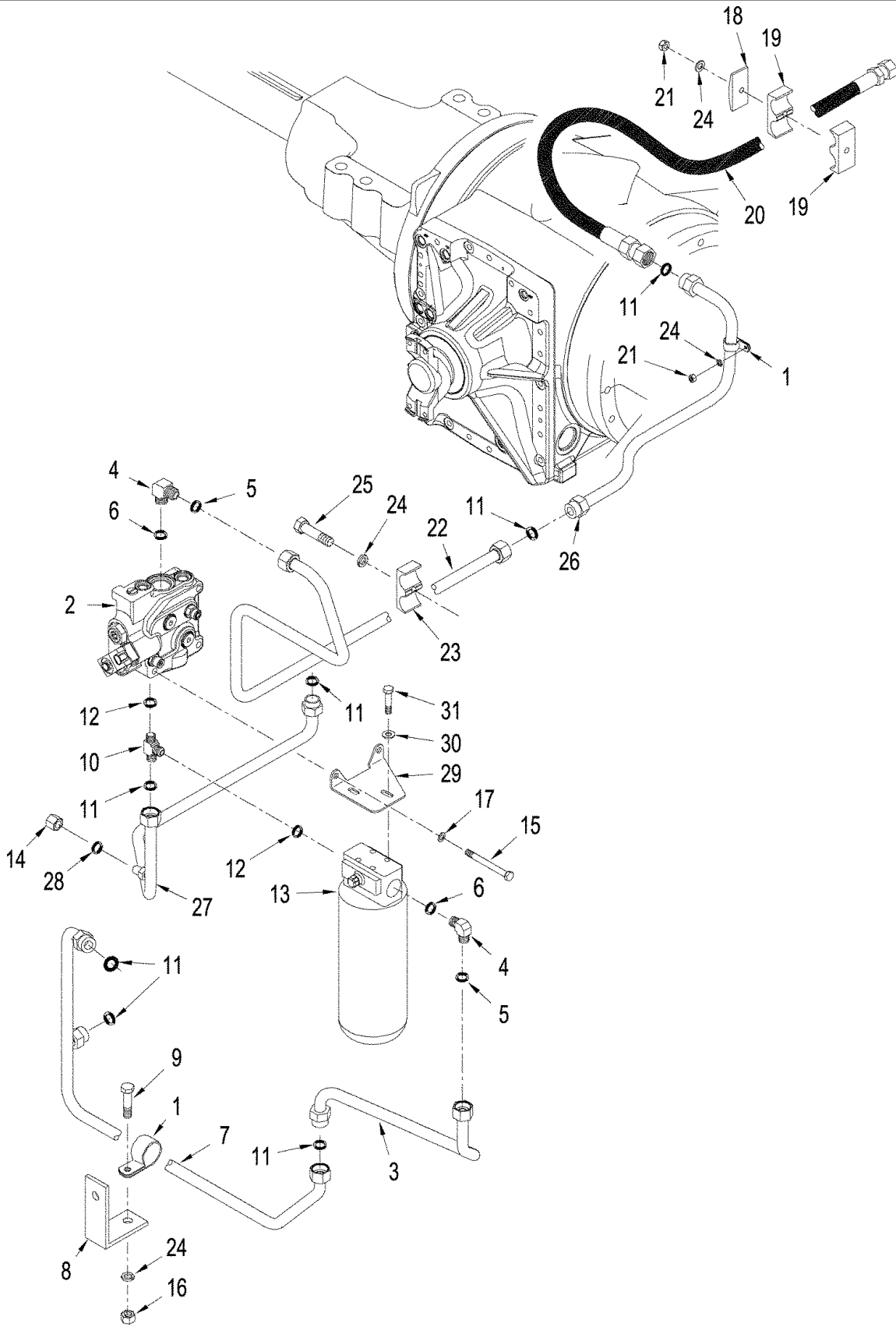
AXLE HYDRAULICS - COOLING CIRCUIT, WITHOUT ACCUSTEER

REF	FN	PART NUMBER	YR/SN	QTY	DESCRIPTION
1		627-8025		3	BOLT, Hex, M8 x 25, 10.9
2		829-1408		8	NUT, M8, CI 10
3		411104A2		1	VALVE, Regulator, See Figure: 08-11
4		700-308		2	ELBOW, 90°, 1 7/16"-12 ORFS x M33 x 2 ORB, Inc. 18 and 19
5		238-6021		2	O-RING, -021, 90 Duro, .926" ID x .070" Thk
6		637-64296		2	O-RING, CI 6, 29.6MM ID x 2.9 Thk
7		416273A1		1	TUBE ASSY.
8		416284A1		1	TUBE ASSY.
9		328232A1		1	TEE
10		637-64296		2	O-RING, CI 6, 29.6MM ID x 2.9 Thk
11		238-6021		1	O-RING, -021, 90 Duro, .926" ID x .070" Thk
12		87310972		1	TUBE, HYD, Pump Supply
13		86991559		1	FILTER ASSY., See Figure: 08-04
14		827-10150		3	BOLT, Hex, M10 x 150, 10.9
15		R15257		1	CLAMP
16		515-23270		2	CLAMP, 1 1/16", Insul, 3/8" Bolt
17		895-18010		2	WASHER, M10 x 18 x 1.6
18		416269A1		1	TUBE ASSY.
19		438369A2		1	TUBE ASSY.
20		416511A1		2	BRACKET
21		515-22254		2	CLAMP, 1", Insul, 5/16" Bolt
22		895-11008		14	WASHER, M8 x 16 x 1.6
23		238-6021		5	O-RING, -021, 90 Duro, .926" ID x .070" Thk
24		814-8040		1	BOLT, Hex, M8 x 40, 8.8
25		832-10406		2	NUT, LOCK, M6 x 1, CI 8
26		201-906		1	CAP, 1"-14 ORFS
27	1	416271A2		1	TUBE ASSY., Pump Supply
28		413322A1		1	BRACKET, Mounting
29		895-18010		4	WASHER, M10 x 18 x 1.6
30		627-10020		4	BOLT, Hex, M10 x 20, 10.9, Full Thd

(1) Used with Mega Flow Hydraulic Application

STEIGER 280 STX330
 STX280 STEIGER 330

AXLE HYDRAULICS - COOLING CIRCUIT, WITH ACCUSTEER



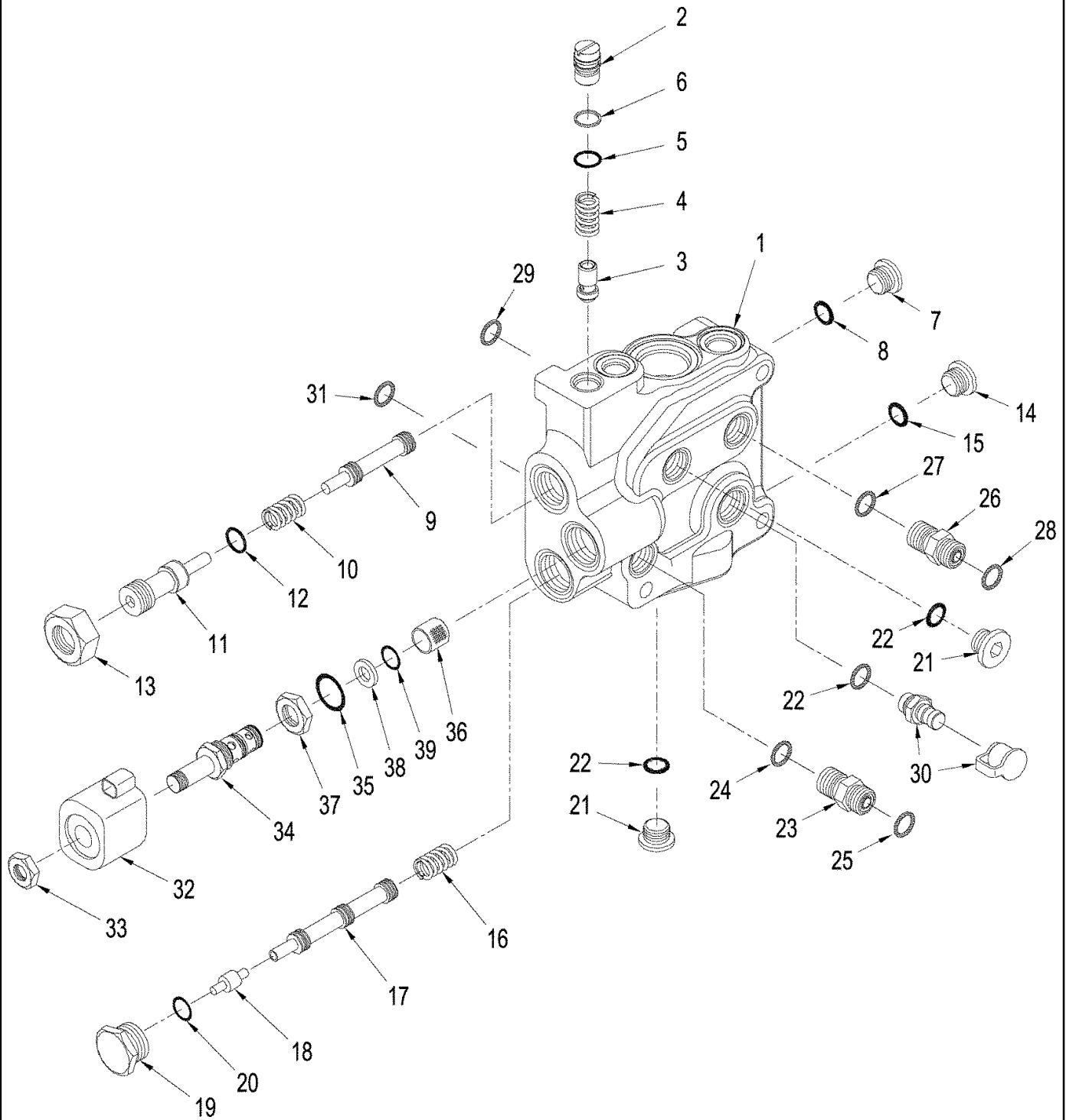
AXLE HYDRAULICS - COOLING CIRCUIT, WITH ACCUSTEER

REF	FN	PART NUMBER	YR/SN	QTY	DESCRIPTION
1		515-22254		3	CLAMP, 1", Insul, 5/16" Bolt, 1 ID
2		411104A2		1	VALVE, Regulator, See Figure: 08-11
3		416269A1		1	TUBE ASSY.
4		700-308		2	ELBOW, 90°, 1 7/16"-12 ORFS x M33 x 2 ORB, Inc. 5 and 6
5		238-6021		2	O-RING, -021, 90 Duro, .926" ID x .070" Thk
6		637-64296		2	O-RING, CI 6, 29.6MM ID x 2.9 Thk
7		438369A2		1	TUBE ASSY.
8		416511A1		2	BRACKET
9		627-8025		4	BOLT, Hex, M8 x 25, 10.9
10		328232A1		1	TEE
11		238-6021		6	O-RING, -021, 90 Duro, .926" ID x .070" Thk
12		637-64296		2	O-RING, CI 6, 29.6MM ID x 2.9 Thk
13		86991559		1	FILTER ASSY., See Figure: 08-04
14	1	701-906		1	CAP, 1"-14 ORFS
15		827-10150		3	BOLT, Hex, M10 x 150, 10.9
16		832-10408		2	NUT, LOCK, M8 x 1.25, CI 8
17		895-18010		2	WASHER, M10 x 18 x 1.6
18		50-2668T1		1	PLATE
19		50-2965T1		2	CLAMP, HOSE
20		361770A1		1	HOSE ASSY., 1270 mm (50 in.)
21		829-1408		7	NUT, M8, CI 10
22		416721A1		1	TUBE ASSY.
23		R15257		1	CLAMP
24		895-11008		14	WASHER, M8 x 16 x 1.6
25		814-8040		1	BOLT, Hex, M8 x 40, 8.8
26		416725A1		1	TUBE ASSY.
27		416723A1		1	TUBE ASSY.
28		238-6016		1	O-RING, -016, 90 Duro, .614" ID x .070" Thk
29		413322A1		1	BRACKET, Mounting
30		895-18010		4	WASHER, M10 x 18 x 1.6
31		627-10020		4	BOLT, Hex, M10 x 20, 10.9, Full Thd

(1) Without Three Point Hitch

STEIGER 280 STX330
STX280 STEIGER 330

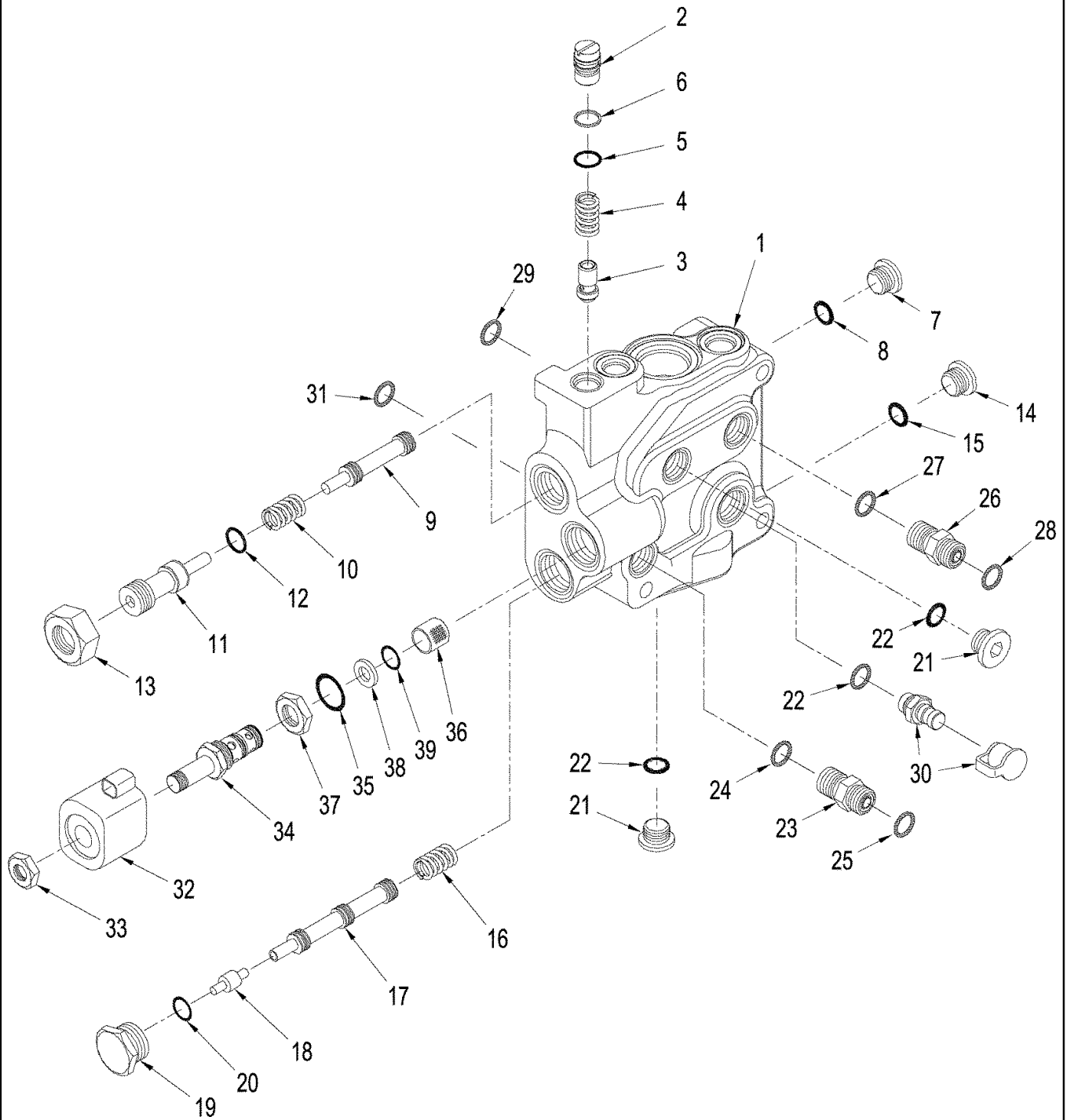
REGULATOR VALVE ASSEMBLY



REGULATOR VALVE ASSEMBLY

REF	FN	PART NUMBER	YR/SN	QTY	DESCRIPTION
1		411104A2		1	VALVE, Inc. 1 - 36
		NSS		1	NOT SERVICED SEPARATELY, Body
		1542563C1		1	VALVE, CHECK, Inc. 2 - 6
2		1994580C1		1	PLUG
3		1543329C1		1	POPPET, VALVE
4		1994581C1		1	SPRING
5		238-6015		1	O-RING, -015, 90 Duro, .551" ID x .070" Thk
6		G108723		1	RING
7		221579A1		1	PLUG, Hex Soc, M22 x 1.5, ORB, Inc. 8
8		637-63193		1	O-RING, CI 6, 19.3MM ID x 2.2 Thk
9		119182A3		1	SPOOL
10		176312A1		1	SPRING
11		313941A1		1	PLUG
12		237-6012		1	O-RING, 12-1, 90 Duro, .924 ID x .118" Thk
13		218-1280		1	NUT, LOCK, Bikhhd, 1 1/16"-12
		344573A1		1	PLUG, Inc. 14 - 15
14		NSS		1	NOT SERVICED SEPARATELY, Plug
15		637-63193		1	O-RING, CI 6, 19.3MM ID x 2.2 Thk
16		330105A1		1	SPRING
17		330103A1		1	SPOOL
18		330104A1		1	PIN
19		9841223		1	PLUG, Hex Soc, 1 1/16"-12 ORB, Incl. 20
20		237-6006		1	O-RING, 6-1, 90 Duro, .468" ID x .078" Thk
21		221578A1		2	PLUG, Hex Soc, M18 x 1.5, ORB, Includes 22
22		637-63153		2	O-RING, CI 6, 15.3MM ID x 2.2 Thk
		339487A2		1	CONNECTOR, HYD., Inc. 23 - 25
23		NSS		1	NOT SERVICED SEPARATELY, Adapter, 11/16 fc sl x 14 orb
24		637-63113		1	O-RING, CI 6, 11.3MM ID x 2.2 Thk
25		238-6012		1	O-RING, -012, 90 Duro, .364" ID x .070" Thk
26		700-101		1	CONNECTOR, HYD., 11/16"-16 ORFS x M14 x 1.5 ORB, Incl. 27, 28
27		238-6014		1	O-RING, -014, 90 Duro, .489" ID x .070" Thk
28		238-6012		1	O-RING, -012, 90 Duro, .364" ID x .070" Thk
29		238-5118		1	O-RING, -118, 70 Duro, .862" ID x .103" Thk
					STEIGER 280 STX330 STX280 STEIGER 330

REGULATOR VALVE ASSEMBLY

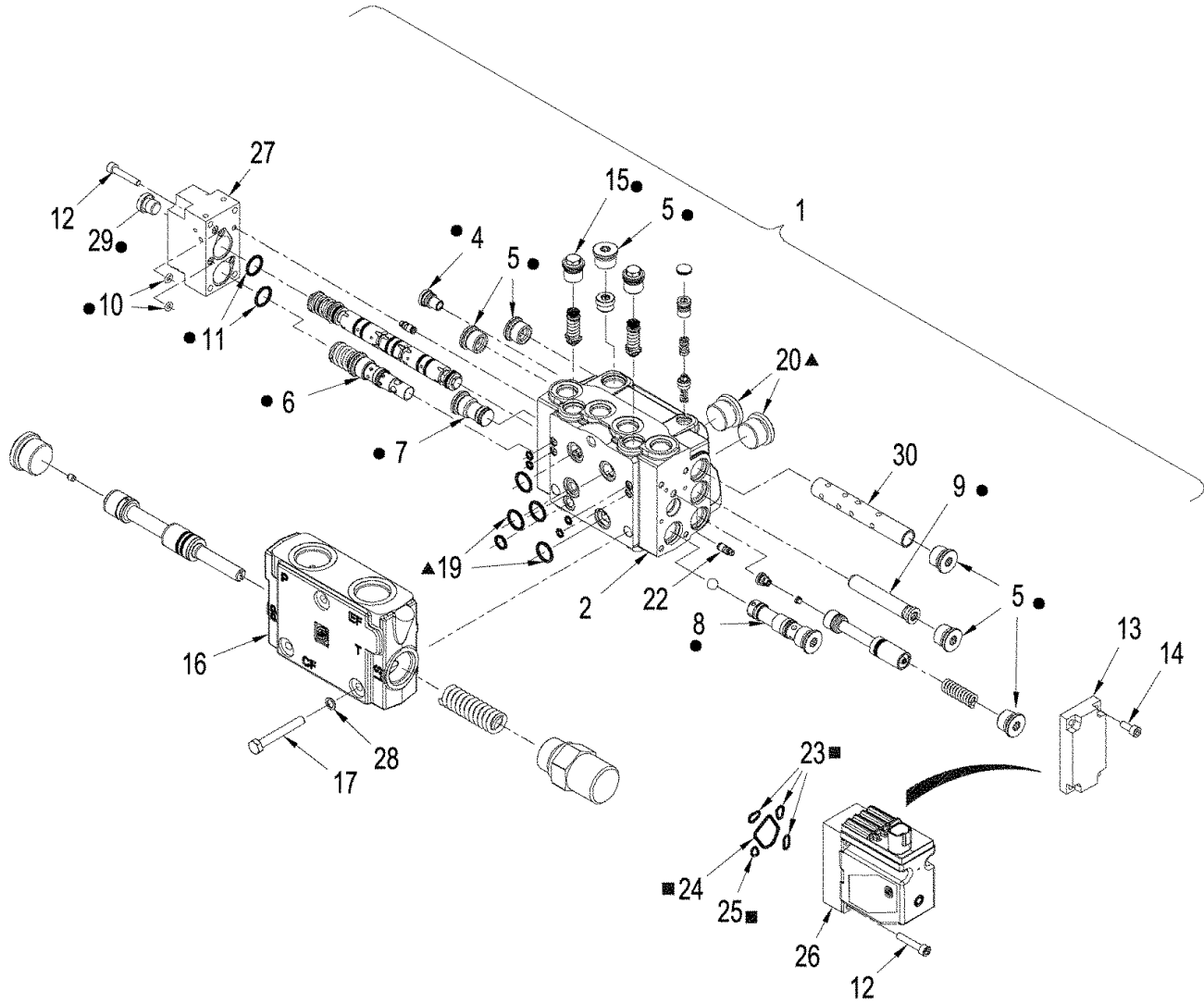


REGULATOR VALVE ASSEMBLY

REF	FN	PART NUMBER	YR/SN	QTY	DESCRIPTION
30		358968A1		1	COUPLING, Diagonstic, Inc. 22
31		238-5112		2	O-RING, -112, 70 Duro, .487" ID x .103" Thk
		87330331		1	SOLENOID, Assy., Inc. 32 - 39
32		298614A1		1	SOLENOID
33		NSS		1	NOT SERVICED SEPARATELY, Nut, Jam
34		NSS		1	NOT SERVICED SEPARATELY, Valve, Cartridge, 2 gpm
35		237-6012		1	O-RING, 12-1, 90 Duro, .924 ID x .118" Thk
36		NSS		1	NOT SERVICED SEPARATELY, Filter, Screen
37		87330336		1	SOLENOID, Jam Nut
38		G35540		1	RING, Backup
39		238-6018		1	O-RING, -018, 90 Duro, .739" ID x .070" Thk

	STEIGER 280 STX330 STX280 STEIGER 330
--	--

PRIORITY / STEERING CONTROL VALVE ASSEMBLY, WITHOUT ACCUSTEER



KIT KIT

- = 3
- ▲ = 18
- = 21

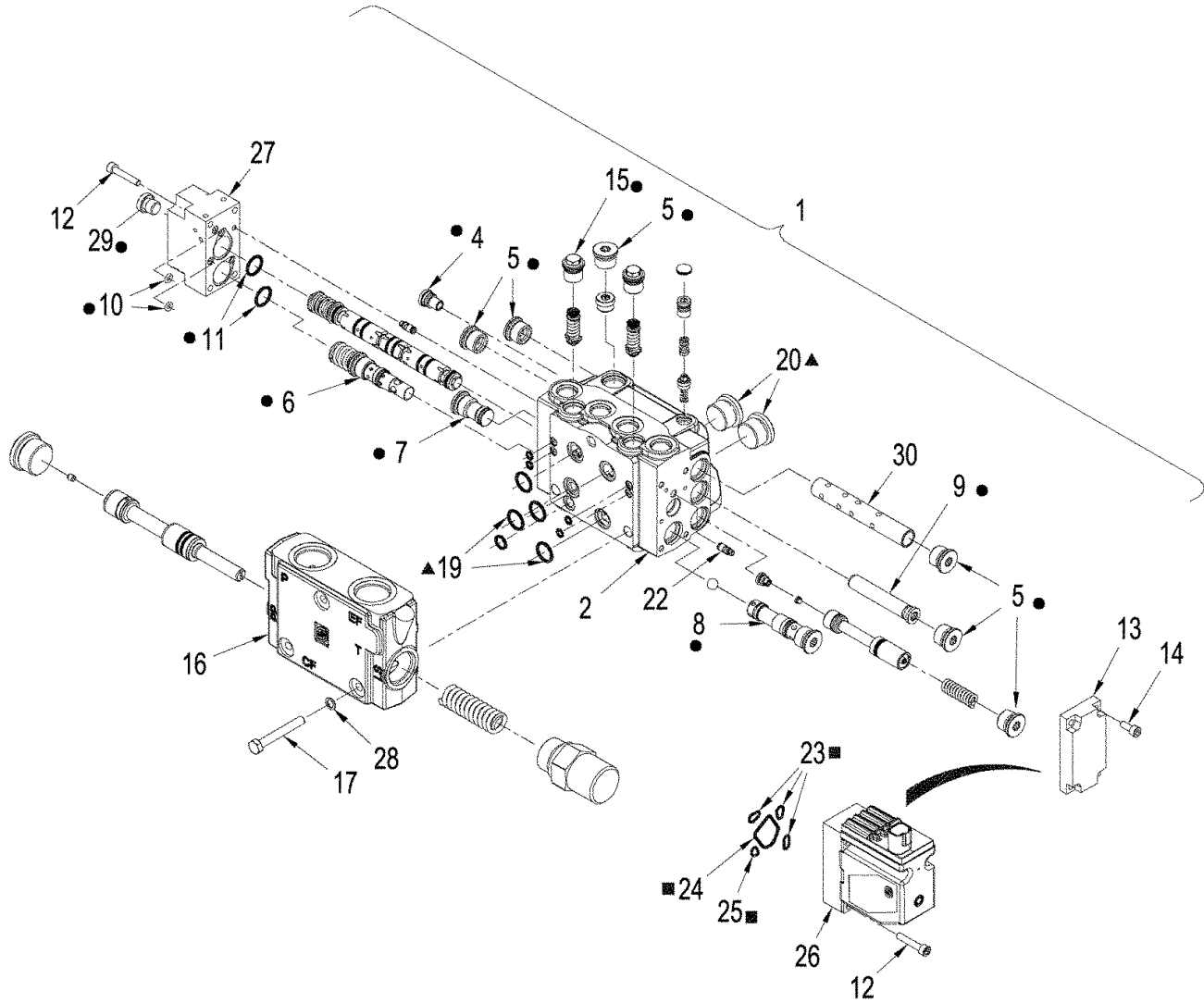
PRIORITY / STEERING CONTROL VALVE ASSEMBLY, WITHOUT ACCUSTEER

REF	FN	PART NUMBER	YR/SN	QTY	DESCRIPTION
1		87442925	BSN Z7F105376	1	VALVE, CONTROL, Priority / EHPS, Inc. 2 - 20
1		87585897	ASN Z7F105376	1	VALVE, HYDRAULIC, Priority / EHPS, Inc. 2 - 20
1	1	87436468	BSN Z7F105391	1	VALVE, CONTROL, Priority / EHPS, Inc. 2 - 26
1	1	87585898	ASN Z7F105391	1	VALVE, HYDRAULIC, Priority / EHPS, Inc. 2 - 26
2		NSS		1	NOT SERVICED SEPARATELY, Housing, Steering Valve
3		87397327		1	KIT, SEALS, Seal, EHPS
4		NSS		1	NOT SERVICED SEPARATELY, Plug, with O-Ring
5		NSS		6	NOT SERVICED SEPARATELY, Plug, with O-Ring
6		NSS		1	NOT SERVICED SEPARATELY, Bushing, with O-Ring
7		NSS		1	NOT SERVICED SEPARATELY, Plug, with O-Ring
8		NSS		1	NOT SERVICED SEPARATELY, Plug, with O-Ring
9		NSS		1	NOT SERVICED SEPARATELY, Plug, with O-Ring
10		NSS		5	NOT SERVICED SEPARATELY, O-Ring
11		NSS		4	NOT SERVICED SEPARATELY, O-Ring
12		NSS		AR	NOT SERVICED SEPARATELY, Screw
13		NSS		1	NOT SERVICED SEPARATELY, Cover
14		NSS		4	NOT SERVICED SEPARATELY, Screw
15		NSS		2	NOT SERVICED SEPARATELY, Plug, with O-Ring
16		NSS		1	NOT SERVICED SEPARATELY, Housing, Priority Valve
17		NSS		3	NOT SERVICED SEPARATELY, Bolt
18		87397328		1	KIT, SEALS, Seal, Priority Valve, OLS
19		NSS		2	NOT SERVICED SEPARATELY, O-Ring
20		NSS		2	NOT SERVICED SEPARATELY, Plug, with O-Ring
21	1	87397329		1	KIT, SEALS, Seal, PVE
22	1	87540544		2	VALVE, Valve, Shuttle
23	1	NSS		3	NOT SERVICED SEPARATELY, O-Ring
24	1	NSS		1	NOT SERVICED SEPARATELY, O-Ring
25	1	NSS		1	NOT SERVICED SEPARATELY, O-Ring
26	1	NSS		1	NOT SERVICED SEPARATELY, Solenoid, PVEH
27		NSS		1	NOT SERVICED SEPARATELY, Cover
28		NSS		3	NOT SERVICED SEPARATELY, Washer

(1) Used with ACCUGUIDE Application

STEIGER 280 STX330
STX280 STEIGER 330

PRIORITY / STEERING CONTROL VALVE ASSEMBLY, WITHOUT ACCUSTEER



KIT KIT

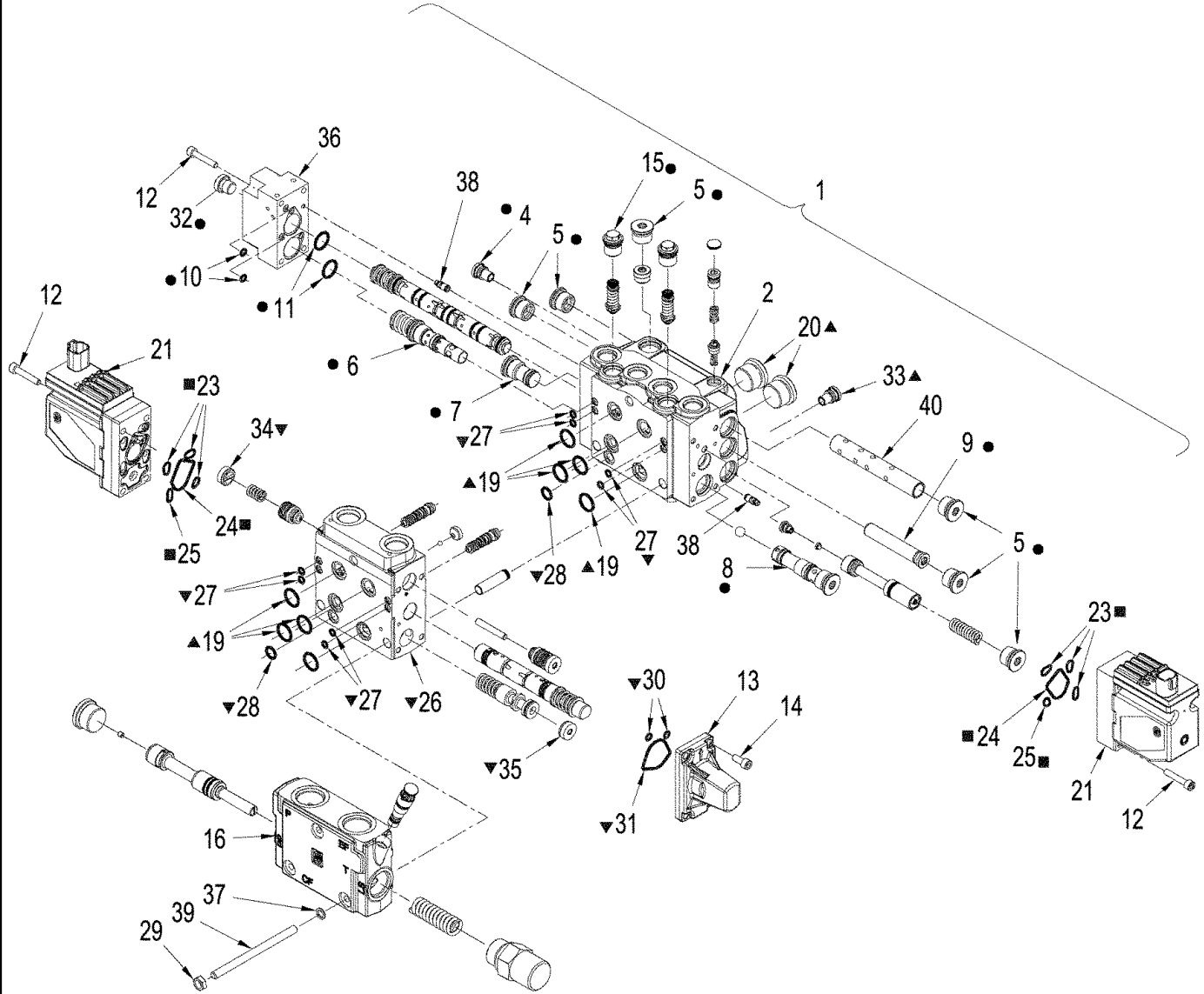
- = 3
- ▲ = 18
- = 21

PRIORITY / STEERING CONTROL VALVE ASSEMBLY, WITHOUT ACCUSTEER

REF	FN	PART NUMBER	YR/SN	QTY	DESCRIPTION
29		NSS		1	NOT SERVICED SEPARATELY, Plug, with O-Ring
30		87637887		1	KIT, Steering Spool

	STEIGER 280 STX330 STX280 STEIGER 330
--	--

PRIORITY / STEERING CONTROL VALVE ASSEMBLY, WITH ACCUSTEER



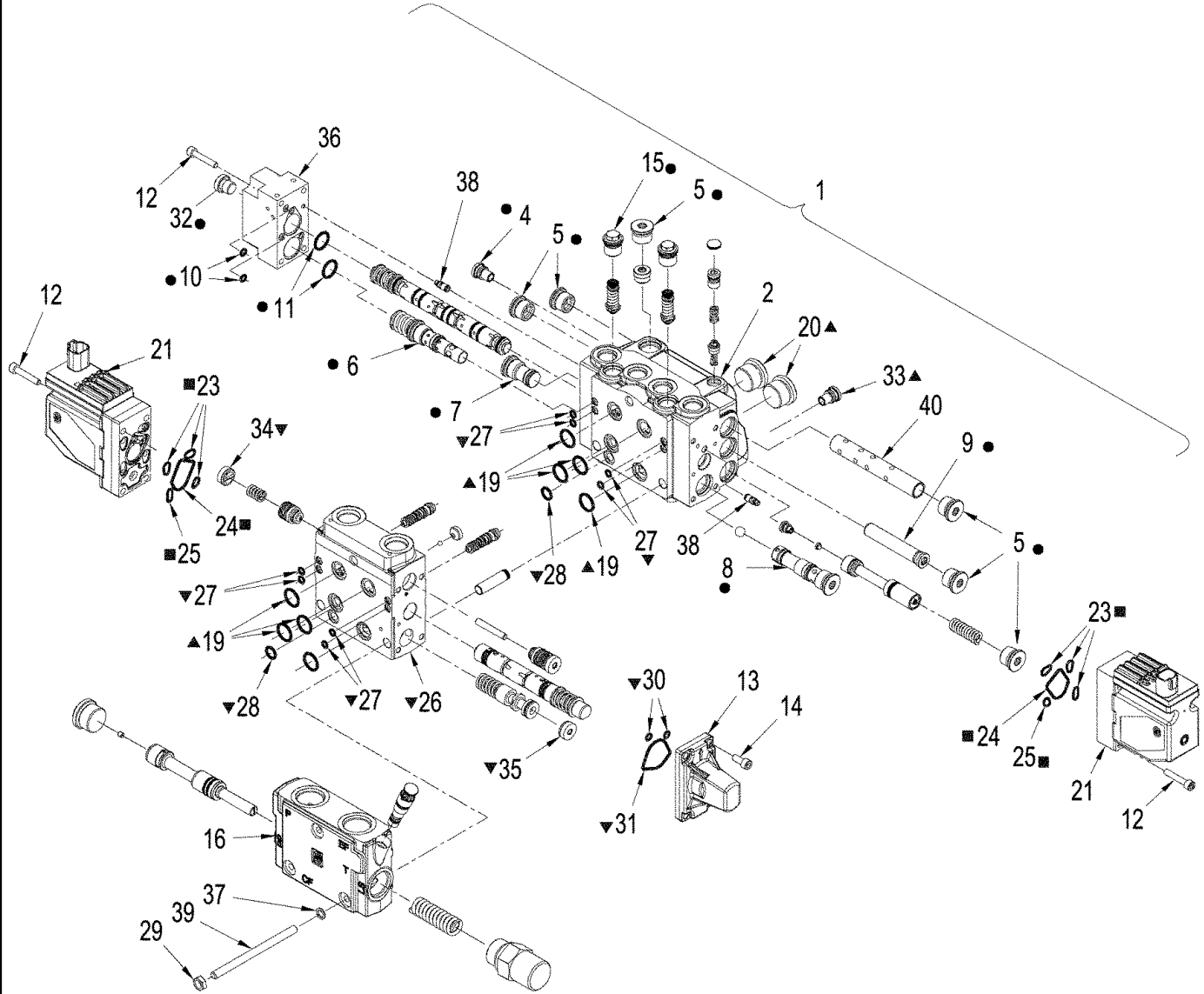
	● = 3
	▲ = 18
	■ = 22
	▼ = 17

PRIORITY / STEERING CONTROL VALVE ASSEMBLY, WITH ACCUSTEER

REF	FN	PART NUMBER	YR/SN	QTY	DESCRIPTION
1		87436467	BSN Z7F105452	1	VALVE, HYDRAULIC, Priority / EHPS, Inc. 2 - 31
1		87585899	ASN Z7F105452	1	VALVE, HYDRAULIC, Priority / EHPS, Inc. 2 - 31
2		NSS		1	NOT SERVICED SEPARATELY, Housing, Steering Valve, EHPS
3		87397327		1	KIT, SEALS, EHPS
4		NSS		1	NOT SERVICED SEPARATELY, Plug, with O-Ring
5		NSS		6	NOT SERVICED SEPARATELY, Plug, with O-Ring
6		NSS		1	NOT SERVICED SEPARATELY, Bushing, with O-Ring
7		NSS		1	NOT SERVICED SEPARATELY, Plug, with O-Ring
8		NSS		1	NOT SERVICED SEPARATELY, Plug, with O-Ring
9		NSS		1	NOT SERVICED SEPARATELY, Plug, with O-Ring
10		NSS		5	NOT SERVICED SEPARATELY, O-Ring
11		NSS		4	NOT SERVICED SEPARATELY, O-Ring
12		NSS		AR	NOT SERVICED SEPARATELY, Screw
13		NSS		1	NOT SERVICED SEPARATELY, Cover
14		NSS		4	NOT SERVICED SEPARATELY, Screw
15		NSS		2	NOT SERVICED SEPARATELY, Plug, with O-Ring
16		NSS		1	NOT SERVICED SEPARATELY, Housing, Priority Valve
17		87397330		1	KIT, SEALS, ACCUSTEER PVBZ
18		87397328		1	KIT, SEALS, Priority Valve, OLS
19		NSS		4	NOT SERVICED SEPARATELY, O-Ring
20		NSS		2	NOT SERVICED SEPARATELY, Plug, with O-Ring
21		87397329		2	KIT, SEALS, PVE
22		NSS		2	NOT SERVICED SEPARATELY, Valve, Shuttle
23		NSS		6	NOT SERVICED SEPARATELY, O-Ring
24		NSS		2	NOT SERVICED SEPARATELY, O-Ring
25		NSS		2	NOT SERVICED SEPARATELY, O-Ring
26		NSS		1	NOT SERVICED SEPARATELY, Housing, PVBZ, ACCUSTEER Steering
27		NSS		4	NOT SERVICED SEPARATELY, O-Ring
28		NSS		1	NOT SERVICED SEPARATELY, O-Ring
29		NSS		3	NOT SERVICED SEPARATELY, Nut
30		NSS		2	NOT SERVICED SEPARATELY, O-Ring

STX330 STX280
STEIGER 280 STEIGER 330

PRIORITY / STEERING CONTROL VALVE ASSEMBLY, WITH ACCUSTEER



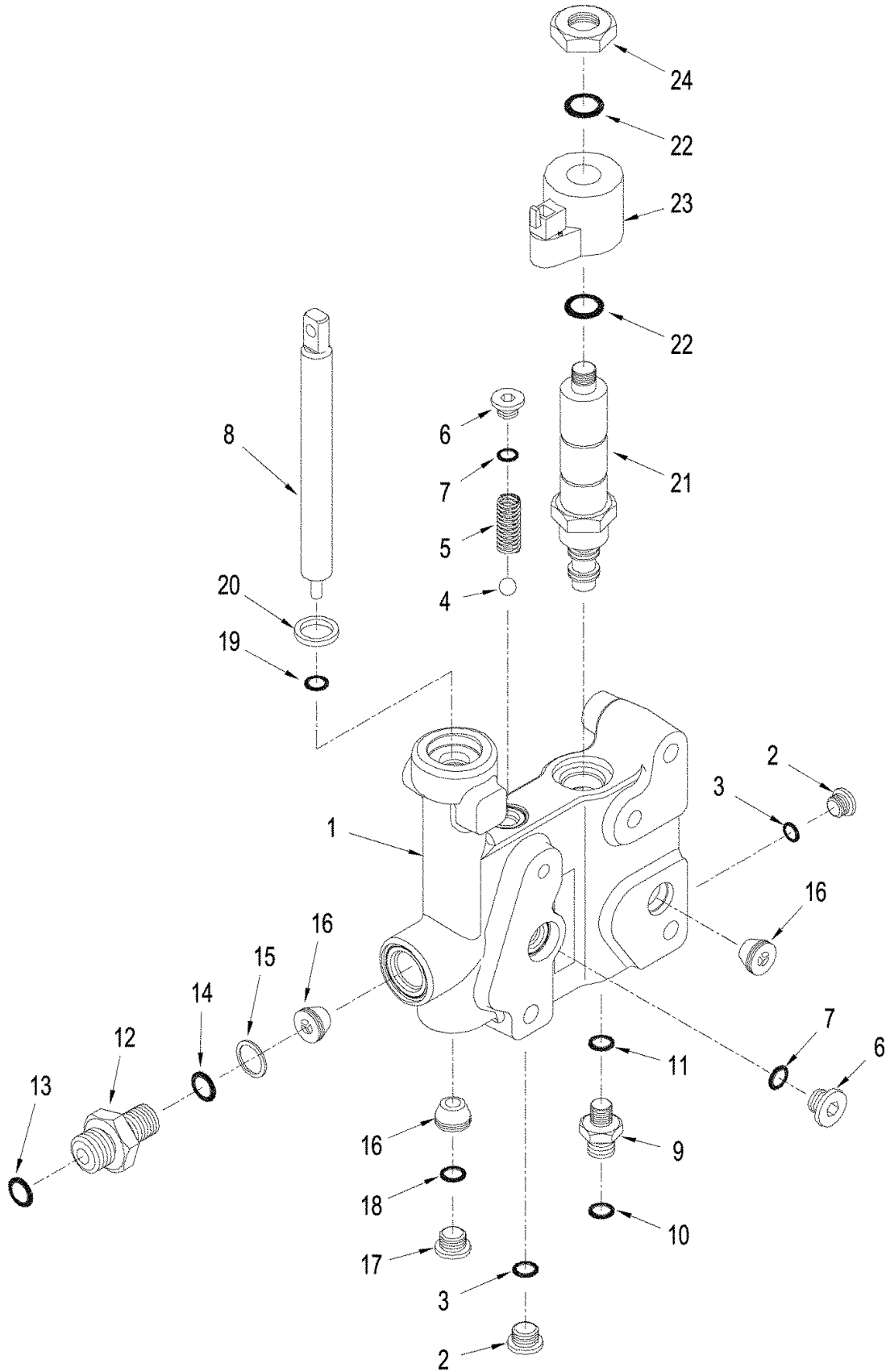
	● = 3
	▲ = 18
	■ = 22
	▼ = 17

PRIORITY / STEERING CONTROL VALVE ASSEMBLY, WITH ACCUSTEER

REF	FN	PART NUMBER	YR/SN	QTY	DESCRIPTION
31		NSS		1	NOT SERVICED SEPARATELY, O-Ring, Cover
32		NSS		1	NOT SERVICED SEPARATELY, Plug, with O-Ring
33		NSS		1	NOT SERVICED SEPARATELY, Plug, with O-Ring
34		NSS		2	NOT SERVICED SEPARATELY, Plug, with O-Ring
35		NSS		1	NOT SERVICED SEPARATELY, Plug, with O-Ring
36		NSS		1	NOT SERVICED SEPARATELY, Cover
37		NSS		3	NOT SERVICED SEPARATELY, Washer
38		NSS		2	NOT SERVICED SEPARATELY, Valve, Shuttle
39		NSS		3	NOT SERVICED SEPARATELY, Bolt
40		87637887		1	KIT, Steering Spool

	STX330 STX280 STEIGER 280 STEIGER 330
--	---

TOW BLOCK VALVE ASSEMBLY



TOW BLOCK VALVE ASSEMBLY

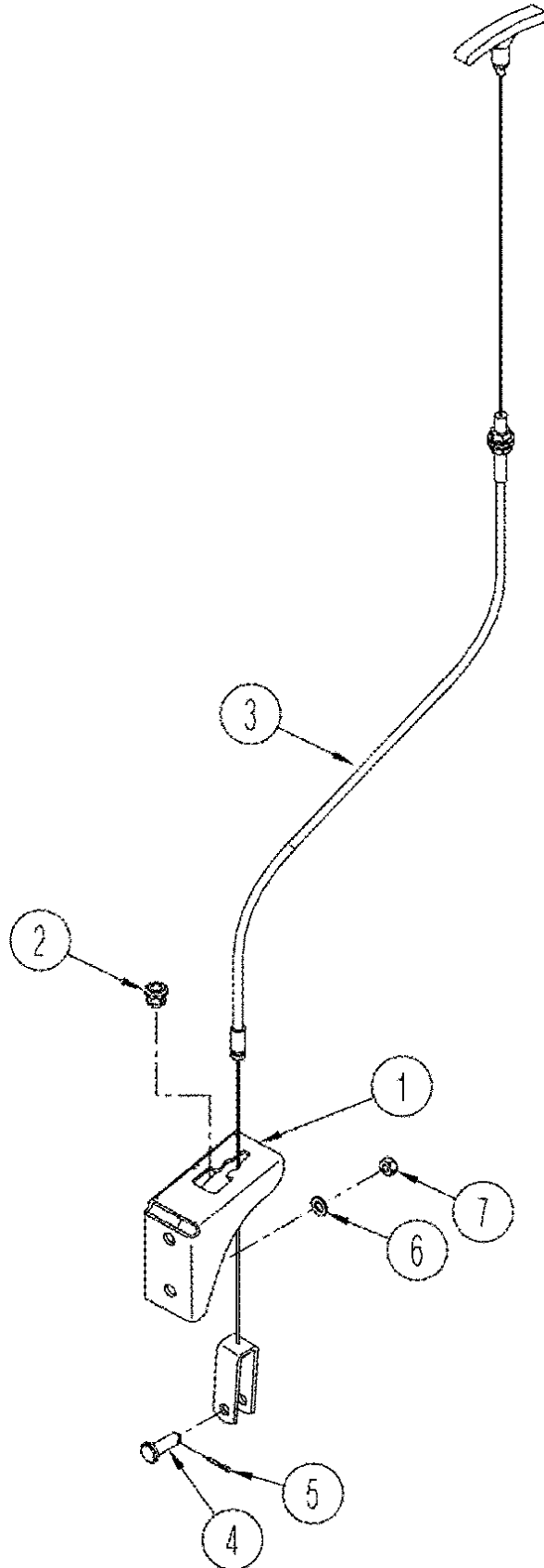
REF	FN	PART NUMBER	YR/SN	QTY	DESCRIPTION
		87679712		1	VALVE, Tow Block, Inc. 1 - 24
1		NSS		1	NOT SERVICED SEPARATELY, Body
2		86598044		2	PLUG, Inc. 3
3		637-63113		3	O-RING, CI 6, 11.3MM ID x 2.2 Thk
4		511-1060		1	BALL, 6mm Dia
5		352025A1		1	SPRING, Brake
6		86598043		2	PLUG, Hex Soc, M12 x 1.5, ORB, M12 orb x 13, Includes 7
7		637-63093		2	O-RING, CI 6, 9.3MM ID x 2.2 Thk
8		326300A1		1	SPOOL, Manual Pump
9		700-102		1	CONNECTOR, HYD., 13/16"-16 ORFS x M18 x 1.5 ORB, Inc. 10, 11
10		238-6012		1	O-RING, -012, 90 Duro, .364" ID x .070" Thk
11		637-63153		1	O-RING, CI 6, 15.3MM ID x 2.2 Thk
12		86579678		1	CONNECTOR, HYD., 13/16"-16 ORFS x M22 x 1.5 ORB, Inc. 13, 14
13		238-6014		1	O-RING, -014, 90 Duro, .489" ID x .070" Thk
14		637-63193		1	O-RING, CI 6, 19.3MM ID x 2.2 Thk
15		86637953		1	WASHER, 11/32" x 11/16" x 0.89", HDN
16		1994615C2		3	VALVE, CHECK
17		86598047		1	PLUG, M22 - 1,5, Inc. 18
18		637-63193		1	O-RING, CI 6, 19.3MM ID x 2.2 Thk
19		238-5208		1	O-RING, -208, 70 Duro, .609" ID x .139" Thk
20		A63399		1	SEAL, Oil Sensing
		87675608		1	SOLENOID, Inc. 21 - 24
21		NSS		1	NOT SERVICED SEPARATELY, Solenoid
22		238-7115		2	O-RING, -115, CI 7, .674" ID x .103" Thk
23		NSS		1	NOT SERVICED SEPARATELY, Coil
24		252462A2		1	NUT
					STEIGER 280 STX330 STX280 STEIGER 330

08-15

p1

02/06

CABLE - TOW VALVE



08-15

p1

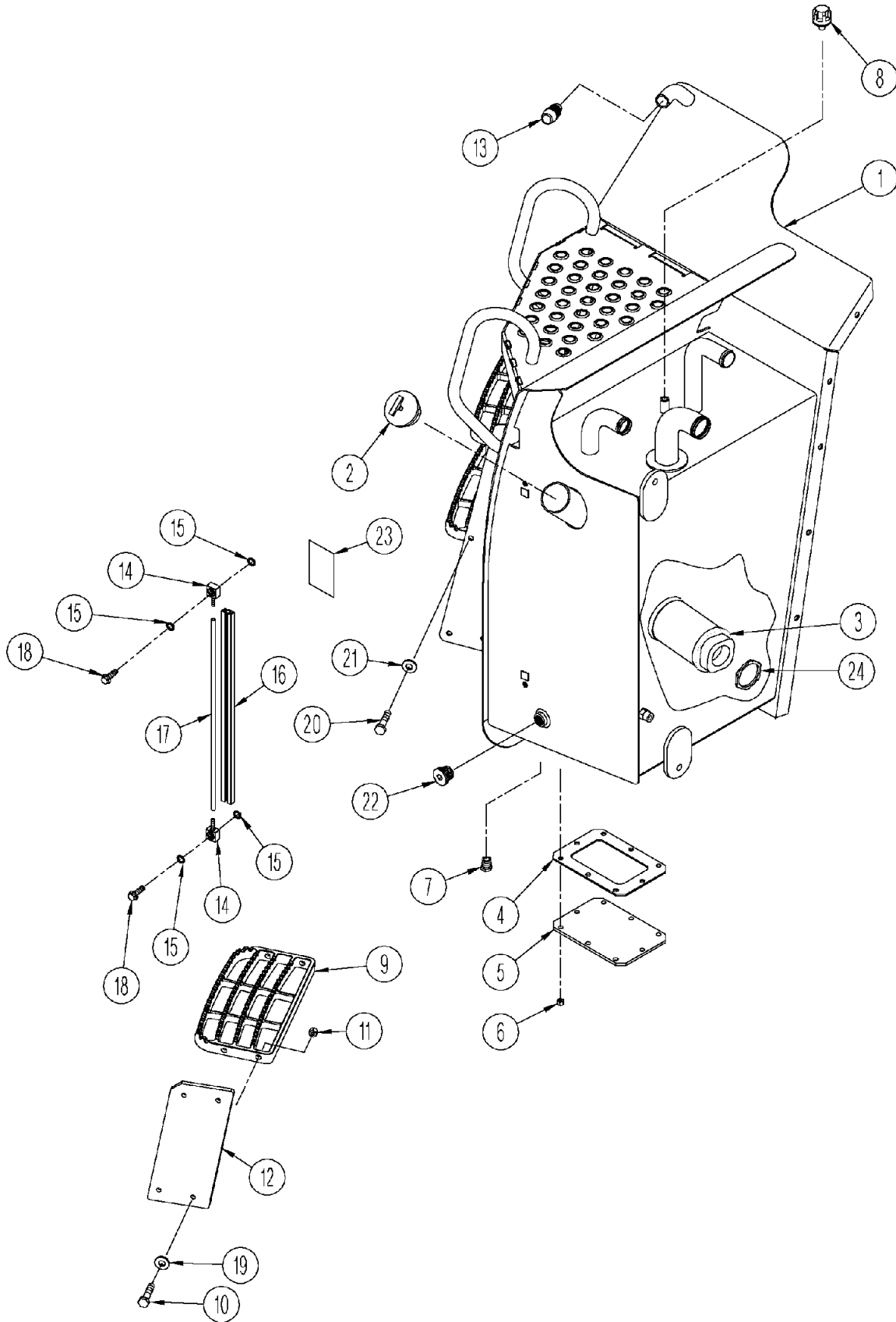
02/06

CABLE - TOW VALVE

REF	FN	PART NUMBER	YR/SN	QTY	DESCRIPTION
1		376390A2		1	BRACKET
2		A67295		1	PLUG
3		349863A2		1	CABLE
4		527-205		1	PIN, CLEVIS, M8 x 25, 8 x 25 mm
5		733-2018		1	PIN, SPLIT (COTTER), M2 x 18
6		895-11008		2	WASHER, M8 x 16 x 1.6
7		829-1408		2	NUT, M8, CI 10

STEIGER 280 STX330
STX280 STEIGER 330

HYDRAULIC TANK ASSEMBLY

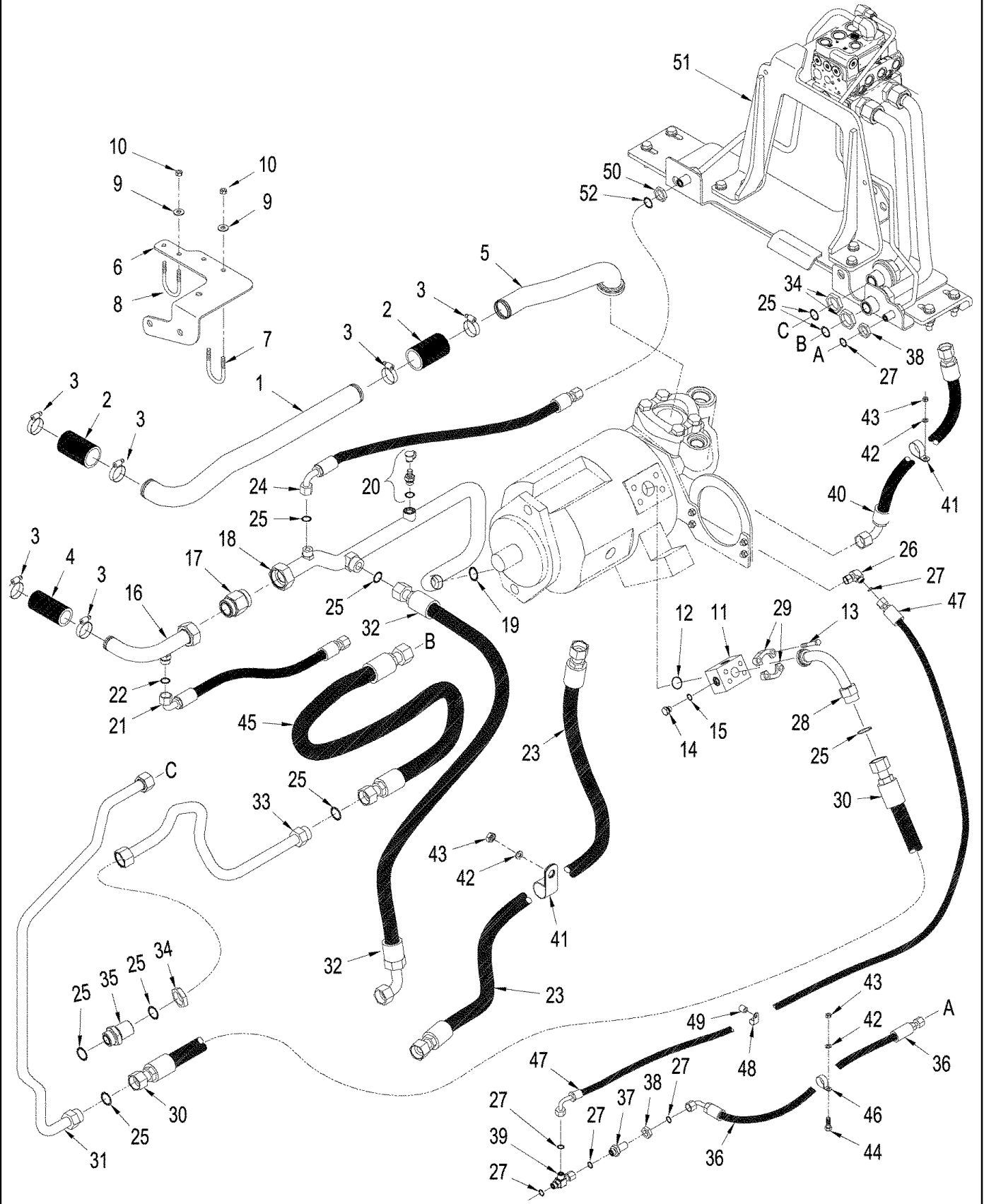


HYDRAULIC TANK ASSEMBLY

REF	FN	PART NUMBER	YR/SN	QTY	DESCRIPTION
1		87313192		1	TANK
2		325737A1		1	CAP, Oil Filler
3		87408715		1	FILTER, STRAINER
4		435031A1		1	GASKET
5		435030A1		1	COVER, Access
6		832-10408		8	NUT, LOCK, M8 x 1.25, Cl 8
7		217-410		1	PLUG, Hex Hd, 1/2"-14 NPTF
8		1971726C1		1	BREATHER
9		87301185		4	STEP
10		827-10045		8	BOLT, Hex, M10 x 45, 10.9
11		832-10410		16	NUT, LOCK, M10 x 1.5, Cl 8
12		384116A1		2	SUPPORT
13		363226A1		1	BUMPER
14		352767A1		2	CONNECTOR, HYD., Sight Gauge
15		337248A1		4	O-RING
16		349869A1		1	CHANNEL
17		355179A1		1	HOSE, Sight Gauge
18		844-10035		2	BOLT, Hex Flg, M10 x 35, 8.8
19		896-15010		8	WASHER, M10 x 24.5 x 3, HT
20		627-10035		8	BOLT, Hex, M10 x 35, 10.9, Full Thd
21		895-11010		8	WASHER, M10 x 20 x 2
22		217-445		1	PLUG, Hex Soc, 1 1/4"-11 1/2 NPTF
23		434856A1		1	DECAL, Hydraulic Oil Level
24		435032A1		1	NUT, LOCK

STEIGER 280 STX330
 STX280 STEIGER 330

STANDARD HYDRAULICS - PUMP LUBRICATION CIRCUIT



STANDARD HYDRAULICS - PUMP LUBRICATION CIRCUIT

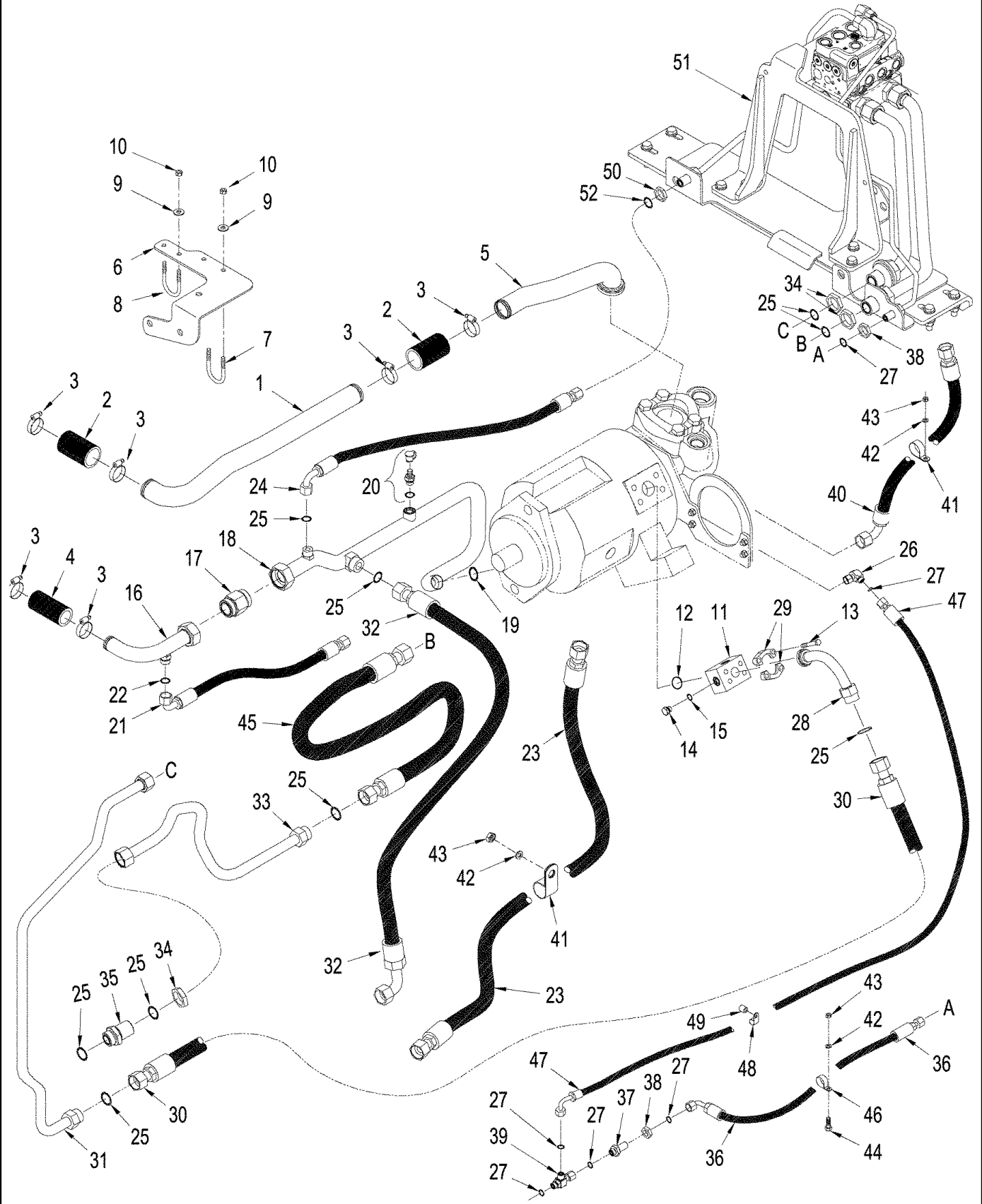
REF	FN	PART NUMBER	YR/SN	QTY	DESCRIPTION
1	1	87365707		1	TUBE, Charge Pump Suction
1	2	87314032		1	TUBE, HYD, Charge Pump Suction
2		31-2427		2	HOSE, 102 mm (4"), Cut From: 4-4568
3		214-1436		6	CLAMP, HOSE, #36, 1.81/2.75 Type F Worm
4		1-4571		1	HOSE, 114 mm (4-1/2"), Cut From: 1-4482T1
5	1	87365405		1	TUBE, Charge Pump Supply
5	2	87362214		1	TUBE, Charge Pump Supply
6	1	87318222		1	BRACKET, Mounting
7		19-1049		1	U-BOLT, 5/16"-18 x 2 5/16" x 3"
8		19-154		1	U-BOLT, 5/16"-18 x 1 3/4" x 3
9		495-21038		4	WASHER, 5/16"
10		231-1445		4	NUT, LOCK, 5/16"-18, GB
11		87309732		1	BLOCK, Pump
12		238-6222		1	O-RING, -222, 90 Duro, 1.484" ID x .139" Thk
13		426-652		4	BOLT, Hex, 3/8"-16 x 3 1/4", G8
14		220064A1		1	PLUG, M14 x 1.5, ORB, Inc. 15
15		637-63113		2	O-RING, CI 6, 11.3MM ID x 2.2 Thk
16		419647A1		1	TUBE
17		87545498		1	VALVE, CHECK
18	1	87548735		1	TUBE, Piston Pump Supply
18	2	87305444		1	TUBE, HYD, Piston Pump Supply
19		238-6228		1	O-RING, -228, 90 Duro, 2.234" ID x .139" Thk
20		358968A1		1	COUPLING, Fitting, Diagnostic
21	2	327499A1		1	HOSE ASSY., 665 mm (26-1/2")
22		238-6016		1	O-RING, -016, 90 Duro, .614" ID x .070" Thk
23		397577A1		1	HOSE ASSY., 1550 mm (61")
24		87308660		1	HOSE, 480 mm (18-29/32")
25		238-6021		8	O-RING, -021, 90 Duro, .926" ID x .070" Thk
26		701-319		1	ELBOW, 90°, 11/16"-16 ORFS x 11/16"-16 Fem Sw, Incl. 27
27		238-6012		5	O-RING, -012, 90 Duro, .364" ID x .070" Thk
28		87319271		1	TUBE, Piston Pump Outlet
29		A12306		2	FLANGE, Split Clamp

(1) Used with Manual Shift Transmission

(2) Used with Power Shift Transmission

STEIGER 280 STX330
STX280 STEIGER 330

STANDARD HYDRAULICS - PUMP LUBRICATION CIRCUIT



STANDARD HYDRAULICS - PUMP LUBRICATION CIRCUIT

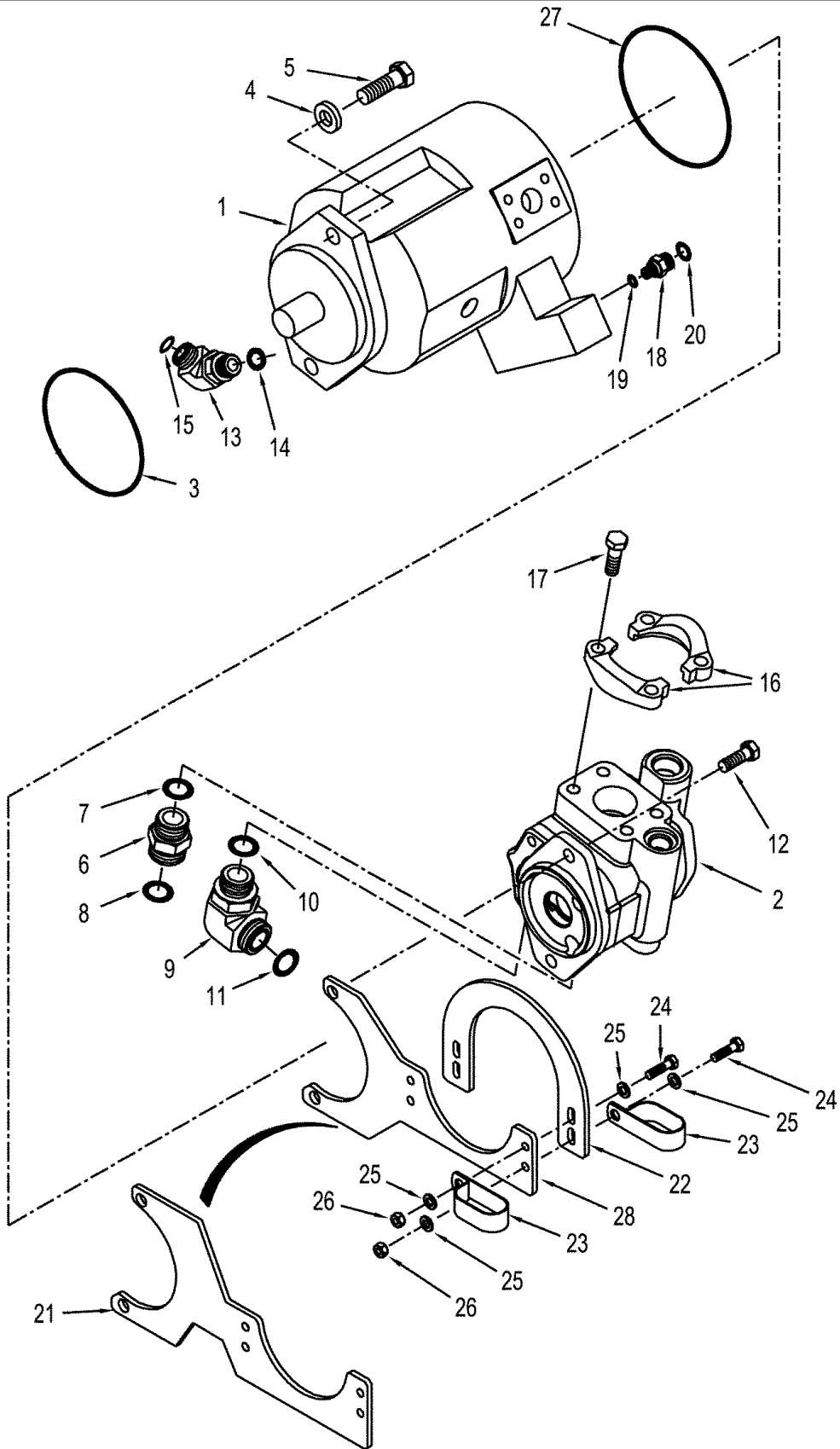
REF	FN	PART NUMBER	YR/SN	QTY	DESCRIPTION
30		87342161		1	HOSE, Gear Pump Pressure Supply, 1041 mm (41")
31		87551754		1	TUBE, Gear Pump Pressure Supply
32		366503A1		1	HOSE ASSY., to Piston Pump Supply Tube, 1257 mm (49-1/2")
33		87385132		1	TUBE, EF Supply
34		701-908		3	NUT, LOCK, 1 7/16"-12, ORFS Blkhd
35		701-116		1	UNION, 1 7/16"-12 ORFS, Blkd, Inc. 25
36		87308884		1	HOSE, to Shuttle Valve, 931 mm (36-1/2")
37		701-120		1	UNION, 11/16"-16 ORFS, Blkd, Inc. 27
38		701-909		3	NUT, LOCK, 11/16"-16, Blkhd
39		300209A1		1	VALVE, Shuttle
40	1	412624A1		1	HOSE ASSY., Charge Pump to Filter
40	2	375333A1		1	HOSE ASSY., Charge Pump to Filter
41		515-24349		3	CLAMP, 1 3/8", Insul, 7/16" Bolt
42		895-11008		3	WASHER, M8 x 16 x 1.6
43		829-1408		6	NUT, M8, CI 10
44		627-8020		1	BOLT, Hex, M8 x 20, 10.9
45		87397785		1	HOSE, EF Supply, 1258 mm (49-1/2")
46		515-22254		1	CLAMP, 1", Insul, 5/16" Bolt
47		87389530		1	HOSE, Compensator to Shuttle Valve, 1834 mm (72")
48		515-22159		3	CLAMP, 5/8", Insul, 5/16" Bolt
49		410449A1		1	SPACER
50		701-903		1	NUT, LOCK, 13/16"-16, ORFS Blkhd
51		REF		1	INSTRUCTION, Valve, Priority, with Tubes and Brackets, See Figure: 08-22
52		238-6014		1	O-RING, -014, 90 Duro, .489" ID x .070" Thk
53		87397785		1	HOSE, EF Supply, 1258 mm (49-1/2")

(1) Used with Manual Shift Transmission

(2) Used with Power Shift Transmission

STEIGER 280 STX330
 STX280 STEIGER 330

STANDARD HYDRAULICS - PUMP MOUNTING



STANDARD HYDRAULICS - PUMP MOUNTING

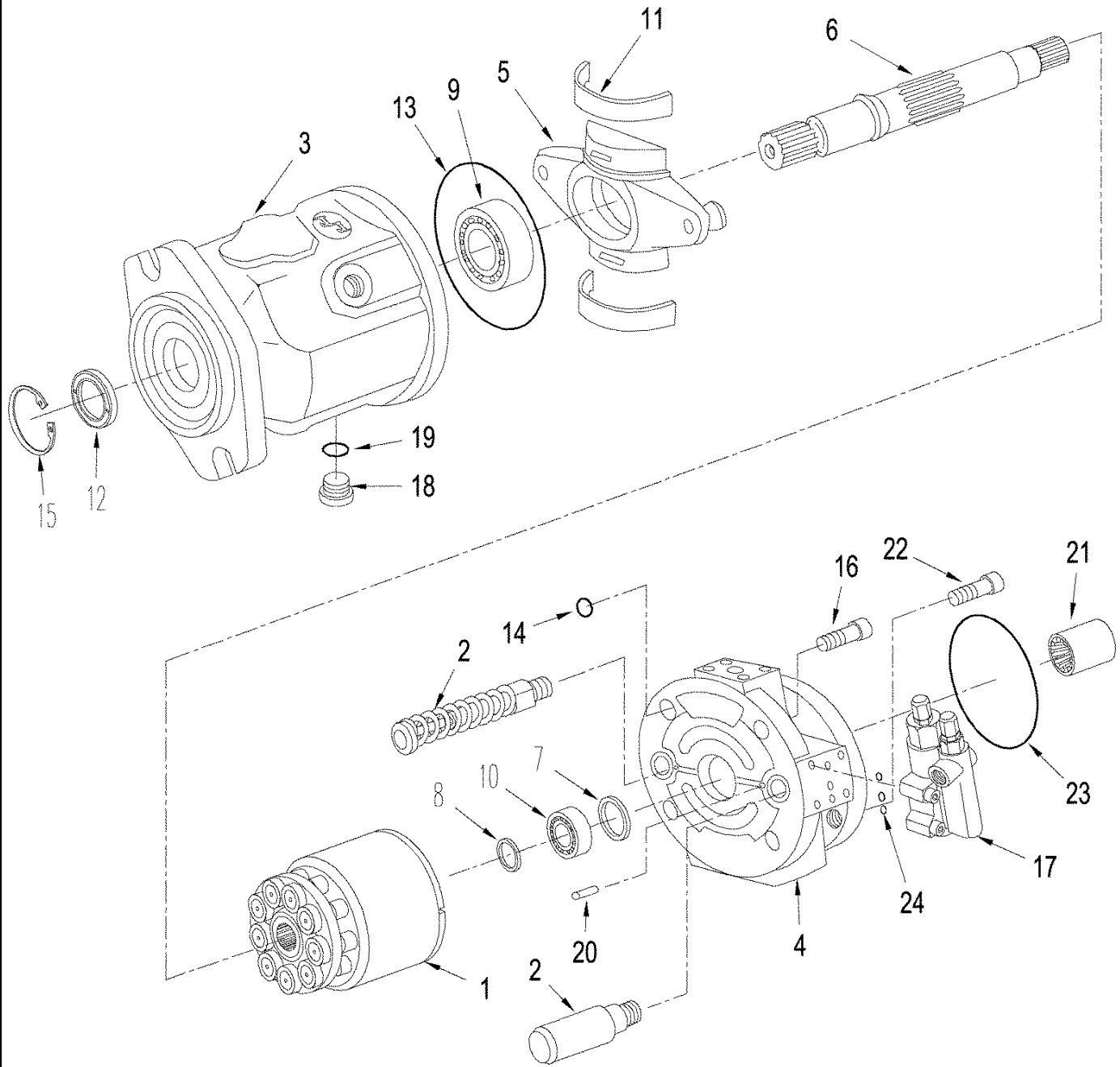
REF	FN	PART NUMBER	YR/SN	QTY	DESCRIPTION
1		87308197		1	PUMP, 71 cc, Piston, See Figure: 08-19
2		87428412		1	PUMP, HYDRAULIC, 100 cc, Gear, See Figure: 08-26
3		238-5250		1	O-RING, -250, 70 Duro, 4.984" ID x .139" Thk
4		496-81022		2	WASHER, 11/16 x 1-1/4 x 1/4 in
5		627-16050		2	BOLT, Hex, M16 x 50, 10.9
6		201-105		1	CONNECTOR, HYD., 1 7/16"-12 ORFS x 1 5/16"-12 ORB, Inc. 7, 8
7		237-6016		1	O-RING, 16-1, 90 Duro, 1.171" ID x .118" Thk
8		238-6021		1	O-RING, -021, 90 Duro, .926" ID x .070" Thk
9		201-308		1	ELBOW, 90°, 1 7/16"-12 x 1 5/8"-12, Adj, ORFS, Inc. 10, 11
10		237-6016		1	O-RING, 16-1, 90 Duro, 1.171" ID x .118" Thk
11		238-6021		1	O-RING, -021, 90 Duro, .926" ID x .070" Thk
12		627-12035		2	BOLT, Hex, M12 x 35, 10.9
13		201-306		1	ELBOW, 90°, 1"-14 x 7/8"-14 Adj, ORFS, Inc. 14, 15
14		237-6010		1	O-RING, 10-1, 90 Duro, .755" ID x .097" Thk
15		238-6016		1	O-RING, -016, 90 Duro, .614" ID x .070" Thk
16		A14141		4	FLANGE
17		426-824		8	BOLT, Hex, 1/2"-13 x 1 1/2", G8, Full Thd
18		201-125		1	CONNECTOR, HYD., 11/16"-16 ORFS x 7/16"-20 ORB, Inc. 19, 20
19		237-6004		1	O-RING, 4-1, 90 Duro, .351" ID x .072" Thk
20		238-6012		1	O-RING, -012, 90 Duro, .364" ID x .070" Thk
21	1	87419158		1	BRACKET
22		87419159		1	PLATE
23		L111928		2	CLAMP
24		627-8030		4	BOLT, Hex, M8 x 30, 10.9
25		895-11008		8	WASHER, M8 x 16 x 1.6
26		832-10408		4	NUT, LOCK, M8 x 1.25, CI 8
27		436514A1		1	O-RING
28	2	87419460		1	BRACKET

(1) With Manual Shift Transmission

(2) With Power Shift Transmission

STEIGER 280 STX330
STX280 STEIGER 330

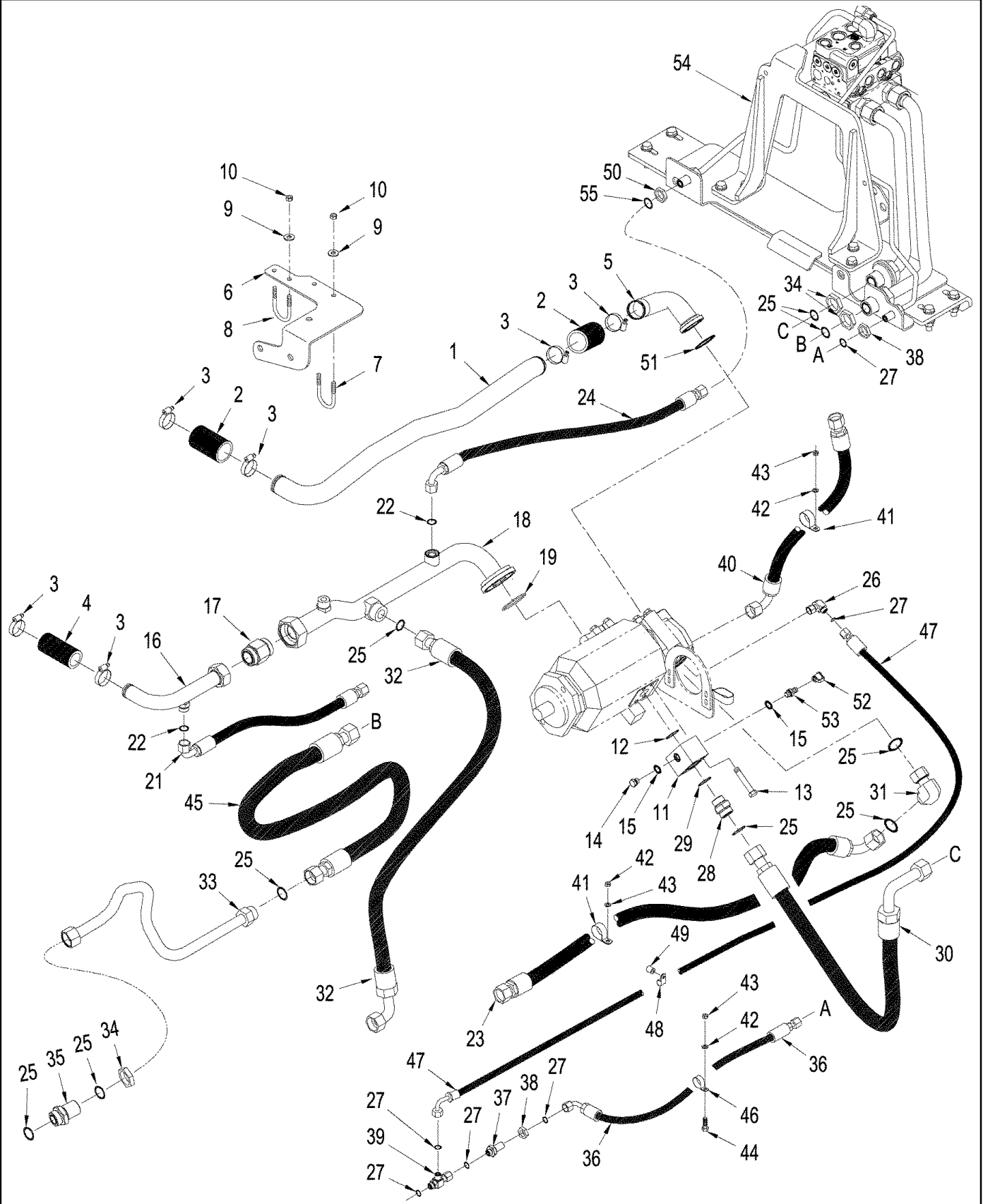
STANDARD HYDRAULICS - PISTON PUMP ASSEMBLY



STANDARD HYDRAULICS - PISTON PUMP ASSEMBLY

REF	FN	PART NUMBER	YR/SN	QTY	DESCRIPTION
		87308197		1	PUMP, 71 cc, Inc. 1 - 24
1		NSS		1	NOT SERVICED SEPARATELY, Cylinder Assy
2		NSS		1	NOT SERVICED SEPARATELY, Piston Assy, Control
3		NSS		1	NOT SERVICED SEPARATELY, Housing
4		NSS		1	NOT SERVICED SEPARATELY, Block
5		NSS		1	NOT SERVICED SEPARATELY, Plate, Swash
6		NSS		1	NOT SERVICED SEPARATELY, Shaft
7		NSS		1	NOT SERVICED SEPARATELY, Washer
8		NSS		1	NOT SERVICED SEPARATELY, Spacer
9		NSS		1	NOT SERVICED SEPARATELY, Bearing, Roller
10		NSS		1	NOT SERVICED SEPARATELY, Bearing, Roller
11		NSS		2	NOT SERVICED SEPARATELY, Support
12		NSS		1	NOT SERVICED SEPARATELY, Seal
13		NSS		1	NOT SERVICED SEPARATELY, O-Ring
14		NSS		4	NOT SERVICED SEPARATELY, O-Ring
15		NSS		1	NOT SERVICED SEPARATELY, Ring, Snap
16		NSS		4	NOT SERVICED SEPARATELY, Screw
17		87308198		1	COMPENSATOR
18		NSS		1	NOT SERVICED SEPARATELY, Plug
19		NSS		1	NOT SERVICED SEPARATELY, O-Ring
20		NSS		1	NOT SERVICED SEPARATELY, Pin
21		NSS		1	NOT SERVICED SEPARATELY, Coupling
22		NSS		2	NOT SERVICED SEPARATELY, Screw
23		436514A1		1	O-RING
24		8604965		3	O-RING
		388293A1		1	KIT, SEALS, Inc. 12 - 14, 19, 23
					STEIGER 280 STX330 STX280 STEIGER 330

HIGH OUTPUT HYDRAULICS - PUMP LUBRICATION CIRCUIT, WITHOUT ACCUSTEER



08-20

p1

08/07

HIGH OUTPUT HYDRAULICS - PUMP LUBRICATION CIRCUIT, WITHOUT ACCUSTEER

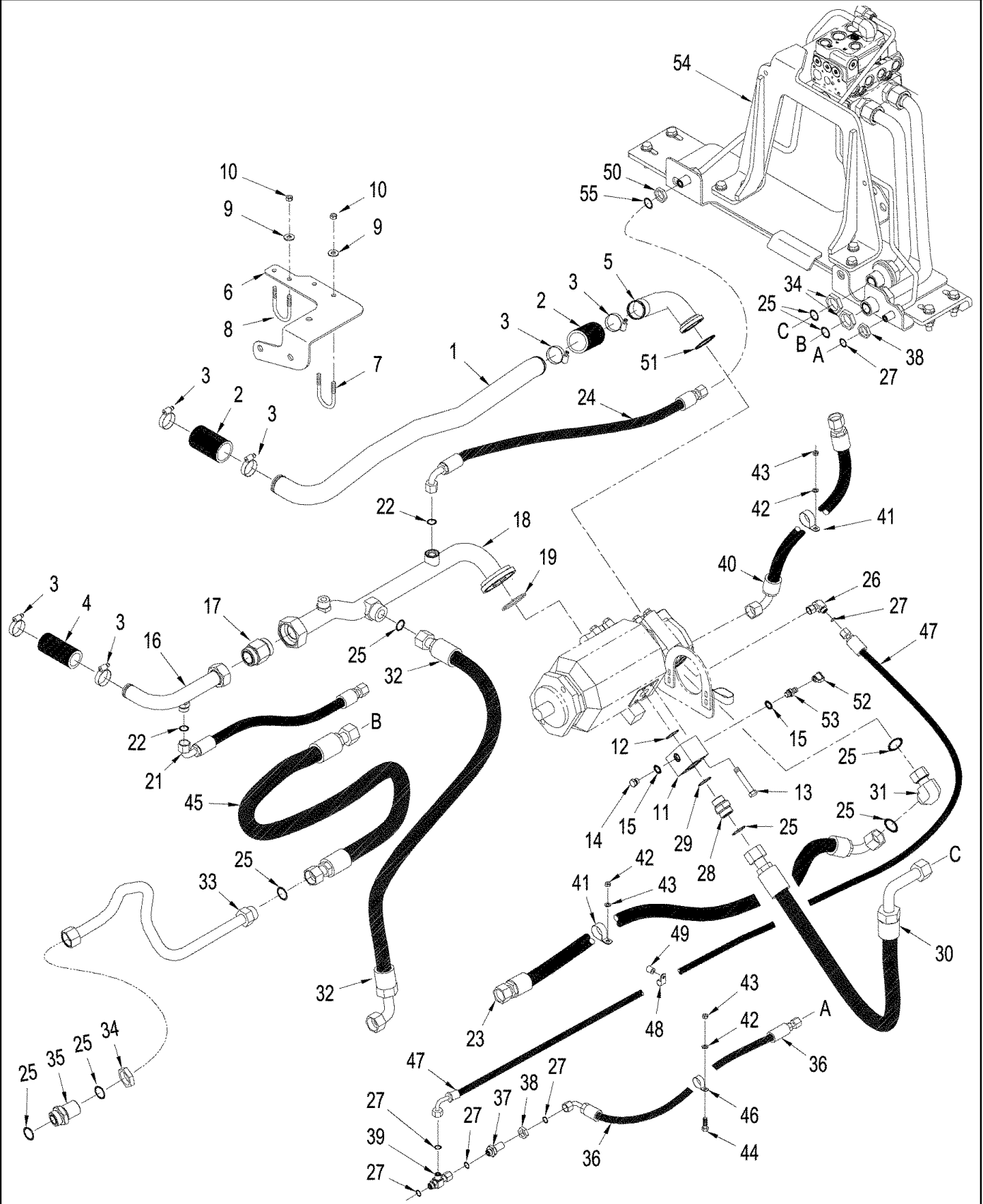
REF	FN	PART NUMBER	YR/SN	QTY	DESCRIPTION
1	1	87314032		1	TUBE, HYD, Charge Pump Suction
1	2	411140A1		1	TUBE, Charge Pump Suction
2		31-2427		2	HOSE, 102 mm (4"), Cut From: 4-4568
3		214-1436		6	CLAMP, HOSE, #36, 1.81/2.75 Type F Worm
4		1-4571		1	HOSE, 114 mm (4-1/2"), Cut From: 1-4482T1
5	1	87334840		1	TUBE, HYD, Charge Pump Supply
5	2	87304513		1	TUBE, HYD, Charge Pump Supply
6	1	430948A1		1	BRACKET, Mounting
6	2	87318222		1	BRACKET, Mounting
7		19-1049		1	U-BOLT, 5/16"-18 x 2 5/16" x 3", .312"
8		19-154		1	U-BOLT, 5/16"-18 x 1 3/4" x 3, .312" x 1.5" ID
9		495-21038		4	WASHER, 5/16"
10		231-1445		4	NUT, LOCK, 5/16"-18, GB
11		86992232		1	BLOCK, Pump
12		238-6222		1	O-RING, -222, 90 Duro, 1.484" ID x .139" Thk
13		461-35040		4	SCREW, Hex Soc Hd, 1/2"-13 x 2 1/2"
14		220064A1		1	PLUG, M14 x 1.5, ORB, Inc. 15
15		637-63113		3	O-RING, CI 6, 11.3MM ID x 2.2 Thk
16		419647A1		1	TUBE
17		87545498		1	VALVE, CHECK
18	1	87304546		1	TUBE, HYD, Piston Pump Supply
18	2	87304524		1	TUBE, HYD, Piston Pump Supply
19		238-5232		1	O-RING, -232, 70 Duro, 2.734" ID x .139" Thk
20		358968A1		1	COUPLING, Diagnostic
21		327499A1		1	HOSE ASSY., 665 mm (26-1/2")
22		238-6016		1	O-RING, -016, 90 Duro, .614" ID x .070" Thk
23		315573A1		1	HOSE ASSY., Charge Pump to Return Tube, 1700 mm (67")
24		87308660		1	HOSE, to Tank Return Tube
25		238-6021		7	O-RING, -021, 90 Duro, .926" ID x .070" Thk
26		701-319		1	ELBOW, 90°, 11/16"-16 ORFS x 11/16"-16 Fem Sw, Incl. 27
27		238-6012		5	O-RING, -012, 90 Duro, .364" ID x .070" Thk

(1) Used with Power Shift Transmission

(2) Used with Manual Shift Transmission

STEIGER 280 STX330
 STX280 STEIGER 330

HIGH OUTPUT HYDRAULICS - PUMP LUBRICATION CIRCUIT, WITHOUT ACCUSTEER



HIGH OUTPUT HYDRAULICS - PUMP LUBRICATION CIRCUIT, WITHOUT ACCUSTEER

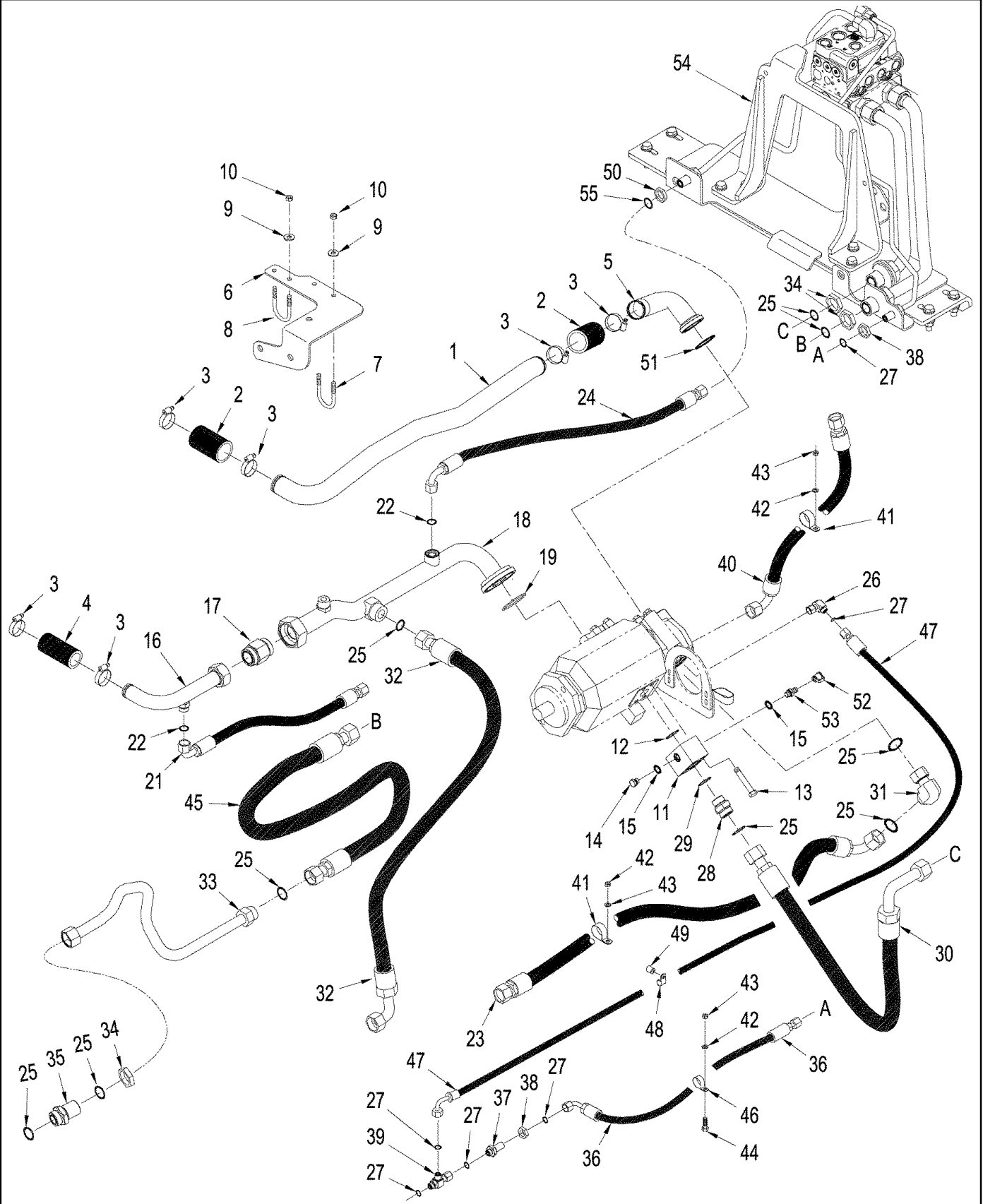
REF	FN	PART NUMBER	YR/SN	QTY	DESCRIPTION
28		700-105		1	CONNECTOR, HYD., 1 7/16"-12 ORFS x M22 x 2 ORB, Inc. 25 & 29
29		637-64296		1	O-RING, CI 6, 29.6MM ID x 2.9 Thk
30		87364346		1	HOSE, Pump Block to Priority Valve, 848 mm (33-7/8")
31		701-339		1	ELBOW, 90°, 1 7/16"-12 ORFS x 1 7/16"-12 Fem Sw, Inc. 25
32		366503A1		1	HOSE ASSY., Regulator Valve to Piston Pump Supply
33		87385132		1	TUBE, EF Supply
34		701-908		3	NUT, LOCK, 1 7/16"-12, ORFS Blkhd
35		701-116		1	UNION, 1 7/16"-12 ORFS, Blkd, Inc. 25
36		87308884		1	HOSE, to Shuttle Valve, 931 mm (36-1/2")
37		701-120		1	UNION, 1 1/16"-16 ORFS, Blkd, Inc. 27
38		701-909		2	NUT, LOCK, 1 1/16"-16, Blkhd
39		300209A1		1	VALVE, Shuttle
40	1	364315A1		1	HOSE, Charge Pump to Filter, 1305 mm (51-3/8")
40	2	419364A1		1	HOSE ASSY., Charge Pump to Filter, 1359 mm (53-1/2")
41		515-24349		4	CLAMP, 1 3/8", Insul, 7/16" Bolt
42		895-11008		4	WASHER, M8 x 16 x 1.6
43		829-1408		4	NUT, M8, CI 10
44		627-8020		2	BOLT, Hex, M8 x 20, 10.9
45		87397785		1	HOSE, EF Supply, 1258 mm (49-1/2")
46		515-22254		1	CLAMP, 1", Insul, 5/16" Bolt
47		87389530		1	HOSE, Compensator to Shuttle Valve, 1834 mm (72")
48		515-22159		3	CLAMP, 5/8", Insul, 5/16" Bolt
49		410449A1		1	SPACER
50		701-903		1	NUT, LOCK, 13/16"-16, ORFS Blkhd
51		238-6228		1	O-RING, -228, 90 Duro, 2.234" ID x .139" Thk
52		H434163		1	DUST CAP, Dust
53		NSS		1	NOT SERVICED SEPARATELY, Fitting, Inc. 15

(1) Used with Power Shift Transmission

(2) Used with Manual Shift Transmission

STEIGER 280 STX330
 STX280 STEIGER 330

HIGH OUTPUT HYDRAULICS - PUMP LUBRICATION CIRCUIT, WITHOUT ACCUSTEER

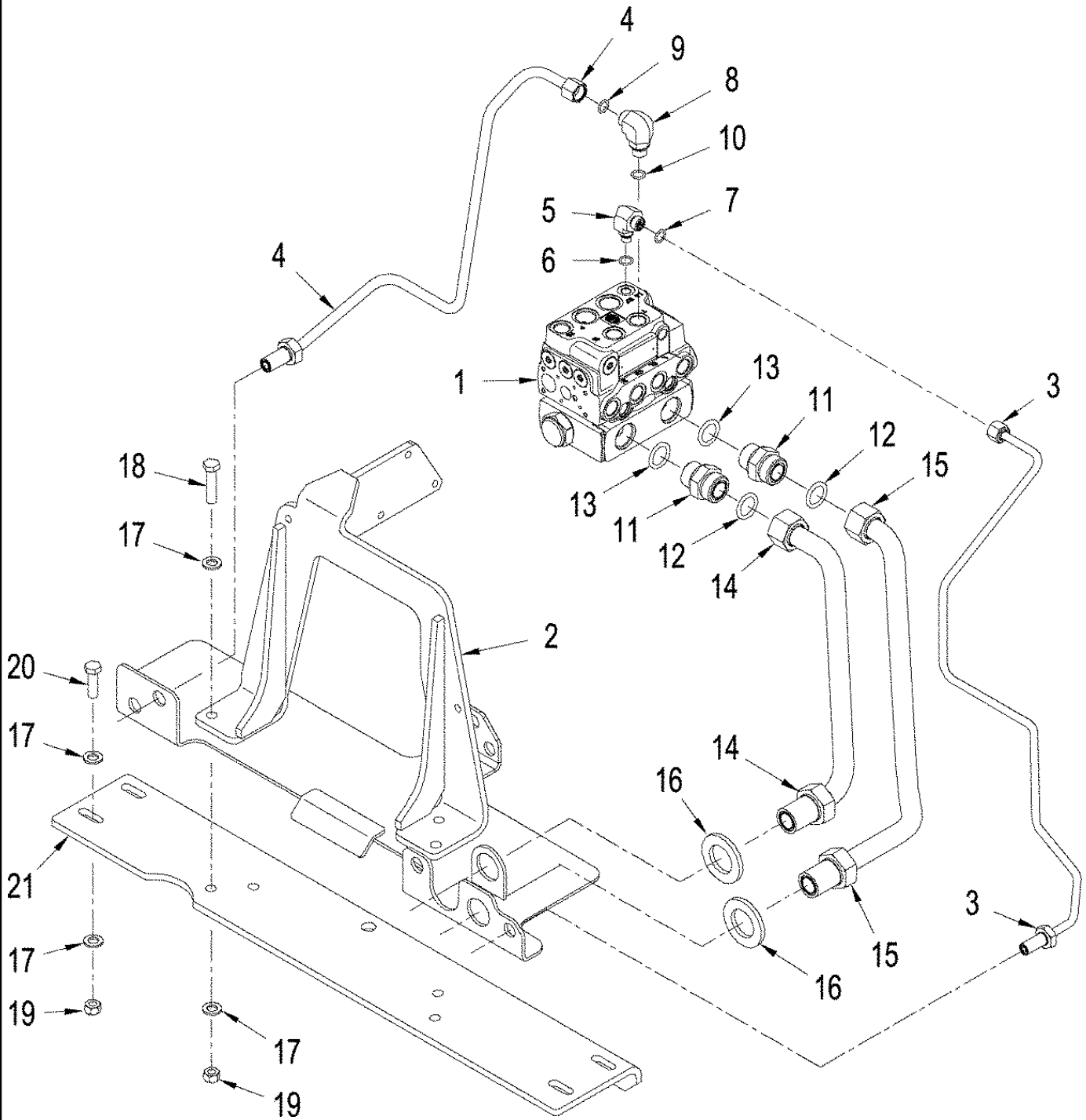


HIGH OUTPUT HYDRAULICS - PUMP LUBRICATION CIRCUIT, WITHOUT ACCUSTEER

REF	FN	PART NUMBER	YR/SN	QTY	DESCRIPTION
54		REF		1	INSTRUCTION, Priority Valve, with Tubes & Brackets, See Figure: 08-21
55		238-6014		1	O-RING, -014, 90 Duro, .489" ID x .070" Thk
56		87397785		1	HOSE, EF Supply, 1258 mm (49-1/2")

	STEIGER 280 STX330 STX280 STEIGER 330
--	---

PRIORITY VALVE AND ATTACHING PARTS



08-21

p1

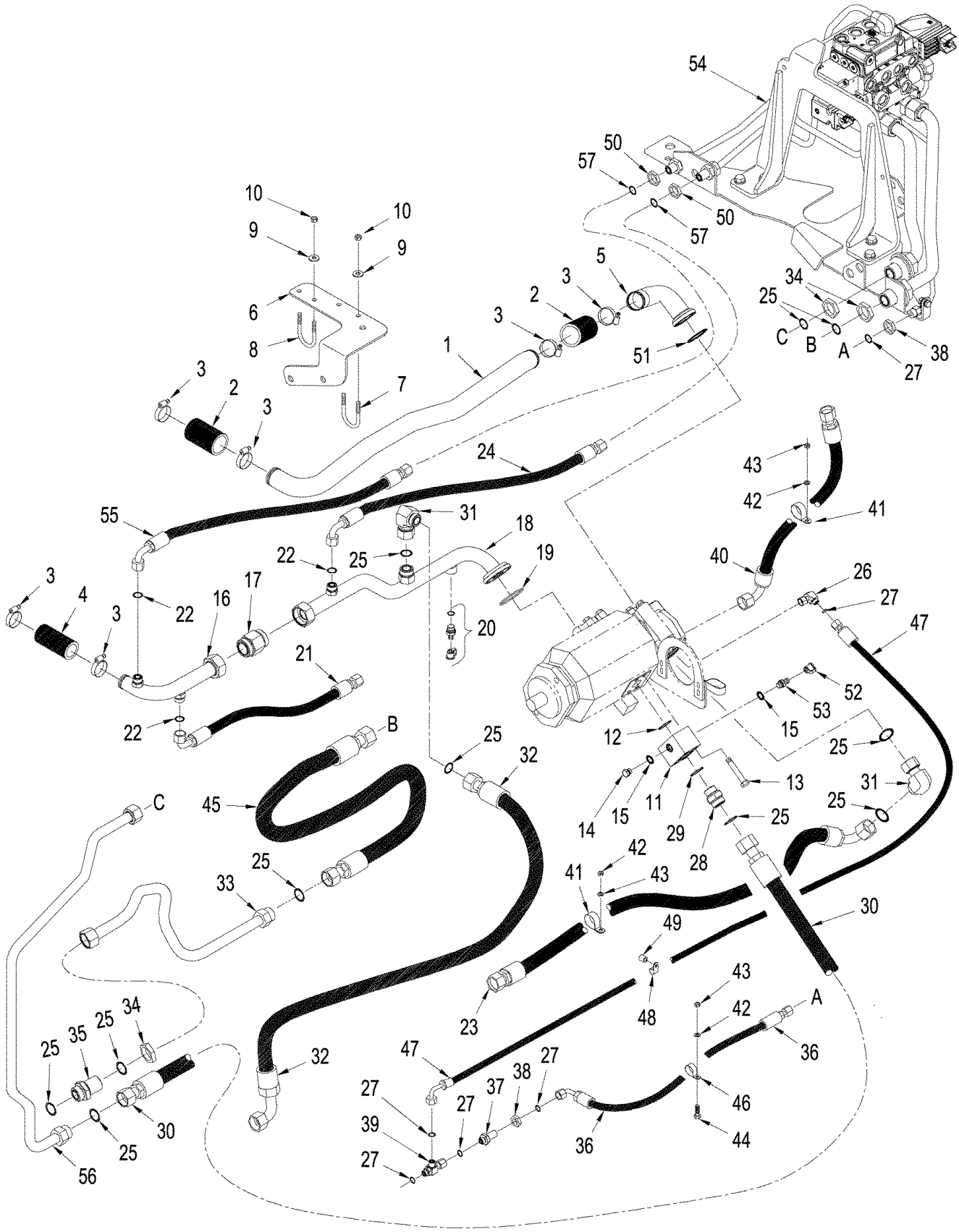
02/07

PRIORITY VALVE AND ATTACHING PARTS

REF	FN	PART NUMBER	YR/SN	QTY	DESCRIPTION
1		87442925	BSN Z7F105376	1	VALVE, CONTROL, Priority / EHPS, See Figure: 08-12
1		87585897	ASN Z7F105376	1	VALVE, HYDRAULIC, Priority / EHPS, See Figure: 08-12
2		87365696		1	BRACKET, Priority Valve
3		87371077		1	TUBE, Load Sense
4		87308363		1	TUBE, HYD, 'T' Port Priority Valve
5		700-311		1	ELBOW, 90°, 11/16"-18 ORFS x M12 x 1.5 ORB, Inc. 6 & 7
6		637-63093		1	O-RING, CI 6, 9.3MM ID x 2.2 Thk
7		238-6012		1	O-RING, -012, 90 Duro, .364" ID x .070" Thk
8		700-305		1	ELBOW, 90°, 13/16"-18 ORFS x M18 x 1.5 ORB, Inc. 9 & 10
9		637-63153		1	O-RING, CI 6, 15.3MM ID x 2.2 Thk
10		238-6014		1	O-RING, -014, 90 Duro, .489" ID x .070" Thk
11		700-105		2	CONNECTOR, HYD., 1 7/16"-12 ORFS x M22 x 2 ORB, Inc. 12 & 13
12		238-6021		1	O-RING, -021, 90 Duro, .926" ID x .070" Thk
13		637-64296		1	O-RING, CI 6, 29.6MM ID x 2.9 Thk
14		87365923		1	TUBE, Pressure to Priority Valve
15		87314026		1	TUBE, HYD, EF Supply
16		896-12036		2	WASHER, M36 x 66.5 x 6, HT
17		895-11012		16	WASHER, M12 x 24 x 2.5
18		627-12030		4	BOLT, Hex, M12 x 30, 10.9
19		829-1412		8	NUT, M12, CI 10
20		827-12050		4	BOLT, Hex, M12 x 50, 10.9
21		87365695		1	SUPPORT, Support

STEIGER 280 STX330
 STX280 STEIGER 330

HIGH OUTPUT HYDRAULICS - PUMP LUBRICATION CIRCUIT, WITH ACCUSTEER



08-22

p1

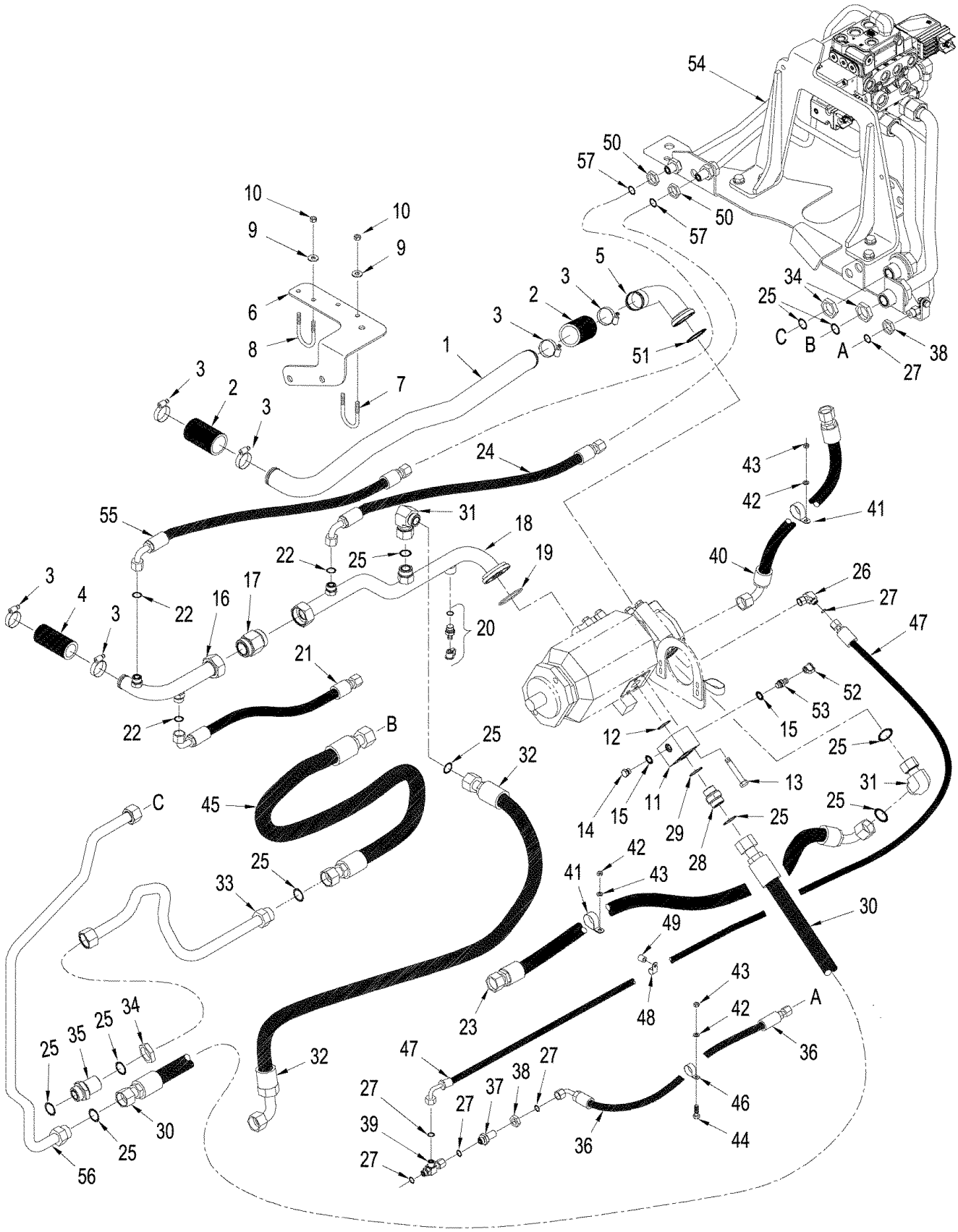
08/07

HIGH OUTPUT HYDRAULICS - PUMP LUBRICATION CIRCUIT, WITH ACCUSTEER

REF	FN	PART NUMBER	YR/SN	QTY	DESCRIPTION
1		419642A1		1	TUBE, Charge Pump Suction
2		31-2427		2	HOSE, 102 mm (4"), Cut From: 4-4568
3		214-1436		6	CLAMP, HOSE, #36, 1.81/2.75 Type F Worm
4		1-4571		1	HOSE, 114 mm (4-1/2"), Cut From: 1-4482T1
5		419641A1		1	TUBE ASSY., Charge Pump Supply
6		430948A1		1	BRACKET, Mounting
7		19-1049		1	U-BOLT, 5/16"-18 x 2 5/16" x 3", .312"
8		19-154		1	U-BOLT, 5/16"-18 x 1 3/4" x 3, .312" x 1.5" ID
9		495-21038		4	WASHER, 5/16"
10		231-1445		4	NUT, LOCK, 5/16"-18, GB, 5/16", G8
11		86992232		1	BLOCK, Pump
12		238-6222		1	O-RING, -222, 90 Duro, 1.484" ID x .139" Thk
13		461-35040		4	SCREW, Hex Soc Hd, 1/2"-13 x 2 1/2"
14		220064A1		1	PLUG, M14 x 1.5, ORB, M14 or, Inc. 15
15		637-63113		3	O-RING, CI 6, 11.3MM ID x 2.2 Thk
16		87310685		1	TUBE
17		87545498		1	VALVE, CHECK
18		419645A1		1	TUBE ASSY., Piston Pump Supply
19		238-5232		1	O-RING, -232, 70 Duro, 2.734" ID x .139" Thk
20		358968A1		1	COUPLING, Diagnostic
21		327499A1		1	HOSE ASSY., 665 mm (26-1/2")
22		238-6016		1	O-RING, -016, 90 Duro, .614" ID x .070" Thk
23		397941A1		1	HOSE ASSY., Charge Pump to Return Tube, 1700 mm (67")
24		87308660		1	HOSE, to Tank Return Tube
25		238-6021		6	O-RING, -021, 90 Duro, .926" ID x .070" Thk
26		701-319		1	ELBOW, 90°, 11/16"-16 ORFS x 11/16"-16 Fem Sw, Incl. 27
27		238-6012		4	O-RING, -012, 90 Duro, .364" ID x .070" Thk
28		700-105		1	CONNECTOR, HYD., 1 7/16"-12 ORFS x M22 x 2 ORB, Inc. 25 & 29
29		637-64296		1	O-RING, CI 6, 29.6MM ID x 2.9 Thk
30		327464A1		1	HOSE ASSY., Pump Block to Priority Valve
31		701-339		1	ELBOW, 90°, 1 7/16"-12 ORFS x 1 7/16"-12 Fem Sw, Inc. 25

STEIGER 280 STX330
 STX280 STEIGER 330

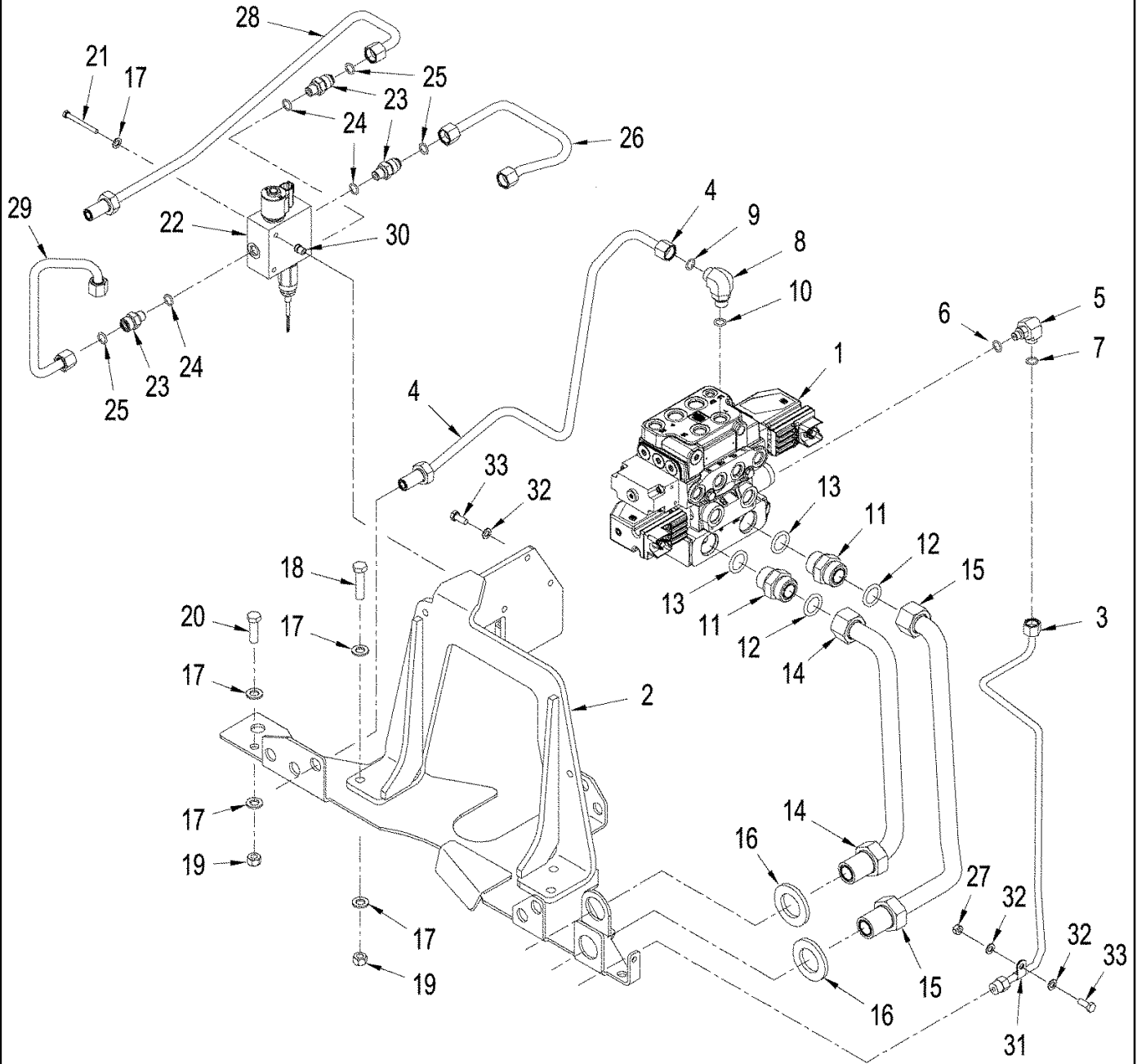
HIGH OUTPUT HYDRAULICS - PUMP LUBRICATION CIRCUIT, WITH ACCUSTEER



HIGH OUTPUT HYDRAULICS - PUMP LUBRICATION CIRCUIT, WITH ACCUSTEER

REF	FN	PART NUMBER	YR/SN	QTY	DESCRIPTION
32		364317A1		1	HOSE, Regulator Valve to Piston Pump Supply
33		87385132		1	TUBE, EF Supply
34		701-908		3	NUT, LOCK, 1 7/16"-12, ORFS Blkhd
35		701-116		1	UNION, 1 7/16"-12 ORFS, Blkd, Inc. 25
36		87308884		1	HOSE, to Shuttle Valve, 931 mm (36-1/2")
37		701-120		1	UNION, 11/16"-16 ORFS, Blkd, Inc. 27
38		701-909		2	NUT, LOCK, 11/16"-16, Blkhd
39		300209A1		1	VALVE, Shuttle
40		364315A1		1	HOSE, Charge Pump to Filter, 1305 mm (51-3/8")
41		515-24349		4	CLAMP, 1 3/8", Insul, 7/16" Bolt
42		895-11008		4	WASHER, M8 x 16 x 1.6
43		829-1408		4	NUT, M8, CI 10
44		627-8020		2	BOLT, Hex, M8 x 20, 10.9
45		87397785		1	HOSE, EF Supply, 1258 mm (49-1/2")
46		515-22254		1	CLAMP, 1", Insul, 5/16" Bolt
47		87315556		1	HOSE, Compensator to Shuttle Valve, 1909 mm (75")
48		515-22159		3	CLAMP, 5/8", Insul, 5/16" Bolt
49		L126936		1	SPACER
50		701-903		2	NUT, LOCK, 13/16"-16, ORFS Blkhd
51		238-6228		1	O-RING, -228, 90 Duro, 2.234" ID x .139" Thk
		178889A1		1	FITTING, Diagnostic, Inc. 52 & 53
52		H434163		1	DUST CAP, Dust
53		NSS		1	NOT SERVICED SEPARATELY, Fitting, Inc. 15
54		REF		1	INSTRUCTION, Priority Valve, with Tubes & Brackets, See Figure: 08-23
55		87310687		1	HOSE, to Tank Return Tube
56		87363639	BSN Z7F105642	1	TUBE, Pressure Supply
56		87551754	ASN Z7F105642	1	TUBE, Pressure Supply
57		238-6014		1	O-RING, -014, 90 Duro, .489" ID x .070" Thk
					STEIGER 280 STX330 STX280 STEIGER 330

PRIORITY VALVE AND ATTACHING PARTS, WITH ACCUSTEER



08-23

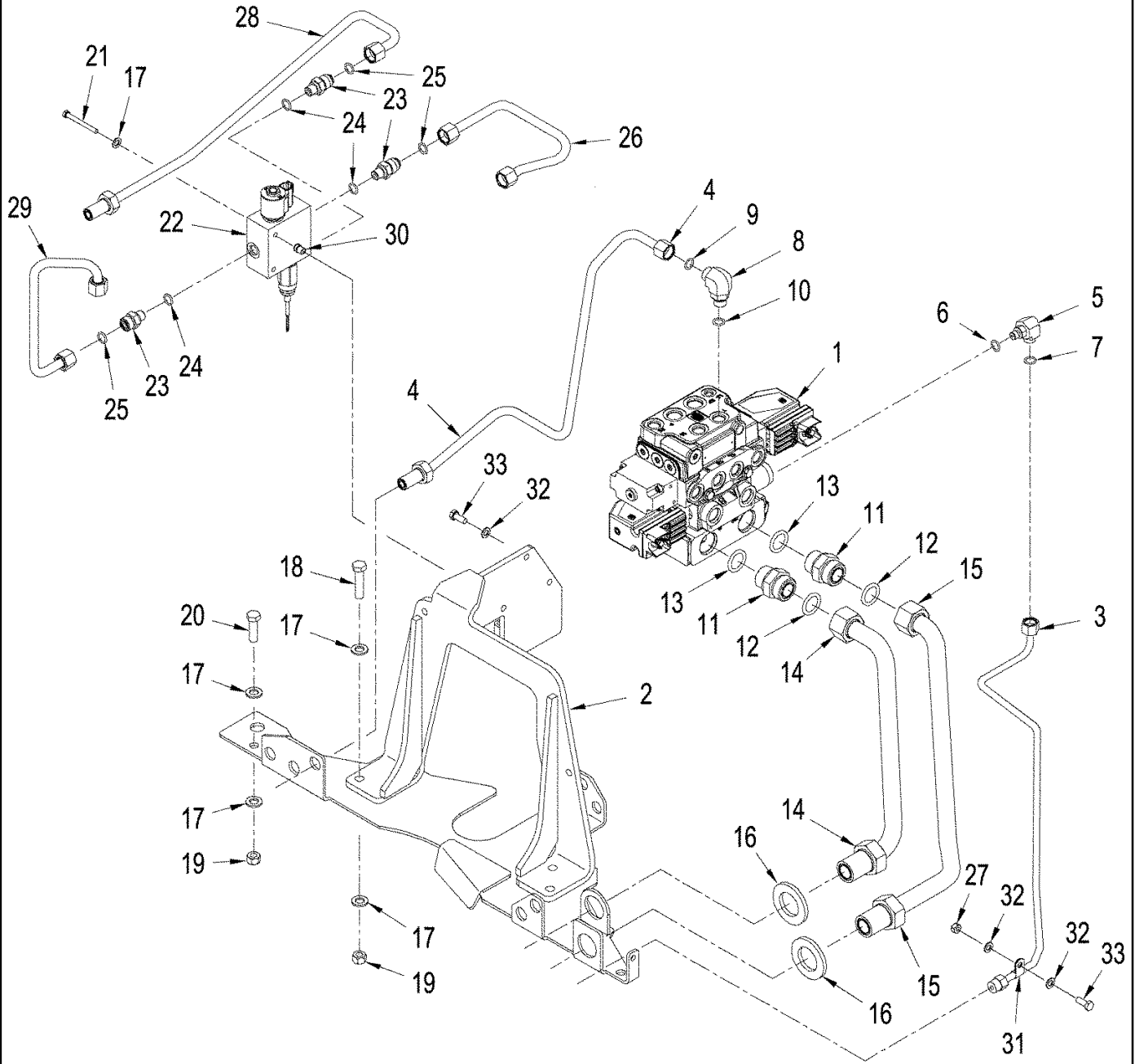
p1

08/07

PRIORITY VALVE AND ATTACHING PARTS, WITH ACCUSTEER

REF	FN	PART NUMBER	YR/SN	QTY	DESCRIPTION
1		87436467	BSN Z7F105452	1	VALVE, HYDRAULIC, Priority / EHPS, See Figure: 08-13
1		87585899	ASN Z7F105452	1	VALVE, HYDRAULIC, Priority / EHPS, See Figure: 08-13
2		87365739		1	BRACKET, Priority Valve
3		87308825		1	TUBE ASSY., Load Sense
4		87308363		1	TUBE, HYD, 'T' Port Priority Valve
5		700-311		1	ELBOW, 90°, 11/16"-18 ORFS x M12 x 1.5 ORB, Inc. 6 & 7
6		637-63093		1	O-RING, CI 6, 9.3MM ID x 2.2 Thk
7		238-6012		1	O-RING, -012, 90 Duro, .364" ID x .070" Thk
8		700-305		1	ELBOW, 90°, 13/16"-18 ORFS x M18 x 1.5 ORB, Inc. 9 & 10
9		637-63153		1	O-RING, CI 6, 15.3MM ID x 2.2 Thk
10		238-6014		1	O-RING, -014, 90 Duro, .489" ID x .070" Thk
11		700-105		2	CONNECTOR, HYD., 1 7/16"-12 ORFS x M22 x 2 ORB, Inc. 12 & 13
12		238-6021		1	O-RING, -021, 90 Duro, .926" ID x .070" Thk
13		637-64296		1	O-RING, CI 6, 29.6MM ID x 2.9 Thk
14		87365926		1	TUBE, Pressure to Priority Valve
15		87314026		1	TUBE, HYD, EF Supply
16		896-12036		2	WASHER, M36 x 66.5 x 6, HT, 39 x 66 x 6 mm
17		895-11012		16	WASHER, M12 x 24 x 2.5
18		627-12030		4	BOLT, Hex, M12 x 30, 10.9
19		829-1412		8	NUT, M12, CI 10
20		827-12050		4	BOLT, Hex, M12 x 50, 10.9
21		827-6050		2	BOLT, Hex, M6 x 50, 10.9
22		87546106		1	VALVE, BY-PASS, Combination
23		86579674		4	CONNECTOR, HYD., 13/16"-16 ORFS x M14 x 1.5 ORB, Inc. 24 & 25
24		637-63113		1	O-RING, CI 6, 11.3MM ID x 2.2 Thk
25		238-6014		1	O-RING, -014, 90 Duro, .489" ID x .070" Thk
26		87545974		1	TUBE, Sense Valve
27		829-1408		1	NUT, M8, CI 10
28		87545972		1	TUBE, Steering Return
					STEIGER 280 STX330 STX280 STEIGER 330

PRIORITY VALVE AND ATTACHING PARTS, WITH ACCUSTEER

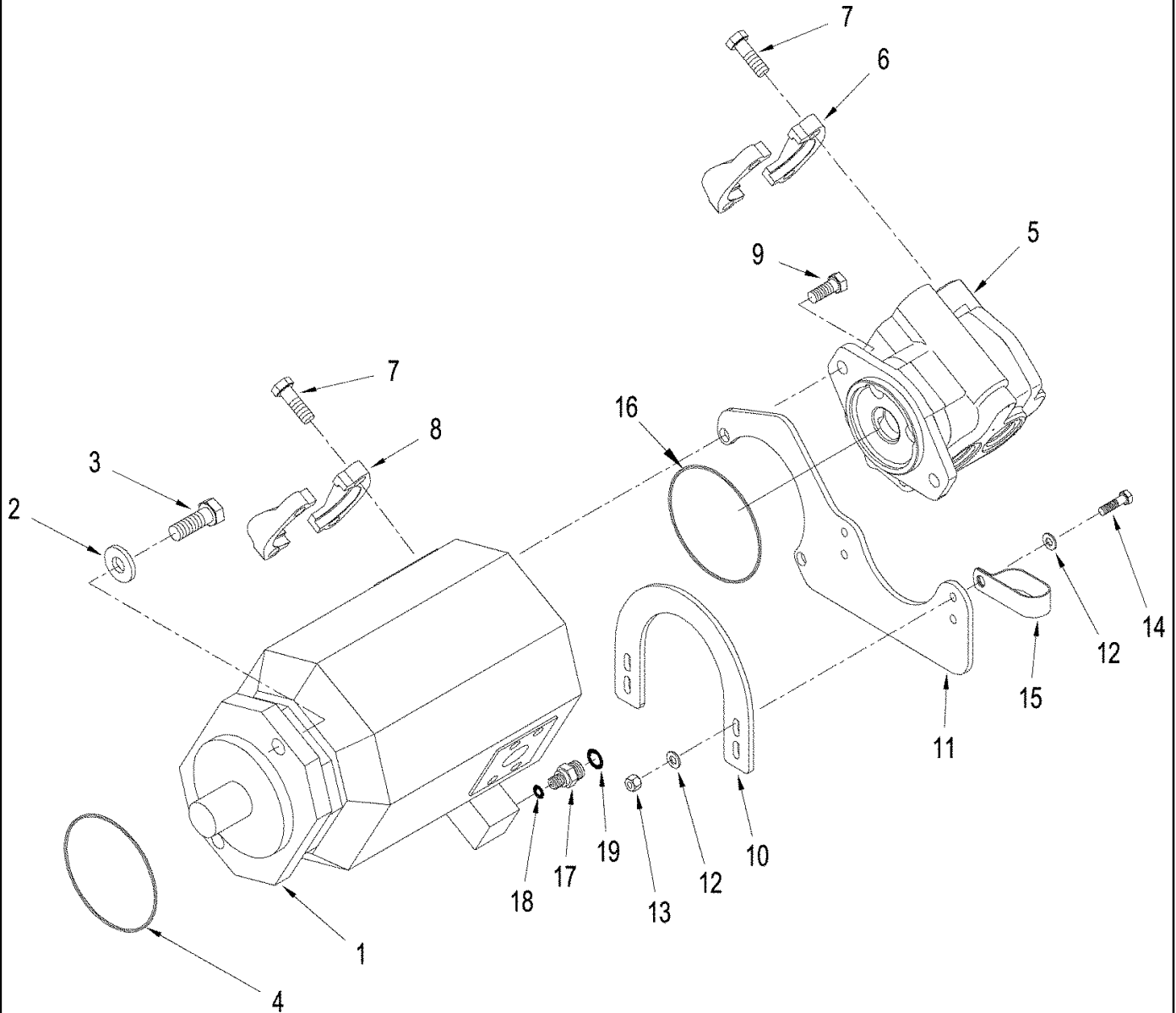


PRIORITY VALVE AND ATTACHING PARTS, WITH ACCUSTEER

REF	FN	PART NUMBER	YR/SN	QTY	DESCRIPTION
29		87545976		1	TUBE, Pressure Sense
30		404287A1		2	INSERT, Threaded
31		515-2295		1	CLAMP, 3/8", Insul, 5/16" Bolt
32		895-11008		2	WASHER, M8 x 16 x 1.6
33		827-8020		1	BOLT, Hex, M8 x 20, 10.9

	STEIGER 280 STX330 STX280 STEIGER 330
--	---

HIGH OUTPUT HYDRAULICS - PUMP MOUNTING



HIGH OUTPUT HYDRAULICS - PUMP MOUNTING

REF	FN	PART NUMBER	YR/SN	QTY	DESCRIPTION
1		87308196		1	PUMP, 100 cc, Piston, See Figure: 08-25
2		496-81022		2	WASHER, .656" x 1.250" x .239"
3		627-16050		2	BOLT, Hex, M16 x 50, 10.9
4		238-5250		1	O-RING, -250, 70 Duro, 4.984" ID x .139" Thk
5		87428412		1	PUMP, HYDRAULIC, 100 cc, Gear, See Figure: 08-26
6		A14141		2	FLANGE, Split
7		426-824		8	BOLT, Hex, 1/2"-13 x 1 1/2", G8, Full Thd
8		L14386		2	CLAMP, Split
9		627-12030		2	BOLT, Hex, M12 x 30, 10.9
10		87419159		1	PLATE, Lower
11	1	87419459		1	BRACKET
11	2	87419160		1	BRACKET
12		495-11034		8	WASHER, 5/16", SAE
13		832-10408		4	NUT, LOCK, M8 x 1.25, CI 8
14		627-8030		4	BOLT, Hex, M8 x 30, 10.9
15		L111928		2	CLAMP
16		436514A1		1	O-RING
17		201-125		1	CONNECTOR, HYD., 11/16"-16 ORFS x 7/16"-20 ORB, Inc. 18 & 19
18		237-6004		1	O-RING, 4-1, 90 Duro, .351" ID x .072" Thk
19		238-6012		1	O-RING, -012, 90 Duro, .364" ID x .070" Thk

(1) With Power Shift Transmission

(2) With Manual Shift Transmission

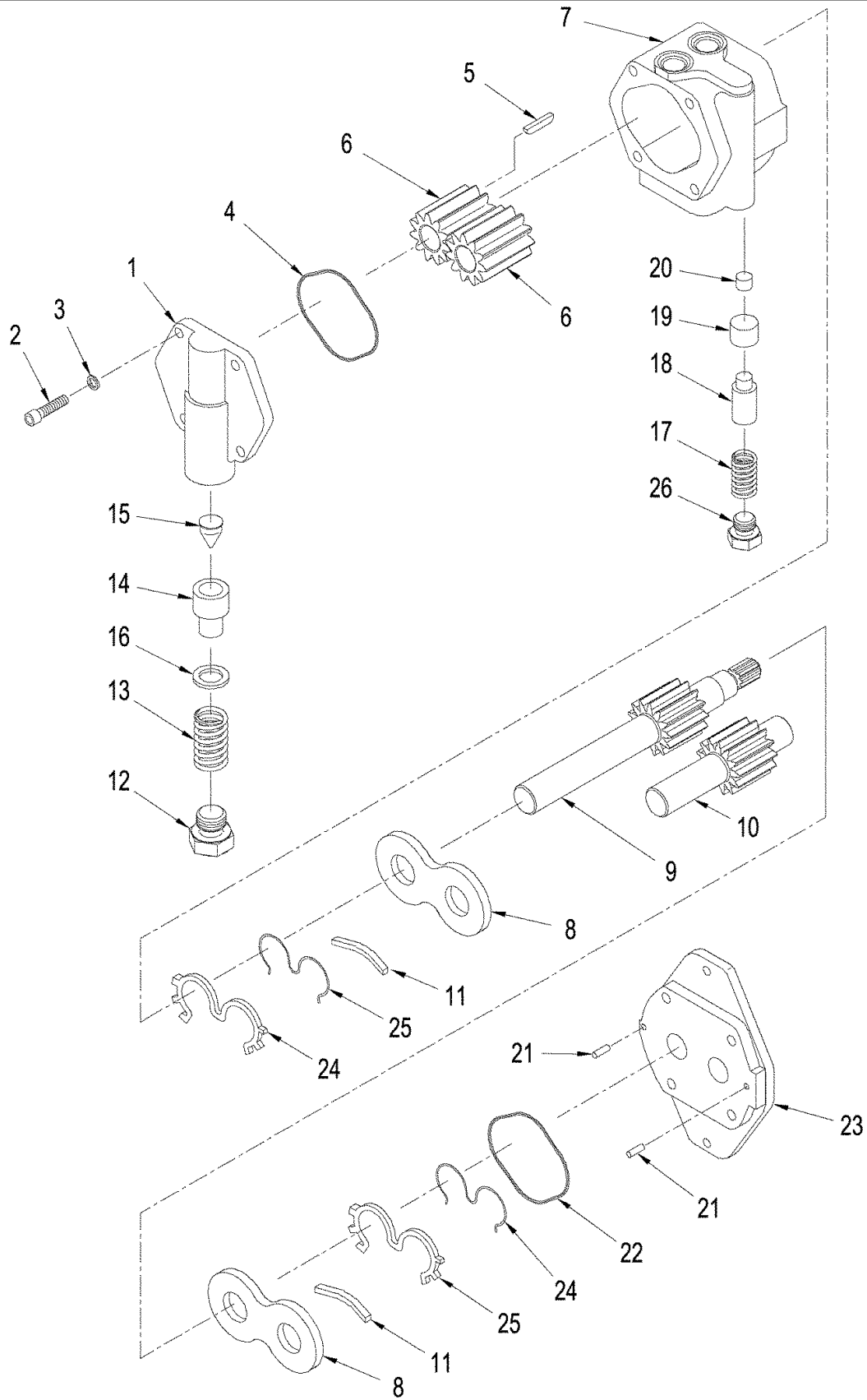
STEIGER 280 STX330
STX280 STEIGER 330

HIGH OUTPUT HYDRAULICS - PISTON PUMP ASSY

REF	FN	PART NUMBER	YR/SN	QTY	DESCRIPTION
		87308196		1	PUMP, 100 cc, Inc. 1 - 20
1		NSS		1	NOT SERVICED SEPARATELY, Cylinder Assy
2		NSS		1	NOT SERVICED SEPARATELY, Piston Assy
3		NSS		1	NOT SERVICED SEPARATELY, Housing
4		NSS		1	NOT SERVICED SEPARATELY, Block
5		NSS		1	NOT SERVICED SEPARATELY, Plate, Swash
6		NSS		1	NOT SERVICED SEPARATELY, Shaft
7		NSS		1	NOT SERVICED SEPARATELY, Spacer
8		NSS		1	NOT SERVICED SEPARATELY, Bearing, Roller
9		NSS		1	NOT SERVICED SEPARATELY, Bearing, Roller
10		NSS		2	NOT SERVICED SEPARATELY, Support
11		NSS		1	NOT SERVICED SEPARATELY, Seal
12		NSS		1	NOT SERVICED SEPARATELY, O-Ring
13		NSS		4	NOT SERVICED SEPARATELY, O-Ring
14		NSS		1	NOT SERVICED SEPARATELY, Ring, Retaining
15		NSS		4	NOT SERVICED SEPARATELY, Screw
16		NSS		1	NOT SERVICED SEPARATELY, Plug, 1-1/16 Or
17		NSS		1	NOT SERVICED SEPARATELY, Pin, Dowel
18		NSS		2	NOT SERVICED SEPARATELY, Plug
19		NSS		1	NOT SERVICED SEPARATELY, Coupling
20		87308198		1	COMPENSATOR, Compensator
21		436514A1		1	O-RING
		388292A1		1	KIT, SEALS, Inc. 11 - 13, 21

STEIGER 280 STX330
 STX280 STEIGER 330

GEAR PUMP ASSEMBLY

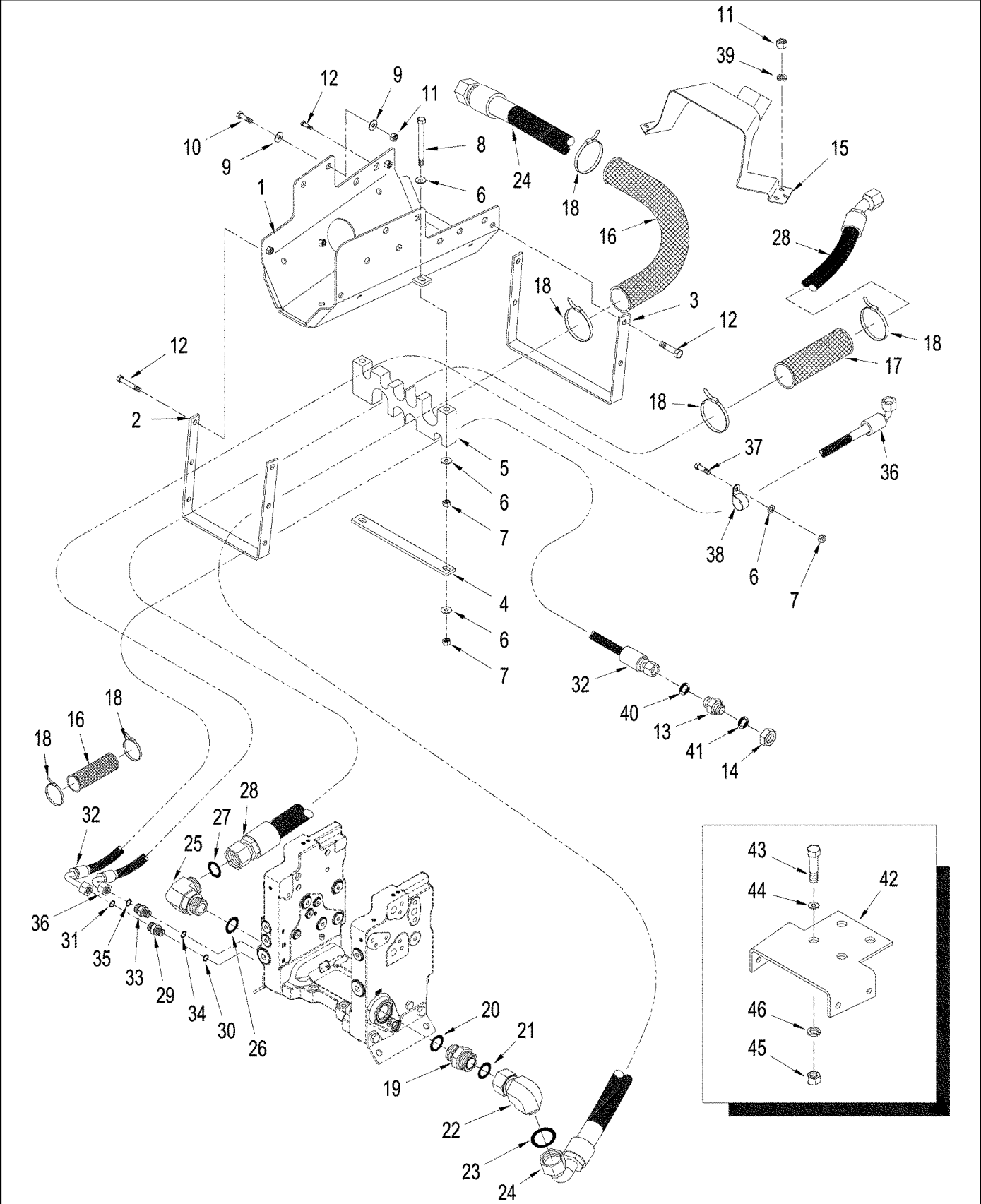


GEAR PUMP ASSEMBLY

REF	FN	PART NUMBER	YR/SN	QTY	DESCRIPTION
		87428412		1	PUMP, HYDRAULIC, Gear, Inc. 1 - 26
1		NSS		1	NOT SERVICED SEPARATELY, Housing, Rear
2		NSS		8	NOT SERVICED SEPARATELY, Screw
3		NSS		8	NOT SERVICED SEPARATELY, Washer
4		NSS		1	NOT SERVICED SEPARATELY, Seal
5		NSS		1	NOT SERVICED SEPARATELY, Pin, Dowel
6		NSS		2	NOT SERVICED SEPARATELY, Gear
7		NSS		1	NOT SERVICED SEPARATELY, Housing, Gear
8		NSS		2	NOT SERVICED SEPARATELY, Plate, Thrust
9		NSS		1	NOT SERVICED SEPARATELY, Shaft, Gear
10		NSS		1	NOT SERVICED SEPARATELY, Shaft, Gear
11		NSS		2	NOT SERVICED SEPARATELY, Seal
		87427777		1	VALVE KIT, 153 psi, Inc. 12 - 16
12		NSS		1	NOT SERVICED SEPARATELY, Plug
13		NSS		1	NOT SERVICED SEPARATELY, Spring
14		NSS		1	NOT SERVICED SEPARATELY, Poppet, Valve
15		NSS		1	NOT SERVICED SEPARATELY, Seat
16		NSS		1	NOT SERVICED SEPARATELY, Shim
		245847A1		1	PACKAGE, Pressure Relief, 550 psi, Inc. 17 - 20, 26
17		NSS		1	NOT SERVICED SEPARATELY, Spring
18		NSS		1	NOT SERVICED SEPARATELY, Plunger
19		NSS		1	NOT SERVICED SEPARATELY, Poppet, Valve
20		NSS		1	NOT SERVICED SEPARATELY, Seat
21		NSS		2	NOT SERVICED SEPARATELY, Pin, Dowel
22		NSS		1	NOT SERVICED SEPARATELY, Seal
23		NSS		1	NOT SERVICED SEPARATELY, Housing, Front
24		NSS		2	NOT SERVICED SEPARATELY, Seal, Channel
25		NSS		2	NOT SERVICED SEPARATELY, Seal, Backup
26		NSS		1	NOT SERVICED SEPARATELY, Plug
		334450A1		1	KIT, SEALS, Repair, Inc. 11, 20, 22, 24 & 25

STEIGER 280 STX330
STX280 STEIGER 330

HYDRAULIC REMOTE HOSES - ELECTRONIC REMOTE



08-27

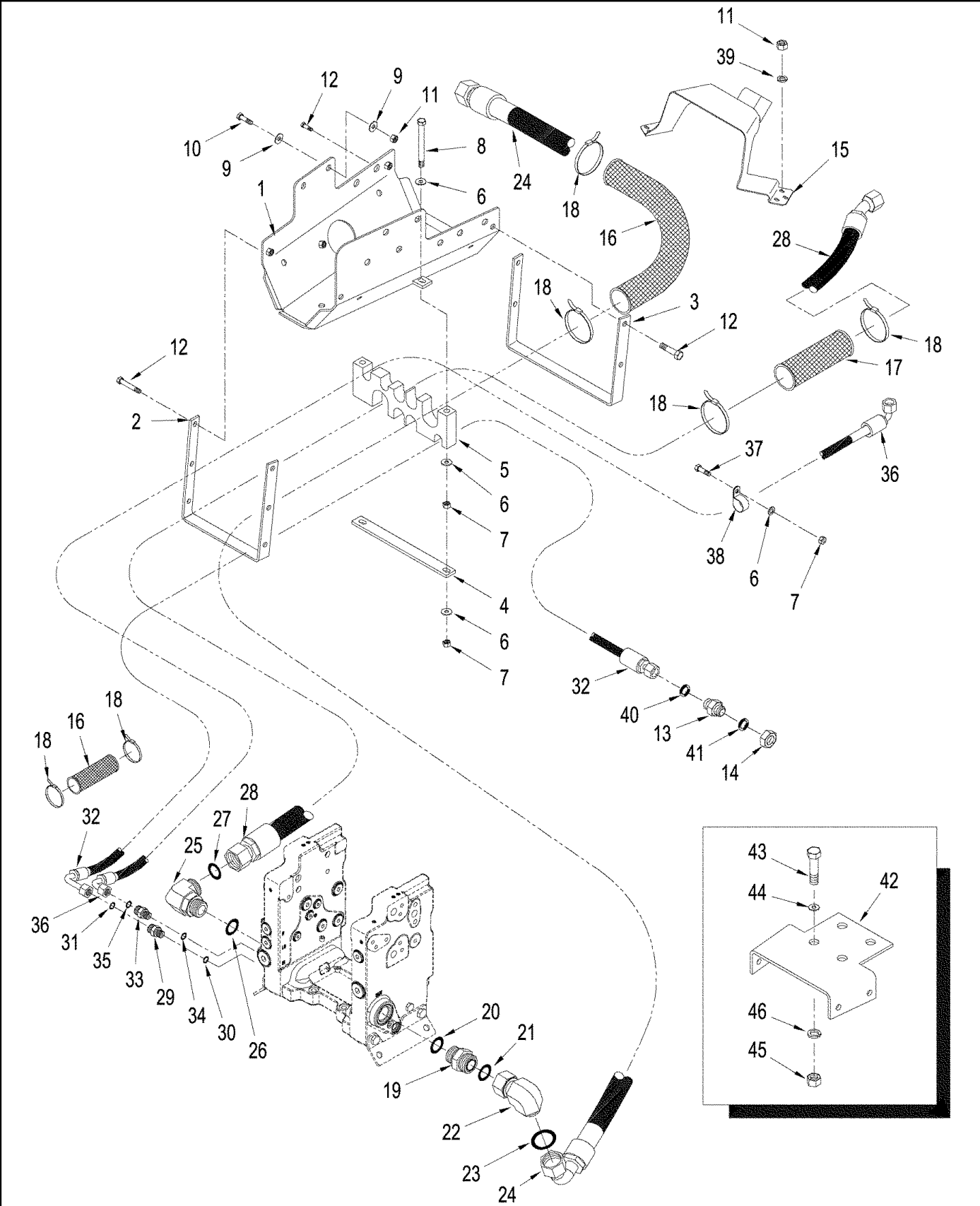
p1

08/07

HYDRAULIC REMOTE HOSES - ELECTRONIC REMOTE

REF	FN	PART NUMBER	YR/SN	QTY	DESCRIPTION
1		87385879		1	BRACKET, Hose
2		405517A1		1	BRACKET
3		405518A1		1	BRACKET
4		405520A1		1	PLATE
5		362419A1		1	CLAMP
6		895-11008		6	WASHER, M8 x 16 x 1.6
7		829-1408		4	NUT, M8, CI 10
8		627-8100		2	BOLT, Hex, M8 x 100, 10.9, Full Thd
9		895-11010		8	WASHER, M10 x 20 x 2
10		627-10030		4	BOLT, Hex, M10 x 30, 10.9, Full Thd
11		829-1410		8	NUT, M10, CI 10
12		627-8016		4	BOLT, Hex, M8 x 16, 10.9
13		201-146		1	REDUCER, 13/16"-16 Male x 1"-14 Fem, ORFS, Inc. 40 & 41
14		703-903		4	NUT, TUBE, 1"-14, ORFS
15		405521A1		1	SHIELD
16		387840A1		2	SLEEVE, Long
17		S120426		1	SLEEVE, Short
18		L18331		6	STRAP, CABLE, 15 in.
19		700-105		1	CONNECTOR, HYD., 1 7/16"-12 ORFS x M22 x 2 ORB, Inc. 20 and 21
20		637-64296		1	O-RING, CI 6, 29.6MM ID x 2.9 Thk
21		238-6021		1	O-RING, -021, 90 Duro, .926" ID x .070" Thk
22		311834A1		1	ELBOW, 1-7/16 fc sl x swl, Inc. 23
23		238-6021		1	O-RING, -021, 90 Duro, .926" ID x .070" Thk
24		327457A3		1	HOSE ASSY., 2826 mm (111 in.)
25		700-308		1	ELBOW, 90°, 1 7/16"-12 ORFS x M33 x 2 ORB, Inc. 26 and 27
26		637-64296		1	O-RING, CI 6, 29.6MM ID x 2.9 Thk
27		238-6021		1	O-RING, -021, 90 Duro, .926" ID x .070" Thk
28		384249A1		1	HOSE ASSY., 2775 mm (109 in.)
29		700-101		1	CONNECTOR, HYD., 11/16"-16 ORFS x M14 x 1.5 ORB, Incl. 30, 31
30		637-63113		1	O-RING, CI 6, 11.3MM ID x 2.2 Thk
31		238-6012		1	O-RING, -012, 90 Duro, .364" ID x .070" Thk
					STEIGER 280 STX330 STX280 STEIGER 330

HYDRAULIC REMOTE HOSES - ELECTRONIC REMOTE



HYDRAULIC REMOTE HOSES - ELECTRONIC REMOTE

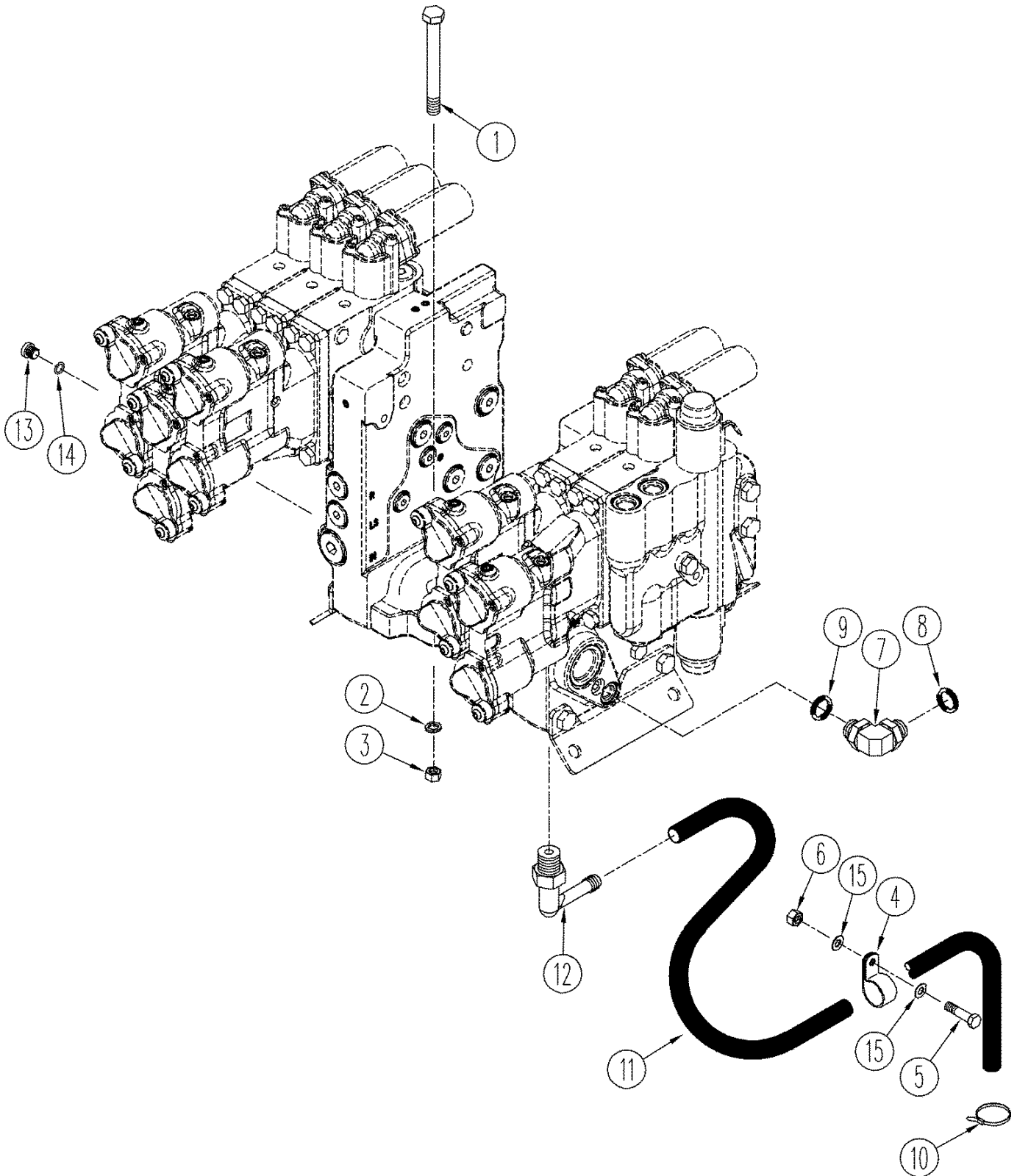
REF	FN	PART NUMBER	YR/SN	QTY	DESCRIPTION
32		327454A4		1	HOSE ASSY., 3035 mm (119 in.)
33		700-165		1	CONNECTOR, HYD., 11/16"-16 ORFS x M12 x 1.5 ORB, Inc. 34 and 35
34		637-63093		1	O-RING, CI 6, 9.3MM ID x 2.2 Thk
35		238-6012		1	O-RING, -012, 90 Duro, .364" ID x .070" Thk
36		87448157		1	HOSE ASSY., from Priority Valve
37		627-8025		1	BOLT, Hex, M8 x 25, 10.9
38		515-22159		1	CLAMP, 5/8", Insul, 5/16" Bolt
39		896-11010		4	WASHER, M10 x 21.5 x 2.5, HT
40		238-6014		1	O-RING, -014, 90 Duro, .489" ID x .070" Thk
41		238-6016		1	O-RING, -016, 90 Duro, .614" ID x .070" Thk
42		404604A1		1	BRACKET
43	1	426-1048		4	BOLT, Hex, 5/8"-11 x 3", G8
43	2	827-16080		4	BOLT, Hex, M16 x 80, 10.9
44	1	496-21066		4	WASHER, 21/32" x 1 5/16" x .150"
45	2	829-1416		4	NUT, M16, CI 10
46	2	896-11016		4	WASHER, M17.5 x 30 x 4, HT

(1) With Power Takeoff

(2) Without Power Takeoff

STEIGER 280 STX330
 STX280 STEIGER 330

HYDRAULIC REMOTE CONTROL VALVE



08-28

p1

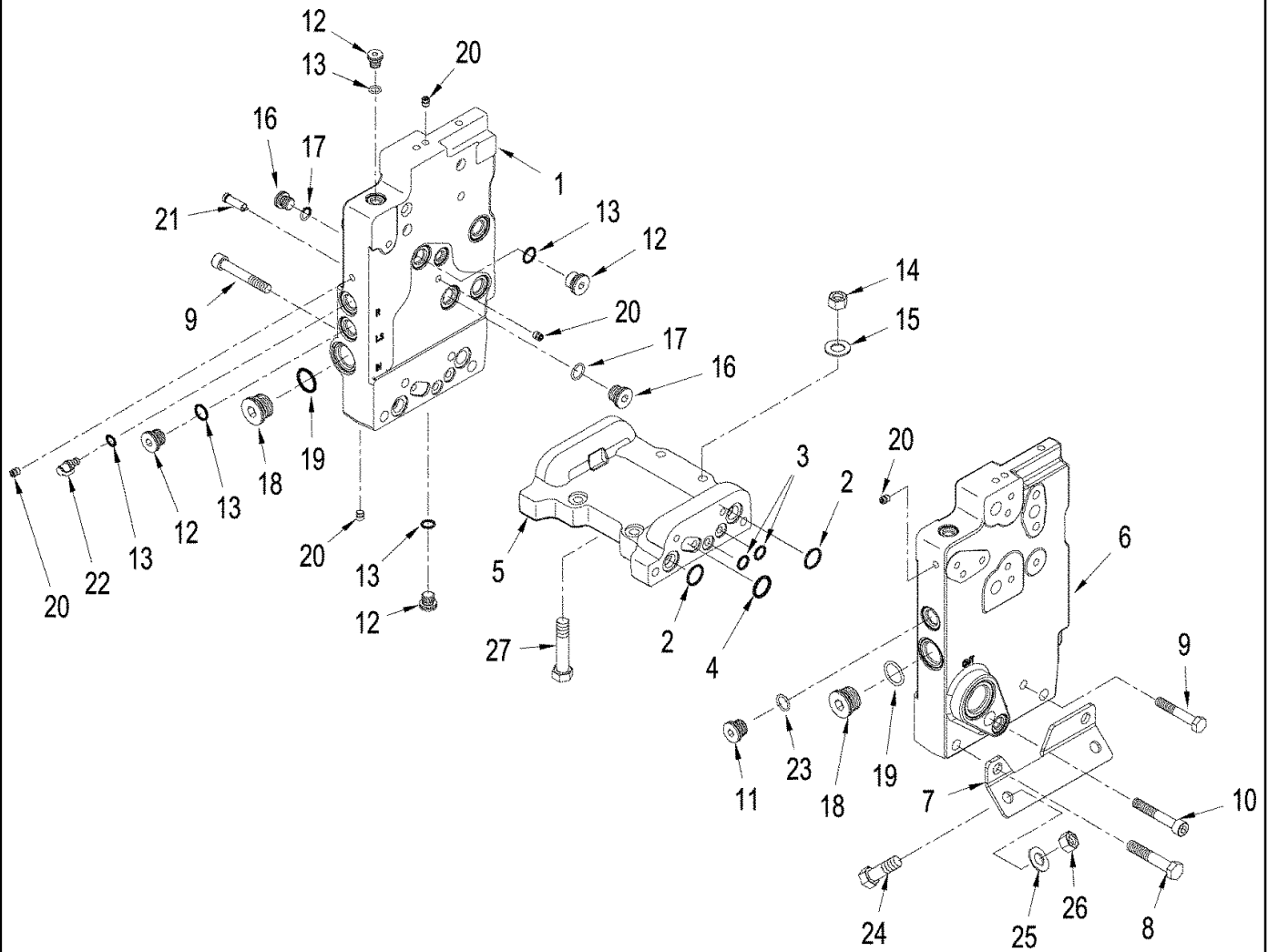
01/07

HYDRAULIC REMOTE CONTROL VALVE

REF	FN	PART NUMBER	YR/SN	QTY	DESCRIPTION
1		827-10070		2	BOLT, Hex, M10 x 70, 10.9
2		896-11010		2	WASHER, M10 x 21.5 x 2.5, HT
3		832-10410		2	NUT, LOCK, M10 x 1.5, CI 8
4		515-23254		2	CLAMP, 1", Insul, 3/8" Bolt
5		627-10030		2	BOLT, Hex, M10 x 30, 10.9, Full Thd
6		829-1410		2	NUT, M10, CI 10
7		700-332		1	ELBOW, 90°, 13/16"-18 ORFS x M14 x 1.5 ORB, Inc. 8, 9
8		238-6014		1	O-RING, -014, 90 Duro, .489" ID x .070" Thk
9		637-63113		1	O-RING, CI 6, 11.3MM ID x 2.2 Thk
10		435437A1		2	STRAP, CABLE, 3/16" x 7 1/4", Tie
11		320374A1		AR	HOSE, 889 mm (35 in), Drain, Cut From 31-1182
12		1289481C1		AR	ELBOW, 1/4 stem x 1/8 PT
13		221576A1		1	PLUG, Hex Soc, M14 x 1.5, ORB, Includes 14
14		637-63113		1	O-RING, CI 6, 11.3MM ID x 2.2 Thk
15		895-11010		4	WASHER, M10 x 20 x 2

STEIGER 280 STX330
STX280 STEIGER 330

MANIFOLD VALVE ASSEMBLY

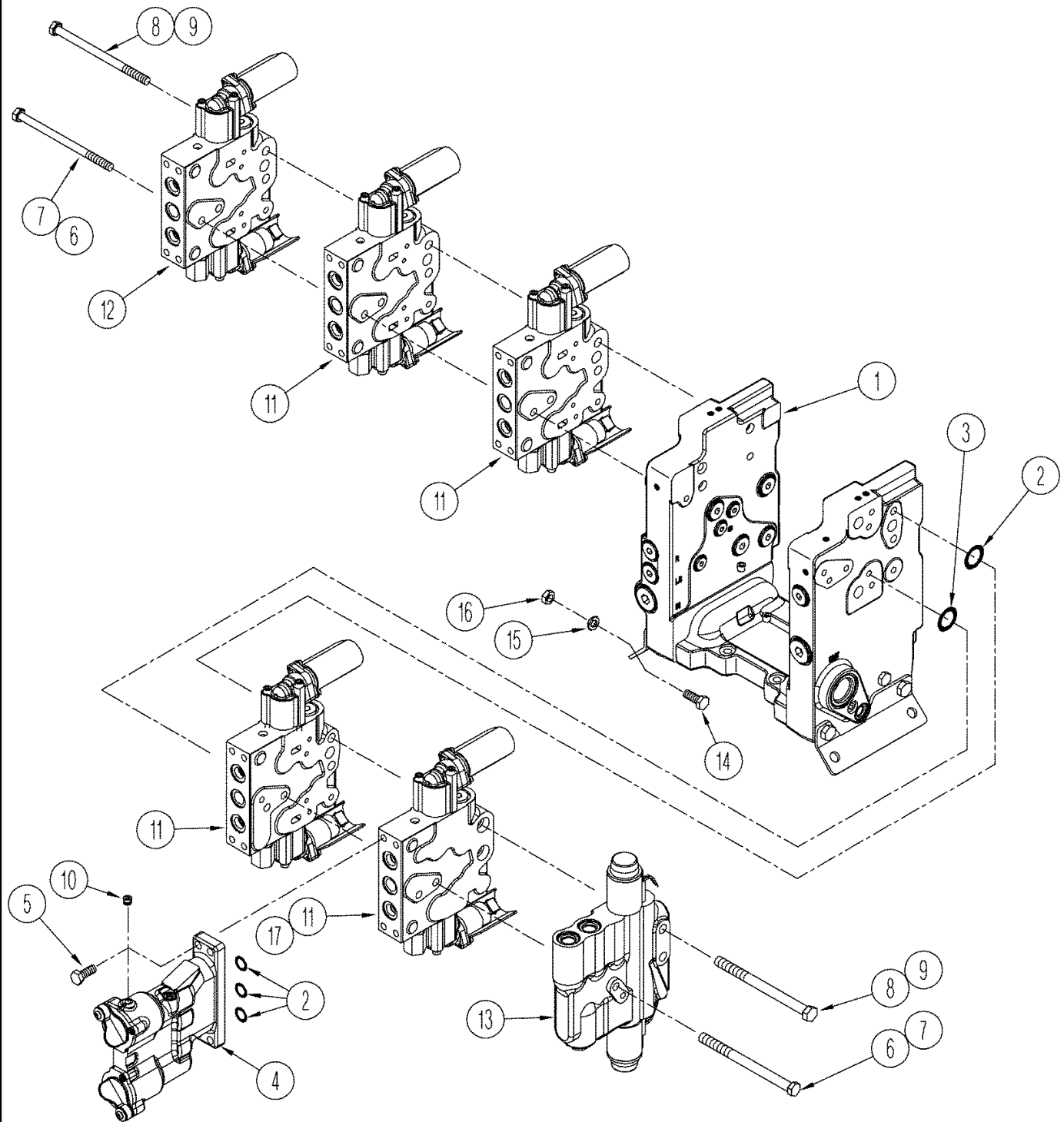


MANIFOLD VALVE ASSEMBLY

REF	FN	PART NUMBER	YR/SN	QTY	DESCRIPTION
1		87317169		1	VALVE, Manifold, Inc. 1 - 21
		NSS		1	NOT SERVICED SEPARATELY, Valve, Intake, Left-Hand
2		238-6117		4	O-RING, -117, 90 Duro, .799" ID x .103" Thk
3		238-6112		4	O-RING, -112, 90 Duro, .487" ID x .103" Thk
4		238-5211		2	O-RING, -211, 70 Duro, .796" ID x .139" Thk
5		NSS		1	NOT SERVICED SEPARATELY, Valve, Manifold, Connector
6		NSS		1	NOT SERVICED SEPARATELY, Valve, Manifold, Outlet, Right-Hand
7		338681A1		2	BRACKET
8		828-12065		4	BOLT, Hex, M12 x 65, 10.9
9		828-10060		2	BOLT, Hex, M10 x 60, 10.9
10		863-10070		1	SCREW, Hex Soc Hd, M10 x 70, 12.9
11		221579A1		1	PLUG, Hex Soc, M22 x 1.5, ORB, Inc. 23
12		221578A1		10	PLUG, Hex Soc, M18 x 1.5, ORB, Includes 13
13		637-63153		10	O-RING, CI 6, 15.3MM ID x 2.2 Thk
14		832-10410		2	NUT, LOCK, M10 x 1.5, CI 8
15		896-11010		2	WASHER, M10 x 21.5 x 2.5, HT
16		221576A1		7	PLUG, Hex Soc, M14 x 1.5, ORB, Includes 17
17		637-63113		7	O-RING, CI 6, 11.3MM ID x 2.2 Thk
18		221580A1		2	PLUG, Hex Soc, M27 x 2, ORB, Includes 19
19		637-64236		2	O-RING, CI 6, 23.6MM ID x 2.9 Thk
20		353828A1		13	PLUG
21		334923A1		1	SCREEN
22		358968A1		1	COUPLING, M18 orb x 1,5, Diagnostic, If Used, Inc. 13
23		637-63193		1	O-RING, CI 6, 19.3MM ID x 2.2 Thk
24		627-12040		4	BOLT, Hex, M12 x 40, 10.9, Full Thd
25		896-11012		4	WASHER, M13.5 x 24.5 x 3, HT
26		832-10412		4	NUT, LOCK, M12 x 1.75, CI 8
27		828-10060		2	BOLT, Hex, M10 x 60, 10.9

STEIGER 280 STX330
 STX280 STEIGER 330

REMOTE VALVE ASSEMBLY - ELECTRONIC REMOTE

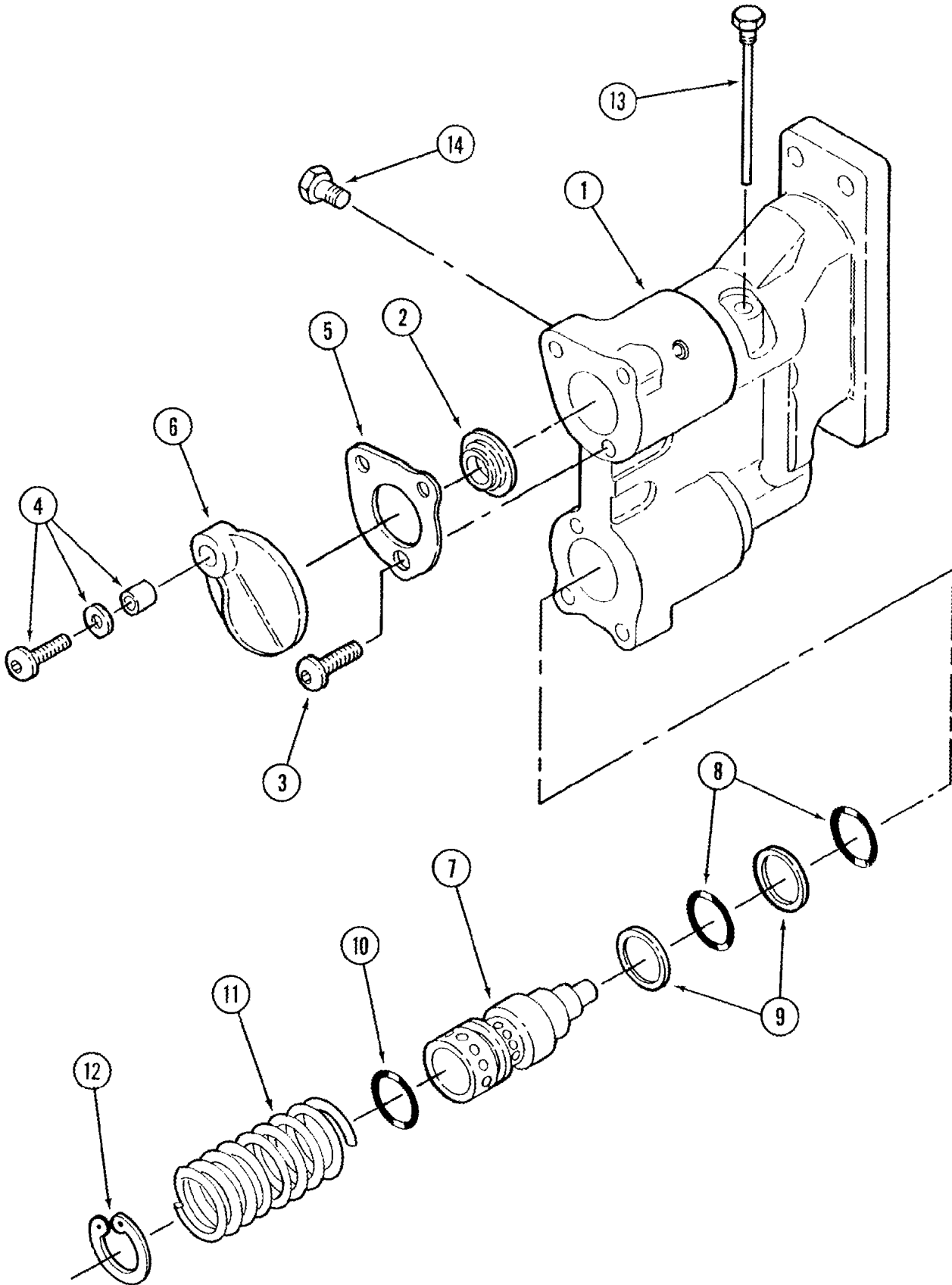


REMOTE VALVE ASSEMBLY - ELECTRONIC REMOTE

REF	FN	PART NUMBER	YR/SN	QTY	DESCRIPTION
1		87317169		1	VALVE, Manifold, See Figure: 08-29
2		238-6117		AR	O-RING, -117, 90 Duro, .799" ID x .103" Thk
3		238-6112		AR	O-RING, -112, 90 Duro, .487" ID x .103" Thk
4		435375A1		AR	COUPLING, BREAK AWAY, See Figure: 08-31
5		628-10025		AR	BOLT, Hex, M10 x 25, 10.9, Full Thd
6		828-10110		AR	BOLT, Hex, M10 x 110, 10.9
7		828-10160		AR	BOLT, Hex, M10 x 160, 10.9
8		828-12110		AR	BOLT, Hex, M12 x 110, 10.9
9		828-12160		AR	BOLT, Hex, M12 x 160, 10.9
10		86637724		5	PLUG, Hex Soc, 1/8"-27 NPTF, 1/8 PT
11		292295A3		AR	VALVE, Main, Four and Five Stack, See Figure: 08-32
12		393972A3		1	VALVE, Auxiliary, Left-Hand, See Figure: 08-32
13		319131A4		1	VALVE, Hitch, See Figure: 08-33
14		627-12040		4	BOLT, Hex, M12 x 40, 10.9, Full Thd
15		896-11012		4	WASHER, M13.5 x 24.5 x 3, HT
16		832-10412		4	NUT, LOCK, M12 x 1.75, CI 8
17		393973A3		1	VALVE, Auxiliary, Right-Hand, See Figure: 08-32

	STEIGER 280 STX330 STX280 STEIGER 330
--	---

COUPLER VALVE ASSEMBLY

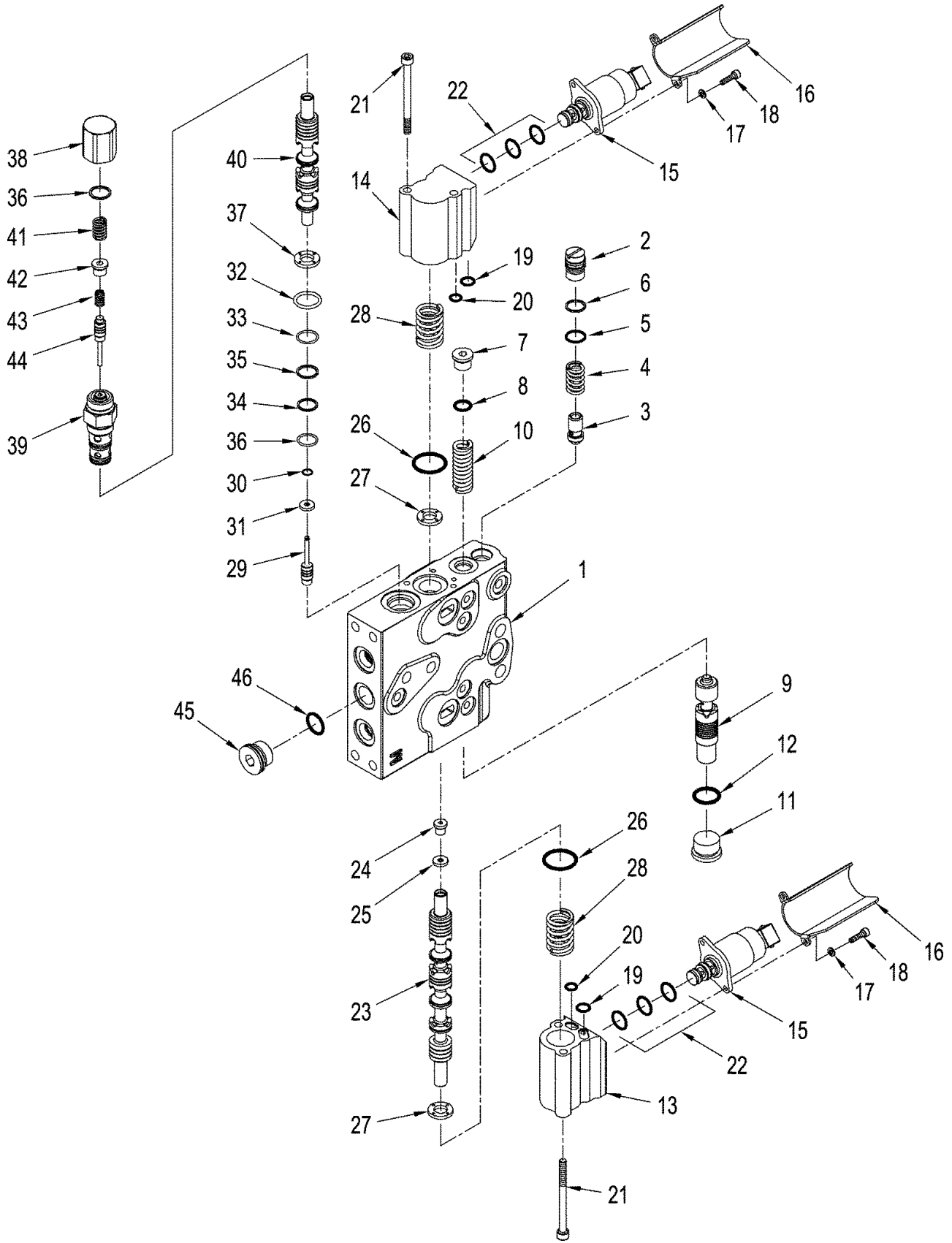


COUPLER VALVE ASSEMBLY

REF	FN	PART NUMBER	YR/SN	QTY	DESCRIPTION
		435375A1		1	COUPLING, BREAK AWAY, Inc. 1 - 14
1		NSS		1	NOT SERVICED SEPARATELY, Body
2		240969A1		2	SEAL
3		427104A1		4	SCREW
4		240973A2		2	SCREW, With Sleeve and Washer
5		292326A1		2	PLATE, Cover
6		240974A2		2	COVER, DOOR, Dust
7		321623A1		2	CARTRIDGE
		345193A1		1	KIT, SEALS, Coupler, Inc. 8 - 10
8		238-5027		4	O-RING, -027, 70 Duro, 1.301" ID x .070" Thk
9		93332C1		4	SEAL ASSY.
10		345192A1		2	SEAL
11		93330C1		2	SPRING, VALVE
12		100-28162		2	RING, SNAP, 1.625", Int, #162
13		367755A1		2	RETAINER
14		217-432		1	PLUG, Hex Soc, 1/4"-18

STEIGER 280 STX330
 STX280 STEIGER 330

MAIN AND AUXILIARY VALVE ASSEMBLY - ELECTRONIC CONTROLLED

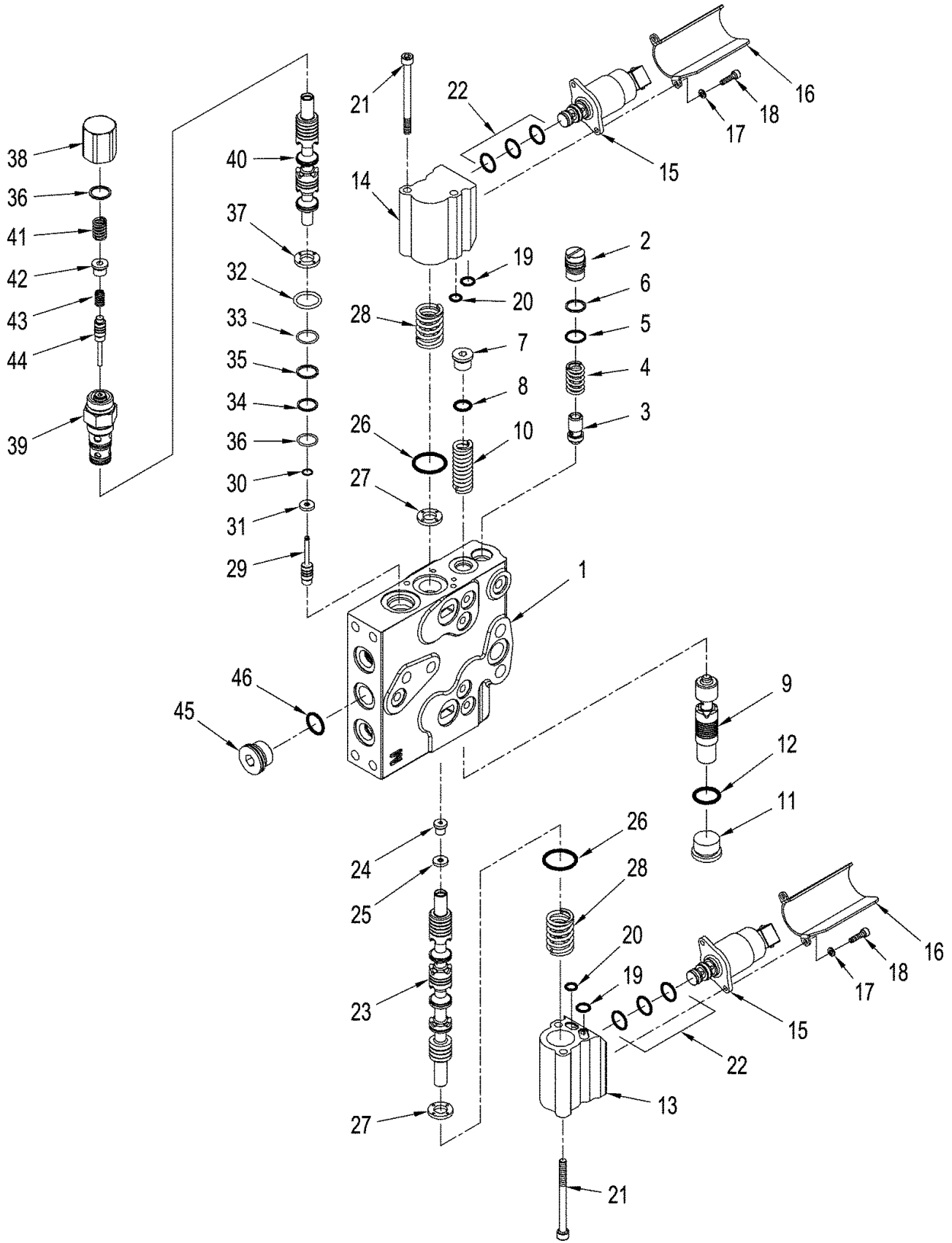


MAIN AND AUXILIARY VALVE ASSEMBLY - ELECTRONIC CONTROLLED

REF	FN	PART NUMBER	YR/SN	QTY	DESCRIPTION
		292295A3		1	VALVE, Main Auxiliary, Inc. 1 - 46
		393972A3		1	VALVE, Auxiliary, Left-Hand, Inc. 1 - 46
		393973A3		1	VALVE, Auxiliary, Right-Hand, Inc. 1 - 46
1		NSS		1	NOT SERVICED SEPARATELY, Body
		1542563C1		1	VALVE, CHECK, Logic, Inc. 2 - 6
2		NSS		1	NOT SERVICED SEPARATELY, Plug
3		1543329C1		1	POPPET, VALVE
4		NSS		1	NOT SERVICED SEPARATELY, Spring
5		G108723		1	RING
6		238-6015		1	O-RING, -015, 90 Duro, .551" ID x .070" Thk
7		9625178		1	PLUG, Hex Soc, 9/16"-18 ORB, 3/8 orb, Inc. 8
8		237-6012		1	O-RING, 12-1, 90 Duro, .924 ID x .118" Thk
9		292321A2		1	SPOOL
10		301973A1		1	SPRING
11		86625138		1	PLUG, Hex Soc, 7/8"-14 ORB, 5/8 orb, Includes 12
12		237-6010		1	O-RING, 10-1, 90 Duro, .755" ID x .097" Thk
		336278A3		1	VALVE SECTION, HYD, EH Pilot Block, Inc. 13, 15 - 22
		392403A2		1	VALVE, PILOT, Block, EH, Inc. 14 - 22
13		NSS		1	NOT SERVICED SEPARATELY, Body, Valve, Lower
14		NSS		1	NOT SERVICED SEPARATELY, Body, Valve, Upper
15		278506A1		1	VALVE, SOLENOID, Proportional
16		353830A1		1	GUARD
17		892-11004		2	WASHER, LOCK, M4
18		864-4016		2	SCREW, Hex Soc Hd, M4 x 16, 8.8
19		238-5012		1	O-RING, -012, 70 Duro, .364" ID x .070" Thk
20		238-5011		1	O-RING, -011, 70 Duro, .301" ID x .070" Thk
21		864-6020		2	SCREW, Hex Soc Hd, M6 x 20, 8.8
22		372228A1		1	SEAL, Kit
23		87410063		1	SPOOL
24		86632547		1	PLUG, Hex Soc, 5/16"-24 ORB, Socket, 1/8 or, Includes 25
25		237-6010		1	O-RING, 10-1, 90 Duro, .755" ID x .097" Thk
26		238-5120		2	O-RING, -120, 70 Duro, .987" ID x .103" Thk
27		436518A1		2	WASHER, Centering

STEIGER 280 STX330
STX280 STEIGER 330

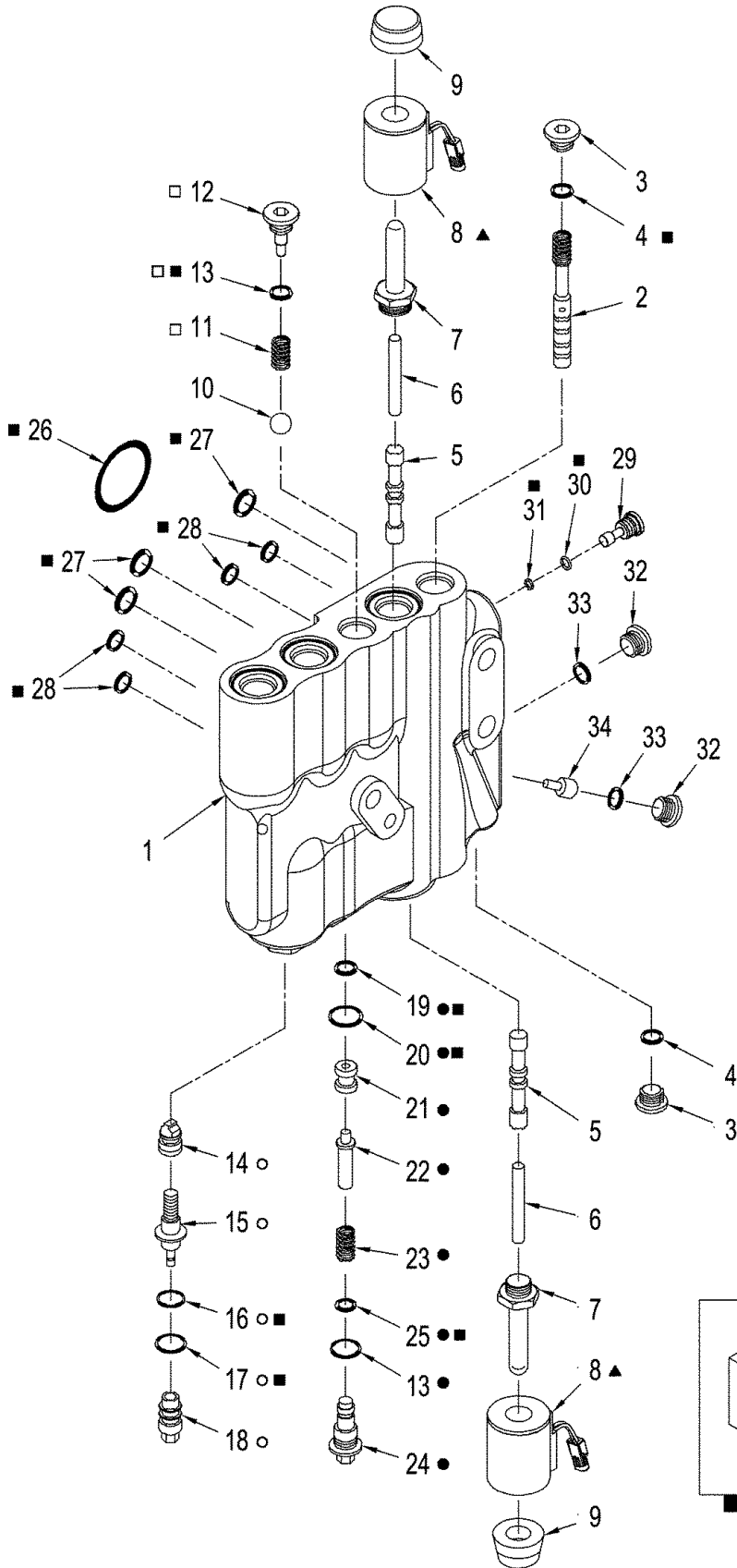
MAIN AND AUXILIARY VALVE ASSEMBLY - ELECTRONIC CONTROLLED



MAIN AND AUXILIARY VALVE ASSEMBLY - ELECTRONIC CONTROLLED

REF	FN	PART NUMBER	YR/SN	QTY	DESCRIPTION
28		87411129		2	SPRING, Lower, Outer
		1957907C1		1	PISTON ASSY, Load Check, Inc. 29 - 31
29		NSS		1	NOT SERVICED SEPARATELY, Piston
30		NSS		1	NOT SERVICED SEPARATELY, Ring, Snap
31		NSS		1	NOT SERVICED SEPARATELY, Washer
		278550A2		1	VALVE, CHECK, Load, Inc. 32 - 44
32		238-6016		1	O-RING, -016, 90 Duro, .614" ID x .070" Thk
33		G103862		1	RING
34		G108723		1	RING
35		238-6015		1	O-RING, -015, 90 Duro, .551" ID x .070" Thk
36		237-6010		2	O-RING, 10-1, 90 Duro, .755" ID x .097" Thk
37		G108727		1	BACK-UP RING
38		NSS		1	NOT SERVICED SEPARATELY, Cap
39		NSS		1	NOT SERVICED SEPARATELY, Poppet
40		NSS		1	NOT SERVICED SEPARATELY, Body, Poppet
41		NSS		1	NOT SERVICED SEPARATELY, Spring
42		1957964C1		1	RETAINER, Spring
43		NSS		1	NOT SERVICED SEPARATELY, Spring
44		NSS		1	NOT SERVICED SEPARATELY, Poppet
45		86632547		1	PLUG, Hex Soc, 5/16"-24 ORB, Soc. Hd, 1/8" or, Includes 46
46		9617873		1	O-RING, 6-1, 90 Duro, .468" ID x .078" Thk
					STEIGER 280 STX330 STX280 STEIGER 330

HITCH VALVE ASSEMBLY - ELECTRONIC CONTROLLED



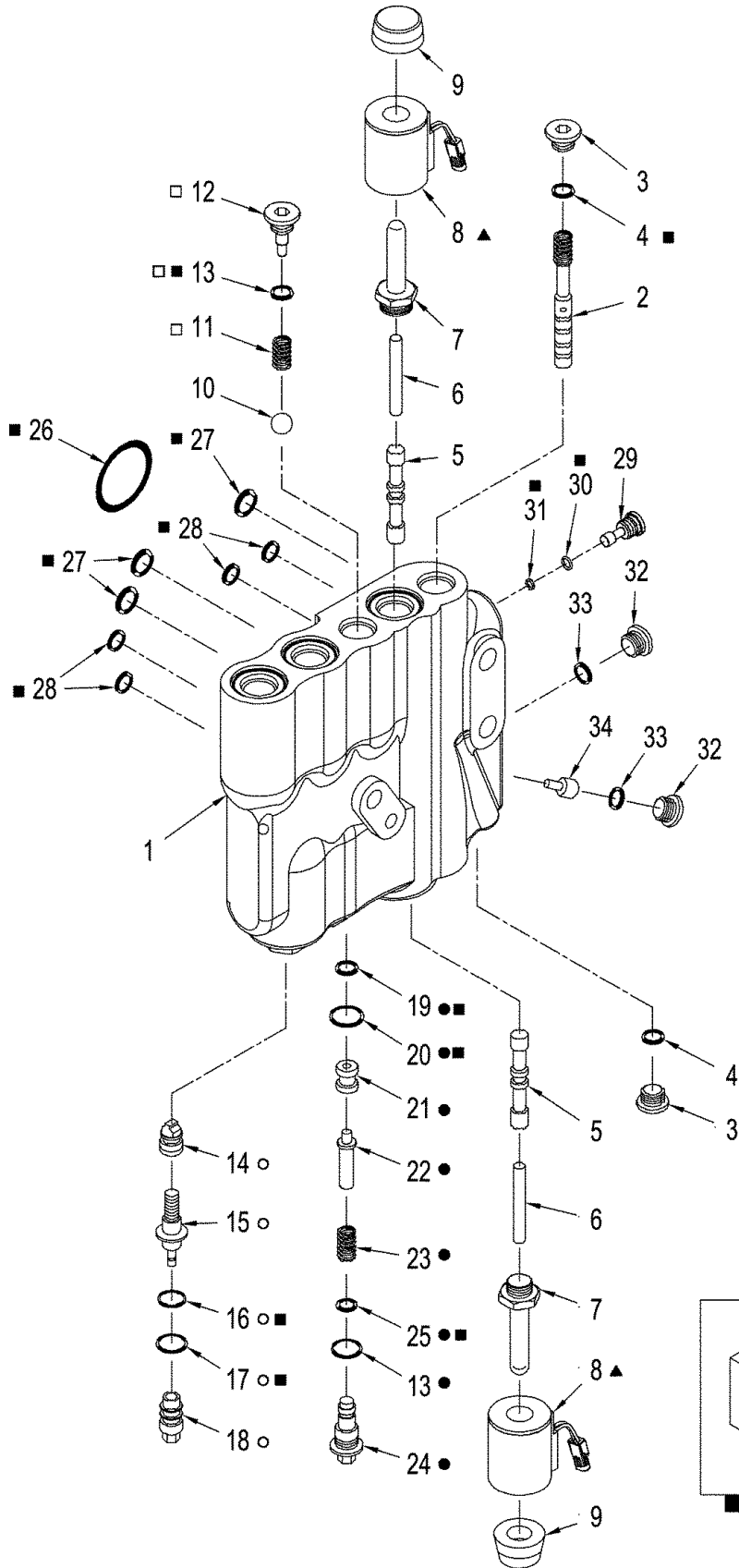
	● = 35
	■ = 36
	▲ = 37
	○ = 38
	□ = 39

HITCH VALVE ASSEMBLY - ELECTRONIC CONTROLLED

REF	FN	PART NUMBER	YR/SN	QTY	DESCRIPTION
		319131A4		1	VALVE, Inc. 1 - 39
1		NSS		1	NOT SERVICED SEPARATELY, Housing
2		NSS		1	NOT SERVICED SEPARATELY, Spool
3		71100209		2	PLUG, Hex Soc, 3/4"-16 ORB, Includes 4
4		237-6008		2	O-RING, 8-1, 90 Duro, .644" ID x .087" Thk
5		188104A1		2	SPOOL, Pilot
6		188116A1		2	PIN
7		188117A1		2	TUBE, Override
8		188105A1		2	SOLENOID, Coil
9		188106A1		2	NUT
10		511-10200		1	BALL, 20mm Dia
11		NSS		1	NOT SERVICED SEPARATELY, Spring, Compression
12		NSS		1	NOT SERVICED SEPARATELY, Plug
13		237-6010		2	O-RING, 10-1, 90 Duro, .755" ID x .097" Thk
14		NSS		1	NOT SERVICED SEPARATELY, Poppet, Valve
15		NSS		1	NOT SERVICED SEPARATELY, Stem, Servo
16		238-5022		1	O-RING, -022, 70 Duro, .989" ID x .070" Thk
17		238-5023		1	O-RING, -023, 70 Duro, 1.051" ID x .070" Thk
18		118111A1		1	TUBE
19		238-6011		1	O-RING, -011, 90 Duro, .301" ID x .070" Thk
20		373767A1		1	RING
21		NSS		1	NOT SERVICED SEPARATELY, Seat
22		NSS		1	NOT SERVICED SEPARATELY, Poppet Valve
23		NSS		1	NOT SERVICED SEPARATELY, Spring, Compression
24		NSS		1	NOT SERVICED SEPARATELY, Plug
25		238-5014		1	O-RING, -014, 70 Duro, .489" ID x .070" Thk
26		238-5142		1	O-RING, -142, 90 Duro, 2.362" ID x .103" Thk
27		238-6117		3	O-RING, -117, 90 Duro, .799" ID x .103" Thk
28		238-6112		5	O-RING, -112, 90 Duro, .487" ID x .103" Thk
29		373761A1		1	PLUG
30		237-6004		1	O-RING, 4-1, 90 Duro, .351" ID x .072" Thk
31		237-6003		2	O-RING, 3-1, .301" ID x .064" Thk
32		86529630		2	PLUG, Hex Soc, 3/8"-24 ORB

STEIGER 280 STX330
STX280 STEIGER 330

HITCH VALVE ASSEMBLY - ELECTRONIC CONTROLLED



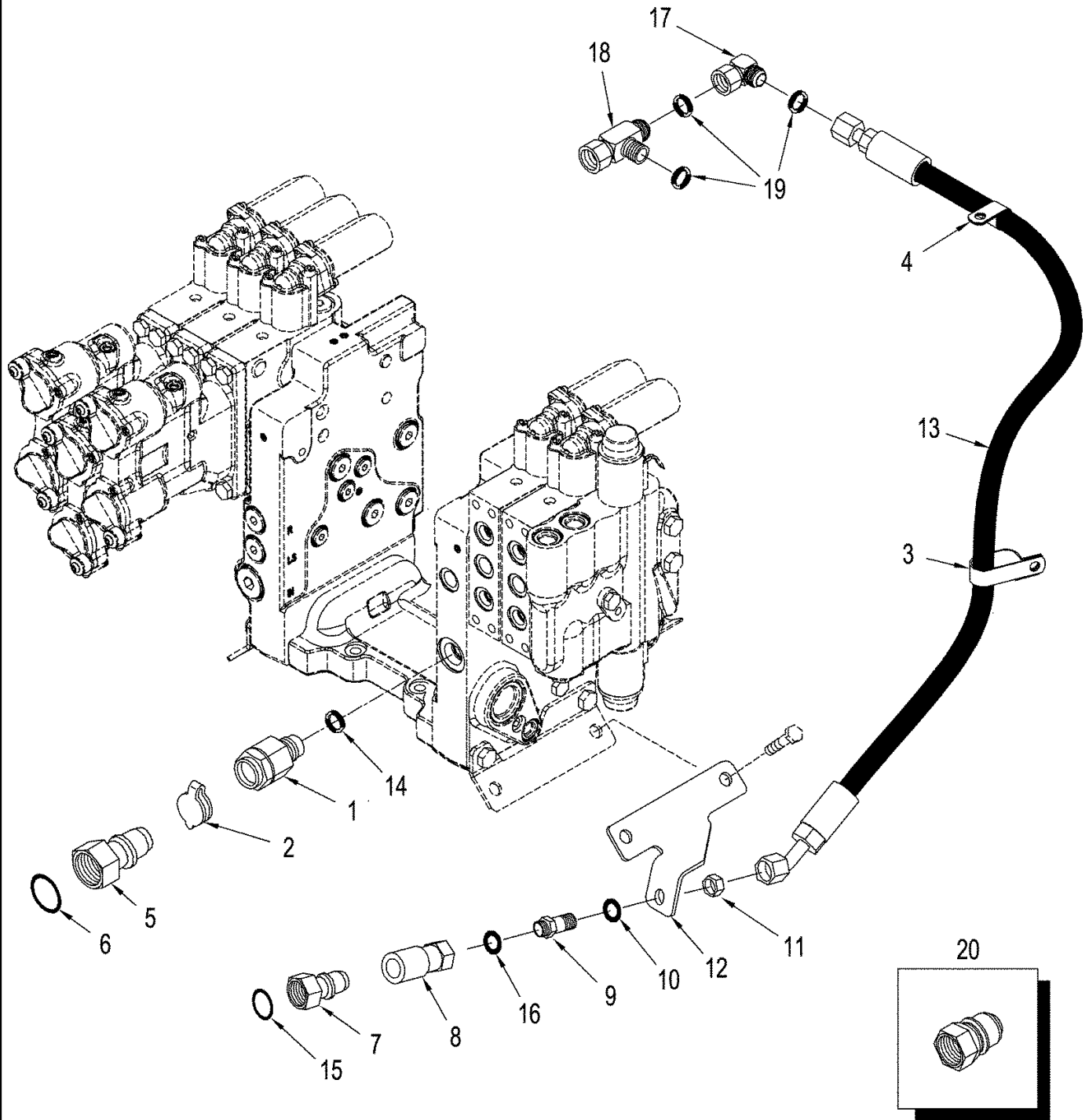
	● = 35
	■ = 36
	▲ = 37
	○ = 38
	□ = 39

HITCH VALVE ASSEMBLY - ELECTRONIC CONTROLLED

REF	FN	PART NUMBER	YR/SN	QTY	DESCRIPTION
33		237-6003		2	O-RING, 3-1, .301" ID x .064" Thk
34		373758A1		1	VALVE, Load Sense
35		373756A1		1	KIT, Relief
36		373757A1		1	KIT, Seal
37		243254A1		2	KIT
38		87430152		1	KIT, SERVICE, Meterout
39		87423671		1	KIT, SPRING, Valve Load Drop Check

STEIGER 280 STX330
STX280 STEIGER 330

MOTOR RETURN

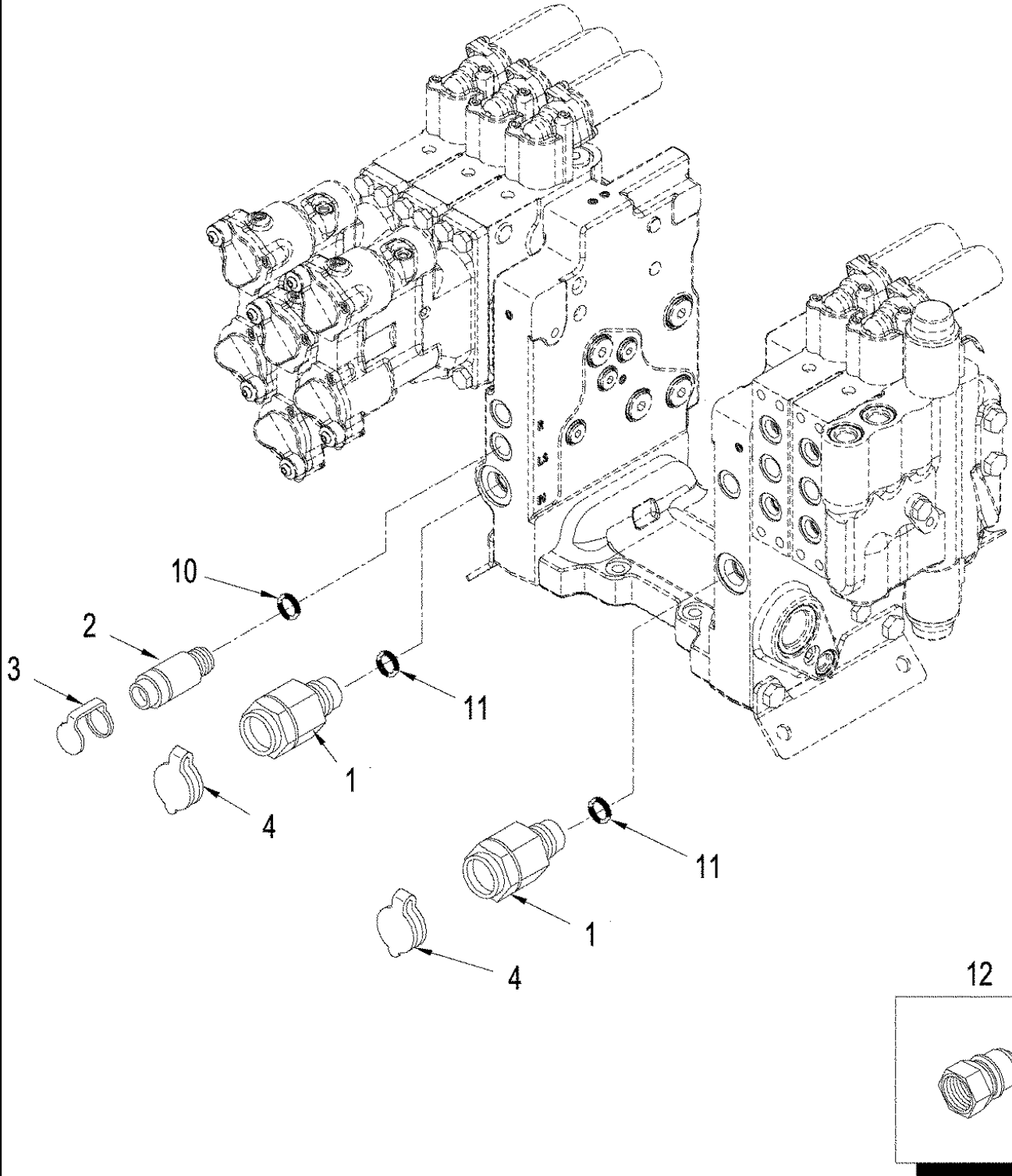


MOTOR RETURN

REF	FN	PART NUMBER	YR/SN	QTY	DESCRIPTION
1		298291A1		1	BODY, Hydr., , 3/4 in, Auxiliary, Main Return
2		334216A1		1	CAP, Dust
3		515-23206		1	CLAMP, 13/16", Insul, 3/8" Bolt
4		R54363		1	CLAMP
5		347755A1		1	COUPLING, Hydr., 3/4 in Male x 1-1/16 in Female orb, Inc. 6
6		237-6012		1	O-RING, 12-1, 90 Duro, .924 ID x .118" Thk
7		385358A1		1	COUPLING, Hydr., 1/2 in Male x 3/8 in Female orb, Inc. 15
8		385357A1		1	COUPLING, Hydr., Female
9		436249A1		1	FITTING, Fitting, 3/4 or x 13/16 fc sl, Inc. 10 & 16
10		238-6014		1	O-RING, -014, 90 Duro, .489" ID x .070" Thk
11		701-903		1	NUT, LOCK, 13/16"-16, ORFS Blkhd
12		442477A2		1	BRACKET, Motor Drain
13		444060A1		1	HOSE ASSY., 2171 mm (85 in)
14		637-64236		2	O-RING, CI 6, 23.6MM ID x 2.9 Thk
15		237-6008		1	O-RING, 8-1, 90 Duro, .644" ID x .087" Thk
16		237-6006		1	O-RING, 6-1, 90 Duro, .468" ID x .078" Thk
17		701-320		1	ELBOW, 90°, 13/16"-16 ORFS x 13/16"-16 Fem Sw, Inc. 19
18		701-416		1	TEE, 13/16"-16 ORFS x 13/16"-16 Fem Sw Run, Inc. 19
19		238-6014		3	O-RING, -014, 90 Duro, .489" ID x .070" Thk
20		87335428		1	FITTING, Implement Coupler, Steel, 1/2"-14 nptf
20		87335430		1	FITTING, Implement Coupler, Steel, 3/4"-16 orb
20		87335431		1	FITTING, Implement Coupler, Steel, 7/8"-14 orb
		719517003		1	KIT, Motor Return / Power Beyond, Inc. 1 - 13

STEIGER 280 STX330
 STX280 STEIGER 330

COUPLERS - POWER BEYOND

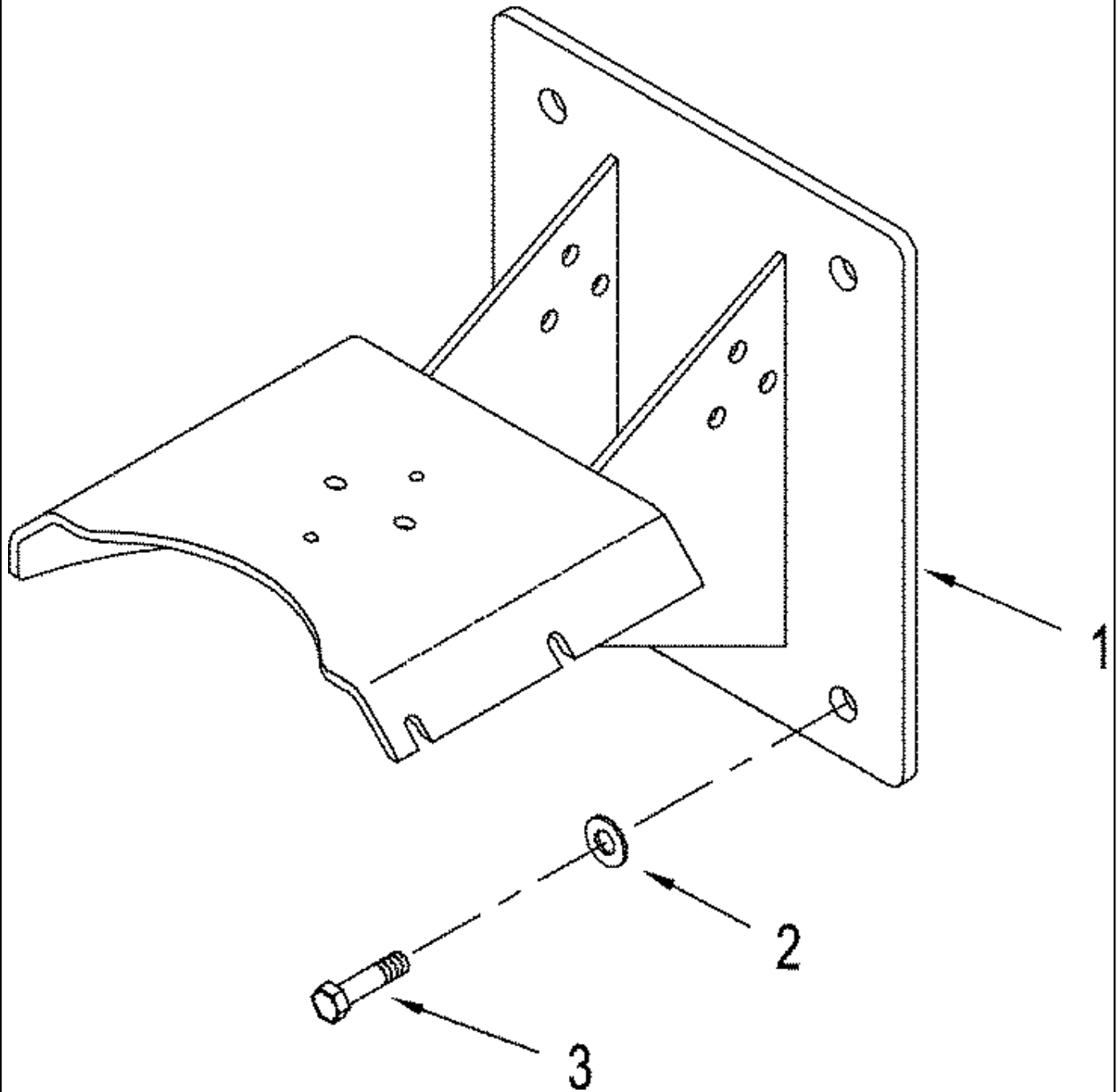


COUPLERS - POWER BEYOND

REF	FN	PART NUMBER	YR/SN	QTY	DESCRIPTION
1		298291A1		2	BODY, Hydr., 3/4 in, Auxiliary
2		294603A1		1	BODY, Hydr., 1/4 in, Auxiliary
3		334218A1		1	CAP, Dust
4		334216A1		2	CAP, Dust
5		347755A1		2	COUPLING, Hydr., 3/4 in, Inc. 10, Not Illustrated
6		237-6012		2	O-RING, 12-1, 90 Duro, .924 ID x .118" Thk, Not Illustrated
7		347756A1		2	COUPLING, Hydr., 1/4 in, Inc. 8, Not Illustrated
8		237-6006		2	O-RING, 6-1, 90 Duro, .468" ID x .078" Thk, Not Illustrated
9		385358A1		1	COUPLING, Hydr., 3/8, Case Drain, Not Illustrated
10		637-63153		1	O-RING, CI 6, 15.3MM ID x 2.2 Thk
11		637-64236		2	O-RING, CI 6, 23.6MM ID x 2.9 Thk
12		87335428		1	FITTING, Implement Coupler, 1/2"-14 nptf
12		87335430		1	FITTING, Implement Coupler, 3/4"-16 orb
12		87335431		1	FITTING, Implement Coupler, 7/8"-14 orb
		719517003		1	KIT, Motor Return / Power Beyond, Inc. 1 - 9

STEIGER 280 STX330
 STX280 STEIGER 330

COUPLER MOUNTS - WITHOUT POWER TAKEOFF AND THREE POINT HITCH

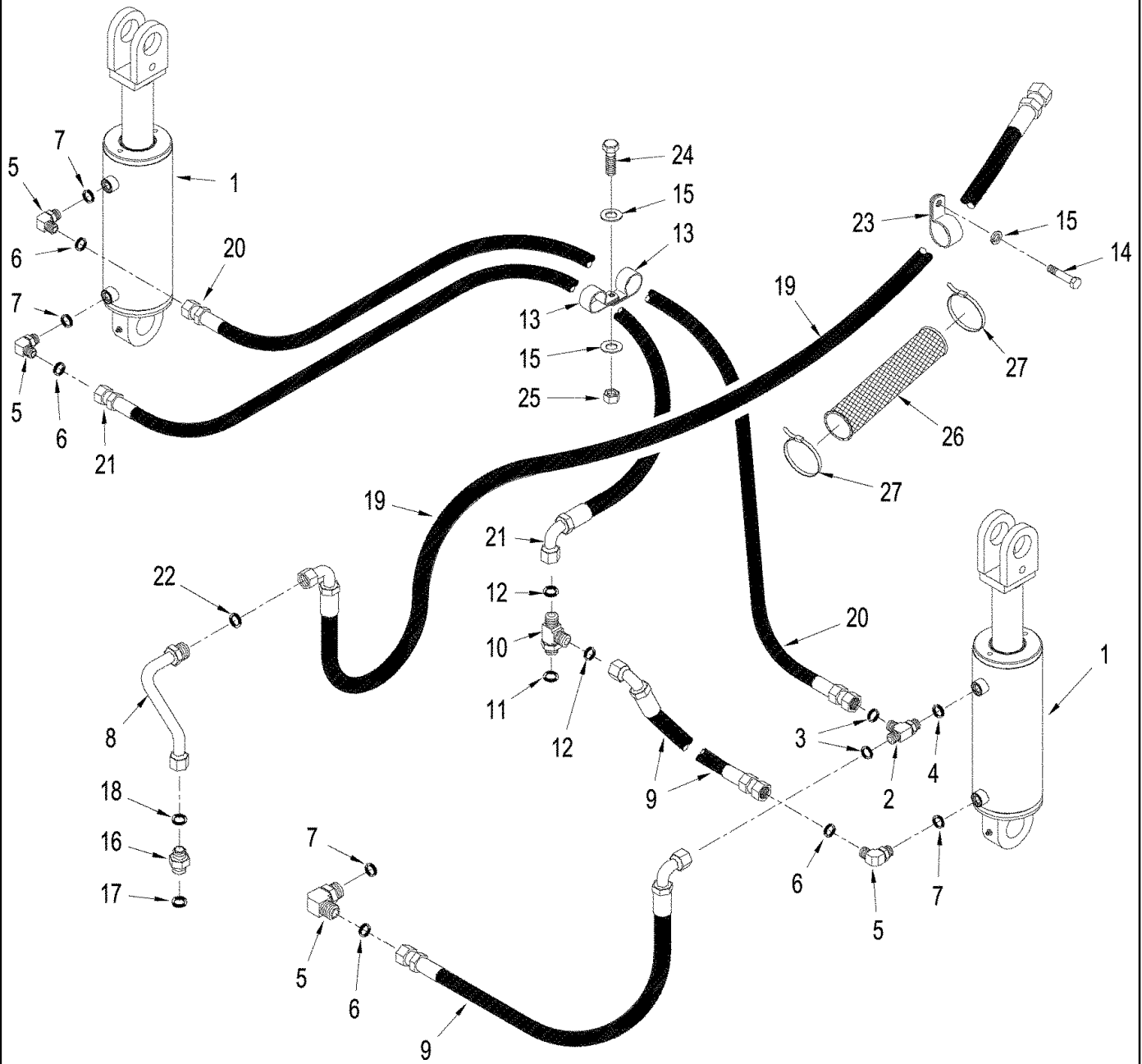


COUPLER MOUNTS - WITHOUT POWER TAKEOFF AND THREE POINT HITCH

REF	FN	PART NUMBER	YR/SN	QTY	DESCRIPTION
1		87311759		1	MOUNTING PARTS, Auxiliary Valve
2		896-11020		4	WASHER, M20 x 37.5 x 4, HT
3		827-20100		4	BOLT, Hex, M20 x 100, 10.9

	STEIGER 280 STX330 STX280 STEIGER 330
--	--

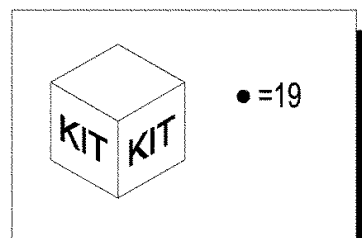
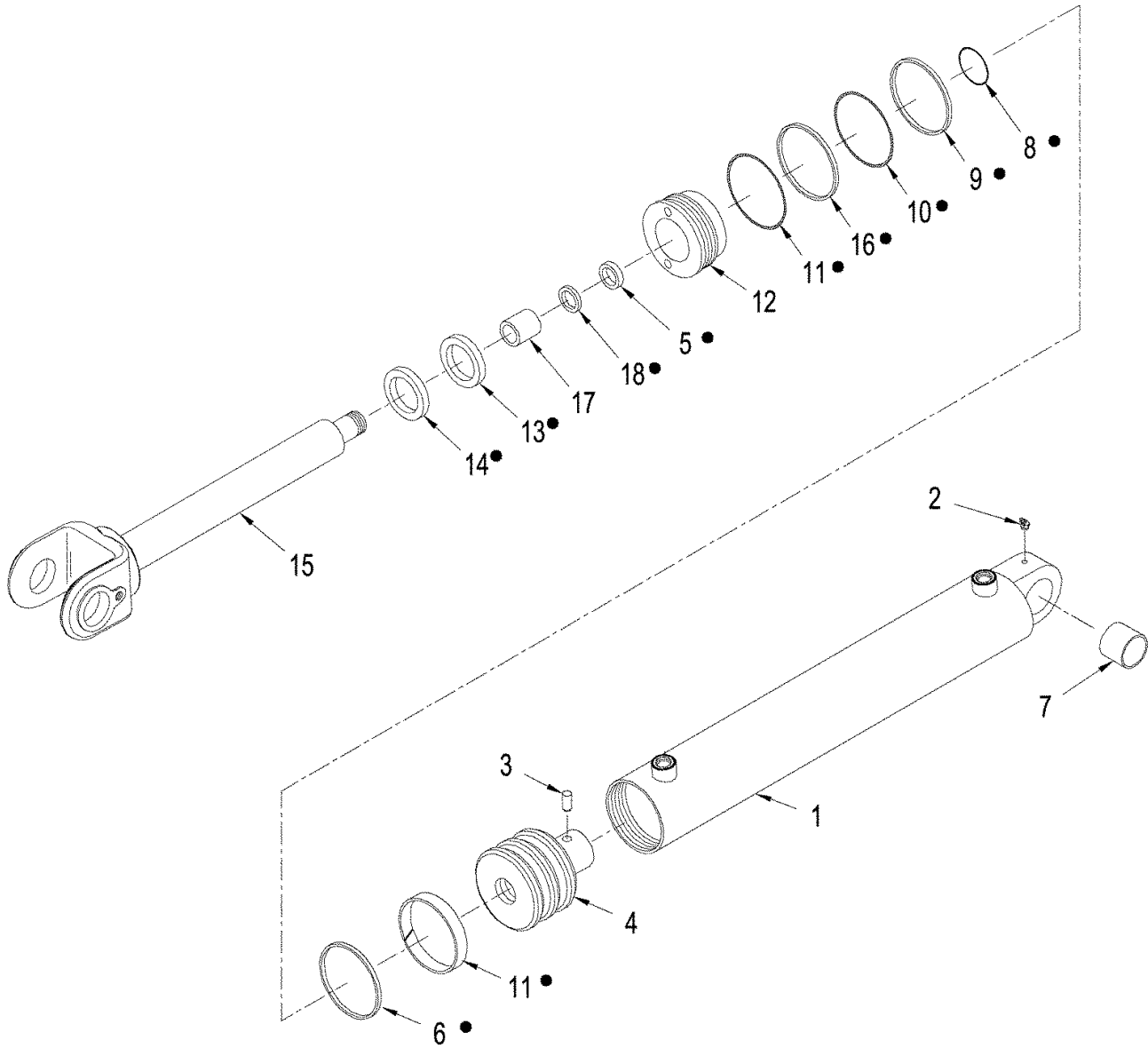
THREE POINT HITCH HYDRAULICS - ELECTRONIC CONTROLLED HITCH SYSTEM



THREE POINT HITCH HYDRAULICS - ELECTRONIC CONTROLLED HITCH SYSTEM

REF	FN	PART NUMBER	YR/SN	QTY	DESCRIPTION
1		87304295		2	CYLINDER, See Figure: 08-38
2		700-412		1	TEE, 13/16"-16 ORFS x M18 x 1.5 ORB Run, Inc. 3 and 4
3		238-6014		2	O-RING, -014, 90 Duro, .489" ID x .070" Thk
4		637-63153		1	O-RING, CI 6, 15.3MM ID x 2.2 Thk
5		700-305		4	ELBOW, 90°, 13/16"-18 ORFS x M18 x 1.5 ORB, Inc. 6 and 7
6		238-6014		4	O-RING, -014, 90 Duro, .489" ID x .070" Thk
7		637-63153		4	O-RING, CI 6, 15.3MM ID x 2.2 Thk
8		403207A1		1	TUBE ASSY.
9		360496A1		2	HOSE ASSY., Cylinder Supply, 505 mm (20 in.)
10		700-445		1	TEE, 13/16"-16 ORFS x M22 x 1.5 ORB Run, Inc. 11 and 12
11		637-63193		1	O-RING, CI 6, 19.3MM ID x 2.2 Thk
12		238-6014		2	O-RING, -014, 90 Duro, .489" ID x .070" Thk
13		515-23206		4	CLAMP, 13/16", Insul, 3/8" Bolt, P-Type
14		627-8016		1	BOLT, Hex, M8 x 16, 10.9
15		895-11008		5	WASHER, M8 x 16 x 1.6
16		700-103		1	CONNECTOR, HYD., 1"-14 ORFS x M22 x 1.5 ORB, Inc. 17 and 18
17		637-63193		1	O-RING, CI 6, 19.3MM ID x 2.2 Thk
18		238-6016		1	O-RING, -016, 90 Duro, .614" ID x .070" Thk
19		371018A2		1	HOSE ASSY., Return, 3166 mm (124-1/2 in.)
20		360495A2		1	HOSE ASSY., Return, 1275 mm (50 in.)
21		360497A3		1	HOSE ASSY., Pressure Line, 1380 mm (54 in.)
22		238-6016		1	O-RING, -016, 90 Duro, .614" ID x .070" Thk
23		515-24302		1	CLAMP, 1 3/16", Insul, 7/16" Bolt
24		627-8030		2	BOLT, Hex, M8 x 30, 10.9
25		829-1408		2	NUT, M8, CI 10
26		86020623		1	SLEEVE, Protective
27		L18331		3	STRAP, CABLE
					STEIGER 280 STX330 STX280 STEIGER 330

CYLINDER ASSEMBLY - THREE POINT HITCH

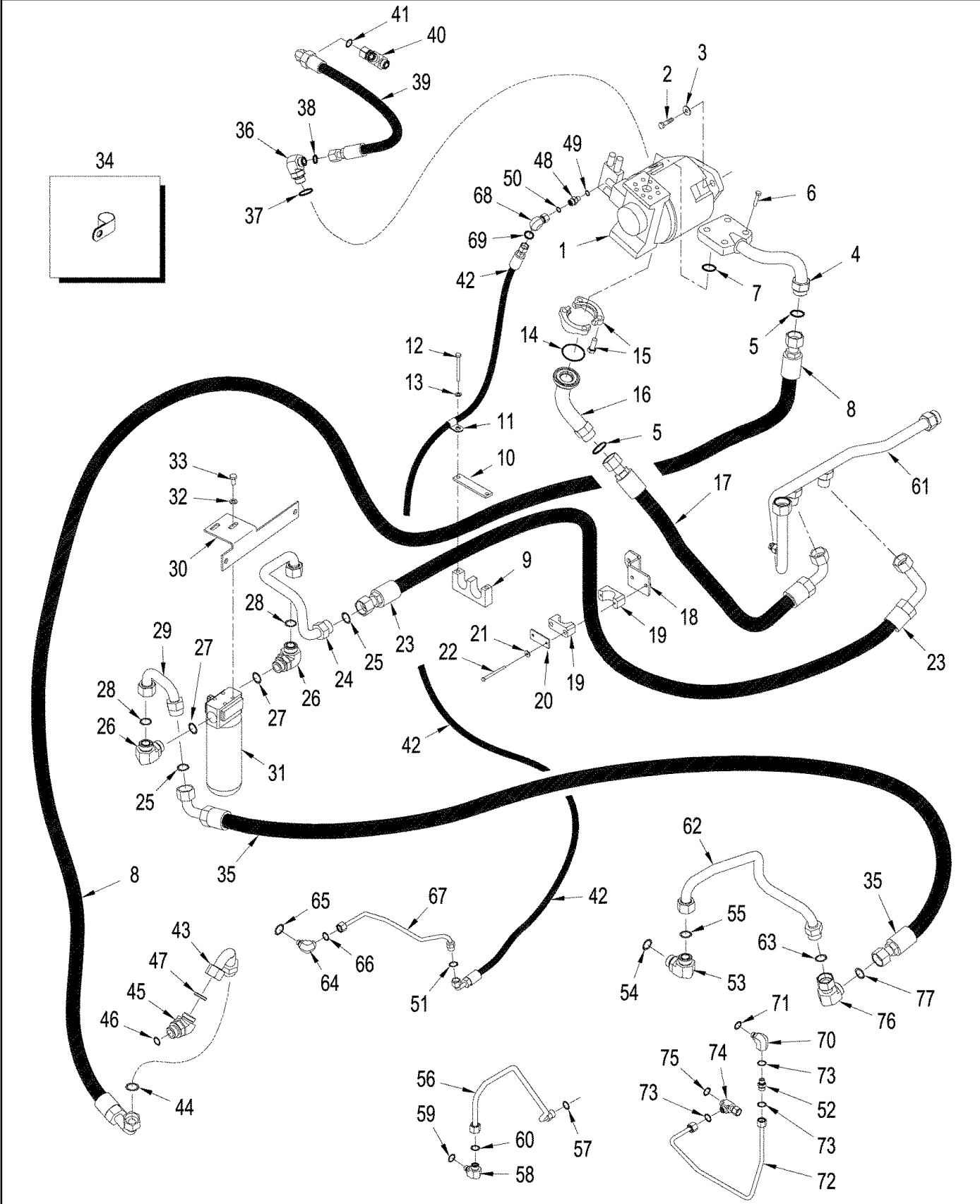


CYLINDER ASSEMBLY - THREE POINT HITCH

REF	FN	PART NUMBER	YR/SN	QTY	DESCRIPTION
		87304295		1	CYLINDER, Lift, Inc. 1 - 18
1		87378715		1	TUBE, Barrel
2		219-36		1	NIPPLE, LUBE, 45°, 1/8" NPT x 7/8" lg, Fitting, Grease
3		877-20816		1	SET SCREW, Hex Soc, M8 x 16, Cone Pt
4		87378713		1	PISTON
5		NSS		1	NOT SERVICED SEPARATELY, Ring, Backup
6		NSS		1	NOT SERVICED SEPARATELY, Seal, Piston
7		87378707		1	BUSHING
8		NSS		1	NOT SERVICED SEPARATELY, O-Ring
9		NSS		1	NOT SERVICED SEPARATELY, Ring, Backup
10		NSS		1	NOT SERVICED SEPARATELY, O-Ring
11		87378716		1	WASHER, Wear
12		87378714		1	COVER
13		NSS		1	NOT SERVICED SEPARATELY, Ring, Backup
14		NSS		1	NOT SERVICED SEPARATELY, Wiper, Seal
15		87378708		1	ROD
16		NSS		1	NOT SERVICED SEPARATELY, Retainer
17		87378717		1	BUSHING, Rod Wear
18		NSS		1	NOT SERVICED SEPARATELY, Seal, Rod
19		87378691		1	KIT, Inc. 5, 6, 8 - 11, 13 & 14, 18

	STEIGER 280 STX330 STX280 STEIGER 330
--	--

HYDRAULICS - TWIN FLOW CIRCUITRY



HYDRAULICS - TWIN FLOW CIRCUITRY

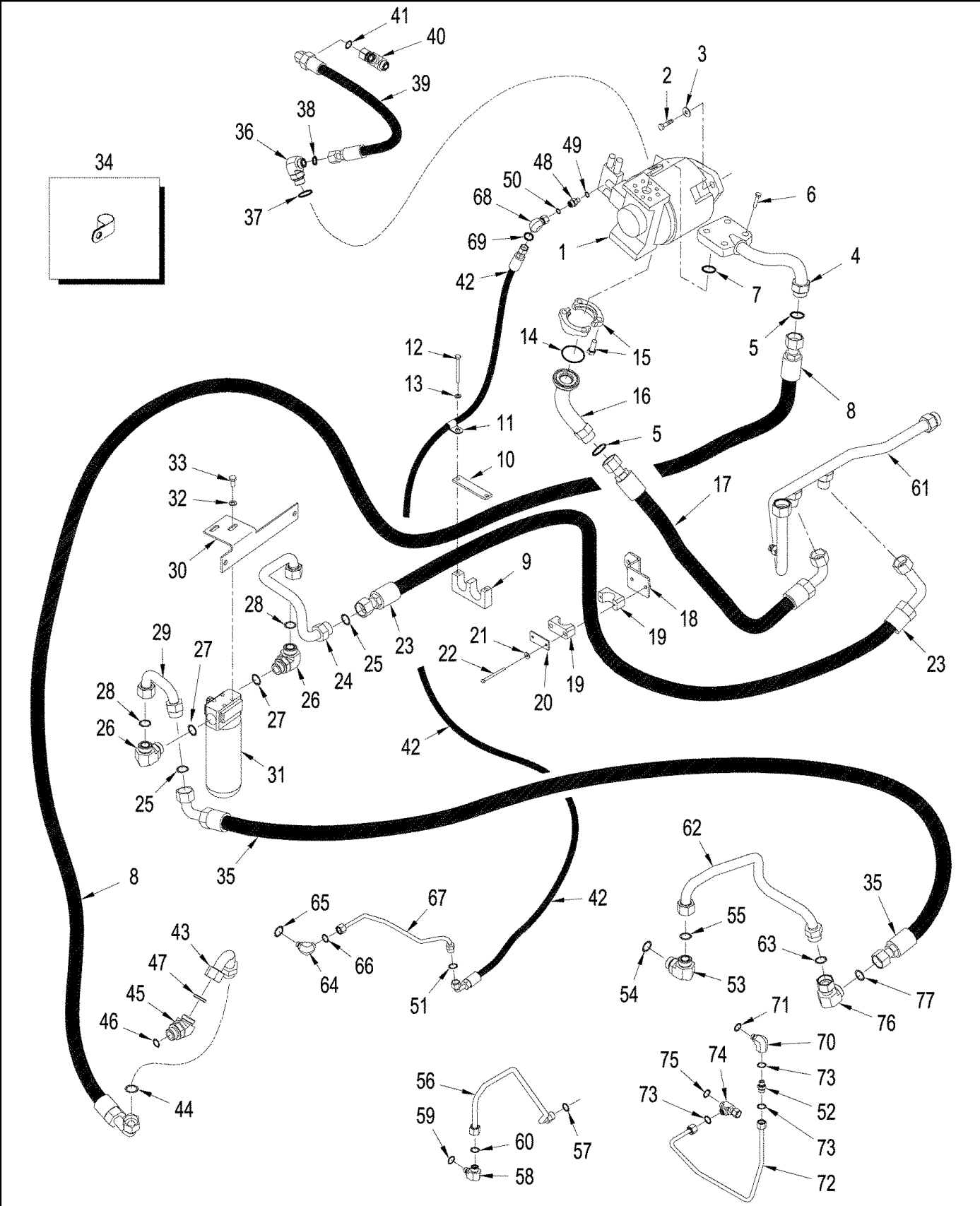
REF	FN	PART NUMBER	YR/SN	QTY	DESCRIPTION
1		407476A1		1	PUMP, HYDRAULIC, See Figure: 08-42
2	1	627-16055		2	BOLT
2	2	627-16045		2	BOLT, Hex, M16 x 45, 10.9
3		896-11016		2	WASHER, M17.5 x 30 x 4, HT
4		414792A2		1	BRACKET
5		238-6021		1	O-RING, -021, 90 Duro, .926" ID x .070" Thk
6		461-33832		4	SCREW, Hex Soc Hd, 3/8"-16 x 2"
7		86529541		1	O-RING, -219, 90 Duro, 1.296" ID x .139" Thk
8		441342A1		1	HOSE, 2692 mm (106 in), Pump Output to Valve Inlet
9		414429A2		1	CLAMP BRACKET
10		414856A1		1	PLATE
11		515-25159		1	CLAMP, 5/8", Insul, 1/2" Bolt, 15.9 mm
12		827-8080		2	BOLT, Hex, M8 x 80, 10.9
13		895-11008		2	WASHER, M8 x 16 x 1.6
14		238-6228		1	O-RING, -228, 90 Duro, 2.234" ID x .139" Thk
15		A14141		2	FLANGE, Split, 2
16		414077A1		1	TUBE
17		441343A1		1	HOSE, 756 mm (30 in)
18		433047A2		1	BRACKET
19		429384A1		2	CLAMP
20		429414A1		1	PLATE, COVER
21		895-25006		2	WASHER, M6 x 18 x 1.6
22		827-6080		2	BOLT, Hex, M6 x 80, 10.9
23		441344A1		1	HOSE, 1626 mm (64 in), Filter Return to Piston Supply
24		419661A1		1	TUBE
25		238-6021		1	O-RING, -021, 90 Duro, .926" ID x .070" Thk
26		700-308		3	ELBOW, 90°, 1 7/16"-12 ORFS x M33 x 2 ORB, Inc. 27, 28
27		637-64296		1	O-RING, CI 6, 29.6MM ID x 2.9 Thk
28		238-6021		1	O-RING, -021, 90 Duro, .926" ID x .070" Thk
29		419655A1		1	TUBE
30		417856A2		1	BRACKET, Filter

(1) With Manual Shift Transmission

(2) With Power Shift Transmission

STEIGER 280 STX330
STX280 STEIGER 330

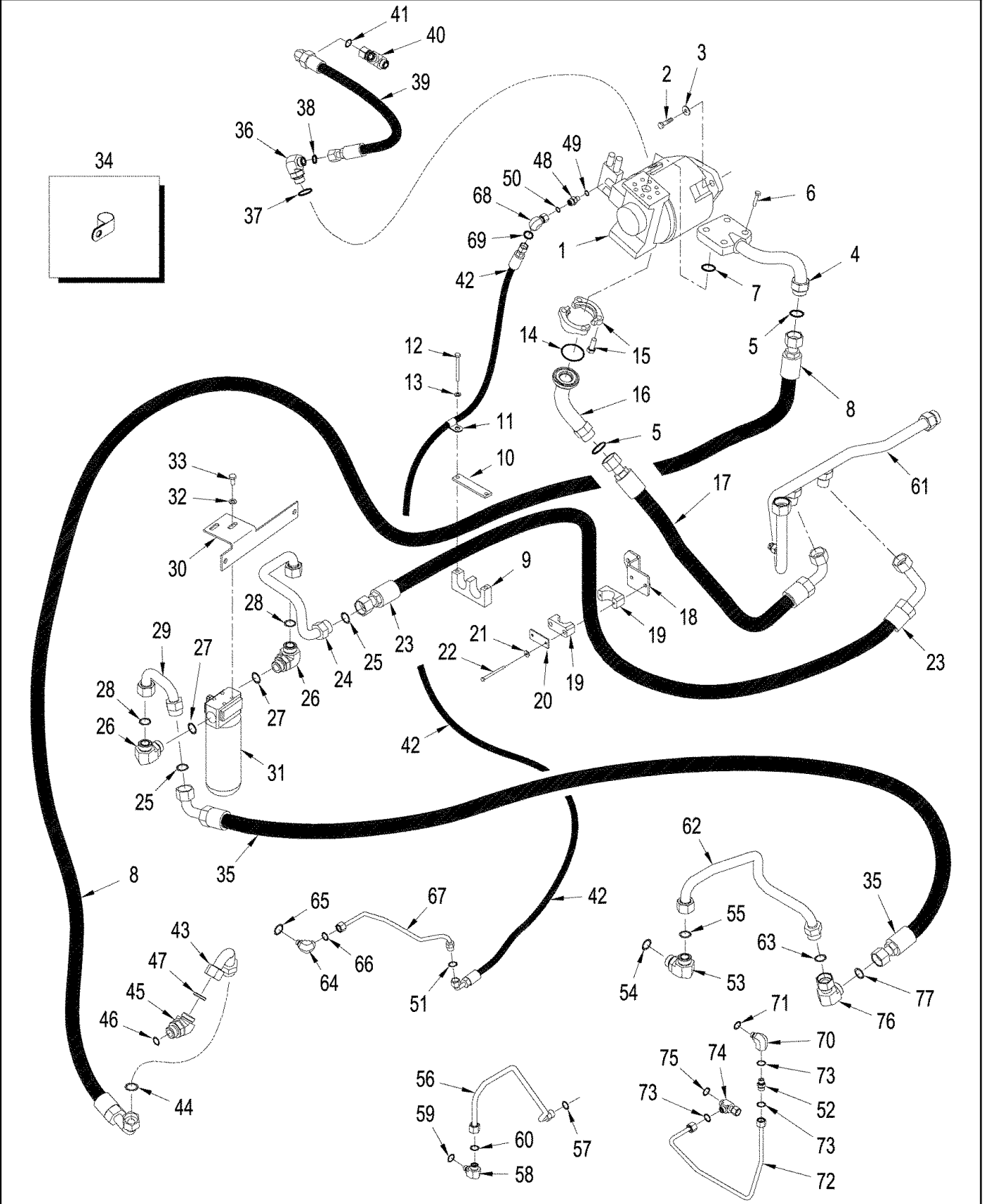
HYDRAULICS - TWIN FLOW CIRCUITRY



HYDRAULICS - TWIN FLOW CIRCUITRY

REF	FN	PART NUMBER	YR/SN	QTY	DESCRIPTION
31		414219A1		1	FILTER, See Figure: 08-43
32		895-11010		4	WASHER, M10 x 20 x 2
33		627-10020		2	BOLT, Hex, M10 x 20, 10.9, Full Thd
34		515-23254		1	CLAMP, 1", Insul, 3/8" Bolt, 25.4 mm
35		441345A1		1	HOSE, 1956 mm (77 in)
36		201-306		1	ELBOW, 90°, 1"-14 x 7/8"-14 Adj, ORFS, 90, 5/8" orb x 5/8" fc sll, Inc. 37, 38
37		237-6010		1	O-RING, 10-1, 90 Duro, .755" ID x .097" Thk
38		238-6016		1	O-RING, -016, 90 Duro, .614" ID x .070" Thk
39		442745A1		1	HOSE, 737 mm (29 in)
40		701-433		1	TEE, 1"-14 ORFS x 1"-14 Fem Sw Run, Inc. 41
41		238-6016		1	O-RING, -016, 90 Duro, .614" ID x .070" Thk
42		441346A1		1	HOSE, 2565 mm (101 in)
43		429941A2		1	TUBE
44		238-6021		1	O-RING, -021, 90 Duro, .926" ID x .070" Thk
45		700-318		1	ELBOW, 45°, 1 7/16"-12 ORFS x M33 x 2 ORB, Inc. 46, 47
46		637-64296		1	O-RING, CI 6, 29.6MM ID x 2.9 Thk
47		238-6021		1	O-RING, -021, 90 Duro, .926" ID x .070" Thk
48		1957867C1		1	SCREEN, FILTER, 1/4 orb x 3/8 fc sl, Inc. 49, 50
49		237-6004		1	O-RING, 4-1, 90 Duro, .351" ID x .072" Thk
50		238-6012		2	O-RING, -012, 90 Duro, .364" ID x .070" Thk
51		238-6012		1	O-RING, -012, 90 Duro, .364" ID x .070" Thk
52		334923A1		1	SCREEN
53		700-308		3	ELBOW, 90°, 1 7/16"-12 ORFS x M33 x 2 ORB, Inc. 54, 55
54		637-64296		1	O-RING, CI 6, 29.6MM ID x 2.9 Thk
55		238-6021		1	O-RING, -021, 90 Duro, .926" ID x .070" Thk
56		445701A1		1	TUBE, HYD
57		238-6014		1	O-RING, -014, 90 Duro, .489" ID x .070" Thk
58		700-332		1	ELBOW, 90°, 13/16"-18 ORFS x M14 x 1.5 ORB, Inc. 59, 60
59		637-63113		1	O-RING, CI 6, 11.3MM ID x 2.2 Thk
60		238-6014		1	O-RING, -014, 90 Duro, .489" ID x .070" Thk
61		416271A2		1	TUBE ASSY., Pump Supply
					STEIGER 280 STX330 STX280 STEIGER 330

HYDRAULICS - TWIN FLOW CIRCUITRY

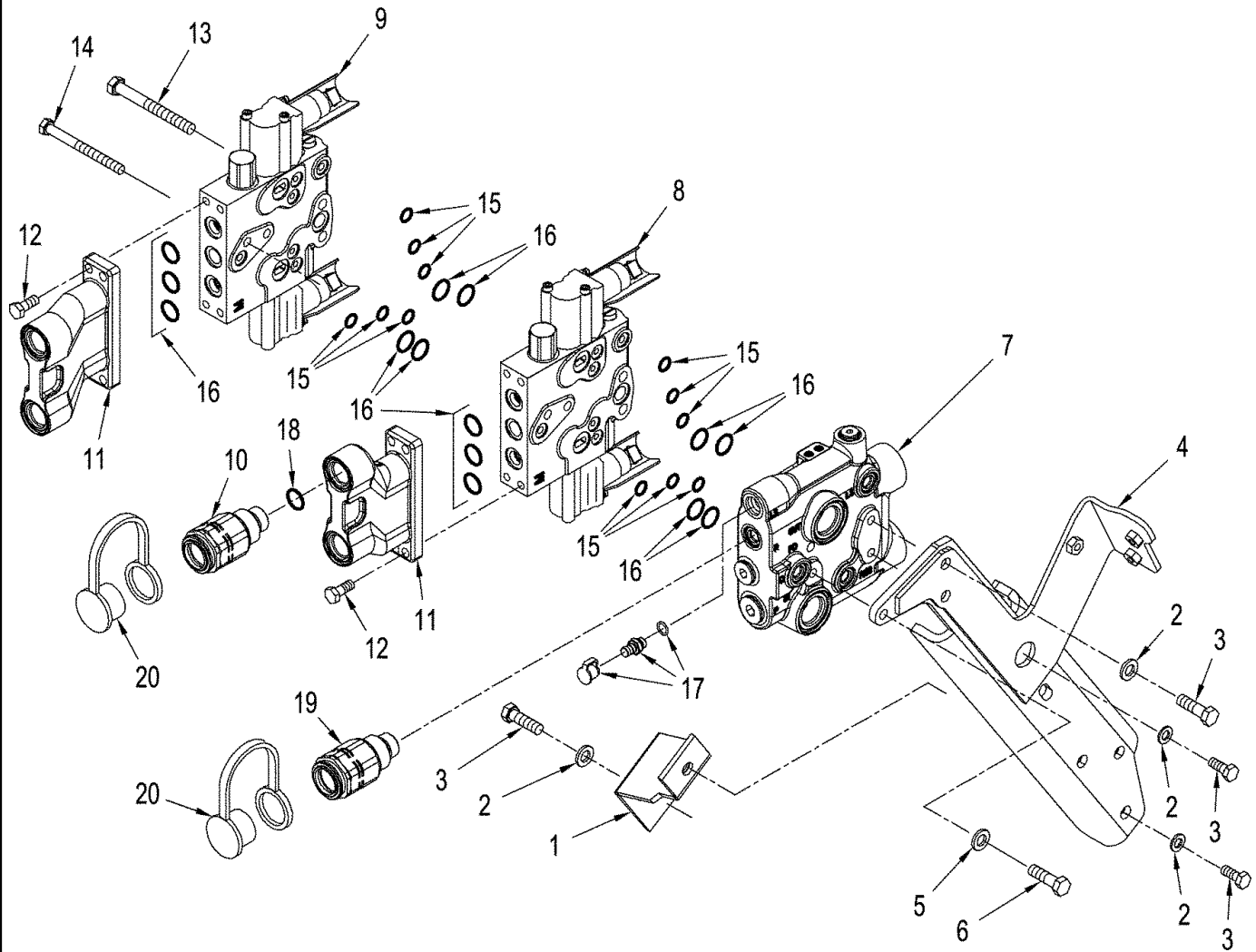


HYDRAULICS - TWIN FLOW CIRCUITRY

REF	FN	PART NUMBER	YR/SN	QTY	DESCRIPTION
62		441946A1		1	TUBE, HYD
63		238-6021		1	O-RING, -021, 90 Duro, .926" ID x .070" Thk
64		700-304		1	ELBOW, 90°, 11/16"-18 ORFS x M14 x 1.5 ORB, Incl. 65, 66
65		637-63113		1	O-RING, CI 6, 11.3MM ID x 2.2 Thk
66		238-6021		1	O-RING, -021, 90 Duro, .926" ID x .070" Thk
67		441944A1		1	TUBE, HYD
68		441925A1		1	ELBOW, 90, 7/16 fc sl, Inc. 69
69		238-6012		1	O-RING, -012, 90 Duro, .364" ID x .070" Thk
70		428078A1		1	ELBOW, 90, M14 orb, Inc. 71
71		637-63113		1	O-RING, CI 6, 11.3MM ID x 2.2 Thk
72		430536A1		1	TUBE
73		238-6012		2	O-RING, -012, 90 Duro, .364" ID x .070" Thk
74		701-422		1	TEE, 11/16"-16 ORFS x 11/16"-16 Fem Sw Run, Inc. 75
75		238-6012		2	O-RING, -012, 90 Duro, .364" ID x .070" Thk
76		701-339		1	ELBOW, 90°, 1 7/16"-12 ORFS x 1 7/16"-12 Fem Sw, Inc. 77
77		238-6021		1	O-RING, -021, 90 Duro, .926" ID x .070" Thk

STEIGER 280 STX330
STX280 STEIGER 330

TWIN FLOW HYDRAULICS - AUXILIARY REMOTE MOUNTING

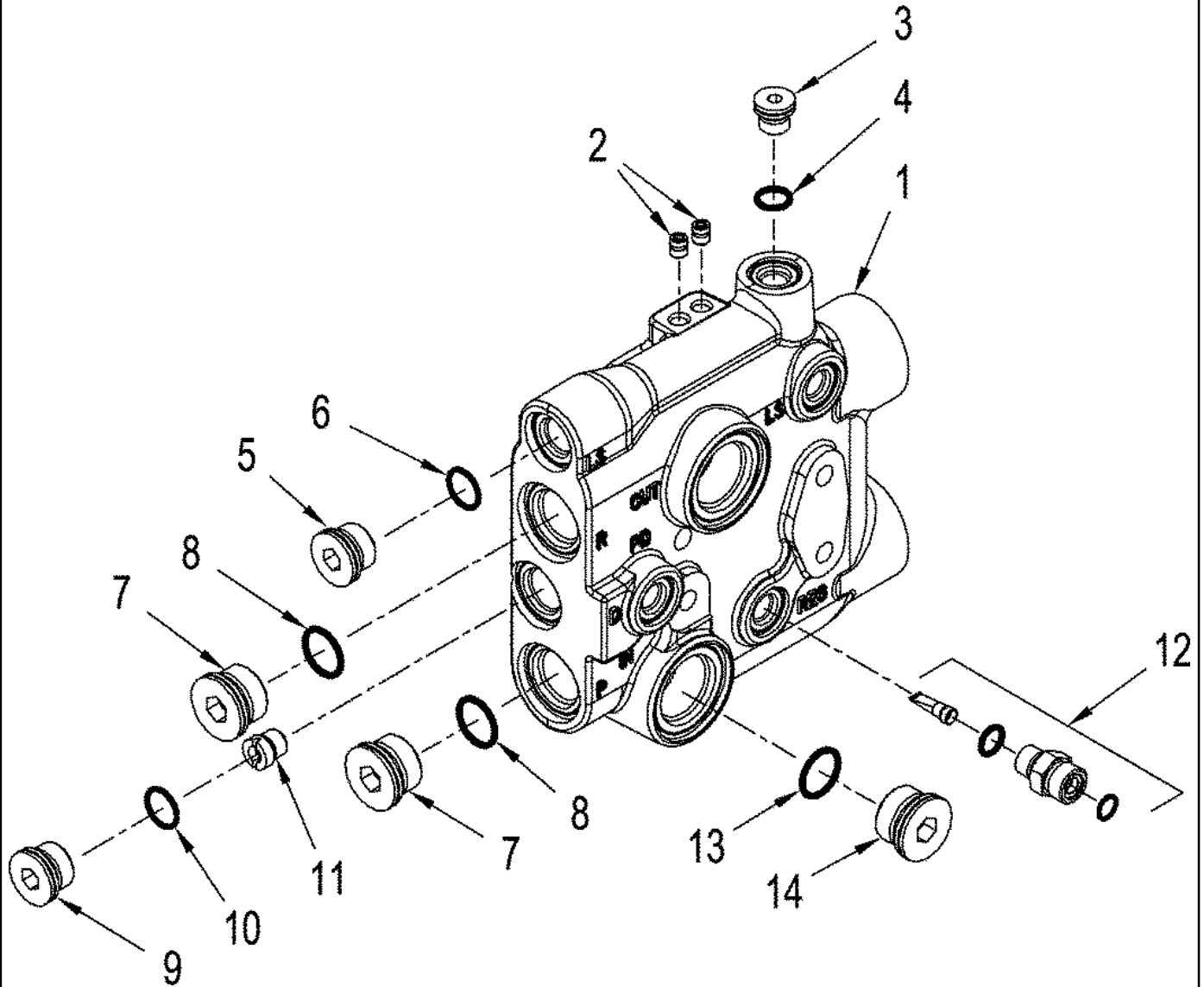


TWIN FLOW HYDRAULICS - AUXILIARY REMOTE MOUNTING

REF	FN	PART NUMBER	YR/SN	QTY	DESCRIPTION
1		429731A1		1	GUSSET, Support
2		896-11012		5	WASHER, M13.5 x 24.5 x 3, HT
3		627-12040		5	BOLT, Hex, M12 x 40, 10.9, Full Thd
4		429730A2		1	BRACKET, Mounting
5		895-11010		1	WASHER, M10 x 20 x 2
6		627-12025		1	BOLT, Hex, M12 x 25, 10.9
		411978A4		1	VALVE, HYDRAULIC, Two Section, Inc. 7 - 16
7		418456A4		1	MANIFOLD, Inlet / Outlet, See Figure: 08-41
8		393973A2		1	VALVE, Auxiliary, Right-Hand, See Figure: 08-32
9		292295A3		1	VALVE, Auxiliary, Main, See Figure: 08-32
		418704A2		2	COUPLING, Inc. 10, 11
10		440646A1		2	COUPLING, BREAK AWAY
11		418705A1		1	COUPLING
12		628-10025		8	BOLT, Hex, M10 x 25, 10.9, Full Thd
13		828-12110		2	BOLT, Hex, M12 x 110, 10.9
14		827-10110		1	BOLT, Hex, M10 x 110, 10.9
15		238-6112		12	O-RING, -112, 90 Duro, .487" ID x .103" Thk
16		238-6117		12	O-RING, -117, 90 Duro, .799" ID x .103" Thk
17		358968A1		1	COUPLING, Diagnostics
18		86598103		1	O-RING, CI 6, 23.6MM ID x 2.9 Thk
19		298291A1		1	BODY, Coupler, Auxiliary, 3/4"
20		334216A1		5	CAP, Dust

STEIGER 280 STX330
STX280 STEIGER 330

TWIN FLOW HYDRAULIC MANIFOLD ASSY.

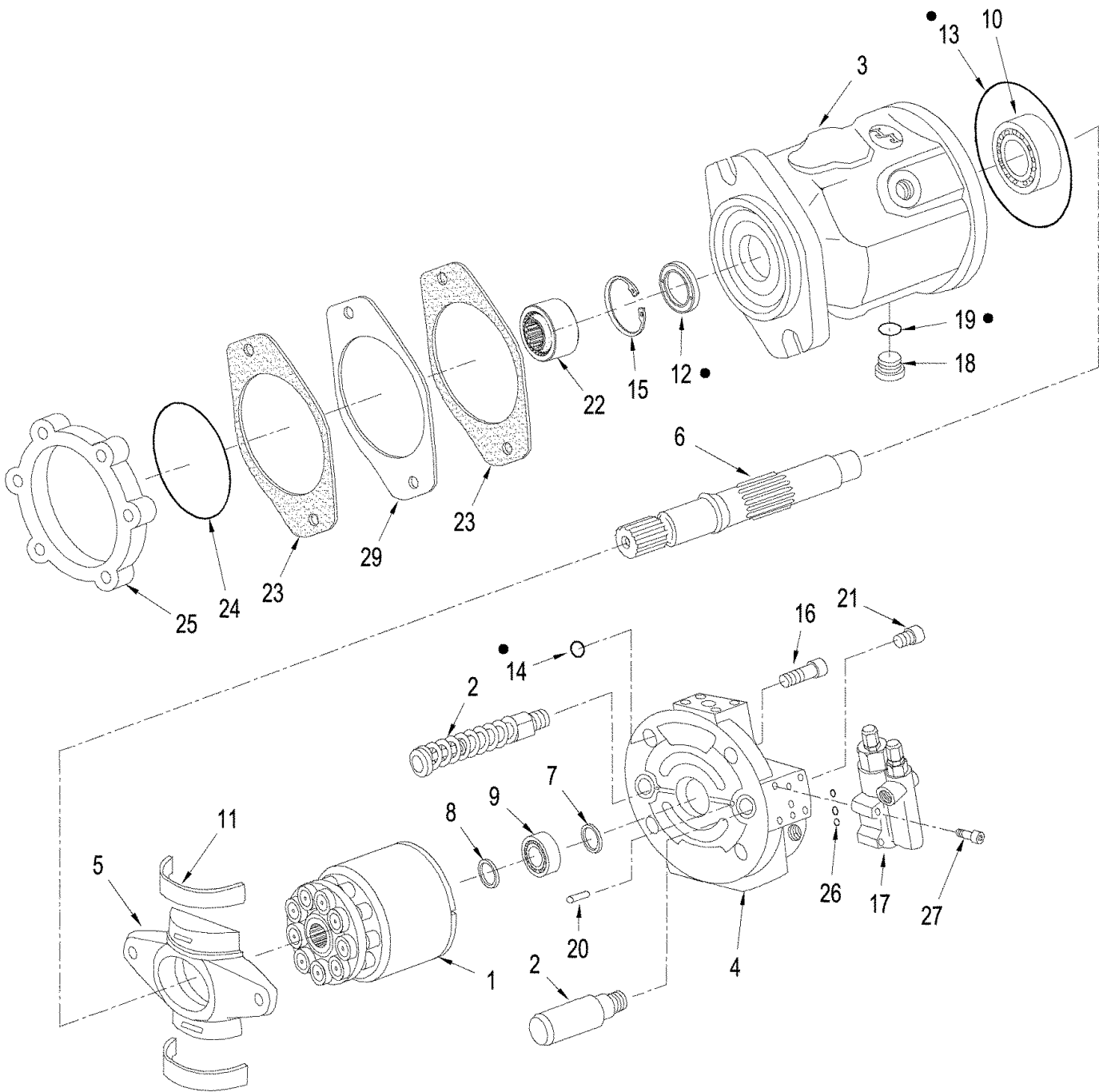


TWIN FLOW HYDRAULIC MANIFOLD ASSY.

REF	FN	PART NUMBER	YR/SN	QTY	DESCRIPTION
		418456A4		1	MANIFOLD, Inlet / Outlet, Inc. 1 - 12
1		NSS		1	NOT SERVICED SEPARATELY, Body
2		353828A1		2	PLUG, Expansion
3		221576A1		1	PLUG, Hex Soc, M14 x 1.5, ORB, Includes 4
4		637-63113		1	O-RING, CI 6, 11.3MM ID x 2.2 Thk
5		221578A1		1	PLUG, Hex Soc, M18 x 1.5, ORB, Includes 6
6		637-63153		1	O-RING, CI 6, 15.3MM ID x 2.2 Thk
7		221580A1		2	PLUG, Hex Soc, M27 x 2, ORB, Includes 8
8		637-64236		1	O-RING, CI 6, 23.6MM ID x 2.9 Thk
9		221579A1		1	PLUG, Hex Soc, M22 x 1.5, ORB, Socket, M22 orb, Inc. 10
10		637-63193		1	O-RING, CI 6, 19.3MM ID x 2.2 Thk
11		431479A1		1	VALVE, CHECK
12		334923A1		1	SCREEN
13		637-64296		2	O-RING, CI 6, 29.6MM ID x 2.9 Thk
14		221527A1		2	PLUG, Hex Soc, M33 x 2, ORB, Soc Hd, M33 orb x 2, Inc. 14

STEIGER 280 STX330
STX280 STEIGER 330

TWIN FLOW HYDRAULIC PUMP ASSY



•=28

The logo consists of a 3D cube with the word "KIT" written on the front and side faces.

TWIN FLOW HYDRAULIC PUMP ASSY

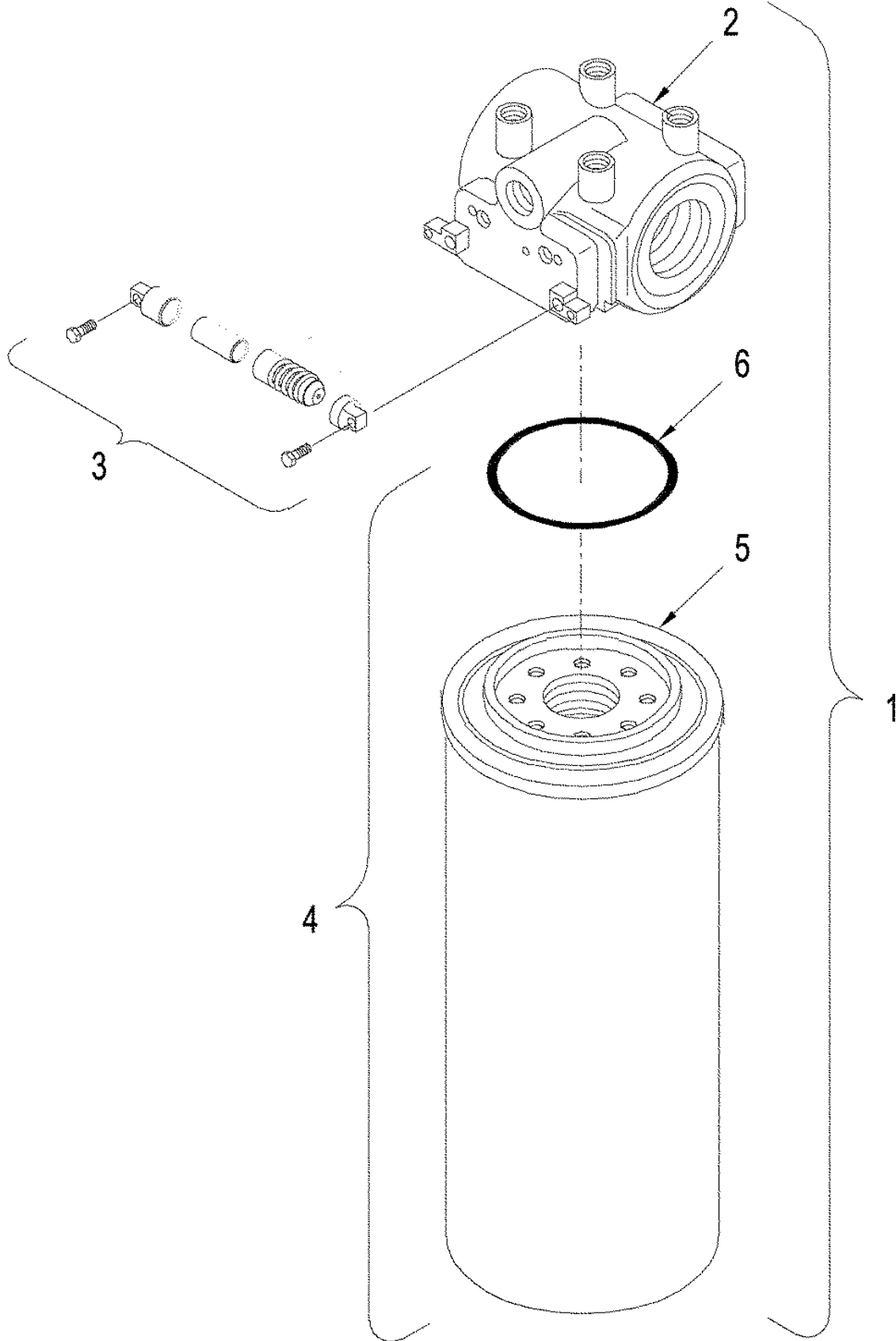
REF	FN	PART NUMBER	YR/SN	QTY	DESCRIPTION
		407476A1		1	PUMP, HYDRAULIC, Inc. 1 - 22
1		NSS		1	NOT SERVICED SEPARATELY, Cylinder Assy
2		NSS		1	NOT SERVICED SEPARATELY, Piston Assy, Control
3		NSS		1	NOT SERVICED SEPARATELY, Housing
4		NSS		1	NOT SERVICED SEPARATELY, Block
5		NSS		1	NOT SERVICED SEPARATELY, Plate, Swash
6		NSS		1	NOT SERVICED SEPARATELY, Shaft
7		NSS		1	NOT SERVICED SEPARATELY, Washer
8		NSS		1	NOT SERVICED SEPARATELY, Spacer
9		NSS		1	NOT SERVICED SEPARATELY, Bearing, Roller
10		NSS		1	NOT SERVICED SEPARATELY, Bearing, Roller
11		NSS		2	NOT SERVICED SEPARATELY, Support
12		NSS		1	NOT SERVICED SEPARATELY, Seal
13		NSS		1	NOT SERVICED SEPARATELY, O-Ring
14		NSS		4	NOT SERVICED SEPARATELY, O-Ring
15		NSS		1	NOT SERVICED SEPARATELY, Ring, Snap
16		NSS		4	NOT SERVICED SEPARATELY, Screw
17		352875A2		1	VALVE, CONTROL
18		NSS		1	NOT SERVICED SEPARATELY, Plug
19		NSS		1	NOT SERVICED SEPARATELY, O-Ring
20		NSS		1	NOT SERVICED SEPARATELY, Pin
21		NSS		2	NOT SERVICED SEPARATELY, Screw
22	1	430337A1		1	COUPLING
22	2	432675A1		1	COUPLING
23	2	D53692		2	GASKET
24		238-5256		1	O-RING, -256, 70 Duro, 5.734" ID x .139" Thk
25	1	414192A1		1	FLANGE, Adapter
26		410995A1		3	O-RING, Control Valve
27		426-620		4	BOLT, Hex, 3/8"-16 x 1 1/4", G8, Full Thd
28		388293A1		1	KIT, SEALS
29	2	86991869		1	SPACER

(1) With Manual Shift Transmission

(2) With Power Shift Transmission

STEIGER 280 STX330
 STX280 STEIGER 330

OIL FILTER - TWIN FLOW HYDRAULICS

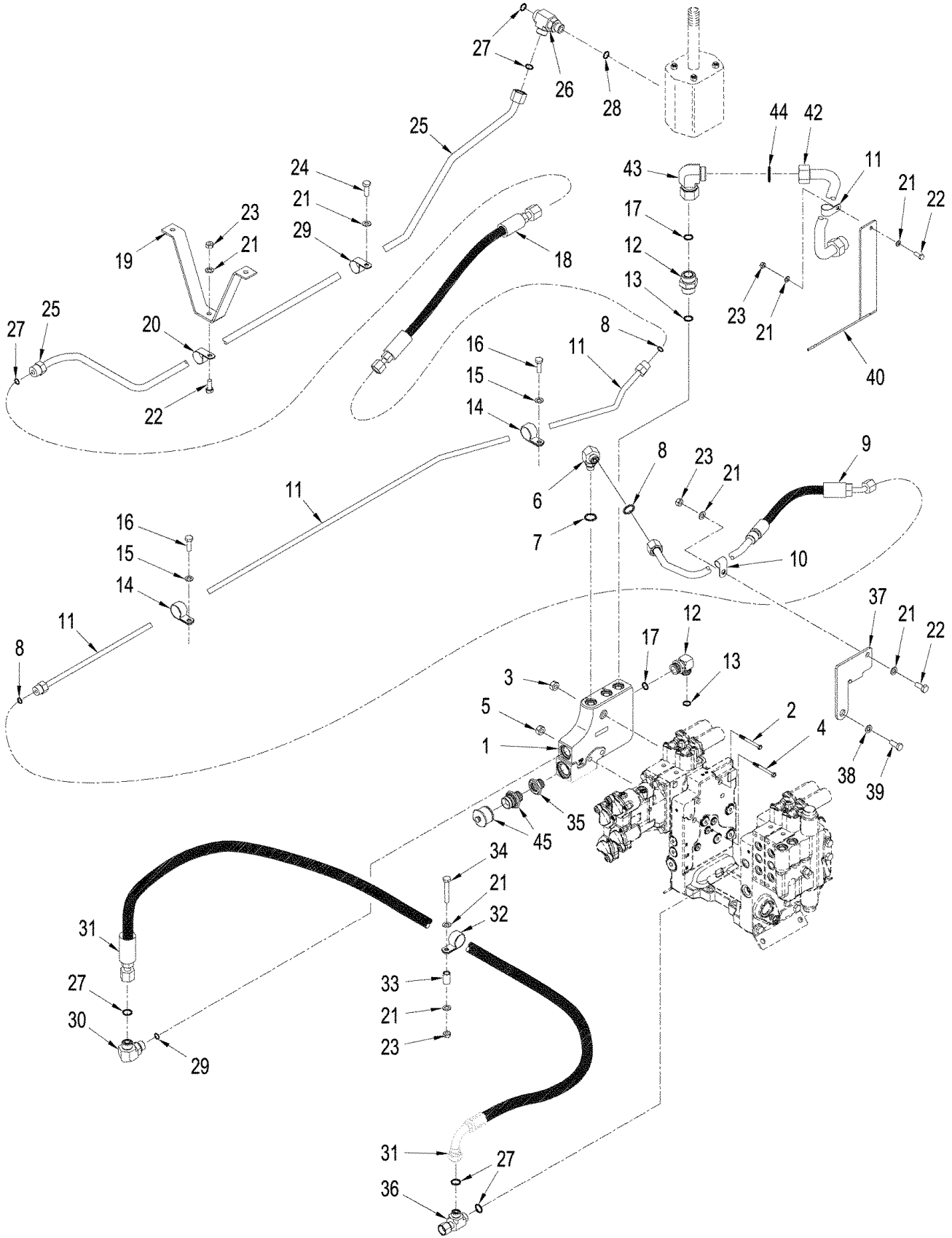


OIL FILTER - TWIN FLOW HYDRAULICS

REF	FN	PART NUMBER	YR/SN	QTY	DESCRIPTION
1		414219A1		2	FILTER, Inc. 2 - 6
2		NSS		1	NOT SERVICED SEPARATELY, Head
3		440086A1		1	INDICATOR, Restriction
4		1346028C1		1	ELEMENT, Inc. 5, 6
5		NSS		1	NOT SERVICED SEPARATELY, Element
6		NSS		1	NOT SERVICED SEPARATELY, O-Ring

	STEIGER 280 STX330 STX280 STEIGER 330
--	--

TRAILER BRAKES - HYDRAULIC

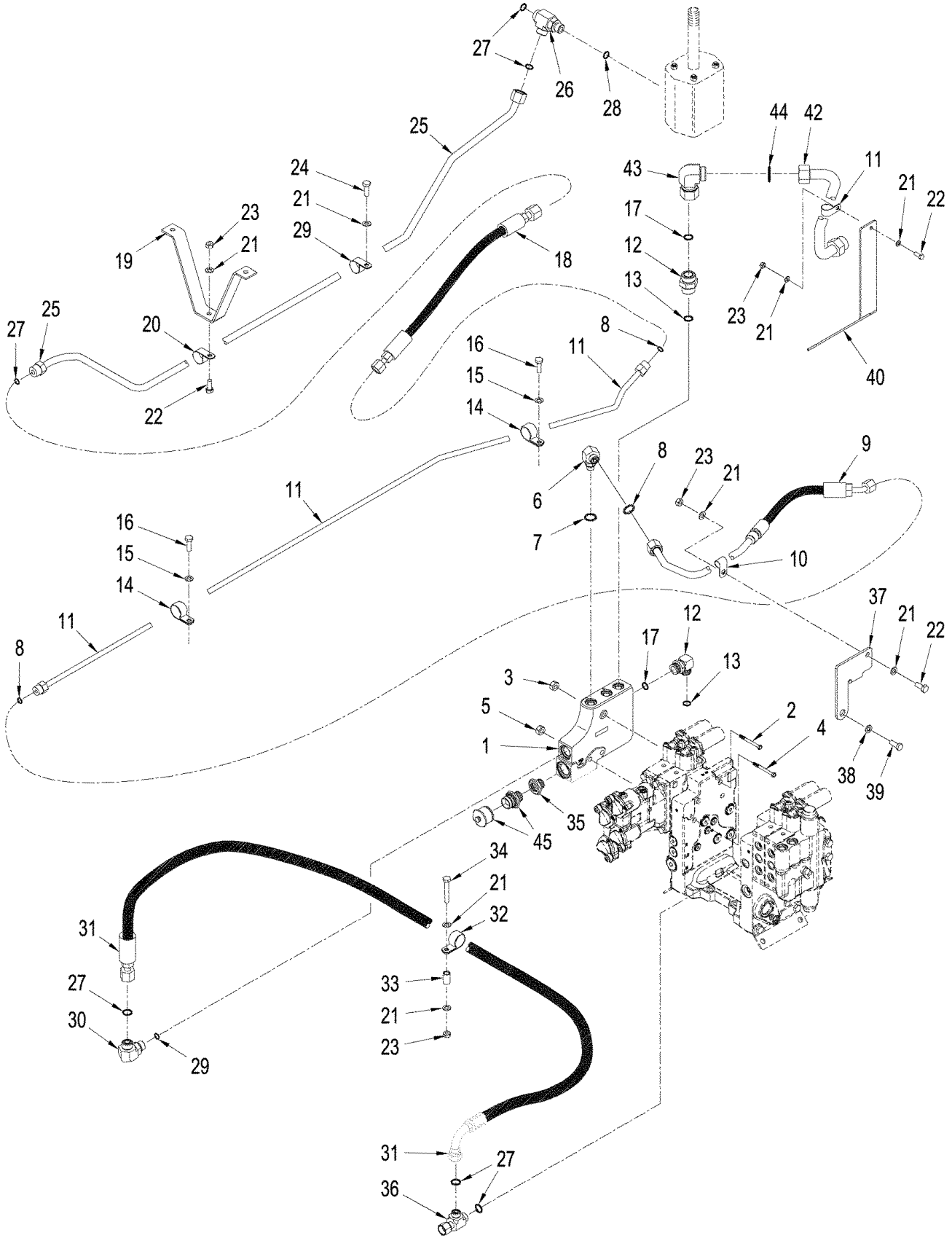


TRAILER BRAKES - HYDRAULIC

REF	FN	PART NUMBER	YR/SN	QTY	DESCRIPTION
1		87388358		1	VALVE SECTION, Trailer Brake / Priority. See Figure: 08-45
2		87418098		1	STUD, Tie, Rod
3		304951A1		1	NUT
4		87430079		2	STUD, Tie
5		829-1312		2	NUT, M12 x 1.75, CI 10
6		700-304		1	ELBOW, 90°, 11/16"-18 ORFS x M14 x 1.5 ORB, Incl. 7 & 10
7		637-63113		1	O-RING, CI 6, 11.3MM ID x 2.2 Thk
8		238-6012		3	O-RING, -012, 90 Duro, .364" ID x .070" Thk
9		87607931		1	HOSE ASSY., TB Signal
10		515-23127		1	CLAMP, 1/2", Insul, 3/8" Bolt
11		87354031		1	BRAKE LINE, Trailer Brake, RF
12		700-105		1	CONNECTOR, HYD., 1 7/16"-12 ORFS x M22 x 2 ORB, Inc. 7 & 13
13		637-64296		1	O-RING, CI 6, 29.6MM ID x 2.9 Thk
14		515-2495		2	CLAMP, 3/8", Insul, 7/16" Bolt
15		895-18010		2	WASHER, M10 x 18 x 1.6
16		627-10020		2	BOLT, Hex, M10 x 20, 10.9, Full Thd
17		238-6021		1	O-RING, -021, 90 Duro, .926" ID x .070" Thk
18		87354035		1	HOSE ASSY.
19		87384904		1	BRACKET
20		515-22254		1	CLAMP, 1", Insul, 5/16" Bolt
21		895-11008		13	WASHER, M8 x 16 x 1.6
22		627-8020		3	BOLT, Hex, M8 x 20, 10.9
23		829-1408		7	NUT, M8, CI 10
24		627-8012		1	BOLT, Hex, M8 x 12, 10.9, Full Thd
25		87354015		1	BRAKE LINE, Service Brake
26		700-412		1	TEE, 13/16"-16 ORFS x M18 x 1.5 ORB Run, Inc. 27
27		238-6014		5	O-RING, -014, 90 Duro, .489" ID x .070" Thk
28		637-63153		1	O-RING, CI 6, 15.3MM ID x 2.2 Thk
29		515-22127		1	CLAMP, 1/2", Insul, 5/16" Bolt, P-type
30		700-305		1	ELBOW, 90°, 13/16"-18 ORFS x M18 x 1.5 ORB, 90
31		87607935		1	HOSE ASSY.
32		515-23206		2	CLAMP, 13/16", Insul, 3/8" Bolt

STEIGER 280
STEIGER 330

TRAILER BRAKES - HYDRAULIC

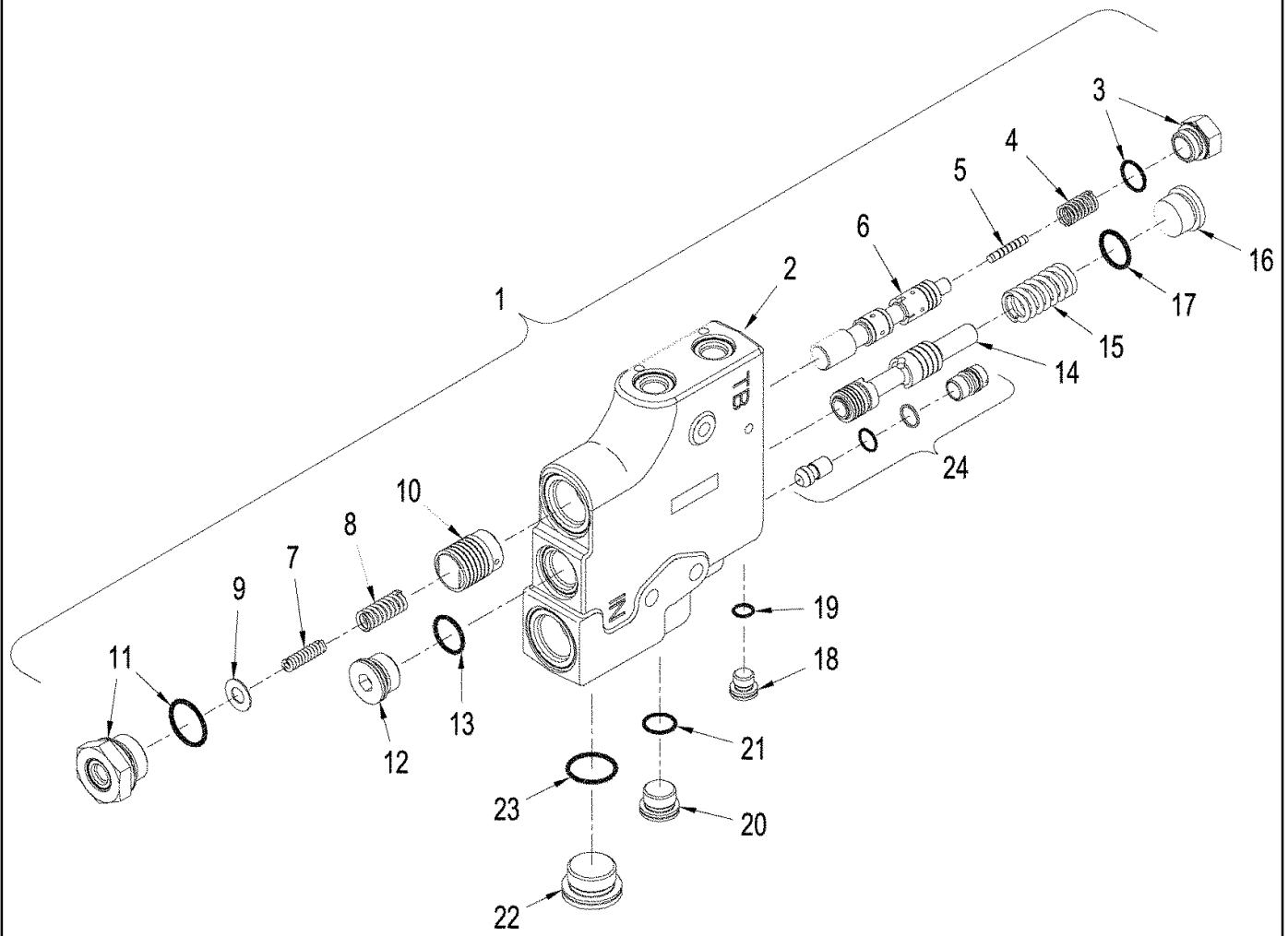


TRAILER BRAKES - HYDRAULIC

REF	FN	PART NUMBER	YR/SN	QTY	DESCRIPTION
33		414937A1		2	SPACER
34		827-8050		2	BOLT, Hex, M8 x 50, 10.9
35		87371306		1	REMOTE S/D W/ KICK OUT AN, Quick Connect
36		701-416		1	TEE, 13/16"-16 ORFS x 13/16"-16 Fem Sw Run
37		87607934		1	BRACKET, Support
38		895-11012		1	WASHER, M12 x 24 x 2.5
39		627-12020		1	BOLT, Hex, M12 x 20, 10.9, Full Thd
40		87548905		1	BRACKET, TB Pressure Valve
41		515-23254		1	CLAMP, 1", Insul, 3/8" Bolt
42		87525463		1	TUBE, HYD, Auxilliary Supply
43		701-339		1	ELBOW, 90°, 1 7/16"-12 ORFS x 1 7/16"-12 Fem Sw, Inc. 44
44		238-6014		1	O-RING, -014, 90 Duro, .489" ID x .070" Thk
45		737606R1		1	BREAKER POINTS

STEIGER 280
STEIGER 330

VALVE - HYDRAULIC TRAILER BRAKE



VALVE - HYDRAULIC TRAILER BRAKE

REF	FN	PART NUMBER	YR/SN	QTY	DESCRIPTION
1		87388358		1	VALVE SECTION, Trailer Brake, Inc. 2 - 24
2		NSS		1	NOT SERVICED SEPARATELY, Housing
3		87324557		1	PLUG, STOP
4		87444752		1	BRAKE SPRING, Return
5		86988723		1	SPOOL, Inner
6		87324553		1	SPOOL
7		87444751		1	BRAKE SPRING, Feathering Inner
8		87444750		1	BRAKE SPRING, Feathering Outer
9		NSS		AR	NOT SERVICED SEPARATELY, Shim
10		86988724		1	PISTON
11		87454597		1	PLUG
12		221580A1		1	PLUG, Hex Soc, M27 x 2, ORB, Includes 13
13		637-64236		1	O-RING, CI 6, 23.6MM ID x 2.9 Thk
14		NSS		1	NOT SERVICED SEPARATELY, Spool
15		408447A1		1	SPRING, COMPRESSION
16		9841223		1	PLUG, Hex Soc, 1 1/16"-12 ORB, Incl. 17
17		237-6012		1	O-RING, 12-1, 90 Duro, .924 ID x .118" Thk
18		221576A1		1	PLUG, Hex Soc, M14 x 1.5, ORB, Includes 19
19		637-63113		1	O-RING, CI 6, 11.3MM ID x 2.2 Thk
20		221579A1		1	PLUG, Hex Soc, M22 x 1.5, ORB, Inc. 21
21		637-63193		1	O-RING, CI 6, 19.3MM ID x 2.2 Thk
22		221527A1		1	PLUG, Hex Soc, M33 x 2, ORB, Inc. 23
23		637-64296		1	O-RING, CI 6, 29.6MM ID x 2.9 Thk
24		1542563C1		1	VALVE, CHECK, Logic

STX330 STX280
STEIGER 280 STEIGER 330

SECTION INDEX

Chassis

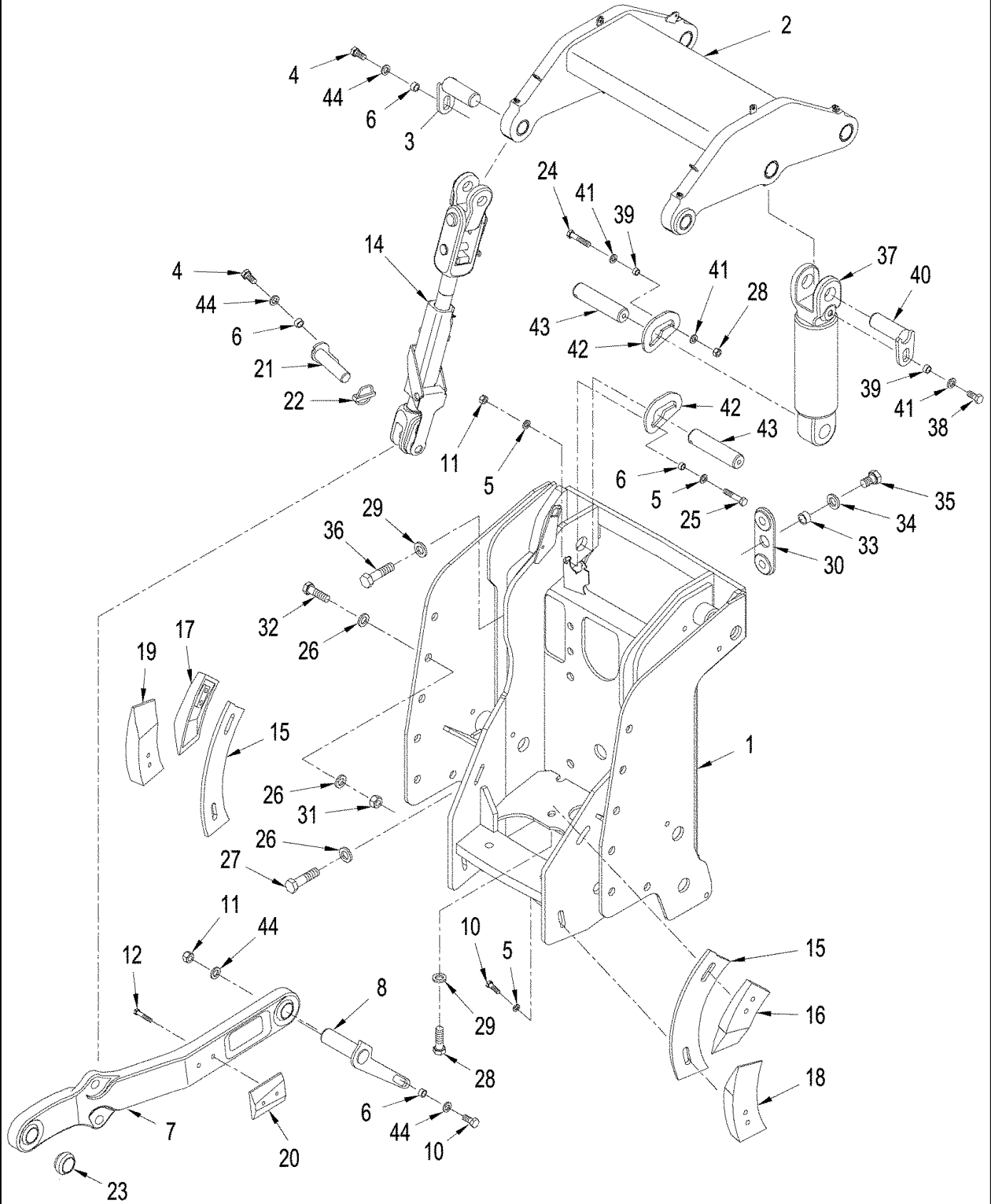
09-01		THREE POINT HITCH
09-02		ROCKSHAFT
09-03		THREE POINT HITCH - UPPER LINK, WITHOUT POWER TAKEOFF
09-04		THREE POINT HITCH - UPPER LINK, WITH POWER TAKEOFF
09-05		LINK ASSEMBLY - UPPER
09-06		LINK ASSEMBLY - LIFT
09-07		QUICK HITCH
09-08		DRAWBAR - EXTENDABLE
09-09		DRAWBAR - HEAVY DUTY, WITHOUT THREE POINT HITCH
09-10		DRAWBAR - HEAVY DUTY, WITH THREE POINT HITCH
09-11		CAB MOUNTING
09-12		INTERIOR TRIM - DELUXE AND LUXURY CABS
09-13		CAB - FLOORMATS AND DOORS
09-14		DOOR ASSEMBLY
09-15		CAB - SKIRTS AND GLASS
09-16		ROOF
09-17		CAB - HEADLINER AND CONTROL PANEL, DELUXE AND LUXURY CAB
09-18		CONSOLE - RIGHT-HAND ARMREST, MANUAL
09-19		CONSOLE - RIGHT HAND ARMREST, ELECTRIC, BSN Z7F105745
09-19	01	CONSOLE - RIGHT HAND ARMREST, ELECTRIC, ASN Z7F105745
09-20		FRONT CONSOLE
09-21		MIRRORS
09-22		SEAT - NON-INSTRUCTIONAL
09-23		SEAT - INSTRUCTIONAL
09-24		SEAT - OPERATORS
09-25		SEAT - CUSHION ASSEMBLY
09-26		SUSPENSION ASSEMBLY - SEAT
09-27		POSITIVE RESPONSE SUSPENSION ASSEMBLY - SEAT
09-28		FRONT FRAME, WITHOUT ACCUSTEER
09-29		FRONT FRAME, WITH ACCUSTEER
09-30		MIDDLE FRAME, WITH ACCUSTEER
09-31		BATTERY DOOR ASSEMBLY
09-32		BUMPER
09-33		GRILLE
09-34		HOOD AND SUPPORT
09-35		HOOD - LIFT ARM
09-36		CENTER LINK
09-37		REAR FRAME
09-38		HEATER - HOSES
09-39		AIR CONDITIONING - COMPRESSOR MOUNTING
09-40		AIR CONDITIONING SYSTEM
09-41		AIR CONDITIONING - DUCTS
09-42		AIR CONDITIONING - AIR FILTER HOUSING ASSEMBLY
09-43		AIR CONDITIONING - BLOWER ASSEMBLY
09-44		AIR CONDITIONING - CLIMATE CONTROL UNIT, WITH AUTO TEMP CONTROL
09-45		MONITOR MOUNTING
09-46		STORAGE BOX
09-47		WEIGHTS - FRONT FRAME
09-48		WEIGHTS - REAR FRAME
09-49		WEIGHTS - WHEEL
09-50		FIRE EXTINGUISHER

SECTION INDEX

Chassis

09-51		DECALS, HOOD, BSN Z6F105001
09-51	01	DECALS, HOOD, ASN Z6F105001
09-52		DECALS
09-53		DECALS
09-54		DECALS

THREE POINT HITCH

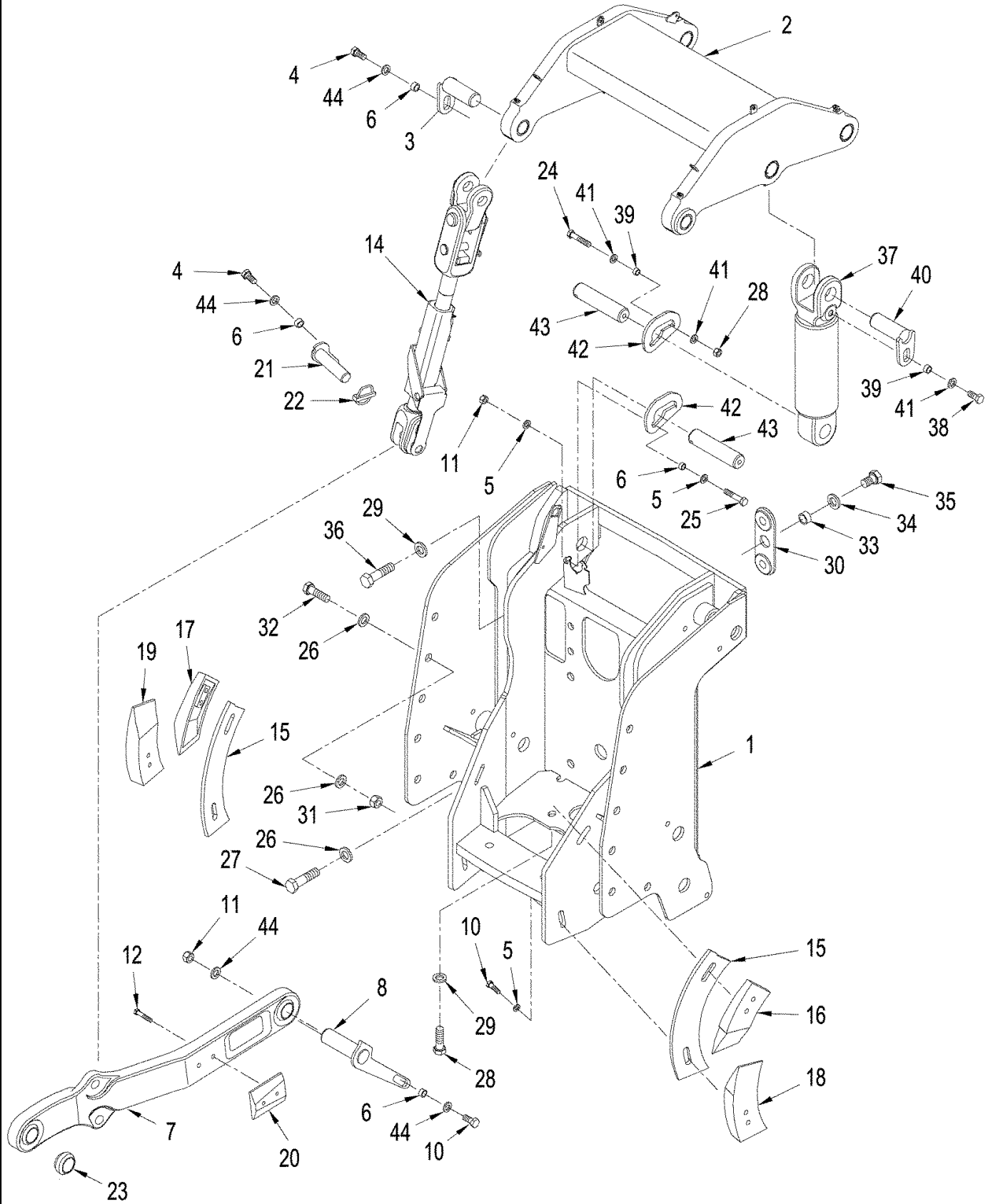


THREE POINT HITCH

REF	FN	PART NUMBER	YR/SN	QTY	DESCRIPTION
1		403740A1		1	BRACKET
2		403742A1		1	ROCKSHAFT, See Figure: 09-02
3		87444051		2	PIN
4		627-16035		4	BOLT, Hex, M16 x 35, 10.9
5		896-15016		8	WASHER, M17.5 x 34 x 5, HT
6		70-5967T1		8	SPACER
7		403718A1		2	ARM, Draft, Inc. 23
8		347641A1		1	PIN, Left-Hand, Not Illustrated
9		348061A1		1	PIN, Right-Hand
10		627-16060		10	BOLT, Hex, M16 x 60, 10.9, Full Thd
11		829-1416		4	NUT, M16, CI 10
12		827-12065		4	BOLT, Hex, M12 x 65, 10.9
13		NSS		1	NOT SERVICED SEPARATELY, Link Assy., Lift, Right-Hand, See Figure: 09-06, Not Illustrated
14		NSS		1	NOT SERVICED SEPARATELY, Link Assy., Lift, Left-Hand, See Figure: 09-06
15		403735A1		2	PLATE
16		403744A1		1	BLOCK ASSY.
17		403745A1		1	BLOCK ASSY.
18		403746A1		1	BLOCK ASSY.
19		403747A1		1	BLOCK ASSY.
20		403748A1		2	BLOCK ASSY.
21		322096A1		2	PIN
22		A30338		2	PIN
23		275912A1		2	BALL
24		827-16060		2	BOLT, Hex, M16 x 60, 10.9
25		827-16080		2	BOLT, Hex, M16 x 80, 10.9
26		896-11024		28	WASHER, M24 x 44.5 x 5, HT
27		827-24110		4	BOLT, Hex, M24 x 110, 10.9
28		829-1416		2	NUT, M16, CI 10
29		896-11020		6	WASHER, M20 x 37.5 x 4, HT
30		259389A1		2	PLATE
31		829-1424		12	NUT, M24, CI 10
32		627-24060		12	BOLT, Hex, M24 x 60, 10.9, Full Thd
33		70-5967T1		2	SPACER

STEIGER 280 STX330
STX280 STEIGER 330

THREE POINT HITCH

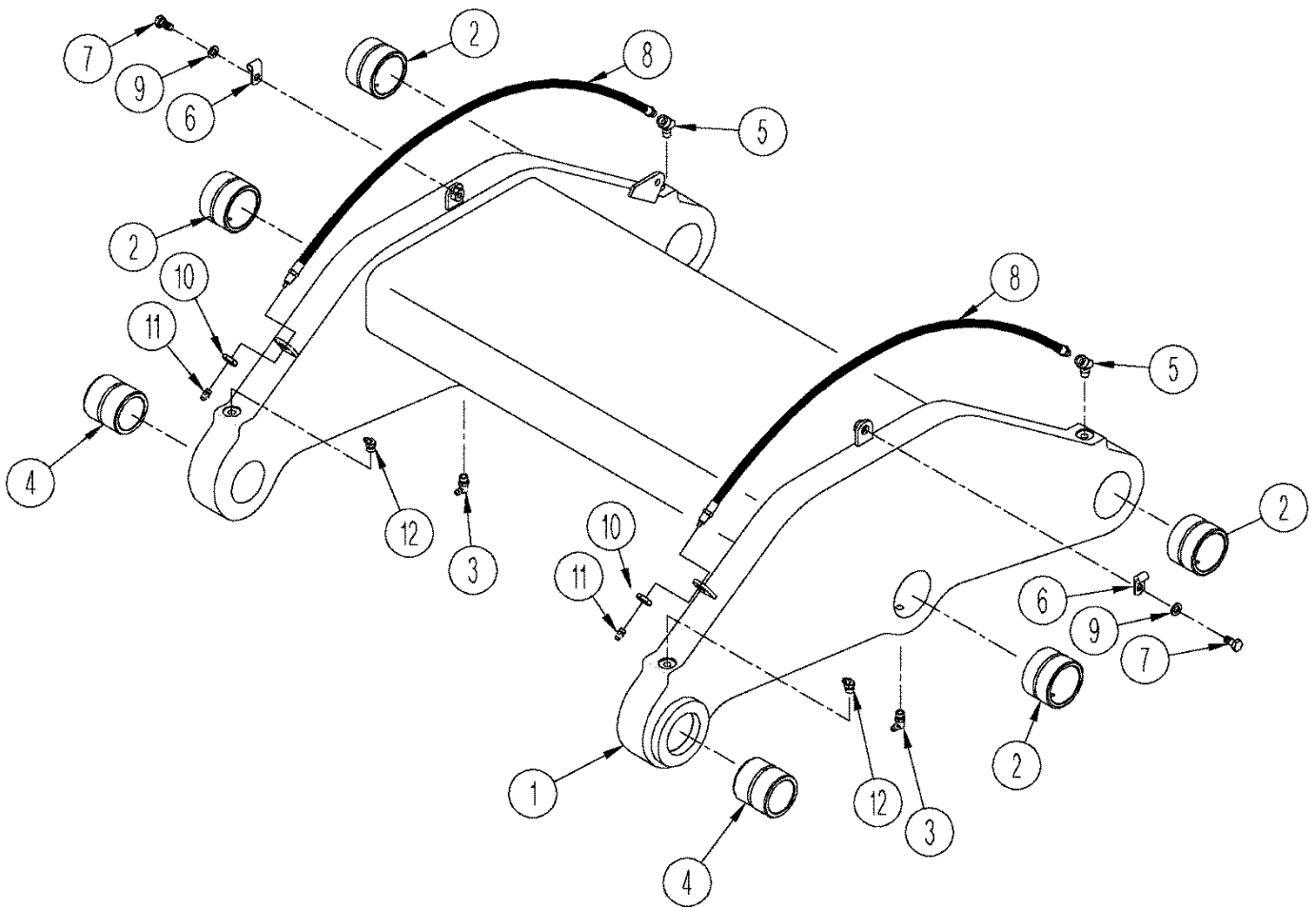


THREE POINT HITCH

REF	FN	PART NUMBER	YR/SN	QTY	DESCRIPTION
34		896-11016		12	WASHER, M17.5 x 30 x 4, HT
35		627-16025		2	BOLT, Hex, M16 x 25, 10.9, Full Thd
36		627-20050		4	BOLT, Hex, M20 x 50, 10.9
37		407145A1		2	CYLINDER ASSY., Lift, See Figure: 08-38
38		627-16035		4	BOLT, Hex, M16 x 35, 10.9
39		70-5967T1		4	SPACER
40		70-5973T2		2	PIN
41		896-11016		6	WASHER, M17.5 x 30 x 4, HT
42		403204A1		2	PLATE, Retainer
43		321188A2		2	PIN
44		896-11016		12	WASHER, M17.5 x 30 x 4, HT

	STEIGER 280 STX330 STX280 STEIGER 330
--	---

ROCKSHAFT

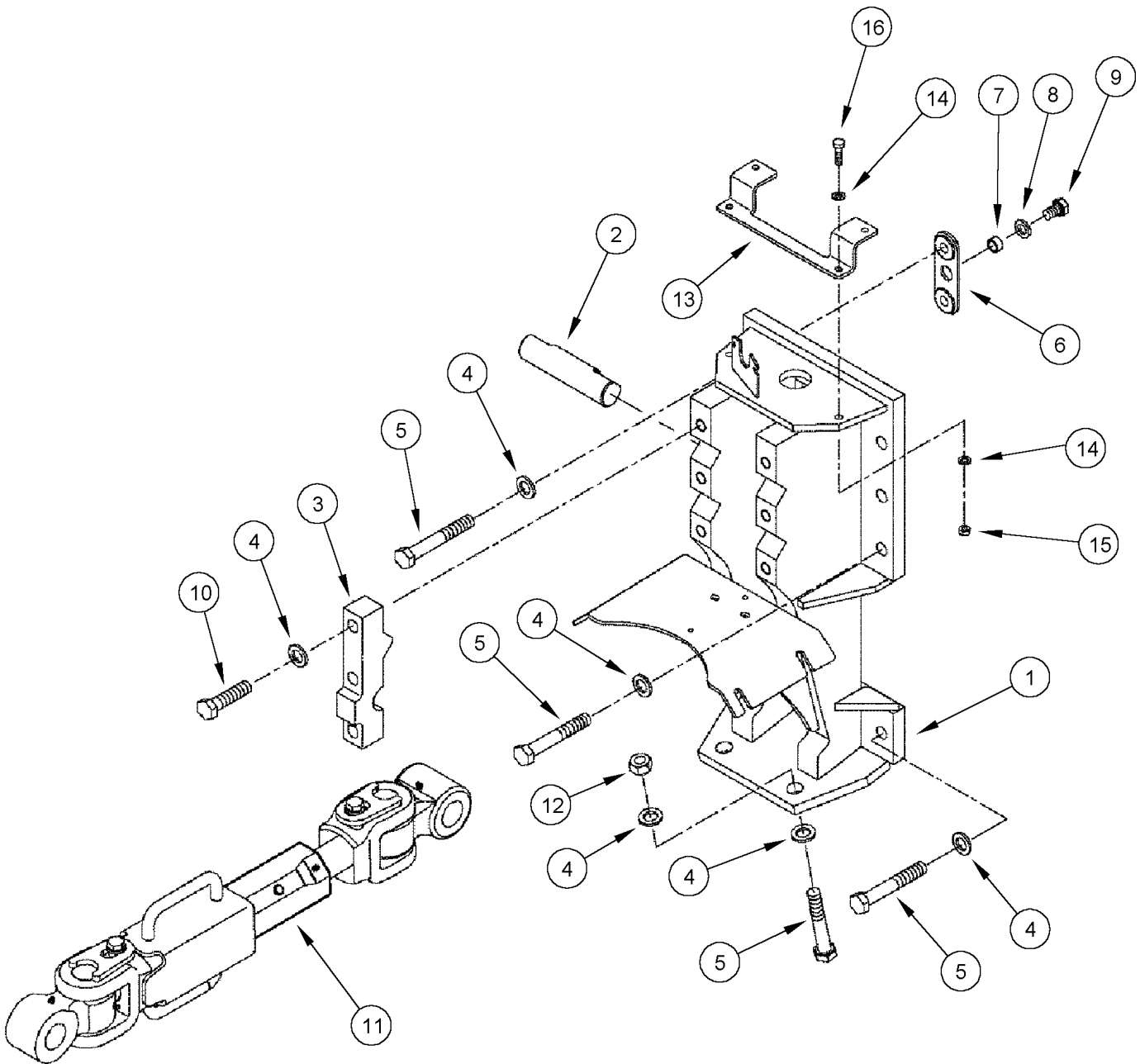


ROCKSHAFT

REF	FN	PART NUMBER	YR/SN	QTY	DESCRIPTION
		403742A1		1	ROCKSHAFT, Inc. 1 - 5 & 12
1		NSS		1	NOT SERVICED SEPARATELY, Rockshaft
2		435500A1		4	BUSHING
3		219-55		2	NIPPLE, LUBE, 90°, 1/8" NPT x .84" lg
4		328586A2		2	BUSHING
5		217-1084		2	ELBOW, 45°, 1/8"-27 Female x 1/8"-27 Male, 1/8 PT x fem PT
6		515-2279		2	CLAMP, 5/16", Insul, 5/16" Bolt, M7.9
7		627-8016		2	BOLT, Hex, M8 x 16, 10.9
8		1339231C1		2	HOSE, Grease, 737 mm (29 in.)
9		895-11008		2	WASHER, M8 x 16 x 1.6
10		F53473		2	NUT, 1/8 PT
11		219-8		2	NIPPLE, LUBE, 1/4"-28 NPT x .54" lg
12		219-36		2	NIPPLE, LUBE, 45°, 1/8" NPT x 7/8" lg

STEIGER 280 STX330
STX280 STEIGER 330

THREE POINT HITCH - UPPER LINK, WITHOUT POWER TAKEOFF

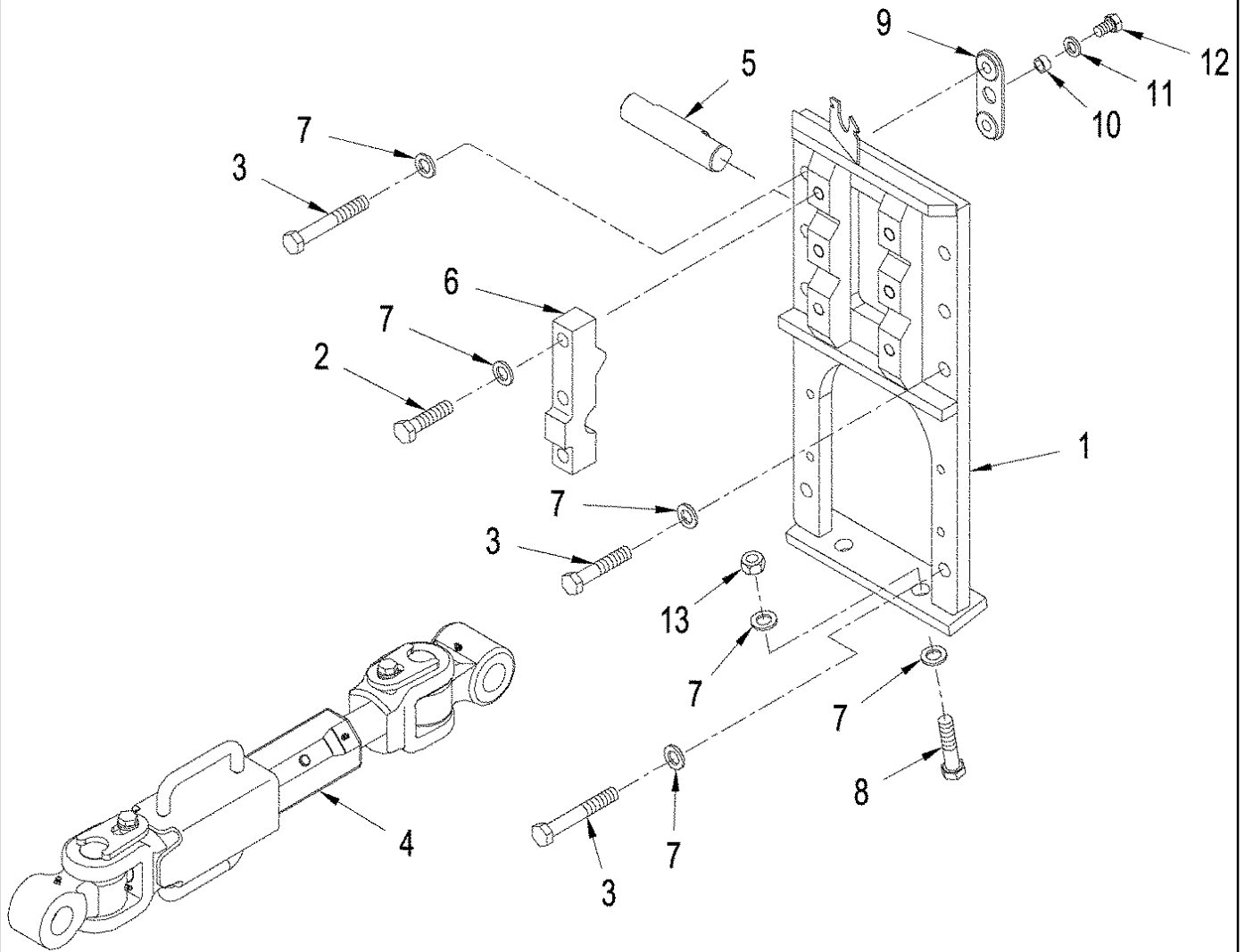


THREE POINT HITCH - UPPER LINK, WITHOUT POWER TAKEOFF

REF	FN	PART NUMBER	YR/SN	QTY	DESCRIPTION
1		403739A1		1	BRACKET
2		309663A1		1	PIN
3		403737A1		2	CLAMP
4		896-11020		16	WASHER, M20 x 37.5 x 4, HT
5		827-20090		10	BOLT, Hex, M20 x 90, 10.9
6		259389A1		2	PLATE
7		70-5967T1		2	SPACER
8		896-11016		2	WASHER, M17.5 x 30 x 4, HT
9		627-16025		2	BOLT, Hex, M16 x 25, 10.9, Full Thd
10		827-20080		6	BOLT, Hex, M20 x 80, 10.9
11		NSS		1	NOT SERVICED SEPARATELY, Link, Upper, See Figure: 09-05
12		829-1420		2	NUT, M20, CI 10
13		403736A1		1	PLATE
14		895-11010		4	WASHER, M10 x 20 x 2
15		829-1410		2	NUT, M10, CI 10
16		627-10035		2	BOLT, Hex, M10 x 35, 10.9, Full Thd

STEIGER 280 STX330
STX280 STEIGER 330

THREE POINT HITCH - UPPER LINK, WITH POWER TAKEOFF

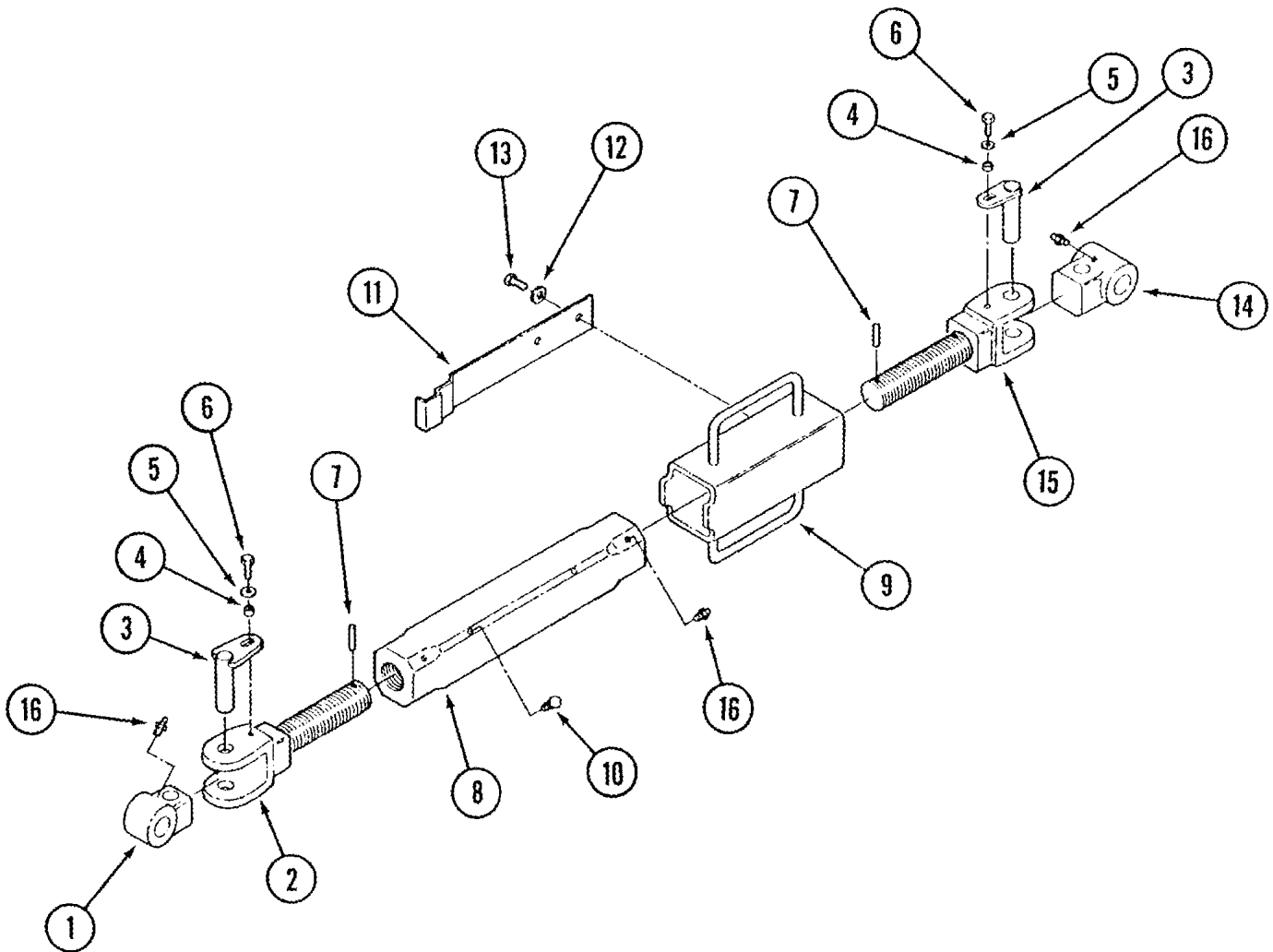


THREE POINT HITCH - UPPER LINK, WITH POWER TAKEOFF

REF	FN	PART NUMBER	YR/SN	QTY	DESCRIPTION
1		403738A1		1	BRACKET
2		827-20080		6	BOLT, Hex, M20 x 80, 10.9
3		827-20230		8	BOLT, Hex, M20 x 230, 10.9
4		NSS		1	NOT SERVICED SEPARATELY, Link, Upper, See Figure: 09-05
5		309663A1		1	PIN
6		403737A1		2	CLAMP
7		896-11020		16	WASHER, M20 x 37.5 x 4, HT
8		827-20090		2	BOLT, Hex, M20 x 90, 10.9
9		259389A1		2	PLATE
10		70-5967T1		4	SPACER
11		896-11016		4	WASHER, M17.5 x 30 x 4, HT
12		627-16025		4	BOLT, Hex, M16 x 25, 10.9, Full Thd
13		829-1420		4	NUT, M20, CI 10

STEIGER 280 STX330
STX280 STEIGER 330

LINK ASSEMBLY - UPPER

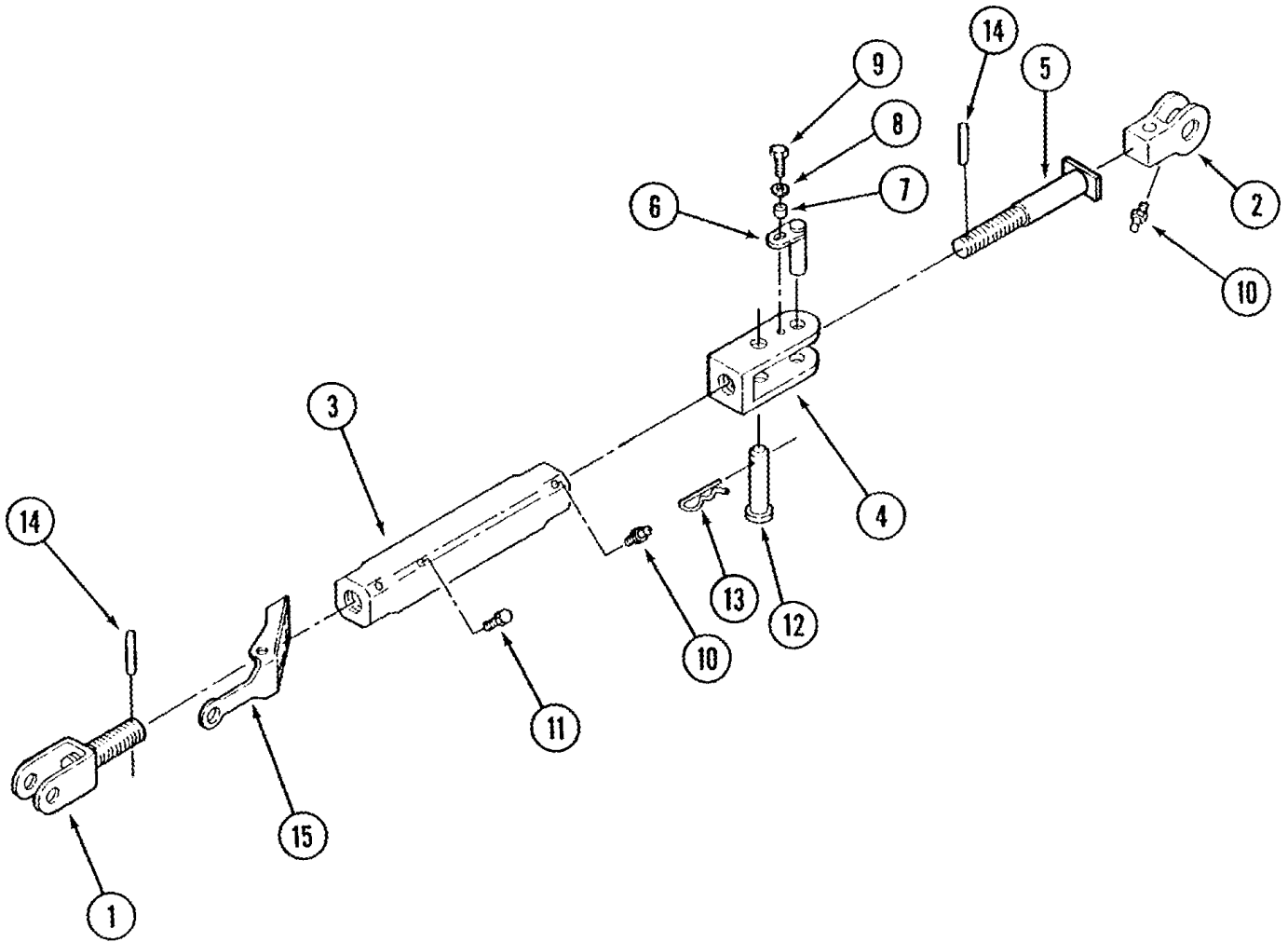


LINK ASSEMBLY - UPPER

REF	FN	PART NUMBER	YR/SN	QTY	DESCRIPTION
1		403726A1		1	KNUCKLE ASSY.
2		403731A1		1	LINK, U-Joint, RH
3		87444051		2	PIN
4		70-5967T1		2	SPACER
5		896-11016		2	WASHER, M17.5 x 30 x 4, HT
6		627-16035		2	BOLT, Hex, M16 x 35, 10.9
7		838-3655		2	PIN, M6 x 55
8		403729A1		1	TURNBUCKLE
9		403730A1		1	LOCK
10		295004A1		4	PLUG
11		282523A1		1	LOCK, Anti-Rotation
12		895-11008		2	WASHER, M8 x 16 x 1.6
13		627-8012		2	BOLT, Hex, M8 x 12, 10.9, Full Thd
14		403728A1		1	KNUCKLE ASSY.
15		403733A1		1	LINK, U-Joint, LH
16		219-8		6	NIPPLE, LUBE, 1/4"-28 NPT x .54" lg

STEIGER 280 STX330
 STX280 STEIGER 330

LINK ASSEMBLY - LIFT

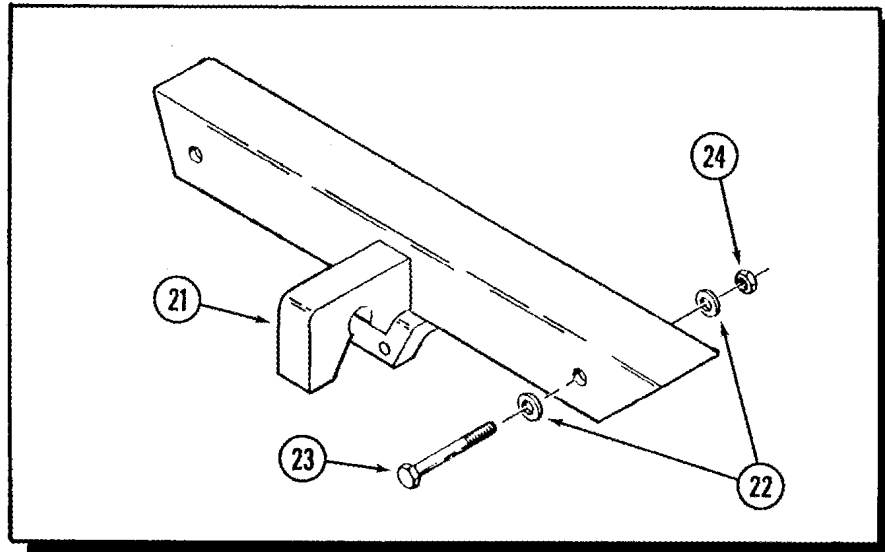
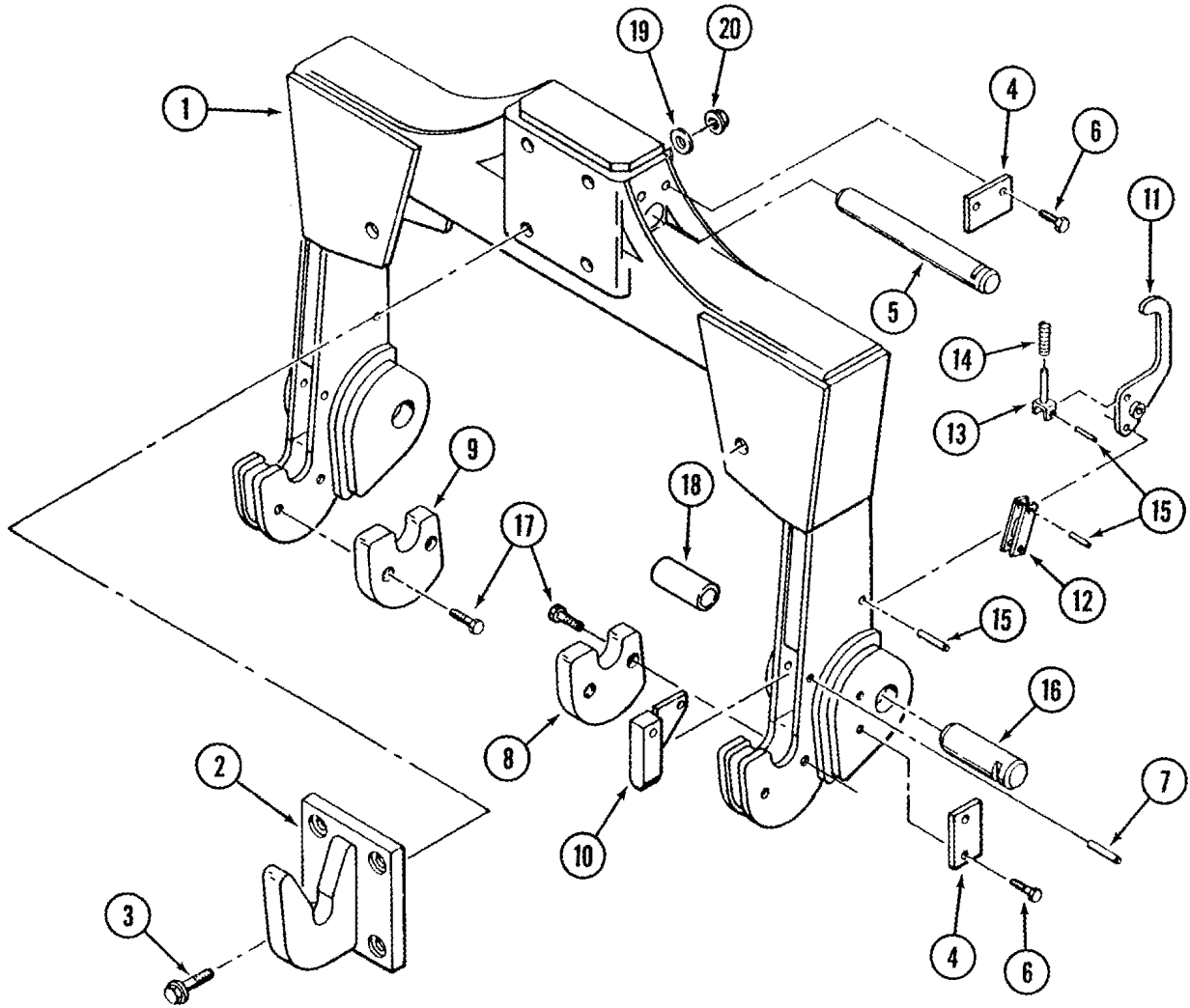


LINK ASSEMBLY - LIFT

REF	FN	PART NUMBER	YR/SN	QTY	DESCRIPTION
1		329058A1		1	CLEVIS
2		403720A1		1	KNUCKLE ASSY.
3		403729A1		1	TURNBUCKLE
4		403719A1		1	CLEVIS
5		322446A1		1	BOLT
6		87444051		1	PIN
7		70-5967T1		1	SPACER
8		896-11016		1	WASHER, M17.5 x 30 x 4, HT
9		627-16035		1	BOLT, Hex, M16 x 35, 10.9
10		219-8		3	NIPPLE, LUBE, 1/4"-28 NPT x .54" lg
11		295004A1		4	PLUG
12		388469A1		1	PIN, CLEVIS
13		136-251		1	PIN, SPLIT (COTTER), Int, 7/16" x .177"
14		838-3655		2	PIN, Coiled Spring, M6 x 55
15		344696A2		1	LATCH

STEIGER 280 STX280
STX330 STEIGER 330

QUICK HITCH



QUICK HITCH

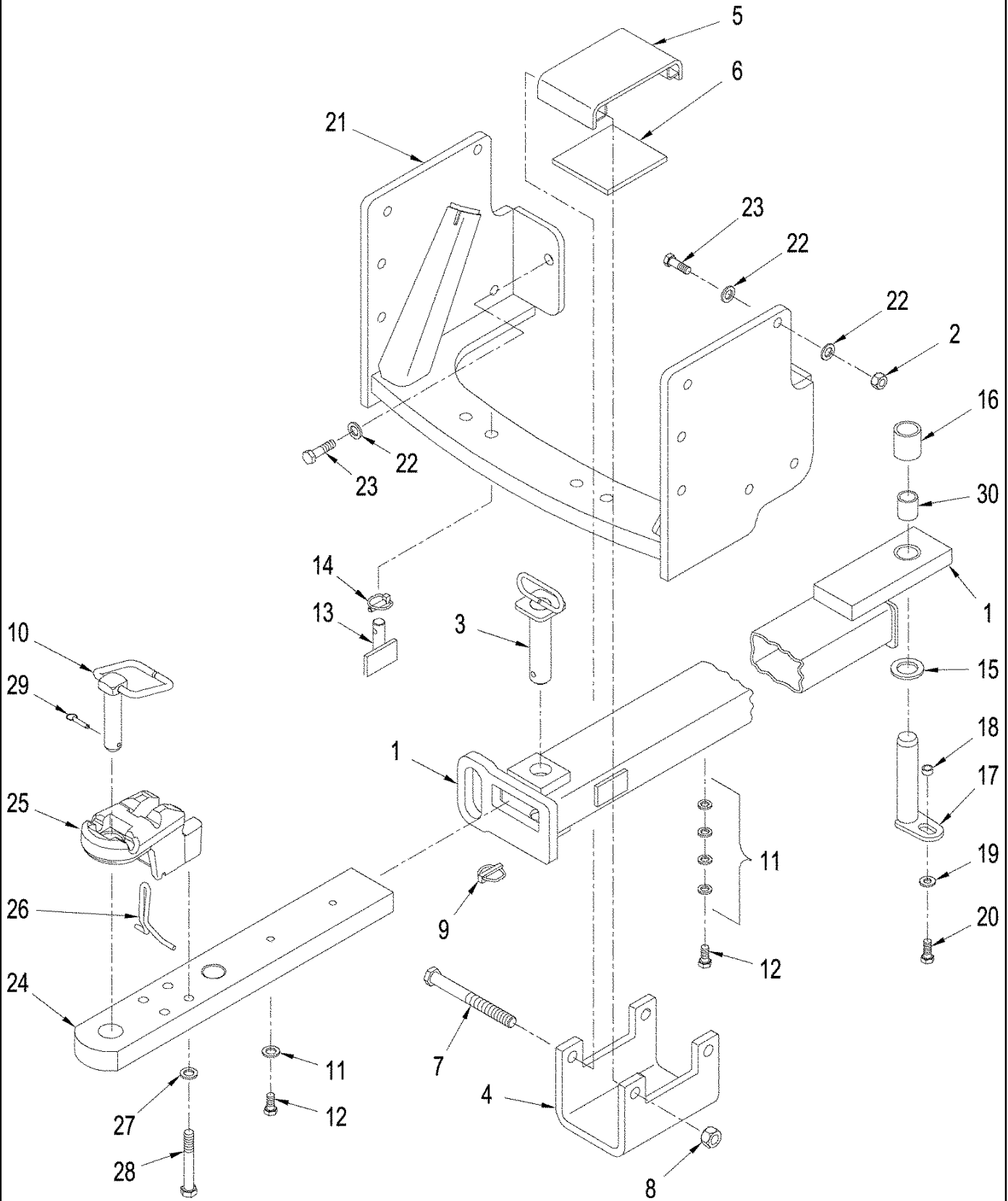
REF	FN	PART NUMBER	YR/SN	QTY	DESCRIPTION
1	1	409653A1		1	COUPLING
2		409654A1		1	HOOK
3		460-1240		4	BOLT, Hex Flg, 3/4"-10 x 2 1/2", G8
4		409664A1		3	BLOCK, Retainer
5		70-1895T1		1	PIN
6		426-816		6	BOLT, Hex, 1/2"-13 x 1", G8, Full Thd
7		38-33240		4	PIN, 1/2" x 2 1/2", Coiled
8		409656A1		1	CAP, Spacer, Right-Hand
9		409658A1		1	CAP, Spacer, Left-Hand
10		409659A1		2	STOP, Hitch Release
11		409660A1		2	LATCH
12		409661A1		2	LINK, CONNECTING
13		409662A1		2	LINK, CONNECTING
14		2-4345T1		2	SPRING
15		38-32018		6	PIN, 5/16" x 1 1/8", Coiled
16		70-1894T1		2	PIN
17		426-824		4	BOLT, Hex, 1/2"-13 x 1 1/2", G8, Full Thd
18		383347A1		2	SPACER
19		495-11081		4	WASHER, 3/4", SAE
20		19-651		4	NUT, 3/4
21	2	409655A1		1	HOOK
22		496-21106		4	WASHER, 1 1/16" x 2" x .209"
23		426-16120		2	BOLT, Hex, 1"-8 x 7 1/2", G8
24		429-1016		2	NUT, 1"-8, G8, 1 in.; 8

(1) Category IV- Narrow

(2) Category III

STEIGER 280 STX280
 STX330 STEIGER 330

DRAWBAR - EXTENDABLE

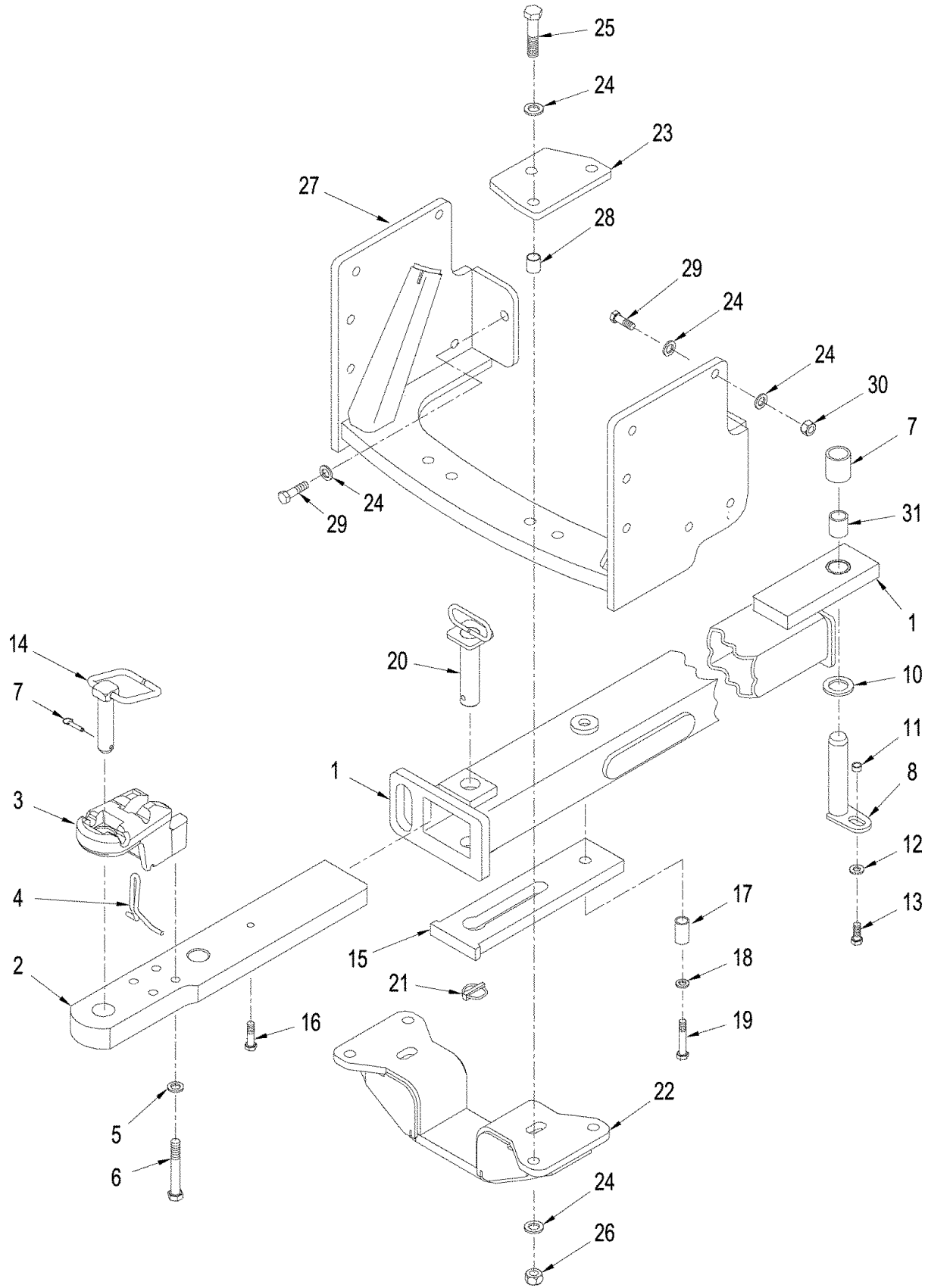


DRAWBAR - EXTENDABLE

REF	FN	PART NUMBER	YR/SN	QTY	DESCRIPTION
1		402661A1		1	DRAWBAR, Receiver
2		829-1424		12	NUT, M24, CI 10
3		403199A1		1	PIN, HITCH
4		403194A1		1	YOKE
5		403195A1		1	COVER
6		435498A1		1	PLASTIC, Cover
7		90-7494T1		2	SCREW, 1 NC x 9-1/4
8		429-1016		2	NUT, 1"-8, G8, 1 in; 8
9		19-1041		1	PIN, LOCK, 7/16" x 2"
10		375720A1		1	PIN
11		896-11016		5	WASHER, M17.5 x 30 x 4, HT
12		627-16035		2	BOLT, Hex, M16 x 35, 10.9
13		403196A1		2	PIN
14		19-6056		2	PIN, LOCK, 7/16" x 1 3/4"
15		1-4088		1	WASHER, 1-3/4 x 2-3/4 x 1/4
16		361696A2		1	SPACER
17		195941A1		1	PIN
18		70-5967T1		1	SPACER
19		496-21066		1	WASHER, 21/32" x 1 5/16" x .150"
20		627-16040		1	BOLT, Hex, M16 x 40, 10.9
21		87441225		1	HANGER, Without Three Point Hitch
22		896-11024		26	WASHER, M24 x 44.5 x 5, HT
23		627-24070		14	BOLT, Hex, M24 x 70, 10.9, Full Thd
24		359506A1		1	DRAWBAR
25		375719A1		1	STRAP, Hammer, Drop Pin
26		375721A1		2	LATCH, Drop Pin
27		896-11020		4	WASHER, M20 x 37.5 x 4, HT
28		827-20110		4	BOLT, Hex, M20 x 110, 10.9
29		393878A1		1	PIN
30		70-4620T2		1	BUSHING, LARGE, Drawbar Receiver

STEIGER 280 STX330
 STX280 STEIGER 330

DRAWBAR - HEAVY DUTY, WITHOUT THREE POINT HITCH

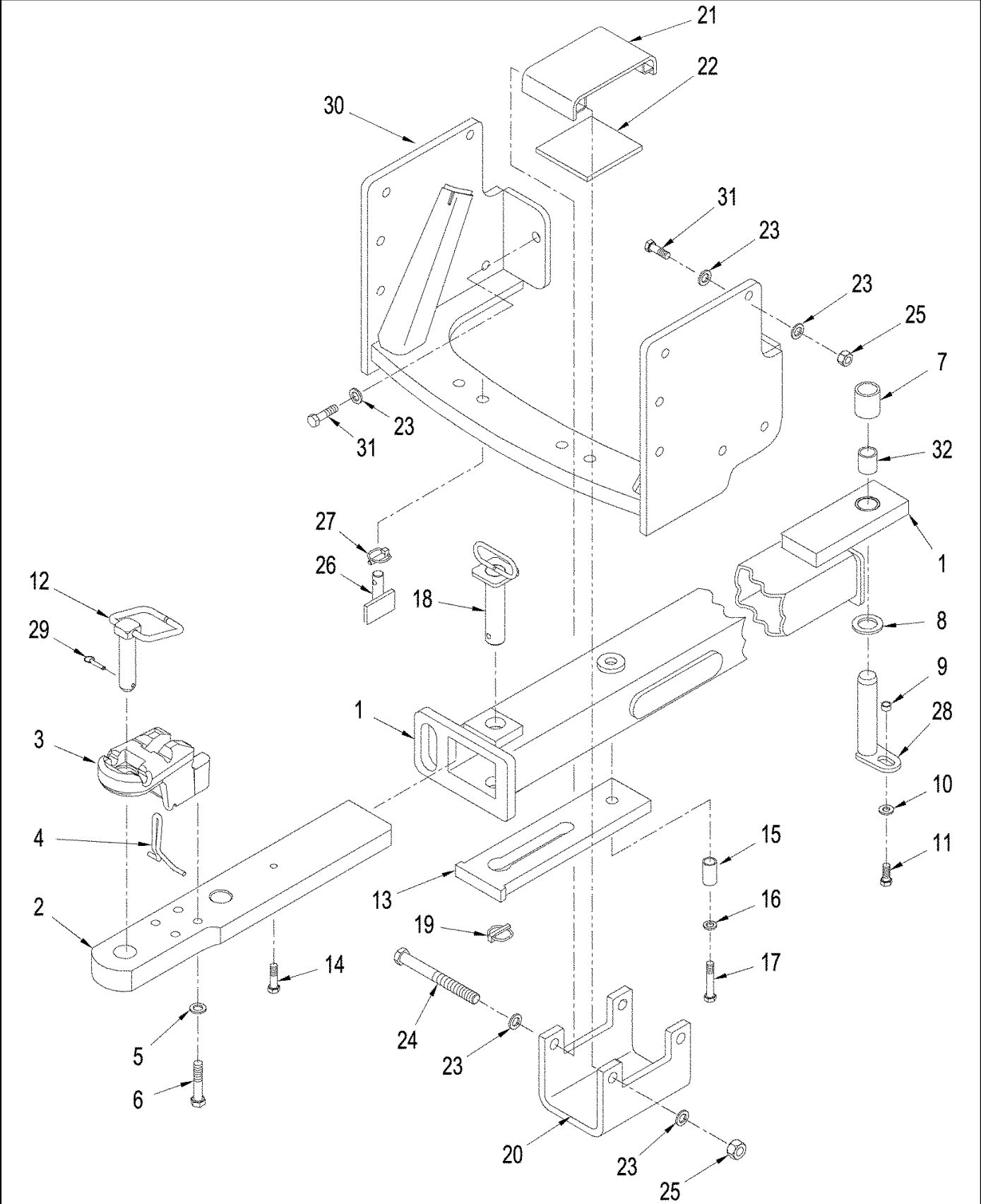


DRAWBAR - HEAVY DUTY, WITHOUT THREE POINT HITCH

REF	FN	PART NUMBER	YR/SN	QTY	DESCRIPTION
1		402654A1		1	DRAWBAR, Reciever
2		402663A1		1	DRAWBAR
3		375719A1		1	STRAP, Hammer, Drop Pin
4		375721A1		1	LATCH, Drop Pin
5		896-11020		4	WASHER, M20 x 37.5 x 4, HT
6		827-20110		4	BOLT, Hex, M20 x 110, 10.9
7		393878A1		1	PIN, Quick Release
8		195941A1		1	PIN
9		361696A2		1	SPACER
10		1-4088		1	WASHER, 1-3/4 x 2-3/4 x 1/4
11		70-5967T1		1	SPACER
12		496-21066		1	WASHER, 21/32" x 1 5/16" x .150"
13		627-16040		1	BOLT, Hex, M16 x 40, 10.9
14		375720A1		1	PIN
15		430620A1		1	PLATE, SPACER
16		627-16035		1	BOLT, Hex, M16 x 35, 10.9
17		363131A2		1	SPACER
18		495-21069		1	WASHER, 5/8"
19		827-16060		1	BOLT, Hex, M16 x 60, 10.9
20		403209A1		1	PIN
21		19-1041		1	PIN, LOCK, 7/16" x 2"
22		403210A1		1	HANGER
23		403211A1		2	PLATE
24		896-11024		12	WASHER, M24 x 44.5 x 5, HT
25		827-24110		6	BOLT, Hex, M24 x 110, 10.9
26		829-1424		6	NUT, M24, CI 10
27		87441225		1	HANGER, Without TPH
28		363130A1		4	SPACER
29		627-24070		14	BOLT, Hex, M24 x 70, 10.9, Full Thd
30		829-1424		12	NUT, M24, CI 10
31		70-4620T2		1	BUSHING, LARGE, Drawbar Receiver

STEIGER 280 STX330
 STX280 STEIGER 330

DRAWBAR - HEAVY DUTY, WITH THREE POINT HITCH

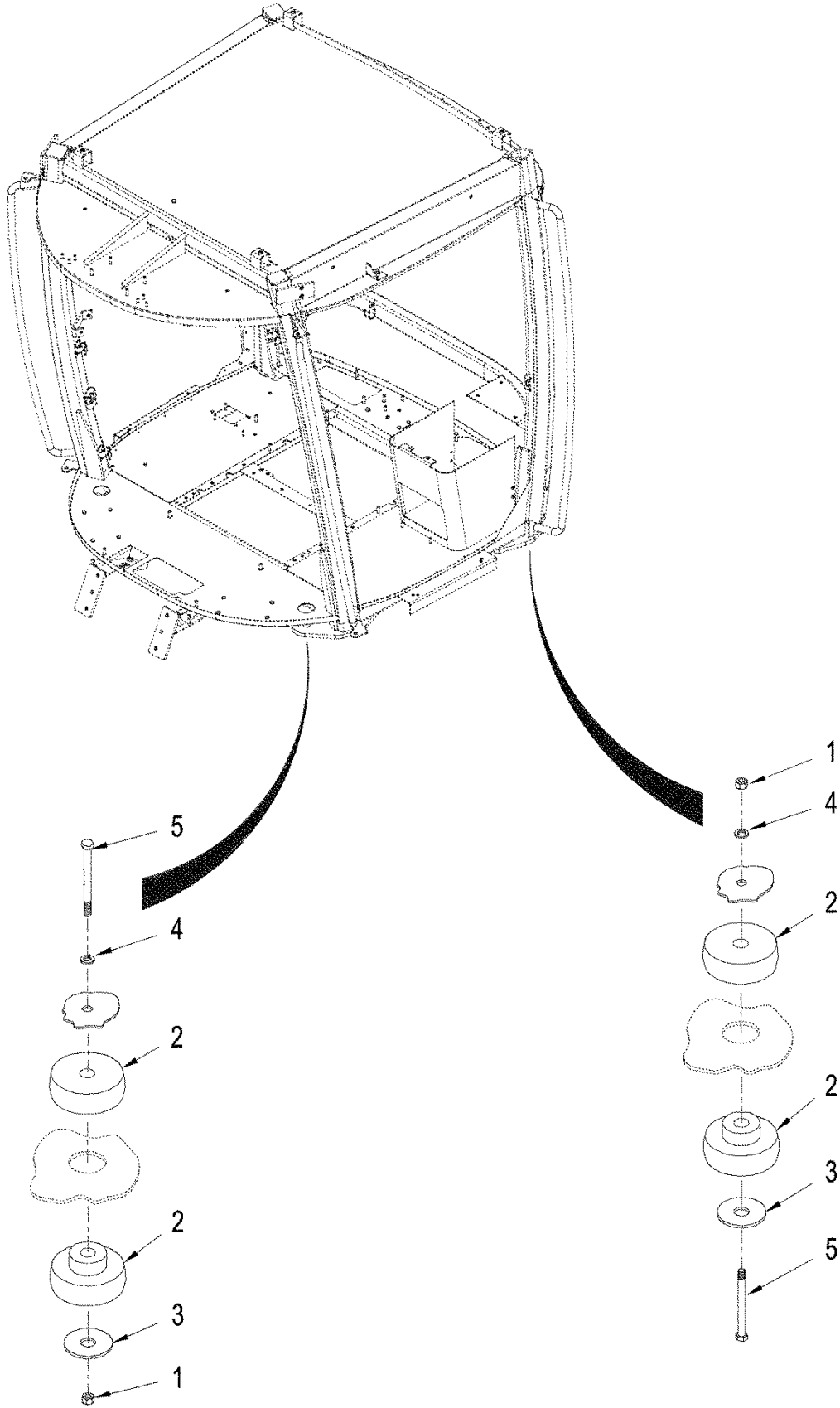


DRAWBAR - HEAVY DUTY, WITH THREE POINT HITCH

REF	FN	PART NUMBER	YR/SN	QTY	DESCRIPTION
1		402654A1		1	DRAWBAR, Receiver
2		402663A1		1	DRAWBAR
3		375719A1		1	STRAP, Hammer, Drop Pin
4		375721A1		1	LATCH, Drop Pin
5		896-11020		4	WASHER, M20 x 37.5 x 4, HT
6		827-20110		4	BOLT, Hex, M20 x 110, 10.9
7		361696A2		1	SPACER
8		1-4088		1	WASHER, 1-3/4 x 2-3/4 x 1/4
9		70-5967T1		1	SPACER
10		496-21066		1	WASHER, 21/32" x 1 5/16" x .150"
11		627-16040		1	BOLT, Hex, M16 x 40, 10.9
12		375720A1		1	PIN
13		430620A1		1	PLATE, SPACER
14		627-16035		1	BOLT, Hex, M16 x 35, 10.9
15		363131A2		1	SPACER
16		495-21069		1	WASHER, 5/8"
17		827-16060		1	BOLT, Hex, M16 x 60, 10.9
18		403209A1		1	PIN
19		19-1041		1	PIN, LOCK, 7/16" x 2"
20		403217A1		1	YOKE
21		403218A1		1	COVER ASSY
22		363540A1		1	SPACER
23		896-11024		4	WASHER, M24 x 44.5 x 5, HT
24		827-24270		2	BOLT, Hex, M24 x 270, 10.9
25		829-1424		2	NUT, M24, CI 10
26		403219A1		2	PIN ASSY.
27		19-6056		2	PIN, LOCK, 7/16" x 1 3/4"
28		195941A1		1	PIN
29		393878A1		1	PIN
30		87441225		1	HANGER
31		627-24070		14	BOLT, Hex, M24 x 70, 10.9, Full Thd
32		70-4620T2		1	BUSHING, LARGE, Drawbar Receiver

STEIGER 280 STX330
STX280 STEIGER 330

CAB MOUNTING

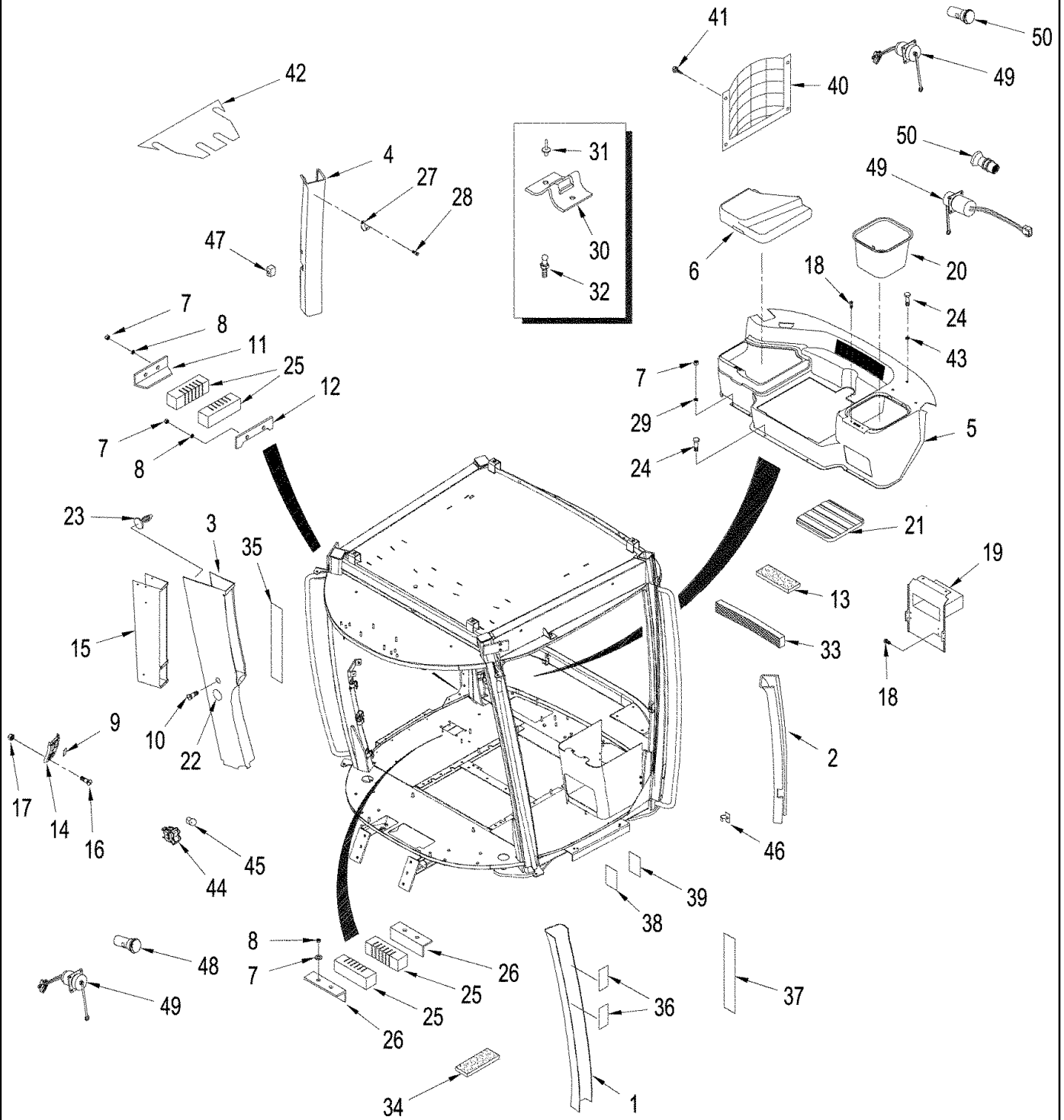


CAB MOUNTING

REF	FN	PART NUMBER	YR/SN	QTY	DESCRIPTION
1		832-10424		4	NUT, LOCK, M24 x 3, CI 8
2		87422287		4	MOUNT, RUBBER, Isolator
3		371043A1		4	WASHER, Steel
4		896-11024		4	WASHER, M24 x 44.5 x 5, HT
5		827-24160		4	BOLT, Hex, M24 x 160, 10.9

	STEIGER 280 STX330 STX280 STEIGER 330
--	--

INTERIOR TRIM - DELUXE AND LUXURY CABS



09-12

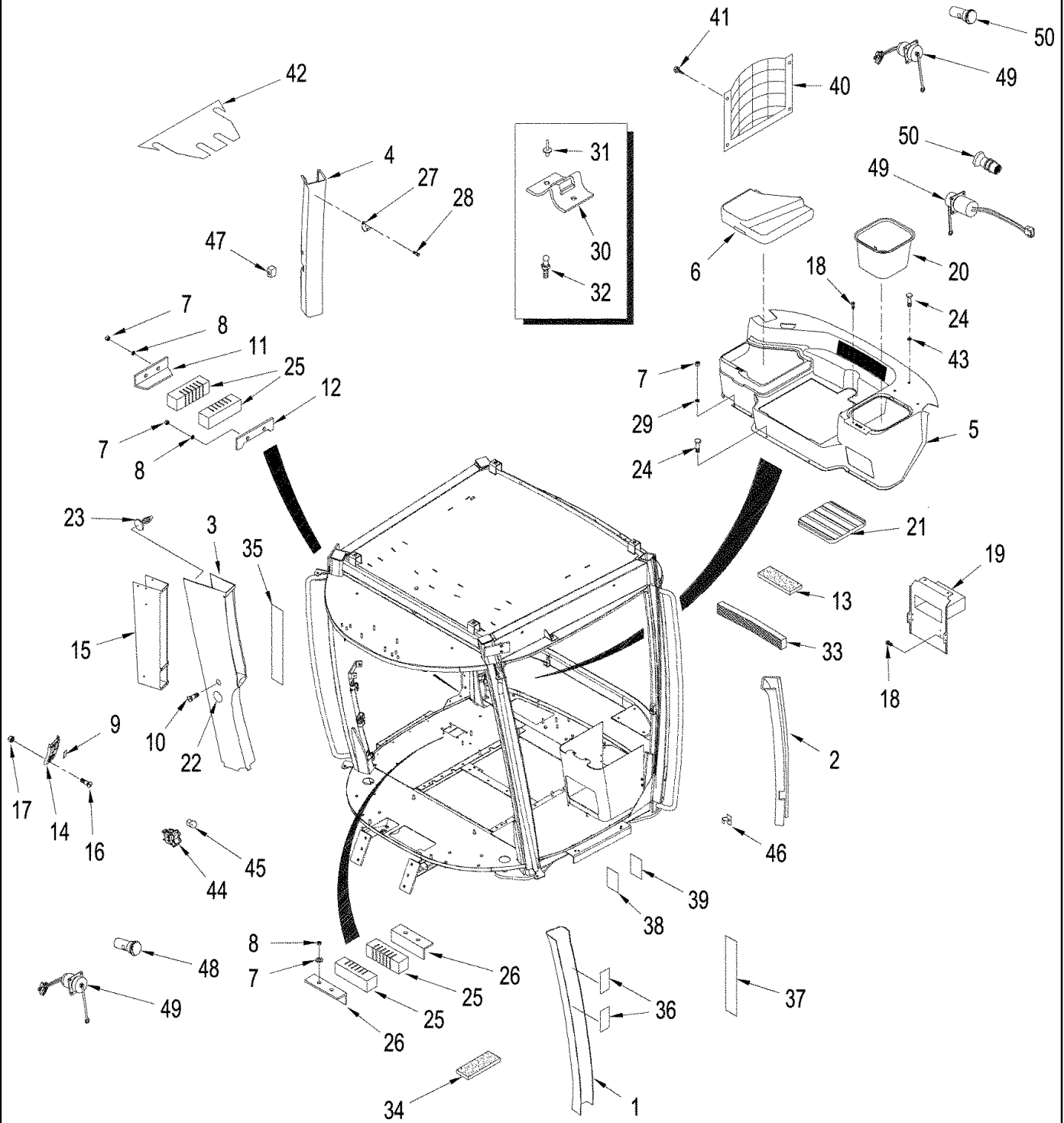
p1

08/07

INTERIOR TRIM - DELUXE AND LUXURY CABS

REF	FN	PART NUMBER	YR/SN	QTY	DESCRIPTION
1		358333A2		1	COVER, Post, Roll Over Protection
2		358338A4		1	COVER, Post, Roll Over Protection
3		358334A4		1	COVER, Post, Roll Over Protection
4		377385A3		1	COVER, Post, Roll Over Protection
5		358327A4		1	CONSOLE, Rear
6		380756A2		1	COVER, Electronics
7		829-1406		12	NUT, M6, CI 10
8		895-11006		8	WASHER, M6
9		245918C1		2	CAP, Blank Slot
10		627-8020		4	BOLT, Hex, M8 x 20, 10.9
11		291835A4		1	BRACKET
12		291836A3		1	BRACKET
13		259461A1		3	FOAM
14		358343A2		1	BEZEL
15		303158A5		1	SUPPORT
16		260-16516		2	SCREW, SELF TAP, Cross Pan Hd, #10 x 1"
17		177269A1		2	NUT
18		628-6020		6	BOLT, Hex, M6 x 20, 10.9, Full Thd
19		371685A4		1	BOX, Compact Disc
20		119308A2		1	ASH TRAY, Storage
21		87608402		1	MAT, FLOOR
22		401529A1		4	COVER
23		376553A1		3	FASTENER
24		855-8030		3	BOLT, Hex Flg, M8 x 30, 10.9, Full Thd
25		60-7021T1		4	FOAM
26		308579A1		2	BRACKET, Angle
27		114549A1		1	COAT HOOK
28		765-17316		2	SCREW, SELF TAP, Oval Hd, M4.2 x 16
29		895-25006		4	WASHER, M6 x 18 x 1.6
30		1961435C1		1	LATCH
31		151-553		2	RIVET, Pop, 1/8" x .337"
32		1977929C1		1	STUD
33		87409368		1	FILTER, CAB, Air Recirculation
34		87416388		1	INSULATOR BLOCK
35		355371A2		1	TAPE, ADHESIVE
					STEIGER 280 STX330 STX280 STEIGER 330

INTERIOR TRIM - DELUXE AND LUXURY CABS



09-12

p2

08/07

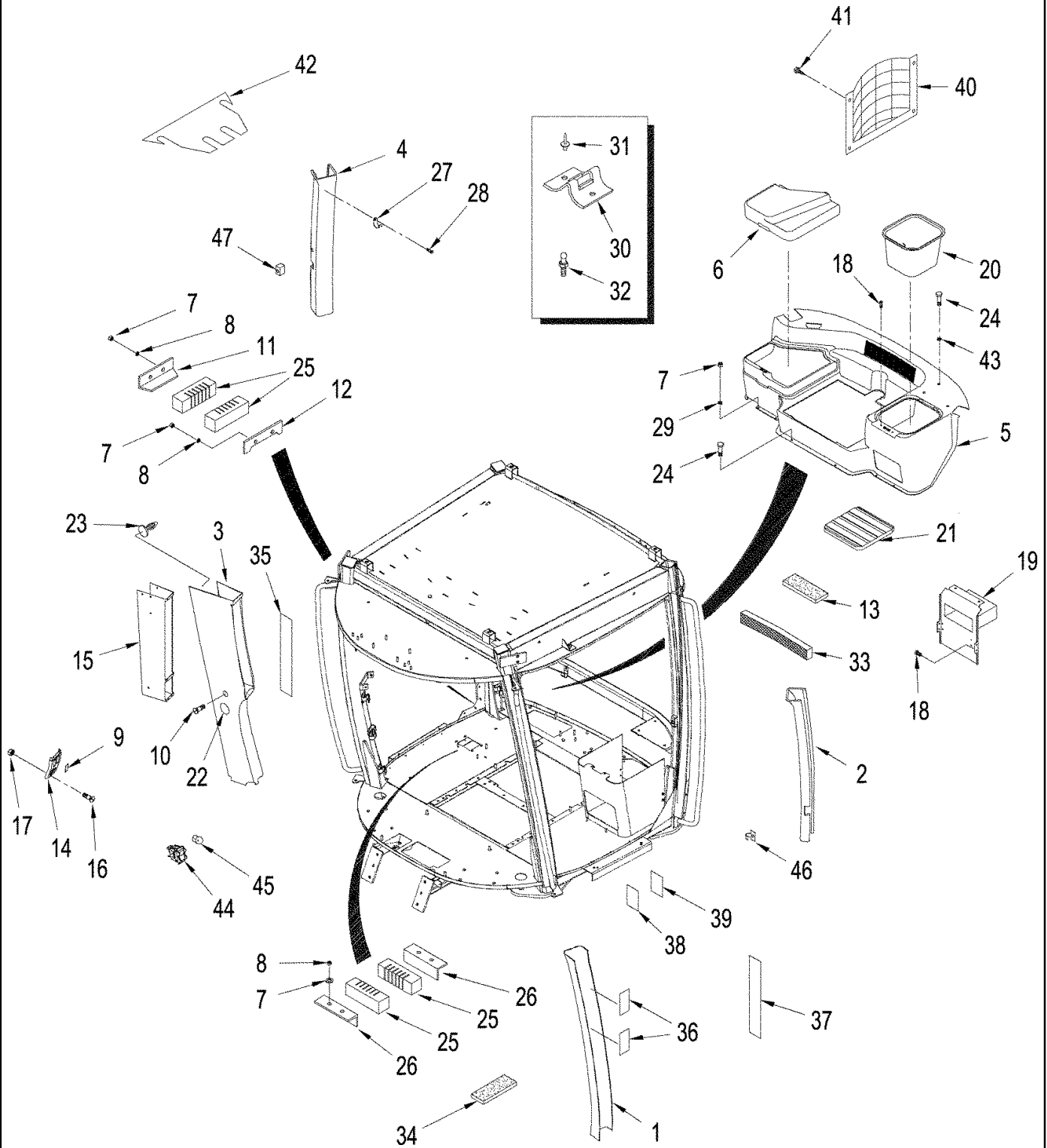
INTERIOR TRIM - DELUXE AND LUXURY CABS

REF	FN	PART NUMBER	YR/SN	QTY	DESCRIPTION
36		356717A1		2	TAPE, ADHESIVE
37		349366A2		1	FOAM
38		356789A1		2	FASTENER, Velcro Hook, Cut From 356788A1
39		357564A1		2	FASTENER, Velcro Loop, Cut From 357653A1
40		369937A1		1	NET
41		369929A1		5	FASTENER, Christmas Tree
42		307026A1		1	SHIELD, Cable Access
43		896-16008		3	WASHER, M8 x 21.5 x 2.5, HT
44	1	418506A1		1	SWITCH, Park Brake
45	1	409808A1		1	INDICATOR, Hi / Lo
46		369719A1		1	BRACKET, Door, LH
47		371554A1		1	BRACKET, Door, RH
48		87452321		1	OUTLET, Power
49		227739A2		3	CONNECTOR, ELEC
50		388813A1		2	OUTLET, Power

(1) With Manual Shift Transmission

STEIGER 280 STX330
 STX280 STEIGER 330

CAB - FLOORMATS AND DOORS



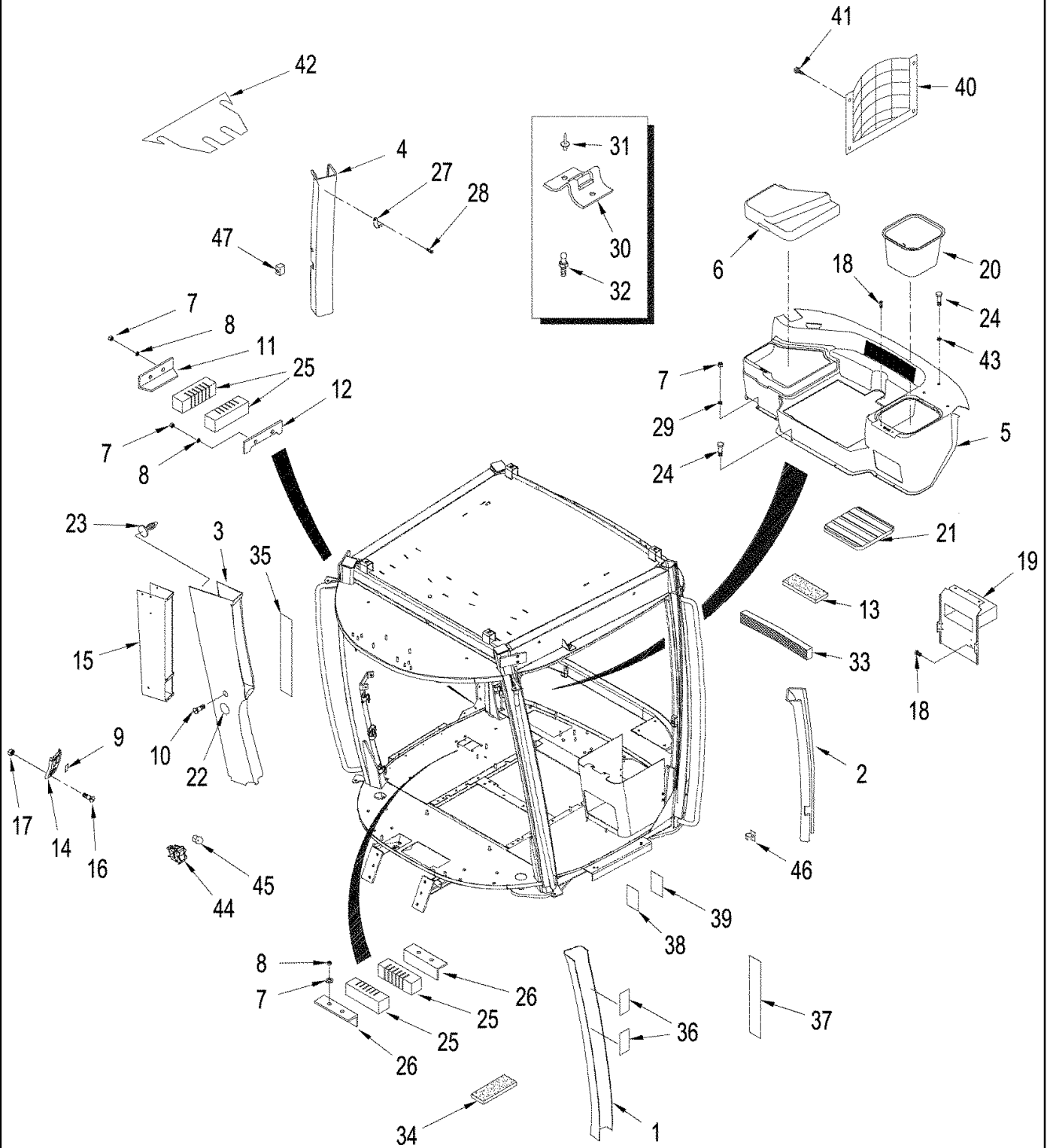
CAB - FLOORMATS AND DOORS

REF	FN	PART NUMBER	YR/SN	QTY	DESCRIPTION
1	1	87561589		1	MAT, FLOOR, Rubber
2	2	87561584		1	CARPET
3	3	87340861		1	MAT, FLOOR, Rubber
4		87537334		1	FRAME, CAB, ROPs
4		87537336		1	FRAME, CAB, ROPs / FOPs
5		87537771		1	INSULATION, FOAM
6		390360A1		2	SEAL, Cut From 388449A1
7		733-3220		2	PIN, SPLIT (COTTER), M3.2 x 20
8		353-593		2	PLUG, 2-1/2 ID
9		369719A1		1	BRACKET
10		371554A1		1	BRACKET
11	4	353-404		1	PLUG, Dome, .500" hole, Nylon, Dome, 1/4"
12		442085A1		2	MOUNTING PARTS
13		3234063R1		2	BALL JOINT
14		413022A2		1	DOOR ASSY., See Figure: 09-14
	5	389175A3		1	WINDOW ASSY, Inc. 13, 15, 16 - 23, 33 , 42 - 44
15		389176A1		1	FRAME, WINDOW, Right-Hand
16		181242A3		1	WINDOW, Glass
17		87420877		1	BRACKET, Latch
18		87422906		1	BUSHING, M6
19		87423414		2	WASHER, Nylon
20		87418389		1	LATCH ASSY., Door, Right-Hand
21		844-6020		1	BOLT, Hex Flg, M6 x 20, 8.8
22		627-6016		2	BOLT, Hex, M6 x 16, 10.9
23		825-2406		2	NUT, M6 x 1, Flg, CI 8
24		87543673		10	SPACER
26		832-4748		1	NUT, LOCK, M8 x 1.25, Flg, CI 8
27		87429877		4	BUSHING
28		R51754		1	CATCH
29		231-5347		1	NUT, LOCK, 7/16"-14, G5

- (1) With Power Shift Transmission
(2) Luxury Cab
(3) With Manual Shift Transmission
(4) Used without ACCUGUIDE Option
(5) Also Order 87423532 Door Catch Pin

STEIGER 280 STX330
STX280 STEIGER 330

CAB - FLOORMATS AND DOORS



CAB - FLOORMATS AND DOORS

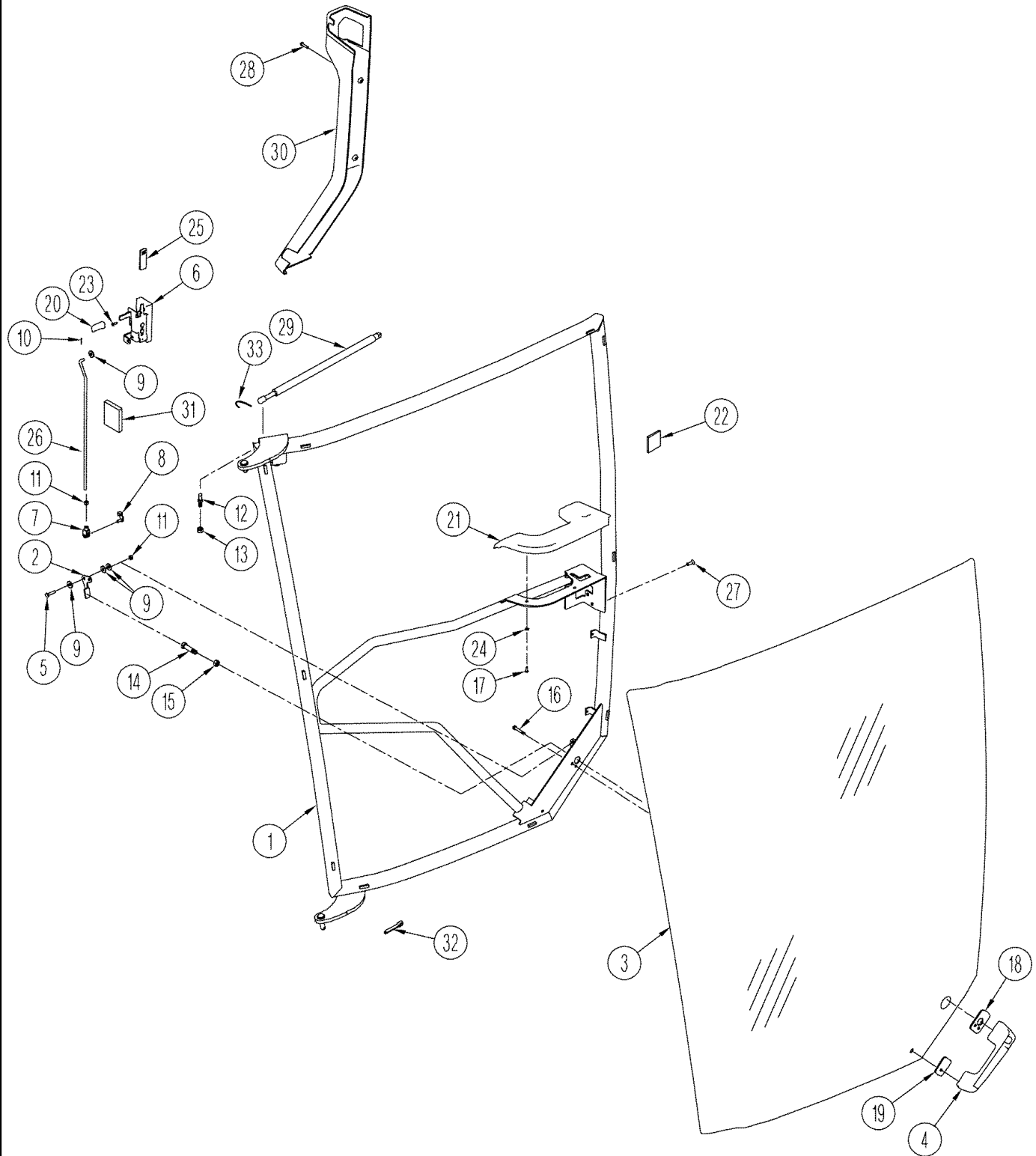
REF	FN	PART NUMBER	YR/SN	QTY	DESCRIPTION
30		353-406		1	PLUG, Dome, .625" hole, Nylon, 5/8
31		64-146		11	PLUG, 1/2
32		87423389		1	DAMPER, Gas Spring
33		403749A1		1	NUT, M10; 10,9
34		829-1408		4	NUT, M8, CI 10
35	1	414699A1		1	PLATE
36		614-6020		2	BOLT, Hex, M6 x 20, 8.8
37		404287A1		2	INSERT, Threaded
38		327310A1		1	PLATE
39		895-11008		4	WASHER, M8 x 16 x 1.6
40		829-2416		2	NUT, M16 x 2, Flg, CI 10
41		3233348R1		2	CLIP, Retainer, 13 mm (1/2 in)
42		87423716		1	CAP, Vinyl
43		895-11006		3	WASHER, M6
44		832-10406		1	NUT, LOCK, M6 x 1, CI 8
45		896-11008		1	WASHER, M8 x 17.5 x 2, HT
46	2	353-422		1	PLUG, Dome, 1.250" hole, Nylon, Dome, 1-1/4"
47		329720A1		1	CYLINDER, Gas Spring
48		353-403		3	PLUG, Dome, .437" hole, Nylon

(1) With Power Shift Transmission

(2) Used without ACCUGUIDE Option

STEIGER 280 STX330
 STX280 STEIGER 330

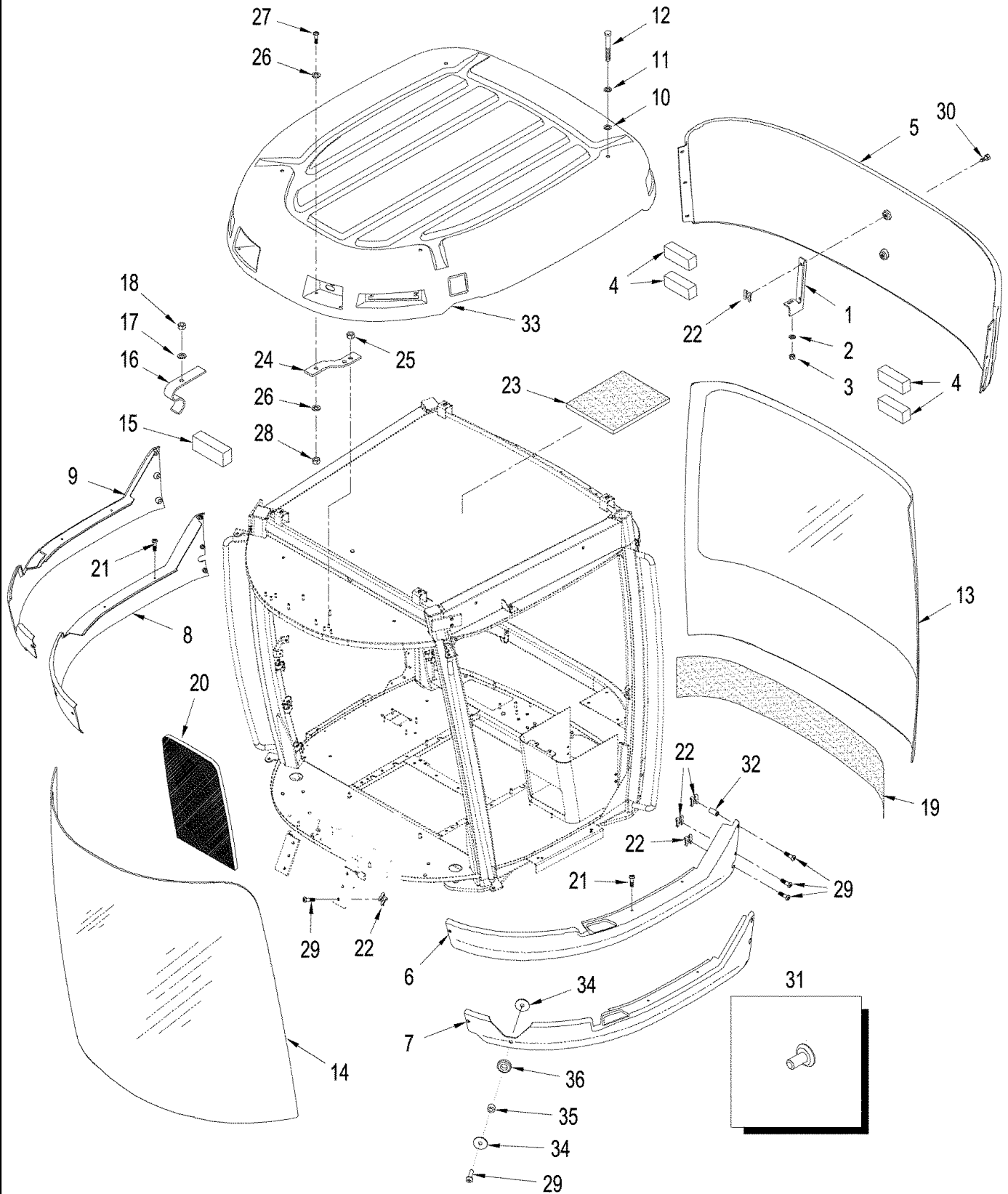
DOOR ASSEMBLY



DOOR ASSEMBLY

REF	FN	PART NUMBER	YR/SN	QTY	DESCRIPTION
		413022A2		1	DOOR ASSY., Inc. 1 - 27
1		388785A2		1	DOOR, Frame
2		388934A1		1	LEVER, Door Latch
3		181239A4		1	WINDOW ASSY, Glass
4		60-7083T1		1	HANDLE
5		614-6025		1	BOLT, Hex, M6 x 25, 8.8
6		388874A2		1	LATCH
7		713-226		1	CLEVIS, M6 x 12
8		906020R1		1	CLIP, M6 x 6
9		895-25006		6	WASHER, M6 x 18 x 1.6
10		733-1610		1	PIN, SPLIT (COTTER), M1.6 x 10
11		829-1406		2	NUT, M6, CI 10
12		3234063R1		1	BALL JOINT
13		403749A1		1	NUT, M10; 10.9
14		340-12520		1	SCREW, Cross Pan Hd, 1/4"-20 x 1 1/4"
15		425-104		1	NUT, 1/4"-20, G5
16		805-6035		3	BOLT, Hex, Lock, M6 x 35, CI 10.9
17		760-17316		2	SCREW, SELF TAP, Pan Hd, M4.2 x 16
18		194174A1		1	GASKET, Large
19		194175A1		1	GASKET, Small
20		388122A1		1	HANDLE
21		388120A2		1	ARMREST
22		87543673		10	SPACER
23		760-14316		1	SCREW, SELF TAP, Pan Hd, M4.2 x 16
24		895-30101		2	WASHER, M5 x 10 x 1
25		352842A1		1	KNOB, Lock
26		388936A1		1	ROD
27		461-42512		4	SCREW, Hex Soc Flat Hd, 1/4"-20 x 3/4"
28		260-16516		3	SCREW, SELF TAP, Cross Pan Hd, #10 x 1"
29		329720A1		1	CYLINDER, Gas Spring
30		358329A3		1	COVER, Latch
31		369566A1		1	TAPE, ADHESIVE
32		733-3220		1	PIN, SPLIT (COTTER), M3.2 x 20
33		3233348R1		2	CLIP
					STEIGER 280 STX330 STX280 STEIGER 330

CAB - SKIRTS AND GLASS



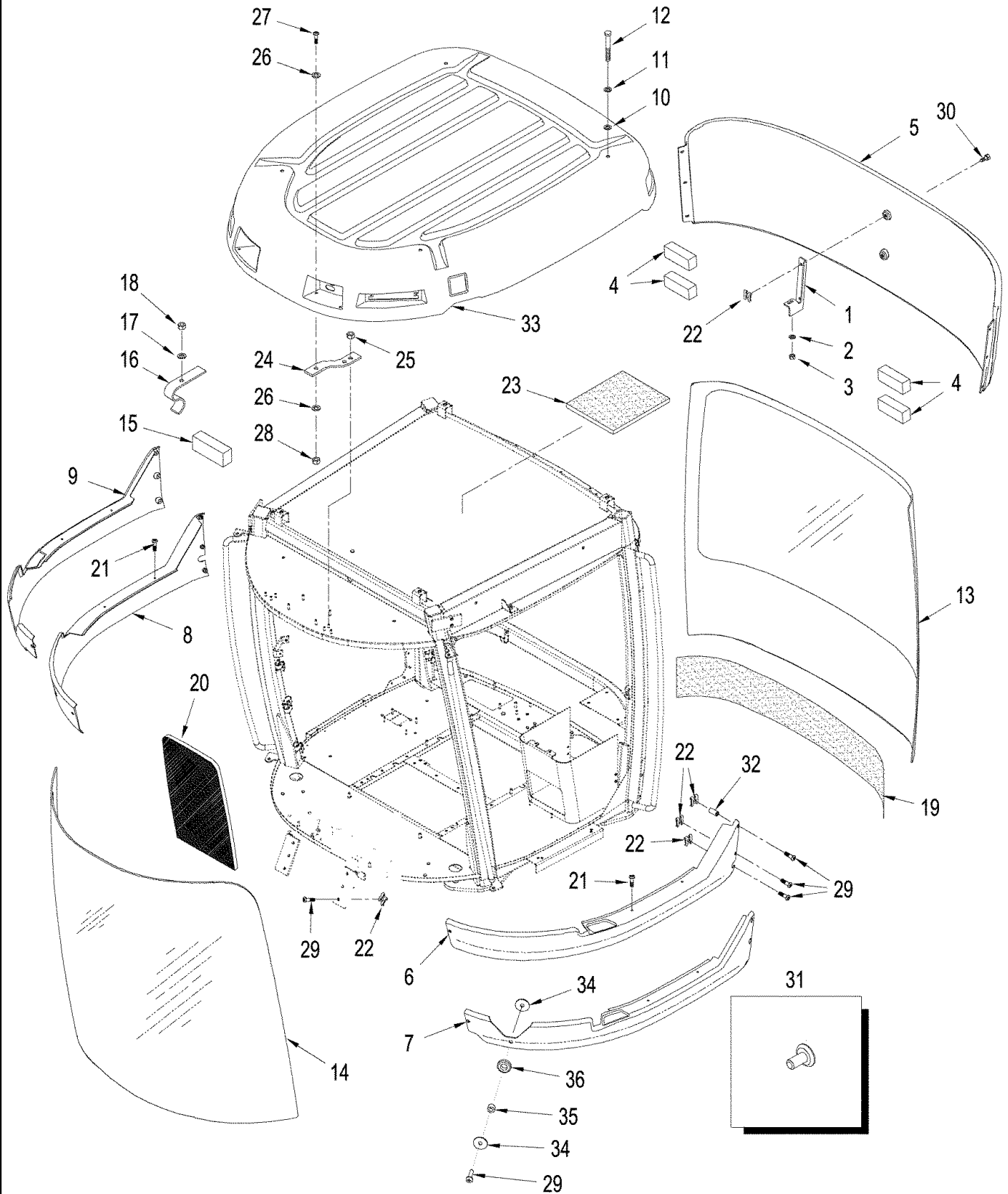
CAB - SKIRTS AND GLASS

REF	FN	PART NUMBER	YR/SN	QTY	DESCRIPTION
1		341574A4		1	BRACKET
2		895-11008		1	WASHER, M8 x 16 x 1.6
3		829-1408		1	NUT, M8, CI 10
4		403325A2		4	FOAM
5		87534631		1	SKIRT, Rear
6		87357990		1	COVER, SKIRT, Left-Hand
7		87342106		1	COVER, SKIRT, Left-Hand, With Lower Front Wiper
8		87357991		1	COVER, SKIRT, Right-Hand
9		87342107		1	COVER, SKIRT, Right-Hand, With Lower Front Wiper
10		361191A1		4	GROMMET
11		896-15016		4	WASHER, M17.5 x 34 x 5, HT
12		627-16035		4	BOLT, Hex, M16 x 35, 10.9
13		181240A2		1	GLASS, Rear
14		87436557		1	GLASS, TINTED, Windshield
14		87436560		1	GLASS, TINTED, Laminated (Europe Only)
15		87543673		52	SPACER
16		117707A3		7	CLAMP, Window
17		895-11008		8	WASHER, M8 x 16 x 1.6
18		829-1408		8	NUT, M8, CI 10
19		259462A1		1	INSULATION, FOAM, 1525 mm (60 in)
20		87312395		1	INSULATION, FOAM
21		840-2820		4	SCREW, Cross Pan Hd, M8 x 20
22		404882A1		6	FASTENER, M6, Clip Nut
23		355716A3		1	FOAM
24		364156A1		4	BRACKET, Roof Support
25		829-1408		8	NUT, M8, CI 10
26		895-15008		8	WASHER, M8 x 20 x 1.6
27		627-8025		4	BOLT, Hex, M8 x 25, 10.9
28		832-10408		4	NUT, LOCK, M8 x 1.25, CI 8
29		840-1625		10	SCREW, Cross Pan Hd, M6 x 25
30		840-1620		2	SCREW, Cross Pan Hd, M6 x 20
31	1	353-406		1	PLUG, Dome, .625" hole, Nylon, If Used
32		404287A1		4	INSERT

(1) Used without AFS Option

STEIGER 280 STX330
 STX280 STEIGER 330

CAB - SKIRTS AND GLASS

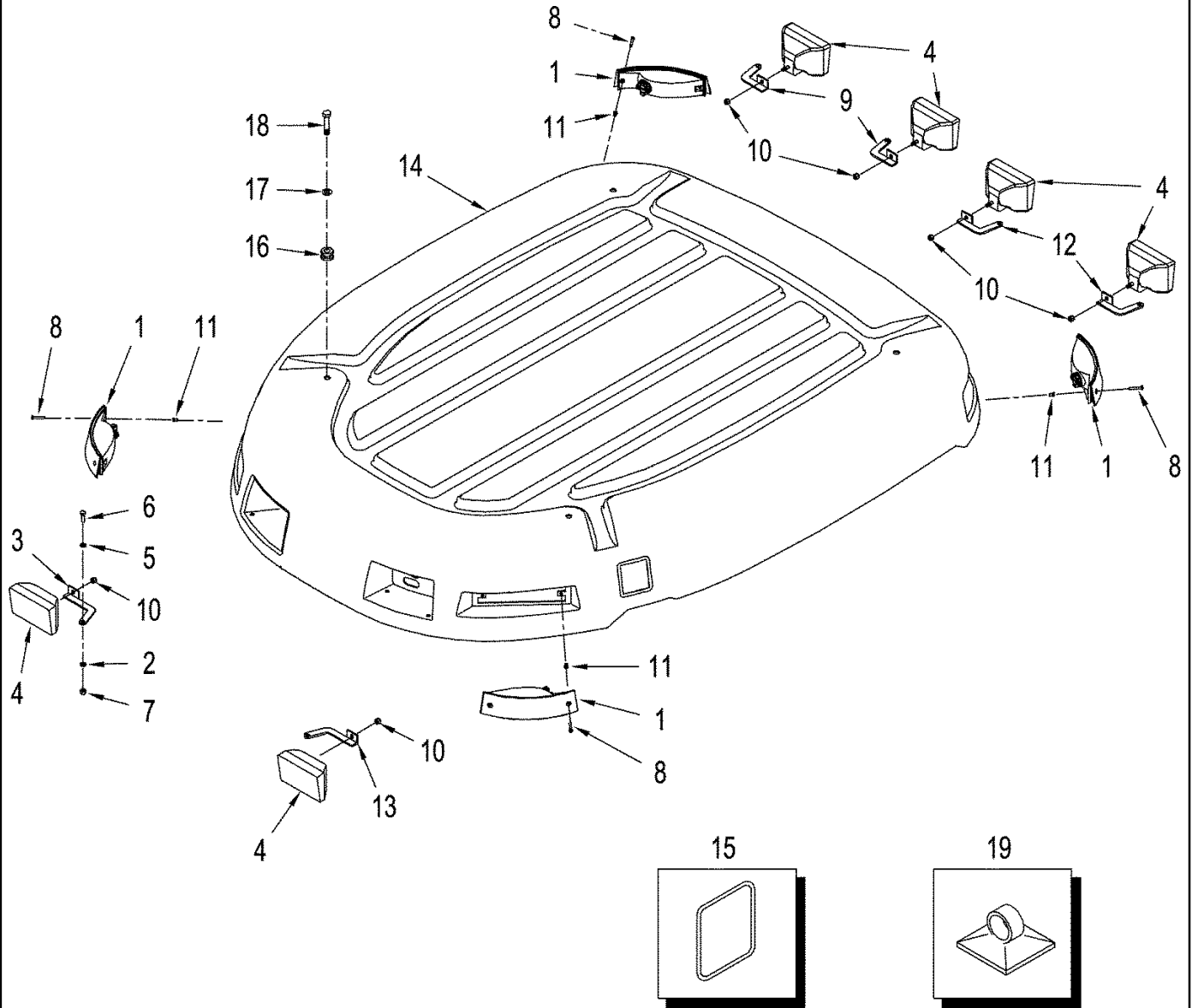


CAB - SKIRTS AND GLASS

REF	FN	PART NUMBER	YR/SN	QTY	DESCRIPTION
33		NSS		1	NOT SERVICED SEPARATELY, Roof Assy, See Figure: 09-16
34		895-15006		4	WASHER, M6 x 25 x 1.6
35		60-5021T1		2	SPACER
36		60-6840T1		2	GROMMET

	STEIGER 280 STX330 STX280 STEIGER 330
--	--

ROOF

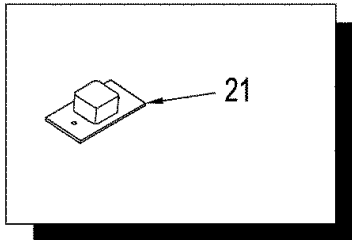
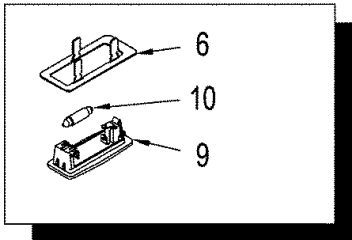
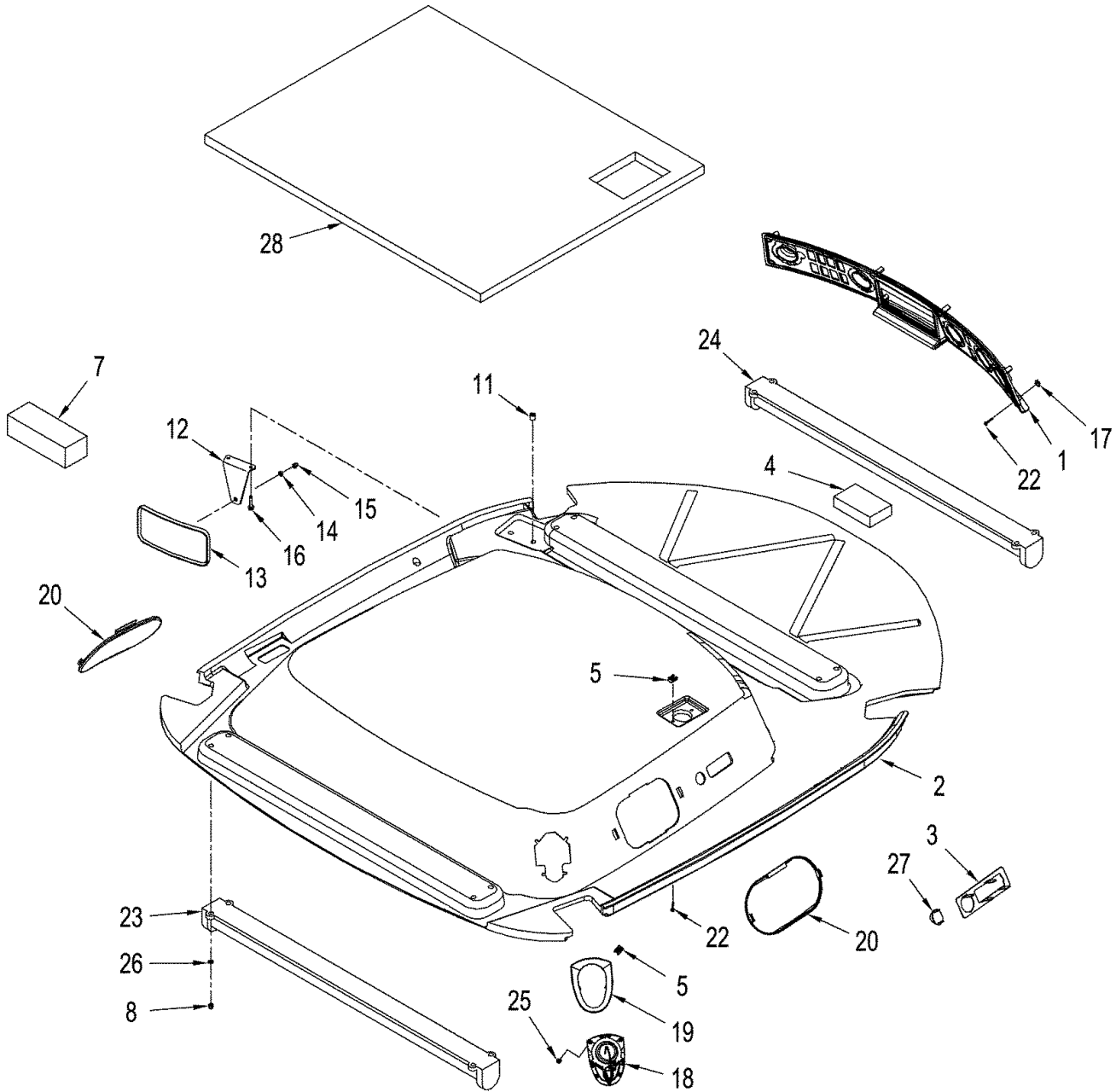


ROOF

REF	FN	PART NUMBER	YR/SN	QTY	DESCRIPTION
1		320246A1		4	LAMP, Warning, See Figure: 04-26
2		355532A1		6	WASHER, Nylon
3		353561A1		1	BRACKET, Light, Right-Hand, Front
4		92269C1		6	LAMP, WORK, See Figure: 04-26
5		895-10008		12	WASHER, M8 x 16 x 1.6
6		627-8025		6	BOLT, Hex, M8 x 25, 10.9
7		832-10408		6	NUT, LOCK, M8 x 1.25, CI 8
8		840-1535		8	SCREW, Cross Pan Hd, M5 x 35
9		353563A1		2	BRACKET, Light, Right-Hand, Rear
10		829-1410		6	NUT, M10, CI 10
11		451165A1		8	INSERT, THREADED
12		353562A1		2	BRACKET, Light, Left-Hand, Rear
13		353560A1		1	BRACKET, Light, Left-Hand, Front
14		87394823		1	ROOF
15		392149A1		2	DECAL, Cover, Without Mirror
16		361191A1		4	GROMMET
17		895-15016		4	WASHER, M16 x 34 x 3
18		627-16035		4	BOLT, Hex, M16 x 35, 10.9
19		435436A1		7	MOUNT, RUBBER, Cable tie

STEIGER 280 STX330
 STX280 STEIGER 330

CAB - HEADLINER AND CONTROL PANEL, DELUXE AND LUXURY CAB



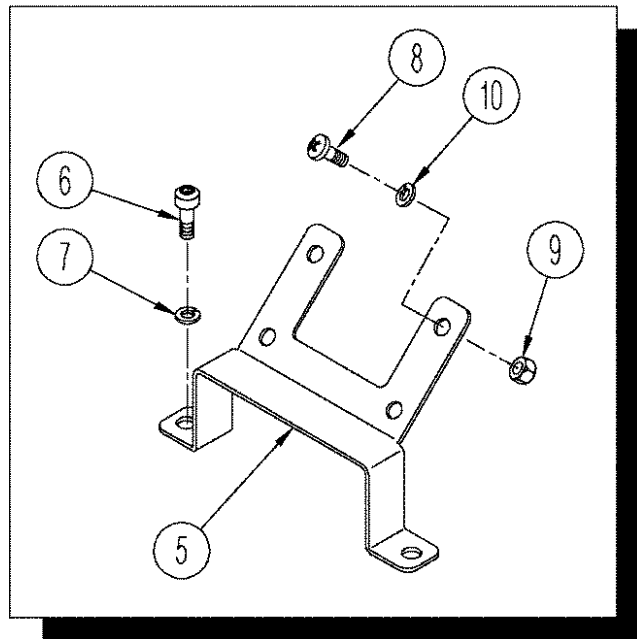
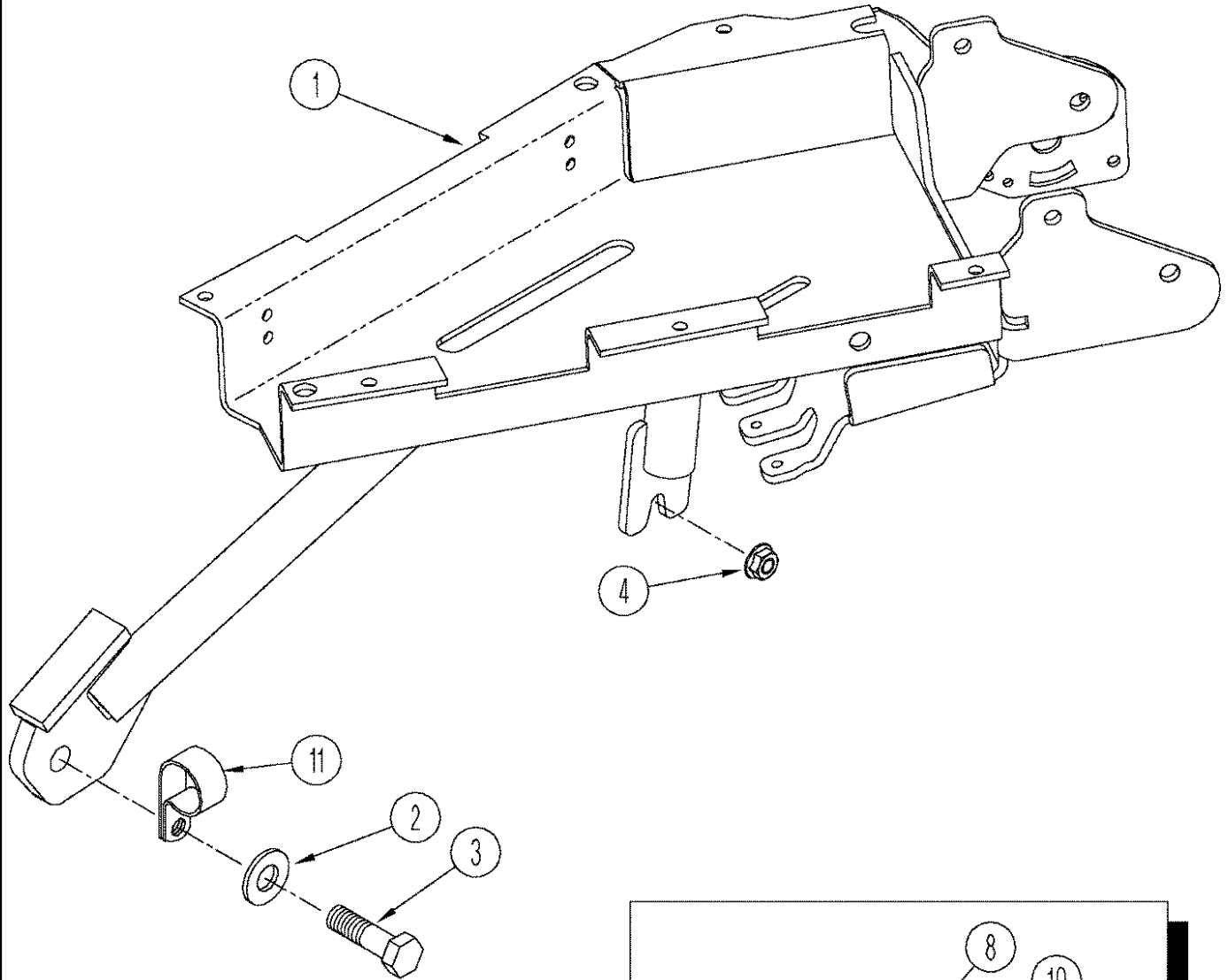
CAB - HEADLINER AND CONTROL PANEL, DELUXE AND LUXURY CAB

REF	FN	PART NUMBER	YR/SN	QTY	DESCRIPTION
1		87453141		1	PANEL, Overhead Control
		359616A3		1	LINING, ROOF, Inc. 2 - 7
2		NSS		1	NOT SERVICED SEPARATELY, Headliner
3		305485A2		1	RETAINER, Domelight
4		328039A1		3	PAD, No. 6 x 5/8
5		302862A1		6	NUT
6		305484A2		2	RETAINER, Domelight
7		328037A1		1	PAD, 9 x 20 x 1,6 mm
8		834-502		8	NUT, Crown, M6, Cl8
9		1983391C1		3	LAMP, Dome, Inc. 10
10		E35556		1	BULB, 12V, 10W
11		02-3010T1		1	SPACER
12		64-086T3		1	BRACKET
13		A177462		1	MIRROR, Rearview, Inc. 14, 15
14		493-41026		1	WASHER, LOCK, Ext Tooth, 1/4"
15		19-5565		1	NUT, LOCK, 1/4"-28, GB
16		555-12		2	BOLT, Hex Flg, M6 x 30, 10.9
17		177269A1		8	NUT
18		372892A1		1	LAMP, Map
19		360364A1		1	BEZEL
20		358683A1		2	GRILLE
21		83882C91		1	LAMP
22		1270741C1		10	SCREW, SELF TAP, Cross Pan Hd, #8 x 1"
23		87450400		1	VISOR, SUN, Rear
24		87450399		1	VISOR, SUN, Front
25		260-54310		4	SCREW, SELF TAP, Cross Pan Hd, #6 x 5/8"
26		297865A1		8	WASHER, 6 x 12 x 1.6 mm
27	1	280628A1		1	PLUG, Switch
28		384759A1		1	FOAM

(1) Used without Mirror

STEIGER 280 STX330
 STX280 STEIGER 330

CONSOLE - RIGHT-HAND ARMREST, MANUAL



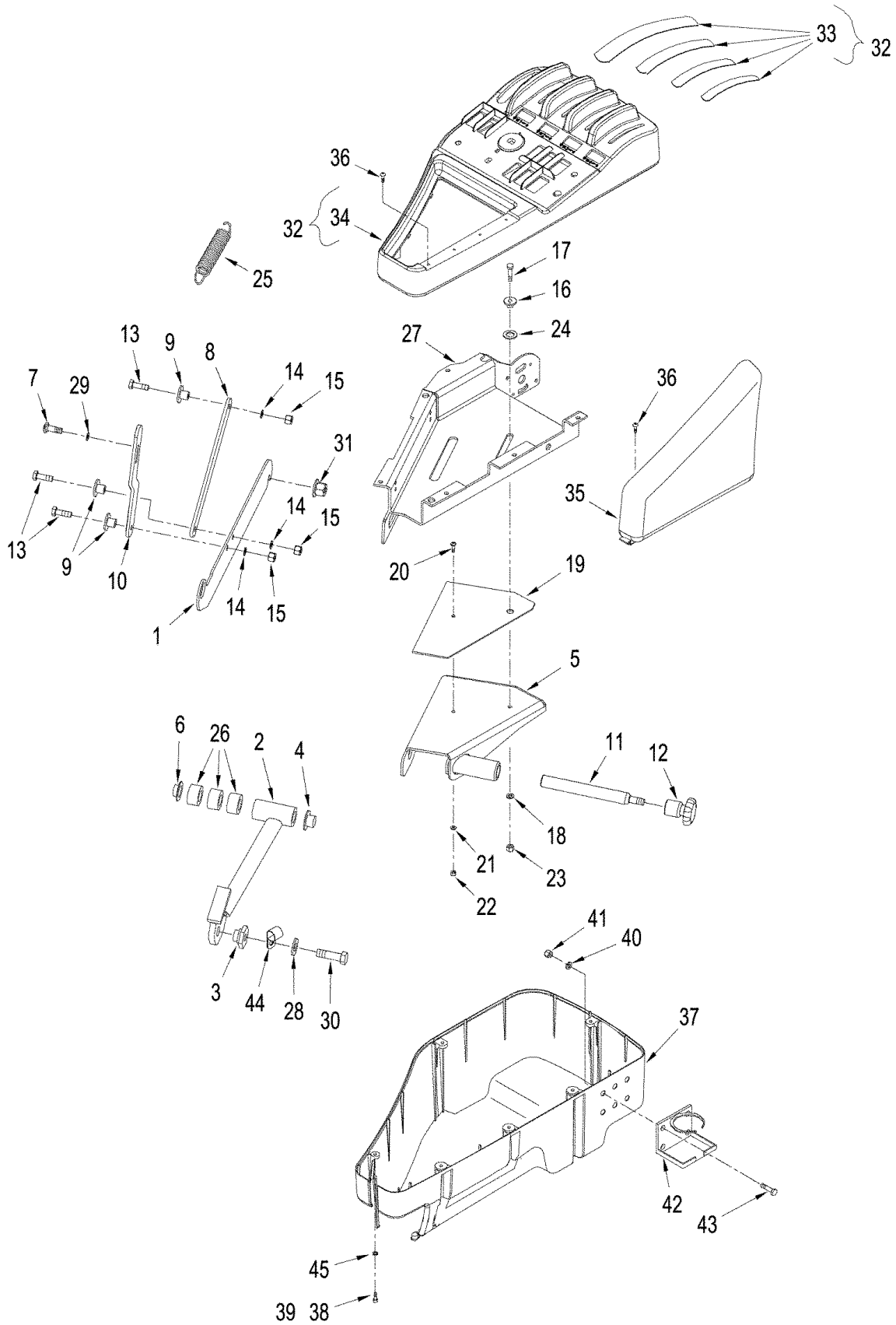
CONSOLE - RIGHT-HAND ARMREST, MANUAL

REF	FN	PART NUMBER	YR/SN	QTY	DESCRIPTION
1	1	87364048		1	SUPPORT, Console
2		895-15012		1	WASHER, M12 x 28 x 2.5
3	1	627-12045		1	BOLT, Hex, M12 x 45, 10.9, Full Thd
4		825-2408		1	NUT, M8 x 1.25, Flg, CI 8
5		349563A1		1	BRACKET, without Arm Rest
6		864-4012		2	SCREW, Hex Soc Hd, M4 x 12, 8.8
7		895-11004		2	WASHER, M4
8		840-1316		4	SCREW, Cross Pan Hd, M3 x 16
9		824-1403		4	NUT, M3, CI 5
10		895-11003		4	WASHER, M3
11		515-25190		1	CLAMP, 3/4", Insul, 1/2" Bolt, 3/4 ID

(1) Deluxe Cab

	STEIGER 280 STX330 STX280 STEIGER 330
--	--

CONSOLE - RIGHT HAND ARMREST, ELECTRIC, BSN Z7F105745



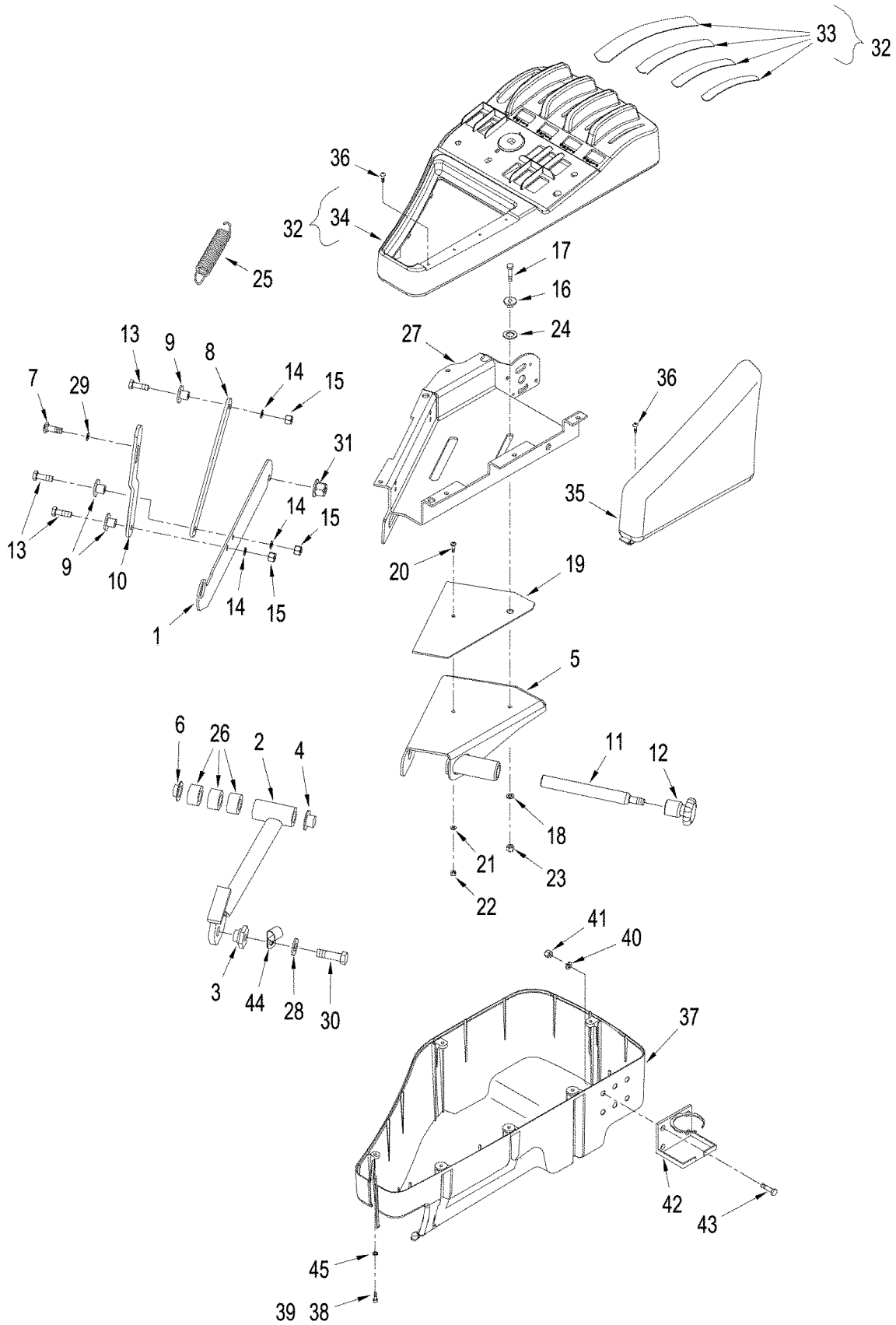
CONSOLE - RIGHT HAND ARMREST, ELECTRIC, BSN Z7F105745

REF	FN	PART NUMBER	YR/SN	QTY	DESCRIPTION
	1	87519426		1	SUPPORT, Electric, Inc. 1 - 27, 29
1		NSS		1	NOT SERVICED SEPARATELY, Plate
2		NSS		1	NOT SERVICED SEPARATELY, Support
3		222292A1		1	NUT
4		185062R1		1	BUSHING
5		NSS		1	NOT SERVICED SEPARATELY, Support, Lower
6		294296A1		1	BUSHING
7		NSS		1	NOT SERVICED SEPARATELY, Bolt, Special
8		NSS		1	NOT SERVICED SEPARATELY, Link
9		NSS		3	NOT SERVICED SEPARATELY, Washer, Shoulder
10		NSS		1	NOT SERVICED SEPARATELY, Bracket
11		NSS		1	NOT SERVICED SEPARATELY, Bolt, Special
12		319870A1		1	KNOB
13		627-8025		3	BOLT, Hex, M8 x 25, 10.9
14		895-15008		3	WASHER, M8 x 20 x 1.6
15		832-10408		3	NUT, LOCK, M8 x 1.25, CI 8
16		277582A1		2	WASHER
17		628-6025		2	BOLT, Hex, M6 x 25, 10.9, Full Thd
18		895-11006		2	WASHER, M6
19		277576A1		1	SPACER
20		840-1414		1	SCREW, Cross Pan Hd, M4 x 14
21		895-11004		1	WASHER, M4
22		832-10404		1	NUT, LOCK, M4 x .7, CI 8
23		832-10406		2	NUT, LOCK, M6 x 1, CI 8
24		277570A1		2	WASHER
25		NSS		1	NOT SERVICED SEPARATELY, Spring
26		294295A1		3	BUSHING
27		NSS		1	NOT SERVICED SEPARATELY, Support, Upper
28		895-15012		1	WASHER, M12 x 28 x 2.5
29		NSS		1	NOT SERVICED SEPARATELY, Washer, Ribbed
30		627-12045		1	BOLT, Hex, M12 x 45, 10.9, Full Thd
31		825-2408		1	NUT, M8 x 1.25, Flg, CI 8

(1) With Power Shift Transmission

STEIGER 280 STX330
STX280 STEIGER 330

CONSOLE - RIGHT HAND ARMREST, ELECTRIC, BSN Z7F105745



CONSOLE - RIGHT HAND ARMREST, ELECTRIC, BSN Z7F105745

REF	FN	PART NUMBER	YR/SN	QTY	DESCRIPTION
32	1, 2	87314378		1	CONSOLE, Upper, with Decals, Inc. 33 & 34
33	1, 2	407759A1		1	DECAL, Throttle / EH Levers
34	1, 2	87314379		1	COVER, Upper
35	2	277204A2		1	CUSHION, Vinyl
35	1	358812A2		1	CUSHION ASSY., Leather
36		760-14316		4	SCREW, SELF TAP, Pan Hd, M4.2 x 16
37		238291A1		1	ARMREST, Lower
37	3	361350A1		1	HOUSING, Lower
37	4	87339621		1	HOUSING, Lower
38	4	864-4020		6	SCREW, Hex Soc Hd, M4 x 20, 8.8
39	3	864-4016		6	SCREW, Hex Soc Hd, M4 x 16, 8.8
40		895-11004		6	WASHER, M4
41		824-1404		4	NUT, M4, CI 5, M4; 5
42		331649A1		1	HOLDER, Cup
43		840-1412		4	SCREW, Cross Pan Hd, M4 x 12
44		515-25190		1	CLAMP, 3/4", Insul, 1/2" Bolt
45		893-11004		6	WASHER, LOCK, Ext Tooth, M4

- (1) Luxury Cab
- (2) Deluxe Cab
- (3) Without Advanced Farming Systems (AFS)
- (4) With Advanced Farming Systems (AFS)

STEIGER 280 STX330
STX280 STEIGER 330

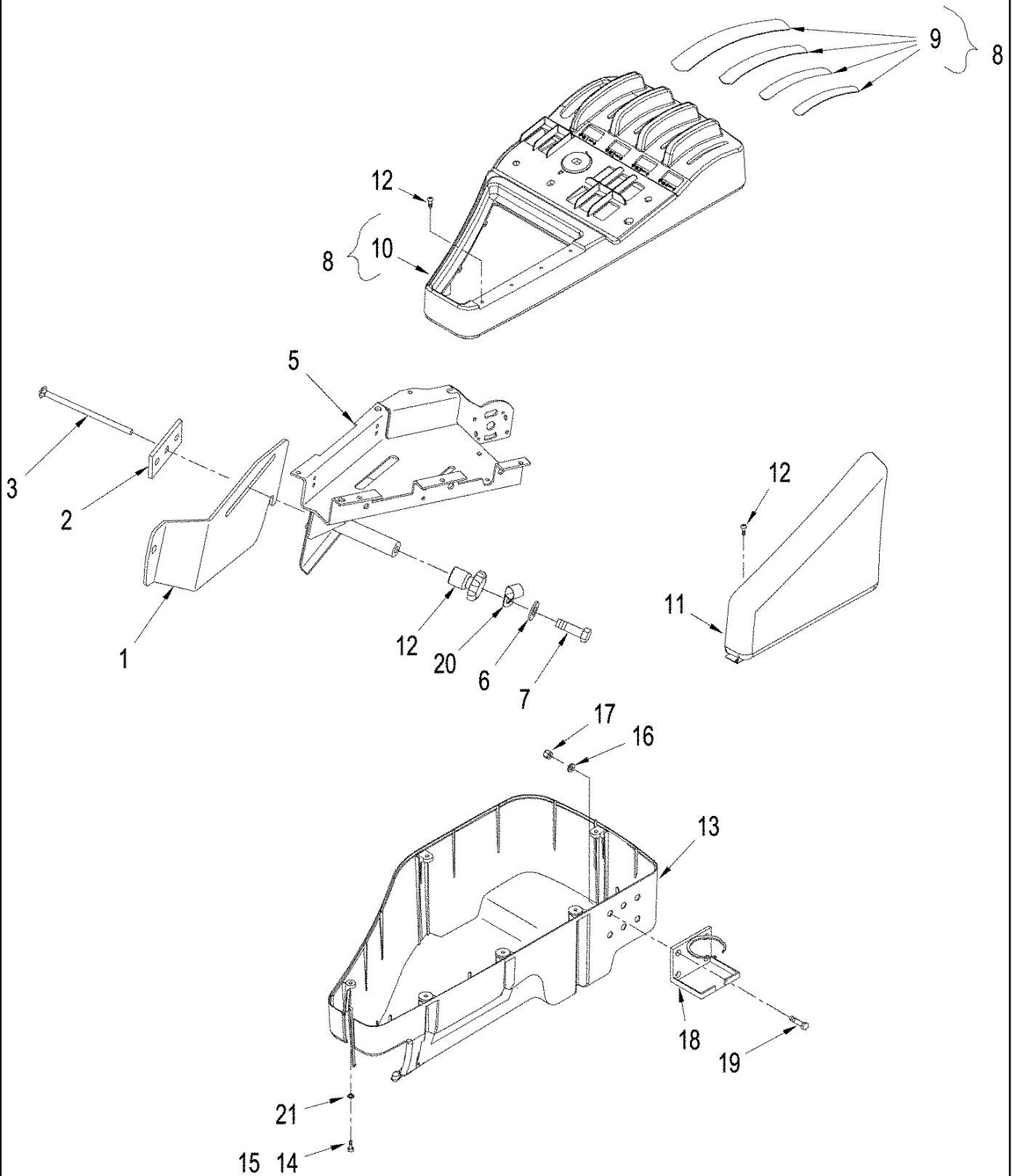
09-19

01

p1

08/07

CONSOLE - RIGHT HAND ARMREST, ELECTRIC, ASN Z7F105745



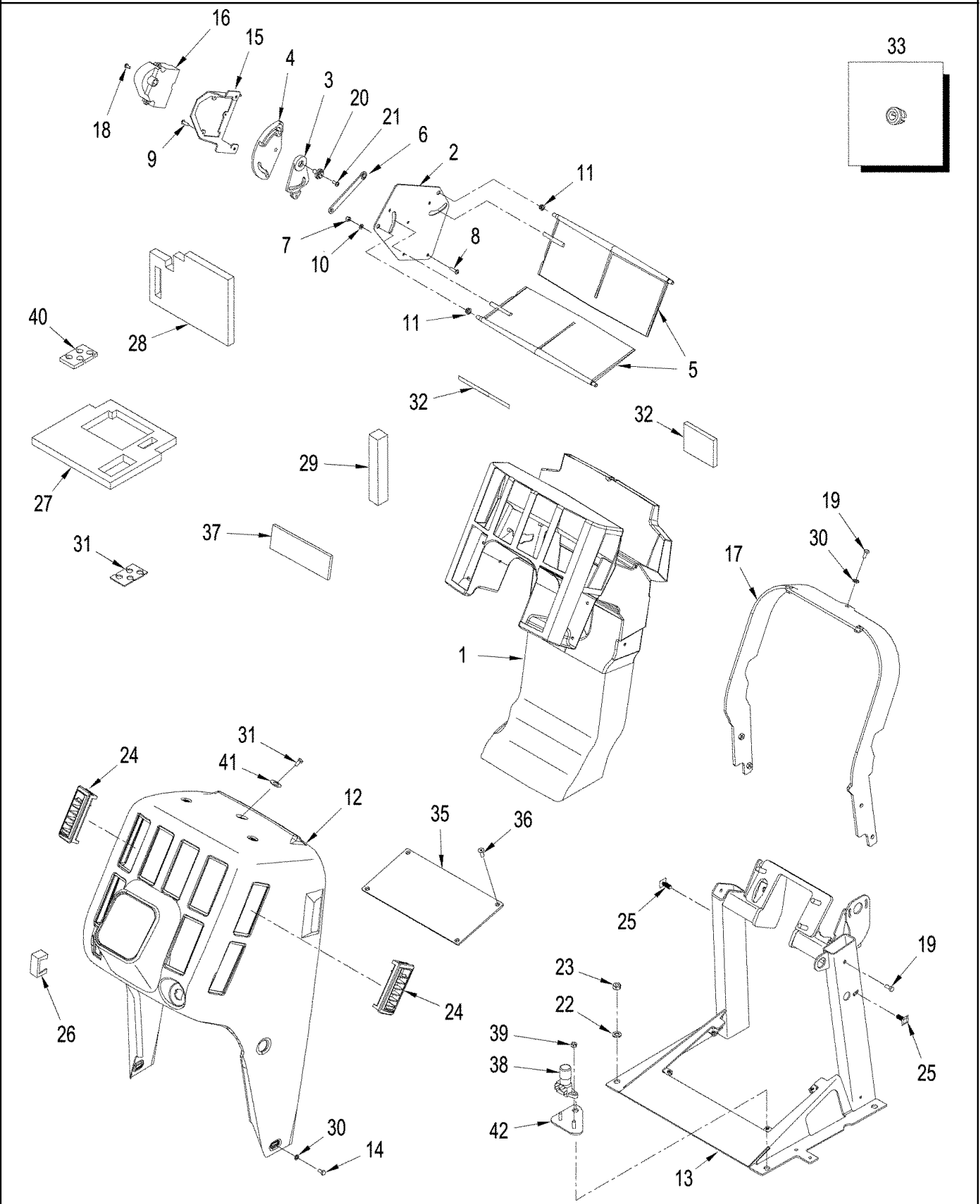
CONSOLE - RIGHT HAND ARMREST, ELECTRIC, ASN Z7F105745

REF	FN	PART NUMBER	YR/SN	QTY	DESCRIPTION
	1	{87566268}		1	Electronic Console, Inc. 1 - 5
1		87604589		1	BRACKET, Armrest Mounting
2		87604590		1	PLATE, Clamp
3		87578954		1	BOLT
4		185062R1		1	BUSHING
5		NSS		1	NOT SERVICED SEPARATELY, Support, Upper
6		895-15010		1	WASHER, M11 x 24 x 2
7		627-10020		1	BOLT, Hex, M10 x 20, 10.9, Full Thd
8	2,3	87314378		1	CONSOLE, Upper, with Decals, Inc. 9 & 10
9	2,3	407759A1		1	DECAL, Throttle / EH Levers
10	2,3	87314379		1	COVER, Upper
11	3	277204A2		1	CUSHION, Vinyl
11	2	358812A2		1	CUSHION ASSY., Leather
12		760-14316		4	SCREW, SELF TAP, Pan Hd, M4.2 x 16
13		238291A1		1	ARMREST, Lower
13	4	361350A1		1	HOUSING, Lower
13	5	87339621		1	HOUSING, Lower
14	5	864-4020		6	SCREW, Hex Soc Hd, M4 x 20, 8.8
15	4	864-4016		6	SCREW, Hex Soc Hd, M4 x 16, 8.8
16		895-11004		6	WASHER, M4
17		824-1404		4	NUT, M4, CI 5
18		331649A1		1	HOLDER, Cup
19		840-1412		4	SCREW, Cross Pan Hd, M4 x 12
20		515-25190		1	CLAMP, 3/4", Insul, 1/2" Bolt
21		893-11004		6	WASHER, LOCK, Ext Tooth, M4

- (1) With Power Shift Transmission
- (2) Luxury Cab
- (3) Deluxe Cab
- (4) Without Advanced Farming Systems (AFS)
- (5) With Advanced Farming Systems (AFS)

	STX330 STX280 STEIGER 280 STEIGER 330
--	---

FRONT CONSOLE

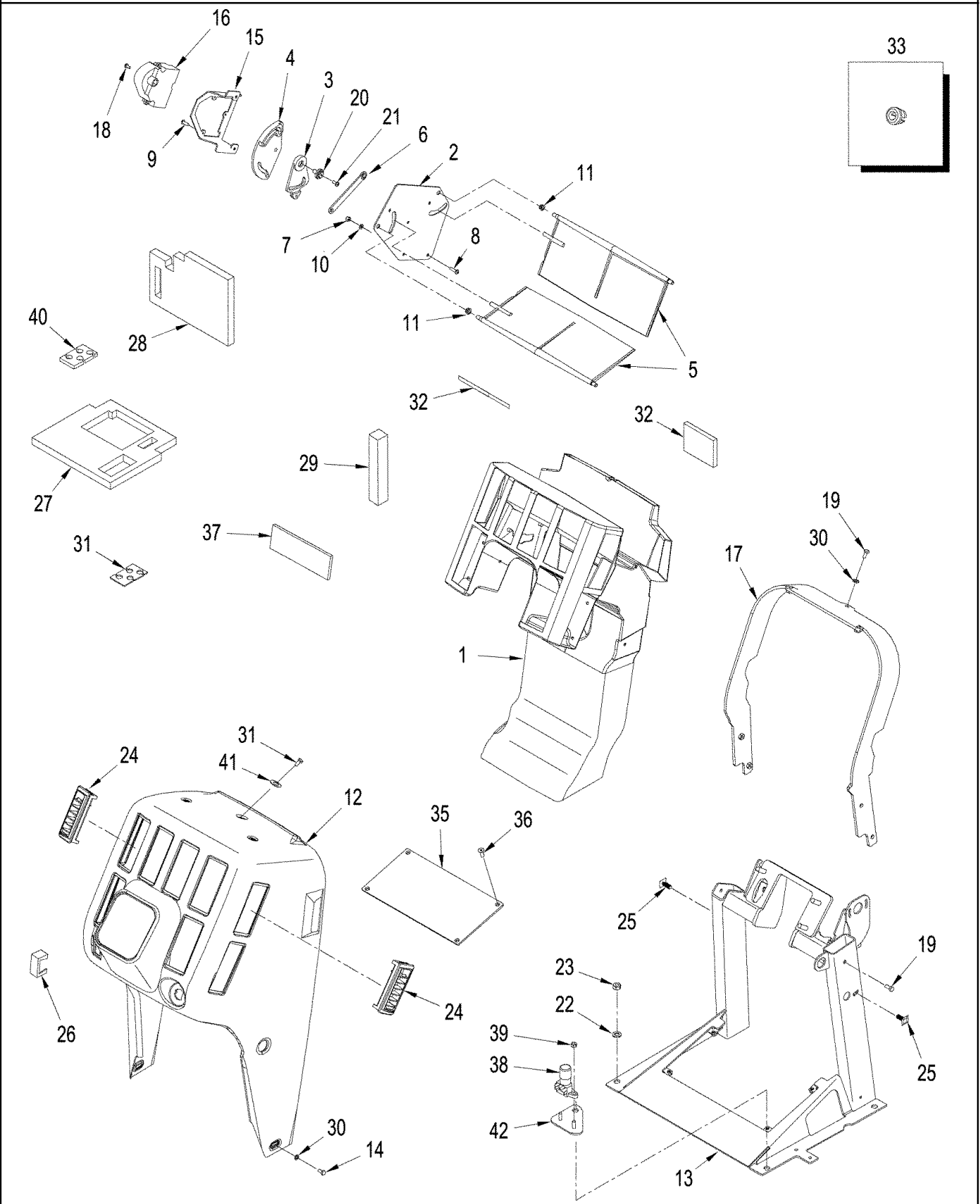


FRONT CONSOLE

REF	FN	PART NUMBER	YR/SN	QTY	DESCRIPTION
1		87433098		1	DUCT, AIR, A/C and Heating
2		257059A2		1	PLATE, Support
3		281138A2		1	GUIDE
4		281139A1		1	GUIDE
5		246476A1		2	VENT
6		275601A1		1	LINK
7		832-10404		1	NUT, LOCK, M4 x .7, CI 8
8		840-1416		1	SCREW, Cross Pan Hd, M4 x 16
9		840-148		3	SCREW, Cross Pan Hd, M4 x 8
10		895-11004		1	WASHER, M4
11		60-2416T1		5	BEARING, NYLON
12		360446A1		1	CONSOLE
13		87517381		1	STEERING ASSY, Support
14		628-6012		2	BOLT, Hex, M6 x 12, 10.9, Full Thd
15		277438A1		1	SUPPORT
16		275602A1		1	ACTUATOR, Actuator
17		280566A1		1	SUPPORT, Console
18		760-14316		3	SCREW, SELF TAP, Pan Hd, M4.2 x 16
19		627-6016		7	BOLT, Hex, M6 x 16, 10.9
20		281140A1		1	WASHER
21		840-1410		1	SCREW, Cross Pan Hd, M4 x 10
22		895-11010		4	WASHER, M10 x 20 x 2
23		829-1310		4	NUT, M10, CI 10
24		363931A1		10	VENT
25		301098A1		2	CLIP
26		86000535		1	PLUG, 1.427" x .62", Plastic, Switch, No Ether Start
27		87437453		1	FOAM, Acoustical
28		87442532		1	SEAL
29		384786A2		2	FOAM
30		895-11006		5	WASHER, M6
31		87437454		1	DECAL, Floor Sealing
32		446687A1		4	FOAM
33		A67295		1	PLUG, Control Cable
34		436276A1		3	SCREW, Button Hd
35		87433404		1	PLATE, Access

STEIGER 280 STX330
STX280 STEIGER 330

FRONT CONSOLE

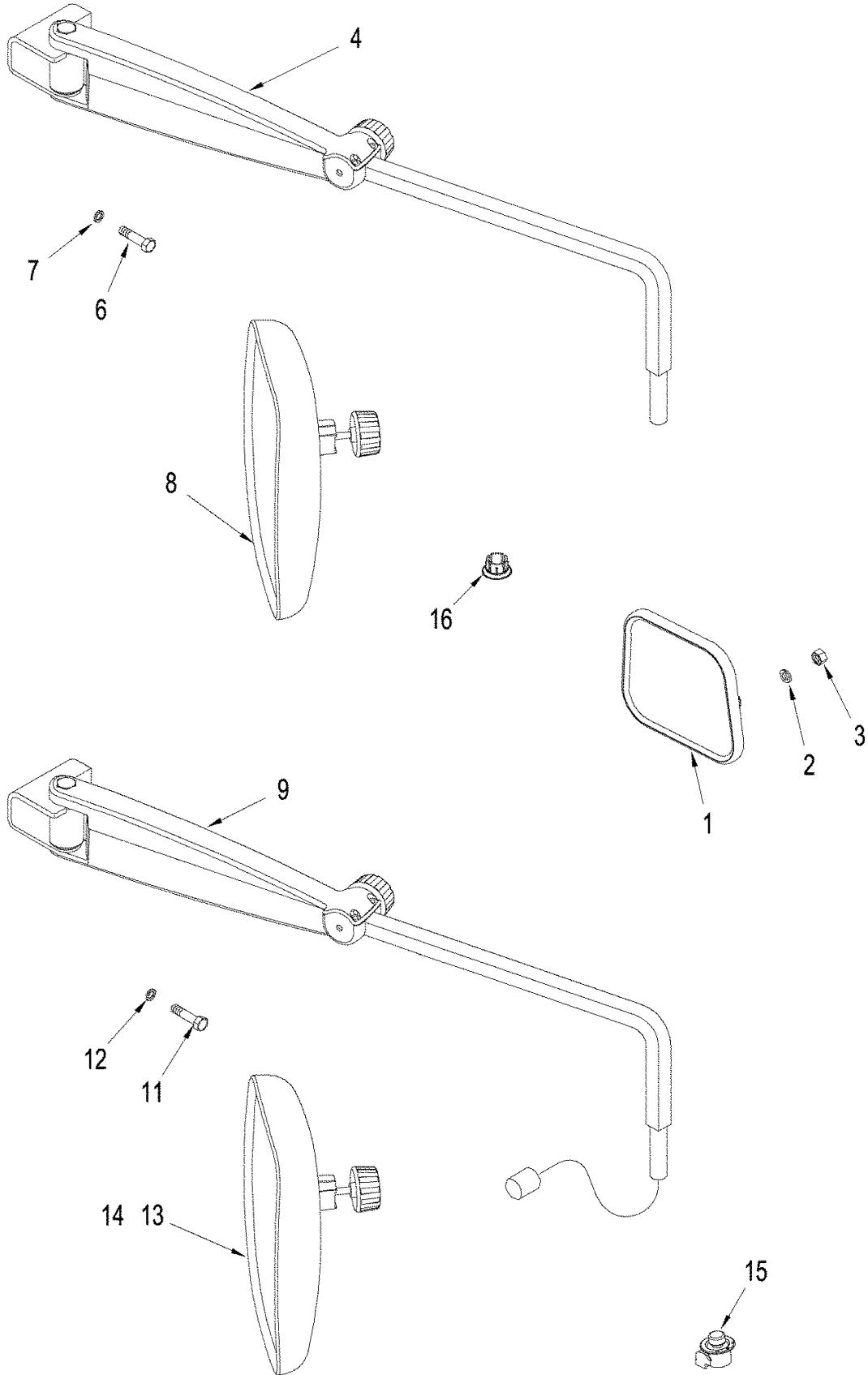


FRONT CONSOLE

REF	FN	PART NUMBER	YR/SN	QTY	DESCRIPTION
36		843-1616		4	SCREW, Hex Flat Hd, M6 x 16, 4.8
37		356717A1		1	TAPE, ADHESIVE
38		87340325		1	SWITCH, Deceleration
39		829-1406		2	NUT, M6, CI 10
40		87437455		1	FOAM, Accoustical
41		195-81023		3	WASHER, #12
42		87561659	ASN Z6F105001	1	PLATE, MOUNTING, Mounting, Decel Switch

STEIGER 280 STX330
STX280 STEIGER 330

MIRRORS



MIRRORS

REF	FN	PART NUMBER	YR/SN	QTY	DESCRIPTION
1		A177462		1	MIRROR, Interior, Inc. 2, 3
2		493-41026		1	WASHER, LOCK, Ext Tooth, 1/4"
3		19-5565		1	NUT, LOCK, 1/4"-28, GB
4		313139A1	BSN Z6F105001	2	ARM, Manual, RH & LH
4		87363073	ASN Z6F105001	1	ARM, Manual, RH
5		87363070	ASN Z6F105001	1	ARM, Manual, LH, Not Illustrated
6		514-865		4	BOLT, Hex, M12 x 80, 10.9
7		896-19012		4	WASHER, M12 x 24.5 x 3, HT
8		365414A1	BSN Z6F105001	2	MIRROR, Manual
8		87350494	ASN Z6F105001	2	MIRROR ASSY., Manual
9		313141A1	BSN Z6F105001	1	ARM, Electric, RH
9		87363082	ASN Z6F105001	1	ARM, Electric, RH
10		87369735	BSN Z6F105001	1	ARM, Electric, LH, Not Illustrated
10		87363077	ASN Z6F105001	1	ARM, Electric, LH, Not Illustrated
11		514-865		4	BOLT, Hex, M12 x 80, 10.9
12		896-19012		4	WASHER, M12 x 24.5 x 3, HT
13		360580A1	BSN Z6F105001	2	MIRROR, Electric, Inc. 14
13		87363066	ASN Z6F105001	1	MIRROR, Electric
14		324437A1		1	MIRROR, REPLACEMENT, Glass
15		280627A1		1	SWITCH
16		280628A1		1	PLUG, Mirror Switch, Manual Mirror

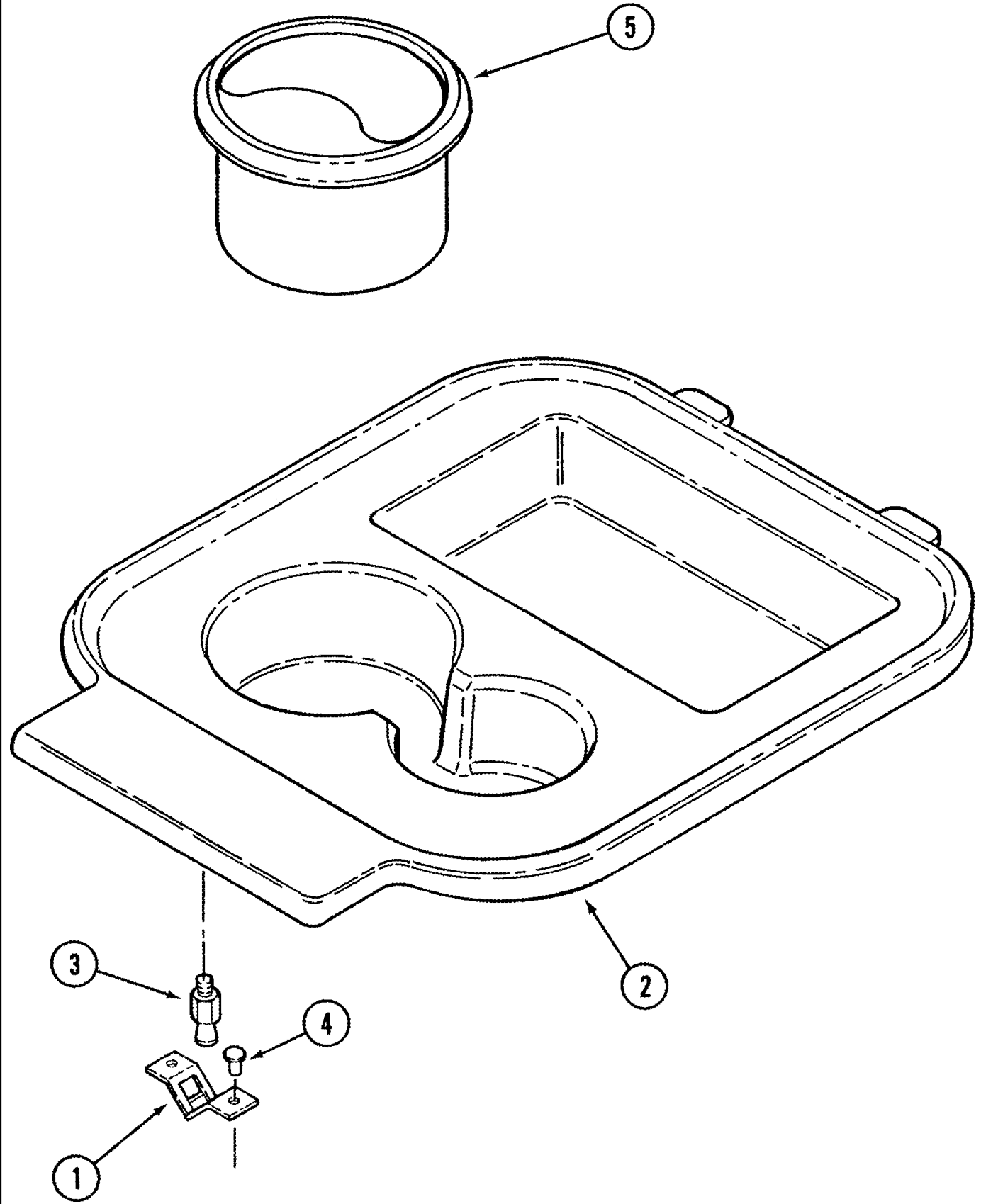
STEIGER 280 STX330
 STX280 STEIGER 330

09-22

p1

11/05

SEAT - NON-INSTRUCTIONAL

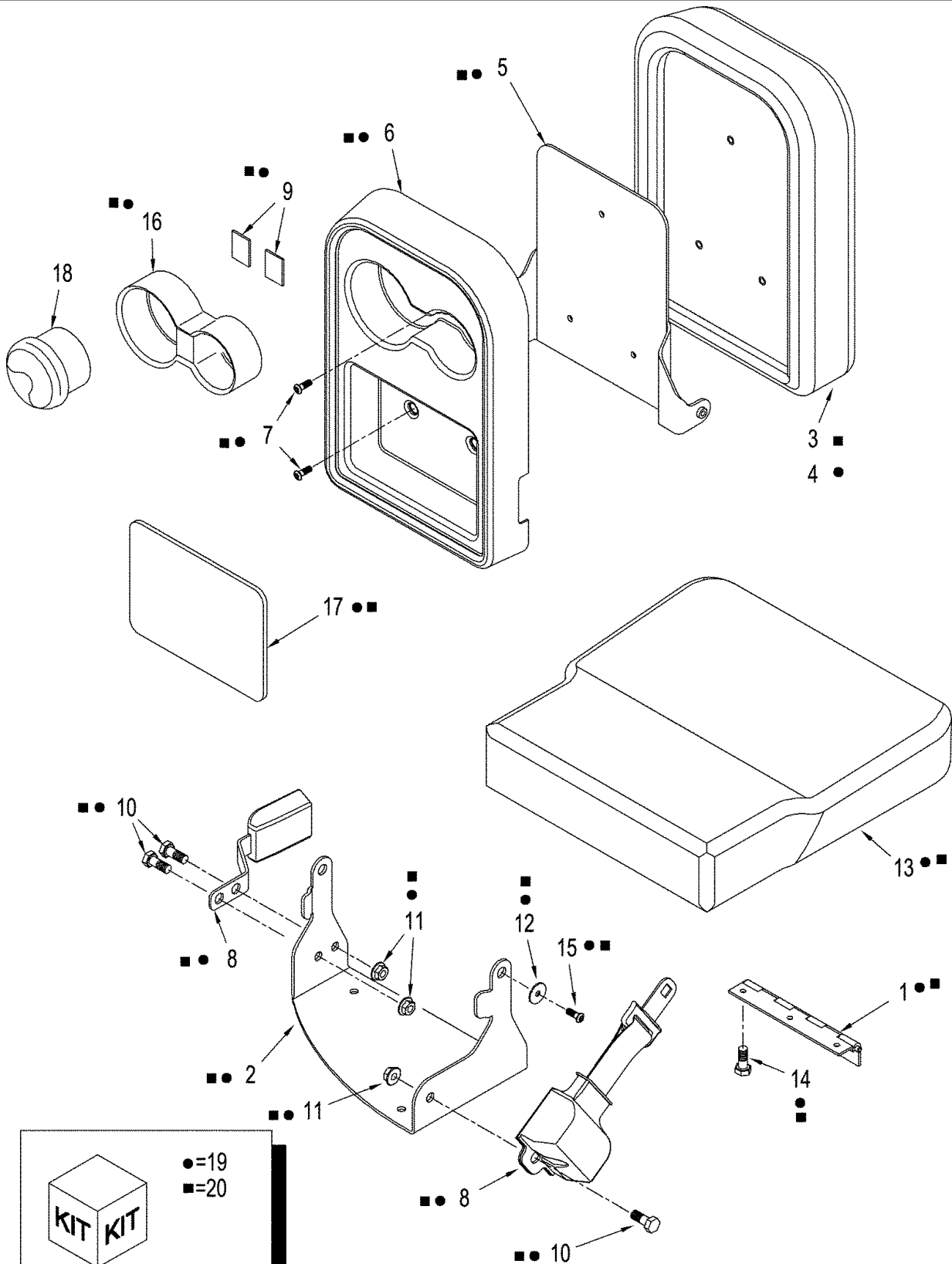


SEAT - NON-INSTRUCTIONAL

REF	FN	PART NUMBER	YR/SN	QTY	DESCRIPTION
1		1961435C1		1	LATCH
2		358331A1		1	TRAY
3		1977929C1		1	STUD
4		151-553		2	RIVET, Pop, 1/8" x .337"
5		302456A1		1	ASH TRAY, If Used

	STEIGER 280 STX330 STX280 STEIGER 330
--	--

SEAT - INSTRUCTIONAL



KIT KIT

- = 19
- = 20

09-23

p1

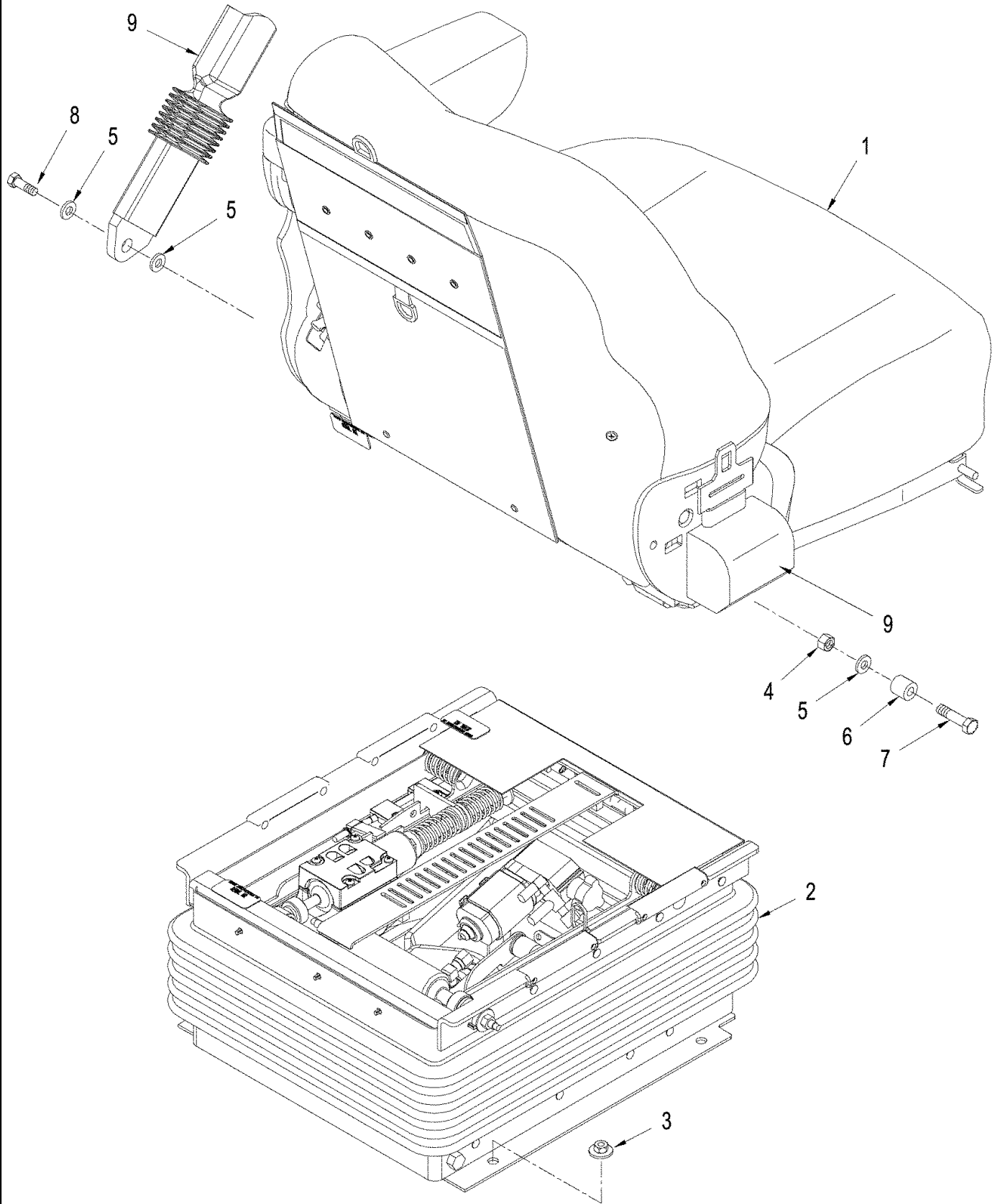
02/06

SEAT - INSTRUCTIONAL

REF	FN	PART NUMBER	YR/SN	QTY	DESCRIPTION
1		365674A1		1	HINGE
2		249707A2		1	BRACKET
		359383A1		1	SEAT ASSY., Cloth, Inc. 3, 5 - 7
		359845A1		1	SEAT ASSY., Leather, Inc. 4 - 7
3		358341A1		1	CUSHION, Seat Back, Cloth
4		359177A1		1	CUSHION, Seat Back, Leather
5		252928A2		1	BRACKET
6		358330A1		1	TRAY
7		440-12510		3	SCREW, Cross Pan Hd, 1/4"-20 x 5/8"
8		281926A2		1	BELT, Seat
9		406682A1		2	FASTENER, Velcro
10		627-10025		3	BOLT, Hex, M10 x 25, 10.9, Full Thd
11		825-2410		3	NUT, M10 x 1.5, Flg, Cl 8
12		895-15006		2	WASHER, M6 x 25 x 1.6
13		358340A1		1	CUSHION, Seat, Cloth
13		359176A1		1	CUSHION, Seat, Leather
14		426-412		3	BOLT, Hex, 1/4"-20 x 3/4", G8, Full Thd
15		906051R1		2	SCREW, Hex Soc But Hd, M6 x 1 x 10, 12.9, 1/4 x 3/4
16		369635A2		1	HOLDER, Cup Holder
17		394828A1		1	PLATE, Foam
18		302456A1		1	ASH TRAY, If Used
19		365946A1		1	KIT, Instructional Seat, Leather, Inc. 1, 2 & 4 - 17
20		334238A1		1	KIT, Instructional Seat, Cloth, Inc. 1 - 3, 5 - 13 & 14 - 17

STEIGER 280 STX330
 STX280 STEIGER 330

SEAT - OPERATORS



SEAT - OPERATORS

REF	FN	PART NUMBER	YR/SN	QTY	DESCRIPTION
1		87553808		1	SEAT ASSY., Cloth, without Heat, See Figure: 09-25
1		87553810		1	SEAT ASSY., Cloth, Heated, See Figure: 09-26
1		87553440		1	SEAT ASSY., Cloth, Heated, Semi-Active, See Figure: 09-25
1		87553442		1	SEAT ASSY., Leather, Heated, Semi-Active, See Figure: 09-25
2		87395380		1	SUSPENSION, See Figure: 09-26
2		87395381		1	SUSPENSION, Semi-Active, See Figure: 09-27
3		825-2408		4	NUT, M8 x 1.25, Fig, CI 8
4		829-1312		1	NUT, M12 x 1.75, CI 10
5		896-11012		3	WASHER, M13.5 x 24.5 x 3, HT
6		87313413		1	TUBE SPACER, Steel, .875" x .50"
7		806-12040		1	BOLT, Hex, Lock, M12 x 40, CI 10.9
8		806-12030		1	BOLT, Hex, Lock, M12 x 30, CI 10.9
9		444877A1		1	SEAT BELT

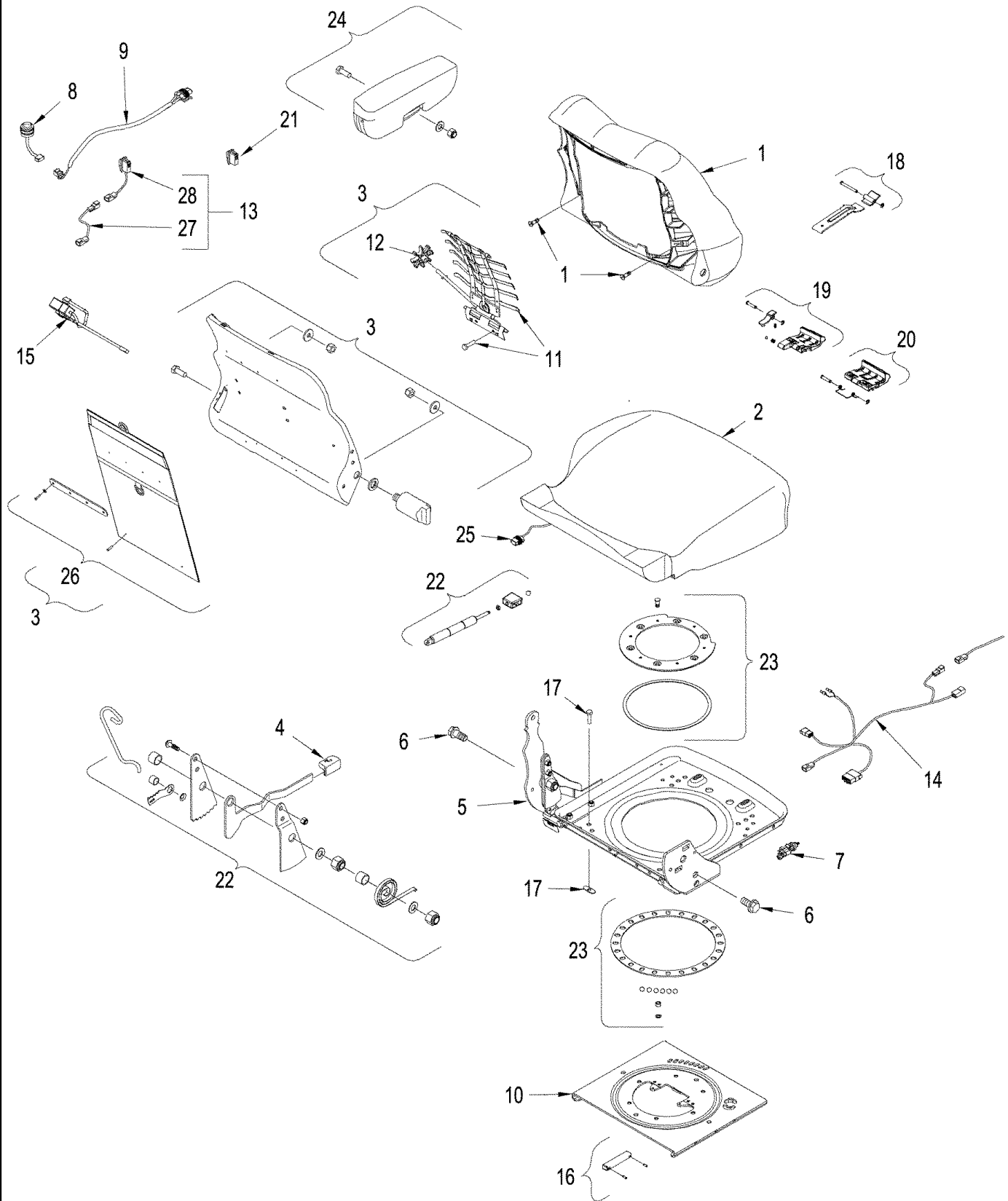
STX330 STX280
STEIGER 280 STEIGER 330

09-25

p1

08/07

SEAT - CUSHION ASSEMBLY



09-25

p1

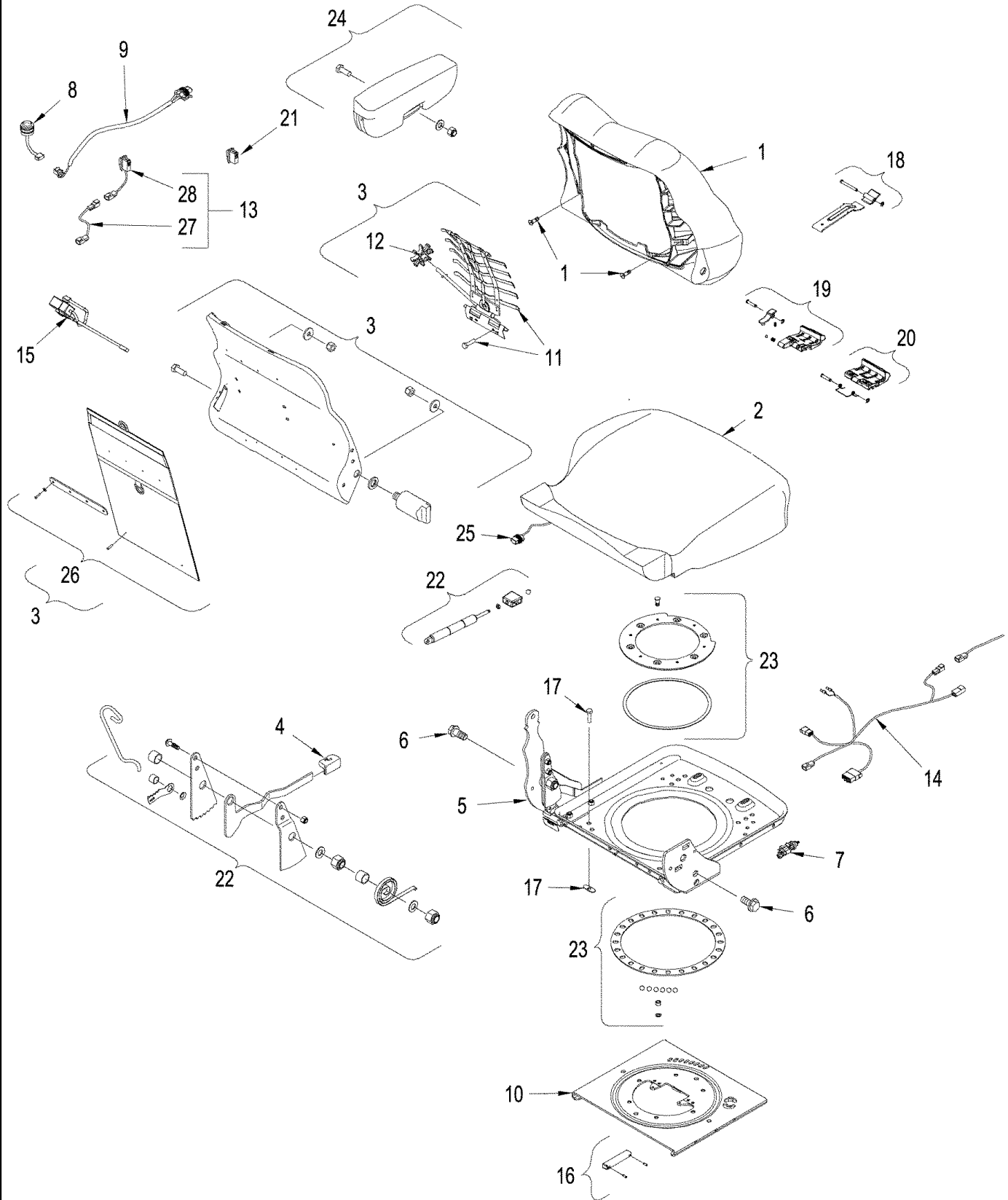
08/07

SEAT - CUSHION ASSEMBLY

REF	FN	PART NUMBER	YR/SN	QTY	DESCRIPTION
		87553808		1	SEAT ASSY., Cloth, Without Heat, Inc. 1 - 7, 10
		87553810		1	SEAT ASSY., Cloth, Heated, Inc. 1 - 24
		87553440		1	SEAT ASSY., Cloth, Heated, Semi-Active, Inc. 1 - 24
		87553442		1	SEAT ASSY., Leather, Heated, Semi-Active, Inc. 1 - 24
1		373476A1		1	CUSHION, Backrest, Cloth, without Heat
1		87395385		1	CUSHION, Backrest, Cloth, Heated
1		87397614		1	CUSHION, SEAT, Leather
2		87347893		1	CUSHION, SEAT, Cloth, Without Heat
2		87395384		1	CUSHION, SEAT, Cloth, Heated
2		87397613		1	CUSHION, Leather, Heated
3		86994155		1	ASSEMBLY, Seat Back, with Lumber & Pouch
4		87416475		1	KNOB, Recline Control
5		NSS		1	NOT SERVICED SEPARATELY, Pan, Seat
6		830-1110		1	NUT, Weld, M10
7		87300397		1	SWITCH, Seat, Air Control
8		87395388		1	SWITCH, Heater, Round Rocker
9		87395390		1	HARNESS, Heater, Center Section
10		87347956		1	KIT, SERVICE, Swivel
11		87308130		1	SEAT BACK ADJUST. DEVICE, Lumbar, Inc. 12
12		87037462		1	SEAT BACK ADJUST. DEVICE, Lumbar Knob
13		87347958		1	KIT, SERVICE, Operators Ride Control, Inc. 27 & 28
14		87347944		1	KIT, SERVICE, Harness, Suspension
15		87395389		1	CONTROL, Heater, Resistor
16		302016A1		1	PACKAGE,SERVICE, Slide Pucks
17		561-707		1	SCREW, Hex Soc, Shoulder, M10 12 X 30mm, CI12.9
18		87347934		1	LATCH, Seat Slide
19		87347942		1	KIT, SERVICE, Swivel Control
20		87347941		1	KIT, SERVICE, Fore / Aft Slide Control
21		87347940		1	KIT, SERVICE, Height Control
22		86994165		1	SEAT ACCESSORY, Recliner Control
23		87347936		1	KIT, SERVICE, Swivel
24		87347939		1	KIT, SERVICE, Armrest, Left-Hand, Cloth, without Heat
24		87397615		1	ARMREST, Armrest, Left-Hand, Cloth, Heated

STX330 STX280
STEIGER 280 STEIGER 330

SEAT - CUSHION ASSEMBLY

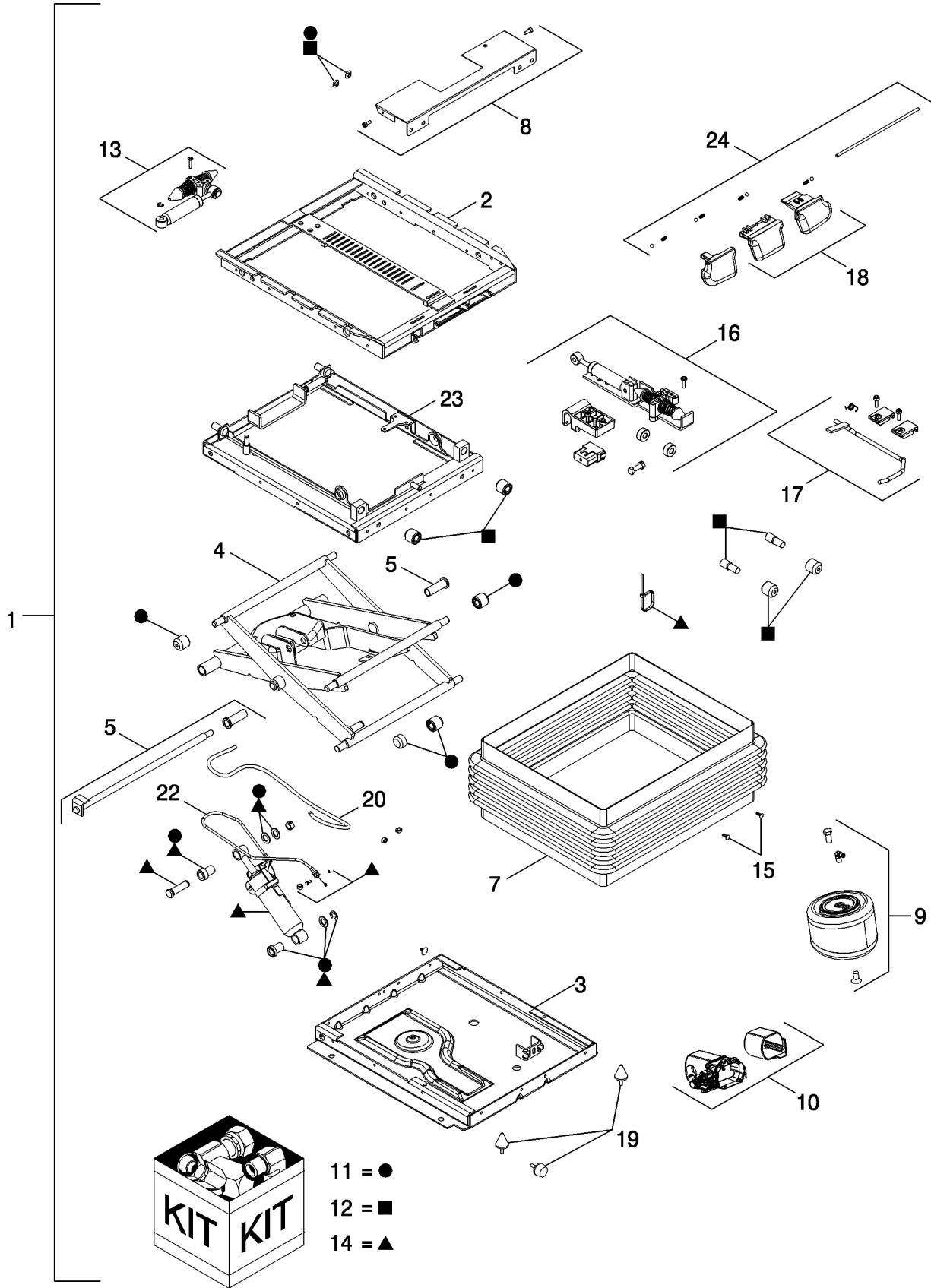


SEAT - CUSHION ASSEMBLY

REF	FN	PART NUMBER	YR/SN	QTY	DESCRIPTION
24		87397616		1	ARMREST, Armrest, Left-Hand, Leather, Heated
25		86400227		1	SWITCH, Operators Pressure
26		86994172		1	KIT, SERVICE, Manual Holder
27		87626130		1	HARNES, Operator Ride Control
28		87611650		1	SWITCH, Operator Ride Control

	STX330 STX280 STEIGER 280 STEIGER 330
--	---

SUSPENSION ASSEMBLY - SEAT



09-26

p1

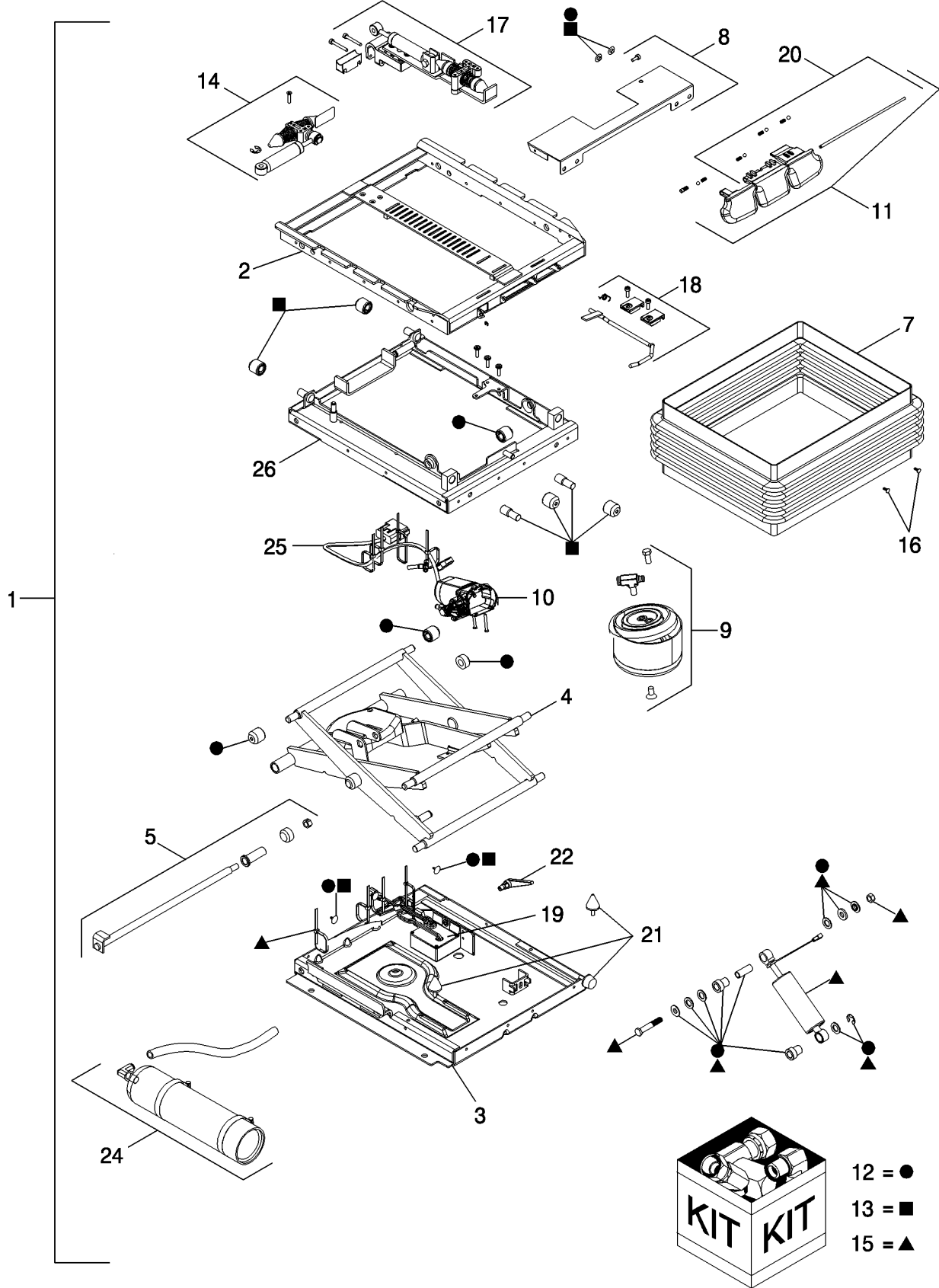
08/06

SUSPENSION ASSEMBLY - SEAT

REF	FN	PART NUMBER	YR/SN	QTY	DESCRIPTION
1		87395380		1	SUSPENSION, Inc. 2 - 24
2		87395392		1	HOUSING, Upper
3		333275A1		1	HOUSING, Lower
4		333276A1		1	ARM
5		302033A1		1	SHAFT
6		87347944		1	KIT, SERVICE, Harness, Not Shown, See Figure: 09-25
7		87347943		1	KIT, SERVICE, Suspension Boot
8		302029A2		1	PLATE
9		333279A2		1	KIT, Air Spring
10		87347951		1	KIT, SERVICE, Air Compressor
11		87347945		1	KIT, SERVICE, Suspension Bearing And Rollers
12		87347946		1	KIT, SERVICE, Isolator Rollers
13		87395394		1	ISOLATOR, Lateral Isolator Shock Absorber
14		447956A1		1	PACKAGE,SERVICE, Suspension Shock Absorber
15		333659A1		1	PACKAGE,SERVICE, Boot Pin
16		87395395		1	ISOLATOR, Fore And Aft Shock Absorber
17		373470A2		1	PACKAGE,SERVICE, Fore And Aft Isolator Control
18		373473A1		1	PACKAGE,SERVICE, Lateral Isolator Control
19		333295A1		1	PACKAGE,SERVICE, Suspension Bumper
20		87396231		1	TUBE, PLASTIC-RUBBER, Tube And Fitting
21		333296A1		1	PACKAGE,SERVICE, Fore And Aft Isolator Shock Block, Not Shown
22		87347955		1	CABLE, Suspension Shock Cable
23		87395393		1	HOUSING, Upper, Lateral Isolator
24		373469A1		1	PACKAGE,SERVICE, Knobs, Suspension

STX330 STX280
STEIGER 280 STEIGER 330

POSITIVE RESPONSE SUSPENSION ASSEMBLY - SEAT

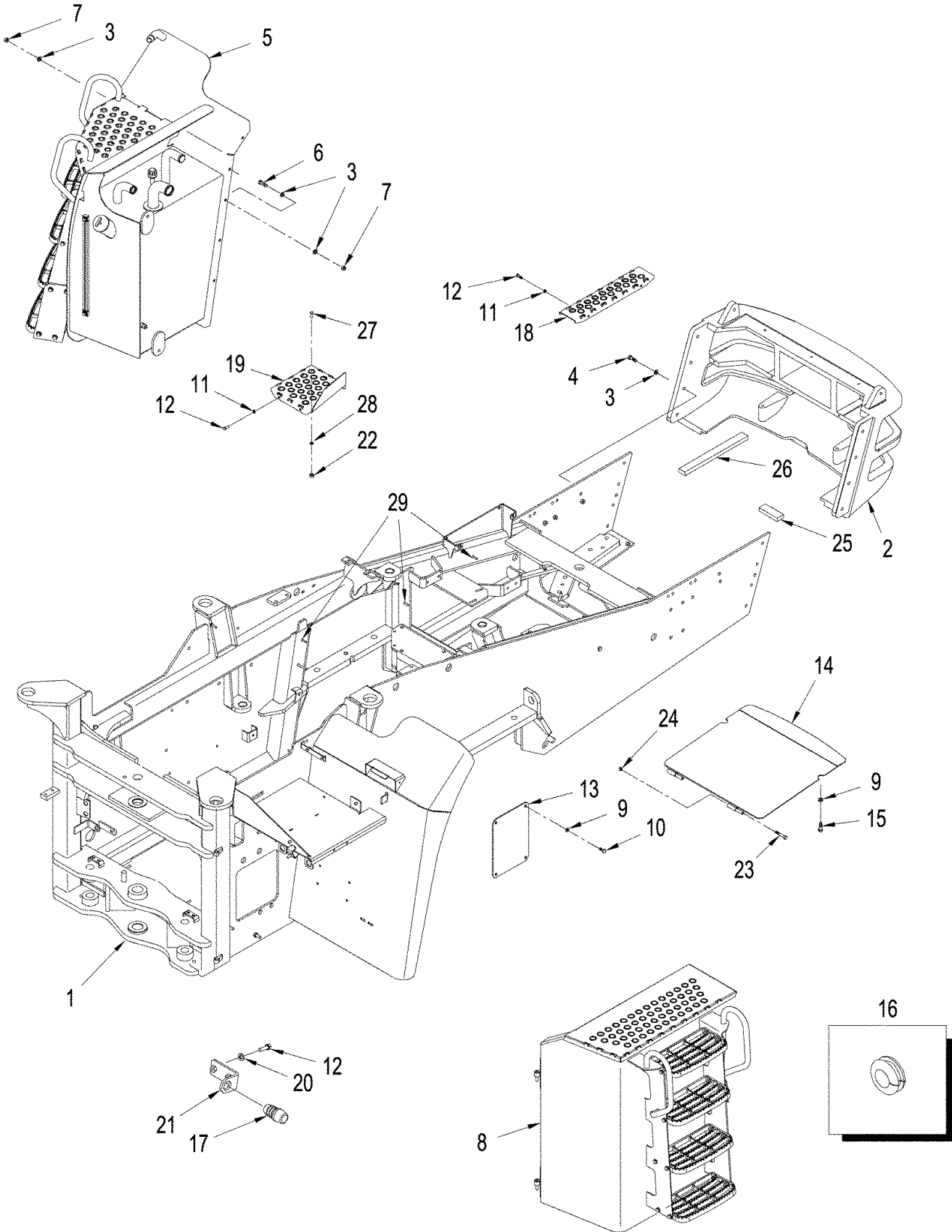


POSITIVE RESPONSE SUSPENSION ASSEMBLY - SEAT

REF	FN	PART NUMBER	YR/SN	QTY	DESCRIPTION
1		87395381		1	SUSPENSION, Suspension, Inc. 2 - 26
2		87395392		1	HOUSING, Upper
3		86994256		1	HOUSING, Lower
4		86994258		1	ARM
5		302033A1		1	SHAFT
6		87347944		1	KIT, SERVICE, Harness, Not Shown, See Figure: 09-25
7		87347943		1	KIT, SERVICE, Suspension Boot
8		302029A2		1	PLATE
9		333279A2		1	KIT, Air Spring
10		87347951		1	KIT, SERVICE, Compressor
11		87407047		1	KIT, SERVICE, Knobs
12		87347945		1	KIT, SERVICE, Suspension Bearing and Rollers
13		87347946		1	KIT, SERVICE, Isolator Rollers
14		87395394		1	ISOLATOR, Lateral Isolator Shock Absorber
15		86994260		1	KIT, SERVICE, Shock
16		333659A1		1	PACKAGE, SERVICE, Boot Pin
17		87395395		1	ISOLATOR, Fore and Aft Shock Absorber
18		373470A2		1	PACKAGE, SERVICE, Fore and Aft Isolator Control
19		87395396		1	DAMPER, Control Kit
20		373473A1		1	PACKAGE, SERVICE, Lateral Isolator Control
21		333295A1		1	PACKAGE, SERVICE, Suspension Bumper
22		86994267		1	LEVER, Suspension Shock Cable
23		333296A1		1	PACKAGE, SERVICE, Fore and Aft Isolator Shock Block (Not Shown)
24		87347960		1	KIT, SERVICE, Air Tank
25		87396231		1	TUBE, PLASTIC-RUBBER, Air Tank Hose
26		87395393		1	HOUSING

STX330 STX280
STEIGER 280 STEIGER 330

FRONT FRAME, WITHOUT ACCUSTEER

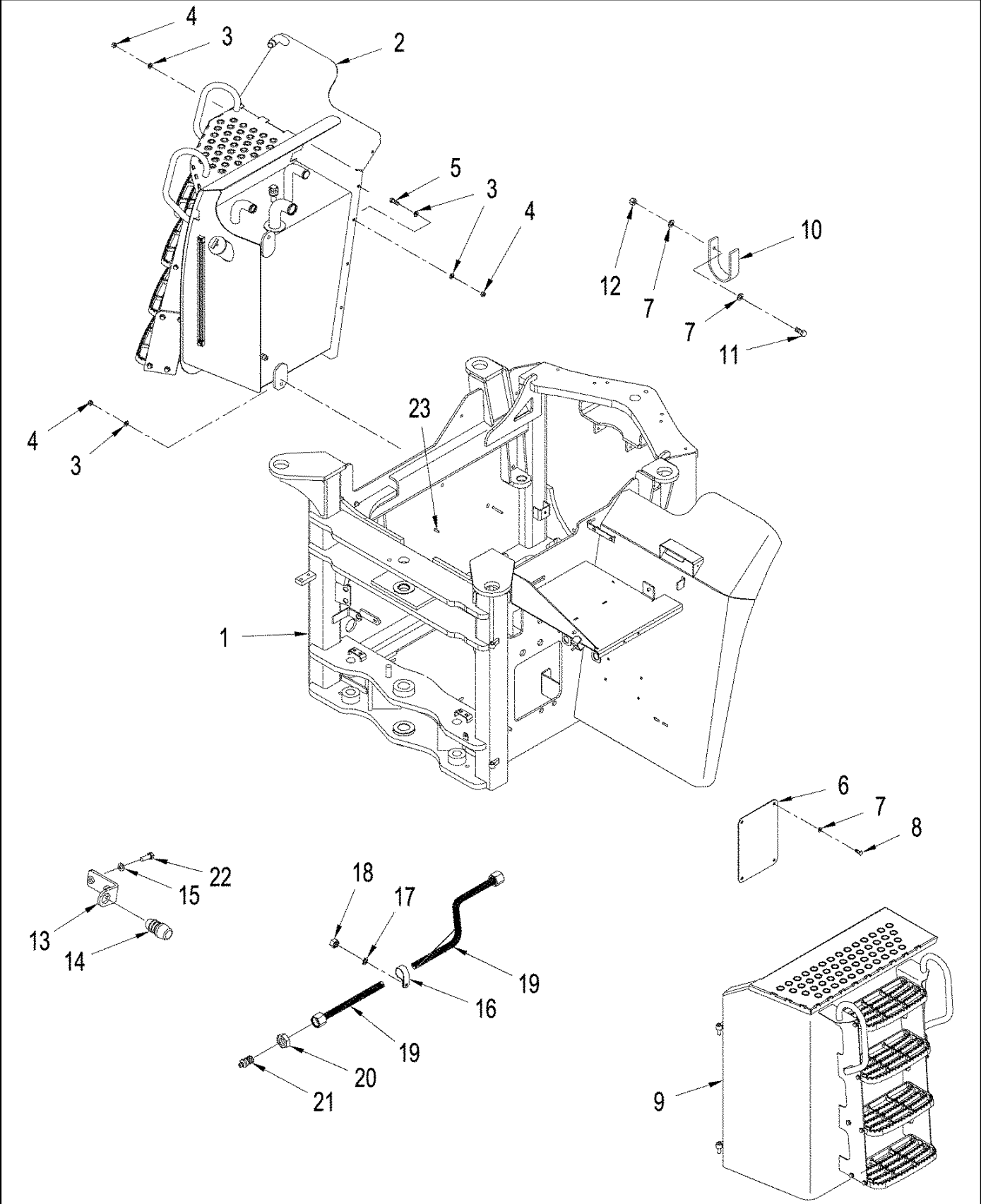


FRONT FRAME, WITHOUT ACCUSTEER

REF	FN	PART NUMBER	YR/SN	QTY	DESCRIPTION
1		87431483		1	FRAME
2		431458A1		1	BUMPER, See Figure: 09-32
3		896-11012		19	WASHER, M13.5 x 24.5 x 3, HT
4		627-12040		8	BOLT, Hex, M12 x 40, 10.9, Full Thd
5		NSS		1	NOT SERVICED SEPARATELY, Tank Assy., Hydraulic, See Figure: 08-16
6		627-12035		4	BOLT, Hex, M12 x 35, 10.9
7		829-1412		7	NUT, M12, CI 10
8		NSS		1	NOT SERVICED SEPARATELY, Door Assy., Battery, Right-Hand, See Figure: 09-31
9		895-11010		6	WASHER, M10 x 20 x 2
10		627-10030		6	BOLT, Hex, M10 x 30, 10.9, Full Thd
11		895-11008		10	WASHER, M8 x 16 x 1.6
12		627-8025		10	BOLT, Hex, M8 x 25, 10.9
13		431459A1		1	PLATE, Cover
14		87316978		1	COVER, Door
15		627-10025		4	BOLT, Hex, M10 x 25, 10.9, Full Thd
16		87365705		1	GROMMET, Rubber
17		363226A1		1	BUMPER, Door
18		385509A1		1	STEP
19		385529A2		1	STEP
20		896-11008		2	WASHER, M8 x 17.5 x 2, HT
21		86992264		1	BRACKET, Door Stop
22		829-1408		2	NUT, M8, CI 10
23		827-12120		1	BOLT, Hex, M12 x 120, 10.9
24		832-10412		1	NUT, LOCK, M12 x 1.75, CI 8
25		396412A1		2	STRIP, RUBBER
26		328197A1		2	SEAL
27		811-8030		2	BOLT, CARRIAGE, Short NK, M8 x 30, CI 8.8, Full Thd
28		895-15008		2	WASHER, M8 x 20 x 1.6
29		426285A1		19	STUD, Threaded
30		87591684		3	WASHER, Front Frame Articulation Hinge, If Used

STEIGER 280 STX330
STX280 STEIGER 330

FRONT FRAME, WITH ACCUSTEER

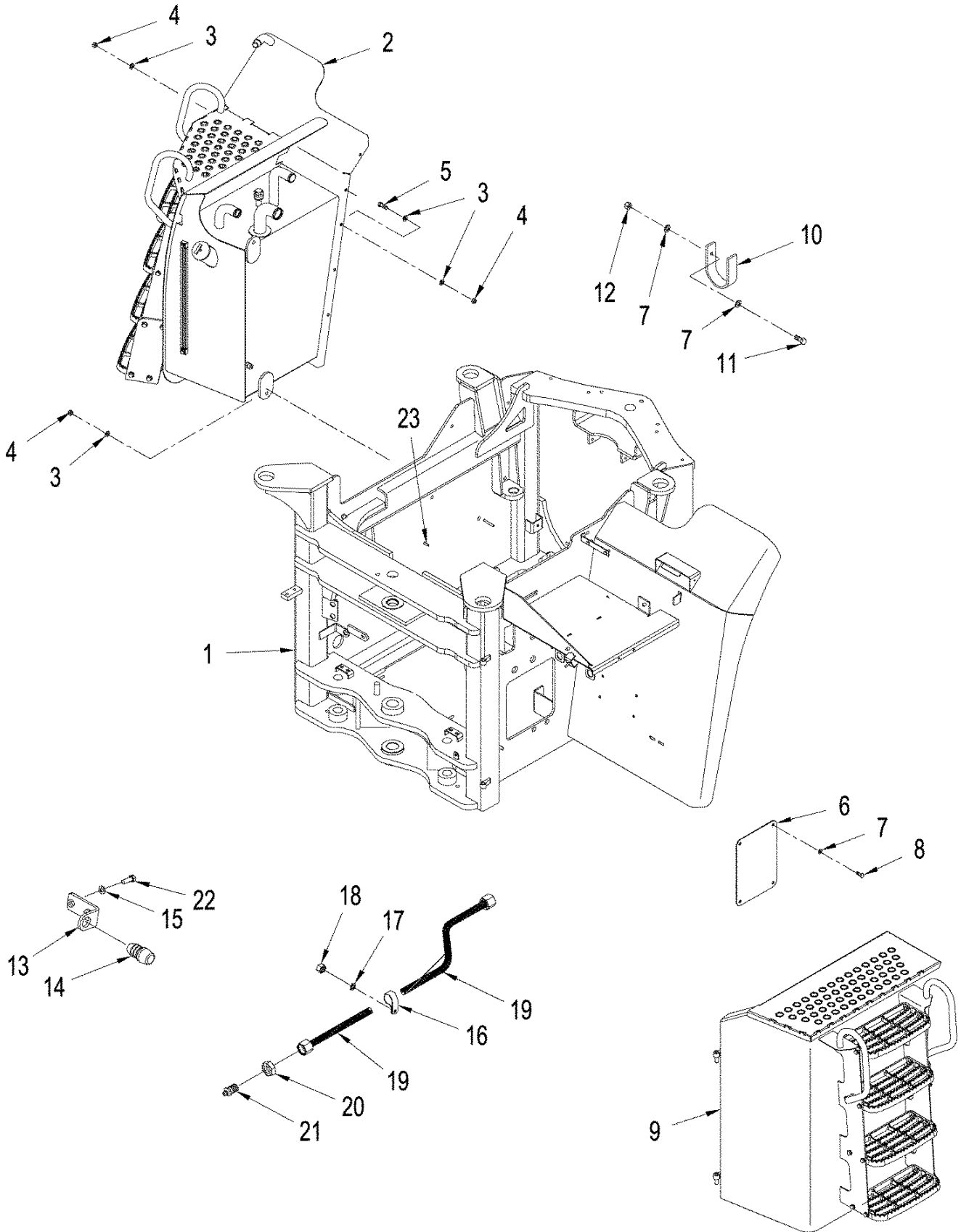


FRONT FRAME, WITH ACCUSTEER

REF	FN	PART NUMBER	YR/SN	QTY	DESCRIPTION
1		428452A1		1	FRAME
2		330042A1		1	BEARING
3		330305A1		2	SLEEVE
4		330309A1		2	PLATE, Retainer
5		S92653		2	WIPER
6		359226A1		1	PIN
7		1-4088		1	WASHER, 1-3/4 x 2-3/4 x 1/4
8		425-1528		1	NUT, Jam, 1 1/2"-12, G5, Hvy
9		895-11010		8	WASHER, M10 x 20 x 2
10		627-10040		16	BOLT, Hex, M10 x 40, 10.9, Full Thd
11		D95143		1	SEAL
12		331935A1		1	BEARING
13		87444051		1	PIN
14		70-5967T1		1	SPACER
15		87452138		1	BRACKET, Support
16		896-11016		1	WASHER, M17.5 x 30 x 4, HT
17		627-16030		1	BOLT, Hex, M16 x 30, 10.9, Full Thd
18		87316978		1	COVER, Access
19		627-10025		8	BOLT, Hex, M10 x 25, 10.9, Full Thd
20		396412A1		2	STRIP, RUBBER
21		895-11008		15	WASHER, M8 x 16 x 1.6
22		328197A1		3	SEAL
23		431458A1		1	BUMPER, See Figure: 09-32
24		896-11012		8	WASHER, M13.5 x 24.5 x 3, HT
25		627-12040		8	BOLT, Hex, M12 x 40, 10.9, Full Thd
26		385509A1		1	STEP, Frame
27		627-8025		15	BOLT, Hex, M8 x 25, 10.9
28		385529A2		1	STEP, Platform
29		412508A1		1	PLATE, Right-Hand
30		412507A1		1	PLATE, Left-Hand
31		896-11020		12	WASHER, M20 x 37.5 x 4, HT
32		627-20060		8	BOLT, Hex, M20 x 60, 10.9
33		829-1420		4	NUT, M20, CI 10
34		D95142		4	SEAL
35		348224A2		2	BEARING

STEIGER 280 STX330
STX280 STEIGER 330

FRONT FRAME, WITH ACCUSTEER

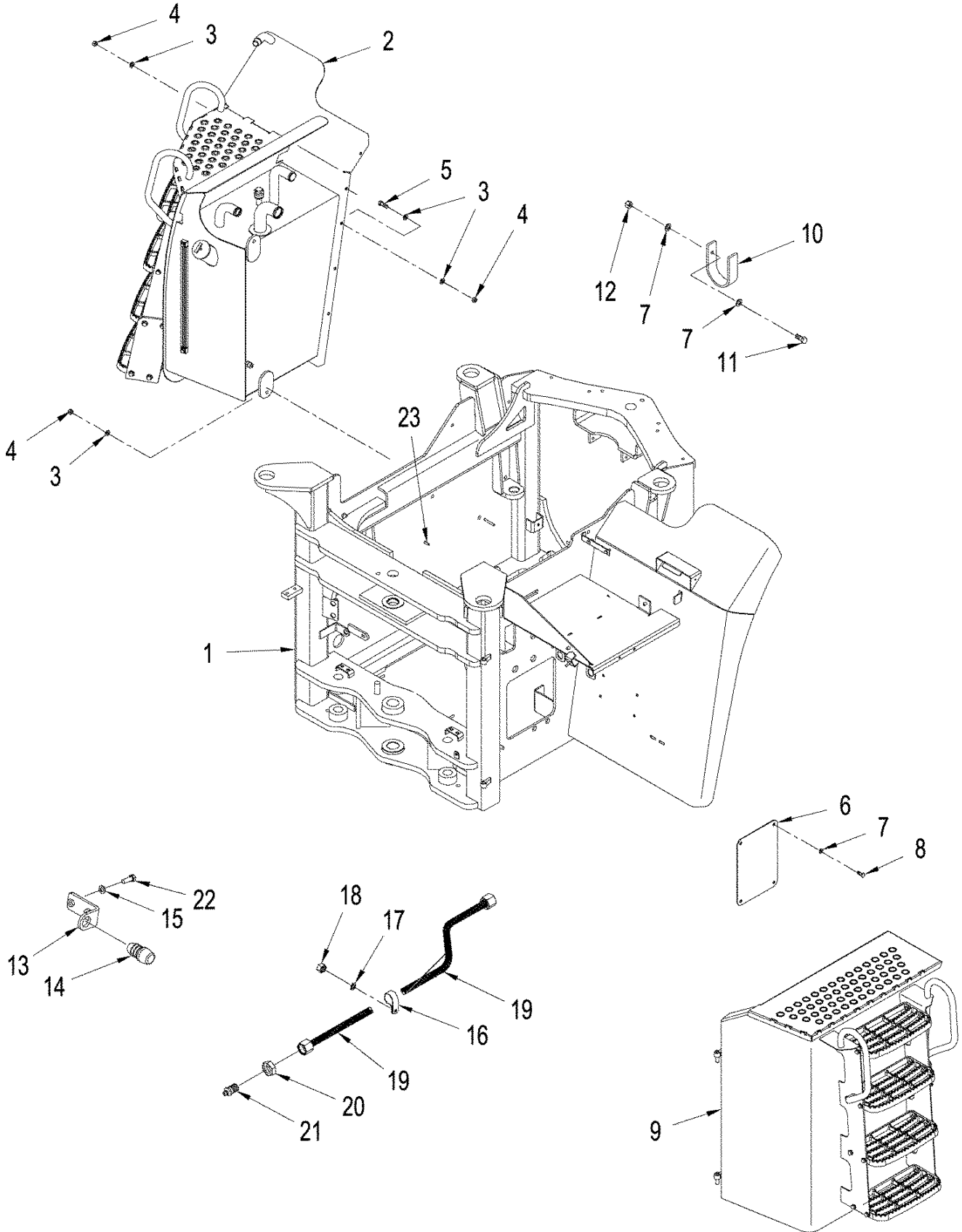


FRONT FRAME, WITH ACCUSTEER

REF	FN	PART NUMBER	YR/SN	QTY	DESCRIPTION
36		431462A1		1	SHIELD, Driveshaft
37		627-10035		2	BOLT, Hex, M10 x 35, 10.9, Full Thd
38		829-1410		2	NUT, M10, CI 10
39		827-12120		1	BOLT, Hex, M12 x 120, 10.9
40		832-10412		1	NUT, LOCK, M12 x 1.75, CI 8
41		426285A1		4	STUD, Threaded

	STEIGER 280 STX330 STX280 STEIGER 330
--	--

MIDDLE FRAME, WITH ACCUSTEER

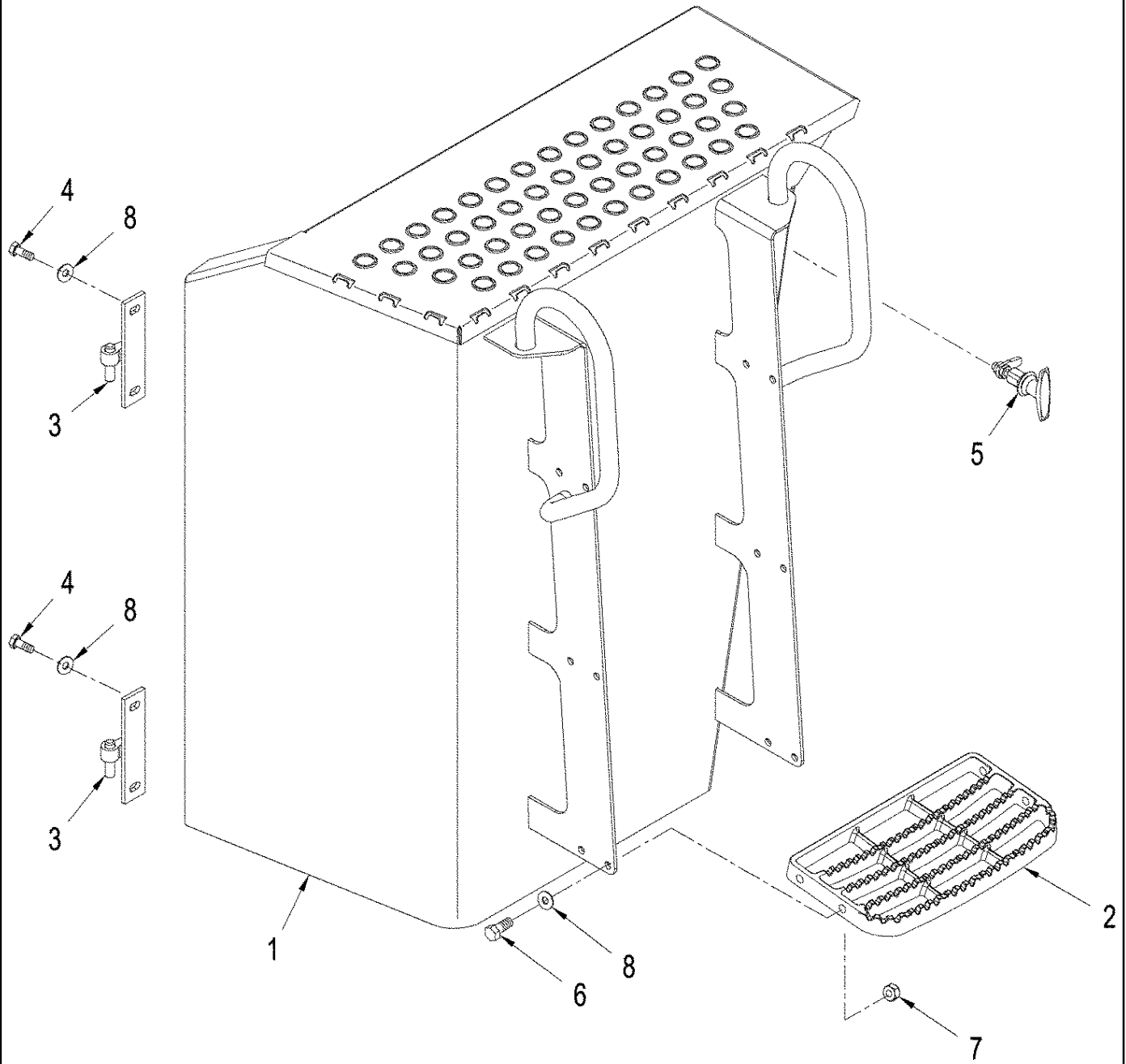


MIDDLE FRAME, WITH ACCUSTEER

REF	FN	PART NUMBER	YR/SN	QTY	DESCRIPTION
1		87441304		1	FRAME
2		NSS		1	NOT SERVICED SEPARATELY, Tank Assy, Hydraulic, See Figure: 08-16
3		896-11012		11	WASHER, M13.5 x 24.5 x 3, HT
4		829-1412		7	NUT, M12, CI 10
5		627-12035		4	BOLT, Hex, M12 x 35, 10.9
6		431459A1		1	PLATE, Cover
7		895-11010		8	WASHER, M10 x 20 x 2
8		627-10030		4	BOLT, Hex, M10 x 30, 10.9, Full Thd
9		NSS		1	NOT SERVICED SEPARATELY, Door Assy, Battery, Right-Hand, See Figure: 09-31
10		87309990		1	SHIELD, Driveshaft
11		627-10035		2	BOLT, Hex, M10 x 35, 10.9, Full Thd
12		829-1410		2	NUT, M10, CI 10
13		86992264		1	BRACKET, Door Stop
14		363226A1		1	BUMPER, Rubber
15		896-11008		2	WASHER, M8 x 17.5 x 2, HT
16		515-2279		1	CLAMP, 5/16", Insul, 5/16" Bolt
17		895-11008		1	WASHER, M8 x 16 x 1.6
18		829-1408		1	NUT, M8, CI 10
19		1345098C1		1	HOSE
20		F53473		1	NUT, 1/8 PT
21		219-8		1	NIPPLE, LUBE, 1/4"-28 NPT x .54" lg
22		627-8025		2	BOLT, Hex, M8 x 25, 10.9
23		426285A1		10	STUD, Threaded
24		87591684		3	WASHER, Front Frame Articulation Hinge

STEIGER 280 STX330
STX280 STEIGER 330

BATTERY DOOR ASSEMBLY

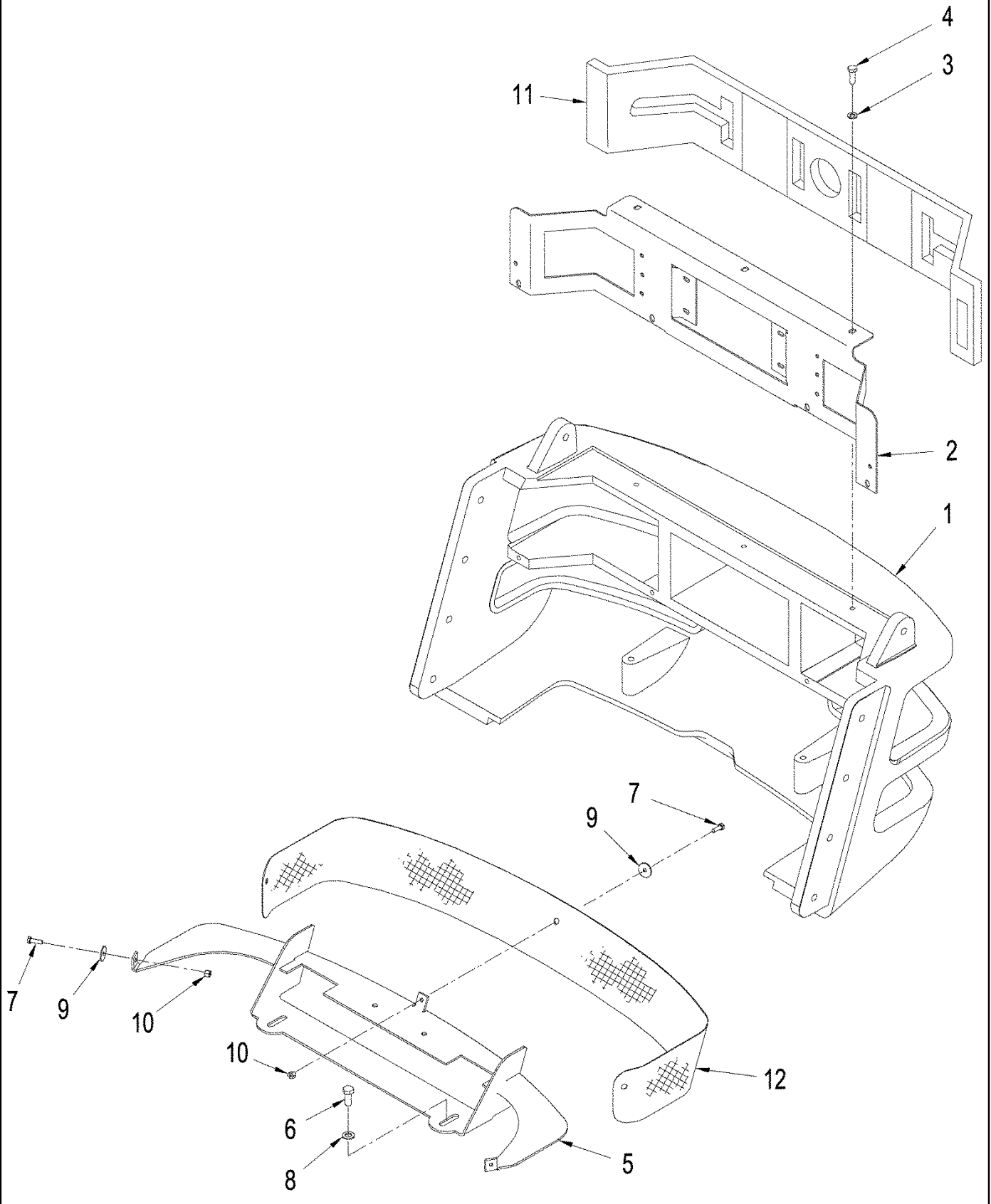


BATTERY DOOR ASSEMBLY

REF	FN	PART NUMBER	YR/SN	QTY	DESCRIPTION
1		87341837		1	STEP
2		86015582		3	STEP
3		87582012		2	PLATE, Hinge
4		627-10025		4	BOLT, Hex, M10 x 25, 10.9, Full Thd
5		87340774		1	LATCH, Battery Door
6		627-10035		12	BOLT, Hex, M10 x 35, 10.9, Full Thd
7		832-10410		12	NUT, LOCK, M10 x 1.5, Cl 8
8		895-11010		16	WASHER, M10 x 20 x 2

	STEIGER 280 STX330 STX280 STEIGER 330
--	---

BUMPER

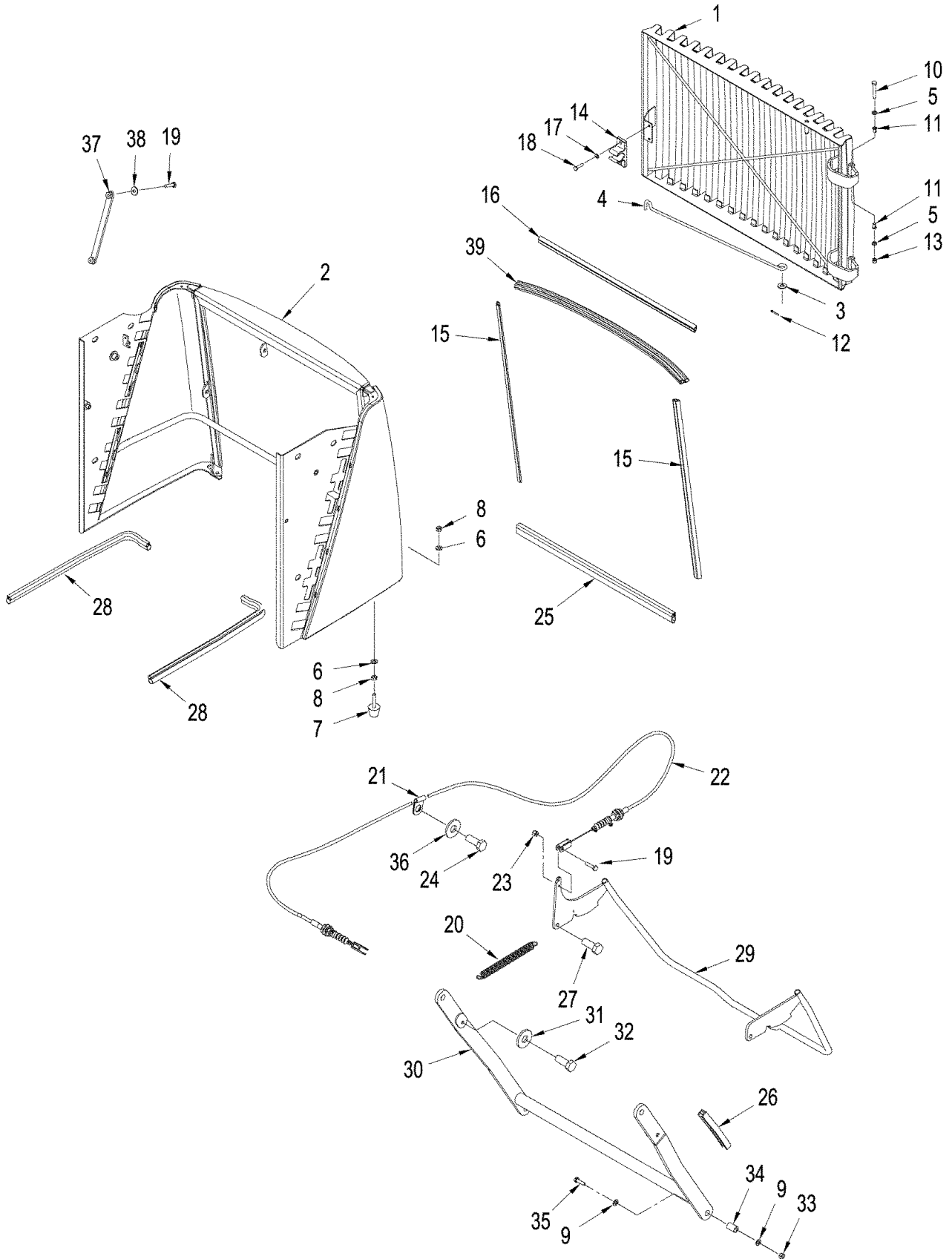


BUMPER

REF	FN	PART NUMBER	YR/SN	QTY	DESCRIPTION
1		431458A1		1	BUMPER
2		329923A3		1	BRACKET
3		895-11008		5	WASHER, M8 x 16 x 1.6
4		627-8025		5	BOLT, Hex, M8 x 25, 10.9
5		367518A3		1	BRACKET, SUPPORTING
6		627-10025		2	BOLT, Hex, M10 x 25, 10.9, Full Thd
7		627-6016		3	BOLT, Hex, M6 x 16, 10.9
8		895-11010		4	WASHER, M10 x 20 x 2
9		895-15006		3	WASHER, M6 x 25 x 1.6
10		832-10406		3	NUT, LOCK, M6 x 1, CI 8
11		412095A1		1	SEAL
12		333795A2		1	SCREEN

STEIGER 280 STX330
STX280 STEIGER 330

GRILLE

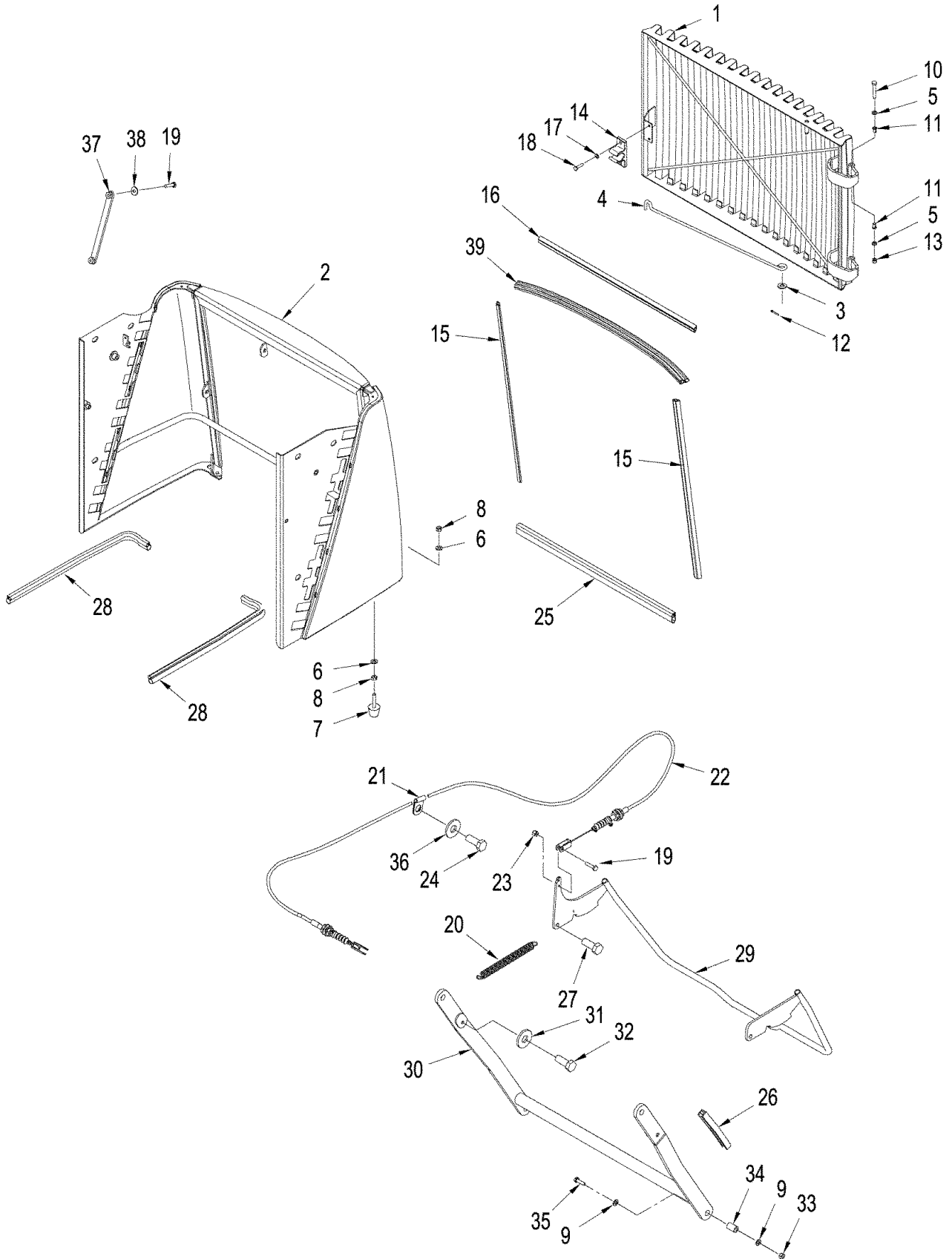


GRILLE

REF	FN	PART NUMBER	YR/SN	QTY	DESCRIPTION
1		87314926	BSN Z6F105001	1	GRILLE
1		87564147	ASN Z6F105001	1	GRILLE
2		87310100		1	GRILLE, Grille
3		895-15012		1	WASHER, M12 x 28 x 2.5
4		87314942		1	ROD, Grille Prop
5		529761R1		4	BUSHING
6		896-11010		4	WASHER, M10 x 21.5 x 2.5, HT
7		86993082		2	SHOCK ABSORBER, Bumper, Rubber
8		829-1410		2	NUT, M10, CI 10
9		896-11012		4	WASHER, M13.5 x 24.5 x 3, HT
10		827-8060		2	BOLT, Hex, M8 x 60, 10.9
11		895-11008		4	WASHER, M8 x 16 x 1.6
12		733-4020		1	PIN, SPLIT (COTTER), M4 x 20
13		832-10408		2	NUT, LOCK, M8 x 1.25, CI 8
14		87312706		1	CLIP
15		352770A1		2	SEAL, Cut From 353729A1
16		352769A1		1	SEAL, Upper Frame
17		895-11005		2	WASHER, M5 x 10 x 1
18		614-5020		2	BOLT, Hex, M5 x 20, 8.8, Full Thd
19		627-6025		1	BOLT, Hex, M6 x 25, 10.9
20		L106237		1	SPRING
21		515-2563		1	CLAMP, 1/4", Insul, 1/2" Bolt
22		443297A1		1	CABLE PULLING GRIP
23		832-10406		1	NUT, LOCK, M6 x 1, CI 8
24		627-12030		6	BOLT, Hex, M12 x 30, 10.9
25		370988A1		1	SEAL, Cut From: 369741A1
26		388554A1		2	GROMMET, 127 mm (5 in), Cut From : 443080A1
27		357893A1		2	SCREW
28		412557A1		2	SEAL, RUBBER
29		335018A3	BSN Z7F105942	1	ARM, Safety
29		87577000	ASN Z7F105942	1	LEVER, Safety
30		313973A2		1	ARM
31		896-15010		2	WASHER, M10 x 24.5 x 3, HT
32		627-10020		2	BOLT, Hex, M10 x 20, 10.9, Full Thd
33		829-1412		2	NUT, M12, CI 10

STEIGER 280 STX330
STX280 STEIGER 330

GRILLE

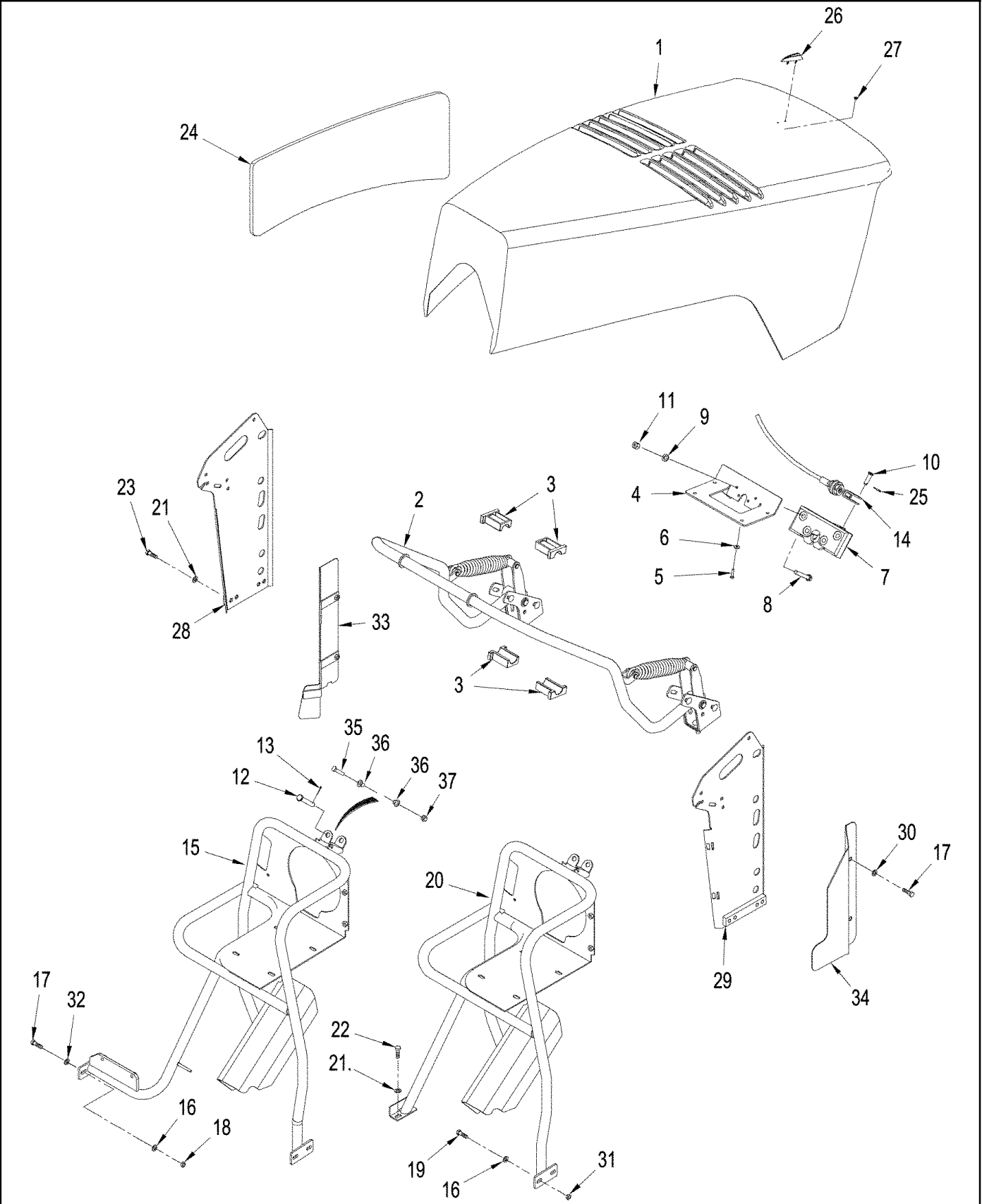


GRILLE

REF	FN	PART NUMBER	YR/SN	QTY	DESCRIPTION
34		316937A1		2	SPACER
35		827-12060		2	BOLT, Hex, M12 x 60, 10.9
36		S95569		6	WASHER
37		356813A2		4	BRACKET, SUPPORTING, Nut Strip
38		895-25006		8	WASHER, M6 x 18 x 1.6
39		371448A1		1	SEAL

STEIGER 280 STX330
STX280 STEIGER 330

HOOD AND SUPPORT



HOOD AND SUPPORT

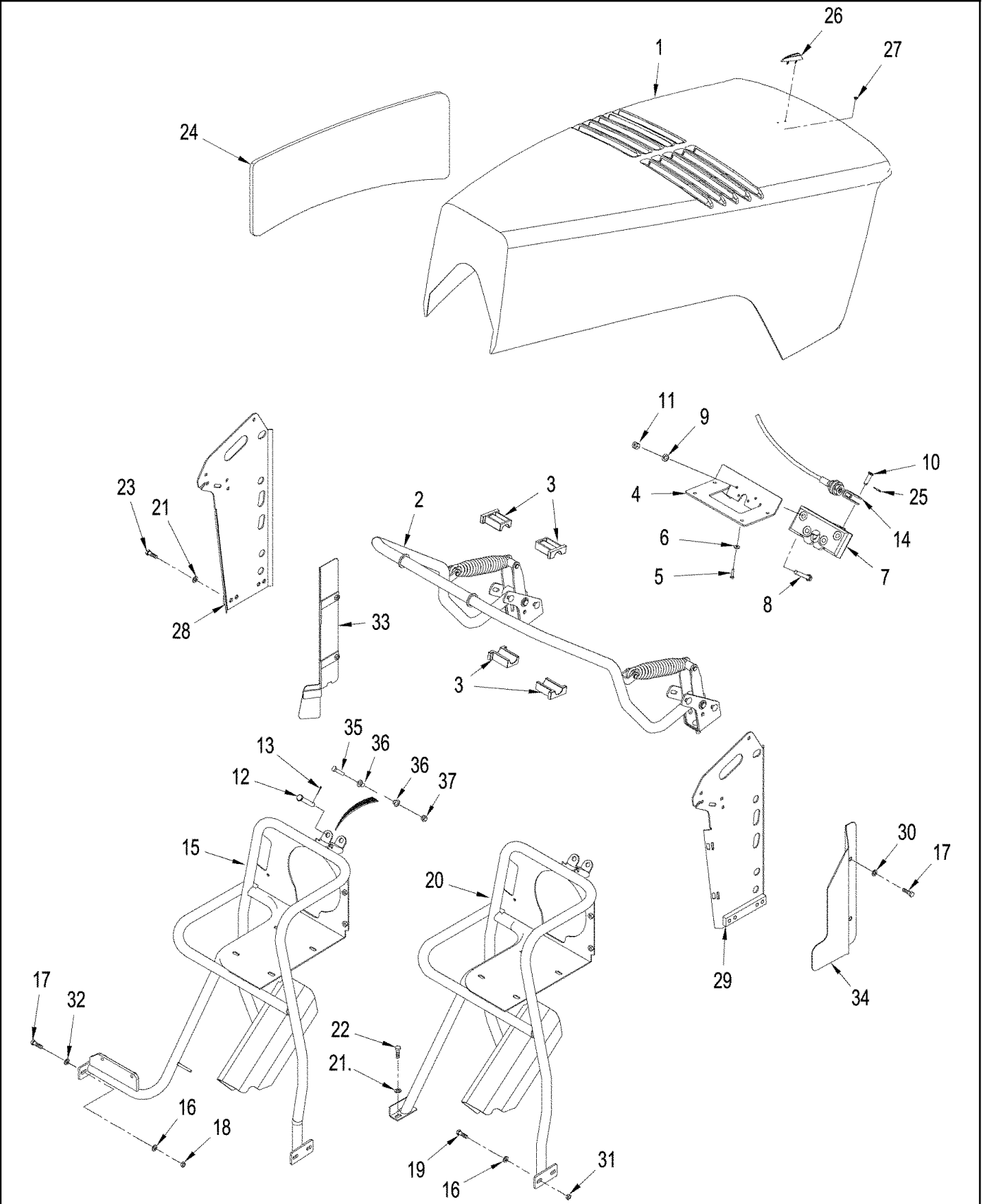
REF	FN	PART NUMBER	YR/SN	QTY	DESCRIPTION
1		87310084		1	HOOD
2		313975A2		1	ARM, Lift, Rear, See Figure: 09-34
3		314842A3		4	BEARING
4		87446918		1	BRACKET, Hood Latch
5		627-6030		4	BOLT, Hex, M6 x 30, 10.9, Full Thd
6		895-25006		4	WASHER, M6 x 18 x 1.6
7		318159A1	BSN Z7F105942	1	LATCH, Hood
7		87550202	ASN Z7F105942	1	LATCH, Hood
8		827-6040		4	BOLT, Hex, M6 x 40, 10.9
9		895-11006		4	WASHER, M6
10		728-620		1	PIN, CLEVIS, M6 x 20
11		832-10406		4	NUT, LOCK, M6 x 1, CI 8
12		728-16100		1	PIN, CLEVIS, M16 x 100
13		733-4032		1	PIN, SPLIT (COTTER), M4 x 32
14		443297A1		1	CABLE PULLING GRIP
15	1	87448847		1	SUPPORT, Hood
16		895-15010		8	WASHER, M11 x 24 x 2
17		627-10030		4	BOLT, Hex, M10 x 30, 10.9, Full Thd
18		829-1410		2	NUT, M10, CI 10
19	1	627-10035		4	BOLT, Hex, M10 x 35, 10.9, Full Thd
19	2	627-10025		4	BOLT, Hex, M10 x 25, 10.9, Full Thd
20	2	87447869		1	SUPPORT
21		896-11012		8	WASHER, M13.5 x 24.5 x 3, HT
22		627-12035		1	BOLT, Hex, M12 x 35, 10.9
23		627-12040		8	BOLT, Hex, M12 x 40, 10.9, Full Thd
24		334209A2		1	INSULATION, FOAM
25		733-1610		1	PIN, SPLIT (COTTER), M1.6 x 10
26		87353799		1	GUIDE, Hood Sight
27		131-431		2	NUT, LOCK, Self, Threading, 1/4"
28		339534A4		1	SUPPORT, Radiator, Left-Hand
29		339537A4		1	SUPPORT, Radiator, Right-Hand
30		399576A1		4	WASHER, SPECIAL
31		371448A1		4	SEAL

(1) Without ACCUSTEER

(2) With ACCUSTEER

STEIGER 280 STX330
 STX280 STEIGER 330

HOOD AND SUPPORT

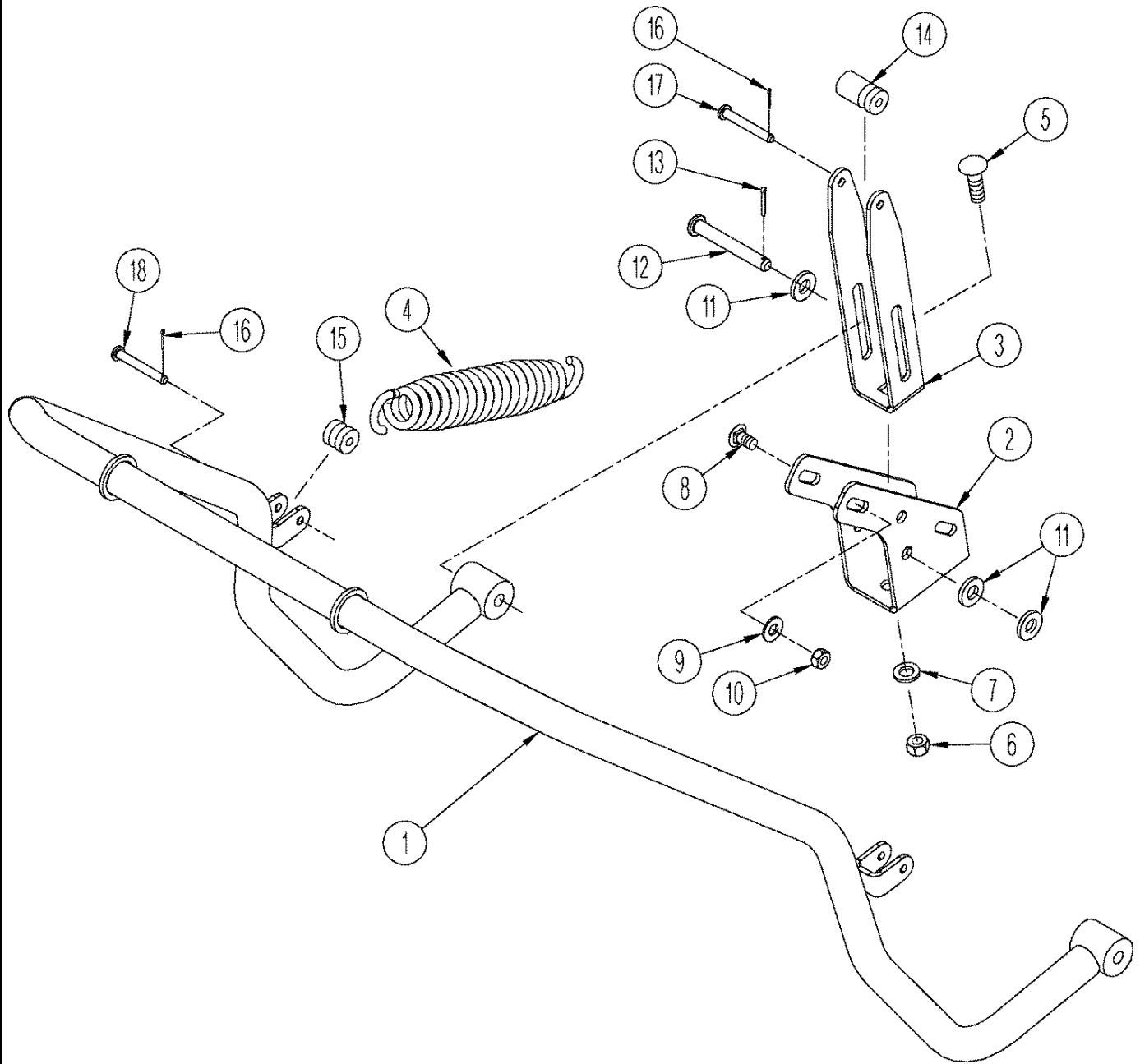


HOOD AND SUPPORT

REF	FN	PART NUMBER	YR/SN	QTY	DESCRIPTION
32		895-11010		2	WASHER, M10 x 20 x 2
33		389195A2		1	COVER, Fan, LH
34		389191A2		1	COVER, Fan, RH
35		827-10120	ASN Z7F105942	1	BOLT, Hex, M10 x 120, 10.9
36		87550203	ASN Z7F105942	2	BUSHING, GUIDE, Latch Pin
37		832-10410	ASN Z7F105942	1	NUT, LOCK, M10 x 1.5, Cl 8

	STEIGER 280 STX330 STX280 STEIGER 330
--	---

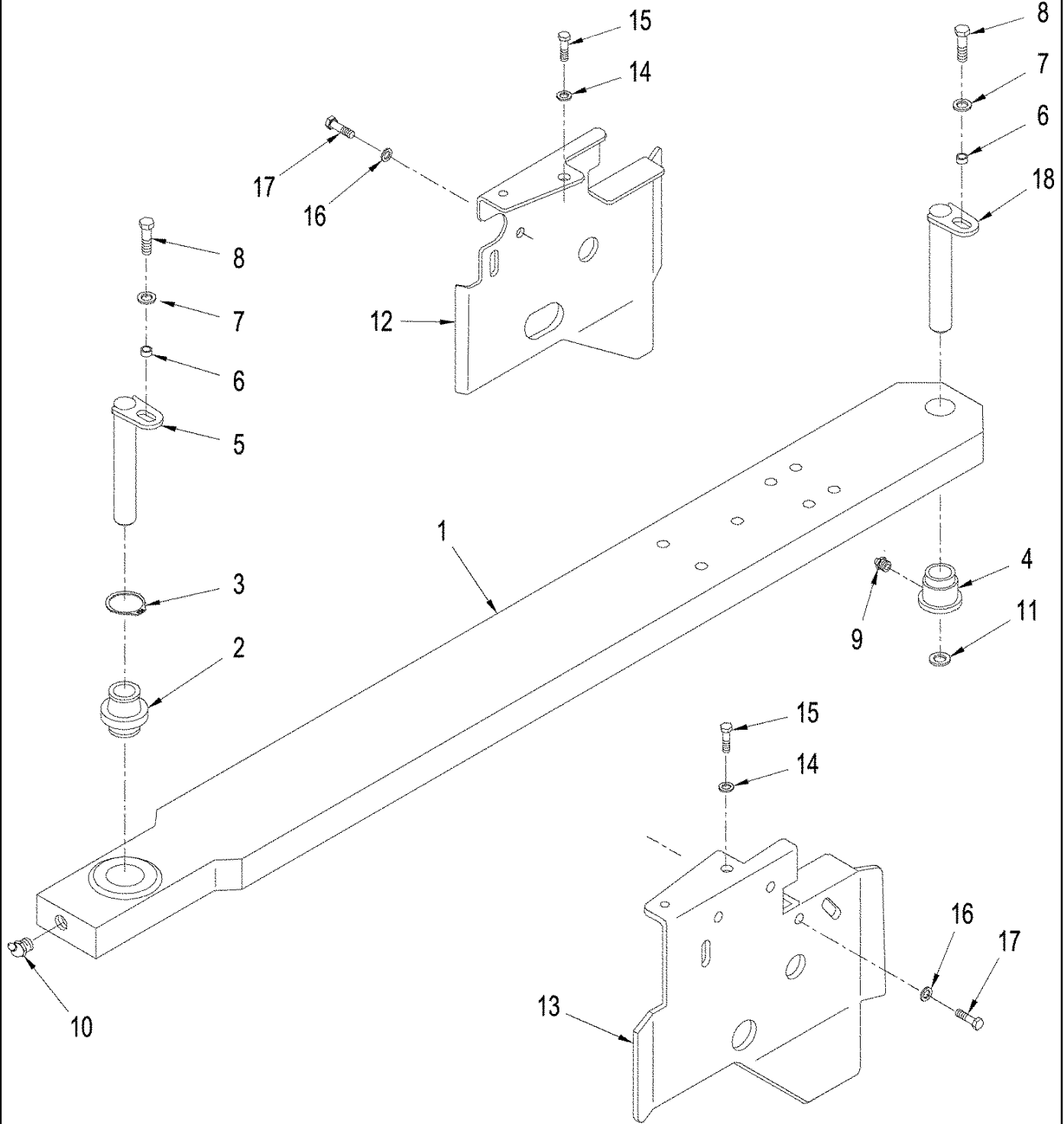
HOOD - LIFT ARM



HOOD - LIFT ARM

REF	FN	PART NUMBER	YR/SN	QTY	DESCRIPTION
1		313975A2		1	ARM, Lift, Rear
2		339551A1		2	BRACKET
3		339547A1		2	CLEVIS, ADJUSTABLE
4		339549A1		2	SPRING, COIL
5		811-12040		2	BOLT, CARRIAGE, Short NK, M12 x 40, CI8.8, Full Thd
6		829-1412		2	NUT, M12, CI 10
7		896-11012		2	WASHER, M13.5 x 24.5 x 3, HT
8		811-10020		4	BOLT, CARRIAGE, Short NK, M10 x 20, CI8.8, Full Thd
9		895-15010		4	WASHER, M11 x 24 x 2
10		829-1410		4	NUT, M10, CI 10
11		896-15012		6	WASHER, M12 x 28.5 x 4, HT
12		728-1290		2	PIN, CLEVIS, M12 x 90
13		733-3220		2	PIN, SPLIT (COTTER), M3.2 x 20
14		313992A1		2	SPOOL
15		320429A1		2	SPOOL
16		733-2012		4	PIN, SPLIT (COTTER), M2 x 12
17		728-860		2	PIN, CLEVIS, M8 x 60
18		728-840		2	PIN, CLEVIS, M8 x 40
					STEIGER 280 STX330 STX280 STEIGER 330

CENTER LINK



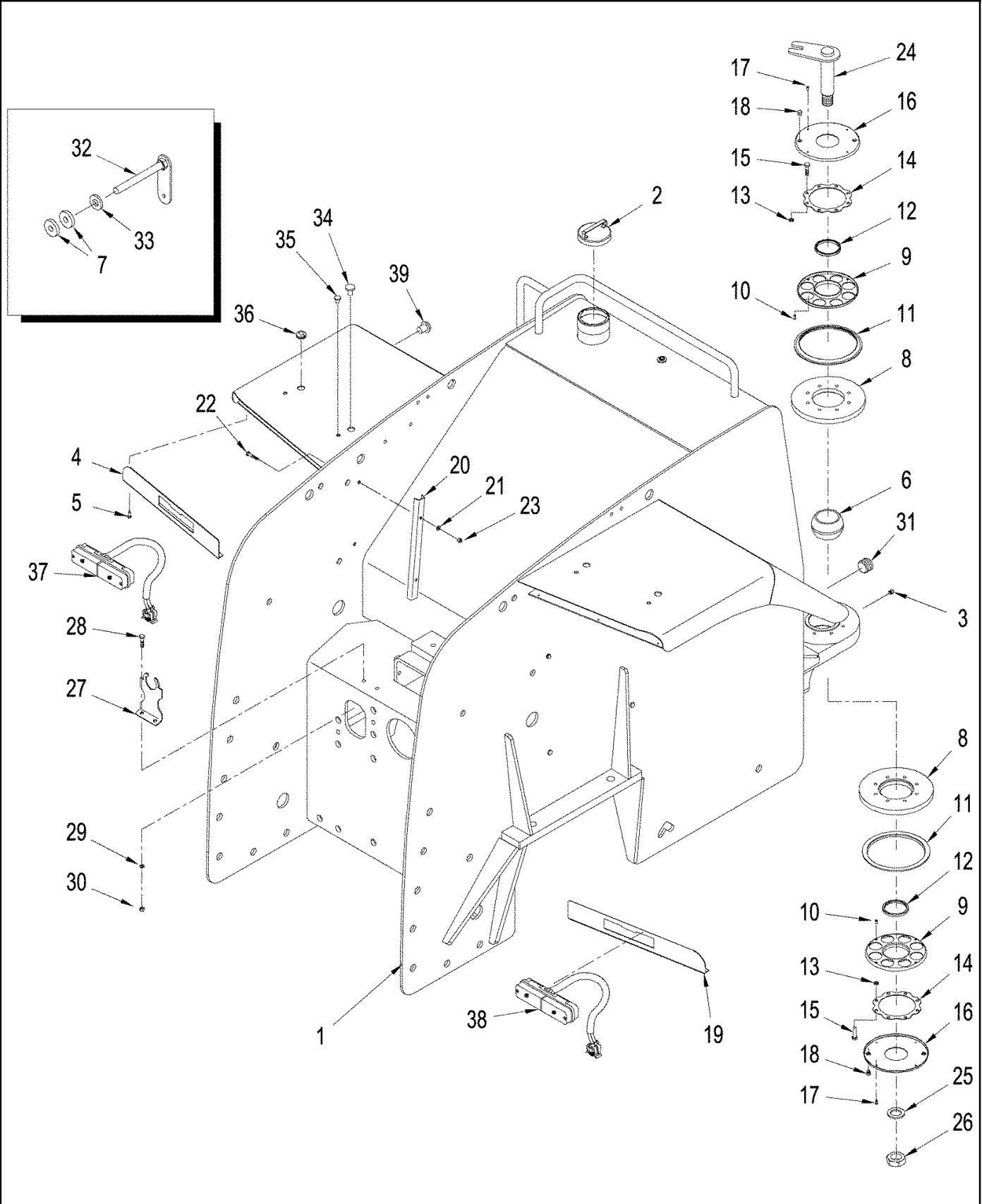
CENTER LINK

REF	FN	PART NUMBER	YR/SN	QTY	DESCRIPTION
		87384058		1	LINK, CONNECTING, Inc. 1 - 4
1		NSS		1	NOT SERVICED SEPARATELY, Link
2		70-5468T1		1	BEARING
3		101-21354		1	RING, SNAP, #354, Int, Retaining
4		435529A1		1	BUSHING
5	1	195941A1		AR	PIN, Retaining
6		70-5967T1		2	SPACER
7		896-11016		2	WASHER, M17.5 x 30 x 4, HT
8		627-16040		2	BOLT, Hex, M16 x 40, 10.9
9		219-1		1	NIPPLE, LUBE, 1/8"-27 x .66 lg
10		219-36		1	NIPPLE, LUBE, 45°, 1/8" NPT x 7/8" lg
11		D95143		2	SEAL
12		87423436		1	COVER, Drive Shaft, Left-Hand
13		87423437		2	COVER, Drive Shaft, Right-Hand
14		895-11010		4	WASHER, M10 x 20 x 2
15		627-10020		4	BOLT, Hex, M10 x 20, 10.9, Full Thd
16		896-11012		4	WASHER, M13.5 x 24.5 x 3, HT
17		627-12030		4	BOLT, Hex, M12 x 30, 10.9
18		87399531	ASN Z6F100595	1	PIN, LARGE

(1) On Machines BSN use qty. (2) and ASN Z6F100595 use qty. (1)

STEIGER 280 STX330
STX280 STEIGER 330

REAR FRAME

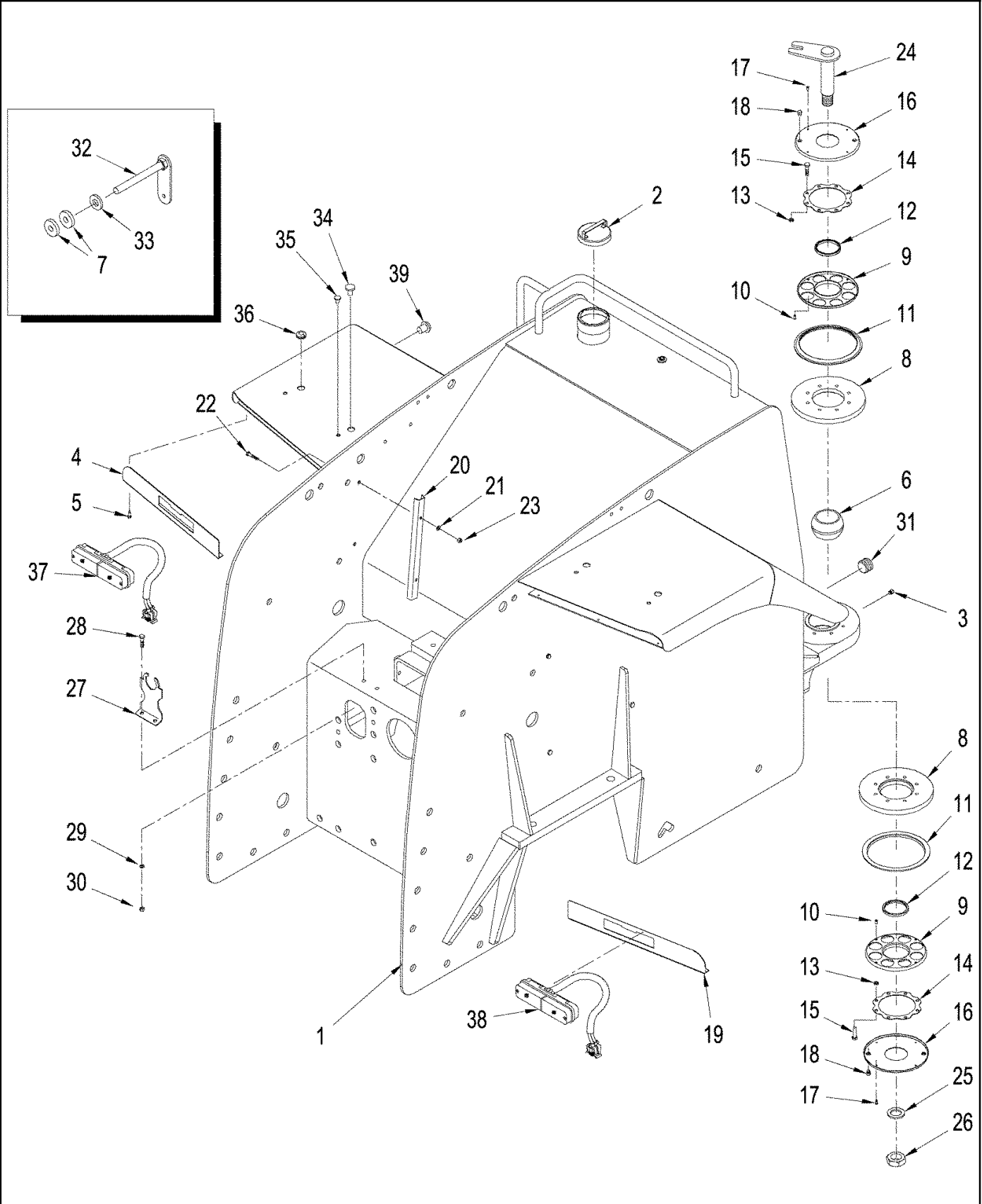


REAR FRAME

REF	FN	PART NUMBER	YR/SN	QTY	DESCRIPTION
1		426740A1		1	FRAME
2		433479A1	BSN Z7F105334	1	CAP, Fuel
2		87555106	ASN Z7F105334	1	CAP, FUEL, LOCKABLE
3		219-36		1	NIPPLE, LUBE, 45°, 1/8" NPT x 7/8" lg
4		417862A1		1	COVER, Fender, Left-Hand
5		281-54712		6	SCREW, Hex Wash Hd, 1/4"-20 x 3/4"
6		87311338		1	BEARING
7		321232A1		2	BUSHING
8		330032A1		2	RING
		87365383		2	HOUSING, Inc. 9 and 10
9		NSS		1	NOT SERVICED SEPARATELY, Housing
10		NSS		8	NOT SERVICED SEPARATELY, Spacer
11		433478A1		2	GASKET
12		D95148		2	WIPER
13		432444A1		16	SPACER
14		430250A1		2	RETAINER, Plate
15		827-10040		16	BOLT, Hex, M10 x 40, 10.9, Full Thd
16		87365381		2	COVER
17		163-47		8	SCREW, Hex Hd, #10-32 x 1/2", G5
18		86643151		4	PLUG, Hex Hd, 1/8"-27 NPTF
19		417863A1		1	COVER, Fender, Right-Hand
20		330164A2		2	GUARD, Wire
21		895-11008		8	WASHER, M8 x 16 x 1.6
22		827-8045		4	BOLT, Hex, M8 x 45, 10.9
23		832-10408		4	NUT, LOCK, M8 x 1.25, CI 8
24		87590638		1	PIN, Retaining
25		1-4088		1	WASHER, 1-3/4 x 2-3/4 x 1/4
26		425-1528		1	NUT, Jam, 1 1/2"-12, G5, Hvy
27		402769A2		1	PLATE
28		627-10030		2	BOLT, Hex, M10 x 30, 10.9, Full Thd
29		895-11010		2	WASHER, M10 x 20 x 2
30		829-1408		2	NUT, M8, CI 10
31		384163A1		1	PLASTIC PLUG
32		406390A1		1	HANDLE
33		896-15012		1	WASHER, M12 x 28.5 x 4, HT

STEIGER 280 STX330
STX280 STEIGER 330

REAR FRAME

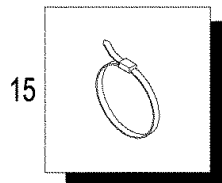
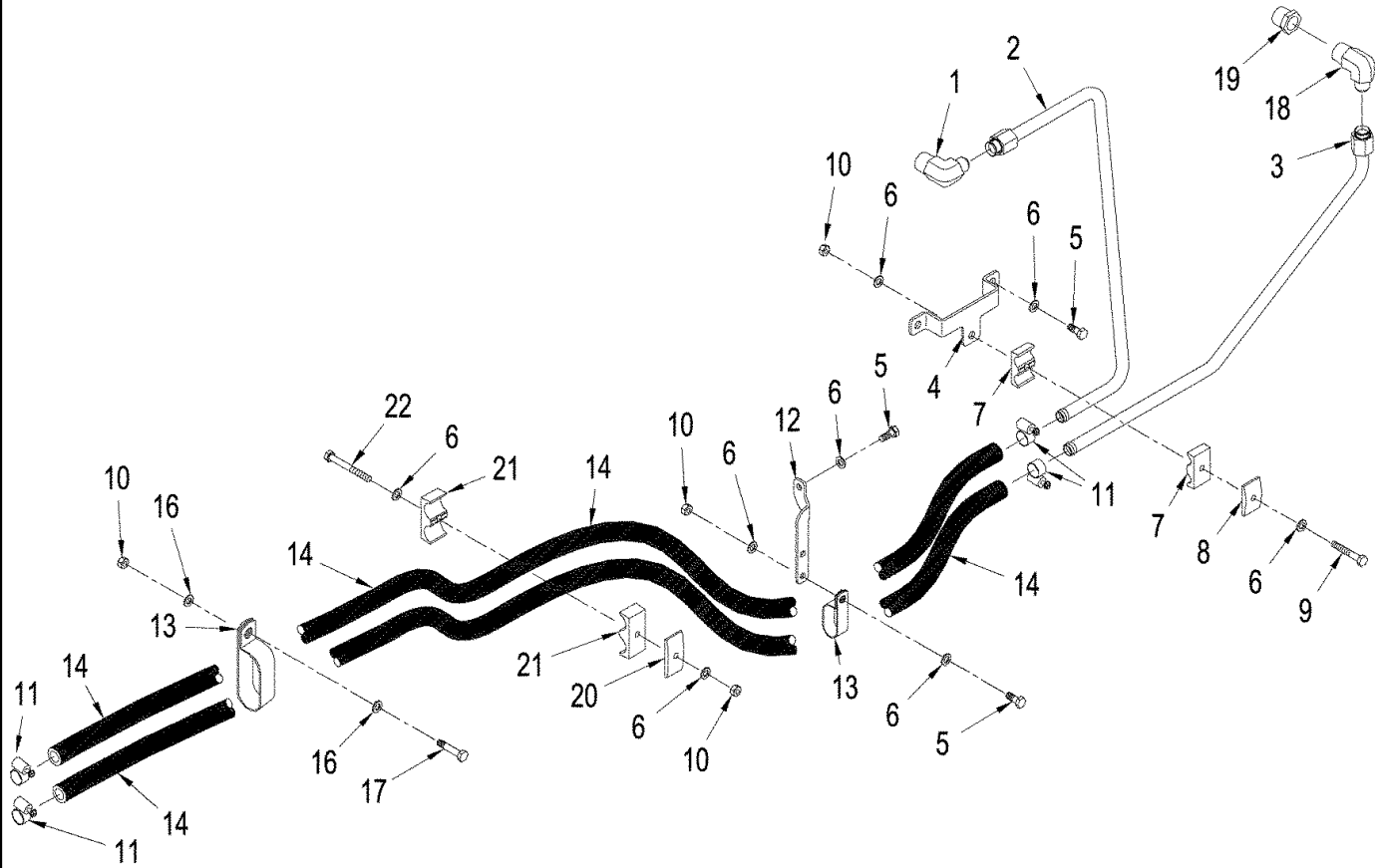


REAR FRAME

REF	FN	PART NUMBER	YR/SN	QTY	DESCRIPTION
34		353-422		2	PLUG, Dome, 1.250" hole, Nylon
35		353-404		2	PLUG, Dome, .500" hole, Nylon
36		87030421		2	GROMMET, 3/8" ID x 1 1/4" Groove Dia, Str Cut
37		429385A1		1	LIGHT, WORK, Tail, LH, See Figure: 04-25
38		417788A1		1	LIGHT, WORK, Tail, RH, See Figure: 04-25
39		353-403		4	PLUG, Dome, .437" hole, Nylon, Dome

	STEIGER 280 STX330 STX280 STEIGER 330
--	--

HEATER - HOSES



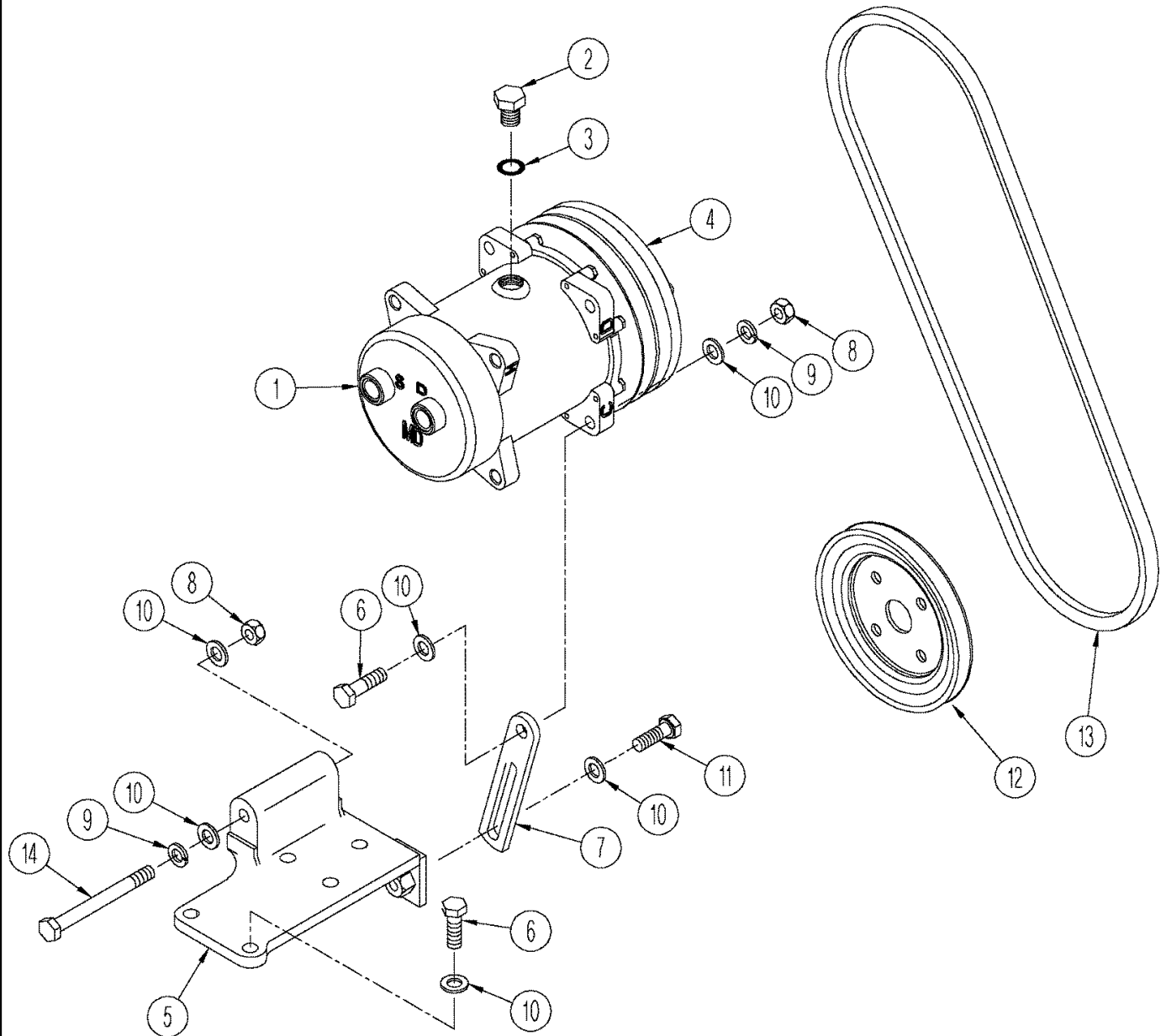
HEATER - HOSES

REF	FN	PART NUMBER	YR/SN	QTY	DESCRIPTION
1		218-494		2	ELBOW, 90°, 7/8"-14, 37° x 3/4"-14, NPTF
2		87448889		1	TUBE, HEATER, Supply
3		363289A1		1	TUBE, Return
4		87448031		1	BRACKET
5		627-8020		4	BOLT, Hex, M8 x 20, 10.9
6		895-11008		9	WASHER, M8 x 16 x 1.6
7		50-2531T1		2	CLAMP
8		50-2532T1		1	PLATE, Cover
9		827-8050		1	BOLT, Hex, M8 x 50, 10.9
10		829-1408		4	NUT, M8, CI 10
11		214-1408		4	CLAMP, HOSE, #08, 0.50/0.91 Type F Worm
12		364057A1		1	BRACKET
13		R54363		3	CLAMP
14		364159A1		2	HOSE, Supply / Return
15		435437A1		2	STRAP, CABLE, 3/16" x 7 1/4"
16		895-15008		2	WASHER, M8 x 20 x 1.6
17		627-8025		1	BOLT, Hex, M8 x 25, 10.9
19		217-45		1	REDUCER, 3/4"-14 NPTF x 1/2"-18 Fem NPTF
18		218-485		1	ELBOW, 90°, 7/8"-14, 37° x 1/2"-14, NPTF
20	1	50-2533T1		1	PLATE, Cover
21	1	50-2534T1		2	CLAMP
22	1	827-8070		1	BOLT, Hex, M8 x 70, 10.9

(1) Used with ACCUSTEER applications

STEIGER 280 STX330
STX280 STEIGER 330

AIR CONDITIONING - COMPRESSOR MOUNTING

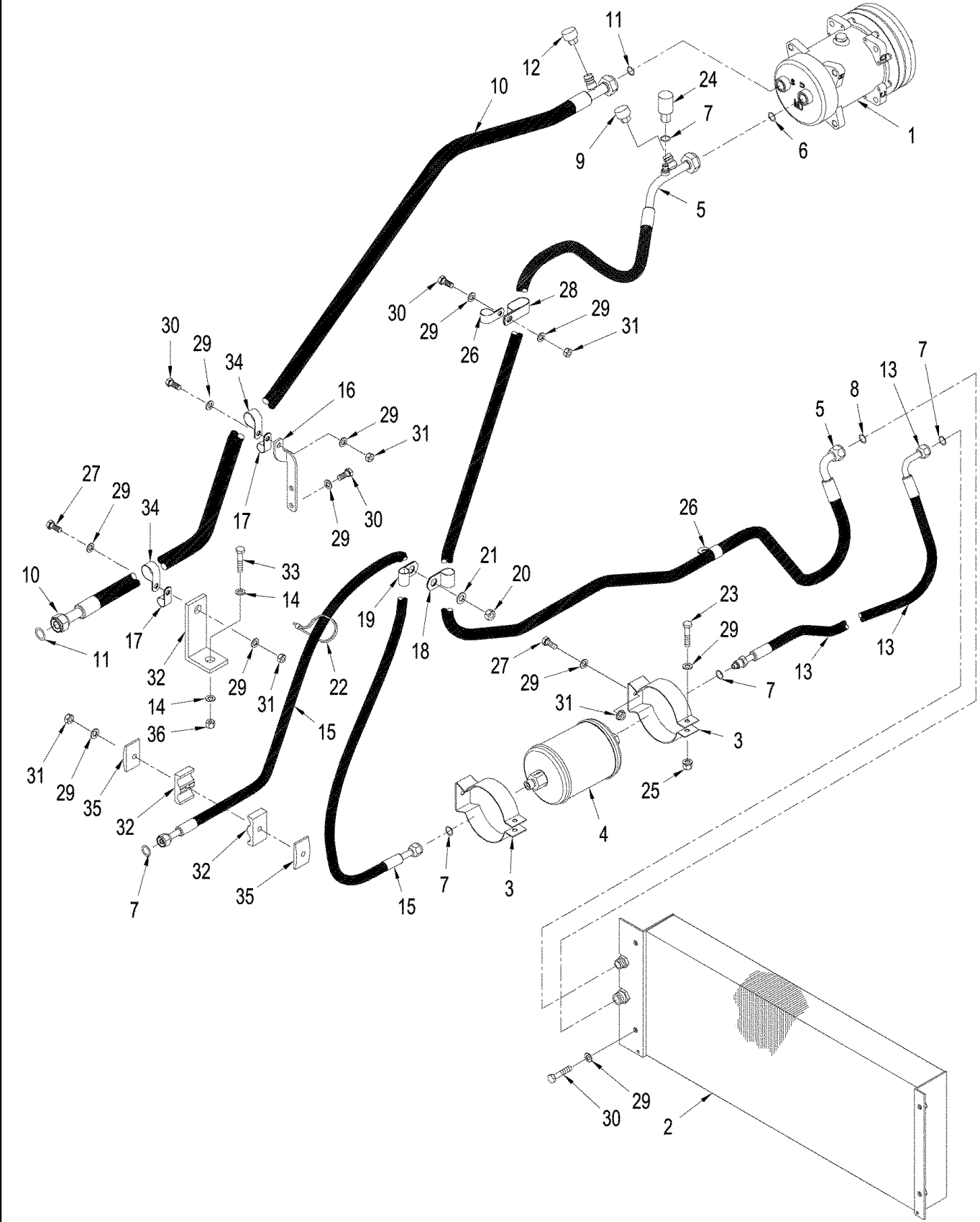


AIR CONDITIONING - COMPRESSOR MOUNTING

REF	FN	PART NUMBER	YR/SN	QTY	DESCRIPTION
1		86993462		1	COMPRESSOR, AIRCOND, Inc. 2 - 4
2		A49667		1	PLUG
3		128483A1		1	O-RING, 5/16 ID x 1/16
4		135324A1		1	CLUTCH
5		419742A1		1	BRACKET, Mounting
6		627-10035		5	BOLT, Hex, M10 x 35, 10.9, Full Thd
7		84716C1		1	SUPPORT
8		829-1410		2	NUT, M10, CI 10
9		892-11010		2	WASHER, LOCK, M10
10		895-11010		6	WASHER, M10 x 20 x 2
11		627-10025		1	BOLT, Hex, M10 x 25, 10.9, Full Thd
12		431716A1		1	PULLEY, Accessory Drive
13		A189040		1	BELT
14		827-10130		1	BOLT, Hex, M10 x 130, 10.9

	STX330 STX280 STEIGER 280 STEIGER 330
--	---

AIR CONDITIONING SYSTEM

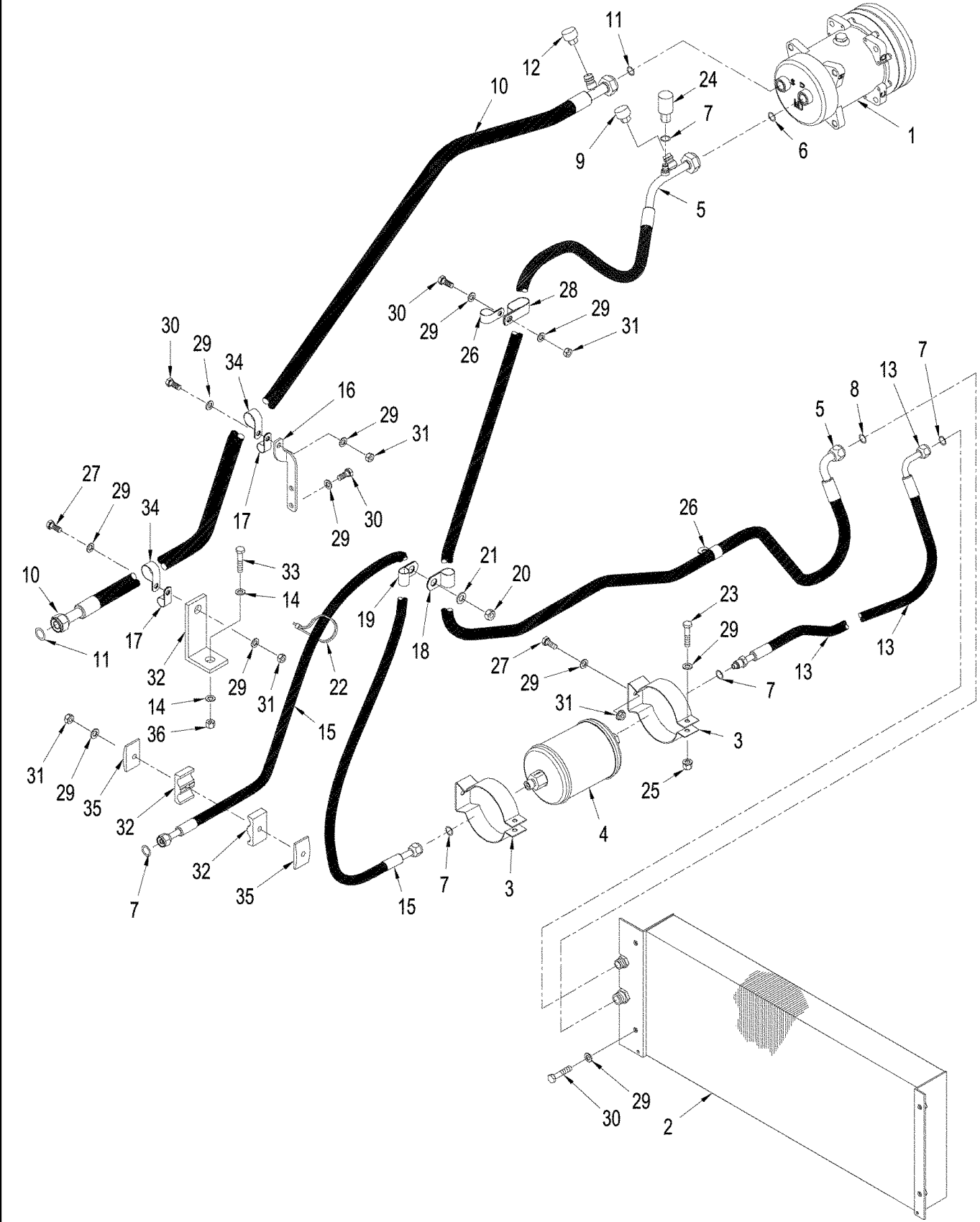


AIR CONDITIONING SYSTEM

REF	FN	PART NUMBER	YR/SN	QTY	DESCRIPTION
1		86993462		1	COMPRESSOR, AIRCOND
2		87315600		1	CONDENSER
3		433723A1		2	CLAMP
4		295006A1		1	RECEIVER-DRYER, 134a
5		87580496		1	HOSE ASSY., Compressor To Condenser, 2695 mm (106"), Inc. 6 - 9
6		128485A1		1	O-RING, 9/16 ID x 1/16
7		128483A1		5	O-RING, 5/16 ID x 1/16
8		128484A1		1	O-RING, 7/16 ID x 1/16
9		122554A1		1	CAP
10		87580503		1	HOSE ASSY., Cab To Compressor, 2563 mm (101"), Inc. 11 and 12
11		128485A1		2	O-RING, 9/16 ID x 1/16
12		122553A1		1	CAP
13		87453137		1	HOSE ASSY., Consenser To Dryer, 965 mm (38"), Inc. 7
14		896-11016		2	WASHER, M17.5 x 30 x 4, HT
15		87453138		1	HOSE ASSY., Dryer To Cab, 2823 mm (111"), Inc. 7
16		87312406		1	BRACKET, SUPPORTING, Support
17		515-22159		1	CLAMP, 5/8", Insul, 5/16" Bolt
18		516-23190		2	CLAMP, J, 3/4", Insul, 3/8" Bolt
19		515-25159		1	CLAMP, 5/8", Insul, 1/2" Bolt
20		829-1410		1	NUT, M10, CI 10
21		895-11010		1	WASHER, M10 x 20 x 2
22		50-2534T1		2	CLAMP
23		827-8040		2	BOLT, Hex, M8 x 40, 10.9
24		284273A2		1	SWITCH, High Pressure
25		825-5148		4	NUT, M8, Flg Ser
27		627-8025		3	BOLT, Hex, M8 x 25, 10.9
26		515-22190		1	CLAMP, 3/4", Insul, 5/16" Bolt
28		515-25254		1	CLAMP, 1", Insul, 1/2" Bolt
29		895-11008		15	WASHER, M8 x 16 x 1.6
30		627-8020		7	BOLT, Hex, M8 x 20, 10.9
31		829-1408		3	NUT, M8, CI 10

STEIGER 280 STX330
STX280 STEIGER 330

AIR CONDITIONING SYSTEM

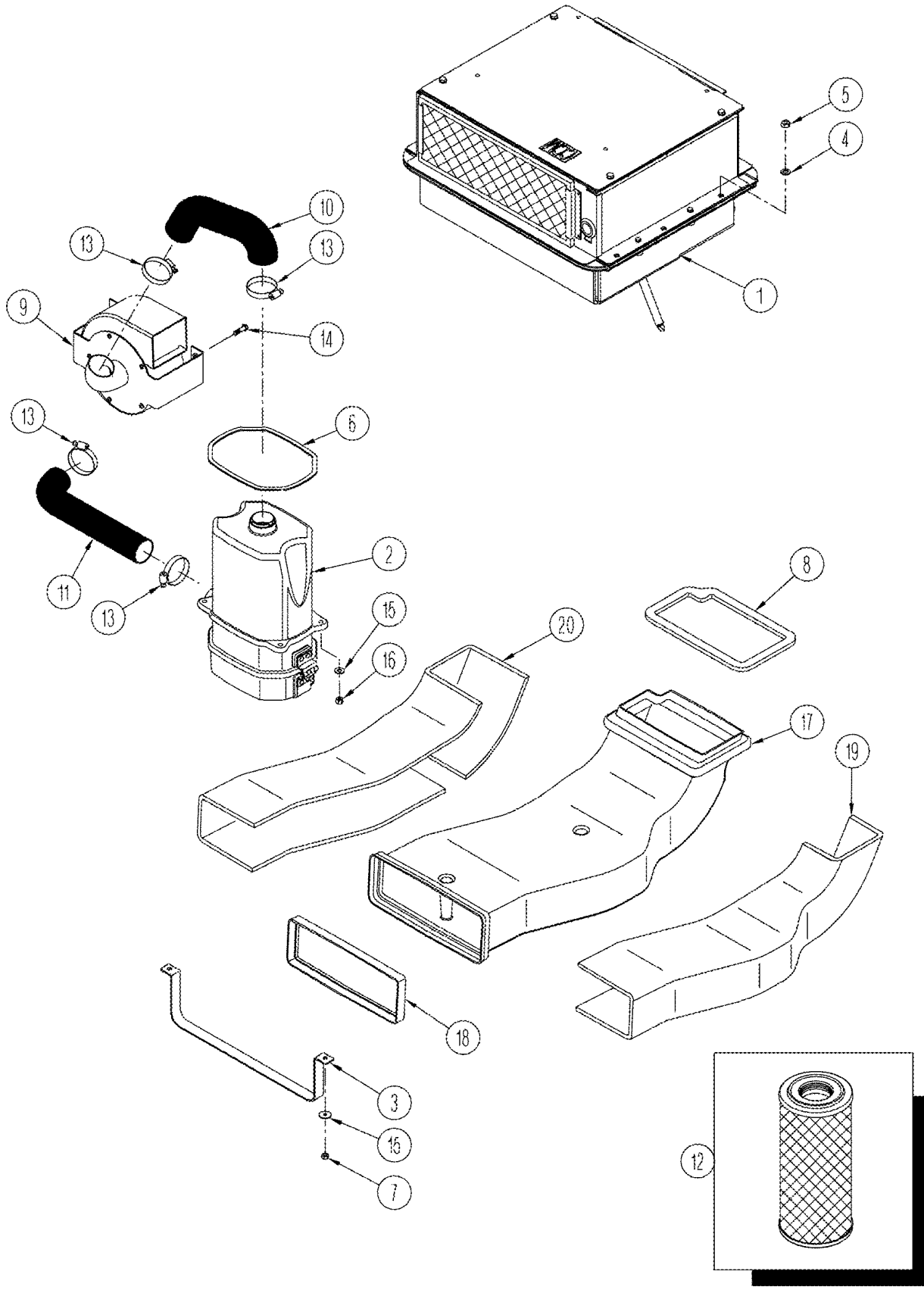


AIR CONDITIONING SYSTEM

REF	FN	PART NUMBER	YR/SN	QTY	DESCRIPTION
32	1	87452138		1	BRACKET, Support
33		627-16045		1	BOLT, Hex, M16 x 45, 10.9
34	1	515-22254		2	CLAMP, 1", Insul, 5/16" Bolt
35	1	50-2533T1		2	PLATE
36	1	829-1416		1	NUT, M16, CI 10
(1) Used with ACCUSTEER applications					

	STEIGER 280 STX330 STX280 STEIGER 330
--	--

AIR CONDITIONING - DUCTS

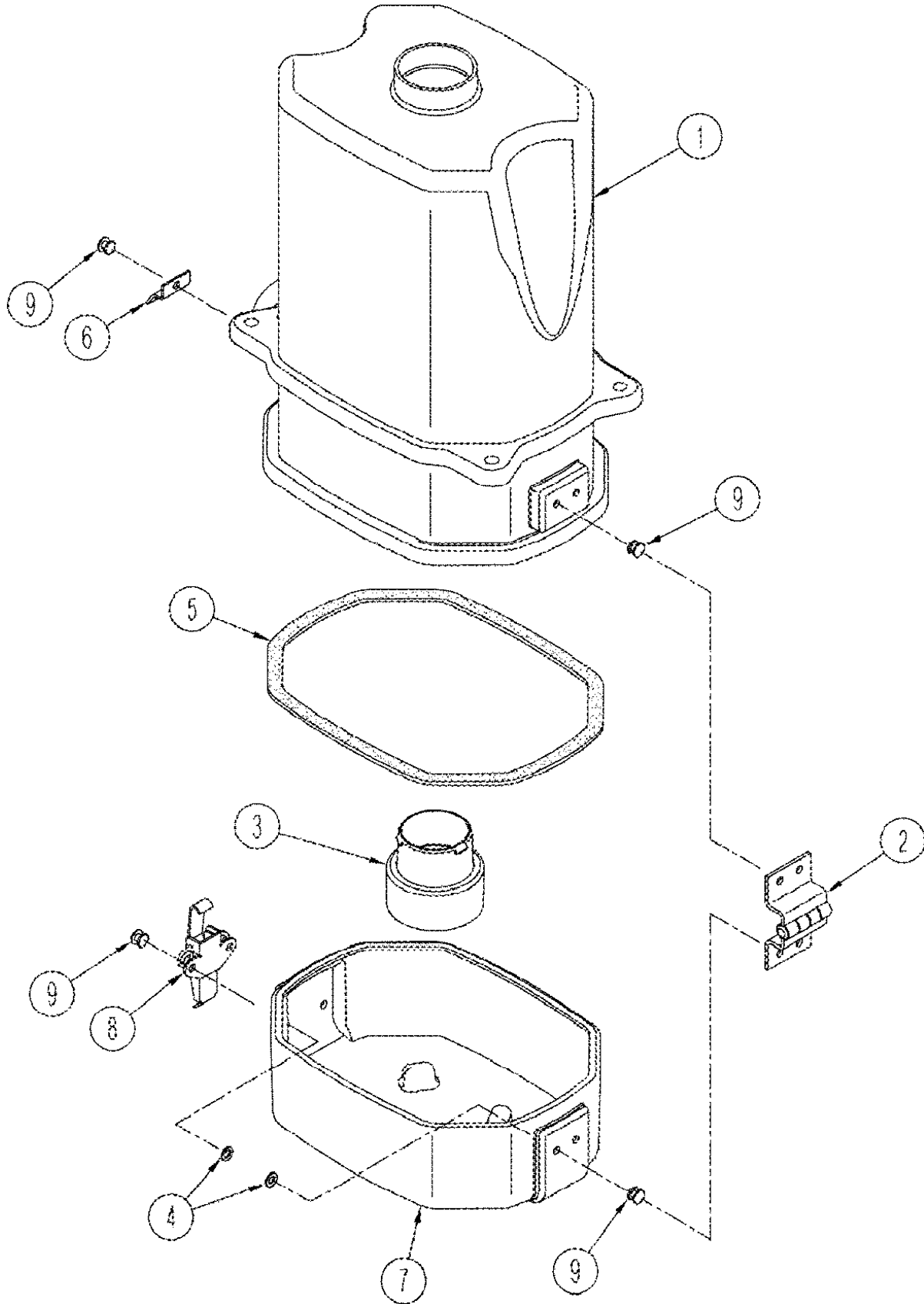


AIR CONDITIONING - DUCTS

REF	FN	PART NUMBER	YR/SN	QTY	DESCRIPTION
1		87365878		1	AIR CONDITIONER, with Auto Temp Control, See Figure: 09-44
2		319970A3		1	HOUSING, Air Filter, See Figure: 09-42
3		384950A2		1	BRACKET
4		895-11010		6	WASHER, M10 x 20 x 2
5		829-1410		6	NUT, M10, CI 10
6		359586A1		1	SEAL, Filter
7		829-1408		2	NUT, M8, CI 10
8		278967A3		1	GASKET, Floor Plate
9		NSS		1	NOT SERVICED SEPARATELY, Blower Assy., See Figure: 09-43
10		307024A4		1	HOSE, Air Intake
11		87380071		1	HOSE, Air Intake
12		259288A1		1	FILTER, Air
13		214-1432		4	CLAMP, HOSE, #32, 1.56/2.50 Type F Worm
14		627-6012		4	BOLT, Hex, M6 x 12, 10.9
15		895-15008		6	WASHER, M8 x 20 x 1.6
16		832-10408		4	NUT, LOCK, M8 x 1.25, CI 8
17		327851A1		1	DUCT
18		359670A2		1	SEAL
19		328051A2		1	INSULATION, FOAM, Duct, Right-Hand
20		328052A2		1	INSULATION, FOAM, Duct, Left-Hand

STEIGER 280 STX330
 STX280 STEIGER 330

AIR CONDITIONING - AIR FILTER HOUSING ASSEMBLY

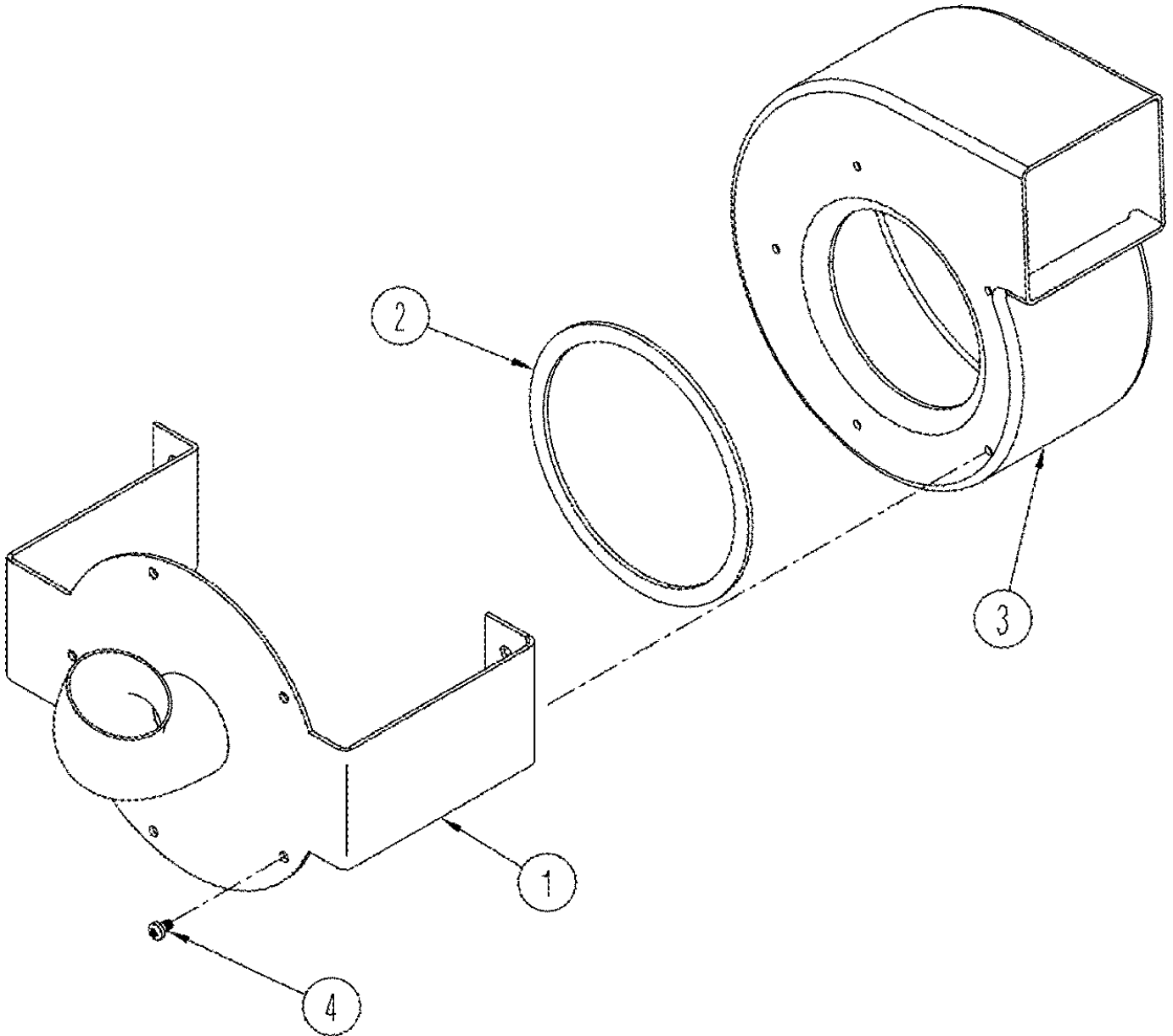


AIR CONDITIONING - AIR FILTER HOUSING ASSEMBLY

REF	FN	PART NUMBER	YR/SN	QTY	DESCRIPTION
1		319970A3 NSS		1	HOUSING, Air Filter, Inc. 1 - 9
				1	NOT SERVICED SEPARATELY, Housing, Filter, Upper
2		319969A1		1	HINGE
3		307016A1		1	COUPLING
4		895-11005		7	WASHER, M5 x 10 x 1
5		359585A2		1	SEAL, Cut From 87432208
6		307021A2		1	CLIP
7		NSS		1	NOT SERVICED SEPARATELY, Housing, Filter, Lower
8		400193A1		1	LATCH
9		151-510		7	RIVET, Pop, 3/16" x .450"

STEIGER 280 STX330 STX280 STEIGER 330

AIR CONDITIONING - BLOWER ASSEMBLY

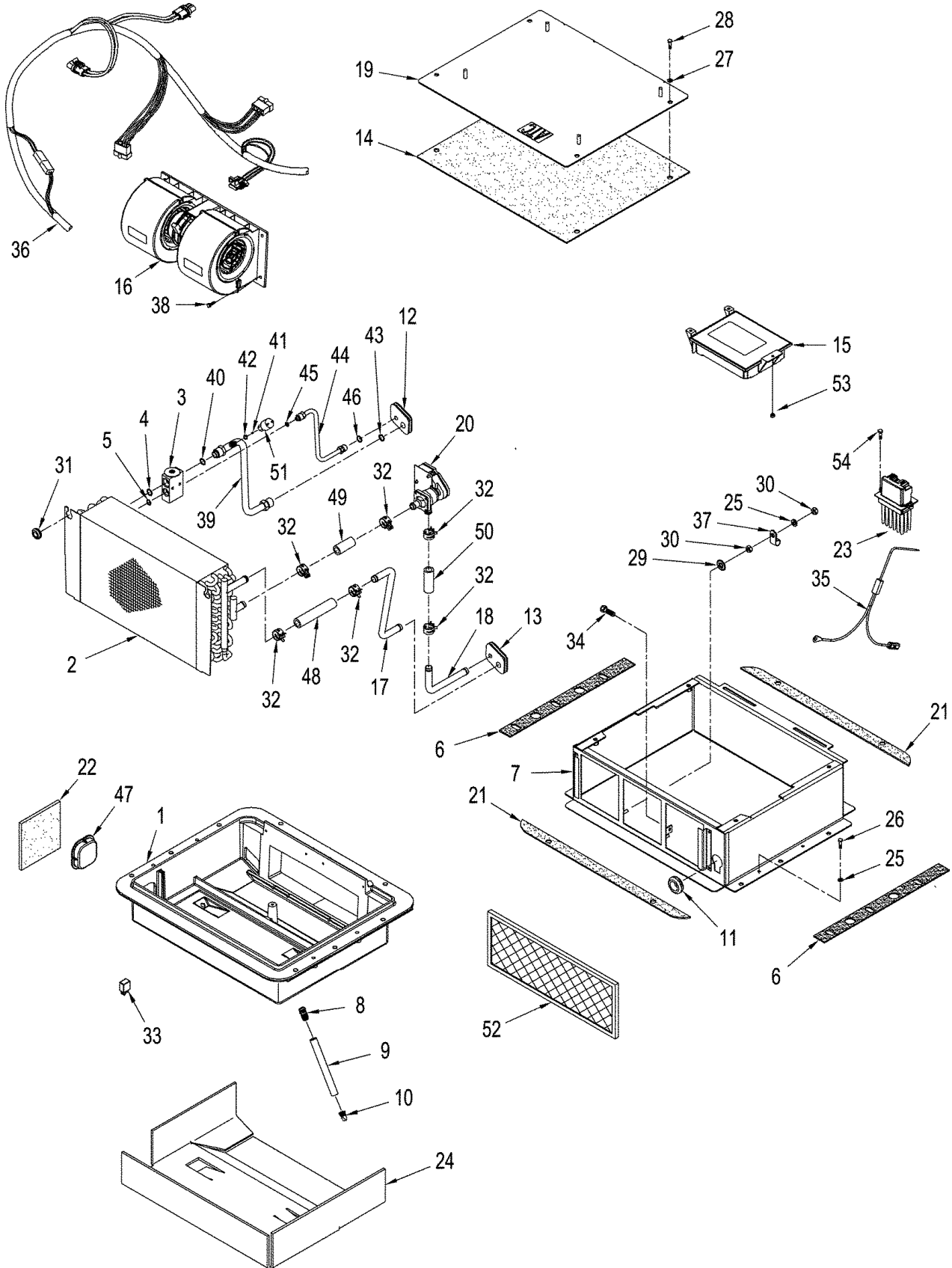


AIR CONDITIONING - BLOWER ASSEMBLY

REF	FN	PART NUMBER	YR/SN	QTY	DESCRIPTION
1		307104A3		1	SUPPORT
2		313282A1		1	SEAL, Cut From 187874C1
3		175435A3		1	BLOWER
4		840-258		5	SCREW, Cross Pan Hd, M5 x 8

	STEIGER 280 STX330 STX280 STEIGER 330
--	--

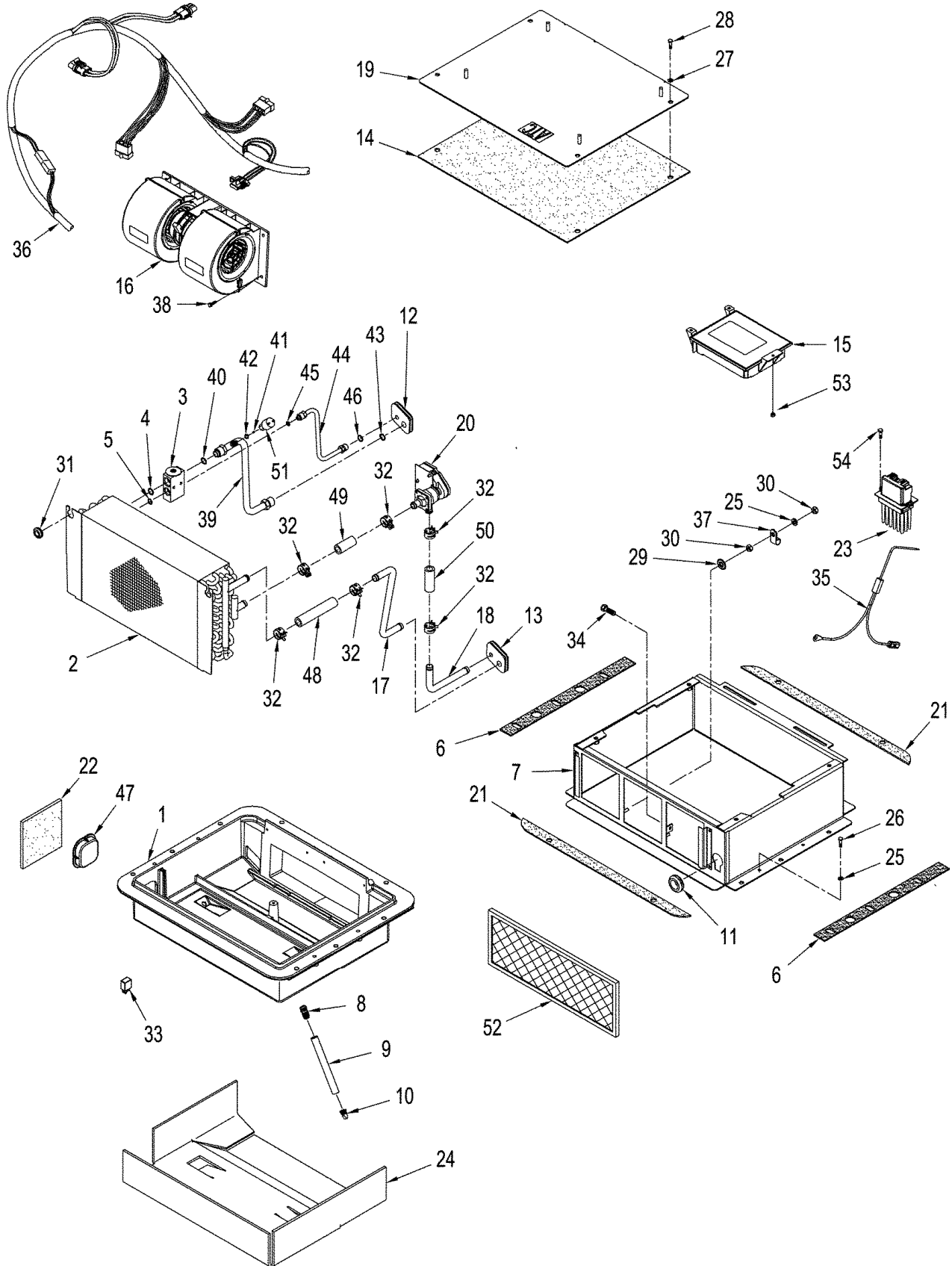
AIR CONDITIONING - CLIMATE CONTROL UNIT, WITH AUTO TEMP CONTROL



AIR CONDITIONING - CLIMATE CONTROL UNIT, WITH AUTO TEMP CONTROL

REF	FN	PART NUMBER	YR/SN	QTY	DESCRIPTION
		87365878		1	AIR CONDITIONER, Inc. 1 - 53
1		322996A1		1	BOX
2		NSS		1	NOT SERVICED SEPARATELY, Core, Evaporator and Heater
3		386535A1		1	VALVE, Expansion
4		128485A1		1	O-RING, 9/16 ID x 1/16
5		128484A1		1	O-RING, 7/16 ID x 1/16
6		322994A1		4	GASKET, Mounting
7		87306776		1	CASE ASSY.
8		1250522C3		2	ELBOW
9		1977334C1		2	HOSE, 610 mm (24-1/8 in.), Cut From 198091CX
10		109239C2		2	VALVE
11		248-2381		1	GROMMET, 1" ID x 1 3/8" Groove Dia
12		322989A1		1	GROMMET
13		322990A1		1	GROMMET
14		87324951		1	GASKET
15		87365492		1	MODULE, Blower Motor, 12V
16		323610A1		1	BLOWER
17		322985A1		1	PIPE, Outlet
18		322987A1		1	PIPE, Inlet
19		87306495		1	COVER
20		427356A1		1	VALVE, CONTROL
21		322995A1		4	GASKET
22		87306773		1	INSULATION, FOAM
23		87306706		1	TERMINAL CONNECTOR, Linear Blower
24		324484A1		1	INSULATOR
25		892-11006		5	WASHER, LOCK, M6
26		614-6016		4	BOLT, Hex, M6 x 16, 8.8
27		892-11008		4	WASHER, LOCK, M8
28		627-8025		4	BOLT, Hex, M8 x 25, 10.9
29		493-81002		1	WASHER, LOCK, Ext-Int Tooth, 1/4"
30		829-1406		2	NUT, M6, CI 10
31		248-1243		2	GROMMET, 1/2" ID x 13/16" Groove Dia, Diag Cut
32		1954736C1		6	CLAMP, HOSE, No. 24
33		105849A1		1	RELAY, 12V
					STEIGER 280 STX330 STX280 STEIGER 330

AIR CONDITIONING - CLIMATE CONTROL UNIT, WITH AUTO TEMP CONTROL

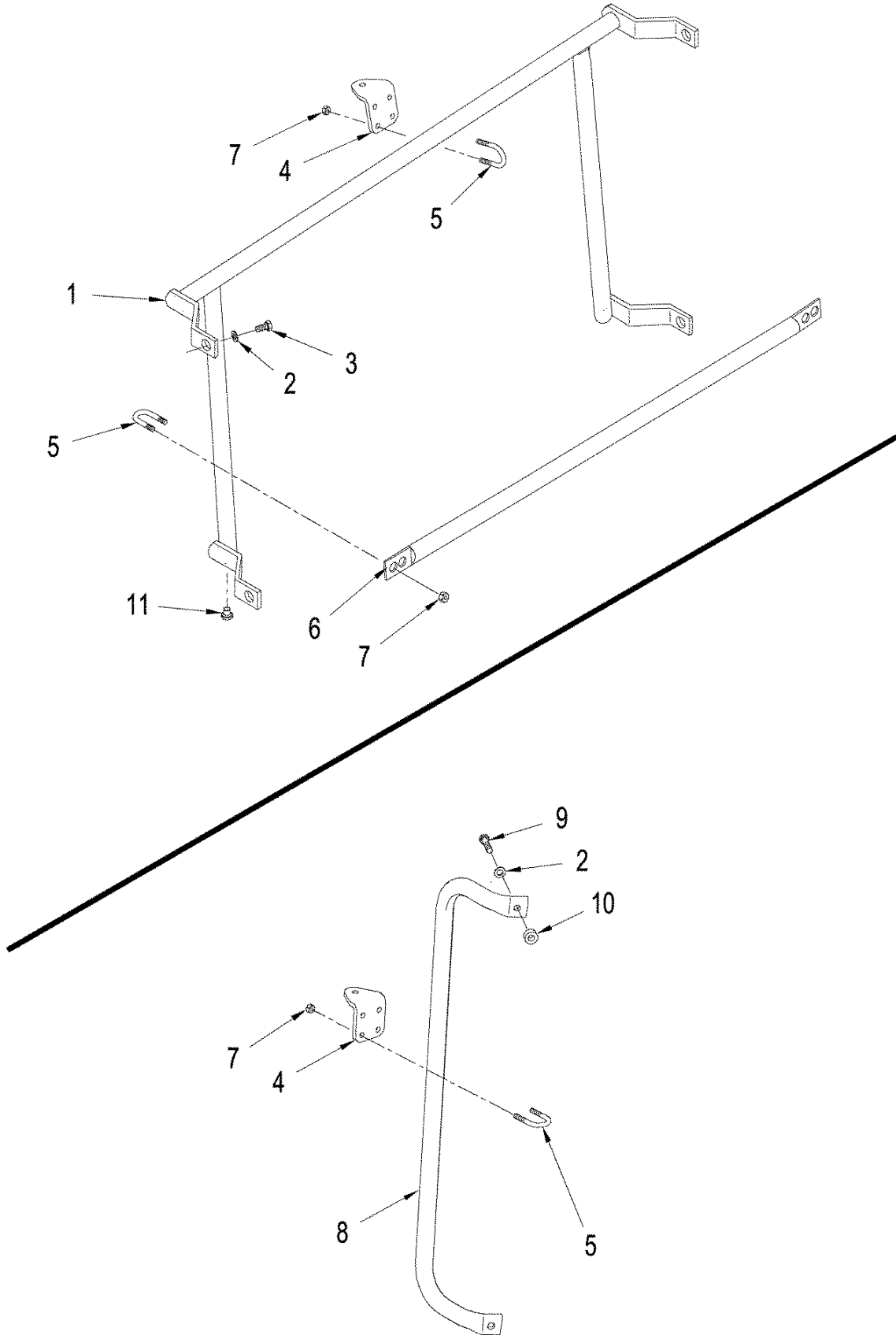


AIR CONDITIONING - CLIMATE CONTROL UNIT, WITH AUTO TEMP CONTROL

REF	FN	PART NUMBER	YR/SN	QTY	DESCRIPTION
34		87454442		1	SENSOR, Thermometer Bullet
35		323016A1		1	SENSOR, Temperature
36		87323958		1	HARNESS
37		515-21127		1	CLAMP, 1/2", Insul, 1/4" Bolt
38		281-14512		4	SCREW, SELF TAP, Hex Wash Hd, #10 x 3/4"
39		322839A1		1	PIPE, Suction, Inc. 40 - 42
40		128485A1		1	O-RING, 9/16 ID x 1/16
41		1250594C2		1	CORE, Evaporator / Heater
42		128483A1		1	O-RING, 5/16 ID x 1/16
43		128485A1		1	O-RING, 9/16 ID x 1/16
44		322840A1		1	PIPE, Inc. 45, 46
45		128483A1		1	O-RING, 5/16 ID x 1/16
46		128484A1		1	O-RING, 7/16 ID x 1/16
47		368313A1		1	PLASTIC PLUG
48		1321290C2		1	HOSE, 127 mm (5 in.), Cut From 97252C1
49		324022A1		1	HOSE, 54 mm (2-1/8 in.), Cut From 97252CX
50		324023A1		1	HOSE, 64 mm (2-1/2 in.), Cut From 97252CX
51		87323829		1	SWITCH, PRESSURE, Low Pressure
52		87409377		1	FILTER, Recirculated Air
53		832-46404		1	NUT, LOCK, M4 x .7, CI 8
54		280-1448		2	SCREW, SELF TAP, Hex Wash Hd, #8 x 1/2"

STEIGER 280 STX330
 STX280 STEIGER 330

MONITOR MOUNTING

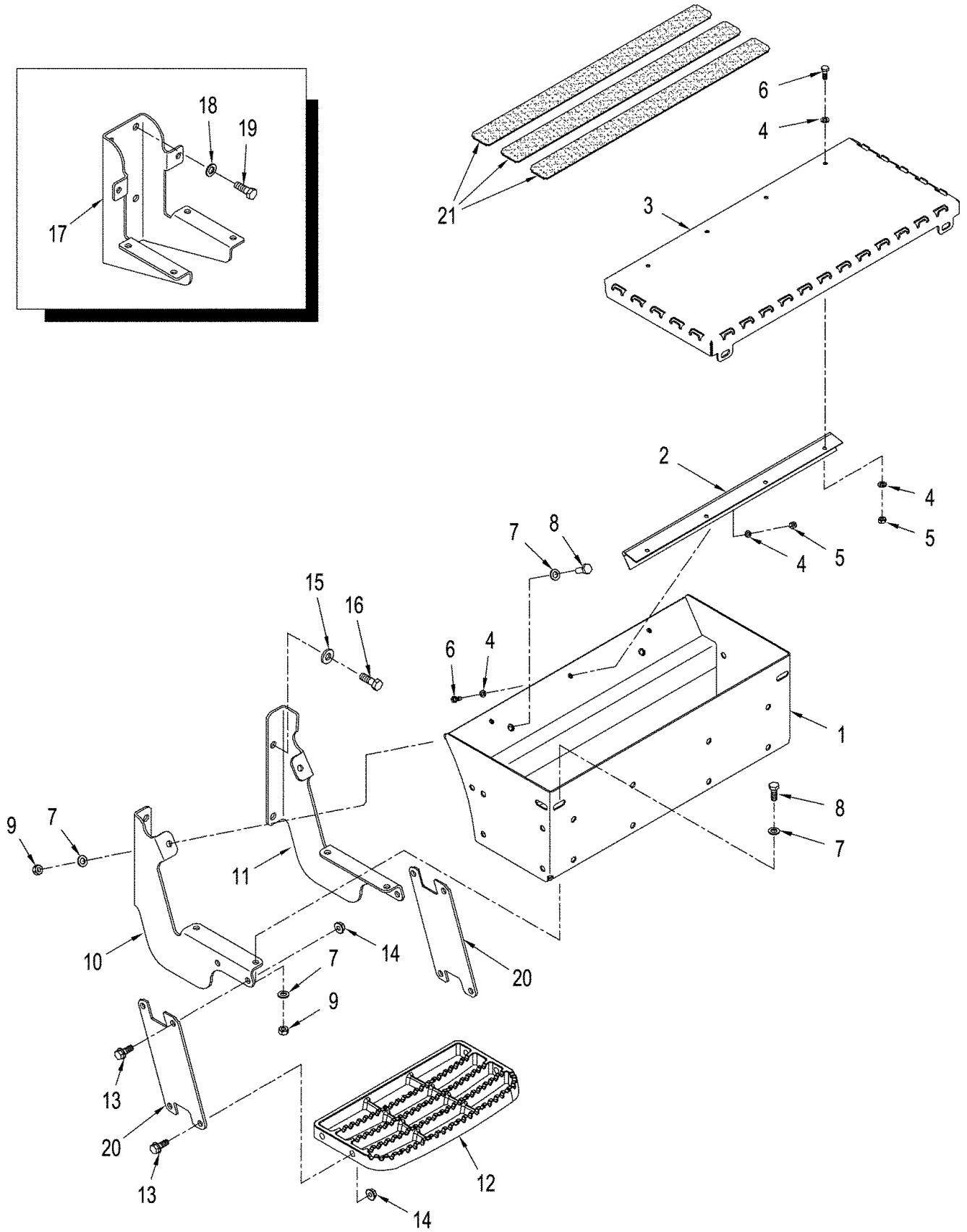
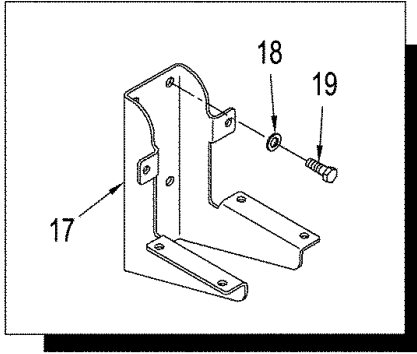


MONITOR MOUNTING

REF	FN	PART NUMBER	YR/SN	QTY	DESCRIPTION
1		409391A2		1	MOUNTING PARTS, Monitor, Right-Hand Window
2		895-11008		6	WASHER, M8 x 16 x 1.6
3		627-8025		4	BOLT, Hex, M8 x 25, 10.9
4		87530660		3	MOUNTING PARTS, Angle
5		87526197		4	U-BOLT, 1/4 in, Inc. Nut
6		443908A1		1	TUBE
7		425-104		12	NUT, 1/4"-20, G5
8		369275A1		1	TUBE, Monitor
9		827-8040		2	BOLT, Hex, M8 x 40, 10.9
10		371838A1		2	SPACER
11		353-408		2	PLUG, Dome, .750" hole, Nylon

	STEIGER 280 STX330 STX280 STEIGER 330
--	--

STORAGE BOX

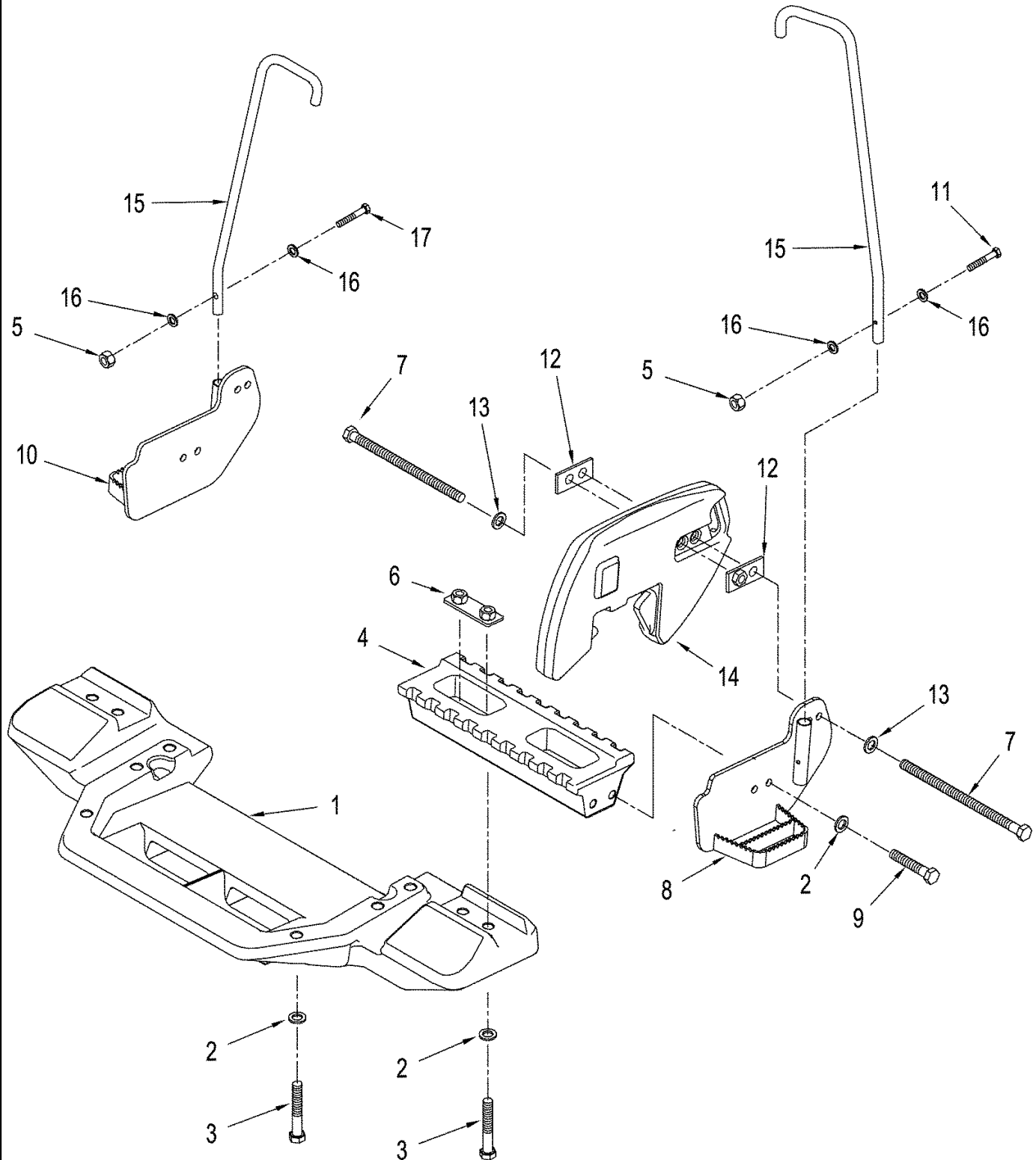


STORAGE BOX

REF	FN	PART NUMBER	YR/SN	QTY	DESCRIPTION
1		87325332		1	BOX
2		70-6748T1		1	HINGE
3		87307236		1	STEP
4		895-11006		14	WASHER, M6
5		832-10406		7	NUT, LOCK, M6 x 1, CI 8
6		627-6016		7	BOLT, Hex, M6 x 16, 10.9
7		895-11010		12	WASHER, M10 x 20 x 2
8		627-10025		6	BOLT, Hex, M10 x 25, 10.9, Full Thd
9		829-1410		6	NUT, M10, CI 10
10		410814A1		1	BRACKET, Without Weights
11		410815A2		1	BRACKET, Without Weights
12		87301185		1	STEP, Lower
13		905-10025		8	BOLT, Hex Serr Flg, M10 x 25
14		825-11410		8	NUT, M10 x 1.25, CI 8
15		896-15012		3	WASHER, M12 x 28.5 x 4, HT
16		627-12035		3	BOLT, Hex, M12 x 35, 10.9
17		410817A1		1	BRACKET, With Weights
18		895-11012		3	WASHER, M12 x 24 x 2.5
19		627-12035		3	BOLT, Hex, M12 x 35, 10.9
20		410816A1		2	BRACKET
21		87307237		3	STRIP, ANTI-SKID

STEIGER 280 STX330
 STX280 STEIGER 330

WEIGHTS - FRONT FRAME

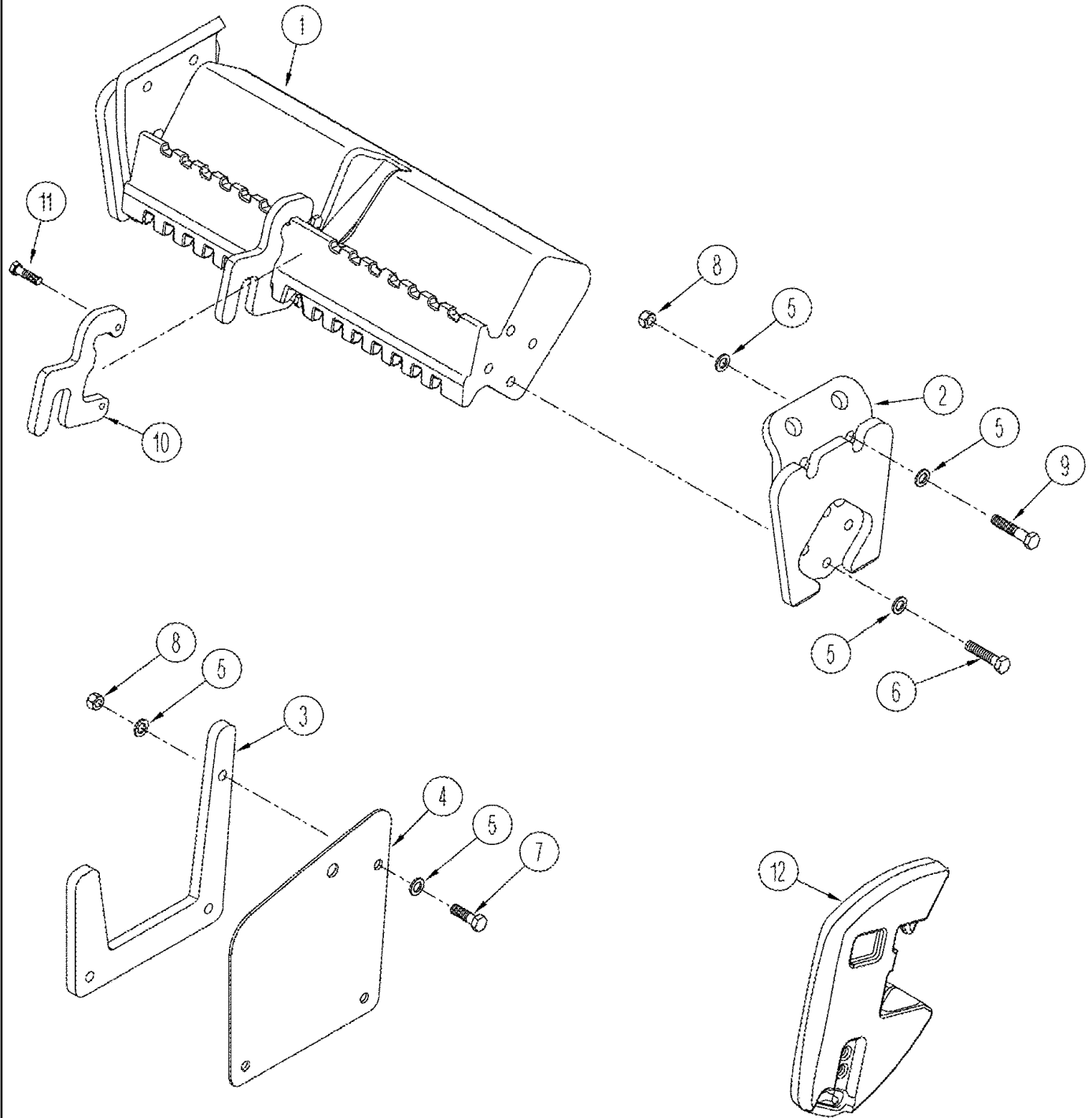


WEIGHTS - FRONT FRAME

REF	FN	PART NUMBER	YR/SN	QTY	DESCRIPTION
1		413311A1		1	FRAME, Hanger
2		896-11020		14	WASHER, M20 x 37.5 x 4, HT
3		827-20130		10	BOLT, Hex, M20 x 130, 10.9
4		413312A1		2	INSERT, Nine-Weight
5		829-1410		2	NUT, M10, CI 10
6		413313A1		2	BRACKET
7		627-16320		4	BOLT, Hex, M16 x 320, 10.9, Full Thd
8		87309541		1	PLATE, Weight, Right-Hand
9		627-20060		4	BOLT, Hex, M20 x 60, 10.9
11		827-10060		2	BOLT, Hex, M10 x 60, 10.9
10		87309542		1	PLATE, Weight, Left-Hand
12		229483A2		4	RETAINER
13		896-15016		4	WASHER, M17.5 x 34 x 5, HT
14		405846A3		AR	WEIGHT, 45 kg (100 lb)
15		413316A1		2	GRAB RAIL
16		896-11010		4	WASHER, M10 x 21.5 x 2.5, HT
17		827-10060		2	BOLT, Hex, M10 x 60, 10.9

STEIGER 280 STX330
 STX280 STEIGER 330

WEIGHTS - REAR FRAME



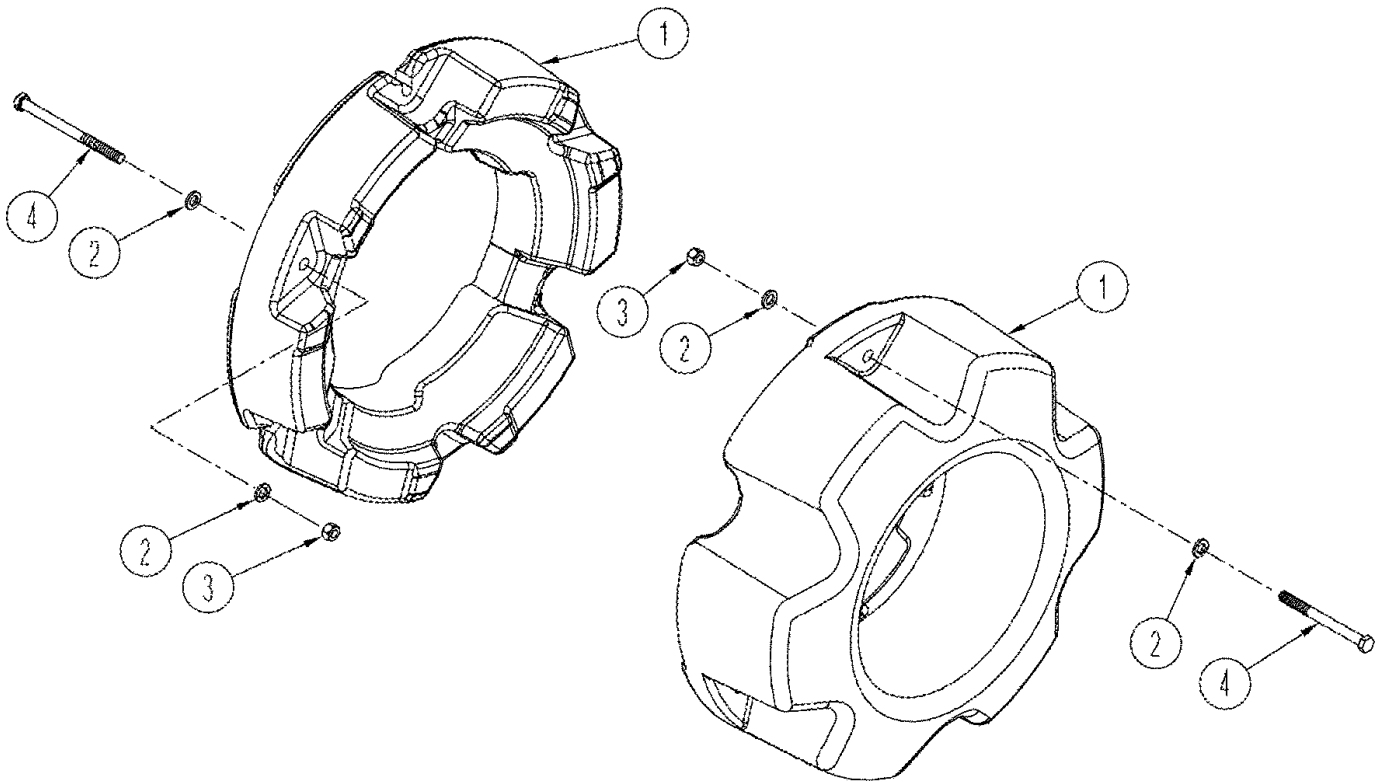
WEIGHTS - REAR FRAME

REF	FN	PART NUMBER	YR/SN	QTY	DESCRIPTION
1	1	413394A1		1	FRAME, Hanger
2		413390A1		2	BRACKET
3		413391A2		2	BRACKET, Support
4		413392A1		2	PLATE
5		896-11020		24	WASHER, M20 x 37.5 x 4, HT
6		827-20090		8	BOLT, Hex, M20 x 90, 10.9
7		827-20070		6	BOLT, Hex, M20 x 70, 10.9
8		829-1420		8	NUT, M20, CI 10
9		827-20100		2	BOLT, Hex, M20 x 100, 10.9
10		413393A1		2	PLATE, Lock
11		627-16040		4	BOLT, Hex, M16 x 40, 10.9
12		405846A3		AR	WEIGHT, 45 kg (100 lb)

(1) Order From Machinery Price List

	STEIGER 280 STX330 STX280 STEIGER 330
--	---

WEIGHTS - WHEEL

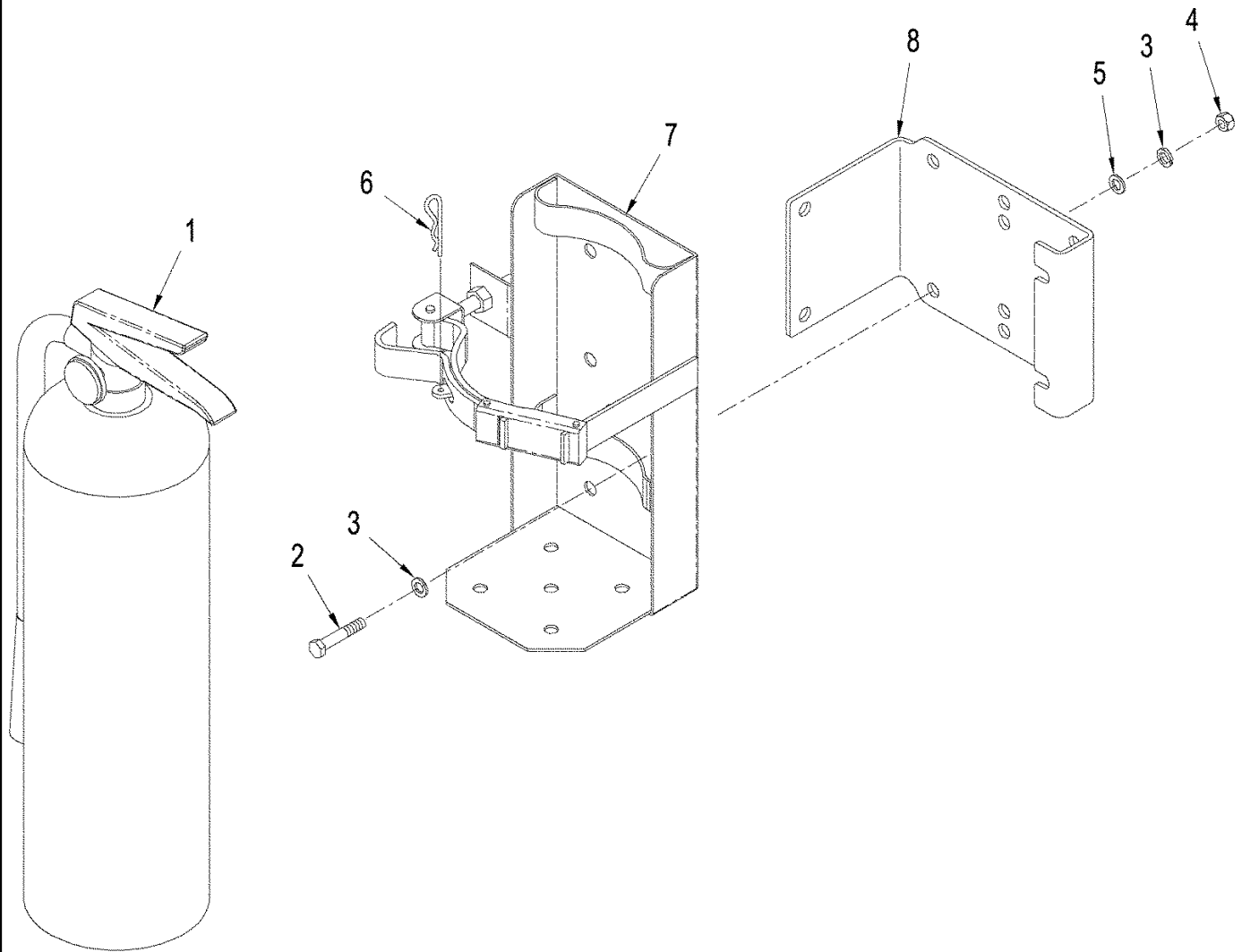


WEIGHTS - WHEEL

REF	FN	PART NUMBER	YR/SN	QTY	DESCRIPTION
1		87310406		2	WEIGHT, WHEEL, 500 lb
2		896-11016		12	WASHER, M17.5 x 30 x 4, HT
3		832-10416		6	NUT, LOCK, M16 x 2, Cl 8
4		827-16120		6	BOLT, Hex, M16 x 120, 10.9

	STEIGER 280 STX330 STX280 STEIGER 330
--	--

FIRE EXTINGUISHER



FIRE EXTINGUISHER

REF	FN	PART NUMBER	YR/SN	QTY	DESCRIPTION
1		719972003 NSS		1	DIA KIT, TRACTOR, Fire Extinguisher, Inc. 1 - 7
				1	NOT SERVICED SEPARATELY, Extinguisher, Fire, 10 lb. ABC
2		627-10030		4	BOLT, Hex, M10 x 30, 10.9, Full Thd
3		895-15010		8	WASHER, M11 x 24 x 2
4		832-10410		4	NUT, LOCK, M10 x 1.5, Cl 8
5		237486A1		4	WASHER, Plastic
6		480523R1		1	SPLIT PIN/SAFETY PIN, Hair
7		87427312		1	BRACKET, SUPPORTING, Fender Mount
8		87420884		1	BRACKET, SUPPORTING, Toolbox Mount

STEIGER 280 STX330
STX280 STEIGER 330

DECALS, HOOD, BSN Z6F105001

1
STX280

CASE IH

2

CASE IH

STX280

3

STX330

CASE IH

4

CASE IH

STX330

5

HD

09-51

p1

01/07

DECALS, HOOD, BSN Z6F105001

REF	FN	PART NUMBER	YR/SN	QTY	DESCRIPTION
1		87371417		1	DECAL, Hood, STX280, Left-Hand
2		87371418		1	DECAL, Hood, STX280, Right-Hand
3		87371419		1	DECAL, Hood, STX330, Left-Hand
4		87371420		1	DECAL, Hood, STX330, Right-Hand
5		370981A1		1	DECAL, Heavy Duty

STX330 STX280

09-51

01

p1

08/07

DECALS, HOOD, ASN Z6F105001

1

280

STEIGER

2

280

STEIGER

3

330

STEIGER

4

330

STEIGER

5

CASE II

6

HD

DECALS, HOOD, ASN Z6F105001

REF	FN	PART NUMBER	YR/SN	QTY	DESCRIPTION
1		87563108		1	DECAL, Hood, STEIGER 280, LH
2		87563109		1	DECAL, Hood, STEIGER 280, RH
3		87563110		1	DECAL, Hood, STEIGER 330, LH
4		87563111		1	DECAL, Hood, STEIGER 330, RH
5		87563596		2	DECAL, Hood, CASE IH, (850 x 201mm)
6		370981A1		1	DECAL, Heavy Duty

**STEIGER 280
STEIGER 330**

DECALS

WARNING

AVOID INJURY OR DEATH

BEFORE STARTING ENGINE:

1. Read the operator's manual for safety information and operating instructions.
2. Read all tractor safety signs.
3. Be sure other people are clear of tractor and equipment.
4. Start engine only from seat.
5. Shields are for your protection. Keep them in place.

OPERATION:

1. Always buckle and adjust seat belt.
2. No riders on tractor or equipment.
3. Training seat for training operators only, do not allow children to ride or operate tractor.
4. Keep hands, feet and clothing away from power driven parts.
5. For road travel, use flashing warning lamps and keep the SMV emblem visible.
6. Do not pull with elastic tow ropes. Elastic stores energy and sudden release will cause an uncontrolled rope recoil.
7. Stay clear of hinge area when engine is running. Never turn steering wheel unless everyone is clear of equipment.

TRACTORS CAN BE UPSET:

1. Reduce speed on turns and rough ground.
2. Avoid steep slopes.
3. Avoid rear upset. Pull only from drawbar, never higher.

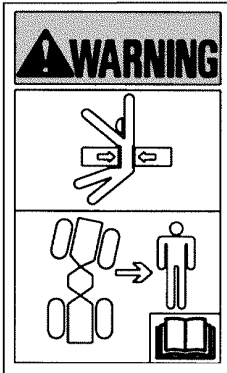
WHEN TRACTOR HAS STOPPED:

1. Engage park brake.
2. Lower implement to ground.
3. Disengage PTO, stop engine and wait for all movement to stop before servicing or cleaning equipment.

325926A1

1

11



2

WARNING

NO CLEARANCE FOR PERSON WHEN TRACTOR TURNS

TO PREVENT PERSONAL INJURY:

Stay clear of hinge area when engine is running. Shut off engine before servicing hinge area. Install articulation cylinder locking blocks before lifting tractor, transporting tractor on another vehicle, performing maintenance in hinge area or operating stationary PTO equipment. Be sure to remove locking blocks before driving tractor. Keep driveline shields in place.

341030A1

3



4

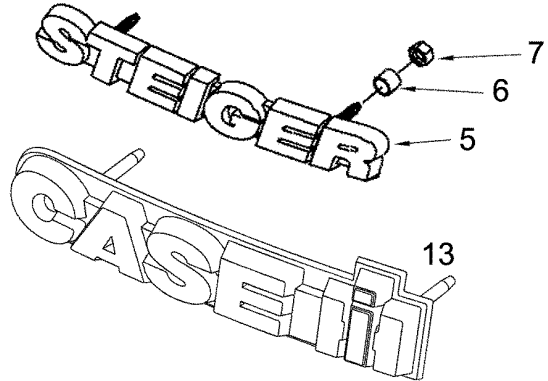
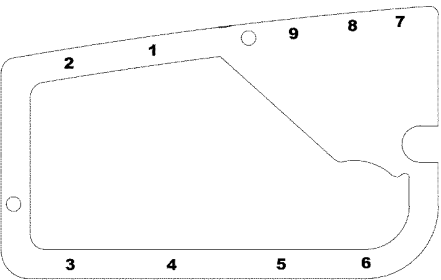
WARNING

ENTANGLEMENT HAZARD KEEP CLEAR

- Always keep PTO driveline shields in place to avoid entanglement.
- Be sure implements are matched to tractor PTO speeds.
- Center and lock drawbar when using PTO.

325926A1

8



13



12



14

9

ITEM NUMBER	COMPONENT IDENTIFICATION
1	IGNITION SWITCH
2	IGNITION KEY
3	IGNITION LOCK
4	IGNITION RELAY
5	IGNITION FUSE
6	IGNITION WIRE
7	IGNITION TERMINAL
8	IGNITION BATTERY
9	IGNITION BATTERY WIRE
10	IGNITION BATTERY TERMINAL
11	IGNITION BATTERY COVER
12	IGNITION BATTERY WIRE COVER
13	IGNITION BATTERY WIRE CLIP
14	IGNITION BATTERY WIRE CLIP
15	IGNITION BATTERY WIRE CLIP
16	IGNITION BATTERY WIRE CLIP
17	IGNITION BATTERY WIRE CLIP
18	IGNITION BATTERY WIRE CLIP
19	IGNITION BATTERY WIRE CLIP
20	IGNITION BATTERY WIRE CLIP
21	IGNITION BATTERY WIRE CLIP
22	IGNITION BATTERY WIRE CLIP
23	IGNITION BATTERY WIRE CLIP
24	IGNITION BATTERY WIRE CLIP
25	IGNITION BATTERY WIRE CLIP
26	IGNITION BATTERY WIRE CLIP
27	IGNITION BATTERY WIRE CLIP
28	IGNITION BATTERY WIRE CLIP
29	IGNITION BATTERY WIRE CLIP
30	IGNITION BATTERY WIRE CLIP
31	IGNITION BATTERY WIRE CLIP
32	IGNITION BATTERY WIRE CLIP
33	IGNITION BATTERY WIRE CLIP
34	IGNITION BATTERY WIRE CLIP
35	IGNITION BATTERY WIRE CLIP
36	IGNITION BATTERY WIRE CLIP
37	IGNITION BATTERY WIRE CLIP
38	IGNITION BATTERY WIRE CLIP
39	IGNITION BATTERY WIRE CLIP
40	IGNITION BATTERY WIRE CLIP
41	IGNITION BATTERY WIRE CLIP
42	IGNITION BATTERY WIRE CLIP
43	IGNITION BATTERY WIRE CLIP
44	IGNITION BATTERY WIRE CLIP
45	IGNITION BATTERY WIRE CLIP
46	IGNITION BATTERY WIRE CLIP
47	IGNITION BATTERY WIRE CLIP
48	IGNITION BATTERY WIRE CLIP
49	IGNITION BATTERY WIRE CLIP
50	IGNITION BATTERY WIRE CLIP
51	IGNITION BATTERY WIRE CLIP
52	IGNITION BATTERY WIRE CLIP
53	IGNITION BATTERY WIRE CLIP
54	IGNITION BATTERY WIRE CLIP
55	IGNITION BATTERY WIRE CLIP
56	IGNITION BATTERY WIRE CLIP
57	IGNITION BATTERY WIRE CLIP
58	IGNITION BATTERY WIRE CLIP
59	IGNITION BATTERY WIRE CLIP
60	IGNITION BATTERY WIRE CLIP
61	IGNITION BATTERY WIRE CLIP
62	IGNITION BATTERY WIRE CLIP
63	IGNITION BATTERY WIRE CLIP
64	IGNITION BATTERY WIRE CLIP
65	IGNITION BATTERY WIRE CLIP
66	IGNITION BATTERY WIRE CLIP
67	IGNITION BATTERY WIRE CLIP
68	IGNITION BATTERY WIRE CLIP
69	IGNITION BATTERY WIRE CLIP
70	IGNITION BATTERY WIRE CLIP
71	IGNITION BATTERY WIRE CLIP
72	IGNITION BATTERY WIRE CLIP
73	IGNITION BATTERY WIRE CLIP
74	IGNITION BATTERY WIRE CLIP
75	IGNITION BATTERY WIRE CLIP
76	IGNITION BATTERY WIRE CLIP
77	IGNITION BATTERY WIRE CLIP
78	IGNITION BATTERY WIRE CLIP
79	IGNITION BATTERY WIRE CLIP
80	IGNITION BATTERY WIRE CLIP
81	IGNITION BATTERY WIRE CLIP
82	IGNITION BATTERY WIRE CLIP
83	IGNITION BATTERY WIRE CLIP
84	IGNITION BATTERY WIRE CLIP
85	IGNITION BATTERY WIRE CLIP
86	IGNITION BATTERY WIRE CLIP
87	IGNITION BATTERY WIRE CLIP
88	IGNITION BATTERY WIRE CLIP
89	IGNITION BATTERY WIRE CLIP
90	IGNITION BATTERY WIRE CLIP
91	IGNITION BATTERY WIRE CLIP
92	IGNITION BATTERY WIRE CLIP
93	IGNITION BATTERY WIRE CLIP
94	IGNITION BATTERY WIRE CLIP
95	IGNITION BATTERY WIRE CLIP
96	IGNITION BATTERY WIRE CLIP
97	IGNITION BATTERY WIRE CLIP
98	IGNITION BATTERY WIRE CLIP
99	IGNITION BATTERY WIRE CLIP
100	IGNITION BATTERY WIRE CLIP

FUSE BLOCK 1

XXXXXXXXXX

10

ITEM NUMBER	COMPONENT IDENTIFICATION
1	IGNITION SWITCH
2	IGNITION KEY
3	IGNITION LOCK
4	IGNITION RELAY
5	IGNITION FUSE
6	IGNITION WIRE
7	IGNITION TERMINAL
8	IGNITION BATTERY
9	IGNITION BATTERY WIRE
10	IGNITION BATTERY TERMINAL
11	IGNITION BATTERY COVER
12	IGNITION BATTERY WIRE COVER
13	IGNITION BATTERY WIRE CLIP
14	IGNITION BATTERY WIRE CLIP
15	IGNITION BATTERY WIRE CLIP
16	IGNITION BATTERY WIRE CLIP
17	IGNITION BATTERY WIRE CLIP
18	IGNITION BATTERY WIRE CLIP
19	IGNITION BATTERY WIRE CLIP
20	IGNITION BATTERY WIRE CLIP
21	IGNITION BATTERY WIRE CLIP
22	IGNITION BATTERY WIRE CLIP
23	IGNITION BATTERY WIRE CLIP
24	IGNITION BATTERY WIRE CLIP
25	IGNITION BATTERY WIRE CLIP
26	IGNITION BATTERY WIRE CLIP
27	IGNITION BATTERY WIRE CLIP
28	IGNITION BATTERY WIRE CLIP
29	IGNITION BATTERY WIRE CLIP
30	IGNITION BATTERY WIRE CLIP
31	IGNITION BATTERY WIRE CLIP
32	IGNITION BATTERY WIRE CLIP
33	IGNITION BATTERY WIRE CLIP
34	IGNITION BATTERY WIRE CLIP
35	IGNITION BATTERY WIRE CLIP
36	IGNITION BATTERY WIRE CLIP
37	IGNITION BATTERY WIRE CLIP
38	IGNITION BATTERY WIRE CLIP
39	IGNITION BATTERY WIRE CLIP
40	IGNITION BATTERY WIRE CLIP
41	IGNITION BATTERY WIRE CLIP
42	IGNITION BATTERY WIRE CLIP
43	IGNITION BATTERY WIRE CLIP
44	IGNITION BATTERY WIRE CLIP
45	IGNITION BATTERY WIRE CLIP
46	IGNITION BATTERY WIRE CLIP
47	IGNITION BATTERY WIRE CLIP
48	IGNITION BATTERY WIRE CLIP
49	IGNITION BATTERY WIRE CLIP
50	IGNITION BATTERY WIRE CLIP
51	IGNITION BATTERY WIRE CLIP
52	IGNITION BATTERY WIRE CLIP
53	IGNITION BATTERY WIRE CLIP
54	IGNITION BATTERY WIRE CLIP
55	IGNITION BATTERY WIRE CLIP
56	IGNITION BATTERY WIRE CLIP
57	IGNITION BATTERY WIRE CLIP
58	IGNITION BATTERY WIRE CLIP
59	IGNITION BATTERY WIRE CLIP
60	IGNITION BATTERY WIRE CLIP
61	IGNITION BATTERY WIRE CLIP
62	IGNITION BATTERY WIRE CLIP
63	IGNITION BATTERY WIRE CLIP
64	IGNITION BATTERY WIRE CLIP
65	IGNITION BATTERY WIRE CLIP
66	IGNITION BATTERY WIRE CLIP
67	IGNITION BATTERY WIRE CLIP
68	IGNITION BATTERY WIRE CLIP
69	IGNITION BATTERY WIRE CLIP
70	IGNITION BATTERY WIRE CLIP
71	IGNITION BATTERY WIRE CLIP
72	IGNITION BATTERY WIRE CLIP
73	IGNITION BATTERY WIRE CLIP
74	IGNITION BATTERY WIRE CLIP
75	IGNITION BATTERY WIRE CLIP
76	IGNITION BATTERY WIRE CLIP
77	IGNITION BATTERY WIRE CLIP
78	IGNITION BATTERY WIRE CLIP
79	IGNITION BATTERY WIRE CLIP
80	IGNITION BATTERY WIRE CLIP
81	IGNITION BATTERY WIRE CLIP
82	IGNITION BATTERY WIRE CLIP
83	IGNITION BATTERY WIRE CLIP
84	IGNITION BATTERY WIRE CLIP
85	IGNITION BATTERY WIRE CLIP
86	IGNITION BATTERY WIRE CLIP
87	IGNITION BATTERY WIRE CLIP
88	IGNITION BATTERY WIRE CLIP
89	IGNITION BATTERY WIRE CLIP
90	IGNITION BATTERY WIRE CLIP
91	IGNITION BATTERY WIRE CLIP
92	IGNITION BATTERY WIRE CLIP
93	IGNITION BATTERY WIRE CLIP
94	IGNITION BATTERY WIRE CLIP
95	IGNITION BATTERY WIRE CLIP
96	IGNITION BATTERY WIRE CLIP
97	IGNITION BATTERY WIRE CLIP
98	IGNITION BATTERY WIRE CLIP
99	IGNITION BATTERY WIRE CLIP
100	IGNITION BATTERY WIRE CLIP

FUSE BLOCK 2

XXXXXXXXXX

DECALS

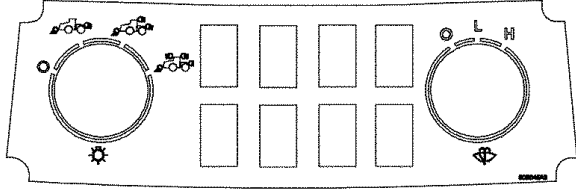
REF	FN	PART NUMBER	YR/SN	QTY	DESCRIPTION
1		325926A2		1	DECAL, Safety Warning
2	1	341953A2		1	DECAL, Articulation Warning
3		435668A1		1	DECAL, Fuel
4		327567A3		1	DECAL, Power Takeoff, Warning
5		356005A1	BSN Z6F105001	1	PRODUCT GRAPHIC, STEIGER
6		385592A1		2	SPACER
7		87376753		2	NUT, 5/16"
8		387030A1		1	DECAL, Main Electronics
9	2	87516902		1	DECAL, Fuse
10	3	87371088		1	DECAL, Fuse
11	4	396924A2		1	DECAL, Articulation Warning
12		370983A1		1	DECAL, ACCUSTEER
13		87564191	ASN Z6F105001		EMBLEM, CASE IH Logo
14		87576990		1	DECAL, ACCUSTEER II

- (1) Without ACCUSTEER
- (2) With Power Shift Transmission
- (3) With Manual Shift Transmission
- (4) With ACCUSTEER

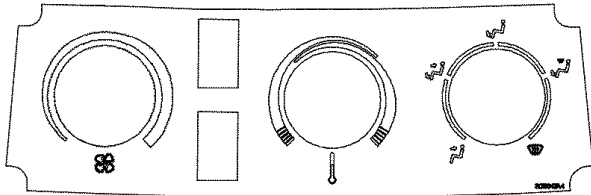
STEIGER 280 STX330
STX280 STEIGER 330

DECALS

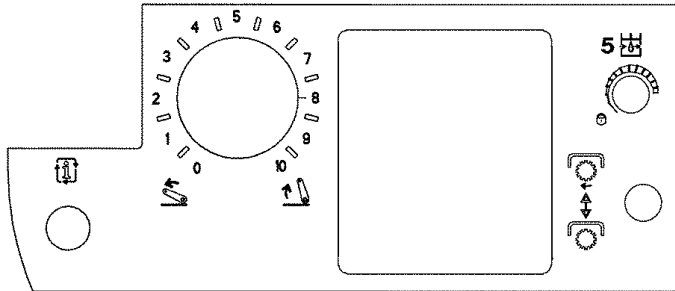
1



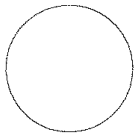
4



16



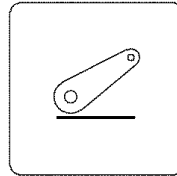
14



17



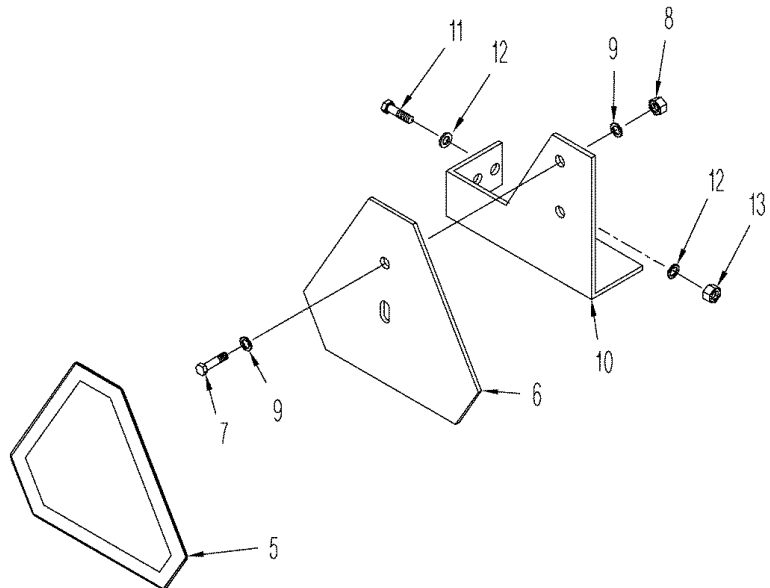
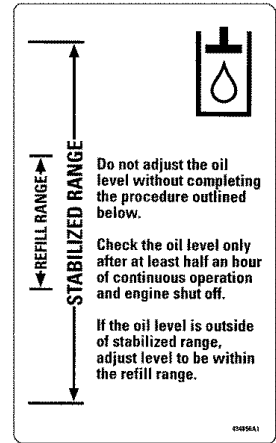
2



15



3



DECALS

REF	FN	PART NUMBER	YR/SN	QTY	DESCRIPTION
1		431230A1		1	DECAL, Light Panel
2	1	393821A1		1	DECAL
3		434856A1		1	DECAL, Hydraulic Oil Level
4		87450974		1	DECAL, Automatic Temperature Control
		311860A1		1	EMBLEM, Slow Moving Vehicle, Inc. 5 and 6
5		311858A1		1	DECAL, SMV Emblem
6		NSS		1	NOT SERVICED SEPARATELY, Plate
7		426-412		2	BOLT, Hex, 1/4"-20 x 3/4", G8, Full Thd
8		425-104		2	NUT, 1/4"-20, G5
9		495-11028		2	WASHER, 1/4", SAE
10		431187A1		1	BRACKET
11		827-10040		2	BOLT, Hex, M10 x 40, 10.9, Full Thd
12		895-11010		4	WASHER, M10 x 20 x 2
13		832-10410		2	NUT, LOCK, M10 x 1.5, CI 8
14	2	446562A1		1	DECAL
15		329051A1		1	DECAL, Emergency Exit
16	3	87314384		1	DECAL, Right-Hand Armrest
17		87563598		1	DECAL, CASE IH Logo, Rear Roof, (200 x 48mm)

- (1) With Three Point Hitch
(2) Without Power Takeoff
(3) Without Three Point Hitch

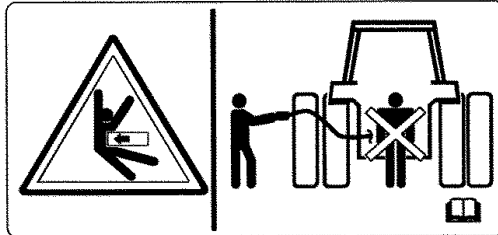
STEIGER 280 STX330
STX280 STEIGER 330

DECALS

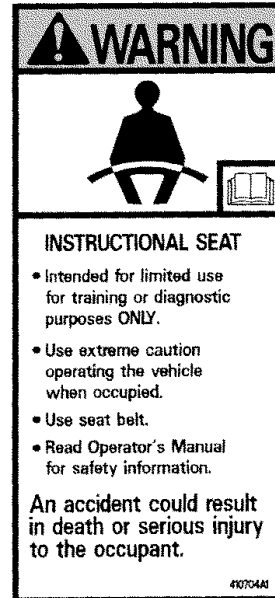
1

MPH		GEAR	RANGE
LOW	HIGH		
2.5	2.6	1	A
3.3	3.6	2	A
4.1	4.4	1	B
4.6	4.9	3	A
5.6	6.0	2	B
6.5	7.0	1	C
7.6	8.2	3	B
8.8	9.5	2	C
10.3	11.0	1	D
12.1	13.0	3	C
13.9	14.9	2	D
19.0	20.4	3	D
3.5	3.8	R	A
5.9	6.3	R	B
9.3	10.0	R	C

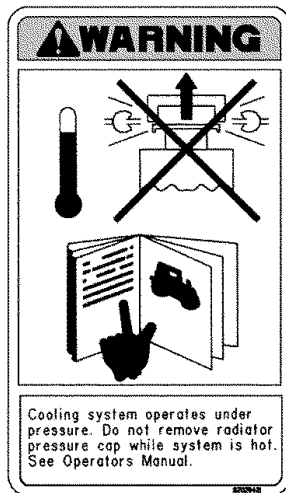
2



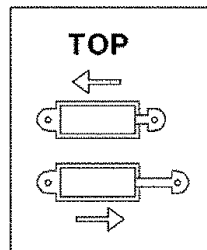
4



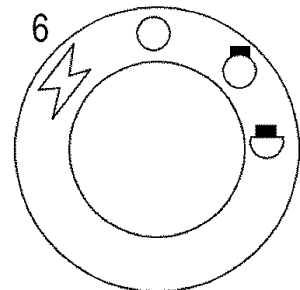
3



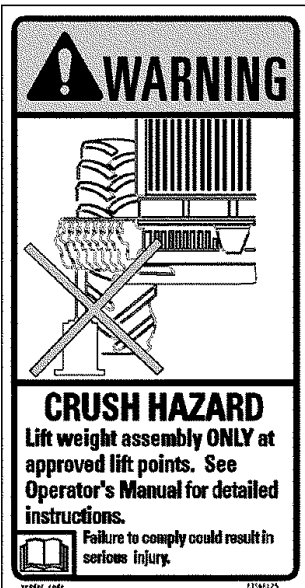
5



6



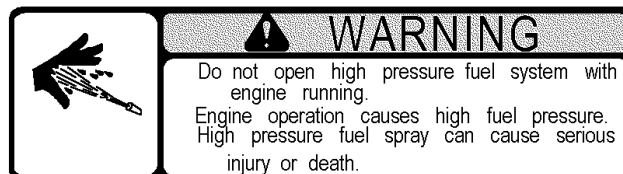
7



8



9



10



DECALS

REF	FN	PART NUMBER	YR/SN	QTY	DESCRIPTION
1	1	411564A1		1	DECAL, Shift
2		87423866		1	DECAL, Remote Hitch Safety
3		82029421		1	DECAL, WARNING, Radiator
4		410704A1		1	DECAL, Instruction Seat
5		389794A1		4	DECAL, Hydraulic Coupler
6		353849A1		1	DECAL, Ignition Switch
7		87368125		1	DECAL, WARNING, Front Weight
8		A187743		1	DECAL, WARNING, Ground Speed Radar
9		87347273		2	SENSOR, WARNING, Fuel Pressure
10		8603092		1	DECAL, WARNING, Ether
(1) With Manual Shift Transmission					

	STEIGER 280 STX330 STX280 STEIGER 330
--	---

INDEX - INDICE - INDEX - ZAHLENVERZEICHNIS - INDICE - INDICE - INDHOLD - INHOUD

Number	Figure	Sequence	Ref.	Number	Figure	Sequence	Ref.
{}	02-17		19	128483A1	09-44		45
{87416911}	04-24		13	128484A1	09-40		8
{87560497}	04-24		43		09-44		46
{87566268}	09-19	01			09-44		5
{87593934}	04-35		38	128485A1	09-40		11
{87601590}	04-13		1		09-40		6
{87601591}	04-13		1		09-44		4
{87629958}	06-61		17		09-44		40
02-3010T1	09-17		11		09-44		43
1-2683	04-05		13	1289348C1	06-60		8
1-2684	04-05		11		06-61		8
1-2685	04-05		12	1289349C1	06-60		4
1-2686	04-05		10		06-61		4
1-4088	09-08		15	1289350C1	06-60		6
	09-09		10		06-61		6
	09-10		8	1289481C1	08-28		12
	09-29		7	129-667	08-03		4
	09-37		25		08-04		9
1-4571	08-05		48	131-431	09-34		27
	08-06		62	131-487	06-10		22
	08-17		4		06-11		22
	08-20		4	1312210C2	04-26		2
	08-22		4	131853A1	02-06		2
100-1450	06-62		19	1321290C2	09-44		48
100-21150	07-02		12	1331046C2	04-02		1
100-21175	02-24		4	1339231C1	09-02		8
	02-25		4	1342928C1	06-62		20
100-21250	02-08		8	1345098C1	09-30		19
100-21550	06-57		9	1346028C1	08-03		9
100-2156	06-43		25		08-43		4
	06-55		8	1349347C1	06-63		24
100-28162	08-31		12		06-64		24
101-11350	06-63		27	135324A1	09-39		4
	06-64		27	136-157	04-19		24
101-21354	09-36		3	136-251	09-06		13
103-3350	03-01		8	137023A1	06-60		12
104593A1	04-08		45	139059C1	06-59		10
104594A1	04-08		44		06-62		3
104812C3	04-16		18	139060C2	06-59		9
	04-17		18	141353A1	04-08		21
105849A1	09-44		33	141360A1	04-08		13
109239C2	09-44		10	141361A1	04-08		24
114549A1	09-12		27	143921C1	06-63		14
117707A3	09-15		16		06-64		14
118111A1	08-33		18	143922C1	06-63		14
119182A3	08-11		9		06-64		14
119308A2	09-12		20	143923C1	06-63		14
120679C1	06-61		14		06-64		14
121410A1	04-10		11	143924C1	06-63		14
	04-24		31		06-64		14
121411A1	04-24		31	143925C1	06-63		14
121412A1	04-09		11		06-64		14
	04-24		31	144417A1	04-24		22
121413A1	04-24		31	144421A1	04-24		23
121414A1	04-06		14	148939C1	06-60		20
	04-24		31		06-61		20
121415A1	04-24		31	151-510	09-42		9
121416A1	04-06		14	151-553	09-12		31
	04-24		31		09-22		4
121645C1	04-16		16	1535219C1	04-02		18
	04-17		16		04-03		16
122553A1	09-40		12	1542563C1	08-11		
122554A1	09-40		9		08-32		
124744C1	06-63		13		08-45		24
	06-64		13	1543329C1	08-11		3
1250522C3	09-44		8		08-32		3
1250594C2	09-44		41	163-47	09-37		17
1251958C1	06-59		5	169850C2	04-19		22
1259633C3	06-60		16	175048A1	04-30		3
	06-61		16	175435A3	09-43		3
1259634C3	06-61		19	176312A1	08-11		10
1270697C1	06-60		7	177250A1	04-02		10
	06-61		7	177269A1	04-03		8
1270741C1	04-03		9		04-04		4
	09-17		22		09-12		17
128483A1	09-39		3		09-17		17
	09-40		7	178148A1	04-23		51
	09-44		42	178545A1	06-57		36

INDEX - INDICE - INDEX - ZAHLENVERZEICHNIS - INDICE - INDICE - INHOLD - INHOUD

Number	Figure	Sequence	Ref.	Number	Figure	Sequence	Ref.
178545A1	06-58		35	193857A1	06-06		2
178546A1	06-57		36	194174A1	09-14		18
	06-58		35	194175A1	09-14		19
178547A1	06-57		36	194319A1	04-24		24
	06-58		35	195-81023	09-20		41
178553A1	06-62		26	1954736C1	09-44		32
178554A1	06-62		26	1957867C1	08-39		48
178555A1	06-62		26	1957907C1	08-32		
178565A2	06-62		6	1957964C1	08-32		42
178889A1	05-05		41	195806A1	07-02		2
	05-06		41	195941A1	09-08		17
	05-11		31		09-09		8
	06-25		43		09-10		28
	06-26		49		09-36		5
	06-28			1961435C1	09-12		30
	06-43				09-22		1
	07-05			196254A1	06-06		2
	07-06			1963839C1	06-63		11
	07-07				06-64		11
	07-08			1963841C1	06-63		5
	08-22				06-64		5
179601A1	02-02		22	196466A1	02-15		23
181239A4	09-14		3		02-21		36
181240A2	09-15		13	1964696C2	04-06		5
181242A3	09-13		16	1964806C1	04-26		1
183038A1	04-23		45	1971726C1	08-16		8
183748A1	04-26		12	1977334C1	09-44		9
185062R1	09-19		4	1977448C2	05-01		4
	09-19		4	1977929C1	09-12		32
185613A1	07-02	01	3		09-22		3
186134A1	02-21			1981270C1	06-63		10
186135A1	06-24				06-64		10
	06-25			1983391C1	09-17		9
	06-26			1986552C2	08-03		10
186158A1	04-03		21	198843A1	06-62		26
186621A1	06-21		29	1994580C1	08-11		2
187820A1	04-01		13	1994581C1	08-11		4
188104A1	08-33		5	1994615C2	08-14		16
188105A1	08-33		8	1997421C1	06-60		11
188106A1	08-33		9		06-61		11
188116A1	08-33		6	1997422C1	06-61		27
188117A1	08-33		7	2-4190T1	04-05		25
19-1041	09-08		9	2-4191T1	04-05		26
	09-09		21	2-4192T1	04-05		27
	09-10		19	2-4345T1	09-07		14
19-1049	08-17		7	20-1451T1	04-24		2
	08-20		7	20-2041T2	04-13		5
	08-22		7	201-105	08-18		6
19-135	02-21		38	201-125	08-18		18
19-154	08-17		8		08-24		17
	08-20		8	201-146	08-27		13
	08-22		8	201-305	08-05		26
19-408	02-07		13		08-06		26
19-5565	09-17		15	201-306	08-18		13
	09-21		3		08-39		36
19-5864	06-17		13	201-308	08-18		9
19-6041	06-02		24	201-332	08-07		11
19-6056	09-08		14		08-08		11
	09-10		27	201-906	08-09		26
19-6258	04-33		5	211-1311	04-08		8
	04-35	01	8	214-1406	03-03		51
19-651	09-07		20	214-1408	03-03		11
19-885	06-02		11		03-03		50
19-961	02-02		12		09-38		11
190158A1	04-24		39	214-1416	02-01		27
191135A1	04-24		19	214-1420	06-24		45
191440A1	06-57		6		06-24		45
	06-58		8		06-25		41
191709A1	06-57		14		06-26		22
	06-58		17		08-05		9
191711A1	06-57		14		08-06		9
	06-58		17	214-1428	06-24		46
191712A1	06-57		14		06-24		46
	06-58		17		06-25		36
191713A1	06-57		13		06-26		45
	06-58		13	214-1432	09-41		13
193273A1	06-06		1	214-1436	08-05		53
193300A2	06-06		2		08-06		63

INDEX - INDICE - INDEX - ZAHLENVERZEICHNIS - INDICE - INDICE - INDHOLD - INHOUD

Number	Figure	Sequence	Ref.	Number	Figure	Sequence	Ref.
214-1436	08-17		3	220066A1	06-54		17
	08-20		3	220069A1	06-58		26
	08-22		3	220779A1	06-57		36
214-1512	02-11		15		06-58		35
214-1520	02-19		3	220785A1	06-57		14
214-1704	02-01		11		06-58		17
	02-13		15	221362A1	06-06		2
	03-03		4	221527A1	08-41		14
214-31160	02-03		2		08-45		22
214-3140	06-24		2	221573A1	06-57		20
	06-25		2		06-58		22
	06-26		2	221576A1	06-14		20
214-32112	02-03		5		06-57		31
214-3240	02-03		18		06-58		28
214-3280	02-03		9		08-28		13
214-3296	02-03		7		08-29		16
217-1014	04-12		8		08-41		3
	05-12		9		08-45		18
	05-13		9	221578A1	06-14		2
	05-13	01	9		06-63		17
217-103	02-21		9		06-64		17
217-1072	03-03		22		08-11		21
217-1084	09-02		5		08-29		12
217-119	02-01		15		08-41		5
217-120	02-01		39	221579A1	06-57		22
217-1226	03-03		20		06-58		30
217-142	03-03		12		08-11		7
217-185	02-01		29		08-29		11
217-186	03-03		18		08-41		9
217-292	02-01		12		08-45		20
217-367	03-03		45	221580A1	08-29		18
217-410	08-16		7		08-41		7
217-429	05-13	01	7		08-45		12
217-432	02-21		43	222136A1	04-29		2
	08-31		14	222292A1	09-19		3
217-438	02-09		28	222462A2	06-01		1
	02-17		20		06-02		1
	02-21		31		07-01		1
217-445	08-16		22	222463A2	06-01		11
217-45	02-01		28	222665A1	06-06		2
	09-38		19	223433A1	04-01		14
217-466	02-14		20	223900A2	04-08		1
218-1280	08-11		13	225-14210	04-23		50
218-445	03-03		24	225127C1	04-14		4
218-485	09-38		18		04-16		27
218-494	09-38		1		04-17		28
219-1	09-36		9	226252A2	06-62		10
219-20	05-13	01	11	226254A4	06-62		12
219-36	05-12		8	226318A2	06-62		11
	05-13		8	226320A1	06-62		13
	05-13	01	8	226492A2	06-57		19
	06-17		15		06-58		18
	08-38		2	226493A2	06-57		19
	09-02		12		06-58		18
	09-36		10	226494A2	06-57		19
	09-37		3		06-58		18
219-55	09-02		3	226496A2	06-57		19
219-8	09-02		11		06-58		18
	09-05		16	227739A2	04-13		2
	09-06		10		09-12		49
	09-30		21	227810A1	06-22		6
22-824	04-10		9		06-23		6
	05-03		4	228193A1	06-62		9
	06-03		3	228194A3	06-62		7
	06-24		34	228273A1	06-07		4
	06-25		34	228760A1	04-09		2
	06-26		34	228893A2	06-59		19
220056A1	05-01		5	228967A2	06-57		35
220064A1	06-28		47		06-58		34
	06-41		2	228968A2	06-57		12
	06-43		47		06-58		10
	06-54		11	228969A2	06-57		37
	06-55		4	229483A2	09-47		12
	08-17		14	229515A1	06-57		8
	08-20		14		06-58		12
	08-22		14	229553A3	06-59		14
220066A1	06-19		21	229659A1	07-02		7
	06-28		30	230098A1	04-01		2

INDEX - INDICE - INDEX - ZAHLENVERZEICHNIS - INDICE - INDICE - INHOLD - INHOUD

Number	Figure	Sequence	Ref.	Number	Figure	Sequence	Ref.
231-1445	04-22		10	238-5208	06-55		7
	08-17		10		08-14		19
	08-20		10	238-5211	08-29		4
	08-22		10	238-5214	06-55		6
231-5347	09-13		29	238-5226	06-59		20
231637A2	06-59		7	238-5227	02-18		15
232-46318	05-09		5	238-5232	08-20		19
	05-09	01	5		08-22		19
232212A1	04-29		1	238-5244	02-08		3
232454A2	04-27		3	238-5246	06-64		9
232455A2	04-27		3	238-5250	08-18		3
233561A1	04-29		3		08-24		4
234432A1	06-58		19	238-5256	08-42		24
234433A1	06-57		18	238-5387	06-62		21
235507A5	06-62			238-6011	08-06		59
235676A1	06-03		2		08-33		19
237-6003	07-02		10	238-6012	05-05		15
	08-33		31		05-05		4
	08-33		33		05-06		15
237-6004	08-18		19		05-06		4
	08-24		18		05-11		15
	08-33		30		06-12		6
	08-39		49		06-13		2
237-6006	06-57		26		08-05		51
	06-58		25		08-06		53
	08-03		6		08-11		25
	08-04		7		08-11		28
	08-11		20		08-14		10
	08-34		16		08-17		27
	08-35		8		08-18		20
237-6008	06-14		13		08-20		27
	06-14		7		08-21		7
	08-33		4		08-22		27
	08-34		15		08-23		7
237-6010	03-03		47		08-24		19
	06-57		30		08-27		31
	06-58		7		08-27		35
	07-09		3		08-39		50
	08-18		14		08-39		51
	08-32		12		08-39		69
	08-32		25		08-39		73
	08-32		36		08-39		75
	08-33		13		08-44		8
	08-39		37	238-6013	06-14		12
237-6012	08-05		45		06-59		15
	08-06		45	238-6014	05-05		17
	08-11		12		05-06		17
	08-11		35		05-07		3
	08-32		8		05-11		17
	08-34		6		06-12		2
	08-35		6		06-13		9
	08-45		17		06-14		11
237-6016	08-18		10		06-15		6
	08-18		7		07-03		2
237486A1	03-01		4		07-04		11
	09-50		5		07-04		2
237582A1	04-15		2		07-04		6
237698A1	06-64		3		07-05		3
238-5011	08-03		7		07-06		3
	08-04		8		07-07		3
	08-32		20		07-08		3
238-5012	08-32		19		08-05		2
238-5013	02-18		9		08-06		2
	06-14		9		08-07		3
238-5014	06-14		8		08-07		6
	07-09		5		08-08		3
	08-33		25		08-08		38
238-5015	07-09		4		08-08		6
238-5022	08-33		16		08-11		27
238-5023	08-33		17		08-14		13
238-5027	08-31		8		08-17		52
238-5112	06-12		25		08-20		55
	06-13		13		08-21		10
	08-11		31		08-22		57
238-5118	08-11		29		08-23		10
238-5120	08-32		26		08-23		25
238-5142	08-33		26		08-27		40
238-5155	06-63		9		08-28		8

INDEX - INDICE - INDEX - ZAHLENVERZEICHNIS - INDICE - INDICE - INDHOLD - INHOUD

Number	Figure	Sequence	Ref.	Number	Figure	Sequence	Ref.	
238-6014	08-34		10	238-6112	08-40		15	
	08-34		19	238-6117	08-29		2	
	08-37		12		08-30		2	
	08-37		3		08-33		27	
	08-37		6		08-40		16	
	08-39		57	238-6222	08-17		12	
	08-39		60		08-20		12	
	08-44		27		08-22		12	
	08-44		44	238-6228	06-24		5	
	06-59		17		06-25		5	
	08-11		5		06-26		5	
	08-32		35		08-17		19	
	08-32		6		08-20		51	
	238-6015	06-15		11		08-22		51
07-05			10		08-39		14	
07-06			10	238-7015	06-43		63	
07-07			10		06-55		21	
07-08			10	238-7016	06-43		62	
08-01			12		06-55		20	
08-02			3	238-7018	02-11		12	
08-05			55	238-7115	08-14		22	
08-06			65	238-7241	03-07		13	
08-10			28	238-7277	06-62		22	
08-17			22	238-7278	06-62		24	
08-18			15	238-7282	06-62		23	
08-20			22	238290A4	04-01		11	
08-22			22	238291A1	09-19		37	
238-6016	08-27		41		09-19	01	13	
	08-32		32	238903A1	02-01		22	
	08-37		18	239491A1	03-01		9	
	08-37		22	24-231	02-07		12	
	08-39		38	240969A1	08-31		2	
	08-39		41	240973A2	08-31		4	
	06-15		12	240974A2	08-31		6	
	08-01		7	242-4412	07-05		32	
	08-11		39		07-06		32	
	238-6018	06-24		15		07-07		32
		06-24		18		07-08		32
		06-25		15	242563A1	05-05		29
		06-25		19		05-06		29
		06-26		15		05-11		29
06-26			19	243254A1	08-33		37	
06-26			38	243856A1	06-63		12	
06-26			40		06-64		12	
08-09			11	244106A1	04-30		9	
08-09			23	245041C1	04-19		27	
08-09			5	245162A1	06-59		16	
08-10			11	245483C1	04-14		2	
08-10			5		04-16		26	
08-17			25		04-17		29	
238-6021	08-18		11	245847A1	08-26			
	08-18		8	245918C1	09-12		9	
	08-20		25	246146A1	06-57		5	
	08-21		12		06-58		5	
	08-22		25	246476A1	09-20		5	
	08-23		12	248-1243	09-44		31	
	08-27		21	248-2146	03-03		5	
	08-27		23	248-23108	04-19		18	
	08-27		27	248-2340	04-19		25	
	08-39		25	248-2376	06-02		10	
	08-39		28	248-2381	09-44		11	
	08-39		44	248-2399	04-28		14	
	08-39		47	248114A1	06-57		3	
	08-39		5		06-58		3	
08-39		55	248118A1	06-57		2		
238-6025	08-39		63		06-58		2	
	08-39		66	248812A4	04-05			
	08-39		77	248844A1	03-02		8	
	08-44		17	249707A2	09-23		2	
	03-01		6	25-HT00012	04-32		20	
	06-24		23	250939A1	05-03		12	
	06-24		9	252462A2	08-14		24	
	06-25		23	252928A2	09-23		5	
	06-25		9	253105A1	04-30		6	
	06-26		9	253679A1	05-01		23	
	238-6112	08-29		3	253931A1	06-60		23
		08-30		3		06-61		23
		08-33		28	253932A1	06-59		8

INDEX - INDICE - INDEX - ZAHLENVERZEICHNIS - INDICE - INDICE - INDHOLD - INHOUD

Number	Figure	Sequence	Ref.	Number	Figure	Sequence	Ref.
253932A1	06-60		24	279519A1	05-05		34
	06-61		24		05-06		34
255121A1	06-59		13		05-11		22
255122A1	06-59		13	280-1448	09-44		54
255123A1	06-59		13	280297A1	07-02		4
255124A1	06-59		13	280566A1	09-20		17
255291A1	03-02		3	280627A1	09-21		15
256295A1	05-05		45	280628A1	09-17		27
	05-06		45		09-21		16
	05-11		14	281-14512	09-44		38
256296A1	05-07		15	281-3446	04-01		4
256305A2	04-01		9	281-54712	04-27		4
	04-32		4		09-37		5
256776A1	03-02		4	281093A1	06-01		2
257059A2	09-20		2		06-02		2
258010A2	06-03		1		07-01		5
258342A2	04-03		2	281115A1	03-02		13
258524A2	03-02		19	281125A1	03-02		14
258734A2	03-01		2	281138A2	09-20		3
258820A1	04-08		33	281139A1	09-20		4
258840A1	04-08		7	281140A1	09-20		20
258841A1	04-08		2	281673A2	05-07		16
258861A1	04-08		14	281893A1	06-01		17
258869A1	04-08		16		06-02		17
258871A1	04-08		15		07-01		8
258874A1	04-08		17	281926A2	09-23		8
258877A1	04-08		20	282523A1	09-05		11
258880A1	04-08		42	282892A1	05-01		13
258883A1	04-08		43	283659A1	04-36		1
259012A1	03-01		11		06-01		7
	03-02		16	284186A1	06-57		16
259040A1	03-01		3	284273A2	09-40		24
259288A1	09-41		12	284638A2	04-19		19
259332A4	02-05		1		04-35		12
259389A1	06-18		21		04-35	01	12
	09-01		30		04-37		3
	09-03		6	284777A1	05-02		3
	09-04		9		05-03		3
259461A1	09-12		13	291104A1	07-02		11
259462A1	09-15		19	291105A1	07-02		5
260-16516	04-04		3	291106A1	07-02		8
	09-12		16	291107A1	07-02		6
	09-14		28	291835A4	09-12		11
260-54310	09-17		25	291836A3	09-12		12
260-54312	04-26		4	292295A3	08-30		11
263136	02-09		29		08-32		
	02-14		4		08-40		9
	02-18		2	292321A2	08-32		9
	02-21		30	292326A1	08-31		5
275601A1	09-20		6	293388A2	03-01		16
275602A1	09-20		16		06-03		7
275912A1	09-01		23	293797A1	04-12		2
276352A1	03-01		14	294295A1	09-19		26
276426A1	05-09	01	22	294296A1	09-19		6
	05-13	01	12	294603A1	08-35		2
276498A1	04-26		3	295004A1	09-05		10
276687A1	06-06		2		09-06		11
276797A1	04-01		10	295006A1	09-40		4
	04-01		12	296050A1	06-56		4
	04-32		2	297221A1	04-28		16
277010A2	05-07		10	297223A1	04-28		17
277204A2	09-19		35	297865A1	09-17		26
	09-19	01	11	298253A1	04-08		31
277438A1	09-20		15	298266A2	02-02		2
277570A1	09-19		24	298291A1	08-34		1
277576A1	09-19		19		08-35		1
277582A1	09-19		16		08-40		19
278210A1	06-01		5	298614A1	08-11		32
	06-02		5	298842A1	03-02		2
	07-01		6	300209A1	08-17		39
278211A1	03-02		9		08-20		39
278506A1	08-32		15		08-22		39
278550A2	08-32			300655A1	04-24		25
278967A3	09-41		8	300891A1	03-02		7
279265A2	04-13		8	301098A1	09-20		25
	07-01		7	301200A1	05-01		17
279266A1	07-02		9	301973A1	08-32		10
279293A2	04-33		1	302016A1	09-25		16

INDEX - INDICE - INDEX - ZAHLENVERZEICHNIS - INDICE - INDICE - INDHOLD - INHOUD

Number	Figure	Sequence	Ref.	Number	Figure	Sequence	Ref.
302029A2	09-26		8	311812A1	05-01		15
	09-27		8	311834A1	08-27		22
302033A1	09-26		5	311858A1	09-53		5
	09-27		5	311860A1	09-53		
302259A2	06-57			3131227R1	04-26		9
	06-60			3131234R1	04-26		9
	06-61			313139A1	09-21		4
302260A1	06-58			313141A1	09-21		9
	06-60			313244A1	02-21		34
	06-61			313246A1	02-21		35
302456A1	09-22		5	313262A1	02-11		19
	09-23		18		02-26		11
302557A2	04-15		3	313273A2	03-02		20
	08-03		1	313282A1	09-43		2
302822A3	07-01		9	313490A1	04-20		2
	07-02			313576A1	04-06		1
302862A1	09-17		5	313877A2	02-01		4
303158A5	09-12		15	313941A1	08-11		11
303401A1	06-07		5	313973A2	09-33		30
303465A2	05-02		12	313975A2	09-34		2
	05-03		15		09-35		1
303466A1	05-02		8	313992A1	09-35		14
	05-03		8	314287A2	03-03		23
303467A1	05-02		9	314317A1	02-07		17
	05-03		9	314441A1	02-09		30
303493A1	06-28		43	314842A3	09-34		3
	06-43		43	315514A1	06-14		
303506A1	06-10		16	315573A1	08-20		23
304561A1	02-07		7	316937A1	09-33		34
304951A1	08-44		3	317688A1	04-03		12
305020A2	04-36		2	318159A1	09-34		7
305096A1	06-10		16	318822A1	06-14		
305155A2	06-01		8	319131A4	08-30		13
305484A2	09-17		6		08-33		
305485A2	09-17		3	319549A1	03-03		1
305792A1	06-06		2	319659A1	06-14		24
307016A1	09-42		3	319660A1	06-14		19
307021A2	09-42		6	319661A1	06-14		18
307024A4	09-41		10	319664A1	06-14		16
307026A1	09-12		42	319665A1	06-14		17
307104A3	09-43		1	319870A1	09-19		12
307123A1	02-03		20	319969A1	09-42		2
307347A2	06-63			319970A3	09-41		2
308579A1	09-12		26		09-42		
309663A1	09-03		2	32-212	06-02		22
	09-04		5	320036A1	06-14		22
31-1000	03-03		21	320246A1	04-26		
31-1070	03-03		7		09-16		1
31-1267	03-03		19	320374A1	08-28		11
31-2363	04-06		19	320382A1	06-26		4
31-2364	04-06		11	320429A1	09-35		15
31-2422	04-06		8	321188A2	09-01		43
31-2427	06-25		3	321232A1	05-10		9
	06-26		3		09-37		7
	08-17		2	321623A1	08-31		7
	08-20		2	321961A1	06-01		19
	08-22		2		06-02		19
31-2608	04-06		12		07-01		4
31-2691	02-01		14	322096A1	09-01		21
31-2757	08-06		49	322118A1	06-14		23
31-2866	04-06		18	322332A1	04-27		7
31-2936	04-06		20	322409A1	06-01		10
31-3063	02-01		25	322446A1	09-06		5
31-3129	03-03		41	322839A1	09-44		39
310057A1	04-24		27	322840A1	09-44		44
310692A1	06-62		27	322985A1	09-44		17
310693A1	06-60		25	322987A1	09-44		18
	06-61		18	322989A1	09-44		12
310694A2	06-63		21	322990A1	09-44		13
	06-64		21	322994A1	09-44		6
310695A1	06-63		26	322995A1	09-44		21
	06-64		26	322996A1	09-44		1
310697A3	06-63		20	323016A1	09-44		35
	06-64		20	323093A1	04-27		12
310701A5	06-64			323095A1	04-30		4
311352A1	06-06		2	3233348R1	09-13		41
311376A2	04-28		19		09-14		33
311430A1	04-24		40	3234063R1	09-13		13

INDEX - INDICE - INDEX - ZAHLENVERZEICHNIS - INDICE - INDICE - INHOLD - INHOUD

Number	Figure	Sequence	Ref.	Number	Figure	Sequence	Ref.
3234063R1	09-14		12	331649A1	09-19	01	18
323610A1	09-44		16	331663A1	02-07		22
323657A1	05-01		16	331935A1	09-29		12
324022A1	09-44		49	333275A1	09-26		3
324023A1	09-44		50	333276A1	09-26		4
324089A1	06-25		24	333279A2	09-26		9
324203A1	04-06		15		09-27		9
324437A1	09-21		14	333295A1	09-26		19
324484A1	09-44		24		09-27		21
325061A2	04-03		1	333296A1	09-26		21
325064A1	05-03		7		09-27		23
325065A1	05-03		2	333643A1	04-27		8
325066A2	05-03		14	333646A1	04-27		5
325068A1	05-02		4	333659A1	09-26		15
	05-03		13		09-27		16
325362A1	05-02		1	333795A2	09-32		12
	05-03		1	334209A2	09-34		24
325363A1	05-03		11	334216A1	08-34		2
325533A1	05-03		17		08-35		4
325737A1	06-24		12		08-40		20
	06-25		12	334218A1	08-35		3
	06-26		12	334229A1	04-03		20
	08-16		2	334233A1	04-09		
325926A2	09-52		1	334234A1	04-27		22
326300A1	08-14		8	334238A1	09-23		20
326630A1	06-06		2	334450A1	08-26		
327310A1	09-13		38	334715A1	04-05		30
327454A4	08-27		32	334923A1	08-29		21
327457A3	08-27		24		08-39		52
327464A1	08-22		30		08-41		12
327479A2	07-05		5	334985A1	02-06		7
	07-07		5	335018A3	09-33		29
327484A2	07-05		38	335853A1	02-03		10
	07-06		38	336278A3	08-32		
	07-07		38	336336A2	02-07		15
	07-08		38	336684A1	02-02		5
327491A1	08-06		13	336685A1	02-02		13
327499A1	08-17		21	336688A1	02-02		15
	08-20		21	336689A1	02-02		6
	08-22		21	336690A1	02-02		14
327567A3	06-18		14	336691A1	02-02		16
	09-52		4	337240A1	03-03		26
327851A1	09-41		17	337248A1	03-03		28
328037A1	09-17		7		08-16		15
328039A1	09-17		4	337545A1	08-05		10
328051A2	09-41		19		08-06		10
328052A2	09-41		20	338681A1	08-29		7
328197A1	09-28		26	339487A2	08-11		
	09-29		22	339529A1	04-15		10
328232A1	08-09		9	339534A4	09-34		28
	08-10		10	339537A4	09-34		29
328265A1	04-16		13	339547A1	09-35		3
	04-17		13	339549A1	09-35		4
	04-19		11	339551A1	09-35		2
	04-37		6	339735A1	04-01		11
328353A2	03-02		1	340-12520	09-14		14
328586A2	09-02		4	340972A1	02-19		8
329051A1	09-53		15	341195A1	07-05		
329058A1	09-06		1		07-06		
329720A1	09-13		47		07-07		
	09-14		29		07-08		
329737A1	02-03		12	341574A4	09-15		1
329923A3	09-32		2	341855A2	02-03		4
33-1001T1	06-17		19	341953A2	09-52		2
	06-17		4	344573A1	08-11		
33-1004T2	06-17		20	344696A2	09-06		15
	06-17		5	345192A1	08-31		10
330032A1	09-37		8	345193A1	08-31		
330042A1	09-29		2	345262A1	04-02		13
330103A1	08-11		17	345439A1	04-02		5
330104A1	08-11		18	345471A1	07-01		18
330105A1	08-11		16	345794A1	06-14		
330116A1	04-02		15	347641A1	09-01		8
330124A1	04-15		14	347755A1	08-34		5
330164A2	09-37		20		08-35		5
330305A1	09-29		3	347756A1	08-35		7
330309A1	09-29		4	348061A1	09-01		9
331649A1	09-19		42	348224A2	09-29		35

INDEX - INDICE - INDEX - ZAHLENVERZEICHNIS - INDICE - INDICE - INDHOLD - INHOUD

Number	Figure	Sequence	Ref.	Number	Figure	Sequence	Ref.
349062A1	04-24		26	353273A1	04-05		30
349366A2	09-12		37	353363A1	06-62		8
349563A1	09-18		5	353560A1	09-16		13
349863A2	07-05		27	353561A1	09-16		3
	07-06		27	353562A1	09-16		12
	07-07		27	353563A1	09-16		9
	07-08		27	353828A1	08-29		20
	08-15		3		08-41		2
349869A1	08-16		16	353830A1	08-32		16
349870A1	03-03		27	353846A1	02-07		16
352025A1	08-14		5	353849A1	09-54		6
352114A1	05-05		39	353926A1	04-36		6
	05-06		39	353941A1	07-09		2
	05-11		16	355179A1	08-16		17
352378A1	06-46		2	355341A1	06-01		16
	06-48		4	355371A2	09-12		35
352394A1	06-46		2	355532A1	09-16		2
	06-48		4	355623A2	04-03		1
352397A1	06-46		2	355716A3	09-15		23
	06-48		4	355933A2	02-02		27
352400A1	06-46		2	356005A1	09-52		5
	06-48		4	356717A1	09-12		36
352506A1	04-19		2		09-20		37
352734A1	08-06		14	356789A1	09-12		38
352767A1	03-03		25	356813A2	09-33		37
	08-16		14	357564A1	06-04		47
352769A1	09-33		16		09-12		39
352770A1	09-33		15	357893A1	09-33		27
352815A1	06-46		2	357928A1	06-09		2
	06-48		4	357929A1	06-08		2
352816A1	06-46		2	357930A1	06-09		2
	06-48		4	357931A1	06-08		2
352817A1	06-46		4	358175A2	06-09		15
	06-47		23	358327A4	09-12		5
	06-48		6	358329A3	09-14		30
352818A1	06-46		5	358330A1	09-23		6
	06-47		24	358331A1	09-22		2
	06-48		7	358333A2	09-12		1
352819A1	06-46		5	358334A4	09-12		3
	06-47		24	358338A4	09-12		2
	06-48		7	358340A1	09-23		13
352820A1	06-46		5	358341A1	09-23		3
	06-47		24	358343A2	09-12		14
	06-48		7	358353A1	05-03		19
352821A1	06-46		5	358683A1	09-17		20
	06-47		24	358812A2	09-19		35
	06-48		7		09-19	01	11
352822A1	06-46		5	358866A1	06-46		24
	06-47		24	358867A1	06-46		25
	06-48		7	358908A1	06-46		26
352823A1	06-46		5		06-52		5
	06-47		24		06-53		5
	06-48		7	358915A1	08-06		41
352825A1	06-46		6	358918A1	06-47		2
352829A1	06-46		10	358968A1	08-05		47
	06-48		12		08-06		47
352831A1	06-46		12		08-11		30
	06-48		14		08-17		20
352832A1	06-46		14		08-20		20
	06-48		16		08-22		20
352834A1	06-21		13		08-29		22
352842A1	09-14		25		08-40		17
352875A2	08-42		17	358970A1	06-47		8
353-402	04-01		30	358971A1	06-47		10
353-403	09-13		48		06-47		10
	09-37		39	358972A1	06-47		11
353-404	09-13		11	358978A1	04-36		8
	09-37		35	359033A1	05-01		17
353-406	09-13		30	359176A1	09-23		13
	09-15		31	359177A1	09-23		4
353-408	09-45		11	359203A1	06-47		17
353-422	06-01		6	359204A1	06-47		18
	06-02		29	359206A1	06-48		24
	09-13		46	359207A1	06-47		21
	09-37		34	359226A1	09-29		6
353-593	09-13		8	359235A1	06-50		13
353059A1	06-46		20	359242A1	06-43		10
353060A1	06-46		21	359243A1	06-43		10

INDEX - INDICE - INDEX - ZAHLENVERZEICHNIS - INDICE - INDICE - INHOLD - INHOUD

Number	Figure	Sequence	Ref.	Number	Figure	Sequence	Ref.
359244A1	06-43		10	362616A1	06-46		9
359251A1	06-43		10		06-48		11
359252A1	06-43		24		06-50		12
359253A1	06-43		24	362618A1	06-50		15
359383A1	09-23			362624A1	04-28		18
359506A1	09-08		24	362627A1	06-09		15
359585A2	09-42		5	362628A1	06-50		16
359586A1	09-41		6	362629A1	06-50		16
359616A3	09-17			363006A2	06-18		8
359630A2	02-06		5	363072A1	05-07		5
359632A3	02-06		11	363130A1	09-09		28
359633A2	02-06		1	363131A2	09-09		17
359670A2	09-41		18		09-10		15
359845A1	09-23			363226A1	08-16		13
360199A1	07-06		5		09-28		17
	07-08		5		09-30		14
360200A2	07-05		4	363289A1	09-38		3
	07-06		4	363540A1	09-10		22
	07-07		4	363914A1	04-18		2
	07-08		4	363931A1	09-20		24
360201A4	08-05		4	364057A1	09-38		12
	08-06		4	364156A1	09-15		24
360203A3	07-03		4	364159A1	09-38		14
	07-04		4	364260A3	02-03		14
360215A1	04-03		4	364315A1	08-20		40
360336A4	06-63				08-22		40
360364A1	09-17		19	364317A1	08-22		32
360432A2	04-03		10	364590A1	04-23		37
360446A1	09-20		12	364822A1	06-50		17
360493A1	05-05		46	364825A1	06-50		21
	05-06		46	364826A1	06-51		7
	05-11		11		06-53		9
360495A2	08-37		20	364831A1	06-52		3
360496A1	08-37		9		06-53		3
360497A3	08-37		21	364833A1	06-52		11
360580A1	09-21		13	364921A1	02-02		26
361024A3	05-01		20	364967A1	05-05		40
361085A2	08-02		2		05-06		40
361191A1	09-15		10		05-11		20
	09-16		16	365035A6	04-23		36
361250A1	02-05		8	365377A2	06-25		20
361350A1	09-19		37	365378A1	06-25		16
	09-19	01	13	365414A1	09-21		8
361696A2	09-08		16	365674A1	09-23		1
	09-09		9	365841A1	04-27		2
	09-10		7	365842A1	04-27		1
361770A1	08-10		20	365853A1	06-18		11
361897A1	07-05		29	365946A1	09-23		19
	07-06		29	366503A1	08-17		32
	07-07		29		08-20		32
	07-08		29	367145A1	04-24		15
361951A2	07-04		9	367146A1	04-24		18
361983A3	06-18		7	367147A1	04-24		14
362359A1	06-09		14	367194A1	04-28		1
362360A1	06-09		13	367244A1	05-05		37
362419A1	08-27		5		05-06		37
362491A1	04-28		3		05-11		19
362493A1	04-28		2	367321A1	04-28		6
362496A1	04-28		5		04-29		
362564A1	06-43		8	367322A1	04-17		22
362565A1	06-43		9	367518A3	09-32		5
362566A1	06-28		11	367607A1	03-01		1
	06-43		11		06-03		4
362567A1	06-28		13	367755A1	08-31		13
	06-43		13	367786A1	04-23		34
362569A1	06-43		16	367930A1	06-24		32
362574A1	06-43		21		06-25		32
362576A1	06-43		24		06-26		32
362577A1	06-43		24	368048A1	03-01		5
362580A1	06-43		27	368224A1	04-24		31
362601A1	06-43		37	368313A1	09-44		47
362602A1	06-43		39	368363A1	07-03		9
362603A1	06-43		40	368459A1	04-24		33
362611A1	06-50		6	368891A1	06-63		4
	06-51		5	368892A1	06-63		6
	06-53		8		06-64		6
362615A1	06-50		11	369275A1	09-45		8
	06-52		10	369566A1	09-14		31

INDEX - INDICE - INDEX - ZAHLENVERZEICHNIS - INDICE - INDICE - INDHOLD - INHOUD

Number	Figure	Sequence	Ref.	Number	Figure	Sequence	Ref.
369635A2	09-23		16	373470A2	09-26		17
369708A1	04-06		9		09-27		18
369719A1	09-12		46	373473A1	09-26		18
	09-13		9		09-27		20
369843A1	03-03		42	373476A1	09-25		1
369844A1	03-03		46	373555A1	04-23		52
369851A1	07-01		11	373582A2	02-02		8
369929A1	06-04		44	373657A1	02-01		26
	09-12		41	373756A1	08-33		35
369937A1	09-12		40	373757A1	08-33		36
369960A1	03-03		33	373758A1	08-33		34
	08-07		25	373761A1	08-33		29
	08-08		42	373767A1	08-33		20
37-1832	06-62		18	374530A1	06-26		35
370250A1	08-05		11	374549A2	06-26		16
	08-06		11	375092A1	06-57		24
370542A1	06-45		12	375333A1	08-17		40
370543A1	06-45		13	375334A2	06-24		19
370544A1	06-45		14	375456A1	06-28		45
370545A1	06-45		15		06-43		45
370546A1	06-24		1	375500A1	06-19		1
	06-25		1	375501A1	06-19		2
	06-26		1	375502A1	06-19		4
370551A1	06-24		31	375503A1	06-19		5
	06-25		31	375504A1	06-19		6
	06-26		31	375505A1	06-19		6
370555A1	06-47		12	375506A1	06-19		6
	06-52		14	375507A1	06-19		6
370556A1	06-47		14	375508A1	06-19		7
	06-52		16	375509A1	06-19		9
370558A1	06-52		17	375510A1	06-19		11
370562A1	06-52		21	375511A1	06-19		12
370568A1	06-53		12	375512A1	06-19		15
370596A1	06-54		3		06-20		10
370597A1	06-54		5	375514A1	06-19		19
370600A1	06-27		16	375515A1	06-19		23
	06-54		8	375523A1	06-21		3
370632A1	06-30		6	375525A1	06-21		4
	06-44		3	375527A1	06-21		5
370634A1	06-44		7	375528A1	06-21		6
370635A2	06-44		9	375529A1	06-21		8
370637A1	06-44		12	375530A1	06-21		9
370853A2	02-03		21	375531A1	06-21		10
370981A1	09-51		5	375532A1	06-21		11
	09-51	01	6	375533A1	06-21		12
370983A1	09-52		12	375534A1	06-21		14
370988A1	09-33		25	375535A1	06-21		15
371018A2	08-37		19	375536A1	06-21		16
371043A1	09-11		3	375538A1	06-21		17
371122A2	04-15		5	375540A1	06-21		22
371448A1	09-33		39	375541A1	06-21		24
	09-34		31	375543A1	06-21		26
371554A1	09-12		47	375544A1	06-21		27
	09-13		10		06-21		30
371685A4	09-12		19	375545A1	06-21		28
371737A1	06-27		6	375546A1	06-21		29
	06-54		9	375547A1	06-21		30
371738A1	06-27		17	375548A1	06-21		30
371739A1	06-54		7	375550A1	06-20		2
	02-19		10	375552A1	06-20		4
371838A1	09-45		10	375553A1	06-20		5
	06-36		5	375554A1	06-20		14
372071A1	06-36		17	375555A1	06-20		15
372072A1	08-32		22	375556A1	06-20		18
372228A1	09-17		18	375559A1	06-20		16
372892A1	02-01		24	375560A1	06-20		17
372947A1	02-01		38	375644A1	04-15		25
373057A2	06-28		6	375681A1	04-18		5
373133A1	06-43		6	375719A1	09-08		25
	06-43		36		09-09		3
373134A1	06-28		41		09-10		3
373135A1	06-28		6	375720A1	09-08		10
373136A1	06-43		6		09-09		14
	06-43		36		09-10		12
373137A1	06-28		41	375721A1	09-08		26
373138A1	04-14		1		09-09		4
373457A1	09-26		24	376390A2	09-10		4
373469A1					08-15		1

INDEX - INDICE - INDEX - ZAHLENVERZEICHNIS - INDICE - INDICE - INHOLD - INHOUD

Number	Figure	Sequence	Ref.	Number	Figure	Sequence	Ref.
376553A1	09-12		23	388864A1	03-01		16
376972A1	06-20		30		06-03		7
377385A3	09-12		4	388872A1	04-27		11
377528A1	08-01		4	388874A2	09-14		6
379554A1	02-04		2	388934A1	09-14		2
379558A1	02-07		2	388936A1	09-14		26
379610A1	06-22		5	388968A1	06-59		
	06-23		5	389120	04-23		38
38-11608	06-07		6	389175A3	09-13		
38-32018	09-07		15	389176A1	09-13		15
38-33240	09-07		7	389191A2	09-34		34
380756A2	09-12		6	389195A2	09-34		33
382247A1	04-01		37	389794A1	09-54		5
383347A1	09-07		18	390360A1	09-13		6
383716A1	06-18		17	390873A1	06-62		28
383983A1	04-30		1	390918A3	07-05		33
383986A1	04-13		3		07-06		33
384116A1	08-16		12		07-07		33
384139A1	04-06		21		07-08		33
384140A1	04-06		24	391364A1	04-10		10
384141A1	04-06		22	391769A1	02-06		1
384142A1	04-06		23	392073A1	06-50		23
384163A1	09-37		31		06-51		13
384249A1	08-27		28	392149A1	04-14		3
384759A1	09-17		28		09-16		15
384786A2	09-20		29	392227A1	04-16		24
384950A2	09-41		3		04-17		27
384976A1	07-09		1	392403A2	08-32		
384977A1	07-05		51	392427A1	07-05		8
	07-06		51		07-07		8
	07-09			392690A1	08-05		44
385357A1	08-34		8		08-06		44
385358A1	08-34		7	392699A1	05-03		16
	08-35		9	392748A1	07-05		31
385486A1	06-24		33		07-06		31
	06-25		33		07-07		31
	06-26		33		07-08		31
385509A1	09-28		18	393606A1	05-05		25
	09-29		26		05-06		25
385529A2	09-28		19		05-11		25
	09-29		28	393607A1	05-05		26
385592A1	09-52		6		05-06		26
386535A1	09-44		3		05-11		26
386743A2	02-06		4	393821A1	09-53		2
387030A1	09-52		8	393878A1	09-08		29
387050A1	02-21				09-09		7
387647A1	06-04				09-10		29
387790A1	05-09		24	393972A3	08-30		12
	05-09	01	24		08-32		
387840A1	08-05		38	393973A2	08-40		8
	08-06		38	393973A3	08-30		17
	08-27		16		08-32		
387938A2	04-30		5	394828A1	09-23		17
388120A2	09-14		21	394848A1	02-06		
388122A1	09-14		20	395207A1	06-57		33
388124A1	05-09		20		06-58		33
	05-09	01	20	395208A1	06-57		33
388292A1	08-25				06-58		33
388293A1	08-19			395209A1	06-57		24
	08-42		28	395809A1	02-06		3
388308A1	06-60		26	396-11131	06-10		21
	06-62		17		06-11		21
388366A1	06-63		19	396-31081	06-07		3
388370A1	06-64		19	396-41028	03-02		10
388391A1	08-06		5	396113A1	06-06		2
388444A1	04-03		5	396412A1	09-28		25
388445A1	04-03		3		09-29		20
388469A1	09-06		12	396431A1	06-05		30
388489A1	04-03		18	396435A2	06-04		2
388554A1	09-33		26	396444A1	06-04		3
388705A1	03-01		16	396445A1	06-04		4
	06-03		7	396446A1	06-04		5
388706A1	06-03		6	396447A1	06-04		6
388785A2	09-14		1	396484A1	04-30		8
388810A1	04-13		10	396924A2	09-52		11
388811A1	04-13		15	397144A1	06-02		6
388813A1	04-13		13	397261A1	06-22		2
	09-12		50	397346A1	04-24		8

INDEX - INDICE - INDEX - ZAHLENVERZEICHNIS - INDICE - INDICE - INDHOLD - INHOUD

Number	Figure	Sequence	Ref.	Number	Figure	Sequence	Ref.
397496A1	04-12		3	403037A1	06-06		2
397577A1	08-17		23	403073A1	06-18		1
397941A1	08-22		23		06-19		
398362A1	06-62			403194A1	09-08		4
398438A1	06-64			403195A1	09-08		5
398443A1	06-54	19		403196A1	09-08		13
398444A1	06-54	21		403199A1	09-08		3
398445A1	06-54	20		403204A1	09-01		42
398447A1	06-19	14		403207A1	08-37		8
	06-20	11		403209A1	09-09		20
398554A1	06-17	12			09-10		18
398714A1	04-06	7		403210A1	09-09		22
398715A1	04-06	6		403211A1	09-09		23
398870A1	06-04	12		403217A1	09-10		20
	06-05	21		403218A1	09-10		21
399032A1	08-05	46		403219A1	09-10		26
	08-06	46		403325A2	09-15		4
399102A1	05-05	33		403718A1	09-01		7
	05-06	33		403719A1	09-06		4
	05-11	23		403720A1	09-06		2
399302A3	04-24	42		403726A1	09-05		1
399431A1	05-05	32		403728A1	09-05		14
	05-06	32		403729A1	09-05		8
	05-11	24			09-06		3
399446A1	06-17	8		403730A1	09-05		9
399447A1	06-17	7		403731A1	09-05		2
399576A1	09-34	30		403733A1	09-05		15
400193A1	09-42	8		403735A1	09-01		15
401365A2	06-12	11		403736A1	09-03		13
401398A1	06-12	18		403737A1	09-03		3
401529A1	09-12	22			09-04		6
401760A1	07-03	1		403738A1	09-04		1
	07-04	1		403739A1	09-03		1
402170A1	06-08	1		403740A1	09-01		1
	06-10	1		403742A1	09-01		2
402171A1	06-08	1			09-02		
	06-10	1		403744A1	09-01		16
402172A1	06-09	1		403745A1	09-01		17
	06-11	1		403746A1	09-01		18
402173A1	06-08	7		403747A1	09-01		19
	06-10	7		403748A1	09-01		20
402174A1	06-09	6		403749A1	06-04		10
	06-11	7			06-04		28
402175A1	06-08	8			09-13		33
	06-09	7			09-14		13
	06-10	11		403803A1	05-10		1
	06-11	11		404151A1	06-10		15
402176A1	06-08	9			06-10		5
	06-09	11			06-11		15
	06-11	16			06-11		5
402177A1	06-08	1		404287A1	04-22		12
	06-10	1			04-32		18
402178A1	06-08	1			06-04		35
	06-10	1			08-23		30
402179A1	06-09	1			09-13		37
	06-11	1			09-15		32
402180A1	06-08	7		404450A1	06-54		10
	06-10	7		404451A1	06-10		20
402181A1	06-09	6			06-11		20
	06-11	7		404601A1	06-16		1
402182A1	06-08	8			06-17		1
	06-09	7		404602A1	06-16		8
	06-10	11			06-17		16
	06-11	11		404604A1	06-16		5
402183A1	06-08	9			08-27		42
	06-09	11		404630A3	06-05		1
	06-11	16		404631A3	06-05		4
402654A1	09-09	1		404632A3	06-05		2
	09-10	1		404633A3	06-05		3
402661A1	09-08	1		404634A1	06-05		13
402663A1	09-09	2		404635A1	06-05		9
	09-10	2		404639A1	06-04		26
402749A1	06-04	25		404644A2	06-05		18
	06-04	7		404882A1	09-15		22
402751A1	03-01	11		405029A2	04-19		1
402769A2	09-37	27		405387A2	04-19		5
402797A1	03-01	1		405394A1	06-18		2
402800A1	03-03	30		405396A1	06-18		6

INDEX - INDICE - INDEX - ZAHLENVERZEICHNIS - INDICE - INDICE - INHOLD - INHOUD

Number	Figure	Sequence	Ref.	Number	Figure	Sequence	Ref.
405398A1	06-18		16	410995A1	08-42		26
405517A1	08-27		2	411104A2	07-05		18
405518A1	08-27		3		07-06		18
405520A1	08-27		4		07-07		18
405521A1	08-27		15		07-08		18
405687A1	04-19		23		08-05		16
405812A1	06-07		1		08-06		16
405815A1	06-07		2		08-09		3
405816A1	06-07		2		08-10		2
405822A1	06-06		4		08-11		
405823A1	06-06		5	411140A1	08-20		1
405824A1	06-06		6	411524A1	06-10		15
405846A3	09-47		14		06-10		5
	09-48		12		06-11		15
406045A1	08-05		15		06-11		5
	08-06		15	411525A1	06-10		20
406324A2	04-01		16		06-11		20
406390A1	05-10		11	411564A1	09-54		1
	09-37		32	411705A3	04-01		38
406449A1	04-19		21	411978A4	08-40		
	04-37		5	411981A3	04-32		16
406450A1	04-19		20	412027A2	04-31		6
	04-27		21	412070A1	04-32		22
	04-35		14	412095A1	09-32		11
	04-35	01	14	412295A1	04-32		17
	04-37		4	412354A2	06-04		40
406622A1	02-01		21	412355A1	06-04		14
406682A1	09-23		9	412507A1	09-29		30
406961A1	04-32		11	412508A1	09-29		29
406962A1	04-01		5	412557A1	09-33		28
	04-32		12	412624A1	08-17		40
407145A1	09-01		37	413022A2	09-13		14
407288A1	06-22		1		09-14		
	06-23		1	413148A1	04-32		5
407476A1	08-39		1	413311A1	09-47		1
	08-42			413312A1	09-47		4
407759A1	09-19		33	413313A1	09-47		6
	09-19	01	9	413316A1	09-47		15
408000A1	08-06		54	413322A1	08-09		28
408447A1	08-45		15		08-10		29
408566A1	06-04		32	413338A1	08-05		20
408581A1	06-25		4		08-06		20
409391A2	09-45		1	413390A1	09-48		2
409653A1	09-07		1	413391A2	09-48		3
409654A1	09-07		2	413392A1	09-48		4
409655A1	09-07		21	413393A1	09-48		10
409656A1	09-07		8	413394A1	09-48		1
409658A1	09-07		9	413944A1	06-12		24
409659A1	09-07		10		06-13		12
409660A1	09-07		11		06-14		
409661A1	09-07		12	414-424	04-05		28
409662A1	09-07		13	414077A1	08-39		16
409664A1	09-07		4	414192A1	08-42		25
409684A1	06-08		10	414219A1	08-39		31
	06-09		8		08-43		1
	06-10		23	414330A1	05-02		5
	06-11		23	414332A1	04-18		
409790A4	06-05		16		05-01		22
409793A3	06-05		17		05-02		
409795A2	06-05		8	414429A2	08-39		9
409796A2	06-05		12	414480A2	06-24		11
409797A1	06-05		29		06-25		37
409808A1	09-12		45		06-26		46
41-1024	02-17		18	414495A1	04-01		29
41-3044	02-21		15	414550A1	06-13		14
410449A1	08-17		49	414553A1	06-13		15
	08-20		49	414699A1	09-13		35
410560A1	06-08		13	414792A2	08-39		4
	06-09		16	414856A1	08-39		10
410700A1	05-12		1	414936A1	04-09		1
	05-13		1	414937A1	04-09		12
	05-13	01	1		08-44		33
410704A1	09-54		4	416102A1	08-07		29
410814A1	09-46		10		08-08		29
410815A2	09-46		11	416123A1	04-18		5
410816A1	09-46		20	416269A1	08-09		18
410817A1	09-46		17		08-10		3
410846A4	06-04		39	416271A2	08-09		27

INDEX - INDICE - INDEX - ZAHLENVERZEICHNIS - INDICE - INDICE - INDHOLD - INHOUD

Number	Figure	Sequence	Ref.	Number	Figure	Sequence	Ref.
416271A2	08-39		61	426-824	08-24		7
416273A1	08-09		7		09-07		17
416276A1	07-05		48	426285A1	09-28		29
	07-06		48		09-29		41
	07-07		48		09-30		23
	07-08		48	426740A1	09-37		1
416278A1	08-05		50	427-6081	06-02		7
	08-05		7	427-8325	05-10		3
	08-06		7	427104A1	08-31		3
416280A2	08-06		12	427140A1	06-24		3
416282A1	07-05		41	427356A1	09-44		20
	07-07		41	427514A1	06-28		38
416284A1	08-09		8		06-43		38
416506A1	06-26		41	427515A1	06-28		33
416508A1	06-26		42		06-43		33
416511A1	08-09		20	427516A1	06-24		36
	08-10		8	427517A1	06-28		34
416512A1	08-05		41		06-43		34
	08-07		35	427519A1	06-28		34
	08-08		35		06-43		34
416721A1	08-10		22	427521A1	06-24		39
416723A1	08-10		27	427523A1	06-24		37
416725A1	08-10		26	427524A1	06-30		5
417788A1	04-26				06-44		2
	09-37		38	427530A1	06-19		20
417856A2	08-39		30		06-20		19
417862A1	09-37		4		06-31		2
417863A1	09-37		19		06-45		7
417927A1	06-02		16	427534A1	06-34		5
418038A1	06-04		41		06-35		13
418039A1	06-04		42	427537A1	06-39		21
418107A1	04-02		4	427538A1	06-28		1
418148A2	04-32		13		06-29		18
418456A4	08-40		7		06-31		14
	08-41			427539A1	06-28		3
418506A1	09-12		44		06-43		3
418704A2	08-40			427545A1	06-29		43
418705A1	08-40		11	427546A1	06-29		37
418735A1	06-24		4	427547A1	06-28		40
419364A1	08-20		40	427548A1	06-29		41
419597A2	06-05		24	427549A1	06-28		37
419605A1	08-06		32	427551A1	06-28		36
419607A1	08-06		55	427552A1	06-28		36
419641A1	08-22		5	427553A1	06-29		14
419642A1	08-22		1	427554A1	06-29		15
419645A1	08-22		18	427556A1	06-28		28
419647A1	08-17		16	427557A1	06-28		19
	08-20		16	427558A1	06-28		42
419655A1	08-39		29		06-43		42
419660A2	06-05		19	427559A1	06-28		24
419661A1	08-39		24		06-43		59
419737A1	06-05		23	427560A1	06-28		4
419742A1	09-39		5		06-43		4
420580	04-23		39	427561A1	06-28		4
425-104	04-33		6		06-43		4
	04-35	01	18	427562A1	06-28		4
	09-14		15		06-43		4
	09-45		7	427563A1	06-28		39
	09-53		8	427564A1	06-28		10
425-105	04-23		48		06-43		28
425-106	04-24		4	427565A1	06-28		10
425-1528	09-29		8		06-43		28
	09-37		26	427566A1	06-28		10
425-155	02-13		3		06-43		28
	06-02		9	427567A1	06-28		10
426-1028	06-08		5		06-43		28
426-1048	08-27		43	427568A1	06-28		10
426-16120	09-07		23		06-43		28
426-412	09-23		14	427569A1	06-28		22
	09-53		7	427570A1	06-29		26
426-614	06-08		3	427571A1	06-29		26
	06-09		3	427572A1	06-29		26
426-620	08-42		27	427573A1	06-29		26
426-652	08-17		13	427574A1	06-30		3
426-816	09-07		6	427575A1	06-30		2
426-824	06-08		5	427576A1	06-29		17
	06-26		7	427577A1	06-31		4
	08-18		17	427578A1	06-29		10

INDEX - INDICE - INDEX - ZAHLENVERZEICHNIS - INDICE - INDICE - INHOLD - INHOUD

Number	Figure	Sequence	Ref.	Number	Figure	Sequence	Ref.
427579A1	06-29		20	427660A1	06-36		15
427580A1	06-29		21	427661A1	06-29		7
427581A1	06-27		10	427662A1	06-29		4
427582A1	06-28		20	427663A1	06-36		6
427583A1	06-28		27	427664A1	06-29		3
427586A1	06-28		26	427666A1	06-29		1
427588A1	06-28		2	427667A1	06-36		11
	06-30		16	427668A1	06-36		1
	06-31		11	427669A1	06-36		1
427591A1	06-28		18	427670A1	06-36		1
427592A1	06-28		17	427671A1	06-36		1
427593A1	06-27		6	427672A1	06-36		1
427594A1	06-27		5	427673A1	06-36		1
427595A1	06-33		18	427674A1	06-34		15
427596A1	06-33		27		06-37		1
427597A1	06-33		29		06-50		2
427599A1	06-33		24		06-51		2
427600A1	06-33		23	427675A1	06-34		15
427601A1	06-33		20		06-37		1
427602A1	06-33		19		06-50		2
427603A1	06-33		19		06-51		2
427604A1	06-33		28	427676A1	06-34		15
427605A1	06-33		25		06-37		1
427606A1	06-33		21		06-50		2
427607A1	06-33		26		06-51		2
427608A1	06-33		7	427678A1	06-34		15
427610A1	06-33		6		06-37		1
427612A1	06-33		8		06-50		2
427613A1	06-29		24		06-51		2
	06-33		2	427679A1	06-34		15
427614A1	06-29		25		06-37		1
427615A1	06-29		23		06-50		2
427616A1	06-29		11		06-51		2
427617A1	06-33		4	427680A1	06-34		15
427618A1	06-33		12		06-37		1
427619A1	06-33		5		06-50		2
427620A1	06-33		3		06-51		2
427621A1	06-33		15	427681A1	06-31		6
427622A1	06-33		15		06-37		
427623A1	06-33		15	427682A1	06-37		5
427624A1	06-33		15	427683A1	06-38		17
427625A1	06-33		15	427684A1	06-37		3
427626A1	06-33		15	427685A1	06-37		4
427627A1	06-33		15	427686A1	06-37		6
427628A1	06-33		15	427687A1	06-37		7
427629A1	06-33		15	427688A1	06-37		10
427630A1	06-33		15	427689A1	06-37		11
427631A1	06-33		15	427690A1	06-31		8
427632A1	06-33		15		06-38		
427633A1	06-33		15	427691A1	06-38		13
427634A1	06-33		15	428074A1	06-36		2
427635A1	06-33		15		06-38		1
427636A1	06-33		15	428075A1	06-38		11
427637A1	06-33		15	428076A1	06-38		5
427638A1	06-33		15	428077A1	06-38		12
427639A1	06-33		15	428078A1	08-39		70
427640A1	06-33		15	428079A1	06-38		14
427641A1	06-33		15	428080A1	06-38		15
427642A1	06-33		15	428081A1	06-38		6
427643A1	06-33		1	428082A1	06-38		9
427644A1	06-33		1	428083A1	06-27		7
427645A1	06-33		1		06-39		
427646A1	06-33		1	428084A1	06-39		12
427647A1	06-31		7	428085A1	06-39		22
	06-36			428086A1	06-40		2
427648A1	06-36		16	428087A1	06-40		7
427649A1	06-36		20	428088A1	06-40		5
	06-37		2	428089A1	06-40		4
	06-38		16	428090A1	06-40		1
427651A1	06-36		19	428091A1	06-27		4
427653A1	06-36		9		06-40		
427654A1	06-36		7	428092A1	06-40		6
	06-38		7	428093A1	06-40		8
427655A1	06-36		13	428094A1	06-40		3
427656A1	06-36		3	428095A1	06-40		9
427657A1	06-36		14	428096A1	06-27		11
427658A1	06-36		18		06-41		
427659A1	06-29		5	428097A1	06-41		1

INDEX - INDICE - INDEX - ZAHLENVERZEICHNIS - INDICE - INDICE - INDHOLD - INHOUD

Number	Figure	Sequence	Ref.	Number	Figure	Sequence	Ref.
428098A1	06-28		8	428156A1	06-44		1
428099A1	06-28		9	428157A1	06-29		22
428100A1	06-28		16	428159A1	06-28		7
428101A1	06-33		14		06-43		7
428102A1	06-34		16	428162A1	06-28		5
428103A1	06-34		14		06-43		5
	06-35		25	428163A1	06-34		11
428104A1	06-34		2		06-35		2
	06-35		10		06-46		19
428105A1	06-34		13	428165A1	06-28		35
428106A1	06-34		10		06-43		35
	06-35		23	428172A1	06-29		12
428107A1	06-34		12	428178A1	06-35		27
	06-35		22	428180A1	06-28		50
428108A1	06-34		1	428181A1	06-28		49
	06-35		9	428183A1	06-19		3
	06-47		16		06-35		1
	06-52		12		06-46		3
428109A1	06-34		6		06-48		5
	06-35		14	428314A1	06-03		1
428110A1	06-34		3	428452A1	09-29		1
	06-35		11	428660A1	06-20		27
428111A1	06-34		8	428665A1	06-19		8
	06-35		16	428666A1	06-19		8
428112A1	06-33		16	428667A1	06-19		8
428113A1	06-35		21	428668A1	06-19		8
428114A1	06-27		1	428669A1	06-19		8
428115A1	06-35		3	428673A1	06-48		2
428116A1	06-35		4	428674A1	06-48		3
428117A1	06-35		7	428675A1	06-50		3
428118A1	06-35		20		06-51		3
428119A1	06-33		30		06-52		2
428120A1	06-31		5		06-53		2
	06-33			428676A1	06-54		15
	06-34			428678A1	06-54		16
428121A1	06-31		13	428679A1	06-54		4
	06-35			428681A1	06-43		14
428122A1	06-35		24	429-1016	09-07		24
428123A1	06-27		2		09-08		8
428124A1	06-35		6	429193A1	06-24		40
428125A1	06-35		5		06-25		42
428126A1	06-28		15		06-26		23
428127A1	06-29		35	429384A1	06-26		27
	06-30		9		08-39		19
428128A1	06-29		33	429385A1	04-26		
	06-30		14		09-37		37
428129A1	06-29		34	429414A1	06-26		53
	06-30		13		08-39		20
428130A1	06-31		15	429721A2	06-24		41
	06-32		1		06-25		11
428131A1	06-31		15		06-26		11
	06-32		10	429730A2	08-40		4
428132A1	06-31		15	429731A1	08-40		1
	06-32		12	429941A2	08-39		43
428133A1	06-31		15	430116A1	04-24		34
	06-32		11	430216A1	02-01		18
428134A1	06-32		6	430250A1	09-37		14
428135A1	06-32		5	430337A1	08-42		22
428136A1	06-32		13	430415A1	06-04		15
428137A1	06-32		9		06-04		36
428138A1	06-31		10	430536A1	08-39		72
428139A1	06-32		3	430546A1	06-04		16
428140A1	06-29		30		06-04		38
428141A1	06-30		12	430620A1	09-09		15
428142A1	06-29		36		09-10		13
428143A1	06-30		15	430834A1	04-31		1
428144A1	06-29		28	430835A1	04-31		2
428145A1	06-30		7	430841A1	06-05		7
428146A1	06-29		29	430948A1	08-20		6
428147A1	06-30		8		08-22		6
428149A1	06-28		25	431052A1	06-04		11
428150A1	06-32		8		06-05		25
428151A1	06-29		2	431187A1	09-53		10
428152A1	06-29		27	431198A1	06-04		8
428153A1	06-35		19	431209A1	06-04		
428154A1	06-32		4	431210A1	06-04		
428155A1	06-32		2	431211A1	06-04		
428156A1	06-30		4	431212A1	06-04		

INDEX - INDICE - INDEX - ZAHLENVERZEICHNIS - INDICE - INDICE - INHOLD - INHOUD

Number	Figure	Sequence	Ref.	Number	Figure	Sequence	Ref.
431213A1	06-04			436514A1	08-18		27
431230A1	04-02		8		08-19		23
	09-53		1		08-24		16
431458A1	09-28		2		08-25		21
	09-29		23	436518A1	08-32		27
	09-32		1	436926A1	08-07		4
431459A1	09-28		13		08-08		4
	09-30		6	437170A1	08-05		14
431462A1	09-29		36	437369A1	06-02		25
431479A1	08-41		11	438237A1	04-32		15
431620A1	06-10		10	438258A1	06-24		14
	06-10		14	438369A2	08-09		19
	06-10		19		08-10		7
	06-10		6	440-1044	04-35		37
	06-11		10	440-12510	09-23		7
	06-11		14	440038A1	04-22		7
	06-11		19	440086A1	08-43		3
	06-11		6	440134A1	04-10		2
431621A1	06-10		10	440518A1	05-10		2
	06-10		14	440567A1	04-16		23
	06-10		19		04-17		30
	06-11		10	440570A1	04-35		34
	06-11		14		04-35	01	20
	06-11		19	440646A1	08-40		10
	06-11		6	440897A1	06-24		20
431716A1	09-39		12	441342A1	08-39		8
432-612	06-02		8	441343A1	08-39		17
432444A1	09-37		13	441344A1	08-39		23
432675A1	08-42		22	441345A1	08-39		35
433047A2	08-39		18	441346A1	08-39		42
433478A1	09-37		11	441925A1	08-39		68
433479A1	09-37		2	441944A1	08-39		67
433723A1	09-40		3	441946A1	08-39		62
434177A1	02-05		4	442085A1	09-13		12
434574A1	06-26		24	442120A2	04-32		1
434727A1	08-05		52	442250A1	06-24		24
	08-06		52	442477A2	08-34		12
	08-07		8	442745A1	08-39		39
	08-08		8	442803A1	06-47		15
434856A1	08-16		23	443-13116	04-33		3
	09-53		3	443297A1	09-33		22
435030A1	08-16		5		09-34		14
435031A1	08-16		4	443908A1	09-45		6
435032A1	08-16		24	444060A1	08-34		13
435375A1	08-30		4	444867A1	04-05		6
	08-31				04-32		7
435425A1	05-10		4	444868A1	04-32		3
435436A1	04-03		18	444877A1	09-24		9
	09-16		19	445701A1	08-39		56
435437A1	04-03		23	446562A1	09-53		14
	04-06		13	446687A1	09-20		32
	04-16		25	447742A1	04-25		2
	04-17		26	447956A1	09-26		14
	04-19		12	449068A1	06-04		45
	04-27		17	449071A1	04-03		17
	04-31		8	449794A1	08-07		12
	04-37		16		08-08		12
	08-28		10	449796A1	07-05		22
	09-38		15		07-06		22
435449A1	02-01		13		07-07		22
435457A1	08-05		49		07-08		22
435458A1	02-01		16	449798A1	07-05		25
435465A1	02-02		17		07-06		25
435468A1	08-05		33		07-07		25
435469A1	08-05		43		07-08		25
435470A1	08-05		40	449800A1	08-05		21
435476A1	06-02		3		08-06		21
435498A1	09-08		6	449813A2	08-05		34
435500A1	09-02		2		08-06		34
435529A1	09-36		4	449815A2	08-05		35
435537A1	06-17		11		08-06		35
435596A1	06-12		4	449827A2	07-05		20
435598A1	06-12		17		07-06		20
435668A1	09-52		3		07-07		20
435901A1	06-12		3		07-08		20
435902A1	06-12		9	449830A1	07-05		30
436249A1	08-34		9		07-06		30
436276A1	09-20		34		07-07		30

INDEX - INDICE - INDEX - ZAHLENVERZEICHNIS - INDICE - INDICE - INDHOLD - INHOUD

Number	Figure	Sequence	Ref.	Number	Figure	Sequence	Ref.
449830A1	07-08		30	51-128	02-07		11
451165A1	09-16		11	511-10200	08-33		10
451767A1	06-08		10	511-1060	08-14		4
	06-09		8	514-1021	06-19		18
	06-10		23		06-20		24
	06-11		23		06-29		8
452698C1	04-08		41	514-633	05-01		11
458-412	06-02		12	514-703	06-29		38
459329C1	04-19		3		06-31		9
459330C1	04-19		4		06-44		15
460-1240	09-07		3	514-712	06-29		31
461-33832	08-39		6		06-30		11
461-35040	08-20		13		06-43		52
	08-22		13	514-718	06-28		29
461-42512	09-14		27		06-33		31
47112222	04-32		19	514-720	06-28		53
480523R1	09-50		6	514-721	06-24		26
481849C1	04-16		5		06-25		26
	04-17		5		06-26		26
4890926	03-04		20		06-28		21
4899689	03-04		21		06-33		17
493-21020	08-03		5		06-34		17
	08-04		6	514-723	06-43		53
493-41026	09-17		14	514-729	06-27		8
	09-21		2	514-730	06-21		23
493-41033	04-16		17		06-29		16
	04-17		17		06-43		50
493-81002	09-44		29		06-44		19
495-11028	04-05		29	514-738	06-28		52
	09-53		9	514-739	06-27		9
495-11034	04-23		47		06-42		3
	08-24		12	514-830	06-19		24
495-11081	09-07		19		06-31		12
495-21038	08-17		9	514-831	06-45		16
	08-20		9	514-832	06-28		55
	08-22		9		06-29		13
495-21069	09-09		18	514-834	06-28		23
	09-10		16	514-841	06-28		51
495-31022	04-23		49	514-842	06-28		56
495-81022	03-01		7		06-29		40
495-81238	02-07		6		06-43		29
495-81252	04-08		4		06-44		6
496-21066	05-05		48		08-07		31
	05-06		48		08-08		31
	05-07		22	514-843	06-31		1
	05-11		8	514-846	06-20		21
	08-27		44	514-847	06-20		25
	09-08		19	514-853	06-43		55
	09-09		12	514-854	06-20		26
	09-10		10	514-855	06-20		22
496-21106	09-07		22	514-865	09-21		11
496-41041	02-02		19		09-21		6
	02-05		7	514-915	06-43		49
496-41066	06-08		12	515-21127	09-44		37
	06-09		9	515-22127	02-01		23
496-81022	08-18		4		06-12		20
	08-24		2		06-13		5
496-81023	06-08		4		07-03		5
	06-09		4		07-04		14
50-2037T1	04-03		23		08-08		40
50-2531T1	09-38		7		08-44		29
50-2532T1	09-38		8	515-22159	03-03		14
50-2533T1	03-03		15		03-03		39
	05-07		8		07-05		14
	06-26		44		07-06		14
	07-04		19		07-07		14
	08-06		33		07-08		14
	09-38		20		08-17		48
	09-40		35		08-20		48
50-2534T1	06-26		43		08-22		48
	09-38		21		08-27		38
	09-40		22		09-40		17
50-2551T1	05-07		9	515-22190	08-05		37
	07-04		18		08-07		30
	08-06		43		08-08		30
50-2668T1	08-10		18		09-40		26
50-2965T1	08-10		19	515-22254	02-19		14
50-3590T91	08-03		11		08-06		37

INDEX - INDICE - INDEX - ZAHLENVERZEICHNIS - INDICE - INDICE - INHOLD - INHOUD

Number	Figure	Sequence	Ref.	Number	Figure	Sequence	Ref.
515-22254	08-09		21	565-104	04-31		7
	08-10		1	572182R1	06-21		20
	08-17		46	582785C91	04-23		28
	08-20		46	60-1436T91	04-05		
	08-22		46	60-2404T1	03-02		15
	08-44		20		06-01		12
	09-40		34	60-2416T1	09-20		11
515-22349	02-19		16	60-3495T1	04-05		14
515-2279	06-57		11	60-3496T2	04-05		15
	06-58		14	60-3497T1	04-05		16
	09-02		6	60-3498T1	04-05		17
	09-30		16	60-3499T2	04-05		18
515-2295	02-01		42	60-5021T1	09-15		35
	04-15		6	60-6241T1	06-02		23
	06-12		19	60-6581T91	04-05		7
	06-13		16	60-6633T1	04-05		3
	08-23		31	60-6634T1	04-05		19
515-23127	04-16		8	60-6635T1	04-05		20
	04-17		23	60-6840T1	09-15		36
	04-20		1	60-7021T1	09-12		25
	08-44		10	60-7083T1	09-14		4
515-23143	02-01		20	614-10025	04-15		18
515-23206	07-05		16		06-01		18
	07-06		16		06-02		18
	07-07		16		07-01		3
	07-08		16	614-10030	04-16		7
	08-08		36		05-01		8
	08-34		3	614-10035	04-17		7
	08-37		13		04-19		10
	08-44		32	614-12016	04-15		22
515-23254	06-24		48	614-12025	04-23		35
	08-28		4	614-5010	04-16		12
	08-39		34	614-5012	04-19		16
	08-44		41	614-5020	04-25		3
515-23270	08-06		56		04-27		14
	08-09		16		09-33		18
515-23381	08-05		32	614-5045	04-36		3
515-23412	04-15		21	614-6012	04-16		22
515-24190	04-16		20		04-17		24
	04-22		3		06-20		31
515-24238	04-23		8		06-29		9
515-24302	04-16		4		06-30		1
	04-17		4		06-31		3
	08-37		23		06-44		8
515-24349	04-06		16	614-6016	04-35	01	3
	06-24		27		06-05		20
	06-25		27		09-44		26
	08-17		41	614-6020	04-16		15
	08-20		41		04-17		15
	08-22		41		06-04		34
515-24444	04-15		19		06-05		11
515-2495	04-06		17		09-13		36
	04-17		8	614-6025	09-14		5
	08-44		14	614-8016	06-28		54
515-25159	08-39		11	614-8020	02-12		20
	09-40		19		04-12		6
515-25190	04-19		13		04-22		5
	04-31		3		06-13		6
	09-18		11		06-41		6
	09-19		44		06-43		31
	09-19	01	20	614-8025	04-15		12
515-25254	04-23		26	614-8030	06-20		23
	09-40		28	614-8035	06-01		15
515-25381	02-06		12	614-8040	06-43		54
515-25444	03-03		43	614-8065	06-27		12
515-2563	09-33		21	614-8075	06-27		13
515-25635	02-01		30	614-8080	06-42		4
	05-07		17	615-8012	02-11		5
515-2595	04-17		20		04-20		3
516-23190	04-23		29	619697C1	06-63		3
	09-40		18	622336C1	06-60		19
527-205	08-15		4		06-61		28
529761R1	09-33		5		06-62		25
533725R1	06-47		20	622337C1	06-60		18
543-704	06-05		6	627-10020	02-01		32
555-12	09-17		16		02-03		22
561-707	09-25		17		02-06		19
565-103	04-32		14		04-34		6

INDEX - INDICE - INDEX - ZAHLENVERZEICHNIS - INDICE - INDICE - INDHOLD - INHOUD

Number	Figure	Sequence	Ref.	Number	Figure	Sequence	Ref.		
627-10020	06-01		4	627-12040	09-28		4		
	08-09		30		09-29		25		
	08-10		31		09-34		23		
	08-39		33		627-12045	09-18		3	
	08-44		16			09-19		30	
627-10025	09-19	01	7	627-16025	06-18		15		
	09-33		32		09-01		35		
	09-36		15		09-03		9		
	02-01		40		09-04		12		
	06-15		2		627-16030	06-56		7	
08-01		8	09-29			17			
09-23		10	627-16035	05-05			49		
09-28		15		05-06			49		
09-29		19		05-07			20		
09-31		4		05-11		7			
09-32		6		06-12		13			
627-10030	09-34		19	06-24		13			
	09-39		11	09-01		38			
	09-46		8	09-01		4			
	03-03		34	09-05		6			
	04-23		31	09-06		9			
	04-28		22	09-08		12			
	06-04		27	09-09		16			
	06-04		9	09-10		14			
	06-18		18	09-15		12			
	08-07		16	09-16		18			
	08-08		16	627-16040	06-17		14		
	08-27		10		09-08		20		
	08-28		5		09-09		13		
	09-28		10		09-10		11		
	09-30		8		09-36		8		
627-10035	09-34		17	09-48		11			
	09-37		28	627-16045	08-39		2		
	09-50		2		09-40		33		
	02-06		10		627-16050	08-18		5	
	04-09		5			08-24		3	
	04-37		8			627-16055	08-39		2
	06-04		29	627-16060			06-08		11
	08-16		20	06-09			10		
	09-03		16	09-01		10			
	09-29		37	627-16320	09-47		7		
	09-30		11		627-20050	06-22		8	
	627-10040	09-31		6	06-23		2		
		09-34		19	09-01		36		
		09-39		6	627-20060	09-29		32	
		04-10		7		09-47		9	
04-28			9	09-01			32		
09-29			10	09-08			23		
02-01			7	627-24070		09-09		29	
08-44			39		09-10		31		
627-12020		02-01	31		627-6012	03-02		11	
627-12025		05-12	5			05-13		34	
627-12030		05-13	01			5	05-13	01	34
		08-40		6		09-41		14	
		627-12035	02-06			14	627-6016	03-03	
			02-07		20	04-23			16
			06-12		27	09-13			22
	06-18			10	09-20			19	
	06-18			10	09-32			7	
	08-21		18	627-6020	09-46		6		
	08-23		18		02-02		10		
	08-24		9		04-10		4		
	09-33		24		04-22		11		
	09-36		17		06-04		18		
	627-12040	02-06		16	06-04		37		
		06-24		7	627-6025	09-33		19	
		06-25		7		627-6030	05-10		7
08-18			12	09-34				5	
09-28			6	627-8012			08-44		24
09-30			5				09-05		13
09-34			22		627-8016		04-11		9
09-46			16			04-24		45	
09-46			19			04-27		6	
02-07			3	08-27			12		
08-29			24	08-37			14		
627-12040		08-30		14	627-8020	09-02		7	
		08-40		3		02-01		37	
						02-02		4	

INDEX - INDICE - INDEX - ZAHLENVERZEICHNIS - INDICE - INDICE - INHOLD - INHOUD

Number	Figure	Sequence	Ref.	Number	Figure	Sequence	Ref.
627-8020	03-03		17	637-63093	08-27		34
	03-03		48	637-63113	04-15		26
	04-28		10		05-05		44
	04-35		5		05-06		44
	06-24		49		05-11		34
	07-03		6		06-12		7
	07-04		17		06-13		3
	07-05		17		06-14		21
	07-06		17		06-20		6
	07-07		17		06-25		46
	07-08		17		06-26		52
	08-02		5		06-28		48
	08-05		42		06-28		59
	08-06		42		06-41		3
	08-07		24		06-43		48
	08-08		37		06-43		58
	08-17		44		06-54		12
	08-20		44		06-55		5
	08-22		44		06-57		32
	08-44		22		06-58		29
	09-12		10		07-05		46
	09-38		5		07-06		46
	09-40		30		07-07		46
	627-8025	02-01		9	07-08		46
		03-03		8	08-06		61
		04-16		19	08-11		24
		04-17		19	08-14		3
05-05			23	08-17		15	
05-06			23	08-20		15	
06-02			27	08-22		15	
08-05			6	08-23		24	
08-06			6	08-27		30	
08-09			1	08-28		14	
08-10			9	08-28		9	
08-27			37	08-29		17	
09-15			27	08-39		59	
09-16			6	08-39		65	
09-19			13	08-39		71	
09-28			12	08-41		4	
09-29			27	08-44		7	
09-30			22	08-45		19	
09-32			4	637-63133	06-15		9
09-38			17		08-05		19
09-40			27		08-06		19
09-44			28	637-63153	05-05		3
09-45			3		05-06		3
627-8030		04-23		53	05-07		4
		04-34		10	06-12		10
		06-04		31	06-13		10
		06-05		5	06-14		3
	06-12		21	06-15		5	
	08-18		24	06-19		22	
	08-24		14	06-28		31	
	08-37		24	06-54		18	
	627-8035	04-23		42	06-63		18
		06-02		15	06-64		18
	627-8100	08-27		8	07-03		19
	628-10025	08-30		5	07-04		22
08-40			12	07-05		11	
628-12035	06-59		6	07-06		11	
628-6012	09-20		14	07-07		11	
628-6020	09-12		18	07-08		11	
628-6025	09-19		17	08-05		24	
628-8016	06-57		15	08-06		24	
	06-58		16	08-07		2	
	06-63		16	08-08		2	
	06-64		16	08-11		22	
	07-01		13	08-14		11	
628-8020	04-15		24	08-21		9	
637-63093	06-57		21	08-23		9	
	06-58		23	08-29		13	
	08-05		27	08-35		10	
	08-06		27	08-37		4	
	08-07		10	08-37		7	
	08-08		10	08-41		6	
	08-14		7	08-44		28	
	08-21		6	637-63193	06-57		23
	08-23		6		06-58		31

INDEX - INDICE - INDEX - ZAHLENVERZEICHNIS - INDICE - INDICE - INDHOLD - INHOUD

Number	Figure	Sequence	Ref.	Number	Figure	Sequence	Ref.		
637-63193	07-03		3	70-5967T1	06-18		22		
	07-04		12		06-56		5		
	07-04		3		09-01		33		
	07-05		2		09-01		39		
	07-06		2		09-01		6		
	07-07		2		09-03		7		
	07-08		2		09-04		10		
	08-05		3		09-05		4		
	08-06		3		09-06		7		
	08-07		7		09-08		18		
	08-08		25		09-09		11		
	08-08		7		09-10		9		
	08-11		15		09-29		14		
	08-11		8		09-36		6		
	08-14		14		70-5973T2	09-01		40	
	08-14		18		70-6748T1	09-46		2	
	08-29		23		700-101	06-13		1	
	08-37		11			08-11		26	
	08-37		17			08-27		29	
	08-41		10		700-102	05-05		16	
	08-45		21			05-06		16	
	637-64236	06-12			15		05-07		7
		06-14			15		06-12		14
08-01			6		06-13		8		
08-29			19		06-15		4		
08-34			14		07-03		18		
08-35			11		07-04		23		
08-41			8		08-05		22		
08-45			13		08-06		22		
06-24			10		08-07		1		
06-24			17		08-08		1		
06-24			22		08-14		9		
637-64296	06-25		10	700-103	06-15		8		
	06-25		14		07-05		12		
	06-25		18		07-06		12		
	06-25		22		07-07		12		
	06-26		10		07-08		12		
	06-26		14		08-37		16		
	06-26		18	700-104	08-01		5		
	06-58		27	700-105	06-24		16		
	08-09		10		06-25		13		
	08-09		6		06-26		13		
	08-10		12		08-20		28		
	08-10		6		08-21		11		
	08-20		29		08-22		28		
	08-21		13		08-23		11		
	08-22		29		08-27		19		
	08-23		13		08-44		12		
	08-27		20	700-115	07-05		9		
	08-27		26		07-06		9		
	08-39		27		07-07		9		
	08-39		46		07-08		9		
	08-39		54	700-133	06-24		8		
	08-41		13		06-25		8		
	08-44		13		06-26		8		
08-45		23	700-153	08-06		60			
637-64386	06-28		44	700-154	07-05		49		
	06-28		46		07-06		49		
	06-43		44		07-07		49		
637-72081	02-17		22		07-08		49		
	02-21		12	700-162	07-06		41		
	02-21		40		07-08		41		
	03-06		4		08-05		1		
	03-07		41		08-06		1		
64-086T3	09-17		12		08-07		5		
64-146	09-13		31		08-08		24		
67190R91	06-57		7	700-165	08-27		33		
	06-58		9	700-169	08-05		17		
70-1894T1	09-07		16		08-06		17		
70-1895T1	09-07		5	700-304	06-12		5		
70-4620T2	09-08		30		08-39		64		
	09-09		31		08-44		6		
	09-10		32	700-305	05-05		28		
70-5468T1	09-36		2		05-06		28		
70-5967T1	05-05		47		05-07		2		
	05-06		47		05-11		28		
	05-07		23		06-12		8		
	05-11		10		08-21		8		

INDEX - INDICE - INDEX - ZAHLENVERZEICHNIS - INDICE - INDICE - INHOLD - INHOUD

Number	Figure	Sequence	Ref.	Number	Figure	Sequence	Ref.
700-305	08-23		8	701-429	07-07		40
	08-37		5		07-08		40
	08-44		30	701-433	08-39		40
700-308	08-09		4	701-452	05-05		27
	08-10		4		05-06		27
	08-27		25		05-11		27
	08-39		26	701-903	05-05		18
	08-39		53		05-06		18
700-311	08-21		5		05-07		25
	08-23		5		05-11		18
700-318	06-24		21		07-03		10
	06-25		17		07-04		8
	06-25		21		07-05		21
	06-26		17		07-06		21
	08-39		45		07-07		21
700-326	08-08		5		07-08		21
700-332	08-28		7		08-05		8
	08-39		58		08-06		8
700-412	05-06		38		08-07		20
	05-07		6		08-08		20
	08-37		2		08-17		50
	08-44		26		08-20		50
700-445	07-03		15		08-22		50
	07-04		10		08-34		11
	07-05		1	701-906	08-10		14
	07-06		1	701-908	06-26		36
	07-07		1		08-17		34
	07-08		1		08-20		34
	08-37		10		08-22		34
700-446	05-05		2	701-909	05-05		9
	05-06		2		05-06		9
700-447	08-05		23		08-17		38
	08-06		23		08-20		38
701-116	06-26		37		08-22		38
	08-17		35	701-919	07-05		15
	08-20		35		07-06		15
	08-22		35		07-07		15
701-120	08-17		37		07-08		15
	08-20		37	703-903	08-27		14
	08-22		37	71100209	08-05		29
701-121	08-05		28		08-06		29
	08-06		28		08-33		3
	08-07		19	713-1110	07-01		10
	08-08		19	713-226	09-14		7
701-301	07-03		11	719517003	08-34		
	07-04		5		08-35		
	07-05		23	719582003	04-03		22
	07-06		23	719618003	04-25		9
	07-07		23	719619026	04-27		19
	07-08		23	719631026	04-35		18
	08-05		36	719702013	04-25		10
	08-06		36	719972003	09-50		
	08-07		23	728-1290	09-35		12
	08-08		23	728-16100	09-34		12
701-319	08-17		26	728-620	09-34		10
	08-20		26	728-840	09-35		18
	08-22		26	728-860	09-35		17
701-320	06-12		1	729-1030	07-01		15
	07-05		26	729-845	05-01		12
	07-06		26	733-1610	09-14		10
	07-07		26		09-34		25
	07-08		26	733-2012	05-01		14
	08-06		50		06-18		13
	08-34		17		09-35		16
701-339	08-20		31	733-2018	08-15		5
	08-22		31	733-2512	07-01		16
	08-39		76	733-3220	09-13		7
	08-44		43		09-14		32
701-363	06-26		39		09-35		13
701-416	08-34		18	733-4020	09-33		12
	08-44		36	733-4032	09-34		13
701-422	08-39		74	737606R1	08-44		45
701-423	07-05		6	760-14316	04-01		15
	07-06		6		04-03		6
	07-07		6		09-14		23
	07-08		6		09-19		36
701-429	07-05		40		09-19	01	12
	07-06		40		09-20		18

INDEX - INDICE - INDEX - ZAHLENVERZEICHNIS - INDICE - INDICE - INDHOLD - INHOUD

Number	Figure	Sequence	Ref.	Number	Figure	Sequence	Ref.
760-17316	09-14		17	827-10060	09-47		17
76191876	04-20		4	827-10070	06-12		23
765-17316	09-12		28		08-28		1
779-14613	04-03		15	827-10110	02-05		6
779-14625	04-37		15		08-40		14
800-1110	06-01		13	827-10120	09-34		35
800-11115	06-64		30	827-10130	09-39		14
800-1112	03-02		18	827-10150	07-05		19
	06-05		15		07-06		19
800-1125	05-01		26		07-07		19
	06-02		4		07-08		19
800-2112	06-45		10		08-09		14
800-2116	06-28		32		08-10		15
	06-47		3	827-12050	06-08		6
800-2128	06-28		12		06-09		5
	06-43		12		06-10		13
800-2147	06-20		28		06-10		18
800-2150	06-24		38		06-10		4
	06-28		14		06-10		9
800-4310	04-36		7		06-11		13
800-435	03-02		6		06-11		18
800-51100	06-63		30		06-11		4
805-6035	09-14		16		06-11		9
806-12030	09-24		8		08-21		20
806-12040	09-24		7		08-23		20
811-10020	09-35		8	827-12055	06-18		3
811-12040	09-35		5	827-12060	06-11		4
811-6030	03-01		18		09-33		35
811-8030	04-06		3	827-12065	06-09		12
	09-28		27		09-01		12
814-12050	04-35		29	827-12070	06-09		12
814-8035	02-13		12	827-12100	02-02		18
814-8040	08-09		24	827-12120	09-28		23
	08-10		25		09-29		39
814-8050	02-13		9	827-16060	09-01		24
814-8060	04-34		13		09-09		19
814-8075	06-27		3		09-10		17
82029421	09-54		3	827-16070	06-16		6
82038414	04-35		25	827-16080	08-27		43
82039389	04-35		27		09-01		25
824-1403	04-24		30	827-16110	02-07		14
	09-18		9	827-16120	09-49		4
824-1404	04-24		11	827-16180	06-22		4
	04-32		9		06-23		4
	09-19		41	827-20070	09-48		7
	09-19	01	17	827-20080	09-03		10
824-1405	04-24		7		09-04		2
	04-28		7	827-20090	09-03		5
825-11410	06-29		42		09-04		8
	06-44		11		09-48		6
	09-46		14	827-20100	08-36		3
825-11414	05-01		19		09-48		9
825-1405	04-19		15	827-20110	09-08		28
825-2406	02-15		11		09-09		6
	04-20		7		09-10		6
	09-13		23	827-20120	06-22		9
825-2408	09-18		4	827-20130	09-47		3
	09-19		31	827-20190	02-07		4
	09-24		3		06-18		20
825-2410	03-07		16	827-20230	06-18		20
	09-23		11		09-04		3
825-5145	04-24		17	827-22080	06-06		8
825-5146	04-24		12		06-07		9
	04-34		15	827-22130	06-06		9
825-5148	04-03		7	827-22160	06-06		7
	04-05		5	827-24110	09-01		27
	09-40		25		09-09		25
827-10040	02-01		8	827-24160	09-11		5
	02-02		23	827-24200	06-56		1
	09-37		15	827-24270	09-10		24
	09-53		11	827-6040	09-34		8
827-10045	02-05		5	827-6050	05-05		35
	06-24		44		05-06		35
	06-25		38		05-11		21
	06-26		47		08-23		21
	08-16		10	827-6060	06-05		26
827-10055	04-34		12	827-6070	07-05		34
827-10060	09-47		11		07-06		34

INDEX - INDICE - INDEX - ZAHLENVERZEICHNIS - INDICE - INDICE - INHOLD - INHOUD

Number	Figure	Sequence	Ref.	Number	Figure	Sequence	Ref.
827-6070	07-07		34	829-1408	04-36		10
	07-08		34		05-05		24
827-6080	06-26		55		05-06		24
	08-39		22		05-07		14
827-6100	04-09		10		06-01		14
827-8020	02-19		11		06-02		14
	08-23		33		06-04		46
827-8035	02-19		13		06-12		22
827-8040	09-40		23		06-13		7
	09-45		9		06-24		28
827-8045	09-37		22		06-25		28
827-8050	04-28		21		06-26		28
	07-03		14		07-03		16
	08-44		34		07-04		16
	09-38		9		07-04		21
827-8060	05-05		22		07-05		39
	05-06		22		07-06		39
	05-07		24		07-07		39
	09-33		10		07-08		39
827-8065	03-03		16		08-05		31
827-8070	09-38		22		08-06		31
827-8080	08-39		12		08-07		15
827-8090	06-05		27		08-08		15
827-8110	06-05		14		08-09		2
828-10060	08-29		27		08-10		21
	08-29		9		08-15		7
828-10070	06-13		11		08-17		43
828-10110	08-30		6		08-20		43
828-10160	08-30		7		08-22		43
828-12045	06-57		28		08-23		27
	06-58		20		08-27		7
828-12065	08-29		8		08-37		25
828-12080	06-57		17		08-44		23
	06-62		15		09-13		34
828-12090	06-62		16		09-15		18
828-12110	08-30		8		09-15		25
	08-40		13		09-15		3
828-12160	08-30		9		09-28		22
828-16055	06-60		14		09-30		18
	06-61		26		09-37		30
828-16150	06-63		29		09-38		10
	06-64		29		09-40		31
828-16180	06-62		5		09-41		7
828-24110	06-57		34	829-1410	02-01		41
	06-58		36		02-06		8
829-1310	04-31		5		03-03		37
	08-07		18		04-06		10
	08-08		18		04-09		6
	09-20		23		04-10		8
829-1312	08-44		5		04-15		13
	09-24		4		04-16		3
829-1406	04-09		8		04-17		3
	04-10		5		04-19		8
	04-17		21		04-22		4
	04-23		46		04-23		32
	04-24		21		04-24		38
	04-35	01	4		04-25		8
	06-05		10		04-26		7
	09-12		7		04-28		11
	09-14		11		04-34		8
	09-20		39		04-37		12
	09-44		30		05-01		3
829-1408	02-01		19		05-05		31
	02-05		10		06-04		13
	02-19		15		07-01		12
	03-03		49		08-01		11
	04-06		4		08-27		11
	04-12		7		08-28		6
	04-15		17		09-03		15
	04-16		9		09-16		10
	04-17		9		09-29		38
	04-22		6		09-30		12
	04-23		9		09-33		8
	04-24		47		09-34		18
	04-24		50		09-35		10
	04-27		10		09-39		8
	04-28		20		09-40		20
	04-35		6		09-41		5

INDEX - INDICE - INDEX - ZAHLENVERZEICHNIS - INDICE - INDICE - INDHOLD - INHOUD

Number	Figure	Sequence	Ref.	Number	Figure	Sequence	Ref.
829-1410	09-46		9	832-10408	09-41		16
	09-47		5	832-10410	02-02		25
829-1412	02-06		15		02-05		3
	04-08		38		06-24		43
	04-23		17		06-25		40
	05-06		31		06-26		21
	05-11		9		08-16		11
	06-18		5		08-28		3
	07-05		37		08-29		14
	07-06		37		09-31		7
	07-07		37		09-34		37
	07-08		37		09-50		4
	08-21		19		09-53		13
	08-23		19	832-10412	02-02		21
	09-28		7		04-23		20
	09-30		4		08-29		26
	09-33		33		08-30		16
	09-35		6		09-28		24
829-1416	06-22		7		09-29		40
	06-23		7	832-10416	02-07		9
	08-27		45		09-49		3
	09-01		11	832-10420	02-07		8
	09-01		28	832-10424	09-11		1
	09-40		36	832-46404	03-01		12
829-1420	09-03		12		09-44		53
	09-04		13	832-4748	09-13		26
	09-29		33	834-502	09-17		8
	09-48		8	837-16040	06-63		2
829-1424	06-56		3		06-64		2
	09-01		31	837-6055	06-59		21
	09-08		2	838-1318	06-45		9
	09-09		26	838-3655	09-05		7
	09-09		30		09-06		14
	09-10		25	838-3826	06-63		25
829-1508	05-01		10		06-64		25
829-2416	09-13		40	838-51040	06-44		4
830-1110	09-25		6	838-51045	06-44		17
830-33006	04-23		15	838-5518	06-29		19
832-10404	04-24		11	838-5860	06-32		7
	09-19		22	83882C91	09-17		21
	09-20		7	840-1312	04-24		28
832-10405	04-25		5	840-1316	09-18		8
	04-27		16	840-1410	05-02		6
	04-36		5		05-03		6
832-10406	03-01		10		09-20		21
	04-24		51	840-1412	09-19		43
	04-24		54		09-19	01	19
	05-10		8	840-1414	09-19		20
	06-05		31	840-1416	09-20		8
	07-05		35	840-148	09-20		9
	07-06		35	840-1510	04-17		12
	07-07		35	840-1516	04-24		5
	07-08		35	840-1530	06-01		9
	08-09		25	840-1535	09-16		8
	09-13		44	840-1616	04-24		49
	09-19		23	840-1620	04-13		7
	09-32		10		09-15		30
	09-33		23	840-1625	09-15		29
	09-34		11	840-258	09-43		4
	09-46		5	840-2820	09-15		21
832-10408	02-01		43	84058092	04-13		12
	02-07		19	841-4512	04-24		16
	03-03		10	843-1616	09-20		36
	04-05		32	843-1812	06-59		12
	04-23		6	843-1825	04-34		4
	04-28		15	843-2512	04-28		4
	04-30		7	844-10020	02-08		13
	04-34		9		03-06		1
	06-05		28	844-10035	03-03		29
	08-10		16		08-16		18
	08-16		6	844-10050	02-08		18
	08-18		26	844-10070	03-07		9
	08-24		13	844-6020	09-13		21
	09-15		28	845-6010	04-20		5
	09-16		7	845-6015	02-15		8
	09-19		15		03-05		6
	09-33		13		04-20		8
	09-37		23		04-21		14

INDEX - INDICE - INDEX - ZAHLENVERZEICHNIS - INDICE - INDICE - INHOLD - INHOUD

Number	Figure	Sequence	Ref.	Number	Figure	Sequence	Ref.
845-6020	02-15		9	86985634	06-63		23
845-6030	02-15		5		06-64		23
845-8016	02-09		1	86985636	06-57		25
845-8020	02-11		7		06-58		24
	02-21		33	86985637	08-06		51
	04-21		33	86987513	04-11		4
845-8025	02-18		13	86988496	08-07		14
	02-18		4		08-08		14
845-8030	02-10		11	86988498	08-07		13
845-8040	04-21		30		08-08		13
845-8045	04-21		27	86988503	08-07		22
845-8080	02-03		16		08-08		22
84716C1	09-39		7	86988505	08-07		21
8500571	08-06		40		08-08		21
854-10020	02-16		10	86988723	08-45		5
854-10070	03-04		6	86988724	08-45		10
854-12025	02-09		33	86989612	04-24		53
	02-16		8	86989939	04-02		9
854-12030	02-09		34	86989947	04-01		8
854-12050	03-07		11	86989951	04-01		27
854-12055	02-22		33	86989953	04-02		17
854-8040	03-07		44	86989955	04-02		11
855-8030	09-12		24	86990404	08-07		33
857-12025	02-09		16	86990405	08-07		26
86000308	06-10		6		08-08		26
86000535	04-02		16	86990406	04-01		19
	04-05		33	86991559	08-04		1
	09-20		26		08-09		13
	09-31		2		08-10		13
86015582	08-37		26	86991772	08-06		39
86020623	09-54		10	86991773	08-06		48
8603092	08-19		24	86991869	08-42		29
8604965	08-29		10	86991897	05-03		5
863-10070	04-32		10	86992232	08-20		11
864-4010	09-18		6		08-22		11
864-4012	08-32		18	86992264	09-28		21
864-4016	09-19		39		09-30		13
	09-19	01	15	86992408	06-15		3
864-4020	03-01		13	86992553	06-15		10
	04-01		6	86992554	06-15		7
	04-32		8	86992700	08-08		39
	09-19		38	86992787	08-08		41
	09-19	01	14	86992911	08-08		33
864-4035	03-01		17	86993082	09-33		7
864-5012	04-03		19	86993462	09-39		1
864-5016	03-02		17		09-40		1
864-6012	06-55		16	86993721	04-18		
864-6020	08-32		21		05-01		21
86400227	09-25		25		05-03		
86502201	04-18		3	86994155	09-25		3
86529541	08-39		7	86994165	09-25		22
86529630	08-33		32	86994172	09-25		26
86579674	08-23		23	86994256	09-27		3
86579678	08-14		12	86994258	09-27		4
86598043	08-14		6	86994260	09-27		15
86598044	08-14		2	86994267	09-27		22
86598047	08-14		17	87014033	06-43		61
86598103	08-40		18		06-55		19
86611704	06-20		32	87022296	05-09		23
86625135	02-21		10		05-09	01	23
86625138	06-57		29	87030421	04-26		5
	06-58		6		09-37		36
	08-32		11	87037462	09-25		12
86632547	08-32		24	871-5012	06-04		43
	08-32		45	87300397	09-25		7
86636814	05-12		11	87301185	08-16		9
	05-13		11		09-46		12
86637724	05-12		7	87304293	05-07		21
	05-13		7		05-08		
	08-30		10	87304295	08-37		1
86637727	02-15		21		08-38		
86637953	08-14		15	87304513	08-20		5
86643151	09-37		18	87304524	08-20		18
868-10020	06-16		3	87304546	08-20		18
868-12040	04-08		46	87304763	04-34		1
86985626	06-58		4	87304768	04-34		2
86985627	06-57		4	87304771	04-34		7
86985628	06-59		18	87304962	06-61		

INDEX - INDICE - INDEX - ZAHLENVERZEICHNIS - INDICE - INDICE - INDHOLD - INHOUD

Number	Figure	Sequence	Ref.	Number	Figure	Sequence	Ref.
87305444	08-17		18	87313192	08-16		1
87305994	04-02		6	87313413	09-24		6
87306495	09-44		19	87313897	07-03		12
87306706	09-44		23	87313932	08-05		5
87306773	09-44		22	87314026	08-21		15
87306776	09-44		7		08-23		15
87307236	09-46		3	87314031	02-14		17
87307237	09-46		21	87314032	08-17		1
87307521	08-05		18		08-20		1
	08-06		18	87314378	04-01		1
87307544	08-05		25		09-19		32
	08-06		25		09-19	01	8
87307954	04-05		1	87314379	09-19		34
87307957	04-05		4		09-19	01	10
87307958	04-05		2	87314384	09-53		16
87308050	02-15		16	87314470	03-03		59
	02-27		8	87314926	09-33		1
87308130	09-25		11	87314942	09-33		4
87308180	04-05		1	87315556	08-22		47
87308196	08-24		1	87315600	09-40		2
	08-25			87316978	09-28		14
87308197	08-18		1		09-29		18
	08-19			87317169	08-29		
87308198	08-19		17		08-30		1
	08-25		20	87318222	08-17		6
87308224	04-34		5		08-20		6
87308226	04-05		1	87319271	08-17		28
87308230	04-05		1	87323829	09-44		51
87308363	08-21		4	87323840	04-01		33
	08-23		4		04-01		39
87308379	05-07		12	87323932	08-07		9
87308568	05-06		10		08-08		9
87308572	05-06		11	87323936	08-07		27
87308576	05-05		5		08-08		27
	05-06		5	87323958	09-44		36
87308635	05-05		7	87324553	08-45		6
	05-06		7	87324557	08-45		3
87308647	05-05		8	87324951	09-44		14
	05-06		8	87325332	09-46		1
87308650	02-08		1	87325557	04-35		24
87308652	05-05		6	87325765	04-35		30
	05-06		6	87328594	05-13		31
87308660	08-17		24	87328595	05-09		16
	08-20		24	87329133	07-05		13
	08-22		24		07-06		13
87308825	08-23		3		07-07		13
87308841	04-34		19		07-08		13
87308870	04-34		18	87330331	08-11		
87308884	08-17		36	87330336	08-11		37
	08-20		36	87331556	04-35		17
	08-22		36	87331930	03-03		55
87309541	09-47		8	87332137	04-18		1
87309542	09-47		10	87332140	04-11		1
87309665	07-04		13	87332145	04-18		1
87309667	07-04		7	87332146	04-15		11
87309685	05-01		7	87332624	04-13		14
87309732	08-17		11		04-18		4
87309990	09-30		10	87333671	03-03		56
87310084	09-34		1	87333676	03-03		54
87310100	09-33		2	87333679	03-03		52
87310406	09-49		1	87334815	04-01		18
87310422	07-05		24	87334840	08-20		5
	07-06		24	87335271	02-03		29
	07-08		24	87335272	02-03		30
87310685	08-22		16		02-26		9
87310687	08-22		55	87335426	06-23		8
87310736	04-07		11	87335428	08-34		20
87310972	08-09		12		08-35		12
87311249	02-01		1	87335429	06-42		7
	02-02		1	87335430	08-34		20
87311338	09-37		6		08-35		12
87311721	02-01		3	87335431	08-34		20
87311759	08-36		1		08-35		12
87312395	09-15		20	87335711	02-22		1
87312406	09-40		16	87335719	02-22		36
87312706	09-33		14	87335729	02-22		35
87312759	08-01		1	87337015	02-21		19
	08-02		1	87337018	02-21		28

INDEX - INDICE - INDEX - ZAHLENVERZEICHNIS - INDICE - INDICE - INHOLD - INHOUD

Number	Figure	Sequence	Ref.	Number	Figure	Sequence	Ref.
87337253	02-22		1	87344002	02-17		14
87337671	04-15		28	87344079	02-17		11
87337925	05-10		5	87344108	02-17		23
87337941	05-10		1	87344118	02-17		18
87337944	05-10		1	87344126	02-17		26
87337945	05-10		1	87344132	02-16		6
87338079	02-21				02-17		17
87338171	02-21		18		02-27		7
87338185	02-21		42	87344755	02-26		8
87338649	02-19		5	87344861	02-10		2
87338651	02-19		4		02-11		9
87338653	02-19		2	87344862	02-10		1
87339057	03-05		13		02-11		8
87339061	03-05		15	87345099	02-11		16
87339066	03-05		12	87345861	02-16		5
87339621	09-19		37		02-26		5
	09-19	01	13	87345871	02-16		2
87340026	02-03		31	87345879	05-14		23
	02-10		9	87346235	04-20		13
87340279	02-10		8	87346319	04-20		14
	02-16		12	87346337	04-20		15
87340282	02-10		6	87346339	04-20		16
87340301	02-16		9	87346341	04-20		10
87340305	02-16		7	87346420	03-07		10
87340324	02-16		11	87346562	03-08		3
87340325	09-20		38	87346600	03-05		4
87340627	02-14		1		03-06		3
87340755	02-14		7		03-07		1
87340774	09-31		5		03-08		4
87340861	09-13		3	87346608	03-08		6
87341273	03-06		13	87346609	03-08		5
87341277	03-06		14	87346733	03-05		7
87341554	04-22		14	87346734	03-05		10
87341631	03-03		58	87346902	03-05		2
87341787	04-21		21	87346904	03-05		1
87341816	04-21		31	87346909	03-05		9
87341820	04-21		32	87346917	03-05		8
87341822	04-21		28	87346936	03-05		3
87341823	04-21		29	87346979	04-35		35
87341837	09-31		1		04-35		21
87341845	04-21		2	87347221	03-04	01	1
87341871	04-21		4	87347257	03-04		
87341875	04-21		8	87347273	03-04		10
87341887	04-21		7		09-54		9
	04-21		9	87347275	03-04		7
87342065	04-21		11	87347801	08-05		12
87342100	04-21		6	87347893	09-25		2
87342106	09-15		7	87347934	09-25		18
87342107	09-15		9	87347936	09-25		23
87342136	02-16		3	87347939	09-25		24
	02-26		12	87347940	09-25		21
87342161	08-17		30	87347941	09-25		20
87342185	04-21		1	87347942	09-25		19
87342193	04-21		25	87347943	09-26		7
87342409	04-22		2		09-27		7
87342623	04-37		2	87347944	09-25		14
87342670	02-24		9		09-26		6
	02-25		9		09-27		6
	02-27		3	87347945	09-26		11
87342865	02-24				09-27		12
87342925	02-22		1	87347946	09-26		12
87342975	02-24				09-27		13
87342978	02-24			87347951	09-26		10
87342988	02-20		4		09-27		10
87342996	02-20		1	87347955	09-26		22
87343005	03-04		16	87347956	09-25		10
87343006	03-04		17	87347958	09-25		13
87343194	02-24		5	87347960	09-27		24
	02-25		5	87348150	03-04		4
87343250	02-24		12	87348154	03-04		9
	02-25		12	87348161	03-04		8
87343262	02-24			87348171	03-04		13
	02-27		1	87348175	03-04		3
87343687	02-17			87348184	03-04		2
87343688	02-17		15	87348190	03-04		12
87343693	02-17		16	87348283	03-04		14
87343754	04-03		24	87348301	03-04		19
87344002	02-17		14	87348322	02-26		6

INDEX - INDICE - INDEX - ZAHLENVERZEICHNIS - INDICE - INDICE - INDHOLD - INHOUD

Number	Figure	Sequence	Ref.	Number	Figure	Sequence	Ref.
87348322	03-04		18	87350466	06-45		8
87348859	02-21			87350468	06-44		18
	02-27			87350470	06-44		16
87348974	02-26			87350473	06-44		5
	02-27	6		87350476	06-49		2
				87350479	06-43		2
87349012	05-11	1			06-45		1
87349022	05-11	3			09-21		8
87349295	02-09	12		87350494	06-44		13
87349482	02-22	5		87350496	04-04		1
87349484	03-06	2		87350682	04-04		1
	03-07	2		87350683	05-05		14
87349575	02-14	11		87351173	05-06		14
87349727	03-06	10			05-05		51
87349753	03-06	9		87351175	05-06		51
87350228	06-45	2			02-08		17
	06-46	1		87351192	06-43		41
	06-47	1		87351323	06-43		41
87350229	06-46	7		87351324	06-43		30
87350230	06-46	8		87351325	06-43		17
	06-48	10		87351326	06-43		18
87350231	06-46	11		87351331	06-43		19
	06-48	13		87351392	06-43		20
87350236	06-46	15		87351393	06-43		26
	06-48	17		87351399	06-43		32
87350255	06-46	18		87351402	06-42		1
87350258	06-46	22		87351408	03-07		45
87350260	06-46	23		87351459	03-07		3
87350261	06-47	19		87351467	03-07		4
87350268	06-45	3		87351478	03-07		7
	06-48	1		87351486	03-07		8
87350273	06-48	8		87351493	03-07		61
87350277	06-48	9		87351504	03-07		47
87350301	06-48	20		87351514	03-07		48
87350305	06-48	21		87351521	03-07		51
87350306	06-48	22		87351522	03-07		52
87350307	06-48	23		87351523	03-07		53
87350310	02-09	13		87351524	03-07		54
87350312	06-45	5		87351525	03-07		55
	06-50	1		87351528	03-07		56
	06-51	1		87351531	03-07		57
87350315	06-50	4		87351533	03-07		58
87350316	06-50	8		87351534	03-07		60
87350319	06-50	9		87351536	04-11		7
87350321	06-50	10		87351748	04-11		6
	06-52	8		87351750	06-06		11
87350325	06-50	14		87352762	04-21		13
87350328	06-50	20		87352938	04-21		22
87350331	06-51	8			04-21		12
	06-53	10		87352952	04-35		26
87350334	06-51	10		87353504	09-34		26
87350339	06-51	11		87353799	08-44		25
87350349	06-45	6		87354015	08-44		11
	06-52	1		87354031	08-44		18
	06-53	1		87354035	04-17		1
87350355	06-52	6		87354880	04-16		1
87350360	06-52	13		87354882	04-24		41
87350368	06-52	20		87354994	03-06		12
87350374	06-53	11		87356110	03-06		11
87350388	06-42	2		87356155	03-06		6
	06-54	1			03-06		7
87350395	06-54	26		87356193	02-22		1
87350407	06-54	28		87356215	02-22		1
87350417	06-54	13		87356216	02-22		1
87350419	06-54	24		87356217	02-25		1
87350421	06-42	6		87356548	02-25		
	06-55			87356732	02-25		
87350425	06-55	2		87356735	02-27		2
87350428	06-55	3		87356776	06-43		60
87350429	06-55	9		87357396	06-55		17
87350431	06-55	10			02-15		12
87350432	06-55	11		87357469	02-22		32
87350433	06-55	12		87357579	02-22		30
87350434	06-55	13		87357611	02-22		7
87350435	06-55	14		87357647	02-22		39
87350436	06-43	46		87357652	09-15		6
87350463	06-55	15		87357990	09-15		8
87350466	06-43	1		87357991	02-09		35
	06-44	10		87358314			

INDEX - INDICE - INDEX - ZAHLENVERZEICHNIS - INDICE - INDICE - INHOLD - INHOUD

Number	Figure	Sequence	Ref.	Number	Figure	Sequence	Ref.
87359023	02-15		12	87378693	05-08		20
87359272	04-37		7	87378696	05-08		17
87359865	02-25			87378697	05-08		3
87359888	02-21			87378698	05-08		6
	02-27			87378700	05-08		8
87359889	02-27		1	87378702	05-08		11
87360284	02-17			87378703	05-08		1
87360565	03-06		8	87378704	05-08		13
87361920	04-01		17	87378705	05-08		16
87361921	04-01		18	87378707	08-38		7
87362214	08-17		5	87378708	08-38		15
87362227	06-42		5	87378713	08-38		4
87362229	06-54		25	87378714	08-38		12
87362252	06-43		23	87378715	08-38		1
87362317	04-05		22	87378716	08-38		11
87362320	04-05		21	87378717	08-38		17
87363066	09-21		13	87380071	09-41		11
87363070	09-21		5	87384058	09-36		
87363073	09-21		4	87384904	08-44		19
87363077	09-21		10	87385132	08-17		33
87363082	09-21		9		08-20		33
87363088	02-08		16		08-22		33
87363090	04-24		43	87385879	08-27		1
87363639	08-22		56	87386393	08-05		13
87364048	09-18		1	87386396	04-35	01	2
87364346	08-20		30	87387459	05-01		1
87364409	05-09		25		05-04		
87364530	04-19		17	87388358	08-44		1
87365381	09-37		16		08-45		1
87365383	09-37			87389530	08-17		47
87365405	08-17		5		08-20		47
87365492	09-44		15	87390942	02-21		
87365695	08-21		21	87394823	09-16		14
87365696	08-21		2	87395299	04-01		3
87365705	09-28		16	87395318	04-01		
87365707	08-17		1	87395380	09-24		2
87365712	04-22		13		09-26		1
87365739	08-23		2	87395381	09-24		2
87365742	04-35		20		09-27		1
87365878	09-41		1	87395384	09-25		2
	09-44			87395385	09-25		1
87365923	08-21		14	87395388	09-25		8
87365926	08-23		14	87395389	09-25		15
87366186	07-05		7	87395390	09-25		9
	07-06		7	87395392	09-26		2
	07-07		7		09-27		2
	07-08		7	87395393	09-26		23
	04-13				09-27		26
87366657	04-24			87395394	09-26		13
	04-13				09-27		14
87366658	04-24				09-26		16
	04-27		20	87395395	09-27		17
87366790	04-27		18	87395396	09-27		19
87366792	04-27			87396231	09-26		20
87366994	07-03		8		09-27		25
87368125	09-54		7		08-12		3
87368178	08-05		54	87397327	08-13		3
	08-06		64		08-12		18
87368661	05-05		13	87397328	08-13		18
87368662	05-05		12		08-12		21
87368663	05-05		10	87397329	08-13		21
87368664	05-05		11		08-13		17
87369735	09-21		10	87397330	08-13		2
87371077	08-21		3	87397613	09-25		1
87371088	09-52		10	87397614	09-25		24
87371306	08-44		35	87397615	09-25		24
87371417	09-51		1	87397616	05-09		6
87371418	09-51		2	87397769	05-09		6
87371419	09-51		3		05-09	01	6
87371420	09-51		4	87397770	05-09		11
87376171	03-04		5		05-09	01	11
87376753	09-52		7	87397771	05-09		8
87377005	05-04				05-09	01	8
87377007	05-04			87397772	05-09		3
87377012	05-04				05-09	01	3
87377013	05-04			87397773	05-12		20
87377387	03-07		6		05-13		20
87378369	02-24				05-13	01	20
87378691	08-38		19	87397777	05-12		

INDEX - INDICE - INDEX - ZAHLENVERZEICHNIS - INDICE - INDICE - INDHOLD - INHOUD

Number	Figure	Sequence	Ref.	Number	Figure	Sequence	Ref.
87397777	05-13		35	87419587	04-25		1
	05-13	01	35	87419591	04-25		1
87397782	05-12		14	87420877	09-13		17
	05-13		14	87420884	09-50		8
	05-13	01	14	87421315	02-14		10
87397783	05-13		19	87422017	04-01		28
	05-13	01	19	87422287	09-11		2
87397784	05-13		13	87422906	09-13		18
	05-13		27	87423041	02-18		8
	05-13	01	13	87423195	04-35		33
	05-13	01	27		04-35	01	19
87397785	08-17		45	87423389	09-13		32
	08-17		53	87423414	09-13		19
	08-20		45	87423436	09-36		12
	08-20		56	87423437	09-36		13
	08-22		45	87423671	08-33		39
87397786	05-12		19	87423716	09-13		42
87397787	05-12		13	87423866	09-54		2
87397788	05-13		32	87426127	05-01		24
	05-13	01	32		05-05		1
87397843	05-09		17		05-06		1
	05-09	01	17		05-14		1
	05-13		28	87426775	06-05		32
	05-13	01	28	87427096	04-23		25
87397844	05-09		4	87427312	09-50		7
	05-09	01	4	87427317	04-23		24
	05-13		29	87427690	04-27		13
	05-13	01	29	87427777	08-26		
87399301	04-01		20	87428366	04-35		10
87399531	09-36		18		04-35	01	10
87403324	05-05		20	87428367	04-35		9
	05-06		20		04-35	01	9
87404692	02-26		7	87428369	04-35		15
87404986	08-04		10		04-35	01	15
87407047	09-27		11	87428396	04-35		16
87408490	04-05				04-35	01	16
87408715	08-16		3	87428412	08-18		2
87409160	02-22		10		08-24		5
87409342	08-04		2		08-26		
87409368	09-12		33	87429877	09-13		27
87409371	02-04		4	87430079	08-44		4
87409377	09-44		52	87430152	08-33		38
87409378	03-03			87430172	02-02		7
87409379	03-03		53	87431391	06-46		16
87409380	03-03		57		06-47		7
87409404	06-54		14		06-48		18
87409407	02-04		3	87431393	06-47		7
87409553	02-14		10	87431394	06-46		28
87410063	08-32		23		06-48		26
87411129	08-32		28	87431397	06-49		1
87413678	04-23		12	87431400	06-50		18
87414236	03-03		6		06-52		18
87414325	04-02		12	87431401	06-51		12
87414327	04-01		36	87431407	06-54		22
87414514	04-33		4	87431408	06-54		23
87414764	04-19		26	87431483	09-28		1
87414866	04-24		32	87431631	04-23		11
87416388	09-12		34	87432424	06-57		10
87416475	09-25		4		06-58		11
87416914	04-24		1	87433098	09-20		1
	04-24		13	87433404	09-20		35
87417495	04-23		43	87434592	02-03		26
87417510	04-23		44	87434593	02-03		27
87417767	03-05		11	87434675	02-11		13
	03-08		1	87434677	04-16		10
87418098	08-44		2		04-17		10
87418222	02-21		25	87434770	04-01		35
87418224	02-21		20	87434865	02-22		38
87418236	02-03		6	87435128	05-05		36
87418273	04-37		13		05-06		36
87418389	09-13		20	87435194	04-01		25
87419158	08-18		21	87435851	02-17		24
87419159	08-18		22	87435852	04-01		26
	08-24		10	87435853	04-01		24
87419160	08-24		11	87435854	02-17		25
87419459	08-24		11	87435907	06-63		22
87419460	08-18		28		06-64		22
87419583	04-25		6	87435946	04-01		31

INDEX - INDICE - INDEX - ZAHLENVERZEICHNIS - INDICE - INDICE - INHOLD - INHOUD

Number	Figure	Sequence	Ref.	Number	Figure	Sequence	Ref.
87435947	04-01		23	87448847	09-34		15
87435951	02-17		29	87448885	06-01		3
87435952	02-17		31		06-02		20
87435953	02-17		28		07-01		2
87435955	02-17		4	87448889	09-38		2
87436024	05-05		19	87448911	02-06		18
	05-06		19	87448912	02-19		1
87436077	04-01		22	87448914	02-19		7
87436467	05-06		52	87448920	02-19		9
	08-13		1	87449065	02-03		13
	08-23		1	87449100	02-03		8
87436468	05-11		4	87449306	02-03		1
	08-12		1		02-04		
87436557	09-15		14	87449310	02-03		3
87436560	09-15		14	87449316	02-03		24
87436755	02-08		14	87449319	02-03		19
87436852	06-13		4	87449451	04-11		5
87437207	04-23		13	87450240	05-07		13
87437226	04-07		3	87450242	05-06		12
87437453	09-20		27		05-11		12
87437454	09-20		31	87450399	09-17		24
87437455	09-20		40	87450400	09-17		23
87439313	04-07		1	87450405	02-03		25
87439317	04-07		1	87450700	03-03		2
87441225	09-08		21	87450701	03-03		3
	09-09		27	87450765	03-03		13
	09-10		30	87450949	05-06		13
87441304	09-30		1		05-11		13
87442098	04-02		14	87450974	04-02		7
87442532	09-20		28		09-53		4
87442925	05-05		38	87451579	04-23		3
	05-07		11	87451580	04-23		4
	08-12		1	87451581	04-23		2
	08-21		1	87451582	04-23		5
87443389	02-24		15	87451958	05-09		22
	02-25		15		05-13		12
	02-27		2	87452063	04-23		23
87443529	02-24		15	87452072	05-07		18
	02-25		15	87452138	09-29		15
87443532	02-24		15		09-40		32
	02-25		15	87452245	02-14		13
87443533	02-24		15	87452270	06-61		13
	02-25		15	87452321	04-13		9
87443534	02-24		15		09-12		48
	02-25		15	87452703	04-07		2
87443702	06-06		2	87452749	05-11		2
87444051	09-01		3	87453128	02-20		2
	09-05		3	87453137	09-40		13
	09-06		6	87453138	09-40		15
	09-29		13	87453141	09-17		1
87444056	02-21		6	87453957	04-35		22
87444059	02-21		7	87453959	04-35		23
87444750	08-45		8	87454442	09-44		34
87444751	08-45		7	87454558	04-02		2
87444752	08-45		4	87454597	08-45		11
87446918	09-34		4	87454709	04-35		21
87447305	05-05		50	87455571	04-22		1
	05-06		50	87455597	04-22		8
	05-11		6	87516695	02-01		34
	05-12			87516902	09-52		9
87447869	09-34		20	87517381	09-20		13
87447885	08-07		28	87519426	09-19		
	08-08		28	87520424	04-28		12
87447957	02-14		12	87520588	04-04		1
87447959	02-15		6	87520606	06-60		2
87447987	05-12		4		06-61		2
	05-13		4	87521348	07-06		8
	05-13	01	4		07-08		8
87447988	05-12		3	87522608	06-60		
	05-13		3	87524848	08-03		2
	05-13	01	3	87524849	08-03		2
87448031	09-38		4	87524858	04-01		32
87448157	08-27		36	87525463	08-44		42
87448367	04-23		19	87526197	09-45		5
87448368	04-23		22	87528045	04-34		17
87448446	05-01		9	87528080	04-34		16
87448525	05-01		6	87529570	05-06		53
87448760	05-01		25		05-11		5

INDEX - INDICE - INDEX - ZAHLENVERZEICHNIS - INDICE - INDICE - INDHOLD - INHOUD

Number	Figure	Sequence	Ref.	Number	Figure	Sequence	Ref.
87529570	05-13			87563108	09-51	01	1
87529572	05-07		1	87563109	09-51	01	2
	05-09		1	87563110	09-51	01	3
87530660	09-45		4	87563111	09-51	01	4
87532453	05-09		19	87563596	09-51	01	5
	05-09	01	19	87563598	09-53		17
	05-13		30	87564147	09-33		1
	05-13	01	30	87564191	09-52		13
87534631	09-15		5	87566059	04-35	01	5
87536486	04-01		34	87566063	04-35		2
	04-35		31	87566384	04-37		1
87537124	04-24		52	87568855	04-34		3
87537334	09-13		4	87573403	04-24		48
87537336	09-13		4	87576990	09-52		14
87537771	09-13		5	87577000	09-33		29
87538122	03-04		15	87578954	09-19	01	3
87538123	03-04		15	87579684	02-18		14
87539020	02-07		1	87580496	09-40		5
	02-21			87580503	09-40		10
87539021	02-07		1	87580504	04-35		1
	02-21				04-35	01	1
87539795	04-15		23	87582012	09-31		3
87540544	08-12		22	87582250	04-35	01	17
87542516	06-43		15	87582251	04-15		1
87543673	09-13		24	87584643	04-21		10
	09-14		22	87584843	04-35		11
	09-15		15	87585897	05-05		38
87544190	02-21				08-12		1
87545498	08-17		17		08-21		1
	08-20		17	87585898	05-11		4
	08-22		17		08-12		1
87545500	03-02		21	87585899	05-06		52
87545942	06-26		20		05-07		11
87545972	08-23		28		08-13		1
87545974	08-23		26		08-23		1
87545976	08-23		29	87587161	04-24		48
87546106	08-23		22	87588663	04-35		36
87546493	02-25			87590638	09-37		24
87548735	08-17		18	87591684	09-28		30
87548905	08-44		40		09-30		24
87549279	04-04		1	87593684	06-63		8
87550202	09-34		7		06-64		8
87550203	09-34		36	87597982	06-60		17
87550730	04-15		1	87599619	02-03		11
87551744	04-15		27	87601405	04-35	01	11
87551754	08-17		31	87601931	06-20		1
	08-22		56	87601932	06-20		3
87552053	06-45		2	87601933	06-21		1
	06-46		1	87601935	06-21		25
	06-47		1	87604589	09-19	01	1
87552054	06-47		2	87604590	09-19	01	2
87552055	06-47		8	87607931	08-44		9
87552056	06-47		11	87607934	08-44		37
87552134	05-09	01	16	87607935	08-44		31
87552135	05-07		1	87608402	09-12		21
	05-09	01	1	87608457	03-03		60
87552141	05-13	01	31	87610877	04-12		1
87552144	05-06		53	87611650	09-25		28
	05-11		5	87612406	04-07		12
	05-13	01		87622401	03-01		15
87552166	05-09	01	25		06-03		5
	05-13	01	36	87626130	09-25		27
87552288	04-03		1	87629650	06-60		15
87553440	09-24		1		06-61		15
	09-25			87637887	08-12		30
87553442	09-24		1		08-13		40
	09-25			87640391	06-50		7
87553808	09-24		1		06-51		6
	09-25				06-52		4
87553810	09-24		1		06-53		4
	09-25			87675608	08-14		
87555072	04-35		32	87679712	07-05		28
87555106	09-37		2		07-06		28
87557932	04-05		23		07-07		28
87557939	04-24				07-08		28
87561584	09-13		2		08-14		
87561589	09-13		1	87684601	03-07		5
87561659	09-20		42	877-20816	08-38		3

INDEX - INDICE - INDEX - ZAHLENVERZEICHNIS - INDICE - INDICE - INHOLD - INHOUD

Number	Figure	Sequence	Ref.	Number	Figure	Sequence	Ref.
878-1066	04-30		2	895-11008	02-02		11
878-10812	07-05		50		02-13		6
	07-06		50		02-19		12
	07-07		50		03-03		9
	07-08		50		04-05		31
878-20814	05-08		2		04-06		2
892-11004	04-24		10		04-11		2
	05-02		10		04-12		4
	05-03		10		04-15		16
	08-32		17		04-16		6
892-11005	04-08		34		04-17		6
	04-19		14		04-23		41
892-11006	03-01		19		04-24		35
	04-09		9		04-24		44
	09-44		25		04-28		13
892-11008	04-27		9		04-35		8
	04-36		9		05-05		21
	09-44		27		05-06		21
892-11010	03-03		36		05-07		19
	04-09		4		06-02		28
	04-16		21		06-12		26
	04-17		25		06-24		29
	04-19		7		06-25		29
	04-24		3		06-26		29
	04-37		11		07-01		14
	06-43		51		07-03		7
	09-39		9		07-04		15
892-11012	04-08		37		07-04		20
	04-08		47		07-05		42
	04-23		18		07-06		42
	06-18		4		07-07		42
893-11004	09-19		45		07-08		42
	09-19	01	21		08-05		30
893-11006	04-03		14		08-06		30
893-11010	04-19		6		08-07		34
	04-24		36		08-08		34
	04-37		10		08-09		22
895-10008	09-16		5		08-10		24
895-11003	04-13		4		08-15		6
	04-24		29		08-17		42
	09-18		10		08-18		25
895-11004	04-24		9		08-20		42
	09-18		7		08-22		42
	09-19		21		08-23		32
	09-19		40		08-27		6
	09-19	01	16		08-37		15
	09-20		10		08-39		13
895-11005	03-02		5		08-44		21
	04-16		11		09-02		9
	04-17		11		09-05		12
	04-24		46		09-13		39
	04-24		6		09-15		17
	04-25		4		09-15		2
	04-27		15		09-28		11
	04-36		4		09-29		21
	06-45		11		09-30		17
	09-33		17		09-32		3
	09-42		4		09-33		11
895-11006	03-02		12		09-37		21
	03-03		31		09-38		6
	04-03		13		09-40		29
	04-13		6		09-45		2
	04-16		14	895-11010	02-01		6
	04-17		14		02-02		24
	04-22		9		02-03		23
	04-23		14		02-05		2
	04-24		20		02-06		9
	04-34		14		03-03		35
	04-37		14		04-09		3
	05-13		33		04-10		6
	05-13	01	33		04-15		20
	09-12		8		04-16		2
	09-13		43		04-17		2
	09-19		18		04-23		33
	09-20		30		04-24		37
	09-34		9		04-26		6
	09-46		4		04-28		8
895-11008	02-01		36		04-31		4

INDEX - INDICE - INDEX - ZAHLENVERZEICHNIS - INDICE - INDICE - INDHOLD - INHOUD

Number	Figure	Sequence	Ref.	Number	Figure	Sequence	Ref.
895-11010	04-34		11	895-18010	08-10		17
	05-01		2		08-10		30
	05-05		30		08-44		15
	05-06		30	895-18012	06-05		22
	05-11		30	895-25006	02-02		9
	06-15		1		04-09		7
	06-24		42		06-04		17
	06-25		39		06-04		33
	06-26		48		06-26		54
	06-44		14		08-39		21
	08-01		9		09-12		29
	08-16		21		09-14		9
	08-27		9		09-33		38
	08-28		15		09-34		6
	08-39		32	895-25010	02-06		20
	08-40		5	895-30101	09-14		24
	09-03		14	896-11006	04-10		3
	09-20		22		05-10		6
	09-28		9	896-11008	09-13		45
	09-29		9		09-28		20
	09-30		7		09-30		15
	09-31		8	896-11010	08-07		17
	09-32		8		08-08		17
	09-34		32		08-27		39
	09-36		14		08-28		2
	09-37		29		08-29		15
	09-39		10		09-33		6
	09-40		21		09-47		16
	09-41		4	896-11012	02-01		35
	09-46		7		02-06		13
	09-53		12		02-07		21
895-11012	02-02		20		04-15		15
	07-05		36		04-15		7
	07-06		36		04-23		21
	07-07		36		06-12		12
	07-08		36		06-18		9
	08-07		32		08-29		25
	08-08		32		08-30		15
	08-21		17		08-40		2
	08-23		17		09-24		5
	08-44		38		09-28		3
	09-46		18		09-29		24
895-11016	06-12		16		09-30		3
	06-24		47		09-33		9
895-15006	09-15		34		09-34		21
	09-23		12		09-35		7
	09-32		9		09-36		16
895-15008	02-01		33	896-11016	02-07		10
	02-02		3		05-01		18
	02-05		9		06-08		12
	02-07		18		06-09		9
	04-23		10		06-16		7
	04-23		27		06-18		23
	06-04		30		06-22		3
	06-18		12		06-23		3
	08-02		4		06-56		6
	09-15		26		06-60		13
	09-19		14		06-61		25
	09-28		28		08-27		46
	09-38		16		08-39		3
	09-41		15		09-01		34
895-15010	09-19	01	6		09-01		41
	09-34		16		09-01		44
	09-35		9		09-03		8
	09-50		3		09-04		11
895-15012	09-18		2		09-05		5
	09-19		28		09-06		8
	09-33		3		09-08		11
895-15016	09-16		17		09-29		16
895-18010	04-19		9		09-36		7
	04-37		9		09-40		14
	07-01		17	896-11020	09-49		2
	07-05		43		06-18		19
	07-06		43		08-36		2
	07-07		43		09-01		29
	07-08		43		09-03		4
	08-09		17		09-04		7
	08-09		29		09-08		27

INDEX - INDICE - INDEX - ZAHLENVERZEICHNIS - INDICE - INDICE - INHOLD - INHOUD

Number	Figure	Sequence	Ref.	Number	Figure	Sequence	Ref.
896-11020	09-09		5	9617873	08-32		46
	09-10		5	9625178	08-32		7
	09-29		31	9672304	02-01		5
	09-47		2	97010C1	04-20		6
	09-48		5	9841223	08-11		19
896-11022	06-06		10		08-45		16
	06-07		8	A12306	08-17		29
896-11024	06-56		2	A136253	06-64		4
	09-01		26	A14141	06-24		6
	09-08		22		06-25		6
	09-09		24		06-26		6
	09-10		23		08-18		16
	09-11		4		08-24		6
896-12012	06-57		27		08-39		15
	06-58		32	A170241	02-01		10
	06-62		14	A170807	02-06		6
896-12016	06-62		4	A177462	09-17		13
	06-63		28		09-21		1
	06-64		28	A184395	02-01		17
	07-05		44	A186004	04-11		3
	07-06		44		04-15		9
	07-07		44	A187743	09-54		8
	07-08		44	A189040	09-39		13
896-12036	08-21		16	A20058	06-06		3
	08-23		16	A30338	09-01		22
896-15008	04-23		7	A39888	04-01		7
896-15010	08-16		19	A41264	04-26		13
	09-33		31		04-29		4
896-15012	04-25		7	A47129	04-08		3
	04-35		28	A47130	04-08		5
	05-10		10	A47229	04-08		32
	09-35		11	A47232	04-08		9
	09-37		33	A47235	04-08		11
	09-46		15	A47236	04-08		10
896-15016	09-01		5	A47249	04-08		23
	09-15		11	A49667	09-39		2
	09-47		13	A49801	04-08		39
896-15020	02-07		5	A49804	04-08		
	06-09		17	A49805	04-08		36
896-16008	09-12		43	A49806	04-08		22
896-19012	09-21		12	A49807	04-08		25
	09-21		7	A49808	04-08		26
90-1322T1	06-17		9	A49809	04-08		6
90-1862T1	06-17		10	A49810	04-08		12
90-7494T1	09-08		7	A49815	04-08		40
90-7586T1	06-24		35	A63171	06-61		12
	06-25		35	A63219	06-07		7
90-7732T1	03-03		40	A63399	08-14		20
90-8047T1	06-02		21	A64737	04-35		19
90-8048T1	06-02		13	A67295	08-15		2
90-8319T1	02-06		17		09-20		33
905-10025	09-46		13	A75158	06-33		11
905974R1	05-02		11		06-38		3
	05-03		18	A77506	02-21		4
906020R1	09-14		8	A77508	02-21		26
906051R1	09-23		15	A77530	02-21		27
92100C2	04-02		3	A77580	02-15		
92269C1	04-26			A77586	02-21		3
	09-16		4		02-21		32
92718C2	06-60		9	A77590	02-17		10
	06-61		9	A77623	02-18		1
92905C1	06-60		10	A77666	02-15		
	06-61		10	A77722	02-14		3
92906C1	06-60		5	A77724	02-14		16
	06-61		5	A77790	02-09		17
92907C1	06-60		3		02-22		14
	06-61		3	A77808	02-09		22
93330C1	08-31		11		02-22		19
93332C1	08-31		9	A77810	02-22		27
934120R1	04-11		8	A77853	02-25		
	04-15		8	A77902	02-17		1
937781R92	05-12		6	A78037	02-13		14
	05-13		6	BCH4DLTW	04-23		1
	05-13	01	6	CBCH4DLTW	04-23		1
95-31038	06-58		15	D121972	04-10		1
	06-63		15	D135342	04-33		2
	06-64		15	D53692	08-42		23
95-81100	06-59		11	D95142	05-09		21

INDEX - INDICE - INDEX - ZAHLENVERZEICHNIS - INDICE - INDICE - INDHOLD - INHOUD

Number	Figure	Sequence	Ref.	Number	Figure	Sequence	Ref.
D95142	05-09	01	21	J900227	02-20		5
	05-12		2	J900250	02-17		5
	05-13		2	J900257	02-21		13
	05-13	01	2	J900269	02-23		4
	09-29		34	J900589	04-21		3
D95143	09-29		11	J900632	02-16		4
	09-36		11	J900677	02-15		2
D95148	09-37		12	J900956	02-21		41
E35556	09-17		10	J901356	02-11		2
F53473	05-12		10		02-26		2
	05-13		10	J901395	02-23		3
	05-13	01	10	J901846	02-21		14
	09-02		10	J901865	02-19		6
	09-30		20	J902425	02-15		20
G103862	08-32		33		02-15		24
G108723	08-11		6	J903035	03-05		5
	08-32		34	J903463	02-09		3
	08-32		5	J903475	02-09		2
G108727	08-32		37	J904483	02-22		3
G35540	08-11		38	J905114	02-15		23
H434163	05-05		42		02-21		36
	05-06		42	J905401	02-21		5
	05-11		32	J906388	02-15		22
	06-25		44	J906389	02-15		22
	06-26		50	J906619	02-14		2
	06-28		57	J906696	02-09		36
	06-43		56	J907177	02-21		16
	07-05		47		02-24		2
	07-06		47		02-25		2
	07-07		47	J907769	02-08		6
	07-08		47	J907860	02-14		19
	08-20		52		02-15		14
	08-22		52	J908546	02-23		2
J008465	02-03		28	J909025	02-21		29
J069053	02-03		32	J910739	02-08		9
J100304	02-18		11	J910787	02-15		3
J282433	02-08		15	J910960	02-15		10
J286499	02-11		14	J911924	02-08		11
J329899	02-22		37	J913030	02-21		22
	03-07		38	J914118	02-22		34
J330202	04-21		5	J914301	02-22		9
J330252	03-07		39	J914462	02-08		12
J4010636	03-07		46	J918113	02-09		21
J528121	02-13		13		02-22		13
J528177	02-13		2		02-22		18
J528204	02-13		4	J918174	02-14		14
J528221	02-13		5	J918327	02-03		15
J529856	02-13		1	J918624	02-23		1
J532195	02-13		7	J918776	02-22		2
J532196	02-13		8	J919294	04-20		9
J532671	02-13		10	J920706	02-09		27
J533163	02-12		21	J920773	02-15		18
J534309	02-12		22	J920854	04-21		34
J537960	02-12		18	J922789	02-11		17
J537979	02-12		19	J923044	02-08		7
J575169	02-12			J924147	02-15		17
J591196	02-12		1		02-15		19
J678603	02-11		18	J924148	02-15		15
	02-26		10	J924445	02-24		9A
J678912	02-21		24		02-25		9A
	02-21		39	J924446	02-24		9A
J678921	02-21		23		02-25		9A
	02-21		46	J924447	02-24		9A
J678923	02-17		21		02-25		9A
	02-21		11	J924448	02-24		9A
	02-21		45		02-25		9A
	03-06		5	J924449	02-24		9A
	03-07		40		02-25		9A
J759917	02-12		17	J924725	03-08		2
J800401	02-11		1	J924987	02-09		26
	02-12				02-22		23
	02-13			J925883	03-05		14
J818823	02-11		3		04-20		11
J818824	02-11		4	J926048	02-21		17
J867640	03-07		42	J926593	03-07		43
J867641	03-07		49	J926722	03-07		12
J867651	03-07		50	J926846	02-09		9
J883284	02-03		33	J926863	02-09		7

INDEX - INDICE - INDEX - ZAHLENVERZEICHNIS - INDICE - INDICE - INHOLD - INHOUD

Number	Figure	Sequence	Ref.	Number	Figure	Sequence	Ref.
J926865	02-15		4	JR991123	02-15		1
J927611	02-15		7	L101181	03-03		38
J928870	02-24		13	L106237	09-33		20
J929011	02-14		18	L111928	08-18		23
J930911	02-14		9		08-24		15
J931084	02-14		8	L11541	04-12		5
J933384	02-22		8		04-15		4
J934410	02-14				04-23		30
J934486	02-22	24			04-35		13
J934864	02-24	14			04-35	01	13
J936365	02-14	5			04-35	01	6
J937123	03-07	15		L115548	02-01		2
J937367	02-18	5		L116247	06-24		25
J937479	02-10	3			06-25		25
	02-26	3			06-26		25
J937706	02-11	6		L116943	06-16		2
	02-26	4		L126936	08-22		49
J938077	02-09	6		L14386	08-24		8
J940152	02-17	13		L18331	04-13		11
J940245	02-09	14			04-30		10
	02-09	31			07-03		20
J940246	02-09	15			08-06		58
J941140	02-17	3			08-27		18
J941786	02-09	5			08-37		27
J942764	03-07	14		L18337	08-05		39
J942896	02-08	5		N6755	08-03		3
J943445	02-17	27			08-04		4
J943660	02-22	6		N9026	08-04		12
J943738	02-18	3		NSS	02-04		1
J943739	02-18	6			02-08		10
J943740	02-18	7			02-08		2
J943808	02-21	2			02-08		4
J943885	02-09	8			02-09		18
J943888	02-17	8			02-09		19
	02-26	1			02-09		20
J943933	02-17	30			02-09		23
J943978	02-22	31			02-09		24
J944001	02-20	3			02-09		25
J944264	02-15	3			02-09		32
J944293	02-09	11			02-09		4
J944429	02-18	12			02-12		10
J944452	02-17	6			02-12		11
J944454	02-18	10			02-12		12
J944593	02-10	5			02-12		13
J944646	02-10	7			02-12		14
J944647	02-10	10			02-12		15
J944679	02-25	13			02-12		16
J944711	02-17	7			02-12		2
J944816	04-21	26			02-12		3
J945093	02-17	19			02-12		4
J945108	02-11	10			02-12		5
J945252	02-10	4			02-12		6
J945329	02-20	6			02-12		7
	02-21	8			02-12		8
J945603	02-18	16			02-12		9
	02-21	21			02-13		11
J945922	02-22	12			02-13		16
J945923	02-22	12			02-14		15
J945924	02-22	12			02-15		13
J945925	02-22	12			02-17		12
J945926	02-22	12			02-17		2
J945927	02-22	12			02-21		1
J945928	02-22	12			02-21		37
J945929	02-22	12			02-21		37
	02-27	5			02-21		44
J945930	02-22	11			02-22		15
	02-27	4			02-22		16
J945931	02-22	11			02-22		17
J945932	02-22	11			02-22		20
J945933	02-22	11			02-22		21
J945934	02-22	11			02-22		22
J945967	02-14	6			02-22		25
J948079	02-11	11			02-22		26
J948095	02-24	1			02-22		28
	02-25	1			02-22		29
J948102	02-17	9			02-22		4
J991123	02-15	1			02-22		40
JC991123	02-15	1			02-24		10

INDEX - INDICE - INDEX - ZAHLENVERZEICHNIS - INDICE - INDICE - INDHOLD - INHOUD

Number	Figure	Sequence	Ref.	Number	Figure	Sequence	Ref.
NSS	02-24		3	NSS	05-06		43
	02-24		6		05-08		10
	02-24		7		05-08		12
	02-24		8		05-08		14
	02-25		11		05-08		15
	02-25		3		05-08		18
	02-25		3A		05-08		19
	02-25		6		05-08		4
	02-25		7		05-08		5
	02-25		8		05-08		7
	03-03		44		05-08		9
	03-04		11		05-09		10
	03-07		59		05-09		12
	04-03		11		05-09		13
	04-04		2		05-09		14
	04-05		24		05-09		15
	04-05		8		05-09		18
	04-05		9		05-09		2
	04-07		10		05-09		7
	04-07		13		05-09		9
	04-07		14		05-09	01	10
	04-07		15		05-09	01	12
	04-07		4		05-09	01	13
	04-07		5		05-09	01	14
	04-07		6		05-09	01	15
	04-07		7		05-09	01	18
	04-07		8		05-09	01	2
	04-07		9		05-09	01	7
	04-08		18		05-09	01	9
	04-08		19		05-11		33
	04-08		27		05-12		15
	04-08		28		05-12		16
	04-08		29		05-12		17
	04-08		30		05-12		18
	04-08		35		05-12		21
	04-13		1		05-12		22
	04-20		12		05-12		23
	04-26		10		05-12		24
	04-26		11		05-12		25
	04-26		14		05-12		26
	04-26		8		05-13		15
	04-32		21		05-13		16
	04-32		6		05-13		17
	04-35		3		05-13		18
	04-35		4		05-13		21
	04-35		7		05-13		22
	04-35	01	7		05-13		23
	05-02		2		05-13		24
	05-02		7		05-13		25
	05-04		1		05-13		26
	05-04		10		05-13	01	15
	05-04		11		05-13	01	16
	05-04		12		05-13	01	17
	05-04		13		05-13	01	18
	05-04		14		05-13	01	21
	05-04		15		05-13	01	22
	05-04		16		05-13	01	23
	05-04		17		05-13	01	24
	05-04		18		05-13	01	25
	05-04		19		05-13	01	26
	05-04		2		05-14		10
	05-04		20		05-14		11
	05-04		21		05-14		12
	05-04		22		05-14		13
	05-04		23		05-14		14
	05-04		24		05-14		15
	05-04		25		05-14		16
	05-04		26		05-14		17
	05-04		27		05-14		18
	05-04		28		05-14		19
	05-04		3		05-14		2
	05-04		4		05-14		20
	05-04		5		05-14		21
	05-04		6		05-14		22
	05-04		7		05-14		3
	05-04		8		05-14		4
	05-04		9		05-14		5
	05-05		43		05-14		6

INDEX - INDICE - INDEX - ZAHLENVERZEICHNIS - INDICE - INDICE - INHOLD - INHOUD

Number	Figure	Sequence	Ref.	Number	Figure	Sequence	Ref.
NSS	05-14		7	NSS	08-12		14
	05-14		8		08-12		15
	05-14		9		08-12		16
	06-04		19		08-12		17
	06-04		20		08-12		19
	06-04		21		08-12		2
	06-04		22		08-12		20
	06-04		23		08-12		23
	06-04		24		08-12		24
	06-10		12		08-12		25
	06-10		17		08-12		26
	06-10		2		08-12		27
	06-10		3		08-12		28
	06-10		8		08-12		29
	06-11		12		08-12		4
	06-11		17		08-12		5
	06-11		2		08-12		6
	06-11		3		08-12		7
	06-11		8		08-12		8
	06-14		1		08-12		9
	06-14		10		08-13		10
	06-14		14		08-13		11
	06-14		4		08-13		12
	06-14		5		08-13		13
	06-14		6		08-13		14
	06-16		4		08-13		15
	06-17		17		08-13		16
	06-17		18		08-13		19
	06-17		2		08-13		2
	06-17		3		08-13		20
	06-20		29		08-13		22
	06-25		45		08-13		23
	06-26		51		08-13		24
	06-27		15		08-13		25
	06-28		58		08-13		26
	06-43		57		08-13		27
	06-54		2		08-13		28
	06-54		27		08-13		29
	06-55		1		08-13		30
	06-55		18		08-13		31
	06-57		1		08-13		32
	06-58		1		08-13		33
	06-59		1		08-13		34
	06-59		2		08-13		35
	06-59		3		08-13		36
	06-59		4		08-13		37
	06-60		1		08-13		38
	06-60		21		08-13		39
	06-60		22		08-13		4
	06-61		1		08-13		5
	06-61		21		08-13		6
	06-61		22		08-13		7
	06-62		1		08-13		8
	06-62		2		08-13		9
	06-63		1		08-14		1
	06-63		7		08-14		21
	06-64		1		08-14		23
	06-64		7		08-19		1
	07-02		1		08-19		10
	07-05		45		08-19		11
	07-06		45		08-19		12
	07-07		45		08-19		13
	07-08		45		08-19		14
	07-09		6		08-19		15
	08-03		8		08-19		16
	08-04		11		08-19		18
	08-04		3		08-19		19
	08-04		5		08-19		2
	08-11		1		08-19		20
	08-11		14		08-19		21
	08-11		23		08-19		22
	08-11		33		08-19		3
	08-11		34		08-19		4
	08-11		36		08-19		5
	08-12		10		08-19		6
	08-12		11		08-19		7
	08-12		12		08-19		8
	08-12		13		08-19		9

INDEX - INDICE - INDEX - ZAHLENVERZEICHNIS - INDICE - INDICE - INDHOLD - INHOUD

Number	Figure	Sequence	Ref.	Number	Figure	Sequence	Ref.
NSS	08-20		53	NSS	08-38		16
	08-22		53		08-38		18
	08-25		1		08-38		5
	08-25		10		08-38		6
	08-25		11		08-38		8
	08-25		12		08-38		9
	08-25		13		08-41		1
	08-25		14		08-42		1
	08-25		15		08-42		10
	08-25		16		08-42		11
	08-25		17		08-42		12
	08-25		18		08-42		13
	08-25		19		08-42		14
	08-25		2		08-42		15
	08-25		3		08-42		16
	08-25		4		08-42		18
	08-25		5		08-42		19
	08-25		6		08-42		2
	08-25		7		08-42		20
	08-25		8		08-42		21
	08-25		9		08-42		3
	08-26		1		08-42		4
	08-26		10		08-42		5
	08-26		11		08-42		6
	08-26		12		08-42		7
	08-26		13		08-42		8
	08-26		14		08-42		9
	08-26		15		08-43		2
	08-26		16		08-43		5
	08-26		17		08-43		6
	08-26		18		08-45		14
	08-26		19		08-45		2
	08-26		2		08-45		9
	08-26		20		09-01		13
	08-26		21		09-01		14
	08-26		22		09-02		1
	08-26		23		09-03		11
	08-26		24		09-04		4
	08-26		25		09-15		33
	08-26		26		09-17		2
	08-26		3		09-19		1
	08-26		4		09-19		10
	08-26		5		09-19		11
	08-26		6		09-19		2
	08-26		7		09-19		25
	08-26		8		09-19		27
	08-26		9		09-19		29
	08-29		1		09-19		5
	08-29		5		09-19		7
	08-29		6		09-19		8
	08-31		1		09-19		9
	08-32		1		09-19	01	5
	08-32		13		09-25		5
	08-32		14		09-28		5
	08-32		2		09-28		8
	08-32		29		09-30		2
	08-32		30		09-30		9
	08-32		31		09-36		1
	08-32		38		09-37		10
	08-32		39		09-37		9
	08-32		4		09-41		9
	08-32		40		09-42		1
	08-32		41		09-42		7
	08-32		43		09-44		2
	08-32		44		09-50		1
	08-33		1		09-53		6
	08-33		11	R15257	07-03		13
	08-33		12		08-01		10
	08-33		14		08-09		15
	08-33		15		08-10		23
	08-33		2	R43926	04-23		40
	08-33		21		06-02		26
	08-33		22	R51754	09-13		28
	08-33		23	R54363	08-34		4
	08-33		24		09-38		13
	08-38		10	REF	02-16		1
	08-38		13		04-31		9
	08-38		14		06-04		1

INDEX - INDICE - INDEX - ZAHLENVERZEICHNIS - INDICE - INDICE - INHOLD - INHOUD

Number	Figure	Sequence	Ref.	Number	Figure	Sequence	Ref.
REF	06-45		4	S6060S00F	06-39		13
	08-01		2	S6080S00F	06-39		15
	08-01		3	S6100S00F	06-39		20
	08-17		51	S6110S00F	06-39		24
	08-20		54	S6120S00F	06-39		23
	08-22		54	S6130S00F	06-39		19
S1150S02F	06-27		14	S6140S00F	06-39		17
S120426	07-03		17	S6150S00F	06-39		16
	08-06		57	S6160S00F	06-39		9
	08-27		17	S6170S00F	06-39		1
S14701960	06-24		30	S6180S00F	06-39		2
	06-25		30	S6200S00F	06-39		18
	06-26		30	S6210S00F	06-39		14
	06-33		13	S6220S00F	06-39		5
	06-46		27	S6230S00F	06-39		11
	06-50		22	S6240S00F	06-39		10
	06-52		22	S6260S00F	06-39		3
S2080S00F	06-21		7	S7010S00F	06-41		8
	06-46		13	S7020S00F	06-41		11
	06-48		15	S7030S01F	06-41		7
S2090S00F	06-46		13	S7050S00F	06-41		10
	06-48		15	S7060S00F	06-41		13
S2220S00F	06-21		19	S7070S00F	06-41		14
S2240S00F	06-19		10	S7080S00F	06-41		12
	06-21		18	S7090S00F	06-41		4
S2610S00F	06-46		17	S7110S00F	06-41		5
	06-48		19	S7120S00F	06-41		9
S2630S00F	06-34		9	S8730S00F	06-21		2
	06-35		17	S8820S00F	06-19		13
S2640S00F	06-34		7		06-20		12
	06-35		15	S8860S00F	06-19		17
S3070S00F	06-21		31		06-20		8
	06-35		26	S92378	06-17		21
	06-48		25		06-17		6
S3200S00F	06-47		6	S92653	09-29		5
S3210S00F	06-47		5	S95569	09-33		36
S3220S00F	06-47		4	S9910S00F	06-20		7
S4070S00F	06-34		4	S9920S00F	06-20		7
	06-35		12	S9930S00F	06-20		7
	06-47		13	S9940S00F	06-20		7
	06-52		15	S9950S00F	06-19		16
S4110S00F	06-34		4		06-20		9
	06-35		12		06-29		6
	06-47		13	S9960S00F	06-19		16
	06-52		15		06-20		9
S4150S00F	06-38		18		06-29		6
	06-47		22	S9970S00F	06-19		16
	06-53		13		06-20		9
S4410S00F	06-33		22		06-29		6
	06-34		19	S9980S00F	06-19		16
	06-35		18		06-20		9
	06-50		19		06-29		6
	06-52		19	SM8124208	06-20		20
S5040S00F	06-33		9	SM831050	06-29		32
	06-34		18		06-30		10
	06-35		8	SM832508	06-36		8
	06-36		4		06-38		8
	06-37		9	SM8915440	06-29		39
	06-50		5	ST293	06-20		13
	06-51		4				
	06-52		9				
	06-53		7				
S5070S00F	06-36		10				
	06-38		4				
	06-51		9				
	06-52		7				
	06-53		6				
S5090S00F	06-36		12				
	06-37		8				
	06-38		10				
S5230S00F	06-33		10				
	06-38		2				
S5510S00F	06-21		21				
	06-47		9				
S6010S00F	06-39		4				
S6020S00F	06-39		6				
S6030S00F	06-39		7				
S6040S00F	06-39		8				