

RB465

Round Baler

Parts Catalog

Print No. 513221000En
Issued 7/2015



RB465 **Round Baler**

Parts Catalog

Print No. 513221000En
Issued 7/2015



GENERAL INFORMATION

1. Whenever the terms left and right are used, it should be understood to mean from a position facing in direction of travel.
2. Throughout this manual you may find common hardware not illustrated, but listed in the description column. The service part immediately preceding a hardware listing is the part using these particular items for mounting purposes. This hardware is not included with the service part or assembly when ordered as a replacement.
3. The illustrations show typical assemblies plus individual parts but in all cases may not show the exact shape or detail of parts required. However, the purpose for the illustrations is to identify parts performing like functions. Whenever possible illustrations are located at the beginning of each section or immediately adjacent to the applicable text.
4. CNH America LLC is continually striving to improve its products. We must, therefore, reserve the right to make improvements or changes when it becomes practical and possible to do so, without incurring any obligation to make changes or additions to the equipment sold previously.

CNH America LLC, Racine, WI 53404 U.S.A.

All rights reserved by CASE IH.

The information contained in this catalogue is intended to be of a general nature only. CASE IH may at any time and from time to time, for technical or other necessary reasons, modify any of the details or specifications of the product described in this catalogue.

To be sure of getting accurate, detailed and up-to-date information, an intending buyer should consult his nearest CASE IH dealer or distributor.

Single item numeration method used in this catalogue may not be used without written consent from CASE IH.

Tutti i diritti sono riservati alla CASE IH. I dati e le informazioni contenute in questo catalogo sono di natura generale.

Di volta in volta e in qualunque momento la CASE IH può per ragioni tecniche o comunque altrimenti necessarie variare qualsiasi dettaglio o dato tecnico della macchina descritta in questo catalogo. Per essere certi di ottenere informazioni dettagliate, precise e aggiornate l'eventuale acquirente deve consultare il distributore o concessionario CASE IH più vicino. Il metodo di numerazione dei singoli pezzi utilizzato in questo catalogo non può essere utilizzato senza l'autorizzazione scritta della CASE IH.

Tous droits réservés par CASE IH. L'information contenue dans ce catalogue est destinée à couvrir seulement une généralité. CASE IH peut à chaque instant ou périodiquement, pour des questions techniques ou autres motifs modifier quelques détails ou spécifications du produit décrit dans ce catalogue. S'assurer de la précision, des détails et de la mise à jour des informations, étant entendu que l'acheteur devrait consulter le concessionnaire ou le distributeur CASE IH le plus proche. La méthode de numérotation des ITEM simples dans ce catalogue ne peut pas être utilisée sans autorisation écrite de CASE IH.

CASE IH behält sich alle Rechte vor. Die in diesem Katalog enthaltenen Informationen sind nur allgemeiner Art. CASE IH kann jederzeit und von Zeit zu Zeit aus technischen oder anderen unumgänglichen Gründen beliebige Einzelheiten oder technische Daten des in diesem Produkt beschriebenen Produkts modifizieren. Ein Kaufinteressent sollte seinen nächstgelegenen CASE IH-Händler oder -Vertreter konsultieren, um sicher zu sein, daß er genaue, ausführliche und aktuelle Informationen erhält. Das in diesem Katalog zur Numerierung von Einzelteilen verwendete Verfahren darf ohne schriftliche Genehmigung von CASE IH nicht verwendet werden.

Todos los derechos reservados por CASE IH. La información contenida en este catálogo sólo es de tipo general. CASE IH puede, en cualquier momento, y de vez en cuando, por motivos técnicos o por otras necesidades, modificar cualquiera de los detalles o especificaciones del producto descrito en este catálogo. Asegúrese de disponer de la información correcta, detallada y al día, ya que los compradores potenciales consultarán a su agente o distribuidor CASE IH más cercano. El sistema de numeración simple que se usa en este catálogo no puede utilizarse sin consentimiento escrito de CASE IH.

Todos os direitos estão reservados pela CASE IH. A informação contida neste catálogo destina-se apenas a ser utilizada com carácter geral. A CASE IH pode, em qualquer momento e de tempos a tempos, por razões técnicas ou outras, modificar alguns dos seus detalhes ou especificações do produto descritos neste catálogo. Para assegurar que obtém as informações correctas e actualizadas, deverá contactar o seu concessionário ou distribuidor CASE IH mais próximo. Não deverá utilizar o método de numeração de itens simples deste catálogo sem o consentimento escrito da CASE IH.

CASE IH forbeholder sig alle rettigheder. Oplysningerne i dette katalog er kun af generel art. CASE IH kan når som helst og/med ændre alle detaljer eller specifikationer i dette katalog, af tekniske eller andre nødvendige årsager. For at være sikker på at få præcis, detaljeret og tidssvarende information, bør en mulig køber rette henvendelse til sin nærmeste CASE IH forhandler. Nummereringsmetoden for de enkelte dele, der bruges i dette katalog, må ikke bruges uden skriftlig tilladelse fra CASE IH.

Alle rechten zijn voorbehouden door CASE IH. De informatie, opgenomen in deze catalogus is enkel bedoeld als zijnde van algemene aard. CASE IH kan gelijk wanneer en van tijd tot tijd, voor technische of andere nodige redenen, gelijk welk detail of specificatie wijzigen van het produkt, beschreven in deze catalogus. Om zeker te zijn van accurate, gedetailleerde en up-to-date informatie moet een potentiële koper de dichtstbijzijnde CASE IH dealer of verdeler raadplegen. De numerieke code voor het aanduiden van onderdelen, gebruikt in deze catalogus, mag niet gebruikt worden zonder schriftelijke toelating van CASE IH.

All rights reserved by NEW HOLLAND.

The information contained in this catalogue is intended to be of a general nature only. NEW HOLLAND may at any time and from time to time, for technical or other necessary reasons, modify any of the details or specifications of the product described in this catalogue.

To be sure of getting accurate, detailed and up-to-date information, an intending buyer should consult his nearest NEW HOLLAND dealer or distributor.

Single item numeration method used in this catalogue may not be used without written consent from NEW HOLLAND.

Tutti i diritti sono riservati alla NEW HOLLAND. I dati e le informazioni contenuti in questo catalogo sono di natura generale. Di volta in volta e in qualunque momento la NEW HOLLAND può per ragioni tecniche o comunque altrimenti necessarie variare qualsiasi dettaglio o dato tecnico della macchina descritta in questo catalogo. Per essere certi di ottenere informazioni dettagliate, precise e aggiornate l'eventuale acquirente deve consultare il distributore o concessionario NEW HOLLAND più vicino. Il metodo di numerazione dei singoli pezzi utilizzato in questo catalogo non può essere utilizzato senza l'autorizzazione scritta della NEW HOLLAND.

Tous droits réservés par NEW HOLLAND. L'information contenue dans ce catalogue est destinée à couvrir seulement une généralité. NEW HOLLAND peut à chaque instant ou périodiquement, pour des questions techniques ou autres motifs modifier quelques détails ou spécifications du produit décrit dans ce catalogue. S'assurer de la précision, des détails et de la mise à jour des informations, étant entendu que l'acheteur devrait consulter le concessionnaire ou le distributeur NEW HOLLAND le plus proche. La méthode de numérotation des items simples dans ce catalogue ne peut pas être utilisée sans autorisation écrite de NEW HOLLAND.

NEW HOLLAND behält sich alle Rechte vor. Die in diesem Katalog enthaltenen Informationen sind nur allgemeiner Art. NEW HOLLAND kann jederzeit und von Zeit zu Zeit aus technischen oder anderen unumgänglichen Gründen beliebige Einzelheiten oder technische Daten des in diesem Produkt beschriebenen Produkts modifizieren. Ein Kaufinteressent sollte seinen nächstgelegenen NEW HOLLAND-Händler oder -Vertreter konsultieren, um sicher zu sein, daß er genaue, ausführliche und aktuelle Informationen erhält. Das in diesem Katalog zur Numerierung von Einzelteilen verwendete Verfahren darf ohne schriftliche Genehmigung von NEW HOLLAND nicht verwendet werden.

Todos los derechos reservados por NEW HOLLAND. La información contenida en este catálogo sólo es de tipo general. NEW HOLLAND puede, en cualquier momento, y de vez en cuando, por motivos técnicos o por otras necesidades, modificar cualquiera de los detalles o especificaciones del producto descrito en este catálogo. Asegúrese de disponer de la información correcta, detallada y al día, ya que los compradores potenciales consultarán a su agente o distribuidor NEW HOLLAND más cercano. El sistema de numeración simple que se usa en este catálogo no puede utilizarse sin consentimiento escrito de NEW HOLLAND.

Todos os direitos estão reservados pela NEW HOLLAND. A informação contida neste catálogo destina-se apenas a ser utilizada com carácter geral. A NEW HOLLAND pode, em qualquer momento e de tempos a tempos, por razões técnicas ou outras, modificar alguns dos seus detalhes ou especificações do produto descritos neste catálogo. Para assegurar que obtém as informações correctas e actualizadas, deverá contactar o seu concessionário ou distribuidor NEW HOLLAND mais próximo. Não deverá utilizar o método de numeração de itens simples deste catálogo sem o consentimento escrito da NEW HOLLAND.

NEW HOLLAND forbeholder sig alle rettigheder. Oplysningerne i dette katalog er kun af generel art. NEW HOLLAND kan når som helst og/medlem ændre alle detaljer eller specifikationer i dette katalog, af tekniske eller andre nødvendige årsager. For at være sikker på at få præcis, detaljeret og tidssvarende information, bør en mulig køber rette henvendelse til sin nærmeste NEW HOLLAND forhandler. Nummereringsmetoden for de enkelte dele, der bruges i dette katalog, må ikke bruges uden skriftlig tilladelse fra NEW HOLLAND.

Alle rechten zijn voorbehouden door NEW HOLLAND. De informatie, opgenomen in deze catalogus is enkel bedoeld als zijnde van algemene aard. NEW HOLLAND kan gelijk wanneer en van tijd tot tijd, voor technische of andere nodige redenen, gelijk welk detail of specificatie wijzigen van het product, beschreven in deze catalogus. Om zeker te zijn van accurate, gedetailleerde en up-to-date informatie moet een potentiële koper de dichtstbijzijnde NEW HOLLAND dealer of verdeler raadplegen.

De numerieke code voor het aanduiden van onderdelen, gebruikt in deze catalogus, mag niet gebruikt worden zonder schriftelijke toelating van NEW HOLLAND.

TABLE OF CONTENTS

00.000.00	02	PICTORIAL INDEX - MAIN SECTIONS, RB465
00.000.27		PICTORIAL INDEX - REAR AXLE SYSTEM
00.000.31		PICTORIAL INDEX - IMPLEMENT POWER TAKE-OFF
00.000.33		PICTORIAL INDEX - BRAKES & CONTROLS
00.000.35		PICTORIAL INDEX - HYDRAULIC SYSTEMS
00.000.39		PICTORIAL INDEX - FRAMES
00.000.55		PICTORIAL INDEX - ELECTRICAL SYSTEMS
00.000.60		PICTORIAL INDEX - PRODUCT FEEDING
00.000.62		PICTORIAL INDEX - PRESSING
00.000.68		PICTORIAL INDEX - TYING / WRAPPING
00.000.70		PICTORIAL INDEX - EJECTION
00.000.88		PICTORIAL INDEX - ACCESSORIES
00.000.90		PICTORIAL INDEX - PLATFORM, CAB, BODYWORK AND DECALS
05.100.01		INITIAL STOCK LIST, LIST A
05.100.03	02	CAPACITIES
27.000.00		PICTORIAL INDEX - REAR AXLE
27.500.AA	01	VAR - 726941 - AXLE, NO BRAKES
27.500.AA	02	PARKING BRAKE, ACTUATOR
27.500.AA	03	VAR - 726942 - AXLE, NO BRAKES, 500/55-20 TIRES
27.500.AA	04	VAR - 726808 - AXLE, BUMPER
27.500.AA	05	VAR - 726943, 7269644, 726945 - PARKING BRAKE, AXLE, 500/55-20 TIRES
27.500.AL	01	VAR - 804990, 807490 - WHEELS, 480/45 - 17
27.500.AL	03	VAR - 804990 - WHEELS, 480/45-17 10 PLY, W/BRAKES
27.500.AL	04	VAR - 809790 - WHEELS, 380 X 55-17
27.500.AL	05	WHEEL CHOCK
27.500.AL	06	VAR - 800197, 800198 - WHEELS, 500/55-20
27.500.AO		WHEEL HUB & SPINDLE, HEAVY DUTY
31.000.00		PICTORIAL INDEX - IMPLEMENT POWER TAKE-OFF
31.201.AD	01	VAR - 726527 - PTO, 540 RPM, COC, 1700 NM
31.201.AD	02	VAR - 726527 - PTO, 540 RPM, COC, 1900 NM
31.201.AD	03	VAR - 726528 - PTO, 1000 RPM, COC, 1100 NM
31.201.AD	04	VAR - 726528 - PTO,1000 RPM, COC, 1200 NM
31.201.AD	05	VAR - 726629 - PTO, SUPPORT
31.201.AD	06	PTO, 540 RPM, 1700 N-M COC, OVERSHOT FEEDER
31.201.AD	07	PTO, 1000 RPM, 1100 N-M, COC, OVERSHOT FEEDER
31.220.AG	01	VAR - 726527 - GEARBOX, STANDARD, 540 RPM

TABLE OF CONTENTS

31.220.AG	02	VAR - 726527 - GEARBOX, HEAVY DUTY, 540 RPM
31.220.AG	03	VAR - 726528 - GEARBOX, STANDARD, 1000 RPM
31.220.AG	04	VAR - 726528 - GEARBOX, HEAVY DUTY, 1000 RPM
31.220.AL	01	VAR - 726527, 726528 - GEARBOX AND DRIVE, STANDARD
31.220.AL	02	VAR - 726527, 726528 - GEARBOX AND DRIVE, HEAVY DUTY
31.220.AL	03	VAR - 726527 - MAIN DRIVE, 540 RPM, OVERSHOT FEEDER
31.220.AL	04	VAR - 726528 - MAIN DRIVE, 1000 RPM, OVERSHOT FEEDER
33.000.00		PICTORIAL INDEX - BRAKES & CONTROLS
33.100.AJ		VAR - 726833, 726945 - PARKING HAND BRAKE CONTROLS
33.100.AP	01	VAR - 722007, 722008, 726650 - PARKING BRAKE AXLE, PARK BRAKE ONLY, ITALY
33.100.AP	02	VAR - 726831, 726832 - HYDRAULIC AND PNEUMATIC BRAKE AXLE, WITH PARK BRAKE
33.100.AP	03	VAR - 726833 - PARKING BRAKE - HUB
33.100.AP	04	VAR - 726831 - PARKING BRAKE, HYDRAULIC SYSTEM
33.100.AP	05	VAR - 726943, 726944 - HYDRAULIC AND PNEUMATIC BRAKE AXLE, WITH PARK BRAKE FOR 550/55-20 TIRE
33.100.AP	06	VAR - 726943, 726944, 726945 - HYDRAULIC AND PNEUMATIC BRAKE AXLE ASSEMBLY, WITH PARK BRAKE FOR 550/55-20 TIRE
33.100.AP	07	VAR - 726943, 726944, 726945 - HYDRAULIC BRAKE HUB FOR 500/55-20 TIRES
33.100.AP	08	VAR - 726831, 726832 - PARKING BRAKE AXLE, PARK BRAKE ONLY, OVERSHOT ROTOR
33.240.AB		VAR - 727084 - EMERGENCY BRAKE
33.300.AC		VAR - 726832, 726944 - PNEUMATIC BRAKES RESERVOIR
33.300.AE		VAR - 726832, 726944 - PNEUMATIC BRAKE VALVE & LINES
35.000.00		PICTORIAL INDEX - HYDRAULIC SYSTEMS
35.540.AB	01	VAR - 726813 - HYDRAULIC BALE TENSION, MANIFOLD, 2600 PSI NON BYPASS
35.540.AB	02	VAR - 726813 - HYDRAULIC BALE TENSION, MANIFOLD, 2600 PSI WITH BYPASS
35.540.AI	01	VAR - 726815 - BALE TENSION HYDRAULICS, DUAL CYLINDER, 794992016 AND PRIOR
35.540.AI	01	VAR 726815 - BALE TENSION HYDRAULICS, DUAL CYLINDER, IN CAB CONTROL, 797301008 AND AFTER
35.540.AI	02	BALE TENSION HYDRAULIC CYLINDER, DUAL, 794992016 AND PRIOR
35.540.AI	02	VAR - 726813, 726815 - BALE TENSION HYDRAULICS, SINGLE & DUAL, HYDRAULIC CYLINDER, 797301008 AND AFTER
35.540.AI	03	VAR - 726813 - BALE TENSION HYDRAULICS, SINGLE CYLINDER ASSEMBLY, 794992016 AND PRIOR
35.540.AI	03	VAR - 727159 - BALE TENSION HYDRAULICS, SINGLE CYLINDER, IN CAB CONTROL, 797301008 AND AFTER
35.540.AI	04	BALE TENSION HYDRAULIC CYLINDER, SINGLE
35.540.AK	02	VAR - 726813 - BALE TENSION HYDRAULIC CYLINDER, SINGLE

TABLE OF CONTENTS

35.540.AK	04	VAR - 726815 - BALE TENSION HYDRAULIC CYLINDER, DUAL
35.540.AK	06	VAR - 726813 - BALE TENSION HYDRAULICS, SINGLE CYLINDER, OVERSHOT FEEDER
35.550.AB	02	TAILGATE, HYDRAULIC CYLINDER
35.550.AC	01	TAILGATE HYDRAULIC LIFT
35.550.AC	02	TAILGATE HYDRAULIC LIFT
35.550.AC	02	VAR - 727160 - TAILGATE, HYDRAULIC LIFT, STANDARD EJECT, 797301008 AND AFTER
35.550.AC	04	VAR - 727161 - TAILGATE, HYDRAULIC LIFT, QUICK EJECT, 797301008 AND AFTER
35.560.AA	01	VAR - 726835 - SINGLE HYDRAULIC PICKUP LIFT, 1.8M ROTOR
35.560.AA	02	VAR - 726836 - DUAL HYDRAULIC PICKUP LIFT, 2M ROTOR
35.560.AA	03	VAR - 726834 - HYDRAULIC PICK-UP LIFT, OVERSHOT FEEDER - VAR 726834
35.560.AB		HYDRAULIC PICKUP LIFT CYLINDER
35.562.AB		HYDRAULIC CYLINDER, ROTOR REVERSER
35.565.AA	01	ROTOR HYDRAULIC SYSTEM, LH
35.565.AA	02	ROTOR HYDRAULIC SYSTEM, RH
35.569.AB		HYDRAULIC CYLINDER, DROP FLOOR
39.000.00		PICTORIAL INDEX - FRAMES
39.100.AB	01	MAIN FRAME
39.100.AB	02	MAIN FRAME
39.100.AV	01	TAILGATE, LATCH
39.100.AV	02	TAILGATE, LATCH
39.110.AB		SAFETY CHAIN
39.110.AF		JACK, SINGLE SPEED
39.110.AF	02	JACK, 2-SPEED, 797301008 AND AFTER
39.110.AM	01	HITCH
39.110.AM	02	VAR -726839 - HIGH HITCH - VAR 726839
39.110.AM	03	VAR - 722337 - BALL SWIVEL HITCH
39.110.AM	04	FIXED RING HITCH - VAR 722335
39.110.AM	05	VAR - 722336 - PIVOT RING HITCH
55.000.00		PICTORIAL INDEX - ELECTRICAL SYSTEMS
55.100.DP	01	WIRE HARNESS & CONNECTOR
55.100.DP	03	WIRE HARNESS & CONNECTOR, POWER
55.404.AF		SIDE MARKER LAMP ASSY
55.404.BM		TAIL LAMP
55.433.AA	02	TWINE WRAP ACTUATOR
55.433.AB	01	WIRE HARNESS, TWINE

TABLE OF CONTENTS

55.433.AB	02	WIRE HARNESS, NET WRAP
55.511.AJ		LIGHTING
55.629.AC	01	BALE SHAPE SENSOR MOUNTING
55.629.AC	02	BALE SIZE SENSOR
55.629.AC	03	BALE SIZE SENSOR
55.629.AE		BALE SHAPE SENSOR ASSEMBLY
55.640.AB	01	VAR - 726965 - STANDARD WRAPPER, ELECTRONIC CONTROLS
55.640.AB	02	VAR - 726966 - DELUXE WRAPPER, ELECTRONIC CONTROLS, 794992016 AND PRIOR
55.640.AB	02	VAR - 726966 - DELUXE WRAPPER, ELECTRONIC CONTROLS, 797301008 AND AFTER
55.905.AA	01	VAR - 726937, 726969 - ISOBUS ELECTRIC GROUP, FRONT
55.905.AA	02	VAR - 726967, 726969 - ISOBUS ELECTRIC GROUP, RH
55.905.AA	03	VAR - 726967, 726969 - ISOBUS ELECTRIC GROUP, LH
88.100.55	09	DIA KIT, BALE EJECTOR SENSOR
60.000.00		PICTORIAL INDEX - PRODUCT FEEDING
60.220.AC	01	1.8M DUAL CAM WIDE PICKUP, DRIVE SHAFT
60.220.AC	02	2M DUAL CAM WIDE PICKUP, DRIVE SHAFT
60.220.AC	03	2M DUAL CAM WIDE PICKUP, DRIVE SHAFT WITH TOP ASSIST ROLL
60.220.AN	01	JAW CLUTCH, 1.5M WIDE PICKUP
60.220.AN	02	JAW CLUTCH, 1.8M DUAL CAM WIDE PICKUP
60.220.AN	03	1.8M DUAL CAM WIDE PICKUP, CLUTCH DRIVE, WITHOUT ASSIST ROLL
60.220.AN	04	1.8M DUAL CAM WIDE PICKUP, CLUTCH DRIVE, WITH TOP ASSIST ROLL
60.220.AN	05	RADIAL PIN CLUTCH ASSEMBLY
60.220.AU	01	VAR - 726821 - PICKUP WHEEL MOUNTING PARTS, 4.80/4.00-8
60.220.AU	02	VAR - 726821 - PICKUP WHEEL SUPPORT, 4.80/4.00 - 8
60.220.AU	03	VAR - 726821 - PICK-UP WHEEL, 4.80/4.00 - 8
60.220.AU	04	VAR - 726923 - PICK-UP WHEEL, UNDERSHOT ROTOR, NO-TOOL, 15 X 6.00-6
60.220.AU	05	VAR - 726923 - PICK-UP WHEEL MOUNTING PARTS, 15 X 6.00-6
60.220.AU	06	VAR - 726923 - PICK-UP WHEELS, 15 X 6.00-6
60.220.AU	07	CASTER PICK-UP WHEEL
60.220.AU	08	PICKUP WHEEL
60.220.AU	09	VAR - 726925, 726958 - FLIP UP CASTER WHEEL - VAR 726925, 726958
60.220.AU	10	VAR - 726923 - PICK-UP WHEEL, OVERSHOT ROTOR, NO-TOOL, 15 X 6.00-6
60.220.BD	01	VAR - 726805, 726827 - PICKUP, WITHOUT TOP ASSIST ROLL
60.220.BD	02	VAR - 726805, 726826, 726827, 726828, 726959, 726960 - PICKUP, WITHOUT TOP ASSIST ROLL- FLOTATION SPRING AND DRIVE

TABLE OF CONTENTS

60.220.BD	03	VAR - 726805, 726827 - PICKUP WITHOUT TOP ASSIST ROLL, DRIVES
60.220.BD	05	VAR - 726826, 726827, 726828, 726959, 726960 - 1.8M PICKUP, WITH TOP ASSIST ROLL
60.220.BD	06	VAR - 726826, 726828 - PICKUP, TOP ASSIST ROLL
60.220.BD	06	VAR - 726826, 726828, 726959, 726960 - 1.8M AND 2.0M PICKUP, TOP ASSIST ROLL, OVERSHOT FEEDER
60.220.BD	07	VAR - 726826, 726828 - 1.8M PICKUP, TOP ASSIST ROLL SHIELD
60.220.BD	08	VAR - 726805, 726826, 726827, 726828, 726959, 726960 - 1.8M PICKUP WITH TOP ASSIST ROLL, FLOTATION SPRING AND DRIVE
60.220.BD	09	VAR - 726826, 726828, 726960 - 1.8M PICKUP WITH TOP ASSIST ROLL, DRIVES
60.220.BD	10	VAR - 726805, 726826, 726827, 726828, 726959, 726960 - FLOATATION SPRING, ROTOR
60.220.BD	11	VAR - 726915 - 1.8M PICKUP ASSEMBLY, OVERSHOT FEEDER
60.220.BD	12	VAR - 726805 - FLOATATION SPRING, OVERSHOT FEEDER
60.220.BD	15	SERVICE PICKUP ASSEMBLY, 1.8M UNDERSHOT ROTOR, WITHOUT ASSIST ROLL
60.220.BD	16	SERVICE PICKUP ASSEMBLY, 2.0M UNDERSHOT ROTOR, WITH ASSIST ROLL
60.220.BG	01	VAR - 726915 - 1.8M REEL ASSEMBLY, 4 BAR
60.220.BG	02	VAR - 726917 - 1.8M REEL ASSEMBLY, 5 BAR
60.220.BG	03	VAR - 726916 - 2.0M REEL ASSEMBLY, 4-BAR
60.220.BG	04	VAR - 726918 - 2.0M REEL ASSEMBLY 5 BAR
60.220.BL	02	PICK-UP, DRIVE, RH, ROTOR
60.220.CC	01	VAR - 726819, 726920 - ROLLER, WINDGUARD, 1.8M
60.220.CC	02	WINDGUARD, 1.8M
60.220.CC	03	WINDGUARD, MOUNTING, 1.8M
60.220.CC	04	VAR - 726829, 726919 - WINDGUARD PLATE, 1.8M
60.220.CC	05	VAR - 726819, 726920 - WINDGUARD, PLATE AND ROLLER, 1.8M
60.220.CC	06	VAR - 726653, 726921 - WINDGUARD, PLATE, 2.0M
60.220.CC	07	VAR - 726654, 726922 - WINDGUARD, PLATE AND ROLLER, 2.0M
60.220.CC	08	VAR - 726817 - 1.8M TINE WINDGUARD, OVERSHOT FEEDER
60.220.CC	10	VAR - 726819 - 1.8M ROLLER WINDGUARD, OVERSHOT FEEDER
60.260.BJ	01	VAR - 726913 - ROTOR FEEDER ASSEMBLY, FIXED FLOOR
60.260.BJ	02	VAR - 726913 - ROTOR FEEDER MOUNTING, FIXED FLOOR
60.260.BJ	03	VAR - 726805 - ROTOR MOUNTING, OVERSHOT FEEDER
60.260.BL	01	VAR - 726913, 726914 - ROTOR, DRIVE
60.260.BL	02	ROTOR DRIVE, LH
60.260.BL	03	VAR - 726574 - ROTOR REVERSER, MANUAL
60.260.BL	04	VAR - 726574 - DUMMY KNIFE HOLDER
60.260.BL	05	ROTOR DRIVE, RH

TABLE OF CONTENTS

60.260.BL	07	VAR - 726805 - ROTOR DRIVE, RH, OVERSHOT FEEDER, MANUAL REVERSE, SHEARBOLT
60.260.CC	01	VAR - 726914 - ROTOR FEEDER, DROP FLOOR
60.260.CC	02	VAR - 726914 - ROTOR CUTTER, DROP FLOOR
60.260.CC	03	VAR - 726914 - ROTOR CUTTER, DROP FLOOR ASSEMBLY
60.260.CC	04	VAR - 726914 - ROTOR CUTTER MOUNTING, DROP FLOOR
60.260.CC	05	VAR - 726914 - ROTOR FEEDER MOUNTING, DROP FLOOR
60.260.CC	06	VAR - 726914 - DROP FLOOR
62.000.00	01	PICTORIAL INDEX - PRESSING
62.000.00	02	PICTORIAL INDEX - PRESSING, MAIN FRAME ROLLERS
62.140.AA	02	VAR - 726803 - ENDLESS BELTS
62.140.AA	05	BELT, REPAIR TOOLS
62.140.AA	06	BELT, REPAIR TOOLS
62.140.AA	07	BELT, REPAIR TOOLS
62.140.AC	01	MAIN FRAME, ROLLS
62.140.AC	03	TAILGATE, ROLLERS
62.140.AC	04	FOLLOWER ROLL, LOOP & BACKWRAP ROLL
62.140.AC	05	MAIN FRAME ROLLERS, OVERSHOT FEEDER
62.140.AI	01	DRIVE, RH, UNDERSHOT ROTOR
62.140.AI	02	DRIVE, RH, OVERSHOT FEEDER
62.140.AJ	04	DRIVE, LH, SPROCKETS
62.140.AJ	05	DRIVE, LH, IDLER ARMS
62.140.AJ	06	DRIVE, LH, CHAINS
62.140.AJ	07	MAIN DRIVE, LH, SPROCKETS, OVERSHOT FEEDER
62.140.AQ	02	VAR - 726813 - BALE TENSION TAKE UP ARM AND TWO SPRINGS, SINGLE HYD. CYLINDER, 794992016 AND PRIOR
62.140.AQ	02	VAR - 727159 - BALE TENSION TAKE UP ARM AND TWO SPRINGS, SINGLE HYD. CYLINDER, IN CAB CONTROL, 797301008 AND AFTER
62.140.AQ	04	VAR - 726815 - BALE TENSION TAKE UP ARM AND TWO SPRINGS WITH LOOP ROLL, DUAL HYD. CYLINDERS, 794992016 AND PRIOR
62.140.AQ	04	VAR - 726815 - BALE TENSION TAKE UP ARM AND TWO SPRINGS WITH LOOP ROLL, DUAL HYD. CYLINDERS, IN CAB CONTROL, 797301008 AND AFTER
62.140.AQ	06	VAR - 726813 - BALE TENSION TAKE UP ARM AND TWO SPRINGS, SINGLE HYD. CYLINDER, OVERSHOT FEEDER, 794992016 AND PRIOR
62.140.AQ	06	VAR - 727159 - BALE TENSION TAKE UP ARM AND TWO SPRINGS, SINGLE HYD. CYLINDER, OVERSHOT FEEDER, IN CAB CONTROL, 797301008 AND AFTER
62.150.AB		STARTER ROLL - ROTOR
62.150.AB	01	STARTER ROLL, UNDERSHOT ROTOR
62.150.AB	02	STARTER ROLL, OVERSHOT FEEDER

TABLE OF CONTENTS

62.170.AA		SLEDGE
68.000.00		PICTORIAL INDEX - TYING / WRAPPING
68.170.AF	01	NET, COUNTER
68.170.AF	02	NET WRAP ROLL
68.170.AG		VAR - 726966, 726967, 726969 - NET WRAPPER
68.170.AH	01	DUCKBILL DRIVE
68.170.AH	02	DUCKBILL DRIVE MOUNTING PARTS
68.170.AM	01	NET WRAP STATIONARY ROLL BRAKE TENSIONER
68.170.AM	02	NET WRAP STATIONARY ROLL BRAKE TENSIONER MOUNTING PARTS
68.170.AM	03	NET WRAP BRAKE
68.170.AP		NET, KNIFE
68.170.AX		NET WRAP, DUCKBILL
68.180.AA		VAR - 726738, 726963 - TWINE WRAPPER
68.180.AK	01	BALE SIZE INDICATOR
68.180.AK	02	TWINE MOTION INDICATOR
68.180.BB		TWINE KNIFE
68.180.BO	01	VAR - 726738, 726963 - TWINE ARM MOUNTING PARTS
68.180.BO	02	TWINE ARM PIVOT
68.180.BO	03	TWINE ARM ELECTRIC MOTOR
68.180.BO	05	TWINE, STARTER
70.000.00		PICTORIAL INDEX - EJECTION
70.280.AB	02	VAR - 726809 - BALE EJECTOR, 794992016 AND PRIOR
71.000.00		PICTORIAL INDEX - LUBRICATION SYSTEM
71.460.AF		REMOTE LUBRICATION LINE
71.480.AB	01	VAR - 726912 - LUBRICATION LINE, OILER
71.480.AL		LUBRICATION OILER PUMP
88.000.00		PICTORIAL INDEX - ACCESSORIES
88.100.01	01	WHEEL CHOCK
88.100.05	01	DIA KIT, FIRE EXTINGUISHER
88.100.31	01	DIA KIT, PTO SUPPORT
88.100.33	01	DIA KIT, HYDRAULIC BRAKES WITH 500/55-20 TIRES
88.100.33	02	DIA KIT, HYDRAULIC BRAKE CONTROLS WITH 500/55-20 TIRES
88.100.33	03	DIA KIT, HYDRAULIC BRAKES FOR 480/45-17 TIRES
88.100.33	04	DIA KIT, HYDRAULIC BRAKE CONTROL WITH 480/45-17 TIRES, ROTOR
88.100.33	05	DIA KIT, PNEUMATIC BRAKES, BRAKE VALVE, WITH 500/55-20 TIRES

TABLE OF CONTENTS

88.100.33	06	DIA KIT, PNEUMATIC BRAKES, RESERVOIR, WITH 500/55-20 TIRES
88.100.33	07	DIA KIT, EMERGENCY BRAKE
88.100.35	01	DIA KIT, HYDRAULIC SYSTEM, ROTOR REVERSER
88.100.35	02	DIA KIT, REVERSER LINKAGE
88.100.35	03	DIA KIT, REVERSER SHIELDS
88.100.35	04	VAR - 439062 - DIA KIT, DENSITY CYLINDER PRECHARGE
88.100.35	05	DIA KIT, SPLITTER VALVE
88.100.39	01	VAR - 716488 - DIA KIT, SAFETY CHAIN
88.100.39	02	DIA KIT, HIGH HITCH
88.100.55	01	VAR - 715019 - DIA KIT, ROTATING BEACON
88.100.55	02	DIA KIT, TAILGATE LATCH SENSOR
88.100.55	03	VAR - 715003 - DIA KIT, SIDE MARKER LIGHT
88.100.55	04	DIA KIT, TWINE MOTION SENSOR
88.100.55	05	DIA KIT, CONTROL BOX MOUNT
88.100.55	06	DIA KIT, OPERATOR PANEL VACUUM MOUNT
88.100.55	07	DIA KIT, REAR MARKER LIGHT
88.100.55	08	DIA KIT, BALE RAMP, SENSOR
88.100.60	01	DIA KIT, RUBBER TINE, 2M
88.100.60	02	DIA KIT, DUMMY SECTION, KNIFE
88.100.60	03	DIA KIT, PICKUP, WHEEL, NO TOOLS
88.100.60	04	DIA, KIT, ROLLER, WINDGUARD 1.8M
88.100.60	05	DIA KIT, ROLLER WINDGUARD, 2.0M
88.100.60	06	DIA KIT, FLIP UP DUAL CASTER WHEEL, LH
88.100.60	07	DIA KIT, FLIP UP DUAL CASTER WHEEL, RH
88.100.60	08	DIA KIT, MANUAL PICKUP LIFT
88.100.62	01	DIA KIT, DECLUTCH AND DRIVE ROLL CLUTCH
88.100.62	02	DIA KIT, DECLUTCH AND DRIVE ROLL CLUTCH
88.100.62	03	DIA KIT EXPELLER ROLLER
88.100.62	04	DIA KIT, FRONT SERPENTINE ROLL LOOP
88.100.62	05	DIA KIT, INFEED DISC
88.100.62	06	DIA KIT, LACING CABLE
88.100.62	07	DIA KIT, HEAVY DUTY LACING CABLE
88.100.62	08	DIA KIT, PREMIUM LACING CABLE KIT
88.100.62	10	DIA KIT, TAILGATE CHOPPING ROLL
88.100.68	02	DIA KIT, NET, CONVERSION KIT, DELUXE
88.100.68	03	DIA KIT, NET CONVERSION KIT, STANDARD

TABLE OF CONTENTS

88.100.70	01	DIA KIT, BALE EJECTOR
88.100.70	02	DIA KIT, BALE EJECTOR
88.100.71	01	DIA KIT, CHAIN OILER
88.100.90	01	DIA KIT, REAR NET STORAGE
88.100.90	02	DIA KIT, AUXILIARY TWINE BOX
88.100.90	03	DIA KIT, SIGNAL PLATES, ITALY
88.100.90	04	VAR - 715003 - DIA KIT, SLOW MOVING VEHICLE SIGN
90.000.00		PICTORIAL INDEX - PLATFORM, CAB, BODYWORK AND DECALS
90.105.AN		FRONT, SHIELD
90.105.AT	01	GEARBOX, SHIELD, INPUT SHAFT
90.105.AT	02	GEARBOX SHIELD, OUTPUT SHAFT
90.105.BH	01	RH, DOOR MOUNTING
90.105.BH	02	DOOR, RH
90.105.BH	03	DOOR, LATCH
90.105.BH	04	LH, DOOR MOUNTING
90.105.BH	05	DOOR, LH
90.105.BH	06	RH, DOOR MOUNTING
90.105.BH	07	DOOR, RH
90.105.BH	08	LH, DOOR MOUNTING
90.105.BH	09	DOOR, LH
90.105.BR	01	TWINE BOX, TWINE ONLY
90.105.BR	02	TWINE BOX, STANDARD NET- TWINE, 794992016 AND PRIOR
90.105.BR	03	STORAGE BOX, DELUXE NET TWINE
90.105.BR	04	NET BOX, REAR
90.105.BR	05	NET BOX, FRONT
90.105.BV	02	TOP, SHIELD
90.105.CL	01	NET BOX, FRONT, NET ONLY
90.108.AB	01	DECALS, MODEL, RH
90.108.AB	02	DECALS, MODEL, LH
90.108.AC	01	DECALS, SAFETY AND INFORMATION, RH
90.108.AC	02	DECALS, SAFETY AND INFORMATION, LH
90.116.AO	01	TAILGATE SHIELDS
90.116.AO	02	TAILGATE SHIELDS
90.119.AB	01	SHIELD PICK-UP DRIVE CHAIN
90.119.AB	02	SHIELD, PICK-UP DRIVE CHAIN
90.119.AB	03	ROTOR SHIELD, 4 X 5

TABLE OF CONTENTS

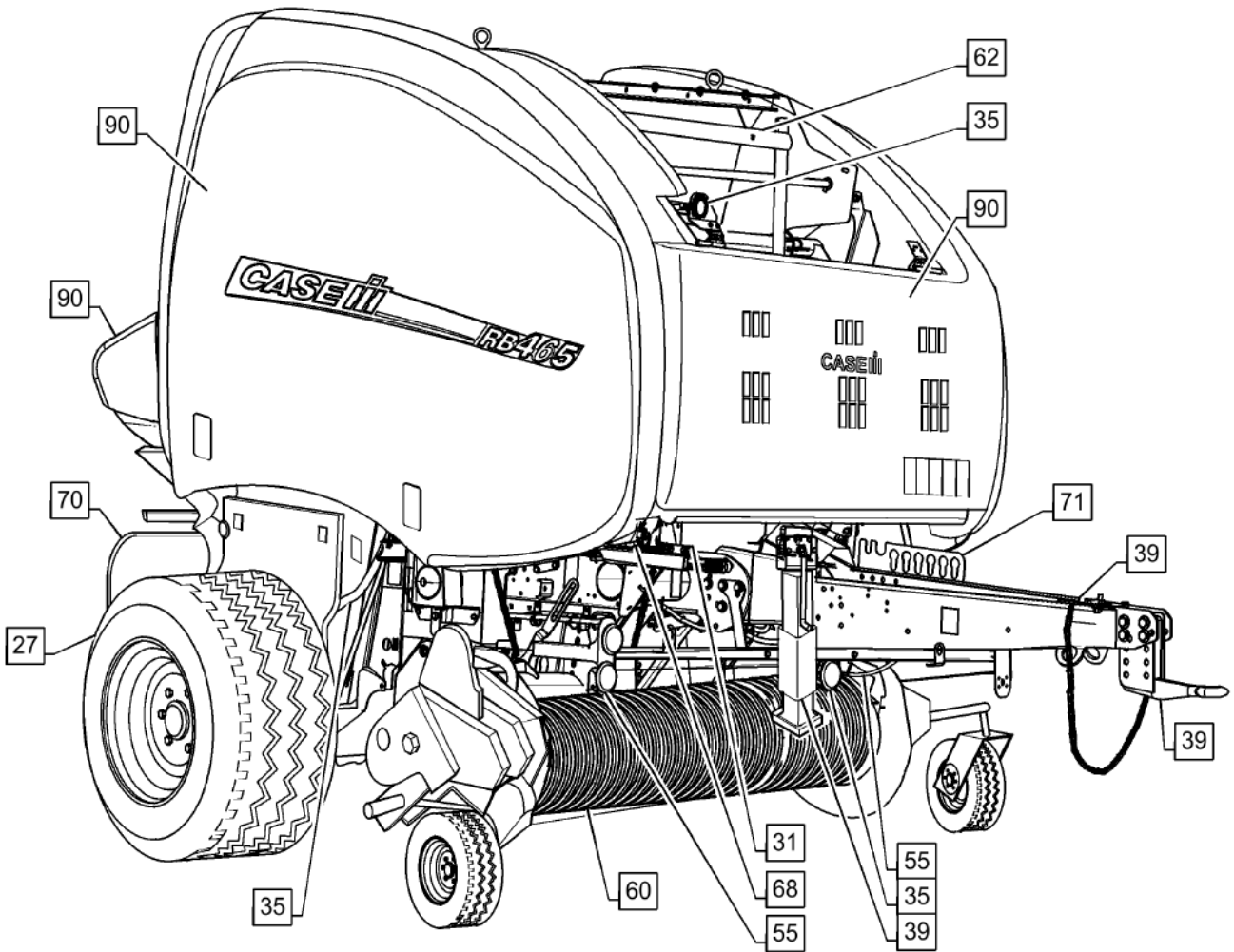
90.119.AB	04	ROTOR SHIELD, 4 X 6
90.119.AB	06	ROTOR, SHIELD, RH, OVERSHOT FEEDER

SECTION INDEX

GENERAL & PICTORIAL INDEX

00.000.00	02	PICTORIAL INDEX - MAIN SECTIONS, RB465
00.000.27		PICTORIAL INDEX - REAR AXLE SYSTEM
00.000.31		PICTORIAL INDEX - IMPLEMENT POWER TAKE-OFF
00.000.33		PICTORIAL INDEX - BRAKES & CONTROLS
00.000.35		PICTORIAL INDEX - HYDRAULIC SYSTEMS
00.000.39		PICTORIAL INDEX - FRAMES
00.000.55		PICTORIAL INDEX - ELECTRICAL SYSTEMS
00.000.60		PICTORIAL INDEX - PRODUCT FEEDING
00.000.62		PICTORIAL INDEX - PRESSING
00.000.68		PICTORIAL INDEX - TYING / WRAPPING
00.000.70		PICTORIAL INDEX - EJECTION
00.000.88		PICTORIAL INDEX - ACCESSORIES
00.000.90		PICTORIAL INDEX - PLATFORM, CAB, BODYWORK AND DECALS

PICTORIAL INDEX - MAIN SECTIONS, RB465



00.000.00

02

p1

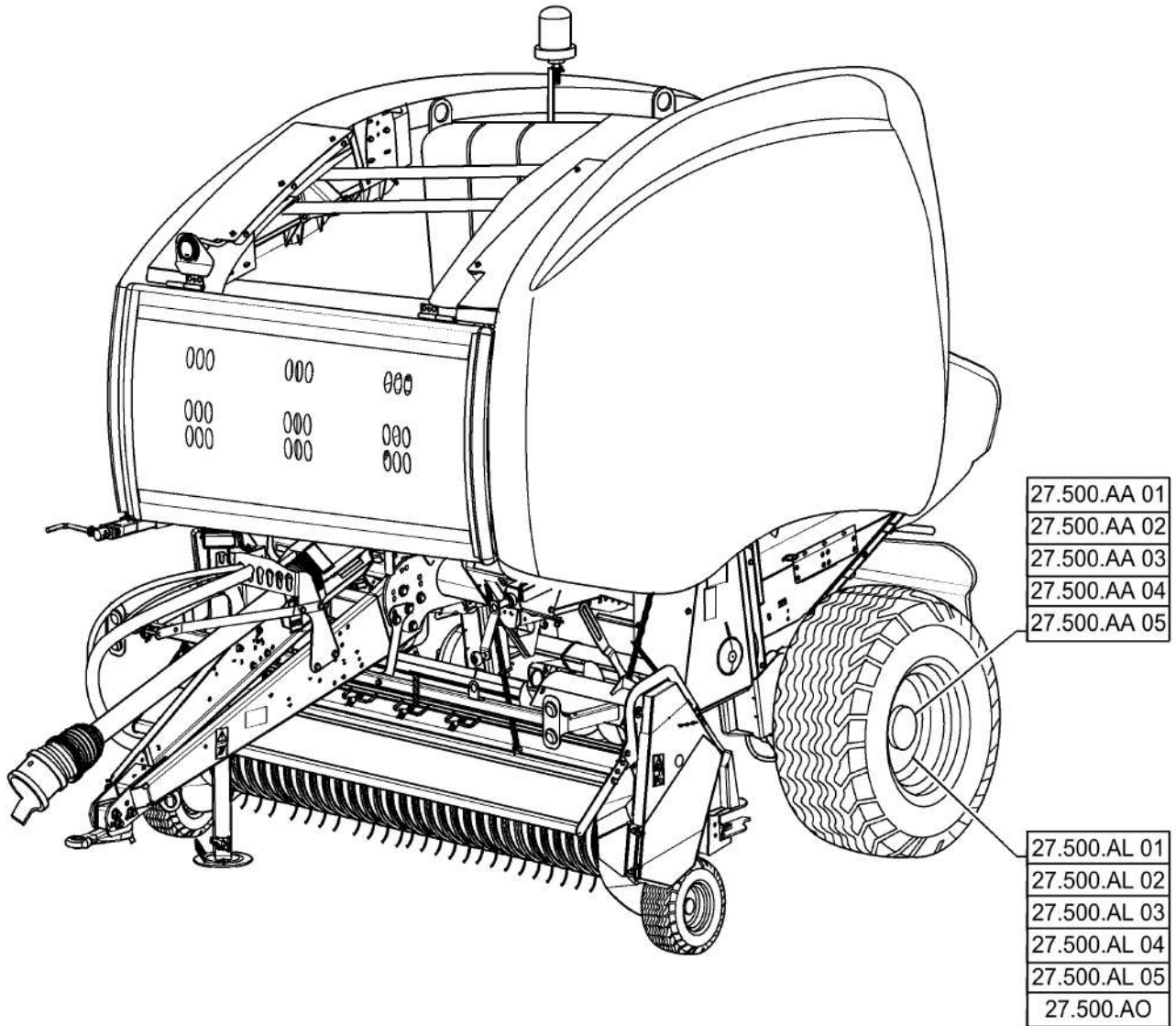
9/2015

PICTORIAL INDEX - MAIN SECTIONS, RB465

REF FN	PART NUMBER	YR/SN	QTY DESCRIPTION
05	}		MACHINE COMPLETION & EQUIPMENT
27	}		REAR AXLE SYSTEM
31	}		IMPLEMENT POWER TAKE OFF
33	}		BRAKES & CONTROLS
35	}		HYDRAULIC SYSTEMS
39	}		FRAMES & BALLASTING
55	}		ELECTRICAL SYSTEMS
60	}		PRODUCT FEEDING
62	}		PRESSING - BALE FORMATION
68	}		TYING/WRAPPING
70	}		EJECTION
71	}		LUBRICATION SYSTEM
88	}		ACCESSORIES
90	}		BODYWORK & DECALS

RB465-CASE IH ROUND BALER - EUROPE & R.O.W.

PICTORIAL INDEX - REAR AXLE SYSTEM



00.000.27

p1

9/2015

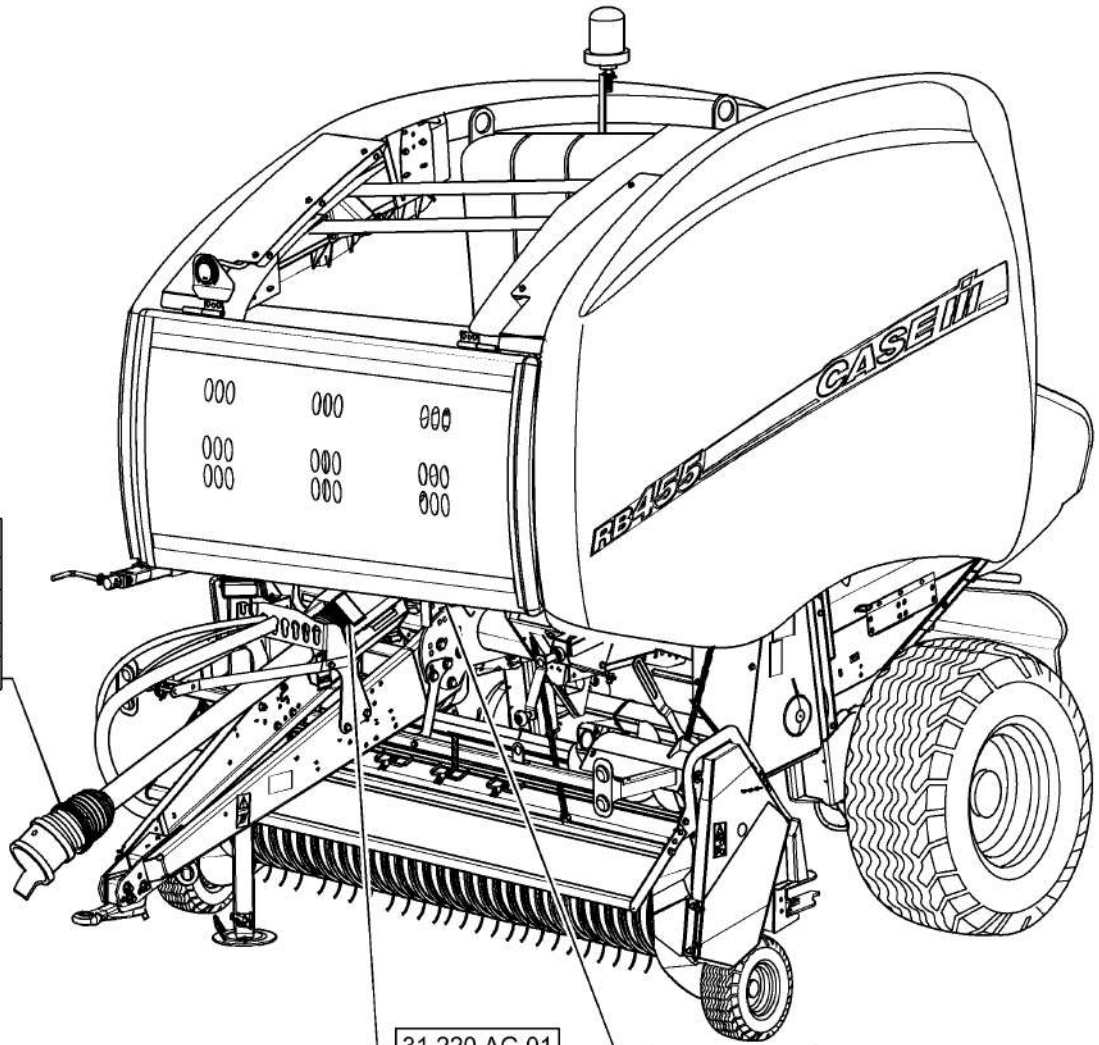
PICTORIAL INDEX - REAR AXLE SYSTEM

REF FN	PART NUMBER	YR/SN	QTY DESCRIPTION
---------------	--------------------	--------------	------------------------

RB465-CASE IH ROUND BALER - EUROPE & R.O.W.

PICTORIAL INDEX - IMPLEMENT POWER TAKE-OFF

- 31.201.AD 01
- 31.201.AD 02
- 31.201.AD 03
- 31.201.AD 04
- 31.201.AD 05



- 31.220.AG 01
- 31.220.AG 02
- 31.220.AG 03
- 31.220.AG 04

- 31.220.AL 01
- 31.220.AL 02

00.000.31

p1

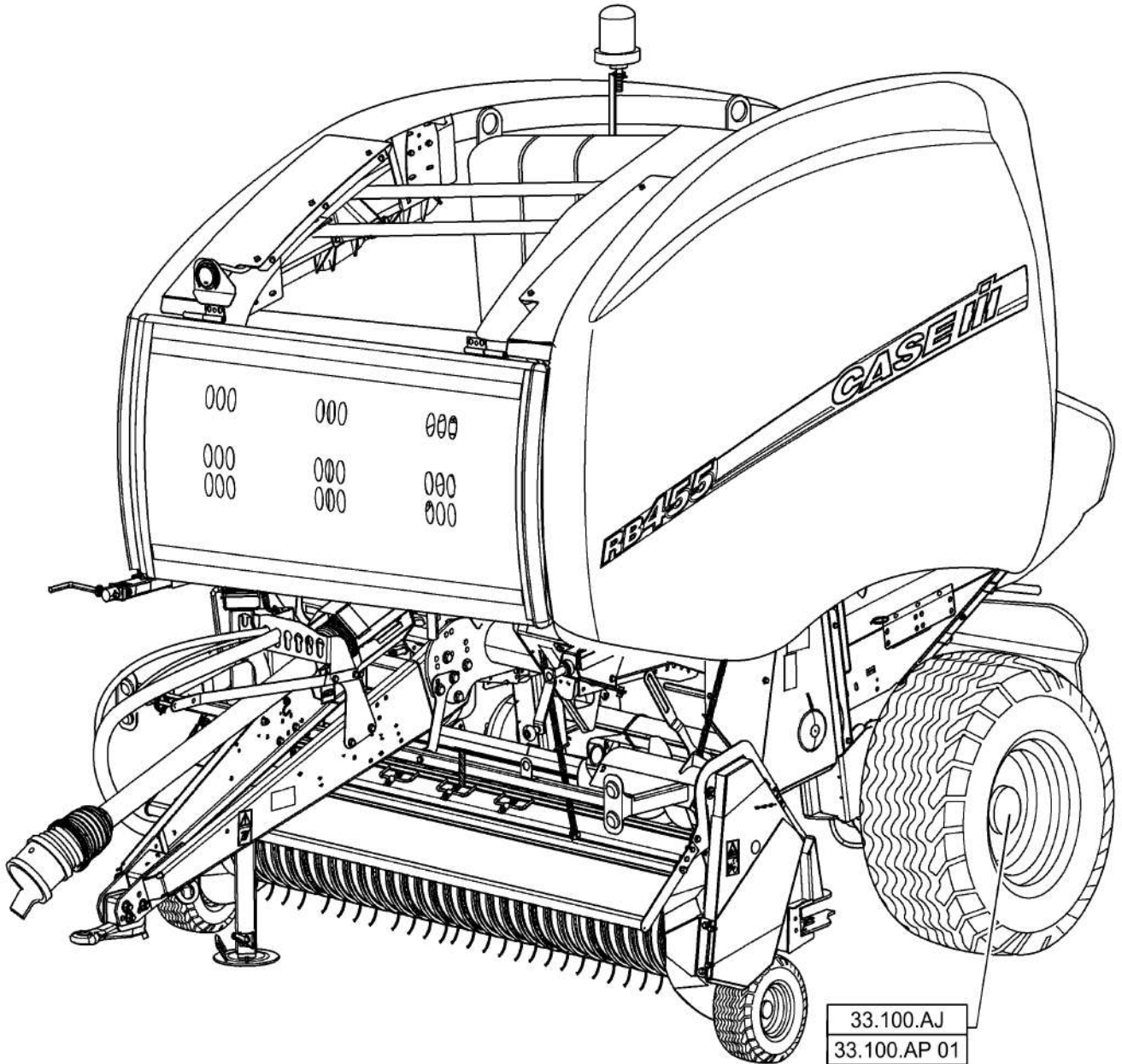
9/2015

PICTORIAL INDEX - IMPLEMENT POWER TAKE-OFF

REF FN	PART NUMBER	YR/SN	QTY DESCRIPTION
---------------	--------------------	--------------	------------------------

RB465-CASE IH ROUND BALER - EUROPE & R.O.W.

PICTORIAL INDEX - BRAKES & CONTROLS



33.100.AJ
33.100.AP 01
33.100.AP 02
33.100.AP 03
33.100.AP 04
33.100.AP 05
33.100.AP 06
33.100.AP 07
33.100.AP 08
33.240.AB
33.300.AC

00.000.33

p1

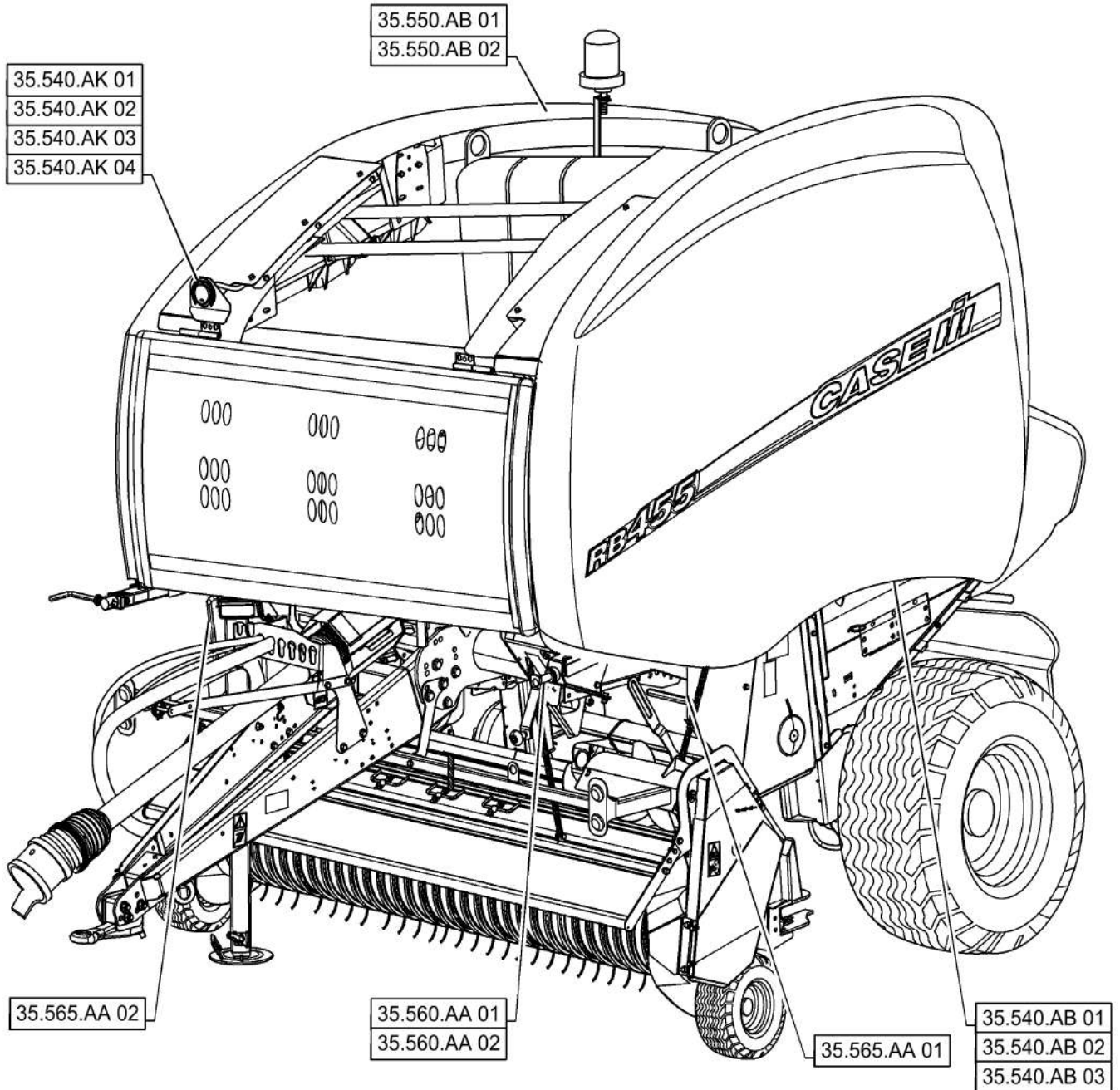
9/2015

PICTORIAL INDEX - BRAKES & CONTROLS

REF FN	PART NUMBER	YR/SN	QTY DESCRIPTION
---------------	--------------------	--------------	------------------------

RB465-CASE IH ROUND BALER - EUROPE & R.O.W.

PICTORIAL INDEX - HYDRAULIC SYSTEMS



00.000.35

p1

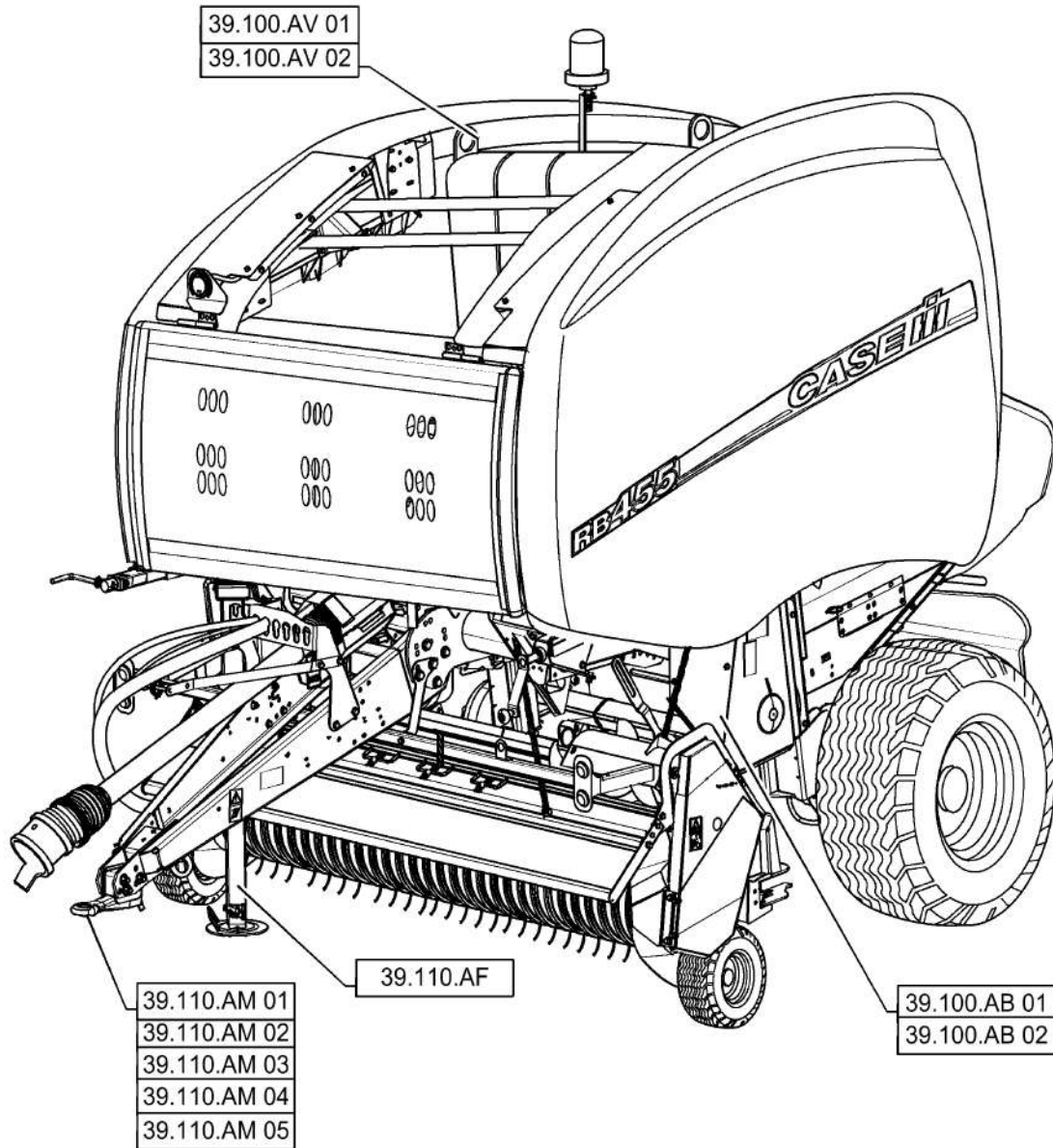
9/2015

PICTORIAL INDEX - HYDRAULIC SYSTEMS

REF FN	PART NUMBER	YR/SN	QTY DESCRIPTION
---------------	--------------------	--------------	------------------------

RB465-CASE IH ROUND BALER - EUROPE & R.O.W.

PICTORIAL INDEX - FRAMES



00.000.39

p1

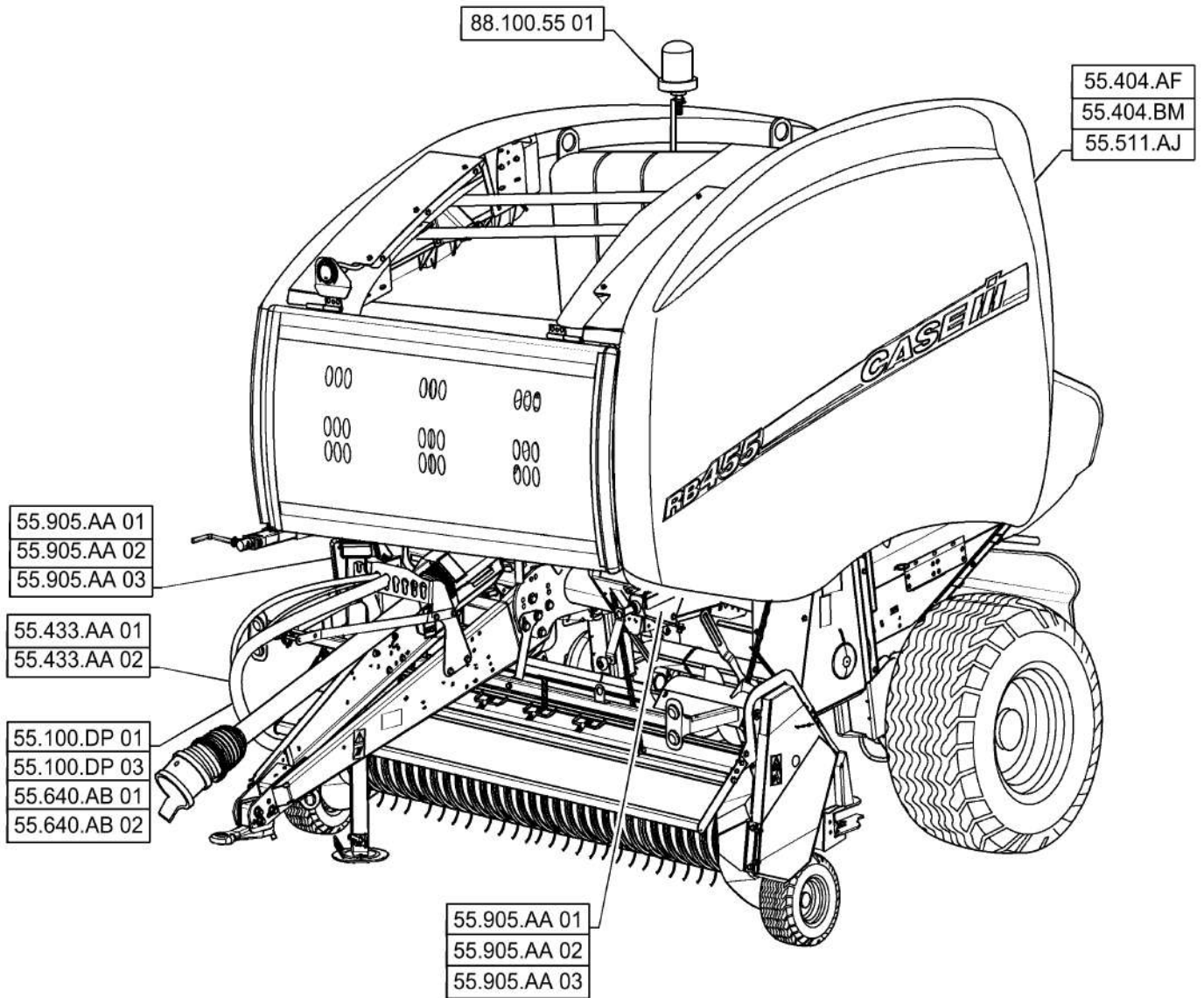
9/2015

PICTORIAL INDEX - FRAMES

REF FN	PART NUMBER	YR/SN	QTY DESCRIPTION
---------------	--------------------	--------------	------------------------

RB465-CASE IH ROUND BALER - EUROPE & R.O.W.

PICTORIAL INDEX - ELECTRICAL SYSTEMS



00.000.55

p1

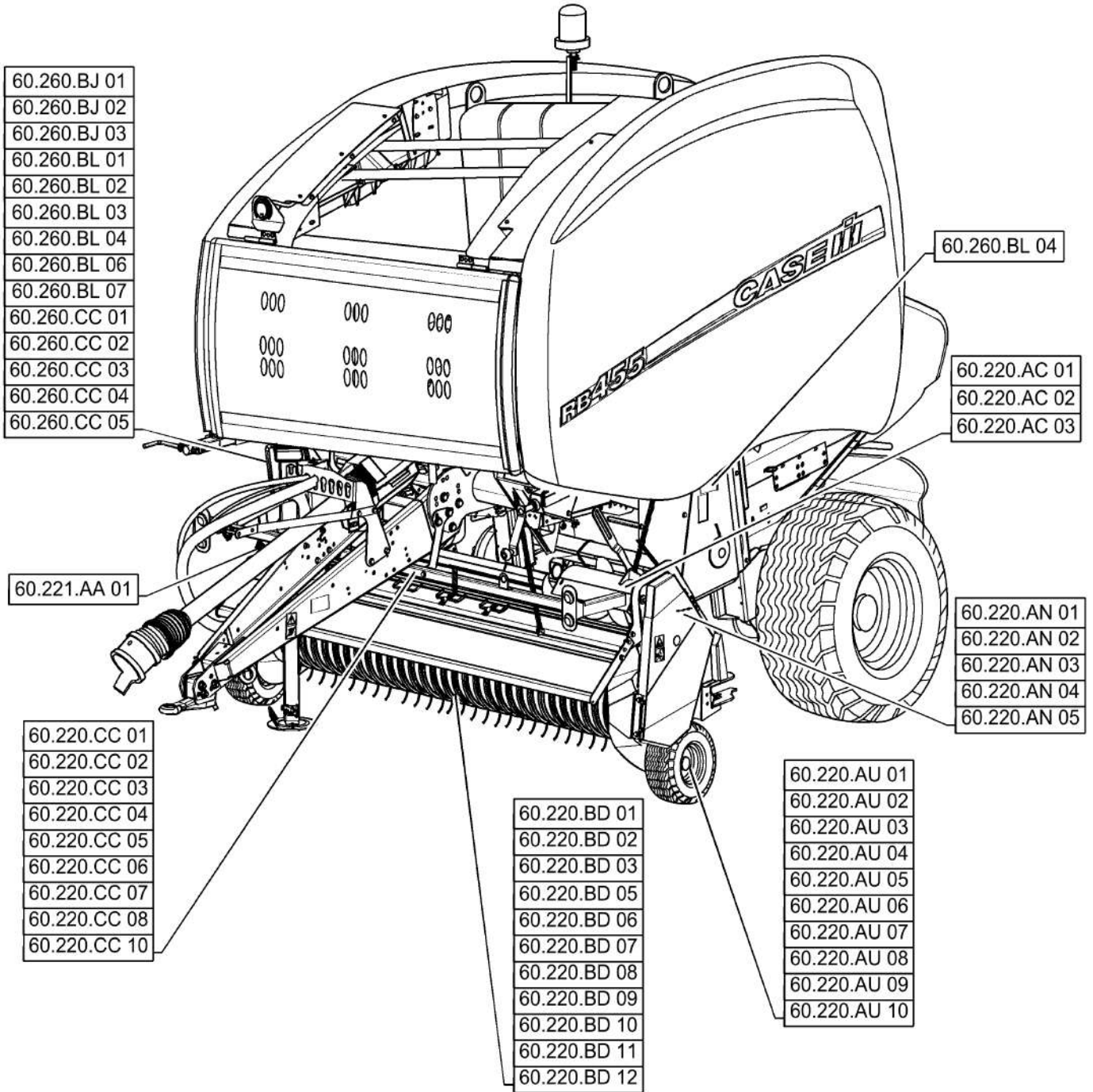
9/2015

PICTORIAL INDEX - ELECTRICAL SYSTEMS

REF FN	PART NUMBER	YR/SN	QTY DESCRIPTION
---------------	--------------------	--------------	------------------------

RB465-CASE IH ROUND BALER - EUROPE & R.O.W.

PICTORIAL INDEX - PRODUCT FEEDING



- 60.260.BJ 01
- 60.260.BJ 02
- 60.260.BJ 03
- 60.260.BL 01
- 60.260.BL 02
- 60.260.BL 03
- 60.260.BL 04
- 60.260.BL 06
- 60.260.BL 07
- 60.260.CC 01
- 60.260.CC 02
- 60.260.CC 03
- 60.260.CC 04
- 60.260.CC 05

60.260.BL 04

- 60.220.AC 01
- 60.220.AC 02
- 60.220.AC 03

60.221.AA 01

- 60.220.AN 01
- 60.220.AN 02
- 60.220.AN 03
- 60.220.AN 04
- 60.220.AN 05

- 60.220.CC 01
- 60.220.CC 02
- 60.220.CC 03
- 60.220.CC 04
- 60.220.CC 05
- 60.220.CC 06
- 60.220.CC 07
- 60.220.CC 08
- 60.220.CC 10

- 60.220.BD 01
- 60.220.BD 02
- 60.220.BD 03
- 60.220.BD 05
- 60.220.BD 06
- 60.220.BD 07
- 60.220.BD 08
- 60.220.BD 09
- 60.220.BD 10
- 60.220.BD 11
- 60.220.BD 12

- 60.220.AU 01
- 60.220.AU 02
- 60.220.AU 03
- 60.220.AU 04
- 60.220.AU 05
- 60.220.AU 06
- 60.220.AU 07
- 60.220.AU 08
- 60.220.AU 09
- 60.220.AU 10

00.000.60

p1

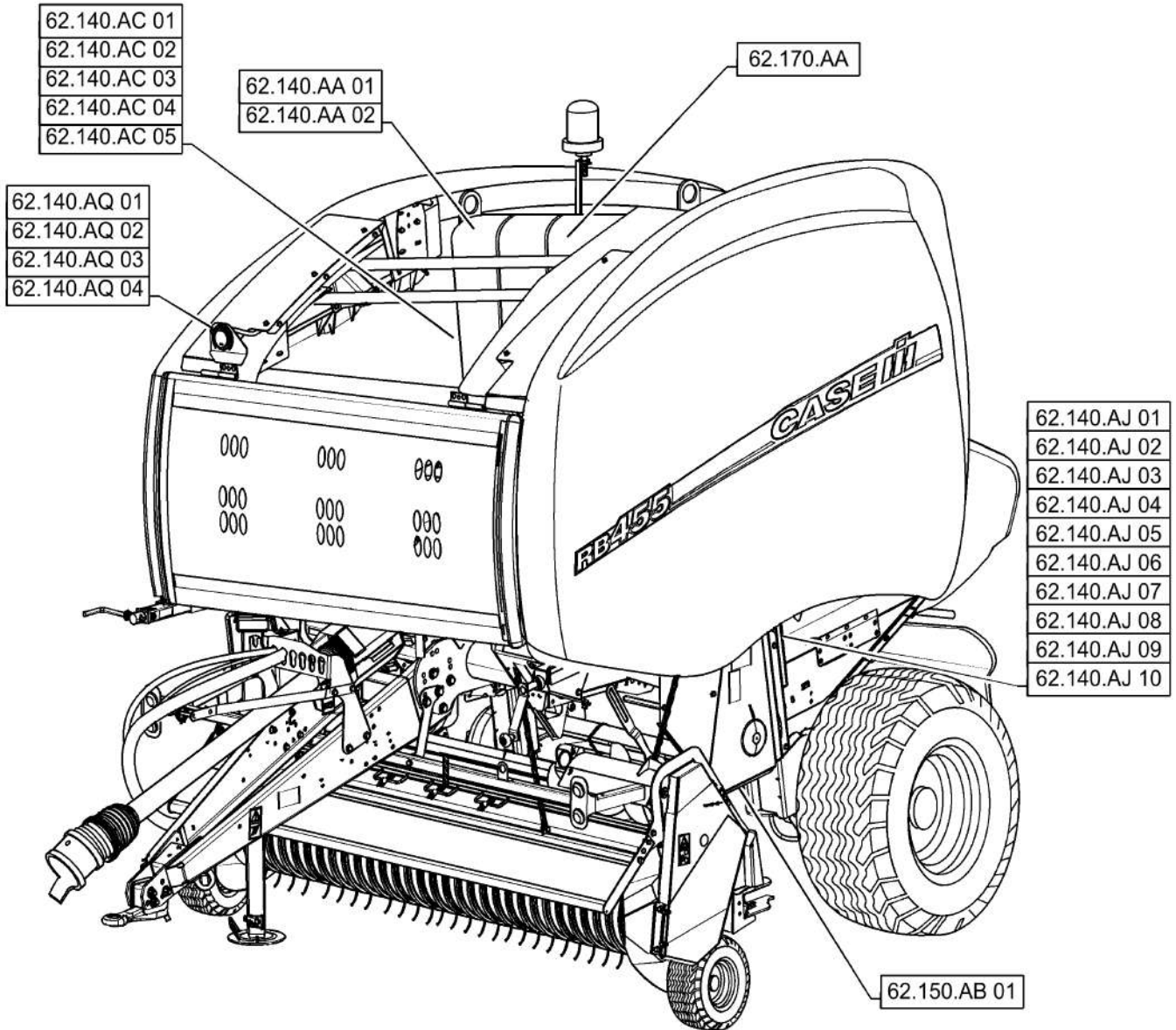
9/2015

PICTORIAL INDEX - PRODUCT FEEDING

REF FN	PART NUMBER	YR/SN	QTY DESCRIPTION
---------------	--------------------	--------------	------------------------

RB465-CASE IH ROUND BALER - EUROPE & R.O.W.

PICTORIAL INDEX - PRESSING



00.000.62

p1

9/2015

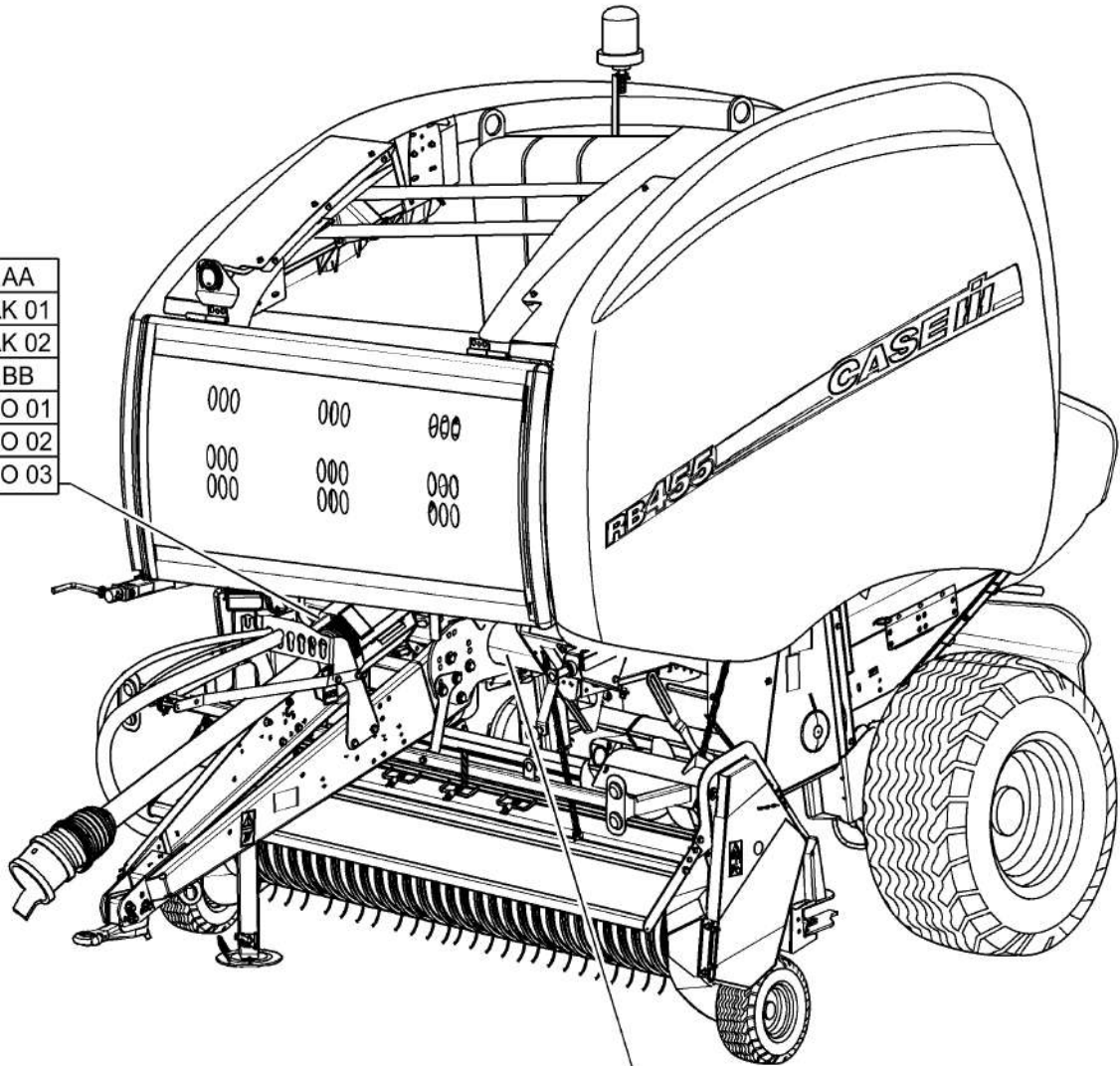
PICTORIAL INDEX - PRESSING

REF FN	PART NUMBER	YR/SN	QTY DESCRIPTION
---------------	--------------------	--------------	------------------------

RB465-CASE IH ROUND BALER - EUROPE & R.O.W.

PICTORIAL INDEX - TYING / WRAPPING

- 68.180.AA
- 68.180.AK 01
- 68.180.AK 02
- 68.180.BB
- 68.180.BO 01
- 68.180.BO 02
- 68.180.BO 03



- 68.170.AF 01
- 68.170.AF 02
- 68.170.AG
- 68.170.AH 01
- 68.170.AH 02
- 68.170.AM 01
- 68.170.AM 02
- 68.170.AM 03
- 68.170.AP
- 68.170.AX

00.000.68

p1

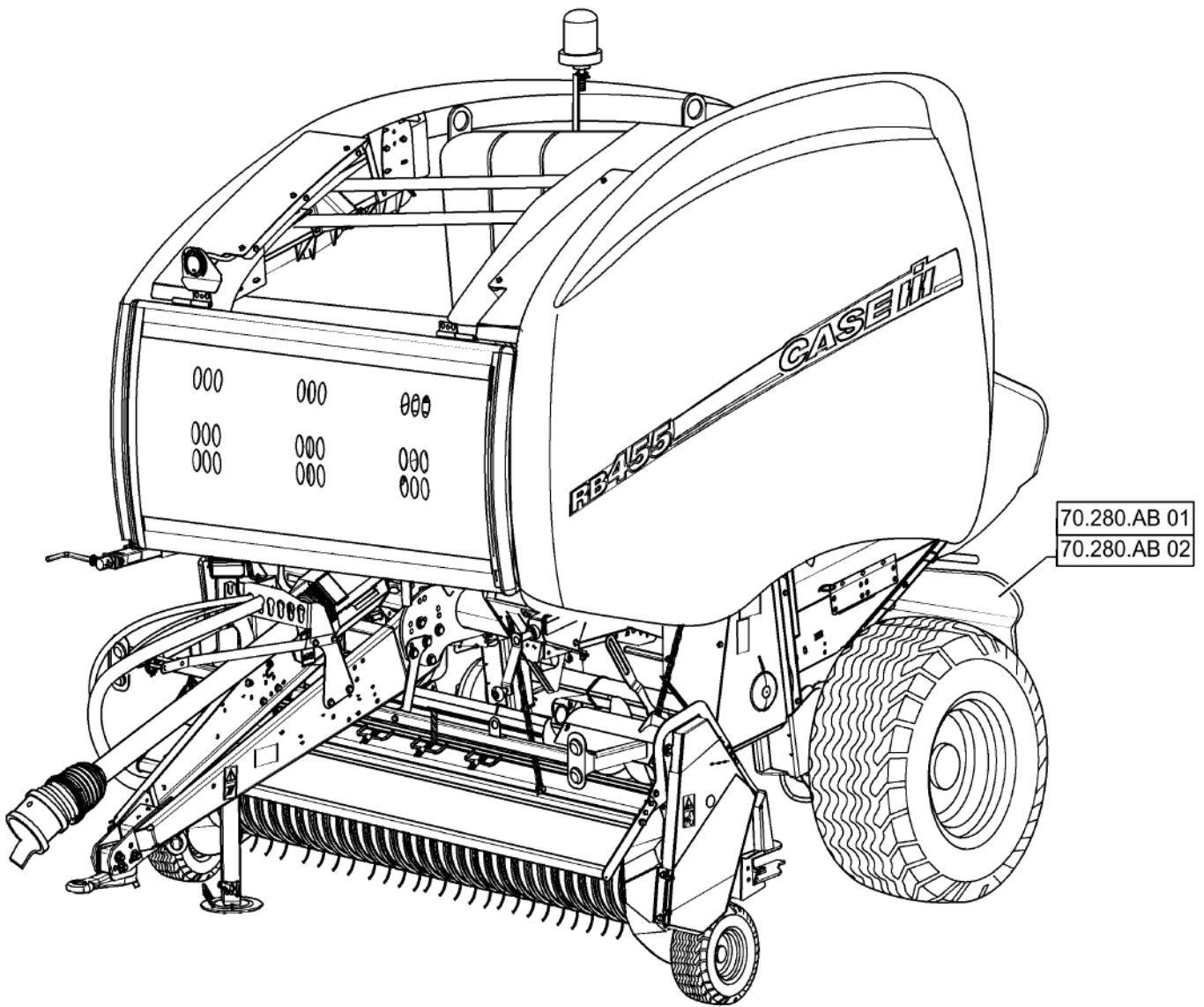
9/2015

PICTORIAL INDEX - TYING / WRAPPING

REF FN	PART NUMBER	YR/SN	QTY DESCRIPTION
---------------	--------------------	--------------	------------------------

RB465-CASE IH ROUND BALER - EUROPE & R.O.W.

PICTORIAL INDEX - EJECTION



00.000.70

p1

9/2015

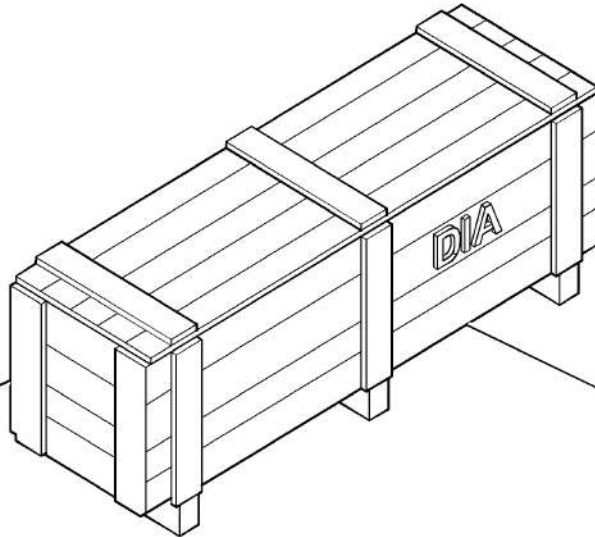
PICTORIAL INDEX - EJECTION

REF FN	PART NUMBER	YR/SN	QTY DESCRIPTION
---------------	--------------------	--------------	------------------------

RB465-CASE IH ROUND BALER - EUROPE & R.O.W.

PICTORIAL INDEX - ACCESSORIES

- 88.100.05 01
- 88.100.31 01
- 88.100.33 01
- 88.100.33 02
- 88.100.33 03
- 88.100.33 04
- 88.100.33 05
- 88.100.33 06
- 88.100.33 07
- 88.100.35 01
- 88.100.35 02
- 88.100.35 03
- 88.100.35 04
- 88.100.35 05
- 88.100.39 01
- 88.100.39 02
- 88.100.55 01
- 88.100.55 02
- 88.100.55 03
- 88.100.55 04
- 88.100.55 05
- 88.100.55 06
- 88.100.55 07
- 88.100.55 09



- 88.100.60 01
- 88.100.60 03
- 88.100.60 04
- 88.100.60 05
- 88.100.60 06
- 88.100.60 07
- 88.100.60 08
- 88.100.62 01
- 88.100.62 02
- 88.100.62 03
- 88.100.62 04
- 88.100.62 05
- 88.100.68 01
- 88.100.68 02
- 88.100.68 03
- 88.100.70 01
- 88.100.70 02
- 88.100.71 01
- 88.100.90 01
- 88.100.90 02
- 88.100.90 03
- 88.100.90 04

00.000.88

p1

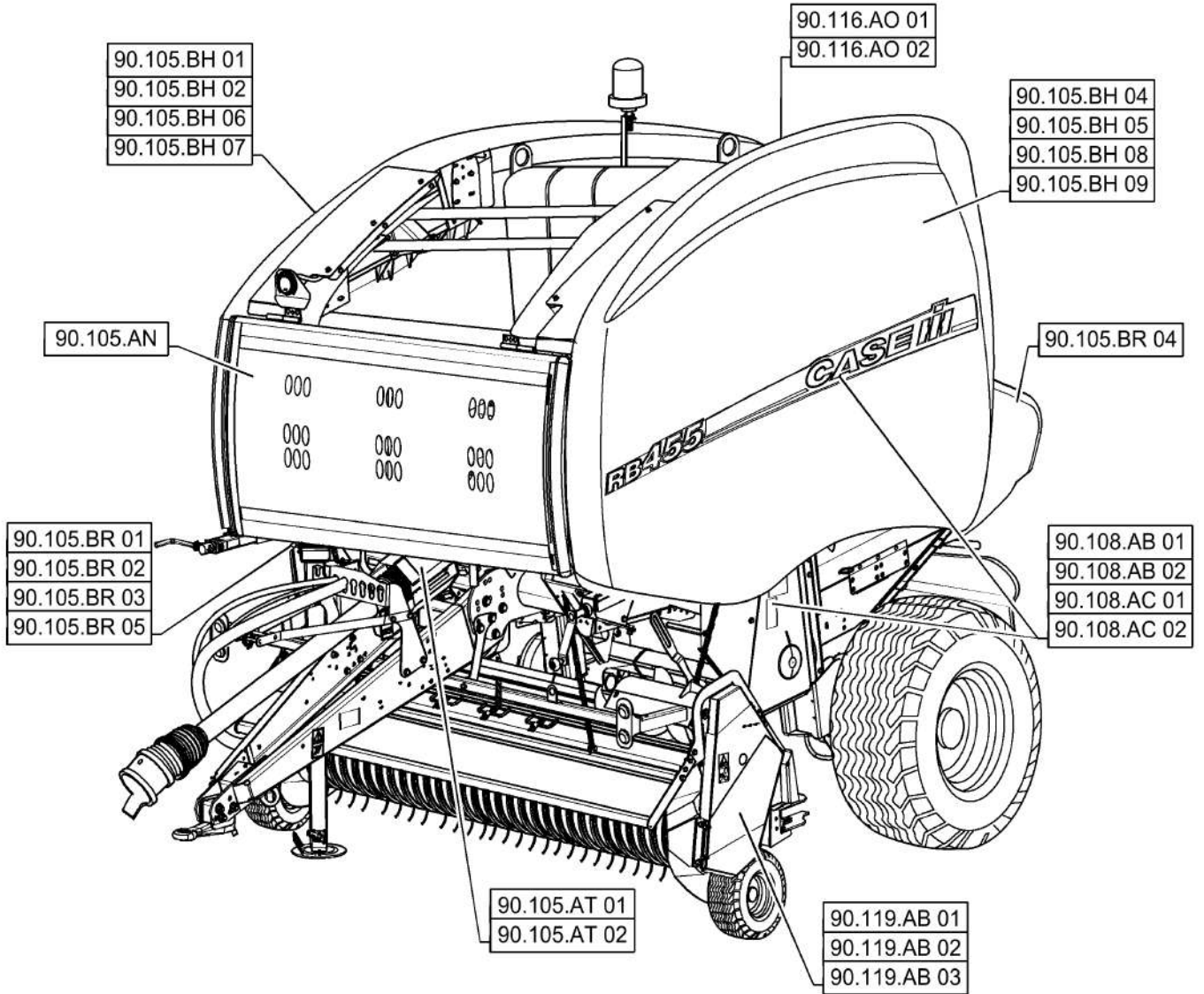
9/2015

PICTORIAL INDEX - ACCESSORIES

REF FN	PART NUMBER	YR/SN	QTY	DESCRIPTION
---------------	--------------------	--------------	------------	--------------------

RB465-CASE IH ROUND BALER - EUROPE & R.O.W.

PICTORIAL INDEX - PLATFORM, CAB, BODYWORK AND DECALS



00.000.90

p1

9/2015

PICTORIAL INDEX - PLATFORM, CAB, BODYWORK AND DECALS

REF FN	PART NUMBER	YR/SN	QTY	DESCRIPTION
---------------	--------------------	--------------	------------	--------------------

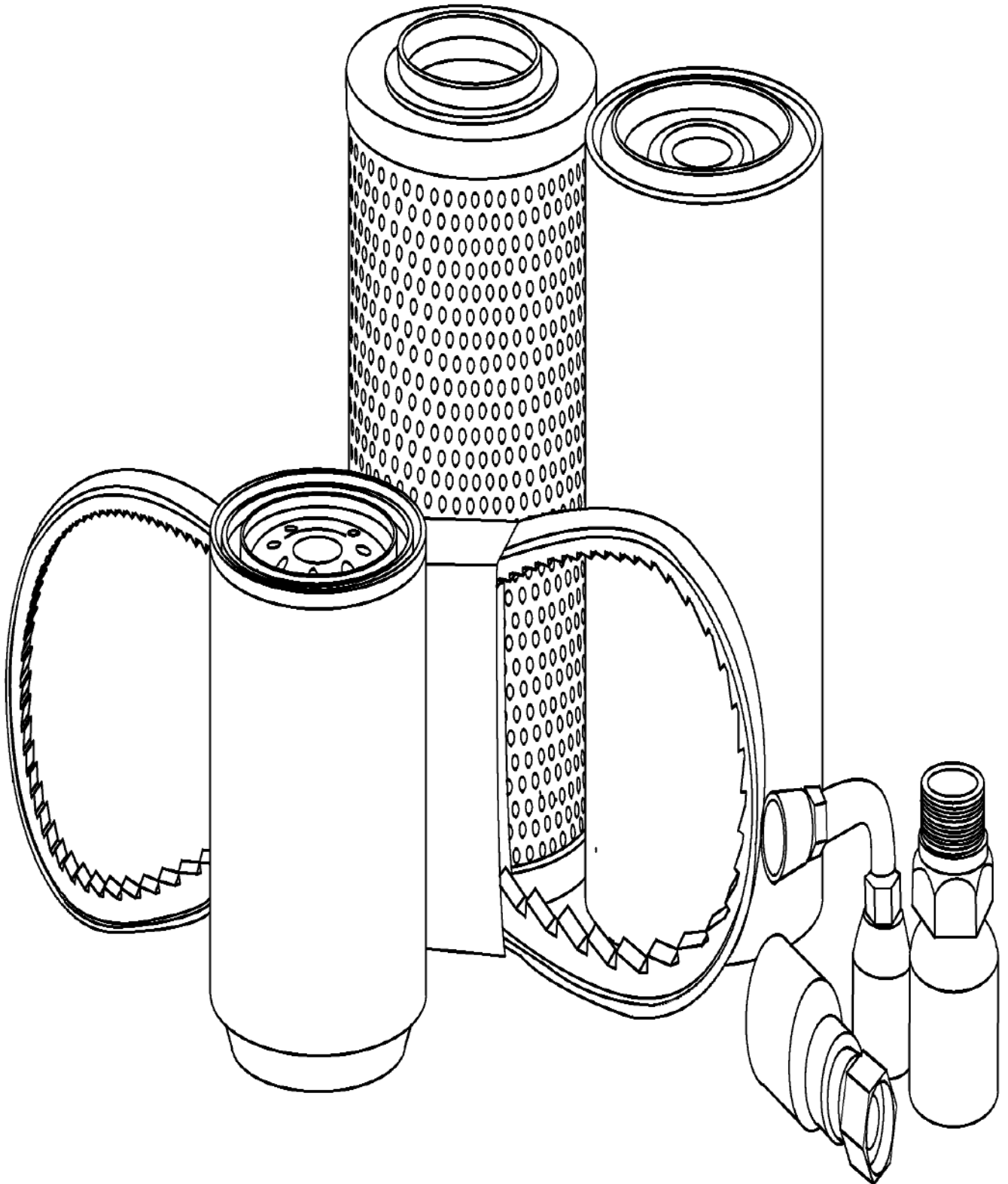
RB465-CASE IH ROUND BALER - EUROPE & R.O.W.

SECTION INDEX

SERVICE & MAINTENANCE

05.100.01		INITIAL STOCK LIST, LIST A
05.100.03	02	CAPACITIES

INITIAL STOCK LIST, LIST A

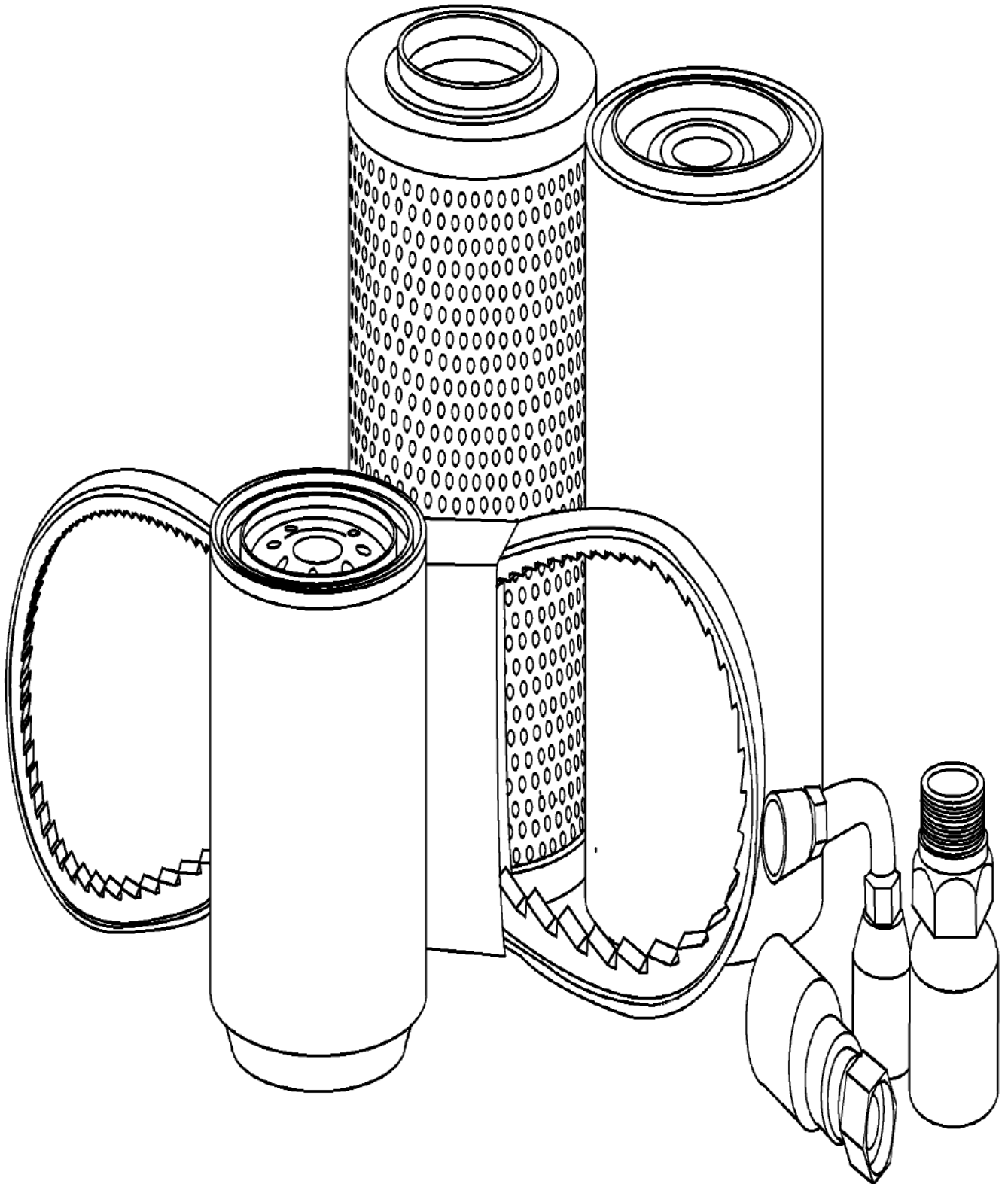


INITIAL STOCK LIST, LIST A

REF FN	PART NUMBER	YR/SN	QTY DESCRIPTION
1	86977396		1 POTENTIOMETER 3000 Ohm, 16 VDC
2	84384411		1 PRESSURE GAUGE 3000 PSI, 1/4" NPT
3	87613865		1 BELT
4	87613866		1 BELT
5	86629566		1 PLASTIC-RUBBER TUBE 2.8mm ID x 4.8mm OD
6	E35556		1 BULB 12V, 10W
7	418870		1 BULB 12V, 10W
8	9822519		1 COMMUTATOR BRUSH
9	87660576		1 BEARING ASSY 40mm ID
10	87660575		1 BEARING ASSY 40mm ID
12	86978595		1 BEARING ASSY
13	86609558		1 BEARING ASSY 45mm ID
14	52443		1 BALL BEARING 38.1mm ID x 79.99mm OD x 22mm W
15	86974037		1 FLANGE
16	87660333		1 BEARING ASSY 50mm ID
17	86636892		1 FLANGE
18	412441		1 ROLLER BEARING 40mm ID x 80mm OD x 21mm W
19	86620027		1 FLANGED BEARING 80.02mm ID x 147.6mm OD x 4mm Thk
20	84405459		1 BALL BEARING 40mm ID
21	87660332		1 BEARING ASSY 45mm ID
22	76450		1 FLANGE
23	86594422		1 SENSOR
24	87649286		1 KNIFE ASSY
25	87011880		1 SPROCKET 13T
26	84271552		1 IDLER 50.8mm OD x 56mm L
27	47435620		1 LINK 24.399mm Pitch
28	84356440		1 LINK 25.4mm Pitch
29	84606149		1 VALVE WITH LEVER
30	86630002		1 ORIFICE 15.88mm OD x 5.08mm Thk
31	241-3713		1 LINK 9.53mm Pitch
32	87010284		1 CAMSHAFT BEARING

RB465-CASE IH ROUND BALER - EUROPE & R.O.W.

INITIAL STOCK LIST, LIST A

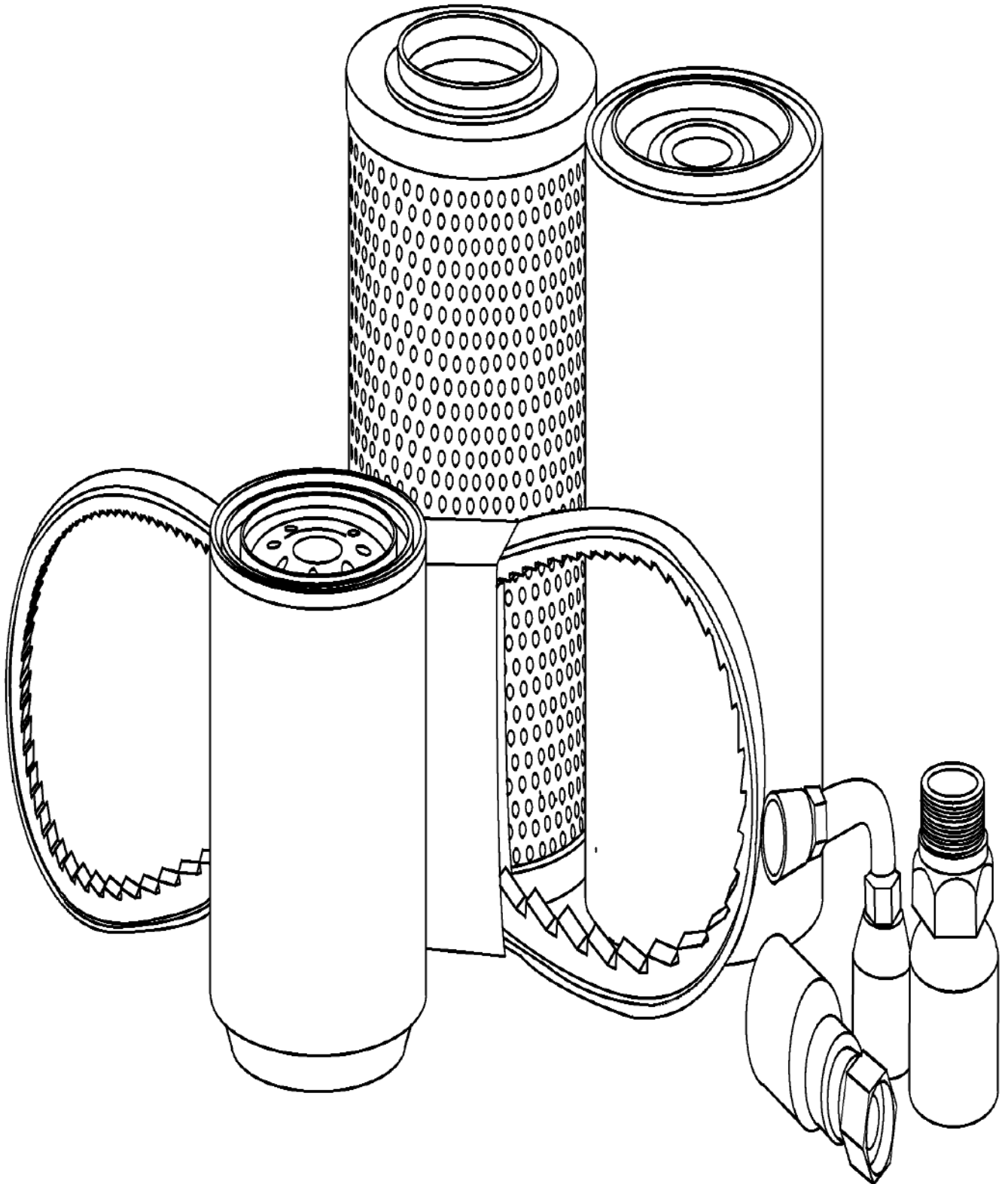


INITIAL STOCK LIST, LIST A

REF FN	PART NUMBER	YR/SN	QTY DESCRIPTION
33	47448067		1 CURTAIN
34	86622552		1 SHIELD
35	47756766		1 SHIELD Rubber
36	617945		1 KNIFE SECTION
37	9806864		1 KNIFE 382mm L x 38.1mm W x 3.4mm Thk
38	86593724		1 KNIFE 445.8mm L x 38.1mm W x 3.4mm Thk
39	9825943		1 SENSOR
40	84259867		1 BALL BEARING 38.1mm ID x 80mm OD x 22mm W
42	84351002		1 IDLER 13.2mm ID x 60mm OD x 48mm L
43	66553		1 BALL BEARING 16.13mm ID x 40mm OD x 12.12mm W
44	84303987		1 IDLER
45	84545610		1 CONNECTING LINK
46	87530084		1 BUSHING 35.06mm ID x 41.34mm OD x 26 Thk
47	570821		1 SELF-TAP SCREW Hex Flng, 5/16" - 18 x 5/8"
48	87034817		1 SELF-TAP SCREW HWH, 5/16" - 18 x 3/4"
49	38766		1 BALL BEARING 31.75mm ID x 62mm OD x 18mm W
50	87758678		1 FLANGE
51	84324246		1 SPHERICAL BEARING 31.75mm ID x 72mm OD x 25mm Thk
52	86620026		1 FLANGED BEARING
53	84559050		1 GUARD
54	86594423		1 BEARING 28.6mm Hex x 72mm OD x 25mm W
55	47395016		1 TINE
56	84404537		1 TINE 2 Prong, 96.5mm W x 162.4mm L
57	54695		1 BEARING HOUSING
58	86641856		1 BEARING 27.1 mm ID x 47 mm OD x 25.4 mm
59	84266808		1 BEARING ASSY 27.28mm ID x 47mm OD x 12.7mm W
60	84350126		1 CAM FOLLOWER 1/2" - 20 x 38mm OD x 54.5mm L

RB465-CASE IH ROUND BALER - EUROPE & R.O.W.

INITIAL STOCK LIST, LIST A

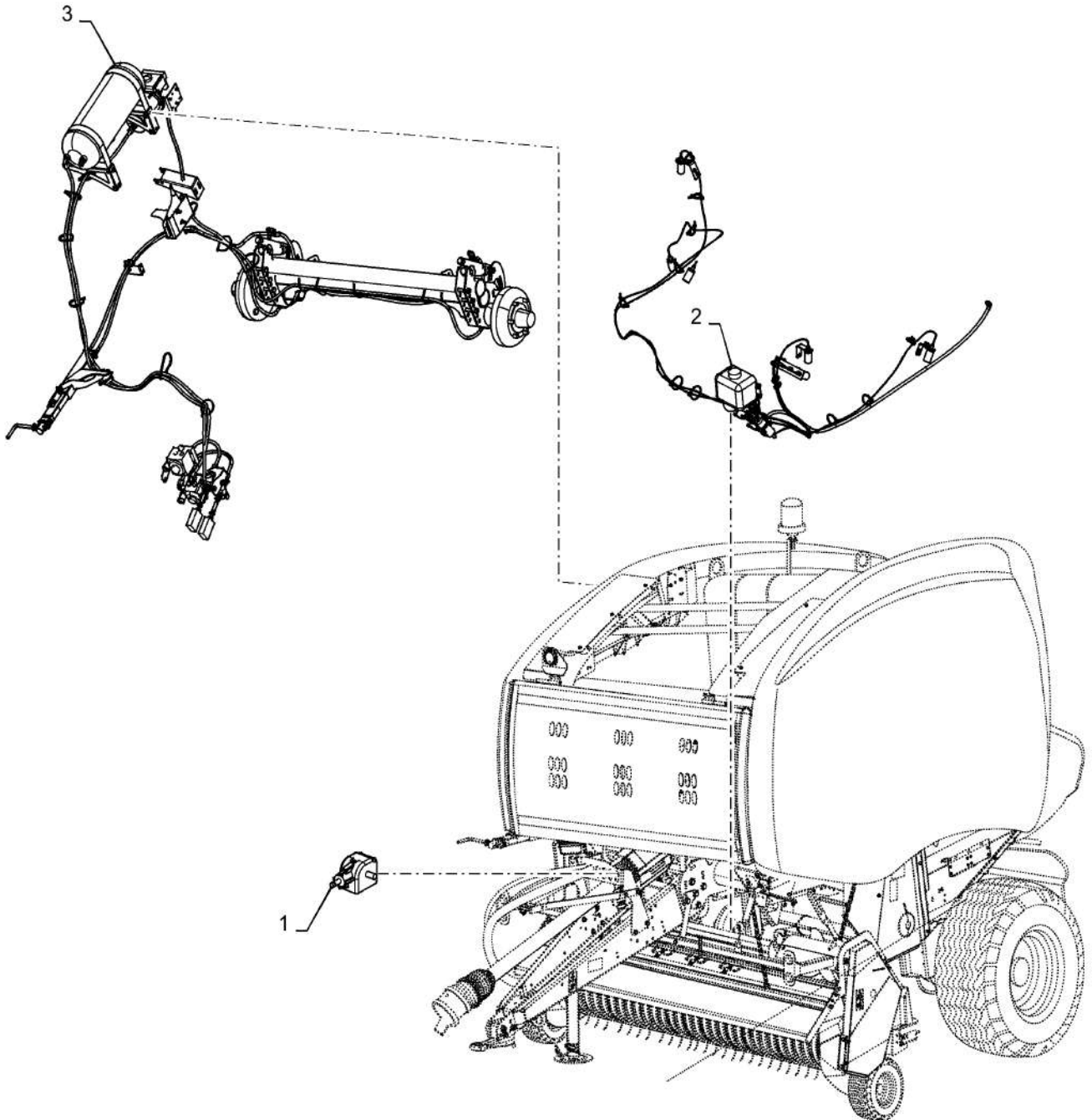


INITIAL STOCK LIST, LIST A

REF FN	PART NUMBER	YR/SN	QTY DESCRIPTION
61	87642989		1 BOLT Tine, 5/16" - 18 x 2"
62	87643386		1 BRACKET
63	84133738		1 TINE
64	84427925		1 TOOTH
65	325103		1 BALL BEARING 25mm ID x 52mm OD x 15mm W
66	86603075		1 FLANGE Bearing, 52.01 mm ID x 95.3 mm OD x 8.7 mm

RB465-CASE IH ROUND BALER - EUROPE & R.O.W.

CAPACITIES



CAPACITIES

REF FN	PART NUMBER	YR/SN	QTY DESCRIPTION
1	{ }		Main Drive Gearbox, 1.9 L, Rotor Feeder & OverShot Feeder Models
1	{ }		Main Drive Gearbox, 2.0 L, Rotor Cutter Models
2	{ }		Drive Chain Oiler Reservoir, 1.9 L
3	{ }		Brake Reservoir, 1.0 L

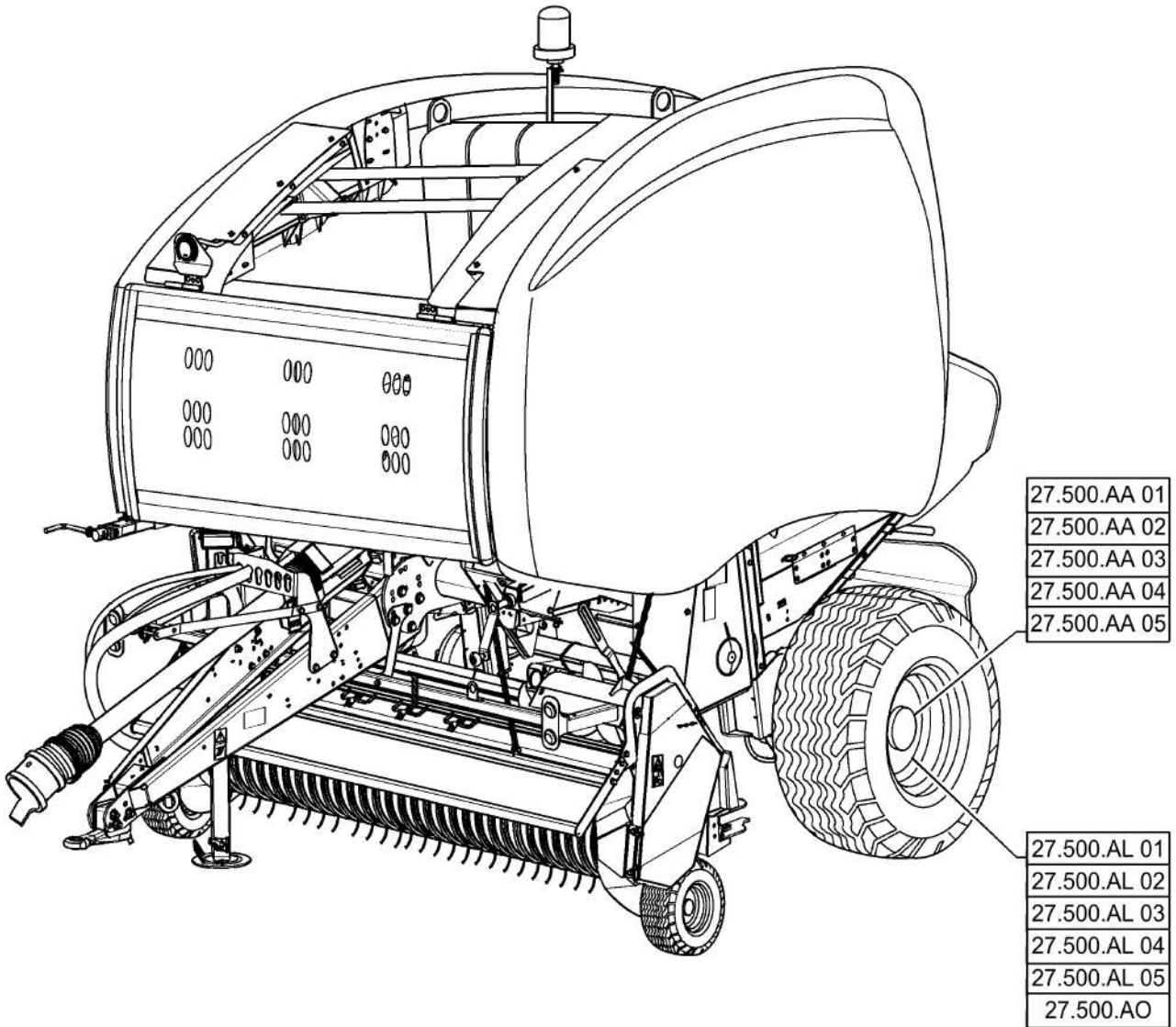
RB465-CASE IH ROUND BALER - EUROPE & R.O.W.

SECTION INDEX

REAR AXLE SYSTEM

27.000.00		PICTORIAL INDEX - REAR AXLE
27.500.AA	01	VAR - 726941 - AXLE, NO BRAKES
27.500.AA	02	PARKING BRAKE, ACTUATOR
27.500.AA	03	VAR - 726942 - AXLE, NO BRAKES, 500/55-20 TIRES
27.500.AA	04	VAR - 726808 - AXLE, BUMPER
27.500.AA	05	VAR - 726943, 7269644, 726945 - PARKING BRAKE, AXLE, 500/55-20 TIRES
27.500.AL	01	VAR - 804990, 807490 - WHEELS, 480/45 - 17
27.500.AL	03	VAR - 804990 - WHEELS, 480/45-17 10 PLY, W/BRAKES
27.500.AL	04	VAR - 809790 - WHEELS, 380 X 55-17
27.500.AL	05	WHEEL CHOCK
27.500.AL	06	VAR - 800197, 800198 - WHEELS, 500/55-20
27.500.AO		WHEEL HUB & SPINDLE, HEAVY DUTY

PICTORIAL INDEX - REAR AXLE



27.000.00

p1

9/2015

PICTORIAL INDEX - REAR AXLE

REF FN	PART NUMBER	YR/SN	QTY DESCRIPTION
---------------	--------------------	--------------	------------------------

RB465-CASE IH ROUND BALER - EUROPE & R.O.W.

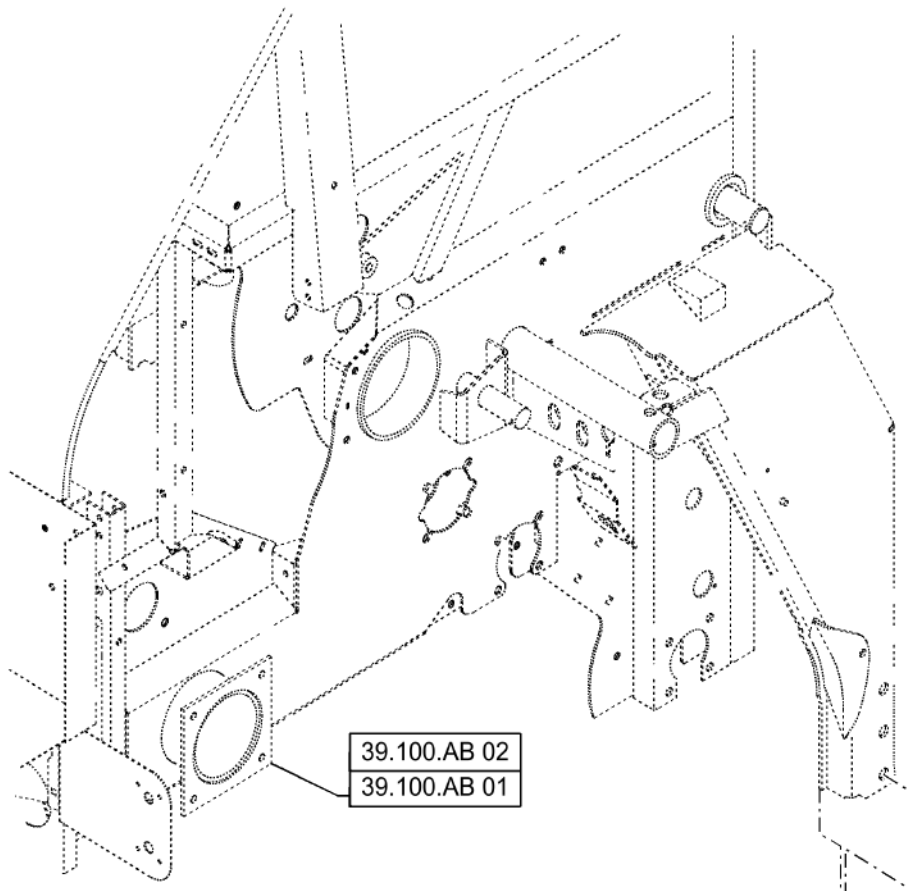
27.500.AA

01

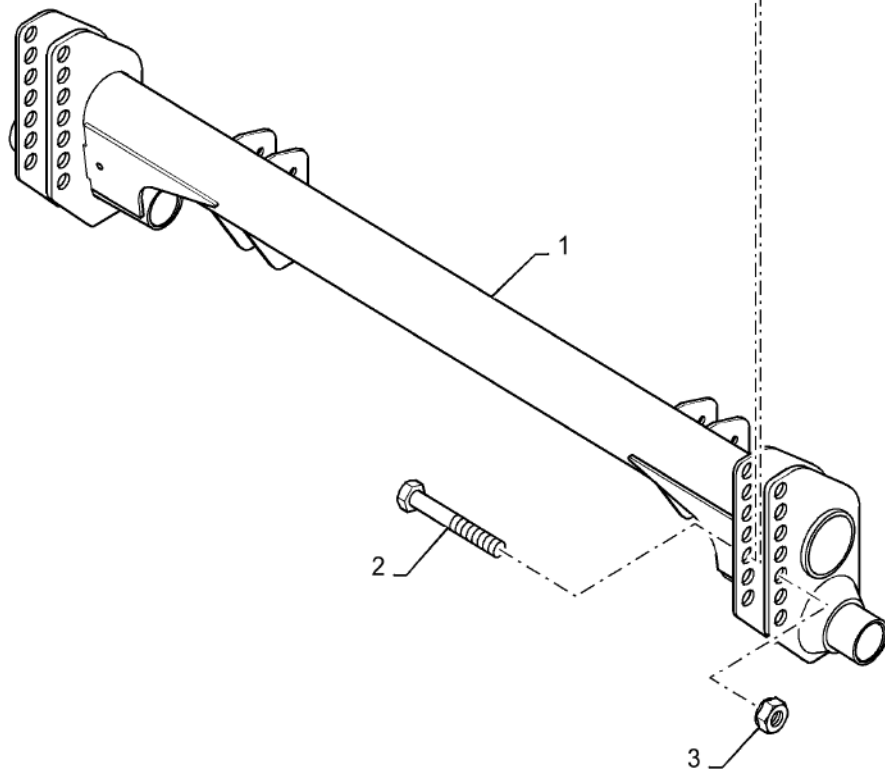
p1

9/2015

VAR - 726941 - AXLE, NO BRAKES



39.100.AB 02
39.100.AB 01



27.500.AA

01

p1

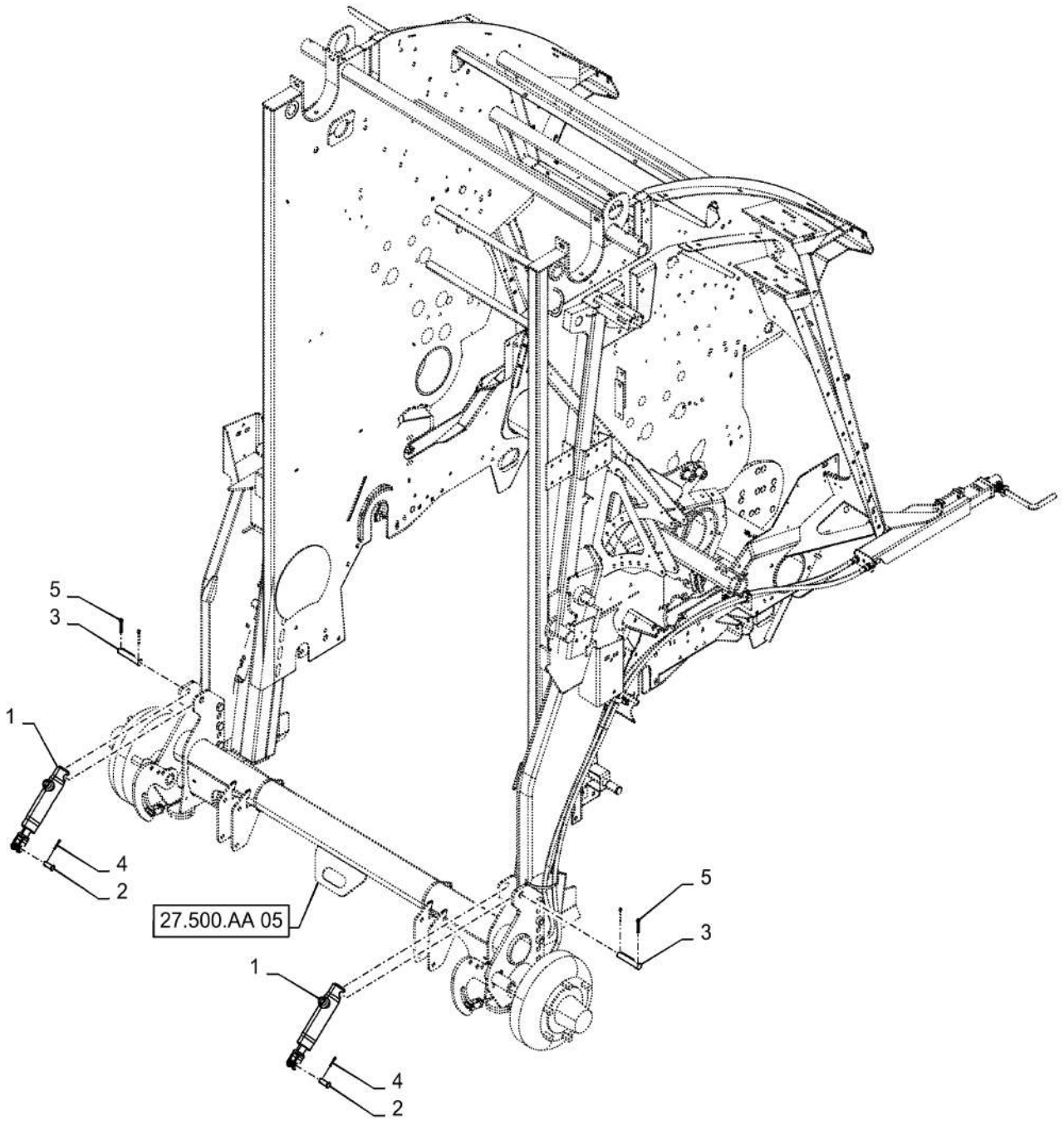
9/2015

VAR - 726941 - AXLE, NO BRAKES

REF FN	PART NUMBER	YR/SN	QTY DESCRIPTION
1	47514093		1 AXLE
1	47585085		1 AXLE Overshot Rotor Only.
2	350616		6 BOLT M16 x 2 x 90mm, CI 8.8
3	100020		6 NUT M16 x 2.0, CI 8

RB465-CASE IH ROUND BALER - EUROPE & R.O.W.

PARKING BRAKE, ACTUATOR



27.500.AA

02

p1

9/2015

PARKING BRAKE, ACTUATOR

REF FN	PART NUMBER	YR/SN	QTY DESCRIPTION
1	87663731		2 ACTUATOR Brake
2	76877		2 CLEVIS PIN 12.6mm OD x 34.52mm L
3	87498333		2 PIN 19mm OD x 94mm L
4	130004		2 COTTER PIN 2.9mm OD x 31.4mm OAL
5	130011		4 COTTER PIN M5 x 40

RB465-CASE IH ROUND BALER - EUROPE & R.O.W.

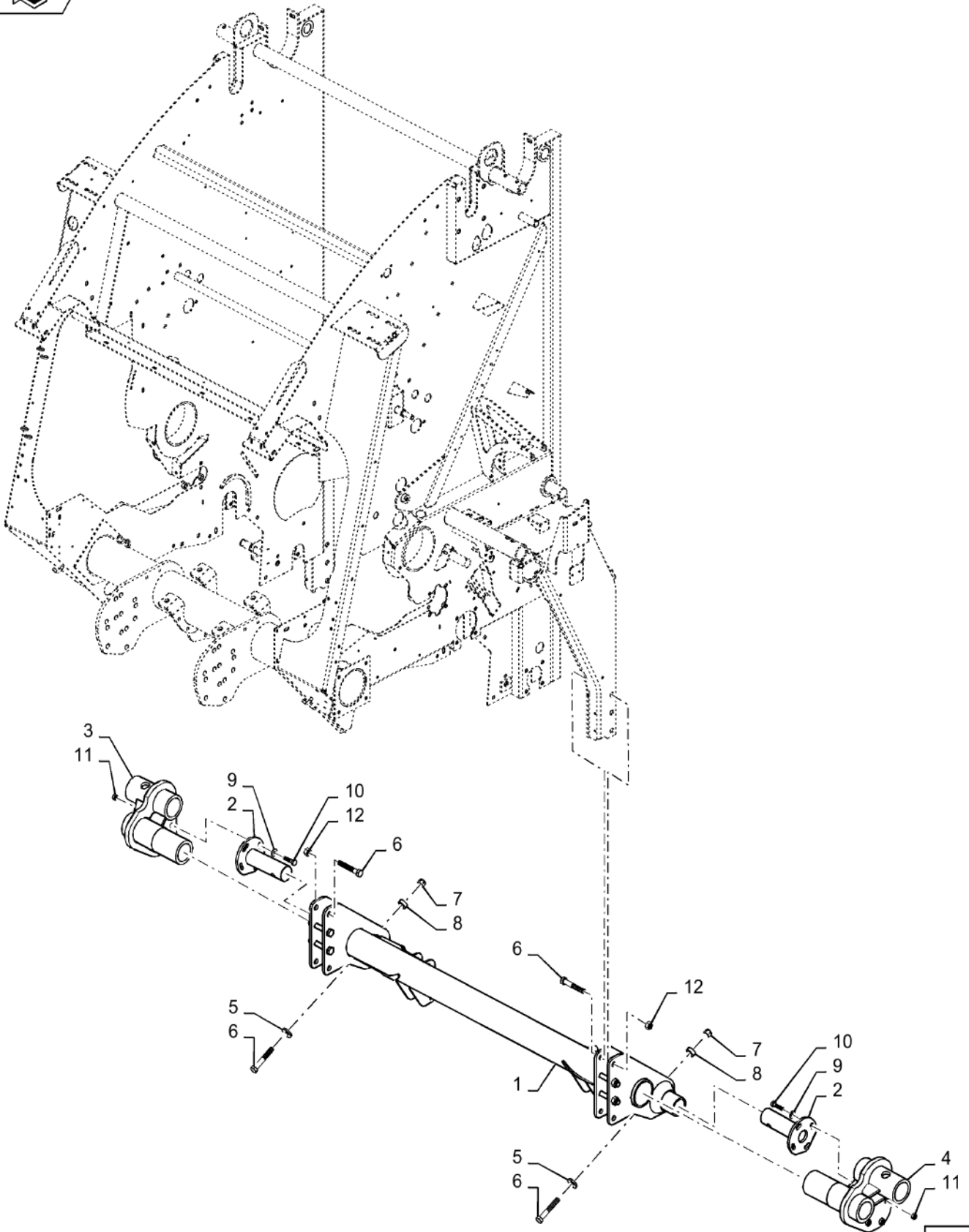
27.500.AA

03

p1

9/2015

VAR - 726942 - AXLE, NO BRAKES, 500/55-20 TIRES



27.500.AA

03

p1

9/2015

VAR - 726942 - AXLE, NO BRAKES, 500/55-20 TIRES

REF FN	PART NUMBER	YR/SN	QTY DESCRIPTION
1	84592592		1 REAR AXLE No Brakes, 500/55-20 Tires
2	47534354		2 SPINDLE
3	84588962		1 MOUNT RH
4	84592542		1 MOUNT LH
5	122432		2 WASHER 17mm ID x 41mm OD x 6mm Thk
6	374889		8 BOLT Hex, M16 x 100mm, CI 8.8
7	86000441		2 NUT M16 x 2.0, CI 8
8	86641937		2 SPACER 16.6mm ID x 31.75mm OD x 12.7mm Thk
9	140046		8 BELLEVILLE WASHER M12 x 27mm OD x 1.8mm Thk
10	412087		8 BOLT Hex, M12 x 1.75 x 45mm, CI 10.9, Full Thd
11	337475		8 NUT M12, CI 10
12	100020		6 NUT M16 x 2.0, CI 8

RB465-CASE IH ROUND BALER - EUROPE & R.O.W.

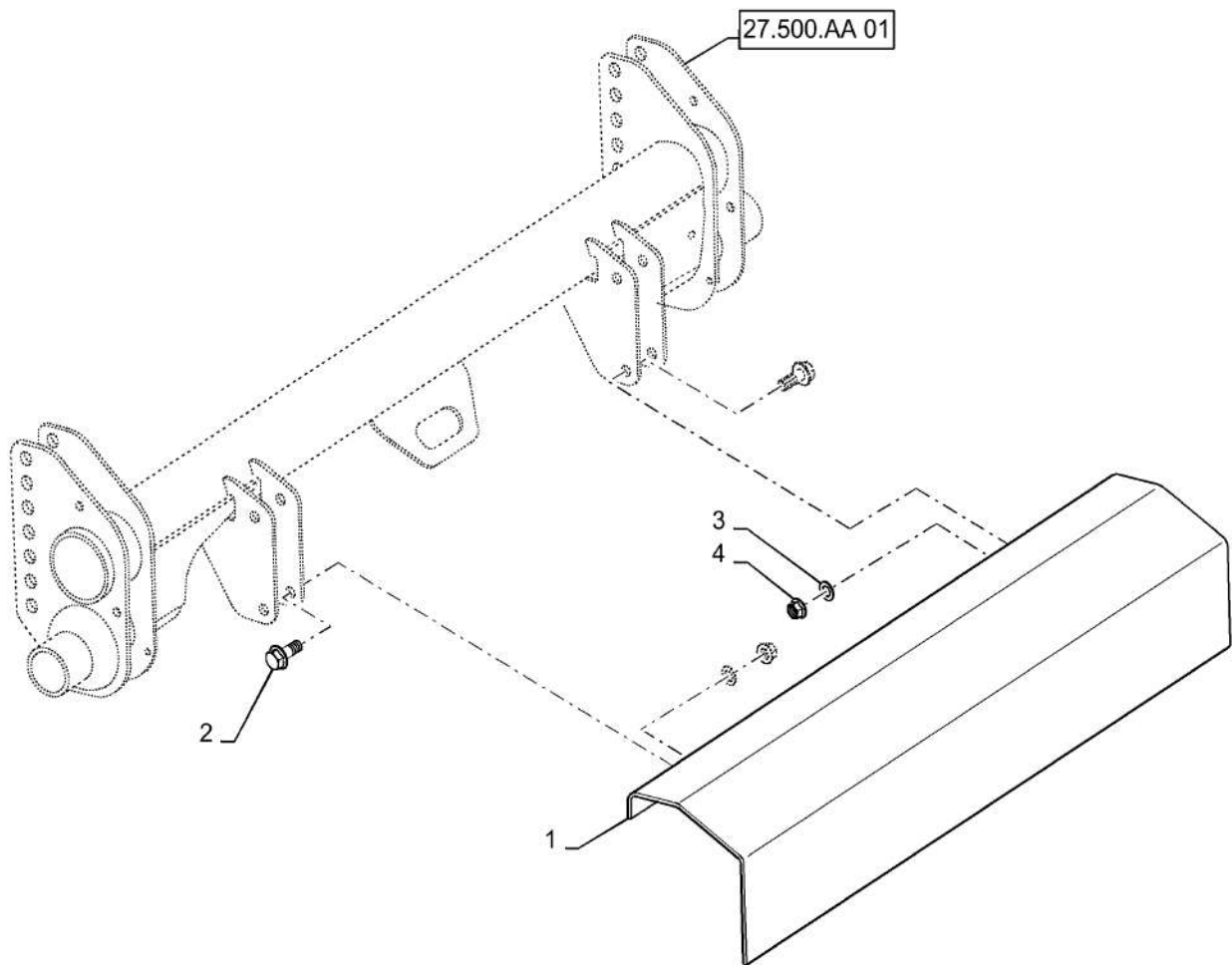
27.500.AA

04

p1

9/2015

VAR - 726808 - AXLE, BUMPER



27.500.AA

04

p1

9/2015

VAR - 726808 - AXLE, BUMPER

REF FN	PART NUMBER	YR/SN	QTY DESCRIPTION
1	84132578		1 BUMPER
2	9670066		8 FLANGE BOLT Hex, M12 x 30mm, CI 8.8
3	140046		8 BELLEVILLE WASHER M12 x 27mm OD x 1.8mm Thk
4	9804279		8 FLANGE NUT Hex, M12, CI 8

RB465-CASE IH ROUND BALER - EUROPE & R.O.W.

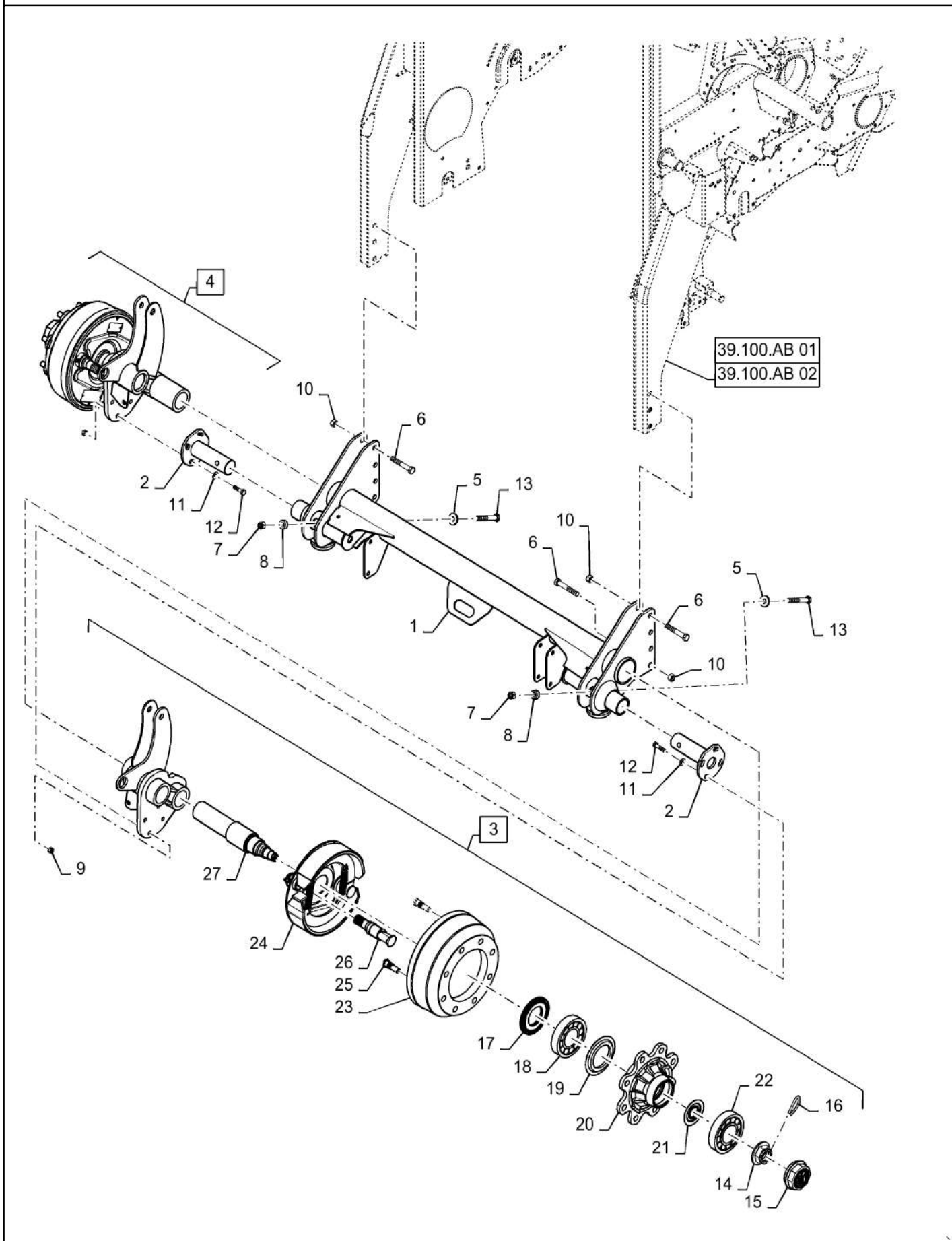
27.500.AA

05

p1

9/2015

VAR - 726943, 7269644, 726945 - PARKING BRAKE, AXLE, 500/55-20 TIRES



27.500.AA

05

p1

9/2015

VAR - 726943, 7269644, 726945 - PARKING BRAKE, AXLE, 500/55-20 TIRES

REF FN	PART NUMBER	YR/SN	QTY DESCRIPTION
1	84592592		1 REAR AXLE
2	47534354		2 SPINDLE
3	84599987		1 MOUNT RH, Incl 14 - 27
4	84599988		1 MOUNT LH, Incl 14 - 27
5	122432		2 WASHER 17mm ID x 41mm OD x 6mm Thk
6	374889		8 BOLT Hex, M16 x 100mm, CI 8.8
7	86000441		2 NUT M16 x 2.0, CI 8
8	86641937		2 SPACER 16.6mm ID x 31.75mm OD x 12.7mm Thk
9	337475		8 NUT M12, CI 10
10	100020		6 NUT M16 x 2.0, CI 8
11	140046		8 BELLEVILLE WASHER M12 x 27mm OD x 1.8mm Thk
12	412087		8 BOLT Hex, M12 x 1.75 x 45mm, CI 10.9, Full Thd
13	43874		2 BOLT Hex, M16 x 110, 8.8
14	47542742		1 CROWN NUT Hex, M48 x 1.5
15	47542769		1 HUB CAP
16	47542748		1 SPRING CLIP
17	47542727		1 OIL SEAL 70mm ID x 125mm OD
18	47542660		1 TAPERED ROLLER BEARING
19	47542656		1 SEAL
20	47542784		1 HUB
21	47542739		1 OIL SEAL 57mm ID x 89mm OD
22	47542665		1 TAPERED ROLLER BEARING
23	47542791		1 BRAKE DRUM
24	47542801		1 BRAKE PAD
25	47542819		8 WHEEL BOLT M18 x 1.5
26	47542844		1 BRAKE CAM
27	NSS		1 NOT SERVICED SEPARATELY Wheel Spindle

RB465-CASE IH ROUND BALER - EUROPE & R.O.W.

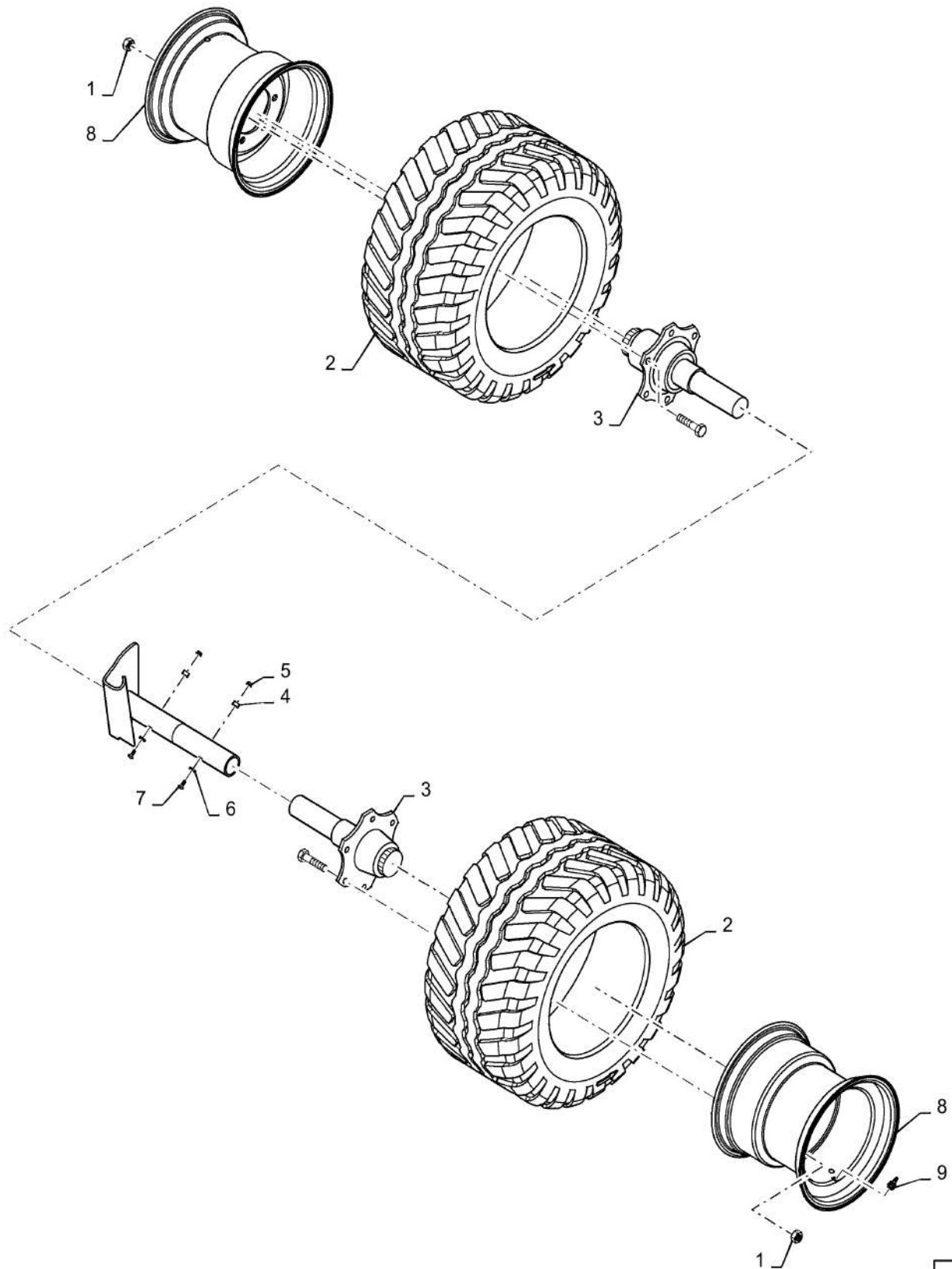
27.500.AL

01

p1

9/2015

VAR - 804990, 807490 - WHEELS, 480/45 - 17



27.500.AL

01

p1

9/2015

VAR - 804990, 807490 - WHEELS, 480/45 - 17

REF FN	PART NUMBER	YR/SN	QTY DESCRIPTION
1	86625632		12 WHEEL NUT Hex, M18 x 1.5
2	87481616		2 TYRE/TIRE 19/45 - 17
3	87045079		2 HUB
4	86641937		2 SPACER 16.6mm ID x 31.75mm OD x 12.7mm Thk
5	86000441		2 NUT M16 x 2.0, Cl 8
6	122432		2 WASHER 17mm ID x 41mm OD x 6mm Thk
7	374889		2 BOLT Hex, M16 x 100mm, Cl 8.8
8	84822041		2 WHEEL Offset, 16.00" X 17"
9	87045051		2 VALVE

RB465-CASE IH ROUND BALER - EUROPE & R.O.W.

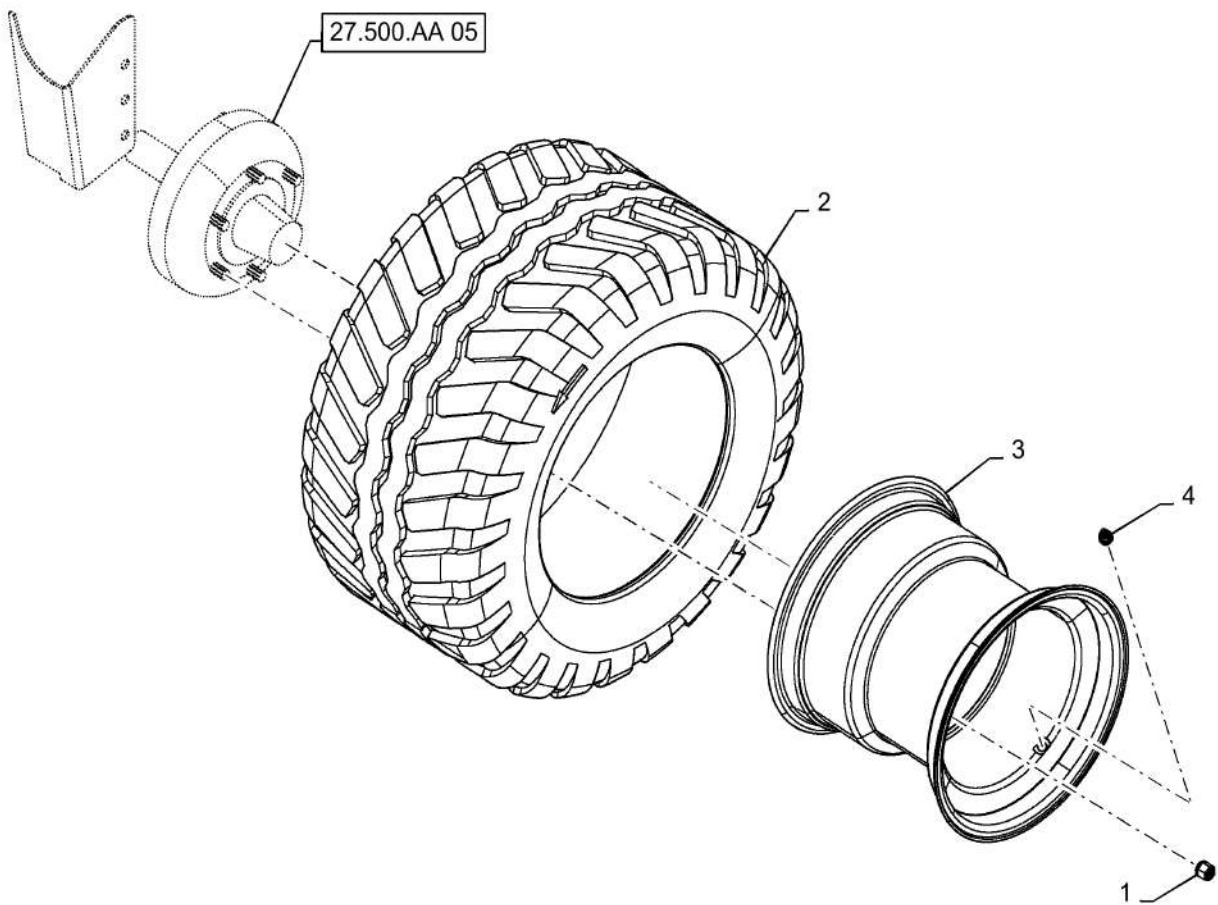
27.500.AL

03

p1

9/2015

VAR - 804990 - WHEELS, 480/45-17 10 PLY, W/BRAKES



27.500.AL

03

p1

9/2015

VAR - 804990 - WHEELS, 480/45-17 10 PLY, W/BRAKES

REF FN	PART NUMBER	YR/SN	QTY DESCRIPTION
1	86625632		12 WHEEL NUT Hex, M18 x 1.5
2	87481616		2 TYRE/TIRE 19/45-17
3	84822041		2 WHEEL Silver
4	87045051		2 VALVE Air

RB465-CASE IH ROUND BALER - EUROPE & R.O.W.

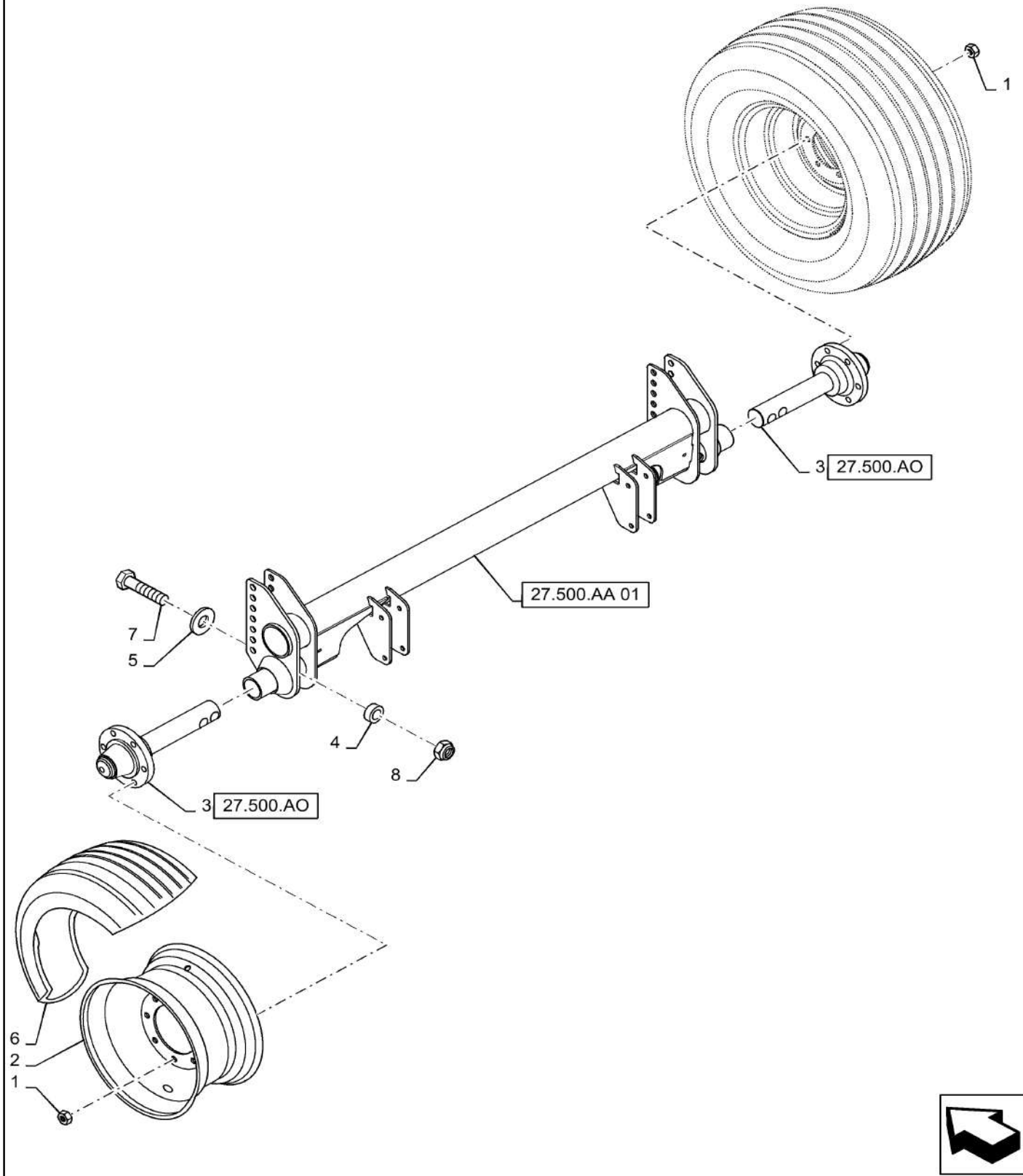
27.500.AL

04

p1

9/2015

VAR - 809790 - WHEELS, 380 X 55-17



"No Brake" Units.

27.500.AL

04

p1

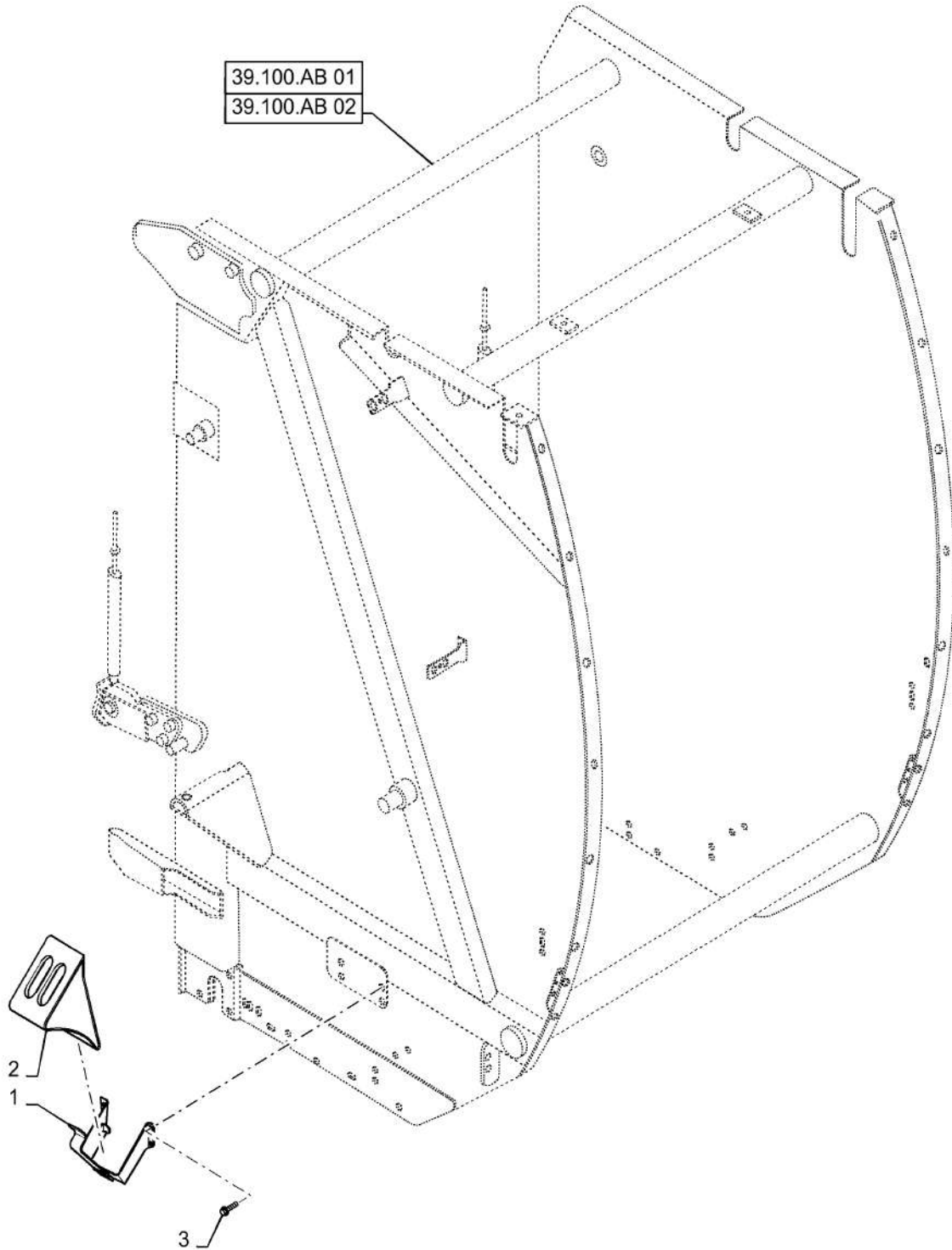
9/2015

VAR - 809790 - WHEELS, 380 X 55-17

REF FN	PART NUMBER	YR/SN	QTY DESCRIPTION
1	86625632		12 WHEEL NUT Hex, M18 x 1.5
2	87534104		2 WHEEL 13.00 x 17, White
3	87045079		2 HUB Spindle, Heavy Duty, Dk. Gray
4	86641937		2 SPACER 16.6mm ID x 31.75mm OD x 12.7mm Thk
5	0C		2 ORDER COMPONENTS Axle
6	87534100		2 TYRE/TIRE 380 x 55-17 AW 10PR
7	374889		2 BOLT Hex, M16 x 100mm, Cl 8.8
8	86000441		2 NUT M16 x 2.0, Cl 8 Prevailing Torque
9	122432		2 WASHER 17mm ID x 41mm OD x 6mm Thk Hardened, 5/8

RB465-CASE IH ROUND BALER - EUROPE & R.O.W.

WHEEL CHOCK



27.500.AL

05

p1

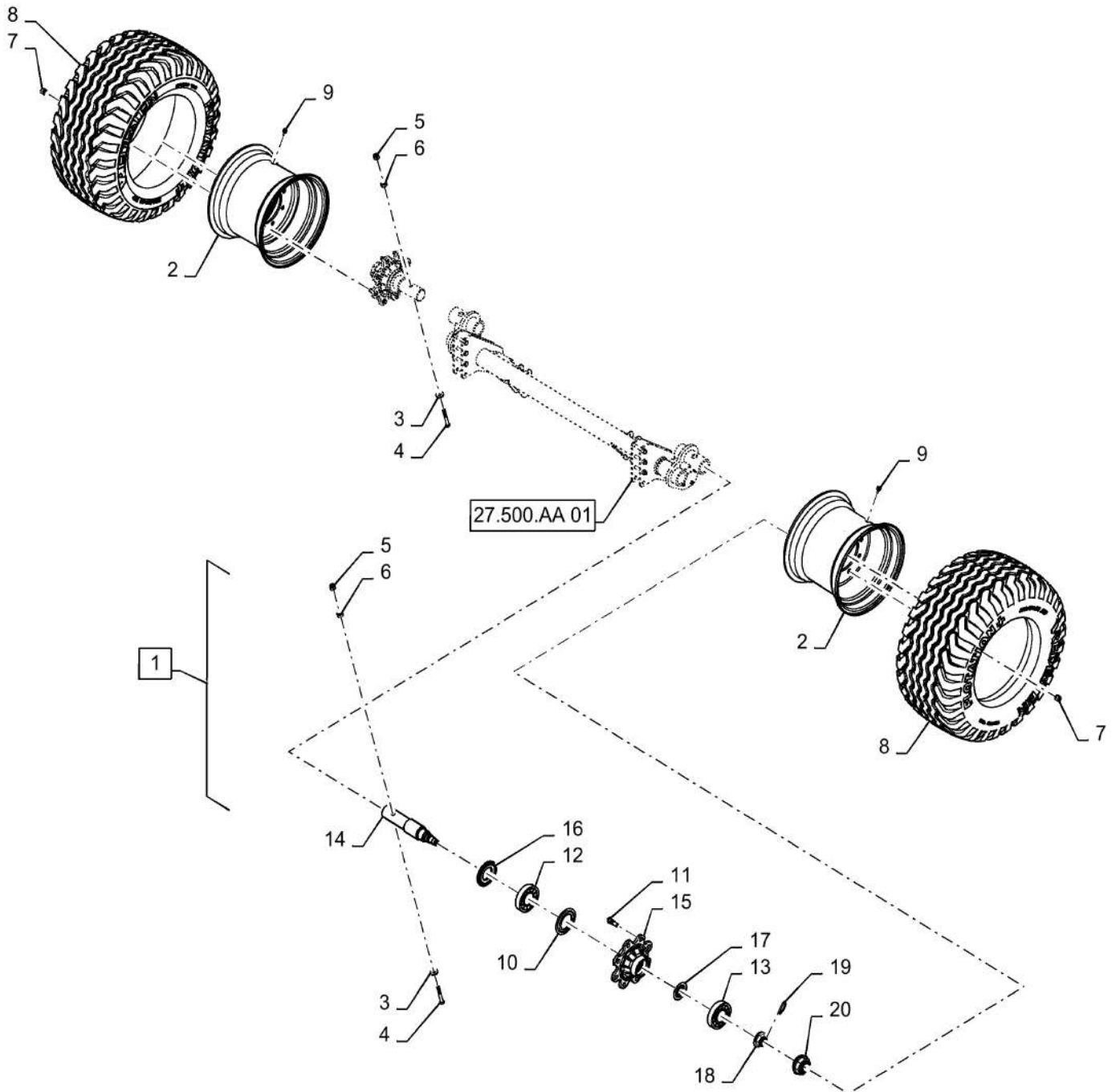
9/2015

WHEEL CHOCK

REF FN	PART NUMBER	YR/SN	QTY DESCRIPTION
1	86553668		2 WHEEL CHOCK
2	86553669		2 SUPPORT
3	9671714		8 FLANGE BOLT Hex, M8 x 1.25 x 25mm, Cl 8.8
4	322358		8 BELLEVILLE WASHER M8 x 18mm OD x 1.4mm Thk
5	86610200		8 THREADED INSERT M8 x 1.25

RB465-CASE IH ROUND BALER - EUROPE & R.O.W.

VAR - 800197, 800198 - WHEELS, 500/55-20



27.500.AL

06

p1

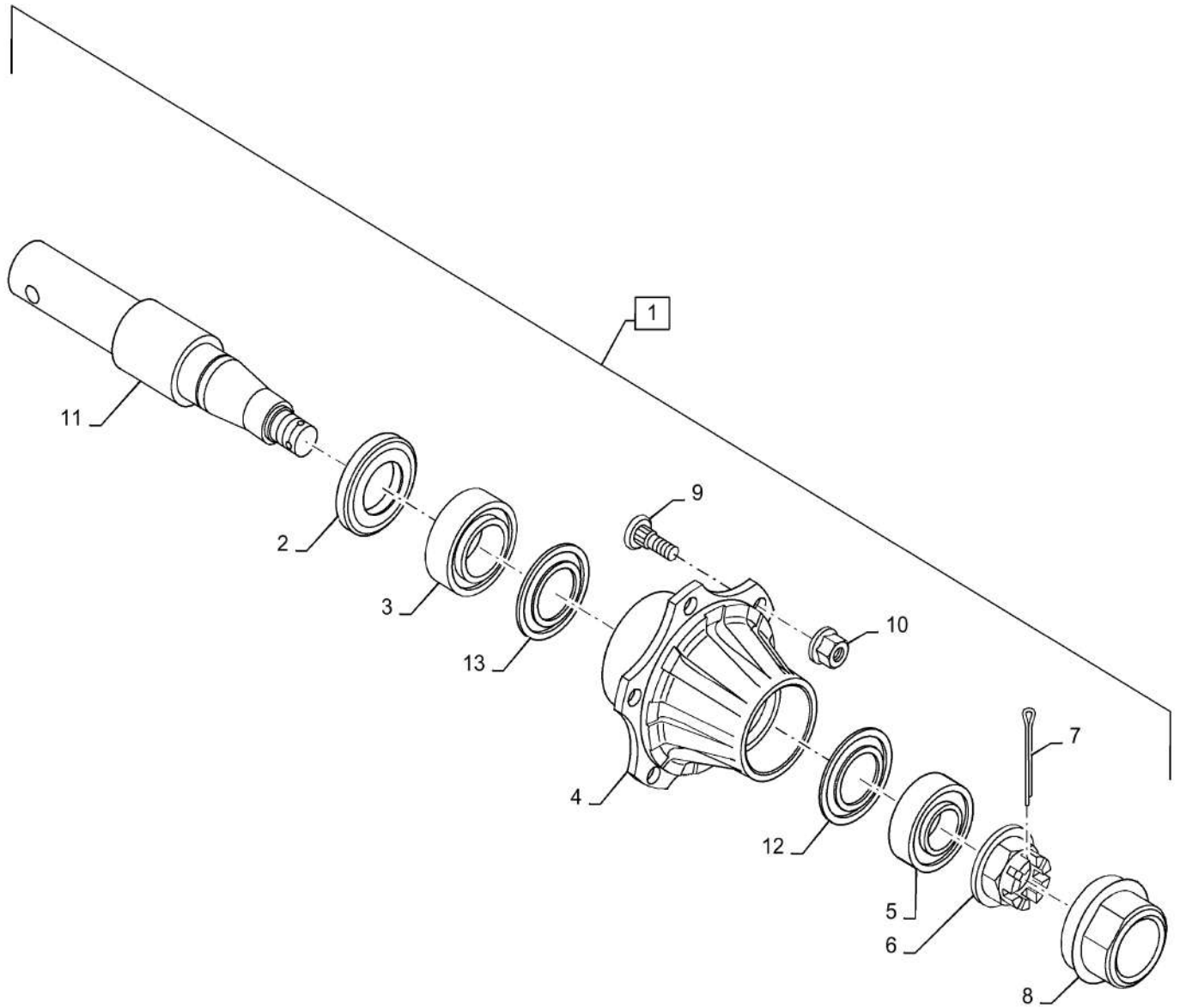
9/2015

VAR - 800197, 800198 - WHEELS, 500/55-20

REF FN	PART NUMBER	YR/SN	QTY DESCRIPTION
1	47542617		2 HUB Incl 10 - 20
2	84800823		2 RIM 16 X 20
3	122432		2 WASHER 17mm ID x 41mm OD x 6mm Thk
4	321246		2 BOLT Hex, M16 x 2 x 120mm, CI 8.8
5	86000441		2 NUT M16 x 2.0, CI 8
6	86641937		2 SPACER 16.6mm ID x 31.75mm OD x 12.7mm Thk
7	86625632		16 WHEEL NUT Hex, M18 x 1.5
8	PL		2 PROCURE LOCALLY 500/55-20 12 PR
9	196033		2 VALVE STEM
10	47542656		1 SEAL
11	87018139		1 BOLT
12	47542660		1 TAPERED ROLLER BEARING
13	47542665		1 TAPERED ROLLER BEARING
14	47542710		1 SPINDLE
15	47542714		1 HUB
16	47542727		1 OIL SEAL 70mm ID x 125mm OD
17	47542739		1 OIL SEAL 57mm ID x 89mm OD
18	47542742		1 CROWN NUT Hex, M48 x 1.5
19	47542748		8 SPRING CLIP
20	47542769		1 HUB CAP

RB465-CASE IH ROUND BALER - EUROPE & R.O.W.

WHEEL HUB & SPINDLE, HEAVY DUTY



WHEEL HUB & SPINDLE, HEAVY DUTY

REF FN	PART NUMBER	YR/SN	QTY DESCRIPTION
1	86631642		2 HUB Spindle, Heavy Duty
2	87022911		1 OIL SEAL Oil
3	26799990		1 TAPERED ROLLER BEARING 55mm ID x 120mm OD x 45.5mm W
4	87018138		1 HUB Wheel
5	84021877		1 TAPERED ROLLER BEARING 50mm ID x 110mm OD x 29.25mm W
6	87022923		1 SLOTTED NUT Slotted, M39 x 1.5
7	86523957		1 COTTER PIN 5/32" x 2"
8	87022925		1 CAP Hub
9	87018139		6 BOLT Wheel, M18 x 1.5
10	1 86625632		6 WHEEL NUT Hex, M18 x 1.5 Wheel, M18 x 1.5
11	87018137		1 SPINDLE 368mm L Wheel
12	87036687		1 SHIELD Grease, M80 OD
13	87036688		1 SHIELD Grease, M100 OD

(1) Not Included in Kit. Shown for Reference Only.

RB465-CASE IH ROUND BALER - EUROPE & R.O.W.

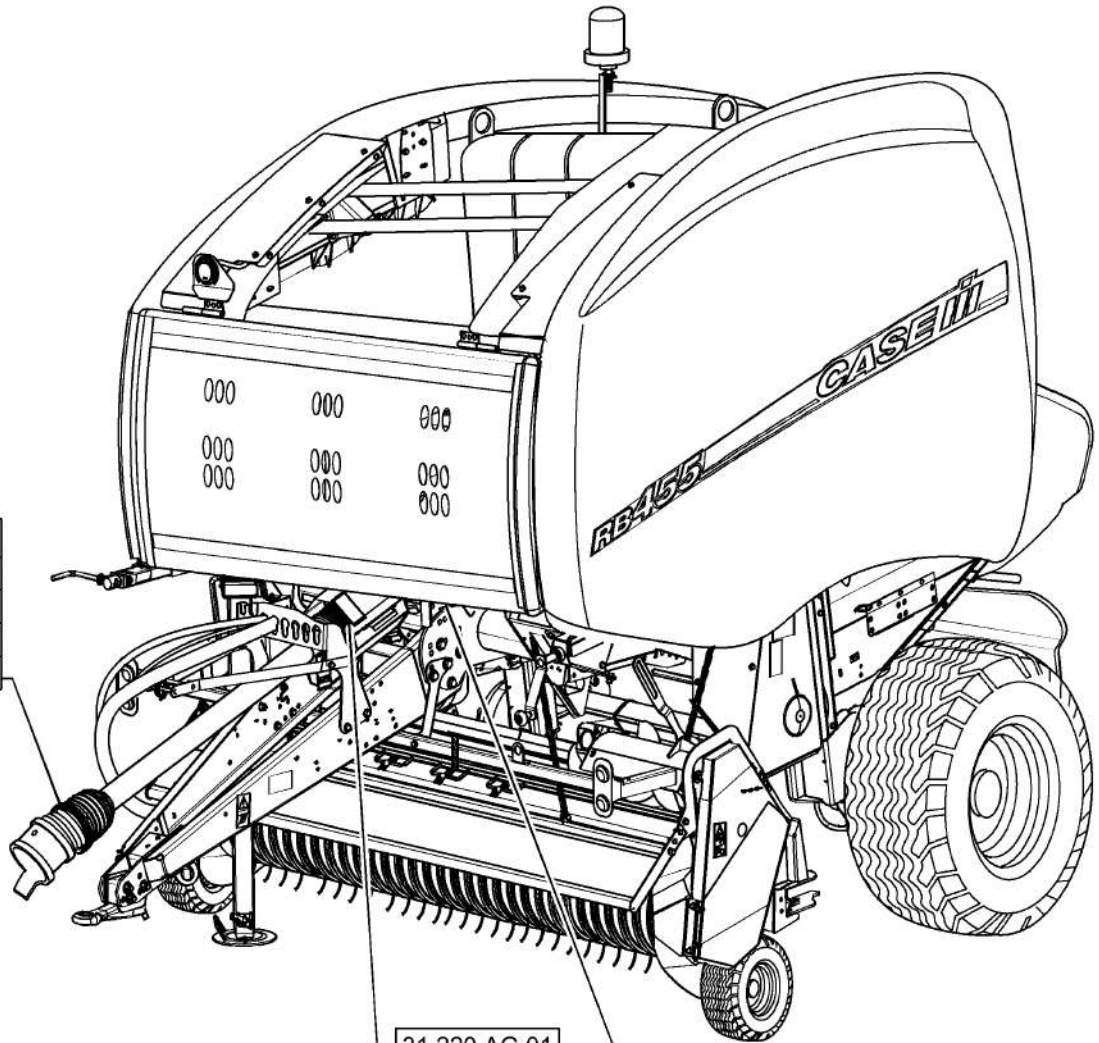
SECTION INDEX

IMPLEMENT POWER TAKE OFF

31.000.00		PICTORIAL INDEX - IMPLEMENT POWER TAKE-OFF
31.201.AD	01	VAR - 726527 - PTO, 540 RPM, COC, 1700 NM
31.201.AD	02	VAR - 726527 - PTO, 540 RPM, COC, 1900 NM
31.201.AD	03	VAR - 726528 - PTO, 1000 RPM, COC, 1100 NM
31.201.AD	04	VAR - 726528 - PTO,1000 RPM, COC, 1200 NM
31.201.AD	05	VAR - 726629 - PTO, SUPPORT
31.201.AD	06	PTO, 540 RPM, 1700 N-M COC, OVERSHOT FEEDER
31.201.AD	07	PTO, 1000 RPM, 1100 N-M, COC, OVERSHOT FEEDER
31.220.AG	01	VAR - 726527 - GEARBOX, STANDARD, 540 RPM
31.220.AG	02	VAR - 726527 - GEARBOX, HEAVY DUTY, 540 RPM
31.220.AG	03	VAR - 726528 - GEARBOX, STANDARD, 1000 RPM
31.220.AG	04	VAR - 726528 - GEARBOX, HEAVY DUTY, 1000 RPM
31.220.AL	01	VAR - 726527, 726528 - GEARBOX AND DRIVE, STANDARD
31.220.AL	02	VAR - 726527, 726528 - GEARBOX AND DRIVE, HEAVY DUTY
31.220.AL	03	VAR - 726527 - MAIN DRIVE, 540 RPM, OVERSHOT FEEDER
31.220.AL	04	VAR - 726528 - MAIN DRIVE, 1000 RPM, OVERSHOT FEEDER

PICTORIAL INDEX - IMPLEMENT POWER TAKE-OFF

- 31.201.AD 01
- 31.201.AD 02
- 31.201.AD 03
- 31.201.AD 04
- 31.201.AD 05



- 31.220.AG 01
- 31.220.AG 02
- 31.220.AG 03
- 31.220.AG 04

- 31.220.AL 01
- 31.220.AL 02

31.000.00

p1

9/2015

PICTORIAL INDEX - IMPLEMENT POWER TAKE-OFF

REF FN	PART NUMBER	YR/SN	QTY	DESCRIPTION
---------------	--------------------	--------------	------------	--------------------

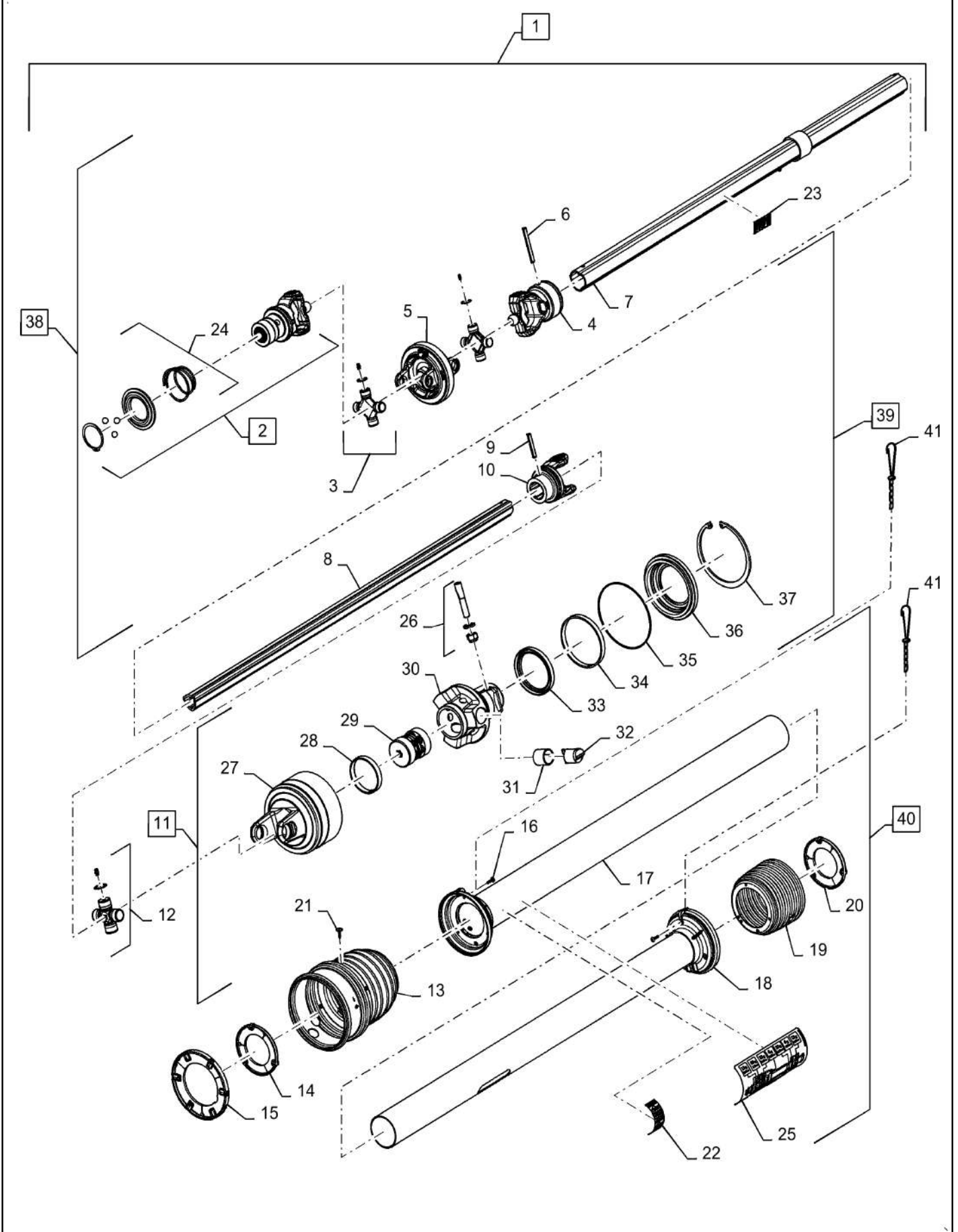
RB465-CASE IH ROUND BALER - EUROPE & R.O.W.

VAR - 726527 - PTO, 540 RPM, COC, 1700 NM

REF FN	PART NUMBER	YR/SN	QTY DESCRIPTION
1	84358415		1 PTO 540 RPM, COC, 1700 N-m, Incl 2 - 41
2	87517822		1 YOKE 540 RPM S6, Incl 24
3	87517823		2 BEARING ASSY 27mm OD Cap
4	87517824		1 YOKE Front S6
5	87517825		1 YOKE
6	87517826		1 ROLL PIN 10.5mm OD x 95mm L
7	84540279		1 DRIVE SHAFT Outer
8	87484368		1 TUBE 1050 mm L Inner
9	84036368		1 ROLL PIN
10	87517829		1 YOKE Rear
11	86979195		1 CLUTCH Cutout, Incl 26 - 33
12	87018244		1 CROSS 30.2mm OD Cap
13	84540281		1 CONE
14	87517831		1 BEARING COVER 89.4 mm ID x 132 mm OD x 12 mm Front
15	87517832		1 BEARING COVER 128.4 mm ID x 187 mm OD x 11 mm Front
16	87587200		6 SELF-TAP SCREW 4.8 x 22
17	47598519		1 SHIELD Outer, Incl 41
18	47598520		1 SHIELD Inner, Incl 41
19	47517439		1 CONE Shield
20	86979196		1 BEARING 111 mm ID x 132 mm OD x 12 mm
21	87716643		6 SELF-TAP SCREW 4.8 x 22, Flange Head
22	849471		1 DANGER DECAL
23	86520950		1 DECAL WARNING
24	47654384		1 COLLAR Kit
25	47598521		1 IMPORTANT DECAL
26	47362902		1 PIN Kit
27	84540289		1 YOKE
28	84540246		1 RING 72mm ID x 77mm OD Guide
29	87051166		1 SPRING KIT
30	84540248		1 HUB Flanfe
31	84801513		3 BUSHING 28mm ID x 32mm ID x 30mm Thk

RB465-CASE IH ROUND BALER - EUROPE & R.O.W.

VAR - 726527 - PTO, 540 RPM, COC, 1700 NM



31.201.AD

01

p2

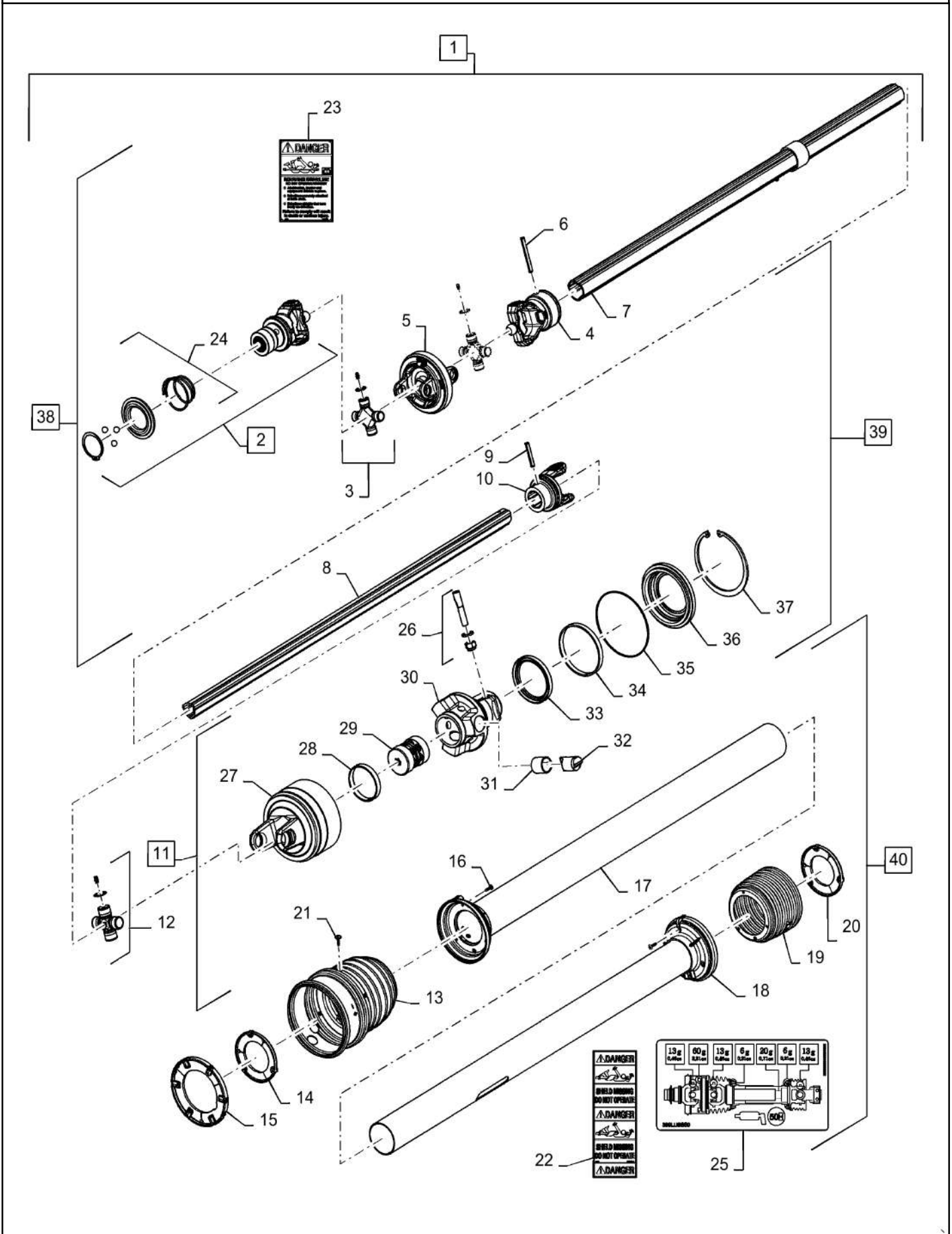
9/2015

VAR - 726527 - PTO, 540 RPM, COC, 1700 NM

REF FN	PART NUMBER	YR/SN	QTY DESCRIPTION
32	84801514		1 COVER 22mm OD
33	84540249		1 RING 105mm ID x 110mm OD x 10mm Thk
34	84540296		1 SEAL
35	84540254		1 RING 139.4mm ID x 2.62mm Thk
36	84540255		1 COVER
37	87039016		1 SNAP RING M138
38	47598522		1 HALF SHAFT Outer, Incl 2 - 7, 13 - 17, 22, 23, 25
39	47598523		1 HALF SHAFT Inner, Incl 8 - 11, 16, 18 - 20, 26 - 37
40	47598524		1 KIT Shield, Incl 13 - 21
41	47598307		2 CHAIN with Spring Link

RB465-CASE IH ROUND BALER - EUROPE & R.O.W.

VAR - 726527 - PTO, 540 RPM, COC, 1900 NM

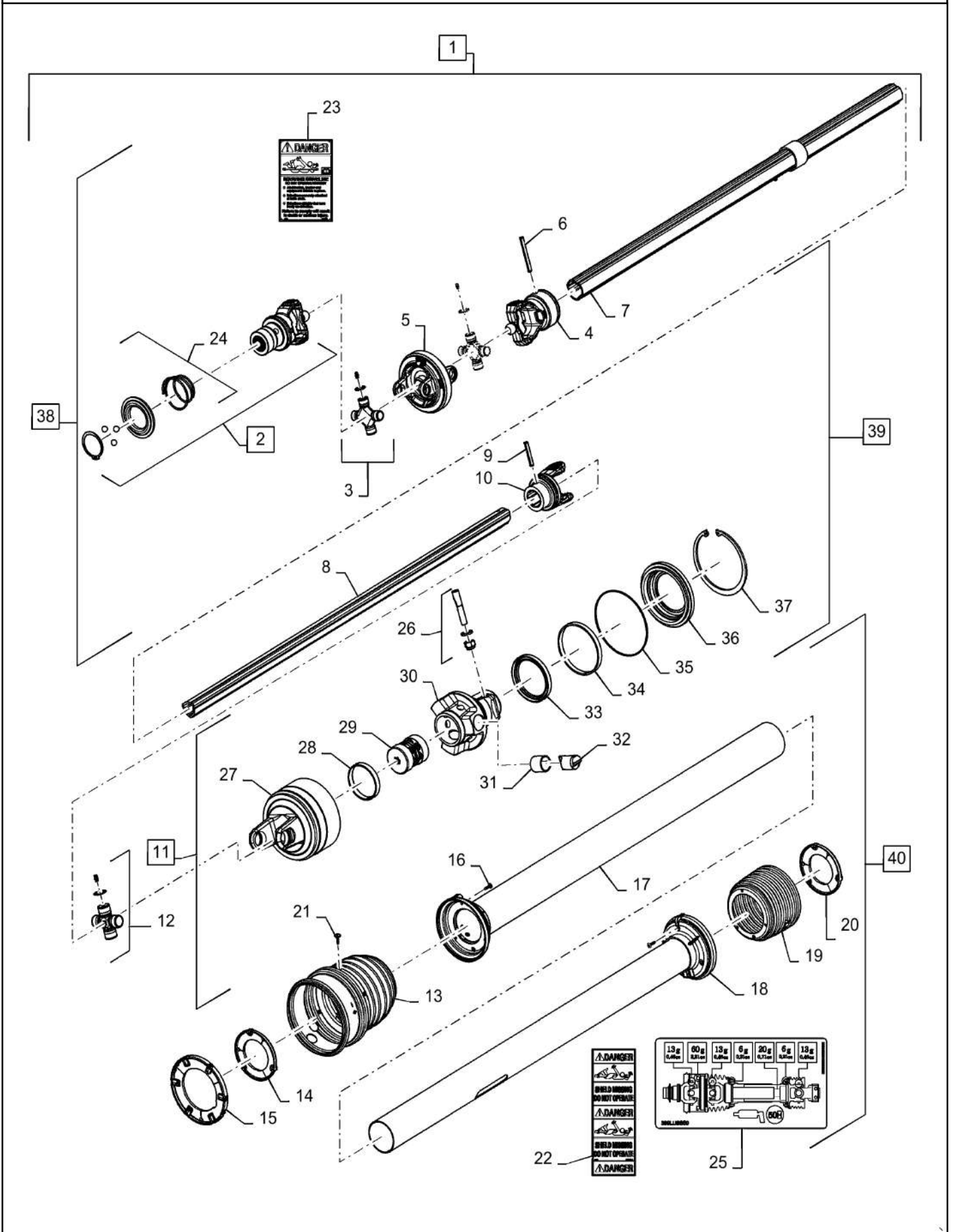


VAR - 726527 - PTO, 540 RPM, COC, 1900 NM

REF FN	PART NUMBER	YR/SN	QTY DESCRIPTION
1	47423215		1 PTO 540 RPM, Cutout Clutch, 1900 NM, Incl 2 - 40
2	47598294		2 YOKE Front S6
3	87558240		1 U-JOINT SPIDER 30.2mm Cap Dia, 106mm L, Grease-able Kit
4	47598297		1 YOKE Outer
5	47598298		1 BODY Central
6	87517826		1 ROLL PIN 10.5mm OD x 95mm L
7	47598299		1 PTO SHAFT Outer
8	87484368		1 TUBE 1050 mm L Inner
9	84036368		1 ROLL PIN
10	87517829		1 YOKE Rear S6
11	47598300		1 PTO CLUTCH Cutout, Incl 26 - 33
12	87018244		1 CROSS 30.2mm OD Cap
13	47598301		1 SHIELD Cone
14	87517831		1 BEARING COVER 89.4 mm ID x 132 mm OD x 12 mm
15	47598302		1 SUPPORT Shield
16	87587200		6 SELF-TAP SCREW 4.8 x 22
17	47598305		1 SHIELD Outer
18	47598306		1 SHIELD Inner
19	47517439		1 CONE Shield
20	86979196		1 BEARING 111 mm ID x 132 mm OD x 12 mm
21	87716643		6 SELF-TAP SCREW 4.8 x 22, Flange Head
22	47598307		2 CHAIN W/Spring Link
23	849471		1 DANGER DECAL
24	47654384		1 COLLAR
25	86520950		1 DECAL Warning (EU Only)
26	47362902		1 PIN Kit
27	84540289		1 YOKE
28	84540246		1 RING 72mm ID x 77mm OD
29	87498835		1 SPRING 1900 NM
30	84540248		1 HUB Flange
31	84801513		3 BUSHING 28mm ID x 32mm ID x 30mm Thk

RB465-CASE IH ROUND BALER - EUROPE & R.O.W.

VAR - 726527 - PTO, 540 RPM, COC, 1900 NM

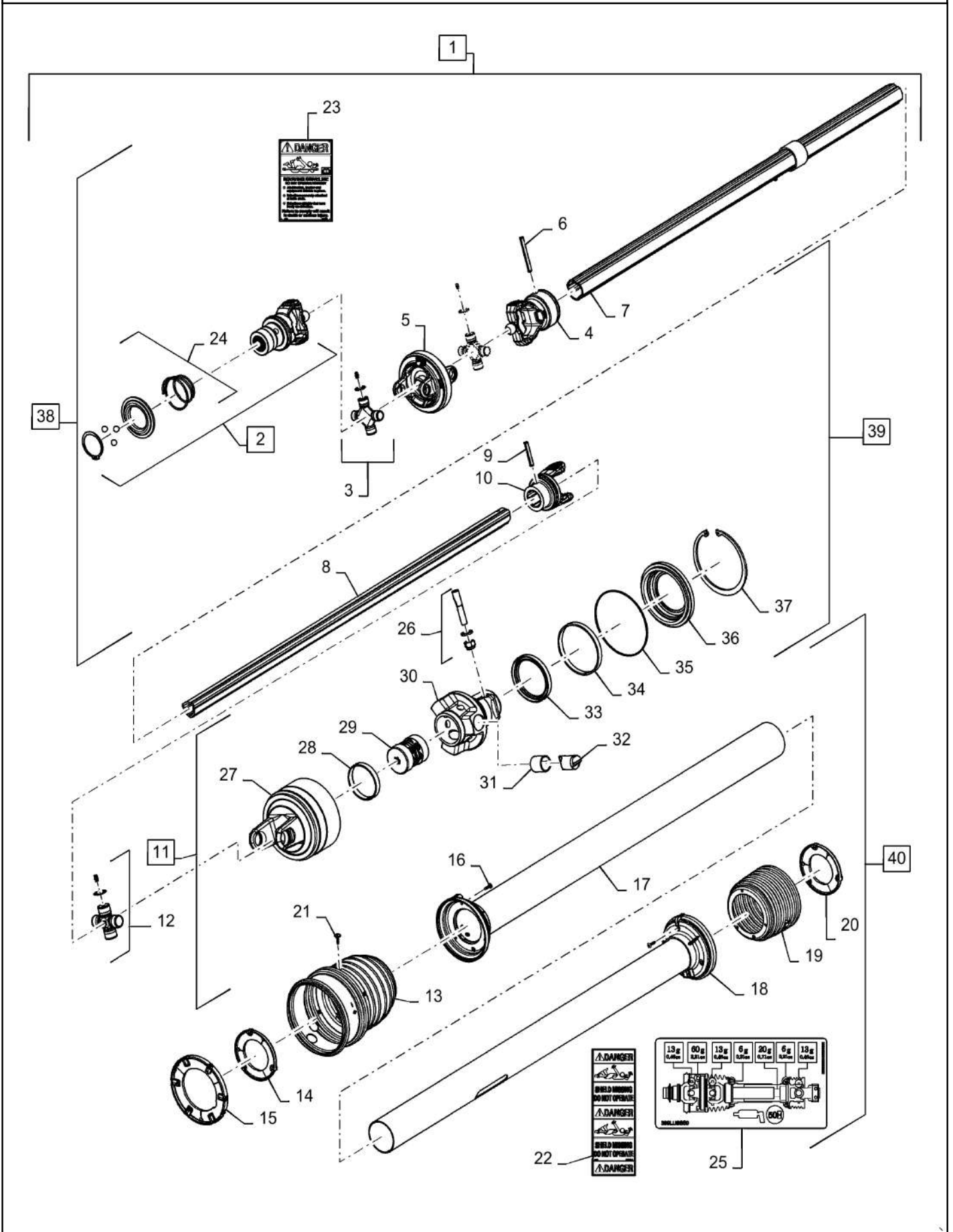


VAR - 726527 - PTO, 540 RPM, COC, 1900 NM

REF FN	PART NUMBER	YR/SN	QTY DESCRIPTION
32	84801514		1 COVER 28mm OD
33	84540249		1 RING 105mm ID x 110mm OD x 10mm Thk
34	84540296		1 SEAL
35	84540254		1 RING 139.4mm ID x 2.62mm Thk
36	84540255		1 COVER
37	87039016		1 SNAP RING M138
38	47598308		1 HALF SHAFT Outer, Incl 2 - 7, 13 - 17, 22, 23, 25
39	47598309		1 HALF SHAFT Inner, Incl 8 - 11, 16, 18 - 20, 26 - 37
40	47598310		1 KIT Shield, Incl 13 - 17

RB465-CASE IH ROUND BALER - EUROPE & R.O.W.

VAR - 726528 - PTO, 1000 RPM, COC, 1100 NM

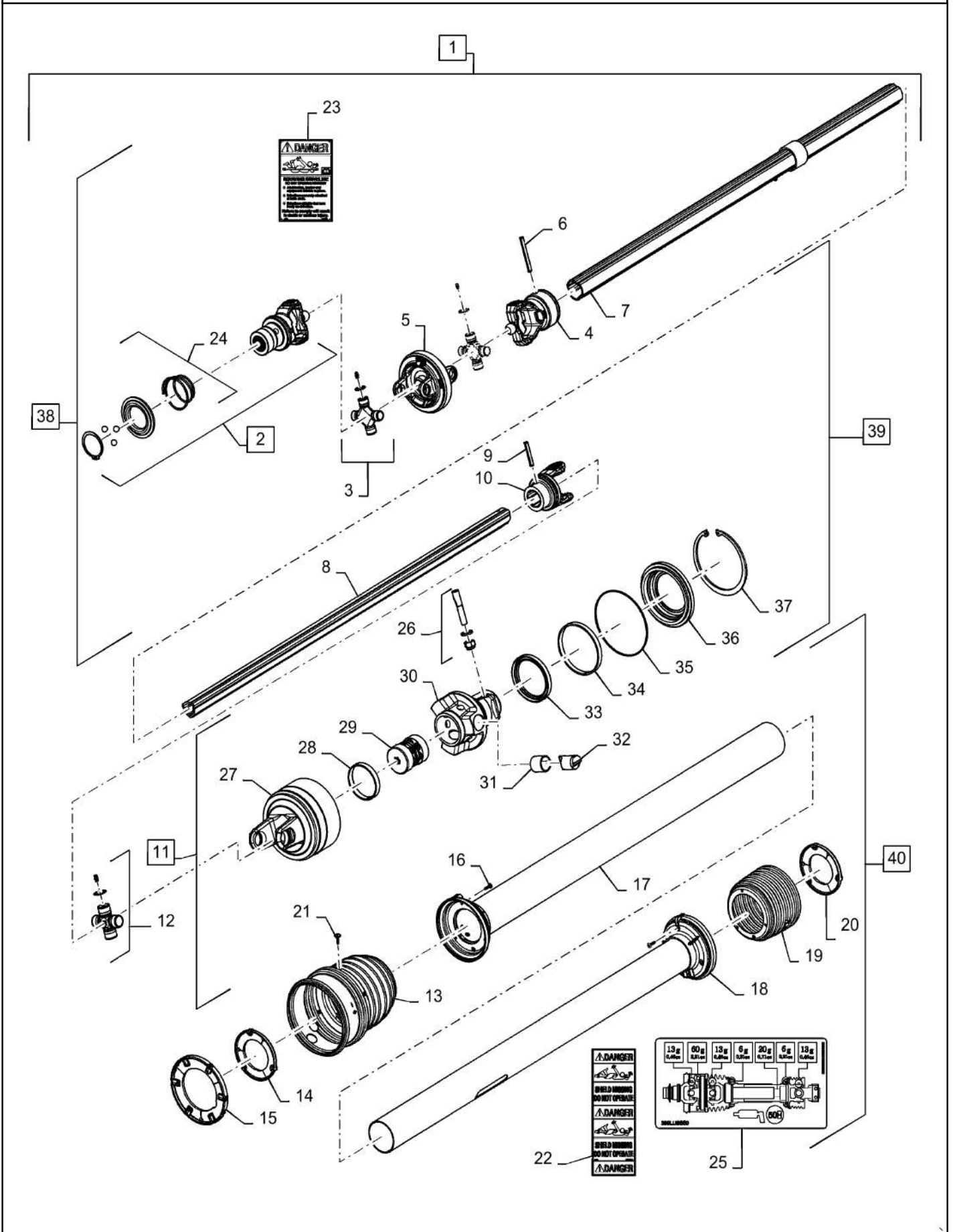


VAR - 726528 - PTO, 1000 RPM, COC, 1100 NM

REF FN	PART NUMBER	YR/SN	QTY DESCRIPTION
1	84604297		1 PTO 540 RPM, COC, 1900 N-M, Incl 2 - 40
2	87517788		2 YOKE 1000 RPM, Incl 24
3	87517787		1 U-JOINT SPIDER 22mm OD Cap
4	87517786		1 YOKE Front
5	87517785		1 BODY Central
6	87517784		1 ROLL PIN 8.6mm OD x 80mm L
7	84540237		1 DRIVE SHAFT Outer, 1165mm Long
8	84540238		1 DRIVE SHAFT Inner
9	87586150		1 ROLL PIN 8mm OD x 55mm L
10	87517779		1 YOKE Rear
11	47598320		1 KIT Cutout, Incl 26 - 33
12	87018246		1 SPIDER 27mm OD Cap
13	84540241		1 CONE Plastic
14	87517774		1 SHIELD Front
15	87517775		1 SHIELD Front
16	87587200		6 SELF-TAP SCREW 4.8 x 22
17	47598217		1 SHIELD Outer
18	47598228		1 SHIELD Inner
19	84147760		1 CONE Flexible
20	86625852		1 RING NUT 88mm OD
21	87716643		6 SELF-TAP SCREW 4.8 x 22, Flange Head
22	849471		1 DANGER DECAL
23	849472		1 DANGER DECAL
24	47654384		1 COLLAR Kit
25	47598238		1 IMPORTANT DECAL
26	47362902		1 PIN Kit
27	47598242		1 YOKE
28	84540246		1 RING 72mm ID x 77mm OD
29	47598325		1 SPRING 58mm OD x 72mm L
30	84540248		1 HUB Flange
31	84801513		1 BUSHING 28mm ID x 32mm ID x 30mm Thk
32	84801514		1 COVER 28mm OD

RB465-CASE IH ROUND BALER - EUROPE & R.O.W.

VAR - 726528 - PTO, 1000 RPM, COC, 1100 NM

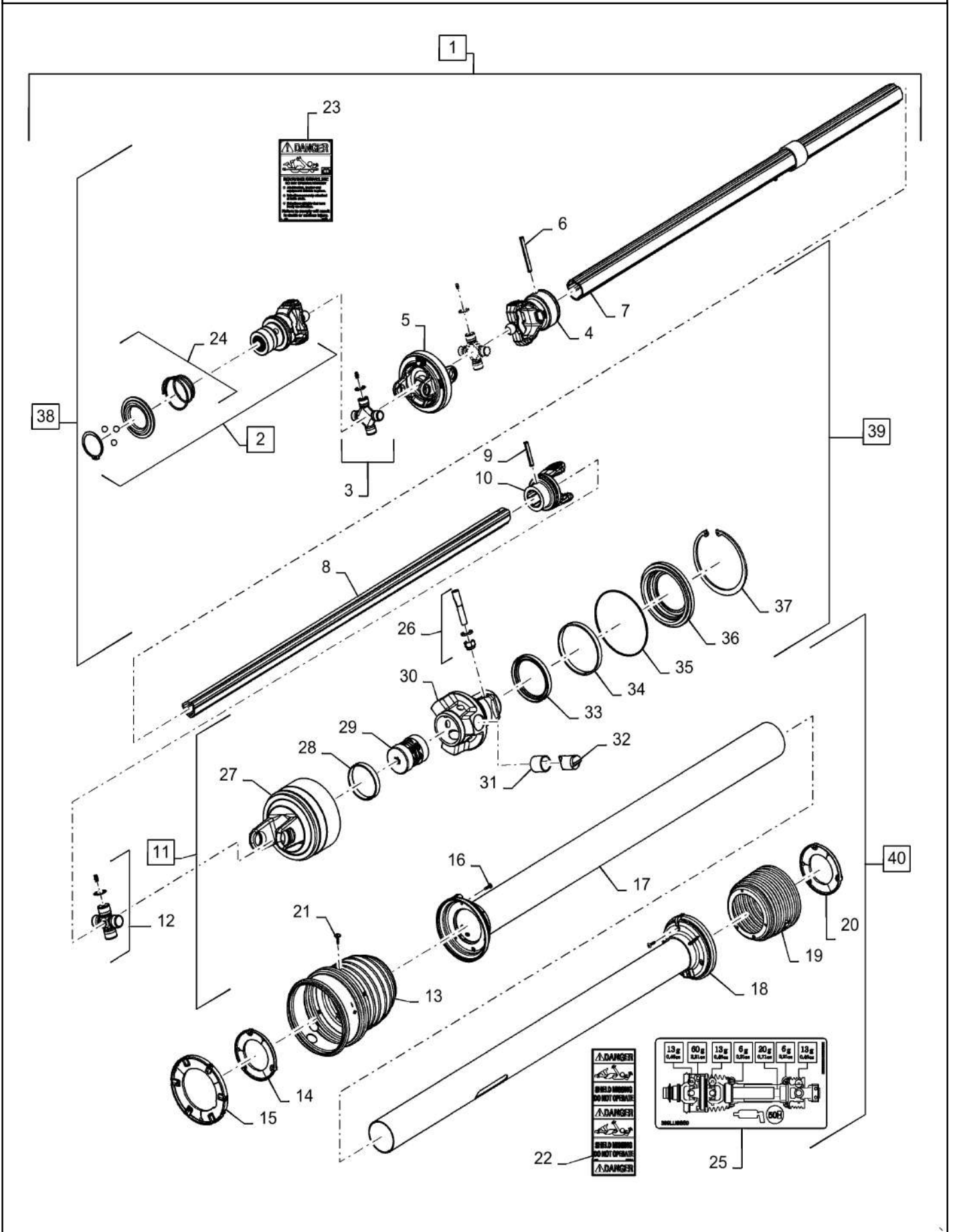


VAR - 726528 - PTO, 1000 RPM, COC, 1100 NM

REF FN	PART NUMBER	YR/SN	QTY DESCRIPTION
33	84540249		1 RING 105mm ID x 110mm OD x 10mm Thk
34	84540296		1 SEAL
35	84540254		1 RING 139.4mm ID x 2.62mm Thk
36	84540255		1 COVER 138mm OD
37	87039016		1 SNAP RING M138
38	47598268		1 HALF SHAFT Outer, Incl 2 - 7, 13 - 17, 22, 23, 25
39	47598380		1 HALF SHAFT Inner, 8 - 11, 16, 18 - 20, 26 - 37
40	47598273		1 KIT Shield, 13 - 21

RB465-CASE IH ROUND BALER - EUROPE & R.O.W.

VAR - 726528 - PTO,1000 RPM, COC, 1200 NM

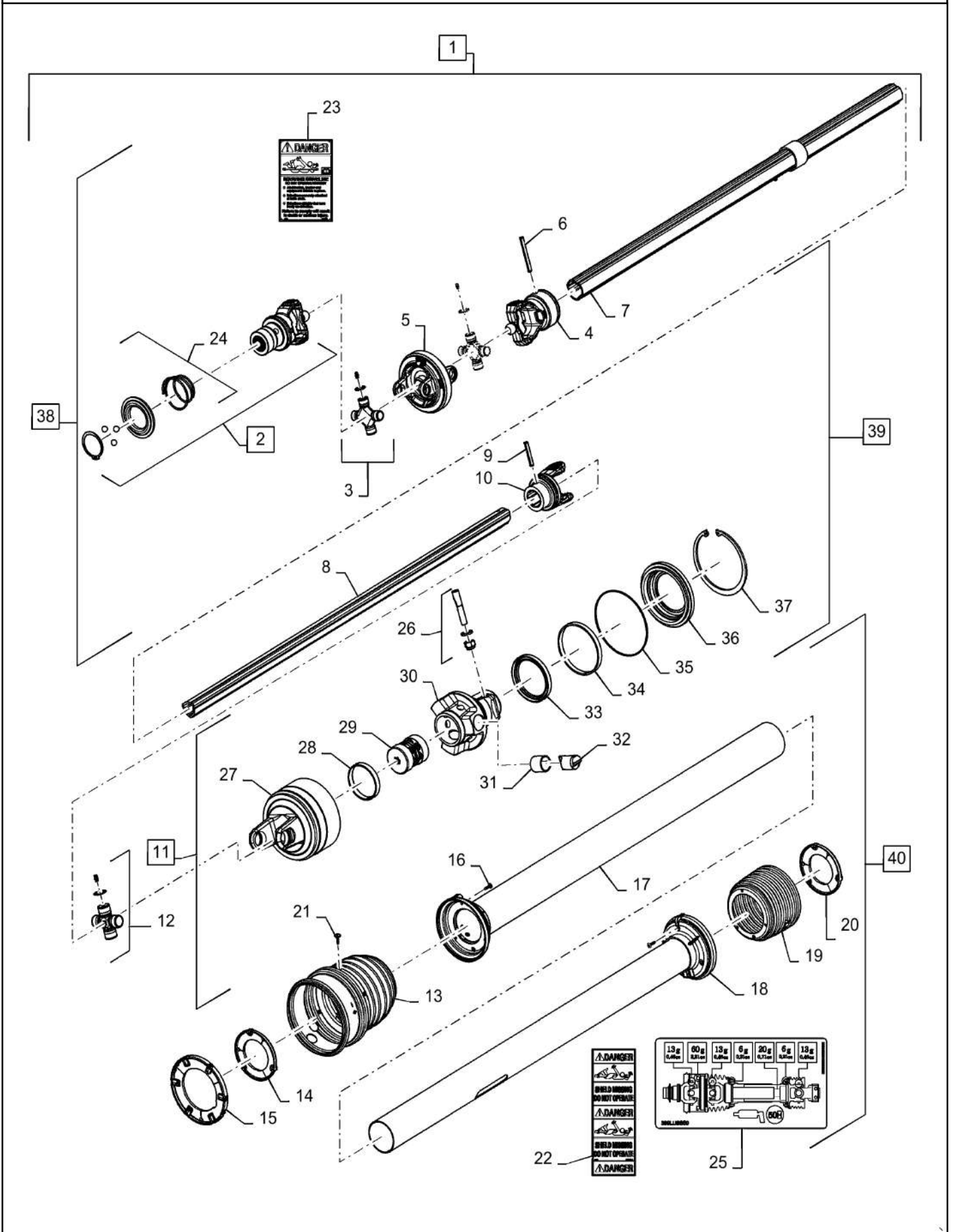


VAR - 726528 - PTO,1000 RPM, COC, 1200 NM

REF FN	PART NUMBER	YR/SN	QTY DESCRIPTION
1	84565317		1 PTO 540 RPM, COC, 1900 N-M, Incl 2 - 40
2	87517788		2 YOKE 1000 RPM, Incl 24
3	87517787		1 U-JOINT SPIDER 22mm OD Cap
4	87517786		1 YOKE Front
5	87517785		1 BODY Central
6	87517784		1 ROLL PIN 8.6mm OD x 80mm L
7	84540237		1 DRIVE SHAFT Outer, 1165mm Long
8	84540238		1 DRIVE SHAFT Inner
9	87586150		1 ROLL PIN 8mm OD x 55mm L
10	87517779		1 YOKE Rear
11	47598207		1 PTO CLUTCH Cutout, Incl 26 - 33
12	87018246		1 SPIDER 27mm OD Cap
13	84540241		1 CONE Plastic
14	87517774		1 SHIELD Front
15	87517775		1 SHIELD Front
16	87587200		6 SELF-TAP SCREW 4.8 x 22
17	47598217		1 SHIELD Outer
18	47598228		1 SHIELD Inner
19	84147760		1 CONE Flexible
20	86625852		1 RING NUT 88mm OD
21	87716643		6 SELF-TAP SCREW 4.8 x 22, Flange Head
22	849471		1 DANGER DECAL
23	849472		1 DANGER DECAL
24	47654384		1 COLLAR Kit
25	47598238		1 IMPORTANT DECAL
26	47362902		1 PIN Kit
27	47598242		1 YOKE
28	84540246		1 RING 72mm ID x 77mm OD
29	47598325		1 SPRING 58mm OD x 72mm L
30	84540248		1 HUB Flange
31	84801513		1 BUSHING 28mm ID x 32mm ID x 30mm Thk
32	84801514		1 COVER

RB465-CASE IH ROUND BALER - EUROPE & R.O.W.

VAR - 726528 - PTO,1000 RPM, COC, 1200 NM

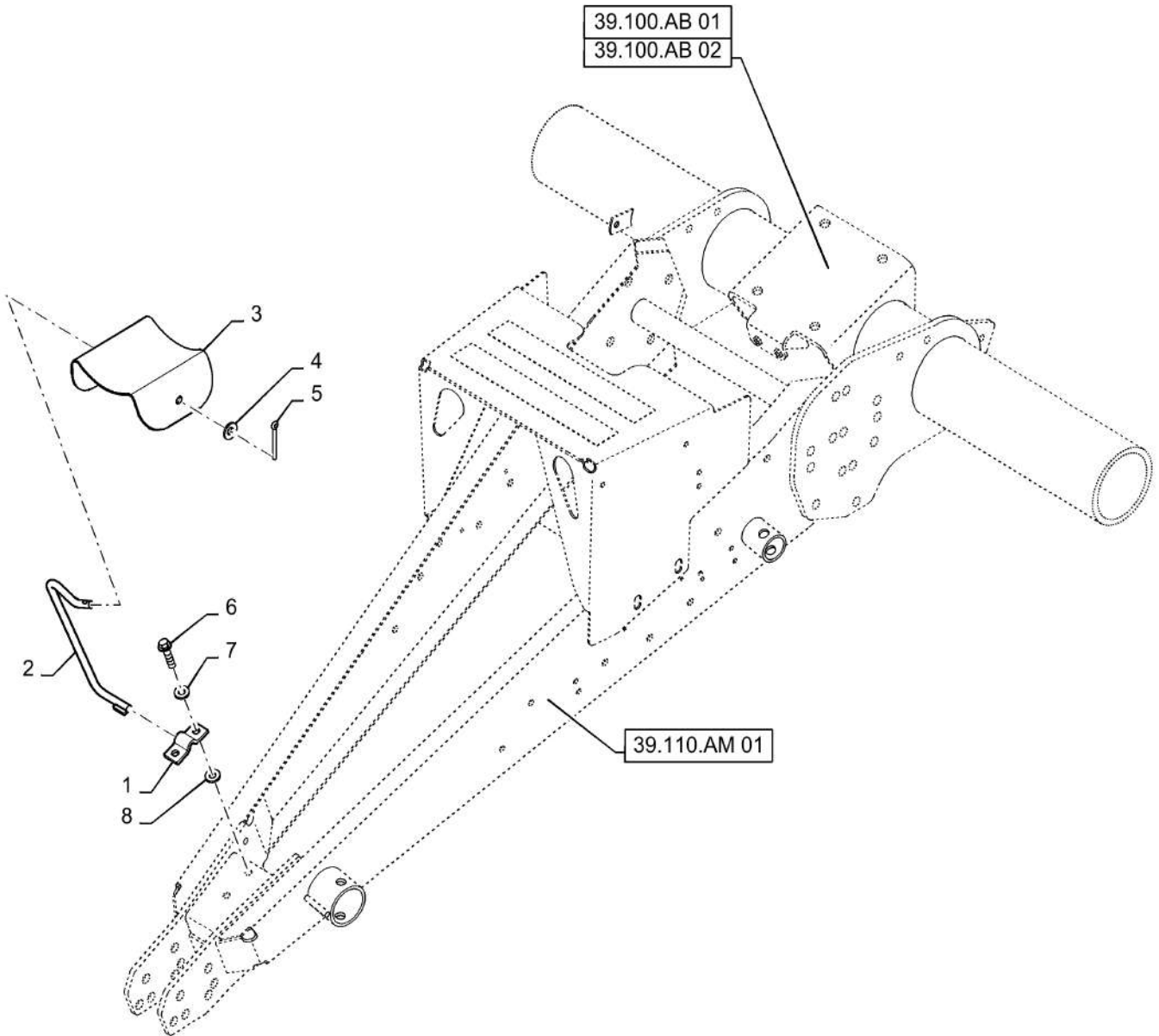


VAR - 726528 - PTO,1000 RPM, COC, 1200 NM

REF FN	PART NUMBER	YR/SN	QTY DESCRIPTION
33	84540249		1 RING 105mm ID x 110mm OD x 10mm Thk
34	84540296		1 SEAL
35	84540254		1 RING 139.4mm ID x 2.62mm Thk
36	84540255		1 COVER
37	87039016		1 SNAP RING M138
38	47598268		1 HALF SHAFT Outer, 2 - 7, 13 - 17, 22, 23, 25
39	47598270		1 HALF SHAFT Inner, 8 - 11, 16, 18 - 20, 26 - 37
40	47598273		1 KIT Shield, 13 - 21

RB465-CASE IH ROUND BALER - EUROPE & R.O.W.

VAR - 726629 - PTO, SUPPORT



31.201.AD

05

p1

9/2015

VAR - 726629 - PTO, SUPPORT

REF FN	PART NUMBER	YR/SN	QTY DESCRIPTION
1	86977230		1 PLATE
2	86619421		1 ROD PTO Support
3	87017977		1 PLATE PTO Support
4	86622500		1 WASHER 13.49mm ID x 22.2mm OD x 1.36mm Thk
5	280251		1 COTTER PIN 3/32" OD x 1" OAL
6	9804262		2 BOLT M10 x 39.2mm, CI 8.8
7	140045		2 BELLEVILLE WASHER M10X22 ZNM
8	81541		2 WASHER 0.5" ID x 1.25" OD x 0.08" Thk

RB465-CASE IH ROUND BALER - EUROPE & R.O.W.

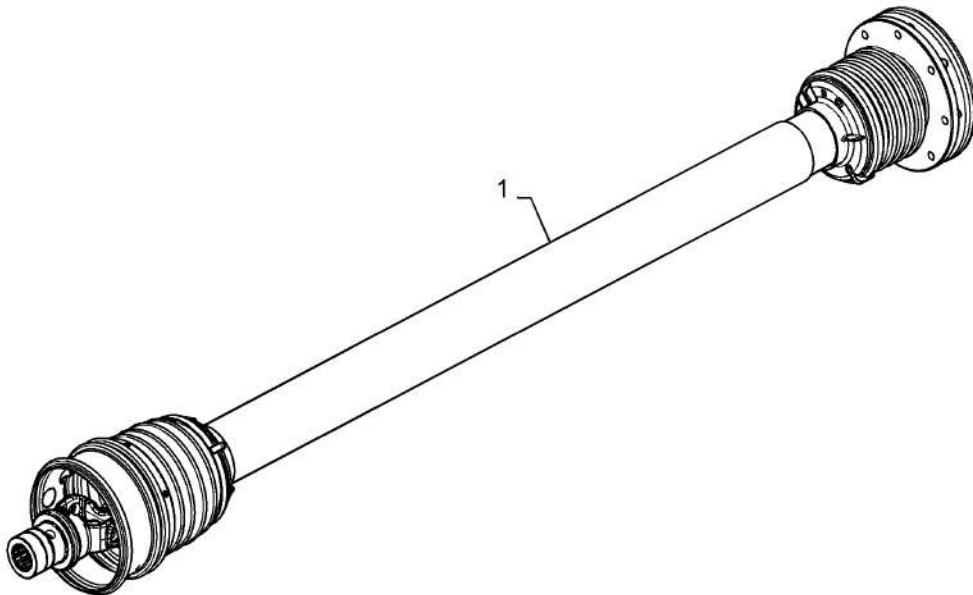
31.201.AD

06

p1

9/2015

PTO, 540 RPM, 1700 N-M COC, OVERSHOT FEEDER



PTO, 540 RPM, 1700 N-M COC, OVERSHOT FEEDER

REF FN	PART NUMBER	YR/SN	QTY DESCRIPTION
1	84599999		1 PTO 1700 N-M, Slip Clutch, Overshot Rotor
2	87517822		1 YOKE
3	87517823		2 BEARING ASSY
4	87517824		1 YOKE Front S6
5	87517825		1 YOKE CV, S6
6	87517826		1 ROLL PIN 10.5mm OD x 95mm L
7	84540279		1 DRIVE SHAFT Outer
8	87484368		1 TUBE 1050 mm L Inner
9	84036368		1 ROLL PIN
10	87517829		1 YOKE Rear S6
11	84540723		1 SLIP CLUTCH
12	87018244		1 CROSS
13	84540281		1 CONE Outer
14	87517831		1 BEARING COVER 89.4 mm ID x 132 mm OD x 12 mm Front S6
15	87517832		1 BEARING COVER 128.4 mm ID x 187 mm OD x 11 mm Front S6
16	PL		6 PROCURE LOCALLY Screw, Self Tapping,4.8 x 22
17	47598519		1 SHIELD Outer Tube
18	47598520		1 SHIELD Inner Tube
19	47517439		1 CONE Shield
20	86979196		1 BEARING 111 mm ID x 132 mm OD x 12 mm
21	PL		6 PROCURE LOCALLY Screw, Self Tapping,4.8 x 22, Flange Head
22	47598307		2 CHAIN with Spring Link
23	849471		1 DANGER DECAL
24	86520950		1 DECAL
25	47654384		1 COLLAR Collar Ball
26	47598521		1 IMPORTANT DECAL
27	47362902		1 PIN
28	87012735		8 KIT
29	86979201		1 YOKE
30	47654389		1 BUSHING 56mm ID x 64mm OD x 12.5mm Thk

RB465-CASE IH ROUND BALER - EUROPE & R.O.W.

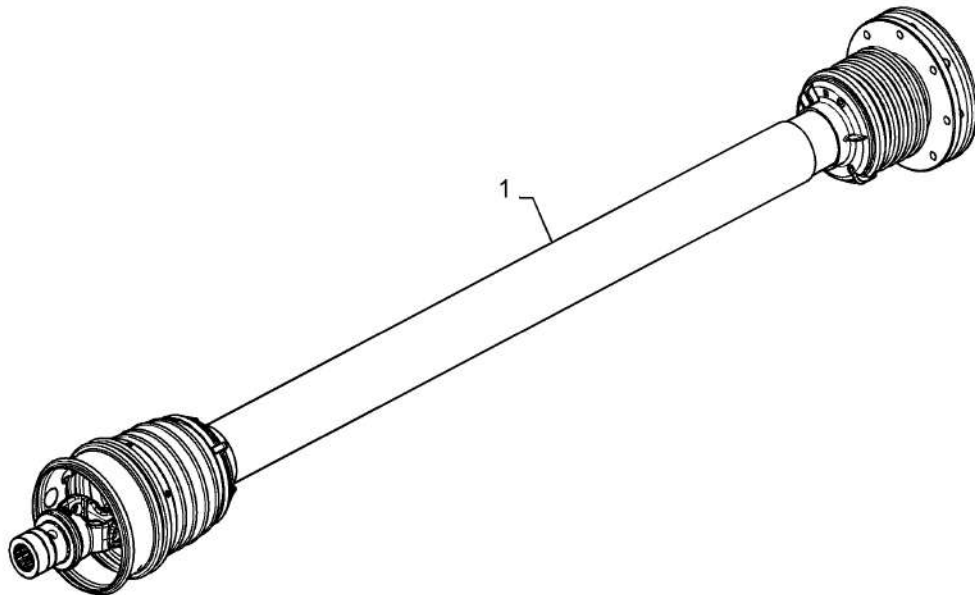
31.201.AD

06

p2

9/2015

PTO, 540 RPM, 1700 N-M COC, OVERSHOT FEEDER



PTO, 540 RPM, 1700 N-M COC, OVERSHOT FEEDER

REF FN	PART NUMBER	YR/SN	QTY DESCRIPTION
31	86517364		2 CLUTCH PLATE 85mm ID x 162mm OD x 3.2mm Thk
32	86625864		1 HUB
33	87517773		1 THRUST PLATE
34	87517766		1 BELLEVILLE SPRING
35	47598522		1 HALF SHAFT Outer
36	47598534		1 HALF SHAFT Inner
37	47598524		1 KIT Shield

RB465-CASE IH ROUND BALER - EUROPE & R.O.W.

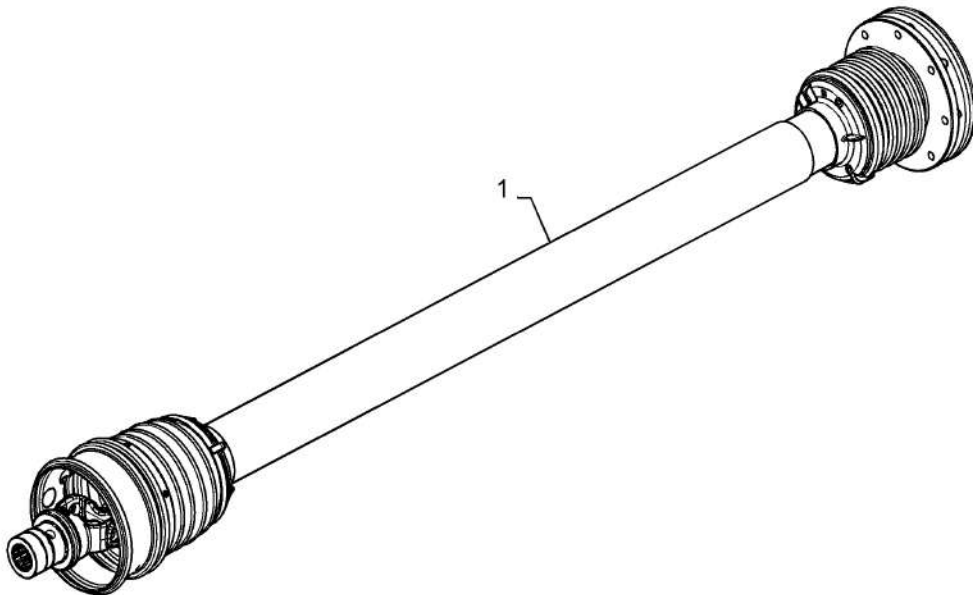
31.201.AD

07

p1

9/2015

PTO, 1000 RPM, 1100 N-M, COC, OVERSHOT FEEDER



PTO, 1000 RPM, 1100 N-M, COC, OVERSHOT FEEDER

REF FN	PART NUMBER	YR/SN	QTY DESCRIPTION
1	84565317		1 PTO 540 RPM, Slip Clutch, 1100 N-M
2	87517788		2 YOKE
3	87517787		1 U-JOINT SPIDER
4	87517786		1 YOKE
5	87517785		1 BODY
6	87517784		1 ROLL PIN 8.6mm OD x 80mm L
7	84540237		1 DRIVE SHAFT
8	84540238		1 DRIVE SHAFT
9	87586150		1 ROLL PIN 8mm OD x 55mm L
10	87517779		1 YOKE Rear
11	87517776		1 SLIP CLUTCH
12	87018246		1 SPIDER
13	84540241		1 CONE
14	87517774		1 SHIELD Front
15	87517775		1 SHIELD Front
16	PL		6 PROCURE LOCALLY Screw, 4.8 x 22 Self-Tapping
17	47598217		1 SHIELD
18	47598228		1 SHIELD
19	84147760		1 CONE
20	86625852		1 RING NUT
21	PL		6 PROCURE LOCALLY Screw, 4.8 x 22 Self-Tapping, Flange Head
22	278645		2 CHAIN
23	849471		1 DANGER DECAL
24	86520950		1 DECAL
25	47654384		1 COLLAR
26	47598238		1 IMPORTANT DECAL
27	47362902		1 PIN
28	87012735		8 KIT
29	86625860		1 CLUTCH PLATE
30	47654389		1 BUSHING 56mm ID x 64mm OD x 12.5mm Thk
31	86517364		2 CLUTCH PLATE 85mm ID x 162mm OD x 3.2mm Thk

RB465-CASE IH ROUND BALER - EUROPE & R.O.W.

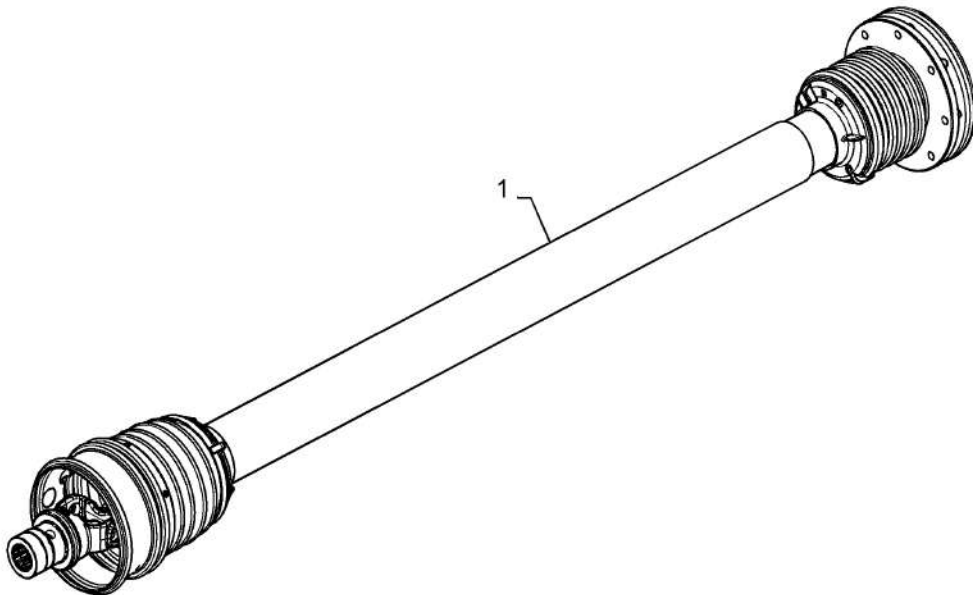
31.201.AD

07

p2

9/2015

PTO, 1000 RPM, 1100 N-M, COC, OVERSHOT FEEDER



31.201.AD

07

p2

9/2015

PTO, 1000 RPM, 1100 N-M, COC, OVERSHOT FEEDER

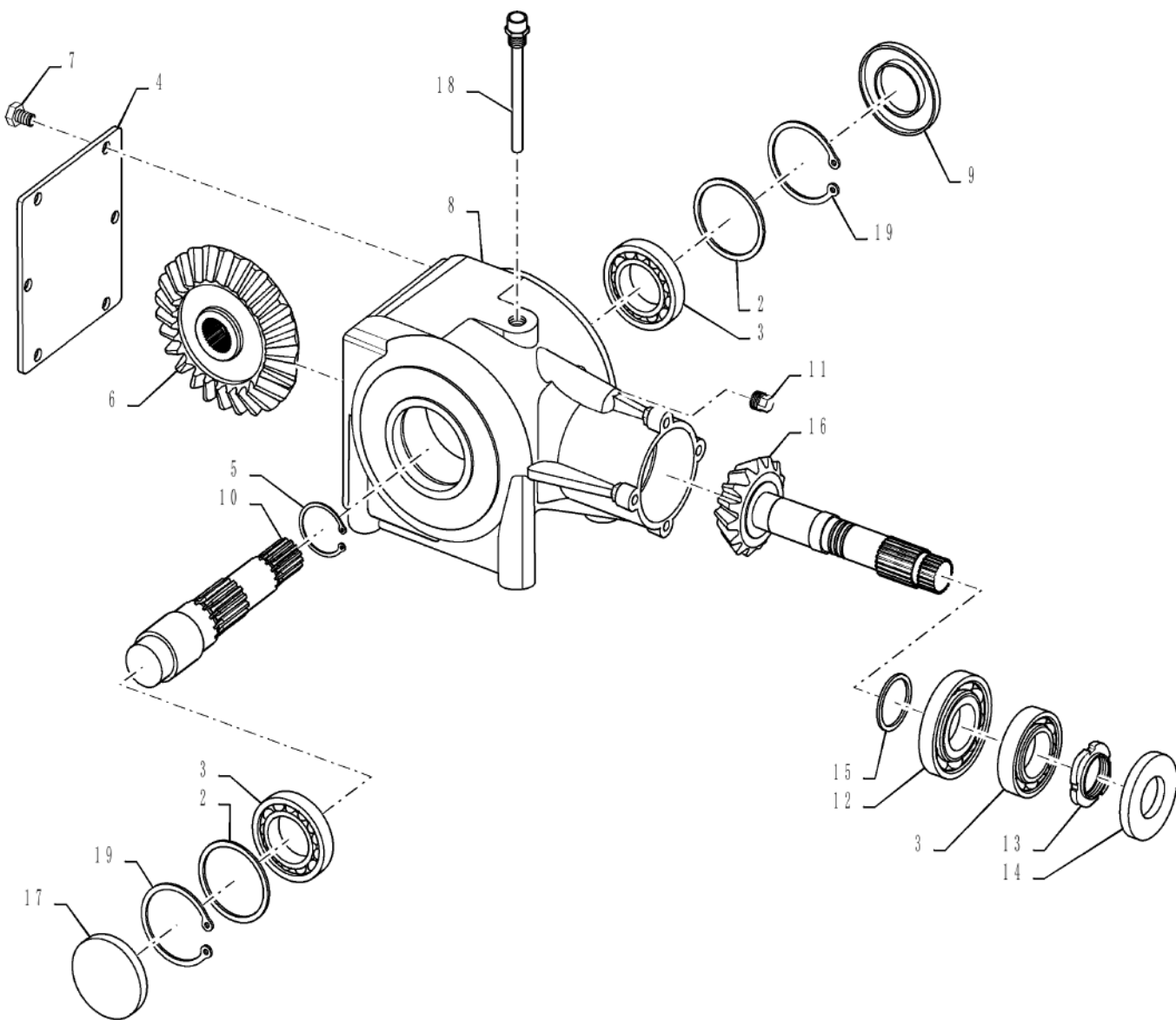
REF FN	PART NUMBER	YR/SN	QTY DESCRIPTION
32	86625864		1 HUB
33	87517773		1 THRUST PLATE Outer
34	87517766		1 BELLEVILLE SPRING Inner
35	47598268		1 HALF SHAFT Shield
37	47598273		1 KIT

RB465-CASE IH ROUND BALER - EUROPE & R.O.W.

VAR - 726527 - GEARBOX, STANDARD, 540 RPM



1



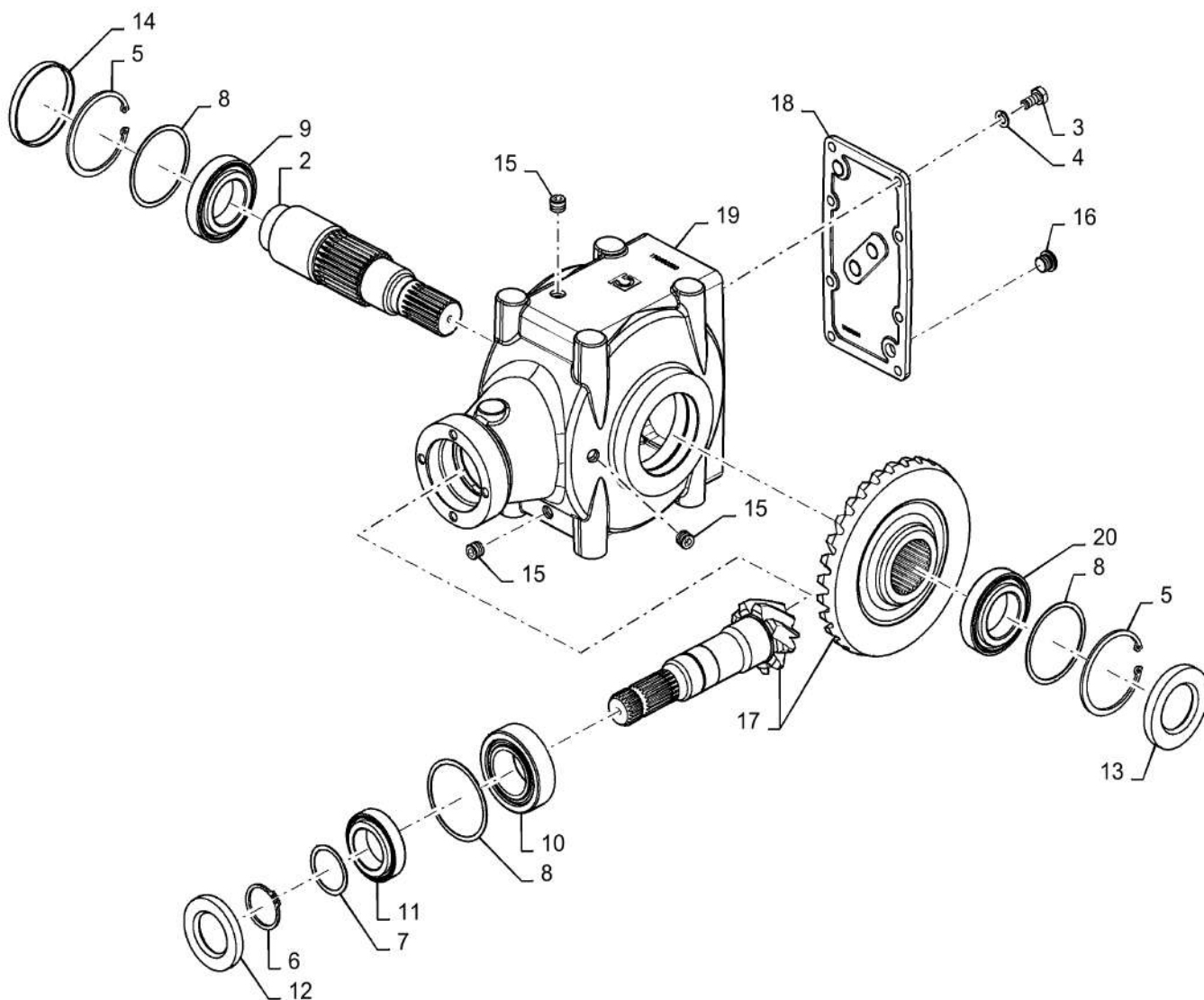
VAR - 726527 - GEARBOX, STANDARD, 540 RPM

REF FN	PART NUMBER	YR/SN	QTY DESCRIPTION
1	1 87391830		1 GEARBOX Main Drive, 540 RPM, Incl 2 - 19
	87391830R		1 REMAN-GEARBOX Return Number, For N.A. Only
	87391830C		CORE-GEARBOX Return Number, For N.A. Only
2	86539214		2 SHIM
3	210053		2 TAPERED ROLLER BEARING 40mm ID x 80mm OD x 18mm W
4	87016408		1 COVER
5	86559213		1 SNAP RING Ext., M42.5
6	87518142		1 BEVEL GEAR 27T
7	43138		6 BOLT Hex, M10 x 1.5 x 20mm, CI 8.8
8	87518144		1 HOUSING Gearbox
9	86539153		1 SEAL 40mm ID x 80mm OD x 10mm Thk
10	87016406		1 GEAR SHAFT
11	86557412		2 PLUG 3/8" - 19 NPT
12	86557433		2 TAPERED ROLLER BEARING 40mm ID x 80mm OD x 24.75mm W
13	87016415		1 NUT M40 x 1.5
14	87016412		1 SEAL 35 x 80 x 10
15	86539215		1 KIT Shim
16	87518146		1 SHAFT 15T
17	86539148		1 CAP
18	86626270		1 DIPSTICK 129mm L
19	87016402		2 SNAP RING 80mm x 4.15mm Thk
(1)	Manufacturer's I.D. #9.321.803.10 Stamped in Top of Gearbox Housing		

RB465-CASE IH ROUND BALER - EUROPE & R.O.W.

VAR - 726527 - GEARBOX, HEAVY DUTY, 540 RPM

1



VAR - 726527 - GEARBOX, HEAVY DUTY, 540 RPM

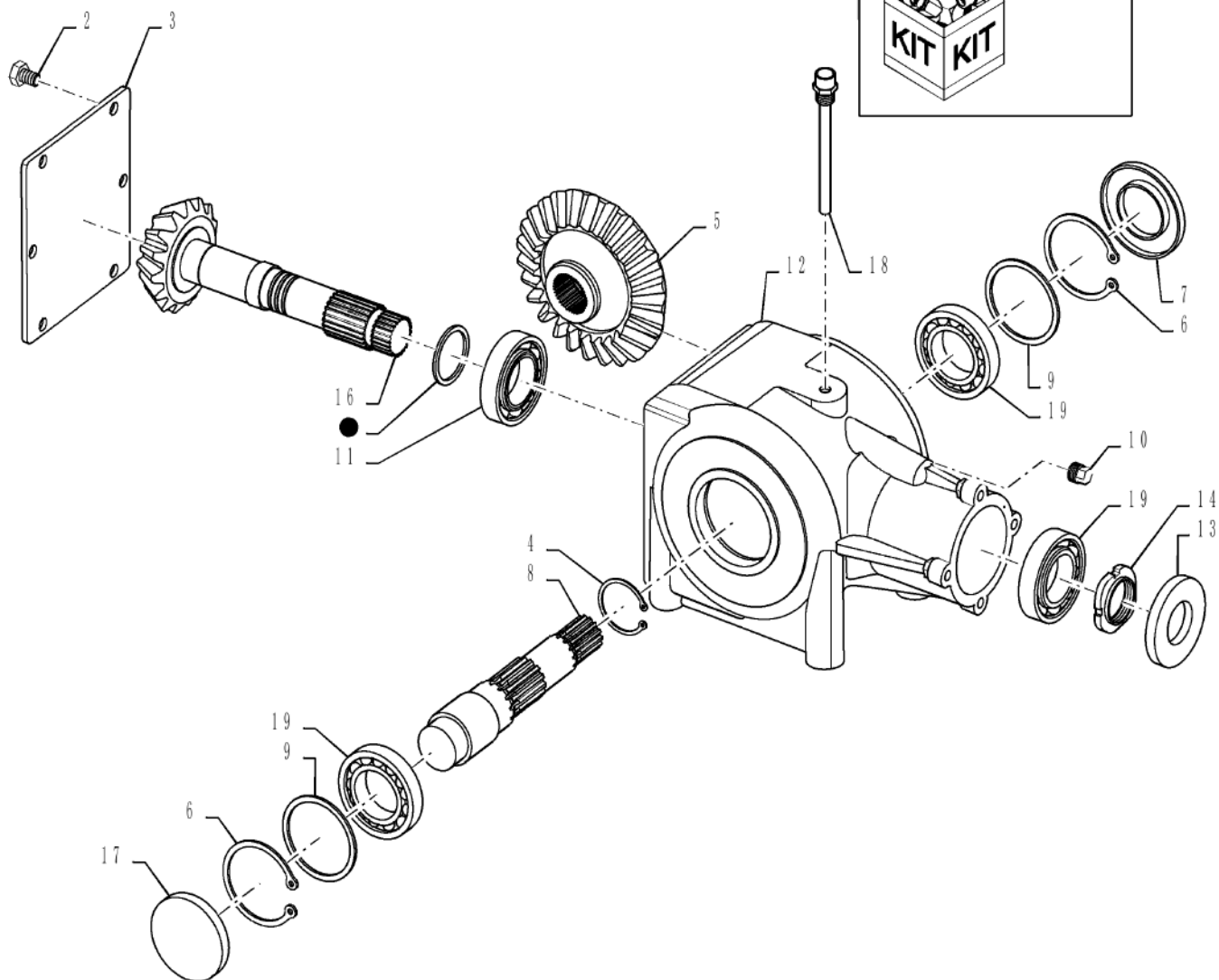
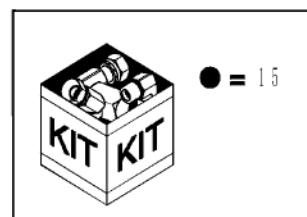
REF FN	PART NUMBER	YR/SN	QTY DESCRIPTION
1	84375099		1 GEARBOX 540 RPM, Heavy Duty, Incl 2 - 20
2	47427339		1 SHAFT Output
3	2975076		8 BOLT M10 x 1.5 x 22mm, Cl 8.8
4	12648301		8 WASHER 10.2mm ID x 17mm OD x 1.5mm Thk
5	370013		2 SNAP RING M90 x 3mm Thk, Internal
6	5135061		1 CIRCLIP M45, Ext
7	47427338		1 SHIM KIT W/ 11
8	47427337		3 SHIM KIT W/ 9, 10, 20
9	561201		1 TAPERED ROLLER BEARING 50mm ID x 90mm OD x 21.75mm W
10	86500889		1 BEARING ASSY 50mm ID x 90mm OD x 32mm W
11	84438713		1 TAPERED ROLLER BEARING 45mm ID x 75mm OD x 20mm W
12	47427336		1 OIL SEAL Input Shaft
13	47427333		1 OIL SEAL Output Shaft, RH
14	47427330		1 OIL SEAL Output Shaft, LH
15	47599792		3 PIPE PLUG Gas, 3/8" BSPP
16	47427362		1 PIPE PLUG Gas, 3/8" BSPP
17	47427329		1 BEVEL GEAR Input
18	47427320		1 COVER Gearbox
19	47427376		1 HOUSING Gearbox
20	86570632		1 TAPERED ROLLER BEARING 50mm ID x 90mm OD x 24.75mm W

RB465-CASE IH ROUND BALER - EUROPE & R.O.W.

VAR - 726528 - GEARBOX, STANDARD, 1000 RPM



1



VAR - 726528 - GEARBOX, STANDARD, 1000 RPM

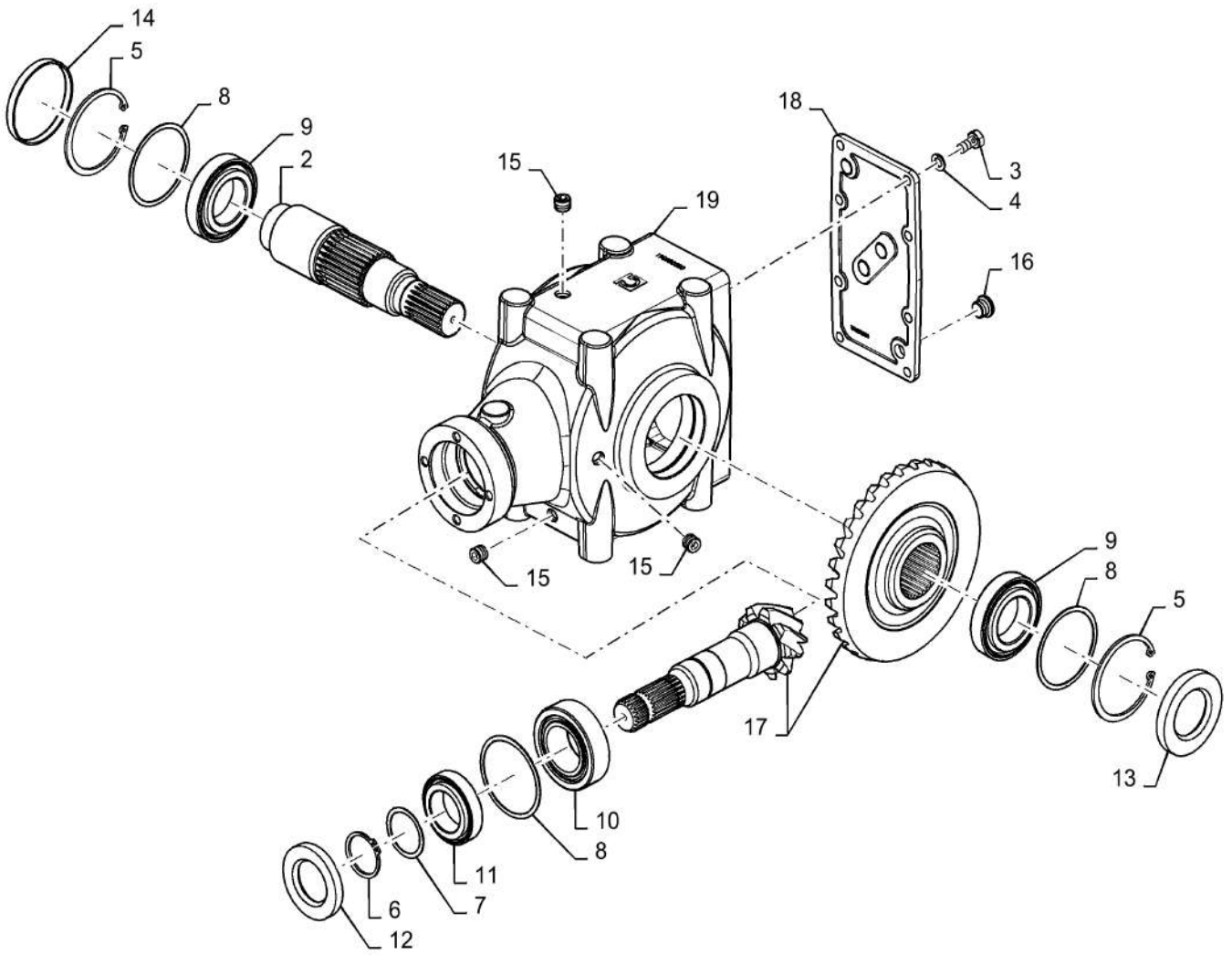
REF	FN	PART NUMBER	YR/SN	QTY DESCRIPTION
1	1	87344585		1 GEARBOX Main Drive, 1000 RPM, Incl 2 - 19
2		43138		6 BOLT Hex, M10 x 1.5 x 20mm, Cl 8.8
3		87016403		1 COVER
4		86559213		1 SNAP RING Ext., M42.5
5		87344591		1 BEVEL GEAR 45T
6		87016402		2 SNAP RING 80mm x 4.15mm Thk
7		86539153		1 SEAL 40mm ID x 80mm OD x 10mm Thk
8		87016406		1 GEAR SHAFT
9		86539214		2 SHIM
10		86557412		2 PLUG 3/8" - 19 NPT
11		86613758		1 BEARING ASSY 40mm ID x 90mm OD x 25.25mm W
12		87016405		1 TRANSMISSION HOUSING
13		87016412		1 SEAL 35 x 80 x 10
14		87016415		1 NUT M40 x 1.5
15		86539215		1 KIT Shim
16		87344590		1 SHAFT 14T
17		86539148		1 CAP
18		86626271		1 DIPSTICK
19		210053		3 TAPERED ROLLER BEARING 40mm ID x 80mm OD x 18mm W

(1) Manufacturer's I.D. #322.002.00 Stamped in Top of Gearbox Housing

RB465-CASE IH ROUND BALER - EUROPE & R.O.W.

VAR - 726528 - GEARBOX, HEAVY DUTY, 1000 RPM

1

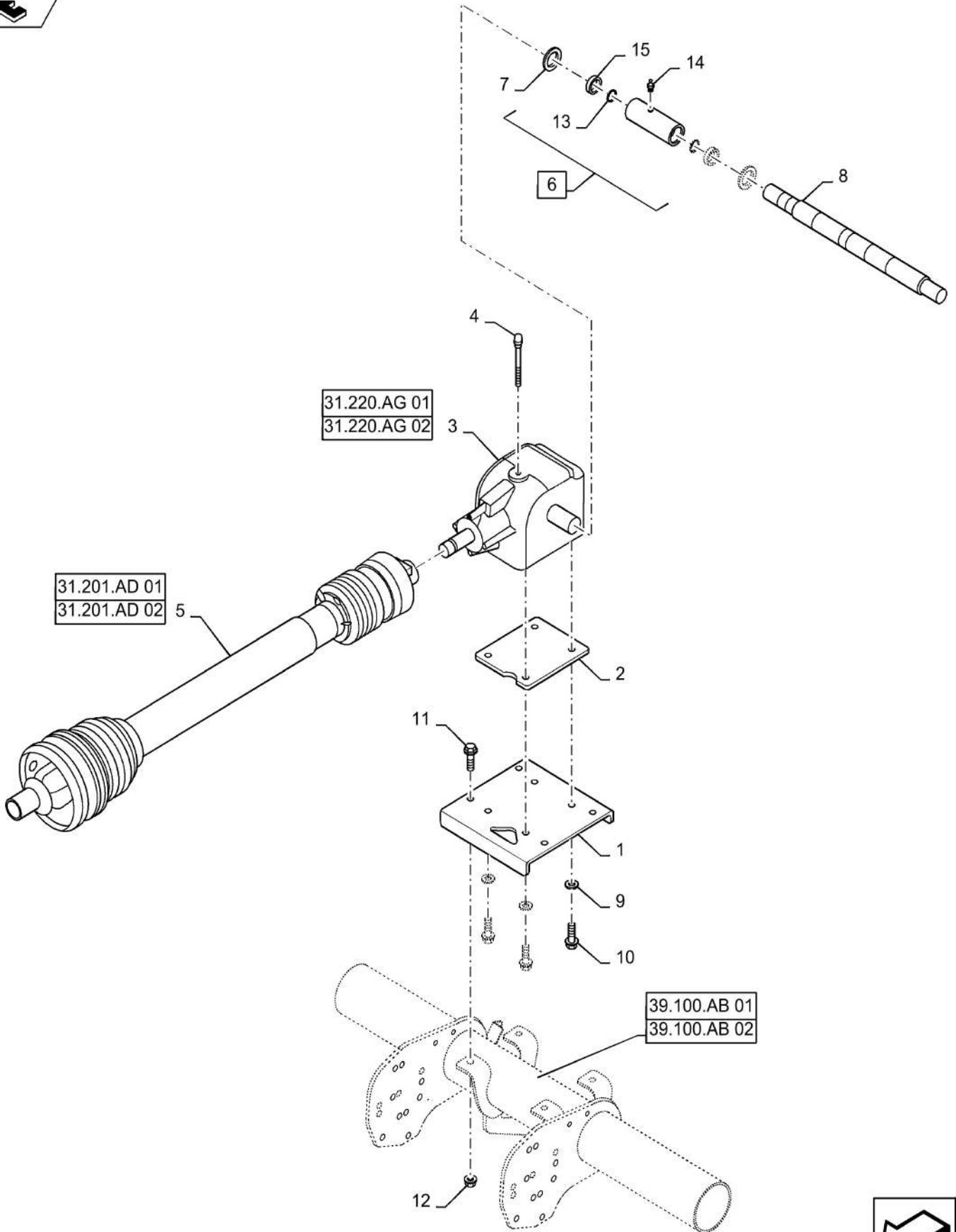


VAR - 726528 - GEARBOX, HEAVY DUTY, 1000 RPM

REF FN	PART NUMBER	YR/SN	QTY DESCRIPTION
1	84375100		1 GEARBOX 1000 RPM, Heavy Duty, Incl 2 - 20
2	47427375		1 HOUSING
3	47427339		1 SHAFT
4	12648301		1 WASHER 10.2mm ID x 17mm OD x 1.5mm Thk
5	370013		1 SNAP RING M90 x 3mm Thk, Internal
6	5135061		1 CIRCLIP M45, Ext
7	47427338		1 SHIM KIT
8	47427337		1 SHIM KIT
9	561201		1 TAPERED ROLLER BEARING 50mm ID x 90mm OD x 21.75mm W
10	86570632		1 TAPERED ROLLER BEARING 50mm ID x 90mm OD x 24.75mm W
11	86500889		1 BEARING ASSY 50mm ID x 90mm OD x 32mm W
12	84438713		1 TAPERED ROLLER BEARING 45mm ID x 75mm OD x 20mm W
13	47427336		1 OIL SEAL
14	47427333		1 OIL SEAL
15	47427330		1 OIL SEAL
16	86539149		1 PLUG 3/8" BSPP
17	47427362		1 PIPE PLUG
18	47427327		1 GEAR SET
19	47427318		1 COVER
20	2975076		1 BOLT M10 x 1.5 x 22mm, Cl 8.8

RB465-CASE IH ROUND BALER - EUROPE & R.O.W.

VAR - 726527, 726528 - GEARBOX AND DRIVE, STANDARD



VAR - 726527, 726528 - GEARBOX AND DRIVE, STANDARD

REF FN	PART NUMBER	YR/SN	QTY DESCRIPTION
1	84526344		1 MOUNT
2	84526345		1 MOUNTING PLATE
3	1 87391830		1 GEARBOX 540 RPM
3	2 87344585		1 GEARBOX 1000 RPM
4	86626270		1 DIPSTICK 129mm L 540 RPM
4	86626271		1 DIPSTICK 1000 RPM
5	84358415		1 PTO 540 RPM, COC, 1700 N-m
5	84358416		1 PTO 1000 RPM, COC, 1100 N-m
6	87661924		1 SPLINED COUPLING
7	86637396		2 WASHER 25.6mm ID x 35.3mm OD x 1mm Thk
8	87664061		1 DRIVE SHAFT
9	86979179		4 WASHER 16.67mm ID x 34.93mm OD x 6.35mm Thk
10	9804272		4 BOLT Hex, M16 x 50mm, CI 8.8, Full Thd
11	9804271		4 BOLT Hex, M16 x 40mm, CI 8.8, Full Thd
12	9804280		4 FLANGE NUT Hex, M16, CI 8
(1)	Manufacturer's I.D. #9.321.803.10 Stamped in Top of Gearbox Housing		
(2)	Manufacturer's I.D. #322.002.00 Stamped in Top of Gearbox Housing		

RB465-CASE IH ROUND BALER - EUROPE & R.O.W.

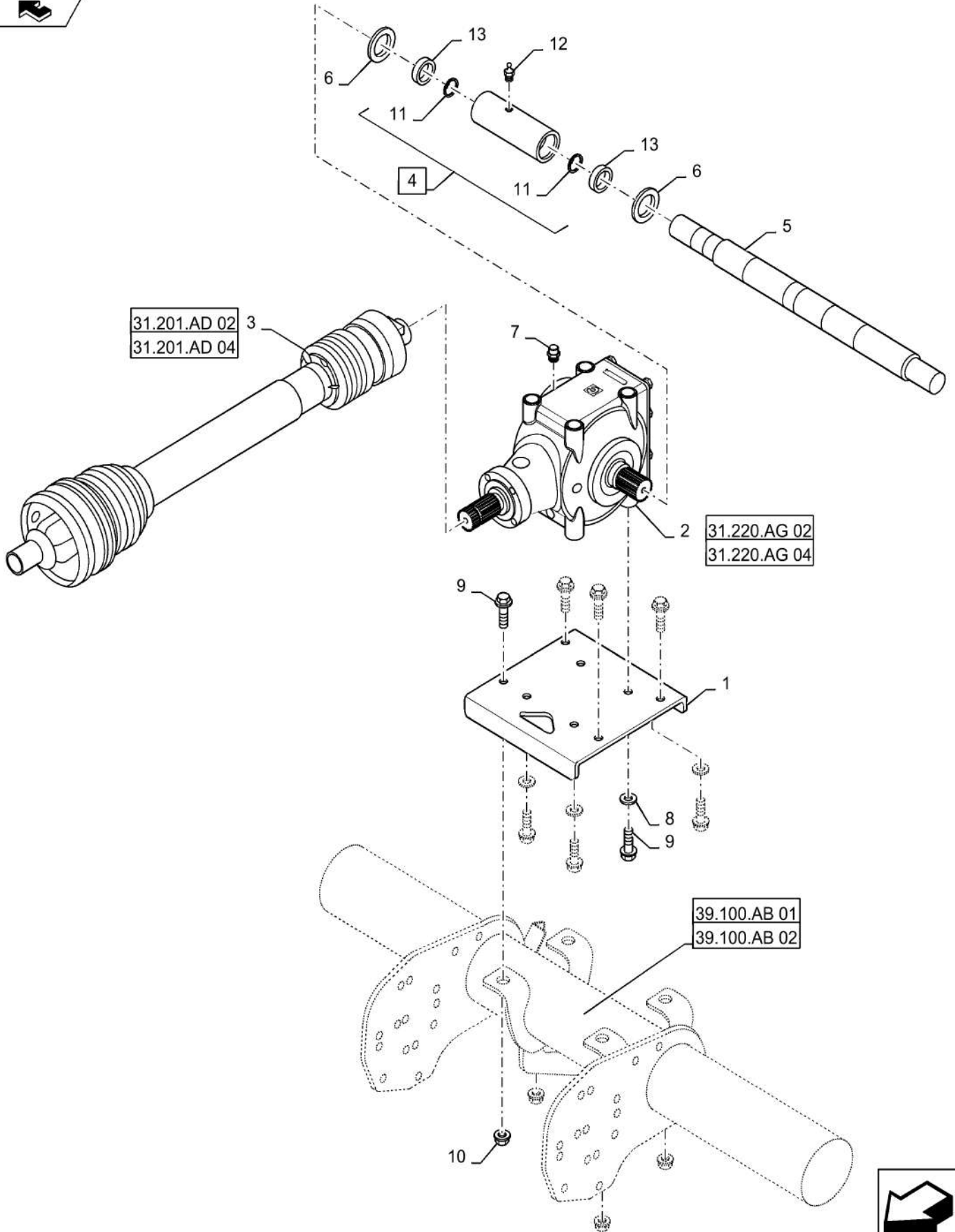
31.220.AL

02

p1

9/2015

VAR - 726527, 726528 - GEARBOX AND DRIVE, HEAVY DUTY



31.220.AL

02

p1

9/2015

VAR - 726527, 726528 - GEARBOX AND DRIVE, HEAVY DUTY

REF FN	PART NUMBER	YR/SN	QTY DESCRIPTION
1	84285522		1 MOUNT
2	1 84375099		1 GEARBOX 540 RPM Heavy Duty
2	2 84375100		1 GEARBOX 1000 RPM Heavy Duty
3	84253567		1 PTO 540 RPM Heavy Duty, COC, 1900 N-m
3	84253569		1 PTO 1000 RPM Heavy Duty, COC, 1200 N-m
4	87661924		1 SPLINED COUPLING Incl 11 - 13
5	84541306		1 DRIVE SHAFT
6	86637396		2 WASHER 25.6mm ID x 35.3mm OD x 1mm Thk
7	86539157		1 BREATHER 3/8" Gas
8	86979179		4 WASHER 16.67mm ID x 34.93mm OD x 6.35mm Thk
9	9804271		8 BOLT Hex, M16 x 40mm, Cl 8.8, Full Thd
10	9804280		4 FLANGE NUT Hex, M16, Cl 8
11	300643		2 SNAP RING M38, Int
12	62161		2 LUBE NIPPLE M8 x 1.25, Str
13	86637370		2 SEAL 40mm ID x 52mm OD x 7mm Thk
(1)	Bondioli & Pavesi #S2081180002		
(2)	Bondiloi & Pavesi #S2081333002 1 Bondiloi & Pavesi #S2081333002		

RB465-CASE IH ROUND BALER - EUROPE & R.O.W.

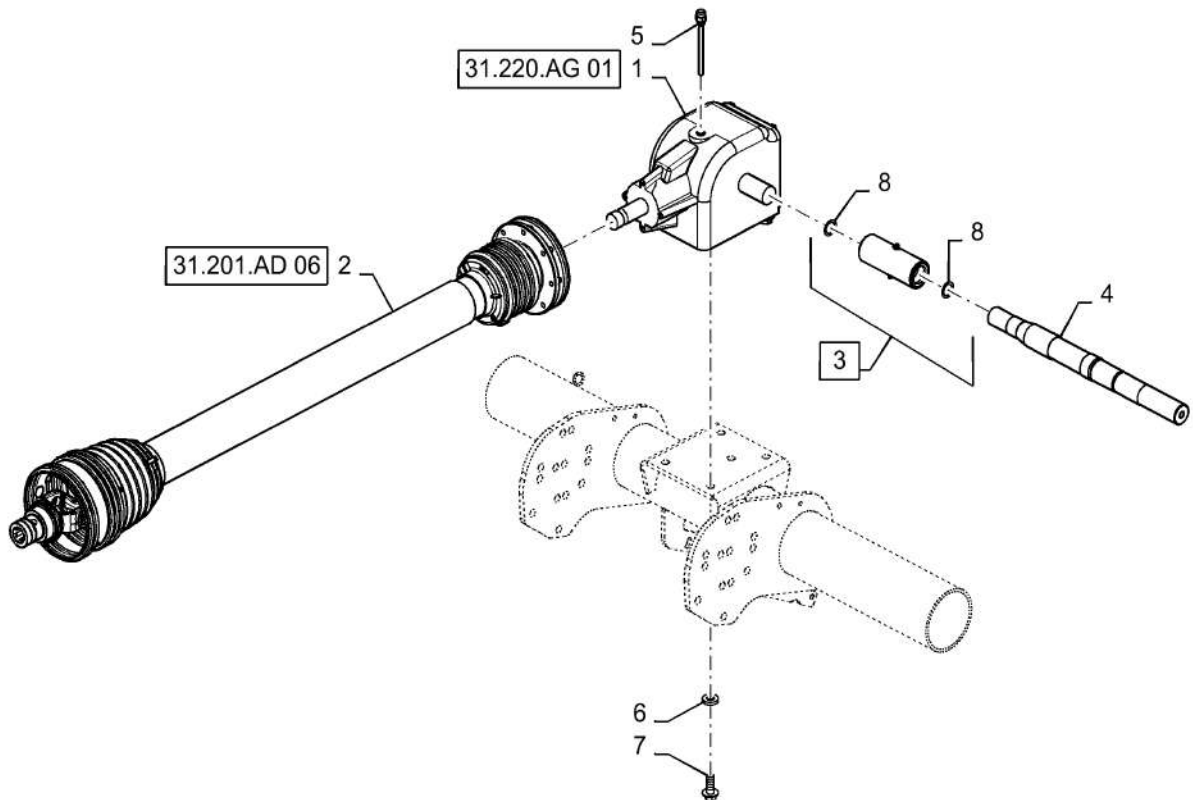
31.220.AL

03

p1

9/2015

VAR - 726527 - MAIN DRIVE, 540 RPM, OVERSHOT FEEDER



31.220.AL

03

p1

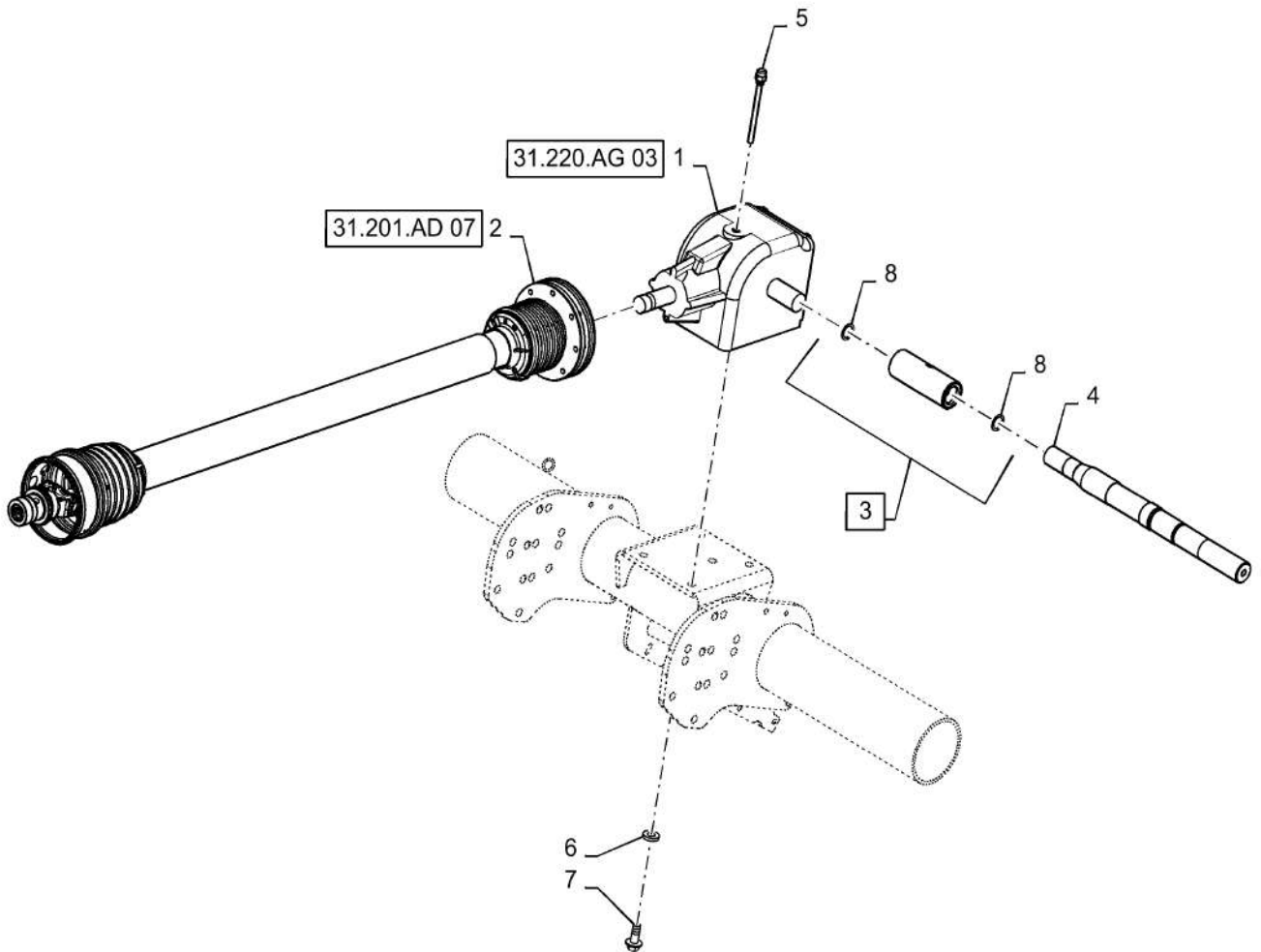
9/2015

VAR - 726527 - MAIN DRIVE, 540 RPM, OVERSHOT FEEDER

REF FN	PART NUMBER	YR/SN	QTY DESCRIPTION
1	87391830		1 GEARBOX 540 RPM
2	84599999		1 PTO 1700 N-M, Cut Out Clutch
3	87661924		1 SPLINED COUPLING Incl 8
4	47623676		1 SHAFT
5	86626270		1 DIPSTICK 129mm L
6	86979179		4 WASHER 16.67mm ID x 34.93mm OD x 6.35mm Thk
7	9804271		4 BOLT Hex, M16 x 40mm, Cl 8.8, Full Thd
8	86637396		2 WASHER 25.6mm ID x 35.3mm OD x 1mm Thk

RB465-CASE IH ROUND BALER - EUROPE & R.O.W.

VAR - 726528 - MAIN DRIVE, 1000 RPM, OVERSHOT FEEDER



31.220.AL

04

p1

9/2015

VAR - 726528 - MAIN DRIVE, 1000 RPM, OVERSHOT FEEDER

REF FN	PART NUMBER	YR/SN	QTY DESCRIPTION
1	87344585		1 GEARBOX 1000 RPM
2	84253568		1 PTO
3	87661924		1 SPLINED COUPLING Incl 8
4	47623676		1 SHAFT
5	86626271		1 DIPSTICK
6	86979179		4 WASHER 16.67mm ID x 34.93mm OD x 6.35mm Thk
7	9804271		4 BOLT Hex, M16 x 40mm, Cl 8.8, Full Thd
8	86637396		2 WASHER 25.6mm ID x 35.3mm OD x 1mm Thk

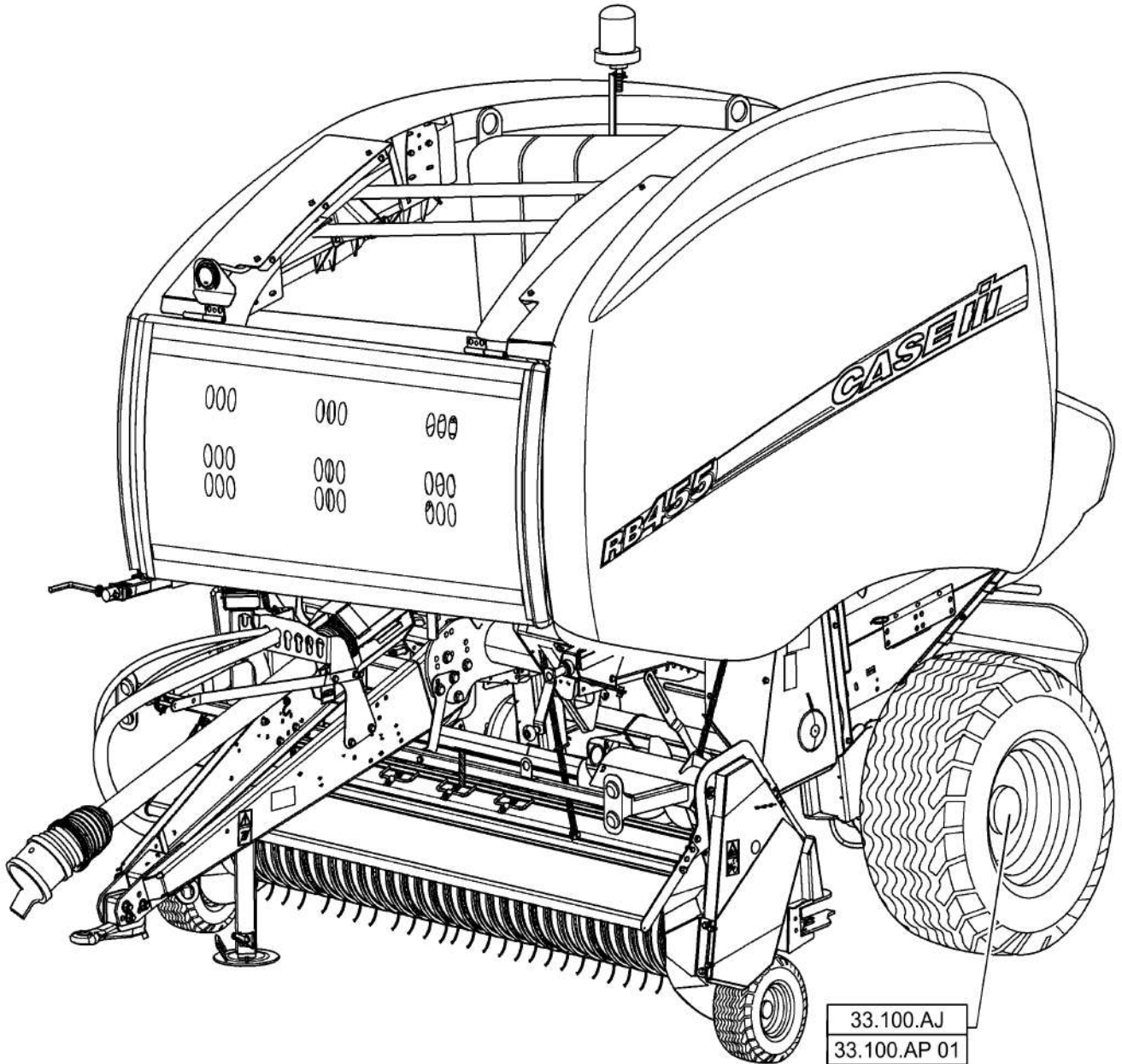
RB465-CASE IH ROUND BALER - EUROPE & R.O.W.

SECTION INDEX

BRAKES & CONTROLS

33.000.00		PICTORIAL INDEX - BRAKES & CONTROLS
33.100.AJ		VAR - 726833, 726945 - PARKING HAND BRAKE CONTROLS
33.100.AP	01	VAR - 722007, 722008, 726650 - PARKING BRAKE AXLE, PARK BRAKE ONLY, ITALY
33.100.AP	02	VAR - 726831, 726832 - HYDRAULIC AND PNEUMATIC BRAKE AXLE, WITH PARK BRAKE
33.100.AP	03	VAR - 726833 - PARKING BRAKE - HUB
33.100.AP	04	VAR - 726831 - PARKING BRAKE, HYDRAULIC SYSTEM
33.100.AP	05	VAR - 726943, 726944 - HYDRAULIC AND PNEUMATIC BRAKE AXLE, WITH PARK BRAKE FOR 550/55-20 TIRE
33.100.AP	06	VAR - 726943, 726944, 726945 - HYDRAULIC AND PNEUMATIC BRAKE AXLE ASSEMBLY, WITH PARK BRAKE FOR 550/55-20 TIRE
33.100.AP	07	VAR - 726943, 726944, 726945 - HYDRAULIC BRAKE HUB FOR 500/55-20 TIRES
33.100.AP	08	VAR - 726831, 726832 - PARKING BRAKE AXLE, PARK BRAKE ONLY, OVERSHOT ROTOR
33.240.AB		VAR - 727084 - EMERGENCY BRAKE
33.300.AC		VAR - 726832, 726944 - PNEUMATIC BRAKES RESERVOIR
33.300.AE		VAR - 726832, 726944 - PNEUMATIC BRAKE VALVE & LINES

PICTORIAL INDEX - BRAKES & CONTROLS



33.100.AJ
33.100.AP 01
33.100.AP 02
33.100.AP 03
33.100.AP 04
33.100.AP 05
33.100.AP 06
33.100.AP 07
33.100.AP 08
33.240.AB
33.300.AC

33.000.00

p1

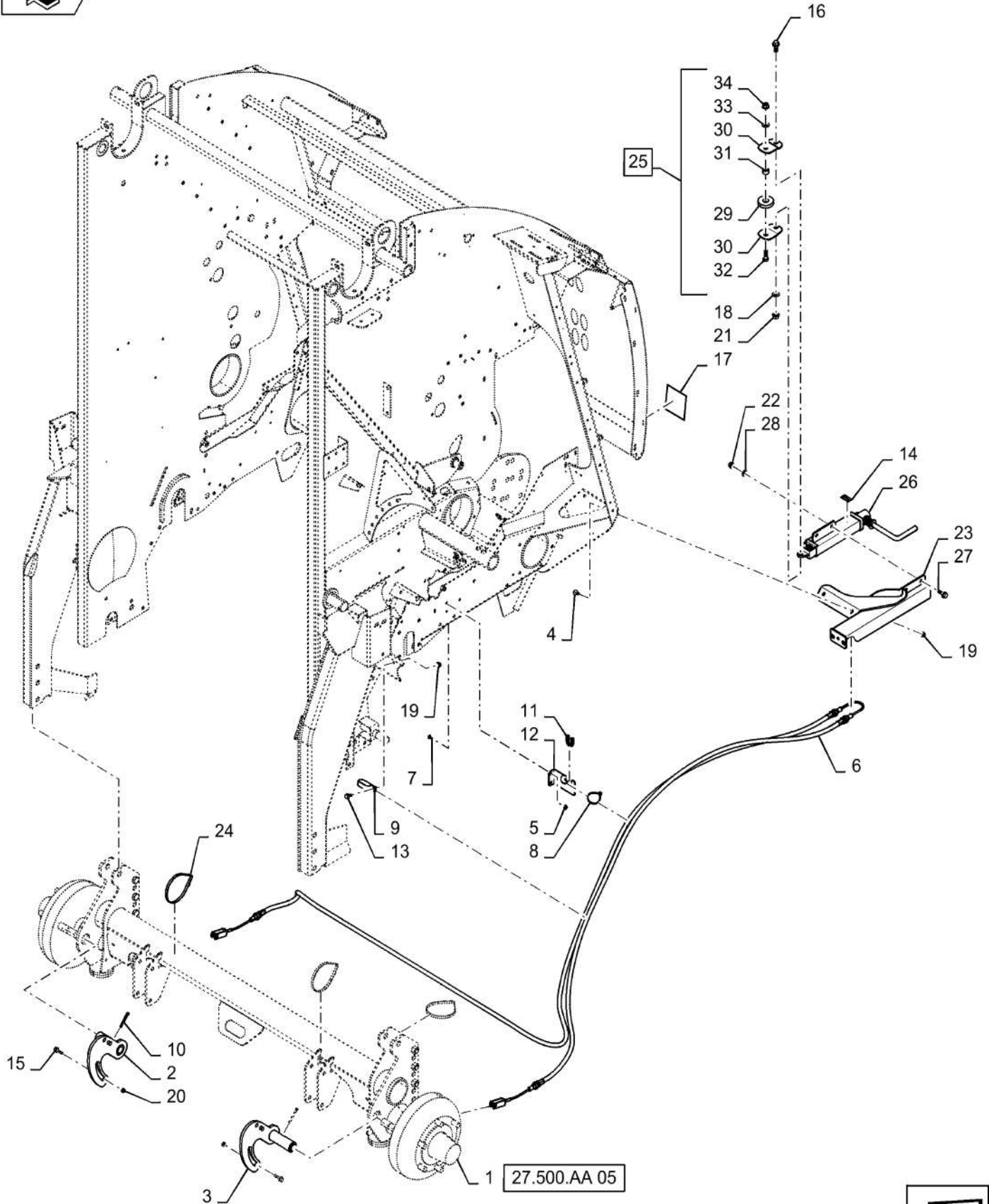
9/2015

PICTORIAL INDEX - BRAKES & CONTROLS

REF FN	PART NUMBER	YR/SN	QTY	DESCRIPTION
---------------	--------------------	--------------	------------	--------------------

RB465-CASE IH ROUND BALER - EUROPE & R.O.W.

VAR - 726833, 726945 - PARKING HAND BRAKE CONTROLS

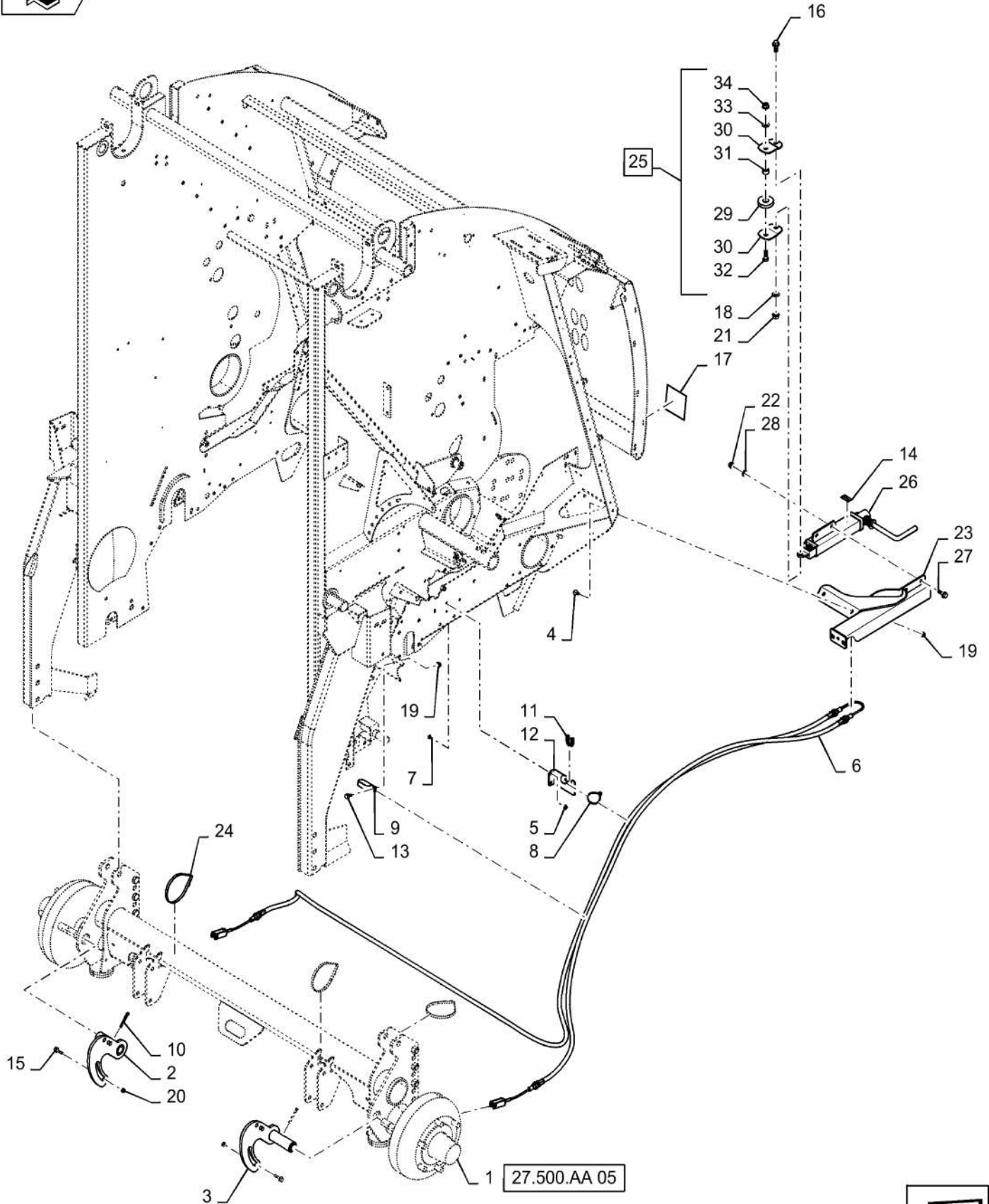


VAR - 726833, 726945 - PARKING HAND BRAKE CONTROLS

REF FN	PART NUMBER	YR/SN	QTY DESCRIPTION
1	0C		1 ORDER COMPONENTS Axle
1	0C		1 ORDER COMPONENTS Axle, 500/55-20 Tires
1	0C		1 ORDER COMPONENTS Axle, Overshot Rotor
2	84414897		1 ARM LH
2	47362619		1 ARM LH, 500/55-20 Tires
3	84414818		1 ARM RH
3	47362621		1 ARM RH, 500/55-20 Tires
4	86507486		1 CARRIAGE BOLT M8 x 1.25 x 20mm, CI 8.8
5	9804276		2 FLANGE NUT Hex, M6 x 1, CI 8
6	84528344		1 CABLE 7100mm L RH
7	86512439		2 CARRIAGE BOLT M6 x 16mm, CI 8.8
8	86566989		1 CABLE TIE 208mm L
9	600427		1 CLAMP 25.4mm, Coat, 8.7mm Bolt Hole, P Type
10	130012		2 COTTER PIN M5 x 50
10	300420		2 COTTER PIN M5 x 63 500/55-20 Tires
11	291525		AR EDGE
12	47536251		1 ANGLE
13	9804258		1 BOLT Hex, M8 x 1.25 x 20mm, CI 8.8 All Except Overshot Rotor
13	9671714		1 FLANGE BOLT Hex, M8 x 1.25 x 25mm, CI 8.8 Overshot Rotor
14	165109		1 DECAL
15	9804260		2 BOLT Hex, M8 x 1.25 x 30mm, Full Thd, CI 8.8
16	9670066		1 FLANGE BOLT Hex, M12 x 30mm, CI 8.8
17	84100367		1 DECAL
18	140046		3 BELLEVILLE WASHER M12 x 27mm OD x 1.8mm Thk
19	9804277		2 FLANGE NUT Hex, M8 x 1.25, CI 8
20	86629542		2 NUT M8 x 1.25, CI 8
21	9804279		2 FLANGE NUT Hex, M12, CI 8
22	9804278		1 FLANGE NUT M10 x 1.5, CI 8
23	47393860		1 SUPPORT LH
24	87034173		3 CABLE TIE 774.7mm L

RB465-CASE IH ROUND BALER - EUROPE & R.O.W.

VAR - 726833, 726945 - PARKING HAND BRAKE CONTROLS



27.500.AA 05



VAR - 726833, 726945 - PARKING HAND BRAKE CONTROLS

REF FN	PART NUMBER	YR/SN	QTY DESCRIPTION
25	0C		1 ORDER COMPONENTS Roller, Inc 29 - 34
26	84274758		1 HAND BRAKE
27	9804262		2 BOLT M10 x 39.2mm, CI 8.8
28	140045		2 BELLEVILLE WASHER M10X22 ZNM
29	84078395		1 ROLLER 60mm OD x 11.5mm L
30	84477606		2 PLATE
31	9838358		1 BUSHING 13mm ID x 22mm OD x 13mm L
32	300389		1 BOLT M12 x 1.75 x 35mm
33	140046		1 BELLEVILLE WASHER M12 x 27mm OD x 1.8mm Thk
34	9804279		1 FLANGE NUT Hex, M12, CI 8

RB465-CASE IH ROUND BALER - EUROPE & R.O.W.

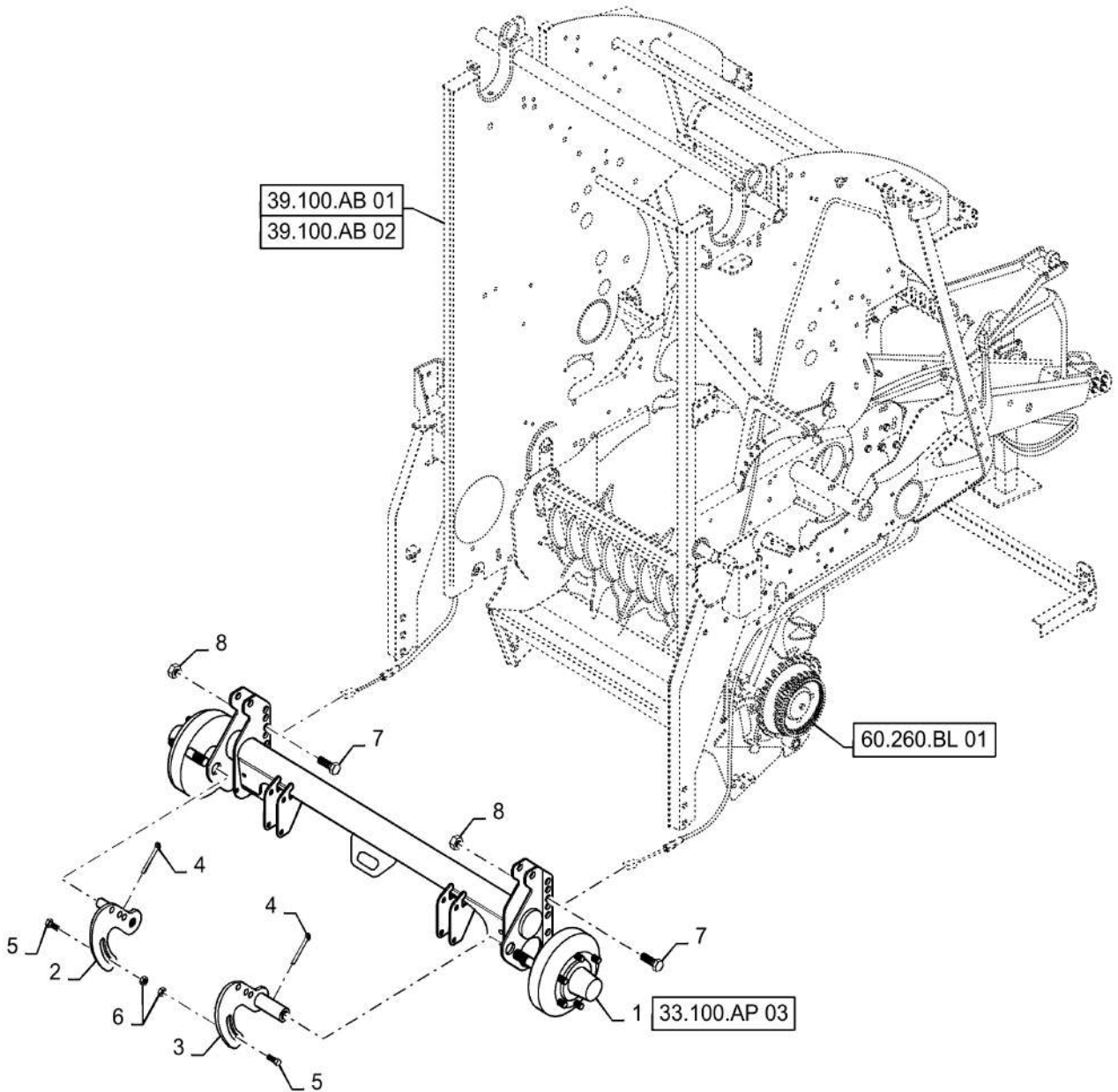
33.100.AP

01

p1

9/2015

VAR - 722007, 722008, 726650 - PARKING BRAKE AXLE, PARK BRAKE ONLY, ITALY



33.100.AP

01

p1

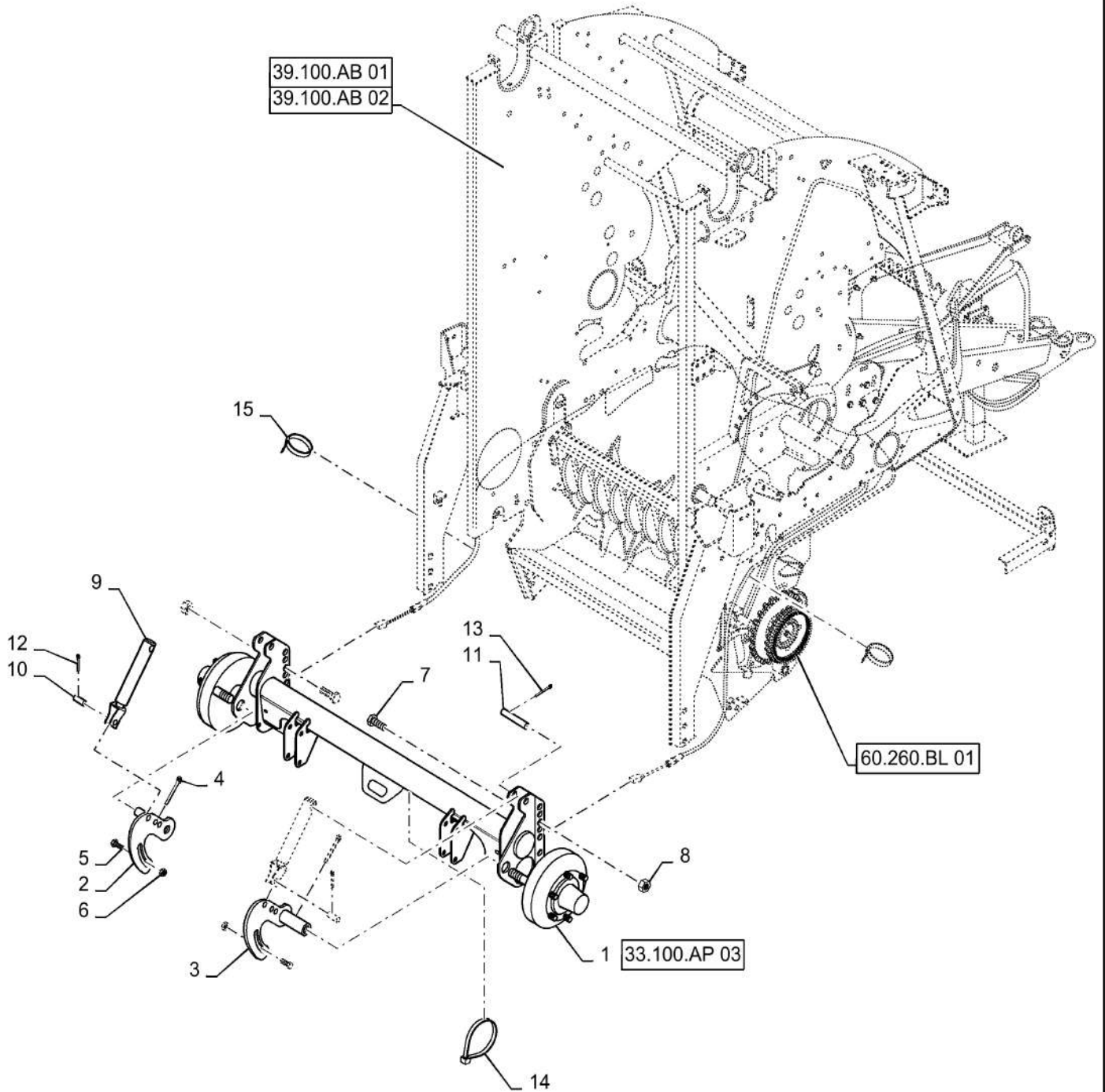
9/2015

VAR - 722007, 722008, 726650 - PARKING BRAKE AXLE, PARK BRAKE ONLY, ITALY

REF FN	PART NUMBER	YR/SN	QTY DESCRIPTION
1	84426289		1 AXLE Park Brake
2	84414897		1 ARM LH
3	84414818		1 ARM RH
4	130012		2 COTTER PIN M5 x 50
5	9804260		2 BOLT Hex, M8 x 1.25 x 30mm, Full Thd, Cl 8.8
6	86629542		2 NUT M8 x 1.25, Cl 8
7	350616		6 BOLT M16 x 2 x 90mm, Cl 8.8
8	100020		6 NUT M16 x 2.0, Cl 8

RB465-CASE IH ROUND BALER - EUROPE & R.O.W.

VAR - 726831, 726832 - HYDRAULIC AND PNEUMATIC BRAKE AXLE, WITH PARK BRAKE



33.100.AP

02

p1

9/2015

VAR - 726831, 726832 - HYDRAULIC AND PNEUMATIC BRAKE AXLE, WITH PARK BRAKE

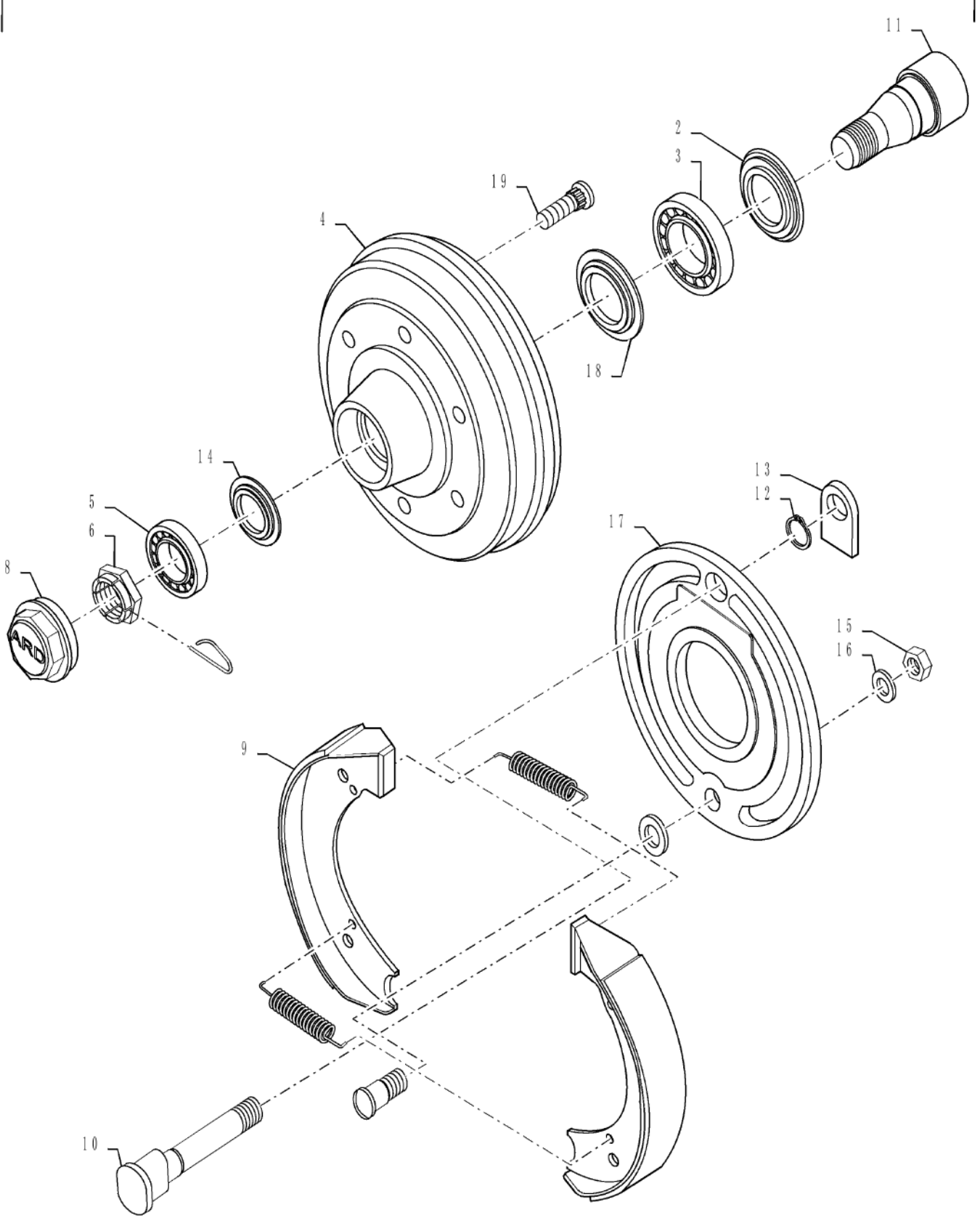
REF FN	PART NUMBER	YR/SN	QTY DESCRIPTION
1	84426289		1 AXLE Park Brake
2	84414897		1 ARM LH
3	84414818		1 ARM RH
4	130012		2 COTTER PIN M5 x 50
5	9804260		2 BOLT Hex, M8 x 1.25 x 30mm, Full Thd, Cl 8.8
6	86629542		2 NUT M8 x 1.25, Cl 8
7	350616		6 BOLT M16 x 2 x 90mm, Cl 8.8
8	100020		6 NUT M16 x 2.0, Cl 8
9	87663731		2 ACTUATOR
10	76877		2 CLEVIS PIN 12.6mm OD x 34.52mm L
11	87498333		2 PIN 19mm OD x 94mm L
12	130004		2 COTTER PIN 2.9mm OD x 31.4mm OAL
13	130011		4 COTTER PIN M5 x 40
14	87034173		3 CABLE TIE 774.7mm L
15	86566989		2 CABLE TIE 208mm L

RB465-CASE IH ROUND BALER - EUROPE & R.O.W.

VAR - 726833 - PARKING BRAKE - HUB



1



33.100.AP

03

p1

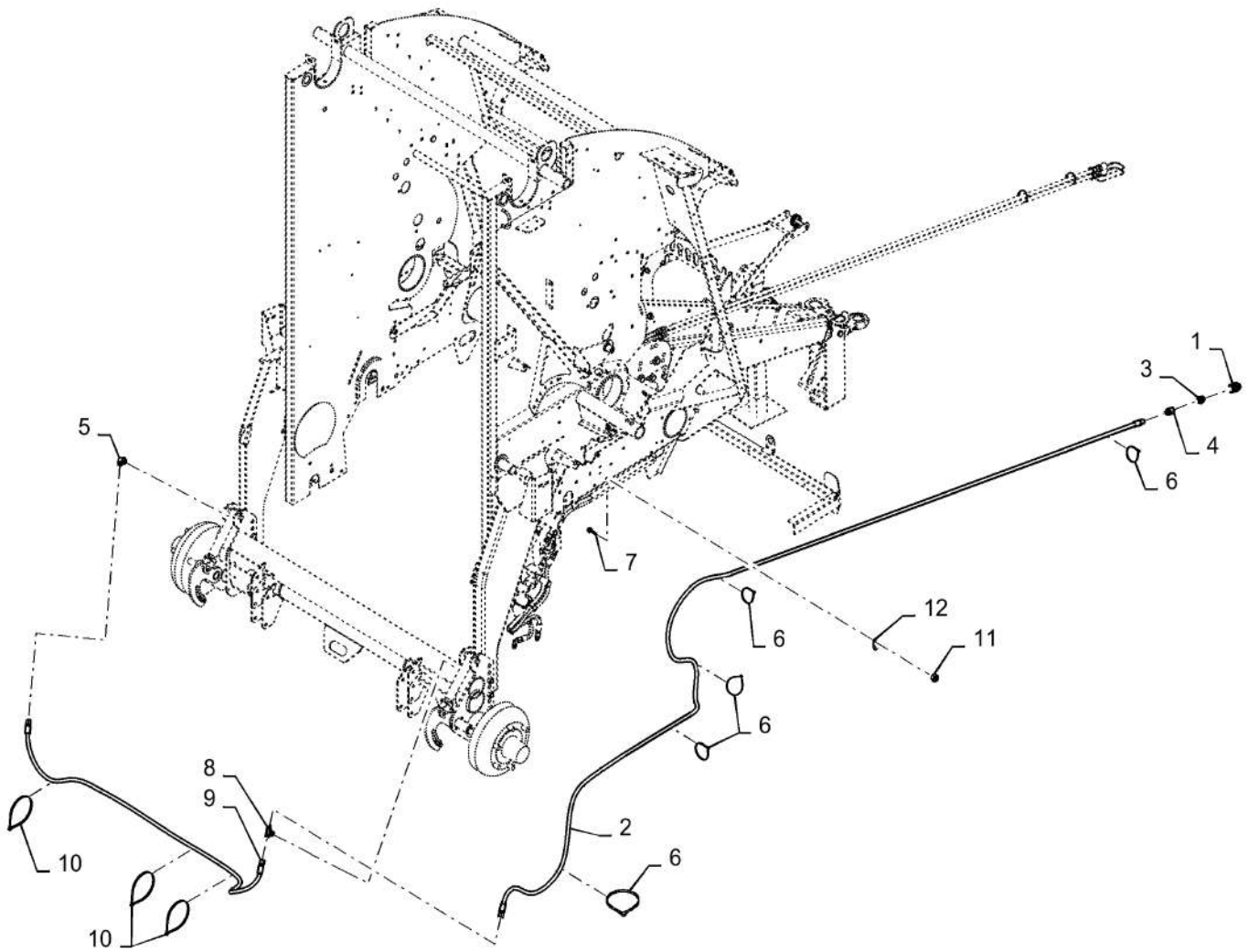
9/2015

VAR - 726833 - PARKING BRAKE - HUB

REF FN	PART NUMBER	YR/SN	QTY DESCRIPTION
1	87016347		2 HUB ASSY. Brake
2	87022911		1 OIL SEAL
3	26799990		1 TAPERED ROLLER BEARING 55mm ID x 120mm OD x 45.5mm W
4	87022910		1 HOUSING
5	84021877		1 TAPERED ROLLER BEARING 50mm ID x 110mm OD x 29.25mm W
6	87022923		1 SLOTTED NUT Slotted, M39 x 1.5
7	86523957		1 COTTER PIN 5/32" x 2"
8	87022925		1 CAP
9	87022909		2 BRAKE PAD
10	87022908		1 BRAKE CAM
11	NSS		1 NOT SERVICED SEPARATELY Shaft, Axle
12	300629		1 SNAP RING M28, Ext
13	NSS		1 NOT SERVICED SEPARATELY Shaft Plate
14	87036687		1 SHIELD Grease, 80 OD
15	100020		1 NUT M16 x 2.0, CI 8
16	140048		1 BELLEVILLE WASHER M16 x 32mm OD x 2.8mm Thk
17	NSS		1 NOT SERVICED SEPARATELY Support Plate
18	87036688		1 SHIELD Grease, 100 OD
19	87018139		1 BOLT Wheel, M18 x 1.5

RB465-CASE IH ROUND BALER - EUROPE & R.O.W.

VAR - 726831 - PARKING BRAKE, HYDRAULIC SYSTEM



33.100.AP

04

p1

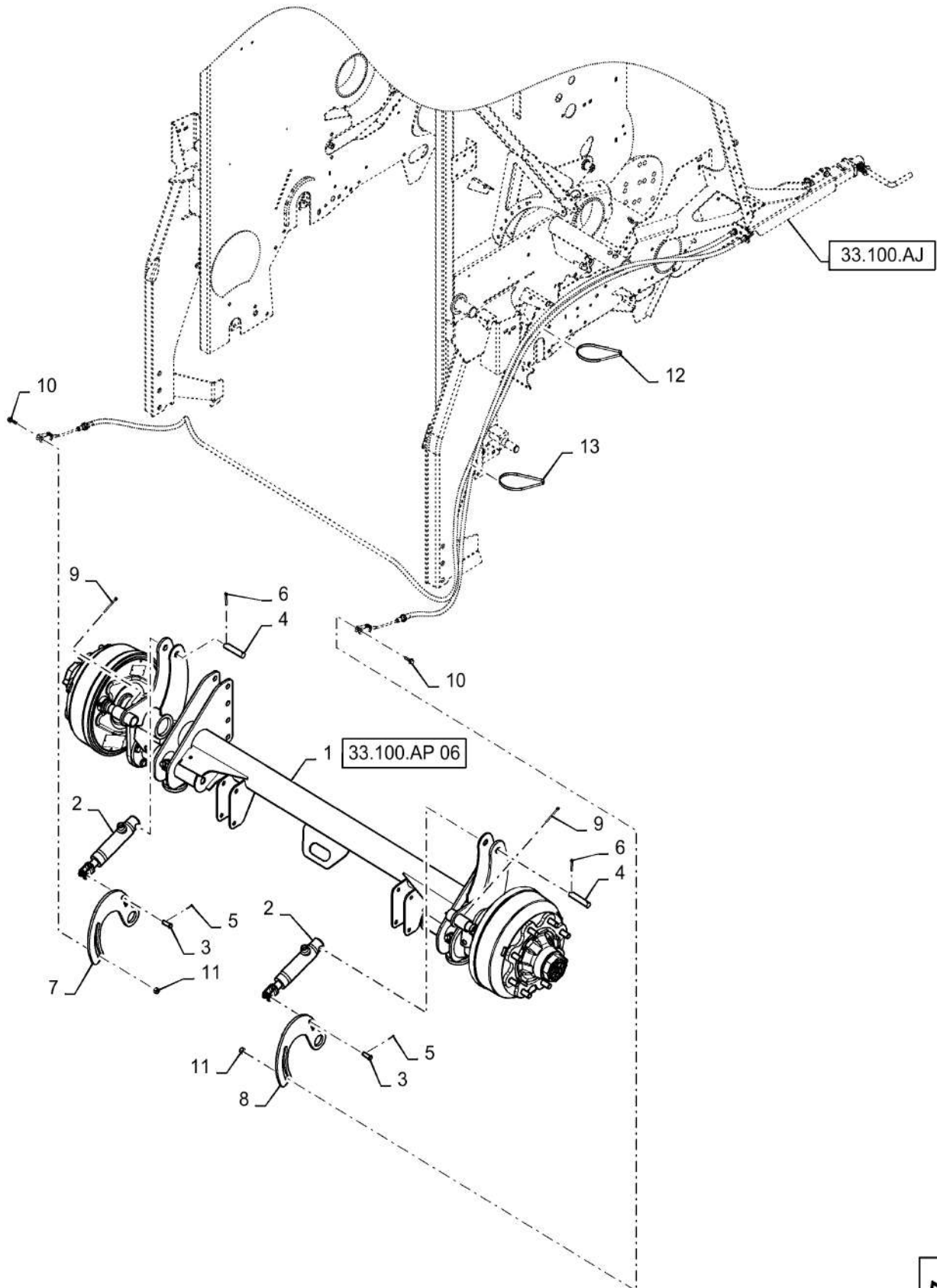
9/2015

VAR - 726831 - PARKING BRAKE, HYDRAULIC SYSTEM

REF FN	PART NUMBER	YR/SN	QTY DESCRIPTION
1	9839028		1 HYD CONNECTOR M18 x 1.5
2	86974525		1 HOSE 7.92mm ID x 5207mm L, SAE 100R1
3	395019		1 HYD CONNECTOR M18 x 1.5 ORB x M16 x 1.5 ORB
4	84078124		1 HYD CONNECTOR 9/16" - 18 JIC x M16 x 1.5
5	9837647		1 ELBOW 9/16" - 18 JIC x 3/8" BSPP
6	86566990		5 CABLE TIE 292mm OAL x 4.8mm W
7	9804263		1 BOLT M10 x 49.2mm, CI 8.8
8	47902899		1 BRANCH TEE 9/16" - 18 JIC x 9/16" - 18 JIC x 3/8" - 9 BSPP
9	87019827		1 HOSE 0.38" ID x 79.00", SAE 100R1 Used on all Axles Except 500/55-20 Axle.
9	47396567		1 HYDRAULIC HOSE 9.5mm ID x 2600mm L, SAE 100R1 Used on 500/55-20 Axle
10	84137881		4 STRAP
11	100037		1 NUT M0 x 1.5, CI 8
12	86594406		3 CLAMP 15.9mm, Coat, 10.3mm Bolt Hole, P Type

RB465-CASE IH ROUND BALER - EUROPE & R.O.W.

VAR - 726943, 726944 - HYDRAULIC AND PNEUMATIC BRAKE AXLE, WITH PARK BRAKE FOR 550/55-20 TIRE



33.100.AP

05

p1

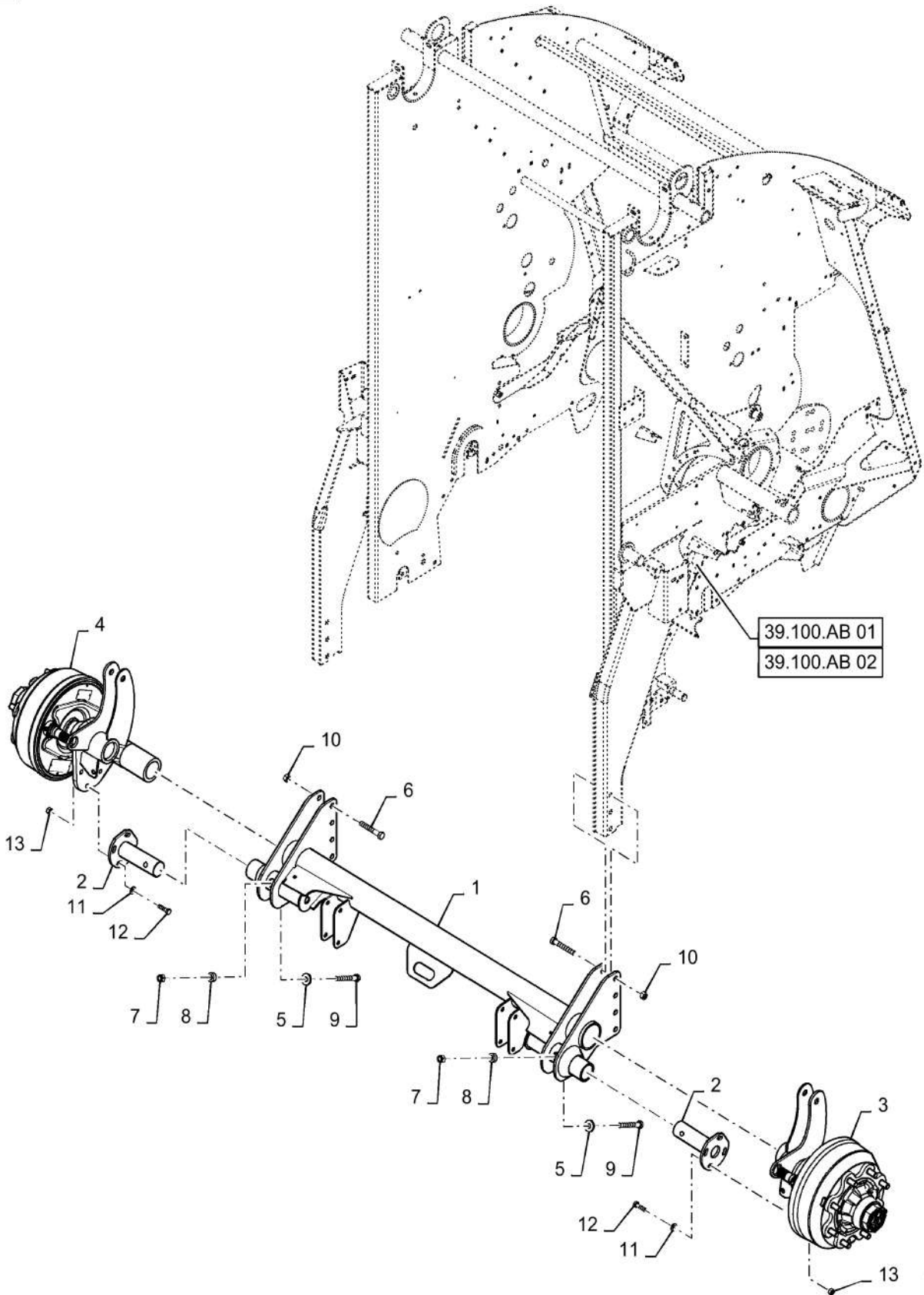
9/2015

VAR - 726943, 726944 - HYDRAULIC AND PNEUMATIC BRAKE AXLE, WITH PARK BRAKE FOR 550/55-20 TIRE

REF FN	PART NUMBER	YR/SN	QTY DESCRIPTION
1	0C		1 ORDER COMPONENTS Brake Axle
2	87663731		2 ACTUATOR
3	76877		2 CLEVIS PIN 12.6mm OD x 34.52mm L
4	87498333		2 PIN 19mm OD x 94mm L
5	130004		2 COTTER PIN 2.9mm OD x 31.4mm OAL
6	130011		4 COTTER PIN M5 x 40
7	47362619		1 ARM LH
8	47362621		1 ARM RH
9	300420		2 COTTER PIN M5 x 63
10	9804260		2 BOLT Hex, M8 x 1.25 x 30mm, Full Thd, Cl 8.8
11	86629542		2 NUT M8 x 1.25, Cl 8
12	86566989		1 CABLE TIE 208mm L
13	87034173		3 CABLE TIE 774.7mm L

RB465-CASE IH ROUND BALER - EUROPE & R.O.W.

VAR - 726943, 726944, 726945 - HYDRAULIC AND PNEUMATIC BRAKE AXLE ASSEMBLY, WITH PARK BRAKE FOR 550/55-20 TIRE



33.100.AP

06

p1

9/2015

VAR - 726943, 726944, 726945 - HYDRAULIC AND PNEUMATIC BRAKE AXLE ASSEMBLY, WITH PARK BRAKE FOR 550/55-20 TIRE

REF FN	PART NUMBER	YR/SN	QTY DESCRIPTION
1	84592592		1 REAR AXLE
2	84598472		2 SPINDLE Used with All Except 500/55 Tires
2	47534354		2 SPINDLE Used with 500/55 Tires
3	84599987		1 MOUNT RH
4	84599988		1 MOUNT LH
5	122432		2 WASHER 17mm ID x 41mm OD x 6mm Thk
6	374889		6 BOLT Hex, M16 x 100mm, CI 8.8
7	86000441		2 NUT M16 x 2.0, CI 8
8	86641937		2 SPACER 16.6mm ID x 31.75mm OD x 12.7mm Thk
9	43874		2 BOLT Hex, M16 x 110, 8.8
10	100020		6 NUT M16 x 2.0, CI 8
11	140046		8 BELLEVILLE WASHER M12 x 27mm OD x 1.8mm Thk
12	412087		8 BOLT Hex, M12 x 1.75 x 45mm, CI 10.9, Full Thd
13	337475		8 NUT M12, CI 10

RB465-CASE IH ROUND BALER - EUROPE & R.O.W.

33.100.AP

07

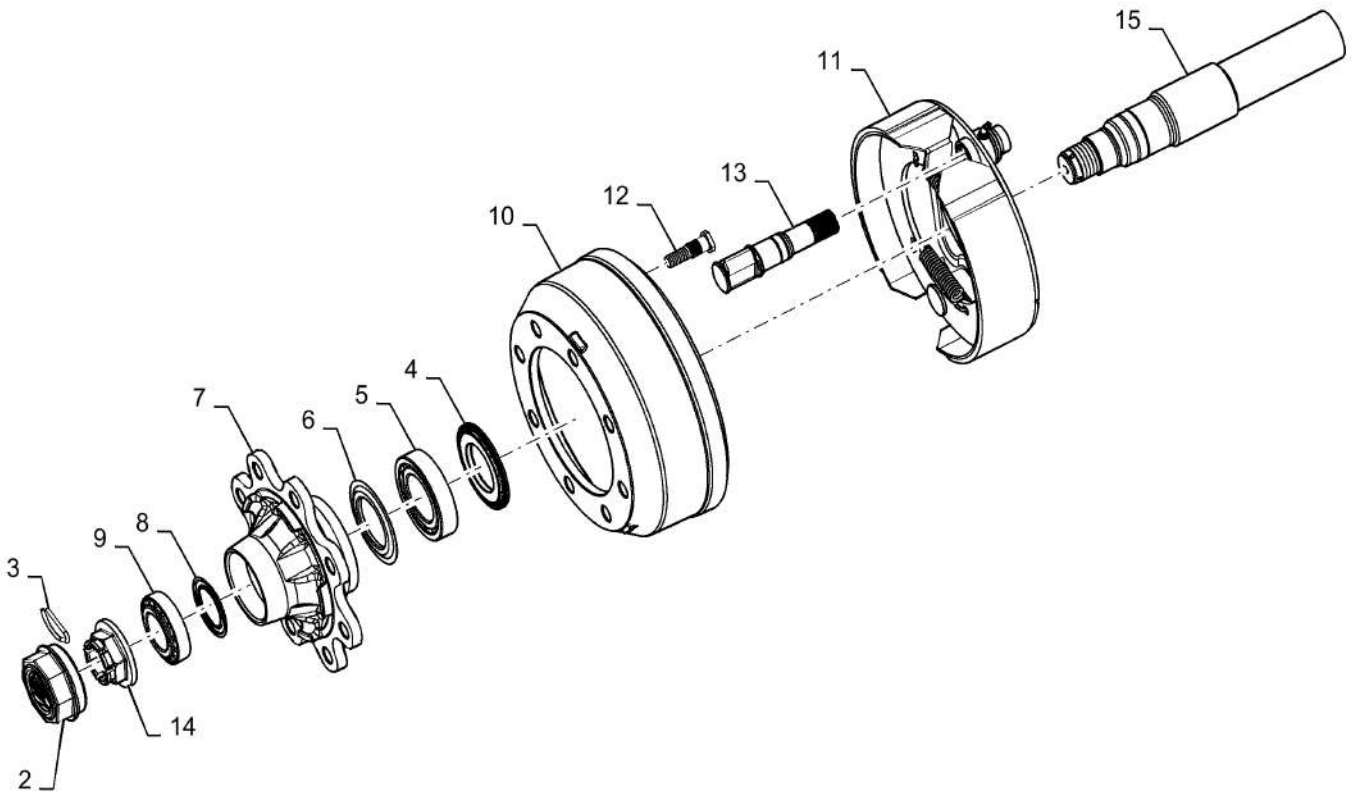
p1

9/2015

VAR - 726943, 726944, 726945 - HYDRAULIC BRAKE HUB FOR 500/55-20 TIRES



1

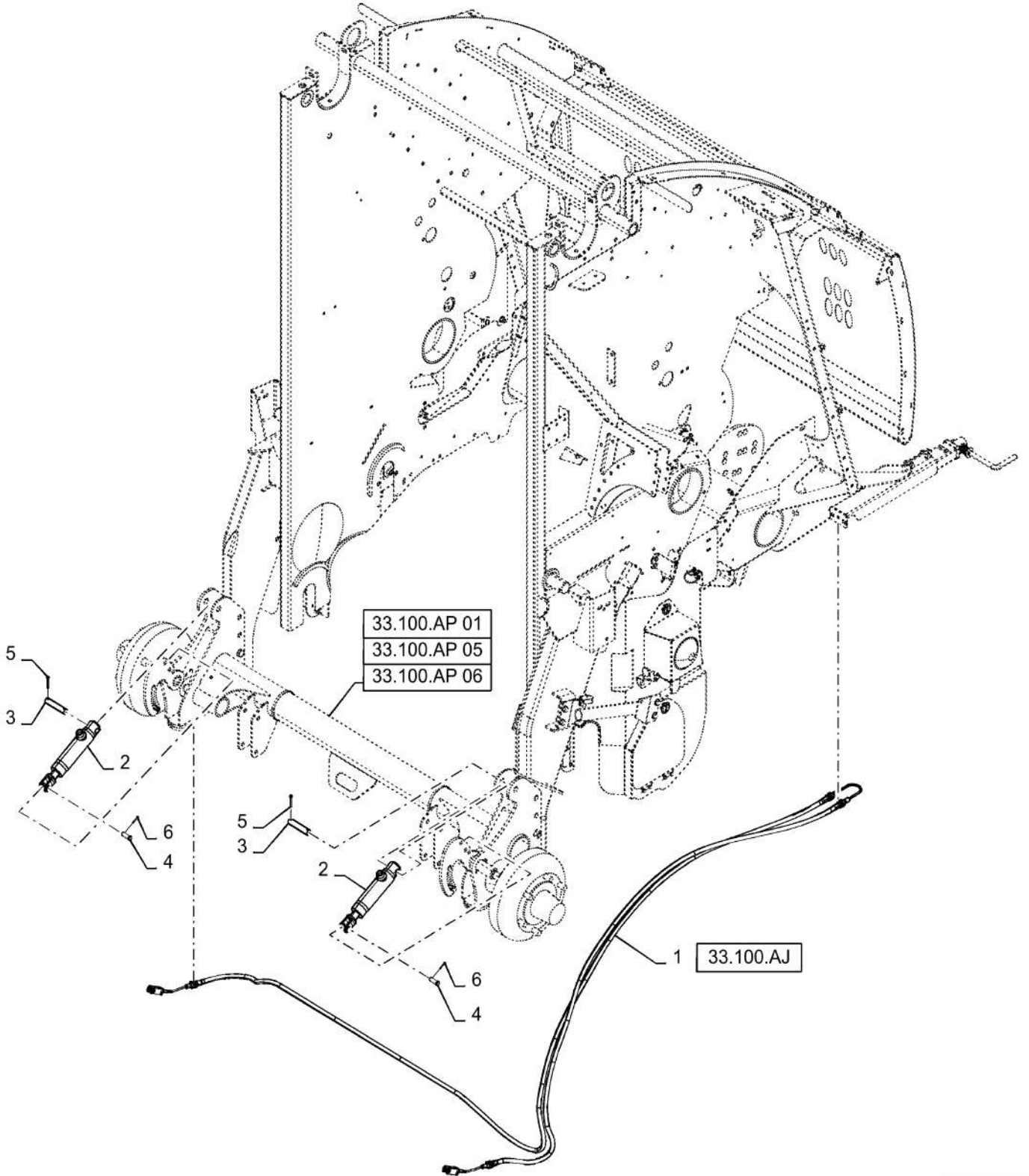


VAR - 726943, 726944, 726945 - HYDRAULIC BRAKE HUB FOR 500/55-20 TIRES

REF FN	PART NUMBER	YR/SN	QTY DESCRIPTION
1	84576690		1 DRUM BRAKE ASSY Hydraulic Brakes with 500/55-20 Tires, Incl 2 - 15
2	47542769		1 HUB CAP
3	47542748		1 SPRING CLIP
4	47542727		1 OIL SEAL 70mm ID x 125mm OD
5	47542660		1 TAPERED ROLLER BEARING
6	47542656		1 SEAL
7	47542784		1 HUB
8	47542739		1 OIL SEAL 57mm ID x 89mm OD
9	47542665		1 TAPERED ROLLER BEARING
10	47542791		1 BRAKE DRUM
11	47542801		1 BRAKE PAD
12	47542819		8 WHEEL BOLT M18 x 1.5
13	47542844		1 BRAKE CAM
14	47542742		1 CROWN NUT Hex, M48 x 1.5
15	NSS		1 NOT SERVICED SEPARATELY Wheel Spindle

RB465-CASE IH ROUND BALER - EUROPE & R.O.W.

VAR - 726831, 726832 - PARKING BRAKE AXLE, PARK BRAKE ONLY, OVERSHOT ROTOR



33.100.AP

08

p1

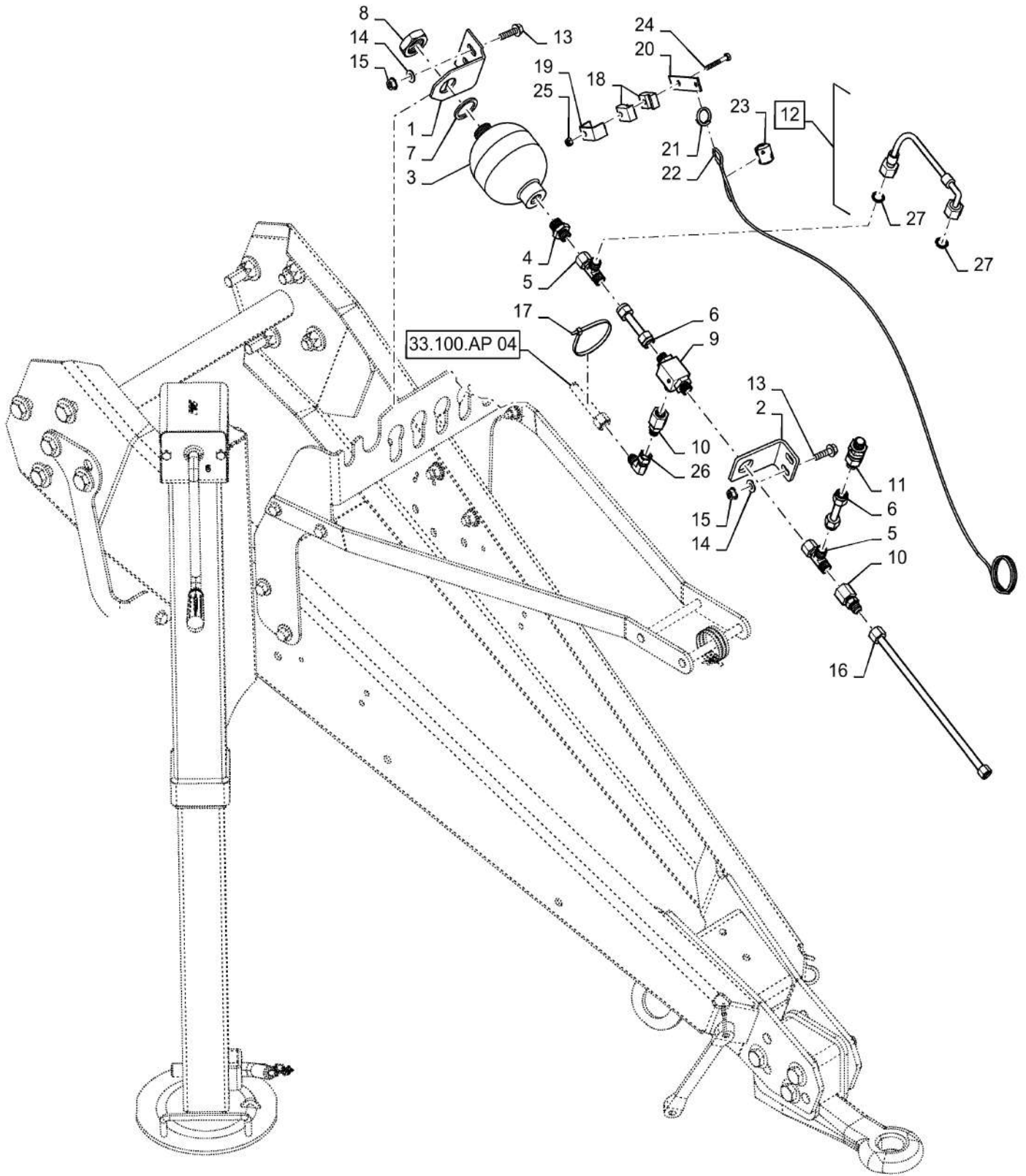
9/2015

VAR - 726831, 726832 - PARKING BRAKE AXLE, PARK BRAKE ONLY, OVERSHOT ROTOR

REF FN	PART NUMBER	YR/SN	QTY DESCRIPTION
1	0C		1 ORDER COMPONENTS Park Brake
2	1 87663731		2 ACTUATOR
3	87498333		2 PIN 19mm OD x 94mm L
4	76877		2 CLEVIS PIN 12.6mm OD x 34.52mm L
5	130011		4 COTTER PIN M5 x 40
6	130004		2 COTTER PIN 2.9mm OD x 31.4mm OAL
(1)	Components are NSS		

RB465-CASE IH ROUND BALER - EUROPE & R.O.W.

VAR - 727084 - EMERGENCY BRAKE

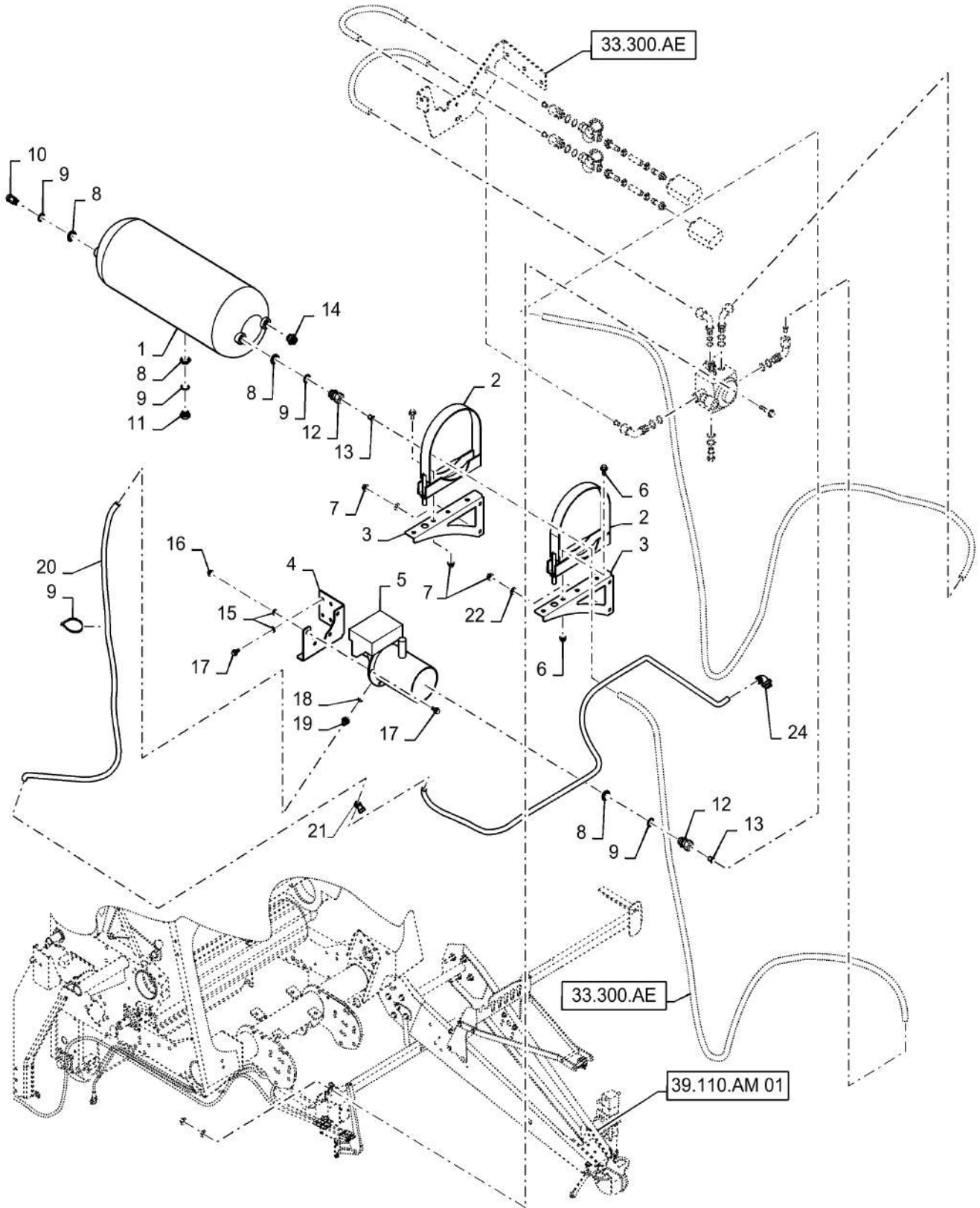


VAR - 727084 - EMERGENCY BRAKE

REF FN	PART NUMBER	YR/SN	QTY DESCRIPTION
1	87020352		1 SUPPORT
2	87018976		1 ANGLE
3	84018412		1 ACCUMULATOR 0.5L
4	395019		1 HYD CONNECTOR M18 x 1.5 ORB x M16 x 1.5 ORB
5	734031		2 HYD CONNECTOR M16 x 1.5 Male x M16 x 1.5 Male x M16 x 1.5 Female
6	84146095		2 HYD. TUBE 65 mm L
7	140110		1 WASHER 31mm ID x 40mm OD x 3mm Thk
8	308823		1 NUT M28 x 1.5, CI 8
9	84320121		1 DRAINCOCK/TAP SUPPLY M16 x 1.5 x M16 x 1.5
10	84078124		2 HYD CONNECTOR 9/16" - 18 JIC x M16 x 1.5
11	84078038		1 VALVE M16 x 1.5 x M16 x 1.5
12	84146409		1 FLEXIBLE HOSE 8mm ID x 270mm L, SAE 100R16 Incl 27
13	9804260		4 BOLT Hex, M8 x 1.25 x 30mm, Full Thd, CI 8.8
14	322358		4 BELLEVILLE WASHER M8 x 18mm OD x 1.4mm Thk
15	9804277		4 FLANGE NUT Hex, M8 x 1.25, CI 8
16	87019858		1 HOSE 0.38" ID x 67.00", SAE 100R1, SAE 100R17
17	368582		4 STRAP
18	433008		2 CLAMP
19	87016345		1 SUPPORT
20	87020351		1 PLATE
21	84078105		1 RING Safety
22	9839198		1 CABLE
23	84607248		2 WIRE CLAMP
24	43118		1 BOLT Hex, M6 x 1.0 x 40mm, CI 8.8
25	353308		1 NUT M6 x 1.0, CI 8
26	86629586		1 90 ELBOW 9/16" - 18 JIC x 9/16" - 18 Fem Sw
27	87643566		2 O-RING 1.5mm x 7.5mm ID, CI 6

RB465-CASE IH ROUND BALER - EUROPE & R.O.W.

VAR - 726832, 726944 - PNEUMATIC BRAKES RESERVOIR



VAR - 726832, 726944 - PNEUMATIC BRAKES RESERVOIR

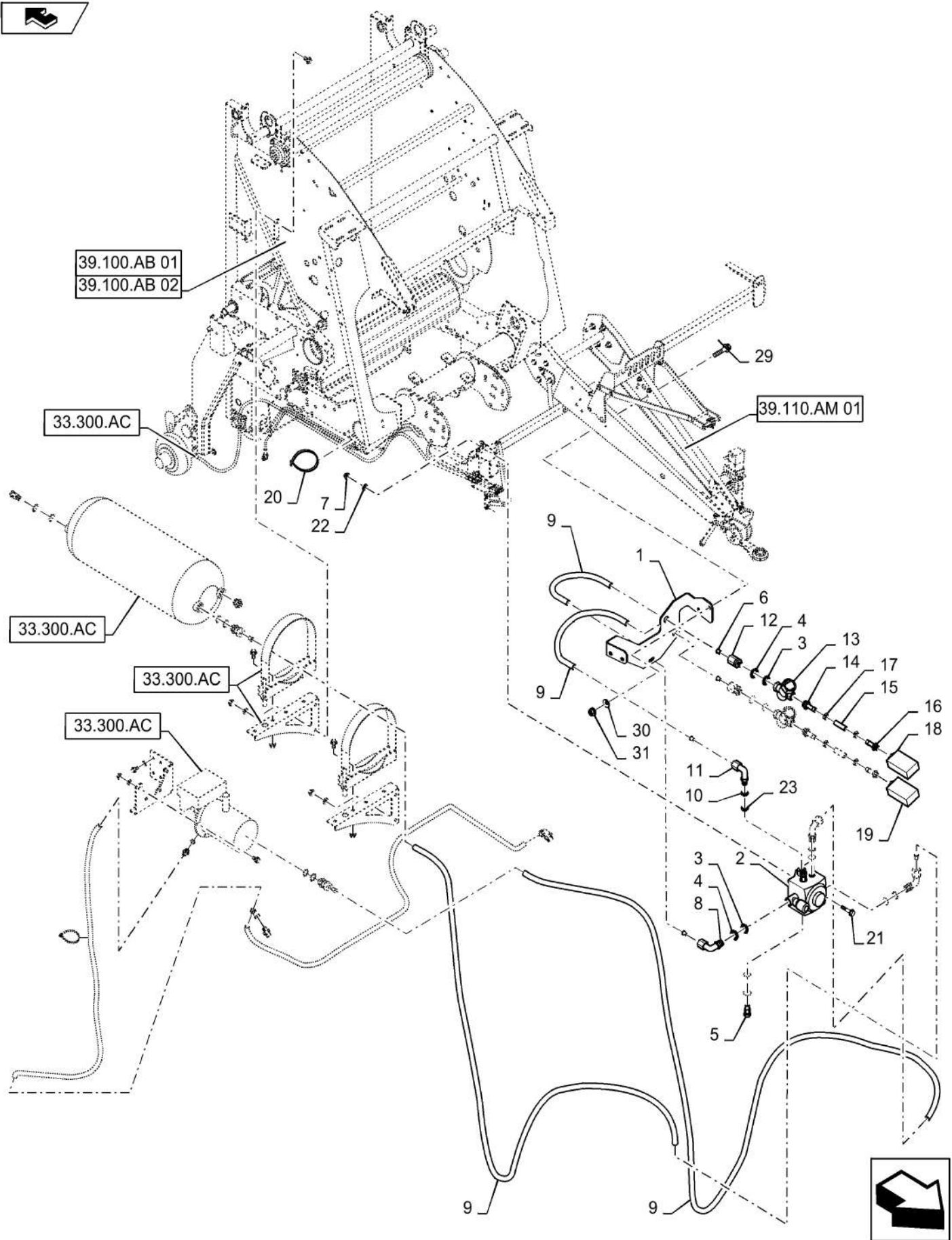
REF FN	PART NUMBER	YR/SN	QTY DESCRIPTION
1	87015668		1 AIR RESERVOIR
2	87028121		2 CLAMP
3	84414817		2 ANGLE
4	87023510		1 SUPPORT
5	84007187		1 CYLINDER
6	86050286		8 FLANGE BOLT M10 x 20mm, CI 8.8
7	9804278		10 FLANGE NUT M10 x 1.5, CI 8
8	9512529		11 O-RING
9	9512530		11 WASHER, THRUST 22mm ID x 27mm OD x 2.6mm Thk
10	9512523		3 PLUG
11	9512541		1 DRAIN PLUG
12	84007189		2 HYD CONNECTOR M22 x 1.5
13	9512527		8 FERRULE
14	9512540		10 HYD CONNECTOR
15	322358		7 BELLEVILLE WASHER M8 x 18mm OD x 1.4mm Thk
16	9804277		4 FLANGE NUT Hex, M8 x 1.25, CI 8
17	9804258		7 BOLT Hex, M8 x 1.25 x 20mm, CI 8.8
18	84011379		1 SEAL 12.2mm ID x 16.9mm OD x 1.5mm Thk
19	84007191		1 ADAPTER 9/16" - 18 JIC x M12 x 1
20	86974529		1 STRAP
21	47902899		1 BRANCH TEE 9/16" - 18 JIC x 9/16" - 18 JIC x 3/8" - 9 BSPP
22	140045		6 BELLEVILLE WASHER M10X22 ZNM
23	1 47706898		1 HYDRAULIC HOSE 9.5mm ID x 2260mm L, SAE 100R1
23	2 47396567		1 HYDRAULIC HOSE 9.5mm ID x 2600mm L, SAE 100R1
24	9837647		1 ELBOW 9/16" - 18 JIC x 3/8" BSPP

(1) Used on All Balers Without 500/55-20 Tires

(2) Used on Balers With 500/55-20 Tires

RB465-CASE IH ROUND BALER - EUROPE & R.O.W.

VAR - 726832, 726944 - PNEUMATIC BRAKE VALVE & LINES



VAR - 726832, 726944 - PNEUMATIC BRAKE VALVE & LINES

REF FN	PART NUMBER	YR/SN	QTY DESCRIPTION
1	87023509		1 SUPPORT
2	87019852		1 BRAKE VALVE
3	9512529		11 O-RING
4	9512530		11 WASHER, THRUST 22mm ID x 27mm OD x 2.6mm Thk
5	9512523		3 PLUG
6	9512527		8 FERRULE
7	9804278		10 FLANGE NUT M10 x 1.5, CI 8
8	9512525		3 ELBOW
9	1 9512535		AR HOSE 3.1 M Long
10	9512533		1 WASHER, THRUST 16.1mm ID x 22mm OD x 2.6mm Thk
11	84007190		1 ELBOW M16 x 1.5 Male
12	9512528		2 HYD CONNECTOR
13	9512545		2 AIR FILTER
14	9512531		2 HYD CONNECTOR
15	84014198		2 HOSE 18mm OD x 3.5mm Thk
16	9512534		2 HYD CONNECTOR
17	326082		4 CLAMP 18mm - 25mm
18	9512537		1 COUPLING BLOCK Tractor, Yellow
19	9512546		1 COUPLING BLOCK Tractor, Red
20	14596187		5 CABLE TIE 270mm L
21	9804264		2 BOLT M10 x 59.2mm OAL, CI 8.8
22	140045		6 BELLEVILLE WASHER M10X22 ZNM
23	9512532		1 O-RING
24	47392608		1 SUPPORT
25	84216464		1 ADAPTER M22 x 1.5 Male x M22 x 1.5 Female
26	9671714		1 FLANGE BOLT Hex, M8 x 1.25 x 25mm, CI 8.8
27	87034173		1 CABLE TIE 774.7mm L
28	14596187		6 CABLE TIE 270mm L
29	9670066		2 FLANGE BOLT Hex, M12 x 30mm, CI 8.8
30	140046		2 BELLEVILLE WASHER M12 x 27mm OD x 1.8mm Thk
31	9804279		2 FLANGE NUT Hex, M12, CI 8

(1) Cut to Length

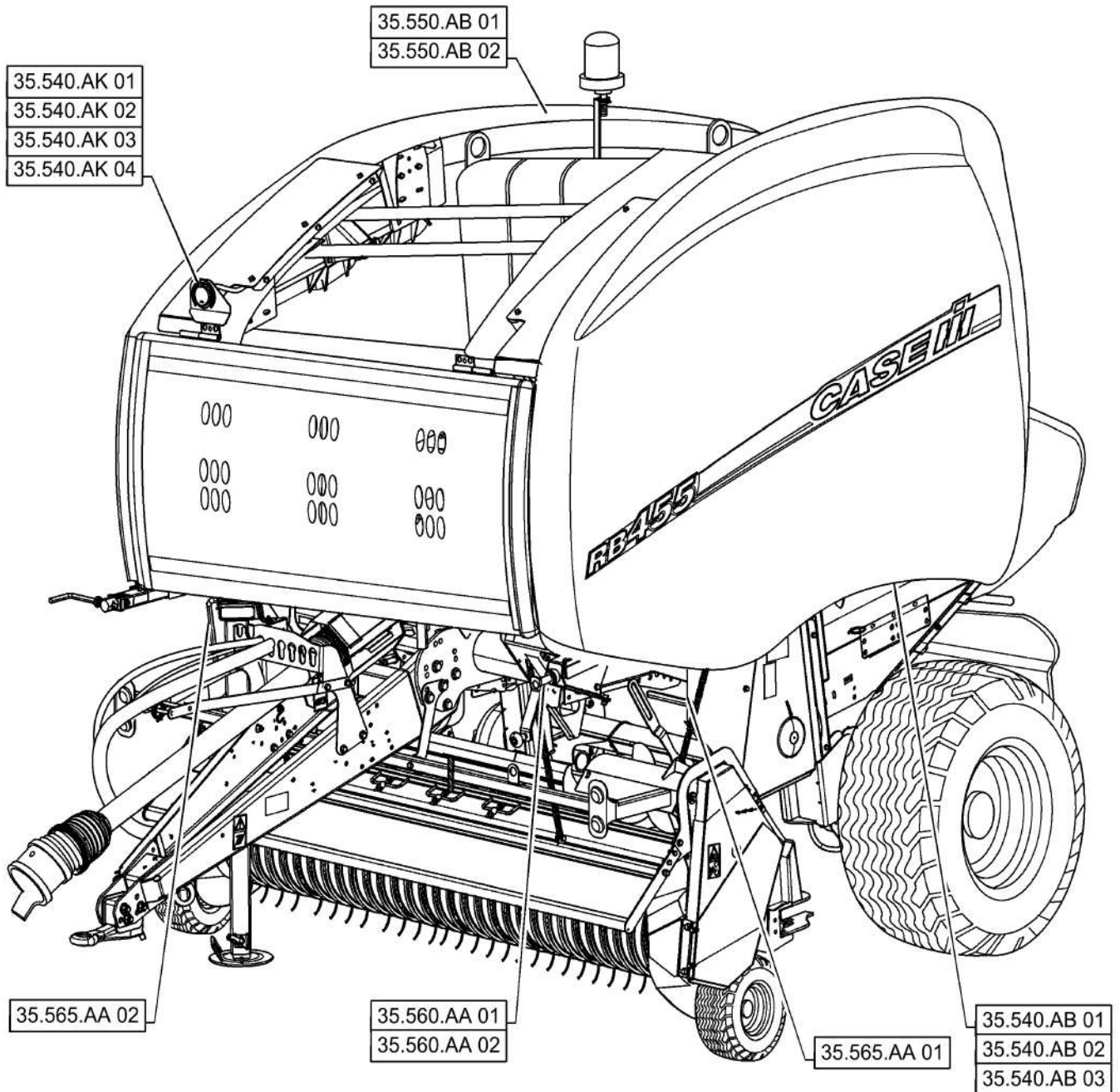
RB465-CASE IH ROUND BALER - EUROPE & R.O.W.

SECTION INDEX

HYDRAULIC SYSTEMS

35.000.00		PICTORIAL INDEX - HYDRAULIC SYSTEMS
35.540.AB	01	VAR - 726813 - HYDRAULIC BALE TENSION, MANIFOLD, 2600 PSI NON BYPASS
35.540.AB	02	VAR - 726813 - HYDRAULIC BALE TENSION, MANIFOLD, 2600 PSI WITH BYPASS
35.540.AI	01	VAR - 726815 - BALE TENSION HYDRAULICS, DUAL CYLINDER, 794992016 AND PRIOR
35.540.AI	01	VAR 726815 - BALE TENSION HYDRAULICS, DUAL CYLINDER, IN CAB CONTROL, 797301008 AND AFTER
35.540.AI	02	BALE TENSION HYDRAULIC CYLINDER, DUAL, 794992016 AND PRIOR
35.540.AI	02	VAR - 726813, 726815 - BALE TENSION HYDRAULICS, SINGLE & DUAL, HYDRAULIC CYLINDER, 797301008 AND AFTER
35.540.AI	03	VAR - 726813 - BALE TENSION HYDRAULICS, SINGLE CYLINDER ASSEMBLY, 794992016 AND PRIOR
35.540.AI	03	VAR - 727159 - BALE TENSION HYDRAULICS, SINGLE CYLINDER, IN CAB CONTROL, 797301008 AND AFTER
35.540.AI	04	BALE TENSION HYDRAULIC CYLINDER, SINGLE
35.540.AK	02	VAR - 726813 - BALE TENSION HYDRAULIC CYLINDER, SINGLE
35.540.AK	04	VAR - 726815 - BALE TENSION HYDRAULIC CYLINDER, DUAL
35.540.AK	06	VAR - 726813 - BALE TENSION HYDRAULICS, SINGLE CYLINDER, OVERSHOT FEEDER
35.550.AB	02	TAILGATE, HYDRAULIC CYLINDER
35.550.AC	01	TAILGATE HYDRAULIC LIFT
35.550.AC	02	TAILGATE HYDRAULIC LIFT
35.550.AC	02	VAR - 727160 - TAILGATE, HYDRAULIC LIFT, STANDARD EJECT, 797301008 AND AFTER
35.550.AC	04	VAR - 727161 - TAILGATE, HYDRAULIC LIFT, QUICK EJECT, 797301008 AND AFTER
35.560.AA	01	VAR - 726835 - SINGLE HYDRAULIC PICKUP LIFT, 1.8M ROTOR
35.560.AA	02	VAR - 726836 - DUAL HYDRAULIC PICKUP LIFT, 2M ROTOR
35.560.AA	03	VAR - 726834 - HYDRAULIC PICK-UP LIFT, OVERSHOT FEEDER - VAR 726834
35.560.AB		HYDRAULIC PICKUP LIFT CYLINDER
35.562.AB		HYDRAULIC CYLINDER, ROTOR REVERSER
35.565.AA	01	ROTOR HYDRAULIC SYSTEM, LH
35.565.AA	02	ROTOR HYDRAULIC SYSTEM, RH
35.569.AB		HYDRAULIC CYLINDER, DROP FLOOR

PICTORIAL INDEX - HYDRAULIC SYSTEMS



35.000.00

p1

9/2015

PICTORIAL INDEX - HYDRAULIC SYSTEMS

REF FN	PART NUMBER	YR/SN	QTY	DESCRIPTION
---------------	--------------------	--------------	------------	--------------------

RB465-CASE IH ROUND BALER - EUROPE & R.O.W.

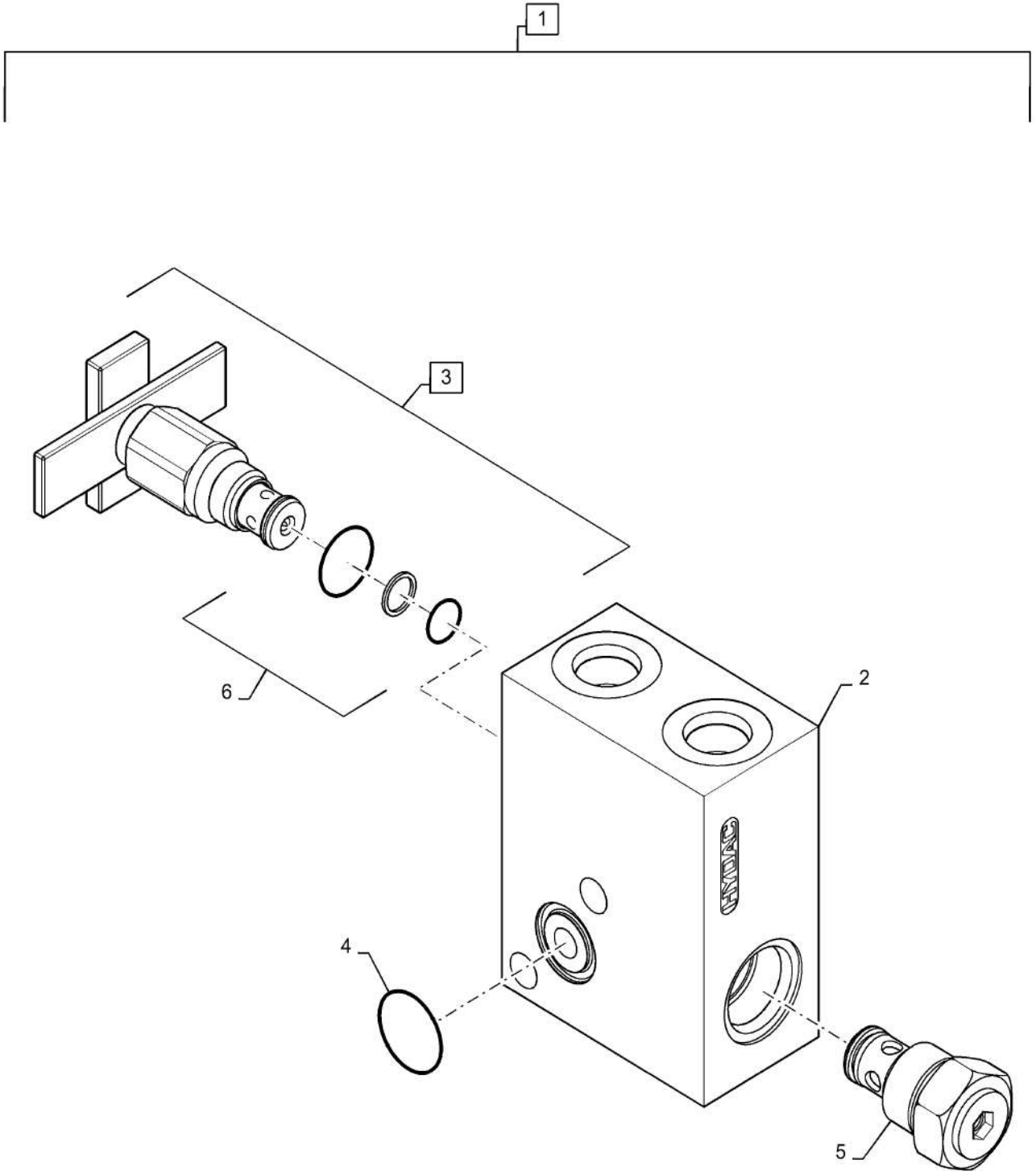
35.540.AB

01

p1

9/2015

VAR - 726813 - HYDRAULIC BALE TENSION, MANIFOLD, 2600 PSI NON BYPASS



35.540.AB

01

p1

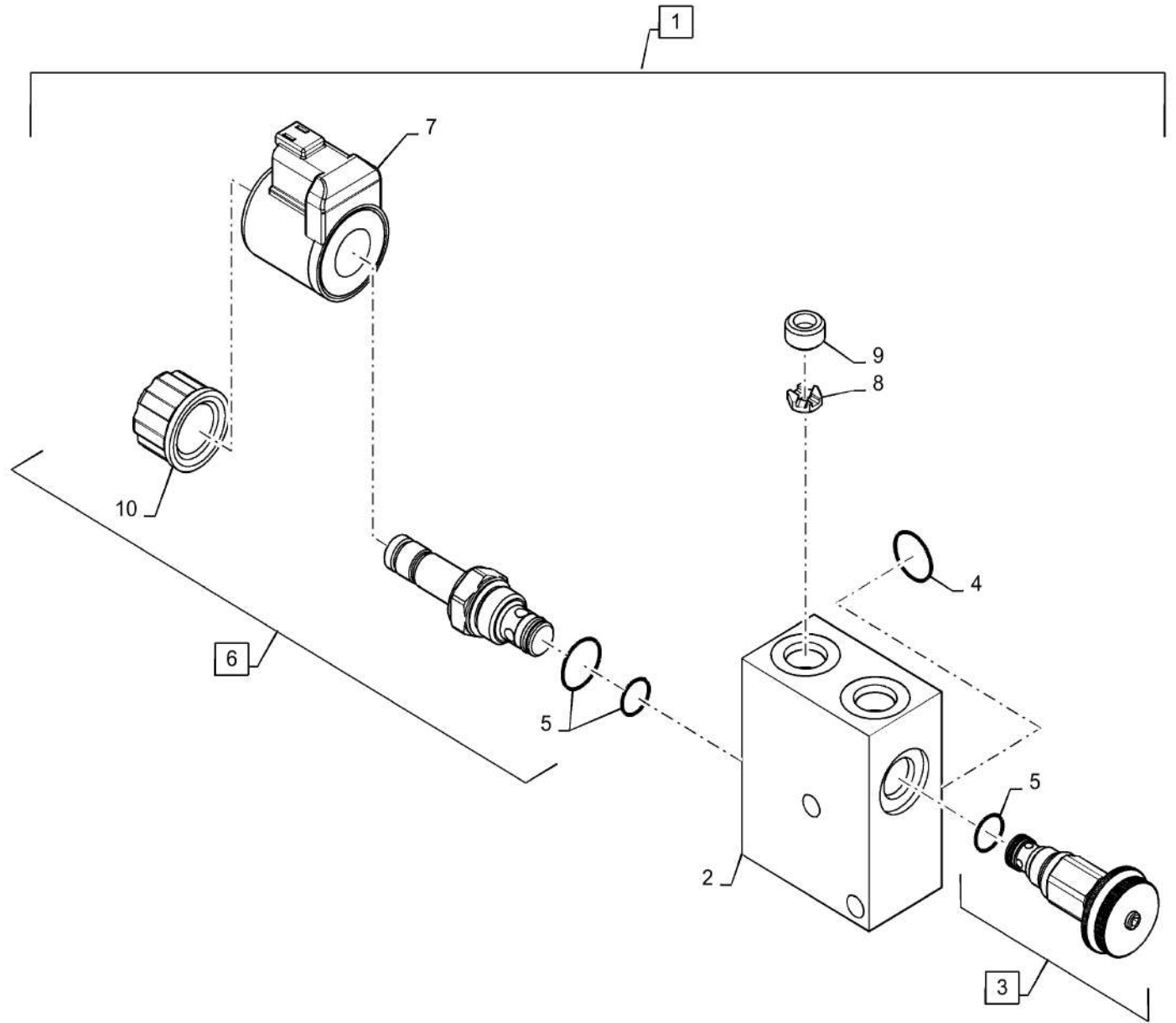
9/2015

VAR - 726813 - HYDRAULIC BALE TENSION, MANIFOLD, 2600 PSI NON BYPASS

REF FN	PART NUMBER	YR/SN	QTY DESCRIPTION
1	47482872		1 HYDRAULIC MANIFOLD Bale Tension, Incl 2 - 5
2	NSS		1 NOT SERVICED SEPARATELY Manifold
3	47604142		1 PRESSURE RELIEF VALVE 2600 PSI, Incl 6
4	128359		1 O-RING 0.07" Thk x 0.614" ID, -16, CI 5, 75 Duro
5	84559455		1 CHECK VALVE
6	377451A1		1 SEAL KIT

RB465-CASE IH ROUND BALER - EUROPE & R.O.W.

VAR - 726813 - HYDRAULIC BALE TENSION, MANIFOLD, 2600 PSI WITH BYPASS



35.540.AB

02

p1

9/2015

VAR - 726813 - HYDRAULIC BALE TENSION, MANIFOLD, 2600 PSI WITH BYPASS

REF FN	PART NUMBER	YR/SN	QTY DESCRIPTION
1	47482859		1 HYDRAULIC MANIFOLD Bale Tension, Incl 2 - 10
2	NSS		1 NOT SERVICED SEPARATELY Manifold, Incl in 1
3	47604142		1 PRESSURE RELIEF VALVE 2600 PSI
4	128359		1 O-RING 0.07" Thk x 0.614" ID, -16, CI 5, 75 Duro
5	377451A1		1 SEAL KIT Incl in 6
6	84558366		1 SOLENOID VALVE Incl 5, 10
7	84300102		1 COIL 12V DC, DN-40, DT04-2P CONN, -8
8	1546331C1		1 PORT 0.094"
9	47472190		1 ORIFICE Spacer
10	87755469		1 NUT M18 x 1.5 Coil

RB465-CASE IH ROUND BALER - EUROPE & R.O.W.

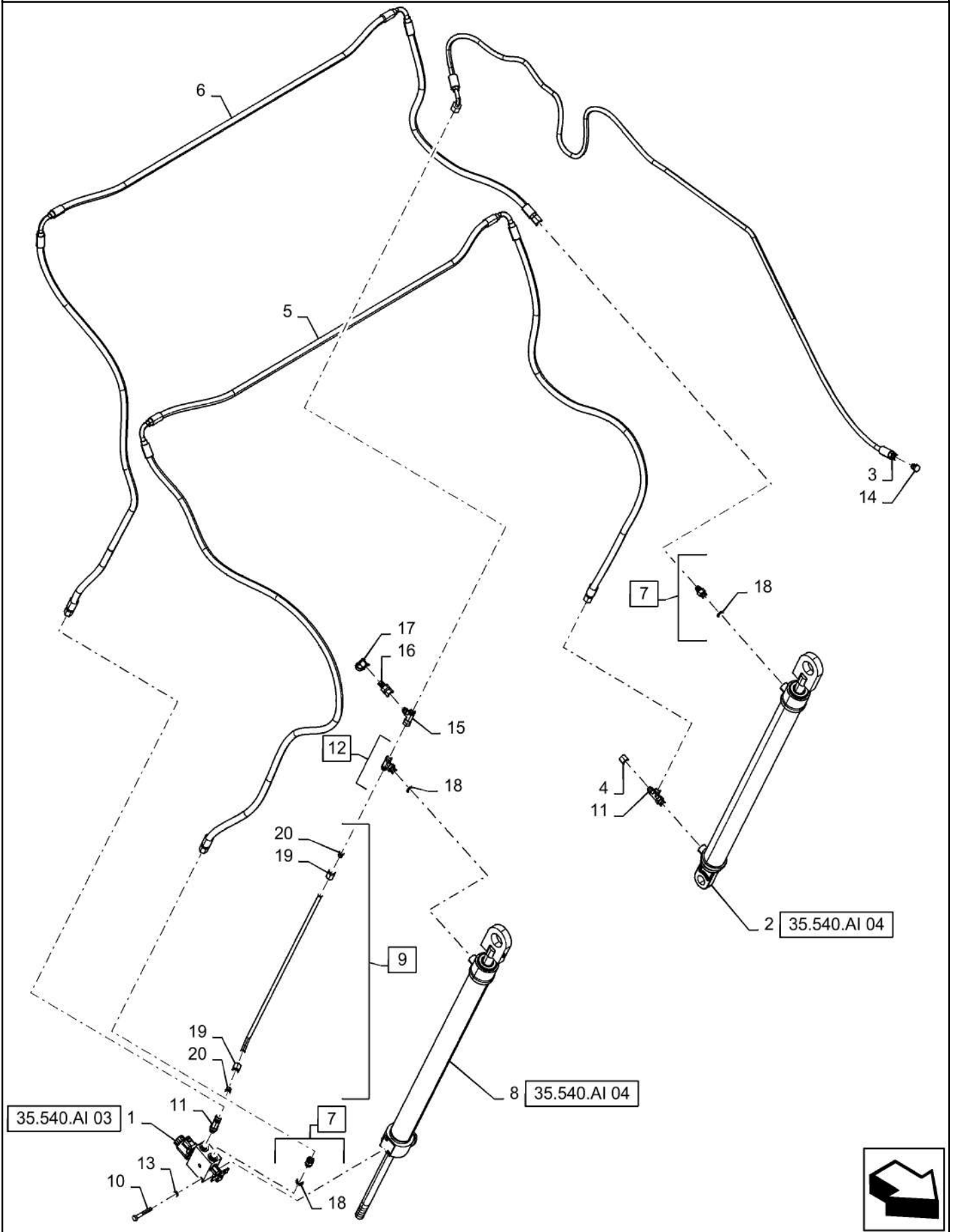
35.540.AI

01

p1

9/2015

VAR - 726815 - BALE TENSION HYDRAULICS, DUAL CYLINDER, 794992016 AND PRIOR



35.540.AI

01

p1

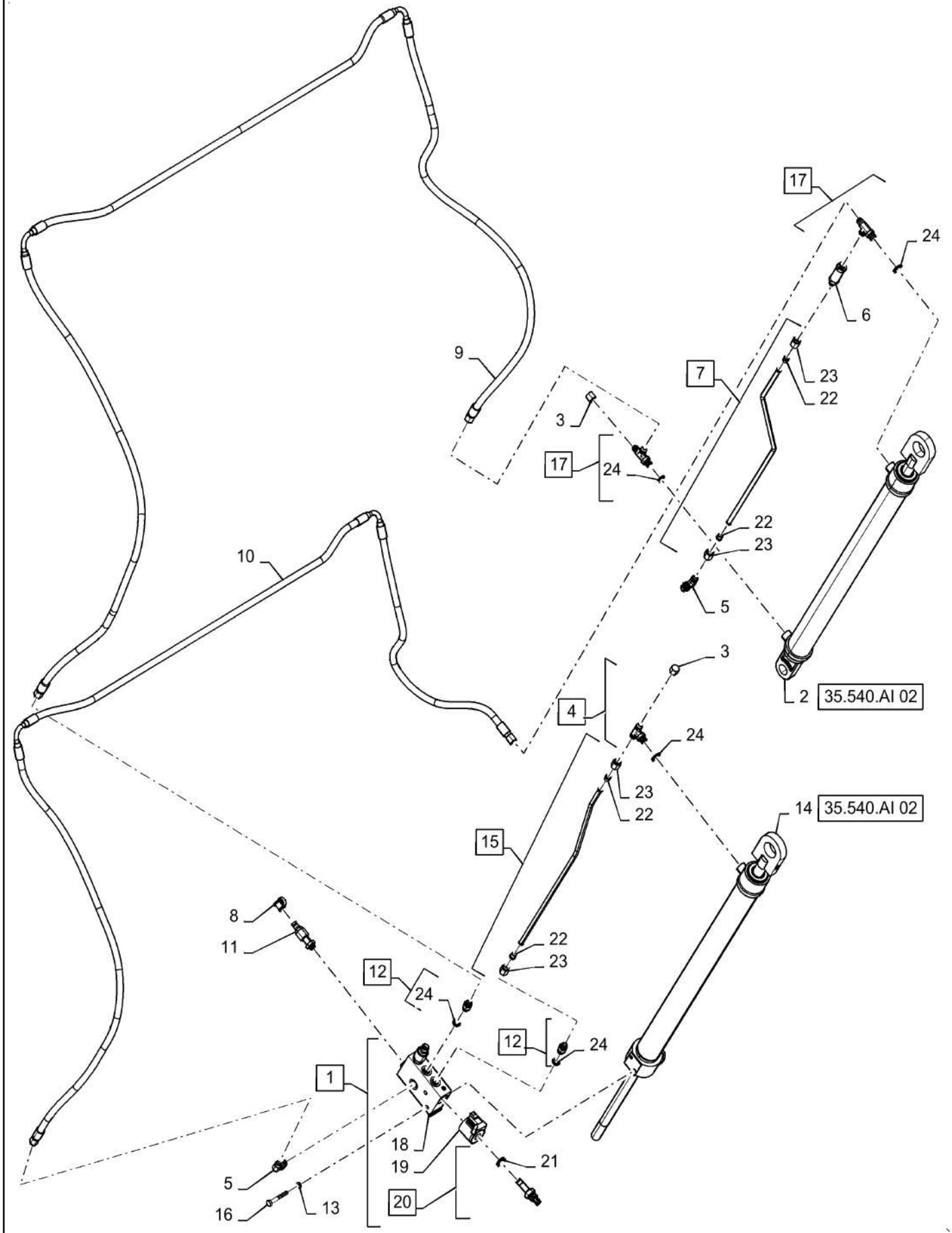
9/2015

VAR - 726815 - BALE TENSION HYDRAULICS, DUAL CYLINDER, 794992016 AND PRIOR

REF FN	PART NUMBER	YR/SN	QTY DESCRIPTION
1	47471577		1 HYDRAULIC MANIFOLD Bale Tension
2	47624452		1 HYDRAULIC CYLINDER LH
3	84563528		1 HYDRAULIC HOSE 2974 mm
4	574342		1 CAP 9/16" - 18 JIC
5	84563527		1 HYDRAULIC HOSE Cylinder Base End
6	84563526		1 HYDRAULIC HOSE Cylinder Rod End
7	76350		2 HYD CONNECTOR 9/16" - 18 ORB x 9/16" - 18 JIC Incl 18
8	84549525		1 HYDRAULIC CYLINDER RH
9	84552131		1 HYD. TUBE RH Bale Density,661 mm, Incl 19, 20
10	86505972		2 BOLT Hex, 5/16" - 18 x 2 1/4", Gr 5
11	86513020		2 TEE 9/16" - 18 ORB x 9/16" - 18 JIC x 9/16" - 18 JIC
12	163335		1 TEE 9/16" - 18 ORB x 9/16" - 18 JIC x 9/16" - 18 JIC Incl 18
13	80681		2 BEARING WASHER 5/16"
14	86513049		1 PLUG 9/16" - 18 JIC
15	129274		1 TEE 9/16" - 18 JIC x 9/16" - 18 JIC x 9/16" - 18 JIC
16	101792A1		1 COUPLING Diagnostic
17	86502604		1 DUST CAP Black
18	9617873		2 O-RING 0.078" Thk x 0.468" ID, -906, Cl 6, 90 Duro
19	136658		2 TUBE NUT 0.72" Length
20	235670		2 SLEEVE 37°, 3/8" Tube

RB465-CASE IH ROUND BALER - EUROPE & R.O.W.

VAR 726815 - BALE TENSION HYDRAULICS, DUAL CYLINDER, IN CAB CONTROL, 797301008 AND AFTER



35.540.AI

01

p1

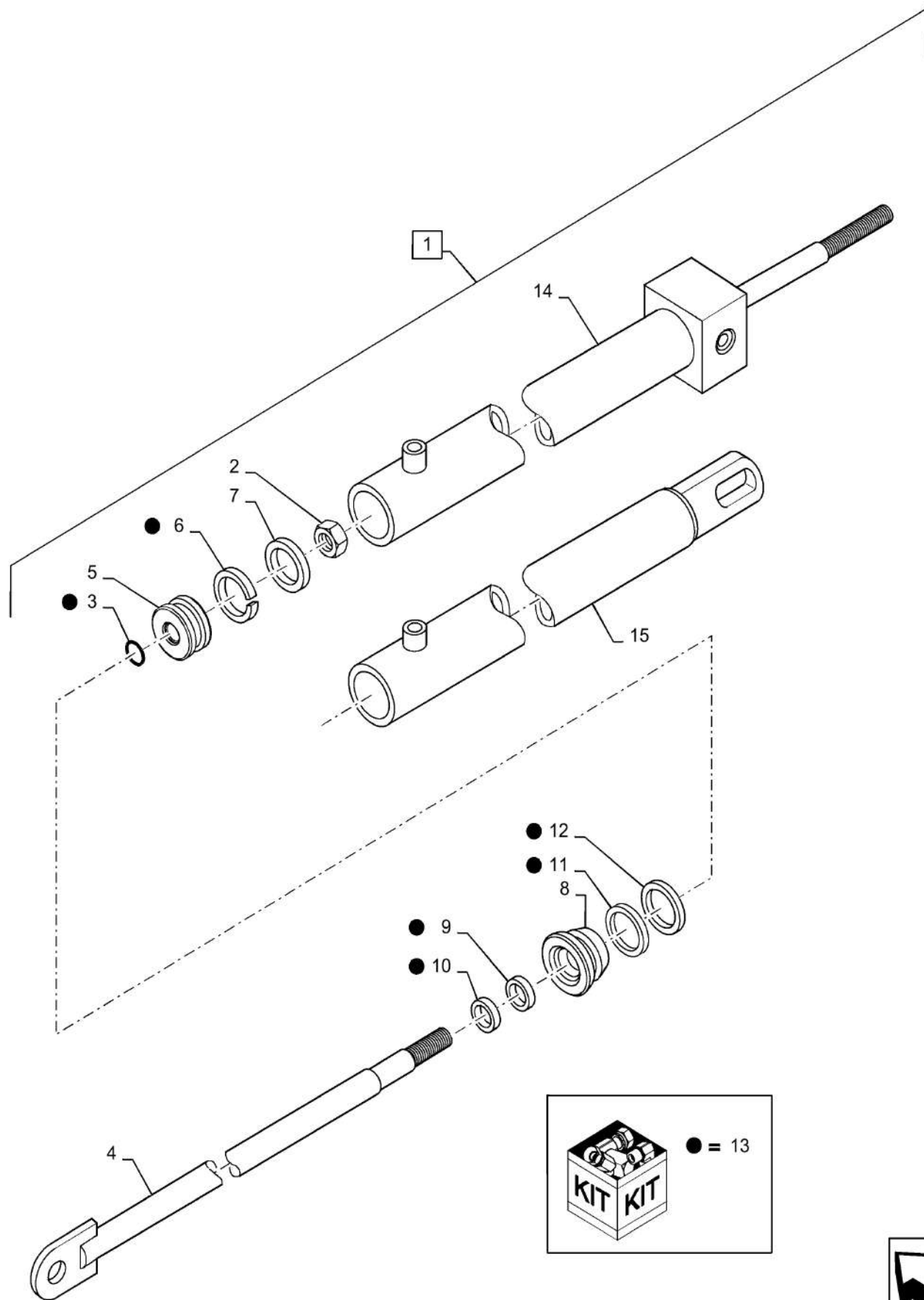
9/2015

VAR 726815 - BALE TENSION HYDRAULICS, DUAL CYLINDER, IN CAB CONTROL, 797301008 AND AFTER

REF FN	PART NUMBER	YR/SN	QTY DESCRIPTION
1	47765085		1 HYDRAULIC VALVE Poppit Relief, Incl 18 - 20
2	47794189		1 HYDRAULIC CYLINDER LH
3	76344		2 90 ELBOW 9/16" - 18 JIC x 9/16" - 18 ORB Incl 21
4	84563526		1 HYDRAULIC HOSE Rod End
5	47765920		1 TUBE LH, Incl 23, 24
6	84549525		1 HYDRAULIC CYLINDER RH
7	47765920		1 TUBE RH, Incl 23, 24
8	86505972		2 BOLT Hex, 5/16" - 18 x 2 1/4", Gr 5
9	86513020		2 TEE 9/16" - 18 ORB x 9/16" - 18 JIC x 9/16" - 18 JIC Incl 21
10	80681		2 BEARING WASHER 5/16"
11	76350		2 HYD CONNECTOR 9/16" - 18 ORB x 9/16" - 18 JIC Incl 21
12	86013710		1 FITTING Quick Connect Diagnostic
13	86502604		1 DUST CAP
14	84563527		1 HYDRAULIC HOSE Base End
15	266631		1 HYDRAULIC VALVE Check, 9/16-18 37° Flare JIC
16	574342		2 CAP 9/16" - 18 JIC
17	163335		1 TEE 9/16" - 18 ORB x 9/16" - 18 JIC x 9/16" - 18 JIC Incl 21
18	86523197		1 SENSOR Incl 22
19	84227091		1 COIL
20	47775189		1 HYDRAULIC VALVE Poppit Relief
21	9617873		6 O-RING 0.078" Thk x 0.468" ID, -906, Cl 6, 90 Duro
22	84320139		1 O-RING 2.2mm Thk x 11.3mm ID
23	235670		2 SLEEVE 37°, 3/8" Tube
24	136658		2 TUBE NUT 0.72" Length

RB465-CASE IH ROUND BALER - EUROPE & R.O.W.

BALE TENSION HYDRAULIC CYLINDER, DUAL, 794992016 AND PRIOR



BALE TENSION HYDRAULIC CYLINDER, DUAL, 794992016 AND PRIOR

REF FN	PART NUMBER	YR/SN	QTY DESCRIPTION
1	1	87347263	1 HYDRAULIC CYLINDER Double Acting, 25.4mm Rod, 685.8mm Stroke Hydraulic, Bale Tension, RH, Dk. Gray
1	1	87027900	1 CYLINDER ASSY. Double Acting, 25.4mm Rod, 685.8mm Stroke Hydraulic, Bale Tension, LH, Dk. Gray
2		9602227	1 LOCK NUT 5/8"-18, GC
3		9992069	2 O-RING 0.07" Thk x 0.614" ID, -16, CI 6, 90 Duro
4		87026541	2 ROD
5		87026540	2 PISTON 50.37mm Bore, 18.37mm Rod, 31.75mm W
6		771705	2 RING Wear, 2.004 ID x .50 Thick
7		86553483	2 SEAL Piston, 3 Piece
8		87026539	2 HEAD
9		9616363	2 SEAL 25.4mm ID x 31.5mm OD x 6.35mm Thk Seal
10		121189	2 OIL SEAL Wiper, 1-1/4 OD x 1/8 Thick
11		511297	2 SEAL 41.22mm ID x 50.8mm OD x 1.93mm Thk Backup, 1.638 ID x .064 Thick
12		NSS	2 NOT SERVICED SEPARATELY 1.6 ID x .210 Thk
13		87028081	2 SEAL KIT Kit
14		NSS	1 NOT SERVICED SEPARATELY Barrel, Cylinder, RH
15		NSS	1 NOT SERVICED SEPARATELY Barrel, Cylinder, LH
(1)	Manufacturer's Production Date Stamp - (ex. M 02 2012 = M / week / year),All internal components identical. Only barrels, Ref. 16 & 17 are different		

RB465-CASE IH ROUND BALER - EUROPE & R.O.W.

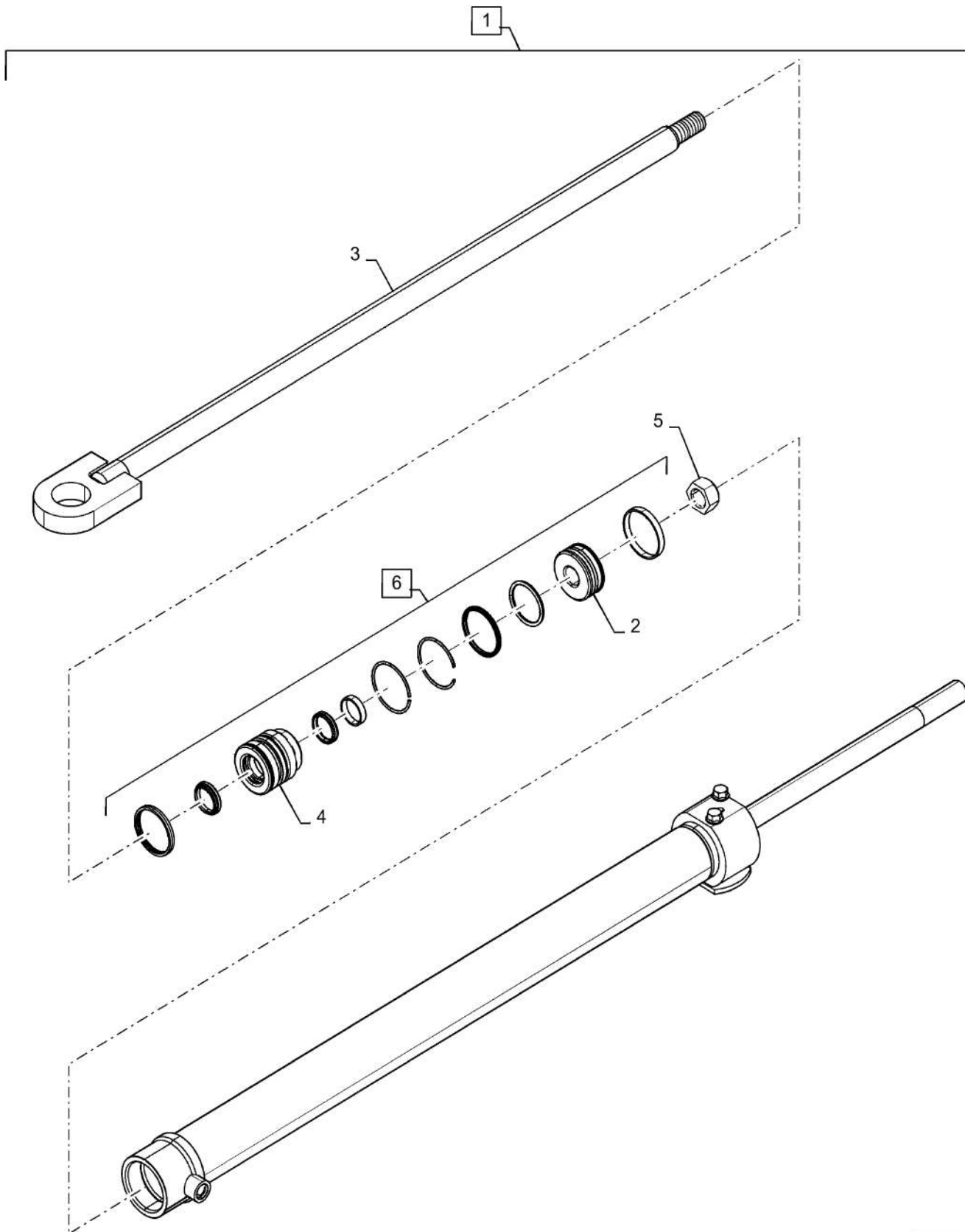
35.540.AI

02

p1

9/2015

VAR - 726813, 726815 - BALE TENSION HYDRAULICS, SINGLE & DUAL, HYDRAULIC CYLINDER, 797301008 AND AFTER



35.540.AI

02

p1

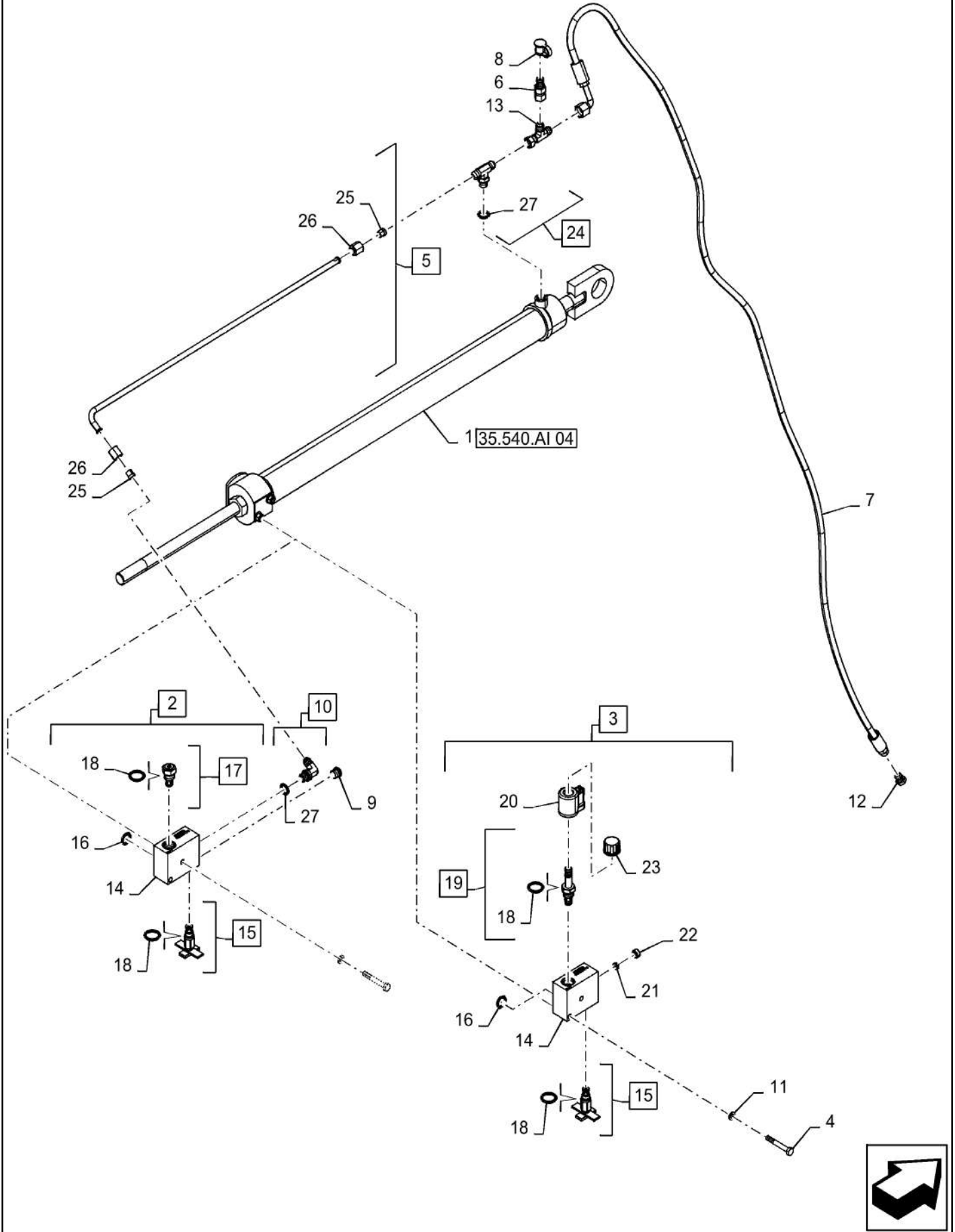
9/2015

VAR - 726813, 726815 - BALE TENSION HYDRAULICS, SINGLE & DUAL, HYDRAULIC CYLINDER, 797301008 AND AFTER

REF FN	PART NUMBER	YR/SN	QTY DESCRIPTION
1	84549525		1 HYDRAULIC CYLINDER Bale Tension, Single Cylinder
2	NSS		1 NOT SERVICED SEPARATELY Piston, Incl in 1
3	NSS		1 NOT SERVICED SEPARATELY Rod, Incl in 1
4	47631221		1 CYLINDER HEAD
5	87629		1 NUT 5/8"-11, GB
6	47624424		1 SEAL KIT

RB465-CASE IH ROUND BALER - EUROPE & R.O.W.

VAR - 726813 - BALE TENSION HYDRAULICS, SINGLE CYLINDER ASSEMBLY, 794992016 AND PRIOR



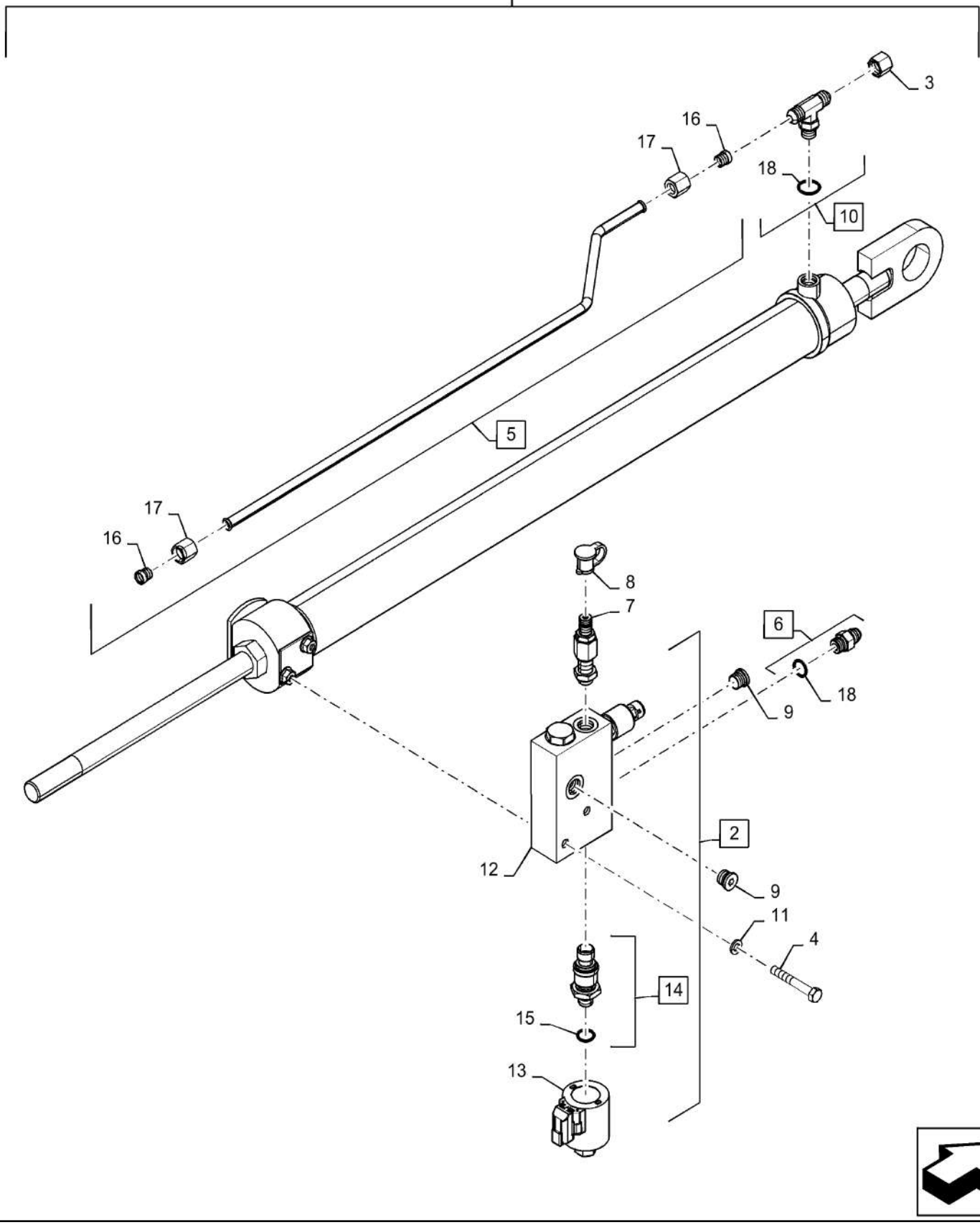
VAR - 726813 - BALE TENSION HYDRAULICS, SINGLE CYLINDER ASSEMBLY, 794992016 AND PRIOR

REF FN	PART NUMBER	YR/SN	QTY DESCRIPTION
1	84549525		1 HYDRAULIC CYLINDER Bale Density, Single Bypass
2	47482872		1 HYDRAULIC MANIFOLD Incl 14 - 17, Bale Tension, 2600 PSI without Bypass
3	47482859		1 HYDRAULIC MANIFOLD Incl 14 - 16, 19 - 23, Bale Tension, 2600 PSI with Bypass
4	86505972		2 BOLT Hex, 5/16" - 18 x 2 1/4", Gr 5
5	84552131		1 HYD. TUBE Incl 25. 26
6	101792A1		1 COUPLING Diagnostic
7	84563528		1 HYDRAULIC HOSE
8	86502604		1 DUST CAP
9	9625178		1 PLUG 9/16" - 18 ORB
10	76344		1 90 ELBOW 9/16" - 18 JIC x 9/16" - 18 ORB Incl 27
11	80681		2 BEARING WASHER 5/16"
12	86513049		1 PLUG 9/16" - 18 JIC
13	129274		1 TEE 9/16" - 18 JIC x 9/16" - 18 JIC x 9/16" - 18 JIC
14	NSS		1 NOT SERVICED SEPARATELY Manifold, Incl with 2, 3
15	47604142		1 PRESSURE RELIEF VALVE 2600 PSI, Incl 18
16	128359		2 O-RING 0.07" Thk x 0.614" ID, -16, CI 5, 75 Duro
17	84559455		1 CHECK VALVE Incl 18
18	377451A1		3 SEAL KIT Needle
19	84558366		1 SOLENOID VALVE Incl 18, 23
20	84300102		1 COIL
21	47358511		1 ORIFICE 0.094"
22	47358507		1 RETAINER
23	87755469		1 NUT M18 x 1.5
24	163335		1 TEE 9/16" - 18 ORB x 9/16" - 18 JIC x 9/16" - 18 JIC
25	235670		1 SLEEVE 37°, 3/8" Tube
26	136658		1 TUBE NUT 0.72" Length
27	9617873		2 O-RING 0.078" Thk x 0.468" ID, -906, CI 6, 90 Duro

RB465-CASE IH ROUND BALER - EUROPE & R.O.W.

VAR - 727159 - BALE TENSION HYDRAULICS, SINGLE CYLINDER, IN CAB CONTROL, 797301008 AND AFTER

1 35.540.AI 02



35.540.AI

03

p1

9/2015

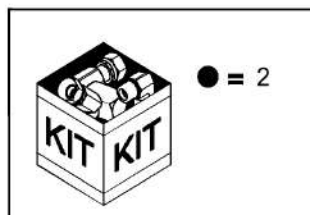
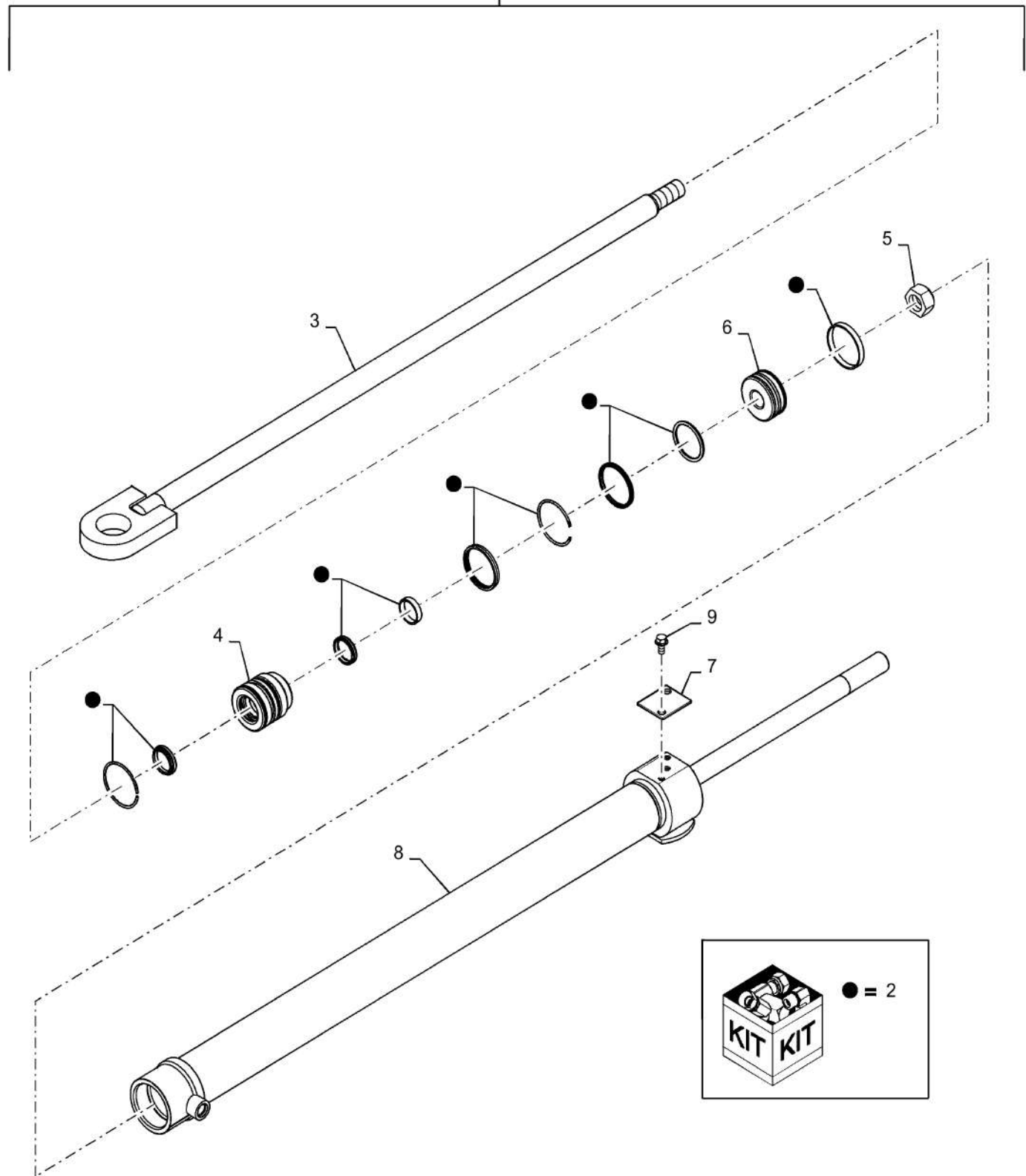
VAR - 727159 - BALE TENSION HYDRAULICS, SINGLE CYLINDER, IN CAB CONTROL, 797301008 AND AFTER

REF FN	PART NUMBER	YR/SN	QTY DESCRIPTION
1	84549526		1 HYDRAULIC CYLINDER Bale Tension
2	47765085		1 HYDRAULIC VALVE Proportional Relief, Incl 12-14
3	574342		1 CAP 9/16" - 18 JIC
4	86505972		2 BOLT Hex, 5/16" - 18 x 2 1/4", Gr 5
5	47765917		1 TUBE Incl 16-17
6	76350		1 HYD CONNECTOR 9/16" - 18 ORB x 9/16" - 18 JIC Incl 18
7	86013710		1 FITTING Quick Connect
8	86502604		1 DUST CAP Black
9	9625178		2 PLUG 9/16" - 18 ORB
10	163335		1 TEE 9/16" - 18 ORB x 9/16" - 18 JIC x 9/16" - 18 JIC Incl 18
11	80681		1 BEARING WASHER 5/16"
12	47775189		1 HYDRAULIC VALVE Poppit Relief
13	84227091		1 COIL
14	86523197		1 SENSOR Incl 15
15	84320139		1 O-RING 2.2mm Thk x 11.3mm ID
16	235670		1 SLEEVE 37°, 3/8" Tube
17	136658		1 TUBE NUT 0.72" Length
18	9617873		2 O-RING 0.078" Thk x 0.468" ID, -906, CI 6, 90 Duro

RB465-CASE IH ROUND BALER - EUROPE & R.O.W.

BALE TENSION HYDRAULIC CYLINDER, SINGLE

1



BALE TENSION HYDRAULIC CYLINDER, SINGLE

REF FN	PART NUMBER	YR/SN	QTY DESCRIPTION
1	84549526		1 HYDRAULIC CYLINDER Hydraulic, Bale Tension, RH, Incl 2
			-
2	47624424		1 SEAL KIT Incl in 1
3	NSS		1 NOT SERVICED SEPARATELY Rod, Incl in 1
4	NSS		1 NOT SERVICED SEPARATELY Head, Incl in 1
5	87629		1 NUT 5/8"-11, GB Nut
6	NSS		1 NOT SERVICED SEPARATELY Piston, Incl in 1
7	NSS		1 NOT SERVICED SEPARATELY Plate, Incl in 1
8	NSS		1 NOT SERVICED SEPARATELY Cylinder Barrel, Incl in 1
9	PL		2 PROCURE LOCALLY 5/16" x 0.50" Flange Bolt

RB465-CASE IH ROUND BALER - EUROPE & R.O.W.

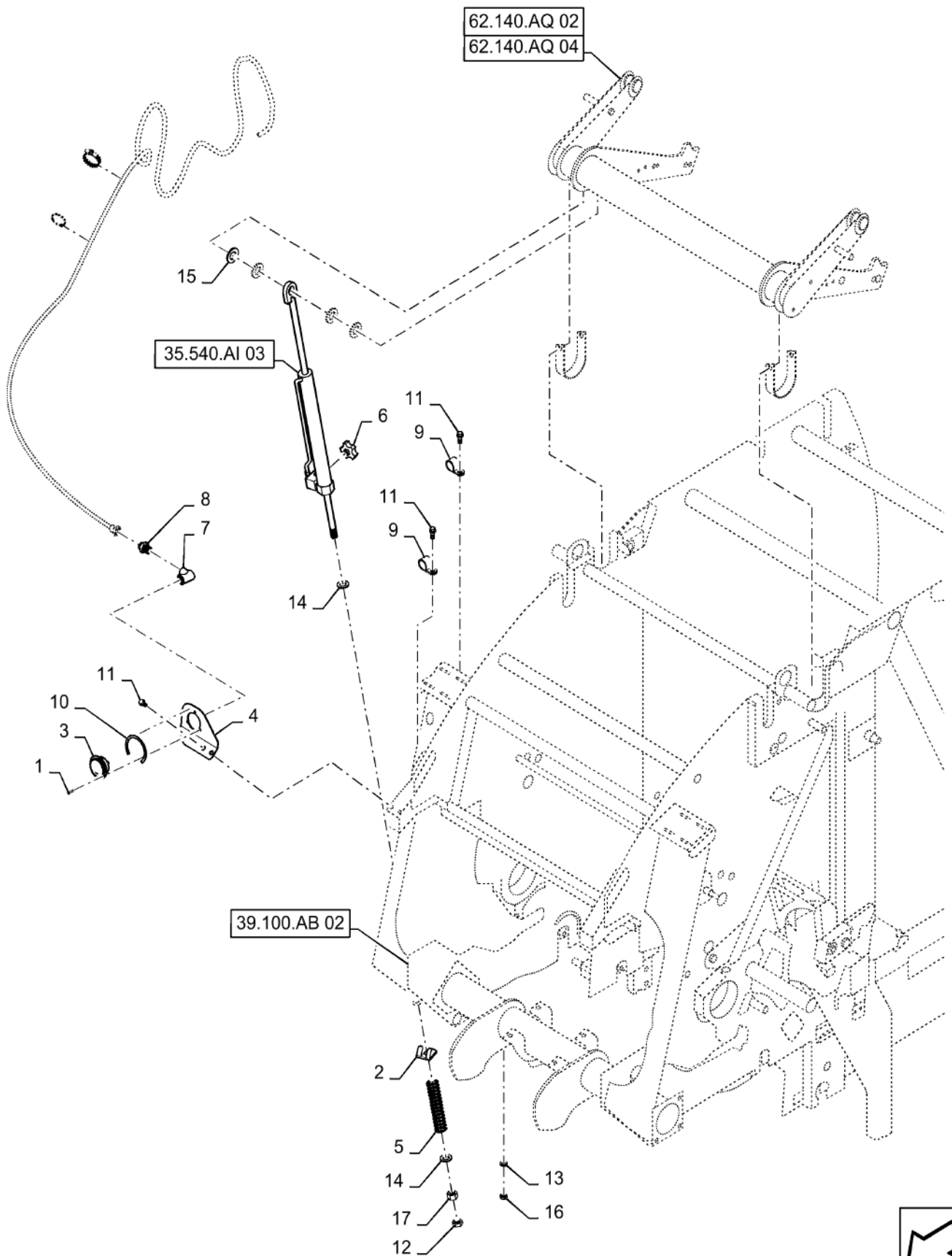
35.540.AK

02

p1

9/2015

VAR - 726813 - BALE TENSION HYDRAULIC CYLINDER, SINGLE



35.540.AK

02

p1

9/2015

VAR - 726813 - BALE TENSION HYDRAULIC CYLINDER, SINGLE

REF FN	PART NUMBER	YR/SN	QTY DESCRIPTION
1	NS		1 NOT SERVICED Bale Tension Hydraulic Cylinder
2	87654703		1 PIVOT
3	857072		1 GAUGE Bale Density Pressure
4	84399830		1 SUPPORT
5	87655350		1 SPRING Compression, 1.81" OD x 9.44" L
6	87035505		1 KNOB
7	86627339		1 HYD CONNECTOR
8	9845229		1 COUPLING Male
9	86010402		6 CLAMP 12.7mm, Coat, 10.3mm Bolt Hole, P Type
10	84603728		1 DECAL
11	9804258		4 BOLT Hex, M8 x 1.25 x 20mm, CI 8.8
12	87314		1 JAM NUT Jam, 7/8"-9, G2
13	86624184		2 WASHER 9mm ID x 16mm OD x 1.6mm Thk
14	9848974		2 WASHER 25mm ID x 44mm OD x 4mm Thk
15	191823		4 WASHER
16	86629542		2 NUT M8 x 1.25, CI 8
17	9849647		1 NUT 7/8"-9, G5
18	425520		3 RIVET Pop, 3.96mm OD x 10.4mm L

RB465-CASE IH ROUND BALER - EUROPE & R.O.W.

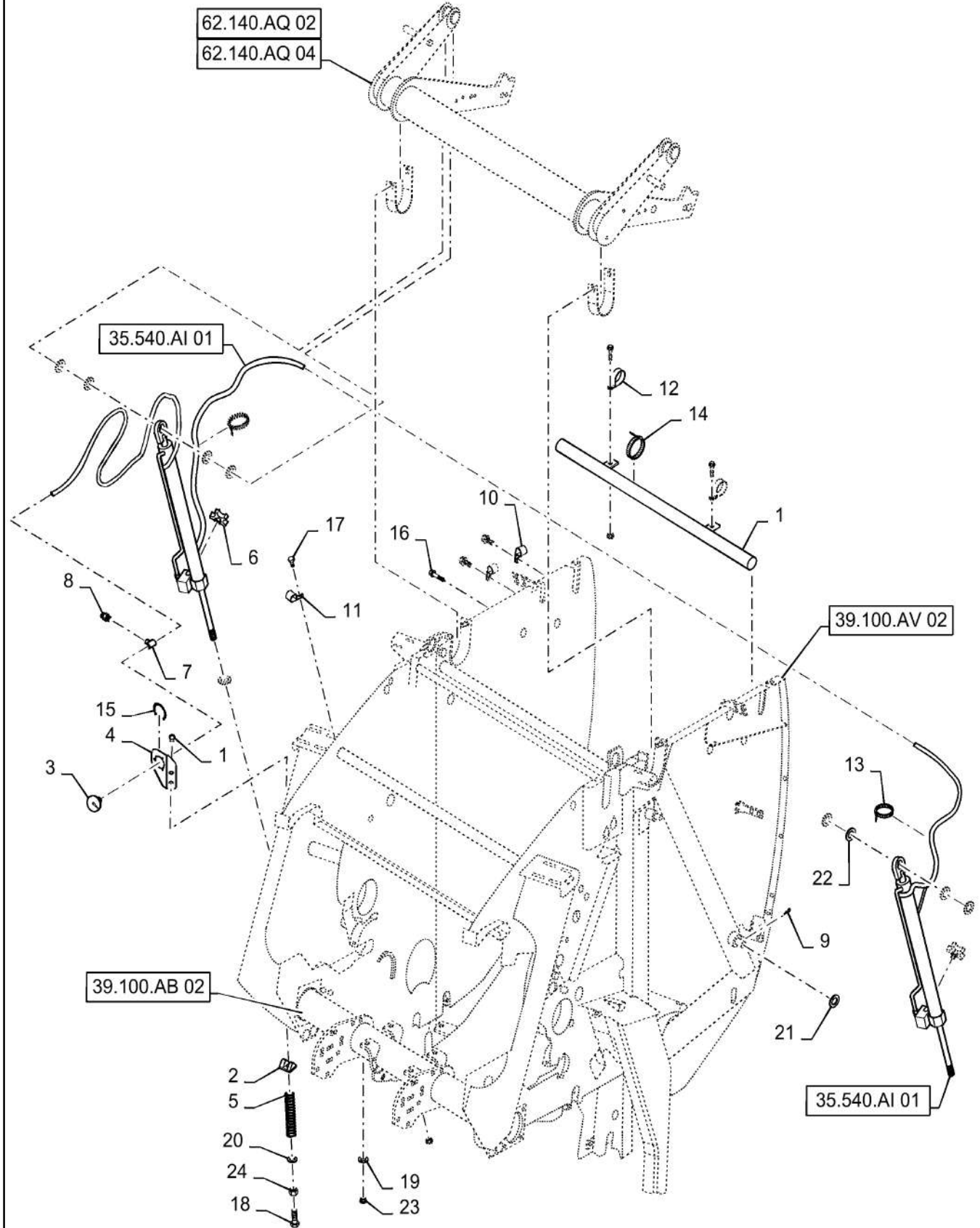
35.540.AK

04

p1

9/2015

VAR - 726815 - BALE TENSION HYDRAULIC CYLINDER, DUAL



35.540.AK

04

p1

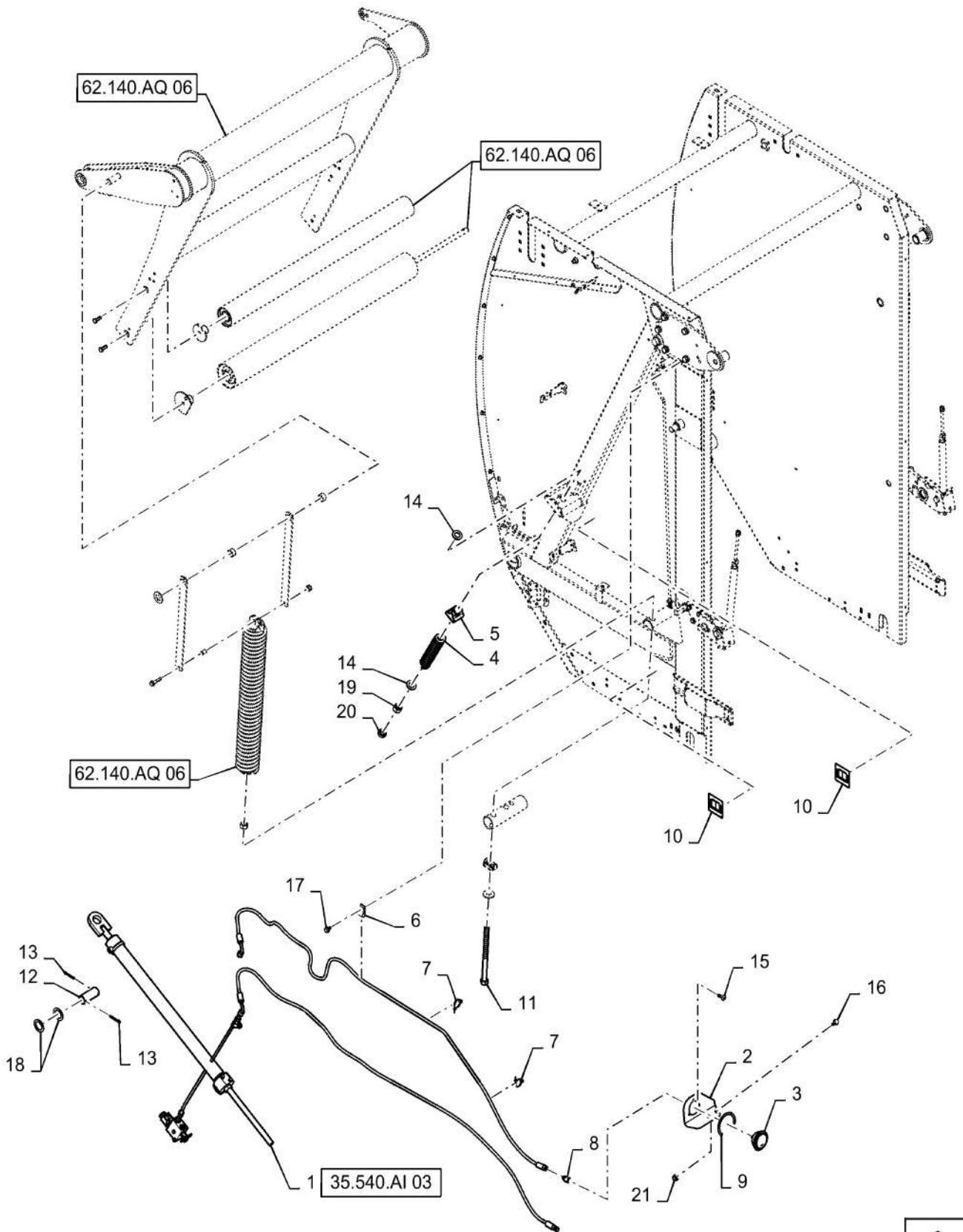
9/2015

VAR - 726815 - BALE TENSION HYDRAULIC CYLINDER, DUAL

REF FN	PART NUMBER	YR/SN	QTY DESCRIPTION
1	425520		3 RIVET Pop, 3.96mm OD x 10.4mm L
2	87654703		1 PIVOT
3	857072		1 GAUGE Bale Density Pressure
4	84399830		1 SUPPORT
5	87655350		1 SPRING Compression, 1.81" OD x 9.44" L
6	87035505		1 KNOB
7	86627339		1 HYD CONNECTOR
8	9845229		1 COUPLING Male
9	87399		3 COTTER PIN 1/2 x 3 Bolt
10	86010402		6 CLAMP 12.7mm, Coat, 10.3mm Bolt Hole, P Type
11	711051		4 CLAMP
12	600427		4 CLAMP 25.4mm, Coat, 8.7mm Bolt Hole, P Type
13	86566989		2 CABLE TIE 208mm L
14	87034173		3 CABLE TIE 774.7mm L
15	84603722		1 DECAL
16	9804258		8 BOLT Hex, M8 x 1.25 x 20mm, CI 8.8
17	9671714		2 FLANGE BOLT Hex, M8 x 1.25 x 25mm, CI 8.8
18	87314		1 JAM NUT Jam, 7/8"-9, G2
19	86624184		2 WASHER 9mm ID x 16mm OD x 1.6mm Thk
20	9848974		2 WASHER 25mm ID x 44mm OD x 4mm Thk
21	87367		4 WASHER 1.06" ID x 2" OD x 0.13" Thk
22	191823		8 WASHER
23	86629542		6 NUT M8 x 1.25, CI 8
24	9849647		1 NUT 7/8"-9, G5

RB465-CASE IH ROUND BALER - EUROPE & R.O.W.

VAR - 726813 - BALE TENSION HYDRAULICS, SINGLE CYLINDER, OVERSHOT FEEDER



VAR - 726813 - BALE TENSION HYDRAULICS, SINGLE CYLINDER, OVERSHOT FEEDER

REF FN	PART NUMBER	YR/SN	QTY DESCRIPTION
1	0C		1 ORDER COMPONENTS Single Cylinder Hydraulics
2	84399830		1 SUPPORT
3	84384411		1 PRESSURE GAUGE 3000 PSI, 1/4" NPT 3000 PSI
4	87655350		1 SPRING Compression, 1.81" OD x 9.44" L
5	226131		1 PIVOT
6	86010402		3 CLAMP 12.7mm, Coat, 10.3mm Bolt Hole, P Type
7	84292754		2 CLIP Cable Tie W/ Fir Tree, 5mm OD x 203mm OAL
8	241971		1 HYD CONNECTOR 9/16"-18, 37° x 1/4"-18, Fem Pipe
9	84603728		1 DECAL
10	87022793		2 DECAL
11	633038		2 THREADED ROD 3/4" - 10 x 11-1/2" L
12	86637228		1 PIN 38.1mm OD x 91.5mm L
13	87400		2 COTTER PIN 3/16" x 2"
14	9848974		2 WASHER 25mm ID x 44mm OD x 4mm Thk
15	425520		3 RIVET Pop, 3.96mm OD x 10.4mm L
16	9804258		3 BOLT Hex, M8 x 1.25 x 20mm, CI 8.8
17	381014		3 SCREW Flng, M8 x 16mm
18	191823		4 WASHER
19	9849647		1 NUT 7/8"-9, G5
20	87314		1 JAM NUT Jam, 7/8"-9, G2
21	86629542		2 NUT M8 x 1.25, CI 8

RB465-CASE IH ROUND BALER - EUROPE & R.O.W.

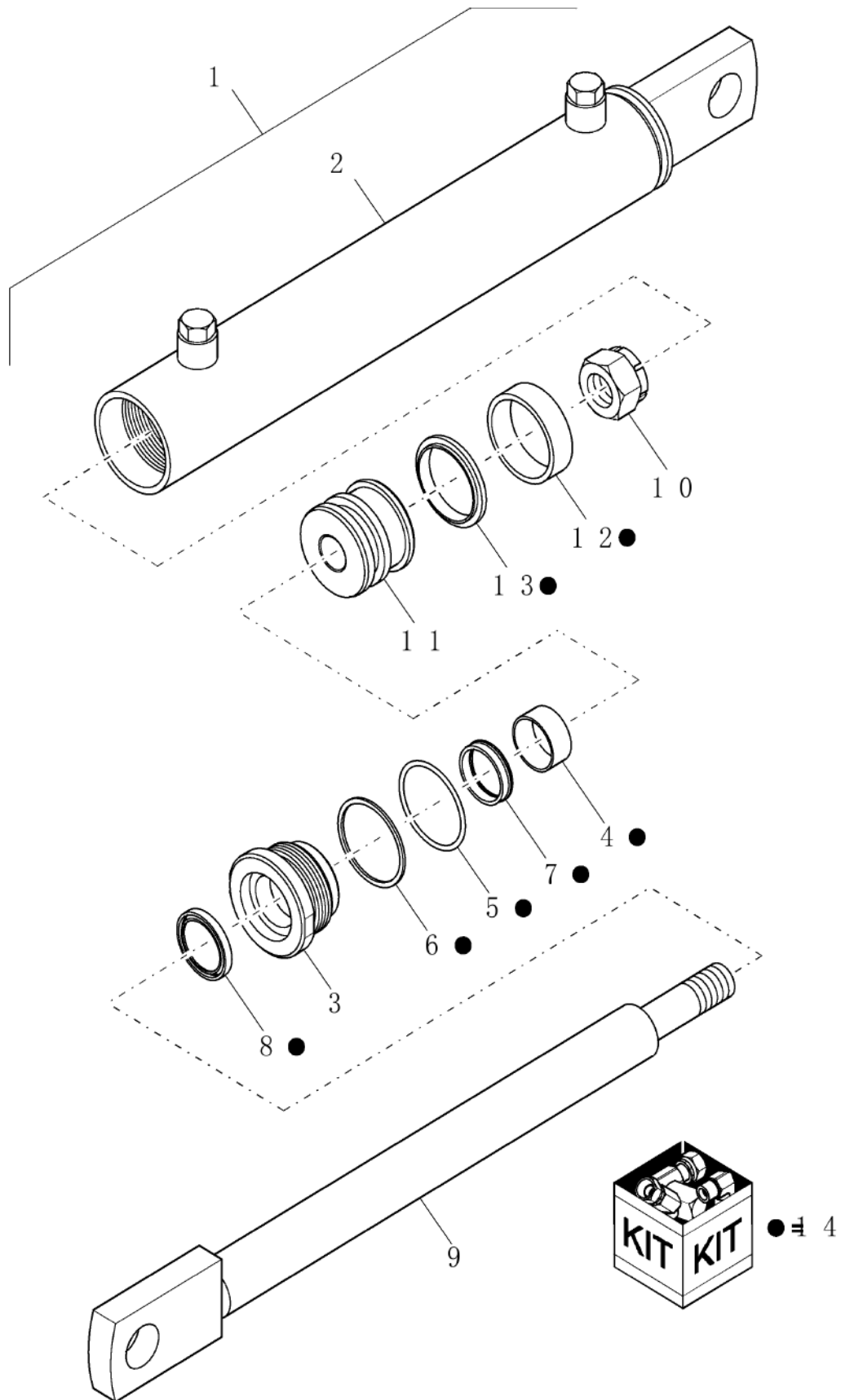
35.550.AB

02

p1

9/2015

TAILGATE, HYDRAULIC CYLINDER



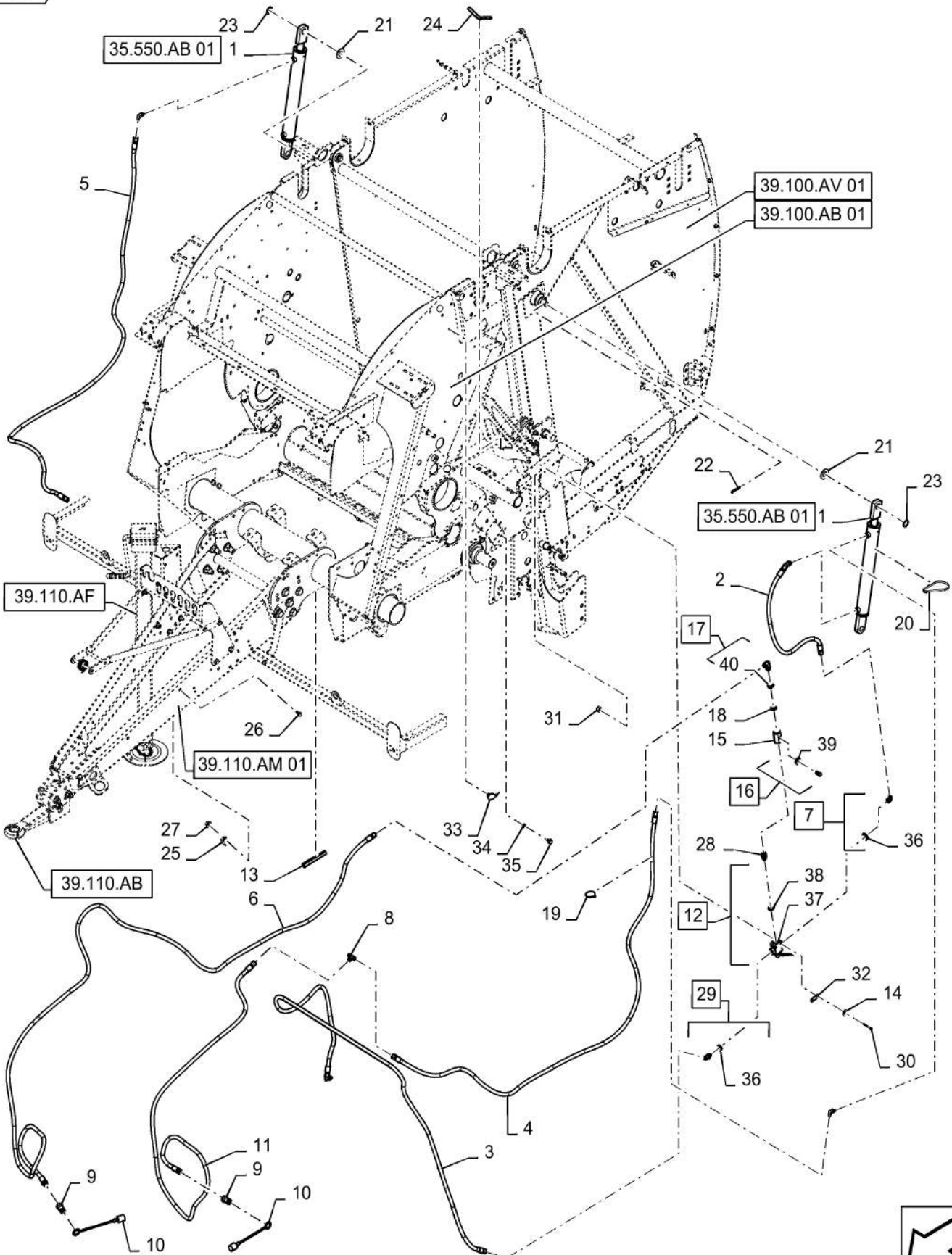
TAILGATE, HYDRAULIC CYLINDER

REF FN	PART NUMBER	YR/SN	QTY DESCRIPTION
1 1	87019624		1 CYLINDER ASSY. Double Acting, 31.75mm Rod, 685.8mm Stroke Tailgate Lift
2	NSS		1 NOT SERVICED SEPARATELY Cylinder Barrel
3	87025449		1 HEAD Cylinder
4	9843627		1 WEAR RING Split, 31.75mm ID x 34.8mm OD x 12.7mm Thk Wear, 1.250 ID x .50 Thk
5	235782		1 O-RING 0.139" Thk x 1.734" ID, -224, CI 6, 90 Duro
6	270103		1 BACK-UP RING 45.01mm ID x 51mm OD x 1.27mm Thk Backup, 1.772 ID x .043 Thk
7	86513307		1 SEAL 31.75mm ID x 37.85mm OD x 6.35mm Thk Double-Lip, 1.50 OD x 1.25 ID x .250 Tk.
8	529340		1 SEAL 31.75mm ID x 43.05mm OD x 4.76mm Thk Rod Wiper
9	87025447		1 PISTON ROD
10	280724		1 LOCK NUT 3/4" - 16
11	87025448		1 PISTON
12	771705		1 RING Wear, 2.004 ID x .50 Thk
13	86553483		1 SEAL Piston, 3 Piece
14	87025443		AR SEAL KIT Kit

(1) Manufacturer's Production Date Stamp - (ex. M 02 2012 = M / week / year)

RB465-CASE IH ROUND BALER - EUROPE & R.O.W.

TAILGATE HYDRAULIC LIFT



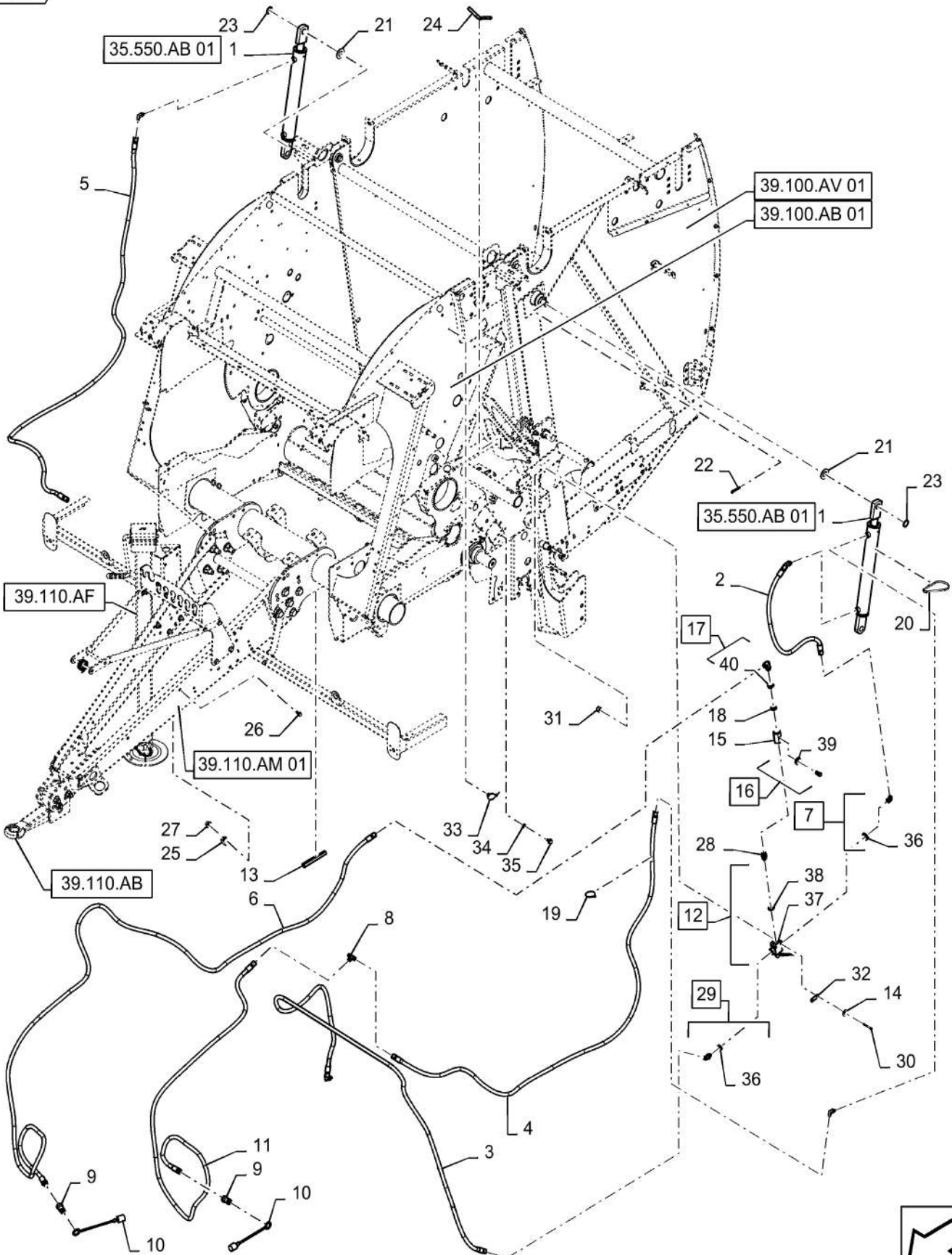
TAILGATE HYDRAULIC LIFT

REF FN	PART NUMBER	YR/SN	QTY DESCRIPTION
1	87517397		2 HYDRAULIC CYLINDER Double Acting, 31.75mm Rod, 373.38mm Stroke Tailgate Lift
2	84280706		1 HYDRAULIC HOSE 930 mm
3	84280712		1 HYDRAULIC HOSE 3863 mm
4	84281101		1 HYDRAULIC HOSE 2730 mm
5	84281508		1 HYDRAULIC HOSE 2514 mm
6	84383355		1 HYDRAULIC HOSE 9.53mm ID x 4600mm L, SAE 100R17 4600 mm
7	76344		4 90 ELBOW 9/16" - 18 JIC x 9/16" - 18 ORB Incl 36
8	76355		1 TEE 9/16" - 18 JIC x 9/16" - 18 JIC x 9/16" - 18 JIC
9	9801618		2 QUICK MALE COUPLING 1/2" - 14
10	86621124		2 DUST CAP
11	84419297		1 HYDRAULIC HOSE 9.53mm ID x 3048mm L, SAE 100R17 3048 mm
12	84606149		1 VALVE WITH LEVER Incl 37, 38
13	1 87490545		AR PROTECTION STRIP 17 mm x 15 mm x 10M
14	322357		4 BELLEVILLE WASHER M6 x 14mm OD x 1.3mm Thk
15	87656363		1 HYD CONNECTOR 3/4" - 16 x 3/4" - 16 x 7/16" - 20 x 2-1/8" L
16	9672438		1 PLUG 7/16" - 20 ORB Incl 39
17	76347		1 ELBOW 90°, 9/16" - 18 JIC x 3/4" - 16 ORB Incl 40
18	86517438		1 ORIFICE
19	86566989		17 CABLE TIE 208mm L
20	87034173		6 CABLE TIE 774.7mm L
21	87367		2 WASHER 1.06" ID x 2" OD x 0.13" Thk
22	87399		2 COTTER PIN 1/2 x 3 Bolt
23	26402		2 WASHER 25.8mm ID x 38.1mm OD x 1.7mm Thk
24	291525		AR EDGE
25	1 87024765		6 CLAMP 36.5mm, Coat, 10.3mm Bolt Hole, P Type
26	86050286		2 FLANGE BOLT M10 x 20mm, Cl 8.8

(1) Cut to Fit Required.

RB465-CASE IH ROUND BALER - EUROPE & R.O.W.

TAILGATE HYDRAULIC LIFT

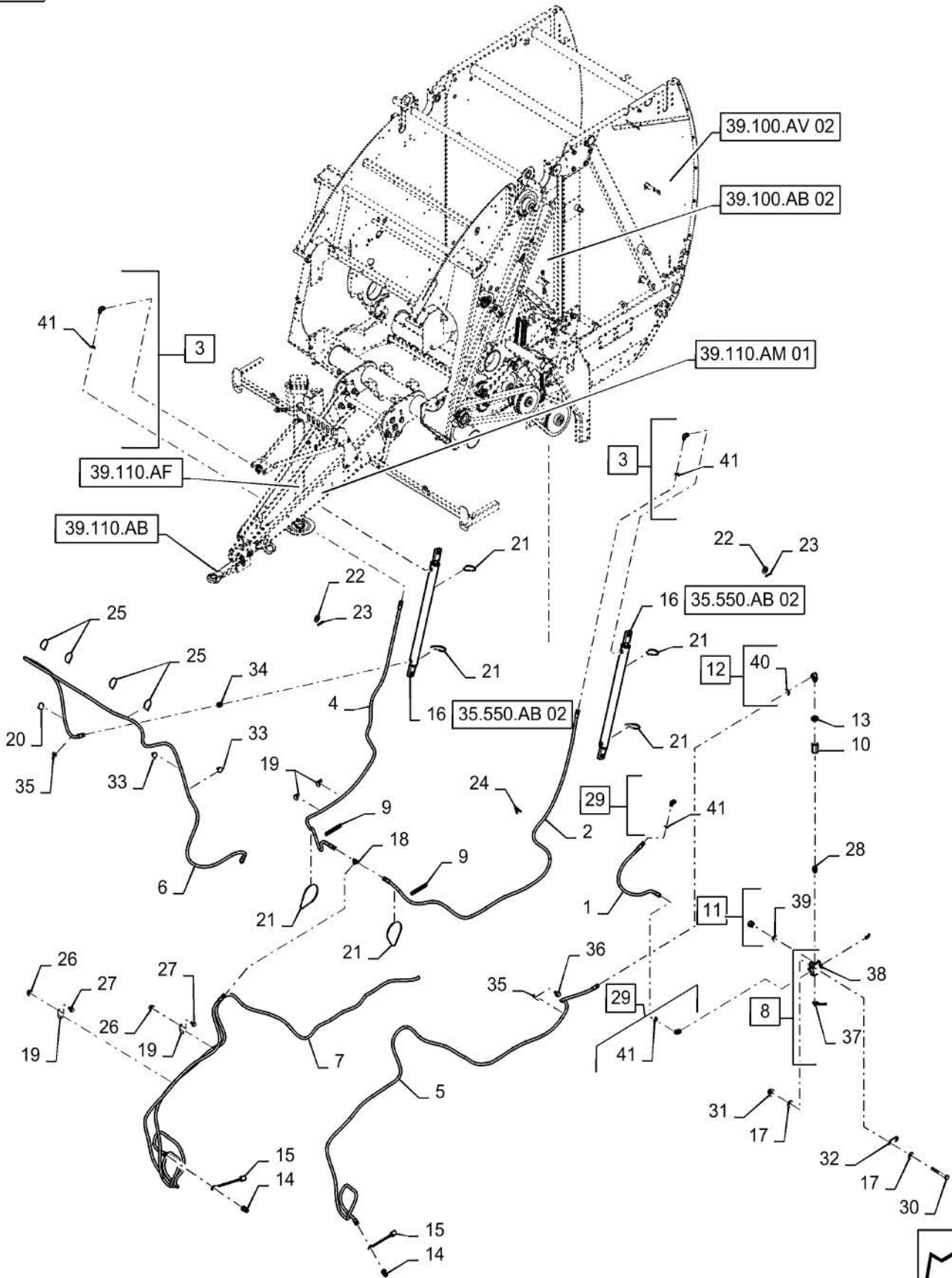


TAILGATE HYDRAULIC LIFT

REF FN	PART NUMBER	YR/SN	QTY DESCRIPTION
27	9804278		2 FLANGE NUT M10 x 1.5, CI 8
28	259619		1 HYD CONNECTOR 3/4" - 16 ORB x 3/4" - 16 ORB
29	330346		2 45 ELBOW 45°, 9/16"-18, 37° x 9/16"-18, O-Ring Incl 36
30	120056		2 BOLT M6 x 1.0 x 54.15mm, CI 8.8
31	353308		2 NUT M6 x 1.0, CI 8
32	84416929		1 PLATE
33	84292754		2 CLIP Cable Tie W/ Fir Tree, 5mm OD x 203mm OAL
34	86978777		2 CLAMP 17.5mm, Coat, 7.1mm Bolt Hole, P Type
35	381014		1 SCREW Flng, M8 x 16mm
36	9617873		3 O-RING 0.078" Thk x 0.468" ID, -906, CI 6, 90 Duro
37	47382486		1 VALVE LEVER
38	47382510		1 SEAL KIT
39	165202		1 O-RING 0.072" Thk x 0.351" ID, -904, CI 6, 90 Duro
40	128825		1 O-RING 0.087" Thk x 0.644" ID, -908, CI 6, 90 Duro

RB465-CASE IH ROUND BALER - EUROPE & R.O.W.

TAILGATE HYDRAULIC LIFT



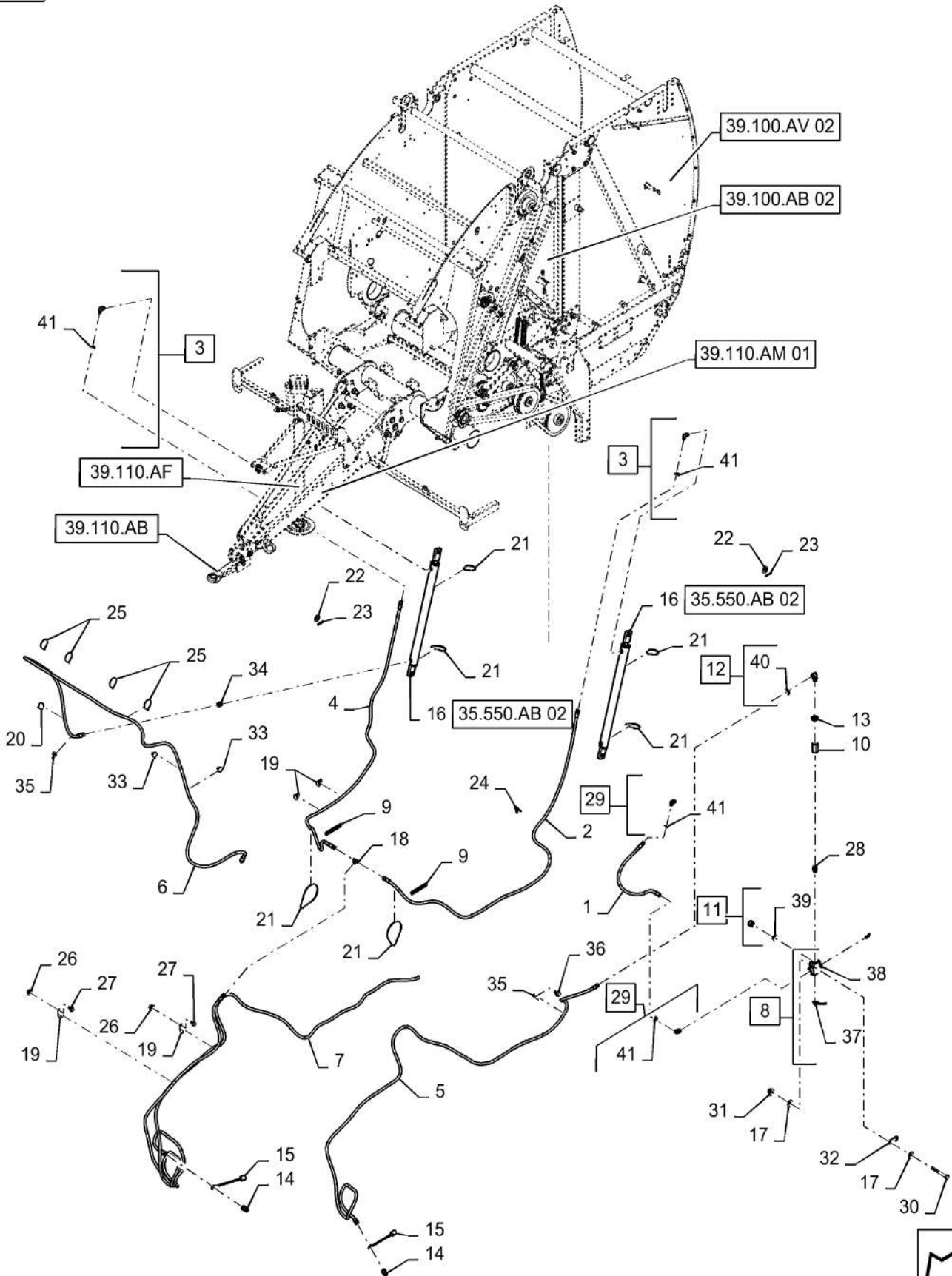
TAILGATE HYDRAULIC LIFT

REF FN	PART NUMBER	YR/SN	QTY DESCRIPTION
1	84383275		1 HYDRAULIC HOSE 750 mm
2	84383297		1 HYDRAULIC HOSE 9.53mm ID x 2900mm L, SAE 100R17 2900 mm
3	76344		4 90 ELBOW 9/16" - 18 JIC x 9/16" - 18 ORB Incl 41
4	84383338		1 HYDRAULIC HOSE 9.53mm ID x 2800mm L, SAE 100R17 2800 mm
5	84383355		1 HYDRAULIC HOSE 9.53mm ID x 4600mm L, SAE 100R17 4600 mm
6	84383387		1 HYDRAULIC HOSE 4600 mm
7	84419297		1 HYDRAULIC HOSE 9.53mm ID x 3048mm L, SAE 100R17 3048 mm
8	84606149		1 VALVE WITH LEVER Incl 37, 38
9	1 87490545		AR PROTECTION STRIP 17 mm x 15 mm x 10M
10	87656363		1 HYD CONNECTOR 3/4" - 16 x 3/4" - 16 x 7/16" - 20 x 2-1/8" L
11	9672438		1 PLUG 7/16" - 20 ORB Incl 39
12	76347		1 ELBOW 90°, 9/16" - 18 JIC x 3/4" - 16 ORB Incl 40
13	86630002		1 ORIFICE 15.88mm OD x 5.08mm Thk
14	9801618		2 QUICK MALE COUPLING 1/2" - 14
15	86621124		2 DUST CAP
16	87019624		2 CYLINDER ASSY. Double Acting, 31.75mm Rod, 685.8mm Stroke Tailgate Lift
17	322357		4 BELLEVILLE WASHER M6 x 14mm OD x 1.3mm Thk
18	76355		1 TEE 9/16" - 18 JIC x 9/16" - 18 JIC x 9/16" - 18 JIC
19	87024765		6 CLAMP 36.5mm, Coat, 10.3mm Bolt Hole, P Type
20	86566989		17 CABLE TIE 208mm L
21	87034173		6 CABLE TIE 774.7mm L
22	87367		2 WASHER 1.06" ID x 2" OD x 0.13" Thk
23	87399		2 COTTER PIN 1/2 x 3 Bolt
24	1 291525		AR EDGE
25	14560287		4 CABLE TIE 207.00mm L
26	9804278		2 FLANGE NUT M10 x 1.5, Cl 8

(1) Cut to Fit Required.

RB465-CASE IH ROUND BALER - EUROPE & R.O.W.

TAILGATE HYDRAULIC LIFT

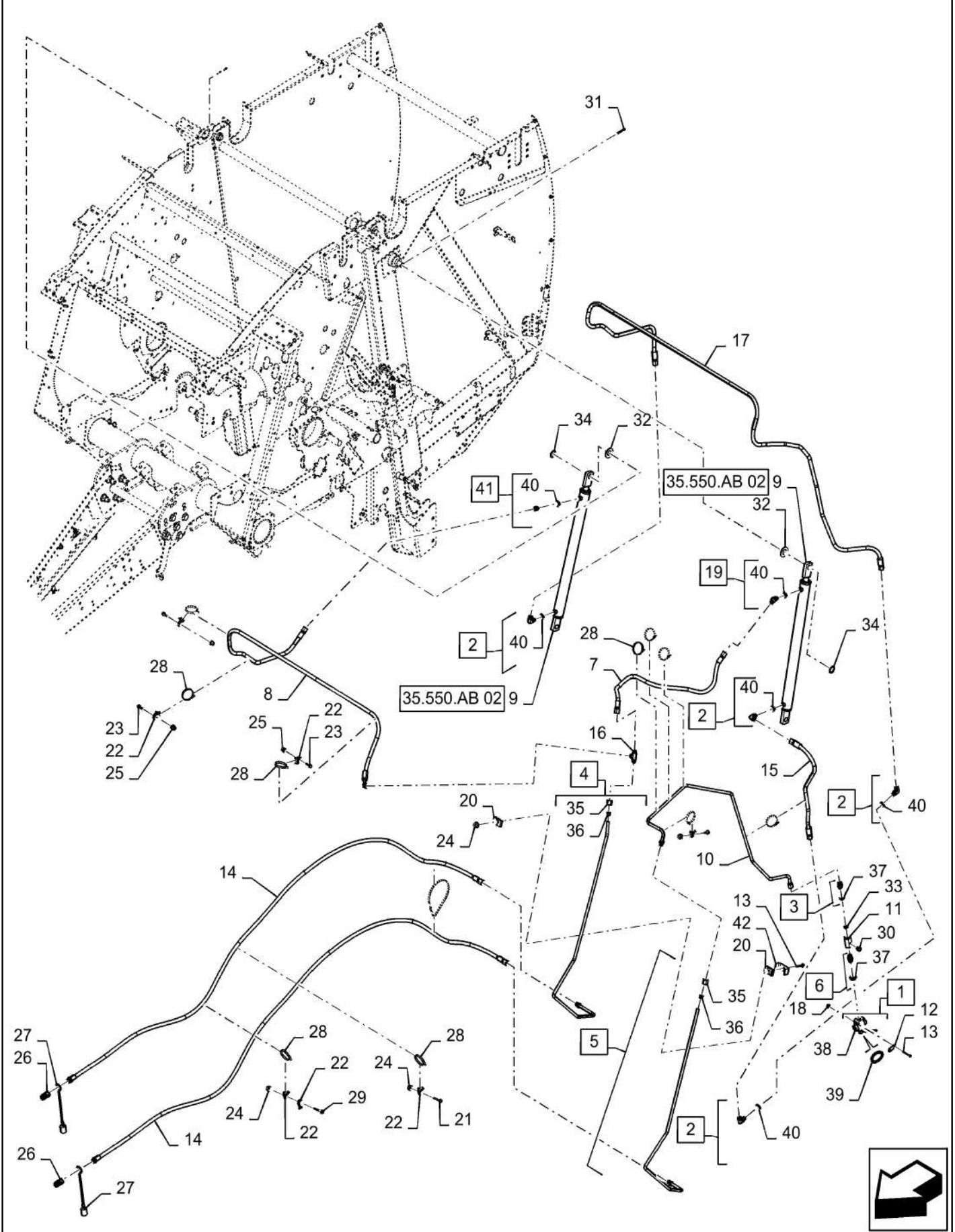


TAILGATE HYDRAULIC LIFT

REF FN	PART NUMBER	YR/SN	QTY DESCRIPTION
27	86050286		2 FLANGE BOLT M10 x 20mm, CI 8.8
28	259619		1 HYD CONNECTOR 3/4" - 16 ORB x 3/4" - 16 ORB
29	330346		2 45 ELBOW 45°, 9/16"-18, 37° x 9/16"-18, O-Ring Incl 41
30	120056		2 BOLT M6 x 1.0 x 54.15mm, CI 8.8
31	353308		2 NUT M6 x 1.0, CI 8
32	84416929		1 PLATE
33	84292754		2 CLIP Cable Tie W/ Fir Tree, 5mm OD x 203mm OAL
34	76350		1 HYD CONNECTOR 9/16" - 18 ORB x 9/16" - 18 JIC
35	86978777		2 CLAMP 17.5mm, Coat, 7.1mm Bolt Hole, P Type
36	381014		1 SCREW Flng, M8 x 16mm
37	47382486		1 VALVE LEVER
38	47382510		1 SEAL KIT
39	165202		1 O-RING 0.072" Thk x 0.351" ID, -904, CI 6, 90 Duro
40	128825		1 O-RING 0.087" Thk x 0.644" ID, -908, CI 6, 90 Duro
41	9617873		3 O-RING 0.078" Thk x 0.468" ID, -906, CI 6, 90 Duro

RB465-CASE IH ROUND BALER - EUROPE & R.O.W.

VAR - 727160 - TAILGATE, HYDRAULIC LIFT, STANDARD EJECT, 797301008 AND AFTER

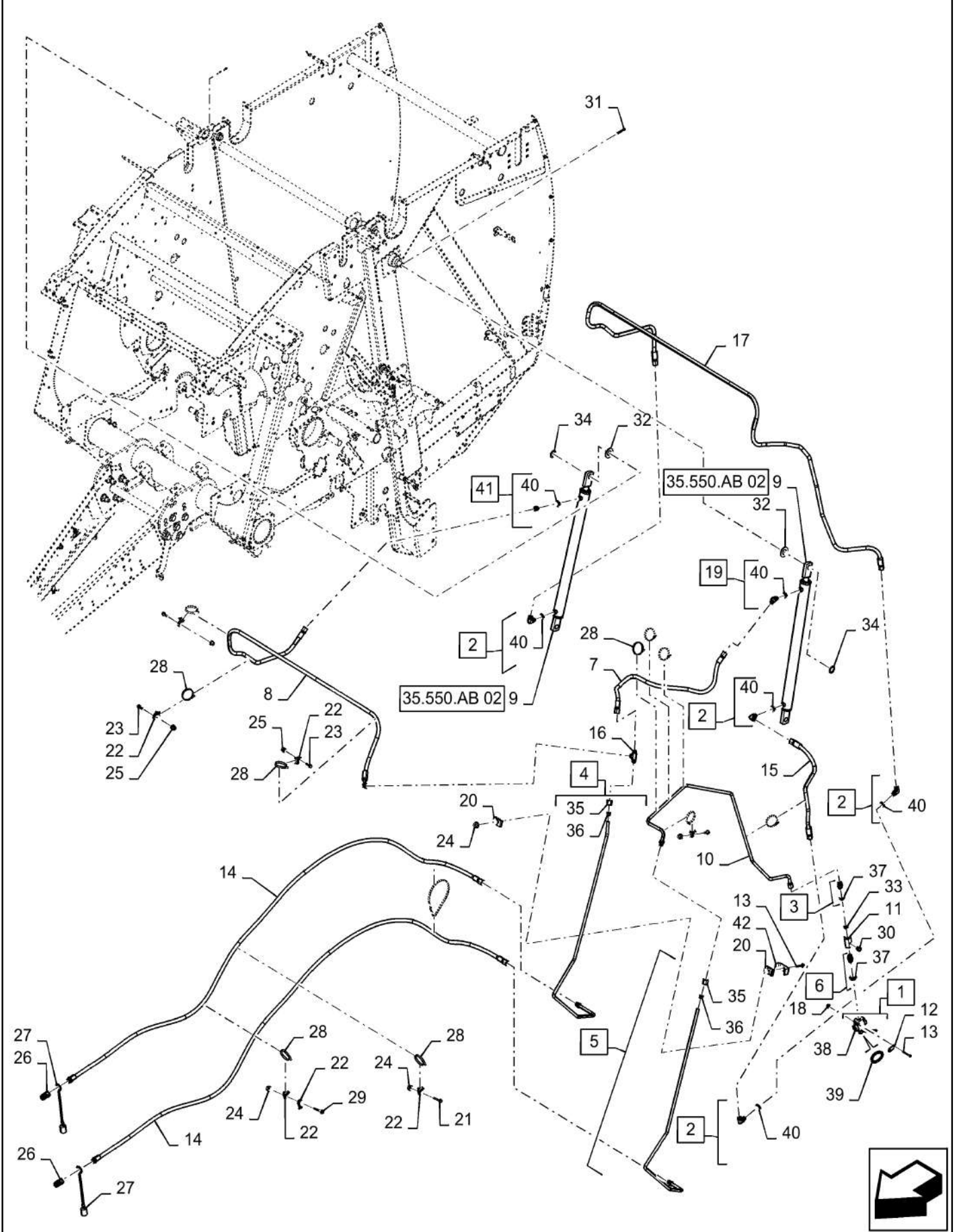


VAR - 727160 - TAILGATE, HYDRAULIC LIFT, STANDARD EJECT, 797301008 AND AFTER

REF FN	PART NUMBER	YR/SN	QTY DESCRIPTION
1	84606149		1 VALVE WITH LEVER Incl 38, 39
2	86512938		4 90 ELBOW 90°, 37° 3/4"-16 x 9/16"-18 ORB Incl 40
3	81827427		1 HYD CONNECTOR 3/4" - 16 JIC x 3/4" - 16 ORB Incl 37
4	47861637		1 HYD. TUBE 9mm ID x 12mm OD, SAE J525, Incl 35, 36
5	47861639		1 HYD. TUBE 9mm ID x 12mm OD, SAE J525, Incl 35, 36
6	259619		1 HYD CONNECTOR 3/4" - 16 ORB x 3/4" - 16 ORB Incl 37
7	47733719		1 HYDRAULIC HOSE 10mm ID x 1620mm L, SAE 100R17
8	47863822		1 HYDRAULIC HOSE 10mm ID x 2911mm L, SAE 100R17
9	87019624		1 CYLINDER ASSY. Double Acting, 31.75mm Rod, 685.8mm Stroke Tailgate Lift, Standard Eject
10	47861634		1 HYD. TUBE 9mm ID x 12mm OD, SAE J525, Incl 35, 36
11	87656363		1 HYD CONNECTOR 3/4" - 16 x 3/4" - 16 x 7/16" - 20 x 2-1/8" L
12	84416929		1 PLATE
13	120056		5 BOLT M6 x 1.0 x 54.15mm, CI 8.8
14	47733861		2 HYDRAULIC HOSE 10mm ID x 3690mm L, SAE 100R17
15	47863823		1 HYDRAULIC HOSE 12.5mm ID x 746mm L, SAE 100R17
16	128996		1 TEE 3/4" - 16 JIC x 3/4" - 16 JIC x 3/4" - 16 JIC
17	47863825		1 HYDRAULIC HOSE 12.5mm ID x 4877mm L, SAE 100R17
18	353308		5 NUT M6 x 1.0, CI 8
19	87301276		1 HYD CONNECTOR 45°, 9/16" - 18 ORB x 3/4" - 16 JIC Incl 40
20	430357		1 CLAMP
21	86511842		1 BOLT M8 x 1.25 x 48.1mm OAL, CI 8.8
22	84407295		5 BASE

RB465-CASE IH ROUND BALER - EUROPE & R.O.W.

VAR - 727160 - TAILGATE, HYDRAULIC LIFT, STANDARD EJECT, 797301008 AND AFTER



35.550.AC

02

p2

9/2015

VAR - 727160 - TAILGATE, HYDRAULIC LIFT, STANDARD EJECT, 797301008 AND AFTER

REF FN	PART NUMBER	YR/SN	QTY DESCRIPTION
23	9671714		3 FLANGE BOLT Hex, M8 x 1.25 x 25mm, CI 8.8
24	9804277		2 FLANGE NUT Hex, M8 x 1.25, CI 8
25	86610200		3 THREADED INSERT M8 x 1.25
26	9801618		2 QUICK MALE COUPLING 1/2" - 14
27	86621124		2 DUST CAP Black
28	87034173		22 CABLE TIE 774.7mm L
29	86511842		2 BOLT M8 x 1.25 x 48.1mm OAL, CI 8.8
30	9672438		1 PLUG 7/16" - 20 ORB
31	87399		2 COTTER PIN 1/2 x 3 Bolt
32	87367		2 WASHER 1.06" ID x 2" OD x 0.13" Thk
33	86517438		1 ORIFICE Plate
34	26402		2 WASHER 25.8mm ID x 38.1mm OD x 1.7mm Thk
35	129428		1 TUBE NUT 37°, 3/4"-16, Type B
36	235671		1 SLEEVE 37°, 1/2" Tube
37	128825		3 O-RING 0.087" Thk x 0.644" ID, -908, CI 6, 90 Duro
38	47382486		1 VALVE LEVER
39	47382510		1 SEAL KIT
40	9617873		1 O-RING 0.078" Thk x 0.468" ID, -906, CI 6, 90 Duro
41	86509028		1 HYD CONNECTOR 3/4" - 16 JIC x 9/16" - 18 ORB Incl 40
42	431941		1 SUPPORT

RB465-CASE IH ROUND BALER - EUROPE & R.O.W.

35.550.AC

04

p1

9/2015

VAR - 727161 - TAILGATE, HYDRAULIC LIFT, QUICK EJECT, 797301008 AND AFTER

ART

NOT

AVAILABLE

VAR - 727161 - TAILGATE, HYDRAULIC LIFT, QUICK EJECT, 797301008 AND AFTER

REF FN	PART NUMBER	YR/SN	QTY DESCRIPTION
1	47716673		1 HYDRAULIC VALVE Incl 40, 41
2	84606149		1 VALVE WITH LEVER Incl 42, 43
3	81827427		1 HYD CONNECTOR 3/4" - 16 JIC x 3/4" - 16 ORB Incl 44
4	144123		2 90 ELBOW 90°, 1 1/16"-12, 37° x 7/8"-14, O-Ring Incl 45
5	86513026		1 TEE 7/8"-14, 37° x 7/8"-14, O-Ring Br Incl 45
6	86512938		4 90 ELBOW 90°, 37° 3/4"-16 x 9/16"-18 ORB Incl 28
7	577993		1 HYD CONNECTOR 1-1/16" - 12 JIC x 3/4" - 16 ORB Incl 44
8	47797682		1 HYD. TUBE 16mm ID x 20mm OD, SAE J525, Incl 38, 39
9	47717918		1 HYDRAULIC HOSE 12.5mm ID x 532mm L, SAE 100R17
10	47717921		1 HYDRAULIC HOSE 12.5mm ID x 1620mm L, SAE 100R17
11	47717927		1 HYD. TUBE 16mm ID x 20mm OD, SAE J525, Incl 38, 39
12	47717946		1 HYD. TUBE 13mm ID x 16mm OD, SAE J525, Incl 38, 39
13	47718090		1 BRACKET
14	47718091		1 HYDRAULIC HOSE 12.5mm ID x 4700mm L, SAE 100R17
15	84416929		1 PLATE
16	47718092		1 HYDRAULIC HOSE 16mm ID x 3690mm L, SAE 100R17
17	47718093		1 HYDRAULIC HOSE 12.5mm ID x 3690mm L, SAE 100R17
18	87019624		2 CYLINDER ASSY. Double Acting, 31.75mm Rod, 685.8mm Stroke Tail Gate Lift, Quick Eject
19	87301276		2 HYD CONNECTOR 45°, 9/16" - 18 ORB x 3/4" - 16 JIC
20	47746224		6 MOUNT
21	259619		1 HYD CONNECTOR 3/4" - 16 ORB x 3/4" - 16 ORB
22	86511842		1 BOLT M8 x 1.25 x 48.1mm OAL, CI 8.8

RB465-CASE IH ROUND BALER - EUROPE & R.O.W.

VAR - 727161 - TAILGATE, HYDRAULIC LIFT, QUICK EJECT, 797301008 AND AFTER

ART

NOT

AVAILABLE

VAR - 727161 - TAILGATE, HYDRAULIC LIFT, QUICK EJECT, 797301008 AND AFTER

REF FN	PART NUMBER	YR/SN	QTY DESCRIPTION
23	9801618		2 QUICK MALE COUPLING 1/2" - 14
24	86621124		2 DUST CAP Black
25	87399		2 COTTER PIN 1/2 x 3 Bolt
26	86624182		3 WASHER 6.6mm ID x 18mm OD x 1.6mm Thk
27	87034173		22 CABLE TIE 774.7mm L
28	9617873		1 O-RING 0.078" Thk x 0.468" ID, -906, CI 6, 90 Duro
29	120056		2 BOLT M6 x 1.0 x 54.15mm, CI 8.8
30	86705424		3 TEE 1 11/16"-12 ORFS x 1 11/16"-12 Fem Sw Br
31	86610200		3 THREADED INSERT M8 x 1.25
32	9671714		4 FLANGE BOLT Hex, M8 x 1.25 x 25mm, CI 8.8
33	26402		2 WASHER 25.8mm ID x 38.1mm OD x 1.7mm Thk
34	87367		2 WASHER 1.06" ID x 2" OD x 0.13" Thk
35	353308		2 NUT M6 x 1.0, CI 8
36	9804277		5 FLANGE NUT Hex, M8 x 1.25, CI 8
37	9672438		1 PLUG 7/16" - 20 ORB
38	235672		2 SLEEVE 37°, 5/8" Tube
39	9626918		2 TUBE NUT 37°, 7/8"-14, Type B
40	47783575		1 COIL 12V DC
41	47783576		1 VALVE Porportional Poppet
42	47382486		1 VALVE LEVER
43	47382510		1 SEAL KIT
44	128825		2 O-RING 0.087" Thk x 0.644" ID, -908, CI 6, 90 Duro
45	167269		2 O-RING 0.097" Thk x 0.755" ID, -910, CI 6, 90 Duro

RB465-CASE IH ROUND BALER - EUROPE & R.O.W.

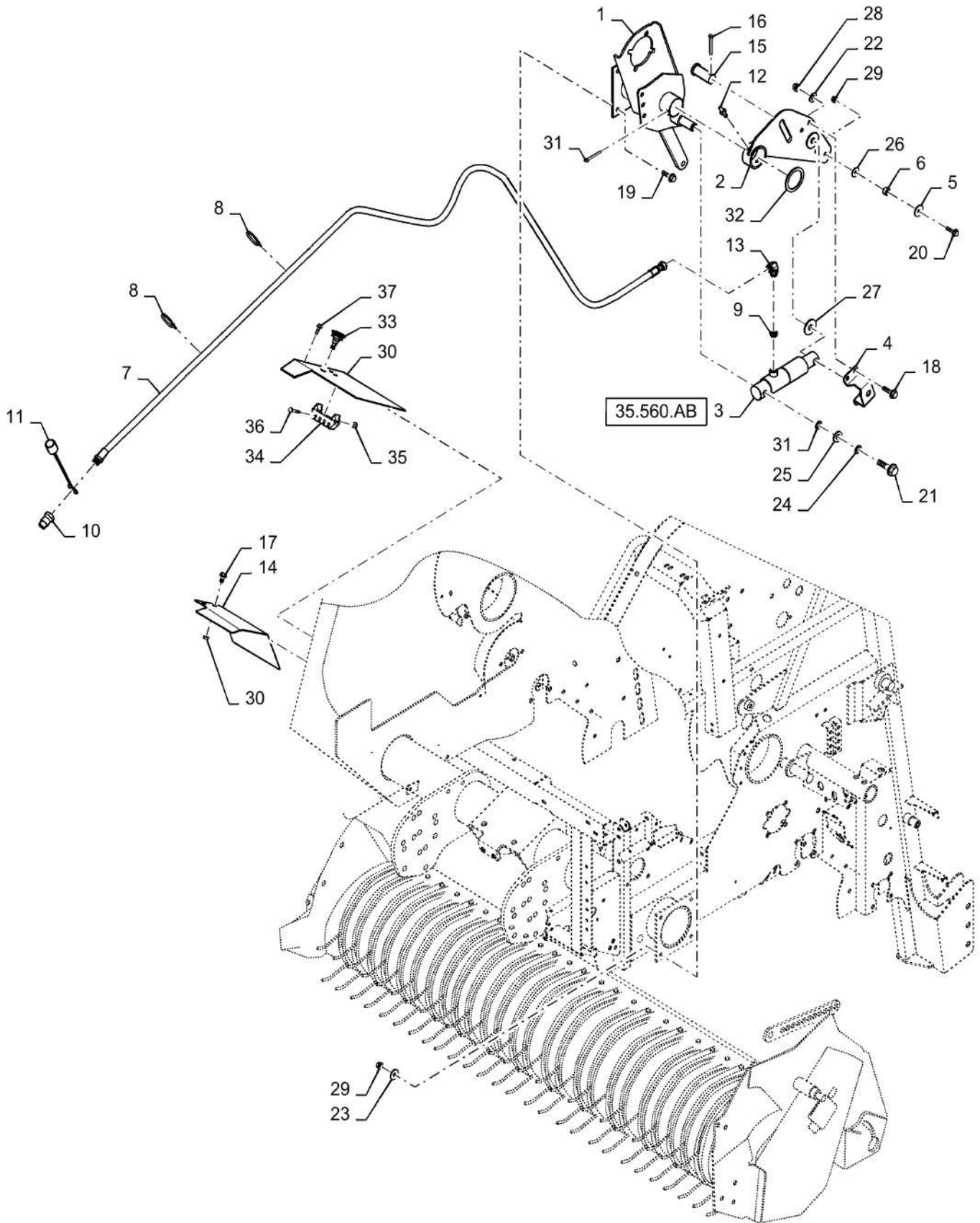
35.560.AA

01

p1

9/2015

VAR - 726835 - SINGLE HYDRAULIC PICKUP LIFT, 1.8M ROTOR



35.560.AA

01

p1

9/2015

VAR - 726835 - SINGLE HYDRAULIC PICKUP LIFT, 1.8M ROTOR

REF FN	PART NUMBER	YR/SN	QTY DESCRIPTION
1	47454833		1 MOUNT
2	47438768		1 ARM
3	87056843		1 HYDRAULIC CYLINDER 38.1mm Rod, 76.2mm Stroke Pickup Lift
4	47449802		1 CHANNEL
5	213404		1 SPACER 10.3mm ID x 38.1mm OD x 5.2mm OAL
6	87020910		1 SPACER 10.4mm ID x 19mm OD x 8.9mm Thk
7	86836356		1 HOSE 9.53mm ID x 4673.6mm L, SAE 100R17 LH
8	263117		4 CABLE TIE 292.1mm L
9	261066		1 ORIFICE 9/16" - 18, 0.813" Orifice
10	9801618		1 QUICK MALE COUPLING 1/2" - 14
11	87017806		1 DUST CAP Green
12	87414		1 LUBE NIPPLE 1/4" - 28
13	76344		1 90 ELBOW 9/16" - 18 JIC x 9/16" - 18 ORB
14	47438799		1 SHIELD
15	86632563		1 HEADED PIN 1" OD x 4-1/4" L, Gr 2
16	80754		1 COTTER PIN 3/16" OD x 1-1/2" OAL
17	9804258		2 BOLT Hex, M8 x 1.25 x 20mm, Cl 8.8
18	9671714		3 FLANGE BOLT Hex, M8 x 1.25 x 25mm, Cl 8.8
19	9804261		4 BOLT Hex, M10 x 25mm, Full Thd, Cl 8.8
20	9804263		1 BOLT M10 x 49.2mm, Cl 8.8
21	9804266		1 BOLT Hex, M12 x 25mm, Cl 8.8, Full Thd
22	322358		2 BELLEVILLE WASHER M8 x 18mm OD x 1.4mm Thk
23	140045		4 BELLEVILLE WASHER M10X22 ZNM
24	140046		2 BELLEVILLE WASHER M12 x 27mm OD x 1.8mm Thk
25	86637848		1 WASHER 13.5mm ID x 38.1mm OD x 3.68mm Thk
26	235126		1 WASHER 10.3mm ID x 38mm OD x 1.7mm Thk
27	27318		3 WASHER 26mm ID x 51mm OD x 1.5mm Thk

RB465-CASE IH ROUND BALER - EUROPE & R.O.W.

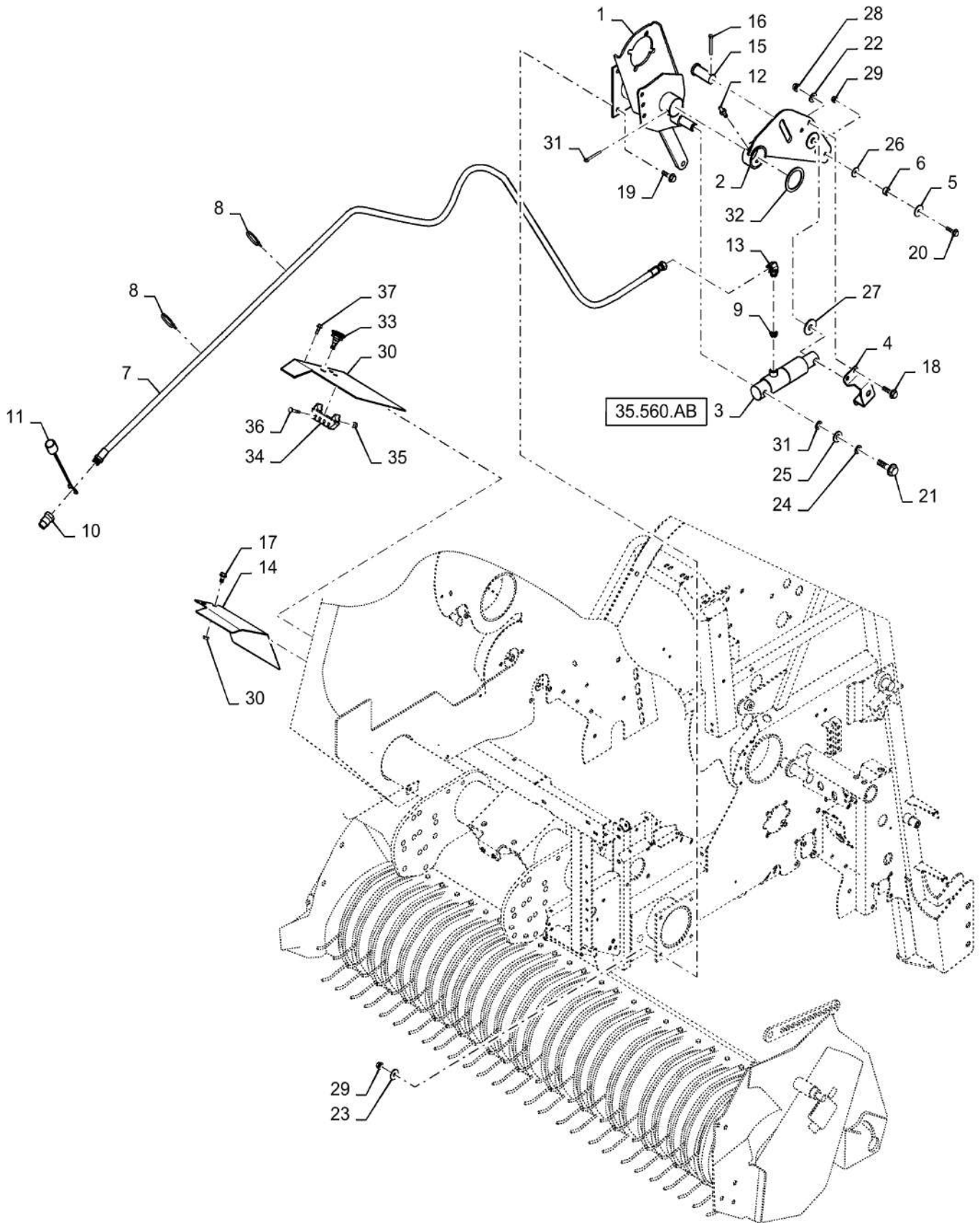
35.560.AA

01

p2

9/2015

VAR - 726835 - SINGLE HYDRAULIC PICKUP LIFT, 1.8M ROTOR



35.560.AA

01

p2

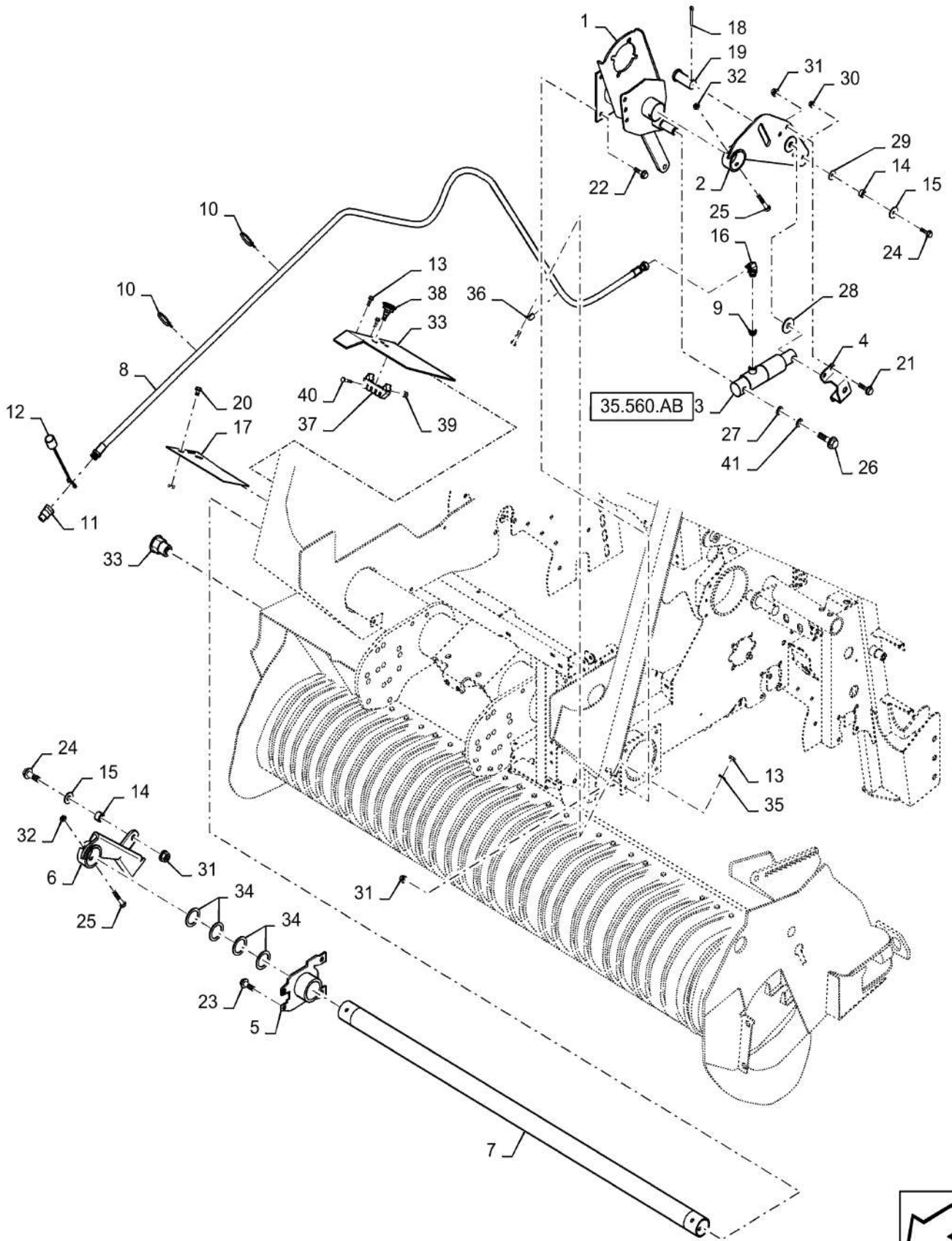
9/2015

VAR - 726835 - SINGLE HYDRAULIC PICKUP LIFT, 1.8M ROTOR

REF FN	PART NUMBER	YR/SN	QTY DESCRIPTION
28	9804277		3 FLANGE NUT Hex, M8 x 1.25, CI 8
29	9804278		5 FLANGE NUT M10 x 1.5, CI 8
30	47441424		1 SHIELD
31	9790710		1 COTTER PIN 3/16" x 3 1/2"
32	87655035		1 WASHER 61.9mm ID X 77.79mm OD X 1.24 Thk
33	86512919		1 LATCH
34	52367		1 HOLDER
35	20356		4 NUT 1/4"-20, GB
36	46521		4 SHEAR BOLT 1/4" - 20 x 1-1/2"
37	9804256		2 BOLT Hex, M6 x 1 x 20mm, Full Thd, CI 8.8

RB465-CASE IH ROUND BALER - EUROPE & R.O.W.

VAR - 726836 - DUAL HYDRAULIC PICKUP LIFT, 2M ROTOR

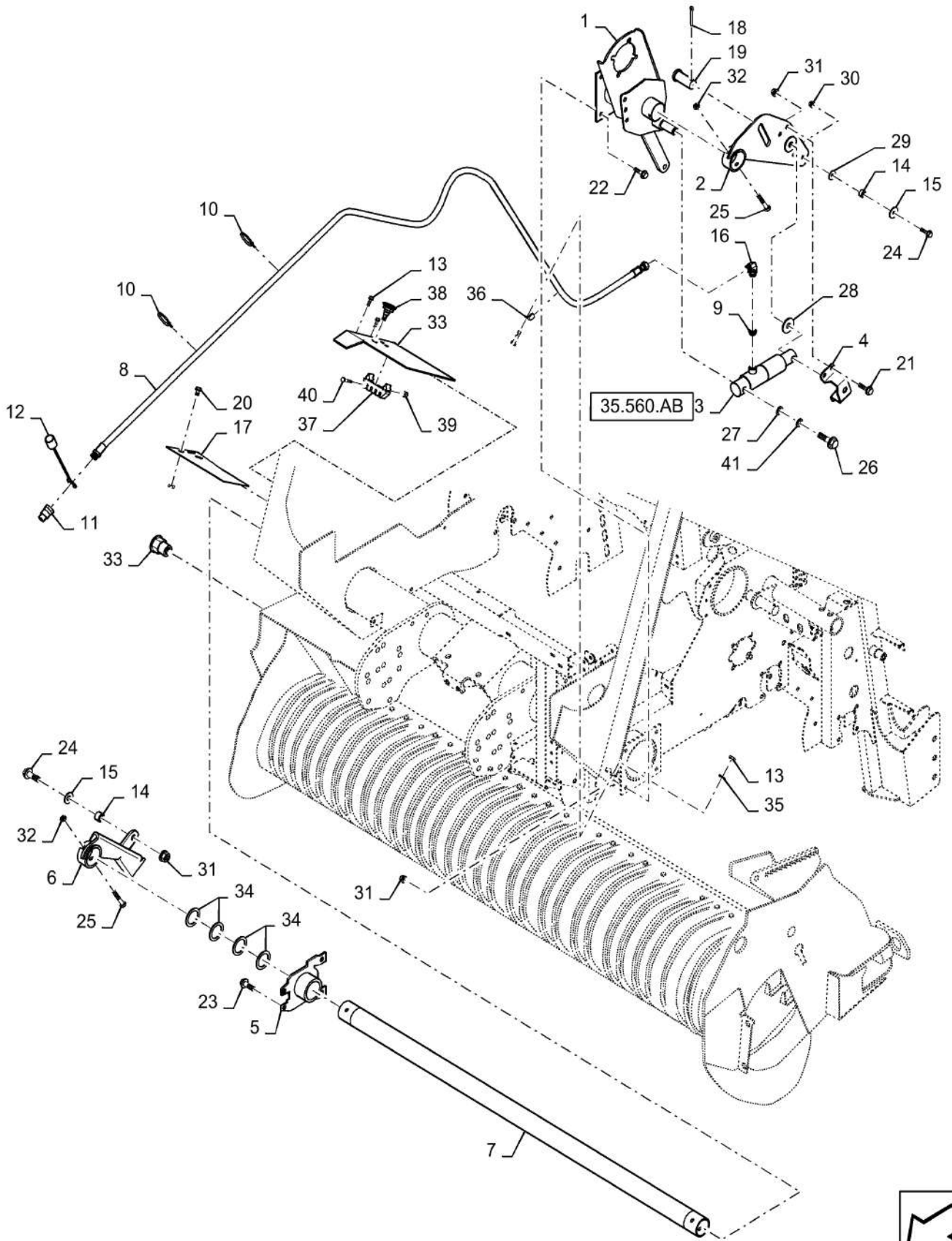


VAR - 726836 - DUAL HYDRAULIC PICKUP LIFT, 2M ROTOR

REF FN	PART NUMBER	YR/SN	QTY DESCRIPTION
1	47465131		1 MOUNT
2	47438768		1 ARM
3	87056843		1 HYDRAULIC CYLINDER 38.1mm Rod, 76.2mm Stroke Pickup Lift
4	47449802		1 CHANNEL
5	84312850		1 MOUNT
6	47541270		1 ARM
7	47541232		1 TUBE
8	86836356		1 HOSE 9.53mm ID x 4673.6mm L, SAE 100R17 LH
9	261066		1 ORIFICE 9/16" - 18, 0.813" Orifice Plate
10	263117		3 CABLE TIE 292.1mm L
11	9801618		1 QUICK MALE COUPLING 1/2" - 14
12	87017806		1 DUST CAP Green Green
13	9804256		1 BOLT Hex, M6 x 1 x 20mm, Full Thd, CI 8.8
14	87020910		2 SPACER 10.4mm ID x 19mm OD x 8.9mm Thk
15	213404		2 SPACER 10.3mm ID x 38.1mm OD x 5.2mm OAL
16	76344		1 90 ELBOW 9/16" - 18 JIC x 9/16" - 18 ORB
17	47441429		1 SHIELD
18	86632563		1 HEADED PIN 1" OD x 4-1/4" L, Gr 2
19	80754		1 COTTER PIN 3/16" OD x 1-1/2" OAL
20	9804258		1 BOLT Hex, M8 x 1.25 x 20mm, CI 8.8
21	9671714		3 FLANGE BOLT Hex, M8 x 1.25 x 25mm, CI 8.8
22	9804261		4 BOLT Hex, M10 x 25mm, Full Thd, CI 8.8
23	9804262		4 BOLT M10 x 39.2mm, CI 8.8
24	374892		2 CARRIAGE BOLT M10 x 1.5 x 40mm, CI 8.8
25	120074		1 BOLT Hex, M10 x 90, 8.8
26	9804266		1 BOLT Hex, M12 x 25mm, CI 8.8, Full Thd
27	86637848		1 WASHER 13.5mm ID x 38.1mm OD x 3.68mm Thk

RB465-CASE IH ROUND BALER - EUROPE & R.O.W.

VAR - 726836 - DUAL HYDRAULIC PICKUP LIFT, 2M ROTOR

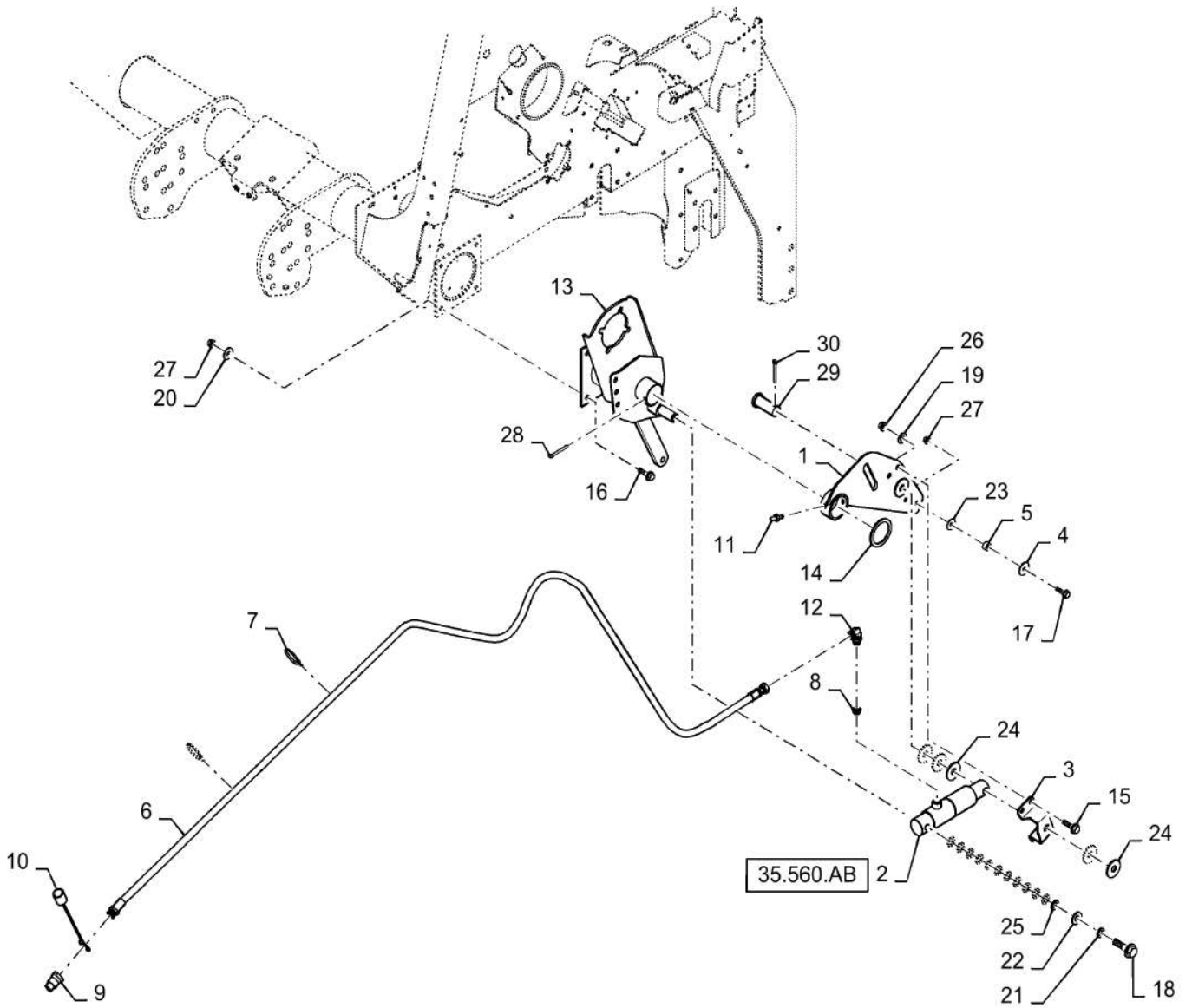


VAR - 726836 - DUAL HYDRAULIC PICKUP LIFT, 2M ROTOR

REF FN	PART NUMBER	YR/SN	QTY DESCRIPTION
28	27318		3 WASHER 26mm ID x 51mm OD x 1.5mm Thk
29	235126		1 WASHER 10.3mm ID x 38mm OD x 1.7mm Thk
30	9804277		3 FLANGE NUT Hex, M8 x 1.25, Cl 8
31	9804278		5 FLANGE NUT M10 x 1.5, Cl 8
32	100037		2 NUT M0 x 1.5, Cl 8
33	47441427		1 SHIELD
34	87655035		AR WASHER 61.9mm ID X 77.79mm OD X 1.24 Thk
35	322358		3 BELLEVILLE WASHER M8 x 18mm OD x 1.4mm Thk
36	9706748		1 CLAMP 15.9mm, Coat, 8.7mm Bolt Hole, P Type
37	52367		1 HOLDER
38	86512919		1 LATCH
39	20356		4 NUT 1/4"-20, GB
40	46520		4 BOLT AND NUT Hex, 1/4" - 20 x 1 1/2" Incl 39
41	86611401		12 WASHER 25.53mm ID x 31.24mm OD x 1.65mm Thk
42	47532616		1 SPACER

RB465-CASE IH ROUND BALER - EUROPE & R.O.W.

VAR - 726834 - HYDRAULIC PICK-UP LIFT, OVERSHOT FEEDER - VAR 726834



35.560.AA

03

p1

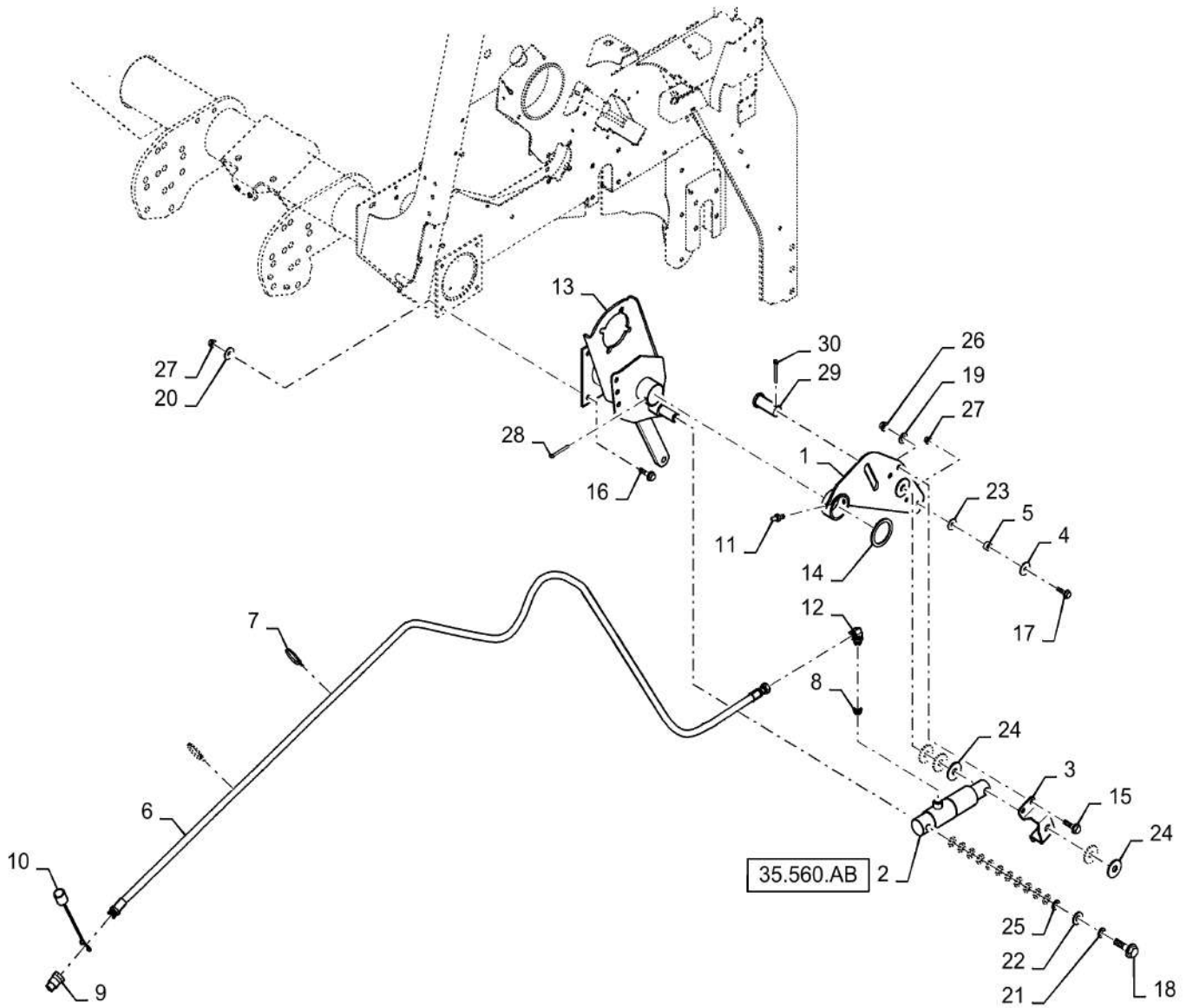
9/2015

VAR - 726834 - HYDRAULIC PICK-UP LIFT, OVERSHOT FEEDER - VAR 726834

REF FN	PART NUMBER	YR/SN	QTY DESCRIPTION
1	47437159		1 ARM
2	87056843		1 HYDRAULIC CYLINDER 38.1mm Rod, 76.2mm Stroke Pickup Lift, Overshot, Rotor
3	47449802		1 CHANNEL
4	213404		1 SPACER 10.3mm ID x 38.1mm OD x 5.2mm OAL
5	87020910		1 SPACER 10.4mm ID x 19mm OD x 8.9mm Thk
6	86836356		1 HOSE 9.53mm ID x 4673.6mm L, SAE 100R17
7	263117		1 CABLE TIE 292.1mm L
8	261066		1 ORIFICE 9/16" - 18, 0.813" Orifice
9	9801618		1 QUICK MALE COUPLING 1/2" - 14
10	87017806		1 DUST CAP Green Green
11	87414		1 LUBE NIPPLE 1/4" - 28
12	76344		1 90 ELBOW 9/16" - 18 JIC x 9/16" - 18 ORB
13	47368581		1 MOUNT
14	87655035		1 WASHER 61.9mm ID X 77.79mm OD X 1.24 Thk
15	9671714		3 FLANGE BOLT Hex, M8 x 1.25 x 25mm, Cl 8.8
16	9804261		4 BOLT Hex, M10 x 25mm, Full Thd, Cl 8.8
17	9804263		1 BOLT M10 x 49.2mm, Cl 8.8
18	9804266		1 BOLT Hex, M12 x 25mm, Cl 8.8, Full Thd
19	322358		2 BELLEVILLE WASHER M8 x 18mm OD x 1.4mm Thk
20	140045		4 BELLEVILLE WASHER M10X22 ZNM
21	140046		1 BELLEVILLE WASHER M12 x 27mm OD x 1.8mm Thk
22	86637848		1 WASHER 13.5mm ID x 38.1mm OD x 3.68mm Thk
23	235126		1 WASHER 10.3mm ID x 38mm OD x 1.7mm Thk
24	27318		5 WASHER 26mm ID x 51mm OD x 1.5mm Thk

RB465-CASE IH ROUND BALER - EUROPE & R.O.W.

VAR - 726834 - HYDRAULIC PICK-UP LIFT, OVERSHOT FEEDER - VAR 726834



35.560.AA

03

p2

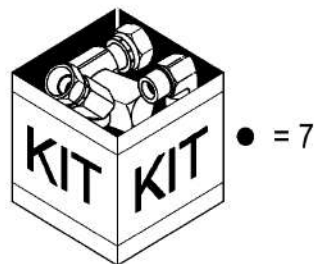
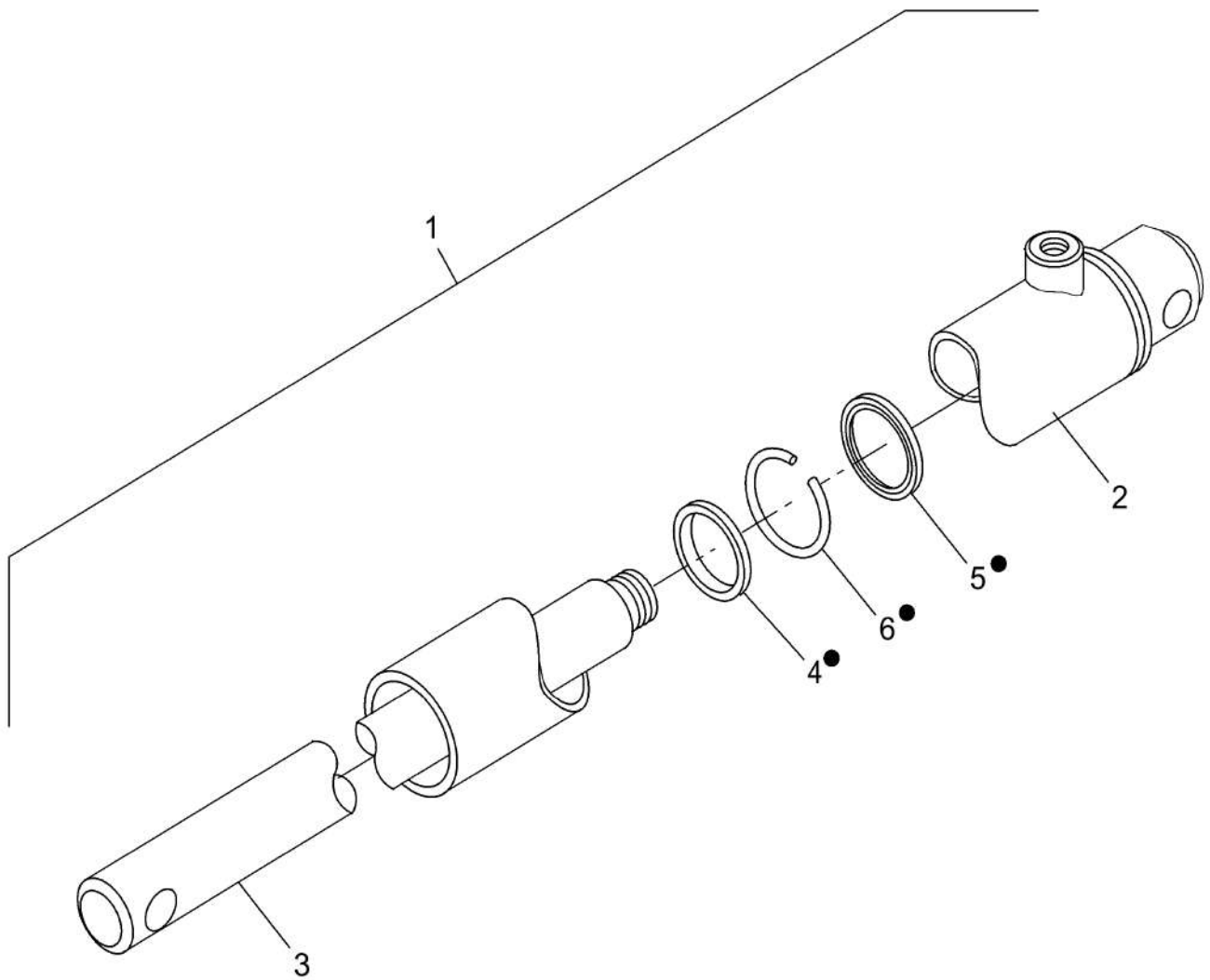
9/2015

VAR - 726834 - HYDRAULIC PICK-UP LIFT, OVERSHOT FEEDER - VAR 726834

REF FN	PART NUMBER	YR/SN	QTY DESCRIPTION
25	86611401		12 WASHER 25.53mm ID x 31.24mm OD x 1.65mm Thk
26	9804277		2 FLANGE NUT Hex, M8 x 1.25, Cl 8
27	9804278		5 FLANGE NUT M10 x 1.5, Cl 8
28	9790710		1 COTTER PIN 3/16" x 3 1/2"
29	86632563		1 HEADED PIN 1" OD x 4-1/4" L, Gr 2
30	80753		1 COTTER PIN 1/4" x 1 1/2"

RB465-CASE IH ROUND BALER - EUROPE & R.O.W.

HYDRAULIC PICKUP LIFT CYLINDER




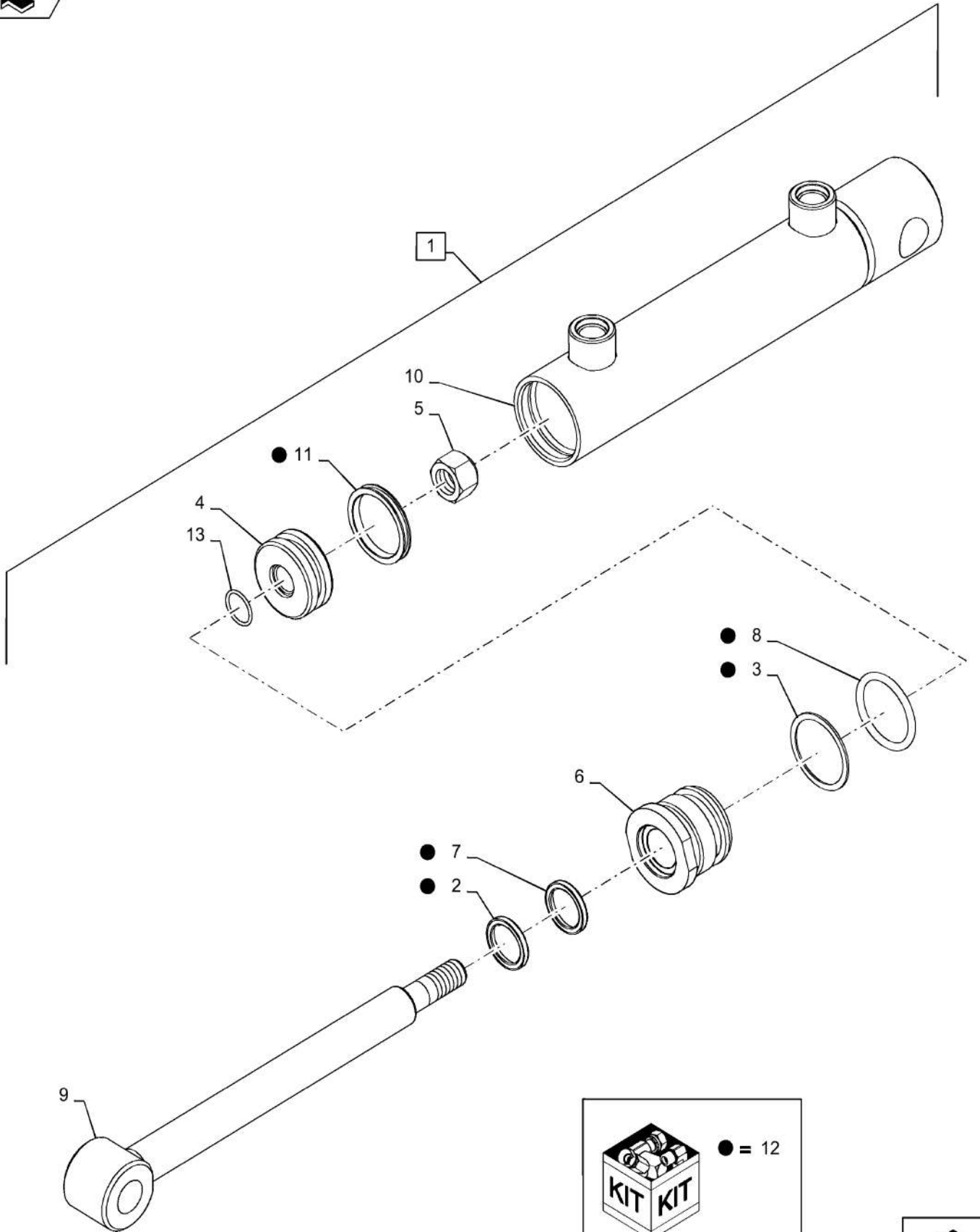
HYDRAULIC PICKUP LIFT CYLINDER

REF	FN	PART NUMBER	YR/SN	QTY	DESCRIPTION
1	1	87056843		1	HYDRAULIC CYLINDER 38.1mm Rod, 76.2mm Stroke Pickup Lift, Incl 2 - 6
2		NSS		1	NOT SERVICED SEPARATELY Barrel, Incl in 1
3		87030513		1	PISTON ROD
4		NSS		1	NOT SERVICED SEPARATELY Seal, Incl in 1, 7
5		NSS		1	NOT SERVICED SEPARATELY Seal, 1.50 ID x 1.90 OD, Incl in 1, 7
6		NSS		1	NOT SERVICED SEPARATELY Ring, Retaining, Incl in 1,7
7		87030514		1	SEAL KIT Incl 4 - 6

(1) Manufacturer's Production Date Stamp - (ex. M 02 2012 = M / week / year)

RB465-CASE IH ROUND BALER - EUROPE & R.O.W.

HYDRAULIC CYLINDER, ROTOR REVERSER



● = 12



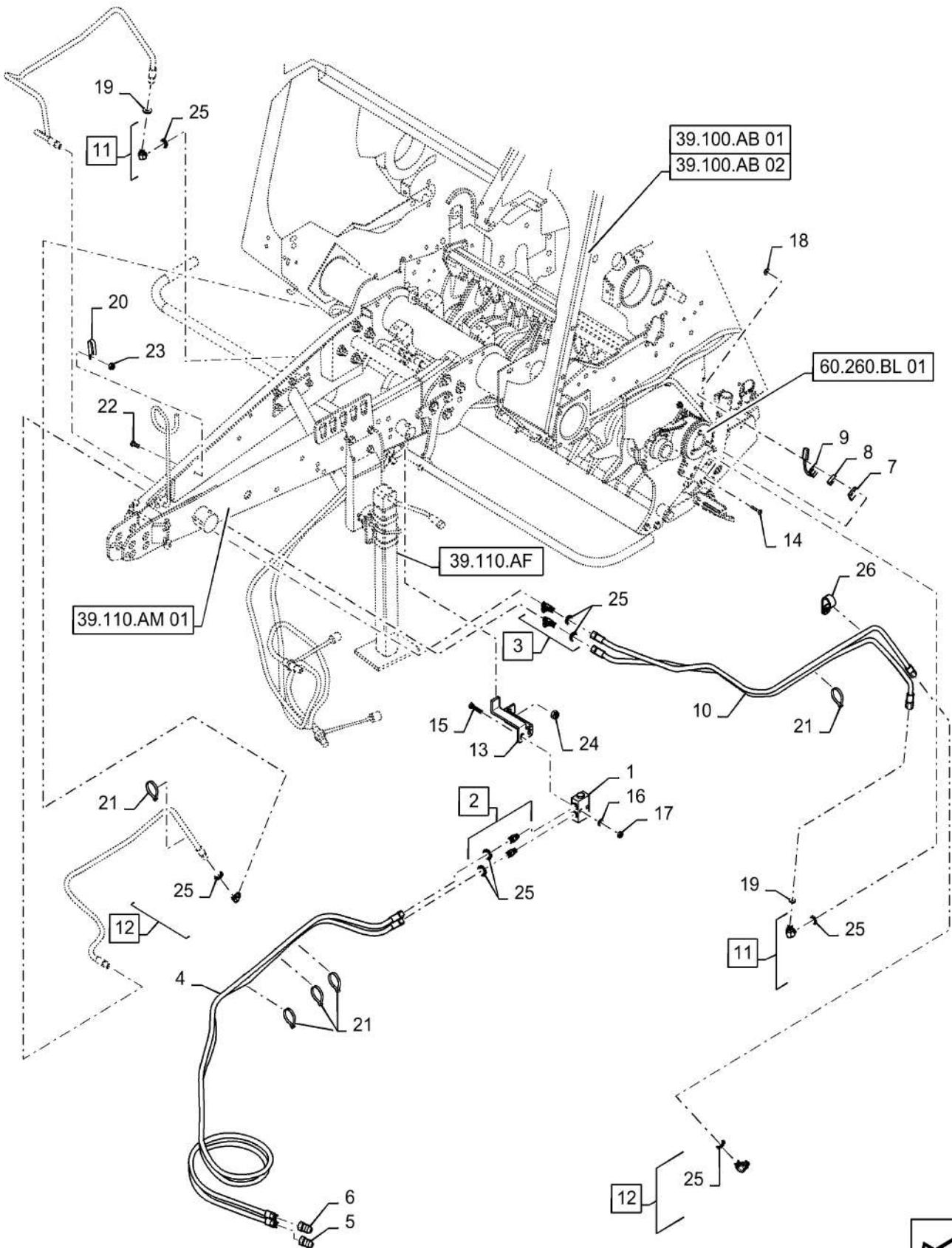
HYDRAULIC CYLINDER, ROTOR REVERSER

REF FN	PART NUMBER	YR/SN	QTY DESCRIPTION
1	1	87029395	2 CYLINDER ASSY. Double Acting, 19.05mm Rod, 119.89mm Stroke Drop Floor, Incl 2 - 13
2	514100		1 OIL SEAL Wiper
3	514099		1 WASHER 32.16mm ID x 38.16mm OD x 1.27mm Thk Back-Up, 1.266 ID x .043 Thk
4	87029766		1 PISTON 1/2" ID x 1-1/2" OD x 1/2" Thk
5	88130		1 NUT 1/2"-20, GC
6	87029765		1 CYLINDER HEAD
7	9826108		1 SEAL 19.28mm ID x 25.2mm OD x 5.03mm Thk
8	14463681		1 O-RING 31.34mm ID x 3.53" Width
9	87030035		1 PISTON ROD
10	NSS		1 NOT SERVICED SEPARATELY Barrel, Incl in 1
11	86605608		1 SEAL 31.34mm ID x 38.1mm OD x 4.75mm Thk Piston
12	87029768		1 SEAL KIT
13	9992298		1 O-RING 0.07" Thk x 0.489" ID, -14, CI 6, 90 Duro

(1) Manufacturer's Production Date Stamp - (ex. M 02 2012 = M / week / year)

RB465-CASE IH ROUND BALER - EUROPE & R.O.W.

ROTOR HYDRAULIC SYSTEM, LH

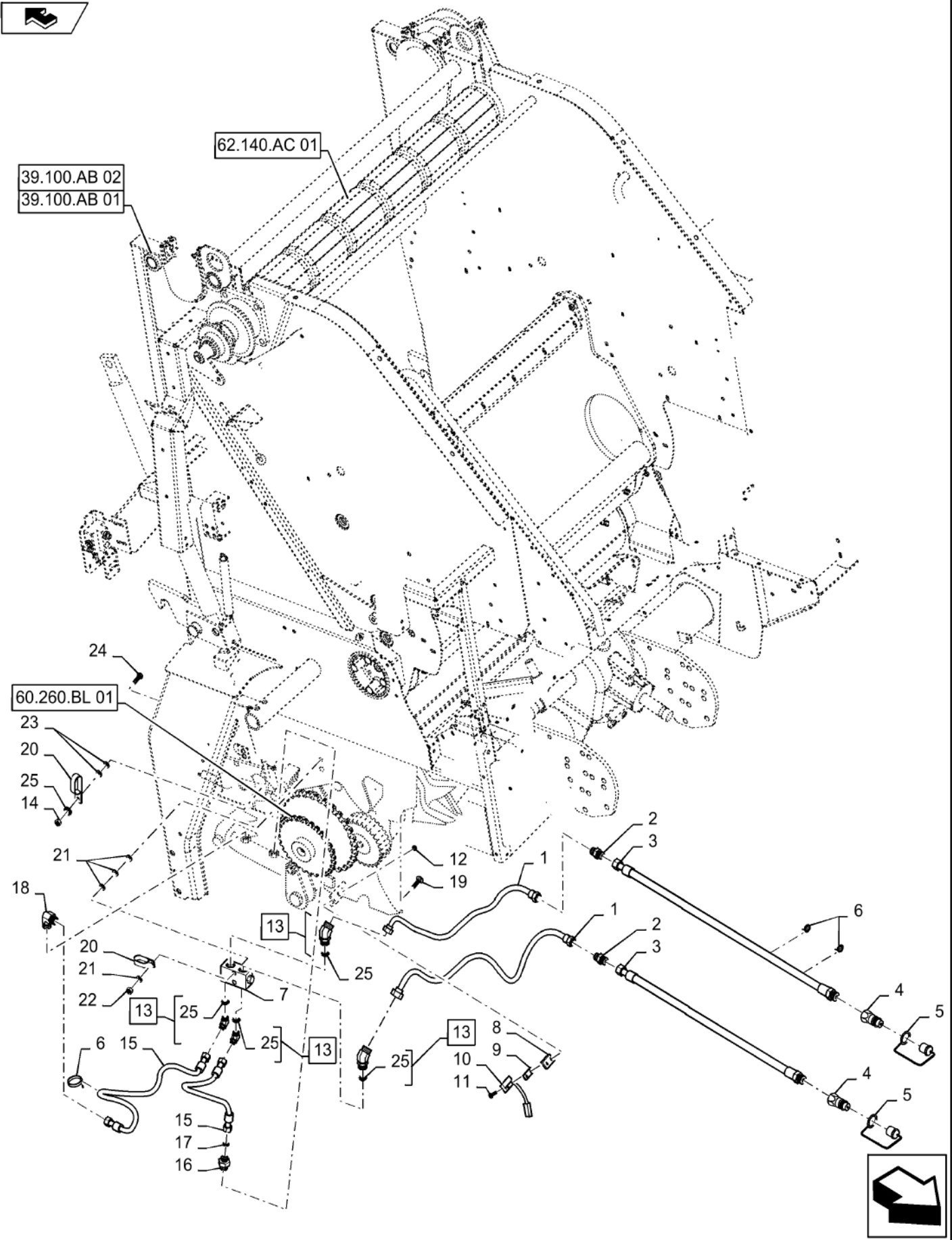


ROTOR HYDRAULIC SYSTEM, LH

REF FN	PART NUMBER	YR/SN	QTY DESCRIPTION
1	85802820		1 CHECK VALVE Load Check
2	76350		2 HYD CONNECTOR 9/16" - 18 ORB x 9/16" - 18 JIC Incl 25
3	163335		2 TEE 9/16" - 18 ORB x 9/16" - 18 JIC x 9/16" - 18 JIC Incl 25
4	84419297		2 HYDRAULIC HOSE 9.53mm ID x 3048mm L, SAE 100R17 3048mm
5	9801618		2 QUICK MALE COUPLING 1/2" - 14 Male Coupling
6	87017808		2 DUST CAP Blue
7	86624468		1 SPACER
8	86642946		1 BAR
9	86594422		1 SENSOR Rotor Knife
10	84422400		2 HYDRAULIC HOSE 9.53mm ID x 1850mm L, SAE 100R17 1850mm
11	76344		2 90 ELBOW 9/16" - 18 JIC x 9/16" - 18 ORB Incl 25
12	330346		2 45 ELBOW 45°, 9/16"-18, 37° x 9/16"-18, O-Ring Incl 25
13	84422404		1 SUPPORT
14	86900322		2 SCREW Phillips Drive, Truss HD, #10 - 24 x 1-1/4", SST
15	86511481		2 FLANGE BOLT Hex, M8 x 1.25 x 50mm, CI 8.8
16	86511315		2 WASHER 8.4mm ID x 16mm OD x 1.8mm Thk
17	9706690		2 NUT M8 x 1.25, CI 8
18	86900323		2 NUT #10 - 24
19	261066		2 ORIFICE 9/16" - 18, 0.813" Orifice
20	620019		2 CLAMP
21	86566989		10 CABLE TIE 208mm L
22	9804258		2 BOLT Hex, M8 x 1.25 x 20mm, CI 8.8
23	9804277		2 FLANGE NUT Hex, M8 x 1.25, CI 8
24	86512555		2 NUT M16 x 2, CI 10
25	1 9617873		8 O-RING 0.078" Thk x 0.468" ID, -906, CI 6, 90 Duro
26	87024765		2 CLAMP 36.5mm, Coat, 10.3mm Bolt Hole, P Type
(1)	Not Illustrated		

RB465-CASE IH ROUND BALER - EUROPE & R.O.W.

ROTOR HYDRAULIC SYSTEM, RH



35.565.AA

02

p1

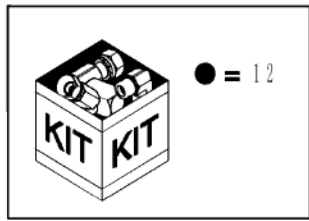
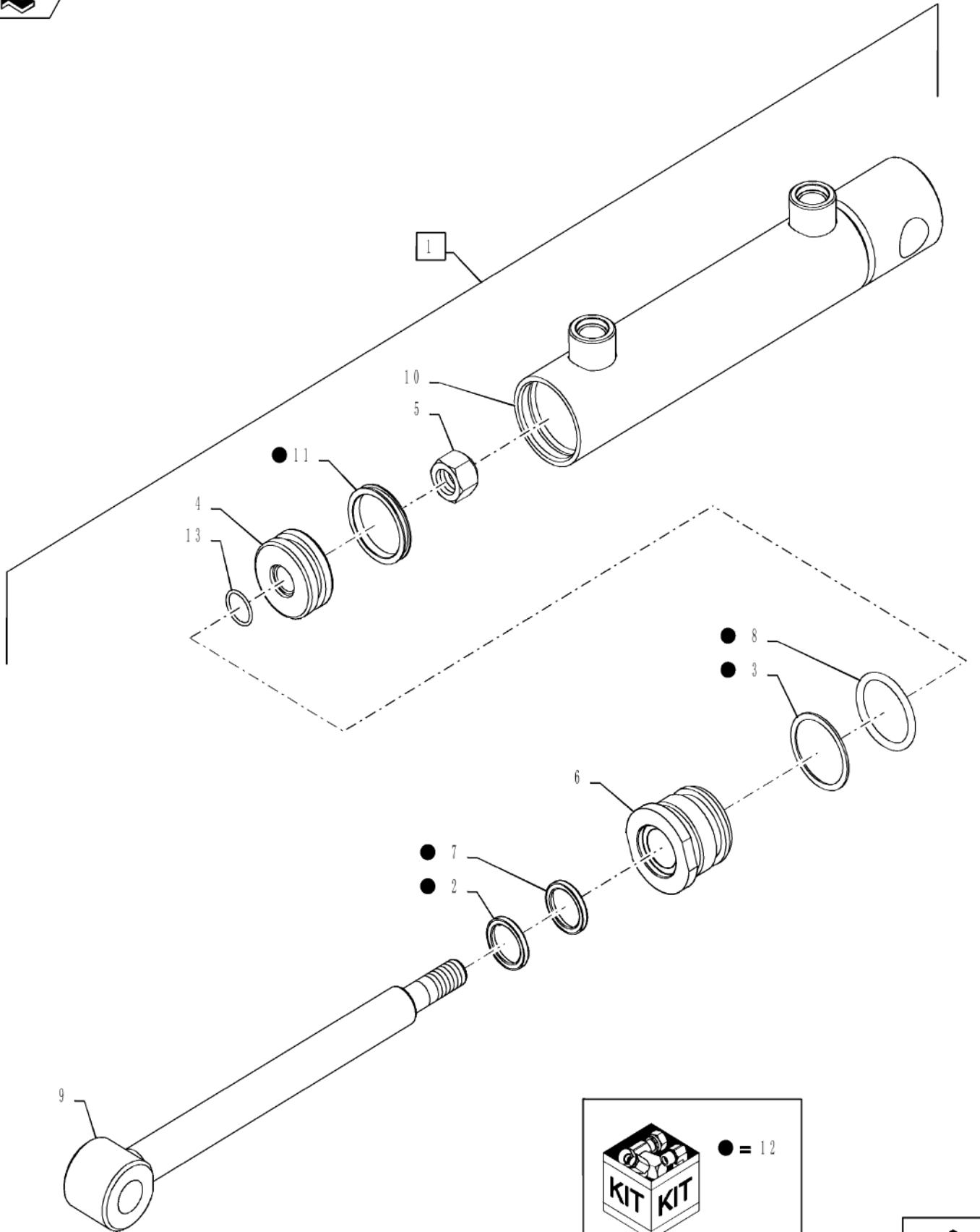
9/2015

ROTOR HYDRAULIC SYSTEM, RH

REF FN	PART NUMBER	YR/SN	QTY DESCRIPTION
1	84307334		2 HYDRAULIC HOSE 9.53mm ID x 1840mm L, SAE 100R17 1840mm
2	128821		2 UNION 9/16" - 18 JIC x 9/16" - 18 JIC
3	84474326		2 HYDRAULIC HOSE 9.53mm ID x 2800mm L, SAE 100R17 2800mm
4	9801618		2 QUICK MALE COUPLING 1/2" - 14
5	87017807		2 DUST CAP Red
6	263117		3 CABLE TIE 292.1mm L
7	85802820		1 CHECK VALVE Load
8	86624468		1 SPACER
9	86642946		1 BAR
10	86594422		1 SENSOR Rotor Knife
11	86900322		2 SCREW Phillips Drive, Truss HD, #10 - 24 x 1-1/4", SST
12	86900323		2 NUT #10 - 24
13	330346		4 45 ELBOW 45°, 9/16"-18, 37° x 9/16"-18, O-Ring Incl 25
14	9804276		1 FLANGE NUT Hex, M6 x 1, CI 8
15	47484111		2 HYDRAULIC HOSE 6.35mm ID x 610mm L 610mm
16	76350		1 HYD CONNECTOR 9/16" - 18 ORB x 9/16" - 18 JIC Incl 25
17	261066		1 ORIFICE 9/16" - 18, 0.813" Orifice
18	76344		1 90 ELBOW 9/16" - 18 JIC x 9/16" - 18 ORB Incl 25
19	86512445		2 CARRIAGE BOLT Sht Nk, M8 x 60mm, CI 8.8
20	600427		2 CLAMP 25.4mm, Coat, 8.7mm Bolt Hole, P Type
21	14496501		8 WASHER 8.4mm ID x 17mm OD x 1.6mm Thk
22	9706690		2 NUT M8 x 1.25, CI 8
23	9824259		2 WASHER 6.4mm ID x 12mm OD x 1.6mm Thk
24	86977786		1 BOLT Hex, M6 x 1.0 x 25mm, CI 8.8
25	9617873		6 O-RING 0.078" Thk x 0.468" ID, -906, CI 6, 90 Duro

RB465-CASE IH ROUND BALER - EUROPE & R.O.W.

HYDRAULIC CYLINDER, DROP FLOOR



HYDRAULIC CYLINDER, DROP FLOOR

REF FN	PART NUMBER	YR/SN	QTY DESCRIPTION
1	1	87029395	2 CYLINDER ASSY. Double Acting, 19.05mm Rod, 119.89mm Stroke Drop Floor, Incl 2 - 13
2	514100		1 OIL SEAL Wiper
3	514099		1 WASHER 32.16mm ID x 38.16mm OD x 1.27mm Thk Back-Up, 1.266 ID x .043 Thk
4	87029766		1 PISTON 1/2" ID x 1-1/2" OD x 1/2" Thk
5	88130		1 NUT 1/2"-20, GC
6	87029765		1 CYLINDER HEAD
7	9826108		1 SEAL 19.28mm ID x 25.2mm OD x 5.03mm Thk
8	14463681		1 O-RING 31.34mm ID x 3.53" Width
9	87030035		1 PISTON ROD
10	NSS		1 NOT SERVICED SEPARATELY Barrel, Incl in 1
11	86605608		1 SEAL 31.34mm ID x 38.1mm OD x 4.75mm Thk Piston
12	87029768		1 SEAL KIT Incl in 1
13	9992298		1 O-RING 0.07" Thk x 0.489" ID, -14, CI 6, 90 Duro

(1) Manufacturer's Production Date Stamp - (ex. M 02 2012 = M / week / year)

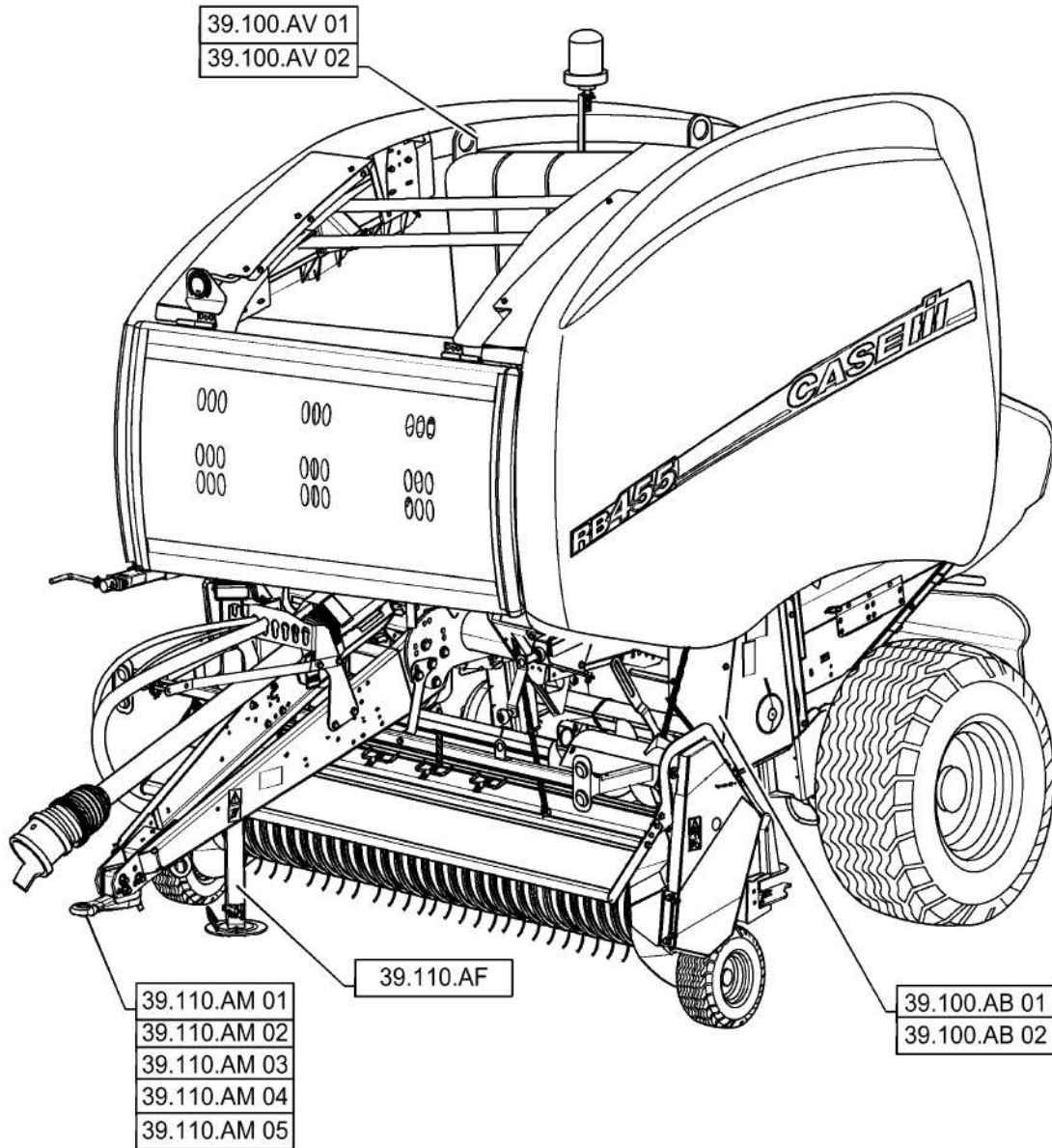
RB465-CASE IH ROUND BALER - EUROPE & R.O.W.

SECTION INDEX

Frames and ballasting

39.000.00		PICTORIAL INDEX - FRAMES
39.100.AB	01	MAIN FRAME
39.100.AB	02	MAIN FRAME
39.100.AV	01	TAILGATE, LATCH
39.100.AV	02	TAILGATE, LATCH
39.110.AB		SAFETY CHAIN
39.110.AF		JACK, SINGLE SPEED
39.110.AF	02	JACK, 2-SPEED, 797301008 AND AFTER
39.110.AM	01	HITCH
39.110.AM	02	VAR -726839 - HIGH HITCH - VAR 726839
39.110.AM	03	VAR - 722337 - BALL SWIVEL HITCH
39.110.AM	04	FIXED RING HITCH - VAR 722335
39.110.AM	05	VAR - 722336 - PIVOT RING HITCH

PICTORIAL INDEX - FRAMES



39.000.00

p1

9/2015

PICTORIAL INDEX - FRAMES

REF FN	PART NUMBER	YR/SN	QTY DESCRIPTION
---------------	--------------------	--------------	------------------------

RB465-CASE IH ROUND BALER - EUROPE & R.O.W.

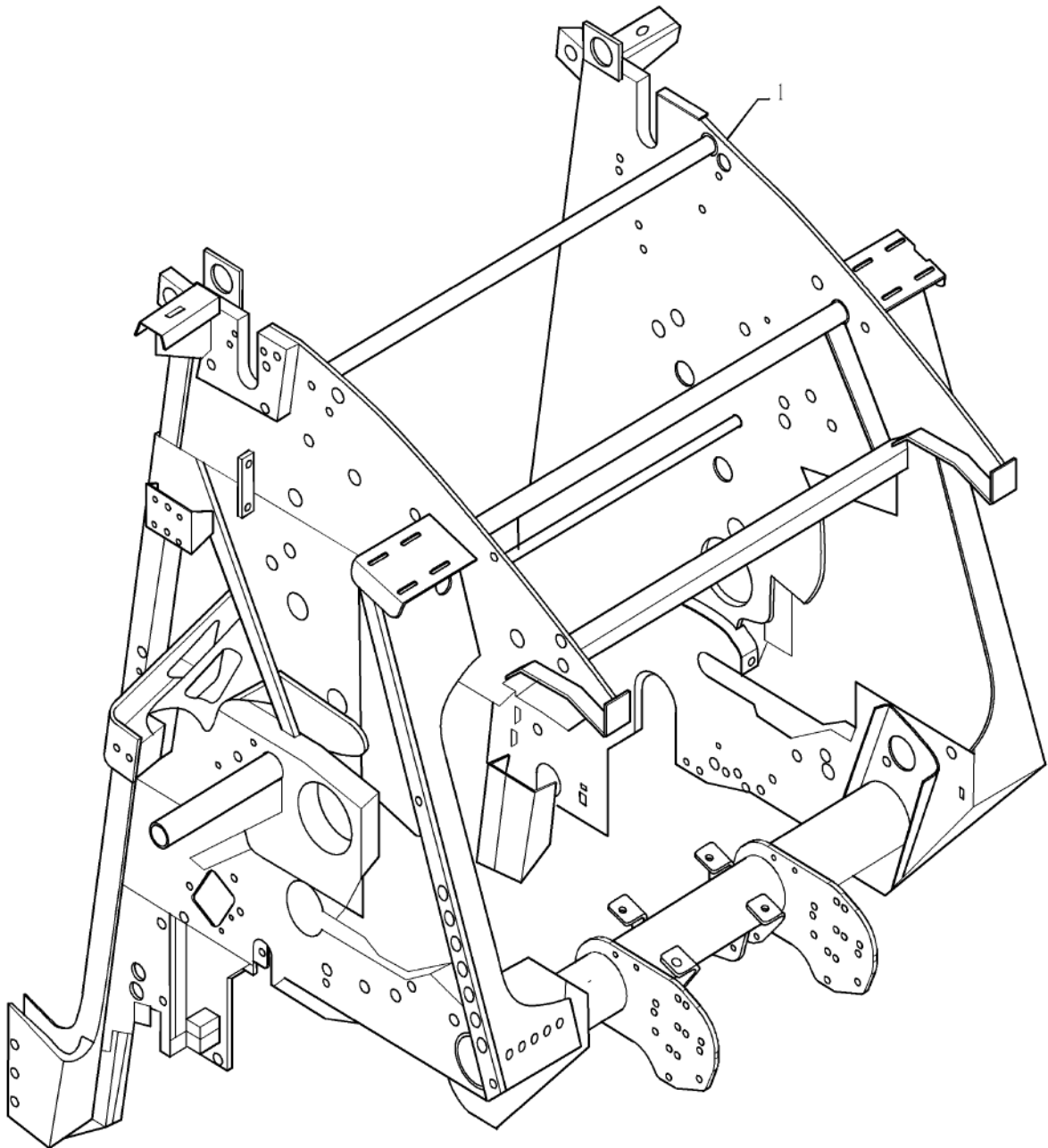
39.100.AB

01

p1

9/2015

MAIN FRAME



39.100.AB

01

p1

9/2015

MAIN FRAME

REF FN	PART NUMBER	YR/SN	QTY DESCRIPTION
1	84369961		1 FRAME Main, Rotor Balers
1	47587555		1 FRAME Main Frame, Overshot Rotor Balers

RB465-CASE IH ROUND BALER - EUROPE & R.O.W.

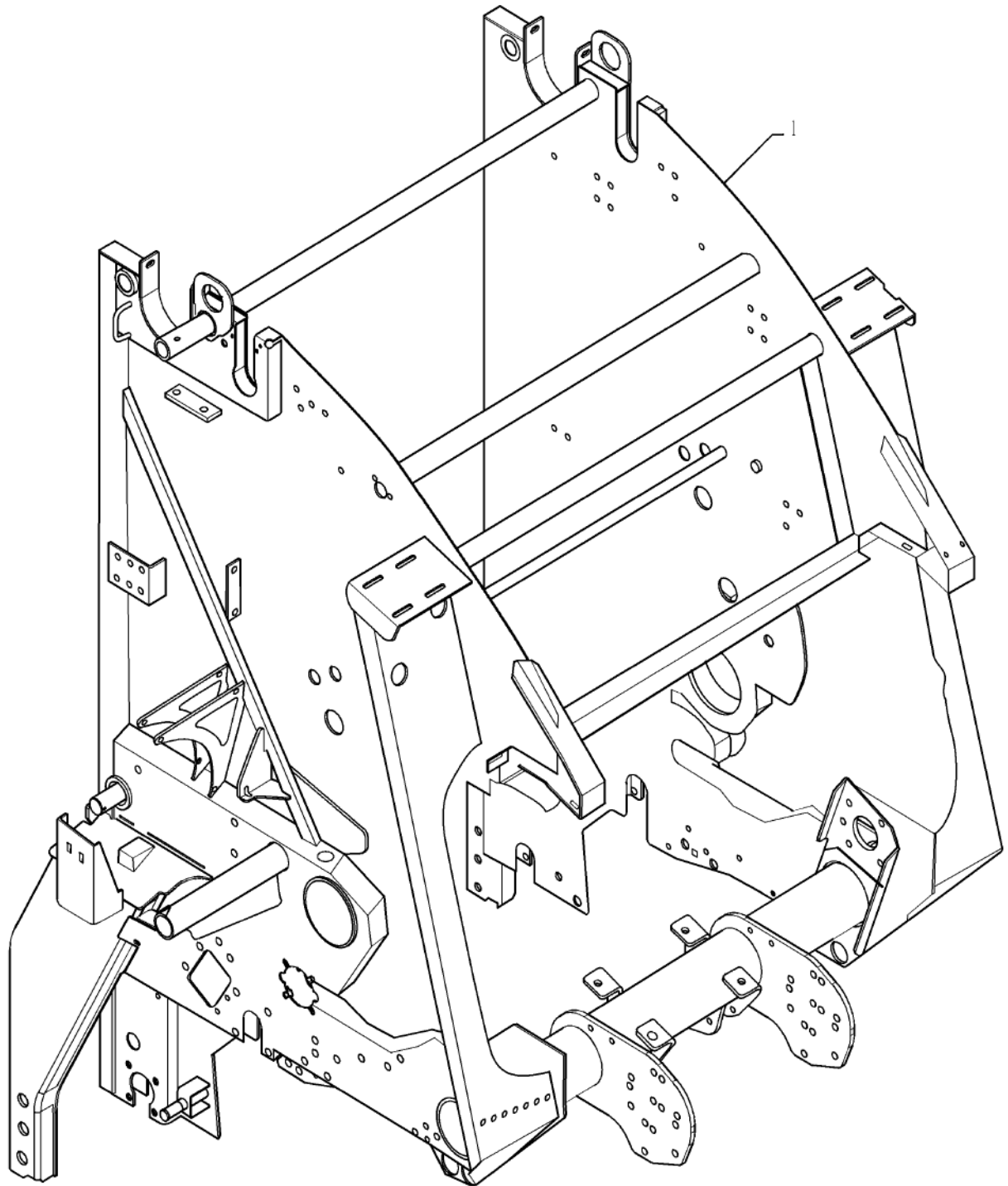
39.100.AB

02

p1

9/2015

MAIN FRAME



39.100.AB

02

p1

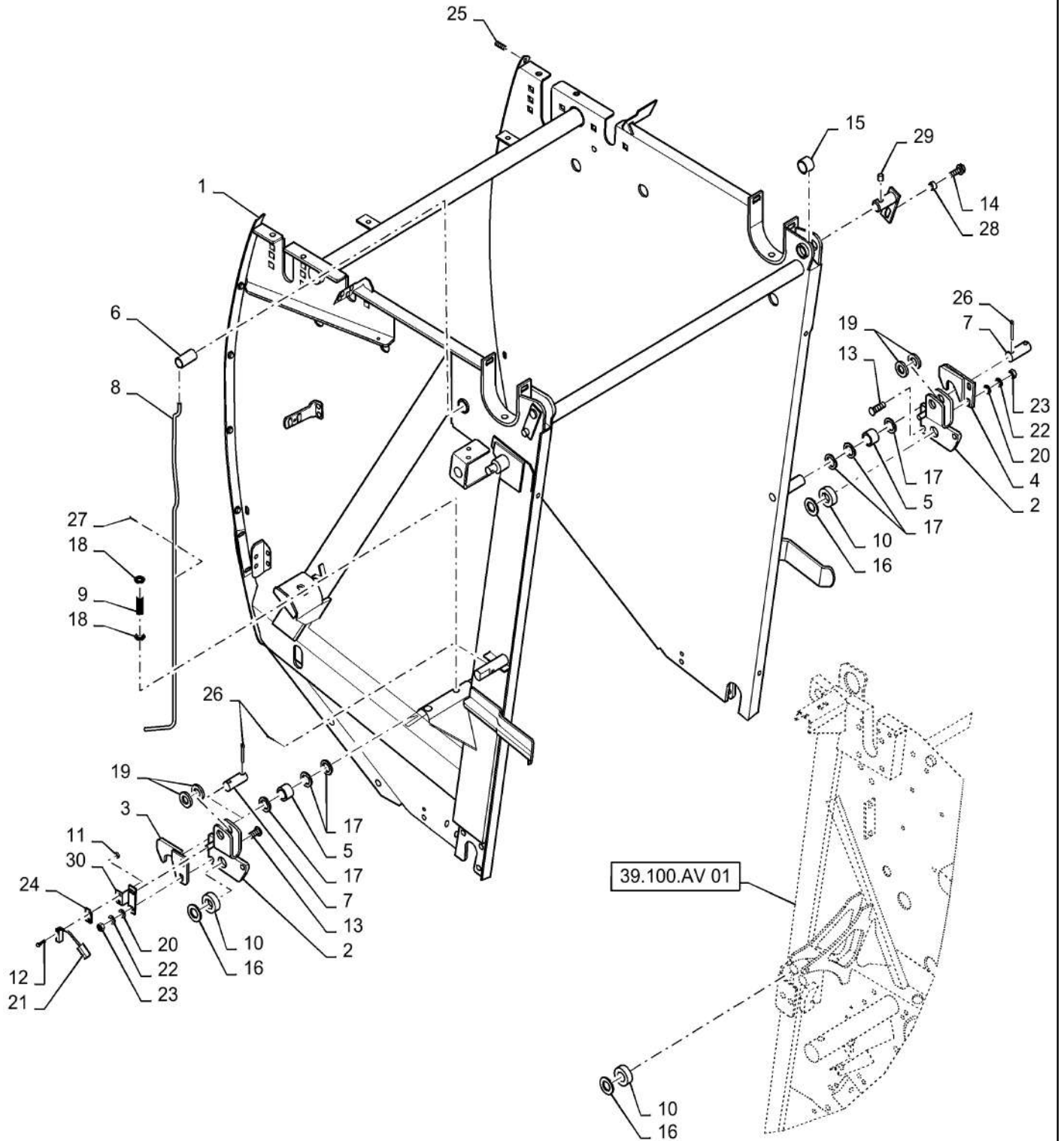
9/2015

MAIN FRAME

REF FN	PART NUMBER	YR/SN	QTY DESCRIPTION
1	84376011		1 FRAME Main, Rotor Balers

RB465-CASE IH ROUND BALER - EUROPE & R.O.W.

TAILGATE, LATCH

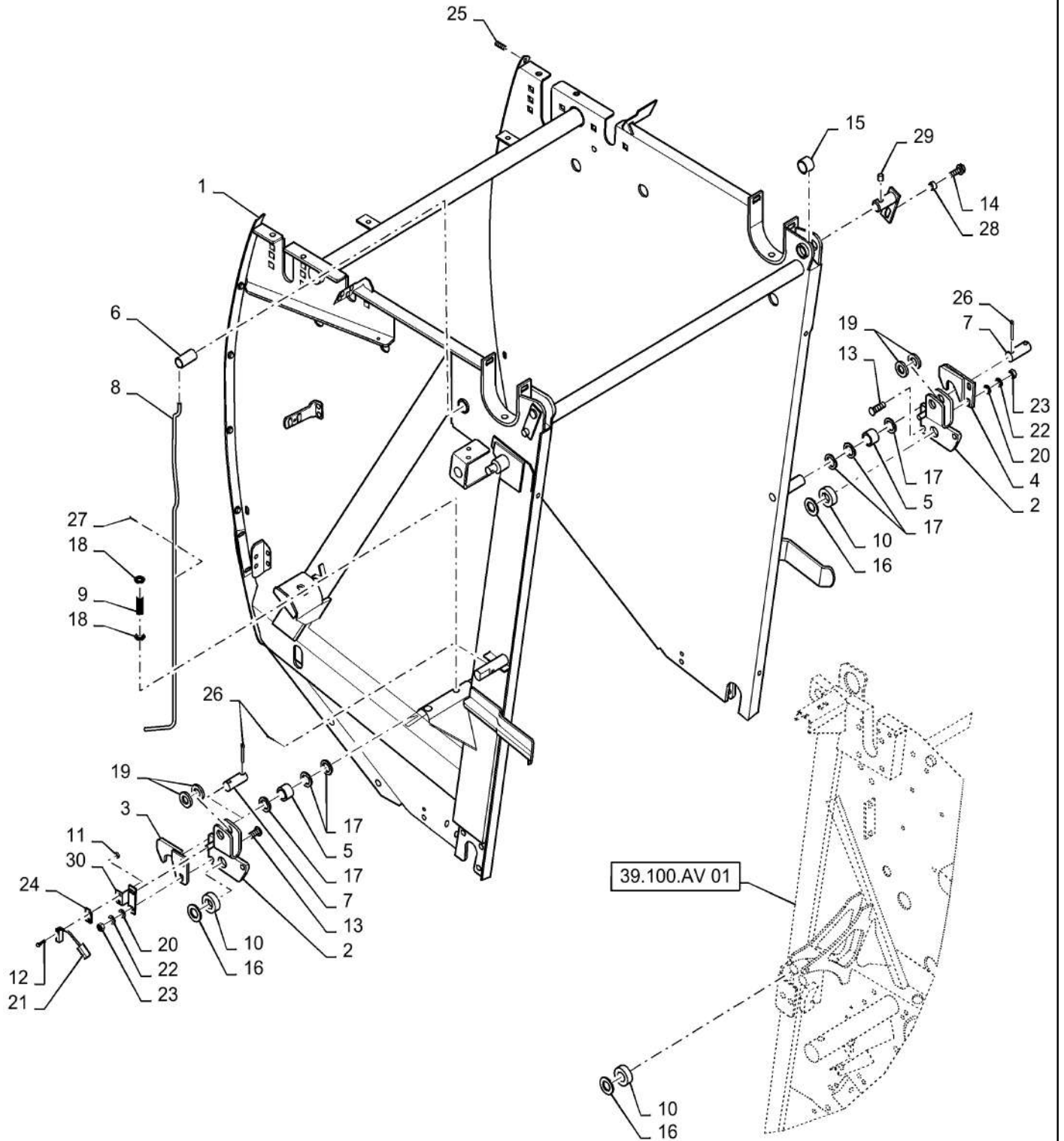


TAILGATE, LATCH

REF FN	PART NUMBER	YR/SN	QTY DESCRIPTION
1	84368710		1 TAILGATE
2	84356521		2 LATCH
3	84356523		1 HOOK RH
4	84356518		1 HOOK LH
5	86636674		2 SPACER 32.15mm ID x 39.68 OD x 29.98mm L
6	86554798		1 PIN 31.7mm OD x 66mm L
7	166065		2 PIN 25.4mm OD x 66.5mm L
8	86637292		1 ROD
9	34019		1 SPRING Compression, 9/16" OD x 2-5/16" L
10	86619818		2 SPACER 32.22mm ID x 57.13mm OD x 19mm Thk
11	86900323		2 NUT #10 - 24
12	86900322		2 SCREW Phillips Drive, Truss HD, #10 - 24 x 1-1/4", SST
13	374892		4 CARRIAGE BOLT M10 x 1.5 x 40mm, CI 8.8
14	9804268		2 BOLT Hex, M12 x 40mm, CI 8.8, Full Thd
15	26306		2 DRIVE BUSHING 25.47mm ID x 31.82mm OD x 31.8mm L
16	64972		4 WASHER 32.54mm ID x 50.8mm OD x 3.43mm Thk
17	164995		6 WASHER 32.5mm ID x 42.9mm OD x 4.38mm Thk
18	80702		2 WASHER 0.44" ID x 1" OD x 0.08" Thk
19	87367		4 WASHER 1.06" ID x 2" OD x 0.13" Thk
20	140045		4 BELLEVILLE WASHER M10X22 ZNM
21	86594422		1 SENSOR
22	285072		4 WASHER 10.3mm ID x 22.2mm OD x 2.7mm Thk
23	100016		4 NUT M10 x 1.5, CI 8
24	86624468		1 SPACER
25	86610200		18 THREADED INSERT M8 x 1.25
26	87399		8 COTTER PIN 1/2 x 3 Bolt
27	80756		1 COTTER PIN 1/8" x 3/4"
28	86622618		2 SPACER 13.11mm ID x 19.05mm OD x 12.3mm Thk

RB465-CASE IH ROUND BALER - EUROPE & R.O.W.

TAILGATE, LATCH



39.100.AV

01

p2

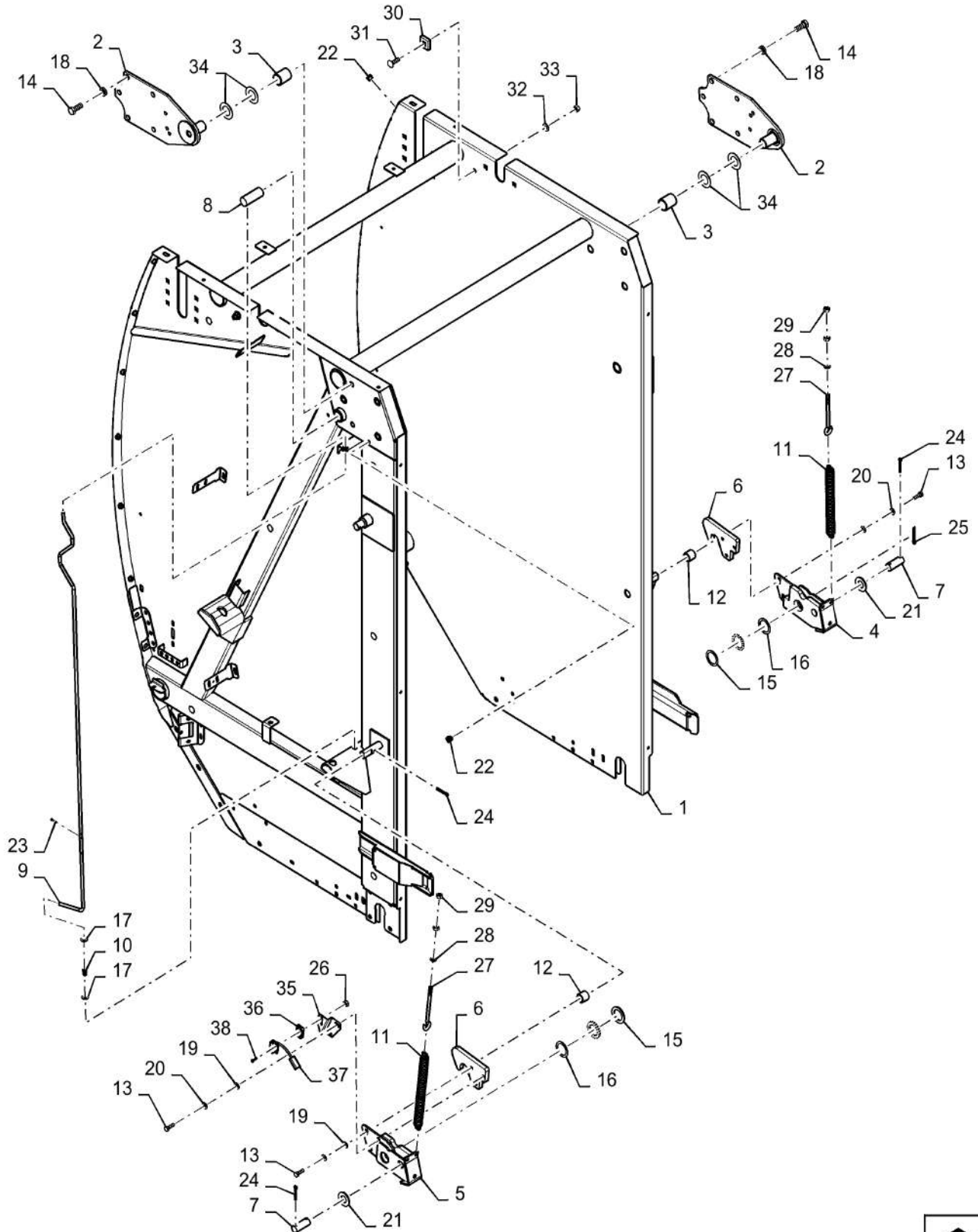
9/2015

TAILGATE, LATCH

REF FN	PART NUMBER	YR/SN	QTY DESCRIPTION
29	86637276		2 PIN
30	84387467		1 BRACKET Tailgate Sensor

RB465-CASE IH ROUND BALER - EUROPE & R.O.W.

TAILGATE, LATCH

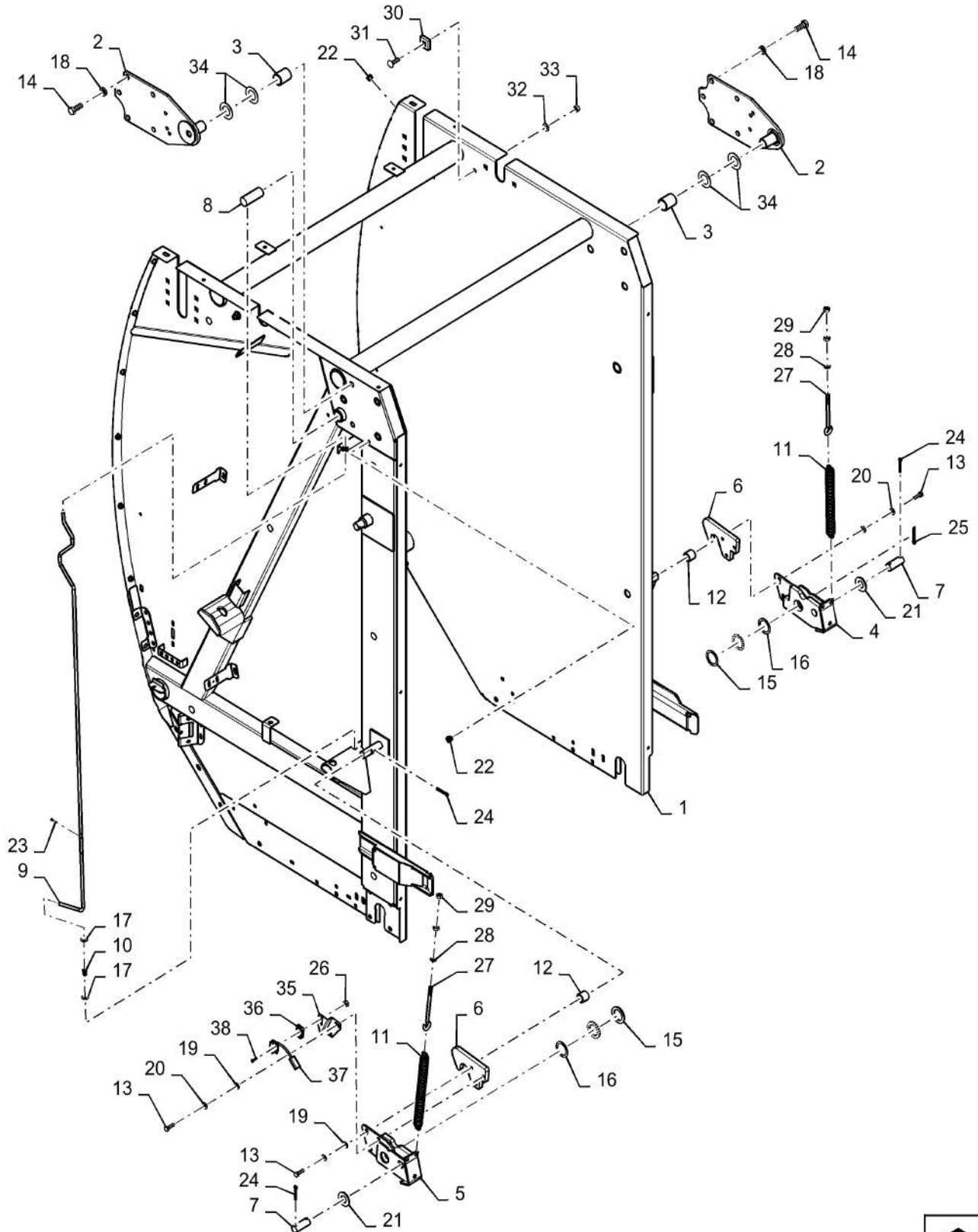


TAILGATE, LATCH

REF FN	PART NUMBER	YR/SN	QTY DESCRIPTION
1	84376023		1 TAILGATE
2	87045740		2 PLATE
3	86514470		2 BUSHING 35.13mm ID x 41.38mm OD x 50.04mm L
4	47748158		1 LATCH LH
5	47748150		1 LATCH RH
6	84217008		2 LATCH Hook
7	166065		2 PIN 25.4mm OD x 66.5mm L M25.4 OD x 66.5 Long
8	9845448		1 PIN 31.7mm OD x 83.7mm L M25.4 OD x 83.7 Long
9	84277390		1 ROD
10	34019		1 SPRING Compression, 9/16" OD x 2-5/16" L 7/16" ID x 2-5/16" Long
11	86572215		2 SPRING Extension, 25.58mm OD x 240.18mm L M28.5 OD x 240 Long
12	87665527		2 SPACER 25.75mm ID x 31.75mm OD x 28mm L 25.7 ID x 31.7 OD x 28 Long
13	43140		6 BOLT Hex, M10 x 1.5 x 30mm, CI 8.8
14	374835		10 BOLT Hex, M16 x 2 x 40mm, CI 10.9, Full Thd
15	86603125		4 WASHER 40.54mm ID x 60.33mm OD x 4.8mm Thk
16	86636633		2 WASHER 42.86mm ID x 57.15mm OD x 1.52mm Thk
17	378244		2 WASHER 10.5mm ID x 24mm OD x 2mm Thk
18	273127		10 WASHER 16.67mm ID x 28.57mm OD x 7.37mm Thk
19	285072		6 WASHER 10.3mm ID x 22.2mm OD x 2.7mm Thk
20	140045		6 BELLEVILLE WASHER M10X22 ZNM
21	87367		2 WASHER 1.06" ID x 2" OD x 0.13" Thk
22	86610200		13 THREADED INSERT M8 x 1.25
23	80756		1 COTTER PIN 1/8" x 3/4"
24	87399		6 COTTER PIN 1/2 x 3 Bolt
25	88182		2 COTTER PIN 1/4" x 2"
26	86900323		2 NUT #10 - 24 10-24 KWH
27	84025887		2 HOOK
28	86511323		2 WASHER 10.5mm ID x 20mm OD x 2mm Thk

RB465-CASE IH ROUND BALER - EUROPE & R.O.W.

TAILGATE, LATCH

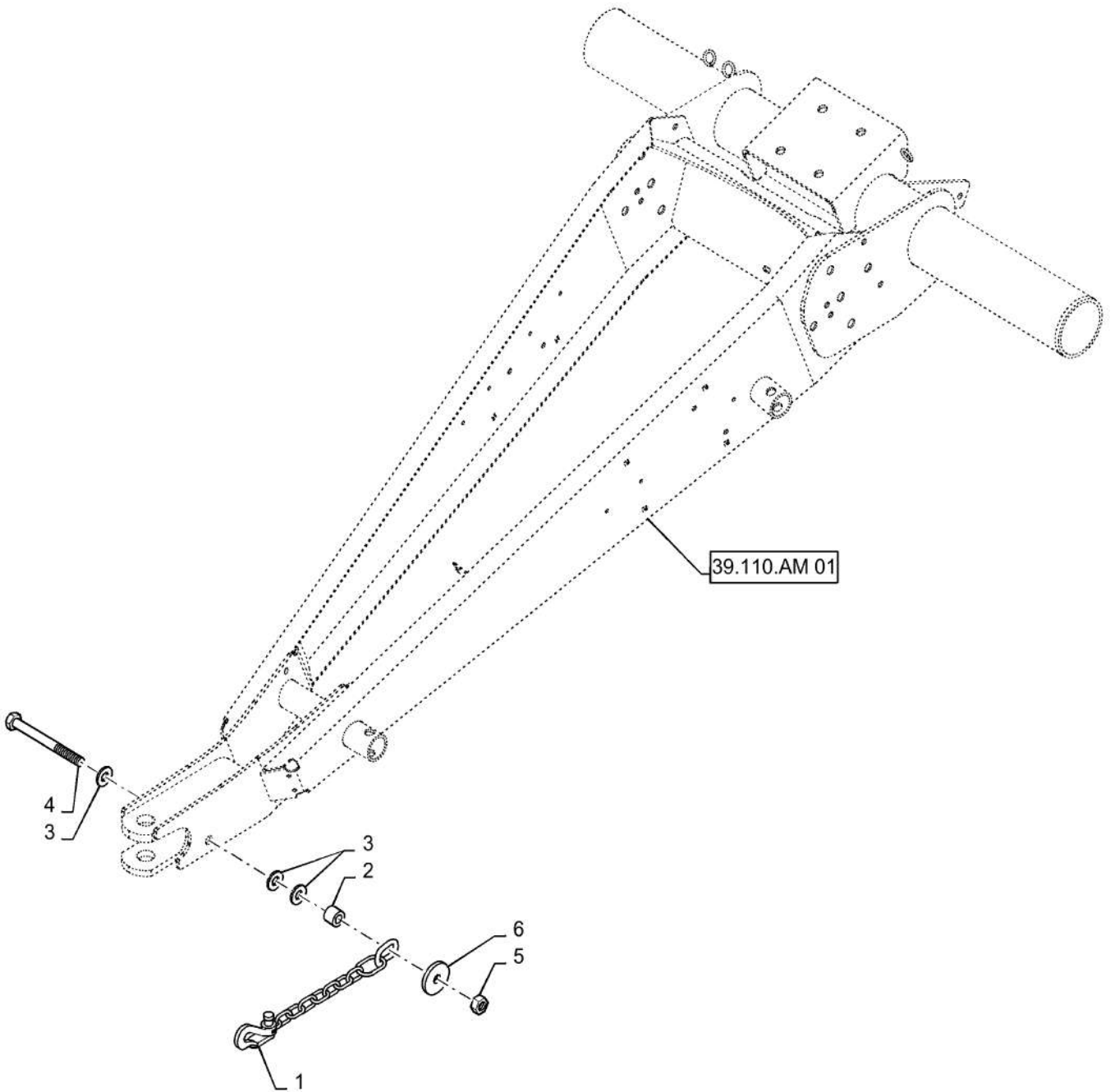


TAILGATE, LATCH

REF FN	PART NUMBER	YR/SN	QTY DESCRIPTION
29	100016		4 NUT M10 x 1.5, CI 8
30	86636768		2 PLATE
31	328754		2 CARRIAGE BOLT M12 x 1.75 x 40mm, CI 8.8
32	140046		2 BELLEVILLE WASHER M12 x 27mm OD x 1.8mm Thk
33	9706685		2 NUT M12 x 1.75, CI 8
34	130357		4 WASHER 35.3mm ID x 60.3mm OD x 1.52 Thk
35	87709056		1 CHANNEL
36	86624468		1 SPACER Switch
37	86594422		1 SENSOR Tailgate Latch
38	87310126		2 SCREW Phillips Drive, Pan HD, #10 - 24 x 3/4", SST

RB465-CASE IH ROUND BALER - EUROPE & R.O.W.

SAFETY CHAIN

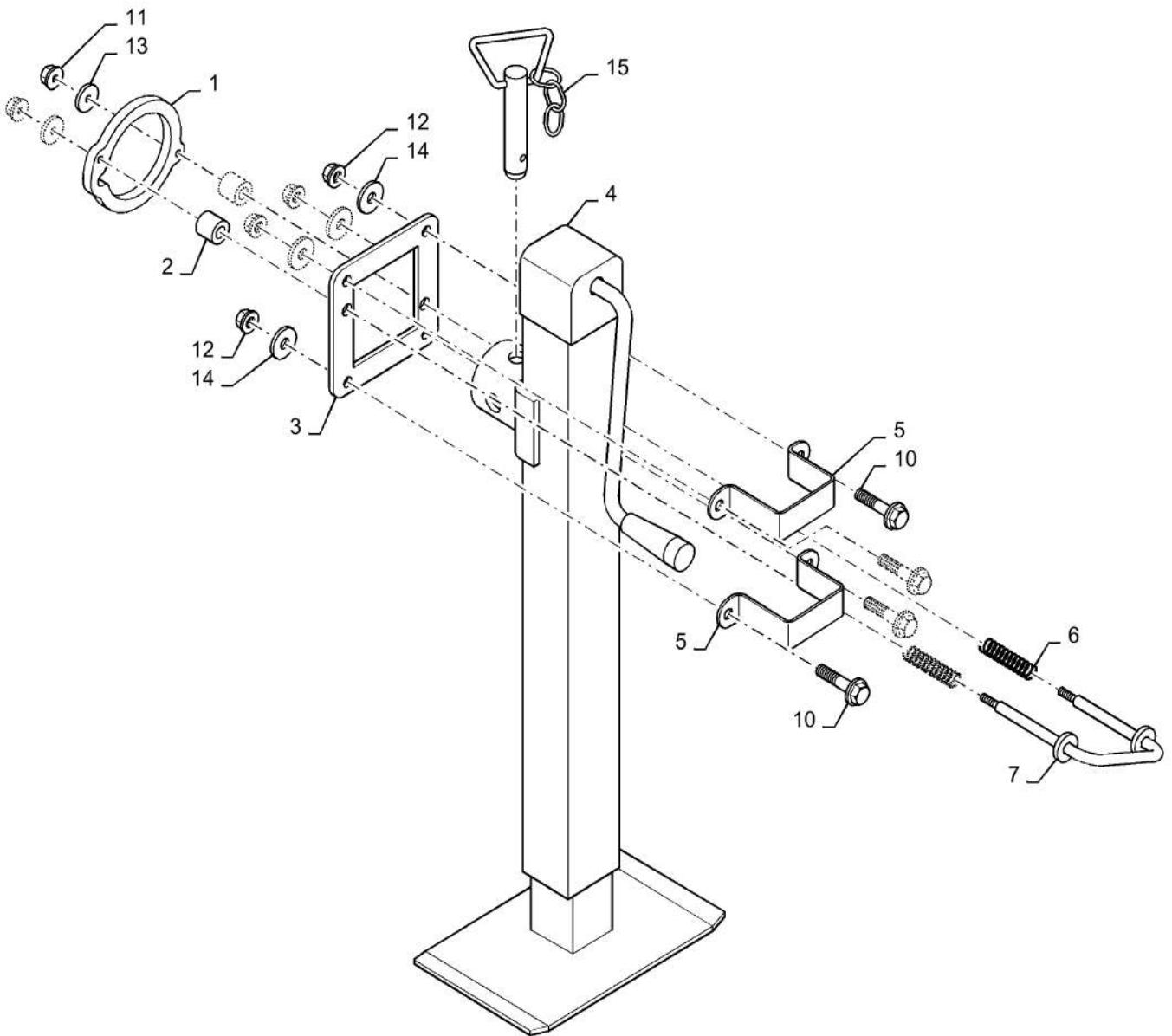


SAFETY CHAIN

REF FN	PART NUMBER	YR/SN	QTY DESCRIPTION
1	797900		1 CHAIN
2	86607695		1 SPACER 17.48mm ID x 28.6mm OD x 20.6mm L
3	130358		3 WASHER 16.28mm ID x 38.35mm OD x 4.11mm Thk
4	362573		1 BOLT Hex, M16 x 150mm, CI 8.8
5	86000441		1 NUT M16 x 2.0, CI 8
6	636422		1 WASHER 16.66mm ID x 69.85mm OD

RB465-CASE IH ROUND BALER - EUROPE & R.O.W.

JACK, SINGLE SPEED



JACK, SINGLE SPEED

REF FN	PART NUMBER	YR/SN	QTY DESCRIPTION
1	86620971		1 RING
2	86636799		2 SPACER 10.3mm ID x 19.05mm OD x 19.05mm L
3	86620973		1 STRAP
4	1 86643129		1 JACK Heavy Duty
5	86627939		2 CLAMP
6	34019		2 SPRING Compression, 9/16" OD x 2-5/16" L Compression
7	86627946		1 U-BOLT Special, M6 x 1 Threaded
10	9804258		4 BOLT Hex, M8 x 1.25 x 20mm, CI 8.8
11	9804276		2 FLANGE NUT Hex, M6 x 1, CI 8
12	9804277		4 FLANGE NUT Hex, M8 x 1.25, CI 8
13	322357		2 BELLEVILLE WASHER M6 x 14mm OD x 1.3mm Thk
14	322358		4 BELLEVILLE WASHER M8 x 18mm OD x 1.4mm Thk
15	87035356		1 PIN ASSY. 15.88mm OD Pull, 5/8

(1) Components are N.S.S.

RB465-CASE IH ROUND BALER - EUROPE & R.O.W.

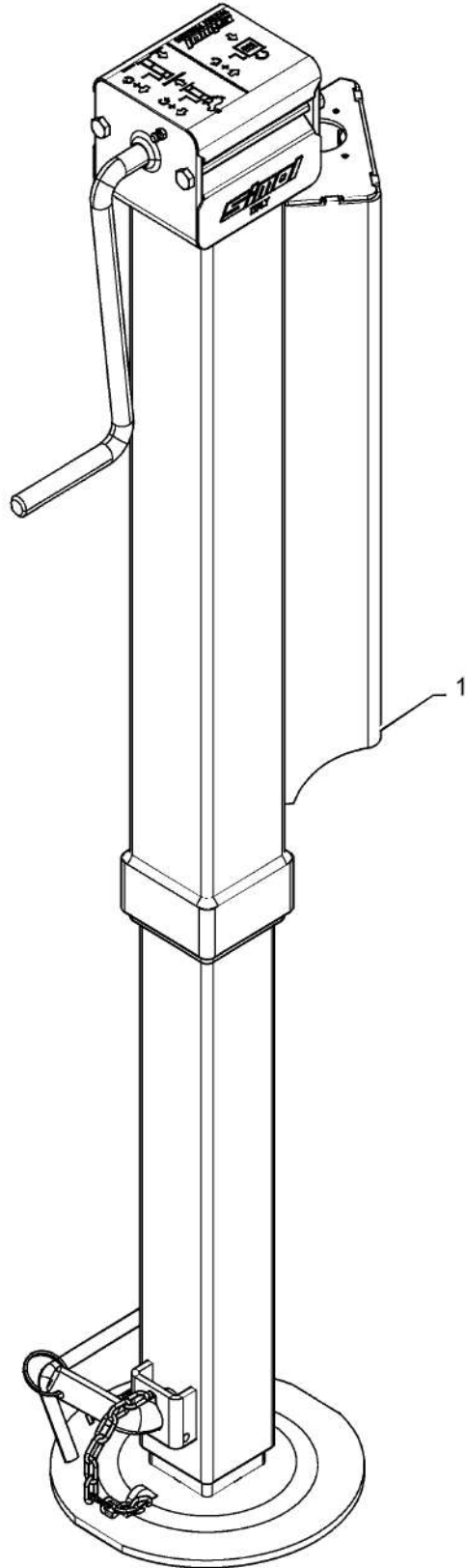
39.110.AF

02

p1

9/2015

JACK, 2-SPEED, 797301008 AND AFTER



39.110.AF

02

p1

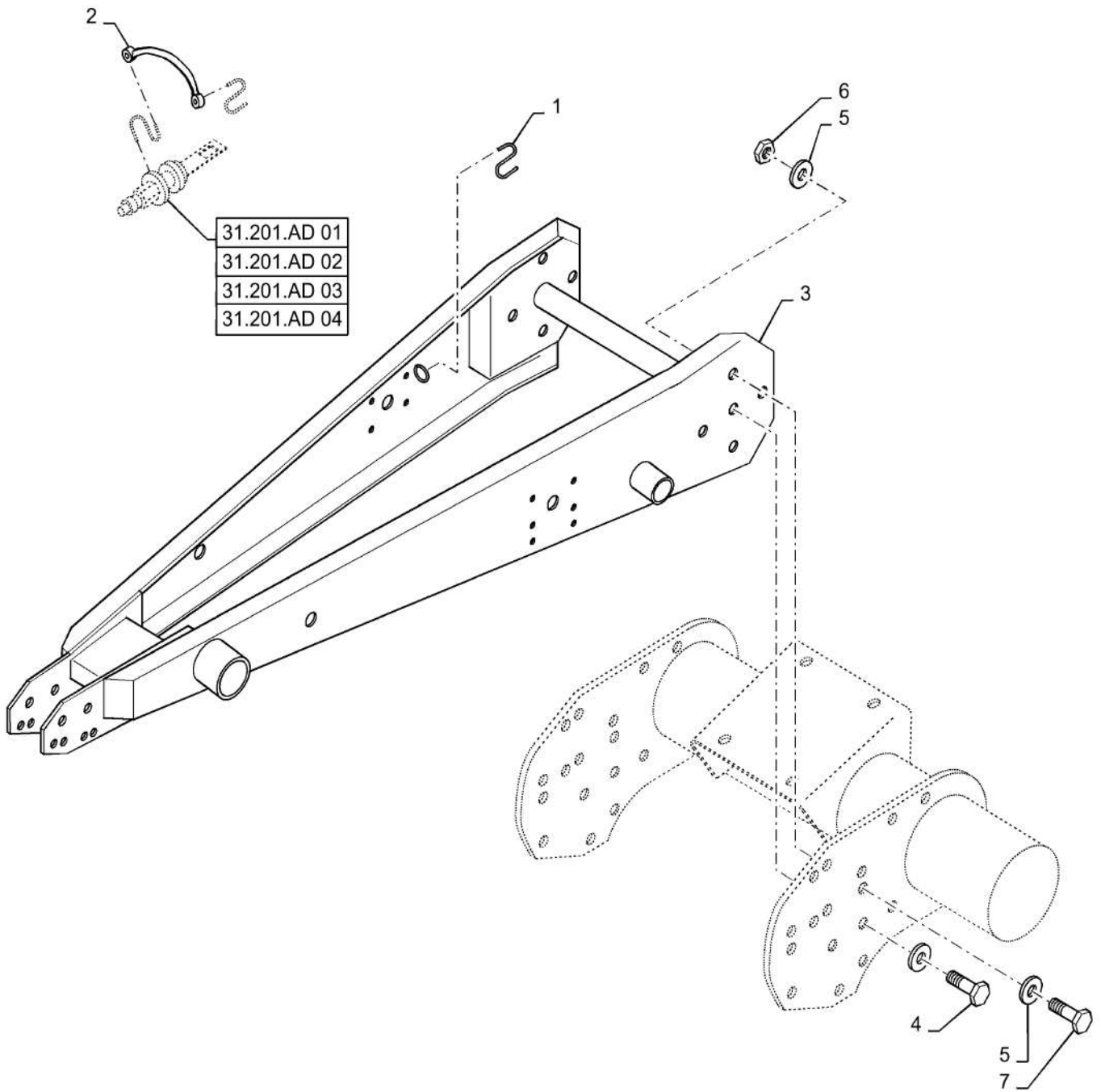
9/2015

JACK, 2-SPEED, 797301008 AND AFTER

REF FN	PART NUMBER	YR/SN	QTY DESCRIPTION
1	1 47853087		1 JACK 2-Speed
(1)	Components are N.S.S.		

RB465-CASE IH ROUND BALER - EUROPE & R.O.W.

HITCH

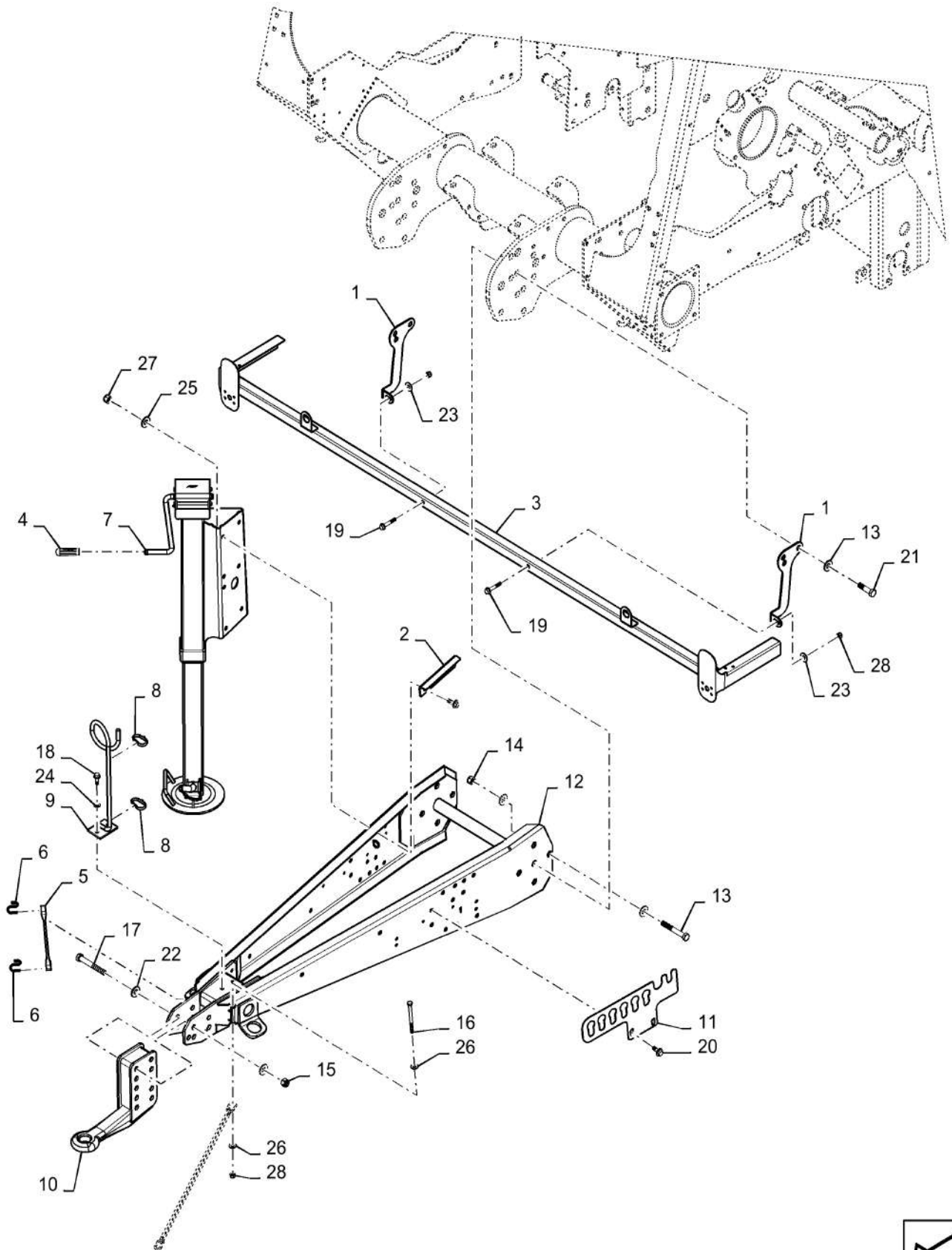


HITCH

REF FN	PART NUMBER	YR/SN	QTY DESCRIPTION
1	115680		3 HOOK
2	273672		1 FASTENER
3	84342965		1 HITCH
4	323866		6 BOLT Hex, M16 x 2.0 x 60mm, CI 8.8
5	130358		18 WASHER 16.28mm ID x 38.35mm OD x 4.11mm Thk
6	86000441		8 NUT M16 x 2.0, CI 8
7	394674		4 BOLT Hex, M16 x 2 x 80mm, CI 8.8, Full Thd

RB465-CASE IH ROUND BALER - EUROPE & R.O.W.

VAR -726839 - HIGH HITCH - VAR 726839

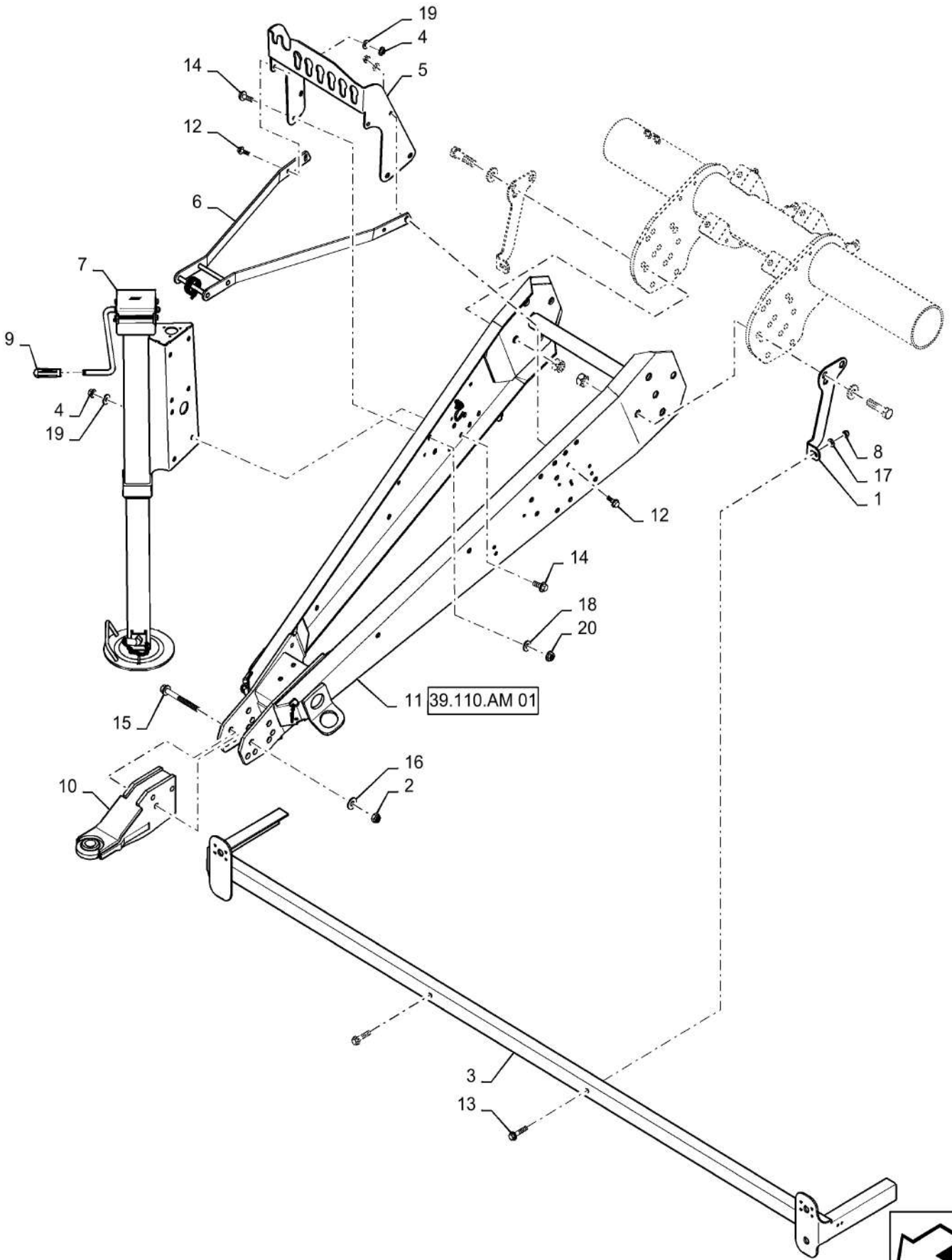


VAR -726839 - HIGH HITCH - VAR 726839

REF FN	PART NUMBER	YR/SN	QTY DESCRIPTION
1	47596808		2 ANGLE
2	47499386		1 ANGLE
3	84543300		1 SUPPORT
4	47530082		1 GRIP
5	273672		1 FASTENER
6	115680		2 HOOK
7	47471218		1 JACK Jack
8	529070		2 CABLE TIE 368.3mm L
9	87042252		1 SUPPORT
10	47589972		1 HITCH
11	84368723		1 SUPPORT
12	84342965		1 HITCH Hitch
13	86639847		4 WASHER 21.8mm ID x 44.5mm OD x 5mm Thk
14	86536985		8 NUT M20 x 2.5, CI 10
15	86000441		4 NUT M16 x 2.0, CI 8
16	86508574		2 BOLT Hex, M10 x 120mm, CI 8.8
17	321246		6 BOLT Hex, M16 x 2 x 120mm, CI 8.8
18	9804262		2 BOLT M10 x 39.2mm, CI 8.8
19	9804265		2 FLANGE BOLT Hex, M10 x 60mm, CI 8.8
20	43260		6 BOLT Hex, M12 x 1.75 x 30mm, CI 10.9, Full Thd
21	15224331		10 BOLT Hex, M20 x 80, 10.9, Full Thd
22	130358		26 WASHER 16.28mm ID x 38.35mm OD x 4.11mm Thk
23	81541		2 WASHER 0.5" ID x 1.25" OD x 0.08" Thk
24	140045		2 BELLEVILLE WASHER M10X22 ZNM
25	140046		6 BELLEVILLE WASHER M12 x 27mm OD x 1.8mm Thk
26	80702		6 WASHER 0.44" ID x 1" OD x 0.08" Thk
27	9804279		2 FLANGE NUT Hex, M12, CI 8
28	100037		6 NUT M0 x 1.5, CI 8

RB465-CASE IH ROUND BALER - EUROPE & R.O.W.

VAR - 722337 - BALL SWIVEL HITCH



VAR - 722337 - BALL SWIVEL HITCH

REF FN	PART NUMBER	YR/SN	QTY DESCRIPTION
1	1 47596808		2 ANGLE
2	86000441		6 NUT M16 x 2.0, CI 8
3	84543300		1 SUPPORT
4	9804279		2 FLANGE NUT Hex, M12, CI 8
5	47451001		1 SUPPORT
6	84342961		1 SUPPORT
7	47471218		1 JACK
8	100037		2 NUT M0 x 1.5, CI 8
9	47530082		1 GRIP
10	47609272		1 HITCH
11	0C		1 ORDER COMPONENTS Hitch
12	9804262		4 BOLT M10 x 39.2mm, CI 8.8
13	9804265		2 FLANGE BOLT Hex, M10 x 60mm, CI 8.8
14	9670066		8 FLANGE BOLT Hex, M12 x 30mm, CI 8.8
15	321246		3 BOLT Hex, M16 x 2 x 120mm, CI 8.8
16	130358		6 WASHER 16.28mm ID x 38.35mm OD x 4.11mm Thk
17	81541		2 WASHER 0.5" ID x 1.25" OD x 0.08" Thk
18	140045		4 BELLEVILLE WASHER M10X22 ZNM
19	140046		6 BELLEVILLE WASHER M12 x 27mm OD x 1.8mm Thk
20	9804278		4 FLANGE NUT M10 x 1.5, CI 8
(1)	Use Existing Hardware		

RB465-CASE IH ROUND BALER - EUROPE & R.O.W.

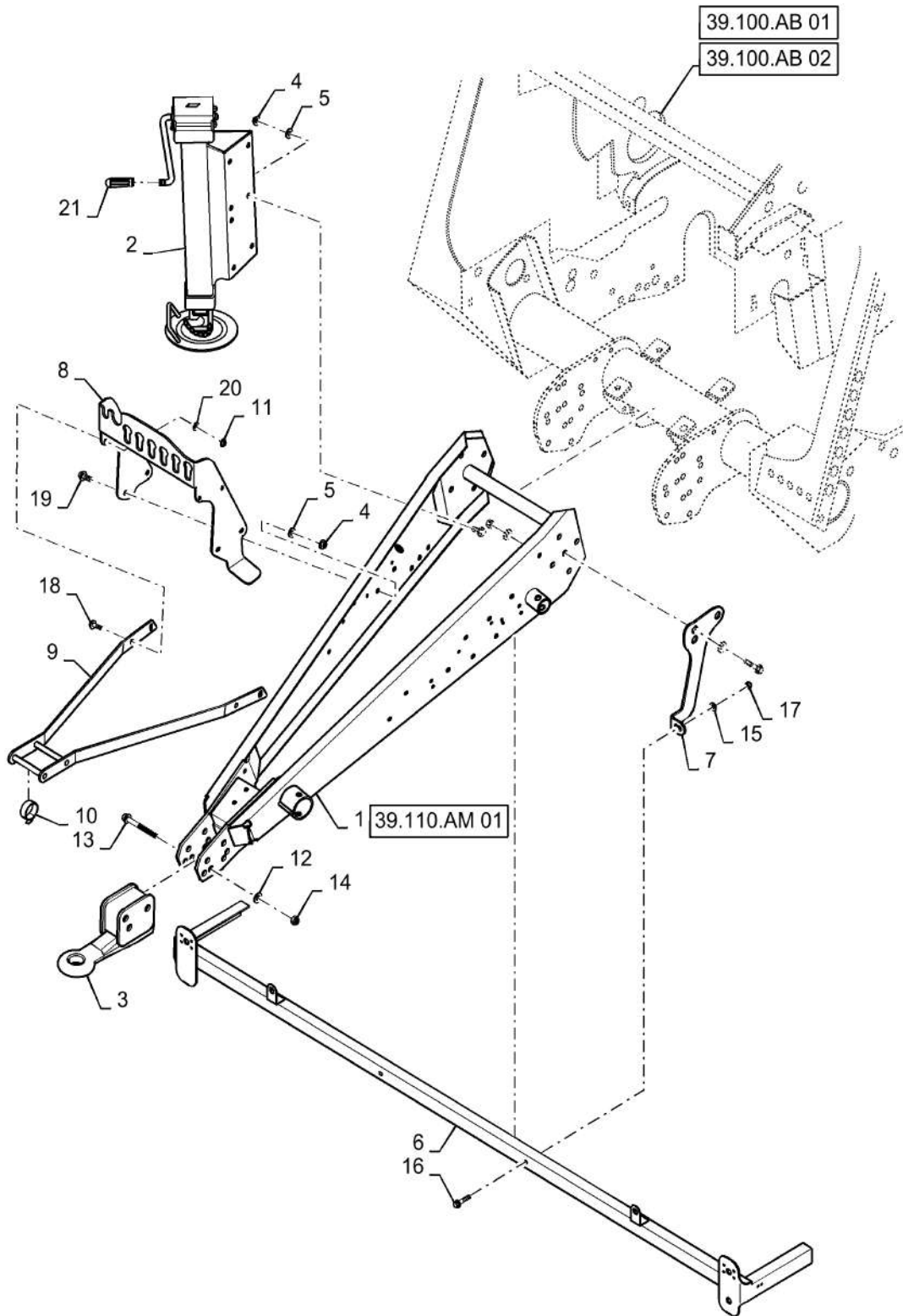
39.110.AM

04

p1

9/2015

FIXED RING HITCH - VAR 722335



FIXED RING HITCH - VAR 722335

REF FN	PART NUMBER	YR/SN	QTY DESCRIPTION
1	0C		1 ORDER COMPONENTS Hitch
2	47471218		1 JACK
3	47590351		1 HITCH
4	9804279		4 FLANGE NUT Hex, M12, CI 8
5	140046		8 BELLEVILLE WASHER M12 x 27mm OD x 1.8mm Thk
6	84543300		1 SUPPORT
7	1 47596808		2 ANGLE
8	47451001		1 SUPPORT
9	84342961		1 SUPPORT
10	263117		3 CABLE TIE 292.1mm L
11	9804278		4 FLANGE NUT M10 x 1.5, CI 8
12	130358		4 WASHER 16.28mm ID x 38.35mm OD x 4.11mm Thk
13	321246		2 BOLT Hex, M16 x 2 x 120mm, CI 8.8
14	86000441		3 NUT M16 x 2.0, CI 8
15	81541		2 WASHER 0.5" ID x 1.25" OD x 0.08" Thk
16	9804265		2 FLANGE BOLT Hex, M10 x 60mm, CI 8.8
17	100037		2 NUT M0 x 1.5, CI 8
18	9804262		4 BOLT M10 x 39.2mm, CI 8.8
19	43260		8 BOLT Hex, M12 x 1.75 x 30mm, CI 10.9, Full Thd
20	140045		4 BELLEVILLE WASHER M10X22 ZNM
21	47530082		1 GRIP
(1)	Use Existing Hardware		

RB465-CASE IH ROUND BALER - EUROPE & R.O.W.

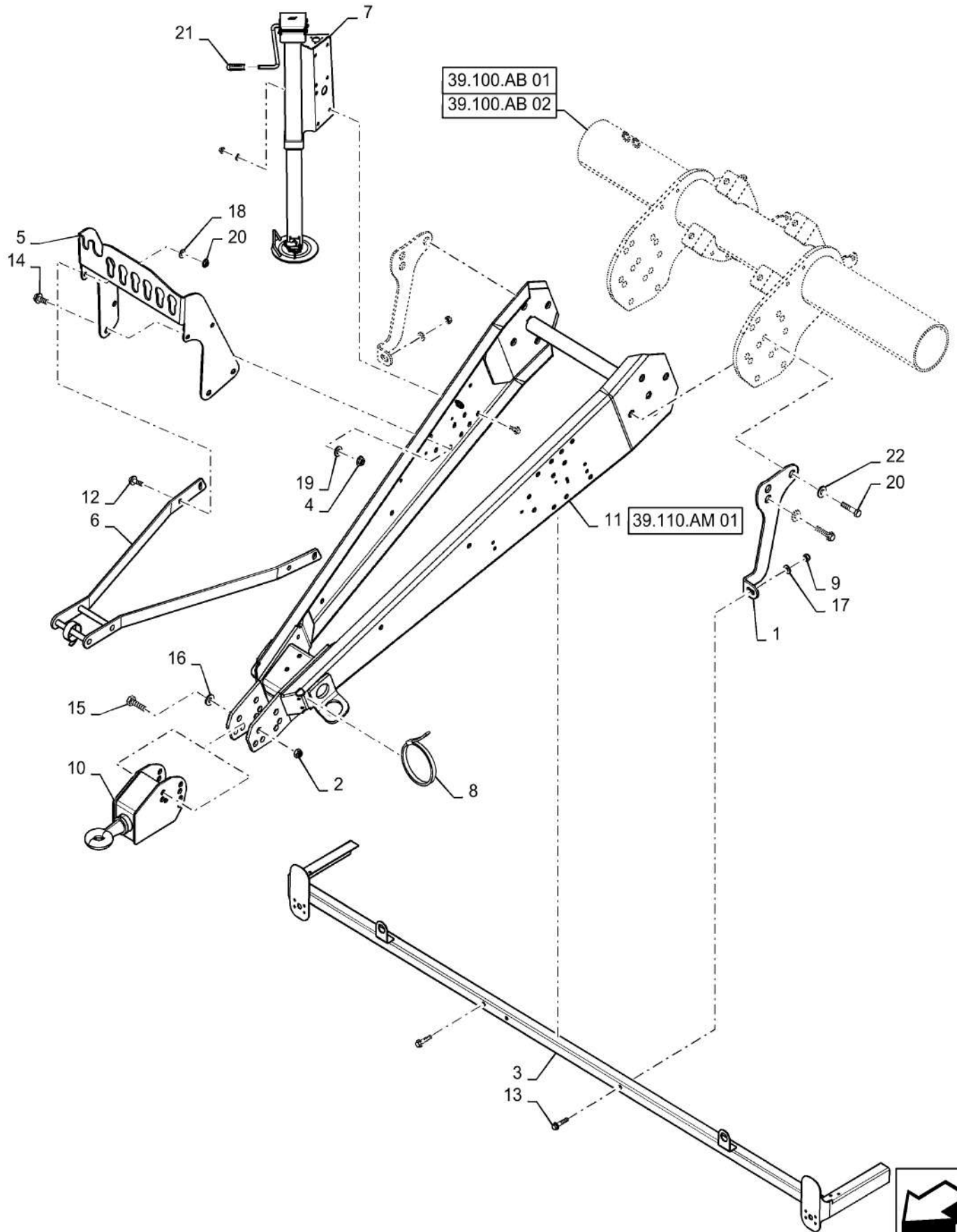
39.110.AM

05

p1

9/2015

VAR - 722336 - PIVOT RING HITCH



VAR - 722336 - PIVOT RING HITCH

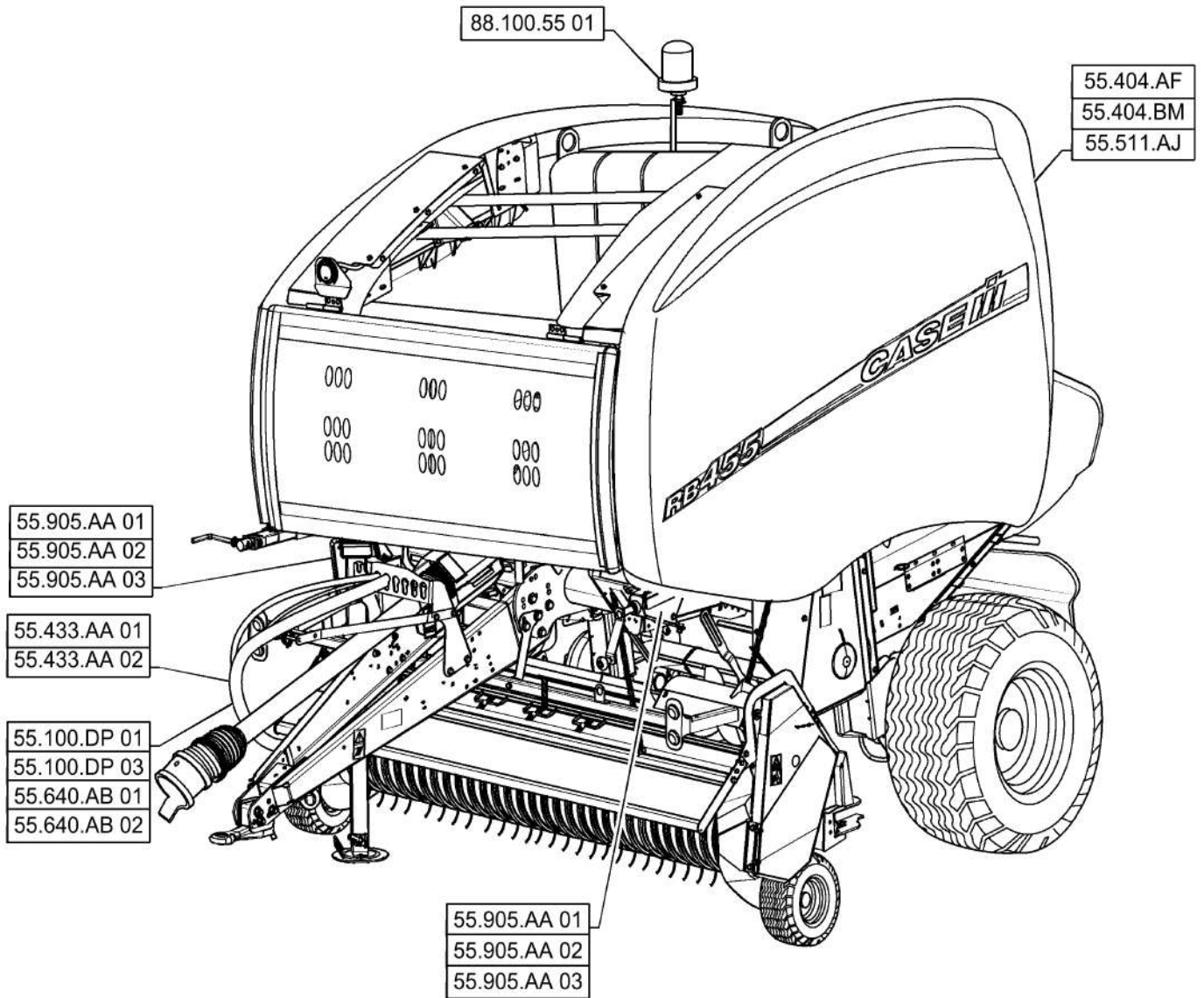
REF FN	PART NUMBER	YR/SN	QTY DESCRIPTION
1	47596808		2 ANGLE
2	86512555		8 NUT M16 x 2, CI 10
3	84543300		1 SUPPORT
4	9804279		4 FLANGE NUT Hex, M12, CI 8
5	47451001		1 SUPPORT
6	84342961		1 SUPPORT
7	47471218		1 JACK Jack
8	100037		2 NUT M0 x 1.5, CI 8
9	263117		3 CABLE TIE 292.1mm L
10	86643543		4 HITCH
11	0C		1 ORDER COMPONENTS Hitch
12	9804262		4 BOLT M10 x 39.2mm, CI 8.8
13	9804265		2 FLANGE BOLT Hex, M10 x 60mm, CI 8.8
14	9670066		4 FLANGE BOLT Hex, M12 x 30mm, CI 8.8
15	374835		8 BOLT Hex, M16 x 2 x 40mm, CI 10.9, Full Thd
16	130358		6 WASHER 16.28mm ID x 38.35mm OD x 4.11mm Thk
17	81541		2 WASHER 0.5" ID x 1.25" OD x 0.08" Thk
18	140045		4 BELLEVILLE WASHER M10X22 ZNM
19	140046		4 BELLEVILLE WASHER M12 x 27mm OD x 1.8mm Thk
20	9804278		2 FLANGE NUT M10 x 1.5, CI 8
21	47530082		1 GRIP
22	86639847		2 WASHER 21.8mm ID x 44.5mm OD x 5mm Thk

RB465-CASE IH ROUND BALER - EUROPE & R.O.W.

SECTION INDEX
ELECTRICAL SYSTEMS

55.000.00		PICTORIAL INDEX - ELECTRICAL SYSTEMS
55.100.DP	01	WIRE HARNESS & CONNECTOR
55.100.DP	03	WIRE HARNESS & CONNECTOR, POWER
55.404.AF		SIDE MARKER LAMP ASSY
55.404.BM		TAIL LAMP
55.433.AA	02	TWINE WRAP ACTUATOR
55.433.AB	01	WIRE HARNESS, TWINE
55.433.AB	02	WIRE HARNESS, NET WRAP
55.511.AJ		LIGHTING
55.629.AC	01	BALE SHAPE SENSOR MOUNTING
55.629.AC	02	BALE SIZE SENSOR
55.629.AC	03	BALE SIZE SENSOR
55.629.AE		BALE SHAPE SENSOR ASSEMBLY
55.640.AB	01	VAR - 726965 - STANDARD WRAPPER, ELECTRONIC CONTROLS
55.640.AB	02	VAR - 726966 - DELUXE WRAPPER, ELECTRONIC CONTROLS, 797301008 AND AFTER
55.640.AB	02	VAR - 726966 - DELUXE WRAPPER, ELECTRONIC CONTROLS, 794992016 AND PRIOR
55.905.AA	01	VAR - 726937, 726969 - ISOBUS ELECTRIC GROUP, FRONT
55.905.AA	02	VAR - 726967, 726969 - ISOBUS ELECTRIC GROUP, RH
55.905.AA	03	VAR - 726967, 726969 - ISOBUS ELECTRIC GROUP, LH
88.100.55	09	DIA KIT, BALE EJECTOR SENSOR

PICTORIAL INDEX - ELECTRICAL SYSTEMS



55.000.00

p1

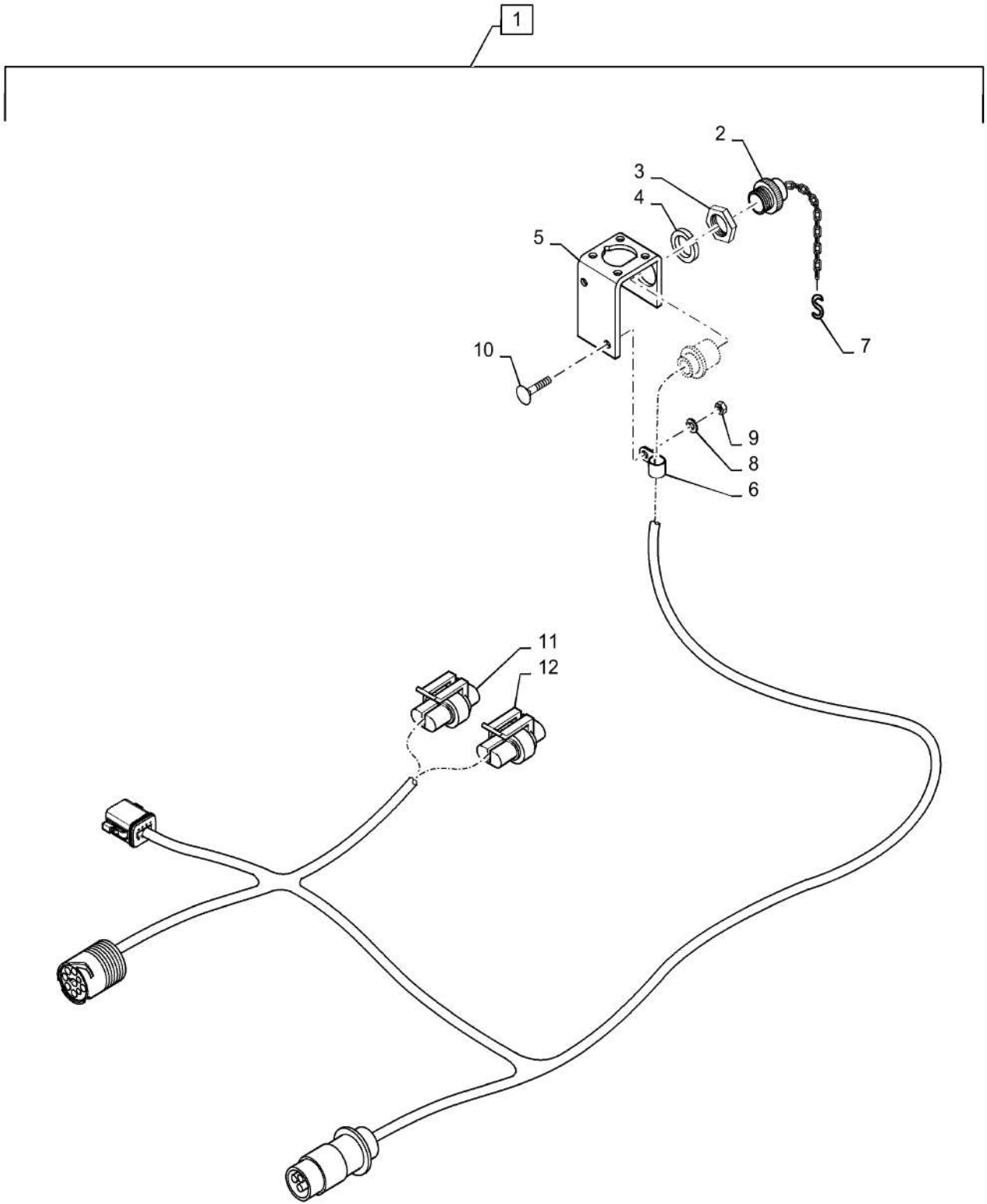
9/2015

PICTORIAL INDEX - ELECTRICAL SYSTEMS

REF FN	PART NUMBER	YR/SN	QTY DESCRIPTION
---------------	--------------------	--------------	------------------------

RB465-CASE IH ROUND BALER - EUROPE & R.O.W.

WIRE HARNESS & CONNECTOR

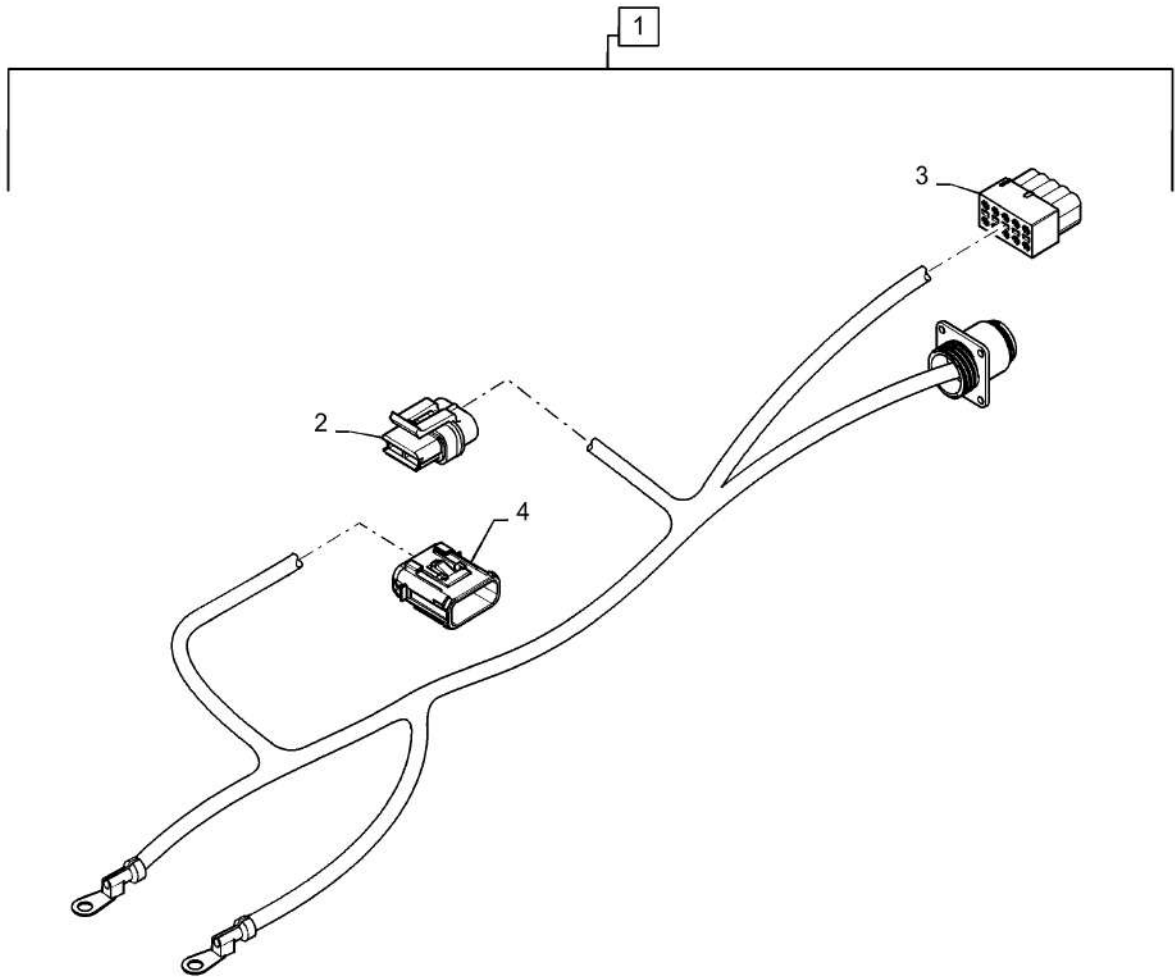


WIRE HARNESS & CONNECTOR

REF FN	PART NUMBER	YR/SN	QTY DESCRIPTION
1	47436612		1 WIRE HARNESS Cab, Incl 2 - 12
2	767456		1 PLUG
3	87271930		1 NUT
4	84420455		1 LOCK WASHER
5	787868		1 BRACKET
6	87612756		1 CLAMP 25.4mm, Coat, 7.1mm Bolt Hole, P Type
7	617887		1 HOOK
8	322357		1 BELLEVILLE WASHER M6 x 14mm OD x 1.3mm Thk
9	9804276		1 FLANGE NUT Hex, M6 x 1, Cl 8
10	9706703		1 CARRIAGE BOLT Sht Sq Nk, M6 x 1 x 20mm, Cl 8.8, Full Thd
11	1 9846342		1 FUSE 25A 25 Amp
12	1 9623775		1 FUSE 5 Amp
(1)	Not Illustrated		

RB465-CASE IH ROUND BALER - EUROPE & R.O.W.

WIRE HARNESS & CONNECTOR, POWER

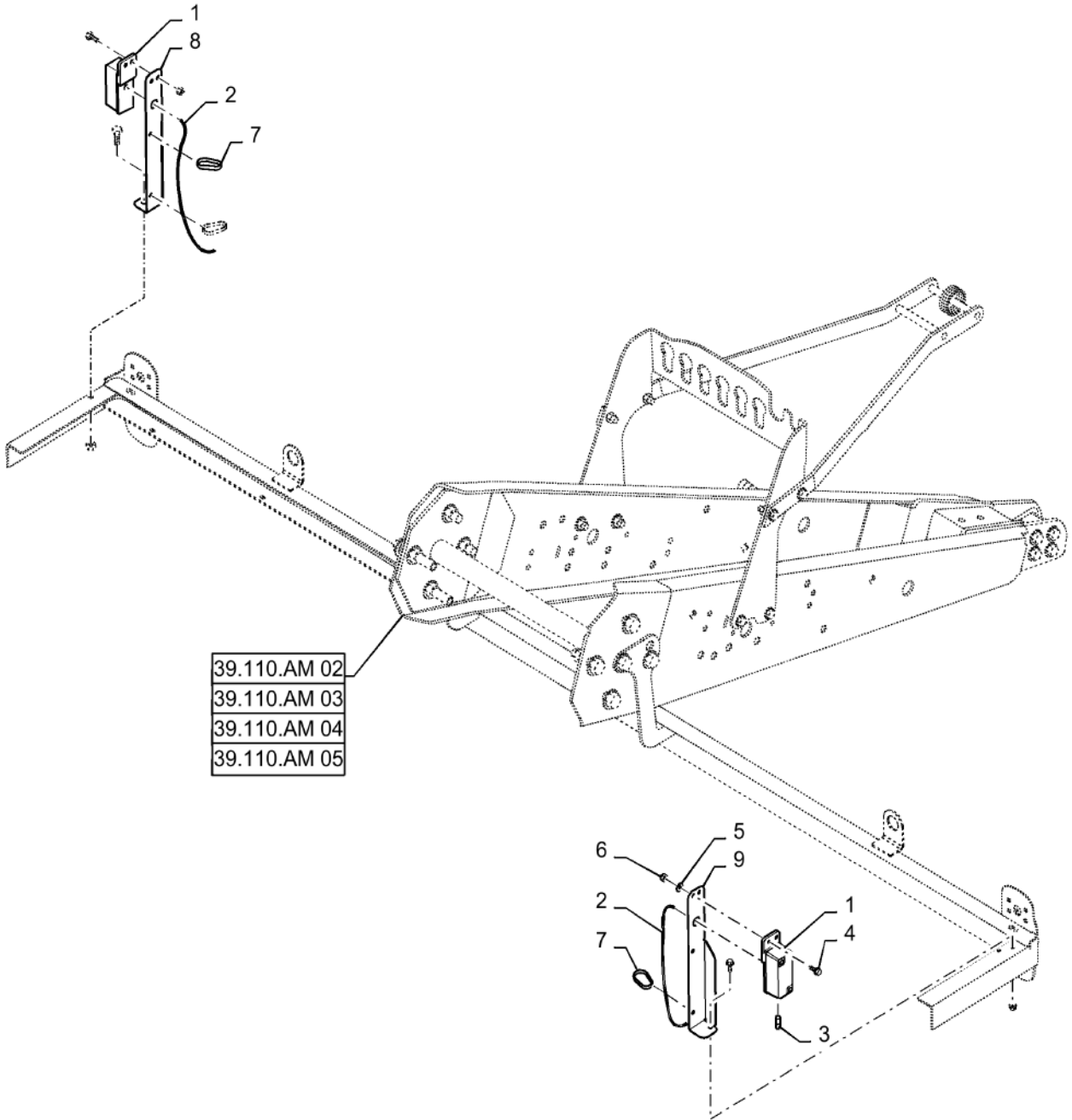


WIRE HARNESS & CONNECTOR, POWER

REF	FN	PART NUMBER	YR/SN	QTY	DESCRIPTION
1	1	47538416		1	WIRE HARNESS Power, Incl 2 - 4
2		83933689		1	FUSE Red, 10 Amp
3		47545581		1	ROCKER SWITCH On/Off
4		84157159		1	FUSE 40A, Maxi, Orange
(1)		Refer to Operator Manual page 1-25			

RB465-CASE IH ROUND BALER - EUROPE & R.O.W.

SIDE MARKER LAMP ASSY

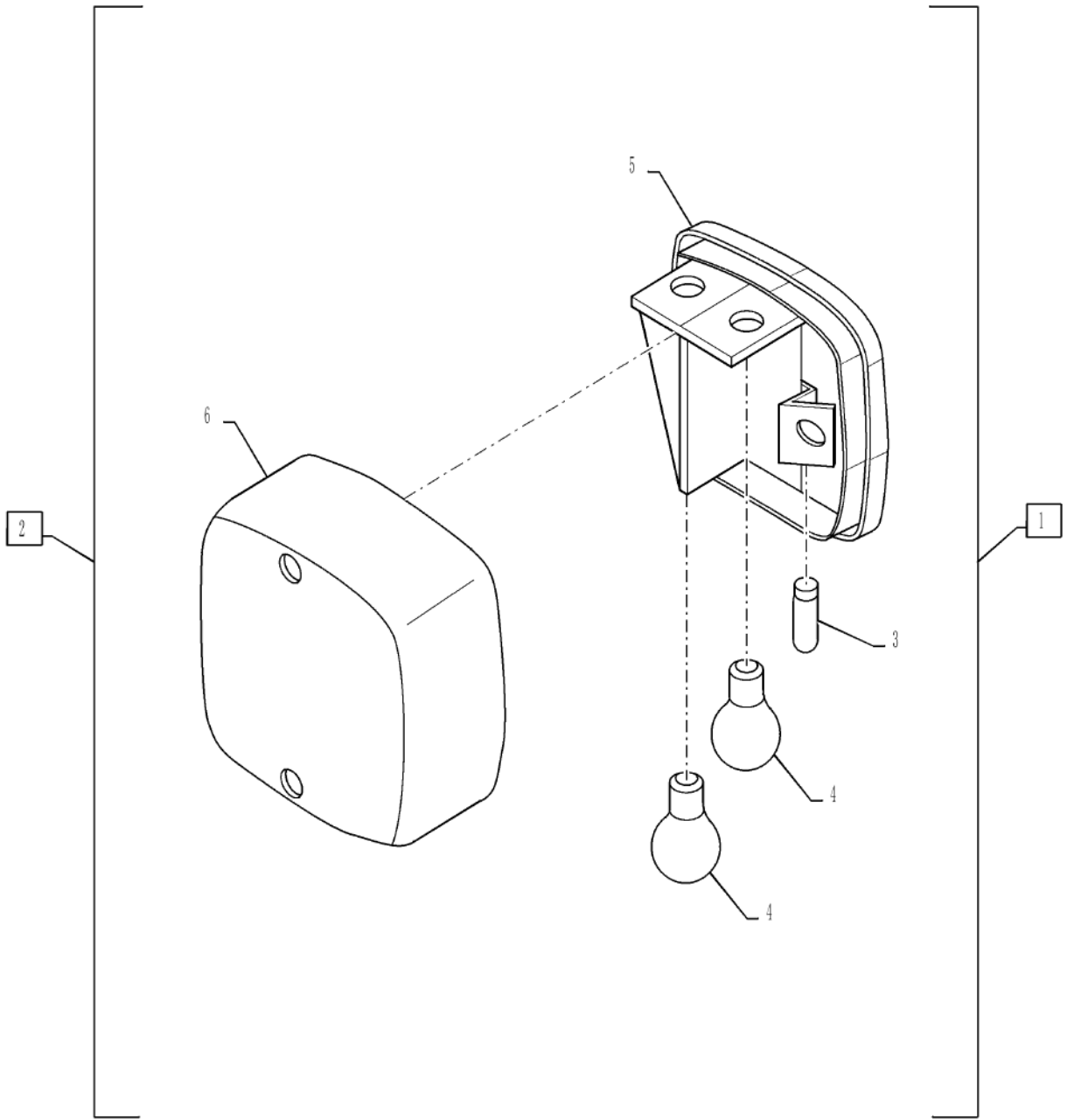


SIDE MARKER LAMP ASSY

REF FN	PART NUMBER	YR/SN	QTY DESCRIPTION
1	449531		2 LAMP Red Side Marker
2	84573927		2 WIRE HARNESS
3	353078		2 BULB T8/4, 12V, 4W
4	9804255		8 BOLT Hex, M6 x 1 x 16mm, Full Thd, Cl 8.8
5	322357		4 BELLEVILLE WASHER M6 x 14mm OD x 1.3mm Thk
6	9804276		8 FLANGE NUT Hex, M6 x 1, Cl 8
7	646223		5 STRAP 8.0" L
8	47429495		1 MOUNT LH
9	47429493		1 MOUNT RH

RB465-CASE IH ROUND BALER - EUROPE & R.O.W.

TAIL LAMP

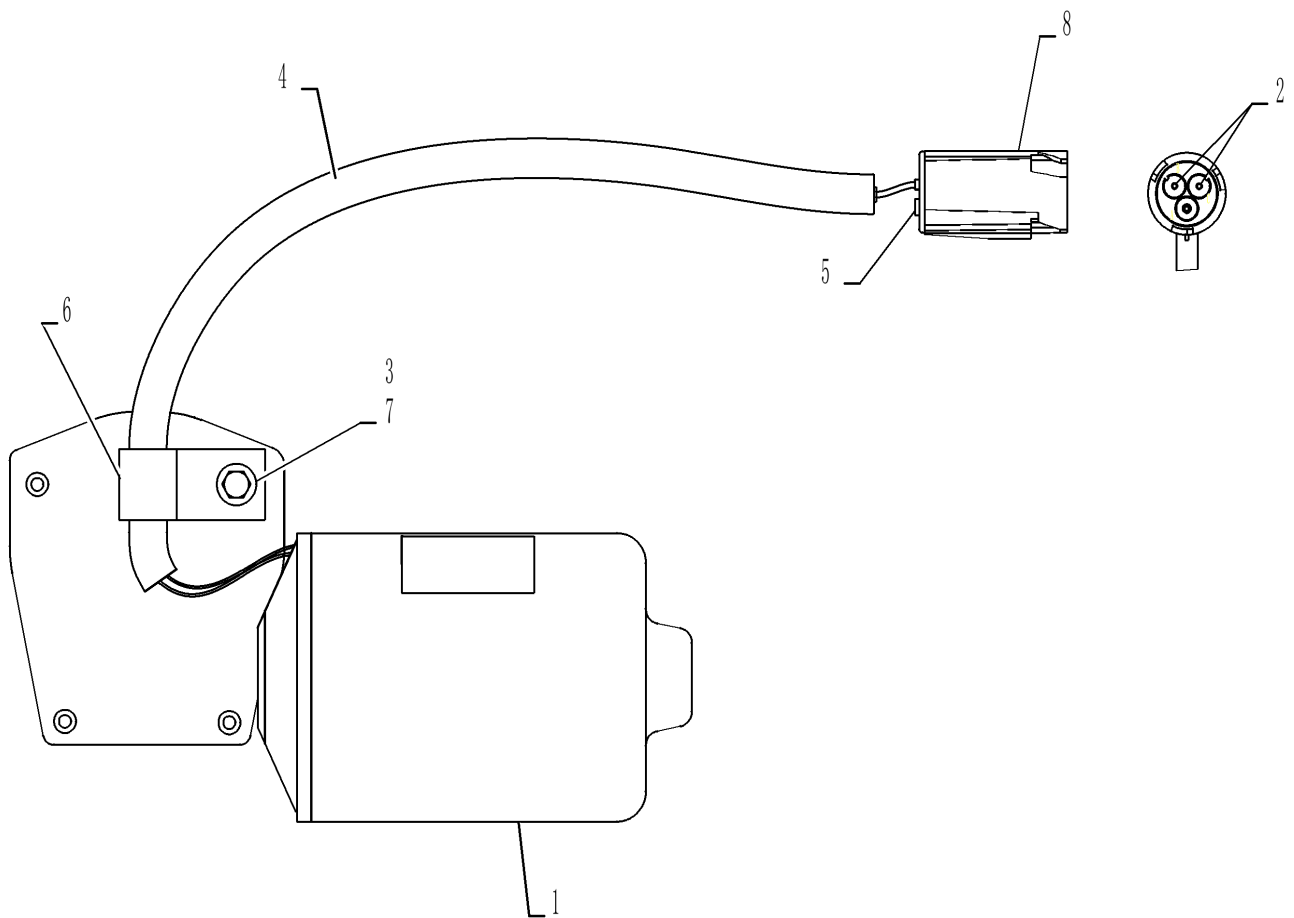


TAIL LAMP

REF FN	PART NUMBER	YR/SN	QTY DESCRIPTION
1	84037090		1 TAIL LAMP 12V, 21W, Amber/Red RH, Red, Incl 3 - 6
2	84037093		1 TAIL LAMP 12V, 21W, Amber/Red LH, Clear, Incl 3 - 6
3	418870		2 BULB 12V, 10W
4	398877		4 BULB 12V, 21W
5	NSS		2 NOT SERVICED SEPARATELY Mounting Plate, Incl in 1, 2
6	NSS		2 NOT SERVICED SEPARATELY Lense, Incl in 1, 2

RB465-CASE IH ROUND BALER - EUROPE & R.O.W.

TWINE WRAP ACTUATOR



55.433.AA

02

p1

9/2015

TWINE WRAP ACTUATOR

REF FN	PART NUMBER	YR/SN	QTY DESCRIPTION
1	47441445		1 WIPER MOTOR 12V Twine Wrap
2	87697947		2 ELEC. TERMINAL PIN Nickel, 0.50 - 1.00mm ² Pin
3	412064		1 BOLT Hex, M4 x 16mm, Cl 8.8, Full Thd
4	87030545		1 HOSE 5/16" ID x 17" L
5	84068583		1 PLUG 12 - 16 Ga, White
6	257492		1 CLAMP 14.3mm, Coat, 10.3mm Bolt Hole, P Type
7	280299		1 WASHER 0.19" ID x 0.44" OD x 0.05" Thk
8	87707151		1 CONTACT HOUSING Deutsch HD 10 Series, 3-Way Housing

RB465-CASE IH ROUND BALER - EUROPE & R.O.W.

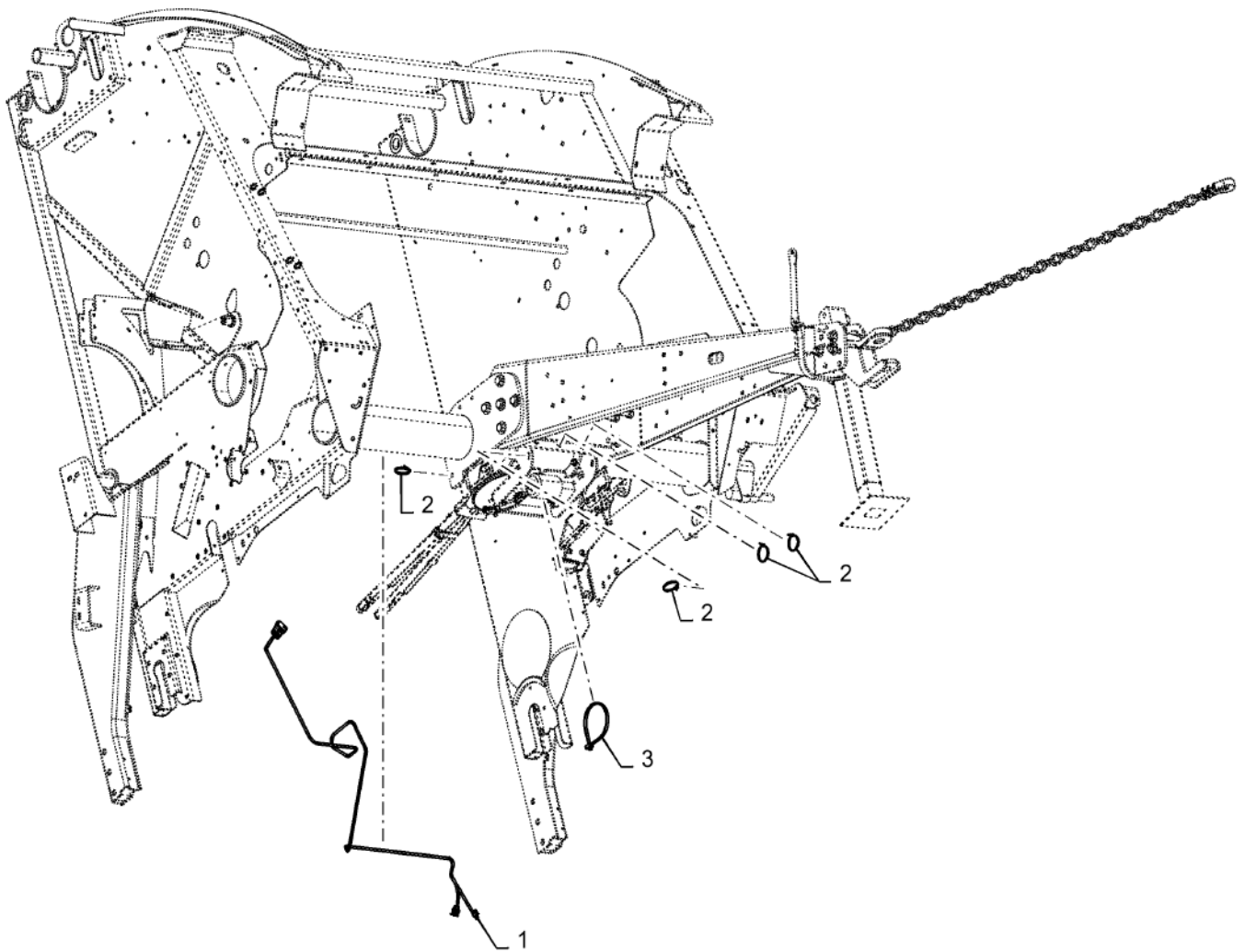
55.433.AB

01

p1

9/2015

WIRE HARNESS, TWINE



55.433.AB

01

p1

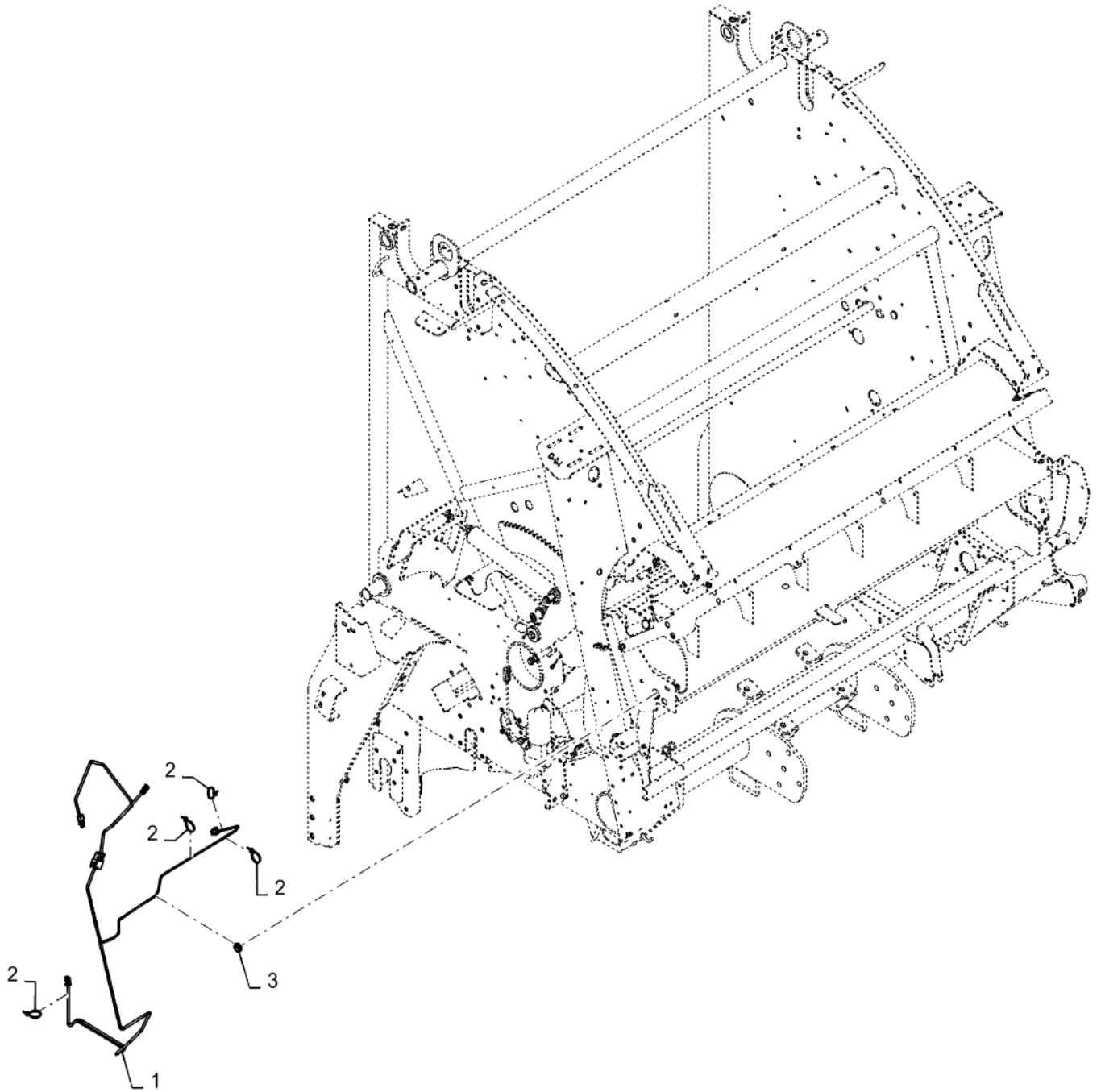
9/2015

WIRE HARNESS, TWINE

REF FN	PART NUMBER	YR/SN	QTY DESCRIPTION
1	47488322		1 WIRE HARNESS Twine
2	263117		4 CABLE TIE 292.1mm L
3	529070		1 CABLE TIE 368.3mm L

RB465-CASE IH ROUND BALER - EUROPE & R.O.W.

WIRE HARNESS, NET WRAP



55.433.AB

02

p1

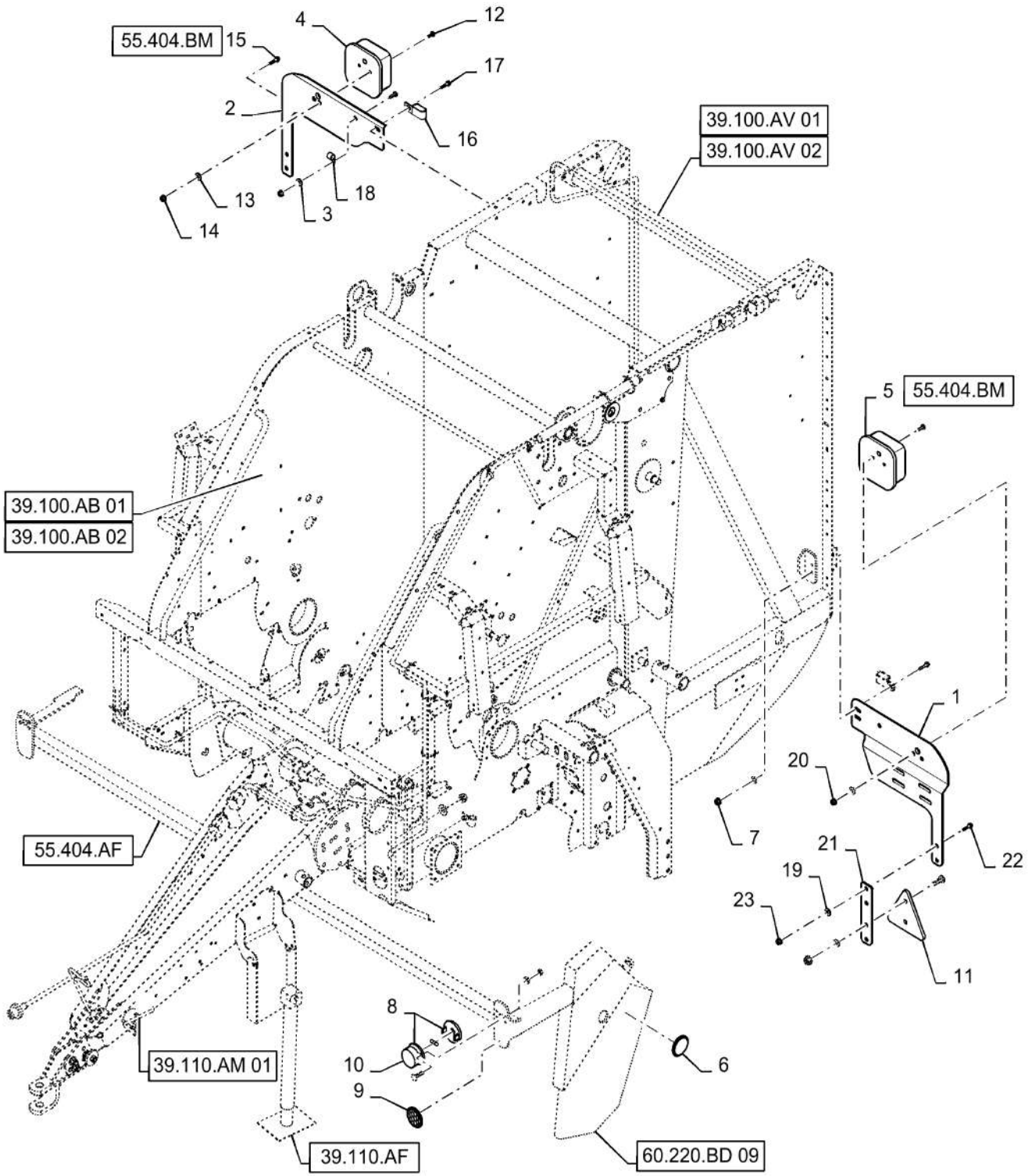
9/2015

WIRE HARNESS, NET WRAP

REF FN	PART NUMBER	YR/SN	QTY DESCRIPTION
1	47482694		1 WIRE HARNESS Net Wrap
2	84292754		4 CLIP Cable Tie W/ Fir Tree, 5mm OD x 203mm OAL
3	248-2375		1 GROMMET 5/8" ID x 7/8" Groove Dia, Str Cut

RB465-CASE IH ROUND BALER - EUROPE & R.O.W.

LIGHTING

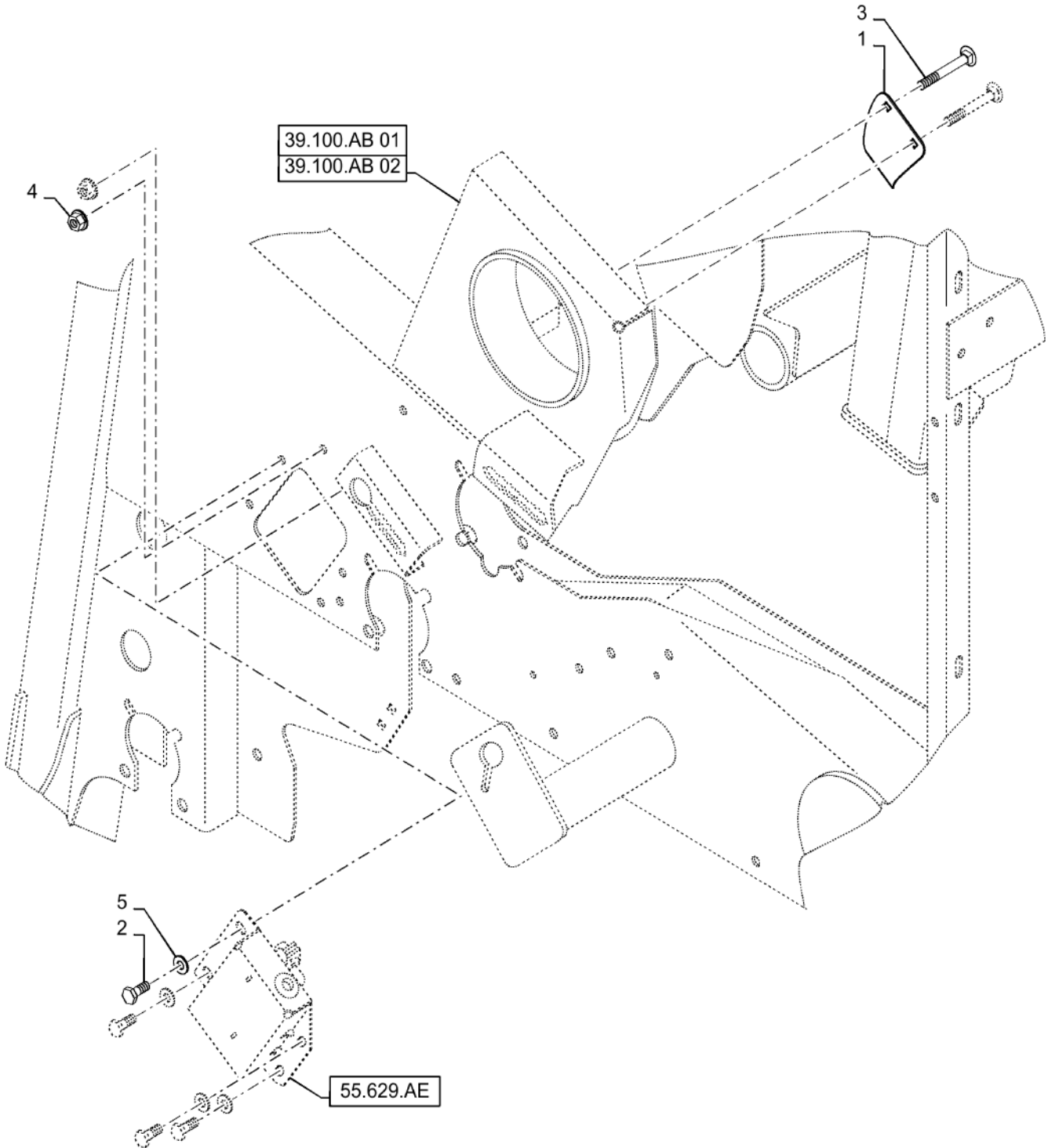


LIGHTING

REF FN	PART NUMBER	YR/SN	QTY DESCRIPTION
1	47537837		1 SUPPORT
2	47537838		1 SUPPORT
3	322358		4 BELLEVILLE WASHER M8 x 18mm OD x 1.4mm Thk
4	84037090		1 TAIL LAMP 12V, 21W, Amber/Red RH
5	84037093		1 TAIL LAMP 12V, 21W, Amber/Red LH
6	435895		4 REFLECTOR 80mm OD, Orange Yellow
7	9804277		4 FLANGE NUT Hex, M8 x 1.25, CI 8
8	336483		2 POSITION LAMP Front Position
9	799266		2 LAMP REFLECTOR White
10	570016		2 ELECTRIC CABLE
11	80746294		2 LAMP REFLECTOR Red
12	86511042		8 SCREW Pan, M4 x 0.7 x 19.25mm OAL
13	322355		8 BELLEVILLE WASHER M4 x 10mm OD x 0.9mm Thk
14	100012		8 NUT M4 x 0.7, CI 8
15	9706703		2 CARRIAGE BOLT Sht Sq Nk, M6 x 1 x 20mm, CI 8.8, Full Thd
16	417412		2 CLAMP Rubber Coated, 71mm L x 20mm W
17	9804258		4 BOLT Hex, M8 x 1.25 x 20mm, CI 8.8
18	84818441		2 CLAMP 12.3mm ID, 6.7mm Bolt Hole, P Type
19	322357		2 BELLEVILLE WASHER M6 x 14mm OD x 1.3mm Thk
20	9804276		2 FLANGE NUT Hex, M6 x 1, CI 8
21	1 84005685		2 STRIP-GASKET
22	1 86511829		4 SCREW Phil Pan Hd, M6 x 16mm, CI 4.8, Full Thd
23	1 9706755		4 NUT M6, CI 8
(1)	For Germany Balers		

RB465-CASE IH ROUND BALER - EUROPE & R.O.W.

BALE SHAPE SENSOR MOUNTING



55.629.AC

01

p1

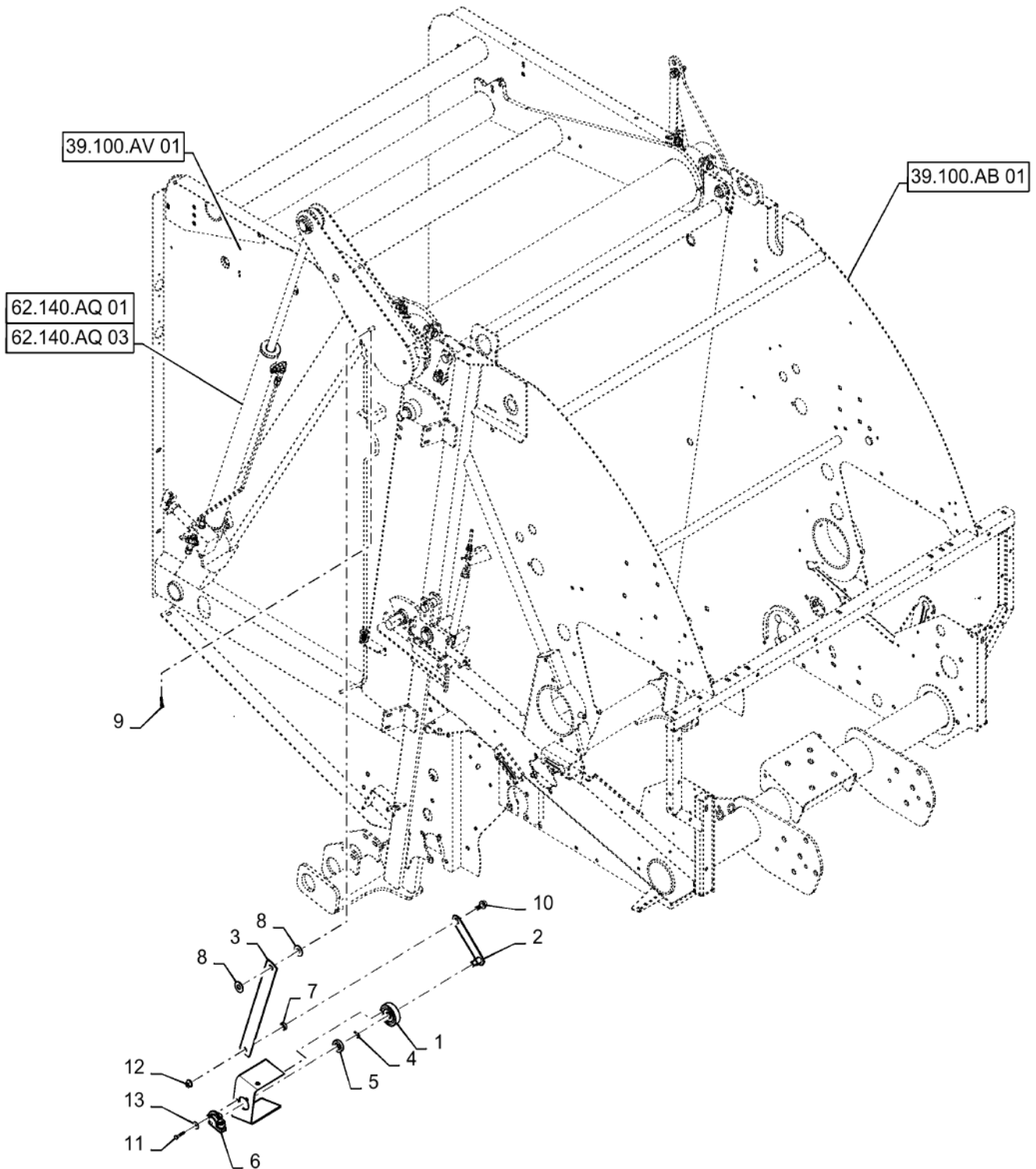
9/2015

BALE SHAPE SENSOR MOUNTING

REF FN	PART NUMBER	YR/SN	QTY DESCRIPTION
1	86637389		1 SPRING Bale Shape Sensor
2	120104		4 BOLT Hex, M8 x 1.25 x 20mm, CI 8.8
3	300660		2 CARRIAGE BOLT M8 x 1.25 x 70mm, CI 8.8
4	9804277		2 FLANGE NUT Hex, M8 x 1.25, CI 8
5	322358		4 BELLEVILLE WASHER M8 x 18mm OD x 1.4mm Thk

RB465-CASE IH ROUND BALER - EUROPE & R.O.W.

BALE SIZE SENSOR

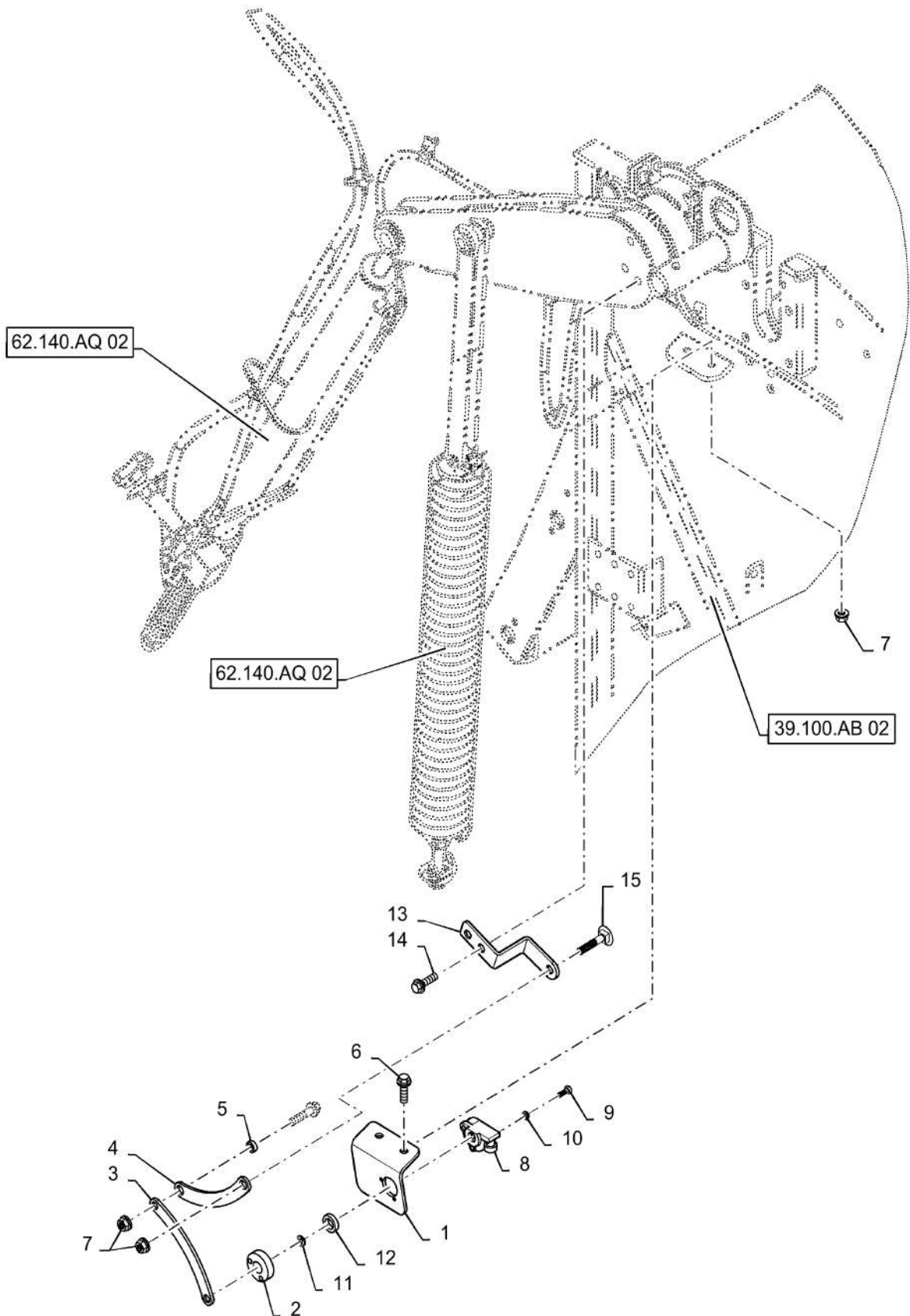


BALE SIZE SENSOR

REF FN	PART NUMBER	YR/SN	QTY DESCRIPTION
1	84308004		1 HUB
2	84319036		1 ARM
3	84294382		1 STRAP
4	86000439		1 SNAP RING 0.288" ID x 0.66" OD x 0.037" Thk, External
5	86613601		1 WASHER 14.88mm ID x 28.69mm OD x 7.35mm Thk
6	86977396		1 POTENTIOMETER 3000 Ohm, 16 VDC Bale Size
7	177822		1 SPACER 8.33mm ID x 12.7mm OD x 4.32mm Thk
8	80702		2 WASHER 0.44" ID x 1" OD x 0.08" Thk
9	80756		1 COTTER PIN 1/8" x 3/4"
10	9804258		1 BOLT Hex, M8 x 1.25 x 20mm, Cl 8.8
11	412255		2 BOLT Hex, M4 x 20mm, Cl 8.8
12	9804277		1 FLANGE NUT Hex, M8 x 1.25, Cl 8
13	9672521		2 LOCK WASHER Ext Tooth, #10

RB465-CASE IH ROUND BALER - EUROPE & R.O.W.

BALE SIZE SENSOR

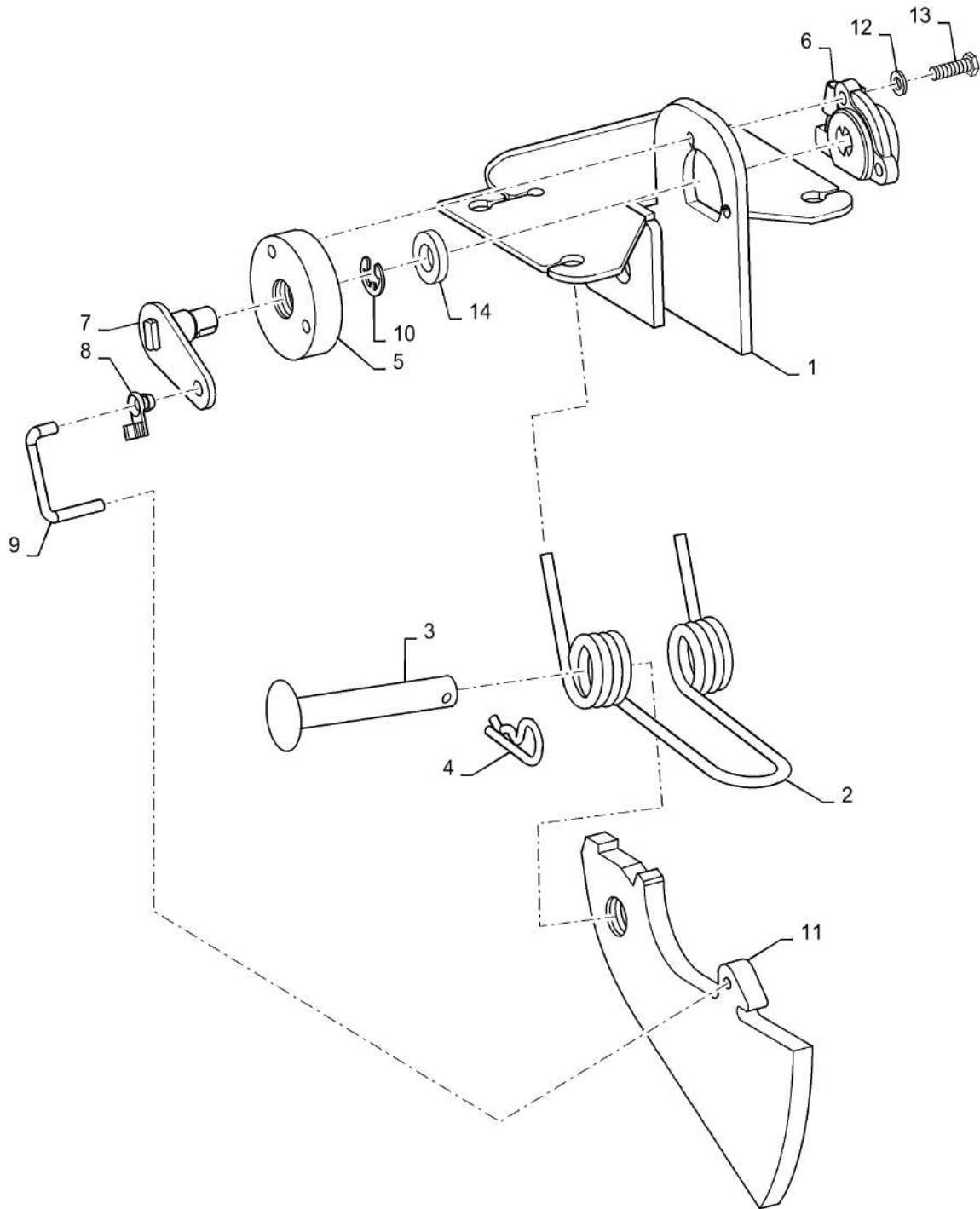


BALE SIZE SENSOR

REF FN	PART NUMBER	YR/SN	QTY DESCRIPTION
1	47533850		1 BRACKET
2	84308004		1 HUB
3	84379022		1 ARM
4	84378404		1 ARM
5	177822		2 SPACER 8.33mm ID x 12.7mm OD x 4.32mm Thk
6	9804258		3 BOLT Hex, M8 x 1.25 x 20mm, CI 8.8
7	9804277		4 FLANGE NUT Hex, M8 x 1.25, CI 8
8	86977396		1 POTENTIOMETER 3000 Ohm, 16 VDC Bale Size
9	412255		2 BOLT Hex, M4 x 20mm, CI 8.8
10	9672521		2 LOCK WASHER Ext Tooth, #10
11	86000439		1 SNAP RING 0.288" ID x 0.66" OD x 0.037" Thk, External
12	86613601		1 WASHER 14.88mm ID x 28.69mm OD x 7.35mm Thk
13	84521583		1 BRACKET
14	87039762		2 SELF-TAP SCREW Hex Wash Hd, 5/16"-18 x 5/8"
15	86507486		1 CARRIAGE BOLT M8 x 1.25 x 20mm, CI 8.8

RB465-CASE IH ROUND BALER - EUROPE & R.O.W.

BALE SHAPE SENSOR ASSEMBLY



BALE SHAPE SENSOR ASSEMBLY

REF FN	PART NUMBER	YR/SN	QTY DESCRIPTION
1	84581847		1 HOUSING Bale Shape Sensor
2	86505745		1 SPRING Torsion
3	771478		1 PIN 12.7mm OD x 86.77mm L
4	216698		1 COTTER PIN 0.125" OD x 1.75" OAL
5	84308004		1 HUB Potentiometer
6	86977396		1 POTENTIOMETER 3000 Ohm, 16 VDC Bale Shape Sensor
7	84543049		1 ARMATURE
8	9821714		1 CLIP
9	84544242		1 ROD
10	86000439		1 SNAP RING 0.288" ID x 0.66" OD x 0.037" Thk, External
11	84569639		1 WEDGE
12	9672521		2 LOCK WASHER Ext Tooth, #10
13	412255		2 BOLT Hex, M4 x 20mm, Cl 8.8
14	86613601		1 WASHER 14.88mm ID x 28.69mm OD x 7.35mm Thk

RB465-CASE IH ROUND BALER - EUROPE & R.O.W.

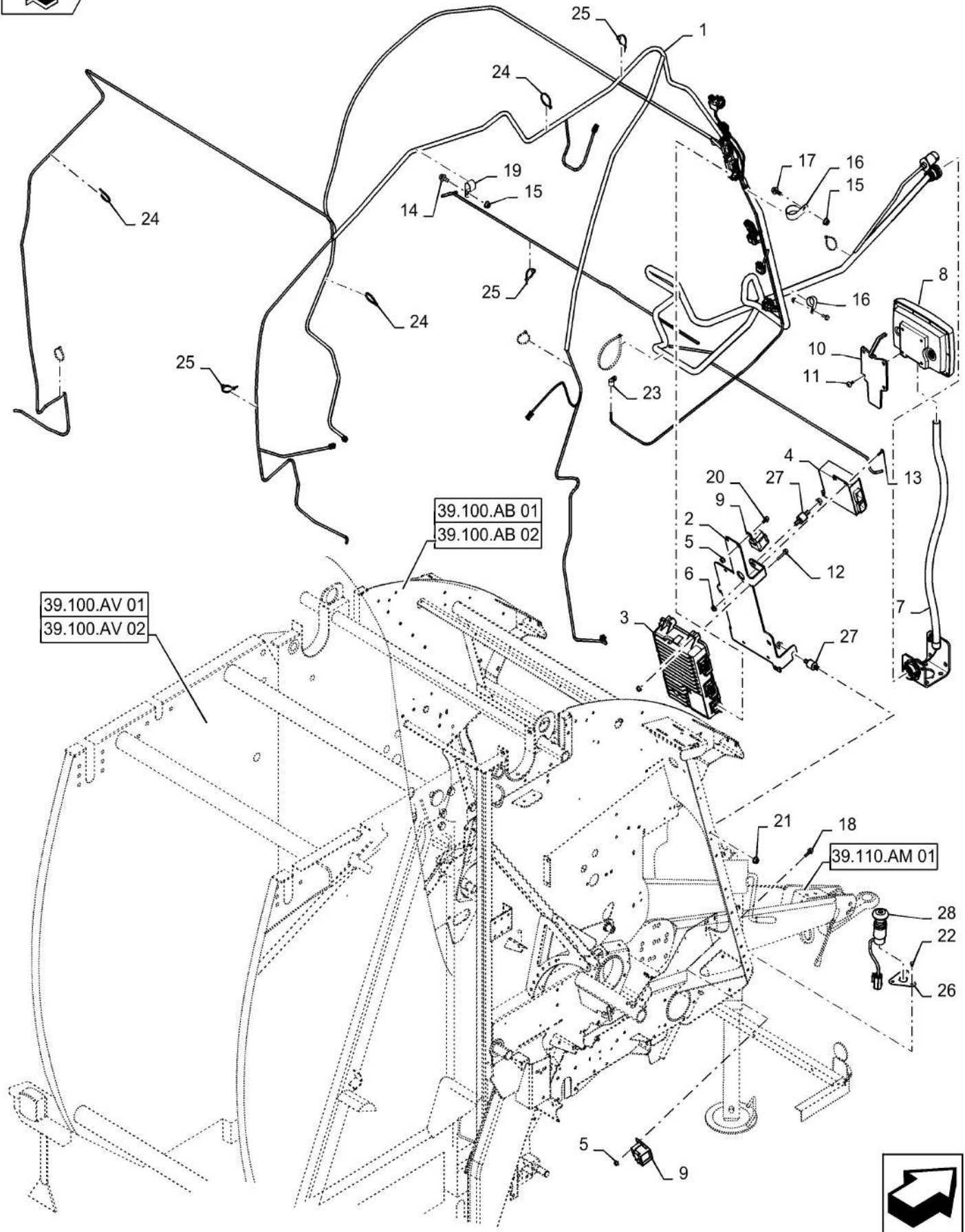
55.640.AB

01

p1

9/2015

VAR - 726965 - STANDARD WRAPPER, ELECTRONIC CONTROLS



39.100.AV 01
39.100.AV 02

39.100.AB 01
39.100.AB 02

39.110.AM 01



55.640.AB

01

p1

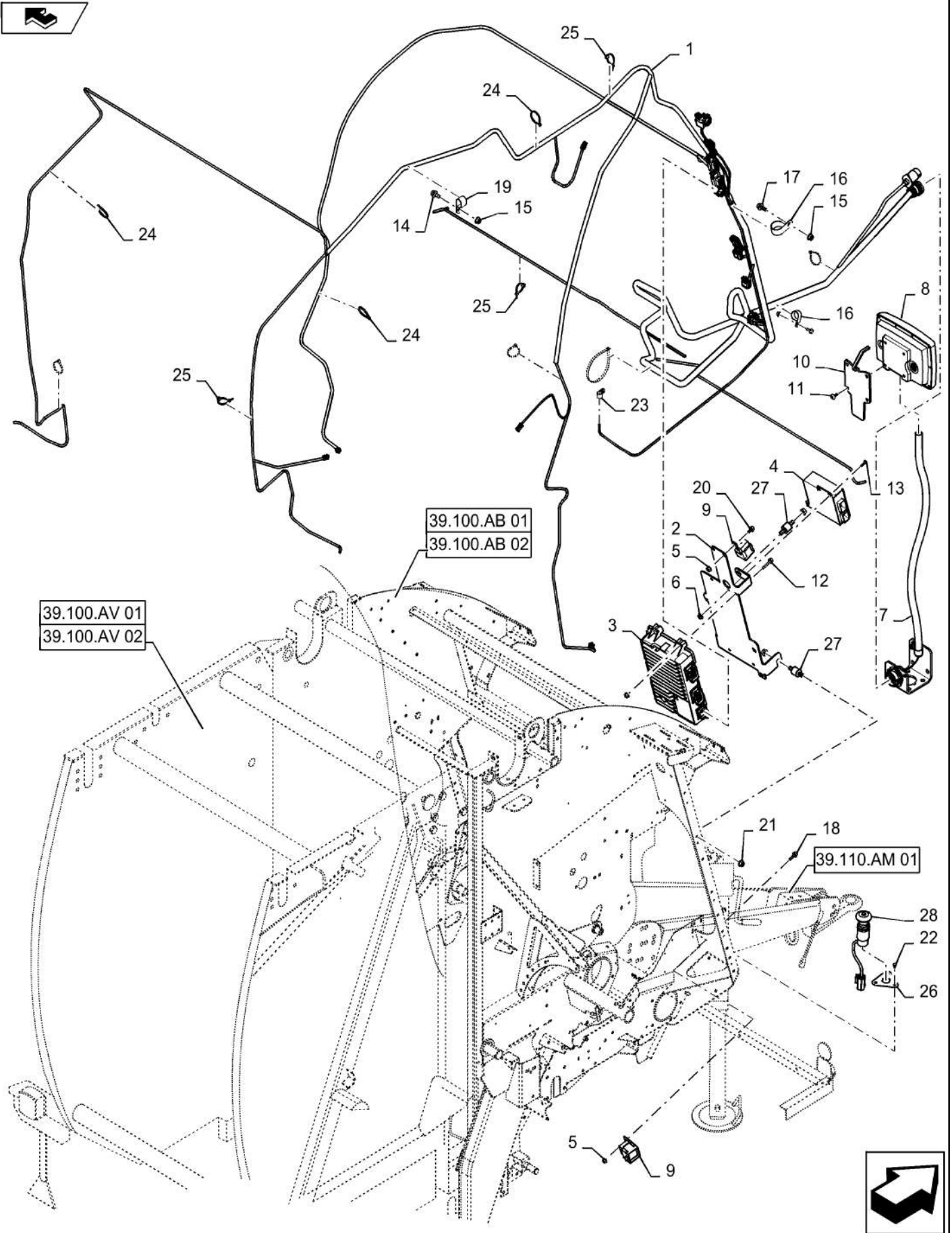
9/2015

VAR - 726965 - STANDARD WRAPPER, ELECTRONIC CONTROLS

REF FN	PART NUMBER	YR/SN	QTY DESCRIPTION
1	84279853		1 WIRE HARNESS
2	47487624		1 SUPPORT
3	47398072		1 MODULE
4	84302975		1 ECU
5	9804276		6 FLANGE NUT Hex, M6 x 1, CI 8
6	86507064		2 FLANGE NUT M5 x 0.8
7	47436612		1 WIRE HARNESS
8	84185964		1 CONTROL PANEL
9	82017871		2 RELAY
10	84385021		1 MOUNTING PLATE
11	87742364		4 SCREW Pan Torx, M6 x 16mm, CI 8.8
12	86511839		4 BOLT Hvy Hex, M6 x 30mm, CI 8.8
13	86511826		2 SCREW Phillips Drive, Pan HD, M5 x 16mm
14	381014		2 SCREW Flng, M8 x 16mm
15	9804277		4 FLANGE NUT Hex, M8 x 1.25, CI 8
16	86628564		3 CLAMP 31.7mm, Coat, 10.3mm Bolt Hole, P Type
17	9804258		4 BOLT Hex, M8 x 1.25 x 20mm, CI 8.8
18	9804256		1 BOLT Hex, M6 x 1 x 20mm, Full Thd, CI 8.8
19	600427		1 CLAMP 25.4mm, Coat, 8.7mm Bolt Hole, P Type
20	86050272		1 BOLT M6 x 1.0 x 18.6mm OAL, CI 8.8, Full Thd
21	86505868		6 SERRATED NUT M8 x 1.25
22	331619		3 SELF-TAP SCREW Hex, M4.8 x 1.8 x 9.5mm
23	87010656		2 CLAMP 17.5mm, Coat, 10.3mm Bolt Hole, P Type
24	86566989		AR CABLE TIE 208mm L
25	84292754		AR CLIP Cable Tie W/ Fir Tree, 5mm OD x 203mm OAL
26	47509395		1 PLATE
27	84558714		3 SHOCK ABSORBER
28	47501736		1 MECHANICAL SWITCH Safety Switch, Wrapper Control

RB465-CASE IH ROUND BALER - EUROPE & R.O.W.

VAR - 726966 - DELUXE WRAPPER, ELECTRONIC CONTROLS, 797301008 AND AFTER



VAR - 726966 - DELUXE WRAPPER, ELECTRONIC CONTROLS, 797301008 AND AFTER

REF FN	PART NUMBER	YR/SN	QTY DESCRIPTION
1	47655926		1 WIRE HARNESS Deluxe Wrapper, Incl 9
2	47487624		1 SUPPORT
3	1 47398072		1 MODULE
4	2 84302975		1 ECU
5	9804276		6 FLANGE NUT Hex, M6 x 1, CI 8
6	86507064		2 FLANGE NUT M5 x 0.8
7	47436612		1 WIRE HARNESS Cab
8	84185964		1 CONTROL PANEL
9	82017871		2 RELAY Incl in 1
10	84385021		1 MOUNTING PLATE
11	87742364		4 SCREW Pan Torx, M6 x 16mm, CI 8.8
12	86511839		4 BOLT Hvy Hex, M6 x 30mm, CI 8.8
13	86511826		2 SCREW Phillips Drive, Pan HD, M5 x 16mm
14	381014		2 SCREW Flng, M8 x 16mm
15	9804277		4 FLANGE NUT Hex, M8 x 1.25, CI 8
16	86628564		3 CLAMP 31.7mm, Coat, 10.3mm Bolt Hole, P Type
17	9804258		4 BOLT Hex, M8 x 1.25 x 20mm, CI 8.8
18	9804256		1 BOLT Hex, M6 x 1 x 20mm, Full Thd, CI 8.8
19	600427		1 CLAMP 25.4mm, Coat, 8.7mm Bolt Hole, P Type
20	86050272		1 BOLT M6 x 1.0 x 18.6mm OAL, CI 8.8, Full Thd
21	86505868		6 SERRATED NUT M8 x 1.25
22	331619		3 SELF-TAP SCREW Hex, M4.8 x 1.8 x 9.5mm
23	87010656		2 CLAMP 17.5mm, Coat, 10.3mm Bolt Hole, P Type
24	86566989		31 CABLE TIE 208mm L
25	84292754		25 CLIP Cable Tie W/ Fir Tree, 5mm OD x 203mm OAL
26	47509395		1 PLATE
27	84558714		3 SHOCK ABSORBER
28	47501736		1 MECHANICAL SWITCH Safety Switch, Wrapper Control

(1) Obtain Load Boot Code and Application Code from EST

(2) Obtain Software from EST

RB465-CASE IH ROUND BALER - EUROPE & R.O.W.

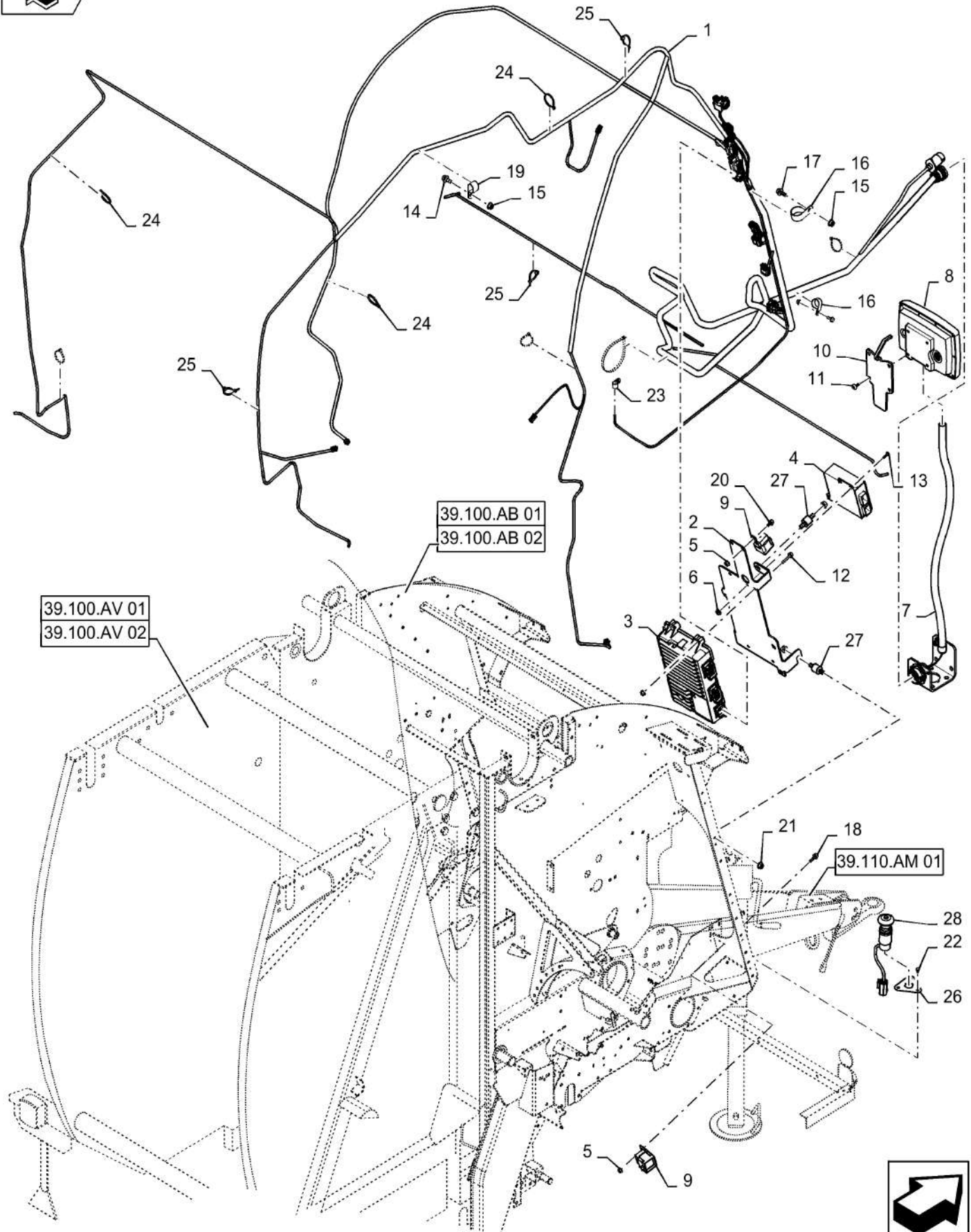
55.640.AB

02

p1

9/2015

VAR - 726966 - DELUXE WRAPPER, ELECTRONIC CONTROLS, 794992016 AND PRIOR



VAR - 726966 - DELUXE WRAPPER, ELECTRONIC CONTROLS, 794992016 AND PRIOR

REF FN	PART NUMBER	YR/SN	QTY DESCRIPTION
1	84279853		1 WIRE HARNESS Incl 9
2	47487624		1 SUPPORT
3	47398072		1 MODULE
4	84302975		1 ECU
5	9804276		6 FLANGE NUT Hex, M6 x 1, CI 8
6	86507064		2 FLANGE NUT M5 x 0.8
7	47436612		1 WIRE HARNESS
8	84185964		1 CONTROL PANEL
9	82017871		2 RELAY
10	84385021		1 MOUNTING PLATE
11	87742364		4 SCREW Pan Torx, M6 x 16mm, CI 8.8
12	86511839		4 BOLT Hvy Hex, M6 x 30mm, CI 8.8
13	86511826		2 SCREW Phillips Drive, Pan HD, M5 x 16mm
14	381014		2 SCREW Flng, M8 x 16mm
15	9804277		4 FLANGE NUT Hex, M8 x 1.25, CI 8
16	86628564		3 CLAMP 31.7mm, Coat, 10.3mm Bolt Hole, P Type
17	9804258		4 BOLT Hex, M8 x 1.25 x 20mm, CI 8.8
18	9804256		1 BOLT Hex, M6 x 1 x 20mm, Full Thd, CI 8.8
19	600427		1 CLAMP 25.4mm, Coat, 8.7mm Bolt Hole, P Type
20	86050272		1 BOLT M6 x 1.0 x 18.6mm OAL, CI 8.8, Full Thd
21	86505868		6 SERRATED NUT M8 x 1.25
22	331619		3 SELF-TAP SCREW Hex, M4.8 x 1.8 x 9.5mm
23	87010656		2 CLAMP 17.5mm, Coat, 10.3mm Bolt Hole, P Type
24	86566989		AR CABLE TIE 208mm L
25	84292754		AR CLIP Cable Tie W/ Fir Tree, 5mm OD x 203mm OAL
26	47509395		1 PLATE
27	84558714		3 SHOCK ABSORBER
28	47501736		1 MECHANICAL SWITCH Kill, Disables Electronics

RB465-CASE IH ROUND BALER - EUROPE & R.O.W.

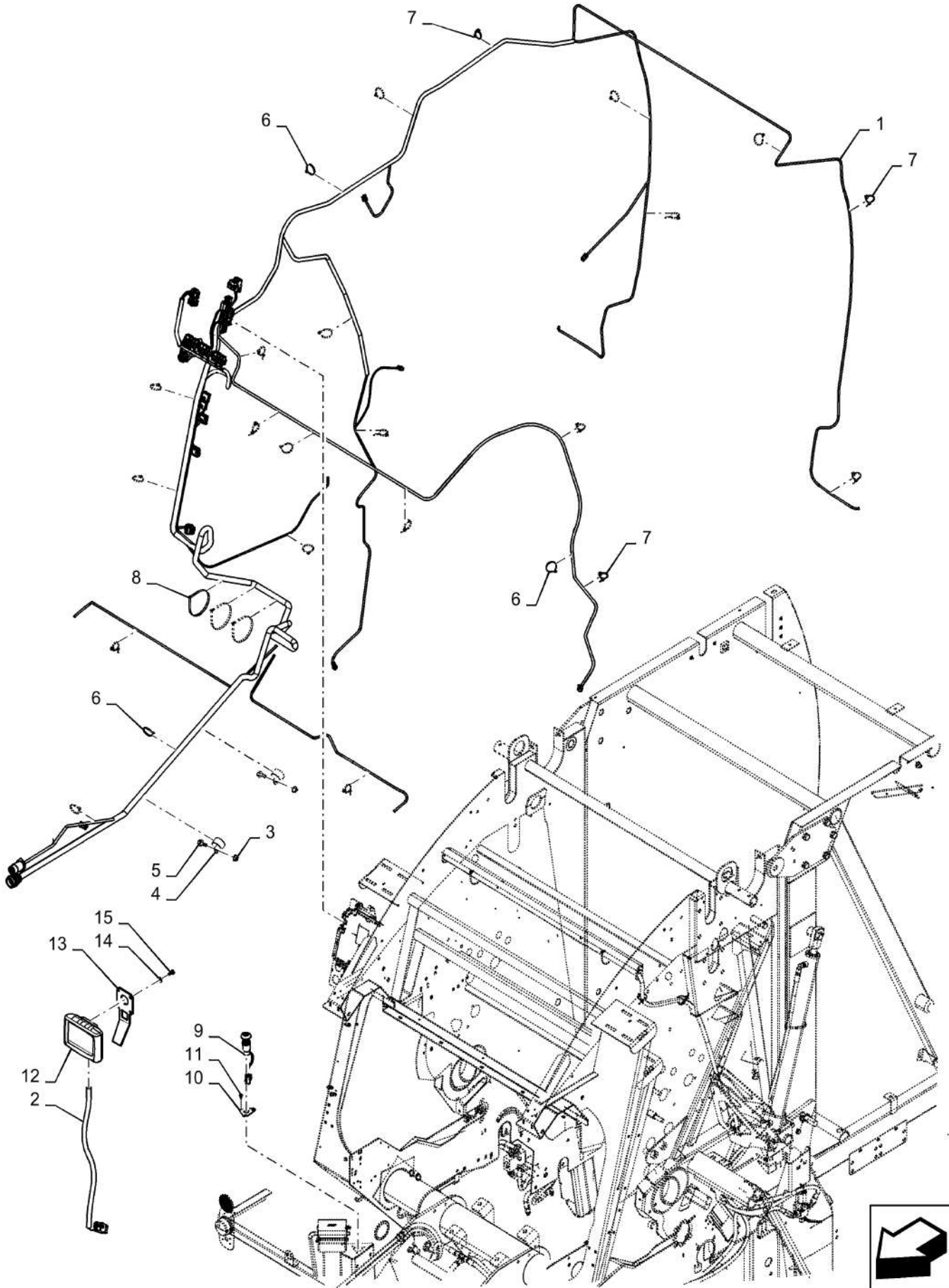
55.905.AA

01

p1

9/2015

VAR - 726937, 726969 - ISOBUS ELECTRIC GROUP, FRONT



55.905.AA

01

p1

9/2015

VAR - 726937, 726969 - ISOBUS ELECTRIC GROUP, FRONT

REF FN	PART NUMBER	YR/SN	QTY DESCRIPTION
1	47436610		1 WIRE HARNESS ISOBUS
1	47655928		1 WIRE HARNESS ISOBUS
2	47520899		1 WIRE HARNESS
3	9804277		2 FLANGE NUT Hex, M8 x 1.25, CI 8
4	86628564		2 CLAMP 31.7mm, Coat, 10.3mm Bolt Hole, P Type
5	9804258		2 BOLT Hex, M8 x 1.25 x 20mm, CI 8.8
6	86566989		16 CABLE TIE 208mm L
7	84292754		9 CLIP Cable Tie W/ Fir Tree, 5mm OD x 203mm OAL
8	14569387		3 HOSE CLIP
9	47501736		1 MECHANICAL SWITCH
10	47509395		1 PLATE
11	331619		3 SELF-TAP SCREW Hex, M4.8 x 1.8 x 9.5mm
12	84486872		1 DISPLAY SWCD TS 1.5
12	47585553		1 DISPLAY SWCD TS 2.0
13	47691332		1 MOUNTING PLATE
14	322357		4 BELLEVILLE WASHER M6 x 14mm OD x 1.3mm Thk
15	86508568		4 BOLT Hex, M6 x 1 x 16mm, CI 8.8

RB465-CASE IH ROUND BALER - EUROPE & R.O.W.

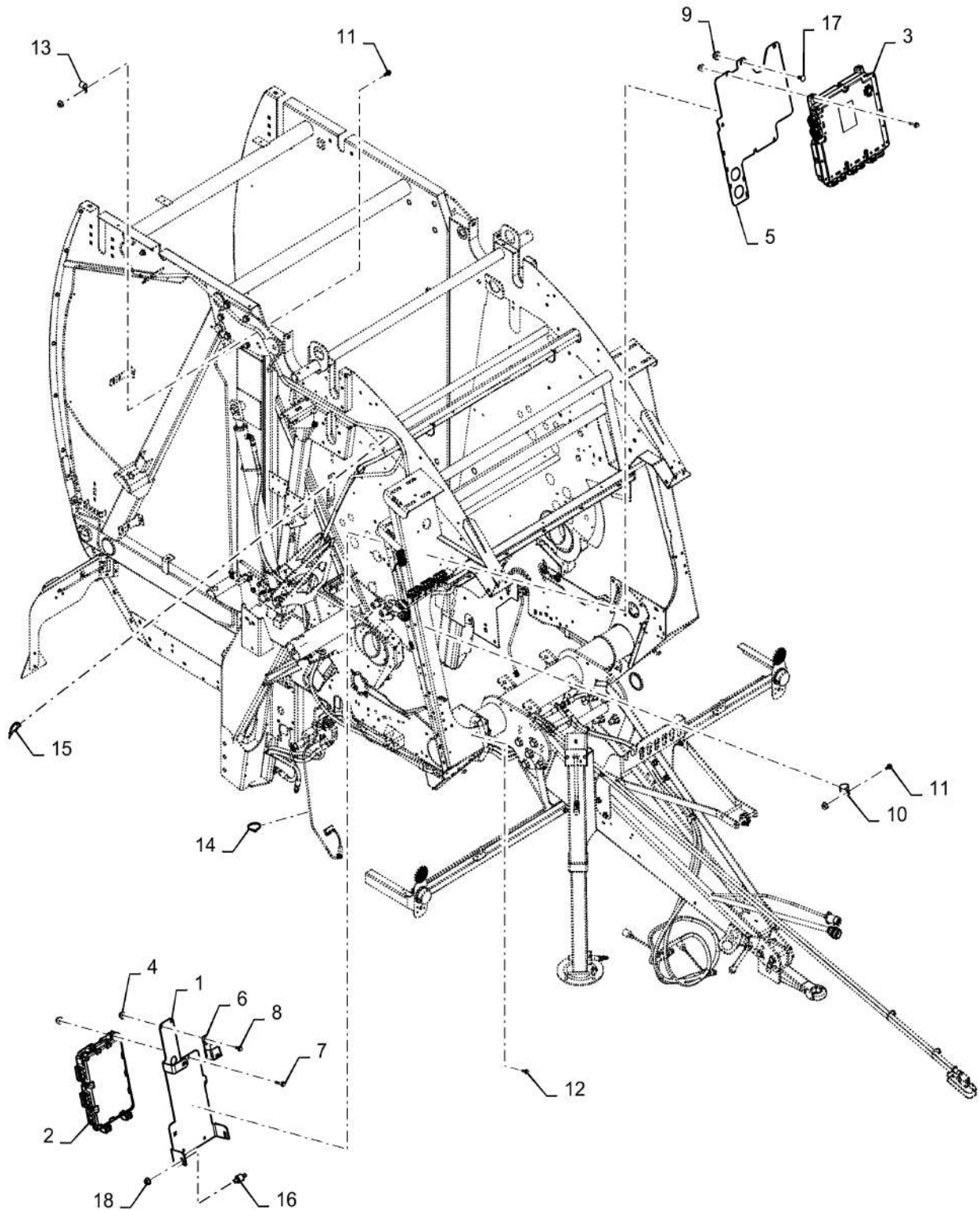
55.905.AA

02

p1

9/2015

VAR - 726967, 726969 - ISOBUS ELECTRIC GROUP, RH



55.905.AA

02

p1

9/2015

VAR - 726967, 726969 - ISOBUS ELECTRIC GROUP, RH

REF FN	PART NUMBER	YR/SN	QTY DESCRIPTION
1	47487624		1 SUPPORT
2	47398072		1 MODULE H-BRIDGE
3	47385274		1 MODULE ECU, UCM.12V.STD2.M2
4	9804276		8 FLANGE NUT Hex, M6 x 1, CI 8
5	47565168		1 SUPPORT
6	82017871		2 RELAY
7	86511839		8 BOLT Hvy Hex, M6 x 30mm, CI 8.8
8	86050272		1 BOLT M6 x 1.0 x 18.6mm OAL, CI 8.8, Full Thd
9	9804277		3 FLANGE NUT Hex, M8 x 1.25, CI 8
10	86628564		1 CLAMP 31.7mm, Coat, 10.3mm Bolt Hole, P Type
11	9804258		2 BOLT Hex, M8 x 1.25 x 20mm, CI 8.8
12	9804256		1 BOLT Hex, M6 x 1 x 20mm, Full Thd, CI 8.8
13	87010656		2 CLAMP 17.5mm, Coat, 10.3mm Bolt Hole, P Type
14	86566989		24 CABLE TIE 208mm L
15	84292754		11 CLIP Cable Tie W/ Fir Tree, 5mm OD x 203mm OAL
16	84558714		3 SHOCK ABSORBER
17	86507486		1 CARRIAGE BOLT M8 x 1.25 x 20mm, CI 8.8
18	86505868		6 SERRATED NUT M8 x 1.25

RB465-CASE IH ROUND BALER - EUROPE & R.O.W.

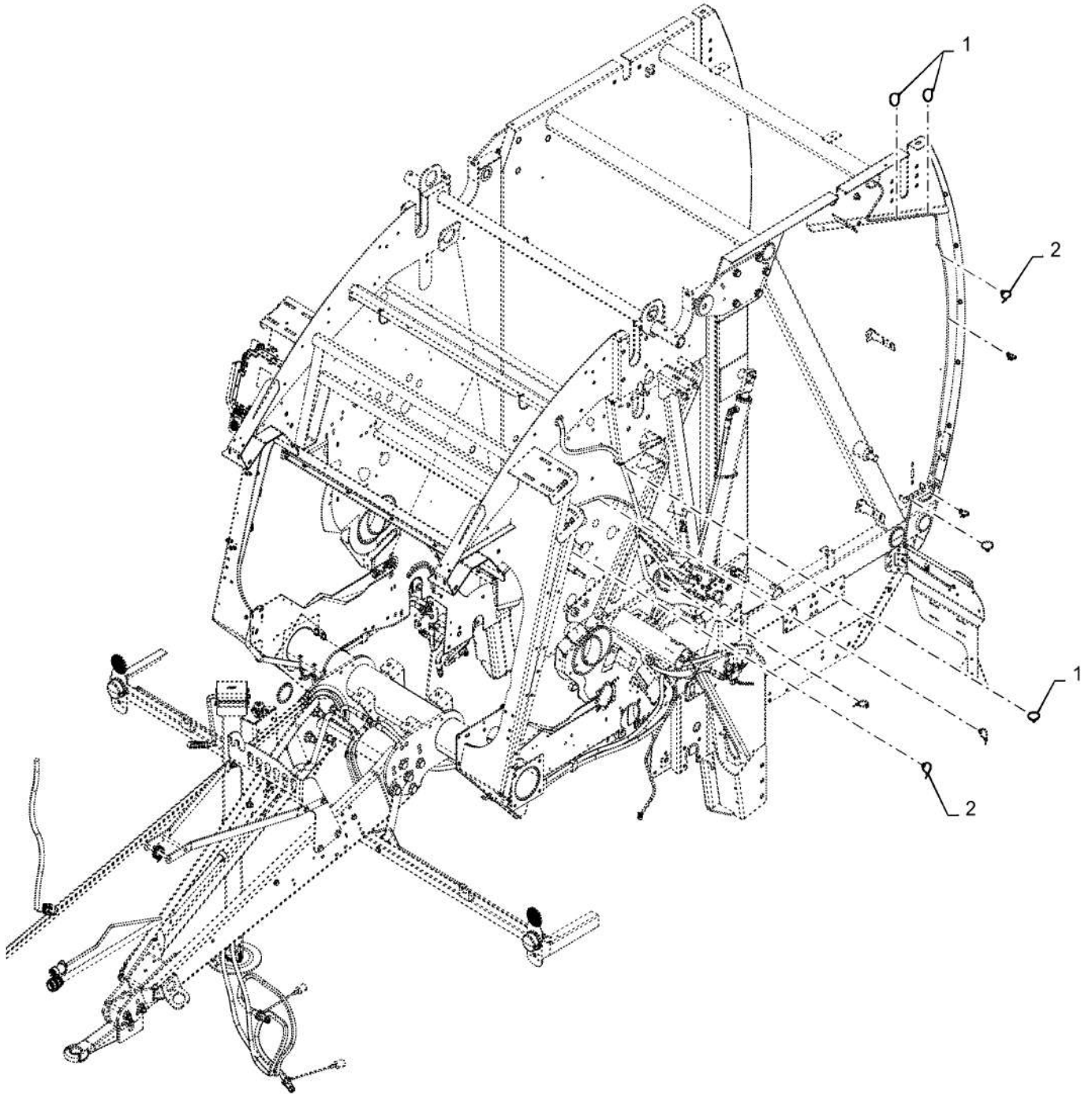
55.905.AA

03

p1

9/2015

VAR - 726967, 726969 - ISOBUS ELECTRIC GROUP, LH



55.905.AA

03

p1

9/2015

VAR - 726967, 726969 - ISOBUS ELECTRIC GROUP, LH

REF FN	PART NUMBER	YR/SN	QTY DESCRIPTION
1	86566989		4 CABLE TIE 208mm L
2	84292754		7 CLIP Cable Tie W/ Fir Tree, 5mm OD x 203mm OAL

RB465-CASE IH ROUND BALER - EUROPE & R.O.W.

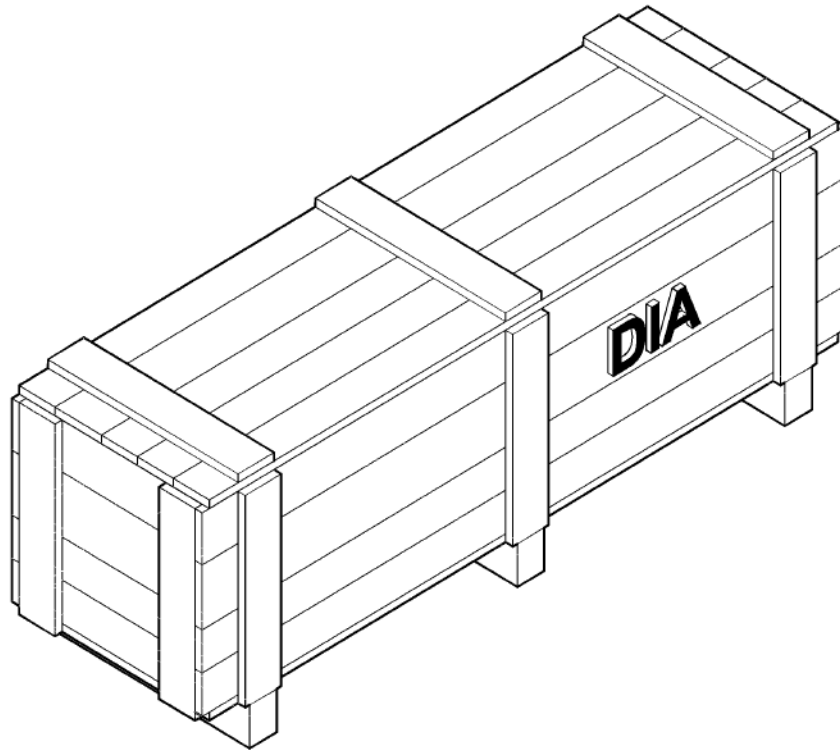
88.100.55

09

p1

9/2015

DIA KIT, BALE EJECTOR SENSOR



DIA KIT, BALE EJECTOR SENSOR

REF FN	PART NUMBER	YR/SN	QTY DESCRIPTION
1	47803709		1 DIA KIT, HARVESTER Bale Ejector Sensor, Incl 2 - 16
2	47705786		1 INSTRUCTION Bale Ejector Sensor
3	86624468		1 SPACER Switch
4	308761		2 CARRIAGE BOLT M8 x 1.25 x 25mm, CI 8.8
5	47805261		1 BRACKET Sensor
6	84279867		1 WIRE HARNESS Used on Balers with Standard Wrapper.
7	84279868		1 WIRE HARNESS Used on Balers with Deluxe Wrapper.
8	9804277		2 FLANGE NUT Hex, M8 x 1.25, CI 8
9	86566989		12 CABLE TIE 208mm L
10	86625036		1 CLAMP 12.7mm, Coat, 8.7mm Bolt Hole, P Type
11	84553330		1 CLAMP 12mm ID, 12.5mm Bolt Hole, P Type
12	322358		2 BELLEVILLE WASHER M8 x 18mm OD x 1.4mm Thk
13	47801185		1 BRACKET
14	86594422		1 SENSOR Bale Ejector
15	87310126		2 SCREW Phillips Drive, Pan HD, #10 - 24 x 3/4", SST
16	86900323		2 NUT #10 - 24 KWH #10 Stainless Steel

RB465-CASE IH ROUND BALER - EUROPE & R.O.W.

SECTION INDEX

PRODUCT FEEDING

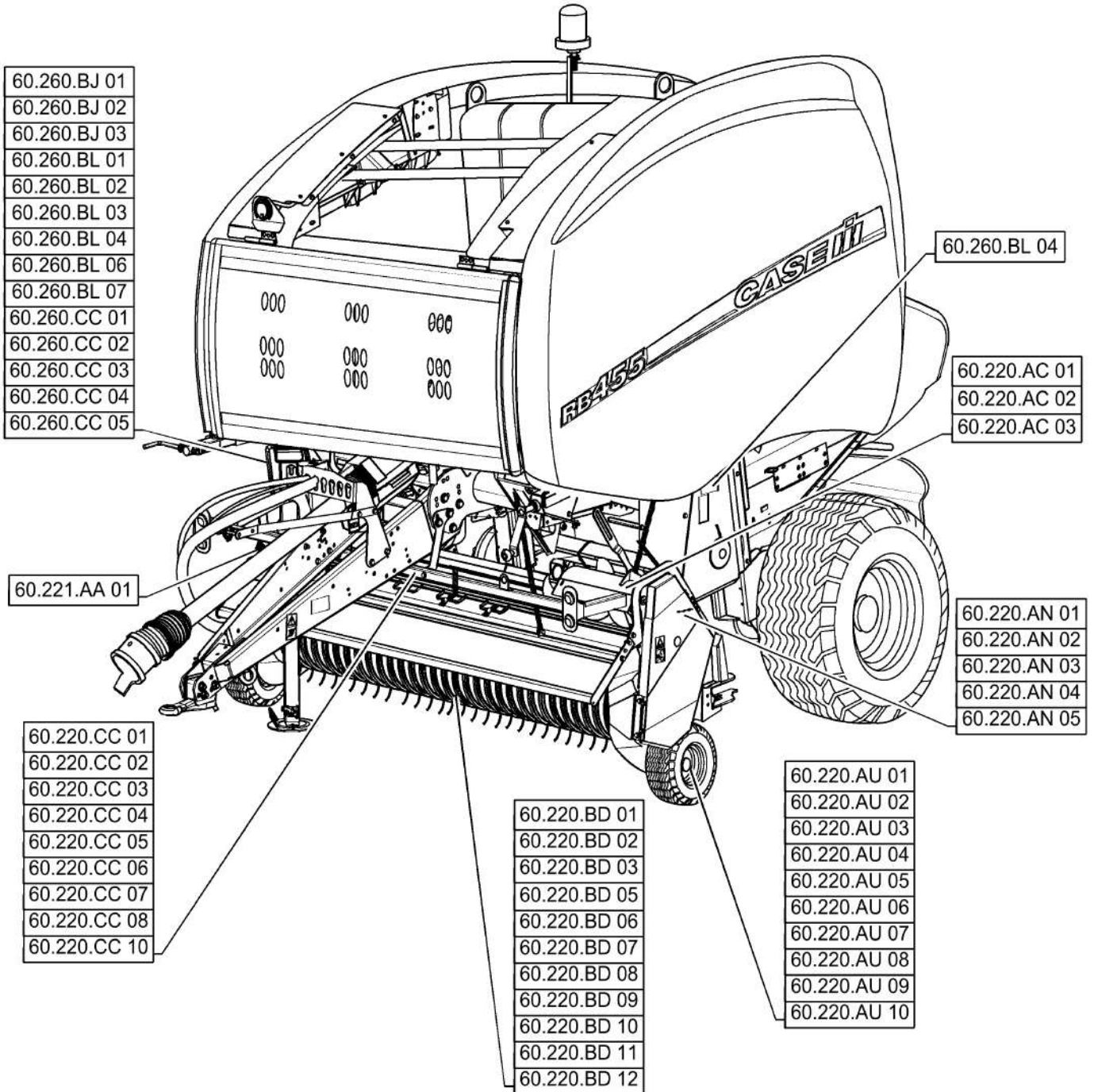
60.000.00		PICTORIAL INDEX - PRODUCT FEEDING
60.220.AC	01	1.8M DUAL CAM WIDE PICKUP, DRIVE SHAFT
60.220.AC	02	2M DUAL CAM WIDE PICKUP, DRIVE SHAFT
60.220.AC	03	2M DUAL CAM WIDE PICKUP, DRIVE SHAFT WITH TOP ASSIST ROLL
60.220.AN	01	JAW CLUTCH, 1.5M WIDE PICKUP
60.220.AN	02	JAW CLUTCH, 1.8M DUAL CAM WIDE PICKUP
60.220.AN	03	1.8M DUAL CAM WIDE PICKUP, CLUTCH DRIVE, WITHOUT ASSIST ROLL
60.220.AN	04	1.8M DUAL CAM WIDE PICKUP, CLUTCH DRIVE, WITH TOP ASSIST ROLL
60.220.AN	05	RADIAL PIN CLUTCH ASSEMBLY
60.220.AU	01	VAR - 726821 - PICKUP WHEEL MOUNTING PARTS, 4.80/4.00-8
60.220.AU	02	VAR - 726821 - PICKUP WHEEL SUPPORT, 4.80/4.00 - 8
60.220.AU	03	VAR - 726821 - PICK-UP WHEEL, 4.80/4.00 - 8
60.220.AU	04	VAR - 726923 - PICK-UP WHEEL, UNDERSHOT ROTOR, NO-TOOL, 15 X 6.00-6
60.220.AU	05	VAR - 726923 - PICK-UP WHEEL MOUNTING PARTS, 15 X 6.00-6
60.220.AU	06	VAR - 726923 - PICK-UP WHEELS, 15 X 6.00-6
60.220.AU	07	CASTER PICK-UP WHEEL
60.220.AU	08	PICKUP WHEEL
60.220.AU	09	VAR - 726925, 726958 - FLIP UP CASTER WHEEL - VAR 726925, 726958
60.220.AU	10	VAR - 726923 - PICK-UP WHEEL, OVERSHOT ROTOR, NO-TOOL, 15 X 6.00-6
60.220.BD	01	VAR - 726805, 726827 - PICKUP, WITHOUT TOP ASSIST ROLL
60.220.BD	02	VAR - 726805, 726826, 726827, 726828, 726959, 726960 - PICKUP, WITHOUT TOP ASSIST ROLL- FLOTATION SPRING AND DRIVE
60.220.BD	03	VAR - 726805, 726827 - PICKUP WITHOUT TOP ASSIST ROLL, DRIVES
60.220.BD	05	VAR - 726826, 726827, 726828, 726959, 726960 - 1.8M PICKUP, WITH TOP ASSIST ROLL
60.220.BD	06	VAR - 726826, 726828, 726959, 726960 - 1.8M AND 2.0M PICKUP, TOP ASSIST ROLL, OVERSHOT FEEDER
60.220.BD	06	VAR - 726826, 726828 - PICKUP, TOP ASSIST ROLL
60.220.BD	07	VAR - 726826, 726828 - 1.8M PICKUP, TOP ASSIST ROLL SHIELD
60.220.BD	08	VAR - 726805, 726826, 726827, 726828, 726959, 726960 - 1.8M PICKUP WITH TOP ASSIST ROLL, FLOTATION SPRING AND DRIVE
60.220.BD	09	VAR - 726826, 726828, 726960 - 1.8M PICKUP WITH TOP ASSIST ROLL, DRIVES
60.220.BD	10	VAR - 726805, 726826, 726827, 726828, 726959, 726960 - FLOTATION SPRING, ROTOR
60.220.BD	11	VAR - 726915 - 1.8M PICKUP ASSEMBLY, OVERSHOT FEEDER

SECTION INDEX

PRODUCT FEEDING

60.220.BD	12	VAR - 726805 - FLOATATION SPRING, OVERSHOT FEEDER
60.220.BD	15	SERVICE PICKUP ASSEMBLY, 1.8M UNDERSHOT ROTOR, WITHOUT ASSIST ROLL
60.220.BD	16	SERVICE PICKUP ASSEMBLY, 2.0M UNDERSHOT ROTOR, WITH ASSIST ROLL
60.220.BG	01	VAR - 726915 - 1.8M REEL ASSEMBLY, 4 BAR
60.220.BG	02	VAR - 726917 - 1.8M REEL ASSEMBLY, 5 BAR
60.220.BG	03	VAR - 726916 - 2.0M REEL ASSEMBLY, 4-BAR
60.220.BG	04	VAR - 726918 - 2.0M REEL ASSEMBLY 5 BAR
60.220.BL	02	PICK-UP, DRIVE, RH, ROTOR
60.220.CC	01	VAR - 726819, 726920 - ROLLER, WINDGUARD, 1.8M
60.220.CC	02	WINDGUARD, 1.8M
60.220.CC	03	WINDGUARD, MOUNTING, 1.8M
60.220.CC	04	VAR - 726829, 726919 - WINDGUARD PLATE, 1.8M
60.220.CC	05	VAR - 726819, 726920 - WINDGUARD, PLATE AND ROLLER, 1.8M
60.220.CC	06	VAR - 726653, 726921 - WINDGUARD, PLATE, 2.0M
60.220.CC	07	VAR - 726654, 726922 - WINDGUARD, PLATE AND ROLLER, 2.0M
60.220.CC	08	VAR - 726817 - 1.8M TINE WINDGUARD, OVERSHOT FEEDER
60.220.CC	10	VAR - 726819 - 1.8M ROLLER WINDGUARD, OVERSHOT FEEDER
60.260.BJ	01	VAR - 726913 - ROTOR FEEDER ASSEMBLY, FIXED FLOOR
60.260.BJ	02	VAR - 726913 - ROTOR FEEDER MOUNTING, FIXED FLOOR
60.260.BJ	03	VAR - 726805 - ROTOR MOUNTING, OVERSHOT FEEDER
60.260.BL	01	VAR - 726913, 726914 - ROTOR, DRIVE
60.260.BL	02	ROTOR DRIVE, LH
60.260.BL	03	VAR - 726574 - ROTOR REVERSER, MANUAL
60.260.BL	04	VAR - 726574 - DUMMY KNIFE HOLDER
60.260.BL	05	ROTOR DRIVE, RH
60.260.BL	07	VAR - 726805 - ROTOR DRIVE, RH, OVERSHOT FEEDER, MANUAL REVERSE, SHEARBOLT
60.260.CC	01	VAR - 726914 - ROTOR FEEDER, DROP FLOOR
60.260.CC	02	VAR - 726914 - ROTOR CUTTER, DROP FLOOR
60.260.CC	03	VAR - 726914 - ROTOR CUTTER, DROP FLOOR ASSEMBLY
60.260.CC	04	VAR - 726914 - ROTOR CUTTER MOUNTING, DROP FLOOR
60.260.CC	05	VAR - 726914 - ROTOR FEEDER MOUNTING, DROP FLOOR
60.260.CC	06	VAR - 726914 - DROP FLOOR

PICTORIAL INDEX - PRODUCT FEEDING



60.000.00

p1

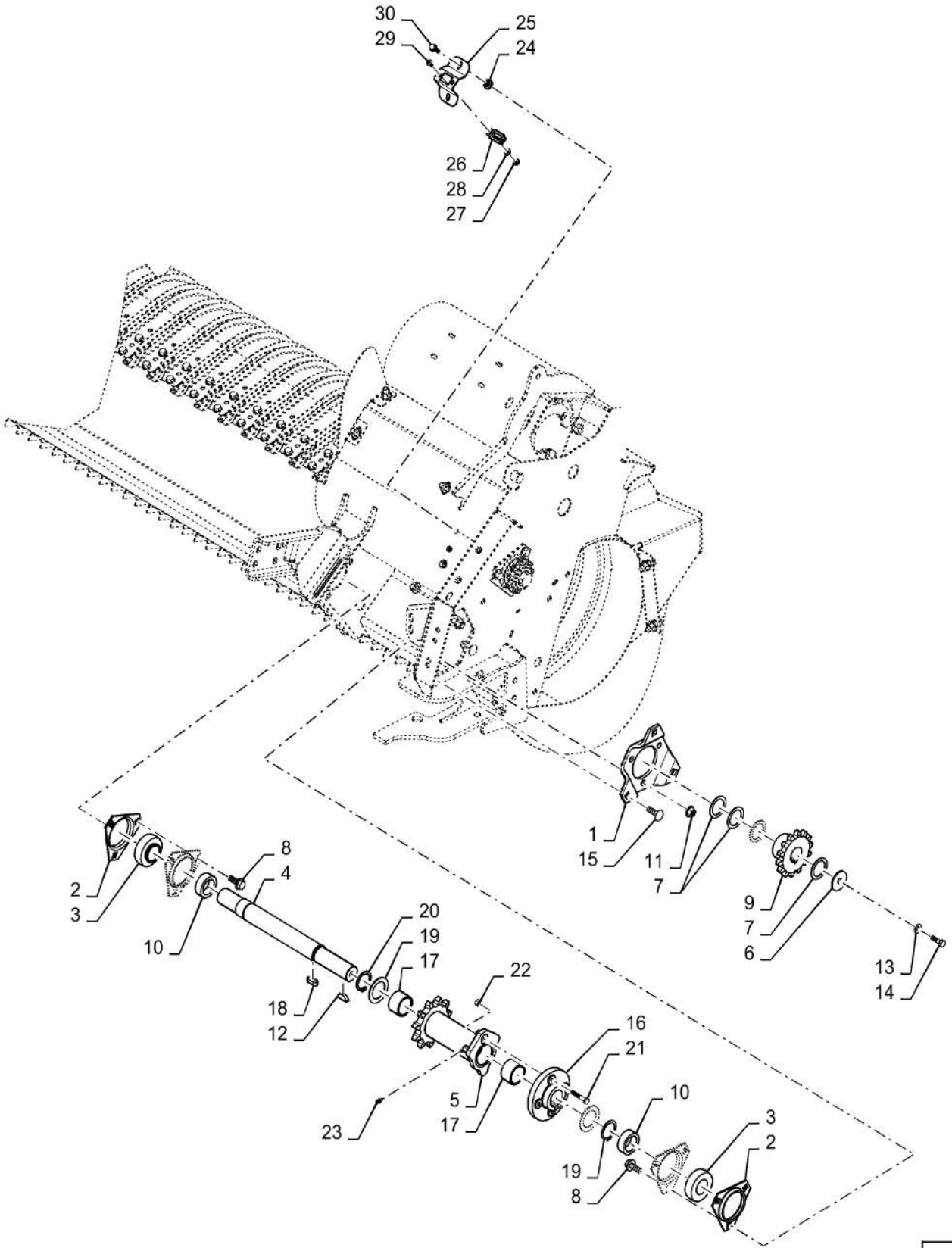
9/2015

PICTORIAL INDEX - PRODUCT FEEDING

REF FN	PART NUMBER	YR/SN	QTY DESCRIPTION
---------------	--------------------	--------------	------------------------

RB465-CASE IH ROUND BALER - EUROPE & R.O.W.

1.8M DUAL CAM WIDE PICKUP, DRIVE SHAFT

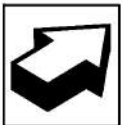
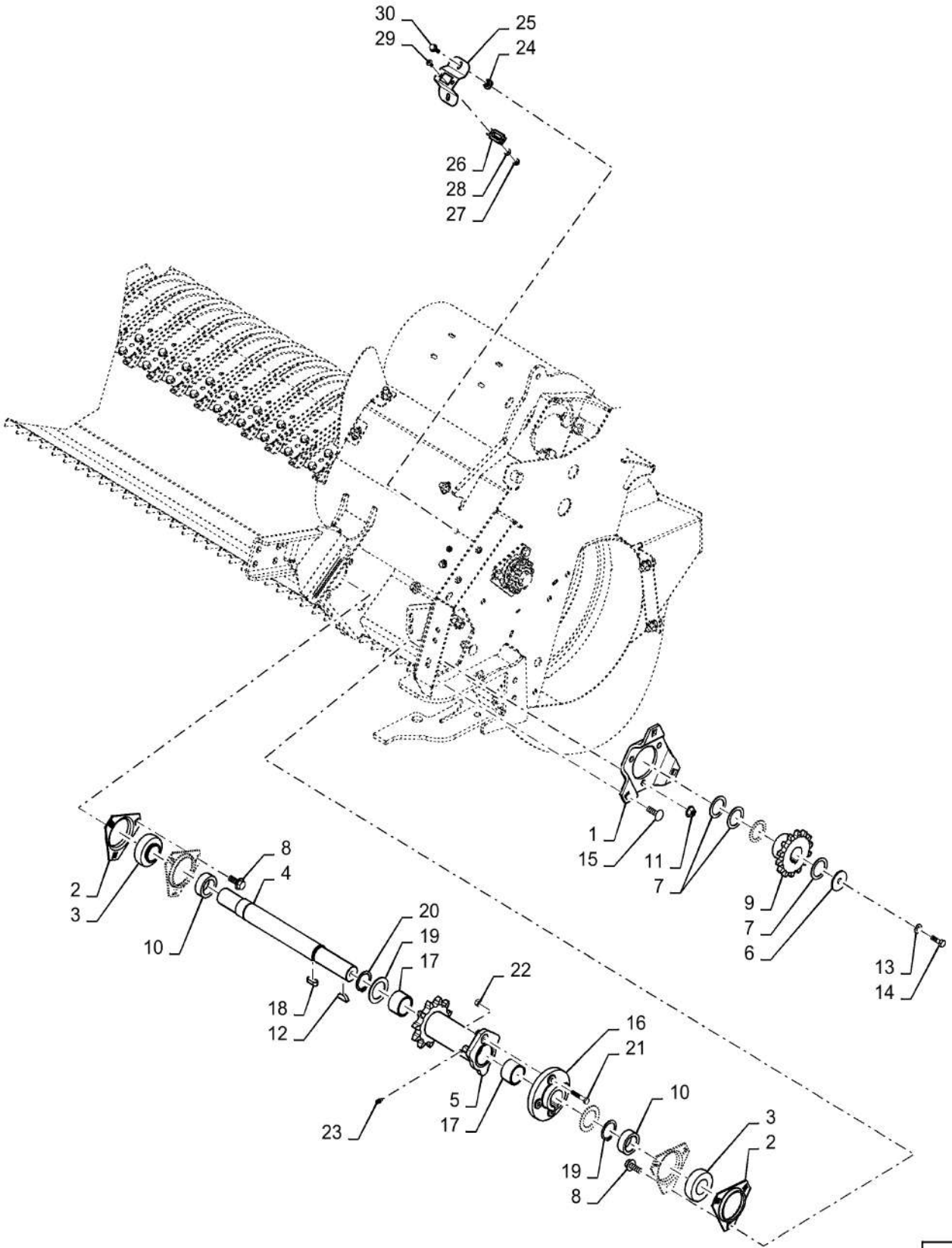


1.8M DUAL CAM WIDE PICKUP, DRIVE SHAFT

REF FN	PART NUMBER	YR/SN	QTY DESCRIPTION
1	47442762		1 FLANGE
2	87758678		2 FLANGE
3	84484181		2 BALL BEARING 31.75mm ID x 62mm OD x 18mm W
3	84484181GV		2 BEARING ASSY Value, Ball Bearing
4	47432694		1 SHAFT
5	47512786		1 SPROCKET RC80, 11T 11T, RC80
6	84817997		1 WASHER 11mm ID x 40mm OD x 3.05mm Thk
7	146258		4 WASHER 1 9/32" x 1 3/4" x 16 Ga.
8	9804261		6 BOLT Hex, M10 x 25mm, Full Thd, Cl 8.8
9	47442765		1 SPROCKET RC60, 14T
10	38767		2 COLLAR Lock, 31.9mm ID x 44mm OD 15.9mm Thk
11	9804278		6 FLANGE NUT M10 x 1.5, Cl 8
12	80768		1 WOODRUFF KEY #15, 1/4" x 1"
13	322358		1 BELLEVILLE WASHER M8 x 18mm OD x 1.4mm Thk
14	43127		1 BOLT Hex, M8 x 1.25 x 25mm, Cl 8.8
15	86512446		3 CARRIAGE BOLT M10 x 1.5 x 30mm, Cl 8.8
16	47512783		1 HUB Shear Bolt
17	87530084		2 BUSHING 35.06mm ID x 41.34mm OD x 26 Thk
18	368317		1 KEY 10mm x 8mm x 25mm
19	47529253		2 WASHER 35.5mm ID x 53mm OD x 2mm Thk
20	370004		2 SNAP RING M35 x 1.5mm Thk, External
21	46520		1 BOLT AND NUT Hex, 1/4" - 20 x 1 1/2" Incl 21
22	20356		1 NUT 1/4"-20, GB
23	321204		1 LUBE NIPPLE M6 x 1.0 x 16mm OAL
24	86610198		4 INSERT M6 x 1
25	47438831		1 LATCH
26	9840986		1 CLIP
27	87304		2 NUT #10-24
28	80684		2 LOCK WASHER 4.9mm ID x 8.48mm OD x 1.19mm Thk
29	84821		2 SCREW Truss HD, #10 - 24 x 1/2"

RB465-CASE IH ROUND BALER - EUROPE & R.O.W.

1.8M DUAL CAM WIDE PICKUP, DRIVE SHAFT



60.220.AC

01

p2

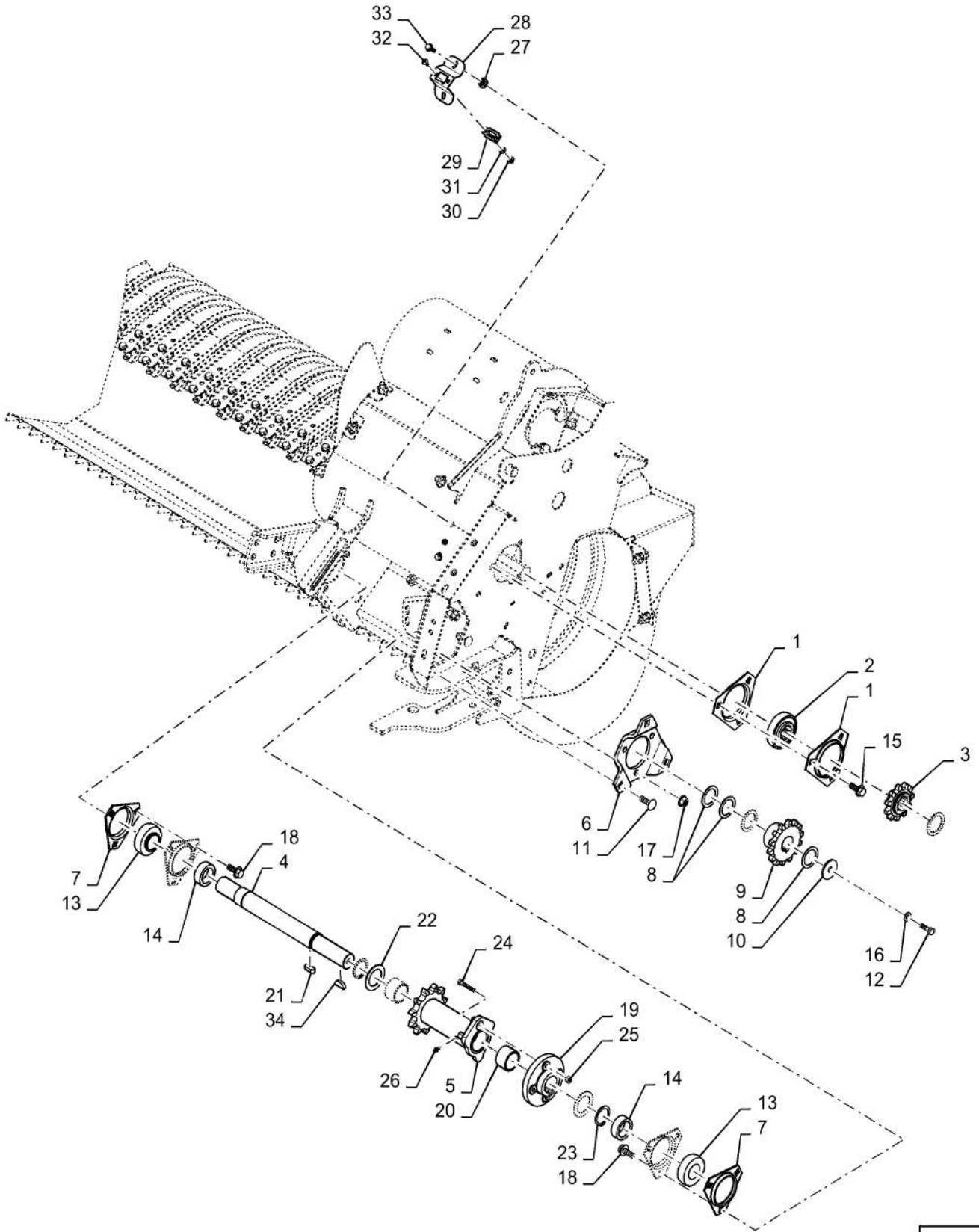
9/2015

1.8M DUAL CAM WIDE PICKUP, DRIVE SHAFT

REF FN	PART NUMBER	YR/SN	QTY DESCRIPTION
30	9804256		2 BOLT Hex, M6 x 1 x 20mm, Full Thd, Cl 8.8

RB465-CASE IH ROUND BALER - EUROPE & R.O.W.

2M DUAL CAM WIDE PICKUP, DRIVE SHAFT

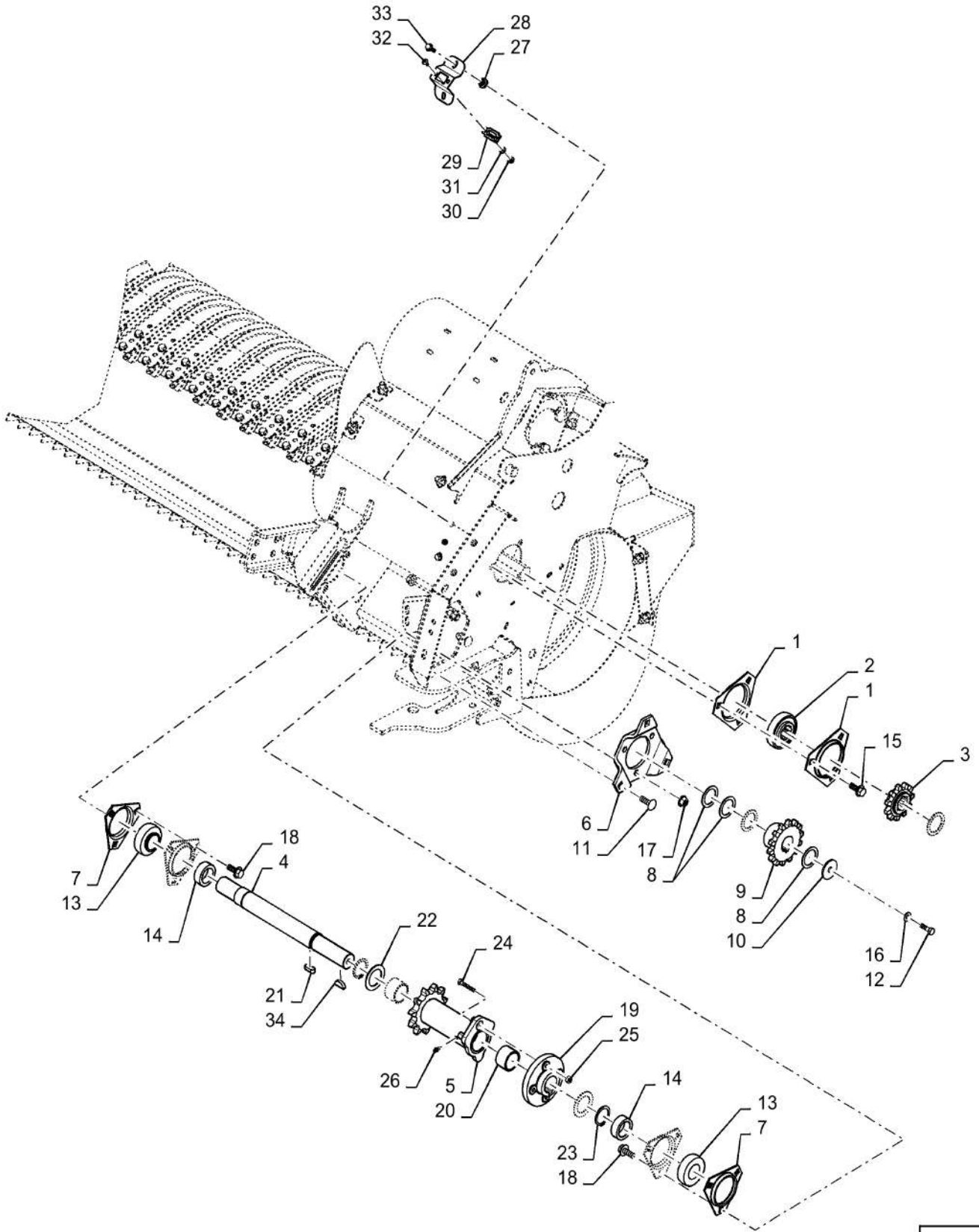


2M DUAL CAM WIDE PICKUP, DRIVE SHAFT

REF FN	PART NUMBER	YR/SN	QTY DESCRIPTION
1	86620026		4 FLANGED BEARING
2	84324246		2 SPHERICAL BEARING 31.75mm ID x 72mm OD x 25mm Thk
3	84372087		1 SPROCKET 11T, RC60
4	47431404		1 SHAFT
5	47512786		1 SPROCKET RC80, 11T 11T, RC80
6	47442762		1 FLANGE
7	87758678		2 FLANGE
8	146258		4 WASHER 1 9/32" x 1 3/4" x 16 Ga.
9	47442765		1 SPROCKET RC60, 14T 14T, RC60
10	84817997		1 WASHER 11mm ID x 40mm OD x 3.05mm Thk
11	86633356		4 CARRIAGE BOLT M10 x 34.8mm, CI 8.8
12	43127		1 BOLT Hex, M8 x 1.25 x 25mm, CI 8.8
13	84484181		2 BALL BEARING 31.75mm ID x 62mm OD x 18mm W
13	84484181GV		2 BEARING ASSY Value, Ball Bearing
14	38767		1 COLLAR Lock, 31.9mm ID x 44mm OD 15.9mm Thk
15	86050286		6 FLANGE BOLT M10 x 20mm, CI 8.8
16	322358		1 BELLEVILLE WASHER M8 x 18mm OD x 1.4mm Thk
17	9804278		6 FLANGE NUT M10 x 1.5, CI 8
18	9804261		10 BOLT Hex, M10 x 25mm, Full Thd, CI 8.8
19	47512783		1 HUB
20	87530084		2 BUSHING 35.06mm ID x 41.34mm OD x 26 Thk
21	368317		1 KEY 10mm x 8mm x 25mm
22	47529253		2 WASHER 35.5mm ID x 53mm OD x 2mm Thk
23	370004		2 SNAP RING M35 x 1.5mm Thk, External
24	46520		1 BOLT AND NUT Hex, 1/4" - 20 x 1 1/2" Incl 25
25	20356		1 NUT 1/4"-20, GB
26	321204		1 LUBE NIPPLE M6 x 1.0 x 16mm OAL
27	86610198		4 INSERT M6 x 1
28	47438831		1 LATCH
29	9840986		1 CLIP
30	87304		2 NUT #10-24

RB465-CASE IH ROUND BALER - EUROPE & R.O.W.

2M DUAL CAM WIDE PICKUP, DRIVE SHAFT



60.220.AC

02

p2

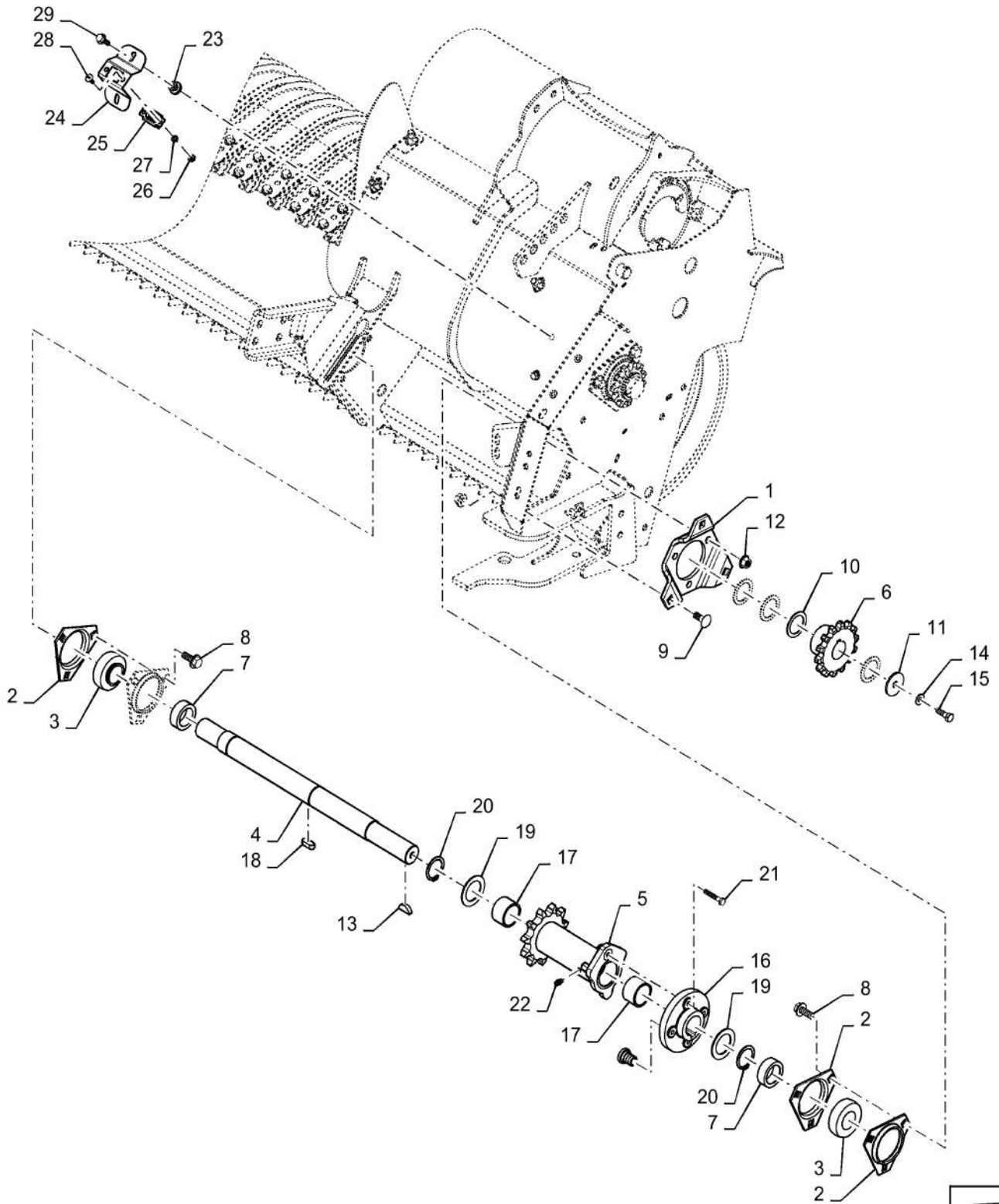
9/2015

2M DUAL CAM WIDE PICKUP, DRIVE SHAFT

REF FN	PART NUMBER	YR/SN	QTY DESCRIPTION
31	80684		2 LOCK WASHER 4.9mm ID x 8.48mm OD x 1.19mm Thk
32	84821		2 SCREW Truss HD, #10 - 24 x 1/2"
33	9804256		2 BOLT Hex, M6 x 1 x 20mm, Full Thd, Cl 8.8
34	80768		1 WOODRUFF KEY #15, 1/4" x 1"

RB465-CASE IH ROUND BALER - EUROPE & R.O.W.

2M DUAL CAM WIDE PICKUP, DRIVE SHAFT WITH TOP ASSIST ROLL

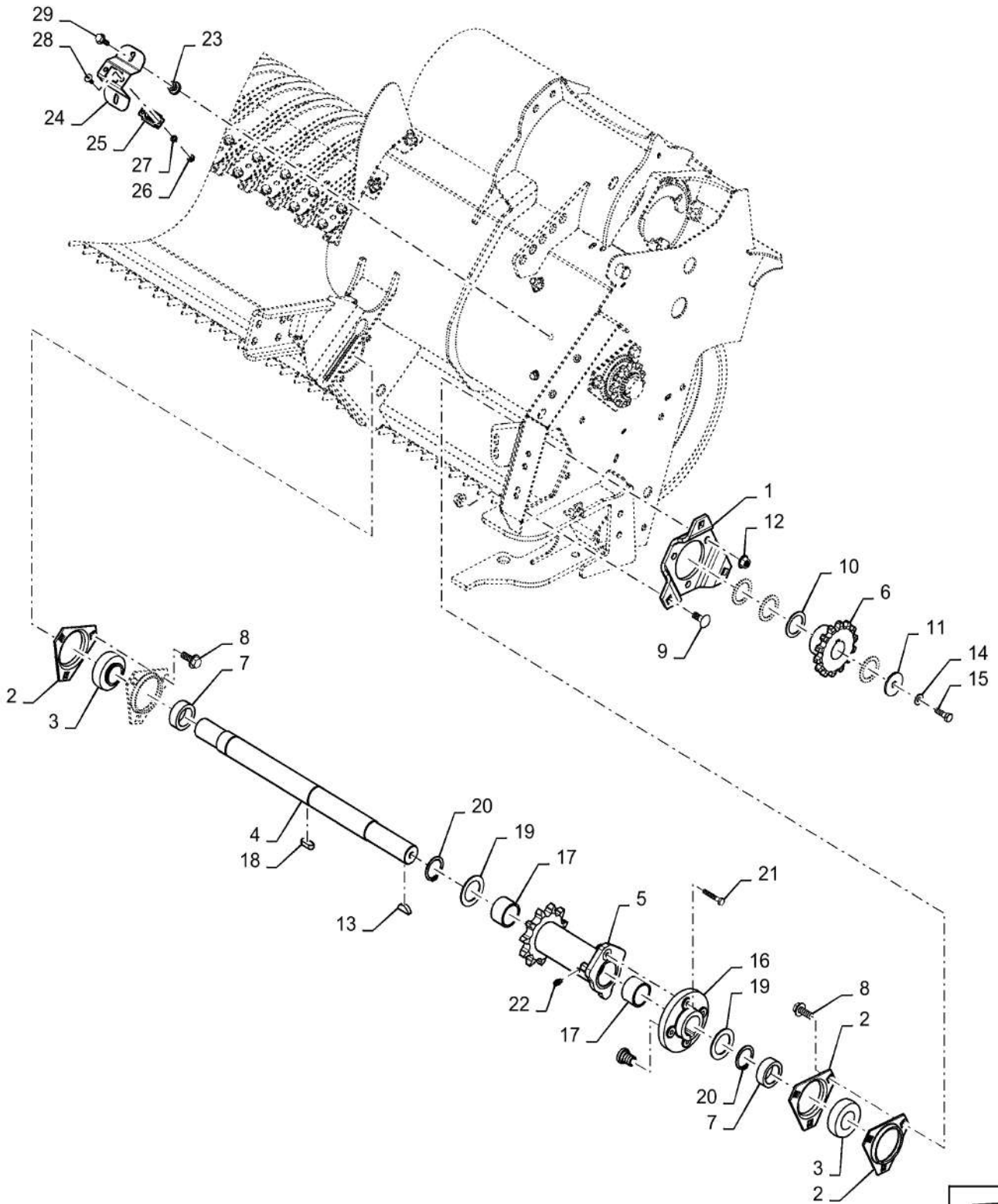


2M DUAL CAM WIDE PICKUP, DRIVE SHAFT WITH TOP ASSIST ROLL

REF FN	PART NUMBER	YR/SN	QTY DESCRIPTION
1	47442762		1 FLANGE
2	87758678		4 FLANGE
3	84484181		2 BALL BEARING 31.75mm ID x 62mm OD x 18mm W
3	84484181GV		2 BEARING ASSY Value, Ball Bearing
4	47431404		1 SHAFT
5	47512786		1 SPROCKET RC80, 11T
6	47442765		1 SPROCKET RC60, 14T
7	38767		2 COLLAR Lock, 31.9mm ID x 44mm OD 15.9mm Thk
8	9804261		16 BOLT Hex, M10 x 25mm, Full Thd, Cl 8.8
9	86633356		3 CARRIAGE BOLT M10 x 34.8mm, Cl 8.8
10	146258		4 WASHER 1 9/32" x 1 3/4" x 16 Ga.
11	84817997		1 WASHER 11mm ID x 40mm OD x 3.05mm Thk
12	9804278		6 FLANGE NUT M10 x 1.5, Cl 8
13	80768		1 WOODRUFF KEY #15, 1/4" x 1"
14	322358		1 BELLEVILLE WASHER M8 x 18mm OD x 1.4mm Thk
15	43127		1 BOLT Hex, M8 x 1.25 x 25mm, Cl 8.8
16	47512783		1 HUB
17	87530084		2 BUSHING 35.06mm ID x 41.34mm OD x 26 Thk
16	368317		1 KEY 10mm x 8mm x 25mm
17	87530084		2 BUSHING 35.06mm ID x 41.34mm OD x 26 Thk
18	368317		1 KEY 10mm x 8mm x 25mm
19	47529253		2 WASHER 35.5mm ID x 53mm OD x 2mm Thk
20	370004		2 SNAP RING M35 x 1.5mm Thk, External
21	46520		1 BOLT AND NUT Hex, 1/4" - 20 x 1 1/2"
22	321204		1 LUBE NIPPLE M6 x 1.0 x 16mm OAL
23	86610198		4 INSERT M6 x 1
24	47438831		1 LATCH
25	9840986		1 CLIP
26	87304		2 NUT #10-24
27	80684		2 LOCK WASHER 4.9mm ID x 8.48mm OD x 1.19mm Thk
28	84821		2 SCREW Truss HD, #10 - 24 x 1/2"

RB465-CASE IH ROUND BALER - EUROPE & R.O.W.

2M DUAL CAM WIDE PICKUP, DRIVE SHAFT WITH TOP ASSIST ROLL



60.220.AC

03

p2

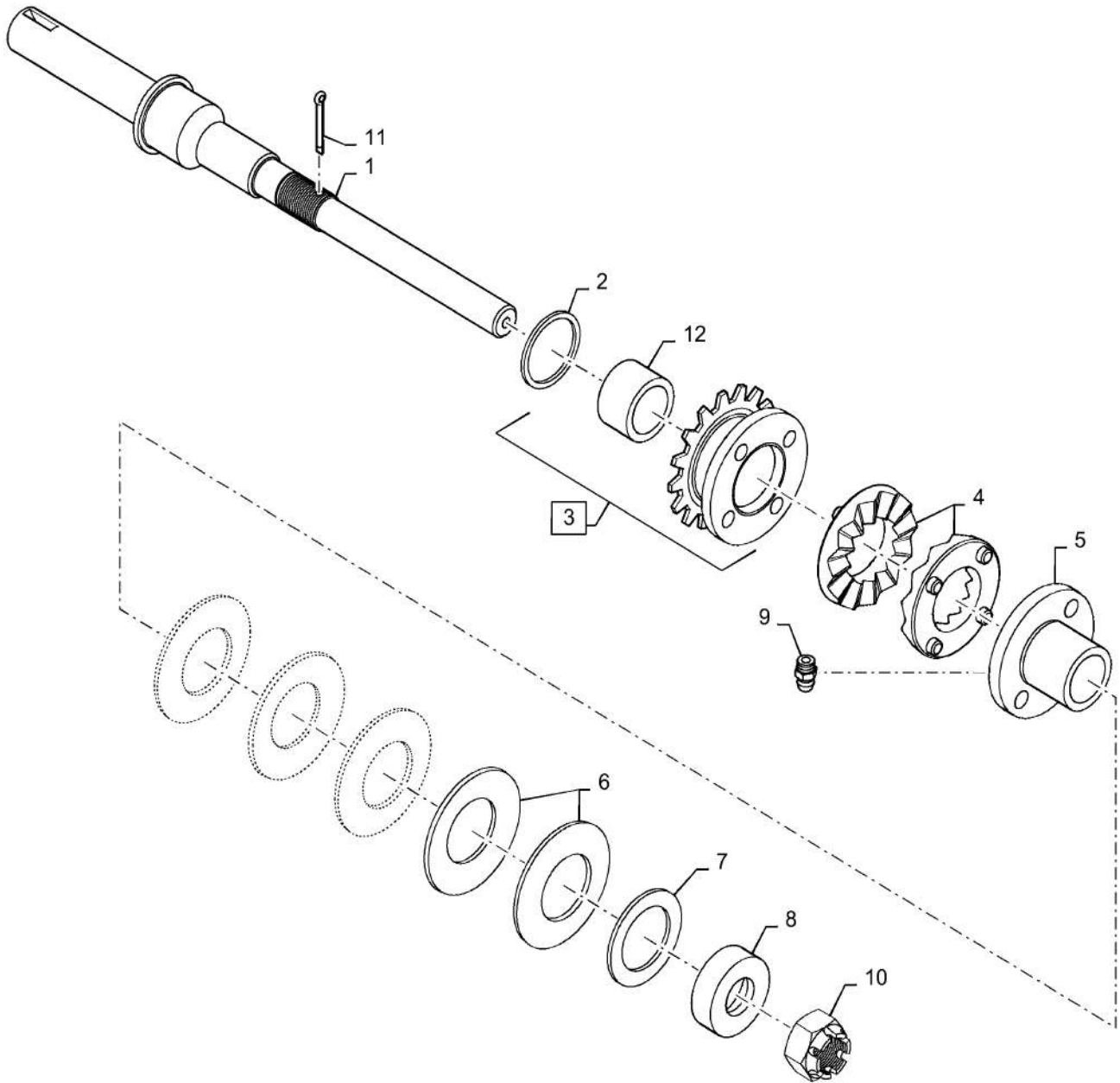
9/2015

2M DUAL CAM WIDE PICKUP, DRIVE SHAFT WITH TOP ASSIST ROLL

REF FN	PART NUMBER	YR/SN	QTY DESCRIPTION
29	9804256		2 BOLT Hex, M6 x 1 x 20mm, Full Thd, Cl 8.8

RB465-CASE IH ROUND BALER - EUROPE & R.O.W.

JAW CLUTCH, 1.5M WIDE PICKUP

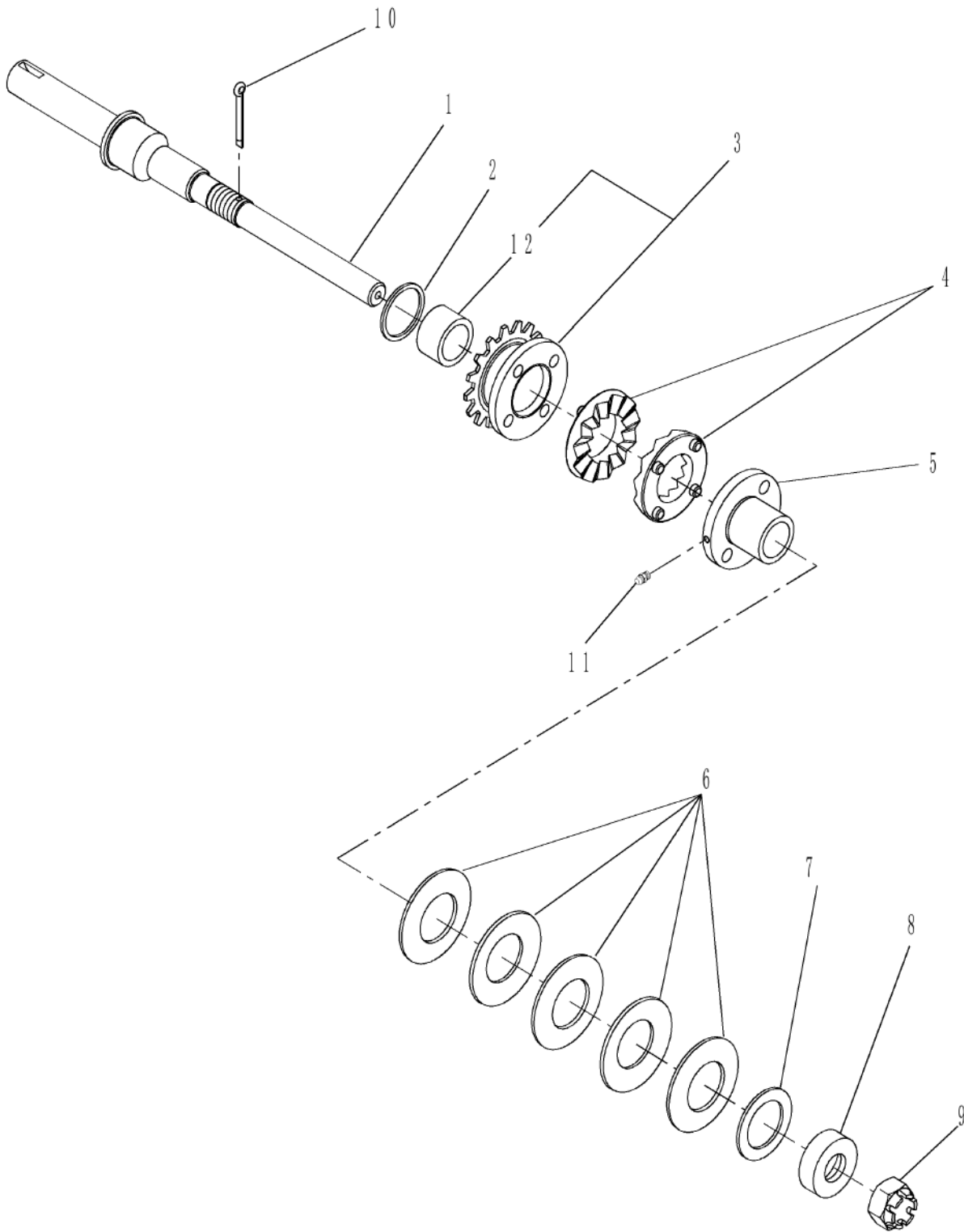


JAW CLUTCH, 1.5M WIDE PICKUP

REF FN	PART NUMBER	YR/SN	QTY DESCRIPTION
1	84350907		1 SHAFT
2	87700674		1 WASHER 51.1mm ID x 60.26mm OD x 3.04mm Thk
3	87047932		1 SPROCKET Includes: 17T Sprocket & Ref. 12
4	714379		2 CLUTCH Jaw
5	9822927		1 HUB
6	9822385		5 BELLEVILLE WASHER 52mm ID x 100mm OD x 3.3mm Thk Spring
7	166490		1 WASHER 51.6mm ID x 76.2mm OD x 3.68mm Thk Hardened, 2
8	84266202		1 RING Backing, 30.2mm ID x 63.5mm OD x 20mm W Backing
9	88775		1 LUBE NIPPLE 1/4"-28 Short
10	390822		1 SLOTTED NUT M30 x 1.5, CI 8
11	87399		1 COTTER PIN 1/2 x 3 Bolt
12	46962		1 BUSHING 10mm ID x 21mm OD x 9.6mm L

RB465-CASE IH ROUND BALER - EUROPE & R.O.W.

JAW CLUTCH, 1.8M DUAL CAM WIDE PICKUP

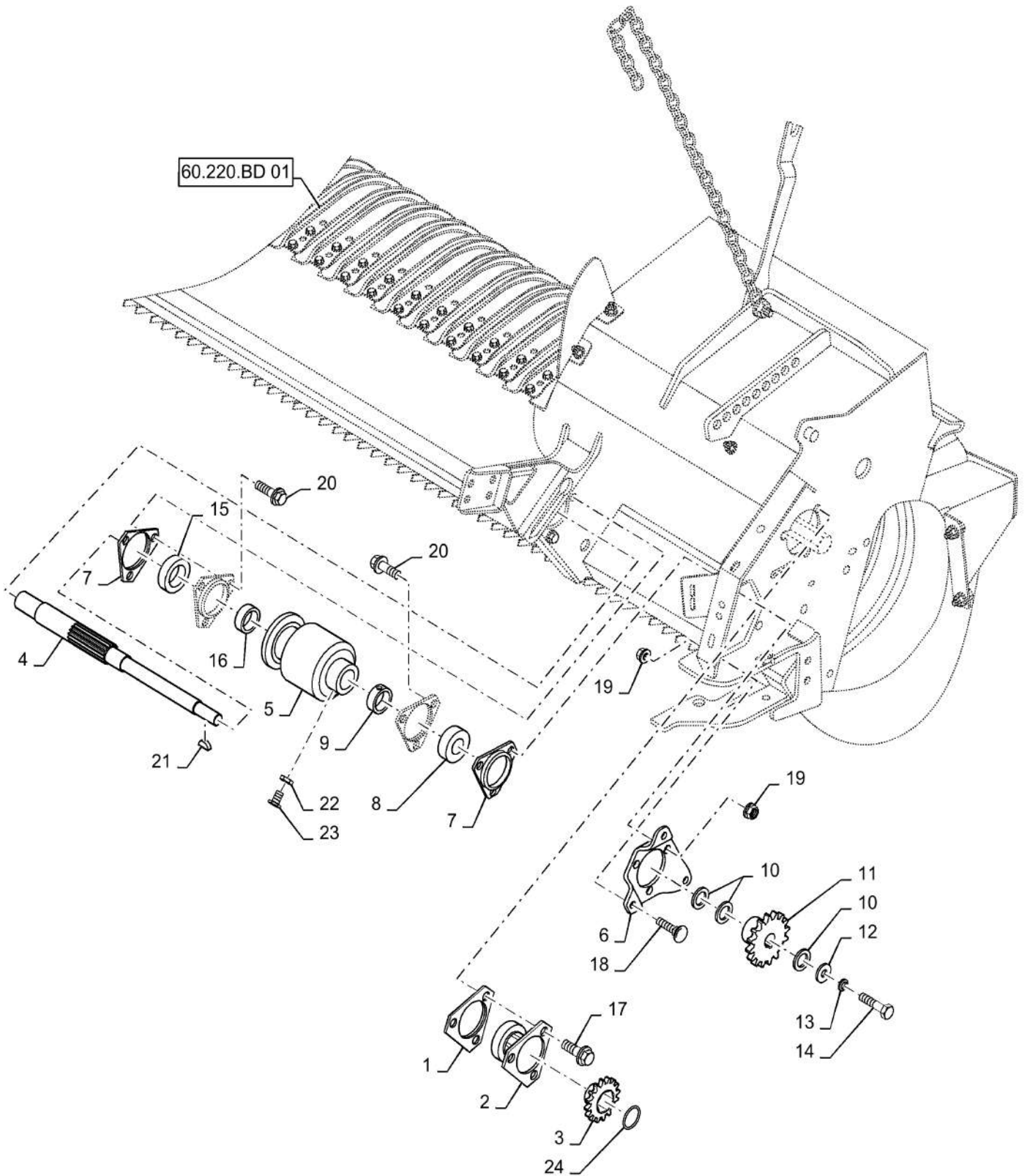


JAW CLUTCH, 1.8M DUAL CAM WIDE PICKUP

REF FN	PART NUMBER	YR/SN	QTY DESCRIPTION
1	84266199		1 SHAFT
2	87700674		1 WASHER 51.1mm ID x 60.26mm OD x 3.04mm Thk
3	87047932		1 SPROCKET Includes: 15T Sprocket & Ref. 12
4	714379		2 CLUTCH Jaw
5	9822927		1 HUB
6	9822385		5 BELLEVILLE WASHER 52mm ID x 100mm OD x 3.3mm Thk Spring
7	166490		1 WASHER 51.6mm ID x 76.2mm OD x 3.68mm Thk Hardened, 2
8	84266202		1 RING Backing, 30.2mm ID x 63.5mm OD x 20mm W
9	390822		1 SLOTTED NUT M30 x 1.5, CI 8
10	87399		1 COTTER PIN 1/2 x 3 Bolt
11	88775		1 LUBE NIPPLE 1/4"-28 Short
12	46962		1 BUSHING 10mm ID x 21mm OD x 9.6mm L

RB465-CASE IH ROUND BALER - EUROPE & R.O.W.

1.8M DUAL CAM WIDE PICKUP, CLUTCH DRIVE, WITHOUT ASSIST ROLL

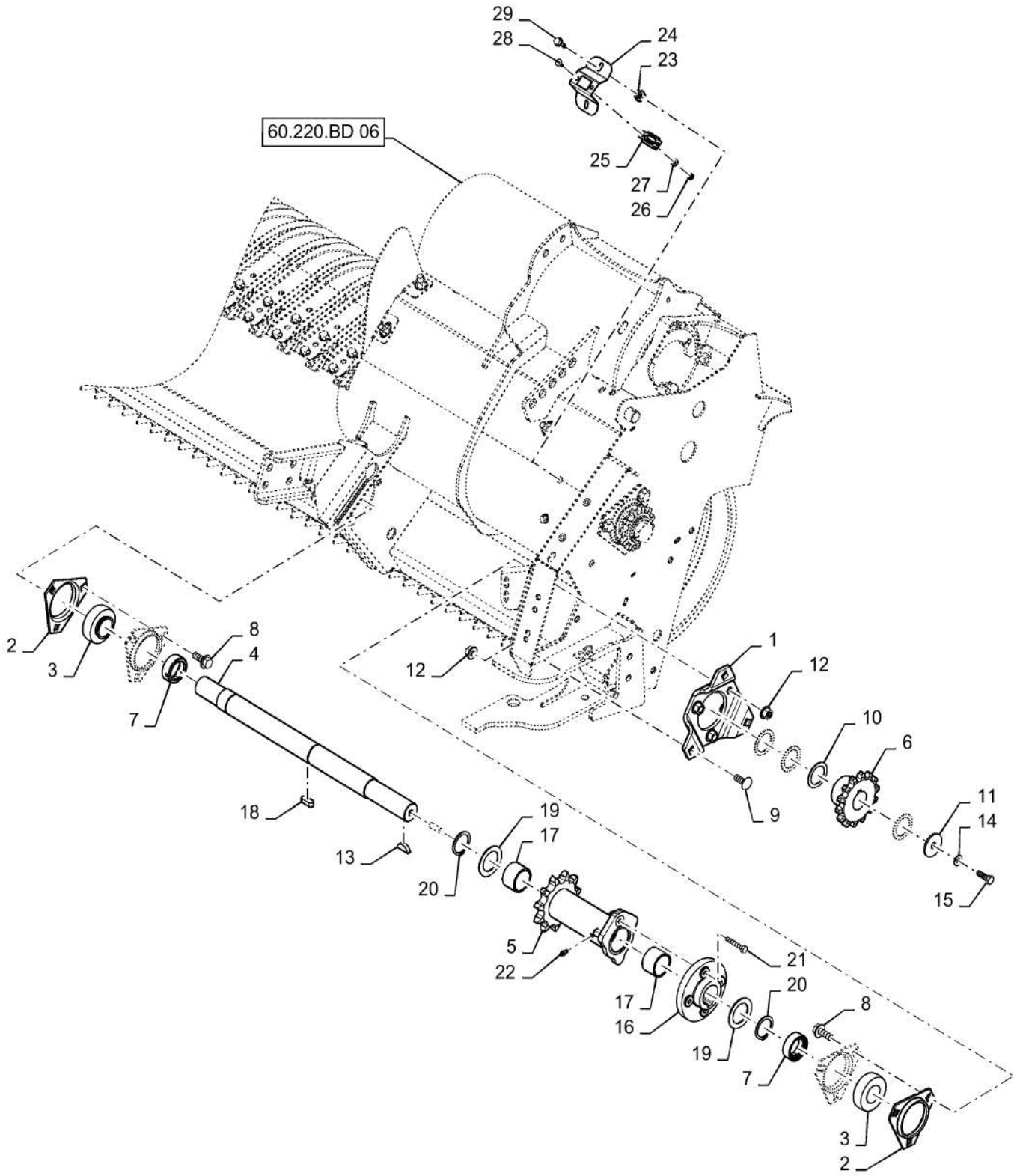


1.8M DUAL CAM WIDE PICKUP, CLUTCH DRIVE, WITHOUT ASSIST ROLL

REF FN	PART NUMBER	YR/SN	QTY DESCRIPTION
1	86620026		2 FLANGED BEARING
2	84324246		2 SPHERICAL BEARING 31.75mm ID x 72mm OD x 25mm Thk
3	84372087		2 SPROCKET 11T, RC60
4	84380204		1 SHAFT
5	84276570		1 CLUTCH
6	84300111		1 FLANGE
7	87758678		4 FLANGE
8	84272851		1 BALL BEARING 26.98mm ID x 61.99mm OD x 23.75mm W
9	84272852		1 RETAINER COLLAR 26.99mm ID x 44.1mm OD x 15.88mm Thk
10	86611401		3 WASHER 25.53mm ID x 31.24mm OD x 1.65mm Thk
11	84297324		1 SPROCKET RC60, 14T
12	58225		1 WASHER 10.32mm ID x 31.8mm OD x 3.45mm Thk
13	322358		1 BELLEVILLE WASHER M8 x 18mm OD x 1.4mm Thk
14	43127		1 BOLT Hex, M8 x 1.25 x 25mm, CI 8.8
15	38766		1 BALL BEARING 31.75mm ID x 62mm OD x 18mm W
16	38767		1 COLLAR Lock, 31.9mm ID x 44mm OD 15.9mm Thk
17	86050286		6 FLANGE BOLT M10 x 20mm, CI 8.8
18	86633356		3 CARRIAGE BOLT M10 x 34.8mm, CI 8.8
19	9804278		6 FLANGE NUT M10 x 1.5, CI 8
20	9804261		6 BOLT Hex, M10 x 25mm, Full Thd, CI 8.8
21	80768		1 WOODRUFF KEY #15, 1/4" x 1"
22	100016		1 NUT M10 x 1.5, CI 8
23	393599		1 SET SCREW M10 x 25mm, CI 12.9

RB465-CASE IH ROUND BALER - EUROPE & R.O.W.

1.8M DUAL CAM WIDE PICKUP, CLUTCH DRIVE, WITH TOP ASSIST ROLL

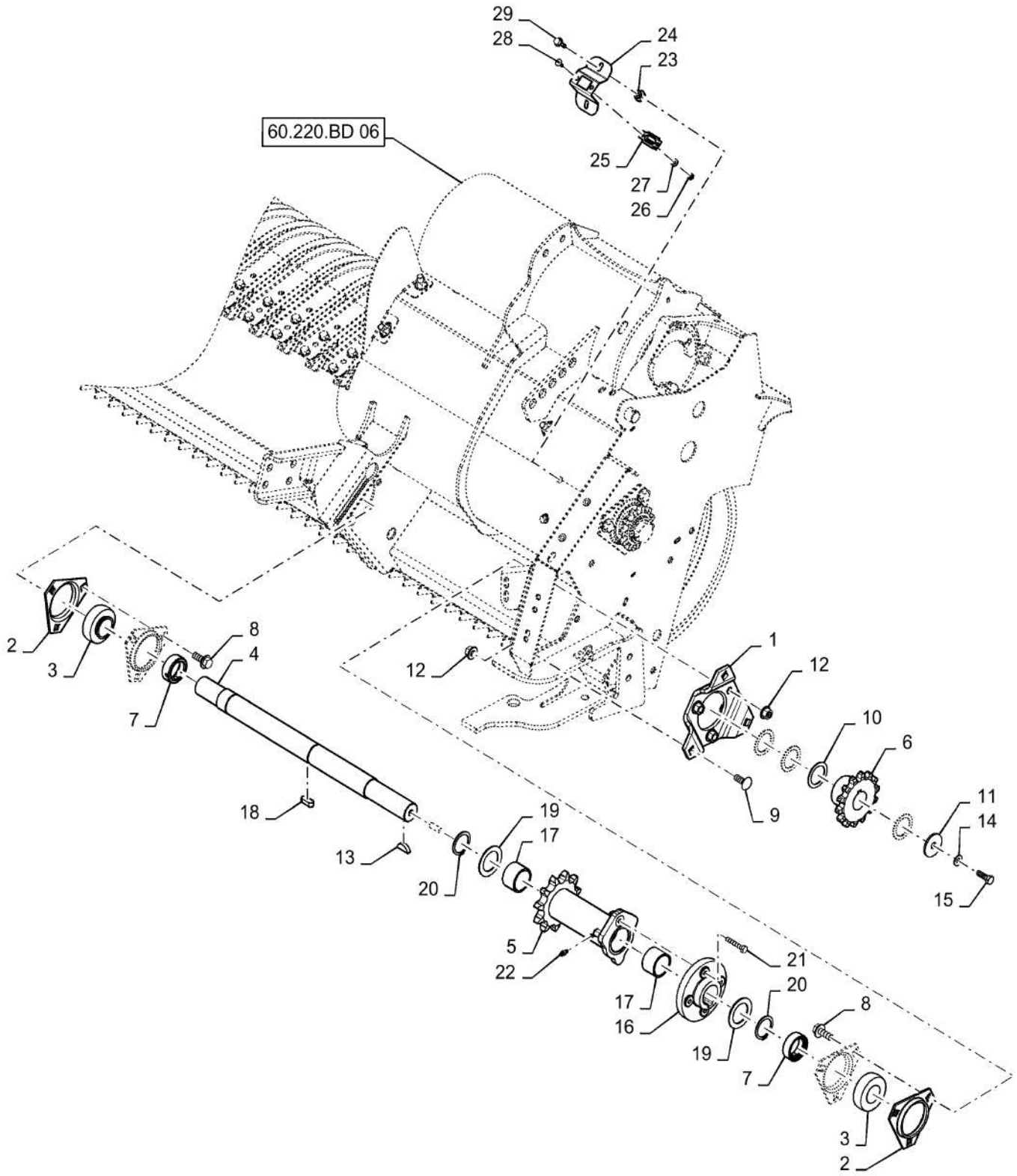


1.8M DUAL CAM WIDE PICKUP, CLUTCH DRIVE, WITH TOP ASSIST ROLL

REF FN	PART NUMBER	YR/SN	QTY DESCRIPTION
1	47442762		1 FLANGE
2	87758678		4 FLANGE
3	84484181		2 BALL BEARING 31.75mm ID x 62mm OD x 18mm W
3	84484181GV		2 BEARING ASSY Value, Ball Bearing
4 1	47432694		1 SHAFT
4 2	47436627		1 SHAFT
5	47512786		1 SPROCKET RC80, 11T 17T, RC80
6	47442765		1 SPROCKET RC60, 14T 14T, RC60
7	38767		2 COLLAR Lock, 31.9mm ID x 44mm OD 15.9mm Thk
8	9804261		6 BOLT Hex, M10 x 25mm, Full Thd, Cl 8.8
9	86633356		3 CARRIAGE BOLT M10 x 34.8mm, Cl 8.8
10	146258		4 WASHER 1 9/32" x 1 3/4" x 16 Ga.
11	84817997		1 WASHER 11mm ID x 40mm OD x 3.05mm Thk
12	9804278		6 FLANGE NUT M10 x 1.5, Cl 8
13	80768		1 WOODRUFF KEY #15, 1/4" x 1"
14	322358		1 BELLEVILLE WASHER M8 x 18mm OD x 1.4mm Thk
15	43127		1 BOLT Hex, M8 x 1.25 x 25mm, Cl 8.8
16	47512783		1 HUB Shear Bolt
17	87530084		2 BUSHING 35.06mm ID x 41.34mm OD x 26 Thk
18	368317		1 KEY 10mm x 8mm x 25mm
19	47529253		2 WASHER 35.5mm ID x 53mm OD x 2mm Thk
20	370004		2 SNAP RING M35 x 1.5mm Thk, External
21	46520		1 BOLT AND NUT Hex, 1/4" - 20 x 1 1/2" Shear Bolt
22	321204		1 LUBE NIPPLE M6 x 1.0 x 16mm OAL
23	86610198		4 INSERT M6 x 1
24	47438831		1 LATCH
25	9840986		1 CLIP
26	87304		2 NUT #10-24
27	80684		2 LOCK WASHER 4.9mm ID x 8.48mm OD x 1.19mm Thk
(1)	Used on 1.8M Pickup		
(2)	Used on 2.0M Pickup		

RB465-CASE IH ROUND BALER - EUROPE & R.O.W.

1.8M DUAL CAM WIDE PICKUP, CLUTCH DRIVE, WITH TOP ASSIST ROLL



60.220.AN

04

p2

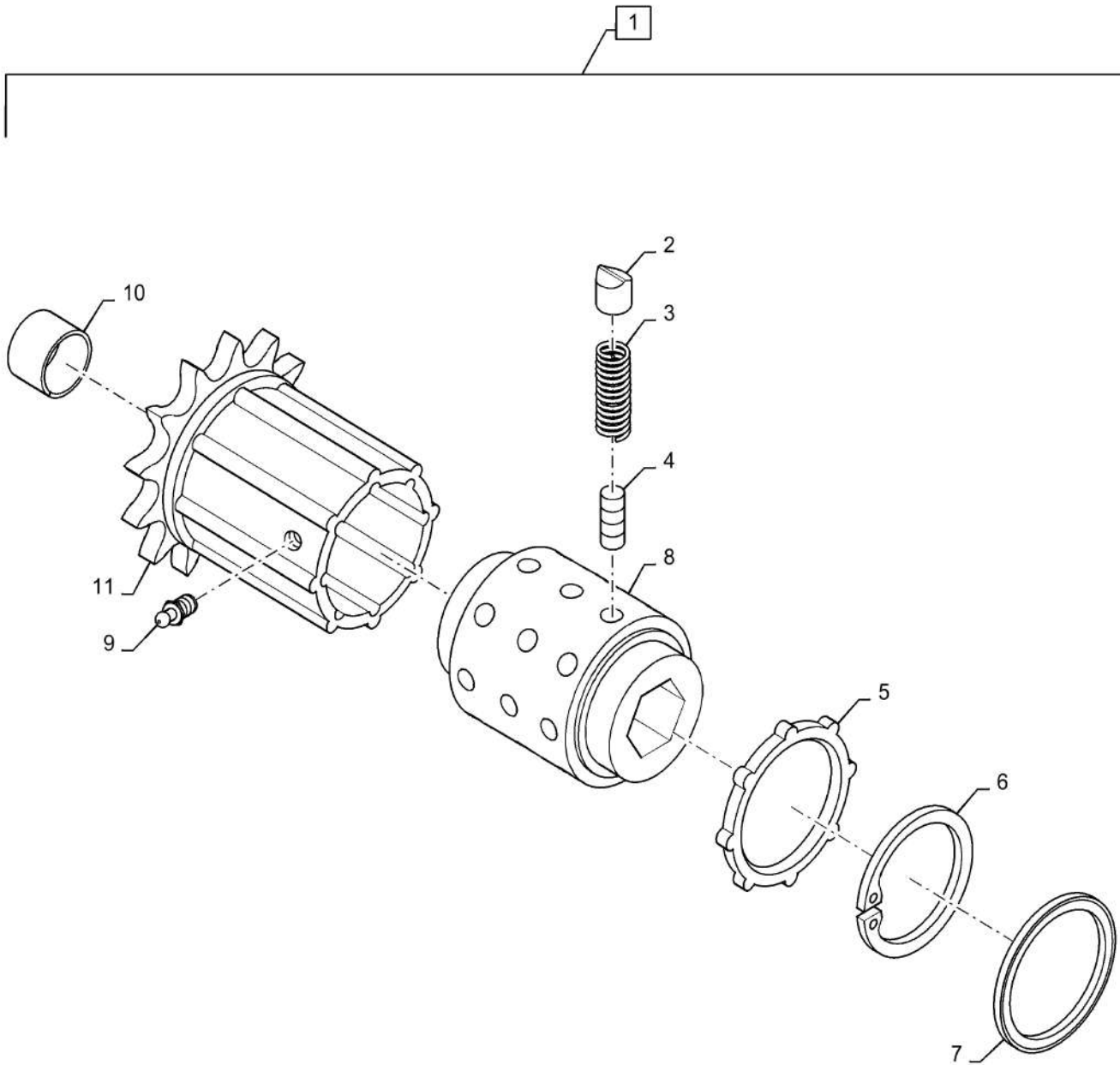
9/2015

1.8M DUAL CAM WIDE PICKUP, CLUTCH DRIVE, WITH TOP ASSIST ROLL

REF FN	PART NUMBER	YR/SN	QTY DESCRIPTION
28	84821		2 SCREW Truss HD, #10 - 24 x 1/2"
29	9804256		2 BOLT Hex, M6 x 1 x 20mm, Full Thd, Cl 8.8

RB465-CASE IH ROUND BALER - EUROPE & R.O.W.

RADIAL PIN CLUTCH ASSEMBLY

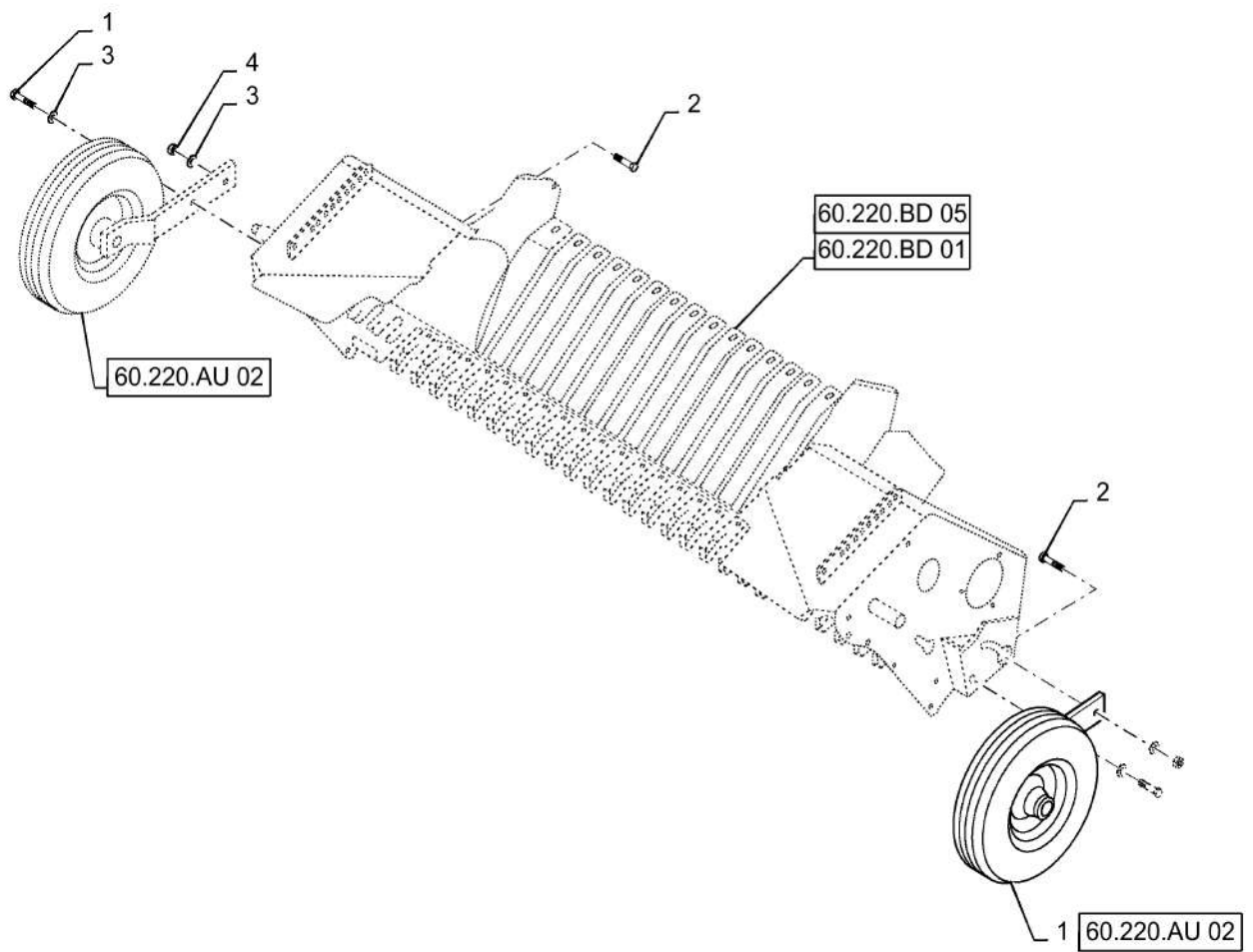


RADIAL PIN CLUTCH ASSEMBLY

REF FN	PART NUMBER	YR/SN	QTY DESCRIPTION
1	47578545		1 CLUTCH Radial Pin, Incl 2 - 11
2	700703406		21 CAM
3	386510		21 SPRING Compression, 13mm OD X 13.2mm L
4	386511		21 SPRING Compression, 7mm OD x 13.2mm L
5	86636027		1 DISC
6	80300633		1 SNAP RING M80, Int
7	86634290		1 SEALING RING 58.5mm ID x 84mm OD x 6mm Thk
8	NSS		1 NOT SERVICED SEPARATELY Hub
9	84447449		2 LUBE NIPPLE M8.2 x 1
10	84182666		1 BUSHING
11	NSS		1 NOT SERVICED SEPARATELY Clutch Housing

RB465-CASE IH ROUND BALER - EUROPE & R.O.W.

VAR - 726821 - PICKUP WHEEL MOUNTING PARTS, 4.80/4.00-8



60.220.AU

01

p1

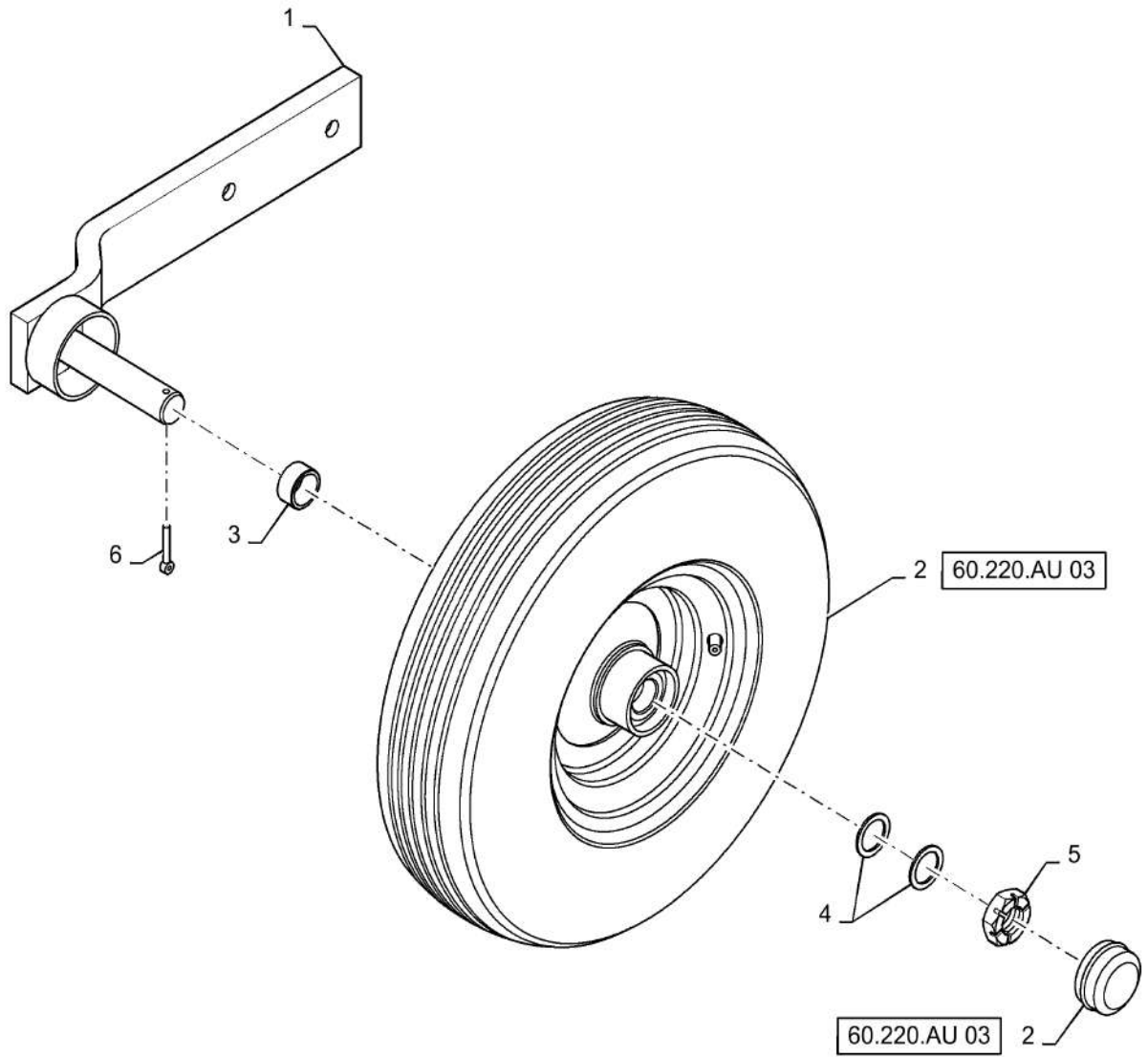
9/2015

VAR - 726821 - PICKUP WHEEL MOUNTING PARTS, 4.80/4.00-8

REF FN	PART NUMBER	YR/SN	QTY DESCRIPTION
1	86616347		2 WHEEL ASSY Pickup
2	80043480		2 BOLT Rnd Hd Square Neck, M8.8 Course Thd
3	140046		4 BELLEVILLE WASHER M12 x 27mm OD x 1.8mm Thk
4	9804279		4 FLANGE NUT Hex, M12, CI 8
5	9706702		2 BOLT Hex, M12 x 1.75 x 50mm, CI 8.8

RB465-CASE IH ROUND BALER - EUROPE & R.O.W.

VAR - 726821 - PICKUP WHEEL SUPPORT, 4.80/4.00 - 8



60.220.AU

02

p1

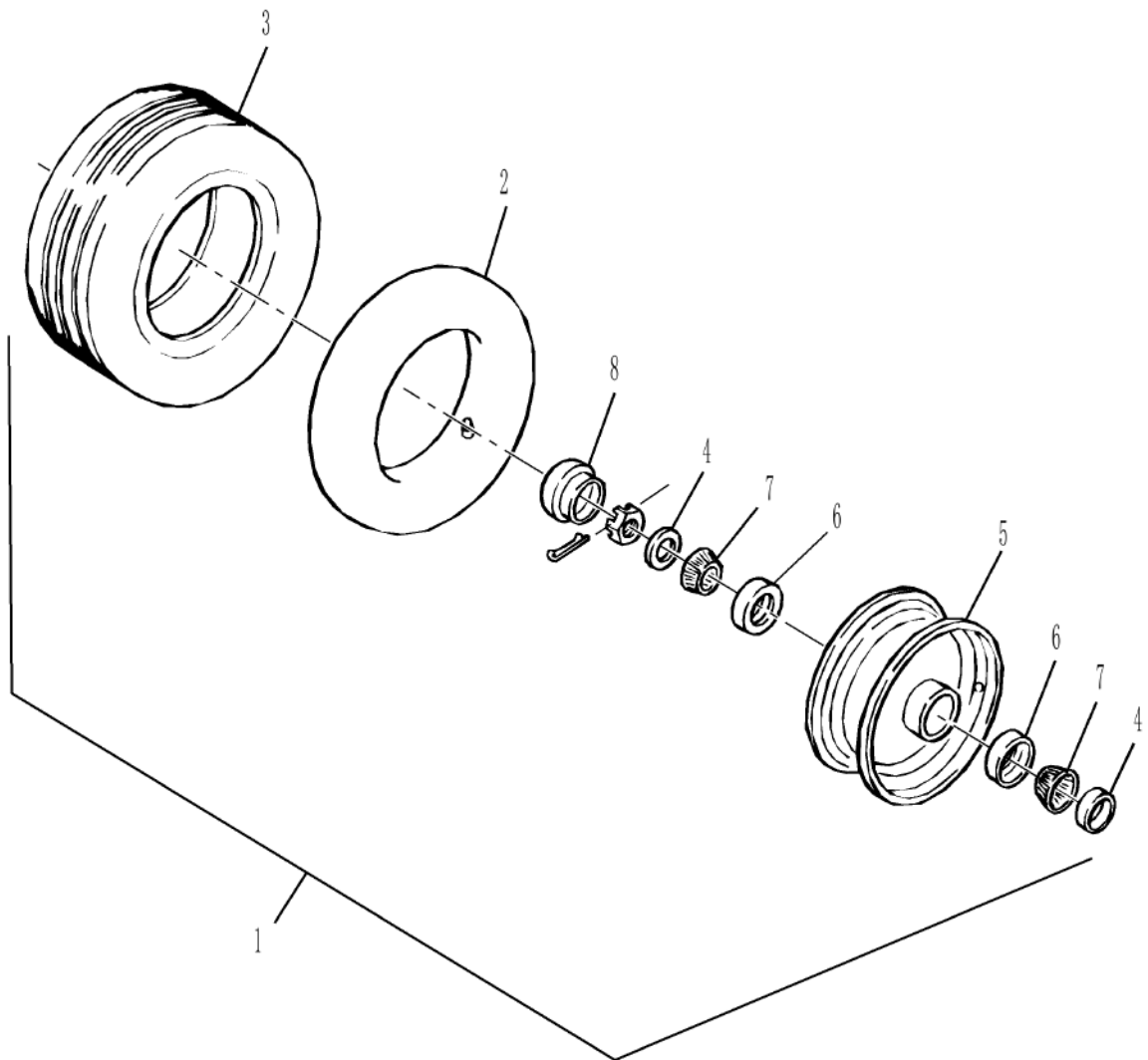
9/2015

VAR - 726821 - PICKUP WHEEL SUPPORT, 4.80/4.00 - 8

REF FN	PART NUMBER	YR/SN	QTY DESCRIPTION
1	84194676		1 SUPPORT
2	86616347		1 WHEEL ASSY Pickup
3	714411		1 COLLAR
4	26130		2 WASHER 26mm ID x 35mm OD x 1.7mm Thk
5	603373		1 JAM NUT Slotted, 1" - 14, Gr 2
6	87398		1 COTTER PIN 3/16" OD x 1-1/4" OAL

RB465-CASE IH ROUND BALER - EUROPE & R.O.W.

VAR - 726821 - PICK-UP WHEEL, 4.80/4.00 - 8



60.220.AU

03

p1

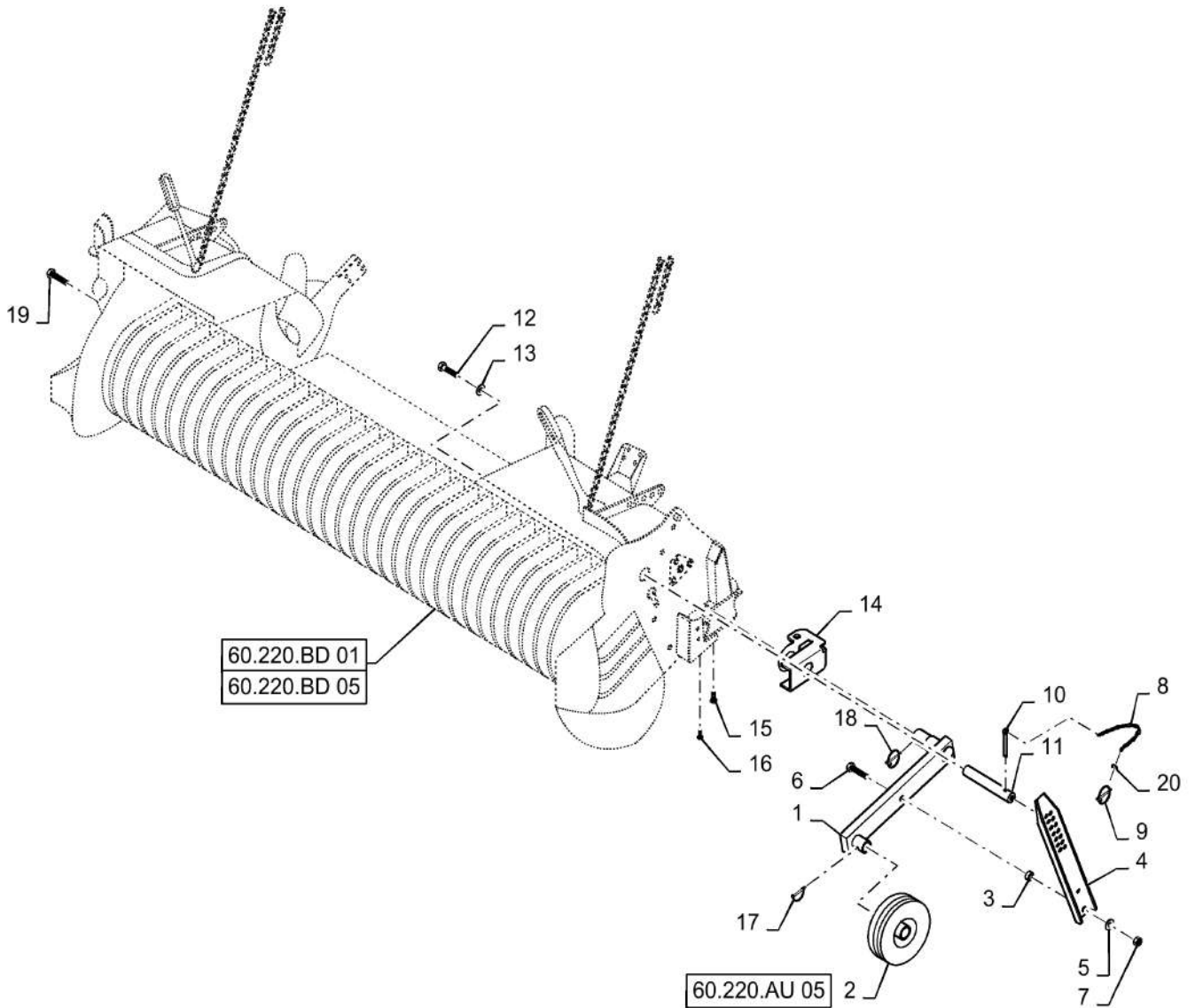
9/2015

VAR - 726821 - PICK-UP WHEEL, 4.80/4.00 - 8

REF FN	PART NUMBER	YR/SN	QTY DESCRIPTION
1	86604323		1 RIM Pickup, Incl 2 - 8
2	25447		2 TIRE TUBE Inner, 4 x 8
3	136378		2 TYRE/TIRE 4 Ply, 4.80/4.00 x 8
4	136376		2 SEAL 31.75mm ID x 50.42mm OD x 6.75mm Thk Oil
5	86616348		2 WHEEL Silver
6	132709		4 BEARING CUP 50.29mm OD x 10.67mm W Bearing, Tapered Roller
7	132710		4 BEARING CONE 25.4mm ID x 14.73mm W Tapered Roller
8	200734		2 HUB CAP

RB465-CASE IH ROUND BALER - EUROPE & R.O.W.

VAR - 726923 - PICK-UP WHEEL, UNDERSHOT ROTOR, NO-TOOL, 15 X 6.00-6



60.220.AU

04

p1

9/2015

VAR - 726923 - PICK-UP WHEEL, UNDERSHOT ROTOR, NO-TOOL, 15 X 6.00-6

REF FN	PART NUMBER	YR/SN	QTY DESCRIPTION
1	84563879		2 ARM
2	0C		2 ORDER COMPONENTS Pickup Wheel
3	376291		2 SPACER 16.5mm ID x 25mm OD x 11mm L
4	84195093		2 CHANNEL
5	86511326		2 WASHER 17mm ID x 30mm OD x 3mm Thk
6	120091		2 SCREW Hex, M16 x 60mm, CI 8.8
7	86000441		2 NUT M16 x 2.0, CI 8
8	47431237		2 WIRE ROPE
9	86508947		2 LINCH PIN 18.8mm OD
10	130012		2 COTTER PIN M5 x 50
11	84564355		2 PIN 35mm OD x 190mm L
12	9509260		2 LOCK BOLT Hex, M12 x 40mm, CI 8.8
13	80700		2 WASHER 0.56" ID x 1.38" OD x 0.11" Thk
14	84564362		2 MOUNT
15	86624002		4 BOLT Hex, M20 x 40mm, CI 8.8
16	9706687		4 BOLT M12 x 1.75 x 30mm, CI 8.8
17	9838996		2 COTTER PIN
18	87056822		2 PIN
19	9671714		1 FLANGE BOLT Hex, M8 x 1.25 x 25mm, CI 8.8
20	84012277		2 KEY RING

RB465-CASE IH ROUND BALER - EUROPE & R.O.W.

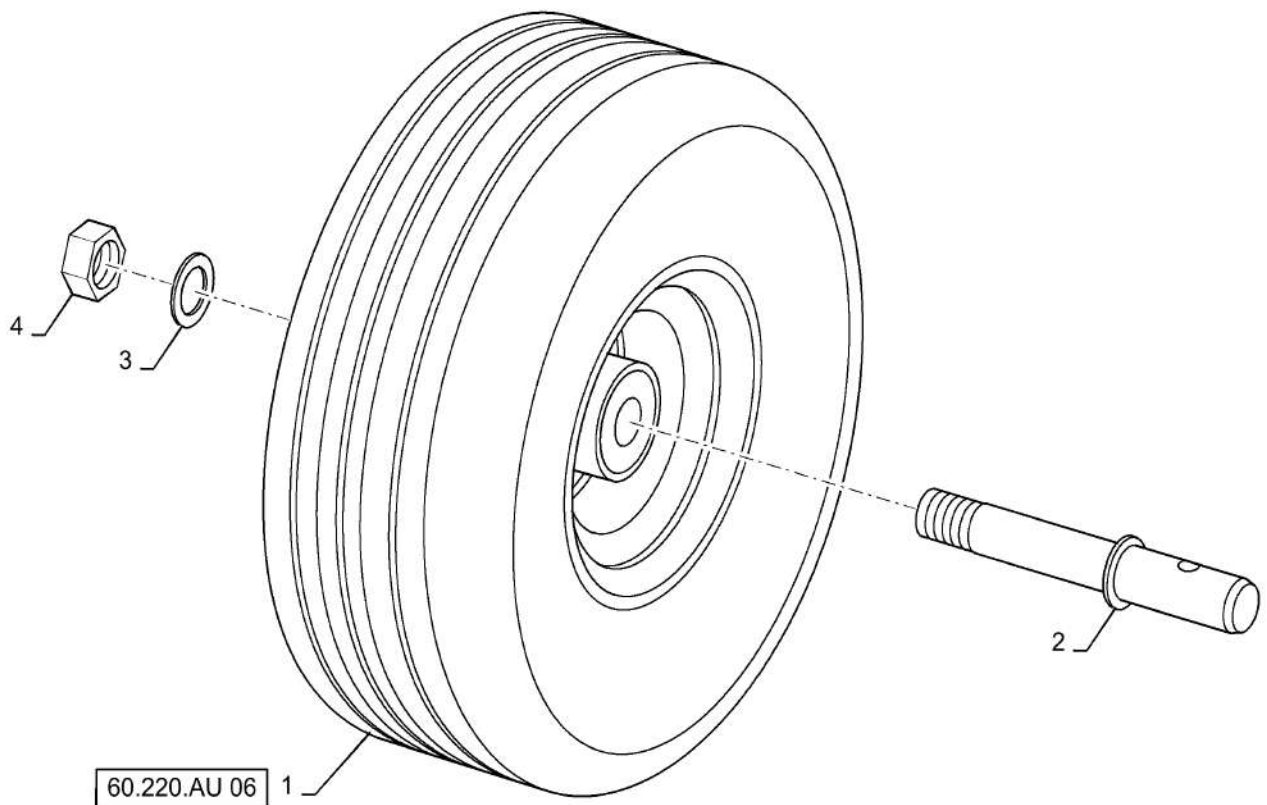
60.220.AU

05

p1

9/2015

VAR - 726923 - PICK-UP WHEEL MOUNTING PARTS, 15 X 6.00-6



60.220.AU

05

p1

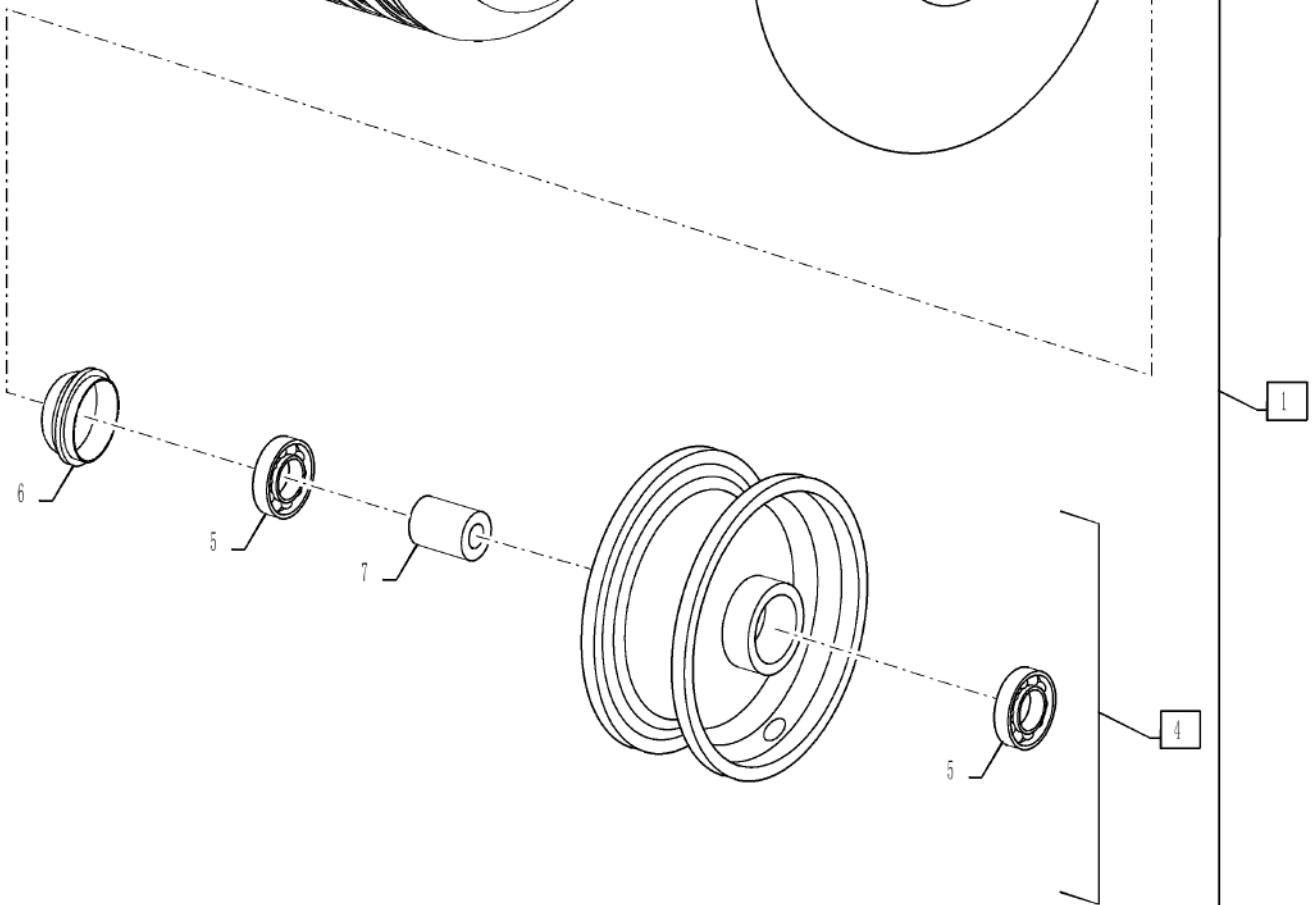
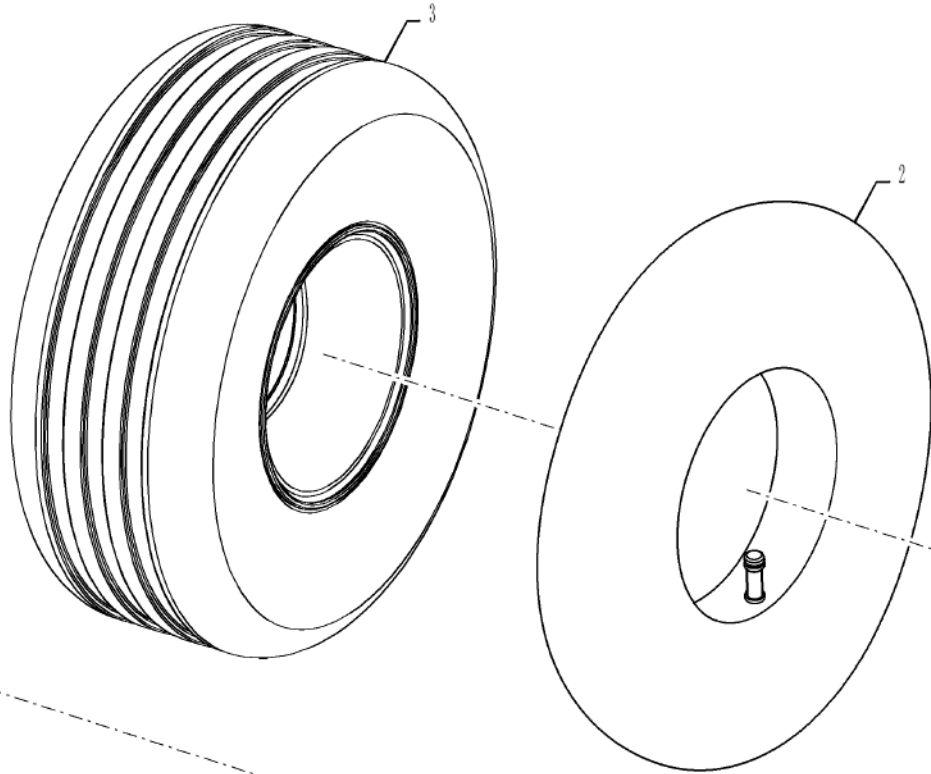
9/2015

VAR - 726923 - PICK-UP WHEEL MOUNTING PARTS, 15 X 6.00-6

REF FN	PART NUMBER	YR/SN	QTY DESCRIPTION
1	84607730		1 WHEEL ASSY 370mm OD x 160mm W Pickup
2	84132501		1 PIN
3	140103		1 WASHER 26mm ID x 38mm OD x 1mm Thk
4	9837788		1 NUT M24 x 3, CI 8.8

RB465-CASE IH ROUND BALER - EUROPE & R.O.W.

VAR - 726923 - PICK-UP WHEELS, 15 X 6.00-6



60.220.AU

06

p1

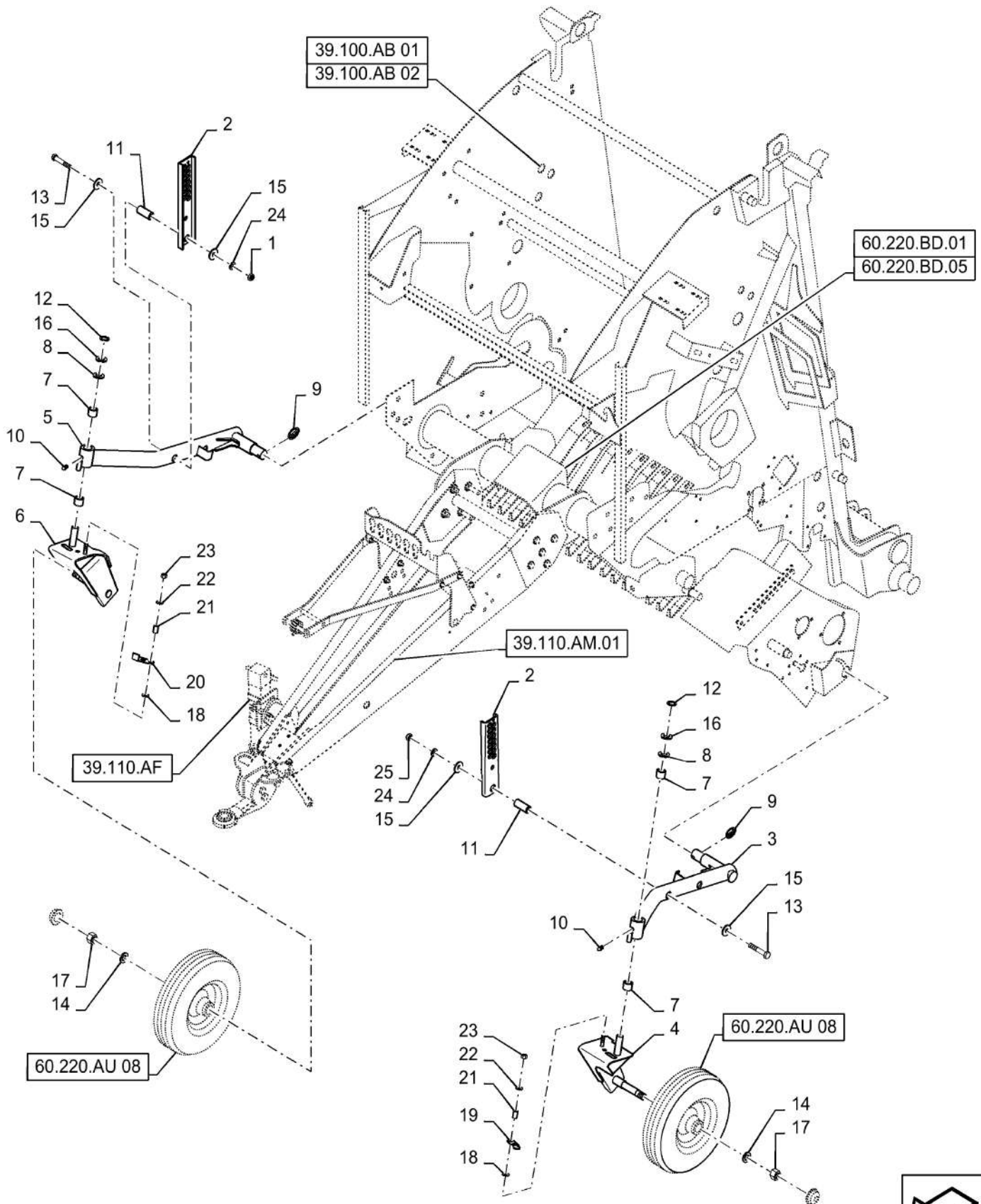
9/2015

VAR - 726923 - PICK-UP WHEELS, 15 X 6.00-6

REF FN	PART NUMBER	YR/SN	QTY DESCRIPTION
1	84607730		1 WHEEL ASSY 370mm OD x 160mm W Pickup, Incl 2 - 7
2	84429037		1 TIRE TUBE Inner
3	84429038		1 TYRE/TIRE
4	84429039		1 RIM Incl 5 - 7
5	34439		2 BALL BEARING 25 mm ID x 52 mm OD x 15 mm
6	84036651		1 CAP
7	NSS		1 NOT SERVICED SEPARATELY Spacer, Incl in 4

RB465-CASE IH ROUND BALER - EUROPE & R.O.W.

CASTER PICK-UP WHEEL



CASTER PICK-UP WHEEL

REF FN	PART NUMBER	YR/SN	QTY DESCRIPTION
1	84607730		2 WHEEL ASSY 370mm OD x 160mm W Pickup
2	47434361		2 CHANNEL
3	84556892		1 ARM LH
4	84289772		1 SUPPORT LH
5	84378291		1 SUPPORT RH
6	84336768		1 FORK RH
7	9615969		4 SLEEVE 35mm ID x 39mm OD x 20mm L
8	84041902		4 SEALING ELEMENT
9	87056822		2 PIN
10	87414		2 LUBE NIPPLE 1/4" - 28
11	84220857		2 SPACER 12.7mm ID x 25.4mm OD x 70.5mm L
12	370004		2 SNAP RING M35 x 1.5mm Thk, External
13	374887		2 BOLT Hex, M12 x 1.75 x 100mm, CI 8.8
14	140103		2 WASHER 26mm ID x 38mm OD x 1mm Thk
15	9511052		4 WASHER 13.5mm ID x 44mm OD x 4mm Thk
16	47529253		4 WASHER 35.5mm ID x 53mm OD x 2mm Thk
17	9837788		2 NUT M24 x 3, CI 8.8
18	29046		2 WASHER 11.1mm ID x 25.4mm OD x 0.457mm Thk
19	84537524		1 PLATE LH
20	84559864		1 PLATE RH
21	86635755		2 SPRING 15.88mm OD x 28.58mm L
22	87362		2 WASHER 5/16" SAE
23	86629542		2 NUT M8 x 1.25, CI 8
24	140046		2 BELLEVILLE WASHER M12 x 27mm OD x 1.8mm Thk
25	9804279		2 FLANGE NUT Hex, M12, CI 8

RB465-CASE IH ROUND BALER - EUROPE & R.O.W.

PICKUP WHEEL



1

2

3

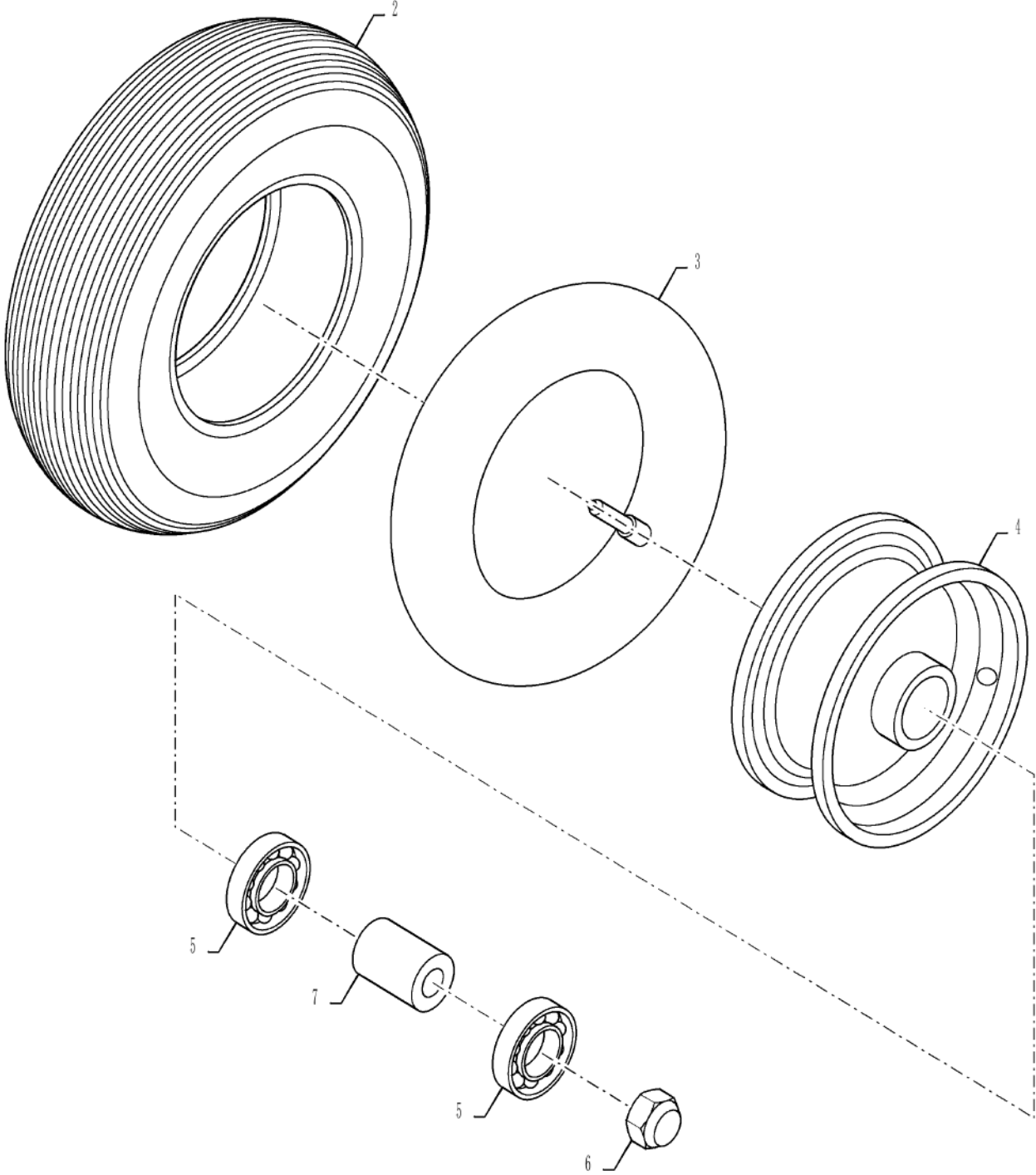
4

5

7

5

6

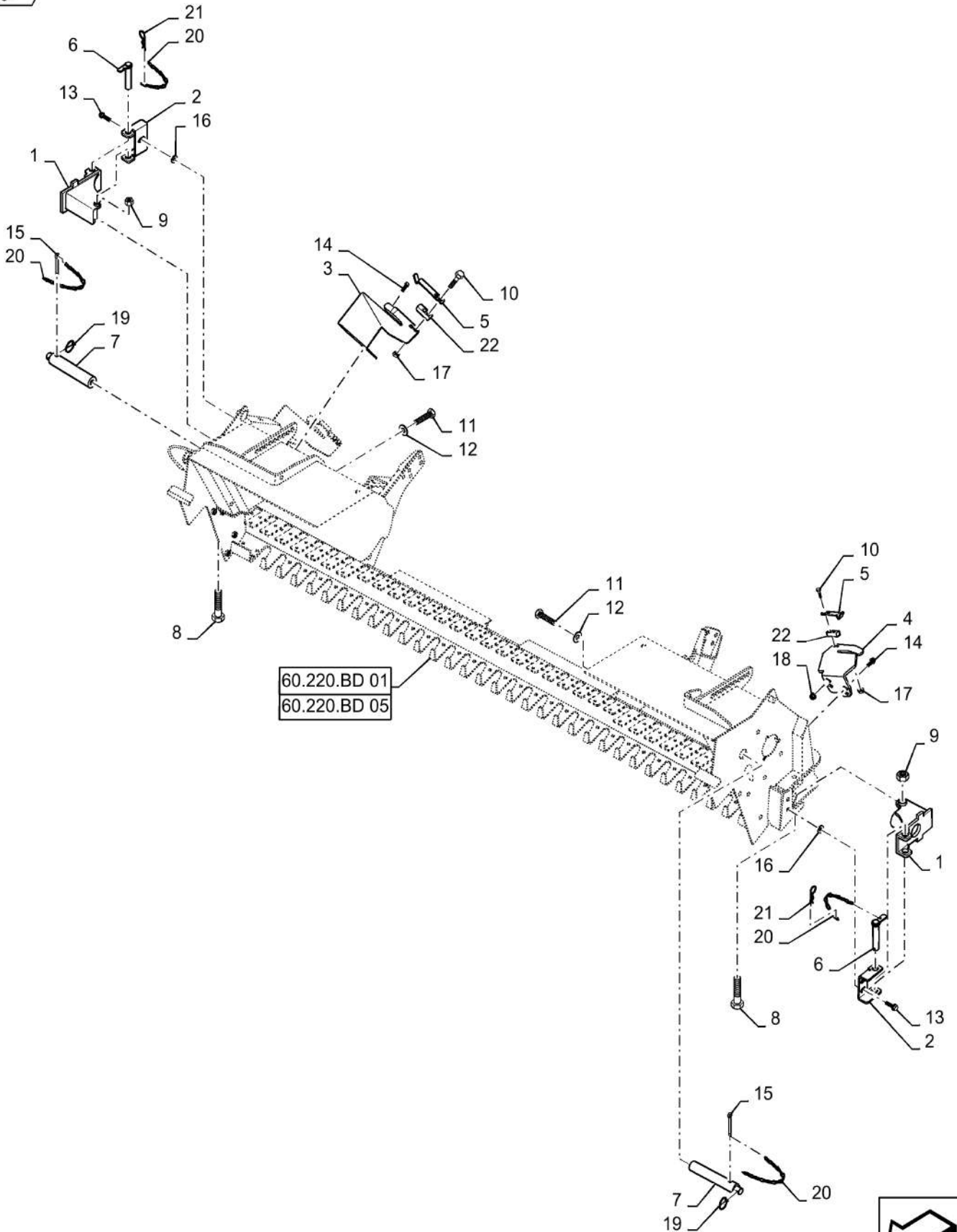


PICKUP WHEEL

REF FN	PART NUMBER	YR/SN	QTY DESCRIPTION
1	0C		2 ORDER COMPONENTS Pickup Wheel & Tire, Incl 2 - 7
2	84429038		1 TYRE/TIRE
3	84429037		1 TIRE TUBE
4	84429039		1 RIM
5	34439		2 BALL BEARING 25 mm ID x 52 mm OD x 15 mm
6	84036651		1 CAP
7	NSS		1 NOT SERVICED SEPARATELY Spacer, Incl in 1

RB465-CASE IH ROUND BALER - EUROPE & R.O.W.

VAR - 726925, 726958 - FLIP UP CASTER WHEEL - VAR 726925, 726958

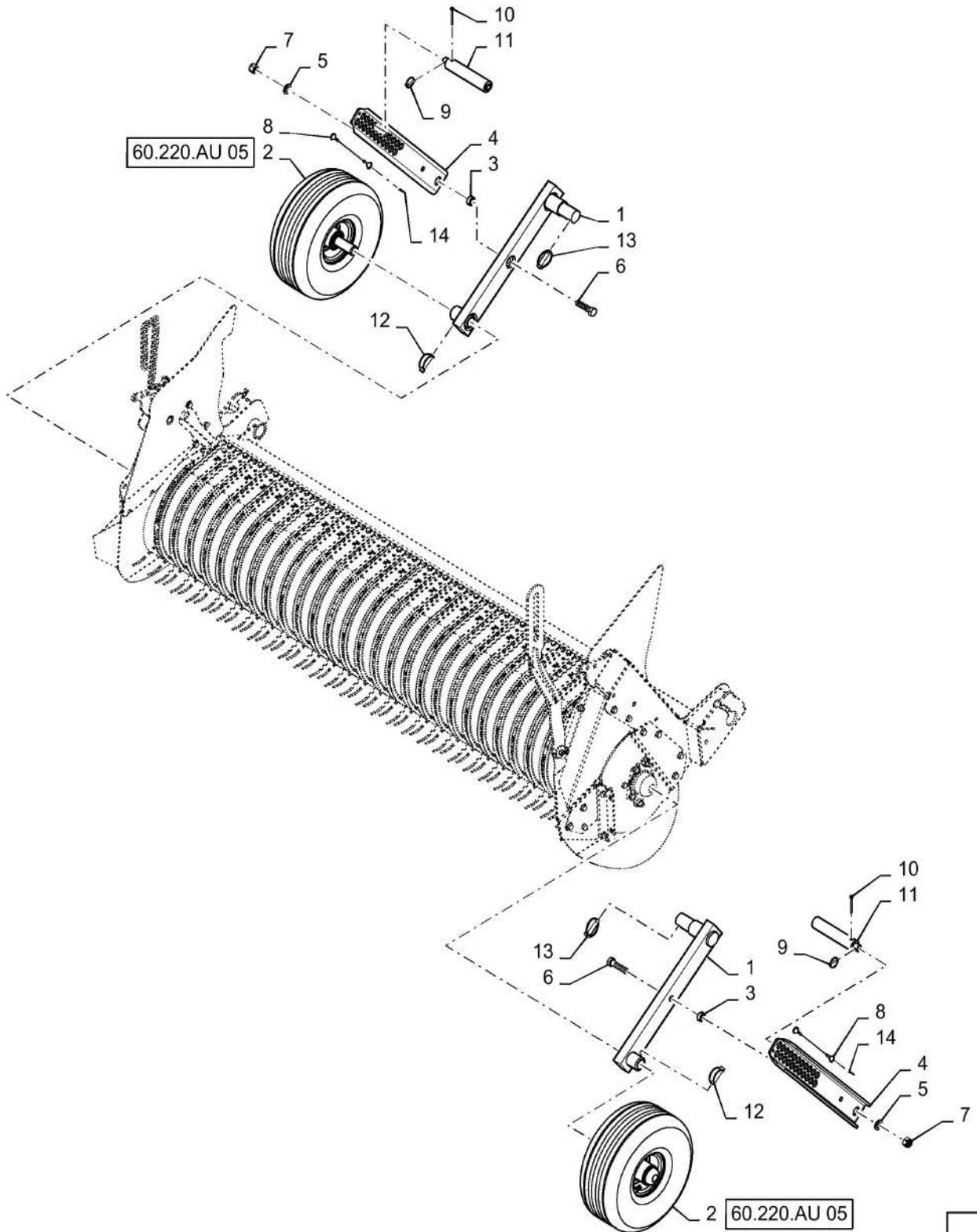


VAR - 726925, 726958 - FLIP UP CASTER WHEEL - VAR 726925, 726958

REF FN	PART NUMBER	YR/SN	QTY DESCRIPTION
1	84387493		2 MOUNT RH
2	84530546		2 MOUNT LH
3	84585510		1 MOUNT RH, 2M Pickup
3	84594436		1 MOUNT RH, 1.8M Pickup
4	84585509		1 MOUNT LH, 2M Pickup
4	84594733		1 MOUNT LH, 1.8M Pickup
5	47494340		2 LATCH HOOK
6	84585292		2 LOCK PIN 20mm OD x 116.5mm L
7	84479182		2 PIN 35mm OD x 207mm L
8	412427		2 BOLT Hex, M20 x 2.5 x 130mm, CI 8.8
9	380424		2 NUT M20 x 2.5, CI 8
10	86511839		4 BOLT Hvy Hex, M6 x 30mm, CI 8.8
11	9509260		2 LOCK BOLT Hex, M12 x 40mm, CI 8.8
12	80700		2 WASHER 0.56" ID x 1.38" OD x 0.11" Thk
13	9804261		4 BOLT Hex, M10 x 25mm, Full Thd, CI 8.8
14	9671714		9 FLANGE BOLT Hex, M8 x 1.25 x 25mm, CI 8.8
15	87400		2 COTTER PIN 3/16" x 2"
16	29046		AR WASHER 11.1mm ID x 25.4mm OD x 0.457mm Thk
17	9804276		4 FLANGE NUT Hex, M6 x 1, CI 8
18	9804277		4 FLANGE NUT Hex, M8 x 1.25, CI 8
19	270184		2 LINCH PIN 6.35mm OD
20	47431237		2 WIRE ROPE
21	84012277		2 KEY RING
22	47494300		2 BLOCK

RB465-CASE IH ROUND BALER - EUROPE & R.O.W.

VAR - 726923 - PICK-UP WHEEL, OVERSHOT ROTOR, NO-TOOL, 15 X 6.00-6

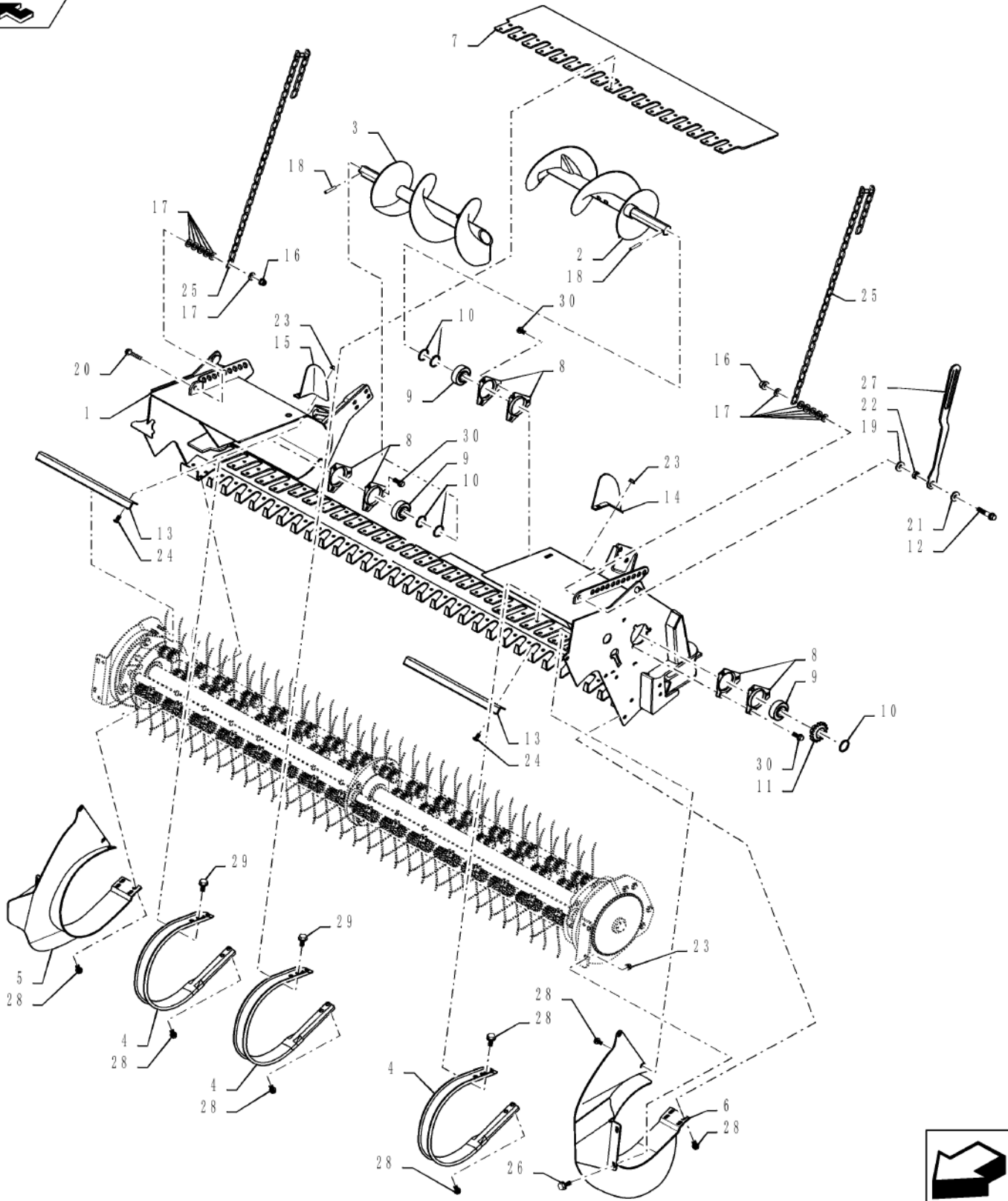


VAR - 726923 - PICK-UP WHEEL, OVERSHOT ROTOR, NO-TOOL, 15 X 6.00-6

REF FN	PART NUMBER	YR/SN	QTY DESCRIPTION
1	84563879		2 ARM
2	0C		2 ORDER COMPONENTS Pick-up Wheel
3	376291		2 SPACER 16.5mm ID x 25mm OD x 11mm L
4	84195093		2 CHANNEL
5	86511326		2 WASHER 17mm ID x 30mm OD x 3mm Thk
6	120091		2 SCREW Hex, M16 x 60mm, CI 8.8
7	86000441		2 NUT M16 x 2.0, CI 8
8	47431237		2 WIRE ROPE
9	86508947		2 LINCH PIN 18.8mm OD
10	87400		2 COTTER PIN 3/16" x 2"
11	84564355		2 PIN 35mm OD x 190mm L
12	9838996		2 COTTER PIN
13	87056822		2 PIN
14	84012277		2 KEY RING

RB465-CASE IH ROUND BALER - EUROPE & R.O.W.

VAR - 726805, 726827 - PICKUP, WITHOUT TOP ASSIST ROLL



SERVICE PICKUP ASSEMBLY 47813909 IS SHOWN ON FIGURE 60.220.BD 15

VAR - 726805, 726827 - PICKUP, WITHOUT TOP ASSIST ROLL

REF FN	PART NUMBER	YR/SN	QTY DESCRIPTION
1	84393043		1 FRAME
2	84379751		1 AUGER LH
3	84380114		1 AUGER RH
4	84559050		27 GUARD
5	84379698		1 GUIDE RH
6	84379704		1 GUIDE LH
7	87050285		1 FLOOR 260mm W x 1150mm L, Polyurethane
8	86620026		6 FLANGED BEARING
9	86594423		2 BEARING 28.6mm Hex x 72mm OD x 25mm W
10	87641641		4 WASHER 35.2mm ID x 47.75mm OD x 1.93mm Thk
11	87641197		1 SPROCKET
12	9804265		1 FLANGE BOLT Hex, M10 x 60mm, CI 8.8
13	84281954		2 ANGLE
14	84385892		1 SHIELD LH Upper
15	84385890		1 SHIELD RH Upper
16	100037		2 NUT M0 x 1.5, CI 8
17	80702		6 WASHER 0.44" ID x 1" OD x 0.08" Thk
18	86625115		2 PIN M6 x 40mm OAL
19	235126		1 WASHER 10.3mm ID x 38mm OD x 1.7mm Thk
20	9804263		1 BOLT M10 x 49.2mm, CI 8.8
21	213404		1 SPACER 10.3mm ID x 38.1mm OD x 5.2mm OAL
22	87020910		1 SPACER 10.4mm ID x 19mm OD x 8.9mm Thk
23	9804278		4 FLANGE NUT M10 x 1.5, CI 8
24	86633356		9 CARRIAGE BOLT M10 x 34.8mm, CI 8.8
25	47492226		2 CHAIN 38 Links x 25.4mm = 965mm L
26	9804262		4 BOLT M10 x 39.2mm, CI 8.8
27	84307932		1 LINK
28	87039762		74 SELF-TAP SCREW Hex Wash Hd, 5/16"-18 x 5/8"
29	87577839		42 SELF-TAP SCREW Hex Washer Hd, 5/16" - 18 x 7/8"
30	86050286		4 FLANGE BOLT M10 x 20mm, CI 8.8

RB465-CASE IH ROUND BALER - EUROPE & R.O.W.

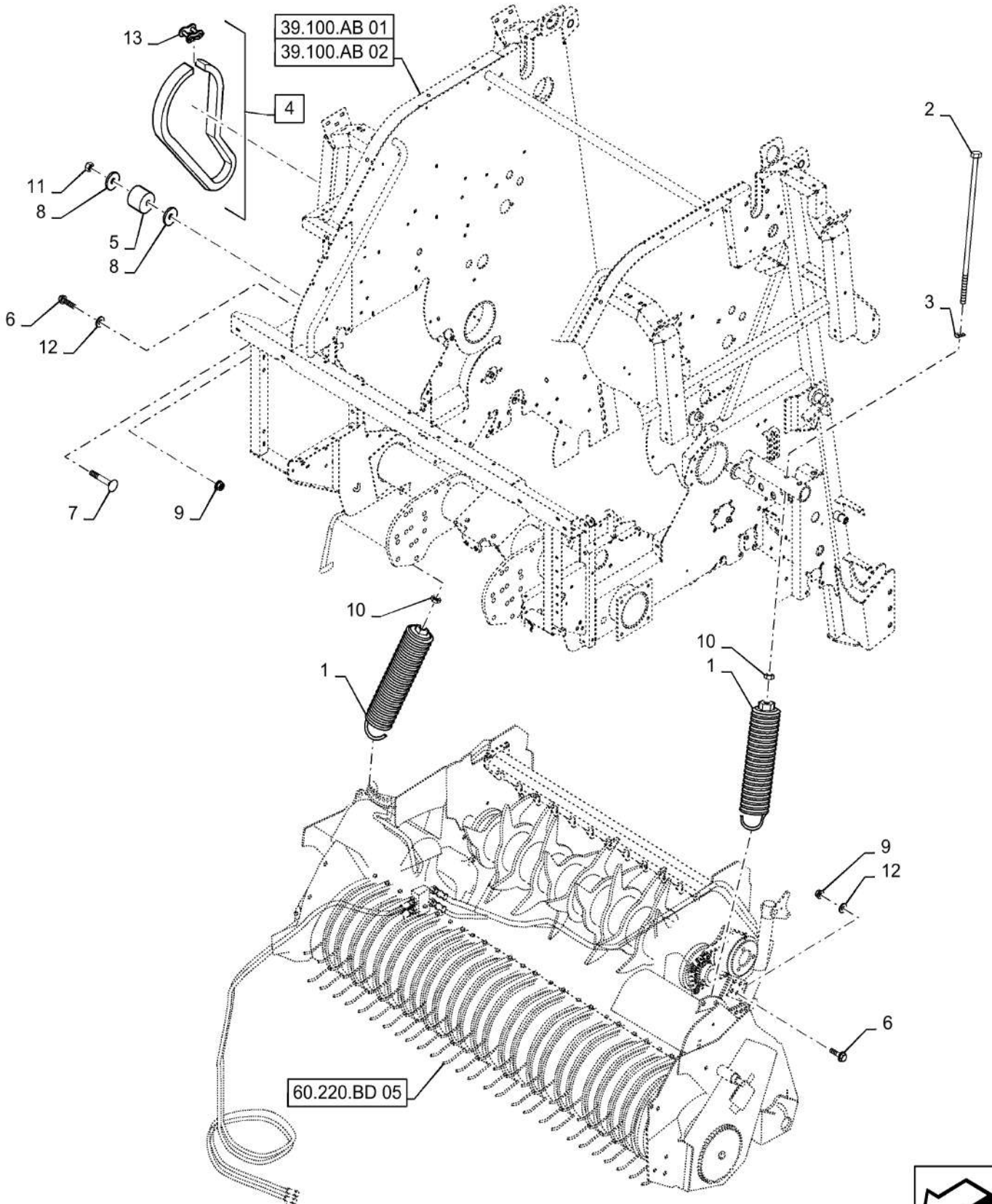
60.220.BD

02

p1

9/2015

VAR - 726805, 726826, 726827, 726828, 726959, 726960 - PICKUP, WITHOUT TOP ASSIST ROLL- FLOTATION SPRING AND DRIVE

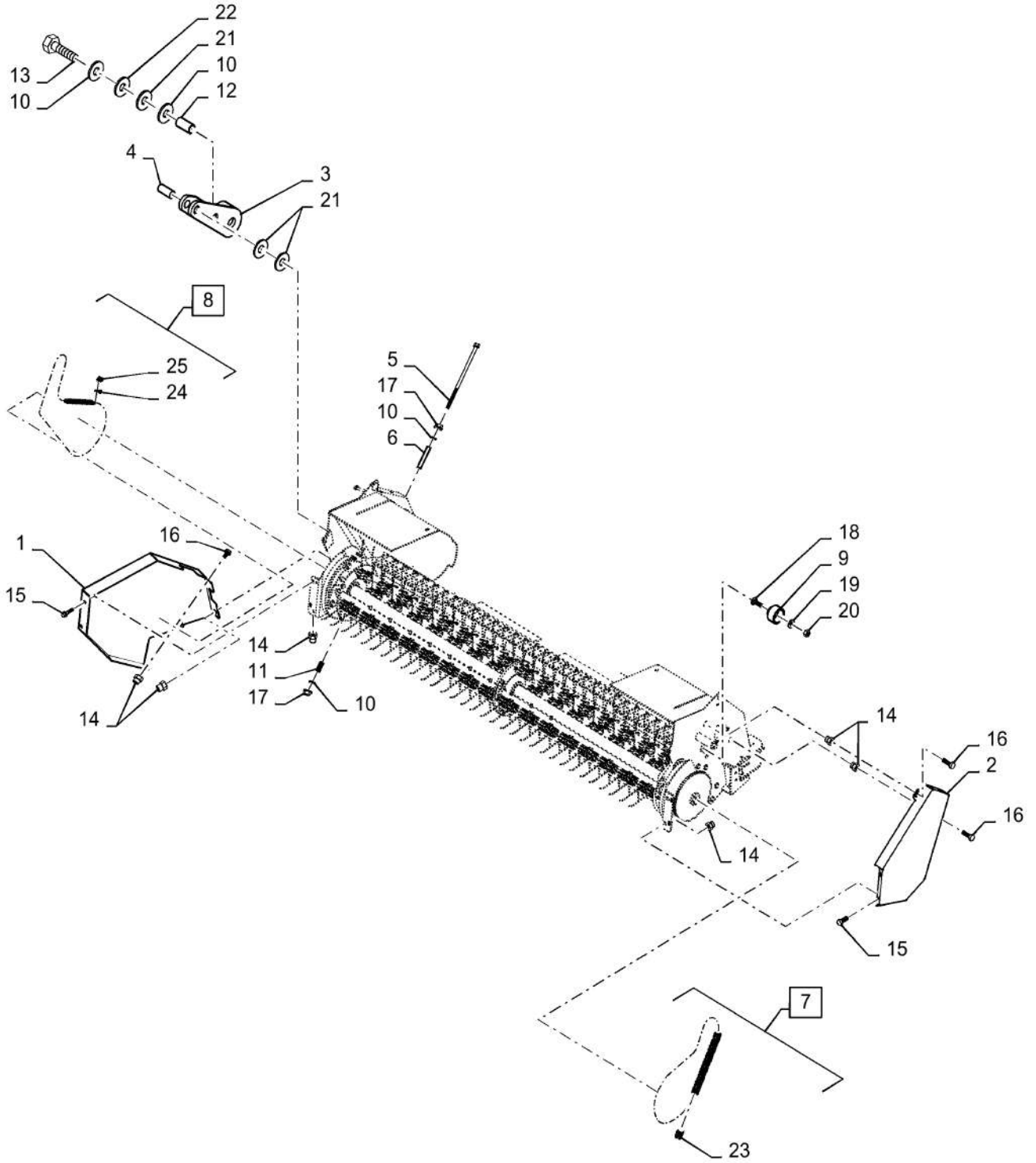


VAR - 726805, 726826, 726827, 726828, 726959, 726960 - PICKUP, WITHOUT TOP ASSIST ROLL- FLOTATION SPRING AND DRIVE

REF FN	PART NUMBER	YR/SN	QTY DESCRIPTION
1	84472287		2 SPRING
2	84423031		2 THREADED ROD M12 x 1.75 x 541mm L
3	9801066		2 SUPPORT
4	84300121		1 CHAIN RC80, 44 Links x 25.4mm = 1117.6mm RC80, 43 Pitches, Incl 13
5	84351002		1 IDLER 13.2mm ID x 60mm OD x 48mm L Nylon
6	9804268		8 BOLT Hex, M12 x 40mm, CI 8.8, Full Thd
7	300662		1 CARRIAGE BOLT Sht Sq Nk, M12 x 1.75 x 80mm, CI 8.8
8	29684		2 WASHER 13.5mm ID x 50.8mm OD x 5.52mm Thk
9	9804279		8 FLANGE NUT Hex, M12, CI 8
10	9706685		2 NUT M12 x 1.75, CI 8
11	100038		1 NUT M12 x 1.75, CI 8
12	140046		8 BELLEVILLE WASHER M12 x 27mm OD x 1.8mm Thk
13	1 84356440		1 LINK 25.4mm Pitch
(1)	Not Illustrated		

RB465-CASE IH ROUND BALER - EUROPE & R.O.W.

VAR - 726805, 726827 - PICKUP WITHOUT TOP ASSIST ROLL, DRIVES

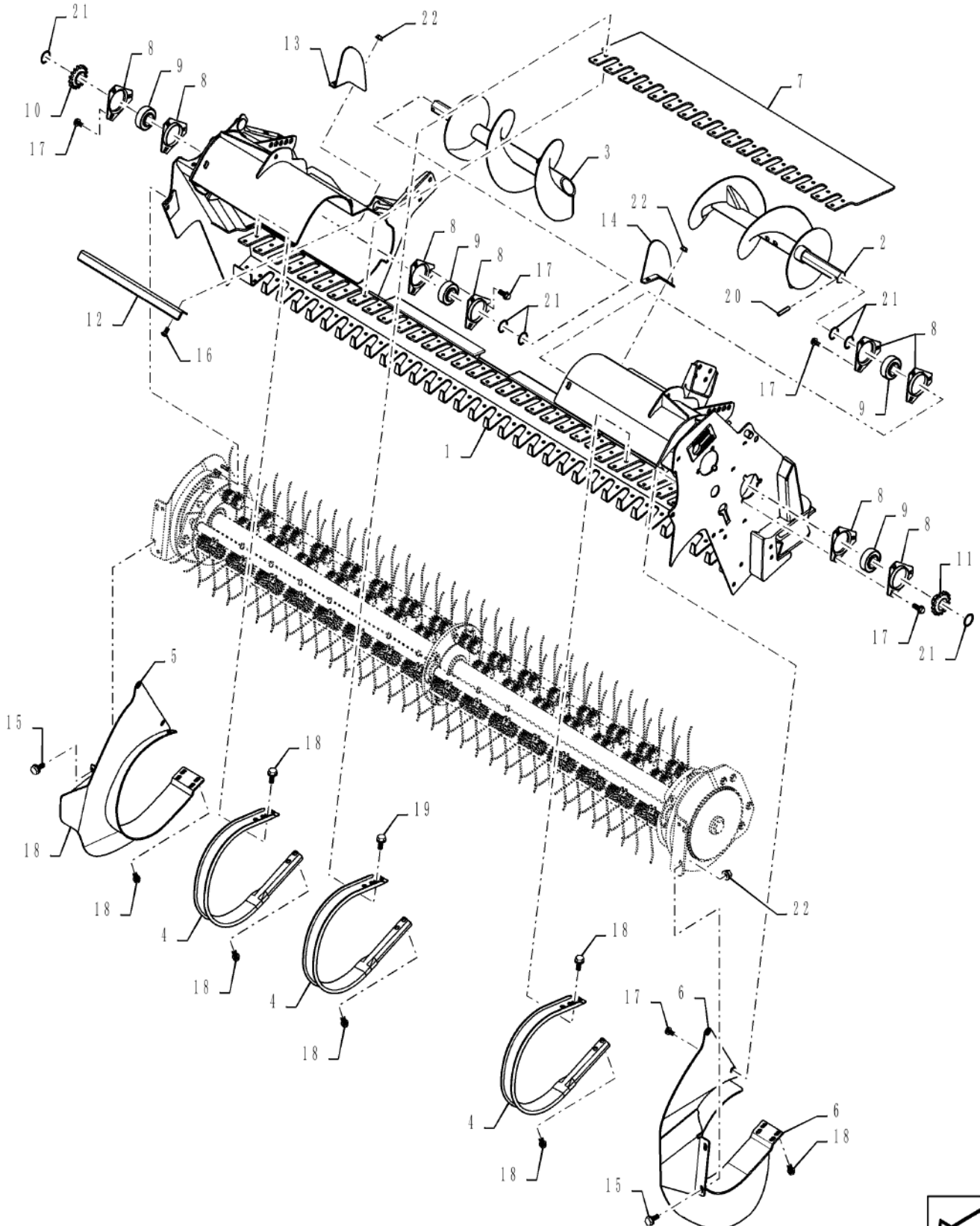


VAR - 726805, 726827 - PICKUP WITHOUT TOP ASSIST ROLL, DRIVES

REF FN	PART NUMBER	YR/SN	QTY DESCRIPTION
1	84475973		1 SHIELD RH
2	84556899		1 SHIELD LH
3	84303987		1 IDLER
4	84304035		1 PIN 20mm OD x 48mm L
5	87525769		1 BOLT AND NUT M10 x 1.5 x 355mm L
6	87525881		1 TUBE
7	84300120		1 CHAIN RC50, 74 Links x 15.88mm = 1174.75mm RC50, 74 pitches
8	84379049		1 CHAIN RC60, 79 Links x 19.05mm = 1504.95mm RC80, 78 Pitches
9	86613200		1 IDLER 89mm OD x 47.7mm W
10	80702		4 WASHER 0.44" ID x 1" OD x 0.08" Thk
11	86628837		1 SPRING Compression, 23mm OD x 57.15mm L
12	9616869		1 SPACER 0.41" ID x 0.60" OD x 0.960" L
13	9804264		1 BOLT M10 x 59.2mm OAL, CI 8.8
14	86610200		8 THREADED INSERT M8 x 1.25
15	9671714		4 FLANGE BOLT Hex, M8 x 1.25 x 25mm, CI 8.8
16	9804258		4 BOLT Hex, M8 x 1.25 x 20mm, CI 8.8
17	9804278		2 FLANGE NUT M10 x 1.5, CI 8
18	412185		1 CARRIAGE BOLT Short Sq Nk, M16 x 2 x 50mm, CI 8.8, Full Thd
19	140020		1 WASHER 17.5mm ID x 30mm OD x 3mm Thk
20	86000441		1 NUT M16 x 2.0, CI 8
21	47407		2 WASHER 16.7mm ID x 33.3mm OD x 0.75mm Thk
22	27697		1 WASHER 16.66mm ID x 27mm OD x 1.52mm Thk
23	84545610		1 CONNECTING LINK
24	84134452		1 CONNECTING LINK RC60, 3/4" Pitch
25	84134453		1 OFFSET LINK

RB465-CASE IH ROUND BALER - EUROPE & R.O.W.

VAR - 726826, 726827, 726828, 726959, 726960 - 1.8M PICKUP, WITH TOP ASSIST ROLL



VAR - 726826, 726827, 726828, 726959, 726960 - 1.8M PICKUP, WITH TOP ASSIST ROLL

REF	FN	PART NUMBER	YR/SN	QTY DESCRIPTION
1	1	84425242		1 FRAME
1	2	84471675		1 PICK-UP
2	1	84379751		1 AUGER LH
2	2	84380229		1 AUGER LH
3	1	84380114		1 AUGER RH
3	2	84380563		1 AUGER RH
4		84559050		27 GUARD
5		84379698		1 GUIDE RH
6		84379704		1 GUIDE LH
7		87050285		1 FLOOR 260mm W x 1150mm L, Polyurethane
8		86620026		8 FLANGED BEARING
9	1	86594423		4 BEARING 28.6mm Hex x 72mm OD x 25mm
9	2	84324246		4 SPHERICAL BEARING 31.75mm ID x 72mm OD x 25mm Thk
10	1	84297306		1 SPROCKET 11T, RC80
10	2	84372087		1 SPROCKET 11T, RC60
11	1	87641197		1 SPROCKET 13T, RC50
11	2	84372082		1 SPROCKET 13T, RC50
12		84281954		2 ANGLE
12		84374389		2 ANGLE
13		84385890		1 SHIELD RH
14		84385892		1 SHIELD LH
15		9804262		4 BOLT M10 x 39.2mm, CI 8.8
16		86633356		6 CARRIAGE BOLT M10 x 34.8mm, CI 8.8
17		86050286		8 FLANGE BOLT M10 x 20mm, CI 8.8
18		47911763		82 SELF-TAP SCREW
19		47911780		34 SELF-TAP SCREW
20	1	86625115		2 PIN M6 x 40mm OAL
20	2	13942970		2 ROLL PIN M6 x 45, Coiled
21	1	87641641		6 WASHER 35.2mm ID x 47.75mm OD x 1.93mm Thk
21	2	84576102		6 WASHER 37.2mm ID x 45mm OD x 2.14mm Thk
22		9804278		17 FLANGE NUT M10 x 1.5, CI 8
(1)		Used on 1.8M Pickup		
(2)		Used on 2.0M Pickup		

RB465-CASE IH ROUND BALER - EUROPE & R.O.W.

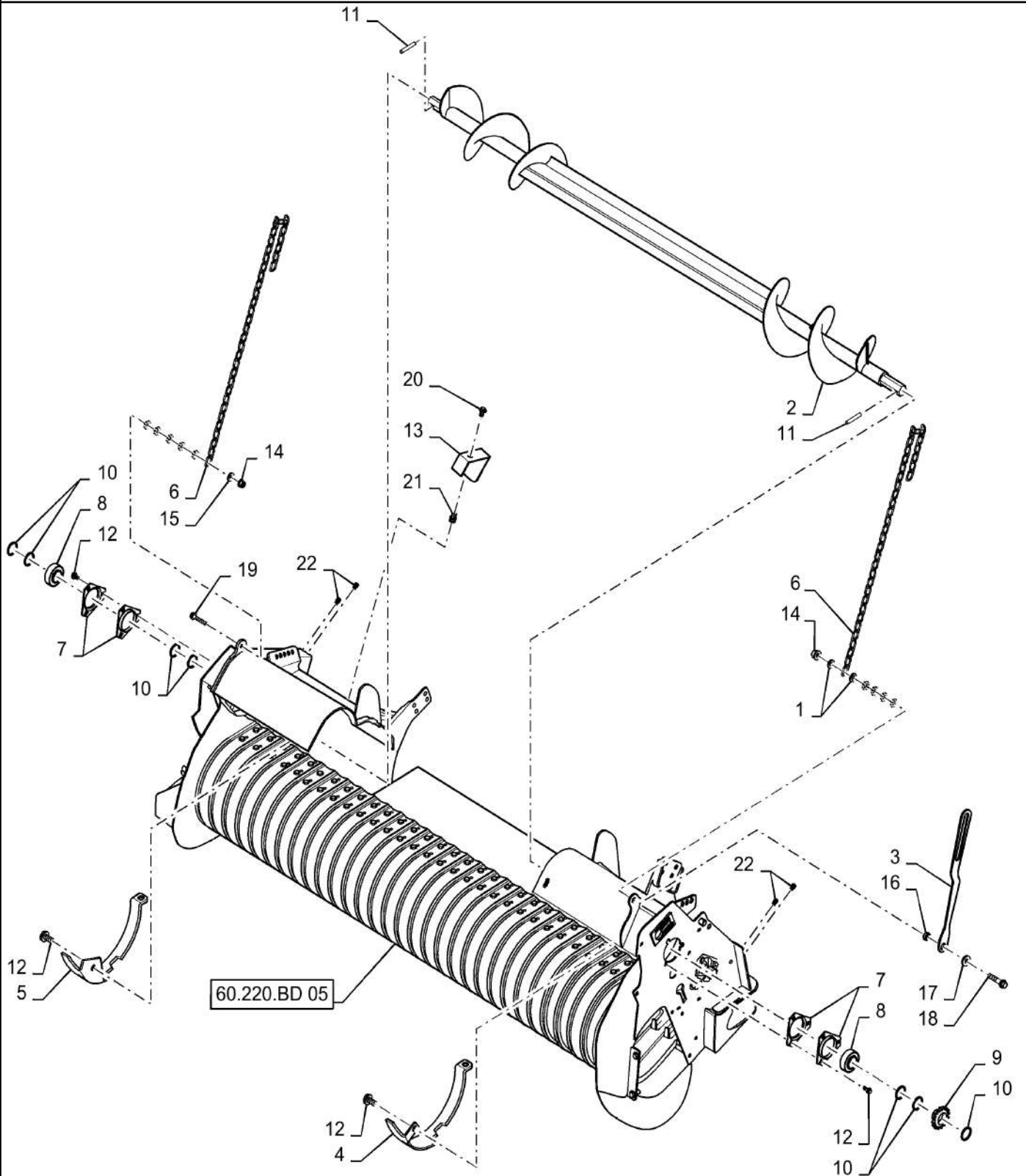
60.220.BD

06

p1

9/2015

VAR - 726826, 726828, 726959, 726960 - 1.8M AND 2.0M PICKUP, TOP ASSIST ROLL, OVERSHOT FEEDER

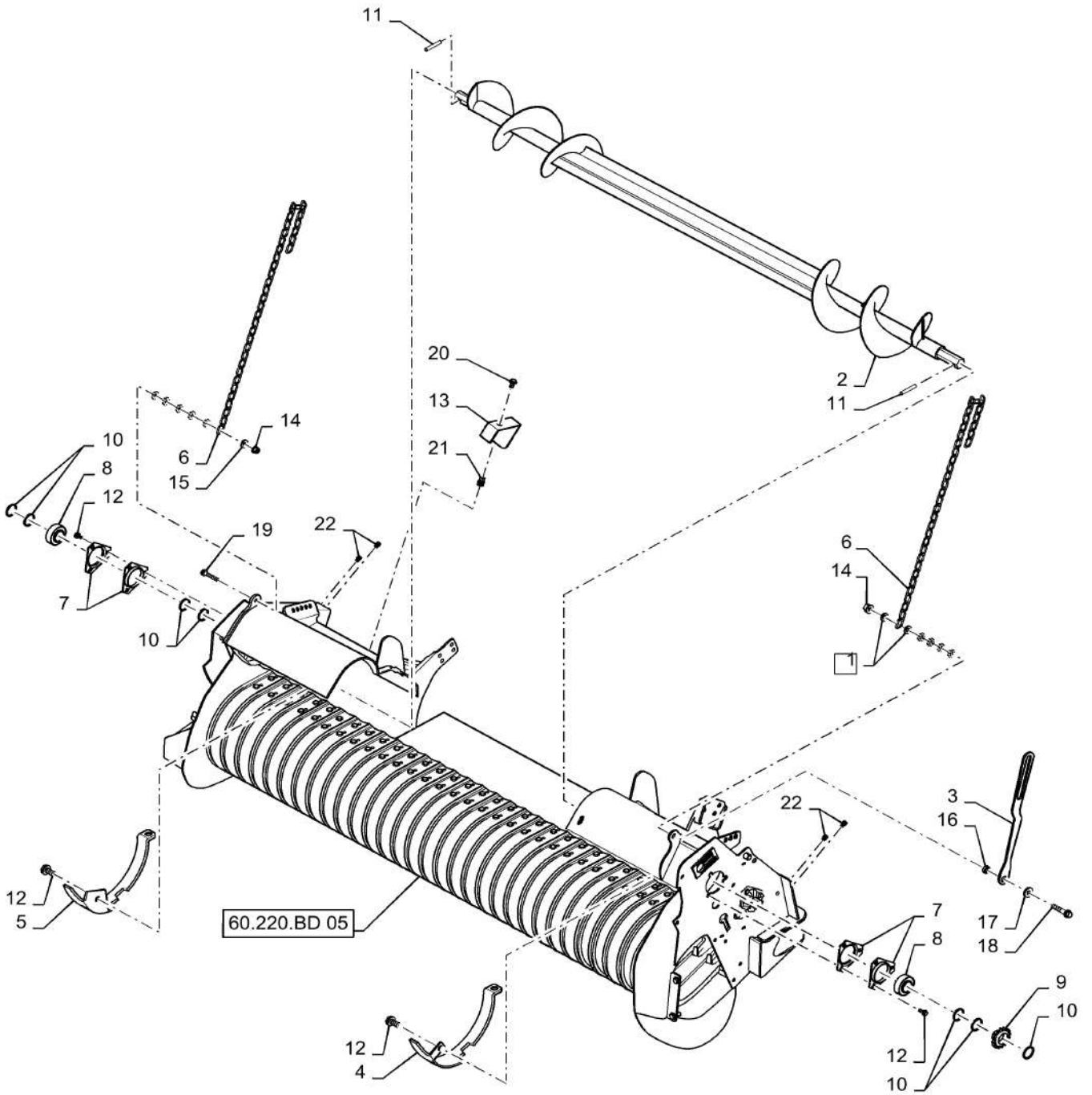


VAR - 726826, 726828, 726959, 726960 - 1.8M AND 2.0M PICKUP, TOP ASSIST ROLL, OVERSHOT FEEDER

REF FN	PART NUMBER	YR/SN	QTY DESCRIPTION
1	80702		12 WASHER 0.44" ID x 1" OD x 0.08" Thk
2	1 47470836		1 ROLL Assist Roll
2	2 47418662		1 ROLL Assist Roll
3	84332757		1 LINK
4	84558467		1 PLATE LH
5	47453911		1 PLATE RH
6	84515235		2 CHAIN
7	86620026		4 FLANGED BEARING
8	86594423		2 BEARING 28.6mm Hex x 72mm OD x 25mm W
9	84546571		1 SPROCKET 19T, RC50
10	87641641		7 WASHER 35.2mm ID x 47.75mm OD x 1.93mm Thk
11	88529		2 LOCK PIN 5.56mm OD x 44.45mm L, Slotted
12	86050286		8 FLANGE BOLT M10 x 20mm, CI 8.8
13	84475439		1 COVER
14	100037		2 NUT M0 x 1.5, CI 8
15	80702		12 WASHER 0.44" ID x 1" OD x 0.08" Thk
16	87020910		1 SPACER 10.4mm ID x 19mm OD x 8.9mm Thk
17	213404		1 SPACER 10.3mm ID x 38.1mm OD x 5.2mm OAL
18	9804265		1 FLANGE BOLT Hex, M10 x 60mm, CI 8.8
19	9804263		1 BOLT M10 x 49.2mm, CI 8.8
20	9804256		4 BOLT Hex, M6 x 1 x 20mm, Full Thd, CI 8.8
21	86610198		4 INSERT M6 x 1
22	86610200		4 THREADED INSERT M8 x 1.25
(1)	Used on 1.8M Pickup		
(2)	Used on 2.0M Pickup		

RB465-CASE IH ROUND BALER - EUROPE & R.O.W.

VAR - 726826, 726828 - PICKUP, TOP ASSIST ROLL



SERVICE PICKUP ASSEMBLY 47814552 IS SHOWN ON FIGURE 60.220.BD 16

VAR - 726826, 726828 - PICKUP, TOP ASSIST ROLL

REF FN	PART NUMBER	YR/SN	QTY DESCRIPTION
1	1	0C	1 ORDER COMPONENTS Pickup Assembly
1	2	0C	1 ORDER COMPONENTS Pickup Assembly
2	1	47470836	1 ROLL Assist Roll
2	2	47418662	1 ROLL Assist Roll
3		84332757	1 LINK
4		84558467	1 PLATE LH
5		47453911	1 PLATE RH
6		84515235	2 CHAIN
7		86620026	4 FLANGED BEARING
8		86594423	2 BEARING 28.6mm Hex x 72mm OD x 25mm W
9		84546571	1 SPROCKET 19T, RC50
10		87641641	7 WASHER 35.2mm ID x 47.75mm OD x 1.93mm Thk
11		88529	2 LOCK PIN 5.56mm OD x 44.45mm L, Slotted
12		86050286	8 FLANGE BOLT M10 x 20mm, CI 8.8
13		84475439	1 COVER
14		100037	2 NUT M0 x 1.5, CI 8
15		80702	12 WASHER 0.44" ID x 1" OD x 0.08" Thk
16		87020910	1 SPACER 10.4mm ID x 19mm OD x 8.9mm Thk
17		213404	1 SPACER 10.3mm ID x 38.1mm OD x 5.2mm OAL
18		9804265	1 FLANGE BOLT Hex, M10 x 60mm, CI 8.8
19		9804263	1 BOLT M10 x 49.2mm, CI 8.8
20		9804256	4 BOLT Hex, M6 x 1 x 20mm, Full Thd, CI 8.8
21		86610198	4 INSERT M6 x 1
22		86610200	4 THREADED INSERT M8 x 1.25
(1)	Used on 1.8M Pickup		
(2)	Used on 2.0M Pickup		

RB465-CASE IH ROUND BALER - EUROPE & R.O.W.

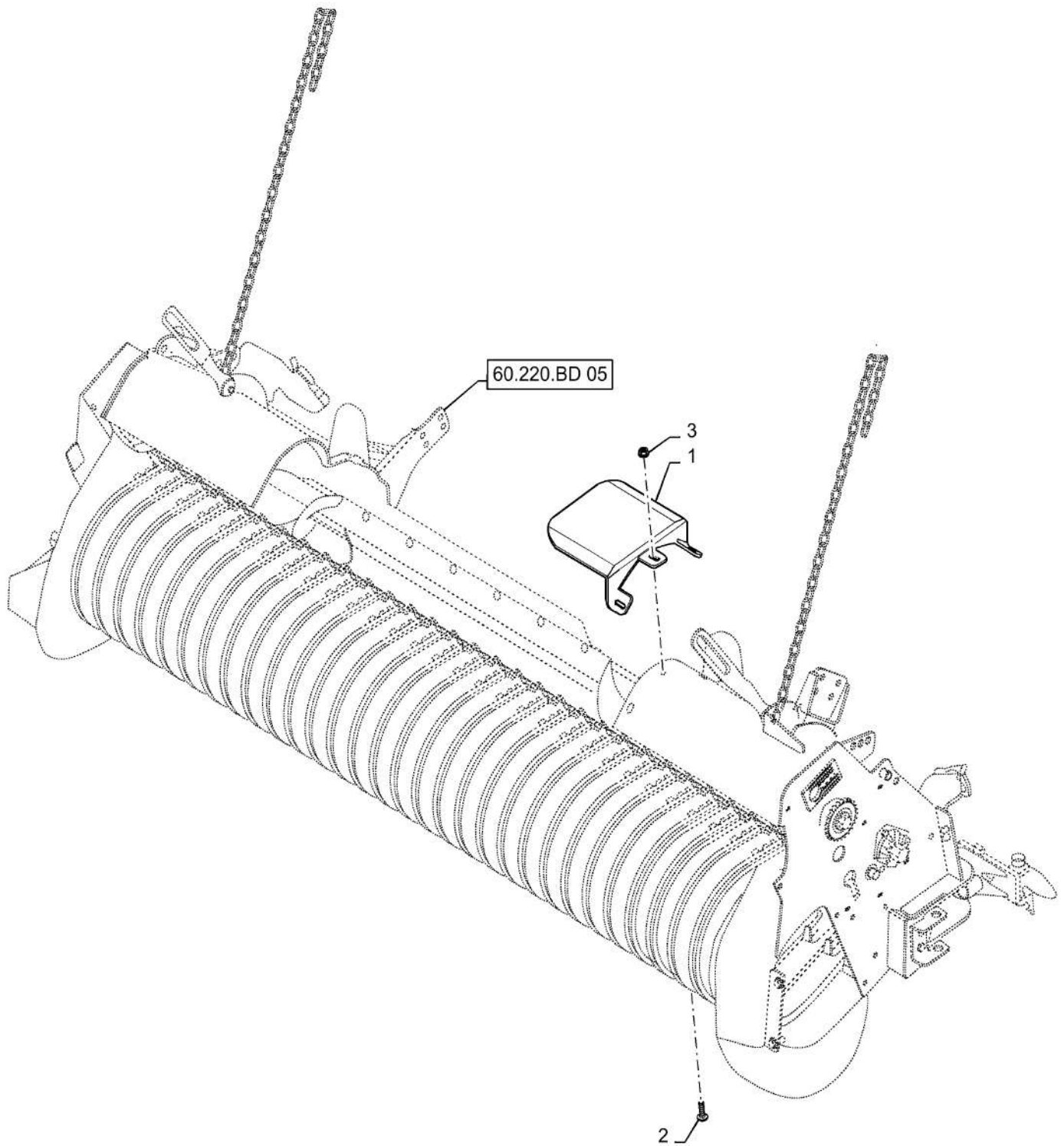
60.220.BD

07

p1

9/2015

VAR - 726826, 726828 - 1.8M PICKUP, TOP ASSIST ROLL SHIELD



60.220.BD

07

p1

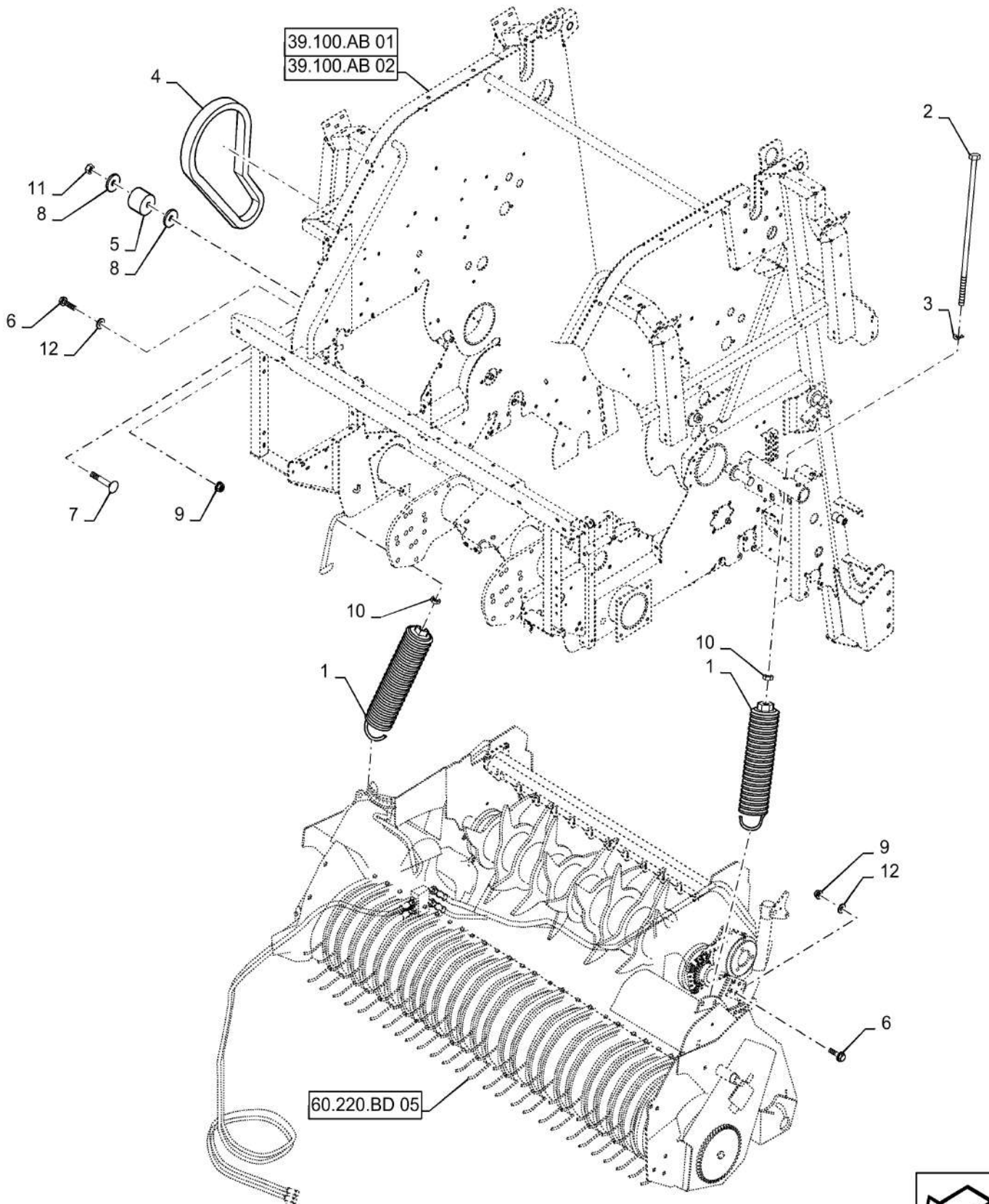
9/2015

VAR - 726826, 726828 - 1.8M PICKUP, TOP ASSIST ROLL SHIELD

REF FN	PART NUMBER	YR/SN	QTY DESCRIPTION
1	84541819		1 SHIELD
2	86633356		3 CARRIAGE BOLT M10 x 34.8mm, CI 8.8
3	9804278		3 FLANGE NUT M10 x 1.5, CI 8

RB465-CASE IH ROUND BALER - EUROPE & R.O.W.

VAR - 726805, 726826, 726827, 726828, 726959, 726960 - 1.8M PICKUP WITH TOP ASSIST ROLL, FLOTATION SPRING AND DRIVE



60.220.BD

08

p1

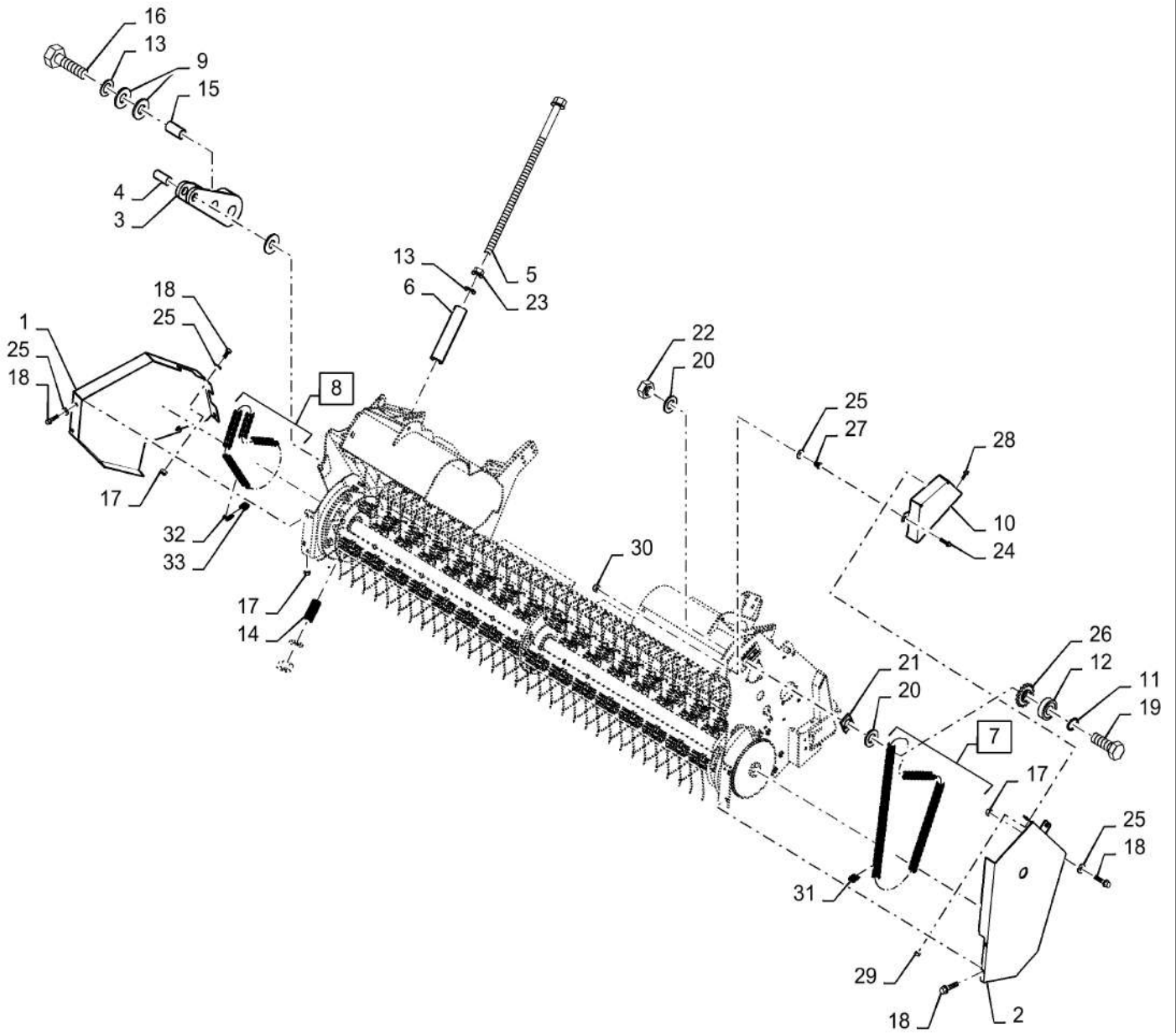
9/2015

VAR - 726805, 726826, 726827, 726828, 726959, 726960 - 1.8M PICKUP WITH TOP ASSIST ROLL, FLOTATION SPRING AND DRIVE

REF FN	PART NUMBER	YR/SN	QTY DESCRIPTION
1	84472287		2 SPRING
2	84423031		2 THREADED ROD M12 x 1.75 x 541mm L
3	9801066		2 SUPPORT
4	84300121		1 CHAIN RC80, 44 Links x 25.4mm = 1117.6mm RC80
5	84351002		1 IDLER 13.2mm ID x 60mm OD x 48mm L Nylon
6	9804268		8 BOLT Hex, M12 x 40mm, CI 8.8, Full Thd
7	300662		1 CARRIAGE BOLT Sht Sq Nk, M12 x 1.75 x 80mm, CI 8.8
8	29684		2 WASHER 13.5mm ID x 50.8mm OD x 5.52mm Thk
9	9804279		8 FLANGE NUT Hex, M12, CI 8
10	9706685		2 NUT M12 x 1.75, CI 8
11	100038		1 NUT M12 x 1.75, CI 8
12	140046		8 BELLEVILLE WASHER M12 x 27mm OD x 1.8mm Thk

RB465-CASE IH ROUND BALER - EUROPE & R.O.W.

VAR - 726826, 726828, 726960 - 1.8M PICKUP WITH TOP ASSIST ROLL, DRIVES

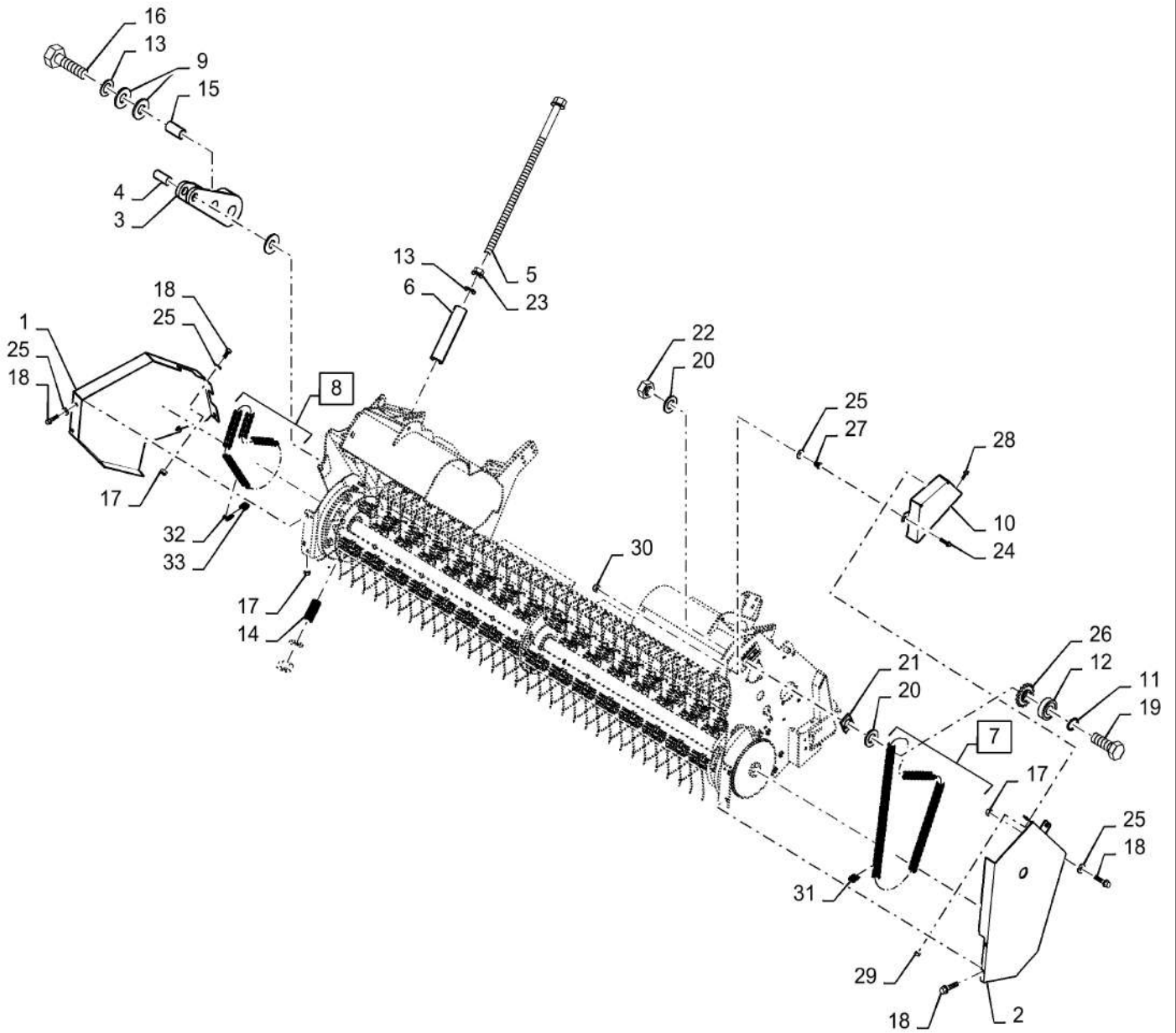


VAR - 726826, 726828, 726960 - 1.8M PICKUP WITH TOP ASSIST ROLL, DRIVES

REF FN	PART NUMBER	YR/SN	QTY DESCRIPTION
1	84475973		1 SHIELD RH
2	84476059		1 SHIELD LH
3	84303987		1 IDLER
4	84304035		1 PIN 20mm OD x 48mm L
5	87525769		1 BOLT AND NUT M10 x 1.5 x 355mm L
6	87525881		1 TUBE
7	84547340		1 CHAIN RC50, 110 Links x 15.88mm = 1746.25mm Incl 31
8	84379049		1 CHAIN RC60, 79 Links x 19.05mm = 1504.95mm Incl 32, 33
9	47407		2 WASHER 16.7mm ID x 33.3mm OD x 0.75mm Thk
10	84477445		1 SHIELD
11	300644		1 SNAP RING M40, Internal
12	66553		1 BALL BEARING 16.13mm ID x 40mm OD x 12.12mm W
13	80702		4 WASHER 0.44" ID x 1" OD x 0.08" Thk
14	86628837		1 SPRING Compression, 23mm OD x 57.15mm L
15	9616869		1 SPACER 0.41" ID x 0.60" OD x 0.960" L
16	9804264		1 BOLT M10 x 59.2mm OAL, CI 8.8
17	86610200		8 THREADED INSERT M8 x 1.25
18	9671714		9 FLANGE BOLT Hex, M8 x 1.25 x 25mm, CI 8.8
19	120092		1 BOLT M16 x 70mm, CI 8.8
20	87365		2 WASHER 0.66" ID x 1.31" OD x 0.1" Thk
21	47377066		1 PLATE Serrated
22	86000441		1 NUT M16 x 2.0, CI 8
23	9804278		2 FLANGE NUT M10 x 1.5, CI 8
24	300381		1 BOLT Hex, M8 x 1.25 x 35mm, CI 8.8
25	84531412		1 WASHER
26	84551038		1 SPROCKET 17T, RC50
27	86610201		1 INSERT M8
28	86050272		2 BOLT M6 x 1.0 x 18.6mm OAL, CI 8.8, Full Thd
29	9804276		2 FLANGE NUT Hex, M6 x 1, CI 8
30	86629542		1 NUT M8 x 1.25, CI 8

RB465-CASE IH ROUND BALER - EUROPE & R.O.W.

VAR - 726826, 726828, 726960 - 1.8M PICKUP WITH TOP ASSIST ROLL, DRIVES



VAR - 726826, 726828, 726960 - 1.8M PICKUP WITH TOP ASSIST ROLL, DRIVES

REF FN	PART NUMBER	YR/SN	QTY DESCRIPTION
31	84545610		1 CONNECTING LINK
32	84134452		1 CONNECTING LINK RC60, 3/4" Pitch
33	84134453		1 OFFSET LINK

RB465-CASE IH ROUND BALER - EUROPE & R.O.W.

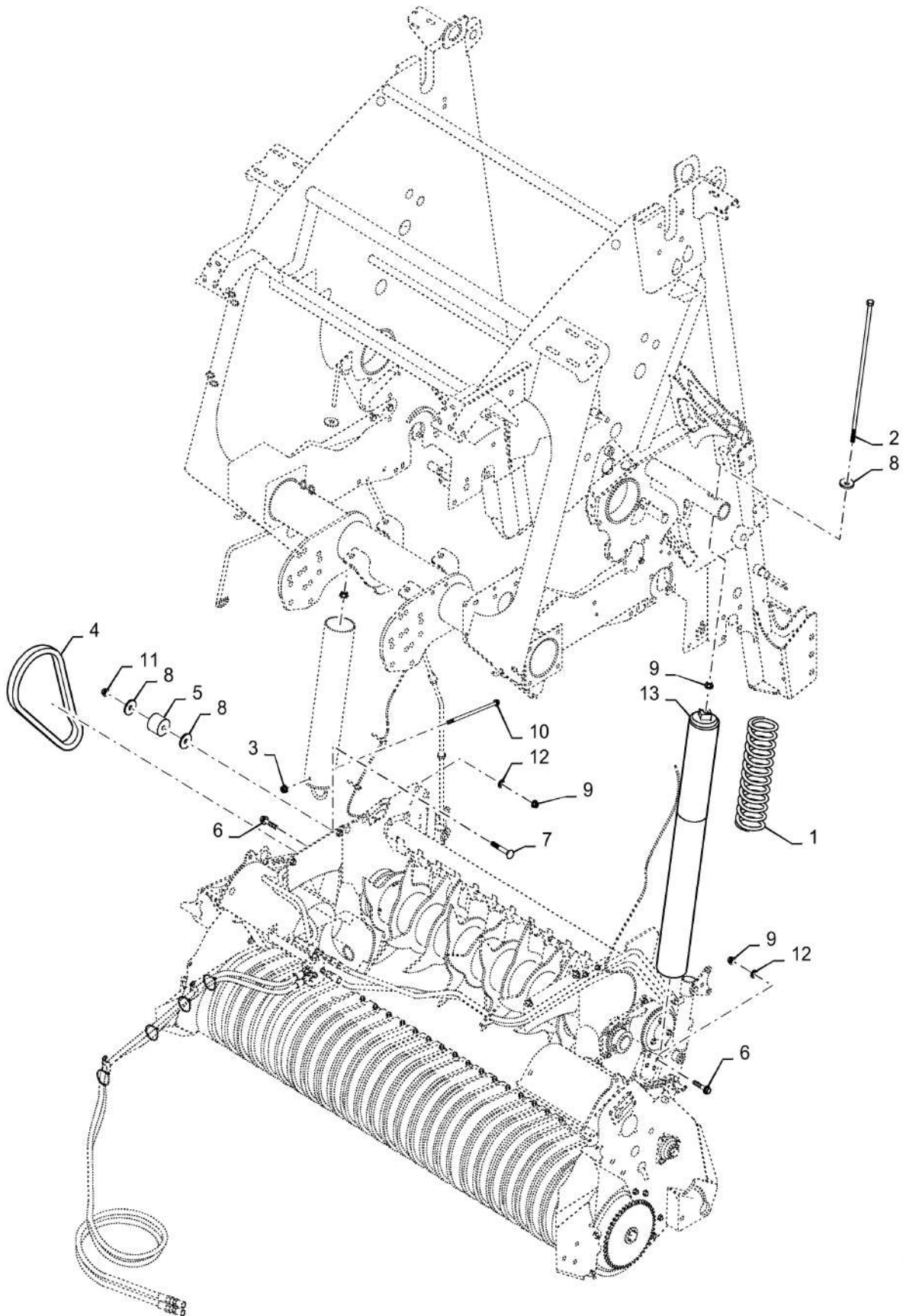
60.220.BD

10

p1

9/2015

VAR - 726805, 726826, 726827, 726828, 726959, 726960 - FLOATATION SPRING, ROTOR

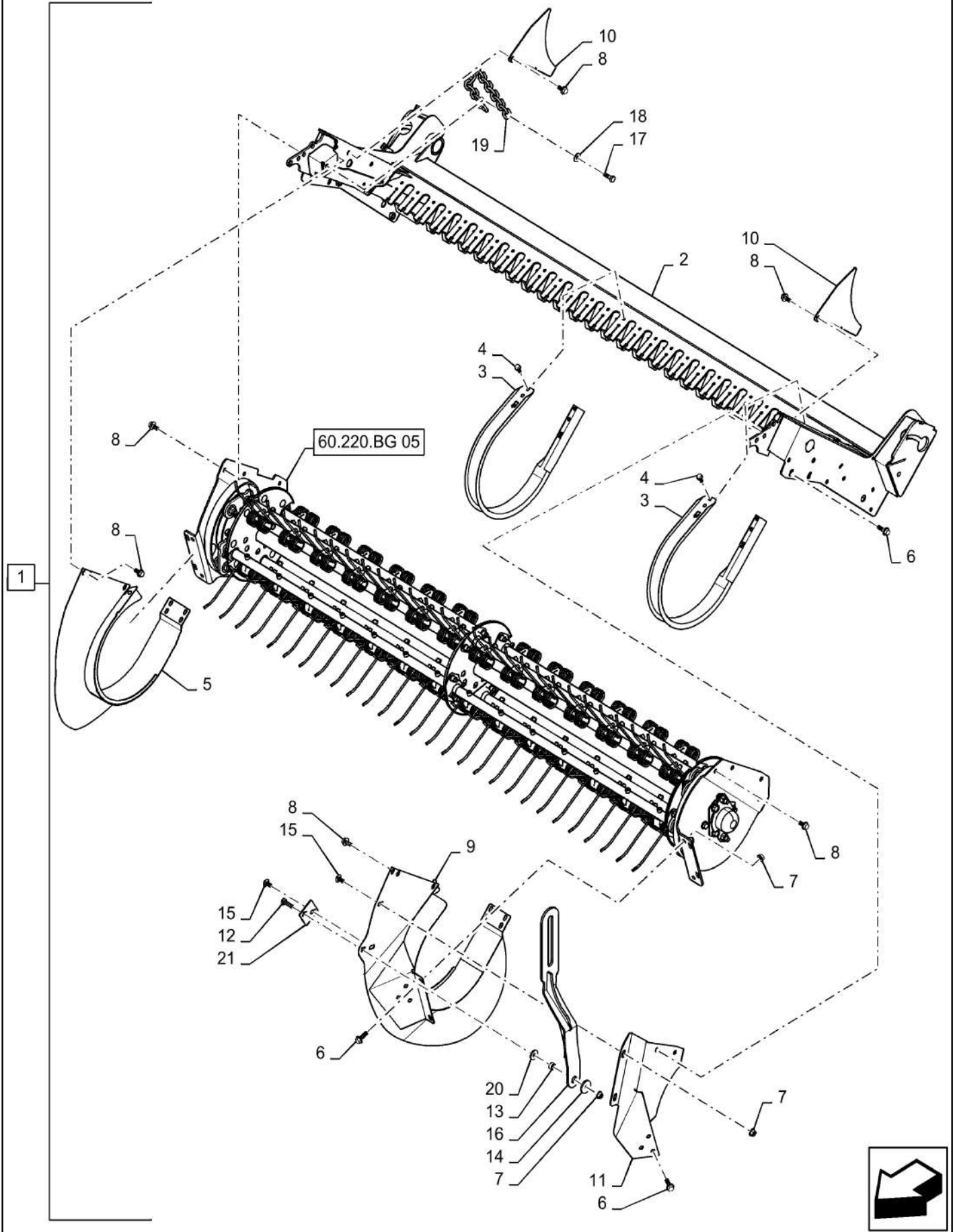


VAR - 726805, 726826, 726827, 726828, 726959, 726960 - FLOATATION SPRING, ROTOR

REF	FN	PART NUMBER	YR/SN	QTY	DESCRIPTION
1	1	84472287		2	SPRING
2		84423031		2	THREADED ROD M12 x 1.75 x 541mm L
3		353308		2	NUT M6 x 1.0, CI 8
4		84300121		1	CHAIN RC80, 44 Links x 25.4mm = 1117.6mm Incl 14
5		84351002		1	IDLER 13.2mm ID x 60mm OD x 48mm L
6		9804268		8	BOLT Hex, M12 x 40mm, CI 8.8, Full Thd
7		300662		1	CARRIAGE BOLT Sht Sq Nk, M12 x 1.75 x 80mm, CI 8.8
8		29684		4	WASHER 13.5mm ID x 50.8mm OD x 5.52mm Thk
9		9804279		10	FLANGE NUT Hex, M12, CI 8
10		100038		1	NUT M12 x 1.75, CI 8
11		140046		12	BELLEVILLE WASHER M12 x 27mm OD x 1.8mm Thk
12		47405786		8	TUBE
13		2292390		2	BOLT Hex, M6 x 125mm, CI 8.8
14	2	84356440		1	LINK 25.4mm Pitch
(1)		Components are N.S.S.			
(2)		Not Illustrated			

RB465-CASE IH ROUND BALER - EUROPE & R.O.W.

VAR - 726915 - 1.8M PICKUP ASSEMBLY, OVERSHOT FEEDER

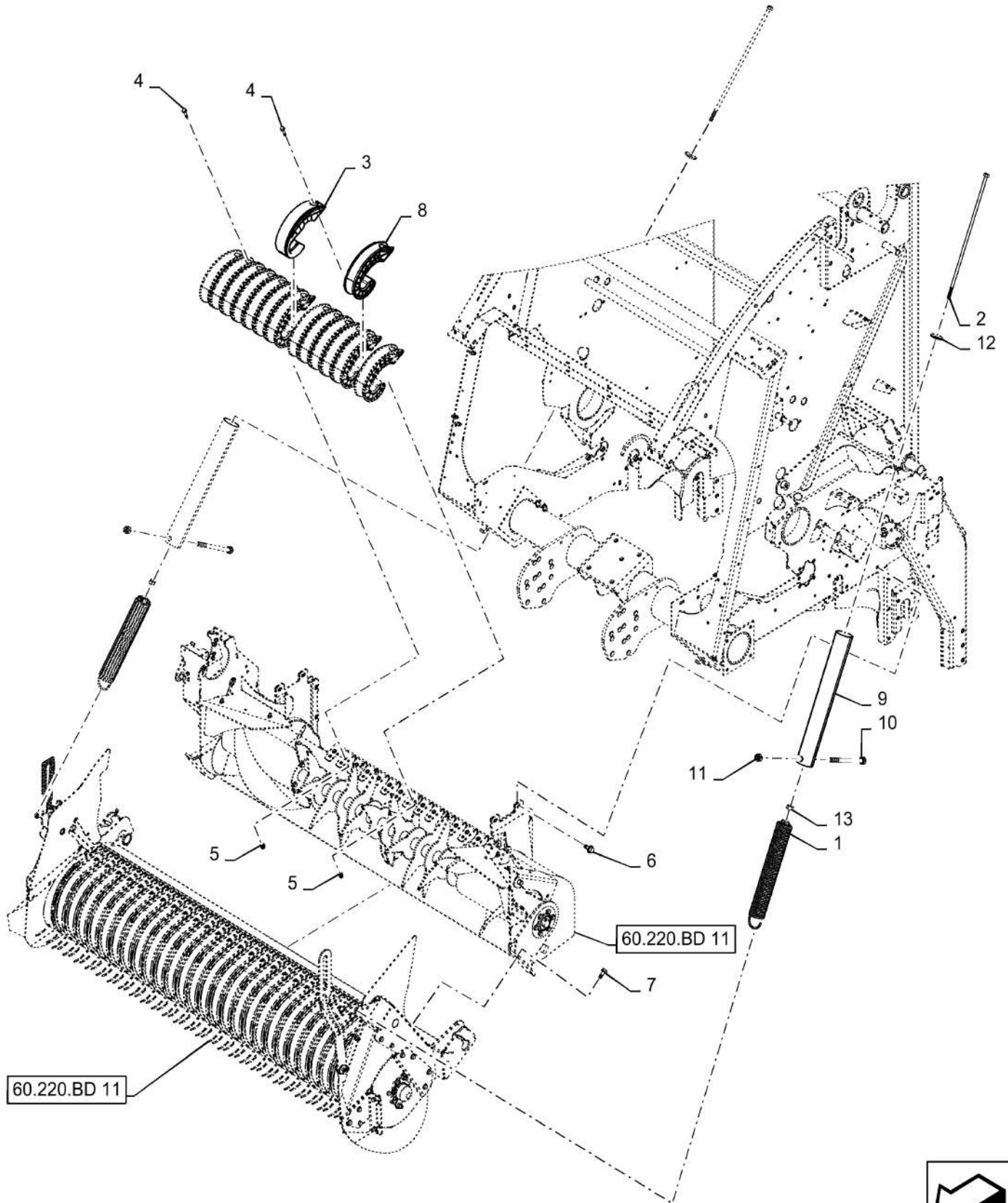


VAR - 726915 - 1.8M PICKUP ASSEMBLY, OVERSHOT FEEDER

REF FN	PART NUMBER	YR/SN	QTY DESCRIPTION
1	47814556		1 PICK-UP Service 1.8M Pickup Assembly, Overshot Rotor, Incl 2 - 21 & Reel Assembly
2	84531775		1 FRAME 1.8M Pickup, Overshot Rotor
3	84310057		27 MOUNT
4	87039762		66 SELF-TAP SCREW Hex Wash Hd, 5/16"-18 x 5/8"
5	47506285		1 GUIDE
6	9804262		9 BOLT M10 x 39.2mm, CI 8.8
7	9804278		7 FLANGE NUT M10 x 1.5, CI 8
8	86050286		16 FLANGE BOLT M10 x 20mm, CI 8.8
9	47506297		1 GUIDE
10	84427606		2 SHIELD
11	47506330		1 MOUNT
12	412183		1 CARRIAGE BOLT Short Sq Nk, M10 x 35mm, CI 8.8
13	87020910		1 SPACER 10.4mm ID x 19mm OD x 8.9mm Thk
14	213404		1 SPACER 10.3mm ID x 38.1mm OD x 5.2mm OAL
15	120041		2 CARRIAGE BOLT M10 x 20mm, CI 8.8
16	84544942		1 LINK
17	43140		1 BOLT Hex, M10 x 1.5 x 30mm, CI 8.8
18	80702		2 WASHER 0.44" ID x 1" OD x 0.08" Thk
19	47516607		1 CHAIN
20	12626201		1 WASHER 10.2mm ID x 25mm OD x 3mm Thk
21	84569145		1 MOUNT

RB465-CASE IH ROUND BALER - EUROPE & R.O.W.

VAR - 726805 - FLOATION SPRING, OVERSHOT FEEDER



VAR - 726805 - FLOATATION SPRING, OVERSHOT FEEDER

REF FN	PART NUMBER	YR/SN	QTY DESCRIPTION
1	84533644		2 SPRING Assembly
2	84423031		2 THREADED ROD M12 x 1.75 x 541mm L
3	47535979		1 STRIPPER UHMW
4	86511842		15 BOLT M8 x 1.25 x 48.1mm OAL, CI 8.8
5	86610201		15 INSERT M8
6	9804266		10 BOLT Hex, M12 x 25mm, CI 8.8, Full Thd
7	9804261		4 BOLT Hex, M10 x 25mm, Full Thd, CI 8.8
8	47535821		14 STRIPPER UHMW
9	47442771		2 SHIELD
10	87015562		2 BOLT Hex, M6 x 80, 8.8
11	353308		2 NUT M6 x 1.0, CI 8
12	29684		2 WASHER 13.5mm ID x 50.8mm OD x 5.52mm Thk
13	9706685		2 NUT M12 x 1.75, CI 8

RB465-CASE IH ROUND BALER - EUROPE & R.O.W.

60.220.BD

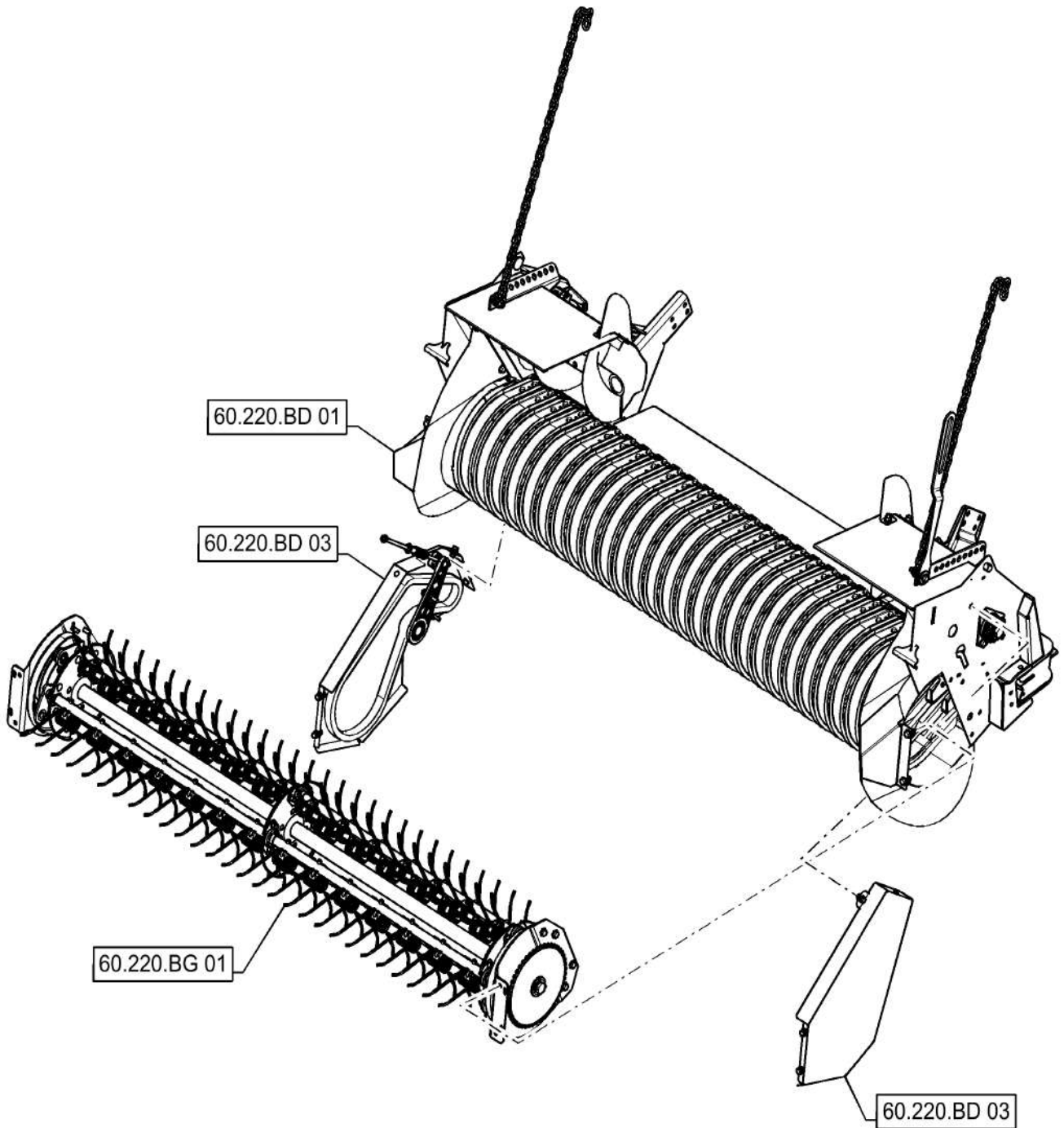
15

p1

9/2015

SERVICE PICKUP ASSEMBLY, 1.8M UNDERSHOT ROTOR, WITHOUT ASSIST ROLL

1



60.220.BD

15

p1

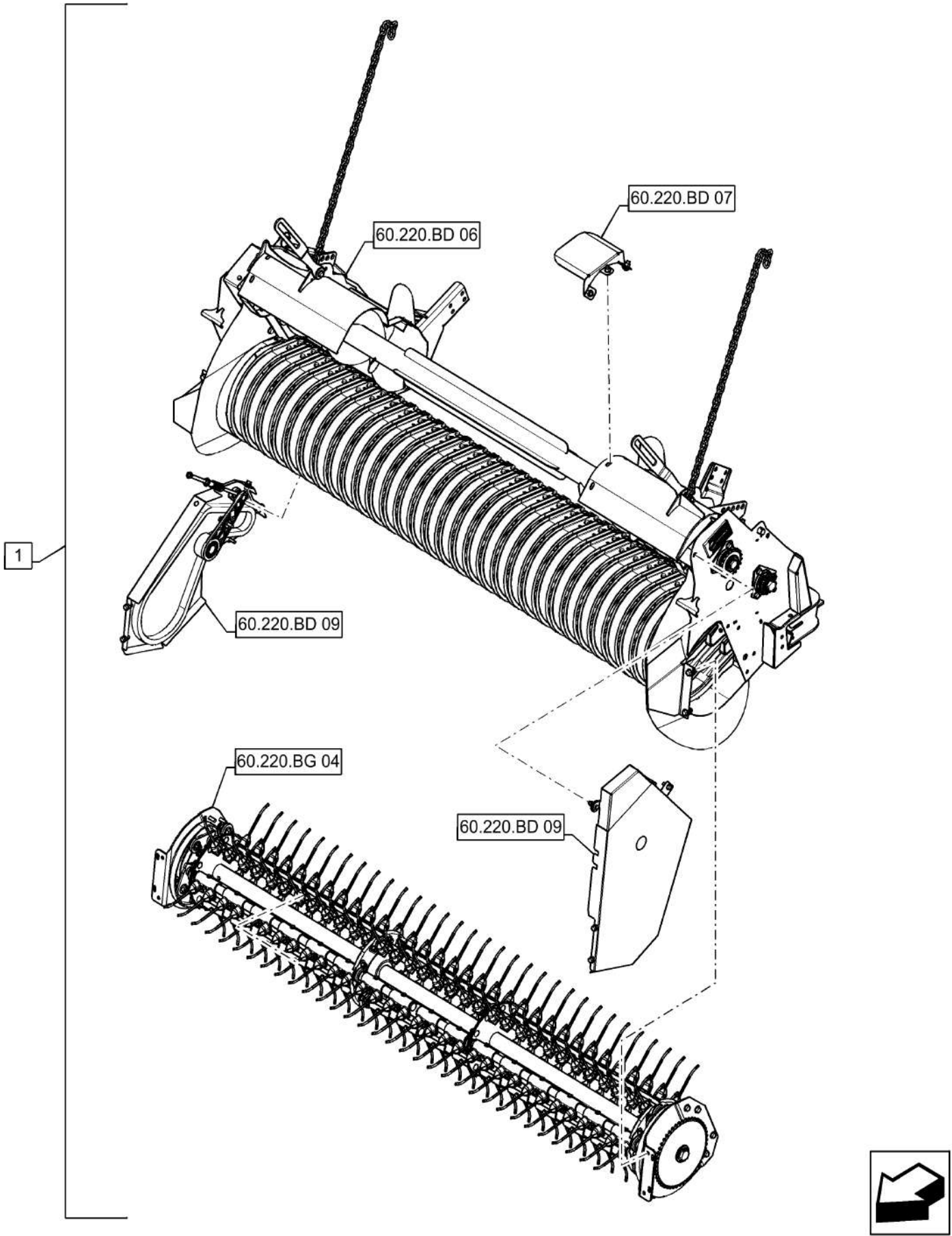
9/2015

SERVICE PICKUP ASSEMBLY, 1.8M UNDERSHOT ROTOR, WITHOUT ASSIST ROLL

REF FN	PART NUMBER	YR/SN	QTY DESCRIPTION
1	47813909		1 PICK-UP SERVICE ASSEMBLY, 1.8M UNDERSHOT ROTOR, WITHOUT ASSIST ROLL

RB465-CASE IH ROUND BALER - EUROPE & R.O.W.

SERVICE PICKUP ASSEMBLY, 2.0M UNDERSHOT ROTOR, WITH ASSIST ROLL



60.220.BD

16

p1

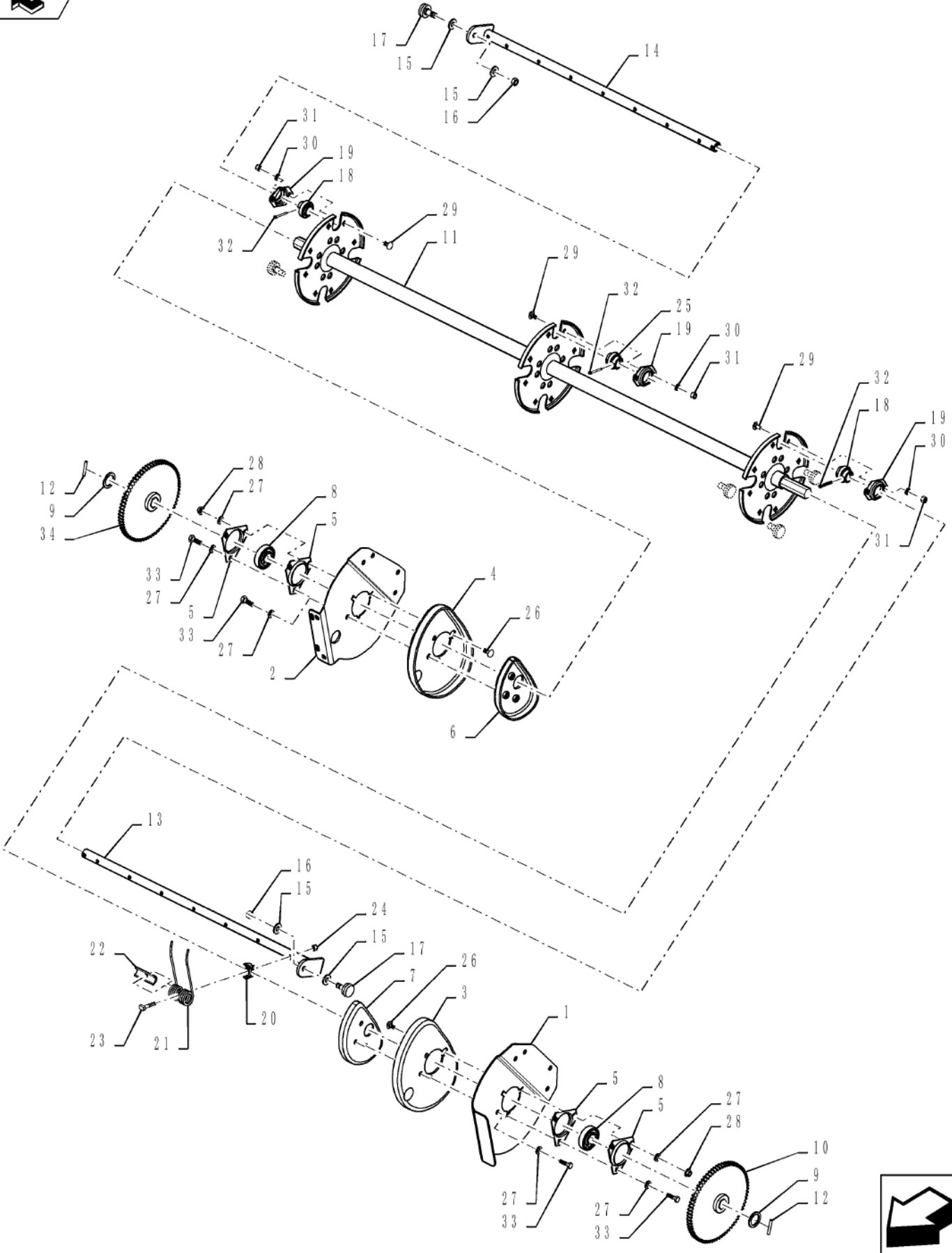
9/2015

SERVICE PICKUP ASSEMBLY, 2.0M UNDERSHOT ROTOR, WITH ASSIST ROLL

REF FN	PART NUMBER	YR/SN	QTY DESCRIPTION
1	47814552		1 PICK-UP SERVICE ASSEMBLY, 2.0M UNDERSHOT ROTOR, WITH ASSIST ROLL

RB465-CASE IH ROUND BALER - EUROPE & R.O.W.

VAR - 726915 - 1.8M REEL ASSEMBLY, 4 BAR



VAR - 726915 - 1.8M REEL ASSEMBLY, 4 BAR

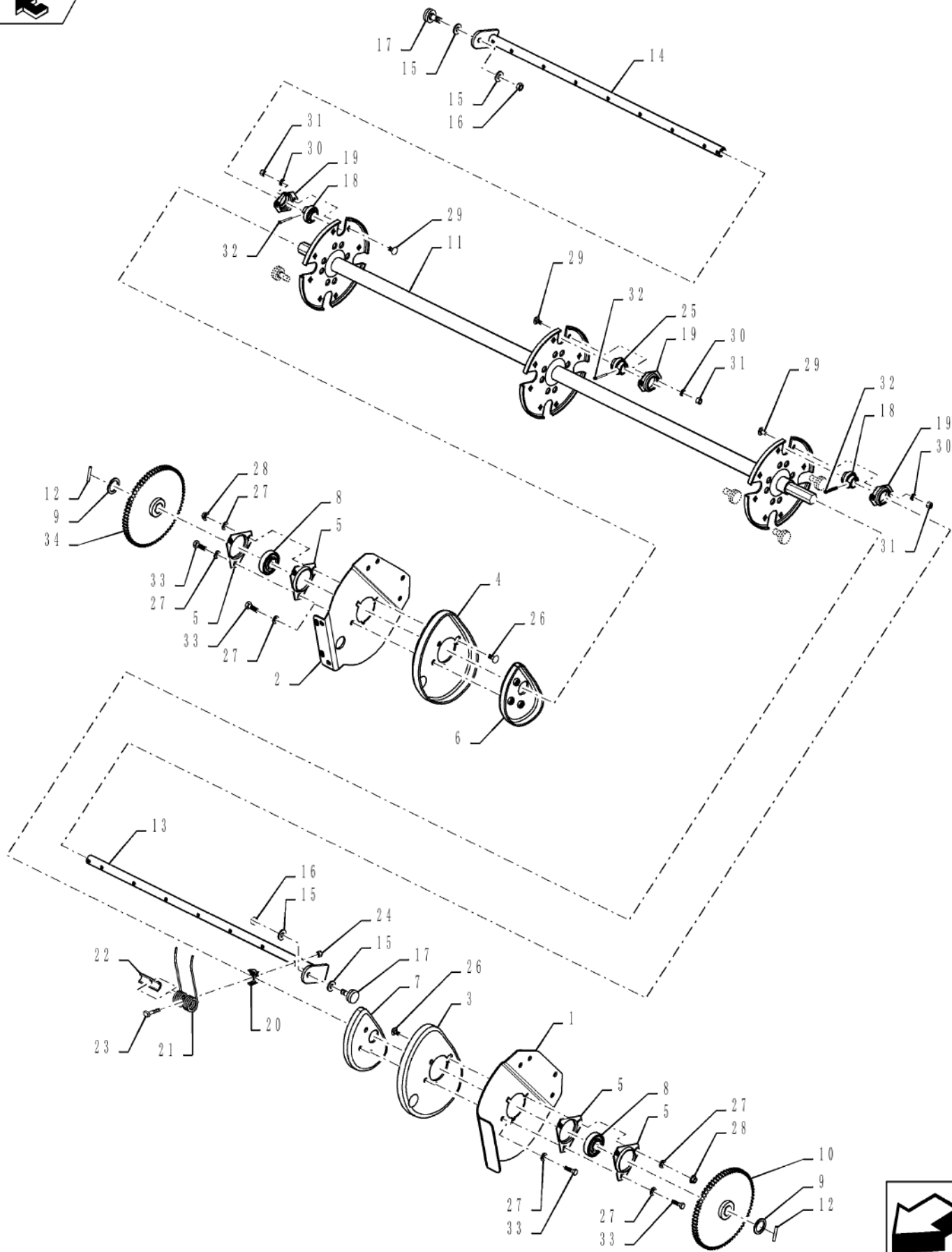
REF FN	PART NUMBER	YR/SN	QTY DESCRIPTION
1	84293577		1 PLATE LH
2	84293578		1 PLATE RH
3	84291845		1 CAM LH, Outer
4	84291843		1 CAM RH, Outer
5	86620026		4 FLANGED BEARING
6	84327847		1 CAM RH, Inner
7	84327846		1 CAM LH, Inner
8	86594423		2 BEARING 28.6mm Hex x 72mm OD x 25mm W
9	47447659		2 SPACER 44 mm OD x 2mm Thk
10	87053413		1 SPROCKET 40T, RC60
11	84296759		1 REEL
12	47432155		2 COILED PIN 1/32" OD x 1-3/4" L
13	84296780		4 ARM LH
14	84296784		4 ARM RH
15	1 84420719		16 WASHER 13.08mm ID x 31.8mm OD x 1.5mm Thk
15	2 87642988		16 WASHER 13.08mm ID x 31.8mm OD x 1.5mm Thk
16	88130		8 NUT 1/2"-20, GC
17	84350126		8 CAM FOLLOWER 1/2" - 20 x 38mm OD x 54.5mm L
18	86641856		8 BEARING 27.1 mm ID x 47 mm OD x 25.4 mm
19	54695		12 BEARING HOUSING
20	1 84427925		56 TOOTH Spacer
20	2 86627654		56 SPACER Tooth
21	1 84133738		56 TINE
21	2 87653709		56 TINE Pickup
22	87643386		56 BRACKET
23	87642989		56 BOLT Tine, 5/16" - 18 x 2"
24	86629544		56 NUT 5/16"-18, GB
25	84266808		4 BEARING ASSY 27.28mm ID x 47mm OD x 12.7mm W
26	86633356		2 CARRIAGE BOLT M10 x 34.8mm, CI 8.8
27	2 140045		8 BELLEVILLE WASHER M10X22 ZNM
28	9804278		2 FLANGE NUT M10 x 1.5, CI 8

(1) Rotor Balers

(2) Stuffer Balers

RB465-CASE IH ROUND BALER - EUROPE & R.O.W.

VAR - 726915 - 1.8M REEL ASSEMBLY, 4 BAR

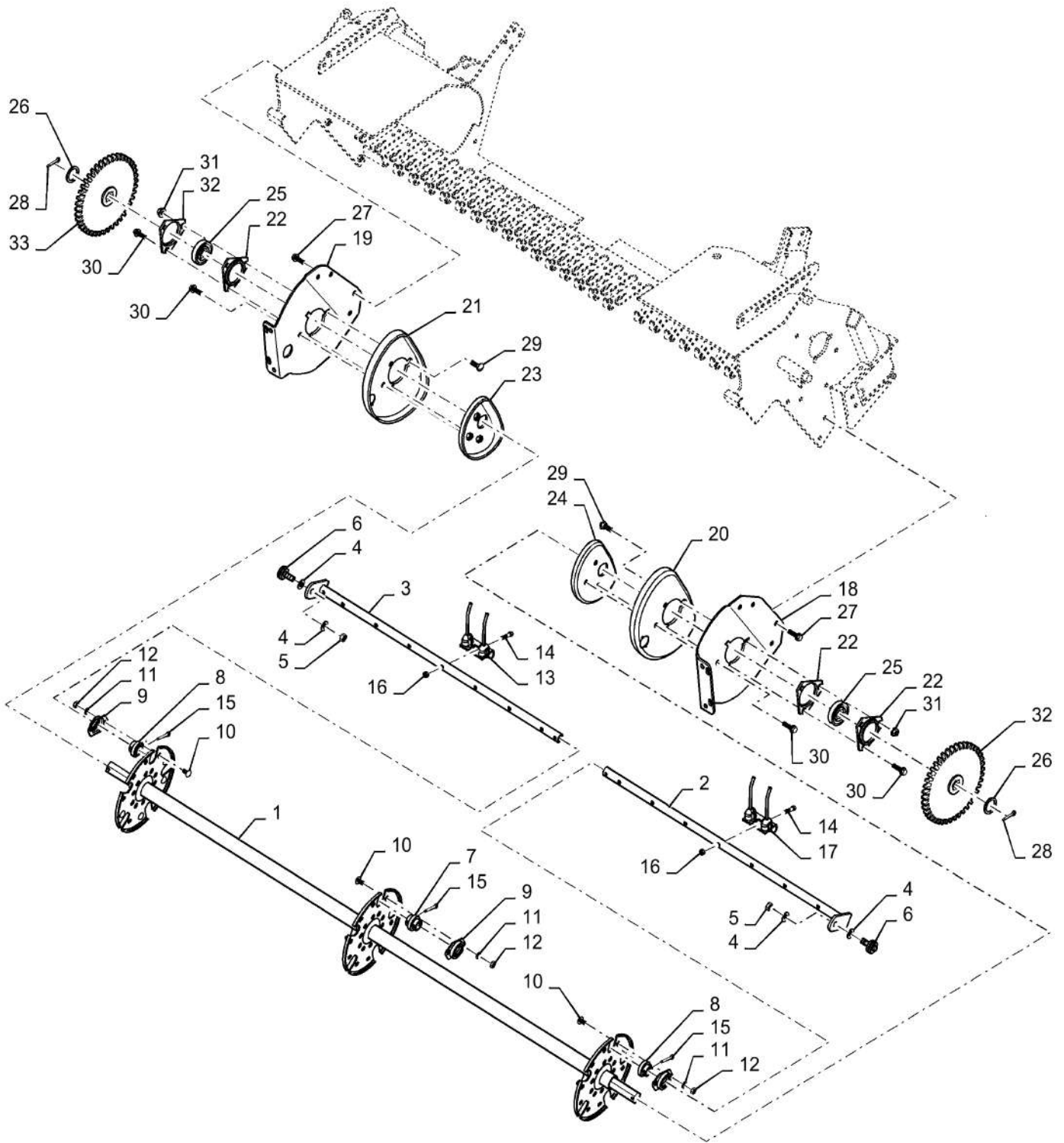


VAR - 726915 - 1.8M REEL ASSEMBLY, 4 BAR

REF FN	PART NUMBER	YR/SN	QTY DESCRIPTION
29	80280503		24 CARRIAGE BOLT Sht Sq Nk, 3/8" - 16 x 1", Gr 5, Full Thd
30	80680		24 LOCK WASHER 3/8 0.381 CST ZND
31	9637692		24 NUT 3/8"-16, GB
32	136521		12 COTTER PIN 5.7mm OD x 44.45mm L
33	1 86511845		6 BOLT M10 x 44.2mm OAL, CI 8.8, Full Thd
33	2 9706704		6 BOLT Hex, M10 x 1.5 x 41.58mm, CI 8.8
34	87641160		1 SPROCKET
(1)	Rotor Balers		
(2)	Stuffer Balers		

RB465-CASE IH ROUND BALER - EUROPE & R.O.W.

VAR - 726917 - 1.8M REEL ASSEMBLY, 5 BAR

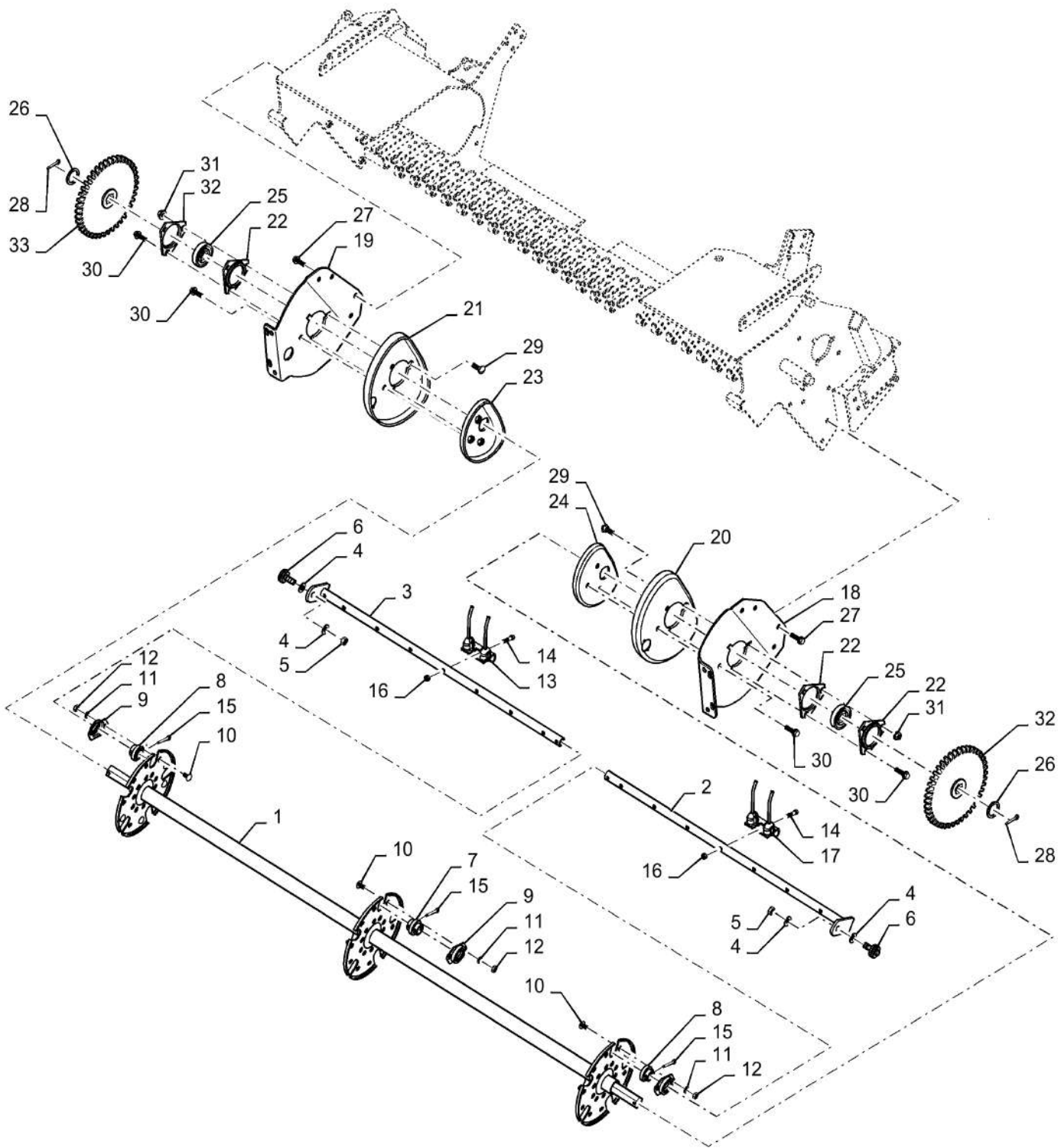


VAR - 726917 - 1.8M REEL ASSEMBLY, 5 BAR

REF FN	PART NUMBER	YR/SN	QTY DESCRIPTION
1	84375789		1 REEL 5-Bar
2	84296780		5 ARM LH
3	84296784		5 ARM RH
4	84420719		20 WASHER 13.08mm ID x 31.8mm OD x 1.5mm Thk
5	88130		10 NUT 1/2"-20, GC
6	84350126		10 CAM FOLLOWER 1/2" - 20 x 38mm OD x 54.5mm L
7	84266808		5 BEARING ASSY 27.28mm ID x 47mm OD x 12.7mm W
8	86641856		10 BEARING 27.1 mm ID x 47 mm OD x 25.4 mm
9	54695		15 BEARING HOUSING
10	120041		30 CARRIAGE BOLT M10 x 20mm, CI 8.8
11	80680		30 LOCK WASHER 3/8 0.381 CST ZND
12	100016		30 NUT M10 x 1.5, CI 8
13	84404537		60 TINE 2 Prong, 96.5mm W x 162.4mm L
14	86625002		70 BOLT Hex, M8 x 1.25 x 45mm, CI 8.8, Full Thd
15	136521		15 COTTER PIN 5.7mm OD x 44.45mm L
16	86629542		70 NUT M8 x 1.25, CI 8
17	47395016		10 TINE
18	84293577		1 PLATE LH
19	84293578		1 PLATE RH
20	84291845		1 CAM LH Outer
21	84291843		1 CAM RH Outer
22	86620026		4 FLANGED BEARING
23	84327847		1 CAM RH Inner
24	84327846		1 CAM LH Inner
25	84324246		2 SPHERICAL BEARING 31.75mm ID x 72mm OD x 25mm Thk
26	47431597		4 SPACER Hex, 33mm ID x 45mm OD x 1.98mm Thk
27	9804262		8 BOLT M10 x 39.2mm, CI 8.8
28	47432155		2 COILED PIN 1/32" OD x 1-3/4" L
29	86633356		2 CARRIAGE BOLT M10 x 34.8mm, CI 8.8
30	86511845		6 BOLT M10 x 44.2mm OAL, CI 8.8, Full Thd
31	9804278		2 FLANGE NUT M10 x 1.5, CI 8

RB465-CASE IH ROUND BALER - EUROPE & R.O.W.

VAR - 726917 - 1.8M REEL ASSEMBLY, 5 BAR



60.220.BG

02

p2

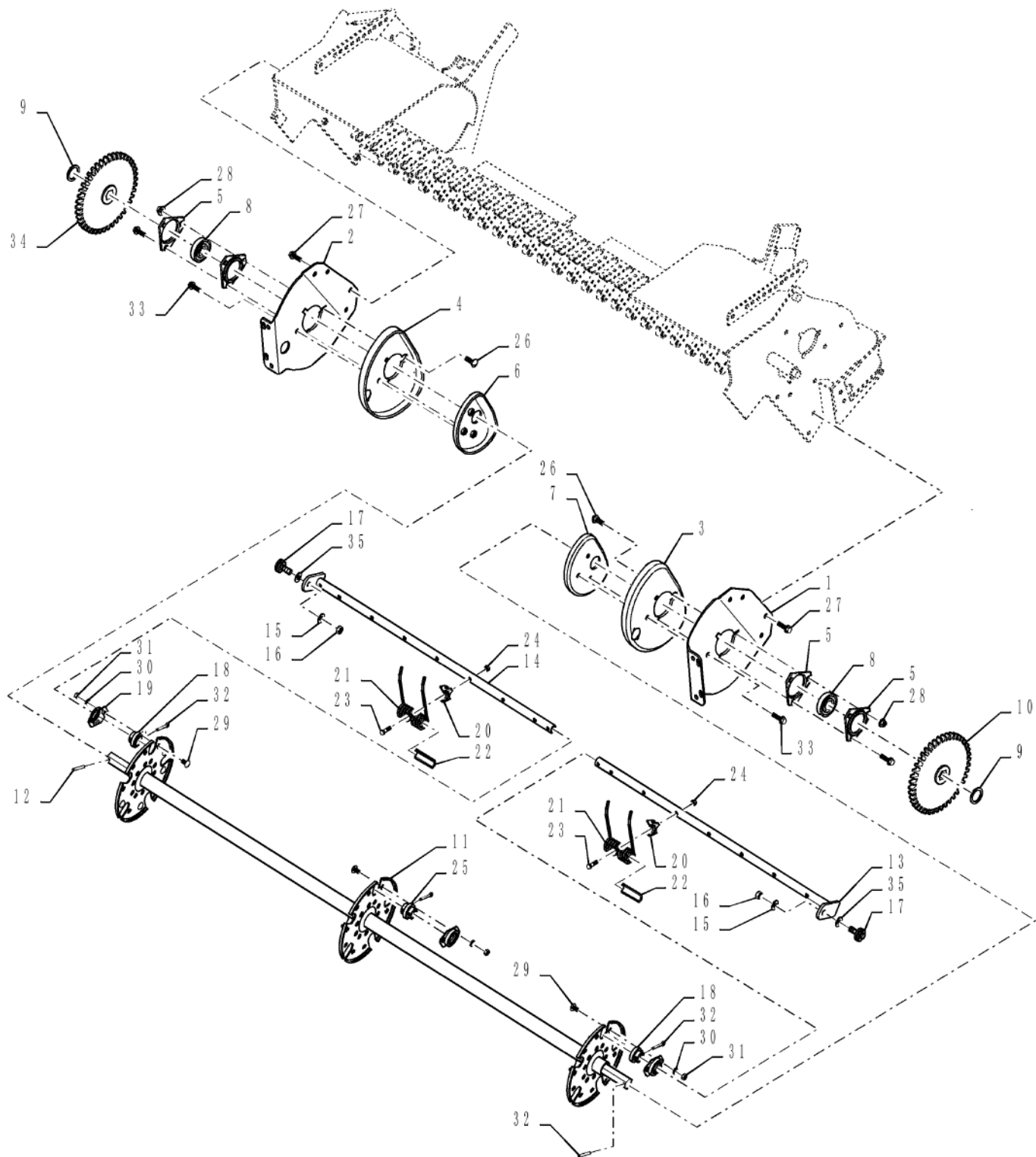
9/2015

VAR - 726917 - 1.8M REEL ASSEMBLY, 5 BAR

REF FN	PART NUMBER	YR/SN	QTY DESCRIPTION
32	84364049		1 SPROCKET 48T. RC60
33	84362185		1 SPROCKET 40T, RC60

RB465-CASE IH ROUND BALER - EUROPE & R.O.W.

VAR - 726916 - 2.0M REEL ASSEMBLY, 4-BAR

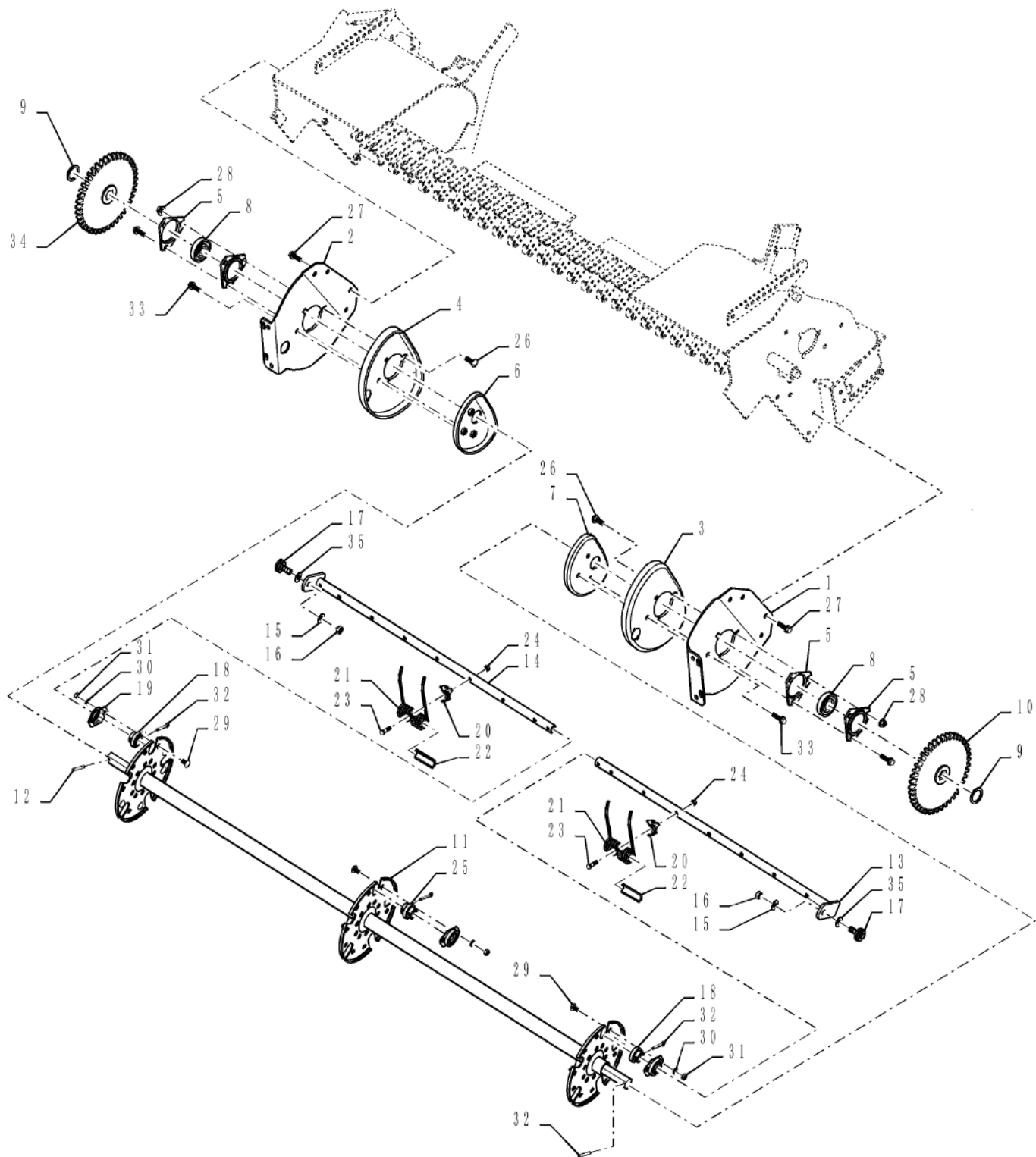


VAR - 726916 - 2.0M REEL ASSEMBLY, 4-BAR

REF FN	PART NUMBER	YR/SN	QTY DESCRIPTION
1	84293577		1 PLATE LH
2	84293578		1 PLATE RH
3	84291845		1 CAM LH, Outer
4	84291843		1 CAM RH, Outer
5	86620026		4 FLANGED BEARING
6	84327847		1 CAM RH, Inner
7	84327846		1 CAM LH, Inner
8	84324246		2 SPHERICAL BEARING 31.75mm ID x 72mm OD x 25mm Thk
9	47431597		4 SPACER Hex, 33mm ID x 45mm OD x 1.98mm Thk
10	84364049		1 SPROCKET 48T, RC50
11	84408474		1 REEL 2M. 4 Bar
12	47432155		2 COILED PIN 1/32" OD x 1-3/4" L
13	84423762		4 ARM
14	84423757		4 ARM
15	84420719		16 WASHER 13.08mm ID x 31.8mm OD x 1.5mm Thk
16	88130		8 NUT 1/2"-20, GC
17	84350126		8 CAM FOLLOWER 1/2" - 20 x 38mm OD x 54.5mm L
18	86641856		8 BEARING 27.1 mm ID x 47 mm OD x 25.4 mm
19	54695		12 BEARING HOUSING
20	84427925		64 TOOTH Spacer
21	84133738		64 TINE Pickup
22	87643386		64 BRACKET
23	87642989		64 BOLT Tine, 5/16" - 18 x 2" Tine
24	86629544		64 NUT 5/16"-18, GB
25	84266808		4 BEARING ASSY 27.28mm ID x 47mm OD x 12.7mm W
26	86633356		2 CARRIAGE BOLT M10 x 34.8mm, Cl 8.8
27	9804262		8 BOLT M10 x 39.2mm, Cl 8.8
28	9804278		2 FLANGE NUT M10 x 1.5, Cl 8
29	80280503		24 CARRIAGE BOLT Sht Sq Nk, 3/8" - 16 x 1", Gr 5, Full Thd
30	80680		24 LOCK WASHER 3/8 0.381 CST ZND
31	9637692		24 NUT 3/8"-16, GB

RB465-CASE IH ROUND BALER - EUROPE & R.O.W.

VAR - 726916 - 2.0M REEL ASSEMBLY, 4-BAR



60.220.BG

03

p2

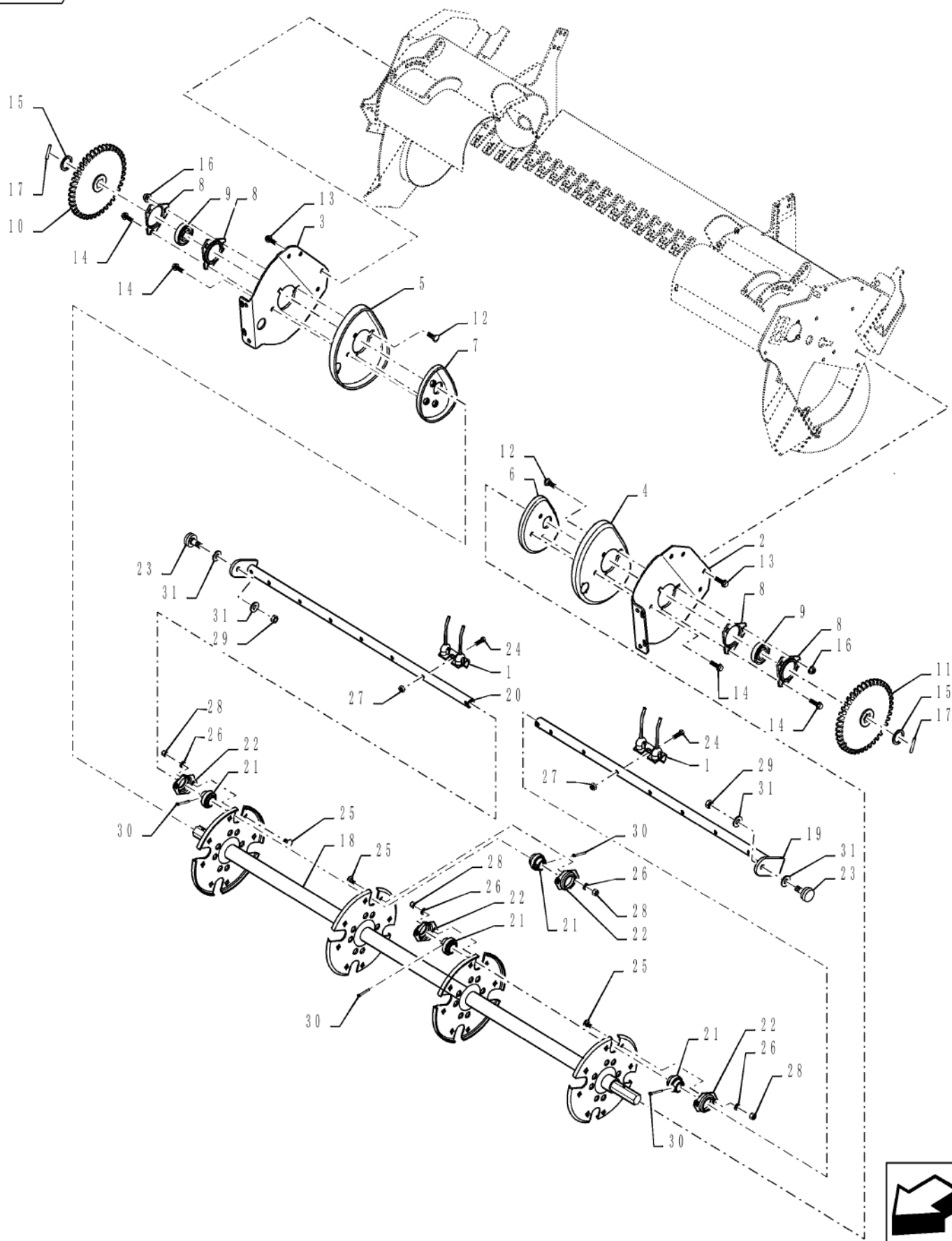
9/2015

VAR - 726916 - 2.0M REEL ASSEMBLY, 4-BAR

REF FN	PART NUMBER	YR/SN	QTY DESCRIPTION
32	136521		16 COTTER PIN 5.7mm OD x 44.45mm L
33	86511845		6 BOLT M10 x 44.2mm OAL, CI 8.8, Full Thd
34	84362185		1 SPROCKET 40T, RC60
35	84420719		16 WASHER 13.08mm ID x 31.8mm OD x 1.5mm Thk

RB465-CASE IH ROUND BALER - EUROPE & R.O.W.

VAR - 726918 - 2.0M REEL ASSEMBLY 5 BAR

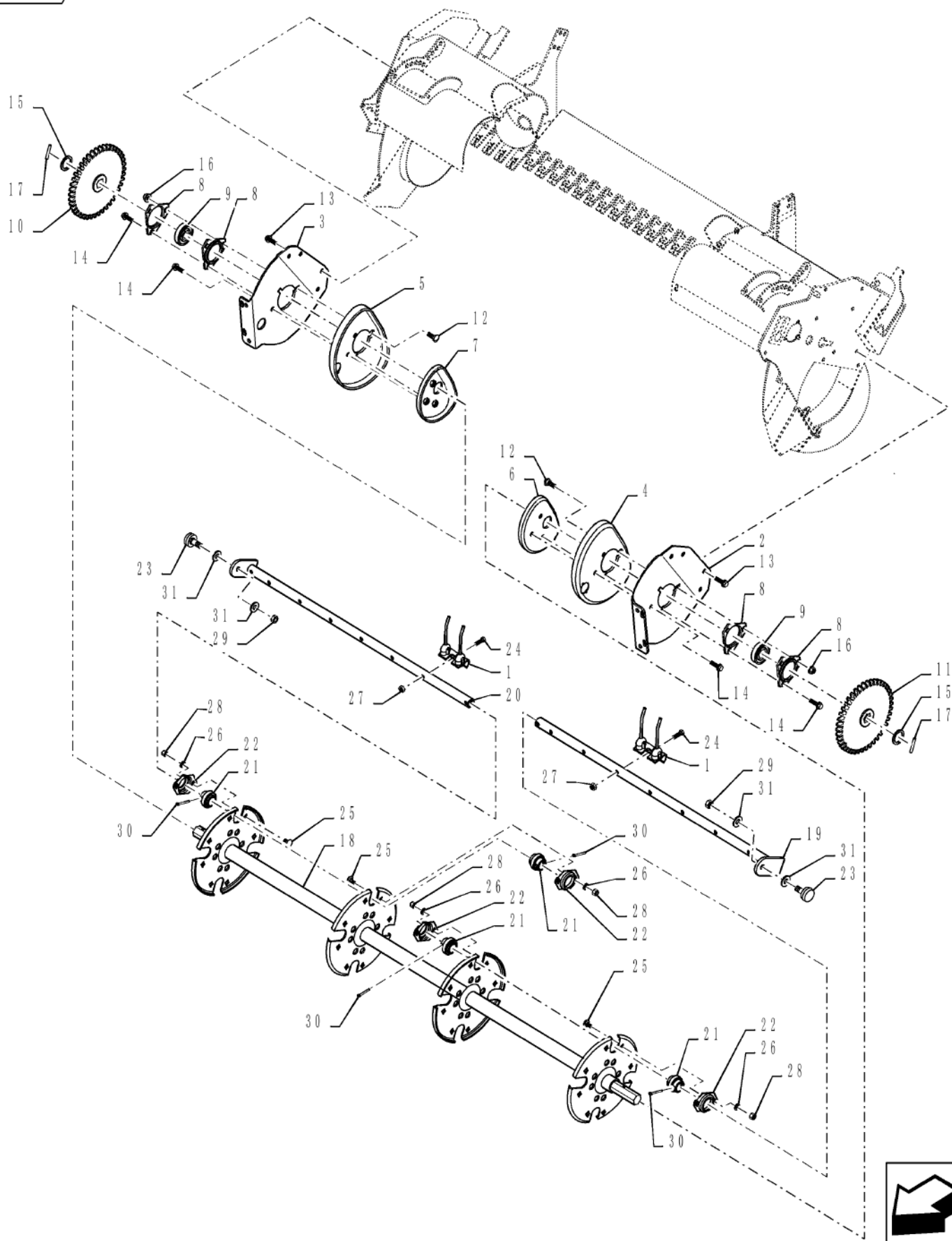


VAR - 726918 - 2.0M REEL ASSEMBLY5 BAR

REF FN	PART NUMBER	YR/SN	QTY DESCRIPTION
1	84404537		60 TINE 2 Prong, 96.5mm W x 162.4mm L
1	47395016		20 TINE
2	84293577		1 PLATE LH
3	84293578		1 PLATE RH
4	84291845		1 CAM LH Outer
5	84291843		1 CAM RH Outer
6	84327846		1 CAM LH Inner
7	84327847		1 CAM RH Inner
8	86620026		4 FLANGED BEARING
9	84324246		2 SPHERICAL BEARING 31.75mm ID x 72mm OD x 25mm Thk
10	84362185		1 SPROCKET 40T, RC60
11	84364049		1 SPROCKET 48T, RC50
12	86633356		2 CARRIAGE BOLT M10 x 34.8mm, CI 8.8
13	9804262		8 BOLT M10 x 39.2mm, CI 8.8
14	86511845		6 BOLT M10 x 44.2mm OAL, CI 8.8, Full Thd
15	47431597		4 SPACER Hex, 33mm ID x 45mm OD x 1.98mm Thk
16	9804278		2 FLANGE NUT M10 x 1.5, CI 8
17	47432155		2 COILED PIN 1/32" OD x 1-3/4" L
18	84405631		1 REEL 5-Bar
19	84405642		5 TINE BAR LH
20	84405638		5 TINE BAR RH
21	86641856		20 BEARING 27.1 mm ID x 47 mm OD x 25.4 mm
22	54695		20 BEARING HOUSING
23	84350126		10 CAM FOLLOWER 1/2" - 20 x 38mm OD x 54.5mm L
24	86625002		80 BOLT Hex, M8 x 1.25 x 45mm, CI 8.8, Full Thd
25	80280503		40 CARRIAGE BOLT Sht Sq Nk, 3/8" - 16 x 1", Gr 5, Full Thd
26	80680		40 LOCK WASHER 3/8 0.381 CST ZND
27	86629542		80 NUT M8 x 1.25, CI 8
28	9637692		40 NUT 3/8"-16, GB
29	88130		10 NUT 1/2"-20, GC
30	136521		20 COTTER PIN 5.7mm OD x 44.45mm L

RB465-CASE IH ROUND BALER - EUROPE & R.O.W.

VAR - 726918 - 2.0M REEL ASSEMBLY 5 BAR



60.220.BG

04

p2

9/2015

VAR - 726918 - 2.0M REEL ASSEMBLY5 BAR

REF FN	PART NUMBER	YR/SN	QTY DESCRIPTION
31	84420719		20 WASHER 13.08mm ID x 31.8mm OD x 1.5mm Thk

RB465-CASE IH ROUND BALER - EUROPE & R.O.W.

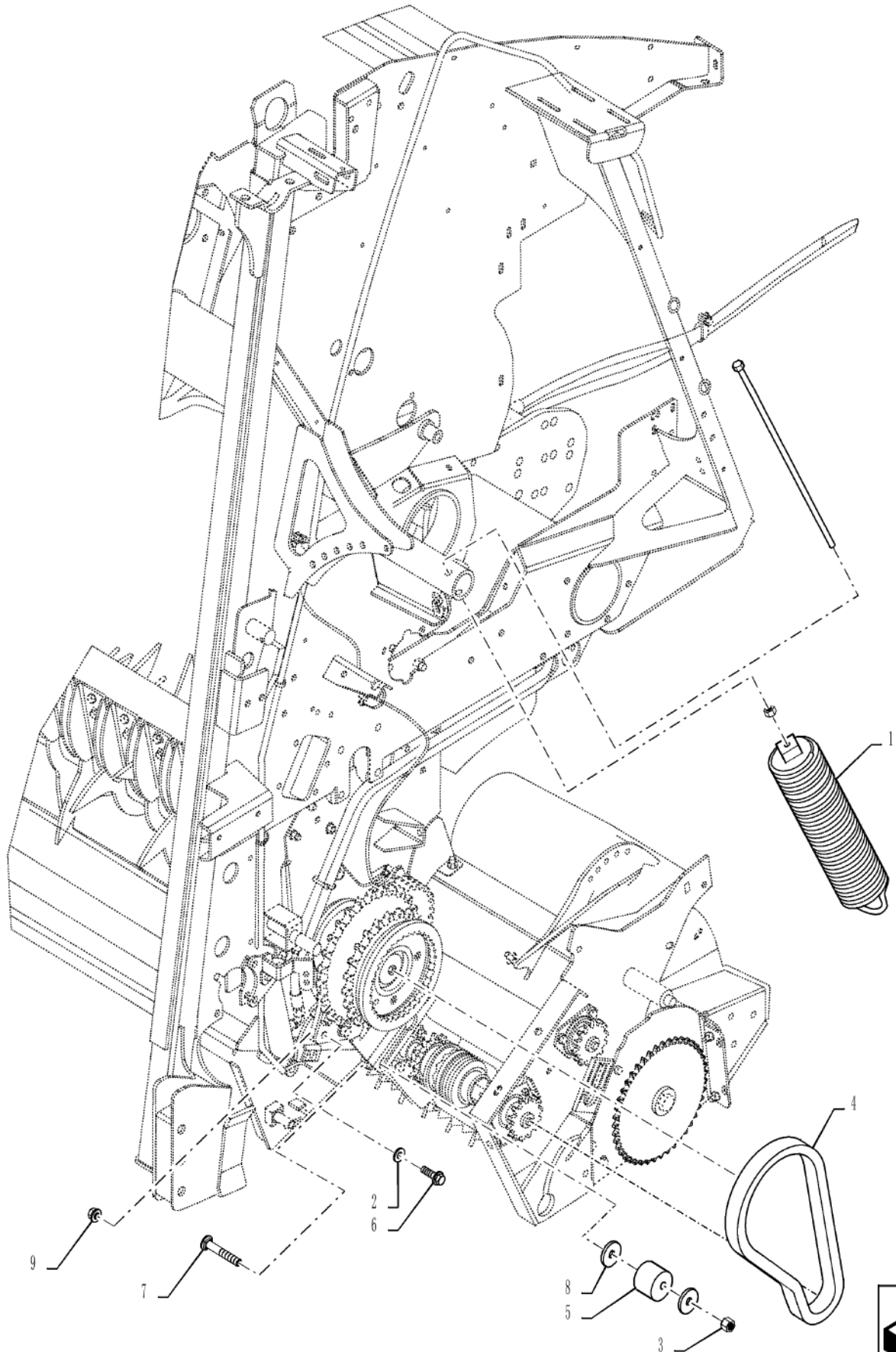
60.220.BL

02

p1

9/2015

PICK-UP, DRIVE, RH, ROTOR



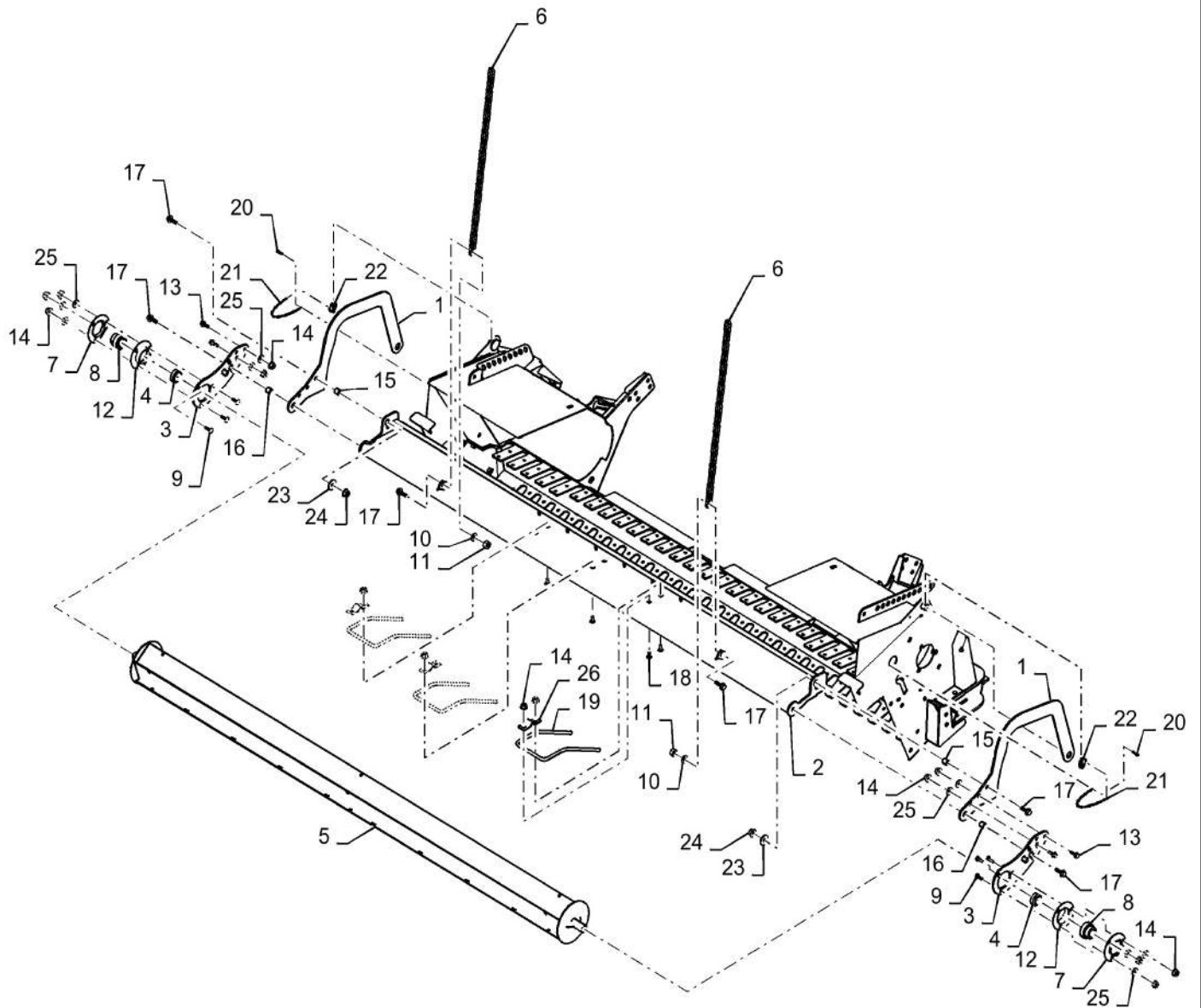
PICK-UP, DRIVE, RH, ROTOR

REF FN	PART NUMBER	YR/SN	QTY DESCRIPTION
1	1	84472287	1 SPRING
2	140046		1 BELLEVILLE WASHER M12 x 27mm OD x 1.8mm Thk
3	100038		1 NUT M12 x 1.75, CI 8
4	84300121		4 CHAIN RC80, 44 Links x 25.4mm = 1117.6mm
5	84351002		1 IDLER 13.2mm ID x 60mm OD x 48mm L
6	9804268		2 BOLT Hex, M12 x 40mm, CI 8.8, Full Thd
7	300662		4 CARRIAGE BOLT Sht Sq Nk, M12 x 1.75 x 80mm, CI 8.8
8	29684		1 WASHER 13.5mm ID x 50.8mm OD x 5.52mm Thk
9	9804279		4 FLANGE NUT Hex, M12, CI 8

(1) Components are N.S.S.

RB465-CASE IH ROUND BALER - EUROPE & R.O.W.

VAR - 726819, 726920 - ROLLER, WINDGUARD, 1.8M



VAR - 726819, 726920 - ROLLER, WINDGUARD, 1.8M

REF FN	PART NUMBER	YR/SN	QTY DESCRIPTION
1	84472935		2 ARM
2	84390629		1 PLATE Windguard
3	47469727		2 ARM
4	47507709		2 SPACER 24.88mm ID x 41mm OD x 13mm Thk
5	47393424		1 ROLLER
6	87027237		2 CHAIN 18 Links x 37.2mm = 670mm L
7	86603075		2 FLANGE Bearing, 52.01 mm ID x 95.3 mm OD x 8.7 mm
8	325103		2 BALL BEARING 25mm ID x 52mm OD x 15mm W
9	308761		6 CARRIAGE BOLT M8 x 1.25 x 25mm, CI 8.8
10	80702		2 WASHER 0.44" ID x 1" OD x 0.08" Thk
11	100037		2 NUT M0 x 1.5, CI 8
12	47505113		2 BEARING HOUSING
13	9671714		4 FLANGE BOLT Hex, M8 x 1.25 x 25mm, CI 8.8
14	9804277		16 FLANGE NUT Hex, M8 x 1.25, CI 8
15	133095		2 SPACER 10.32mm ID x 15.85mm OD x 7.9mm L
16	87340800		2 SPACER 5/8" Tube x 15.88mm, STL, ZND
17	9804262		6 BOLT M10 x 39.2mm, CI 8.8
18	1 86507486		6 CARRIAGE BOLT M8 x 1.25 x 20mm, CI 8.8
19	1 87040022		3 FINGER
20	80756		2 COTTER PIN 1/8" x 3/4"
21	197559		2 CHAIN 9" L
22	86508947		2 LINCH PIN 18.8mm OD
23	140042		2 WASHER 11mm ID x 34mm OD x 3mm Thk
24	9804278		2 FLANGE NUT M10 x 1.5, CI 8
25	322358		10 BELLEVILLE WASHER M8 x 18mm OD x 1.4mm Thk
26	1 86637855		3 PLATE

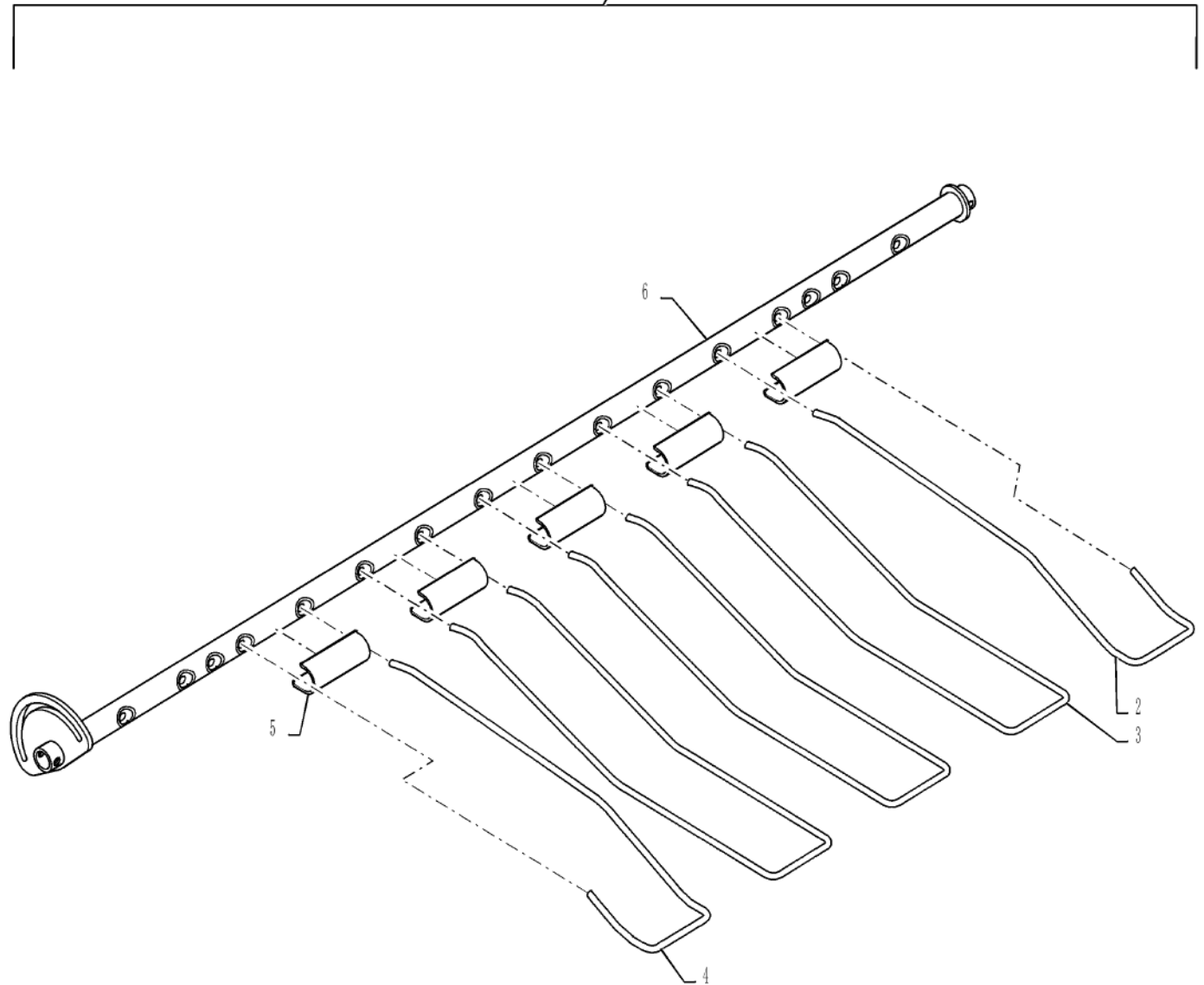
(1) Used on Non-Assist Roll Balers Only.

RB465-CASE IH ROUND BALER - EUROPE & R.O.W.

WINDGUARD, 1.8M



1



60.220.CC

02

p1

9/2015

WINDGUARD, 1.8M

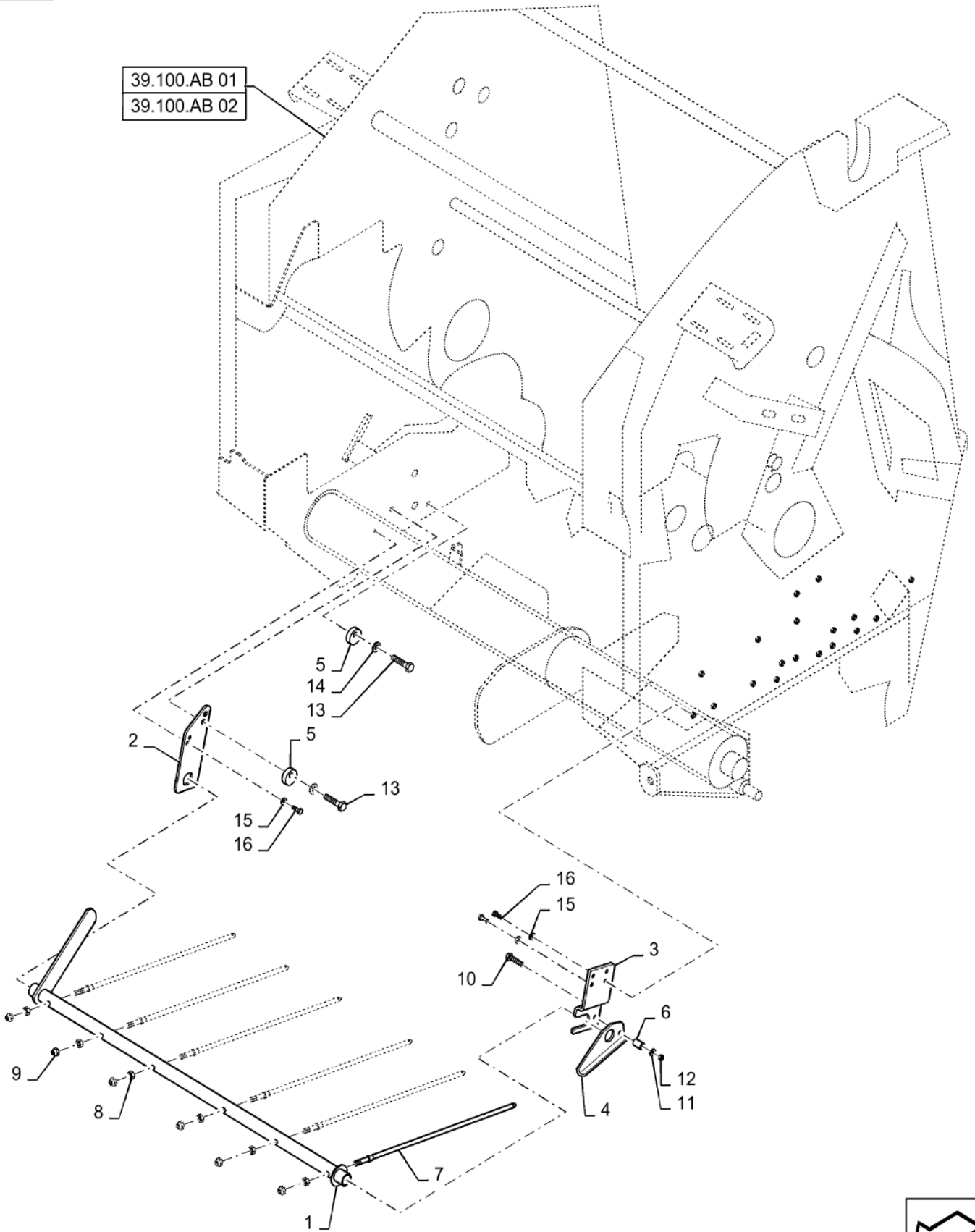
REF FN	PART NUMBER	YR/SN	QTY DESCRIPTION
1	0C		1 ORDER COMPONENTS Windguard
2	87051603		1 FINGER LH
3	87051605		3 FINGER Middle
4	87051604		1 FINGER RH
5	86621502		5 CLIP
6	87054239		1 WINDGUARD

RB465-CASE IH ROUND BALER - EUROPE & R.O.W.

WINDGUARD, MOUNTING, 1.8M



39.100.AB 01
39.100.AB 02

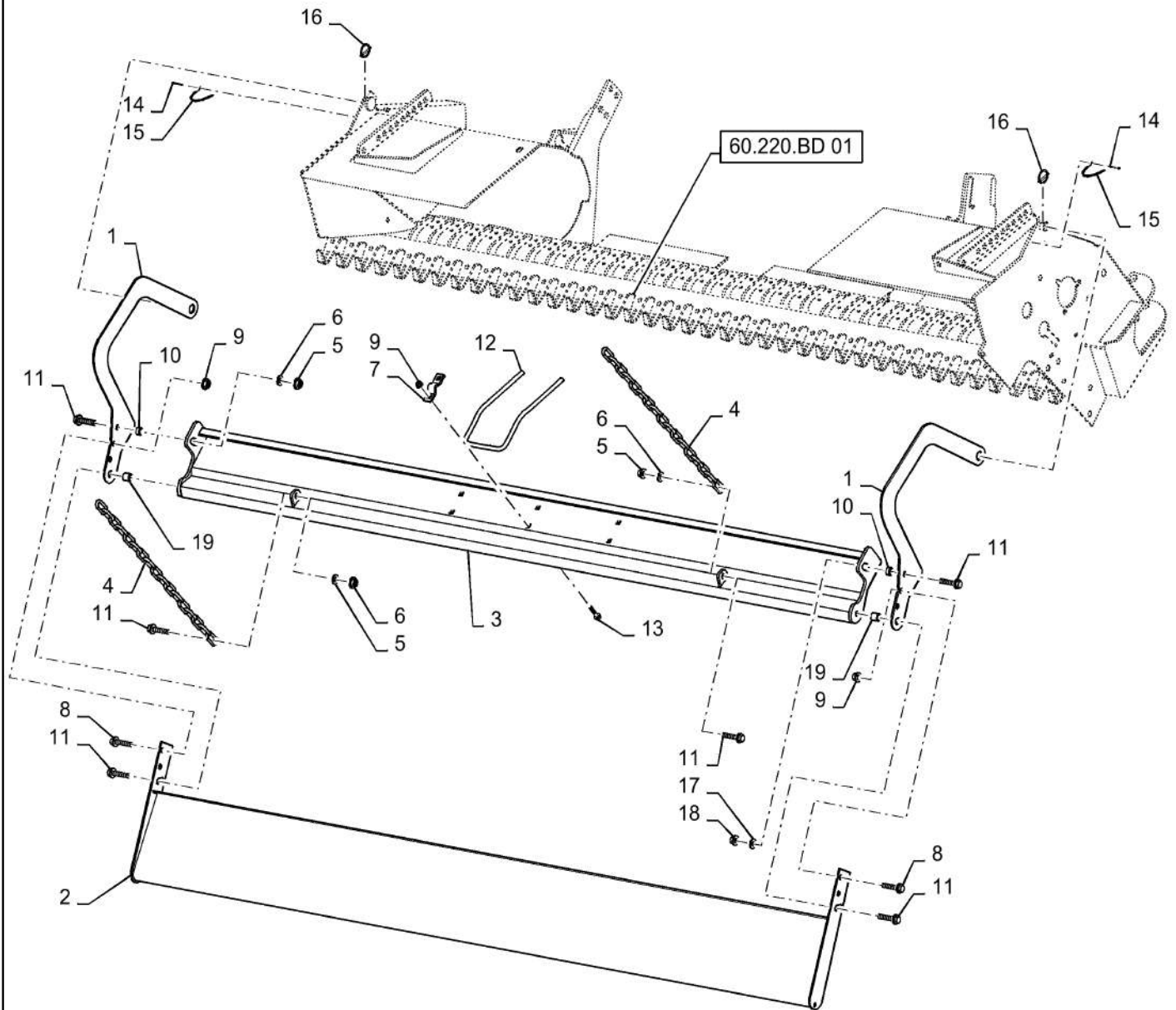


WINDGUARD, MOUNTING, 1.8M

REF FN	PART NUMBER	YR/SN	QTY DESCRIPTION
1	84317397		1 WINDGUARD
2	84315673		1 SUPPORT RH
3	84300966		1 SUPPORT LH
4	84317678		1 ANGLE
5	87355307		2 LOCK Cam
6	86635755		1 SPRING 15.88mm OD x 28.58mm L
7	87584785		9 TINE
8	100016		9 NUT M10 x 1.5, CI 8
9	100037		9 NUT M0 x 1.5, CI 8
10	43130		1 BOLT Hex, M8 x 1.25 x 50mm, CI 8.8
11	83918746		1 WASHER 0.34" ID x 0.69" OD x 0.07" Thk
12	86629542		1 NUT M8 x 1.25, CI 8
13	120068		2 BOLT Hex, M10 x 40mm, CI 8.8
14	35097		1 WASHER 10.3mm ID x 25.4mm OD x 5mm Thk
15	140045		4 BELLEVILLE WASHER M10X22 ZNM
16	43138		3 BOLT Hex, M10 x 1.5 x 20mm, CI 8.8

RB465-CASE IH ROUND BALER - EUROPE & R.O.W.

VAR - 726829, 726919 - WINDGUARD PLATE, 1.8M

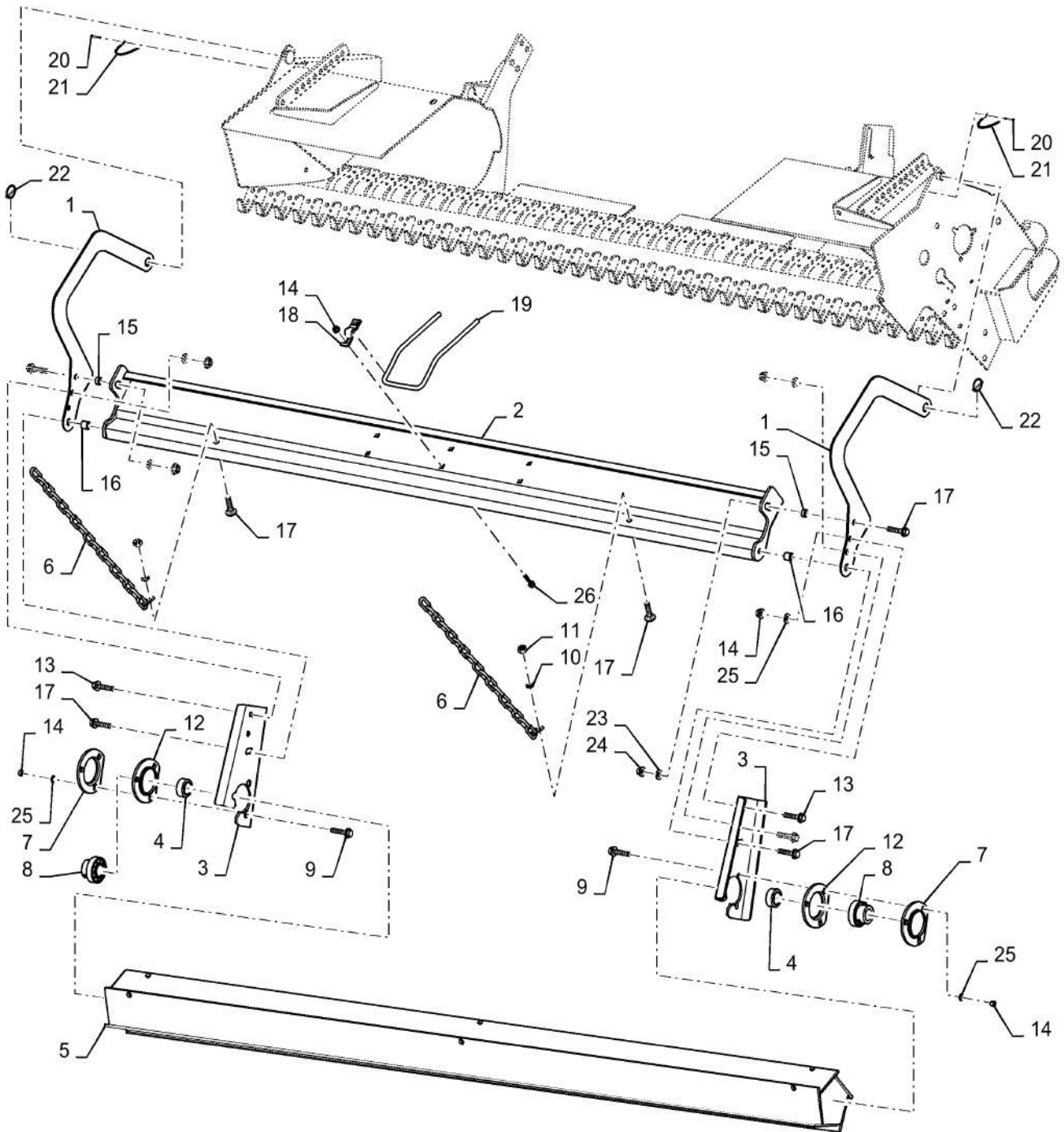


VAR - 726829, 726919 - WINDGUARD PLATE, 1.8M

REF FN	PART NUMBER	YR/SN	QTY DESCRIPTION
1	84472935		2 ARM
2	84390657		1 WINDGUARD Extension
3	84390629		1 PLATE
4	87027237		2 CHAIN 18 Links x 37.2mm = 670mm L
5	80702		2 WASHER 0.44" ID x 1" OD x 0.08" Thk
6	100037		2 NUT M0 x 1.5, CI 8
7	1 86637855		3 PLATE
8	9671714		4 FLANGE BOLT Hex, M8 x 1.25 x 25mm, CI 8.8
9	1 9804277		10 FLANGE NUT Hex, M8 x 1.25, CI 8
9	2 9804277		4 FLANGE NUT Hex, M8 x 1.25, CI 8
10	133095		2 SPACER 10.32mm ID x 15.85mm OD x 7.9mm L
11	9804262		6 BOLT M10 x 39.2mm, CI 8.8
12	1 87040022		3 FINGER Center
13	1 86507486		6 CARRIAGE BOLT M8 x 1.25 x 20mm, CI 8.8
14	80756		2 COTTER PIN 1/8" x 3/4"
15	197559		2 CHAIN 9" L
16	86508947		2 LINCH PIN 18.8mm OD
17	140042		2 WASHER 11mm ID x 34mm OD x 3mm Thk
18	9804278		2 FLANGE NUT M10 x 1.5, CI 8
19	87340800		2 SPACER 5/8" Tube x 15.88mm, STL, ZND
(1)	Without Crop Assist Power Roller		
(2)	With Crop Assist Power Roller		

RB465-CASE IH ROUND BALER - EUROPE & R.O.W.

VAR - 726819, 726920 - WINDGUARD, PLATE AND ROLLER, 1.8M

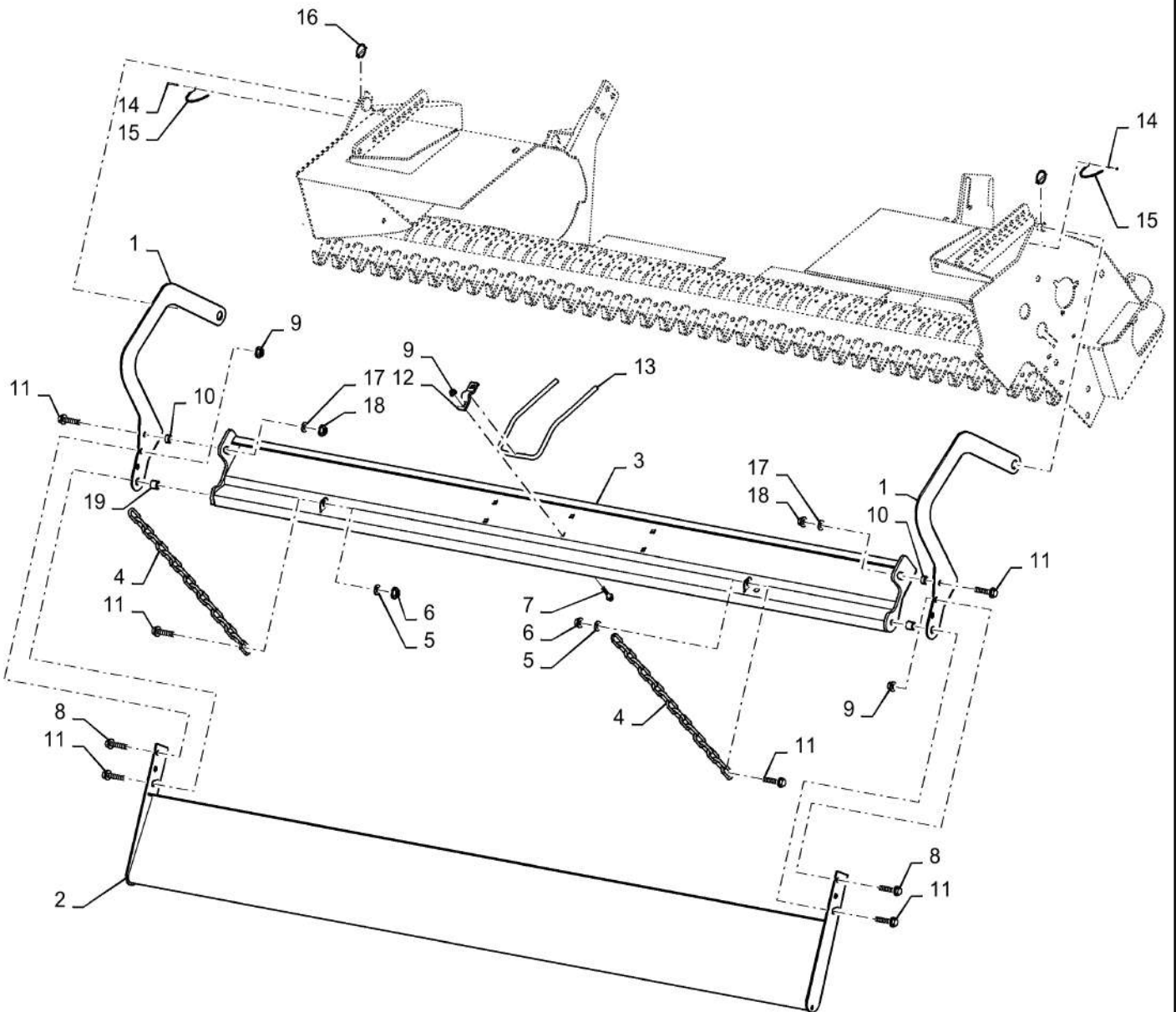


VAR - 726819, 726920 - WINDGUARD, PLATE AND ROLLER, 1.8M

REF FN	PART NUMBER	YR/SN	QTY DESCRIPTION
1	84472935		2 ARM
2	84390629		1 PLATE Extension
3	47469727		1 ARM LH
4	47507709		1 SPACER 24.88mm ID x 41mm OD x 13mm Thk RH
5	47393424		1 ROLLER
6	87027237		2 CHAIN 18 Links x 37.2mm = 670mm L
7	86603075		4 FLANGE Bearing, 52.01 mm ID x 95.3 mm OD x 8.7 mm
8	325103		2 BALL BEARING 25mm ID x 52mm OD x 15mm W
9	308761		6 CARRIAGE BOLT M8 x 1.25 x 25mm, CI 8.8
10	80702		2 WASHER 0.44" ID x 1" OD x 0.08" Thk
11	100037		2 NUT M0 x 1.5, CI 8
12	47505113		2 BEARING HOUSING
13	9671714		4 FLANGE BOLT Hex, M8 x 1.25 x 25mm, CI 8.8
14	1 9804277		16 FLANGE NUT Hex, M8 x 1.25, CI 8
14	2 9804277		4 FLANGE NUT Hex, M8 x 1.25, CI 8
15	133095		2 SPACER 10.32mm ID x 15.85mm OD x 7.9mm L
16	87340800		2 SPACER 5/8" Tube x 15.88mm, STL, ZND
17	9804262		6 BOLT M10 x 39.2mm, CI 8.8
18	1 86637855		3 PLATE
19	1 87040022		3 FINGER Center
20	80756		2 COTTER PIN 1/8" x 3/4"
21	197559		2 CHAIN 9" L
22	86508947		2 LINCH PIN 18.8mm OD
23	140042		2 WASHER 11mm ID x 34mm OD x 3mm Thk
24	9804278		2 FLANGE NUT M10 x 1.5, CI 8
25	322358		4 BELLEVILLE WASHER M8 x 18mm OD x 1.4mm Thk
26	86507486		6 CARRIAGE BOLT M8 x 1.25 x 20mm, CI 8.8
(1)	Without Assist Roll		
(2)	With Assist Roll		

RB465-CASE IH ROUND BALER - EUROPE & R.O.W.

VAR - 726653, 726921 - WINDGUARD, PLATE, 2.0M

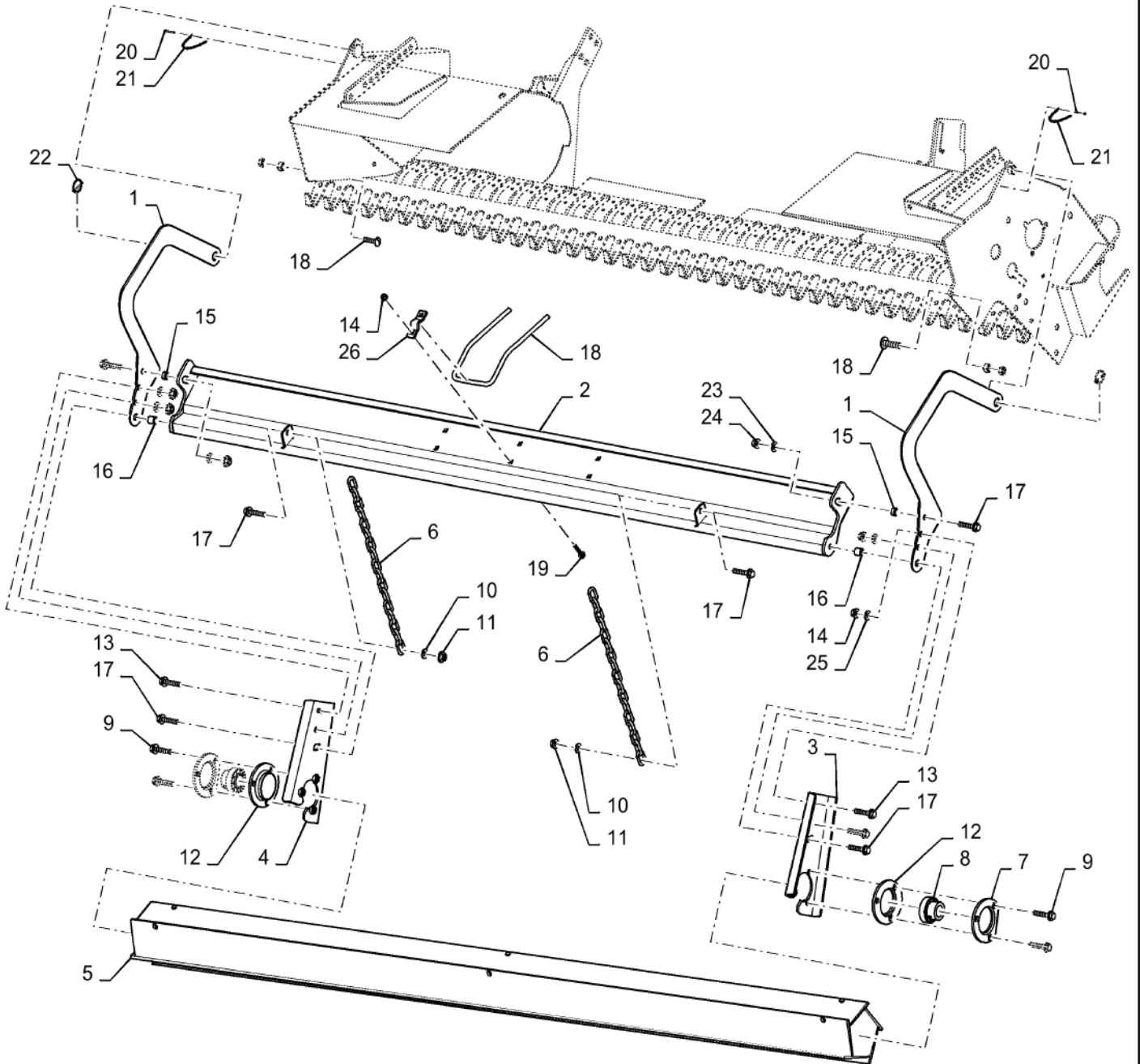


VAR - 726653, 726921 - WINDGUARD, PLATE, 2.0M

REF FN	PART NUMBER	YR/SN	QTY DESCRIPTION
1	84472935		2 ARM
2	84391681		1 EXTENSION Extension
3	84390687		1 PLATE
4	87027237		2 CHAIN 18 Links x 37.2mm = 670mm L
5	80702		2 WASHER 0.44" ID x 1" OD x 0.08" Thk
6	100037		2 NUT M0 x 1.5, CI 8
7	1 86507486		6 CARRIAGE BOLT M8 x 1.25 x 20mm, CI 8.8
8	9671714		4 FLANGE BOLT Hex, M8 x 1.25 x 25mm, CI 8.8
9	1 9804277		10 FLANGE NUT Hex, M8 x 1.25, CI 8
9	2 9804277		4 FLANGE NUT Hex, M8 x 1.25, CI 8
10	133095		2 SPACER 10.32mm ID x 15.85mm OD x 7.9mm L
11	9804262		6 BOLT M10 x 39.2mm, CI 8.8
12	1 86637855		3 PLATE
13	1 87040022		3 FINGER Center
14	80756		2 COTTER PIN 1/8" x 3/4"
15	197559		2 CHAIN 9" L
16	86508947		2 LINCH PIN 18.8mm OD
17	140042		2 WASHER 11mm ID x 34mm OD x 3mm Thk
18	9804278		2 FLANGE NUT M10 x 1.5, CI 8
19	87340800		2 SPACER 5/8" Tube x 15.88mm, STL, ZND
(1)	Without Top Assist Roller		
(2)	With Top Assist Roller		

RB465-CASE IH ROUND BALER - EUROPE & R.O.W.

VAR - 726654, 726922 - WINDGUARD, PLATE AND ROLLER, 2.0M

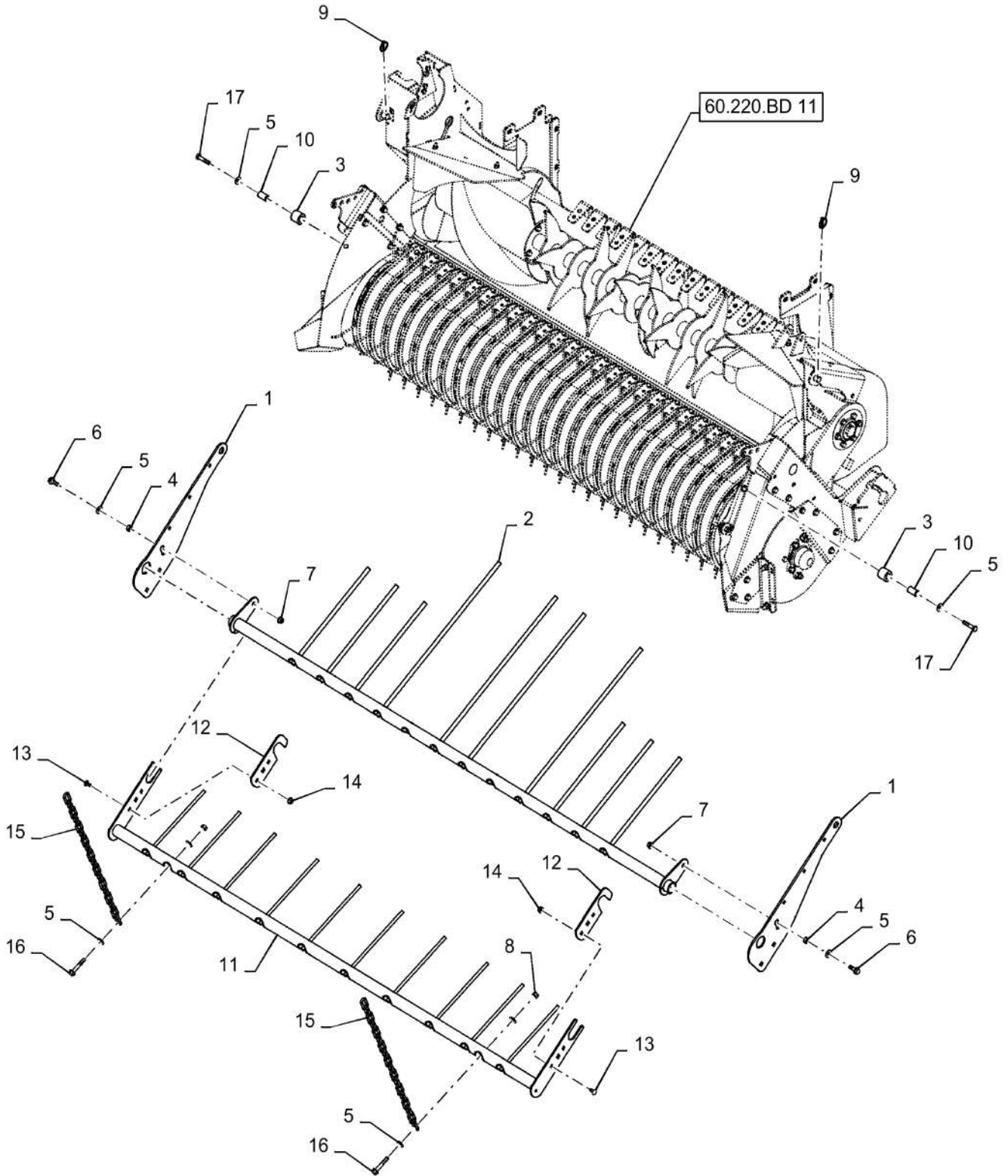


VAR - 726654, 726922 - WINDGUARD, PLATE AND ROLLER, 2.0M

REF FN	PART NUMBER	YR/SN	QTY DESCRIPTION
1	84472935		2 ARM
2	84390687		1 PLATE Extension
3	84391691		1 ARM LH
4	84391689		1 ARM RH
5	47393437		1 ROLLER 146mm OD x 2270mm L
6	87027237		2 CHAIN 18 Links x 37.2mm = 670mm L
7	86603075		4 FLANGE Bearing, 52.01 mm ID x 95.3 mm OD x 8.7 mm
8	325103		2 BALL BEARING 25mm ID x 52mm OD x 15mm W
9	86511841		6 BOLT Flng, M8 x 1.25 x 16mm, Full Thd, CI 8.8
10	80702		2 WASHER 0.44" ID x 1" OD x 0.08" Thk
11	100037		2 NUT M0 x 1.5, CI 8
12	1 86507486		6 CARRIAGE BOLT M8 x 1.25 x 20mm, CI 8.8
13	9671714		4 FLANGE BOLT Hex, M8 x 1.25 x 25mm, CI 8.8
14	1 9804277		10 FLANGE NUT Hex, M8 x 1.25, CI 8
14	2 9804277		4 FLANGE NUT Hex, M8 x 1.25, CI 8
15	133095		2 SPACER 10.32mm ID x 15.85mm OD x 7.9mm L
16	87340800		2 SPACER 5/8" Tube x 15.88mm, STL, ZND
17	9804262		6 BOLT M10 x 39.2mm, CI 8.8
18	1 86637855		3 PLATE
19	1 87040022		3 FINGER
20	80756		2 COTTER PIN 1/8" x 3/4"
21	197559		2 CHAIN 9" L
22	86508947		2 LINCH PIN 18.8mm OD
23	140042		2 WASHER 11mm ID x 34mm OD x 3mm Thk
24	9804278		2 FLANGE NUT M10 x 1.5, CI 8
25	322358		4 BELLEVILLE WASHER M8 x 18mm OD x 1.4mm Thk
26	86637855		3 PLATE
(1)	Without Assist Roll		
(2)	With Assist Roll		

RB465-CASE IH ROUND BALER - EUROPE & R.O.W.

VAR - 726817 - 1.8M TINE WINDGUARD, OVERSHOT FEEDER



60.220.CC

08

p1

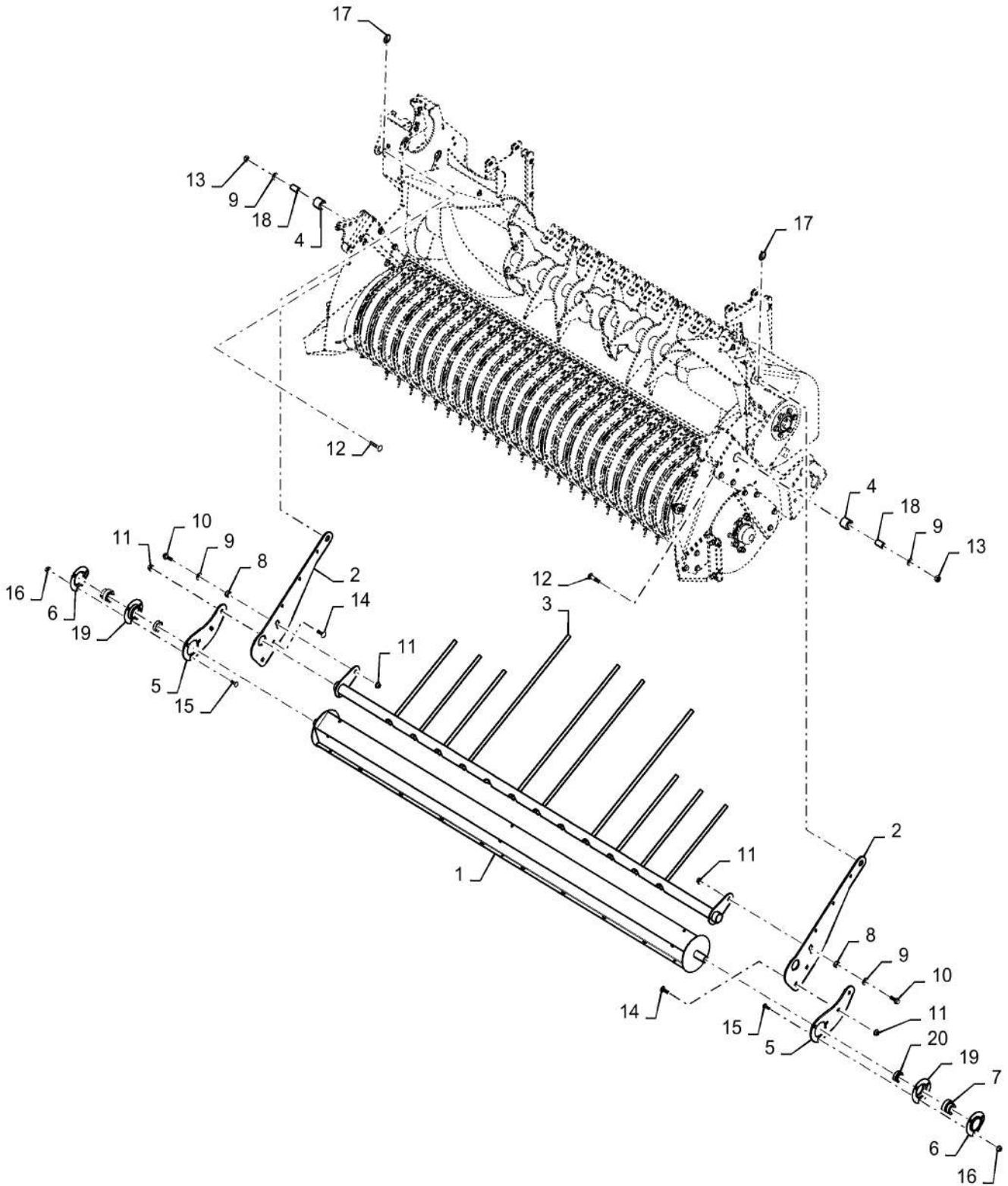
9/2015

VAR - 726817 - 1.8M TINE WINDGUARD, OVERSHOT FEEDER

REF FN	PART NUMBER	YR/SN	QTY DESCRIPTION
1	84425604		2 ARM
2	84412946		1 WINDGUARD
3	47361097		2 SPACER 20mm ID x 34.9mm OD x 31mm L
4	133095		2 SPACER 10.32mm ID x 15.85mm OD x 7.9mm L
5	80702		8 WASHER 0.44" ID x 1" OD x 0.08" Thk
6	9804262		2 BOLT M10 x 39.2mm, CI 8.8
7	9804278		2 FLANGE NUT M10 x 1.5, CI 8
8	100037		2 NUT M0 x 1.5, CI 8
9	86508947		2 LINCH PIN 18.8mm OD
10	84563993		2 SPACER 10.31mm ID x 18.24mm OD x 33.53mm L
11	84495729		1 WINDGUARD
12	47467993		2 RETAINER
13	86507486		4 CARRIAGE BOLT M8 x 1.25 x 20mm, CI 8.8
14	9804277		4 FLANGE NUT Hex, M8 x 1.25, CI 8
15	87055684		2 CHAIN 793.24mm L
16	9804265		2 FLANGE BOLT Hex, M10 x 60mm, CI 8.8
17	120069		2 BOLT M10 x 1.5 x 56.58mm OAL, CI 8.8

RB465-CASE IH ROUND BALER - EUROPE & R.O.W.

VAR - 726819 - 1.8M ROLLER WINDGUARD, OVERSHOT FEEDER



VAR - 726819 - 1.8M ROLLER WINDGUARD, OVERSHOT FEEDER

REF FN	PART NUMBER	YR/SN	QTY DESCRIPTION
1	87532588		1 ROLLER 146mm OD x 2109.3mm L
2	84425604		2 ARM
3	84412946		1 WINDGUARD
4	47361097		2 SPACER 20mm ID x 34.9mm OD x 31mm L
5	84426074		2 ARM
6	86603075		2 FLANGE Bearing, 52.01 mm ID x 95.3 mm OD x 8.7 mm
7	325103		2 BALL BEARING 25mm ID x 52mm OD x 15mm W
8	133095		2 SPACER 10.32mm ID x 15.85mm OD x 7.9mm L
9	80702		4 WASHER 0.44" ID x 1" OD x 0.08" Thk
10	9804262		2 BOLT M10 x 39.2mm, CI 8.8
11	9804278		6 FLANGE NUT M10 x 1.5, CI 8
12	350459		2 CARRIAGE BOLT Rnd Head, M10 x 1.5 x 50mm, Full Thd, CI 8.8
13	100037		2 NUT M0 x 1.5, CI 8
14	86512446		4 CARRIAGE BOLT M10 x 1.5 x 30mm, CI 8.8
15	308761		6 CARRIAGE BOLT M8 x 1.25 x 25mm, CI 8.8
16	9804277		6 FLANGE NUT Hex, M8 x 1.25, CI 8
17	86508947		2 LINCH PIN 18.8mm OD
18	84563993		2 SPACER 10.31mm ID x 18.24mm OD x 33.53mm L
19	47505113		2 BEARING HOUSING
20	47507709		2 SPACER 24.88mm ID x 41mm OD x 13mm Thk

RB465-CASE IH ROUND BALER - EUROPE & R.O.W.

60.260.BJ

01

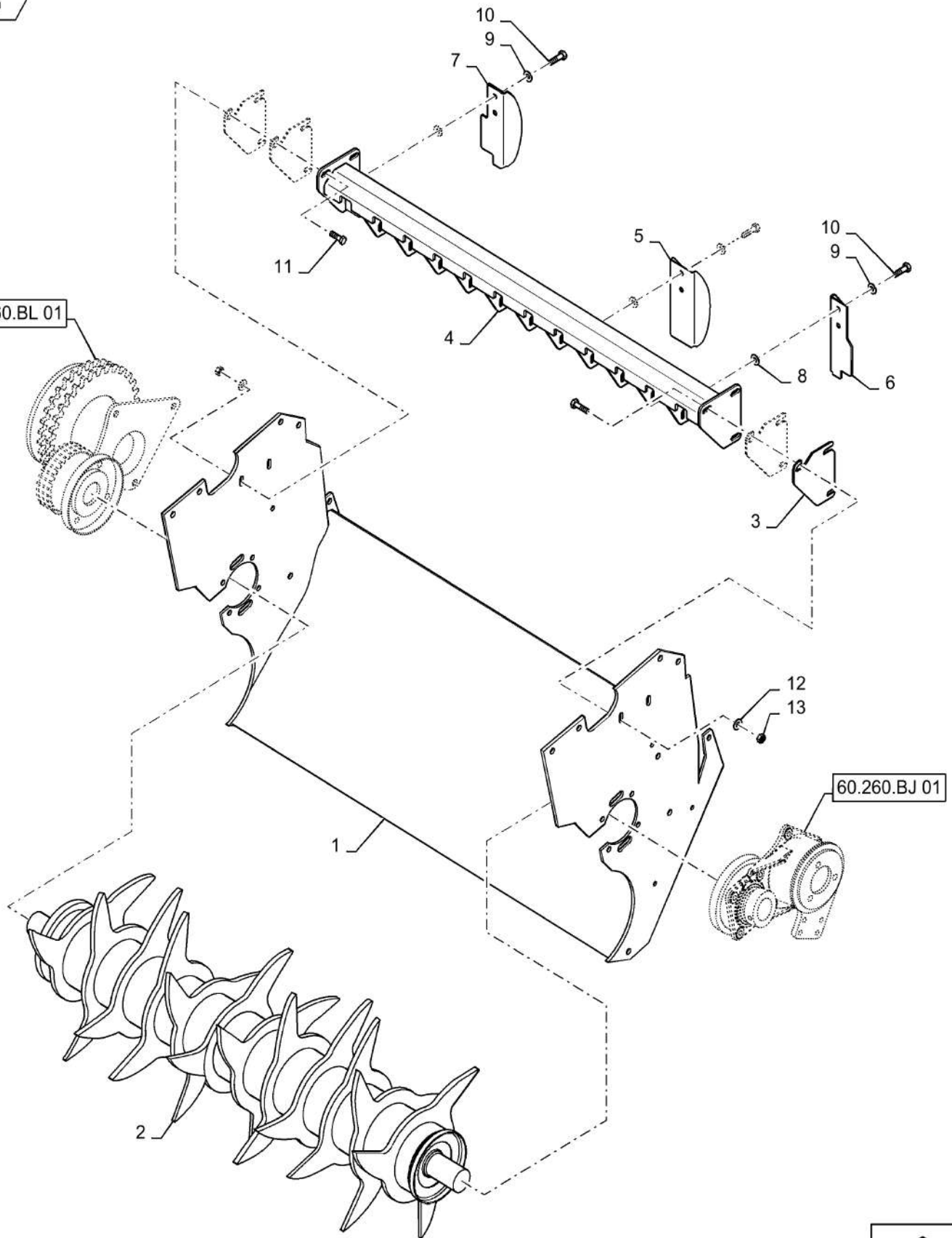
p1

9/2015

VAR - 726913 - ROTOR FEEDER ASSEMBLY, FIXED FLOOR



60.260.BL 01



60.260.BJ 01

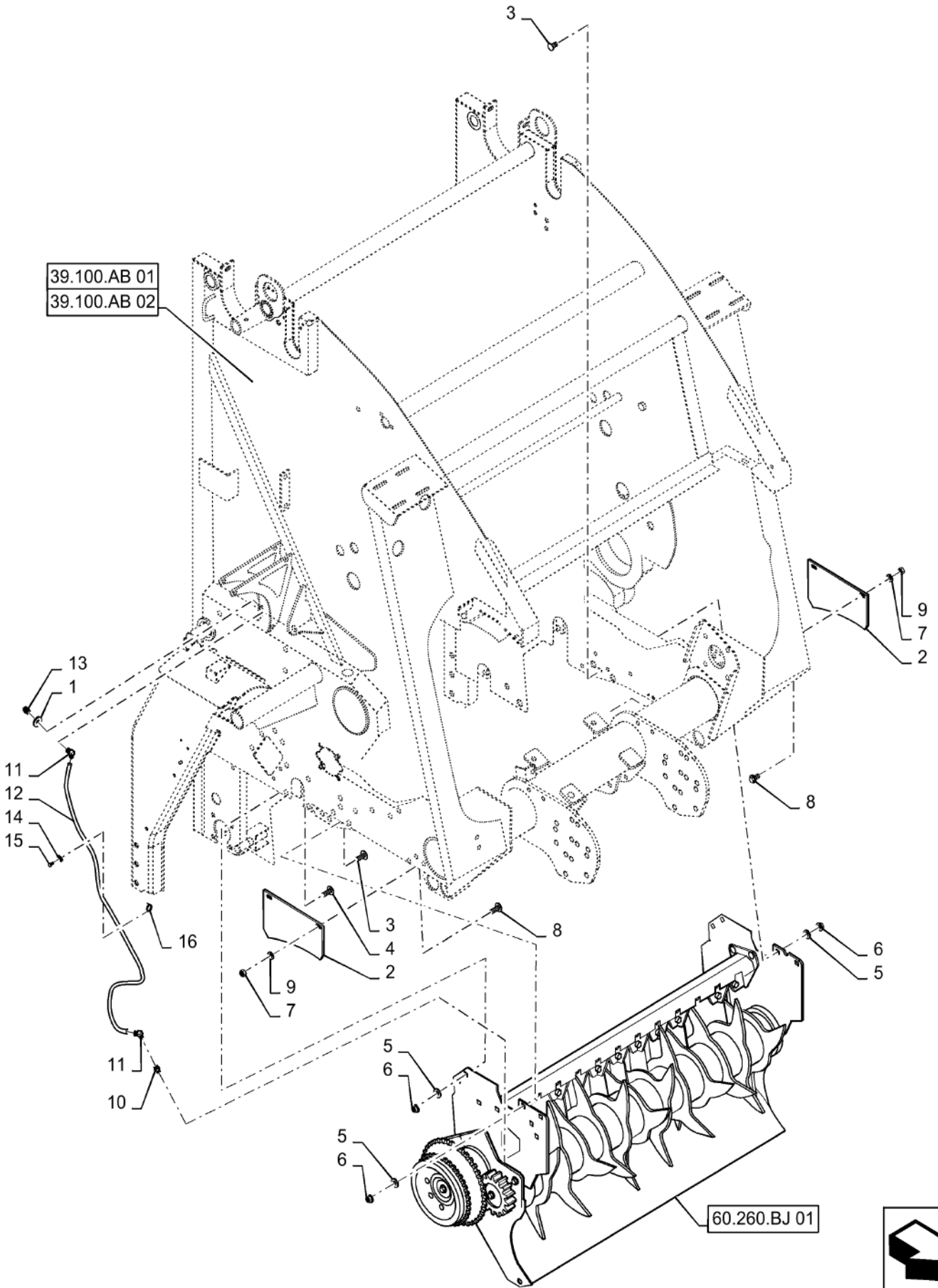


VAR - 726913 - ROTOR FEEDER ASSEMBLY, FIXED FLOOR

REF FN	PART NUMBER	YR/SN	QTY DESCRIPTION
1	84298914		1 FRAME Rotor, Fixed Floor
2	84296150		1 FEEDER
3	87036972		4 SHIM
4	84299984		1 RAKE
5	84383431		11 CHANNEL
6	84309329		1 SHEET LH
7	84309324		1 STRIP RH
8	140017		6 WASHER M10 x 20mm OD x 2mm Thk
9	412655		26 BELLEVILLE WASHER 10.199mm ID x 20.25mm OD x 1.6mm Thk
10	9804261		26 BOLT Hex, M10 x 25mm, Full Thd, Cl 8.8
11	86633356		5 CARRIAGE BOLT M10 x 34.8mm, Cl 8.8
12	140045		5 BELLEVILLE WASHER M10X22 ZNM
13	9804278		5 FLANGE NUT M10 x 1.5, Cl 8

RB465-CASE IH ROUND BALER - EUROPE & R.O.W.

VAR - 726913 - ROTOR FEEDER MOUNTING, FIXED FLOOR



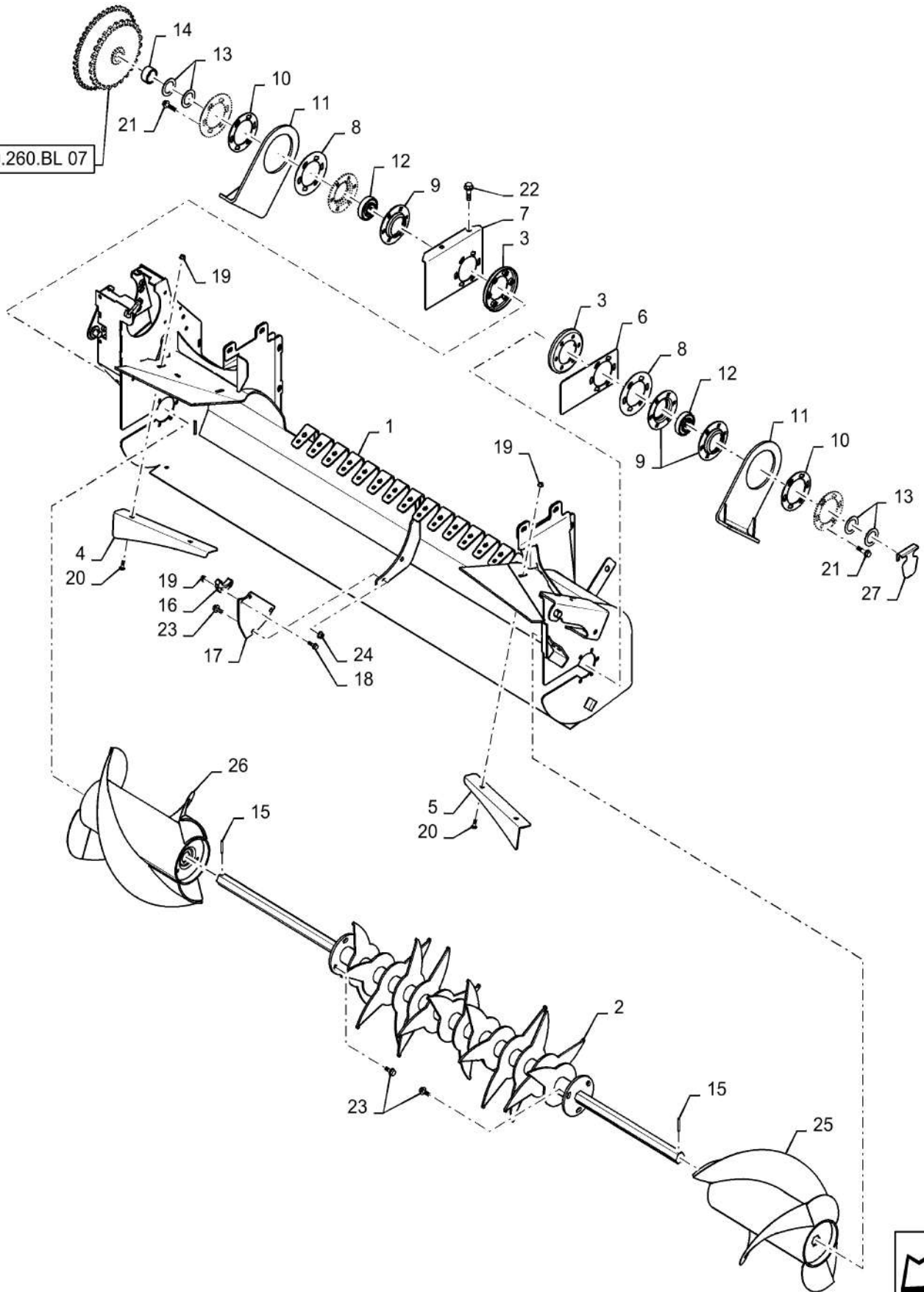
VAR - 726913 - ROTOR FEEDER MOUNTING, FIXED FLOOR

REF FN	PART NUMBER	YR/SN	QTY DESCRIPTION
1	87016		2 WASHER 0.41" ID x 0.81" OD x 0.07" Thk Rotor
2	84385577		2 FLAP
3	86633356		8 CARRIAGE BOLT M10 x 34.8mm, CI 8.8
4	86512446		2 CARRIAGE BOLT M10 x 1.5 x 30mm, CI 8.8
5	140045		10 BELLEVILLE WASHER M10X22 ZNM
6	9804278		10 FLANGE NUT M10 x 1.5, CI 8
7	80702		4 WASHER 0.44" ID x 1" OD x 0.08" Thk
8	9804261		4 BOLT Hex, M10 x 25mm, Full Thd, CI 8.8
9	100037		4 NUT M0 x 1.5, CI 8
10	86580291		2 ADAPTER 1/8" - 27 x 1/4" - 28
11	48564		4 90 ELBOW 90°, 11/16" x 5/8", 1/8" NPT
12	86629566		8 PLASTIC-RUBBER TUBE 2.8mm ID x 4.8mm OD
13	80280397		2 LUBE NIPPLE 45°, Female 1/8" NPTF
14	86590413		4 BASE 15.87mm W x 22.22mm OAL x 9.9mm Thk
15	445394		4 RIVET Pop, 3/16" x 1/2" OAL
16	86566989		4 CABLE TIE 208mm L

RB465-CASE IH ROUND BALER - EUROPE & R.O.W.

VAR - 726805 - ROTOR MOUNTING, OVERSHOT FEEDER

60.260.BL 07



VAR - 726805 - ROTOR MOUNTING, OVERSHOT FEEDER

REF FN	PART NUMBER	YR/SN	QTY DESCRIPTION
1	47574128		1 HOUSING Rotor
2	84494203		1 FEEDER
3	84427232		2 COVER
4	84493759		1 STRIPPER RH
5	84493769		1 STRIPPER LH
6	84427552		1 SHIELD
7	84427228		1 SHIELD
8	84399287		4 RING 82mm ID x 140mm OD x 1.98mm Thk
9	86635012		4 FLANGE
10	84399284		2 RING
11	84419671		2 PIVOT
12	84324246		2 SPHERICAL BEARING 31.75mm ID x 72mm OD x 25mm Thk
13	87334418		4 WASHER 1.5" ID x 2.25" OD x 0.07" Thk
14	84427184		1 SPACER 37.3mm ID x 45.3mm OD x 22.5mm Thk
15	87343		2 LOCK PIN 6.35mm OD x 44.45mm L, Slotted
16	84414114		1 SUPPORT
17	84427224		1 SUPPORT
18	9671714		2 FLANGE BOLT Hex, M8 x 1.25 x 25mm, Cl 8.8
19	9804277		6 FLANGE NUT Hex, M8 x 1.25, Cl 8
20	308761		4 CARRIAGE BOLT M8 x 1.25 x 25mm, Cl 8.8
21	9804263		10 BOLT M10 x 49.2mm, Cl 8.8
22	9804266		2 BOLT Hex, M12 x 25mm, Cl 8.8, Full Thd
23	9804261		8 BOLT Hex, M10 x 25mm, Full Thd, Cl 8.8
24	9804278		2 FLANGE NUT M10 x 1.5, Cl 8
25	84495646		1 AUGER LH
26	84495626		1 AUGER RH
27	47722577		1 SHIELD

RB465-CASE IH ROUND BALER - EUROPE & R.O.W.

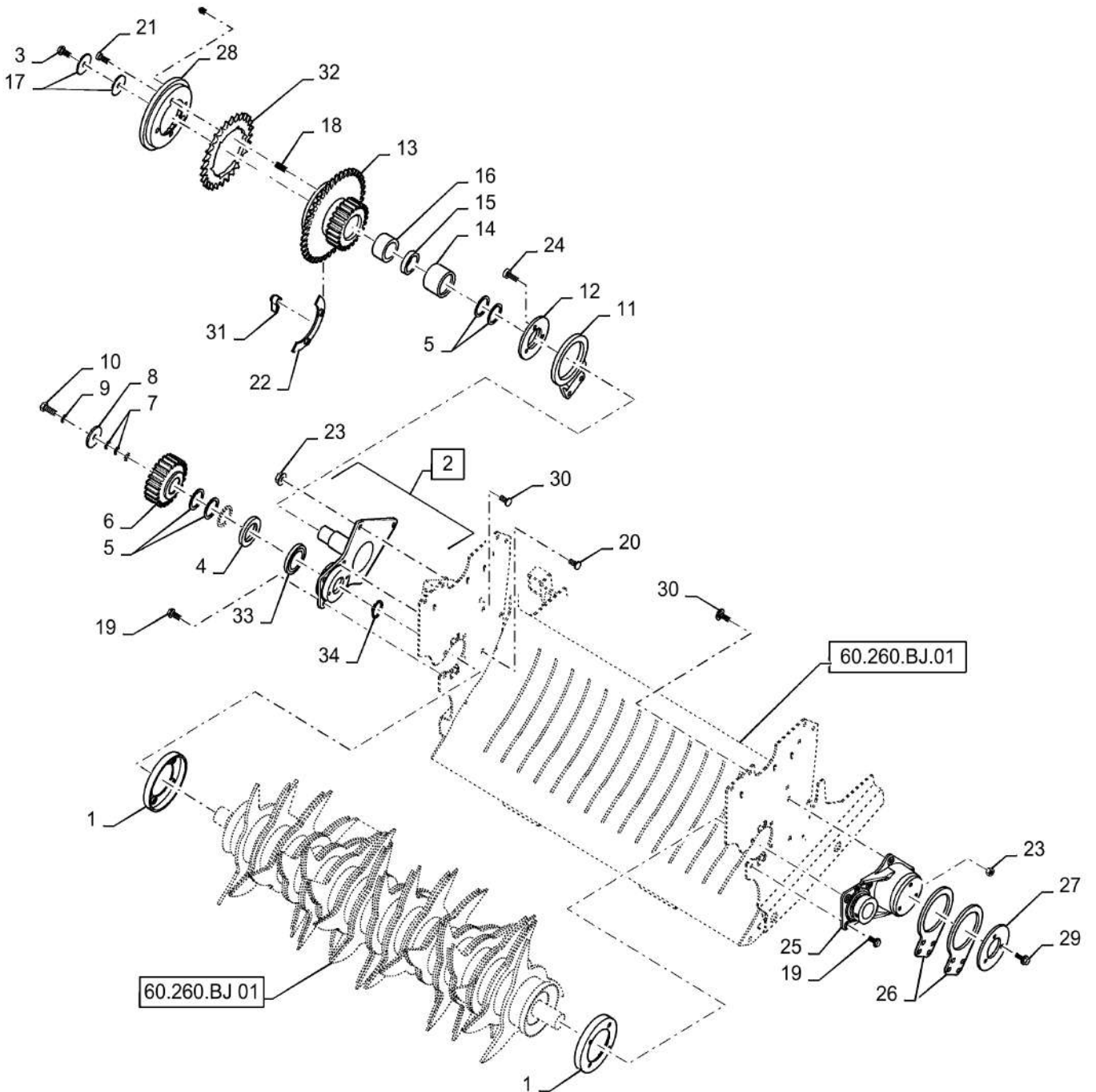
60.260.BL

01

p1

9/2015

VAR - 726913, 726914 - ROTOR, DRIVE



60.260.BL

01

p1

9/2015

VAR - 726913, 726914 -ROTOR, DRIVE

REF FN	PART NUMBER	YR/SN	QTY DESCRIPTION
1	86634127		2 DISC
2	84386744		1 BEARING HOUSING RH, Includes: Ref. 33 & 34
3	86511845		1 BOLT M10 x 44.2mm OAL, CI 8.8, Full Thd
4	87646887		1 SPACER 50.02mm ID x 89.5mm OD x 12.7mm Thk
5	87016189		5 WASHER 51.18mm ID x 63.5mm OD x 1.65mm Thk
6	87646852		1 GEAR 23T
7	86622500		3 WASHER 13.49mm ID x 22.2mm OD x 1.36mm Thk
8	87017556		1 WASHER 13.49mm ID x 63.5mm OD x 7.37mm Thk
9	140046		1 BELLEVILLE WASHER M12 x 27mm OD x 1.8mm Thk
10	300389		1 BOLT M12 x 1.75 x 35mm
11	87646851		1 PIVOT PLATE RH
12	87646325		1 WASHER 49.3mm ID x 133.3mm OD x 12.7mm Thk
13	84478256		1 SPROCKET 23T/35T, Includes: Ref. 13, 14 & 15
14	86635027		1 TAPERED ROLLER BEARING 49mm ID x 84mm OD x 48mm W
15	84351604		1 SPACER 49.3mm ID x 73.9mm OD x 23.3mm L
16	84352338		1 BEARING 42mm ID x 78mm OD x 45mm W
17	790472		2 WASHER 10.3mm ID x 63.5mm OD x 4.8mm Thk
18	84041522		1 SPRING 8.5mm OD x 23.1mm L
19	9804262		8 BOLT M10 x 39.2mm, CI 8.8
20	120041		1 CARRIAGE BOLT M10 x 20mm, CI 8.8
21	320772		4 HEX SOC SCREW CSS, M10 x 30mm, CI 8.8
22	84471506		2 RETAINER
23	9804278		5 FLANGE NUT M10 x 1.5, CI 8
24	412710		3 HEX SOC SCREW Flat Hd, Csk, M6 x 20mm, CI 10.9

RB465-CASE IH ROUND BALER - EUROPE & R.O.W.

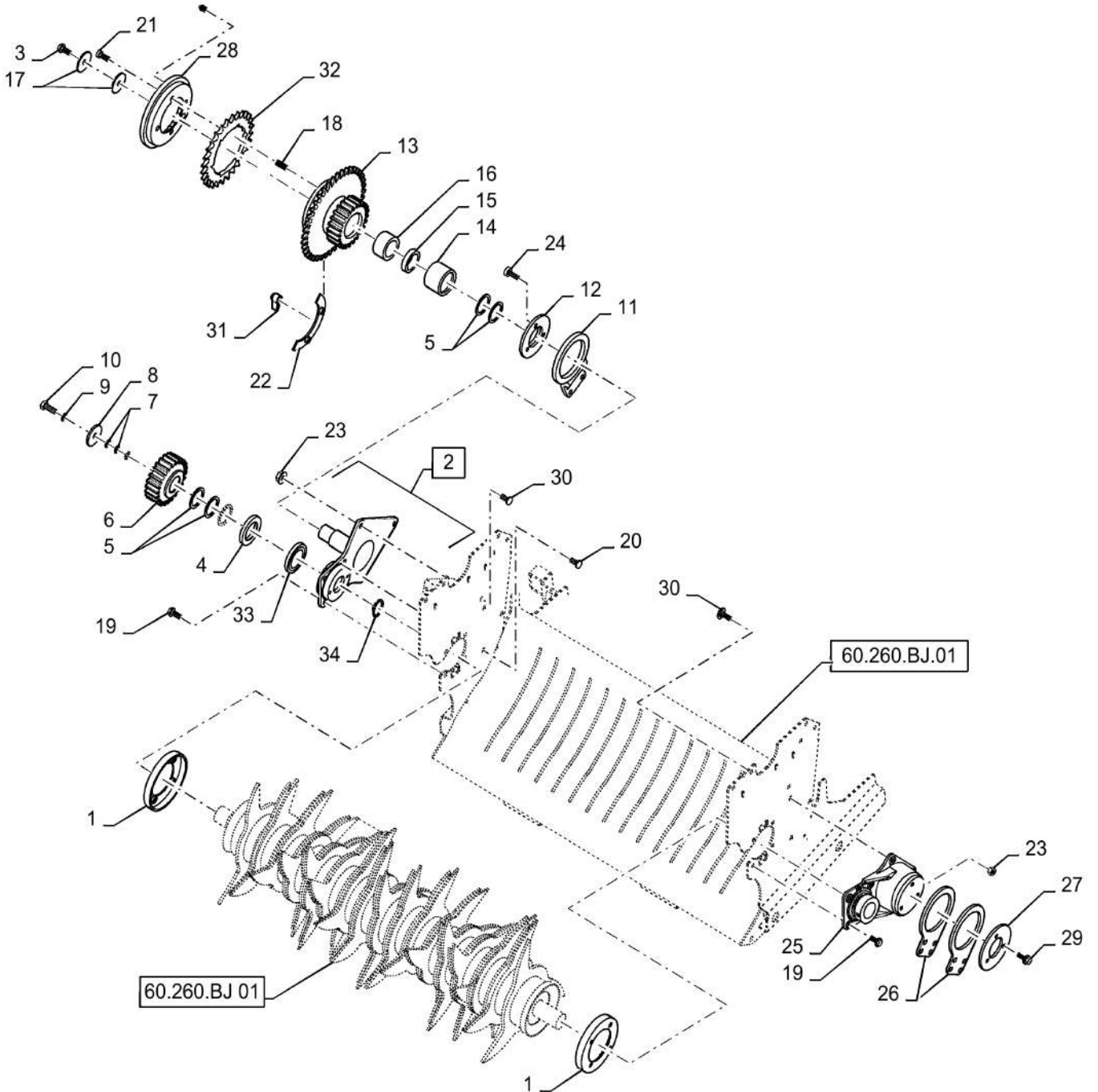
60.260.BL

01

p2

9/2015

VAR - 726913, 726914 - ROTOR, DRIVE



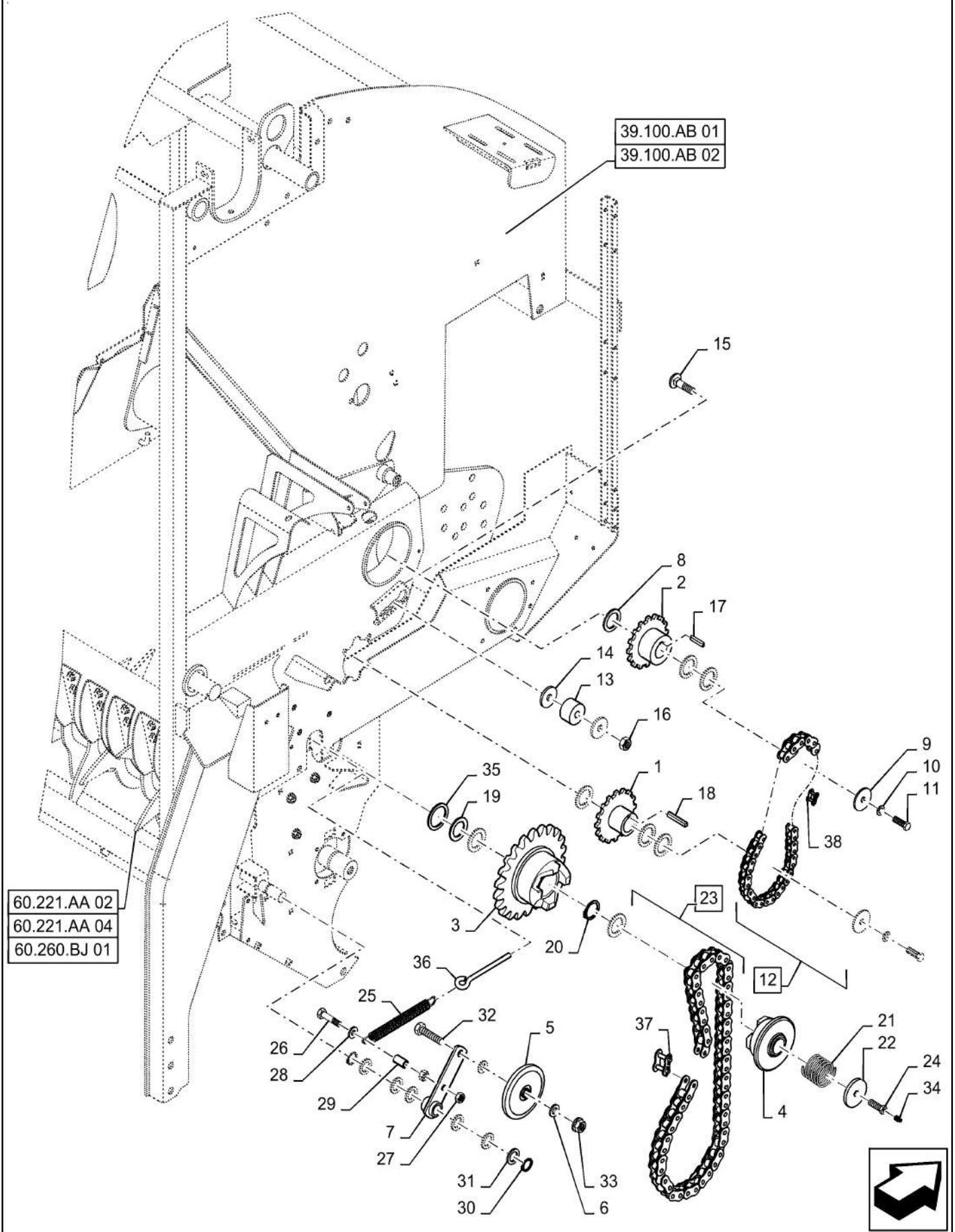
VAR - 726913, 726914 -ROTOR, DRIVE

REF FN	PART NUMBER	YR/SN	QTY DESCRIPTION
25	1 84298456		1 BEARING HOUSING LH
26	87631104		2 ARM Lift, LH
27	87631110		1 WASHER 63mm ID x 140mm OD x 8.3mm Thk
28	47451493		1 PLATE
29	9804260		3 BOLT Hex, M8 x 1.25 x 30mm, Full Thd, Cl 8.8
30	86512446		4 CARRIAGE BOLT M10 x 1.5 x 30mm, Cl 8.8
31	84478889		1 PAWL
32	84471490		1 SPROCKET 28T RC80
33	330685		1 BALL BEARING 50mm ID x 90mm OD x 23mm W
34	370013		1 SNAP RING M90 x 3mm Thk, Internal
35	321204		1 LUBE NIPPLE M6 x 1.0 x 16mm OAL

(1) Bearing is Select-Fitted to the Housing and is NOT Serviced Separately.

RB465-CASE IH ROUND BALER - EUROPE & R.O.W.

ROTOR DRIVE, LH

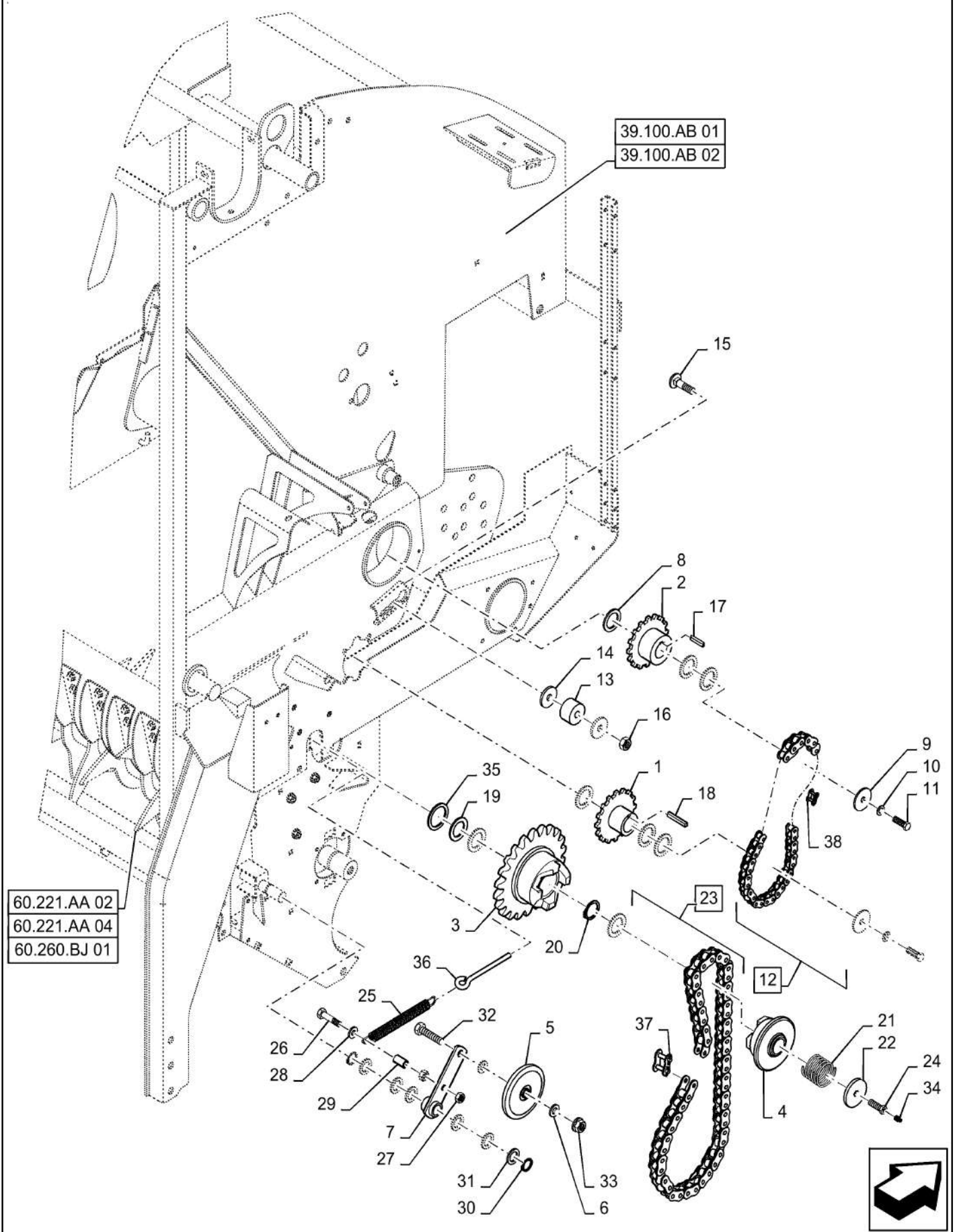


ROTOR DRIVE, LH

REF FN	PART NUMBER	YR/SN	QTY DESCRIPTION
1	84349215		1 SPROCKET 15T, RC80, Fixed, RH
2	84533097		1 SPROCKET 15T, RC80, Pivot Roll
3	84370050		1 SPROCKET & Clutch
4	86705492		1 CLUTCH Half
5	84401598		1 SPROCKET 39.967mm ID x 118.4mm OD x 14.61mm Thk 13T, RC80
6	86511326		2 WASHER 17mm ID x 30mm OD x 3mm Thk
7	87045403		1 ARM ASSY.
8	58821		6 WASHER 45.24mm ID x 56.36mm OD x 1.65mm Thk
9	86624647		2 WASHER 10.8mm ID x 57mm OD x 6.1mm Thk
10	140045		2 BELLEVILLE WASHER M10X22 ZNM
11	9706704		2 BOLT Hex, M10 x 1.5 x 41.58mm, CI 8.8
12	87627269		1 CHAIN (AG) 80, 38 Links x 25.4mm = 965.2mm Incl 38
13	84271552		1 IDLER 50.8mm OD x 56mm L
14	29684		2 WASHER 13.5mm ID x 50.8mm OD x 5.52mm Thk
15	334070		1 CARRIAGE BOLT Sht Sq Nk, M12 x 1.75 x 90mm, CI 8.8
16	100038		1 NUT M12 x 1.75, CI 8
17	170055		1 KEY Parallel
18	87495		1 KEY 0.31" x 2.50" L Square
19	87644681		8 SHIM 46mm ID x 60mm OD x 1.50mm Thk
20	45440		1 SNAP RING #162, Ext
21	196303		1 SPRING 2.44" OD x 4.5" L
22	9829364		1 CAP COVER
23	84345656		1 CHAIN 80, 62 Links x 25.4mm = 1574.8mm Incl 37
24	86618213		1 SPECIAL BOLT M12 x 40mm, Drilled
25	87054556		1 TENSION SPRING
26	9706717		1 BOLT Hex, M12 x 1.75 x 70mm, CI 8.8
27	9706685		2 NUT M12 x 1.75, CI 8
28	80702		2 WASHER 0.44" ID x 1" OD x 0.08" Thk
29	32318		1 BUSHING 11.94mm ID x 17.27mm OD x 50.8mm L
30	25121		2 SNAP RING #100, Ext

RB465-CASE IH ROUND BALER - EUROPE & R.O.W.

ROTOR DRIVE, LH

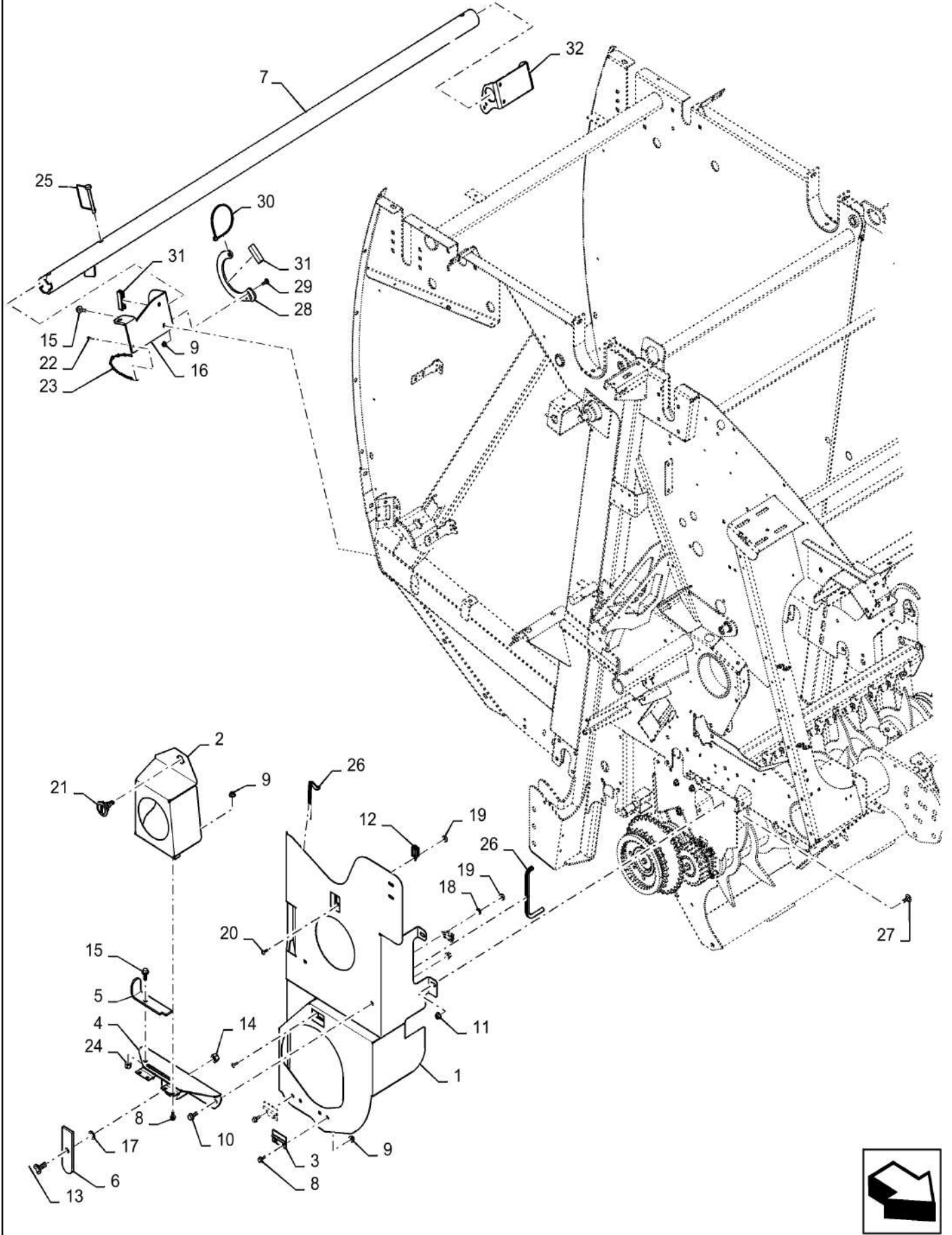


ROTOR DRIVE, LH

REF FN	PART NUMBER	YR/SN	QTY DESCRIPTION
31	26402		6 WASHER 25.8mm ID x 38.1mm OD x 1.7mm Thk
32	120090		1 BOLT Hex, M16 x 50mm, CI 8.8
33	9804280		1 FLANGE NUT Hex, M16, CI 8
34	80710		1 LUBE NIPPLE 1/8" - 27
35	100016		2 NUT M10 x 1.5, CI 8
36	84025887		1 HOOK
37	84356440		1 LINK 25.4mm Pitch
38	86643889		1 CONNECTING LINK

RB465-CASE IH ROUND BALER - EUROPE & R.O.W.

VAR - 726574 - ROTOR REVERSER, MANUAL



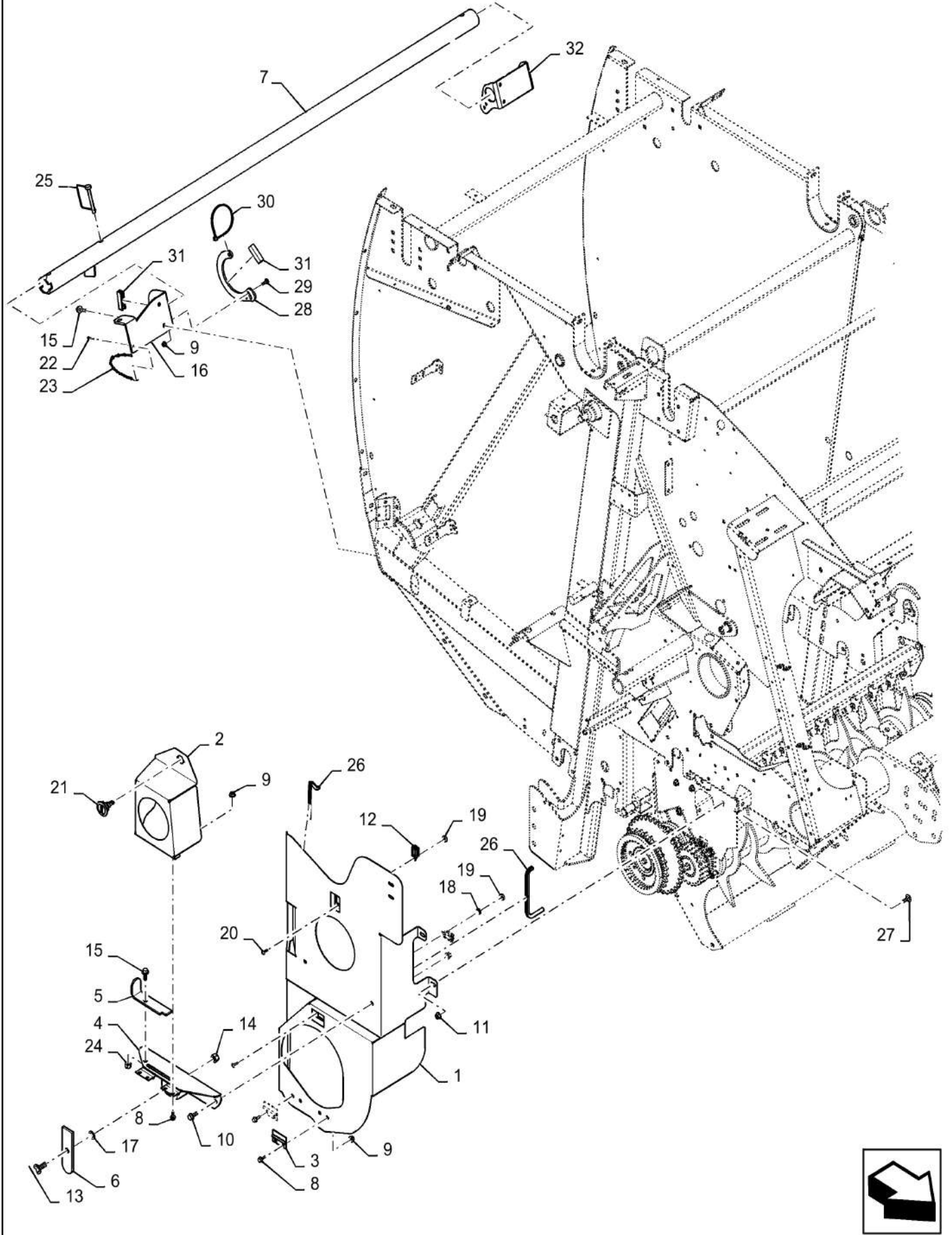
VAR - 726574 - ROTOR REVERSER, MANUAL

REF FN	PART NUMBER	YR/SN	QTY DESCRIPTION
1	84480490		1 SHIELD
2	84596267		1 SHIELD
3	87043305		1 DOOR ASSY.
4	47575848		1 ANGLE
5	87014172		1 STOP
6	87014170		1 LATCH
7	47509866		1 ADJUSTING WRENCH Rotor Reverse
8	9804255		8 BOLT Hex, M6 x 1 x 16mm, Full Thd, CI 8.8
9	9804276		12 FLANGE NUT Hex, M6 x 1, CI 8
10	9804258		5 BOLT Hex, M8 x 1.25 x 20mm, CI 8.8
11	9804277		3 FLANGE NUT Hex, M8 x 1.25, CI 8
12	9840986		2 CLIP
13	9670066		1 FLANGE BOLT Hex, M12 x 30mm, CI 8.8
14	100038		1 NUT M12 x 1.75, CI 8
15	9671714		5 FLANGE BOLT Hex, M8 x 1.25 x 25mm, CI 8.8
16	47811059		1 SUPPORT
17	721		1 WASHER 13.5mm ID x 22.2mm OD x 1.36mm Thk
18	80684		2 LOCK WASHER 4.9mm ID x 8.48mm OD x 1.19mm Thk
19	87304		4 NUT #10-24
20	84821		4 SCREW Truss HD, #10 - 24 x 1/2"
21	86512919		2 LATCH
22	130003		1 COTTER PIN 3mm OD x 30mm OAL
23	197559		1 CHAIN 9" L
24	86629542		1 NUT M8 x 1.25, CI 8 Slug Wrench
25	647695		1 PIN 7.94mm OD
26	1 291525		AR EDGE
27	86512420		1 CARRIAGE BOLT M8 x 1.25 x 30.48mm OAL, CI 8.8, Full Thd
28	47552991		2 SUPPORT
29	9706703		4 CARRIAGE BOLT Sht Sq Nk, M6 x 1 x 20mm, CI 8.8, Full Thd
30	86566990		2 CABLE TIE 292mm OAL x 4.8mm W

(1) Cut to Fit Required

RB465-CASE IH ROUND BALER - EUROPE & R.O.W.

VAR - 726574 - ROTOR REVERSER, MANUAL



60.260.BL

03

p2

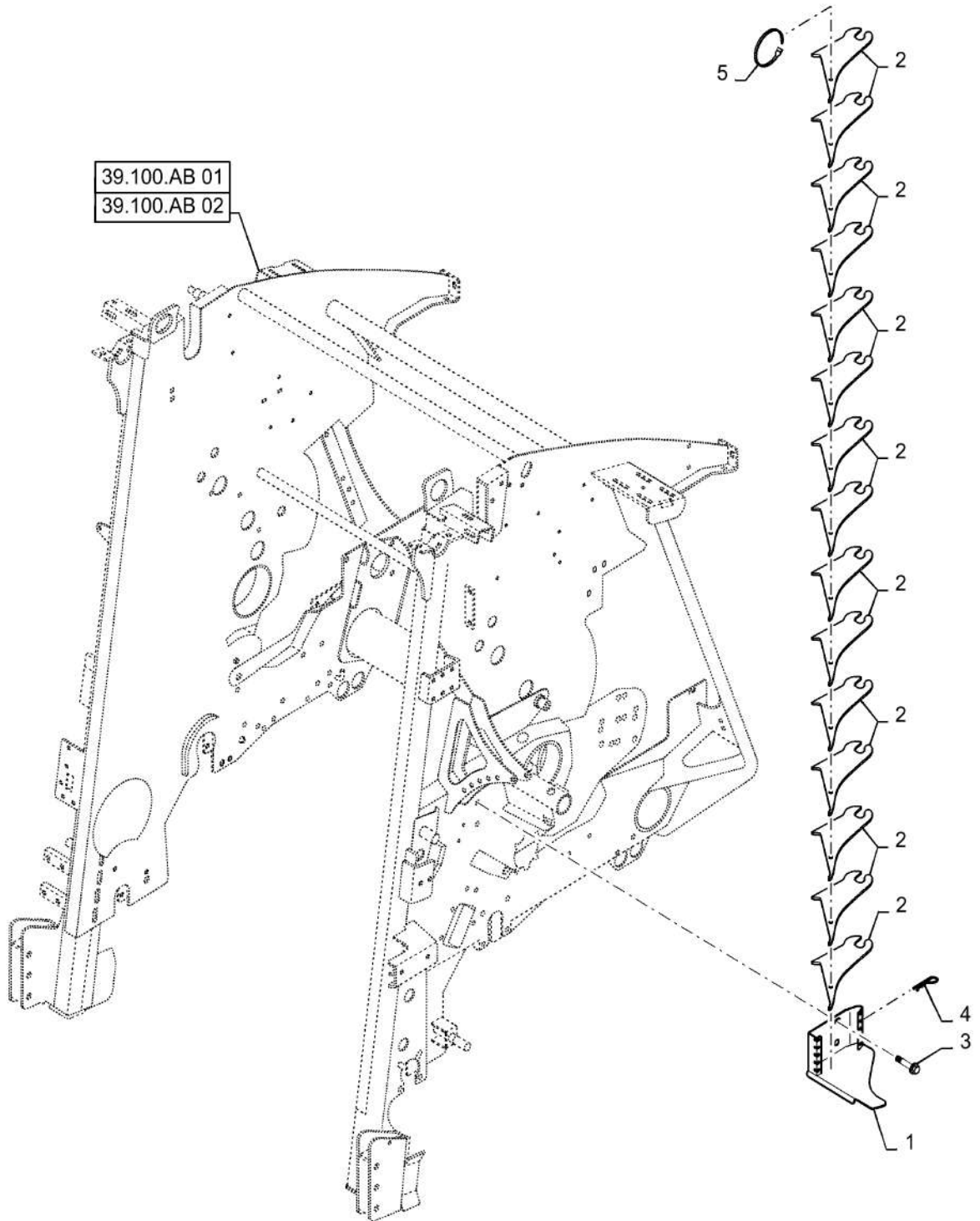
9/2015

VAR - 726574 - ROTOR REVERSER, MANUAL

REF FN	PART NUMBER	YR/SN	QTY DESCRIPTION
31	1 9850033		AR SEAL
32	47811058		1 SUPPORT
(1)	Cut to Fit Required		

RB465-CASE IH ROUND BALER - EUROPE & R.O.W.

VAR - 726574 - DUMMY KNIFE HOLDER



60.260.BL

04

p1

9/2015

VAR - 726574 - DUMMY KNIFE HOLDER

REF FN	PART NUMBER	YR/SN	QTY DESCRIPTION
1	86616730		1 HOLDER Dummy Knife
2	87036001		15 KNIFE Dummy
3	9804261		2 BOLT Hex, M10 x 25mm, Full Thd, Cl 8.8
4	86511448		1 COTTER PIN 0.148" Dia x 3.31" L
5	263117		1 CABLE TIE 292.1mm L

RB465-CASE IH ROUND BALER - EUROPE & R.O.W.

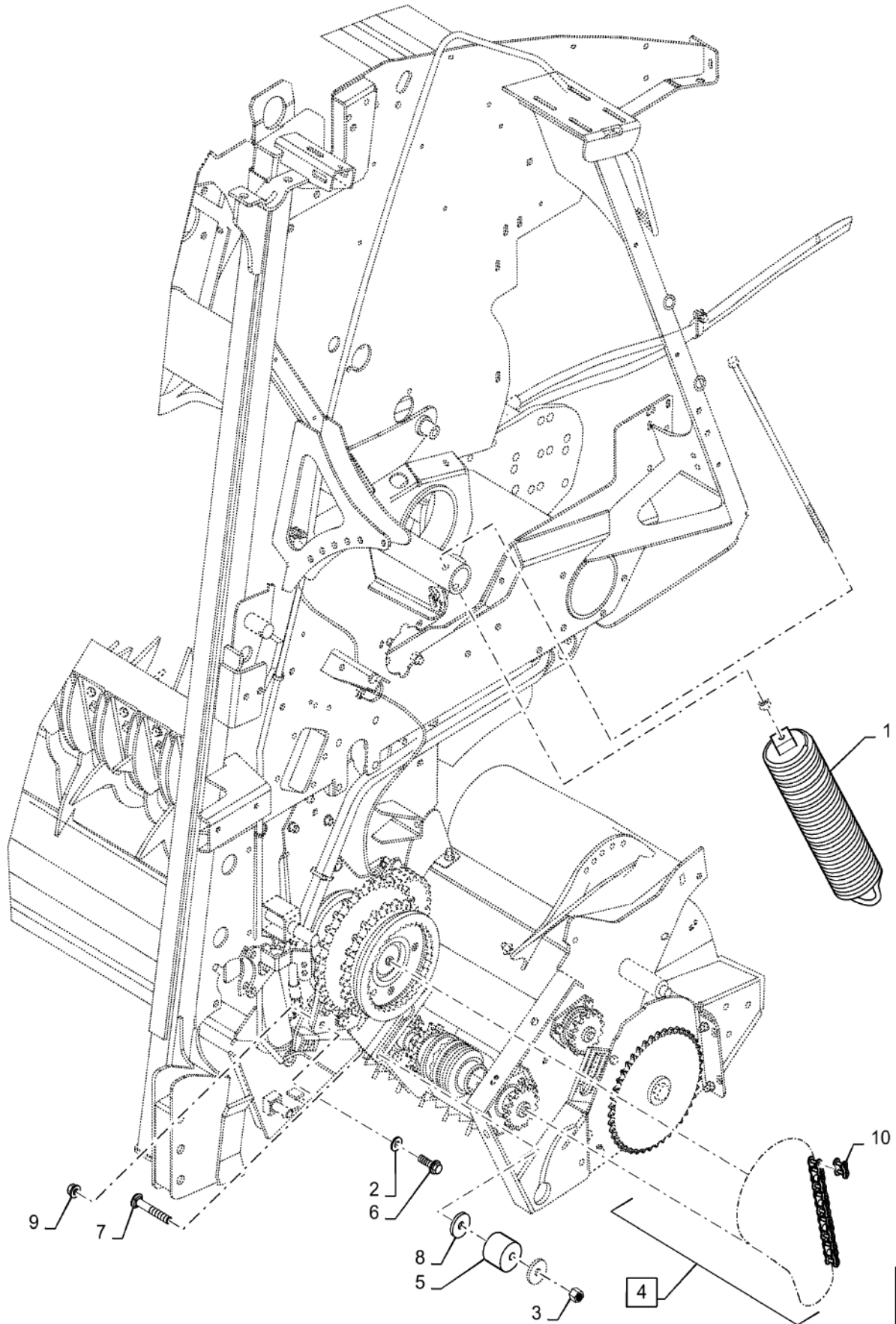
60.260.BL

05

p1

9/2015

ROTOR DRIVE, RH



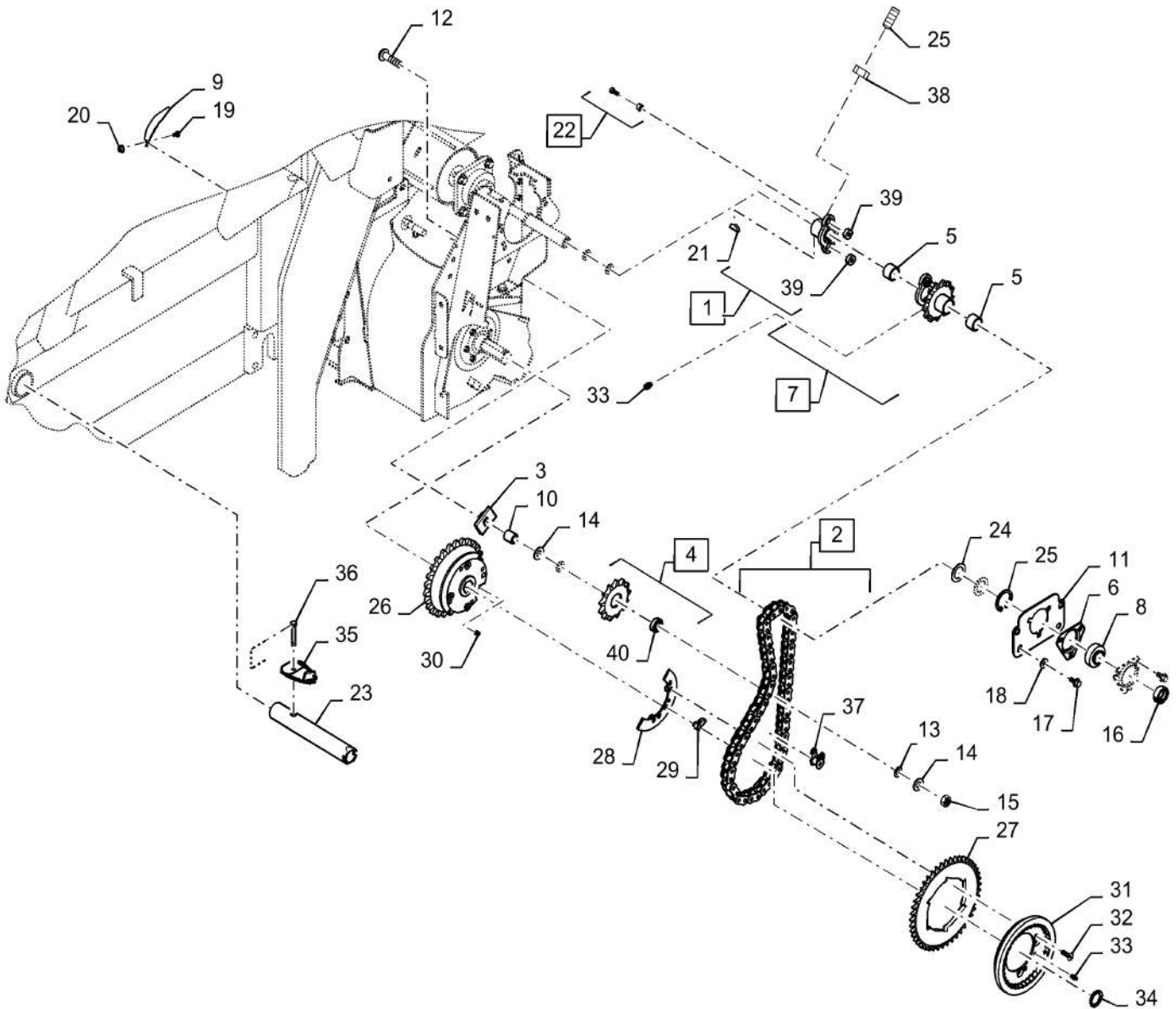
ROTOR DRIVE, RH

REF FN	PART NUMBER	YR/SN	QTY DESCRIPTION
1	1	84472287	1 SPRING
2	140046		1 BELLEVILLE WASHER M12 x 27mm OD x 1.8mm Thk
3	100038		1 NUT M12 x 1.75, CI 8
4	84300121		4 CHAIN RC80, 44 Links x 25.4mm = 1117.6mm Incl 10
5	84351002		1 IDLER 13.2mm ID x 60mm OD x 48mm L
6	9804268		2 BOLT Hex, M12 x 40mm, CI 8.8, Full Thd
7	300662		4 CARRIAGE BOLT Sht Sq Nk, M12 x 1.75 x 80mm, CI 8.8
8	29684		1 WASHER 13.5mm ID x 50.8mm OD x 5.52mm Thk
9	9804279		4 FLANGE NUT Hex, M12, CI 8
10	84356440		1 LINK 25.4mm Pitch

(1) Components are N.S.S.

RB465-CASE IH ROUND BALER - EUROPE & R.O.W.

VAR - 726805 - ROTOR DRIVE, RH, OVERSHOT FEEDER, MANUAL REVERSE, SHEARBOLT

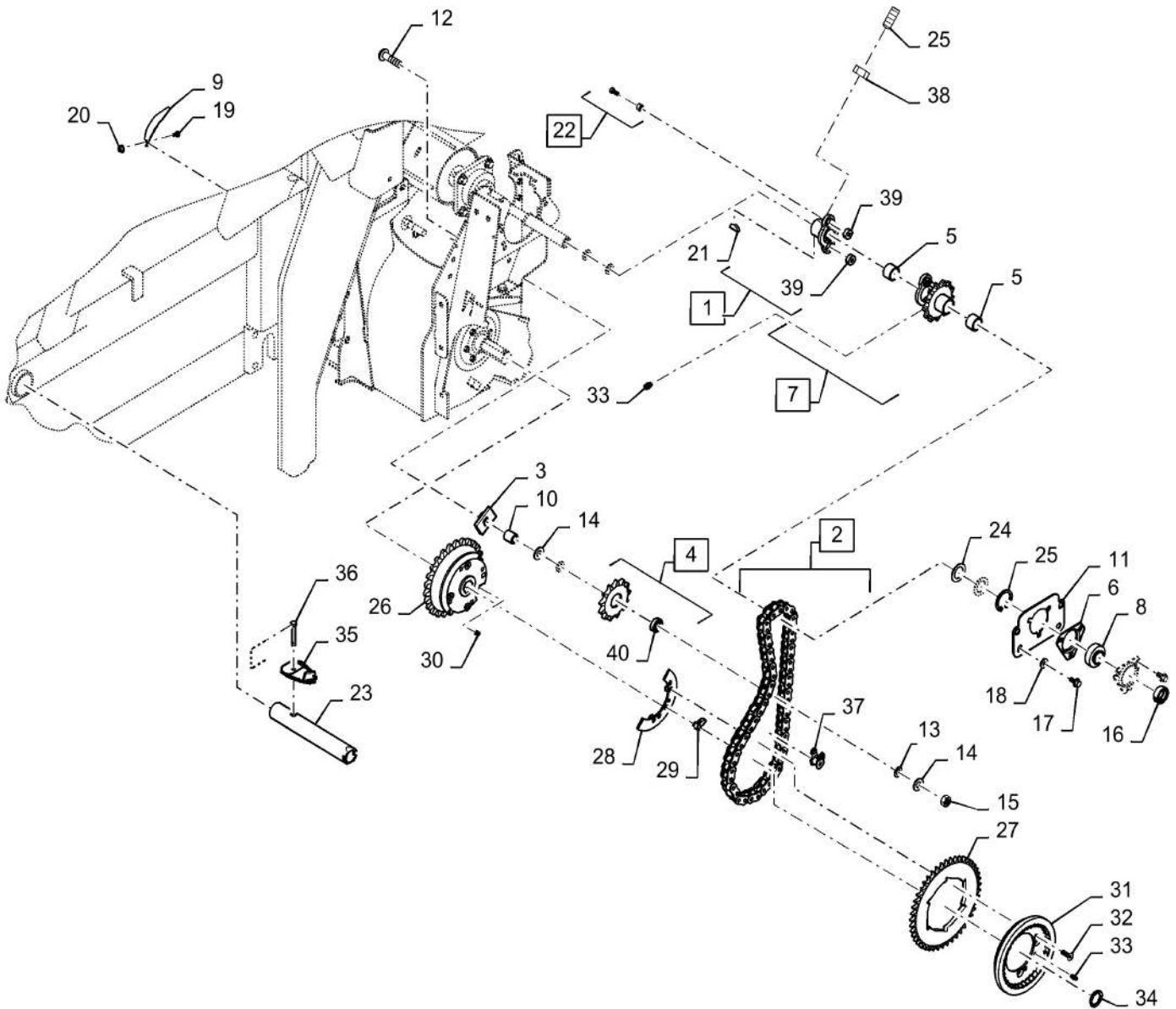


VAR - 726805 - ROTOR DRIVE, RH, OVERSHOT FEEDER, MANUAL REVERSE, SHEARBOLT

REF FN	PART NUMBER	YR/SN	QTY DESCRIPTION
1	47589493		1 HUB Incl 39
2	84411038		1 CHAIN 54 Pitches RC80, Incl 37
3	47377066		1 PLATE
4	84401598		1 SPROCKET 39.967mm ID x 118.4mm OD x 14.61mm Thk Idler, 13T RC80, Incl 40
5	86977363		2 BUSHING 31.84mm ID x 38.14mm OD x 25.4mm L
6	87758678		2 FLANGE
7	47608148		1 HUB Incl 5
8	84484181		1 BALL BEARING 31.75mm ID x 62mm OD x 18mm W
8	84484181GV		1 BEARING ASSY Value, Ball Bearing
9	84426556		1 WEAR STRIP
10	184572		1 SPACER 16.66mm ID x 25.37mm OD x 29.36mm L
11	47717552		1 PLATE
12	47487761		1 CARRIAGE BOLT Reg Sq Nk, M16 x 2 x 70mm, CI 8.8
13	11158		2 WASHER 0.59" ID x 1.09" OD x 0.04" Thk
14	87365		2 WASHER 0.66" ID x 1.31" OD x 0.1" Thk
15	86000441		1 NUT M16 x 2.0, CI 8
16	38767		1 COLLAR Lock, 31.9mm ID x 44mm OD 15.9mm Thk
17	86050286		7 FLANGE BOLT M10 x 20mm, CI 8.8
18	9827956		4 WASHER 10.3mm ID x 25.4mm OD x 2.67mm Thk
19	308761		1 CARRIAGE BOLT M8 x 1.25 x 25mm, CI 8.8
20	86619801		1 FLANGE NUT M8 x 1.25, CI 8
21	84361		1 WOODRUFF KEY #21, 1/4" x 1 1/4"
22	46047		1 BOLT AND NUT
23	47509866		1 ADJUSTING WRENCH Manual Reverse
24	87613235		2 WASHER 1.28" ID x 2" OD x 0.06" Thk
25	300478		1 SET SCREW M8 x 20mm
26	47434240		1 SPROCKET RC80, 26T
27	47434233		1 SPROCKET 43T RC60

RB465-CASE IH ROUND BALER - EUROPE & R.O.W.

VAR - 726805 - ROTOR DRIVE, RH, OVERSHOT FEEDER, MANUAL REVERSE, SHEARBOLT



60.260.BL

07

p2

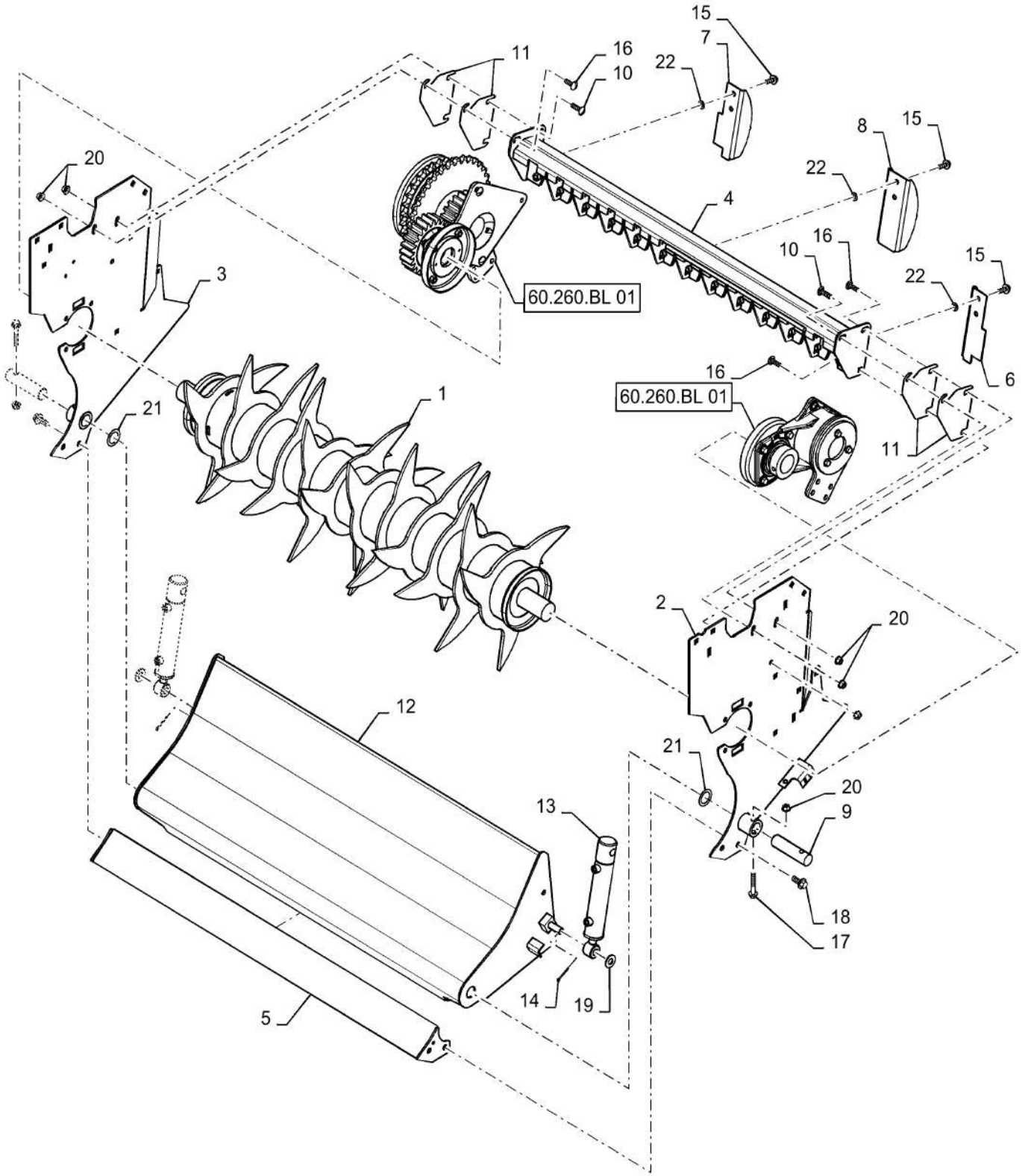
9/2015

VAR - 726805 - ROTOR DRIVE, RH, OVERSHOT FEEDER, MANUAL REVERSE, SHEARBOLT

REF FN	PART NUMBER	YR/SN	QTY DESCRIPTION
28	84471506		2 RETAINER
29	84478889		1 PAWL
30	84041522		1 SPRING 8.5mm OD x 23.1mm L
31	47451493		1 PLATE
32	320772		4 HEX SOC SCREW CSS, M10 x 30mm, CI 8.8
33	321204		2 LUBE NIPPLE M6 x 1.0 x 16mm OAL
34	47431597		1 SPACER Hex, 33mm ID x 45mm OD x 1.98mm Thk
35	197559		1 CHAIN 9" L
36	647695		1 PIN 7.94mm OD
37	47435620		1 LINK 24.399mm Pitch
38	9706690		1 NUT M8 x 1.25, CI 8
39	46060		2 SLEEVE
40	66553		1 BALL BEARING 16.13mm ID x 40mm OD x 12.12mm W

RB465-CASE IH ROUND BALER - EUROPE & R.O.W.

VAR - 726914 - ROTOR FEEDER, DROP FLOOR

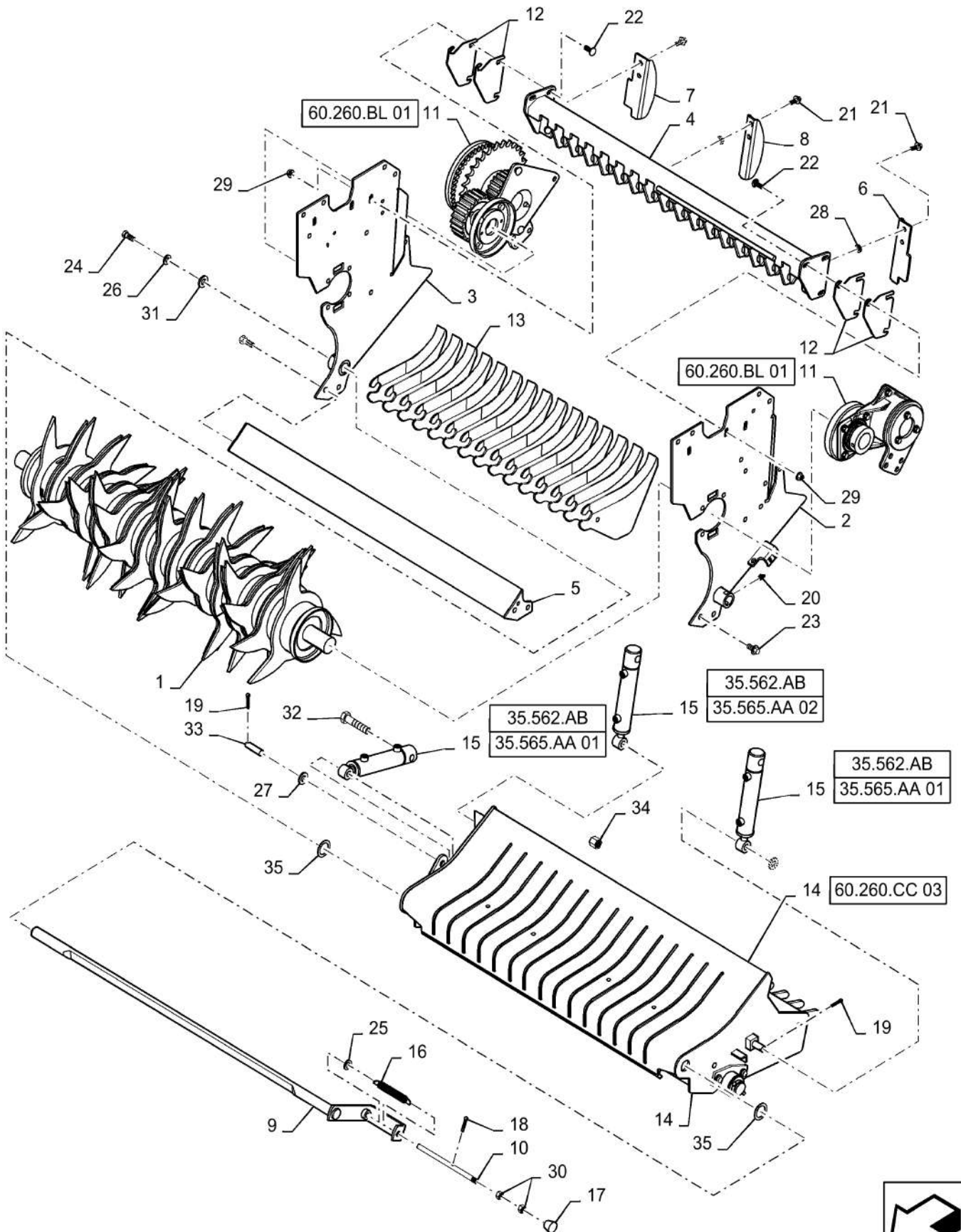


VAR - 726914 - ROTOR FEEDER, DROP FLOOR

REF FN	PART NUMBER	YR/SN	QTY DESCRIPTION
1	84513341		1 ROTOR Rotor Feeder
2	47837508		1 SHEET LH
3	47837500		1 SHEET RH
4	84299984		1 RAKE
5	47837398		1 FLOOR
6	84309329		1 SHEET LH
7	84309324		1 STRIP RH
8	87648312		11 CHANNEL
9	84416776		2 SHAFT
10	0C		1 ORDER COMPONENTS Rotor Drives
11	87648668		4 SHIM 125mm OD x 1mm Thk
12	84416740		1 FLOOR
13	87029395		2 CYLINDER ASSY. Double Acting, 19.05mm Rod, 119.89mm Stroke Drop Floor
14	80708		2 COTTER PIN 1/8" x 1 1/2"
15	9804261		26 BOLT Hex, M10 x 25mm, Full Thd, Cl 8.8
16	86512446		5 CARRIAGE BOLT M10 x 1.5 x 30mm, Cl 8.8
17	9804265		2 FLANGE BOLT Hex, M10 x 60mm, Cl 8.8
18	9670066		4 FLANGE BOLT Hex, M12 x 30mm, Cl 8.8
19	87365		2 WASHER 0.66" ID x 1.31" OD x 0.1" Thk
20	9804278		7 FLANGE NUT M10 x 1.5, Cl 8
21	321204		6 LUBE NIPPLE M6 x 1.0 x 16mm OAL
22	86624176		6 WASHER 11mm ID x 20mm OD x 2mm Thk

RB465-CASE IH ROUND BALER - EUROPE & R.O.W.

VAR - 726914 - ROTOR CUTTER, DROP FLOOR

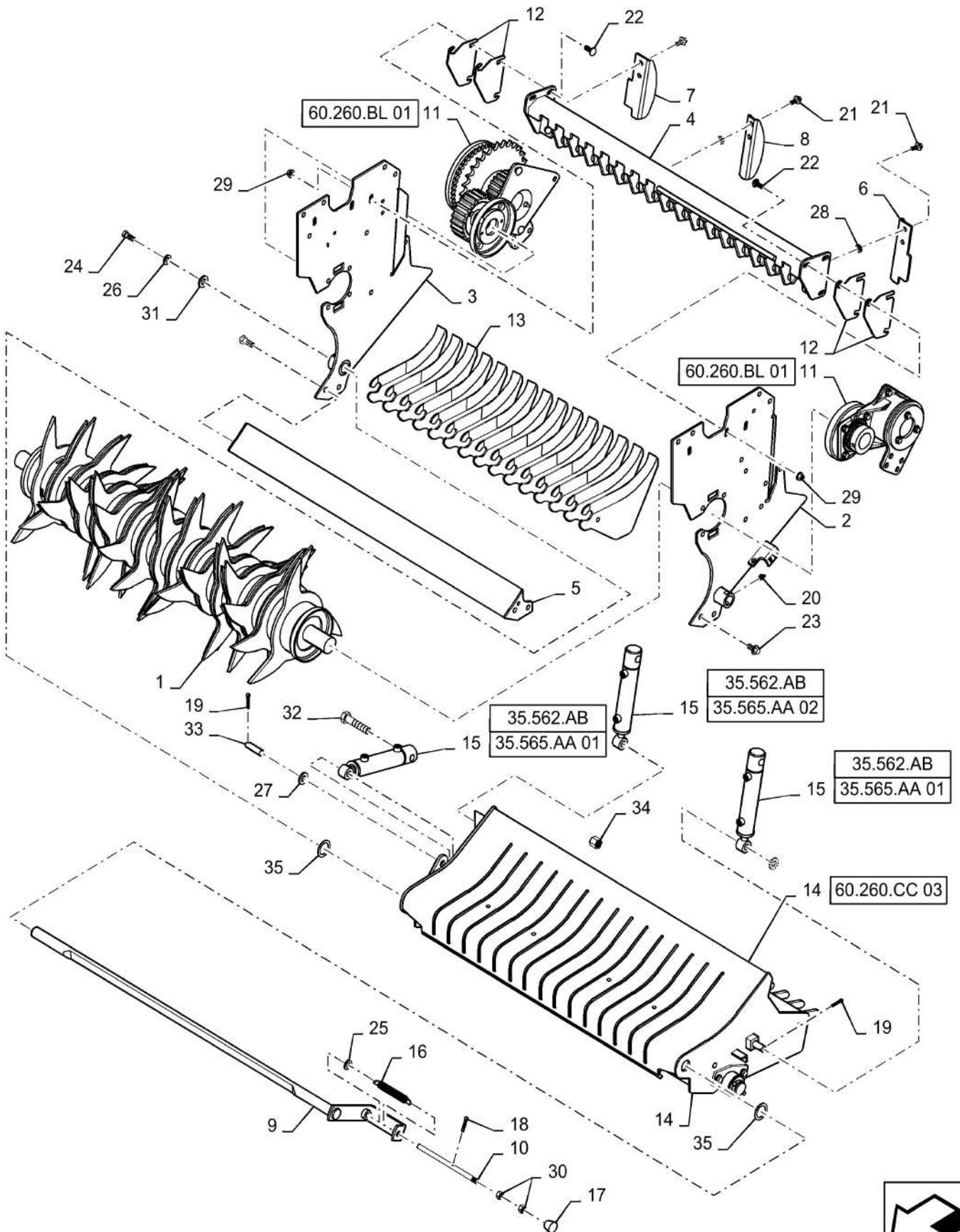


VAR - 726914 - ROTOR CUTTER, DROP FLOOR

REF FN	PART NUMBER	YR/SN	QTY DESCRIPTION
1	84513336		1 ROTOR Cutter, Drop Floor
2	47837508		1 SHEET LH
3	47837500		1 SHEET RH
4	84301724		1 RAKE
5	47837398		1 FLOOR
6	84309329		1 SHEET LH
7	84309324		1 STRIP RH
8	84309333		16 STRIP Center
9	87649169		1 SHAFT
10	84415133		1 ROD
11	0C		1 ORDER COMPONENTS Rotor Drives
12	87648668		4 SHIM 125mm OD x 1mm Thk
13	87649286		15 KNIFE ASSY
14	0C		1 ORDER COMPONENTS Drop Floor Assembly
15	87029395		3 CYLINDER ASSY. Double Acting, 19.05mm Rod, 119.89mm Stroke
16	151990		1 SPRING 22.2mm OD x 127mm L
17	372783		1 KNOB
18	130045		1 PIN 5mm OD x 26mm L, Slotted
19	80708		4 COTTER PIN 1/8" x 1 1/2"
20	80714		1 LUBE NIPPLE 1/4"-28 NPT x .54" lg
21	9804261		36 BOLT Hex, M10 x 25mm, Full Thd, CI 8.8
22	86512446		5 CARRIAGE BOLT M10 x 1.5 x 30mm, CI 8.8
23	9804266		4 BOLT Hex, M12 x 25mm, CI 8.8, Full Thd
24	9706687		1 BOLT M12 x 1.75 x 30mm, CI 8.8
25	9706691		1 WASHER 0.53" ID x 1.06" OD x 0.1" Thk
26	80700		1 WASHER 0.56" ID x 1.38" OD x 0.11" Thk
27	87365		4 WASHER 0.66" ID x 1.31" OD x 0.1" Thk
28	140017		6 WASHER M10 x 20mm OD x 2mm Thk
29	9804278		5 FLANGE NUT M10 x 1.5, CI 8
30	9706685		2 NUT M12 x 1.75, CI 8

RB465-CASE IH ROUND BALER - EUROPE & R.O.W.

VAR - 726914 - ROTOR CUTTER, DROP FLOOR

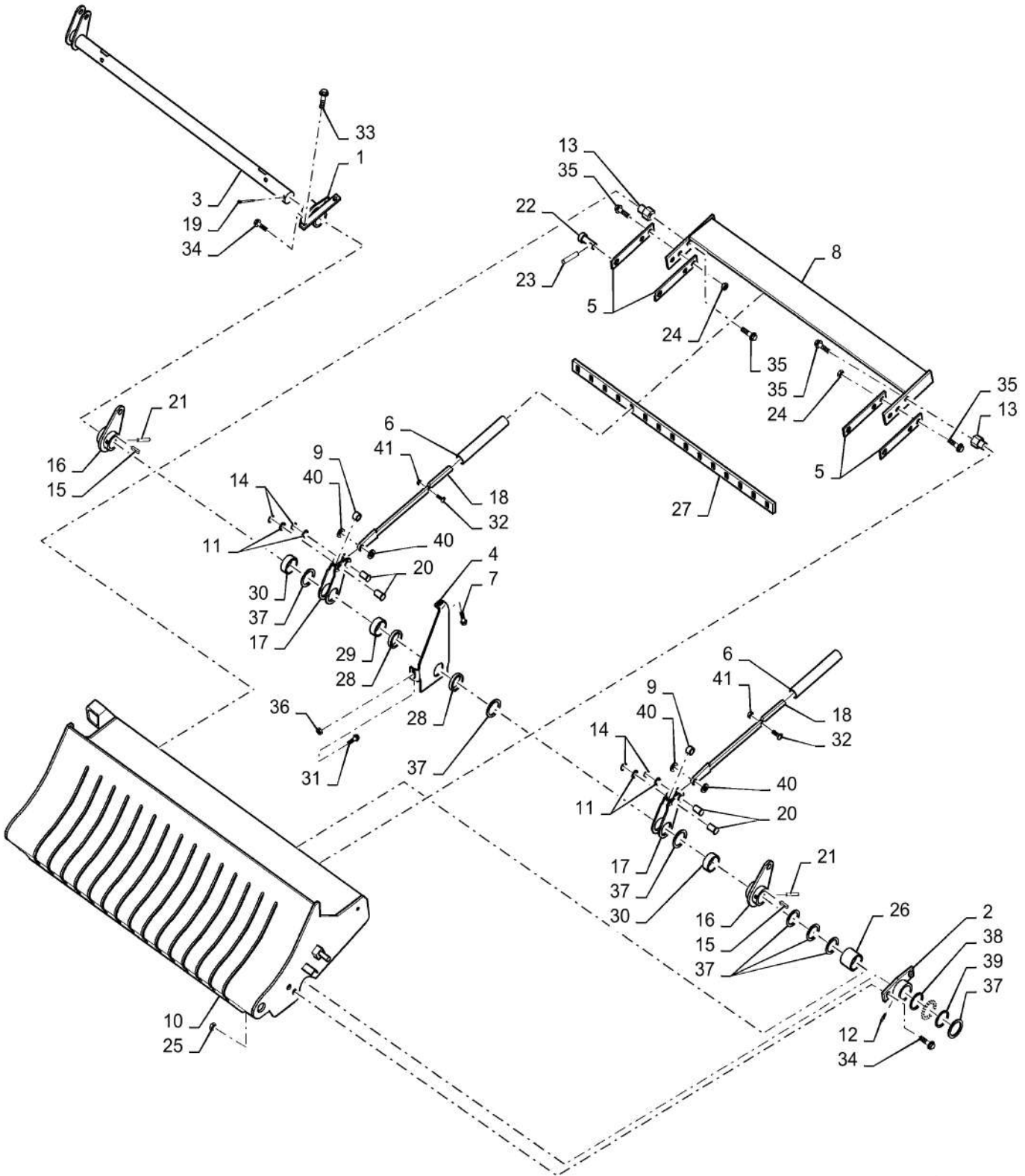


VAR - 726914 - ROTOR CUTTER, DROP FLOOR

REF FN	PART NUMBER	YR/SN	QTY DESCRIPTION
31	140046		1 BELLEVILLE WASHER M12 x 27mm OD x 1.8mm Thk
32	86977759		1 BOLT Hex, 3/4" - 10 x 3 1/2", Gr 5
33	84415132		1 PIN 16mm OD x 62.6mm L
34	9626598		1 NUT 3/4"-10, GB
35	58630		2 WASHER .0299" Thk

RB465-CASE IH ROUND BALER - EUROPE & R.O.W.

VAR - 726914 - ROTOR CUTTER, DROP FLOOR ASSEMBLY

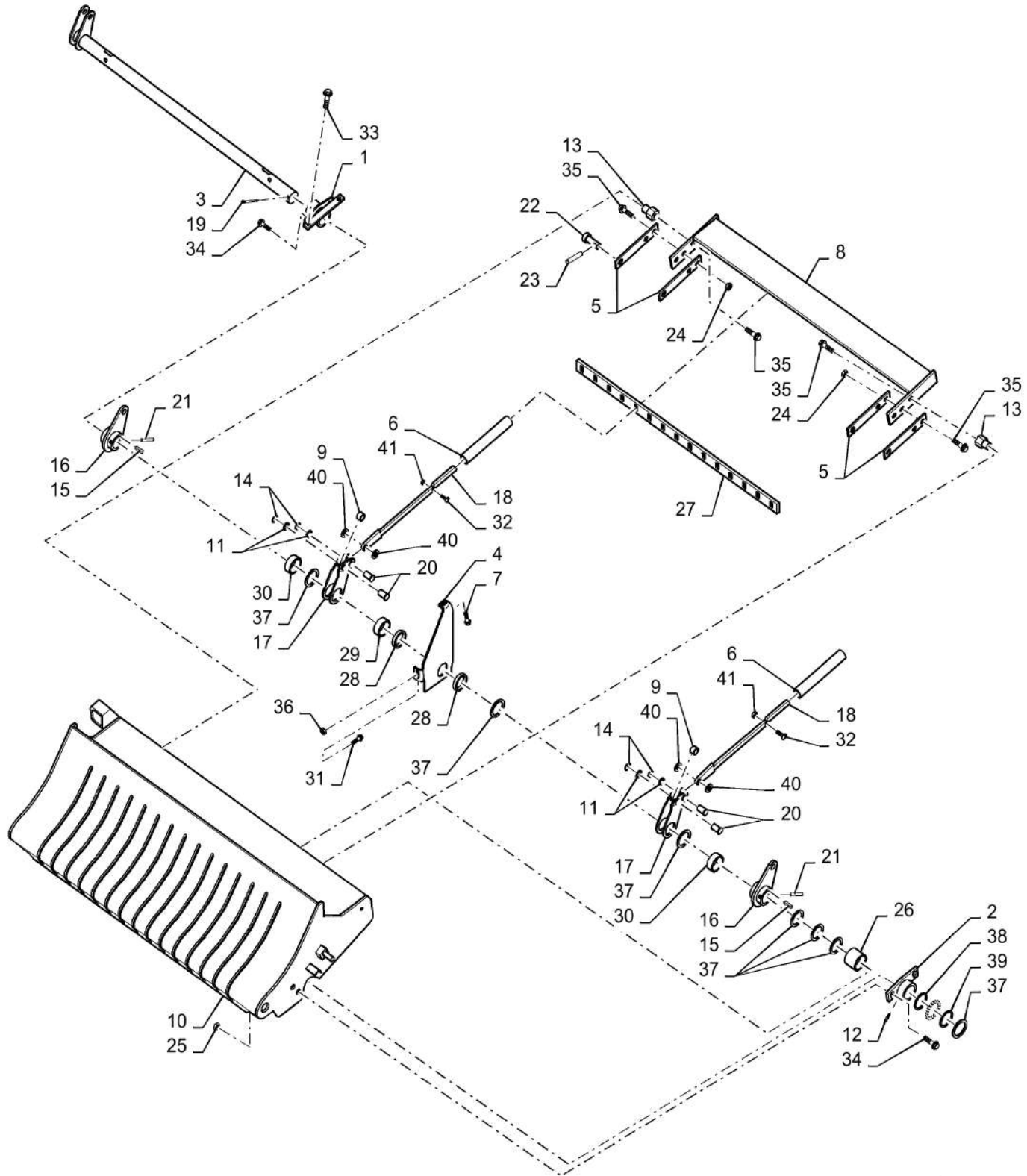


VAR - 726914 - ROTOR CUTTER, DROP FLOOR ASSEMBLY

REF FN	PART NUMBER	YR/SN	QTY DESCRIPTION
1	84415116		1 SUPPORT
2	84416798		1 SUPPORT
3	84415118		1 SHAFT
4	84474129		1 PLATE
5	84039309		4 COVER PLATE
6	84038524		15 SPRING Compression, 1.26" OD x 13.39" L
7	86050286		1 FLANGE BOLT M10 x 20mm, CI 8.8
8	84415126		1 CHANNEL
9	84041936		15 ROLLER 25mm OD x 15mm L
10	84414312		1 FLOOR
11	511603		30 WASHER 15.48mm ID x 25.4mm OD x 2.14mm Thk
12	321204		2 LUBE NIPPLE M6 x 1.0 x 16mm OAL
13	84039310		2 HEX PLUG 44mm L
14	84041862		30 CIRCLIP
15	170019		2 KEY 14mm x 9mm x 40mm
16	84039463		2 LEVER
17	84068634		15 LEVER
18	87652185		15 ARM Spring
19	80752		1 COTTER PIN 1/4" x 2 1/2"
20	84043787		30 PIN
21	412202		2 LOCK PIN 8mm OD x 65mm L, Slotted
22	380840		2 CLEVIS PIN M16 x 30
23	80755		2 COTTER PIN 1/8" OD x 1" L
24	9804279		4 FLANGE NUT Hex, M12, CI 8
25	9804278		4 FLANGE NUT M10 x 1.5, CI 8
26	84415125		1 SPACER 45.3mm ID x 59.18mm OD x 33.5mm L
27	86609647		1 SPACER 960mm L x 10mm Thk
28	86610340		2 SPACER 46.25mm ID x 57.53mm OD x 11mm L
29	84410341		13 SHIM
30	84415124		2 SPACER 45.3mm ID x 59.18mm OD x 22.4mm L
31	86507486		1 CARRIAGE BOLT M8 x 1.25 x 20mm, CI 8.8
32	120104		15 BOLT Hex, M8 x 1.25 x 20mm, CI 8.8

RB465-CASE IH ROUND BALER - EUROPE & R.O.W.

VAR - 726914 - ROTOR CUTTER, DROP FLOOR ASSEMBLY



60.260.CC

03

p2

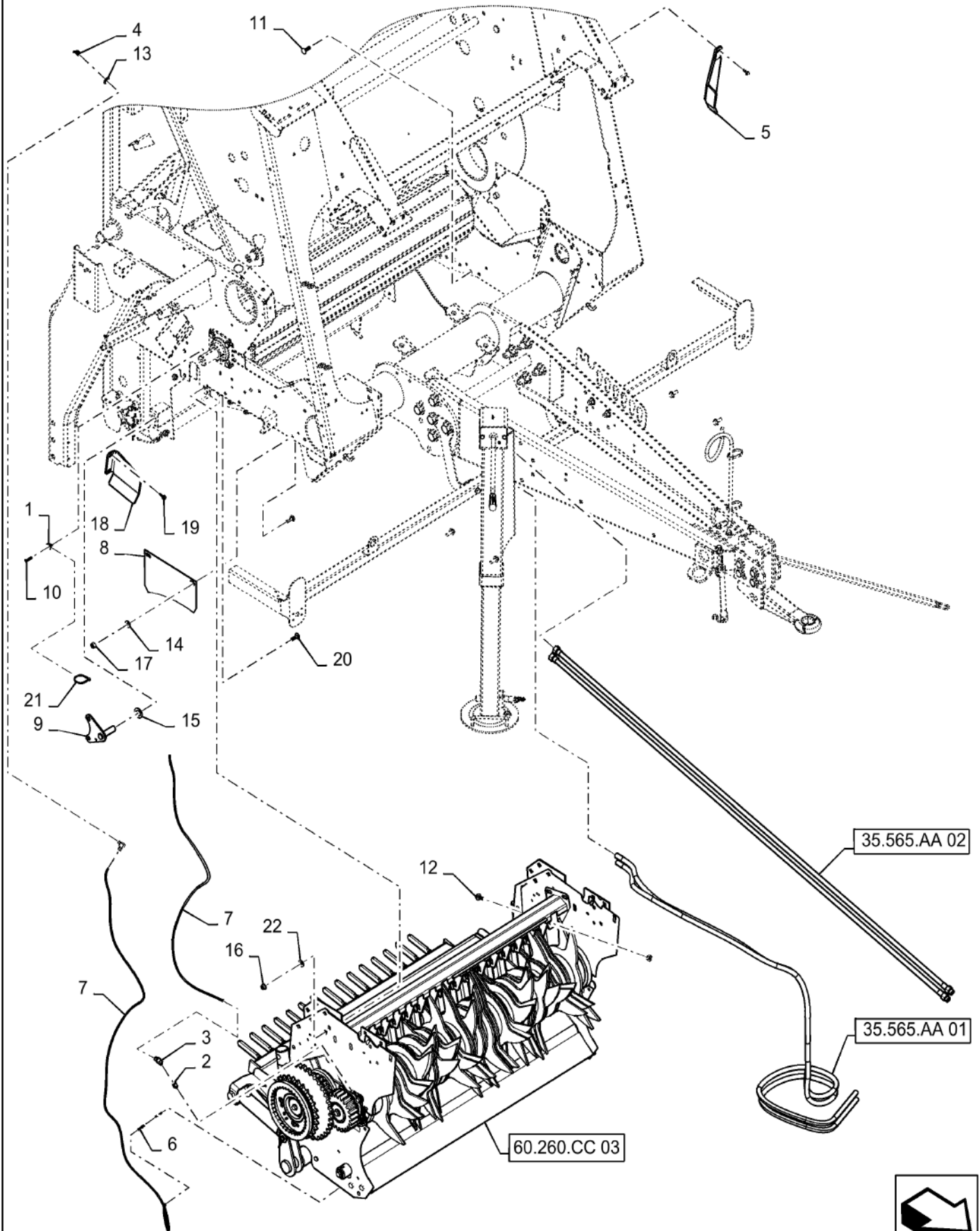
9/2015

VAR - 726914 - ROTOR CUTTER, DROP FLOOR ASSEMBLY

REF FN	PART NUMBER	YR/SN	QTY DESCRIPTION
33	9804258		2 BOLT Hex, M8 x 1.25 x 20mm, CI 8.8
34	9804262		4 BOLT M10 x 39.2mm, CI 8.8
35	9670066		6 FLANGE BOLT Hex, M12 x 30mm, CI 8.8
36	9804277		1 FLANGE NUT Hex, M8 x 1.25, CI 8
37	165238		22 WASHER 45.2mm ID x 63.5mm OD x 1.24mm Thk
38	86619043		1 WASHER 45.2mm ID x 60.3mm OD x 3.68mm Thk
39	58821		1 WASHER 45.24mm ID x 56.36mm OD x 1.65mm Thk
40	140020		32 WASHER 17.5mm ID x 30mm OD x 3mm Thk
41	86629542		15 NUT M8 x 1.25, CI 8

RB465-CASE IH ROUND BALER - EUROPE & R.O.W.

VAR - 726914 - ROTOR CUTTER MOUNTING, DROP FLOOR

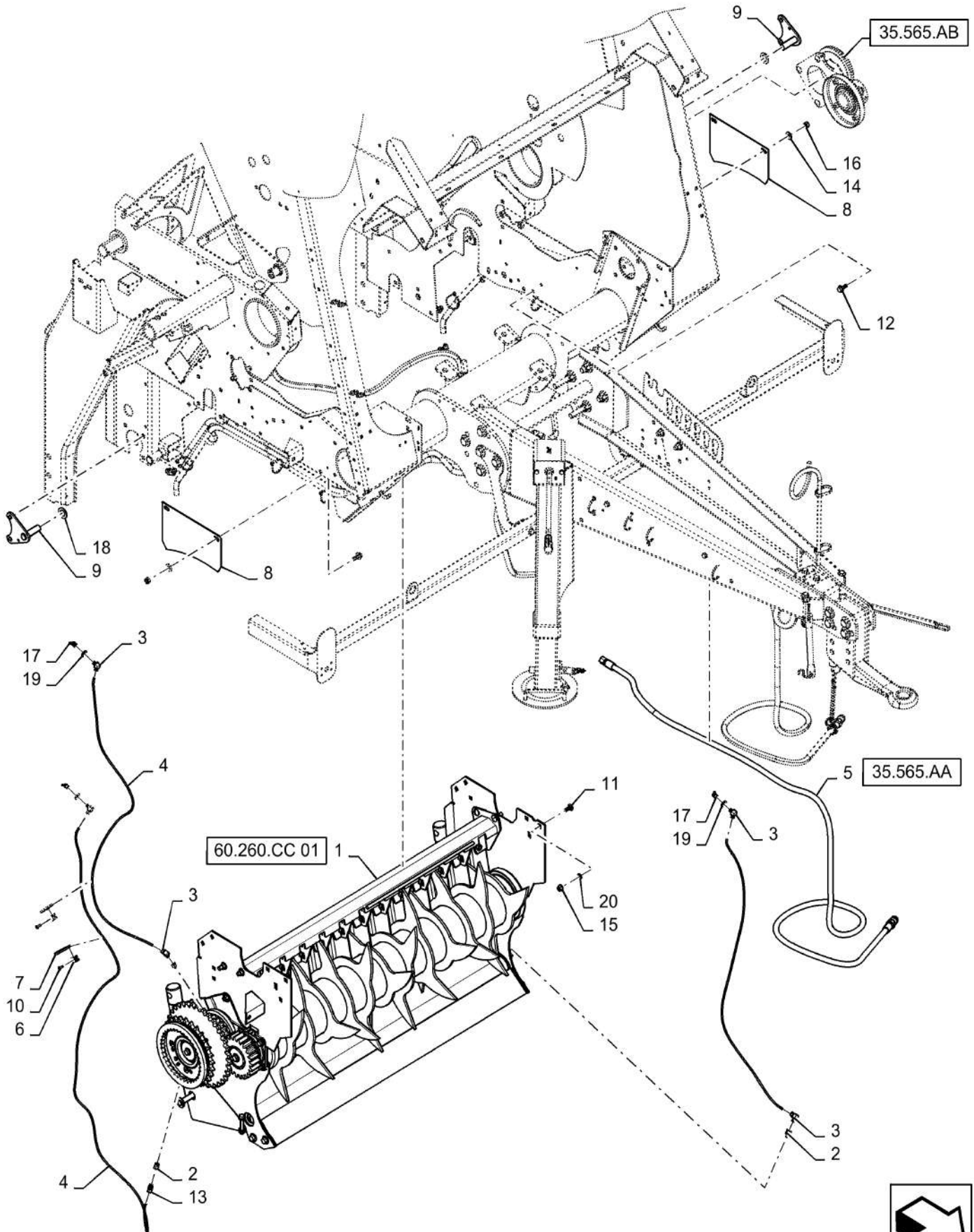


VAR - 726914 - ROTOR CUTTER MOUNTING, DROP FLOOR

REF FN	PART NUMBER	YR/SN	QTY DESCRIPTION
1	0C		1 ORDER COMPONENTS Rotor Cutter Assembly, Drop Floor
2	86580291		5 ADAPTER 1/8" - 27 x 1/4" - 28
3	48564		8 90 ELBOW 90°, 11/16" x 5/8", 1/8" NPT
4	280397		5 LUBE NIPPLE 45°, 1/8" Fem
5	84550702		1 STOP LH
6	11787		2 FITTING 3/8"-24 Fem x 1/8" NPT
7	1 87014413		AR TUBE 4.80 mm OD x 1850 mm L
8	84385577		2 FLAP Rubber
9	84425466		2 PLATE
10	445394		1 RIVET Pop, 3/16" x 1/2" OAL
11	86633356		8 CARRIAGE BOLT M10 x 34.8mm, CI 8.8
12	9804261		4 BOLT Hex, M10 x 25mm, Full Thd, CI 8.8
13	87016		5 WASHER 0.41" ID x 0.81" OD x 0.07" Thk
14	80702		4 WASHER 0.44" ID x 1" OD x 0.08" Thk
15	140021		2 WASHER 22mm ID x 37mm OD x 3mm Thk
16	9804278		10 FLANGE NUT M10 x 1.5, CI 8
17	100037		4 NUT M0 x 1.5, CI 8
18	84550698		1 STOP RH
19	9804256		4 BOLT Hex, M6 x 1 x 20mm, Full Thd, CI 8.8
20	86512446		2 CARRIAGE BOLT M10 x 1.5 x 30mm, CI 8.8
21	0C		1 ORDER COMPONENTS Floor Hydraulic - Electric Group
22	0C		1 ORDER COMPONENTS Rotor Hydraulic - Electric Group
23	86590413		1 BASE 15.87mm W x 22.22mm OAL x 9.9mm Thk
24	86566989		3 CABLE TIE 208mm L
25	140045		9 BELLEVILLE WASHER M10X22 ZNM
(1)	Cut to Length Required		

RB465-CASE IH ROUND BALER - EUROPE & R.O.W.

VAR - 726914 - ROTOR FEEDER MOUNTING, DROP FLOOR

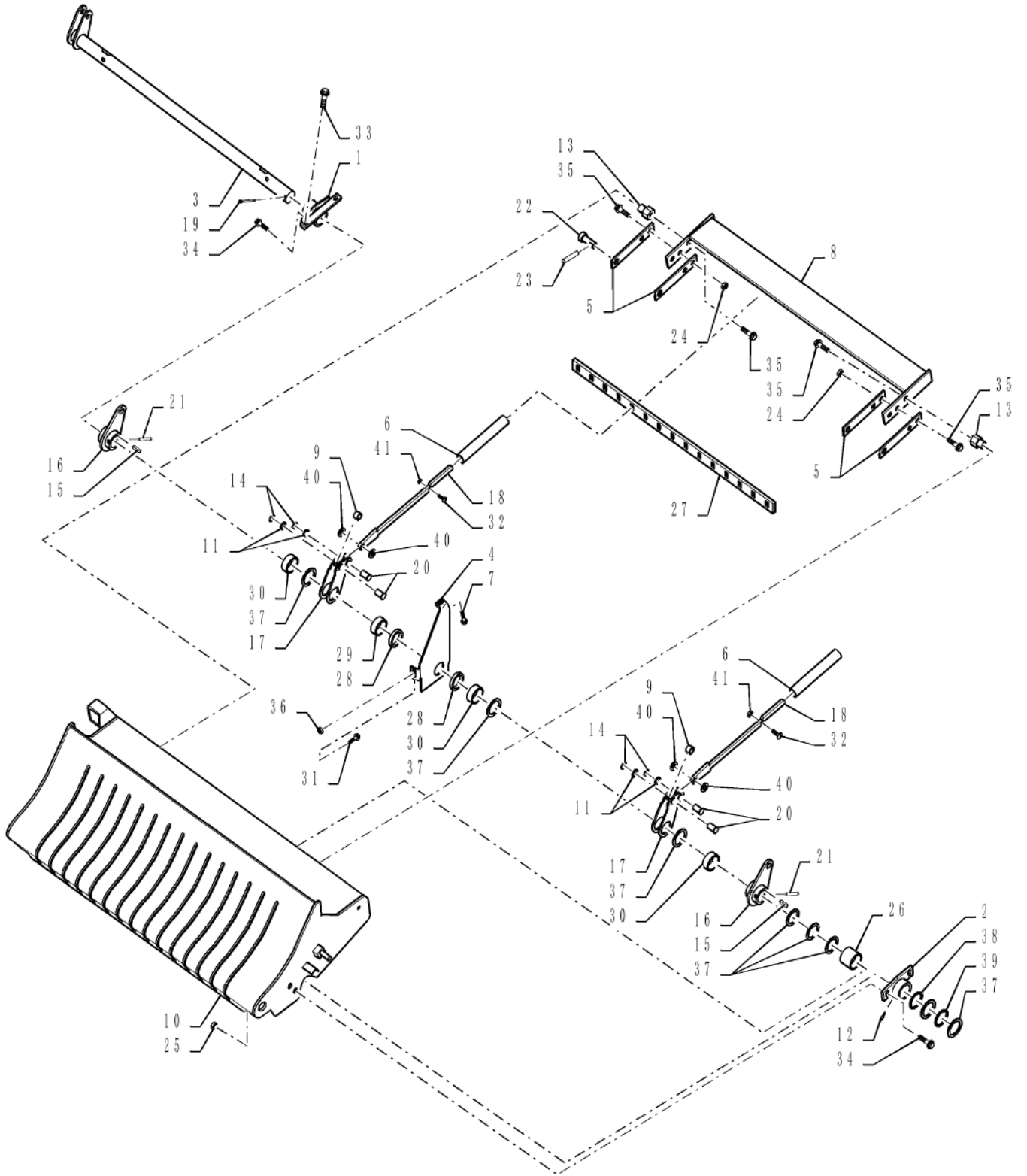


VAR - 726914 - ROTOR FEEDER MOUNTING, DROP FLOOR

REF FN	PART NUMBER	YR/SN	QTY DESCRIPTION
1	0C		1 ORDER COMPONENTS Rotor Feeder Assembly, Drop Floor
2	86580291		4 ADAPTER 1/8" - 27 x 1/4" - 28
3	46564		6 TUBE 3/8" OD x 1" L
4	1 87014413		AR TUBE 4.80 mm OD x 1850 mm L
5	0C		1 ORDER COMPONENTS Hydraulic - Electric Group
6	86590413		2 BASE 15.87mm W x 22.22mm OAL x 9.9mm Thk
7	86566989		4 CABLE TIE 208mm L
8	84385577		2 FLAP
9	84425466		2 PLATE
10	445394		2 RIVET Pop, 3/16" x 1/2" OAL
11	86633356		10 CARRIAGE BOLT M10 x 34.8mm, CI 8.8
12	9804261		4 BOLT Hex, M10 x 25mm, Full Thd, CI 8.8
13	11787		2 FITTING 3/8"-24 Fem x 1/8" NPT
14	80702		4 WASHER 0.44" ID x 1" OD x 0.08" Thk
15	9804278		10 FLANGE NUT M10 x 1.5, CI 8
16	100037		4 NUT M0 x 1.5, CI 8
17	280397		4 LUBE NIPPLE 45°, 1/8" Fem
18	140021		2 WASHER 22mm ID x 37mm OD x 3mm Thk
19	87016		4 WASHER 0.41" ID x 0.81" OD x 0.07" Thk
20	140045		9 BELLEVILLE WASHER M10X22 ZNM
(1)	Cut to Length Required		

RB465-CASE IH ROUND BALER - EUROPE & R.O.W.

VAR - 726914 - DROP FLOOR

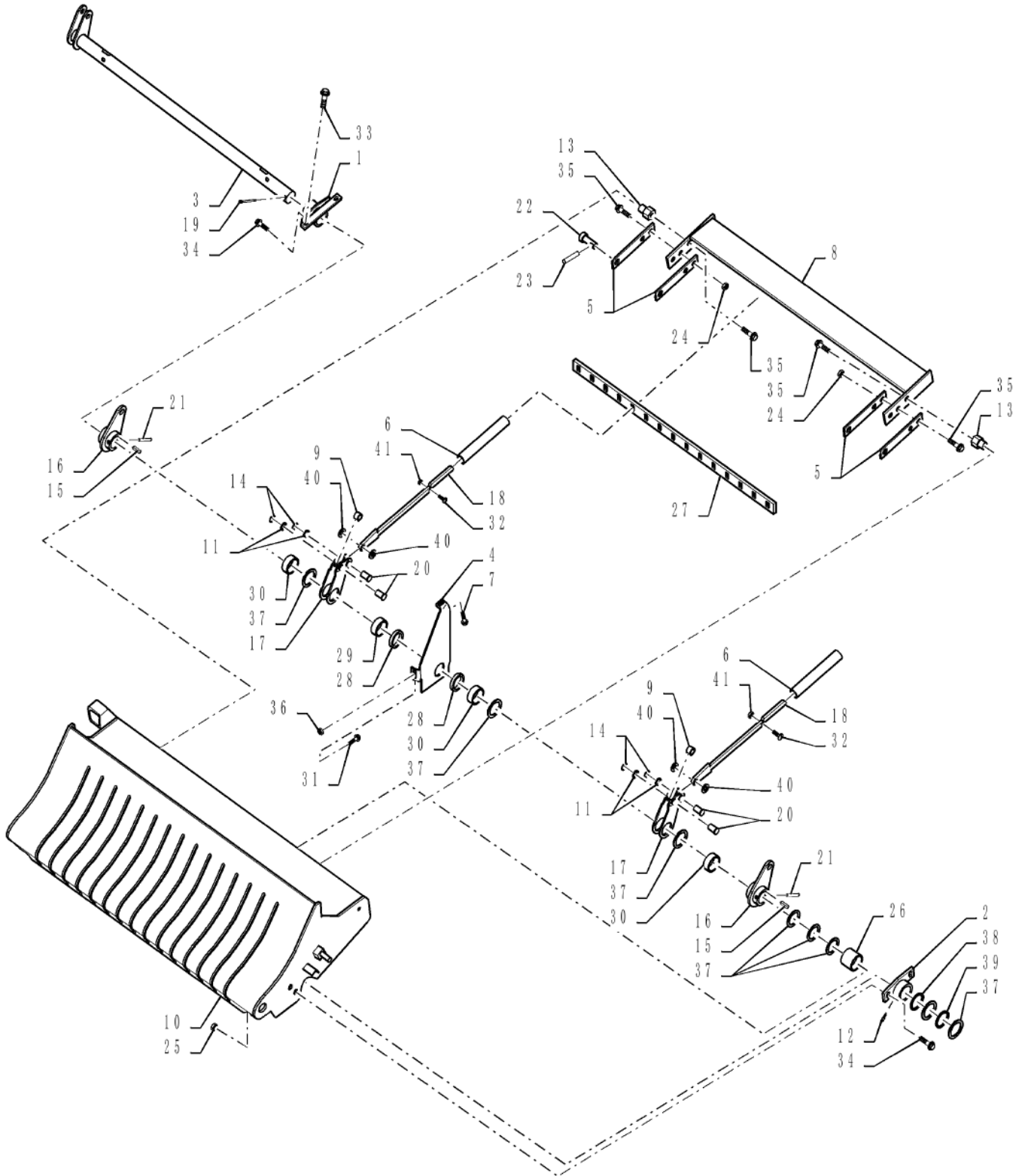


VAR - 726914 - DROP FLOOR

REF FN	PART NUMBER	YR/SN	QTY DESCRIPTION
1	84415116		1 SUPPORT RH
2	84416798		1 SUPPORT LH
3	84415118		1 SHAFT
4	84474129		1 PLATE
5	84039309		4 COVER PLATE
6	84038524		15 SPRING Compression, 1.26" OD x 13.39" L
7	86050286		1 FLANGE BOLT M10 x 20mm, CI 8.8
8	84415126		1 CHANNEL
9	87652181		15 SPACER 15.3mm ID x 25mm OD x 15mm L
10	84414312		1 FLOOR Drop
11	87652294		30 BUSHING
12	321204		2 LUBE NIPPLE M6 x 1.0 x 16mm OAL
13	84039310		2 HEX PLUG 44mm L
14	84041862		30 CIRCLIP
15	170019		2 KEY 14mm x 9mm x 40mm
16	84039463		2 LEVER
17	84068634		15 LEVER
18	87035926		15 ARM Spring
19	80752		1 COTTER PIN 1/4" x 2 1/2"
20	87652359		30 PIN 20.2mm OD x 35mm L
21	412202		2 LOCK PIN 8mm OD x 65mm L, Slotted
22	380840		2 CLEVIS PIN M16 x 30
23	80755		2 COTTER PIN 1/8" OD x 1" L
24	9804279		4 FLANGE NUT Hex, M12, CI 8
25	9804278		4 FLANGE NUT M10 x 1.5, CI 8
26	84415125		1 SPACER 45.3mm ID x 59.18mm OD x 33.5mm L
27	86609647		1 SPACER 960mm L x 10mm Thk
28	86610340		2 SPACER 46.25mm ID x 57.53mm OD x 11mm L
29	86610341		13 SPACER 46.25mm ID x 57.53mm OD x 26.3mm L
30	84415124		2 SPACER 45.3mm ID x 59.18mm OD x 22.4mm L
31	86507486		1 CARRIAGE BOLT M8 x 1.25 x 20mm, CI 8.8
32	120104		15 BOLT Hex, M8 x 1.25 x 20mm, CI 8.8

RB465-CASE IH ROUND BALER - EUROPE & R.O.W.

VAR - 726914 - DROP FLOOR



VAR - 726914 - DROP FLOOR

REF FN	PART NUMBER	YR/SN	QTY DESCRIPTION
33	9804258		2 BOLT Hex, M8 x 1.25 x 20mm, CI 8.8
34	9804262		4 BOLT M10 x 39.2mm, CI 8.8
35	9670066		6 FLANGE BOLT Hex, M12 x 30mm, CI 8.8
36	9804277		1 FLANGE NUT Hex, M8 x 1.25, CI 8
37	165238		22 WASHER 45.2mm ID x 63.5mm OD x 1.24mm Thk
38	86619043		1 WASHER 45.2mm ID x 60.3mm OD x 3.68mm Thk
39	87652388		1 WASHER 45.24mm ID x 56.36mm OD x 1.52mm Thk
40	140020		32 WASHER 17.5mm ID x 30mm OD x 3mm Thk
41	86629542		15 NUT M8 x 1.25, CI 8

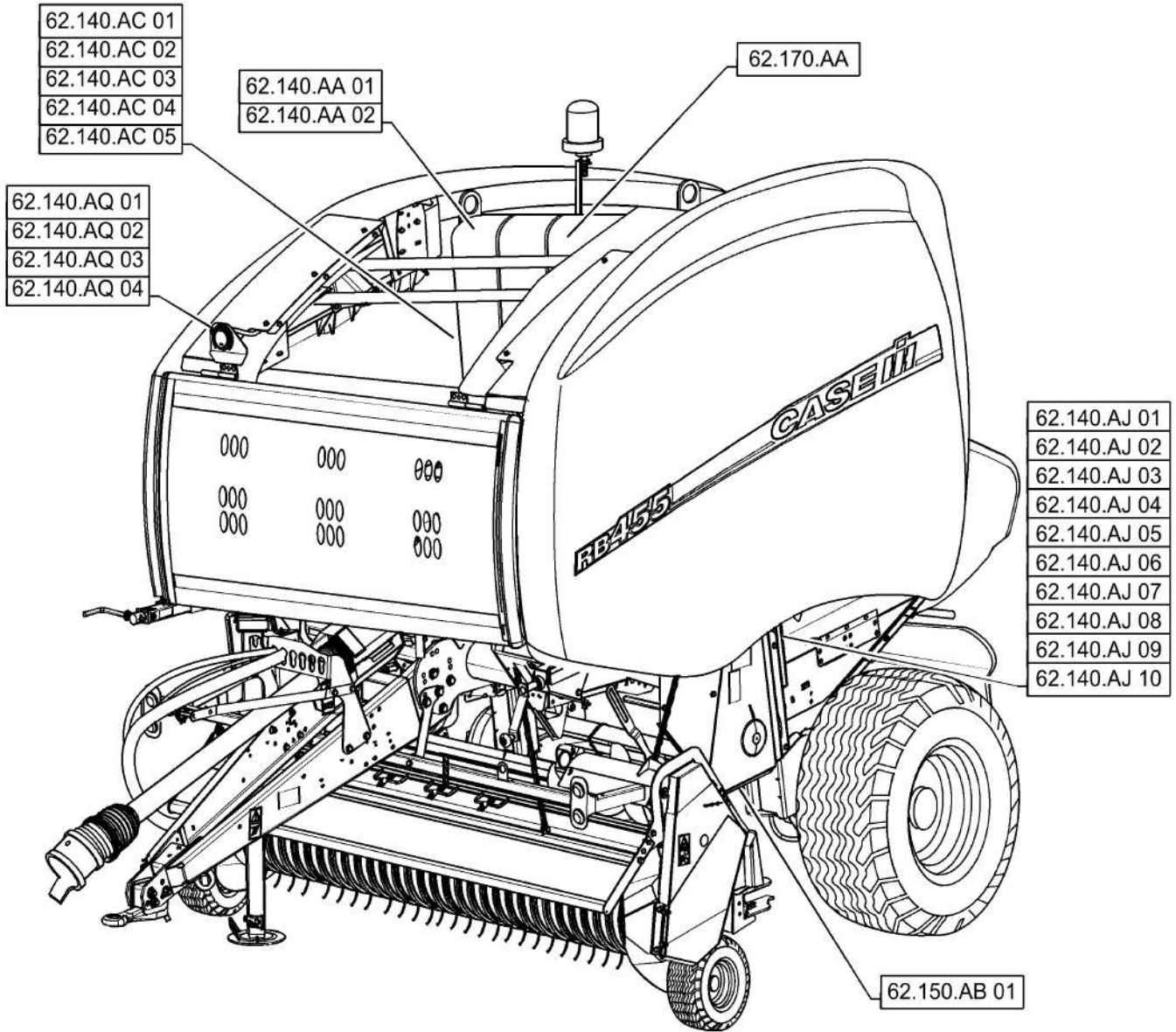
RB465-CASE IH ROUND BALER - EUROPE & R.O.W.

SECTION INDEX

PRESSING - BALE FORMATION

62.000.00	01	PICTORIAL INDEX - PRESSING
62.000.00	02	PICTORIAL INDEX - PRESSING, MAIN FRAME ROLLERS
62.140.AA	02	VAR - 726803 - ENDLESS BELTS
62.140.AA	05	BELT, REPAIR TOOLS
62.140.AA	06	BELT, REPAIR TOOLS
62.140.AA	07	BELT, REPAIR TOOLS
62.140.AC	01	MAIN FRAME, ROLLS
62.140.AC	03	TAILGATE, ROLLERS
62.140.AC	04	FOLLOWER ROLL, LOOP & BACKWRAP ROLL
62.140.AC	05	MAIN FRAME ROLLERS, OVERSHOT FEEDER
62.140.AI	01	DRIVE, RH, UNDERSHOT ROTOR
62.140.AI	02	DRIVE, RH, OVERSHOT FEEDER
62.140.AJ	04	DRIVE, LH, SPROCKETS
62.140.AJ	05	DRIVE, LH, IDLER ARMS
62.140.AJ	06	DRIVE, LH, CHAINS
62.140.AJ	07	MAIN DRIVE, LH, SPROCKETS, OVERSHOT FEEDER
62.140.AQ	02	VAR - 727159 - BALE TENSION TAKE UP ARM AND TWO SPRINGS, SINGLE HYD. CYLINDER, IN CAB CONTROL, 797301008 AND AFTER
62.140.AQ	02	VAR - 726813 - BALE TENSION TAKE UP ARM AND TWO SPRINGS, SINGLE HYD. CYLINDER, 794992016 AND PRIOR
62.140.AQ	04	VAR - 726815 - BALE TENSION TAKE UP ARM AND TWO SPRINGS WITH LOOP ROLL, DUAL HYD. CYLINDERS, IN CAB CONTROL, 797301008 AND AFTER
62.140.AQ	04	VAR - 726815 - BALE TENSION TAKE UP ARM AND TWO SPRINGS WITH LOOP ROLL, DUAL HYD. CYLINDERS, 794992016 AND PRIOR
62.140.AQ	06	VAR - 727159 - BALE TENSION TAKE UP ARM AND TWO SPRINGS, SINGLE HYD. CYLINDER, OVERSHOT FEEDER, IN CAB CONTROL, 797301008 AND AFTER
62.140.AQ	06	VAR - 726813 - BALE TENSION TAKE UP ARM AND TWO SPRINGS, SINGLE HYD. CYLINDER, OVERSHOT FEEDER, 794992016 AND PRIOR
62.150.AB		STARTER ROLL - ROTOR
62.150.AB	01	STARTER ROLL, UNDERSHOT ROTOR
62.150.AB	02	STARTER ROLL, OVERSHOT FEEDER
62.170.AA		SLEDGE

PICTORIAL INDEX - PRESSING



62.000.00

01

p1

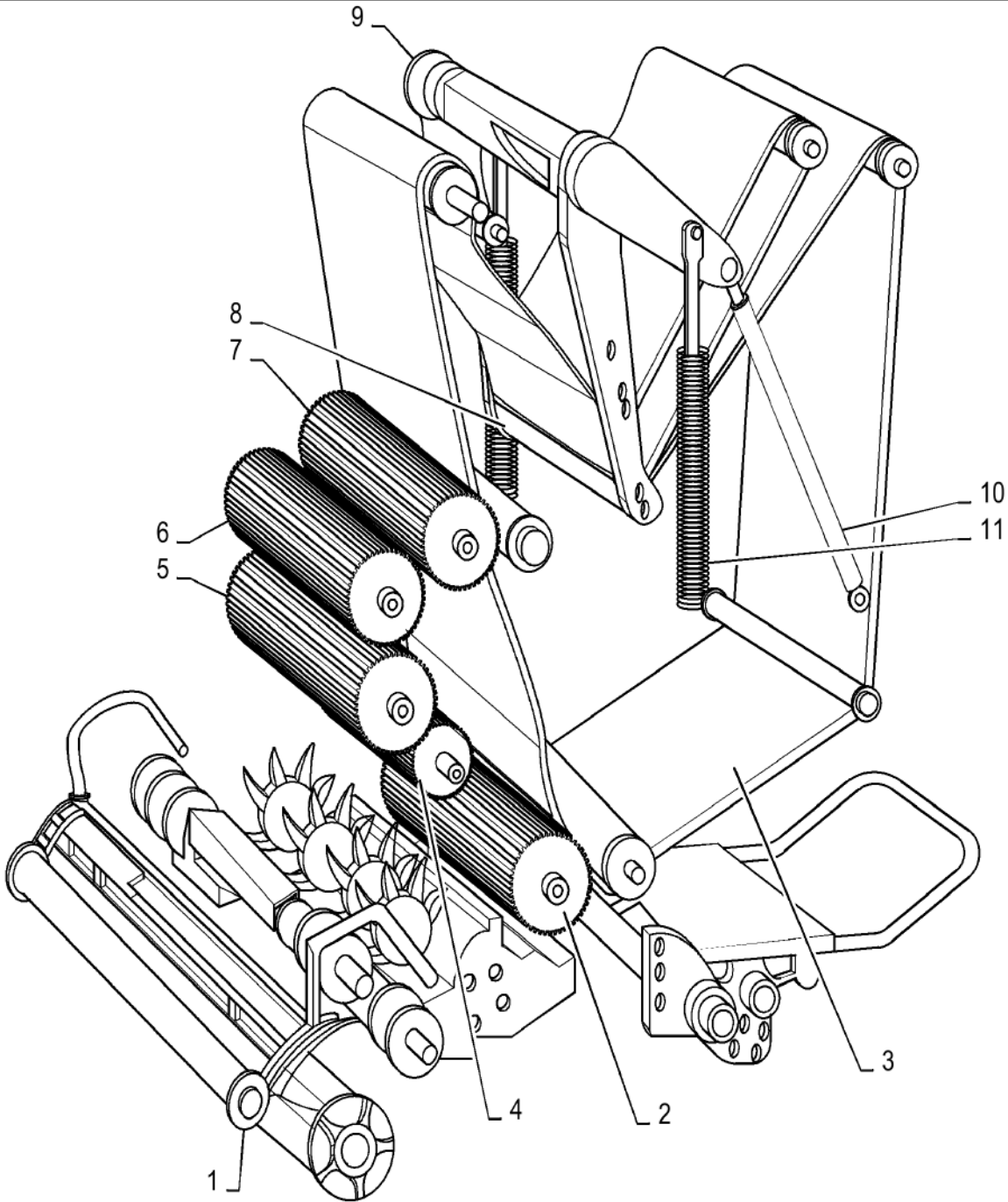
9/2015

PICTORIAL INDEX - PRESSING

REF FN	PART NUMBER	YR/SN	QTY DESCRIPTION
---------------	--------------------	--------------	------------------------

RB465-CASE IH ROUND BALER - EUROPE & R.O.W.

PICTORIAL INDEX - PRESSING, MAIN FRAME ROLLERS



62.000.00

02

p1

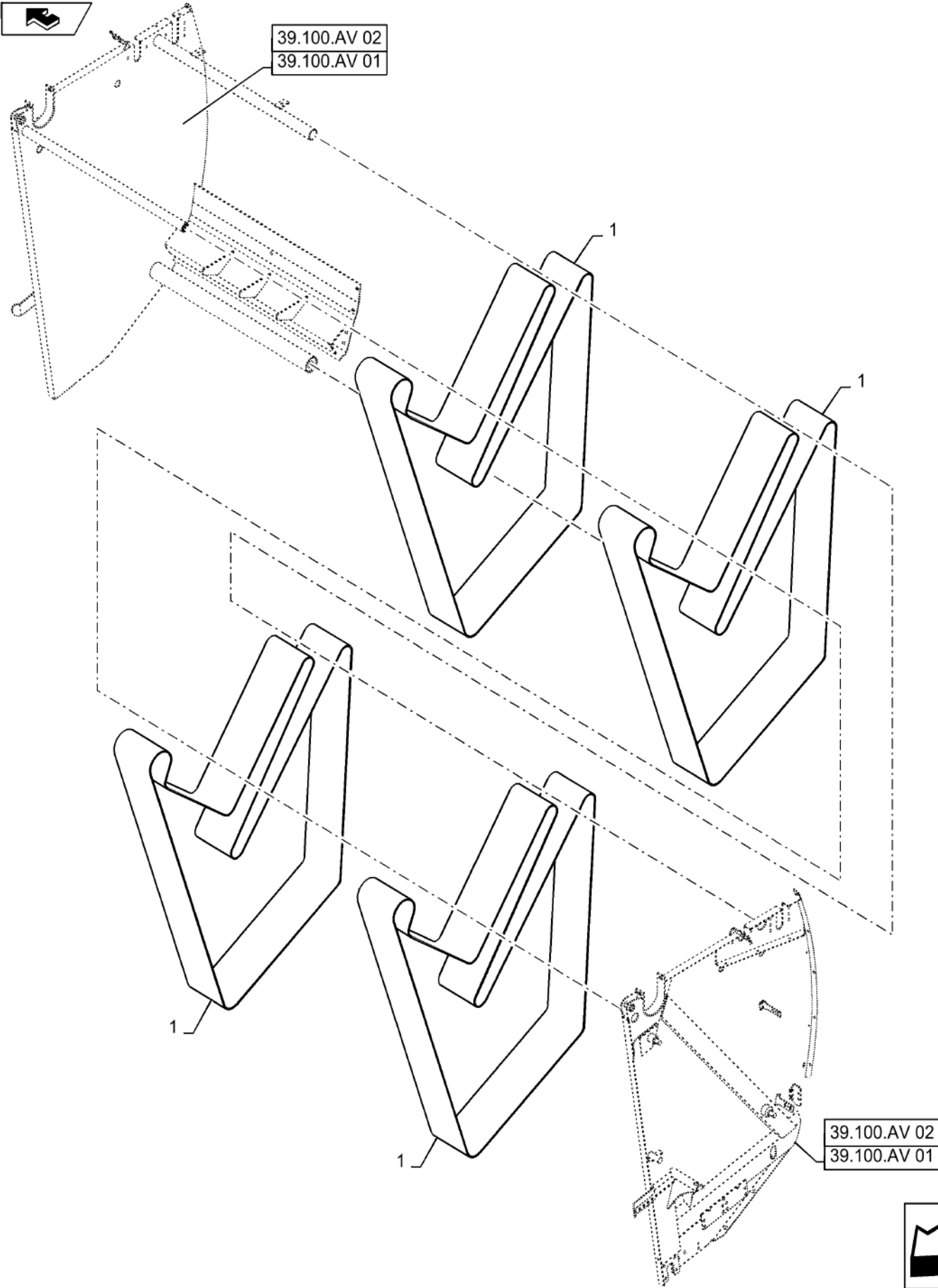
9/2015

PICTORIAL INDEX - PRESSING, MAIN FRAME ROLLERS

REF FN	PART NUMBER	YR/SN	QTY DESCRIPTION
1	{		PICKUP
2	{		FLOOR ROLL
3	{		BELTS
4	{		STARTER ROLL
5	{		FIXED ROLL
6	{		PIVOT ROLL
7	{		RIBBED STRIPPER ROLL
8	{		FOLLOWER ROLL
9	{		BELT TENSION ARM
10	{		BELT TENSION CYLINDER
11	{		BELT TENSION SPRING

RB465-CASE IH ROUND BALER - EUROPE & R.O.W.

VAR - 726803 - ENDLESS BELTS

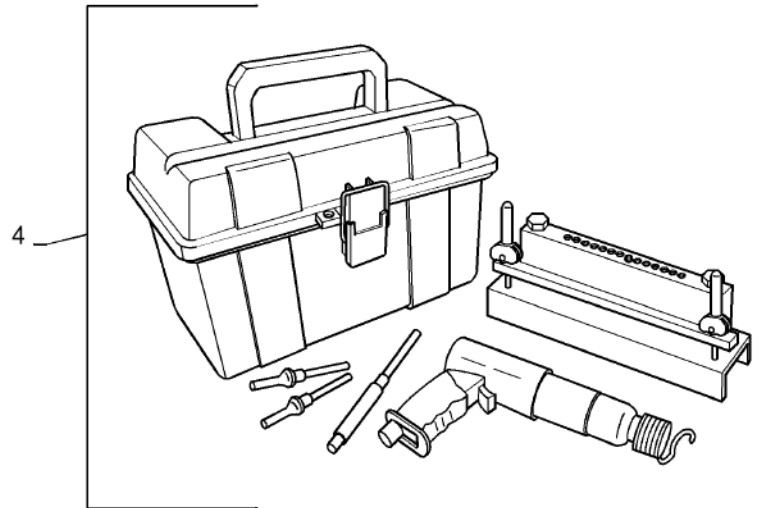
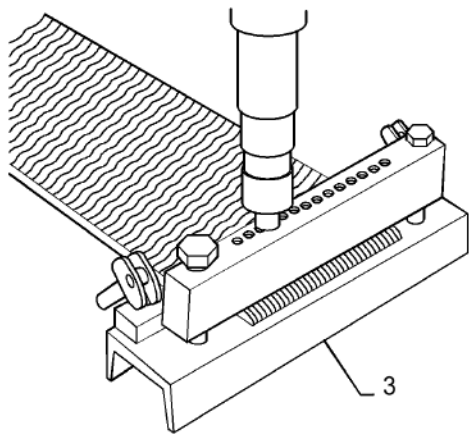
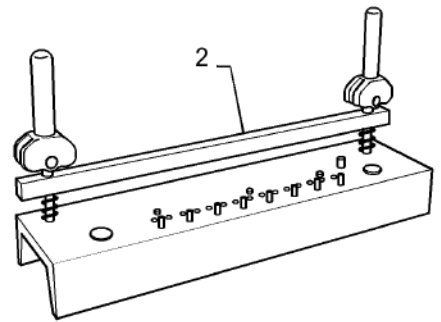
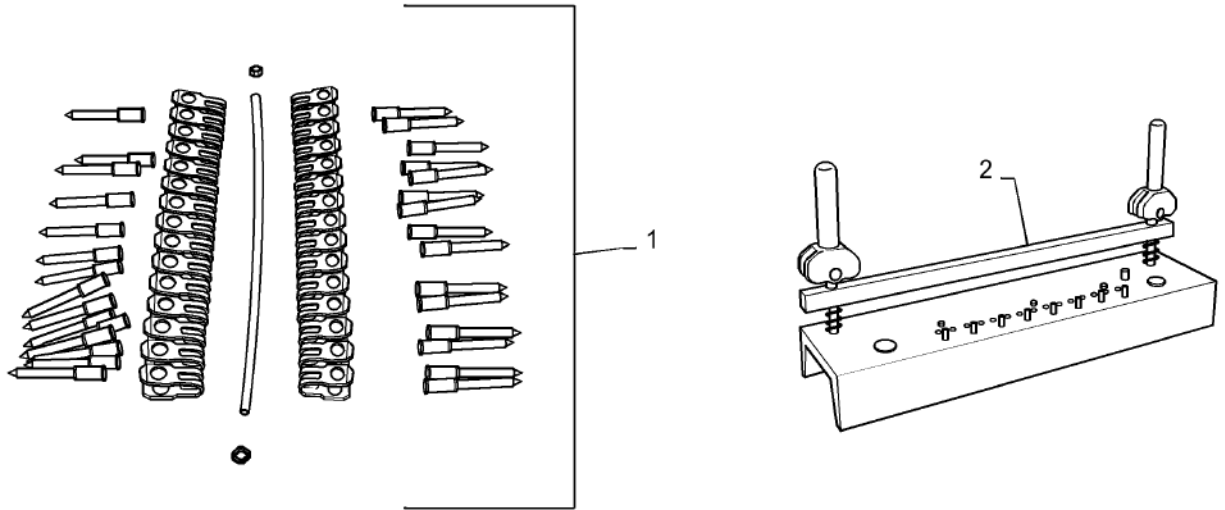


VAR - 726803 - ENDLESS BELTS

REF FN	PART NUMBER	YR/SN	QTY DESCRIPTION
1	1	87613865	4 BELT Endless
1	2	87613866	4 BELT Endless
1	47702136		AR BELT Endless Repair Section, 1828mm
1	47894855		AR BELT Endless Repair Section, 1828mm
2	47894824		AR PIN Lacing, 255mm, 5 Pk.
3	47894850		AR FASTENER Lacing, 22 Segment, 2 Pk.
4	47894852		AR FASTENER Lacing, 22 Segment, 5 Pk.
(1)	RB455		
(2)	RB465		

RB465-CASE IH ROUND BALER - EUROPE & R.O.W.

BELT, REPAIR TOOLS



62.140.AA

05

p1

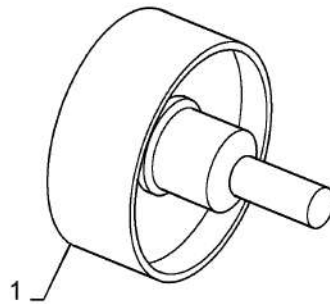
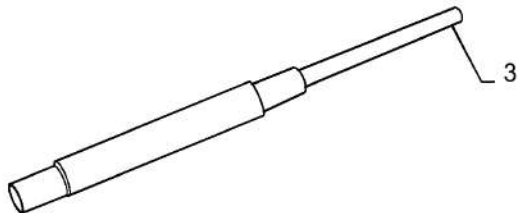
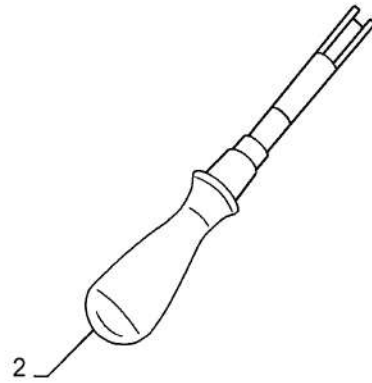
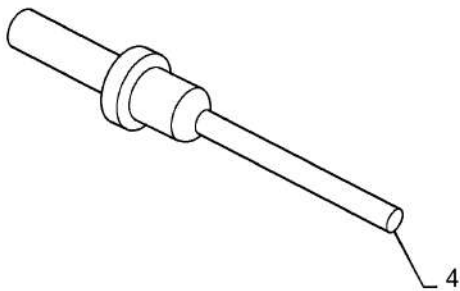
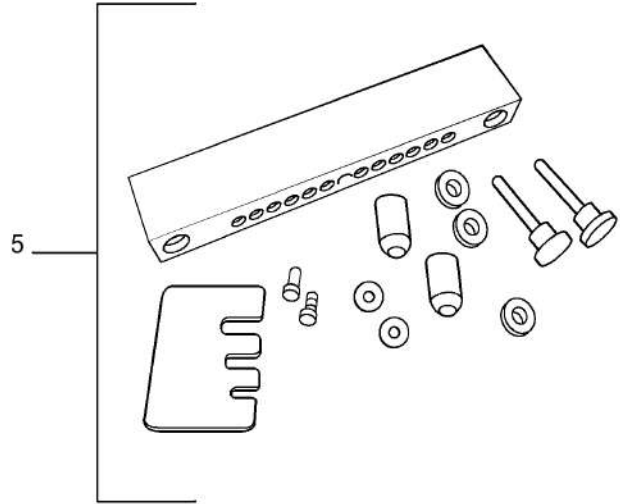
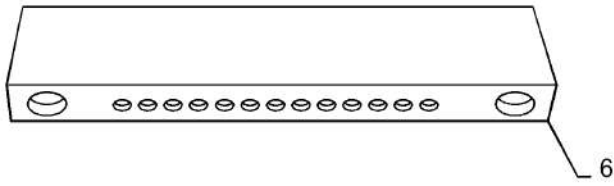
9/2015

BELT, REPAIR TOOLS

REF FN	PART NUMBER	YR/SN	QTY DESCRIPTION
1	47610160		1 KIT Belt Repair, Premium Laced, 2 Splices
2	47611265		1 TOOL Portable Alligator Rivet Applicator Tool
3	47611303		1 TOOL Multiple Alligator Rivet Applicator Tool
4	47611337		1 TOOL BOX Alligator Rivet Applicator

RB465-CASE IH ROUND BALER - EUROPE & R.O.W.

BELT, REPAIR TOOLS

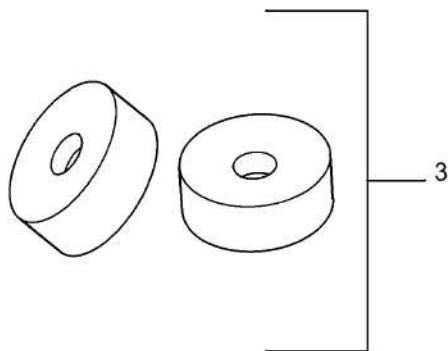
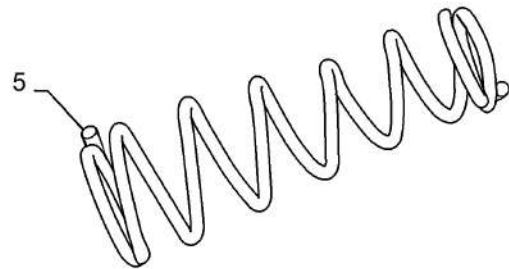
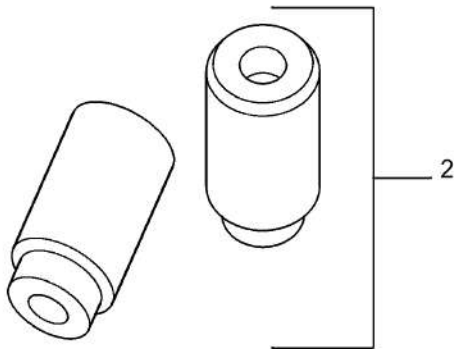
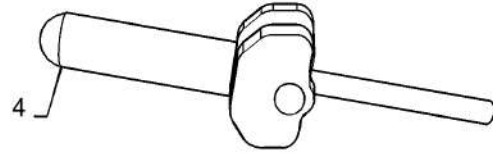
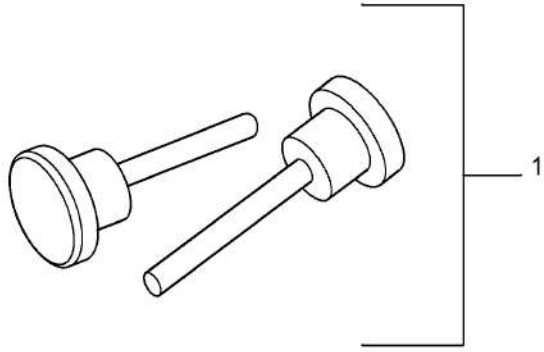


BELT, REPAIR TOOLS

REF FN	PART NUMBER	YR/SN	QTY DESCRIPTION
1	47611339		1 TOOL Belt Grinder
2	47611344		1 TOOL Skiver
3	47611345		1 TOOL Hand Punch
4	47611346		1 TOOL Air Hammer Punch
5	47611347		1 CONVERSION KIT ART to MART, 7"
5	47691638		1 TOOL ART to MART, 14"
6	47611348		1 TOOL Guide Block, 7"
6	47691641		1 TOOL Guide Block, 14"

RB465-CASE IH ROUND BALER - EUROPE & R.O.W.

BELT, REPAIR TOOLS



62.140.AA

07

p1

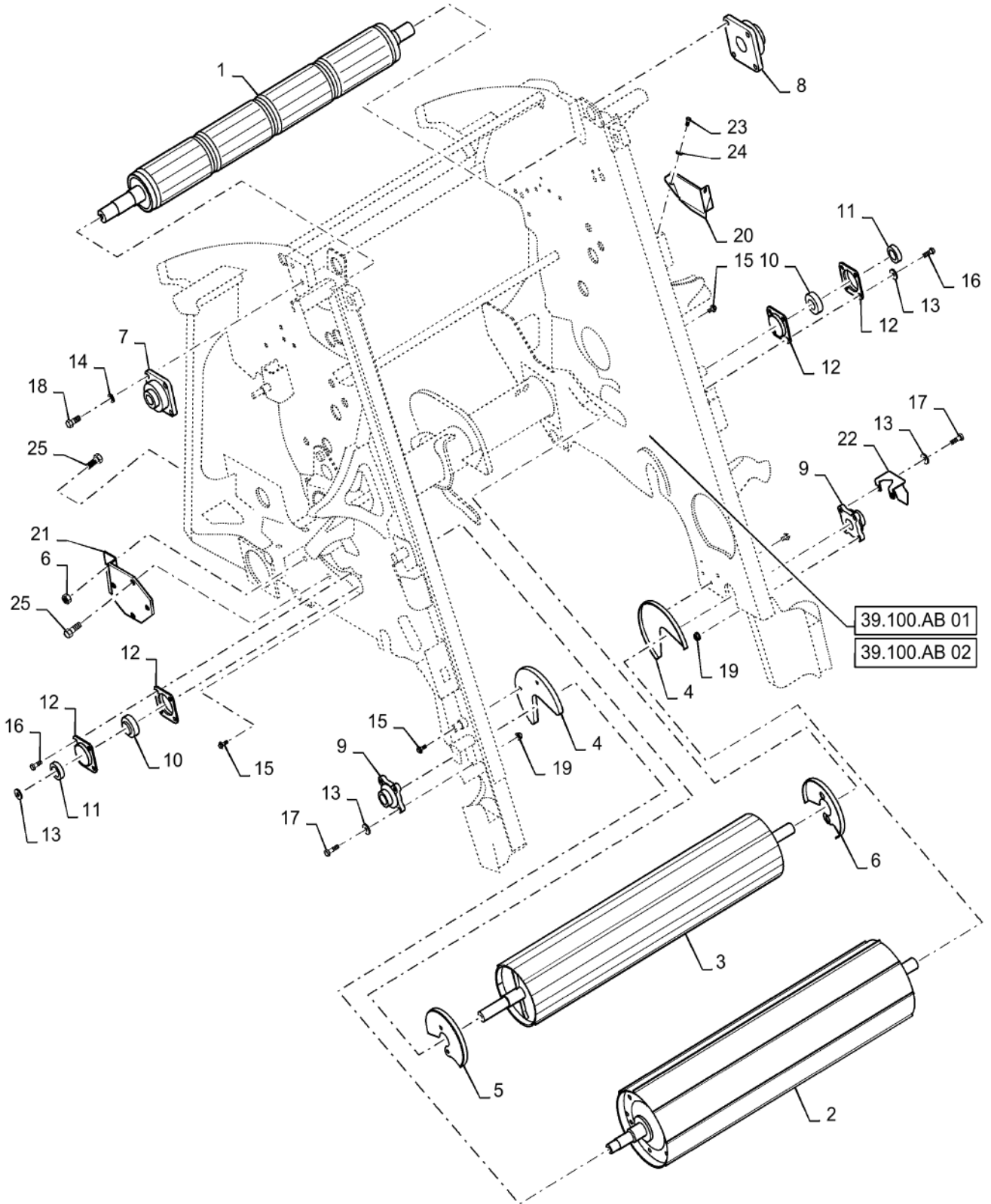
9/2015

BELT, REPAIR TOOLS

REF FN	PART NUMBER	YR/SN	QTY DESCRIPTION
1	47611349		1 TOOL Guide Block Screws
2	47611350		1 TOOL Guide Block Post
3	47611351		1 TOOL Guide Block Felt Washer
4	47611352		1 TOOL Cam Lever Assembly
5	47611355		1 TOOL Cam Lever Spring

RB465-CASE IH ROUND BALER - EUROPE & R.O.W.

MAIN FRAME, ROLLS

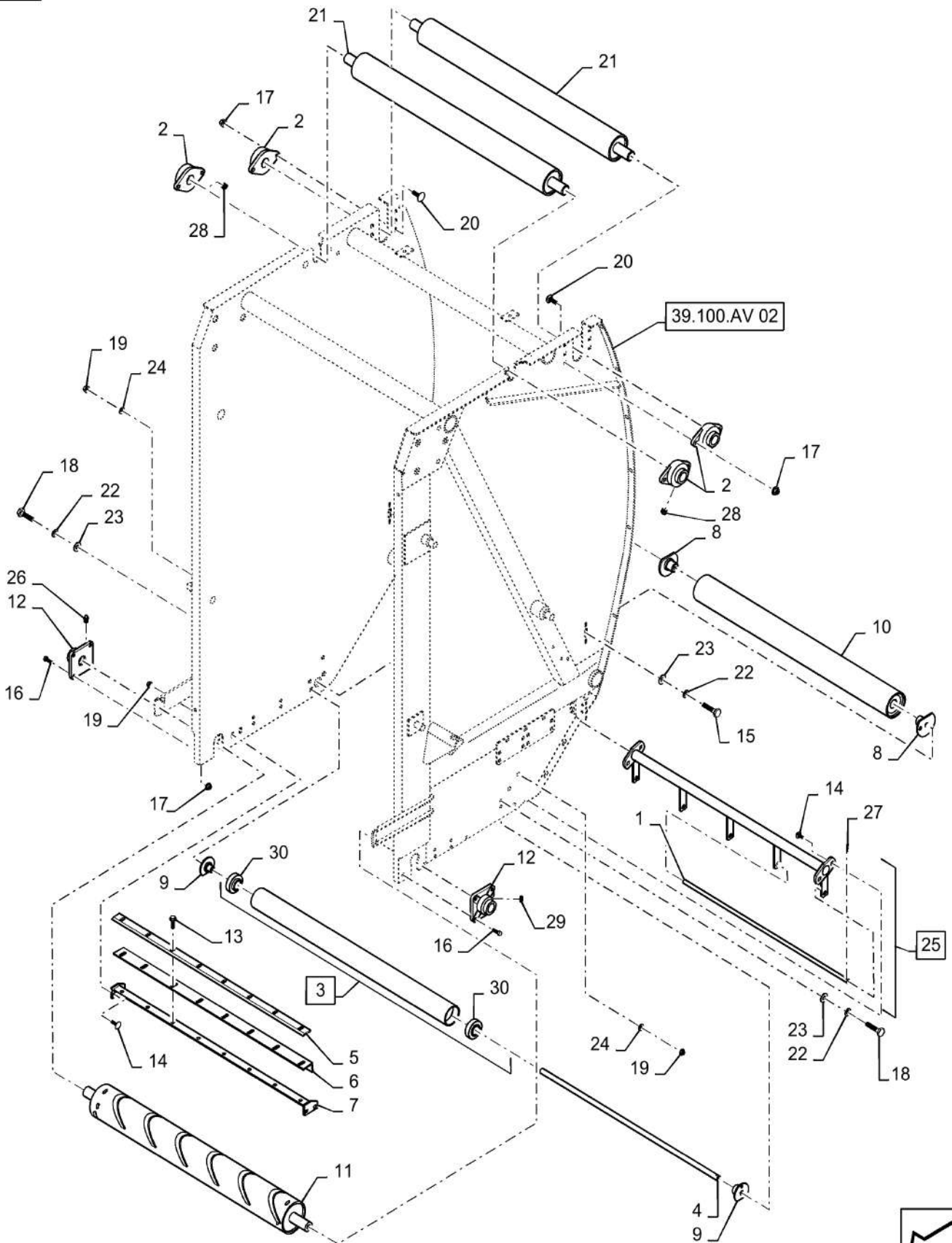


MAIN FRAME, ROLLS

REF FN	PART NUMBER	YR/SN	QTY DESCRIPTION
1	84425714		1 ROLL 153.5mm OD x 1467.8mm L Drive
2	87660299		1 FEED ROLLER Floor
3	47832087		1 ROLL Fixed
4	87664059		2 DISK
5	84324849		1 SHIELD RH
6	9804278		1 FLANGE NUT M10 x 1.5, CI 8 LH
7	87660333		1 BEARING ASSY 50mm ID
8	87660332		1 BEARING ASSY 45mm ID
9	87660575		2 BEARING ASSY 40mm ID
10	52443		2 BALL BEARING 38.1mm ID x 79.99mm OD x 22mm W
11	52444		2 COLLAR 38.2mm ID x 60.33mm OD x 18.3mm Thk
12	86974037		4 FLANGE
13	140046		20 BELLEVILLE WASHER M12 x 27mm OD x 1.8mm Thk
14	140048		4 BELLEVILLE WASHER M16 x 32mm OD x 2.8mm Thk
15	86531147		8 BOLT Hex, M10 x 16mm, CI 8.8, Full Thd
16	300389		12 BOLT M12 x 1.75 x 35mm
17	9628065		8 SCREW Hex, M12 x 1.75 x 45mm, CI 8.8
18	43168		4 BOLT Hex, M16 x 40mm, CI 8.8
19	9804279		4 FLANGE NUT Hex, M12, CI 8
20	84528909		1 PLATE RH
21	84528907		1 PLATE LH
22	87654931		1 SHIELD
23	9804258		2 BOLT Hex, M8 x 1.25 x 20mm, CI 8.8
24	322358		2 BELLEVILLE WASHER M8 x 18mm OD x 1.4mm Thk
25	9804261		3 BOLT Hex, M10 x 25mm, Full Thd, CI 8.8

RB465-CASE IH ROUND BALER - EUROPE & R.O.W.

TAILGATE, ROLLERS

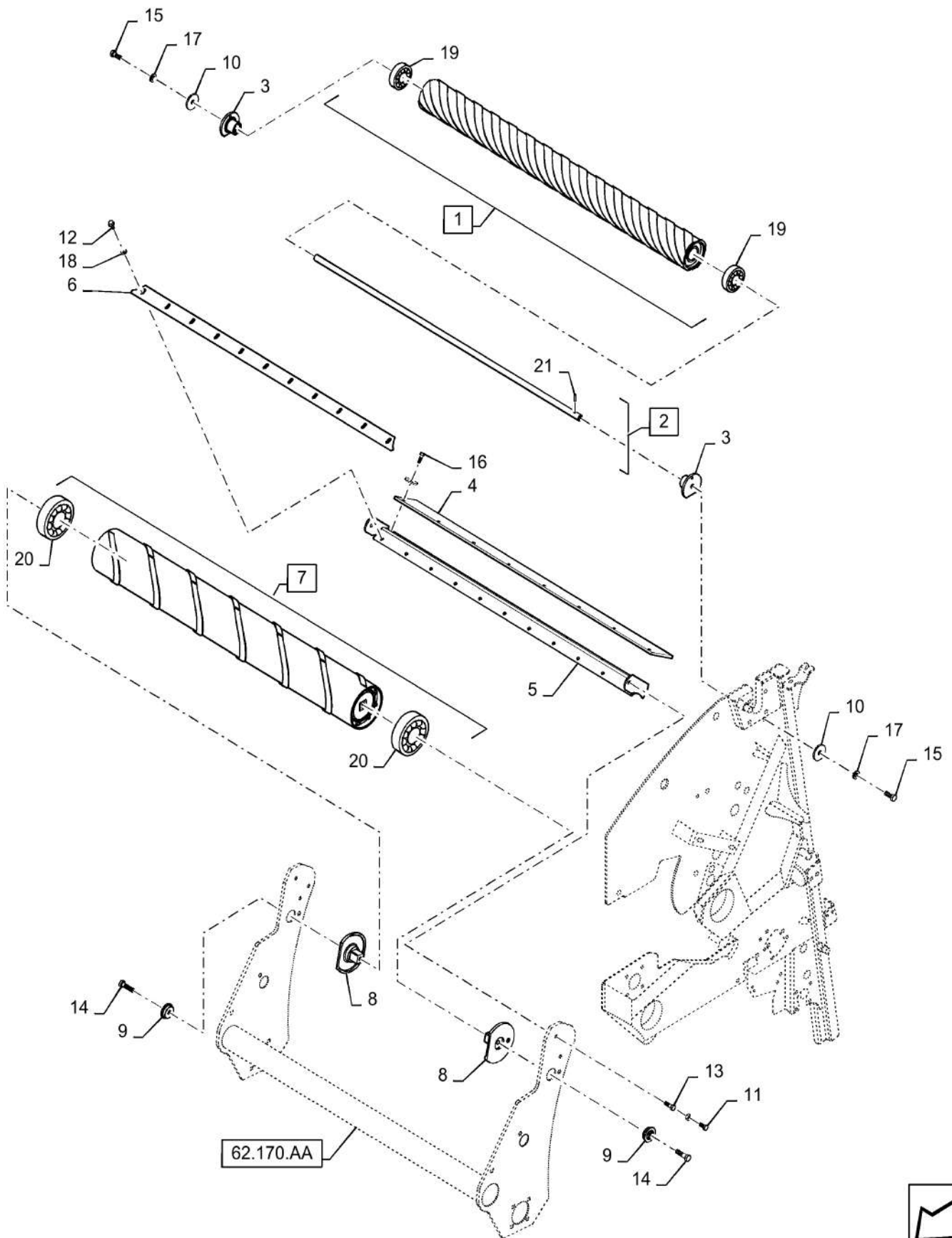


TAILGATE, ROLLERS

REF FN	PART NUMBER	YR/SN	QTY DESCRIPTION
1	9800832		1 ROD
2	47538078		4 BEARING ASSY
3	84600572		1 ROLL Lower, Incl 30
4	9823371		1 SHAFT
5	87028677		1 SCRAPER
6	86628014		1 ANGLE
7	86628012		1 SUPPORT
8	87646324		2 SUPPORT
9	87023400		2 SUPPORT
10	84602592		1 ROLL Adjustment
11	86611454		1 ROLLER Loop
12	84405459		2 BALL BEARING 40mm ID
13	391510		8 SELF-TAP SCREW Hex Wshr Hd, M8 x 1.25 x 20mm
14	86512446		8 CARRIAGE BOLT M10 x 1.5 x 30mm, CI 8.8
15	9706702		2 BOLT Hex, M12 x 1.75 x 50mm, CI 8.8
16	86629541		8 BOLT Hex, M12 x 1.75 x 40mm, CI 8.8
17	9804279		12 FLANGE NUT Hex, M12, CI 8
18	43260		2 BOLT Hex, M12 x 1.75 x 30mm, CI 10.9, Full Thd
19	9804278		8 FLANGE NUT M10 x 1.5, CI 8
20	328754		8 CARRIAGE BOLT M12 x 1.75 x 40mm, CI 8.8
21	84560941		2 ROLL Upper
22	65319		4 WASHER 13.1mm ID x 25.4mm OD x 3.68mm Thk
23	29684		4 WASHER 13.5mm ID x 50.8mm OD x 5.52mm Thk
24	140045		4 BELLEVILLE WASHER M10X22 ZNM
25	87607988		1 GUIDE
26	80714		2 LUBE NIPPLE 1/4"-28 NPT x .54" lg
27	80756		2 COTTER PIN 1/8" x 3/4"
28	56513		4 PLUG Hex Soc, 1/8" - 27 NPT
29	140046		4 BELLEVILLE WASHER M12 x 27mm OD x 1.8mm Thk
30	84259867		2 BALL BEARING 38.1mm ID x 80mm OD x 22mm W

RB465-CASE IH ROUND BALER - EUROPE & R.O.W.

FOLLOWER ROLL, LOOP & BACKWRAP ROLL

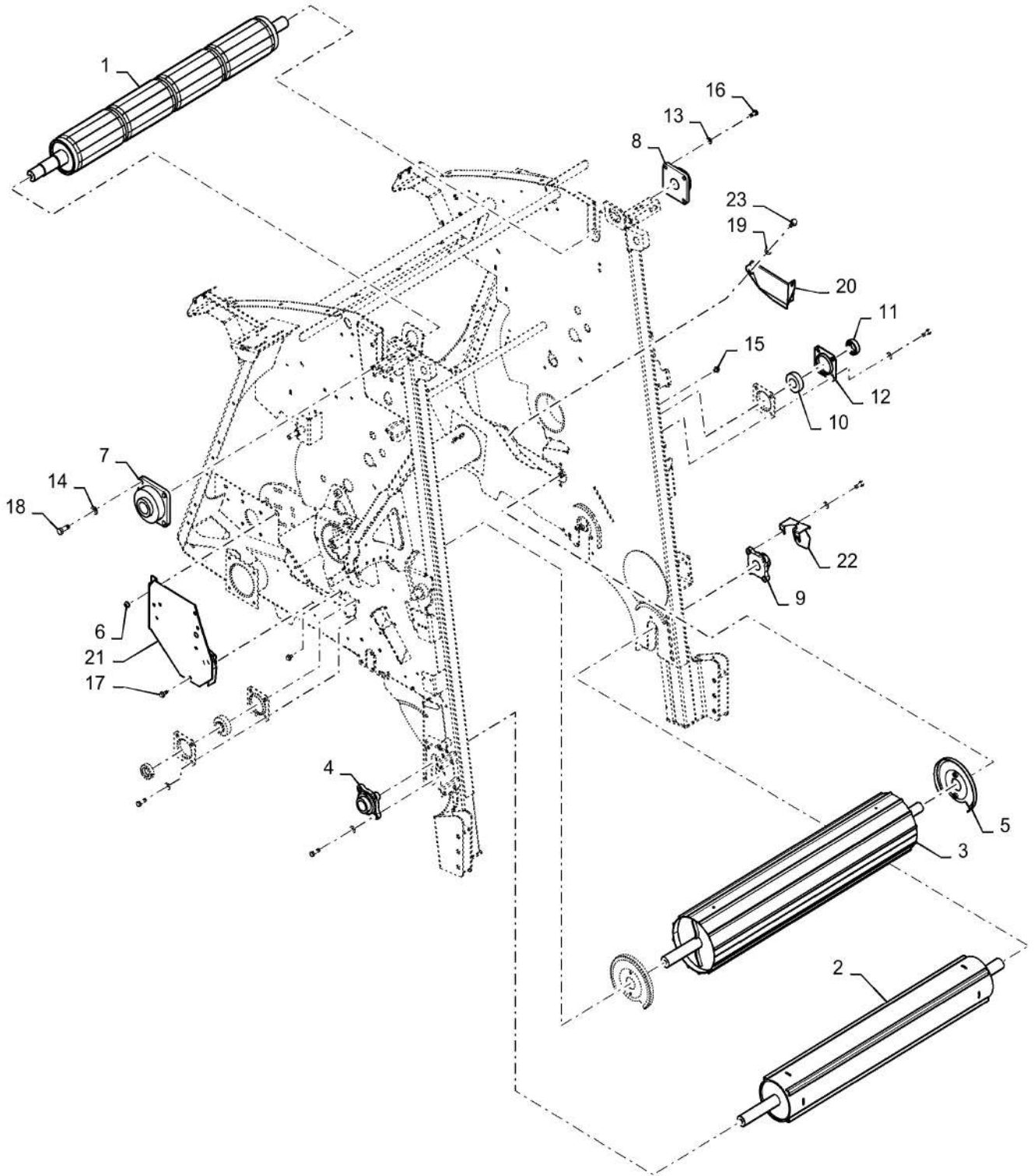


FOLLOWER ROLL, LOOP & BACKWRAP ROLL

REF FN	PART NUMBER	YR/SN	QTY DESCRIPTION
1	84600591		1 ROLL Incl 19
2	87023402		1 SHAFT 1169mm L Incl 21
3	87023400		2 SUPPORT
4	87385929		1 RUBBER STRIP
5	84322929		1 ANGLE
6	84322928		1 SCRAPER Belt
7	84337963		1 ROLL 149mm OD x 1150mm L Incl 20
8	87645237		2 SUPPORT
9	87398962		2 HUB 12.5mm ID x 47.42mm OD x 13.2mm L
10	29684		2 WASHER 13.5mm ID x 50.8mm OD x 5.52mm Thk
11	43138		2 BOLT Hex, M10 x 1.5 x 20mm, CI 8.8
12	9804258		11 BOLT Hex, M8 x 1.25 x 20mm, CI 8.8
13	43140		2 BOLT Hex, M10 x 1.5 x 30mm, CI 8.8
14	412087		2 BOLT Hex, M12 x 1.75 x 45mm, CI 10.9, Full Thd
15	43260		2 BOLT Hex, M12 x 1.75 x 30mm, CI 10.9, Full Thd
16	280519		8 SELF-TAP SCREW Hex, 5/16" - 12 x 1"
17	65319		2 WASHER 13.1mm ID x 25.4mm OD x 3.68mm Thk
18	322358		11 BELLEVILLE WASHER M8 x 18mm OD x 1.4mm Thk
19	84259867		2 BALL BEARING 38.1mm ID x 80mm OD x 22mm W
20	86553396		2 BEARING ASSY Incl Bearing, 30.23mm ID x 90mm OD x 30.2mm W
21	130045		1 PIN 5mm OD x 26mm L, Slotted

RB465-CASE IH ROUND BALER - EUROPE & R.O.W.

MAIN FRAME ROLLERS, OVERSHOT FEEDER



MAIN FRAME ROLLERS, OVERSHOT FEEDER

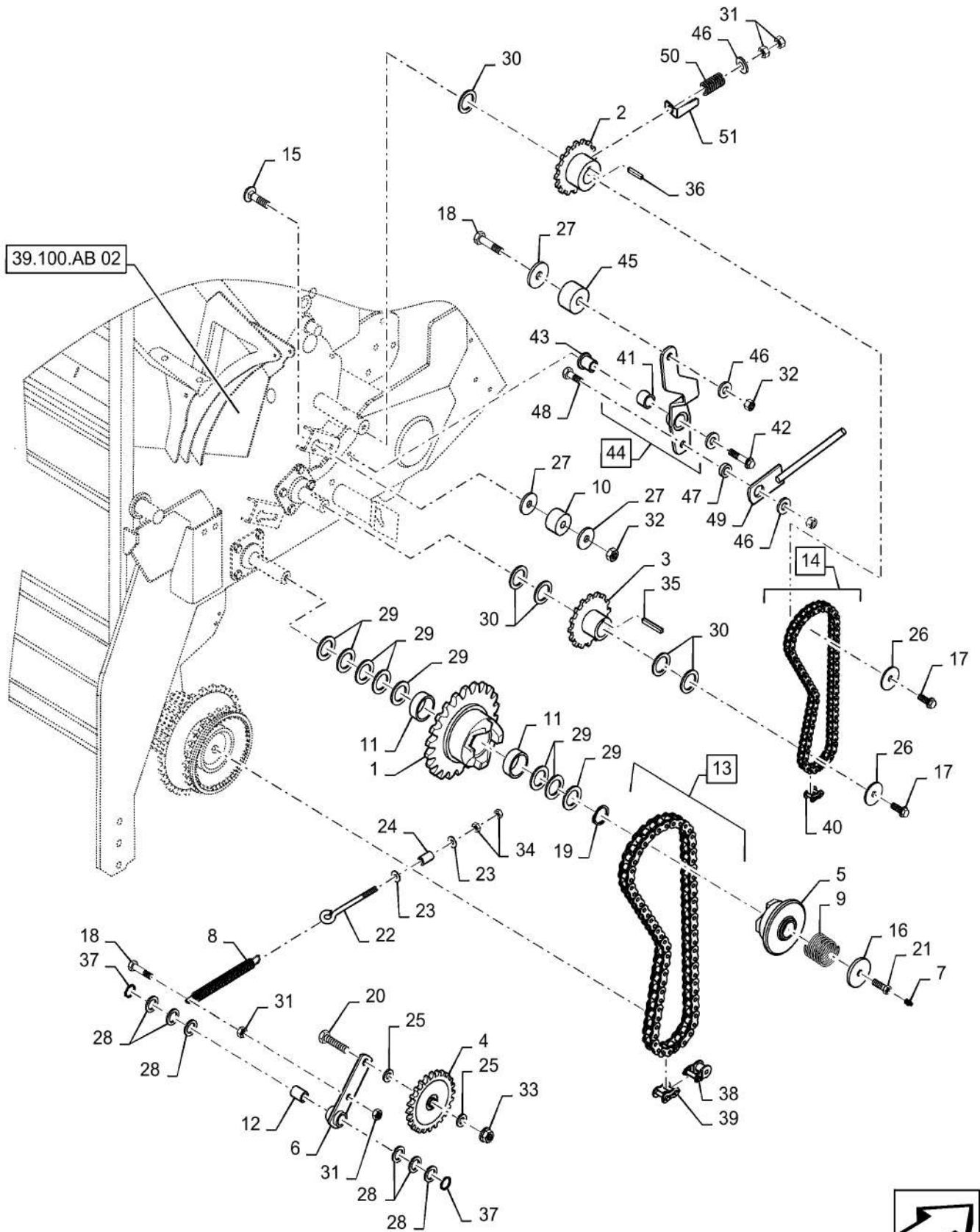
REF FN	PART NUMBER	YR/SN	QTY DESCRIPTION
1	84425714		1 ROLL 153.5mm OD x 1467.8mm L
2	84568010		1 ROLL
3	47832087		1 ROLL
4	86610638		1 BEARING ASSY 45mm ID
5	47536123		2 SHIELD
6	9804278		1 FLANGE NUT M10 x 1.5, CI 8
7	87660333		1 BEARING ASSY 50mm ID
8	87660332		1 BEARING ASSY 45mm ID
9	87660575		1 BEARING ASSY 40mm ID
10	52443		2 BALL BEARING 38.1mm ID x 79.99mm OD x 22mm W
11	52444		2 COLLAR 38.2mm ID x 60.33mm OD x 18.3mm Thk
12	86974037		4 FLANGE
13	140046		20 BELLEVILLE WASHER M12 x 27mm OD x 1.8mm Thk
14	140048		4 BELLEVILLE WASHER M16 x 32mm OD x 2.8mm Thk
15	86531147		4 BOLT Hex, M10 x 16mm, CI 8.8, Full Thd
16	300389		20 BOLT M12 x 1.75 x 35mm
17	9804261		3 BOLT Hex, M10 x 25mm, Full Thd, CI 8.8
18	43168		4 BOLT Hex, M16 x 40mm, CI 8.8
19	322358		2 BELLEVILLE WASHER M8 x 18mm OD x 1.4mm Thk
20	84528909		1 PLATE
21	1 47536134		1 PLATE
21	2 47536132		1 PLATE
22	87654931		1 SHIELD
23	9804258		2 BOLT Hex, M8 x 1.25 x 20mm, CI 8.8

(1) RB455

(2) RB465

RB465-CASE IH ROUND BALER - EUROPE & R.O.W.

DRIVE, RH, UNDERSHOT ROTOR

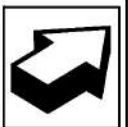
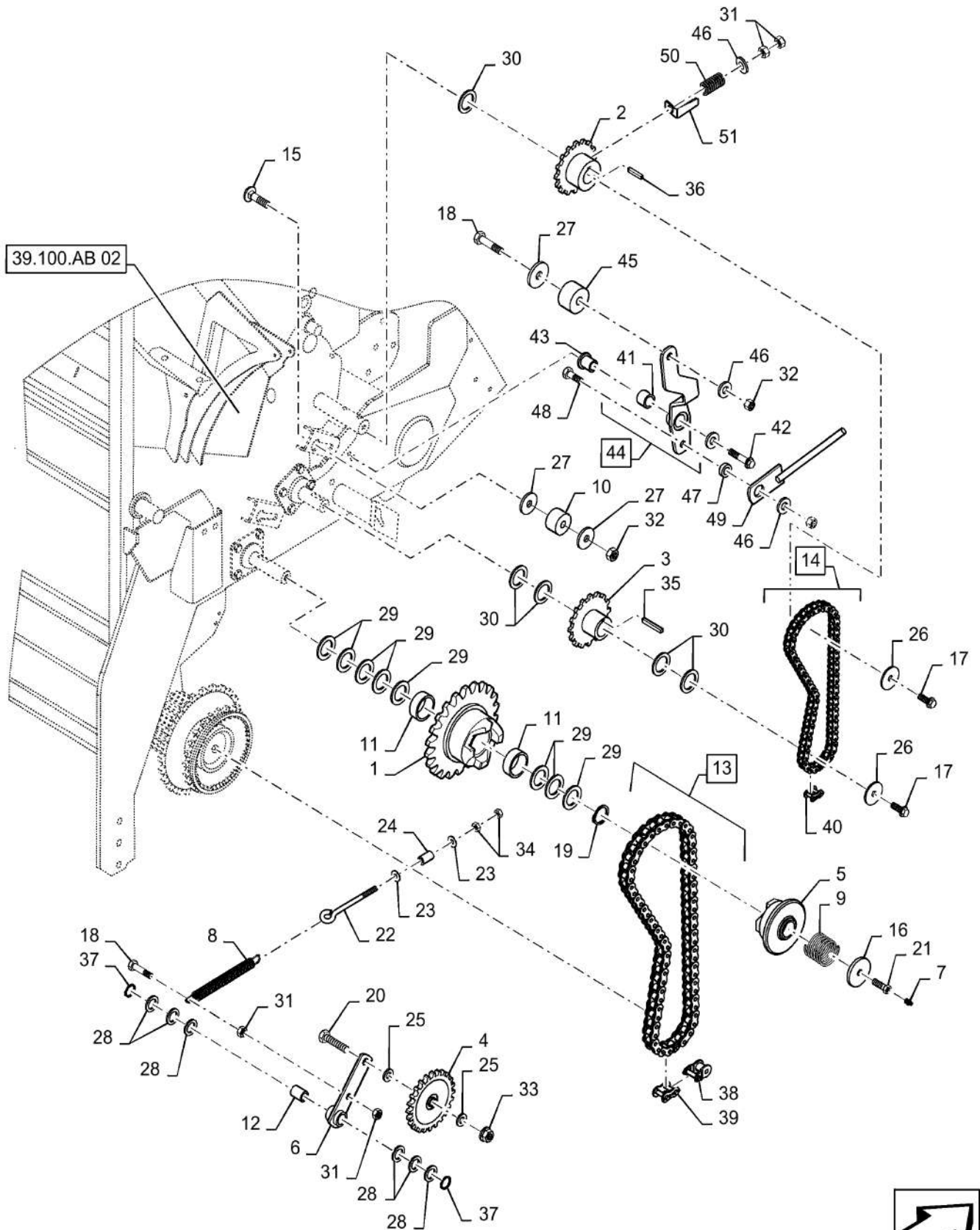


DRIVE, RH, UNDERSHOT ROTOR

REF FN	PART NUMBER	YR/SN	QTY DESCRIPTION
1	84370050		1 SPROCKET Clutch Half, 23T, RC80
2	84533097		1 SPROCKET Pivot Roll, 15T, RC80
3	84349215		1 SPROCKET Fixed Roll, 15T, RC80
4	84401598		1 SPROCKET 39.967mm ID x 118.4mm OD x 14.61mm Thk 13T, RC80
5	87660581		1 HUB Clutch
6	47587896		1 ARM
7	80710		1 LUBE NIPPLE 1/8" - 27
8	605846		1 SPRING Extension, 25.4mm OD x 243.8mm L
9	86640119		1 SPRING Compression, 2.438" OD x 4.5" L
10	84271552		1 IDLER 50.8mm OD x 56mm L
11	86977429		2 BUSHING 44.62mm ID x 50.93mm OD x 22.2mm L
12	87040969		1 BUSHING 25.38mm ID x 28.59mm OD x 34.92mm L
13	1 47435306		1 CHAIN 80, 61 Links x 25.4mm = 1549.4mm RC80, 61 Pitches, Inc 38, 39
13	2 84345656		1 CHAIN 80, 62 Links x 25.4mm = 1574.8mm RC80, 62 Pitches, Inc 38, 39
14	87627269		1 CHAIN (AG) 80, 38 Links x 25.4mm = 965.2mm RC80, 38 Pitches, Inc 40
15	334070		1 CARRIAGE BOLT Sht Sq Nk, M12 x 1.75 x 90mm, CI 8.8
16	9829364		1 CAP COVER
17	9804262		2 BOLT M10 x 39.2mm, CI 8.8
18	86629541		2 BOLT Hex, M12 x 1.75 x 40mm, CI 8.8
19	45440		1 SNAP RING #162, Ext
20	120090		1 BOLT Hex, M16 x 50mm, CI 8.8
21	86618213		1 SPECIAL BOLT M12 x 40mm, Drilled
22	84025887		1 HOOK
23	80702		2 WASHER 0.44" ID x 1" OD x 0.08" Thk
24	32318		1 BUSHING 11.94mm ID x 17.27mm OD x 50.8mm L
25	86511326		2 WASHER 17mm ID x 30mm OD x 3mm Thk
(1)	Roll Belt 150		
(2)	Roll Belt 180		

RB465-CASE IH ROUND BALER - EUROPE & R.O.W.

DRIVE, RH, UNDERSHOT ROTOR



DRIVE, RH, UNDERSHOT ROTOR

REF FN	PART NUMBER	YR/SN	QTY DESCRIPTION
26	86624647		2 WASHER 10.8mm ID x 57mm OD x 6.1mm Thk
27	29684		1 WASHER 13.5mm ID x 50.8mm OD x 5.52mm Thk
28	26402		6 WASHER 25.8mm ID x 38.1mm OD x 1.7mm Thk
29	87644681		8 SHIM 46mm ID x 60mm OD x 1.50mm Thk
30	87652388		7 WASHER 45.24mm ID x 56.36mm OD x 1.52mm Thk
31	9706685		4 NUT M12 x 1.75, CI 8
32	100038		2 NUT M12 x 1.75, CI 8
33	9804280		1 FLANGE NUT Hex, M16, CI 8
34	100016		2 NUT M10 x 1.5, CI 8
35	87495		1 KEY 0.31" x 2.50" L
36	170055		1 KEY
37	25121		2 SNAP RING #100, Ext
38	47435620		2 LINK 24.399mm Pitch
39	84356440		2 LINK 25.4mm Pitch Cotter Pin Type with Hardened Pins
40	86643889		1 CONNECTING LINK
41	84019797		1 SLEEVE 25mm ID x 28mm OD x 25mm L
42	9804270		1 BOLT Hex, M12 x 60mm, CI 8.8
43	84376806		1 SPACER 13mm ID x 31.75mm OD x 32.5mm L
44	47493772		1 ARM Incl 41
45	47493781		1 IDLER
46	80700		4 WASHER 0.56" ID x 1.38" OD x 0.11" Thk
47	87653298		1 SPACER 13.49mm ID x 25.4mm OD x 9.53mm Thk
48	300389		1 BOLT M12 x 1.75 x 35mm
49	47494243		1 TENSIONER
50	86635754		1 SPRING Compression, 1.029" OD x 2.73" L
51	47493774		1 INDICATOR Tension

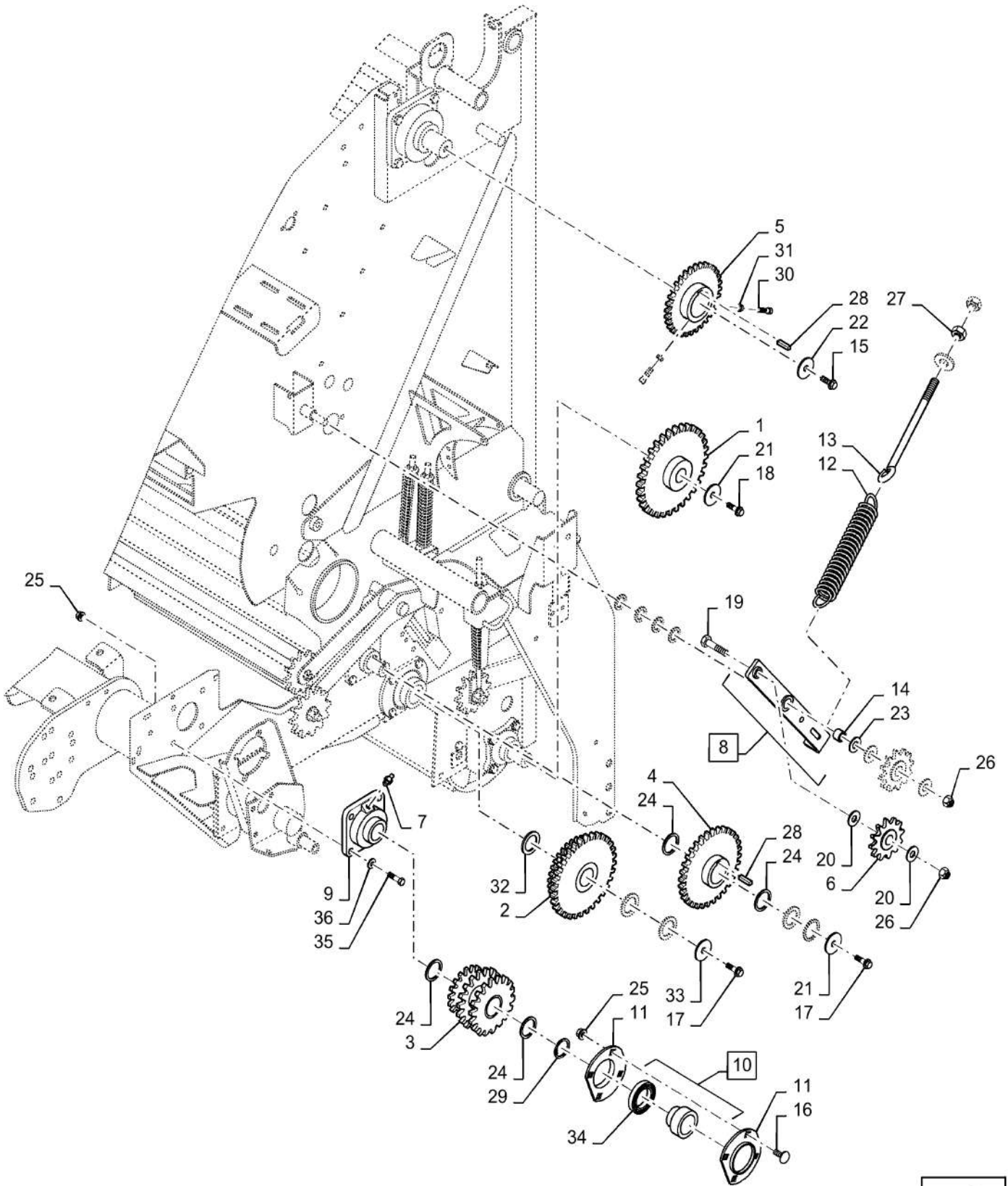
RB465-CASE IH ROUND BALER - EUROPE & R.O.W.

DRIVE, RH, OVERSHOT FEEDER

REF FN	PART NUMBER	YR/SN	QTY DESCRIPTION
1	84349215		1 SPROCKET 15T RC80, Pivot Roll
2	84533097		1 SPROCKET 15T RC80, Fixed Roll
3	1 87707866		1 CHAIN RC80, 37 Pitches, Incl 24, 25
3	2 87627269		1 CHAIN (AG) 80, 38 Links x 25.4mm = 965.2mm RC80, 38 Pitches, Incl 26
4	170055		1 KEY
5	87495		1 KEY 0.31" x 2.50" L
6	29684		1 WASHER 13.5mm ID x 50.8mm OD x 5.52mm Thk
7	58821		6 WASHER 45.24mm ID x 56.36mm OD x 1.65mm Thk
8	100038		2 NUT M12 x 1.75, CI 8
9	86624647		2 WASHER 10.8mm ID x 57mm OD x 6.1mm Thk
10	9804263		2 BOLT M10 x 49.2mm, CI 8.8
11	84376806		1 SPACER 13mm ID x 31.75mm OD x 32.5mm L
12	47587896		1 ARM
13	84019797		1 SLEEVE 25mm ID x 28mm OD x 25mm L
14	47493781		1 IDLER
15	43158		1 BOLT Hex, M12 x 80mm, CI 8.8
16	87653298		1 SPACER 13.49mm ID x 25.4mm OD x 9.53mm Thk
17	300389		1 BOLT M12 x 1.75 x 35mm
18	47494243		1 TENSIONER
19	86635754		1 SPRING Compression, 1.029" OD x 2.73" L
20	9706685		2 NUT M12 x 1.75, CI 8
21	47493774		1 INDICATOR
22	80700		4 WASHER 0.56" ID x 1.38" OD x 0.11" Thk
23	9804270		1 BOLT Hex, M12 x 60mm, CI 8.8
24	1 86977428		1 CONNECTING LINK Offset
25	1 84356440		1 LINK 25.4mm Pitch Master
26	2 86643889		1 CONNECTING LINK
(1)	RB455		
(2)	RB465		

RB465-CASE IH ROUND BALER - EUROPE & R.O.W.

DRIVE, LH, SPROCKETS

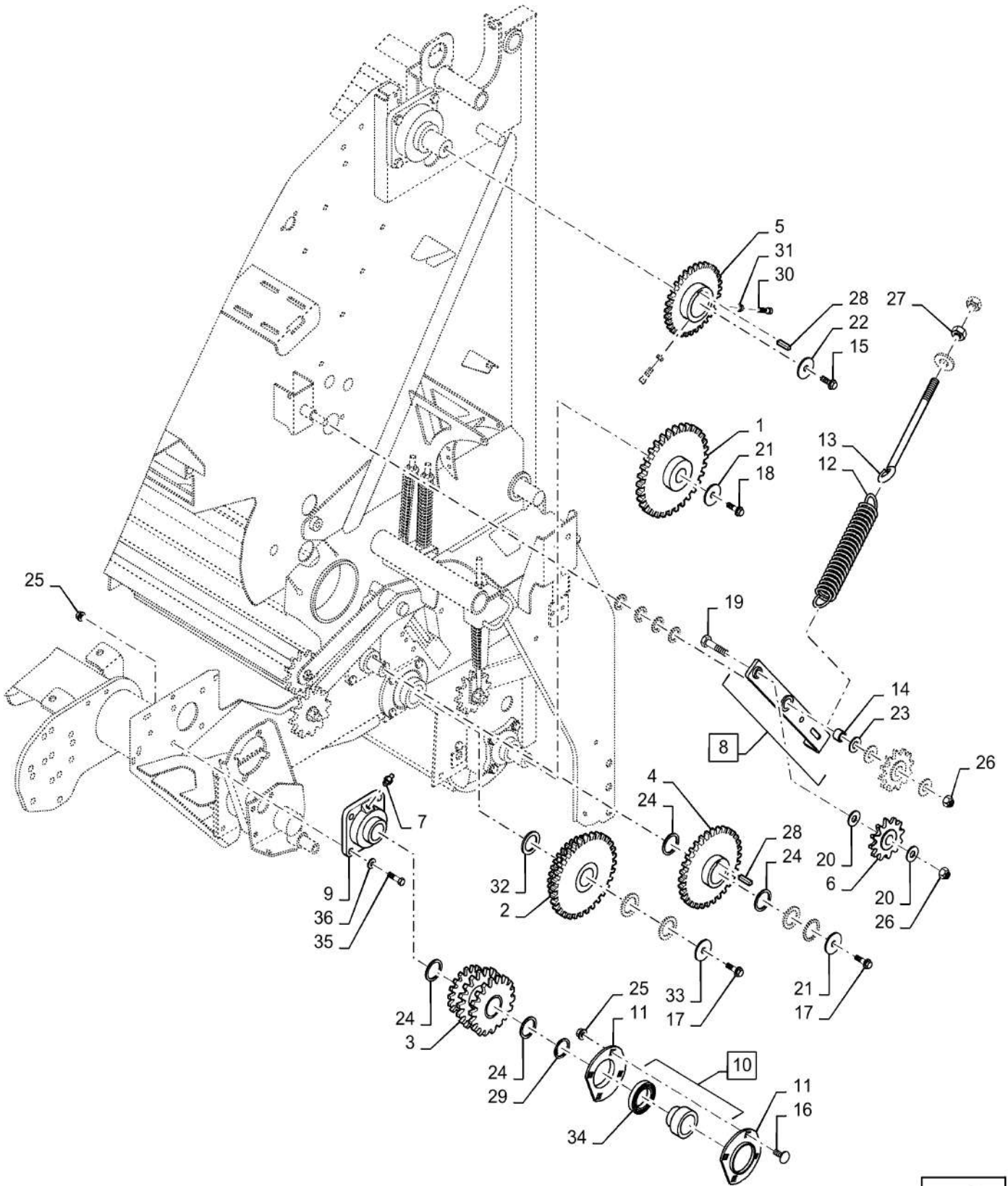


DRIVE, LH, SPROCKETS

REF FN	PART NUMBER	YR/SN	QTY DESCRIPTION
1	84282584		1 SPROCKET RC80, 29T 29T, RC80, Floor Roll
2	84289456		1 SPROCKET 31T Internal, 17T/20T External 20T, RC100 & 17T, RC80
3	47617881		1 SPROCKET 27T Internal, 13T/18T/14T External Triple, 18T RC80, 13T RC80 & 14T RC100
4	84280322		1 SPROCKET RC80, 25T 25T, RC80
5	86637269		1 DRIVEN SPROCKET RC80, 22T 22T, RC80
6	66614		4 SPROCKET RC80, 13T 13T, RC80
7	80717		1 LUBE NIPPLE 45°, 1/8" NPT x 7/8" lg
8	84262617		1 ARM Idler, Incl 14
8	47748078		1 ARM Idler, Incl 14
9	87660332		1 BEARING ASSY 45mm ID
10	412441		1 ROLLER BEARING 40mm ID x 80mm OD x 21mm W Incl 34
11	86620027		2 FLANGED BEARING 80.02mm ID x 147.6mm OD x 4mm Thk
12	86512547		1 SPRING Extension, 1.94" OD x 13 - 1/8" L
13	183356		1 EYEBOLT 3/8" - 16 x 10" L
14	84019797		2 SLEEVE 25mm ID x 28mm OD x 25mm L
15	9804262		1 BOLT M10 x 39.2mm, CI 8.8
16	335890		2 CARRIAGE BOLT Sq Nk, M12 x 1.75 x 30mm, CI 8.8, Full Thd
17	9670288		2 BOLT Hex, M12 x 35mm, CI 8.8
18	9804268		5 BOLT Hex, M12 x 40mm, CI 8.8, Full Thd
19	120092		2 BOLT M16 x 70mm, CI 8.8
20	80299		6 WASHER 0.69" ID x 1.75" OD x 0.13" Thk
21	694478		3 WASHER 13.5mm ID x 57.15mm OD x 4.8mm Thk
22	86624647		1 WASHER 10.8mm ID x 57mm OD x 6.1mm Thk
23	26402		AR WASHER 25.8mm ID x 38.1mm OD x 1.7mm Thk
24	87652388		AR WASHER 45.24mm ID x 56.36mm OD x 1.52mm Thk

RB465-CASE IH ROUND BALER - EUROPE & R.O.W.

DRIVE, LH, SPROCKETS

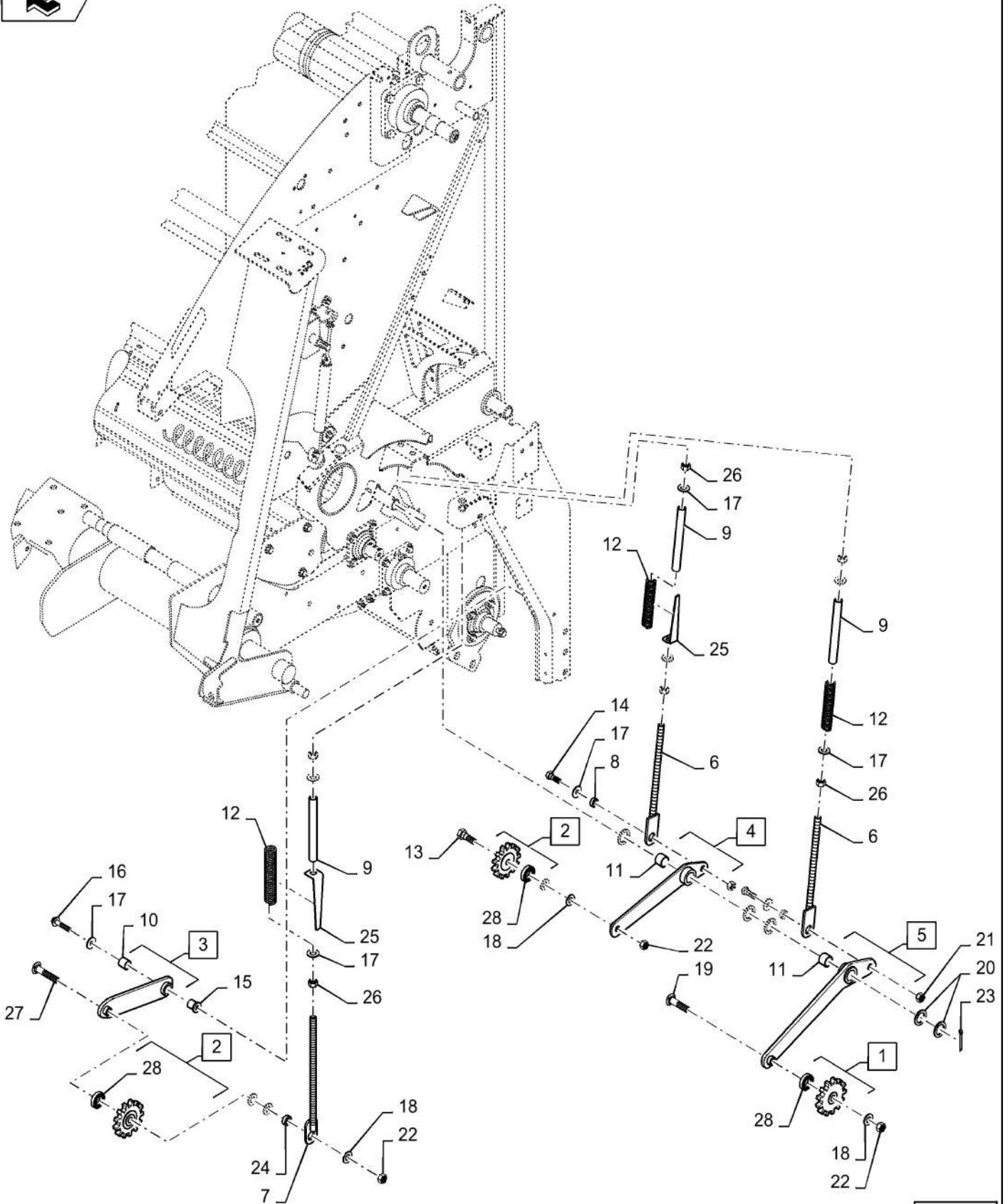


DRIVE, LH, SPROCKETS

REF FN	PART NUMBER	YR/SN	QTY DESCRIPTION
25	9804279		8 FLANGE NUT Hex, M12, CI 8
26	86000441		5 NUT M16 x 2.0, CI 8
27	9628503		8 NUT 3/8"-16, G5
28	87483		2 KEY 0.31" x 1.5" L
29	86515809		1 SNAP RING #175, Ext
30	86542824		2 SET SCREW Sq Hd, 3/8" - 16 x 1-1/2"
31	86509499		2 JAM NUT 3/8"-16, G2
32	87016189		3 WASHER 51.18mm ID x 63.5mm OD x 1.65mm Thk
33	87017556		1 WASHER 13.49mm ID x 63.5mm OD x 7.37mm Thk
34	86609558		1 BEARING ASSY 45mm ID
35	309086		4 BOLT Hex, M12 x 60, 8.8, Full Thd
36	140046		4 BELLEVILLE WASHER M12 x 27mm OD x 1.8mm Thk

RB465-CASE IH ROUND BALER - EUROPE & R.O.W.

DRIVE, LH, IDLER ARMS



DRIVE, LH, IDLER ARMS

REF FN	PART NUMBER	YR/SN	QTY DESCRIPTION
1	87017554		1 DRIVEN SPROCKET Idler, 12T Incl 28
2	66614		2 SPROCKET RC80, 13T Idler, 13T, RC80, Incl 28
3	84582099		1 ARM Idler, Incl 10
4	84582052		1 ARM Fixed Roll, Incl 11
5	84582051		1 ARM Starter Roll, Incl 11
6	86633971		2 BOLT M12 x 1.75 x 377.5mm L
7	47388340		1 TENSIONER
8	87653298		2 SPACER 13.49mm ID x 25.4mm OD x 9.53mm Thk
9	86637258		3 TUBE 19.05 mm OD x 228.60 mm L
10	84019797		1 SLEEVE 25mm ID x 28mm OD x 25mm L
11	27639		2 BUSHING 31.83mm ID x 38.19mm OD x 25.4mm L
12	86618710		3 SPRING 1-3/8" OD x 8-5/8" L
13	120090		1 BOLT Hex, M16 x 50mm, CI 8.8
14	300389		2 BOLT M12 x 1.75 x 35mm
15	84376806		1 SPACER 13mm ID x 31.75mm OD x 32.5mm L
16	9804270		1 BOLT Hex, M12 x 60mm, CI 8.8
17	80700		5 WASHER 0.56" ID x 1.38" OD x 0.11" Thk
18	87365		AR WASHER 0.66" ID x 1.31" OD x 0.1" Thk
18	87365		4 WASHER 0.66" ID x 1.31" OD x 0.1" Thk
19	120047		1 CARRIAGE BOLT M16 x 70mm, CI 8.8
21	100038		2 NUT M12 x 1.75, CI 8
20	142656		5 WASHER 33.35mm ID x 47.63mm OD x 3.43mm Thk
21	100038		2 NUT M12 x 1.75, CI 8
22	86000441		3 NUT M16 x 2.0, CI 8
23	87400		1 COTTER PIN 3/16" x 2"
24	46710		1 SPACER 16.27mm ID x 25.48mm OD x 11.1mm Thk
25	86643093		2 INDICATOR
26	9706685		6 NUT M12 x 1.75, CI 8
27	120048		1 CARRIAGE BOLT M16 x 80mm, CI 8.8

RB465-CASE IH ROUND BALER - EUROPE & R.O.W.

62.140.AJ

05

p2

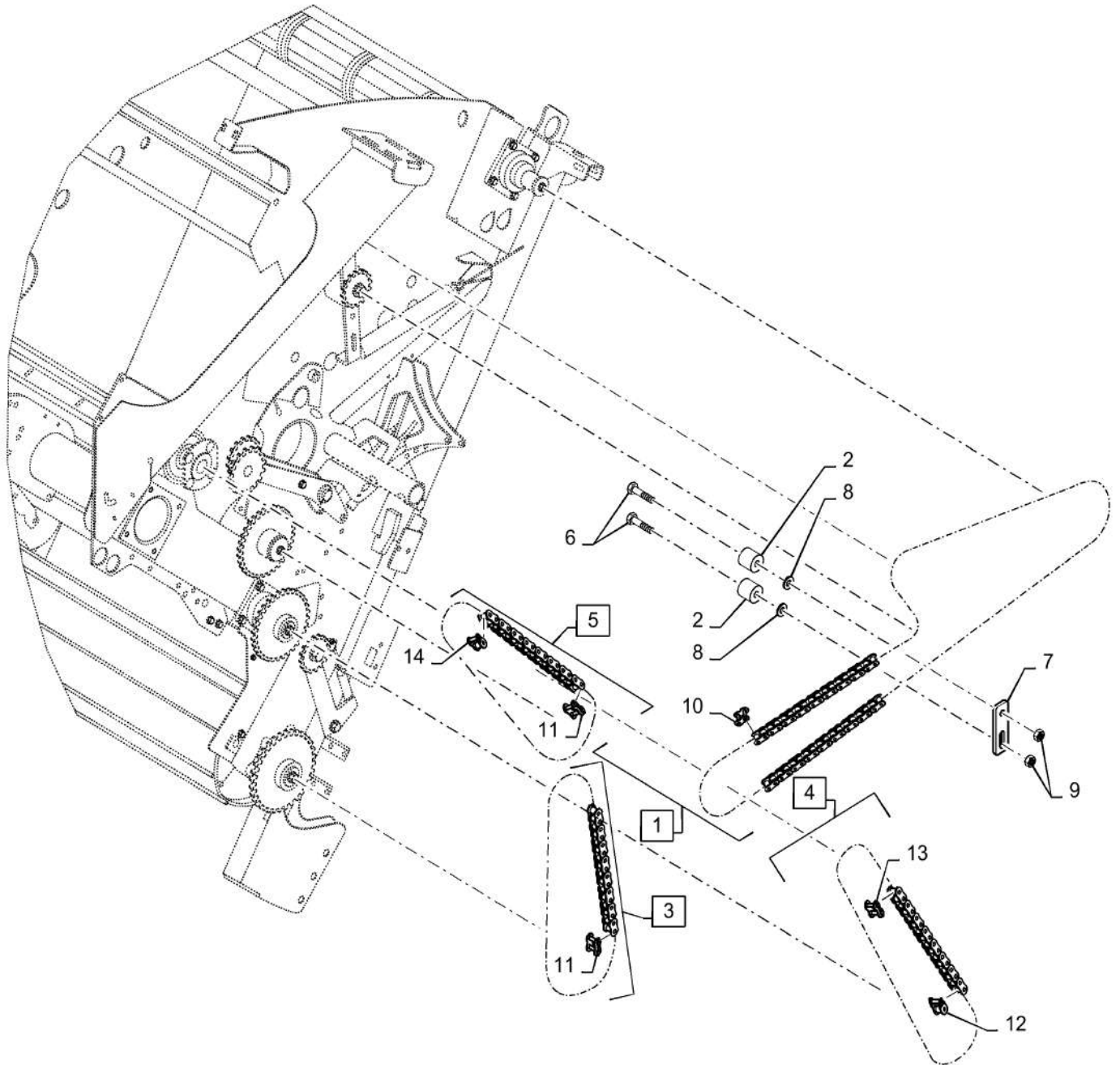
9/2015

DRIVE, LH, IDLER ARMS

REF FN	PART NUMBER	YR/SN	QTY DESCRIPTION
28	66553		3 BALL BEARING 16.13mm ID x 40mm OD x 12.12mm W

RB465-CASE IH ROUND BALER - EUROPE & R.O.W.

DRIVE, LH, CHAINS



DRIVE, LH, CHAINS

REF FN	PART NUMBER	YR/SN	QTY DESCRIPTION
1	86537440		1 CHAIN 80-C, 158 Links x 25.4mm = 4013.2mm Incl 10
2	84271552		2 IDLER 50.8mm OD x 56mm L
3	86549269		1 CHAIN RC80, 64 Links x 25.4mm = 1625.6mm Incl 11
4	86562829		1 CHAIN 100, 67 Links x 31.75mm = 2127.25mm Incl 12, 13
5	86611455		1 CHAIN 80P, 67 Links x 25.4mm = 1701.8mm Incl 11, 14
6	86508581		2 BOLT Hex, M12 x 90mm, CI 8.8
7	84266904		1 PLATE
8	80700		5 WASHER 0.56" ID x 1.38" OD x 0.11" Thk
9	100038		2 NUT M12 x 1.75, CI 8
10	86537459		1 LINK 25.4mm Pitch
11	9620569		1 CONNECTING LINK RC80, 1 Link x 25.4mm = 25.4mm L
12	86977432		1 LINK 31.75mm Pitch Offset
13	86595263		1 LINK 31.75mm Pitch
14	86977428		1 CONNECTING LINK

RB465-CASE IH ROUND BALER - EUROPE & R.O.W.

MAIN DRIVE, LH, SPROCKETS, OVERSHOT FEEDER

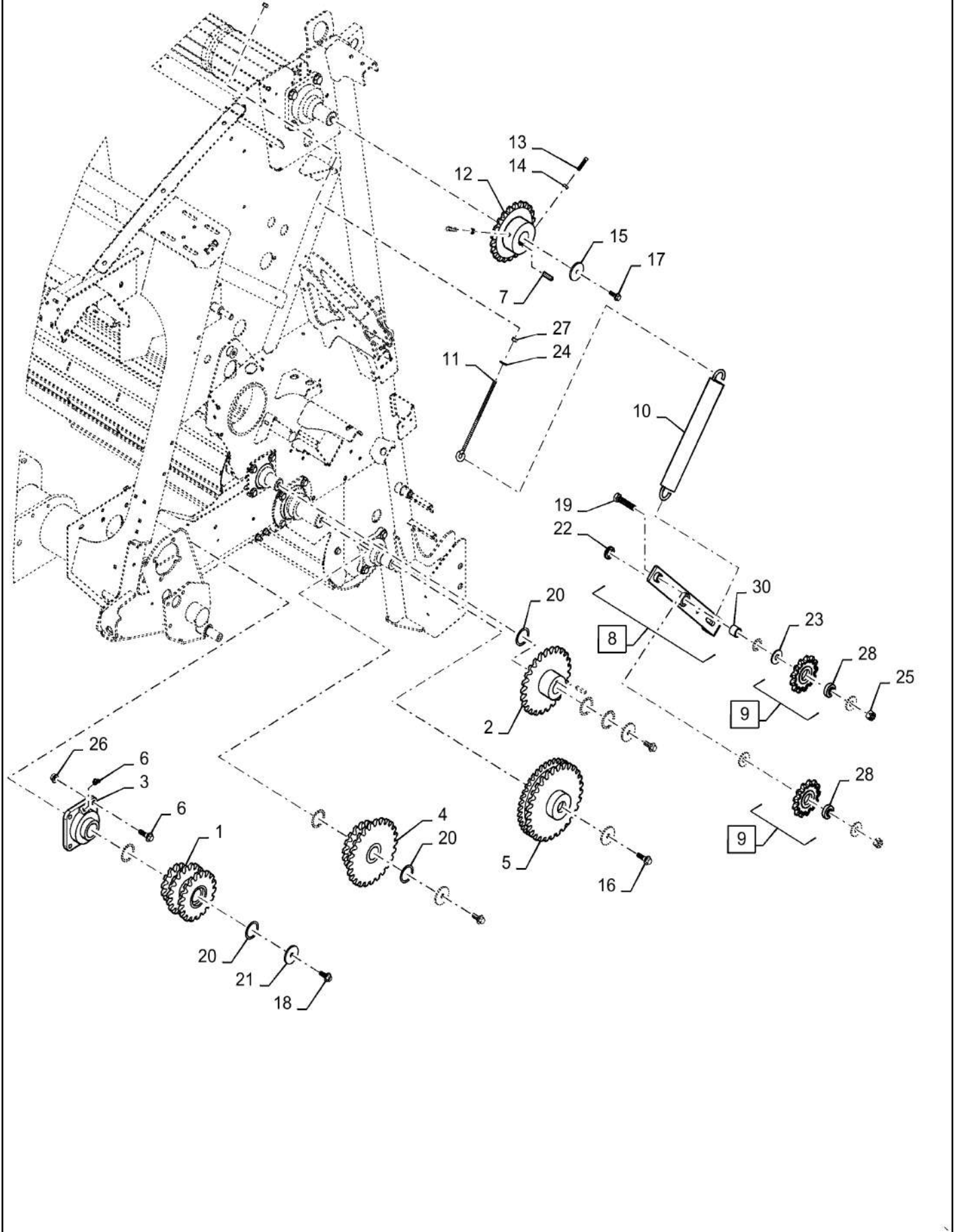
REF FN	PART NUMBER	YR/SN	QTY DESCRIPTION
1	1	84421259	1 SPROCKET RC80, 25T 25T RC80
1	2	84280322	1 SPROCKET RC80, 25T 25T RC80
2		47615330	1 SPROCKET 27T Internal, 13T/18T/18T External Triple, 13T-15T-15T RC80
3		86637269	1 DRIVEN SPROCKET RC80, 22T 22T RC80
4		84594180	1 SPROCKET 27T Internal, 17T/17T External Double, 17T, RC60H
5		84594720	1 SPROCKET 27T Internal, 16T/16T/25T External 16T RC60H - 25T RC80
6		87660332	1 BEARING ASSY 45mm ID
7		84401598	2 SPROCKET 39.967mm ID x 118.4mm OD x 14.61mm Thk Idler, 13T RC80, Incl 30
8		84019797	1 SLEEVE 25mm ID x 28mm OD x 25mm L Incl 30
9		84262617	1 ARM Idler, Incl 31
9		47748078	1 ARM Idler, Incl 31
10		86512547	1 SPRING Extension, 1.94" OD x 13 - 1/8" L
11		183356	1 EYEBOLT 3/8" - 16 x 10" L
12		80717	1 LUBE NIPPLE 45°, 1/8" NPT x 7/8" lg
13		26402	6 WASHER 25.8mm ID x 38.1mm OD x 1.7mm Thk
14		80299	4 WASHER 0.69" ID x 1.75" OD x 0.13" Thk
15		87652388	10 WASHER 45.24mm ID x 56.36mm OD x 1.52mm Thk
16		694478	4 WASHER 13.5mm ID x 57.15mm OD x 4.8mm Thk
17		80702	1 WASHER 0.44" ID x 1" OD x 0.08" Thk
18		86624647	1 WASHER 10.8mm ID x 57mm OD x 6.1mm Thk
19		86000441	2 NUT M16 x 2.0, Cl 8
20		9804279	4 FLANGE NUT Hex, M12, Cl 8
21		9628503	2 NUT 3/8"-16, G5
22		86509499	2 JAM NUT 3/8"-16, G2
23		86542824	2 SET SCREW Sq Hd, 3/8" - 16 x 1-1/2"

(1) Roll Belt 150

(2) Roll Belt 180

RB465-CASE IH ROUND BALER - EUROPE & R.O.W.

MAIN DRIVE, LH, SPROCKETS, OVERSHOT FEEDER

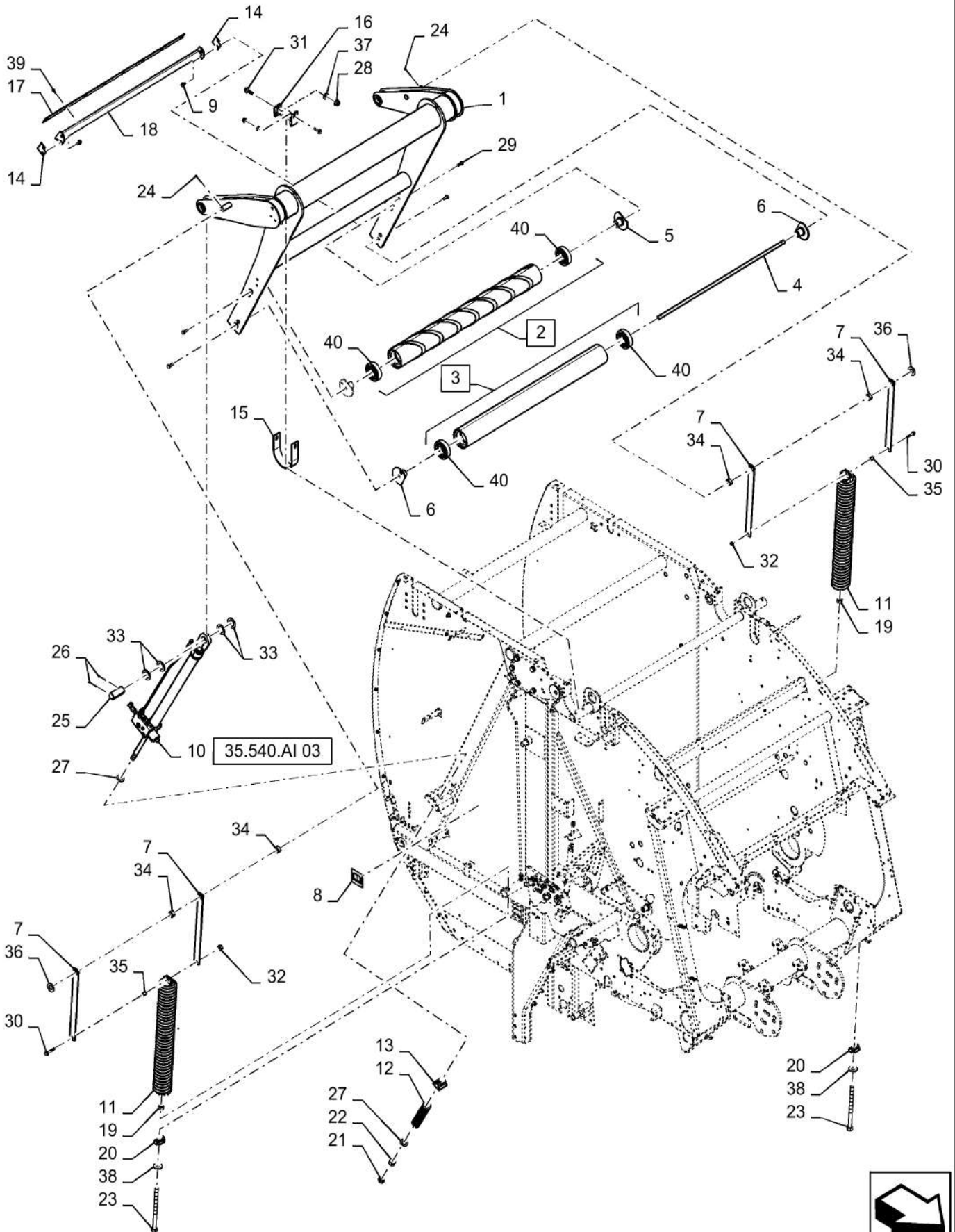


MAIN DRIVE, LH, SPROCKETS, OVERSHOT FEEDER

REF FN	PART NUMBER	YR/SN	QTY DESCRIPTION
24	309086		4 BOLT Hex, M12 x 60, 8.8, Full Thd
25	9670066		4 FLANGE BOLT Hex, M12 x 30mm, CI 8.8
26	120092		1 BOLT M16 x 70mm, CI 8.8
27	9804262		1 BOLT M10 x 39.2mm, CI 8.8
28	87483		2 KEY 0.31" x 1.5" L
29	140046		4 BELLEVILLE WASHER M12 x 27mm OD x 1.8mm Thk
30	66553		1 BALL BEARING 16.13mm ID x 40mm OD x 12.12mm W
31	84019797		1 SLEEVE 25mm ID x 28mm OD x 25mm L

RB465-CASE IH ROUND BALER - EUROPE & R.O.W.

VAR - 727159 - BALE TENSION TAKE UP ARM AND TWO SPRINGS, SINGLE HYD. CYLINDER, IN CAB CONTROL, 797301008 AND AFTER

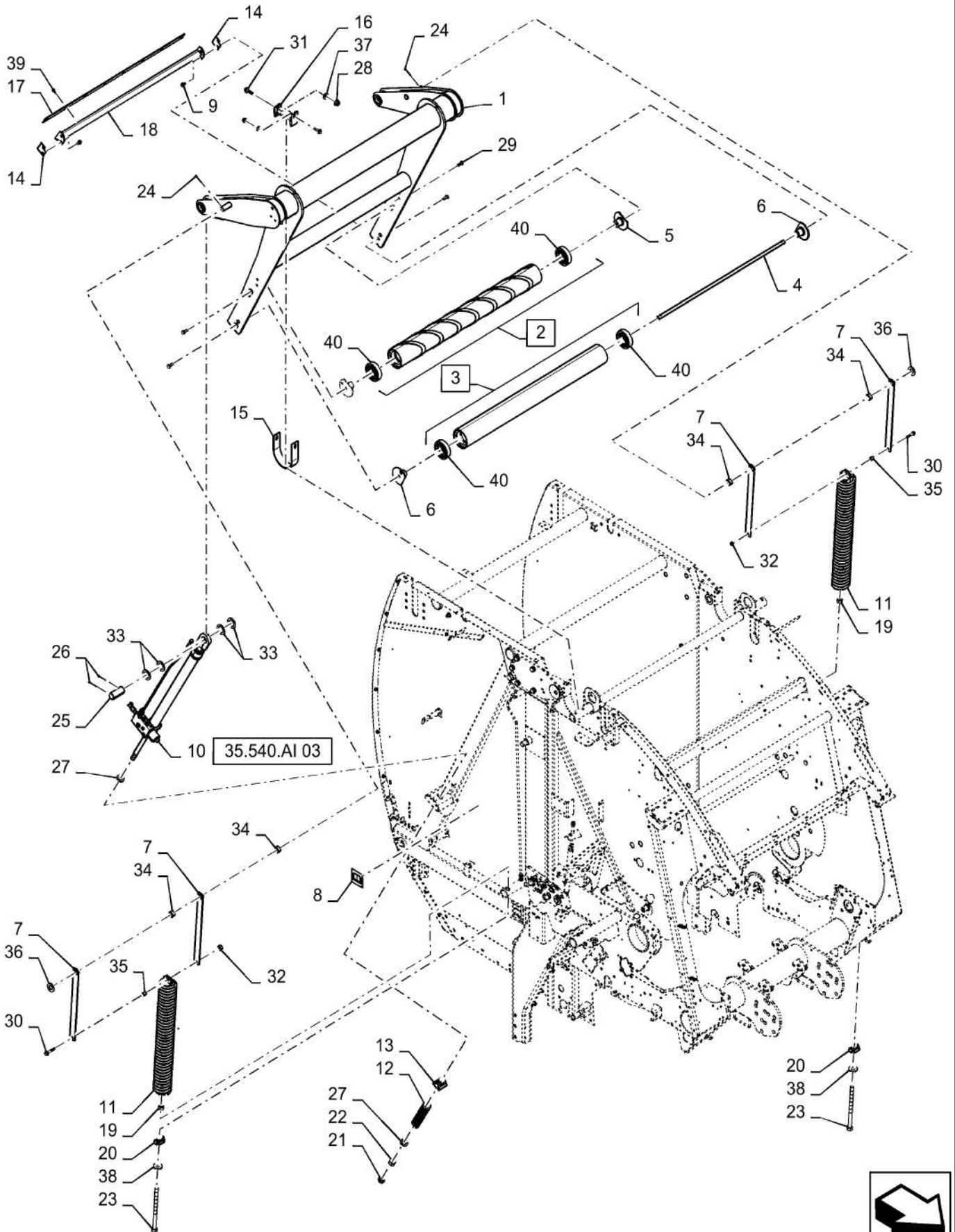


VAR - 727159 - BALE TENSION TAKE UP ARM AND TWO SPRINGS, SINGLE HYD. CYLINDER, IN CAB CONTROL, 797301008 AND AFTER

REF FN	PART NUMBER	YR/SN	QTY DESCRIPTION
1	84120249		1 ARM Takeup
2	47512226		1 ROLL Rear Serpentine Idler, Loop, Incl 40
3	84601406		1 ROLL Front Serpentine Idler, Incl 40
4	9823372		1 SHAFT 1135mm L
5	87646324		2 SUPPORT
6	87654792		2 SUPPORT
7	86637229		4 CONNECTING LINK
8	87022793		2 DECAL
9	86050286		4 FLANGE BOLT M10 x 20mm, CI 8.8
10	0C		1 ORDER COMPONENTS Bale Tension Hydraulic Assembly, Single Cylinder
11	87654704		2 SPRING
12	87655350		1 SPRING Compression, 1.81" OD x 9.44" L
13	87654703		1 PIVOT
14	47527692		2 SHIM 54mm OD x 0.4mm Thk
15	9617265		2 BAND
16	86636552		2 BEARING CAP
17	9845575		1 SCRAPER BLADE
18	87040645		1 ANGLE
19	280954		2 NUT 3/4"-10, G5
20	84407658		2 PIVOT
21	87314		1 JAM NUT Jam, 7/8"-9, G2
22	9849647		1 NUT 7/8"-9, G5
23	633038		2 THREADED ROD 3/4" - 10 x 11-1/2" L
24	87399		2 COTTER PIN 1/2 x 3 Bolt
25	86637228		1 PIN 38.1mm OD x 91.5mm L
26	87400		2 COTTER PIN 3/16" x 2"
27	9848974		2 WASHER 25mm ID x 44mm OD x 4mm Thk 25 x 44 x 4
28	86619803		4 FLANGE NUT M12
29	86627635		4 BOLT Hex, M12 x 1.75 x 30mm, CI 10.9 CSHH 10.9 M12 X 30 6.5 HEAD
30	9804264		2 BOLT M10 x 59.2mm OAL, CI 8.8

RB465-CASE IH ROUND BALER - EUROPE & R.O.W.

VAR - 727159 - BALE TENSION TAKE UP ARM AND TWO SPRINGS, SINGLE HYD. CYLINDER, IN CAB CONTROL, 797301008 AND AFTER



62.140.AQ

02

p2

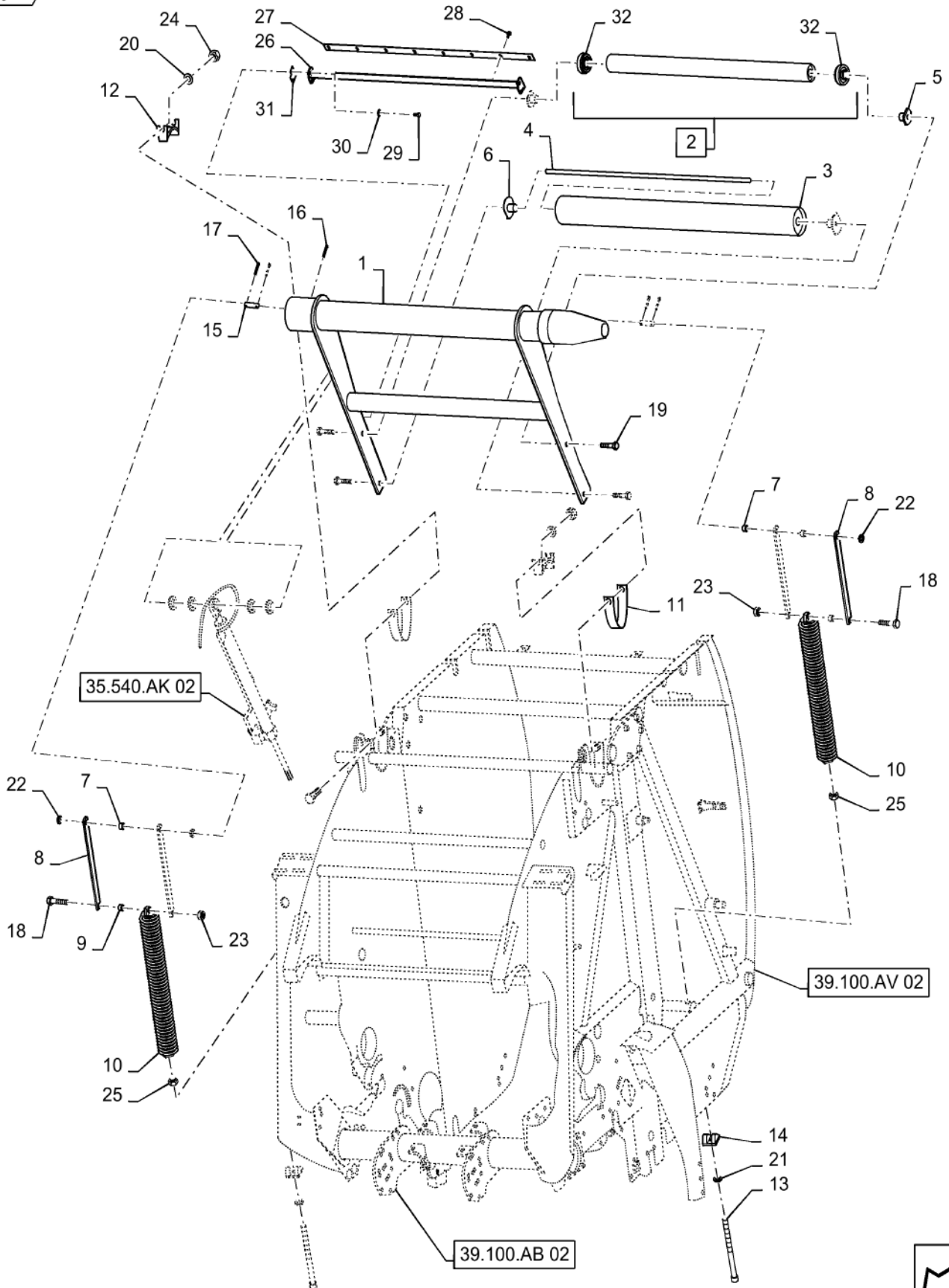
9/2015

VAR - 727159 - BALE TENSION TAKE UP ARM AND TWO SPRINGS, SINGLE HYD. CYLINDER, IN CAB CONTROL, 797301008 AND AFTER

REF FN	PART NUMBER	YR/SN	QTY DESCRIPTION
31	9804268		4 BOLT Hex, M12 x 40mm, Cl 8.8, Full Thd
32	100037		2 NUT M0 x 1.5, Cl 8
33	28581		4 WASHER 38.9mm ID x 60.3mm OD x 3.5mm Thk 60 x 39
34	87655372		4 SPACER 25.9mm ID x 31.5mm OD x 16.8mm Thk
35	86636659		2 SPACER 10.28mm ID x 15.85mm OD x 21.84mm L
36	87367		2 WASHER 1.06" ID x 2" OD x 0.13" Thk
37	87364		4 WASHER 0.53" ID x 1.06" OD x 0.1" Thk
38	86511191		2 WASHER 0.81" ID x 2" OD x 0.15" Thk
39	86511479		8 BOLT Hex Flg, M8 x 20mm
40	47504953		2 BEARING HOUSING 73mm ID x 106.1mm OD x 30mm Thk Incl 41
41	9845576		2 BALL BEARING 38.1mm ID x 80mm OD x 22mm W

RB465-CASE IH ROUND BALER - EUROPE & R.O.W.

VAR - 726813 - BALE TENSION TAKE UP ARM AND TWO SPRINGS, SINGLE HYD. CYLINDER, 794992016 AND PRIOR

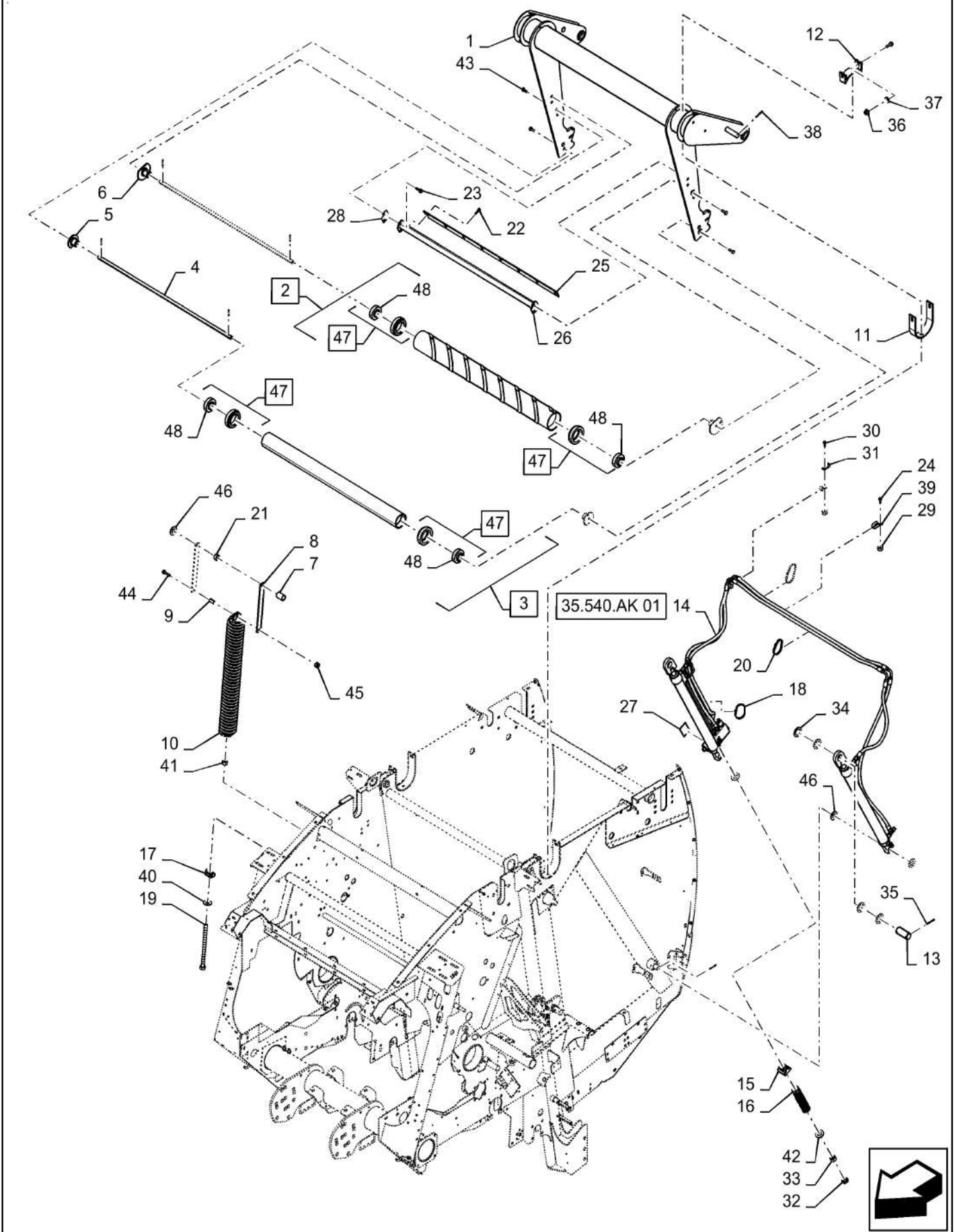


VAR - 726813 - BALE TENSION TAKE UP ARM AND TWO SPRINGS, SINGLE HYD. CYLINDER, 794992016 AND PRIOR

REF FN	PART NUMBER	YR/SN	QTY DESCRIPTION
1	84120249		1 ARM Takeup
2	47512226		1 ROLL Front Serpentine
3	84601406		1 ROLL Rear Serpentine
4	9823372		1 SHAFT 1135mm L
5	87654791		2 SUPPORT
6	87654792		2 SUPPORT
7	87655372		4 SPACER 25.9mm ID x 31.5mm OD x 16.8mm Thk
8	86637229		4 CONNECTING LINK
9	86636659		2 SPACER 10.28mm ID x 15.85mm OD x 21.84mm L
10	87654704		2 SPRING
11	9617265		2 BAND
12	86636552		2 BEARING CAP
13	633038		2 THREADED ROD 3/4" - 10 x 11-1/2" L
14	84407658		2 PIVOT
15	86637228		1 PIN 38.1mm OD x 91.5mm L
16	87399		2 COTTER PIN 1/2 x 3 Bolt
17	87400		2 COTTER PIN 3/16" x 2"
18	9804264		2 BOLT M10 x 59.2mm OAL, CI 8.8
19	86627635		4 BOLT Hex, M12 x 1.75 x 30mm, CI 10.9
20	87364		4 WASHER 0.53" ID x 1.06" OD x 0.1" Thk
21	86511191		2 WASHER 0.81" ID x 2" OD x 0.15" Thk
22	87367		2 WASHER 1.06" ID x 2" OD x 0.13" Thk
23	100037		2 NUT M0 x 1.5, CI 8
24	100038		4 NUT M12 x 1.75, CI 8
25	280954		2 NUT 3/4"-10, G5

RB465-CASE IH ROUND BALER - EUROPE & R.O.W.

VAR - 726815 - BALE TENSION TAKE UP ARM AND TWO SPRINGS WITH LOOP ROLL, DUAL HYD. CYLINDERS, IN CAB CONTROL, 797301008 AND AFTER

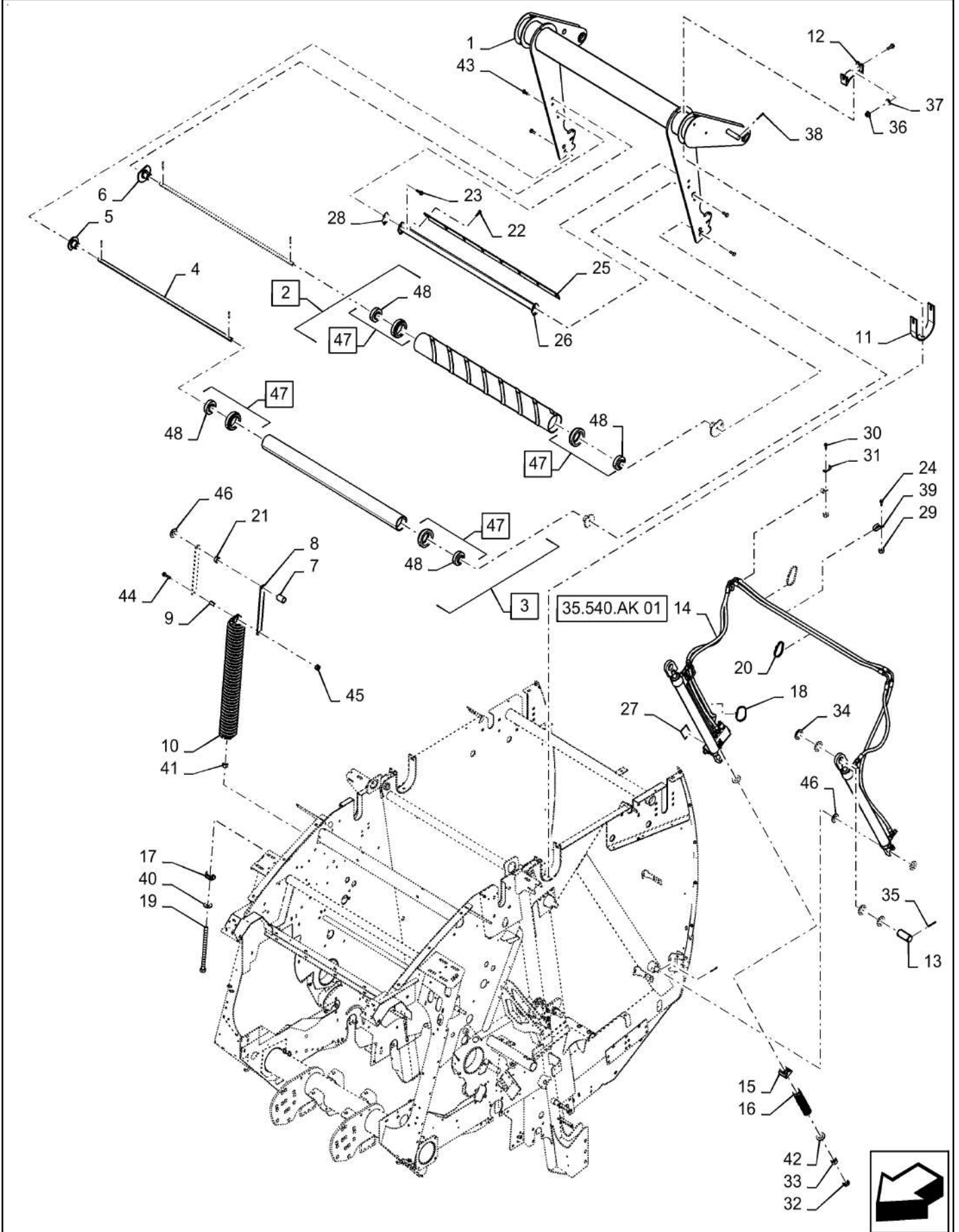


VAR - 726815 - BALE TENSION TAKE UP ARM AND TWO SPRINGS WITH LOOP ROLL, DUAL HYD. CYLINDERS, IN CAB CONTROL, 797301008 AND AFTER

REF FN	PART NUMBER	YR/SN	QTY DESCRIPTION
1	84120249		1 ARM Takeup
2	47512226		1 ROLL Rear Sepentine Idler, Incl 47
3	84601406		1 ROLL Front Sepentine Idler, Incl 47
4	9823372		1 SHAFT 1135mm L
5	87654792		2 SUPPORT
6	87646324		2 SUPPORT
7	87655372		4 SPACER 25.9mm ID x 31.5mm OD x 16.8mm Thk
8	86637229		4 CONNECTING LINK
9	86636659		2 SPACER 10.28mm ID x 15.85mm OD x 21.84mm L
10	87654704		2 SPRING
11	9617265		2 BAND
12	86636552		2 BEARING CAP
13	86637228		2 PIN 38.1mm OD x 91.5mm L
14	0C		1 ORDER COMPONENTS Bale Tension Hydraulic Assembly, Dual Cylinders
15	87654703		1 PIVOT
16	87655350		1 SPRING Compression, 1.81" OD x 9.44" L
17	84407658		2 PIVOT
18	86566989		2 CABLE TIE 208mm L
19	633038		2 THREADED ROD 3/4" - 10 x 11-1/2" L
20	87034173		7 CABLE TIE 774.7mm L
21	86511479		8 BOLT Hex Flg, M8 x 20mm
22	86050286		4 FLANGE BOLT M10 x 20mm, CI 8.8
23	9804258		4 BOLT Hex, M8 x 1.25 x 20mm, CI 8.8
24	9845575		1 SCRAPER BLADE
25	87040645		1 ANGLE
26	87022793		2 DECAL
27	47527692		2 SHIM 54mm OD x 0.4mm Thk 0.4 Thk.
28	86629542		4 NUT M8 x 1.25, CI 8
29	9671714		2 FLANGE BOLT Hex, M8 x 1.25 x 25mm, CI 8.8
30	711051		4 CLAMP
31	87314		1 JAM NUT Jam, 7/8"-9, G2

RB465-CASE IH ROUND BALER - EUROPE & R.O.W.

VAR - 726815 - BALE TENSION TAKE UP ARM AND TWO SPRINGS WITH LOOP ROLL, DUAL HYD. CYLINDERS, IN CAB CONTROL, 797301008 AND AFTER



62.140.AQ

04

p2

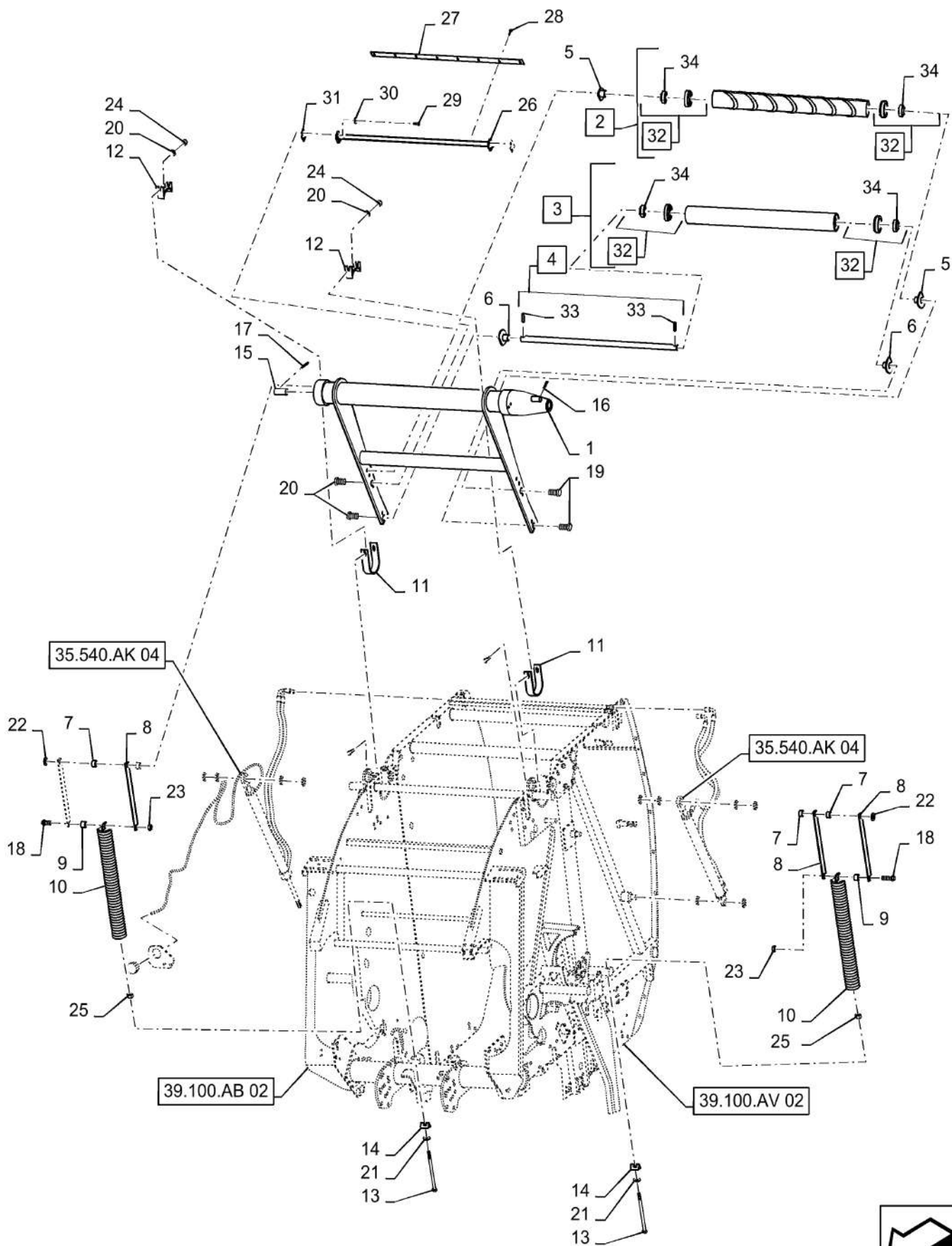
9/2015

VAR - 726815 - BALE TENSION TAKE UP ARM AND TWO SPRINGS WITH LOOP ROLL, DUAL HYD. CYLINDERS, IN CAB CONTROL, 797301008 AND AFTER

REF FN	PART NUMBER	YR/SN	QTY DESCRIPTION
32	9849647		1 NUT 7/8"-9, G5
33	28581		8 WASHER 38.9mm ID x 60.3mm OD x 3.5mm Thk 60 x 39
34	87400		4 COTTER PIN 3/16" x 2"
35	86619803		4 FLANGE NUT M12
36	87364		4 WASHER 0.53" ID x 1.06" OD x 0.1" Thk
37	9804268		4 BOLT Hex, M12 x 40mm, CI 8.8, Full Thd
38	87399		3 COTTER PIN 1/2 x 3 Bolt
39	600427		4 CLAMP 25.4mm, Coat, 8.7mm Bolt Hole, P Type
40	86511191		2 WASHER 0.81" ID x 2" OD x 0.15" Thk
41	280954		2 NUT 3/4"-10, G5
42	9848974		2 WASHER 25mm ID x 44mm OD x 4mm Thk 25 x 44 x 4
43	86627635		4 BOLT Hex, M12 x 1.75 x 30mm, CI 10.9 CSHH 10.9 M12 X 30 6.5 HEAD
44	9804264		2 BOLT M10 x 59.2mm OAL, CI 8.8
45	100037		2 NUT M0 x 1.5, CI 8
46	87367		4 WASHER 1.06" ID x 2" OD x 0.13" Thk
47	47504953		2 BEARING HOUSING 73mm ID x 106.1mm OD x 30mm Thk Incl 48
48	9845576		2 BALL BEARING 38.1mm ID x 80mm OD x 22mm W

RB465-CASE IH ROUND BALER - EUROPE & R.O.W.

VAR - 726815 - BALE TENSION TAKE UP ARM AND TWO SPRINGS WITH LOOP ROLL, DUAL HYD. CYLINDERS, 794992016 AND PRIOR

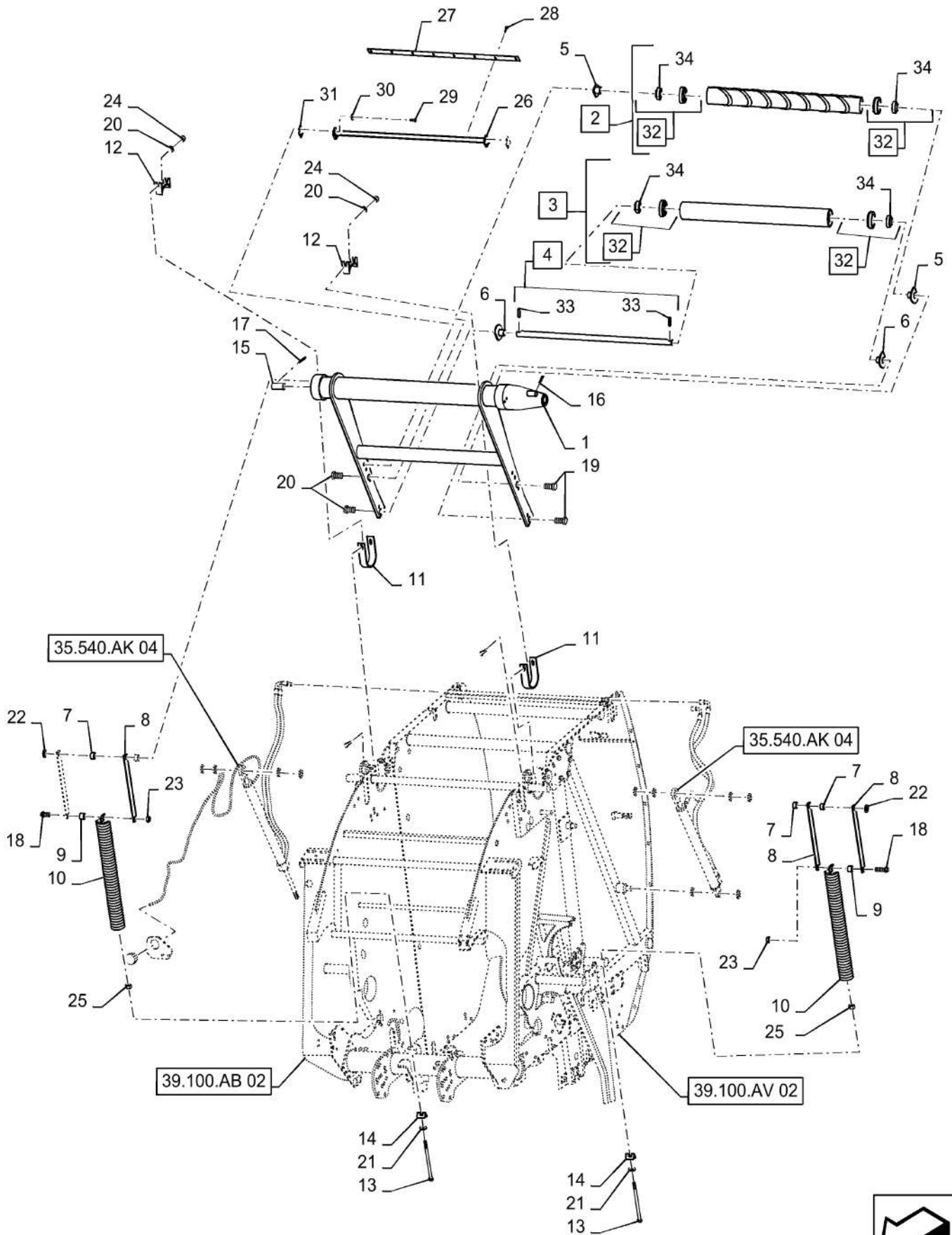


VAR - 726815 - BALE TENSION TAKE UP ARM AND TWO SPRINGS WITH LOOP ROLL, DUAL HYD. CYLINDERS, 794992016 AND PRIOR

REF FN	PART NUMBER	YR/SN	QTY DESCRIPTION
1	84120249		1 ARM Takeup
2	47512226		1 ROLL Front Serpentine, Incl 32
3	84601406		1 ROLL Rear Serpentine, Incl 32
4	9823372		1 SHAFT 1135mm L Incl 33
5	87654791		2 SUPPORT
6	87654792		2 SUPPORT
7	87655372		4 SPACER 25.9mm ID x 31.5mm OD x 16.8mm Thk
8	86637229		4 CONNECTING LINK
9	86636659		2 SPACER 10.28mm ID x 15.85mm OD x 21.84mm L
10	87654704		2 SPRING Bale Tension
11	9617265		2 BAND
12	86636552		2 BEARING CAP
13	633038		2 THREADED ROD 3/4" - 10 x 11-1/2" L
14	84407658		2 PIVOT
15	86637228		2 PIN 38.1mm OD x 91.5mm L
16	87399		3 COTTER PIN 1/2 x 3 Bolt
17	87400		4 COTTER PIN 3/16" x 2"
18	9804264		2 BOLT M10 x 59.2mm OAL, CI 8.8
19	86627635		4 BOLT Hex, M12 x 1.75 x 30mm, CI 10.9
20	87364		4 WASHER 0.53" ID x 1.06" OD x 0.1" Thk
21	86511191		2 WASHER 0.81" ID x 2" OD x 0.15" Thk
22	87367		4 WASHER 1.06" ID x 2" OD x 0.13" Thk
23	100037		2 NUT M0 x 1.5, CI 8
24	100038		4 NUT M12 x 1.75, CI 8
25	280954		2 NUT 3/4"-10, G5
26	87040645		1 ANGLE
27	9845575		1 SCRAPER BLADE
28	86511479		8 BOLT Hex Flg, M8 x 20mm
29	9861444		4 BOLT Hex, M10 x 1.5 x 20mm, CI 10.9
30	140045		4 BELLEVILLE WASHER M10X22 ZNM
31	47527692		2 SHIM 54mm OD x 0.4mm Thk
32	47504953		4 BEARING HOUSING 73mm ID x 106.1mm OD x 30mm Thk Incl 34

RB465-CASE IH ROUND BALER - EUROPE & R.O.W.

VAR - 726815 - BALE TENSION TAKE UP ARM AND TWO SPRINGS WITH LOOP ROLL, DUAL HYD. CYLINDERS, 794992016 AND PRIOR



62.140.AQ

04

p2

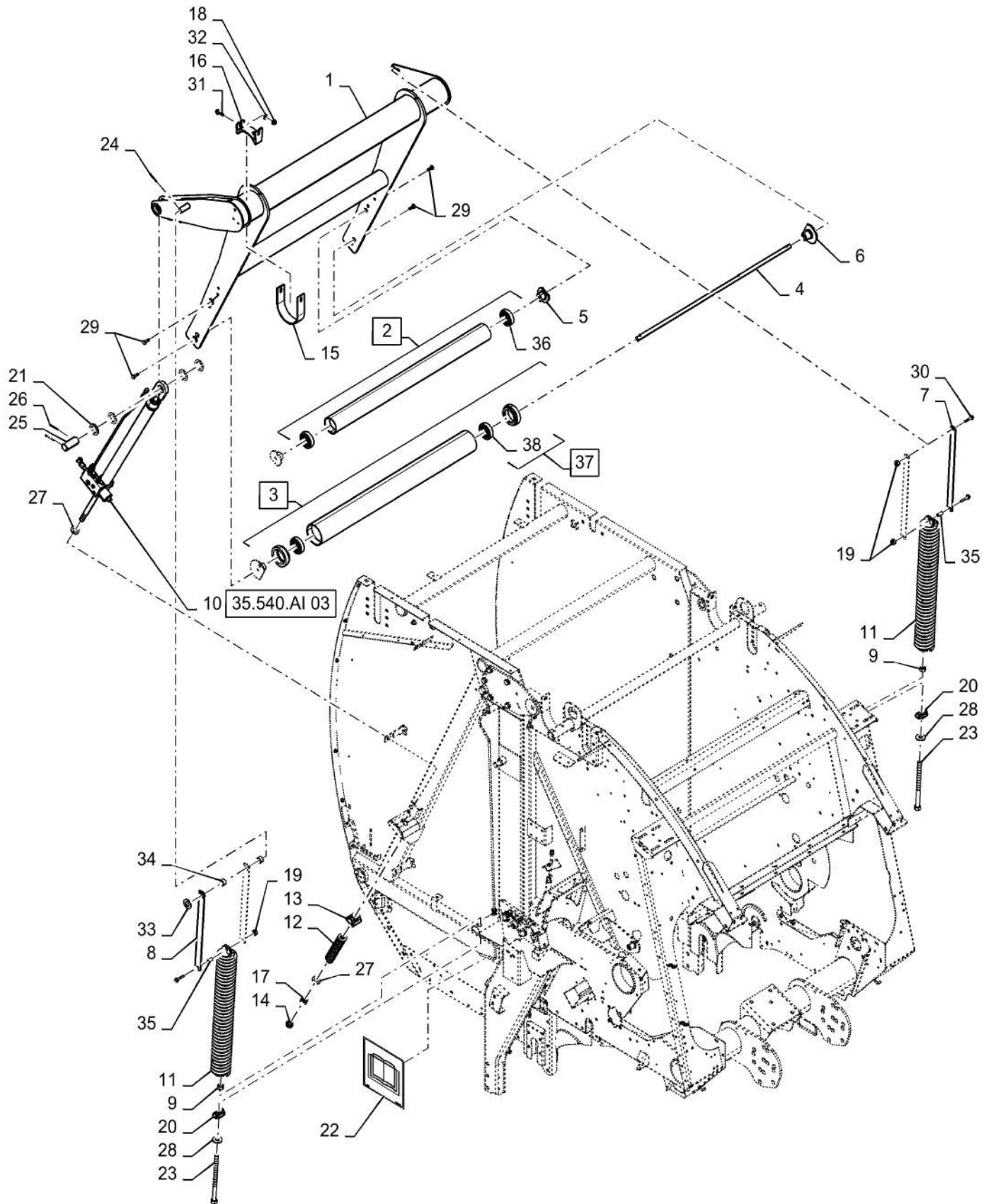
9/2015

VAR - 726815 - BALE TENSION TAKE UP ARM AND TWO SPRINGS WITH LOOP ROLL, DUAL HYD. CYLINDERS, 794992016 AND PRIOR

REF FN	PART NUMBER	YR/SN	QTY DESCRIPTION
33	130045		2 PIN 5mm OD x 26mm L, Slotted
34	84259867		4 BALL BEARING 38.1mm ID x 80mm OD x 22mm W

RB465-CASE IH ROUND BALER - EUROPE & R.O.W.

VAR - 727159 - BALE TENSION TAKE UP ARM AND TWO SPRINGS, SINGLE HYD. CYLINDER, OVERSHOT FEEDER, IN CAB CONTROL, 797301008 AND AFTER

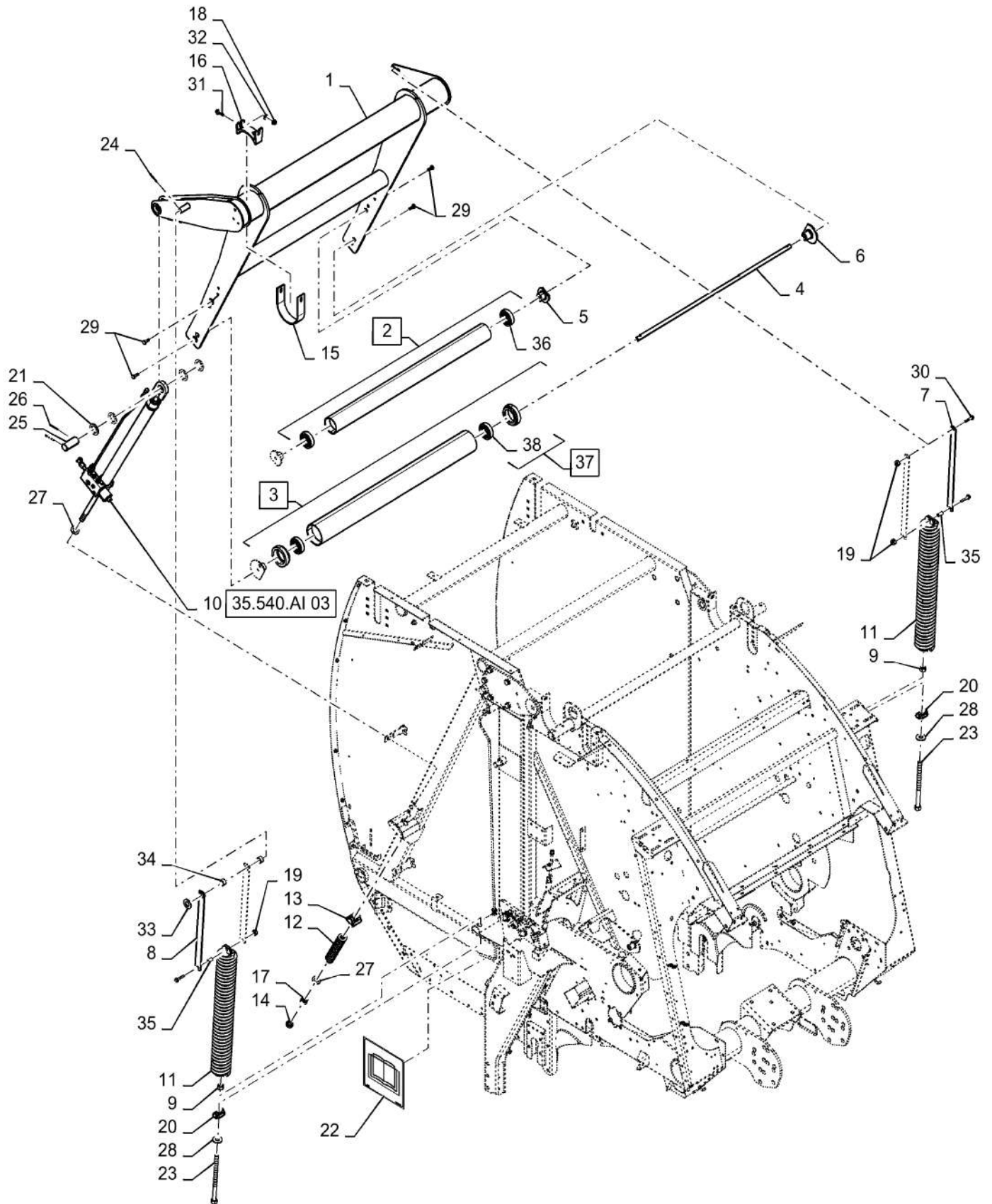


VAR - 727159 - BALE TENSION TAKE UP ARM AND TWO SPRINGS, SINGLE HYD. CYLINDER, OVERSHOT FEEDER, IN CAB CONTROL, 797301008 AND AFTER

REF FN	PART NUMBER	YR/SN	QTY DESCRIPTION
1	84371620		1 ARM Takeup
2	84356720		1 ROLL 88.9mm OD x 1142mm L Front Serpentine Idler, Incl 36
3	84601406		1 ROLL Rear Serpentine Idler, Incl 37
4	9823372		1 SHAFT 1135mm L
5	87654791		2 SUPPORT
6	87654792		2 SUPPORT
7	86978164		2 CONNECTING LINK
8	86637229		2 CONNECTING LINK
9	280954		2 NUT 3/4"-10, G5
10	0C		1 ORDER COMPONENTS Bale Tension Hydraulics Assembly, Single Cylinder
11	87654704		2 SPRING
12	87655350		1 SPRING Compression, 1.81" OD x 9.44" L
13	87654703		1 PIVOT
14	87314		1 JAM NUT Jam, 7/8"-9, G2
15	9617265		2 BAND
16	86636552		2 BEARING CAP
17	9849647		1 NUT 7/8"-9, G5
18	86619803		4 FLANGE NUT M12
19	100037		3 NUT M0 x 1.5, CI 8
20	84407658		2 PIVOT
21	28581		4 WASHER 38.9mm ID x 60.3mm OD x 3.5mm Thk 60 x 39
22	87022793		2 DECAL
23	633038		2 THREADED ROD 3/4" - 10 x 11-1/2" L
24	87399		1 COTTER PIN 1/2 x 3 Bolt
25	86637228		1 PIN 38.1mm OD x 91.5mm L
26	87400		2 COTTER PIN 3/16" x 2"
27	9848974		2 WASHER 25mm ID x 44mm OD x 4mm Thk
28	86511191		2 WASHER 0.81" ID x 2" OD x 0.15" Thk
29	86627635		4 BOLT Hex, M12 x 1.75 x 30mm, CI 10.9
30	9804264		3 BOLT M10 x 59.2mm OAL, CI 8.8

RB465-CASE IH ROUND BALER - EUROPE & R.O.W.

VAR - 727159 - BALE TENSION TAKE UP ARM AND TWO SPRINGS, SINGLE HYD. CYLINDER, OVERSHOT FEEDER, IN CAB CONTROL, 797301008 AND AFTER



62.140.AQ

06

p2

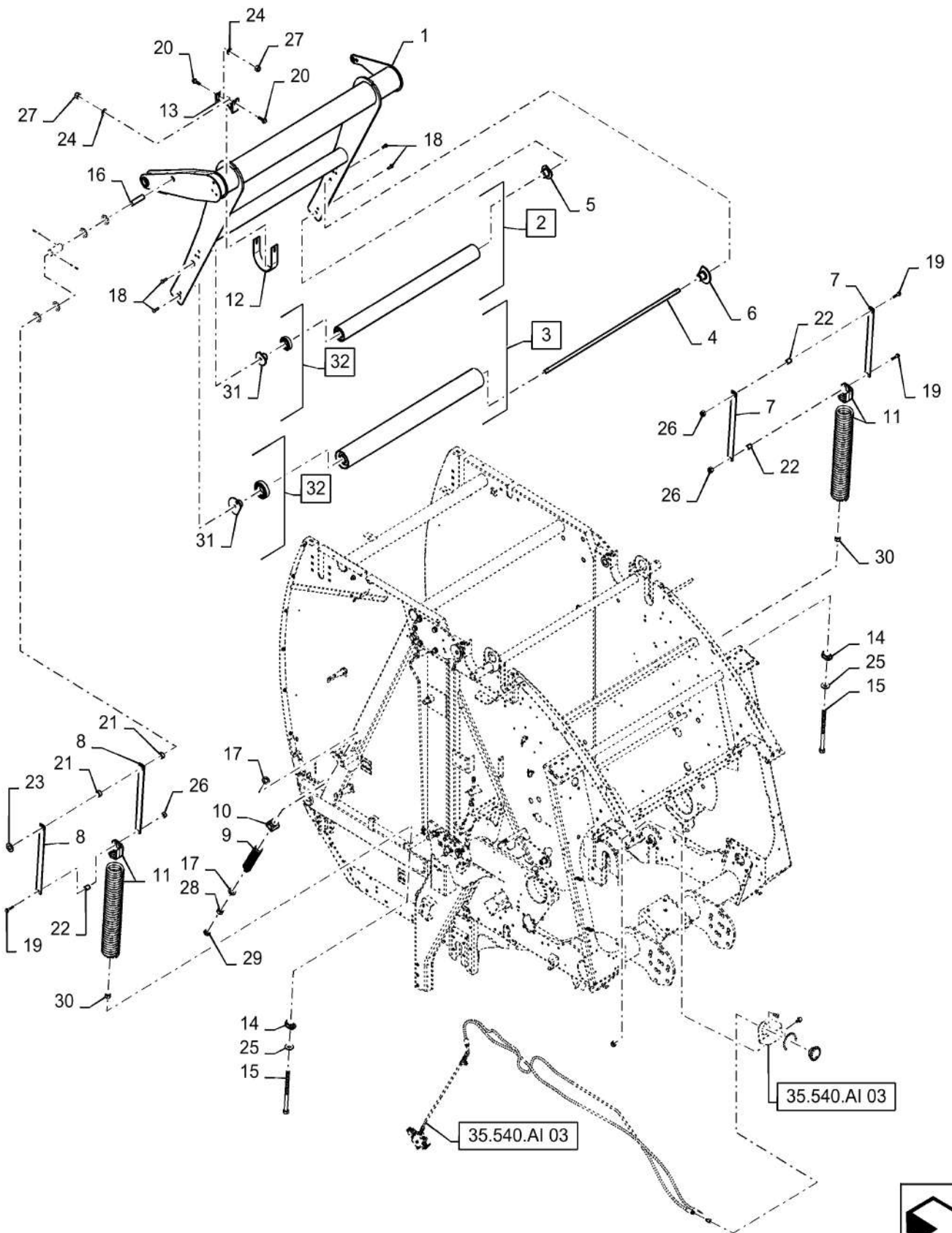
9/2015

VAR - 727159 - BALE TENSION TAKE UP ARM AND TWO SPRINGS, SINGLE HYD. CYLINDER, OVERSHOT FEEDER, IN CAB CONTROL, 797301008 AND AFTER

REF FN	PART NUMBER	YR/SN	QTY DESCRIPTION
31	9804268		4 BOLT Hex, M12 x 40mm, Cl 8.8, Full Thd
32	87364		4 WASHER 0.53" ID x 1.06" OD x 0.1" Thk
33	87367		1 WASHER 1.06" ID x 2" OD x 0.13" Thk
34	87655372		2 SPACER 25.9mm ID x 31.5mm OD x 16.8mm Thk
35	86636659		3 SPACER 10.28mm ID x 15.85mm OD x 21.84mm L
36	84259867		2 BALL BEARING 38.1mm ID x 80mm OD x 22mm W
37	47504953		2 BEARING HOUSING 73mm ID x 106.1mm OD x 30mm Thk Incl 38
38	9845576		2 BALL BEARING 38.1mm ID x 80mm OD x 22mm W

RB465-CASE IH ROUND BALER - EUROPE & R.O.W.

VAR - 726813 - BALE TENSION TAKE UP ARM AND TWO SPRINGS, SINGLE HYD. CYLINDER, OVERSHOT FEEDER, 794992016 AND PRIOR

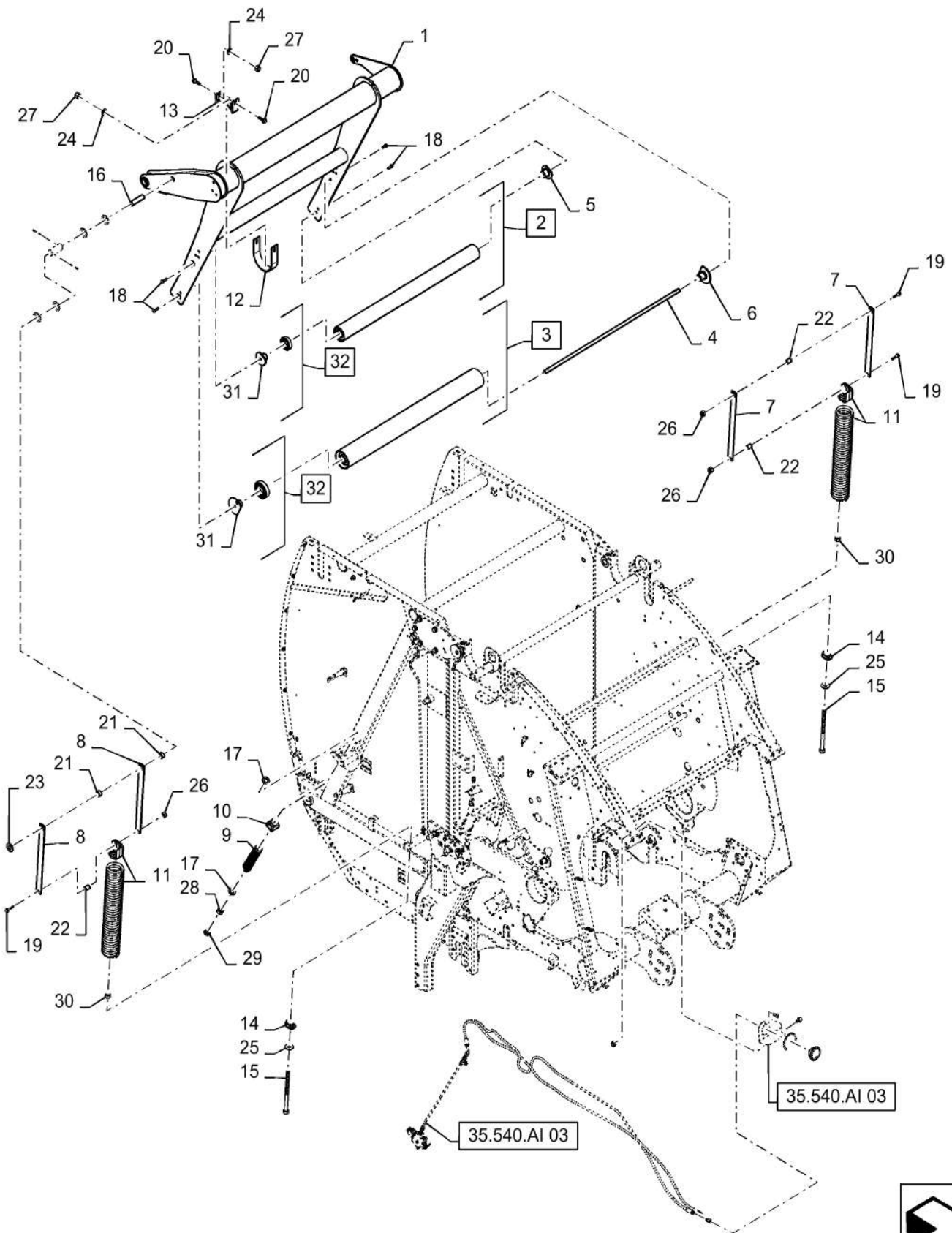


VAR - 726813 - BALE TENSION TAKE UP ARM AND TWO SPRINGS, SINGLE HYD. CYLINDER, OVERSHOT FEEDER, 794992016 AND PRIOR

REF FN	PART NUMBER	YR/SN	QTY DESCRIPTION
1	84371620		1 ARM Takeup
2	84356720		1 ROLL 88.9mm OD x 1142mm L Front Serpentine, Incl 31
3	84601406		1 ROLL Rear Serpentine, Incl 32
4	9823372		1 SHAFT 1135mm L
5	87654791		2 SUPPORT
6	87654792		2 SUPPORT
7	86978164		2 CONNECTING LINK
8	86637229		2 CONNECTING LINK
9	87655350		1 SPRING Compression, 1.81" OD x 9.44" L
10	226131		1 PIVOT
11	87654704		2 SPRING
12	9617265		2 BAND
13	86636552		2 BEARING CAP
14	84407658		2 PIVOT
15	633038		2 THREADED ROD 3/4" - 10 x 11-1/2" L
16	87399		1 COTTER PIN 1/2 x 3 Bolt
17	9848974		2 WASHER 25mm ID x 44mm OD x 4mm Thk
18	86627635		4 BOLT Hex, M12 x 1.75 x 30mm, CI 10.9
19	9804264		3 BOLT M10 x 59.2mm OAL, CI 8.8
20	9804268		4 BOLT Hex, M12 x 40mm, CI 8.8, Full Thd
21	87655372		2 SPACER 25.9mm ID x 31.5mm OD x 16.8mm Thk
22	86636659		3 SPACER 10.28mm ID x 15.85mm OD x 21.84mm L
23	87367		1 WASHER 1.06" ID x 2" OD x 0.13" Thk
24	87364		4 WASHER 0.53" ID x 1.06" OD x 0.1" Thk
25	86511191		2 WASHER 0.81" ID x 2" OD x 0.15" Thk
26	100037		3 NUT M0 x 1.5, CI 8
27	100038		4 NUT M12 x 1.75, CI 8
28	9849647		1 NUT 7/8"-9, G5
29	87314		1 JAM NUT Jam, 7/8"-9, G2
30	280954		2 NUT 3/4"-10, G5
31	84259867		2 BALL BEARING 38.1mm ID x 80mm OD x 22mm W

RB465-CASE IH ROUND BALER - EUROPE & R.O.W.

VAR - 726813 - BALE TENSION TAKE UP ARM AND TWO SPRINGS, SINGLE HYD. CYLINDER, OVERSHOT FEEDER, 794992016 AND PRIOR



62.140.AQ

06

p2

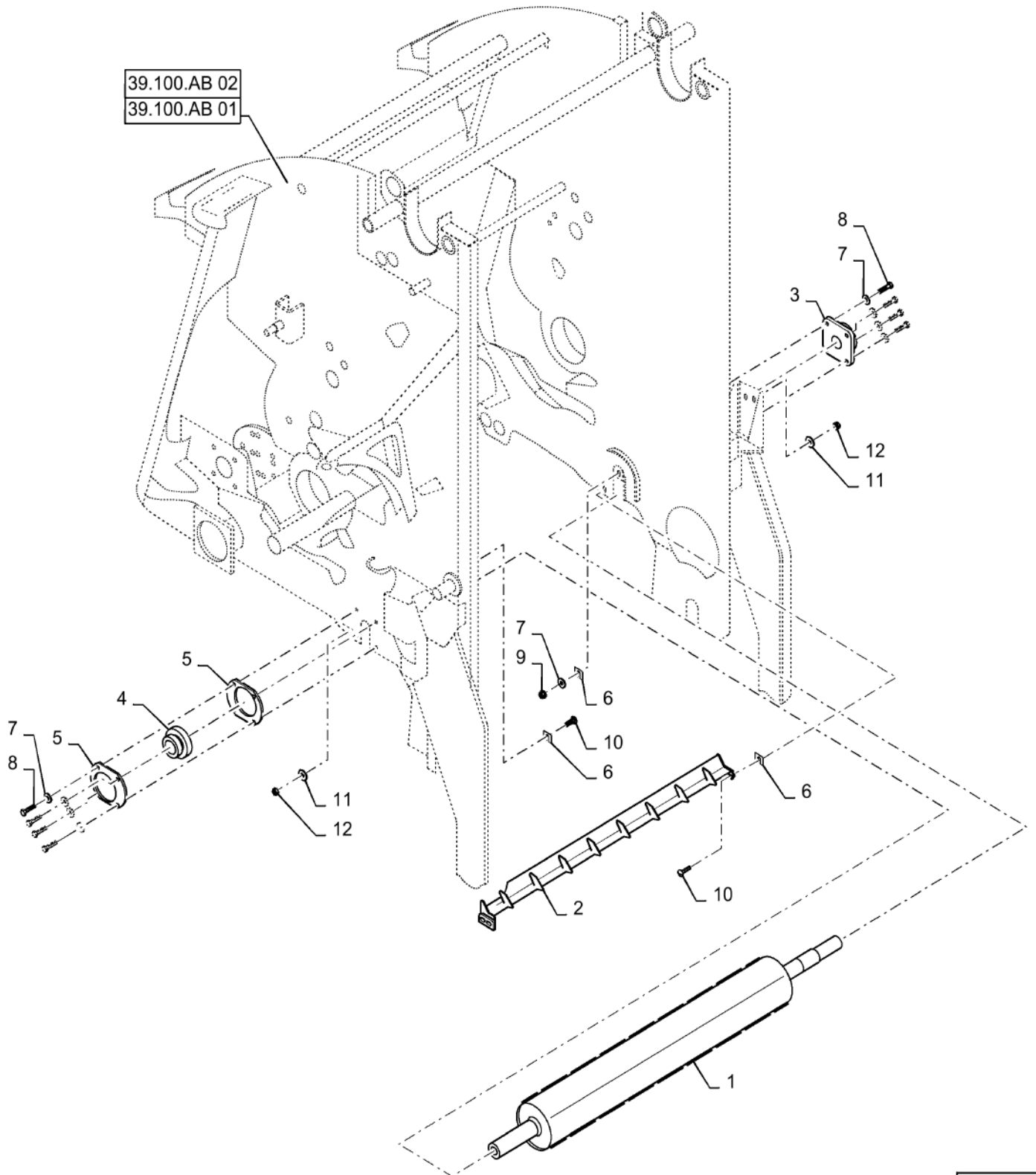
9/2015

VAR - 726813 - BALE TENSION TAKE UP ARM AND TWO SPRINGS, SINGLE HYD. CYLINDER, OVERSHOT FEEDER, 794992016 AND PRIOR

REF FN	PART NUMBER	YR/SN	QTY DESCRIPTION
32	47504953		2 BEARING HOUSING 73mm ID x 106.1mm OD x 30mm Thk Incl 31

RB465-CASE IH ROUND BALER - EUROPE & R.O.W.

STARTER ROLL - ROTOR

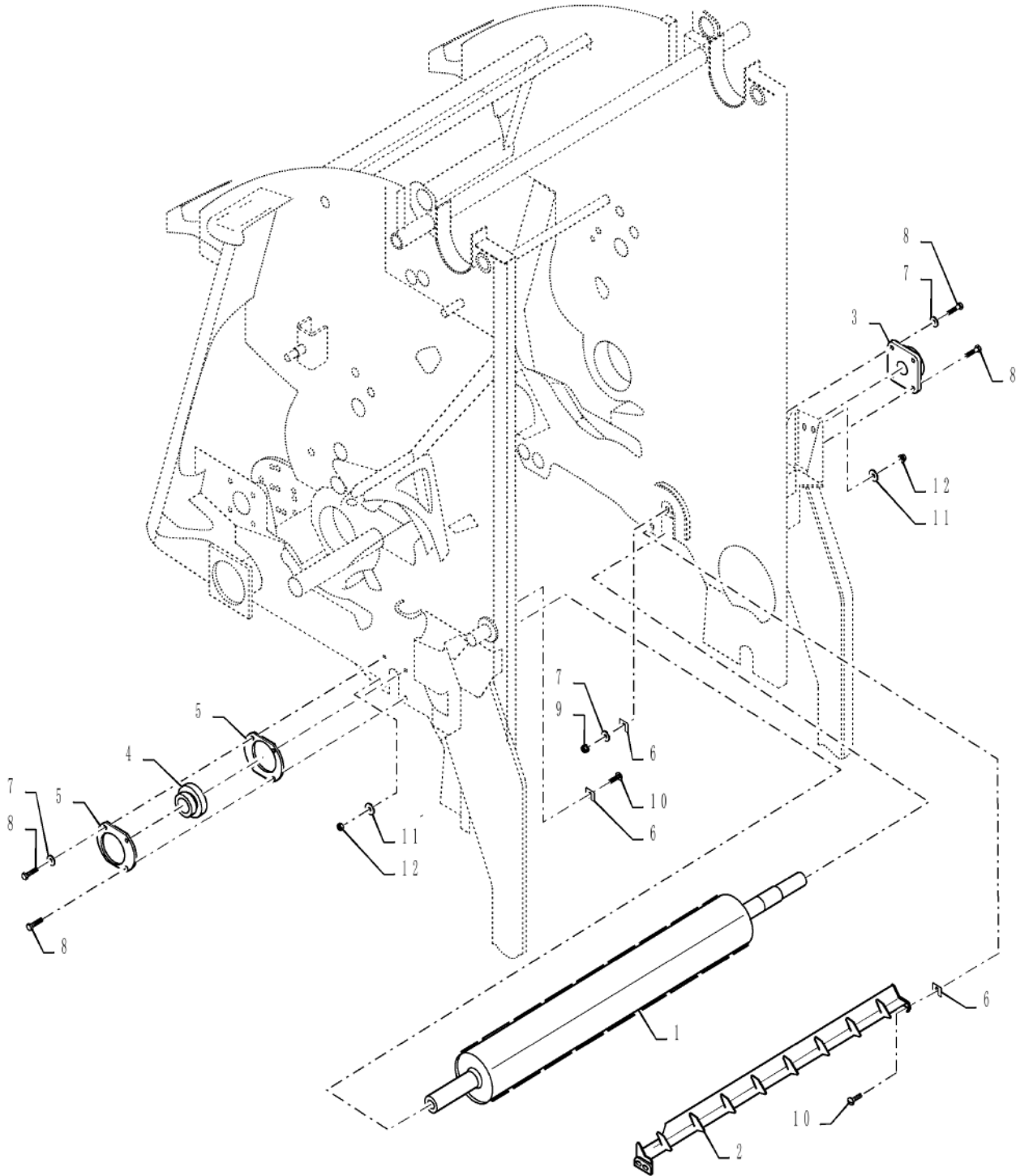


STARTER ROLL - ROTOR

REF FN	PART NUMBER	YR/SN	QTY DESCRIPTION
1	84377821		1 ROLL 168.3mm OD x 1671.6mm L Starter, with Rotor
2	84319191		1 RAKE
3	87660332		1 BEARING ASSY 45mm ID
4	685728		1 BALL BEARING 50.8mm ID x 86.2mm OD x 25mm W
5	76450		2 FLANGE
6	87658033		AR SHIM
7	140046		8 BELLEVILLE WASHER M12 x 27mm OD x 1.8mm Thk
8	86629541		8 BOLT Hex, M12 x 1.75 x 40mm, CI 8.8
9	9804279		2 FLANGE NUT Hex, M12, CI 8
10	374892		4 CARRIAGE BOLT M10 x 1.5 x 40mm, CI 8.8
11	140045		4 BELLEVILLE WASHER M10X22 ZNM
12	9804278		4 FLANGE NUT M10 x 1.5, CI 8

RB465-CASE IH ROUND BALER - EUROPE & R.O.W.

STARTER ROLL, UNDERSHOT ROTOR



62.150.AB

01

p1

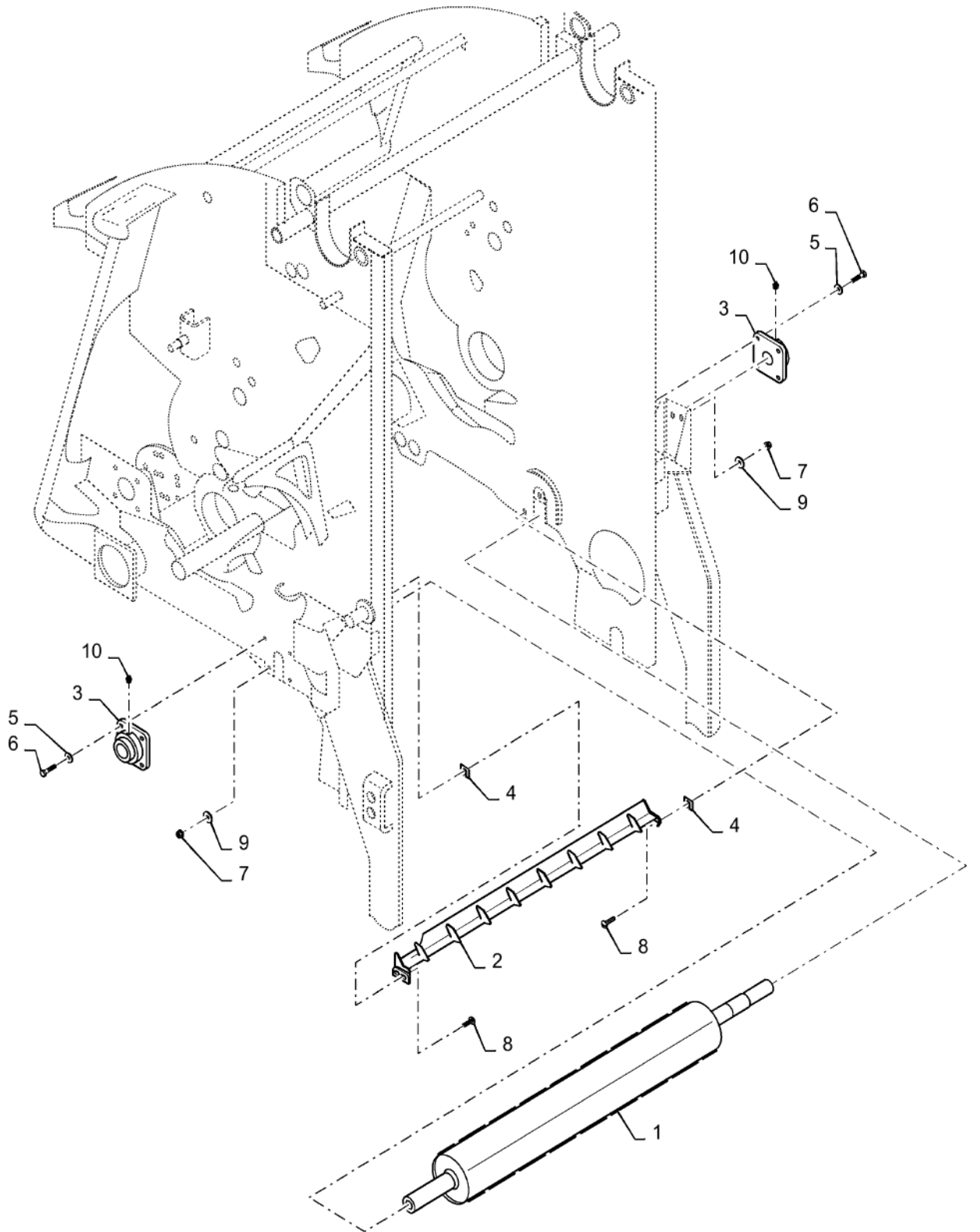
9/2015

STARTER ROLL, UNDERSHOT ROTOR

REF FN	PART NUMBER	YR/SN	QTY DESCRIPTION
1	84377821		1 ROLL 168.3mm OD x 1671.6mm L Starter, with Rotor
2	47473621		1 RAKE
3	87660332		1 BEARING ASSY 45mm ID
4	685728		1 BALL BEARING 50.8mm ID x 86.2mm OD x 25mm W
5	76450		2 FLANGE
6	47473637		AR SHIM 17.5mm OD x 0.4mm Thk
7	140046		8 BELLEVILLE WASHER M12 x 27mm OD x 1.8mm Thk
8	86629541		8 BOLT Hex, M12 x 1.75 x 40mm, CI 8.8
9	9804279		2 FLANGE NUT Hex, M12, CI 8
10	374892		4 CARRIAGE BOLT M10 x 1.5 x 40mm, CI 8.8
11	140045		4 BELLEVILLE WASHER M10X22 ZNM
12	9804278		4 FLANGE NUT M10 x 1.5, CI 8

RB465-CASE IH ROUND BALER - EUROPE & R.O.W.

STARTER ROLL, OVERSHOT FEEDER



62.150.AB

02

p1

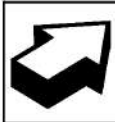
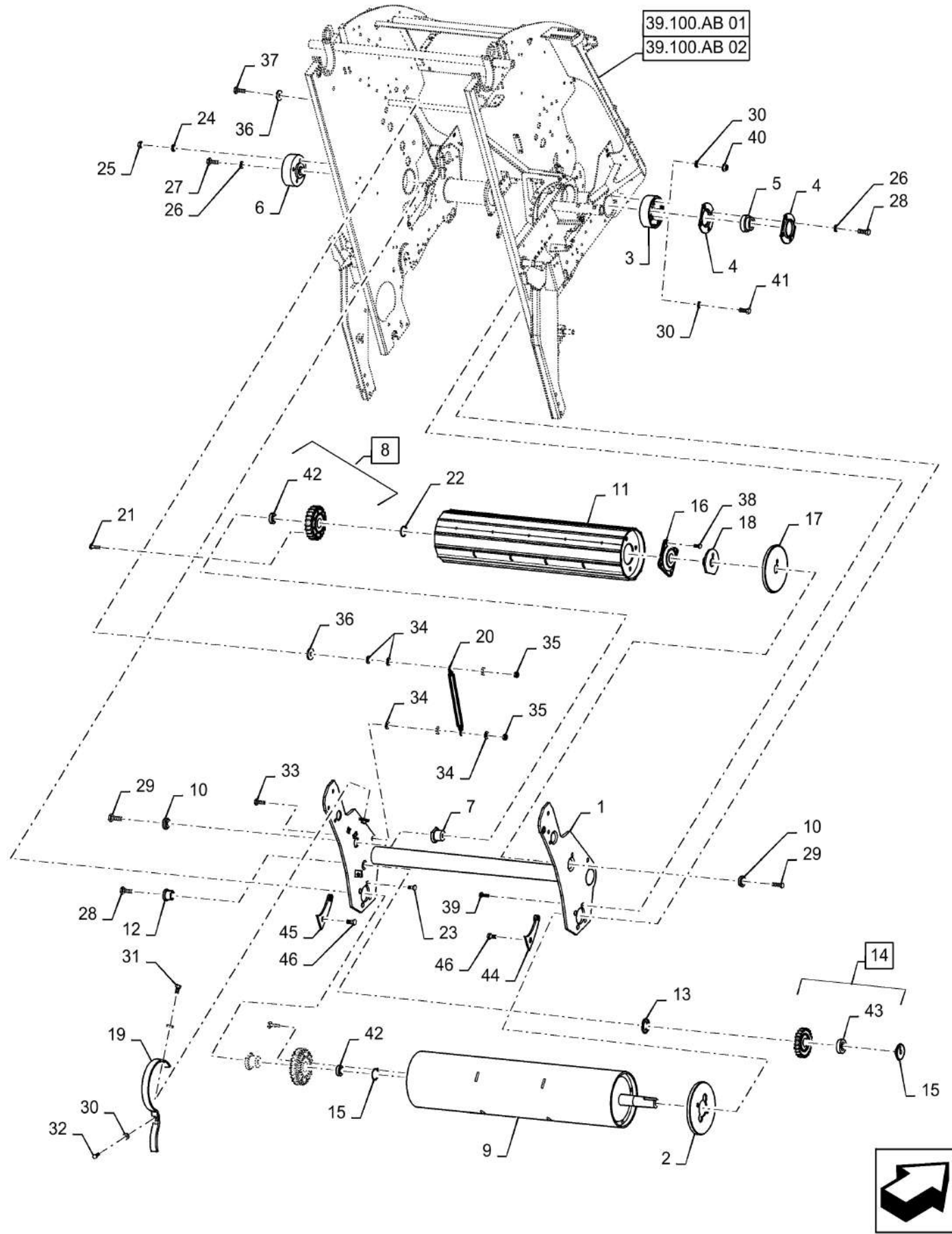
9/2015

STARTER ROLL, OVERSHOT FEEDER

REF FN	PART NUMBER	YR/SN	QTY DESCRIPTION
1	47587935		1 ROLL Starter, Overshot Rotor
2	47473621		1 RAKE
3	87660332		2 BEARING ASSY 45mm ID
4	47473637		4 SHIM 17.5mm OD x 0.4mm Thk
5	140046		8 BELLEVILLE WASHER M12 x 27mm OD x 1.8mm Thk
6	86629541		8 BOLT Hex, M12 x 1.75 x 40mm, CI 8.8
7	9804278		4 FLANGE NUT M10 x 1.5, CI 8
8	374892		4 CARRIAGE BOLT M10 x 1.5 x 40mm, CI 8.8
9	140045		4 BELLEVILLE WASHER M10X22 ZNM
10	80717		2 LUBE NIPPLE 45°, 1/8" NPT x 7/8" lg

RB465-CASE IH ROUND BALER - EUROPE & R.O.W.

SLEDGE

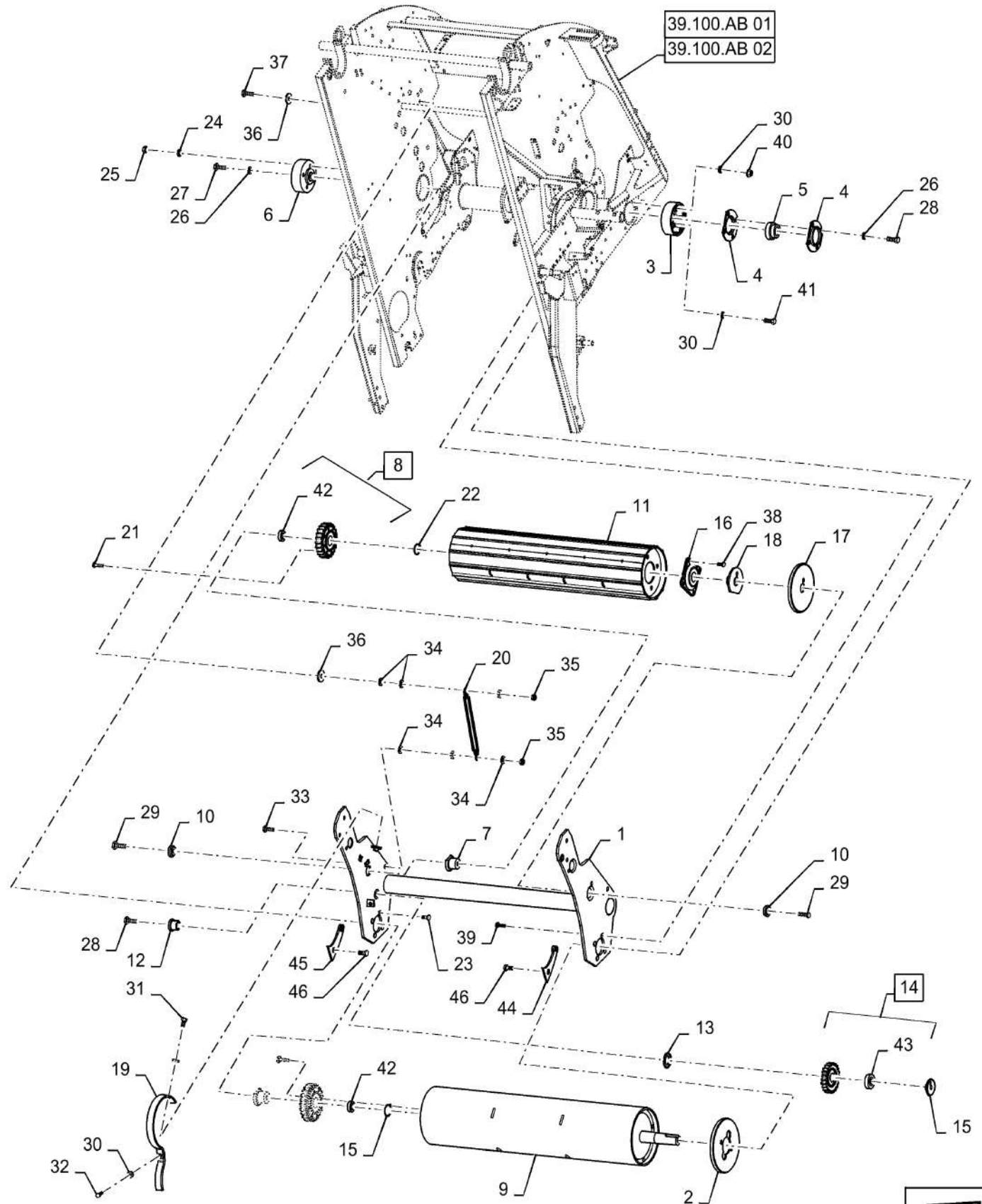


SLEDGE

REF FN	PART NUMBER	YR/SN	QTY DESCRIPTION
1	84598610		1 FRAME Sledge
2	87025815		1 SHIELD Trash
3	86636673		1 HUB RH
4	86620027		2 FLANGED BEARING 80.02mm ID x 147.6mm OD x 4mm Thk
5	412441		1 ROLLER BEARING 40mm ID x 80mm OD x 21mm W
6	86636786		1 HUB LH
7	87644682		2 SUPPORT
8	87052121		2 GEAR 24T, Includes: Ref. 42
9	87644513		1 ROLL Pivot
10	87398962		2 HUB 12.5mm ID x 47.42mm OD x 13.2mm L
11	84369419		1 ROLL 254mm OD x 1107mm L Stripper
12	86636893		1 BUSHING 27.18mm ID x 47.63mm OD x 34mm L
13	86637157		1 SHIELD
14	9806931		1 IDLER GEAR 17T, Includes: Ref. 43
15	87644516		1 CAP
16	86636892		1 FLANGE
17	84313928		1 SHIELD Trash
18	9806396		1 SUPPORT
19	87644515		1 SHIELD
20	86527218		1 CHAIN 378mm L
21	81972		16 HEX SOC SCREW 5/16" - 18 x 1-3/4"
22	168104		2 SNAP RING #177, Ext
23	281004		4 PLOW BOLT #3, 3/8" - 16 x 1 1/4", Gr 5, Full Thd
24	80680		4 LOCK WASHER 3/8 0.381 CST ZND
25	9628503		4 NUT 3/8"-16, G5
26	140046		5 BELLEVILLE WASHER M12 x 27mm OD x 1.8mm Thk
27	9706693		1 BOLT Hex, M12 x 1.75 x 60mm, Cl 8.8
28	9706687		5 BOLT M12 x 1.75 x 30mm, Cl 8.8
29	412087		2 BOLT Hex, M12 x 1.75 x 45mm, Cl 10.9, Full Thd
30	140045		6 BELLEVILLE WASHER M10X22 ZNM
31	88206		1 BOLT Hex, 3/8" - 16 x 1", Gr 5

RB465-CASE IH ROUND BALER - EUROPE & R.O.W.

SLEDGE



SLEDGE

REF FN	PART NUMBER	YR/SN	QTY DESCRIPTION
32	88011		1 BOLT Hex, 3/8" - 16 x 1 1/4", Gr 5
33	86516319		1 PLOW BOLT 7/16" - 14 x 1 3/4", Gr 5
34	81541		6 WASHER 0.5" ID x 1.25" OD x 0.08" Thk
35	87517		2 NUT 7/16"-14, GB
36	29684		2 WASHER 13.5mm ID x 50.8mm OD x 5.52mm Thk
37	280747		1 BOLT Hex, 7/16" - 14 x 1 3/4", Gr 5
38	43140		4 BOLT Hex, M10 x 1.5 x 30mm, Cl 8.8
39	374892		2 CARRIAGE BOLT M10 x 1.5 x 40mm, Cl 8.8
40	9804278		2 FLANGE NUT M10 x 1.5, Cl 8
41	120068		2 BOLT Hex, M10 x 40mm, Cl 8.8
42	NSS		2 NOT SERVICED SEPARATELY Bearing
43	9808112		1 BALL BEARING 34.99mm ID x 63.52mm OD x 25mm W
44	47378486		1 WEAR PLATE LH
45	47378477		1 WEAR PLATE RH
46	14441231		4 HEX SOC SCREW Flat Csk Hd, M6 x 12mm, Cl 10.9

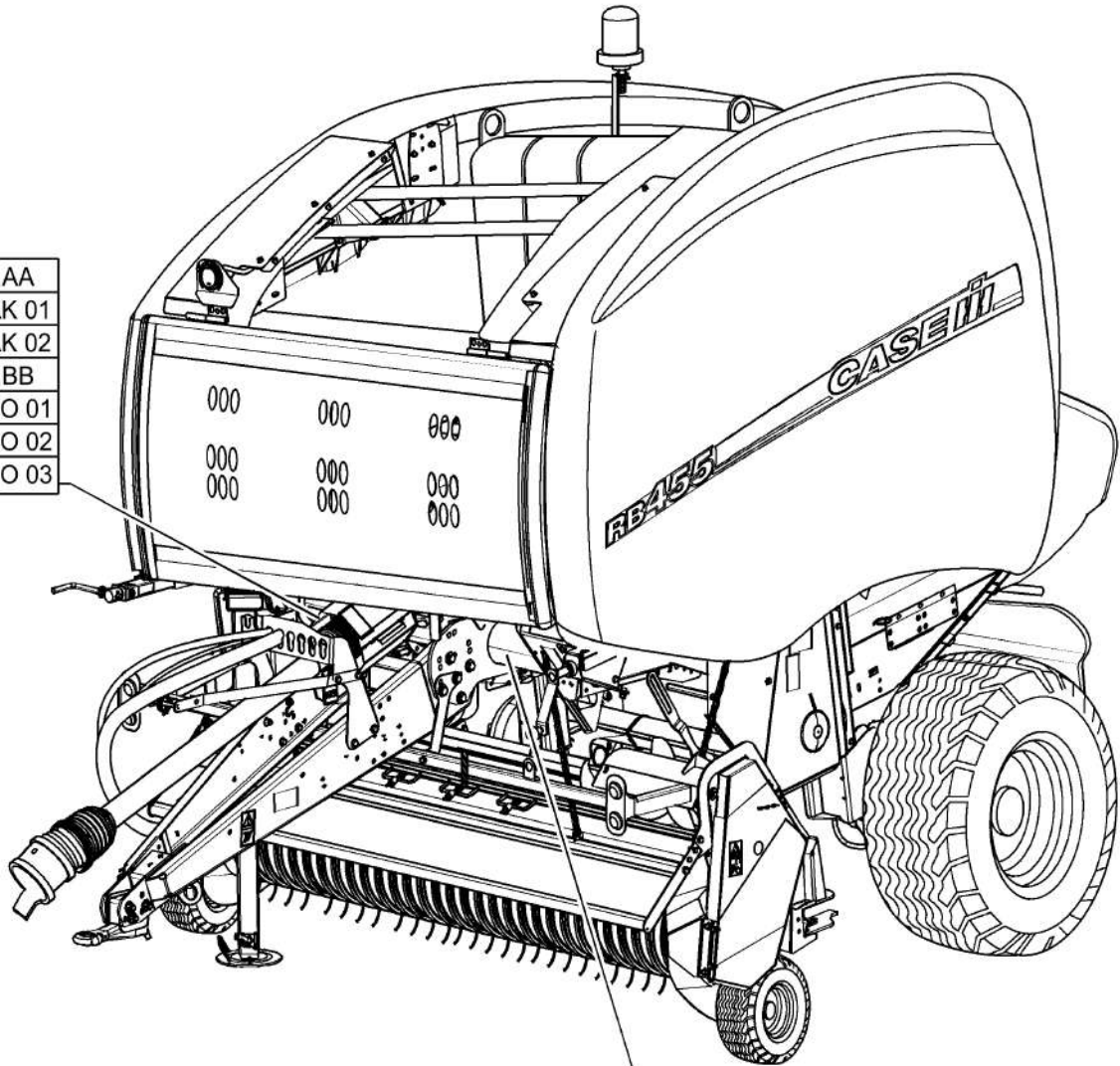
RB465-CASE IH ROUND BALER - EUROPE & R.O.W.

SECTION INDEX
TYING/WRAPPING

68.000.00		PICTORIAL INDEX - TYING / WRAPPING
68.170.AF	01	NET, COUNTER
68.170.AF	02	NET WRAP ROLL
68.170.AG		VAR - 726966, 726967, 726969 - NET WRAPPER
68.170.AH	01	DUCKBILL DRIVE
68.170.AH	02	DUCKBILL DRIVE MOUNTING PARTS
68.170.AM	01	NET WRAP STATIONARY ROLL BRAKE TENSIONER
68.170.AM	02	NET WRAP STATIONARY ROLL BRAKE TENSIONER MOUNTING PARTS
68.170.AM	03	NET WRAP BRAKE
68.170.AP		NET, KNIFE
68.170.AX		NET WRAP, DUCKBILL
68.180.AA		VAR - 726738, 726963 - TWINE WRAPPER
68.180.AK	01	BALE SIZE INDICATOR
68.180.AK	02	TWINE MOTION INDICATOR
68.180.BB		TWINE KNIFE
68.180.BO	01	VAR - 726738, 726963 - TWINE ARM MOUNTING PARTS
68.180.BO	02	TWINE ARM PIVOT
68.180.BO	03	TWINE ARM ELECTRIC MOTOR
68.180.BO	05	TWINE, STARTER

PICTORIAL INDEX - TYING / WRAPPING

- 68.180.AA
- 68.180.AK 01
- 68.180.AK 02
- 68.180.BB
- 68.180.BO 01
- 68.180.BO 02
- 68.180.BO 03



- 68.170.AF 01
- 68.170.AF 02
- 68.170.AG
- 68.170.AH 01
- 68.170.AH 02
- 68.170.AM 01
- 68.170.AM 02
- 68.170.AM 03
- 68.170.AP
- 68.170.AX

68.000.00

p1

9/2015

PICTORIAL INDEX - TYING / WRAPPING

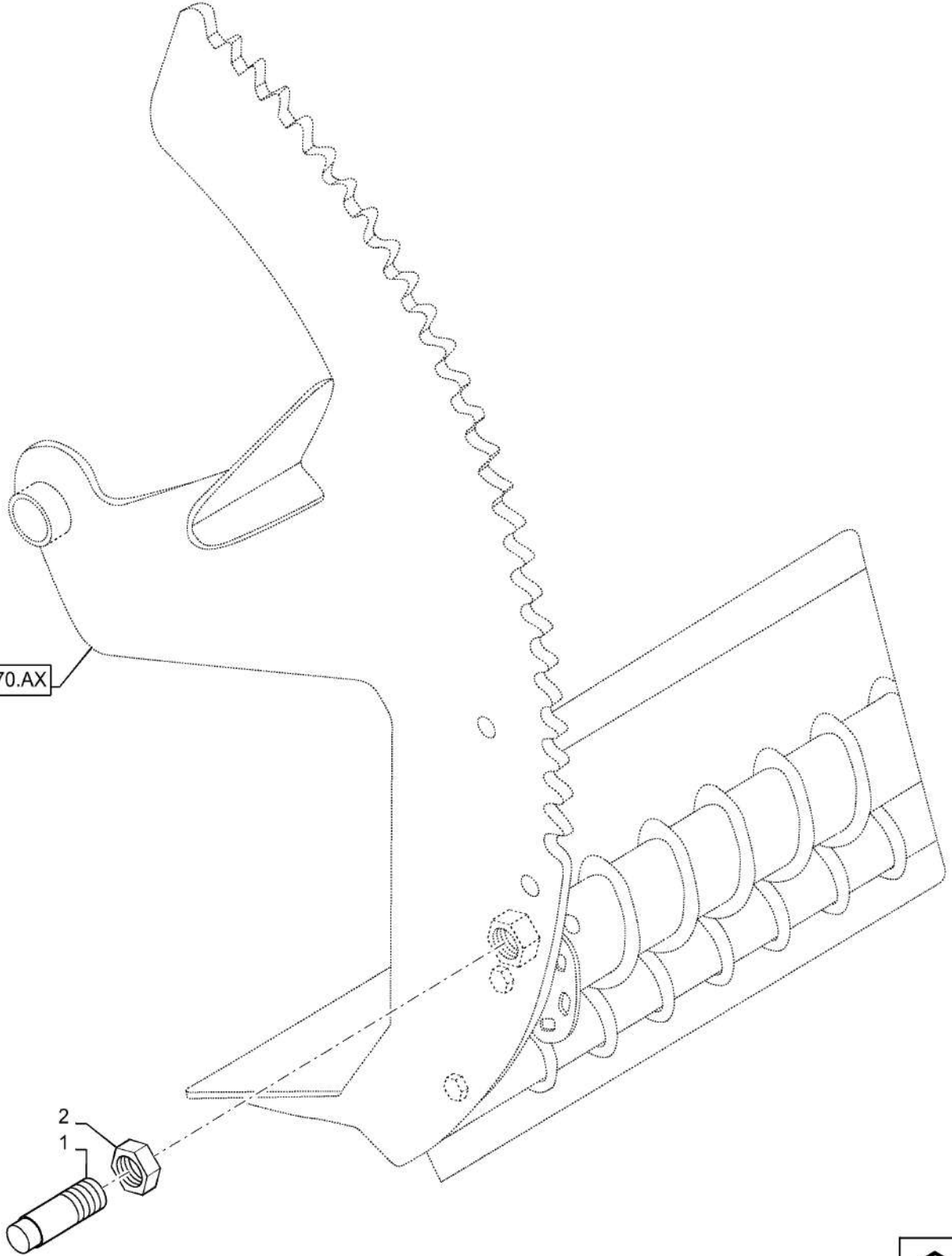
REF FN	PART NUMBER	YR/SN	QTY DESCRIPTION
---------------	--------------------	--------------	------------------------

RB465-CASE IH ROUND BALER - EUROPE & R.O.W.

NET, COUNTER



68.170.AX



68.170.AF

01

p1

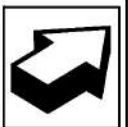
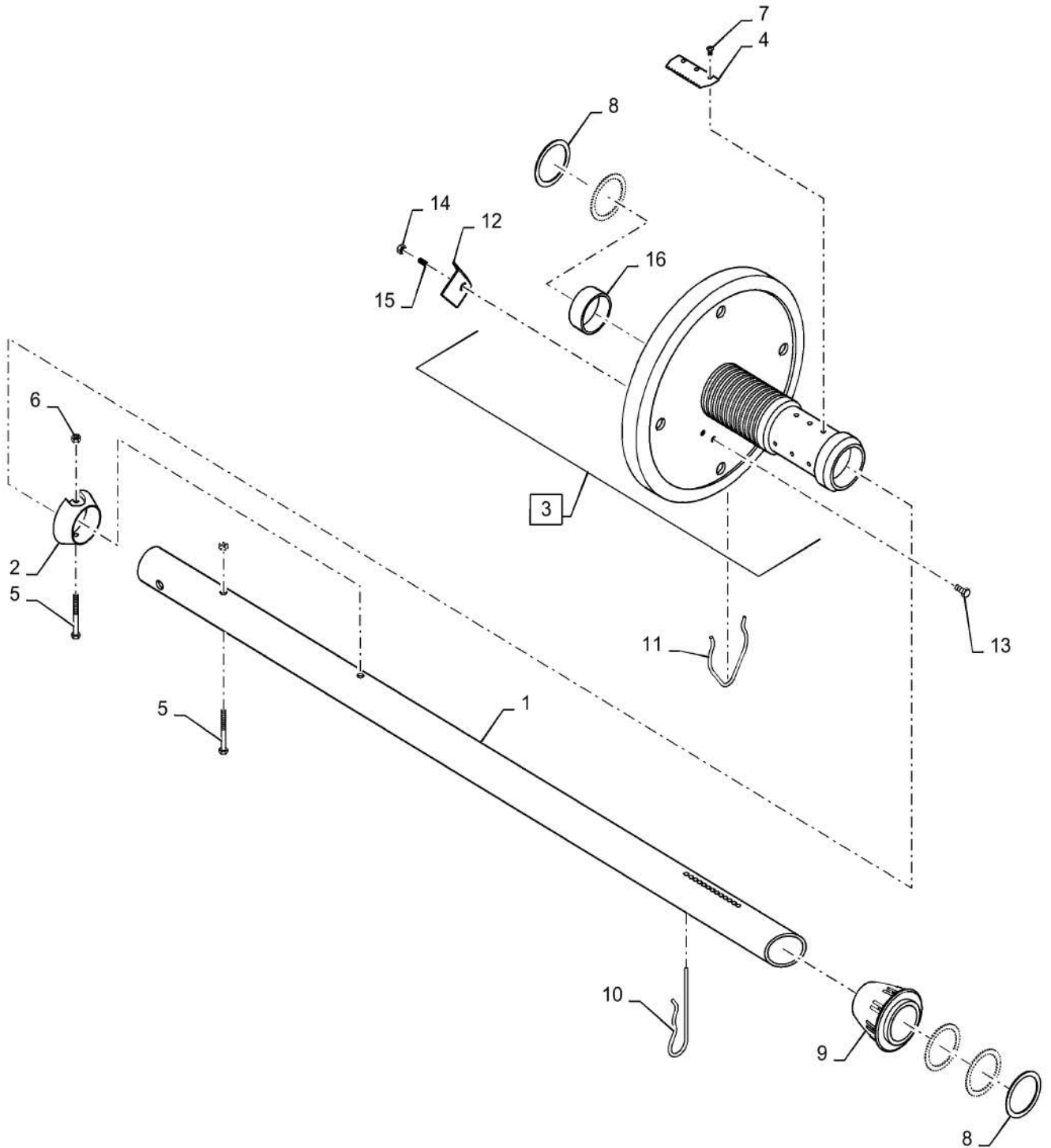
9/2015

NET, COUNTER

REF FN	PART NUMBER	YR/SN	QTY DESCRIPTION
1	9825943		1 SENSOR Net Counter
2	87313		1 JAM NUT Jam, 3/4"-16, G2

RB465-CASE IH ROUND BALER - EUROPE & R.O.W.

NET WRAP ROLL

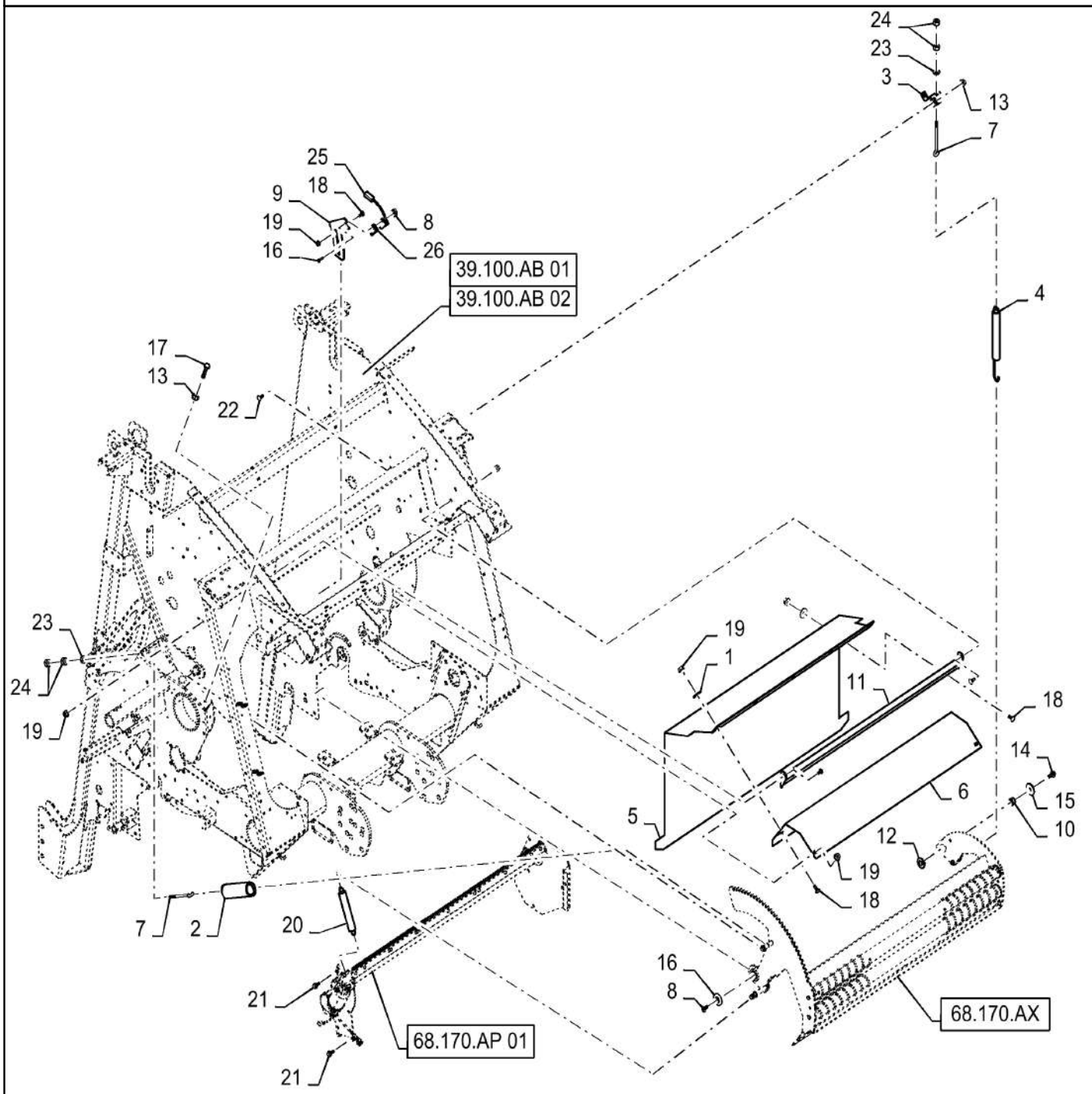


NET WRAP ROLL

REF FN	PART NUMBER	YR/SN	QTY DESCRIPTION
1	84570246		1 TUBE Net Roll
2	87016039		1 CONE Net Roll
3	47473014		1 DRUM BRAKE ASSY Incl 16
4	86627923		4 STRIP
5	338413		2 BOLT Hex, M6 x 60mm, CI 8.8
6	353308		2 NUT M6 x 1.0, CI 8
7	87684280		12 SELF-TAP SCREW Pan, #8 - 18 x 1/4"
8	87016189		5 WASHER 51.18mm ID x 63.5mm OD x 1.65mm Thk
9	86540330		1 GUIDE
10	86601285		1 COTTER PIN 26mm OD x 118.5mm L
11	86613336		1 COTTER PIN
12	47401690		1 STOP
13	120038		2 CARRIAGE BOLT Rnd Head, M8 x 1.25 x 30mm, CI 8.8, Full Thd
14	86619801		2 FLANGE NUT M8 x 1.25, CI 8
15	29840		1 SPRING Compression, 11.91mm OD x 25.4mm L
16	86617942		1 BUSHING 48.96mm ID x 57.23mm OD x 19.1mm L

RB465-CASE IH ROUND BALER - EUROPE & R.O.W.

VAR - 726966, 726967, 726969 - NET WRAPPER

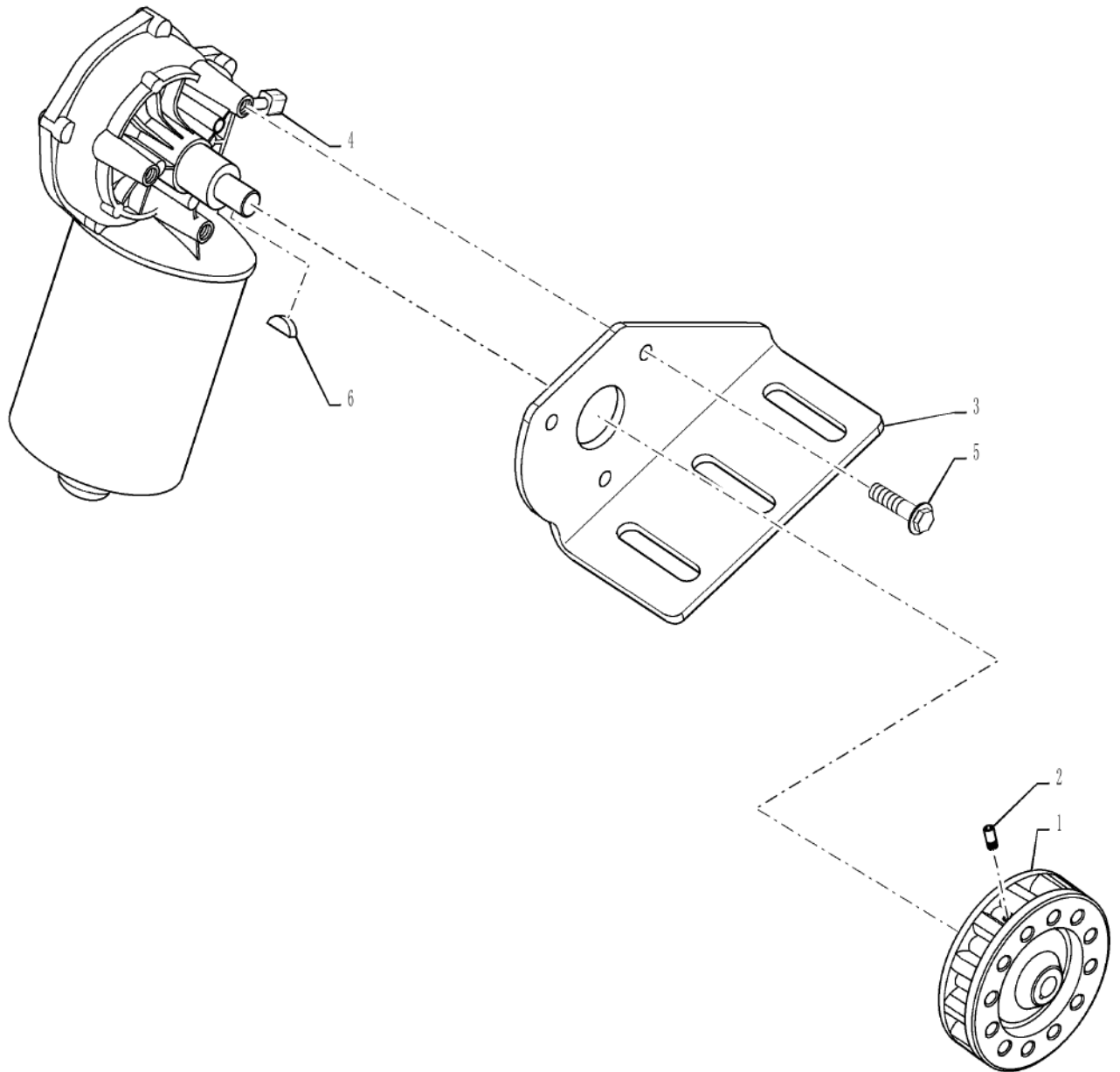


VAR - 726966, 726967, 726969 - NET WRAPPER

REF FN	PART NUMBER	YR/SN	QTY DESCRIPTION
1	47421209		1 SPACER 13.5mm ID x 50.8mm OD x 7mm L
2	308761		4 CARRIAGE BOLT M8 x 1.25 x 25mm, CI 8.8
3	87661358		1 ANGLE
4	87028495		1 SPRING
5	47756766		1 SHIELD Rubber
6	84470972		1 SHIELD
7	36835		2 EYEBOLT G2, 3/8"-16 x 6-1/2"
8	87530646		1 HEX SOC SCREW FLAT, M12 x 1.75 x 25mm, CI 10.9
9	47463423		1 PLATE
10	47613735		1 BUSHING
11	47448397		1 SUPPORT
12	87521161		1 BUSHING 20.2mm ID x 44.5mm OD x 10.5mm Thk
13	9804278		3 FLANGE NUT M10 x 1.5, CI 8
14	9670066		1 FLANGE BOLT Hex, M12 x 30mm, CI 8.8
15	29684		1 WASHER 13.5mm ID x 50.8mm OD x 5.52mm Thk
16	322		7 WASHER 8.73mm ID x 42.07mm OD x 3.43mm Thk
17	84062222		1 BOLT Hex, M10 x 45mm, CI 8.8, Full Thd
18	86507486		15 CARRIAGE BOLT M8 x 1.25 x 20mm, CI 8.8
19	9804277		15 FLANGE NUT Hex, M8 x 1.25, CI 8
20	32379		1 SPRING Extension, 1-1/4" OD x 16-7/8" L
21	9804261		3 BOLT Hex, M10 x 25mm, Full Thd, CI 8.8
22	86633356		2 CARRIAGE BOLT M10 x 34.8mm, CI 8.8
23	285072		2 WASHER 10.3mm ID x 22.2mm OD x 2.7mm Thk
24	9628503		4 NUT 3/8"-16, G5
25	47526399		1 SPRING
26	86594422		1 SENSOR Net Wrap
27	47526399		1 SPRING
28	87530646		1 HEX SOC SCREW FLAT, M12 x 1.75 x 25mm, CI 10.9

RB465-CASE IH ROUND BALER - EUROPE & R.O.W.

DUCKBILL DRIVE



68.170.AH

01

p1

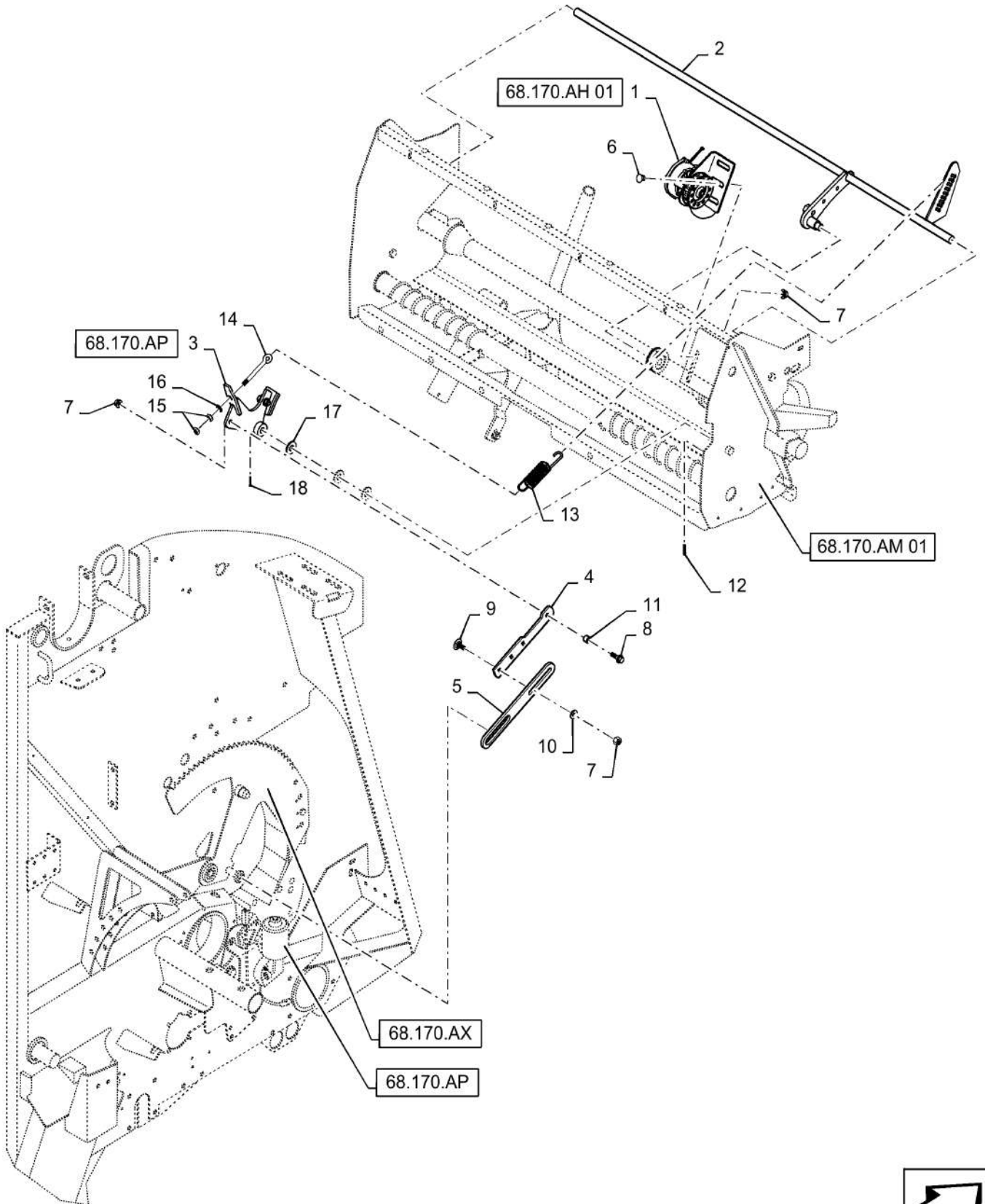
9/2015

DUCKBILL DRIVE

REF FN	PART NUMBER	YR/SN	QTY DESCRIPTION
1	47475888		1 GEAR Duckbill Drive
2	80974		1 SET SCREW Hex Soc, #10-24 x 1/2"
3	84374956		1 ANGLE
4	47373275		1 ELECTRIC MOTOR
5	9804255		3 BOLT Hex, M6 x 1 x 16mm, Full Thd, Cl 8.8
6	84041731		1 WOODRUFF KEY 5mm W x 6.5mm H x 16mm L

RB465-CASE IH ROUND BALER - EUROPE & R.O.W.

DUCKBILL DRIVE MOUNTING PARTS

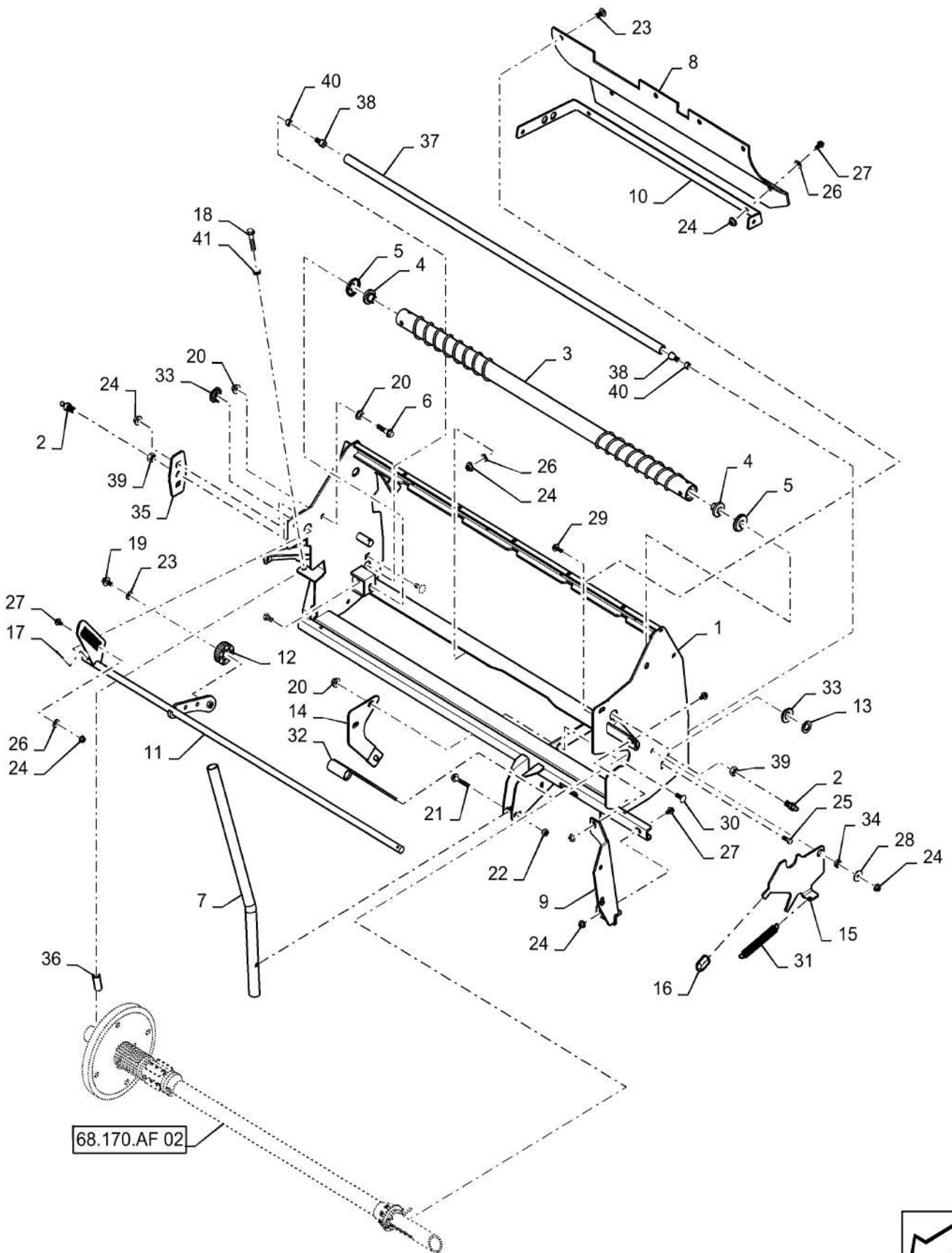


DUCKBILL DRIVE MOUNTING PARTS

REF FN	PART NUMBER	YR/SN	QTY DESCRIPTION
1	0C		1 ORDER COMPONENTS Duckbill Drive
2	84573224		1 SHAFT
3	0C		1 ORDER COMPONENTS Net Brake
4	84568800		1 PLATE
5	84568797		1 ANGLE
6	120041		2 CARRIAGE BOLT M10 x 20mm, CI 8.8
7	9804278		5 FLANGE NUT M10 x 1.5, CI 8
8	9804262		2 BOLT M10 x 39.2mm, CI 8.8
9	86633356		2 CARRIAGE BOLT M10 x 34.8mm, CI 8.8
10	140045		2 BELLEVILLE WASHER M10X22 ZNM
11	698748		1 BUSHING 10.3mm ID x 15.88mm OD x 9.53mm L
12	280251		1 COTTER PIN 3/32" OD x 1" OAL
13	86640785		1 SPRING Extension, 31.75mm OD x 120.65mm L
14	144403		1 EYEBOLT
15	9635082		2 NUT 5/16" - 18, Gr 5
16	87347		1 WASHER 0.34" ID x 0.69" OD x 0.07" Thk
17	86624166		5 WASHER 0.91" ID x 1.5" OD x 0.06" Thk
18	280251		1 COTTER PIN 3/32" OD x 1" OAL

RB465-CASE IH ROUND BALER - EUROPE & R.O.W.

NET WRAP STATIONARY ROLL BRAKE TENSIONER

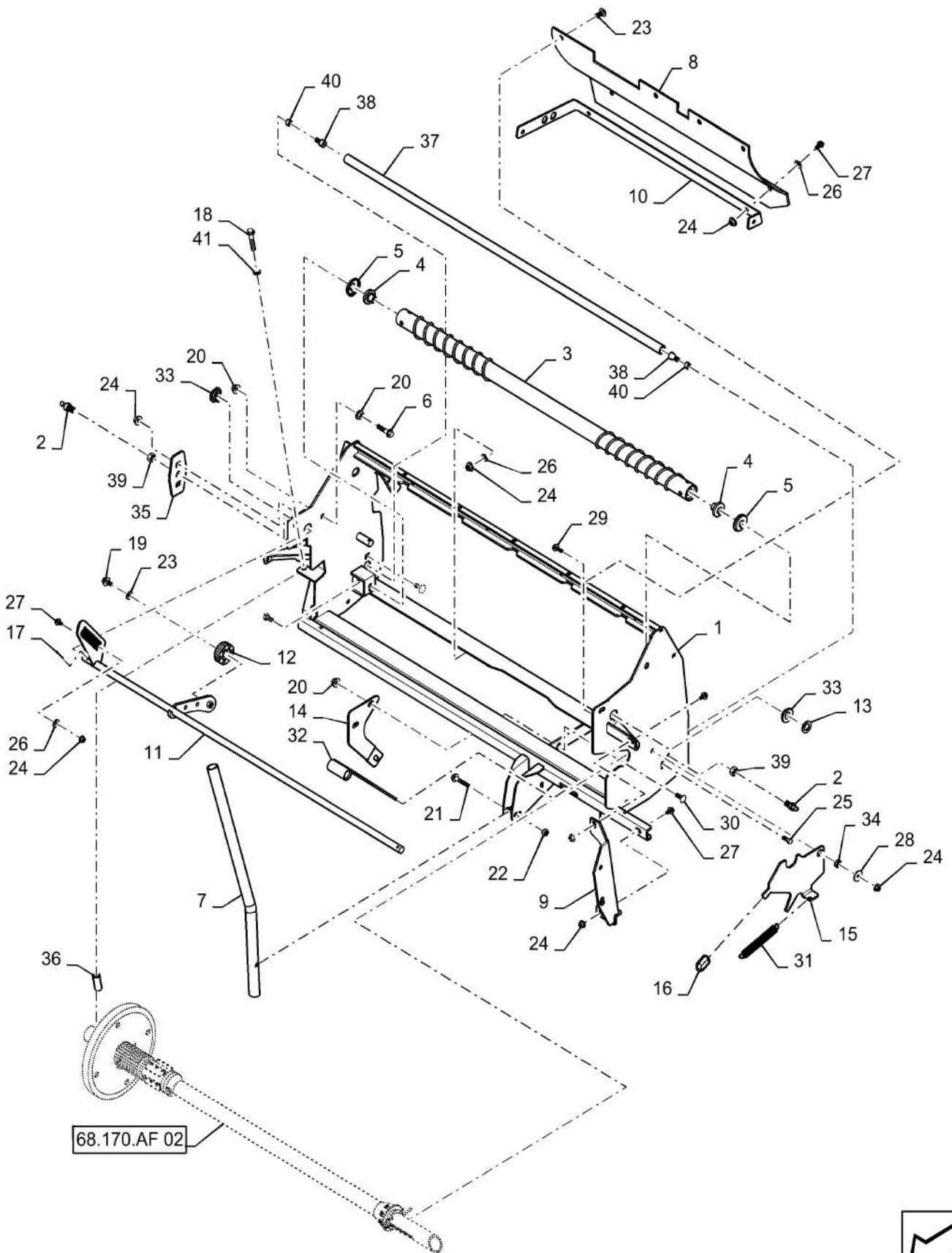


NET WRAP STATIONARY ROLL BRAKE TENSIONER

REF FN	PART NUMBER	YR/SN	QTY DESCRIPTION
1	84570133		1 SUPPORT
2	0C		1 ORDER COMPONENTS Net Roll
3	87026847		1 ROLLER
4	87643130		2 SUPPORT
5	86622552		2 SHIELD
6	9804265		1 FLANGE BOLT Hex, M10 x 60mm, CI 8.8
7	84375021		1 TUBE
8	47448067		1 CURTAIN
9	84408933		1 SUPPORT
10	47513614		1 SUPPORT
11	47707358		1 SHAFT
12	84569292		1 BEARING, ROLLER, SPHERICAL
13	140021		1 WASHER 22mm ID x 37mm OD x 3mm Thk
14	84599791		1 SUPPORT
15	84568730		1 LATCH
16	86516827		1 HANDLE
17	87395		2 COTTER PIN 1/8" OD x 1-1/4" OAL
18	86011090		1 BOLT Hex Flng, M10 x 70mm, CI 8.8
19	86050286		1 FLANGE BOLT M10 x 20mm, CI 8.8
20	9804278		4 FLANGE NUT M10 x 1.5, CI 8
21	9804265		1 FLANGE BOLT Hex, M10 x 60mm, CI 8.8
22	100037		1 NUT M0 x 1.5, CI 8
23	86507486		4 CARRIAGE BOLT M8 x 1.25 x 20mm, CI 8.8
24	9804277		7 FLANGE NUT Hex, M8 x 1.25, CI 8
25	88206		2 BOLT Hex, 3/8" - 16 x 1", Gr 5
26	80664		4 WASHER 0.38" ID x 0.88" OD x 0.08" Thk
27	86511841		5 BOLT Flng, M8 x 1.25 x 16mm, Full Thd, CI 8.8
28	80577826		1 WASHER 8.7mm ID x 34.93mm OD x 1.94mm Thk
29	9804260		1 BOLT Hex, M8 x 1.25 x 30mm, Full Thd, CI 8.8
30	86512446		2 CARRIAGE BOLT M10 x 1.5 x 30mm, CI 8.8
31	87109697		1 SPRING
32	87026611		1 SHEET METAL

RB465-CASE IH ROUND BALER - EUROPE & R.O.W.

NET WRAP STATIONARY ROLL BRAKE TENSIONER

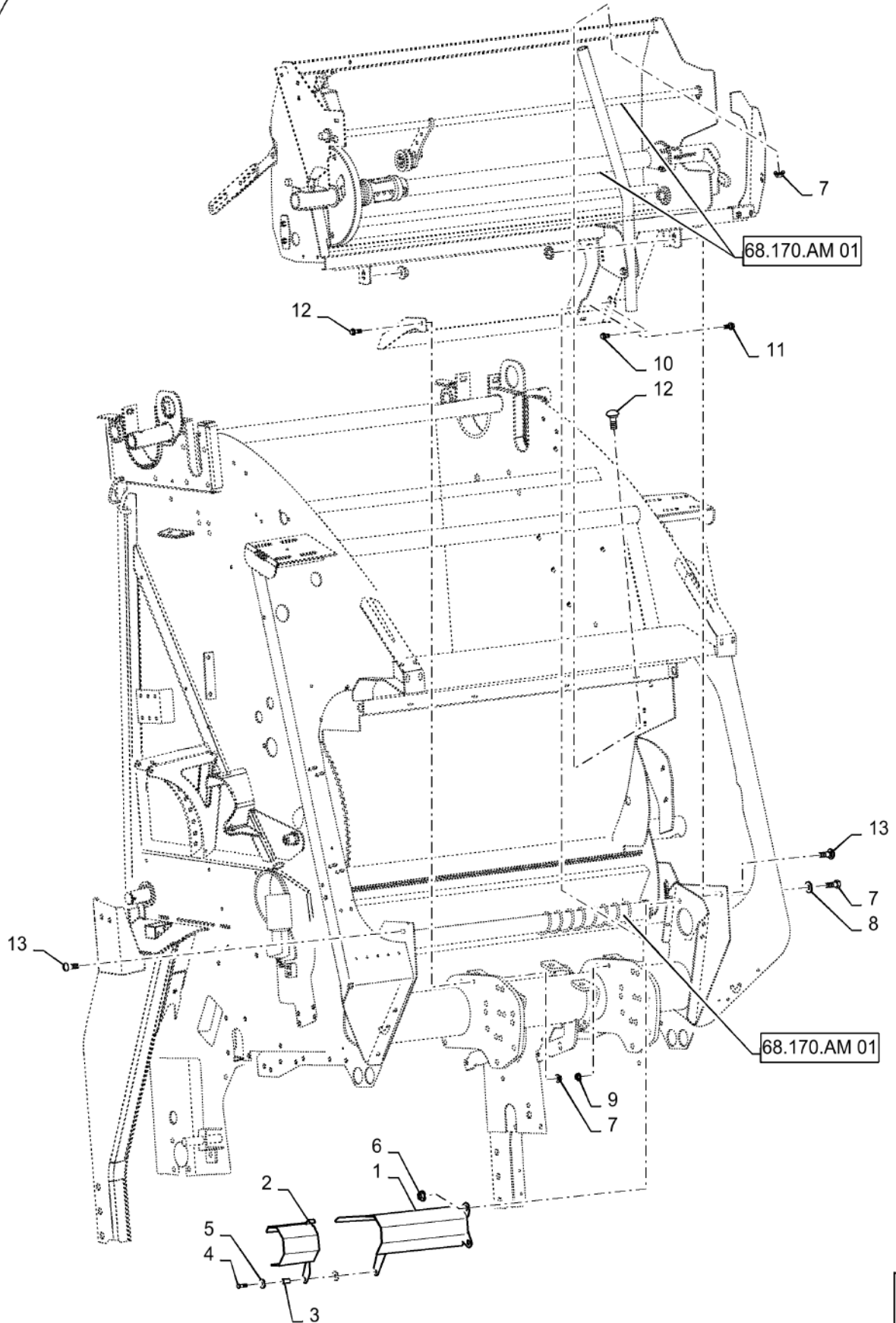


NET WRAP STATIONARY ROLL BRAKE TENSIONER

REF FN	PART NUMBER	YR/SN	QTY DESCRIPTION
33	87521161		2 BUSHING 20.2mm ID x 44.5mm OD x 10.5mm Thk
34	859896		1 SPACER
35	47412869		1 PLATE
36	47420685		1 SPACER
37	47412297		1 SHAFT Smooth
38	87010284		2 CAMSHAFT BEARING
39	80855		2 NUT Hex, 3/8" - 24
40	768703		2 BUSHING 10.31mm ID x 15.88mm OD x 11.13mm L
41	140017		1 WASHER M10 x 20mm OD x 2mm Thk
42	80722		2 LUBE NIPPLE 3/16" x .55" lg, Drive

RB465-CASE IH ROUND BALER - EUROPE & R.O.W.

NET WRAP STATIONARY ROLL BRAKE TENSIONER MOUNTING PARTS

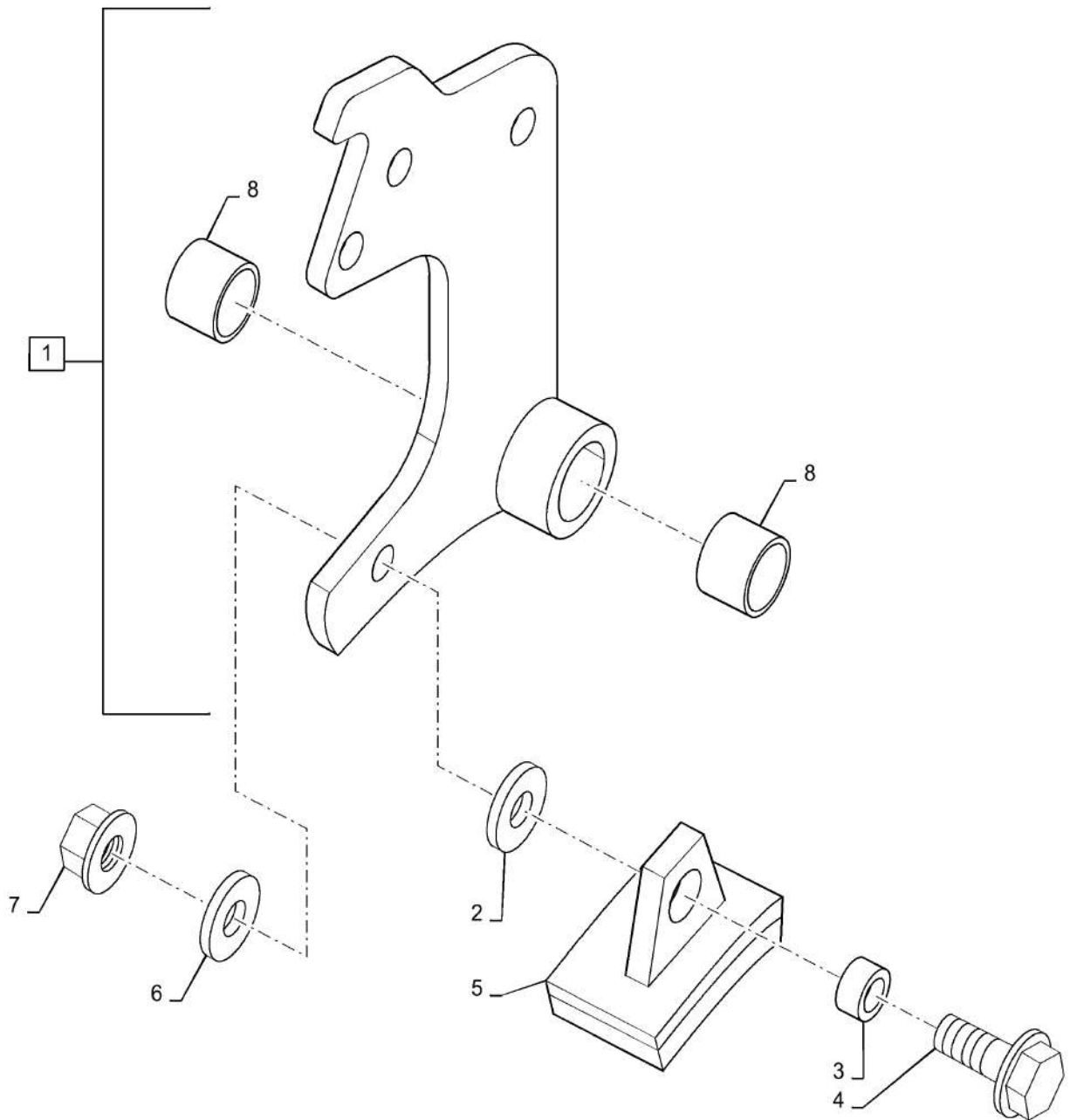


NET WRAP STATIONARY ROLL BRAKE TENSIONER MOUNTING PARTS

REF FN	PART NUMBER	YR/SN	QTY DESCRIPTION
1	47506044		1 SHIELD
2	47506043		1 SHIELD
3	86624184		2 WASHER 9mm ID x 16mm OD x 1.6mm Thk
4	86511842		1 BOLT M8 x 1.25 x 48.1mm OAL, CI 8.8
5	80664		2 WASHER 0.38" ID x 0.88" OD x 0.08" Thk
6	9804279		2 FLANGE NUT Hex, M12, CI 8
7	9804277		8 FLANGE NUT Hex, M8 x 1.25, CI 8
8	80577826		1 WASHER 8.7mm ID x 34.93mm OD x 1.94mm Thk
9	9804278		2 FLANGE NUT M10 x 1.5, CI 8
10	381014		1 SCREW Flng, M8 x 16mm
11	9804262		1 BOLT M10 x 39.2mm, CI 8.8
12	9671714		2 FLANGE BOLT Hex, M8 x 1.25 x 25mm, CI 8.8
13	86633356		2 CARRIAGE BOLT M10 x 34.8mm, CI 8.8

RB465-CASE IH ROUND BALER - EUROPE & R.O.W.

NET WRAP BRAKE



68.170.AM

03

p1

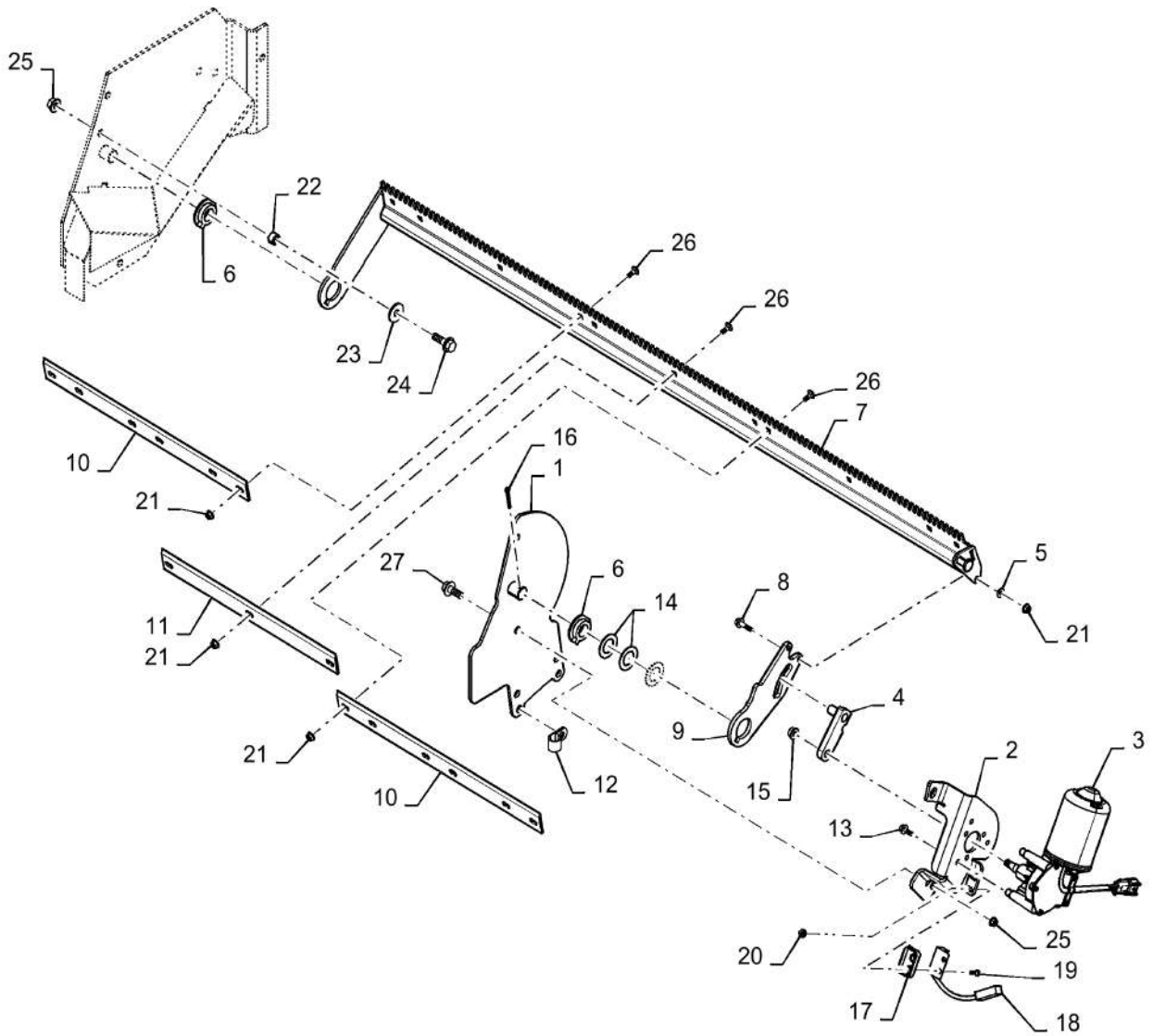
9/2015

NET WRAP BRAKE

REF FN	PART NUMBER	YR/SN	QTY DESCRIPTION
1	84573220		1 SUPPORT Inc 8
2	9827956		1 WASHER 10.3mm ID x 25.4mm OD x 2.67mm Thk
3	84024749		1 SPACER 10.5mm ID x 16mm OD x 8.5mm L
4	9804262		1 BOLT M10 x 39.2mm, CI 8.8
5	86641342		1 BRAKE PAD 17.37mm Thk
6	140045		1 BELLEVILLE WASHER M10X22 ZNM
7	9804278		1 FLANGE NUT M10 x 1.5, CI 8
8	84024585		2 BUSHING 20mm ID x 23mm OD x 15mm Thk

RB465-CASE IH ROUND BALER - EUROPE & R.O.W.

NET, KNIFE

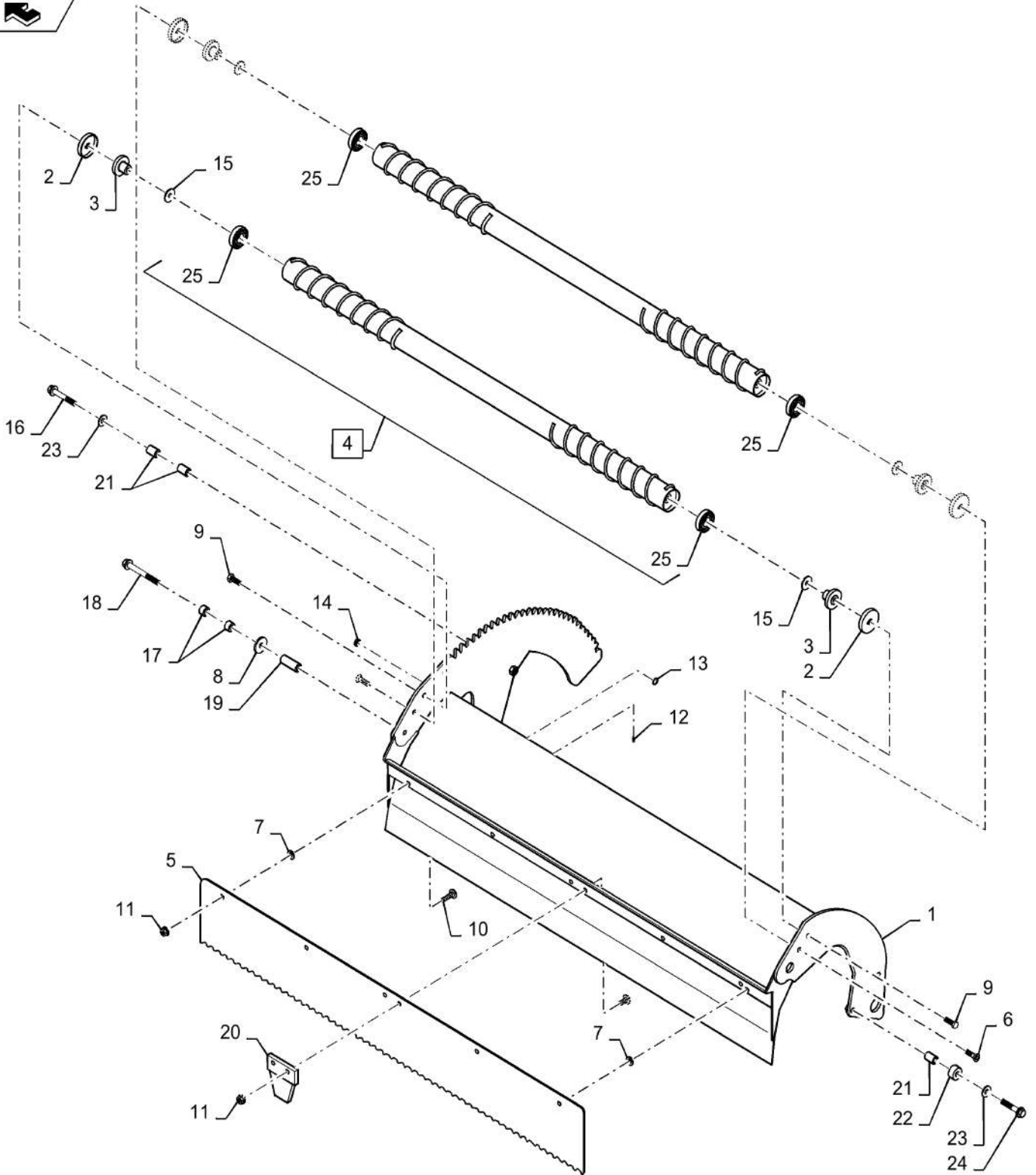


NET, KNIFE

REF FN	PART NUMBER	YR/SN	QTY DESCRIPTION
1	84319941		1 SUPPORT
2	47531156		1 SUPPORT
3	47441445		1 WIPER MOTOR 12V Net Knife
4	47836146		1 PIVOT
5	322357		2 BELLEVILLE WASHER M6 x 14mm OD x 1.3mm Thk
6	87521161		2 BUSHING 20.2mm ID x 44.5mm OD x 10.5mm Thk
7	47783805		1 KNIFE HOLDER
8	9804257		2 FLANGE BOLT M6 x 1.0 x 31.6mm, CI 8.8
9	47840554		1 PLATE
10	86593724		2 KNIFE 445.8mm L x 38.1mm W x 3.4mm Thk Net
11	9806864		1 KNIFE 382mm L x 38.1mm W x 3.4mm Thk Net
12	87010656		1 CLAMP 17.5mm, Coat, 10.3mm Bolt Hole, P Type
13	9804255		3 BOLT Hex, M6 x 1 x 16mm, Full Thd, CI 8.8
14	86624166		3 WASHER 0.91" ID x 1.5" OD x 0.06" Thk
15	86505868		1 SERRATED NUT M8 x 1.25
16	87395		1 COTTER PIN 1/8" OD x 1-1/4" OAL
17	86624468		1 SPACER Switch
18	86594422		1 SENSOR Net Knife
19	87310126		2 SCREW Phillips Drive, Pan HD, #10 - 24 x 3/4", SST
20	86900323		2 NUT #10 - 24
21	9804276		13 FLANGE NUT Hex, M6 x 1, CI 8
22	698748		1 BUSHING 10.3mm ID x 15.88mm OD x 9.53mm L
23	86642464		1 WASHER 11mm ID x 30mm OD x 2.5mm Thk
24	9804262		1 BOLT M10 x 39.2mm, CI 8.8
25	9804278		2 FLANGE NUT M10 x 1.5, CI 8
26	86512439		11 CARRIAGE BOLT M6 x 16mm, CI 8.8
27	9804261		1 BOLT Hex, M10 x 25mm, Full Thd, CI 8.8

RB465-CASE IH ROUND BALER - EUROPE & R.O.W.

NET WRAP, DUCKBILL

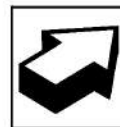
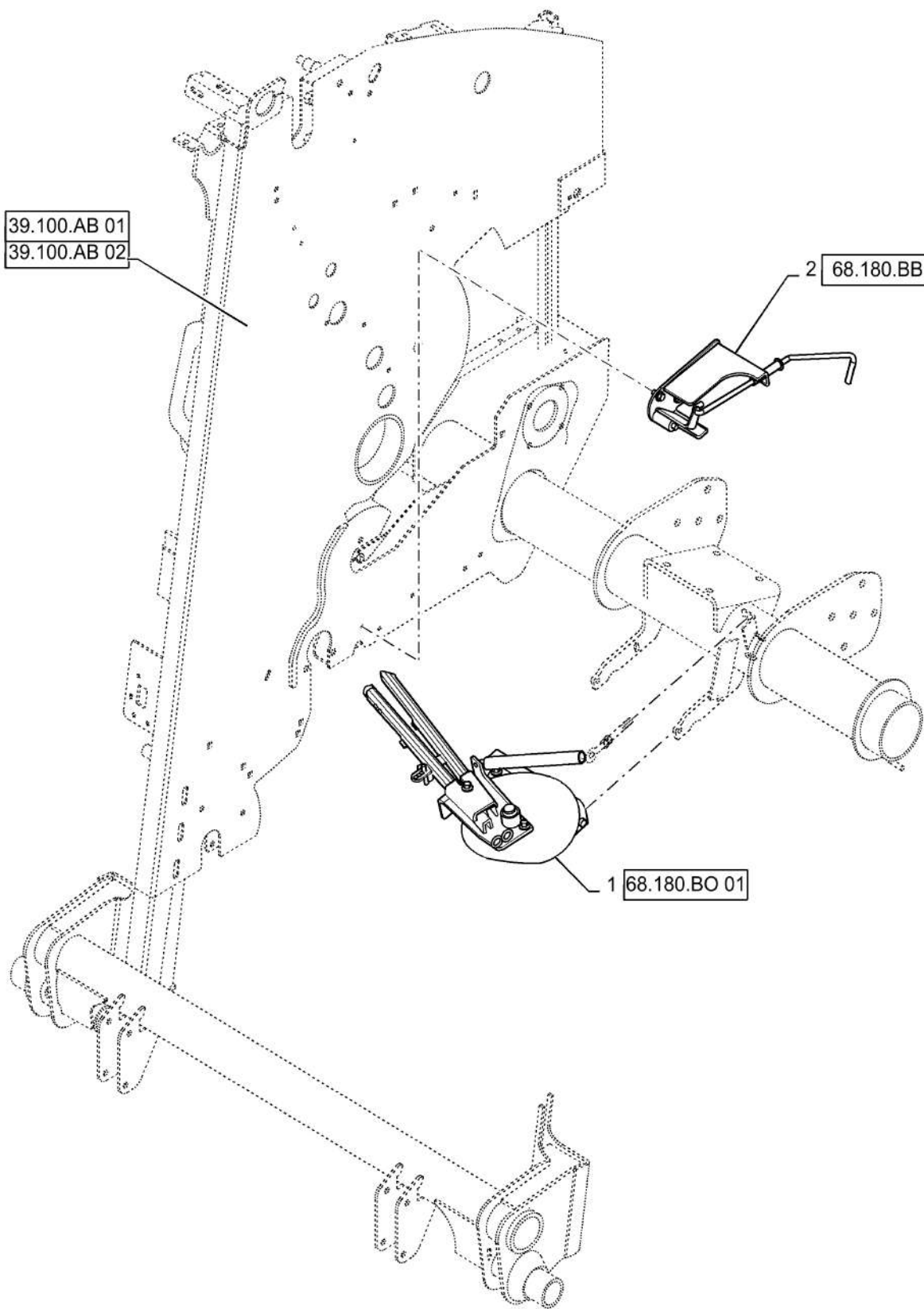


NET WRAP, DUCKBILL

REF FN	PART NUMBER	YR/SN	QTY DESCRIPTION
1	47529678		1 FRAME Duckbill
2	86622552		4 SHIELD
3	87643130		4 SUPPORT
4	87397766		2 ROLL Spreader, Incl 25
5	84571519		1 BAFFLE
6	280460		1 HEX SOC SCREW Flat Hd, 3/8" - 16 x 1"
7	86624184		2 WASHER 9mm ID x 16mm OD x 1.6mm Thk
8	86625253		1 WASHER 11mm ID x 24mm OD x 2mm Thk
9	88206		3 BOLT Hex, 3/8" - 16 x 1", Gr 5
10	86619060		4 CARRIAGE BOLT M8 x 1.25 x 16mm, CI 8.8
11	9804277		4 FLANGE NUT Hex, M8 x 1.25, CI 8
12	87414		1 LUBE NIPPLE 1/4" - 28
13	86629038		2 SEAL
14	86629037		1 NEEDLE BEARING 25.58mm ID x 34.92mm OD x 19.05mm W
15	794034		4 WASHER 20.96mm ID x 28.7mm OD x 1.7mm Thk
16	86507311		1 BOLT Hex, M10 x 80mm, CI 8.8
17	698748		2 BUSHING 10.3mm ID x 15.88mm OD x 9.53mm L
18	86624958		1 BOLT Hex, M10 x 110mm, CI 8.8
19	84588555		1 BUSHING 10.3mm ID x 15.85mm OD x 68mm L
20	84600537		1 PLATE
21	87643020		3 BUSHING 12.7mm ID x 17.5mm OD x 27.69mm L
22	65957		1 BUSHING 18.23mm ID x 28.61mm OD x 15.75mm W
23	86511324		2 WASHER 13mm ID x 24mm OD x 2.5mm Thk
24	9804264		1 BOLT M10 x 59.2mm OAL, CI 8.8
25	27291		4 BALL BEARING 20mm ID x 47mm OD x 14mm W

RB465-CASE IH ROUND BALER - EUROPE & R.O.W.

VAR - 726738, 726963 - TWINE WRAPPER

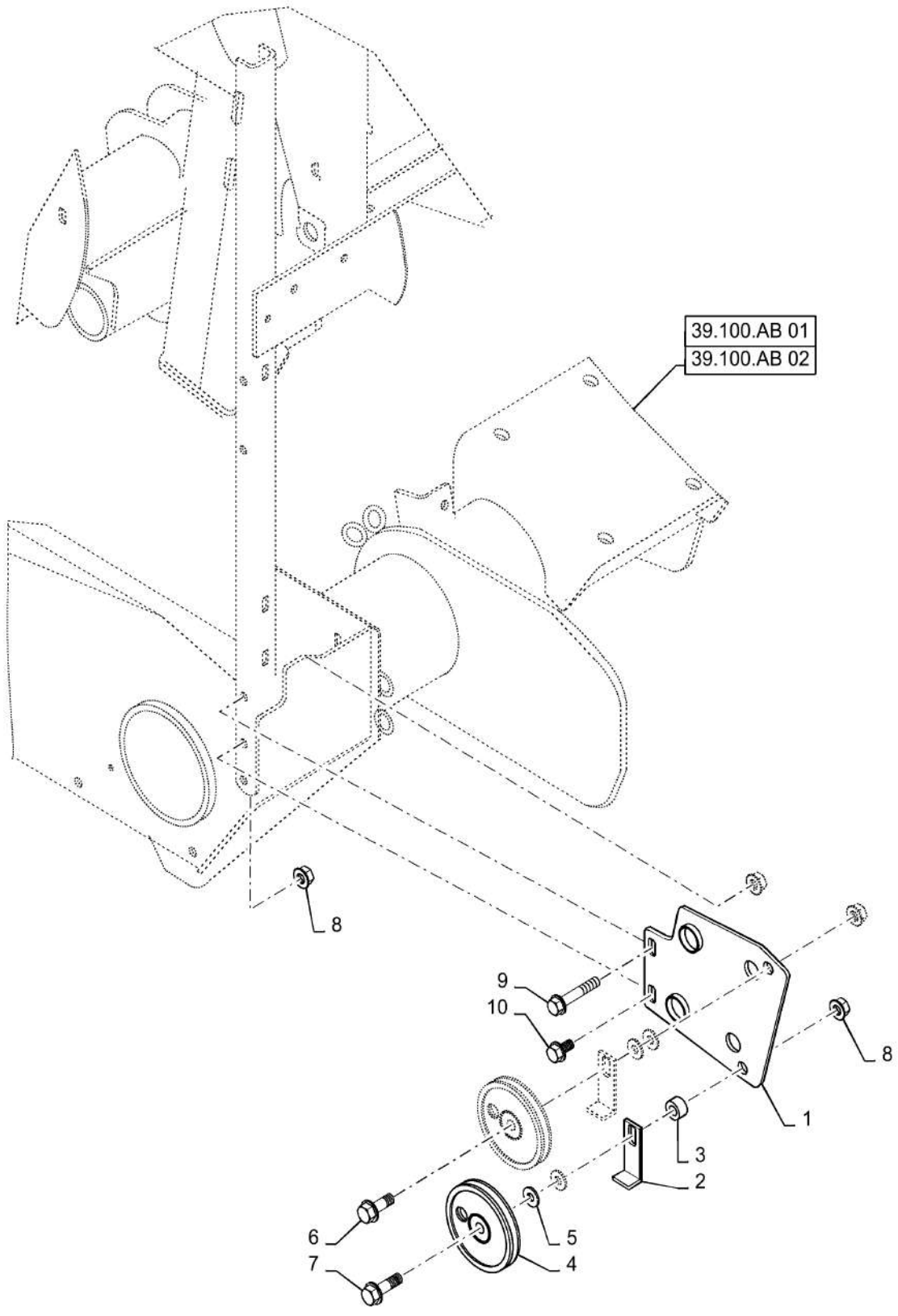


VAR - 726738, 726963 - TWINE WRAPPER

REF FN	PART NUMBER	YR/SN	QTY DESCRIPTION
1	0C		1 ORDER COMPONENTS Twine Arm
2	0C		1 ORDER COMPONENTS Twine Knife

RB465-CASE IH ROUND BALER - EUROPE & R.O.W.

BALE SIZE INDICATOR

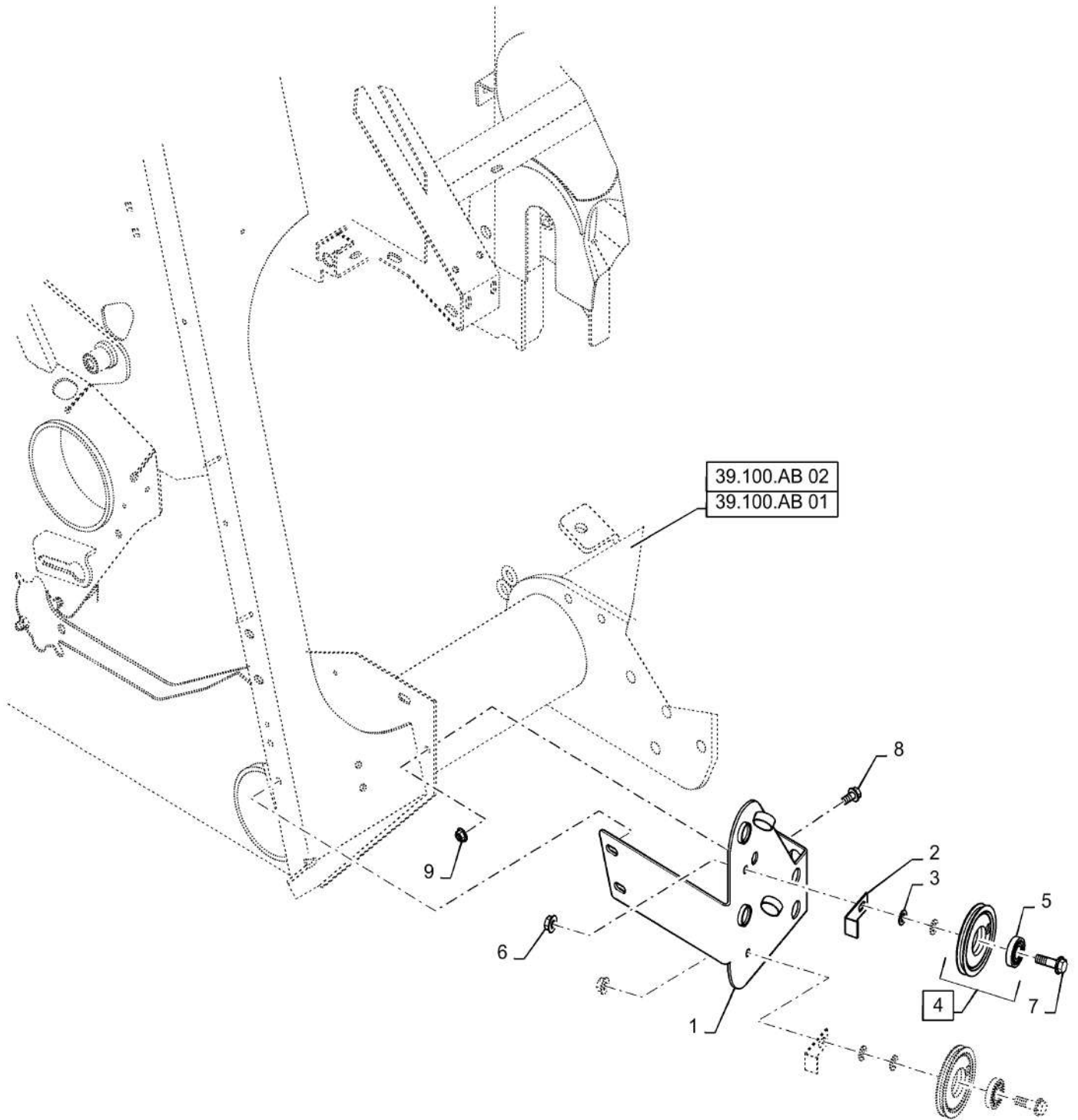


BALE SIZE INDICATOR

REF FN	PART NUMBER	YR/SN	QTY DESCRIPTION
1	84328799		1 BRACKET, SUPPORTING
2	86629062		2 GUIDE
3	86633920		1 SPACER 10.32mm ID x 19.05mm OD x 11.1mm L
4	87038785		2 PULLEY ASSY.
5	86511323		4 WASHER 10.5mm ID x 20mm OD x 2mm Thk
6	9804262		1 BOLT M10 x 39.2mm, CI 8.8
7	9804263		1 BOLT M10 x 49.2mm, CI 8.8
8	9804278		4 FLANGE NUT M10 x 1.5, CI 8
9	9804265		1 FLANGE BOLT Hex, M10 x 60mm, CI 8.8
10	86050286		1 FLANGE BOLT M10 x 20mm, CI 8.8

RB465-CASE IH ROUND BALER - EUROPE & R.O.W.

TWINE MOTION INDICATOR



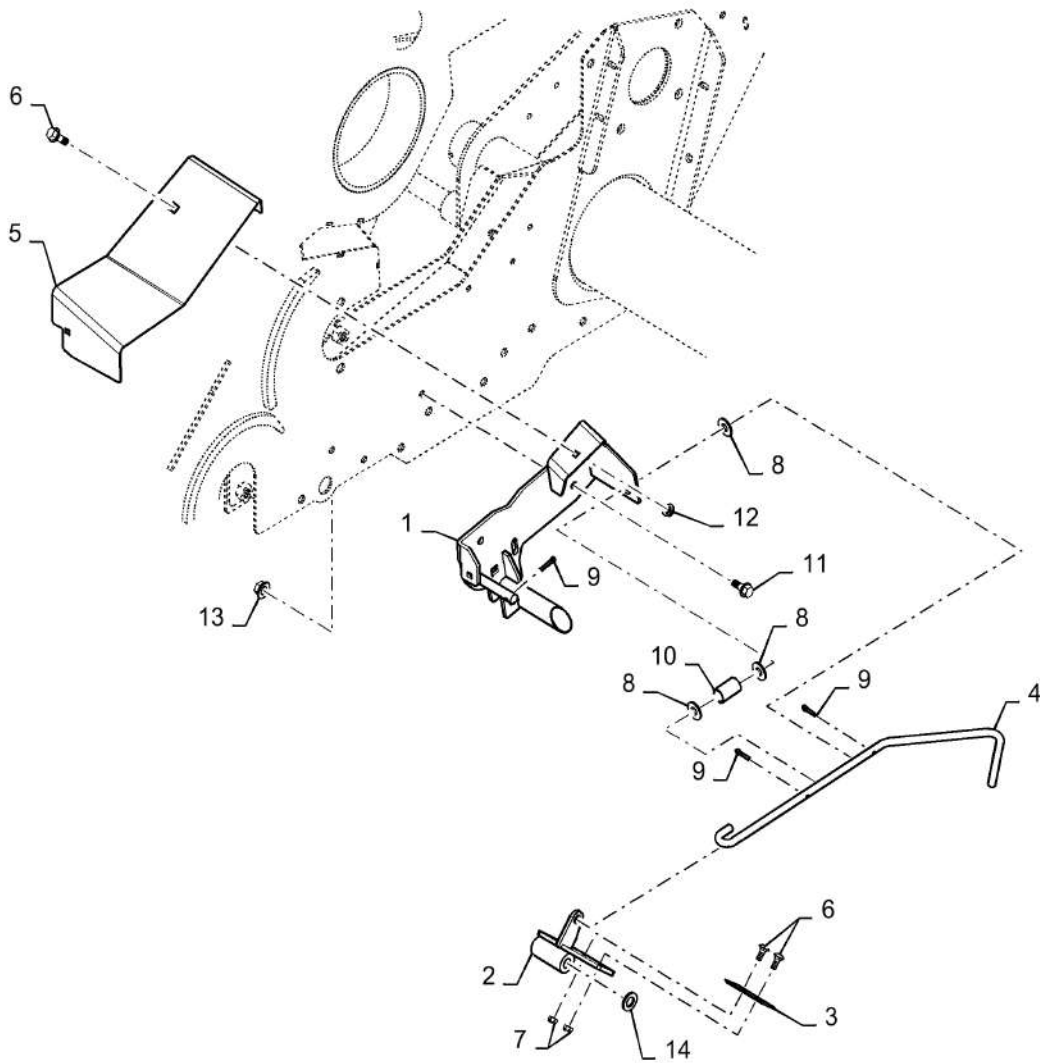
TWINE MOTION INDICATOR

REF FN	PART NUMBER	YR/SN	QTY DESCRIPTION
1	1	47550776	1 SUPPORT Twine Spinner
2	86629062		2 GUIDE
3	86511323		4 WASHER 10.5mm ID x 20mm OD x 2mm Thk
4	87038785		2 PULLEY ASSY. Includes: Ref. 5
5	748669		1 BALL BEARING 10mm ID x 30mm OD x 9mm W
6	9804278		2 FLANGE NUT M10 x 1.5, CI 8
7	86511845		2 BOLT M10 x 44.2mm OAL, CI 8.8, Full Thd
8	9804258		1 BOLT Hex, M8 x 1.25 x 20mm, CI 8.8
9	9804277		2 FLANGE NUT Hex, M8 x 1.25, CI 8

(1) Attach with Hardware from Side Door Stop

RB465-CASE IH ROUND BALER - EUROPE & R.O.W.

TWINE KNIFE



TWINE KNIFE

REF FN	PART NUMBER	YR/SN	QTY DESCRIPTION
1	47438703		1 SUPPORT
2	84300403		1 MOUNT
3	617945		1 KNIFE SECTION Twine
4	84235144		1 ROD
5	47501977		1 SHIELD
6	86512439		4 CARRIAGE BOLT M6 x 16mm, CI 8.8
7	353308		3 NUT M6 x 1.0, CI 8
8	378244		3 WASHER 10.5mm ID x 24mm OD x 2mm Thk
9	80756		3 COTTER PIN 1/8" x 3/4"
10	226829		2 SPRING Compression, 19.05mm OD x 77.72mm OD
11	9804258		3 BOLT Hex, M8 x 1.25 x 20mm, CI 8.8
12	9804276		2 FLANGE NUT Hex, M6 x 1, CI 8
13	9804277		1 FLANGE NUT Hex, M8 x 1.25, CI 8
14	86622500		3 WASHER 13.49mm ID x 22.2mm OD x 1.36mm Thk

RB465-CASE IH ROUND BALER - EUROPE & R.O.W.

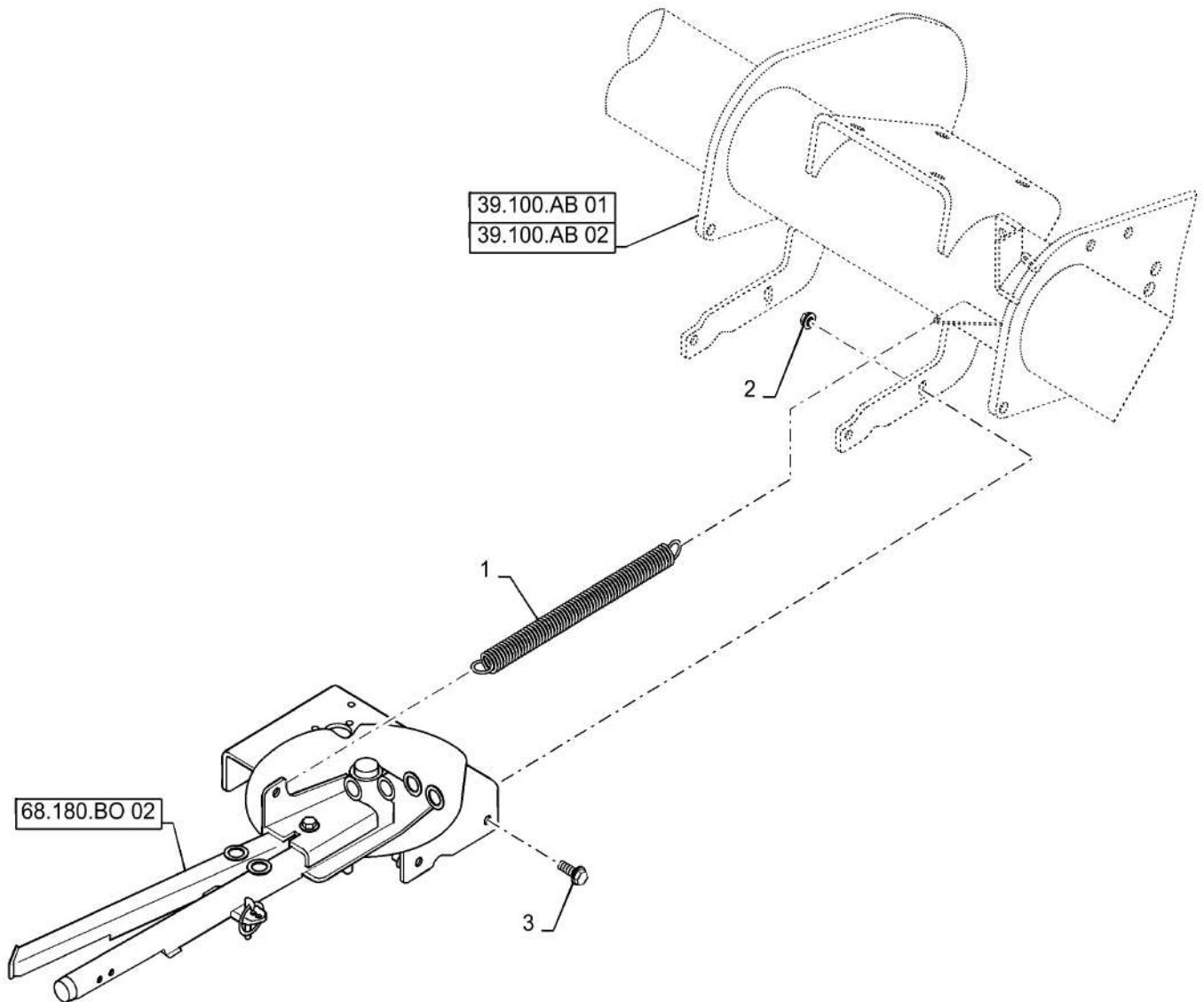
68.180.BO

01

p1

9/2015

VAR - 726738, 726963 - TWINE ARM MOUNTING PARTS



68.180.BO

01

p1

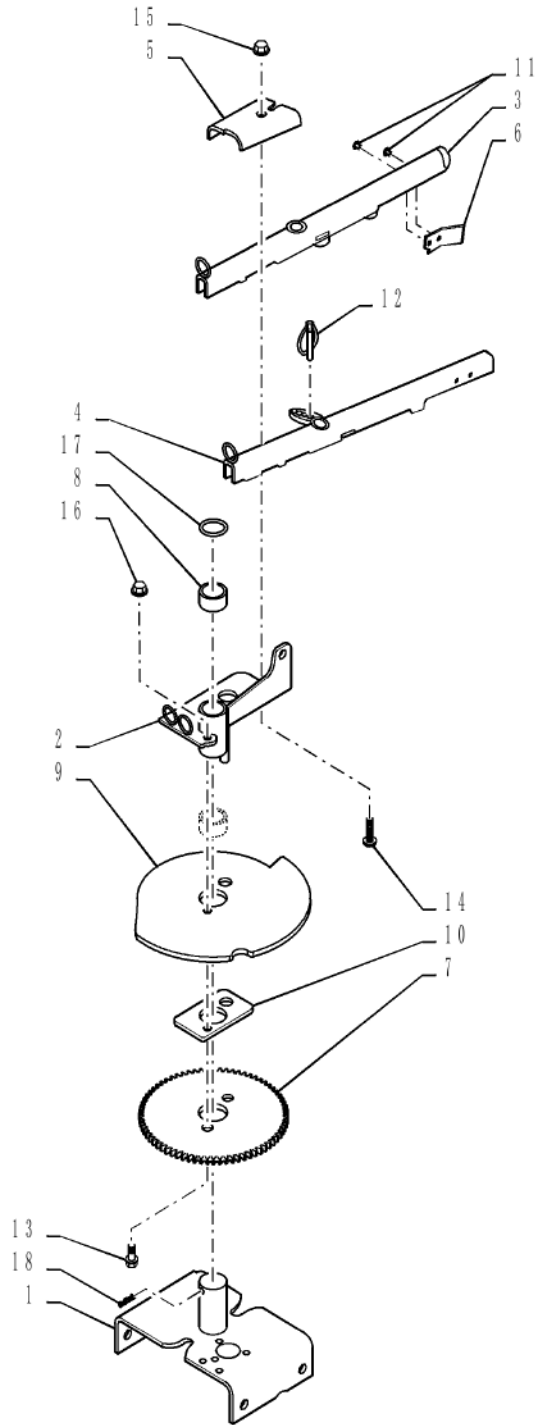
9/2015

VAR - 726738, 726963 - TWINE ARM MOUNTING PARTS

REF FN	PART NUMBER	YR/SN	QTY DESCRIPTION
1	0C		1 ORDER COMPONENTS Twine Arm Pivot {84268713}
2	86559592		1 SPRING Extension, 0.99" OD x 6-1/4" L
3	9804278		2 FLANGE NUT M10 x 1.5, CI 8
4	9804262		2 BOLT M10 x 39.2mm, CI 8.8

RB465-CASE IH ROUND BALER - EUROPE & R.O.W.

TWINE ARM PIVOT

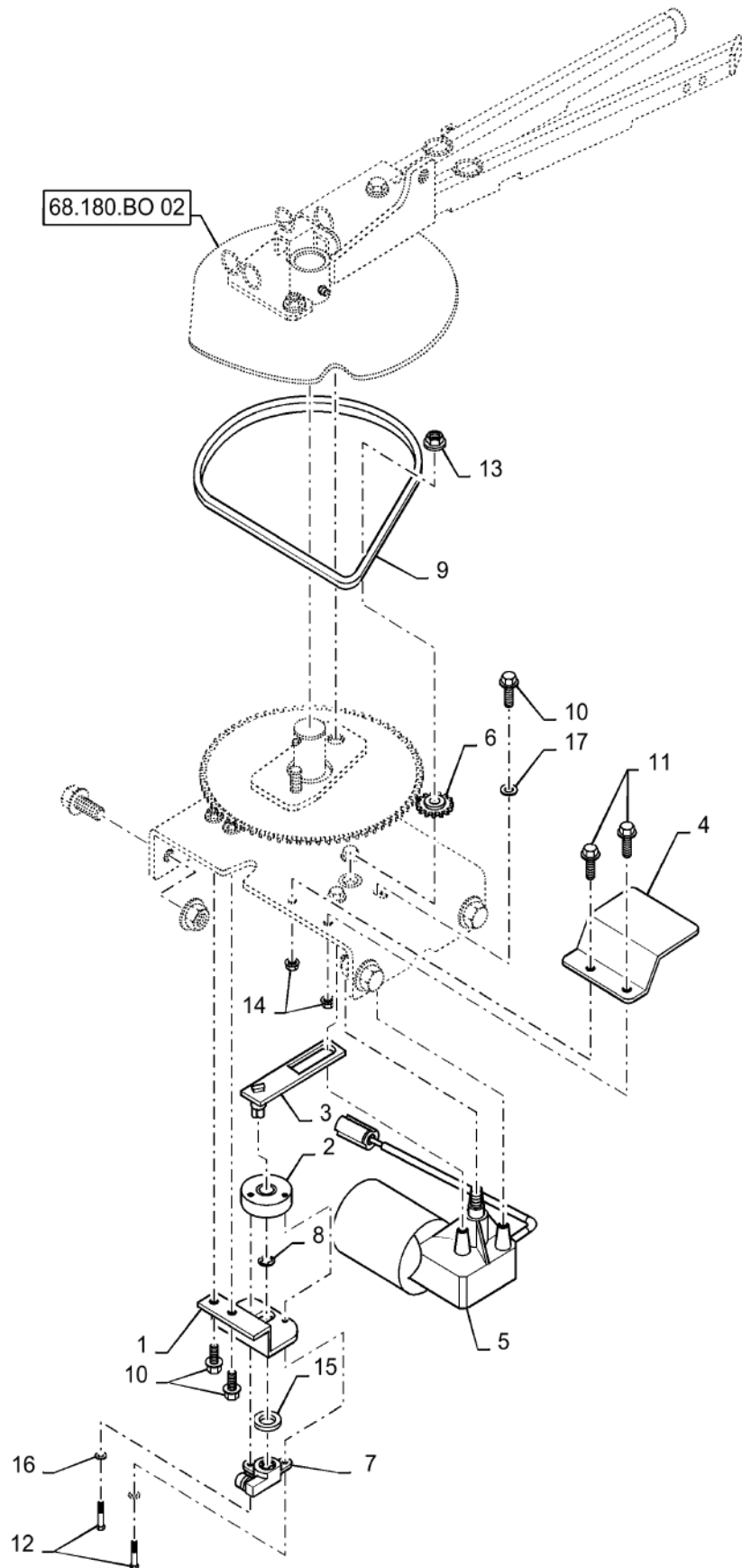


TWINE ARM PIVOT

REF FN	PART NUMBER	YR/SN	QTY DESCRIPTION
1	84282797		1 MOUNT
2	47500577		1 ARM
3	47495565		1 ARM
4	47495559		1 ARM
5	84283485		1 ANGLE
6	87609767		2 LEAF SPRING
7	84258226		1 SPROCKET RC35, 72T 72T, RC35
8	420434		2 BUSHING 30mm ID x 34mm OD x 20mm L
9	84300458		1 PLATE
10	47537037		1 PLATE
11	86637656		4 RIVET Pop, 1/8" x .337"
12	270184		1 LINCH PIN 6.35mm OD
13	9804262		1 BOLT M10 x 39.2mm, CI 8.8
14	350459		1 CARRIAGE BOLT Rnd Head, M10 x 1.5 x 50mm, Full Thd, CI 8.8
15	86619802		1 FLANGE NUT M10 x 1.5, CI 8
16	9804278		1 FLANGE NUT M10 x 1.5, CI 8
17	140109		1 WASHER 31mm ID x 40mm OD x 2mm Thk
18	300595		1 COTTER PIN M4 x 40

RB465-CASE IH ROUND BALER - EUROPE & R.O.W.

TWINE ARM ELECTRIC MOTOR



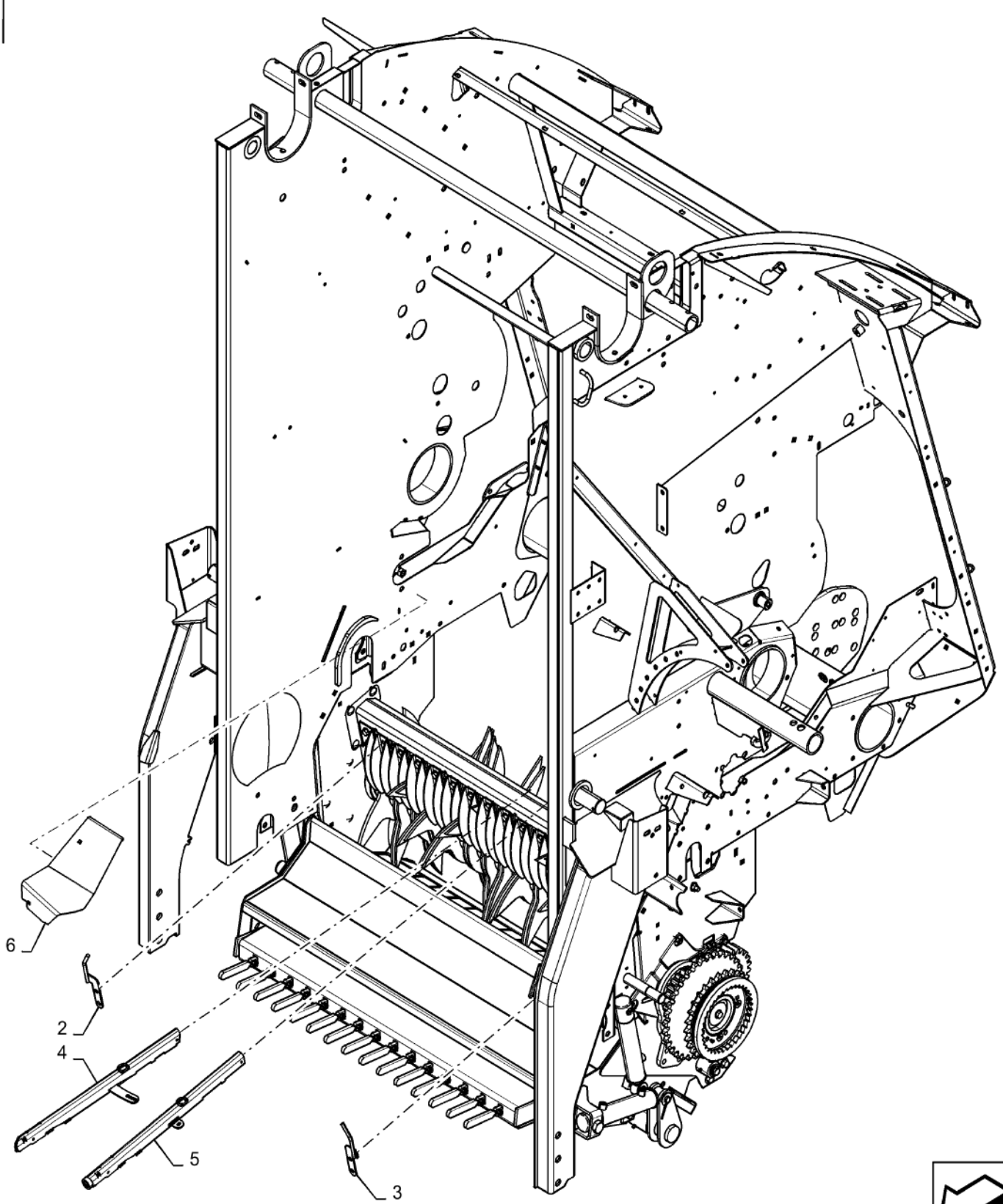
TWINE ARM ELECTRIC MOTOR

REF FN	PART NUMBER	YR/SN	QTY DESCRIPTION
1	84300445		1 MOUNT
2	84308004		1 HUB
3	84279849		1 ACTUATING PLATE
4	47497498		1 PLATE
5	47441445		1 WIPER MOTOR 12V
6	84258225		1 SPROCKET RC35, 11T
7	86977396		1 POTENTIOMETER 3000 Ohm, 16 VDC
8	86000439		1 SNAP RING 0.288" ID x 0.66" OD x 0.037" Thk, External
9	84259286		1 CHAIN 35, 83 Links x 3/8" = 31-1/8" L
10	9804255		5 BOLT Hex, M6 x 1 x 16mm, Full Thd, CI 8.8
11	9804258		2 BOLT Hex, M8 x 1.25 x 20mm, CI 8.8
12	412255		2 BOLT Hex, M4 x 20mm, CI 8.8
13	86505868		1 SERRATED NUT M8 x 1.25
14	9804277		2 FLANGE NUT Hex, M8 x 1.25, CI 8
15	86613601		1 WASHER 14.88mm ID x 28.69mm OD x 7.35mm Thk
16	9672521		1 LOCK WASHER Ext Tooth, #10
17	322357		3 BELLEVILLE WASHER M6 x 14mm OD x 1.3mm Thk

RB465-CASE IH ROUND BALER - EUROPE & R.O.W.

TWINE, STARTER

1



68.180.BO

05

p1

9/2015

TWINE, STARTER

REF FN	PART NUMBER	YR/SN	QTY DESCRIPTION
1	47870498		1 KIT Twine Starter, Incl 2 - 6
2	47816897		1 ROD Twine Starter
3	47816899		1 ROD Twine Starter
4	47812609		1 ARM Twine Starter
5	47812495		1 ARM Twine Starter
6	47816936		1 SHIELD Twine Starter

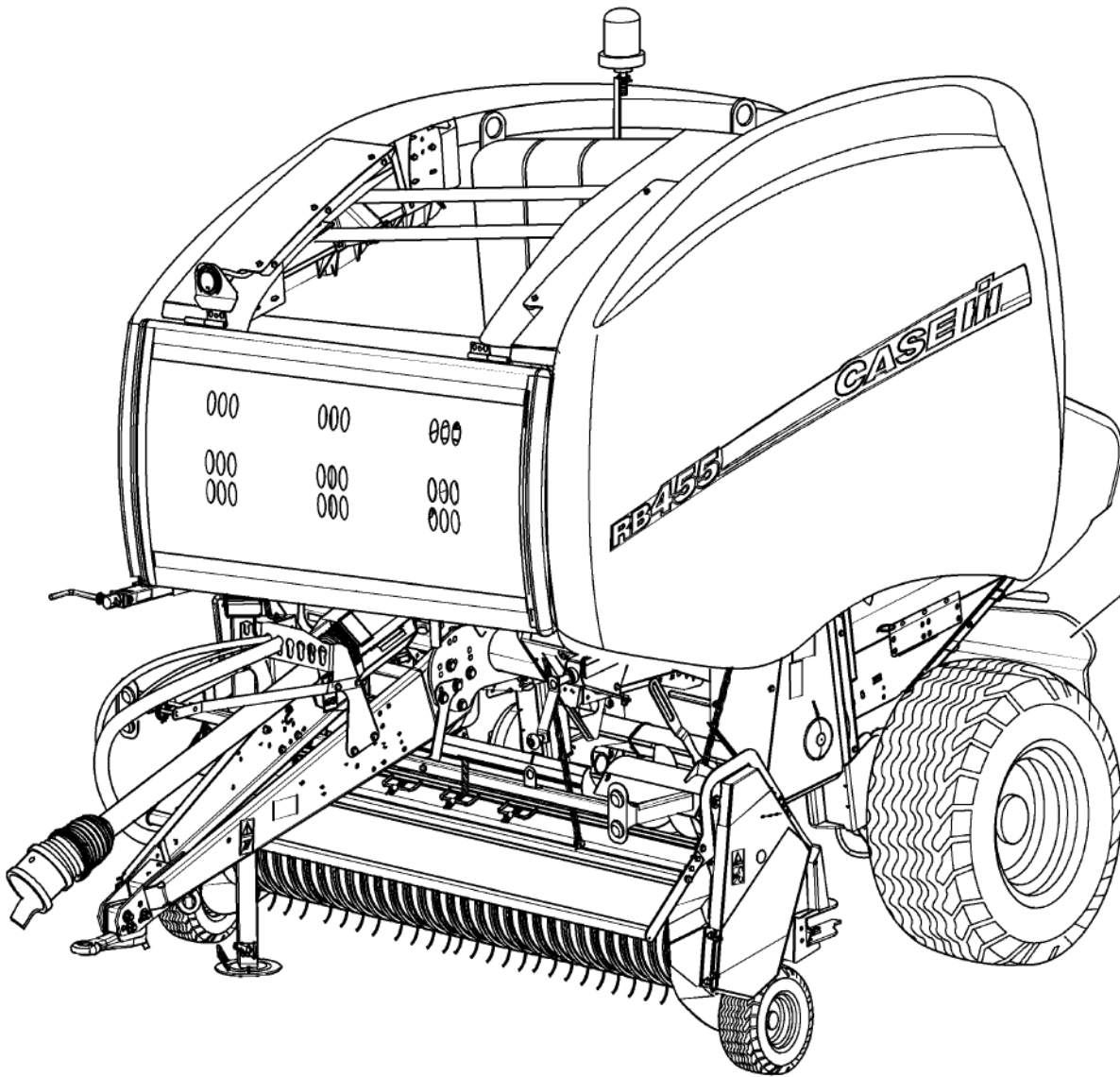
RB465-CASE IH ROUND BALER - EUROPE & R.O.W.

SECTION INDEX

EJECTION

70.000.00		PICTORIAL INDEX - EJECTION
70.280.AB	02	VAR - 726809 - BALE EJECTOR, 794992016 AND PRIOR

PICTORIAL INDEX - EJECTION



70.280.AB 01
70.280.AB 02

70.000.00

p1

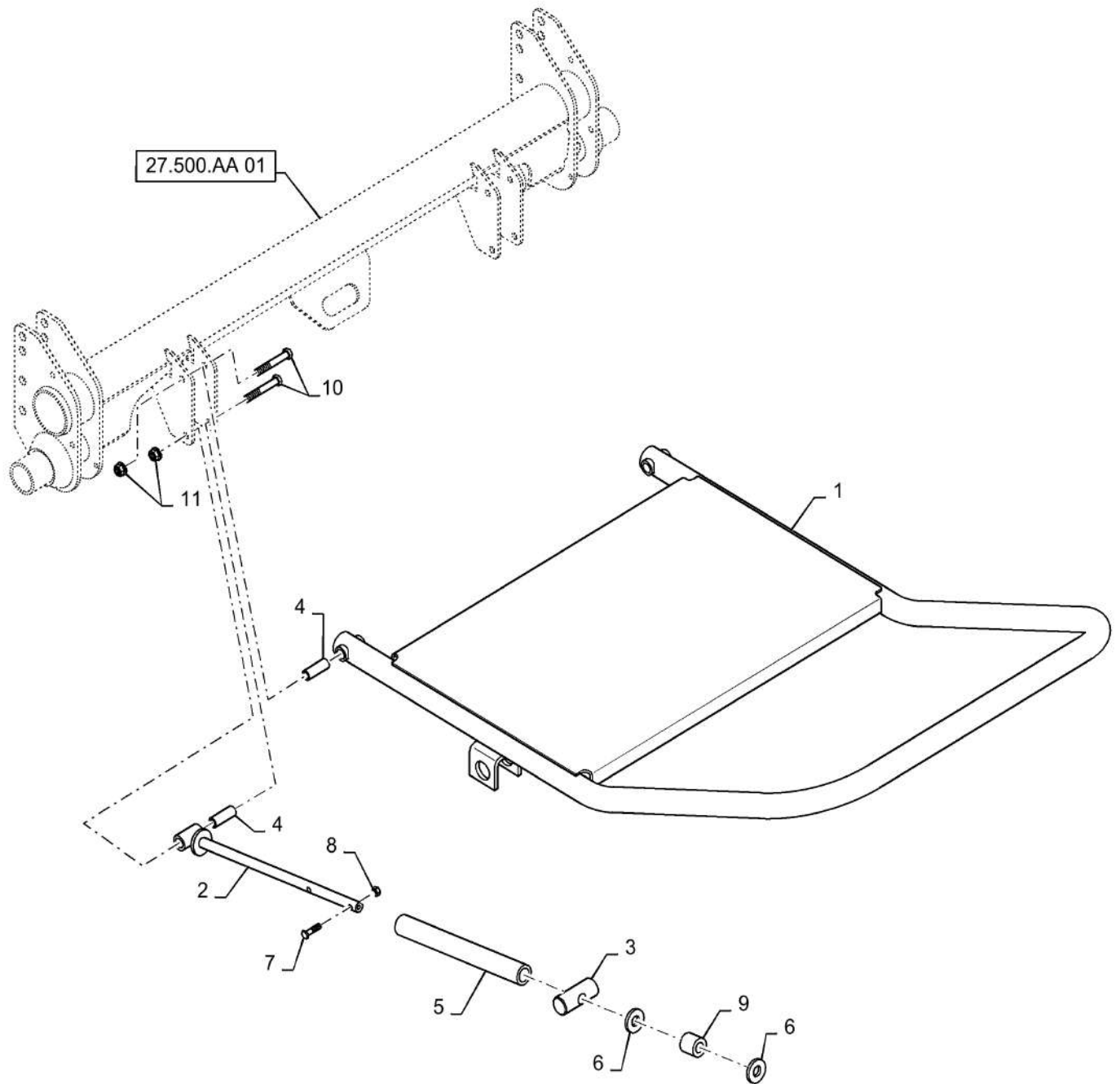
9/2015

PICTORIAL INDEX - EJECTION

REF FN	PART NUMBER	YR/SN	QTY DESCRIPTION
---------------	--------------------	--------------	------------------------

RB465-CASE IH ROUND BALER - EUROPE & R.O.W.

VAR - 726809 - BALE EJECTOR, 794992016 AND PRIOR



70.280.AB

02

p1

9/2015

VAR - 726809 - BALE EJECTOR, 794992016 AND PRIOR

REF FN	PART NUMBER	YR/SN	QTY DESCRIPTION
1	84603562		1 EJECTOR Bale, Dk. Gray
2	87028071		2 ROD ASSY.
3	87028069		2 PIN
4	87022950		4 SPACER 12.83mm ID x 19.05mm OD x 58.75mm L
5	87022949		2 SPRING Compression, 41.27mm OD x 505mm L
6	87040148		4 WASHER 19.81mm ID x 47.497mm OD x 6.35mm Thk
7	9780069		2 BOLT Hex, M8 x 1.25 x 40mm, CI 10.9
8	9628098		2 NUT M8 x 1.25, CI 10
9	86562970		2 BUSHING 19.3mm ID x 41.61mm OD x 40.1mm L Rubber
10	86508581		4 BOLT Hex, M12 x 90mm, CI 8.8
11	9804279		4 FLANGE NUT Hex, M12, CI 8

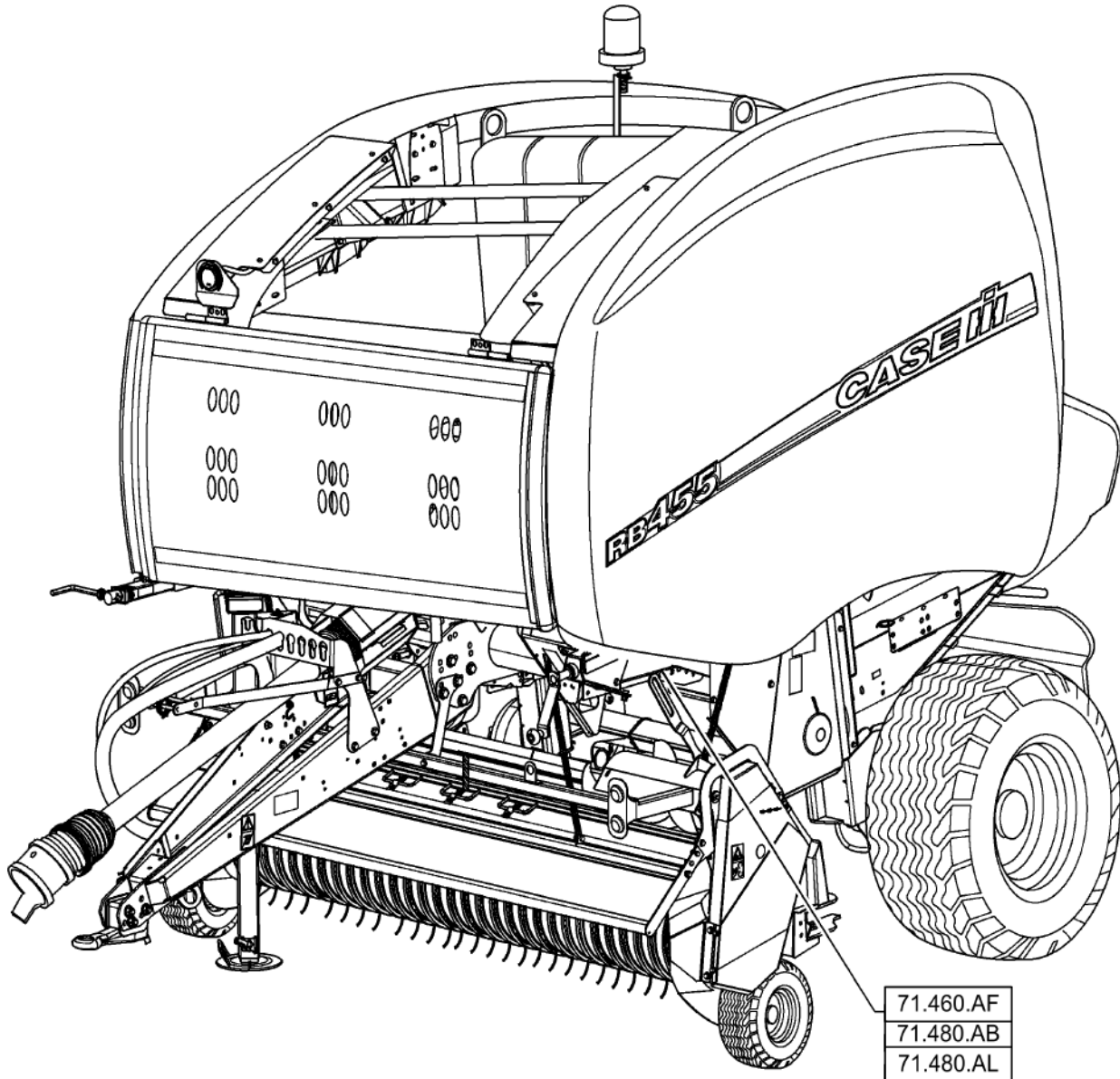
RB465-CASE IH ROUND BALER - EUROPE & R.O.W.

SECTION INDEX

LUBRICATION SYSTEM

71.000.00		PICTORIAL INDEX - LUBRICATION SYSTEM
71.460.AF		REMOTE LUBRICATION LINE
71.480.AB	01	VAR - 726912 - LUBRICATION LINE, OILER
71.480.AL		LUBRICATION OILER PUMP

PICTORIAL INDEX - LUBRICATION SYSTEM



71.000.00

p1

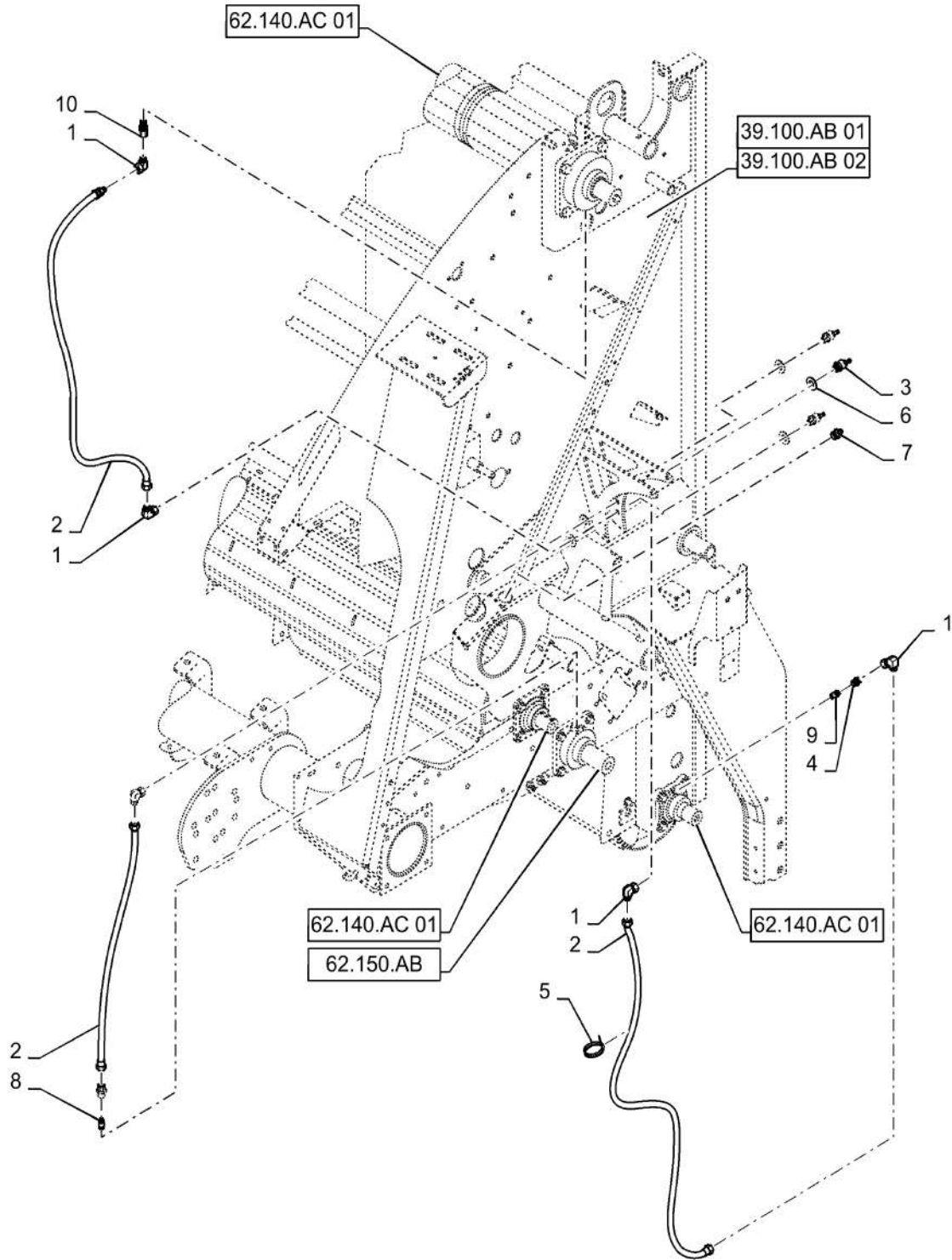
9/2015

PICTORIAL INDEX - LUBRICATION SYSTEM

REF FN	PART NUMBER	YR/SN	QTY DESCRIPTION
---------------	--------------------	--------------	------------------------

RB465-CASE IH ROUND BALER - EUROPE & R.O.W.

REMOTE LUBRICATION LINE



REMOTE LUBRICATION LINE

REF FN	PART NUMBER	YR/SN	QTY DESCRIPTION
1	48564		12 90 ELBOW 90°, 11/16" x 5/8", 1/8" NPT
2	86629566		AR PLASTIC-RUBBER TUBE 2.8mm ID x 4.8mm OD
3	80280397		7 LUBE NIPPLE 45°, Female 1/8" NPTF
4	86580291		1 ADAPTER 1/8" - 27 x 1/4" - 28
5	86566989		5 CABLE TIE 208mm L
6	140045		11 BELLEVILLE WASHER M10X22 ZNM
7	84251		2 LUBE NIPPLE 30°, 1/8" NPT x 2 5/64" lg
8	80717		1 LUBE NIPPLE 45°, 1/8" NPT x 7/8" lg
9	80721		1 LUBE NIPPLE 1/4"-28 x 45°
10	11787		2 FITTING 3/8"-24 Fem x 1/8" NPT

RB465-CASE IH ROUND BALER - EUROPE & R.O.W.

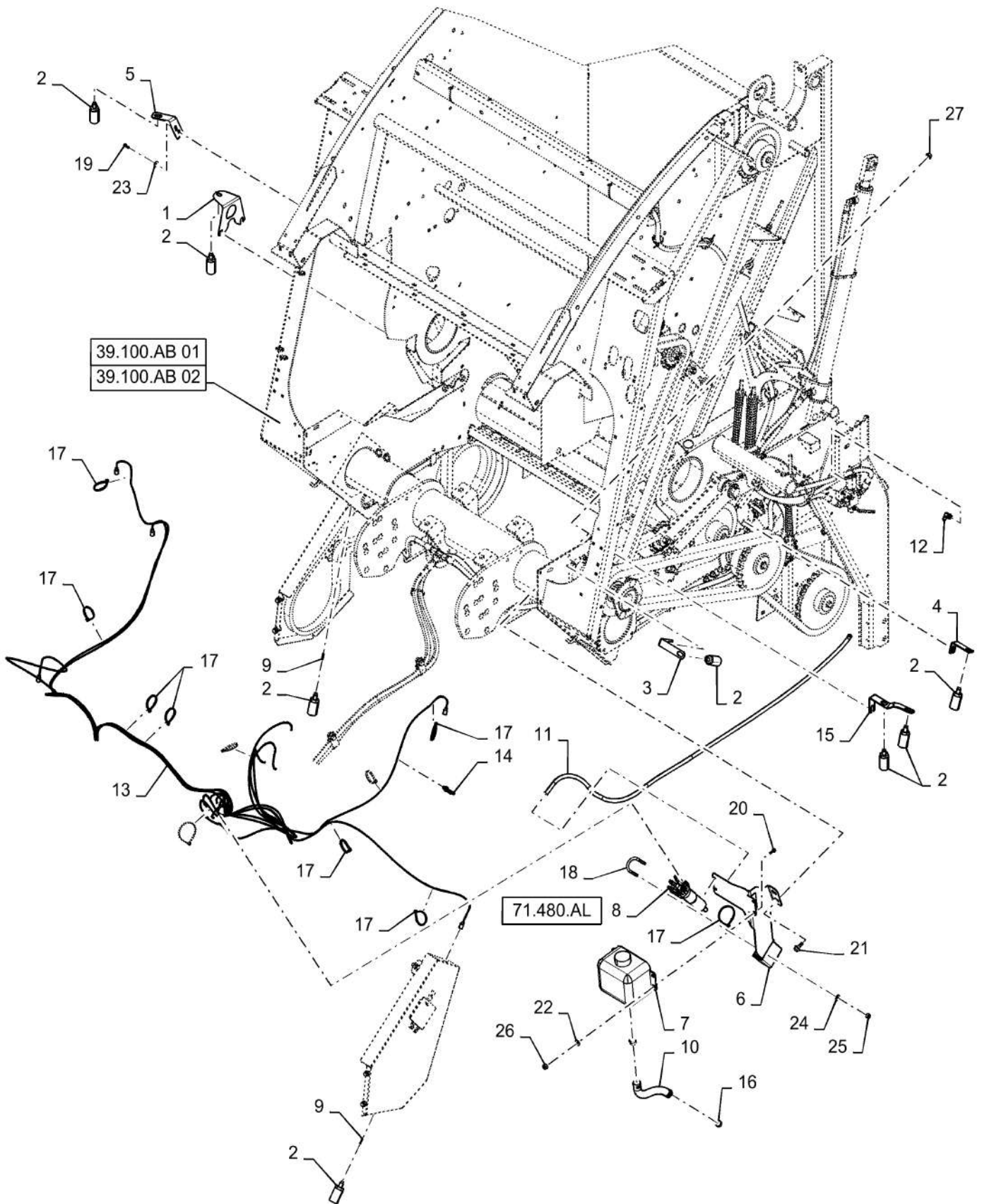
71.480.AB

01

p1

9/2015

VAR - 726912 - LUBRICATION LINE, OILER

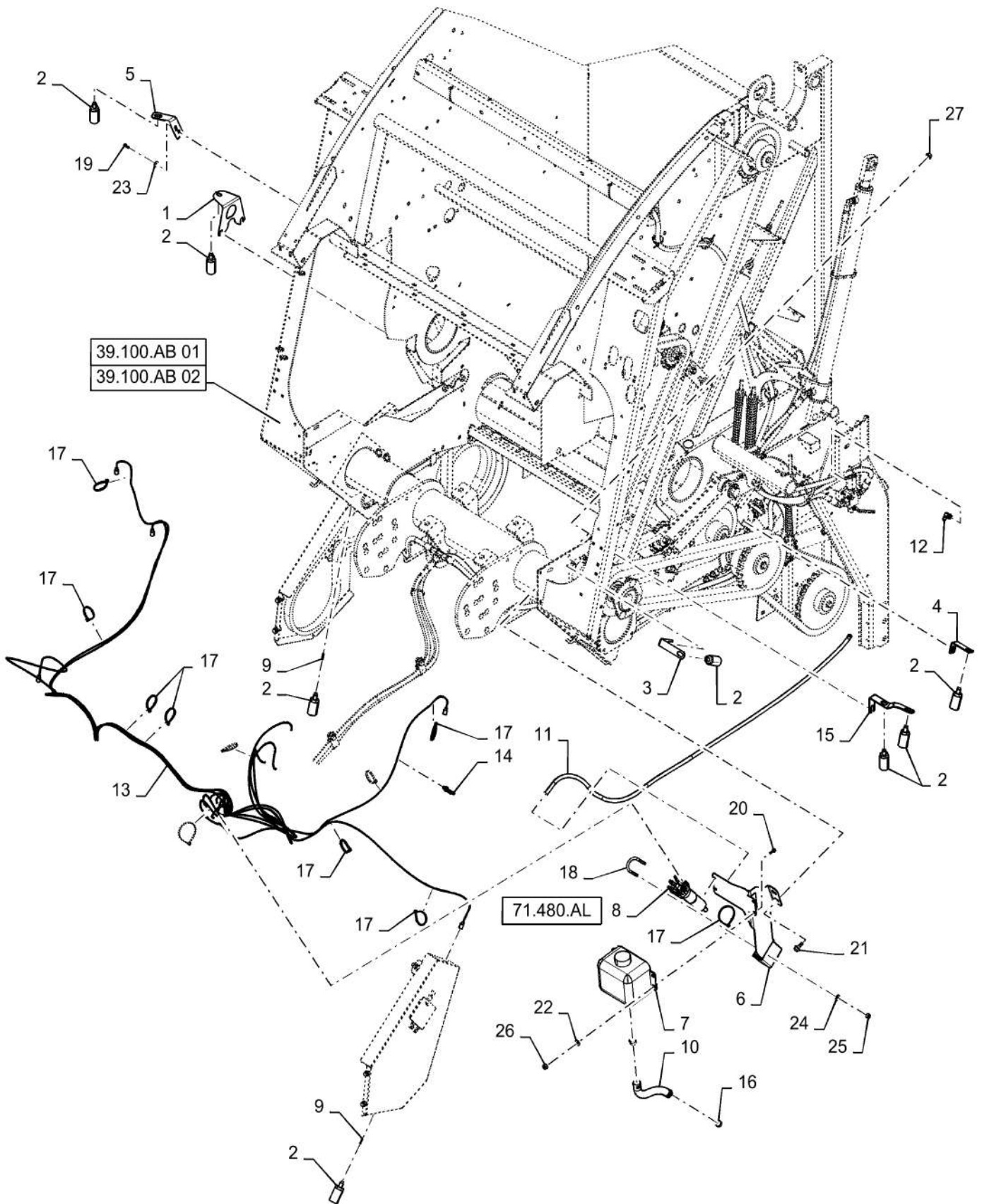


VAR - 726912 - LUBRICATION LINE, OILER

REF FN	PART NUMBER	YR/SN	QTY DESCRIPTION
1	84408829		1 BRACKET
2	9822519		8 COMMUTATOR BRUSH
3	47858604		1 ANGLE
4	84476973		1 ANGLE
5	84476975		1 BRUSH HOLDER
6	47845741		1 SUPPORT
7	9822520		1 HYDRAULIC OIL RESERVOIR
8	87040807		1 PUMP
9	86521981		2 REDUCER 5/32" Hose Barb x 5/32" Hose Barb
10	86553253		AR HOSE .62"
11	84414248		1 HYDRAULIC HOSE 6.35mm ID x 1625mm L, SAE 100R17
12	216773		1 90 ELBOW 90°, 7/16"-20, 37° x 7/16"-20, O-Ring
13	1 9848970		AR PLASTIC-RUBBER TUBE 3.96mm OD x 10973mm L
14	84292754		2 CLIP Cable Tie W/ Fir Tree, 5mm OD x 203mm OAL
15	47858603		ANGLE
16	326082		2 CLAMP 18mm - 25mm
17	2 86566989		13 CABLE TIE 208mm L
17	3 86566989		17 CABLE TIE 208mm L
18	86977434		1 U-BOLT 5/16" - 20 x 1.94" W x 2.50" L
19	87667		2 SELF-TAP SCREW Hex Hd, 1/4" x 1/2"
20	9804256		4 BOLT Hex, M6 x 1 x 20mm, Full Thd, Cl 8.8
21	9804261		2 BOLT Hex, M10 x 25mm, Full Thd, Cl 8.8
22	80701		4 WASHER 0.31" ID x 0.73" OD x 0.07" Thk
23	322357		2 BELLEVILLE WASHER M6 x 14mm OD x 1.3mm Thk
24	322358		2 BELLEVILLE WASHER M8 x 18mm OD x 1.4mm Thk
(1)	Cut to Length Required		
(2)	Roll Belt 150		
(3)	Roll Belt 180		

RB465-CASE IH ROUND BALER - EUROPE & R.O.W.

VAR - 726912 - LUBRICATION LINE, OILER



71.480.AB

01

p2

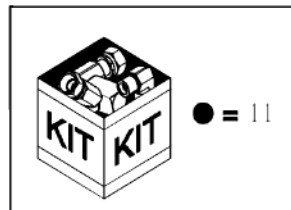
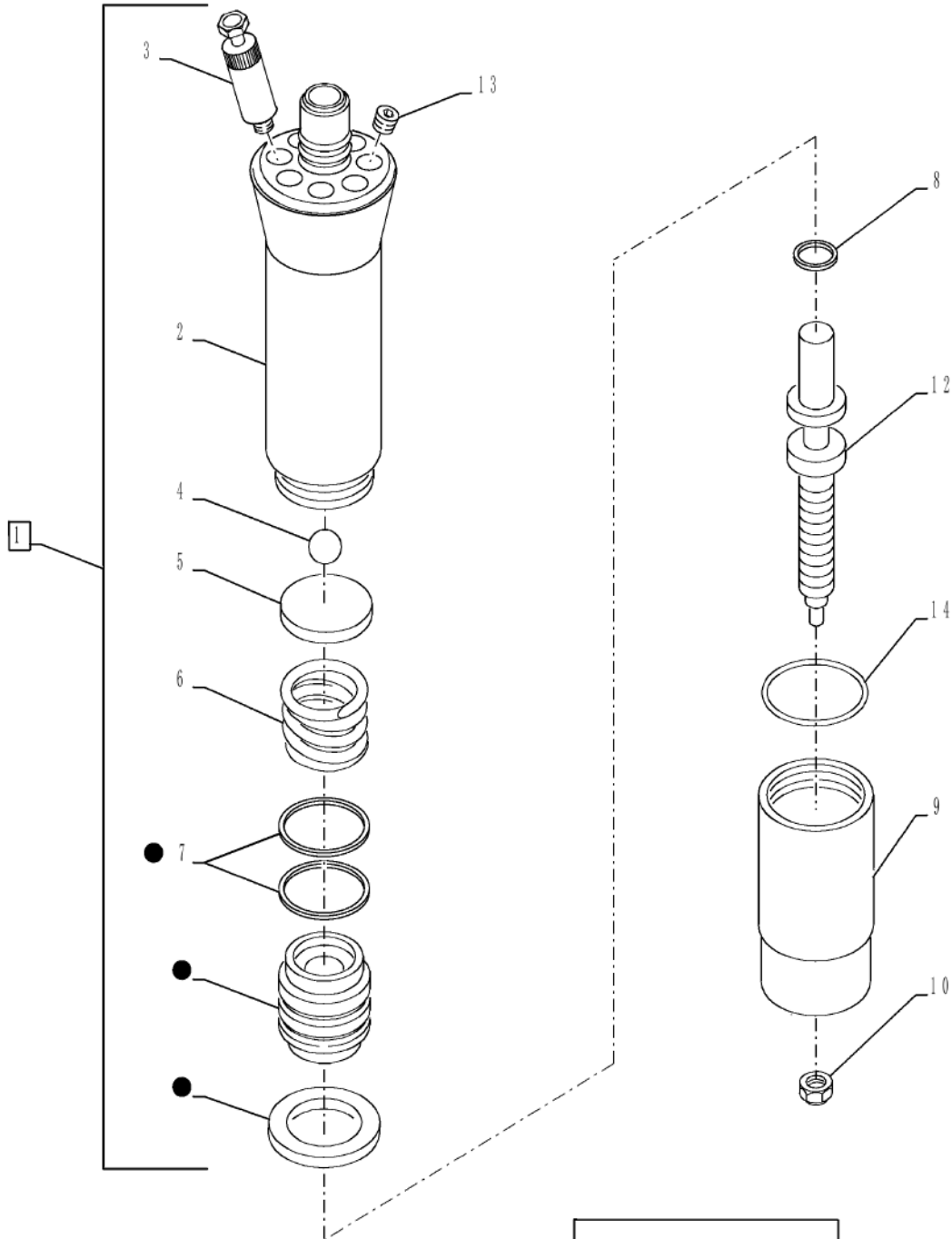
9/2015

VAR - 726912 - LUBRICATION LINE, OILER

REF FN	PART NUMBER	YR/SN	QTY DESCRIPTION
25	9635082		2 NUT 5/16" - 18, Gr 5
26	353308		2 NUT M6 x 1.0, Cl 8
27	9804278		2 FLANGE NUT M10 x 1.5, Cl 8

RB465-CASE IH ROUND BALER - EUROPE & R.O.W.

LUBRICATION OILER PUMP



LUBRICATION OILER PUMP

REF FN	PART NUMBER	YR/SN	QTY DESCRIPTION
1	87040807		1 PUMP Lube Oil
2	9847026		1 HOUSING Main
3	87042326		7 HOLDER Manifold
4	86520978		1 BALL 7/8, Steel
5	9847030		1 FILTER Screen
6	9847028		1 SPRING Compression, 0.94" OD x 2.81" L
7	9672929		2 O-RING 0.989" ID x 1.129" OD x 0.07" (M25.4 x 1.8)
8	9672467		1 O-RING 0.103" Thk x 0.549" ID, -113, CI 5, 75 Duro
9	9847027		1 CAP End Cap
10	87309		1 JAM NUT Jam, 1/2"-20, G2
11	73342912		1 REPAIR KIT Lube Pump
12	NSS		1 NOT SERVICED SEPARATELY Plunger
13	1 56513		AR PLUG Hex Soc, 1/8" - 27 NPT Pipe, Hex Socket, 1/8-27 NPT
14	NSS		1 NOT SERVICED SEPARATELY Washer, Rubber

(1) Install In Any Unused Port

RB465-CASE IH ROUND BALER - EUROPE & R.O.W.

SECTION INDEX

ACCESSORIES

88.000.00		PICTORIAL INDEX - ACCESSORIES
88.100.01	01	WHEEL CHOCK
88.100.05	01	DIA KIT, FIRE EXTINGUISHER
88.100.31	01	DIA KIT, PTO SUPPORT
88.100.33	01	DIA KIT, HYDRAULIC BRAKES WITH 500/55-20 TIRES
88.100.33	02	DIA KIT, HYDRAULIC BRAKE CONTROLS WITH 500/55-20 TIRES
88.100.33	03	DIA KIT, HYDRAULIC BRAKES FOR 480/45-17 TIRES
88.100.33	04	DIA KIT, HYDRAULIC BRAKE CONTROL WITH 480/45-17 TIRES, ROTOR
88.100.33	05	DIA KIT, PNEUMATIC BRAKES, BRAKE VALVE, WITH 500/55-20 TIRES
88.100.33	06	DIA KIT, PNEUMATIC BRAKES, RESERVOIR, WITH 500/55-20 TIRES
88.100.33	07	DIA KIT, EMERGENCY BRAKE
88.100.35	01	DIA KIT, HYDRAULIC SYSTEM, ROTOR REVERSER
88.100.35	02	DIA KIT, REVERSER LINKAGE
88.100.35	03	DIA KIT, REVERSER SHIELDS
88.100.35	04	VAR - 439062 - DIA KIT, DENSITY CYLINDER PRECHARGE
88.100.35	05	DIA KIT, SPLITTER VALVE
88.100.39	01	VAR - 716488 - DIA KIT, SAFETY CHAIN
88.100.39	02	DIA KIT, HIGH HITCH
88.100.55	01	VAR - 715019 - DIA KIT, ROTATING BEACON
88.100.55	02	DIA KIT, TAILGATE LATCH SENSOR
88.100.55	03	VAR - 715003 - DIA KIT, SIDE MARKER LIGHT
88.100.55	04	DIA KIT, TWINE MOTION SENSOR
88.100.55	05	DIA KIT, CONTROL BOX MOUNT
88.100.55	06	DIA KIT, OPERATOR PANEL VACUUM MOUNT
88.100.55	07	DIA KIT, REAR MARKER LIGHT
88.100.55	08	DIA KIT, BALE RAMP, SENSOR
88.100.60	01	DIA KIT, RUBBER TINE, 2M
88.100.60	02	DIA KIT, DUMMY SECTION, KNIFE
88.100.60	03	DIA KIT, PICKUP, WHEEL, NO TOOLS
88.100.60	04	DIA, KIT, ROLLER, WINDGUARD 1.8M
88.100.60	05	DIA KIT, ROLLER WINDGUARD, 2.0M
88.100.60	06	DIA KIT, FLIP UP DUAL CASTER WHEEL, LH
88.100.60	07	DIA KIT, FLIP UP DUAL CASTER WHEEL, RH
88.100.60	08	DIA KIT, MANUAL PICKUP LIFT

SECTION INDEX

ACCESSORIES

88.100.62	01	DIA KIT, DECLUTCH AND DRIVE ROLL CLUTCH
88.100.62	02	DIA KIT, DECLUTCH AND DRIVE ROLL CLUTCH
88.100.62	03	DIA KIT EXPELLER ROLLER
88.100.62	04	DIA KIT, FRONT SERPENTINE ROLL LOOP
88.100.62	05	DIA KIT, INFEED DISC
88.100.62	06	DIA KIT, LACING CABLE
88.100.62	07	DIA KIT, HEAVY DUTY LACING CABLE
88.100.62	08	DIA KIT, PREMIUM LACING CABLE KIT
88.100.62	10	DIA KIT, TAILGATE CHOPPING ROLL
88.100.68	02	DIA KIT, NET, CONVERSION KIT, DELUXE
88.100.68	03	DIA KIT, NET CONVERSION KIT, STANDARD
88.100.70	01	DIA KIT, BALE EJECTOR
88.100.70	02	DIA KIT, BALE EJECTOR
88.100.71	01	DIA KIT, CHAIN OILER
88.100.90	01	DIA KIT, REAR NET STORAGE
88.100.90	02	DIA KIT, AUXILIARY TWINE BOX
88.100.90	03	DIA KIT, SIGNAL PLATES, ITALY
88.100.90	04	VAR - 715003 - DIA KIT, SLOW MOVING VEHICLE SIGN

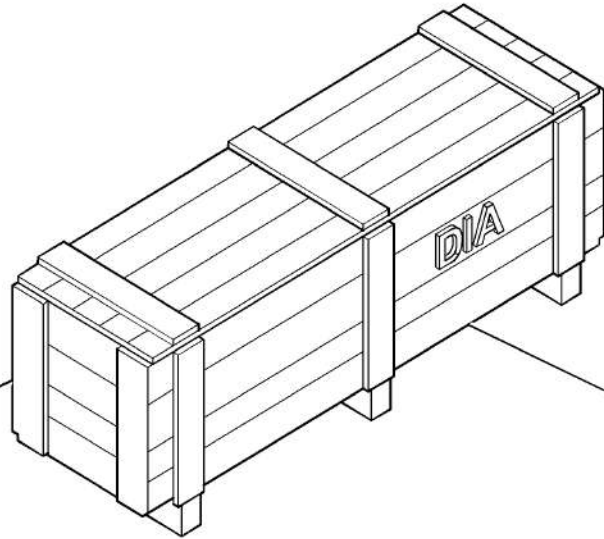
88.000.00

p1

9/2015

PICTORIAL INDEX - ACCESSORIES

- 88.100.05 01
- 88.100.31 01
- 88.100.33 01
- 88.100.33 02
- 88.100.33 03
- 88.100.33 04
- 88.100.33 05
- 88.100.33 06
- 88.100.33 07
- 88.100.35 01
- 88.100.35 02
- 88.100.35 03
- 88.100.35 04
- 88.100.35 05
- 88.100.39 01
- 88.100.39 02
- 88.100.55 01
- 88.100.55 02
- 88.100.55 03
- 88.100.55 04
- 88.100.55 05
- 88.100.55 06
- 88.100.55 07
- 88.100.55 09



- 88.100.60 01
- 88.100.60 03
- 88.100.60 04
- 88.100.60 05
- 88.100.60 06
- 88.100.60 07
- 88.100.60 08
- 88.100.62 01
- 88.100.62 02
- 88.100.62 03
- 88.100.62 04
- 88.100.62 05
- 88.100.68 01
- 88.100.68 02
- 88.100.68 03
- 88.100.70 01
- 88.100.70 02
- 88.100.71 01
- 88.100.90 01
- 88.100.90 02
- 88.100.90 03
- 88.100.90 04

88.000.00

p1

9/2015

PICTORIAL INDEX - ACCESSORIES

REF FN	PART NUMBER	YR/SN	QTY	DESCRIPTION
---------------	--------------------	--------------	------------	--------------------

RB465-CASE IH ROUND BALER - EUROPE & R.O.W.

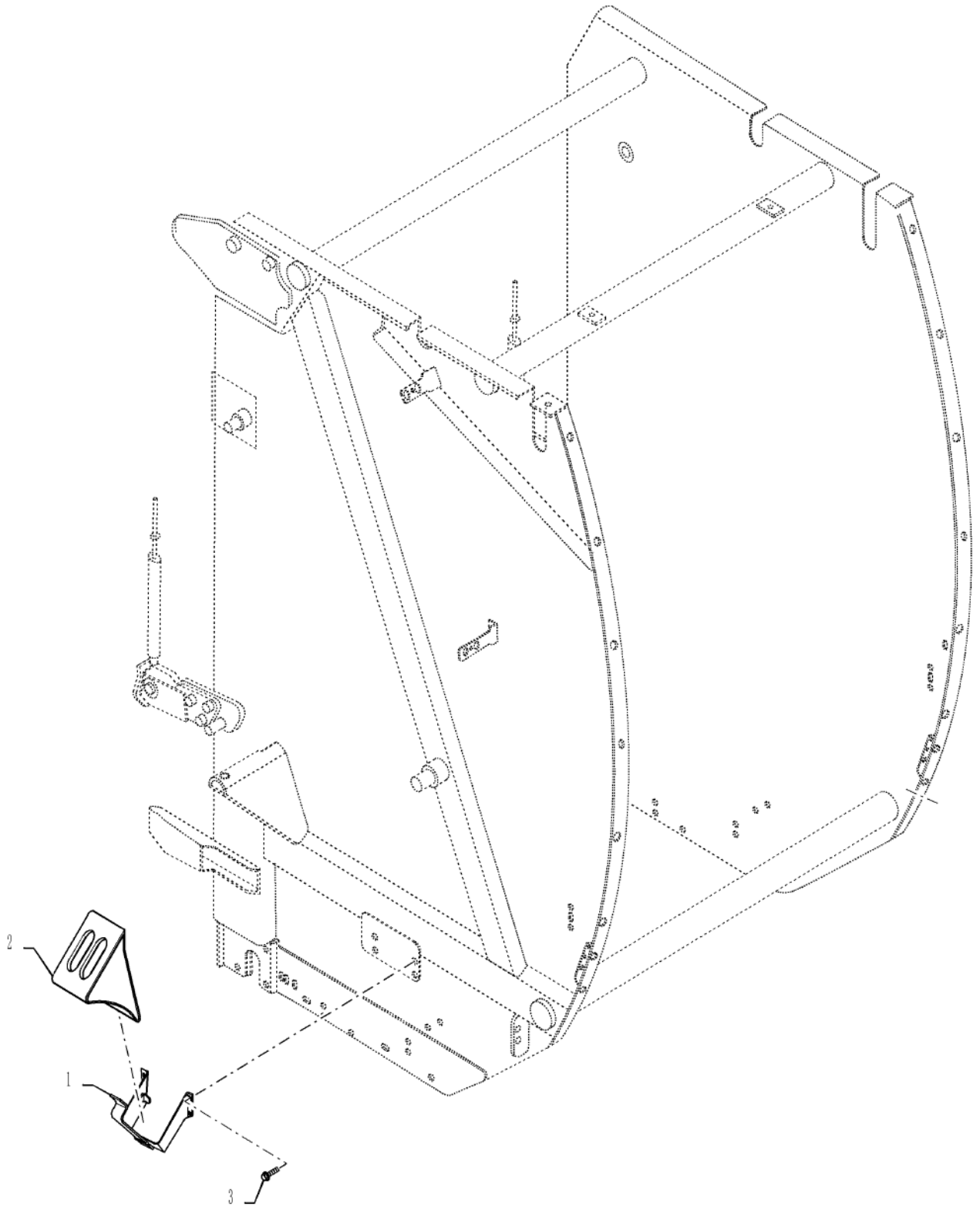
88.100.01

01

p1

9/2015

WHEEL CHOCK



88.100.01

01

p1

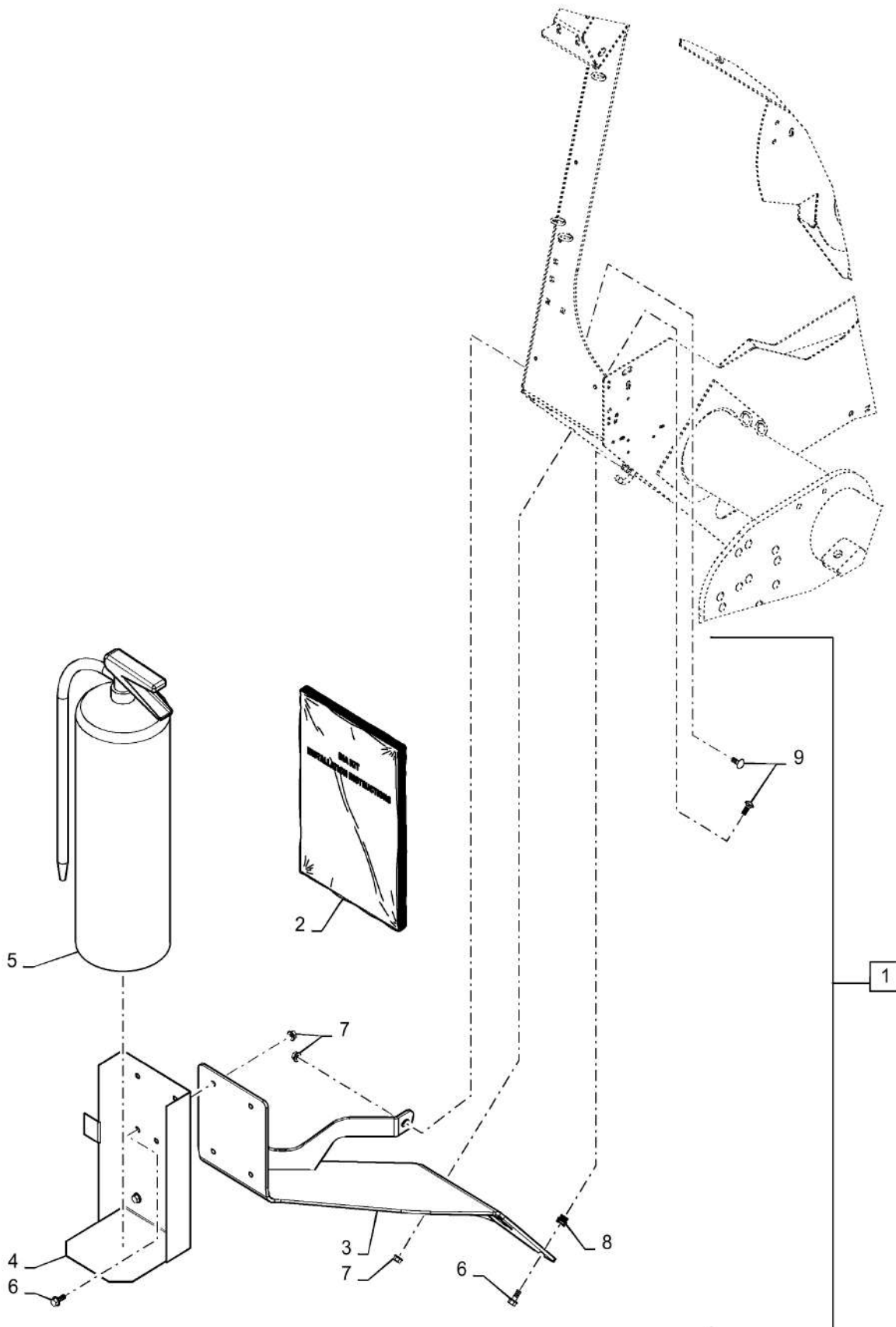
9/2015

WHEEL CHOCK

REF FN	PART NUMBER	YR/SN	QTY DESCRIPTION
1	86553669		2 SUPPORT
2	86553668		2 WHEEL CHOCK
3	9671714		8 FLANGE BOLT Hex, M8 x 1.25 x 25mm, Cl 8.8

RB465-CASE IH ROUND BALER - EUROPE & R.O.W.

DIA KIT, FIRE EXTINGUISHER



DIA KIT, FIRE EXTINGUISHER

REF	FN	PART NUMBER	YR/SN	QTY	DESCRIPTION
1	1	84542883		1	DIA KIT, HARVESTER Fire Extinguisher, Inc 2 - 7
2		84394619		1	INSTRUCTION
3		84542884		1	MOUNT
4		84271991		1	MOUNT
5		9827423		1	FIRE EXTINGUISHER Classification A
6		9804258		6	BOLT Hex, M8 x 1.25 x 20mm, CI 8.8
7		9804277		6	FLANGE NUT Hex, M8 x 1.25, CI 8
8		86610200		1	THREADED INSERT M8 x 1.25
9		86507486		2	CARRIAGE BOLT M8 x 1.25 x 20mm, CI 8.8

(1) Refer to Installation Instructions for Correct Assembly Procedure

RB465-CASE IH ROUND BALER - EUROPE & R.O.W.

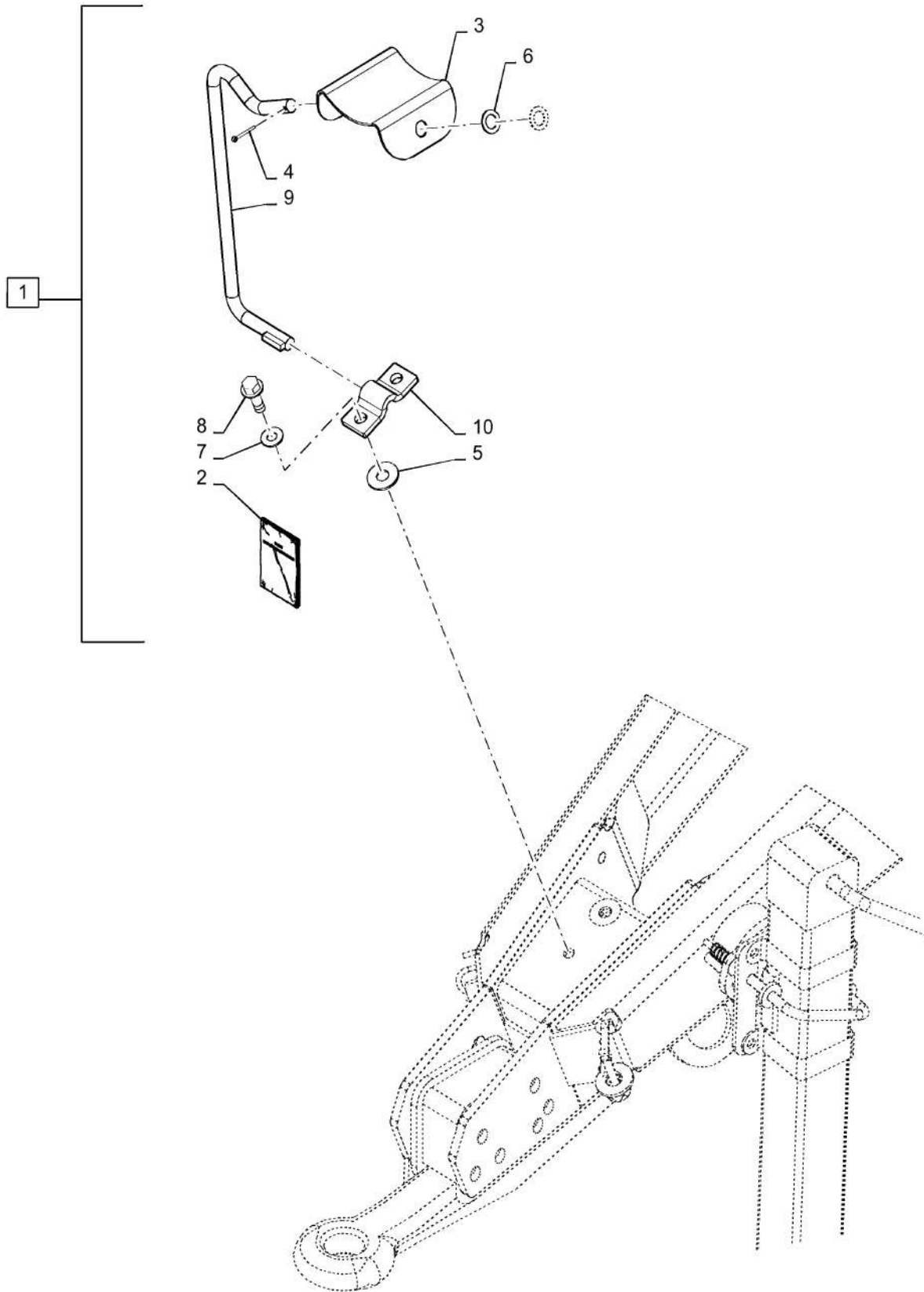
88.100.31

01

p1

9/2015

DIA KIT, PTO SUPPORT



88.100.31

01

p1

9/2015

DIA KIT, PTO SUPPORT

REF FN	PART NUMBER	YR/SN	QTY DESCRIPTION
1	47518207		1 DIA KIT, HARVESTER PTO Support, Incl 2 - 10
2	84394649		1 INSTRUCTION
3	87017977		1 PLATE
4	280251		1 COTTER PIN 3/32" OD x 1" OAL
5	81541		2 WASHER 0.5" ID x 1.25" OD x 0.08" Thk
6	86622500		2 WASHER 13.49mm ID x 22.2mm OD x 1.36mm Thk
7	140045		2 BELLEVILLE WASHER M10X22 ZNM
8	9804262		2 BOLT M10 x 39.2mm, CI 8.8
9	86619421		1 ROD
10	86977230		1 PLATE

RB465-CASE IH ROUND BALER - EUROPE & R.O.W.

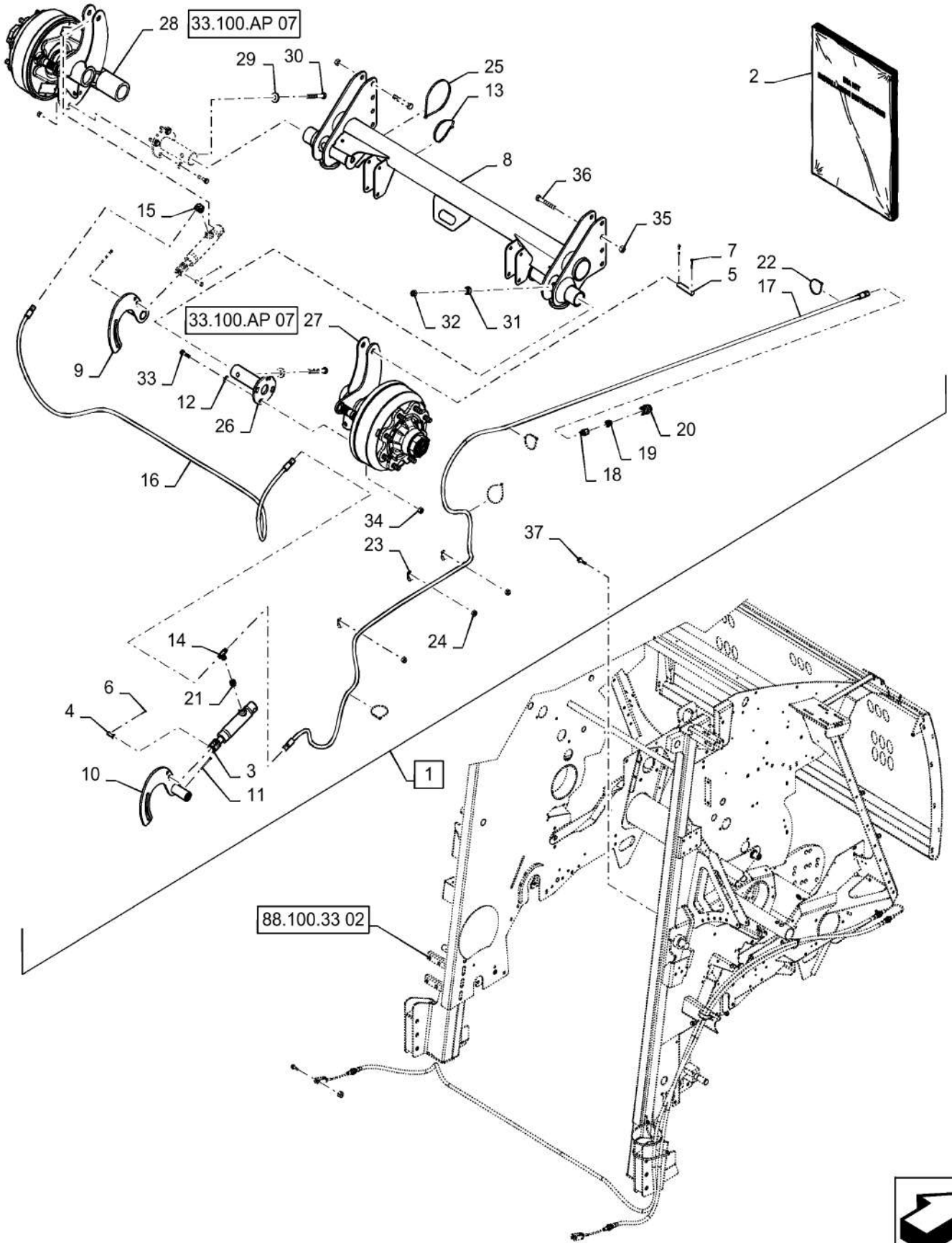
88.100.33

01

p1

9/2015

DIA KIT, HYDRAULIC BRAKES WITH 500/55-20 TIRES



DIA KIT, HYDRAULIC BRAKES WITH 500/55-20 TIRES

REF FN	PART NUMBER	YR/SN	QTY DESCRIPTION
1	47465673		1 DIA KIT, HARVESTER Hydraulic Brakes with 500/55-20 Tires, Incl 2 - 36 & Parts on Figure 88.033.01 2
2	47681249		1 INSTRUCTION
3	1 87663731		2 ACTUATOR
4	76877		2 CLEVIS PIN 12.6mm OD x 34.52mm L
5	87498333		2 PIN 19mm OD x 94mm L
6	130004		2 COTTER PIN 2.9mm OD x 31.4mm OAL
7	130011		4 COTTER PIN M5 x 40
8	84592592		1 REAR AXLE
9	47362619		1 ARM
10	47362621		1 ARM
11	300420		2 COTTER PIN M5 x 63
12	140046		8 BELLEVILLE WASHER M12 x 27mm OD x 1.8mm Thk
13	87034173		2 CABLE TIE 774.7mm L
14	86513014		1 TEE 9/16" - 18 JIC x 9/16" - 18 JIC x 9/16" - 18 JIC
15	9837647		1 ELBOW 9/16" - 18 JIC x 3/8" BSPP
16	47396567		1 HYDRAULIC HOSE 9.5mm ID x 2600mm L, SAE 100R1
17	86974525		1 HOSE 7.92mm ID x 5207mm L, SAE 100R1
18	84078124		1 HYD CONNECTOR 9/16" - 18 JIC x M16 x 1.5
19	395019		1 HYD CONNECTOR M18 x 1.5 ORB x M16 x 1.5 ORB
20	9839028		1 HYD CONNECTOR M18 x 1.5
21	9837622		1 HYD CONNECTOR 9/16" JIC x 3/8" BSPP
22	86566990		5 CABLE TIE 292mm OAL x 4.8mm W
23	86594406		3 CLAMP 15.9mm, Coat, 10.3mm Bolt Hole, P Type
24	100037		1 NUT M0 x 1.5, CI 8
25	84137881		3 STRAP
26	47534354		2 SPINDLE
27	84599987		1 MOUNT
28	84599988		1 MOUNT
29	122432		2 WASHER 17mm ID x 41mm OD x 6mm Thk
30	43874		2 BOLT Hex, M16 x 110, 8.8

(1) Components are Not Serviced Separately

RB465-CASE IH ROUND BALER - EUROPE & R.O.W.

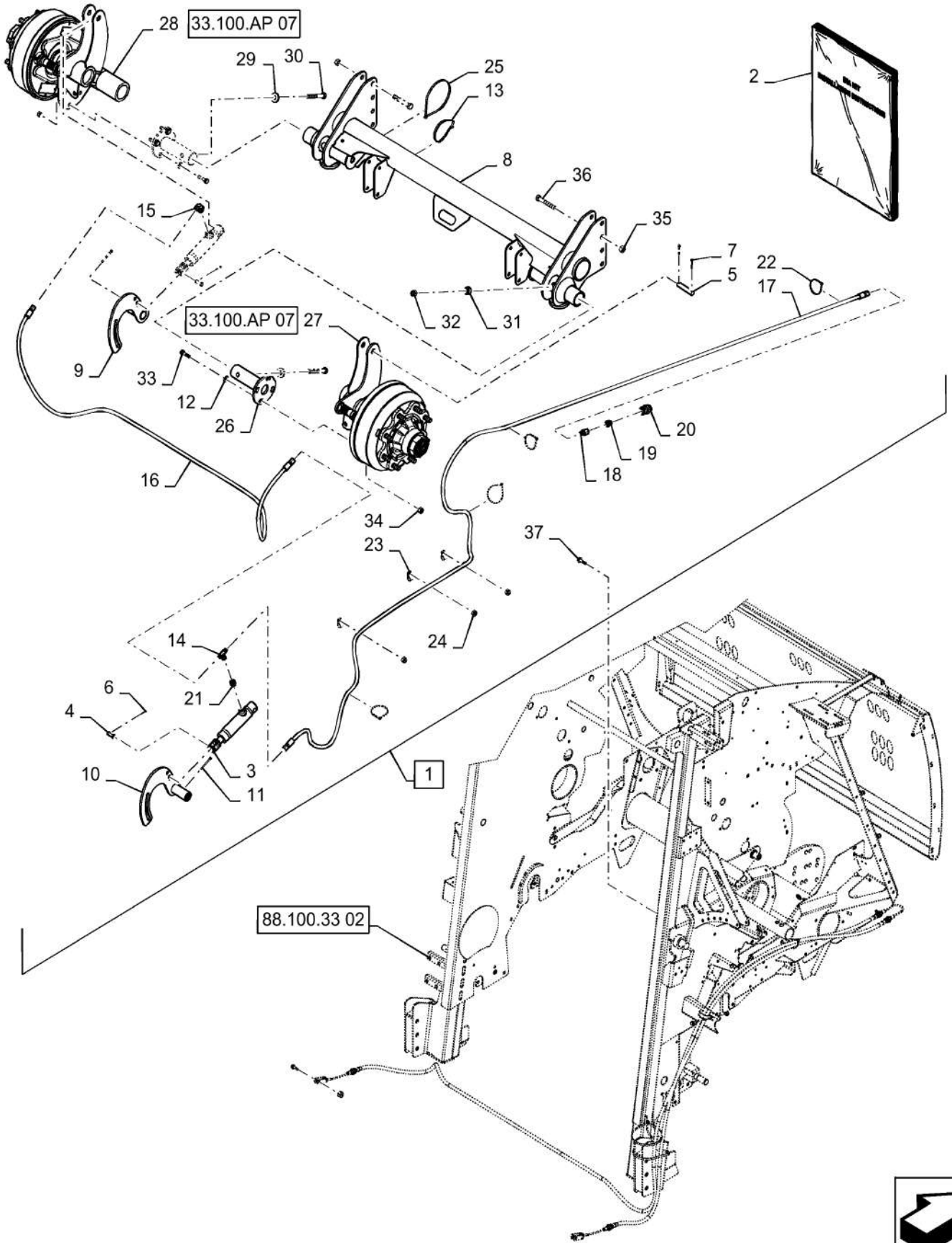
88.100.33

01

p2

9/2015

DIA KIT, HYDRAULIC BRAKES WITH 500/55-20 TIRES



88.100.33

01

p2

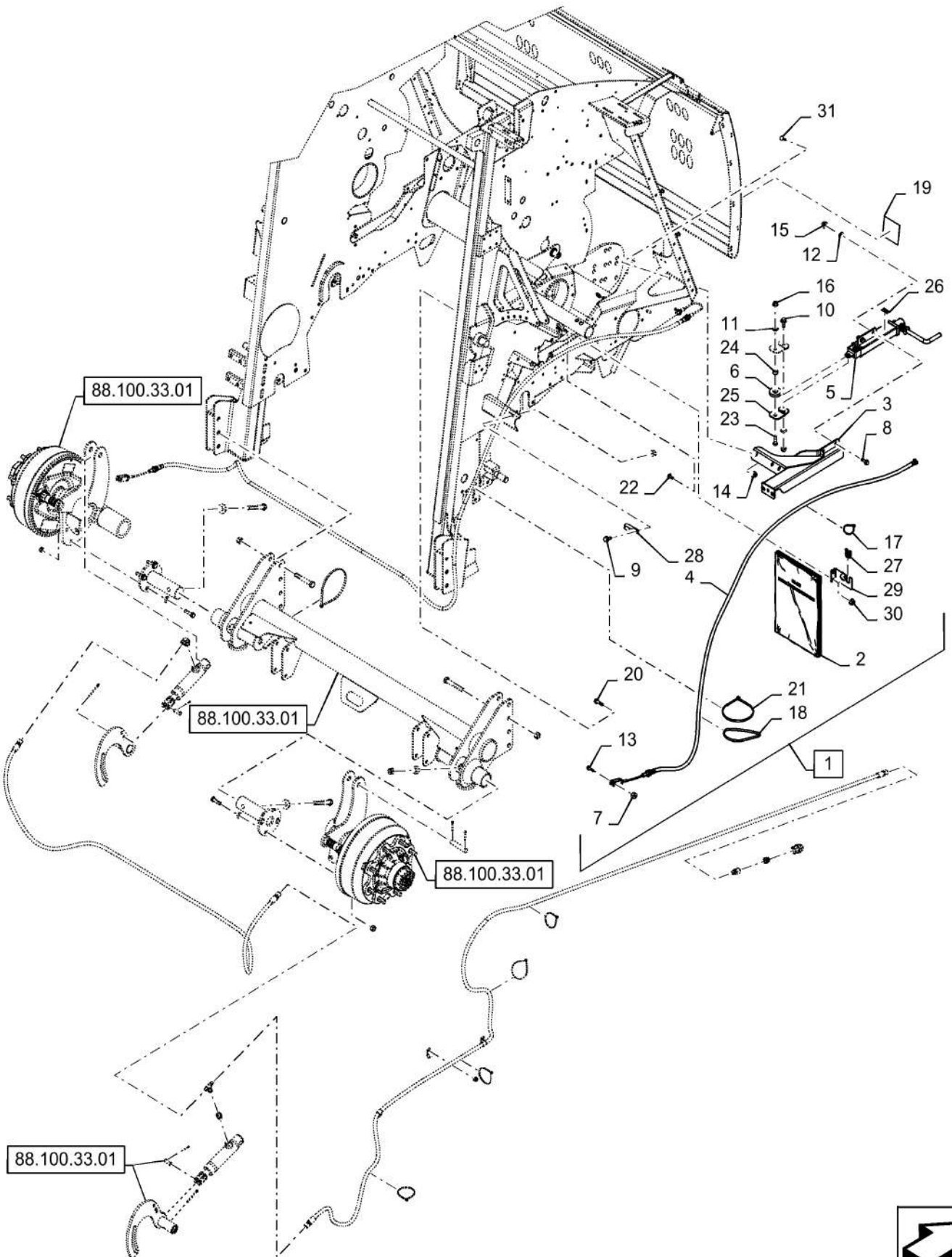
9/2015

DIA KIT, HYDRAULIC BRAKES WITH 500/55-20 TIRES

REF FN	PART NUMBER	YR/SN	QTY DESCRIPTION
31	86641937		2 SPACER 16.6mm ID x 31.75mm OD x 12.7mm Thk
32	86000441		2 NUT M16 x 2.0, CI 8
33	412087		8 BOLT Hex, M12 x 1.75 x 45mm, CI 10.9, Full Thd
34	337475		8 NUT M12, CI 10
35	100020		6 NUT M16 x 2.0, CI 8
36	374889		6 BOLT Hex, M16 x 100mm, CI 8.8

RB465-CASE IH ROUND BALER - EUROPE & R.O.W.

DIA KIT, HYDRAULIC BRAKE CONTROLS WITH 500/55-20 TIRES



DIA KIT, HYDRAULIC BRAKE CONTROLS WITH 500/55-20 TIRES

REF FN	PART NUMBER	YR/SN	QTY DESCRIPTION
1	47465673		1 DIA KIT, HARVESTER Hydraulic Brake Controls, with 500/55-20 Tires, Incl 2 - 32 & Parts on Figure 88.033.01 1.
2	47681249		1 INSTRUCTION
3	47393860		1 SUPPORT
4	84528344		1 CABLE 7100mm L
5	84274758		1 HAND BRAKE
6	84078395		1 ROLLER 60mm OD x 11.5mm L
7	9804260		2 BOLT Hex, M8 x 1.25 x 30mm, Full Thd, CI 8.8
8	9804262		2 BOLT M10 x 39.2mm, CI 8.8
9	9804258		1 BOLT Hex, M8 x 1.25 x 20mm, CI 8.8
10	9670066		1 FLANGE BOLT Hex, M12 x 30mm, CI 8.8
11	140046		2 BELLEVILLE WASHER M12 x 27mm OD x 1.8mm Thk
12	140045		2 BELLEVILLE WASHER M10X22 ZNM
13	86629542		2 NUT M8 x 1.25, CI 8
14	9804277		3 FLANGE NUT Hex, M8 x 1.25, CI 8
15	9804278		2 FLANGE NUT M10 x 1.5, CI 8
16	9804279		1 FLANGE NUT Hex, M12, CI 8
17	86566989		1 CABLE TIE 208mm L
18	87034173		1 CABLE TIE 774.7mm L
19	84100367		1 DECAL
20	9804263		1 BOLT M10 x 49.2mm, CI 8.8
21	84137881		6 STRAP
22	86512439		2 CARRIAGE BOLT M6 x 16mm, CI 8.8
23	300389		1 BOLT M12 x 1.75 x 35mm
24	9838358		1 BUSHING 13mm ID x 22mm OD x 13mm L
25	84477606		2 PLATE
26	165109		1 DECAL
27	291525		1 EDGE
28	600427		1 CLAMP 25.4mm, Coat, 8.7mm Bolt Hole, P Type
29	9804276		2 FLANGE NUT Hex, M6 x 1, CI 8
30	47536251		1 ANGLE
31	86507486		2 CARRIAGE BOLT M8 x 1.25 x 20mm, CI 8.8

RB465-CASE IH ROUND BALER - EUROPE & R.O.W.

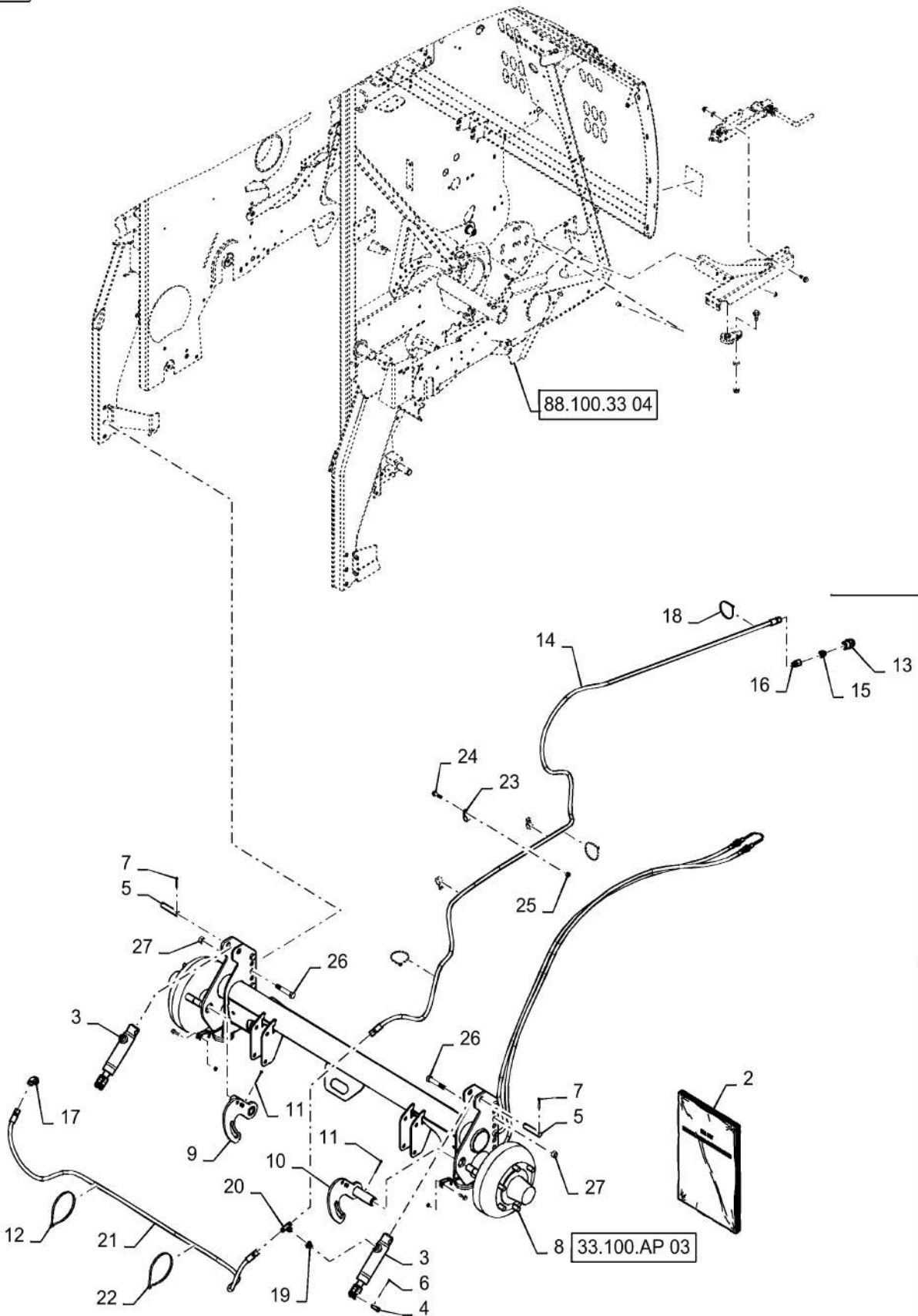
88.100.33

03

p1

9/2015

DIA KIT, HYDRAULIC BRAKES FOR 480/45-17 TIRES



DIA KIT, HYDRAULIC BRAKES FOR 480/45-17 TIRES

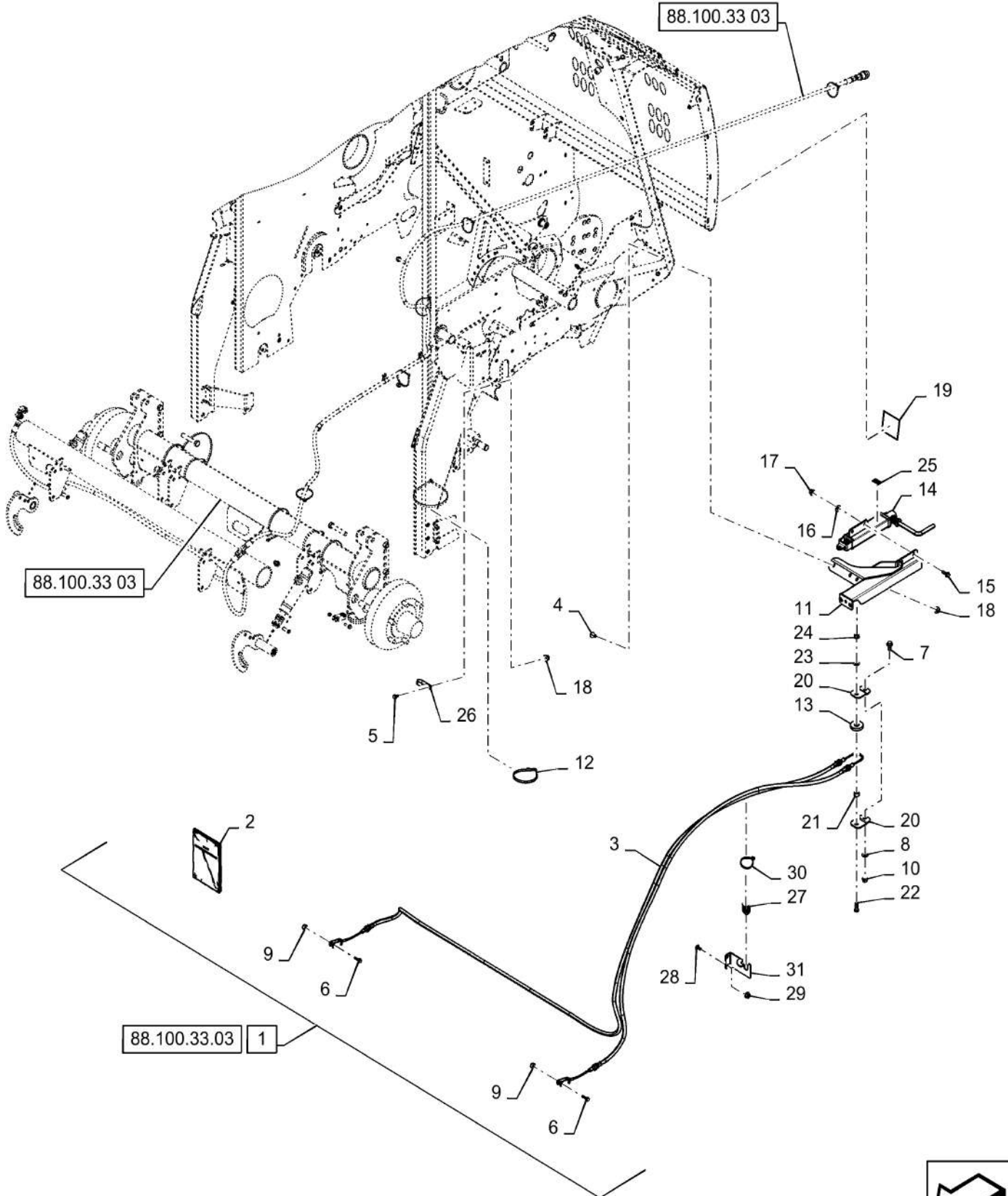
REF	FN	PART NUMBER	YR/SN	QTY DESCRIPTION
1	1	47465672		1 DIA KIT, HARVESTER Hydraulic Brakes with 480/45-17 Tires, Incl 2 - 27 & Figure 88.100.33 04
1	2	47656839		1 DIA KIT, HARVESTER Hydraulic Brakes with 480/45-17 Tires, Incl 2 - 27 & Figure 88.100.33 04
2		47681249		1 INSTRUCTION
3		87663731		2 ACTUATOR
4		76877		2 CLEVIS PIN 12.6mm OD x 34.52mm L
5		87498333		2 PIN 19mm OD x 94mm L
6		130004		2 COTTER PIN 2.9mm OD x 31.4mm OAL
7		130011		4 COTTER PIN M5 x 40
8		47514104		1 AXLE Rotor Cutter & Rotor Feeder
8		47585078		1 AXLE Overshot Feeder
9		84414897		1 ARM
10		84414818		1 ARM
11		130012		2 COTTER PIN M5 x 50
12		87034173		3 CABLE TIE 774.7mm L
13		9839028		1 HYD CONNECTOR M18 x 1.5
14		86974525		1 HOSE 7.92mm ID x 5207mm L, SAE 100R1
15		395019		1 HYD CONNECTOR M18 x 1.5 ORB x M16 x 1.5 ORB
16		84078124		1 HYD CONNECTOR 9/16" - 18 JIC x M16 x 1.5
17		9837647		1 ELBOW 9/16" - 18 JIC x 3/8" BSPP
18		86566990		5 CABLE TIE 292mm OAL x 4.8mm W
19		9837622		1 HYD CONNECTOR 9/16" JIC x 3/8" BSPP
20		86513014		1 TEE 9/16" - 18 JIC x 9/16" - 18 JIC x 9/16" - 18 JIC
21		87019827		1 HOSE 0.38" ID x 79.00", SAE 100R1
22		84137881		4 STRAP
23		86594406		3 CLAMP 15.9mm, Coat, 10.3mm Bolt Hole, P Type
24		9804263		1 BOLT M10 x 49.2mm, CI 8.8
25		100037		1 NUT M0 x 1.5, CI 8
26		350616		6 BOLT M16 x 2 x 90mm, CI 8.8
27		100020		6 NUT M16 x 2.0, CI 8

(1) for Rotor Cutter and Rotor Feeder Balers

(2) for Over Shot Feeder Balers

RB465-CASE IH ROUND BALER - EUROPE & R.O.W.

DIA KIT, HYDRAULIC BRAKE CONTROL WITH 480/45-17 TIRES, ROTOR

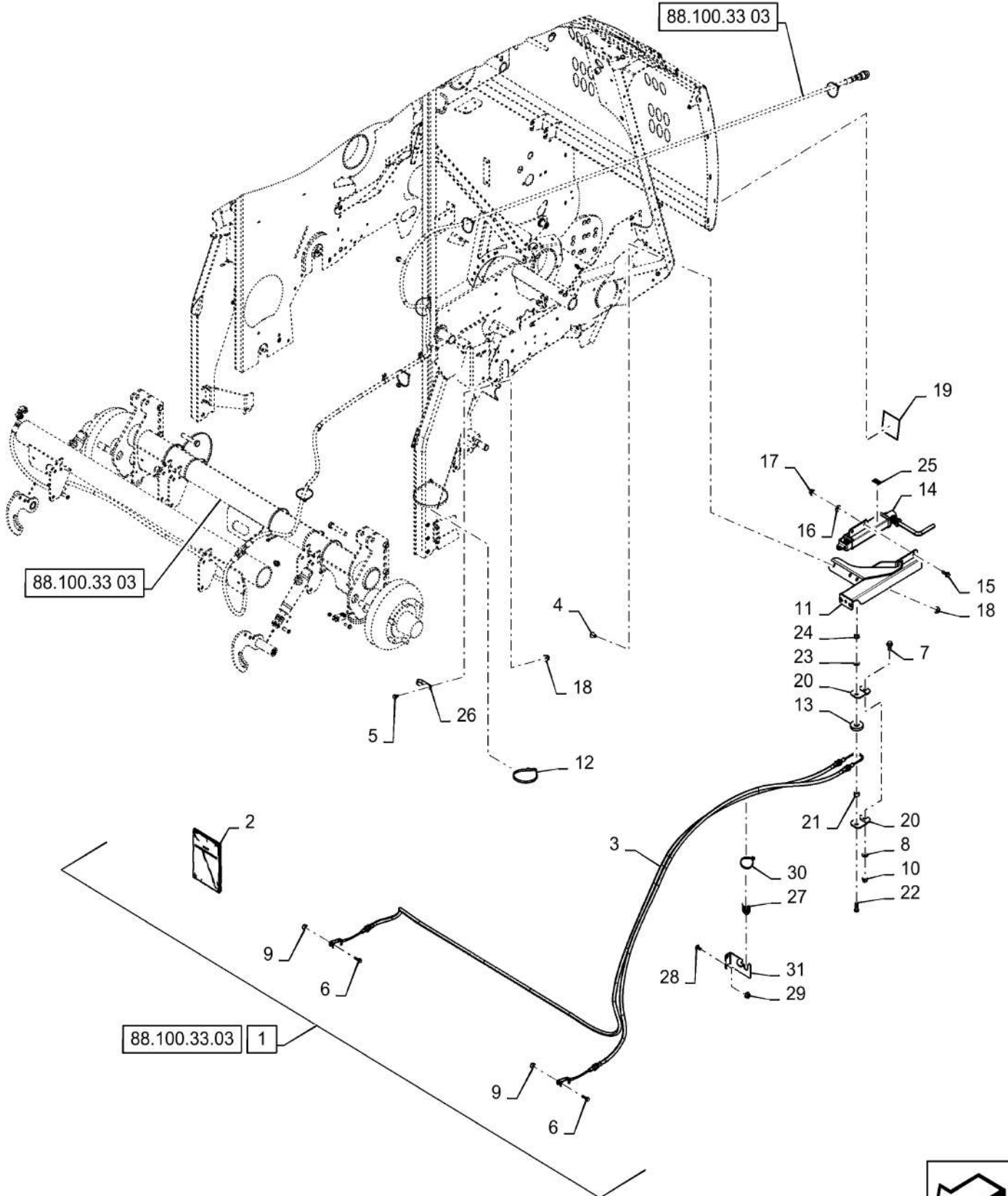


DIA KIT, HYDRAULIC BRAKE CONTROL WITH 480/45-17 TIRES, ROTOR

REF	FN	PART NUMBER	YR/SN	QTY DESCRIPTION
1	1	47465672		1 DIA KIT, HARVESTER Hydraulic Brakes, Incl 2 - 30 & Figure 88.100.33 03
1	2	47656839		1 DIA KIT, HARVESTER Hydraulic Brakes, Incl 2 - 30 & Figure 88.100.33 03
2		47681249		1 INSTRUCTION
3		84528344		1 CABLE 7100mm L
4		86507486		2 CARRIAGE BOLT M8 x 1.25 x 20mm, CI 8.8
5		9804258		1 BOLT Hex, M8 x 1.25 x 20mm, CI 8.8
6		9804260		2 BOLT Hex, M8 x 1.25 x 30mm, Full Thd, CI 8.8
7		9670066		1 FLANGE BOLT Hex, M12 x 30mm, CI 8.8
8		140046		1 BELLEVILLE WASHER M12 x 27mm OD x 1.8mm Thk
9		86629542		2 NUT M8 x 1.25, CI 8
10		9804279		1 FLANGE NUT Hex, M12, CI 8
11		47393860		1 SUPPORT
12		87034173		3 CABLE TIE 774.7mm L
13		84078395		1 ROLLER 60mm OD x 11.5mm L
14		84274758		1 HAND BRAKE
15		9804262		2 BOLT M10 x 39.2mm, CI 8.8
16		140045		2 BELLEVILLE WASHER M10X22 ZNM
17		9804278		2 FLANGE NUT M10 x 1.5, CI 8
18		9804277		3 FLANGE NUT Hex, M8 x 1.25, CI 8
19		84100367		1 DECAL
20		84477606		2 PLATE
21		9838358		1 BUSHING 13mm ID x 22mm OD x 13mm L
22		300389		1 BOLT M12 x 1.75 x 35mm
23		140046		1 BELLEVILLE WASHER M12 x 27mm OD x 1.8mm Thk
24		9804279		1 FLANGE NUT Hex, M12, CI 8
25		165109		1 DECAL
26		600427		1 CLAMP 25.4mm, Coat, 8.7mm Bolt Hole, P Type
27		291525		1 EDGE
28		86512439		2 CARRIAGE BOLT M6 x 16mm, CI 8.8
29		9804276		2 FLANGE NUT Hex, M6 x 1, CI 8
(1)		for Rotor Cutter and Rotor Feeder Balers		
(2)		for Over Shot Feeder Balers		

RB465-CASE IH ROUND BALER - EUROPE & R.O.W.

DIA KIT, HYDRAULIC BRAKE CONTROL WITH 480/45-17 TIRES, ROTOR



88.100.33

04

p2

9/2015

DIA KIT, HYDRAULIC BRAKE CONTROL WITH 480/45-17 TIRES, ROTOR

REF FN	PART NUMBER	YR/SN	QTY DESCRIPTION
30	86566989		1 CABLE TIE 208mm L

RB465-CASE IH ROUND BALER - EUROPE & R.O.W.

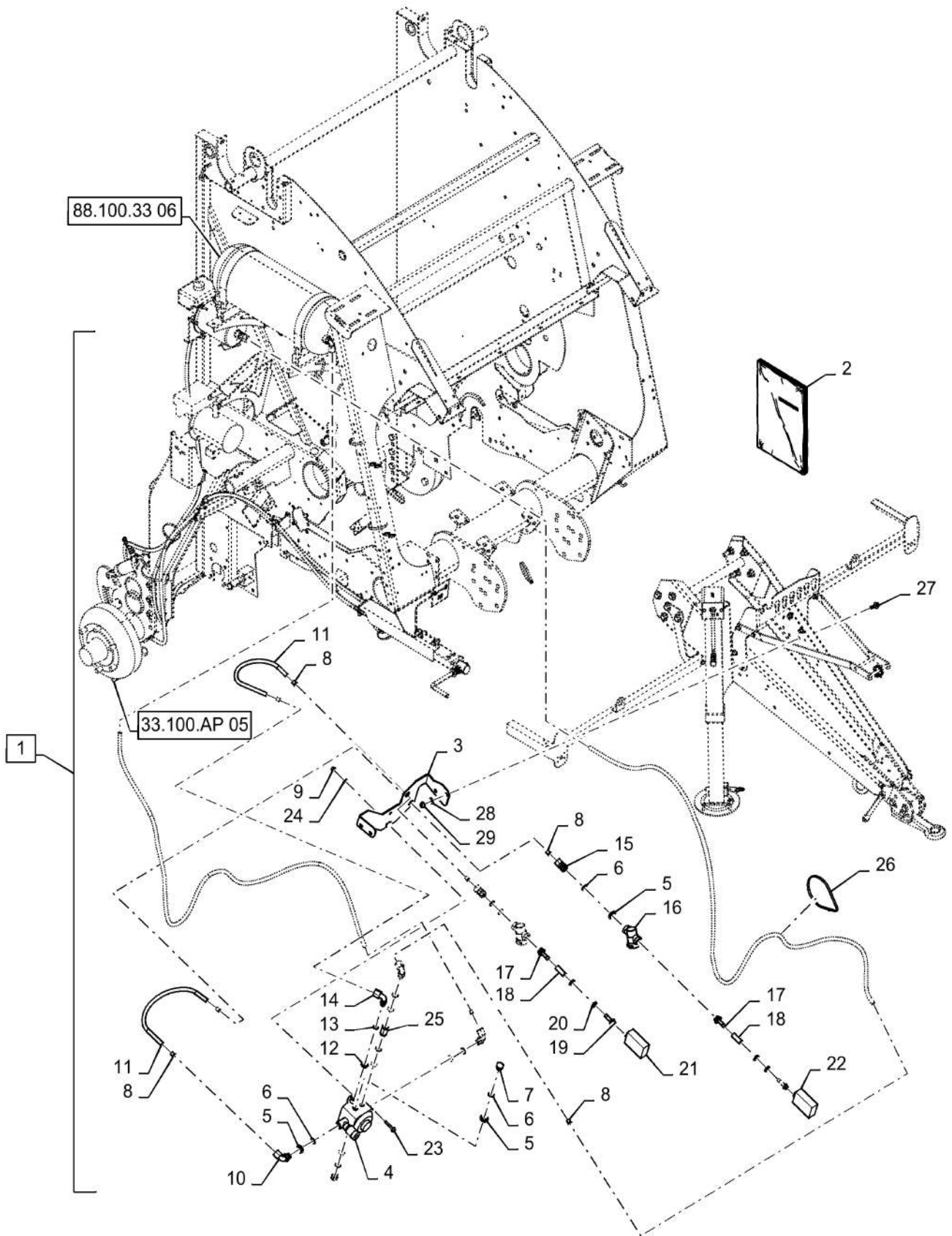
88.100.33

05

p1

9/2015

DIA KIT, PNEUMATIC BRAKES, BRAKE VALVE, WITH 500/55-20 TIRES



DIA KIT, PNEUMATIC BRAKES, BRAKE VALVE, WITH 500/55-20 TIRES

REF FN	PART NUMBER	YR/SN	QTY DESCRIPTION
1	47465752		1 DIA KIT, HARVESTER Pneumatic Brakes, Brake Valve, Incl 2 - 29 and Parts on Figure 88.033.03 02
2	84394642		1 INSTRUCTION
3	47490566		1 SUPPORT
4	87019852		1 BRAKE VALVE
5	9512529		8 O-RING
6	9512530		8 WASHER, THRUST 22mm ID x 27mm OD x 2.6mm Thk
7	9512523		2 PLUG
8	9512527		6 FERRULE
9	9804278		2 FLANGE NUT M10 x 1.5, CI 8
10	9512525		3 ELBOW
11	PL		AR PROCURE LOCALLY Nylon Tubing, 15 x 1.5
12	9512532		1 O-RING
13	9512533		1 WASHER, THRUST 16.1mm ID x 22mm OD x 2.6mm Thk
14	84007190		1 ELBOW M16 x 1.5 Male
15	9512528		2 HYD CONNECTOR
16	9512545		2 AIR FILTER
17	9512531		2 HYD CONNECTOR
18	84014198		AR HOSE 18mm OD x 3.5mm Thk Rubber, 18 x 3.5
19	9512534		2 HYD CONNECTOR
20	326082		4 CLAMP 18mm - 25mm
21	9512537		1 COUPLING BLOCK Tractor, Yellow
22	9512546		1 COUPLING BLOCK Tractor, Red
23	9804264		2 BOLT M10 x 59.2mm OAL, CI 8.8
24	140045		6 BELLEVILLE WASHER M10X22 ZNM
25	84216464		1 ADAPTER M22 x 1.5 Male x M22 x 1.5 Female
26	87034173		1 CABLE TIE 774.7mm L
27	9670066		2 FLANGE BOLT Hex, M12 x 30mm, CI 8.8
28	140046		2 BELLEVILLE WASHER M12 x 27mm OD x 1.8mm Thk
29	9804279		2 FLANGE NUT Hex, M12, CI 8

RB465-CASE IH ROUND BALER - EUROPE & R.O.W.

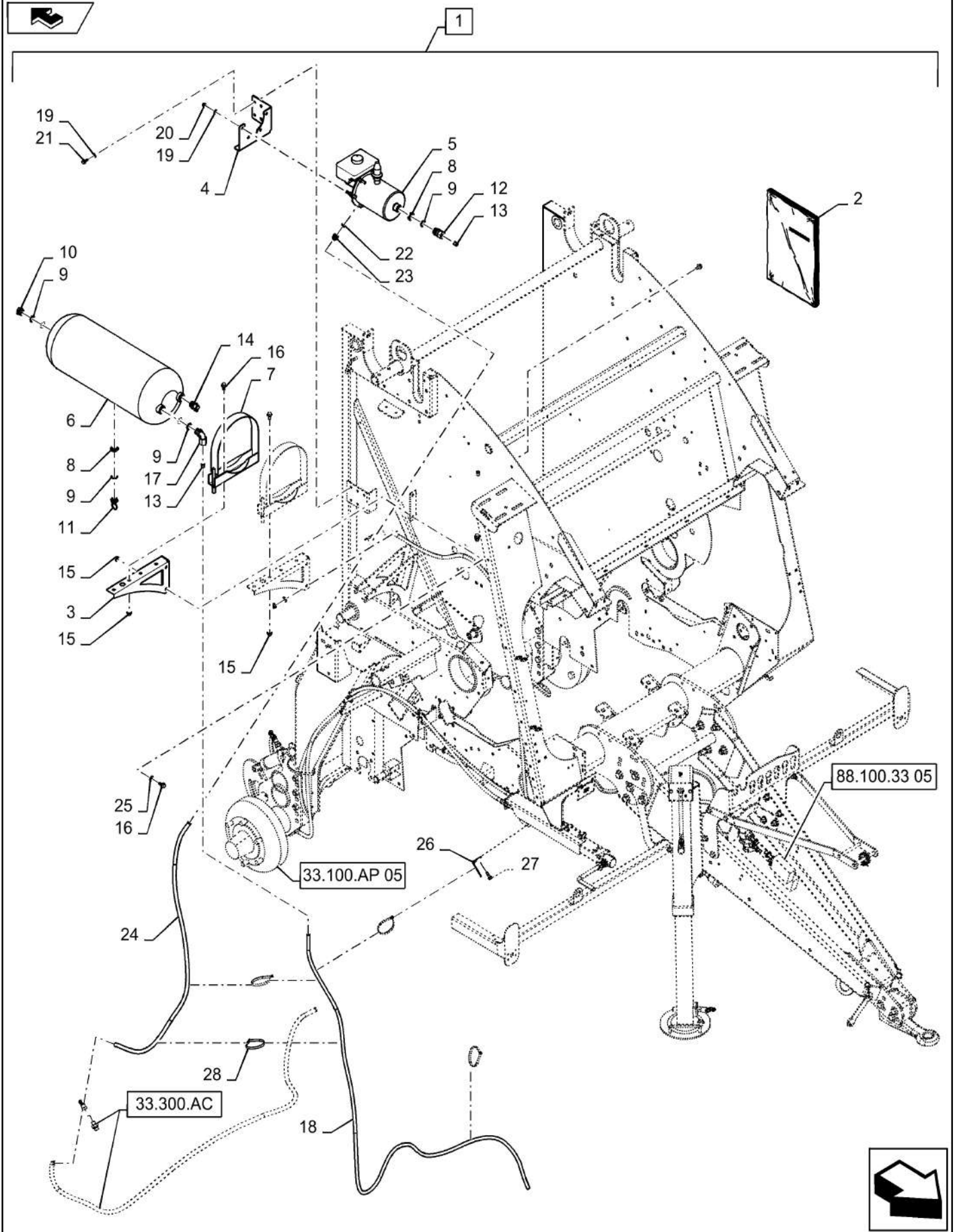
88.100.33

06

p1

9/2015

DIA KIT, PNEUMATIC BRAKES, RESERVOIR, WITH 500/55-20 TIRES

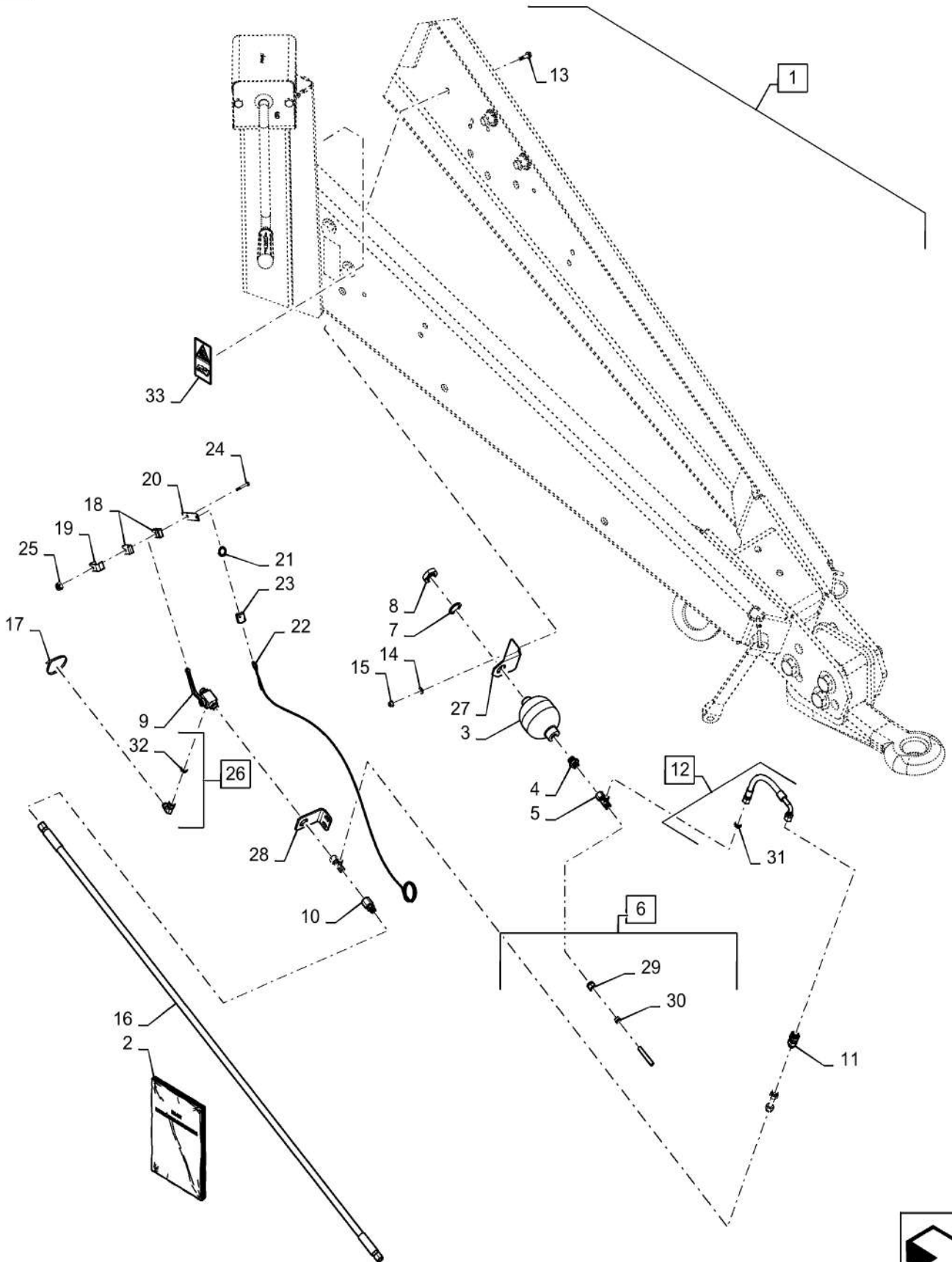


DIA KIT, PNEUMATIC BRAKES, RESERVOIR, WITH 500/55-20 TIRES

REF FN	PART NUMBER	YR/SN	QTY DESCRIPTION
1	47465752		1 DIA KIT, HARVESTER Pneumatic Brakes, Reservoir, with 500/55-20 Tires, Incl 2 - 28 and Parts on Figure 88.033.03 01
2	84394642		1 INSTRUCTION
3	84414817		2 ANGLE
4	87023510		1 SUPPORT
5	84007187		1 CYLINDER
6	87015668		1 AIR RESERVOIR
7	87028121		2 CLAMP
8	9512529		4 O-RING
9	9512530		4 WASHER, THRUST 22mm ID x 27mm OD x 2.6mm Thk
10	9512523		1 PLUG
11	9512541		1 DRAIN PLUG
12	84007189		1 HYD CONNECTOR M22 x 1.5
13	9512527		2 FERRULE
14	9512540		1 HYD CONNECTOR
15	9804278		8 FLANGE NUT M10 x 1.5, Cl 8
16	86050286		5 FLANGE BOLT M10 x 20mm, Cl 8.8
17	9512525		1 ELBOW
18	PL		AR PROCURE LOCALLY Nylon Tubing, 15 x 1.5
19	322358		7 BELLEVILLE WASHER M8 x 18mm OD x 1.4mm Thk
20	9804277		5 FLANGE NUT Hex, M8 x 1.25, Cl 8
21	9804258		3 BOLT Hex, M8 x 1.25 x 20mm, Cl 8.8
22	84011379		1 SEAL 12.2mm ID x 16.9mm OD x 1.5mm Thk
23	84007191		1 ADAPTER 9/16" - 18 JIC x M12 x 1
24	86974529		1 STRAP
25	140045		4 BELLEVILLE WASHER M10X22 ZNM
26	47392608		1 SUPPORT
27	9671714		1 FLANGE BOLT Hex, M8 x 1.25 x 25mm, Cl 8.8
28	14596187		8 CABLE TIE 270mm L

RB465-CASE IH ROUND BALER - EUROPE & R.O.W.

DIA KIT, EMERGENCY BRAKE

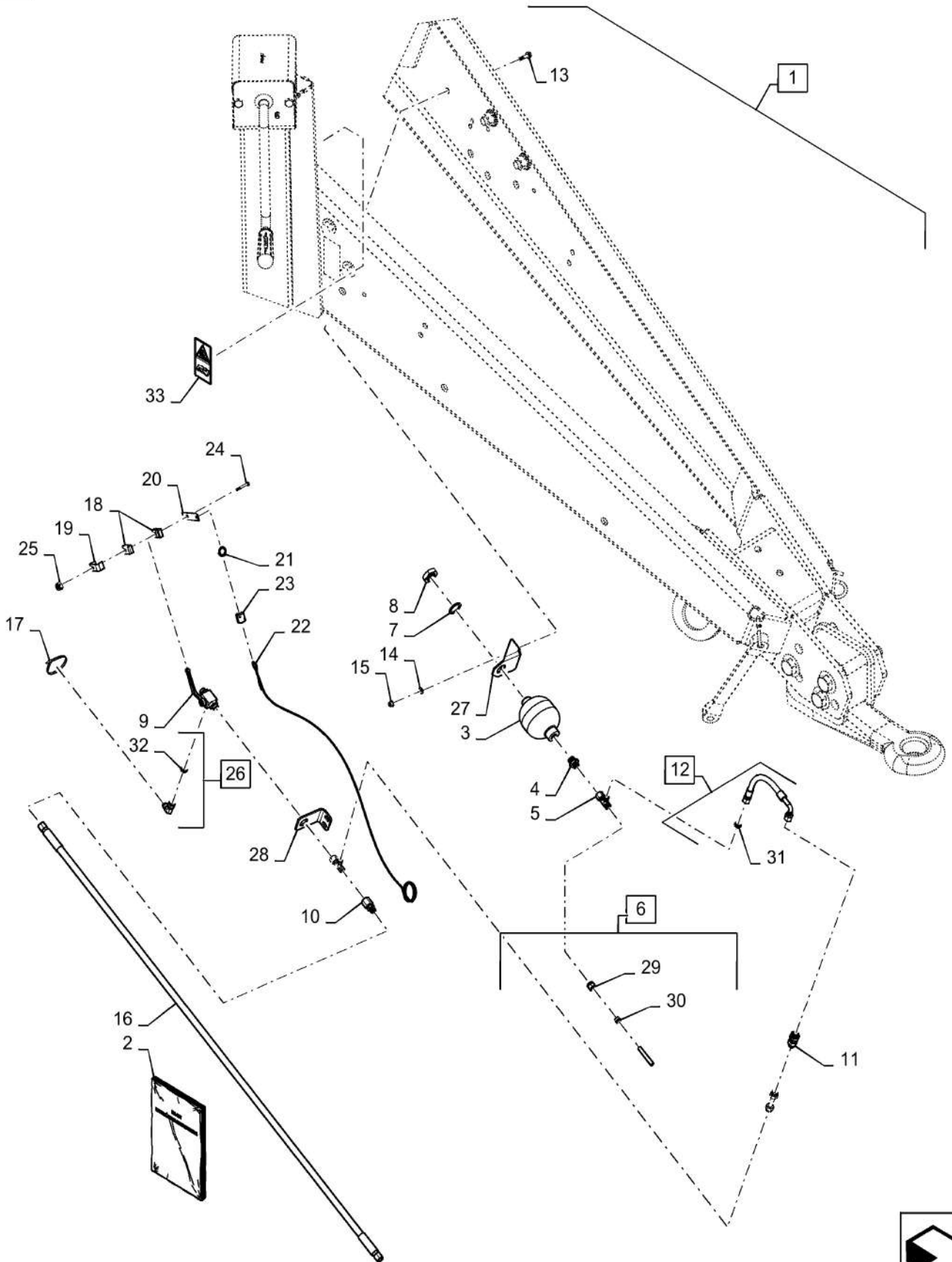


DIA KIT, EMERGENCY BRAKE

REF FN	PART NUMBER	YR/SN	QTY DESCRIPTION
1	47578128		1 DIA KIT, HARVESTER Emergency Brake, Incl 2 - 28, 33
2	84555259		1 INSTRUCTION
3	84018412		1 ACCUMULATOR 0.5L
4	395019		1 HYD CONNECTOR M18 x 1.5 ORB x M16 x 1.5 ORB
5	734031		2 HYD CONNECTOR M16 x 1.5 Male x M16 x 1.5 Male x M16 x 1.5 Female
6	84146095		2 HYD. TUBE 65 mm L Incl 29, 30
7	140110		1 WASHER 31mm ID x 40mm OD x 3mm Thk
8	308823		1 NUT M28 x 1.5, CI 8
9	84320121		1 DRAINCOCK/TAP SUPPLY M16 x 1.5 x M16 x 1.5
10	84078124		2 HYD CONNECTOR 9/16" - 18 JIC x M16 x 1.5
11	84078038		1 VALVE M16 x 1.5 x M16 x 1.5
12	84146409		1 FLEXIBLE HOSE 8mm ID x 270mm L, SAE 100R16 270mm, Incl 31
13	9804260		4 BOLT Hex, M8 x 1.25 x 30mm, Full Thd, CI 8.8
14	322358		4 BELLEVILLE WASHER M8 x 18mm OD x 1.4mm Thk
15	9804277		4 FLANGE NUT Hex, M8 x 1.25, CI 8
16	87019858		1 HOSE 0.38" ID x 67.00", SAE 100R1, SAE 100R17 67mm, 37° Flare Female Swivel
17	368582		4 STRAP
18	433008		2 CLAMP
19	87016345		1 SUPPORT
20	87020351		1 PLATE
21	84078105		1 RING
22	9839198		1 CABLE
23	84607248		2 WIRE CLAMP
24	43118		1 BOLT Hex, M6 x 1.0 x 40mm, CI 8.8
25	353308		1 NUT M6 x 1.0, CI 8
26	86629586		1 90 ELBOW 9/16" - 18 JIC x 9/16" - 18 Fem Sw Incl 32
27	87020352		1 SUPPORT
28	87018976		1 ANGLE

RB465-CASE IH ROUND BALER - EUROPE & R.O.W.

DIA KIT, EMERGENCY BRAKE



88.100.33

07

p2

9/2015

DIA KIT, EMERGENCY BRAKE

REF FN	PART NUMBER	YR/SN	QTY DESCRIPTION
29	86548975		2 PIPE UNION NUT M16 x 1.5
30	150014		2 FERRULE
31	87643566		2 O-RING 1.5mm x 7.5mm ID, CI 6
32	165202		1 O-RING 0.072" Thk x 0.351" ID, -904, CI 6, 90 Duro
33	84005363		1 DANGER DECAL

RB465-CASE IH ROUND BALER - EUROPE & R.O.W.

88.100.35

01

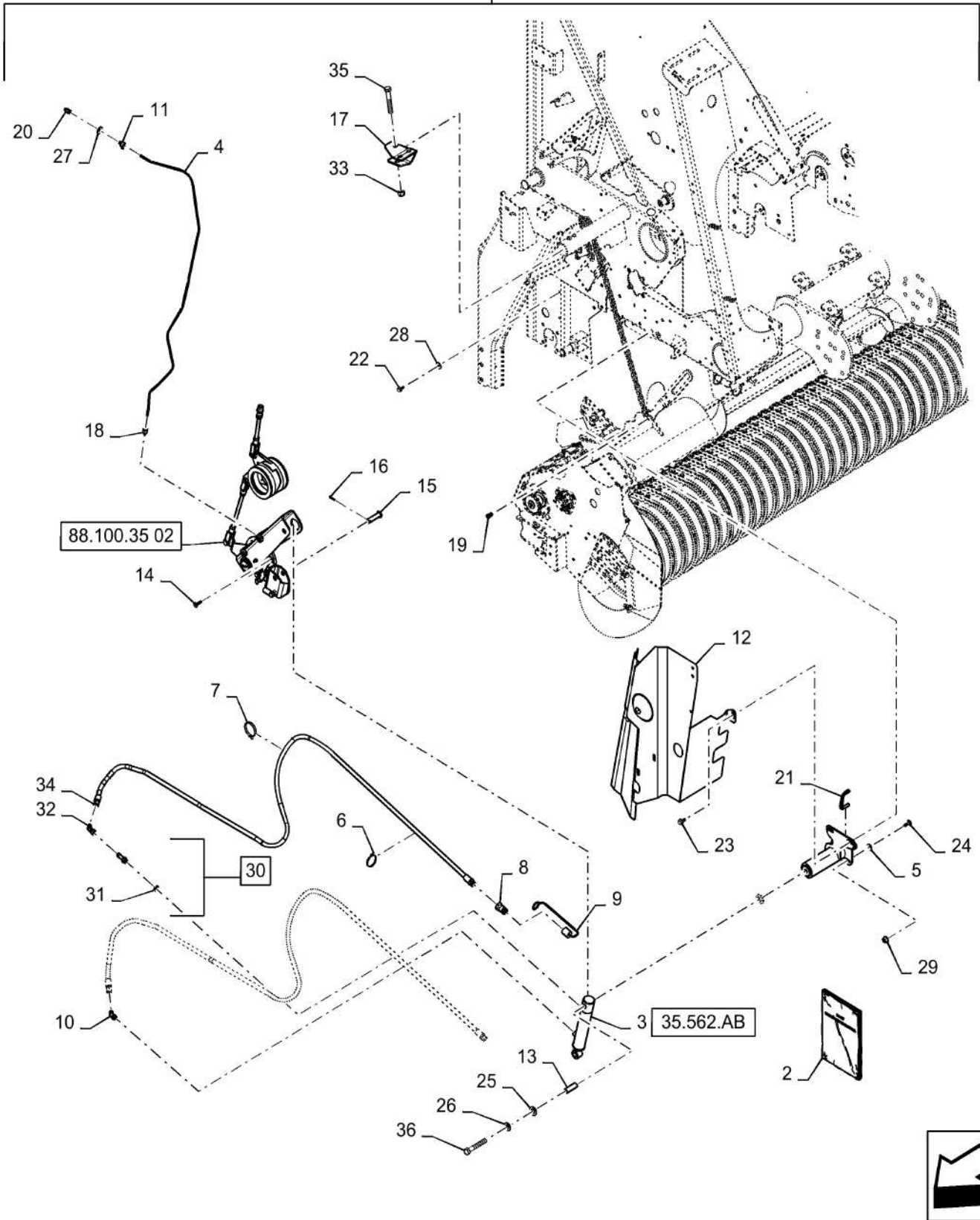
p1

9/2015

DIA KIT, HYDRAULIC SYSTEM, ROTOR REVERSER

88.100.35 02

88.100.35 03 1



88.100.35

01

p1

9/2015

DIA KIT, HYDRAULIC SYSTEM, ROTOR REVERSER

REF FN	PART NUMBER	YR/SN	QTY DESCRIPTION
1	84385997		1 DIA KIT, HARVESTER Hydraulic Rotor Reverser, Incl 2 - 39 plus Figures 88.100.35 02 and 88.100.35 03.
2	47777414		1 INSTRUCTION
3	87029395		1 CYLINDER ASSY. Double Acting, 19.05mm Rod, 119.89mm Stroke
4	1 87014413		1 TUBE 4.80 mm OD x 1850 mm L
5	29046		5 WASHER 11.1mm ID x 25.4mm OD x 0.457mm Thk
6	263117		8 CABLE TIE 292.1mm L
7	87034173		1 CABLE TIE 774.7mm L
8	9801618		2 QUICK MALE COUPLING 1/2" - 14
9	333718A1		2 CAP
10	330346		1 45 ELBOW 45°, 9/16"-18, 37° x 9/16"-18, O-Ring Incl (2) 31
11	48564		1 90 ELBOW 90°, 11/16" x 5/8", 1/8" NPT
12	47357699		1 SHIELD
13	47449876		1 SPACER 15.98mm ID x 19.18mm OD x 57mm L
14	320772		4 HEX SOC SCREW CSS, M10 x 30mm, CI 8.8
15	322441		1 CLEVIS PIN M16 x 65
16	80755		1 COTTER PIN 1/8" OD x 1" L
17	87663907		1 CHANNEL
18	86580291		1 ADAPTER 1/8" - 27 x 1/4" - 28
19	11787		1 FITTING 3/8"-24 Fem x 1/8" NPT
20	84303		1 LUBE NIPPLE 1/8"-27 NPT x 1" lg, Fem
21	1 291525		1 EDGE
22	9804258		4 BOLT Hex, M8 x 1.25 x 20mm, CI 8.8
23	86050286		2 FLANGE BOLT M10 x 20mm, CI 8.8
24	86512446		1 CARRIAGE BOLT M10 x 1.5 x 30mm, CI 8.8
25	87381		2 WASHER 0.81" ID x 1.47" OD x 0.13" Thk
26	87365		2 WASHER 0.66" ID x 1.31" OD x 0.1" Thk

(1) Cut to Length Required

RB465-CASE IH ROUND BALER - EUROPE & R.O.W.

88.100.35

01

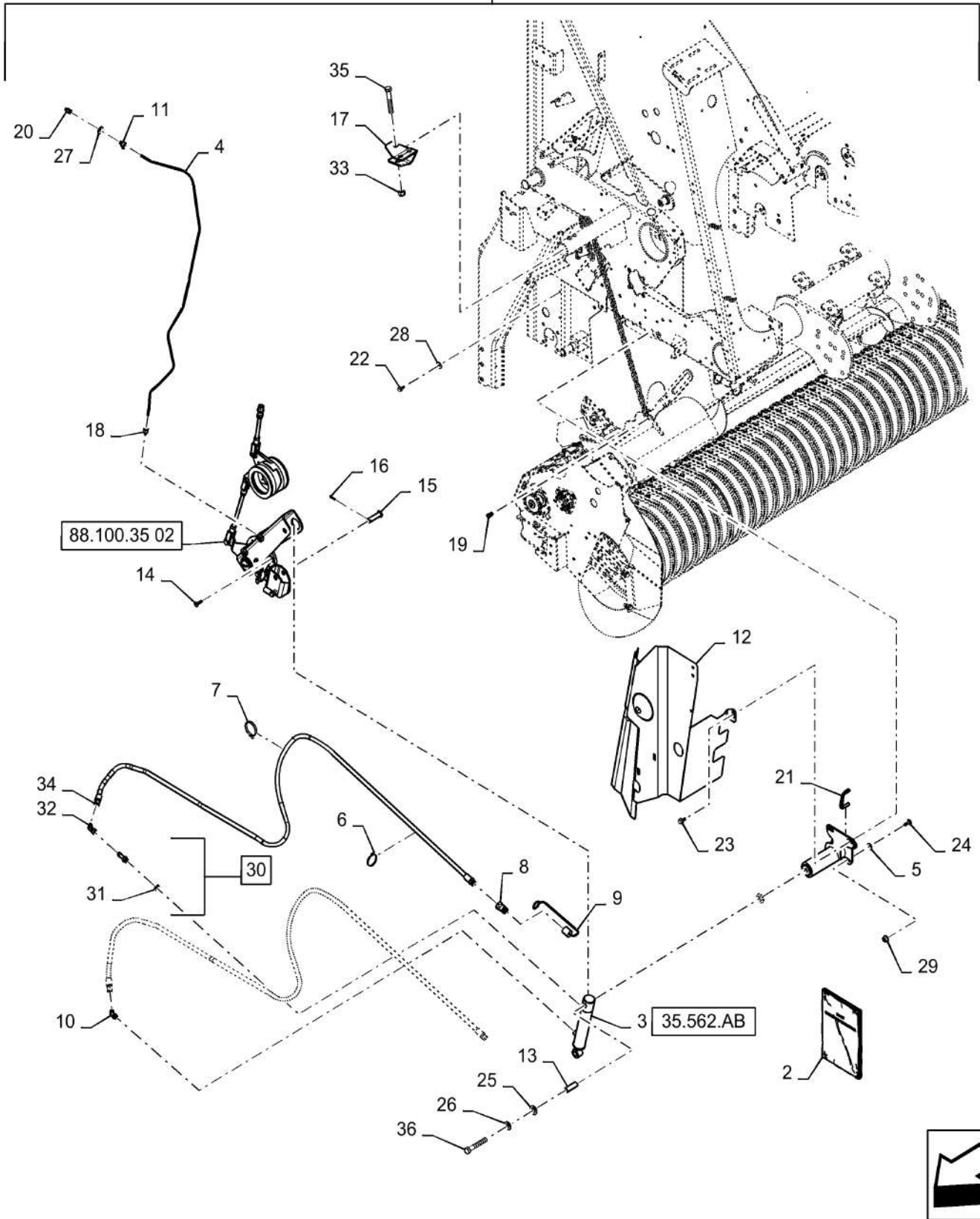
p2

9/2015

DIA KIT, HYDRAULIC SYSTEM, ROTOR REVERSER

88.100.35 02

88.100.35 03 1



88.100.35

01

p2

9/2015

DIA KIT, HYDRAULIC SYSTEM, ROTOR REVERSER

REF FN	PART NUMBER	YR/SN	QTY DESCRIPTION
27	87016		2 WASHER 0.41" ID x 0.81" OD x 0.07" Thk
28	322358		2 BELLEVILLE WASHER M8 x 18mm OD x 1.4mm Thk
29	9804278		1 FLANGE NUT M10 x 1.5, CI 8
30	86513065		1 HYD CONNECTOR 9/16"-18, 37° x 9/16"-18, Pipe Incl 31
31	9617873		3 O-RING 0.078" Thk x 0.468" ID, -906, CI 6, 90 Duro
32	86512959		1 45 ELBOW 45°, 9/16"-18, 37° x 9/16"-18, 37° Fem Sw
33	86000441		1 NUT M16 x 2.0, CI 8
34	84602639		2 HYDRAULIC HOSE
35	374889		1 BOLT Hex, M16 x 100mm, CI 8.8
36	86977740		1 BOLT Hex, 5/8" - 11 x 4", Gr 5

RB465-CASE IH ROUND BALER - EUROPE & R.O.W.

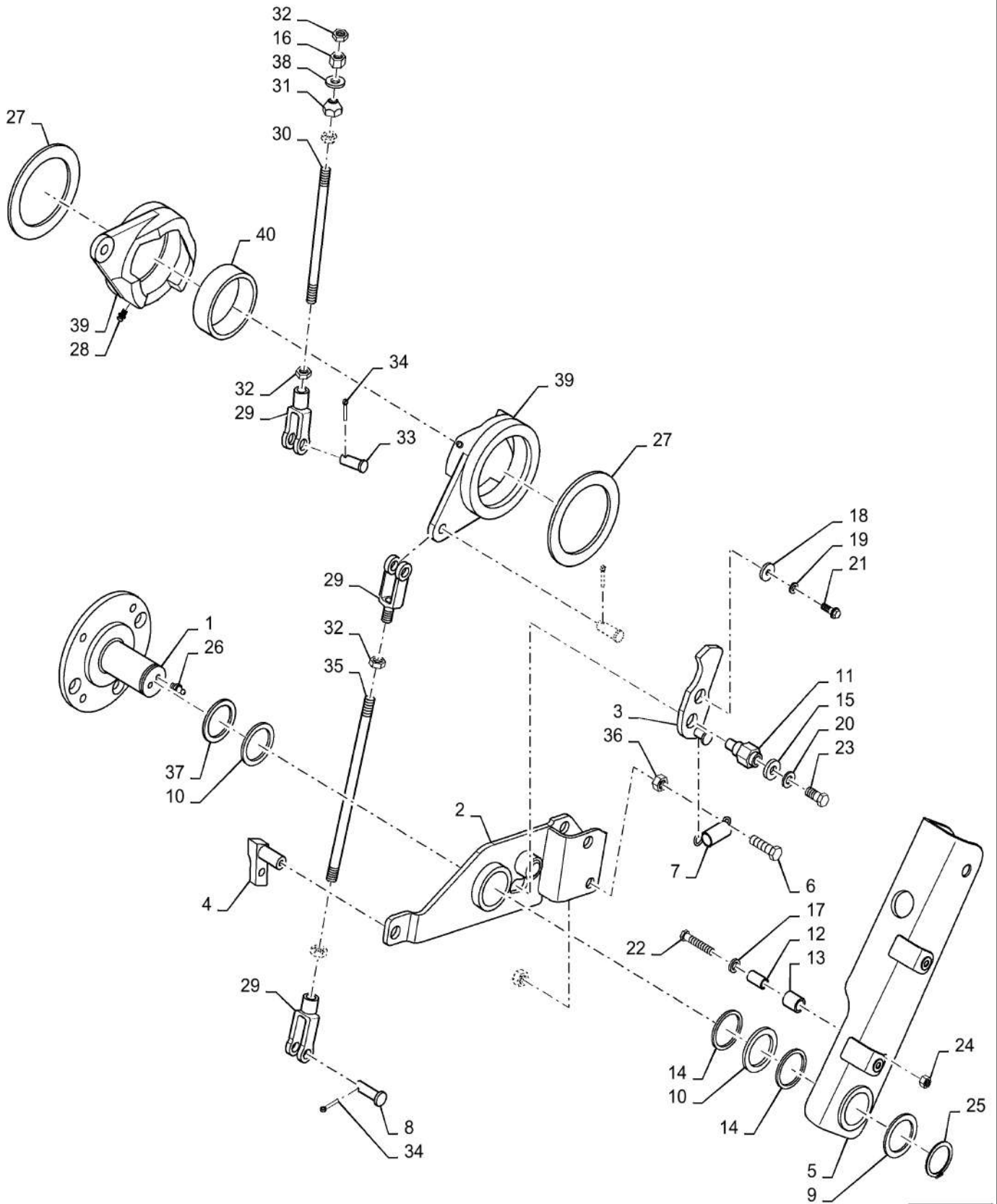
88.100.35

02

p1

9/2015

DIA KIT, REVERSER LINKAGE



DIA KIT, REVERSER LINKAGE

REF FN	PART NUMBER	YR/SN	QTY DESCRIPTION
1	84347289		1 HUB
2	84572204		1 ARM
3	87394426		1 ARM
4	47400925		1 DOG
5	84552023		1 SUPPORT
6	86629541		1 BOLT Hex, M12 x 1.75 x 40mm, CI 8.8
7	32306		1 SPRING
8	321018		1 CLEVIS PIN 12mm OD x 44mm L
9	165238		1 WASHER 45.2mm ID x 63.5mm OD x 1.24mm Thk
10	762217		2 WASHER
11	47401439		1 SHAFT M12 x 1.75
12	86634543		1 SPACER
13	87023405		1 SPACER 13.64mm ID x 19.18mm OD x 22.9mm L
14	87652388		2 WASHER 45.24mm ID x 56.36mm OD x 1.52mm Thk
15	86592700		1 WASHER 10.5mm ID x 28mm OD x 4mm Thk
16	280963		1 NUT Nut, 1/2-20 GR 5 ZND
17	87362		1 WASHER 5/16" SAE
18	213137		1 WASHER 6.76mm ID x 25.4mm OD x 3.17mm Thk
19	322357		1 BELLEVILLE WASHER M6 x 14mm OD x 1.3mm Thk
20	140045		1 BELLEVILLE WASHER M10X22 ZNM
21	9804256		1 BOLT Hex, M6 x 1 x 20mm, Full Thd, CI 8.8
22	43130		1 BOLT Hex, M8 x 1.25 x 50mm, CI 8.8
23	43139		1 BOLT M10 x 1.5 x 25mm, CI 8.8
24	86629542		1 NUT M8 x 1.25, CI 8
25	11487		1 SNAP RING #175, Ext
26	87414		2 LUBE NIPPLE 1/4" - 28
27	86630617		2 WASHER
28	87414		1 LUBE NIPPLE 1/4" - 28 Clutch Hub, Incl 39-41
29	86627455		3 CLEVIS 1/2" - 20
30	86705722		1 THREADED ROD
31	29790		1 NUT 1/2" - 20
32	87309		5 JAM NUT Jam, 1/2"-20, G2

RB465-CASE IH ROUND BALER - EUROPE & R.O.W.

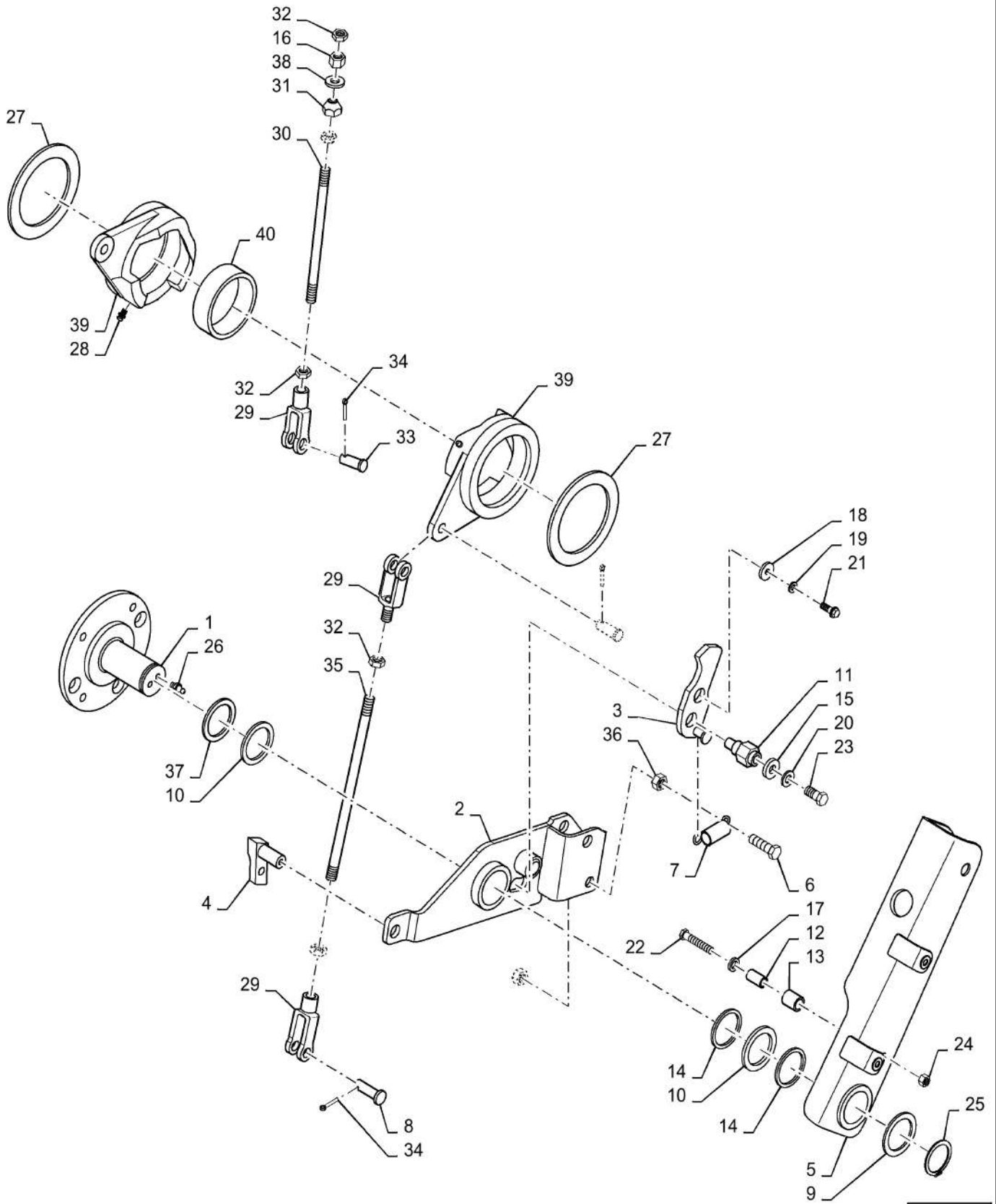
88.100.35

02

p2

9/2015

DIA KIT, REVERSER LINKAGE



88.100.35

02

p2

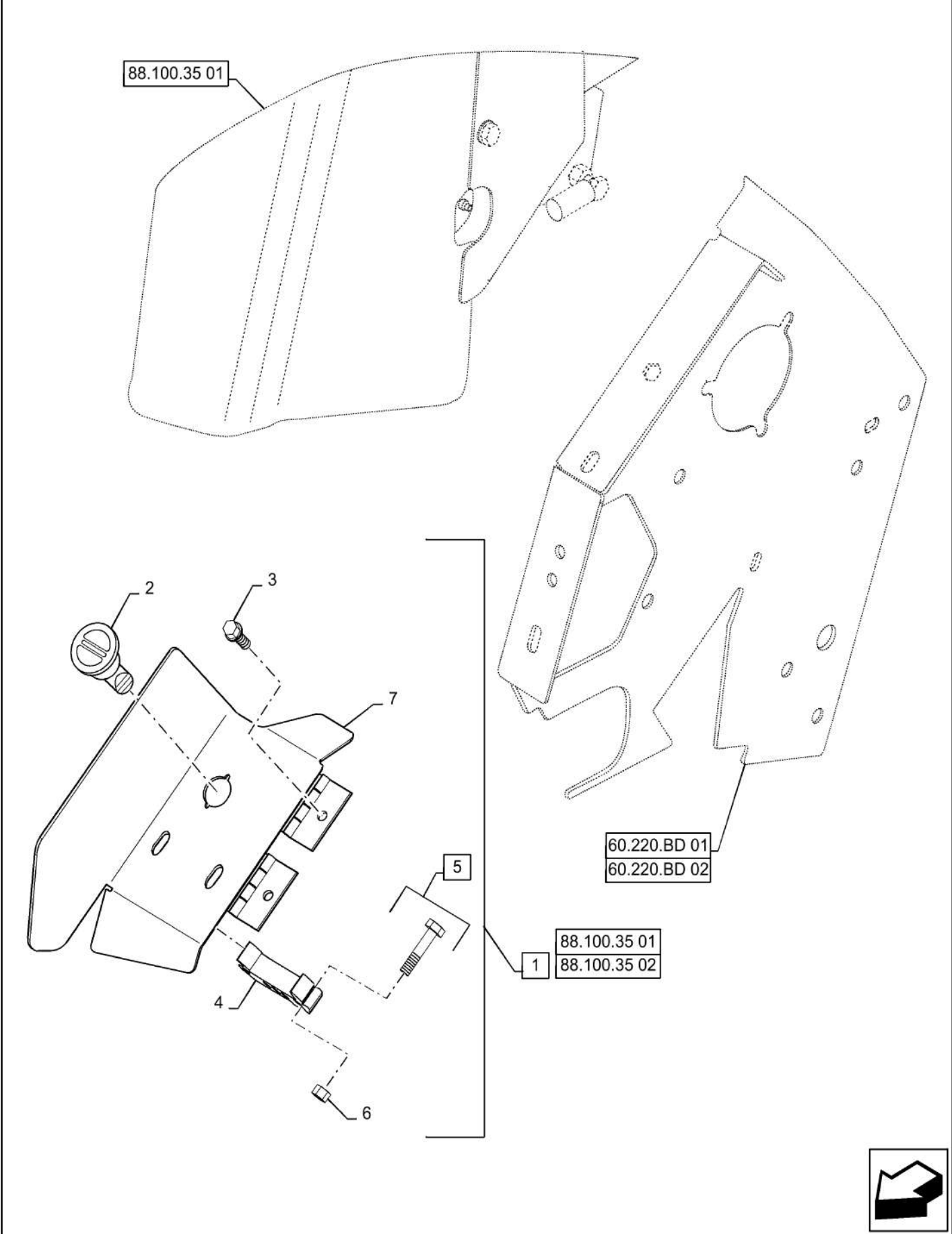
9/2015

DIA KIT, REVERSER LINKAGE

REF FN	PART NUMBER	YR/SN	QTY DESCRIPTION
33	76877		2 CLEVIS PIN 12.6mm OD x 34.52mm L
34	80755		3 COTTER PIN 1/8" OD x 1" L
35	86705723		1 THREADED ROD
36	86000021		2 BEARING LOCK NUT M12, CI 8
37	84578315		1 WASHER
38	65319		1 WASHER 13.1mm ID x 25.4mm OD x 3.68mm Thk
39	86705574		1 HUB
40	86577603		1 BUSHING 98.6mm ID x 103.18mm OD x 25.4mm L

RB465-CASE IH ROUND BALER - EUROPE & R.O.W.

DIA KIT, REVERSER SHIELDS



88.100.35

03

p1

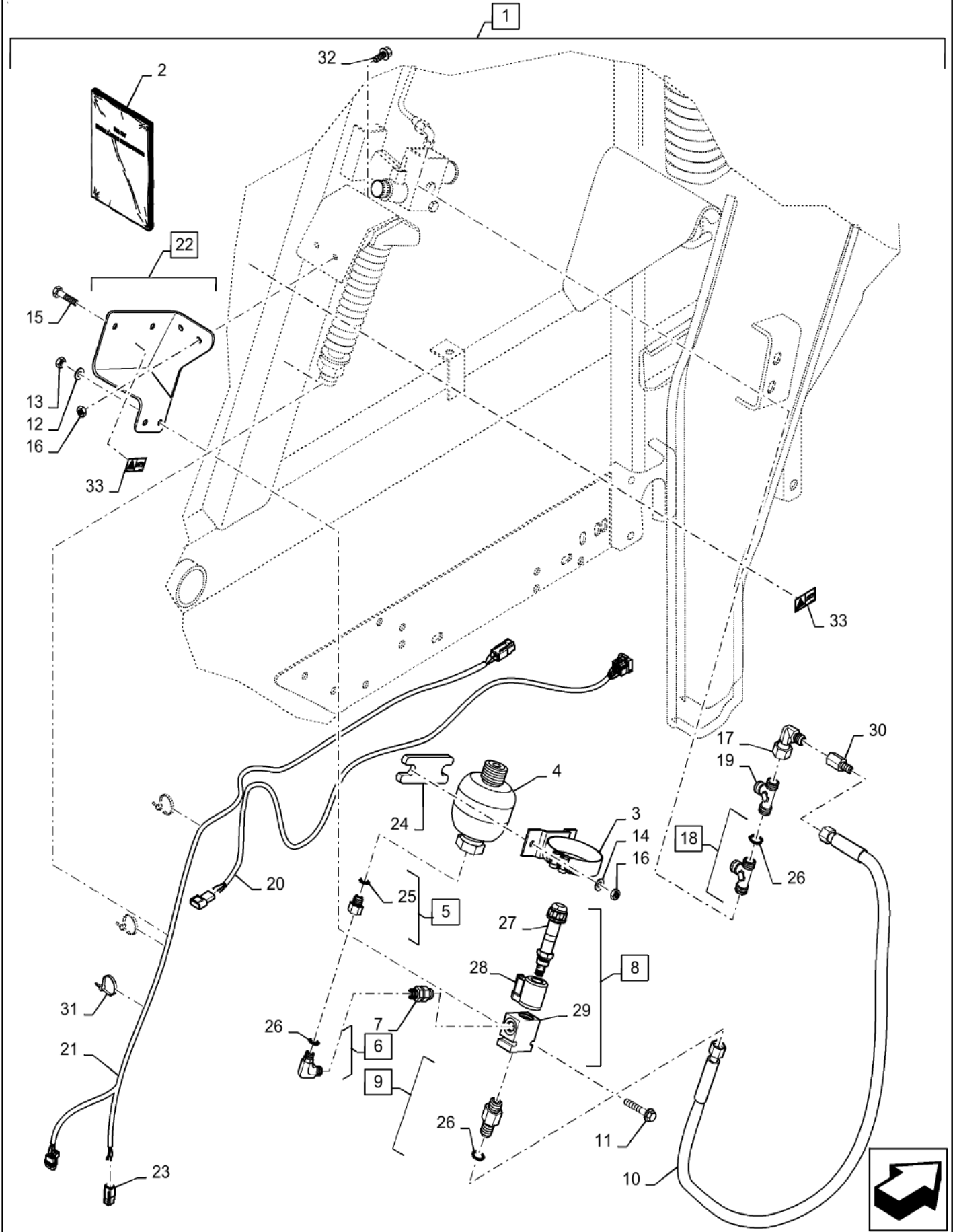
9/2015

DIA KIT, REVERSER SHIELDS

REF FN	PART NUMBER	YR/SN	QTY DESCRIPTION
1	84385997		1 DIA KIT, HARVESTER Hydraulic Rotor Reverser, Incl 2 - 39 plus Figures 88.100.35 01 and 88.100.35 02
2	86512919		1 LATCH
3	9804256		2 BOLT Hex, M6 x 1 x 20mm, Full Thd, Cl 8.8
4	52367		1 HOLDER
5	46520		4 BOLT AND NUT Hex, 1/4" - 20 x 1 1/2" Incl 6
6	20356		4 NUT 1/4"-20, GB
7	47438769		1 SHIELD 1.8M
7	47441393		1 SHIELD 2M

RB465-CASE IH ROUND BALER - EUROPE & R.O.W.

VAR - 439062 - DIA KIT, DENSITY CYLINDER PRECHARGE



88.100.35

04

p1

9/2015

VAR - 439062 - DIA KIT, DENSITY CYLINDER PRECHARGE

REF FN	PART NUMBER	YR/SN	QTY DESCRIPTION
1	47863845		1 DIA KIT, HARVESTER Density System Pre Charge, Incl 2 - 33
2	47797812		1 INSTRUCTION
3	87750434		1 CLAMP
4	84532089		1 ACCUMULATOR
5	195492		1 ADAPTER 3/4" - 16 ORB x 9/16" - 18 Incl 25
6	86836953		1 ELBOW 9/16" - 18 ORB x 9/16" - 18 ORB Incl 26
7	9846669		1 HYD CONNECTOR 9/16" - 18 Male x 9/16" - 18 Male
8	84563959		1 MANIFOLD Assembly, Incl 27 - 29
9	76350		1 HYD CONNECTOR 9/16" - 18 ORB x 9/16" - 18 JIC Incl 26
10	47886985		1 HYDRAULIC HOSE 9.5mm ID x 27mm L, SAE 100R17
11	412364		2 CARRIAGE BOLT M6 x 1.0 x 56.6mm, CI 8.8
12	322357		2 BELLEVILLE WASHER M6 x 14mm OD x 1.3mm Thk
13	353308		2 NUT M6 x 1.0, CI 8
14	322358		2 BELLEVILLE WASHER M8 x 18mm OD x 1.4mm Thk
15	9804260		5 BOLT Hex, M8 x 1.25 x 30mm, Full Thd, CI 8.8
16	86629542		5 NUT M8 x 1.25, CI 8
17	86629586		1 90 ELBOW 9/16" - 18 JIC x 9/16" - 18 Fem Sw
18	86513020		1 TEE 9/16" - 18 ORB x 9/16" - 18 JIC x 9/16" - 18 JIC Incl 26
19	129274		1 TEE 9/16" - 18 JIC x 9/16" - 18 JIC x 9/16" - 18 JIC
20	47563962		1 WIRE HARNESS BK
21	47563960		1 WIRE HARNESS BP
22	47583261		1 SUPPORT Incl 33
23	47564232		1 WIRE HARNESS BJ
24	47492194		1 SPACER
25	128825		1 O-RING 0.087" Thk x 0.644" ID, -908, CI 6, 90 Duro

RB465-CASE IH ROUND BALER - EUROPE & R.O.W.

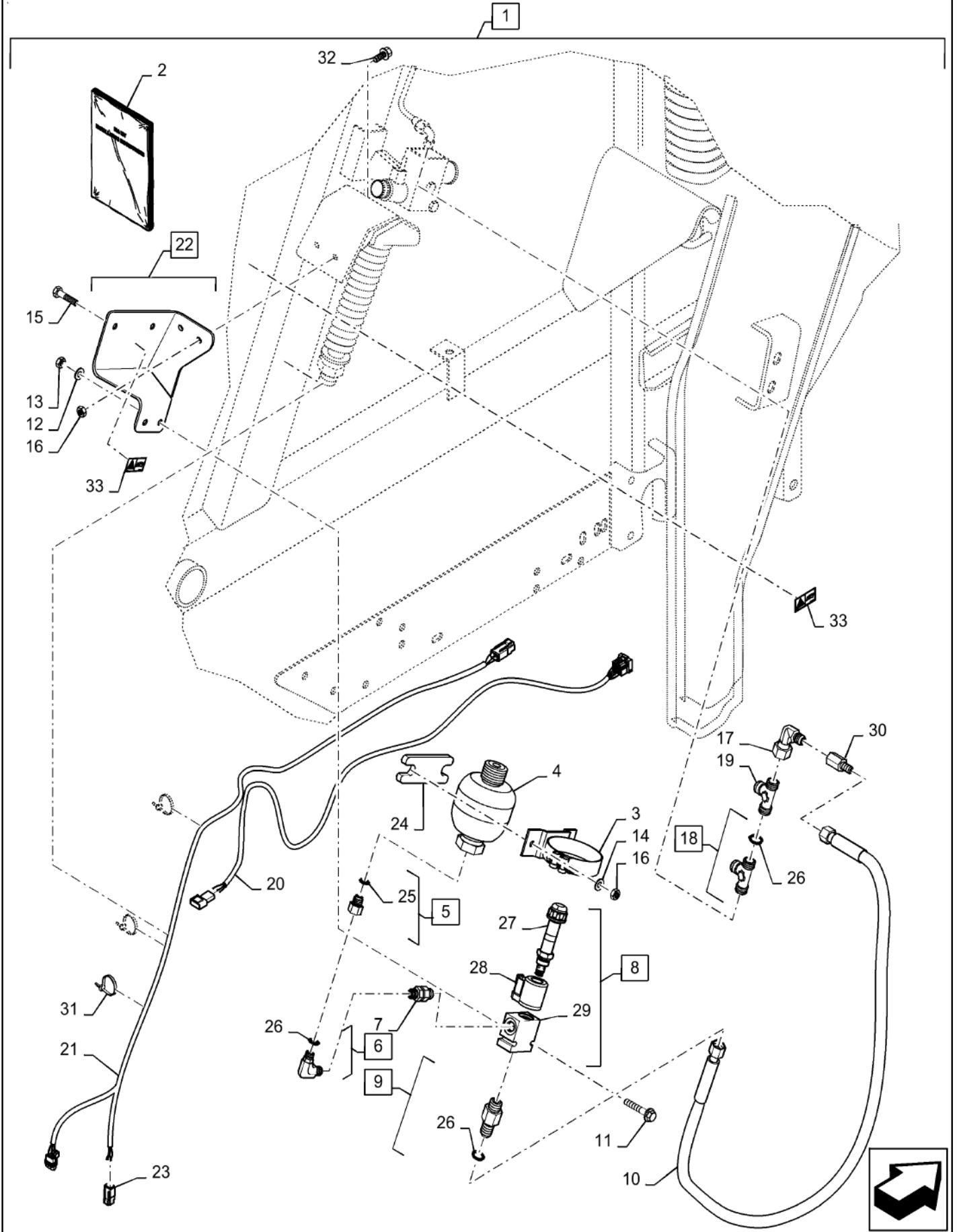
88.100.35

04

p2

9/2015

VAR - 439062 - DIA KIT, DENSITY CYLINDER PRECHARGE



88.100.35

04

p2

9/2015

VAR - 439062 - DIA KIT, DENSITY CYLINDER PRECHARGE

REF FN	PART NUMBER	YR/SN	QTY DESCRIPTION
26	9617873		3 O-RING 0.078" Thk x 0.468" ID, -906, CI 6, 90 Duro
27	84300100		1 CARTRIDGE
28	84300102		1 COIL
29	NSS		1 NOT SERVICED SEPARATELY Manifold, Incl in 8
30	87267034		1 ORIFICE
31	86566989		10 CABLE TIE 208mm L
32	9671714		3 FLANGE BOLT Hex, M8 x 1.25 x 25mm, CI 8.8
33	87745977		2 CAUTION DECAL

RB465-CASE IH ROUND BALER - EUROPE & R.O.W.

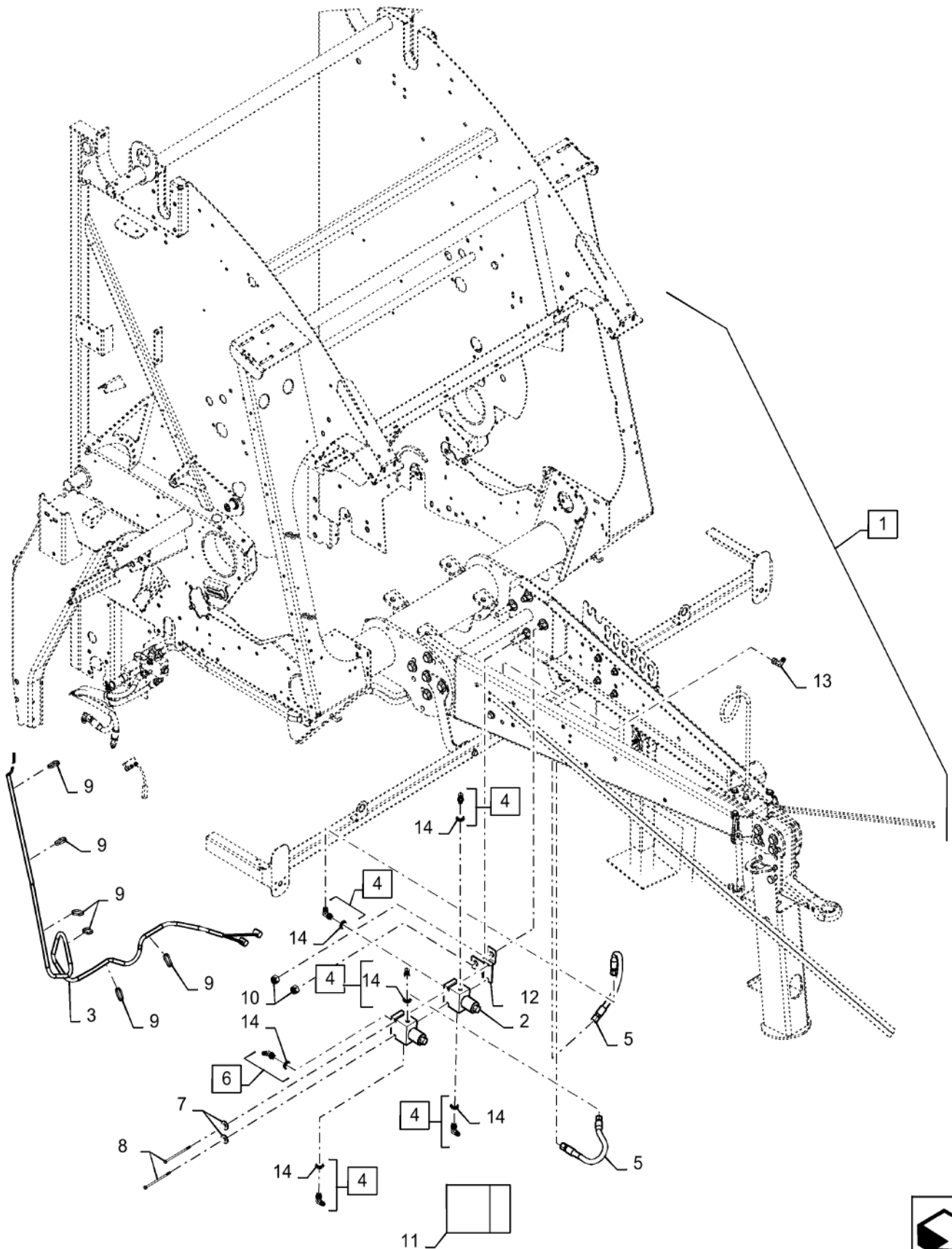
88.100.35

05

p1

9/2015

DIA KIT, SPLITTER VALVE



DIA KIT, SPLITTER VALVE

REF FN	PART NUMBER	YR/SN	QTY DESCRIPTION
1	84468885		1 DIA KIT, HARVESTER Splitter Valve, Inc 2 - 13
2	1 87016318		2 VALVE Splitter
3	84476761		1 WIRE HARNESS
4	76344		1 90 ELBOW 9/16" - 18 JIC x 9/16" - 18 ORB Inc 14
5	84474353		2 HYDRAULIC HOSE 381 mm Long
6	330346		1 45 ELBOW 45°, 9/16"-18, 37° x 9/16"-18, O-Ring Inc 14
7	80701		2 WASHER 0.31" ID x 0.73" OD x 0.07" Thk
8	328873		2 BOLT Hex, M6 x 1 x 120mm, Cl 8.8, Full Thd
9	646223		6 STRAP 8.0" L
10	86512555		2 NUT M16 x 2, Cl 10
11	84394625		1 INSTRUCTION
12	84474365		1 MOUNT
13	86629586		1 90 ELBOW 9/16" - 18 JIC x 9/16" - 18 Fem Sw
14	9617873		2 O-RING 0.078" Thk x 0.468" ID, -906, Cl 6, 90 Duro
15	86629586		1 90 ELBOW 9/16" - 18 JIC x 9/16" - 18 Fem Sw
16	47608545		1 MOUNT
17	9706694		2 NUT Hex, M20, Cl 8

(1) Components are N.S.S

RB465-CASE IH ROUND BALER - EUROPE & R.O.W.

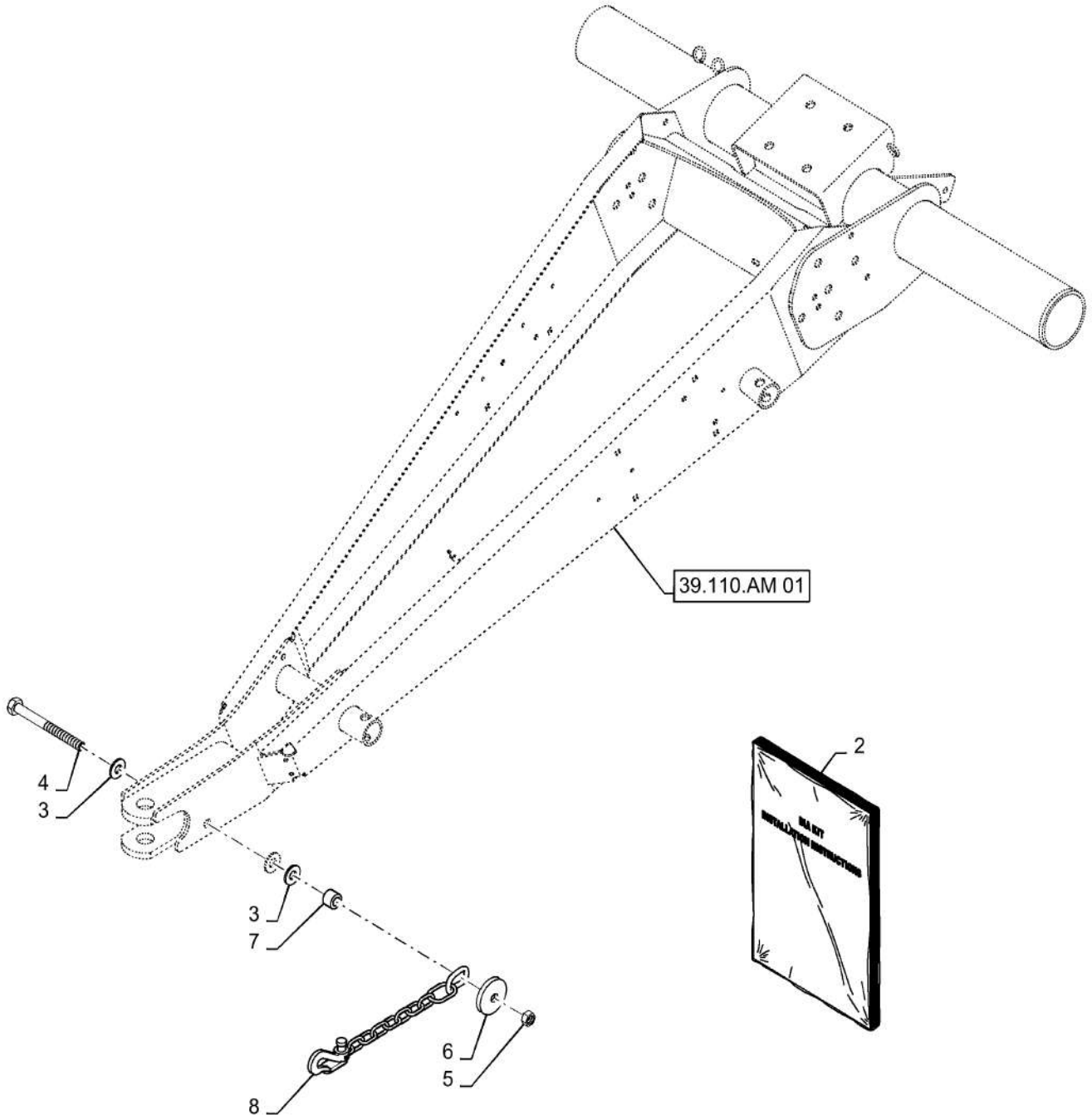
88.100.39

01

p1

9/2015

VAR - 716488 - DIA KIT, SAFETY CHAIN



1



88.100.39

01

p1

9/2015

VAR - 716488 - DIA KIT, SAFETY CHAIN

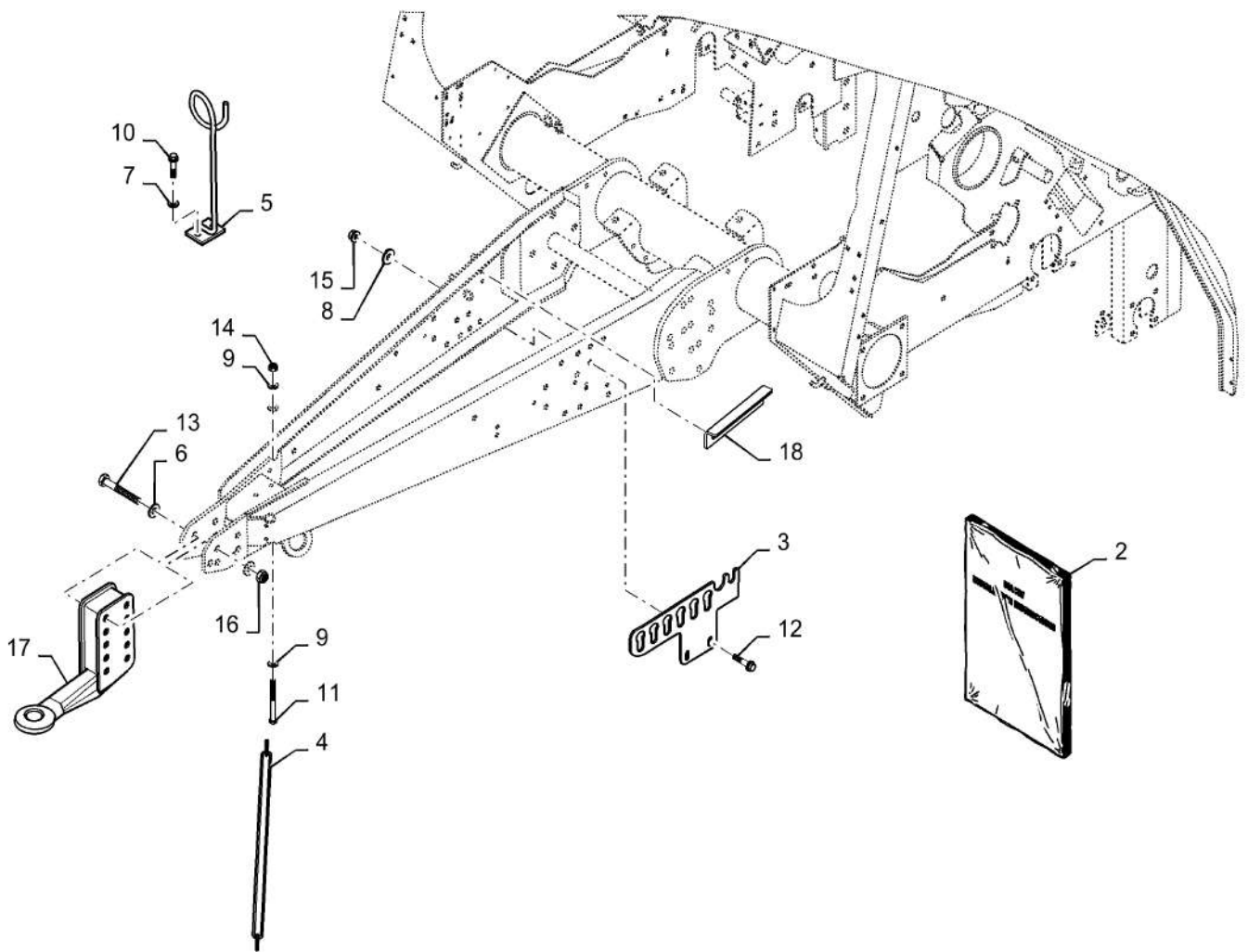
REF FN	PART NUMBER	YR/SN	QTY DESCRIPTION
1	84401639		1 DIA KIT, HARVESTER Safety Chain, Includes: Installation Instructions
2	84394650		1 INSTRUCTION
3	130358		3 WASHER 16.28mm ID x 38.35mm OD x 4.11mm Thk
4	362573		1 BOLT Hex, M16 x 150mm, CI 8.8
5	86000441		1 NUT M16 x 2.0, CI 8
6	636422		1 WASHER 16.66mm ID x 69.85mm OD
7	86607695		1 SPACER 17.48mm ID x 28.6mm OD x 20.6mm L
8	850116		1 CHAIN

RB465-CASE IH ROUND BALER - EUROPE & R.O.W.

DIA KIT, HIGH HITCH



1



DIA KIT, HIGH HITCH

REF FN	PART NUMBER	YR/SN	QTY DESCRIPTION
1	84601752		1 DIA KIT, HARVESTER High Hitch, Incl 2 - 17
2	84394665		1 INSTRUCTION
3	84368723		1 SUPPORT
4	264035		1 CHAIN
5	87042252		1 SUPPORT
6	130358		8 WASHER 16.28mm ID x 38.35mm OD x 4.11mm Thk
7	140045		2 BELLEVILLE WASHER M10X22 ZNM
8	140046		6 BELLEVILLE WASHER M12 x 27mm OD x 1.8mm Thk
9	80702		6 WASHER 0.44" ID x 1" OD x 0.08" Thk
10	9804262		2 BOLT M10 x 39.2mm, CI 8.8
11	86508574		2 BOLT Hex, M10 x 120mm, CI 8.8
12	9670066		6 FLANGE BOLT Hex, M12 x 30mm, CI 8.8
13	321246		4 BOLT Hex, M16 x 2 x 120mm, CI 8.8
14	100037		2 NUT M0 x 1.5, CI 8
15	9804279		2 FLANGE NUT Hex, M12, CI 8
16	86000441		4 NUT M16 x 2.0, CI 8
17	47589972		1 HITCH
18	47499386		1 ANGLE

RB465-CASE IH ROUND BALER - EUROPE & R.O.W.

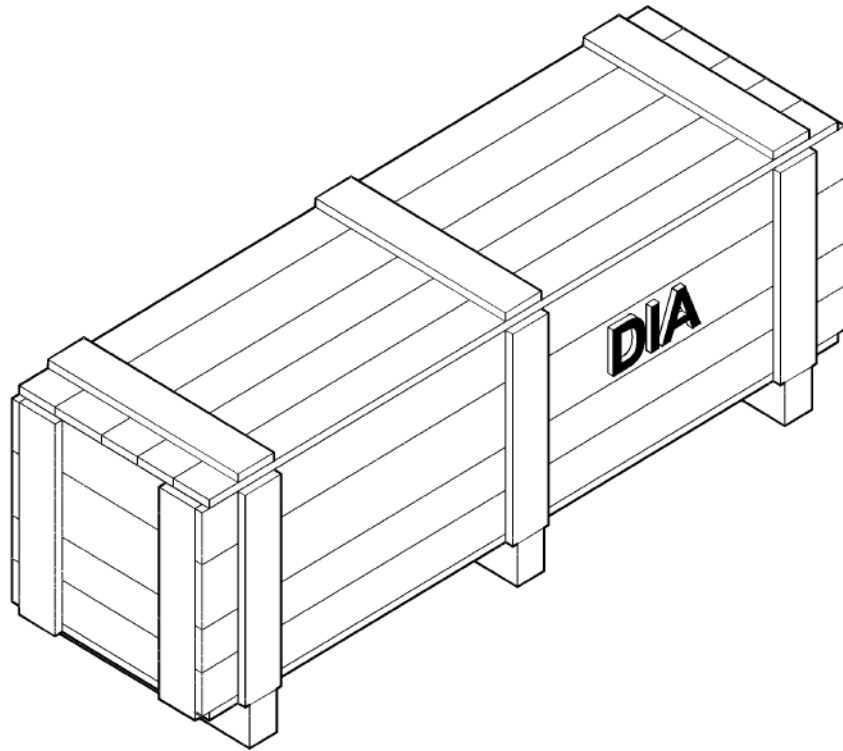
88.100.55

01

p1

9/2015

VAR - 715019 - DIA KIT, ROTATING BEACON



88.100.55

01

p1

9/2015

VAR - 715019 - DIA KIT, ROTATING BEACON

REF FN	PART NUMBER	YR/SN	QTY DESCRIPTION
1	47757152		1 DIA KIT, HARVESTER Rotary Beacon, Incl 2-15
2	47760781		1 INSTRUCTION
3	9513421		1 BEACON
4	9513422		1 BASE
5	47721129		1 WIRE HARNESS Rotating Beacon
6	87024645		1 CLAMP
7	87371399		1 ANGLE
8	87024647		1 CLAMP
9	43362		8 NUT M8 x 1.25, CI 10
10	43128		8 BOLT M8 x 1.25 x 30mm, CI 8.8
11	322358		10 BELLEVILLE WASHER M8 x 18mm OD x 1.4mm Thk
12	263117		8 CABLE TIE 292.1mm L
13	47777047		1 ANGLE
14	47802508		1 ANGLE
15	47802509		1 BRACKET

RB465-CASE IH ROUND BALER - EUROPE & R.O.W.

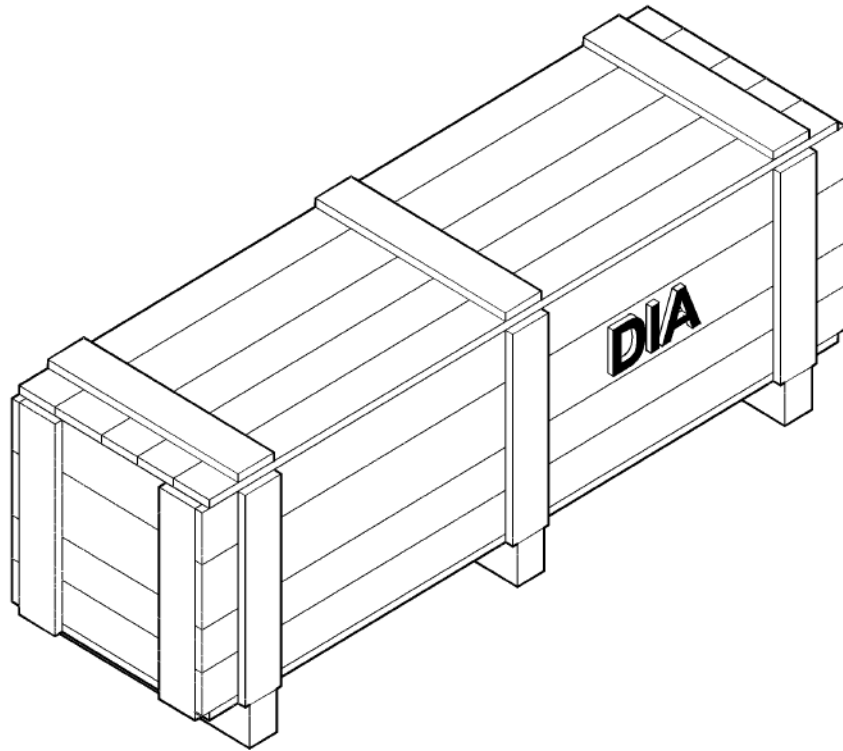
88.100.55

02

p1

9/2015

DIA KIT, TAILGATE LATCH SENSOR



88.100.55

02

p1

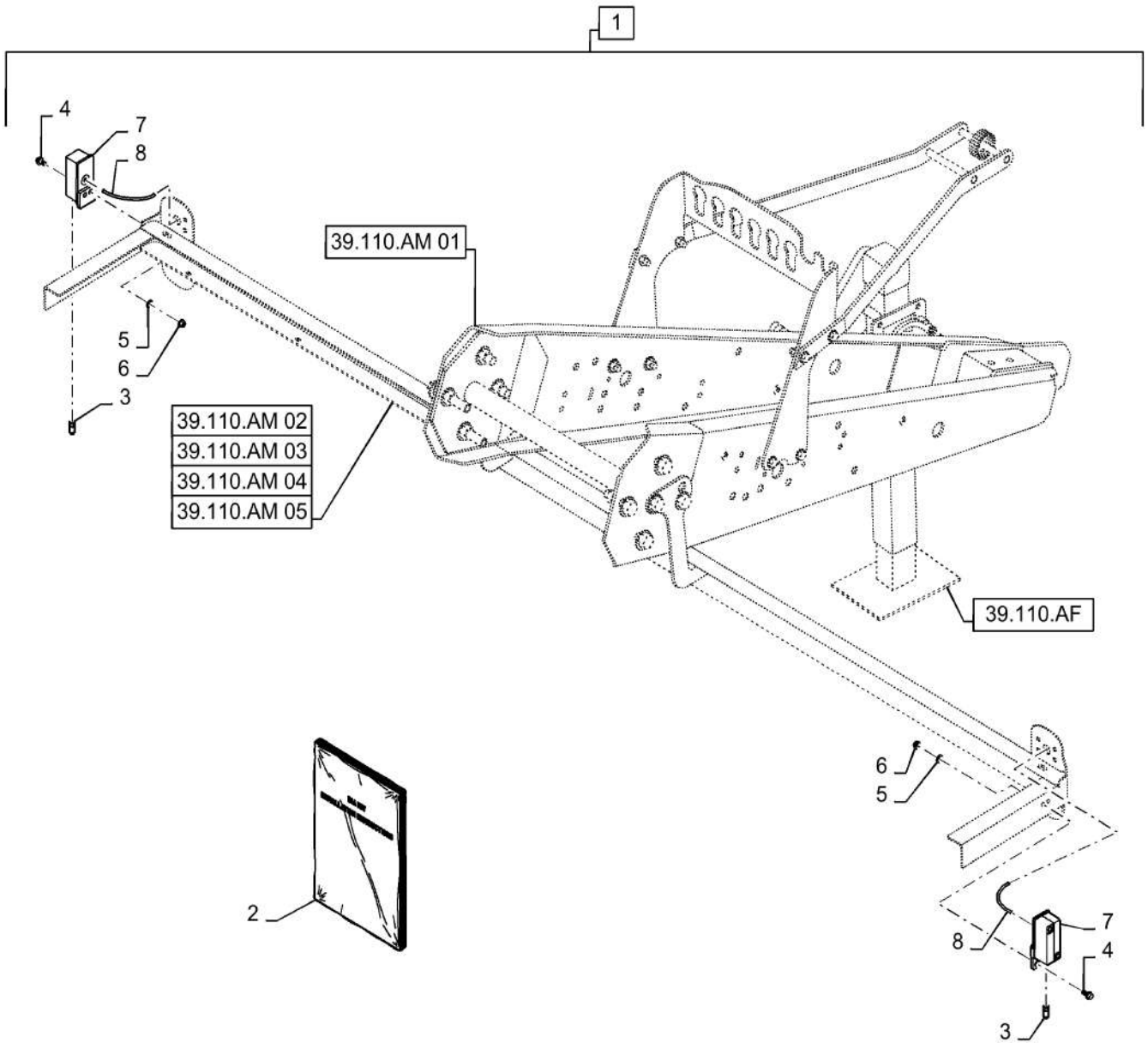
9/2015

DIA KIT, TAILGATE LATCH SENSOR

REF FN	PART NUMBER	YR/SN	QTY DESCRIPTION
1	84554477		1 DIA KIT, HARVESTER Tailgate Latch Sensor, Incl 2 - 9
2	84555190		1 INSTRUCTION
3	86594422		1 SENSOR Tailgate Latch
4	86900323		2 NUT #10 - 24
5	87310126		2 SCREW Phillips Drive, Pan HD, #10 - 24 x 3/4", SST
6	86566989		15 CABLE TIE 208mm L
7	84424250		1 BRACKET
8	84425164		1 WIRE HARNESS
9	86624468		1 SPACER Sensor

RB465-CASE IH ROUND BALER - EUROPE & R.O.W.

VAR - 715003 - DIA KIT, SIDE MARKER LIGHT



88.100.55

03

p1

9/2015

VAR - 715003 - DIA KIT, SIDE MARKER LIGHT

REF FN	PART NUMBER	YR/SN	QTY DESCRIPTION
1	84552465		1 DIA KIT, HARVESTER Side Marker Lights, Incl 2 - 8
2	84394607		1 INSTRUCTION
3	353078		2 BULB T8/4, 12V, 4W
4	9804255		4 BOLT Hex, M6 x 1 x 16mm, Full Thd, Cl 8.8
5	353308		4 NUT M6 x 1.0, Cl 8
6	9804276		4 FLANGE NUT Hex, M6 x 1, Cl 8
7	449531		2 LAMP Red Side Marker
8	84573927		2 WIRE HARNESS

RB465-CASE IH ROUND BALER - EUROPE & R.O.W.

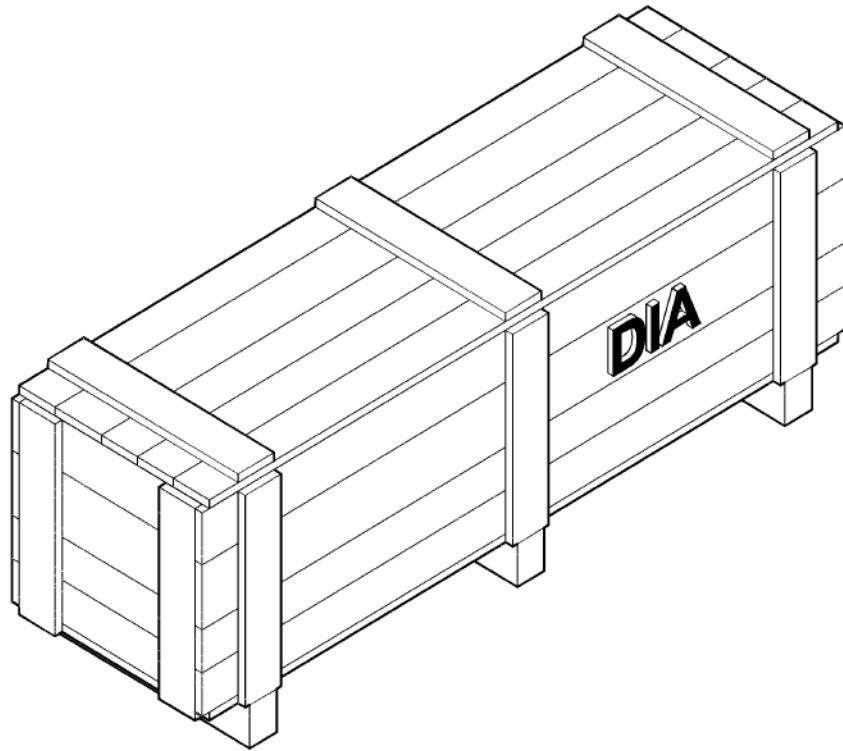
88.100.55

04

p1

9/2015

DIA KIT, TWINE MOTION SENSOR



88.100.55

04

p1

9/2015

DIA KIT, TWINE MOTION SENSOR

REF FN	PART NUMBER	YR/SN	QTY DESCRIPTION
1	84545582		1 DIA KIT, HARVESTER Twine Motion Sensor, Incl 2 - 9
2	84554592		2 INSTRUCTION
3	84545581		2 SUPPORT
4	9825943		2 SENSOR
5	84329808		1 WIRE HARNESS
6	47461866		1 PLATE
7	87313		2 JAM NUT Jam, 3/4"-16, G2
8	87977		8 SCREW Slotted Truss Hd, #8 - 32 x 1/2"
9	86977693		8 NUT Serrated, #8 - 32, Gr 5

RB465-CASE IH ROUND BALER - EUROPE & R.O.W.

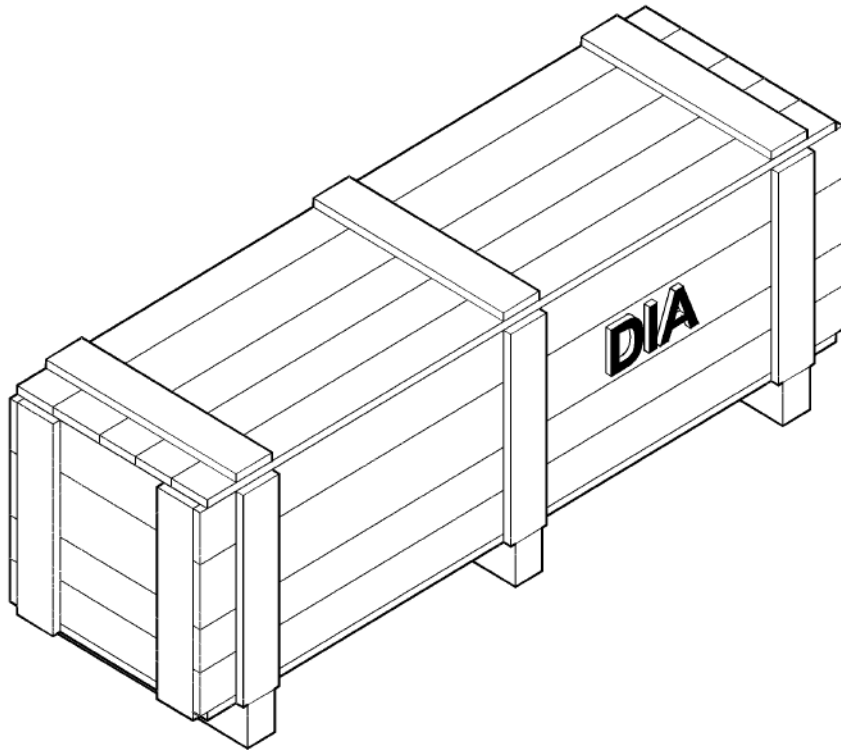
88.100.55

05

p1

9/2015

DIA KIT, CONTROL BOX MOUNT



88.100.55

05

p1

9/2015

DIA KIT, CONTROL BOX MOUNT

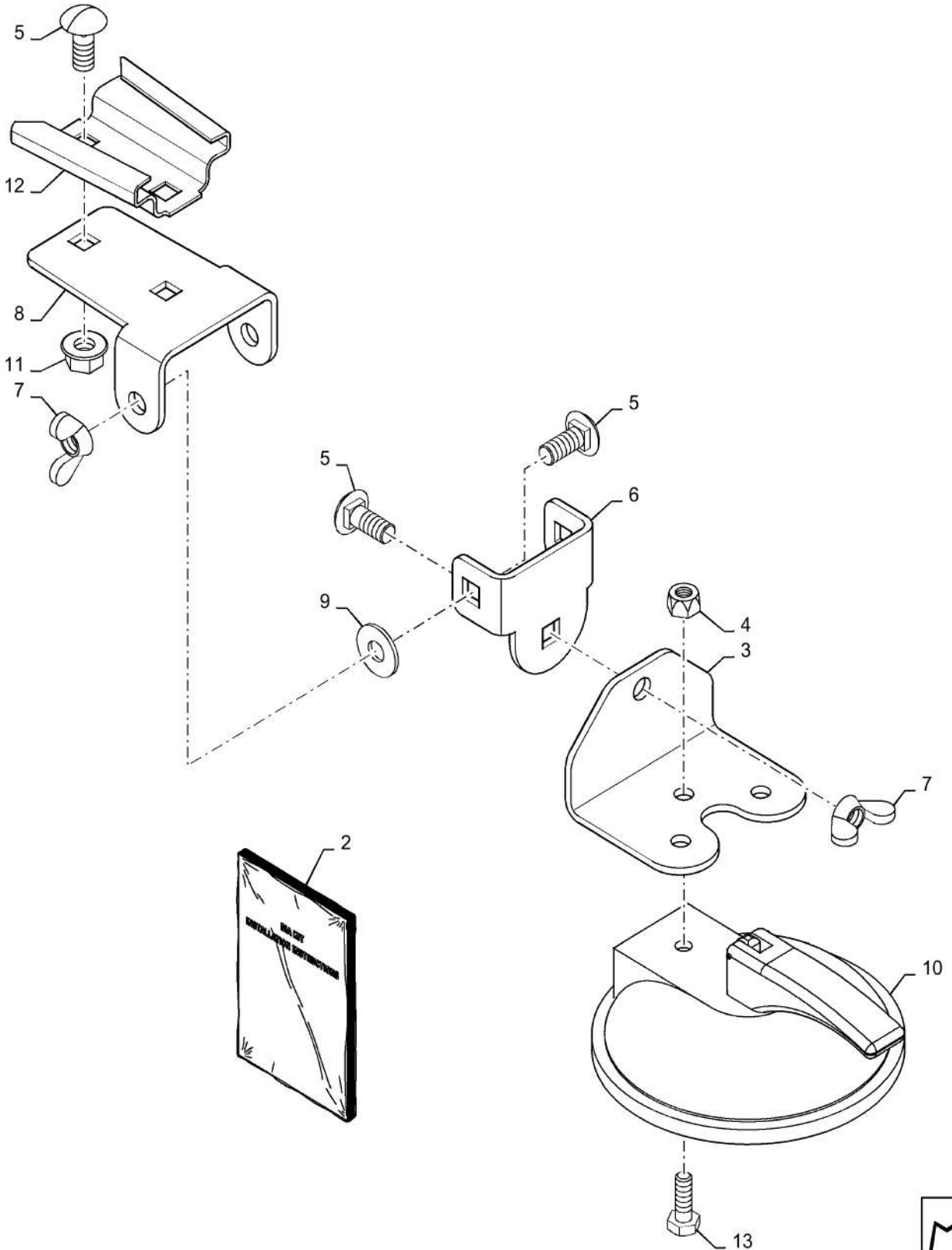
REF FN	PART NUMBER	YR/SN	QTY DESCRIPTION
1	84554473		1 DIA KIT, HARVESTER Control Box Mount, Incl 2 - 8
2	84394623		1 INSTRUCTION
3	847590		1 BRACKET
4	86622259		1 BRACKET
5	86511479		6 BOLT Hex Flg, M8 x 20mm
6	86505868		6 SERRATED NUT M8 x 1.25
7	280497		2 CARRIAGE BOLT Short Sq Nk, 5/16" - 18 x 3/4", Gr 5, Full Thd
8	145458		2 SERRATED NUT SERRATED NUT 5/16"-18 GR 5 ZND

RB465-CASE IH ROUND BALER - EUROPE & R.O.W.

DIA KIT, OPERATOR PANEL VACUUM MOUNT



1



88.100.55

06

p1

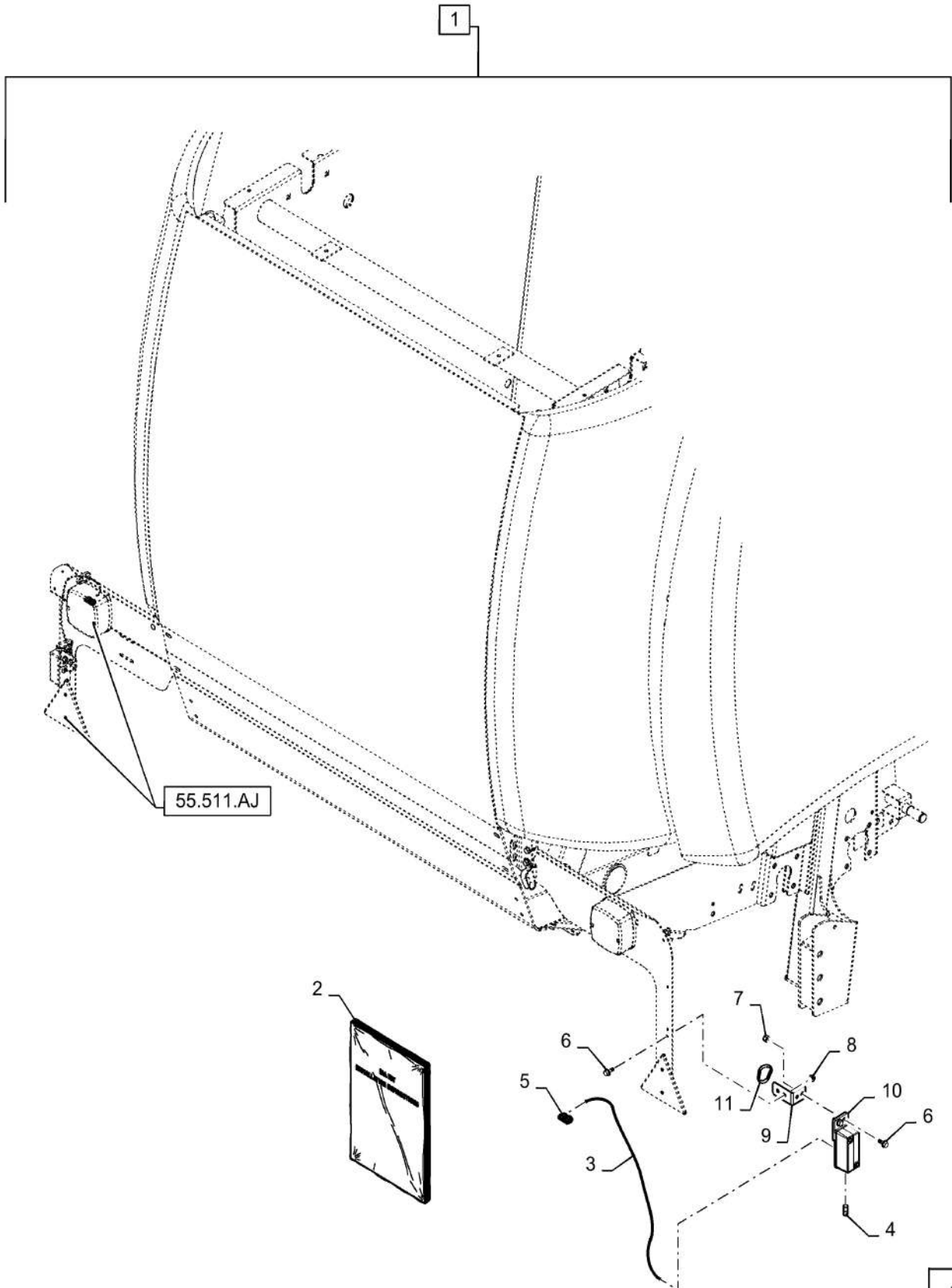
9/2015

DIA KIT, OPERATOR PANEL VACUUM MOUNT

REF FN	PART NUMBER	YR/SN	QTY DESCRIPTION
1	47409525		1 DIA KIT, HARVESTER Op Panel Vacuum Mount, Incl 2 - 14
2	47427204		1 INSTRUCTION
3	47409377		1 BRACKET
4	280129		1 NUT 1/4"-20
5	86507486		5 CARRIAGE BOLT M8 x 1.25 x 20mm, Cl 8.8
6	47409289		1 BRACKET
7	84807781		3 WING NUT M8
8	47409286		1 BRACKET
9	378243		2 WASHER 8.4mm ID x 21mm OD x 1.6mm Thk
10	47409498		1 BRACKET
11	9804277		2 FLANGE NUT Hex, M8 x 1.25, Cl 8
12	847590		1 BRACKET
13	9707580		1 BOLT Hex, 1/4" - 20 x 3/4", Gr 5, Full Thd

RB465-CASE IH ROUND BALER - EUROPE & R.O.W.

DIA KIT, REAR MARKER LIGHT



88.100.55

07

p1

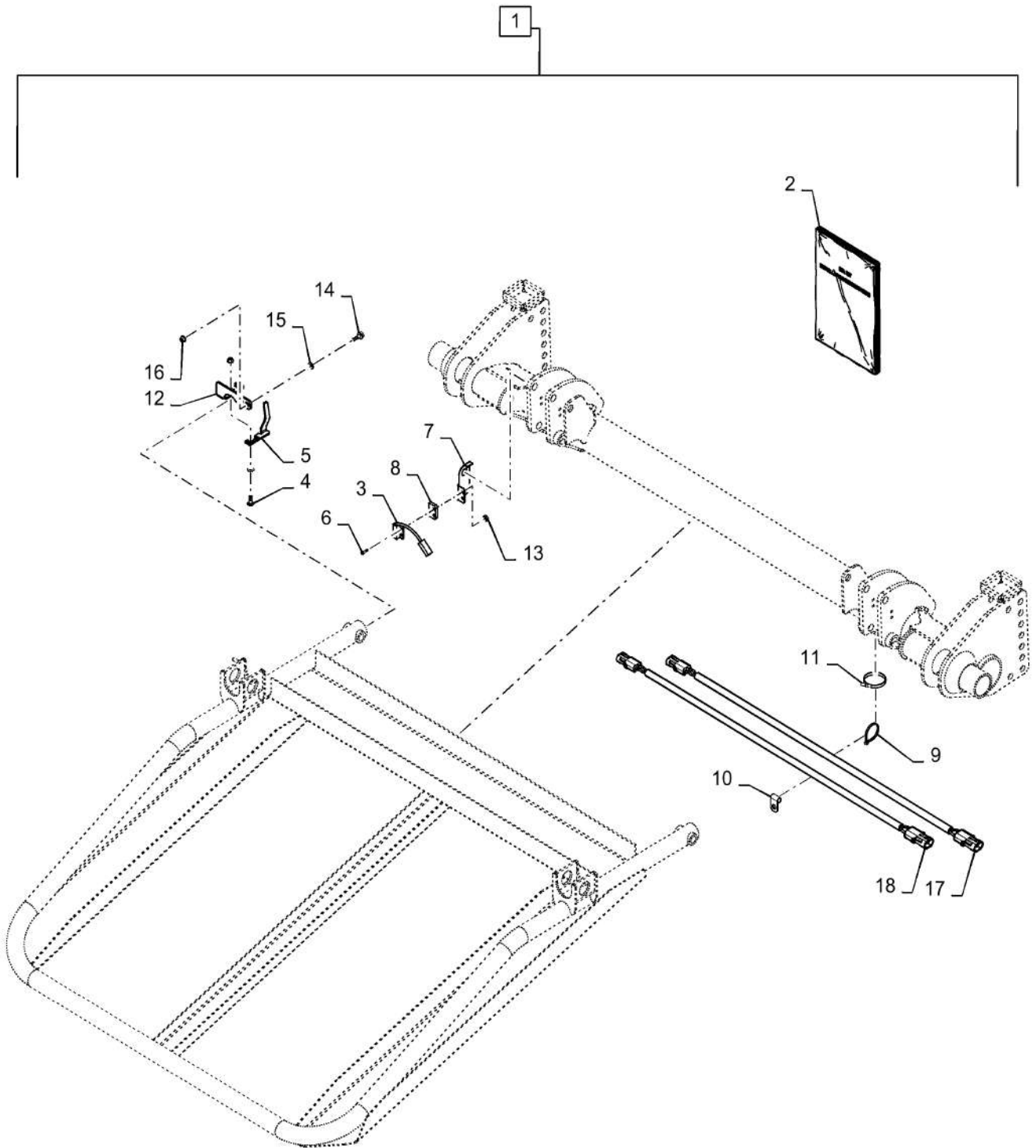
9/2015

DIA KIT, REAR MARKER LIGHT

REF FN	PART NUMBER	YR/SN	QTY DESCRIPTION
1	47623940		1 KIT Rear Marker Light, Incl 2 - 10
2	47625882		1 INSTRUCTION
3	84573927		2 WIRE HARNESS
4	353078		2 BULB T8/4, 12V, 4W
5	84280824		4 WIRE CONNECTOR
6	9804255		8 BOLT Hex, M6 x 1 x 16mm, Full Thd, Cl 8.8
7	353308		4 NUT M6 x 1.0, Cl 8
8	9804276		4 FLANGE NUT Hex, M6 x 1, Cl 8
9	47623926		2 SUPPORT
10	449531		2 LAMP Red Rear Marker
11	646223		4 STRAP 8.0" L

RB465-CASE IH ROUND BALER - EUROPE & R.O.W.

DIA KIT, BALE RAMP, SENSOR



DIA KIT, BALE RAMP, SENSOR

REF FN	PART NUMBER	YR/SN	QTY DESCRIPTION
1	47429751		1 DIA KIT, HARVESTER Bale Ramp Sensor, Incl 2 - 18
2	84555198		1 INSTRUCTION
3	86594422		1 SENSOR Bale Ramp
4	308761		2 CARRIAGE BOLT M8 x 1.25 x 25mm, CI 8.8
5	47674557		1 BRACKET
6	87310126		2 SCREW Phillips Drive, Pan HD, #10 - 24 x 3/4", SST
7	47659780		1 BRACKET
8	86624468		1 SPACER Switch
9	86566989		12 CABLE TIE 208mm L
10	86625036		1 CLAMP 12.7mm, Coat, 8.7mm Bolt Hole, P Type
11	86632595		1 CLAMP 12.7mm, Coat, 13.5mm Bolt Hole, P Type
12	86632595		1 CLAMP 12.7mm, Coat, 13.5mm Bolt Hole, P Type
13	86900323		2 NUT #10 - 24
14	9671714		2 FLANGE BOLT Hex, M8 x 1.25 x 25mm, CI 8.8
15	322358		4 BELLEVILLE WASHER M8 x 18mm OD x 1.4mm Thk
16	9804277		4 FLANGE NUT Hex, M8 x 1.25, CI 8
17	1 84279867		1 WIRE HARNESS Bale Ramp Sensor
18	2 84279868		1 WIRE HARNESS Bale Ramp Sensor
(1)	Used on Models with Standard Wrapper System		
(2)	Used on Models with Deluxe Wrapper System & ISOBUS		

RB465-CASE IH ROUND BALER - EUROPE & R.O.W.

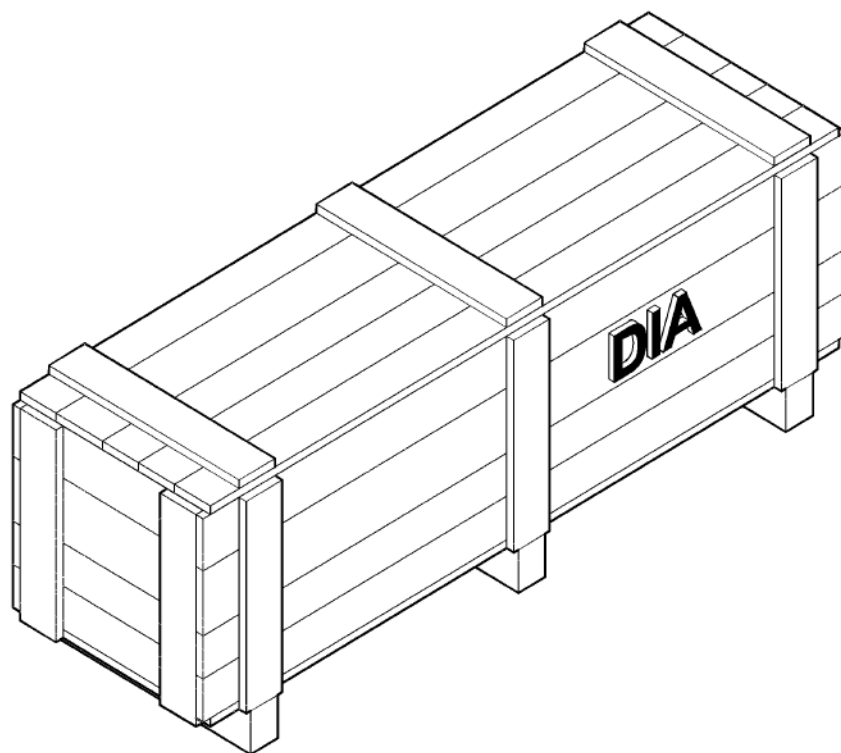
88.100.60

01

p1

9/2015

DIA KIT, RUBBER TINE, 2M



DIA KIT, RUBBER TINE, 2M

REF	FN	PART NUMBER	YR/SN	QTY DESCRIPTION
1	1	84554736		1 DIA KIT, HARVESTER Rubber Tine, Incl 2 - 6
2		84555292		1 INSTRUCTION
3		47395017		15 TINE 2 Prongs, 89.7mm W x 162.4mm L Rubber
4		88275		64 BOLT Hex, 5/16" - 18 x 1 1/2", Gr 5
5		280736		64 NUT 5/16"-18, GC
6		84404537		64 TINE 2 Prong, 96.5mm W x 162.4mm L Rubber Mounted

(1) Refer to Installation Instructions for Correct Assembly Procedure

RB465-CASE IH ROUND BALER - EUROPE & R.O.W.

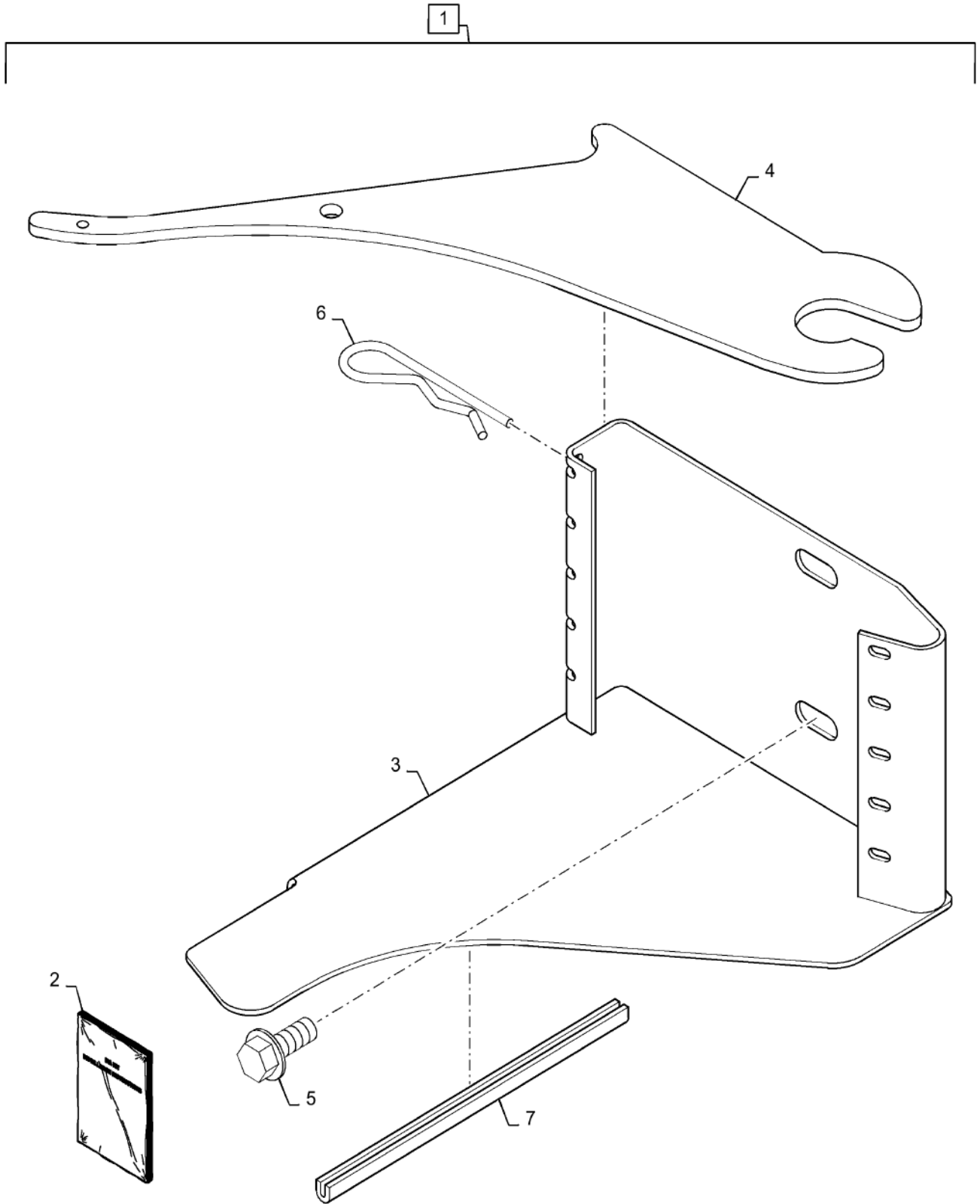
88.100.60

02

p1

9/2015

DIA KIT, DUMMY SECTION, KNIFE



88.100.60

02

p1

9/2015

DIA KIT, DUMMY SECTION, KNIFE

REF FN	PART NUMBER	YR/SN	QTY DESCRIPTION
1	47371570		1 DIA KIT, HARVESTER Dummy Knife Holder, Incl 2 - 7
2	47812489		1 INSTRUCTION
3	86616730		1 HOLDER
4	47797933		15 KNIFE SECTION Dummy Section
5	9804261		2 BOLT Hex, M10 x 25mm, Full Thd, Cl 8.8
6	86511448		2 COTTER PIN 0.148" Dia x 3.31" L
7	291525		1 EDGE

RB465-CASE IH ROUND BALER - EUROPE & R.O.W.

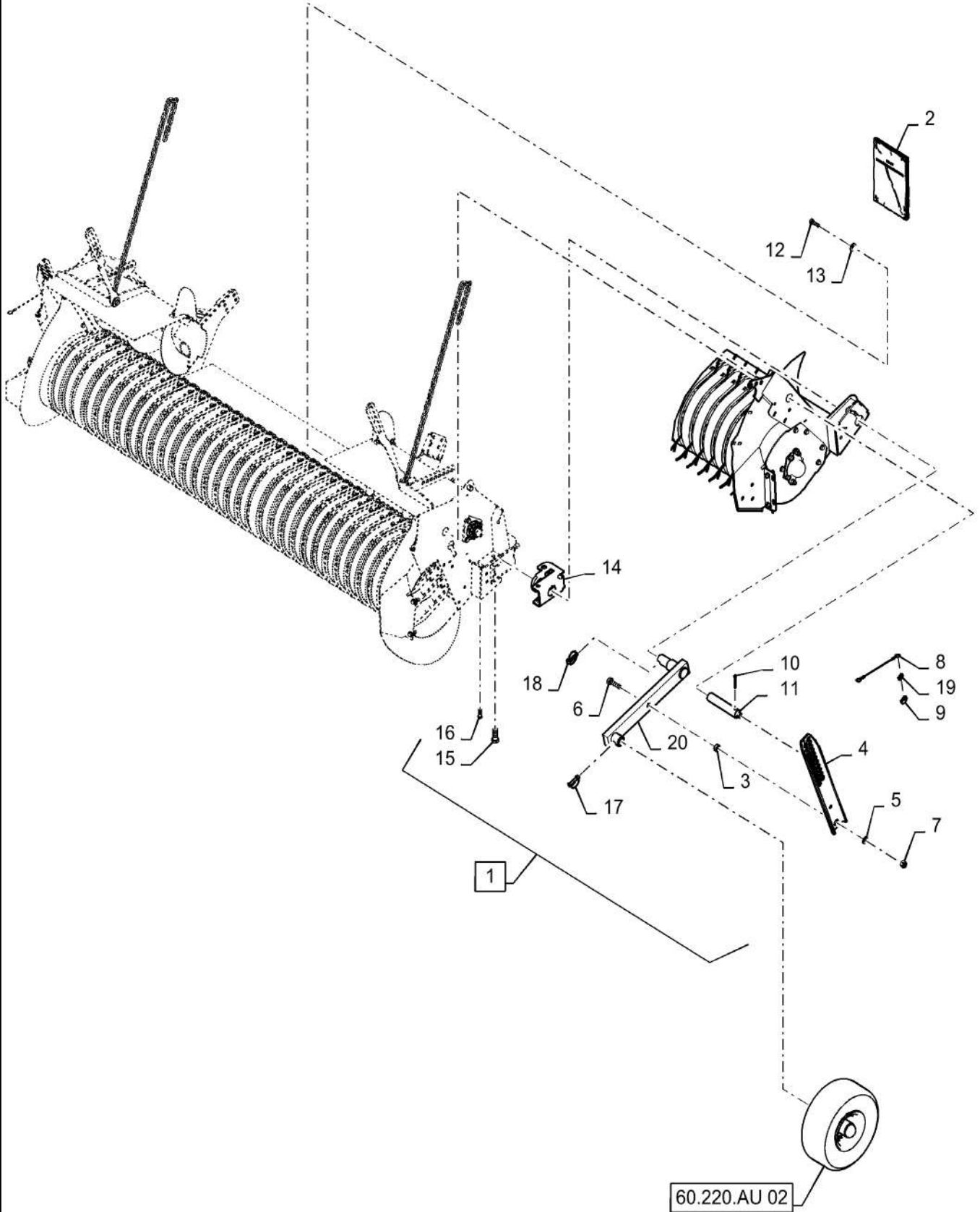
88.100.60

03

p1

9/2015

DIA KIT, PICKUP, WHEEL, NO TOOLS



DIA KIT, PICKUP, WHEEL, NO TOOLS

REF FN	PART NUMBER	YR/SN	QTY DESCRIPTION
1	47370859		1 DIA KIT, HARVESTER Pickup Wheel, No Tools, Inc 2 - 20
2	84555283		1 INSTRUCTION
3	376291		2 SPACER 16.5mm ID x 25mm OD x 11mm L
4	84195093		2 CHANNEL
5	86511326		2 WASHER 17mm ID x 30mm OD x 3mm Thk
6	120091		2 SCREW Hex, M16 x 60mm, CI 8.8
7	86000441		2 NUT M16 x 2.0, CI 8
8	47431237		2 WIRE ROPE
9	86508947		2 LINCH PIN 18.8mm OD
10	130012		2 COTTER PIN M5 x 50
11	84564355		2 PIN 35mm OD x 190mm L
12	9509260		2 LOCK BOLT Hex, M12 x 40mm, CI 8.8
13	34945		2 WASHER 0.56" ID x 1.25" OD x 0.13" Thk
14	1 84564362		2 MOUNT
15	86624002		4 BOLT Hex, M20 x 40mm, CI 8.8
16	9706687		4 BOLT M12 x 1.75 x 30mm, CI 8.8
17	9838996		2 COTTER PIN
18	87056822		2 PIN
19	84012277		2 KEY RING
20	84563879		2 ARM
21	0C		2 ORDER COMPONENTS Pickup Wheel

(1) Used on Undershot Rotor Balers Only.

RB465-CASE IH ROUND BALER - EUROPE & R.O.W.

88.100.60

04

p1

9/2015

DIA, KIT, ROLLER, WINDGUARD 1.8M

REF FN	PART NUMBER	YR/SN	QTY DESCRIPTION
1	47359405		1 DIA KIT, HARVESTER Roller Windguard, 1.8M, Inc 2 - 12
2	84398932		1 INSTRUCTION
3	1 47469727		2 ARM Used on Under Shot Rotor Versions
4	1 84426074		2 ARM Used on Over Shot Rotor Versions
5	47393424		1 ROLLER
6	86603075		2 FLANGE Bearing, 52.01 mm ID x 95.3 mm OD x 8.7 mm
7	325103		2 BALL BEARING 25mm ID x 52mm OD x 15mm W
8	36853		4 FLANGE
9	9804277		6 FLANGE NUT Hex, M8 x 1.25, CI 8
10	47505113		2 BEARING HOUSING
11	47507709		2 SPACER 24.88mm ID x 41mm OD x 13mm Thk
12	308761		2 CARRIAGE BOLT M8 x 1.25 x 25mm, CI 8.8

(1) Use Existing Hardware from Windguard**RB465-CASE IH ROUND BALER - EUROPE & R.O.W.**

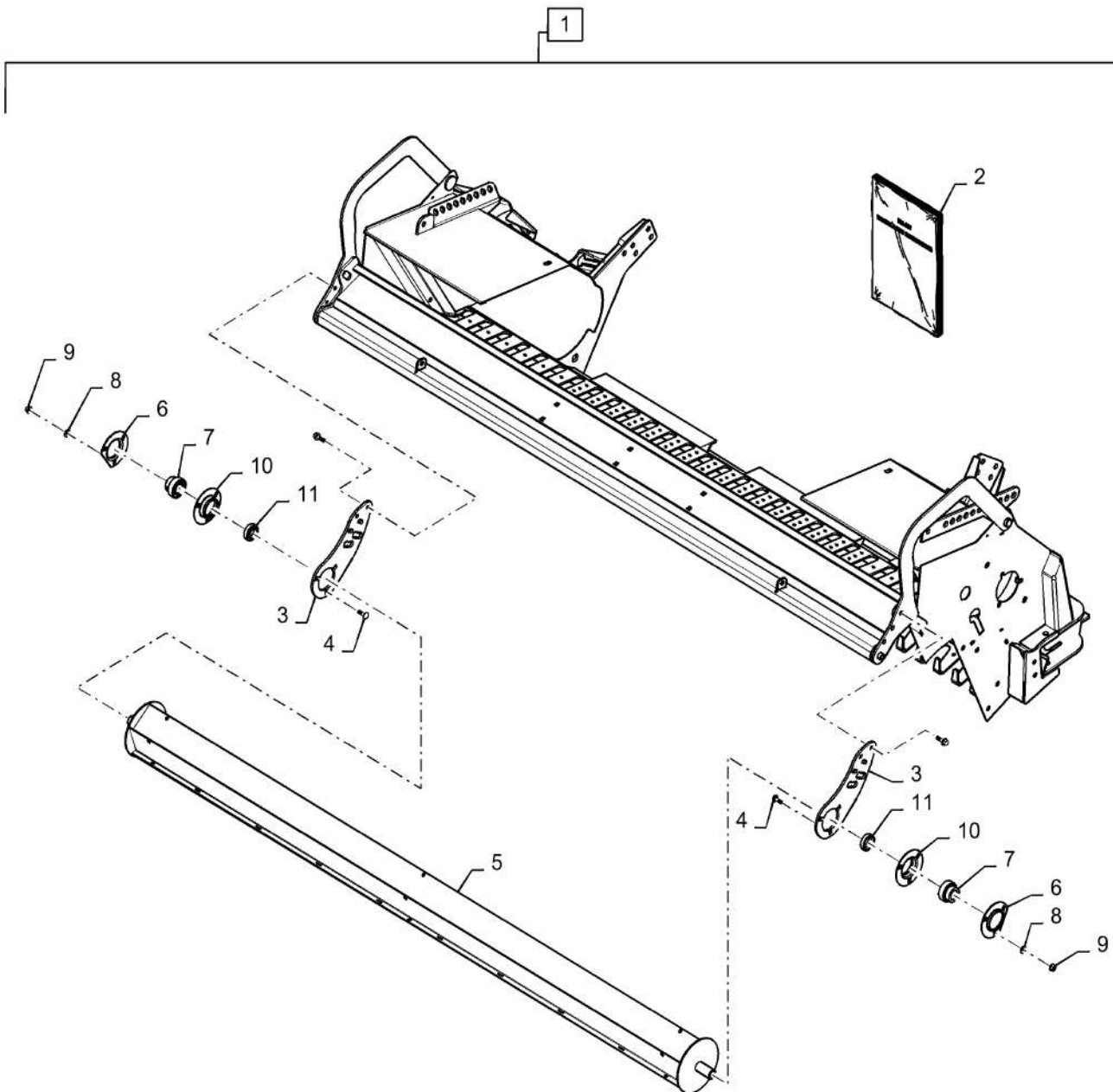
88.100.60

05

p1

9/2015

DIA KIT, ROLLER WINDGUARD, 2.0M



DIA KIT, ROLLER WINDGUARD, 2.0M

REF FN	PART NUMBER	YR/SN	QTY DESCRIPTION
1	47359406		1 DIA KIT, HARVESTER Roller Windguard, 2.0M, Inc 2 - 11
2	84398932		1 INSTRUCTION
3	1 47469727		2 ARM Used on Under Shot Rotor Versions
4	308761		6 CARRIAGE BOLT M8 x 1.25 x 25mm, CI 8.8
5	47393437		1 ROLLER 146mm OD x 2270mm L
6	86603075		2 FLANGE Bearing, 52.01 mm ID x 95.3 mm OD x 8.7 mm
7	325103		2 BALL BEARING 25mm ID x 52mm OD x 15mm W
8	36853		10 FLANGE
9	9804277		10 FLANGE NUT Hex, M8 x 1.25, CI 8
10	47505113		2 BEARING HOUSING
11	47507709		2 SPACER 24.88mm ID x 41mm OD x 13mm Thk

(1) Use Existing Hardware from Windguard

RB465-CASE IH ROUND BALER - EUROPE & R.O.W.

88.100.60

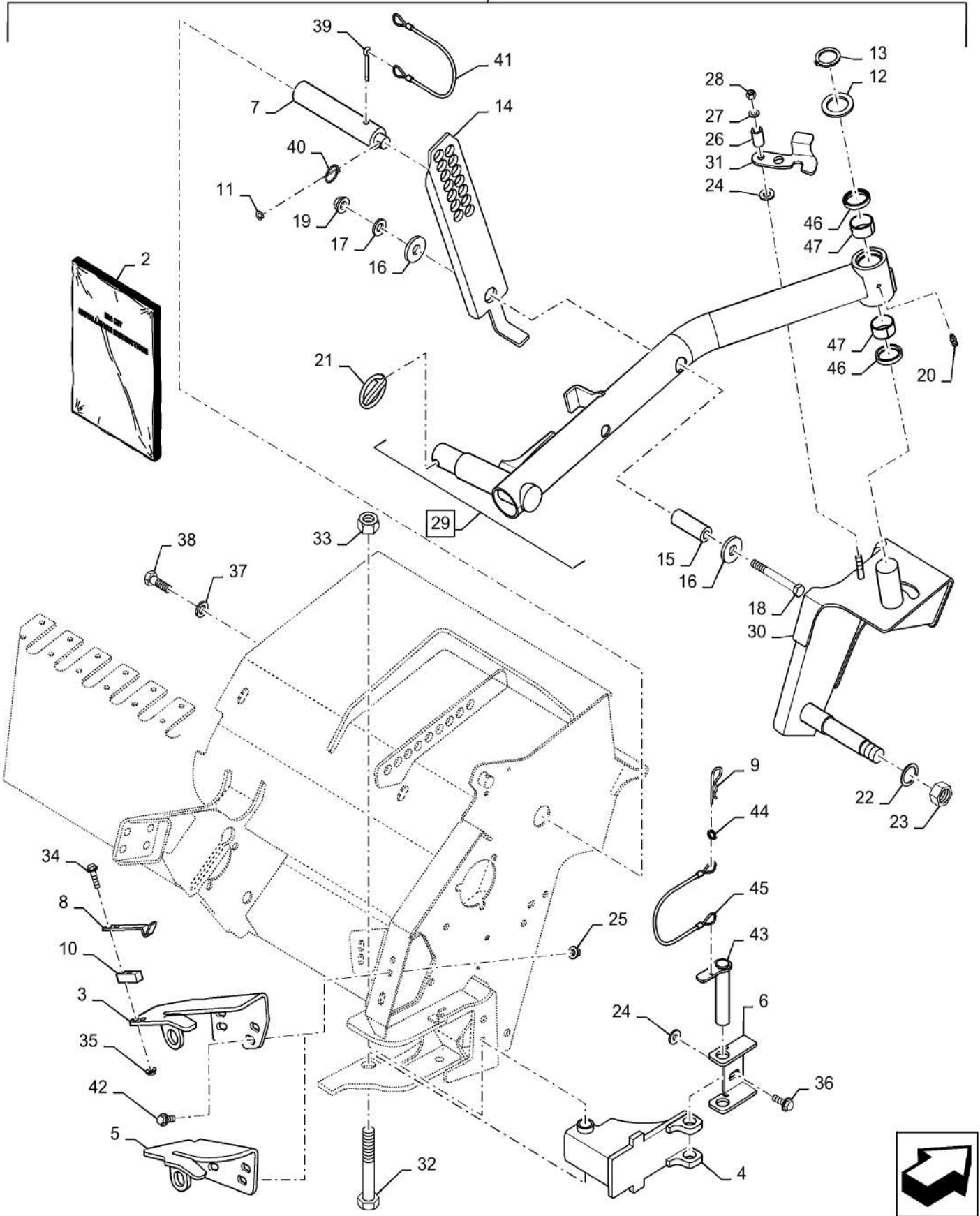
06

p1

9/2015

DIA KIT, FLIP UP DUAL CASTER WHEEL, LH

1 88.100.60 05



DIA KIT, FLIP UP DUAL CASTER WHEEL, LH

REF FN	PART NUMBER	YR/SN	QTY DESCRIPTION
1	1	47459193	1 DIA KIT, HARVESTER Flip Up Dual Caster Wheel, RH
2		84555278	1 INSTRUCTION
3		84585510	1 MOUNT RH
4		84387493	1 MOUNT RH
5		84594436	1 MOUNT RH
6		84530546	1 MOUNT RH
7		84479182	1 PIN 35mm OD x 207mm L
8		47494340	1 LATCH HOOK
9		437424	1 COTTER PIN
10		47494300	1 BLOCK
11		84012277	1 KEY RING
12		47529253	4 WASHER 35.5mm ID x 53mm OD x 2mm Thk
13		370004	1 SNAP RING M35 x 1.5mm Thk, External
14		47434361	1 CHANNEL
15		84220857	1 SPACER 12.7mm ID x 25.4mm OD x 70.5mm L
16		9511052	2 WASHER 13.5mm ID x 44mm OD x 4mm Thk
17		140046	1 BELLEVILLE WASHER M12 x 27mm OD x 1.8mm Thk
18		374887	1 BOLT Hex, M12 x 1.75 x 100mm, CI 8.8
19		9804279	1 FLANGE NUT Hex, M12, CI 8
20		87414	1 LUBE NIPPLE 1/4" - 28
21		87056822	1 PIN
22		140103	1 WASHER 26mm ID x 38mm OD x 1mm Thk
23		9837788	1 NUT M24 x 3, CI 8.8
24		29046	2 WASHER 11.1mm ID x 25.4mm OD x 0.457mm Thk
25		9804277	4 FLANGE NUT Hex, M8 x 1.25, CI 8
26		86635755	1 SPRING 15.88mm OD x 28.58mm L
27		87362	1 WASHER 5/16" SAE
28		86629542	1 NUT M8 x 1.25, CI 8
29		84556891	1 ARM Incl 46, 47
30		84336768	1 FORK
31		84559864	1 PLATE
32		412427	1 BOLT Hex, M20 x 2.5 x 130mm, CI 8.8

(1) Additional Parts of Kit are Shown on Figure 88.060.06 1

RB465-CASE IH ROUND BALER - EUROPE & R.O.W.

88.100.60

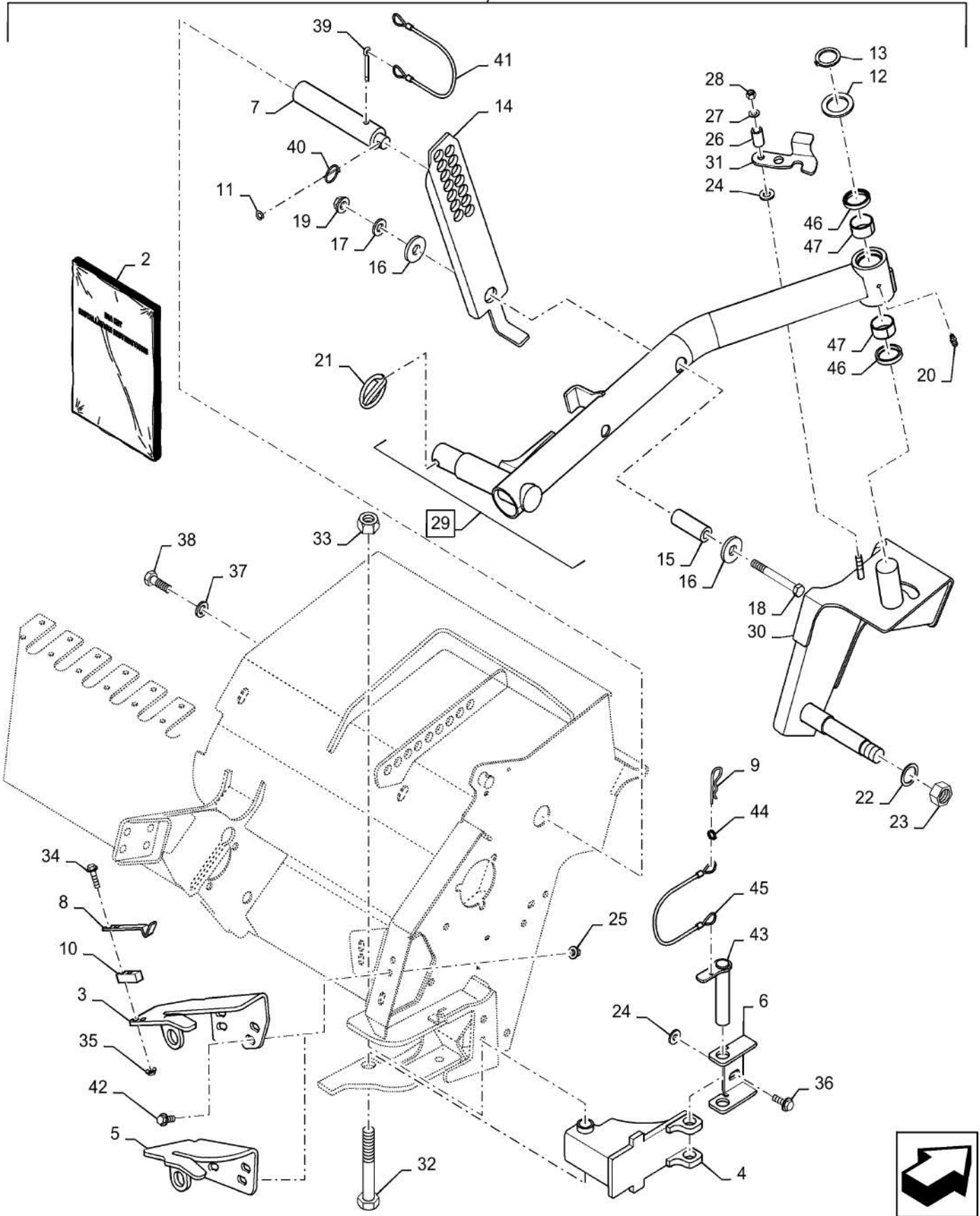
06

p2

9/2015

DIA KIT, FLIP UP DUAL CASTER WHEEL, LH

1 88.100.60 05



88.100.60

06

p2

9/2015

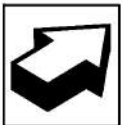
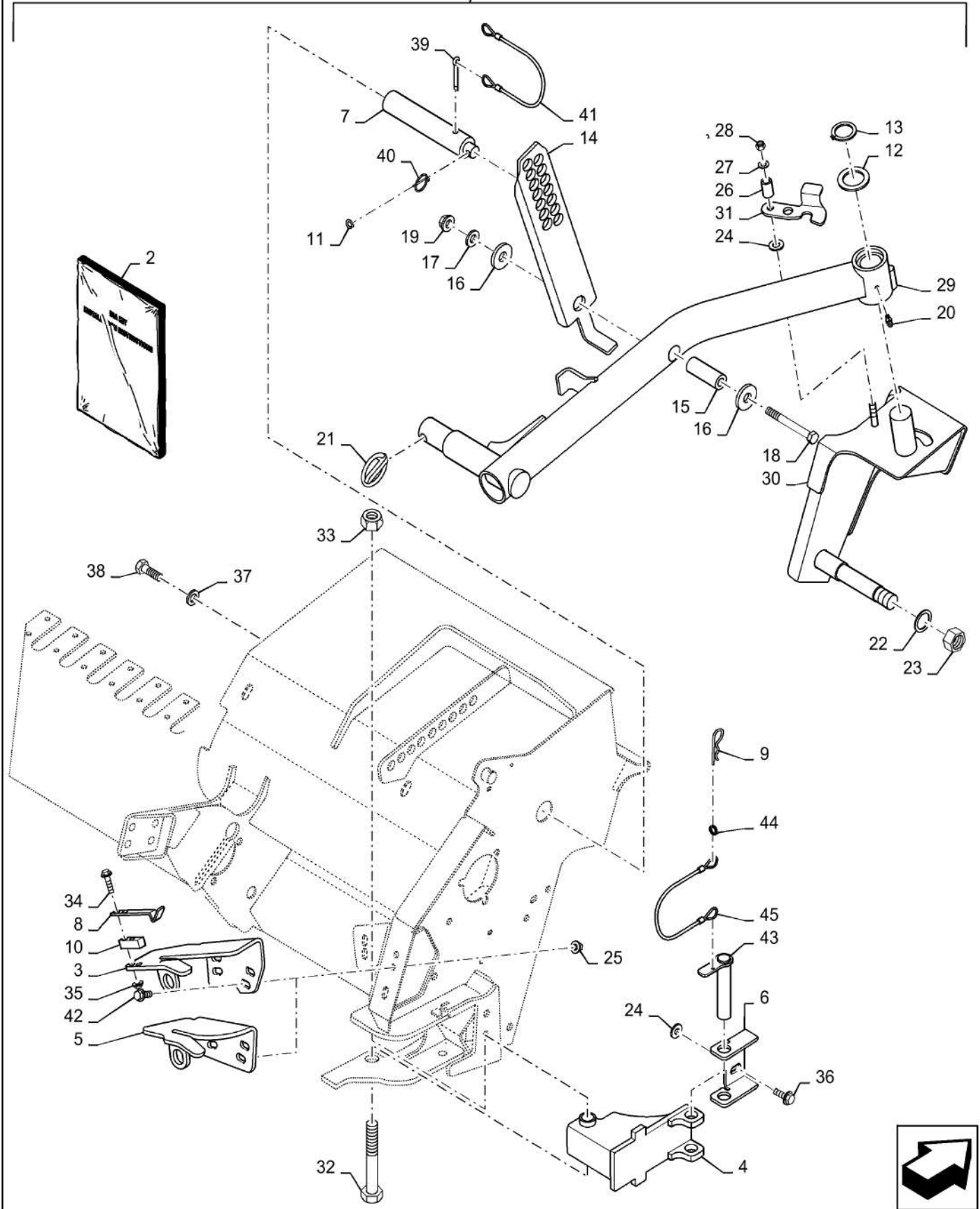
DIA KIT, FLIP UP DUAL CASTER WHEEL, LH

REF FN	PART NUMBER	YR/SN	QTY DESCRIPTION
33	380424		1 NUT M20 x 2.5, CI 8
34	86511839		2 BOLT Hvy Hex, M6 x 30mm, CI 8.8
35	9804276		2 FLANGE NUT Hex, M6 x 1, CI 8
36	9804261		1 BOLT Hex, M10 x 25mm, Full Thd, CI 8.8
37	14408		2 SLEEVE 0.56" ID x 1.25" OD x 0.13" Thk
38	9509260		1 LOCK BOLT Hex, M12 x 40mm, CI 8.8
39	87400		1 COTTER PIN 3/16" x 2"
40	270184		1 LINCH PIN 6.35mm OD
41	47431237		1 WIRE ROPE
42	9671714		8 FLANGE BOLT Hex, M8 x 1.25 x 25mm, CI 8.8
43	84585292		1 LOCK PIN 20mm OD x 116.5mm L
44	84012277		1 KEY RING
45	47431237		1 WIRE ROPE
46	84041902		1 SEALING ELEMENT
47	9615969		1 SLEEVE 35mm ID x 39mm OD x 20mm L

RB465-CASE IH ROUND BALER - EUROPE & R.O.W.

DIA KIT, FLIP UP DUAL CASTER WHEEL, RH

1 88.100.60 06



DIA KIT, FLIP UP DUAL CASTER WHEEL, RH

REF FN	PART NUMBER	YR/SN	QTY DESCRIPTION
1	1	47459193	1 DIA KIT, HARVESTER Flip Up Dual Caster Wheel, RH
2		84555278	1 INSTRUCTION
3		84585510	1 MOUNT RH
4		84387493	1 MOUNT RH
5		84594436	1 MOUNT RH
6		84530546	1 MOUNT RH
7		84479182	1 PIN 35mm OD x 207mm L
8		47494340	1 LATCH HOOK
9		437424	1 COTTER PIN
10		47494300	1 BLOCK
11		84012277	1 KEY RING
12		47529253	4 WASHER 35.5mm ID x 53mm OD x 2mm Thk
13		370004	1 SNAP RING M35 x 1.5mm Thk, External
14		47434361	1 CHANNEL
15		84220857	1 SPACER 12.7mm ID x 25.4mm OD x 70.5mm L
16		9511052	2 WASHER 13.5mm ID x 44mm OD x 4mm Thk
17		140046	1 BELLEVILLE WASHER M12 x 27mm OD x 1.8mm Thk
18		374887	1 BOLT Hex, M12 x 1.75 x 100mm, CI 8.8
19		9804279	1 FLANGE NUT Hex, M12, CI 8
20		87414	1 LUBE NIPPLE 1/4" - 28
21		87056822	1 PIN
22		140103	1 WASHER 26mm ID x 38mm OD x 1mm Thk
23		9837788	1 NUT M24 x 3, CI 8.8
24		29046	2 WASHER 11.1mm ID x 25.4mm OD x 0.457mm Thk
25		9804277	4 FLANGE NUT Hex, M8 x 1.25, CI 8
26		86635755	1 SPRING 15.88mm OD x 28.58mm L
27		87362	1 WASHER 5/16" SAE
28		86629542	1 NUT M8 x 1.25, CI 8
29		84556891	1 ARM Incl 46, 47
30		84336768	1 FORK
31		84559864	1 PLATE
32		412427	1 BOLT Hex, M20 x 2.5 x 130mm, CI 8.8

(1) Additional Parts of Kit are Shown on Figure 88.060.06 1

RB465-CASE IH ROUND BALER - EUROPE & R.O.W.

88.100.60

07

p2

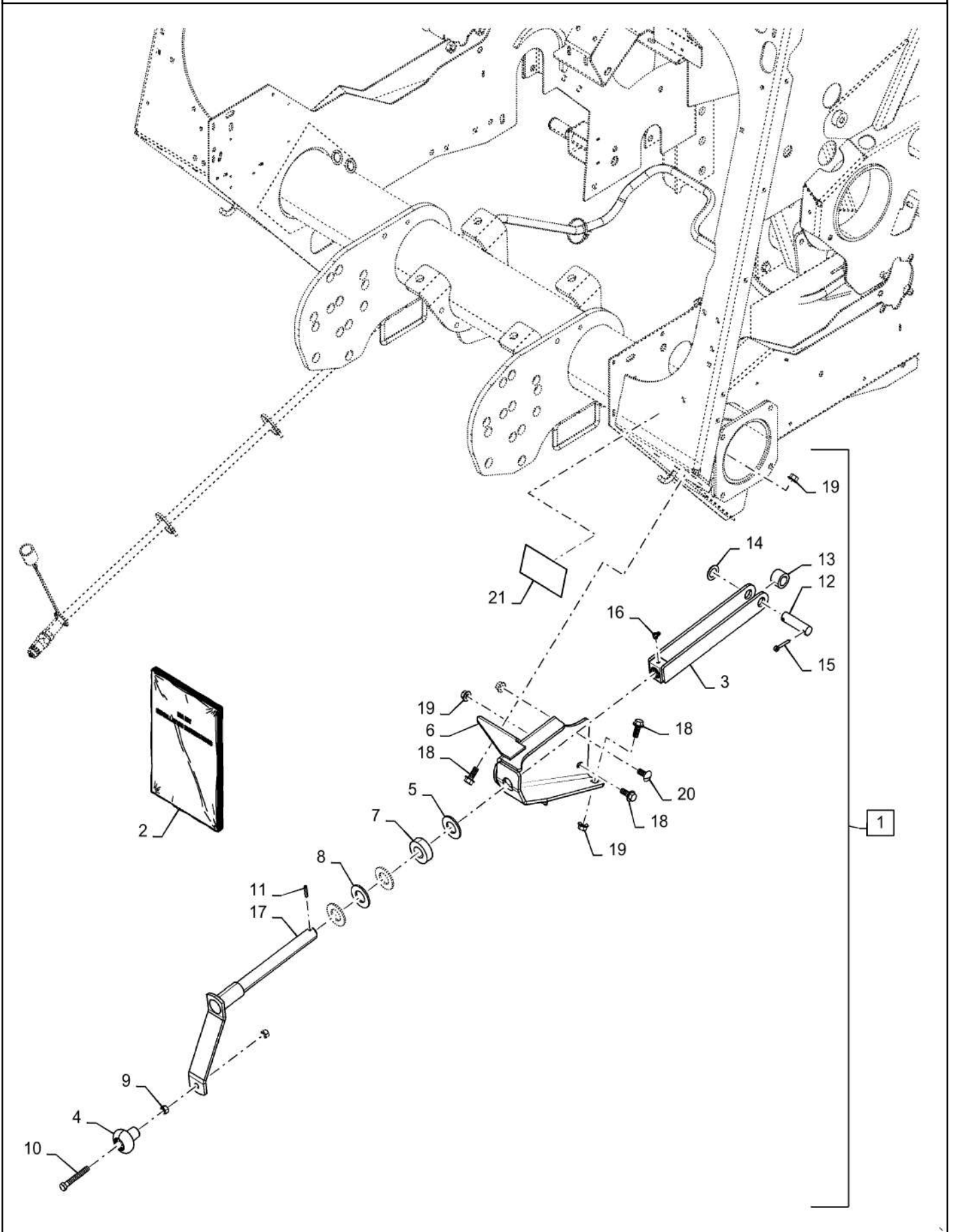
9/2015

DIA KIT, FLIP UP DUAL CASTER WHEEL, RH

REF FN	PART NUMBER	YR/SN	QTY DESCRIPTION
33	380424		1 NUT M20 x 2.5, CI 8
34	86511839		2 BOLT Hvy Hex, M6 x 30mm, CI 8.8
35	9804276		2 FLANGE NUT Hex, M6 x 1, CI 8
36	9804261		1 BOLT Hex, M10 x 25mm, Full Thd, CI 8.8
37	14408		2 SLEEVE 0.56" ID x 1.25" OD x 0.13" Thk
38	9509260		1 LOCK BOLT Hex, M12 x 40mm, CI 8.8
39	87400		1 COTTER PIN 3/16" x 2"
40	270184		1 LINCH PIN 6.35mm OD
41	47431237		1 WIRE ROPE
42	9671714		8 FLANGE BOLT Hex, M8 x 1.25 x 25mm, CI 8.8
43	84585292		1 LOCK PIN 20mm OD x 116.5mm L
44	84012277		1 KEY RING
45	47431237		1 WIRE ROPE
46	84041902		1 SEALING ELEMENT
47	9615969		1 SLEEVE 35mm ID x 39mm OD x 20mm L

RB465-CASE IH ROUND BALER - EUROPE & R.O.W.

DIA KIT, MANUAL PICKUP LIFT



DIA KIT, MANUAL PICKUP LIFT

REF FN	PART NUMBER	YR/SN	QTY DESCRIPTION
1	84472590		1 DIA KIT, HARVESTER Manual Pickup Lift, Incl 2 - 21
2	84394662		1 INSTRUCTION
3	47478955		1 LINK
4	33781		1 KNOB
5	86632592		2 WASHER 1.06" ID x 2" OD x 0.13" Thk
6	47462195		1 PLATE
7	90999		1 SPACER 25.65mm ID x 50.8mm OD x 15.88mm L
8	47605440		2 BELLEVILLE WASHER 25.4mm ID x 50mm OD x 3mm Thk
9	9628503		2 NUT 3/8"-16, G5
10	88444		1 BOLT Hex, 3/8" - 16 x 2 3/4", Gr 5
11	280315		1 GROOVED PIN 4.76mm OD x 25.4mm L
12	47437161		1 PIN
13	86636631		1 HUB
14	249100		1 WASHER 0.78" ID x 1.25" OD x 0.06" Thk
15	87398		2 COTTER PIN 3/16" OD x 1-1/4" OAL
16	87569		1 LUBE NIPPLE 45°, 1/4" NPT x 4/5" L, Drive
17	47478963		1 CRANKED HANDLE
18	9804261		4 BOLT Hex, M10 x 25mm, Full Thd, Cl 8.8
19	9804278		5 FLANGE NUT M10 x 1.5, Cl 8
20	86633356		1 CARRIAGE BOLT M10 x 34.8mm, Cl 8.8
21	47377143		1 DANGER DECAL Crush Hazard

RB465-CASE IH ROUND BALER - EUROPE & R.O.W.

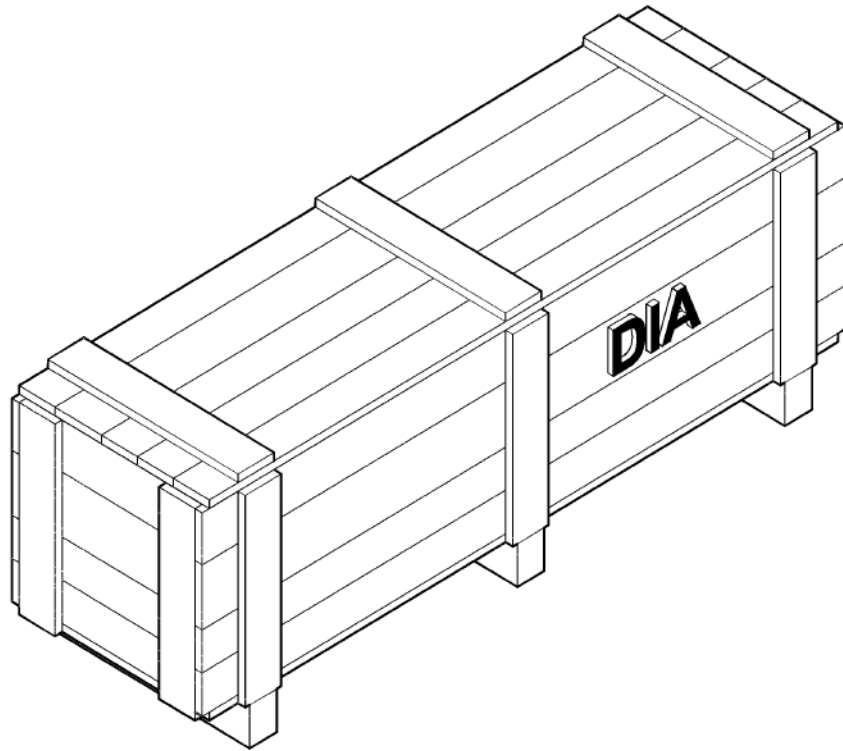
88.100.62

01

p1

9/2015

DIA KIT, DECLUTCH AND DRIVE ROLL CLUTCH



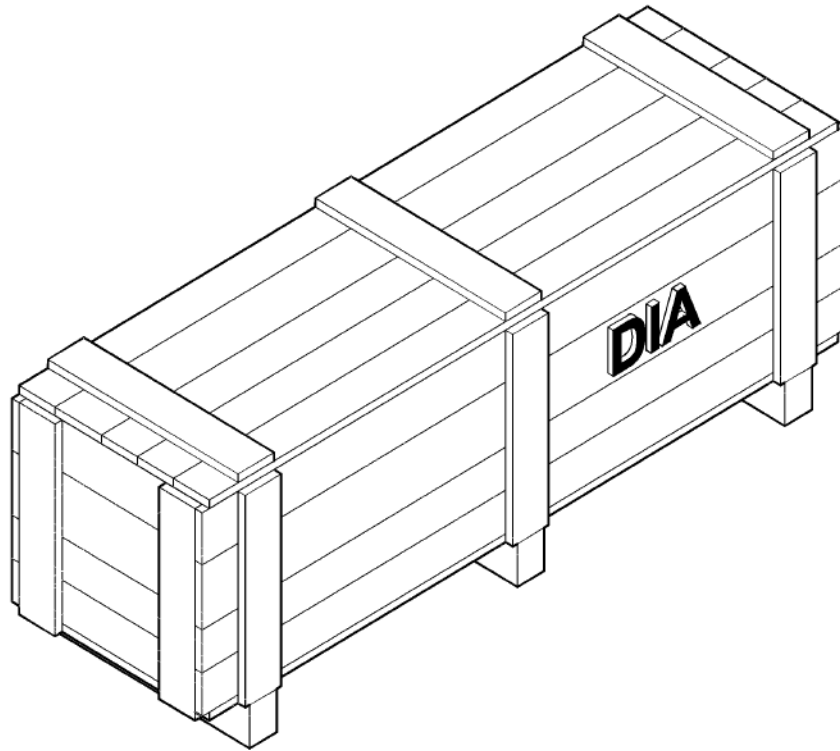
DIA KIT, DECLUTCH AND DRIVE ROLL CLUTCH

REF FN	PART NUMBER	YR/SN	QTY DESCRIPTION
1 1	84401620		1 DIA KIT, HARVESTER Declutch & Drive Roll Clutch, Incl 2 - 18
2	84394648		1 INSTRUCTION
3	84425716		1 RUBBER BLOCK Drive
4	9808110		2 WASHER 46mm ID x 60mm OD x 1.64mm Thk
5	87032323		1 SPROCKET 22T, RC80 & Clutch, Incl 19
6	45440		1 SNAP RING #162, Ext
7	87028608		1 CLUTCH
8	86640119		1 SPRING Compression, 2.438" OD x 4.5" L
9	9829364		1 CAP COVER
10	86618213		1 SPECIAL BOLT M12 x 40mm, Drilled
11	691873		1 ELBOW 90° Elbow, 1/8" Male NPT x 1/8" Female NPT
12	87014413		2 TUBE 4.80 mm OD x 1850 mm L
13	48564		3 90 ELBOW 90°, 1 1/16" x 5/8", 1/8" NPT Incl 20, 21
14	87016		2 WASHER 0.41" ID x 0.81" OD x 0.07" Thk
15	84303		2 LUBE NIPPLE 1/8"-27 NPT x 1" lg, Fem
16	43168		3 BOLT Hex, M16 x 40mm, Cl 8.8
17	140048		3 BELLEVILLE WASHER M16 x 32mm OD x 2.8mm Thk
18	87660333		1 BEARING ASSY 50mm ID
19	86977429		1 BUSHING 44.62mm ID x 50.93mm OD x 22.2mm L
20	13362		1 SLEEVE Compression, 3/16" Tube
21	13367		1 NUT 3/8" - 24

(1) Includes All Parts Listed in Figure 88.100.62 02

RB465-CASE IH ROUND BALER - EUROPE & R.O.W.

DIA KIT, DECLUTCH AND DRIVE ROLL CLUTCH



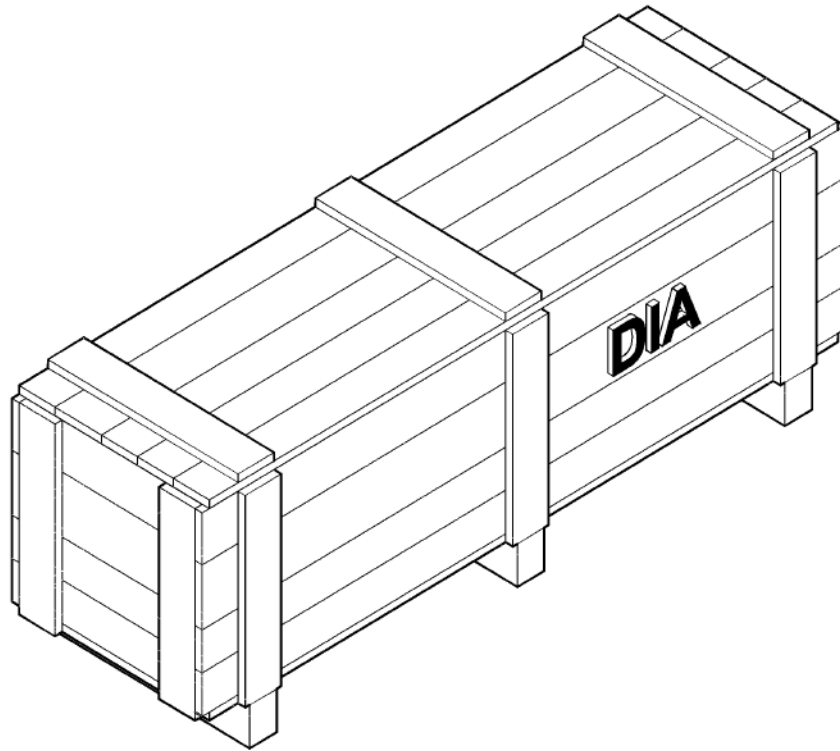
DIA KIT, DECLUTCH AND DRIVE ROLL CLUTCH

REF FN	PART NUMBER	YR/SN	QTY DESCRIPTION
1	1 84401620		1 DIA KIT, HARVESTER Declutch and Drive Roll Clutch, Incl 2 - 51
2	84394648		1 INSTRUCTION
3	47797761		1 ARM
4	47781564		1 BLOCK
5	84545260		1 SLIDE
6	84590444		1 PLATE
7	235126		2 WASHER 10.3mm ID x 38mm OD x 1.7mm Thk
8	47819696		1 PLATE
9	84158032		2 SLIDE
10	47481997		1 SHAFT
11	47481775		1 HOOK
12	86559592		2 SPRING Extension, 0.99" OD x 6-1/4" L
13	86629541		1 BOLT Hex, M12 x 1.75 x 40mm, CI 8.8
14	9706685		2 NUT M12 x 1.75, CI 8
15	84146982		4 CYLINDRICAL ROLLER BEARING
16	9808171		2 SPACER 12mm ID x 19mm OD x 7mm Thk
17	280474		2 NUT 7/16"-20, GC
18	103243		1 DRIVEN SPROCKET 18T, RC40
19	280466		1 CARRIAGE BOLT Short Sq Nk, 5/8" - 11 x 2 1/2", Gr 5
20	86729275		1 LOCK WASHER 5/8 0.634 CST ZND
21	280374		1 NUT Hex, 5/8" - 11, Gr 5
22	86512446		6 CARRIAGE BOLT M10 x 1.5 x 30mm, CI 8.8
23	9804278		13 FLANGE NUT M10 x 1.5, CI 8
24	331168		1 BOLT Hex, M10 x 1.5 x 140mm, CI 8.8
25	47596314		1 SPACER
26	86511323		6 WASHER 10.5mm ID x 20mm OD x 2mm Thk
27	47799278		1 CHAIN RC 2040, 41 Links x 12.7mm Pitch = 520.7mm L 41 Pitches, RC40, Incl 51
28	87020603		1 CRANK
29	87682394		5 CARRIAGE BOLT M10 x 1.5 x 40mm, CI 10.9
30	84534787		1 LEVER

(1) Also Includes All Parts Listed in Figure 88.100.62 01

RB465-CASE IH ROUND BALER - EUROPE & R.O.W.

DIA KIT, DECLUTCH AND DRIVE ROLL CLUTCH



DIA KIT, DECLUTCH AND DRIVE ROLL CLUTCH

REF FN	PART NUMBER	YR/SN	QTY DESCRIPTION
31	768703		2 BUSHING 10.31mm ID x 15.88mm OD x 11.13mm L
32	43248		1 BOLT Hex, M10 x 1.5 x 40mm, CI 10.9
33	134463		1 WASHER .030" Thk
34	87367		2 WASHER 1.06" ID x 2" OD x 0.13" Thk
35	87398		1 COTTER PIN 3/16" OD x 1-1/4" OAL
36	86636763		2 HUB
37	84134471		1 CHANNEL
38	9671487		2 BOLT Hex, M12 x 50mm, CI 8.8
39	14442131		4 SCREW Flat Csk Hd, M8 x 1.25 x 25mm, CI 10.9
40	9804277		4 FLANGE NUT Hex, M8 x 1.25, CI 8
41	81763		1 SET SCREW Hex Soc, 3/8"-16 x 1"
42	47819695		2 ANGLE
43	84341119		1 FITTING
44	86580291		1 ADAPTER 1/8" - 27 x 1/4" - 28
45	47532701		1 STIFFENER
46	9804272		1 BOLT Hex, M16 x 50mm, CI 8.8, Full Thd
47	64263		2 WASHER 13.49mm ID x 31.8mm OD x 1.5mm Thk
48	300389		4 BOLT M12 x 1.75 x 35mm
49	140046		4 BELLEVILLE WASHER M12 x 27mm OD x 1.8mm Thk
50	86609558		1 BEARING ASSY 45mm ID
51	47799321		2 LINK RC 2040, 25.4 Pitch
52	87363		2 WASHER 0.47" ID x 0.92" OD x 0.07" Thk

RB465-CASE IH ROUND BALER - EUROPE & R.O.W.

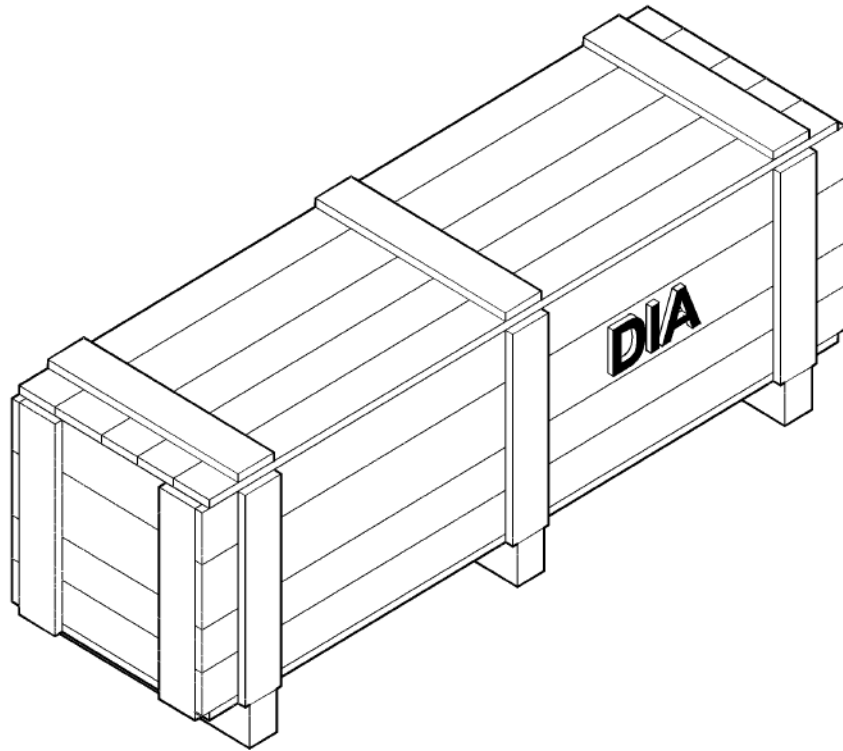
88.100.62

03

p1

9/2015

DIA KIT EXPPELLER ROLLER



DIA KIT EXPELLER ROLLER

REF	FN	PART NUMBER	YR/SN	QTY	DESCRIPTION
1	1	84399156		1	DIA KIT, HARVESTER Expeller Roll, 4', Incl 2 - 12
2		84394640		1	INSTRUCTION
3		29684		2	WASHER 13.5mm ID x 50.8mm OD x 5.52mm Thk
4		65319		2	WASHER 13.1mm ID x 25.4mm OD x 3.68mm Thk
5		9706687		2	BOLT M12 x 1.75 x 30mm, CI 8.8
6		9804277		4	FLANGE NUT Hex, M8 x 1.25, CI 8
7		87023402		1	SHAFT 1169mm L
8		9845575		1	SCRAPER BLADE
9		86507486		4	CARRIAGE BOLT M8 x 1.25 x 20mm, CI 8.8
10		87023400		2	SUPPORT
11		86637284		1	ROLLER Expeller
12		86642859		2	SHIELD

(1) Refer to Installation Instructions for Correct Assembly Procedure

RB465-CASE IH ROUND BALER - EUROPE & R.O.W.

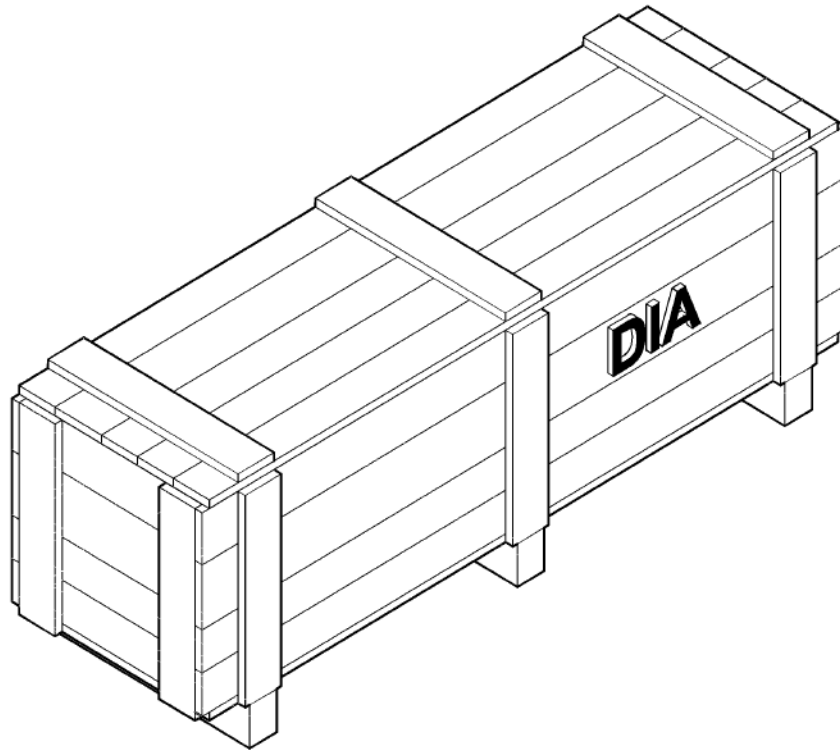
88.100.62

04

p1

9/2015

DIA KIT, FRONT SERPENTINE ROLL LOOP



DIA KIT, FRONT SERPENTINE ROLL LOOP

REF	FN	PART NUMBER	YR/SN	QTY	DESCRIPTION
1	1	84401845		1	DIA KIT, HARVESTER Front Serpentine Roll Loop, Incl 2 - 10
2		84394659		1	INSTRUCTION
3		140045		4	BELLEVILLE WASHER M10X22 ZNM
4		9845575		1	SCRAPER BLADE
5		86511479		8	BOLT Hex Flg, M8 x 20mm
6		86559251		4	HEX SOC SCREW M10 x 1.5 x 22mm, Cl 12.9, Full Thd
7		87040645		1	ANGLE
8		47512226		1	ROLL
9	2	87646324		2	SUPPORT
10	3	87654792		2	SUPPORT
11		47527692		4	SHIM 54mm OD x 0.4mm Thk

(1) Refer to Installation Instructions for Correct Assembly Procedure

(2) RB465

(3) RB455

RB465-CASE IH ROUND BALER - EUROPE & R.O.W.

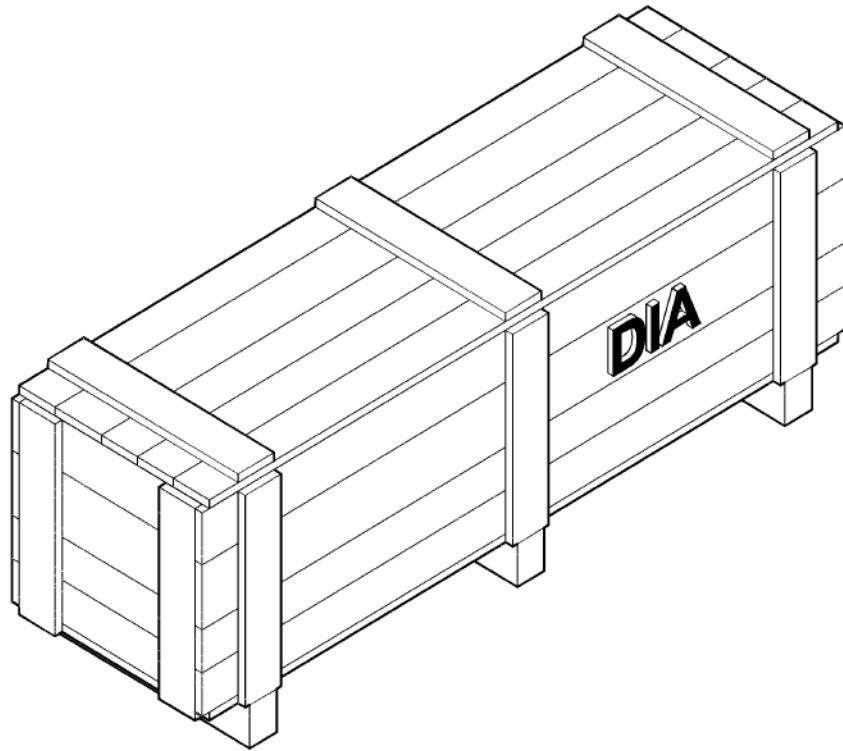
88.100.62

05

p1

9/2015

DIA KIT, INFEEED DISC



DIA KIT, INFEED DISC

REF	FN	PART NUMBER	YR/SN	QTY	DESCRIPTION
1	1	84399091		1	DIA KIT, HARVESTER Infeed Disc, Incl 2 - 7
2		84394617		1	INSTRUCTION
3		80679		2	LOCK WASHER 1/20.507 CST ZND
4		280268		2	CARRIAGE BOLT Sq Nk, 1/2" - 13 x 3 1/4", Gr 5
5		280431		2	NUT 1/2"-13, G5
6		86503055		2	DISC
7		86559259		2	SPACER

(1) Refer to Installation Instructions for Correct Assembly Procedure

RB465-CASE IH ROUND BALER - EUROPE & R.O.W.

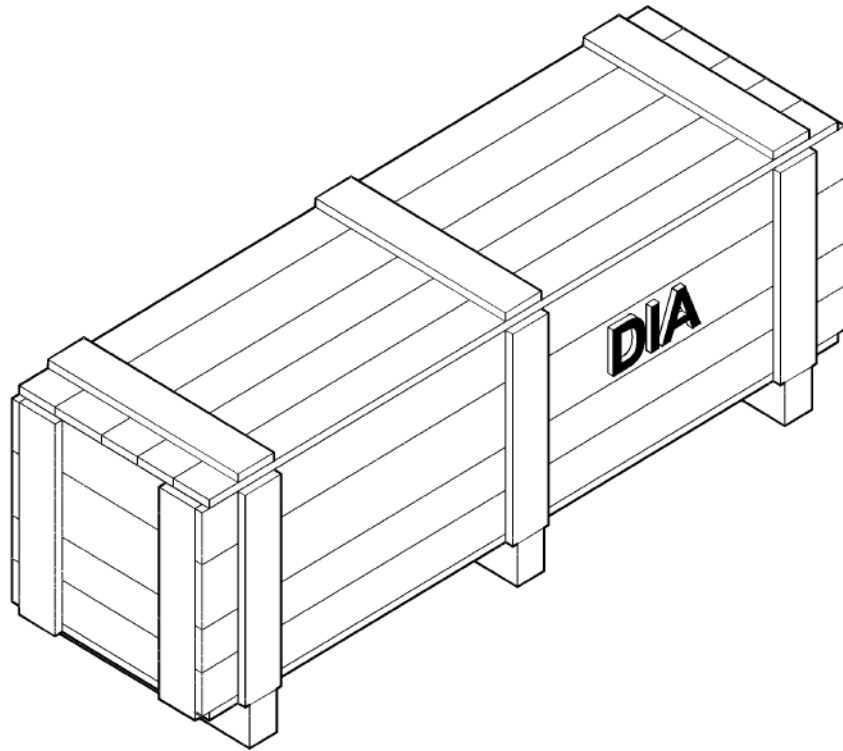
88.100.62

06

p1

9/2015

DIA KIT, LACING CABLE



DIA KIT, LACING CABLE

REF	FN	PART NUMBER	YR/SN	QTY DESCRIPTION
1	1	84399081		1 DIA KIT, HARVESTER Lacing Cable, Incl 2 - 4
2		84394615		1 INSTRUCTION
3		9843257		8 CABLE Lacing
4		9843258		18 TUBE Cable
(1)		Refer to Installation Instructions for Correct Assembly Procedure		

RB465-CASE IH ROUND BALER - EUROPE & R.O.W.

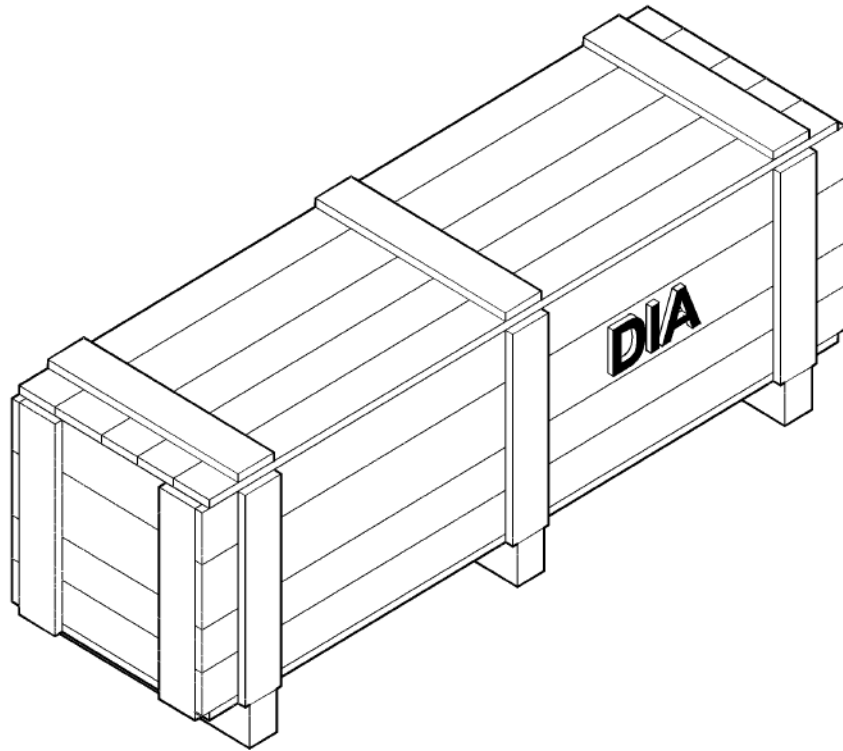
88.100.62

07

p1

9/2015

DIA KIT, HEAVY DUTY LACING CABLE



DIA KIT, HEAVY DUTY LACING CABLE

REF	FN	PART NUMBER	YR/SN	QTY DESCRIPTION
1	1	84399312		1 DIA KIT, HARVESTER HD Lacing Cable, Incl 2 - 4
2		84394639		1 INSTRUCTION
3		87343634		10 RETAINER Cable
4		87343633		20 CABLE Lacing
(1)		Refer to Installation Instructions for Correct Assembly Procedure		

RB465-CASE IH ROUND BALER - EUROPE & R.O.W.

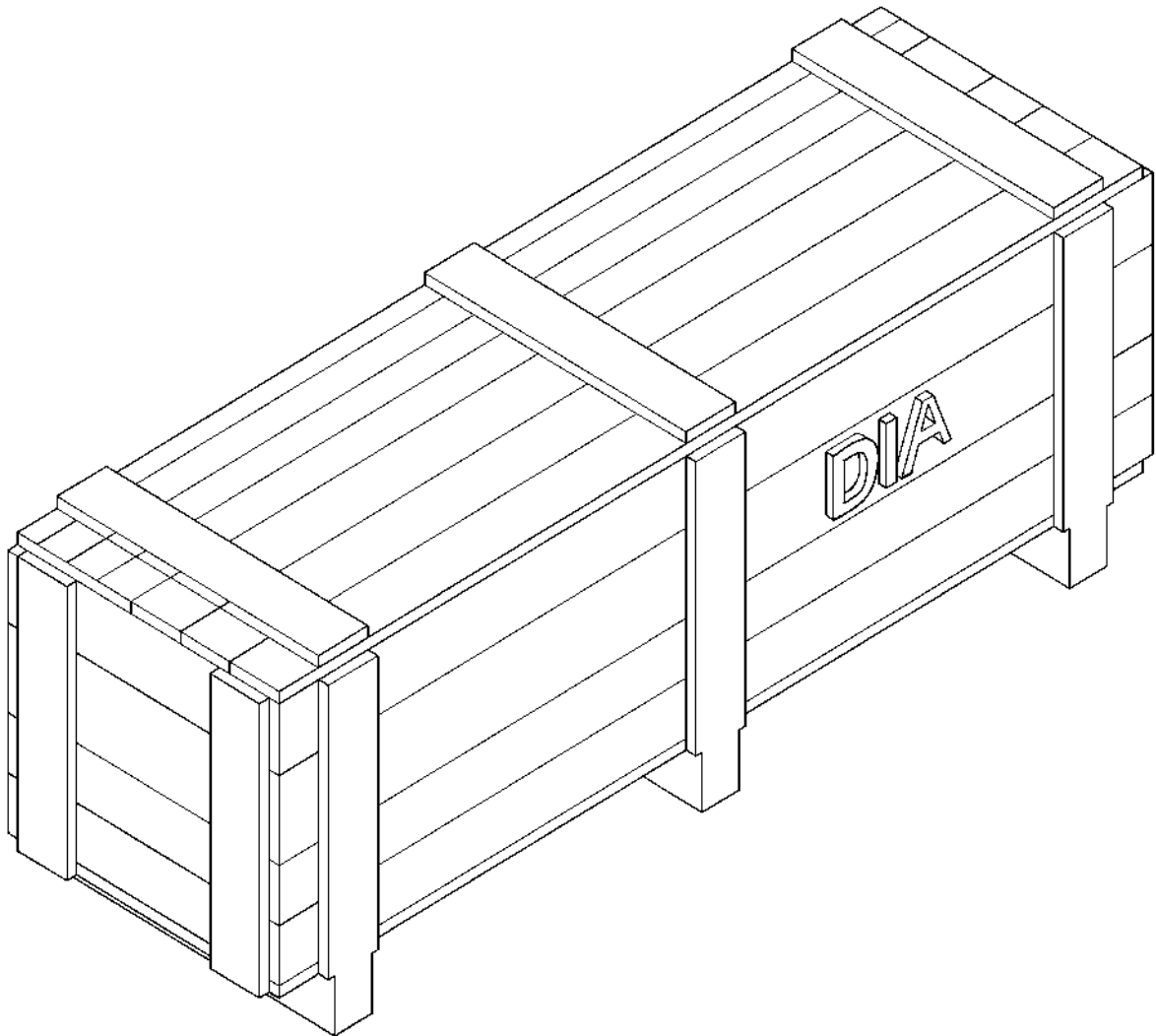
88.100.62

08

p1

9/2015

DIA KIT, PREMIUM LACING CABLE KIT



88.100.62

08

p1

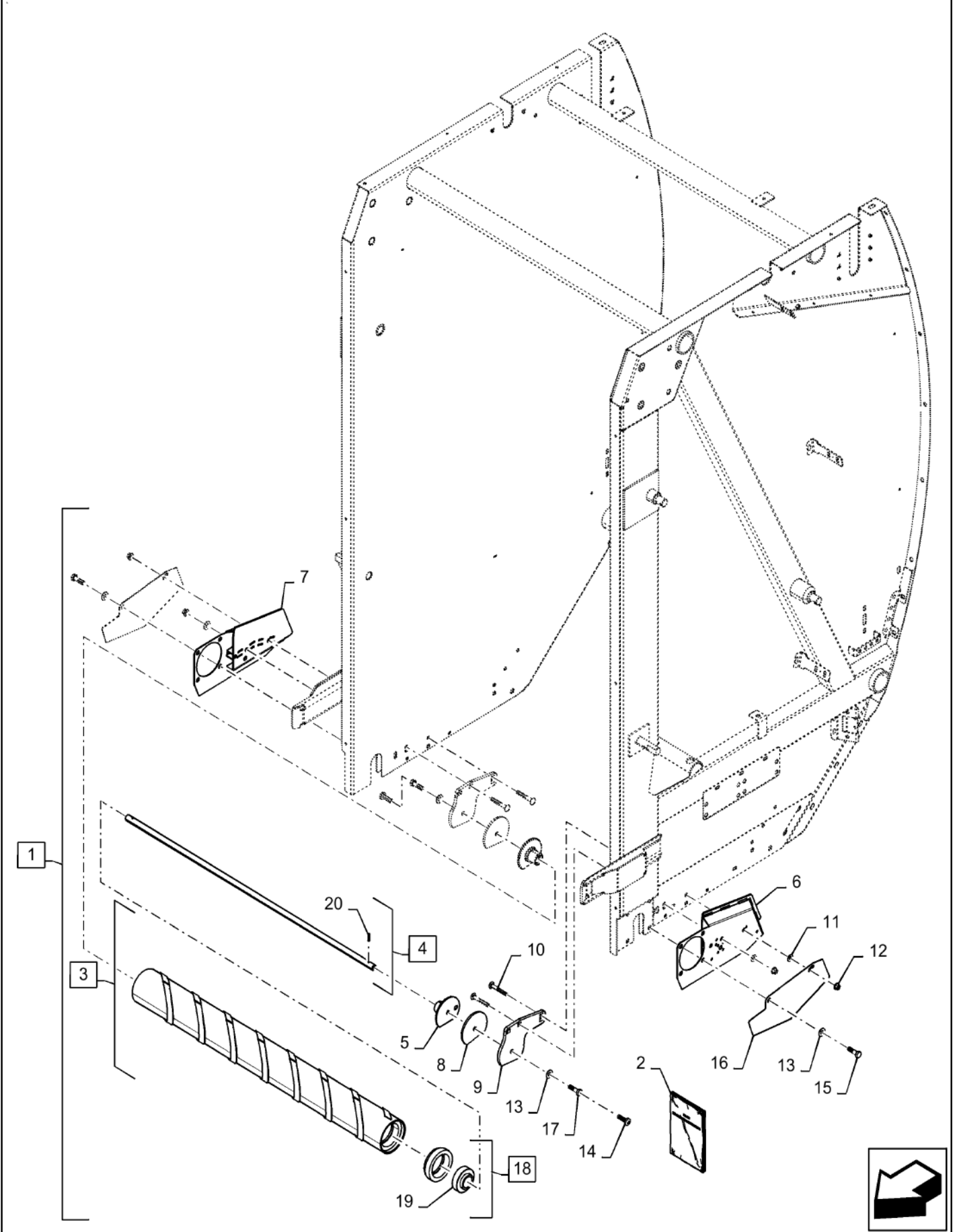
9/2015

DIA KIT, PREMIUM LACING CABLE KIT

REF FN	PART NUMBER	YR/SN	QTY DESCRIPTION
1	84399109		1 DIA KIT, HARVESTER Premium Lacing Cable, NA, Incl 2 - 4
2	84554123		1 INSTRUCTION
3	47534448		6 PIN Lacing, 267mm
4	47513084		12 RETAINER

RB465-CASE IH ROUND BALER - EUROPE & R.O.W.

DIA KIT, TAILGATE CHOPPING ROLL



DIA KIT, TAILGATE CHOPPING ROLL

REF FN	PART NUMBER	YR/SN	QTY DESCRIPTION
1	47877606		1 DIA KIT, HARVESTER Tailgate Chopping Roll, Incl 2 - 17
2	47906747		1 INSTRUCTION
3	47512226		1 ROLL Tailgate Chopping, Incl 18
4	9823372		1 SHAFT 1135mm L Incl 20
5	87654792		2 SUPPORT
6	47871214		1 BRACKET LH
7	47876349		1 BRACKET RH
8	47876890		2 PLATE
9	1 47876893		2 PLATE
9	2 47876894		2 PLATE
10	2 374894		6 CARRIAGE BOLT Sq Nk, M10 x 70mm, CI 8.8
11	140045		6 BELLEVILLE WASHER M10X22 ZNM
12	9804278		6 FLANGE NUT M10 x 1.5, CI 8
13	140046		10 BELLEVILLE WASHER M12 x 27mm OD x 1.8mm Thk
14	1 337563		2 SCREW M12 x 1.75 x 47.68mm, CI 10.9
15	86629541		8 BOLT Hex, M12 x 1.75 x 40mm, CI 8.8
16	47876969		2 SHIELD
17	2 412085		2 BOLT Hex, M12 x 1.75 x 80mm, CI 10.9
18	47504953		2 BEARING HOUSING 73mm ID x 106.1mm OD x 30mm Thk Incl 19
19	9845576		2 BALL BEARING 38.1mm ID x 80mm OD x 22mm W
20	130045		2 PIN 5mm OD x 26mm L, Slotted

(1) Used on Undershot Rotor Balers

(2) Used on Overshot Feeder Balers

RB465-CASE IH ROUND BALER - EUROPE & R.O.W.

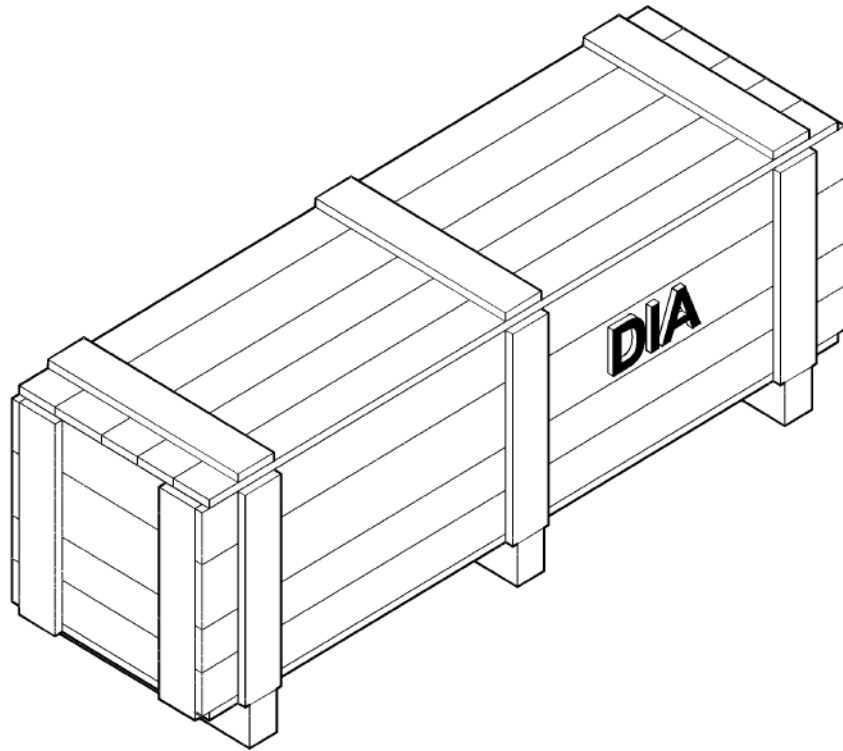
88.100.68

02

p1

9/2015

DIA KIT, NET, CONVERSION KIT, DELUXE



DIA KIT, NET, CONVERSION KIT, DELUXE

REF	FN	PART NUMBER	YR/SN	QTY	DESCRIPTION
1	1	84605869		1	DIA KIT, HARVESTER Net Conversion, Deluxe, Incl 2 - 8
2		84555225		1	INSTRUCTION
3		NSS		1	NOT SERVICED SEPARATELY Net Wrap Assembly, Incl in 1
4		NSS		1	NOT SERVICED SEPARATELY Wrapper Assembly, Incl in 1
5		NSS		1	NOT SERVICED SEPARATELY Twine Box Assembly, Incl in 1
6		47482694		1	WIRE HARNESS BA
7		NSS		1	NOT SERVICED SEPARATELY Net, Assembly, Incl in 1
8		84292754		1	CLIP Cable Tie W/ Fir Tree, 5mm OD x 203mm OAL

(1) Refer to Installation Instructions for Correct Assembly Procedure

RB465-CASE IH ROUND BALER - EUROPE & R.O.W.

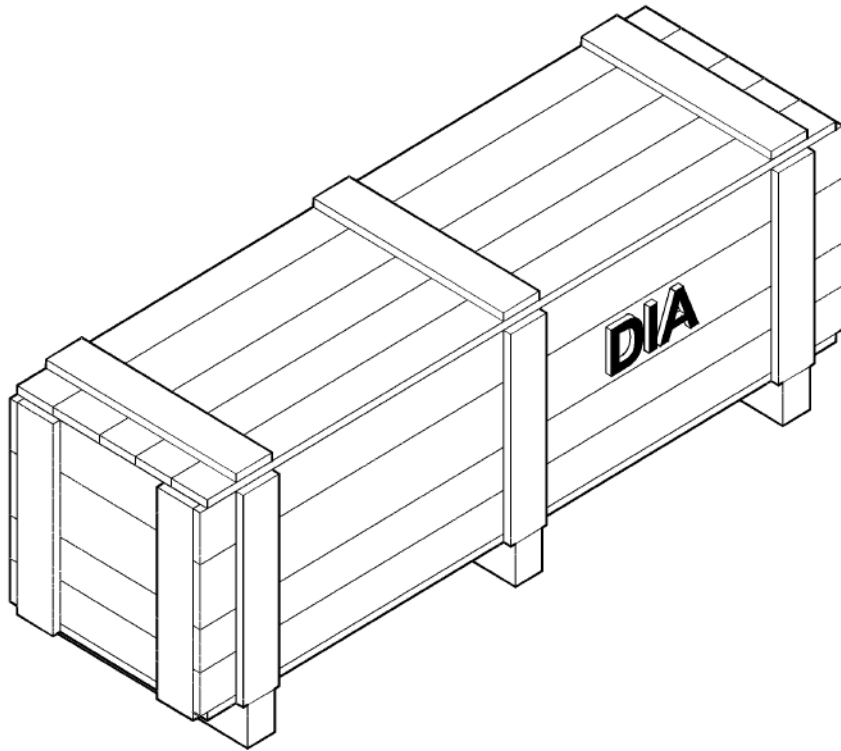
88.100.68

03

p1

9/2015

DIA KIT, NET CONVERSION KIT, STANDARD



DIA KIT, NET CONVERSION KIT, STANDARD

REF FN	PART NUMBER	YR/SN	QTY DESCRIPTION
1 1	84604411		1 DIA KIT, HARVESTER Net Conversion, Standard, Incl 2 - 13
2	84555216		1 INSTRUCTION
3	NSS		1 NOT SERVICED SEPARATELY Net Wrap Assembly, Incl in 1
4	NSS		1 NOT SERVICED SEPARATELY Wrapper Assembly, Incl in 1
5	NSS		1 NOT SERVICED SEPARATELY Twine Box Assembly, Incl in 1
6	47482698		1 WIRE HARNESS BA
7	47398072		1 MODULE
8	86511839		4 BOLT Hvy Hex, M6 x 30mm, Cl 8.8
9	9804276		4 FLANGE NUT Hex, M6 x 1, Cl 8
10	47377884		3 WARNING DECAL
11	47388947		1 DECAL
12	165109		3 DECAL
13	84292754		1 CLIP Cable Tie W/ Fir Tree, 5mm OD x 203mm OAL

(1) Refer to Installation Instructions for Correct Assembly Procedure

RB465-CASE IH ROUND BALER - EUROPE & R.O.W.

88.100.70

01

p1

9/2015

DIA KIT, BALE EJECTOR

REF FN	PART NUMBER	YR/SN	QTY DESCRIPTION
1	84401866		1 DIA KIT, HARVESTER Bale Ramp, 2 - 14
2	84401869		1 INSTRUCTION
3	87045728		1 EJECTOR
4	86562970		2 BUSHING 19.3mm ID x 41.61mm OD x 40.1mm L
5	87022950		4 SPACER 12.83mm ID x 19.05mm OD x 58.75mm L
6	87028069		2 PIN
7	87022949		2 SPRING Compression, 41.27mm OD x 505mm L
8	87028071		2 ROD ASSY.
9	86514369		2 BOLT Hex, 5/16" - 18 x 1 1/2", Gr 8
10	9637417		4 BOLT Hex, 1/2" - 13 x 3 1/2", Gr 5
11	87040148		4 WASHER 19.81mm ID x 47.497mm OD x 6.35mm Thk
12	86629544		2 NUT 5/16"-18, GB
13	86521607		4 FLANGE NUT Flg, 1/2"-13, G5

RB465-CASE IH ROUND BALER - EUROPE & R.O.W.

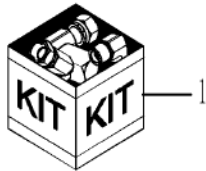
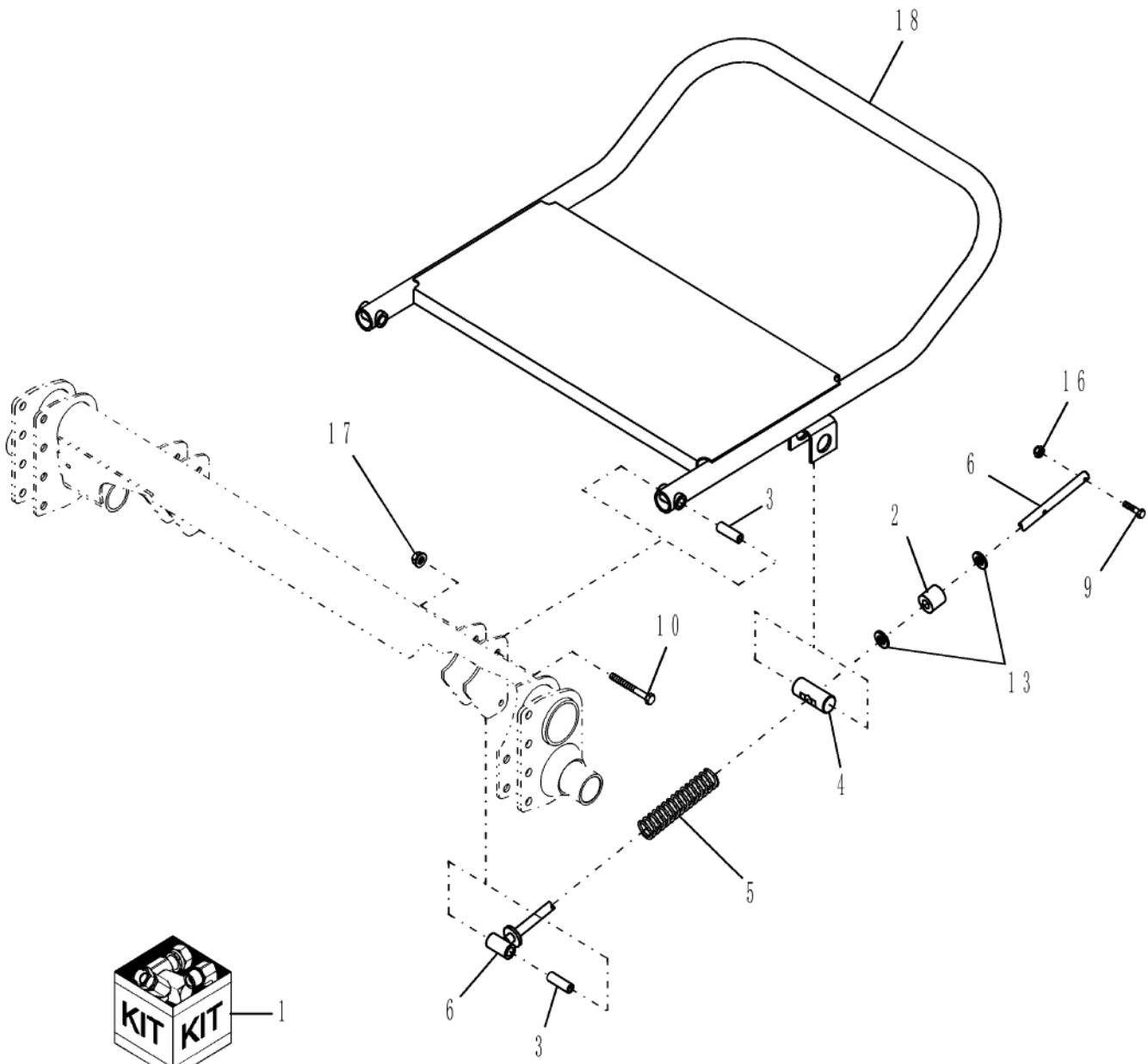
88.100.70

02

p1

9/2015

DIA KIT, BALE EJECTOR



DIA KIT, BALE EJECTOR

REF	FN	PART NUMBER	YR/SN	QTY	DESCRIPTION
1	1	84554483		1	DIA KIT, HARVESTER Bale Ramp, 2 - 13
2		84555193		1	INSTRUCTION
3		87045728		1	EJECTOR
4		87028069		2	PIN
5		87022949		2	SPRING Compression, 41.27mm OD x 505mm L
6		87028071		2	ROD ASSY.
7		86562970		2	BUSHING 19.3mm ID x 41.61mm OD x 40.1mm L
8		87022950		4	SPACER 12.83mm ID x 19.05mm OD x 58.75mm L
9		86514369		2	BOLT Hex, 5/16" - 18 x 1 1/2", Gr 8
10		86508581		4	BOLT Hex, M12 x 90mm, CI 8.8
11		29534		4	WASHER 0.781" ID x 1.50" OD x 0.188" Thk
12		280736		2	NUT 5/16"-18, GC
13		86512497		4	FLANGE NUT M12 x 1.75, CI 10

(1) Refer to Installation Instructions for Correct Assembly Procedure

RB465-CASE IH ROUND BALER - EUROPE & R.O.W.

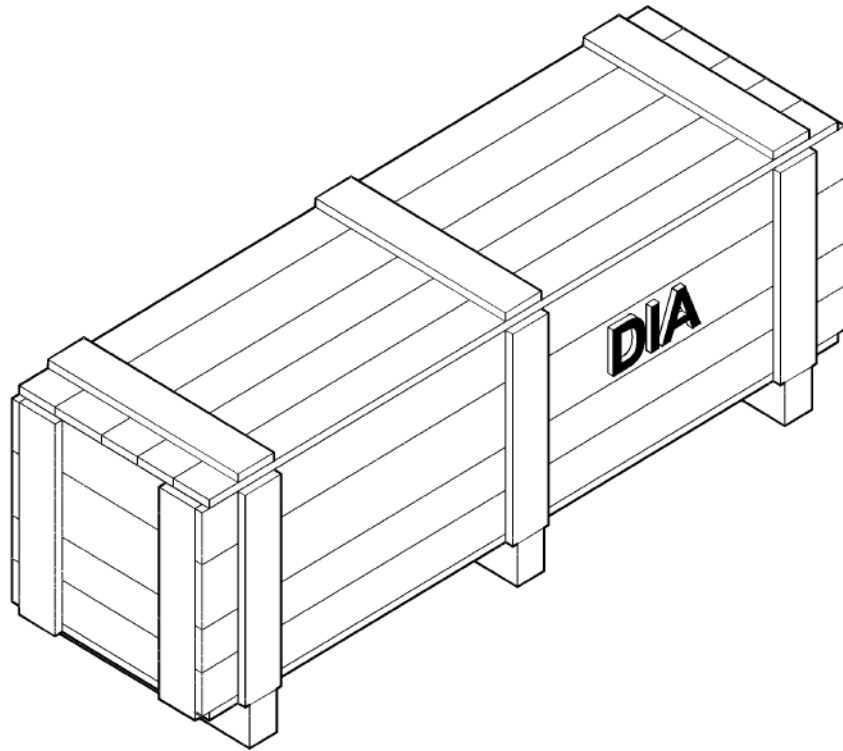
88.100.71

01

p1

9/2015

DIA KIT, CHAIN OILER



DIA KIT, CHAIN OILER

REF FN	PART NUMBER	YR/SN	QTY DESCRIPTION
1	84134472		1 DIA KIT, HARVESTER Chain Oiler, Incl 2 - 40
2	84394647		1 INSTRUCTION
3	216773		1 90 ELBOW 90°, 7/16"-20, 37° x 7/16"-20, O-Ring
4	84414248		1 HYDRAULIC HOSE 6.35mm ID x 1625mm L, SAE 100R17
5	1 9848970		51' PLASTIC-RUBBER TUBE 3.96mm OD x 10973mm L
6	86566989		15 CABLE TIE 208mm L
7	9804278		2 FLANGE NUT M10 x 1.5, CI 8
8	9804261		2 BOLT Hex, M10 x 25mm, Full Thd, CI 8.8
9	87667		2 SELF-TAP SCREW Hex Hd, 1/4" x 1/2"
10	322357		2 BELLEVILLE WASHER M6 x 14mm OD x 1.3mm Thk
11	9635082		2 NUT 5/16" - 18, Gr 5
12	322358		2 BELLEVILLE WASHER M8 x 18mm OD x 1.4mm Thk
13	353308		4 NUT M6 x 1.0, CI 8
14	80701		4 WASHER 0.31" ID x 0.73" OD x 0.07" Thk
15	9804256		4 BOLT Hex, M6 x 1 x 20mm, Full Thd, CI 8.8
16	326082		2 CLAMP 18mm - 25mm
17	86553253		1' HOSE Gates Industrial 3222-0125
18	84292754		3 CLIP Cable Tie W/ Fir Tree, 5mm OD x 203mm OAL
19	87040807		1 PUMP Oiler
20	86977434		1 U-BOLT 5/16" - 20 x 1.94" W x 2.50" L
21	9822520		1 HYDRAULIC OIL RESERVOIR 2 Quart Capacity
22	9822519		8 COMMUTATOR BRUSH
23	84476975		1 BRUSH HOLDER
24	84476973		1 ANGLE
25	47858603		1 ANGLE
26	47858604		1 ANGLE
(1)	Cut to Fit		

RB465-CASE IH ROUND BALER - EUROPE & R.O.W.

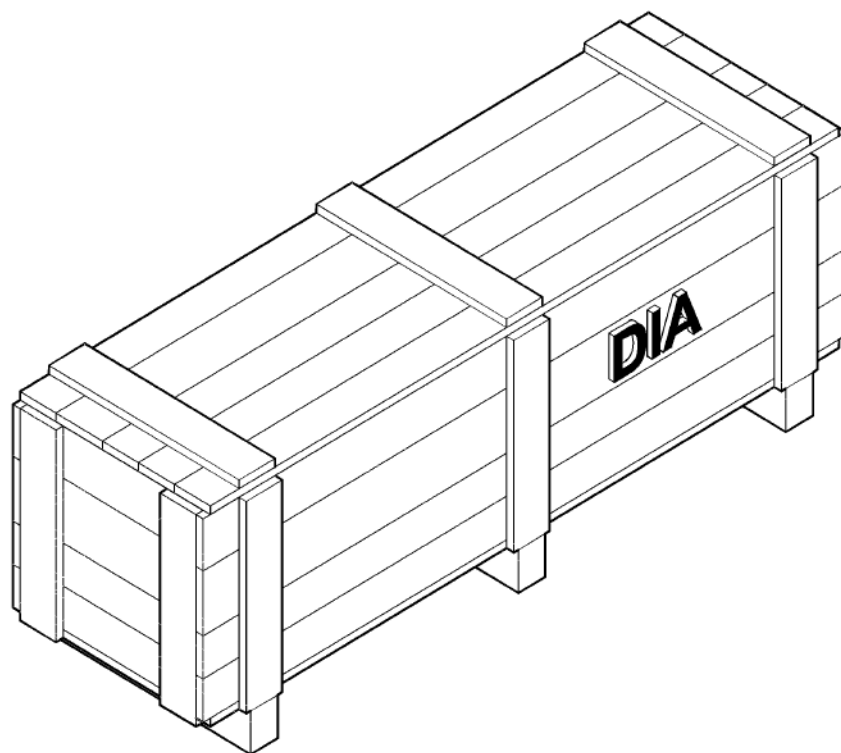
88.100.71

01

p2

9/2015

DIA KIT, CHAIN OILER



88.100.71

01

p2

9/2015

DIA KIT, CHAIN OILER

REF FN	PART NUMBER	YR/SN	QTY DESCRIPTION
27	84408829		1 BRACKET
28	84408830		1 SUPPORT
29	47476825		1 ANGLE
30	9804276		2 FLANGE NUT Hex, M6 x 1, CI 8
31	86539484		2 PIPE PLUG Sq Hd, 1/8"-27, NTPF
32	47478173		1 BRACKET
33	86050272		2 BOLT M6 x 1.0 x 18.6mm OAL, CI 8.8, Full Thd
34	47486748		1 ANGLE
35	86521981		2 REDUCER 5/32" Hose Barb x 5/32" Hose Barb
36	9804258		1 BOLT Hex, M8 x 1.25 x 20mm, CI 8.8
37	87656363		1 HYD CONNECTOR 3/4" - 16 x 3/4" - 16 x 7/16" - 20 x 2-1/8" L
38	47503448		1 ANGLE
39	47503454		1 BRACKET
40	47503000		1 BRACKET

RB465-CASE IH ROUND BALER - EUROPE & R.O.W.

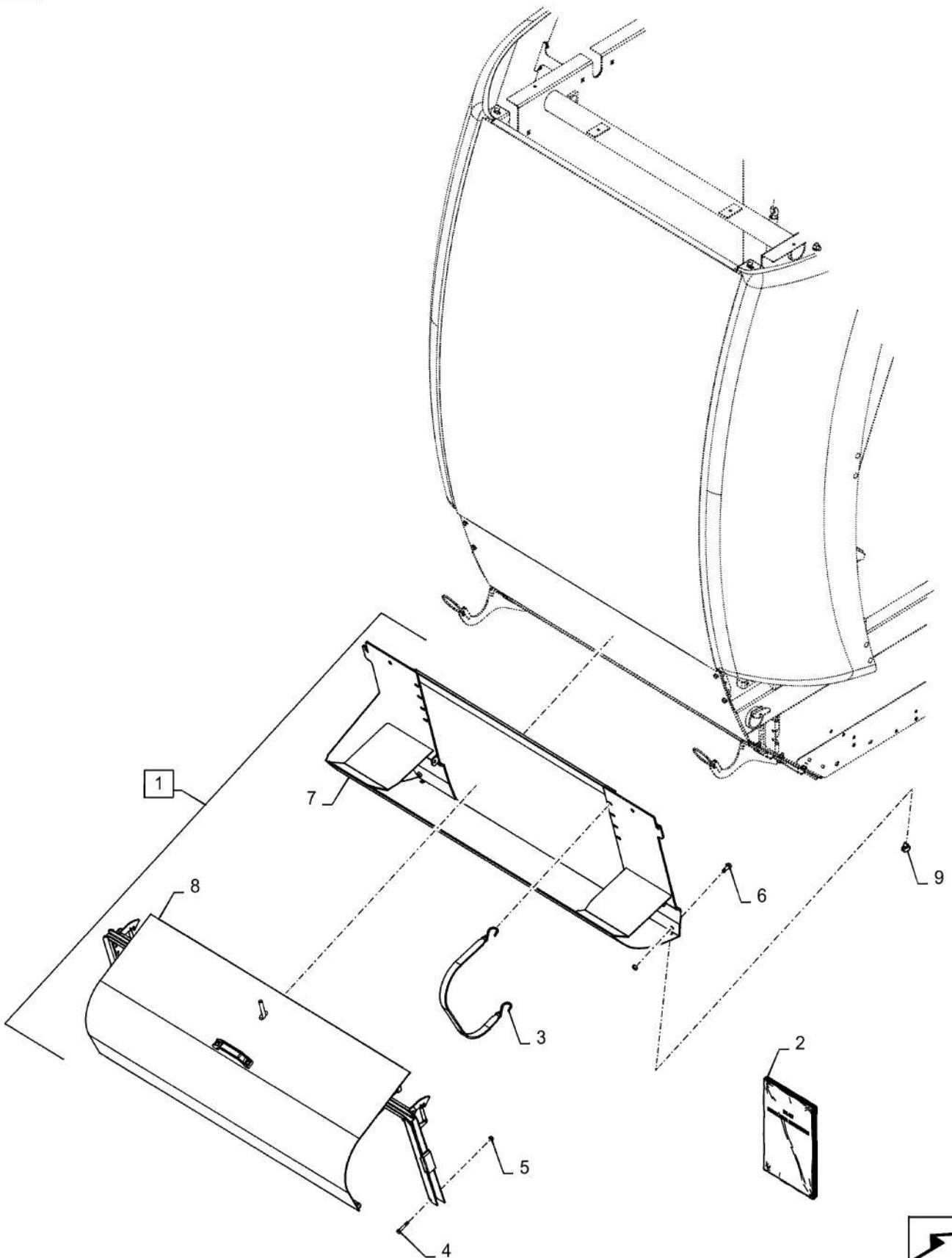
88.100.90

01

p1

9/2015

DIA KIT, REAR NET STORAGE



88.100.90

01

p1

9/2015

DIA KIT, REAR NET STORAGE

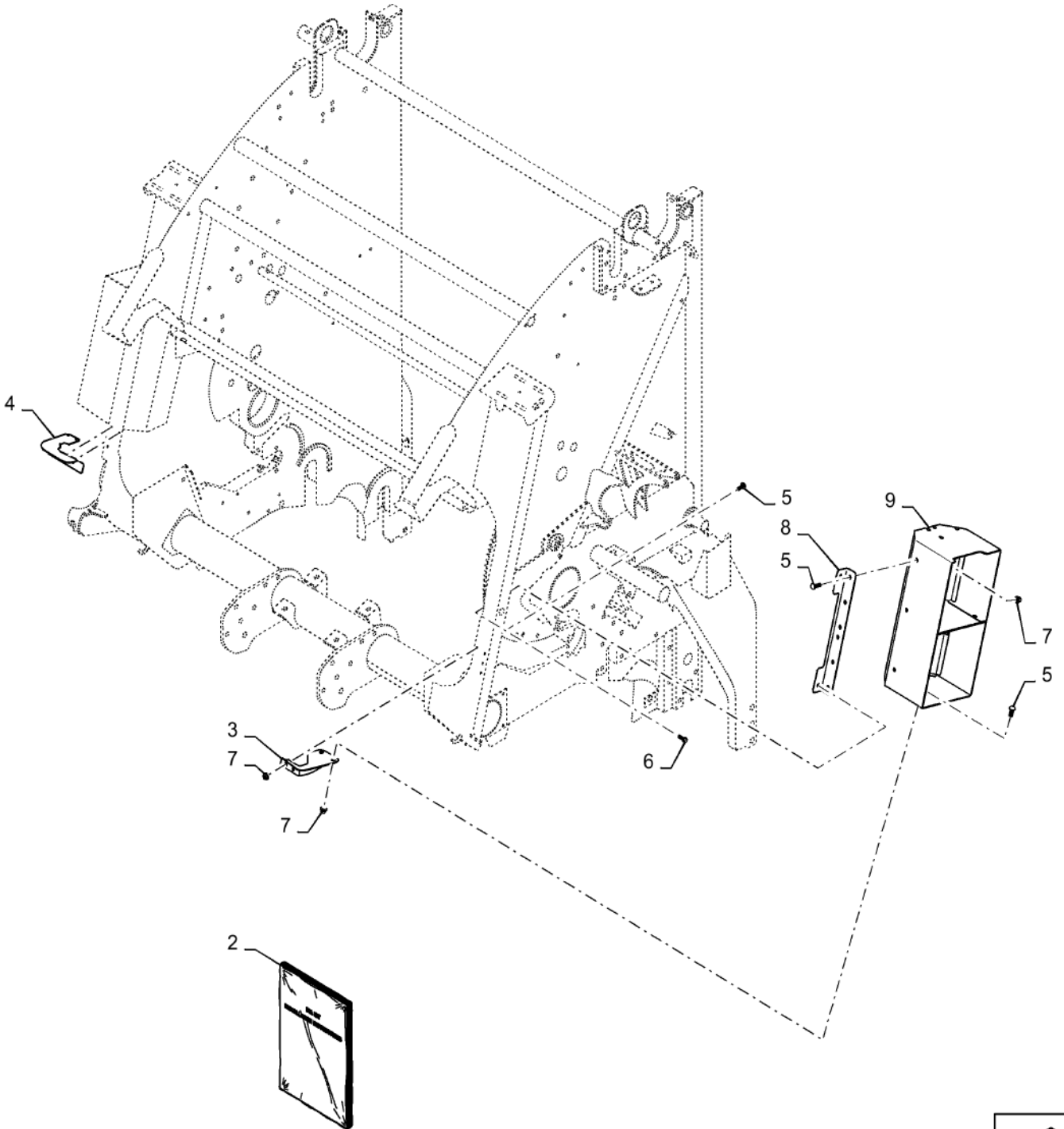
REF FN	PART NUMBER	YR/SN	QTY DESCRIPTION
1	84554580		1 DIA KIT, HARVESTER Rear Net Storage, 3rd Roll, Incl 2 - 8
2	84555244		1 INSTRUCTION
3	87020998		2 STRAP
4	386045		2 BOLT Hex, M8 x 1.25 x 45mm, Cl 8.8
5	86619801		2 FLANGE NUT M8 x 1.25, Cl 8
6	87698836		4 BOLT M10 x 25mm, Full Thd, Cl 10.9
7	84565098		1 SUPPORT
8	84565589		1 COVER ASSY
9	128104		2 BUMPER

RB465-CASE IH ROUND BALER - EUROPE & R.O.W.

DIA KIT, AUXILIARY TWINE BOX



1



DIA KIT, AUXILIARY TWINE BOX

REF FN	PART NUMBER	YR/SN	QTY DESCRIPTION
1	84580272		1 DIA KIT, HARVESTER Auxiliary Twine Box, Inhcl 2 - 9
1	84580272		1 DIA KIT, HARVESTER Auxiliary Twine Box, Inhcl 2 - 9
2	84555220		1 INSTRUCTION
2	84555220		1 INSTRUCTION
3	84594124		1 BRACKET
3	84594124		1 BRACKET
4	84594122		1 BRACKET
4	84594122		1 BRACKET
5	86507486		14 CARRIAGE BOLT M8 x 1.25 x 20mm, CI 8.8
5	86507486		14 CARRIAGE BOLT M8 x 1.25 x 20mm, CI 8.8
6	9804258		4 BOLT Hex, M8 x 1.25 x 20mm, CI 8.8
6	9804258		4 BOLT Hex, M8 x 1.25 x 20mm, CI 8.8
7	9804277		14 FLANGE NUT Hex, M8 x 1.25, CI 8
7	9804277		14 FLANGE NUT Hex, M8 x 1.25, CI 8
8	84581165		2 BRACKET
8	84581165		2 BRACKET
9	84579325		2 TWINE BOX
9	84579325		2 TWINE BOX

RB465-CASE IH ROUND BALER - EUROPE & R.O.W.

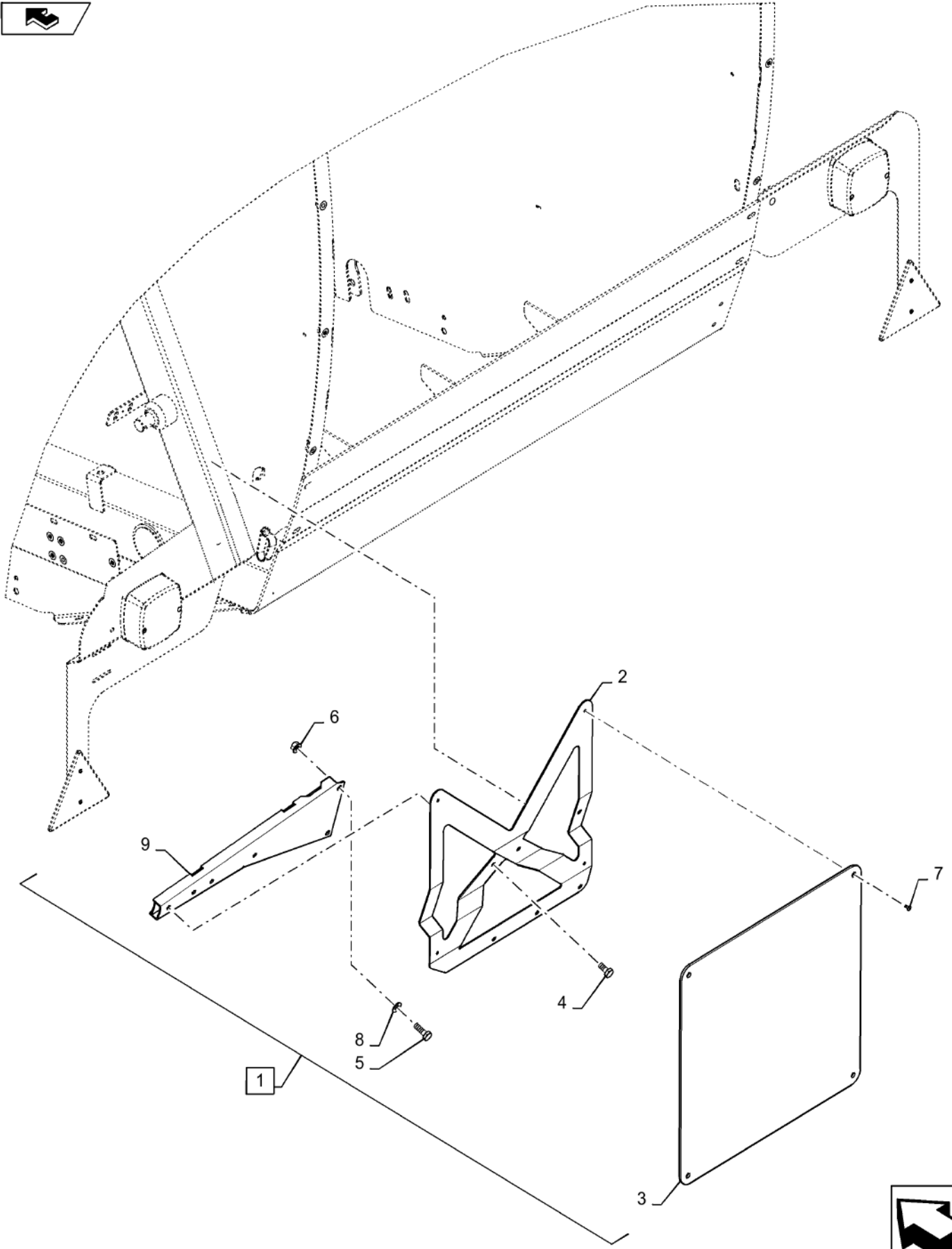
88.100.90

03

p1

9/2015

DIA KIT, SIGNAL PLATES, ITALY



88.100.90

03

p1

9/2015

DIA KIT, SIGNAL PLATES, ITALY

REF FN	PART NUMBER	YR/SN	QTY DESCRIPTION
1	47411344		1 SERVICE KIT Signal Plates, Italy, Incl 2, 3
2	87448098		1 PLATE
3	325911		4 RIVET Pop, 4.75mm OD x 7.4mm L

RB465-CASE IH ROUND BALER - EUROPE & R.O.W.

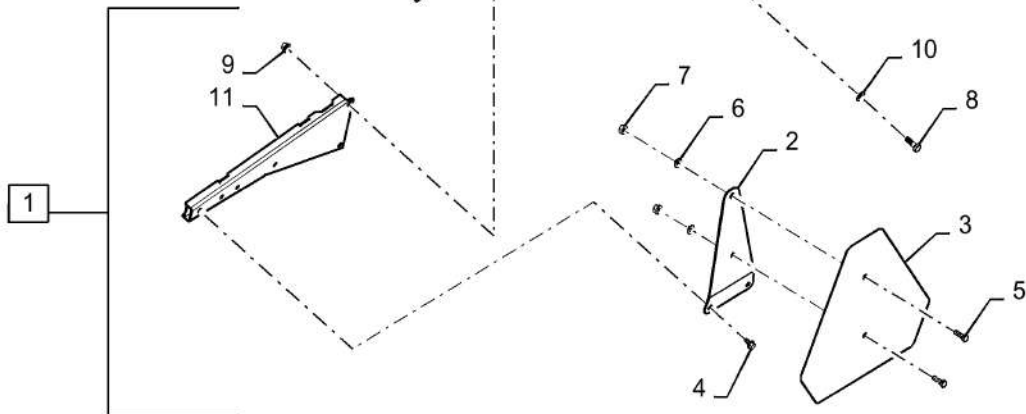
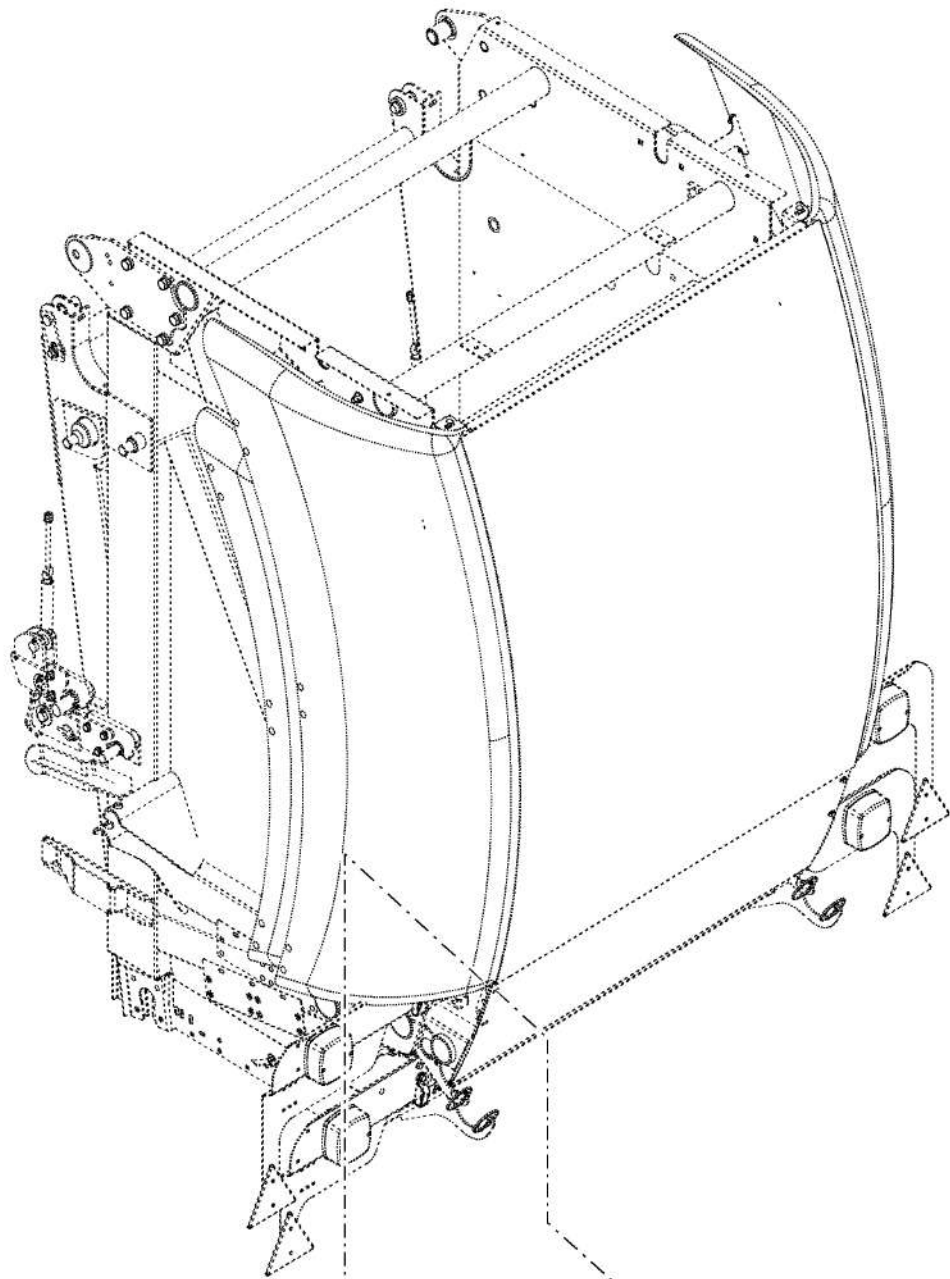
88.100.90

04

p1

9/2015

VAR - 715003 - DIA KIT, SLOW MOVING VEHICLE SIGN



88.100.90

04

p1

9/2015

VAR - 715003 - DIA KIT, SLOW MOVING VEHICLE SIGN

REF FN	PART NUMBER	YR/SN	QTY DESCRIPTION
1	47503293		1 KIT SMV Sign, Incl 2 - 11
2	47364759		1 SUPPORT
3	86547710		1 EMBLEM SMV
4	86511841		2 BOLT Flng, M8 x 1.25 x 16mm, Full Thd, Cl 8.8
5	120100		2 BOLT M6 x 20mm, Cl 8.8
6	322357		2 BELLEVILLE WASHER M6 x 14mm OD x 1.3mm Thk
7	9706755		2 NUT M6, Cl 8
8	9515003		2 BOLT Hex, M10 x 1.5 x 30mm, Cl 10.9
9	9804278		2 FLANGE NUT M10 x 1.5, Cl 8
10	140045		2 BELLEVILLE WASHER M10X22 ZNM
11	47530967		1 SUPPORT

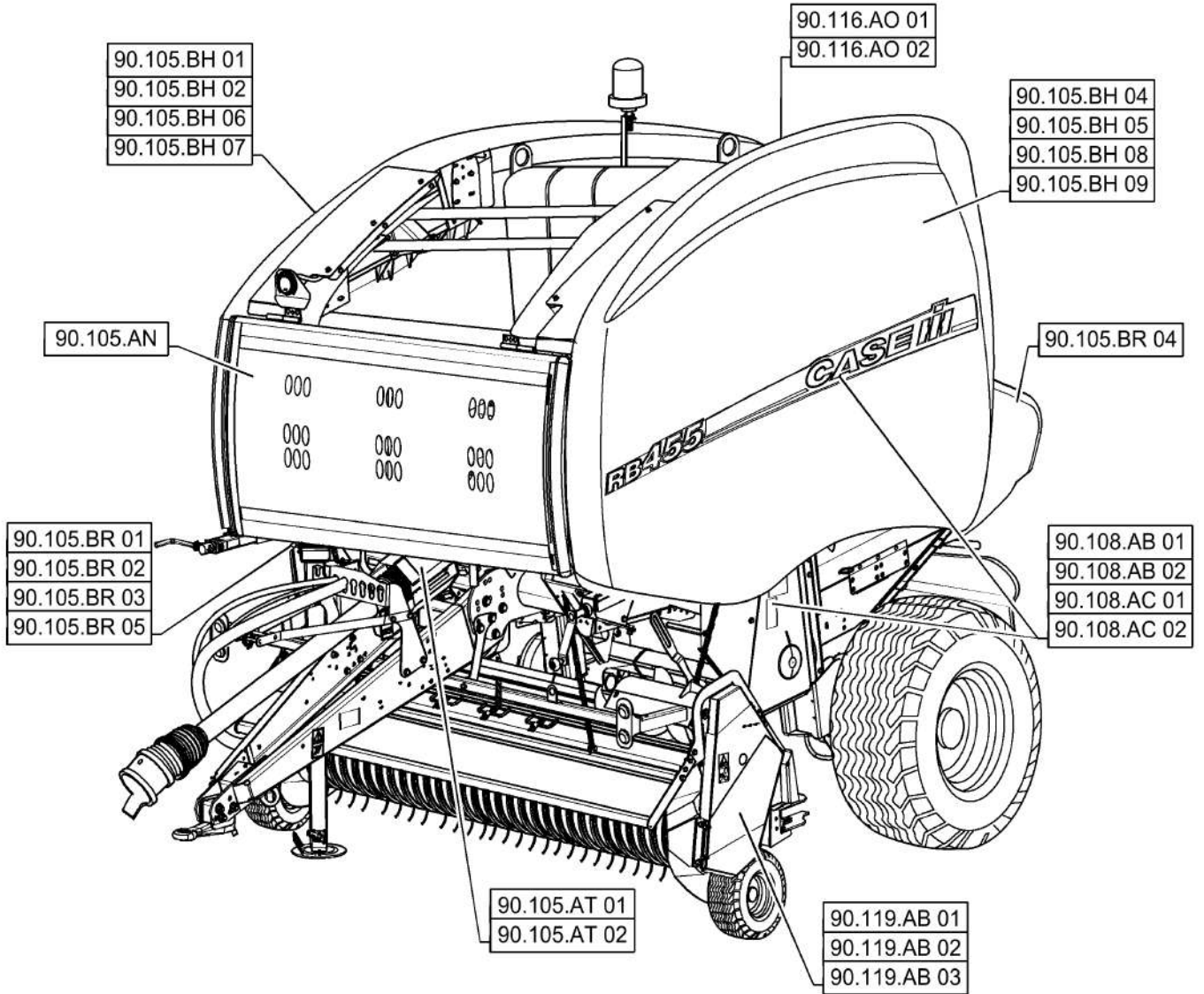
RB465-CASE IH ROUND BALER - EUROPE & R.O.W.

SECTION INDEX

PLATFORM, CAB, BODYWORK AND DECALS

90.000.00		PICTORIAL INDEX - PLATFORM, CAB, BODYWORK AND DECALS
90.105.AN		FRONT, SHIELD
90.105.AT	01	GEARBOX, SHIELD, INPUT SHAFT
90.105.AT	02	GEARBOX SHIELD, OUTPUT SHAFT
90.105.BH	01	RH, DOOR MOUNTING
90.105.BH	02	DOOR, RH
90.105.BH	03	DOOR, LATCH
90.105.BH	04	LH, DOOR MOUNTING
90.105.BH	05	DOOR, LH
90.105.BH	06	RH, DOOR MOUNTING
90.105.BH	07	DOOR, RH
90.105.BH	08	LH, DOOR MOUNTING
90.105.BH	09	DOOR, LH
90.105.BR	01	TWINE BOX, TWINE ONLY
90.105.BR	02	TWINE BOX, STANDARD NET- TWINE, 794992016 AND PRIOR
90.105.BR	03	STORAGE BOX, DELUXE NET TWINE
90.105.BR	04	NET BOX, REAR
90.105.BR	05	NET BOX, FRONT
90.105.BV	02	TOP, SHIELD
90.105.CL	01	NET BOX, FRONT, NET ONLY
90.108.AB	01	DECALS, MODEL, RH
90.108.AB	02	DECALS, MODEL, LH
90.108.AC	01	DECALS, SAFETY AND INFORMATION, RH
90.108.AC	02	DECALS, SAFETY AND INFORMATION, LH
90.116.AO	01	TAILGATE SHIELDS
90.116.AO	02	TAILGATE SHIELDS
90.119.AB	01	SHIELD PICK-UP DRIVE CHAIN
90.119.AB	02	SHIELD, PICK-UP DRIVE CHAIN
90.119.AB	03	ROTOR SHIELD, 4 X 5
90.119.AB	04	ROTOR SHIELD, 4 X 6
90.119.AB	06	ROTOR, SHIELD, RH, OVERSHOT FEEDER

PICTORIAL INDEX - PLATFORM, CAB, BODYWORK AND DECALS



90.000.00

p1

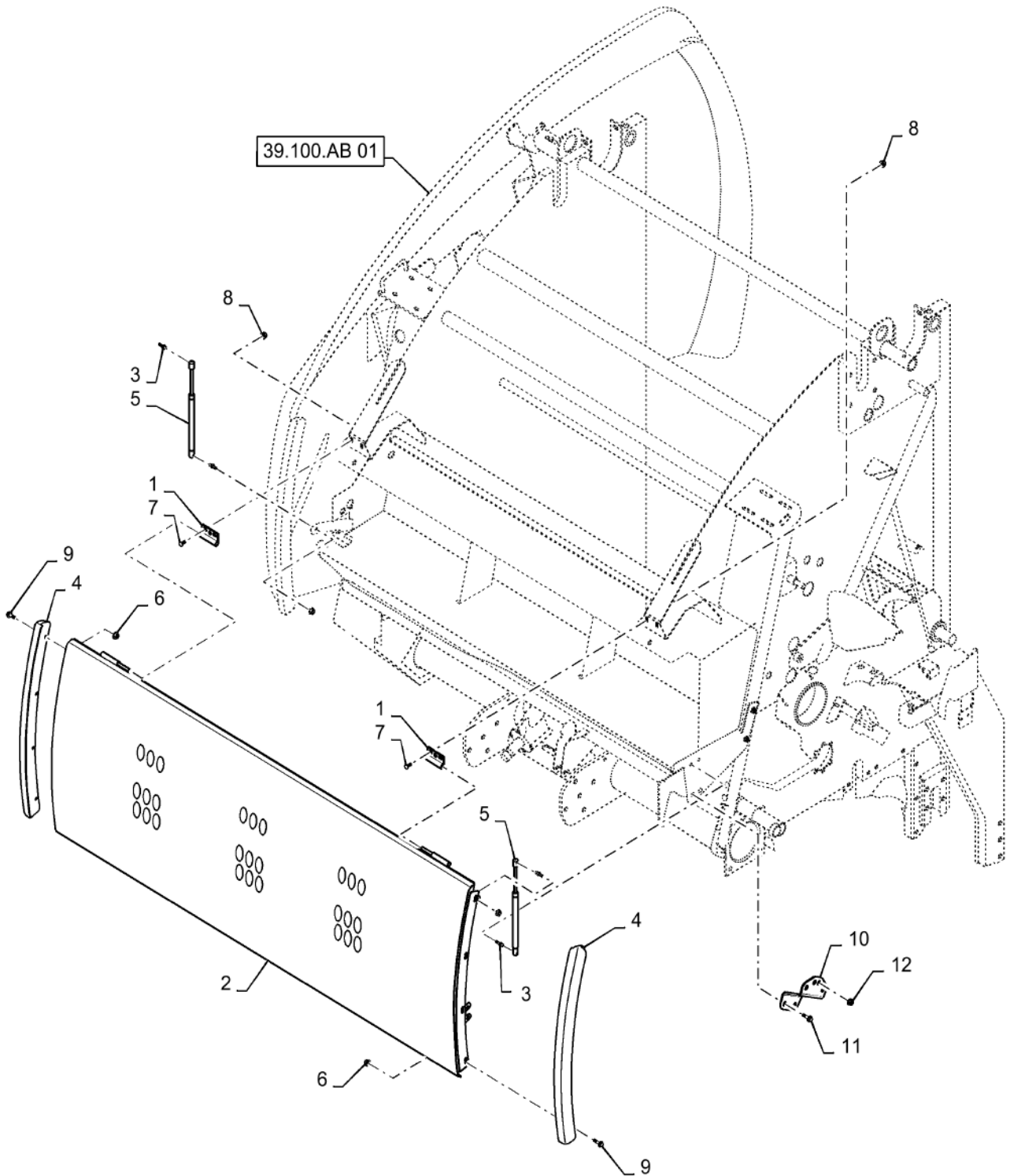
9/2015

PICTORIAL INDEX - PLATFORM, CAB, BODYWORK AND DECALS

REF FN	PART NUMBER	YR/SN	QTY	DESCRIPTION
---------------	--------------------	--------------	------------	--------------------

RB465-CASE IH ROUND BALER - EUROPE & R.O.W.

FRONT, SHIELD

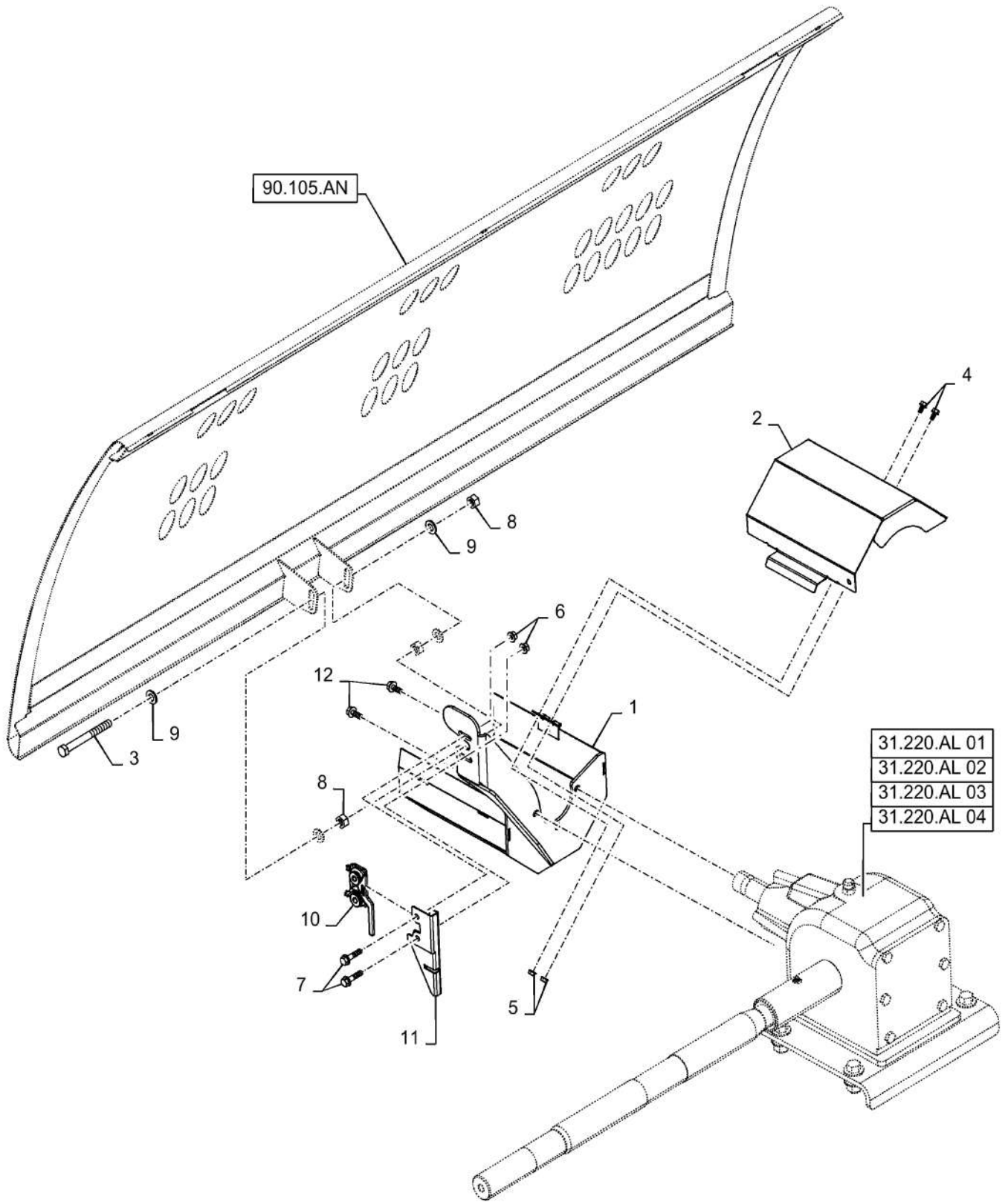


FRONT, SHIELD

REF FN	PART NUMBER	YR/SN	QTY DESCRIPTION
1	84133414		2 ROD
2	84384302		1 DOOR Front
2	47807945		1 DOOR Front
3	86628347		4 STUD M8 x 36.5mm OAL, 10mm OD Ball
4	84384384		2 DOOR SILL MOULDING
5	86639602		2 GAS STRUT
6	86619801		10 FLANGE NUT M8 x 1.25, CI 8
7	86507486		4 CARRIAGE BOLT M8 x 1.25 x 20mm, CI 8.8
8	9804277		4 FLANGE NUT Hex, M8 x 1.25, CI 8
9	9804258		8 BOLT Hex, M8 x 1.25 x 20mm, CI 8.8
11	9671714		4 FLANGE BOLT Hex, M8 x 1.25 x 25mm, CI 8.8
12	9804277		4 FLANGE NUT Hex, M8 x 1.25, CI 8

RB465-CASE IH ROUND BALER - EUROPE & R.O.W.

GEARBOX, SHIELD, INPUT SHAFT



90.105.AT

01

p1

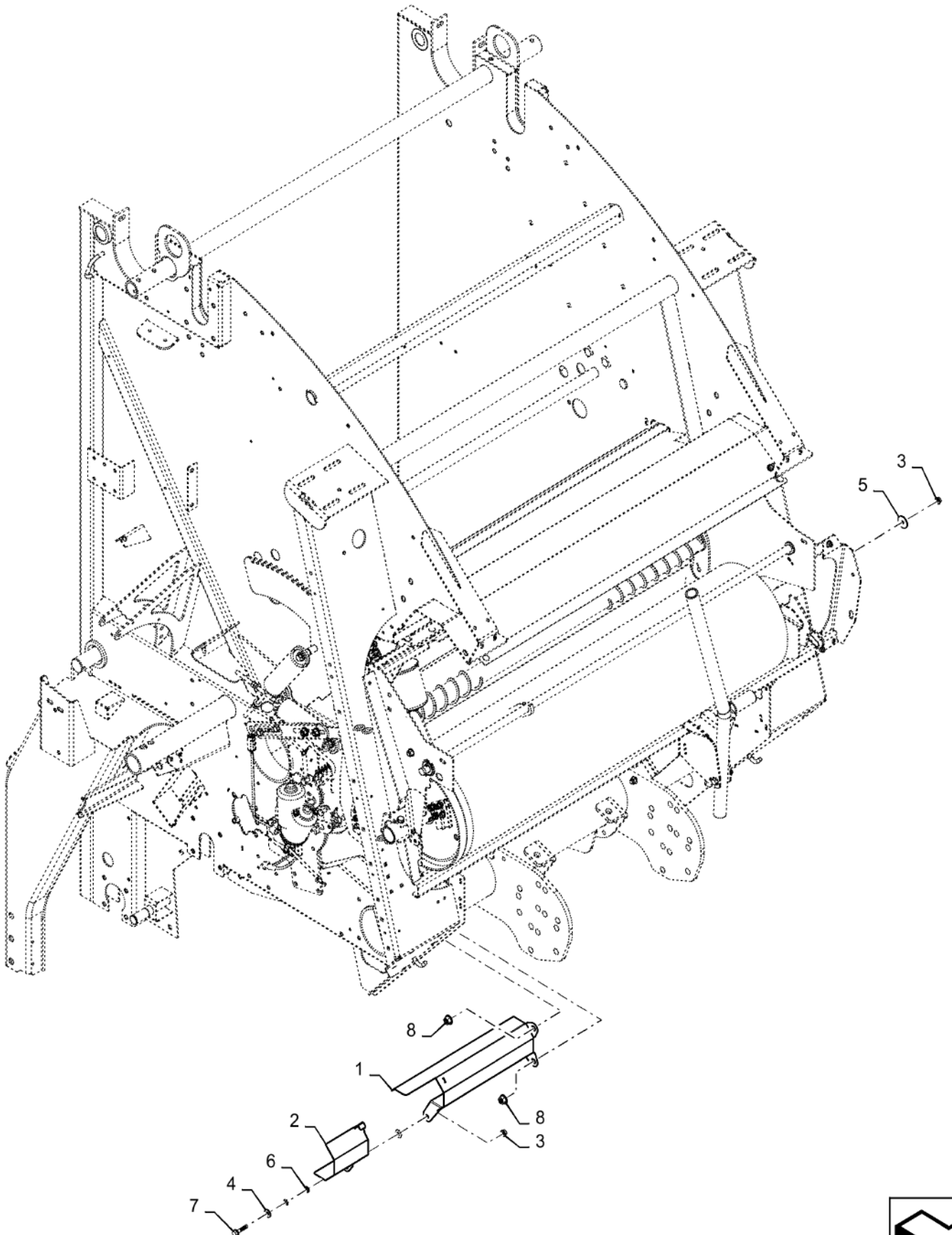
9/2015

GEARBOX, SHIELD, INPUT SHAFT

REF FN	PART NUMBER	YR/SN	QTY DESCRIPTION
1	47454220		1 SHIELD Gearbox
2	47454221		1 LID
3	1570477		1 BOLT Hex, M12 x 1.75 x 110mm, CI 8.8, Full Thd
4	9804258		3 BOLT Hex, M8 x 1.25 x 20mm, CI 8.8
5	86050272		2 BOLT M6 x 1.0 x 18.6mm OAL, CI 8.8, Full Thd
6	9804276		2 FLANGE NUT Hex, M6 x 1, CI 8
7	86507066		2 FLANGE NUT M8 x 1.25, CI 10
8	87695419		2 FLANGE BOLT M8 x 43.1mm, CI 10.9
9	47419806		3 COVER
10	9706685		2 NUT M12 x 1.75, CI 8
11	86511324		2 WASHER 13mm ID x 24mm OD x 2.5mm Thk
12	47433473		1 BRACKET
13	87688487		1 LATCH ASSY.

RB465-CASE IH ROUND BALER - EUROPE & R.O.W.

GEARBOX SHIELD, OUTPUT SHAFT



90.105.AT

02

p1

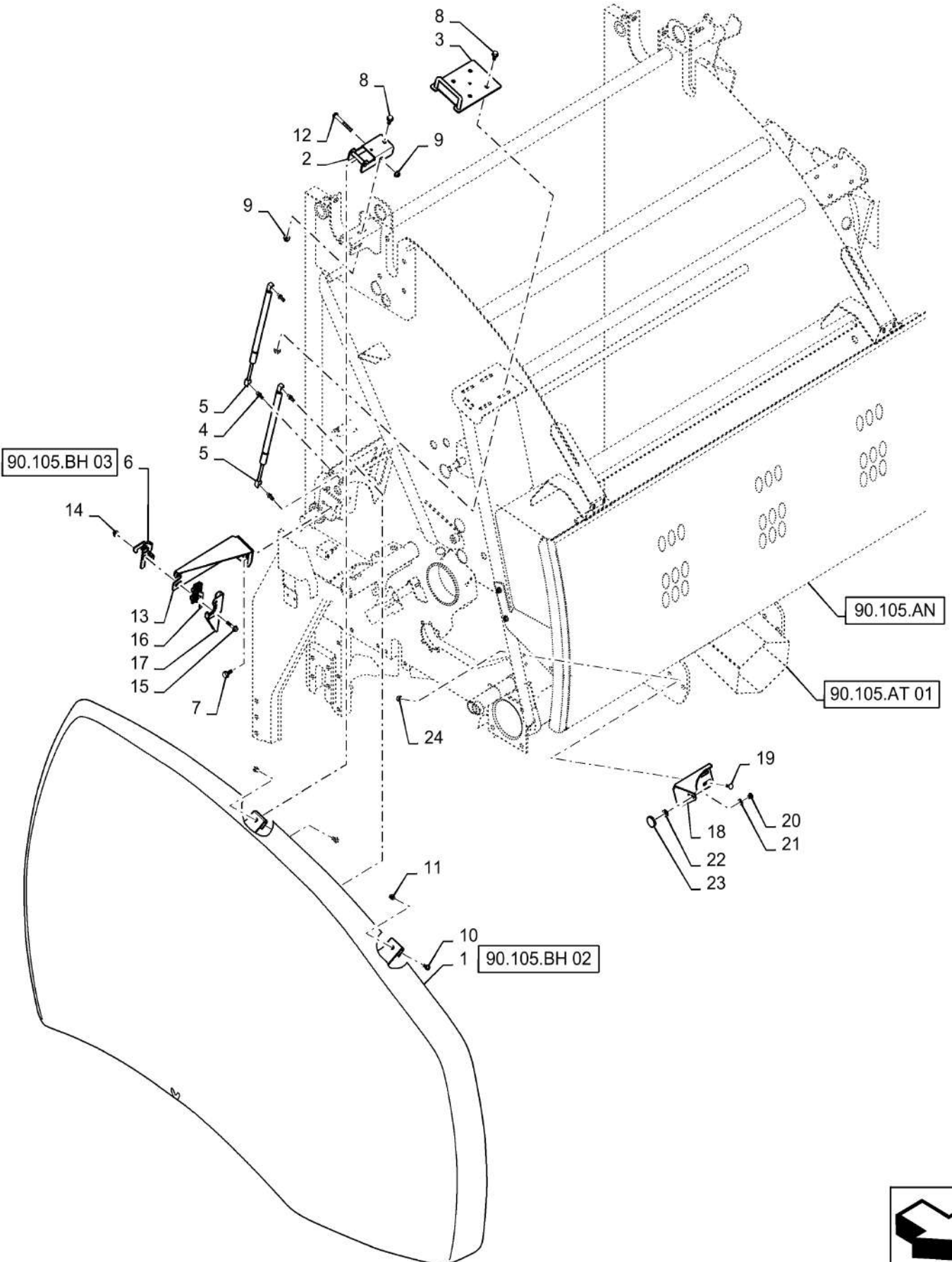
9/2015

GEARBOX SHIELD, OUTPUT SHAFT

REF FN	PART NUMBER	YR/SN	QTY DESCRIPTION
1	47506043		1 SHIELD
2	47506044		1 SHIELD
3	9804277		2 FLANGE NUT Hex, M8 x 1.25, CI 8
4	80664		2 WASHER 0.38" ID x 0.88" OD x 0.08" Thk
5	80577826		1 WASHER 8.7mm ID x 34.93mm OD x 1.94mm Thk
6	86624184		2 WASHER 9mm ID x 16mm OD x 1.6mm Thk
7	86511842		1 BOLT M8 x 1.25 x 48.1mm OAL, CI 8.8
8	9804279		2 FLANGE NUT Hex, M12, CI 8

RB465-CASE IH ROUND BALER - EUROPE & R.O.W.

RH, DOOR MOUNTING

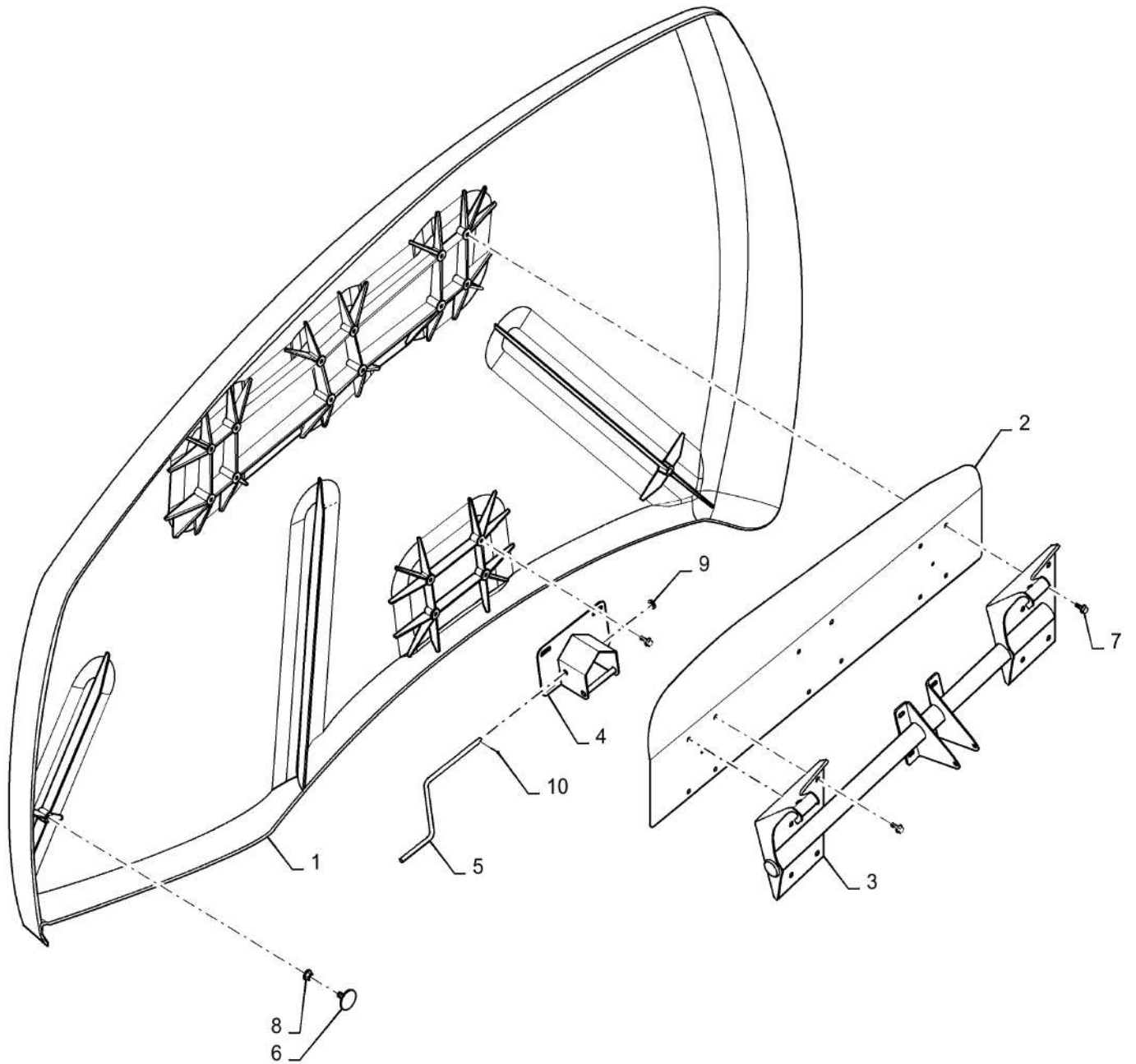


RH, DOOR MOUNTING

REF FN	PART NUMBER	YR/SN	QTY DESCRIPTION
1	0C		1 ORDER COMPONENTS Door, RH
2	84324178		1 BRACKET
3	84324176		1 BRACKET
4	86628347		4 STUD M8 x 36.5mm OAL, 10mm OD Ball
5	47387253		2 GAS STRUT
6	0C		1 ORDER COMPONENTS Latch
7	87698836		2 BOLT M10 x 25mm, Full Thd, CI 10.9
8	9804261		5 BOLT Hex, M10 x 25mm, Full Thd, CI 8.8
9	9804278		6 FLANGE NUT M10 x 1.5, CI 8
10	86511842		2 BOLT M8 x 1.25 x 48.1mm OAL, CI 8.8
11	86619801		6 FLANGE NUT M8 x 1.25, CI 8
12	120074		1 BOLT Hex, M10 x 90, 8.8
13	47421866		1 BRACKET
14	86507066		2 FLANGE NUT M8 x 1.25, CI 10
15	87695419		2 FLANGE BOLT M8 x 43.1mm, CI 10.9
16	87688487		1 LATCH ASSY.
17	47419806		1 COVER
18	47561233		1 BRACKET
19	308761		1 CARRIAGE BOLT M8 x 1.25 x 25mm, CI 8.8
20	10445821		1 SCREW Hex, M4 x 8mm, CI 8.8, Full Thd
21	322355		1 BELLEVILLE WASHER M4 x 10mm OD x 0.9mm Thk
22	86639313		1 WASHER 9mm ID x 24mm OD x 2mm Thk
23	84517258		1 MAGNET
24	9804277		2 FLANGE NUT Hex, M8 x 1.25, CI 8

RB465-CASE IH ROUND BALER - EUROPE & R.O.W.

DOOR, RH



90.105.BH

02

p1

9/2015

DOOR, RH

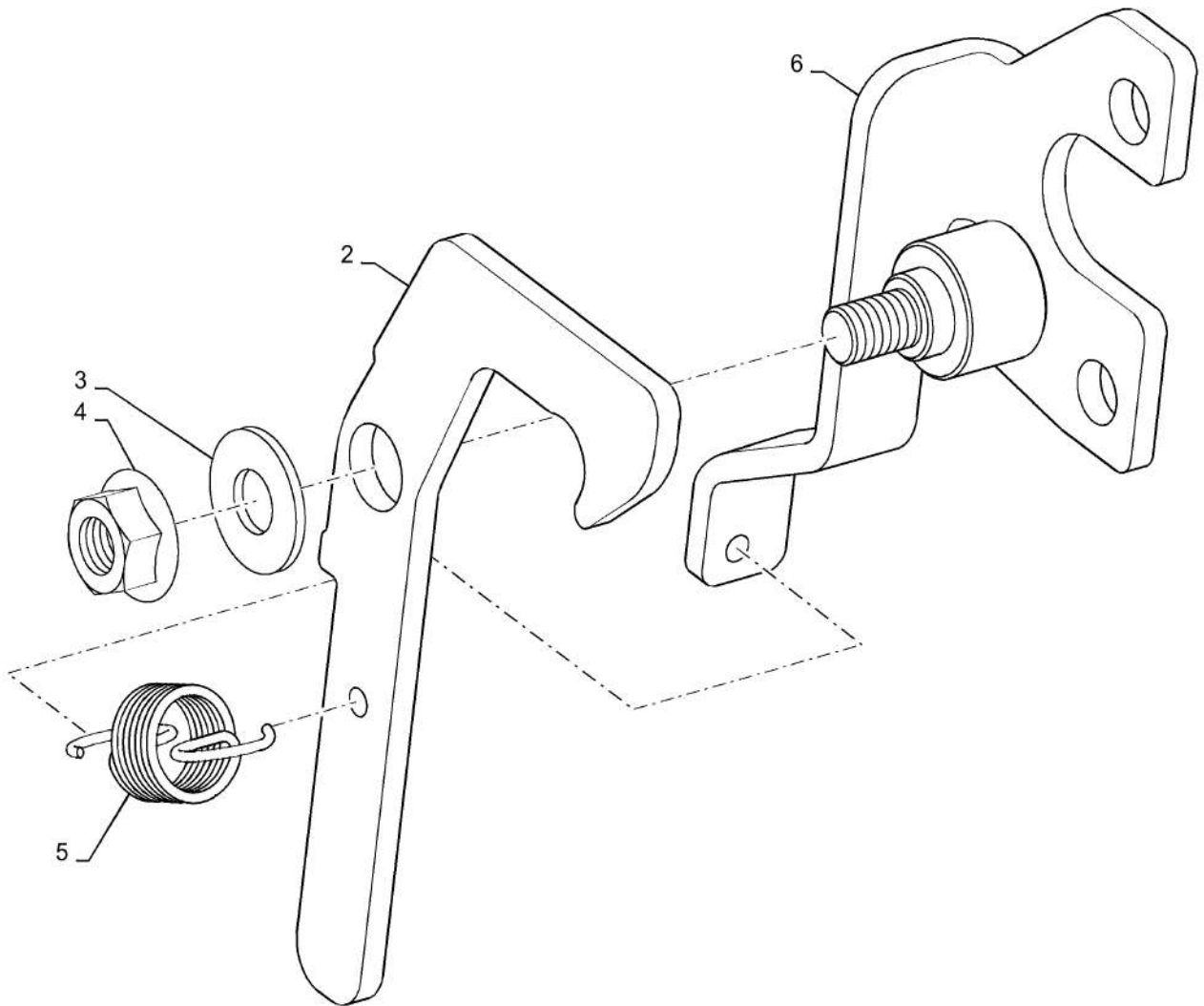
REF FN	PART NUMBER	YR/SN	QTY DESCRIPTION
1	84563687		1 DOOR RH
2	47557070		1 SHIELD
3	47565529		1 BRACKET
4	47419812		1 BRACKET
5	84542874		1 HANDLE
6	47554123		1 PLATE
7	9804258		16 BOLT Hex, M8 x 1.25 x 20mm, Cl 8.8
8	86619801		1 FLANGE NUT M8 x 1.25, Cl 8
9	86588501		1 WASHER 11mm ID x 20mm OD x 2.5mm Thk
10	280250		1 COTTER PIN 3/32" OD x 3/4" L

RB465-CASE IH ROUND BALER - EUROPE & R.O.W.

DOOR, LATCH



1

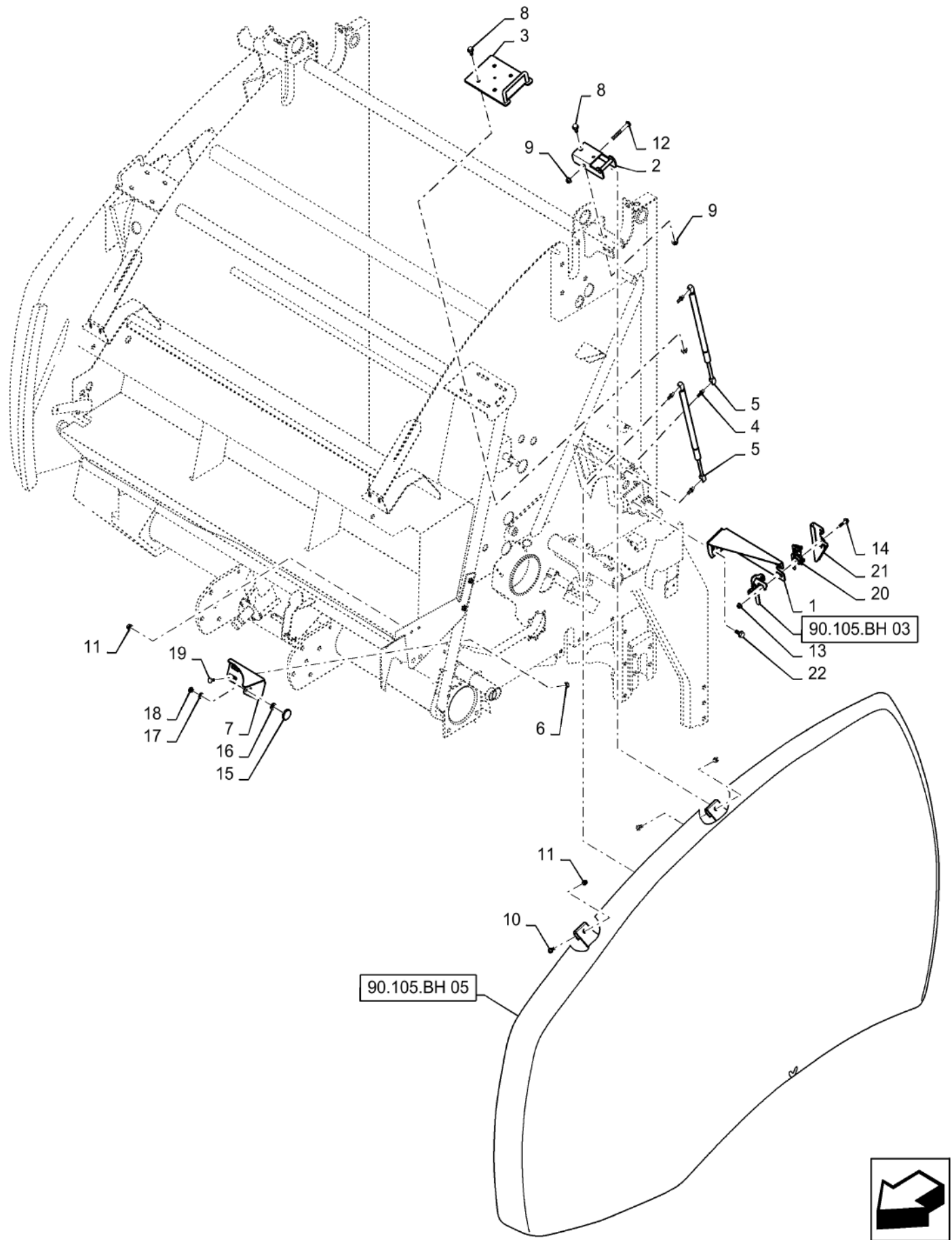


DOOR, LATCH

REF FN	PART NUMBER	YR/SN	QTY DESCRIPTION
1	0C		1 ORDER COMPONENTS Door Latch, LH
2	47454227		1 LATCH Secondary
3	86625263		1 WASHER 9mm ID x 20mm OD x 1.6mm Thk
4	86619801		1 FLANGE NUT M8 x 1.25, Cl 8
5	84420748		1 SPRING Extension, 15.9mm OD x 38.1mm L
6	47454223		1 BRACKET

RB465-CASE IH ROUND BALER - EUROPE & R.O.W.

LH, DOOR MOUNTING

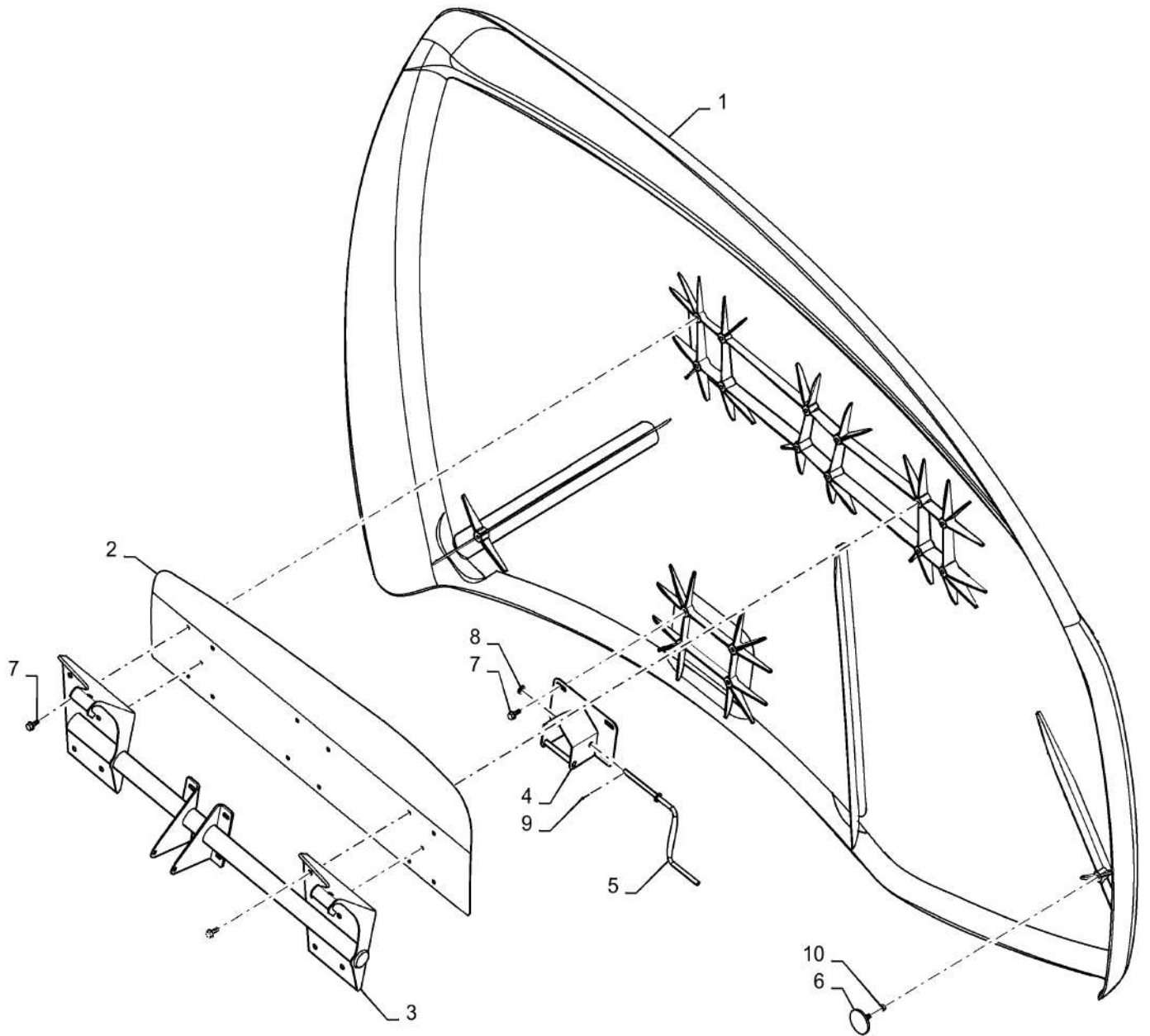


LH, DOOR MOUNTING

REF FN	PART NUMBER	YR/SN	QTY DESCRIPTION
1	0C		1 ORDER COMPONENTS Door, LH
2	84324178		1 BRACKET
3	84324176		1 BRACKET
4	86628347		4 STUD M8 x 36.5mm OAL, 10mm OD Ball
5	47387253		2 GAS STRUT
6	0C		1 ORDER COMPONENTS Latch, LH
7	47561227		1 BRACKET
8	9804261		5 BOLT Hex, M10 x 25mm, Full Thd, CI 8.8
9	9804278		5 FLANGE NUT M10 x 1.5, CI 8
10	86511842		3 BOLT M8 x 1.25 x 48.1mm OAL, CI 8.8
11	86619801		6 FLANGE NUT M8 x 1.25, CI 8
12	120074		1 BOLT Hex, M10 x 90, 8.8
13	86507066		2 FLANGE NUT M8 x 1.25, CI 10
14	87695419		2 FLANGE BOLT M8 x 43.1mm, CI 10.9
15	84517258		1 MAGNET
16	86639313		1 WASHER 9mm ID x 24mm OD x 2mm Thk
17	322355		1 BELLEVILLE WASHER M4 x 10mm OD x 0.9mm Thk
18	10445821		1 SCREW Hex, M4 x 8mm, CI 8.8, Full Thd
19	9671714		2 FLANGE BOLT Hex, M8 x 1.25 x 25mm, CI 8.8
20	87688487		1 LATCH ASSY.
21	47419806		1 COVER
22	87698836		4 BOLT M10 x 25mm, Full Thd, CI 10.9
23	47421863		1 BRACKET
24	9804277		4 FLANGE NUT Hex, M8 x 1.25, CI 8

RB465-CASE IH ROUND BALER - EUROPE & R.O.W.

DOOR, LH



90.105.BH

05

p1

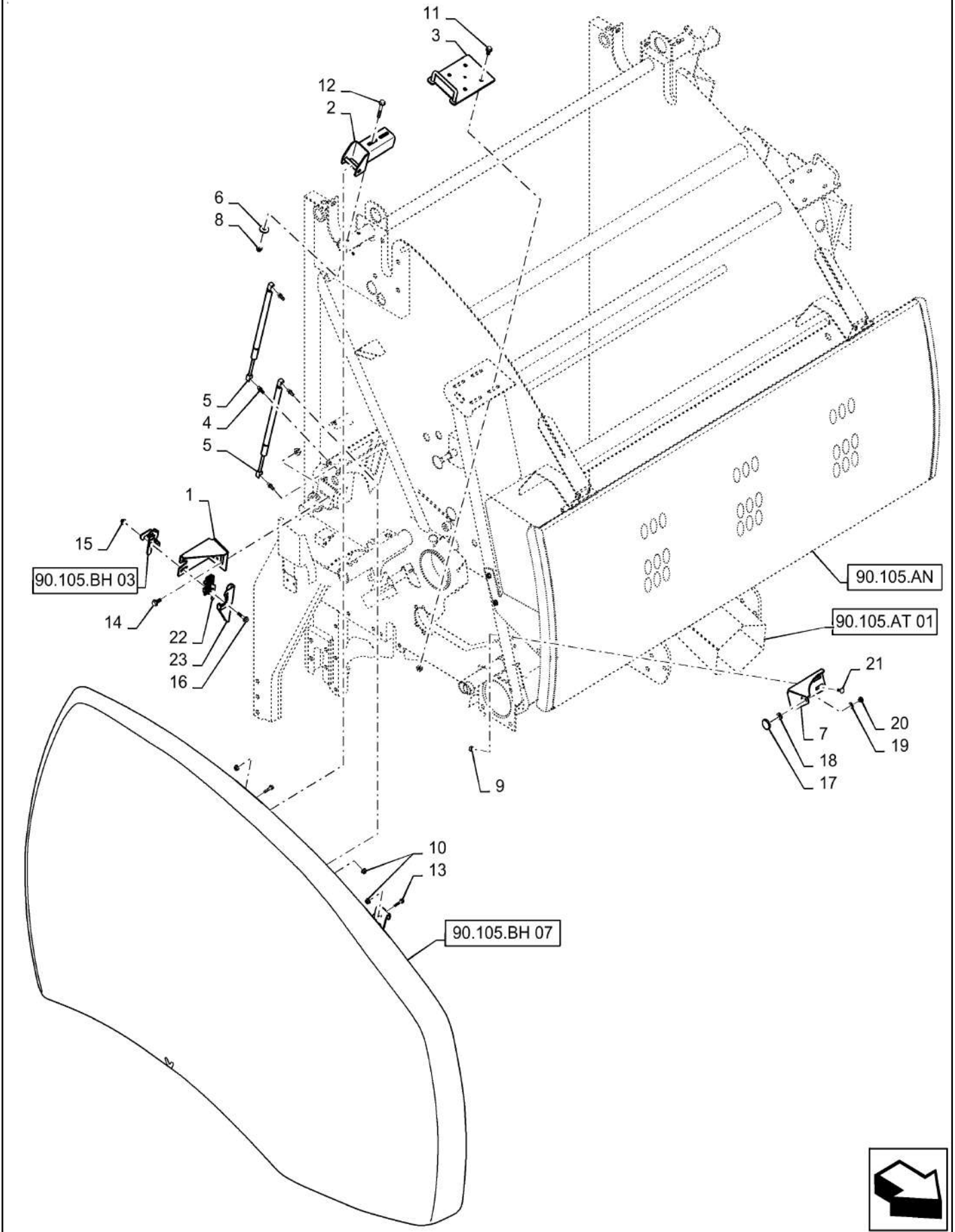
9/2015

DOOR, LH

REF FN	PART NUMBER	YR/SN	QTY DESCRIPTION
1	84563685		1 DOOR LH
2	47565567		1 SHIELD
3	47565533		1 BRACKET
4	47419812		1 BRACKET
5	84542874		1 HANDLE
6	47554123		1 PLATE
7	9804258		16 BOLT Hex, M8 x 1.25 x 20mm, Cl 8.8
8	86588501		1 WASHER 11mm ID x 20mm OD x 2.5mm Thk
9	280250		1 COTTER PIN 3/32" OD x 3/4" L
10	86619801		1 FLANGE NUT M8 x 1.25, Cl 8

RB465-CASE IH ROUND BALER - EUROPE & R.O.W.

RH, DOOR MOUNTING

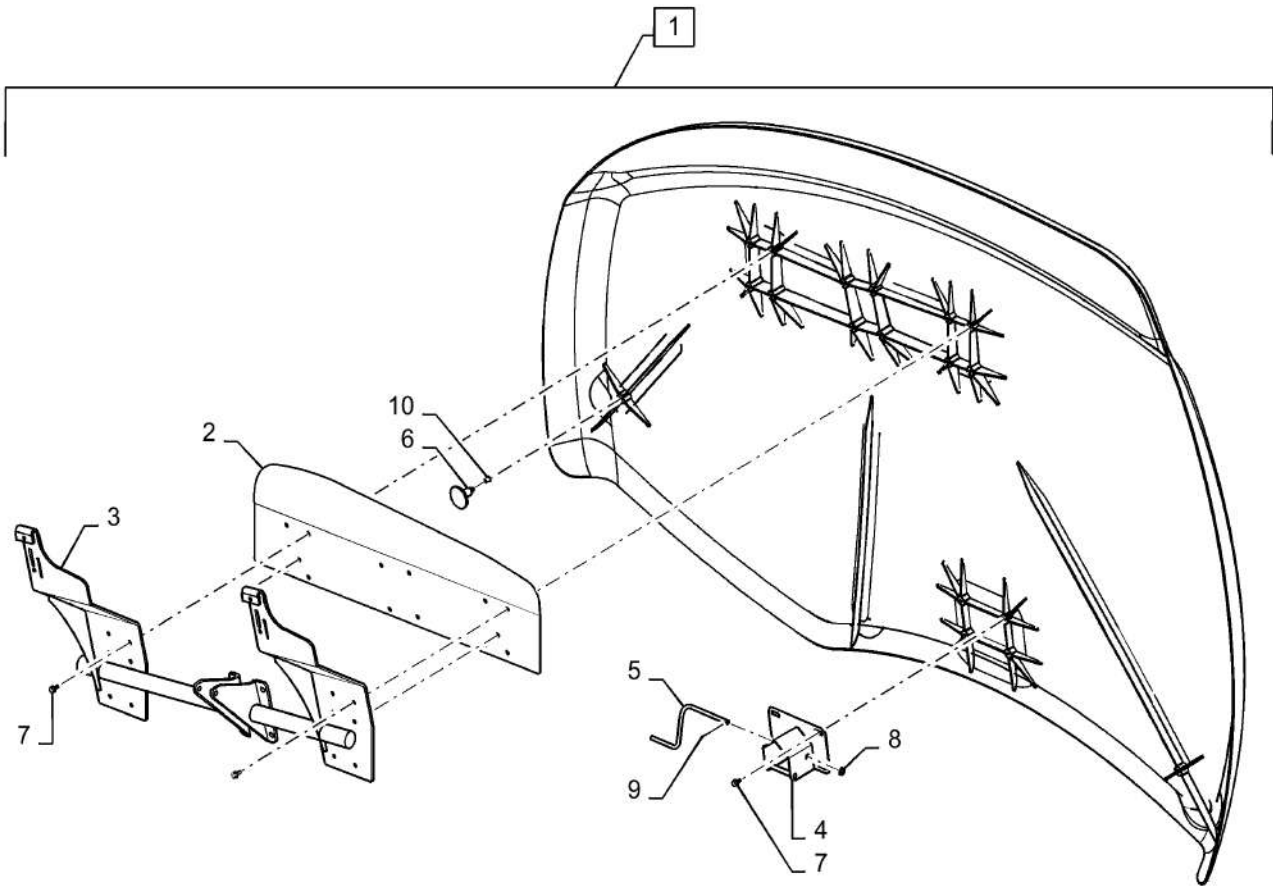


RH, DOOR MOUNTING

REF FN	PART NUMBER	YR/SN	QTY DESCRIPTION
1	0C		1 ORDER COMPONENTS Door, Assembly, RH
2	47419038		1 BRACKET
3	84324176		1 BRACKET
4	86628347		4 STUD M8 x 36.5mm OAL, 10mm OD Ball
5	47387253		2 GAS STRUT
6	0C		1 ORDER COMPONENTS Latch
7	47561233		1 BRACKET
8	9804278		4 FLANGE NUT M10 x 1.5, CI 8
9	9804277		2 FLANGE NUT Hex, M8 x 1.25, CI 8
10	86619801		6 FLANGE NUT M8 x 1.25, CI 8
11	9804261		4 BOLT Hex, M10 x 25mm, Full Thd, CI 8.8
12	86011090		2 BOLT Hex Flng, M10 x 70mm, CI 8.8
13	86511842		2 BOLT M8 x 1.25 x 48.1mm OAL, CI 8.8
14	87698836		1 BOLT M10 x 25mm, Full Thd, CI 10.9
15	86507066		2 FLANGE NUT M8 x 1.25, CI 10
16	87695419		2 FLANGE BOLT M8 x 43.1mm, CI 10.9
17	84517258		1 MAGNET
18	86639313		1 WASHER 9mm ID x 24mm OD x 2mm Thk
19	322355		1 BELLEVILLE WASHER M4 x 10mm OD x 0.9mm Thk
20	10445821		1 SCREW Hex, M4 x 8mm, CI 8.8, Full Thd
21	9671714		2 FLANGE BOLT Hex, M8 x 1.25 x 25mm, CI 8.8
22	87688487		1 LATCH ASSY.
23	47419806		1 COVER
24	140042		2 WASHER 11mm ID x 34mm OD x 3mm Thk
25	47419756		1 BRACKET

RB465-CASE IH ROUND BALER - EUROPE & R.O.W.

DOOR, RH



90.105.BH

07

p1

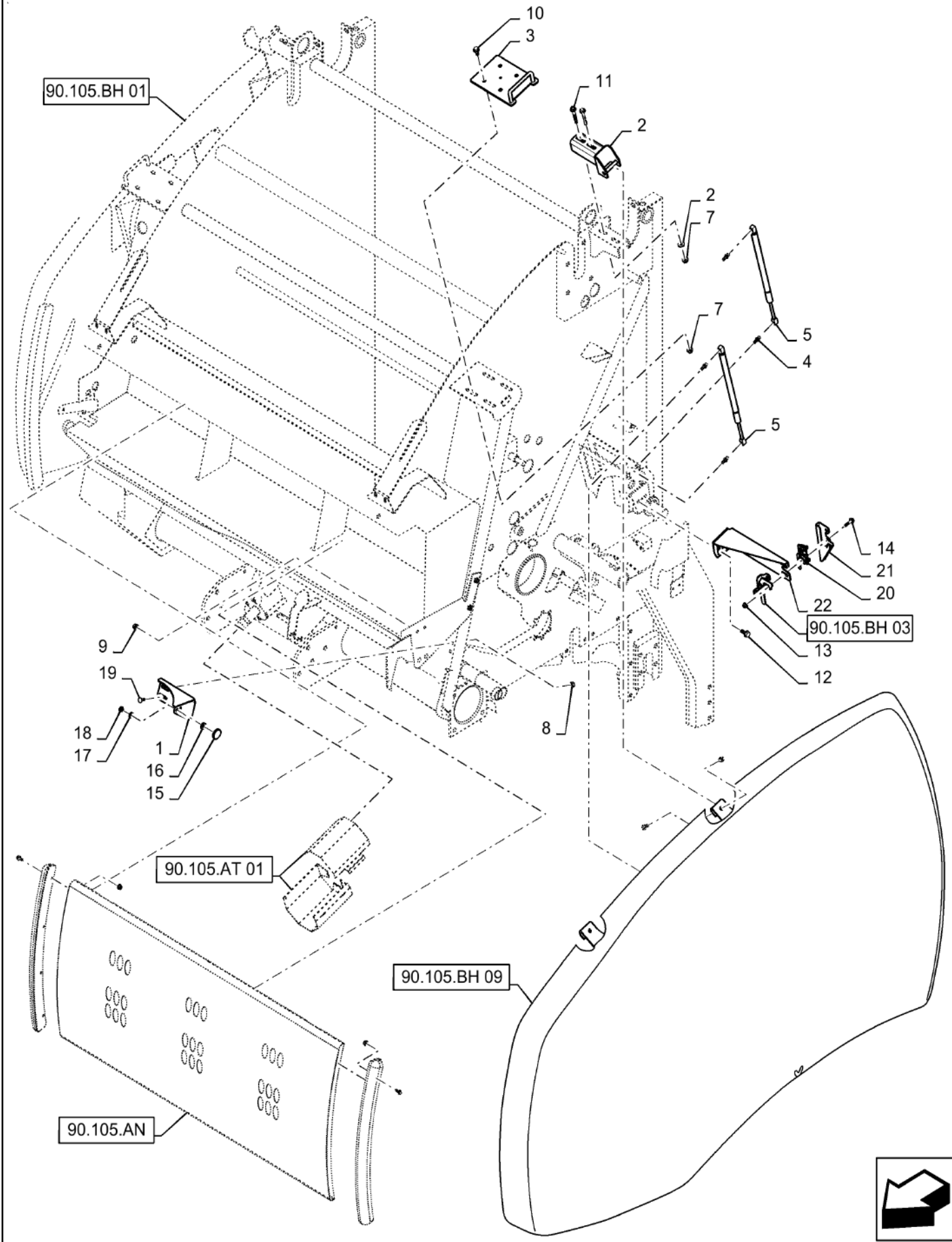
9/2015

DOOR, RH

REF FN	PART NUMBER	YR/SN	QTY DESCRIPTION
1	84563682		1 DOOR RH
2	47557070		1 SHIELD Door
3	47565501		1 BRACKET
4	47419812		1 BRACKET
5	84542874		1 HANDLE
6	47554123		1 PLATE
7	9804258		16 BOLT Hex, M8 x 1.25 x 20mm, Cl 8.8
8	86588501		1 WASHER 11mm ID x 20mm OD x 2.5mm Thk
9	280250		1 COTTER PIN 3/32" OD x 3/4" L
10	86619801		1 FLANGE NUT M8 x 1.25, Cl 8

RB465-CASE IH ROUND BALER - EUROPE & R.O.W.

LH, DOOR MOUNTING

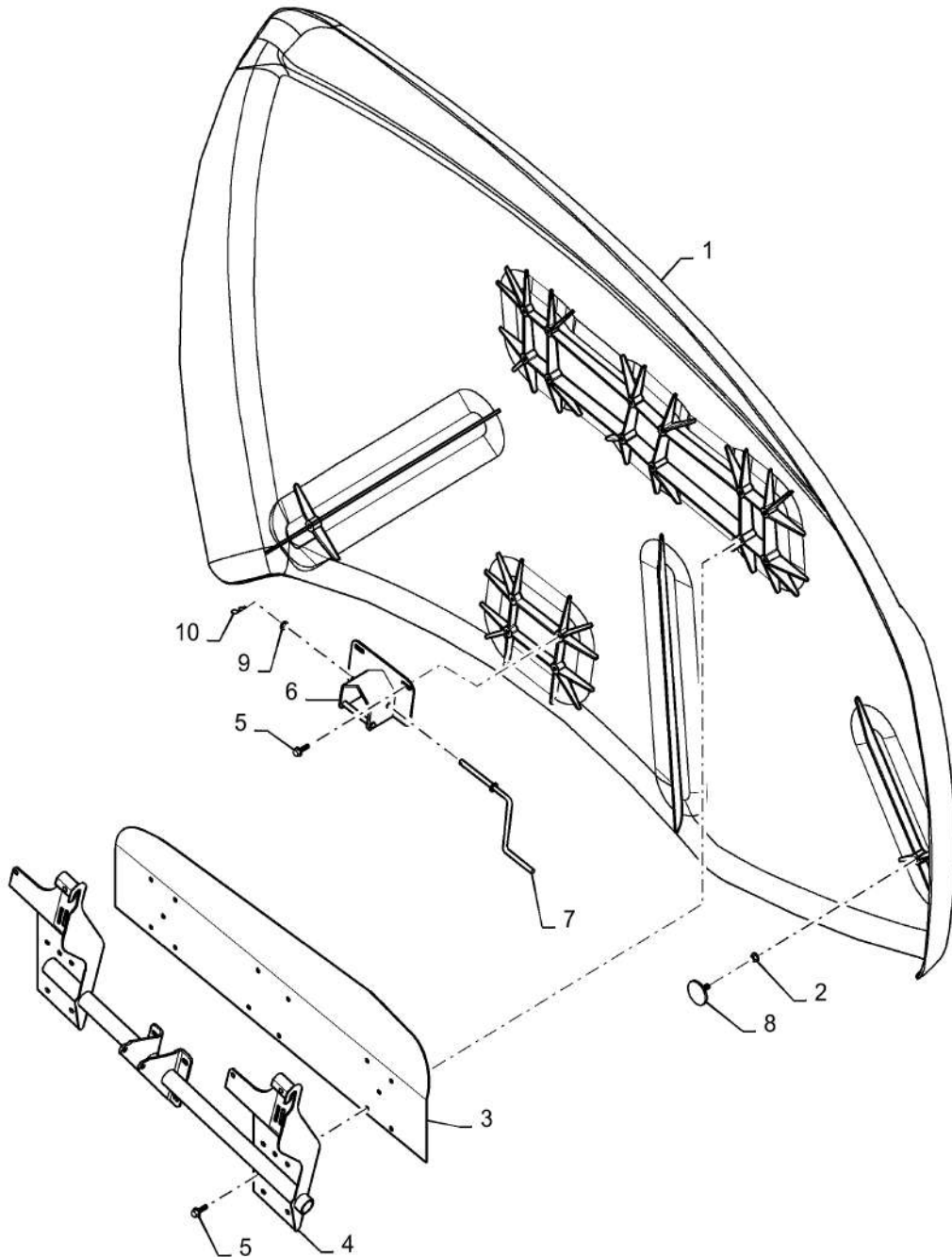


LH, DOOR MOUNTING

REF FN	PART NUMBER	YR/SN	QTY DESCRIPTION
1	0C		1 ORDER COMPONENTS Door, Assembly, LH
2	47419038		1 BRACKET
3	84324176		1 BRACKET
4	86628347		4 STUD M8 x 36.5mm OAL, 10mm OD Ball
5	47387253		2 GAS STRUT
6	0C		1 ORDER COMPONENTS Latch
7	9804278		8 FLANGE NUT M10 x 1.5, CI 8
8	9804277		2 FLANGE NUT Hex, M8 x 1.25, CI 8
9	86619801		6 FLANGE NUT M8 x 1.25, CI 8
10	9804261		4 BOLT Hex, M10 x 25mm, Full Thd, CI 8.8
11	86011090		2 BOLT Hex Flng, M10 x 70mm, CI 8.8
12	87698836		2 BOLT M10 x 25mm, Full Thd, CI 10.9
13	86507066		2 FLANGE NUT M8 x 1.25, CI 10
14	87695419		1 FLANGE BOLT M8 x 43.1mm, CI 10.9
15	84517258		1 MAGNET
16	86639313		1 WASHER 9mm ID x 24mm OD x 2mm Thk
17	322355		1 BELLEVILLE WASHER M4 x 10mm OD x 0.9mm Thk
18	10445821		1 SCREW Hex, M4 x 8mm, CI 8.8, Full Thd
19	308761		1 CARRIAGE BOLT M8 x 1.25 x 25mm, CI 8.8
20	87688487		1 LATCH ASSY.
21	47419806		1 COVER
22	47419163		1 BRACKET
23	140042		2 WASHER 11mm ID x 34mm OD x 3mm Thk
24	47561227		1 BRACKET LH

RB465-CASE IH ROUND BALER - EUROPE & R.O.W.

DOOR, LH

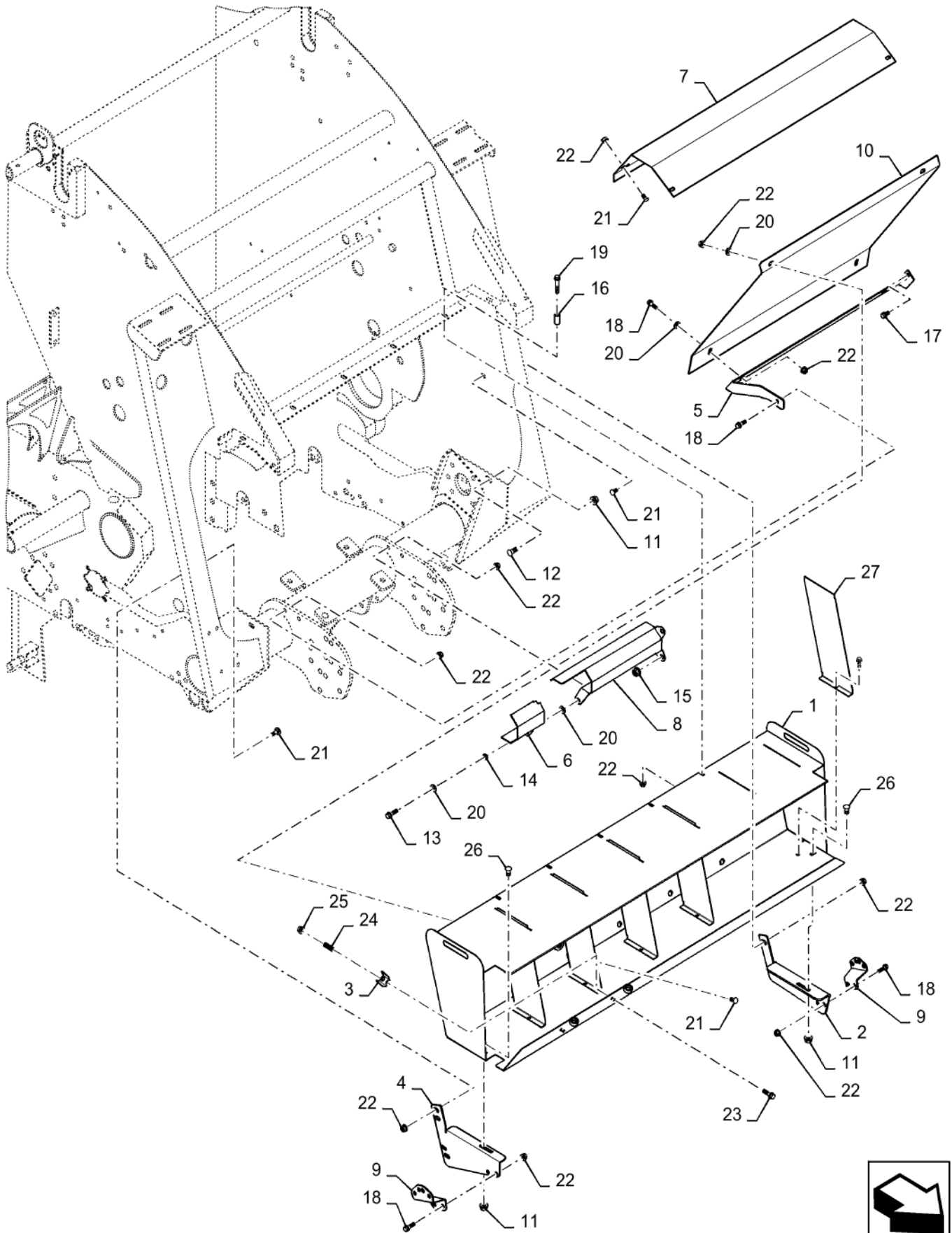


DOOR, LH

REF FN	PART NUMBER	YR/SN	QTY DESCRIPTION
1	84563684		1 DOOR LH
2	86619801		1 FLANGE NUT M8 x 1.25, Cl 8
3	47565567		1 SHIELD
4	47565504		1 BRACKET
5	9804258		16 BOLT Hex, M8 x 1.25 x 20mm, Cl 8.8
6	47419812		1 BRACKET
7	84542874		1 HANDLE
8	47554123		1 PLATE
9	86588501		1 WASHER 11mm ID x 20mm OD x 2.5mm Thk
10	280250		1 COTTER PIN 3/32" OD x 3/4" L

RB465-CASE IH ROUND BALER - EUROPE & R.O.W.

TWINE BOX, TWINE ONLY

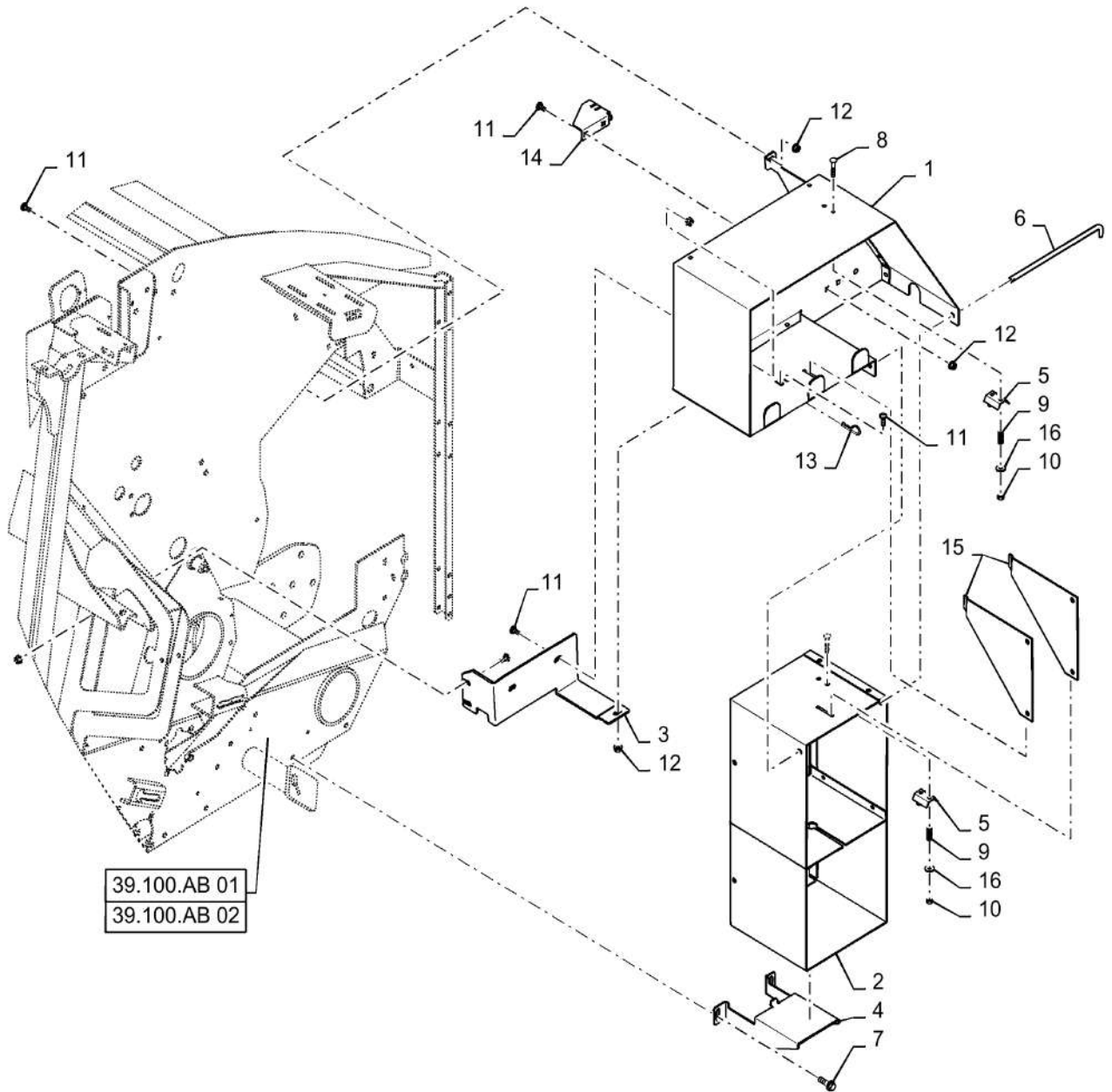


TWINE BOX, TWINE ONLY

REF FN	PART NUMBER	YR/SN	QTY DESCRIPTION
1	47809411		1 TWINE BOX
2	47540412		1 SUPPORT LH
3	9820171		2 BRACKET
4	47540404		1 SUPPORT RH
5	47513614		1 SUPPORT
6	47493104		1 SHIELD Output Shaft
7	84470972		1 SHIELD
8	47493103		1 SHIELD Output Shaft
9	47483275		2 BRACKET
10	47412382		1 CURTAIN Rubber
11	9804278		4 FLANGE NUT M10 x 1.5, CI 8
12	86633356		2 CARRIAGE BOLT M10 x 34.8mm, CI 8.8
13	86511842		1 BOLT M8 x 1.25 x 48.1mm OAL, CI 8.8
14	86624184		2 WASHER 9mm ID x 16mm OD x 1.6mm Thk
15	9804279		2 FLANGE NUT Hex, M12, CI 8
16	453155		5 RING
17	381014		1 SCREW Flng, M8 x 16mm
18	9671714		7 FLANGE BOLT Hex, M8 x 1.25 x 25mm, CI 8.8
19	86511843		5 BOLT Hex Flng, M8 x 1.25 x 60mm, CI 8.8
20	80664		8 WASHER 0.38" ID x 0.88" OD x 0.08" Thk
21	86507486		10 CARRIAGE BOLT M8 x 1.25 x 20mm, CI 8.8
22	9804277		23 FLANGE NUT Hex, M8 x 1.25, CI 8
23	86511840		4 BOLT Hex Flng, M6 x 1 x 40mm, CI 8.8
24	29840		4 SPRING Compression, 11.91mm OD x 25.4mm L
25	353308		4 NUT M6 x 1.0, CI 8
26	120041		2 CARRIAGE BOLT M10 x 20mm, CI 8.8
27	47809419		1 SUPPORT

RB465-CASE IH ROUND BALER - EUROPE & R.O.W.

TWINE BOX, STANDARD NET- TWINE, 794992016 AND PRIOR



TWINE BOX, STANDARD NET- TWINE, 794992016 AND PRIOR

REF FN	PART NUMBER	YR/SN	QTY DESCRIPTION
1	84324794		1 TWINE BOX
2	84324386		1 TWINE BOX
3	84337332		1 SUPPORT
4	84331721		1 SUPPORT
5	9820171		2 BRACKET
6	84335801		1 CONNECTING ROD
7	9804262		2 BOLT M10 x 39.2mm, CI 8.8
8	412327		4 CARRIAGE BOLT Short Sq Nk, M6 x 1 x 40mm, CI 8.8, Full Thd
9	29840		4 SPRING Compression, 11.91mm OD x 25.4mm L
10	353308		4 NUT M6 x 1.0, CI 8
11	86507486		8 CARRIAGE BOLT M8 x 1.25 x 20mm, CI 8.8
12	9804277		8 FLANGE NUT Hex, M8 x 1.25, CI 8
13	129365		1 COTTER PIN
14	84421267		1 SUPPORT
15	86551339		2 DIVIDER
16	80701		4 WASHER 0.31" ID x 0.73" OD x 0.07" Thk

RB465-CASE IH ROUND BALER - EUROPE & R.O.W.

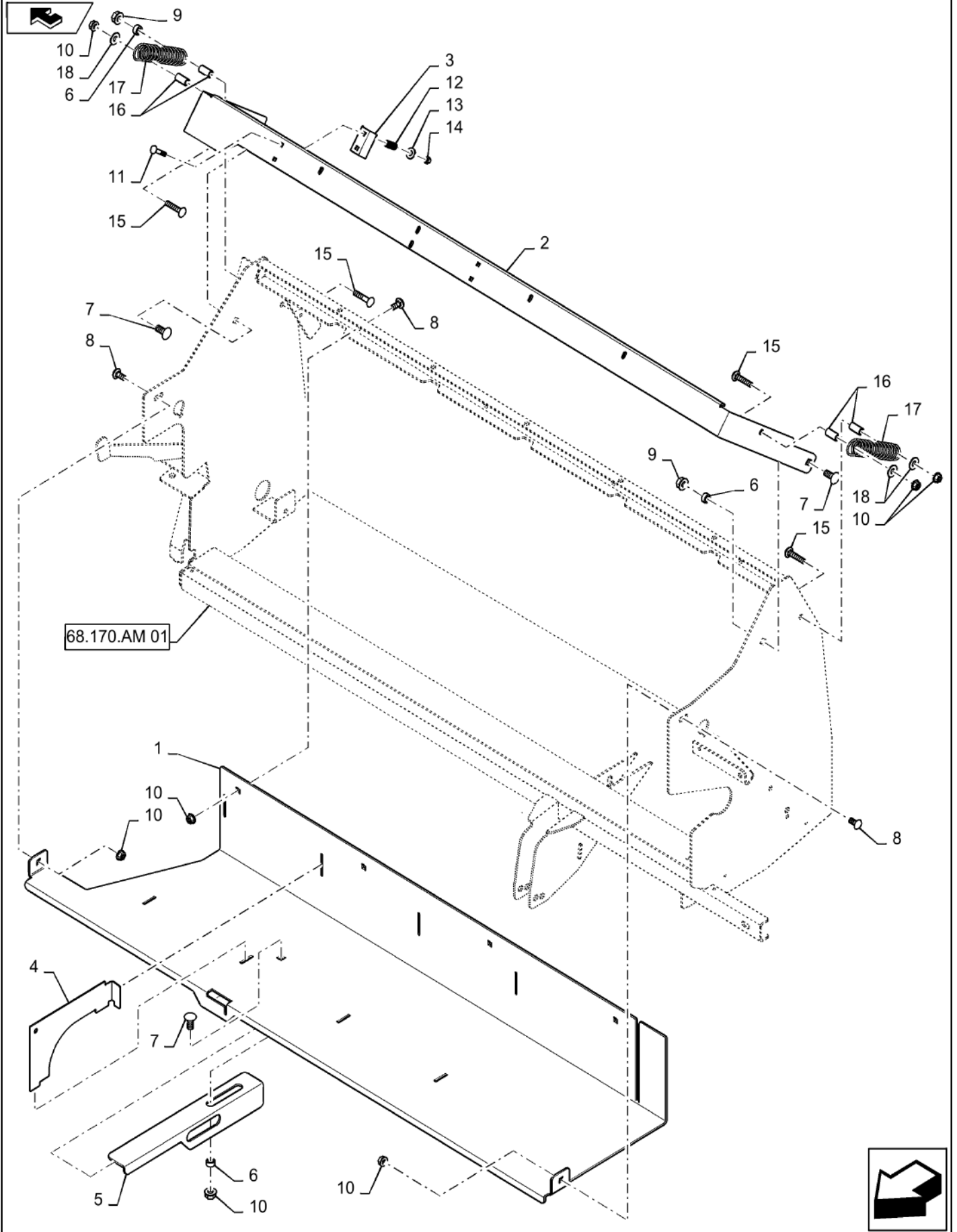
90.105.BR

03

p1

9/2015

STORAGE BOX, DELUXE NET TWINE

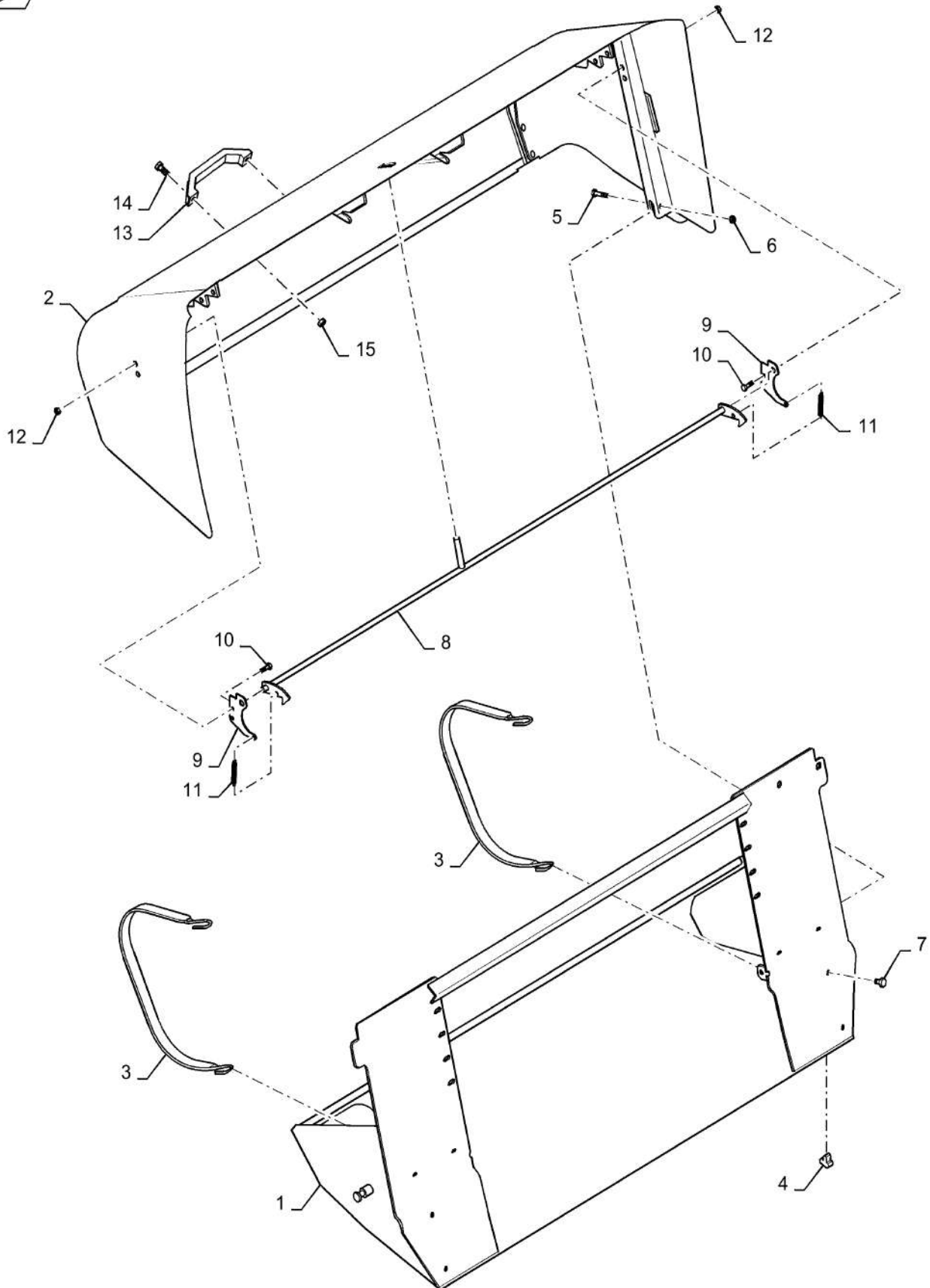


STORAGE BOX, DELUXE NET TWINE

REF FN	PART NUMBER	YR/SN	QTY DESCRIPTION
1	84580510		1 WRAPPER Top
2	84580511		1 SUPPORT Tensioner
3	9820171		2 BRACKET
4	84580512		4 DIVIDER Twine
5	84572787		1 SUPPORT Net Loading
6	133095		3 SPACER 10.32mm ID x 15.85mm OD x 7.9mm L
7	86633356		3 CARRIAGE BOLT M10 x 34.8mm, CI 8.8
8	86507486		6 CARRIAGE BOLT M8 x 1.25 x 20mm, CI 8.8
9	9804278		2 FLANGE NUT M10 x 1.5, CI 8
10	9804277		10 FLANGE NUT Hex, M8 x 1.25, CI 8
11	412327		4 CARRIAGE BOLT Short Sq Nk, M6 x 1 x 40mm, CI 8.8, Full Thd
12	29840		4 SPRING Compression, 11.91mm OD x 25.4mm L
13	80701		4 WASHER 0.31" ID x 0.73" OD x 0.07" Thk
14	353308		4 NUT M6 x 1.0, CI 8
15	86512444		3 CARRIAGE BOLT M8 x 1.25 x 40mm, Full Thd, CI 8.8
16	27695		3 BUSHING 9.53mm ID x 12.83mm OD x 25.4mm L
17	32379		2 SPRING Extension, 1-1/4" OD x 16-7/8" L
18	80664		3 WASHER 0.38" ID x 0.88" OD x 0.08" Thk

RB465-CASE IH ROUND BALER - EUROPE & R.O.W.

NET BOX, REAR



NET BOX, REAR

REF FN	PART NUMBER	YR/SN	QTY DESCRIPTION
1	84565098		1 SUPPORT
2	84565120		1 LID
3	87020998		2 STRAP
4	128104		2 BUMPER
5	386045		2 BOLT Hex, M8 x 1.25 x 45mm, CI 8.8
6	86619801		2 FLANGE NUT M8 x 1.25, CI 8
7	87698836		4 BOLT M10 x 25mm, Full Thd, CI 10.9
8	84374916		1 ROD
9	47490305		2 SUPPORT
10	9804255		4 BOLT Hex, M6 x 1 x 16mm, Full Thd, CI 8.8
11	12255		2 SPRING
12	86610198		4 INSERT M6 x 1
13	9837395		1 HANDLE
14	86508568		2 BOLT Hex, M6 x 1 x 16mm, CI 8.8
15	9804276		2 FLANGE NUT Hex, M6 x 1, CI 8

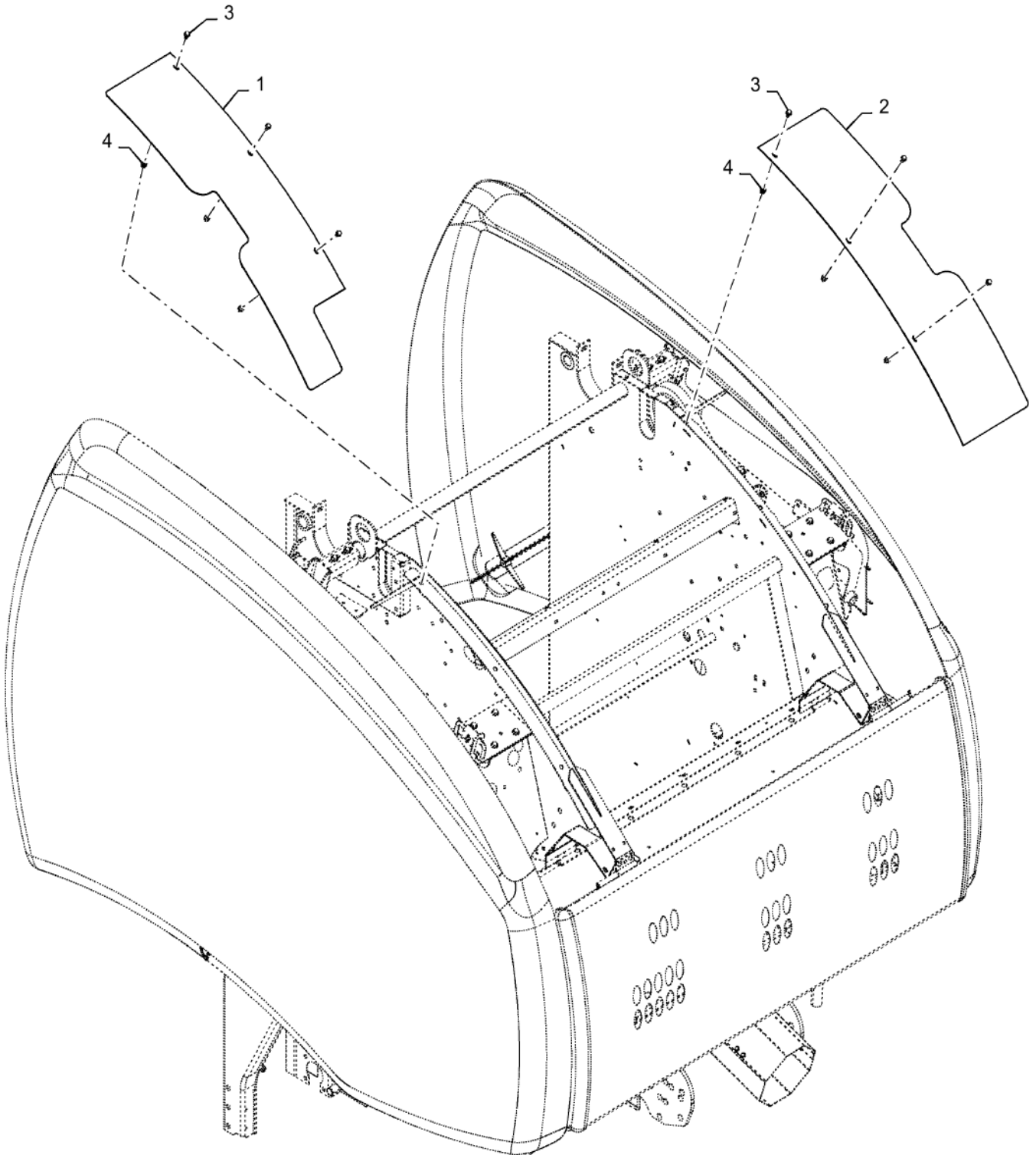
RB465-CASE IH ROUND BALER - EUROPE & R.O.W.

NET BOX, FRONT

REF FN	PART NUMBER	YR/SN	QTY DESCRIPTION
1	84580510		1 WRAPPER
2	84572787		1 SUPPORT Net Loading
3	86507486		7 CARRIAGE BOLT M8 x 1.25 x 20mm, CI 8.8
4	9804277		8 FLANGE NUT Hex, M8 x 1.25, CI 8
5	86633356		1 CARRIAGE BOLT M10 x 34.8mm, CI 8.8
6	133095		1 SPACER 10.32mm ID x 15.85mm OD x 7.9mm L
7	47370255		1 DIVIDER
8	9804278		1 FLANGE NUT M10 x 1.5, CI 8
9	47465275		1 SHAFT
10	86512444		1 CARRIAGE BOLT M8 x 1.25 x 40mm, Full Thd, CI 8.8
11	80664		3 WASHER 0.38" ID x 0.88" OD x 0.08" Thk
12	86629542		1 NUT M8 x 1.25, CI 8
13	47457573		1 LATCH

RB465-CASE IH ROUND BALER - EUROPE & R.O.W.

TOP, SHIELD



90.105.BV

02

p1

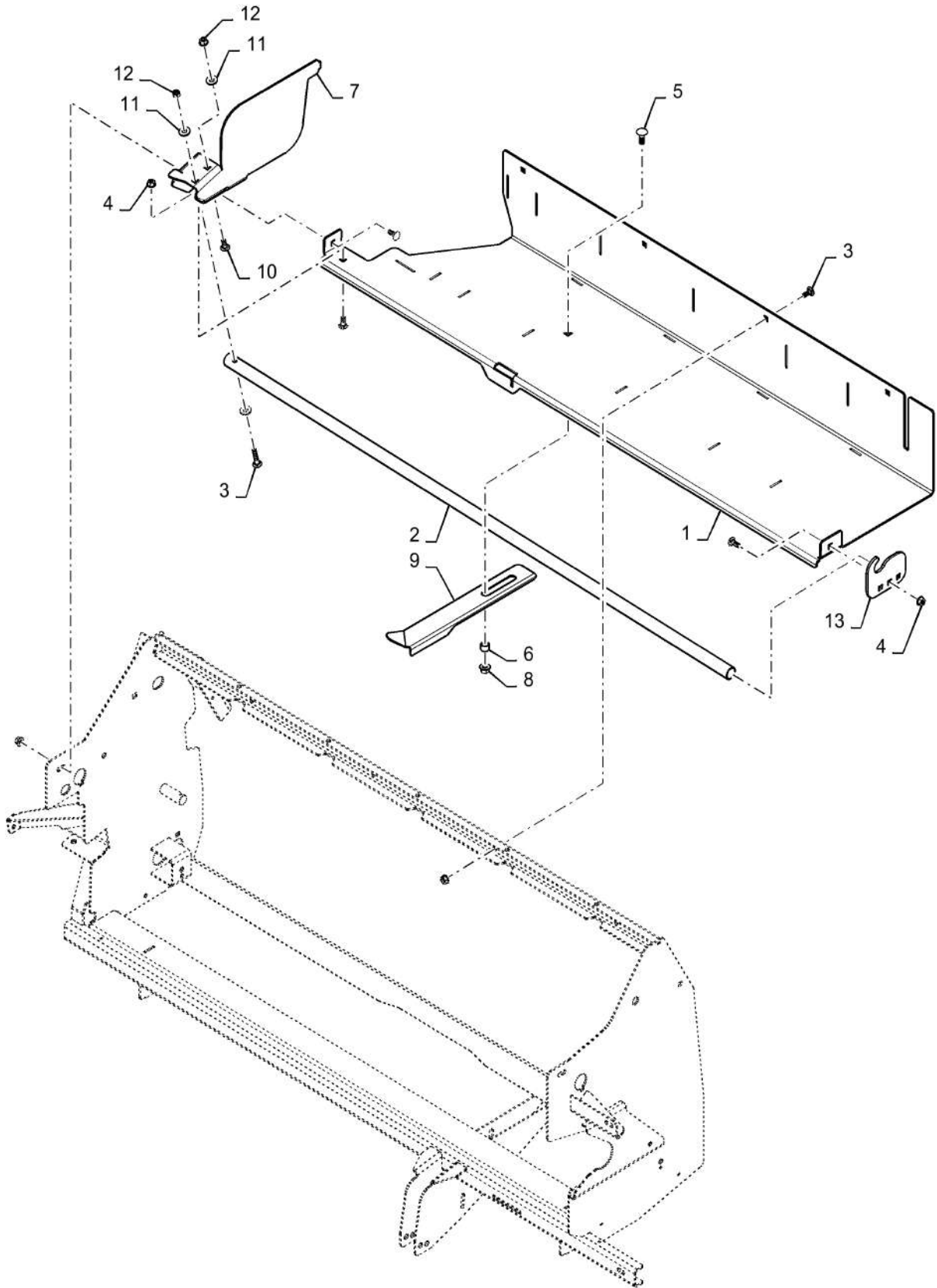
9/2015

TOP, SHIELD

REF FN	PART NUMBER	YR/SN	QTY DESCRIPTION
1	47482855		1 SHIELD Top, RH
2	47482860		1 SHIELD Top, LH
3	86511841		6 BOLT Flng, M8 x 1.25 x 16mm, Full Thd, Cl 8.8
4	86610200		6 THREADED INSERT M8 x 1.25

RB465-CASE IH ROUND BALER - EUROPE & R.O.W.

NET BOX, FRONT, NET ONLY



90.105.CL

01

p1

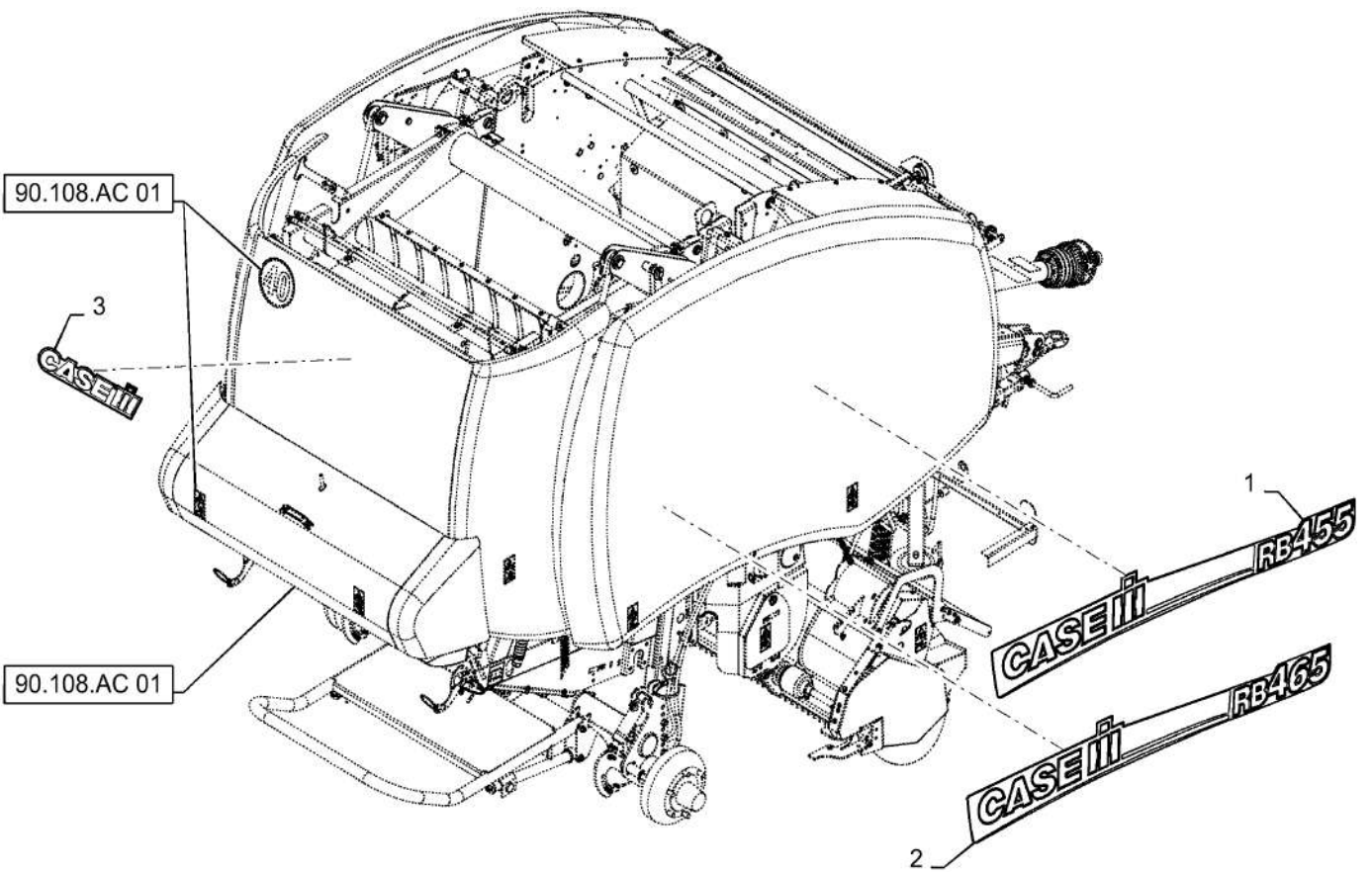
9/2015

NET BOX, FRONT, NET ONLY

REF FN	PART NUMBER	YR/SN	QTY DESCRIPTION
1	47496488		1 WRAPPER
2	47463692		1 SUPPORT
3	86507486		8 CARRIAGE BOLT M8 x 1.25 x 20mm, CI 8.8
4	9804277		8 FLANGE NUT Hex, M8 x 1.25, CI 8
5	86633356		1 CARRIAGE BOLT M10 x 34.8mm, CI 8.8
6	133095		1 SPACER 10.32mm ID x 15.85mm OD x 7.9mm L
7	47457566		1 DIVIDER
8	9804278		1 FLANGE NUT M10 x 1.5, CI 8
9	47465275		1 SHAFT
10	86512444		1 CARRIAGE BOLT M8 x 1.25 x 40mm, Full Thd, CI 8.8
11	80664		3 WASHER 0.38" ID x 0.88" OD x 0.08" Thk
12	86629542		1 NUT M8 x 1.25, CI 8
13	47465273		1 LATCH

RB465-CASE IH ROUND BALER - EUROPE & R.O.W.

DECALS, MODEL, RH



90.108.AB

01

p1

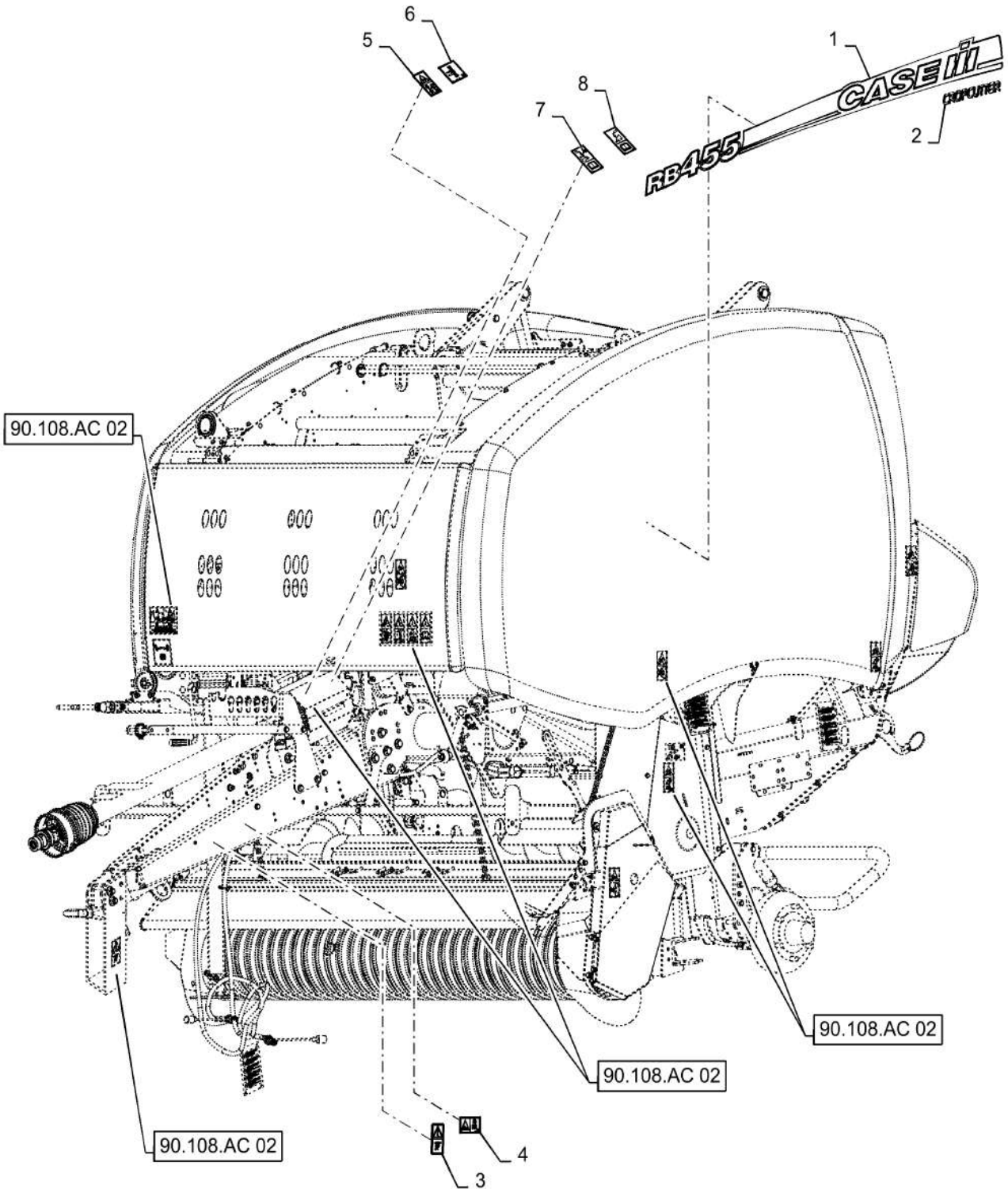
9/2015

DECALS, MODEL, RH

REF FN	PART NUMBER	YR/SN	QTY DESCRIPTION
1	47469394		1 DECAL RB455, CASE IH, RH
2	47469389		1 DECAL RB465, CASE IH, RH
3	87653274		1 DECAL CASE IH Logo

RB465-CASE IH ROUND BALER - EUROPE & R.O.W.

DECALS, MODEL, LH

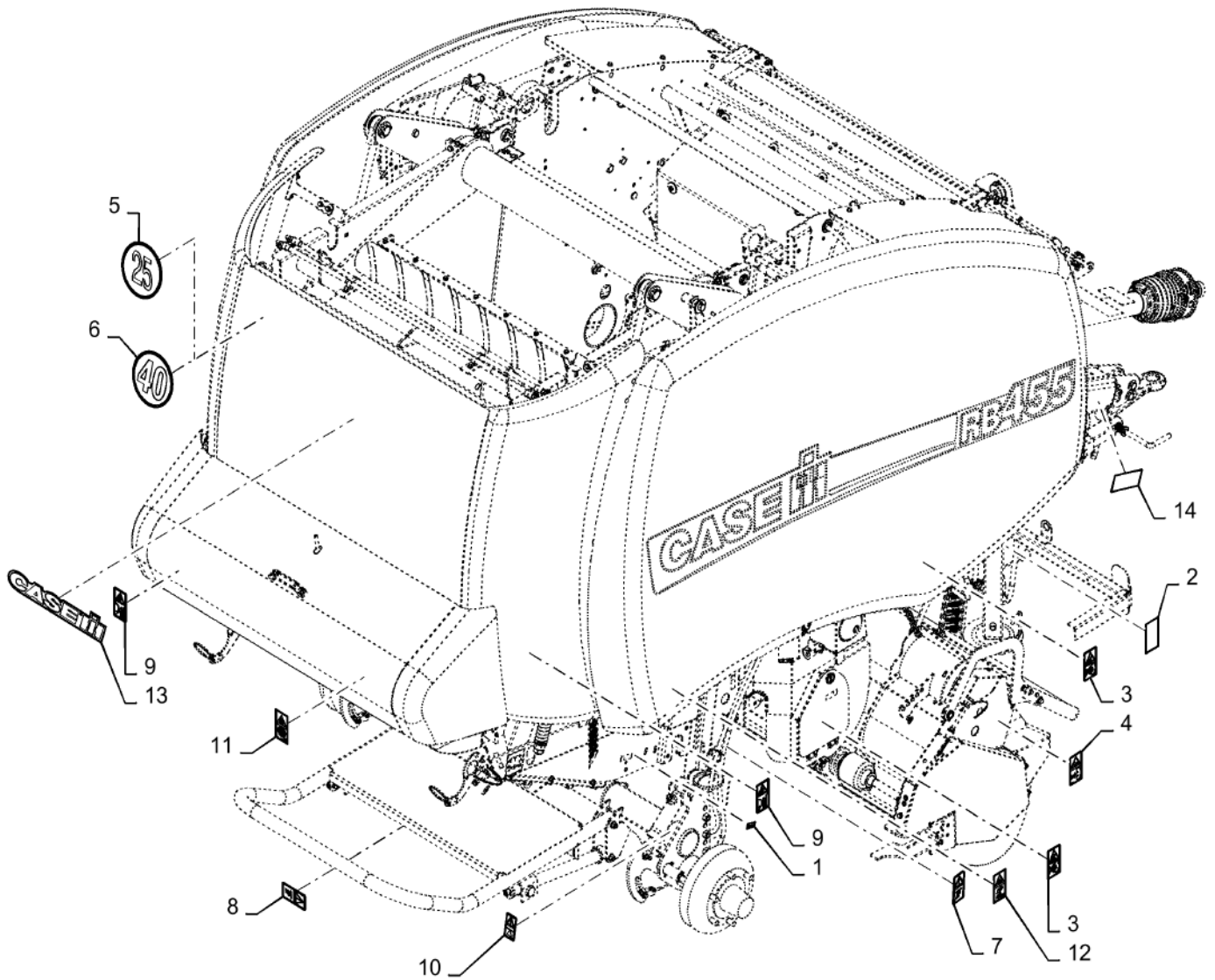


DECALS, MODEL, LH

REF FN	PART NUMBER	YR/SN	QTY DESCRIPTION
1	47469392		1 DECAL RB455 CASE IH, LH
1	47469387		1 DECAL RB465 CASE IH, LH
2	87653274		1 DECAL CASE IH Logo
3	84100296		1 DECAL Hold-Down
4	47361283		1 DANGER DECAL 1000 RPM
5	47361328		1 WARNING DECAL Moving Parts
6	47589136		1 DECAL Clutch Setting
7	87018641		1 DECAL Oil Level
8	47551341		1 DECAL Oil Level

RB465-CASE IH ROUND BALER - EUROPE & R.O.W.

DECALS, SAFETY AND INFORMATION, RH

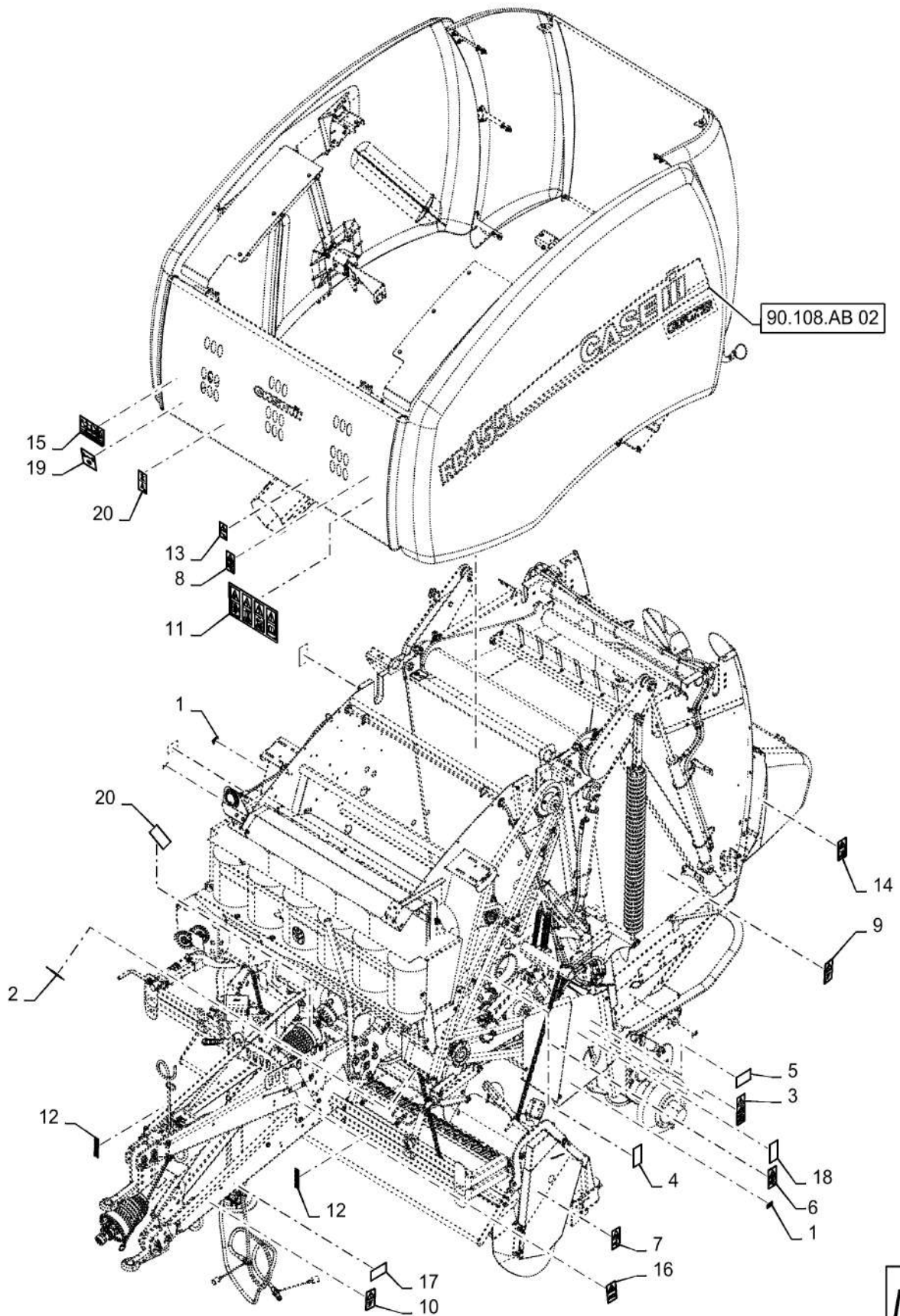


DECALS, SAFETY AND INFORMATION, RH

REF FN	PART NUMBER	YR/SN	QTY DESCRIPTION
1	165109		AR DECAL Lube Fitting
2	47377884		1 WARNING DECAL Serious Injury
3	84004734		1 WARNING DECAL Chain Entanglement
4	84004736		1 DANGER DECAL Auger Entanglement
5	47399813		1 DECAL 25 KPH
5	84012939		1 DECAL 40 KPH
6	84039535		1 DECAL 30 KPH
7	84078384		1 DECAL Jacking Location
8	84100296		2 DECAL Hold-Down
9	86516139		2 CAUTION DECAL Crushing Hazard
10	87022793		2 DECAL Read Operator's Manual
11	47361241		1 WARNING DECAL Roll Over Hazard
12	47361329		2 DANGER DECAL Tailgate Lockout
13	87653274		1 DECAL CASE IH Logo
14	47767033		1 DECAL Germany

RB465-CASE IH ROUND BALER - EUROPE & R.O.W.

DECALS, SAFETY AND INFORMATION, LH

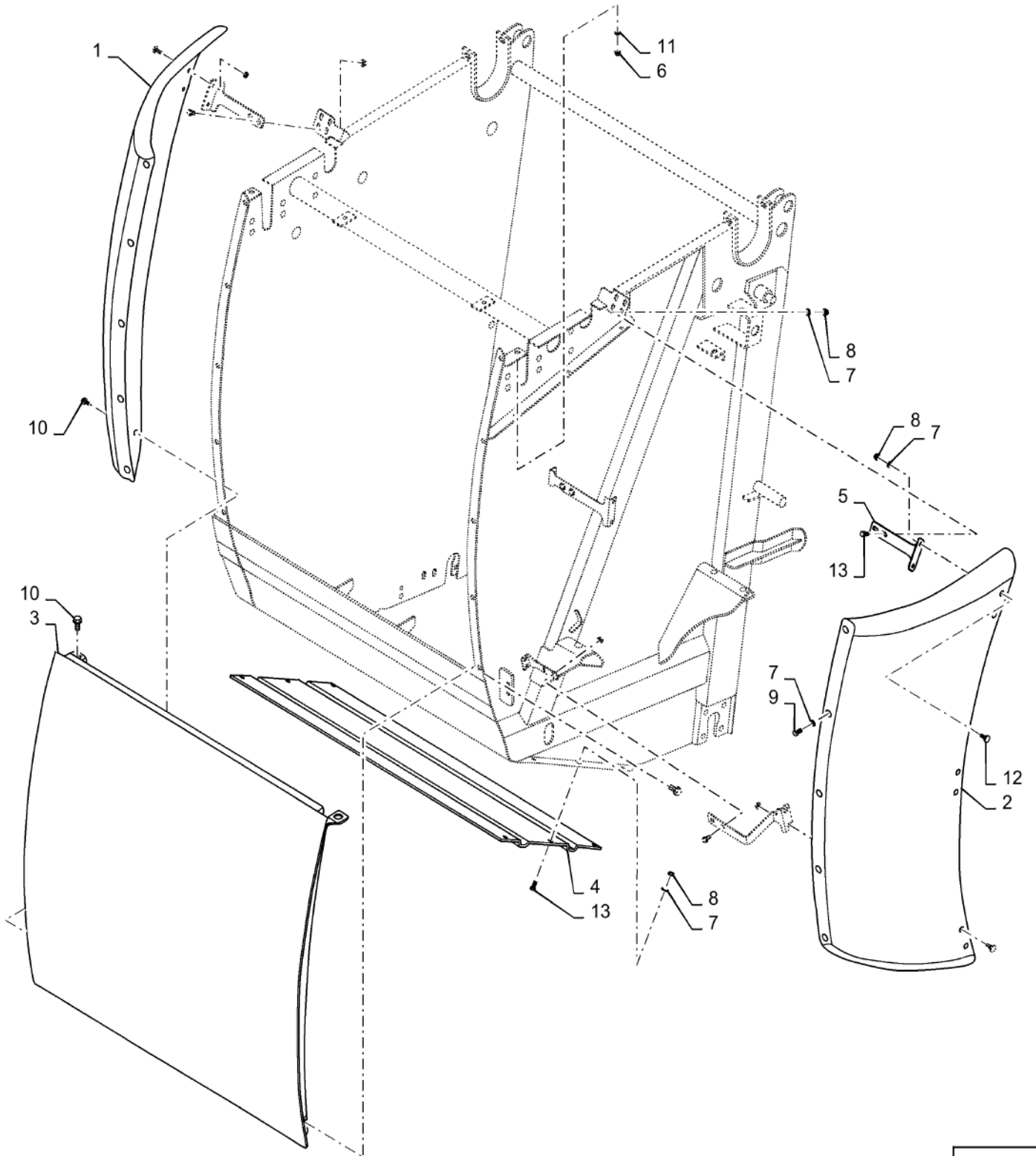


DECALS, SAFETY AND INFORMATION, LH

REF FN	PART NUMBER	YR/SN	QTY DESCRIPTION
1	165109		AR DECAL Lube Fitting
2	47377143		1 DANGER DECAL Pickup Crush
3	47361323		1 DANGER DECAL Tailgate Lockout
4	47377884		1 WARNING DECAL Serious Injury
5	47387483		1 DECAL Hydraulic Lockout
6	84004734		1 WARNING DECAL Chain Entanglement
7	84004736		1 DANGER DECAL Auger Entanglement
8	84014114		1 CAUTION DECAL Pinching Hazard
9	84439510		1 DECAL Jacking Location
10	84100296		1 DECAL Hold-down
11	86518436		1 WARNING DECAL Assembly
12	86619595		2 DECAL Stripe
13	86642359		1 WARNING DECAL Electric Risk
14	86516139		1 CAUTION DECAL Crushing Hazard
15	87017104		1 DECAL Park Brake, Italy
16	84005363		1 DANGER DECAL Pressurized, Explosive
17	47361283		1 DANGER DECAL 1000 RPM
18	47361329		2 DANGER DECAL Tailgate Lockout
19	84100367		1 DECAL Park Brake
20	47529555		1 DECAL Power Interrupt Switch
21	47727349		1 DECAL Premier Infinet®

RB465-CASE IH ROUND BALER - EUROPE & R.O.W.

TAILGATE SHIELDS

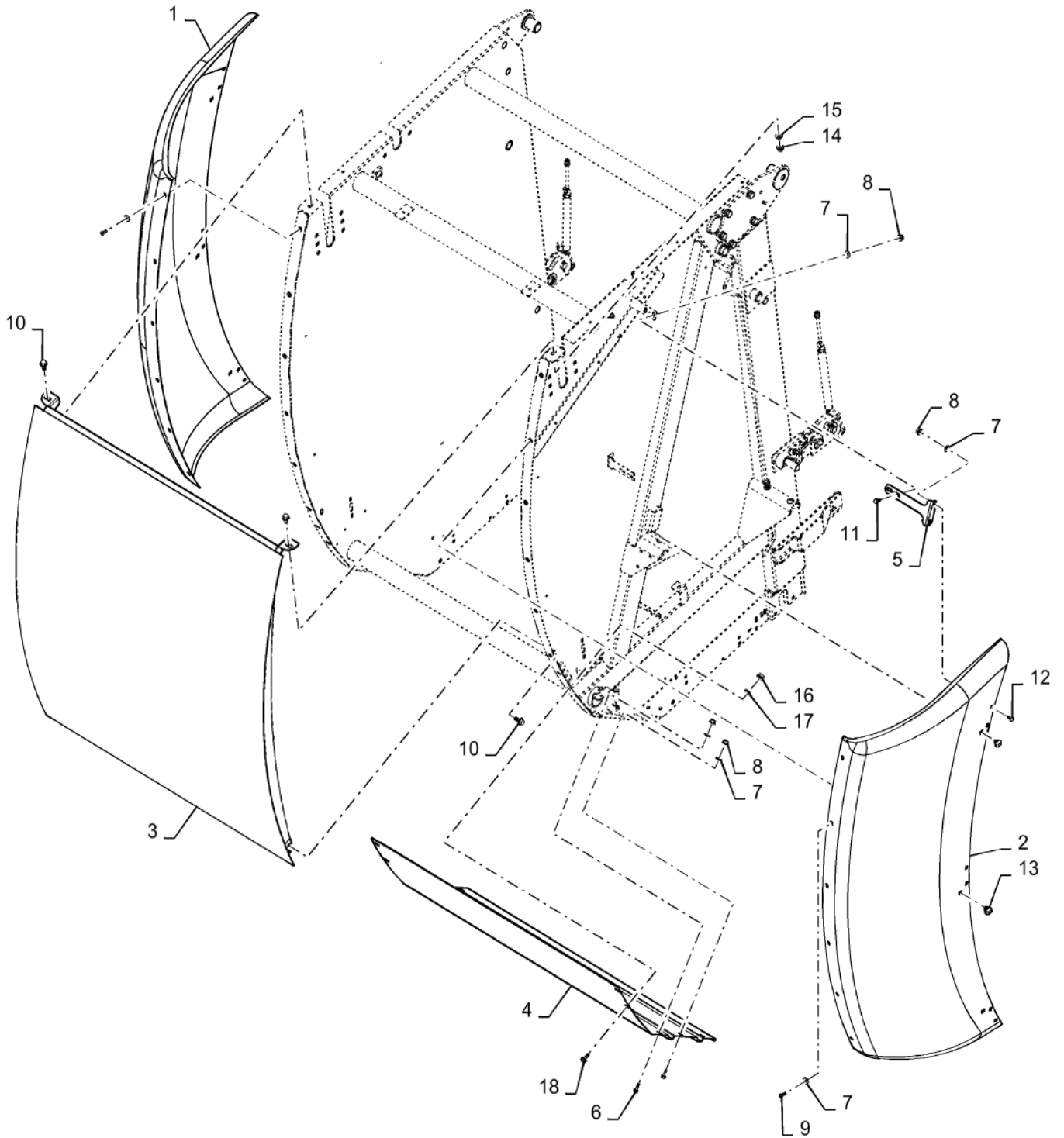


TAILGATE SHIELDS

REF FN	PART NUMBER	YR/SN	QTY DESCRIPTION
1	84556939		1 SHIELD LH
2	84556944		1 SHIELD RH
3	84559147		1 SHIELD Rear
4	84359376		1 SHIELD Bottom
5	84553387		4 PLATE
6	140046		2 BELLEVILLE WASHER M12 x 27mm OD x 1.8mm Thk
7	322358		16 BELLEVILLE WASHER M8 x 18mm OD x 1.4mm Thk
8	9804277		30 FLANGE NUT Hex, M8 x 1.25, Cl 8
9	84025547		10 HEX SOC SCREW BTN HD, M8 x 15.599mm, Cl 10.9
10	9804266		2 BOLT Hex, M12 x 25mm, Cl 8.8, Full Thd
11	140046		12 BELLEVILLE WASHER M12 x 27mm OD x 1.8mm Thk
12	86507486		12 CARRIAGE BOLT M8 x 1.25 x 20mm, Cl 8.8
13	9804258		6 BOLT Hex, M8 x 1.25 x 20mm, Cl 8.8

RB465-CASE IH ROUND BALER - EUROPE & R.O.W.

TAILGATE SHIELDS

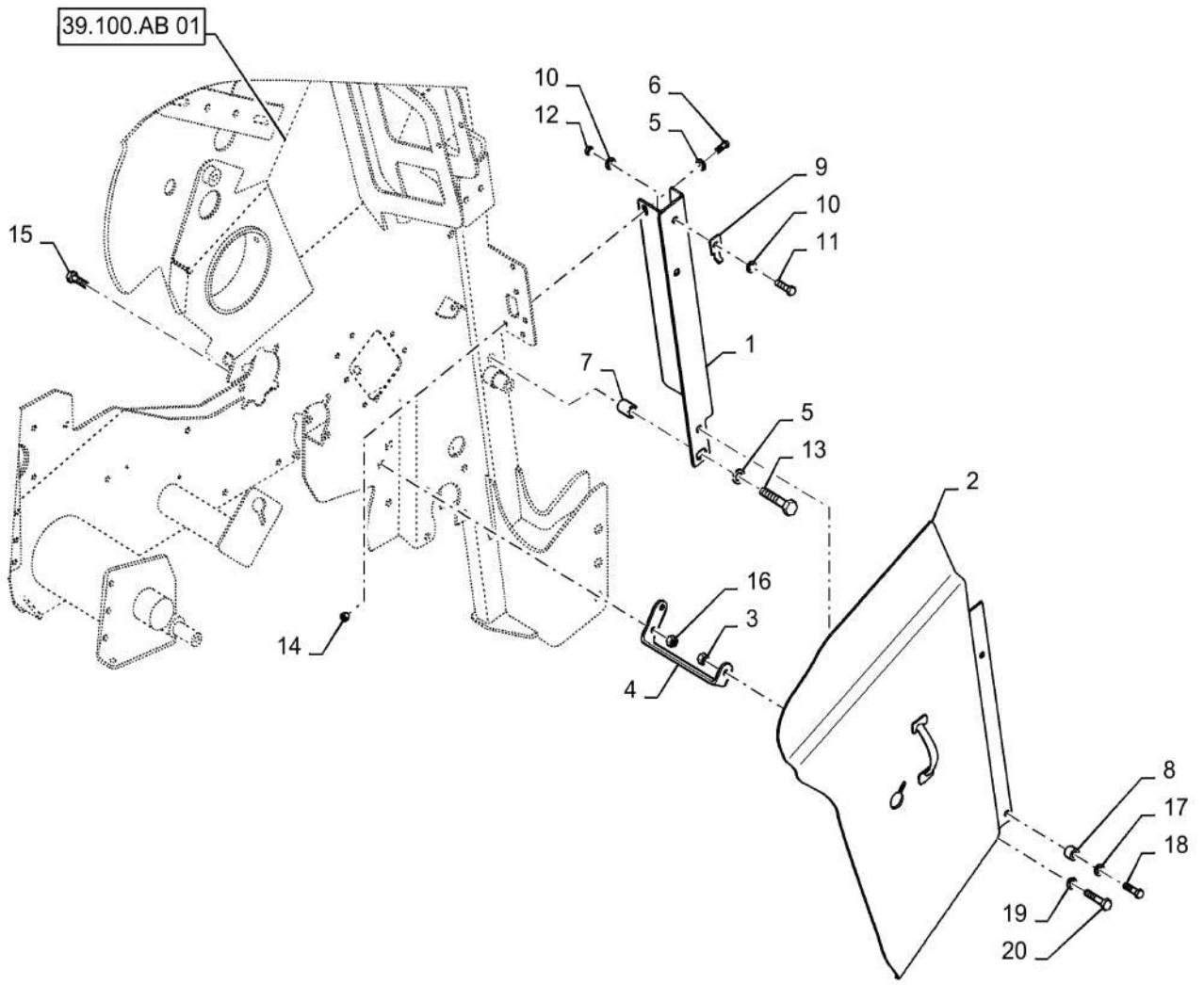


TAILGATE SHIELDS

REF FN	PART NUMBER	YR/SN	QTY DESCRIPTION
1	84556874		1 SHIELD LH
2	84556928		1 SHIELD RH
3	84557849		1 SHIELD Rear
4	47505640		1 SHIELD Bottom
5	84553387		6 PLATE
6	9671714		6 FLANGE BOLT Hex, M8 x 1.25 x 25mm, CI 8.8
7	322358		42 BELLEVILLE WASHER M8 x 18mm OD x 1.4mm Thk
8	9804277		30 FLANGE NUT Hex, M8 x 1.25, CI 8
9	84025547		12 HEX SOC SCREW BTN HD, M8 x 15.599mm, CI 10.9
10	9804266		4 BOLT Hex, M12 x 25mm, CI 8.8, Full Thd
11	9804258		12 BOLT Hex, M8 x 1.25 x 20mm, CI 8.8
12	86507486		12 CARRIAGE BOLT M8 x 1.25 x 20mm, CI 8.8
13	128104		6 BUMPER
14	9804279		2 FLANGE NUT Hex, M12, CI 8
14	87698836		4 BOLT M10 x 25mm, Full Thd, CI 10.9
15	140046		2 BELLEVILLE WASHER M12 x 27mm OD x 1.8mm Thk
16	9804278		4 FLANGE NUT M10 x 1.5, CI 8
17	140045		4 BELLEVILLE WASHER M10X22 ZNM
18	87698836		4 BOLT M10 x 25mm, Full Thd, CI 10.9

RB465-CASE IH ROUND BALER - EUROPE & R.O.W.

SHIELD PICK-UP DRIVE CHAIN



90.119.AB

01

p1

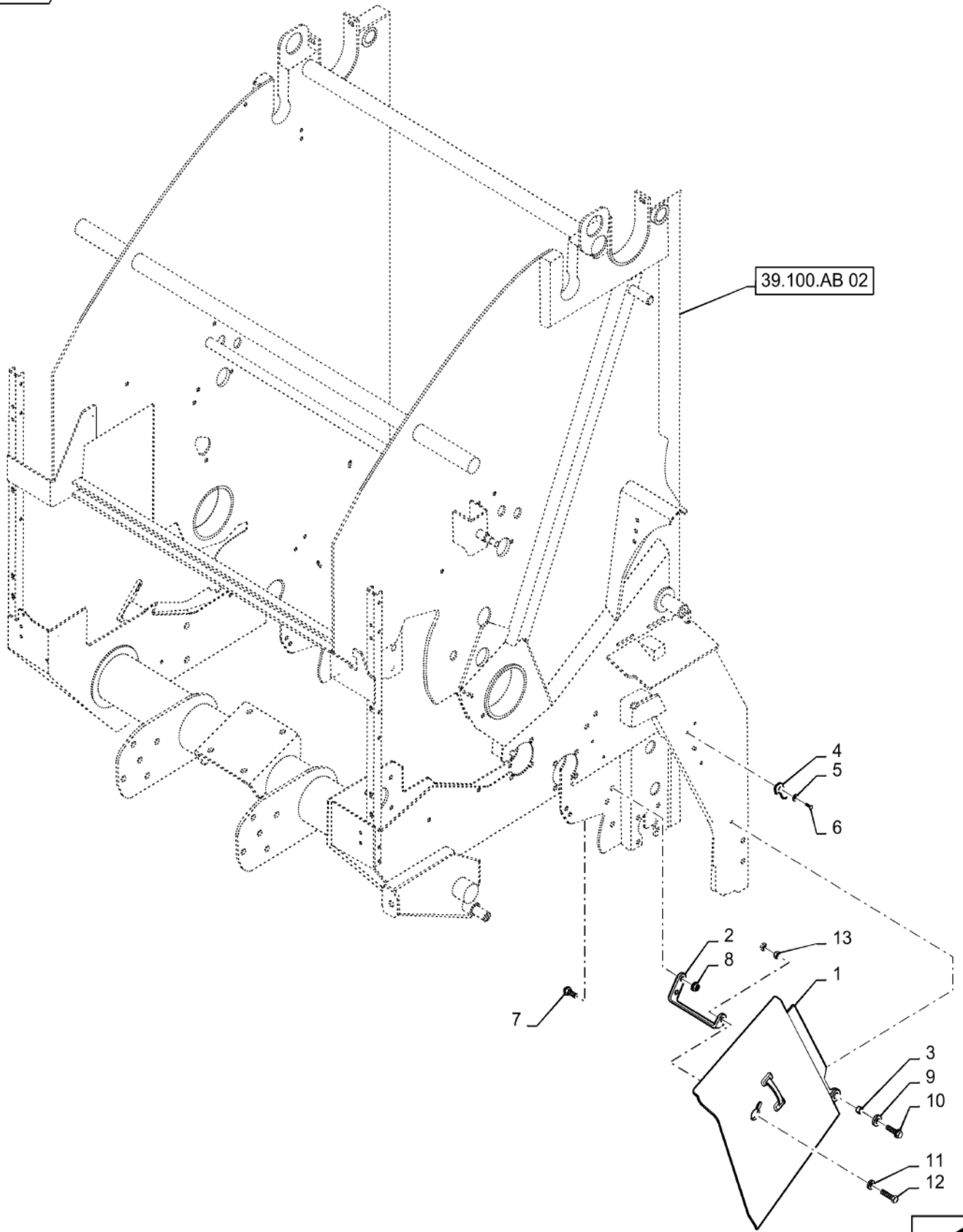
9/2015

SHIELD PICK-UP DRIVE CHAIN

REF FN	PART NUMBER	YR/SN	QTY DESCRIPTION
1	84299326		1 BRACKET
2	84299333		1 SHIELD
3	100016		2 NUT M10 x 1.5, CI 8
4	84300728		1 ANGLE
5	322358		3 BELLEVILLE WASHER M8 x 18mm OD x 1.4mm Thk
6	9804258		2 BOLT Hex, M8 x 1.25 x 20mm, CI 8.8
7	87036415		1 SPACER 9.25mm ID x 13.72 OD x 19.05mm L
8	698748		1 BUSHING 10.3mm ID x 15.88mm OD x 9.53mm L
9	47325		1 CLIP
10	9824840		2 WASHER 4.3mm ID x 9mm OD x 0.8mm Thk
11	385683		1 BOLT M4 x 0.7 x 12.92mm, CI 8.8
12	100012		1 NUT M4 x 0.7, CI 8
13	86511842		1 BOLT M8 x 1.25 x 48.1mm OAL, CI 8.8
14	9804277		2 FLANGE NUT Hex, M8 x 1.25, CI 8
15	120041		2 CARRIAGE BOLT M10 x 20mm, CI 8.8
16	86050279		3 FLANGE NUT M10 x 1.5, CI 10
17	86642464		1 WASHER 11mm ID x 30mm OD x 2.5mm Thk
18	86705429		1 BOLT M10 x 34.2mm OAL, Full Thd, CI 10.9
19	120113		1 BOLT Hex, M10 x 1.5 x 50mm, CI 8.8, Full Thd
20	86511323		1 WASHER 10.5mm ID x 20mm OD x 2mm Thk

RB465-CASE IH ROUND BALER - EUROPE & R.O.W.

SHIELD, PICK-UP DRIVE CHAIN



39.100.AB 02

- 4
- 5
- 6
- 7
- 8
- 13
- 1
- 3
- 9
- 10
- 11
- 12



SHIELD, PICK-UP DRIVE CHAIN

REF FN	PART NUMBER	YR/SN	QTY DESCRIPTION
1	84364028		1 PROTECTION PLATE Pickup Drive Chain, Stuffer
2	84300728		1 ANGLE
3	698748		1 BUSHING 10.3mm ID x 15.88mm OD x 9.53mm L
4	47325		1 CLIP
5	9824840		1 WASHER 4.3mm ID x 9mm OD x 0.8mm Thk
6	385683		1 BOLT M4 x 0.7 x 12.92mm, CI 8.8
7	120041		2 CARRIAGE BOLT M10 x 20mm, CI 8.8
8	86050279		2 FLANGE NUT M10 x 1.5, CI 10
9	86642464		1 WASHER 11mm ID x 30mm OD x 2.5mm Thk
10	86705429		1 BOLT M10 x 34.2mm OAL, Full Thd, CI 10.9
11	86511323		1 WASHER 10.5mm ID x 20mm OD x 2mm Thk
12	120113		1 BOLT Hex, M10 x 1.5 x 50mm, CI 8.8, Full Thd
13	100016		2 NUT M10 x 1.5, CI 8

RB465-CASE IH ROUND BALER - EUROPE & R.O.W.

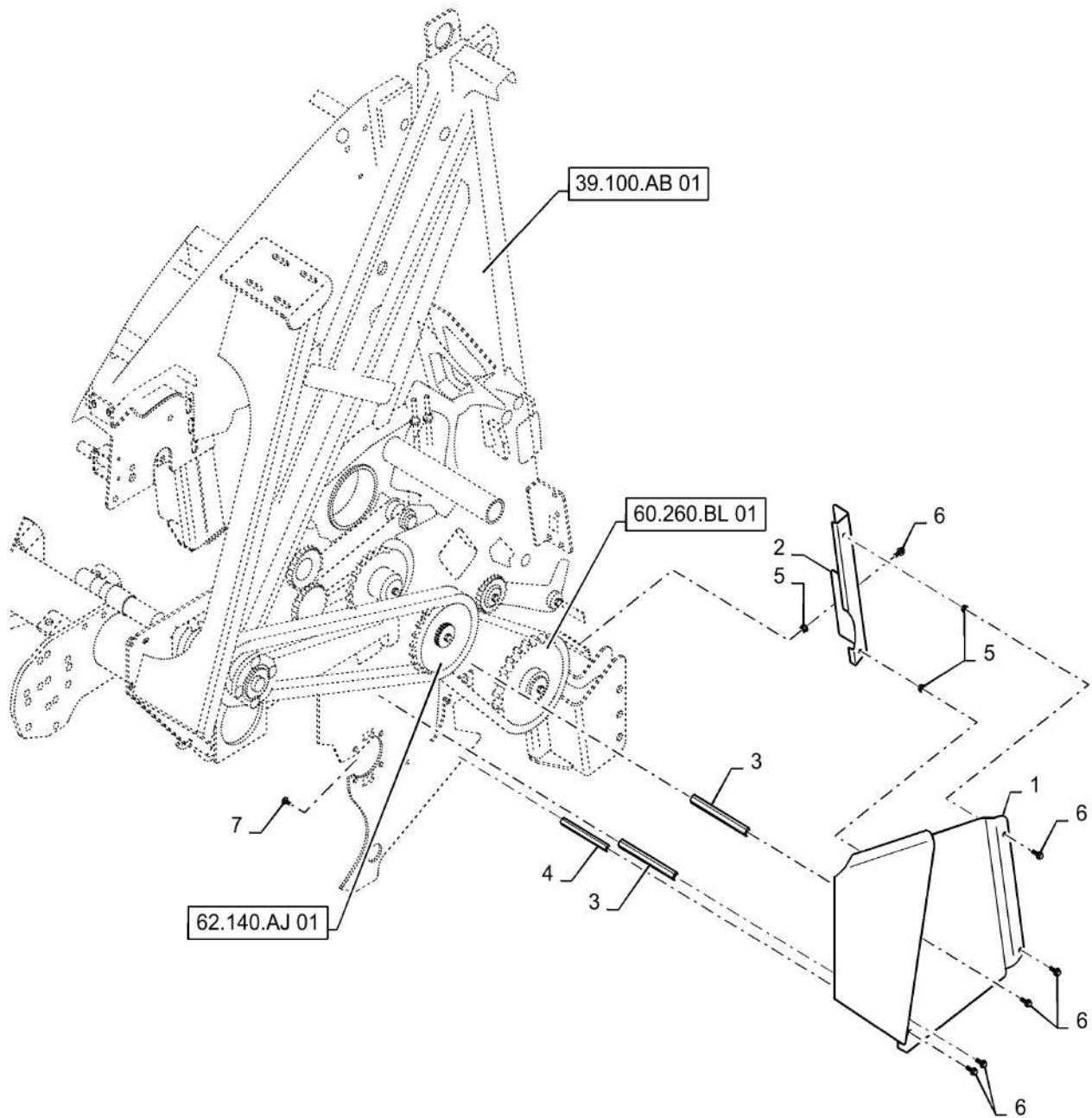
90.119.AB

03

p1

9/2015

ROTOR SHIELD, 4 X 5



90.119.AB

03

p1

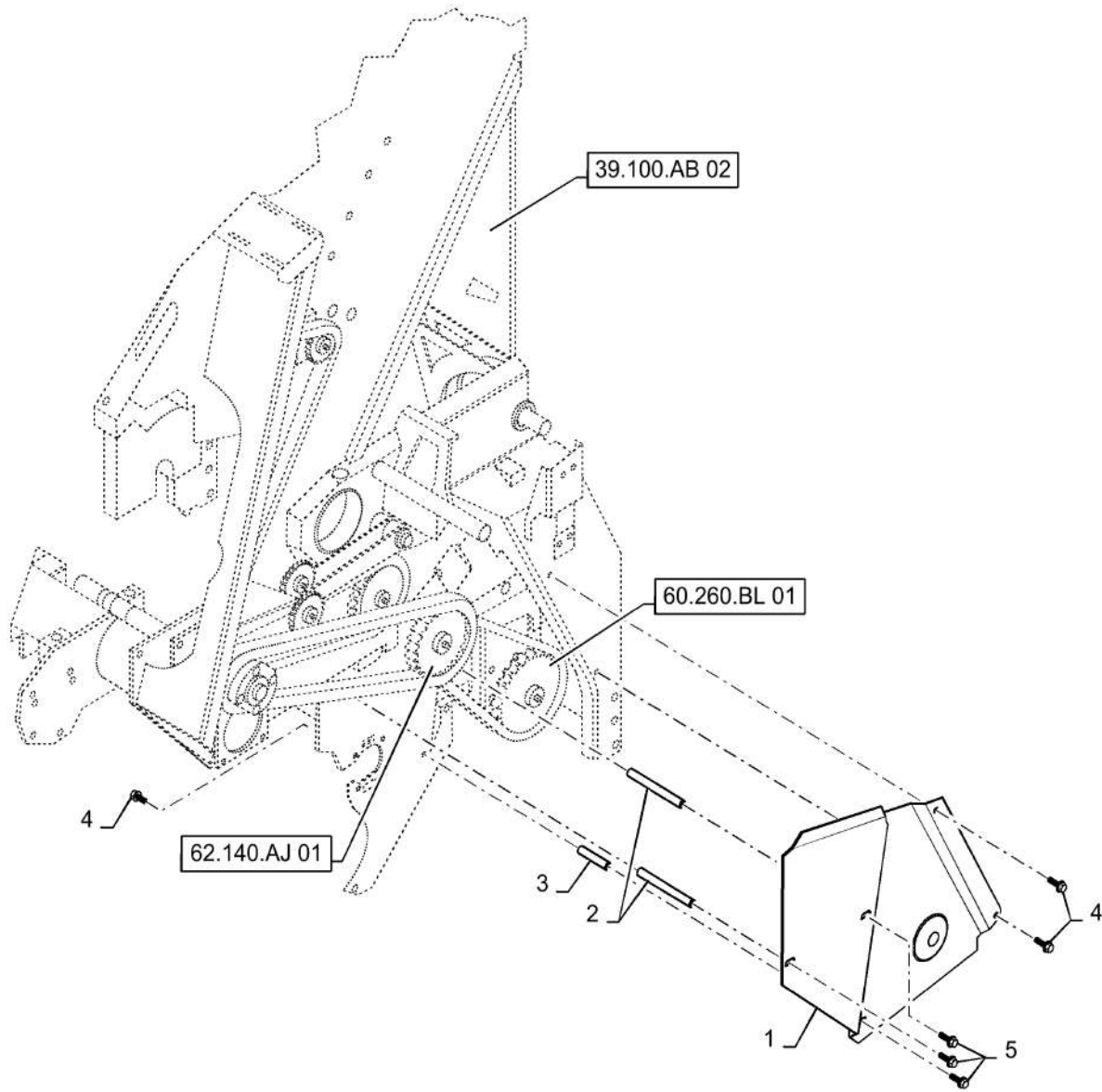
9/2015

ROTOR SHIELD, 4 X 5

REF FN	PART NUMBER	YR/SN	QTY DESCRIPTION
1	47756514		1 SHIELD LH
2	84564162		1 SUPPORT
3	84572953		2 SHAFT
4	84572954		1 SHAFT
5	86610200		6 THREADED INSERT M8 x 1.25
6	9804258		10 BOLT Hex, M8 x 1.25 x 20mm, CI 8.8
7	86507486		4 CARRIAGE BOLT M8 x 1.25 x 20mm, CI 8.8
8	47597729		1 SUPPORT
9	9804277		2 FLANGE NUT Hex, M8 x 1.25, CI 8

RB465-CASE IH ROUND BALER - EUROPE & R.O.W.

ROTOR SHIELD, 4 X 6



90.119.AB

04

p1

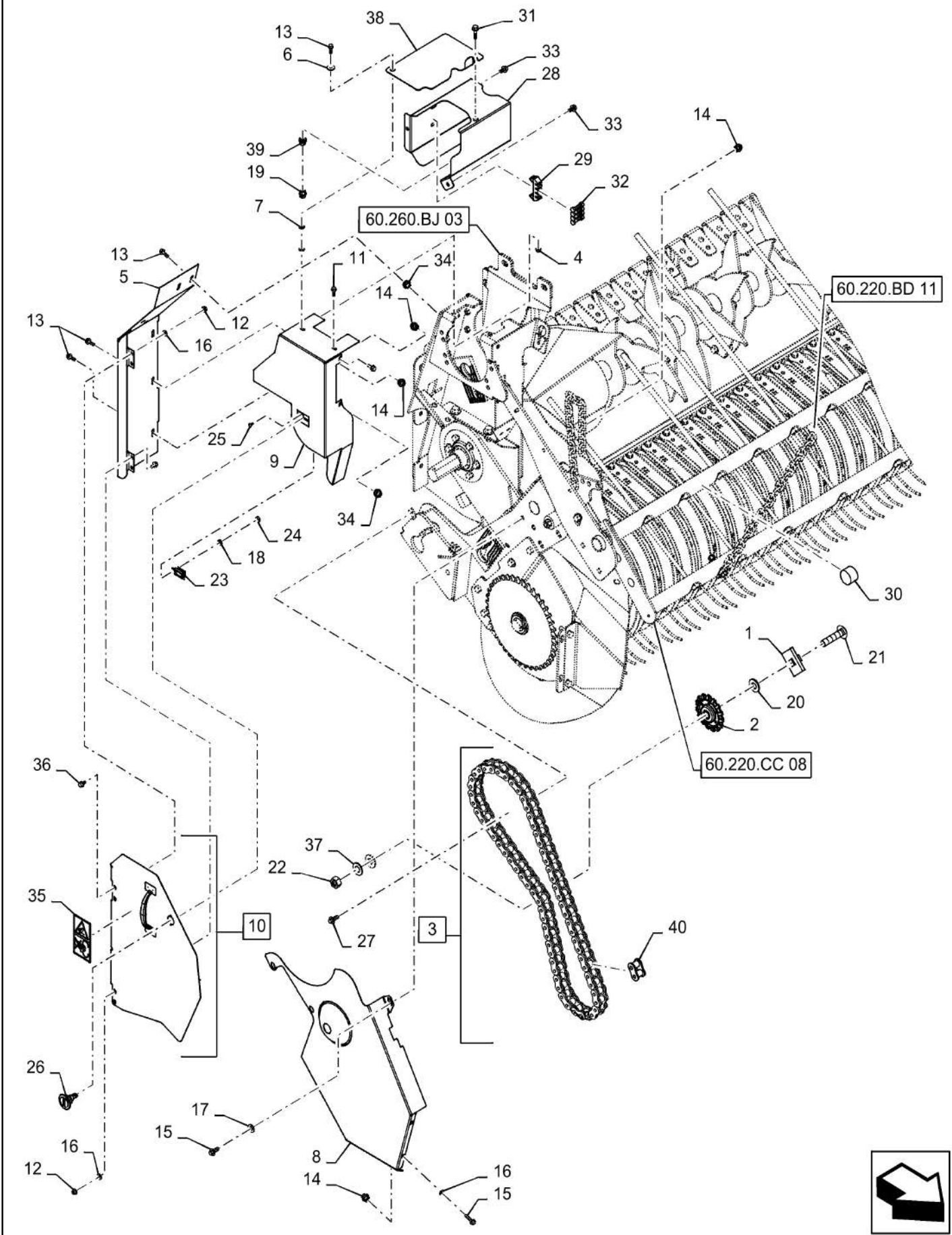
9/2015

ROTOR SHIELD, 4 X 6

REF FN	PART NUMBER	YR/SN	QTY DESCRIPTION
1	47597430		1 SHIELD LH
2	84572953		1 SHAFT
3	47395497		2 SHAFT
4	84572954		1 SHAFT
5	9804258		6 BOLT Hex, M8 x 1.25 x 20mm, Cl 8.8
6	86507486		4 CARRIAGE BOLT M8 x 1.25 x 20mm, Cl 8.8
7	47597729		1 SUPPORT
8	9804277		2 FLANGE NUT Hex, M8 x 1.25, Cl 8

RB465-CASE IH ROUND BALER - EUROPE & R.O.W.

ROTOR, SHIELD, RH, OVERSHOT FEEDER

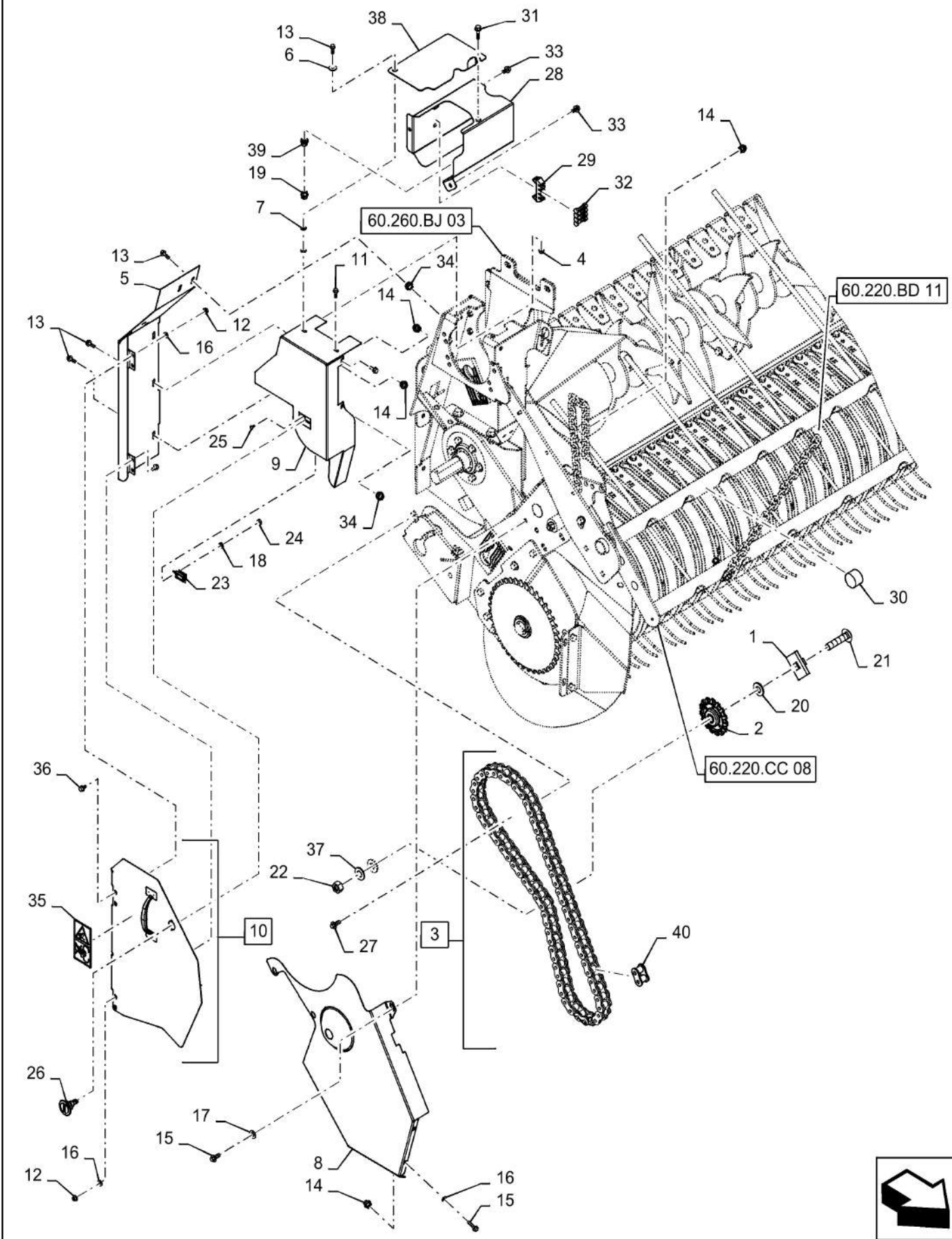


ROTOR, SHIELD, RH, OVERSHOT FEEDER

REF FN	PART NUMBER	YR/SN	QTY DESCRIPTION
1	47377066		1 PLATE
2	84602660		1 IDLER 15T, RC60
3	84414870		1 CHAIN RC60, 92 Total Pitches, Incl 34
4	140048		1 BELLEVILLE WASHER M16 x 32mm OD x 2.8mm Thk
5	84485546		1 SHIELD
6	86050272		4 BOLT M6 x 1.0 x 18.6mm OAL, CI 8.8, Full Thd
7	47532151		1 COVER
8	47552007		1 SHIELD
9	84549559		1 SHIELD
10	47552056		1 DOOR
11	9804255		6 BOLT Hex, M6 x 1 x 16mm, Full Thd, CI 8.8
12	9804276		9 FLANGE NUT Hex, M6 x 1, CI 8
13	9804256		5 BOLT Hex, M6 x 1 x 20mm, Full Thd, CI 8.8
14	86610198		7 INSERT M6 x 1
15	9804257		3 FLANGE BOLT M6 x 1.0 x 31.6mm, CI 8.8
16	322357		6 BELLEVILLE WASHER M6 x 14mm OD x 1.3mm Thk
17	80701		1 WASHER 0.31" ID x 0.73" OD x 0.07" Thk
18	80684		2 LOCK WASHER 4.9mm ID x 8.48mm OD x 1.19mm Thk
19	86512439		3 CARRIAGE BOLT M6 x 16mm, CI 8.8
20	130358		2 WASHER 16.28mm ID x 38.35mm OD x 4.11mm Thk
21	120047		1 CARRIAGE BOLT M16 x 70mm, CI 8.8
22	100020		1 NUT M16 x 2.0, CI 8
23	9840986		1 CLIP
24	87304		2 NUT #10-24
25	84821		2 SCREW Truss HD, #10 - 24 x 1/2"
26	86512919		1 LATCH
27	9804258		2 BOLT Hex, M8 x 1.25 x 20mm, CI 8.8
28	47438776		1 SHIELD
29	52367		1 HOLDER

RB465-CASE IH ROUND BALER - EUROPE & R.O.W.

ROTOR, SHIELD, RH, OVERSHOT FEEDER



ROTOR, SHIELD, RH, OVERSHOT FEEDER

REF FN	PART NUMBER	YR/SN	QTY DESCRIPTION
30	86619595		2 DECAL
31	86610199		5 INSERT
32	46047		4 BOLT AND NUT
33	86511841		1 BOLT Flng, M8 x 1.25 x 16mm, Full Thd, Cl 8.8
34	84134452		1 CONNECTING LINK RC60, 3/4" Pitch
35	84004734		1 WARNING DECAL Serious Injury
36	86050272		4 BOLT M6 x 1.0 x 18.6mm OAL, Cl 8.8, Full Thd
37	140048		1 BELLEVILLE WASHER M16 x 32mm OD x 2.8mm Thk
38	47724352		1 SHIELD
39	86610200		1 THREADED INSERT M8 x 1.25
40	84134452		1 CONNECTING LINK RC60, 3/4" Pitch

RB465-CASE IH ROUND BALER - EUROPE & R.O.W.

INDEX - INDICE - INDEX - ZAHLENVERZEICHNIS - INDICE - INDICE - INDHOLD - INHOUD

Number	Figure	Sequence	Ref.	Number	Figure	Sequence	Ref.
	00.000.00	02	05	0C	62.140.AQ	02	10
	00.000.00	02	27	0C	62.140.AQ	04	14
	00.000.00	02	31	0C	62.140.AQ	06	10
	00.000.00	02	33	0C	68.170.AH	02	1
	00.000.00	02	35	0C	68.170.AH	02	3
	00.000.00	02	39	0C	68.170.AM	01	2
	00.000.00	02	55	0C	68.180.AA		1
	00.000.00	02	60	0C	68.180.AA		2
	00.000.00	02	62	0C	68.180.BO	01	1
	00.000.00	02	68	0C	88.100.60	03	21
	00.000.00	02	70	0C	90.105.BH	01	1
	00.000.00	02	71	0C	90.105.BH	01	6
	00.000.00	02	88	0C	90.105.BH	03	1
	00.000.00	02	90	0C	90.105.BH	04	1
	05.100.03	02	1	0C	90.105.BH	04	6
	05.100.03	02	2	0C	90.105.BH	06	1
	05.100.03	02	3	0C	90.105.BH	06	6
	62.000.00	02	1	0C	90.105.BH	08	1
	62.000.00	02	10	0C	90.105.BH	08	6
	62.000.00	02	11	100012	55.511.AJ		14
	62.000.00	02	2	100012	90.119.AB	01	12
	62.000.00	02	3	100016	39.100.AV	01	23
	62.000.00	02	4	100016	39.100.AV	02	29
	62.000.00	02	5	100016	60.220.AN	03	22
	62.000.00	02	6	100016	60.220.BG	02	12
	62.000.00	02	7	100016	60.220.CC	03	8
	62.000.00	02	8	100016	60.260.BL	02	35
	62.000.00	02	9	100016	62.140.AI	01	34
0C	27.500.AL	04	5	100016	90.119.AB	01	3
0C	33.100.AJ		1	100016	90.119.AB	02	13
0C	33.100.AJ		25	100020	27.500.AA	01	3
0C	33.100.AP	05	1	100020	27.500.AA	03	12
0C	33.100.AP	08	1	100020	27.500.AA	05	10
0C	35.540.AK	06	1	100020	33.100.AP	01	8
0C	39.110.AM	03	11	100020	33.100.AP	02	8
0C	39.110.AM	04	1	100020	33.100.AP	03	15
0C	39.110.AM	05	11	100020	33.100.AP	06	10
0C	60.220.AU	04	2	100020	88.100.33	01	35
0C	60.220.AU	08	1	100020	88.100.33	03	27
0C	60.220.AU	10	2	100020	90.119.AB	06	22
0C	60.220.BD	06	1	100037	33.100.AP	04	11
0C	60.220.CC	02	1	100037	35.560.AA	02	32
0C	60.260.CC	01	10	100037	39.110.AM	02	28
0C	60.260.CC	02	11	100037	39.110.AM	03	8
0C	60.260.CC	02	14	100037	39.110.AM	04	17
0C	60.260.CC	04	1	100037	39.110.AM	05	8
0C	60.260.CC	04	21	100037	60.220.BD	01	16
0C	60.260.CC	04	22	100037	60.220.BD	06	14
0C	60.260.CC	05	1	100037	60.220.BD	06	14
0C	60.260.CC	05	5	100037	60.220.CC	01	11

INDEX - INDICE - INDEX - ZAHLENVERZEICHNIS - INDICE - INDICE - INDHOLD - INHOUD

Number	Figure	Sequence	Ref.	Number	Figure	Sequence	Ref.
100037	60.220.CC	03	9	120041	60.220.BD	11	15
100037	60.220.CC	04	6	120041	60.220.BG	02	10
100037	60.220.CC	05	11	120041	60.260.BL	01	20
100037	60.220.CC	06	6	120041	68.170.AH	02	6
100037	60.220.CC	07	11	120041	90.105.BR	01	26
100037	60.220.CC	08	8	120041	90.119.AB	01	15
100037	60.220.CC	10	13	120041	90.119.AB	02	7
100037	60.260.BJ	02	9	120047	62.140.AJ	05	19
100037	60.260.CC	04	17	120047	90.119.AB	06	21
100037	60.260.CC	05	16	120048	62.140.AJ	05	27
100037	62.140.AQ	02	23	120056	35.550.AC	01	30
100037	62.140.AQ	02	32	120056	35.550.AC	02	30
100037	62.140.AQ	04	23	120056	35.550.AC	02	13
100037	62.140.AQ	04	45	120056	35.550.AC	04	29
100037	62.140.AQ	06	26	120068	60.220.CC	03	13
100037	62.140.AQ	06	19	120068	62.170.AA		41
100037	68.170.AM	01	22	120069	60.220.CC	08	17
100037	88.100.33	01	24	120074	35.560.AA	02	25
100037	88.100.33	03	25	120074	90.105.BH	01	12
100037	88.100.39	02	14	120074	90.105.BH	04	12
100038	60.220.BD	02	11	120090	60.260.BL	02	32
100038	60.220.BD	08	11	120090	62.140.AI	01	20
100038	60.220.BD	10	10	120090	62.140.AJ	05	13
100038	60.220.BL	02	3	120091	60.220.AU	04	6
100038	60.260.BL	02	16	120091	60.220.AU	10	6
100038	60.260.BL	03	14	120091	88.100.60	03	6
100038	60.260.BL	05	3	120092	60.220.BD	09	19
100038	62.140.AI	01	32	120092	62.140.AJ	04	19
100038	62.140.AI	02	8	120092	62.140.AJ	07	26
100038	62.140.AJ	05	21	120100	88.100.90	04	5
100038	62.140.AJ	06	9	120104	55.629.AC	01	2
100038	62.140.AQ	02	24	120104	60.260.CC	03	32
100038	62.140.AQ	04	24	120104	60.260.CC	06	32
100038	62.140.AQ	06	27	120113	90.119.AB	01	19
101792A1	35.540.AI	01	16	120113	90.119.AB	02	12
101792A1	35.540.AI	03	6	121189	35.540.AI	02	10
103243	88.100.62	02	18	122432	27.500.AA	03	5
10445821	90.105.BH	01	20	122432	27.500.AA	05	5
10445821	90.105.BH	04	18	122432	27.500.AL	01	6
10445821	90.105.BH	06	20	122432	27.500.AL	04	9
10445821	90.105.BH	08	18	122432	27.500.AL	06	3
11158	60.260.BL	07	13	122432	33.100.AP	06	5
11487	88.100.35	02	25	122432	88.100.33	01	29
115680	39.110.AM	01	1	12255	90.105.BR	04	11
115680	39.110.AM	02	6	12626201	60.220.BD	11	20
11787	60.260.CC	04	6	12648301	31.220.AG	02	4
11787	60.260.CC	05	13	12648301	31.220.AG	04	4
11787	71.460.AF		10	128104	88.100.90	01	9
11787	88.100.35	01	19	128104	90.105.BR	04	4
120038	68.170.AF	02	13	128104	90.116.AO	02	13

INDEX - INDICE - INDEX - ZAHLENVERZEICHNIS - INDICE - INDICE - INDHOLD - INHOUD

Number	Figure	Sequence	Ref.	Number	Figure	Sequence	Ref.
128359	35.540.AB	01	4	133095	60.220.CC	01	15
128359	35.540.AB	02	4	133095	60.220.CC	04	10
128359	35.540.AI	03	16	133095	60.220.CC	05	15
128821	35.565.AA	02	2	133095	60.220.CC	06	10
128825	35.550.AC	01	40	133095	60.220.CC	07	15
128825	35.550.AC	02	40	133095	60.220.CC	08	4
128825	35.550.AC	02	37	133095	60.220.CC	10	8
128825	35.550.AC	04	44	133095	90.105.BR	03	6
128825	88.100.35	04	25	133095	90.105.BR	05	6
128996	35.550.AC	02	16	133095	90.105.CL	01	6
129274	35.540.AI	01	15	13362	88.100.62	01	20
129274	35.540.AI	03	13	13367	88.100.62	01	21
129274	88.100.35	04	19	134463	88.100.62	02	33
129365	90.105.BR	02	13	136376	60.220.AU	03	4
129428	35.550.AC	02	35	136378	60.220.AU	03	3
130003	60.260.BL	03	22	136521	60.220.BG	01	32
130004	27.500.AA	02	4	136521	60.220.BG	02	15
130004	33.100.AP	02	12	136521	60.220.BG	03	32
130004	33.100.AP	05	5	136521	60.220.BG	04	30
130004	33.100.AP	08	6	136658	35.540.AI	01	19
130004	88.100.33	01	6	136658	35.540.AI	01	24
130004	88.100.33	03	6	136658	35.540.AI	03	26
130011	27.500.AA	02	5	136658	35.540.AI	03	17
130011	33.100.AP	02	13	13942970	60.220.BD	05	20
130011	33.100.AP	05	6	140017	60.260.BJ	01	8
130011	33.100.AP	08	5	140017	60.260.CC	02	28
130011	88.100.33	01	7	140017	68.170.AM	01	41
130011	88.100.33	03	7	140020	60.220.BD	03	19
130012	33.100.AJ		10	140020	60.260.CC	03	40
130012	33.100.AP	01	4	140020	60.260.CC	06	40
130012	33.100.AP	02	4	140021	60.260.CC	04	15
130012	60.220.AU	04	10	140021	60.260.CC	05	18
130012	88.100.33	03	11	140021	68.170.AM	01	13
130012	88.100.60	03	10	140042	60.220.CC	01	23
130045	60.260.CC	02	18	140042	60.220.CC	04	17
130045	62.140.AC	04	21	140042	60.220.CC	05	23
130045	62.140.AQ	04	33	140042	60.220.CC	06	17
130045	88.100.62	10	20	140042	60.220.CC	07	23
130357	39.100.AV	02	34	140042	90.105.BH	06	24
130358	39.110.AB		3	140042	90.105.BH	08	23
130358	39.110.AM	01	5	140045	31.201.AD	05	7
130358	39.110.AM	02	22	140045	33.100.AJ		28
130358	39.110.AM	03	16	140045	33.300.AC		22
130358	39.110.AM	04	12	140045	33.300.AE		22
130358	39.110.AM	05	16	140045	35.560.AA	01	23
130358	88.100.39	01	3	140045	35.560.AA	03	20
130358	88.100.39	02	6	140045	39.100.AV	01	20
130358	90.119.AB	06	20	140045	39.100.AV	02	20
132709	60.220.AU	03	6	140045	39.110.AM	02	24
132710	60.220.AU	03	7	140045	39.110.AM	03	18

INDEX - INDICE - INDEX - ZAHLENVERZEICHNIS - INDICE - INDICE - INDHOLD - INHOUD

Number	Figure	Sequence	Ref.	Number	Figure	Sequence	Ref.
140045	39.110.AM	04	20	140046	60.260.BL	05	2
140045	39.110.AM	05	18	140046	60.260.CC	02	31
140045	60.220.BG	01	27	140046	62.140.AC	01	13
140045	60.220.CC	03	15	140046	62.140.AC	03	29
140045	60.260.BJ	01	12	140046	62.140.AC	05	13
140045	60.260.BJ	02	5	140046	62.140.AJ	04	36
140045	60.260.BL	02	10	140046	62.140.AJ	07	29
140045	60.260.CC	04	25	140046	62.150.AB		7
140045	60.260.CC	05	20	140046	62.150.AB	01	7
140045	62.140.AC	03	24	140046	62.150.AB	02	5
140045	62.140.AQ	04	30	140046	62.170.AA		26
140045	62.150.AB		11	140046	88.100.33	01	12
140045	62.150.AB	01	11	140046	88.100.33	02	11
140045	62.150.AB	02	9	140046	88.100.33	04	23
140045	62.170.AA		30	140046	88.100.33	04	8
140045	68.170.AH	02	10	140046	88.100.33	05	28
140045	68.170.AM	03	6	140046	88.100.39	02	8
140045	71.460.AF		6	140046	88.100.60	06	17
140045	88.100.31	01	7	140046	88.100.60	07	17
140045	88.100.33	02	12	140046	88.100.62	02	49
140045	88.100.33	04	16	140046	88.100.62	10	13
140045	88.100.33	05	24	140046	90.116.AO	01	11
140045	88.100.33	06	25	140046	90.116.AO	01	6
140045	88.100.35	02	20	140046	90.116.AO	02	15
140045	88.100.39	02	7	140048	33.100.AP	03	16
140045	88.100.62	04	3	140048	62.140.AC	01	14
140045	88.100.62	10	11	140048	62.140.AC	05	14
140045	88.100.90	04	10	140048	88.100.62	01	17
140045	90.116.AO	02	17	140048	90.119.AB	06	37
140046	27.500.AA	03	9	140048	90.119.AB	06	4
140046	27.500.AA	04	3	140103	60.220.AU	05	3
140046	27.500.AA	05	11	140103	60.220.AU	07	14
140046	33.100.AJ		18	140103	88.100.60	06	22
140046	33.100.AJ		33	140103	88.100.60	07	22
140046	33.100.AP	06	11	140109	68.180.BO	02	17
140046	33.300.AE		30	140110	33.240.AB		7
140046	35.560.AA	01	24	140110	88.100.33	07	7
140046	35.560.AA	03	21	142656	62.140.AJ	05	20
140046	39.100.AV	02	32	14408	88.100.60	06	37
140046	39.110.AM	02	25	14408	88.100.60	07	37
140046	39.110.AM	03	19	144123	35.550.AC	04	4
140046	39.110.AM	04	5	144403	68.170.AH	02	14
140046	39.110.AM	05	19	14441231	62.170.AA		46
140046	60.220.AU	01	3	14442131	88.100.62	02	39
140046	60.220.AU	07	24	14463681	35.562.AB		8
140046	60.220.BD	02	12	14463681	35.569.AB		8
140046	60.220.BD	08	12	14496501	35.565.AA	02	21
140046	60.220.BD	10	11	145458	88.100.55	05	8
140046	60.220.BL	02	2	14560287	35.550.AC	02	25
140046	60.260.BL	01	9	14569387	55.905.AA	01	8

INDEX - INDICE - INDEX - ZAHLENVERZEICHNIS - INDICE - INDICE - INDHOLD - INHOUD

Number	Figure	Sequence	Ref.	Number	Figure	Sequence	Ref.
14596187	33.300.AE		20	196033	27.500.AL	06	9
14596187	33.300.AE		28	196303	60.260.BL	02	21
14596187	88.100.33	06	28	197559	60.220.CC	01	21
146258	60.220.AC	01	7	197559	60.220.CC	04	15
146258	60.220.AC	02	8	197559	60.220.CC	05	21
146258	60.220.AC	03	10	197559	60.220.CC	06	15
146258	60.220.AN	04	10	197559	60.220.CC	07	21
150014	88.100.33	07	30	197559	60.260.BL	03	23
151990	60.260.CC	02	16	197559	60.260.BL	07	35
15224331	39.110.AM	02	21	200734	60.220.AU	03	8
1546331C1	35.540.AB	02	8	20356	35.560.AA	01	35
1570477	90.105.AT	01	3	20356	35.560.AA	02	39
163335	35.540.AI	01	12	20356	60.220.AC	01	22
163335	35.540.AI	01	17	20356	60.220.AC	02	25
163335	35.540.AI	03	24	20356	88.100.35	03	6
163335	35.540.AI	03	10	210053	31.220.AG	01	3
163335	35.565.AA	01	3	210053	31.220.AG	03	19
164995	39.100.AV	01	17	213137	88.100.35	02	18
165109	33.100.AJ		14	213404	35.560.AA	01	5
165109	88.100.33	02	26	213404	35.560.AA	02	15
165109	88.100.33	04	25	213404	35.560.AA	03	4
165109	88.100.68	03	12	213404	60.220.BD	01	21
165109	90.108.AC	01	1	213404	60.220.BD	06	17
165109	90.108.AC	02	1	213404	60.220.BD	06	17
165202	35.550.AC	01	39	213404	60.220.BD	11	14
165202	35.550.AC	02	39	216698	55.629.AE		4
165202	88.100.33	07	32	216773	71.480.AB	01	12
165238	60.260.CC	03	37	216773	88.100.71	01	3
165238	60.260.CC	06	37	226131	35.540.AK	06	5
165238	88.100.35	02	9	226131	62.140.AQ	06	10
166065	39.100.AV	01	7	226829	68.180.BB		10
166065	39.100.AV	02	7	2292390	60.220.BD	10	13
166490	60.220.AN	01	7	235126	35.560.AA	01	26
166490	60.220.AN	02	7	235126	35.560.AA	02	29
167269	35.550.AC	04	45	235126	35.560.AA	03	23
168104	62.170.AA		22	235126	60.220.BD	01	19
170019	60.260.CC	03	15	235126	88.100.62	02	7
170019	60.260.CC	06	15	235670	35.540.AI	01	20
170055	60.260.BL	02	17	235670	35.540.AI	01	23
170055	62.140.AI	01	36	235670	35.540.AI	03	25
170055	62.140.AI	02	4	235670	35.540.AI	03	16
177822	55.629.AC	02	7	235671	35.550.AC	02	36
177822	55.629.AC	03	5	235672	35.550.AC	04	38
183356	62.140.AJ	04	13	235782	35.550.AB	02	5
183356	62.140.AJ	07	11	241-3713	05.100.01		31
184572	60.260.BL	07	10	241971	35.540.AK	06	8
191823	35.540.AK	02	15	248-2375	55.433.AB	02	3
191823	35.540.AK	04	22	249100	88.100.60	08	14
191823	35.540.AK	06	18	25121	60.260.BL	02	30
195492	88.100.35	04	5	25121	62.140.AI	01	37

INDEX - INDICE - INDEX - ZAHLENVERZEICHNIS - INDICE - INDICE - INDHOLD - INHOUD

Number	Figure	Sequence	Ref.	Number	Figure	Sequence	Ref.
25447	60.220.AU	03	2	280129	88.100.55	06	4
257492	55.433.AA	02	6	280250	90.105.BH	02	10
259619	35.550.AC	01	28	280250	90.105.BH	05	9
259619	35.550.AC	02	28	280250	90.105.BH	07	9
259619	35.550.AC	02	6	280250	90.105.BH	09	10
259619	35.550.AC	04	21	280251	31.201.AD	05	5
261066	35.560.AA	01	9	280251	68.170.AH	02	12
261066	35.560.AA	02	9	280251	68.170.AH	02	18
261066	35.560.AA	03	8	280251	88.100.31	01	4
261066	35.565.AA	01	19	280268	88.100.62	05	4
261066	35.565.AA	02	17	280299	55.433.AA	02	7
26130	60.220.AU	02	4	280315	88.100.60	08	11
26306	39.100.AV	01	15	280374	88.100.62	02	21
263117	35.560.AA	01	8	280397	60.260.CC	04	4
263117	35.560.AA	02	10	280397	60.260.CC	05	17
263117	35.560.AA	03	7	280431	88.100.62	05	5
263117	35.565.AA	02	6	280460	68.170.AX		6
263117	39.110.AM	04	10	280466	88.100.62	02	19
263117	39.110.AM	05	9	280474	88.100.62	02	17
263117	55.433.AB	01	2	280497	88.100.55	05	7
263117	60.260.BL	04	5	280519	62.140.AC	04	16
263117	88.100.35	01	6	280724	35.550.AB	02	10
263117	88.100.55	01	12	280736	88.100.60	01	5
26402	35.550.AC	01	23	280736	88.100.70	02	12
26402	35.550.AC	02	34	280747	62.170.AA		37
26402	35.550.AC	04	33	280954	62.140.AQ	02	25
26402	60.260.BL	02	31	280954	62.140.AQ	02	19
26402	62.140.AI	01	28	280954	62.140.AQ	04	25
26402	62.140.AJ	04	23	280954	62.140.AQ	04	41
26402	62.140.AJ	07	13	280954	62.140.AQ	06	30
264035	88.100.39	02	4	280954	62.140.AQ	06	9
266631	35.540.AI	01	15	280963	88.100.35	02	16
26799990	27.500.AO		3	281004	62.170.AA		23
26799990	33.100.AP	03	3	285072	39.100.AV	01	22
270103	35.550.AB	02	6	285072	39.100.AV	02	19
270184	60.220.AU	09	19	285072	68.170.AG		23
270184	68.180.BO	02	12	28581	62.140.AQ	02	33
270184	88.100.60	06	40	28581	62.140.AQ	04	33
270184	88.100.60	07	40	28581	62.140.AQ	06	21
27291	68.170.AX		25	29046	60.220.AU	07	18
273127	39.100.AV	02	18	29046	60.220.AU	09	16
27318	35.560.AA	01	27	29046	88.100.35	01	5
27318	35.560.AA	02	28	29046	88.100.60	06	24
27318	35.560.AA	03	24	29046	88.100.60	07	24
273672	39.110.AM	01	2	291525	33.100.AJ		11
273672	39.110.AM	02	5	291525	35.550.AC	01	24
27639	62.140.AJ	05	11	291525	35.550.AC	02	24
27695	90.105.BR	03	16	291525	60.260.BL	03	26
27697	60.220.BD	03	22	291525	88.100.33	02	27
278645	31.201.AD	07	22	291525	88.100.33	04	27

INDEX - INDICE - INDEX - ZAHLENVERZEICHNIS - INDICE - INDICE - INDHOLD - INHOUD

Number	Figure	Sequence	Ref.	Number	Figure	Sequence	Ref.
291525	88.100.35	01	21	308761	60.220.CC	05	9
291525	88.100.60	02	7	308761	60.220.CC	10	15
29534	88.100.70	02	11	308761	60.260.BJ	03	20
29684	60.220.BD	02	8	308761	60.260.BL	07	19
29684	60.220.BD	08	8	308761	68.170.AG		2
29684	60.220.BD	10	8	308761	88.100.55	08	4
29684	60.220.BD	12	12	308761	88.100.55	09	4
29684	60.220.BL	02	8	308761	88.100.60	04	12
29684	60.260.BL	02	14	308761	88.100.60	05	4
29684	60.260.BL	05	8	308761	90.105.BH	01	19
29684	62.140.AC	03	23	308761	90.105.BH	08	19
29684	62.140.AC	04	10	308823	33.240.AB		8
29684	62.140.AI	01	27	308823	88.100.33	07	8
29684	62.140.AI	02	6	309086	62.140.AJ	04	35
29684	62.170.AA		36	309086	62.140.AJ	07	24
29684	68.170.AG		15	320772	60.260.BL	01	21
29684	88.100.62	03	3	320772	60.260.BL	07	32
2975076	31.220.AG	02	3	320772	88.100.35	01	14
2975076	31.220.AG	04	20	321018	88.100.35	02	8
29790	88.100.35	02	31	321204	60.220.AC	01	23
29840	68.170.AF	02	15	321204	60.220.AC	02	26
29840	90.105.BR	01	24	321204	60.220.AC	03	22
29840	90.105.BR	02	9	321204	60.220.AN	04	22
29840	90.105.BR	03	12	321204	60.260.BL	01	35
300381	60.220.BD	09	24	321204	60.260.BL	07	33
300389	33.100.AJ		32	321204	60.260.CC	01	21
300389	60.260.BL	01	10	321204	60.260.CC	03	12
300389	62.140.AC	01	16	321204	60.260.CC	06	12
300389	62.140.AC	05	16	321246	27.500.AL	06	4
300389	62.140.AI	01	48	321246	39.110.AM	02	17
300389	62.140.AI	02	17	321246	39.110.AM	03	15
300389	62.140.AJ	05	14	321246	39.110.AM	04	13
300389	88.100.33	02	23	321246	88.100.39	02	13
300389	88.100.33	04	22	322	68.170.AG		16
300389	88.100.62	02	48	322355	55.511.AJ		13
300420	33.100.AJ		10	322355	90.105.BH	01	21
300420	33.100.AP	05	9	322355	90.105.BH	04	17
300420	88.100.33	01	11	322355	90.105.BH	06	19
300478	60.260.BL	07	25	322355	90.105.BH	08	17
300595	68.180.BO	02	18	322357	35.550.AC	01	14
300629	33.100.AP	03	12	322357	35.550.AC	02	17
300643	31.220.AL	02	11	322357	39.110.AF		13
300644	60.220.BD	09	11	322357	55.100.DP	01	8
300660	55.629.AC	01	3	322357	55.404.AF		5
300662	60.220.BD	02	7	322357	55.511.AJ		19
300662	60.220.BD	08	7	322357	55.905.AA	01	14
300662	60.220.BD	10	7	322357	68.170.AP		5
300662	60.220.BL	02	7	322357	68.180.BO	03	17
300662	60.260.BL	05	7	322357	71.480.AB	01	23
308761	60.220.CC	01	9	322357	88.100.35	02	19

INDEX - INDICE - INDEX - ZAHLENVERZEICHNIS - INDICE - INDICE - INDHOLD - INHOUD

Number	Figure	Sequence	Ref.	Number	Figure	Sequence	Ref.
322357	88.100.35	04	12	325911	88.100.90	03	3
322357	88.100.71	01	10	326082	33.300.AE		17
322357	88.100.90	04	6	326082	71.480.AB	01	16
322357	90.119.AB	06	16	326082	88.100.33	05	20
322358	27.500.AL	05	4	326082	88.100.71	01	16
322358	33.240.AB		14	328754	39.100.AV	02	31
322358	33.300.AC		15	328754	62.140.AC	03	20
322358	35.560.AA	01	22	328873	88.100.35	05	8
322358	35.560.AA	02	35	330346	35.550.AC	01	29
322358	35.560.AA	03	19	330346	35.550.AC	02	29
322358	39.110.AF		14	330346	35.565.AA	01	12
322358	55.511.AJ		3	330346	35.565.AA	02	13
322358	55.629.AC	01	5	330346	88.100.35	01	10
322358	60.220.AC	01	13	330346	88.100.35	05	6
322358	60.220.AC	02	16	330685	60.260.BL	01	33
322358	60.220.AC	03	14	331168	88.100.62	02	24
322358	60.220.AN	03	13	331619	55.640.AB	01	22
322358	60.220.AN	04	14	331619	55.640.AB	02	22
322358	60.220.CC	01	25	331619	55.640.AB	02	22
322358	60.220.CC	05	25	331619	55.905.AA	01	11
322358	60.220.CC	07	25	333718A1	88.100.35	01	9
322358	62.140.AC	01	24	334070	60.260.BL	02	15
322358	62.140.AC	04	18	334070	62.140.AI	01	15
322358	62.140.AC	05	19	335890	62.140.AJ	04	16
322358	71.480.AB	01	24	336483	55.511.AJ		8
322358	88.100.33	06	19	337475	27.500.AA	03	11
322358	88.100.33	07	14	337475	27.500.AA	05	9
322358	88.100.35	01	28	337475	33.100.AP	06	13
322358	88.100.35	04	14	337475	88.100.33	01	34
322358	88.100.55	01	11	337563	88.100.62	10	14
322358	88.100.55	08	15	33781	88.100.60	08	4
322358	88.100.55	09	12	338413	68.170.AF	02	5
322358	88.100.71	01	12	34019	39.100.AV	01	9
322358	90.116.AO	01	7	34019	39.100.AV	02	10
322358	90.116.AO	02	7	34019	39.110.AF		6
322358	90.119.AB	01	5	34439	60.220.AU	06	5
322441	88.100.35	01	15	34439	60.220.AU	08	5
32306	88.100.35	02	7	34945	88.100.60	03	13
32318	60.260.BL	02	29	350459	60.220.CC	10	12
32318	62.140.AI	01	24	350459	68.180.BO	02	14
32379	68.170.AG		20	350616	27.500.AA	01	2
32379	90.105.BR	03	17	350616	33.100.AP	01	7
323866	39.110.AM	01	4	350616	33.100.AP	02	7
325103	05.100.01		65	350616	88.100.33	03	26
325103	60.220.CC	01	8	35097	60.220.CC	03	14
325103	60.220.CC	05	8	353078	55.404.AF		3
325103	60.220.CC	07	8	353078	88.100.55	03	3
325103	60.220.CC	10	7	353078	88.100.55	07	4
325103	88.100.60	04	7	353308	33.240.AB		25
325103	88.100.60	05	7	353308	35.550.AC	01	31

INDEX - INDICE - INDEX - ZAHLENVERZEICHNIS - INDICE - INDICE - INDHOLD - INHOUD

Number	Figure	Sequence	Ref.	Number	Figure	Sequence	Ref.
353308	35.550.AC	02	31	374889	88.100.35	01	35
353308	35.550.AC	02	18	374892	35.560.AA	02	24
353308	35.550.AC	04	35	374892	39.100.AV	01	13
353308	60.220.BD	10	3	374892	62.150.AB		10
353308	60.220.BD	12	11	374892	62.150.AB	01	10
353308	68.170.AF	02	6	374892	62.150.AB	02	8
353308	68.180.BB		7	374892	62.170.AA		39
353308	71.480.AB	01	26	374894	88.100.62	10	10
353308	88.100.33	07	25	376291	60.220.AU	04	3
353308	88.100.35	04	13	376291	60.220.AU	10	3
353308	88.100.55	03	5	376291	88.100.60	03	3
353308	88.100.55	07	7	377451A1	35.540.AB	01	6
353308	88.100.71	01	13	377451A1	35.540.AB	02	5
353308	90.105.BR	01	25	377451A1	35.540.AI	03	18
353308	90.105.BR	02	10	378243	88.100.55	06	9
353308	90.105.BR	03	14	378244	39.100.AV	02	17
362573	39.110.AB		4	378244	68.180.BB		8
362573	88.100.39	01	4	380424	60.220.AU	09	9
368317	60.220.AC	01	18	380424	88.100.60	06	33
368317	60.220.AC	02	21	380424	88.100.60	07	33
368317	60.220.AC	03	16	380840	60.260.CC	03	22
368317	60.220.AC	03	18	380840	60.260.CC	06	22
368317	60.220.AN	04	18	381014	35.540.AK	06	17
36835	68.170.AG		7	381014	35.550.AC	01	35
36853	88.100.60	04	8	381014	35.550.AC	02	36
36853	88.100.60	05	8	381014	55.640.AB	01	14
368582	33.240.AB		17	381014	55.640.AB	02	14
368582	88.100.33	07	17	381014	55.640.AB	02	14
370004	60.220.AC	01	20	381014	68.170.AM	02	10
370004	60.220.AC	02	23	381014	90.105.BR	01	17
370004	60.220.AC	03	20	385683	90.119.AB	01	11
370004	60.220.AN	04	20	385683	90.119.AB	02	6
370004	60.220.AU	07	12	386045	88.100.90	01	4
370004	88.100.60	06	13	386045	90.105.BR	04	5
370004	88.100.60	07	13	386510	60.220.AN	05	3
370013	31.220.AG	02	5	386511	60.220.AN	05	4
370013	31.220.AG	04	5	38766	05.100.01		49
370013	60.260.BL	01	34	38766	60.220.AN	03	15
372783	60.260.CC	02	17	38767	60.220.AC	01	10
374835	39.100.AV	02	14	38767	60.220.AC	02	14
374835	39.110.AM	05	15	38767	60.220.AC	03	7
374887	60.220.AU	07	13	38767	60.220.AN	03	16
374887	88.100.60	06	18	38767	60.220.AN	04	7
374887	88.100.60	07	18	38767	60.260.BL	07	16
374889	27.500.AA	03	6	390822	60.220.AN	01	10
374889	27.500.AA	05	6	390822	60.220.AN	02	9
374889	27.500.AL	01	7	391510	62.140.AC	03	13
374889	27.500.AL	04	7	393599	60.220.AN	03	23
374889	33.100.AP	06	6	394674	39.110.AM	01	7
374889	88.100.33	01	36	395019	33.100.AP	04	3

INDEX - INDICE - INDEX - ZAHLENVERZEICHNIS - INDICE - INDICE - INDHOLD - INHOUD

Number	Figure	Sequence	Ref.	Number	Figure	Sequence	Ref.
395019	33.240.AB		4	43138	31.220.AG	01	7
395019	88.100.33	01	19	43138	31.220.AG	03	2
395019	88.100.33	03	15	43138	60.220.CC	03	16
395019	88.100.33	07	4	43138	62.140.AC	04	11
398877	55.404.BM		4	43139	88.100.35	02	23
412064	55.433.AA	02	3	43140	39.100.AV	02	13
412085	88.100.62	10	17	43140	60.220.BD	11	17
412087	27.500.AA	03	10	43140	62.140.AC	04	13
412087	27.500.AA	05	12	43140	62.170.AA		38
412087	33.100.AP	06	12	43158	62.140.AI	02	15
412087	62.140.AC	04	14	43168	62.140.AC	01	18
412087	62.170.AA		29	43168	62.140.AC	05	18
412087	88.100.33	01	33	43168	88.100.62	01	16
412183	60.220.BD	11	12	431941	35.550.AC	02	42
412185	60.220.BD	03	18	43248	88.100.62	02	32
412202	60.260.CC	03	21	43260	39.110.AM	02	20
412202	60.260.CC	06	21	43260	39.110.AM	04	19
412255	55.629.AC	02	11	43260	62.140.AC	03	18
412255	55.629.AC	03	9	43260	62.140.AC	04	15
412255	55.629.AE		13	433008	33.240.AB		18
412255	68.180.BO	03	12	433008	88.100.33	07	18
412327	90.105.BR	02	8	43362	88.100.55	01	9
412327	90.105.BR	03	11	435895	55.511.AJ		6
412364	88.100.35	04	11	437424	88.100.60	06	9
412427	60.220.AU	09	8	437424	88.100.60	07	9
412427	88.100.60	06	32	43874	27.500.AA	05	13
412427	88.100.60	07	32	43874	33.100.AP	06	9
412441	05.100.01		18	43874	88.100.33	01	30
412441	62.140.AJ	04	10	445394	60.260.BJ	02	15
412441	62.170.AA		5	445394	60.260.CC	04	10
412655	60.260.BJ	01	9	445394	60.260.CC	05	10
412710	60.260.BL	01	24	449531	55.404.AF		1
417412	55.511.AJ		16	449531	88.100.55	03	7
418870	05.100.01		7	449531	88.100.55	07	10
418870	55.404.BM		3	453155	90.105.BR	01	16
420434	68.180.BO	02	8	45440	60.260.BL	02	20
425520	35.540.AK	02	18	45440	62.140.AI	01	19
425520	35.540.AK	04	1	45440	88.100.62	01	6
425520	35.540.AK	06	15	46047	60.260.BL	07	22
430357	35.550.AC	02	20	46047	90.119.AB	06	32
43118	33.240.AB		24	46060	60.260.BL	07	39
43118	88.100.33	07	24	46520	35.560.AA	02	40
43127	60.220.AC	01	14	46520	60.220.AC	01	21
43127	60.220.AC	02	12	46520	60.220.AC	02	24
43127	60.220.AC	03	15	46520	60.220.AC	03	21
43127	60.220.AN	03	14	46520	60.220.AN	04	21
43127	60.220.AN	04	15	46520	88.100.35	03	5
43128	88.100.55	01	10	46521	35.560.AA	01	36
43130	60.220.CC	03	10	46564	60.260.CC	05	3
43130	88.100.35	02	22	46710	62.140.AJ	05	24

INDEX - INDICE - INDEX - ZAHLENVERZEICHNIS - INDICE - INDICE - INDHOLD - INHOUD

Number	Figure	Sequence	Ref.	Number	Figure	Sequence	Ref.
46962	60.220.AN	01	12	47382510	35.550.AC	01	38
46962	60.220.AN	02	12	47382510	35.550.AC	02	38
47325	90.119.AB	01	9	47382510	35.550.AC	02	39
47325	90.119.AB	02	4	47382510	35.550.AC	04	43
47357699	88.100.35	01	12	47385274	55.905.AA	02	3
47358507	35.540.AI	03	22	47387253	90.105.BH	01	5
47358511	35.540.AI	03	21	47387253	90.105.BH	04	5
47359405	88.100.60	04	1	47387253	90.105.BH	06	5
47359406	88.100.60	05	1	47387253	90.105.BH	08	5
47361097	60.220.CC	08	3	47387483	90.108.AC	02	5
47361097	60.220.CC	10	4	47388340	62.140.AJ	05	7
47361241	90.108.AC	01	11	47388947	88.100.68	03	11
47361283	90.108.AB	02	4	47392608	33.300.AE		24
47361283	90.108.AC	02	17	47392608	88.100.33	06	26
47361323	90.108.AC	02	3	47393424	60.220.CC	01	5
47361328	90.108.AB	02	5	47393424	60.220.CC	05	5
47361329	90.108.AC	01	12	47393424	88.100.60	04	5
47361329	90.108.AC	02	18	47393437	60.220.CC	07	5
47362619	33.100.AJ		2	47393437	88.100.60	05	5
47362619	33.100.AP	05	7	47393860	33.100.AJ		23
47362619	88.100.33	01	9	47393860	88.100.33	02	3
47362621	33.100.AJ		3	47393860	88.100.33	04	11
47362621	33.100.AP	05	8	47395016	05.100.01		55
47362621	88.100.33	01	10	47395016	60.220.BG	02	17
47362902	31.201.AD	01	26	47395016	60.220.BG	04	1
47362902	31.201.AD	02	26	47395017	88.100.60	01	3
47362902	31.201.AD	03	26	47395497	90.119.AB	04	3
47362902	31.201.AD	04	26	47396567	33.100.AP	04	9
47362902	31.201.AD	06	27	47396567	33.300.AC		23
47362902	31.201.AD	07	27	47396567	88.100.33	01	16
47364759	88.100.90	04	2	47398072	55.640.AB	01	3
47368581	35.560.AA	03	13	47398072	55.640.AB	02	3
47370255	90.105.BR	05	7	47398072	55.640.AB	02	3
47370859	88.100.60	03	1	47398072	55.905.AA	02	2
47371570	88.100.60	02	1	47398072	88.100.68	03	7
47373275	68.170.AH	01	4	47399813	90.108.AC	01	5
47377066	60.220.BD	09	21	47400925	88.100.35	02	4
47377066	60.260.BL	07	3	47401439	88.100.35	02	11
47377066	90.119.AB	06	1	47401690	68.170.AF	02	12
47377143	88.100.60	08	21	47405786	60.220.BD	10	12
47377143	90.108.AC	02	2	47407	60.220.BD	03	21
47377884	88.100.68	03	10	47407	60.220.BD	09	9
47377884	90.108.AC	01	2	47409286	88.100.55	06	8
47377884	90.108.AC	02	4	47409289	88.100.55	06	6
47378477	62.170.AA		45	47409377	88.100.55	06	3
47378486	62.170.AA		44	47409498	88.100.55	06	10
47382486	35.550.AC	01	37	47409525	88.100.55	06	1
47382486	35.550.AC	02	37	47411344	88.100.90	03	1
47382486	35.550.AC	02	38	47412297	68.170.AM	01	37
47382486	35.550.AC	04	42	47412382	90.105.BR	01	10

INDEX - INDICE - INDEX - ZAHLENVERZEICHNIS - INDICE - INDICE - INDHOLD - INHOUD

Number	Figure	Sequence	Ref.	Number	Figure	Sequence	Ref.
47412869	68.170.AM	01	35	47431237	88.100.60	06	45
47418662	60.220.BD	06	2	47431237	88.100.60	07	41
47418662	60.220.BD	06	2	47431237	88.100.60	07	45
47419038	90.105.BH	06	2	47431404	60.220.AC	02	4
47419038	90.105.BH	08	2	47431404	60.220.AC	03	4
47419163	90.105.BH	08	22	47431597	60.220.BG	02	26
47419756	90.105.BH	06	25	47431597	60.220.BG	03	9
47419806	90.105.AT	01	9	47431597	60.220.BG	04	15
47419806	90.105.BH	01	17	47431597	60.260.BL	07	34
47419806	90.105.BH	04	21	47432155	60.220.BG	01	12
47419806	90.105.BH	06	23	47432155	60.220.BG	02	28
47419806	90.105.BH	08	21	47432155	60.220.BG	03	12
47419812	90.105.BH	02	4	47432155	60.220.BG	04	17
47419812	90.105.BH	05	4	47432694	60.220.AC	01	4
47419812	90.105.BH	07	4	47432694	60.220.AN	04	4
47419812	90.105.BH	09	6	47433473	90.105.AT	01	12
47420685	68.170.AM	01	36	47434233	60.260.BL	07	27
47421209	68.170.AG		1	47434240	60.260.BL	07	26
47421863	90.105.BH	04	23	47434361	60.220.AU	07	2
47421866	90.105.BH	01	13	47434361	88.100.60	06	14
47423215	31.201.AD	02	1	47434361	88.100.60	07	14
47427204	88.100.55	06	2	47435306	62.140.AI	01	13
47427318	31.220.AG	04	19	47435620	05.100.01		27
47427320	31.220.AG	02	18	47435620	60.260.BL	07	37
47427327	31.220.AG	04	18	47435620	62.140.AI	01	38
47427329	31.220.AG	02	17	47436610	55.905.AA	01	1
47427330	31.220.AG	02	14	47436612	55.100.DP	01	1
47427330	31.220.AG	04	15	47436612	55.640.AB	01	7
47427333	31.220.AG	02	13	47436612	55.640.AB	02	7
47427333	31.220.AG	04	14	47436612	55.640.AB	02	7
47427336	31.220.AG	02	12	47436627	60.220.AN	04	4
47427336	31.220.AG	04	13	47437159	35.560.AA	03	1
47427337	31.220.AG	02	8	47437161	88.100.60	08	12
47427337	31.220.AG	04	8	47438703	68.180.BB		1
47427338	31.220.AG	02	7	47438768	35.560.AA	01	2
47427338	31.220.AG	04	7	47438768	35.560.AA	02	2
47427339	31.220.AG	02	2	47438769	88.100.35	03	7
47427339	31.220.AG	04	3	47438776	90.119.AB	06	28
47427362	31.220.AG	02	16	47438799	35.560.AA	01	14
47427362	31.220.AG	04	17	47438831	60.220.AC	01	25
47427375	31.220.AG	04	2	47438831	60.220.AC	02	28
47427376	31.220.AG	02	19	47438831	60.220.AC	03	24
47429493	55.404.AF		9	47438831	60.220.AN	04	24
47429495	55.404.AF		8	47441393	88.100.35	03	7
47429751	88.100.55	08	1	47441424	35.560.AA	01	30
47431237	60.220.AU	04	8	47441427	35.560.AA	02	33
47431237	60.220.AU	09	20	47441429	35.560.AA	02	17
47431237	60.220.AU	10	8	47441445	55.433.AA	02	1
47431237	88.100.60	03	8	47441445	68.170.AP		3
47431237	88.100.60	06	41	47441445	68.180.BO	03	5

INDEX - INDICE - INDEX - ZAHLENVERZEICHNIS - INDICE - INDICE - INDHOLD - INHOUD

Number	Figure	Sequence	Ref.	Number	Figure	Sequence	Ref.
47442762	60.220.AC	01	1	47469392	90.108.AB	02	1
47442762	60.220.AC	02	6	47469394	90.108.AB	01	1
47442762	60.220.AC	03	1	47469727	60.220.CC	01	3
47442762	60.220.AN	04	1	47469727	60.220.CC	05	3
47442765	60.220.AC	01	9	47469727	88.100.60	04	3
47442765	60.220.AC	02	9	47469727	88.100.60	05	3
47442765	60.220.AC	03	6	47470836	60.220.BD	06	2
47442765	60.220.AN	04	6	47470836	60.220.BD	06	2
47442771	60.220.BD	12	9	47471218	39.110.AM	02	7
47447659	60.220.BG	01	9	47471218	39.110.AM	03	7
47448067	05.100.01		33	47471218	39.110.AM	04	2
47448067	68.170.AM	01	8	47471218	39.110.AM	05	7
47448397	68.170.AG		11	47471577	35.540.AI	01	1
47449802	35.560.AA	01	4	47472190	35.540.AB	02	9
47449802	35.560.AA	02	4	47473014	68.170.AF	02	3
47449802	35.560.AA	03	3	47473621	62.150.AB	01	2
47449876	88.100.35	01	13	47473621	62.150.AB	02	2
47451001	39.110.AM	03	5	47473637	62.150.AB	01	6
47451001	39.110.AM	04	8	47473637	62.150.AB	02	4
47451001	39.110.AM	05	5	47475888	68.170.AH	01	1
47451493	60.260.BL	01	28	47476825	88.100.71	01	29
47451493	60.260.BL	07	31	47478173	88.100.71	01	32
47453911	60.220.BD	06	5	47478955	88.100.60	08	3
47453911	60.220.BD	06	5	47478963	88.100.60	08	17
47454220	90.105.AT	01	1	47481775	88.100.62	02	11
47454221	90.105.AT	01	2	47481997	88.100.62	02	10
47454223	90.105.BH	03	6	47482694	55.433.AB	02	1
47454227	90.105.BH	03	2	47482694	88.100.68	02	6
47454833	35.560.AA	01	1	47482698	88.100.68	03	6
47457566	90.105.CL	01	7	47482855	90.105.BV	02	1
47457573	90.105.BR	05	13	47482859	35.540.AB	02	1
47459193	88.100.60	06	1	47482859	35.540.AI	03	3
47459193	88.100.60	07	1	47482860	90.105.BV	02	2
47461866	88.100.55	04	6	47482872	35.540.AB	01	1
47462195	88.100.60	08	6	47482872	35.540.AI	03	2
47463423	68.170.AG		9	47483275	90.105.BR	01	9
47463692	90.105.CL	01	2	47484111	35.565.AA	02	15
47465131	35.560.AA	02	1	47486748	88.100.71	01	34
47465273	90.105.CL	01	13	47487624	55.640.AB	01	2
47465275	90.105.BR	05	9	47487624	55.640.AB	02	2
47465275	90.105.CL	01	9	47487624	55.640.AB	02	2
47465672	88.100.33	03	1	47487624	55.905.AA	02	1
47465672	88.100.33	04	1	47487761	60.260.BL	07	12
47465673	88.100.33	01	1	47488322	55.433.AB	01	1
47465673	88.100.33	02	1	47490305	90.105.BR	04	9
47465752	88.100.33	05	1	47490566	88.100.33	05	3
47465752	88.100.33	06	1	47492194	88.100.35	04	24
47467993	60.220.CC	08	12	47492226	60.220.BD	01	25
47469387	90.108.AB	02	1	47493103	90.105.BR	01	8
47469389	90.108.AB	01	2	47493104	90.105.BR	01	6

INDEX - INDICE - INDEX - ZAHLENVERZEICHNIS - INDICE - INDICE - INDHOLD - INHOUD

Number	Figure	Sequence	Ref.	Number	Figure	Sequence	Ref.
47493772	62.140.AI	01	44	47507709	60.220.CC	10	20
47493774	62.140.AI	01	51	47507709	88.100.60	04	11
47493774	62.140.AI	02	21	47507709	88.100.60	05	11
47493781	62.140.AI	01	45	47509395	55.640.AB	01	26
47493781	62.140.AI	02	14	47509395	55.640.AB	02	26
47494243	62.140.AI	01	49	47509395	55.640.AB	02	26
47494243	62.140.AI	02	18	47509395	55.905.AA	01	10
47494300	60.220.AU	09	22	47509866	60.260.BL	03	7
47494300	88.100.60	06	10	47509866	60.260.BL	07	23
47494300	88.100.60	07	10	47512226	62.140.AQ	02	2
47494340	60.220.AU	09	5	47512226	62.140.AQ	02	2
47494340	88.100.60	06	8	47512226	62.140.AQ	04	2
47494340	88.100.60	07	8	47512226	62.140.AQ	04	2
47495559	68.180.BO	02	4	47512226	88.100.62	04	8
47495565	68.180.BO	02	3	47512226	88.100.62	10	3
47496488	90.105.CL	01	1	47512783	60.220.AC	01	16
47497498	68.180.BO	03	4	47512783	60.220.AC	02	19
47499386	39.110.AM	02	2	47512783	60.220.AC	03	16
47499386	88.100.39	02	18	47512783	60.220.AN	04	16
47500577	68.180.BO	02	2	47512786	60.220.AC	01	5
47501736	55.640.AB	01	28	47512786	60.220.AC	02	5
47501736	55.640.AB	02	28	47512786	60.220.AC	03	5
47501736	55.640.AB	02	28	47512786	60.220.AN	04	5
47501736	55.905.AA	01	9	47513084	88.100.62	08	4
47501977	68.180.BB		5	47513614	68.170.AM	01	10
47503000	88.100.71	01	40	47513614	90.105.BR	01	5
47503293	88.100.90	04	1	47514093	27.500.AA	01	1
47503448	88.100.71	01	38	47514104	88.100.33	03	8
47503454	88.100.71	01	39	47516607	60.220.BD	11	19
47504953	62.140.AQ	02	40	47517439	31.201.AD	01	19
47504953	62.140.AQ	04	32	47517439	31.201.AD	02	19
47504953	62.140.AQ	04	47	47517439	31.201.AD	06	19
47504953	62.140.AQ	06	32	47518207	88.100.31	01	1
47504953	62.140.AQ	06	37	47520899	55.905.AA	01	2
47504953	88.100.62	10	18	47526399	68.170.AG		25
47505113	60.220.CC	01	12	47526399	68.170.AG		27
47505113	60.220.CC	05	12	47527692	62.140.AQ	02	14
47505113	60.220.CC	10	19	47527692	62.140.AQ	04	31
47505113	88.100.60	04	10	47527692	62.140.AQ	04	27
47505113	88.100.60	05	10	47527692	88.100.62	04	11
47505640	90.116.AO	02	4	47529253	60.220.AC	01	19
47506043	68.170.AM	02	2	47529253	60.220.AC	02	22
47506043	90.105.AT	02	1	47529253	60.220.AC	03	19
47506044	68.170.AM	02	1	47529253	60.220.AN	04	19
47506044	90.105.AT	02	2	47529253	60.220.AU	07	16
47506285	60.220.BD	11	5	47529253	88.100.60	06	12
47506297	60.220.BD	11	9	47529253	88.100.60	07	12
47506330	60.220.BD	11	11	47529555	90.108.AC	02	20
47507709	60.220.CC	01	4	47529678	68.170.AX		1
47507709	60.220.CC	05	4	47530082	39.110.AM	02	4

INDEX - INDICE - INDEX - ZAHLENVERZEICHNIS - INDICE - INDICE - INDHOLD - INHOUD

Number	Figure	Sequence	Ref.	Number	Figure	Sequence	Ref.
47530082	39.110.AM	03	9	47542742	33.100.AP	07	14
47530082	39.110.AM	04	21	47542748	27.500.AA	05	16
47530082	39.110.AM	05	21	47542748	27.500.AL	06	19
47530967	88.100.90	04	11	47542748	33.100.AP	07	3
47531156	68.170.AP		2	47542769	27.500.AA	05	15
47532151	90.119.AB	06	7	47542769	27.500.AL	06	20
47532616	35.560.AA	02	42	47542769	33.100.AP	07	2
47532701	88.100.62	02	45	47542784	27.500.AA	05	20
47533850	55.629.AC	03	1	47542784	33.100.AP	07	7
47534354	27.500.AA	03	2	47542791	27.500.AA	05	23
47534354	27.500.AA	05	2	47542791	33.100.AP	07	10
47534354	33.100.AP	06	2	47542801	27.500.AA	05	24
47534354	88.100.33	01	26	47542801	33.100.AP	07	11
47534448	88.100.62	08	3	47542819	27.500.AA	05	25
47535821	60.220.BD	12	8	47542819	33.100.AP	07	12
47535979	60.220.BD	12	3	47542844	27.500.AA	05	26
47536123	62.140.AC	05	5	47542844	33.100.AP	07	13
47536132	62.140.AC	05	21	47545581	55.100.DP	03	3
47536134	62.140.AC	05	21	47550776	68.180.AK	02	1
47536251	33.100.AJ		12	47551341	90.108.AB	02	8
47536251	88.100.33	02	30	47552007	90.119.AB	06	8
47537037	68.180.BO	02	10	47552056	90.119.AB	06	10
47537837	55.511.AJ		1	47552991	60.260.BL	03	28
47537838	55.511.AJ		2	47554123	90.105.BH	02	6
47538078	62.140.AC	03	2	47554123	90.105.BH	05	6
47538416	55.100.DP	03	1	47554123	90.105.BH	07	6
47540404	90.105.BR	01	4	47554123	90.105.BH	09	8
47540412	90.105.BR	01	2	47557070	90.105.BH	02	2
47541232	35.560.AA	02	7	47557070	90.105.BH	07	2
47541270	35.560.AA	02	6	47561227	90.105.BH	04	7
47542617	27.500.AL	06	1	47561227	90.105.BH	08	24
47542656	27.500.AA	05	19	47561233	90.105.BH	01	18
47542656	27.500.AL	06	10	47561233	90.105.BH	06	7
47542656	33.100.AP	07	6	47563960	88.100.35	04	21
47542660	27.500.AA	05	18	47563962	88.100.35	04	20
47542660	27.500.AL	06	12	47564232	88.100.35	04	23
47542660	33.100.AP	07	5	47565168	55.905.AA	02	5
47542665	27.500.AA	05	22	47565501	90.105.BH	07	3
47542665	27.500.AL	06	13	47565504	90.105.BH	09	4
47542665	33.100.AP	07	9	47565529	90.105.BH	02	3
47542710	27.500.AL	06	14	47565533	90.105.BH	05	3
47542714	27.500.AL	06	15	47565567	90.105.BH	05	2
47542727	27.500.AA	05	17	47565567	90.105.BH	09	3
47542727	27.500.AL	06	16	47574128	60.260.BJ	03	1
47542727	33.100.AP	07	4	47575848	60.260.BL	03	4
47542739	27.500.AA	05	21	47578128	88.100.33	07	1
47542739	27.500.AL	06	17	47578545	60.220.AN	05	1
47542739	33.100.AP	07	8	47583261	88.100.35	04	22
47542742	27.500.AA	05	14	47585078	88.100.33	03	8
47542742	27.500.AL	06	18	47585085	27.500.AA	01	1

INDEX - INDICE - INDEX - ZAHLENVERZEICHNIS - INDICE - INDICE - INDHOLD - INHOUD

Number	Figure	Sequence	Ref.	Number	Figure	Sequence	Ref.
47585553	55.905.AA	01	12	47598309	31.201.AD	02	39
47587555	39.100.AB	01	1	47598310	31.201.AD	02	40
47587896	62.140.AI	01	6	47598320	31.201.AD	03	11
47587896	62.140.AI	02	12	47598325	31.201.AD	03	29
47587935	62.150.AB	02	1	47598325	31.201.AD	04	29
47589136	90.108.AB	02	6	47598380	31.201.AD	03	39
47589493	60.260.BL	07	1	47598519	31.201.AD	01	17
47589972	39.110.AM	02	10	47598519	31.201.AD	06	17
47589972	88.100.39	02	17	47598520	31.201.AD	01	18
47590351	39.110.AM	04	3	47598520	31.201.AD	06	18
47596314	88.100.62	02	25	47598521	31.201.AD	01	25
47596808	39.110.AM	02	1	47598521	31.201.AD	06	26
47596808	39.110.AM	03	1	47598522	31.201.AD	01	38
47596808	39.110.AM	04	7	47598522	31.201.AD	06	35
47596808	39.110.AM	05	1	47598523	31.201.AD	01	39
47597430	90.119.AB	04	1	47598524	31.201.AD	01	40
47597729	90.119.AB	03	8	47598524	31.201.AD	06	37
47597729	90.119.AB	04	7	47598534	31.201.AD	06	36
47598207	31.201.AD	04	11	47599792	31.220.AG	02	15
47598217	31.201.AD	03	17	47604142	35.540.AB	01	3
47598217	31.201.AD	04	17	47604142	35.540.AB	02	3
47598217	31.201.AD	07	17	47604142	35.540.AI	03	15
47598228	31.201.AD	03	18	47605440	88.100.60	08	8
47598228	31.201.AD	04	18	47608148	60.260.BL	07	7
47598228	31.201.AD	07	18	47608545	88.100.35	05	16
47598238	31.201.AD	03	25	47609272	39.110.AM	03	10
47598238	31.201.AD	04	25	47610160	62.140.AA	05	1
47598238	31.201.AD	07	26	47611265	62.140.AA	05	2
47598242	31.201.AD	03	27	47611303	62.140.AA	05	3
47598242	31.201.AD	04	27	47611337	62.140.AA	05	4
47598268	31.201.AD	03	38	47611339	62.140.AA	06	1
47598268	31.201.AD	04	38	47611344	62.140.AA	06	2
47598268	31.201.AD	07	35	47611345	62.140.AA	06	3
47598270	31.201.AD	04	39	47611346	62.140.AA	06	4
47598273	31.201.AD	03	40	47611347	62.140.AA	06	5
47598273	31.201.AD	04	40	47611348	62.140.AA	06	6
47598273	31.201.AD	07	37	47611349	62.140.AA	07	1
47598294	31.201.AD	02	2	47611350	62.140.AA	07	2
47598297	31.201.AD	02	4	47611351	62.140.AA	07	3
47598298	31.201.AD	02	5	47611352	62.140.AA	07	4
47598299	31.201.AD	02	7	47611355	62.140.AA	07	5
47598300	31.201.AD	02	11	47613735	68.170.AG		10
47598301	31.201.AD	02	13	47615330	62.140.AJ	07	2
47598302	31.201.AD	02	15	47617881	62.140.AJ	04	3
47598305	31.201.AD	02	17	47623676	31.220.AL	03	4
47598306	31.201.AD	02	18	47623676	31.220.AL	04	4
47598307	31.201.AD	01	41	47623926	88.100.55	07	9
47598307	31.201.AD	02	22	47623940	88.100.55	07	1
47598307	31.201.AD	06	22	47624424	35.540.AI	02	6
47598308	31.201.AD	02	38	47624424	35.540.AI	04	2

INDEX - INDICE - INDEX - ZAHLENVERZEICHNIS - INDICE - INDICE - INDHOLD - INHOUD

Number	Figure	Sequence	Ref.	Number	Figure	Sequence	Ref.
47624452	35.540.AI	01	2	47756766	05.100.01		35
47625882	88.100.55	07	2	47756766	68.170.AG		5
47631221	35.540.AI	02	4	47757152	88.100.55	01	1
47654384	31.201.AD	01	24	47760781	88.100.55	01	2
47654384	31.201.AD	02	24	47765085	35.540.AI	01	1
47654384	31.201.AD	03	24	47765085	35.540.AI	03	2
47654384	31.201.AD	04	24	47765917	35.540.AI	03	5
47654384	31.201.AD	06	25	47765920	35.540.AI	01	5
47654384	31.201.AD	07	25	47765920	35.540.AI	01	7
47654389	31.201.AD	06	30	47767033	90.108.AC	01	14
47654389	31.201.AD	07	30	47775189	35.540.AI	01	20
47655926	55.640.AB	02	1	47775189	35.540.AI	03	12
47655928	55.905.AA	01	1	47777047	88.100.55	01	13
47656839	88.100.33	03	1	47777414	88.100.35	01	2
47656839	88.100.33	04	1	47781564	88.100.62	02	4
47659780	88.100.55	08	7	47783575	35.550.AC	04	40
47674557	88.100.55	08	5	47783576	35.550.AC	04	41
47681249	88.100.33	01	2	47783805	68.170.AP		7
47681249	88.100.33	02	2	47794189	35.540.AI	01	2
47681249	88.100.33	03	2	47797682	35.550.AC	04	8
47681249	88.100.33	04	2	47797761	88.100.62	02	3
47691332	55.905.AA	01	13	47797812	88.100.35	04	2
47691638	62.140.AA	06	5	47797933	88.100.60	02	4
47691641	62.140.AA	06	6	47799278	88.100.62	02	27
47702136	62.140.AA	02	1	47799321	88.100.62	02	51
47705786	88.100.55	09	2	47801185	88.100.55	09	13
47706898	33.300.AC		23	47802508	88.100.55	01	14
47707358	68.170.AM	01	11	47802509	88.100.55	01	15
47716673	35.550.AC	04	1	47803709	88.100.55	09	1
47717552	60.260.BL	07	11	47805261	88.100.55	09	5
47717918	35.550.AC	04	9	47807945	90.105.AN		2
47717921	35.550.AC	04	10	47809411	90.105.BR	01	1
47717927	35.550.AC	04	11	47809419	90.105.BR	01	27
47717946	35.550.AC	04	12	47811058	60.260.BL	03	32
47718090	35.550.AC	04	13	47811059	60.260.BL	03	16
47718091	35.550.AC	04	14	47812489	88.100.60	02	2
47718092	35.550.AC	04	16	47812495	68.180.BO	05	5
47718093	35.550.AC	04	17	47812609	68.180.BO	05	4
47721129	88.100.55	01	5	47813909	60.220.BD	15	1
47722577	60.260.BJ	03	27	47814552	60.220.BD	16	1
47724352	90.119.AB	06	38	47814556	60.220.BD	11	1
47727349	90.108.AC	02	21	47816897	68.180.BO	05	2
47733719	35.550.AC	02	7	47816899	68.180.BO	05	3
47733861	35.550.AC	02	14	47816936	68.180.BO	05	6
47746224	35.550.AC	04	20	47819695	88.100.62	02	42
47748078	62.140.AJ	04	8	47819696	88.100.62	02	8
47748078	62.140.AJ	07	9	47832087	62.140.AC	01	3
47748150	39.100.AV	02	5	47832087	62.140.AC	05	3
47748158	39.100.AV	02	4	47836146	68.170.AP		4
47756514	90.119.AB	03	1	47837398	60.260.CC	01	5

INDEX - INDICE - INDEX - ZAHLENVERZEICHNIS - INDICE - INDICE - INDHOLD - INHOUD

Number	Figure	Sequence	Ref.	Number	Figure	Sequence	Ref.
47837398	60.260.CC	02	5	52367	35.560.AA	01	34
47837500	60.260.CC	01	3	52367	35.560.AA	02	37
47837500	60.260.CC	02	3	52367	88.100.35	03	4
47837508	60.260.CC	01	2	52367	90.119.AB	06	29
47837508	60.260.CC	02	2	52443	05.100.01		14
47840554	68.170.AP		9	52443	62.140.AC	01	10
47845741	71.480.AB	01	6	52443	62.140.AC	05	10
47853087	39.110.AF	02	1	52444	62.140.AC	01	11
47858603	71.480.AB	01	15	52444	62.140.AC	05	11
47858603	88.100.71	01	25	529070	39.110.AM	02	8
47858604	71.480.AB	01	3	529070	55.433.AB	01	3
47858604	88.100.71	01	26	529340	35.550.AB	02	8
47861634	35.550.AC	02	10	54695	05.100.01		57
47861637	35.550.AC	02	4	54695	60.220.BG	01	19
47861639	35.550.AC	02	5	54695	60.220.BG	02	9
47863822	35.550.AC	02	8	54695	60.220.BG	03	19
47863823	35.550.AC	02	15	54695	60.220.BG	04	22
47863825	35.550.AC	02	17	561201	31.220.AG	02	9
47863845	88.100.35	04	1	561201	31.220.AG	04	9
47870498	68.180.BO	05	1	56513	62.140.AC	03	28
47871214	88.100.62	10	6	56513	71.480.AL		13
47876349	88.100.62	10	7	570016	55.511.AJ		10
47876890	88.100.62	10	8	570821	05.100.01		47
47876893	88.100.62	10	9	574342	35.540.AI	01	4
47876894	88.100.62	10	9	574342	35.540.AI	01	16
47876969	88.100.62	10	16	574342	35.540.AI	03	3
47877606	88.100.62	10	1	577993	35.550.AC	04	7
47886985	88.100.35	04	10	58225	60.220.AN	03	12
47894824	62.140.AA	02	2	58630	60.260.CC	02	35
47894850	62.140.AA	02	3	58821	60.260.BL	02	8
47894852	62.140.AA	02	4	58821	60.260.CC	03	39
47894855	62.140.AA	02	1	58821	62.140.AI	02	7
47902899	33.100.AP	04	8	600427	33.100.AJ		9
47902899	33.300.AC		21	600427	35.540.AK	04	12
47906747	88.100.62	10	2	600427	35.565.AA	02	20
47911763	60.220.BD	05	18	600427	55.640.AB	01	19
47911780	60.220.BD	05	19	600427	55.640.AB	02	19
48564	60.260.BJ	02	11	600427	55.640.AB	02	19
48564	60.260.CC	04	3	600427	62.140.AQ	04	39
48564	71.460.AF		1	600427	88.100.33	02	28
48564	88.100.35	01	11	600427	88.100.33	04	26
48564	88.100.62	01	13	603373	60.220.AU	02	5
511297	35.540.AI	02	11	605846	62.140.AI	01	8
511603	60.260.CC	03	11	617887	55.100.DP	01	7
5135061	31.220.AG	02	6	617945	05.100.01		36
5135061	31.220.AG	04	6	617945	68.180.BB		3
514099	35.562.AB		3	620019	35.565.AA	01	20
514099	35.569.AB		3	62161	31.220.AL	02	12
514100	35.562.AB		2	633038	35.540.AK	06	11
514100	35.569.AB		2	633038	62.140.AQ	02	13

INDEX - INDICE - INDEX - ZAHLENVERZEICHNIS - INDICE - INDICE - INDHOLD - INHOUD

Number	Figure	Sequence	Ref.	Number	Figure	Sequence	Ref.
633038	62.140.AQ	02	23	76344	35.550.AC	01	7
633038	62.140.AQ	04	13	76344	35.550.AC	02	3
633038	62.140.AQ	04	19	76344	35.560.AA	01	13
633038	62.140.AQ	06	15	76344	35.560.AA	02	16
633038	62.140.AQ	06	23	76344	35.560.AA	03	12
636422	39.110.AB		6	76344	35.565.AA	01	11
636422	88.100.39	01	6	76344	35.565.AA	02	18
64263	88.100.62	02	47	76344	88.100.35	05	4
646223	55.404.AF		7	76347	35.550.AC	01	17
646223	88.100.35	05	9	76347	35.550.AC	02	12
646223	88.100.55	07	11	76350	35.540.AI	01	7
647695	60.260.BL	03	25	76350	35.540.AI	01	11
647695	60.260.BL	07	36	76350	35.540.AI	03	6
64972	39.100.AV	01	16	76350	35.550.AC	02	34
65319	62.140.AC	03	22	76350	35.565.AA	01	2
65319	62.140.AC	04	17	76350	35.565.AA	02	16
65319	88.100.35	02	38	76350	88.100.35	04	9
65319	88.100.62	03	4	76355	35.550.AC	01	8
65957	68.170.AX		22	76355	35.550.AC	02	18
66553	05.100.01		43	76450	05.100.01		22
66553	60.220.BD	09	12	76450	62.150.AB		5
66553	60.260.BL	07	40	76450	62.150.AB	01	5
66553	62.140.AJ	05	28	767456	55.100.DP	01	2
66553	62.140.AJ	07	30	768703	68.170.AM	01	40
66614	62.140.AJ	04	6	768703	88.100.62	02	31
66614	62.140.AJ	05	2	76877	27.500.AA	02	2
685728	62.150.AB		4	76877	33.100.AP	02	10
685728	62.150.AB	01	4	76877	33.100.AP	05	3
691873	88.100.62	01	11	76877	33.100.AP	08	4
694478	62.140.AJ	04	21	76877	88.100.33	01	4
694478	62.140.AJ	07	16	76877	88.100.33	03	4
698748	68.170.AH	02	11	76877	88.100.35	02	33
698748	68.170.AP		22	771478	55.629.AE		3
698748	68.170.AX		17	771705	35.540.AI	02	6
698748	90.119.AB	01	8	771705	35.550.AB	02	12
698748	90.119.AB	02	3	787868	55.100.DP	01	5
700703406	60.220.AN	05	2	790472	60.260.BL	01	17
711051	35.540.AK	04	11	794034	68.170.AX		15
711051	62.140.AQ	04	30	797900	39.110.AB		1
714379	60.220.AN	01	4	799266	55.511.AJ		9
714379	60.220.AN	02	4	80043480	60.220.AU	01	2
714411	60.220.AU	02	3	80280397	60.260.BJ	02	13
721	60.260.BL	03	17	80280397	71.460.AF		3
73342912	71.480.AL		11	80280503	60.220.BG	01	29
734031	33.240.AB		5	80280503	60.220.BG	03	29
734031	88.100.33	07	5	80280503	60.220.BG	04	25
748669	68.180.AK	02	5	80299	62.140.AJ	04	20
762217	88.100.35	02	10	80299	62.140.AJ	07	14
76344	35.540.AI	01	3	80300633	60.220.AN	05	6
76344	35.540.AI	03	10	80577826	68.170.AM	01	28

INDEX - INDICE - INDEX - ZAHLENVERZEICHNIS - INDICE - INDICE - INDHOLD - INHOUD

Number	Figure	Sequence	Ref.	Number	Figure	Sequence	Ref.
80577826	68.170.AM	02	8	80702	60.220.CC	05	10
80577826	90.105.AT	02	5	80702	60.220.CC	06	5
80664	68.170.AM	01	26	80702	60.220.CC	07	10
80664	68.170.AM	02	5	80702	60.220.CC	08	5
80664	90.105.AT	02	4	80702	60.220.CC	10	9
80664	90.105.BR	01	20	80702	60.260.BJ	02	7
80664	90.105.BR	03	18	80702	60.260.BL	02	28
80664	90.105.BR	05	11	80702	60.260.CC	04	14
80664	90.105.CL	01	11	80702	60.260.CC	05	14
80679	88.100.62	05	3	80702	62.140.AI	01	23
80680	60.220.BG	01	30	80702	62.140.AJ	07	17
80680	60.220.BG	02	11	80702	88.100.39	02	9
80680	60.220.BG	03	30	80708	60.260.CC	01	14
80680	60.220.BG	04	26	80708	60.260.CC	02	19
80680	62.170.AA		24	80710	60.260.BL	02	34
80681	35.540.AI	01	13	80710	62.140.AI	01	7
80681	35.540.AI	01	10	80714	60.260.CC	02	20
80681	35.540.AI	03	11	80714	62.140.AC	03	26
80681	35.540.AI	03	11	80717	62.140.AJ	04	7
80684	60.220.AC	01	28	80717	62.140.AJ	07	12
80684	60.220.AC	02	31	80717	62.150.AB	02	10
80684	60.220.AC	03	27	80717	71.460.AF		8
80684	60.220.AN	04	27	80721	71.460.AF		9
80684	60.260.BL	03	18	80722	68.170.AM	01	42
80684	90.119.AB	06	18	80746294	55.511.AJ		11
80700	60.220.AU	04	13	80752	60.260.CC	03	19
80700	60.220.AU	09	12	80752	60.260.CC	06	19
80700	60.260.CC	02	26	80753	35.560.AA	03	30
80700	62.140.AI	01	46	80754	35.560.AA	01	16
80700	62.140.AI	02	22	80754	35.560.AA	02	19
80700	62.140.AJ	05	17	80755	60.260.CC	03	23
80700	62.140.AJ	06	8	80755	60.260.CC	06	23
80701	71.480.AB	01	22	80755	88.100.35	01	16
80701	88.100.35	05	7	80755	88.100.35	02	34
80701	88.100.71	01	14	80756	39.100.AV	01	27
80701	90.105.BR	02	16	80756	39.100.AV	02	23
80701	90.105.BR	03	13	80756	55.629.AC	02	9
80701	90.119.AB	06	17	80756	60.220.CC	01	20
80702	39.100.AV	01	18	80756	60.220.CC	04	14
80702	39.110.AM	02	26	80756	60.220.CC	05	20
80702	55.629.AC	02	8	80756	60.220.CC	06	14
80702	60.220.BD	01	17	80756	60.220.CC	07	20
80702	60.220.BD	03	10	80756	62.140.AC	03	27
80702	60.220.BD	06	15	80756	68.180.BB		9
80702	60.220.BD	06	1	80768	60.220.AC	01	12
80702	60.220.BD	06	15	80768	60.220.AC	02	34
80702	60.220.BD	09	13	80768	60.220.AC	03	13
80702	60.220.BD	11	18	80768	60.220.AN	03	21
80702	60.220.CC	01	10	80768	60.220.AN	04	13
80702	60.220.CC	04	5	80855	68.170.AM	01	39

INDEX - INDICE - INDEX - ZAHLENVERZEICHNIS - INDICE - INDICE - INDHOLD - INHOUD

Number	Figure	Sequence	Ref.	Number	Figure	Sequence	Ref.
80974	68.170.AH	01	2	84019797	62.140.AI	01	41
81541	31.201.AD	05	8	84019797	62.140.AI	02	13
81541	39.110.AM	02	23	84019797	62.140.AJ	04	14
81541	39.110.AM	03	17	84019797	62.140.AJ	05	10
81541	39.110.AM	04	15	84019797	62.140.AJ	07	31
81541	39.110.AM	05	17	84019797	62.140.AJ	07	8
81541	62.170.AA		34	84021877	27.500.AO		5
81541	88.100.31	01	5	84021877	33.100.AP	03	5
81763	88.100.62	02	41	84024585	68.170.AM	03	8
81827427	35.550.AC	02	3	84024749	68.170.AM	03	3
81827427	35.550.AC	04	3	84025547	90.116.AO	01	9
81972	62.170.AA		21	84025547	90.116.AO	02	9
82017871	55.640.AB	01	9	84025887	39.100.AV	02	27
82017871	55.640.AB	02	9	84025887	60.260.BL	02	36
82017871	55.640.AB	02	9	84025887	62.140.AI	01	22
82017871	55.905.AA	02	6	84036368	31.201.AD	01	9
83918746	60.220.CC	03	11	84036368	31.201.AD	02	9
83933689	55.100.DP	03	2	84036368	31.201.AD	06	9
84004734	90.108.AC	01	3	84036651	60.220.AU	06	6
84004734	90.108.AC	02	6	84036651	60.220.AU	08	6
84004734	90.119.AB	06	35	84037090	55.404.BM		1
84004736	90.108.AC	01	4	84037090	55.511.AJ		4
84004736	90.108.AC	02	7	84037093	55.404.BM		2
84005363	88.100.33	07	33	84037093	55.511.AJ		5
84005363	90.108.AC	02	16	84038524	60.260.CC	03	6
84005685	55.511.AJ		21	84038524	60.260.CC	06	6
84007187	33.300.AC		5	84039309	60.260.CC	03	5
84007187	88.100.33	06	5	84039309	60.260.CC	06	5
84007189	33.300.AC		12	84039310	60.260.CC	03	13
84007189	88.100.33	06	12	84039310	60.260.CC	06	13
84007190	33.300.AE		11	84039463	60.260.CC	03	16
84007190	88.100.33	05	14	84039463	60.260.CC	06	16
84007191	33.300.AC		19	84039535	90.108.AC	01	6
84007191	88.100.33	06	23	84041522	60.260.BL	01	18
84011379	33.300.AC		18	84041522	60.260.BL	07	30
84011379	88.100.33	06	22	84041731	68.170.AH	01	6
84012277	60.220.AU	04	20	84041862	60.260.CC	03	14
84012277	60.220.AU	09	21	84041862	60.260.CC	06	14
84012277	60.220.AU	10	14	84041902	60.220.AU	07	8
84012277	88.100.60	03	19	84041902	88.100.60	06	46
84012277	88.100.60	06	11	84041902	88.100.60	07	46
84012277	88.100.60	06	44	84041936	60.260.CC	03	9
84012277	88.100.60	07	11	84043787	60.260.CC	03	20
84012277	88.100.60	07	44	84062222	68.170.AG		17
84012939	90.108.AC	01	5	84068583	55.433.AA	02	5
84014114	90.108.AC	02	8	84068634	60.260.CC	03	17
84014198	33.300.AE		15	84068634	60.260.CC	06	17
84014198	88.100.33	05	18	84078038	33.240.AB		11
84018412	33.240.AB		3	84078038	88.100.33	07	11
84018412	88.100.33	07	3	84078105	33.240.AB		21

INDEX - INDICE - INDEX - ZAHLENVERZEICHNIS - INDICE - INDICE - INDHOLD - INHOUD

Number	Figure	Sequence	Ref.	Number	Figure	Sequence	Ref.
84078105	88.100.33	07	21	84185964	55.640.AB	01	8
84078124	33.100.AP	04	4	84185964	55.640.AB	02	8
84078124	33.240.AB		10	84185964	55.640.AB	02	8
84078124	88.100.33	01	18	84194676	60.220.AU	02	1
84078124	88.100.33	03	16	84195093	60.220.AU	04	4
84078124	88.100.33	07	10	84195093	60.220.AU	10	4
84078384	90.108.AC	01	7	84195093	88.100.60	03	4
84078395	33.100.AJ		29	84216464	33.300.AE		25
84078395	88.100.33	02	6	84216464	88.100.33	05	25
84078395	88.100.33	04	13	84217008	39.100.AV	02	6
84100296	90.108.AB	02	3	84220857	60.220.AU	07	11
84100296	90.108.AC	01	8	84220857	88.100.60	06	15
84100296	90.108.AC	02	10	84220857	88.100.60	07	15
84100367	33.100.AJ		17	84227091	35.540.AI	01	19
84100367	88.100.33	02	19	84227091	35.540.AI	03	13
84100367	88.100.33	04	19	84235144	68.180.BB		4
84100367	90.108.AC	02	19	84251	71.460.AF		7
84120249	62.140.AQ	02	1	84253567	31.220.AL	02	3
84120249	62.140.AQ	02	1	84253568	31.220.AL	04	2
84120249	62.140.AQ	04	1	84253569	31.220.AL	02	3
84120249	62.140.AQ	04	1	84258225	68.180.BO	03	6
84132501	60.220.AU	05	2	84258226	68.180.BO	02	7
84132578	27.500.AA	04	1	84259286	68.180.BO	03	9
84133414	90.105.AN		1	84259867	05.100.01		40
84133738	05.100.01		63	84259867	62.140.AC	03	30
84133738	60.220.BG	01	21	84259867	62.140.AC	04	19
84133738	60.220.BG	03	21	84259867	62.140.AQ	04	34
84134452	60.220.BD	03	24	84259867	62.140.AQ	06	31
84134452	60.220.BD	09	32	84259867	62.140.AQ	06	36
84134452	90.119.AB	06	34	84262617	62.140.AJ	04	8
84134452	90.119.AB	06	40	84262617	62.140.AJ	07	9
84134453	60.220.BD	03	25	84266199	60.220.AN	02	1
84134453	60.220.BD	09	33	84266202	60.220.AN	01	8
84134471	88.100.62	02	37	84266202	60.220.AN	02	8
84134472	88.100.71	01	1	84266808	05.100.01		59
84137881	33.100.AP	04	10	84266808	60.220.BG	01	25
84137881	88.100.33	01	25	84266808	60.220.BG	02	7
84137881	88.100.33	02	21	84266808	60.220.BG	03	25
84137881	88.100.33	03	22	84266904	62.140.AJ	06	7
84146095	33.240.AB		6	84271552	05.100.01		26
84146095	88.100.33	07	6	84271552	60.260.BL	02	13
84146409	33.240.AB		12	84271552	62.140.AI	01	10
84146409	88.100.33	07	12	84271552	62.140.AJ	06	2
84146982	88.100.62	02	15	84271991	88.100.05	01	4
84147760	31.201.AD	03	19	84272851	60.220.AN	03	8
84147760	31.201.AD	04	19	84272852	60.220.AN	03	9
84147760	31.201.AD	07	19	84274758	33.100.AJ		26
84157159	55.100.DP	03	4	84274758	88.100.33	02	5
84158032	88.100.62	02	9	84274758	88.100.33	04	14
84182666	60.220.AN	05	10	84276570	60.220.AN	03	5

INDEX - INDICE - INDEX - ZAHLENVERZEICHNIS - INDICE - INDICE - INDHOLD - INHOUD

Number	Figure	Sequence	Ref.	Number	Figure	Sequence	Ref.
84277390	39.100.AV	02	9	84293578	60.220.BG	02	19
84279849	68.180.BO	03	3	84293578	60.220.BG	03	2
84279853	55.640.AB	01	1	84293578	60.220.BG	04	3
84279853	55.640.AB	02	1	84294382	55.629.AC	02	3
84279867	88.100.55	08	17	84296150	60.260.BJ	01	2
84279867	88.100.55	09	6	84296759	60.220.BG	01	11
84279868	88.100.55	08	18	84296780	60.220.BG	01	13
84279868	88.100.55	09	7	84296780	60.220.BG	02	2
84280322	62.140.AJ	04	4	84296784	60.220.BG	01	14
84280322	62.140.AJ	07	1	84296784	60.220.BG	02	3
84280706	35.550.AC	01	2	84297306	60.220.BD	05	10
84280712	35.550.AC	01	3	84297324	60.220.AN	03	11
84280824	88.100.55	07	5	84298456	60.260.BL	01	25
84281101	35.550.AC	01	4	84298914	60.260.BJ	01	1
84281508	35.550.AC	01	5	84299326	90.119.AB	01	1
84281954	60.220.BD	01	13	84299333	90.119.AB	01	2
84281954	60.220.BD	05	12	84299984	60.260.BJ	01	4
84282584	62.140.AJ	04	1	84299984	60.260.CC	01	4
84282797	68.180.BO	02	1	84300100	88.100.35	04	27
84283485	68.180.BO	02	5	84300102	35.540.AB	02	7
84285522	31.220.AL	02	1	84300102	35.540.AI	03	20
84289456	62.140.AJ	04	2	84300102	88.100.35	04	28
84289772	60.220.AU	07	4	84300111	60.220.AN	03	6
84291843	60.220.BG	01	4	84300120	60.220.BD	03	7
84291843	60.220.BG	02	21	84300121	60.220.BD	02	4
84291843	60.220.BG	03	4	84300121	60.220.BD	08	4
84291843	60.220.BG	04	5	84300121	60.220.BD	10	4
84291845	60.220.BG	01	3	84300121	60.220.BL	02	4
84291845	60.220.BG	02	20	84300121	60.260.BL	05	4
84291845	60.220.BG	03	3	84300403	68.180.BB		2
84291845	60.220.BG	04	4	84300445	68.180.BO	03	1
84292754	35.540.AK	06	7	84300458	68.180.BO	02	9
84292754	35.550.AC	01	33	84300728	90.119.AB	01	4
84292754	35.550.AC	02	33	84300728	90.119.AB	02	2
84292754	55.433.AB	02	2	84300966	60.220.CC	03	3
84292754	55.640.AB	01	25	84301724	60.260.CC	02	4
84292754	55.640.AB	02	25	84302975	55.640.AB	01	4
84292754	55.640.AB	02	25	84302975	55.640.AB	02	4
84292754	55.905.AA	01	7	84302975	55.640.AB	02	4
84292754	55.905.AA	02	15	84303	88.100.35	01	20
84292754	55.905.AA	03	2	84303	88.100.62	01	15
84292754	71.480.AB	01	14	84303987	05.100.01		44
84292754	88.100.68	02	8	84303987	60.220.BD	03	3
84292754	88.100.68	03	13	84303987	60.220.BD	09	3
84292754	88.100.71	01	18	84304035	60.220.BD	03	4
84293577	60.220.BG	01	1	84304035	60.220.BD	09	4
84293577	60.220.BG	02	18	84307334	35.565.AA	02	1
84293577	60.220.BG	03	1	84307932	60.220.BD	01	27
84293577	60.220.BG	04	2	84308004	55.629.AC	02	1
84293578	60.220.BG	01	2	84308004	55.629.AC	03	2

INDEX - INDICE - INDEX - ZAHLENVERZEICHNIS - INDICE - INDICE - INDHOLD - INHOUD

Number	Figure	Sequence	Ref.	Number	Figure	Sequence	Ref.
84308004	55.629.AE		5	84329808	88.100.55	04	5
84308004	68.180.BO	03	2	84331721	90.105.BR	02	4
84309324	60.260.BJ	01	7	84332757	60.220.BD	06	3
84309324	60.260.CC	01	7	84332757	60.220.BD	06	3
84309324	60.260.CC	02	7	84335801	90.105.BR	02	6
84309329	60.260.BJ	01	6	84336768	60.220.AU	07	6
84309329	60.260.CC	01	6	84336768	88.100.60	06	30
84309329	60.260.CC	02	6	84336768	88.100.60	07	30
84309333	60.260.CC	02	8	84337332	90.105.BR	02	3
84310057	60.220.BD	11	3	84337963	62.140.AC	04	7
84312850	35.560.AA	02	5	84341119	88.100.62	02	43
84313928	62.170.AA		17	84342961	39.110.AM	03	6
84315673	60.220.CC	03	2	84342961	39.110.AM	04	9
84317397	60.220.CC	03	1	84342961	39.110.AM	05	6
84317678	60.220.CC	03	4	84342965	39.110.AM	01	3
84319036	55.629.AC	02	2	84342965	39.110.AM	02	12
84319191	62.150.AB		2	84345656	60.260.BL	02	23
84319941	68.170.AP		1	84345656	62.140.AI	01	13
84320121	33.240.AB		9	84347289	88.100.35	02	1
84320121	88.100.33	07	9	84349215	60.260.BL	02	1
84320139	35.540.AI	01	22	84349215	62.140.AI	01	3
84320139	35.540.AI	03	15	84349215	62.140.AI	02	1
84322928	62.140.AC	04	6	84350126	05.100.01		60
84322929	62.140.AC	04	5	84350126	60.220.BG	01	17
84324176	90.105.BH	01	3	84350126	60.220.BG	02	6
84324176	90.105.BH	04	3	84350126	60.220.BG	03	17
84324176	90.105.BH	06	3	84350126	60.220.BG	04	23
84324176	90.105.BH	08	3	84350907	60.220.AN	01	1
84324178	90.105.BH	01	2	84351002	05.100.01		42
84324178	90.105.BH	04	2	84351002	60.220.BD	02	5
84324246	05.100.01		51	84351002	60.220.BD	08	5
84324246	60.220.AC	02	2	84351002	60.220.BD	10	5
84324246	60.220.AN	03	2	84351002	60.220.BL	02	5
84324246	60.220.BD	05	9	84351002	60.260.BL	05	5
84324246	60.220.BG	02	25	84351604	60.260.BL	01	15
84324246	60.220.BG	03	8	84352338	60.260.BL	01	16
84324246	60.220.BG	04	9	84356440	05.100.01		28
84324246	60.260.BJ	03	12	84356440	60.220.BD	02	13
84324386	90.105.BR	02	2	84356440	60.220.BD	10	14
84324794	90.105.BR	02	1	84356440	60.260.BL	02	37
84324849	62.140.AC	01	5	84356440	60.260.BL	05	10
84327846	60.220.BG	01	7	84356440	62.140.AI	01	39
84327846	60.220.BG	02	24	84356440	62.140.AI	02	25
84327846	60.220.BG	03	7	84356518	39.100.AV	01	4
84327846	60.220.BG	04	6	84356521	39.100.AV	01	2
84327847	60.220.BG	01	6	84356523	39.100.AV	01	3
84327847	60.220.BG	02	23	84356720	62.140.AQ	06	2
84327847	60.220.BG	03	6	84356720	62.140.AQ	06	2
84327847	60.220.BG	04	7	84358415	31.201.AD	01	1
84328799	68.180.AK	01	1	84358415	31.220.AL	01	5

INDEX - INDICE - INDEX - ZAHLENVERZEICHNIS - INDICE - INDICE - INDHOLD - INHOUD

Number	Figure	Sequence	Ref.	Number	Figure	Sequence	Ref.
84358416	31.220.AL	01	5	84380114	60.220.BD	01	3
84359376	90.116.AO	01	4	84380114	60.220.BD	05	3
84361	60.260.BL	07	21	84380204	60.220.AN	03	4
84362185	60.220.BG	02	33	84380229	60.220.BD	05	2
84362185	60.220.BG	03	34	84380563	60.220.BD	05	3
84362185	60.220.BG	04	10	84383275	35.550.AC	02	1
84364028	90.119.AB	02	1	84383297	35.550.AC	02	2
84364049	60.220.BG	02	32	84383338	35.550.AC	02	4
84364049	60.220.BG	03	10	84383355	35.550.AC	01	6
84364049	60.220.BG	04	11	84383355	35.550.AC	02	5
84368710	39.100.AV	01	1	84383387	35.550.AC	02	6
84368723	39.110.AM	02	11	84383431	60.260.BJ	01	5
84368723	88.100.39	02	3	84384302	90.105.AN		2
84369419	62.170.AA		11	84384384	90.105.AN		4
84369961	39.100.AB	01	1	84384411	05.100.01		2
84370050	60.260.BL	02	3	84384411	35.540.AK	06	3
84370050	62.140.AI	01	1	84385021	55.640.AB	01	10
84371620	62.140.AQ	06	1	84385021	55.640.AB	02	10
84371620	62.140.AQ	06	1	84385021	55.640.AB	02	10
84372082	60.220.BD	05	11	84385577	60.260.BJ	02	2
84372087	60.220.AC	02	3	84385577	60.260.CC	04	8
84372087	60.220.AN	03	3	84385577	60.260.CC	05	8
84372087	60.220.BD	05	10	84385890	60.220.BD	01	15
84374389	60.220.BD	05	12	84385890	60.220.BD	05	13
84374916	90.105.BR	04	8	84385892	60.220.BD	01	14
84374956	68.170.AH	01	3	84385892	60.220.BD	05	14
84375021	68.170.AM	01	7	84385997	88.100.35	01	1
84375099	31.220.AG	02	1	84385997	88.100.35	03	1
84375099	31.220.AL	02	2	84386744	60.260.BL	01	2
84375100	31.220.AG	04	1	84387467	39.100.AV	01	30
84375100	31.220.AL	02	2	84387493	60.220.AU	09	1
84375789	60.220.BG	02	1	84387493	88.100.60	06	4
84376011	39.100.AB	02	1	84387493	88.100.60	07	4
84376023	39.100.AV	02	1	84390629	60.220.CC	01	2
84376806	62.140.AI	01	43	84390629	60.220.CC	04	3
84376806	62.140.AI	02	11	84390629	60.220.CC	05	2
84376806	62.140.AJ	05	15	84390657	60.220.CC	04	2
84377821	62.150.AB		1	84390687	60.220.CC	06	3
84377821	62.150.AB	01	1	84390687	60.220.CC	07	2
84378291	60.220.AU	07	5	84391681	60.220.CC	06	2
84378404	55.629.AC	03	4	84391689	60.220.CC	07	4
84379022	55.629.AC	03	3	84391691	60.220.CC	07	3
84379049	60.220.BD	03	8	84393043	60.220.BD	01	1
84379049	60.220.BD	09	8	84394607	88.100.55	03	2
84379698	60.220.BD	01	5	84394615	88.100.62	06	2
84379698	60.220.BD	05	5	84394617	88.100.62	05	2
84379704	60.220.BD	01	6	84394619	88.100.05	01	2
84379704	60.220.BD	05	6	84394623	88.100.55	05	2
84379751	60.220.BD	01	2	84394625	88.100.35	05	11
84379751	60.220.BD	05	2	84394639	88.100.62	07	2

INDEX - INDICE - INDEX - ZAHLENVERZEICHNIS - INDICE - INDICE - INDHOLD - INHOUD

Number	Figure	Sequence	Ref.	Number	Figure	Sequence	Ref.
84394640	88.100.62	03	2	84408829	71.480.AB	01	1
84394642	88.100.33	05	2	84408829	88.100.71	01	27
84394642	88.100.33	06	2	84408830	88.100.71	01	28
84394647	88.100.71	01	2	84408933	68.170.AM	01	9
84394648	88.100.62	01	2	84410341	60.260.CC	03	29
84394648	88.100.62	02	2	84411038	60.260.BL	07	2
84394649	88.100.31	01	2	84412946	60.220.CC	08	2
84394650	88.100.39	01	2	84412946	60.220.CC	10	3
84394659	88.100.62	04	2	84414114	60.260.BJ	03	16
84394662	88.100.60	08	2	84414248	71.480.AB	01	11
84394665	88.100.39	02	2	84414248	88.100.71	01	4
84398932	88.100.60	04	2	84414312	60.260.CC	03	10
84398932	88.100.60	05	2	84414312	60.260.CC	06	10
84399081	88.100.62	06	1	84414817	33.300.AC		3
84399091	88.100.62	05	1	84414817	88.100.33	06	3
84399109	88.100.62	08	1	84414818	33.100.AJ		3
84399156	88.100.62	03	1	84414818	33.100.AP	01	3
84399284	60.260.BJ	03	10	84414818	33.100.AP	02	3
84399287	60.260.BJ	03	8	84414818	88.100.33	03	10
84399312	88.100.62	07	1	84414870	90.119.AB	06	3
84399830	35.540.AK	02	4	84414897	33.100.AJ		2
84399830	35.540.AK	04	4	84414897	33.100.AP	01	2
84399830	35.540.AK	06	2	84414897	33.100.AP	02	2
84401598	60.260.BL	02	5	84414897	88.100.33	03	9
84401598	60.260.BL	07	4	84415116	60.260.CC	03	1
84401598	62.140.AI	01	4	84415116	60.260.CC	06	1
84401598	62.140.AJ	07	7	84415118	60.260.CC	03	3
84401620	88.100.62	01	1	84415118	60.260.CC	06	3
84401620	88.100.62	02	1	84415124	60.260.CC	03	30
84401639	88.100.39	01	1	84415124	60.260.CC	06	30
84401845	88.100.62	04	1	84415125	60.260.CC	03	26
84401866	88.100.70	01	1	84415125	60.260.CC	06	26
84401869	88.100.70	01	2	84415126	60.260.CC	03	8
84404537	05.100.01		56	84415126	60.260.CC	06	8
84404537	60.220.BG	02	13	84415132	60.260.CC	02	33
84404537	60.220.BG	04	1	84415133	60.260.CC	02	10
84404537	88.100.60	01	6	84416740	60.260.CC	01	12
84405459	05.100.01		20	84416776	60.260.CC	01	9
84405459	62.140.AC	03	12	84416798	60.260.CC	03	2
84405631	60.220.BG	04	18	84416798	60.260.CC	06	2
84405638	60.220.BG	04	20	84416929	35.550.AC	01	32
84405642	60.220.BG	04	19	84416929	35.550.AC	02	32
84407295	35.550.AC	02	22	84416929	35.550.AC	02	12
84407658	62.140.AQ	02	14	84416929	35.550.AC	04	15
84407658	62.140.AQ	02	20	84419297	35.550.AC	01	11
84407658	62.140.AQ	04	14	84419297	35.550.AC	02	7
84407658	62.140.AQ	04	17	84419297	35.565.AA	01	4
84407658	62.140.AQ	06	14	84419671	60.260.BJ	03	11
84407658	62.140.AQ	06	20	84420455	55.100.DP	01	4
84408474	60.220.BG	03	11	84420719	60.220.BG	01	15

INDEX - INDICE - INDEX - ZAHLENVERZEICHNIS - INDICE - INDICE - INDHOLD - INHOUD

Number	Figure	Sequence	Ref.	Number	Figure	Sequence	Ref.
84420719	60.220.BG	02	4	84470972	68.170.AG		6
84420719	60.220.BG	03	15	84470972	90.105.BR	01	7
84420719	60.220.BG	03	35	84471490	60.260.BL	01	32
84420719	60.220.BG	04	31	84471506	60.260.BL	01	22
84420748	90.105.BH	03	5	84471506	60.260.BL	07	28
84421259	62.140.AJ	07	1	84471675	60.220.BD	05	1
84421267	90.105.BR	02	14	84472287	60.220.BD	02	1
84422400	35.565.AA	01	10	84472287	60.220.BD	08	1
84422404	35.565.AA	01	13	84472287	60.220.BD	10	1
84423031	60.220.BD	02	2	84472287	60.220.BL	02	1
84423031	60.220.BD	08	2	84472287	60.260.BL	05	1
84423031	60.220.BD	10	2	84472590	88.100.60	08	1
84423031	60.220.BD	12	2	84472935	60.220.CC	01	1
84423757	60.220.BG	03	14	84472935	60.220.CC	04	1
84423762	60.220.BG	03	13	84472935	60.220.CC	05	1
84424250	88.100.55	02	7	84472935	60.220.CC	06	1
84425164	88.100.55	02	8	84472935	60.220.CC	07	1
84425242	60.220.BD	05	1	84474129	60.260.CC	03	4
84425466	60.260.CC	04	9	84474129	60.260.CC	06	4
84425466	60.260.CC	05	9	84474326	35.565.AA	02	3
84425604	60.220.CC	08	1	84474353	88.100.35	05	5
84425604	60.220.CC	10	2	84474365	88.100.35	05	12
84425714	62.140.AC	01	1	84475439	60.220.BD	06	13
84425714	62.140.AC	05	1	84475439	60.220.BD	06	13
84425716	88.100.62	01	3	84475973	60.220.BD	03	1
84426074	60.220.CC	10	5	84475973	60.220.BD	09	1
84426074	88.100.60	04	4	84476059	60.220.BD	09	2
84426289	33.100.AP	01	1	84476761	88.100.35	05	3
84426289	33.100.AP	02	1	84476973	71.480.AB	01	4
84426556	60.260.BL	07	9	84476973	88.100.71	01	24
84427184	60.260.BJ	03	14	84476975	71.480.AB	01	5
84427224	60.260.BJ	03	17	84476975	88.100.71	01	23
84427228	60.260.BJ	03	7	84477445	60.220.BD	09	10
84427232	60.260.BJ	03	3	84477606	33.100.AJ		30
84427552	60.260.BJ	03	6	84477606	88.100.33	02	25
84427606	60.220.BD	11	10	84477606	88.100.33	04	20
84427925	05.100.01		64	84478256	60.260.BL	01	13
84427925	60.220.BG	01	20	84478889	60.260.BL	01	31
84427925	60.220.BG	03	20	84478889	60.260.BL	07	29
84429037	60.220.AU	06	2	84479182	60.220.AU	09	7
84429037	60.220.AU	08	3	84479182	88.100.60	06	7
84429038	60.220.AU	06	3	84479182	88.100.60	07	7
84429038	60.220.AU	08	2	84480490	60.260.BL	03	1
84429039	60.220.AU	06	4	84484181	60.220.AC	01	3
84429039	60.220.AU	08	4	84484181	60.220.AC	02	13
84438713	31.220.AG	02	11	84484181	60.220.AC	03	3
84438713	31.220.AG	04	12	84484181	60.220.AN	04	3
84439510	90.108.AC	02	9	84484181	60.260.BL	07	8
84447449	60.220.AN	05	9	84484181GV	60.220.AC	01	3
84468885	88.100.35	05	1	84484181GV	60.220.AC	02	13

INDEX - INDICE - INDEX - ZAHLENVERZEICHNIS - INDICE - INDICE - INDHOLD - INHOUD

Number	Figure	Sequence	Ref.	Number	Figure	Sequence	Ref.
84484181GV	60.220.AC	03	3	84540246	31.201.AD	02	28
84484181GV	60.220.AN	04	3	84540246	31.201.AD	03	28
84484181GV	60.260.BL	07	8	84540246	31.201.AD	04	28
84485546	90.119.AB	06	5	84540248	31.201.AD	01	30
84486872	55.905.AA	01	12	84540248	31.201.AD	02	30
84493759	60.260.BJ	03	4	84540248	31.201.AD	03	30
84493769	60.260.BJ	03	5	84540248	31.201.AD	04	30
84494203	60.260.BJ	03	2	84540249	31.201.AD	01	33
84495626	60.260.BJ	03	26	84540249	31.201.AD	02	33
84495646	60.260.BJ	03	25	84540249	31.201.AD	03	33
84495729	60.220.CC	08	11	84540249	31.201.AD	04	33
84513336	60.260.CC	02	1	84540254	31.201.AD	01	35
84513341	60.260.CC	01	1	84540254	31.201.AD	02	35
84515235	60.220.BD	06	6	84540254	31.201.AD	03	35
84515235	60.220.BD	06	6	84540254	31.201.AD	04	35
84517258	90.105.BH	01	23	84540255	31.201.AD	01	36
84517258	90.105.BH	04	15	84540255	31.201.AD	02	36
84517258	90.105.BH	06	17	84540255	31.201.AD	03	36
84517258	90.105.BH	08	15	84540255	31.201.AD	04	36
84521583	55.629.AC	03	13	84540279	31.201.AD	01	7
84526344	31.220.AL	01	1	84540279	31.201.AD	06	7
84526345	31.220.AL	01	2	84540281	31.201.AD	01	13
84528344	33.100.AJ		6	84540281	31.201.AD	06	13
84528344	88.100.33	02	4	84540289	31.201.AD	01	27
84528344	88.100.33	04	3	84540289	31.201.AD	02	27
84528907	62.140.AC	01	21	84540296	31.201.AD	01	34
84528909	62.140.AC	01	20	84540296	31.201.AD	02	34
84528909	62.140.AC	05	20	84540296	31.201.AD	03	34
84530546	60.220.AU	09	2	84540296	31.201.AD	04	34
84530546	88.100.60	06	6	84540723	31.201.AD	06	11
84530546	88.100.60	07	6	84541306	31.220.AL	02	5
84531412	60.220.BD	09	25	84541819	60.220.BD	07	1
84531775	60.220.BD	11	2	84542874	90.105.BH	02	5
84532089	88.100.35	04	4	84542874	90.105.BH	05	5
84533097	60.260.BL	02	2	84542874	90.105.BH	07	5
84533097	62.140.AI	01	2	84542874	90.105.BH	09	7
84533097	62.140.AI	02	2	84542883	88.100.05	01	1
84533644	60.220.BD	12	1	84542884	88.100.05	01	3
84534787	88.100.62	02	30	84543049	55.629.AE		7
84537524	60.220.AU	07	19	84543300	39.110.AM	02	3
84540237	31.201.AD	03	7	84543300	39.110.AM	03	3
84540237	31.201.AD	04	7	84543300	39.110.AM	04	6
84540237	31.201.AD	07	7	84543300	39.110.AM	05	3
84540238	31.201.AD	03	8	84544242	55.629.AE		9
84540238	31.201.AD	04	8	84544942	60.220.BD	11	16
84540238	31.201.AD	07	8	84545260	88.100.62	02	5
84540241	31.201.AD	03	13	84545581	88.100.55	04	3
84540241	31.201.AD	04	13	84545582	88.100.55	04	1
84540241	31.201.AD	07	13	84545610	05.100.01		45
84540246	31.201.AD	01	28	84545610	60.220.BD	03	23

INDEX - INDICE - INDEX - ZAHLENVERZEICHNIS - INDICE - INDICE - INDHOLD - INHOUD

Number	Figure	Sequence	Ref.	Number	Figure	Sequence	Ref.
84545610	60.220.BD	09	31	84558366	35.540.AI	03	19
84546571	60.220.BD	06	9	84558467	60.220.BD	06	4
84546571	60.220.BD	06	9	84558467	60.220.BD	06	4
84547340	60.220.BD	09	7	84558714	55.640.AB	01	27
84549525	35.540.AI	01	8	84558714	55.640.AB	02	27
84549525	35.540.AI	01	6	84558714	55.640.AB	02	27
84549525	35.540.AI	02	1	84558714	55.905.AA	02	16
84549525	35.540.AI	03	1	84559050	05.100.01		53
84549526	35.540.AI	03	1	84559050	60.220.BD	01	4
84549526	35.540.AI	04	1	84559050	60.220.BD	05	4
84549559	90.119.AB	06	9	84559147	90.116.AO	01	3
84550698	60.260.CC	04	18	84559455	35.540.AB	01	5
84550702	60.260.CC	04	5	84559455	35.540.AI	03	17
84551038	60.220.BD	09	26	84559864	60.220.AU	07	20
84552023	88.100.35	02	5	84559864	88.100.60	06	31
84552131	35.540.AI	01	9	84559864	88.100.60	07	31
84552131	35.540.AI	03	5	84560941	62.140.AC	03	21
84552465	88.100.55	03	1	84563526	35.540.AI	01	6
84553330	88.100.55	09	11	84563526	35.540.AI	01	4
84553387	90.116.AO	01	5	84563527	35.540.AI	01	5
84553387	90.116.AO	02	5	84563527	35.540.AI	01	14
84554123	88.100.62	08	2	84563528	35.540.AI	01	3
84554473	88.100.55	05	1	84563528	35.540.AI	03	7
84554477	88.100.55	02	1	84563682	90.105.BH	07	1
84554483	88.100.70	02	1	84563684	90.105.BH	09	1
84554580	88.100.90	01	1	84563685	90.105.BH	05	1
84554592	88.100.55	04	2	84563687	90.105.BH	02	1
84554736	88.100.60	01	1	84563879	60.220.AU	04	1
84555190	88.100.55	02	2	84563879	60.220.AU	10	1
84555193	88.100.70	02	2	84563879	88.100.60	03	20
84555198	88.100.55	08	2	84563959	88.100.35	04	8
84555216	88.100.68	03	2	84563993	60.220.CC	08	10
84555220	88.100.90	02	2	84563993	60.220.CC	10	18
84555225	88.100.68	02	2	84564162	90.119.AB	03	2
84555244	88.100.90	01	2	84564355	60.220.AU	04	11
84555259	88.100.33	07	2	84564355	60.220.AU	10	11
84555278	88.100.60	06	2	84564355	88.100.60	03	11
84555278	88.100.60	07	2	84564362	60.220.AU	04	14
84555283	88.100.60	03	2	84564362	88.100.60	03	14
84555292	88.100.60	01	2	84565098	88.100.90	01	7
84556874	90.116.AO	02	1	84565098	90.105.BR	04	1
84556891	88.100.60	06	29	84565120	90.105.BR	04	2
84556891	88.100.60	07	29	84565317	31.201.AD	04	1
84556892	60.220.AU	07	3	84565317	31.201.AD	07	1
84556899	60.220.BD	03	2	84565589	88.100.90	01	8
84556928	90.116.AO	02	2	84568010	62.140.AC	05	2
84556939	90.116.AO	01	1	84568730	68.170.AM	01	15
84556944	90.116.AO	01	2	84568797	68.170.AH	02	5
84557849	90.116.AO	02	3	84568800	68.170.AH	02	4
84558366	35.540.AB	02	6	84569145	60.220.BD	11	21

INDEX - INDICE - INDEX - ZAHLENVERZEICHNIS - INDICE - INDICE - INDHOLD - INHOUD

Number	Figure	Sequence	Ref.	Number	Figure	Sequence	Ref.
84569292	68.170.AM	01	12	84594436	88.100.60	06	5
84569639	55.629.AE		11	84594436	88.100.60	07	5
84570133	68.170.AM	01	1	84594720	62.140.AJ	07	5
84570246	68.170.AF	02	1	84594733	60.220.AU	09	4
84571519	68.170.AX		5	84596267	60.260.BL	03	2
84572204	88.100.35	02	2	84598472	33.100.AP	06	2
84572787	90.105.BR	03	5	84598610	62.170.AA		1
84572787	90.105.BR	05	2	84599791	68.170.AM	01	14
84572953	90.119.AB	03	3	84599987	27.500.AA	05	3
84572953	90.119.AB	04	2	84599987	33.100.AP	06	3
84572954	90.119.AB	03	4	84599987	88.100.33	01	27
84572954	90.119.AB	04	4	84599988	27.500.AA	05	4
84573220	68.170.AM	03	1	84599988	33.100.AP	06	4
84573224	68.170.AH	02	2	84599988	88.100.33	01	28
84573927	55.404.AF		2	84599999	31.201.AD	06	1
84573927	88.100.55	03	8	84599999	31.220.AL	03	2
84573927	88.100.55	07	3	84600537	68.170.AX		20
84576102	60.220.BD	05	21	84600572	62.140.AC	03	3
84576690	33.100.AP	07	1	84600591	62.140.AC	04	1
84578315	88.100.35	02	37	84601406	62.140.AQ	02	3
84579325	88.100.90	02	9	84601406	62.140.AQ	02	3
84580272	88.100.90	02	1	84601406	62.140.AQ	04	3
84580510	90.105.BR	03	1	84601406	62.140.AQ	04	3
84580510	90.105.BR	05	1	84601406	62.140.AQ	06	3
84580511	90.105.BR	03	2	84601406	62.140.AQ	06	3
84580512	90.105.BR	03	4	84601752	88.100.39	02	1
84581165	88.100.90	02	8	84602592	62.140.AC	03	10
84581847	55.629.AE		1	84602639	88.100.35	01	34
84582051	62.140.AJ	05	5	84602660	90.119.AB	06	2
84582052	62.140.AJ	05	4	84603562	70.280.AB	02	1
84582099	62.140.AJ	05	3	84603722	35.540.AK	04	15
84585292	60.220.AU	09	6	84603728	35.540.AK	02	10
84585292	88.100.60	06	43	84603728	35.540.AK	06	9
84585292	88.100.60	07	43	84604297	31.201.AD	03	1
84585509	60.220.AU	09	4	84604411	88.100.68	03	1
84585510	60.220.AU	09	3	84605869	88.100.68	02	1
84585510	88.100.60	06	3	84606149	05.100.01		29
84585510	88.100.60	07	3	84606149	35.550.AC	01	12
84588555	68.170.AX		19	84606149	35.550.AC	02	8
84588962	27.500.AA	03	3	84606149	35.550.AC	02	1
84590444	88.100.62	02	6	84606149	35.550.AC	04	2
84592542	27.500.AA	03	4	84607248	33.240.AB		23
84592592	27.500.AA	03	1	84607248	88.100.33	07	23
84592592	27.500.AA	05	1	84607730	60.220.AU	05	1
84592592	33.100.AP	06	1	84607730	60.220.AU	06	1
84592592	88.100.33	01	8	84607730	60.220.AU	07	1
84594122	88.100.90	02	4	847590	88.100.55	05	3
84594124	88.100.90	02	3	847590	88.100.55	06	12
84594180	62.140.AJ	07	4	84800823	27.500.AL	06	2
84594436	60.220.AU	09	3	84801513	31.201.AD	01	31

INDEX - INDICE - INDEX - ZAHLENVERZEICHNIS - INDICE - INDICE - INDHOLD - INHOUD

Number	Figure	Sequence	Ref.	Number	Figure	Sequence	Ref.
84801513	31.201.AD	02	31	86000441	39.110.AM	04	14
84801513	31.201.AD	03	31	86000441	60.220.AU	04	7
84801513	31.201.AD	04	31	86000441	60.220.AU	10	7
84801514	31.201.AD	01	32	86000441	60.220.BD	03	20
84801514	31.201.AD	02	32	86000441	60.220.BD	09	22
84801514	31.201.AD	03	32	86000441	60.260.BL	07	15
84801514	31.201.AD	04	32	86000441	62.140.AJ	04	26
84807781	88.100.55	06	7	86000441	62.140.AJ	05	22
84817997	60.220.AC	01	6	86000441	62.140.AJ	07	19
84817997	60.220.AC	02	10	86000441	88.100.33	01	32
84817997	60.220.AC	03	11	86000441	88.100.35	01	33
84817997	60.220.AN	04	11	86000441	88.100.39	01	5
84818441	55.511.AJ		18	86000441	88.100.39	02	16
84821	60.220.AC	01	29	86000441	88.100.60	03	7
84821	60.220.AC	02	32	86010402	35.540.AK	02	9
84821	60.220.AC	03	28	86010402	35.540.AK	04	10
84821	60.220.AN	04	28	86010402	35.540.AK	06	6
84821	60.260.BL	03	20	86011090	68.170.AM	01	18
84821	90.119.AB	06	25	86011090	90.105.BH	06	12
84822041	27.500.AL	01	8	86011090	90.105.BH	08	11
84822041	27.500.AL	03	3	86013710	35.540.AI	01	12
849471	31.201.AD	01	22	86013710	35.540.AI	03	7
849471	31.201.AD	02	23	86050272	55.640.AB	01	20
849471	31.201.AD	03	22	86050272	55.640.AB	02	20
849471	31.201.AD	04	22	86050272	55.640.AB	02	20
849471	31.201.AD	06	23	86050272	55.905.AA	02	8
849471	31.201.AD	07	23	86050272	60.220.BD	09	28
849472	31.201.AD	03	23	86050272	88.100.71	01	33
849472	31.201.AD	04	23	86050272	90.105.AT	01	5
850116	88.100.39	01	8	86050272	90.119.AB	06	36
857072	35.540.AK	02	3	86050272	90.119.AB	06	6
857072	35.540.AK	04	3	86050279	90.119.AB	01	16
85802820	35.565.AA	01	1	86050279	90.119.AB	02	8
85802820	35.565.AA	02	7	86050286	33.300.AC		6
859896	68.170.AM	01	34	86050286	35.550.AC	01	26
86000021	88.100.35	02	36	86050286	35.550.AC	02	27
86000439	55.629.AC	02	4	86050286	60.220.AC	02	15
86000439	55.629.AC	03	11	86050286	60.220.AN	03	17
86000439	55.629.AE		10	86050286	60.220.BD	01	30
86000439	68.180.BO	03	8	86050286	60.220.BD	05	17
86000441	27.500.AA	03	7	86050286	60.220.BD	06	12
86000441	27.500.AA	05	7	86050286	60.220.BD	06	12
86000441	27.500.AL	01	5	86050286	60.220.BD	11	8
86000441	27.500.AL	04	8	86050286	60.260.BL	07	17
86000441	27.500.AL	06	5	86050286	60.260.CC	03	7
86000441	33.100.AP	06	7	86050286	60.260.CC	06	7
86000441	39.110.AB		5	86050286	62.140.AQ	02	9
86000441	39.110.AM	01	6	86050286	62.140.AQ	04	22
86000441	39.110.AM	02	15	86050286	68.170.AM	01	19
86000441	39.110.AM	03	2	86050286	68.180.AK	01	10

INDEX - INDICE - INDEX - ZAHLENVERZEICHNIS - INDICE - INDICE - INDHOLD - INHOUD

Number	Figure	Sequence	Ref.	Number	Figure	Sequence	Ref.
86050286	88.100.33	06	16	86507486	90.105.BR	01	21
86050286	88.100.35	01	23	86507486	90.105.BR	02	11
86500889	31.220.AG	02	10	86507486	90.105.BR	03	8
86500889	31.220.AG	04	11	86507486	90.105.BR	05	3
86502604	35.540.AI	01	17	86507486	90.105.CL	01	3
86502604	35.540.AI	01	13	86507486	90.116.AO	01	12
86502604	35.540.AI	03	8	86507486	90.116.AO	02	12
86502604	35.540.AI	03	8	86507486	90.119.AB	03	7
86503055	88.100.62	05	6	86507486	90.119.AB	04	6
86505745	55.629.AE		2	86508568	55.905.AA	01	15
86505868	55.640.AB	01	21	86508568	90.105.BR	04	14
86505868	55.640.AB	02	21	86508574	39.110.AM	02	16
86505868	55.640.AB	02	21	86508574	88.100.39	02	11
86505868	55.905.AA	02	18	86508581	62.140.AJ	06	6
86505868	68.170.AP		15	86508581	70.280.AB	02	10
86505868	68.180.BO	03	13	86508581	88.100.70	02	10
86505868	88.100.55	05	6	86508947	60.220.AU	04	9
86505972	35.540.AI	01	10	86508947	60.220.AU	10	9
86505972	35.540.AI	01	8	86508947	60.220.CC	01	22
86505972	35.540.AI	03	4	86508947	60.220.CC	04	16
86505972	35.540.AI	03	4	86508947	60.220.CC	05	22
86507064	55.640.AB	01	6	86508947	60.220.CC	06	16
86507064	55.640.AB	02	6	86508947	60.220.CC	07	22
86507064	55.640.AB	02	6	86508947	60.220.CC	08	9
86507066	90.105.AT	01	7	86508947	60.220.CC	10	17
86507066	90.105.BH	01	14	86508947	88.100.60	03	9
86507066	90.105.BH	04	13	86509028	35.550.AC	02	41
86507066	90.105.BH	06	15	86509499	62.140.AJ	04	31
86507066	90.105.BH	08	13	86509499	62.140.AJ	07	22
86507311	68.170.AX		16	86511042	55.511.AJ		12
86507486	33.100.AJ		4	86511191	62.140.AQ	02	21
86507486	55.629.AC	03	15	86511191	62.140.AQ	02	38
86507486	55.905.AA	02	17	86511191	62.140.AQ	04	21
86507486	60.220.CC	01	18	86511191	62.140.AQ	04	40
86507486	60.220.CC	04	13	86511191	62.140.AQ	06	25
86507486	60.220.CC	05	26	86511191	62.140.AQ	06	28
86507486	60.220.CC	06	7	86511315	35.565.AA	01	16
86507486	60.220.CC	07	12	86511323	39.100.AV	02	28
86507486	60.220.CC	08	13	86511323	68.180.AK	01	5
86507486	60.260.CC	03	31	86511323	68.180.AK	02	3
86507486	60.260.CC	06	31	86511323	88.100.62	02	26
86507486	68.170.AG		18	86511323	90.119.AB	01	20
86507486	68.170.AM	01	23	86511323	90.119.AB	02	11
86507486	88.100.05	01	9	86511324	68.170.AX		23
86507486	88.100.33	02	31	86511324	90.105.AT	01	11
86507486	88.100.33	04	4	86511326	60.220.AU	04	5
86507486	88.100.55	06	5	86511326	60.220.AU	10	5
86507486	88.100.62	03	9	86511326	60.260.BL	02	6
86507486	88.100.90	02	5	86511326	62.140.AI	01	25
86507486	90.105.AN		7	86511326	88.100.60	03	5

INDEX - INDICE - INDEX - ZAHLENVERZEICHNIS - INDICE - INDICE - INDHOLD - INHOUD

Number	Figure	Sequence	Ref.	Number	Figure	Sequence	Ref.
86511448	60.260.BL	04	4	86512439	90.119.AB	06	19
86511448	88.100.60	02	6	86512444	90.105.BR	03	15
86511479	62.140.AQ	02	39	86512444	90.105.BR	05	10
86511479	62.140.AQ	04	28	86512444	90.105.CL	01	10
86511479	62.140.AQ	04	21	86512445	35.565.AA	02	19
86511479	88.100.55	05	5	86512446	60.220.AC	01	15
86511479	88.100.62	04	5	86512446	60.220.CC	10	14
86511481	35.565.AA	01	15	86512446	60.260.BJ	02	4
86511826	55.640.AB	01	13	86512446	60.260.BL	01	30
86511826	55.640.AB	02	13	86512446	60.260.CC	01	16
86511826	55.640.AB	02	13	86512446	60.260.CC	02	22
86511829	55.511.AJ		22	86512446	60.260.CC	04	20
86511839	55.640.AB	01	12	86512446	62.140.AC	03	14
86511839	55.640.AB	02	12	86512446	68.170.AM	01	30
86511839	55.640.AB	02	12	86512446	88.100.35	01	24
86511839	55.905.AA	02	7	86512446	88.100.62	02	22
86511839	60.220.AU	09	10	86512497	88.100.70	02	13
86511839	88.100.60	06	34	86512547	62.140.AJ	04	12
86511839	88.100.60	07	34	86512547	62.140.AJ	07	10
86511839	88.100.68	03	8	86512555	35.565.AA	01	24
86511840	90.105.BR	01	23	86512555	39.110.AM	05	2
86511841	60.220.CC	07	9	86512555	88.100.35	05	10
86511841	68.170.AM	01	27	86512919	35.560.AA	01	33
86511841	88.100.90	04	4	86512919	35.560.AA	02	38
86511841	90.105.BV	02	3	86512919	60.260.BL	03	21
86511841	90.119.AB	06	33	86512919	88.100.35	03	2
86511842	35.550.AC	02	21	86512919	90.119.AB	06	26
86511842	35.550.AC	02	29	86512938	35.550.AC	02	2
86511842	35.550.AC	04	22	86512938	35.550.AC	04	6
86511842	60.220.BD	12	4	86512959	88.100.35	01	32
86511842	68.170.AM	02	4	86513014	88.100.33	01	14
86511842	90.105.AT	02	7	86513014	88.100.33	03	20
86511842	90.105.BH	01	10	86513020	35.540.AI	01	11
86511842	90.105.BH	04	10	86513020	35.540.AI	01	9
86511842	90.105.BH	06	13	86513020	88.100.35	04	18
86511842	90.105.BR	01	13	86513026	35.550.AC	04	5
86511842	90.119.AB	01	13	86513049	35.540.AI	01	14
86511843	90.105.BR	01	19	86513049	35.540.AI	03	12
86511845	60.220.BG	01	33	86513065	88.100.35	01	30
86511845	60.220.BG	02	30	86513307	35.550.AB	02	7
86511845	60.220.BG	03	33	86514369	88.100.70	01	9
86511845	60.220.BG	04	14	86514369	88.100.70	02	9
86511845	60.260.BL	01	3	86514470	39.100.AV	02	3
86511845	68.180.AK	02	7	86515809	62.140.AJ	04	29
86512420	60.260.BL	03	27	86516139	90.108.AC	01	9
86512439	33.100.AJ		7	86516139	90.108.AC	02	14
86512439	68.170.AP		26	86516319	62.170.AA		33
86512439	68.180.BB		6	86516827	68.170.AM	01	16
86512439	88.100.33	02	22	86517364	31.201.AD	06	31
86512439	88.100.33	04	28	86517364	31.201.AD	07	31

INDEX - INDICE - INDEX - ZAHLENVERZEICHNIS - INDICE - INDICE - INDHOLD - INHOUD

Number	Figure	Sequence	Ref.	Number	Figure	Sequence	Ref.
86517438	35.550.AC	01	18	86557412	31.220.AG	03	10
86517438	35.550.AC	02	33	86557433	31.220.AG	01	12
86518436	90.108.AC	02	11	86559213	31.220.AG	01	5
86520950	31.201.AD	01	23	86559213	31.220.AG	03	4
86520950	31.201.AD	02	25	86559251	88.100.62	04	6
86520950	31.201.AD	06	24	86559259	88.100.62	05	7
86520950	31.201.AD	07	24	86559592	68.180.BO	01	2
86520978	71.480.AL		4	86559592	88.100.62	02	12
86521607	88.100.70	01	13	86562829	62.140.AJ	06	4
86521981	71.480.AB	01	9	86562970	70.280.AB	02	9
86521981	88.100.71	01	35	86562970	88.100.70	01	4
86523197	35.540.AI	01	18	86562970	88.100.70	02	7
86523197	35.540.AI	03	14	86566989	33.100.AJ		8
86523957	27.500.AO		7	86566989	33.100.AP	02	15
86523957	33.100.AP	03	7	86566989	33.100.AP	05	12
86527218	62.170.AA		20	86566989	35.540.AK	04	13
86531147	62.140.AC	01	15	86566989	35.550.AC	01	19
86531147	62.140.AC	05	15	86566989	35.550.AC	02	20
86536985	39.110.AM	02	14	86566989	35.565.AA	01	21
86537440	62.140.AJ	06	1	86566989	55.640.AB	01	24
86537459	62.140.AJ	06	10	86566989	55.640.AB	02	24
86539148	31.220.AG	01	17	86566989	55.640.AB	02	24
86539148	31.220.AG	03	17	86566989	55.905.AA	01	6
86539149	31.220.AG	04	16	86566989	55.905.AA	02	14
86539153	31.220.AG	01	9	86566989	55.905.AA	03	1
86539153	31.220.AG	03	7	86566989	60.260.BJ	02	16
86539157	31.220.AL	02	7	86566989	60.260.CC	04	24
86539214	31.220.AG	01	2	86566989	60.260.CC	05	7
86539214	31.220.AG	03	9	86566989	62.140.AQ	04	18
86539215	31.220.AG	01	15	86566989	71.460.AF		5
86539215	31.220.AG	03	15	86566989	71.480.AB	01	17
86539484	88.100.71	01	31	86566989	88.100.33	02	17
86540330	68.170.AF	02	9	86566989	88.100.33	04	30
86542824	62.140.AJ	04	30	86566989	88.100.35	04	31
86542824	62.140.AJ	07	23	86566989	88.100.55	02	6
86547710	88.100.90	04	3	86566989	88.100.55	08	9
86548975	88.100.33	07	29	86566989	88.100.55	09	9
86549269	62.140.AJ	06	3	86566989	88.100.71	01	6
86551339	90.105.BR	02	15	86566990	33.100.AP	04	6
86553253	71.480.AB	01	10	86566990	60.260.BL	03	30
86553253	88.100.71	01	17	86566990	88.100.33	01	22
86553396	62.140.AC	04	20	86566990	88.100.33	03	18
86553483	35.540.AI	02	7	86570632	31.220.AG	02	20
86553483	35.550.AB	02	13	86570632	31.220.AG	04	10
86553668	27.500.AL	05	1	86572215	39.100.AV	02	11
86553668	88.100.01	01	2	86577603	88.100.35	02	40
86553669	27.500.AL	05	2	86580291	60.260.BJ	02	10
86553669	88.100.01	01	1	86580291	60.260.CC	04	2
86554798	39.100.AV	01	6	86580291	60.260.CC	05	2
86557412	31.220.AG	01	11	86580291	71.460.AF		4

INDEX - INDICE - INDEX - ZAHLENVERZEICHNIS - INDICE - INDICE - INDHOLD - INHOUD

Number	Figure	Sequence	Ref.	Number	Figure	Sequence	Ref.
86580291	88.100.35	01	18	86609647	60.260.CC	06	27
86580291	88.100.62	02	44	86610198	60.220.AC	01	24
86588501	90.105.BH	02	9	86610198	60.220.AC	02	27
86588501	90.105.BH	05	8	86610198	60.220.AC	03	23
86588501	90.105.BH	07	8	86610198	60.220.AN	04	23
86588501	90.105.BH	09	9	86610198	60.220.BD	06	21
86590413	60.260.BJ	02	14	86610198	60.220.BD	06	21
86590413	60.260.CC	04	23	86610198	90.105.BR	04	12
86590413	60.260.CC	05	6	86610198	90.119.AB	06	14
86592700	88.100.35	02	15	86610199	90.119.AB	06	31
86593724	05.100.01		38	86610200	27.500.AL	05	5
86593724	68.170.AP		10	86610200	35.550.AC	02	25
86594406	33.100.AP	04	12	86610200	35.550.AC	04	31
86594406	88.100.33	01	23	86610200	39.100.AV	01	25
86594406	88.100.33	03	23	86610200	39.100.AV	02	22
86594422	05.100.01		23	86610200	60.220.BD	03	14
86594422	35.565.AA	01	9	86610200	60.220.BD	06	22
86594422	35.565.AA	02	10	86610200	60.220.BD	06	22
86594422	39.100.AV	01	21	86610200	60.220.BD	09	17
86594422	39.100.AV	02	37	86610200	88.100.05	01	8
86594422	68.170.AG		26	86610200	90.105.BV	02	4
86594422	68.170.AP		18	86610200	90.119.AB	03	5
86594422	88.100.55	02	3	86610200	90.119.AB	06	39
86594422	88.100.55	08	3	86610201	60.220.BD	09	27
86594422	88.100.55	09	14	86610201	60.220.BD	12	5
86594423	05.100.01		54	86610340	60.260.CC	03	28
86594423	60.220.BD	01	9	86610340	60.260.CC	06	28
86594423	60.220.BD	05	9	86610341	60.260.CC	06	29
86594423	60.220.BD	06	8	86610638	62.140.AC	05	4
86594423	60.220.BD	06	8	86611401	35.560.AA	02	41
86594423	60.220.BG	01	8	86611401	35.560.AA	03	25
86595263	62.140.AJ	06	13	86611401	60.220.AN	03	10
86601285	68.170.AF	02	10	86611454	62.140.AC	03	11
86603075	05.100.01		66	86611455	62.140.AJ	06	5
86603075	60.220.CC	01	7	86613200	60.220.BD	03	9
86603075	60.220.CC	05	7	86613336	68.170.AF	02	11
86603075	60.220.CC	07	7	86613601	55.629.AC	02	5
86603075	60.220.CC	10	6	86613601	55.629.AC	03	12
86603075	88.100.60	04	6	86613601	55.629.AE		14
86603075	88.100.60	05	6	86613601	68.180.BO	03	15
86603125	39.100.AV	02	15	86613758	31.220.AG	03	11
86604323	60.220.AU	03	1	86616347	60.220.AU	01	1
86605608	35.562.AB		11	86616347	60.220.AU	02	2
86605608	35.569.AB		11	86616348	60.220.AU	03	5
86607695	39.110.AB		2	86616730	60.260.BL	04	1
86607695	88.100.39	01	7	86616730	88.100.60	02	3
86609558	05.100.01		13	86617942	68.170.AF	02	16
86609558	62.140.AJ	04	34	86618213	60.260.BL	02	24
86609558	88.100.62	02	50	86618213	62.140.AI	01	21
86609647	60.260.CC	03	27	86618213	88.100.62	01	10

INDEX - INDICE - INDEX - ZAHLENVERZEICHNIS - INDICE - INDICE - INDHOLD - INHOUD

Number	Figure	Sequence	Ref.	Number	Figure	Sequence	Ref.
86618710	62.140.AJ	05	12	86622500	60.260.BL	01	7
86619043	60.260.CC	03	38	86622500	68.180.BB		14
86619043	60.260.CC	06	38	86622500	88.100.31	01	6
86619060	68.170.AX		10	86622552	05.100.01		34
86619421	31.201.AD	05	2	86622552	68.170.AM	01	5
86619421	88.100.31	01	9	86622552	68.170.AX		2
86619595	90.108.AC	02	12	86622618	39.100.AV	01	28
86619595	90.119.AB	06	30	86624002	60.220.AU	04	15
86619801	60.260.BL	07	20	86624002	88.100.60	03	15
86619801	68.170.AF	02	14	86624166	68.170.AH	02	17
86619801	88.100.90	01	5	86624166	68.170.AP		14
86619801	90.105.AN		6	86624176	60.260.CC	01	22
86619801	90.105.BH	01	11	86624182	35.550.AC	04	26
86619801	90.105.BH	02	8	86624184	35.540.AK	02	13
86619801	90.105.BH	03	4	86624184	35.540.AK	04	19
86619801	90.105.BH	04	11	86624184	68.170.AM	02	3
86619801	90.105.BH	05	10	86624184	68.170.AX		7
86619801	90.105.BH	06	10	86624184	90.105.AT	02	6
86619801	90.105.BH	07	10	86624184	90.105.BR	01	14
86619801	90.105.BH	08	9	86624468	35.565.AA	01	7
86619801	90.105.BH	09	2	86624468	35.565.AA	02	8
86619801	90.105.BR	04	6	86624468	39.100.AV	01	24
86619802	68.180.BO	02	15	86624468	39.100.AV	02	36
86619803	62.140.AQ	02	28	86624468	68.170.AP		17
86619803	62.140.AQ	04	35	86624468	88.100.55	02	9
86619803	62.140.AQ	06	18	86624468	88.100.55	08	8
86619818	39.100.AV	01	10	86624468	88.100.55	09	3
86620026	05.100.01		52	86624647	60.260.BL	02	9
86620026	60.220.AC	02	1	86624647	62.140.AI	01	26
86620026	60.220.AN	03	1	86624647	62.140.AI	02	9
86620026	60.220.BD	01	8	86624647	62.140.AJ	04	22
86620026	60.220.BD	05	8	86624647	62.140.AJ	07	18
86620026	60.220.BD	06	7	86624958	68.170.AX		18
86620026	60.220.BD	06	7	86625002	60.220.BG	02	14
86620026	60.220.BG	01	5	86625002	60.220.BG	04	24
86620026	60.220.BG	02	22	86625036	88.100.55	08	10
86620026	60.220.BG	03	5	86625036	88.100.55	09	10
86620026	60.220.BG	04	8	86625115	60.220.BD	01	18
86620027	05.100.01		19	86625115	60.220.BD	05	20
86620027	62.140.AJ	04	11	86625253	68.170.AX		8
86620027	62.170.AA		4	86625263	90.105.BH	03	3
86620971	39.110.AF		1	86625632	27.500.AL	01	1
86620973	39.110.AF		3	86625632	27.500.AL	03	1
86621124	35.550.AC	01	10	86625632	27.500.AL	04	1
86621124	35.550.AC	02	15	86625632	27.500.AL	06	7
86621124	35.550.AC	02	27	86625632	27.500.AO		10
86621124	35.550.AC	04	24	86625852	31.201.AD	03	20
86621502	60.220.CC	02	5	86625852	31.201.AD	04	20
86622259	88.100.55	05	4	86625852	31.201.AD	07	20
86622500	31.201.AD	05	4	86625860	31.201.AD	07	29

INDEX - INDICE - INDEX - ZAHLENVERZEICHNIS - INDICE - INDICE - INDHOLD - INHOUD

Number	Figure	Sequence	Ref.	Number	Figure	Sequence	Ref.
86625864	31.201.AD	06	32	86629542	33.100.AP	05	11
86625864	31.201.AD	07	32	86629542	35.540.AK	02	16
86626270	31.220.AG	01	18	86629542	35.540.AK	04	23
86626270	31.220.AL	01	4	86629542	35.540.AK	06	21
86626270	31.220.AL	03	5	86629542	60.220.AU	07	23
86626271	31.220.AG	03	18	86629542	60.220.BD	09	30
86626271	31.220.AL	01	4	86629542	60.220.BG	02	16
86626271	31.220.AL	04	5	86629542	60.220.BG	04	27
86627339	35.540.AK	02	7	86629542	60.220.CC	03	12
86627339	35.540.AK	04	7	86629542	60.260.BL	03	24
86627455	88.100.35	02	29	86629542	60.260.CC	03	41
86627635	62.140.AQ	02	19	86629542	60.260.CC	06	41
86627635	62.140.AQ	02	29	86629542	62.140.AQ	04	28
86627635	62.140.AQ	04	19	86629542	88.100.33	02	13
86627635	62.140.AQ	04	43	86629542	88.100.33	04	9
86627635	62.140.AQ	06	18	86629542	88.100.35	02	24
86627635	62.140.AQ	06	29	86629542	88.100.35	04	16
86627654	60.220.BG	01	20	86629542	88.100.60	06	28
86627923	68.170.AF	02	4	86629542	88.100.60	07	28
86627939	39.110.AF		5	86629542	90.105.BR	05	12
86627946	39.110.AF		7	86629542	90.105.CL	01	12
86628012	62.140.AC	03	7	86629544	60.220.BG	01	24
86628014	62.140.AC	03	6	86629544	60.220.BG	03	24
86628347	90.105.AN		3	86629544	88.100.70	01	12
86628347	90.105.BH	01	4	86629566	05.100.01		5
86628347	90.105.BH	04	4	86629566	60.260.BJ	02	12
86628347	90.105.BH	06	4	86629566	71.460.AF		2
86628347	90.105.BH	08	4	86629586	33.240.AB		26
86628564	55.640.AB	01	16	86629586	88.100.33	07	26
86628564	55.640.AB	02	16	86629586	88.100.35	04	17
86628564	55.640.AB	02	16	86629586	88.100.35	05	13
86628564	55.905.AA	01	4	86629586	88.100.35	05	15
86628564	55.905.AA	02	10	86630002	05.100.01		30
86628837	60.220.BD	03	11	86630002	35.550.AC	02	13
86628837	60.220.BD	09	14	86630617	88.100.35	02	27
86629037	68.170.AX		14	86631642	27.500.AO		1
86629038	68.170.AX		13	86632563	35.560.AA	01	15
86629062	68.180.AK	01	2	86632563	35.560.AA	02	18
86629062	68.180.AK	02	2	86632563	35.560.AA	03	29
86629541	62.140.AC	03	16	86632592	88.100.60	08	5
86629541	62.140.AI	01	18	86632595	88.100.55	08	11
86629541	62.150.AB		8	86632595	88.100.55	08	12
86629541	62.150.AB	01	8	86633356	60.220.AC	02	11
86629541	62.150.AB	02	6	86633356	60.220.AC	03	9
86629541	88.100.35	02	6	86633356	60.220.AN	03	18
86629541	88.100.62	02	13	86633356	60.220.AN	04	9
86629541	88.100.62	10	15	86633356	60.220.BD	01	24
86629542	33.100.AJ		20	86633356	60.220.BD	05	16
86629542	33.100.AP	01	6	86633356	60.220.BD	07	2
86629542	33.100.AP	02	6	86633356	60.220.BG	01	26

INDEX - INDICE - INDEX - ZAHLENVERZEICHNIS - INDICE - INDICE - INDHOLD - INHOUD

Number	Figure	Sequence	Ref.	Number	Figure	Sequence	Ref.
86633356	60.220.BG	02	29	86636892	62.170.AA		16
86633356	60.220.BG	03	26	86636893	62.170.AA		12
86633356	60.220.BG	04	12	86637157	62.170.AA		13
86633356	60.260.BJ	01	11	86637228	35.540.AK	06	12
86633356	60.260.BJ	02	3	86637228	62.140.AQ	02	15
86633356	60.260.CC	04	11	86637228	62.140.AQ	02	25
86633356	60.260.CC	05	11	86637228	62.140.AQ	04	15
86633356	68.170.AG		22	86637228	62.140.AQ	04	13
86633356	68.170.AH	02	9	86637228	62.140.AQ	06	25
86633356	68.170.AM	02	13	86637229	62.140.AQ	02	8
86633356	88.100.60	08	20	86637229	62.140.AQ	02	7
86633356	90.105.BR	01	12	86637229	62.140.AQ	04	8
86633356	90.105.BR	03	7	86637229	62.140.AQ	04	8
86633356	90.105.BR	05	5	86637229	62.140.AQ	06	8
86633356	90.105.CL	01	5	86637229	62.140.AQ	06	8
86633920	68.180.AK	01	3	86637258	62.140.AJ	05	9
86633971	62.140.AJ	05	6	86637269	62.140.AJ	04	5
86634127	60.260.BL	01	1	86637269	62.140.AJ	07	3
86634290	60.220.AN	05	7	86637276	39.100.AV	01	29
86634543	88.100.35	02	12	86637284	88.100.62	03	11
86635012	60.260.BJ	03	9	86637292	39.100.AV	01	8
86635027	60.260.BL	01	14	86637370	31.220.AL	02	13
86635754	62.140.AI	01	50	86637389	55.629.AC	01	1
86635754	62.140.AI	02	19	86637396	31.220.AL	01	7
86635755	60.220.AU	07	21	86637396	31.220.AL	02	6
86635755	60.220.CC	03	6	86637396	31.220.AL	03	8
86635755	88.100.60	06	26	86637396	31.220.AL	04	8
86635755	88.100.60	07	26	86637656	68.180.BO	02	11
86636027	60.220.AN	05	5	86637848	35.560.AA	01	25
86636552	62.140.AQ	02	12	86637848	35.560.AA	02	27
86636552	62.140.AQ	02	16	86637848	35.560.AA	03	22
86636552	62.140.AQ	04	12	86637855	60.220.CC	01	26
86636552	62.140.AQ	04	12	86637855	60.220.CC	04	7
86636552	62.140.AQ	06	13	86637855	60.220.CC	05	18
86636552	62.140.AQ	06	16	86637855	60.220.CC	06	12
86636631	88.100.60	08	13	86637855	60.220.CC	07	18
86636633	39.100.AV	02	16	86637855	60.220.CC	07	26
86636659	62.140.AQ	02	9	86639313	90.105.BH	01	22
86636659	62.140.AQ	02	35	86639313	90.105.BH	04	16
86636659	62.140.AQ	04	9	86639313	90.105.BH	06	18
86636659	62.140.AQ	04	9	86639313	90.105.BH	08	16
86636659	62.140.AQ	06	22	86639602	90.105.AN		5
86636659	62.140.AQ	06	35	86639847	39.110.AM	02	13
86636673	62.170.AA		3	86639847	39.110.AM	05	22
86636674	39.100.AV	01	5	86640119	62.140.AI	01	9
86636763	88.100.62	02	36	86640119	88.100.62	01	8
86636768	39.100.AV	02	30	86640785	68.170.AH	02	13
86636786	62.170.AA		6	86641342	68.170.AM	03	5
86636799	39.110.AF		2	86641856	05.100.01		58
86636892	05.100.01		17	86641856	60.220.BG	01	18

INDEX - INDICE - INDEX - ZAHLENVERZEICHNIS - INDICE - INDICE - INDHOLD - INHOUD

Number	Figure	Sequence	Ref.	Number	Figure	Sequence	Ref.
86641856	60.220.BG	02	8	86974525	88.100.33	01	17
86641856	60.220.BG	03	18	86974525	88.100.33	03	14
86641856	60.220.BG	04	21	86974529	33.300.AC		20
86641937	27.500.AA	03	8	86974529	88.100.33	06	24
86641937	27.500.AA	05	8	86977230	31.201.AD	05	1
86641937	27.500.AL	01	4	86977230	88.100.31	01	10
86641937	27.500.AL	04	4	86977363	60.260.BL	07	5
86641937	27.500.AL	06	6	86977396	05.100.01		1
86641937	33.100.AP	06	8	86977396	55.629.AC	02	6
86641937	88.100.33	01	31	86977396	55.629.AC	03	8
86642359	90.108.AC	02	13	86977396	55.629.AE		6
86642464	68.170.AP		23	86977396	68.180.BO	03	7
86642464	90.119.AB	01	17	86977428	62.140.AI	02	24
86642464	90.119.AB	02	9	86977428	62.140.AJ	06	14
86642859	88.100.62	03	12	86977429	62.140.AI	01	11
86642946	35.565.AA	01	8	86977429	88.100.62	01	19
86642946	35.565.AA	02	9	86977432	62.140.AJ	06	12
86643093	62.140.AJ	05	25	86977434	71.480.AB	01	18
86643129	39.110.AF		4	86977434	88.100.71	01	20
86643543	39.110.AM	05	10	86977693	88.100.55	04	9
86643889	60.260.BL	02	38	86977740	88.100.35	01	36
86643889	62.140.AI	01	40	86977759	60.260.CC	02	32
86643889	62.140.AI	02	26	86977786	35.565.AA	02	24
86705424	35.550.AC	04	30	86978164	62.140.AQ	06	7
86705429	90.119.AB	01	18	86978164	62.140.AQ	06	7
86705429	90.119.AB	02	10	86978595	05.100.01		12
86705492	60.260.BL	02	4	86978777	35.550.AC	01	34
86705574	88.100.35	02	39	86978777	35.550.AC	02	35
86705722	88.100.35	02	30	86979179	31.220.AL	01	9
86705723	88.100.35	02	35	86979179	31.220.AL	02	8
86729275	88.100.62	02	20	86979179	31.220.AL	03	6
86836356	35.560.AA	01	7	86979179	31.220.AL	04	6
86836356	35.560.AA	02	8	86979195	31.201.AD	01	11
86836356	35.560.AA	03	6	86979196	31.201.AD	01	20
86836953	88.100.35	04	6	86979196	31.201.AD	02	20
86900322	35.565.AA	01	14	86979196	31.201.AD	06	20
86900322	35.565.AA	02	11	86979201	31.201.AD	06	29
86900322	39.100.AV	01	12	87010284	05.100.01		32
86900323	35.565.AA	01	18	87010284	68.170.AM	01	38
86900323	35.565.AA	02	12	87010656	55.640.AB	01	23
86900323	39.100.AV	01	11	87010656	55.640.AB	02	23
86900323	39.100.AV	02	26	87010656	55.640.AB	02	23
86900323	68.170.AP		20	87010656	55.905.AA	02	13
86900323	88.100.55	02	4	87010656	68.170.AP		12
86900323	88.100.55	08	13	87011880	05.100.01		25
86900323	88.100.55	09	16	87012735	31.201.AD	06	28
86974037	05.100.01		15	87012735	31.201.AD	07	28
86974037	62.140.AC	01	12	87014170	60.260.BL	03	6
86974037	62.140.AC	05	12	87014172	60.260.BL	03	5
86974525	33.100.AP	04	2	87014413	60.260.CC	04	7

INDEX - INDICE - INDEX - ZAHLENVERZEICHNIS - INDICE - INDICE - INDHOLD - INHOUD

Number	Figure	Sequence	Ref.	Number	Figure	Sequence	Ref.
87014413	60.260.CC	05	4	87018246	31.201.AD	04	12
87014413	88.100.35	01	4	87018246	31.201.AD	07	12
87014413	88.100.62	01	12	87018641	90.108.AB	02	7
87015562	60.220.BD	12	10	87018976	33.240.AB		2
87015668	33.300.AC		1	87018976	88.100.33	07	28
87015668	88.100.33	06	6	87019624	35.550.AB	02	1
87016	60.260.BJ	02	1	87019624	35.550.AC	02	16
87016	60.260.CC	04	13	87019624	35.550.AC	02	9
87016	60.260.CC	05	19	87019624	35.550.AC	04	18
87016	88.100.35	01	27	87019827	33.100.AP	04	9
87016	88.100.62	01	14	87019827	88.100.33	03	21
87016039	68.170.AF	02	2	87019852	33.300.AE		2
87016189	60.260.BL	01	5	87019852	88.100.33	05	4
87016189	62.140.AJ	04	32	87019858	33.240.AB		16
87016189	68.170.AF	02	8	87019858	88.100.33	07	16
87016318	88.100.35	05	2	87020351	33.240.AB		20
87016345	33.240.AB		19	87020351	88.100.33	07	20
87016345	88.100.33	07	19	87020352	33.240.AB		1
87016347	33.100.AP	03	1	87020352	88.100.33	07	27
87016402	31.220.AG	01	19	87020603	88.100.62	02	28
87016402	31.220.AG	03	6	87020910	35.560.AA	01	6
87016403	31.220.AG	03	3	87020910	35.560.AA	02	14
87016405	31.220.AG	03	12	87020910	35.560.AA	03	5
87016406	31.220.AG	01	10	87020910	60.220.BD	01	22
87016406	31.220.AG	03	8	87020910	60.220.BD	06	16
87016408	31.220.AG	01	4	87020910	60.220.BD	06	16
87016412	31.220.AG	01	14	87020910	60.220.BD	11	13
87016412	31.220.AG	03	13	87020998	88.100.90	01	3
87016415	31.220.AG	01	13	87020998	90.105.BR	04	3
87016415	31.220.AG	03	14	87022793	35.540.AK	06	10
87017104	90.108.AC	02	15	87022793	62.140.AQ	02	8
87017554	62.140.AJ	05	1	87022793	62.140.AQ	04	26
87017556	60.260.BL	01	8	87022793	62.140.AQ	06	22
87017556	62.140.AJ	04	33	87022793	90.108.AC	01	10
87017806	35.560.AA	01	11	87022908	33.100.AP	03	10
87017806	35.560.AA	02	12	87022909	33.100.AP	03	9
87017806	35.560.AA	03	10	87022910	33.100.AP	03	4
87017807	35.565.AA	02	5	87022911	27.500.AO		2
87017808	35.565.AA	01	6	87022911	33.100.AP	03	2
87017977	31.201.AD	05	3	87022923	27.500.AO		6
87017977	88.100.31	01	3	87022923	33.100.AP	03	6
87018137	27.500.AO		11	87022925	27.500.AO		8
87018138	27.500.AO		4	87022925	33.100.AP	03	8
87018139	27.500.AL	06	11	87022949	70.280.AB	02	5
87018139	27.500.AO		9	87022949	88.100.70	01	7
87018139	33.100.AP	03	19	87022949	88.100.70	02	5
87018244	31.201.AD	01	12	87022950	70.280.AB	02	4
87018244	31.201.AD	02	12	87022950	88.100.70	01	5
87018244	31.201.AD	06	12	87022950	88.100.70	02	8
87018246	31.201.AD	03	12	87023400	62.140.AC	03	9

INDEX - INDICE - INDEX - ZAHLENVERZEICHNIS - INDICE - INDICE - INDHOLD - INHOUD

Number	Figure	Sequence	Ref.	Number	Figure	Sequence	Ref.
87023400	62.140.AC	04	3	87029768	35.562.AB		12
87023400	88.100.62	03	10	87029768	35.569.AB		12
87023402	62.140.AC	04	2	87030035	35.562.AB		9
87023402	88.100.62	03	7	87030035	35.569.AB		9
87023405	88.100.35	02	13	87030513	35.560.AB		3
87023509	33.300.AE		1	87030514	35.560.AB		7
87023510	33.300.AC		4	87030545	55.433.AA	02	4
87023510	88.100.33	06	4	87032323	88.100.62	01	5
87024645	88.100.55	01	6	87034173	33.100.AJ		24
87024647	88.100.55	01	8	87034173	33.100.AP	02	14
87024765	35.550.AC	01	25	87034173	33.100.AP	05	13
87024765	35.550.AC	02	19	87034173	33.300.AE		27
87024765	35.565.AA	01	26	87034173	35.540.AK	04	14
87025443	35.550.AB	02	14	87034173	35.550.AC	01	20
87025447	35.550.AB	02	9	87034173	35.550.AC	02	21
87025448	35.550.AB	02	11	87034173	35.550.AC	02	28
87025449	35.550.AB	02	3	87034173	35.550.AC	04	27
87025815	62.170.AA		2	87034173	62.140.AQ	04	20
87026539	35.540.AI	02	8	87034173	88.100.33	01	13
87026540	35.540.AI	02	5	87034173	88.100.33	02	18
87026541	35.540.AI	02	4	87034173	88.100.33	03	12
87026611	68.170.AM	01	32	87034173	88.100.33	04	12
87026847	68.170.AM	01	3	87034173	88.100.33	05	26
87027237	60.220.CC	01	6	87034173	88.100.35	01	7
87027237	60.220.CC	04	4	87034817	05.100.01		48
87027237	60.220.CC	05	6	87035356	39.110.AF		15
87027237	60.220.CC	06	4	87035505	35.540.AK	02	6
87027237	60.220.CC	07	6	87035505	35.540.AK	04	6
87027900	35.540.AI	02	1	87035926	60.260.CC	06	18
87028069	70.280.AB	02	3	87036001	60.260.BL	04	2
87028069	88.100.70	01	6	87036415	90.119.AB	01	7
87028069	88.100.70	02	4	87036687	27.500.AO		12
87028071	70.280.AB	02	2	87036687	33.100.AP	03	14
87028071	88.100.70	01	8	87036688	27.500.AO		13
87028071	88.100.70	02	6	87036688	33.100.AP	03	18
87028081	35.540.AI	02	13	87036972	60.260.BJ	01	3
87028121	33.300.AC		2	87038785	68.180.AK	01	4
87028121	88.100.33	06	7	87038785	68.180.AK	02	4
87028495	68.170.AG		4	87039016	31.201.AD	01	37
87028608	88.100.62	01	7	87039016	31.201.AD	02	37
87028677	62.140.AC	03	5	87039016	31.201.AD	03	37
87029395	35.562.AB		1	87039016	31.201.AD	04	37
87029395	35.569.AB		1	87039762	55.629.AC	03	14
87029395	60.260.CC	01	13	87039762	60.220.BD	01	28
87029395	60.260.CC	02	15	87039762	60.220.BD	11	4
87029395	88.100.35	01	3	87040022	60.220.CC	01	19
87029765	35.562.AB		6	87040022	60.220.CC	04	12
87029765	35.569.AB		6	87040022	60.220.CC	05	19
87029766	35.562.AB		4	87040022	60.220.CC	06	13
87029766	35.569.AB		4	87040022	60.220.CC	07	19

INDEX - INDICE - INDEX - ZAHLENVERZEICHNIS - INDICE - INDICE - INDHOLD - INHOUD

Number	Figure	Sequence	Ref.	Number	Figure	Sequence	Ref.
87040148	70.280.AB	02	6	87304	60.220.AC	01	27
87040148	88.100.70	01	11	87304	60.220.AC	02	30
87040645	62.140.AQ	02	18	87304	60.220.AC	03	26
87040645	62.140.AQ	04	26	87304	60.220.AN	04	26
87040645	62.140.AQ	04	25	87304	60.260.BL	03	19
87040645	88.100.62	04	7	87304	90.119.AB	06	24
87040807	71.480.AB	01	8	87309	71.480.AL		10
87040807	71.480.AL		1	87309	88.100.35	02	32
87040807	88.100.71	01	19	87310126	39.100.AV	02	38
87040969	62.140.AI	01	12	87310126	68.170.AP		19
87042252	39.110.AM	02	9	87310126	88.100.55	02	5
87042252	88.100.39	02	5	87310126	88.100.55	08	6
87042326	71.480.AL		3	87310126	88.100.55	09	15
87043305	60.260.BL	03	3	87313	68.170.AF	01	2
87045051	27.500.AL	01	9	87313	88.100.55	04	7
87045051	27.500.AL	03	4	87314	35.540.AK	02	12
87045079	27.500.AL	01	3	87314	35.540.AK	04	18
87045079	27.500.AL	04	3	87314	35.540.AK	06	20
87045403	60.260.BL	02	7	87314	62.140.AQ	02	21
87045728	88.100.70	01	3	87314	62.140.AQ	04	31
87045728	88.100.70	02	3	87314	62.140.AQ	06	29
87045740	39.100.AV	02	2	87314	62.140.AQ	06	14
87047932	60.220.AN	01	3	87334418	60.260.BJ	03	13
87047932	60.220.AN	02	3	87340800	60.220.CC	01	16
87050285	60.220.BD	01	7	87340800	60.220.CC	04	19
87050285	60.220.BD	05	7	87340800	60.220.CC	05	16
87051166	31.201.AD	01	29	87340800	60.220.CC	06	19
87051603	60.220.CC	02	2	87340800	60.220.CC	07	16
87051604	60.220.CC	02	4	87343	60.260.BJ	03	15
87051605	60.220.CC	02	3	87343633	88.100.62	07	4
87052121	62.170.AA		8	87343634	88.100.62	07	3
87053413	60.220.BG	01	10	87344585	31.220.AG	03	1
87054239	60.220.CC	02	6	87344585	31.220.AL	01	3
87054556	60.260.BL	02	25	87344585	31.220.AL	04	1
87055684	60.220.CC	08	15	87344590	31.220.AG	03	16
87056822	60.220.AU	04	18	87344591	31.220.AG	03	5
87056822	60.220.AU	07	9	87347	68.170.AH	02	16
87056822	60.220.AU	10	13	87347263	35.540.AI	02	1
87056822	88.100.60	03	18	87355307	60.220.CC	03	5
87056822	88.100.60	06	21	87362	60.220.AU	07	22
87056822	88.100.60	07	21	87362	88.100.35	02	17
87056843	35.560.AA	01	3	87362	88.100.60	06	27
87056843	35.560.AA	02	3	87362	88.100.60	07	27
87056843	35.560.AA	03	2	87363	88.100.62	02	52
87056843	35.560.AB		1	87364	62.140.AQ	02	20
87109697	68.170.AM	01	31	87364	62.140.AQ	02	37
87267034	88.100.35	04	30	87364	62.140.AQ	04	20
87271930	55.100.DP	01	3	87364	62.140.AQ	04	36
87301276	35.550.AC	02	19	87364	62.140.AQ	06	24
87301276	35.550.AC	04	19	87364	62.140.AQ	06	32

INDEX - INDICE - INDEX - ZAHLENVERZEICHNIS - INDICE - INDICE - INDHOLD - INHOUD

Number	Figure	Sequence	Ref.	Number	Figure	Sequence	Ref.
87365	60.220.BD	09	20	87399	62.140.AQ	06	16
87365	60.260.BL	07	14	87399	62.140.AQ	06	24
87365	60.260.CC	01	19	87400	35.540.AK	06	13
87365	60.260.CC	02	27	87400	60.220.AU	09	15
87365	62.140.AJ	05	18	87400	60.220.AU	10	10
87365	88.100.35	01	26	87400	62.140.AJ	05	23
87367	35.540.AK	04	21	87400	62.140.AQ	02	17
87367	35.550.AC	01	21	87400	62.140.AQ	02	26
87367	35.550.AC	02	22	87400	62.140.AQ	04	17
87367	35.550.AC	02	32	87400	62.140.AQ	04	34
87367	35.550.AC	04	34	87400	62.140.AQ	06	26
87367	39.100.AV	01	19	87400	88.100.60	06	39
87367	39.100.AV	02	21	87400	88.100.60	07	39
87367	62.140.AQ	02	22	87414	35.560.AA	01	12
87367	62.140.AQ	02	36	87414	35.560.AA	03	11
87367	62.140.AQ	04	22	87414	60.220.AU	07	10
87367	62.140.AQ	04	46	87414	68.170.AX		12
87367	62.140.AQ	06	23	87414	88.100.35	02	26
87367	62.140.AQ	06	33	87414	88.100.35	02	28
87367	88.100.62	02	34	87414	88.100.60	06	20
87371399	88.100.55	01	7	87414	88.100.60	07	20
87381	88.100.35	01	25	87448098	88.100.90	03	2
87385929	62.140.AC	04	4	87481616	27.500.AL	01	2
87391830	31.220.AG	01	1	87481616	27.500.AL	03	2
87391830	31.220.AL	01	3	87483	62.140.AJ	04	28
87391830	31.220.AL	03	1	87483	62.140.AJ	07	28
87391830C	31.220.AG	01		87484368	31.201.AD	01	8
87391830R	31.220.AG	01		87484368	31.201.AD	02	8
87394426	88.100.35	02	3	87484368	31.201.AD	06	8
87395	68.170.AM	01	17	87490545	35.550.AC	01	13
87395	68.170.AP		16	87490545	35.550.AC	02	9
87397766	68.170.AX		4	87495	60.260.BL	02	18
87398	60.220.AU	02	6	87495	62.140.AI	01	35
87398	88.100.60	08	15	87495	62.140.AI	02	5
87398	88.100.62	02	35	87498333	27.500.AA	02	3
87398962	62.140.AC	04	9	87498333	33.100.AP	02	11
87398962	62.170.AA		10	87498333	33.100.AP	05	4
87399	35.540.AK	04	9	87498333	33.100.AP	08	3
87399	35.550.AC	01	22	87498333	88.100.33	01	5
87399	35.550.AC	02	23	87498333	88.100.33	03	5
87399	35.550.AC	02	31	87498835	31.201.AD	02	29
87399	35.550.AC	04	25	87517	62.170.AA		35
87399	39.100.AV	01	26	87517397	35.550.AC	01	1
87399	39.100.AV	02	24	87517766	31.201.AD	06	34
87399	60.220.AN	01	11	87517766	31.201.AD	07	34
87399	60.220.AN	02	10	87517773	31.201.AD	06	33
87399	62.140.AQ	02	16	87517773	31.201.AD	07	33
87399	62.140.AQ	02	24	87517774	31.201.AD	03	14
87399	62.140.AQ	04	16	87517774	31.201.AD	04	14
87399	62.140.AQ	04	38	87517774	31.201.AD	07	14

INDEX - INDICE - INDEX - ZAHLENVERZEICHNIS - INDICE - INDICE - INDHOLD - INHOUD

Number	Figure	Sequence	Ref.	Number	Figure	Sequence	Ref.
87517775	31.201.AD	03	15	87525881	60.220.BD	09	6
87517775	31.201.AD	04	15	87530084	05.100.01		46
87517775	31.201.AD	07	15	87530084	60.220.AC	01	17
87517776	31.201.AD	07	11	87530084	60.220.AC	02	20
87517779	31.201.AD	03	10	87530084	60.220.AC	03	17
87517779	31.201.AD	04	10	87530084	60.220.AN	04	17
87517779	31.201.AD	07	10	87530646	68.170.AG		28
87517784	31.201.AD	03	6	87530646	68.170.AG		8
87517784	31.201.AD	04	6	87532588	60.220.CC	10	1
87517784	31.201.AD	07	6	87534100	27.500.AL	04	6
87517785	31.201.AD	03	5	87534104	27.500.AL	04	2
87517785	31.201.AD	04	5	87558240	31.201.AD	02	3
87517785	31.201.AD	07	5	87569	88.100.60	08	16
87517786	31.201.AD	03	4	87577839	60.220.BD	01	29
87517786	31.201.AD	04	4	87584785	60.220.CC	03	7
87517786	31.201.AD	07	4	87586150	31.201.AD	03	9
87517787	31.201.AD	03	3	87586150	31.201.AD	04	9
87517787	31.201.AD	04	3	87586150	31.201.AD	07	9
87517787	31.201.AD	07	3	87587200	31.201.AD	01	16
87517788	31.201.AD	03	2	87587200	31.201.AD	02	16
87517788	31.201.AD	04	2	87587200	31.201.AD	03	16
87517788	31.201.AD	07	2	87587200	31.201.AD	04	16
87517822	31.201.AD	01	2	87607988	62.140.AC	03	25
87517822	31.201.AD	06	2	87609767	68.180.BO	02	6
87517823	31.201.AD	01	3	87612756	55.100.DP	01	6
87517823	31.201.AD	06	3	87613235	60.260.BL	07	24
87517824	31.201.AD	01	4	87613865	05.100.01		3
87517824	31.201.AD	06	4	87613865	62.140.AA	02	1
87517825	31.201.AD	01	5	87613866	05.100.01		4
87517825	31.201.AD	06	5	87613866	62.140.AA	02	1
87517826	31.201.AD	01	6	87627269	60.260.BL	02	12
87517826	31.201.AD	02	6	87627269	62.140.AI	01	14
87517826	31.201.AD	06	6	87627269	62.140.AI	02	3
87517829	31.201.AD	01	10	87629	35.540.AI	02	5
87517829	31.201.AD	02	10	87629	35.540.AI	04	5
87517829	31.201.AD	06	10	87631104	60.260.BL	01	26
87517831	31.201.AD	01	14	87631110	60.260.BL	01	27
87517831	31.201.AD	02	14	87641160	60.220.BG	01	34
87517831	31.201.AD	06	14	87641197	60.220.BD	01	11
87517832	31.201.AD	01	15	87641197	60.220.BD	05	11
87517832	31.201.AD	06	15	87641641	60.220.BD	01	10
87518142	31.220.AG	01	6	87641641	60.220.BD	05	21
87518144	31.220.AG	01	8	87641641	60.220.BD	06	10
87518146	31.220.AG	01	16	87641641	60.220.BD	06	10
87521161	68.170.AG		12	87642988	60.220.BG	01	15
87521161	68.170.AM	01	33	87642989	05.100.01		61
87521161	68.170.AP		6	87642989	60.220.BG	01	23
87525769	60.220.BD	03	5	87642989	60.220.BG	03	23
87525769	60.220.BD	09	5	87643020	68.170.AX		21
87525881	60.220.BD	03	6	87643130	68.170.AM	01	4

INDEX - INDICE - INDEX - ZAHLENVERZEICHNIS - INDICE - INDICE - INDHOLD - INHOUD

Number	Figure	Sequence	Ref.	Number	Figure	Sequence	Ref.
87643130	68.170.AX		3	87654704	62.140.AQ	04	10
87643386	05.100.01		62	87654704	62.140.AQ	04	10
87643386	60.220.BG	01	22	87654704	62.140.AQ	06	11
87643386	60.220.BG	03	22	87654704	62.140.AQ	06	11
87643566	33.240.AB		27	87654791	62.140.AQ	02	5
87643566	88.100.33	07	31	87654791	62.140.AQ	04	5
87644513	62.170.AA		9	87654791	62.140.AQ	06	5
87644515	62.170.AA		19	87654791	62.140.AQ	06	5
87644516	62.170.AA		15	87654792	62.140.AQ	02	6
87644681	60.260.BL	02	19	87654792	62.140.AQ	02	6
87644681	62.140.AI	01	29	87654792	62.140.AQ	04	6
87644682	62.170.AA		7	87654792	62.140.AQ	04	5
87645237	62.140.AC	04	8	87654792	62.140.AQ	06	6
87646324	62.140.AC	03	8	87654792	62.140.AQ	06	6
87646324	62.140.AQ	02	5	87654792	88.100.62	04	10
87646324	62.140.AQ	04	6	87654792	88.100.62	10	5
87646324	88.100.62	04	9	87654931	62.140.AC	01	22
87646325	60.260.BL	01	12	87654931	62.140.AC	05	22
87646851	60.260.BL	01	11	87655035	35.560.AA	01	32
87646852	60.260.BL	01	6	87655035	35.560.AA	02	34
87646887	60.260.BL	01	4	87655035	35.560.AA	03	14
87648312	60.260.CC	01	8	87655350	35.540.AK	02	5
87648668	60.260.CC	01	11	87655350	35.540.AK	04	5
87648668	60.260.CC	02	12	87655350	35.540.AK	06	4
87649169	60.260.CC	02	9	87655350	62.140.AQ	02	12
87649286	05.100.01		24	87655350	62.140.AQ	04	16
87649286	60.260.CC	02	13	87655350	62.140.AQ	06	9
87652181	60.260.CC	06	9	87655350	62.140.AQ	06	12
87652185	60.260.CC	03	18	87655372	62.140.AQ	02	7
87652294	60.260.CC	06	11	87655372	62.140.AQ	02	34
87652359	60.260.CC	06	20	87655372	62.140.AQ	04	7
87652388	60.260.CC	06	39	87655372	62.140.AQ	04	7
87652388	62.140.AI	01	30	87655372	62.140.AQ	06	21
87652388	62.140.AJ	04	24	87655372	62.140.AQ	06	34
87652388	62.140.AJ	07	15	87656363	35.550.AC	01	15
87652388	88.100.35	02	14	87656363	35.550.AC	02	10
87653274	90.108.AB	01	3	87656363	35.550.AC	02	11
87653274	90.108.AB	02	2	87656363	88.100.71	01	37
87653274	90.108.AC	01	13	87658033	62.150.AB		6
87653298	62.140.AI	01	47	87660299	62.140.AC	01	2
87653298	62.140.AI	02	16	87660332	05.100.01		21
87653298	62.140.AJ	05	8	87660332	62.140.AC	01	8
87653709	60.220.BG	01	21	87660332	62.140.AC	05	8
87654703	35.540.AK	02	2	87660332	62.140.AJ	04	9
87654703	35.540.AK	04	2	87660332	62.140.AJ	07	6
87654703	62.140.AQ	02	13	87660332	62.150.AB		3
87654703	62.140.AQ	04	15	87660332	62.150.AB	01	3
87654703	62.140.AQ	06	13	87660332	62.150.AB	02	3
87654704	62.140.AQ	02	10	87660333	05.100.01		16
87654704	62.140.AQ	02	11	87660333	62.140.AC	01	7

INDEX - INDICE - INDEX - ZAHLENVERZEICHNIS - INDICE - INDICE - INDHOLD - INHOUD

Number	Figure	Sequence	Ref.	Number	Figure	Sequence	Ref.
87660333	62.140.AC	05	7	87716643	31.201.AD	01	21
87660333	88.100.62	01	18	87716643	31.201.AD	02	21
87660575	05.100.01		10	87716643	31.201.AD	03	21
87660575	62.140.AC	01	9	87716643	31.201.AD	04	21
87660575	62.140.AC	05	9	87742364	55.640.AB	01	11
87660576	05.100.01		9	87742364	55.640.AB	02	11
87660581	62.140.AI	01	5	87742364	55.640.AB	02	11
87661358	68.170.AG		3	87745977	88.100.35	04	33
87661924	31.220.AL	01	6	87750434	88.100.35	04	3
87661924	31.220.AL	02	4	87755469	35.540.AB	02	10
87661924	31.220.AL	03	3	87755469	35.540.AI	03	23
87661924	31.220.AL	04	3	87758678	05.100.01		50
87663731	27.500.AA	02	1	87758678	60.220.AC	01	2
87663731	33.100.AP	02	9	87758678	60.220.AC	02	7
87663731	33.100.AP	05	2	87758678	60.220.AC	03	2
87663731	33.100.AP	08	2	87758678	60.220.AN	03	7
87663731	88.100.33	01	3	87758678	60.220.AN	04	2
87663731	88.100.33	03	3	87758678	60.260.BL	07	6
87663907	88.100.35	01	17	87977	88.100.55	04	8
87664059	62.140.AC	01	4	88011	62.170.AA		32
87664061	31.220.AL	01	8	88130	35.562.AB		5
87665527	39.100.AV	02	12	88130	35.569.AB		5
87667	71.480.AB	01	19	88130	60.220.BG	01	16
87667	88.100.71	01	9	88130	60.220.BG	02	5
87682394	88.100.62	02	29	88130	60.220.BG	03	16
87684280	68.170.AF	02	7	88130	60.220.BG	04	29
87688487	90.105.AT	01	13	88182	39.100.AV	02	25
87688487	90.105.BH	01	16	88206	62.170.AA		31
87688487	90.105.BH	04	20	88206	68.170.AM	01	25
87688487	90.105.BH	06	22	88206	68.170.AX		9
87688487	90.105.BH	08	20	88275	88.100.60	01	4
87695419	90.105.AT	01	8	88444	88.100.60	08	10
87695419	90.105.BH	01	15	88529	60.220.BD	06	11
87695419	90.105.BH	04	14	88529	60.220.BD	06	11
87695419	90.105.BH	06	16	88775	60.220.AN	01	9
87695419	90.105.BH	08	14	88775	60.220.AN	02	11
87697947	55.433.AA	02	2	90999	88.100.60	08	7
87698836	88.100.90	01	6	9509260	60.220.AU	04	12
87698836	90.105.BH	01	7	9509260	60.220.AU	09	11
87698836	90.105.BH	04	22	9509260	88.100.60	03	12
87698836	90.105.BH	06	14	9509260	88.100.60	06	38
87698836	90.105.BH	08	12	9509260	88.100.60	07	38
87698836	90.105.BR	04	7	9511052	60.220.AU	07	15
87698836	90.116.AO	02	14	9511052	88.100.60	06	16
87698836	90.116.AO	02	18	9511052	88.100.60	07	16
87700674	60.220.AN	01	2	9512523	33.300.AC		10
87700674	60.220.AN	02	2	9512523	33.300.AE		5
87707151	55.433.AA	02	8	9512523	88.100.33	05	7
87707866	62.140.AI	02	3	9512523	88.100.33	06	10
87709056	39.100.AV	02	35	9512525	33.300.AE		8

INDEX - INDICE - INDEX - ZAHLENVERZEICHNIS - INDICE - INDICE - INDHOLD - INHOUD

Number	Figure	Sequence	Ref.	Number	Figure	Sequence	Ref.
9512525	88.100.33	05	10	9617265	62.140.AQ	06	15
9512525	88.100.33	06	17	9617873	35.540.AI	01	18
9512527	33.300.AC		13	9617873	35.540.AI	01	21
9512527	33.300.AE		6	9617873	35.540.AI	03	27
9512527	88.100.33	05	8	9617873	35.540.AI	03	18
9512527	88.100.33	06	13	9617873	35.550.AC	01	36
9512528	33.300.AE		12	9617873	35.550.AC	02	41
9512528	88.100.33	05	15	9617873	35.550.AC	02	40
9512529	33.300.AC		8	9617873	35.550.AC	04	28
9512529	33.300.AE		3	9617873	35.565.AA	01	25
9512529	88.100.33	05	5	9617873	35.565.AA	02	25
9512529	88.100.33	06	8	9617873	88.100.35	01	31
9512530	33.300.AC		9	9617873	88.100.35	04	26
9512530	33.300.AE		4	9617873	88.100.35	05	14
9512530	88.100.33	05	6	9620569	62.140.AJ	06	11
9512530	88.100.33	06	9	9623775	55.100.DP	01	12
9512531	33.300.AE		14	9625178	35.540.AI	03	9
9512531	88.100.33	05	17	9625178	35.540.AI	03	9
9512532	33.300.AE		23	9626598	60.260.CC	02	34
9512532	88.100.33	05	12	9626918	35.550.AC	04	39
9512533	33.300.AE		10	9628065	62.140.AC	01	17
9512533	88.100.33	05	13	9628098	70.280.AB	02	8
9512534	33.300.AE		16	9628503	62.140.AJ	04	27
9512534	88.100.33	05	19	9628503	62.140.AJ	07	21
9512535	33.300.AE		9	9628503	62.170.AA		25
9512537	33.300.AE		18	9628503	68.170.AG		24
9512537	88.100.33	05	21	9628503	88.100.60	08	9
9512540	33.300.AC		14	9635082	68.170.AH	02	15
9512540	88.100.33	06	14	9635082	71.480.AB	01	25
9512541	33.300.AC		11	9635082	88.100.71	01	11
9512541	88.100.33	06	11	9637417	88.100.70	01	10
9512545	33.300.AE		13	9637692	60.220.BG	01	31
9512545	88.100.33	05	16	9637692	60.220.BG	03	31
9512546	33.300.AE		19	9637692	60.220.BG	04	28
9512546	88.100.33	05	22	9670066	27.500.AA	04	2
9513421	88.100.55	01	3	9670066	33.100.AJ		16
9513422	88.100.55	01	4	9670066	33.300.AE		29
9515003	88.100.90	04	8	9670066	39.110.AM	03	14
9602227	35.540.AI	02	2	9670066	39.110.AM	05	14
9615969	60.220.AU	07	7	9670066	60.260.BL	03	13
9615969	88.100.60	06	47	9670066	60.260.CC	01	18
9615969	88.100.60	07	47	9670066	60.260.CC	03	35
9616363	35.540.AI	02	9	9670066	60.260.CC	06	35
9616869	60.220.BD	03	12	9670066	62.140.AJ	07	25
9616869	60.220.BD	09	15	9670066	68.170.AG		14
9617265	62.140.AQ	02	11	9670066	88.100.33	02	10
9617265	62.140.AQ	02	15	9670066	88.100.33	04	7
9617265	62.140.AQ	04	11	9670066	88.100.33	05	27
9617265	62.140.AQ	04	11	9670066	88.100.39	02	12
9617265	62.140.AQ	06	12	9670288	62.140.AJ	04	17

INDEX - INDICE - INDEX - ZAHLENVERZEICHNIS - INDICE - INDICE - INDHOLD - INHOUD

Number	Figure	Sequence	Ref.	Number	Figure	Sequence	Ref.
9671487	88.100.62	02	38	9706685	62.140.AI	01	31
9671714	27.500.AL	05	3	9706685	62.140.AI	02	20
9671714	33.100.AJ		13	9706685	62.140.AJ	05	26
9671714	33.300.AE		26	9706685	88.100.62	02	14
9671714	35.540.AK	04	17	9706685	90.105.AT	01	10
9671714	35.550.AC	02	23	9706687	60.220.AU	04	16
9671714	35.550.AC	04	32	9706687	60.260.CC	02	24
9671714	35.560.AA	01	18	9706687	62.170.AA		28
9671714	35.560.AA	02	21	9706687	88.100.60	03	16
9671714	35.560.AA	03	15	9706687	88.100.62	03	5
9671714	60.220.AU	04	19	9706690	35.565.AA	01	17
9671714	60.220.AU	09	14	9706690	35.565.AA	02	22
9671714	60.220.BD	03	15	9706690	60.260.BL	07	38
9671714	60.220.BD	09	18	9706691	60.260.CC	02	25
9671714	60.220.CC	01	13	9706693	62.170.AA		27
9671714	60.220.CC	04	8	9706694	88.100.35	05	17
9671714	60.220.CC	05	13	9706702	60.220.AU	01	5
9671714	60.220.CC	06	8	9706702	62.140.AC	03	15
9671714	60.220.CC	07	13	9706703	55.100.DP	01	10
9671714	60.260.BJ	03	18	9706703	55.511.AJ		15
9671714	60.260.BL	03	15	9706703	60.260.BL	03	29
9671714	62.140.AQ	04	29	9706704	60.220.BG	01	33
9671714	68.170.AM	02	12	9706704	60.260.BL	02	11
9671714	88.100.01	01	3	9706717	60.260.BL	02	26
9671714	88.100.33	06	27	9706748	35.560.AA	02	36
9671714	88.100.35	04	32	9706755	55.511.AJ		23
9671714	88.100.55	08	14	9706755	88.100.90	04	7
9671714	88.100.60	06	42	9707580	88.100.55	06	13
9671714	88.100.60	07	42	9780069	70.280.AB	02	7
9671714	90.105.AN		11	9790710	35.560.AA	01	31
9671714	90.105.BH	04	19	9790710	35.560.AA	03	28
9671714	90.105.BH	06	21	9800832	62.140.AC	03	1
9671714	90.105.BR	01	18	9801066	60.220.BD	02	3
9671714	90.116.AO	02	6	9801066	60.220.BD	08	3
9672438	35.550.AC	01	16	9801618	35.550.AC	01	9
9672438	35.550.AC	02	11	9801618	35.550.AC	02	14
9672438	35.550.AC	02	30	9801618	35.550.AC	02	26
9672438	35.550.AC	04	37	9801618	35.550.AC	04	23
9672467	71.480.AL		8	9801618	35.560.AA	01	10
9672521	55.629.AC	02	13	9801618	35.560.AA	02	11
9672521	55.629.AC	03	10	9801618	35.560.AA	03	9
9672521	55.629.AE		12	9801618	35.565.AA	01	5
9672521	68.180.BO	03	16	9801618	35.565.AA	02	4
9672929	71.480.AL		7	9801618	88.100.35	01	8
9706685	39.100.AV	02	33	9804255	55.404.AF		4
9706685	60.220.BD	02	10	9804255	60.260.BL	03	8
9706685	60.220.BD	08	10	9804255	68.170.AH	01	5
9706685	60.220.BD	12	13	9804255	68.170.AP		13
9706685	60.260.BL	02	27	9804255	68.180.BO	03	10
9706685	60.260.CC	02	30	9804255	88.100.55	03	4

INDEX - INDICE - INDEX - ZAHLENVERZEICHNIS - INDICE - INDICE - INDHOLD - INHOUD

Number	Figure	Sequence	Ref.	Number	Figure	Sequence	Ref.
9804255	88.100.55	07	6	9804258	68.180.BO	03	11
9804255	90.105.BR	04	10	9804258	88.100.05	01	6
9804255	90.119.AB	06	11	9804258	88.100.33	02	9
9804256	35.560.AA	01	37	9804258	88.100.33	04	5
9804256	35.560.AA	02	13	9804258	88.100.33	06	21
9804256	55.640.AB	01	18	9804258	88.100.35	01	22
9804256	55.640.AB	02	18	9804258	88.100.71	01	36
9804256	55.640.AB	02	18	9804258	88.100.90	02	6
9804256	55.905.AA	02	12	9804258	90.105.AN		9
9804256	60.220.AC	01	30	9804258	90.105.AT	01	4
9804256	60.220.AC	02	33	9804258	90.105.BH	02	7
9804256	60.220.AC	03	29	9804258	90.105.BH	05	7
9804256	60.220.AN	04	29	9804258	90.105.BH	07	7
9804256	60.220.BD	06	20	9804258	90.105.BH	09	5
9804256	60.220.BD	06	20	9804258	90.116.AO	01	13
9804256	60.260.CC	04	19	9804258	90.116.AO	02	11
9804256	71.480.AB	01	20	9804258	90.119.AB	01	6
9804256	88.100.35	02	21	9804258	90.119.AB	03	6
9804256	88.100.35	03	3	9804258	90.119.AB	04	5
9804256	88.100.71	01	15	9804258	90.119.AB	06	27
9804256	90.119.AB	06	13	9804260	33.100.AJ		15
9804257	68.170.AP		8	9804260	33.100.AP	01	5
9804257	90.119.AB	06	15	9804260	33.100.AP	02	5
9804258	33.100.AJ		13	9804260	33.100.AP	05	10
9804258	33.300.AC		17	9804260	33.240.AB		13
9804258	35.540.AK	02	11	9804260	60.260.BL	01	29
9804258	35.540.AK	04	16	9804260	68.170.AM	01	29
9804258	35.540.AK	06	16	9804260	88.100.33	02	7
9804258	35.560.AA	01	17	9804260	88.100.33	04	6
9804258	35.560.AA	02	20	9804260	88.100.33	07	13
9804258	35.565.AA	01	22	9804260	88.100.35	04	15
9804258	39.110.AF		10	9804261	35.560.AA	01	19
9804258	55.511.AJ		17	9804261	35.560.AA	02	22
9804258	55.629.AC	02	10	9804261	35.560.AA	03	16
9804258	55.629.AC	03	6	9804261	60.220.AC	01	8
9804258	55.640.AB	01	17	9804261	60.220.AC	02	18
9804258	55.640.AB	02	17	9804261	60.220.AC	03	8
9804258	55.640.AB	02	17	9804261	60.220.AN	03	20
9804258	55.905.AA	01	5	9804261	60.220.AN	04	8
9804258	55.905.AA	02	11	9804261	60.220.AU	09	13
9804258	60.220.BD	03	16	9804261	60.220.BD	12	7
9804258	60.260.BL	03	10	9804261	60.260.BJ	01	10
9804258	60.260.CC	03	33	9804261	60.260.BJ	02	8
9804258	60.260.CC	06	33	9804261	60.260.BJ	03	23
9804258	62.140.AC	01	23	9804261	60.260.BL	04	3
9804258	62.140.AC	04	12	9804261	60.260.CC	01	15
9804258	62.140.AC	05	23	9804261	60.260.CC	02	21
9804258	62.140.AQ	04	23	9804261	60.260.CC	04	12
9804258	68.180.AK	02	8	9804261	60.260.CC	05	12
9804258	68.180.BB		11	9804261	62.140.AC	01	25

INDEX - INDICE - INDEX - ZAHLENVERZEICHNIS - INDICE - INDICE - INDHOLD - INHOUD

Number	Figure	Sequence	Ref.	Number	Figure	Sequence	Ref.
9804261	62.140.AC	05	17	9804262	90.105.BR	02	7
9804261	68.170.AG		21	9804263	33.100.AP	04	7
9804261	68.170.AP		27	9804263	35.560.AA	01	20
9804261	71.480.AB	01	21	9804263	35.560.AA	03	17
9804261	88.100.60	02	5	9804263	60.220.BD	01	20
9804261	88.100.60	06	36	9804263	60.220.BD	06	19
9804261	88.100.60	07	36	9804263	60.220.BD	06	19
9804261	88.100.60	08	18	9804263	60.260.BJ	03	21
9804261	88.100.71	01	8	9804263	62.140.AI	02	10
9804261	90.105.BH	01	8	9804263	68.180.AK	01	7
9804261	90.105.BH	04	8	9804263	88.100.33	02	20
9804261	90.105.BH	06	11	9804263	88.100.33	03	24
9804261	90.105.BH	08	10	9804264	33.300.AE		21
9804262	31.201.AD	05	6	9804264	60.220.BD	03	13
9804262	33.100.AJ		27	9804264	60.220.BD	09	16
9804262	35.560.AA	02	23	9804264	62.140.AQ	02	18
9804262	39.110.AM	02	18	9804264	62.140.AQ	02	30
9804262	39.110.AM	03	12	9804264	62.140.AQ	04	18
9804262	39.110.AM	04	18	9804264	62.140.AQ	04	44
9804262	39.110.AM	05	12	9804264	62.140.AQ	06	19
9804262	60.220.BD	01	26	9804264	62.140.AQ	06	30
9804262	60.220.BD	05	15	9804264	68.170.AX		24
9804262	60.220.BD	11	6	9804264	88.100.33	05	23
9804262	60.220.BG	02	27	9804265	39.110.AM	02	19
9804262	60.220.BG	03	27	9804265	39.110.AM	03	13
9804262	60.220.BG	04	13	9804265	39.110.AM	04	16
9804262	60.220.CC	01	17	9804265	39.110.AM	05	13
9804262	60.220.CC	04	11	9804265	60.220.BD	01	12
9804262	60.220.CC	05	17	9804265	60.220.BD	06	18
9804262	60.220.CC	06	11	9804265	60.220.BD	06	18
9804262	60.220.CC	07	17	9804265	60.220.CC	08	16
9804262	60.220.CC	08	6	9804265	60.260.CC	01	17
9804262	60.220.CC	10	10	9804265	68.170.AM	01	21
9804262	60.260.BL	01	19	9804265	68.170.AM	01	6
9804262	60.260.CC	03	34	9804265	68.180.AK	01	9
9804262	60.260.CC	06	34	9804266	35.560.AA	01	21
9804262	62.140.AI	01	17	9804266	35.560.AA	02	26
9804262	62.140.AJ	04	15	9804266	35.560.AA	03	18
9804262	62.140.AJ	07	27	9804266	60.220.BD	12	6
9804262	68.170.AH	02	8	9804266	60.260.BJ	03	22
9804262	68.170.AM	02	11	9804266	60.260.CC	02	23
9804262	68.170.AM	03	4	9804266	90.116.AO	01	10
9804262	68.170.AP		24	9804266	90.116.AO	02	10
9804262	68.180.AK	01	6	9804268	39.100.AV	01	14
9804262	68.180.BO	01	4	9804268	60.220.BD	02	6
9804262	68.180.BO	02	13	9804268	60.220.BD	08	6
9804262	88.100.31	01	8	9804268	60.220.BD	10	6
9804262	88.100.33	02	8	9804268	60.220.BL	02	6
9804262	88.100.33	04	15	9804268	60.260.BL	05	6
9804262	88.100.39	02	10	9804268	62.140.AJ	04	18

INDEX - INDICE - INDEX - ZAHLENVERZEICHNIS - INDICE - INDICE - INDHOLD - INHOUD

Number	Figure	Sequence	Ref.	Number	Figure	Sequence	Ref.
9804268	62.140.AQ	02	31	9804277	55.629.AC	01	4
9804268	62.140.AQ	04	37	9804277	55.629.AC	02	12
9804268	62.140.AQ	06	20	9804277	55.629.AC	03	7
9804268	62.140.AQ	06	31	9804277	55.640.AB	01	15
9804270	62.140.AI	01	42	9804277	55.640.AB	02	15
9804270	62.140.AI	02	23	9804277	55.640.AB	02	15
9804270	62.140.AJ	05	16	9804277	55.905.AA	01	3
9804271	31.220.AL	01	11	9804277	55.905.AA	02	9
9804271	31.220.AL	02	9	9804277	60.220.AU	09	18
9804271	31.220.AL	03	7	9804277	60.220.CC	01	14
9804271	31.220.AL	04	7	9804277	60.220.CC	04	9
9804272	31.220.AL	01	10	9804277	60.220.CC	05	14
9804272	88.100.62	02	46	9804277	60.220.CC	06	9
9804276	33.100.AJ		5	9804277	60.220.CC	07	14
9804276	35.565.AA	02	14	9804277	60.220.CC	08	14
9804276	39.110.AF		11	9804277	60.220.CC	10	16
9804276	55.100.DP	01	9	9804277	60.260.BJ	03	19
9804276	55.404.AF		6	9804277	60.260.BL	03	11
9804276	55.511.AJ		20	9804277	60.260.CC	03	36
9804276	55.640.AB	01	5	9804277	60.260.CC	06	36
9804276	55.640.AB	02	5	9804277	68.170.AG		19
9804276	55.640.AB	02	5	9804277	68.170.AM	01	24
9804276	55.905.AA	02	4	9804277	68.170.AM	02	7
9804276	60.220.AU	09	17	9804277	68.170.AX		11
9804276	60.220.BD	09	29	9804277	68.180.AK	02	9
9804276	60.260.BL	03	9	9804277	68.180.BB		13
9804276	68.170.AP		21	9804277	68.180.BO	03	14
9804276	68.180.BB		12	9804277	88.100.05	01	7
9804276	88.100.33	02	29	9804277	88.100.33	02	14
9804276	88.100.33	04	29	9804277	88.100.33	04	18
9804276	88.100.55	03	6	9804277	88.100.33	06	20
9804276	88.100.55	07	8	9804277	88.100.33	07	15
9804276	88.100.60	06	35	9804277	88.100.55	06	11
9804276	88.100.60	07	35	9804277	88.100.55	08	16
9804276	88.100.68	03	9	9804277	88.100.55	09	8
9804276	88.100.71	01	30	9804277	88.100.60	04	9
9804276	90.105.AT	01	6	9804277	88.100.60	05	9
9804276	90.105.BR	04	15	9804277	88.100.60	06	25
9804276	90.119.AB	06	12	9804277	88.100.60	07	25
9804277	33.100.AJ		19	9804277	88.100.62	02	40
9804277	33.240.AB		15	9804277	88.100.62	03	6
9804277	33.300.AC		16	9804277	88.100.90	02	7
9804277	35.550.AC	02	24	9804277	90.105.AN		12
9804277	35.550.AC	04	36	9804277	90.105.AN		8
9804277	35.560.AA	01	28	9804277	90.105.AT	02	3
9804277	35.560.AA	02	30	9804277	90.105.BH	01	24
9804277	35.560.AA	03	26	9804277	90.105.BH	04	24
9804277	35.565.AA	01	23	9804277	90.105.BH	06	9
9804277	39.110.AF		12	9804277	90.105.BH	08	8
9804277	55.511.AJ		7	9804277	90.105.BR	01	22

INDEX - INDICE - INDEX - ZAHLENVERZEICHNIS - INDICE - INDICE - INDHOLD - INHOUD

Number	Figure	Sequence	Ref.	Number	Figure	Sequence	Ref.
9804277	90.105.BR	02	12	9804278	60.260.CC	05	15
9804277	90.105.BR	03	10	9804278	60.260.CC	06	25
9804277	90.105.BR	05	4	9804278	62.140.AC	01	6
9804277	90.105.CL	01	4	9804278	62.140.AC	03	19
9804277	90.116.AO	01	8	9804278	62.140.AC	05	6
9804277	90.116.AO	02	8	9804278	62.150.AB		12
9804277	90.119.AB	01	14	9804278	62.150.AB	01	12
9804277	90.119.AB	03	9	9804278	62.150.AB	02	7
9804277	90.119.AB	04	8	9804278	62.170.AA		40
9804278	33.100.AJ		22	9804278	68.170.AG		13
9804278	33.300.AC		7	9804278	68.170.AH	02	7
9804278	33.300.AE		7	9804278	68.170.AM	01	20
9804278	35.550.AC	01	27	9804278	68.170.AM	02	9
9804278	35.550.AC	02	26	9804278	68.170.AM	03	7
9804278	35.560.AA	01	29	9804278	68.170.AP		25
9804278	35.560.AA	02	31	9804278	68.180.AK	01	8
9804278	35.560.AA	03	27	9804278	68.180.AK	02	6
9804278	39.110.AM	03	20	9804278	68.180.BO	01	3
9804278	39.110.AM	04	11	9804278	68.180.BO	02	16
9804278	39.110.AM	05	20	9804278	71.480.AB	01	27
9804278	60.220.AC	01	11	9804278	88.100.33	02	15
9804278	60.220.AC	02	17	9804278	88.100.33	04	17
9804278	60.220.AC	03	12	9804278	88.100.33	05	9
9804278	60.220.AN	03	19	9804278	88.100.33	06	15
9804278	60.220.AN	04	12	9804278	88.100.35	01	29
9804278	60.220.BD	01	23	9804278	88.100.60	08	19
9804278	60.220.BD	03	17	9804278	88.100.62	02	23
9804278	60.220.BD	05	22	9804278	88.100.62	10	12
9804278	60.220.BD	07	3	9804278	88.100.71	01	7
9804278	60.220.BD	09	23	9804278	88.100.90	04	9
9804278	60.220.BD	11	7	9804278	90.105.BH	01	9
9804278	60.220.BG	01	28	9804278	90.105.BH	04	9
9804278	60.220.BG	02	31	9804278	90.105.BH	06	8
9804278	60.220.BG	03	28	9804278	90.105.BH	08	7
9804278	60.220.BG	04	16	9804278	90.105.BR	01	11
9804278	60.220.CC	01	24	9804278	90.105.BR	03	9
9804278	60.220.CC	04	18	9804278	90.105.BR	05	8
9804278	60.220.CC	05	24	9804278	90.105.CL	01	8
9804278	60.220.CC	06	18	9804278	90.116.AO	02	16
9804278	60.220.CC	07	24	9804279	27.500.AA	04	4
9804278	60.220.CC	08	7	9804279	33.100.AJ		21
9804278	60.220.CC	10	11	9804279	33.100.AJ		34
9804278	60.260.BJ	01	13	9804279	33.300.AE		31
9804278	60.260.BJ	02	6	9804279	39.110.AM	02	27
9804278	60.260.BJ	03	24	9804279	39.110.AM	03	4
9804278	60.260.BL	01	23	9804279	39.110.AM	04	4
9804278	60.260.CC	01	20	9804279	39.110.AM	05	4
9804278	60.260.CC	02	29	9804279	60.220.AU	01	4
9804278	60.260.CC	03	25	9804279	60.220.AU	07	25
9804278	60.260.CC	04	16	9804279	60.220.BD	02	9

INDEX - INDICE - INDEX - ZAHLENVERZEICHNIS - INDICE - INDICE - INDHOLD - INHOUD

Number	Figure	Sequence	Ref.	Number	Figure	Sequence	Ref.
9804279	60.220.BD	08	9	9823372	62.140.AQ	02	4
9804279	60.220.BD	10	9	9823372	62.140.AQ	04	4
9804279	60.220.BL	02	9	9823372	62.140.AQ	04	4
9804279	60.260.BL	05	9	9823372	62.140.AQ	06	4
9804279	60.260.CC	03	24	9823372	62.140.AQ	06	4
9804279	60.260.CC	06	24	9823372	88.100.62	10	4
9804279	62.140.AC	01	19	9824259	35.565.AA	02	23
9804279	62.140.AC	03	17	9824840	90.119.AB	01	10
9804279	62.140.AJ	04	25	9824840	90.119.AB	02	5
9804279	62.140.AJ	07	20	9825943	05.100.01		39
9804279	62.150.AB		9	9825943	68.170.AF	01	1
9804279	62.150.AB	01	9	9825943	88.100.55	04	4
9804279	68.170.AM	02	6	9826108	35.562.AB		7
9804279	70.280.AB	02	11	9826108	35.569.AB		7
9804279	88.100.33	02	16	9827423	88.100.05	01	5
9804279	88.100.33	04	10	9827956	60.260.BL	07	18
9804279	88.100.33	04	24	9827956	68.170.AM	03	2
9804279	88.100.33	05	29	9829364	60.260.BL	02	22
9804279	88.100.39	02	15	9829364	62.140.AI	01	16
9804279	88.100.60	06	19	9829364	88.100.62	01	9
9804279	88.100.60	07	19	9837395	90.105.BR	04	13
9804279	90.105.AT	02	8	9837622	88.100.33	01	21
9804279	90.105.BR	01	15	9837622	88.100.33	03	19
9804279	90.116.AO	02	14	9837647	33.100.AP	04	5
9804280	31.220.AL	01	12	9837647	33.300.AC		24
9804280	31.220.AL	02	10	9837647	88.100.33	01	15
9804280	60.260.BL	02	33	9837647	88.100.33	03	17
9804280	62.140.AI	01	33	9837788	60.220.AU	05	4
9806396	62.170.AA		18	9837788	60.220.AU	07	17
9806864	05.100.01		37	9837788	88.100.60	06	23
9806864	68.170.AP		11	9837788	88.100.60	07	23
9806931	62.170.AA		14	9838358	33.100.AJ		31
9808110	88.100.62	01	4	9838358	88.100.33	02	24
9808112	62.170.AA		43	9838358	88.100.33	04	21
9808171	88.100.62	02	16	9838996	60.220.AU	04	17
9820171	90.105.BR	01	3	9838996	60.220.AU	10	12
9820171	90.105.BR	02	5	9838996	88.100.60	03	17
9820171	90.105.BR	03	3	9839028	33.100.AP	04	1
9821714	55.629.AE		8	9839028	88.100.33	01	20
9822385	60.220.AN	01	6	9839028	88.100.33	03	13
9822385	60.220.AN	02	6	9839198	33.240.AB		22
9822519	05.100.01		8	9839198	88.100.33	07	22
9822519	71.480.AB	01	2	9840986	60.220.AC	01	26
9822519	88.100.71	01	22	9840986	60.220.AC	02	29
9822520	71.480.AB	01	7	9840986	60.220.AC	03	25
9822520	88.100.71	01	21	9840986	60.220.AN	04	25
9822927	60.220.AN	01	5	9840986	60.260.BL	03	12
9822927	60.220.AN	02	5	9840986	90.119.AB	06	23
9823371	62.140.AC	03	4	9843257	88.100.62	06	3
9823372	62.140.AQ	02	4	9843258	88.100.62	06	4

INDEX - INDICE - INDEX - ZAHLENVERZEICHNIS - INDICE - INDICE - INDHOLD - INHOUD

Number	Figure	Sequence	Ref.	Number	Figure	Sequence	Ref.
9843627	35.550.AB	02	4	NSS	35.540.AI	02	14
9845229	35.540.AK	02	8	NSS	35.540.AI	02	15
9845229	35.540.AK	04	8	NSS	35.540.AI	02	2
9845448	39.100.AV	02	8	NSS	35.540.AI	02	3
9845575	62.140.AQ	02	17	NSS	35.540.AI	03	14
9845575	62.140.AQ	04	27	NSS	35.540.AI	04	3
9845575	62.140.AQ	04	24	NSS	35.540.AI	04	4
9845575	88.100.62	03	8	NSS	35.540.AI	04	6
9845575	88.100.62	04	4	NSS	35.540.AI	04	7
9845576	62.140.AQ	02	41	NSS	35.540.AI	04	8
9845576	62.140.AQ	04	48	NSS	35.550.AB	02	2
9845576	62.140.AQ	06	38	NSS	35.560.AB		2
9845576	88.100.62	10	19	NSS	35.560.AB		4
9846342	55.100.DP	01	11	NSS	35.560.AB		5
9846669	88.100.35	04	7	NSS	35.560.AB		6
9847026	71.480.AL		2	NSS	35.562.AB		10
9847027	71.480.AL		9	NSS	35.569.AB		10
9847028	71.480.AL		6	NSS	55.404.BM		5
9847030	71.480.AL		5	NSS	55.404.BM		6
9848970	71.480.AB	01	13	NSS	60.220.AN	05	11
9848970	88.100.71	01	5	NSS	60.220.AN	05	8
9848974	35.540.AK	02	14	NSS	60.220.AU	06	7
9848974	35.540.AK	04	20	NSS	60.220.AU	08	7
9848974	35.540.AK	06	14	NSS	62.170.AA		42
9848974	62.140.AQ	02	27	NSS	71.480.AL		12
9848974	62.140.AQ	04	42	NSS	71.480.AL		14
9848974	62.140.AQ	06	17	NSS	88.100.35	04	29
9848974	62.140.AQ	06	27	NSS	88.100.68	02	3
9849647	35.540.AK	02	17	NSS	88.100.68	02	4
9849647	35.540.AK	04	24	NSS	88.100.68	02	5
9849647	35.540.AK	06	19	NSS	88.100.68	02	7
9849647	62.140.AQ	02	22	NSS	88.100.68	03	3
9849647	62.140.AQ	04	32	NSS	88.100.68	03	4
9849647	62.140.AQ	06	28	NSS	88.100.68	03	5
9849647	62.140.AQ	06	17	PL	27.500.AL	06	8
9850033	60.260.BL	03	31	PL	31.201.AD	06	16
9861444	62.140.AQ	04	29	PL	31.201.AD	06	21
9992069	35.540.AI	02	3	PL	31.201.AD	07	16
9992298	35.562.AB		13	PL	31.201.AD	07	21
9992298	35.569.AB		13	PL	35.540.AI	04	9
E35556	05.100.01		6	PL	88.100.33	05	11
NS	35.540.AK	02	1	PL	88.100.33	06	18
NSS	27.500.AA	05	27				
NSS	33.100.AP	03	11				
NSS	33.100.AP	03	13				
NSS	33.100.AP	03	17				
NSS	33.100.AP	07	15				
NSS	35.540.AB	01	2				
NSS	35.540.AB	02	2				
NSS	35.540.AI	02	12				