

H51903

-UN-04FEB99



*JOHN DEERE 9650 SELF-PROPELLED COMBINE™ WITH 90 SERIES CORN HEAD*

*MANUFACTURED (1999- )*

*(SPECIFICATIONS AND DESIGN SUBJECT TO CHANGE WITHOUT NOTICE)*

*COPYRIGHT (C) 2000. DEERE & COMPANY. MOLINE, ILLINOIS, USA. ALL RIGHTS RESERVED.*

## NOTE

FOR 900 SERIES PLATFORM PARTS INFORMATION, REFER TO JOHN DEERE PARTS CATALOG - PC2104.

FOR 40 SERIES CORN HEAD PARTS INFORMATION, REFER TO JOHN DEERE PARTS CATALOG - PC1223.

FOR 50A SERIES ROW-CROP HEAD PARTS INFORMATION, REFER TO JOHN DEERE PARTS CATALOG - PC1747.

FOR THREE-ROLLER BELT PICKUP PARTS INFORMATION, REFER TO JOHN DEERE PARTS CATALOG - PC2210.

FOR 918 AND 920 DRAPER PARTS INFORMATION, REFER TO JOHN DEERE PARTS CATALOG - PC2212.

FOR 90 SERIES CORN HEAD PARTS INFORMATION, REFER TO JOHN DEERE PARTS CATALOG - PC2404.

FOR 900R & F SERIES PLATFORM PARTS INFORMATION, REFER TO JOHN DEERE PARTS CATALOG - PC2771.

FOR 914P BELT PICKUP PARTS INFORMATION, REFER TO JOHN DEERE PARTS CATALOG - PC2772.

## IMPORTANT

THIS PARTS CATALOG CONTAINS PARTS INFORMATION FOR THE 9650 SELF-PROPELLED COMBINE. VINTAGE IS DETERMINED BY THE COMBINE SERIAL NUMBER OR THE PRODUCT IDENTIFICATION NUMBER (PIN). IT IS IMPORTANT THAT THE CORRECT NUMBERS BE USED WHEN ORDERING PARTS.

## PRODUCT INFORMATION NUMBER (PIN) PLATE

THE PRODUCT IDENTIFICATION NUMBER (PIN) PLATE IS LOCATED NEAR THE RIGHT-HAND SIDE OF THE TOOL BOX. AN EXAMPLE OF THE TWO-LINES ON THIS PIN PLATE IS:

HO9650X685000  
COMBINE

(FIRST LINE)

HO - MANUFACTURING UNIT (HARVESTER WORKS)

9650 - MODEL IDENTIFIER

X - CONFIGURATION CODE/MODEL IDENTIFIER SUFFIX

900000 - SEQUENTIAL NUMBER USED IN SERIAL NO. COLUMN

(SECOND LINE)

COMBINE - TYPE OF PRODUCT

## TWO LINE BAR CODED ENGINE SERIAL NUMBER PLATE

RGP5229

-UN-21JUN99



RGP5229

### FIRST LINE

RG - WATERLOO ENGINE WORKS

6

081 (8.1 LITERS)

H - AIR-TO-AIR

H

XXXXXX

### SECOND LINE

6081HH010

### DEFINES

DESIGNATES ENGINE MANUFACTURER.

DESIGNATES NUMBER OF CYLINDERS.

DESIGNATES LITER DISPLACEMENT.

DESIGNATES TYPE OF AIR INTAKE SYSTEM.

DESIGNATES HARVESTER VEHICLE.

DESIGNATES ENGINE SERIAL NUMBER.

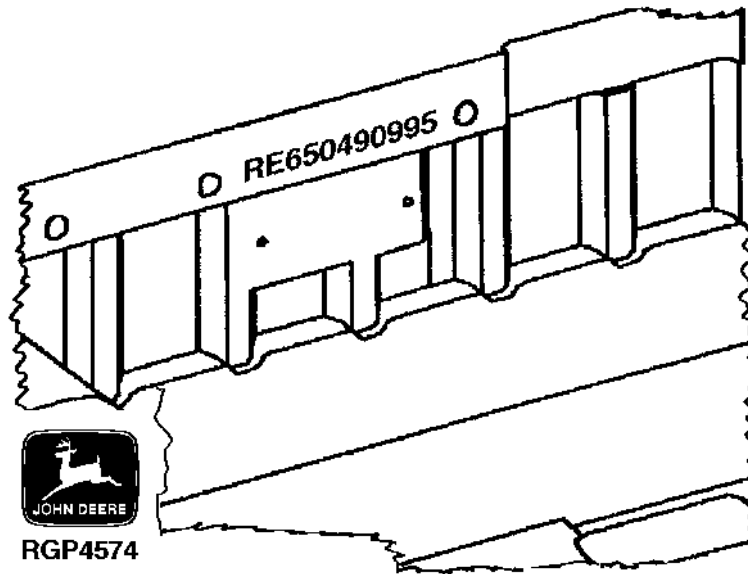
### APPLICATION

9650

## SHORT BLOCK SERIAL NUMBER IDENTIFICATION

RGP4574

-UN-02OCT95



SERIAL NUMBER STAMPED INTO CASTING OF BLOCK NEAR PREVIOUS SERIAL NUMBER PLATE.

EXAMPLE: RE650490995

- |                                   |         |
|-----------------------------------|---------|
| 1. DESIGNATES SERVICE PART NUMBER | RE65049 |
| 2. DESIGNATES MONTH ASSEMBLED     | 09      |
| 3. DESIGNATES YEAR ASSEMBLED      | 95      |

## PARTS LISTING INFORMATION

SERIAL NUMBER OR PRODUCT IDENTIFICATION NUMBER (PIN) INFORMATION SHOWS ON WHICH MACHINES THE PART MAY BE USED; FOR EXAMPLE:

- THE PART CAN BE USED ON ALL MACHINES.
- 000000 THE PART CAN BE USED ON ALL MACHINES UP TO AND INCLUDING THE SERIAL NUMBER LISTED.
- 000000- THE PART CAN BE USED ON ALL MACHINES BEGINNING WITH THE SERIAL NUMBER LISTED.
- 000000-000000 THE PART CAN BE USED ON ALL MACHINES BETWEEN AND INCLUDING SERIAL NUMBERS LISTED.

WHEN XXXXXX'S ARE LISTED IN PLACE OF A SERIAL NUMBER, A SERIAL NUMBER CHANGE WAS MADE, BUT THE EXACT SERIAL NUMBER WAS NOT AVAILABLE WHEN THE CATALOG WAS PRINTED.

## DIRECTION ARROW

ARROWS ARE USED WITH ILLUSTRATIONS TO INDICATE THE FRONT OF THE UNIT. "RIGHT-HAND" AND "LEFT-HAND" SIDES ARE DETERMINED BY FACING IN THE DIRECTION OF MACHINE FORWARD TRAVEL.

## BOX-ENCLOSED ILLUSTRATIONS

A KEY NUMBER, SHOWN IN THE PARTS LIST, IS ASSIGNED TO A BOX ENCLOSING ALL PARTS SOLD AS A SERVICE ASSEMBLY. A BOX NOT KEYED INCLUDES NON-CURRENT PARTS.

## KITS

KIT INFORMATION WILL BE FOUND IMMEDIATELY FOLLOWING THE STORY IN WHICH IT IS USED. THE ILLUSTRATION IS REPEATED WITH ONLY THE KIT PARTS CALLED OUT AND WITH ALL OTHER PARTS SHOWN IN PHANTOM.

## JDM REMANUFACTURED COMPONENTS

THE SERVICE PARTS LISTED IN THIS CATALOG ARE INTENDED FOR THE REPAIR OF ORIGINAL EQUIPMENT COMPONENTS. ALTHOUGH MOST SERVICE PARTS MAY BE USED TO REPAIR REMANUFACTURED COMPONENTS, THE REMANUFACTURED DESIGN MAY CHANGE PARTS SUFFICIENTLY SO THAT SERVICE PARTS ARE INADEQUATE OR NOT USABLE.

## BOLT AND CAP SCREW STRENGTH IDENTIFICATION

BOLTS AND CAP SCREWS REQUIRED TO HAVE HIGH-STRENGTH QUALITIES EQUIVALENT TO SAE GRADE 8 ARE IDENTIFIED THROUGHOUT THIS CATALOG BY THE DESCRIPTION HS SAE 8. ALL STANDARD BOLTS AND CAP SCREWS ARE SAE GRADE 5 OR LOWER. BOLTS AND CAP SCREWS REQUIRED TO HAVE HIGH-STRENGTH QUALITIES EQUIVALENT TO PROPERTY CLASS 10.9 ARE IDENTIFIED THROUGHOUT THIS CATALOG BY THE DESCRIPTION 10.9. ALL STANDARD BOLTS AND CAP SCREWS ARE PROPERTY CLASS 8.8 OR LOWER.

## SI UNITS OF MEASURE

METRIC DIMENSIONS ARE GIVEN, WHERE APPLICABLE, THROUGHOUT THIS PARTS CATALOG.

## TRADEMARKS

THROUGHOUT THIS PARTS CATALOG, YOU WILL FIND THE FOLLOWING DEERE & COMPANY TRADEMARKS:

DIAL-A-SPEED™  
DIAL-A-MATIC™  
HARVESTRAK™  
CONTOUR MASTER™

POSI-TORQ™  
TORQ-GARD SUPREME®  
QUIK-TATCH™

## CHANGE INDICATOR LINE

CHANGES AFFECTING THE ORDERING OF PARTS ARE IDENTIFIED BY VERTICAL LINES MARKED IN THE LEFT-HAND MARGIN OF REVISED PARTS LISTING IMAGES. A LINE IS ALSO AT THE LEFT-HAND EDGE OF THE SAME PART NUMBER IN THE NUMERICAL INDEX TO SHOW THE LOCATION OF REVISED INFORMATION.

## FUNCTION CODE

(EXAMPLE - FC: 5000)

FUNCTION CODES ARE LOCATED ON EACH PAGE IN THE UPPER RIGHT-HAND CORNER IN THE BOX. THE CODE LISTED IS A GROUPING CODE THAT CAN BE USED FOR WARRANTIES AND FOR DTAC TO IDENTIFY CERTAIN AREAS.

## COMPLETE GOODS LISTINGS

COMPLETE GOODS ARE IN BOLD FACE TYPE. ORDER SEPARATELY. DO NOT INCLUDE ON REPLACEMENT PARTS ORDER.

SECTION INDEX

SECTION 10 - GENERAL INFORMATION

SECTION 20 - ENGINE ACCESSORIES

SECTION 25 - ENGINE

SECTION 30 - FUEL AND AIR

SECTION 40 - ELECTRICAL

SECTION 50 - POWER TRAIN

SECTION 60 - STEERING AND BRAKES

SECTION 70 - HYDRAULICS

SECTION 80 - BODY AND SHIELDS

SECTION 90 - OPERATOR'S STATION

SECTION 95 - AIR CONDITIONING AND HEATING

SECTION 100 - FEEDER HOUSE

SECTION 110 - THRESHING AND SEPARATION

SECTION 120 - CLEANING SHOE

SECTION 125 - ELEVATORS

SECTION 130 - RESIDUE DISPOSAL

SECTION 140 - DRIVES

SECTION 150 - GRAIN TANK AND UNLOADING AUGER

SECTION 155 - GREENSTAR YIELD MAPPING AND MONITOR SYSTEMS

SECTION 160 - RUBBER TRACK SYSTEM

SECTION 170 - DECALS

SECTION 180 - NUMERICAL INDEX

## ALPHABETICAL INDEX

| GRID |  | PAGE     | GRID |  | PAGE     |
|------|--|----------|------|--|----------|
|      | A  |          |      |  |          |
| 1H5  | ACCESS COVER FUEL INJECTION PUMP .....                               | 40 - 58  | 3B23 | ARMREST ROCKER SWITCHES .....                            | 90 - 24  |
| 1B10 | ACCESS DOOR, RADIATOR .....  | 20 - 8   | 3C1  | ARMREST ROCKER SWITCHES .....                            | 90 - 26  |
| 2G11 | ACCUMULATOR AND MOUNTING, ONE GALLON .....                           | 70 - 34  | 1G5  | ARMREST WIRING HARNESS .....                             | 40 - 32  |
| 2G13 | ACCUMULATOR PRESSURE GAUGE .....                                     | 70 - 36  | 3B12 | ASHTRAY .....  | 90 - 12  |
| 2G9  | ACCUMULATOR, SINGLE MOUNTING BRACKET<br>ONE HALF GALLON .....        | 70 - 32  | 3B23 | ASHTRAY .....  | 90 - 24  |
| 2G9  | ACCUMULATOR, SINGLE, ONE HALF GALLON .....                           | 70 - 32  | 1H7  | ASSEMBLY, CLUTCH (STARTER) .....                         | 40 - 60  |
| 2F24 | ACTIVE HEADER HEIGHT CONTROL<br>HYDRAULIC LINE AND VALVE BLOCK ..... | 70 - 22  | 2E9  | ATTENUATOR, HYDRAULIC STEERING .....                     | 60 - 16  |
| 1H19 | ACTUATOR, STRAW WALKER SENSOR SWITCH .....                           | 40 - 73  | 4E17 | AUGER COVERS AND CHANNEL, CROSS .....                    | 150 - 34 |
| 1D8  | ADAPTER, OIL COOLER .....  | 25 - 28  | 4D3  | AUGER DRIVE SHIELD, UPPER TAILINGS .....                 | 140 - 54 |
| 1D7  | ADAPTER, OIL COOLER BYPASS .....                                     | 25 - 27  | 4D3  | AUGER DRIVE, UPPER TAILINGS .....                        | 140 - 54 |
| 4F22 | ADJUSTABLE IDLER ASSEMBLY AND FRONT ARM ..                           | 160 - 6  | 3I9  | AUGER HOUSING, LOADING, UPPER CLEAN<br>GRAIN .....       | 125 - 8  |
| 2B6  | ADJUSTABLE REAR AXLE .....   | 50 - 3   | 4D22 | AUGER SWING, HOSES AND LINES .....                       | 150 - 14 |
| 2E24 | ADJUSTABLE REAR AXLE STEERING TIE RODS .....                         | 60 - 32  | 4E3  | AUGER SWIVEL SUPPORT AND BRACES .....                    | 150 - 20 |
| 4C5  | ADJUSTING BRACKET, CYLINDER DRIVE,<br>DUAL-RANGE .....               | 140 - 32 | 3I9  | AUGER TROUGH, LOWER TAILINGS .....                       | 125 - 18 |
| 1H13 | ADJUSTING MOTOR, CONCAVE .....                                       | 40 - 66  | 4E15 | AUGER, GRAIN TANK CROSS .....                            | 150 - 32 |
| 1H18 | ADJUSTING MOTOR, SEPARATOR FAN DRIVE .....                           | 40 - 72  | 4D20 | AUGER, GRAIN TANK, VERTICAL UNLOADING .....              | 150 - 12 |
| 1E19 | AIR CLEANER AND INTAKE TUBES .....                                   | 30 - 18  | 4E1  | AUGER, HORIZONTAL UNLOADING .....                        | 150 - 18 |
| 3D11 | AIR CONDITIONER COMPRESSOR .....                                     | 95 - 11  | 4E11 | AUGER, HORIZONTAL UNLOADING<br>(17- AND 20-FT.) .....    | 150 - 28 |
| 1B20 | AIR CONDITIONER COMPRESSOR FAN PULLEY .....                          | 20 - 18  | 3I11 | AUGER, LOADING, CLEAN GRAIN .....                        | 125 - 10 |
| 3D14 | AIR CONDITIONER COMPRESSOR HARDWARE .....                            | 95 - 14  | 3J1  | AUGER, LOWER TAILINGS .....                              | 125 - 24 |
| 3D12 | AIR CONDITIONER COMPRESSOR HOSE .....                                | 95 - 12  | 3J3  | AUGER, LOWER TAILINGS DRIVE TIGHTENER .....              | 125 - 26 |
| 3D11 | AIR CONDITIONER COMPRESSOR MANIFOLD .....                            | 95 - 11  | 3I5  | AUGER, LOWER, CLEAN GRAIN .....                          | 125 - 4  |
| 1B20 | AIR CONDITIONER COMPRESSOR SUPPORT .....                             | 20 - 18  | 3G23 | AUGER, SHOE GRAIN SUPPLY .....                           | 120 - 2  |
| 3D7  | AIR CONDITIONING AND HEATER DUCTS .....                              | 95 - 7   | 4D3  | AUGER, UPPER TAILINGS .....                              | 140 - 54 |
| 3D4  | AIR CONDITIONING AND HEATER HOUSING,<br>LOWER .....                  | 95 - 4   | 2B7  | AXLE EXTENSIONS .....                                    | 50 - 4   |
| 3D2  | AIR CONDITIONING AND HEATER HOUSING,<br>UPPER .....                  | 95 - 2   | 2B7  | AXLE SHAFTS .....  | 50 - 4   |
| 2F11 | AIR CONDITIONING CONDENSER AND OIL<br>COOLER .....                   | 70 - 8   | 2B7  | AXLE SPACERS .....                                       | 50 - 4   |
| 3D10 | AIR CONDITIONING SYSTEM, EVAPORATOR<br>HEATER .....                  | 95 - 10  | 2B8  | AXLE SPACERS .....                                       | 50 - 5   |
| 3D9  | AIR CONDITIONING SYSTEM, RECEIVER-DRYER .....                        | 95 - 9   | 4H13 | AXLE STOP AND TIRE CLEARANCE LABEL .....                 | 170 - 20 |
| 3D8  | AIR CONDITIONING SYSTEM, WATER VALVE .....                           | 95 - 8   | 4G4  | AXLE, BOGEY WHEEL .....                                  | 160 - 14 |
| 1G9  | AIR CONDITIONING WIRING HARNESS .....                                | 40 - 36  | 4G1  | AXLE, IDLER .....  | 160 - 10 |
| 1C1  | AIR COOLER .....   | 20 - 24  | 2B6  | AXLE, REAR, ADJUSTABLE .....                             | 50 - 3   |
| 3D7  | AIR DUCT, AIR CONDITIONER AND HEATER .....                           | 95 - 7   | 2E22 | AXLE, REAR, SPINDLES (HEAVY DUTY) .....                  | 60 - 30  |
| 3H1  | AIR DUCT, CLEANING FANS .....  | 120 - 4  | 2E20 | AXLE, REAR, SPINDLES (REGULAR DUTY) .....                | 60 - 28  |
| 3D2  | AIR DUCT, INTAKE .....   | 95 - 2   |      |  |          |
| 1B8  | AIR DUCT, RADIATOR .....   | 20 - 6   |      | B  |          |
| 1B6  | AIR DUCT, ROTARY SCREEN .....  | 20 - 4   | 1H9  | BACKSHAFT SPEED SENSOR, FEEDER HOUSE .....               | 40 - 62  |
| 1E19 | AIR FILTER .....   | 30 - 18  | 3G5  | BAR, SPIKE TOOTH THRESHING CYLINDER .....                | 110 - 12 |
| 3D6  | AIR FILTER, CAB .....  | 95 - 6   | 4D12 | BASE, GRAIN TANK .....                                   | 150 - 4  |
| 3B18 | AIR SEAT SUSPENSION .....  | 90 - 18  | 1H22 | BATTERY AND CABLES .....                                 | 40 - 76  |
| 3B20 | AIR SEAT SWITCH .....  | 90 - 20  | 3G17 | BEARING KIT, STRAW WALKERS .....                         | 110 - 24 |
| 4F24 | AIR SUSPENSION .....   | 160 - 8  | 1C18 | BEARING KIT, UNDERSIZED MAIN BEARING<br>CRANKSHAFT ..... | 25 - 11  |
| 3B18 | AIR SUSPENSION, SEAT .....   | 90 - 18  | 4G6  | BEARING, BOGEY WHEEL .....                               | 160 - 16 |
| 1H5  | ALTERNATOR ADJUSTING STRAP .....                                     | 40 - 58  | 4G4  | BEARING, BOGEY WHEEL AXLE .....                          | 160 - 14 |
| 1H5  | ALTERNATOR BRACKET .....   | 40 - 58  | 2C15 | BEARING, CAM LOBE MOTOR .....                            | 50 - 40  |
| 1H3  | ALTERNATOR, SHEAVE AND BELT (185 AMP) .....                          | 40 - 56  | 1C15 | BEARING, CONNECTING ROD .....                            | 25 - 8   |
| 1H1  | ALTERNATOR, SHEAVE AND BELT (95 AMP) .....                           | 40 - 54  | 2C1  | BEARING, FINAL DRIVE .....                               | 50 - 24  |
| 1I1  | AMBER LAMP ASSEMBLY, REAR .....                                      | 40 - 80  | 1B4  | BEARING, IDLER ARM, ROTARY SCREEN .....                  | 20 - 2   |
| 3C15 | ANTENNA, SPEAKERS AND RADIO .....                                    | 90 - 40  | 4G3  | BEARING, IDLER WHEEL .....                               | 160 - 12 |
| 3B20 | ARM REST, OPERATOR'S SEAT .....                                      | 90 - 20  | 1C19 | BEARING, MAIN .....                                      | 25 - 12  |
| 4B23 | ARM, DUAL RANGE LOCKOUT .....  | 140 - 25 | 3I24 | BEARING, TAILINGS ELEVATOR CONVEYOR .....                | 125 - 23 |
| 3H7  | ARM, FRAME, PRECLEANER CHAFFER .....                                 | 120 - 10 | 1C19 | BEARING, THRUST .....                                    | 25 - 12  |
| 4F22 | ARM, FRONT AND ADJUSTABLE IDLER ASSEMBLY ..                          | 160 - 6  | 2B18 | BEARING, TRANSMISSION .....                              | 50 - 16  |
| 4G1  | ARM, REAR .....  | 160 - 10 | 2B20 | BEARING, TRANSMISSION PINION SHAFT .....                 | 50 - 18  |
| 1D1  | ARM, ROCKER .....  | 25 - 20  | 4C13 | BEATER DRIVE SHEAVES AND TIGHTENER .....                 | 140 - 40 |
| 3J23 | ARM, TAILBOARD, CHOP-TO-BALE .....                                   | 130 - 16 | 3G7  | BEATER GRATE (WIDE) .....                                | 110 - 14 |
| 3B23 | ARMREST PANEL, OPERATOR'S .....                                      | 90 - 24  | 3G12 | BEATER GRATE CURTAIN .....                               | 110 - 19 |
| 3C1  | ARMREST PANEL, OPERATOR'S .....                                      | 90 - 26  | 3G13 | BEATER, SHAFT AND DRIVE BELT .....                       | 110 - 20 |
|      |  |          | 4G13 | BELT AND DRIVE WHEEL .....                               | 160 - 24 |
|      |  |          | 4E22 | BELT GUIDE, UNLOADING AUGER DRIVE .....                  | 150 - 40 |
|      |  |          | 2G19 | BELT PICKUP / REEL DRIVE, PUMP MOUNTING<br>SHEAVE .....  | 70 - 42  |



## ALPHABETICAL INDEX - CONTINUED

| GRID |   | PAGE   | GRID |  | PAGE   |
|------|---|--------|------|--|--------|
| 3G13 | BELT SET, BEATER SHAFT.....   | 110-20 | 3F6  | BELT, UPPER VARIABLE DRIVE COUNTERSHAFT ....   | 100-40 |
| 1H5  | BELT TENSIONER, ALTERNATOR .....                                      | 40-58  | 3D18 | BELT, VARIABLE SPEED FEEDERHOUSE.....  | 100-2  |
| 4H23 | BELT, AIR CONDITIONING COMPRESSOR.....                                | 170-30 | 4I1  | BELT, VARIABLE SPEED FEEDERHOUSE.....  | 170-32 |
| 4I1  | BELT, AIR FLOW DRIVE .....  | 170-32 | 4I1  | BELT, VARIABLE SPEED FEEDERHOUSE<br>(HI-CAPACITY) .....                              | 170-32 |
| 1H3  | BELT, ALTERNATOR (185 AMP).....                                       | 40-56  | 3E5  | BELT, VARIABLE SPEED TIGHTENER DRIVE.....  | 100-14 |
| 4H21 | BELT, ALTERNATOR (185 AMP).....                                       | 170-28 | 2G3  | BI-DIRECTIONAL MODULE, SOLENOID CONTROL<br>VALVE, REEL LIFT AND CYLINDER SPEED ..... | 70-26  |
| 1H1  | BELT, ALTERNATOR (95 AMP).....  | 40-54  | 3G13 | BLADE, BEATER .....  | 110-20 |
| 4H21 | BELT, ALTERNATOR (95 AMP).....  | 170-28 | 3J16 | BLADE, FINE CUT CHOPPER - PADDLED.....   | 130-8  |
| 4I3  | BELT, BEATER .....  | 170-34 | 3J14 | BLADE, FINE CUT ROTOR CHOPPER .....  | 130-6  |
| 4C13 | BELT, BEATER DRIVE AND TIGHTENER.....                                 | 140-40 | 3J12 | BLADE, TRI-ROD CHOPPER .....   | 130-4  |
| 4C21 | BELT, CHOPPER DRIVES (FRONT) .....                                    | 140-48 | 1G13 | BLADE, WIPER .....   | 40-40  |
| 4H23 | BELT, CLEAN GRAIN ELEVATOR.....                                       | 170-30 | 1B22 | BLOCK, ENGINE COOLANT HEATER.....  | 20-20  |
| 4D6  | BELT, CLEAN GRAIN ELEVATOR DRIVE<br>TIGHTENER.....                    | 140-58 | 1C11 | BLOCK, SHORT.....  | 25-4   |
| 4C15 | BELT, CLEANING FAN (490 - 980 RPM) .....                              | 140-42 | 4G6  | BOGEY WHEEL ASSEMBLY .....   | 160-16 |
| 4I1  | BELT, CLEANING FAN (490 - 980 RPM) .....                              | 170-32 | 4G4  | BOGEY WHEEL AXLES .....  | 160-14 |
| 4C15 | BELT, CLEANING FAN (750 - 1350 RPM) .....                             | 140-42 | 4G7  | BOX, GEAR, TRANSFER .....  | 160-18 |
| 4I1  | BELT, CLEANING FAN (750 - 1350 RPM) .....                             | 170-32 | 2J16 | BOX, TOOL .....  | 80-40  |
| 1B16 | BELT, COOLING FAN .....   | 20-14  | 1H5  | BRACKET, ALTERNATOR .....  | 40-58  |
| 4H23 | BELT, COOLING FAN .....   | 170-30 | 2E4  | BRACKET, BRAKE CABLE SUPPORT .....   | 60-11  |
| 4B21 | BELT, CYLINDER DRIVE (150 - 500 RPM).....                             | 140-22 | 3J23 | BRACKET, CHOP-TO-BALE .....  | 130-16 |
| 4H23 | BELT, CYLINDER DRIVE (150 - 500 RPM).....                             | 170-30 | 4F4  | BRACKET, DISPLAY, YIELD MAPPING.....   | 155-4  |
| 4B21 | BELT, CYLINDER DRIVE (240 - 960 RPM).....                             | 140-22 | 1H21 | BRACKET, LOW SHAFT SPEED SENSORS.....  | 40-75  |
| 4H23 | BELT, CYLINDER DRIVE (240 - 960 RPM).....                             | 170-30 | 4F6  | BRACKET, MASS FLOW SENSOR<br>YIELD MAPPING .....                                     | 155-6  |
| 4H23 | BELT, CYLINDER INTERMEDIATE DRIVE .....                               | 170-30 | 4F8  | BRACKET, MOISTURE SENSOR, YIELD MAPPING ....   | 155-8  |
| 4C3  | BELT, DUAL RANGE CYLINDER DRIVE,<br>INTERMEDIATE SHEAVE.....          | 140-30 | 4F2  | BRACKET, POSITION RECEIVER<br>YIELD MAPPING .....                                    | 155-2  |
| 4B17 | BELT, ELECTROMAGNETIC CLUTCH.....                                     | 140-17 | 1B10 | BRACKET, RADITOR MOUNTING .....  | 20-8   |
| 1B14 | BELT, ENGINE FAN DRIVE .....  | 20-12  | 2G9  | BRACKET, SINGLE ACCUMULATOR MOUNTING<br>ONE HALF GALLON .....                        | 70-32  |
| 4H21 | BELT, FEEDER CONVEYOR .....   | 170-28 | 2F15 | BRACKET, SOLENOID CONTROL VALVE .....  | 70-12  |
| 3E7  | BELT, FEEDER HOUSE DRIVE TIGHTENER .....                              | 100-16 | 4F6  | BRACKET, TRANSDUCER MOUNTING<br>YIELD MAPPING .....                                  | 155-6  |
| 3E3  | BELT, FEEDER HOUSE DRIVE TIGHTENER<br>(FIXED SPEED).....              | 100-12 | 2E4  | BRAKE CABLE SUPPORT BRACKET .....  | 60-11  |
| 4I1  | BELT, FIXED SPEED FEEDERHOUSE W/REVERSER                              | 170-32 | 2E1  | BRAKE CYLINDER, MASTER.....  | 60-8   |
| 3D18 | BELT, HEADER AND REEL PUMP .....                                      | 100-2  | 2D23 | BRAKE LINES, MASTER CYLINDER AND<br>RESERVOIR .....                                  | 60-6   |
| 4I1  | BELT, HEADER AND REEL PUMP .....                                      | 170-32 | 2D19 | BRAKE PEDAL AND SEAL, PARKING .....  | 60-2   |
| 3J1  | BELT, LOWER TAILINGS AUGER .....                                      | 125-24 | 2D21 | BRAKE PEDALS AND MASTER CYLINDER .....   | 60-4   |
| 4H23 | BELT, LOWER TAILINGS AUGER AND ELEVATOR ....                          | 170-30 | 2E5  | BRAKE SHOES AND DRUM.....  | 60-12  |
| 3B22 | BELT, OPERATOR'S SEAT .....   | 90-23  | 4G11 | BRAKE SHOES AND DRUM.....  | 160-22 |
| 4H23 | BELT, ROTARY SCREEN.....  | 170-30 | 2E3  | BRAKE SLAVE CYLINDER.....  | 60-10  |
| 1B4  | BELT, ROTARY SCREEN DRIVE.....  | 20-2   | 2G13 | BULB, ACCUMULATOR PRESSURE GAUGE.....  | 70-36  |
| 4H23 | BELT, ROTARY SCREEN DRIVE.....  | 170-30 | 1H23 | BULB, CAB ROOF LIGHT.....  | 40-77  |
| 4B18 | BELT, SECONDARY COUNTERSHAFT.....                                     | 140-18 | 2J10 | BULB, ENGINE COMPARTMENT.....  | 80-34  |
| 4H21 | BELT, SECONDARY COUNTERSHAFT.....                                     | 170-28 | 3C13 | BULB, OVERHEAD CONSOLE .....   | 90-38  |
| 4C7  | BELT, SECONDARY COUNTERSHAFT DRIVE .....                              | 140-34 | 3C5  | BULB, STEERING COLUMN CONTROLS .....   | 90-30  |
| 4C15 | BELT, SEPARATOR FAN DRIVE .....                                       | 140-42 | 1C9  | BUSHING, CAMSHAFT .....  | 25-2   |
| 4H21 | BELT, SHOE, WALKER AND CONVEYOR AUGERS ....                           | 170-28 | 1C23 | BUSHING, CAMSHAFT .....  | 25-16  |
| 4B20 | BELT, SINGLE RANGE CYLINDER DRIVE .....                               | 140-21 | 4F20 | BUSHING, MAIN FRAME PIVOT .....  | 160-4  |
| 4C23 | BELT, STRAW CHOPPER (FINE CUT BALING).....                            | 140-50 | 1D7  | BYPASS TUBES, OIL COOLER .....   | 25-27  |
| 4I1  | BELT, STRAW CHOPPER (FINE CUT BALING).....                            | 170-32 | 1D9  | BYPASS VALVE, OIL FILTER.....  | 25-30  |
| 4C23 | BELT, STRAW CHOPPER (FINE CUT) .....                                  | 140-50 |      |  |        |
| 4I1  | BELT, STRAW CHOPPER (FINE CUT) .....                                  | 170-32 |      | C  |        |
| 4C23 | BELT, STRAW CHOPPER (STANDARD BALING) .....                           | 140-50 | 3D6  | CAB AIR FILTER AND HOUSING .....   | 95-6   |
| 4I1  | BELT, STRAW CHOPPER (STANDARD BALING) .....                           | 170-32 | 3B12 | CAB DOOR AND GLASS .....   | 90-12  |
| 4C23 | BELT, STRAW CHOPPER (STANDARD).....                                   | 140-50 | 3B14 | CAB DOOR LATCH.....  | 90-14  |
| 4I1  | BELT, STRAW CHOPPER (STANDARD).....                                   | 170-32 | 3B8  | CAB INTERIOR TRIM PANELS .....   | 90-8   |
| 3K4  | BELT, STRAW SPREADER .....  | 130-22 | 3C20 | CAB LANDING AND MIRROR (L.H.) .....  | 90-46  |
| 4I1  | BELT, STRAW SPREADER .....  | 170-32 | 3C22 | CAB LANDING AND MIRROR (R.H.) .....  | 90-48  |
| 3G19 | BELT, STRAW WALKER.....   | 110-26 | 1G3  | CAB MAIN WIRING HARNESS.....   | 40-30  |
| 4C11 | BELT, STRAW WALKER, CONVEYOR AUGERS,<br>SIEVE AND CHAFFER DRIVE ..... | 140-38 | 3B20 | CAB OPERATOR'S SEAT AND BACKREST .....   | 90-20  |
| 4E20 | BELT, UNLOADING AUGER COUNTERSHAFT .....                              | 150-38 | 3B6  | CAB REAR AND SIDE SEALS .....  | 90-6   |
| 4I1  | BELT, UNLOADING AUGERS.....   | 170-32 |      |  |        |
| 4I3  | BELT, UNLOADING SYSTEM.....   | 170-34 |      |  |        |
| 3F14 | BELT, UPPER DRIVE SHAFT<br>(FIXED SPEED WITH REVERSER).....           | 100-48 |      |  |        |
| 3I23 | BELT, UPPER TAILINGS AUGER .....                                      | 125-22 |      |  |        |

## ALPHABETICAL INDEX - CONTINUED

| GRID |  | PAGE     | GRID |  | PAGE     |
|------|--|----------|------|--|----------|
| 3B6  | CAB REAR, SIDE AND FLOOR PANELS .....                      | 90 - 6   | 3K1  | CHOPPER COVER AND BRACKETS, CHOP-TO-BALE                           | 130 - 19 |
| 3B10 | CAB ROOF .....   | 90 - 10  | 3J9  | CHOPPER DOOR .....   | 130 - 1  |
| 1H23 | CAB ROOF LIGHTS .....                                      | 40 - 77  | 4C21 | CHOPPER DRIVES (FRONT) .....                                       | 140 - 48 |
| 3B3  | CAB SUPPORT .....  | 90 - 2   | 3J18 | CHOPPER HOUSING AND KNIFEBANK .....                                | 130 - 10 |
| 1H22 | CABLE, BATTERY .....                                       | 40 - 76  | 3J16 | CHOPPER ROTOR, FINE CUT PADDLED BLADE .....                        | 130 - 8  |
| 2E5  | CABLE, BRAKE .....   | 60 - 12  | 3J20 | CHOPPER TRANSPORT SPROCKETS .....                                  | 130 - 12 |
| 4F14 | CABLE, DATASTORE/COMPUTER .....                            | 155 - 14 | 3J14 | CHOPPER, FINE CUT STRAIGHT BLADE .....                             | 130 - 6  |
| 2C3  | CABLE, HYDROSTATIC DRIVE CONTROL .....                     | 50 - 26  | 3J12 | CHOPPER, TRI-ROD .....   | 130 - 4  |
| 2C15 | CAM LOBE MOTOR .....                                       | 50 - 40  | 3B23 | CIGARETTE LIGHTER .....  | 90 - 24  |
| 2C19 | CAM, CARRIER AND PISTON .....                              | 50 - 44  | 3B23 | CIRCUIT BOARD, ARMREST CONTROL PANEL .....                         | 90 - 24  |
| 3G9  | CAM, SPIKE TOOTH CONCAVE .....                             | 110 - 16 | 1G20 | CIRCUIT BOARD, CENTRAL ELECTRONICS .....                           | 40 - 48  |
| 2B17 | CAM, TRANSMISSION SHIFTER .....                            | 50 - 14  | 3C13 | CIRCUIT BOARD, OVERHEAD CONSOLE .....                              | 90 - 38  |
| 1C23 | CAMSHAFT .....   | 25 - 16  | 1G22 | CIRCUIT BREAKER AND RELAY PANEL .....                              | 40 - 50  |
| 1C9  | CAMSHAFT BUSHING .....                                     | 25 - 2   | 3I7  | CLEAN GRAIN CONVEYOR CHAIN .....                                   | 125 - 6  |
| 1D1  | CAMSHAFT FOLLOWERS .....                                   | 25 - 20  | 4D6  | CLEAN GRAIN ELEVATOR DRIVE TIGHTENER .....                         | 140 - 58 |
| 1C23 | CAMSHAFT GEAR AND FOLLOWER .....                           | 25 - 16  | 3I13 | CLEAN GRAIN ELEVATOR GEARCASE .....                                | 125 - 12 |
| 1E21 | CAP, EXHAUST PIPE .....                                    | 30 - 20  | 3I3  | CLEAN GRAIN ELEVATOR UPPER SHAFT .....                             | 125 - 2  |
| 4D18 | CAP, GRAIN TANK CLEAN OUT CHUTE .....                      | 150 - 10 | 3I11 | CLEAN GRAIN LOADING AUGER .....                                    | 125 - 10 |
| 1C9  | CAP, MAIN BEARING .....                                    | 25 - 2   | 3I9  | CLEAN GRAIN LOADING AUGER HOUSING, UPPER                           | 125 - 8  |
| 1B12 | CAP, RADIATOR .....  | 20 - 10  | 3I5  | CLEAN GRAIN LOWER AUGER AND HINGED DOOR                            | 125 - 4  |
| 1G11 | CAP, WINDSHIELD SIPER RESERVOIR .....                      | 40 - 38  | 3I7  | CLEAN GRAIN LOWER ELEVATOR .....                                   | 125 - 6  |
| 2C20 | CAP, YOKE AND PIVOTS (STEERABLE MOTOR) .....               | 50 - 46  | 4D18 | CLEAN OUT CHUTE, GRAIN TANK .....                                  | 150 - 10 |
| 2C19 | CARRIER, PISTON AND CAM .....                              | 50 - 44  | 1E19 | CLEANER, AIR AND INTAKE TUBES .....                                | 30 - 18  |
| 2D13 | CASE DRAIN, 4-WHEEL DRIVE, HYDRAULIC<br>LINES .....        | 50 - 64  | 4C15 | CLEANING FAN DRIVE, SEPARATOR .....                                | 140 - 42 |
| 4G7  | CASE, GEAR, TRANSFER .....                                 | 160 - 18 | 3H1  | CLEANING FAN INTAKE SHIELDS .....                                  | 120 - 4  |
| 4D18 | CASE, VERTICAL AUGER LOWER GEAR .....                      | 150 - 10 | 3H1  | CLEANING FANS AND SHROUDS .....                                    | 120 - 4  |
| 2J4  | CATCH, REAR LANDING LADDER .....                           | 80 - 28  | 1I5  | CLEANING SHOE INSPECTION LIGHT .....                               | 40 - 84  |
| 1G20 | CENTRAL ELECTRONICS MODULE AND CIRCUIT<br>BOARDS .....     | 40 - 48  | 3G22 | CLEANOUT DOOR, SUPPLY AUGER .....                                  | 120 - 1  |
| 2H16 | CHAFF SPREADER CONTROL, CHECK VALVE,<br>ROD AND KNOB ..... | 70 - 64  | 1H7  | CLUTCH ASSEMBLY (STARTER) .....                                    | 40 - 60  |
| 3K8  | CHAFF SPREADER DISC .....                                  | 130 - 26 | 3D13 | CLUTCH, COMPRESSOR .....   | 95 - 13  |
| 2H18 | CHAFF SPREADER LINES AND FITTINGS .....                    | 70 - 66  | 3E19 | CLUTCH, FEEDER HOUSE SHAFT .....                                   | 100 - 28 |
| 3K14 | CHAFF SPREADER MOUNTING SUPPORT .....                      | 130 - 32 | 4B17 | CLUTCH, HEADER ELECTROMAGNETIC .....                               | 140 - 17 |
| 2G17 | CHAFF SPREADER PUMP .....                                  | 70 - 40  | 3C5  | COLD WEATHER START BUTTON .....                                    | 90 - 30  |
| 3K10 | CHAFF SPREADER SHIELDS AND HANDLES .....                   | 130 - 28 | 1E13 | COLD WEATHER STARTING AID .....                                    | 30 - 12  |
| 2H22 | CHAFF SPREADER, HOSES, LINES<br>(DUAL MOTOR) .....         | 70 - 70  | 3B12 | COMPLETE CAB .....   | 90 - 12  |
| 2H20 | CHAFF SPREADER, LINES, HOSES, VALVE AND<br>PUMP .....      | 70 - 68  | 3D15 | COMPRESSOR PARTS (650301- ) .....                                  | 95 - 15  |
| 3K12 | CHAFF SPREADER, PAN AND SEALS .....                        | 130 - 30 | 3D11 | COMPRESSOR, AIR CONDITIONING .....                                 | 95 - 11  |
| 3H9  | CHAFFER ELEMENT .....                                      | 120 - 12 | 3D13 | COMPRESSOR, CLUTCH .....   | 95 - 13  |
| 3H11 | CHAFFER EXTENSION ELEMENT .....                            | 120 - 14 | 1H13 | CONCAVE ADJUSTING MOTOR .....                                      | 40 - 66  |
| 3H13 | CHAFFER FRAME .....  | 120 - 16 | 1H14 | CONCAVE INDICATOR .....  | 40 - 68  |
| 3H7  | CHAFFER FRAME ARMS, PRECLEANER .....                       | 120 - 10 | 3G7  | CONCAVE, SPIKE-TOOTH .....   | 110 - 14 |
| 3H5  | CHAFFER FRAME, PRE-CLEANER .....                           | 120 - 8  | 3G9  | CONCAVE, SPIKE-TOOTH .....   | 110 - 16 |
| 3H3  | CHAFFER, PRECLEANING .....                                 | 120 - 6  | 2F11 | CONDENSER, AIR CONDITIONING .....                                  | 70 - 8   |
| 1E15 | CHAIN LINK, FUEL TANK .....                                | 30 - 14  | 1C15 | CONNECTING ROD .....   | 25 - 8   |
| 4D5  | CHAIN TIGHTENER, UPPER TAILINGS DRIVE .....                | 140 - 57 | 1C15 | CONNECTING ROD BEARINGS .....                                      | 25 - 8   |
| 3C1  | CHAIN, ARMREST CONTROL PANEL .....                         | 90 - 26  | 1F4  | CONNECTOR, ELECTRICAL, WEATHERPACK .....                           | 40 - 2   |
| 3C17 | CHAIN, CAB PLATFORM SAFETY .....                           | 90 - 42  | 1C4  | CONNECTOR, ENGINE HEATER HOSE .....                                | 20 - 27  |
| 3I7  | CHAIN, CONVEYOR, CLEAN GRAIN LOWER<br>ELEVATOR .....       | 125 - 6  | 1E7  | CONNECTOR, FUEL INJECTION PUMP HOUSING .....                       | 30 - 6   |
| 3F3  | CHAIN, FEEDER CONVEYOR .....                               | 100 - 36 | 1F12 | CONNECTOR, SUPPLEMENTARY TERMINALS .....                           | 40 - 10  |
| 3E23 | CHAIN, FEEDER CONVEYOR IDLER .....                         | 100 - 32 | 3C13 | CONSOLE, OVERHEAD .....  | 90 - 38  |
| 3J1  | CHAIN, LOWER TAILINGS AUGER .....                          | 125 - 24 | 3B8  | CONTAINER, TRASH .....   | 90 - 8   |
| 4I3  | CHAIN, LOWER TAILINGS AUGER .....                          | 170 - 34 | 2H11 | CONTOUR MASTER HYDRAULIC HOSES, L.H. ....                          | 70 - 58  |
| 3E23 | CHAIN, ROLLER, FEEDER CONVEYOR .....                       | 100 - 32 | 2F22 | CONTOUR MASTER SOLENOID RELIEF VALVE .....                         | 70 - 20  |
| 3C17 | CHAIN, SAFETY, CAB PLATFORM .....                          | 90 - 42  | 2H14 | CONTOUR MASTER TILT CYLINDER .....                                 | 70 - 61  |
| 3I24 | CHAIN, TAILINGS ELEVATOR CONVEYOR .....                    | 125 - 23 | 2H15 | CONTOUR MASTER TILT CYLINDER HOSES .....                           | 70 - 63  |
| 4I3  | CHAIN, UPPER TAILINGS AUGER .....                          | 170 - 34 | 3E17 | CONTOUR MASTER, FEEDER HOUSE SHELL,<br>WEAR PLATES AND SEALS ..... | 100 - 26 |
| 4E17 | CHANNEL, CROSS AUGER .....                                 | 150 - 34 | 2C3  | CONTROL CABLES, HYDROSTATIC DRIVE .....                            | 50 - 26  |
| 4D20 | CHARGE HOUSING, VERTICAL UNLOADING AUGER                   | 150 - 12 | 3B23 | CONTROL PANEL, OPERATOR'S ARMREST .....                            | 90 - 24  |
| 2C9  | CHARGE PUMP, HYDROSTATIC .....                             | 50 - 32  | 3C1  | CONTROL PANEL, OPERATOR'S ARMREST .....                            | 90 - 26  |
| 2H16 | CHECK VALVE, CHAFF SPREADER CONTROL .....                  | 70 - 64  | 1E5  | CONTROL UNIT, ELECTRONIC .....                                     | 30 - 4   |
| 3J25 | CHOP-TO-BALE DECLUTCHING LEVER .....                       | 130 - 18 | 1G24 | CONTROL UNIT, ELECTRONIC (ECU) .....                               | 40 - 52  |
|      |  |          | 2C23 | CONTROL VALVE .....  | 50 - 50  |
|      |  |          | 2F16 | CONTROL VALVE MODULE, 6-STACK SOLENOID .....                       | 70 - 14  |
|      |  |          | 2C24 | CONTROL VALVE SOLENOID .....                                       | 50 - 51  |
|      |  |          | 2C10 | CONTROL VALVE, HYDROSTATIC DRIVE<br>DISPLACEMENT .....             | 50 - 34  |

## ALPHABETICAL INDEX - CONTINUED

| GRID |   | PAGE     | GRID |  | PAGE     |
|------|---|----------|------|--|----------|
| 2G5  | CONTROL VALVE, SOLENOID, AUGER SWING .....                      | 70 - 28  | 4C3  | CYLINDER DRIVE INTERMEDIATE SHEAVE,<br>DUAL-RANGE .....      | 140 - 30 |
| 2G5  | CONTROL VALVE, SOLENOID, REEL FORE/AFT .....                    | 70 - 28  | 4B24 | CYLINDER DRIVE TIGHTENER, DUAL-RANGE .....                   | 140 - 26 |
| 1E5  | CONTROLLER, ENGINE .....  | 30 - 4   | 1C24 | CYLINDER HEAD .....  | 25 - 18  |
| 1F13 | CONVENIENCE OUTLET,KIT .....                                    | 40 - 12  | 1C24 | CYLINDER HEAD GASKET .....                                   | 25 - 18  |
| 4C11 | CONVEYOR AUGERS, STRAW WALKER, SIEVE AND<br>CHAFFER DRIVE ..... | 140 - 38 | 1D22 | CYLINDER HEAD GASKET KIT .....                               | 25 - 46  |
| 3I7  | CONVEYOR CHAIN, CLEAN GRAIN .....                               | 125 - 6  | 1C15 | CYLINDER LINER O-RING KIT .....                              | 25 - 8   |
| 3E23 | CONVEYOR, LEVEL LAND IDLER .....                                | 100 - 32 | 3G1  | CYLINDER SHEAR BAR, SEPARATOR.....                           | 110 - 8  |
| 1B22 | COOLANT HEATER, ENGINE BLOCK.....                               | 20 - 20  | 2G15 | CYLINDER SPEED HYDRAULIC HOSES .....                         | 70 - 38  |
| 1B12 | COOLANT RECOVERY TANK .....                                     | 20 - 10  | 2G3  | CYLINDER SPEED, SOLENOID CONTROL VALVE .....                 | 70 - 26  |
| 1D8  | COOLER, ENGINE OIL .....  | 25 - 28  | 3G5  | CYLINDER THRESHING, SPIKE TOOTH .....                        | 110 - 12 |
| 3D20 | COOLER, OIL, FEEDER HOUSE GEARCASE .....                        | 100 - 4  | 2D21 | CYLINDER, BRAKE PEDAL .....                                  | 60 - 4   |
| 3J22 | CORN DEFLECTOR .....  | 130 - 15 | 2E3  | CYLINDER, BRAKE SLAVE .....                                  | 60 - 10  |
| 2I19 | CORNER PANEL, REAR, L.H. ....                                   | 80 - 18  | 2D23 | CYLINDER, BRAKE, MASTER .....                                | 60 - 6   |
| 3C11 | CORNERPOST DISPLAY PANEL, R.H. ....                             | 90 - 36  | 2E1  | CYLINDER, BRAKE, MASTER .....                                | 60 - 8   |
| 4C7  | COUNTERSHAFT DRIVE, SECONDARY.....                              | 140 - 34 | 4E18 | CYLINDER, GRAIN TANK UNLOADING DRIVE .....                   | 150 - 36 |
| 4E20 | COUNTERSHAFT DRIVE, UNLOADING AUGER .....                       | 150 - 38 | 2G6  | CYLINDER, HEADER LIFT, HYDRAULIC .....                       | 70 - 29  |
| 4B15 | COUNTERSHAFT, PRIMARY GEARCASE .....                            | 140 - 14 | 2C7  | CYLINDER, HYDROSTATIC PUMP .....                             | 50 - 30  |
| 4B13 | COUNTERSHAFT, PRIMARY, SEPARATOR.....                           | 140 - 12 | 2D21 | CYLINDER, MASTER BRAKE.....                                  | 60 - 4   |
| 1B19 | COUPLING WITH HUB, ENGINE-TRANSMISSION.....                     | 20 - 17  | 2E19 | CYLINDER, STEERING.....                                      | 60 - 26  |
| 2B8  | COUPLINGS, AXLE .....   | 50 - 5   | 4G17 | CYLINDER, TENSION<br>INDIVIDUAL REPAIR PARTS.....            | 160 - 28 |
| 4E17 | COVER AND CHANNEL, CROSS AUGER .....                            | 150 - 34 | 4G1  | CYLINDER, TENSION AND ATTACHING HARDWARE                     | 160 - 10 |
| 3K1  | COVER, CHOPPER, CHOP-TO-BALE .....                              | 130 - 19 | 3G3  | CYLINDER, THRESHING, RASP BAR .....                          | 110 - 10 |
| 1E17 | COVER, ENGINE.....  | 30 - 16  | 2H14 | CYLINDER, TILT - CONTOUR MASTER .....                        | 70 - 61  |
| 1H5  | COVER, FUEL INJECTION PUMP ACCESS .....                         | 40 - 58  | 2H15 | CYLINDER, TILT, HOSES, CONTOUR MASTER .....                  | 70 - 63  |
| 2C5  | COVER, HYDROSTATIC PUMP .....                                   | 50 - 28  | 4D24 | CYLINDER, UNLOADING AUGER SWING .....                        | 150 - 16 |
| 2C17 | COVER, INNER, CAM LOBE MOTOR .....                              | 50 - 42  |      |  |          |
| 4F8  | COVER, MOISTURE SENSOR, YIELD MAPPING .....                     | 155 - 8  |      | <b>D</b>   |          |
| 4F10 | COVER, MOISTURE SENSOR, YIELD MAPPING .....                     | 155 - 10 | 1C16 | DAMPER KEY .....   | 25 - 9   |
| 4F2  | COVER, POSITION RECEIVER<br>YIELD MAPPING.....                  | 155 - 2  | 1D24 | DAMPER, CRANKSHAFT .....                                     | 25 - 48  |
| 1D2  | COVER, ROCKER ARM .....   | 25 - 21  | 4F14 | DATASTORE .....  | 155 - 14 |
| 1B21 | COVER, STARTER RELAY.....                                       | 20 - 19  | 4F12 | DATASTORE MODULE .....                                       | 155 - 12 |
| 1D16 | COVER, THERMOSTAT .....   | 25 - 38  | 4F14 | DATASTORE MODULE .....                                       | 155 - 14 |
| 3F19 | COVER, THRESHING CYLINDER .....                                 | 110 - 1  | 4F12 | DATASTORE W/DISPLAY.....                                     | 155 - 12 |
| 1C22 | COVER, TIMING GEAR.....   | 25 - 15  | 4F16 | DECALS, DISPLA, YIELD MAPPING .....                          | 155 - 17 |
| 4F10 | COVER, WHEN MOISTURE SENSOR IS NOT USED<br>YIELD MAPPING.....   | 155 - 10 | 4F15 | DECALS, DISPLAY, YIELD MAPPING .....                         | 155 - 15 |
| 3G19 | CRANK, STRAW WALKER .....                                       | 110 - 26 | 4H15 | DECALS, FRENCH CANADIAN .....                                | 170 - 22 |
| 1B24 | CRANKCASE, ENGINE OIL DRAIN .....                               | 20 - 22  | 4H9  | DECALS, FRONT AND REAR .....                                 | 170 - 16 |
| 1C16 | CRANKSHAFT .....  | 25 - 9   | 4H13 | DECALS, FRONT AND REAR TIRE.....                             | 170 - 20 |
| 1C22 | CRANKSHAFT FRONT OIL SEAL .....                                 | 25 - 15  | 4H7  | DECALS, L.H.....   | 170 - 14 |
| 1C17 | CRANKSHAFT KIT, UNDERSIZE .....                                 | 25 - 10  | 4F15 | DECALS, MOISTURE SENSOR, YIELD MAPPING.....                  | 155 - 15 |
| 1C18 | CRANKSHAFT KIT, UNDERSIZED MAIN BEARING.....                    | 25 - 11  | 4F16 | DECALS, MOISTURE SENSOR, YIELD MAPPING.....                  | 155 - 17 |
| 1C20 | CRANKSHAFT OIL SEAL .....                                       | 25 - 13  | 4H16 | DECALS, PORTUGESE.....                                       | 170 - 23 |
| 1D24 | CRANKSHAFT PULLEY AND DAMPER.....                               | 25 - 48  | 4H5  | DECALS, R.H. ....  | 170 - 12 |
| 3G19 | CRANKSHAFT, STRAW WALKER .....                                  | 110 - 26 | 4H17 | DECALS, ROMANIAN .....                                       | 170 - 24 |
| 4E13 | CROSS AUGER BEARING PLATE, L.H. ....                            | 150 - 30 | 4H18 | DECALS, RUSSIAN .....  | 170 - 25 |
| 4E17 | CROSS AUGER COVERS AND CHANNEL.....                             | 150 - 34 | 4H11 | DECALS, SAFETY (RUBBER TRACK).....                           | 170 - 18 |
| 4E15 | CROSS AUGER, GRAIN TANK .....                                   | 150 - 32 | 4G20 | DECALS, SAFETY AND LOCATIONS .....                           | 170 - 2  |
| 3G12 | CURTAIN, BEATER GRATE .....                                     | 110 - 19 | 4G22 | DECALS, SAFETY AND LOCATIONS .....                           | 170 - 4  |
| 4D14 | CURTAIN, GRAIN TANK .....                                       | 150 - 6  | 4G24 | DECALS, SAFETY AND LOCATIONS .....                           | 170 - 6  |
| 3G2  | CURTAIN, SEPARATOR, RASP BAR CYLINDER.....                      | 110 - 9  | 4H1  | DECALS, SAFETY AND LOCATIONS .....                           | 170 - 8  |
| 3K6  | CURTAIN, SPREADER .....   | 130 - 24 | 4H3  | DECALS, SAFETY AND LOCATIONS .....                           | 170 - 10 |
| 3C11 | CURUIT BOARD, CORNERPOST DISPLAY, R.H. ....                     | 90 - 36  | 4H19 | DECALS, SPANISH .....  | 170 - 26 |
| 3B16 | CUSHION, SEAT, PASSENGER.....                                   | 90 - 16  | 4H20 | DECALS, UKRAINIAN .....                                      | 170 - 27 |
| 1C9  | CYLINDER BLOCK FITTINGS .....                                   | 25 - 2   | 4F15 | DECALS, YIELD MAPPING.....                                   | 155 - 15 |
| 3F19 | CYLINDER COVER, THRESHING .....                                 | 110 - 1  | 4F16 | DECALS, YIELD MAPPING.....                                   | 155 - 17 |
| 3F24 | CYLINDER DOOR (CORN).....                                       | 110 - 6  | 3J25 | DECLUTCHING LEVER, CHOP-TO-BALE .....                        | 130 - 18 |
| 3F22 | CYLINDER DOOR, SEPARATOR<br>(GRAIN AND RICE).....               | 110 - 4  | 4F6  | DEFLECTOR DOOR, MASS FLOW SENSOR<br>YIELD MAPPING .....      | 155 - 6  |
| 4C5  | CYLINDER DRIVE ADJUSTING BRACKET,<br>DUAL-RANGE .....           | 140 - 32 | 3K12 | DEFLECTOR, CHAFF SPREADER.....                               | 130 - 30 |
| 4B21 | CYLINDER DRIVE GEAR CASE, DUAL-RANGE.....                       | 140 - 22 | 3J22 | DEFLECTOR, CORN .....  | 130 - 15 |
| 4C1  | CYLINDER DRIVE INTERMEDIATE SHAFT<br>MOUNTING, DUAL-RANGE ..... | 140 - 28 | 3F22 | DEFLECTOR, CYLINDER DOOR, SEPARATOR<br>(GRAIN AND RICE)..... | 110 - 4  |
|      |   |          | 2B22 | DIFFERENTIAL GEARS .....                                     | 50 - 20  |

## ALPHABETICAL INDEX - CONTINUED

| GRID |  | PAGE     | GRID |   | PAGE     |
|------|--|----------|------|---|----------|
| 2B22 | DIFFERENTIAL SHAFTS.....                                   | 50 - 20  | 2G19 | DRIVE, BELT PICKUP AND REEL PUMP<br>MOUNTING SHEAVE .....             | 70 - 42  |
| 1C9  | DIPSTICK TUBE, CYLINDER BLOCK .....                        | 25 - 2   | 4E20 | DRIVE, COUNTERSHAFT, UNLOADING AUGER.....                             | 150 - 38 |
| 1D13 | DIPSTICK, ENGINE OIL .....                                 | 25 - 34  | 1B14 | DRIVE, ENGINE FAN .....   | 20 - 12  |
| 3K8  | DISC, CHAFF SPREADER .....                                 | 130 - 26 | 1B16 | DRIVE, ENGINE FAN .....   | 20 - 14  |
| 2C10 | DISPLACEMENT CONTROL VALVE .....                           | 50 - 34  | 4C19 | DRIVE, FAN, SPEED CONTROL SHEAVE LINKAGE....                          | 140 - 46 |
| 4F4  | DISPLAY BRACKET, YIELD MAPPING .....                       | 155 - 4  | 4C9  | DRIVE, GEARCASE, STRAW WALKER.....                                    | 140 - 36 |
| 4F16 | DISPLAY DECALS, YEILD MAPPING .....                        | 155 - 17 | 2C12 | DRIVE, HYDROSTATIC MOTOR .....  | 50 - 36  |
| 4F15 | DISPLAY DECALS, YIELD MAPPING .....                        | 155 - 15 | 2D3  | DRIVE, HYDROSTATIC OIL HOSES, UPPER<br>(FOUR WHEEL DRIVE) .....       | 50 - 54  |
| 3C11 | DISPLAY PANEL, R.H. CORNERPOST .....                       | 90 - 36  | 2D1  | DRIVE, HYDROSTATIC, LOWER OIL LINES<br>(TWO WHEEL DRIVE) .....        | 50 - 52  |
| 4F12 | DISPLAY W/DATASTORE.....                                   | 155 - 12 | 2H1  | DRIVE, REEL, HYDRAULIC LINES, L.H.....                                | 70 - 48  |
| 4F4  | DISPLAY, YIELD MAPPING .....                               | 155 - 4  | 4C7  | DRIVE, SECONDARY COUNTERSHAFT.....                                    | 140 - 34 |
| 3B14 | DOOR LATCH, CAB .....                                      | 90 - 14  | 4B20 | DRIVE, SINGLE RANGE CYLINDER .....                                    | 140 - 21 |
| 3B12 | DOOR, CAB AND GLASS.....                                   | 90 - 12  | 4C23 | DRIVE, STRAW CHOPPER (REAR).....                                      | 140 - 50 |
| 3J9  | DOOR, CHOPPER.....   | 130 - 1  | 4C11 | DRIVE, STRAW WALKER, CONVEYOR AUGERS,<br>SIEVE AND CHAFFER DRIVE..... | 140 - 38 |
| 3I7  | DOOR, CLEAN GRAIN ELEVATOR .....                           | 125 - 6  | 4G11 | DRUM AND SHOES, BRAKE .....   | 160 - 22 |
| 3I5  | DOOR, CLEAN GRAIN LOWER AUGER .....                        | 125 - 4  | 2E5  | DRUM, BRAKE.....  | 60 - 12  |
| 2I13 | DOOR, CORNER SHEET, LEFT FRONT.....                        | 80 - 12  | 3E23 | DRUM, FEEDER CONVEYOR IDLER .....                                     | 100 - 32 |
| 3F24 | DOOR, CYLINDER (CORN) .....                                | 110 - 6  | 3D9  | DRYER, AIR CONDITIONER .....  | 95 - 9   |
| 3F22 | DOOR, CYLINDER, SEPARATOR<br>(GRAIN AND RICE).....         | 110 - 4  | 4B23 | DUAL RANGE LOCKOUT ARM .....  | 140 - 25 |
| 2J14 | DOOR, ENGINE ACCESS PLATFORM .....                         | 80 - 38  | 4C5  | DUAL-RANGE CYLINDER DRIVE ADJUSTING<br>BRACKET.....                   | 140 - 32 |
| 1E17 | DOOR, ENGINE COMPARTMENT .....                             | 30 - 16  | 4B21 | DUAL-RANGE CYLINDER DRIVE GEAR CASE .....                             | 140 - 22 |
| 2J10 | DOOR, ENGINE COMPARTMENT .....                             | 80 - 34  | 4C1  | DUAL-RANGE CYLINDER DRIVE INTERMEDIATE<br>SHAFT MOUNTING.....         | 140 - 28 |
| 3E15 | DOOR, FEEDER HOUSE FRAME .....                             | 100 - 24 | 4C3  | DUAL-RANGE CYLINDER DRIVE INTERMEDIATE<br>SHEAVE .....                | 140 - 30 |
| 4D10 | DOOR, GRAIN TANK .....                                     | 150 - 2  | 4B24 | DUAL-RANGE CYLINDER DRIVE TIGHTENER .....                             | 140 - 26 |
| 2I15 | DOOR, GULLWING, L.H.....                                   | 80 - 14  | 3F1  | DUST FAN, FEEDER HOUSE - R.H. ....                                    | 100 - 34 |
| 2I23 | DOOR, GULLWING, R.H. ....                                  | 80 - 22  | 3F12 | DUST FAN, LH SIDE FEEDER HOUSE.....                                   | 100 - 46 |
| 2I17 | DOOR, LEFT REAR GULLWING .....                             | 80 - 16  |      |   |          |
| 4F6  | DOOR, MASS FLOW SENSOR DEFLECTOR<br>YIELD MAPPING .....    | 155 - 6  |      | <b>E</b>  |          |
| 3I23 | DOOR, MATERIAL SENSOR REPLACEMENT<br>TAILING ELEVATOR..... | 125 - 22 | 1E5  | E.C.U. ....   | 30 - 4   |
| 2J1  | DOOR, RADIATOR .....                                       | 80 - 24  | 1G20 | ECU MODULE .....  | 40 - 48  |
| 1B10 | DOOR, RADIATOR ACCESS .....                                | 20 - 8   | 1G24 | ECU, ELECTRONIC CONTROL UNIT .....                                    | 40 - 52  |
| 1B6  | DOOR, ROTARY SCREEN .....                                  | 20 - 4   | 1F6  | ELECTRICAL CONNECTOR SERVICE KIT.....                                 | 40 - 4   |
| 2I3  | DOOR, SEPARATOR FRAME.....                                 | 80 - 2   | 1F8  | ELECTRICAL CONNECTOR SERVICE KIT.....                                 | 40 - 6   |
| 3G22 | DOOR, SHOE GRAIN SUPPLY AUGER CLEANOUT....                 | 120 - 1  | 1F4  | ELECTRICAL TERMINALS AND CONNECTORS,<br>WEATHERPACK .....             | 40 - 2   |
| 3F20 | DOOR, STONE TRAP, FEEDER HOUSE .....                       | 110 - 2  | 4B17 | ELECTROMAGNETIC HEADER CLUTCH .....                                   | 140 - 17 |
| 3I21 | DOOR, TAILINGS ELEVATOR .....                              | 125 - 20 | 1E5  | ELECTRONIC CONTROL UNIT .....   | 30 - 4   |
| 1C9  | DRAIN PLUG, CYLINDER BLOCK .....                           | 25 - 2   | 1G24 | ELECTRONIC CONTROL UNIT (ECU).....                                    | 40 - 52  |
| 2C12 | DRAIN PLUG, DRIVE MOTOR .....                              | 50 - 36  | 1E5  | ELECTRONIC FUEL INJECTION PUMP .....                                  | 30 - 4   |
| 1B22 | DRAIN PLUG, ENGINE COOLANT.....                            | 20 - 20  | 1G20 | ELECTRONICS MODULE, CENTRAL .....                                     | 40 - 48  |
| 2C14 | DRAIN PLUG, HYDROSTATIC MOTOR VALVE .....                  | 50 - 38  | 3H9  | ELEMENT, CHAFFER .....  | 120 - 12 |
| 1C9  | DRAIN VALVE, CYLINDER BLOCK .....                          | 25 - 2   | 3H11 | ELEMENT, CHAFFER EXTENSION .....                                      | 120 - 14 |
| 1D16 | DRAIN VALVE, CYLINDER HEAD .....                           | 25 - 38  | 3H15 | ELEMENT, SIEVE .....  | 120 - 18 |
| 1E15 | DRAIN VALVE, FUEL .....                                    | 30 - 14  | 4D6  | ELEVATOR DRIVE IDLER, CLEAN GRAIN .....                               | 140 - 58 |
| 1E10 | DRAIN VALVE, FUEL COOLER .....                             | 30 - 9   | 4D6  | ELEVATOR DRIVE TIGHTENER, CLEAN GRAIN.....                            | 140 - 58 |
| 1D11 | DRAIN VALVE, OIL PAN.....                                  | 25 - 32  | 3I7  | ELEVATOR, LOWER, CLEAN GRAIN .....                                    | 125 - 6  |
| 1B12 | DRAIN VALVE, RADIATOR.....                                 | 20 - 10  | 3I21 | ELEVATOR, TAILINGS .....  | 125 - 20 |
| 4E22 | DRIVE BELT GUIDE, UNLOADING AUGER .....                    | 150 - 40 | 3I3  | ELEVATOR, UPPER CLEAN GRAIN .....                                     | 125 - 2  |
| 4D5  | DRIVE CHAIN TIGHTENER, UPPER TAILINGS .....                | 140 - 57 | 2J14 | ENGINE ACCESS PLATFORM.....   | 80 - 38  |
| 4C21 | DRIVE CHOPPER (FRONT) .....                                | 140 - 48 | 1E17 | ENGINE COMPARTMENT.....   | 30 - 16  |
| 1C16 | DRIVE GEAR, OIL PUMP .....                                 | 25 - 9   | 2J10 | ENGINE COMPARTMENT.....   | 80 - 34  |
| 4D6  | DRIVE IDLER, CLEAN GRAIN ELEVATOR .....                    | 140 - 58 | 1E5  | ENGINE CONTROLLER .....   | 30 - 4   |
| 2B24 | DRIVE SHAFT, FINAL DRIVE.....                              | 50 - 22  | 1B14 | ENGINE FAN DRIVE .....  | 20 - 12  |
| 2B8  | DRIVE SHAFTS .....   | 50 - 5   | 1B16 | ENGINE FAN DRIVE .....  | 20 - 14  |
| 2J3  | DRIVE SHIELD, R.H. REAR .....                              | 80 - 27  | 1C21 | ENGINE FLYWHEEL .....   | 25 - 14  |
| 4D1  | DRIVE SHIELDS, STRAW CHOPPER .....                         | 140 - 52 | 1B19 | ENGINE GEARCASE HUB .....   | 20 - 17  |
| 4D6  | DRIVE TIGHTENER, CLEAN GRAIN ELEVATOR.....                 | 140 - 58 | 4B3  | ENGINE GEARCASE OIL FILTER ASSEMBLY.....                              | 140 - 2  |
| 3E7  | DRIVE TIGHTENER, FEEDER HOUSE .....                        | 100 - 16 | 4B5  | ENGINE GEARCASE PRESSURE REGULATOR .....                              | 140 - 4  |
| 3E3  | DRIVE TIGHTENER, FIXED SPEED FEEDER<br>HOUSE.....          | 100 - 12 |      |   |          |
| 3E5  | DRIVE TIGHTENER, VARIABLE SPEED .....                      | 100 - 14 |      |   |          |
| 4G13 | DRIVE WHEEL AND BELT .....                                 | 160 - 24 |      |   |          |
| 2B9  | DRIVE WHEELS .....   | 50 - 6   |      |   |          |
| 2B10 | DRIVE WHEELS, HIGH FLOATATION.....                         | 50 - 7   |      |   |          |

## ALPHABETICAL INDEX - CONTINUED

| GRID     |  | PAGE     | GRID |   | PAGE     |
|----------|--|----------|------|---|----------|
| 4B11     | ENGINE GEARCASE, SEPARATOR AND PUMP DRIVE .....                              | 140 - 10 | 3F14 | FEEDER HOUSE UPPER DRIVE SHAFT, (FIXED SPEED WITH REVERSER) ..... | 100 - 48 |
| 4B9      | ENGINE GEARCASE, SEPARATOR DRIVE WET-CLUTCH AND PUMP DRIVE SHAFT .....       | 140 - 8  | 3E19 | FEEDER HOUSE UPPER SHAFT .....                                    | 100 - 28 |
| 1C1      | ENGINE INTERCOOLER .....   | 20 - 24  | 3F5  | FEEDER HOUSE VARIABLE DRIVE HOSE .....                            | 100 - 39 |
| 1C3      | ENGINE MOUNTS AND REAR SUPPORT .....   | 20 - 26  | 3E17 | FEEDER HOUSE WEAR PLATES - CONTOUR MASTER .....                   | 100 - 26 |
| 1C8      | ENGINE OIL (TORQ-GARD PLUS-50) .....   | 25 - 1   | 3F20 | FEEDER HOUSE/SEPARATOR SEAL, STONE TRAP AND DOOR .....            | 110 - 2  |
| 1D8      | ENGINE OIL COOLER .....  | 25 - 28  | 3F6  | FEEDER HOUSE, UPPER COUNTERSHAFT VARIABLE DRIVE .....             | 100 - 40 |
| 1D13     | ENGINE OIL DIPSTICK .....  | 25 - 34  | 3B16 | FIELD OFFICE .....  | 90 - 16  |
| 1D9      | ENGINE OIL FILTER .....  | 25 - 30  | 1E19 | FILTER, AIR CLEANER .....   | 30 - 18  |
| 1D4      | ENGINE OIL PUMP .....  | 25 - 24  | 3D4  | FILTER, AIR, RECIRCULATION .....                                  | 95 - 4   |
| 1D6      | ENGINE OIL PUMP INTAKE .....   | 25 - 26  | 3D6  | FILTER, CAB AIR .....   | 95 - 6   |
| 1C13     | ENGINE OVERHAUL KIT .....  | 25 - 6   | 1D9  | FILTER, ENGINE OIL .....  | 25 - 30  |
| 1C15     | ENGINE PISTON .....  | 25 - 8   | 3D10 | FILTER, EVAPORATOR HEATER .....                                   | 95 - 10  |
| 1D22     | ENGINE REBUILD GASKET KIT .....  | 25 - 46  | 1E11 | FILTER, FUEL .....  | 30 - 10  |
| 1C11     | ENGINE SHORT BLOCK .....   | 25 - 4   | 1E15 | FILTER, FUEL PUMP .....   | 30 - 14  |
| 1H20     | ENGINE SPEED SENSOR .....  | 40 - 74  | 2C9  | FILTER, HYDROSTATIC CHARGE PUMP .....                             | 50 - 32  |
| 1F15     | ENGINE WIRING HARNESS .....  | 40 - 14  | 2H13 | FILTER, MAIN HYDRAULIC .....                                      | 70 - 60  |
| 1B19     | ENGINE-TRANSMISSION COUPLING WITH HUB .....                                  | 20 - 17  | 4B3  | FILTER, OIL, ENGINE GEARCASE .....                                | 140 - 2  |
| 1E14     | ETHER AID FITTINGS .....   | 30 - 13  | 1C22 | FILTER, WATER PUMP .....  | 25 - 15  |
| 3C5      | ETHER START BUTTON .....   | 90 - 30  | 1G11 | FILTER, WINDSHIELD WASHER .....                                   | 40 - 38  |
| 3D10     | EVAPORATOR HEATER, AIR CONDITIONER .....                                     | 95 - 10  | 2C1  | FINAL DRIVE .....   | 50 - 24  |
| 1D21     | EXHAUST MANIFOLD .....   | 25 - 44  | 2B24 | FINAL DRIVE SHAFT .....   | 50 - 22  |
| 1D21     | EXHAUST MANIFOLD HEAT SHIELD .....   | 25 - 44  | 2D15 | FINAL DRIVE SHAFT SHIELDS .....                                   | 50 - 66  |
| 1E21     | EXHAUST PIPE AND MUFFLER .....   | 30 - 20  | 2D14 | FINAL DRIVE SHAFT SHIELDS - SINGLE REDUCTION .....                | 50 - 65  |
| 1C24     | EXHAUST VALVES .....   | 25 - 18  | 3J14 | FINE CUT ROTOR CHOPPER (STRAIGHT BLADE) .....                     | 130 - 6  |
| 3H11     | EXTENSION ELEMENT, CHAFFER .....   | 120 - 14 | 3G11 | FINGER GRATE, SPIKE-TOOTH .....                                   | 110 - 18 |
| 2B7      | EXTENSION, AXLE .....  | 50 - 4   | 3F1  | FINGER, FEEDER HOUSE DUST FAN - R.H. .....                        | 100 - 34 |
| 3J9      | EXTENSION, CHOPPER DOOR .....  | 130 - 1  | 3F12 | FINGER, FEEDER HOUSE DUST FAN, L.H. .....                         | 100 - 46 |
| 4D16     | EXTENSION, GRAIN TANK .....  | 150 - 8  | 3H5  | FINGER, PRECLEANER CHAFFER .....                                  | 120 - 8  |
| 3C19     | EXTENSION, LADDER ASSEMBLY .....   | 90 - 45  | 3H11 | FINGERS, PLASTIC, CHAFFER .....                                   | 120 - 14 |
| <b>F</b> |  |          |      |   |          |
| 4C17     | FAN DRIVE SPEED CONTROL LINKAGE .....  | 140 - 44 | 1C9  | FITTINGS, CYLINDER BLOCK .....                                    | 25 - 2   |
| 4C19     | FAN DRIVE SPEED CONTROL SHEAVE LINKAGE .....                                 | 140 - 46 | 1E14 | FITTINGS, ETHER STARTING .....                                    | 30 - 13  |
| 4C15     | FAN DRIVE, CLEANING, SEPARATOR .....   | 140 - 42 | 1E15 | FITTINGS, FUEL TANK .....   | 30 - 14  |
| 1B14     | FAN DRIVE, ENGINE .....  | 20 - 12  | 1B18 | FIXED FAN DRIVE .....   | 20 - 16  |
| 1B18     | FAN DRIVE, FIXED .....   | 20 - 16  | 2B5  | FIXED REAR AXLE .....   | 50 - 2   |
| 1B18     | FAN PULLEY HUB .....   | 20 - 16  | 2E25 | FIXED REAR AXLE STEERING TIE RODS .....                           | 60 - 33  |
| 1B20     | FAN PULLEY, AIR CONDITIONER COMPRESSOR .....                                 | 20 - 18  | 3E3  | FIXED SPEED FEEDER HOUSE DRIVE TIGHTENER .....                    | 100 - 12 |
| 3D2      | FAN, AIR CONDITIONER AND HEATER .....  | 95 - 2   | 1I5  | FLOODLIGHT, CLEANING SHOE INSPECTION .....                        | 40 - 84  |
| 1H3      | FAN, ALTERNATOR (185 AMP) .....  | 40 - 56  | 2I19 | FLOODLIGHT, LEFT REAR CORNER PANEL .....                          | 80 - 18  |
| 1H1      | FAN, ALTERNATOR (95 AMP) .....   | 40 - 54  | 1I3  | FLOODLIGHT, SIDE FINDER .....                                     | 40 - 82  |
| 3D4      | FAN, BLOWER, AIR CONDITIONER AND HEATER .....                                | 95 - 4   | 3B8  | FLOOR MAT .....   | 90 - 8   |
| 3H1      | FAN, CLEANING .....  | 120 - 4  | 3B6  | FLOOR PANELS .....  | 90 - 6   |
| 3F1      | FAN, DUST, FEEDER HOUSE, R.H. .....  | 100 - 34 | 3E21 | FLOOR, FEEDER HOUSE .....   | 100 - 30 |
| 3F12     | FAN, DUST, LH SIDE FEEDER HOUSE .....  | 100 - 46 | 3F8  | FLOOR, FEEDER HOUSE RETURN .....                                  | 100 - 42 |
| 1B16     | FAN, ENGINE .....  | 20 - 14  | 2G21 | FLOW CONTROL VALVE, REEL DRIVE .....                              | 70 - 44  |
| 3F3      | FEEDER CONVEYOR DRIVE CHAIN AND IDLER BRACKET .....                          | 100 - 36 | 4F6  | FLOW SENSOR, MASS, YIELD MAPPING .....                            | 155 - 6  |
| 3E23     | FEEDER CONVEYOR IDLER SHAFT AND DRUM .....                                   | 100 - 32 | 1C21 | FLYWHEEL RING GEAR .....  | 25 - 14  |
| 1H9      | FEEDER HOUSE BACKSHAFT SPEED SENSOR .....                                    | 40 - 62  | 1C21 | FLYWHEEL, ENGINE .....  | 25 - 14  |
| 3E7      | FEEDER HOUSE DRIVE TIGHTENER .....   | 100 - 16 | 1C23 | FOLLOWER, CAMSHAFT .....  | 25 - 16  |
| 3E3      | FEEDER HOUSE DRIVE TIGHTENER (FIXED SPEED) .....                             | 100 - 12 | 1D1  | FOLLOWER, CAMSHAFT .....  | 25 - 20  |
| 3F1      | FEEDER HOUSE DUST FAN - R.H. .....   | 100 - 34 | 3C7  | FOOT PEDAL, FEEDER HOUSE REVERSER .....                           | 90 - 32  |
| 3F12     | FEEDER HOUSE DUST FAN, LH SIDE .....   | 100 - 46 | 2D7  | FOUR WHEEL DRIVE HYDRAULIC HOSES, L.H. .....                      | 50 - 58  |
| 3E21     | FEEDER HOUSE FLOOR .....   | 100 - 30 | 3H7  | FRAME ARMS, PRECLEANER CHAFFER .....                              | 120 - 10 |
| 3E15     | FEEDER HOUSE FRAME .....   | 100 - 24 | 4F18 | FRAME MOUNTING, TRACK .....                                       | 160 - 2  |
| 3F16     | FEEDER HOUSE FRONT DRIVE SHAFT, SHEAVE AND MOUNTINGS (FIXED SPEED WITH ..... | 100 - 50 | 3H13 | FRAME, CHAFFER .....  | 120 - 16 |
| 3D20     | FEEDER HOUSE GEARCASE OIL COOLER .....                                       | 100 - 4  | 1E17 | FRAME, ENGINE COMPARTMENT .....                                   | 30 - 16  |
| 3F10     | FEEDER HOUSE POSITION SENSOR .....   | 100 - 44 | 3E15 | FRAME, FEEDER HOUSE .....   | 100 - 24 |
| 3C7      | FEEDER HOUSE REVERSER FOOT CONTROL .....                                     | 90 - 32  | 4F20 | FRAME, MAIN, PIVOT BUSHINGS .....                                 | 160 - 4  |
| 3E17     | FEEDER HOUSE SHELL - CONTOUR MASTER .....                                    | 100 - 26 | 2I3  | FRAME, SEPARATOR .....  | 80 - 2   |
|          |  |          | 4F18 | FRAME, SHIPPING .....   | 160 - 2  |
|          |  |          | 3H17 | FRAME, SIEVE .....  | 120 - 20 |
|          |  |          | 4H15 | FRENCH CANADIAN DECALS AND LABELS .....                           | 170 - 22 |
|          |  |          | 4F22 | FRONT ARM AND ADJUSTABLE IDLER ASSEMBLY ..                        | 160 - 6  |

## ALPHABETICAL INDEX - CONTINUED

| GRID |   | PAGE     | GRID |   | PAGE     |
|------|---|----------|------|---|----------|
| 2I21 | FRONT PANEL, RIGHT.....                             | 80 - 20  | 4B15 | GEARCASE, PRIMARY COUNTERSHAFT .....                      | 140 - 14 |
| 2I9  | FRONT SHIELD ASSEMBLY, RIGHT SIDE.....              | 80 - 8   | 3E1  | GEARCASE, STANDARD .....                                  | 100 - 10 |
| 2E11 | FRONT STEERING HOSES AND LINES.....                 | 60 - 18  | 3C9  | GEARSHIFT LEVER AND LINKAGE .....                         | 90 - 34  |
| 3D18 | FRONT VARIABLE DRIVE SHEAVE .....                   | 100 - 2  | 3B12 | GLASS, CAB AND DOOR .....                                 | 90 - 12  |
| 1E11 | FUEL CHECK VALVE .....                              | 30 - 10  | 1G16 | GRAIN LOSS MONITOR.....                                   | 40 - 43  |
| 1E10 | FUEL COOLER .....                                   | 30 - 9   | 3H19 | GRAIN PAN, SHAKER.....                                    | 120 - 22 |
| 1E11 | FUEL FILTER.....                                    | 30 - 10  | 4D14 | GRAIN TANK AND CURTAINS.....                              | 150 - 6  |
| 1E11 | FUEL FILTER LINES.....                              | 30 - 10  | 4D12 | GRAIN TANK BASE.....                                      | 150 - 4  |
| 1E3  | FUEL INJECTION LINES.....                           | 30 - 2   | 4E15 | GRAIN TANK CROSS AUGERS.....                              | 150 - 32 |
| 1E3  | FUEL INJECTION NOZZLE.....                          | 30 - 2   | 4D16 | GRAIN TANK EXTENSIONS.....                                | 150 - 8  |
| 1E9  | FUEL INJECTION NOZZLE.....                          | 30 - 8   | 1G19 | GRAIN TANK FULL BIN SENSOR .....                          | 40 - 46  |
| 1H5  | FUEL INJECTION PUMP ACCESS COVER .....              | 40 - 58  | 4D10 | GRAIN TANK TOP.....                                       | 150 - 2  |
| 1E7  | FUEL INJECTION PUMP HOUSING CONNECTORS .....        | 30 - 6   | 4E18 | GRAIN TANK UNLOADING DRIVE CYLINDER.....                  | 150 - 36 |
| 1E3  | FUEL LEAK-OFF LINES .....                           | 30 - 2   | 4D20 | GRAIN TANK VERTICAL UNLOADING AUGER .....                 | 150 - 12 |
| 1E5  | FUEL LEAK-OFF LINES .....                           | 30 - 4   | 1G18 | GRAIN TANK WIRING HARNESS .....                           | 40 - 45  |
| 1E5  | FUEL PUMP.....                                      | 30 - 4   | 3G12 | GRATE CURTAIN, BEATER .....                               | 110 - 19 |
| 1E15 | FUEL PUMP.....                                      | 30 - 14  | 3G11 | GRATE, FINGER, SPIKE-TOOTH.....                           | 110 - 18 |
| 1E15 | FUEL SENDER .....                                   | 30 - 14  | 3G9  | GRATE, SPIKE TOOTH CONCAVE .....                          | 110 - 16 |
| 1E15 | FUEL TANK AND FITTINGS.....                         | 30 - 14  | 3B10 | GRILLE, SPEAKER .....                                     | 90 - 10  |
| 2J12 | FUEL TANK STEPS AND MOUNTING BRACKETS .....         | 80 - 36  | 3J25 | GRIP, DECLUTCHING LEVER .....                             | 130 - 18 |
| 1E8  | FUEL TRANSFER PUMP .....                            | 30 - 7   | 2J4  | GRIP, REAR LANDING LADDER .....                           | 80 - 28  |
|      |   |          | 3K2  | GUARD AND STRAW SPREADER MOUNTING .....                   | 130 - 20 |
|      |   |          | 3F3  | GUIDE, CHAIN SUPPORT, FEEDER CONVEYOR .....               | 100 - 36 |
|      | <b>G</b>  |          | 2I15 | GULLWING DOOR, L.H. ....                                  | 80 - 14  |
| 1D22 | GASKET KIT, CYLINDER HEAD .....                     | 25 - 46  | 2I17 | GULLWING DOOR, LEFT REAR .....                            | 80 - 16  |
| 1D22 | GASKET KIT, ENGINE REBUILD .....                    | 25 - 46  | 2I23 | GULLWING DOOR, R.H. ....                                  | 80 - 22  |
| 1D22 | GASKET KIT, SHORT BLOCK .....                       | 25 - 46  |      |   |          |
| 1C24 | GASKET, CYLINDER HEAD .....                         | 25 - 18  |      | <b>H</b>  |          |
| 1D21 | GASKET, EXHAUST MANIFOLD .....                      | 25 - 44  | 3K10 | HANDLE AND SHIELDS, CHAFF SPREADER .....                  | 130 - 28 |
| 1D18 | GASKET, INTAKE MANIFOLD .....                       | 25 - 40  | 3B23 | HANDLE, ARMREST CONTROL PANEL.....                        | 90 - 24  |
| 1D9  | GASKET, OIL FILTER HOUSING .....                    | 25 - 30  | 3B6  | HANDLE, CAB .....   | 90 - 6   |
| 1D11 | GASKET, OIL PAN .....                               | 25 - 32  | 3B14 | HANDLE, CAB DOOR .....                                    | 90 - 14  |
| 1D4  | GASKET, OIL PUMP.....                               | 25 - 24  | 3H9  | HANDLE, CHAFFER ELEMENT .....                             | 120 - 12 |
| 1D6  | GASKET, OIL PUMP INTAKE .....                       | 25 - 26  | 3H11 | HANDLE, CHAFFER EXTENSION ELEMENT .....                   | 120 - 14 |
| 1C20 | GASKET, REAR OIL SEAL.....                          | 25 - 13  | 3F24 | HANDLE, CYLINDER DOOR (CORN) .....                        | 110 - 6  |
| 1D2  | GASKET, ROCKER ARM COVER .....                      | 25 - 21  | 3F22 | HANDLE, CYLINDER DOOR, SEPARATOR<br>(GRAIN AND RICE)..... | 110 - 4  |
| 1D16 | GASKET, THERMOSTAT .....                            | 25 - 38  | 3E21 | HANDLE, FEEDER HOUSE LATCH.....                           | 100 - 30 |
| 1C22 | GASKET, TIMING GEAR COVER.....                      | 25 - 15  | 2I15 | HANDLE, GULLWING DOOR, L.H.....                           | 80 - 14  |
| 1D19 | GASKET, TURBOCHARGER .....                          | 25 - 42  | 2I23 | HANDLE, GULLWING DOOR, R.H. ....                          | 80 - 22  |
| 1D16 | GASKET, WATER MANIFOLD .....                        | 25 - 38  | 2I5  | HANDLE, LEFT SIDE FRONT SHIELD .....                      | 80 - 4   |
| 1D14 | GASKET, WATER PUMP .....                            | 25 - 36  | 2I11 | HANDLE, RIGHT SIDE SHIELD .....                           | 80 - 10  |
| 2G13 | GAUGE, ACCUMULATOR PRESSURE .....                   | 70 - 36  | 3G22 | HANDLE, SHOE GRAIN SUPPLY AUGER DOOR .....                | 120 - 1  |
| 3D22 | GEAR BOX, REVERSER - (HIGH CAPACITY) .....          | 100 - 6  | 3H15 | HANDLE, SIEVE ELEMENT .....                               | 120 - 18 |
| 3E1  | GEAR BOX, REVERSER, STANDARD .....                  | 100 - 10 | 2J14 | HANDRAIL, ENGINE ACCESS PLATFORM .....                    | 80 - 38  |
| 4B21 | GEAR CASE, DUAL-RANGE CYLINDER DRIVE.....           | 140 - 22 | 2J10 | HANDRAIL, ENGINE COMPARTMENT .....                        | 80 - 34  |
| 4G7  | GEAR CASE, TRANSFER.....                            | 160 - 18 | 3C20 | HANDRAIL, L.H.....  | 90 - 46  |
| 4D18 | GEAR CASE, VERTICAL AUGER LOWER .....               | 150 - 10 | 3C17 | HANDRAIL, PLATFORM EXTENSIONS .....                       | 90 - 42  |
| 1C23 | GEAR, CAMSHAFT .....                                | 25 - 16  | 3C22 | HANDRAIL, R.H. ....                                       | 90 - 48  |
| 2B22 | GEAR, DIFFERENTIAL .....                            | 50 - 20  | 2J1  | HANDRAIL, RADIATOR DOOR.....                              | 80 - 24  |
| 2C1  | GEAR, FINAL DRIVE.....                              | 50 - 24  | 3C24 | HARDWARE KIT, CAB .....                                   | 90 - 50  |
| 1E5  | GEAR, INJECTION PUMP.....                           | 30 - 4   | 1G9  | HARNESS, AIR CONDITIONING WIRING .....                    | 40 - 36  |
| 1C16 | GEAR, OIL PUMP DRIVE .....                          | 25 - 9   | 1G5  | HARNESS, ARMREST WIRING .....                             | 40 - 32  |
| 1D4  | GEAR, OIL PUMP DRIVE .....                          | 25 - 24  | 1G3  | HARNESS, CAB WIRING .....                                 | 40 - 30  |
| 3E1  | GEAR, REVERSER, STANDARD .....                      | 100 - 10 | 4F12 | HARNESS, DATASTORE .....                                  | 155 - 12 |
| 3G23 | GEAR, SHOE GRAIN SUPPLY AUGER.....                  | 120 - 2  | 1G19 | HARNESS, FULL BIN SENSOR .....                            | 40 - 46  |
| 2B18 | GEAR, TRANSMISSION .....                            | 50 - 16  | 1F17 | HARNESS, MAIN WIRING, L.H. ....                           | 40 - 17  |
| 2B20 | GEAR, TRANSMISSION PINION .....                     | 50 - 18  | 1F20 | HARNESS, MAIN WIRING, L.H. ....                           | 40 - 20  |
| 1C17 | GEAR, UNDERSIZE CRANKSHAFT.....                     | 25 - 10  | 4F8  | HARNESS, MOISTURE SENSOR MOTOR<br>YIELD MAPPING .....     | 155 - 8  |
| 4C9  | GEARCASE DRIVE, STRAW WALKER .....                  | 140 - 36 | 1F25 | HARNESS, R.H. MAIN<br>W/GREENSTAR.....                    | 40 - 27  |
| 4B13 | GEARCASE MOUNTING.....                              | 140 - 12 | 1F22 | HARNESS, R.H. MAIN WIRING<br>W/O GREENSTAR .....          | 40 - 23  |
| 3I13 | GEARCASE, CLEAN GRAIN ELEVATOR .....                | 125 - 12 | 1H7  | HARNESS, STARTER, WIRING .....                            | 40 - 60  |
| 4B9  | GEARCASE, ENGINE .....                              | 140 - 8  |      |   |          |
| 4B11 | GEARCASE, ENGINE .....                              | 140 - 10 |      |   |          |
| 4E6  | GEARCASE, HORIZONTAL UNLOADING AUGER<br>DRIVE ..... | 150 - 23 |      |   |          |
| 4B7  | GEARCASE, MAIN.....                                 | 140 - 6  |      |   |          |

## ALPHABETICAL INDEX - CONTINUED

| GRID |  | PAGE     | GRID |  | PAGE     |
|------|--|----------|------|--|----------|
| 1G7  | HARNESS, STEERING COLUMN WIRING .....                          | 40 - 34  | 2D1  | HOSES, OIL, HYDROSTATIC DRIVE, LOWER<br>(TWO WHEEL DRIVE) .....  | 50 - 52  |
| 1G17 | HARNESS, UNLOADING AUGER.....                                  | 40 - 44  | 2D9  | HOSES, OIL, HYDROSTATIC DRIVE, LOWER<br>(4-WHEEL DRIVE).....     | 50 - 60  |
| 1G15 | HARVESTRAK WIRING HARNESS .....                                | 40 - 42  | 2D3  | HOSES, OIL, HYDROSTATIC DRIVE, UPPER<br>(FOUR WHEEL DRIVE) ..... | 50 - 54  |
| 1C24 | HEAD, CYLINDER .....   | 25 - 18  | 2F5  | HOSES, PRESSURE, HYDRAULIC .....                                 | 70 - 2   |
| 4B17 | HEADER ELECTROMAGNETIC CLUTCH .....                            | 140 - 17 | 2H3  | HOSES, REEL DRIVE, HYDRAULIC, FRONT .....                        | 70 - 50  |
| 2F23 | HEADER HEIGHT CONTROL VALVE .....                              | 70 - 21  | 2F7  | HOSES, RETURN, HYDRAULIC.....                                    | 70 - 4   |
| 2F24 | HEADER HEIGHT CONTROL, HYDRAULIC<br>LINE AND VALVE BLOCK ..... | 70 - 22  | 2E9  | HOSES, STEERING, UPPER .....                                     | 60 - 16  |
| 2G6  | HEADER LIFT CYLINDER, HYDRAULIC .....                          | 70 - 29  | 2H15 | HOSES, TILT CYLINDER - CONTOUR MASTER .....                      | 70 - 63  |
| 2G7  | HEADER LIFT LINES AND HOSES .....                              | 70 - 30  | 4D22 | HOSES, UNLOADING AUGER SWING .....                               | 150 - 14 |
| 2G1  | HEADER LIFT MODULE, SOLENOID VALVE .....                       | 70 - 24  | 3F5  | HOSES, VARIABLE DRIVE, FEEDER HOUSE .....                        | 100 - 39 |
| 3B10 | HEADLINER, CAB .....   | 90 - 10  | 2F13 | HOSES, WET CLUTCH OIL COOLER, HYDRAULIC ....                     | 70 - 10  |
| 1D21 | HEAT SHIELD, EXHAUST MANIFOLD.....                             | 25 - 44  | 1G11 | HOSES, WINDSHIELD WIPER .....                                    | 40 - 38  |
| 3D7  | HEATER AND AIR CONDITIONING DUCTS .....                        | 95 - 7   | 3G23 | HOUSING AND SHOE GRAIN SUPPLY AUGERS .....                       | 120 - 2  |
| 3D2  | HEATER AND AIR CONDITIONING HOUSING.....                       | 95 - 2   | 1E7  | HOUSING CONNECTORS, FUEL INJECTION PUMP ..                       | 30 - 6   |
| 3D4  | HEATER AND AIR CONDITIONING HOUSING,<br>LOWER .....            | 95 - 4   | 2B17 | HOUSING COVER, TRANSMISSION AND<br>DIFFERENTIAL .....            | 50 - 14  |
| 1C4  | HEATER HOSE CONNECTORS.....                                    | 20 - 27  | 3D4  | HOUSING, AIR CONDITIONER/HEATER, LOWER .....                     | 95 - 4   |
| 1B22 | HEATER, COOLANT, ENGINE BLOCK .....                            | 20 - 20  | 3D2  | HOUSING, AIR CONDITIONER/HEATER, UPPER .....                     | 95 - 2   |
| 3D10 | HEATER, EVAPORATOR, AIR CONDITIONER .....                      | 95 - 10  | 3D6  | HOUSING, CAB AIR FILTER .....                                    | 95 - 6   |
| 3D22 | HIGH CAPACITY REVERSE GEAR BOX .....                           | 100 - 6  | 4D20 | HOUSING, CHARGE, VERTICAL UNLOADING<br>AUGER.....                | 150 - 12 |
| 2B10 | HIGH FLOATATION DRIVE WHEELS .....                             | 50 - 7   | 2C1  | HOUSING, FINAL DRIVE .....                                       | 50 - 24  |
| 3F22 | HINGE, CYLINDER DOOR<br>(GRAIN AND RICE).....                  | 110 - 4  | 4E9  | HOUSING, HORIZONTAL UNLOADING AUGER<br>(EXPORT) .....            | 150 - 26 |
| 3I5  | HINGE, DOOR, LOWER AUGER, CLEAN GRAIN .....                    | 125 - 4  | 4E7  | HOUSING, HORIZONTAL UNLOADING AUGER<br>(17 AND 20 FT.) .....     | 150 - 24 |
| 3F20 | HINGE, DOOR, STONE TRAP .....                                  | 110 - 2  | 2C7  | HOUSING, HYDROSTATIC PUMP .....                                  | 50 - 30  |
| 2J10 | HINGE, ENGINE COMPARTMENT.....                                 | 80 - 34  | 1C20 | HOUSING, REAR OIL SEAL.....                                      | 25 - 13  |
| 1E17 | HINGE, ENGINE PLATFORM DOOR.....                               | 30 - 16  | 2B5  | HOUSING, SPINDLE, REAR AXLE .....                                | 50 - 2   |
| 3E15 | HINGE, FEEDER HOUSE FRAME DOOR .....                           | 100 - 24 | 3I21 | HOUSING, TAILINGS ELEVATOR .....                                 | 125 - 20 |
| 2I23 | HINGE, GULLWING DOOR, R.H.....                                 | 80 - 22  | 1D16 | HOUSING, THERMOSTAT, FRONT .....                                 | 25 - 38  |
| 2I15 | HINGE, L.H. GULLWING.....                                      | 80 - 14  | 2B16 | HOUSING, TRANSMISSION AND DIFFERENTIAL .....                     | 50 - 13  |
| 1B10 | HINGE, RADIATOR ACCESS DOOR .....                              | 20 - 8   | 3J5  | HOUSING, UPPER TAILINGS AUGER .....                              | 125 - 28 |
| 2J1  | HINGE, RADIATOR DOOR .....                                     | 80 - 24  | 4E5  | HUB SUPPORT, HORIZONTAL UNLOADING AUGER ..                       | 150 - 22 |
| 2J8  | HOOD, REAR.....  | 80 - 32  | 4G6  | HUB, BOGEY WHEEL.....  | 160 - 16 |
| 4E11 | HORIZONTAL UNLOADING AUGER<br>(17- AND 20-FT.).....            | 150 - 28 | 1B16 | HUB, FAN.....  | 20 - 14  |
| 4E6  | HORIZONTAL UNLOADING AUGER DRIVE<br>GEARCASE .....             | 150 - 23 | 1B18 | HUB, FAN PULLEY .....  | 20 - 16  |
| 4E9  | HORIZONTAL UNLOADING AUGER HOUSING<br>(EXPORT) .....           | 150 - 26 | 4G3  | HUB, IDLER WHEEL .....   | 160 - 12 |
| 4E7  | HORIZONTAL UNLOADING AUGER HOUSING<br>(17 AND 20 FT.) .....    | 150 - 24 | 2H13 | HYDRAULIC FILTER, MAIN .....                                     | 70 - 60  |
| 4E1  | HORIZONTAL UNLOADING AUGER SWIVEL.....                         | 150 - 18 | 2H11 | HYDRAULIC HOSES, CONTOUR MASTER (L.H.) .....                     | 70 - 58  |
| 3B5  | HORN ASSEMBLY.....   | 90 - 5   | 2G15 | HYDRAULIC HOSES, CYLINDER SPEED .....                            | 70 - 38  |
| 3C5  | HORN BUTTON .....  | 90 - 30  | 2D7  | HYDRAULIC HOSES, L.H., 4-WHEEL DRIVE .....                       | 50 - 58  |
| 2G7  | HOSES AND LINES, HEADER LIFT .....                             | 70 - 30  | 2G23 | HYDRAULIC HOSES, REEL PUMP .....                                 | 70 - 46  |
| 2D5  | HOSES AND LINES, HYDROSTATIC OIL COOLER.....                   | 50 - 56  | 2F13 | HYDRAULIC HOSES, WET CLUTCH OIL COOLER.....                      | 70 - 10  |
| 2H9  | HOSES AND LINES, REEL LIFT .....                               | 70 - 56  | 2H7  | HYDRAULIC LINES AND HOSES, REEL<br>FORE-AND-AFT, FRONT .....     | 70 - 54  |
| 2E11 | HOSES AND LINES, STEERING, FRONT.....                          | 60 - 18  | 2D13 | HYDRAULIC LINES, CASE DRAIN, 4-WHEEL<br>DRIVE .....              | 50 - 64  |
| 2E17 | HOSES AND LINES, STEERING, REAR .....                          | 60 - 24  | 2H5  | HYDRAULIC LINES, REEL FORE-AND-AFT, L.H. ....                    | 70 - 52  |
| 1B12 | HOSES RADIATOR .....   | 20 - 10  | 2C19 | HYDRAULIC MOTOR PISTON CARRIER .....                             | 50 - 44  |
| 3D12 | HOSES, AIR CONDITIONER COMPRESSOR .....                        | 95 - 12  | 2F5  | HYDRAULIC PRESSURE HOSES .....                                   | 70 - 2   |
| 2H20 | HOSES, CHAFF SPREADER .....                                    | 70 - 68  | 2G17 | HYDRAULIC PUMP REEL / FEEDER HOUSE DRIVE ..                      | 70 - 40  |
| 2D11 | HOSES, CONTROL VALVE TO CAM LOBE MOTOR<br>(4-WHEEL DRIVE)..... | 50 - 62  | 2F9  | HYDRAULIC PUMP, MAIN .....                                       | 70 - 6   |
| 2D7  | HOSES, FOUR WHEEL DRIVE HYDRAULIC, L.H. ....                   | 50 - 58  | 2F7  | HYDRAULIC RETURN LINES.....                                      | 70 - 4   |
| 4E18 | HOSES, GRAIN TANK UNLOADING DRIVE<br>CYLINDER .....            | 150 - 36 | 2F4  | HYDRAULIC/HYDROSTATIC OIL RESERVOIR.....                         | 70 - 1   |
| 2H11 | HOSES, HYDRAULIC, CONTOUR MASTER (L.H.).....                   | 70 - 58  | 4G15 | HYDRAULICS, TENSION CYLINDER.....                                | 160 - 26 |
| 2G15 | HOSES, HYDRAULIC, CYLINDER SPEED .....                         | 70 - 38  | 2C10 | HYDROSTASTIC DRIVE DISPLACEMENT<br>CONTROL VALVE.....            | 50 - 34  |
| 2G23 | HOSES, HYDRAULIC, REEL PUMP.....                               | 70 - 46  | 2C9  | HYDROSTATIC DRIVE CHARGE PUMP .....                              | 50 - 32  |
| 1C1  | HOSES, INTERCOOLER .....                                       | 20 - 24  | 2C3  | HYDROSTATIC DRIVE CONTROL CABLES .....                           | 50 - 26  |
| 2H22 | HOSES, LINES, CHAFF SPREADER<br>(DUAL MOTOR).....              | 70 - 70  | 2C12 | HYDROSTATIC DRIVE MOTOR.....                                     | 50 - 36  |
| 4E1  | HOSES, LUBRICATION, HORIZONTAL UNLOADING<br>AUGER.....         | 150 - 18 | 2D3  | HYDROSTATIC DRIVE OIL HOSES, UPPER<br>(FOUR WHEEL DRIVE) .....   | 50 - 54  |

## ALPHABETICAL INDEX - CONTINUED

| GRID     |   | PAGE     | GRID     |   | PAGE     |
|----------|---|----------|----------|---|----------|
| 2D1      | HYDROSTATIC DRIVE OIL LINES AND HOSES,<br>LOWER (TWO WHEEL DRIVE) ..... | 50 - 52  | 4D24     | KIT, UNLOADING AUGER SWING CYLINDER<br>REPAIR ..... | 150 - 16 |
| 2D9      | HYDROSTATIC DRIVE OIL LINES AND HOSES,<br>LOWER (4-WHEEL DRIVE) .....   | 50 - 60  | 1D14     | KIT, WATER PUMP SEAL .....                          | 25 - 36  |
| 2C5      | HYDROSTATIC DRIVE PUMP COVER .....                                      | 50 - 28  | 1C18     | KIT, UNDERSIZED MAIN BEARING CRANKSHAFT .....       | 25 - 11  |
| 2C5      | HYDROSTATIC DRIVE PUMP SHAFT .....                                      | 50 - 28  | 3J18     | KNIFEBANK AND HOUSING, CHOPPER .....                | 130 - 10 |
| 2D5      | HYDROSTATIC OIL COOLER LINES .....                                      | 50 - 56  | 3C9      | KNOB GEARSHIFT .....                                | 90 - 34  |
| 2F4      | HYDROSTATIC/HYDRAULIC RESERVOIR .....                                   | 70 - 1   | 3B23     | KNOB, ARMREST CONTROL PANEL .....                   | 90 - 24  |
| <b>I</b> |   |          | 3C1      | KNOB, ARMREST CONTROL PANEL .....                   | 90 - 26  |
| 1B4      | IDLER ARMS, ROTARY SCREEN DRIVE .....                                   | 20 - 2   | 3D6      | KNOB, CAB AIR FILTER .....                          | 95 - 6   |
| 4F22     | IDLER ASSEMBLY, ADJUSTABLE AND FRONT ARM..                              | 160 - 6  | 2H16     | KNOB, CHAFF SPREADER ADJUSTER .....                 | 70 - 64  |
| 4G1      | IDLER AXLE .....  | 160 - 10 | 2I13     | KNOB, DOOR, LEFT FRONT .....                        | 80 - 12  |
| 1B20     | IDLER PULLEY, AIR CONDITIONER COMPRESSOR ..                             | 20 - 18  | 3B20     | KNOB, LUMBAR .....                                  | 90 - 20  |
| 4G3      | IDLER WHEEL ASSEMBLY .....  | 160 - 12 | 3C13     | KNOB, OVERHEAD CONSOLE .....                        | 90 - 38  |
| 4D6      | IDLER, DRIVE, CLEAN GRAIN ELEVATOR .....                                | 140 - 58 | <b>L</b> |   |          |
| 3C5      | IGNITION SWITCH .....   | 90 - 30  | 1F18     | L.H. MAIN WIRING HARNESS .....                      | 40 - 18  |
| 1H14     | INDICATOR, SPIKE TOOTH .....  | 40 - 68  | 1F20     | L.H. MAIN WIRING HARNESS .....                      | 40 - 20  |
| 1E5      | INJECTION PUMP GEAR .....   | 30 - 4   | 2E13     | L.H. SIDE LINES, STEERING .....                     | 60 - 20  |
| 1E5      | INJECTION PUMP, ELECTRONIC FUEL .....                                   | 30 - 4   | 4H13     | LABEL, AXLE STOP AND TIRE CLEARANCE .....           | 170 - 20 |
| 2C17     | INNER COVER, CAM LOBE MOTOR .....                                       | 50 - 42  | 4H15     | LABEL, FRENCH CANADIAN .....                        | 170 - 22 |
| 2B18     | INPUT SHAFT, TRANSMISSION .....   | 50 - 16  | 4H16     | LABEL, PORTUGUESE .....                             | 170 - 23 |
| 1I5      | INSPECTION LIGHT, CLEANING SHOE .....                                   | 40 - 84  | 4H17     | LABEL, ROMANIAN .....                               | 170 - 24 |
| 1D18     | INTAKE MANIFOLD .....   | 25 - 40  | 4H18     | LABEL, RUSSIAN .....                                | 170 - 25 |
| 3G23     | INTAKE SHIELD, SHOE GRAIN SUPPLY AUGER .....                            | 120 - 2  | 4H11     | LABEL, SAFETY (RUBBER TRACK) .....                  | 170 - 18 |
| 3H1      | INTAKE SHIELDS, CLEANING FAN .....                                      | 120 - 4  | 4H19     | LABEL, SPANISH .....                                | 170 - 26 |
| 1E19     | INTAKE TUBES AND AIR CLEANER .....                                      | 30 - 18  | 4H13     | LABEL, TIRE CLEARANCE .....                         | 170 - 20 |
| 1C24     | INTAKE VALVES .....   | 25 - 18  | 4H13     | LABEL, TIRE PRESSURE .....                          | 170 - 20 |
| 1D6      | INTAKE, ENGINE OIL PUMP .....   | 25 - 26  | 4H20     | LABEL, UKRAINIAN .....                              | 170 - 27 |
| 1C1      | INTERCOOLER .....   | 20 - 24  | 4H13     | LABEL, WHEEL BOLT TORQUE .....                      | 170 - 20 |
| 4C1      | INTERMEDIATE SHAFT MOUNTING, CYLINDER<br>DRIVE, DUAL-RANGE .....        | 140 - 28 | 3C19     | LADDER EXTENSION ASSEMBLY .....                     | 90 - 45  |
| 4C3      | INTERMEDIATE SHEAVE, CYLINDER DRIVE,<br>DUAL-RANGE .....                | 140 - 30 | 3C17     | LADDER, CAB PLATFORM .....                          | 90 - 42  |
| <b>K</b> |   |          | 2J10     | LADDER, ENGINE COMPARTMENT .....                    | 80 - 34  |
| 1C16     | KEY, DAMPER, CRANKSHAFT .....   | 25 - 9   | 4D10     | LADDER, GRAIN TANK .....                            | 150 - 2  |
| 1F13     | KIT-CONVENIENCE, OUTLET .....   | 40 - 12  | 2J4      | LADDER, REAR LANDING .....                          | 80 - 28  |
| 1H11     | KIT, ALIGNMENT BRACKET REEL SPEED .....                                 | 40 - 64  | 1H24     | LAMP ASSEMBLY - L.H. FRONT (AMBER) .....            | 40 - 78  |
| 2H14     | KIT, CONTOUR MASTER CYLINDER REPAIR .....                               | 70 - 61  | 1H25     | LAMP ASSEMBLY, R.H. FRONT (AMBER) .....             | 40 - 79  |
| 2G5      | KIT, CONTROL VALVE, AUGER SWING .....                                   | 70 - 28  | 1I1      | LAMP ASSEMBLY, REAR (AMBER) .....                   | 40 - 80  |
| 2G5      | KIT, CONTROL VALVE, REEL FORE/AFT .....                                 | 70 - 28  | 1H24     | LAMP, TURN SIGNAL, L.H. FRONT (AMBER) .....         | 40 - 78  |
| 1D22     | KIT, CYLINDER HEAD .....  | 25 - 46  | 3C20     | LANDING, L.H. .....                                 | 90 - 46  |
| 1C15     | KIT, CYLINDER LINER O-RING .....  | 25 - 8   | 3C22     | LANDING, R.H. .....                                 | 90 - 48  |
| 1F6      | KIT, ELECTRICAL CONNECTOR SERVICE .....                                 | 40 - 4   | 2J4      | LANDING, REAR .....                                 | 80 - 28  |
| 1F8      | KIT, ELECTRICAL CONNECTOR SERVICE .....                                 | 40 - 6   | 2J6      | LATCH ARM, REAR LADDER LANDING .....                | 80 - 30  |
| 1C13     | KIT, ENGINE OVERHAUL .....  | 25 - 6   | 3B14     | LATCH, CAB DOOR .....                               | 90 - 14  |
| 1D22     | KIT, ENGINE REBUILD .....   | 25 - 46  | 3J23     | LATCH, CHOP-TO-BALE .....                           | 130 - 16 |
| 2G1      | KIT, HEADER LIFT CONTROL VALVE REPAIR .....                             | 70 - 24  | 3J25     | LATCH, DECLUTCHING LEVER, CHOP-TO-BALE .....        | 130 - 18 |
| 2C12     | KIT, HYDROSTATIC DRIVE MOTOR .....                                      | 50 - 36  | 2I13     | LATCH, DOOR, LEFT FRONT .....                       | 80 - 12  |
| 2F9      | KIT, MAIN HYDRAULIC PUMP REPAIR .....                                   | 70 - 6   | 3G22     | LATCH, DOOR, SHOE GRAIN SUPPLY CLEANOUT ...         | 120 - 1  |
| 2E1      | KIT, MASTER BRAKE CYLINDER .....  | 60 - 8   | 1G20     | LATCH, ELECTRONICS MODULE .....                     | 40 - 48  |
| 3J16     | KIT, PADDLE BLADE, FINE CUT CHOPPER .....                               | 130 - 8  | 1E17     | LATCH, ENGINE PLATFORM DOOR .....                   | 30 - 16  |
| 2G21     | KIT, REEL DRIVE FLOW CONTROL REPAIR .....                               | 70 - 44  | 4D18     | LATCH, GRAIN TANK CLEAN OUT CHUTE .....             | 150 - 10 |
| 2G3      | KIT, REEL LIFT/VARIABLE .....   | 70 - 26  | 3E11     | LATCH, L.H. DRIVE SHIELD - W/AIRFLOW .....          | 100 - 20 |
| 1H11     | KIT, REEL SPEED BRACKET .....   | 40 - 64  | 3E9      | LATCH, L.H. DRIVE SHIELD - W/O AIRFLOW .....        | 100 - 18 |
| 2E19     | KIT, STEERING CYLINDER REPAIR .....                                     | 60 - 26  | 3C19     | LATCH, LADDER EXTENSION .....                       | 90 - 45  |
| 2E7      | KIT, STEERING PUMP SEALS .....  | 60 - 14  | 3E13     | LATCH, R.H. DRIVE SHIELD .....                      | 100 - 22 |
| 3G17     | KIT, STRAW WALKER BEARING .....   | 110 - 24 | 1B10     | LATCH, RADIATOR FRAME .....                         | 20 - 8   |
| 1F10     | KIT, TERMINAL AND WIRING .....  | 40 - 8   | 3I21     | LATCH, TAILINGS ELEVATOR .....                      | 125 - 20 |
| 2H15     | KIT, TILT CYLINDER REPAIR,<br>CONTOUR MASTER .....                      | 70 - 63  | 2I7      | LEFT SIDE SHIELD ASSEMBLY .....                     | 80 - 6   |
| 1C17     | KIT, UNDERSIZE CRANKSHAFT .....   | 25 - 10  | 3J25     | LEVER, DECLUTCHING, CHOP-TO-BALE .....              | 130 - 18 |
|          |   |          | 3C9      | LEVER, GEARSHIFT .....                              | 90 - 34  |
|          |   |          | 2G6      | LIFT CYLINDER, HEADER, HYDRAULIC .....              | 70 - 29  |
|          |   |          | 1D3      | LIFT STRAPS, ENGINE .....                           | 25 - 22  |
|          |   |          | 1H25     | LIGHT ASSEMBLY - R.H. FRONT (AMBER) .....           | 40 - 79  |
|          |   |          | 3I21     | LIGHT SWITCH, TAILINGS ELEVATOR .....               | 125 - 20 |
|          |   |          | 3C1      | LIGHT, ARMREST CONTROL PANEL .....                  | 90 - 26  |
|          |   |          | 1H23     | LIGHT, CAB ROOF .....                               | 40 - 77  |



## ALPHABETICAL INDEX - CONTINUED

| GRID |  | PAGE   | GRID |  | PAGE   |
|------|--|--------|------|--|--------|
| 115  | LIGHT, CLEANING SHOE INSPECTION .....                                  | 40-84  |      | M  |        |
| 2J14 | LIGHT, ENGINE ACCESS PLATFORM .....                                    | 80-38  |      |  |        |
| 2119 | LIGHT, FLOOD, LEFT REAR CORNER PANEL .....                             | 80-18  | 2117 | MAGNET, GULLWING, LEFT REAR .....                                      | 80-16  |
| 1H24 | LIGHT, L.H. FRONT (AMBER) .....  | 40-78  | 1H20 | MAGNETIC PICK-UP (ENGINE) .....  | 40-74  |
| 112  | LIGHT, REAR TURN AND TAIL (RED) .....                                  | 40-81  | 1C9  | MAIN BEARING CAPS .....  | 25-2   |
| 2J10 | LIGHT, SERVICE, ENGINE COMPARTMENT .....                               | 80-34  | 1C19 | MAIN BEARINGS .....  | 25-12  |
| 2115 | LIGHT, SERVICE, L.H. GULLWING .....                                    | 80-14  | 4F20 | MAIN FRAME PIVOT BUSHINGS .....  | 160-4  |
| 2123 | LIGHT, SERVICE, R.H. GULLWING .....                                    | 80-22  | 4B7  | MAIN GEARCASE .....  | 140-6  |
| 2J1  | LIGHT, SERVICE, RADIATOR DOOR .....                                    | 80-24  | 2F9  | MAIN HYDRAULIC PUMP .....  | 70-6   |
| 113  | LIGHT, SIDE FINDER .....   | 40-82  | 2F23 | MAIN VALVE BLOCK SOLENOID<br>ACTIVE HEADER HEIGHT CONTROL .....        | 70-21  |
| 3B3  | LIGHT, STUBBLE .....   | 90-2   | 1F25 | MAIN WIRING HARNESS, R.H.<br>W/GREENSTAR .....                         | 40-27  |
| 114  | LIGHT, TRANSPORT WARNING .....   | 40-83  | 1F22 | MAIN WIRING HARNESS, R.H.<br>W/O GREENSTAR .....                       | 40-23  |
| 1G17 | LIGHT, UNLOADING AUGER .....   | 40-44  | 3D11 | MANIFOLD, AIR CONDITIONER COMPRESSOR .....                             | 95-11  |
| 3B23 | LIGHTER, CIGARETTE .....   | 90-24  | 2C17 | MANIFOLD, CAM LOBE MOTOR .....   | 50-42  |
| 3F12 | LIMIT CURTAIN, FEEDER HOUSE DUST FAN .....                             | 100-46 | 2D13 | MANIFOLD, CASE DRAIN .....   | 50-64  |
| 1C15 | LINER, CYLINDER .....  | 25-8   | 1D21 | MANIFOLD, EXHAUST .....  | 25-44  |
| 2G7  | LINES AND HOSES, HEADER LIFT .....                                     | 70-30  | 1D18 | MANIFOLD, INTAKE .....   | 25-40  |
| 2D5  | LINES AND HOSES, HYDROSTATIC OIL COOLER .....                          | 50-56  | 1D16 | MANIFOLD, WATER, FRONT .....   | 25-38  |
| 2H9  | LINES AND HOSES, REEL LIFT .....                                       | 70-56  | 4F6  | MASS FLOW SENSOR BRACKET<br>YIELD MAPPING .....                        | 155-6  |
| 2E11 | LINES AND HOSES, STEERING, FRONT .....                                 | 60-18  | 4F6  | MASS FLOW SENSOR DOOR, YIELD MAPPING .....                             | 155-6  |
| 2E17 | LINES AND HOSES, STEERING, REAR .....                                  | 60-24  | 4F6  | MASS FLOW SENSOR, YIELD MAPPING .....                                  | 155-6  |
| 2D23 | LINES, BRAKE .....   | 60-6   | 2E1  | MASTER BRAKE CYLINDER .....  | 60-8   |
| 2H18 | LINES, CHAFF SPREADER .....  | 70-66  | 2D23 | MASTER CYLINDER, RESERVOIR, BRAKE LINES .....                          | 60-6   |
| 2D11 | LINES, CONTROL VALVE TO CAM LOBE MOTOR<br>(4-WHEEL DRIVE) .....        | 50-62  | 2D21 | MASTER CYLINDERS .....   | 60-4   |
| 2D7  | LINES, FOUR WHEEL DRIVE HYDRAULIC, L.H. ....                           | 50-58  | 3B8  | MAT, CAB FLOOR .....   | 90-8   |
| 1E5  | LINES, FUEL .....  | 30-4   | 1E17 | MAT, ENGINE PLATFORM .....   | 30-16  |
| 1E11 | LINES, FUEL FILTER .....   | 30-10  | 3E15 | MAT, FEEDER HOUSE FRAME .....  | 100-24 |
| 1E3  | LINES, FUEL INJECTION .....  | 30-2   | 1B10 | MAT, RADIATOR FRAME .....  | 20-8   |
| 1E3  | LINES, FUEL LEAK-OFF .....   | 30-2   | 3I23 | MATERIAL SENSOR, TAILINGS ELEVATOR .....                               | 125-22 |
| 2H20 | LINES, HOSES, VALVE AND PUMP, CHAFF<br>SPREADER .....                  | 70-68  | 3C20 | MIRROR, L.H. ....  | 90-46  |
| 2G23 | LINES, HYDRAULIC, REEL PUMP .....                                      | 70-46  | 3C22 | MIRROR, R.H. ....  | 90-48  |
| 1E5  | LINES, INJECTION PUMP LUBE .....                                       | 30-4   | 4F4  | MOBILE PROCESSOR, YIELD MAPPING .....                                  | 155-4  |
| 2D1  | LINES, OIL, HYDROSTATIC DRIVE, LOWER<br>(TWO WHEEL DRIVE) .....        | 50-52  | 3C11 | MODULE, ACTIVE HEADER HEIGHT CONTROL<br>DISPLAY, R.H. CORNERPOST ..... | 90-36  |
| 2D9  | LINES, OIL, HYDROSTATIC DRIVE, LOWER<br>(4-WHEEL DRIVE) .....          | 50-60  | 1G20 | MODULE, CENTRAL ELECTRONICS .....                                      | 40-48  |
| 2H3  | LINES, REEL DRIVE, HYDRAULIC, FRONT .....                              | 70-50  | 4F12 | MODULE, DATASTORE .....  | 155-12 |
| 2H1  | LINES, REEL DRIVE, HYDRAULIC, L.H. ....                                | 70-48  | 4F14 | MODULE, DATASTORE .....  | 155-14 |
| 2F7  | LINES, RETURN, HYDRAULIC RESERVOIR .....                               | 70-4   | 3C11 | MODULE, GRAIN LOSS DISPLAY<br>R.H. CORNERPOST .....                    | 90-36  |
| 2E15 | LINES, STEERING R.H. SIDE .....  | 60-22  | 3C11 | MODULE, TACHOMETER DISPLAY<br>R.H. CORNERPOST .....                    | 90-36  |
| 2E13 | LINES, STEERING, L.H. SIDE .....                                       | 60-20  | 3I23 | MODULE, TAILINGS ELEVATOR SENSOR .....                                 | 125-22 |
| 1D19 | LINES, TURBOCHARGER OIL .....  | 25-42  | 2F16 | MODULE, 6-STACK SOLENOID CONTROL VALVE .....                           | 70-14  |
| 4D22 | LINES, UNLOADING AUGER SWING .....                                     | 150-14 | 1H16 | MOISTURE SENSOR .....  | 40-70  |
| 1H14 | LINKAGE, CONCAVE INDICATOR .....                                       | 40-68  | 4F8  | MOISTURE SENSOR BRACKET, YIELD MAPPING .....                           | 155-8  |
| 1H14 | LINKAGE, CORN AND SMALL GRAIN CONCAVE .....                            | 40-68  | 4F8  | MOISTURE SENSOR COVER, YIELD MAPPING .....                             | 155-8  |
| 4C19 | LINKAGE, FAN DRIVE SPEED CONTROL .....                                 | 140-46 | 4F10 | MOISTURE SENSOR COVERS - YIELD MAPPING<br>W/O MOISTURE SENSOR .....    | 155-10 |
| 3F10 | LINKAGE, FEEDER HOUSE POSITION SENSOR .....                            | 100-44 | 4F10 | MOISTURE SENSOR COVERS, YIELD MAPPING .....                            | 155-10 |
| 3C9  | LINKAGE, GEARSHIFT .....   | 90-34  | 4F15 | MOISTURE SENSOR DECALS, YIELD MAPPING .....                            | 155-15 |
| 4C17 | LINKAGE, SPEED CONTROL, FAN DRIVE .....                                | 140-44 | 4F16 | MOISTURE SENSOR DECALS, YIELD MAPPING .....                            | 155-17 |
| 3I11 | LOADING AUGER, CLEAN GRAIN .....                                       | 125-10 | 4F8  | MOISTURE SENSOR MOTOR HARNESS<br>YIELD MAPPING .....                   | 155-8  |
| 3H9  | LOUVER, CHAFFER ELEMENT .....  | 120-12 | 4F8  | MOISTURE SENSOR MOTOR, YIELD MAPPING .....                             | 155-8  |
| 3H11 | LOUVER, CHAFFER EXTENSION ELEMENT .....                                | 120-14 | 4F8  | MOISTURE SENSOR, YIELD MAPPING .....                                   | 155-8  |
| 3H3  | LOUVER, PRECLEANING CHAFFER .....                                      | 120-6  | 3K8  | MOTOR AND DISC, CHAFF SPREADER .....                                   | 130-26 |
| 3H15 | LOUVER, SIEVE ELEMENT .....  | 120-18 | 2C19 | MOTOR PISTON CARRIER .....   | 50-44  |
| 1H21 | LOW SHAFT SPEED SENSORS AND BRACKETS .....                             | 40-75  | 1H13 | MOTOR, ADJUSTING, CONCAVE .....  | 40-66  |
| 3I5  | LOWER AUGER, CLEAN GRAIN .....   | 125-4  | 1H18 | MOTOR, ADJUSTING, SEPARATOR FAN DRIVE .....                            | 40-72  |
| 3I7  | LOWER ELEVATOR, CLEAN GRAIN .....                                      | 125-6  | 3D2  | MOTOR, BLOWING .....   | 95-2   |
| 2D1  | LOWER HYDROSTATIC DRIVE OIL LINES AND<br>HOSES (TWO WHEEL DRIVE) ..... | 50-52  | 2C15 | MOTOR, CAM LOBE .....  | 50-40  |
| 3J1  | LOWER TAILINGS AUGER AND SHAFT .....                                   | 125-24 | 2C12 | MOTOR, HYDROSTATIC DRIVE .....   | 50-36  |
| 3J3  | LOWER TAILINGS AUGER DRIVE TIGHTENER .....                             | 125-26 | 4F8  | MOTOR, MOISTURE SENSOR, YIELD MAPPING .....                            | 155-8  |
| 3J1  | LOWER TAILINGS AUGER TIGHTENER .....                                   | 125-24 |      |  |        |
| 3I19 | LOWER TAILINGS AUGER TROUGH .....                                      | 125-18 |      |  |        |
| 3B20 | LUMBAR ASSEMBLY .....  | 90-20  |      |  |        |

**ALPHABETICAL INDEX - CONTINUED**

| <i>GRID</i> |   | <i>PAGE</i> | <i>GRID</i> |  | <i>PAGE</i> |
|-------------|---|-------------|-------------|--|-------------|
| 3D4         | MOTOR, RECIRCULATION BLOWER .....                               | 95 - 4      | 3B22        | OPERATOR'S SEATBELT .....  | 90 - 23     |
| 1H11        | MOTOR, REEL SPEED .....   | 40 - 64     | 1F13        | OUTLET, CONVENIENCE, KIT .....                                     | 40 - 12     |
| 2C14        | MOTOR, VALVE, HYDROSTATIC .....                                 | 50 - 38     | 1C13        | OVERHAUL KIT, ENGINE .....   | 25 - 6      |
| 1G13        | MOTOR, WINDSHIELD WIPER .....                                   | 40 - 40     | 3C13        | OVERHEAD CONSOLE .....   | 90 - 38     |
| 2J12        | MOUNTING BRACKETS, FUEL TANK .....                              | 80 - 36     |             |  |             |
| 3K14        | MOUNTING SUPPORT, CHAFF SPREADER .....                          | 130 - 32    |             | <b>P</b>   |             |
| 4E18        | MOUNTING, GRAIN TANK UNLOADING DRIVE<br>CYLINDER .....          | 150 - 36    | 4F8         | PADDLE, MOISTURE SENSOR, YIELD MAPPING .....                       | 155 - 8     |
| 2F4         | MOUNTING, HYDRAULIC OIL RESERVOIR .....                         | 70 - 1      | 3I24        | PADDLE, TAILINGS ELEVATOR CONVEYOR .....                           | 125 - 23    |
| 2G11        | MOUNTING, ONE GALLON ACCUMULATOR .....                          | 70 - 34     | 3J5         | PADDLE, UPPER TAILINGS AUGER .....                                 | 125 - 28    |
| 2F20        | MOUNTING, SOLENOID CONTROL VALVE<br>MODULE, 4-STACK .....       | 70 - 18     | 3J16        | PADDLED BLADE, FINE CUT CHOPPER .....                              | 130 - 8     |
| 2F18        | MOUNTING, SOLENOID CONTROL VALVE,<br>5-STACK .....              | 70 - 16     | 3K12        | PAN, CHAFF SPREADER .....  | 130 - 30    |
| 3K2         | MOUNTING, STRAW SPREADER AND GUARD .....                        | 130 - 20    | 1D11        | PAN, OIL .....   | 25 - 32     |
| 4F18        | MOUNTING, TRACK FRAME .....                                     | 160 - 2     | 3H19        | PAN, SHAKER .....  | 120 - 22    |
| 4D24        | MOUNTING, UNLOADING AUGER SWING CYLINDER .....                  | 150 - 16    | 3B23        | PANEL, ARMREST .....   | 90 - 24     |
| 2D16        | MUD SHIELDS, POWERED REAR WHEELS .....                          | 50 - 67     | 3C1         | PANEL, ARMREST .....   | 90 - 26     |
| 1E21        | MUFFLER AND EXHAUST PIPE .....                                  | 30 - 20     | 3B8         | PANEL, CAB INTERIOR .....  | 90 - 8      |
|             | <b>N</b>  |             | 3B6         | PANEL, FLOOR .....   | 90 - 6      |
| 1E3         | NOZZLE, FUEL INJECTION .....                                    | 30 - 2      | 2I17        | PANEL, GULLWING, LEFT REAR .....                                   | 80 - 16     |
| 1E9         | NOZZLE, FUEL INJECTION .....                                    | 30 - 8      | 2I13        | PANEL, LEFT FRONT AND DOOR .....                                   | 80 - 12     |
|             | <b>O</b>  |             | 2I21        | PANEL, RIGHT FRONT .....   | 80 - 20     |
| 1D14        | O-RING KIT, WATER PUMP .....                                    | 25 - 36     | 2D19        | PARKING BRAKE PEDAL AND SEAL .....                                 | 60 - 2      |
| 3D12        | O-RING, AIR CONDITIONER HOSE .....                              | 95 - 12     | 2D21        | PEDAL, BRAKE .....   | 60 - 4      |
| 1D8         | OIL COOLER ADAPTER AND COVER .....                              | 25 - 28     | 3C7         | PEDAL, REVERSER FOOT CONTROL, FEEDER<br>HOUSE .....                | 90 - 32     |
| 2F11        | OIL COOLER AND AIR CONDITIONING .....                           | 70 - 8      | 1H20        | PICK-UP, MAGNETIC (ENGINE) .....                                   | 40 - 74     |
| 1D7         | OIL COOLER BYPASS ADAPTER .....                                 | 25 - 27     | 2G17        | PICKUP DRIVE, REEL AND BELT .....                                  | 70 - 40     |
| 1D7         | OIL COOLER BYPASS TUBES .....                                   | 25 - 27     | 1C15        | PISTON RINGS .....   | 25 - 8      |
| 2D5         | OIL COOLER LINES AND HOSES, HYDROSTATIC .....                   | 50 - 56     | 2C19        | PISTON, CAM AND CARRIER .....                                      | 50 - 44     |
| 1D8         | OIL COOLER, ENGINE .....  | 25 - 28     | 1C15        | PISTON, ENGINE .....   | 25 - 8      |
| 3D20        | OIL COOLER, FEEDER HOUSE GEARCASE .....                         | 100 - 4     | 4F20        | PIVOT BUSHINGS, MAIN FRAME .....                                   | 160 - 4     |
| 1B24        | OIL DRAIN, ENGINE CRANKCASE .....                               | 20 - 22     | 2C20        | PIVOT, CAPS AND YOKE (STEERABLE MOTOR) .....                       | 50 - 46     |
| 4B3         | OIL FILTER ASSEMBLY, ENGINE GEARCASE .....                      | 140 - 2     | 4E13        | PLATE, CROSS AUGER BEARING, L.H. ....                              | 150 - 30    |
| 1D9         | OIL FILTER, ENGINE .....  | 25 - 30     | 1E17        | PLATFORM, ENGINE .....   | 30 - 16     |
| 2D1         | OIL HOSES, HYDROSTATIC DRIVE, LOWER<br>(TWO WHEEL DRIVE) .....  | 50 - 52     | 2J14        | PLATFORM, ENGINE ACCESS .....                                      | 80 - 38     |
| 2D9         | OIL HOSES, HYDROSTATIC DRIVE, LOWER<br>(4-WHEEL DRIVE) .....    | 50 - 60     | 4H16        | PORTUGESE DECALS AND LABELS .....                                  | 170 - 23    |
| 2D3         | OIL HOSES, UPPER, HYDROSTATIC DRIVE<br>(FOUR WHEEL DRIVE) ..... | 50 - 54     | 4F2         | POSITION RECEIVER BRACKET<br>YIELD MAPPING .....                   | 155 - 2     |
| 2D1         | OIL LINES HYDROSTATIC DRIVE, LOWER<br>(TWO WHEEL DRIVE) .....   | 50 - 52     | 4F2         | POSITION RECEIVER COVER<br>YIELD MAPPING .....                     | 155 - 2     |
| 2D9         | OIL LINES HYDROSTATIC DRIVE, LOWER<br>(4-WHEEL DRIVE) .....     | 50 - 60     | 4F2         | POSITION RECEIVER, YIELD MAPPING .....                             | 155 - 2     |
| 1D11        | OIL PAN DRAIN VALVE .....                                       | 25 - 32     | 3C13        | POTENTIOMETER .....  | 90 - 38     |
| 1D11        | OIL PAN DRAIN VALVE AND GASKET .....                            | 25 - 32     | 1B22        | POWER CORD, ENGINE BLOCK COOLANT HEATER .....                      | 20 - 20     |
| 1D8         | OIL PRESSURE REGULATING VALVE .....                             | 25 - 28     | 3H5         | PRE-CLEANER CHAFFER FRAME .....                                    | 120 - 8     |
| 1D9         | OIL PRESSURE REGULATING VALVE .....                             | 25 - 30     | 3H7         | PRECLEANER CHAFFER FRAME ARMS .....                                | 120 - 10    |
| 1B21        | OIL PRESSURE SENSOR .....                                       | 20 - 19     | 3H3         | PRECLEANING CHAFFER .....  | 120 - 6     |
| 1C16        | OIL PUMP DRIVE GEAR .....                                       | 25 - 9      | 2G13        | PRESSURE GAUGE, ACCUMULATOR .....                                  | 70 - 36     |
| 1D4         | OIL PUMP DRIVE GEAR .....                                       | 25 - 24     | 4B5         | PRESSURE REGULATOR, ENGINE GEARCASE .....                          | 140 - 4     |
| 1D6         | OIL PUMP INTAKE GASKET .....                                    | 25 - 26     | 4B3         | PRESSURE SWITCH, ENGINE GEARCASE OIL<br>FILTER ASSEMBLY .....      | 140 - 2     |
| 1D4         | OIL PUMP, ENGINE .....  | 25 - 24     | 2F5         | PRESSURE, HYDRAULIC HOSES .....                                    | 70 - 2      |
| 1C22        | OIL SEAL, CRANKSHAFT FRONT .....                                | 25 - 15     | 4B18        | PRIMARY COUNTERSHAFT, SUPPORTS AND VARI-<br>ABLE SHEAVE .....      | 140 - 18    |
| 1C20        | OIL SEAL, REAR .....  | 25 - 13     | 1E8         | PRIMER, FUEL TRANSFER .....  | 30 - 7      |
| 3D11        | OIL, AIR CONDITIONER COMPRESSOR .....                           | 95 - 11     | 4F4         | PROCESSOR, MOBILE, YIELD MAPPING .....                             | 155 - 4     |
| 1C8         | OIL, ENGINE (TORQ-GARD, PLUS-50) .....                          | 25 - 1      | 1B20        | PULLEY, AIR CONDITIONER COMPRESSOR FAN .....                       | 20 - 18     |
| 3B23        | OPERATOR'S ARMREST PANEL .....                                  | 90 - 24     | 1D24        | PULLEY, CRANKSHAFT .....   | 25 - 48     |
| 3C1         | OPERATOR'S ARMREST PANEL .....                                  | 90 - 26     | 3J3         | PULLEY, LOWER TAILINGS AUGER TIGHTENER .....                       | 125 - 26    |
| 3B20        | OPERATOR'S SEAT AND BACKREST .....                              | 90 - 20     | 4C7         | PULLEY, SECONDARY COUNTERSHAFT DRIVE .....                         | 140 - 34    |
|             |   |             | 3E5         | PULLEY, VARIABLE SPEED DRIVE TIGHTENER .....                       | 100 - 14    |
|             |   |             | 4B11        | PUMP DRIVE AND SEPARATOR, GEARCASE .....                           | 140 - 10    |
|             |   |             | 4B9         | PUMP DRIVE SHAFT AND SEPARATOR DRIVE<br>WET-CLUTCH, GEARCASE ..... | 140 - 8     |
|             |   |             | 2G19        | PUMP MOUNTING SHEAVE, REEL AND BELT<br>PICKUP DRIVE .....          | 70 - 42     |
|             |   |             | 2H20        | PUMP, CHAFF SPREADER .....   | 70 - 68     |

## ALPHABETICAL INDEX - CONTINUED

| GRID |   | PAGE     | GRID |   | PAGE     |
|------|---|----------|------|---|----------|
| 2G17 | PUMP, FEEDER HOUSE AND REEL DRIVE .....                     | 70 - 40  | 2D23 | RESERVOIR, BRAKE LINES, MASTER CYLINDER ..... | 60 - 6   |
| 1E5  | PUMP, FUEL .....  | 30 - 4   | 2F4  | RESERVOIR, HYDRAULIC/HYDROSTATIC .....        | 70 - 1   |
| 1E15 | PUMP, FUEL .....  | 30 - 14  | 1G11 | RESERVOIR, WINDSHIELD WASHER.....             | 40 - 38  |
| 1E8  | PUMP, FUEL TRANSFER .....                                   | 30 - 7   | 3F8  | RETURN FLOOR, FEEDER HOUSE .....              | 100 - 42 |
| 2C5  | PUMP, HYDROSTATIC DRIVE.....                                | 50 - 28  | 2F7  | RETURN LINES, HYDRAULIC .....                 | 70 - 4   |
| 2C9  | PUMP, HYDROSTATIC DRIVE CHARGE .....                        | 50 - 32  | 3C7  | REVERSER FOOT CONTROL, FEEDER HOUSE.....      | 90 - 32  |
| 2F9  | PUMP, MAIN HYDRAULIC .....                                  | 70 - 6   | 3D22 | REVERSER GEAR BOX (HIGH CAPACITY) .....       | 100 - 6  |
| 1D4  | PUMP, OIL ENGINE .....                                      | 25 - 24  | 3D24 | REVERSER GEAR BOX, HI CAPACITY .....          | 100 - 8  |
| 2G17 | PUMP, REEL/FEEDER HOUSE DRIVE .....                         | 70 - 40  | 3E1  | REVERSER GEAR BOX, STANDARD .....             | 100 - 10 |
| 2E7  | PUMP, STEERING.....   | 60 - 14  | 2I11 | RIGHT SIDE SHIELD ASSEMBLY .....              | 80 - 10  |
| 2B18 | PUMP, TRANSMISSION .....                                    | 50 - 16  | 1C21 | RING GEAR, FLYWHEEL .....                     | 25 - 14  |
| 1D14 | PUMP, WATER .....   | 25 - 36  | 1C15 | RING, PISTON.....                             | 25 - 8   |
| 1G11 | PUMP, WINDSHIELD WASHER .....                               | 40 - 38  | 1D1  | ROCKER ARM AND SHAFT.....                     | 25 - 20  |
| 1D1  | PUSH RODS .....   | 25 - 20  | 1D2  | ROCKER ARM COVER.....                         | 25 - 21  |
|      |   |          | 1C15 | ROD, CONNECTING .....                         | 25 - 8   |
|      |   |          | 1D1  | ROD, PUSH .....                               | 25 - 20  |
|      | R   |          | 4H17 | ROMANIAN DECALS AND LABELS.....               | 170 - 24 |
| 1F23 | R.H. MAIN WIRING HARNESS                                    |          | 1H23 | ROOF, CAB LIGHTS .....                        | 40 - 77  |
|      | W/O GREENSTAR .....   | 40 - 24  | 3B10 | ROOF, INTERIOR CAB.....                       | 90 - 10  |
| 1G1  | R.H. MAIN WIRING HARNESS W/GREENSTAR.....                   | 40 - 28  | 1B6  | ROTARY SCREEN DOOR AND SCREEN.....            | 20 - 4   |
| 2E15 | R.H. SIDE STEERING LINES .....                              | 60 - 22  | 1B4  | ROTARY SCREEN DRIVE AND IDLER ARMS .....      | 20 - 2   |
| 1B12 | RADIATOR AND CAP .....                                      | 20 - 10  | 3J16 | ROTOR, FINE CUT PADDLED BLADE CHOPPER.....    | 130 - 8  |
| 2J1  | RADIATOR DOOR AND HANDRAIL.....                             | 80 - 24  | 3J14 | ROTOR, FINE CUT STRAIGHT BLADE CHOPPER .....  | 130 - 6  |
| 1B8  | RADIATOR SHELL AND SEALS.....                               | 20 - 6   | 3J12 | ROTOR, TRI-ROD CHOPPER .....                  | 130 - 4  |
| 3C15 | RADIO, SPEAKERS AND ANTENNA .....                           | 90 - 40  | 4H18 | RUSSIAN DECALS AND LABELS .....               | 170 - 25 |
| 1B6  | RAKE, ROTARY SCREEN .....                                   | 20 - 4   |      |   |          |
| 3G3  | RASP BAR THRESHING CYLINDER.....                            | 110 - 10 |      | S   |          |
| 4G1  | REAR ARM, TENSION CYLINDER & IDLER AXLE .....               | 160 - 10 | 3C17 | SAFETY CHAIN, CAB PLATFORM.....               | 90 - 42  |
| 2B5  | REAR AXLE SPINDLE HOUSING .....                             | 50 - 2   | 4G20 | SAFETY DECALS AND LOCATIONS.....              | 170 - 2  |
| 2E22 | REAR AXLE SPINDLES (HEAVY DUTY).....                        | 60 - 30  | 4G22 | SAFETY DECALS AND LOCATIONS.....              | 170 - 4  |
| 2E20 | REAR AXLE SPINDLES (REGULAR DUTY) .....                     | 60 - 28  | 4G24 | SAFETY DECALS AND LOCATIONS.....              | 170 - 6  |
| 2B4  | REAR AXLE SUPPORT.....                                      | 50 - 1   | 4H1  | SAFETY DECALS AND LOCATIONS.....              | 170 - 8  |
| 2B6  | REAR AXLE, ADJUSTABLE .....                                 | 50 - 3   | 4H3  | SAFETY DECALS AND LOCATIONS.....              | 170 - 10 |
| 2B5  | REAR AXLE, FIXED .....                                      | 50 - 2   | 4H11 | SAFETY DECALS, RUBBER TRACK .....             | 170 - 18 |
| 2I19 | REAR CORNER SHEET, L.H.....                                 | 80 - 18  | 4H11 | SAFETY LABELS, RUBBER TRACK .....             | 170 - 18 |
| 2J8  | REAR HOOD .....   | 80 - 32  | 4E23 | SAMPLING TROUGH, GRAIN TANK .....             | 150 - 41 |
| 2J6  | REAR LADDER LANDING LATCH ARM .....                         | 80 - 30  | 3F8  | SCOOP, FEEDER HOUSE RETURN .....              | 100 - 42 |
| 1I1  | REAR LAMP ASSEMBLY (AMBER) .....                            | 40 - 80  | 1B6  | SCREEN DOOR, ROTARY .....                     | 20 - 4   |
| 2J14 | REAR LAMP, ENGINE ACCESS PLATFORM .....                     | 80 - 38  | 1B4  | SCREEN DRIVE, ROTARY .....                    | 20 - 2   |
| 1C20 | REAR OIL SEAL .....   | 25 - 13  | 2D19 | SEAL AND BRAKE PEDAL, PARKING .....           | 60 - 2   |
| 1C20 | REAR OIL SEAL GASKET .....                                  | 25 - 13  | 3K12 | SEAL AND PAN, CHAFF SPREADER .....            | 130 - 30 |
| 1C20 | REAR OIL SEAL HOUSING .....                                 | 25 - 13  | 1B8  | SEAL AND RADIATOR SHELL.....                  | 20 - 6   |
| 2E17 | REAR STEERING LINES AND HOSES .....                         | 60 - 24  | 2C12 | SEAL KIT, HYDROSTATIC DRIVE MOTOR .....       | 50 - 36  |
| 1C3  | REAR SUPPORT, ENGINE MOUNTS .....                           | 20 - 26  | 3D11 | SEAL, AIR CONDITIONER COMPRESSOR .....        | 95 - 11  |
| 3I15 | REAR TAILINGS SHIELD, LEFT SIDE .....                       | 125 - 14 | 3B6  | SEAL, CAB SIDE AND REAR.....                  | 90 - 6   |
| 1I2  | REAR TURN AND TAIL LIGHTS (RED).....                        | 40 - 81  | 2C15 | SEAL, CAM LOBE MOTOR.....                     | 50 - 40  |
| 2B14 | REAR WHEELS (4-WHEEL DRIVE/CAM LODE<br>MOTOR).....          | 50 - 11  | 3E17 | SEAL, FEEDER HOUSE - CONTOUR MASTER.....      | 100 - 26 |
| 2B13 | REAR WHEELS AND WHEEL WEIGHTS .....                         | 50 - 10  | 1C22 | SEAL, FRONT OIL.....                          | 25 - 15  |
| 3D9  | RECEIVER-DRYER, AIR CONDITIONER.....                        | 95 - 9   | 1C20 | SEAL, REAR OIL .....                          | 25 - 13  |
| 4F2  | RECEIVER, POSITION, YIELD MAPPING .....                     | 155 - 2  | 1D14 | SEAL, TUBE, WATER PUMP .....                  | 25 - 36  |
| 2G21 | REEL DRIVE FLOW CONTROL VALVE .....                         | 70 - 44  | 1D14 | SEAL, WATER PUMP OIL .....                    | 25 - 36  |
| 2H1  | REEL DRIVE HYD. LINES L.H. ....                             | 70 - 48  | 3B20 | SEAT AND BACKREST, OPERATOR'S.....            | 90 - 20  |
| 2H3  | REEL DRIVE HYDRAULIC LINES AND HOSES .....                  | 70 - 50  | 3B16 | SEAT CONSOLE, PASSENGER.....                  | 90 - 16  |
| 2H7  | REEL FORE-AND-AFT HYDRAULIC LINES AND<br>HOSES, FRONT ..... | 70 - 54  | 3B16 | SEAT CUSHIONS, PASSENGER .....                | 90 - 16  |
| 2H5  | REEL FORE-AND-AFT HYDRAULIC LINES, L.H. ....                | 70 - 52  | 3B22 | SEATBELT, OPERATOR'S .....                    | 90 - 23  |
| 2H9  | REEL LIFT LINES AND HOSES.....                              | 70 - 56  | 4C7  | SECONDARY COUNTERSHAFT DRIVE .....            | 140 - 34 |
| 2G3  | REEL LIFT, SOLENOID CONTROL VALVE.....                      | 70 - 26  | 4C7  | SECONDARY COUNTERSHAFT DRIVE PULLEY.....      | 140 - 34 |
| 2G23 | REEL PUMP HOSES, HYDRAULIC .....                            | 70 - 46  | 1H19 | SENSING SWITCH, STRAW WALKER .....            | 40 - 73  |
| 2G23 | REEL PUMP HYDRAULIC HOSES.....                              | 70 - 46  | 1H21 | SENSOR AND BRACKET, LOW SHAFT SPEED .....     | 40 - 75  |
| 1H11 | REEL SPEED MOTOR .....                                      | 40 - 64  | 3D2  | SENSOR, AIR CONDITIONER AND HEATER.....       | 95 - 2   |
| 1G22 | RELAY PANEL AND CIRCUIT BREAKERS.....                       | 40 - 50  | 3D4  | SENSOR, AIR CONDITIONER AND HEATER.....       | 95 - 4   |
| 2F22 | RELIEF VALVE, SOLENOID, CONTOUR MASTER .....                | 70 - 20  | 3C1  | SENSOR, ARMREST CONTROL PANEL.....            | 90 - 26  |
| 2F22 | RELIEF VALVE, SOLENOID, UNLOAD MODULE .....                 | 70 - 20  | 1H14 | SENSOR, CONCAVE INDICATOR .....               | 40 - 68  |
| 2F7  | RESERVOIR LINES AND HOSES .....                             | 70 - 4   | 1H20 | SENSOR, ENGINE SPEED.....                     | 40 - 74  |
|      |   |          | 3F10 | SENSOR, FEEDER HOUSE POSITION.....            | 100 - 44 |

## ALPHABETICAL INDEX - CONTINUED

| GRID |  | PAGE   | GRID |  | PAGE   |
|------|--|--------|------|--|--------|
| 1G19 | SENSOR, FULL BIN .....   | 40-46  | 2G19 | SHEAVE, MOUNTING, PUMP, REEL AND BELT<br>PICKUP DRIVE .....                  | 70-42  |
| 1G16 | SENSOR, GRAIN LOSS MONITOR .....   | 40-43  | 3D18 | SHEAVE, MOUNTINGS, FRONT VARIABLE<br>DRIVE .....                             | 100-2  |
| 1G19 | SENSOR, GRAIN TANK FULL BIN .....  | 40-46  | 1B4  | SHEAVE, ROTARY SCREEN DRIVE .....  | 20-2   |
| 2B22 | SENSOR, GROUND SPEED .....   | 50-20  | 3I3  | SHEAVE, UPPER CLEAN GRAIN ELEVATOR .....                                     | 125-2  |
| 3J20 | SENSOR, MAGNETIC PICKUP .....  | 130-12 | 3F14 | SHEAVE, UPPER DRIVE SHAFT, FEEDER HOUSE<br>(FIXED SPEED WITH REVERSER) ..... | 100-48 |
| 4F6  | SENSOR, MASS FLOW, YIELD MAPPING .....   | 155-6  | 3E17 | SHELL, FEEDER HOUSE-CONTOUR MASTER .....                                     | 100-26 |
| 1H16 | SENSOR, MOISTURE .....   | 40-70  | 1B8  | SHELL, RADIATOR AND SEALS .....  | 20-6   |
| 4F8  | SENSOR, MOISTURE, YIELD MAPPING .....  | 155-8  | 3K10 | SHIELD AND HANDLES, CHAFF SPREADER .....                                     | 130-28 |
| 3C13 | SENSOR, OVERHEAD CONSOLE .....   | 90-38  | 2I9  | SHIELD ASSEMBLY, FRONT, RIGHT SIDE .....                                     | 80-8   |
| 1H9  | SENSOR, SPEED, BACKSHAFT .....   | 40-62  | 2I7  | SHIELD ASSEMBLY, LEFT SIDE .....   | 80-6   |
| 3J20 | SENSOR, STRAW CHOPPER .....  | 130-12 | 2I11 | SHIELD ASSEMBLY, RIGHT SIDE .....  | 80-10  |
| 3I23 | SENSOR, TAILINGS ELEVATOR .....  | 125-22 | 2J3  | SHIELD, DRIVE, R.H. REAR .....   | 80-27  |
| 1E5  | SENSOR, TEMPERATURE .....  | 30-4   | 2D15 | SHIELD, FINAL DRIVE SHAFT .....  | 50-66  |
| 1C4  | SENSOR, TEMPERATURE, ENGINE CYLINDER .....                                     | 20-27  | 1D21 | SHIELD, HEAT, EXHAUST MANIFOLD .....   | 25-44  |
| 4B11 | SEPARATOR AND PUMP DRIVE, GEARCASE .....                                       | 140-10 | 3E11 | SHIELD, L.H. DRIVE - W/AIRFLOW .....   | 100-20 |
| 3G2  | SEPARATOR CURTAIN (RASP BAR CYLINDER) .....                                    | 110-9  | 3E9  | SHIELD, L.H. DRIVE - W/O AIRFLOW .....                                       | 100-18 |
| 3H21 | SEPARATOR CURTAIN, SPIKE-TOOTH CYLINDER .....                                  | 120-24 | 2I5  | SHIELD, LEFT SIDE FRONT .....  | 80-4   |
| 4B9  | SEPARATOR DRIVE WET-CLUTCH AND PUMP<br>DRIVE SHAFT, GEARCASE .....             | 140-8  | 2D16 | SHIELD, MUD - POWERED REAR WHEELS .....                                      | 50-67  |
| 4C15 | SEPARATOR FAN DRIVE .....  | 140-42 | 3E13 | SHIELD, R.H. DRIVE .....   | 100-22 |
| 1H18 | SEPARATOR FAN DRIVE ADJUSTING MOTOR .....                                      | 40-72  | 3I15 | SHIELD, REAR TAILINGS LEFT SIDE .....  | 125-14 |
| 2I3  | SEPARATOR FRAME .....  | 80-2   | 4D1  | SHIELD, STRAW CHOPPER DRIVE .....  | 140-52 |
| 3F20 | SEPARATOR, STONE TRAP AND DOOR .....   | 110-2  | 3I17 | SHIELD, TAILINGS UPPER REAR .....  | 125-16 |
| 1F6  | SERVICE KIT, ELECTRICAL CONNECTORS .....                                       | 40-4   | 4D3  | SHIELD, UPPER TAILINGS AUGER DRIVE .....                                     | 140-54 |
| 1F8  | SERVICE KIT, ELECTRICAL CONNECTORS .....                                       | 40-6   | 2J8  | SHIELD, WIRING HARNESS .....   | 80-32  |
| 2J10 | SERVICE LIGHT, ENGINE COMPARTMENT .....  | 80-34  | 2B17 | SHIFTER CAM, TRANSMISSION AND<br>DIFFERENTIAL .....                          | 50-14  |
| 2I15 | SERVICE LIGHT, L.H. .....  | 80-14  | 2B16 | SHIFTER FORKS, TRANSMISSION .....  | 50-13  |
| 2I23 | SERVICE LIGHT, R.H. GULLWING .....   | 80-22  | 4F18 | SHIPPING FRAME .....   | 160-2  |
| 2J1  | SERVICE LIGHT, RADIATOR DOOR .....   | 80-24  | 3G22 | SHOE GRAIN SUPPLY AUGER CLEANOUT DOOR .....                                  | 120-1  |
| 2C7  | SERVO, HYDROSTATIC PUMP .....  | 50-30  | 3G23 | SHOE GRAIN SUPPLY AUGERS .....   | 120-2  |
| 2B7  | SHAFT, AXLE .....  | 50-4   | 4G11 | SHOES AND DRUM, BRAKE .....  | 160-22 |
| 3G13 | SHAFT, BEATER AND DRIVE BELT .....   | 110-20 | 2E5  | SHOES, BRAKE .....   | 60-12  |
| 2C15 | SHAFT, CAM LOBE MOTOR .....  | 50-40  | 1C11 | SHORT BLOCK .....  | 25-4   |
| 2B22 | SHAFT, DIFFERENTIAL .....  | 50-20  | 1D22 | SHORT BLOCK GASKET KIT .....   | 25-46  |
| 3F16 | SHAFT, DRIVE, FRONT (FIXED SPEED WITH<br>REVERSER) .....                       | 100-50 | 1A5  | SHORT BLOCK SERIAL NUMBER IDENTIFICATION .....                               | 10-4   |
| 3F16 | SHAFT, DRIVE, FRONT, SHEAVE AND<br>MOUNTINGS (FIXED SPEED WITH REVERSER) ..... | 100-50 | 1E5  | SHUT-OFF SOLENOID .....  | 30-4   |
| 3F14 | SHAFT, DRIVE, UPPER, SHEAVE AND MOUNTING<br>(FIXED SPEED WITH REVERSER) .....  | 100-48 | 3B6  | SIDE AND REAR CAB SEALS .....  | 90-6   |
| 2B24 | SHAFT, FINAL DRIVE .....   | 50-22  | 1I3  | SIDE FINDER LIGHTS .....   | 40-82  |
| 2C1  | SHAFT, FINAL DRIVE .....   | 50-24  | 2J8  | SIDE PANEL, REAR HOOD .....  | 80-32  |
| 2C12 | SHAFT, HYDROSTATIC DRIVE MOTOR .....   | 50-36  | 4C11 | SIEVE AND CHAFFER DRIVE, CONVEYOR AUGERS<br>AND STRAW WALKER .....           | 140-38 |
| 2C5  | SHAFT, HYDROSTATIC PUMP .....  | 50-28  | 3H15 | SIEVE ELEMENT .....  | 120-18 |
| 3J1  | SHAFT, LOWER TAILINGS AUGER .....  | 125-24 | 3H17 | SIEVE FRAME .....  | 120-20 |
| 1D1  | SHAFT, ROCKER ARM .....  | 25-20  | 2G9  | SINGLE ACCUMULATOR, ONE HALF GALLON .....                                    | 70-32  |
| 4B20 | SHAFT, SINGLE RANGE CYLINDER DRIVE .....                                       | 140-21 | 2F16 | SIX STACK SOLENOID CONTROL VALVE MODULE .....                                | 70-14  |
| 2B20 | SHAFT, TRANSMISSION PINION .....   | 50-18  | 2E3  | SLAVE CYLINDER, BRAKE .....  | 60-10  |
| 3I3  | SHAFT, UPPER CLEAN GRAIN ELEVATOR .....  | 125-2  | 3E19 | SLIP CLUTCH, FEEDER HOUSE SHAFT .....  | 100-28 |
| 2B8  | SHAFTS, DRIVE .....  | 50-5   | 2J8  | SLOW MOVING VEHICLE SIGN .....   | 80-32  |
| 3H19 | SHAKER PAN .....   | 120-22 | 2J8  | SMV SIGN .....   | 80-32  |
| 3G1  | SHEAR BAR, SEPARATOR CYLINDER .....  | 110-8  | 2F22 | SOLENOID CONTROL UNLOAD RELIEF VALVE .....                                   | 70-20  |
| 4C19 | SHEAVE LINKAGE, FAN DRIVE SPEED CONTROL .....                                  | 140-46 | 2F15 | SOLENOID CONTROL VALVE BRACKETS .....  | 70-12  |
| 1H3  | SHEAVE, ALTERNATOR (185 AMP) .....   | 40-56  | 2F16 | SOLENOID CONTROL VALVE MODULE, 6-STACK .....                                 | 70-14  |
| 1H1  | SHEAVE, ALTERNATOR (95 AMP) .....  | 40-54  | 2G1  | SOLENOID CONTROL VALVE UNBALANCED LOAD<br>(HEADER LIFT MODULE) .....         | 70-24  |
| 4C13 | SHEAVE, BEATER DRIVE AND TIGHTENER .....                                       | 140-40 | 2G5  | SOLENOID CONTROL VALVE, AUGER SWING .....                                    | 70-28  |
| 3I13 | SHEAVE, CLEAN GRAIN ELEVATOR GEARCASE .....                                    | 125-12 | 2G5  | SOLENOID CONTROL VALVE, REEL FORE/AFT .....                                  | 70-28  |
| 1B16 | SHEAVE, ENGINE DRIVE .....   | 20-14  | 2G3  | SOLENOID CONTROL VALVE, REEL LIFT .....                                      | 70-26  |
| 1B16 | SHEAVE, ENGINE FAN .....   | 20-14  | 2F20 | SOLENOID VALVE MODULE ASSEMBLY, 4-STACK .....                                | 70-18  |
| 1B14 | SHEAVE, ENGINE FAN DRIVE .....   | 20-12  | 2F18 | SOLENOID VALVE MODULE ASSEMBLY, 5-STACK .....                                | 70-16  |
| 3F12 | SHEAVE, FEEDER HOUSE DUST PAN, L.H. .....                                      | 100-46 | 2C24 | SOLENOID, CONTROL VALVE .....  | 50-51  |
| 3F6  | SHEAVE, FEEDER HOUSE, UPPER<br>COUNTERSHAFT, VARIABLE DRIVE .....              | 100-40 | 1E5  | SOLENOID, FUEL SHUT-OFF .....  | 30-4   |
| 3F16 | SHEAVE, FRONT DRIVE SHAFT (FIXED SPEED<br>WITH REVERSER) .....                 | 100-50 | 2F23 | SOLENOID, MAIN VALVE, HEADER CONTROL .....                                   | 70-21  |
| 3J1  | SHEAVE, LOWER TAILINGS TIGHTENER .....   | 125-24 | 1E5  | SOLENOID, SHUT-OFF .....   | 30-4   |
|      |  |        | 1E13 | SOLENOID, STARTING AID .....   | 30-12  |

## ALPHABETICAL INDEX - CONTINUED

| GRID |  | PAGE     | GRID |   | PAGE     |
|------|--|----------|------|---|----------|
| 2B7  | SPACERS, AXLE .....                                    | 50 - 4   | 2E24 | STEERING TIE RODS, ADJUSTABLE REAR AXLE .....                       | 60 - 32  |
| 2B8  | SPACERS, AXLE .....                                    | 50 - 5   | 2E25 | STEERING TIE RODS, FIXED REAR AXLE .....                            | 60 - 33  |
| 4H19 | SPANISH DECALS AND LABELS .....                        | 170 - 26 | 3C5  | STEERING WHEEL .....  | 90 - 30  |
| 3B10 | SPEAKER GRILLE .....                                   | 90 - 10  | 3C3  | STEERING WHEEL ADJUSTER PEDAL .....                                 | 90 - 28  |
| 3C15 | SPEAKER, ANTENNA AND RADIO .....                       | 90 - 40  | 3B3  | STEP, CAB SUPPORT .....   | 90 - 2   |
| 4C17 | SPEED CONTROL LINKAGE, FAN DRIVE .....                 | 140 - 44 | 2J12 | STEP, FUEL TANK .....   | 80 - 36  |
| 4C19 | SPEED CONTROL, FAN DRIVE SHEAVE LINKAGE .....          | 140 - 46 | 3C17 | STEP, LADDER EXTENSION .....  | 90 - 42  |
| 2B22 | SPEED, SENSOR, GROUND .....                            | 50 - 20  | 3C20 | STEP, LANDING, L.H. ....  | 90 - 46  |
| 1H14 | SPIKE TOOTH INDICATOR .....                            | 40 - 68  | 3F20 | STONE TRAP, DOOR .....  | 110 - 2  |
| 3G5  | SPIKE TOOTH THRESHING CYLINDER .....                   | 110 - 12 | 2G6  | STOP, HEADER LIFT CYLINDER .....                                    | 70 - 29  |
| 3G7  | SPIKE-TOOTH CONCAVE .....                              | 110 - 14 | 1E15 | STRAINER, FUEL TANK .....   | 30 - 14  |
| 3G9  | SPIKE-TOOTH CONCAVE .....                              | 110 - 16 | 1H5  | STRAP, ALTERNATOR ADJUSTING .....                                   | 40 - 58  |
| 3H21 | SPIKE-TOOTH CYLINDER, SEPARATOR CURTAIN .....          | 120 - 24 | 1D3  | STRAP, ENGINE LIFT .....  | 25 - 22  |
| 3G11 | SPIKE-TOOTH FINGER GRATE .....                         | 110 - 18 | 4D1  | STRAW CHOPPER DRIVE SHIELDS .....                                   | 140 - 52 |
| 2B5  | SPINDLE HOUSING (REGULAR DUTY), REAR<br>AXLE .....     | 50 - 2   | 4C23 | STRAW CHOPPER DRIVES (REAR) .....                                   | 140 - 50 |
| 2C1  | SPINDLE, FINAL DRIVE .....                             | 50 - 24  | 3J20 | STRAW CHOPPER SENSOR .....  | 130 - 12 |
| 2E22 | SPINDLE, REAR AXLE (HEAVY DUTY) .....                  | 60 - 30  | 3K4  | STRAW SPREADER .....  | 130 - 22 |
| 2E20 | SPINDLE, REAR AXLE (REGULAR DUTY) .....                | 60 - 28  | 3G19 | STRAW SPREADER DRIVE .....  | 110 - 26 |
| 3K6  | SPREADER CURTAIN .....                                 | 130 - 24 | 3K2  | STRAW SPREADER MOUNTING AND GUARD .....                             | 130 - 20 |
| 2H22 | SPREADER, CHAFF, LINES AND HOSES<br>(DUAL MOTOR) ..... | 70 - 70  | 3G15 | STRAW WALKER .....  | 110 - 22 |
| 3K4  | SPREADER, STRAW .....                                  | 130 - 22 | 3G17 | STRAW WALKER BEARING KIT .....                                      | 110 - 24 |
| 3B23 | SPRING, ARMREST CONTROL PANEL .....                    | 90 - 24  | 3G19 | STRAW WALKER CRANK .....  | 110 - 26 |
| 2D21 | SPRING, BRAKE PEDAL .....                              | 60 - 4   | 4C9  | STRAW WALKER DRIVE GEARCASE .....                                   | 140 - 36 |
| 2E5  | SPRING, BRAKE SHOE, HOLD DOWN .....                    | 60 - 12  | 1H19 | STRAW WALKER SENSING SWITCH .....                                   | 40 - 73  |
| 3B14 | SPRING, CAB DOOR LATCH .....                           | 90 - 14  | 4C11 | STRAW WALKER, CONVEYOR AUGERS, SIEVE AND<br>CHAFFER DRIVE .....     | 140 - 38 |
| 2C23 | SPRING, CONTROL VALVE .....                            | 50 - 50  | 3F24 | STRIPPER, CYLINDER DOOR (CORN) .....                                | 110 - 6  |
| 1C24 | SPRING, CYLINDER HEAD .....                            | 25 - 18  | 3E15 | STRIPPER, FEEDER HOUSE FRAME .....                                  | 100 - 24 |
| 2J3  | SPRING, DRIVE SHIELD R.H. REAR .....                   | 80 - 27  | 3F8  | STRIPPER, FEEDER HOUSE RETURN .....                                 | 100 - 42 |
| 4B5  | SPRING, GEARCASE PRESSURE REGULATOR .....              | 140 - 4  | 3G1  | STRIPPER, SHEAR BAR .....   | 110 - 8  |
| 2C7  | SPRING, HYDROSTATIC PUMP .....                         | 50 - 30  | 3B3  | STUBBLE LIGHT, FRONT CAB .....                                      | 90 - 2   |
| 3C19 | SPRING, LADDER EXTENSION .....                         | 90 - 45  | 3B10 | SUN VISOR .....   | 90 - 10  |
| 2J6  | SPRING, LATCH ARM REAR LADDER LANDING .....            | 80 - 30  | 1F12 | SUPPLEMENTARY TERMINALS AND CONNECTORS .....                        | 40 - 10  |
| 3J1  | SPRING, LOWER TAILINGS AUGER TIGHTENER .....           | 125 - 24 | 3G22 | SUPPLY AUGER CLEANOUT DOOR, HANDLE AND<br>LATCHES, SHOE GRAIN ..... | 120 - 1  |
| 2D19 | SPRING, PARKING BRAKE PEDAL .....                      | 60 - 2   | 4E3  | SUPPORT AND BRACES, AUGER .....                                     | 150 - 20 |
| 1B4  | SPRING, ROTARY SCREEN DRIVE .....                      | 20 - 2   | 4B18 | SUPPORT AND VARIABLE SHEAVE, PRIMARY<br>COUNTERSHAFT .....          | 140 - 18 |
| 3C3  | SPRING, STEERING COLUMN .....                          | 90 - 28  | 2E4  | SUPPORT BRACKET, BRAKE CABLE .....                                  | 60 - 11  |
| 3I23 | SPRING, TAILINGS ELEVATOR SENSOR .....                 | 125 - 22 | 1B20 | SUPPORT, AIR CONDITIONER COMPRESSOR .....                           | 20 - 18  |
| 3E19 | SPROCKET, CHAIN, SLIP CLUTCH .....                     | 100 - 28 | 1H5  | SUPPORT, ALTERNATOR .....   | 40 - 58  |
| 3I5  | SPROCKET, CLEAN GRAIN LOWER AUGER .....                | 125 - 4  | 1E15 | SUPPORT, FUEL TANK .....  | 30 - 14  |
| 3F3  | SPROCKET, FEEDER HOUSE IDLER .....                     | 100 - 36 | 1G16 | SUPPORT, GRAIN LOSS MONITOR .....                                   | 40 - 43  |
| 3J1  | SPROCKET, LOWER TAILINGS AUGER TIGHTENER .....         | 125 - 24 | 4B13 | SUPPORT, PRIMARY COUNTERSHAFT .....                                 | 140 - 12 |
| 3I24 | SPROCKET, TAILINGS ELEVATOR CONVEYOR .....             | 125 - 23 | 1C3  | SUPPORT, REAR ENGINE MOUNTS .....                                   | 20 - 26  |
| 3J20 | SPROCKET, TRANSPORT, CHOPPER .....                     | 130 - 12 | 3J10 | SUPPORT, TAIL BOARD AND VANES .....                                 | 130 - 2  |
| 3I3  | SPROCKET, UPPER CLEAN GRAIN ELEVATOR .....             | 125 - 2  | 4F24 | SUSPENSION, AIR .....   | 160 - 8  |
| 3J5  | SPROCKET, UPPER TAILINGS AUGER .....                   | 125 - 28 | 3B18 | SUSPENSION, AIR SEAT .....  | 90 - 18  |
| 1B21 | STARTER RELAY .....                                    | 20 - 19  | 2C7  | SWASHPLATE, HYDROSTATIC PUMP .....                                  | 50 - 30  |
| 1H7  | STARTER SWITCH .....                                   | 40 - 60  | 4D22 | SWING AUGER HOSES AND LINES .....                                   | 150 - 14 |
| 1H7  | STARTER WIRING HARNES .....                            | 40 - 60  | 4D24 | SWING UNLOADING AUGER CYLINDER .....                                | 150 - 16 |
| 1H7  | STARTER, MOTOR KIT .....                               | 40 - 60  | 3D10 | SWITCH, AIR CONDITIONER,<br>EVAPORATOR HEATER .....                 | 95 - 10  |
| 1E13 | STARTING AID, COLD WEATHER .....                       | 30 - 12  | 3B20 | SWITCH, AIR SEAT .....  | 90 - 20  |
| 1E14 | STARTING FITTINGS, ETHER .....                         | 30 - 13  | 3B23 | SWITCH, ARMREST ROCKER .....  | 90 - 24  |
| 1E13 | STARTING FLUID .....                                   | 30 - 12  | 3C1  | SWITCH, ARMREST ROCKER .....  | 90 - 26  |
| 3C5  | STARTING SWITCH .....                                  | 90 - 30  | 3B10 | SWITCH, CAB OVERHEAD LIGHT .....                                    | 90 - 10  |
| 2C22 | STEERING ARM, CAM LOBE MOTOR .....                     | 50 - 48  | 4B5  | SWITCH, ENGINE GEARCASE TEMPERATURE .....                           | 140 - 4  |
| 3C3  | STEERING COLUMN (LOWER) .....                          | 90 - 28  | 1B21 | SWITCH, ENGINE PRESSURE .....                                       | 20 - 19  |
| 3C5  | STEERING COLUMN (UPPER) .....                          | 90 - 30  | 2C9  | SWITCH, HYDROSTATIC CHARGE PUMP .....                               | 50 - 32  |
| 1G7  | STEERING COLUMN WIRING HARNESS .....                   | 40 - 34  | 1H21 | SWITCH, LOW SHAFT SPEED SENSOR .....                                | 40 - 75  |
| 2E19 | STEERING CYLINDER .....                                | 60 - 26  | 3C13 | SWITCH, OVERHEAD CONSOLE .....                                      | 90 - 38  |
| 2E11 | STEERING HOSES AND LINES, FRONT .....                  | 60 - 18  | 2D19 | SWITCH, PARKING BRAKE PEDAL .....                                   | 60 - 2   |
| 2E9  | STEERING HOSES, UPPER .....                            | 60 - 16  | 2F11 | SWITCH, PRESSURE, AIR CONDITIONER .....                             | 70 - 8   |
| 2E17 | STEERING LINES AND HOSES, REAR .....                   | 60 - 24  | 4B3  | SWITCH, PRESSURE, ENGINE GEARCASE OIL .....                         | 140 - 2  |
| 2E13 | STEERING LINES, L.H. SIDE .....                        | 60 - 20  | 1H19 | SWITCH, SENSING, STRAW WALKER .....                                 | 40 - 73  |
| 2E15 | STEERING LINES, R.H. SIDE .....                        | 60 - 22  | 1H7  | SWITCH, STARTER .....   | 40 - 60  |
| 2E7  | STEERING PUMP .....                                    | 60 - 14  |      |   |          |
| 3C3  | STEERING PUMP - STEERING SHAFT .....                   | 90 - 28  |      |   |          |

## ALPHABETICAL INDEX - CONTINUED

| GRID     |  | PAGE     | GRID     |  | PAGE     |  |  |  |
|----------|--|----------|----------|--|----------|--|--|--|
| 3C5      | SWITCH, STEERING COLUMN .....                        | 90 - 30  | 2B15     | TRANSMISSION.....  | 50 - 12  |  |  |  |
| 3I21     | SWITCH, TAILINGS ELEVATOR LIGHT .....                | 125 - 20 | 2B17     | TRANSMISSION AND DIFFERENTIAL<br>HOUSING COVER AND SHIFTER CAM ..... | 50 - 14  |  |  |  |
| 4E3      | SWIVEL SUPPORT AND BRACES, AUGER .....               | 150 - 20 | 2B18     | TRANSMISSION BEARINGS.....   | 50 - 16  |  |  |  |
| 4E3      | SWIVEL, AUGER SUPPORT .....                          | 150 - 20 | 2B22     | TRANSMISSION DIFFERENTIAL .....                                      | 50 - 20  |  |  |  |
| 4E1      | SWIVEL, HORIZONTAL UNLOADING AUGER .....             | 150 - 18 | 2B18     | TRANSMISSION GEARS.....  | 50 - 16  |  |  |  |
| <b>T</b> |  |          |          |  |          |  |  |  |
| 3J10     | TAIL BOARD SUPPORTS AND VANES .....                  | 130 - 2  | 3C9      | TRANSMISSION GEARSHIFT.....  | 90 - 34  |  |  |  |
| 3J23     | TAILBOARD ARMS, CHOP-TO-BALE .....                   | 130 - 16 | 2B18     | TRANSMISSION INPUT SHAFT .....                                       | 50 - 16  |  |  |  |
| 3J3      | TAILINGS AUGER DRIVE TIGHTENER.....                  | 125 - 26 | 2B20     | TRANSMISSION PINION GEARS.....                                       | 50 - 18  |  |  |  |
| 3I24     | TAILINGS ELEVATOR CONVEYOR CHAIN .....               | 125 - 23 | 2B20     | TRANSMISSION PINION SHAFT .....                                      | 50 - 18  |  |  |  |
| 3I24     | TAILINGS ELEVATOR CONVEYOR SPROCKETS .....           | 125 - 23 | 2B16     | TRANSMISSION SHIFTER FORKS .....                                     | 50 - 13  |  |  |  |
| 3I21     | TAILINGS ELEVATOR HOUSING.....                       | 125 - 20 | 1B19     | TRANSMISSION-ENGINE COUPLING WITH HUB .....                          | 20 - 17  |  |  |  |
| 3I23     | TAILINGS ELEVATOR MATERIAL SENSOR.....               | 125 - 22 | 3J20     | TRANSPORT SPROCKETS, CHOPPER .....                                   | 130 - 12 |  |  |  |
| 3I15     | TAILINGS SHIELD, REAR LEFT SIDE.....                 | 125 - 14 | 1I4      | TRANSPORT WARNING LIGHTS.....  | 40 - 83  |  |  |  |
| 3I17     | TAILINGS SHIELD, UPPER REAR.....                     | 125 - 16 | 3F20     | TRAP, STONE .....  | 110 - 2  |  |  |  |
| 1B12     | TANK, COOLANT RECOVERY.....                          | 20 - 10  | 3B16     | TRASH CONTAINER .....  | 90 - 16  |  |  |  |
| 1E15     | TANK, FUEL.....                                      | 30 - 14  | 1H22     | TRAY, BATTERY .....  | 40 - 76  |  |  |  |
| 4D14     | TANK, GRAIN.....                                     | 150 - 6  | 3J12     | TRI-ROD CHOPPER .....  | 130 - 4  |  |  |  |
| 1E5      | TEMPERATURE SENSOR .....                             | 30 - 4   | 4E23     | TROUGH, GRAIN TANK SAMPLING .....                                    | 150 - 41 |  |  |  |
| 1C4      | TEMPERATURE SENSOR, ENGINE .....                     | 20 - 27  | 3I19     | TROUGH, LOWER TAILINGS AUGER.....                                    | 125 - 18 |  |  |  |
| 4B5      | TEMPERATURE SWITCH, GEARCASE.....                    | 140 - 4  | 3G23     | TROUGH, SHOE GRAIN SUPPLY AUGER .....                                | 120 - 2  |  |  |  |
| 4G17     | TENSION CYLINDER<br>INDIVIDUAL REPAIR PARTS.....     | 160 - 28 | 1D14     | TUBE SEAL, WATER PUMP.....   | 25 - 36  |  |  |  |
| 4G1      | TENSION CYLINDER AND ATTACHING HARDWARE..            | 160 - 10 | 1D13     | TUBE, ENGINE OIL DIPSTICK.....                                       | 25 - 34  |  |  |  |
| 4G15     | TENSION CYLINDER HYDRAULICS .....                    | 160 - 26 | 1D7      | TUBE, OIL COOLER BYPASS .....  | 25 - 27  |  |  |  |
| 1H5      | TENSIONER, BELT, ALTERNATOR.....                     | 40 - 58  | 1D8      | TUBES, OIL COOLER .....  | 25 - 28  |  |  |  |
| 1F10     | TERMINAL AND WIRING KIT.....                         | 40 - 8   | 1D19     | TURBOCHARGER .....   | 25 - 42  |  |  |  |
| 1F4      | TERMINAL, ELECTRICAL, WEATHERPACK.....               | 40 - 2   | 1D19     | TURBOCHARGER GASKET AND OIL LINES .....                              | 25 - 42  |  |  |  |
| 1F12     | TERMINAL, SUPPLEMENTARY, AND CONNECTORS..            | 40 - 10  | 1H24     | TURN SIGNAL LAMP, L.H. FRONT (AMBER).....                            | 40 - 78  |  |  |  |
| 1D16     | THERMOSTAT AND GASKET .....                          | 25 - 38  | 1H25     | TURN SIGNAL LIGHT, FRONT R.H. ....                                   | 40 - 79  |  |  |  |
| 1D16     | THERMOSTAT HOUSING, FRONT .....                      | 25 - 38  | 3C5      | TURN SIGNAL SWITCH .....   | 90 - 30  |  |  |  |
| 3F19     | THRESHING CYLINDER COVER.....                        | 110 - 1  | 1I1      | TURN SIGNAL, REAR, LIGHT .....                                       | 40 - 80  |  |  |  |
| 3G3      | THRESHING CYLINDER, RASP BAR .....                   | 110 - 10 | <b>U</b> |  |          |  |  |  |
| 3G5      | THRESHING CYLINDER, SPIKE TOOTH .....                | 110 - 12 | 4H20     | UKRAINIAN DECALS AND LABELS.....                                     | 170 - 27 |  |  |  |
| 1C19     | THRUST BEARING .....                                 | 25 - 12  | 1C17     | UNDERSIZE CRANKSHAFT KIT .....                                       | 25 - 10  |  |  |  |
| 2E24     | TIE RODS, STEERING, ADJUSTABLE REAR AXLE ....        | 60 - 32  | 1C18     | UNDERSIZE MAIN BEARING CRANKSHAFT .....                              | 25 - 11  |  |  |  |
| 2E25     | TIE RODS, STEERING, FIXED REAR AXLE.....             | 60 - 33  | 2F22     | UNLOAD MODULE, RELIEF VALVE, SOLENOID .....                          | 70 - 20  |  |  |  |
| 4C13     | TIGHTENER AND BEATER DRIVE SHEAVES .....             | 140 - 40 | 4E20     | UNLOADING AUGER COUNTERSHAFT DRIVE.....                              | 150 - 38 |  |  |  |
| 4B24     | TIGHTENER, CYLINDER DRIVE, DUAL-RANGE .....          | 140 - 26 | 4E22     | UNLOADING AUGER DRIVE BELT GUIDE.....                                | 150 - 40 |  |  |  |
| 3E5      | TIGHTENER, DRIVE, VARIABLE SPEED .....               | 100 - 14 | 4E9      | UNLOADING AUGER HOUSING, HORIZONTAL<br>(EXPORT) .....                | 150 - 26 |  |  |  |
| 3E3      | TIGHTENER, FEEDER HOUSE DREVE (FIXED<br>SPEED) ..... | 100 - 12 | 4E7      | UNLOADING AUGER HOUSING, HORIZONTAL<br>(17 AND 20 FT.) .....         | 150 - 24 |  |  |  |
| 3E7      | TIGHTENER, FEEDER HOUSE DRIVE .....                  | 100 - 16 | 1G17     | UNLOADING AUGER LIGHT .....  | 40 - 44  |  |  |  |
| 3J1      | TIGHTENER, LOWER TAILINGS AUGER .....                | 125 - 24 | 4D24     | UNLOADING AUGER SWING HYDRAULIC CYLINDER .....                       | 150 - 16 |  |  |  |
| 3J3      | TIGHTENER, LOWER TAILINGS AUGER DRIVE .....          | 125 - 26 | 4D22     | UNLOADING AUGER SWING HYDRAULIC LINES<br>HOSES.....                  | 150 - 14 |  |  |  |
| 2H14     | TILT CYLINDER - CONTOUR MASTER .....                 | 70 - 61  | 4D24     | UNLOADING AUGER SWING HYDRAULIC MOUNTING .....                       | 150 - 16 |  |  |  |
| 2H15     | TILT CYLINDER HOSES, CONTOUR MASTER .....            | 70 - 63  | 4E1      | UNLOADING AUGER SWIVEL, HORIZONTAL .....                             | 150 - 18 |  |  |  |
| 1C22     | TIMING GEAR COVER .....                              | 25 - 15  | 4D20     | UNLOADING AUGER, VERTICAL, GRAIN TANK .....                          | 150 - 12 |  |  |  |
| 2B10     | TIR VALVE STEM .....                                 | 50 - 7   | 4E18     | UNLOADING DRIVE CYLINDER, GRAIN TANK .....                           | 150 - 36 |  |  |  |
| 4H13     | TIRE CLEARANCE LABEL .....                           | 170 - 20 | 3I3      | UPPER CLEAN GRAIN ELEVATOR SHAFT .....                               | 125 - 2  |  |  |  |
| 4H13     | TIRE PRESSURE LABEL .....                            | 170 - 20 | 3I9      | UPPER CLEAN GRAIN LOADING AUGER HOUSING ..                           | 125 - 8  |  |  |  |
| 2B9      | TIRE VALVE STEM .....                                | 50 - 6   | 3I17     | UPPER REAR TAILINGS SHIELD .....                                     | 125 - 16 |  |  |  |
| 2J16     | TOOL BOX .....                                       | 80 - 40  | 3E19     | UPPER SHAFT, FEEDER HOUSE .....                                      | 100 - 28 |  |  |  |
| 3G5      | TOOTH, SPIKE TOOTH THRESHING CYLINDER .....          | 110 - 12 | 2E9      | UPPER STEERING HOSES .....   | 60 - 16  |  |  |  |
| 4D10     | TOP, GRAIN TANK .....                                | 150 - 2  | 4D3      | UPPER TAILINGS AUGER DRIVE .....                                     | 140 - 54 |  |  |  |
| 1C8      | TORQ-GARD PLUS-50, ENGINE OIL.....                   | 25 - 1   | 3J5      | UPPER TAILINGS AUGER HOUSING .....                                   | 125 - 28 |  |  |  |
| 4F18     | TRACK FRAME MOUNTING.....                            | 160 - 2  | 3J5      | UPPER TAILINGS AUGER PADDLE ASSEMBLY .....                           | 125 - 28 |  |  |  |
| 4F6      | TRANSDUCER MOUNTING BRACKET<br>YIELD MAPPING .....   | 155 - 6  | 4D3      | UPPER TAILINGS AUGER, DRIVE AND SHIELD.....                          | 140 - 54 |  |  |  |
| 4F6      | TRANSDUCER, YIELD MAPPING .....                      | 155 - 6  | 4D5      | UPPER TAILINGS DRIVE CHAIN TIGHTENER.....                            | 140 - 57 |  |  |  |
| 4G7      | TRANSFER GEAR CASE .....                             | 160 - 18 |          |  |          |  |  |  |
| 1E8      | TRANSFER PUMP, FUEL.....                             | 30 - 7   |          |  |          |  |  |  |
| 4F14     | TRANSFORMER, DATASTORE .....                         | 155 - 14 |          |  |          |  |  |  |
| 3I9      | TRANSITION LOADING AUGER .....                       | 125 - 8  |          |  |          |  |  |  |

## ALPHABETICAL INDEX - CONTINUED

| GRID | V  | PAGE     | GRID | PAGE  |          |
|------|--|----------|------|---|----------|
| 3D8  | VALVE ASSEMBLY, WATER, AIR CONDITIONER .....   | 95 - 8   | 3E17 | WEAR PLATE, FEEDER HOUSE - CONTOUR<br>MASTER .....      | 100 - 26 |
| 2F24 | VALVE BLOCK AND HYDRAULIC LINE,<br>ACTIVE HEADER HEIGHT CONTROL .....                | 70 - 22  | 3E15 | WEAR PLATE, FEEDER HOUSE FRAME .....                    | 100 - 24 |
| 2F16 | VALVE MODULE, 6-STACK SOLENOID CONTROL .....   | 70 - 14  | 2J8  | WEATHER STRIP, REAR HOOD .....                          | 80 - 32  |
| 2F22 | VALVE SOLENOID CONTROL UNLOAD MODULE .....   | 70 - 20  | 1F4  | WEATHERPACK CONNECTORS .....                            | 40 - 2   |
| 3D9  | VALVE, AIR CONDITIONER RECEIVER/DRYER .....  | 95 - 9   | 1F4  | WEATHERPACK TERMINALS .....                             | 40 - 2   |
| 2F18 | VALVE, AUGER EXTEND/RETRACT, 5-STACK .....   | 70 - 16  | 2B13 | WEIGHT, REAR WHEEL .....                                | 50 - 10  |
| 2F20 | VALVE, AUGER SWING, 4-STACK .....  | 70 - 18  | 2F13 | WET CLUTCH OIL COOLER HYDRAULIC HOSES .....             | 70 - 10  |
| 2F16 | VALVE, AUGER SWING, 6-STACK .....  | 70 - 14  | 4G6  | WHEEL ASSEMBLY, BOGEY .....                             | 160 - 16 |
| 2H20 | VALVE, CHAFF SPREADER .....  | 70 - 68  | 4G3  | WHEEL ASSEMBLY, IDLER .....                             | 160 - 12 |
| 3D13 | VALVE, COMPRESSOR .....  | 95 - 13  | 4G4  | WHEEL AXLES, BOGEY .....                                | 160 - 14 |
| 2F16 | VALVE, CONTOUR MASTER, 6-STACK .....   | 70 - 14  | 4H13 | WHEEL BOLT TORQUE LABEL .....                           | 170 - 20 |
| 2C23 | VALVE, CONTROL .....   | 50 - 50  | 2B9  | WHEEL, DRIVE .....                                      | 50 - 6   |
| 2C24 | VALVE, CONTROL, SOLENOID .....   | 50 - 51  | 4G13 | WHEEL, DRIVE AND BELT .....                             | 160 - 24 |
| 2C10 | VALVE, DISPLACEMENT CONTROL .....  | 50 - 34  | 2B11 | WHEEL, DUAL, WIDE SPACED .....                          | 50 - 8   |
| 1E11 | VALVE, FUEL CHECK .....  | 30 - 10  | 2B10 | WHEEL, HIGH FLOATATION DRIVE .....                      | 50 - 7   |
| 2F20 | VALVE, HEADER LIFT, 4-STACK .....  | 70 - 18  | 2B13 | WHEEL, REAR .....                                       | 50 - 10  |
| 2F18 | VALVE, HEADER LIFT, 5-STACK .....  | 70 - 16  | 2B14 | WHEEL, REAR (4-WHEEL DRIVE/CAM LODE<br>MOTOR) .....     | 50 - 11  |
| 2F16 | VALVE, HEADER LIFT, 6-STACK .....  | 70 - 14  | 3C5  | WHEEL, STEERING .....                                   | 90 - 30  |
| 2C9  | VALVE, HYDROSTATIC CHARGE PUMP .....   | 50 - 32  | 2B11 | WIDE SPACED DUAL WHEELS .....                           | 50 - 8   |
| 2C14 | VALVE, HYDROSTATIC MOTOR .....   | 50 - 38  | 4D10 | WINDOWPANE, GRAIN TANK .....                            | 150 - 2  |
| 1C24 | VALVE, INTAKE AND EXHAUST .....  | 25 - 18  | 3B12 | WINDSHIELD .....  | 90 - 12  |
| 1D9  | VALVE, OIL FILTER .....  | 25 - 30  | 1G11 | WINDSHIELD WASHER .....                                 | 40 - 38  |
| 1D11 | VALVE, OIL PAN DRAIN .....   | 25 - 32  | 1G13 | WINDSHIELD WIPER .....                                  | 40 - 40  |
| 1D8  | VALVE, OIL PRESSURE REGULATING .....   | 25 - 28  | 1G13 | WIPER ARM, WINDSHIELD .....                             | 40 - 40  |
| 2G21 | VALVE, REEL DRIVE FLOW CONTROL .....   | 70 - 44  | 1G13 | WIPER, WINDSHIELD .....                                 | 40 - 40  |
| 2F18 | VALVE, REEL FORE/AFT, 5-STACK .....  | 70 - 16  | 1F10 | WIRING AND TERMINAL KIT .....                           | 40 - 8   |
| 2F16 | VALVE, REEL FORE/AFT, 6-STACK .....  | 70 - 14  | 1F10 | WIRING CRIMPING TOOL .....                              | 40 - 8   |
| 2F20 | VALVE, REEL LIFT/VSC, 4-STACK .....  | 70 - 18  | 2G13 | WIRING HARNESS, ACCUMULATOR PRESSURE<br>GAUGE .....     | 70 - 36  |
| 2F18 | VALVE, REEL LIFT/VSC, 5-STACK .....  | 70 - 16  | 1G9  | WIRING HARNESS, AIR CONDITIONING .....                  | 40 - 36  |
| 2F16 | VALVE, REEL LIFT/VSC, 6-STACK .....  | 70 - 14  | 1G5  | WIRING HARNESS, ARMREST .....                           | 40 - 32  |
| 2F22 | VALVE, RELIEF, SOLENOID, UNLOAD MODULE .....   | 70 - 20  | 1G3  | WIRING HARNESS, CAB .....                               | 40 - 30  |
| 2F18 | VALVE, SOLENOID CONTROL MODULE 5-STACK .....   | 70 - 16  | 4B17 | WIRING HARNESS, ELECTROMAGNETIC CLUTCH .....            | 140 - 17 |
| 2F20 | VALVE, SOLENOID CONTROL MODULE, 4-STACK .....  | 70 - 18  | 1F15 | WIRING HARNESS, ENGINE .....                            | 40 - 14  |
| 2G5  | VALVE, SOLENOID CONTROL, AUGER SWING .....   | 70 - 28  | 1G19 | WIRING HARNESS, FULL BIN SENSOR .....                   | 40 - 46  |
| 2G3  | VALVE, SOLENOID CONTROL, CYLINDER SPEED<br>AND REEL LIFT BI-DIRECTIONAL MODULE ..... | 70 - 26  | 1G18 | WIRING HARNESS, GRAIN TANK .....                        | 40 - 45  |
| 2G1  | VALVE, SOLENOID CONTROL, HEADER LIFT .....   | 70 - 24  | 2I15 | WIRING HARNESS, GULLWING DOOR L.H. .....                | 80 - 14  |
| 2G5  | VALVE, SOLENOID CONTROL, REEL FORE/AFT .....   | 70 - 28  | 2I23 | WIRING HARNESS, GULLWING DOOR, R.H. .....               | 80 - 22  |
| 4B5  | VALVE, SOLENOID, GEARCASE REGULATOR .....  | 140 - 4  | 1G15 | WIRING HARNESS, HARVESTRAK .....                        | 40 - 42  |
| 2F24 | VALVE, SOLENOID, HEADER HEIGHT CONTROL .....   | 70 - 22  | 1F18 | WIRING HARNESS, L.H. MAIN .....                         | 40 - 18  |
| 2F22 | VALVE, SOLENOID, RELIEF, CONTOUR MASTER .....  | 70 - 20  | 1F17 | WIRING HARNESS, MAIN L.H. .....                         | 40 - 17  |
| 2F20 | VALVE, UNLOAD (RELIEF), 4-STACK .....  | 70 - 18  | 1F25 | WIRING HARNESS, MAIN R.H.<br>W/GREENSTAR .....          | 40 - 27  |
| 2F16 | VALVE, UNLOAD (RELIEF), 6-STACK .....  | 70 - 14  | 1H16 | WIRING HARNESS, MOISTURE SENSOR .....                   | 40 - 70  |
| 2F18 | VALVE, UNLOAD RELIEF, 5-STACK .....  | 70 - 16  | 1F22 | WIRING HARNESS, R.H. MAIN<br>W/O GREENSTAR .....        | 40 - 23  |
| 3J10 | VANE, TAIL BOARD .....   | 130 - 2  | 1F23 | WIRING HARNESS, R.H. MAIN<br>W/O GREENSTAR .....        | 40 - 24  |
| 3F5  | VARIABLE DRIVE HOSE, FEEDER HOUSE .....  | 100 - 39 | 1G1  | WIRING HARNESS, R.H. MAIN, W/GREENSTAR .....            | 40 - 28  |
| 3F6  | VARIABLE DRIVE, FEEDER HOUSE, UPPER<br>COUNTERSHAFT .....                            | 100 - 40 | 1H7  | WIRING HARNESS, STARTER .....                           | 40 - 60  |
| 3D18 | VARIABLE DRIVE, FRONT DRIVE SHEAVE .....   | 100 - 2  | 1G7  | WIRING HARNESS, STEERING COLUMN .....                   | 40 - 34  |
| 4B18 | VARIABLE SHEAVE AND SUPPORTS, PRIMARY<br>COUNTERSHAFT .....                          | 140 - 18 | 1I4  | WIRING HARNESS, TRANSPORT WARNING LIGHT .....           | 40 - 83  |
| 3E5  | VARIABLE SPEED DRIVE TIGHTENER .....   | 100 - 14 | 1F10 | WIRING STRIPPING TOOL .....                             | 40 - 8   |
| 4D18 | VERTICAL AUGER LOWER GEAR CASE .....   | 150 - 10 | 1F12 | WIRING, SUPPLEMENTARY TERMINALS AND<br>CONNECTORS ..... | 40 - 10  |
| W    |  |          | Y    |   |          |
| 3G15 | WALKER, STRAW .....  | 110 - 22 | 2C20 | YOKE, PIVOTS AND CAPS (STEERABLE MOTOR) .....           | 50 - 46  |
| 1G11 | WASHER, WINDSHIELD .....   | 40 - 38  |      |   |          |
| 1D16 | WATER MANIFOLD GASKET .....  | 25 - 38  |      |   |          |
| 1D14 | WATER PUMP .....   | 25 - 36  |      |   |          |
| 1D14 | WATER PUMP GASKET AND SEAL .....   | 25 - 36  |      |   |          |
| 1D14 | WATER PUMP SEAL KIT .....  | 25 - 36  |      |   |          |
| 3D8  | WATER VALVE ASSEMBLY, AIR CONDITIONER .....  | 95 - 8   |      |   |          |

MEMORANDA

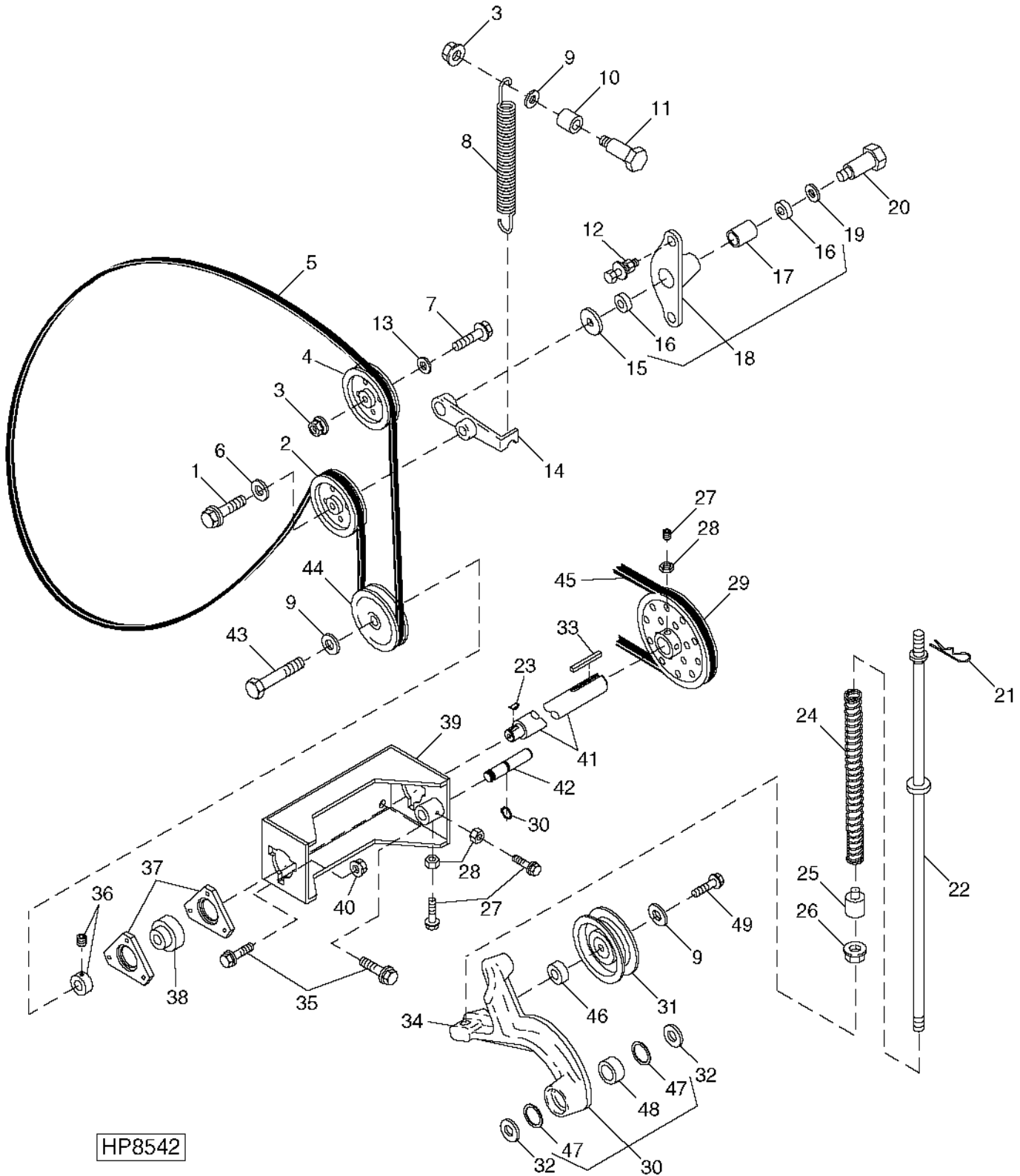


MEMORANDA

# 1B4

## ROTARY SCREEN DRIVE AND IDLER ARMS

HP8542 -UN-08JUL99



HP8542

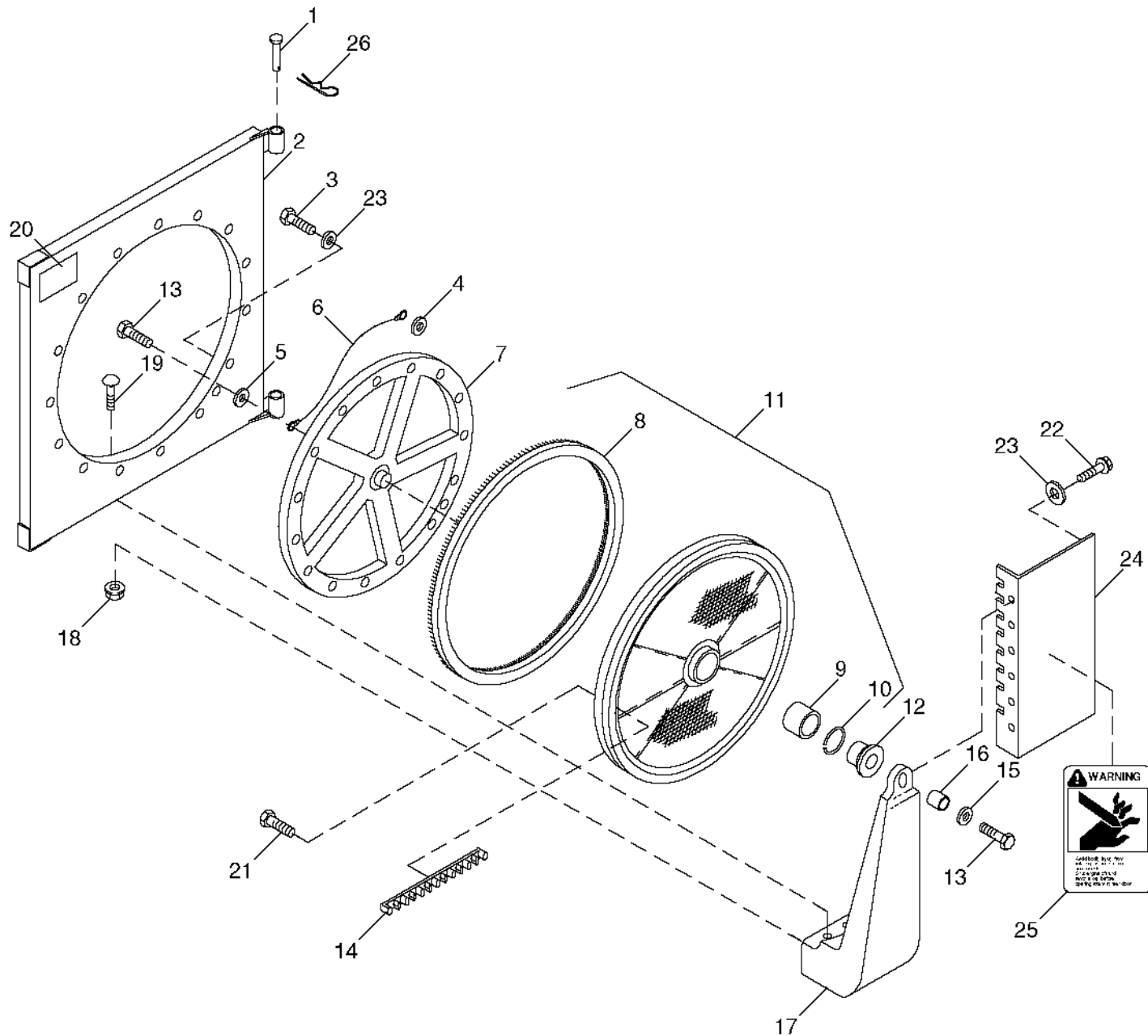
## ROTARY SCREEN DRIVE AND IDLER ARMS - CONTINUED

| KEY | PART NO. | PART NAME                | QTY | SERIAL NO.                | REMARKS |
|-----|----------|--------------------------|-----|---------------------------|---------|
| 1   | 19M7867  | SCREW                    | 1   | M8 X 25                   |         |
| 2   | AH140119 | SHEAVE                   | 1   |                           |         |
| 3   | 14M7298  | FLANGE NUT               | 10  | M8                        |         |
| 4   | AH135035 | SHEAVE                   | 1   |                           |         |
| 5   | H145158  | BELT                     | 1   |                           |         |
| 6   | 24M7207  | WASHER                   | 1   | 8.400 X 24 X 2 MM         |         |
| 7   | 03M7223  | BOLT                     | 1   | M8 X 60                   |         |
| 8   | H164808  | SPRING                   | 1   |                           |         |
| 9   | H158845  | WASHER                   | 3   | 8.330 X 28.580 X 2.640 MM |         |
| 10  | 28H1720  | BUSHING                  | 1   | 0.423" X 0.675" X 27/32"  |         |
| 11  | H140715  | BOLT                     | 1   | M8 X 40                   |         |
| 12  | 19M7867  | SCREW                    | 2   | M8 X 25                   |         |
|     | 24H1296  | WASHER                   | 2   | 11/32" X 1-3/8" X 0.134"  |         |
|     | 14M7298  | FLANGE NUT               | 2   | M8                        |         |
| 13  | 24H1850  | WASHER                   | 1   | 17/32" X 1-1/4" X 0.180"  |         |
| 14  | H146064  | PITMAN ARM               | 1   |                           |         |
| 15  | 24H1342  | WASHER                   | 1   | 17/32" X 1-1/4" X 0.036"  |         |
| 16  | AH10888  | SEAL                     | 2   |                           |         |
| 17  | R36119   | BUSHING                  | 1   |                           |         |
| 18  | AH140170 | SUPPORT                  | 1   |                           |         |
| 19  | 24H1341  | WASHER                   | 1   | 17/32" X 15/16" X 0.060"  |         |
| 20  | M111701  | BOLT                     | 1   | M8 X 51                   |         |
| 21  | J16931   | SPRING LOCKING PIN       | 1   |                           |         |
| 22  | H131949  | ROD                      | 1   |                           |         |
| 23  | 26M7002  | SHAFT KEY                | 1   |                           |         |
| 24  | H131948  | SPRING                   | 1   |                           |         |
| 25  | H134214  | GUIDE                    | 1   |                           |         |
| 26  | 14M7296  | FLANGE NUT               | 1   | M10                       |         |
| 27  | A50744   | BOLT                     | 4   | M8 X 25                   |         |
| 28  | 14M7273  | NUT                      | 4   | M8                        |         |
| 29  | AH115639 | SHEAVE                   | 1   |                           |         |
| 30  | 40M7259  | SNAP RING                | 3   |                           |         |
| 31  | AH140497 | SHEAVE                   | 1   |                           |         |
| 32  | 24H1448  | WASHER                   | 1   | 1-1/32" X 1-1/2" X 0.120" |         |
| 33  | 49M4100  | SHAFT KEY                | 1   |                           |         |
| 34  | AH159992 | ARM                      | 1   |                           |         |
| 35  | 19M7865  | SCREW                    | 6   | M8 X 16                   |         |
| 36  | AZ10044  | ECCENTRIC LOCKING COLLAR | 2   |                           |         |
| 37  | H103264  | PRESSED FLANGED HOUSING  | 4   |                           |         |
| 38  | JD39102  | BALL BEARING             | 2   |                           |         |
| 39  | AH159991 | SUPPORT                  | 1   |                           |         |
| 40  | 14M7298  | FLANGE NUT               | 6   | M8                        |         |
| 41  | H168256  | SHAFT                    | 1   |                           |         |
| 42  | H166437  | PIN                      | 1   |                           |         |
| 43  | 19M7865  | SCREW                    | 1   | M8 X 16                   |         |
| 44  | H159224  | SHEAVE                   | 2   |                           |         |
| 45  | H146636  | BELT                     | 1   |                           |         |
| 46  | M90451   | WASHER                   | 1   | 9 X 25 X 9 MM             |         |
| 47  | AA5607R  | SEAL                     | 2   |                           |         |
| 48  | H99147   | BUSHING                  | 1   | (SUB H171061)             |         |
|     | H171061  | BEARING                  | 1   |                           |         |
| 49  | 19M8318  | SCREW                    | 1   | M8 X 45                   |         |

# 1B6

## ROTARY SCREEN DOOR AND SCREEN

HP8059 -UN-08JUL99



HP8059

# 1B7

ENGINE ACCESSORIES

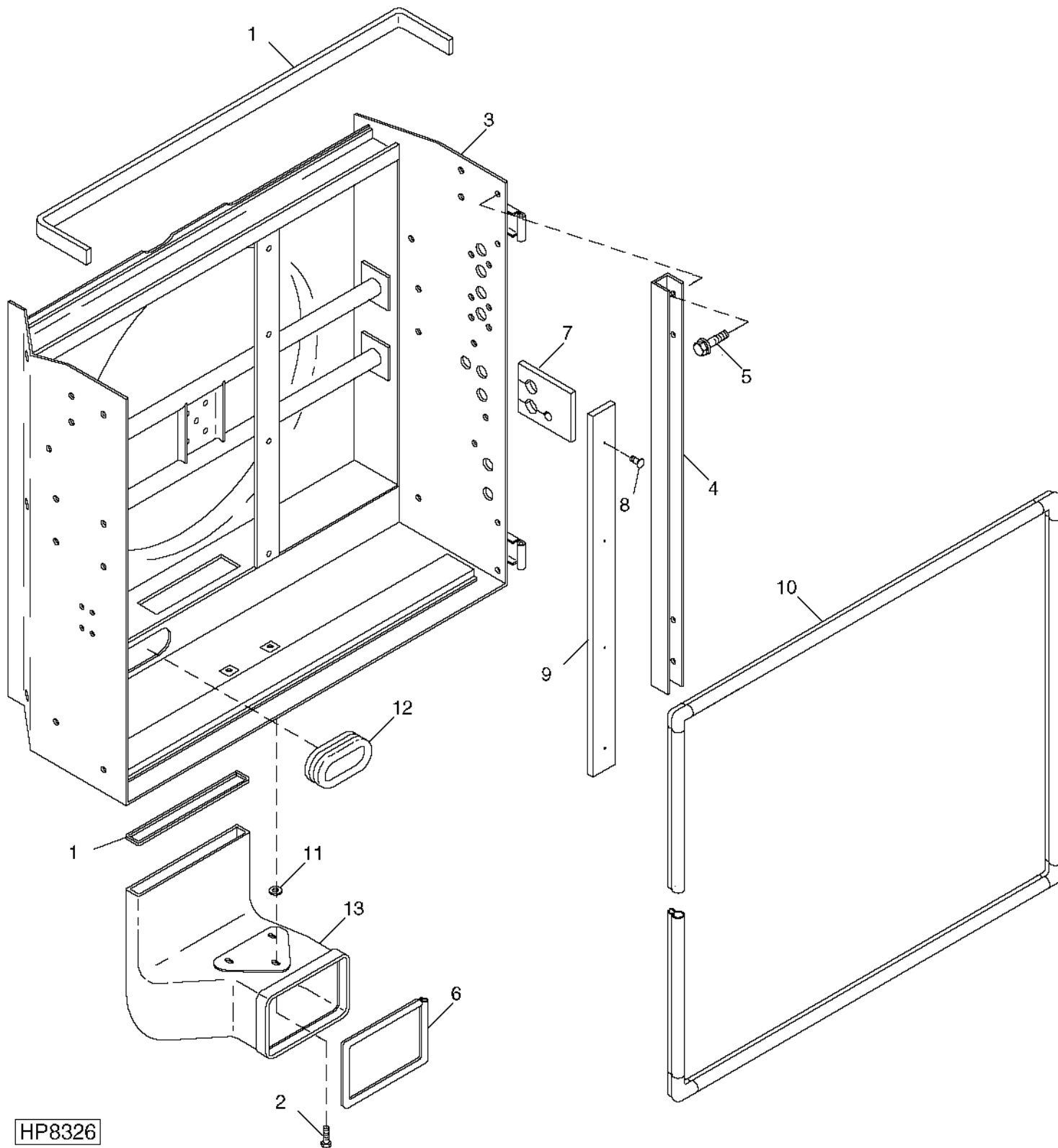
**ROTARY SCREEN DOOR AND SCREEN - CONTINUED**

| KEY | PART NO. | PART NAME          | QTY | SERIAL NO. | REMARKS                  |
|-----|----------|--------------------|-----|------------|--------------------------|
| 1   | H172337  | PIN                | 2   |            |                          |
| 2   | AH140118 | DOOR               | 1   |            |                          |
| 3   | 19M7865  | SCREW              | 15  |            | M8 X 16                  |
| 4   | 12M7122  | LOCK WASHER        | 1   |            | 8.400 MM                 |
| 5   | 24M7028  | WASHER             | 1   |            | 10.500 X 20 X 2 MM       |
| 6   | AH138257 | WIRING LEAD        | 1   |            |                          |
| 7   | AH134642 | HUB                | 1   |            |                          |
| 8   | AH141849 | BRUSH              | 1   |            |                          |
| 9   | AH109788 | ROLLER BEARING     | 1   |            |                          |
| 10  | H83285   | SNAP RING          | 1   |            |                          |
| 11  | AH141671 | SCREEN             | 1   |            |                          |
| 12  | H140380  | HUB                | 1   |            |                          |
| 13  | 19M8162  | CAP SCREW          | 1   |            | M10 X 40                 |
| 14  | AH142527 | RAKE               | 2   |            |                          |
| 15  | 24M7180  | WASHER             | 1   |            | 13 X 37 X 3 MM           |
| 16  | 28H1720  | BUSHING            | 1   |            | 0.423" X 0.675" X 27/32" |
| 17  | AH141808 | AIR DUCT           | 1   |            |                          |
| 18  | 14M7298  | FLANGE NUT         | 2   |            | M8                       |
| 19  | 03M7183  | BOLT               | 2   |            | M8 X 16                  |
| 20  | H144692  | LABEL              | 1   |            |                          |
| 21  | 37H143   | SCREW              | 16  |            |                          |
| 22  | 19M7774  | SCREW              | 6   |            | M6 X 12                  |
| 23  | 24M7207  | WASHER             | 7   |            | 8.400 X 24 X 2 MM        |
| 24  | H169733  | KNIFE              | 1   |            |                          |
| 25  | H149088  | DECAL              | 1   |            |                          |
| 26  | J16931   | SPRING LOCKING PIN | 2   |            |                          |

# 1B8

## RADIATOR SHELL AND SEALS

HP8326 -UN-07JUN99



HP8326

# 1B9

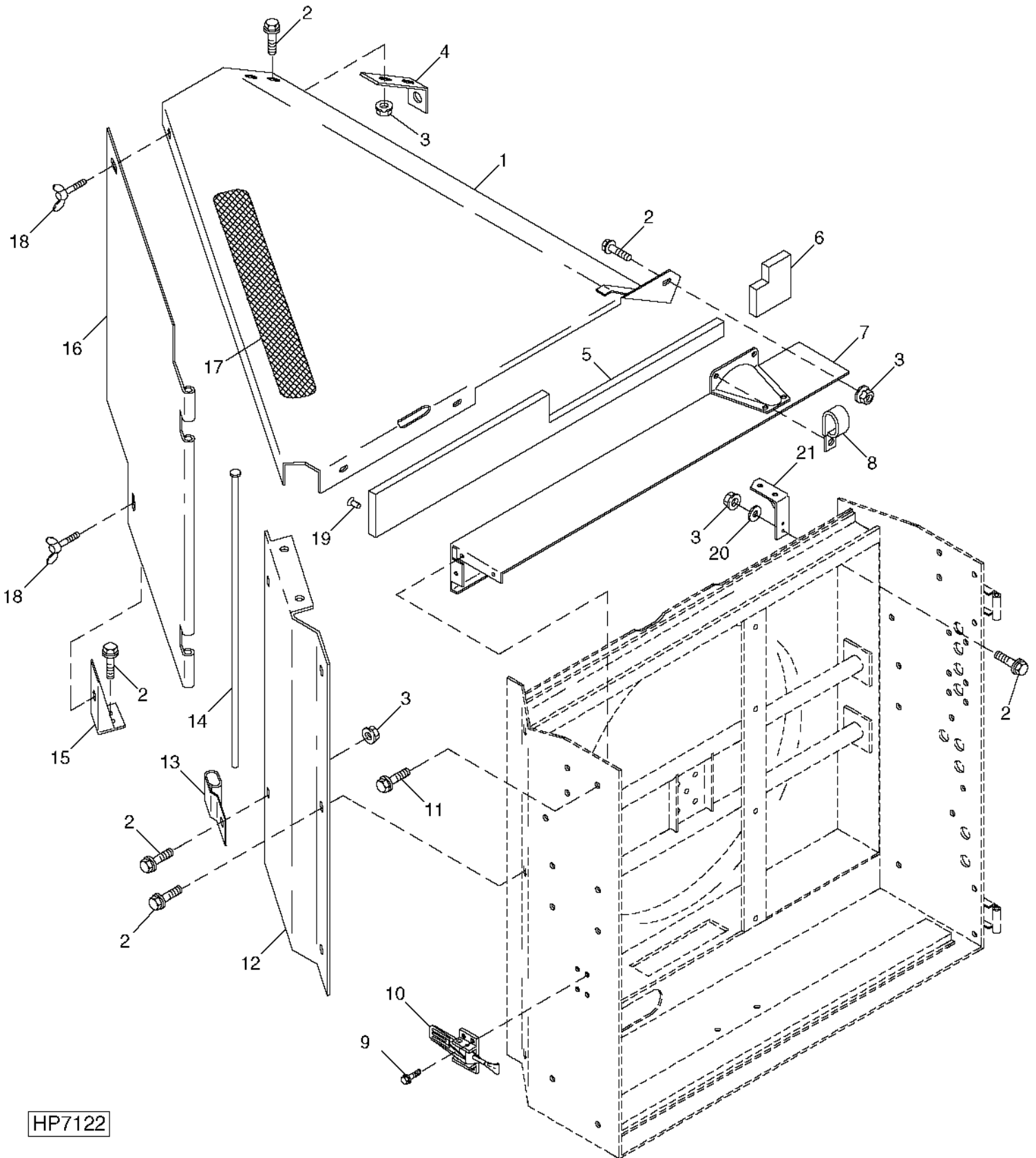
**RADIATOR SHELL AND SEALS - CONTINUED**

| KEY | PART NO. | PART NAME             | QTY | SERIAL NO. | REMARKS  |
|-----|----------|-----------------------|-----|------------|--|
| 1   | .....    | SEAL                  | 4   |            | (CUT FROM H86775) TWO PIECES AT 1440 MM, ONE<br>PIECE AT 135 MM. ONE PIECE AT 765 MM |
| 2   | 19M7864  | SCREW                 | 3   |            | M8 X 12  |
| 3   | AH161455 | FRAME                 | 1   |            |  |
| 4   | H146260  | CHANNEL               | 1   |            |  |
| 5   | 19M7865  | SCREW                 | 1   |            | M8 X 16  |
|     | 14M7298  | FLANGE NUT            | 1   |            | M8   |
|     | 24M7207  | WASHER                | 2   |            | 8.400 X 24 X 2 MM  |
| 6   | AH131965 | ISOLATOR              | 1   |            |  |
| 7   | R66718   | GROMMET               | 1   |            |  |
| 8   | H116740  | PLUG                  | 9   |            |  |
| 9   | H134520  | SEAL                  | 1   |            |  |
| 10  | AH140967 | ACOUSTICAL UPHOLSTERY | 1   |            | PRECUT   |
| 11  | 24M7207  | WASHER                | 3   |            | 8.400 X 24 X 2 MM  |
| 12  | H128502  | SEAL                  | 1   |            |  |
| 13  | H168083  | AIR DUCT              | 1   |            |  |

# 1B10

## RADIATOR SHELL AND SEALS

HP7122 -UN-01JUL99



HP7122



# 1B11

ENGINE ACCESSORIES

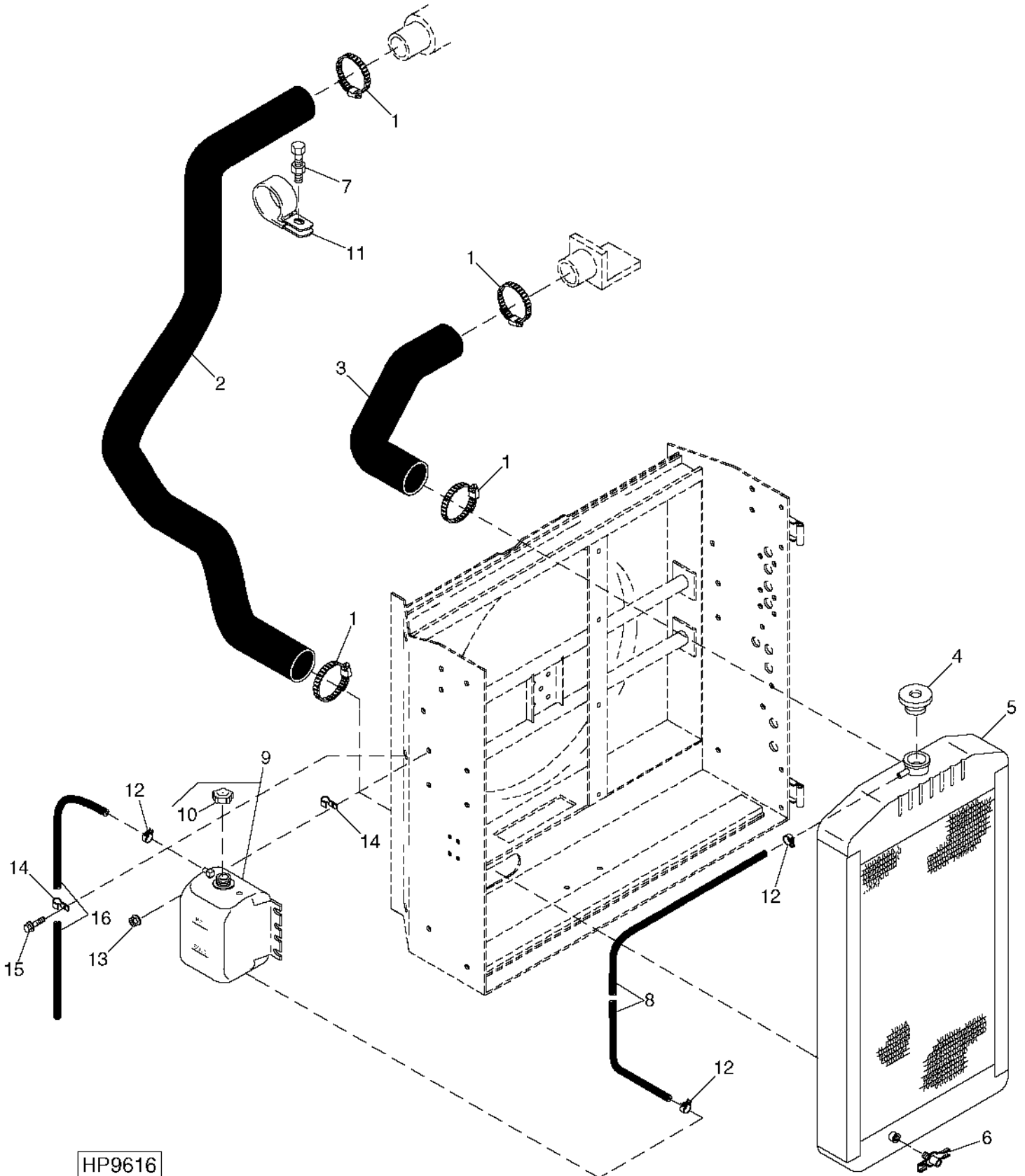
## RADIATOR SHELL AND SEALS - CONTINUED

| KEY | PART NO. | PART NAME  | QTY | SERIAL NO.  | REMARKS |
|-----|----------|------------|-----|---|---------|
| 1   | AH160084 | SHEET      | 1   |   |         |
| 2   | 19M7865  | SCREW      | 5   | M8 X 16   |         |
| 3   | 14M7298  | FLANGE NUT | 5   |   |         |
| 4   | H167159  | BRACKET    | 1   |   |         |
| 5   | H154195  | SEAL       | 1   |   |         |
| 6   | H166395  | SEAL       | 1   |   |         |
| 7   | AH161456 | CHANNEL    | 1   |   |         |
| 8   | AH96317  | CLIP       | 1   |   |         |
| 9   | 37M7060  | SCREW      | AR  |   |         |
| 10  | AH87272  | LATCH      | 1   |   |         |
| 11  | 19M7865  | SCREW      | 1   | M8 X 16   |         |
| 12  | H134526  | SHEET      | 1   |   |         |
| 13  | H134913  | HINGE      | 2   |   |         |
| 14  | H134917  | PIN        | 1   |   |         |
| 15  | AH131301 | BRACKET    | 1   |   |         |
| 16  | H134916  | DOOR       | 1   |   |         |
| 17  | H136014  | MAT        | 1   |   |         |
| 18  | 21M7243  | WING SCREW | 1   | M8 X 16   |         |
| 19  | H116740  | PLUG       | 2   |   |         |
| ..  | M84971   | NUT        | 1   | 8 MM, CLAMP-ON (ADD TO 11.7 HOLE, BOTTOM OF COOLER, PROTRUDING THREADS AWAY FROM INLET) |         |

# 1B12

## RADIATOR AND COOLANT RECOVERY TANK

HP9616 -UN-15MAR00



HP9616

# 1B13

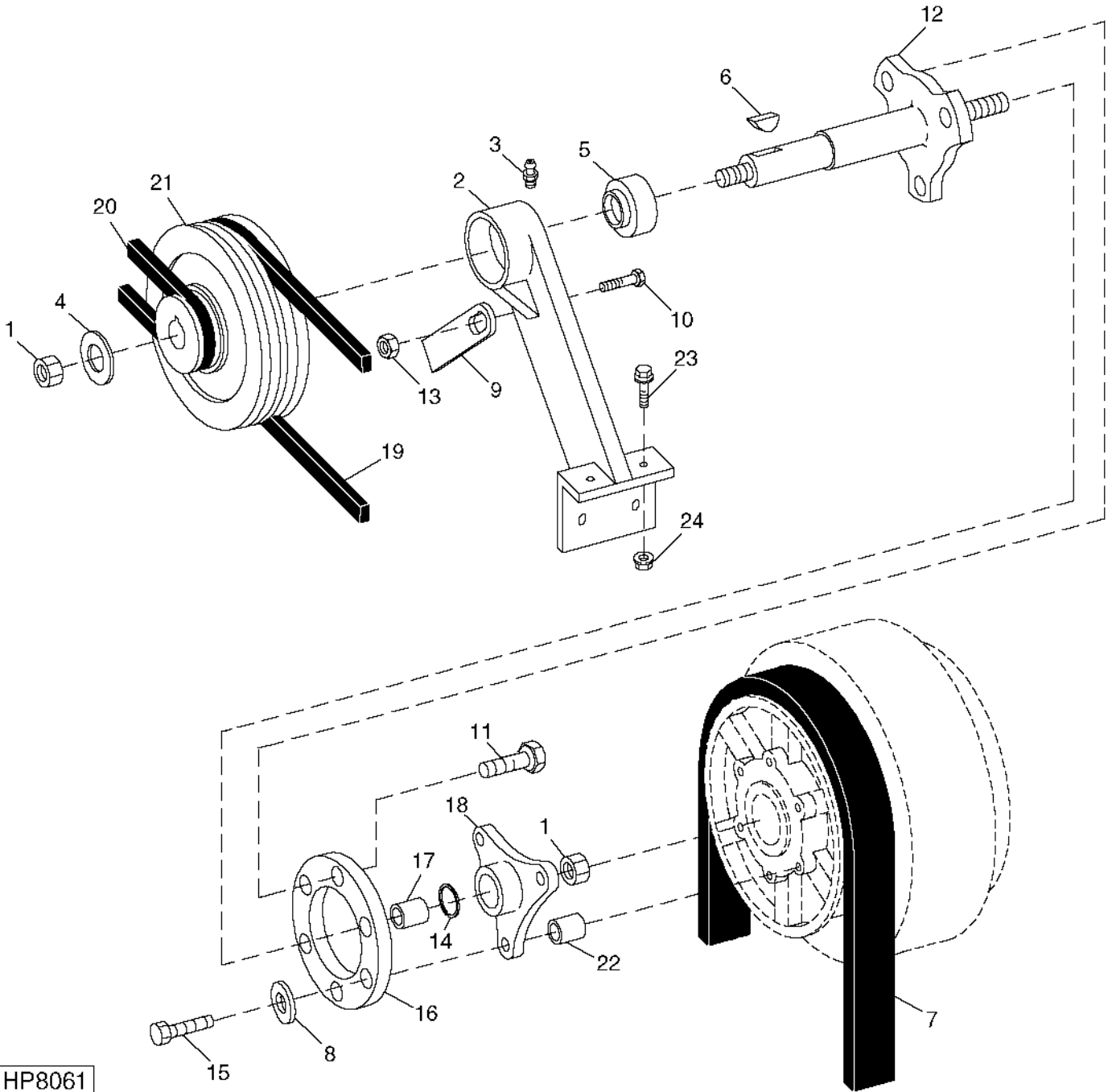
ENGINE ACCESSORIES

**RADIATOR AND COOLANT RECOVERY TANK - CONTINUED**

| KEY | PART NO. | PART NAME     | QTY | SERIAL NO. | REMARKS                       |
|-----|----------|---------------|-----|------------|-------------------------------|
| 1   | AR21999  | HOSE CLAMP    | 4   |            |                               |
| 2   | AH160198 | RADIATOR HOSE | 1   | -091442    | LOWER (2" WATER PUMP INLET)   |
|     | AH163518 | RADIATOR HOSE | 1   | 091443-    | LOWER (2.5" WATER PUMP INLET) |
| 3   | AH140931 | HOSE          | 1   |            |                               |
| 4   | AH148649 | FILLER CAP    | 1   |            | 10 PSI                        |
| 5   | AH144719 | RADIATOR      | 1   |            | 4 FPI, 6 ROW                  |
|     | AH128257 | RADIATOR      | 1   |            | 5 FPI, 5 ROW                  |
| 6   | AT13740  | DRAIN VALVE   | 1   |            |                               |
| 7   | 19M7873  | SCREW         | 1   |            | M8 X 110                      |
| 8   | H168752  | HOSE          | 1   |            | VACUUM                        |
| 9   | AT162597 | TANK          | 1   |            |                               |
| 10  | AT106413 | CAP           | 1   |            |                               |
| 11  | H123297  | CLAMP         | 1   |            |                               |
| 12  | AR48236  | CLAMP         | 3   |            |                               |
| 13  | 14M7298  | FLANGE NUT    | 4   |            | M8                            |
| 14  | AH89557  | CLIP          | 3   |            |                               |
| 15  | 19M7865  | SCREW         | 3   |            | M8 X 16                       |
| 16  | H168751  | HOSE          | 1   |            | OVERFLOW                      |

# 1B14

ENGINE FAN DRIVE  
HP8061 -UN-14JUN99



HP8061

# 1B15

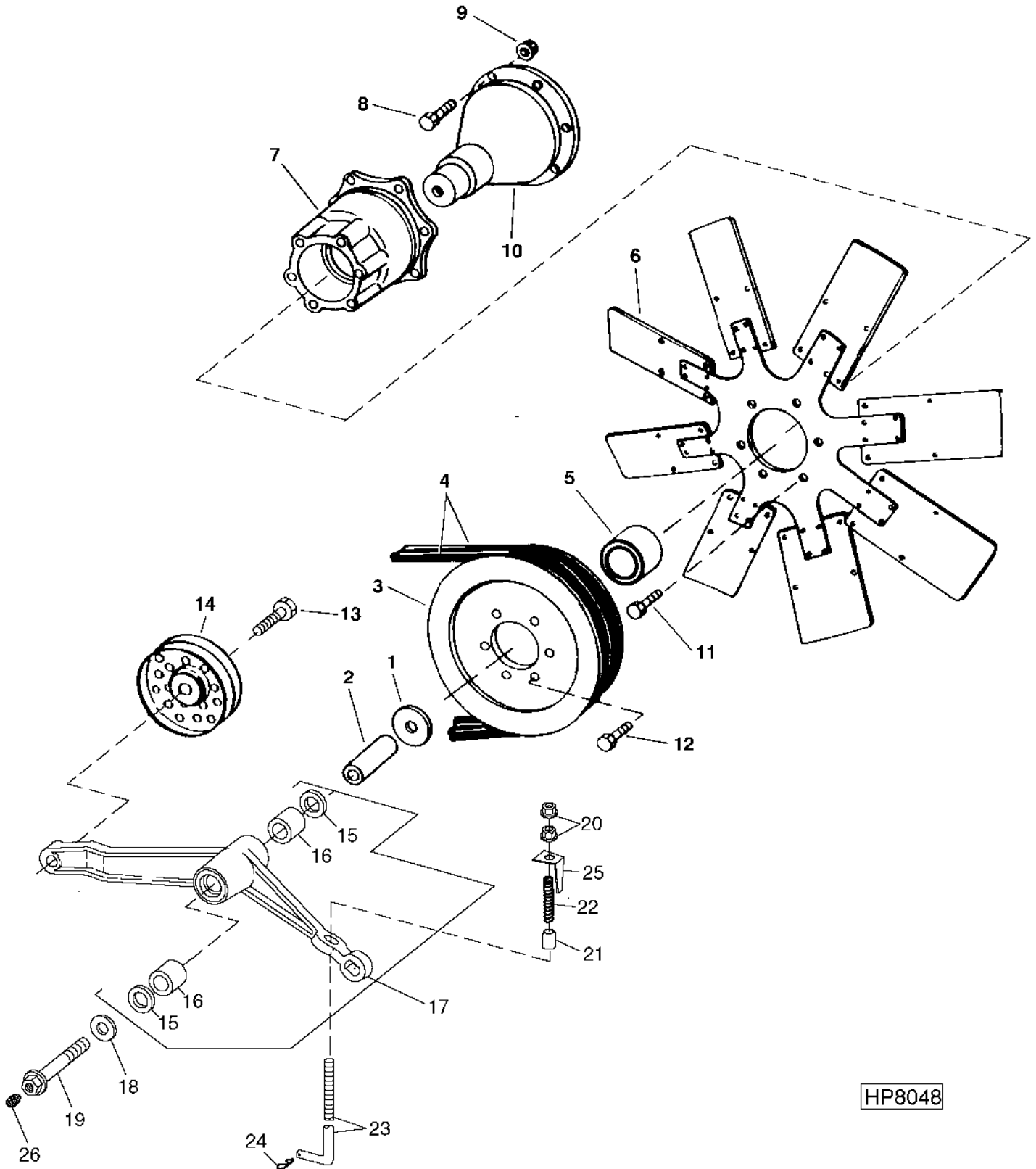
## ENGINE ACCESSORIES

### ENGINE FAN DRIVE - CONTINUED

| KEY | PART NO. | PART NAME           | QTY | SERIAL NO.                              | REMARKS |
|-----|----------|---------------------|-----|---|---------|
| 1   | 14M7401  | LOCK NUT            | 2   |   |         |
| 2   | H165276  | SUPPORT             | 1   | M12                                     |         |
| 3   | JD7797   | LUBRICATION FITTING | 1   |   |         |
| 4   | R42408   | WASHER              | 1   |   |         |
| 5   | AH159244 | BEARING             | 1   |   |         |
| 6   | 26M6731  | SHAFT KEY           | 1   |   |         |
| 7   | H163515  | BELT                | 1   |   |         |
| 8   | 24M7239  | WASHER              | 3   | 10.700 X 21 X 2.500 MM                  |         |
| 9   | H172031  | BRACE               | 3   |   |         |
| 10  | 19M7785  | SCREW               | 1   | M10 X 25                                |         |
| 11  | 19M8162  | CAP SCREW           | 3   | M10 X 40                                |         |
| 12  | H165716  | SHAFT               | 1   |   |         |
| 13  | 14M7296  | FLANGE NUT          | 3   | M10                                     |         |
| 14  | 40M7226  | SNAP RING           | 1   |   |         |
| 15  | 19H3175  | CAP SCREW           | 3   | 9.525 X 92.075 MM                       |         |
| 16  | AH163157 | COUPLING            | 1   |   |         |
| 17  | H165718  | RUBBER MOUNT        | 1   |   |         |
| 18  | H165717  | SPIDER              | 1   |   |         |
| 19  | H153297  | BELT                | 1   | COOLING FAN                             |         |
| 20  | H146636  | BELT                | 1   | ENGINE CRANK TO ROTARY SCREEN JACKSHAFT |         |
| 21  | H165277  | SHEAVE              | 1   |   |         |
| 22  | R117879  | BUSHING             | 3   |   |         |
| 23  | 19M7785  | SCREW               | 4   | M10 X 25                                |         |
| 24  | 14M7296  | FLANGE NUT          | 4   | M10                                     |         |

# 1B16

ENGINE FAN AND DRIVES  
HP8048 -UN-20NOV98



HP8048

# 1B17

ENGINE ACCESSORIES

ENGINE FAN AND DRIVES - CONTINUED

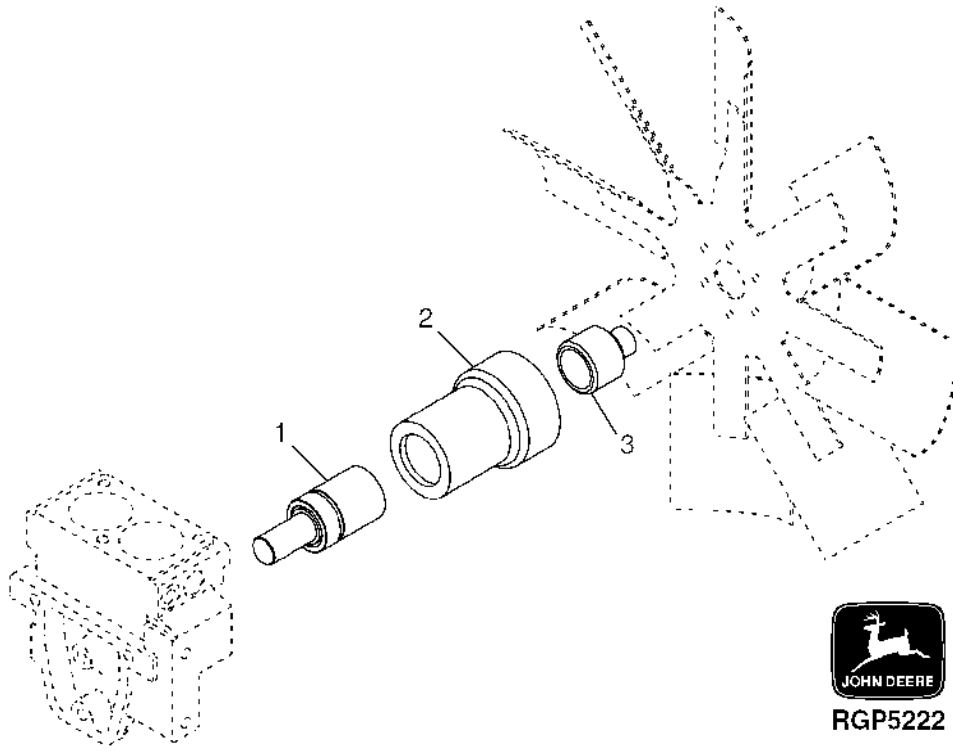
| KEY | PART NO. | PART NAME           | QTY | SERIAL NO. | REMARKS                       |
|-----|----------|---------------------|-----|------------|-------------------------------|
| 1   | H125466  | WASHER              | 1   |            | 13.500 X 48 X 8 MM            |
| 2   | H125467  | BUSHING             | 1   |            | 13 X 25.310 X 90 MM           |
| 3   | H146750  | IDLER               | 1   |            |                               |
| 4   | H153297  | BELT                | 1   |            |                               |
| 5   | AH120815 | ROLLER BEARING      | 1   |            |                               |
| 6   | AH125673 | SUCTION FAN         | 1   |            |                               |
| 7   | H134143  | HUB                 | 1   |            |                               |
| 8   | 19M7786  | SCREW               | 4   |            | M10 X 30                      |
| 9   | 14M7400  | LOCK NUT            | 4   |            | M10                           |
| 10  | H134144  | SUPPORT             | 1   |            |                               |
| 11  | 19M7866  | SCREW               | 6   |            | M8 X 20                       |
| 12  | 19M7868  | SCREW               | 6   |            | M8 X 30                       |
| 13  | 19M8306  | SCREW               | 1   |            | M12 X 50                      |
| 14  | AH96292  | SHEAVE              | 1   |            | 139.700 MM                    |
| 15  | AA5607R  | SEAL                | 2   |            |                               |
| 16  | H99147   | BUSHING             | 2   |            | (SUB H171061)                 |
|     | H171061  | BEARING             | 2   |            |                               |
| 17  | AH137704 | ARM                 | 1   |            |                               |
| 18  | 24M7180  | WASHER              | 1   |            | 13 X 37 X 3 MM                |
| 19  | H140848  | SET SCREW           | 1   |            | M12 X 120, 1/4" - TAPPED BOLT |
| 20  | 14M7296  | FLANGE NUT          | 2   |            | M10                           |
| 21  | H134214  | GUIDE               | 1   |            |                               |
| 22  | H93399   | SPRING              | 1   |            |                               |
| 23  | H164612  | BOLT                | 1   |            |                               |
| 24  | J16931   | SPRING LOCKING PIN  | 1   |            |                               |
| 25  | H162012  | GAUGE               | 1   |            |                               |
| 26  | JD7788   | LUBRICATION FITTING | 1   |            |                               |

# 1B18

ENGINE ACCESSORIES

## FAN DRIVE

RGP5222 -UN-16JUN99



| KEY | PART NO. | PART NAME | QTY | ENGINE SERIAL NO. | REMARKS |
|-----|----------|-----------|-----|-------------------|---------|
| 1   | JD10058  | BEARING   | 1   |                   |         |
| 2   | R131949  | HUB       | 1   |                   |         |
| 3   | R131950  | SPACER    | 1   |                   |         |

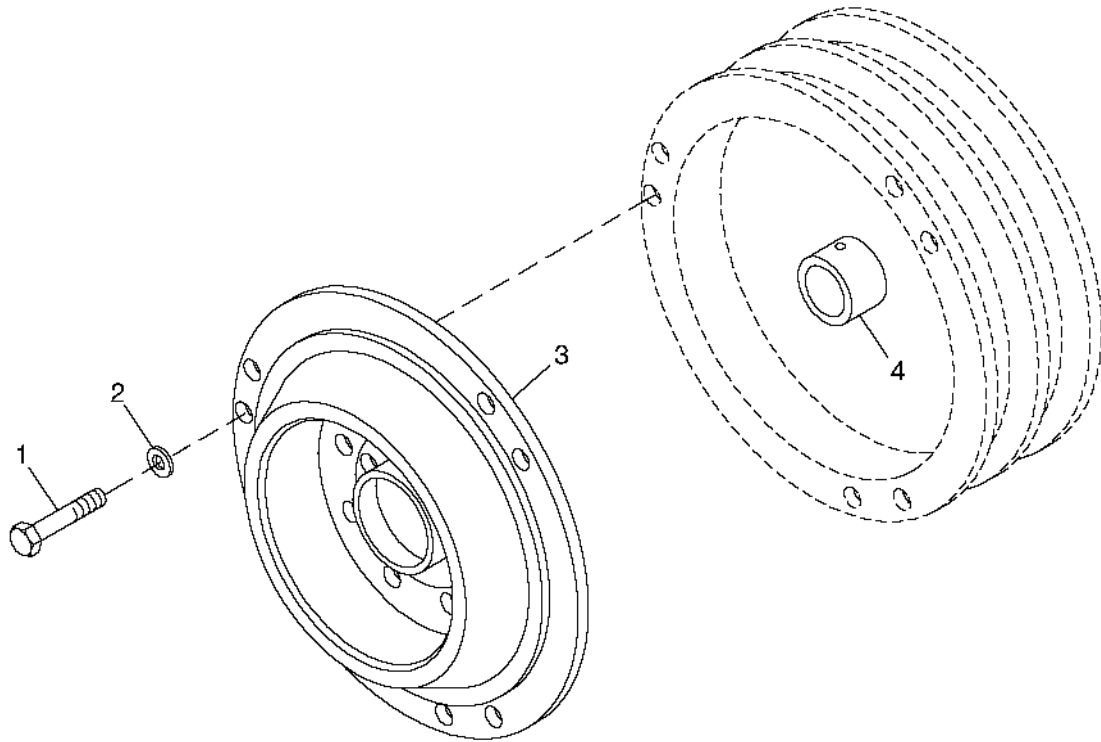


# 1B19

ENGINE ACCESSORIES

## ENGINE GEARCASE COUPLING WITH HUB

HP8168 -UN-05MAR99



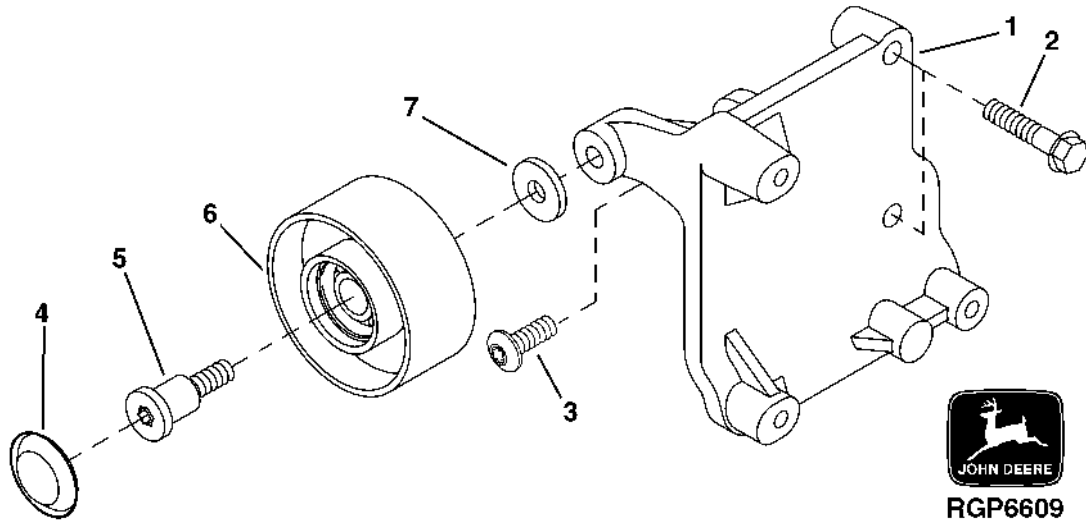
HP8168

| KEY | PART NO. | PART NAME    | QTY | SERIAL NO. | REMARKS            |
|-----|----------|--------------|-----|------------|--------------------|
| 1   | R57725   | SCREW        | 6   |            |                    |
| 2   | R42729   | WASHER       | 6   |            |                    |
| 3   | AH168456 | COUPLING     | 1   |            | (SUB FOR AH155217) |
| 4   | JD7147   | BALL BEARING | 1   |            |                    |

# 1B20

ENGINE ACCESSORIES

**AIR CONDITIONER SUPPORT**  
RGP6609 -UN-28APR00



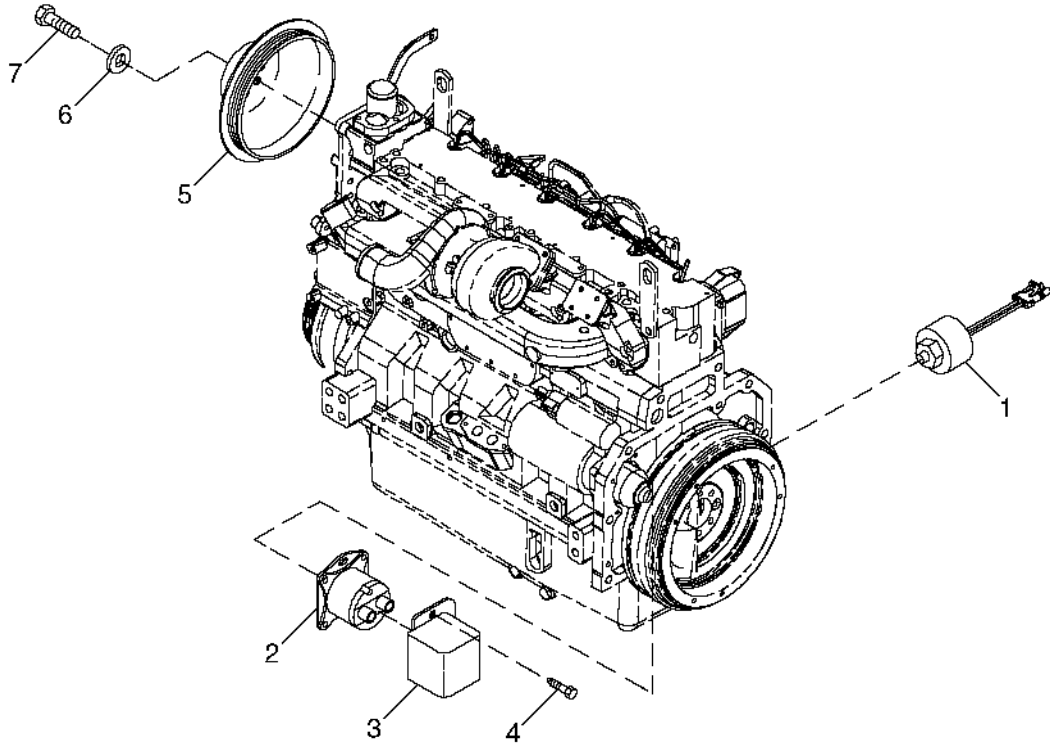
| KEY | PART NO. | PART NAME | QTY | ENGINE SERIAL NO. | REMARKS |
|-----|----------|-----------|-----|-------------------|---------|
| 1   | R135728  | SUPPORT   | 1   |                   |         |
| 2   | 19H3772  | CAP SCREW | 2   | 3/8" X 1-3/4"     |         |
| 3   | R124963  | SCREW     | 1   |                   |         |
| 4   | R99590   | COVER     | 1   |                   |         |
| 5   | R128893  | BOLT      | 1   |                   |         |
| 6   | RE155577 | PULLEY    | 1   |                   |         |
| 7   | R53436   | WASHER    | 1   |                   |         |

# 1B21

ENGINE ACCESSORIES

## START RELAY AND OIL PRESSURE SENSOR

HP9789 -UN-30MAY00

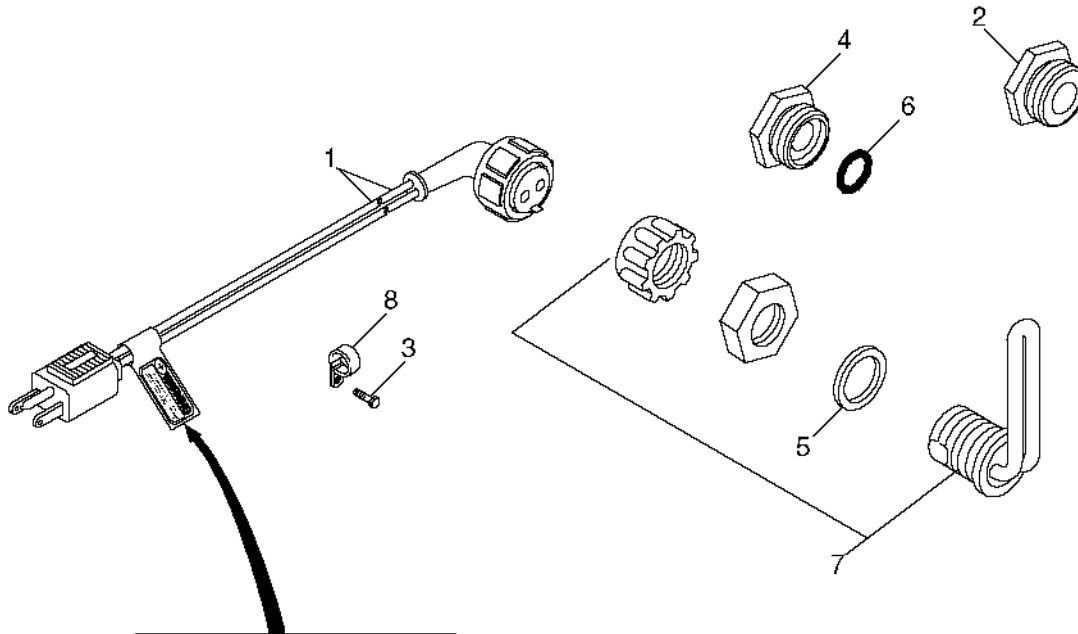


HP9789

| KEY | PART NO. | PART NAME | QTY | SERIAL NO. | REMARKS                |
|-----|----------|-----------|-----|------------|------------------------|
| 1   | AH133896 | SWITCH    | 1   |            | PRESSURE               |
| 2   | AH160279 | RELAY     | 1   |            |                        |
| 3   | R113164  | COVER     | 1   |            |                        |
| 4   | 37H147   | SCREW     | 2   |            |                        |
| 5   | R128662  | SHEAVE    | 1   |            |                        |
| 6   | 24M7239  | WASHER    | 4   |            | 10.700 X 21 X 2.500 MM |
| 7   | 19H1648  | CAP SCREW | 4   |            | 3/8" X 3/4"            |

# 1B22

ENGINE BLOCK COOLANT HEATER AND EXT. CORD  
HP8293 -UN-17AUG99



**⚠ WARNING**  
To prevent shock,  
always use a grounded  
3-wire extension cord

HP8293

# 1B23

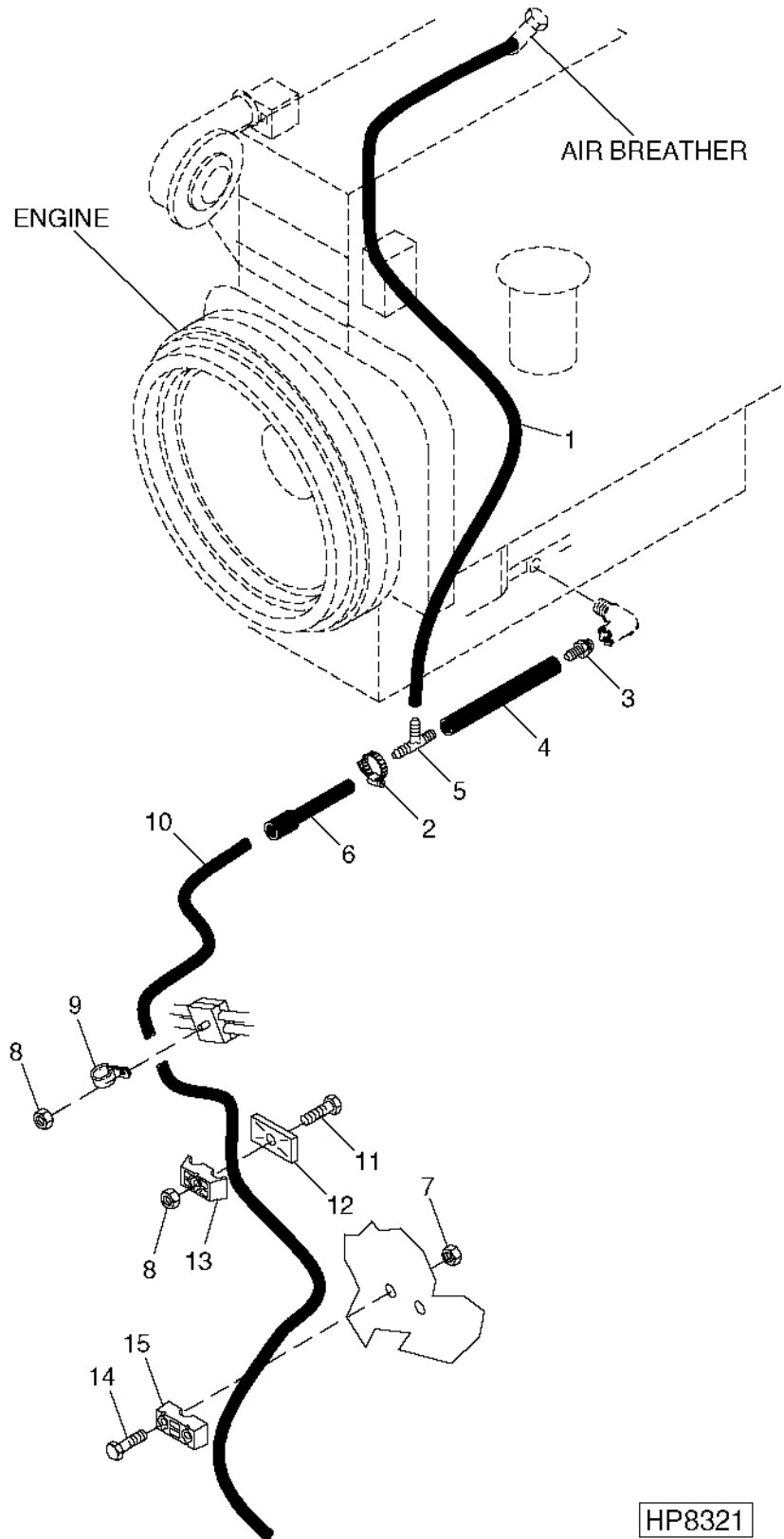
**ENGINE BLOCK COOLANT HEATER AND EXT. CORD - CONTINUED**

| KEY | PART NO. | PART NAME      | QTY | SERIAL NO.                 | REMARKS |
|-----|----------|----------------|-----|----------------------------|---------|
| 1   | AT73296  | POWER CORD     | 1   | 12', 110 VOLT              |         |
|     | AH151458 | POWER CORD     | 1   | 4', 220 VOLT               |         |
| 2   | R39741   | DRAIN PLUG     | 1   | USE WITHOUT COOLANT HEATER |         |
| 3   | 37M7083  | SCREW          | 1   |                            |         |
| 4   | R54123   | ADAPTER        | 1   |                            |         |
| 5   | R47693   | GASKET         | 1   |                            |         |
| 6   | U13639   | O-RING         | 1   | 37.465 X 2.997 MM          |         |
| 7   | RE504122 | COOLANT HEATER | 1   | 110 VOLT                   |         |
|     | RE504121 | HEATER         | 1   | 240 VOLT                   |         |
| 8   | H75541   | CLAMP          | 1   |                            |         |

# 1B24

## ENGINE CRANKCASE OIL DRAIN

HP8321 -UN-04JUN99



HP8321

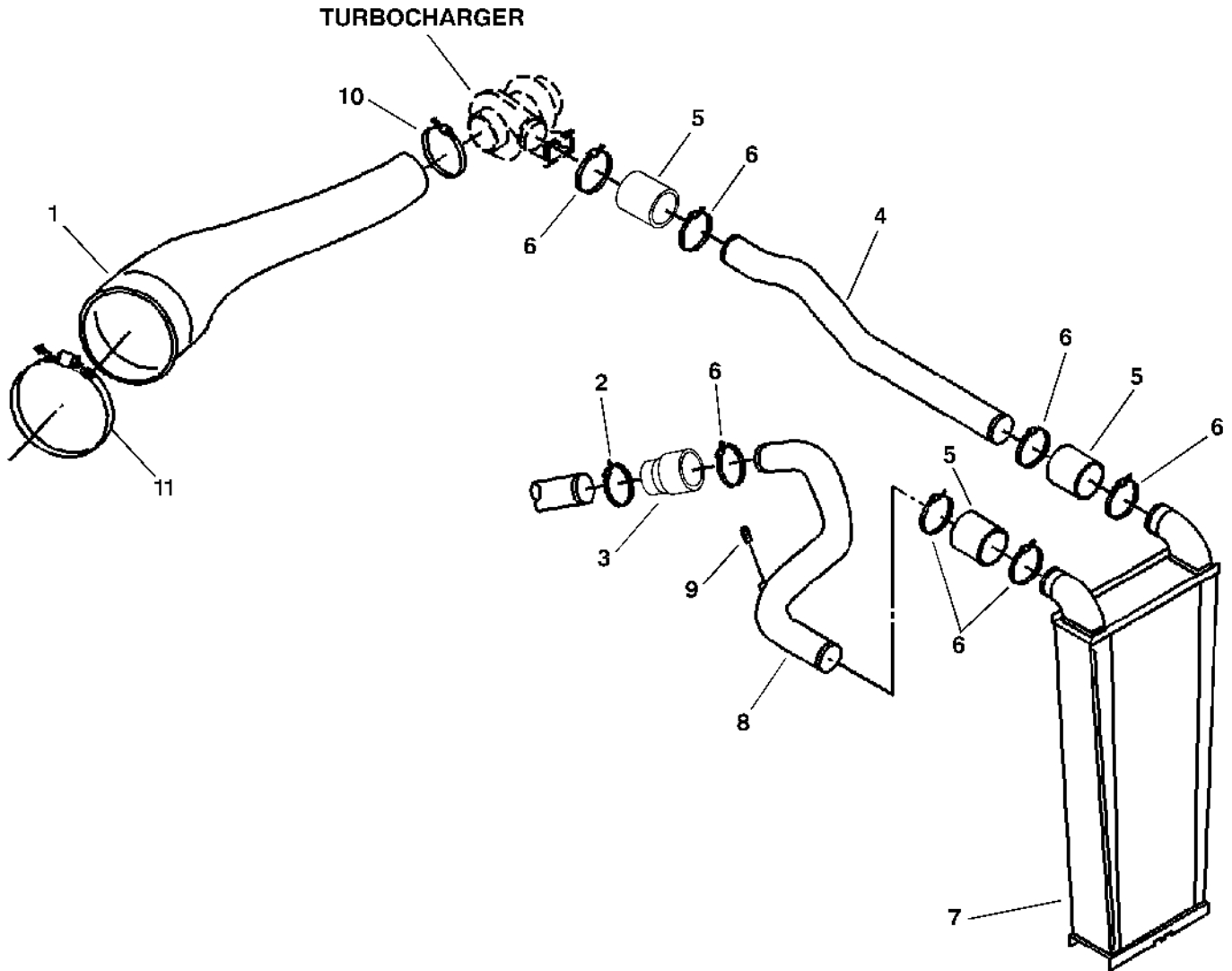
# 1B25

ENGINE ACCESSORIES

## ENGINE CRANKCASE OIL DRAIN - CONTINUED

| KEY | PART NO. | PART NAME    | QTY | SERIAL NO. | REMARKS |
|-----|----------|--------------|-----|------------|---------|
| 1   | H152868  | HOSE         | 1   |            |         |
| 2   | AT18904  | CLAMP        | 5   |            |         |
| 3   | A27238   | HOSE FITTING | 1   |            |         |
| 4   | TY22424  | HOSE         | 1   |            |         |
| 5   | A24915   | TEE FITTING  | 1   |            |         |
| 6   | H160024  | HOSE         | 1   |            |         |
| 7   | 14M7303  | FLANGE NUT   | 2   | M6         |         |
| 8   | 14M7298  | FLANGE NUT   | 2   | M8         |         |
| 9   | T27550   | CLIP         | 1   |            |         |
| 10  | H161155  | TUBE         | 1   |            |         |
| 11  | 19M7801  | SCREW        | 1   | M8 X 60    |         |
| 12  | H112567  | PLATE        | 2   |            |         |
| 13  | H114897  | CLAMP        | 2   |            |         |
| 14  | 03M7280  | BOLT         | 2   | M6 X 45    |         |
| 15  | H114432  | CLAMP        | 2   |            |         |

**INTERCOOLER**  
HP8388 -UN-16APR99



HP8388



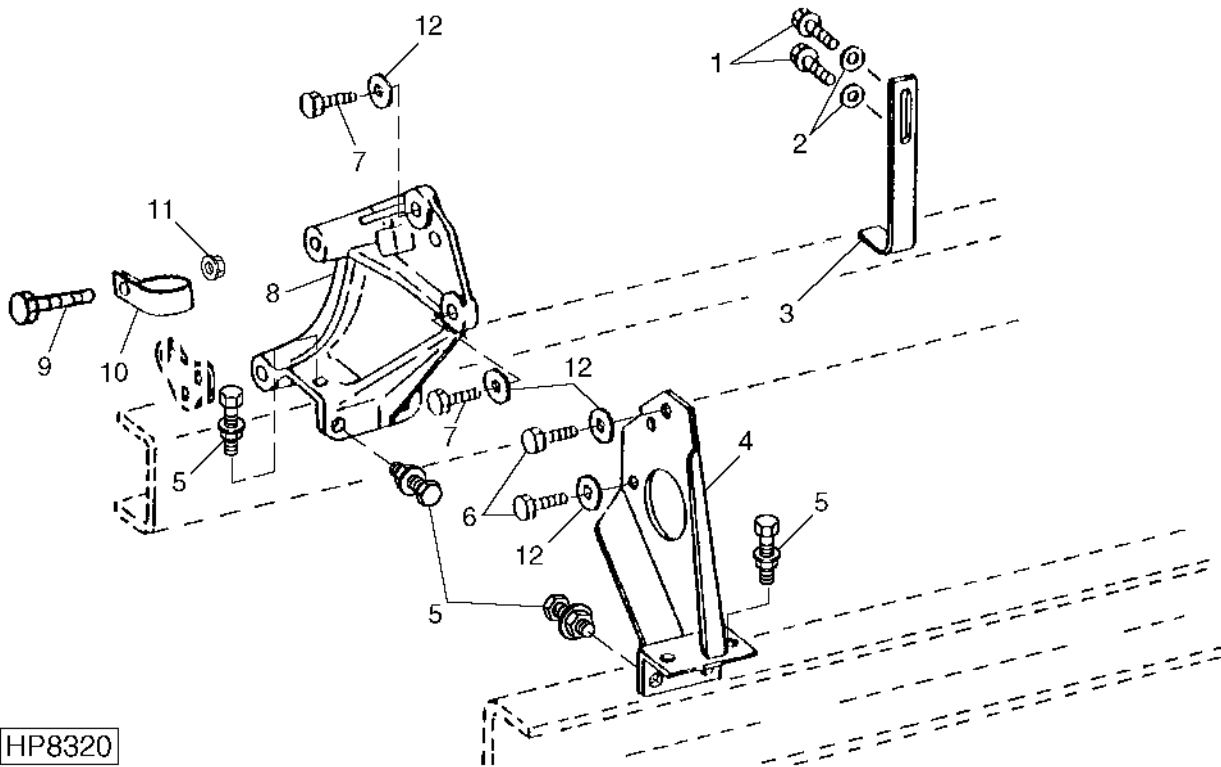
## INTERCOOLER - CONTINUED

| KEY | PART NO. | PART NAME   | QTY | SERIAL NO. | REMARKS                                       |
|-----|----------|-------------|-----|------------|---|
| 1   | AH153659 | TUBE        | 1   |            |   |
| 2   | AT39141  | HOSE CLAMP  | 1   |            |   |
| 3   | H152403  | HOSE        | 1   |            |   |
| 4   | H161576  | TUBE        | 1   |            |   |
| 5   | H154825  | HOSE        | 3   |            | (SUB H168359) USE WITH AT37476 (CLAMP)        |
|     | H168359  | HOSE        | 3   |            | (USE WITH AT37476 (CLAMP) OR RE52702 (CLAMP)) |
| 6   | AT37476  | HOSE CLAMP  | 7   |            |   |
|     | RE52702  | CLAMP       | 7   |            |   |
| 7   | AH149229 | AFTERCOOLER | 1   |            |   |
| 8   | AH154992 | TUBE        | 1   |            |   |
| 9   | R71210   | ADAPTER     | 1   |            |   |
| 10  | AT112176 | HOSE CLAMP  | 1   |            |   |
| 11  | AT131716 | HOSE CLAMP  | 1   |            |   |

# 1C3

## ENGINE MOUNTS AND REAR SUPPORT

HP8320 -UN-04JUN99



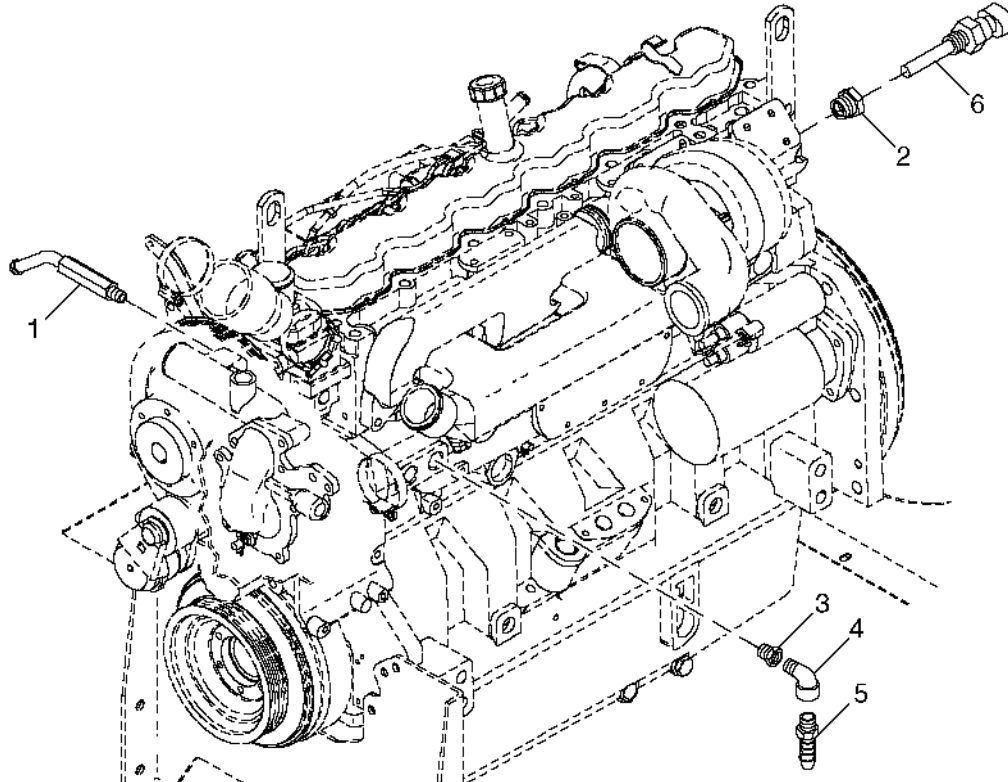
HP8320

| KEY | PART NO. | PART NAME   | QTY | SERIAL NO.                | REMARKS |
|-----|----------|-------------|-----|---------------------------|---------|
| 1   | 19H1824  | CAP SCREW   | 2   | 5/8" X 2-1/4"             |         |
| 2   | 24H1373  | WASHER      | 2   | 21/32" X 1-9/16" X 0.180" |         |
| 3   | H134856  | BRACKET     | 1   | REAR                      |         |
| 4   | AH148106 | SUPPORT     | 1   |                           |         |
| 5   | 19M7786  | SCREW       | 8   | M10 X 30                  |         |
|     | 14M7296  | FLANGE NUT  | 8   | M10                       |         |
| 6   | 19H1792  | CAP SCREW   | 2   | 1/2" X 1"                 |         |
| 7   | 19H2473  | CAP SCREW   | 2   | 1/2" X 1-3/4"             |         |
| 8   | H147115  | SUPPORT     | 1   | R.H.                      |         |
| 9   | 19M7865  | SCREW       | 1   | M8 X 16                   |         |
| 10  | H143757  | HOSE CLAMP  | 1   |                           |         |
| 11  | 14M7298  | FLANGE NUT  | 1   | M8                        |         |
| 12  | 12H301   | LOCK WASHER | 4   | 12.700 MM (1/2")          |         |

# 1C4

## ENGINE HEATER HOSE CONNECTORS

HP9200 -UN-20OCT99



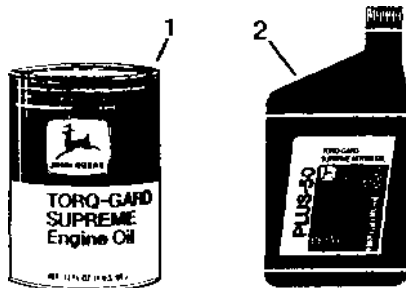
HP9200

| KEY | PART NO. | PART NAME     | QTY | SERIAL NO. | REMARKS     |
|-----|----------|---------------|-----|------------|-------------|
| 1   | H164854  | ADAPTER       | 1   |            |             |
| 2   | H163652  | FITTING       | 1   |            |             |
| 3   | 15H515   | PIPE BUSHING  | 1   |            |             |
| 4   | 15H200   | ELBOW FITTING | 1   |            |             |
| 5   | H23196   | FITTING       | 1   |            |             |
| 6   | AH156145 | SENSOR        | 1   |            | TEMPERATURE |

MEMORANDA

**TORQ-GARD SUPREME AND PLUS-50 ENGINE OIL**

RGP3291 -UN-01JAN94



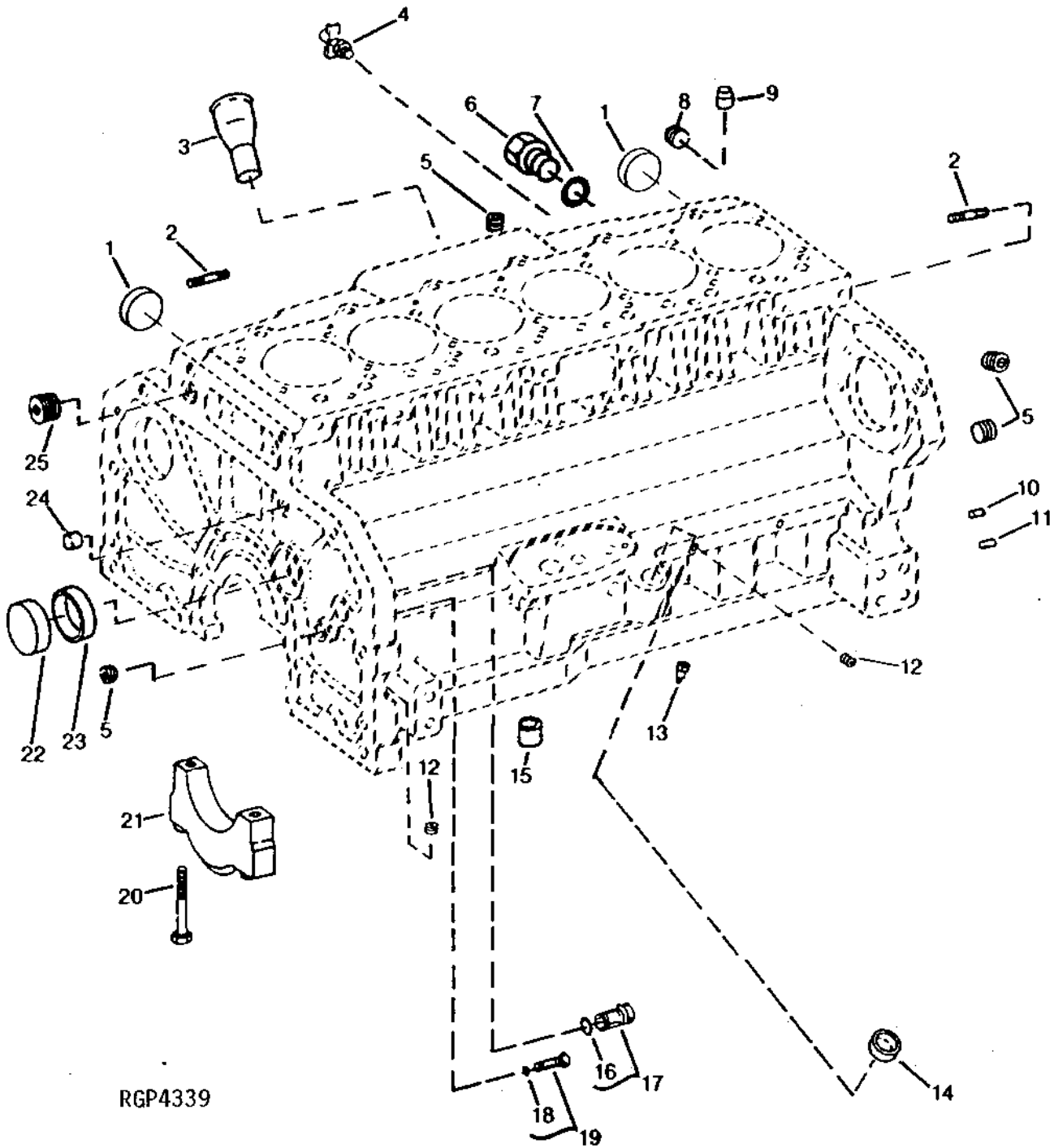
RGP 3291

| KEY | PART NO. | PART NAME | QTY | ENGINE SERIAL NO.                   | REMARKS                                |  |
|-----|----------|-----------|-----|-------------------------------------|--|--|
| 1   | TY22064  | OIL       | 1   | (SAE 5W/30), 0.9L (1 QT)            |  |  |
|     | TY22065  | OIL       | 1   | (SAE 5W/30), 19L (5 GAL)            |  |  |
|     | TY22066  | OIL       | 1   | (SAE 5W/30), 208L (55 GAL)          |  |  |
|     | TY6364   | OIL       | 1   | (SAE 10W/30), 0.9L (1 QT) (BREAKIN) |  |  |
|     | TY22067  | OIL       | 1   | (SAE 10W), .9L (1 GAL)              |  |  |
|     | TY22068  | OIL       | 1   | (SAE 10W), 19L (5 GAL)              |  |  |
|     | TY22069  | OIL       | 1   | (SAE 10W), 208L (55 GAL)            |  |  |
|     | TY22070  | OIL       | 1   | (SAE 30W), 0.9L (1 GAL)             |  |  |
|     | TY22073  | OIL       | 1   | (SAE 30W), 19L (5 GAL)              |  |  |
|     | TY6280   | OIL       | 1   | (SAE 30W), 114L (30 GAL)            |  |  |
| 2   | TY22074  | OIL       | 1   | (SAE 30W), 208L (55 GAL)            |  |  |
|     | TY6389   | OIL       | 1   | (SAE 15W/40), 0.9 L (1 QT)          |  |  |
|     | TY22008  | OIL       | 1   | (SAE 15W/40), 3.8 L (1 GAL)         |  |  |
|     | TY6390   | OIL       | 1   | (SAE 15W/40), 19 L (5 GAL)          |  |  |
|     | TY22010  | OIL       | 1   | (SAE 15W/40), 113.6 L (30 GAL)      |  |  |
|     | TY6391   | OIL       | 1   | (SAE 15W/40), 208 L (55 GAL)        |  |  |
|     | TY6392   | OIL       | 1   | (SAE 30W), 0.9 L (1 QT)             |  |  |
|     | TY22007  | OIL       | 1   | (SAE 30W), 3.8 L (1 GAL)            |  |  |
|     | TY6393   | OIL       | 1   | (SAE 30W), 19 L (5 GAL)             |  |  |
|     | TY22011  | OIL       | 1   | (SAE 30W), 113.6 L (30 GAL)         |  |  |
|     | TY6394   | OIL       | 1   | (SAE 30W), 208 L (55 GAL)           |  |  |
|     | ..       | TY22041   | OIL | 1                                   | (SAE 10W/30), 3.8 L (1 GAL) (BREAKIN)  |  |
|     | ..       | TY22042   | OIL | 1                                   | (SAE 10W/30), 208 L (55 GAL) (BREAKIN) |  |

# 1C9

ENGINE

CYLINDER BLOCK FITTINGS  
RGP4339 -UN-01JAN94



RGP4339

# 1C10

ENGINE

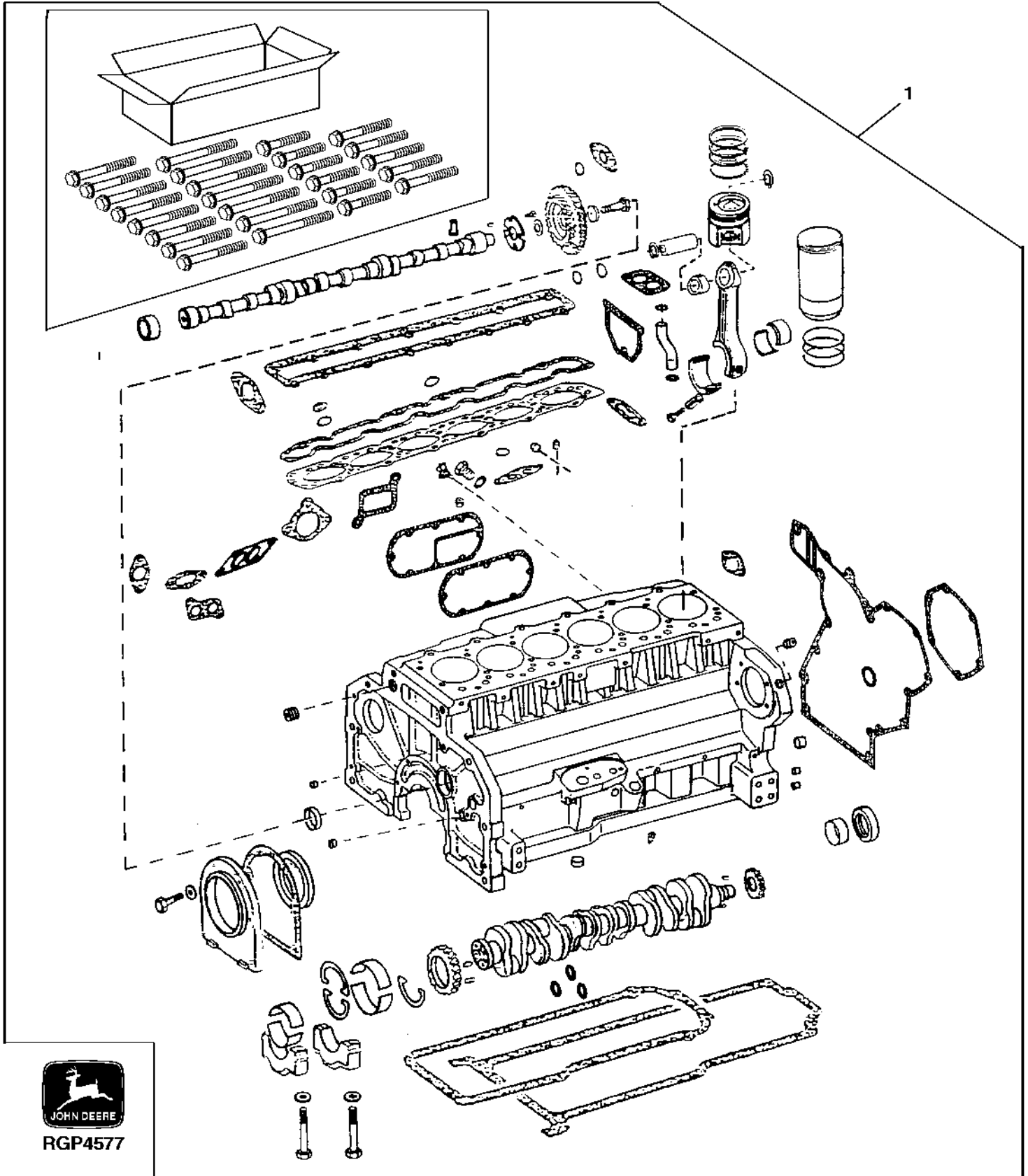
CYLINDER BLOCK FITTINGS - CONTINUED

| KEY | PART NO. | PART NAME      | QTY | ENGINE SERIAL NO. | REMARKS                                   |
|-----|----------|----------------|-----|-------------------|---|
| 1   | R43409   | CAP            | 2   |                   |   |
| 2   | R114130  | STUD           | 5   |                   |   |
| 3   | R121765  | DIPSTICK TUBE  | 1   |                   |   |
| 4   | AT13740  | DRAIN VALVE    | 1   |                   |   |
| 5   | R36599   | PLUG           | 3   |                   | 1/2 ", (NOT AS SHOWN)                     |
| 6   | R39741   | DRAIN PLUG     | 1   |                   |   |
| 7   | U13639   | O-RING         | 1   |                   |   |
| 8   | 15H690   | PIPE PLUG      | 1   |                   | 3/4"                                      |
| 9   | R42340   | BUSHING        | 2   |                   |   |
| 10  | R1612R   | DOWEL PIN      | 2   |                   |   |
| 11  | F1743R   | DOWEL PIN      | 2   |                   |   |
| 12  | R104592  | PIPE PLUG      | 6   |                   |   |
| 13  | R43621   | ORIFICE        | 6   |                   |   |
| 14  | T35390   | CAP            | 1   |                   | (OIL FILL HOLE NOT USED)                  |
| 15  | R500642  | BUSHING        | 2   |                   |   |
| 16  | R27149   | O-RING         | 1   |                   |   |
| 17  | AR61533  | PLUG           | 1   |                   |   |
| 18  | A4365R   | O-RING         | 1   |                   |   |
| 19  | AR61589  | PLUG           | 1   |                   |   |
| 20  | R122364  | BOLT           | 14  |                   |   |
| 21  | R120953  | BEARING CAP    | 6   |                   | (MAIN)                                    |
|     | R120954  | BEARING CAP    | 1   |                   | (THRUST)                                  |
| 22  | R82007   | CAP            | 1   |                   |   |
| 23  | R87561   | BUSHING        | 4   |                   |   |
| 24  | R61288   | DOWEL PIN      | 1   |                   |   |
| 25  | 15H562   | PIPE PLUG      | 1   |                   | 1"  |
| ..  | 15H686   | PIPE PLUG      | 1   |                   | 1", (CYLINDER BLOCK REAR COOLANT OPENING) |
| ..  | .....    | CYLINDER BLOCK | NA  |                   | (NOT AVAILABLE)                           |

# 1C11

ENGINE

ENGINE SHORT BLOCK  
RGP4577 -UN-02NOV95



RGP4577



# 1C12

ENGINE

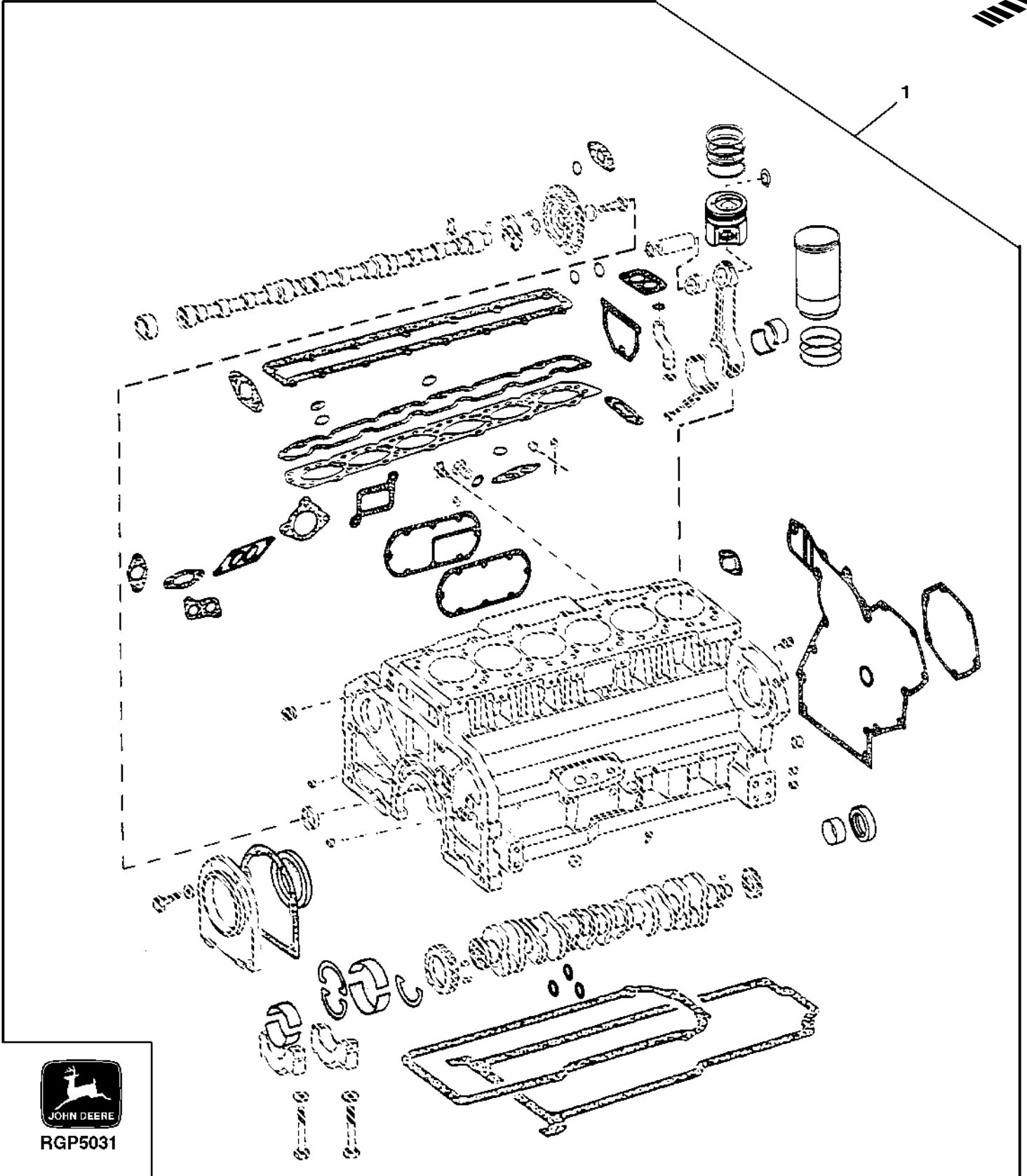
ENGINE SHORT BLOCK - CONTINUED

| KEY | PART NO. | PART NAME            | QTY | ENGINE SERIAL NO. | REMARKS  |
|-----|----------|----------------------|-----|-------------------|--|
| 1   | RE504203 | SHORT BLOCK ASSEMBLY | 1   |                   | (LOW COMPRESSION RE70689 PISTON) (MARKED R115471) (ALSO ORDER R121765) |

# 1C13

ENGINE

ENGINE OVERHAUL KIT  
RGP5031 -UN-11MAY98



RGP5031

# 1C14

ENGINE

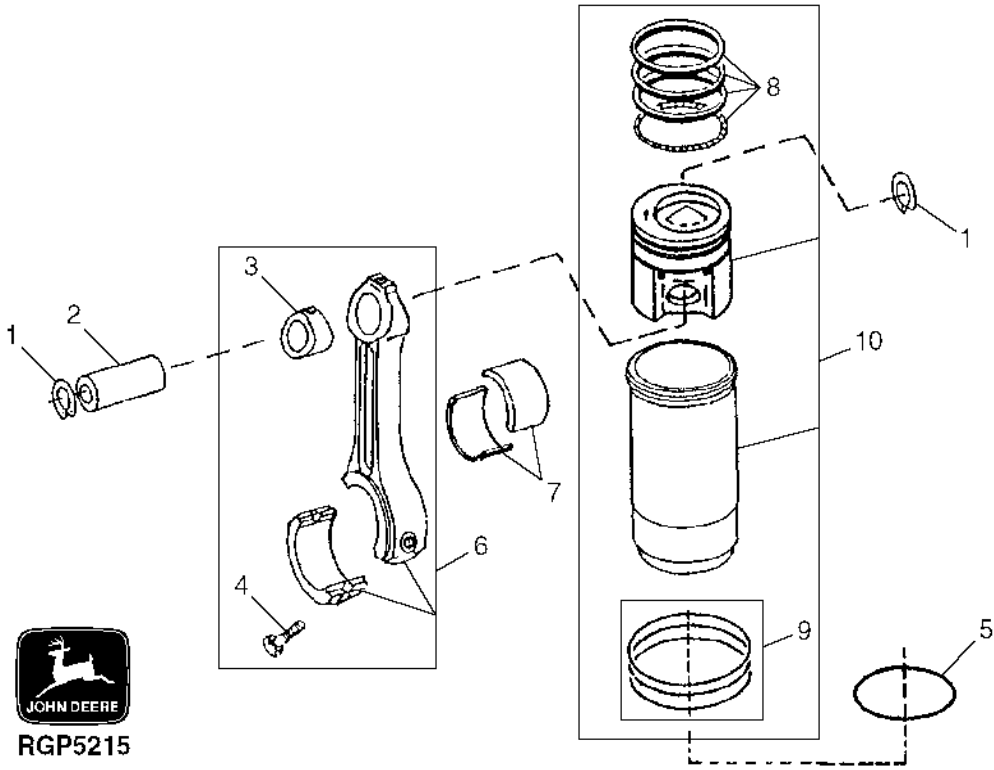
ENGINE OVERHAUL KIT - CONTINUED

| KEY | PART NO. | PART NAME           | QTY | ENGINE SERIAL NO. | REMARKS  |
|-----|----------|---------------------|-----|-------------------|--|
| 1   | RE504202 | ENGINE OVERHAUL KIT | 1   |                   | (CONTAINS (6) RE62791 PISTON/LINERS, GASKET KIT, STD BEARINGS, FRONT/REAR SEALS, AND SNAP RINGS) (ALSO ORDER R501035 ROD BOLTS)<br>(CONTAINS LOW COMPRESSION PISTONS MARKED RE70689) |

# 1C15

ENGINE

**PISTON / CONNECTING RODS / CYLINDER LINER**  
RGP5215 -UN-16JUN99

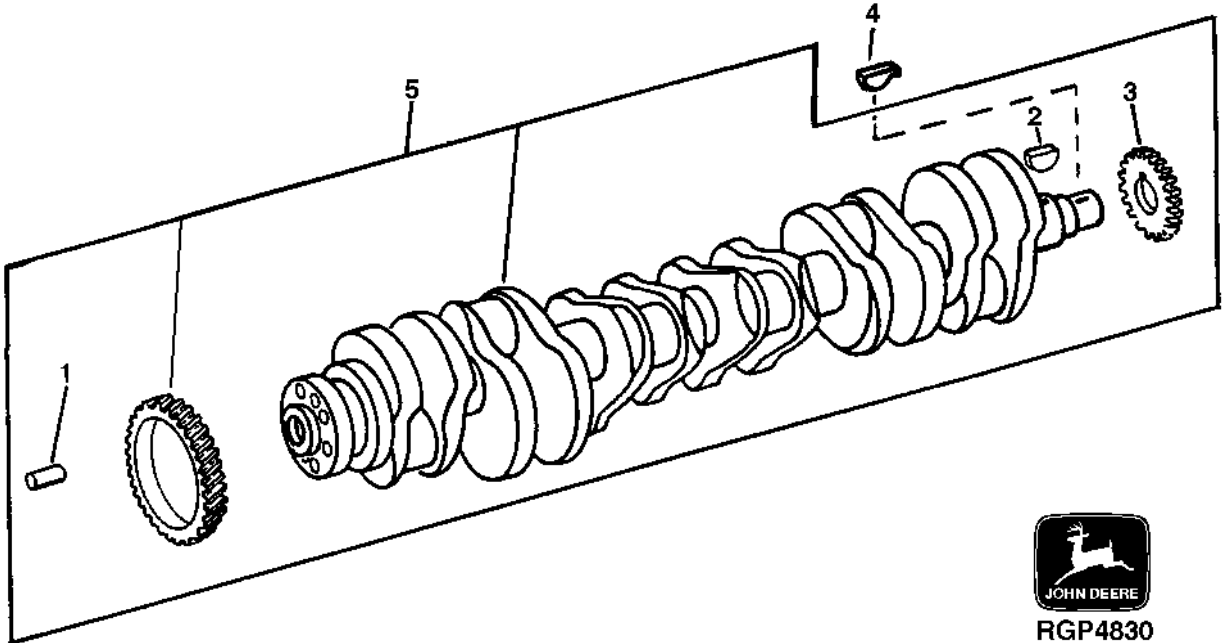


| KEY | PART NO. | PART NAME      | QTY | ENGINE SERIAL NO.                       | REMARKS |
|-----|----------|----------------|-----|---|---------|
| 1   | E1343FN  | SNAP RING      | 12  |   |         |
| 2   | R57771   | PISTON PIN     | 6   |   |         |
| 3   | R74008   | BUSHING        | 6   |   |         |
| 4   | R501035  | CAP SCREW      | 12  |   |         |
| 5   | R93948   | SHIM           | 2   | 0.05MM (.002") (MAX.)                   |         |
| 6   | RE501513 | CONNECTING ROD | 6   | (MARKED R501034)                        |         |
| 7   | R116081  | BEARING        | AR  | STD PKG (2)                             |         |
|     | RE57167  | BEARING        | AR  | 0.292MM (.011") (UNDERSIZE) (PKG OF (2) |         |
|     |          |                |     | R121338)                                |         |
| 8   | RE503528 | PISTON RING    | 6   |   |         |
| 9   | AR98850  | KIT            | 6   |   |         |
| 10  | RE62791  | KIT            | 6   | (LOW COMPRESSION) (MARKED RE65407)      |         |

# 1C16

ENGINE

**CRANKSHAFT**  
RGP4830 -UN-02DEC96

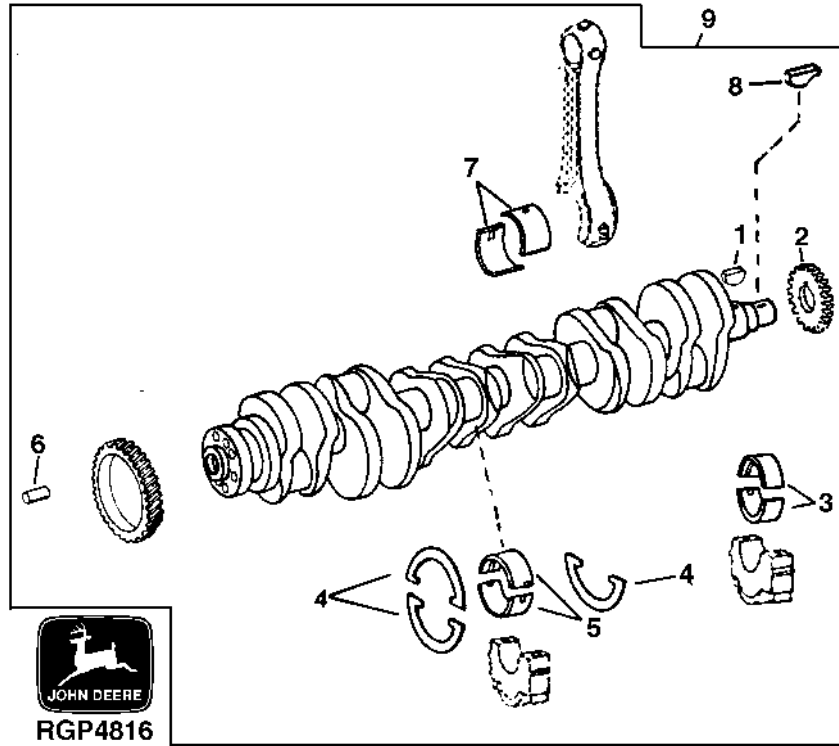


| KEY | PART NO. | PART NAME  | QTY | ENGINE SERIAL NO. | REMARKS |
|-----|----------|------------|-----|-------------------|---------|
| 1   | R41934   | DOWEL PIN  | 1   |                   |         |
| 2   | R120752  | KEY        | 1   | 1/8" X 0.625"     |         |
| 3   | R104587  | GEAR       | 1   |                   |         |
| 4   | R116311  | KEY        | 1   |                   |         |
| 5   | RE55522  | CRANKSHAFT | 1   | (MARKED RE55522)  |         |

# 1C17

ENGINE

**UNDERSIZE CRANKSHAFT / BEARINGS, KIT**  
RGP4816 -UN-21OCT96



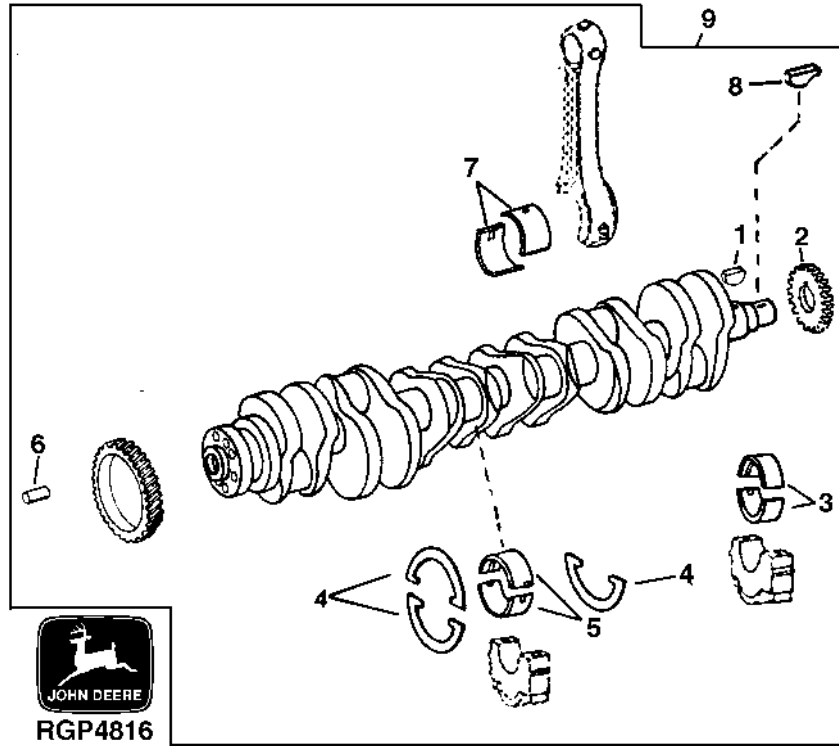
| KEY | PART NO. | PART NAME      | QTY | ENGINE SERIAL NO.                               | REMARKS |
|-----|----------|----------------|-----|---|---------|
| 1   | R120752  | KEY            | 1   |   |         |
| 2   | R104587  | GEAR           | 1   |   |         |
| 3   | RE504195 | BEARING        | 6   | STD   |         |
| 4   | RE61253  | THRUST WASHER  | 1   | STD, (PKG R116084 AND R116085)                  |         |
| 5   | RE504198 | THRUST BEARING | 1   | STD (PKG R116085)                               |         |
| 6   | R41934   | DOWEL PIN      | 1   |   |         |
| 7   | RE57167  | BEARING        | 6   | .292 MM (.011") US (PKG (2) R121338)            |         |
| 8   | R116311  | KEY            | 1   |   |         |
| 9   | RE61267  | CRANKSHAFT     | 1   | .292 MM (.011") US, (MARKED RE58780 OR R122653) |         |

# 1C18

ENGINE

## UNDERSIZE MAIN BEARING CRANKSHAFT AND BEARING KIT

RGP4816 -UN-21OCT96



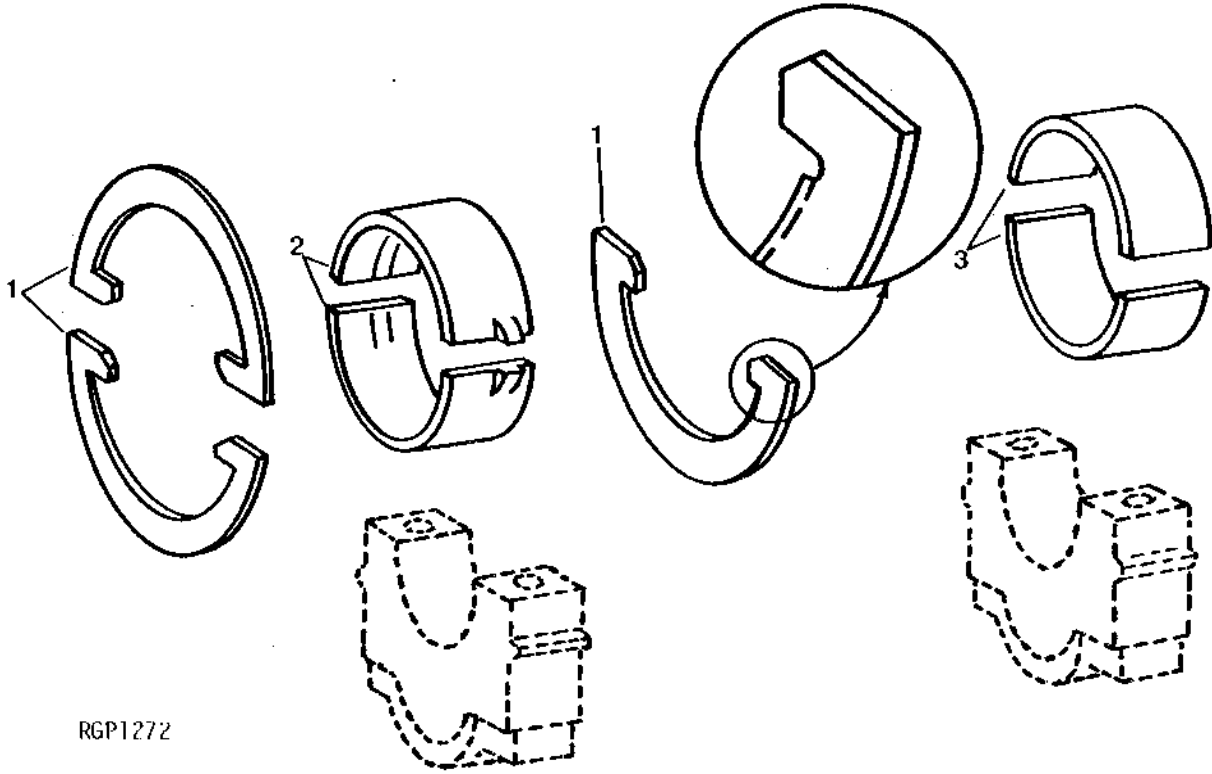
| KEY | PART NO. | PART NAME      | QTY | ENGINE SERIAL NO.                             | REMARKS |
|-----|----------|----------------|-----|---|---------|
| 1   | R120752  | KEY            | 1   | 1/8" X 0.625"                                 |         |
| 2   | R104587  | GEAR           | 1   |   |         |
| 3   | RE57172  | BEARING        | 6   | .292 MM (.011") US (PKG R121342 AND, R121346) |         |
| 4   | RE61851  | THRUST WASHER  | 1   | 0.18MM (.007") OS FLANGE (PKG (3) R124842)    |         |
| 5   | RE57177  | THRUST BEARING | 1   | .292 MM (.011") US (PKG R121350 AND, R121354) |         |
| 6   | R41934   | DOWEL PIN      | 1   |   |         |
| 7   | R116081  | BEARING        | 6   | STD   |         |
| 8   | R116311  | KEY            | 1   |   |         |
| 9   | RE61268  | CRANKSHAFT     | 1   | (MARKED R122654 OR RE58781)                   |         |

# 1C19

ENGINE

## MAIN BEARINGS

RGP1272 -UN-01JAN94



RGP1272

| KEY | PART NO. | PART NAME      | QTY | ENGINE SERIAL NO. | REMARKS                                    |
|-----|----------|----------------|-----|-------------------|--|
| 1   | RE61253  | THRUST WASHER  | 1   |                   | STD (PKG (3) R124381)                      |
|     | RE61851  | THRUST WASHER  | 1   |                   | 0.18 MM (.007") (PKG (3) R124842)          |
| 2   | RE57175  | THRUST BEARING | 1   |                   | STD (PKG R116084 AND R116085)              |
|     | RE57177  | THRUST BEARING | 1   |                   | 0.292 MM (.011") (PKG R121350 AND R121354) |
| 3   | RE57178  | THRUST BEARING | 1   |                   | 0.552 MM (.022") (PKG R121351 AND R121355) |
|     | RE57170  | BEARING        | AR  |                   | STD (PKG R116082 AND R116083)              |
|     | RE57172  | BEARING        | AR  |                   | 0.292 MM (.011") (PKG R121342 AND R121346) |
|     | RE57173  | BEARING        | AR  |                   | 0.552 MM (.022") (PKG R121343 AND R121347) |

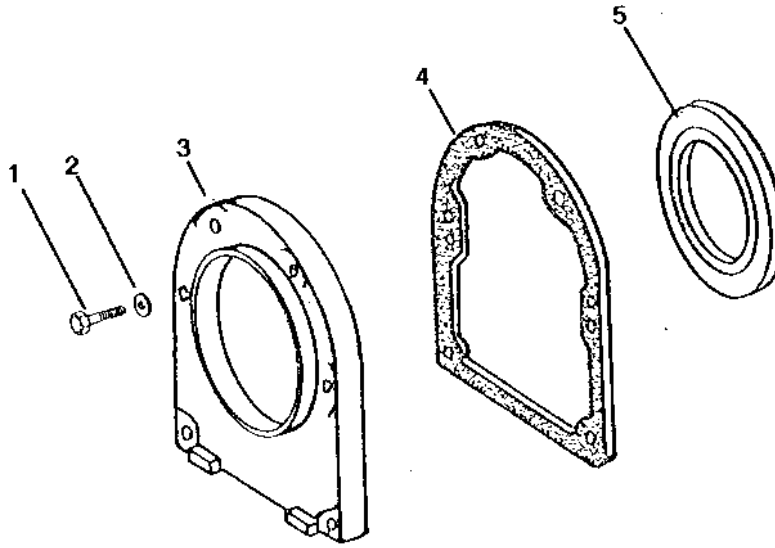


# 1C20

ENGINE

## CRANKSHAFT OIL SEAL AND HOUSING

RGP2382 -UN-01JAN94



RGP2382

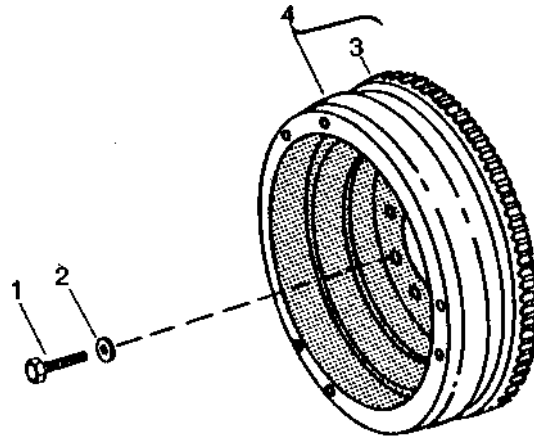
| KEY | PART NO. | PART NAME | QTY | ENGINE SERIAL NO.        | REMARKS |
|-----|----------|-----------|-----|--------------------------|---------|
| 1   | 19H2117  | CAP SCREW | 6   | 5/16" X 1-1/8"           |         |
| 2   | T27860   | WASHER    | 6   | 11/32" X 11/16" X 0.065" |         |
| 3   | R125027  | HOUSING   | 1   |                          |         |
| 4   | R26058   | GASKET    | 1   |                          |         |
| 5   | RE22764  | SEAL      | 1   |                          |         |

# 1C21

ENGINE

**FLYWHEEL**

RGP198 -UN-01JAN94



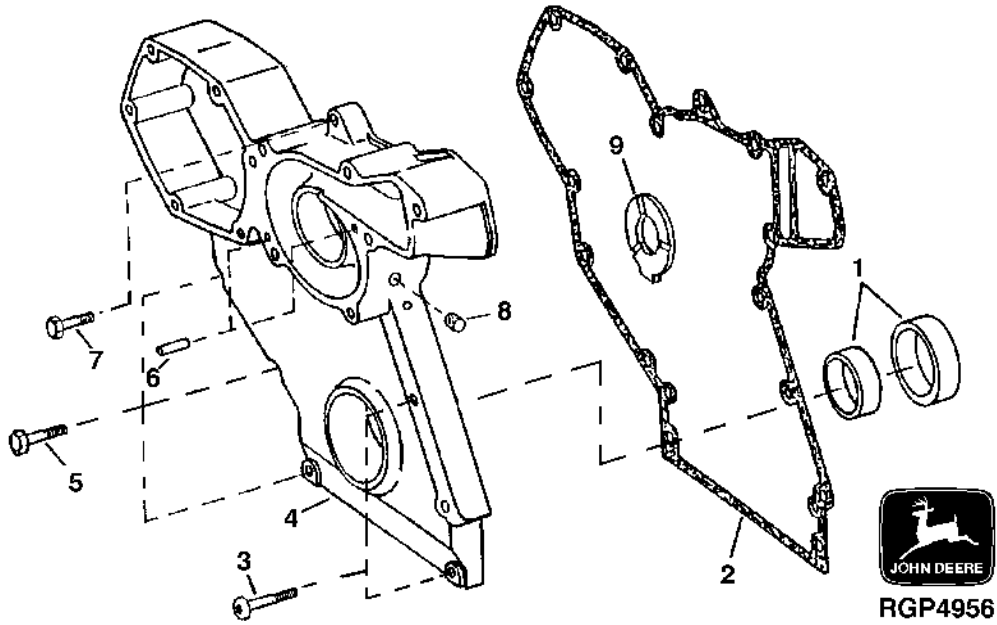
RGF198

| KEY | PART NO. | PART NAME | QTY | ENGINE SERIAL NO. | REMARKS                         |
|-----|----------|-----------|-----|-------------------|---------------------------------|
| 1   | R93238   | CAP SCREW | 6   |                   |                                 |
| 2   | T21242   | WASHER    | 6   |                   |                                 |
| 3   | R28811   | RING GEAR | 1   |                   |                                 |
| 4   | RE57733  | FLYWHEEL  | 1   | -XXXXXX           | (MARKED R125183) (SUB RE502510) |
|     | RE502510 | FLYWHEEL  | 1   | XXXXXX-           | (MARKED R501414)                |

# 1C22

ENGINE

**TIMING GEAR COVER**  
RGP4956 -UN-20AUG97



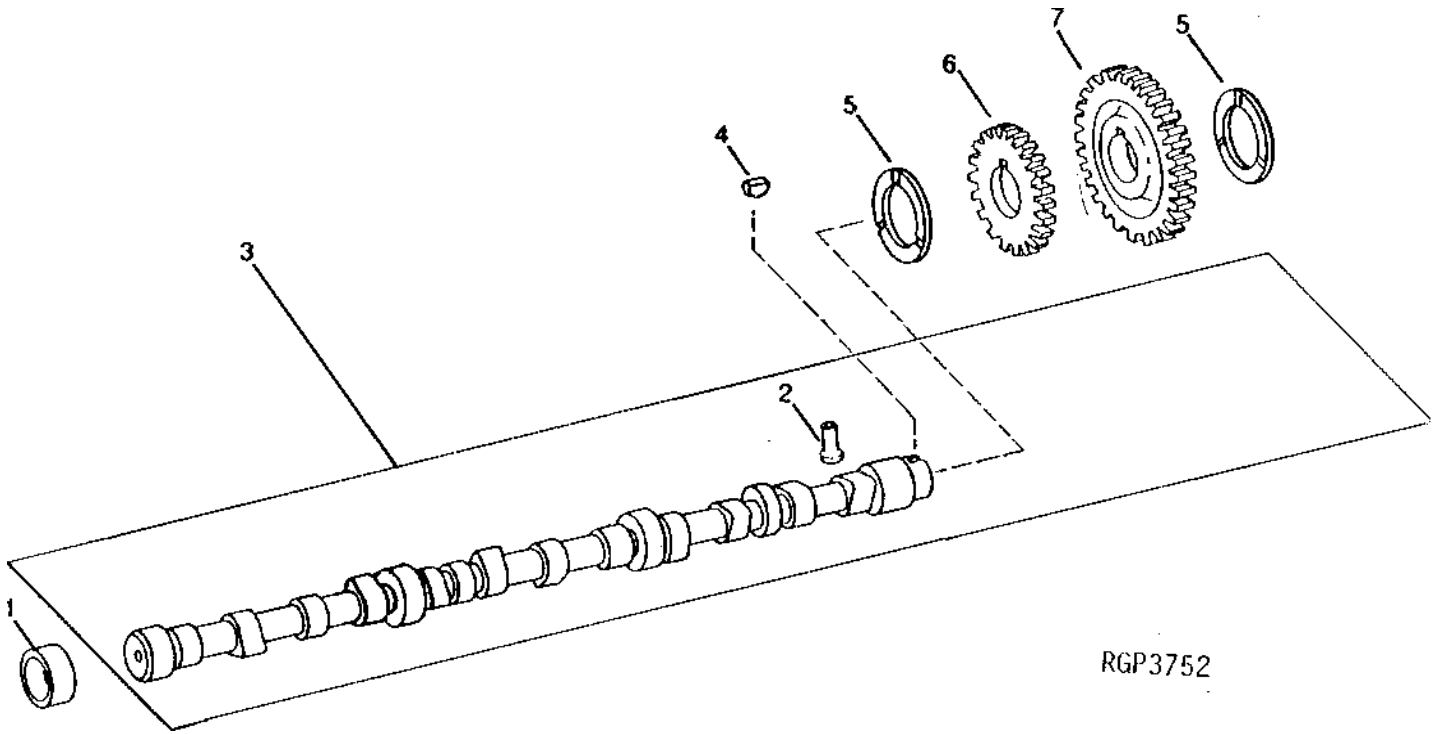
| KEY | PART NO. | PART NAME     | QTY | ENGINE SERIAL NO. | REMARKS |
|-----|----------|---------------|-----|-------------------|---------|
| 1   | AR49025  | SEAL          | 1   |                   |         |
| 2   | R119384  | GASKET        | 1   |                   |         |
| 3   | R115129  | CAP SCREW     | 3   |                   |         |
| 4   | R502081  | COVER         | 1   |                   |         |
| 5   | R104859  | CAP SCREW     | 3   |                   |         |
| 6   | R11086   | DOWEL PIN     | 2   |                   |         |
| 7   | 19H3693  | CAP SCREW     | 1   | 3/8" X 1-1/4"     |         |
| 8   | R98527   | FILTER        | 1   | (WATER PUMP)      |         |
| 9   | R104656  | THRUST WASHER | 1   |                   |         |

# 1C23

ENGINE

**CAMSHAFT**  
RGP3752

-UN-01JAN94



| KEY | PART NO. | PART NAME     | QTY | ENGINE SERIAL NO. | REMARKS          |
|-----|----------|---------------|-----|-------------------|------------------|
| 1   | R87561   | BUSHING       | 4   |                   |                  |
| 2   | R110126  | CAM FOLLOWER  | 12  |                   |                  |
| 3   | RE57054  | CAMSHAFT      | 1   |                   | (MARKED R120872) |
| 4   | 26H91    | SHAFT KEY     | 1   |                   | 3/16" X 1-1/4"   |
| 5   | R104656  | THRUST WASHER | 1   |                   |                  |
| 6   | R104589  | GEAR          | 1   |                   |                  |
| 7   | R112053  | GEAR          | 1   |                   |                  |

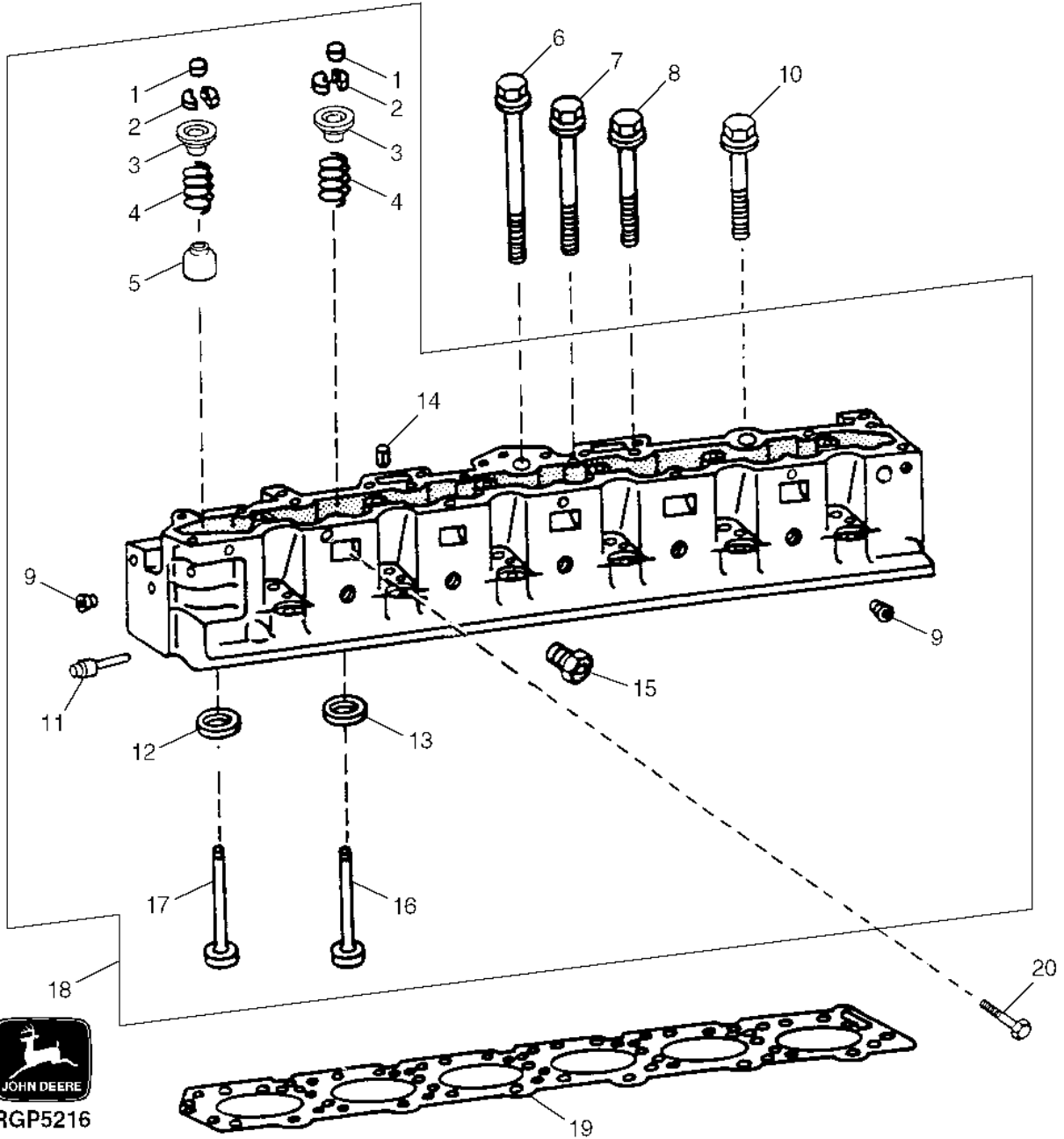
---

MEMORANDA

# 1C24

ENGINE

CYLINDER HEAD  
RGP5216 -UN-16JUN99



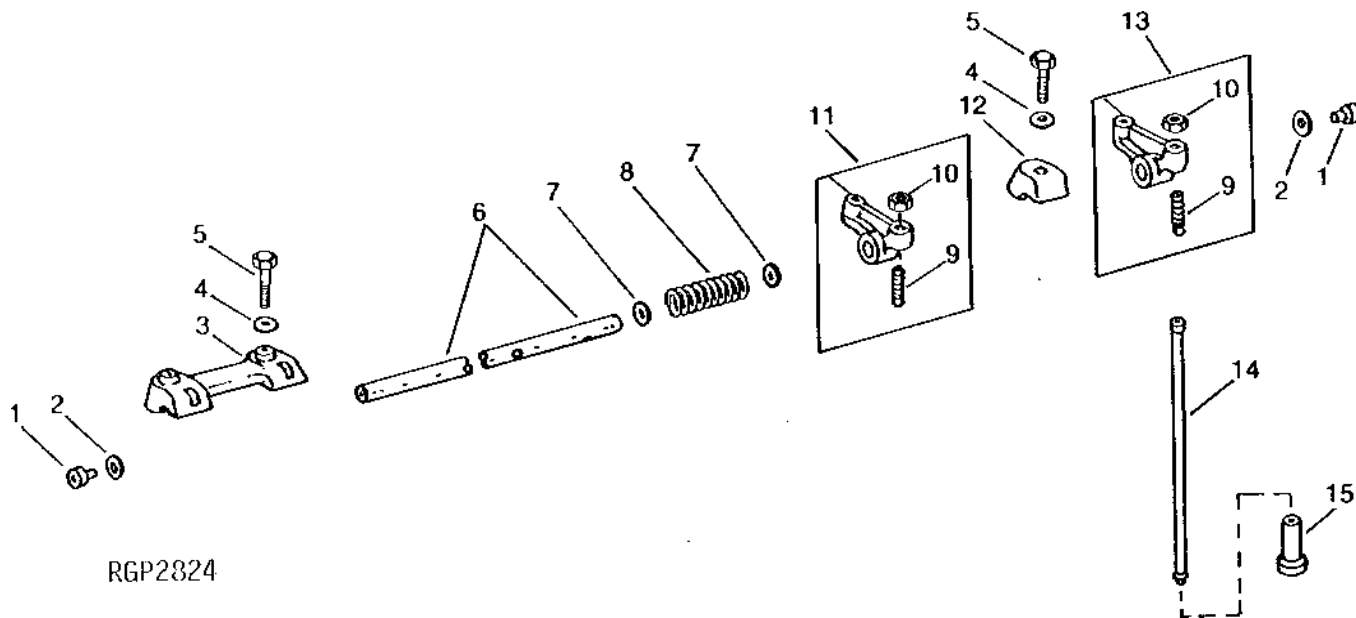
# 1C25

ENGINE

CYLINDER HEAD - CONTINUED

| KEY | PART NO. | PART NAME                   | QTY | ENGINE SERIAL NO. | REMARKS                              |
|-----|----------|-----------------------------|-----|-------------------|--------------------------------------|
| 1   | T20129   | CAP                         | 12  |                   |                                      |
| 2   | T20077   | RETAINER                    | 24  |                   |                                      |
| 3   | R136320  | CAP                         | 12  |                   |                                      |
| 4   | R91822   | SPRING                      | 12  |                   |                                      |
| 5   | R102882  | SHIELD                      | 6   |                   | (EXHAUST VALVES ONLY)                |
| 6   | R121491  | CAP SCREW                   | 7   |                   | 203 MM (8.0") (MARKED "SPECIAL")     |
| 7   | R121490  | CAP SCREW                   | 8   |                   | 175 MM (6.9") (MARKED "SPECIAL")     |
| 8   | R121320  | CAP SCREW                   | 6   |                   | 134 MM (5.3") (MARKED "SPECIAL")     |
| 9   | 15H690   | PIPE PLUG                   | 10  |                   | 3/4"                                 |
| 10  | R121489  | CAP SCREW                   | 5   |                   | 149 MM (5.9") (MARKED "SPECIAL")     |
| 11  | AT107509 | PLUG                        | 1   |                   |                                      |
| 12  | R119132  | VALVE SEAT INSERT           | 6   |                   | EXHAUST                              |
| 13  | R121193  | VALVE SEAT INSERT           | 6   |                   | INTAKE                               |
| 14  | 34H387   | SPRING PIN                  | 1   |                   | 3/16" X 3/4"                         |
| 15  | RE501737 | PIPE PLUG                   | 1   |                   |                                      |
| 16  | R84618   | INTAKE VALVE                | 6   |                   | STD                                  |
|     | R93308   | INTAKE VALVE                | AR  |                   | 0.08MM (.003") OS                    |
|     | R93312   | INTAKE VALVE                | AR  |                   | 0.38MM (.015") OS                    |
|     | R93314   | INTAKE VALVE                | AR  |                   | 0.76MM (.030") OS                    |
| 17  | R84619   | EXHAUST VALVE               | 6   |                   | STD                                  |
|     | R93311   | EXHAUST VALVE               | AR  |                   | 0.08MM (.003") OS                    |
|     | R93313   | EXHAUST VALVE               | AR  |                   | 0.38MM (.015") OS                    |
|     | R93315   | EXHAUST VALVE               | AR  |                   | 0.76MM (.030") OS                    |
| 18  | RE57750  | CYLINDER HEAD               | 1   |                   | (MARKED R122419 OR R122492)          |
| 19  | RE55475  | ENGINE CYLINDER HEAD GASKET | 1   |                   |                                      |
| 20  | 19H2367  | CAP SCREW                   | 1   |                   | 5/8" X 3/4"                          |
| ..  | RG24026  | KIT                         | 1   |                   | (CONTAINS (26) "SPECIAL" HEAD BOLTS) |

**ROCKER ARM SHAFT**  
RGP2824 -UN-01JAN94



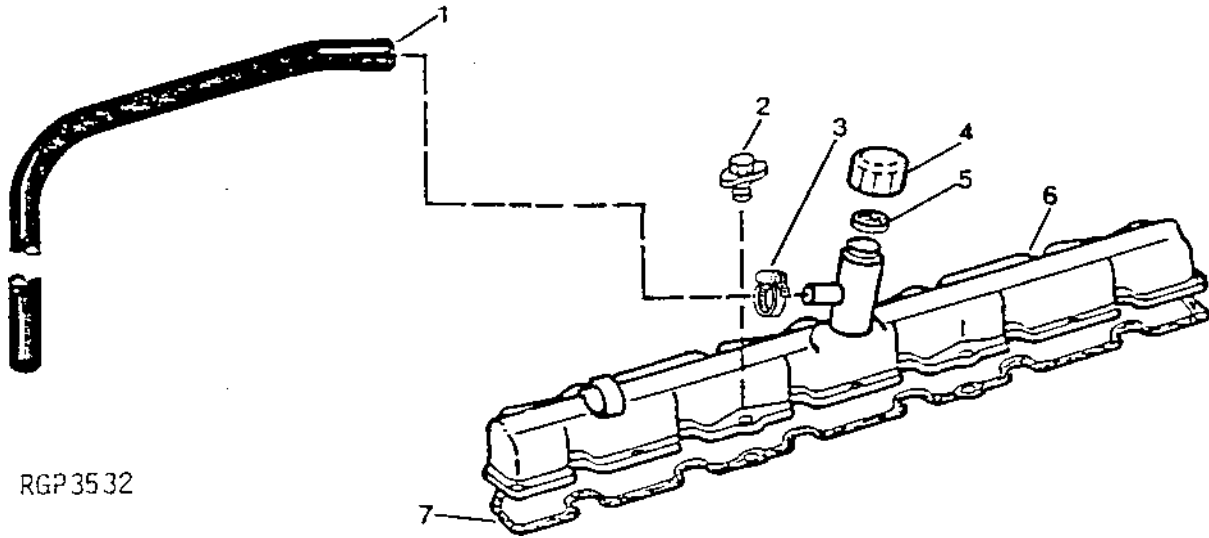
RGP2824

| KEY | PART NO. | PART NAME        | QTY | ENGINE SERIAL NO.                 | REMARKS |
|-----|----------|------------------|-----|-----------------------------------|---------|
| 1   | R54565   | PLUG             | 2   |                                   |         |
| 2   | R26081   | WASHER           | 2   |                                   |         |
| 3   | R136083  | CLAMP            | 2   |                                   |         |
| 4   | R26559   | WASHER           | 6   |                                   |         |
| 5   | 19H1740  | CAP SCREW        | 6   | 7/16" X 1-3/4"                    |         |
| 6   | R70826   | ROCKER ARM SHAFT | 1   |                                   |         |
| 7   | R71208   | WASHER           | 10  |                                   |         |
| 8   | R26079   | SPRING           | 5   |                                   |         |
| 9   | R27443   | SET SCREW        | 12  |                                   |         |
| 10  | 14H1080  | NUT              | 12  | 3/8"                              |         |
| 11  | RE24045  | ROCKER ARM       | 6   | (A) (1E, 2I, 3E, 4I, 5E, 6I) (RH) |         |
| 12  | R26748   | CLAMP            | 2   |                                   |         |
| 13  | RE24046  | ROCKER ARM       | 6   | (A) (1I, 2E, 3I, 4E, 5I, 6E) (LH) |         |
| 14  | R85027   | PUSH ROD         | 12  |                                   |         |
| 15  | R110126  | CAM FOLLOWER     | 12  |                                   |         |

(A) - E (EXHAUST VALVE) - I (INTAKE VALVE)



**ROCKER ARM COVER**  
RGP3532 -UN-01JAN94



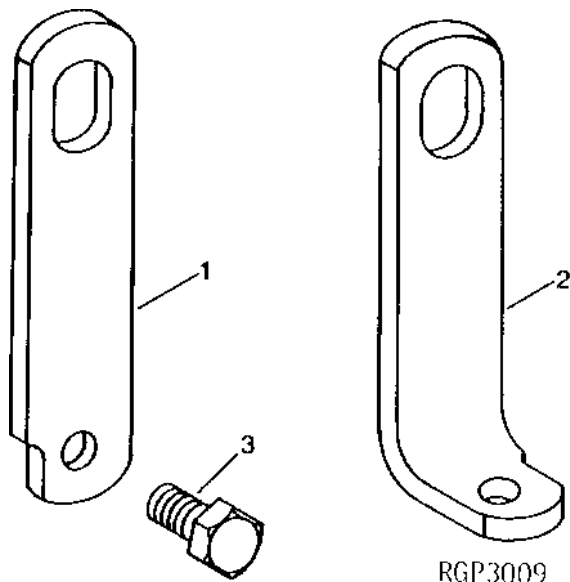
| KEY | PART NO. | PART NAME          | QTY | ENGINE SERIAL NO. | REMARKS |
|-----|----------|--------------------|-----|-------------------|---------|
| 1   | .....    | BULK HOSE          | AR  |                   | (BULK)  |
| 2   | AR100124 | SCREW, WITH WASHER | 8   |                   |         |
| 3   | TY22467  | CLAMP              | 1   |                   |         |
| 4   | T20294   | CAP                | 1   |                   |         |
| 5   | T20328   | GASKET             | 1   |                   |         |
| 6   | AR93173  | COVER              | 1   |                   |         |
| 7   | R49866   | GASKET             | 1   |                   |         |
| ..  | TY24446  | ADHESIVE           | 1   |                   |         |

# 1D3

ENGINE

## LIFT STRAPS

RGP3009 -UN-01JAN94



| KEY | PART NO. | PART NAME | QTY | ENGINE SERIAL NO. | REMARKS |
|-----|----------|-----------|-----|-------------------|---------|
| 1   | R61497   | STRAP     | 1   |                   |         |
| 2   | R86571   | ANGLE     | 1   |                   |         |
| 3   | 19H1756  | CAP SCREW | 2   | 5/8" X 1-1/2"     |         |

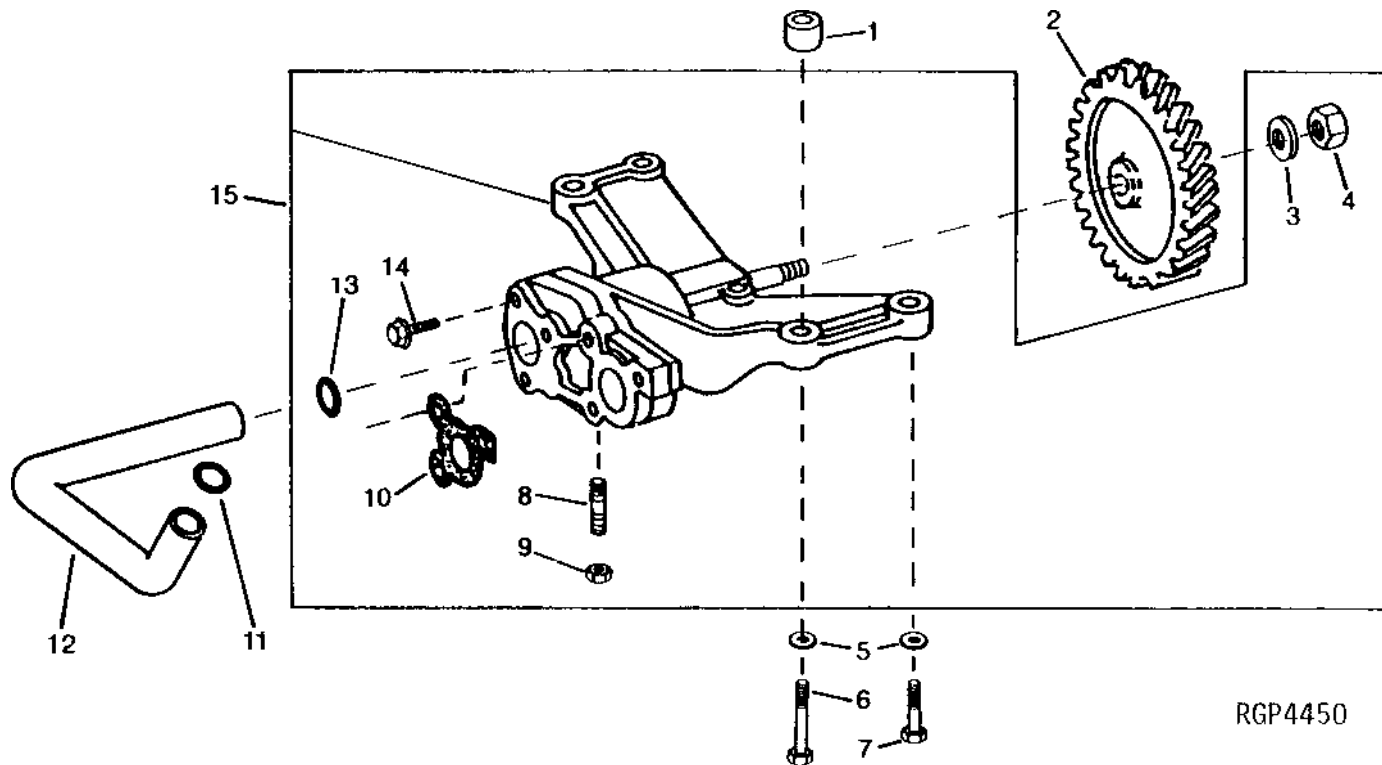
---

MEMORANDA

# 1D4

ENGINE

OIL PUMP  
RGP4450 -UN-03MAR95



RGP4450

# 1D5

ENGINE

**OIL PUMP - CONTINUED**

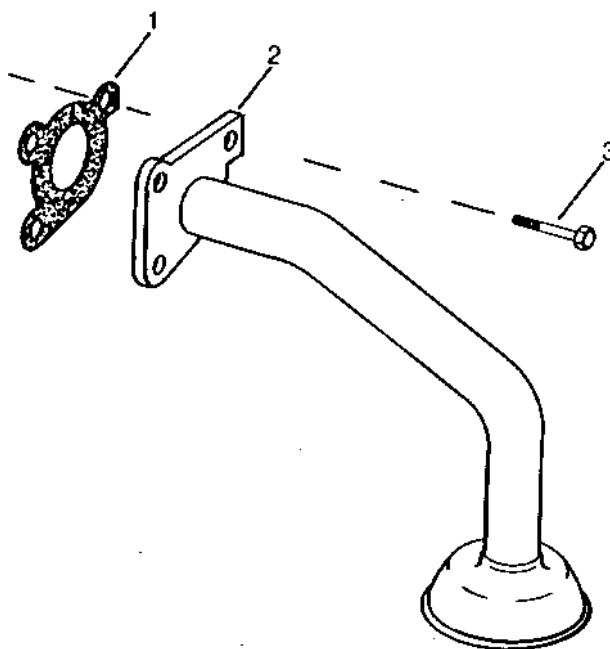
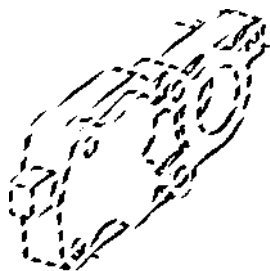
| KEY | PART NO. | PART NAME | QTY | ENGINE SERIAL NO. | REMARKS |
|-----|----------|-----------|-----|-------------------|---------|
| 1   | R500642  | BUSHING   | 2   |                   |         |
| 2   | R62938   | GEAR      | 1   |                   |         |
| 3   | T21242   | WASHER    | 1   |                   |         |
| 4   | 14H826   | NUT       | 1   | 1/2"              |         |
| 5   | R57696   | WASHER    | 4   |                   |         |
| 6   | 19H2549  | CAP SCREW | 2   | 3/8" X 1-7/8"     |         |
| 7   | 19H3219  | CAP SCREW | 2   | 3/8" X 1-3/8"     |         |
| 8   | 22H1040  | SET SCREW | 1   | 5/16" X 1-1/4"    |         |
| 9   | 14H785   | NUT       | 1   | 5/16"             |         |
| 10  | R100569  | GASKET    | 1   |                   |         |
| 11  | R71732   | O-RING    | 1   |                   |         |
| 12  | R116718  | OIL TUBE  | 1   |                   |         |
| 13  | R71732   | O-RING    | 1   |                   |         |
| 14  | R104628  | CAP SCREW | 5   |                   |         |
| 15  | RE60622  | OIL PUMP  | 1   | (MARKED R124328)  |         |

# 1D6

ENGINE

## ENGINE OIL PUMP INTAKE

RGP3629 -UN-01JAN94



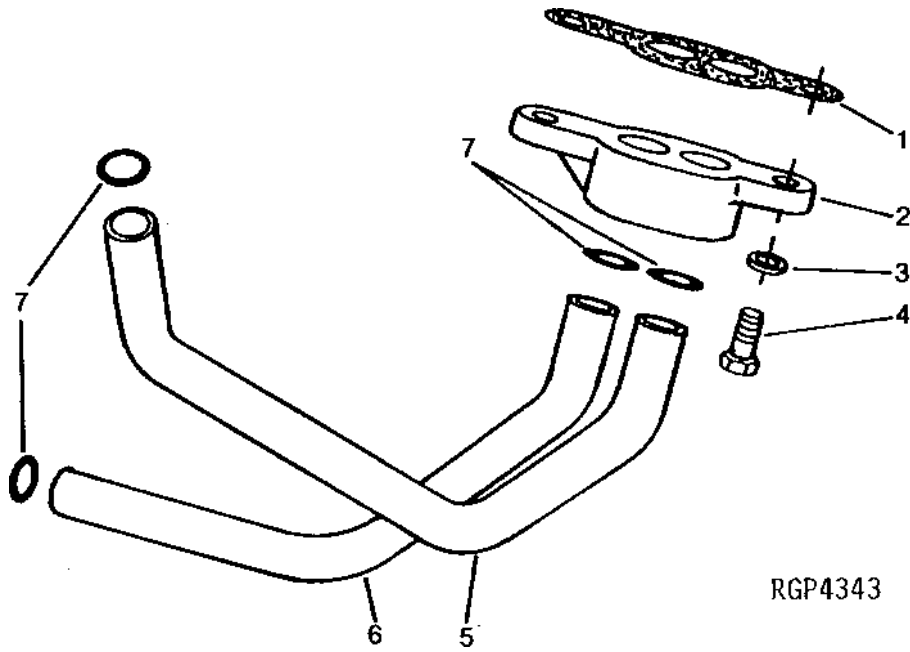
RGP3629

| KEY | PART NO. | PART NAME       | QTY | ENGINE SERIAL NO. | REMARKS |
|-----|----------|-----------------|-----|-------------------|---------|
| 1   | R100569  | GASKET          | 1   |                   |         |
| 2   | RE60546  | OIL PUMP INTAKE | 1   |                   |         |
| 3   | R104628  | CAP SCREW       | 3   |                   |         |

# 1D7

ENGINE

**OIL COOLER BYPASS VALVE**  
RGP4343 -UN-01JAN94



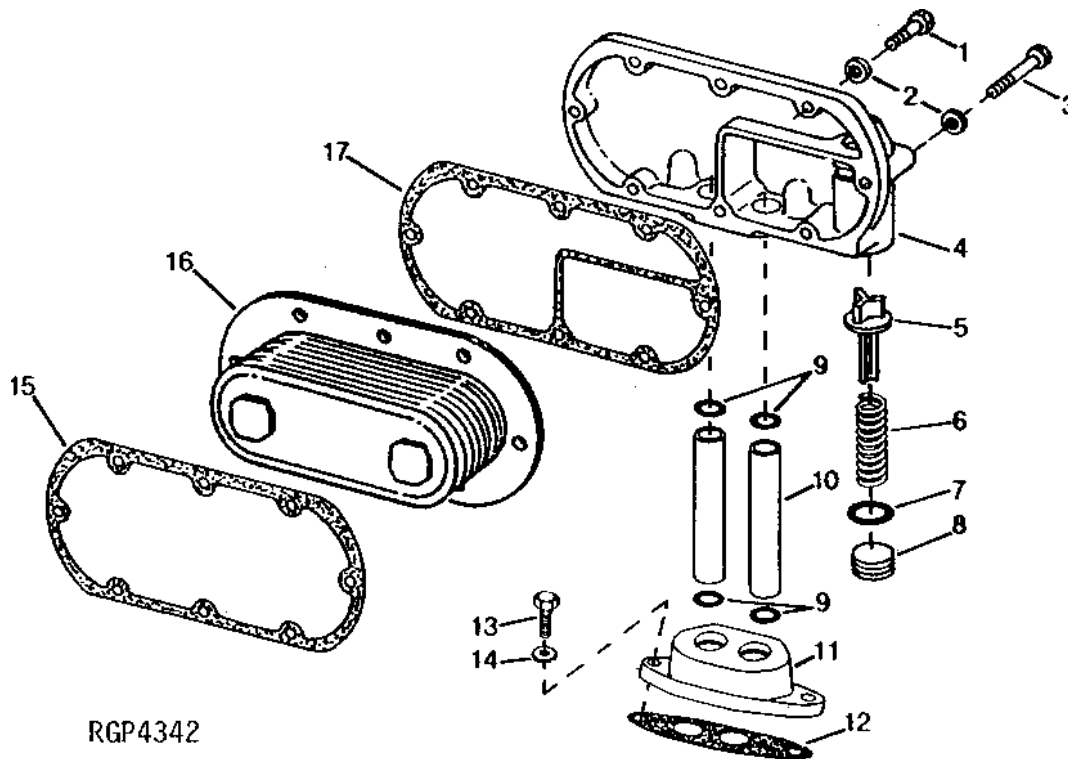
| KEY | PART NO. | PART NAME | QTY | ENGINE SERIAL NO.      | REMARKS |
|-----|----------|-----------|-----|------------------------|---------|
| 1   | R109625  | GASKET    | 1   |                        |         |
| 2   | R116233  | ADAPTER   | 1   |                        |         |
| 3   | 24M7096  | WASHER    | 2   | 10.500 X 18 X 1.600 MM |         |
| 4   | R40236   | CAP SCREW | 2   |                        |         |
| 5   | R126337  | OIL TUBE  | 1   |                        |         |
| 6   | R116718  | OIL TUBE  | 1   |                        |         |
| 7   | R71732   | O-RING    | 4   |                        |         |

# 1D8

ENGINE

## OIL COOLER

RGP4342 -UN-01JAN94



RGP4342

| KEY | PART NO. | PART NAME    | QTY | ENGINE SERIAL NO.      | REMARKS |
|-----|----------|--------------|-----|------------------------|---------|
| 1   | 19H3768  | CAP SCREW    | 5   | 5/16" X 1-3/8"         |         |
| 2   | 24M7055  | WASHER       | 8   | 8.400 X 16 X 1.600 MM  |         |
| 3   | 19H3769  | CAP SCREW    | 3   | 5/16" X 2-1/2"         |         |
| 4   | R134602  | COVER        | 1   |                        |         |
| 5   | R108867  | VALVE        | 1   |                        |         |
| 6   | R98064   | SPRING       | 1   |                        |         |
| 7   | U17409   | O-RING       | 1   |                        |         |
| 8   | R121163  | FITTING PLUG | 1   |                        |         |
| 9   | R47153   | O-RING       | 4   |                        |         |
| 10  | R51053   | OIL TUBE     | 2   |                        |         |
| 11  | R127297  | ADAPTER      | 1   |                        |         |
| 12  | R50424   | GASKET       | 2   |                        |         |
| 13  | 19H3483  | CAP SCREW    | 2   | 3/8" X 1-1/8"          |         |
| 14  | 24M7096  | WASHER       | 2   | 10.500 X 18 X 1.600 MM |         |
| 15  | AR58952  | GASKET       | 1   |                        |         |
| 16  | AR55394  | OIL COOLER   | 1   |                        |         |
| 17  | R132396  | GASKET       | 1   |                        |         |



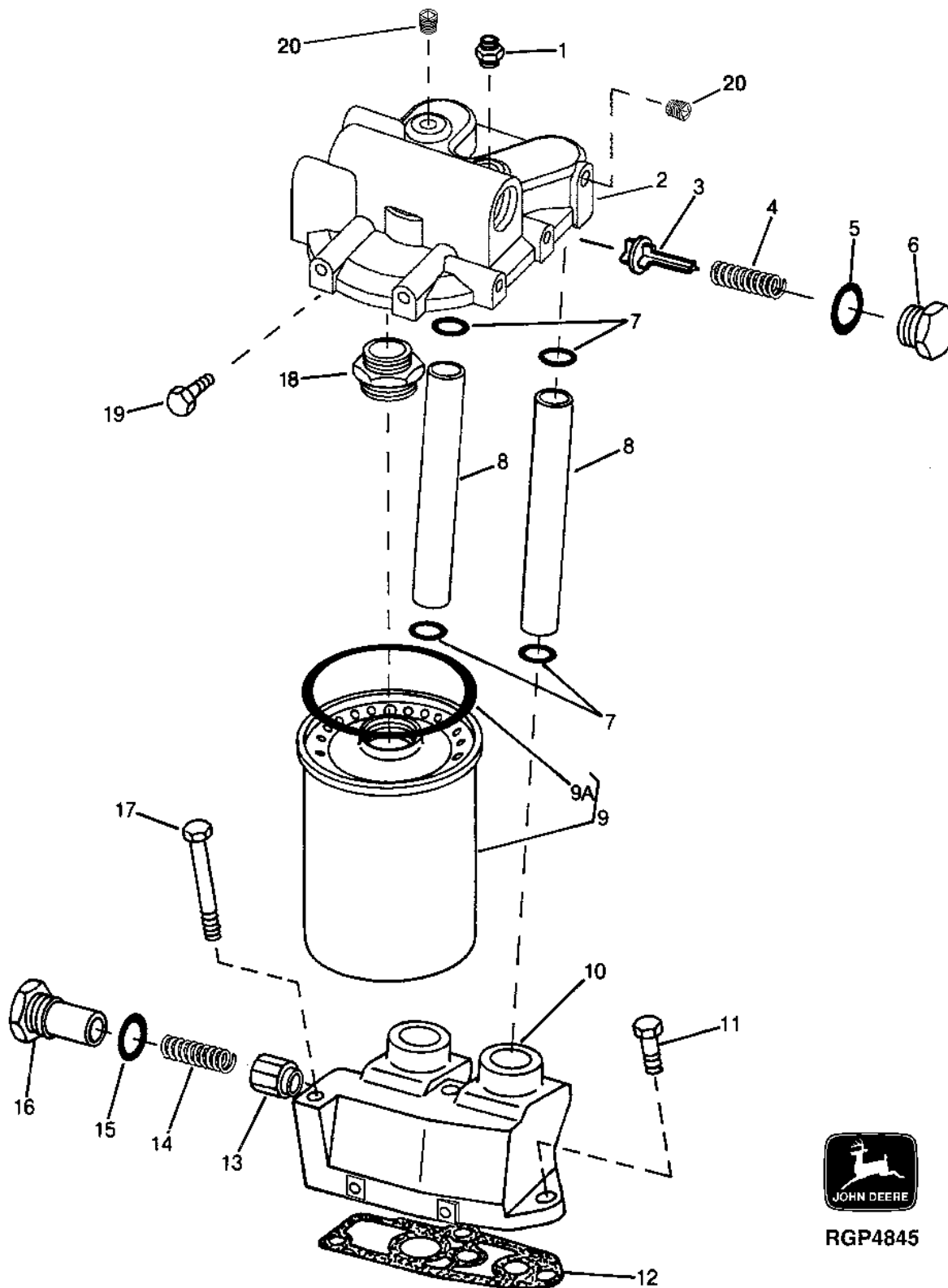
MEMORANDA

# 1D9

ENGINE

OIL FILTER  
RGP4845

-UN-18DEC96



RGP4845

# 1D10

ENGINE

**OIL FILTER - CONTINUED**

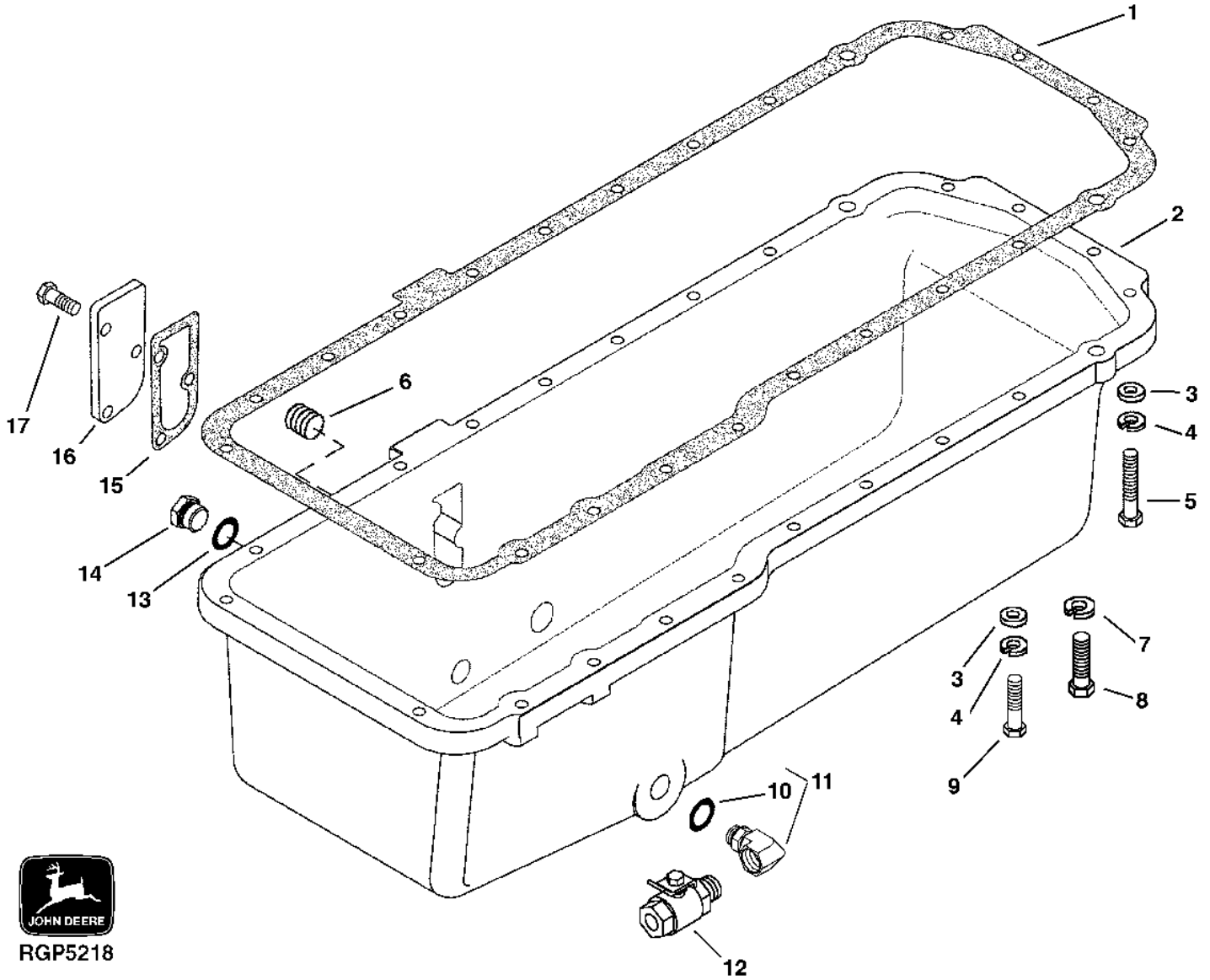
| KEY | PART NO. | PART NAME    | QTY | ENGINE SERIAL NO. | REMARKS          |
|-----|----------|--------------|-----|-------------------|------------------|
| 1   | RE57561  | CONNECTOR    | 1   |                   |                  |
| 2   | R128694  | BASE         | 1   |                   |                  |
| 3   | R500055  | VALVE        | 1   |                   |                  |
| 4   | R98064   | SPRING       | 1   |                   |                  |
| 5   | U17409   | O-RING       | 1   |                   |                  |
| 6   | R117073  | FITTING PLUG | 1   |                   |                  |
| 7   | R47153   | O-RING       | 4   |                   |                  |
| 8   | R86063   | TUBE         | 2   |                   |                  |
| 9   | RE57394  | OIL FILTER   | 1   |                   | (MARKED RE57394) |
| 9A  | R43660   | PACKING      | 1   |                   |                  |
| 10  | R129820  | HOUSING      | 1   |                   |                  |
| 11  | 19H3239  | CAP SCREW    | 1   |                   | 3/8" X 1-1/4"    |
| 12  | R119847  | GASKET       | 1   |                   |                  |
| 13  | R124186  | RELIEF VALVE | 1   |                   |                  |
| 14  | R500330  | SPRING       | 1   |                   |                  |
| 15  | U17409   | O-RING       | 1   |                   |                  |
| 16  | R129821  | FITTING PLUG | 1   |                   |                  |
| 17  | 19H3445  | CAP SCREW    | 2   |                   | 3/8" X 3-3/4"    |
| 18  | R104621  | ADAPTER      | 1   |                   |                  |
| 19  | 19H3104  | CAP SCREW    | 2   |                   | 7/16" X 1-1/4"   |
| 20  | RE71255  | PIPE PLUG    | 2   |                   |                  |

# 1D11

ENGINE

OIL PAN  
RGP5218

-UN-16JUN99



RGP5218

# 1D12

ENGINE

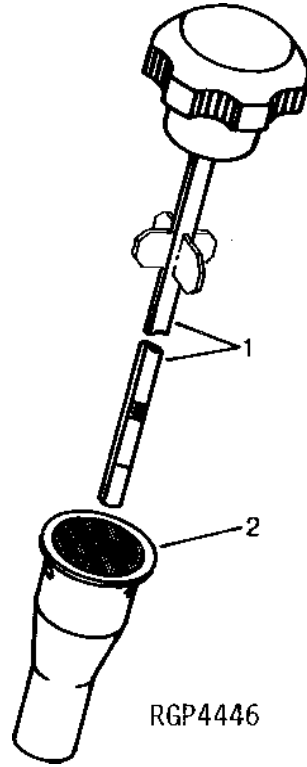
**OIL PAN - CONTINUED**

| KEY | PART NO. | PART NAME     | QTY | ENGINE SERIAL NO. | REMARKS  |
|-----|----------|---------------|-----|-------------------|--|
| 1   | R49376   | GASKET        | 1   |                   |  |
| 2   | R500354  | PAN           | 1   |                   | (SHALLOW SUMP) (ORDER R500355, R127873, RE63439 AND (3) 19H1731) |
|     | R500355  | PAN           | 1   |                   | (SHALLOW SUMP) (SERVICE ONLY)                                    |
| 3   | 24H1305  | WASHER        | 22  |                   | 13/32" X 13/16" X 0.065"   |
| 4   | M72490   | WASHER        | 22  |                   |  |
| 5   | 19H3485  | CAP SCREW     | 4   |                   | 3/8" X 2"  |
| 6   | 15H690   | PIPE PLUG     | 1   |                   | 3/4"   |
| 7   | R135895  | WASHER        | 2   |                   |  |
| 8   | 19H2473  | CAP SCREW     | 2   |                   | 1/2" X 1-3/4"  |
| 9   | 19H1651  | CAP SCREW     | 18  |                   | 3/8" X 1-1/2"  |
| 10  | R47151   | O-RING        | 1   |                   |  |
| 11  | RE500318 | ELBOW FITTING | 1   |                   |  |
| 12  | RE32856  | VALVE         | 1   |                   |  |
| 13  | R47151   | O-RING        | 1   |                   |  |
| 14  | R27474   | DRAIN PLUG    | 1   |                   |  |
| 15  | RE63439  | GASKET        | 1   |                   | (USE WITH R500355)   |
| 16  | R127873  | COVER         | 1   |                   | (USE WITH R500355)   |
| 17  | 19H1731  | CAP SCREW     | 3   |                   | 3/8" X 1", (USE WITH R500355)                                    |

# 1D13

ENGINE

ENGINE OIL DIPSTICK  
RGP4446 -UN-03MAR95



| KEY | PART NO. | PART NAME     | QTY | ENGINE SERIAL NO. | REMARKS |
|-----|----------|---------------|-----|-------------------|---------|
| 1   | RE500216 | DIPSTICK      | 1   |                   |         |
| 2   | R121765  | DIPSTICK TUBE | 1   | 141.5 MM (5.57")  |         |

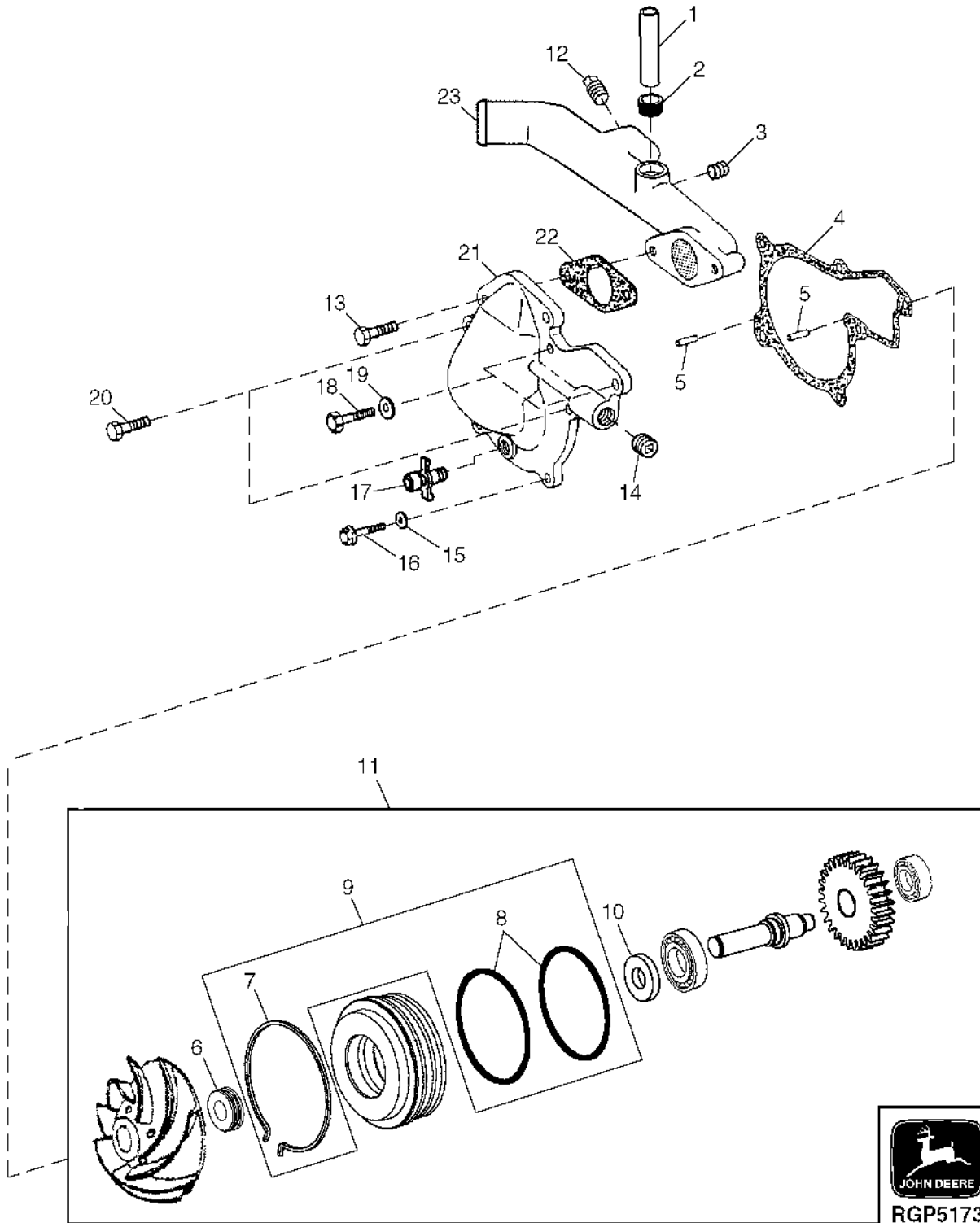
---

MEMORANDA

# 1D14

ENGINE

**WATER PUMP**  
RGP5173 -UN-20APR99





# 1D15

ENGINE

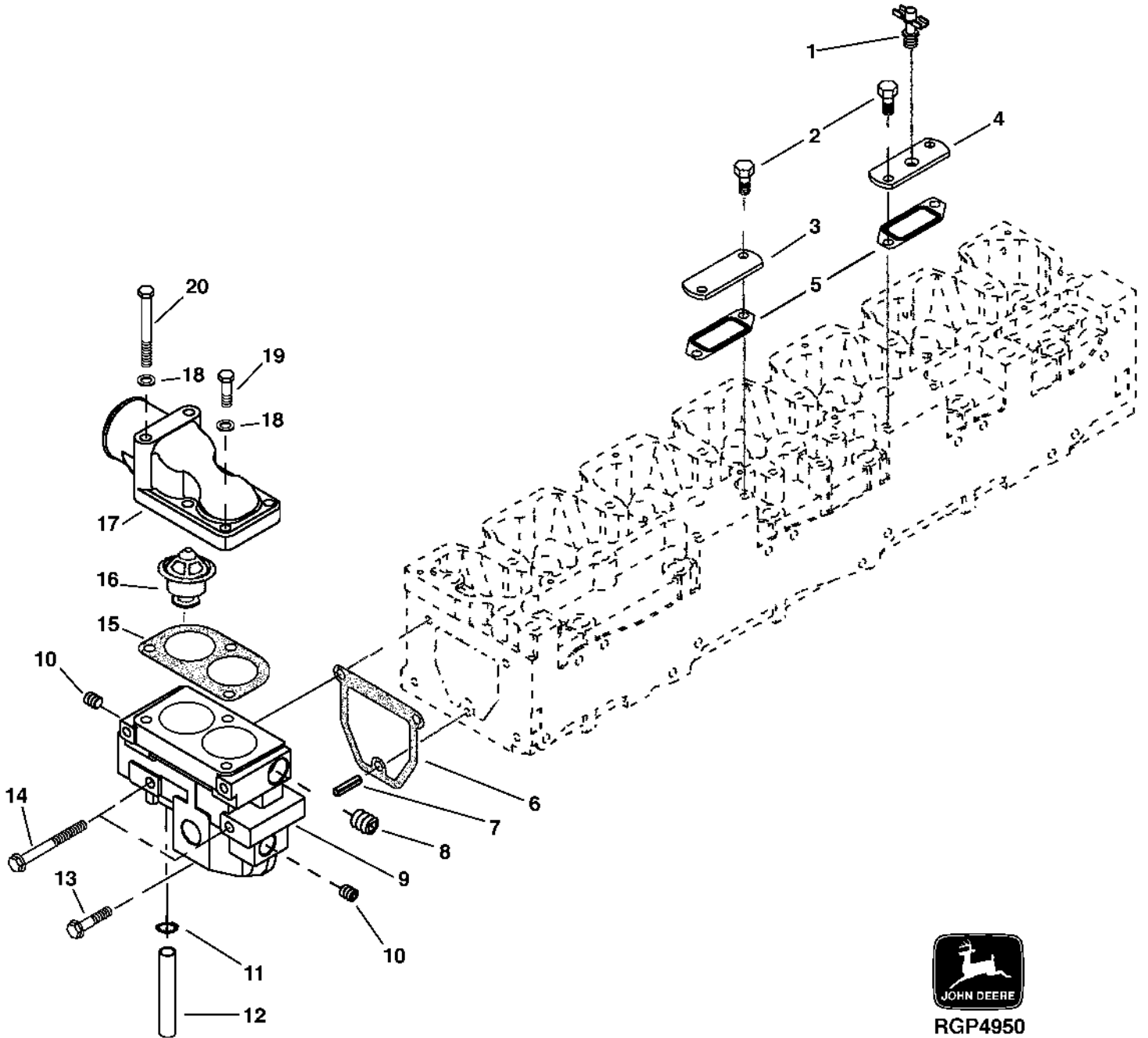
**WATER PUMP - CONTINUED**

| KEY | PART NO. | PART NAME   | QTY | ENGINE SERIAL NO. | REMARKS                          |
|-----|----------|-------------|-----|-------------------|----------------------------------|
| 1   | R125025  | TUBE        | 1   |                   |                                  |
| 2   | RE57190  | SEAL        | 1   |                   |                                  |
| 3   | 15H685   | PIPE PLUG   | AR  | 1/4"              |                                  |
| 4   | R119383  | GASKET      | 1   |                   |                                  |
| 5   | R11086   | DOWEL PIN   | 2   |                   |                                  |
| 6   | RE68318  | SEAL KIT    | 1   |                   | (INCLUDES INSTALLATION TOOL)     |
| 7   | R121316  | RING        | 1   |                   |                                  |
| 8   | R122430  | O-RING      | 2   |                   |                                  |
| 9   | RE502154 | KIT         | 1   |                   |                                  |
| 10  | RE39134  | SEAL        | 1   |                   | (OIL)                            |
| 11  | RE57154  | WATER PUMP  | 1   |                   | Z=16, (LOW FLOW)(MARKED R119795) |
| 12  | RE57836  | PIPE PLUG   | 1   |                   |                                  |
| 13  | 19H3411  | CAP SCREW   | 2   |                   | 3/8" X 1-1/8"                    |
| 14  | 15H624   | PIPE PLUG   | AR  |                   | 1/2"                             |
| 15  | 24H1136  | WASHER      | 1   |                   | 11/32" X 11/16" X 0.065"         |
| 16  | 19H1897  | CAP SCREW   | 1   |                   | 5/16" X 3-3/4"                   |
| 17  | AT13740  | DRAIN VALVE | 1   |                   |                                  |
| 18  | 19H1854  | CAP SCREW   | 3   |                   | 3/8" X 3-3/4"                    |
| 19  | 24M7096  | WASHER      | 3   |                   | 10.500 X 18 X 1.600 MM           |
| 20  | 19H3411  | CAP SCREW   | 2   |                   | 3/8" X 1-1/8"                    |
| 21  | R124741  | COVER       | 1   |                   | (RIGHT HAND)                     |
| 22  | R125072  | GASKET      | 1   |                   |                                  |
| 23  | R501465  | HOUSING     | 1   |                   |                                  |

# 1D16

ENGINE

WATER MANIFOLD / THERMOSTAT  
RGP4950 -UN-15AUG97



# 1D17

ENGINE

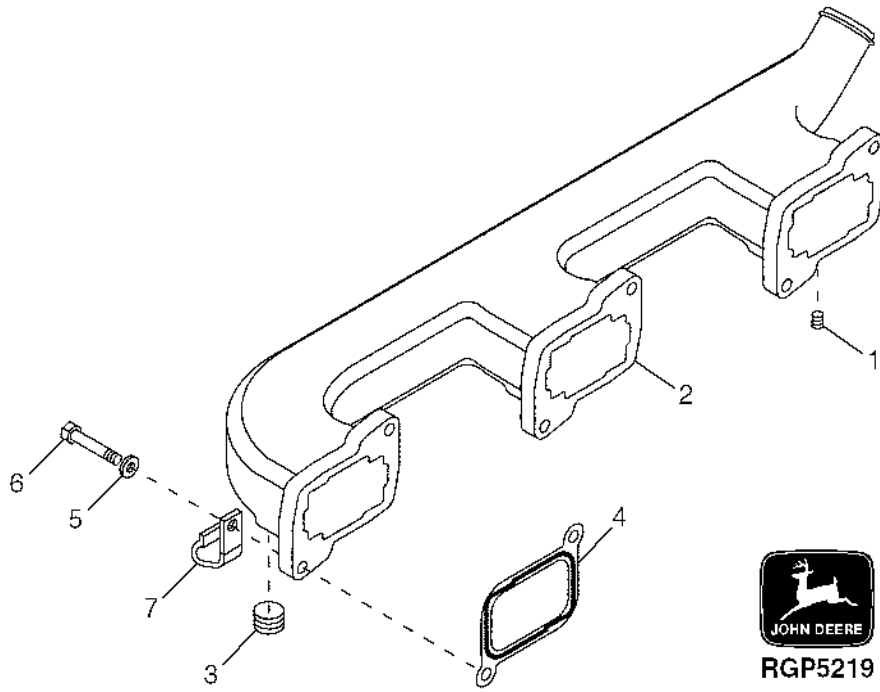
**WATER MANIFOLD / THERMOSTAT - CONTINUED**

| KEY | PART NO. | PART NAME   | QTY | ENGINE SERIAL NO. | REMARKS                  |
|-----|----------|-------------|-----|-------------------|--------------------------|
| 1   | AT13740  | DRAIN VALVE | 1   |                   |                          |
| 2   | T53268   | BOLT        | 4   |                   |                          |
| 3   | R86061   | STRAP       | 1   |                   |                          |
| 4   | R114160  | COVER       | 1   |                   |                          |
| 5   | R88397   | GASKET      | 2   |                   |                          |
| 6   | R124211  | GASKET      | 1   |                   |                          |
| 7   | 34H329   | SPRING PIN  | 1   |                   | 5/16" X 1-1/4"           |
| 8   | 15H690   | PIPE PLUG   | 1   |                   | 3/4"                     |
| 9   | R500197  | MANIFOLD    | 1   |                   |                          |
| 10  | 15H624   | PIPE PLUG   | 2   |                   | 1/2"                     |
| 11  | R72328   | O-RING      | 2   |                   |                          |
| 12  | R125025  | TUBE        | 1   |                   |                          |
| 13  | 19H3772  | CAP SCREW   | 1   |                   | 3/8" X 1-3/4"            |
| 14  | R133998  | CAP SCREW   | 2   |                   |                          |
| 15  | R124607  | GASKET      | 1   |                   |                          |
| 16  | RE69581  | THERMOSTAT  | 2   |                   |                          |
| 17  | R89439   | COVER       | 1   |                   |                          |
| 18  | 24H1302  | WASHER      | 3   |                   | 13/32" X 11/16" X 0.035" |
| 19  | 19H3239  | CAP SCREW   | 2   |                   | 3/8" X 1-1/4"            |
| 20  | 19H2639  | CAP SCREW   | 1   |                   | 3/8" X 3-3/8"            |
| ..  | N102039  | CAP         | 1   |                   | (BEARING BORE)           |

# 1D18

ENGINE

**INTAKE MANIFOLD**  
RGP5219 -UN-16JUN99



| KEY | PART NO. | PART NAME       | QTY | ENGINE SERIAL NO.      | REMARKS |
|-----|----------|-----------------|-----|------------------------|---------|
| 1   | RE71255  | PIPE PLUG       | 1   |                        |         |
| 2   | R132290  | INTAKE MANIFOLD | 1   |                        |         |
| 3   | 15H690   | PIPE PLUG       | 1   | 3/4", (REAR)           |         |
| 4   | R130573  | GASKET          | 3   |                        |         |
| 5   | 24H1682  | WASHER          | 6   | 13/32" X 7/8" X 0.120" |         |
| 6   | 19H1651  | CAP SCREW       | 6   | 3/8" X 1-1/2"          |         |
| 7   | T32231   | CLAMP           | 1   |                        |         |

---

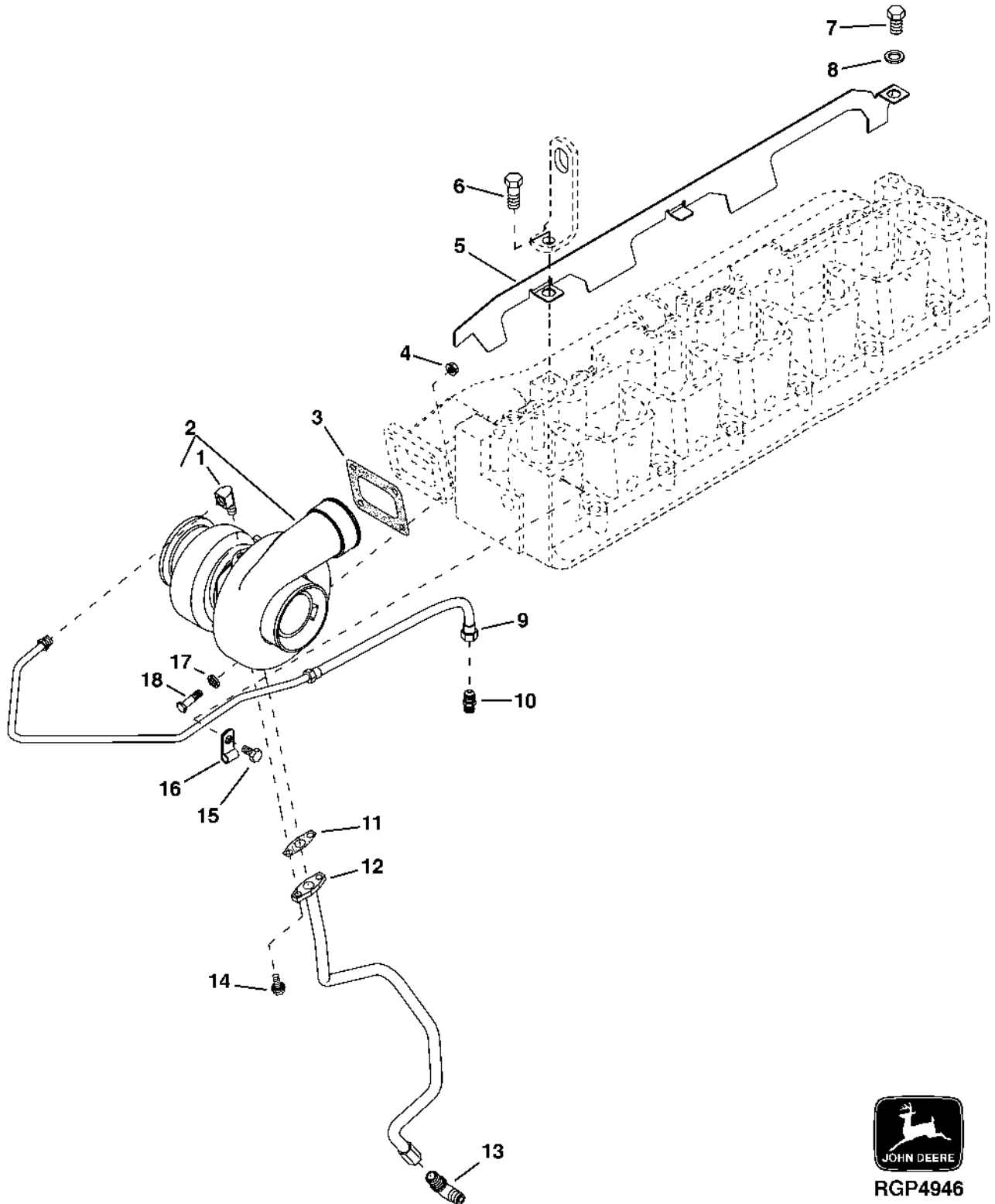
MEMORANDA

# 1D19

ENGINE

## TURBOCHARGER AND OIL LINES

RGP4946 -UN-15AUG97



RGP4946

# 1D20

ENGINE

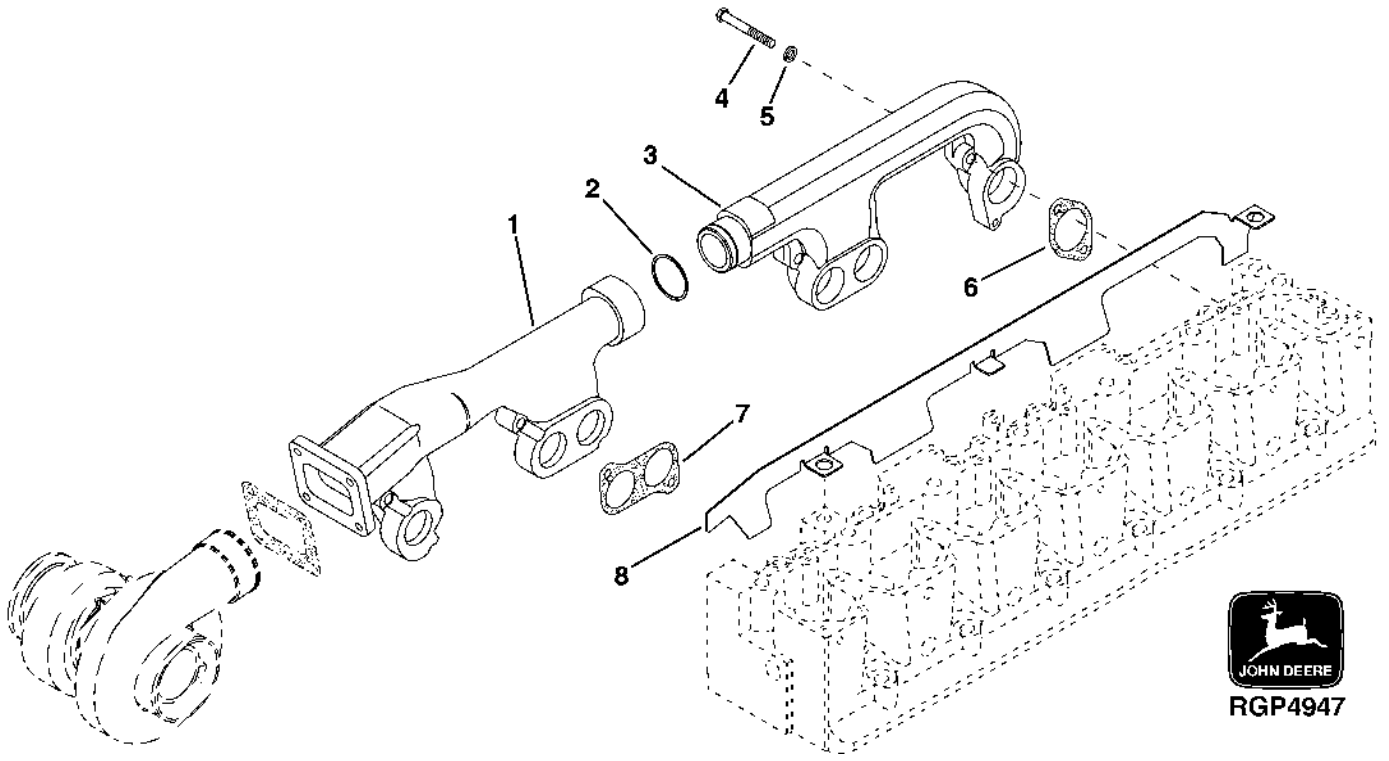
**TURBOCHARGER AND OIL LINES - CONTINUED**

| KEY | PART NO. | PART NAME          | QTY | ENGINE SERIAL NO. | REMARKS                                       |
|-----|----------|--------------------|-----|-------------------|---|
| 1   | T11180   | ELBOW FITTING      | 1   |                   |   |
| 2   | RE66351  | TURBOCHARGER       | 1   |                   | (REMANUFACTURED) (SCHWITZER) (MARKED RE64767) |
| 3   | R92097   | GASKET             | 1   |                   |   |
| 4   | E55662   | FLANGE NUT         | 4   |                   |   |
| 5   | RE68767  | HEAT SHIELD        | 1   |                   |   |
| 6   | 19H1756  | CAP SCREW          | 1   |                   | 5/8" X 1-1/2"                                 |
| 7   | 19H1916  | CAP SCREW          | 1   |                   | 5/8" X 1"                                     |
| 8   | 24H1658  | WASHER             | 1   |                   | 21/32" X 1" X 0.060"                          |
| 9   | RE68844  | OIL LINE           | 1   |                   |   |
| 10  | RE57561  | CONNECTOR          | 1   |                   |   |
| 11  | R105346  | GASKET             | 1   |                   |   |
| 12  | RE64134  | OIL LINE           | 1   |                   |   |
| 13  | R120187  | ELBOW FITTING      | 1   |                   |   |
| 14  | R122618  | SCREW              | 2   |                   |   |
| 15  | 19H1936  | CAP SCREW          | 1   |                   | 3/8" X 3/4"                                   |
| 16  | T28862   | CLAMP              | 1   |                   |   |
| 17  | 24H1305  | WASHER             | 4   |                   | 13/32" X 13/16" X 0.065"                      |
| 18  | R100747  | SELF-LOCKING SCREW | 4   |                   |   |

# 1D21

ENGINE

**EXHAUST MANIFOLD**  
RGP4947 -UN-26AUG97



| KEY | PART NO. | PART NAME        | QTY | ENGINE SERIAL NO. | REMARKS |
|-----|----------|------------------|-----|-------------------|---------|
| 1   | R91519   | MANIFOLD         | 1   |                   |         |
| 2   | R122595  | RING             | 1   |                   |         |
| 3   | R69936   | EXHAUST MANIFOLD | 1   |                   |         |
| 4   | 19H2458  | CAP SCREW        | 8   | 3/8" X 3"         |         |
| 5   | R63845   | WASHER           | 8   |                   |         |
| 6   | R83021   | GASKET           | 2   |                   |         |
| 7   | R83020   | GASKET           | 2   |                   |         |
| 8   | RE68767  | HEAT SHIELD      | 1   |                   |         |



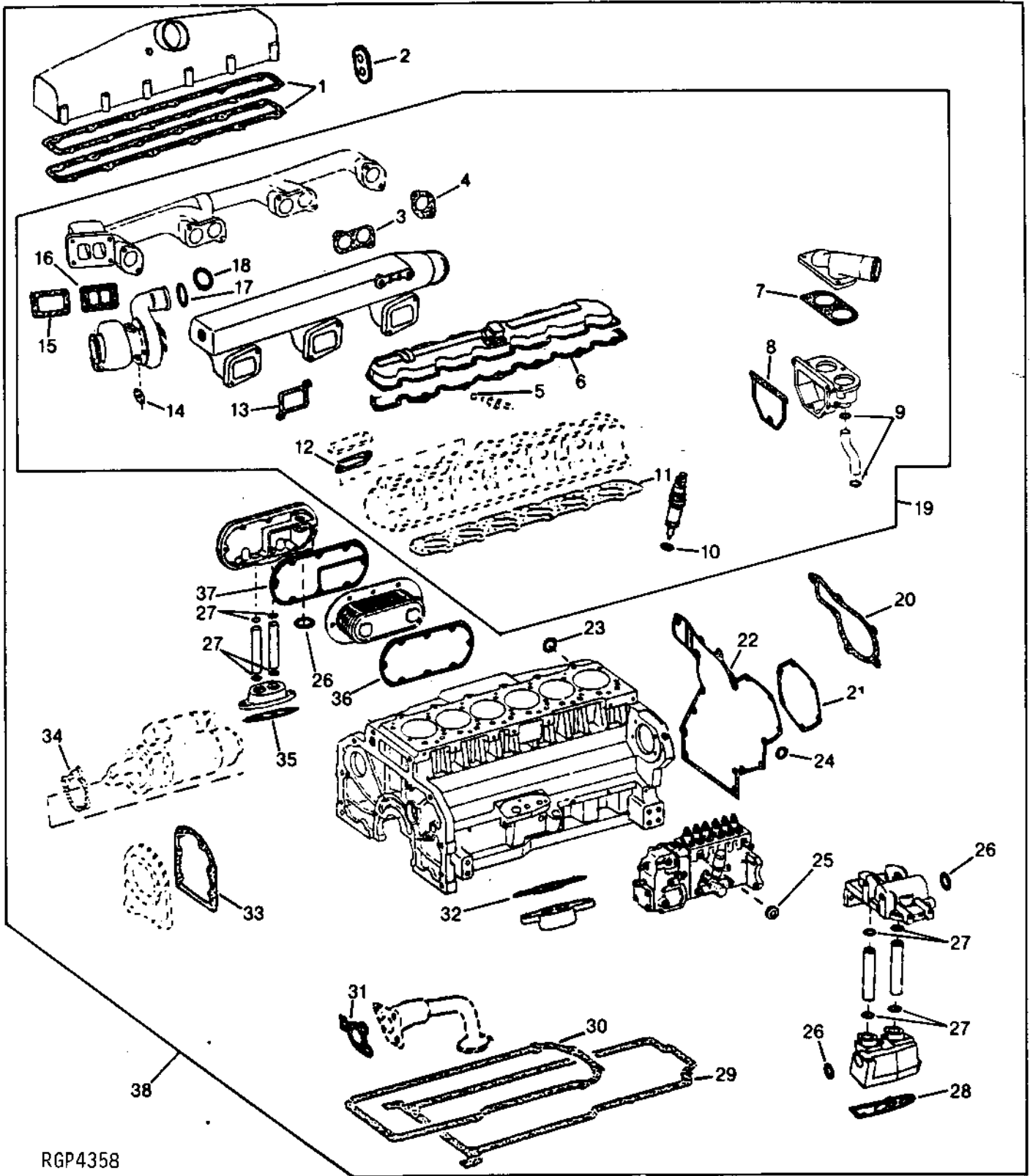
---

MEMORANDA

# 1D22

ENGINE

ENGINE GASKET SET  
RGP4358 -UN-17SEP99



RGP4358

# 1D23

ENGINE

## ENGINE GASKET SET - CONTINUED

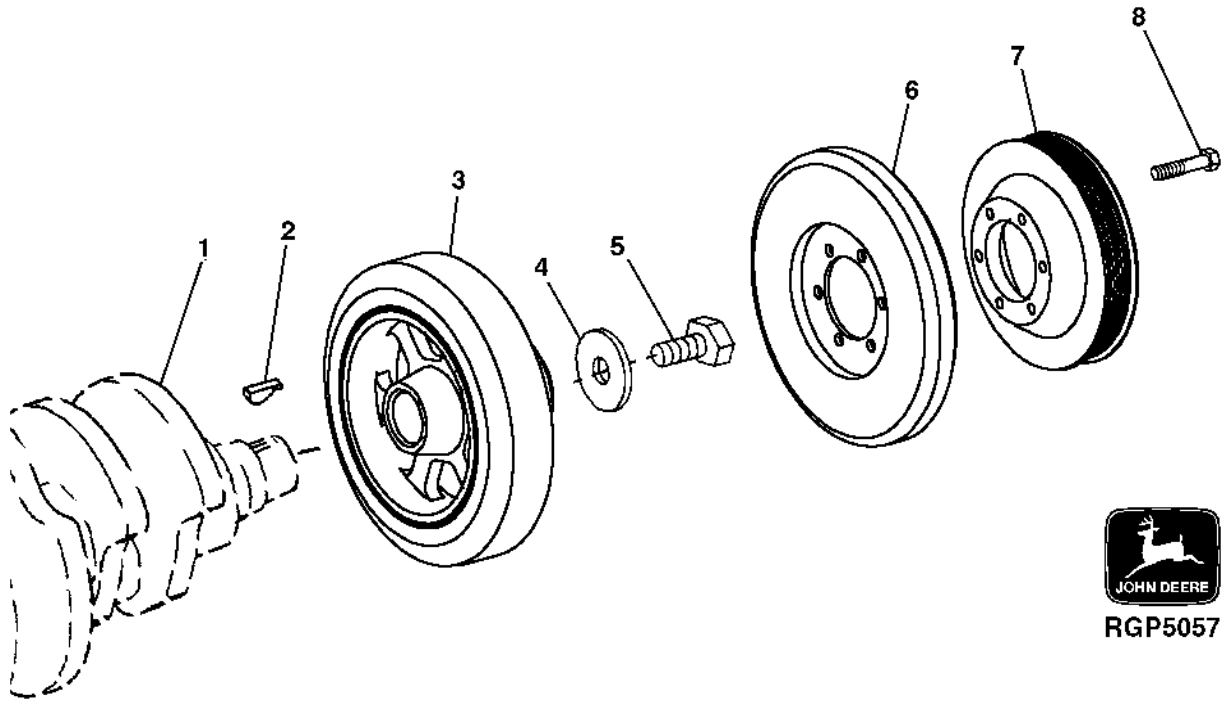
| KEY | PART NO. | PART NAME                   | QTY | ENGINE SERIAL NO. | REMARKS                      |
|-----|----------|-----------------------------|-----|-------------------|------------------------------|
| 1   | .....    | GASKET                      | NA  |                   |                              |
| 2   | .....    | SEAL                        | NA  |                   |                              |
| 3   | RE62776  | GASKET                      | 2   |                   |                              |
| 4   | RE62777  | GASKET                      | 2   |                   |                              |
| 5   | R77551   | O-RING                      | 6   |                   |                              |
| 6   | R49866   | GASKET                      | 1   |                   |                              |
| 7   | R124607  | GASKET                      | 1   |                   |                              |
| 8   | R124211  | GASKET                      | 1   |                   |                              |
| 9   | R72328   | O-RING                      | 1   |                   |                              |
| 10  | R84472   | WASHER                      | 6   |                   |                              |
| 11  | RE55475  | ENGINE CYLINDER HEAD GASKET | 1   |                   |                              |
| 12  | R88397   | GASKET                      | 2   |                   |                              |
| 13  | R130573  | GASKET                      | 3   |                   |                              |
| 14  | R105346  | GASKET                      | 1   |                   |                              |
| 15  | R92097   | GASKET                      | 1   |                   |                              |
| 16  | R89879   | GASKET                      | 1   |                   |                              |
| 17  | .....    | O-RING                      | NA  |                   |                              |
| 18  | .....    | O-RING                      | NA  |                   |                              |
| 19  | RE57186  | GASKET KIT                  | 1   |                   | CYLINDER HEAD                |
| 20  | R119383  | GASKET                      | 1   |                   |                              |
| 21  | R502011  | GASKET                      | 1   |                   |                              |
| 22  | R119384  | GASKET                      | 1   |                   |                              |
| 23  | U13639   | O-RING                      | 1   |                   |                              |
| 24  | R54856   | O-RING                      | 1   |                   |                              |
| 25  | R53899   | WASHER                      | 1   |                   | (USE WITH R83489)            |
| 26  | U17409   | O-RING                      | 3   |                   |                              |
| 27  | R47153   | O-RING                      | 8   |                   |                              |
| 28  | R119847  | GASKET                      | 1   |                   |                              |
| 29  | .....    | GASKET                      | NA  |                   |                              |
| 30  | R49377   | GASKET                      | 1   |                   | (USE WITH ALUMINIUM OIL PAN) |
| 31  | R100569  | GASKET                      | 1   |                   |                              |
| 32  | R109625  | GASKET                      | 1   |                   |                              |
| 33  | R26058   | GASKET                      | 1   |                   |                              |
| 34  | R53108   | GASKET                      | AR  |                   |                              |
| 35  | R50424   | GASKET                      | 1   |                   |                              |
| 36  | AR58952  | GASKET                      | 1   |                   |                              |
| 37  | R132396  | GASKET                      | 1   |                   |                              |
| 38  | RE57187  | GASKET KIT                  | 1   |                   | ENGINE REBUILD               |

# 1D24

ENGINE

## CRANKSHAFT PULLEY AND DAMPER

RGP5057 -UN-16NOV98



| KEY | PART NO. | PART NAME          | QTY | ENGINE SERIAL NO. | REMARKS |
|-----|----------|--------------------|-----|-------------------|---------|
| 1   | RE55522  | CRANKSHAFT         | 1   |                   |         |
| 2   | R116311  | KEY                | 1   |                   |         |
| 3   | RE500917 | TORSIONAL DAMPENER | 1   |                   |         |
| 4   | R26333   | WASHER             | 1   |                   |         |
| 5   | R79846   | CAP SCREW          | 1   |                   |         |
| 6   | RE57604  | TORSIONAL DAMPENER | 1   |                   |         |
| 7   | R135175  | PULLEY             | 1   |                   |         |
| 8   | 19H2633  | CAP SCREW          | 3   | 3/8" X 1-1/2"     |         |

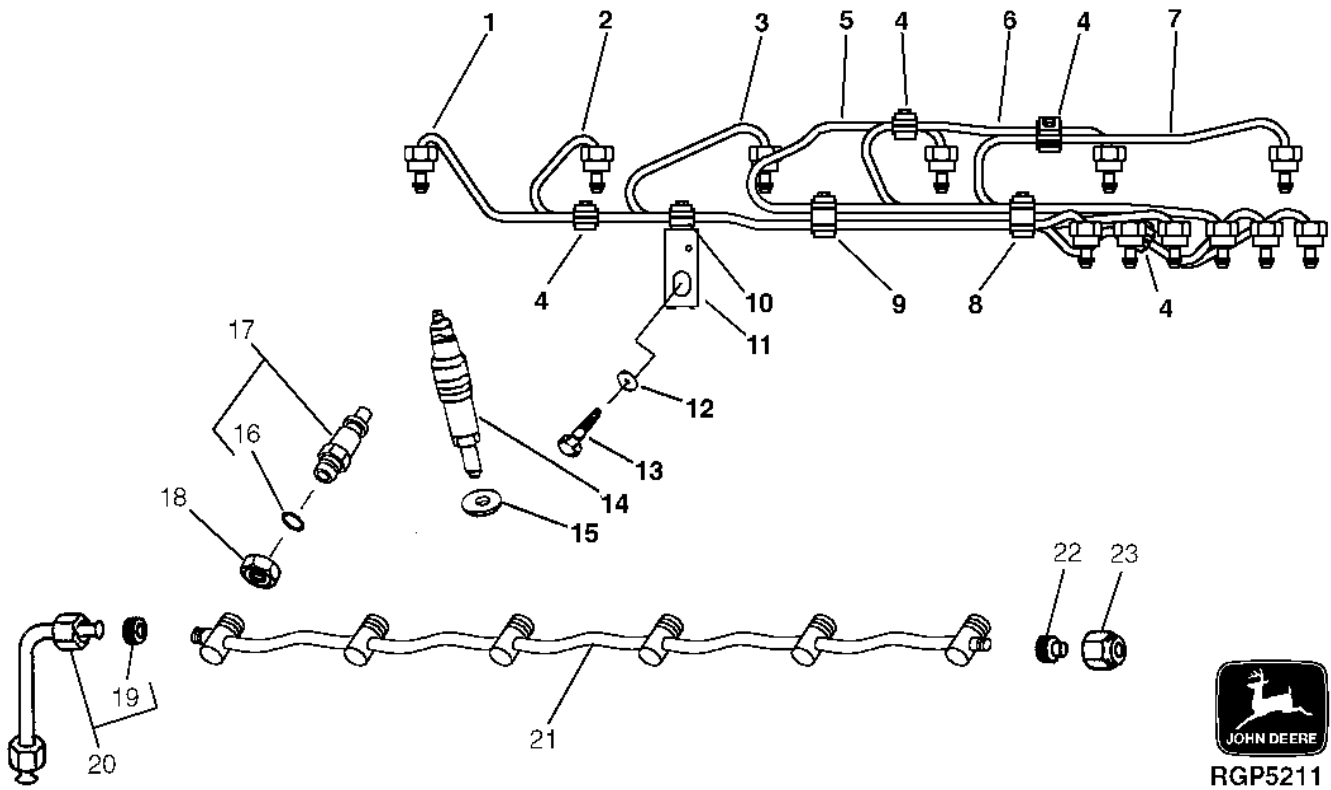
MEMORANDA

# 1E3

FUEL AND AIR

## FUEL INJECTION NOZZLES / FUEL LINES

RGP5211 -UN-25MAY99



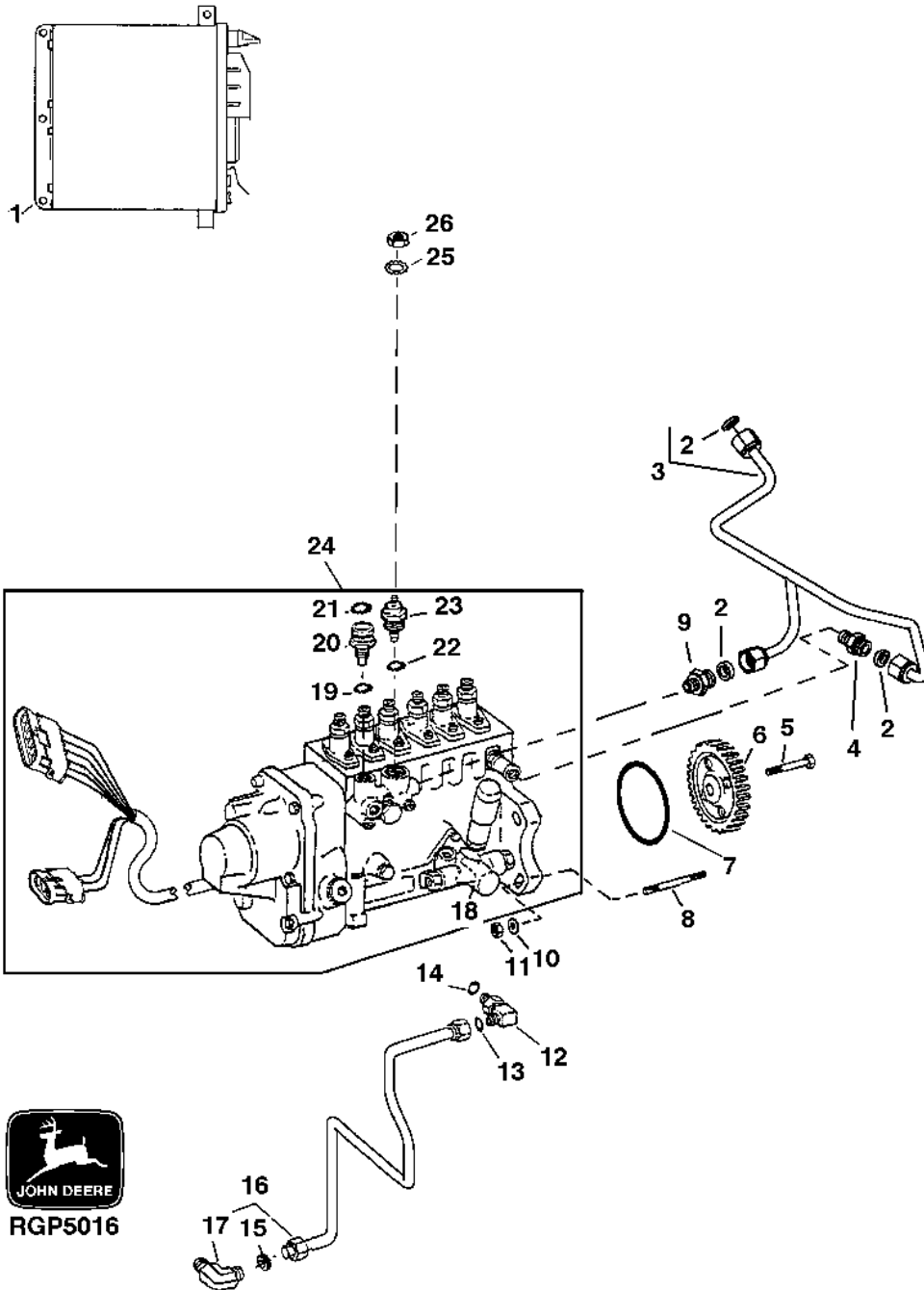
## FUEL INJECTION NOZZLES / FUEL LINES - CONTINUED

| KEY | PART NO. | PART NAME        | QTY | ENGINE SERIAL NO.            | REMARKS |
|-----|----------|------------------|-----|------------------------------|---------|
| 1   | RE57151  | FUEL LINE        | 1   | NO. 6                        |         |
| 2   | RE57150  | FUEL LINE        | 1   | NO. 5                        |         |
| 3   | RE57149  | FUEL LINE        | 1   | NO. 4                        |         |
| 4   | R120185  | BOLT             | AR  |                              |         |
|     | R120181  | STRAP            | AR  |                              |         |
|     | R58186   | CLAMP            | AR  |                              |         |
|     | R120182  | STRAP            | AR  |                              |         |
| 5   | RE57148  | FUEL LINE        | 1   | NO. 3                        |         |
| 6   | RE502933 | FUEL LINE        | 1   | NO. 2                        |         |
| 7   | RE502932 | FUEL LINE        | 1   | NO. 1                        |         |
| 8   | R120186  | BOLT             | AR  |                              |         |
|     | R120183  | STRAP            | AR  |                              |         |
|     | R71212   | CLAMP            | AR  |                              |         |
|     | R59297   | HALF CLAMP       | AR  |                              |         |
|     | R120184  | STRAP            | AR  |                              |         |
| 9   | R120186  | BOLT             | AR  |                              |         |
|     | R120183  | STRAP            | AR  |                              |         |
|     | R71212   | CLAMP            | AR  |                              |         |
|     | R59297   | HALF CLAMP       | AR  |                              |         |
|     | R120184  | STRAP            | AR  |                              |         |
| 10  | R120185  | BOLT             | AR  |                              |         |
|     | R120183  | STRAP            | AR  |                              |         |
|     | R59297   | HALF CLAMP       | AR  |                              |         |
| 11  | RE55662  | ABSORBER         | 1   |                              |         |
| 12  | 24H1884  | WASHER           | 1   | 13/32" X 13/16" X 0.120"     |         |
| 13  | 19M7166  | CAP SCREW        | 1   | M10 X 20                     |         |
| 14  | RE57152  | INJECTION NOZZLE | 6   | ROBERT BOSCH (2 ORANGE DOTS) |         |
| 15  | R84472   | WASHER           | 6   |                              |         |
| 16  | T44604   | O-RING           | 6   |                              |         |
| 17  | RE501970 | CONNECTOR        | 6   |                              |         |
| 18  | R79604   | TUBE NUT         | 6   |                              |         |
| 19  | R51936   | PACKING          | 1   |                              |         |
| 20  | RE503256 | FUEL LINE        | 1   |                              |         |
| 21  | RE500803 | FUEL LINE        | 1   |                              |         |
| 22  | AR85519  | PLUG             | 1   |                              |         |
| 23  | R51937   | TUBE NUT         | 1   |                              |         |

# 1E5

## FUEL INJECTION PUMP, LUBE LINE AND ENGINE CONTROLLER

RGP5016 -UN-15APR98





# 1E6

FUEL AND AIR

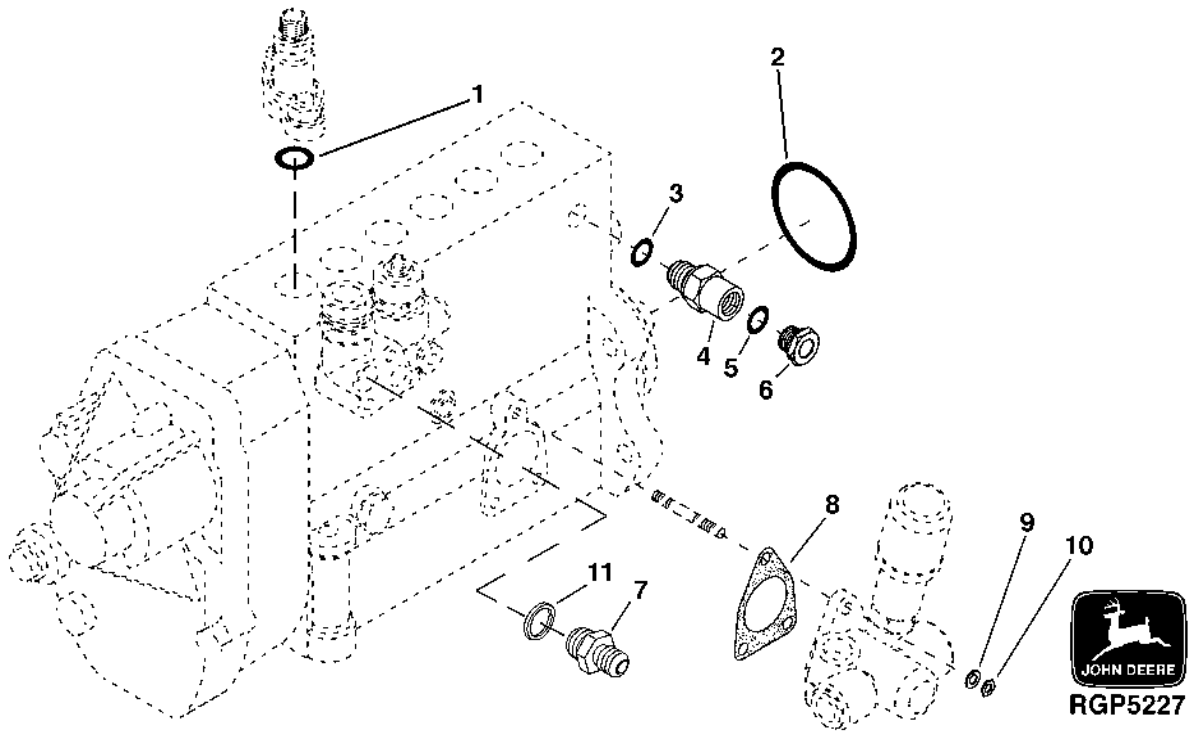
## FUEL INJECTION PUMP, LUBE LINE AND ENGINE CONTROLLER - CONTINUED

| KEY | PART NO. | PART NAME               | QTY | ENGINE SERIAL NO. | REMARKS                                 |
|-----|----------|-------------------------|-----|-------------------|---|
| 1   | RE503234 | ENGINE CONTROLLER       | 1   |                   | (MARKED RE502404)                       |
| 2   | R51936   | PACKING                 | 3   |                   |   |
| 3   | RE504635 | FUEL LINE               | 1   |                   |   |
| 4   | RE502650 | FITTING                 | 1   |                   |   |
| 5   | R121195  | CAP SCREW               | 1   |                   |   |
| 6   | R121164  | GEAR                    | 1   |                   |   |
| 7   | R76358   | O-RING                  | 1   |                   |   |
| 8   | R114130  | STUD                    | 4   |                   |   |
| 9   | RE67934  | CONNECTOR               | 1   |                   |   |
| 10  | M72490   | WASHER                  | 4   |                   |   |
| 11  | 14H1090  | NUT                     | 4   | 3/8"              |   |
| 12  | AR88903  | ELBOW FITTING           | 1   |                   |   |
| 13  | R67264   | PACKING                 | 2   |                   |   |
| 14  | R79060   | O-RING                  | 1   |                   |   |
| 15  | R67264   | PACKING                 | 1   |                   |   |
| 16  | RE60577  | OIL LINE                | 1   |                   |   |
| 17  | T18012   | ELBOW FITTING           | 1   |                   |   |
| 18  | RE46252  | FUEL PUMP               | 1   |                   |   |
| 19  | R53899   | WASHER                  | 1   |                   |   |
| 20  | RE28217  | FUEL TEMPERATURE SENSOR | 1   |                   | (TEMPERATURE)                           |
| 21  | R98500   | O-RING                  | 1   |                   |   |
| 22  | R99047   | O-RING                  | 1   |                   |   |
| 23  | R89014   | SOLENOID                | 1   |                   | (SHUT-OFF HOUSING)                      |
| 24  | RE61658  | FUEL INJECTION PUMP     | 1   |                   | (A) (ROBERT BOSCH) (PES6P120A702RS7315) |
| 25  | 12H296   | WASHER                  | 1   |                   | 5.486 MM (0.216")                       |
| 26  | 14M7297  | NUT                     | 1   |                   | M5                                      |

(A) "SEE YOUR AUTHORIZED PUMP REPAIR STATION FOR PARTS NOT LISTED"

## FUEL INJECTION PUMP HOUSING CONNECTORS

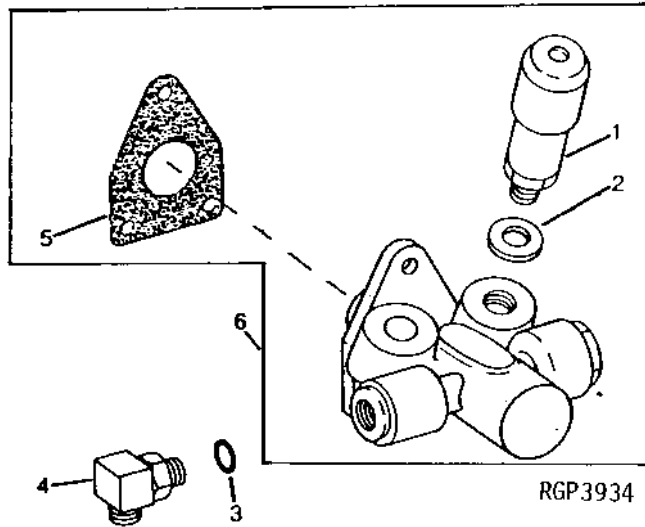
RGP5227 -UN-17JUN99



| KEY | PART NO. | PART NAME     | QTY | ENGINE SERIAL NO. | REMARKS |
|-----|----------|---------------|-----|-------------------|---------|
| 1   | T24210   | O-RING        | 6   |                   |         |
| 2   | R76358   | O-RING        | 1   |                   |         |
| 3   | R53899   | WASHER        | 1   |                   |         |
| 4   | RE36151  | CONTROL VALVE | 1   |                   |         |
| 5   | R53901   | WASHER        | 1   |                   |         |
| 6   | R63016   | ADAPTER       | 1   |                   |         |
| 7   | R83489   | FITTING       | 1   |                   |         |
| 8   | R67879   | GASKET        | 1   |                   |         |
| 9   | 12H296   | WASHER        | 3   | 0.216"            |         |
| 10  | 14M7297  | NUT           | 3   | M5                |         |
| 11  | R93008   | WASHER        | 1   |                   |         |

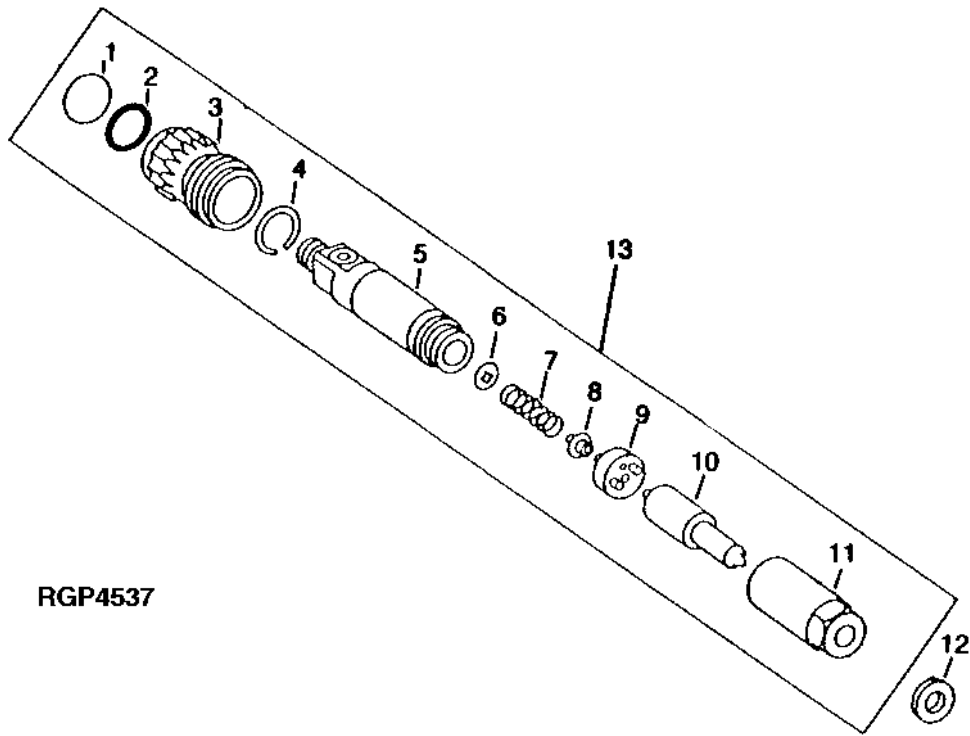
**FUEL TRANSFER PUMP (ROBERT BOSCH)**

RGP3934 -UN-01JAN94



| KEY | PART NO. | PART NAME     | QTY | ENGINE SERIAL NO. | REMARKS  |
|-----|----------|---------------|-----|-------------------|----------|
| 1   | RE65265  | HAND PRIMER   | 1   |                   |          |
| 2   | R54025   | WASHER        | 1   |                   |          |
| 3   | R26448   | O-RING        | 2   |                   |          |
| 4   | RE10258  | ELBOW FITTING | 1   |                   | (OUTLET) |
|     | RE34128  | ELBOW FITTING | 1   |                   | (INLET)  |
| 5   | R67879   | GASKET        | 1   |                   |          |
| 6   | RE46375  | FUEL PUMP     | 1   |                   |          |

**FUEL INJECTION NOZZLE (ROBERT BOSCH)**  
RGP4537 -UN-30AUG95



**RGP4537**

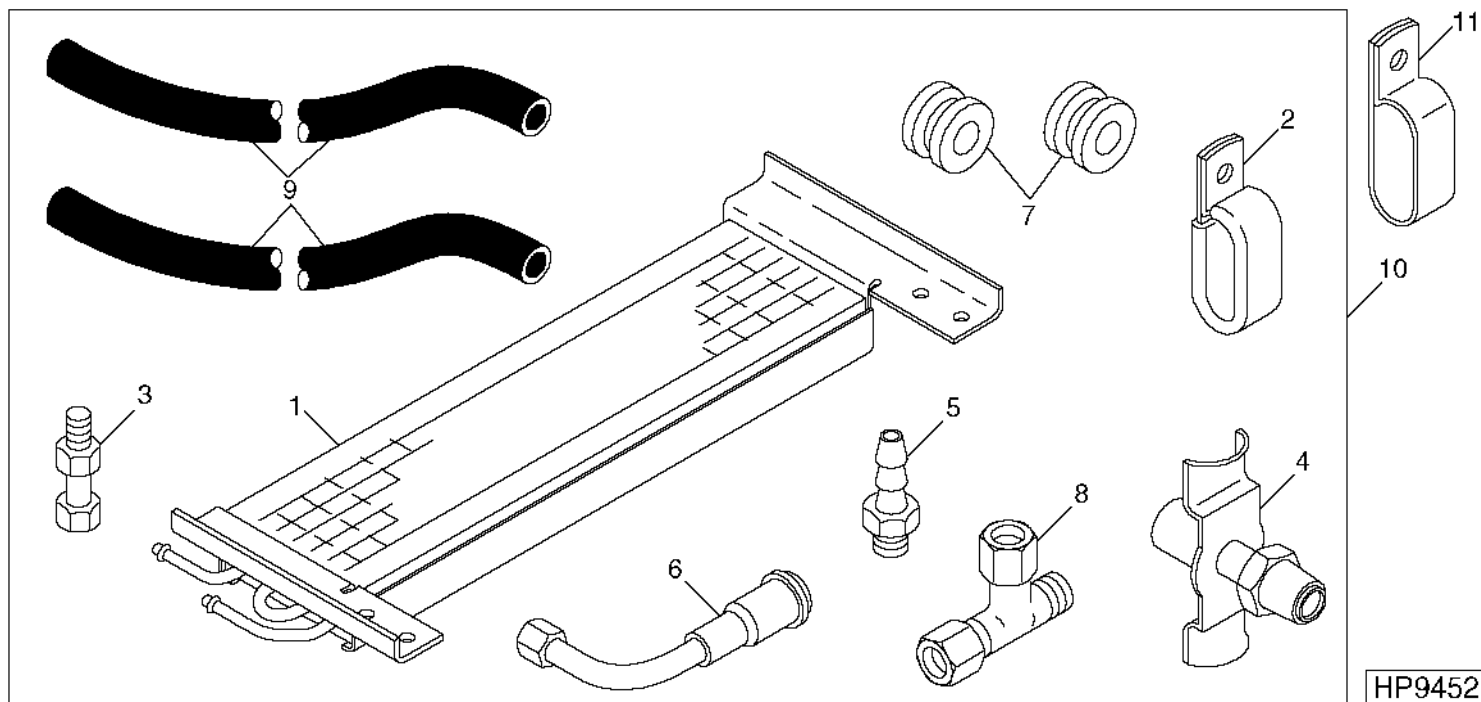
| KEY | PART NO. | PART NAME        | QTY | ENGINE SERIAL NO.              | REMARKS |
|-----|----------|------------------|-----|--------------------------------|---------|
| 1   | R60277   | SNAP RING        | 1   |                                |         |
| 2   | R51603   | O-RING           | 1   |                                |         |
| 3   | R60279   | NUT              | 1   |                                |         |
| 4   | R60278   | SNAP RING        | 1   |                                |         |
| 5   | .....    | NOZZLE HOLDER    | 1   | (SUB RE57152)                  |         |
| 6   | R83720   | WASHER           | 1   | 1.02 MM (.0402")               |         |
|     | R83721   | WASHER           | 1   | 1.08 MM (.0425")               |         |
|     | R83722   | WASHER           | 1   | 1.12 MM (.0441")               |         |
|     | R83723   | WASHER           | 1   | 1.18 MM (.0465")               |         |
|     | R83724   | WASHER           | 1   | 1.22 MM (.0480")               |         |
|     | R83725   | WASHER           | 1   | 1.28 MM (.0504")               |         |
|     | R83726   | WASHER           | 1   | 1.30 MM (.0512")               |         |
|     | R83727   | WASHER           | 1   | 1.38 MM (.0543")               |         |
|     | R83728   | WASHER           | 1   | 1.42 MM (.0559")               |         |
|     | R83729   | WASHER           | 1   | 1.48 MM (.0583")               |         |
|     | R83730   | WASHER           | 1   | 1.50 MM (.0591")               |         |
|     | R83731   | WASHER           | 1   | 1.58 MM (.0622")               |         |
|     | R83732   | WASHER           | 1   | 1.60 MM (.0630")               |         |
|     | R83733   | WASHER           | 1   | 1.68 MM (.0661")               |         |
|     | R83734   | WASHER           | 1   | 1.70 MM (.0669")               |         |
|     | R83735   | WASHER           | 1   | 1.78 MM (.0701")               |         |
|     | R83736   | WASHER           | 1   | 1.82 MM (.0717")               |         |
|     | R83737   | WASHER           | 1   | 1.88 MM (.0740")               |         |
|     | R83738   | WASHER           | 1   | 1.90 MM (.0748")               |         |
|     | R83739   | WASHER           | 1   | 1.98 MM (.0780")               |         |
| 7   | R108699  | SPRING           | 1   |                                |         |
| 8   | R108700  | SEAT             | 1   |                                |         |
| 9   | R108701  | PLATE            | 1   |                                |         |
| 10  | RE57153  | INJECTION NOZZLE | 1   | (7 X 0.236)                    |         |
| 11  | R127181  | NUT              | 1   |                                |         |
| 12  | R84472   | WASHER           | 1   |                                |         |
| 13  | RE57152  | INJECTION NOZZLE | 6   | (ROBERT BOSCH) (2 ORANGE DOTS) |         |

# 1E10

FUEL AND AIR

## FUEL COOLER

HP9452 -UN-05JAN00

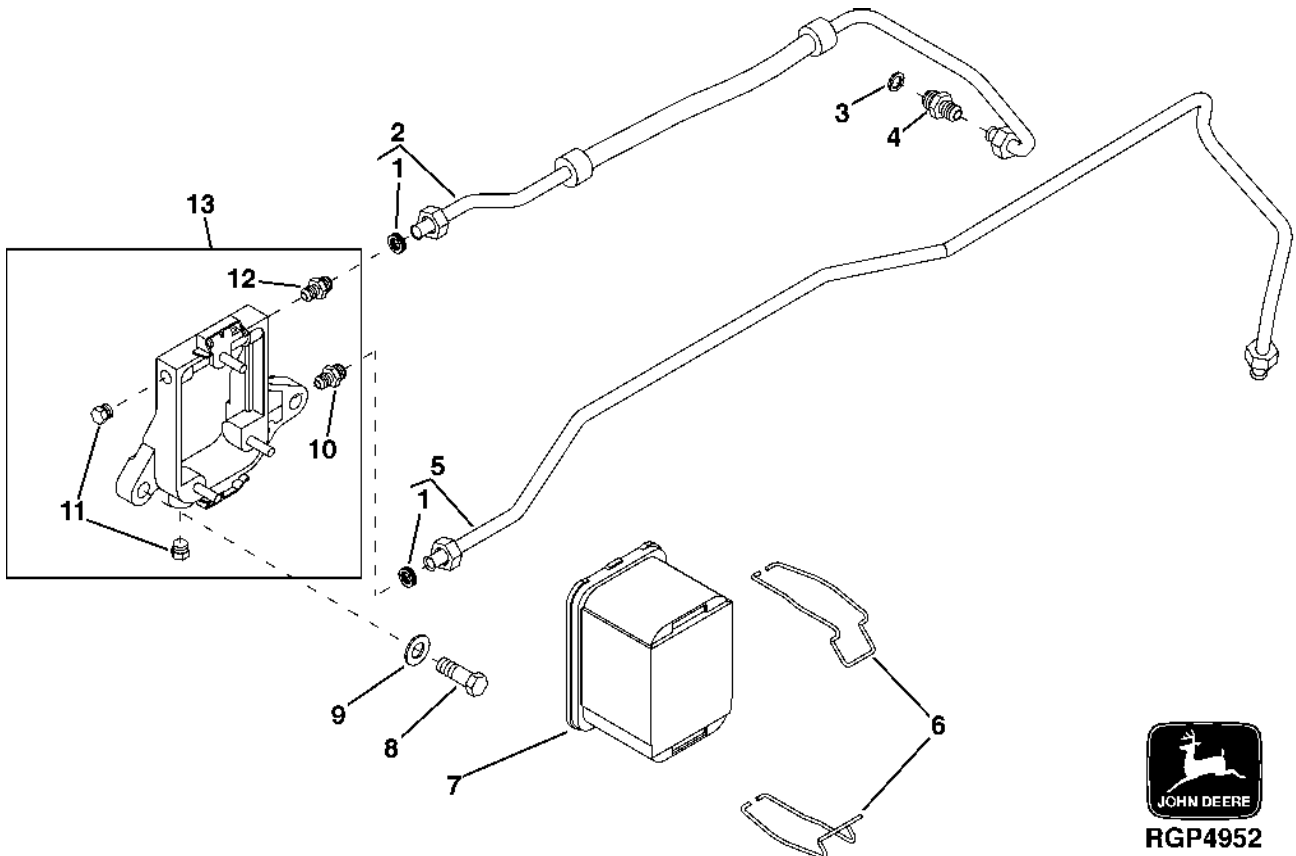


| KEY | PART NO. | PART NAME   | QTY | ENGINE SERIAL NO. | REMARKS |
|-----|----------|-------------|-----|-------------------|---------|
| 1   | AH162723 | CORE        | 1   |                   |         |
| 2   | AH97280  | CLIP        | 1   |                   |         |
| 3   | 19M7775  | SCREW       | 1   | M6 X 16           |         |
|     | 14M7397  | LOCK NUT    | 1   | M6                |         |
| 4   | AT13740  | DRAIN VALVE | 1   |                   |         |
| 5   | A60341   | FITTING     | 1   |                   |         |
| 6   | RE503256 | FUEL LINE   | 1   |                   |         |
| 7   | R71351   | GROMMET     | 2   |                   |         |
| 8   | T17568   | TEE FITTING | 1   |                   |         |
| 9   | H169549  | HOSE        | 2   |                   |         |
| 10  | AH163373 | KIT         | 1   |                   |         |
| 11  | H117952  | CLAMP       | 1   |                   |         |

# 1E11

FUEL AND AIR

FUEL FILTER  
RGP4952 -UN-22AUG97



RGP4952

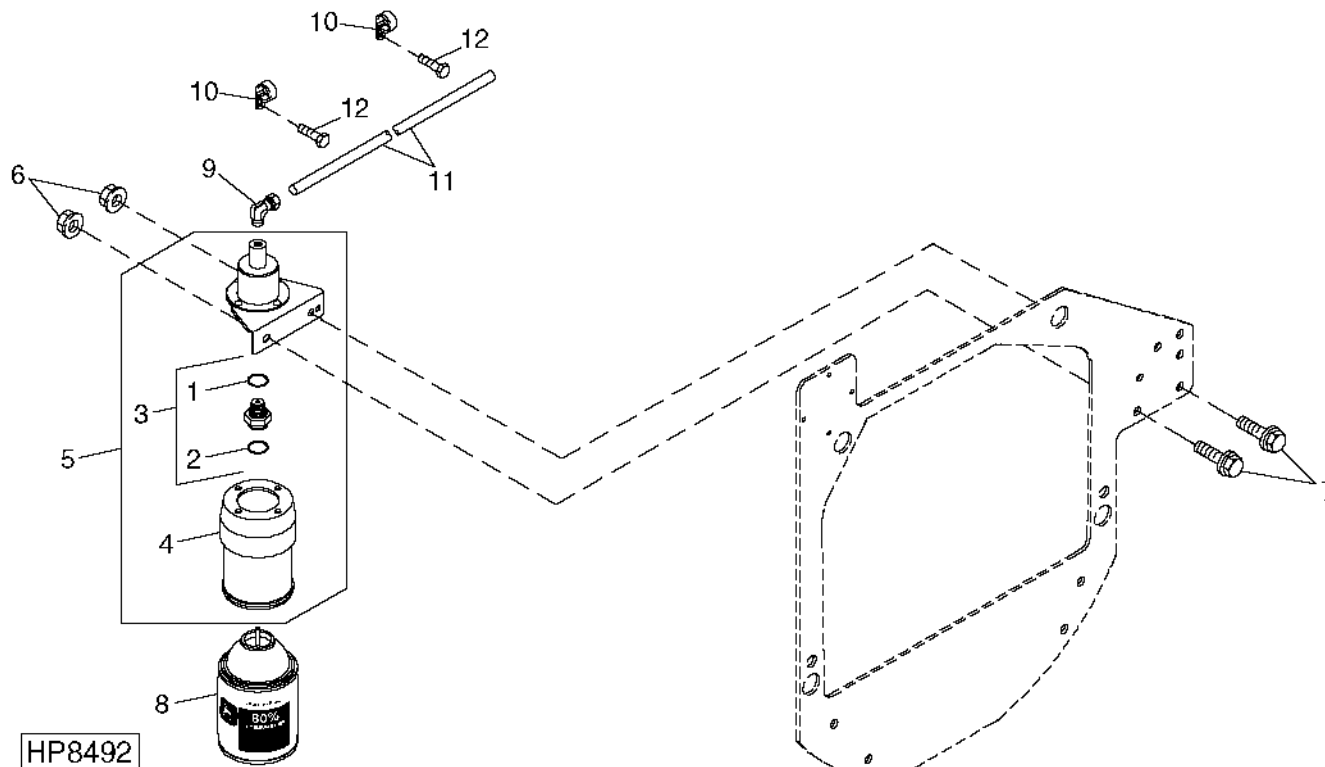
FUEL FILTER - CONTINUED

| KEY | PART NO. | PART NAME      | QTY | ENGINE SERIAL NO. | REMARKS                  |
|-----|----------|----------------|-----|-------------------|--------------------------|
| 1   | R67092   | SEAL           | 2   |                   |                          |
| 2   | RE504139 | FUEL LINE      | 1   |                   |                          |
| 3   | R93008   | WASHER         | 1   |                   |                          |
| 4   | R83489   | FITTING        | 1   |                   |                          |
| 5   | RE65787  | FUEL LINE      | 1   |                   |                          |
| 6   | R89927   | CLAMP          | 2   |                   |                          |
| 7   | AR86745  | FILTER ELEMENT | 1   |                   |                          |
| 8   | 19H3104  | CAP SCREW      | 2   |                   | 7/16" X 1-1/4"           |
| 9   | 24H1325  | WASHER         | 2   |                   | 15/32" X 59/64" X 0.065" |
| 10  | RE54244  | CHECK VALVE    | 1   |                   |                          |
| 11  | R119223  | PLUG           | 2   |                   |                          |
| 12  | RE54245  | FITTING        | 1   |                   |                          |
| 13  | RE61693  | BASE           | 1   |                   |                          |

# 1E13

## COLD WEATHER STARTING AID

HP8492 -UN-01JUN99



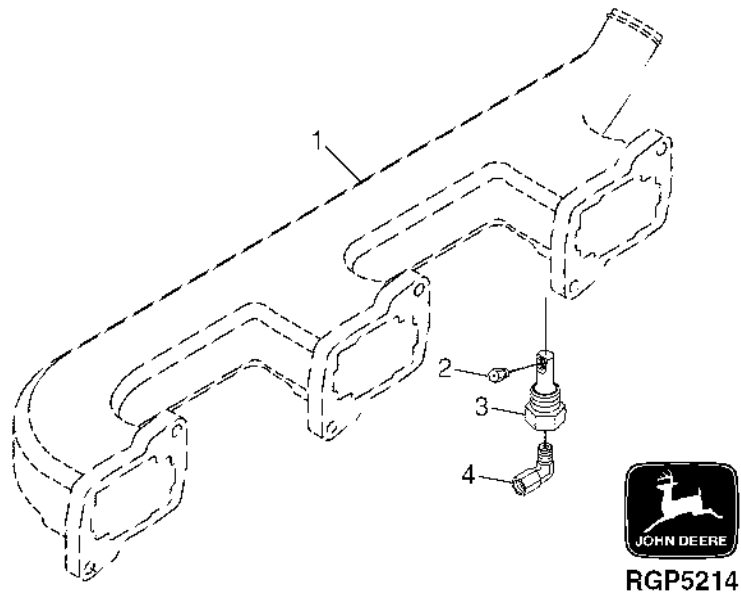
| KEY | PART NO. | PART NAME             | QTY | SERIAL NO. | REMARKS |
|-----|----------|-----------------------|-----|------------|---------|
| 1   | T15712   | O-RING                | 1   |            |         |
| 2   | T13119   | O-RING                | 1   |            |         |
| 3   | RE48321  | ADAPTER               | 1   |            |         |
| 4   | R73498   | CONTAINER             | 1   |            |         |
| 5   | RE48310  | STARTING AID SOLENOID | 1   |            |         |
| 6   | 14M7298  | FLANGE NUT            | 2   |            |         |
| 7   | 19M7865  | SCREW                 | 2   |            |         |
| 8   | RE33636  | STARTING FLUID        | 1   |            |         |
| 9   | RE21790  | ELBOW FITTING         | 1   |            |         |
| 10  | .....    | CLAMP                 | AR  |            |         |
| 11  | H169549  | HOSE                  | 1   |            |         |
| 12  | 19M7774  | SCREW                 | 2   |            |         |



# 1E14

**ETHER AID**

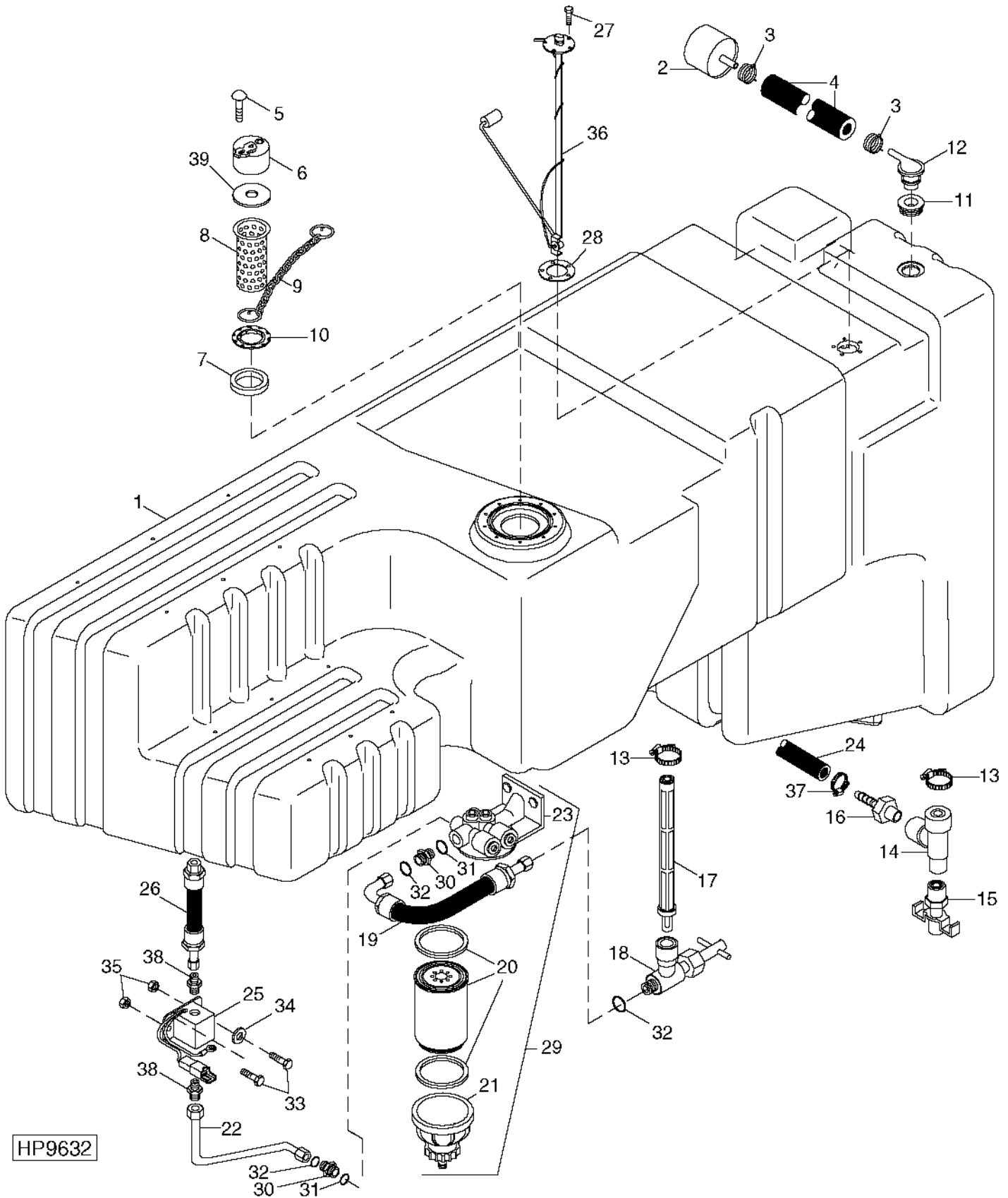
RGP5214 -UN-11JUN99



| KEY | PART NO. | PART NAME       | QTY | ENGINE SERIAL NO. | REMARKS |
|-----|----------|-----------------|-----|-------------------|---------|
| 1   | .....    | INTAKE MANIFOLD | 1   |                   |         |
| 2   | T155858  | NOZZLE          | 1   |                   |         |
| 3   | R47160   | NOZZLE HOLDER   | 1   |                   |         |
| 4   | RE21790  | ELBOW FITTING   | 1   |                   |         |

# 1E15

**FUEL TANK AND FITTINGS**  
HP9632 -UN-24MAR00



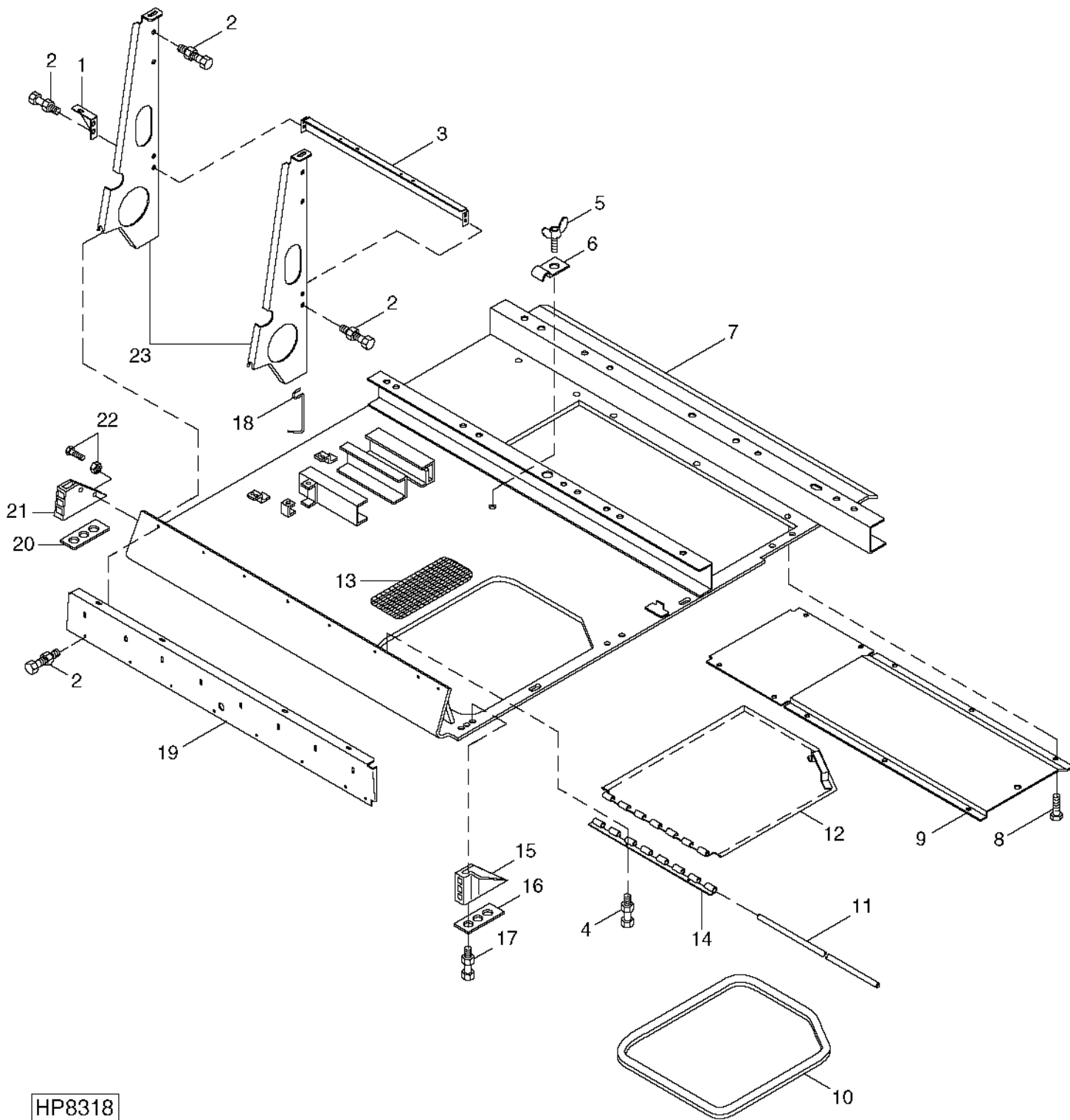
HP9632

FUEL TANK AND FITTINGS - CONTINUED

| KEY | PART NO. | PART NAME      | QTY | SERIAL NO. | REMARKS   |
|-----|----------|----------------|-----|------------|---|
| 1   | AH158721 | FUEL TANK      | 1   |            |   |
| 2   | RE52504  | BREATHER       | 1   |            |   |
| 3   | R56101   | CLIP           | 2   |            |   |
| 4   | TY22551  | HOSE           | 1   |            | (CUT TO 524MM)  |
| 5   | 21M7278  | SCREW          | 10  |            | M5 X 10   |
| 6   | AH163173 | FILLER CAP     | 1   |            |   |
| 7   | H165678  | O-RING         | 1   |            |   |
| 8   | AH159447 | STRAINER       | 1   |            |   |
| 9   | AH159448 | LINK CHAIN     | 1   |            |   |
| 10  | AH159573 | RING           | 1   |            |   |
| 11  | R114023  | GROMMET        | 1   |            |   |
| 12  | R114022  | VENT           | 1   | -685892    |   |
|     | H174011  | VENT           | 1   | 685893-    |   |
| 13  | AT18904  | CLAMP          | 2   |            |   |
| 14  | T17568   | TEE FITTING    | 1   |            | 6.350 MM  |
| 15  | AT13740  | DRAIN VALVE    | 1   |            |   |
| 16  | A60341   | FITTING        | 1   |            |   |
| 17  | AH106982 | SCREEN         | 1   |            |   |
| 18  | AH129056 | VALVE          | 1   |            |   |
| 19  | AH162666 | HOSE           | 1   |            |   |
| 20  | RE500186 | FUEL FILTER    | 1   |            |   |
| 21  | RE500187 | SEDIMENT BOWL  | 1   |            |   |
| 22  | AH162665 | LINE           | 1   |            |   |
| 23  | .....    | BRACKET        | 1   |            |   |
| 24  | .....    | HOSE           | 1   |            | (CUT TO 2900MM W/FUEL COOLER, 3200MM W/O FUEL COOLER) |
| 25  | AH130127 | PUMP           | 1   |            |   |
| 26  | AH146788 | HYDRAULIC HOSE | 1   |            |   |
| 27  | 21M7265  | SCREW          | 1   |            |   |
| 28  | H168724  | GASKET         | 1   |            | FUEL SENDER   |
| 29  | AH162210 | FILTER         | 1   |            |   |
| 30  | 38H1160  | ADAPTER        | 2   |            |   |
| 31  | R26448   | O-RING         | 2   |            |   |
| 32  | T77613   | O-RING         | 2   |            |   |
| 33  | 03M7221  | BOLT           | 2   |            |   |
| 34  | 12M7081  | LOCK WASHER    | 1   |            |   |
| 35  | 14M7303  | FLANGE NUT     | 2   |            |   |
| 36  | AH166949 | FUEL SENDER    | 1   |            |   |
| 37  | AR48236  | CLAMP          | 1   |            |   |
| 38  | H127578  | ADAPTER        | 2   |            |   |
| 39  | H148166  | WASHER         | 1   |            |   |

# 1E17

ENGINE PLATFORM  
HP8318 -UN-21APR99



HP8318

# 1E18

FUEL AND AIR

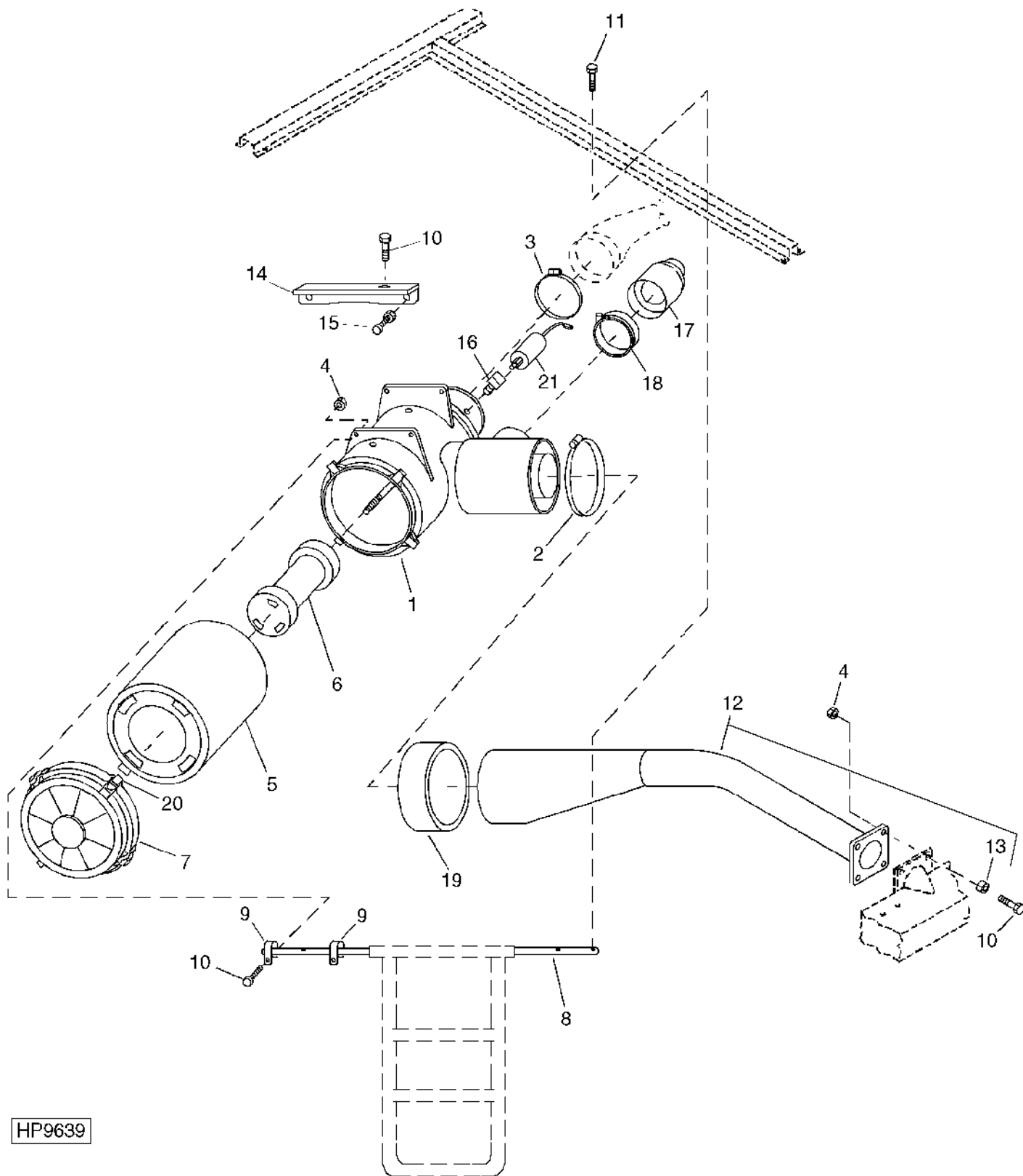
ENGINE PLATFORM - CONTINUED

| KEY | PART NO. | PART NAME  | QTY | SERIAL NO.               | REMARKS |
|-----|----------|------------|-----|--------------------------|---------|
| 1   | H134105  | GUSSET     | 1   |                          |         |
| 2   | 19M7865  | SCREW      | AR  | M8 X 16                  |         |
|     | 14M7298  | FLANGE NUT | AR  | M8                       |         |
| 3   | H162010  | CHANNEL    | 1   |                          |         |
| 4   | 19M7867  | SCREW      | 2   |                          |         |
|     | 14M7298  | FLANGE NUT | 2   |                          |         |
| 5   | 21M7243  | WING SCREW | 1   | M8 X 16                  |         |
| 6   | H135148  | HALF CLAMP | 1   |                          |         |
| 7   | AH166246 | FRAME      | 1   |                          |         |
| 8   | 19M7865  | SCREW      | 8   | M8 X 16                  |         |
| 9   | H160727  | COVER      | 1   |                          |         |
| 10  | AH122244 | ISOLATOR   | 1   |                          |         |
| 11  | H130057  | PIN        | 1   |                          |         |
| 12  | AH130506 | DOOR       | 1   |                          |         |
| 13  | H131743  | MAT        | 3   |                          |         |
| 14  | H134506  | HINGE      | 1   |                          |         |
| 15  | H165585  | SUPPORT    | 1   | R.H.                     |         |
| 16  | H135393  | STRAP      | 1   |                          |         |
| 17  | 19M7806  | SCREW      | 6   | M10 X 50                 |         |
|     | 14M7296  | FLANGE NUT | 6   | M10                      |         |
| 18  | H135245  | HOOK       | 1   |                          |         |
| 19  | H161278  | PANEL      | 1   | (SUB H174144) LOWER REAR |         |
|     | H174144  | PANEL      | 1   |                          |         |
| 20  | H135392  | STRAP      | 1   |                          |         |
| 21  | H165587  | SUPPORT    | 1   | L.H.                     |         |
| 22  | 19M7866  | SCREW      | 4   | M8 X 20                  |         |
|     | 14M7298  | FLANGE NUT | 4   | M8                       |         |
| 23  | H173034  | GUSSET     | 2   | (SUB FOR H158369)        |         |

# 1E19

## AIR CLEANER AND INTAKE TUBES

HP9639 -UN-31MAR00



HP9639

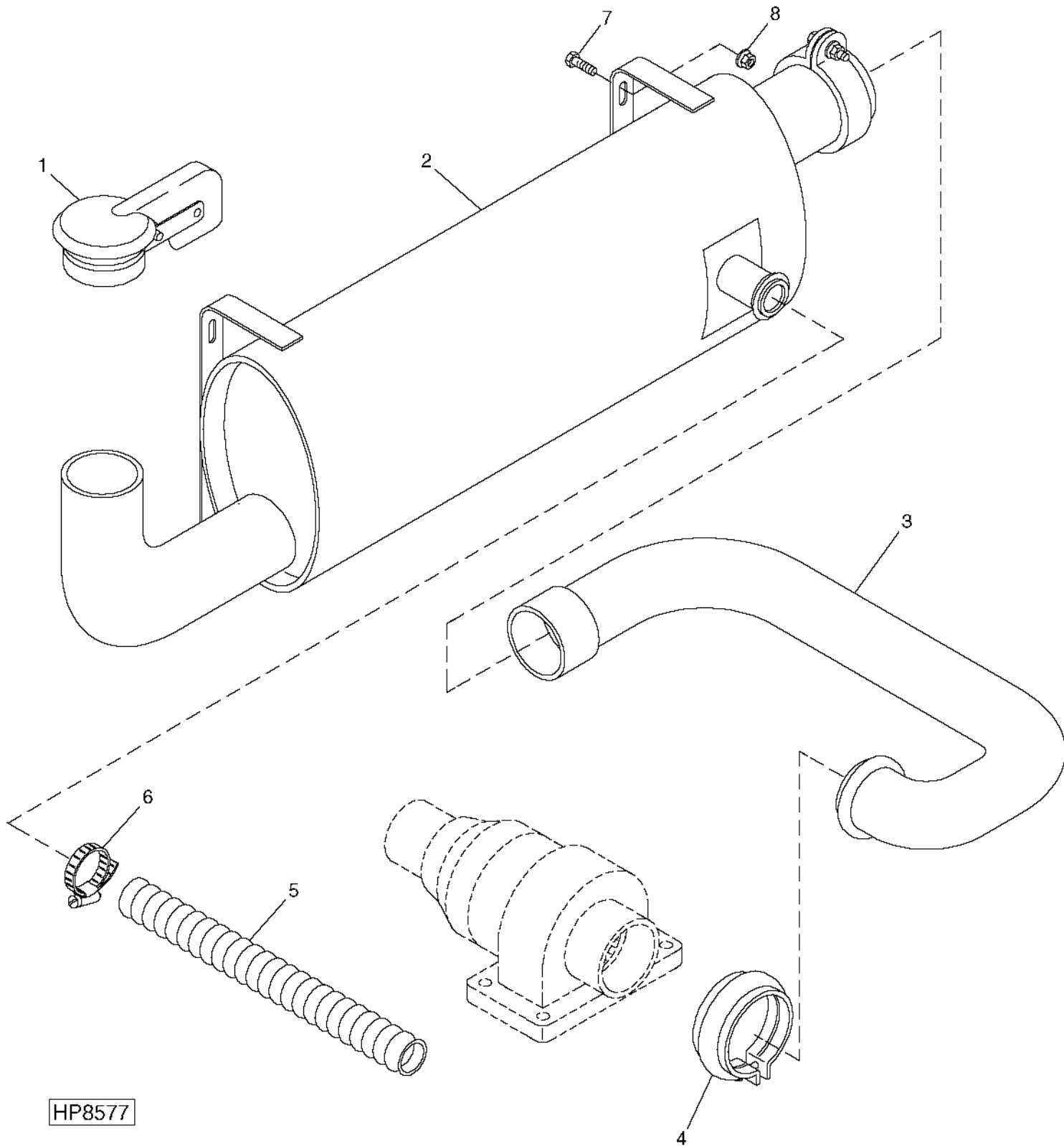
## AIR CLEANER AND INTAKE TUBES - CONTINUED

| KEY | PART NO. | PART NAME      | QTY | SERIAL NO.    | REMARKS                   |
|-----|----------|----------------|-----|---------------|---------------------------|
| 1   | AH148879 | AIR CLEANER    | 1   |               | INCLUDES PARTS MARKED (A) |
| 2   | AH130230 | HOSE CLAMP     | 1   |               |                           |
| 3   | AC15595  | CLAMP          | 2   |               |                           |
| 4   | 14M7298  | FLANGE NUT     | 10  | M8            |                           |
| 5   | AH148880 | FILTER ELEMENT | 1   | (A)           |                           |
| 6   | RE63932  | FILTER ELEMENT | 1   | (A)           |                           |
| 7   | AH157555 | COVER          | 1   | (A)           |                           |
| 8   | H135147  | TUBE           | 1   |               |                           |
| 9   | H157866  | CLAMP          | 2   |               |                           |
| 10  | 19M8318  | SCREW          | 6   | M8 X 45       |                           |
| 11  | 19M8290  | SCREW          | 3   | M6 X 35       |                           |
| 12  | AH141580 | AIR DUCT       | 1   |               |                           |
| 13  | H148776  | SPACER         | 4   |               |                           |
| 14  | AH158321 | BRACKET        | 1   | (A)           |                           |
| 15  | 19M7786  | SCREW          | 2   | M10 X 30      |                           |
|     | 14M7296  | FLANGE NUT     | 2   | M10           |                           |
| 16  | H164849  | ELBOW FITTING  | 1   | (A)           |                           |
| 17  | AH158673 | CHECK VALVE    | 1   | (A)           |                           |
| 18  | AN130930 | HOSE CLAMP     | 1   | (A)           |                           |
| 19  | H164771  | SLEEVE         | 1   |               |                           |
| 20  | AH157554 | LATCH          | 1   | (A)           |                           |
| 21  | AH148259 | SWITCH         | 1   | VACUUM SENSOR |                           |

# 1E21

## MUFFLER AND EXHAUST PIPE

HP8577 -UN-13AUG99



HP8577



**MUFFLER AND EXHAUST PIPE - CONTINUED**

| KEY | PART NO. | PART NAME    | QTY | SERIAL NO. | REMARKS |
|-----|----------|--------------|-----|------------|---------|
| 1   | AT74407  | EXHAUST CAP  | 1   |            |         |
| 2   | AH161463 | MUFFLER      | 1   |            |         |
| 3   | AH128977 | EXHAUST PIPE | 1   |            |         |
| 4   | RE40048  | CLAMP        | 1   |            |         |
| 5   | H134117  | HOSE         | 1   |            |         |
| 6   | AR21839  | CLAMP        | 2   |            |         |
| 7   | 19M7868  | SCREW        | 4   |            | M8 X 30 |
| 8   | 14M7298  | FLANGE NUT   | 4   |            | M8      |

MEMORANDA

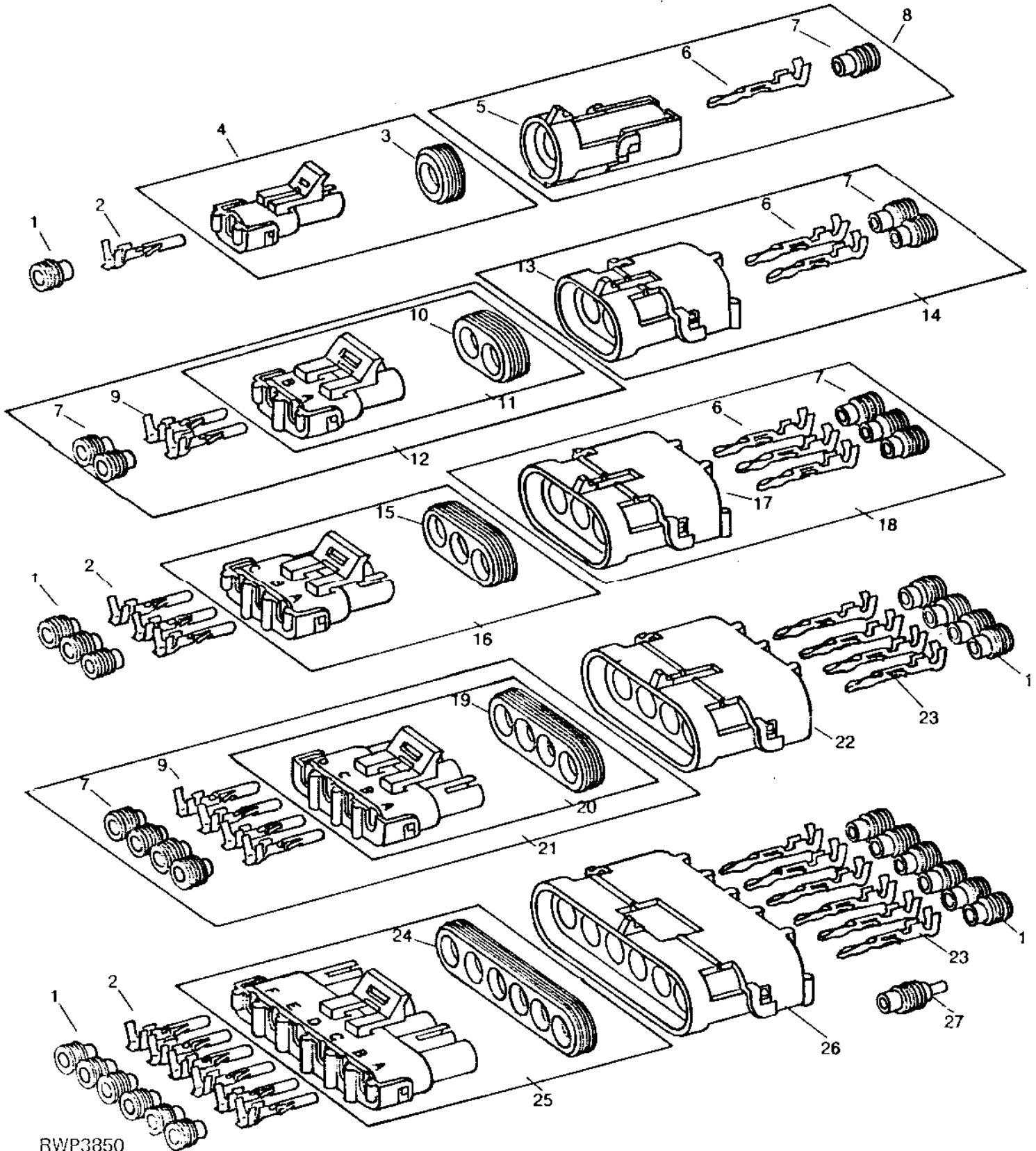
---

MEMORANDA

# 1F4

ELECTRICAL

WEATHERPACK TERMINALS AND CONNECTORS  
RWP3850 -UN-01JAN94



RWP3850

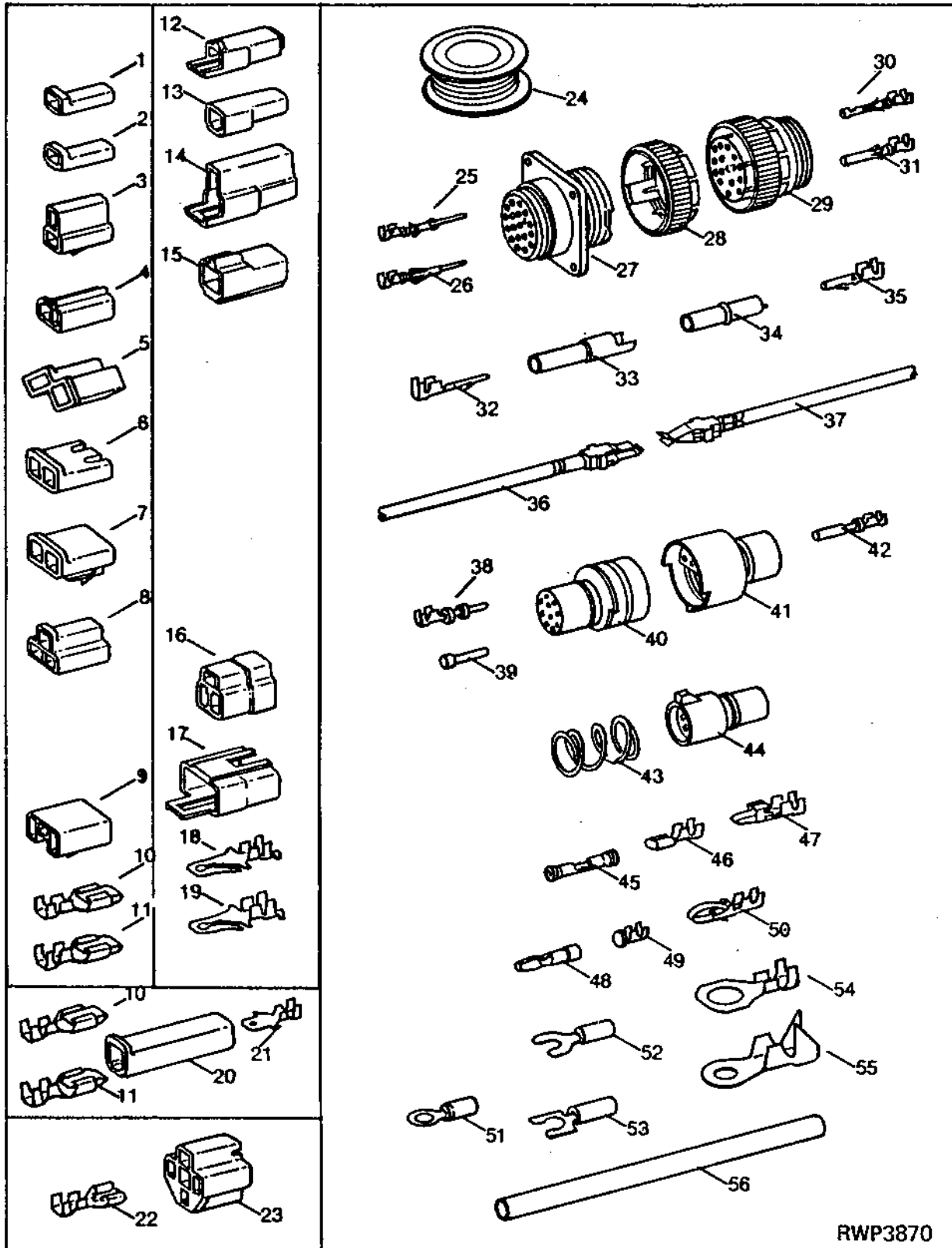
## WEATHERPACK TERMINALS AND CONNECTORS - CONTINUED

| KEY | PART NO. | PART NAME                  | QTY | SERIAL NO. | REMARKS                                   |
|-----|----------|----------------------------|-----|------------|---|
| 1   | R78063   | TERMINAL NIPPLE            | 1   |            | (PKG. OF 40) (16 GA. WIRE) (GRAY)         |
|     | R78059   | ELECTRICAL PLUG            | 1   |            | (PKG. OF 40) (18 OR 20 GA. WIRE) (GREEN)  |
|     | R78062   | TERMINAL NIPPLE            | 1   |            | (PKG. OF 40) (14 GA. WIRE) (BLUE)         |
| 2   | R78057   | SOCKET CONTACT             | 1   |            | (PKG. OF 40) (18 OR 20 GA. WIRE) (NO. 19) |
|     | R78060   | SOCKET CONTACT             | 1   |            | (PKG. OF 40) (14 OR 16 GA. WIRE) (NO. 15) |
| 3   | R78047   | SEAL                       | 1   |            | (PKG. OF 5)                               |
| 4   | RE12362  | CONNECTOR                  | 1   |            | (PKG. OF 3)                               |
| 5   | R78052   | PIN CONTACT CONNECTOR BODY | 1   |            | (PKG. OF 3)                               |
| 6   | R78061   | PIN CONTACT                | 1   |            | (PKG. OF 40) (14 OR 16 GA. WIRE) (NO. 15) |
| 7   | R78063   | TERMINAL NIPPLE            | 1   |            | (PKG. OF 40) (16 GA. WIRE) (GRAY)         |
| 8   | RE12334  | CONNECTOR                  | 1   |            |   |
| 9   | R78060   | SOCKET CONTACT             | 1   |            | (PKG. OF 40) (14 OR 16 GA. WIRE) (NO. 15) |
| 10  | R78048   | TERMINAL NIPPLE            | 1   |            | (PKG. OF 5)                               |
| 11  | RE12363  | CONNECTOR                  | 1   |            | (PKG. OF 3)                               |
| 12  | RE12331  | CONNECTOR                  | 1   |            |   |
| 13  | R78053   | PIN CONTACT CONNECTOR BODY | 1   |            | (PKG. OF 3)                               |
| 14  | RE12330  | CONNECTOR                  | 1   |            |   |
| 15  | R78049   | SEAL                       | 1   |            | (PKG. OF 5)                               |
| 16  | RE12364  | SOCKET CONT.CONNECTOR BODY | 1   |            | (PKG. OF 3)                               |
| 17  | R78054   | PIN CONTACT CONNECTOR BODY | 1   |            | (PKG. OF 3)                               |
| 18  | RE12332  | CONNECTOR                  | 1   |            |   |
| 19  | R78050   | SEAL                       | 1   |            | (PKG. OF 5)                               |
| 20  | RE12365  | CONNECTOR                  | 1   |            | (PKG. OF 2)                               |
| 21  | RE12333  | CONNECTOR                  | 1   |            |   |
| 22  | R78055   | PIN CONTACT CONNECTOR BODY | 1   |            | (PKG. OF 2)                               |
| 23  | R78061   | PIN CONTACT                | 1   |            | (PKG. OF 40) (14 OR 16 GA. WIRE) (NO. 15) |
|     | R78058   | PIN CONTACT                | 1   |            | (PKG. OF 40) (18 OR 20 GA. WIRE) (NO. 19) |
| 24  | R78051   | SEAL                       | 1   |            | (PKG. OF 5)                               |
| 25  | RE12366  | CONNECTOR                  | 1   |            | (PKG. OF 2)                               |
| 26  | R78056   | PIN CONTACT CONNECTOR BODY | 1   |            | (PKG. OF 2)                               |
| 27  | R78064   | ELECTRICAL PLUG            | 1   |            | (PKG. OF 40)                              |

# 1F6

ELECTRICAL

ELECTRICAL CONNECTOR SERVICE KIT  
RWP3870 -UN-01JAN94



RWP3870

## ELECTRICAL CONNECTOR SERVICE KIT - CONTINUED

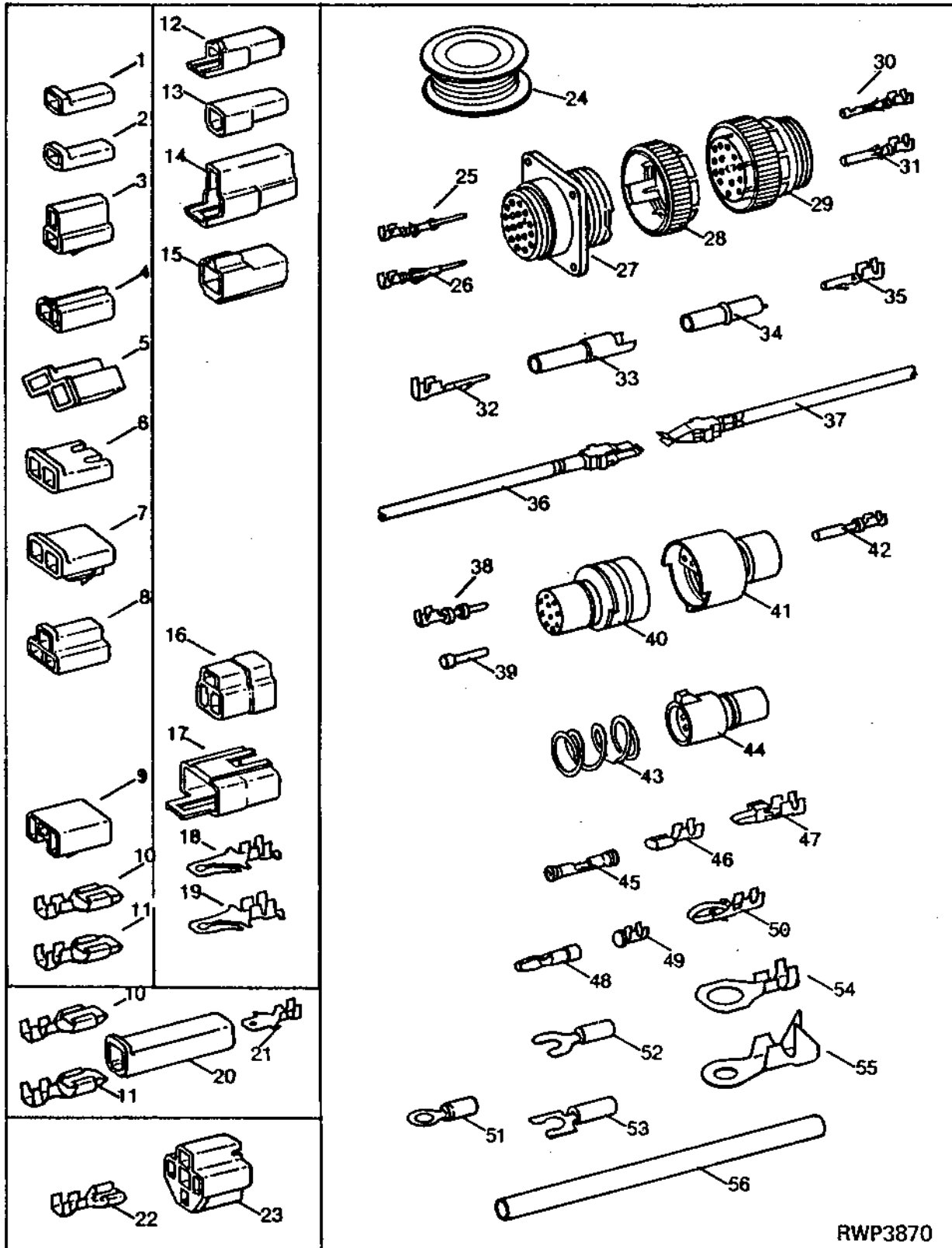
| KEY | PART NO. | PART NAME                 | QTY | SERIAL NO.                              | REMARKS |
|-----|----------|---------------------------|-----|---|---------|
| 1   | T28583   | RECEPTACLE CONNECTOR BODY | 1   | (B)                                     |         |
| 2   | M43835   | FLAT CONNECTOR            | 1   | (B)                                     |         |
| 3   | R77476   | CONNECTOR                 | 1   | (A)                                     |         |
| 4   | R77477   | RECEPTACLE CONNECTOR BODY | 1   | (A)                                     |         |
| 5   | R77479   | CONNECTOR                 | 1   | (A)                                     |         |
| 6   | R77480   | RECEPTACLE CONNECTOR BODY | 1   | (A)                                     |         |
| 7   | R77481   | CONNECTOR                 | 1   | (A)                                     |         |
| 8   | R77482   | CONNECTOR                 | 1   |   |         |
| 9   | H104855  | RECEPTACLE CONNECTOR BODY | 1   |   |         |
| 10  | U46662   | TERMINAL                  | 1   | (E) (F)                                 |         |
| 11  | N115096  | TERMINAL                  | 1   | (G) (PKG. OF 15)                        |         |
| 12  | T28585   | TAB CONNECTOR BODY        | 1   | (B)                                     |         |
| 13  | R77475   | CONNECTOR                 | 1   | (B)                                     |         |
| 14  | T28586   | CONNECTOR                 | 1   | (A)                                     |         |
| 15  | R77478   | CONNECTOR                 | 1   | (A)                                     |         |
| 16  | R77483   | CONNECTOR                 | 1   |   |         |
| 17  | R48887   | TAB CONNECTOR BODY        | 1   |   |         |
| 18  | T34067   | TERMINAL                  | 1   | (E) (F)                                 |         |
| 19  | R77484   | TERMINAL                  | 1   | (G) (PKG. OF 15)                        |         |
| 20  | U46370   | CONNECTOR                 | 1   | (B)                                     |         |
| 21  | R77485   | TAB                       | 1   | (C) (F)                                 |         |
| 22  | R77486   | TERMINAL                  | 1   | (E)                                     |         |
| 23  | R77487   | CONNECTOR                 | 1   | (B)                                     |         |
| 24  | R66321   | WIRING LEAD               | 1   | 15M (50 FT.) 10 GA.                     |         |
|     | R66320   | WIRING LEAD               | 1   | 30.5M (100 FT.) 12 GA.                  |         |
|     | R77501   | WIRE                      | 1   | 30.5M (100 FT.) 14 GA.                  |         |
|     | R77500   | WIRE                      | 1   | 30.5M (100 FT.) 16 GA.                  |         |
|     | TY16086  | WIRE                      | 1   | (SUB FOR R77499) 30.5M (100 FT.) 18 GA. |         |
|     | R77498   | WIRE                      | 1   | 30.5M (100 FT.) 20 GA.                  |         |
| 25  | R77462   | PIN CONTACT               | 1   | (PKG. OF 40) 20-22 OR 24 GA. WIRE       |         |
| 26  | R77464   | PIN CONTACT               | 1   | (H) (PKG. OF 50)                        |         |
| 27  | R77456   | RECEPTACLE                | 1   | (37 WAY)                                |         |
| 28  | R77458   | CONNECTOR                 | 1   | (A) SIZE 23                             |         |
|     | R77459   | CONNECTOR                 | 1   | (A) SIZE 17                             |         |
|     | R77460   | CONNECTOR                 | 1   | (A) SIZE 13                             |         |
|     | R77461   | CONNECTOR                 | 1   | (A) SIZE 11                             |         |
| 29  | R77457   | ELECTRICAL PLUG           | 1   | 37 WAY                                  |         |
| 30  | R77463   | SOCKET CONTACT            | 1   | (PKG. OF 40) 20-22 OR 24 GA. WIRE       |         |
| 31  | R77465   | SOCKET CONTACT            | 1   | (H) (PKG. OF 50)                        |         |
| 32  | R77468   | TERMINAL                  | 1   | (PKG. OF 5) 18 GA.                      |         |
| 33  | R77466   | CONNECTOR                 | 1   | (A)                                     |         |
| 34  | R77467   | CONNECTOR                 | 1   | (A)                                     |         |

- (A) PKG. OF 2
- (B) PKG. OF 3
- (C) PKG. OF 10
- (D) PKG. OF 20
- (E) PKG. OF 25
- (F) 14 OR 16 GA. WIRE
- (G) 10 OR 12 GA. WIRE
- (H) 14-16 OR 18 GA. WIRE

# 1F8

ELECTRICAL

ELECTRICAL CONNECTOR SERVICE KIT  
RWP3870 -UN-01JAN94



RWP3870



## ELECTRICAL CONNECTOR SERVICE KIT - CONTINUED

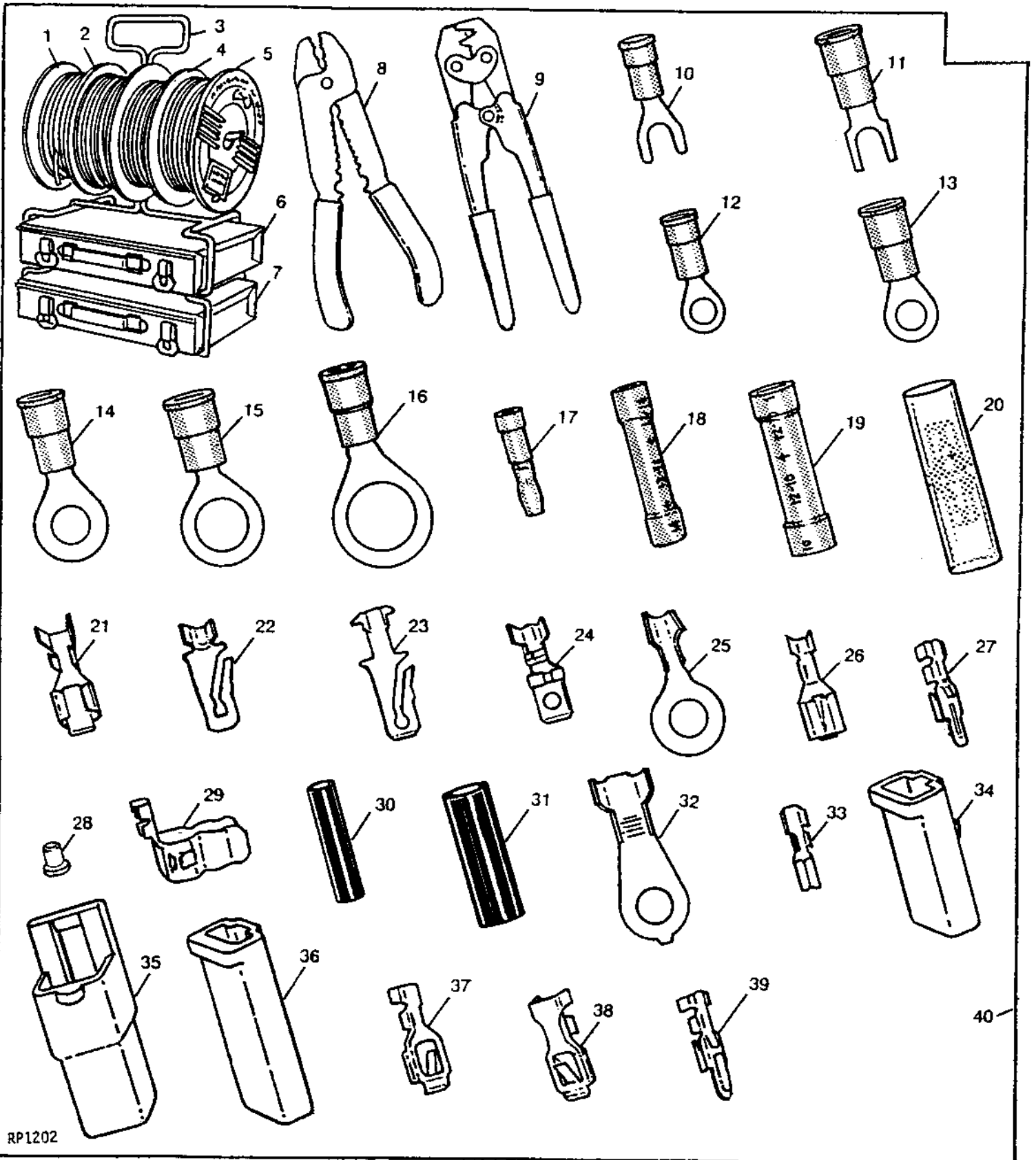
| KEY | PART NO. | PART NAME                  | QTY | SERIAL NO. | REMARKS  |
|-----|----------|----------------------------|-----|------------|--|
| 35  | R77469   | TERMINAL                   | 1   |            | (PKG. OF 5) 18 GA.   |
| 36  | RE11156  | TERMINAL                   | 1   |            | (B) MALE   |
| 37  | RE11157  | TERMINAL                   | 1   |            | (B) FEMALE   |
| 38  | R70222   | PIN CONTACT                | 1   |            | (D) (H)  |
| 39  | R70221   | ELECTRICAL PLUG            | 1   |            | (E)  |
| 40  | R70219   | PLUG                       | 1   |            | (PKG. OF (2) R70218 AND (2) R70219) 10 WAY                           |
|     | R70217   | PLUG                       | 1   |            | (PKG. OF (2) R70216 AND (2) R70217) 7 WAY                            |
|     | R70215   | PLUG                       | 1   |            | (PKG. OF (2) R70214 AND (2) R70215) 4 WAY                            |
|     | R70213   | PIN CONTACT CONNECTOR BODY | 1   |            | (PKG. OF (2) R70212 AND (2) R70213) 3 WAY                            |
|     | R70211   | CONNECTOR                  | 1   |            | (PKG. OF (2) R70210 AND (2) R70211) 2 WAY                            |
| 41  | R70218   | RECEPTACLE                 | 1   |            | ORDER R70219 WHICH CONTAINS (2) R70218 AND (2) R70219                |
|     | R70216   | RECEPTACLE                 | 1   |            | ORDER R70217 WHICH CONTAINS (2) R70216 AND (2) R70217                |
|     | R70214   | RECEPTACLE                 | 1   |            | ORDER R70215 WHICH CONTAINS (2) R70214 AND (2) R70215                |
|     | R70212   | RECEPTACLE                 | 1   |            | ORDER R70213 WHICH CONTAINS (2) R70212 AND (2) R70213                |
|     | R70210   | RECEPTACLE                 | 1   |            | (ORDER R70211) ORDER R70211 WHICH CONTAINS (2) R70210 AND (2) R70211 |
| 42  | AR91793  | SOCKET CONTACT             | 1   |            | (D)  |
| 43  | R30378   | SPRING                     | 1   |            | (C)  |
| 44  | R77474   | CONNECTOR                  | 1   |            | (A) 6 WAY  |
| 45  | R77470   | TERMINAL                   | 1   |            | SPLICE (PKG. OF 15) 16-18-20 OR 22 GA. WIRE                          |
|     | R77471   | TERMINAL                   | 1   |            | (C) (G) SPLICE   |
|     | R77472   | TERMINAL                   | 1   |            | (A) SPLICE (8 GA. WIRE)  |
|     | R77473   | TERMINAL                   | 1   |            | (A) SPLICE (6 GA. WIRE)  |
| 46  | R65607   | TERMINAL                   | 1   |            | (C) (18 OR 20 GA. WIRE)  |
| 47  | U46664   | TERMINAL                   | 1   |            | (C) (F)  |
| 48  | R32026   | TERMINAL                   | 1   |            | (D) (F)  |
| 49  | R65602   | SOCKET CONTACT             | 1   |            | (C) 16 OR 18 GA. WIRE  |
| 50  | R70220   | TERMINAL                   | 1   |            | (C) 18 OR 20 GA. WIRE  |
| 51  | R77489   | TERMINAL                   | 1   |            | (D) 14-16-18 OR 20 GA. WIRE; NO. 10 EYELET                           |
|     | R77493   | TERMINAL                   | 1   |            | (D) (G) NO. 10 EYELET  |
|     | R77488   | TERMINAL                   | 1   |            | (D) 14-16-18 OR 20 GA. WIRE; 3/8" EYELET                             |
|     | R77490   | TERMINAL                   | 1   |            | (D) (G) (1/2" EYELET)  |
| 52  | R77496   | TERMINAL                   | 1   |            | (D) (F) NO. 8 SPADE  |
|     | R77495   | TERMINAL                   | 1   |            | (D) 18 GA. WIRE; NO. 10 SPADE  |
| 53  | R77497   | TERMINAL                   | 1   |            | (D) (F) NO. 6 SPADE  |
| 54  | R77491   | TERMINAL                   | 1   |            | (D) (G) 3/8" EYELET  |
|     | R77492   | TERMINAL                   | 1   |            | (D) (G) 1/4" EYELET  |
| 55  | R77494   | TERMINAL                   | 1   |            | (D) 6 OR 8 GA. WIRE; 1/4" EYELET                                     |
| 56  | R77502   | TUBE                       | 1   |            | (PKG. OF 8) 3/8", HEAT SHRINK  |
|     | R77503   | TUBE                       | 1   |            | (PKG. OF 8) 3/16", HEAT SHRINK                                       |
| 57  | PM797NA  | KIT                        | 1   |            |  |

- (A) PKG. OF 2
- (B) PKG. OF 3
- (C) PKG. OF 10
- (D) PKG. OF 20
- (E) PKG. OF 25
- (F) 14 OR 16 GA. WIRE
- (G) 10 OR 12 GA. WIRE
- (H) 14-16 OR 18 GA. WIRE

# 1F10

ELECTRICAL

TERMINAL AND WIRING KIT  
RP1202 -UN-12SEP95



RP1202

# 1F11

ELECTRICAL

## TERMINAL AND WIRING KIT - CONTINUED

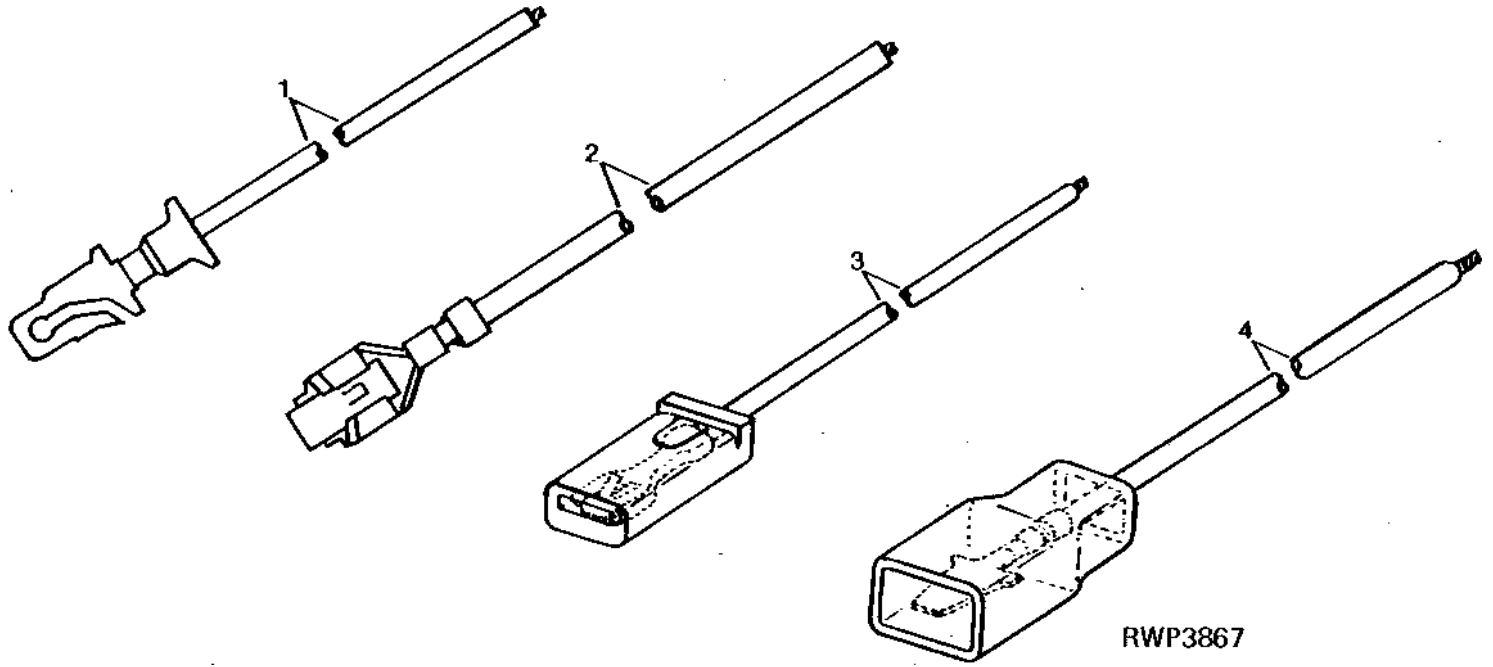
| KEY | PART NO. | PART NAME                 | QTY | SERIAL NO. | REMARKS                                     |
|-----|----------|---------------------------|-----|------------|---|
| 1   | R66319   | WIRING LEAD               | 1   |            | PRIMARY, 14 GA., 30,480 MM (100') (1 SPOOL) |
| 2   | R65593   | WIRING LEAD               | 1   |            | PRIMARY, 16 GA., 30,480 MM (100') (1 SPOOL) |
| 3   | R65608   | RACK                      | 1   |            |   |
| 4   | R66321   | WIRING LEAD               | 1   |            | PRIMARY, 10 GA., 15,240 MM (50') (1 SPOOL)  |
| 5   | R66320   | WIRING LEAD               | 1   |            | PRIMARY, 12 GA., 30,480 MM (100') (1 SPOOL) |
| 6   | R65609   | CONTAINER                 | 1   |            | 32 COMPARTMENT                              |
| 7   | R65610   | CONTAINER                 | 1   |            | 11 COMPARTMENT                              |
| 8   | R32011   | TOOL                      | 1   |            | WIRING, STRIPPING                           |
| 9   | R65594   | TOOL                      | 1   |            | WIRING, CRIMPING                            |
| 10  | R32016   | TERMINAL                  | 1   |            | PRIMARY, 14-16 GA., NO. 10 SPADE            |
| 11  | R32017   | TERMINAL                  | 1   |            | PRIMARY, 10-12 GA., NO. 10 SPADE            |
| 12  | R32018   | TERMINAL                  | 1   |            | PRIMARY, 14-16 GA., NO. 10 EYELET           |
| 13  | R32019   | TERMINAL                  | 1   |            | PRIMARY, 10-12 GA., NO. 10 EYELET           |
| 14  | R32021   | TERMINAL                  | 1   |            | PRIMARY, 10-12 GA., 1/4" EYELET             |
| 15  | R32022   | TERMINAL                  | 1   |            | PRIMARY, 10-12 GA., 3/8" EYELET             |
| 16  | R32023   | TERMINAL                  | 1   |            | PRIMARY, 10-12 GA., 1/2" EYELET             |
| 17  | R32026   | TERMINAL                  | 1   |            | MALE BULLET                                 |
| 18  | R32027   | CONNECTOR                 | 1   |            | SPLICE, 14-16 GA.                           |
| 19  | R32028   | TERMINAL                  | 1   |            | SPLICE, 10-12 GA.                           |
| 20  | AL2976T  | CONNECTOR                 | 1   |            | 2-WIRE BULLET CONNECTOR                     |
| 21  | R65595   | TERMINAL                  | 1   |            | FEMALE, 10 GA.                              |
| 22  | R65596   | TERMINAL                  | 1   |            | MALE, 10 GA., OR TWO 14 GA. CABLES          |
| 23  | R65597   | TERMINAL                  | 1   |            | MALE, 14-16 GA.                             |
| 24  | R65598   | TERMINAL                  | 1   |            | MALE, SHORT, 14-16 GA.                      |
| 25  | R65599   | TERMINAL                  | 1   |            | 14-16 GA., 1/4" EYELET                      |
| 26  | R65600   | TERMINAL                  | 1   |            | FEMALE, 14-16 GA.                           |
| 27  | R65601   | TERMINAL                  | 1   |            | TWIN-LOCK, TWO 16 GA. CABLES                |
| 28  | R65602   | SOCKET CONTACT            | 1   |            | BULB SOCKET, 16-18 GA.                      |
| 29  | R65603   | TERMINAL NIPPLE           | 1   |            | FUSE  |
| 30  | R65604   | INSULATING SLEEVE         | 1   |            | 14-18 GA.                                   |
| 31  | R65605   | INSULATING SLEEVE         | 1   |            | 8-12 GA.                                    |
| 32  | R65606   | TERMINAL                  | 1   |            | 6-8 GA., 1/4" EYELET                        |
| 33  | R65607   | TERMINAL                  | 1   |            | 18-20 GA.                                   |
| 34  | T28583   | RECEPTACLE CONNECTOR BODY | 1   |            | ONE CONTACT LOCK-TYPE, MALE                 |
| 35  | T28585   | TAB CONNECTOR BODY        | 1   |            | ONE CONTACT LOCK-TYPE, FEMALE               |
| 36  | U46370   | CONNECTOR                 | 1   |            | ONE CONTACT SINGLE BODY, MALE               |
| 37  | U46662   | TERMINAL                  | 1   |            | CONNECTOR, ONE CONTACT SINGLE BODY, MALE    |
| 38  | U46663   | TERMINAL                  | 1   |            | MALE  |
| 39  | U46664   | TERMINAL                  | 1   |            | MALE  |
| 40  | PM797NA  | KIT                       | 1   |            |   |

# 1F12

ELECTRICAL

## SUPPLEMENTARY TERMINALS AND CONNECTORS

RWP3867 -UN-01JAN94



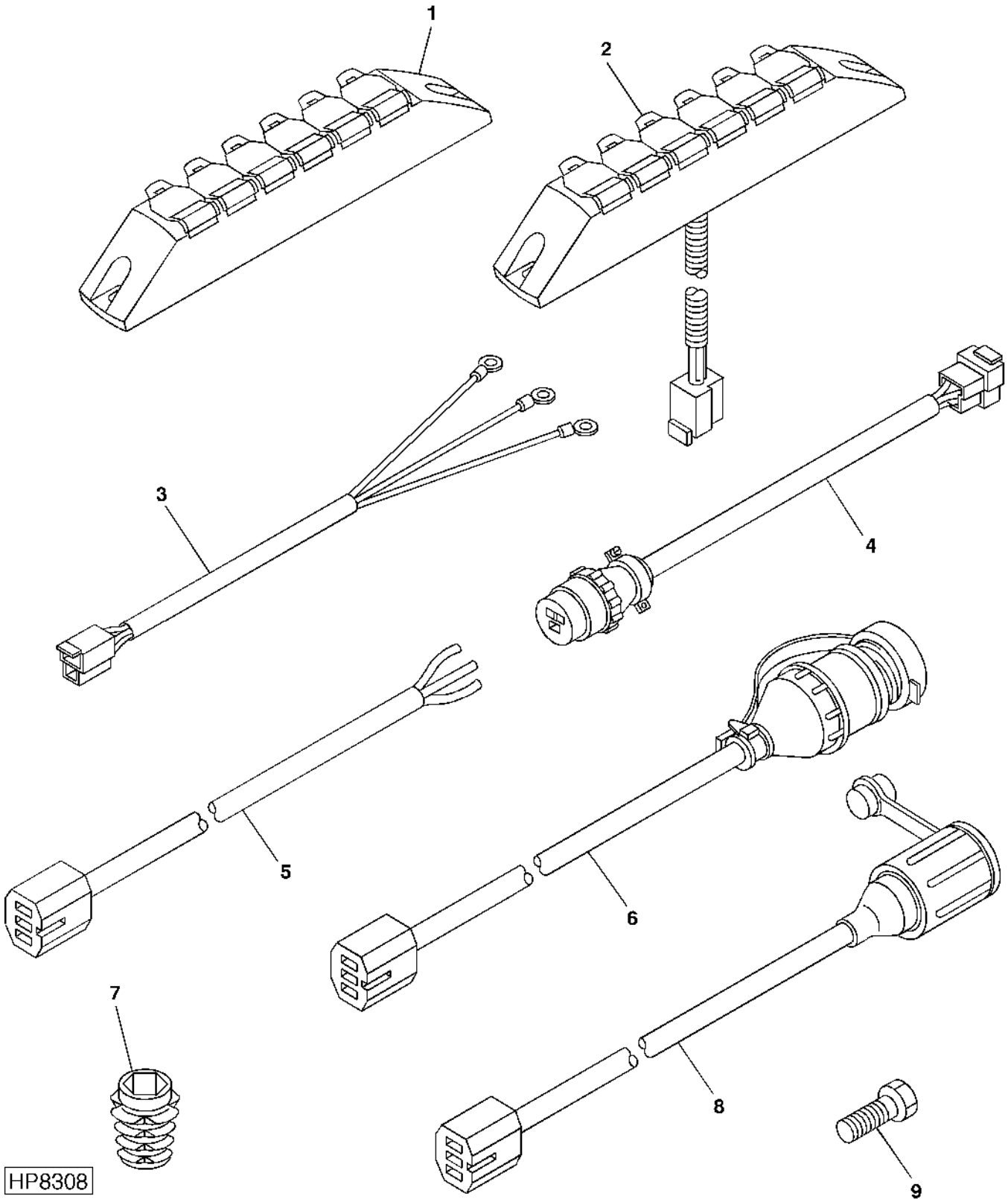
| KEY | PART NO. | PART NAME   | QTY | SERIAL NO. | REMARKS |
|-----|----------|-------------|-----|------------|---------|
| 1   | AR65005  | TERMINAL    | 1   |            |         |
| 2   | AR65006  | TERMINAL    | 1   |            |         |
| 3   | R32024   | WIRING LEAD | 1   |            |         |
| 4   | R32025   | WIRING LEAD | 1   |            |         |

MEMORANDA

# 1F13

ELECTRICAL

KIT-CONVENIENCE OUTLET  
HP8308 -UN-10MAR99



HP8308

# 1F14

ELECTRICAL

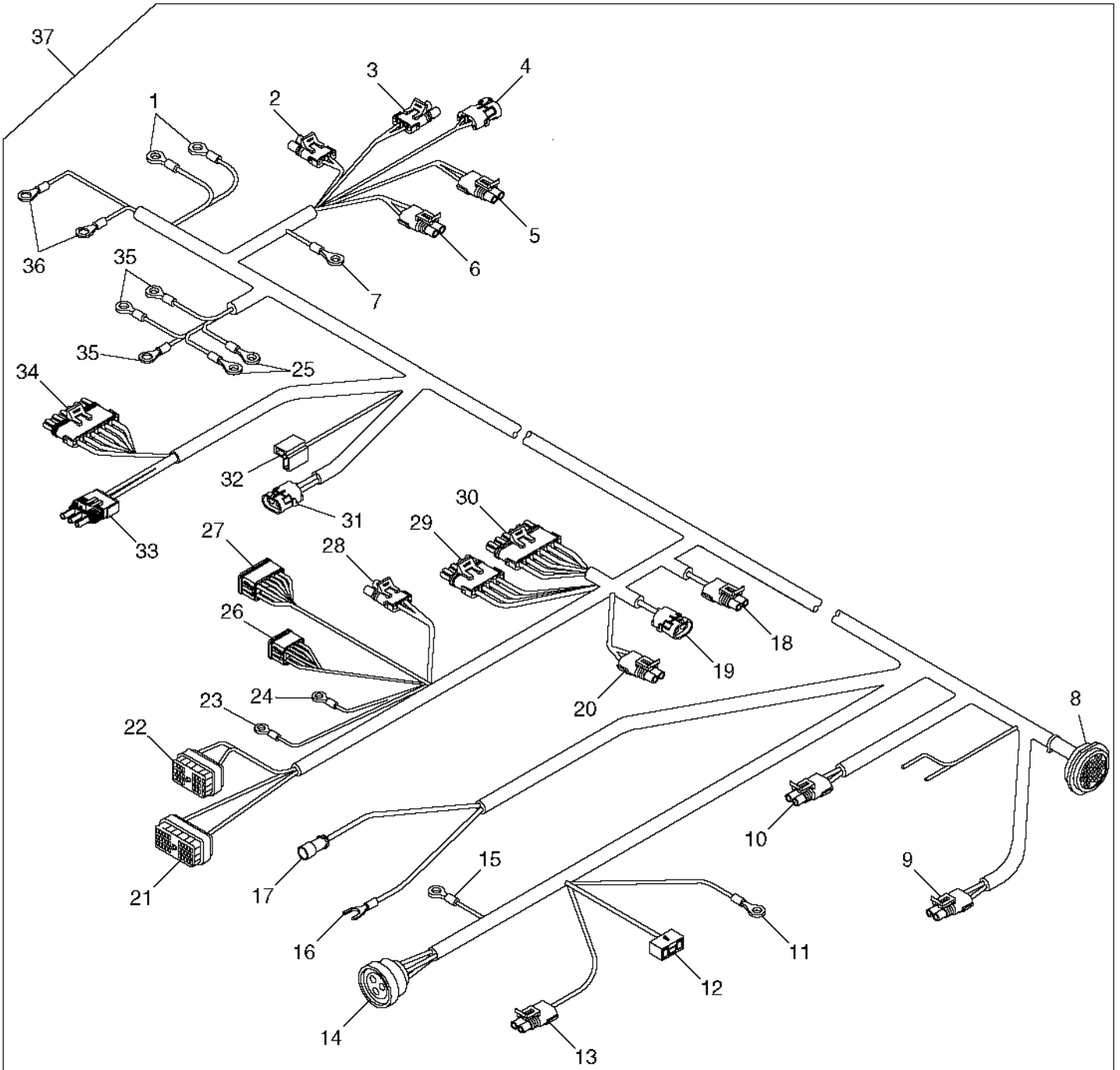
## CONVENIENCE OUTLET - CONTINUED

| KEY | PART NO. | PART NAME       | QTY | SERIAL NO. | REMARKS             |
|-----|----------|-----------------|-----|------------|---------------------|
| 1   | RE68495  | STRIP           | 1   |            |                     |
| 2   | AH152668 | TERMINAL        | 1   |            |                     |
| 3   | AH153311 | WIRING HARNESS  | 1   |            | POWER STRIP         |
| 4   | AH153133 | WIRING HARNESS  | 1   |            | ADAPTER POWER STRIP |
| 5   | RE67013  | ELECTRICAL PLUG | 1   |            | AUXILIARY POWER     |
| 6   | RE67015  | ADAPTER         | 1   |            |                     |
| 7   | H159806  | INSERT          | 1   |            |                     |
| 8   | RE67014  | ADAPTER         | 1   |            | CIGARETTE LIGHTER   |
| 9   | 21M7296  | SCREW           | 2   |            | M6 X 20             |

# 1F15

ELECTRICAL

ENGINE WIRING HARNESS  
HP8165 -UN-07JUL99



HP8165



# 1F16

ELECTRICAL

## ENGINE WIRING HARNESS - CONTINUED

| KEY | PART NO. | PART NAME                  | QTY | SERIAL NO. | REMARKS                      |
|-----|----------|----------------------------|-----|------------|------------------------------|
| 1   | 57M7118  | TERMINAL                   | 2   |            | START RELAY                  |
|     | 57M7030  | TERMINAL                   | 1   |            |                              |
| 2   | R12363   | CONNECTOR                  | 1   |            | UNLOADING AUGER ENGAGE       |
| 3   | R12363   | CONNECTOR                  | 1   |            | SEPERATOR ENGAGE             |
| 4   | R78053   | PIN CONTACT CONNECTOR BODY | 1   |            | SEPERATOR DRIVE PRESS        |
| 5   | 57M7850  | RECEPTACLE CONNECTOR BODY  | 1   |            | SEPERATOR DRIVE TEMPERATURE  |
| 6   | 57M7850  | RECEPTACLE CONNECTOR BODY  | 1   |            | ENGINE COOLANT SWITCH/SENSOR |
| 7   | R77489   | TERMINAL                   | 3   |            | SEPERATOR DRIVE FILTER       |
| 8   | 57M7667  | ELECTRICAL PLUG            | 1   |            | R.H. MAIN WIRING HARNESS     |
| 9   | R12363   | CONNECTOR                  | 1   |            | A/C HIGH PRESS               |
| 10  | 57M7850  | RECEPTACLE CONNECTOR BODY  | 1   |            | INLET AIR TEMPERATURE        |
| 11  | .....    | TERMINAL                   | 1   |            | GROUND                       |
| 12  | H104855  | RECEPTACLE CONNECTOR BODY  | 1   |            | ALTERNATOR FIELD             |
| 13  | 57M7850  | RECEPTACLE CONNECTOR BODY  | 1   |            | AUXILIARY ENGINE SPEED       |
| 14  | .....    | CONNECTOR                  | 1   |            | FUEL TEMPERATURE             |
| 15  | R77489   | TERMINAL                   | 1   |            | FUEL SHUTOFF                 |
| 16  | R32017   | TERMINAL                   | 1   |            | A/C COMPRESSOR GROUND        |
| 17  | 57M7293  | PIN CONTACT CONNECTOR BODY | 1   |            | A/C COMPRESSOR CLUTCH        |
| 18  | R12363   | CONNECTOR                  | 1   |            | ENGINE AIR FILTER            |
| 19  | R78053   | PIN CONTACT CONNECTOR BODY | 1   |            | ENGINE SERVICE LIGHT         |
| 20  | 57M7850  | RECEPTACLE CONNECTOR BODY  | 1   |            | HYDRO OIL TEMPERATURE        |
| 21  | 57M7275  | CONNECTOR                  | 1   |            | ECU 1                        |
| 22  | 57M7279  | CONNECTOR                  | 1   |            | ECU 2                        |
| 23  | 57M7030  | TERMINAL                   | 1   |            | CONTROL POWER                |
| 24  | 57M7030  | TERMINAL                   | 1   |            | ECU                          |
| 25  | 57M7118  | TERMINAL                   | 2   |            | MAIN GROUND                  |
| 26  | 57M7696  | RECEPTACLE CONNECTOR BODY  | 1   |            | L.H. MAIN                    |
| 27  | 57M7634  | ELECTRICAL PLUG            | 1   |            | L.H. MAIN WIRING HARNESS     |
| 28  | R78053   | PIN CONTACT CONNECTOR BODY | 1   |            | WALKER PLUG SWITCH           |
| 29  | RE12365  | CONNECTOR                  | 1   |            | DIAGNOSTIC CONNECTOR         |
| 30  | R78056   | PIN CONTACT CONNECTOR BODY | 1   |            | DIAGNOSTIC CONNECTOR         |
| 31  | R78053   | PIN CONTACT CONNECTOR BODY | 1   |            | ENGINE OIL PRESS             |
| 32  | R77479   | CONNECTOR                  | 1   |            | START AID                    |
| 33  | RE21364  | CONNECTOR                  | 1   |            | INJECTOR PUMP                |
| 34  | RE12366  | CONNECTOR                  | 101 |            | INJECTOR PUMP                |
| 35  | 57M7572  | TERMINAL                   | 3   |            | MAIN GROUND                  |
| 36  | R32023   | TERMINAL                   | 2   |            | STARTER                      |
| 37  | AH154195 | WIRING HARNESS             | 1   |            | ENGINE                       |

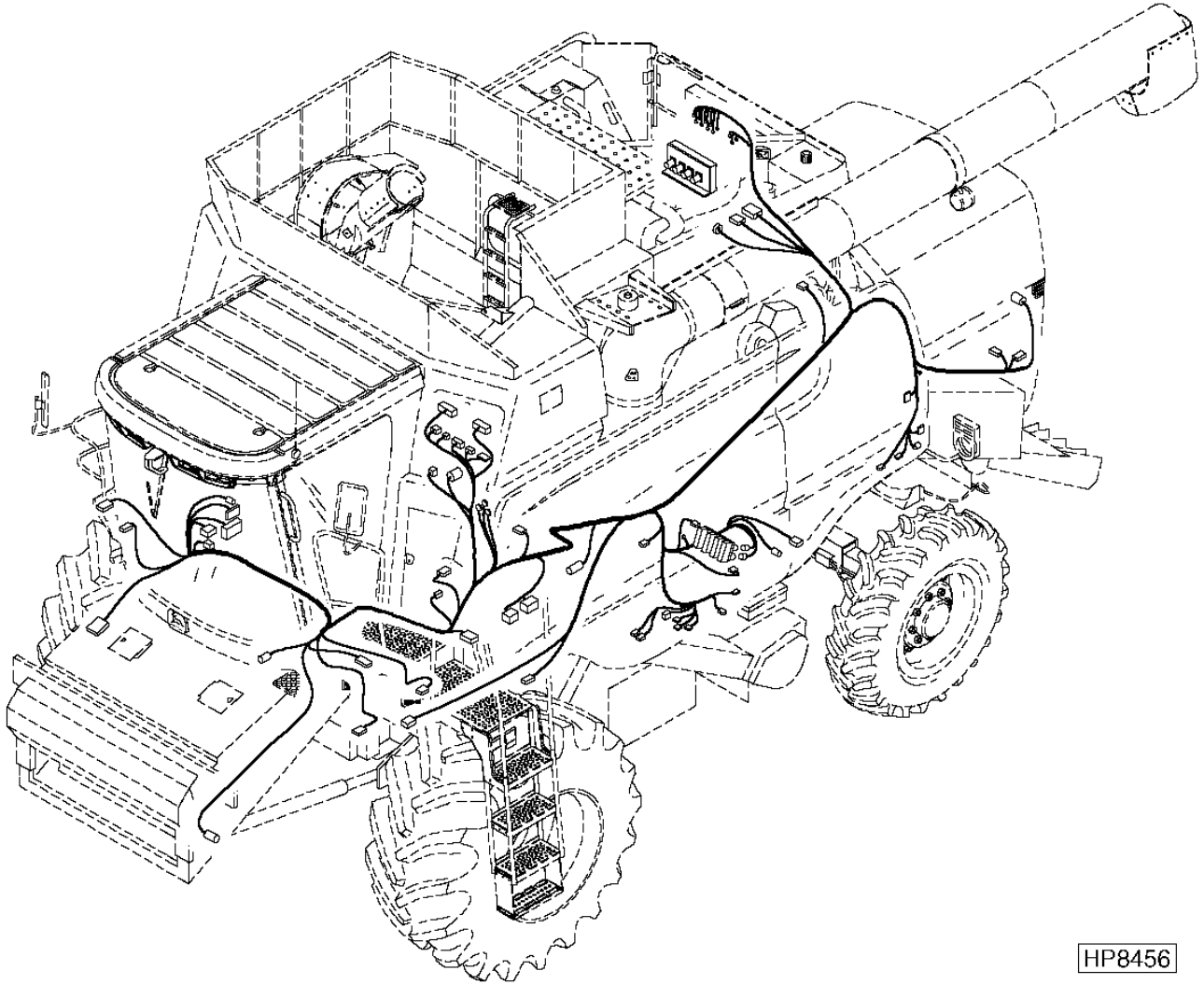
---

MEMORANDA

# 1F17

ELECTRICAL

**L.H. MAIN WIRING HARNESS - REFERENCE**  
HP8456 -UN-14APR99

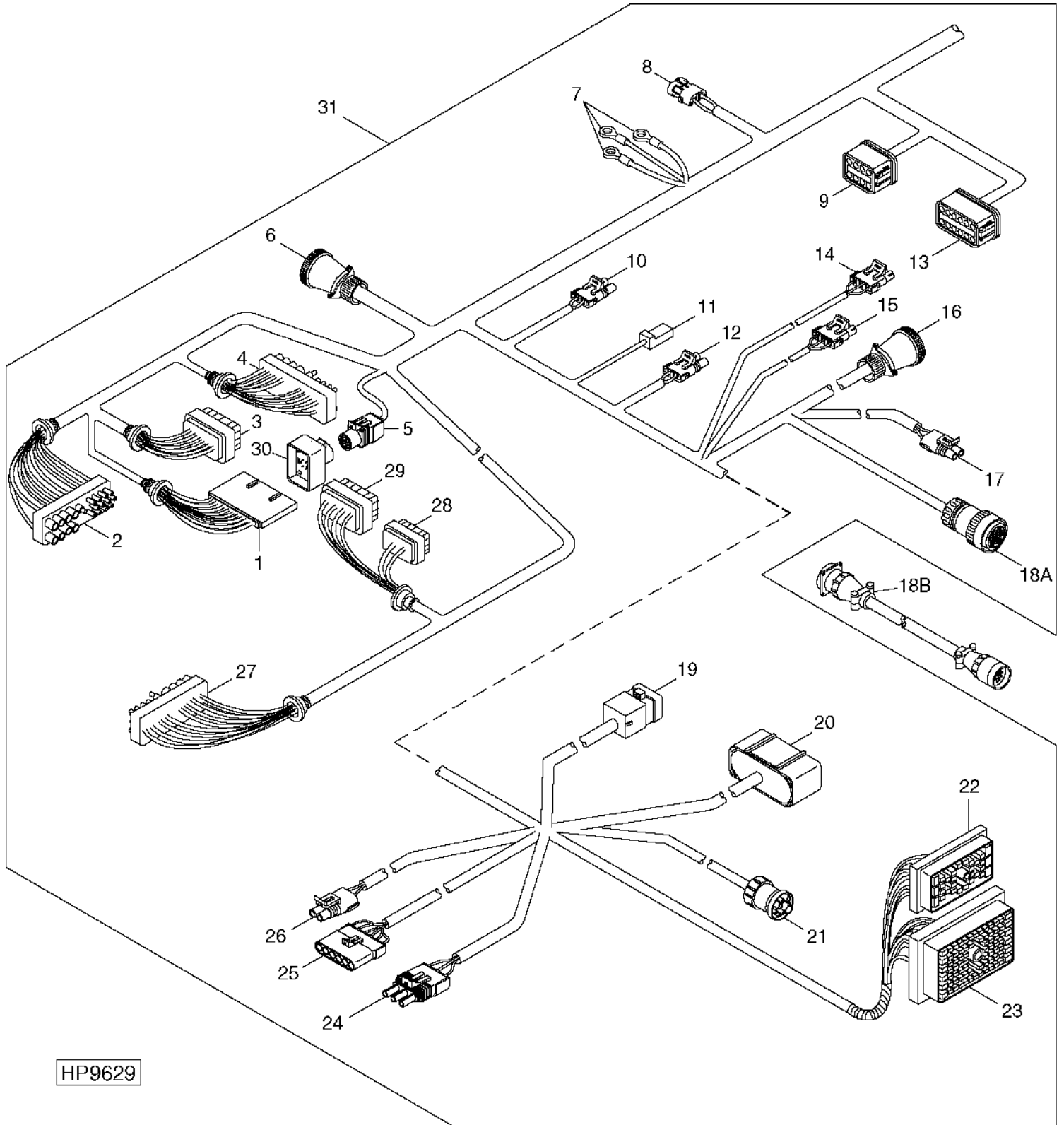


| KEY | PART NO. | PART NAME      | QTY | SERIAL NO. | REMARKS |
|-----|----------|----------------|-----|------------|---------|
| 1   | AH166469 | WIRING HARNESS | 1   | L.H. MAIN  |         |

# 1F18

ELECTRICAL

L.H. MAIN WIRING HARNESS  
HP9629 -UN-24MAR00



HP9629

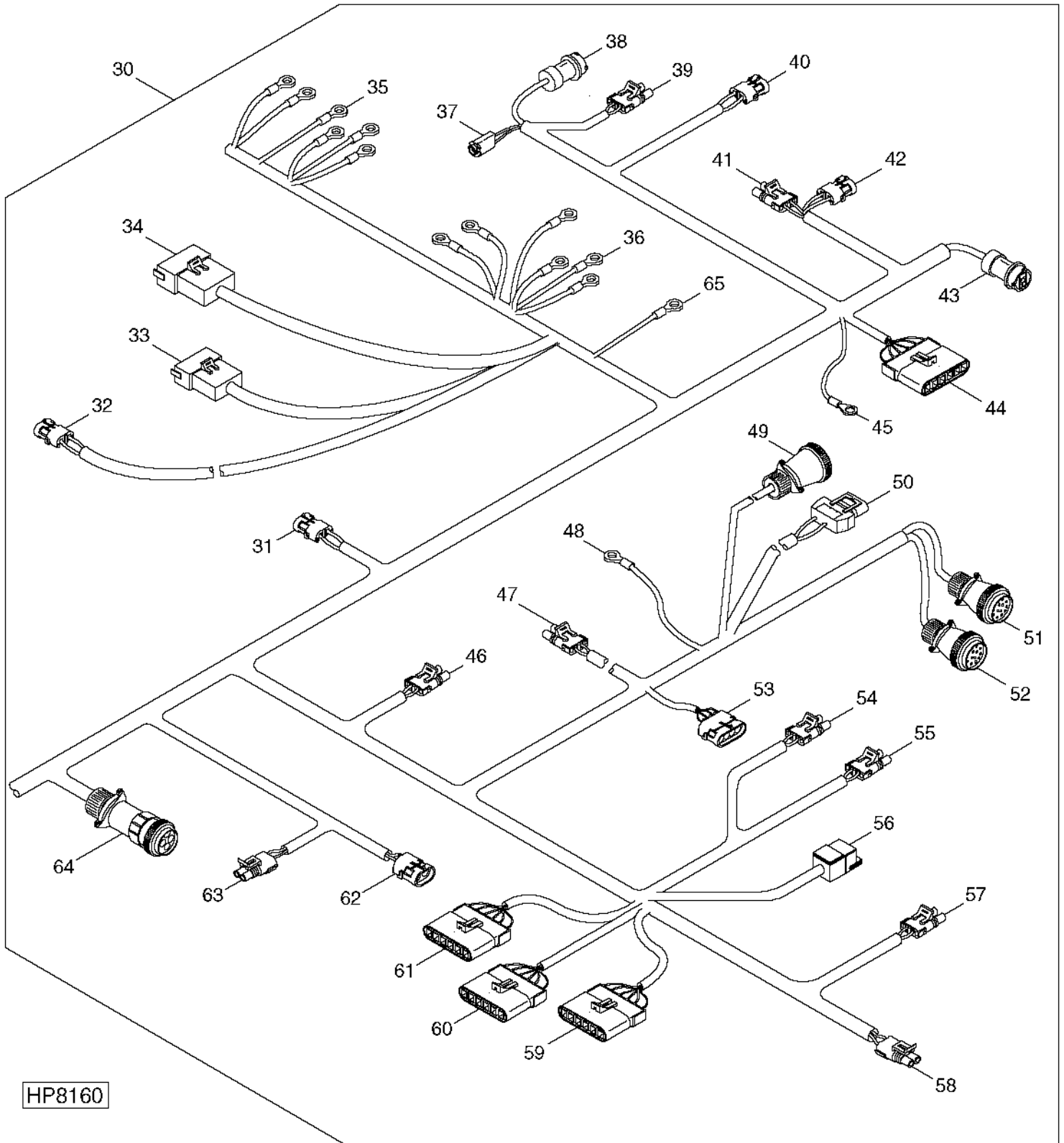
L.H. MAIN WIRING HARNESS - CONTINUED

| KEY | PART NO. | PART NAME                  | QTY | SERIAL NO. | REMARKS  |
|-----|----------|----------------------------|-----|------------|--|
| 1   | 57M7818  | ELECTRICAL PLUG            | 1   |            | DASH   |
| 2   | H132513  | CONNECTOR                  | 1   |            | CEB POWER DISTRIBUTION BOARD   |
| 3   | 57M7253  | RECEPTACLE                 | 1   |            | RELAY PANEL 1  |
| 4   | H132513  | CONNECTOR                  | 1   |            | POWER BOARD  |
| 5   | 57M7538  | RECEPTACLE CONNECTOR BODY  | 1   |            | TERMINATOR   |
| 6   | AH135787 | ELECTRICAL PLUG            | 1   |            | GRAIN TANK   |
| 7   | 57M7572  | TERMINAL                   | 2   |            | GRAIN TANK GROUND  |
|     | 57M7118  | TERMINAL                   | 2   |            | GROUND   |
| 8   | R78053   | PIN CONTACT CONNECTOR BODY | 1   |            | GULLWING SERVICE LIGHTS  |
| 9   | 57M7632  | ELECTRICAL PLUG            | 1   |            | SLAVE TAILING SENSOR   |
| 10  | RE12363  | CONNECTOR                  | 1   |            | CLUTCH   |
| 11  | M47293   | TERMINAL                   | 1   |            | WINDSHIELD WASHER PUMP   |
| 12  | RE12363  | CONNECTOR                  | 1   |            | TAILINGS ELEVATOR LSSM   |
| 13  | 57M7634  | ELECTRICAL PLUG            | 1   |            | MASTER TAILING SENSOR  |
| 14  | RE12364  | SOCKET CONT.CONNECTOR BODY | 1   |            | FEEDER HOUSE POSITION SENSOR   |
| 15  | RE12364  | SOCKET CONT.CONNECTOR BODY | 1   |            | L.H. TURNING SIGNAL/WARNING LAMP   |
| 16  | AH135787 | ELECTRICAL PLUG            | 1   |            | STEERING COLUMN  |
| 17  | R78053   | PIN CONTACT CONNECTOR BODY | 1   |            | L.H. COMBINE STUBBLE LIGHT   |
| 18A | 57M7661  | ELECTRICAL PLUG            | 1   |            | HEADER WIRING HARNESS  |
| 18B | AH168232 | WIRING HARNESS             | 1   |            | HEADER WIRING HARNESS REPAIR KIT (INCLUDES MATING CONNECTOR AND TERMINALS) |
| 19  | 57M7697  | CONNECTOR                  | 1   |            | R.H. MAIN WIRING HARNESS   |
| 20  | .....    | CONNECTOR                  | 1   |            | R.H. MAIN WIRING HARNESS   |
| 21  | 57M7652  | ELECTRICAL PLUG            | 1   |            | AIR CONDITIONING WIRING HARNESS  |
| 22  | 57M7854  | CONNECTOR                  | 1   |            | ARMREST  |
| 23  | 57M7693  | RECEPTACLE CONNECTOR BODY  | 1   |            | CAB MAIN   |
| 24  | .....    | CONNECTOR                  | 1   |            | R.H. TURNING SIGNAL/WARNING LAMP   |
| 25  | R78056   | PIN CONTACT CONNECTOR BODY | 1   |            | HEADER R.H. SENSOR WIRING HARNESS  |
| 26  | RE12363  | CONNECTOR                  | 1   |            | R.H. COMBINE STUBBLE LIGHT   |
| 27  | H132513  | CONNECTOR                  | 1   |            | CEB POWER DISTRIBUTION BOARD   |
| 28  | 57M7279  | CONNECTOR                  | 1   |            | HEADER CONTROL J2  |
| 29  | 57M7253  | RECEPTACLE                 | 1   |            | HEADER CONTROL J1  |
| 30  | RE70773  | DEVICE                     | 1   |            | CAN TERMINATOR (6 PIN)   |
| 31  | AH166469 | WIRING HARNESS             | 1   |            | L.H. MAIN  |

# 1F20

ELECTRICAL

L.H. MAIN WIRING HARNESS - CONTINUED  
HP8160 -UN-06JUL99



HP8160

L.H. MAIN WIRING HARNESS - CONTINUED

| KEY | PART NO. | PART NAME                  | QTY | SERIAL NO. | REMARKS                                     |
|-----|----------|----------------------------|-----|------------|---|
| 30  | AH166469 | WIRING HARNESS             | 1   |            | L.H. MAIN                                   |
| 31  | R78053   | PIN CONTACT CONNECTOR BODY | 1   |            | HYDRO CHARGE PRESS                          |
| 32  | AH165526 | MODULE                     | 1   |            |   |
| 33  | 57M7697  | CONNECTOR                  | 1   |            | ENGINE WIRING HARNESS                       |
| 34  | 57M7633  | RECEPTACLE                 | 1   |            | ENGINE WIRING HARNESS                       |
| 35  | 57M7030  | TERMINAL                   | 3   |            | RELAY PANEL                                 |
|     | 57M7732  | ELECTRICAL PLUG            | 4   |            |   |
|     | 57M7132  | TERMINAL                   | 2   |            |   |
| 36  | 57M7572  | TERMINAL                   | 2   |            | RELAY PANEL                                 |
|     | 57M7732  | ELECTRICAL PLUG            | 1   |            |   |
| 37  | .....    | SOCKET CONTACT             | 1   |            | (ORDER AH140120) L.H. REAR SIDE MARKER LAMP |
| 38  | .....    | CONNECTOR                  | 1   |            | L.H. REAR TAIL/TURN LAMP                    |
| 39  | RE12363  | CONNECTOR                  | 1   |            | L.H. WARNING LAMP                           |
|     | H141411  | CAP                        | 1   |            |   |
| 40  | R78053   | PIN CONTACT CONNECTOR BODY | 1   |            | REAR LIGHT                                  |
| 41  | R78053   | PIN CONTACT CONNECTOR BODY | 1   |            | STRAW CHOPPER LSSM                          |
| 42  | RE12363  | CONNECTOR                  | 1   |            | CHOPPER LSSM SHORTING PLUG                  |
| 43  | .....    | CONNECTOR                  | 1   |            | L.H. TAIL/BRAKE SIGNAL                      |
| 44  | .....    | CONNECTOR                  | 1   |            |   |
| 45  | .....    | CONNECTOR                  | 1   |            | L.H. REAR SIDE SHEET GROUND                 |
| 46  | RE12363  | CONNECTOR                  | 1   |            | WALKER SPEED LSSM                           |
| 47  | RE12363  | CONNECTOR                  | 1   |            | COIL  |
| 48  | 57M7572  | TERMINAL                   | 1   |            | VALVE STACK GROUND                          |
| 49  | .....    | CONNECTOR                  | 1   |            | DIODE MODULE                                |
|     | AH165984 | MODULE                     | 1   |            | DIODE                                       |
| 50  | .....    | CONNECTOR                  | 1   |            | L.H. SHOE LAMP                              |
| 51  | H118426  | CONNECTOR                  | 1   |            | VALVE STACK                                 |
| 52  | H118426  | CONNECTOR                  | 1   |            | VALVE STACK                                 |
| 53  | R78055   | PIN CONTACT CONNECTOR BODY | 1   |            | SIDEHILL WIRING HARNESS                     |
| 54  | RE12363  | CONNECTOR                  | 1   |            | GULLWING SWITCH                             |
| 55  | RE12363  | CONNECTOR                  | 1   |            | SHOE LIGHT SWITCH                           |
| 56  | Z62206   | ELECTRICAL PLUG            | 1   |            | FAN SPEED ACTUATOR                          |
| 57  | RE12363  | CONNECTOR                  | 1   |            | POWERED REAR WHEELS                         |
| 58  | RE12363  | CONNECTOR                  | 1   |            | CLEAN GRAIN ELEVATOR LSSM                   |
| 59  | .....    | CONNECTOR                  | 1   |            |   |
| 60  | .....    | CONNECTOR                  | 1   |            |   |
| 61  | .....    | CONNECTOR                  | 1   |            |   |
| 62  | R78053   | PIN CONTACT CONNECTOR BODY | 1   |            | GROUND SPEED SENSOR                         |
| 63  | RE12363  | CONNECTOR                  | 1   |            | CONVEYOR AUGER LSSM                         |
| 64  | AE44392  | CONNECTOR                  | 1   |            | REEL SPEED ACTUATOR                         |
| 65  | .....    | TERMINAL                   | 1   |            | RELAY PANEL GROUND                          |

MEMORANDA

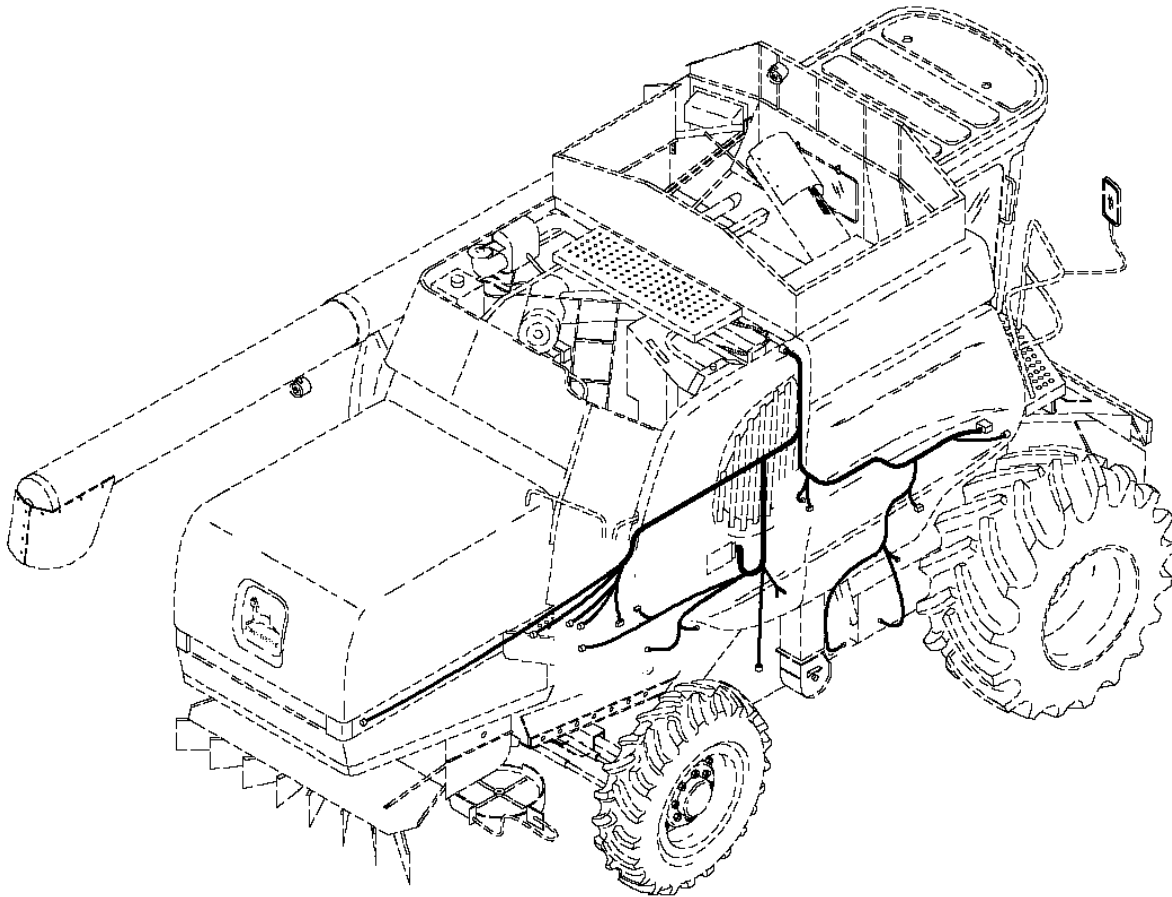


# 1F22

ELECTRICAL

## R.H. MAIN WIRING HARNESS, WITHOUT GREENSTAR - REFERENCE

HP8458 -UN-14APR99



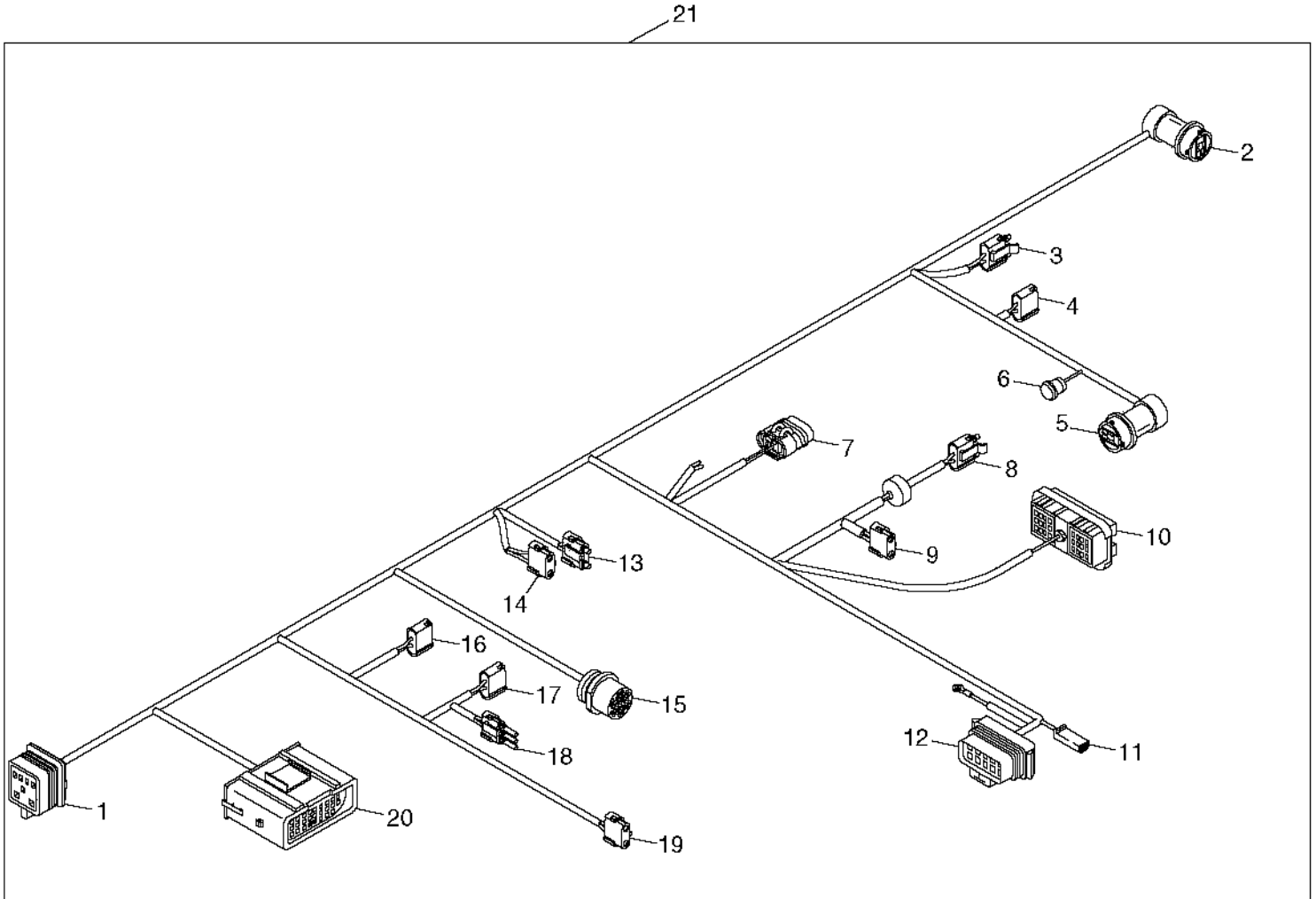
HP8458

| KEY | PART NO. | PART NAME      | QTY | SERIAL NO. | REMARKS                   |
|-----|----------|----------------|-----|------------|---------------------------|
| 1   | AH165008 | WIRING HARNESS | 1   |            | R.H. MAIN, LESS GREENSTAR |

# 1F23

ELECTRICAL

R.H. MAIN WIRING HARNESS, W/O GREENSTAR  
HP8166 -UN-26JAN99



HP8166

# 1F24

ELECTRICAL

R.H. MAIN WIRING HARNESS, W/O GREENSTAR - CONTINUED

| KEY | PART NO. | PART NAME                  | QTY | SERIAL NO. | REMARKS  |
|-----|----------|----------------------------|-----|------------|--|
| 1   | 57M7696  | RECEPTACLE CONNECTOR BODY  | 1   |            | L.H. MAIN WIRING HARNESS                       |
|     | 57M7698  | INSULATING SLEEVE          | 1   |            |  |
| 2   | .....    | CONNECTOR                  | 1   |            | R.H. REAR TURN SIGNAL LIGHT                    |
| 3   | RE12363  | CONNECTOR                  | 1   |            | ENGINE SERVICE LIGHT SWITCH                    |
| 4   | R78053   | PIN CONTACT CONNECTOR BODY | 1   |            | REAR DISCHARGE LIGHT                           |
| 5   | .....    | CONNECTOR                  | 1   |            | R.H. REAR WARNING LIGHT                        |
| 6   | .....    | SOCKET CONTACT             | 1   |            | (ORDER AH140120) R.H. CENTER SIDE MARKER LIGHT |
| 7   | .....    | CONNECTOR                  | 1   |            | SHOE LIGHT                                     |
| 8   | RE12363  | CONNECTOR                  | 1   |            | R.H. WARNING LIGHT                             |
| 9   | RE12363  | CONNECTOR                  | 1   |            | ROTARY SCREEN SERVICE LIGHT                    |
| 10  | 57M7276  | CONNECTOR                  | 1   |            | HARVESTRAK PRE-AMP                             |
| 11  | T28583   | RECEPTACLE CONNECTOR BODY  | 1   |            | FUEL PUMP                                      |
| 12  | 57M7262  | RECEPTACLE CONNECTOR BODY  | 1   |            | HARVESTRAK SENSOR HARNESS                      |
| 13  | 57M7813  | RECEPTACLE                 | 1   |            | FUEL LEVEL                                     |
| 14  | R78053   | PIN CONTACT CONNECTOR BODY | 1   |            | GULLWING LIGHTS                                |
| 15  | 57M7666  | RECEPTACLE                 | 1   |            | ENGINE HARNESS                                 |
| 16  | R78053   | PIN CONTACT CONNECTOR BODY | 1   |            | CONCAVE SPEED SENSOR                           |
| 17  | R78053   | PIN CONTACT CONNECTOR BODY | 1   |            | CONCAVE ADJUST ACTUATOR                        |
| 18  | RE12364  | SOCKET CONT.CONNECTOR BODY | 1   |            | CONCAVE SENSOR                                 |
| 19  | R78053   | PIN CONTACT CONNECTOR BODY | 1   |            | FAN SPEED SENSOR                               |
| 20  | .....    | CONNECTOR                  | 1   |            | L.H. MAIN CONNECTOR                            |
| 21  | AH165008 | WIRING HARNESS             | 1   |            | R.H. MAIN (W/O GREENSTAR)                      |
| ..  | H117952  | CLAMP                      | 6   |            |  |
| ..  | AH140120 | KIT                        | 1   |            | LIGHT REPAIR                                   |

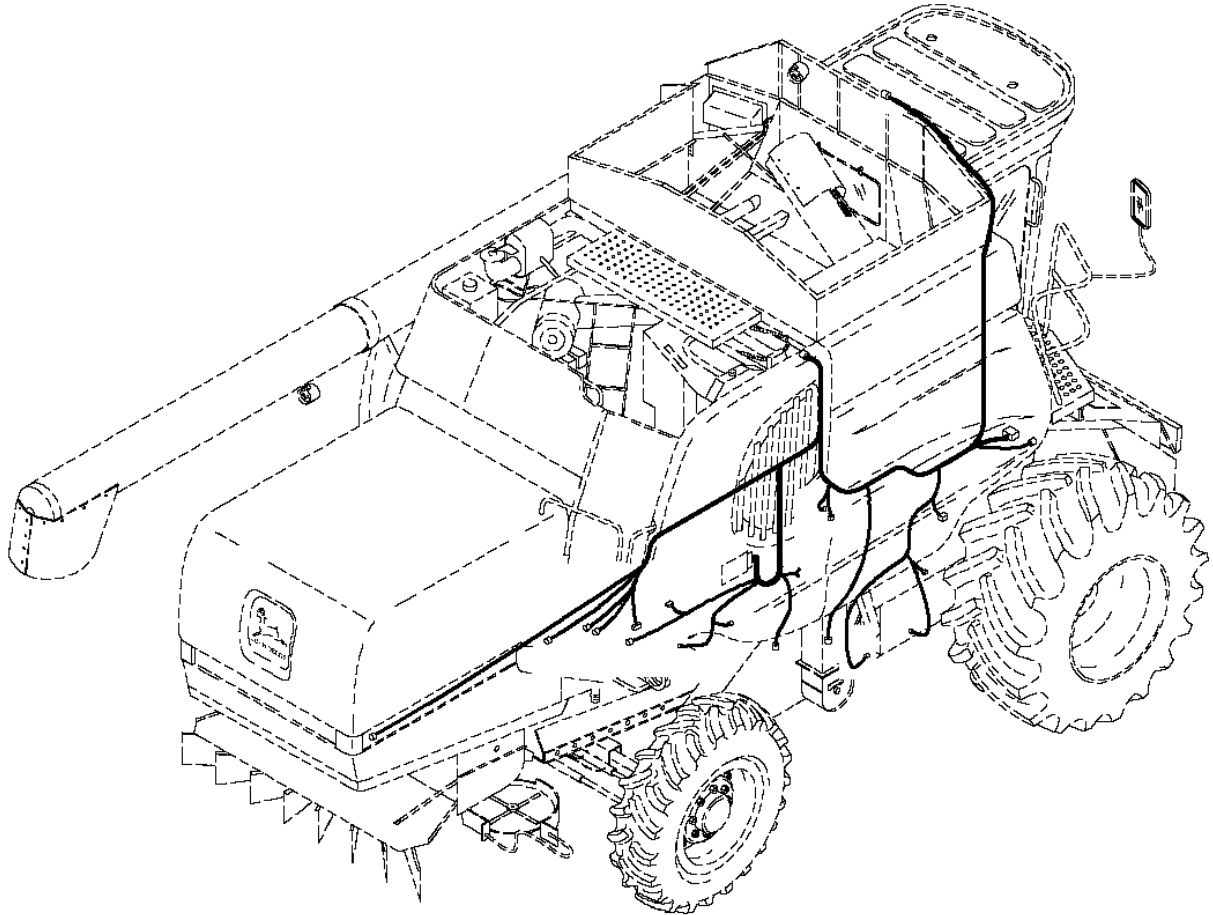
MEMORANDA

# 1F25

ELECTRICAL

## R.H. MAIN WIRING HARNESS W/GREENSTAR - REFERENCE

HP8459 -UN-14APR99



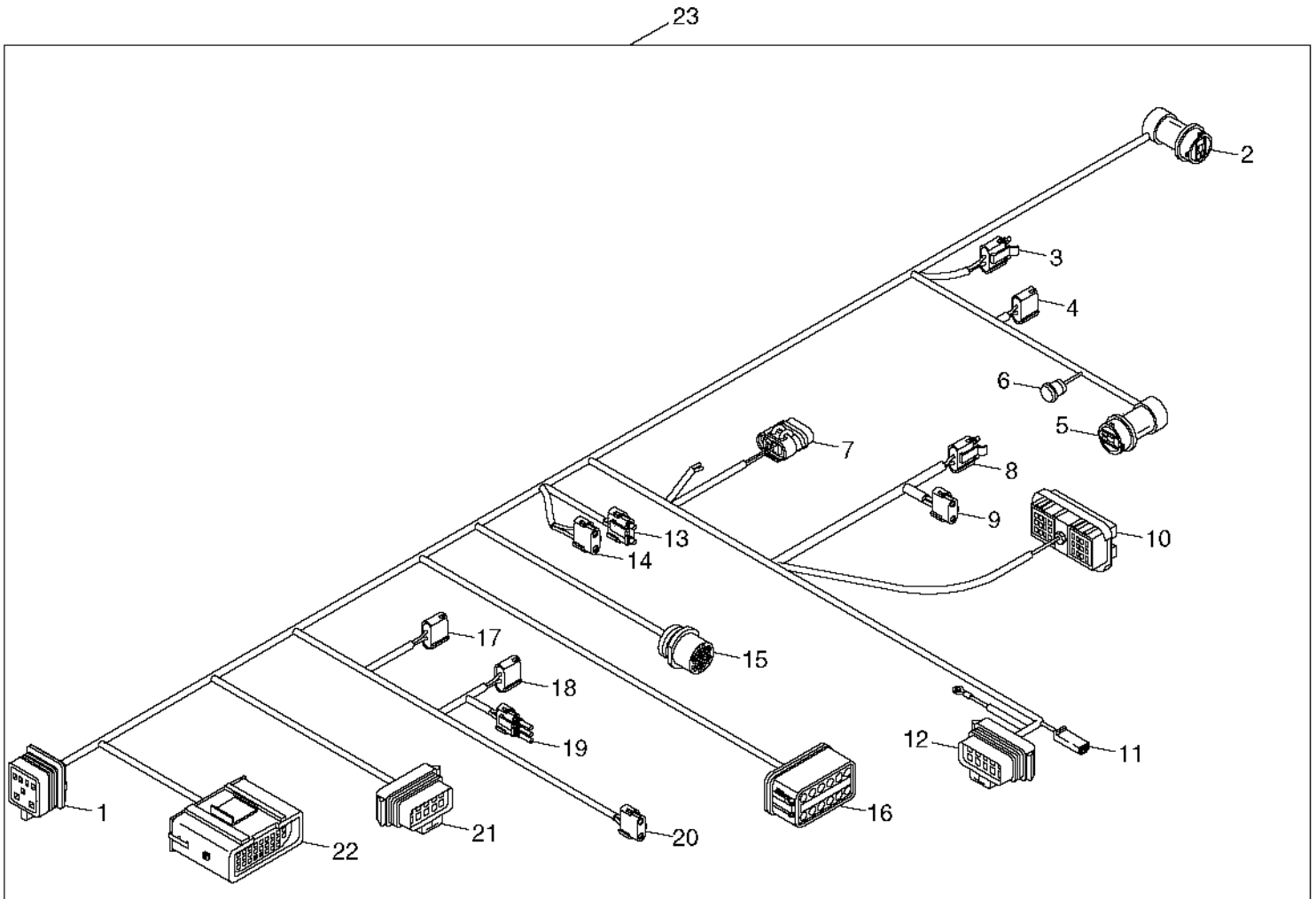
HP8459

| KEY | PART NO. | PART NAME      | QTY | SERIAL NO. | REMARKS               |
|-----|----------|----------------|-----|------------|-----------------------|
| 1   | AH165007 | WIRING HARNESS | 1   |            | R.H. MAIN W/GREENSTAR |

# 1G1

ELECTRICAL

R.H. MAIN WIRING HARNESS, W/GREENSTAR  
HP8169 -UN-26JAN99

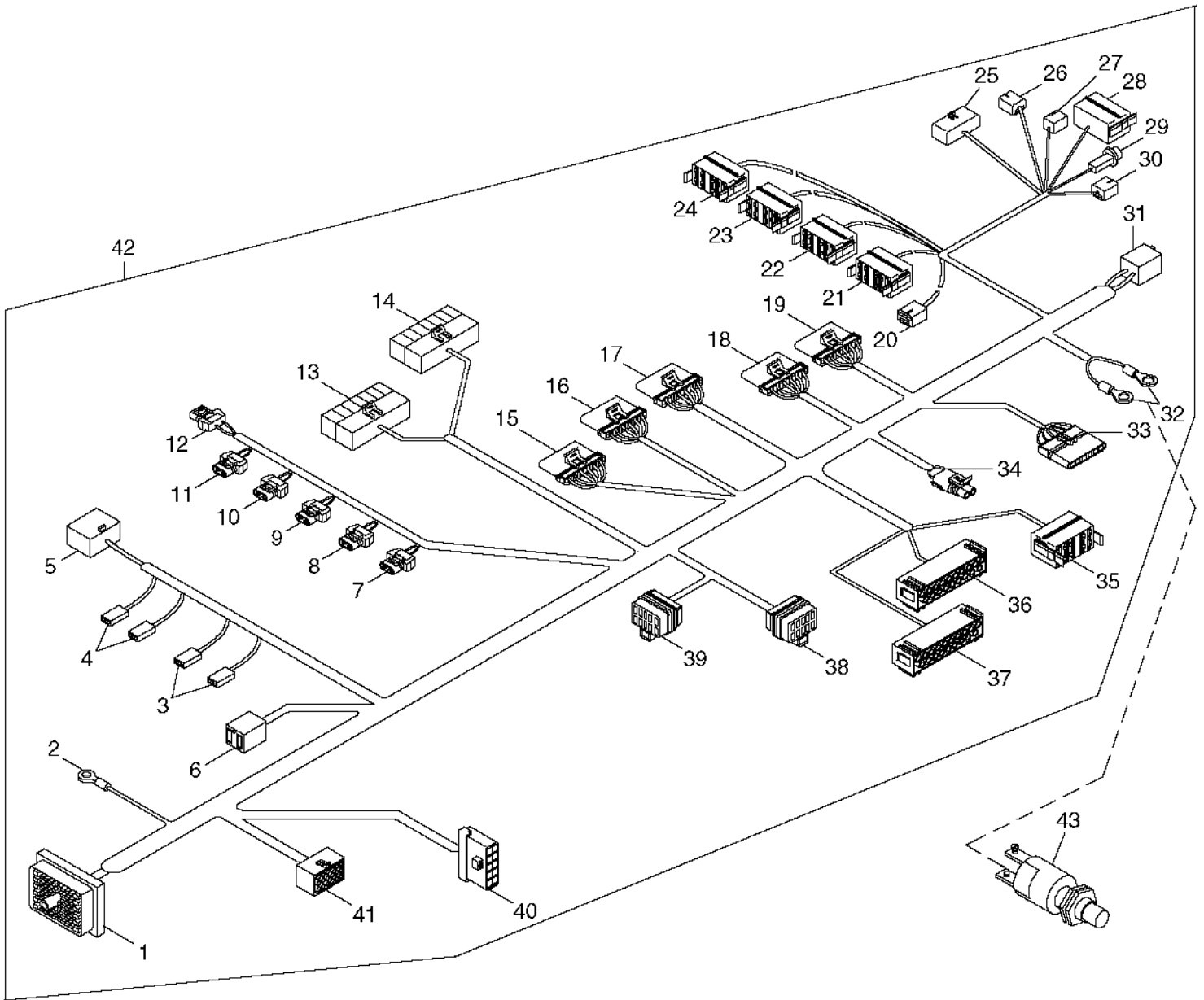


HP8169

## R.H. MAIN WIRING HARNESS, W/GREENSTAR - CONTINUED

| KEY | PART NO. | PART NAME                  | QTY | SERIAL NO. | REMARKS  |
|-----|----------|----------------------------|-----|------------|--|
| 1   | 57M7696  | RECEPTACLE CONNECTOR BODY  | 1   |            | L.H. MAIN WIRING HARNESS                       |
|     | 57M7698  | INSULATING SLEEVE          | 1   |            |  |
| 2   | .....    | CONNECTOR                  | 1   |            | R.H. REAR TURN SIGNAL LIGHT                    |
| 3   | RE12363  | CONNECTOR                  | 1   |            | ENGINE SERVICE LIGHT SWITCH                    |
| 4   | R78053   | PIN CONTACT CONNECTOR BODY | 1   |            | REAR DISCHARGE LIGHT                           |
| 5   | .....    | CONNECTOR                  | 1   |            | R.H. REAR WARNING LIGHT                        |
| 6   | .....    | SOCKET CONTACT             | 1   |            | (ORDER AH140120) R.H. CENTER SIDE MARKER LIGHT |
| 7   | .....    | CONNECTOR                  | 1   |            | SHOE LIGHT                                     |
| 8   | RE12363  | CONNECTOR                  | 1   |            | R.H. WARNING LIGHT                             |
| 9   | RE12363  | CONNECTOR                  | 1   |            | ROTARY SCREEN SERVICE LIGHT                    |
| 10  | 57M7276  | CONNECTOR                  | 1   |            | HARVESTRAK PRE-AMP                             |
| 11  | T28583   | RECEPTACLE CONNECTOR BODY  | 1   |            | FUEL PUMP                                      |
| 12  | 57M7262  | RECEPTACLE CONNECTOR BODY  | 1   |            | HARVESTRAK SENSOR HARNESS                      |
| 13  | 57M7813  | RECEPTACLE                 | 1   |            | FUEL LEVEL                                     |
| 14  | R78053   | PIN CONTACT CONNECTOR BODY | 1   |            | GULLWING LIGHTS                                |
| 15  | 57M7666  | RECEPTACLE                 | 1   |            | ENGINE HARNESS                                 |
| 16  | .....    | CONNECTOR                  | 1   |            | MOISTURE SENSOR EXTENSION                      |
|     | AH163400 | WIRING HARNESS             | 1   |            | DUST CAP (12-WAY W/JUMPER)                     |
| 17  | R78053   | PIN CONTACT CONNECTOR BODY | 1   |            | CONCAVE SPEED SENSOR                           |
| 18  | R78053   | PIN CONTACT CONNECTOR BODY | 1   |            | CONCAVE ADJUST ACTUATOR                        |
| 19  | RE12364  | SOCKET CONT.CONNECTOR BODY | 1   |            | CONCAVE SENSOR                                 |
| 20  | R78053   | PIN CONTACT CONNECTOR BODY | 1   |            | FAN SPEED SENSOR                               |
| 21  | .....    | CONNECTOR                  | 1   |            | POSITON SENSOR                                 |
| 22  | .....    | CONNECTOR                  | 1   |            | L.H. MAIN CONNECTOR                            |
| 23  | AH165007 | WIRING HARNESS             | 1   |            | R.H. MAIN (W/GREENSTAR)                        |
| ..  | H117952  | CLAMP                      | 6   |            |  |
| ..  | AH140120 | KIT                        | 1   |            | LIGHT REPAIR                                   |

**MAIN CAB WIRING HARNESS**  
HP8137 -UN-19FEB99



HP8137



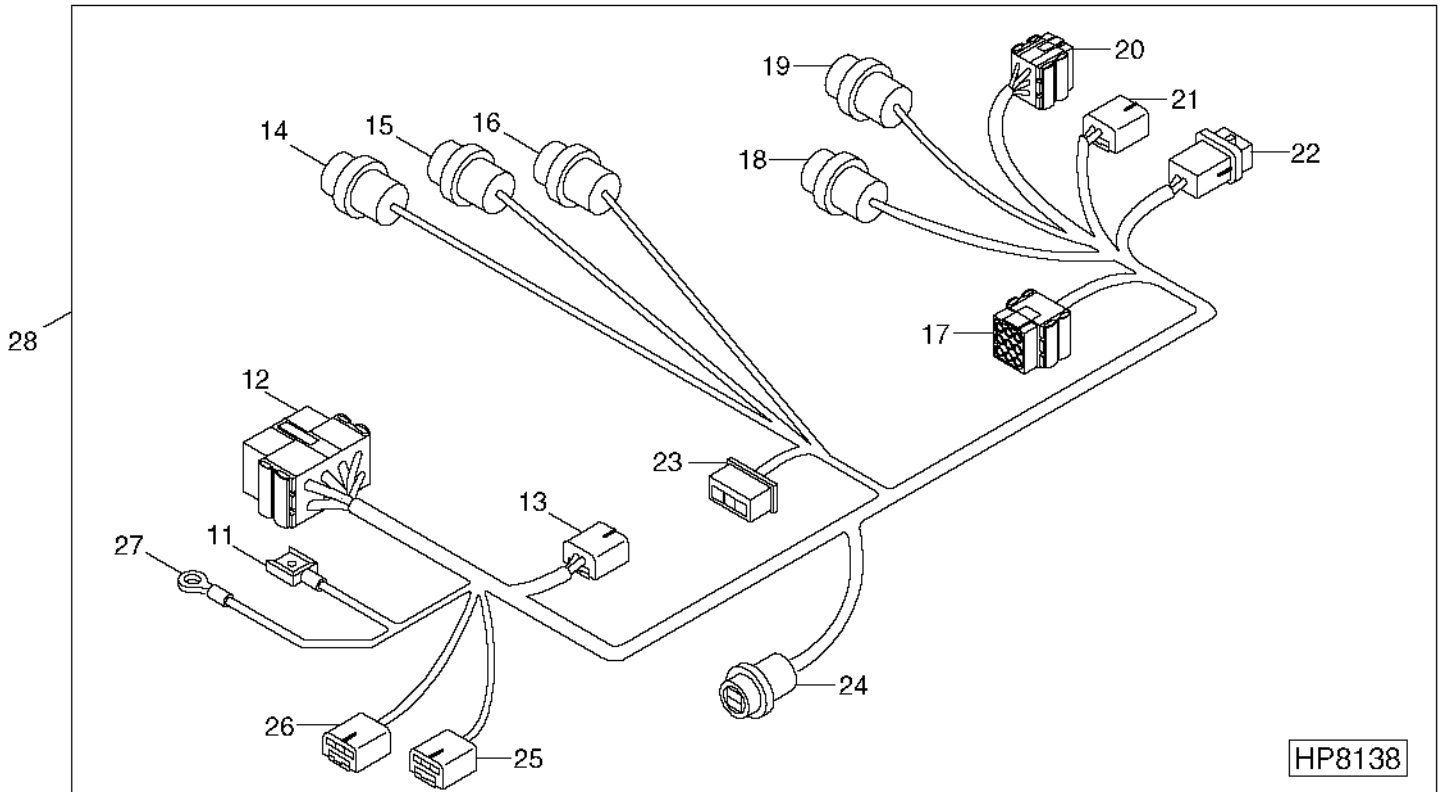
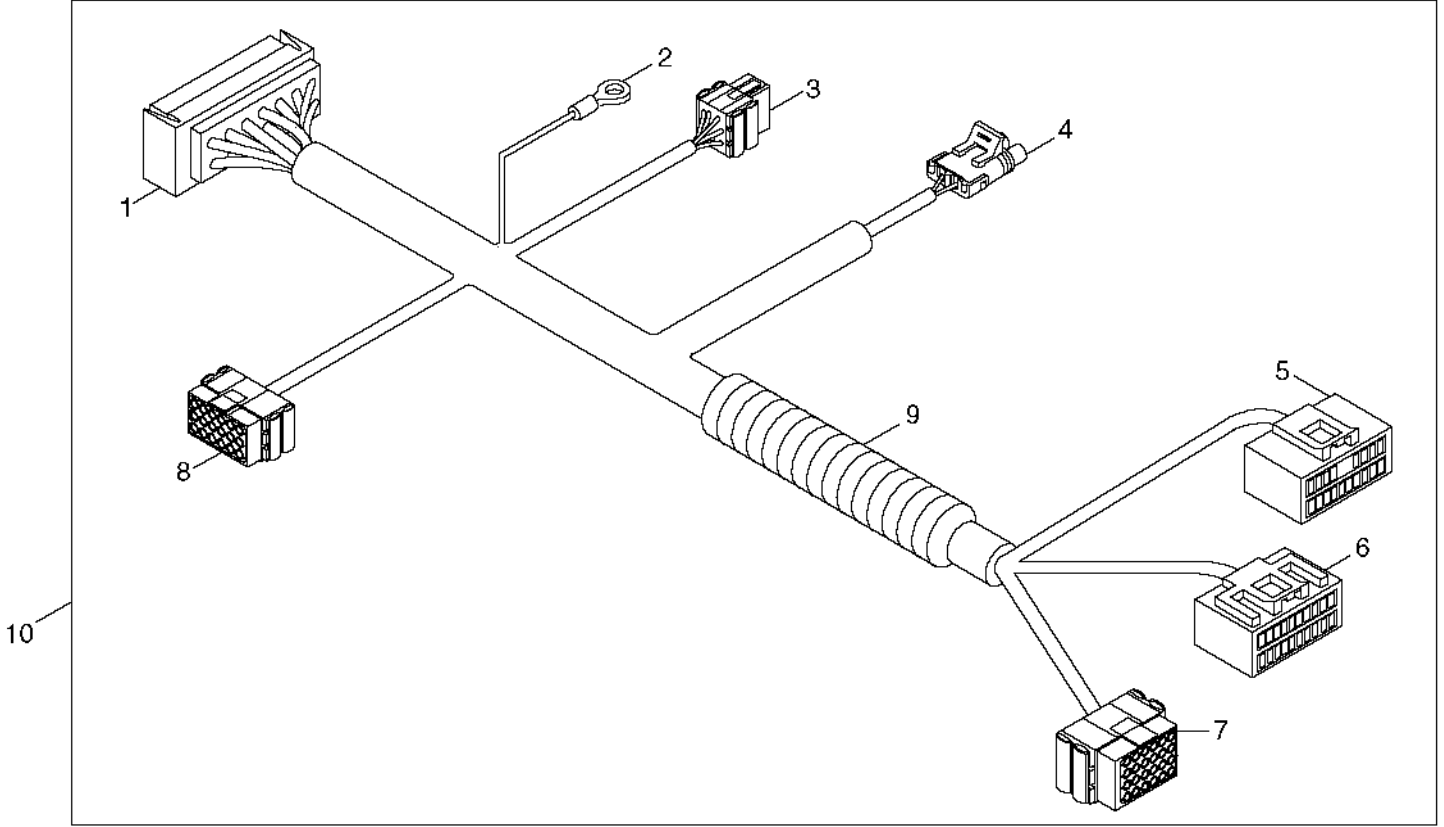
## MAIN CAB WIRING HARNESS - CONTINUED

| KEY | PART NO. | PART NAME                  | QTY | SERIAL NO. | REMARKS                  |
|-----|----------|----------------------------|-----|------------|--------------------------|
| 1   | 57M7692  | PIN CONTACT CONNECTOR BODY | 1   |            | LEFT MAIN HARNESS        |
|     | 57M7695  | INSULATING SLEEVE          | 2   |            |                          |
| 2   | .....    | CONNECTOR                  | 1   |            | CAB GROUND               |
| 3   | .....    | CONNECTOR                  | 2   |            | PANEL LAMP               |
| 4   | .....    | CONNECTOR                  | 2   |            | DOME LAMP                |
| 5   | R48887   | TAB CONNECTOR BODY         | 1   |            | DOME LAMP SWITCH         |
| 6   | R104927  | ELECTRICAL PLUG            | 1   |            | RIGHT SPEAKER            |
| 7   | .....    | CONNECTOR                  | 1   |            | RIGHT OUTSIDE ROAD LAMP  |
| 8   | .....    | CONNECTOR                  | 1   |            | RIGHT SIDE FIELD LAMP    |
| 9   | .....    | CONNECTOR                  | 1   |            | RIGHT INSIDE ROAD LAMP   |
| 10  | .....    | CONNECTOR                  | 1   |            | LEFT INSIDE ROAD LAMP    |
| 11  | .....    | CONNECTOR                  | 1   |            | LEFT SIDE FIELD LAMP     |
| 12  | .....    | CONNECTOR                  | 1   |            | LEFT OUTSIDE ROAD LAMP   |
| 13  | .....    | CONNECTOR                  | 1   |            | R.H. CORNERPOST          |
| 14  | 57M7471  | CONNECTOR                  | 1   |            | R.H. CORNERPOST          |
| 15  | .....    | CONNECTOR                  | 1   |            |                          |
| 16  | .....    | CONNECTOR                  | 1   |            |                          |
| 17  | .....    | CONNECTOR                  | 1   |            |                          |
| 18  | .....    | CONNECTOR                  | 1   |            |                          |
| 19  | .....    | CONNECTOR                  | 1   |            |                          |
| 20  | .....    | CONNECTOR                  | 1   |            | LAMP DIMMER              |
|     | 57M7726  | ELECTRICAL PLUG            | 1   |            |                          |
| 21  | .....    | CONNECTOR                  | 1   |            | HAZARD SWITCH            |
| 22  | .....    | CONNECTOR                  | 1   |            | ROAD SWITCH              |
| 23  | .....    | CONNECTOR                  | 1   |            | FIELD SWITCH             |
| 24  | .....    | CONNECTOR                  | 1   |            | STUBBLE/CHOPPER SWITCH   |
| 25  | 57M7488  | RECEPTACLE CONNECTOR BODY  | 1   |            | RADIO                    |
| 26  | .....    | CONNECTOR                  | 1   |            | FAN SPEED                |
| 27  | 57M7785  | RECEPTACLE                 | 1   |            | AXLE FAN SWITCH          |
|     | 57M7724  | ELECTRICAL PLUG            | 1   |            |                          |
| 28  | .....    | CONNECTOR                  | 1   |            | MODE                     |
| 29  | 57M7792  | ELECTRICAL PLUG            | 1   |            | DIAGNOSTIC LED           |
| 30  | .....    | CONNECTOR                  | 1   |            | TEMP SET                 |
| 31  | R104927  | ELECTRICAL PLUG            | 1   |            | LEFT SPEAKER             |
| 32  | .....    | CONNECTOR                  | 1   |            | DOOR SWITCH              |
| 33  | .....    | CONNECTOR                  | 1   |            |                          |
| 34  | RE12363  | CONNECTOR                  | 1   |            | WIPER MOTOR              |
| 35  | .....    | CONNECTOR                  | 1   |            | WIPER SWITCH             |
| 36  | Z55270   | TERMINAL                   | 1   |            | WARNING DISPLAY PANEL J2 |
| 37  | Z55270   | TERMINAL                   | 1   |            | WARNING DISPLAY PANEL J1 |
| 38  | 57M7262  | RECEPTACLE CONNECTOR BODY  | 1   |            | GREENSTAR DISPLAY        |
| 39  | .....    | CONNECTOR                  | 1   |            | MAPPING COMPUTER         |
| 40  | 57M7792  | ELECTRICAL PLUG            | 1   |            | A/C HARNESS              |
| 41  | .....    | CONNECTOR                  | 1   |            | ARMREST HARNESS          |
| 42  | AH166145 | CAB WIRING HARNESS         | 1   |            | MAIN CAB, W/GREENSTAR    |
| 43  | RE51234  | DOOR LIGHT SWITCH          | 1   |            |                          |

# 1G5

ELECTRICAL

ARMREST WIRING HARNESS  
HP8138 -UN-08APR99

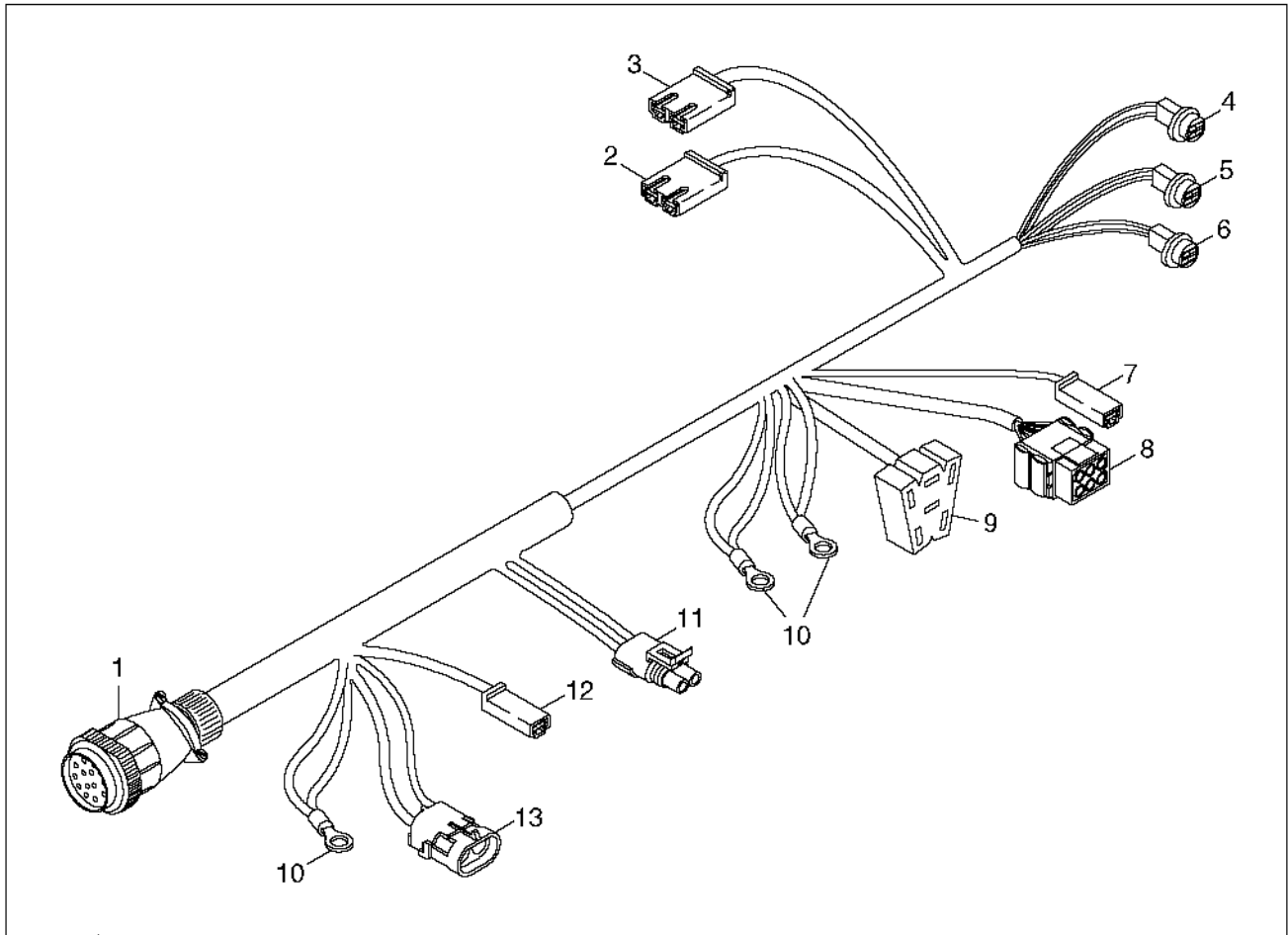


## ARMREST WIRING HARNESS - CONTINUED

| KEY | PART NO. | PART NAME       | QTY | SERIAL NO. | REMARKS                  |
|-----|----------|-----------------|-----|------------|--------------------------|
| 1   | 57M7853  | CONNECTOR       | 1   |            | LEFT MAIN HARNESS        |
| 2   | 57M7572  | TERMINAL        | 1   |            | CAB GROUND               |
| 3   | R77738   | CONNECTOR       | 1   |            | TO A/C HARNESS CAN BUS   |
| 4   | RE12363  | CONNECTOR       | 1   |            | SEAT SWITCH              |
| 5   | .....    | CONNECTOR       | 1   |            | CONNECTOR J7             |
| 6   | .....    | CONNECTOR       | 1   |            | CONNECTOR J6-2           |
| 7   | 57M7817  | ELECTRICAL PLUG | 1   |            | MINI ARMREST HARNESS     |
| 8   | .....    | CONNECTOR       | 1   |            | CAB MAIN HARNESS         |
| 9   | N218670  | HOSE            | 1   |            |                          |
| 10  | AH162785 | WIRING HARNESS  | 1   |            | ARMREST MAIN             |
| 11  | U46662   | TERMINAL        | 1   |            | CIGAR LIGHTER GROUND     |
| 12  | .....    | CONNECTOR       | 1   |            | ARM REST MAIN HARNESS    |
| 13  | 57M7785  | RECEPTACLE      | 1   |            | NEUTRAL GATE REVERSE     |
|     | 57M7724  | ELECTRICAL PLUG | 1   |            |                          |
| 14  | .....    | CONNECTOR       | 1   |            | BACKLIGHT NO. 4          |
| 15  | .....    | CONNECTOR       | 1   |            | BACKLIGHT NO. 3          |
| 16  | .....    | CONNECTOR       | 1   |            | BACKLIGHT NO. 2          |
| 17  | .....    | CONNECTOR       | 1   |            | ARMREST BOARD            |
| 18  | .....    | CONNECTOR       | 1   |            | BACKLIGHT NO. 5          |
| 19  | .....    | CONNECTOR       | 1   |            | BACKLIGHT NO. 6          |
| 20  | AH116902 | CONNECTOR       | 1   |            | DIAL-A-SPEED             |
| 21  | 57M7726  | ELECTRICAL PLUG | 1   |            | HEIGHT CONTROL ENCODER   |
| 22  | 57M7723  | ELECTRICAL PLUG | 1   |            | SOLAR SENSOR             |
| 23  | .....    | CONNECTOR       | 1   |            | MEMBRANE SWITCH, GRD PLN |
| 24  | .....    | CONNECTOR       | 1   |            | BACKLIGHT NO. 1          |
| 25  | 57M7726  | ELECTRICAL PLUG | 1   |            | RATE ADJUST              |
| 26  | 57M7726  | ELECTRICAL PLUG | 1   |            | SENSITIVITY ADJUST       |
| 27  | .....    | CONNECTOR       | 1   |            | CIGAR LIGHTER POWER      |
| 28  | AH161601 | WIRING HARNESS  | 1   |            | MINI ARMREST             |

## STEERING COLUMN WIRING HARNESS

HP8150 -UN-20JAN99



14

HP8150

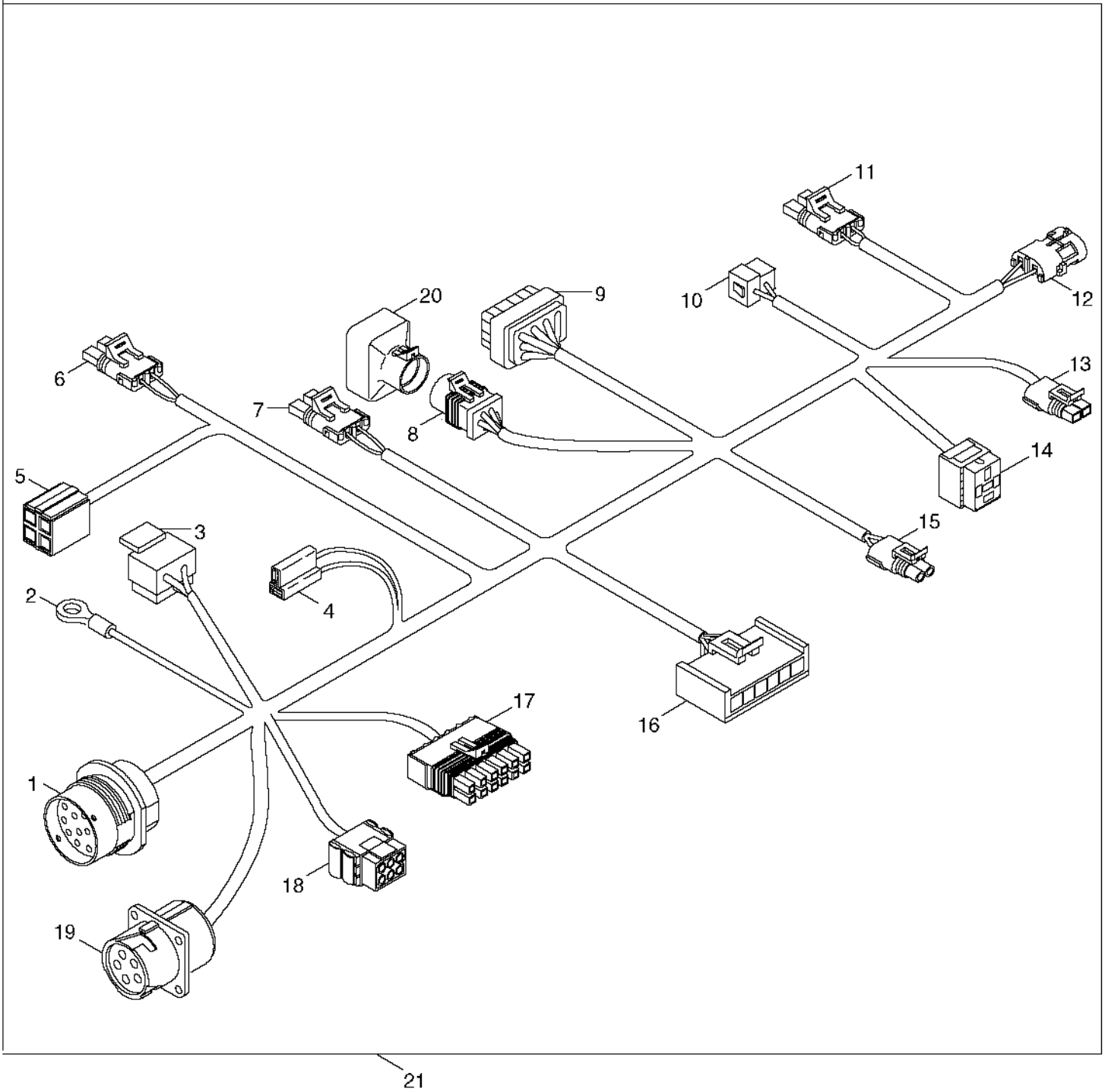
STEERING COLUMN WIRING HARNESS - CONTINUED

| KEY | PART NO. | PART NAME                  | QTY | SERIAL NO. | REMARKS                  |
|-----|----------|----------------------------|-----|------------|--------------------------|
| 1   | H140664  | CONNECTOR                  | 1   |            | L.H. MAIN WIRING HARNESS |
|     | AN152467 | CONNECTOR                  | 1   |            |                          |
| 2   | R77480   | RECEPTACLE CONNECTOR BODY  | 1   |            | HORN SWITCH              |
| 3   | R77480   | RECEPTACLE CONNECTOR BODY  | 1   |            | STARTING AID SWITCH      |
| 4   | .....    | CONNECTOR                  | 1   |            | MAX TILT INDICATOR       |
| 5   | .....    | CONNECTOR                  | 1   |            | RIGHT TURN INDICATOR     |
| 6   | .....    | CONNECTOR                  | 1   |            | LEFT TURN INDICATOR      |
| 7   | T28583   | RECEPTACLE CONNECTOR BODY  | 1   |            | IGNITION                 |
| 8   | 57M7820  | RECEPTACLE                 | 1   |            | TURN SIGNAL              |
| 9   | L38238   | TEE FITTING                | 1   |            | IGNITION SWITCH          |
| 10  | 57M7112  | TERMINAL                   | 2   |            | GROUND                   |
|     | R65599   | TERMINAL                   | 1   |            | GROUND                   |
| 11  | RE12363  | CONNECTOR                  | 1   |            | PARK BRAKE               |
| 12  | 57M7462  | CONNECTOR                  | 1   |            | HORN                     |
| 13  | R78053   | PIN CONTACT CONNECTOR BODY | 1   |            | FLOAT GAUGE LIGHT        |
| 14  | AH165583 | WIRING HARNESS             | 1   |            | STEERING COLUMN          |

# 1G9

## AIR CONDITIONING WIRING HARNESS

HP9273 -UN-12NOV99



HP9273

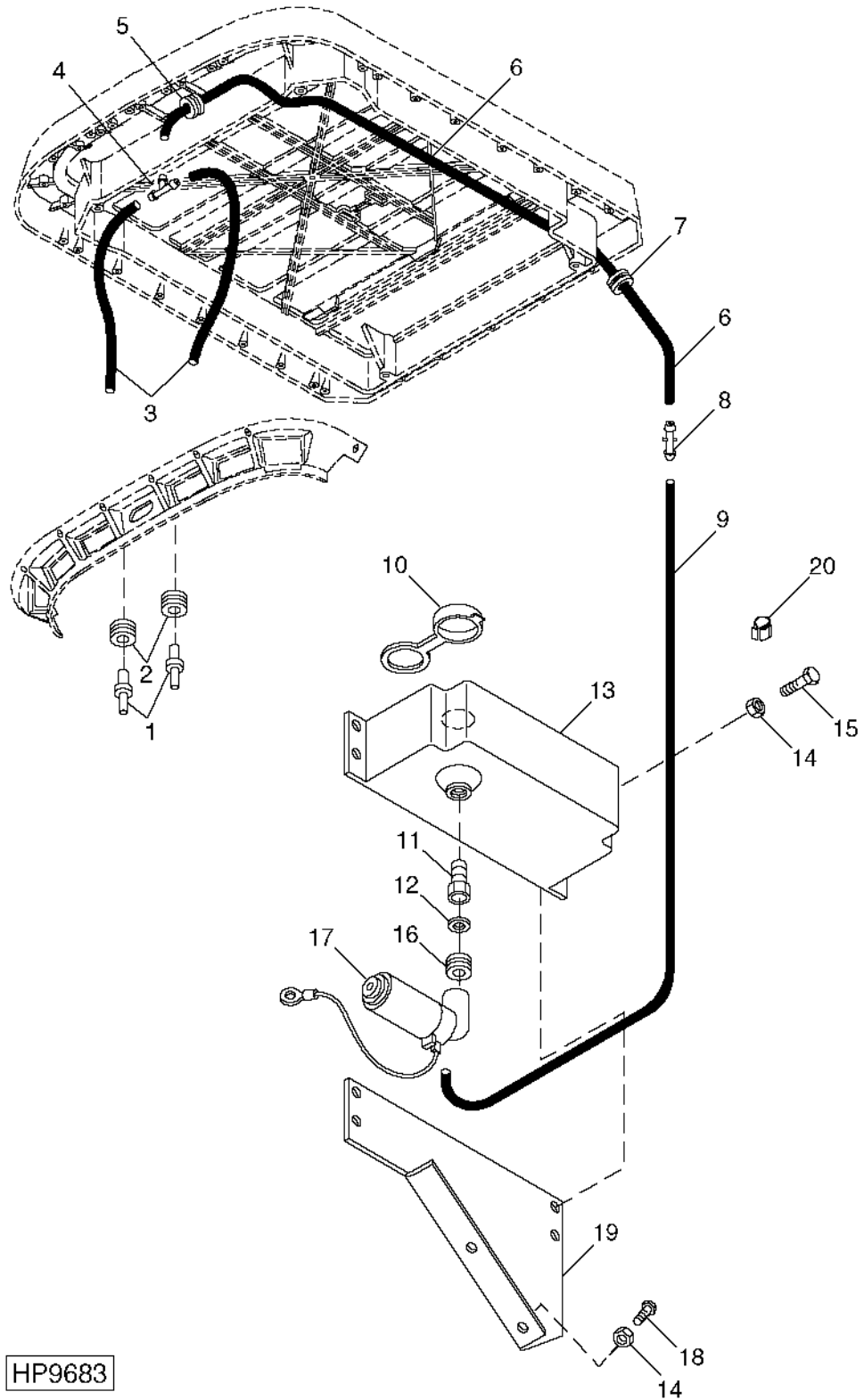
AIR CONDITIONING WIRING HARNESS - CONTINUED

| KEY | PART NO. | PART NAME                   | QTY | SERIAL NO. | REMARKS                         |
|-----|----------|-----------------------------|-----|------------|---------------------------------|
| 1   | 57M8044  | RECEPTACLE                  | 1   |            | CAB WALL CONNECTOR              |
| 2   | 57M7118  | TERMINAL                    | 1   |            | MAIN GROUNDS                    |
|     | 57M7572  | TERMINAL                    | 1   |            |                                 |
| 3   | T106409  | CONNECTOR                   | 1   |            | CONVENIENCE OUTLET              |
| 4   | 57M7144  | RECEPTACLE CONNECTOR BODY   | 1   |            | AIR RIDE SEAT                   |
| 5   | .....    | CONNECTOR                   | 1   |            | RECIRCULATING FAN MOTOR DRIVER  |
| 6   | 57M7813  | RECEPTACLE                  | 1   |            | OUTLET TEMPERATURE SENSOR       |
| 7   | 57M7813  | RECEPTACLE                  | 1   |            | AMBIENT AIR TEMPERATURE SENSOR  |
| 8   | 57M7538  | RECEPTACLE CONNECTOR BODY   | 1   |            | CAN BUS TERMINATOR              |
|     | 57M7540  | INSULATING CAPSULE          | 1   |            |                                 |
| 9   | .....    | CONNECTOR                   | 1   |            | CONTROL MODULE                  |
| 10  | 57M7144  | RECEPTACLE CONNECTOR BODY   | 1   |            | PRESSURIZER FAN                 |
| 11  | 57M7254  | RECEPTACLE CONNECTOR BODY   | 1   |            | CORE TEMPERATURE PROBE          |
| 12  | R78053   | PIN CONTACT CONNECTOR BODY  | 1   |            | LOW PRESSURE SWITCH             |
| 13  | 57M7813  | RECEPTACLE                  | 1   |            | INLET AIR TEMPERATURE CONNECTOR |
| 14  | ET15766  | CONNECTOR BODY,(PIN&SOCKET) | 1   |            | PRESSURIZER FAN RELAY           |
| 15  | RE12363  | CONNECTOR                   | 1   |            | DIAGNOSTIC SELECT               |
| 16  | .....    | CONNECTOR                   | 1   |            | WATER VALVE                     |
| 17  | .....    | CONNECTOR                   | 1   |            | CAB MAIN                        |
| 18  | Z55272   | ELECTRICAL PLUG             | 1   |            | ARMREST CAN BUS                 |
| 19  | 57M7919  | RECEPTACLE                  | 1   |            | CAN BUS DIAGNOSTIC              |
|     | 57M7923  | INSULATING SLEEVE           | 1   |            |                                 |
| 20  | RE70773  | DEVICE                      | 1   |            | CAN TERMINATOR (6 PIN)          |
| 21  | AH166144 | WIRING HARNESS              | 1   |            | AIR CONDITIONING                |

# 1G11

ELECTRICAL

WINDSHIELD WASHER  
HP9683 -UN-07APR00



HP9683



# 1G12

ELECTRICAL

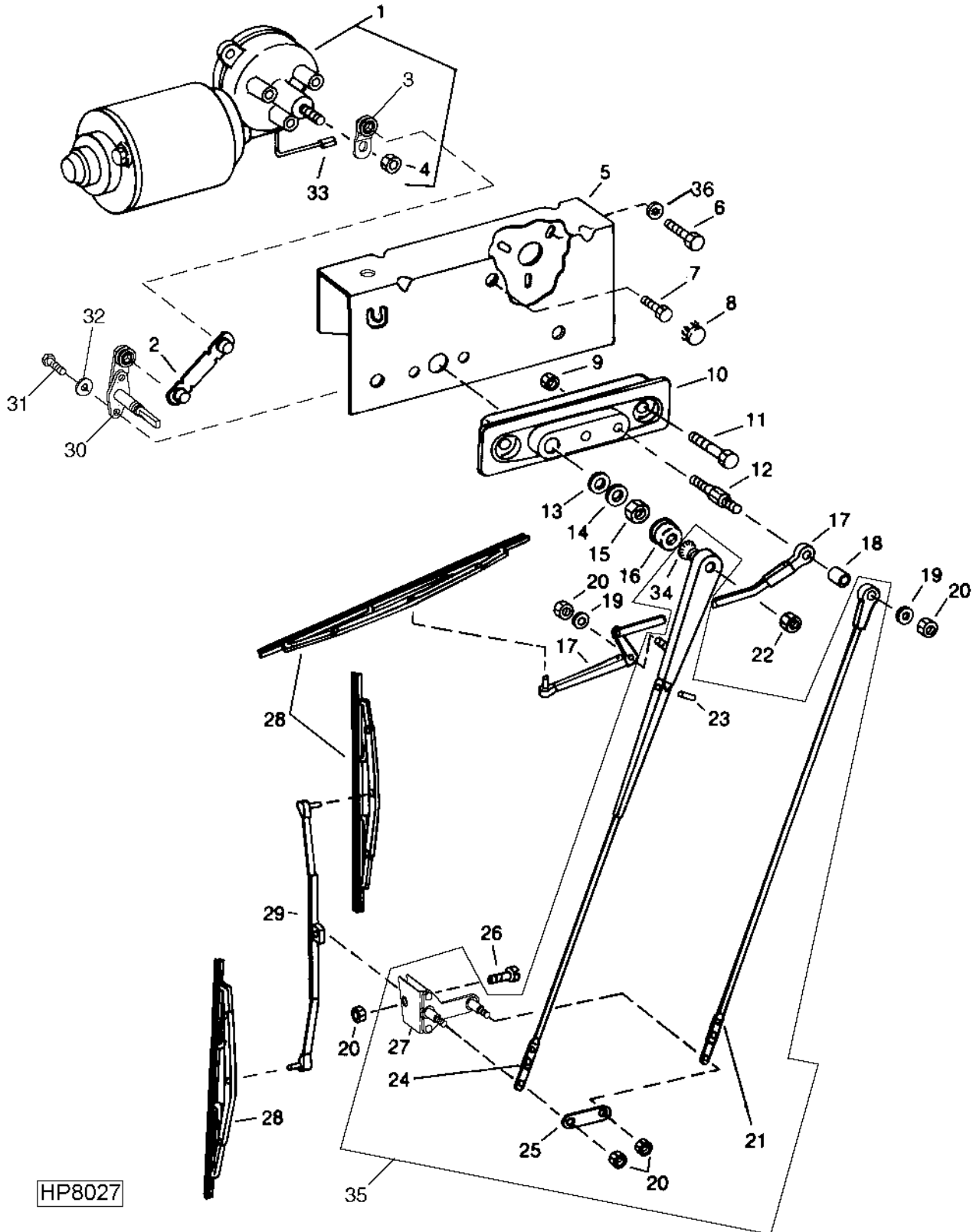
**WINDSHIELD WASHER - CONTINUED**

| KEY | PART NO.       | PART NAME                          | QTY | SERIAL NO. | REMARKS                    |
|-----|----------------|------------------------------------|-----|------------|----------------------------|
| 1   | AH165691       | NOZZLE                             | 2   |            |                            |
| 2   | H145221        | GROMMET                            | 2   |            |                            |
| 3   | R54445         | HOSE                               | 2   |            | (200MM, L.H.)(600MM, R.H.) |
| 4   | H171555        | TEE FITTING                        | 1   |            |                            |
| 5   | M68701         | GROMMET                            | 1   |            |                            |
| 6   | R54445         | HOSE                               | 1   |            | CUT TO LENGTH              |
| 7   | H987R          | GROMMET                            | 1   |            |                            |
| 8   | H132597        | FITTING                            | 1   |            |                            |
| 9   | R54445         | HOSE                               | 1   |            | 1380MM                     |
| 10  | R64060         | CAP                                | 1   |            |                            |
| 11  | AR79550        | FILTER                             | 1   |            |                            |
| 12  | R64059         | WASHER                             | 1   |            |                            |
| 13  | R64056         | RESERVOIR                          | 1   |            |                            |
| 14  | 14M7303        | FLANGE NUT                         | 6   |            | M6                         |
| 15  | 19M7775        | SCREW                              | 4   |            | M6 X 16                    |
| 16  | R64058         | GROMMET                            | 1   |            |                            |
| 17  | AR79549        | PUMP                               | 1   |            |                            |
| 18  | 19M7774        | SCREW                              | 2   |            | M6 X 12                    |
| 19  | H131595        | BRACKET                            | 1   |            |                            |
| 20  | H172197        | HOSE CLAMP                         | AR  |            |                            |
| ..  | <b>BH81578</b> | <b>COMPLETE GOODS/SHIP. BUNDLE</b> | 1   |            | <b>WINDSHIELD WASHER</b>   |

# 1G13

ELECTRICAL

WINDSHIELD WIPER (OPT. LONG)  
HP8027 -UN-13JAN99



HP8027

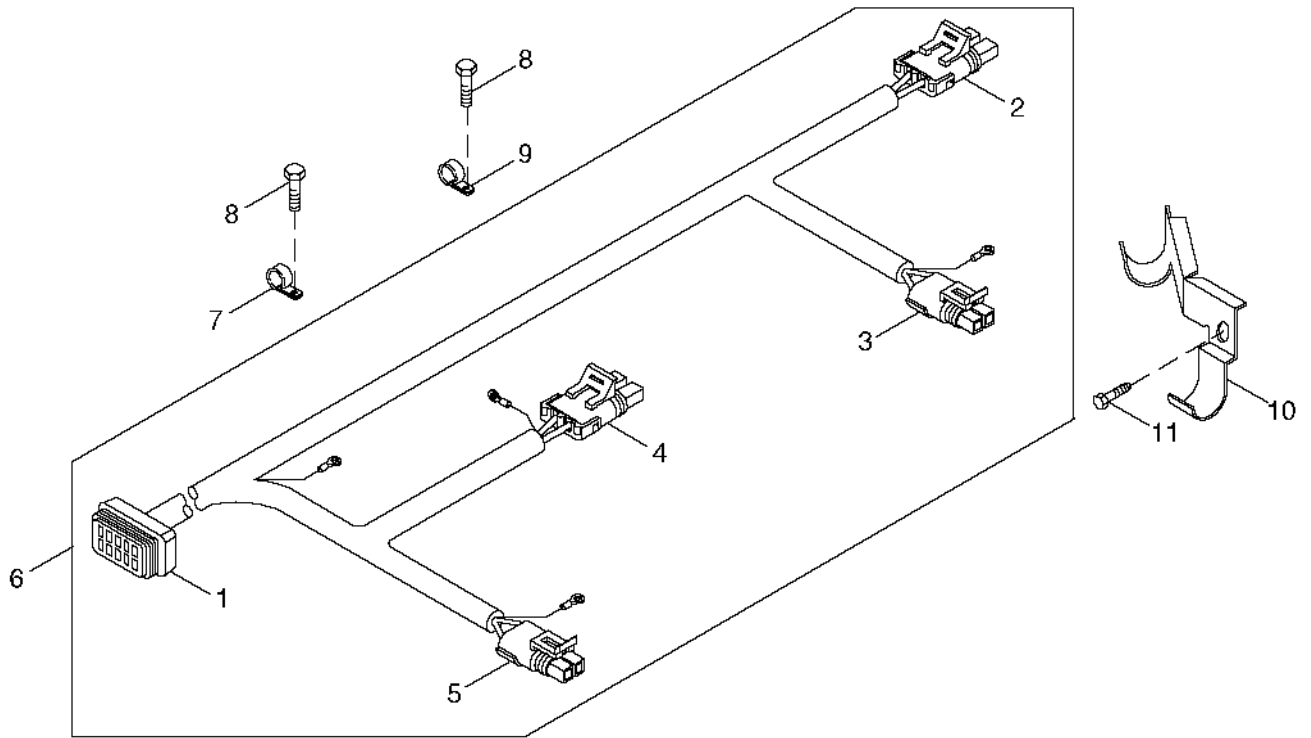
**WINDSHIELD WIPER (OPT. LONG) - CONTINUED**

| KEY | PART NO.       | PART NAME                          | QTY      | SERIAL NO. | REMARKS                        |
|-----|----------------|------------------------------------|----------|------------|--------------------------------|
| 1   | AH149835       | WIPER MOTOR                        | 1        |            |                                |
| 2   | AH123902       | LINK                               | 1        |            |                                |
| 3   | AH149834       | CRANK                              | 1        |            |                                |
| 4   | .....          | LOCK NUT                           | 1        |            |                                |
| 5   | AH154278       | BRACKET                            | 1        |            | WIPER MOTOR                    |
| 6   | 19M7774        | SCREW                              | 3        |            | M6 X 12                        |
| 7   | 19M7865        | SCREW                              | 1        |            | M8 X 16                        |
| 8   | M61266         | PLUG                               | 1        |            |                                |
| 9   | 14M7303        | FLANGE NUT                         | 1        |            | M6                             |
| 10  | H128820        | SUPPORT                            | 1        |            | WIPER                          |
| 11  | 19M8317        | SCREW                              | 2        |            | M8 X 40                        |
| 12  | H128821        | STUD                               | 1        |            |                                |
| 13  | R63666         | WASHER                             | 1        |            |                                |
| 14  | R63667         | WASHER                             | 1        |            |                                |
| 15  | R63668         | NUT                                | 1        |            | 17.475 MM                      |
| 16  | R63669         | CAP                                | 1        |            |                                |
| 17  | AH123908       | WIPER ARM                          | 1        |            |                                |
| 18  | H128841        | SPACER                             | 1        |            | 6.500 X 12 X 20 MM             |
| 19  | T32255         | SHIM                               | 2        |            |                                |
| 20  | T531T          | LOCK NUT                           | 5        |            | 4.775 MM                       |
| 21  | .....          | ARM                                | 1        |            |                                |
| 22  | F3220R         | LOCK NUT                           | 1        |            | 9.525 MM                       |
| 23  | .....          | PIN                                | 1        |            | FOR SHIPPING ONLY              |
| 24  | AH123905       | ARM                                | 1        |            |                                |
| 25  | H128823        | STRAP                              | 1        |            |                                |
| 26  | H128859        | SCREW                              | 1        |            | 4.826 X 22.280 MM              |
| 27  | AH123910       | BRACKET                            | 1        |            |                                |
| 28  | TY16302        | WIPER BLADE                        | 3        |            |                                |
| 29  | AH123911       | WIPER ARM                          | 1        |            |                                |
| 30  | AH149833       | SHAFT                              | 1        |            |                                |
| 31  | 21M7265        | SCREW                              | 2        |            | M5 X 12, M5 X 12               |
| 32  | 12M7060        | WASHER                             | 2        |            | 5.300 MM                       |
| 33  | R78053         | PIN CONTACT CONNECTOR BODY         | 1        |            | (PKG. OF 3)                    |
|     | R78058         | PIN CONTACT                        | 1        |            | (PKG. OF 40)                   |
|     | R78063         | TERMINAL NIPPLE                    | 1        |            | (PKG. OF 40)                   |
| 34  | R63670         | WELD NUT                           | 1        |            | KNURLED DRIVER                 |
| 35  | AH123904       | WIPER ARM                          | 1        |            |                                |
| 36  | 12H356         | LOCK WASHER                        | 3        |            | 6.350 MM                       |
| ..  | <b>BH71948</b> | <b>COMPLETE GOODS/SHIP. BUNDLE</b> | <b>1</b> |            | <b>WINDSHIELD WIPER - LONG</b> |

# 1G15

ELECTRICAL

**HARVESTRAK WIRING HARNESS**  
HP8145 -UN-13APR99



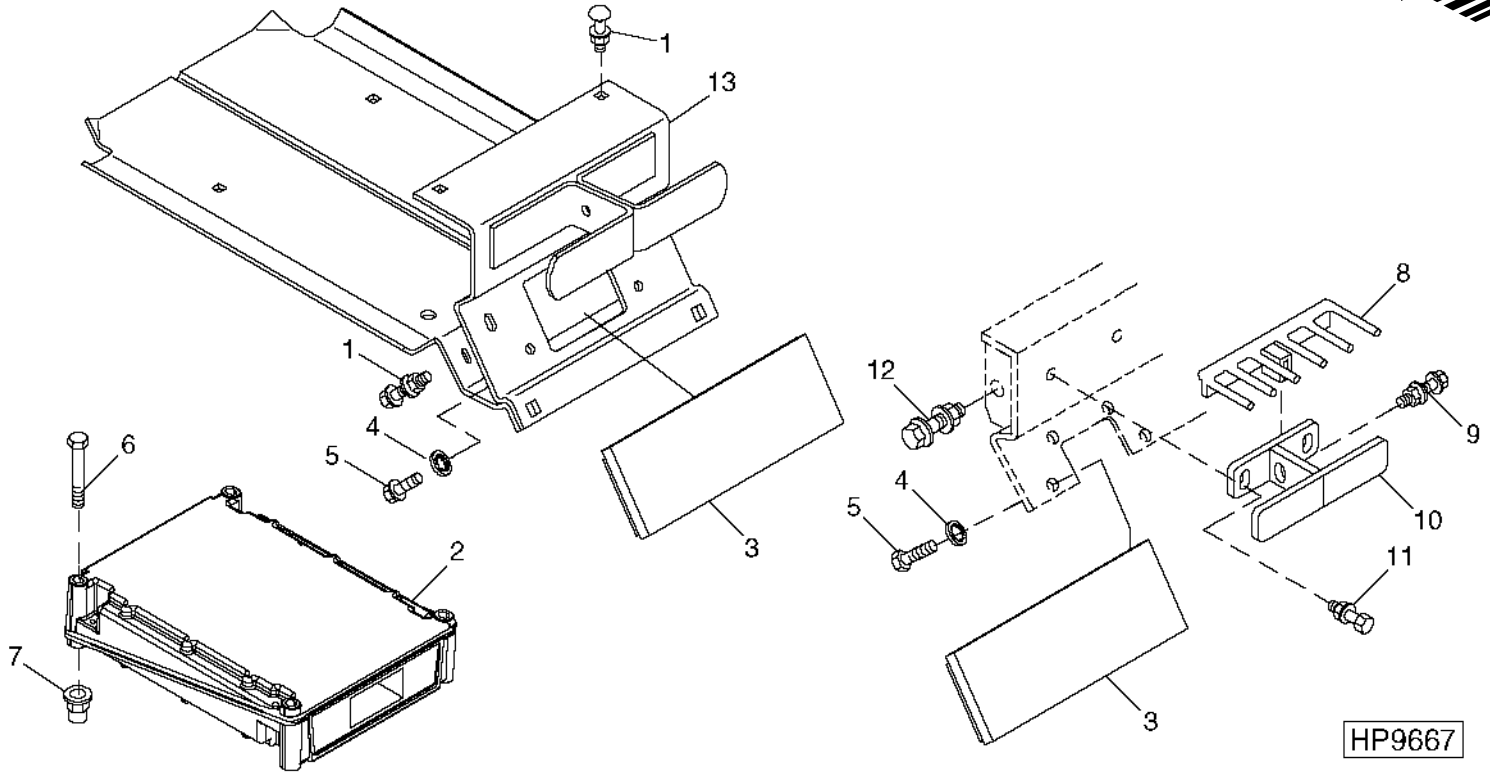
HP8145

| KEY | PART NO. | PART NAME                  | QTY | SERIAL NO. | REMARKS      |
|-----|----------|----------------------------|-----|------------|--------------|
| 1   | 57M7265  | PIN CONTACT CONNECTOR BODY | 1   |            | R.H. MAIN    |
| 2   | 57M5309  | CONNECTOR                  | 1   |            | LEFT SHOE    |
| 3   | 57M5309  | CONNECTOR                  | 1   |            | RIGHT SHOE   |
| 4   | 57M5309  | CONNECTOR                  | 1   |            | RIGHT WALKER |
| 5   | 57M5309  | CONNECTOR                  | 1   |            | LEFT WALKER  |
| 6   | AH154856 | WIRING HARNESS             | 1   |            | HARVESTRAK   |
| 7   | AH77724  | CLIP                       | 6   |            |              |
| 8   | 19M7865  | SCREW                      | 11  |            | M8 X 16      |
| 9   | AH89557  | CLIP                       | 5   |            |              |
| 10  | H132812  | RETAINER                   | 1   |            | R.H.         |
|     | H132813  | RETAINER                   | 1   |            | L.H.         |
| 11  | 37M7083  | SCREW                      | 2   |            | M8 X 12      |

# 1G16

ELECTRICAL

**GRAIN LOSS MONITOR SYSTEM**  
HP9667 -UN-30MAR00



HP9667

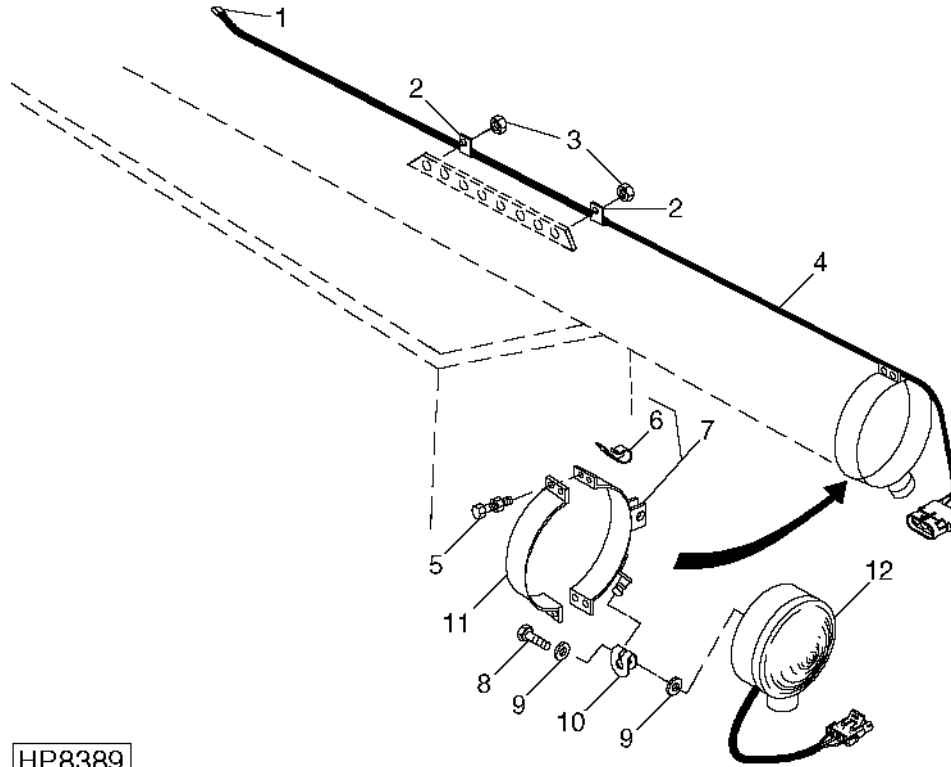
| KEY | PART NO. | PART NAME   | QTY | SERIAL NO.    | REMARKS  |
|-----|----------|-------------|-----|---------------|--|
| 1   | 03M7183  | BOLT        | 8   | M8 X 16       |  |
|     | 14M7298  | FLANGE NUT  | 9   | M8            |  |
| 2   | AH165536 | CONTROL     | 1   |               | (SUB AH167722) GRAIN LOSS MONITOR (ATTACH TO WIRING HARNESS) |
|     | AH167722 | CONTROL     | 1   |               |  |
| 3   | AH166546 | SENSOR      | 4   |               | (SUB FOR AH126272)   |
| 4   | 12H295   | LOCK WASHER | 16  |               |  |
| 5   | 21H1427  | SCREW       | 16  | 0.190" X 1/2" |  |
| 6   | 19M7685  | CAP SCREW   | 4   | M6 X 70       |  |
| 7   | Z51633   | NUT         | 4   |               |  |
| 8   | H114411  | FINGER      | 2   |               |  |
| 9   | 19M7862  | SCREW       | 2   | M6 X 20       |  |
|     | 14M7303  | FLANGE NUT  | 2   | M6            |  |
| 10  | AH125672 | DEFLECTOR   | 2   | TO SHOE       |  |
| 11  | 19M7865  | SCREW       | 4   | M8 X 16       |  |
|     | 14M7298  | FLANGE NUT  | 4   | M8            |  |
| 12  | 19M7865  | SCREW       | 8   | M8 X 16       |  |
|     | 14M7298  | FLANGE NUT  | 8   | M8            |  |
| 13  | AH141038 | SUPPORT     | 2   |               | TO OUTSIDE WALKERS   |

# 1G17

ELECTRICAL

## UNLOADING AUGER LIGHT AND WIRING HARNESS

HP8389 -UN-27JUL99



HP8389

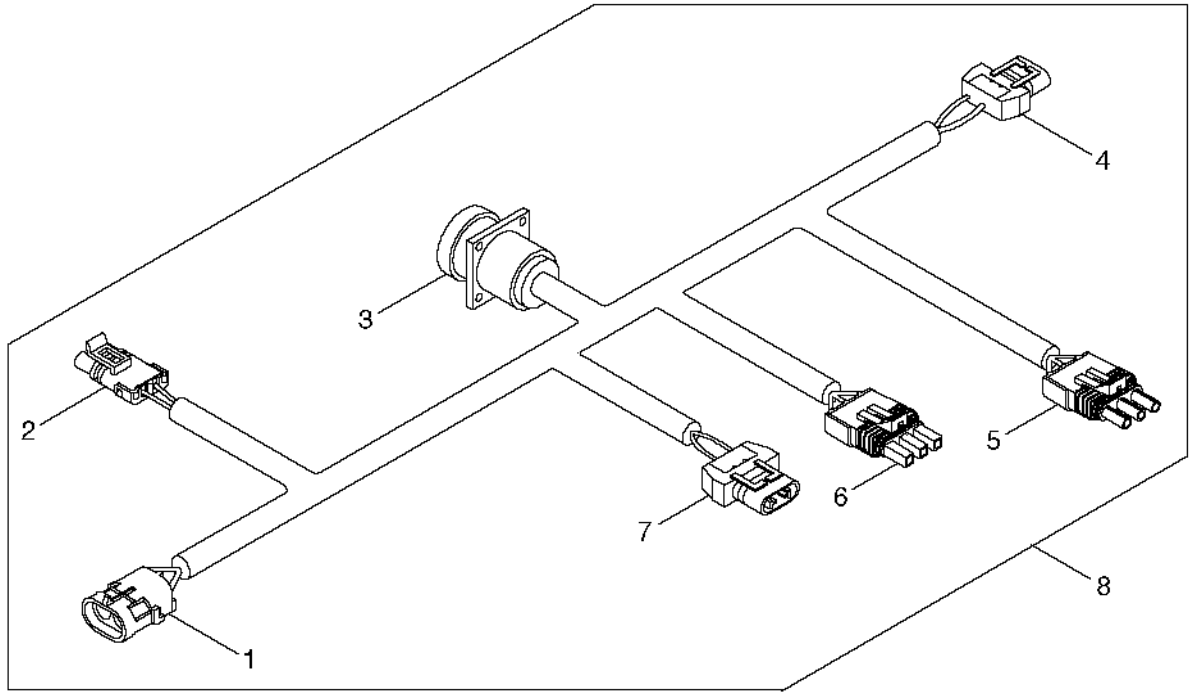
| KEY | PART NO. | PART NAME       | QTY | SERIAL NO. | REMARKS               |
|-----|----------|-----------------|-----|------------|-----------------------|
| 1   | RE12363  | CONNECTOR       | 1   |            | (PKG OF 3)            |
|     | R78048   | TERMINAL NIPPLE | 1   |            | (PKG OF 5)            |
|     | R78060   | SOCKET CONTACT  | 1   |            | (PKG OF 40)           |
| 2   | AH89557  | CLIP            | 2   |            |                       |
| 3   | 14M7298  | FLANGE NUT      | 2   |            | M8                    |
| 4   | AH160058 | WIRING HARNESS  | 1   |            | FOR ALL AUGER LENGTHS |
| 5   | 19M7800  | SCREW           | 4   |            | M8 X 50               |
|     | 14M7396  | LOCK NUT        | 4   |            | M8                    |
| 6   | AH89557  | CLIP            | 1   |            |                       |
| 7   | AH126541 | CLAMP           | 1   |            |                       |
| 8   | 19H1831  | CAP SCREW       | 1   |            | 1/2" X 2"             |
| 9   | 24H1111  | WASHER          | 2   |            |                       |
| 10  | R67377   | CLAMP           | 1   |            |                       |
| 11  | H133178  | CLAMP           | 1   |            |                       |
| 12  | AH148210 | HEADLIGHT       | 1   |            | AUGER                 |

# 1G18

ELECTRICAL

## GRAIN TANK WIRING HARNESS

HP8146 -UN-13JAN99



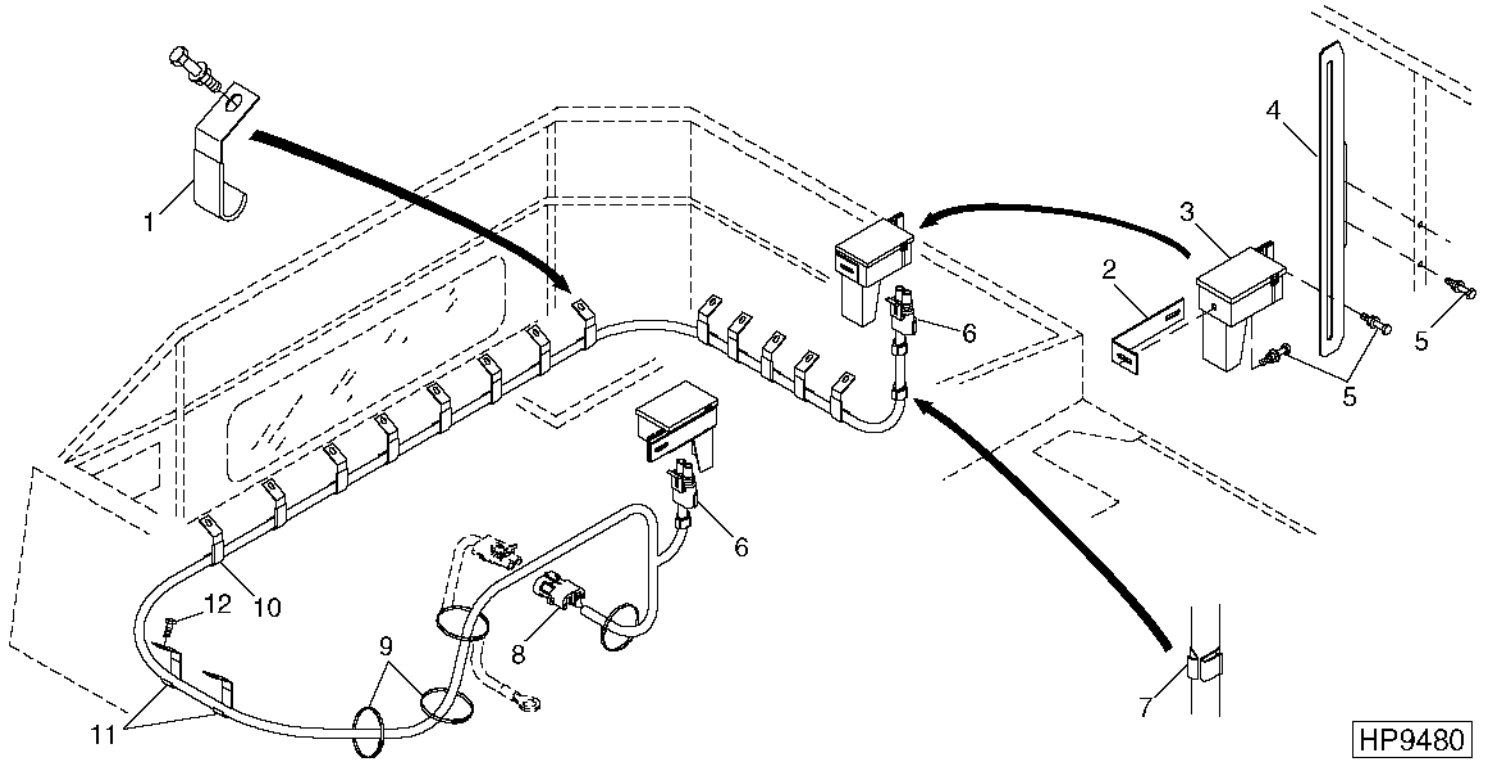
| KEY | PART NO. | PART NAME                  | QTY | SERIAL NO. | REMARKS                 |
|-----|----------|----------------------------|-----|------------|-------------------------|
| 1   | R78053   | PIN CONTACT CONNECTOR BODY | 1   |            | UNLOADING AUGER HARNESS |
| 2   | RE12363  | CONNECTOR                  | 1   |            | GRAIN TANK FULL SENSOR  |
| 3   | H140664  | CONNECTOR                  | 1   |            | L.H. MAIN HARNESS       |
| 4   | .....    | CONNECTOR                  | 1   |            | R.H. ROW FINDER LAMP    |
| 5   | R12365   | CONNECTOR                  | 1   |            | MASS FLOW RATE          |
| 6   | 57M7280  | CONNECTOR                  | 1   |            | GRAIN TANK LAMP         |
| 7   | .....    | CONNECTOR                  | 1   |            | L.H. ROW FINDER LAMP    |
| 8   | AH154207 | WIRING HARNESS             | 1   |            | GRAIN TANK              |

# 1G19

ELECTRICAL

## GRAIN TANK FULL BIN SENSOR WIRING HARNESS

HP9480 -UN-24FEB00



HP9480

| KEY | PART NO.       | PART NAME                          | QTY      | SERIAL NO. | REMARKS                         |
|-----|----------------|------------------------------------|----------|------------|---------------------------------|
| 1   | H130637        | CLAMP                              | 8        |            |                                 |
| 2   | H133645        | REINFORCEMENT                      | 1        |            |                                 |
| 3   | AH121475       | SENSOR                             | 1        |            | FULL BIN                        |
| 4   | H133824        | BRACKET                            | 1        |            |                                 |
| 5   | 19M7775        | SCREW                              | 4        |            | M6 X 16                         |
|     | 14M7303        | FLANGE NUT                         | 4        |            | M6                              |
| 6   | RE12363        | CONNECTOR                          | 1        |            | (PKG OF 3)                      |
|     | R78048         | TERMINAL NIPPLE                    | 1        |            | (PKG OF 5)                      |
|     | R78057         | SOCKET CONTACT                     | 1        |            | (PKG OF 40)                     |
| 7   | H76064         | CLIP                               | 9        |            |                                 |
| 8   | R78053         | PIN CONTACT CONNECTOR BODY         | 1        |            | (PKG OF 3)                      |
|     | R78063         | TERMINAL NIPPLE                    | 1        |            | (PKG OF 40)                     |
|     | R78058         | PIN CONTACT                        | 1        |            | (PKG OF 40)                     |
| 9   | R44302         | TIE BAND                           | 7        |            |                                 |
| 10  | AH128986       | WIRING HARNESS                     | 1        |            | FULL BIN SENSOR                 |
| 11  | AH117301       | CLAMP                              | 2        |            |                                 |
| 12  | 37M7058        | SCREW                              | 1        |            | M8 X 20                         |
| ..  | <b>BH78464</b> | <b>COMPLETE GOODS/SHIP. BUNDLE</b> | <b>1</b> |            | <b>GRAIN TANK LEVEL MONITOR</b> |

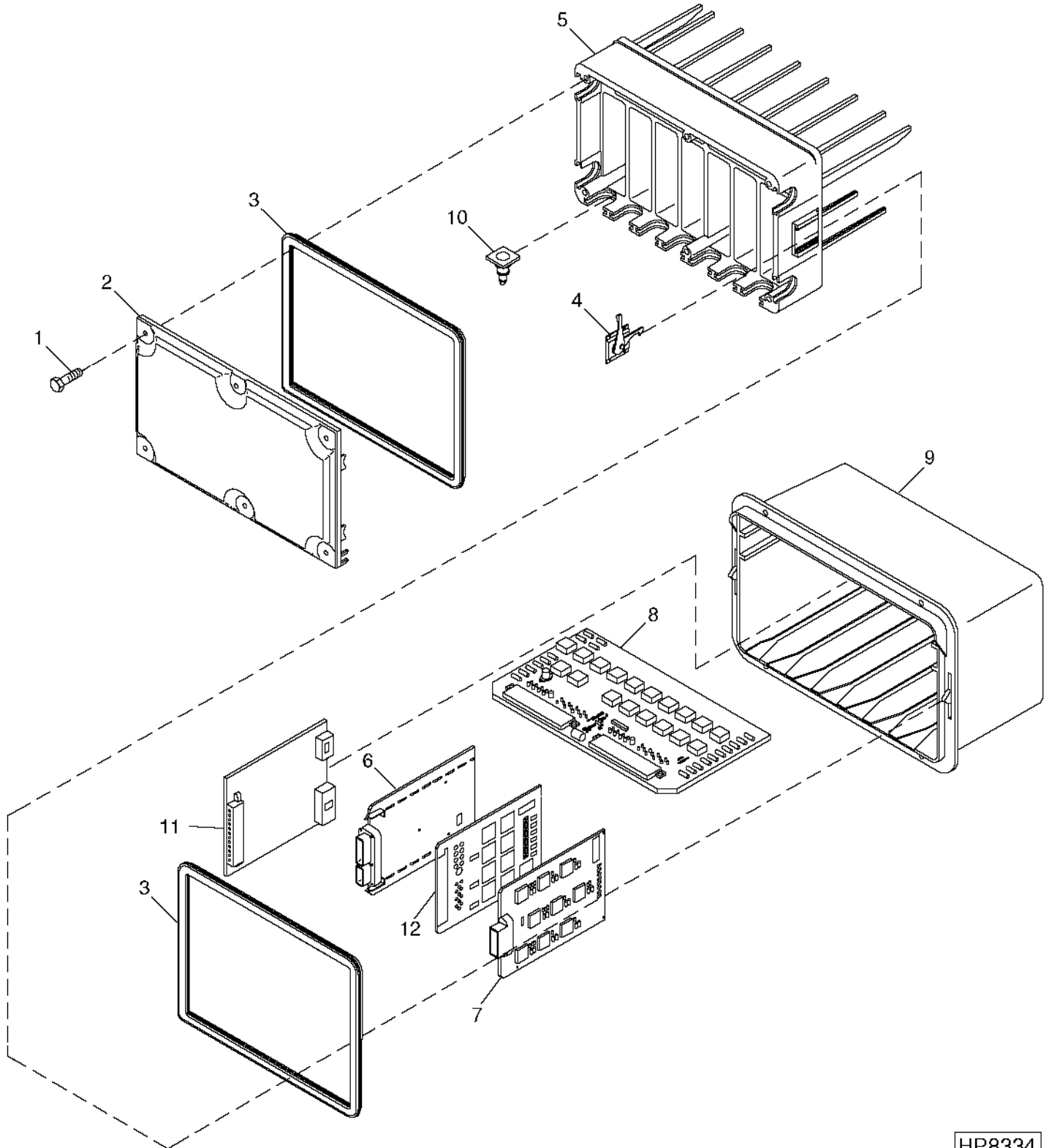


MEMORANDA

# 1G20

ELECTRICAL

CENTRAL ELECTRONICS MODULE AND CIRCUIT BOARDS  
HP8334 -UN-31MAR99



HP8334

CENTRAL ELECTRONICS MODULE AND CIRCUIT BOARDS - CONTINUED

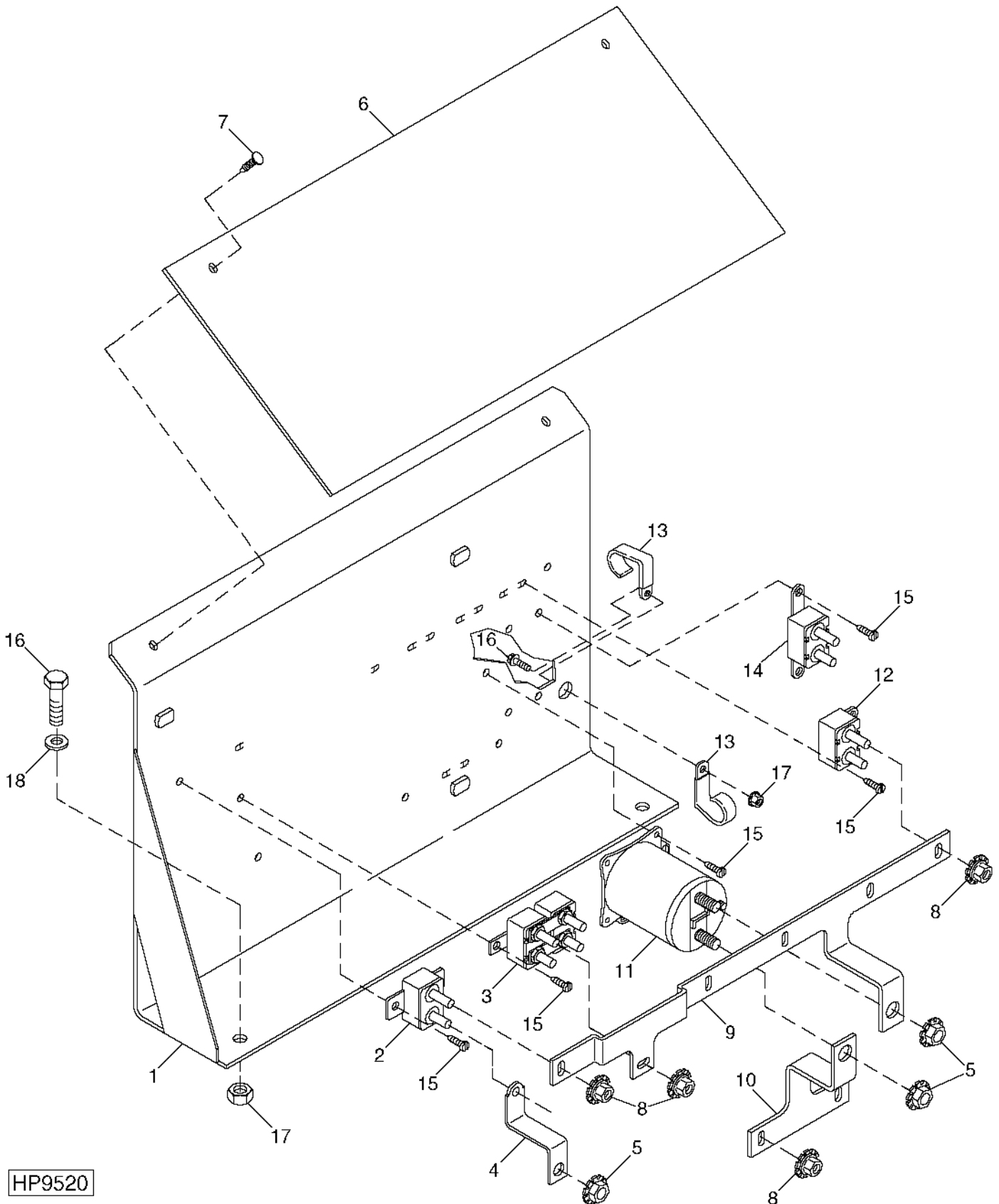
| KEY | PART NO. | PART NAME               | QTY | SERIAL NO. | REMARKS                                       |
|-----|----------|-------------------------|-----|------------|---|
| 1   | 19M7862  | SCREW                   | 6   |            |   |
| 2   | H142168  | COVER                   | 2   |            |   |
| 3   | H144242  | SEAL                    | 2   |            |   |
| 4   | AH115943 | LATCH                   | 2   |            |   |
| 5   | H142167  | COVER                   | 1   |            |   |
| 6   | AH166125 | ELECTRONIC CONTROL UNIT | 1   |            | (SUB FOR RE160421) (SUB AH167769) AUTO HEADER |
|     | AH167769 | ELECTRONIC CONTROL UNIT | 1   |            | (WITHOUT LATERAL TILT)                        |
|     | AH166126 | ELECTRONIC CONTROL UNIT | 1   |            | ACTIVE HEADER WITHOUT LATERAL TILT            |
|     | AH167770 | ELECTRONIC CONTROL UNIT | 1   |            | (SUB AH167770) (SUB FOR RE160416) AUTO HEADER |
|     | AH166124 | ELECTRONIC CONTROL UNIT | 1   |            | WITH LATERAL TILT                             |
|     | AH167770 | ELECTRONIC CONTROL UNIT | 1   |            | AUTO HEADER WITH LATERAL TILT                 |
|     | AH166124 | ELECTRONIC CONTROL UNIT | 1   |            | (SUB FOR RE160425) (SUB AH167768) RETURN TO   |
|     | AH167768 | ELECTRONIC CONTROL UNIT | 1   |            | CUT ONLY                                      |
| 7   | AH161474 | CIRCUIT BOARD           | 1   |            | RETURN TO CUT ONLY                            |
|     | AH168939 | KIT                     | 1   |            | (SUB AH168939) RELAY                          |
| 8   | AH157232 | CIRCUIT BOARD           | 1   |            |   |
|     | AH148758 | RELAY                   | 13  |            | POWER   |
|     | 57M7120  | FUSE                    | 8   |            | 20 AMP  |
|     | 57M7146  | FUSE                    | 10  |            | 30 AMP  |
| 9   | H124205  | BOX                     | 1   |            |   |
| 10  | H142169  | BOOT                    | 6   |            |   |
| 11  | AH145964 | CIRCUIT BOARD           | 1   |            | DASH, REEL SPEED                              |
| 12  | AH167108 | KIT                     | 1   |            | (OPTIONAL POWER)                              |

# 1G22

ELECTRICAL

## CIRCUIT BREAKER AND RELAY PANEL

HP9520 -UN-28JAN00



HP9520

# 1G23

ELECTRICAL

**CIRCUIT BREAKER AND RELAY PANEL - CONTINUED**

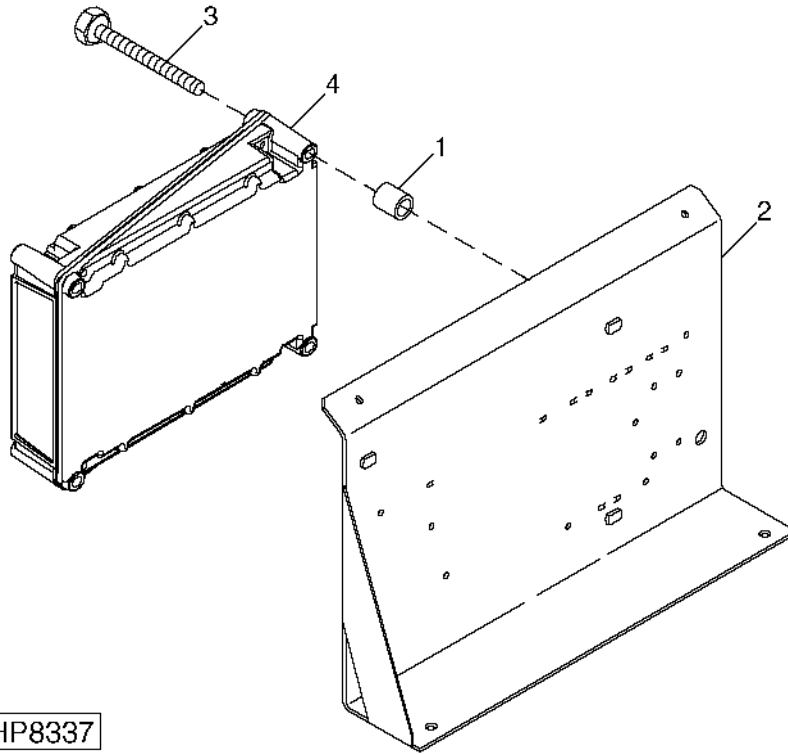
| KEY | PART NO. | PART NAME       | QTY | SERIAL NO.        | REMARKS |
|-----|----------|-----------------|-----|-------------------|---------|
| 1   | AH160291 | PANEL           | 1   |                   |         |
| 2   | AH112189 | CIRCUIT BREAKER | 5   | 50 AMP            |         |
| 3   | AH159105 | CIRCUIT BREAKER | 1   | DUAL 50 AMP       |         |
| 4   | H125347  | STRAP           | 2   |                   |         |
| 5   | H164872  | NUT             | 4   | 7.925 MM          |         |
| 6   | H162132  | FLAP            | 1   | RUBBER            |         |
| 7   | H116740  | PLUG            | 2   |                   |         |
| 8   | R32176   | NUT             | 10  |                   |         |
| 9   | H166499  | STRAP           | 1   |                   |         |
| 10  | H165411  | STRAP           | 1   |                   |         |
| 11  | AH160278 | RELAY           | 3   |                   |         |
| 12  | AH160628 | CIRCUIT BREAKER | 2   | 30 AMP            |         |
| 13  | AH90990  | CLIP            | 2   |                   |         |
| 14  | AH159110 | CIRCUIT BREAKER | 1   | 10 AMP            |         |
| 15  | 37H147   | SCREW           | AR  | (3.750" X .1900") |         |
| 16  | 19M7865  | SCREW           | 3   | M8 X 16           |         |
| 17  | 14M7298  | FLANGE NUT      | 3   | M8                |         |
| 18  | H158845  | WASHER          | 2   |                   |         |

# 1G24

ELECTRICAL

## ELECTRONIC CONTROL UNIT (ECU) MOUNTING SUPPORT

HP8337 -UN-15JUL99



HP8337

| KEY | PART NO. | PART NAME         | QTY | SERIAL NO.             | REMARKS |
|-----|----------|-------------------|-----|------------------------|---------|
| 1   | 28H1882  | SPACER            | 4   | 0.269" X 0.405" X 1/2" |         |
| 2   | AH160291 | PANEL             | 1   |                        |         |
| 3   | 19M7721  | CAP SCREW         | 4   | M6 X 65                |         |
| 4   | RE503234 | ENGINE CONTROLLER | 1   | (MARKED RE502404)      |         |
| ..  | H116160  | SEALANT           | 1   | 3 OZ. TUBE             |         |

MEMORANDA

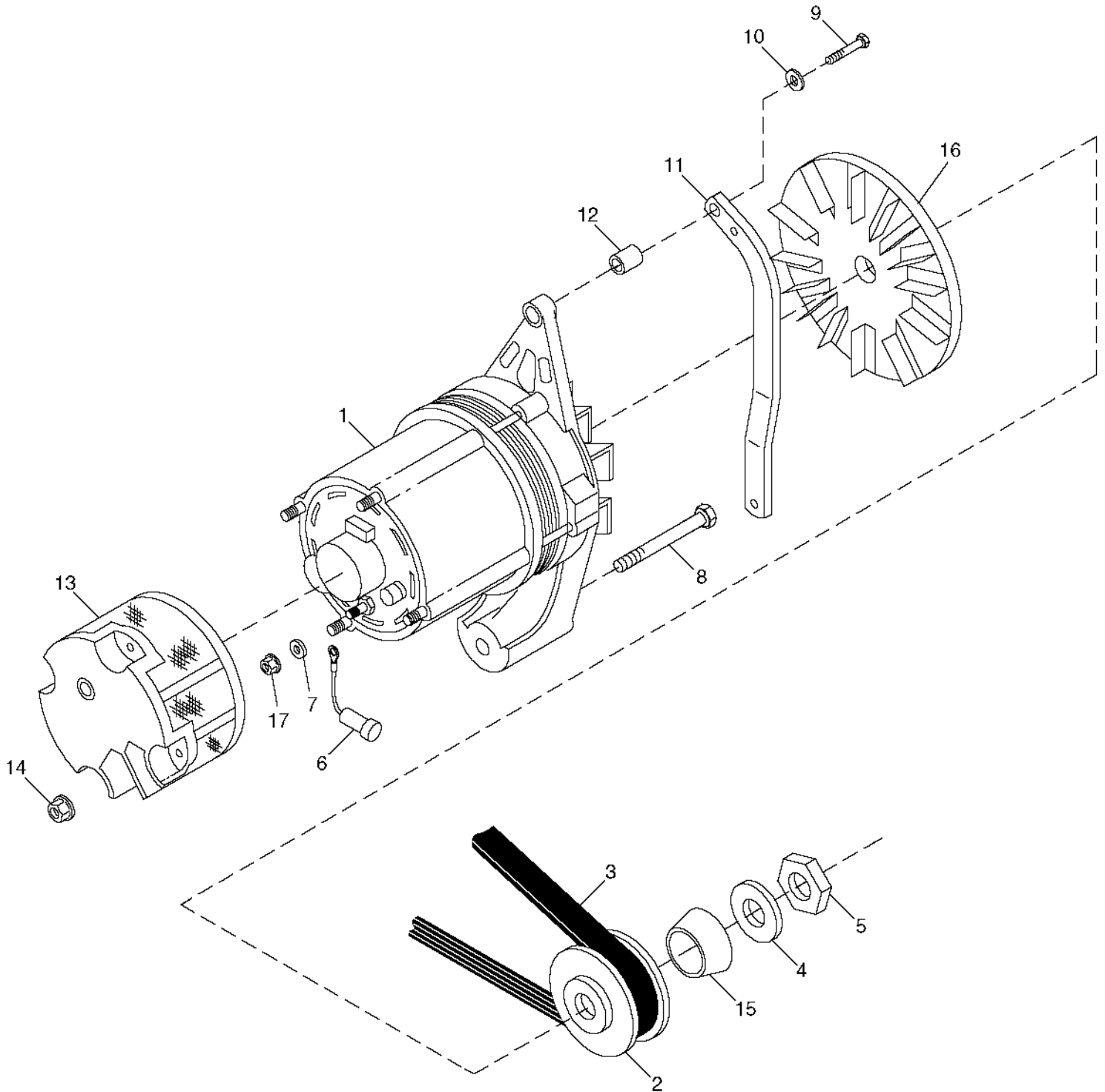
# 1H1

ELECTRICAL

## ALTERNATOR, SHEAVE AND BELT

BOSCH (95 AMP)

HP8336 -UN-29JUL99



HP8336



# 1H2

ELECTRICAL

**ALTERNATOR, SHEAVE AND BELT - CONTINUED  
BOSCH (95 AMP)**

| KEY | PART NO. | PART NAME      | QTY | SERIAL NO.         | REMARKS                         |
|-----|----------|----------------|-----|--------------------|---------------------------------|
| 1   | TY24485  | ALTERNATOR     | 1   |                    | (SUB FOR TY6750) REMANUFACTURED |
| 2   | R94350   | SHEAVE         | 1   |                    |                                 |
| 3   | H163515  | BELT           | 1   |                    |                                 |
| 4   | T10745   | WASHER         | 1   |                    |                                 |
| 5   | 14M7158  | NUT            | 1   | M16                |                                 |
| 6   | AN220289 | WIRING HARNESS | 1   | (SUB AH169733)     |                                 |
|     | AH169733 | WIRING HARNESS | 1   |                    |                                 |
| 7   | 24M7207  | WASHER         | 1   |                    |                                 |
| 8   | 19M7944  | SCREW          | 1   | M10 X 120          |                                 |
| 9   | 19M7867  | SCREW          | 1   | M8 X 25            |                                 |
| 10  | 24M7047  | WASHER         | 1   |                    |                                 |
| 11  | R500413  | STRAP          | 1   | ALTERNATOR         |                                 |
| 12  | 24M7180  | WASHER         | 1   |                    |                                 |
| 13  | AH138291 | SCREEN         | 1   | (USE WITH TY6750)  |                                 |
|     | AT207952 | COVER          | 1   | (USE WITH TY24485) |                                 |
| 14  | 14M7375  | FLANGE NUT     | 4   | M5                 |                                 |
| 15  | R94351   | BUSHING        | 1   |                    |                                 |
| 16  | T158584  | FAN            | 1   |                    |                                 |
| 17  | 14M7297  | NUT            | 1   | M5                 |                                 |
| 18  | AH154383 | WIRING HARNESS | 1   | GROUND             |                                 |

# 1H3

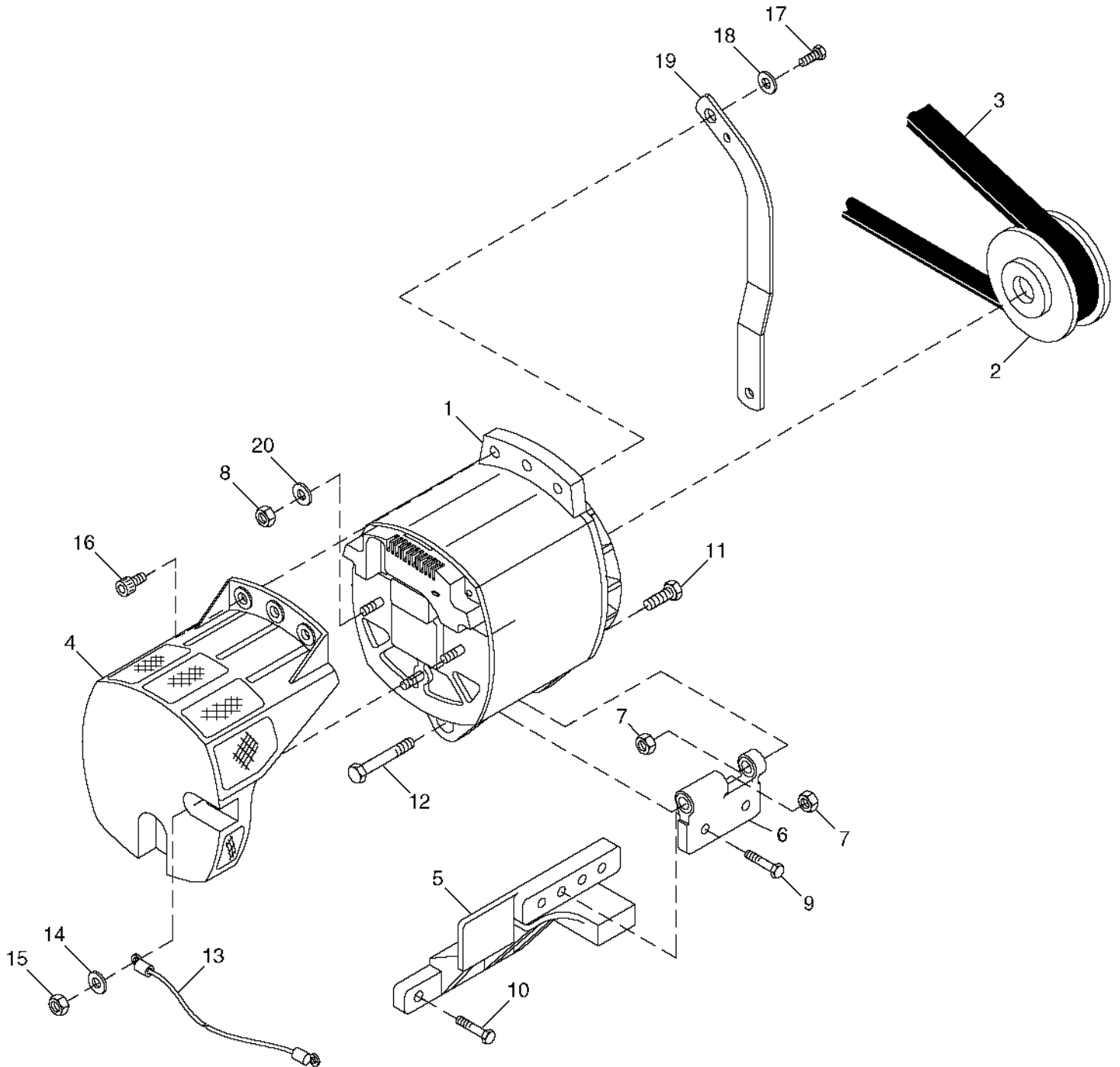
ELECTRICAL

## ALTERNATOR, SHEAVE AND BELT

(185 AMP)

HP9547

-UN-07FEB00



HP9547

**ALTERNATOR, SHEAVE AND BELT - CONTINUED**  
**(185 AMP)**

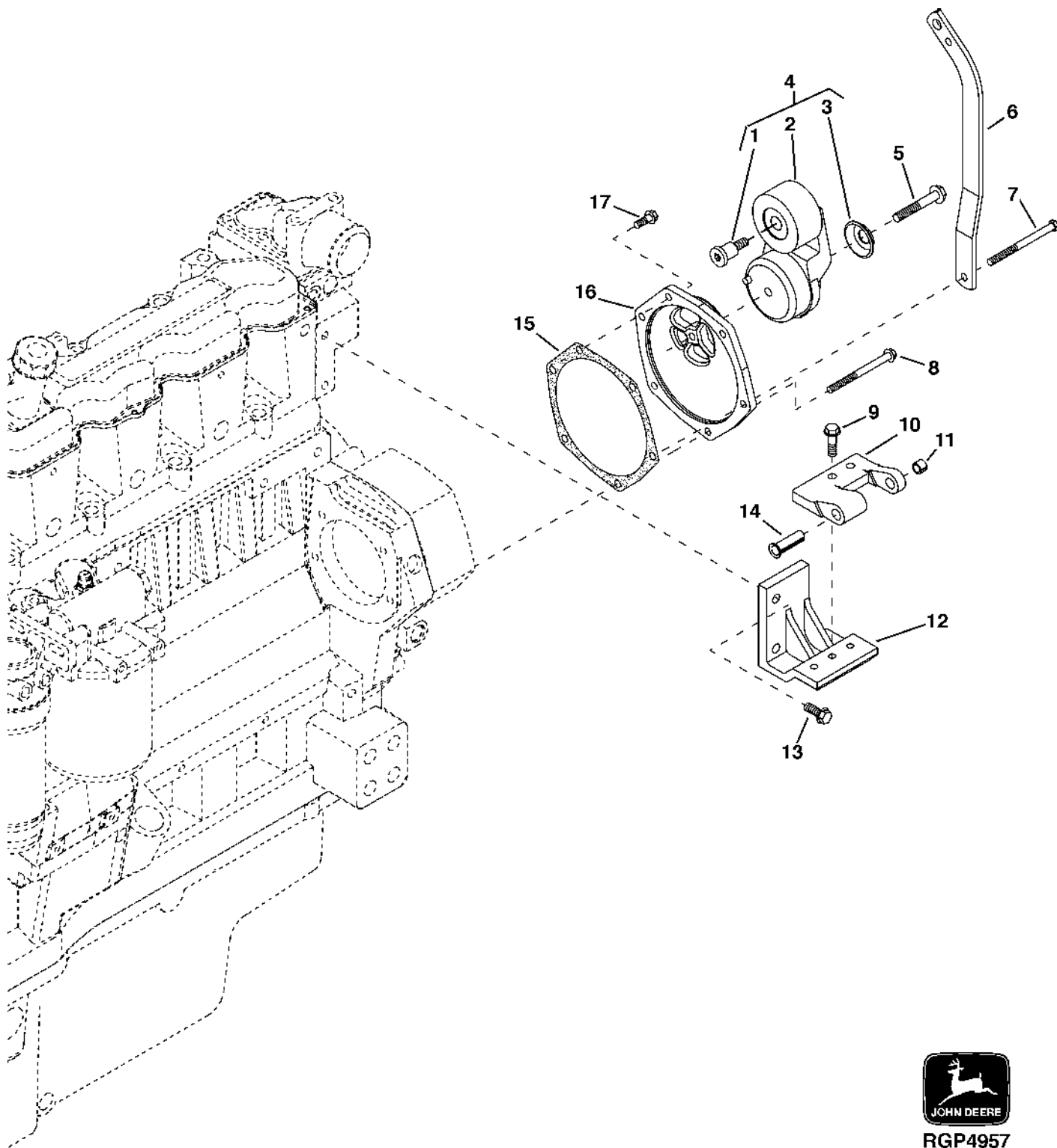
| KEY | PART NO.       | PART NAME                          | QTY      | SERIAL NO.              | REMARKS                              |
|-----|----------------|------------------------------------|----------|-------------------------|--------------------------------------|
| 1   | AH148633       | ALTERNATOR                         | 1        |                         | REMANUFACTURED                       |
| 2   | H166878        | PULLEY                             | 1        |                         |                                      |
| 3   | H166870        | BELT                               | 1        |                         |                                      |
| 4   | AH163488       | SCREEN                             | 1        |                         |                                      |
| 5   | R132981        | SUPPORT                            | 1        |                         |                                      |
| 6   | R502288        | BRACKET                            | 1        |                         |                                      |
| 7   | 14H1069        | NUT                                | 1        | 1/2"                    |                                      |
| 8   | 14H650         | NUT                                | 1        |                         |                                      |
| 9   | 19M7786        | SCREW                              | 2        | M10 X 30                |                                      |
| 10  | 19M7817        | SCREW                              | 1        | M12 X 70                |                                      |
| 11  | 19H3560        | CAP SCREW                          | 1        | 1/2" X 1-1/2"           |                                      |
| 12  | 19H3494        | CAP SCREW                          | 1        | 12.700 X 82.550 MM      |                                      |
| 13  | AH154383       | WIRING HARNESS                     | 1        |                         |                                      |
| 14  | 12H302         | LOCK WASHER                        | 1        | 1/4"                    |                                      |
| 15  | 14H860         | NUT                                | 1        | 1/4"                    |                                      |
| 16  | 19H2934        | SCREW                              | 1        | 1/2" X 3/4"             |                                      |
| 17  | 19H2472        | CAP SCREW                          | 1        | 1/2" X 1"               |                                      |
| 18  | 24M7047        | WASHER                             | 1        | 13 X 24 X 2.500 MM      |                                      |
| 19  | R500413        | STRAP                              | 1        |                         |                                      |
| 20  | 24H1776        | WASHER                             | 1        | 5/16" X 47/64" X 0.065" |                                      |
| ..  | AH167604       | VOLTAGE REGULATOR                  | 1        |                         |                                      |
| ..  | <b>BH81599</b> | <b>COMPLETE GOODS/SHIP. BUNDLE</b> | <b>1</b> |                         | <b>185 AMP ALTERNATOR CONVERSION</b> |

# 1H5

ELECTRICAL

## ALTERNATOR BRACKETS

RGP4957 -UN-22AUG97



# 1H6

ELECTRICAL

**ALTERNATOR BRACKETS - CONTINUED**

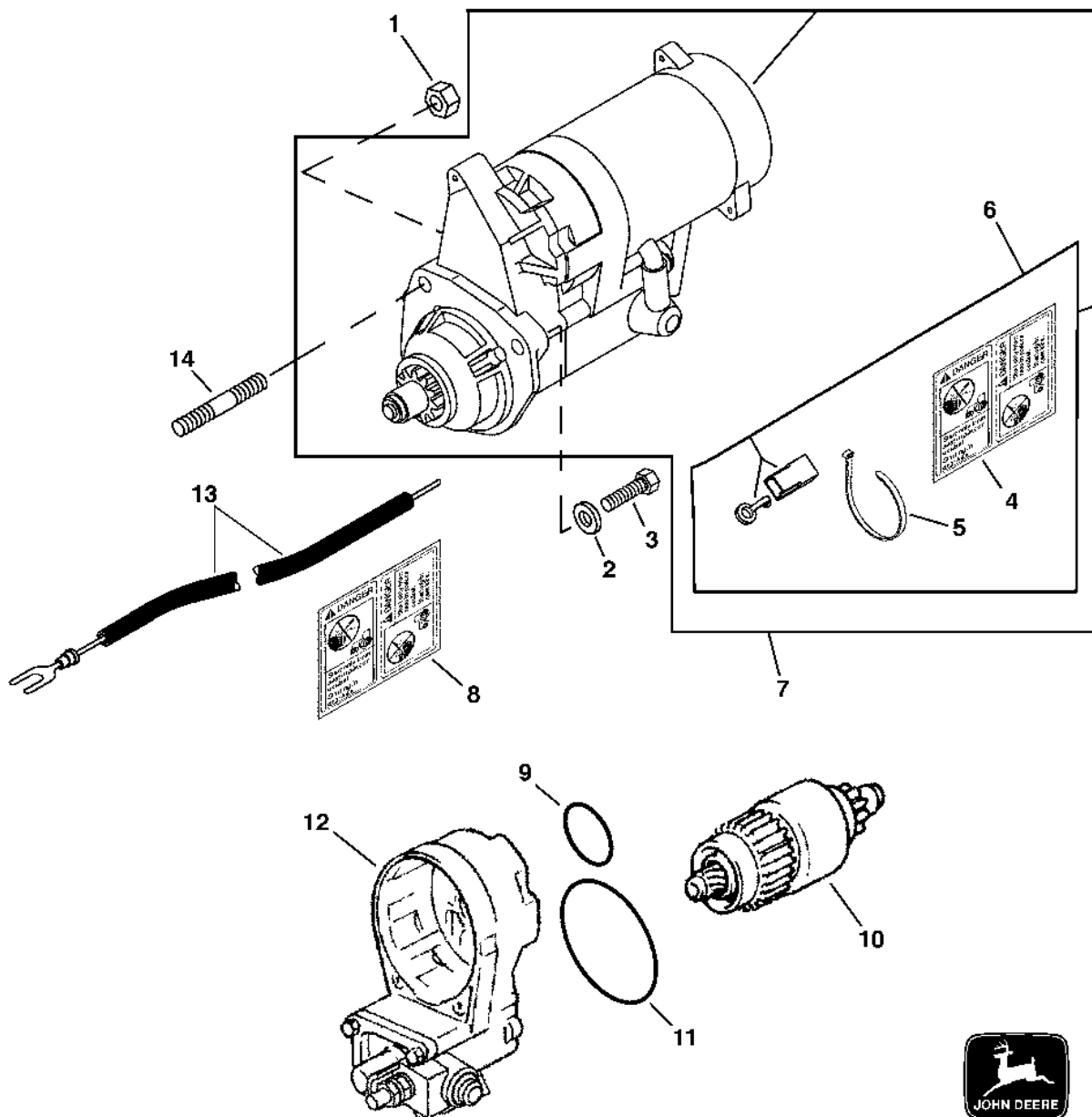
| KEY | PART NO. | PART NAME   | QTY | ENGINE<br>SERIAL NO. | REMARKS |
|-----|----------|-------------|-----|----------------------|---------|
| 1   | R98250   | BOLT        | 1   |                      |         |
| 2   | RE68722  | PULLEY      | 1   |                      |         |
| 3   | R114837  | DUST SHIELD | 1   |                      |         |
| 4   | RE68715  | TIGHTENER   | 1   |                      |         |
| 5   | 19M7810  | SCREW       | 1   | M10 X 80             |         |
| 6   | R500413  | STRAP       | 1   |                      |         |
| 7   | 19H2852  | CAP SCREW   | 1   | 5/16" X 4"           |         |
| 8   | 19H3300  | CAP SCREW   | 4   |                      |         |
|     | 24H1136  | WASHER      | 1   |                      |         |
| 9   | 19H3693  | CAP SCREW   | 1   | 3/8" X 1-1/4"        |         |
| 10  | R131003  | BRACKET     | 1   |                      |         |
| 11  | R135423  | BUSHING     | 1   |                      |         |
| 12  | R131002  | SUPPORT     | 1   |                      |         |
| 13  | 19H3771  | CAP SCREW   | 2   | 3/8" X 1"            |         |
| 14  | R134010  | BUSHING     | 1   |                      |         |
| 15  | R502011  | GASKET      | 1   |                      |         |
| 16  | R131890  | COVER       | 1   |                      |         |
| 17  | R112268  | CAP SCREW   | 1   |                      |         |

# 1H7

ELECTRICAL

## STARTING MOTOR (12-VOLT)

RGP4871 -UN-14MAR97



RGP4871

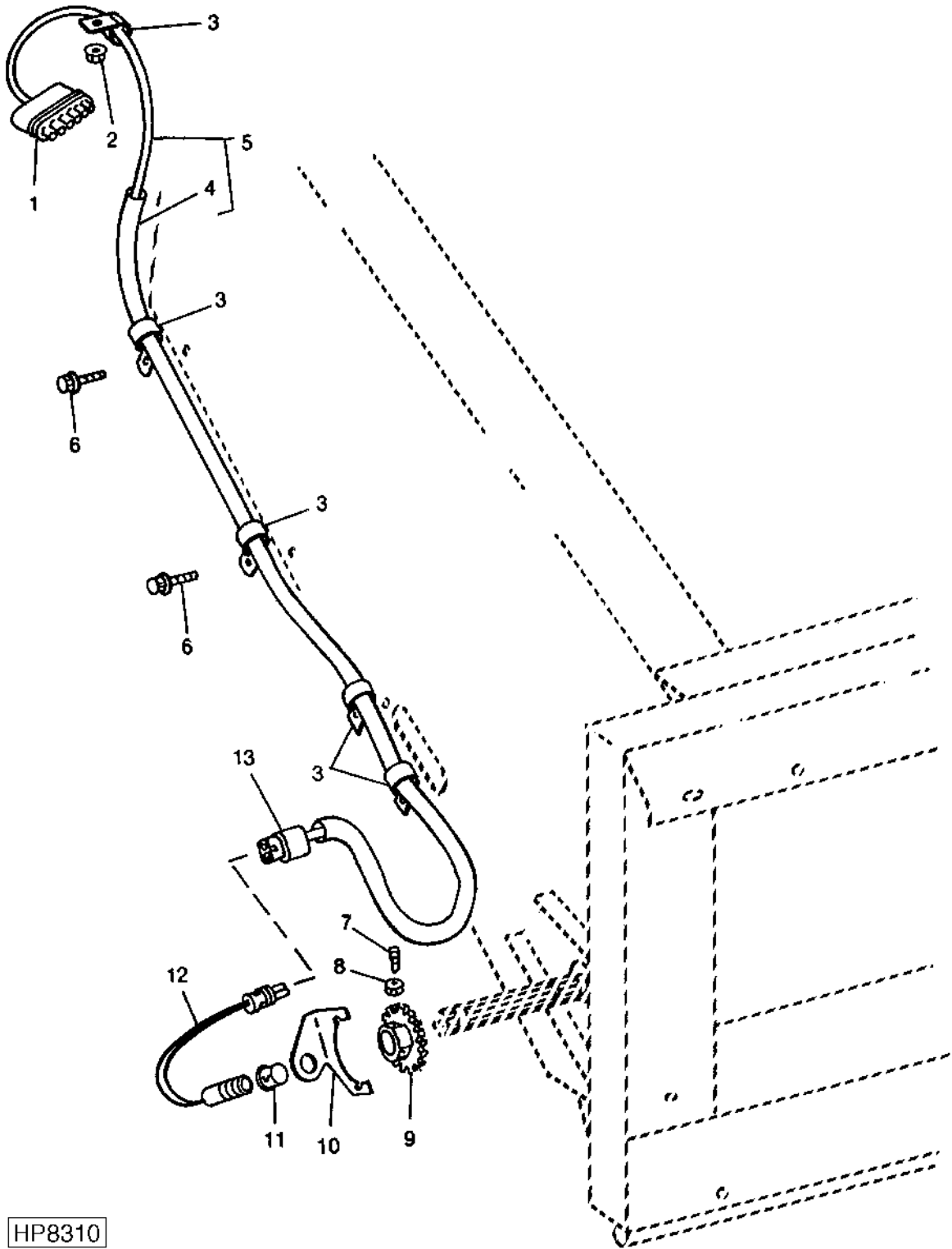
# 1H8

ELECTRICAL

**STARTING MOTOR (12-VOLT) - CONTINUED**

| KEY | PART NO. | PART NAME         | QTY | ENGINE SERIAL NO.               | REMARKS |
|-----|----------|-------------------|-----|---------------------------------|---------|
| 1   | E55662   | FLANGE NUT        | 1   |                                 |         |
| 2   | 24H1303  | WASHER            | 2   | 13/32" X 11/16" X 0.065"        |         |
| 3   | 19H3219  | CAP SCREW         | 2   | 3/8" X 1-3/8"                   |         |
| 4   | T146102  | LABEL             | 1   | (ENGLISH)                       |         |
| 5   | R96703   | TIE BAND          | 1   |                                 |         |
| 6   | RE70756  | KIT               | 1   |                                 |         |
| 7   | RE70957  | STARTER MOTOR KIT | 1   | (MARKED RE69704) (D228000-6530) |         |
| 8   | T146517  | SAFETY SIGN       | 1   | (SPANISH)                       |         |
|     | T146104  | SAFETY SIGN       | 1   | (FRENCH)                        |         |
|     | T146515  | SAFETY SIGN       | 1   | (GERMAN)                        |         |
|     | T146516  | SAFETY SIGN       | 1   | (ITALIAN)                       |         |
|     | T146517  | SAFETY SIGN       | 1   | (ENGLISH-FRENCH)                |         |
| 9   | R135510  | O-RING            | 1   |                                 |         |
| 10  | RE70487  | CLUTCH            | 1   |                                 |         |
| 11  | R135509  | SEAL              | 1   |                                 |         |
| 12  | RE70486  | SWITCH            | 1   |                                 |         |
| 13  | AH155483 | WIRING LEAD       | 1   |                                 |         |
| 14  | R114130  | STUD              | 1   |                                 |         |

**FEEDER HOUSE BACKSHAFT SPEED SENSOR**  
HP8310 -UN-08MAR99



HP8310



# 1H10

ELECTRICAL

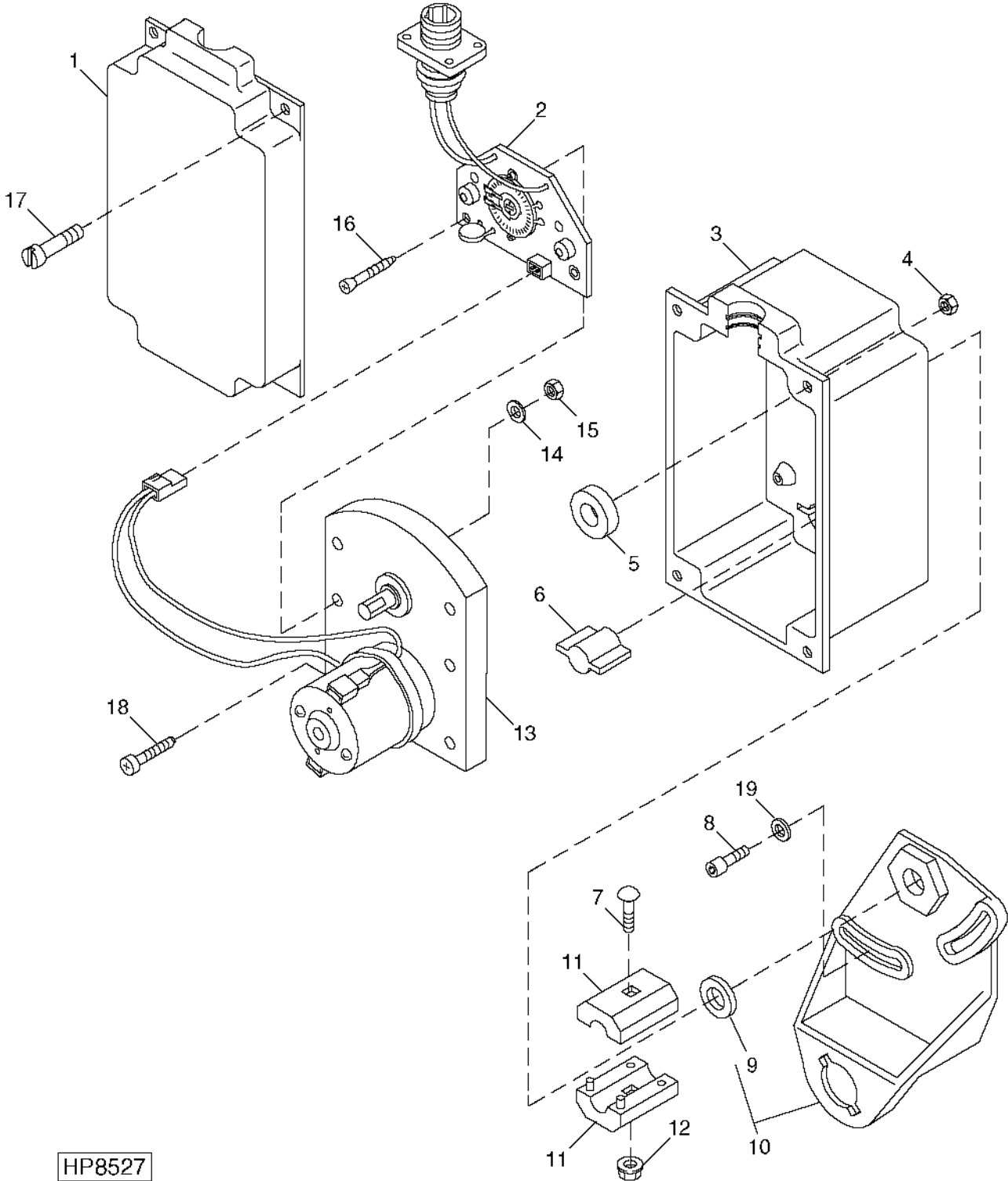
**FEEDER HOUSE BACKSHAFT SPEED SENSOR - CONTINUED**

| KEY | PART NO. | PART NAME                  | QTY | SERIAL NO. | REMARKS         |
|-----|----------|----------------------------|-----|------------|-----------------|
| 1   | RE12366  | CONNECTOR                  | 1   |            | (PKG OF 2)      |
|     | R78051   | SEAL                       | 1   |            | (PKG OF 5)      |
|     | R78060   | SOCKET CONTACT             | 1   |            | (PKG OF 40)     |
| 2   | 14M7299  | FLANGE NUT                 | 1   |            | M12             |
| 3   | AH77279  | CLIP                       | 5   |            |                 |
| 4   | H132800  | HOSE                       | 1   |            |                 |
| 5   | AH165250 | WIRING HARNESS             | 1   |            | LEVEL LAND      |
|     | AH162464 | WIRING HARNESS             | 1   |            | CONTOUR MASTER  |
| 6   | 37M7083  | SCREW                      | 2   |            | M8 X 12         |
| 7   | A50743   | BOLT                       | 2   |            | M6 X 16         |
| 8   | 14M7272  | NUT                        | 2   |            | M6              |
| 9   | H170634  | WHEEL                      | 1   |            |                 |
| 10  | H135773  | BRACKET                    | 1   |            |                 |
| 11  | H160880  | CLIP                       | 1   |            |                 |
| 12  | AH116104 | SENSOR                     | 1   |            | BACKSHAFT SPEED |
| 13  | R78053   | PIN CONTACT CONNECTOR BODY | 1   |            | (PKG OF 3)      |
|     | R78063   | TERMINAL NIPPLE            | 1   |            | (PKG OF 40)     |

# 1H11

ELECTRICAL

## REEL SPEED MOTOR AND BRACKET HP8527 -UN-27APR99



HP8527

# 1H12

ELECTRICAL

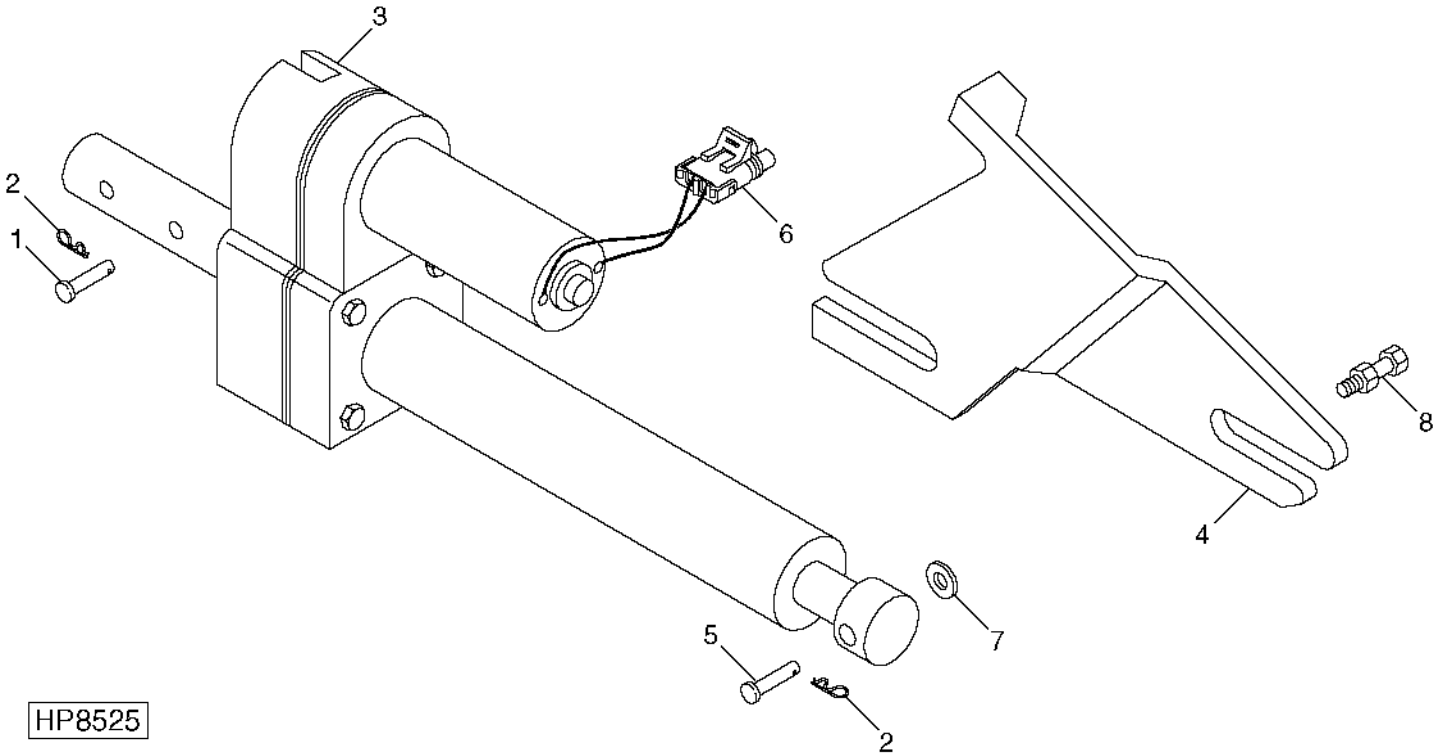
## REEL SPEED MOTOR AND BRACKET - CONTINUED

| KEY | PART NO. | PART NAME       | QTY | SERIAL NO. | REMARKS                     |
|-----|----------|-----------------|-----|------------|-----------------------------|
| 1   | H133852  | HOUSING         | 1   |            | UPPER                       |
| 2   | AH139987 | PRINTED CIRCUIT | 1   |            |                             |
| 3   | H133851  | HOUSING         | 1   |            | LOWER                       |
| 4   | 14M7100  | NUT             | 4   |            | M4                          |
| 5   | .....    | WASHER          | 1   |            | FELT                        |
| 6   | H133981  | SEAL            | 1   |            |                             |
| 7   | 03M7290  | BOLT            | 1   |            | M6 X 30                     |
| 8   | 19H2925  | SCREW           | 2   |            | 1/4" X 1/2"                 |
| 9   | H146950  | WASHER          | 1   |            | 9.500 X 19 X 1.600 MM, FELT |
| 10  | AH141813 | KIT             | 1   |            | ALIGNMENT BRACKET           |
| 11  | H114020  | HALF CLAMP      | 2   |            |                             |
| 12  | 14M7397  | LOCK NUT        | 1   |            | M6                          |
| 13  | AH128865 | ELECTRIC MOTOR  | 1   |            |                             |
| 14  | 12H314   | LOCK WASHER     | 2   |            | 0.138"                      |
| 15  | 14H1026  | NUT             | 2   |            | 0.138"                      |
| 16  | 21H1348  | SCREW           | 2   |            | 0.138" X 1-1/8"             |
| 17  | 21M7250  | SCREW           | 4   |            | M4 X 12                     |
| 18  | H144032  | SCREW           | 4   |            |                             |
| 19  | 24M7027  | WASHER          | 2   |            | 5.300 X 10 X 1 MM           |

# 1H13

ELECTRICAL

**CONCAVE ADJUSTING MOTOR**  
HP8525 -UN-27JUL99



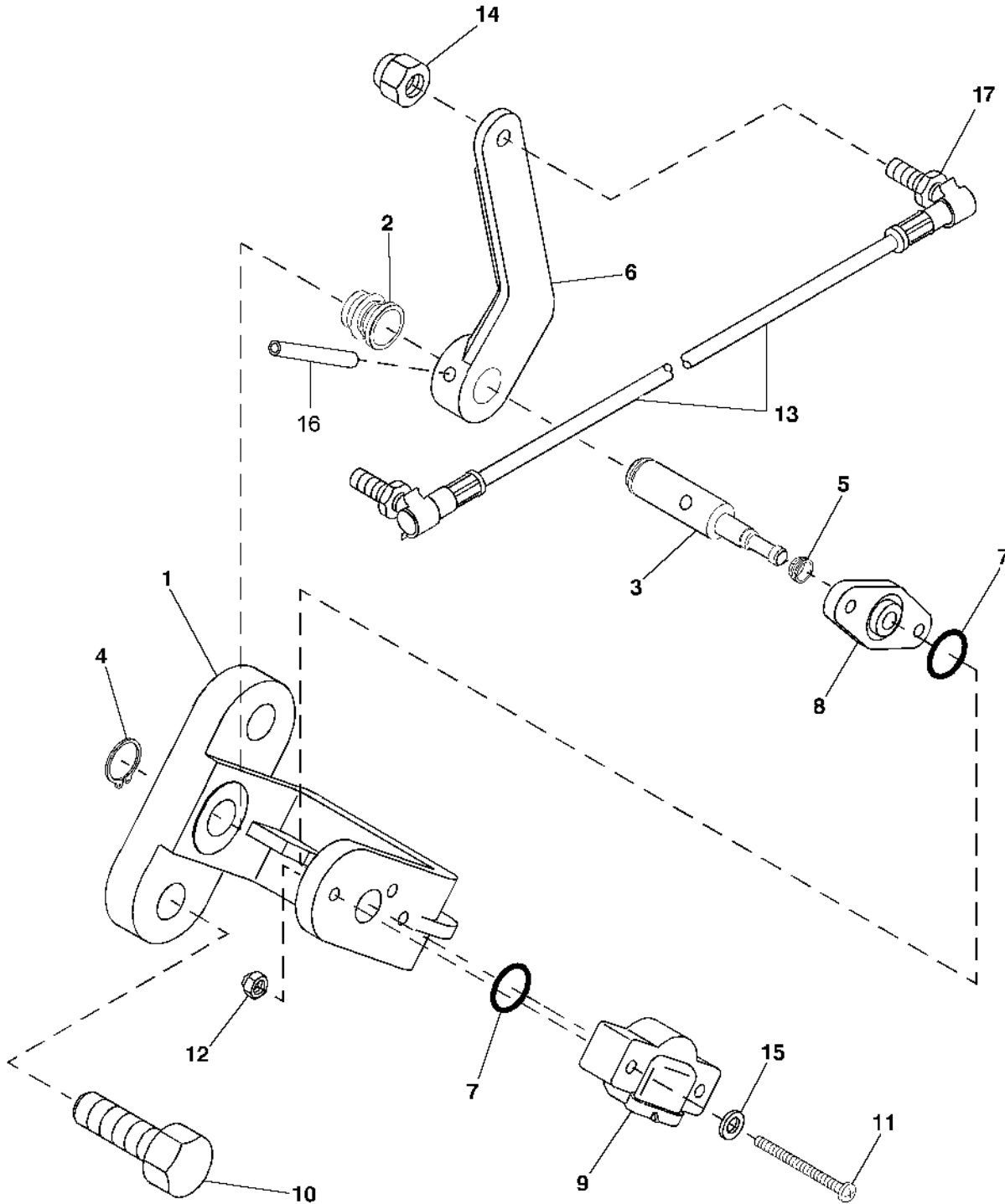
| KEY | PART NO. | PART NAME          | QTY | SERIAL NO. | REMARKS                   |
|-----|----------|--------------------|-----|------------|---------------------------|
| 1   | H148340  | PIN                | 1   |            | 12.700 X 60.500 MM        |
| 2   | B32630   | SPRING LOCKING PIN | 2   |            |                           |
| 3   | AH160107 | ACTUATOR           | 1   |            |                           |
| 4   | H146730  | STOP               | 1   |            | CASTING                   |
| 5   | H148340  | PIN                | 1   |            |                           |
| 6   | RE12363  | CONNECTOR          | 1   |            | (PKG OF 3)                |
|     | R78048   | TERMINAL NIPPLE    | 1   |            | (PKG OF 5)                |
|     | R78060   | SOCKET CONTACT     | 1   |            | (PKG OF 40)               |
| 7   | 24H1654  | WASHER             | 1   |            | 9/16" X 1-15/32" X 0.105" |
| 8   | 19M7812  | SCREW              | 2   |            | M10 X 100                 |

MEMORANDA

# 1H14

ELECTRICAL

CONCAVE INDICATOR  
HP8003 -UN-21APR99



HP8003

# 1H15

ELECTRICAL

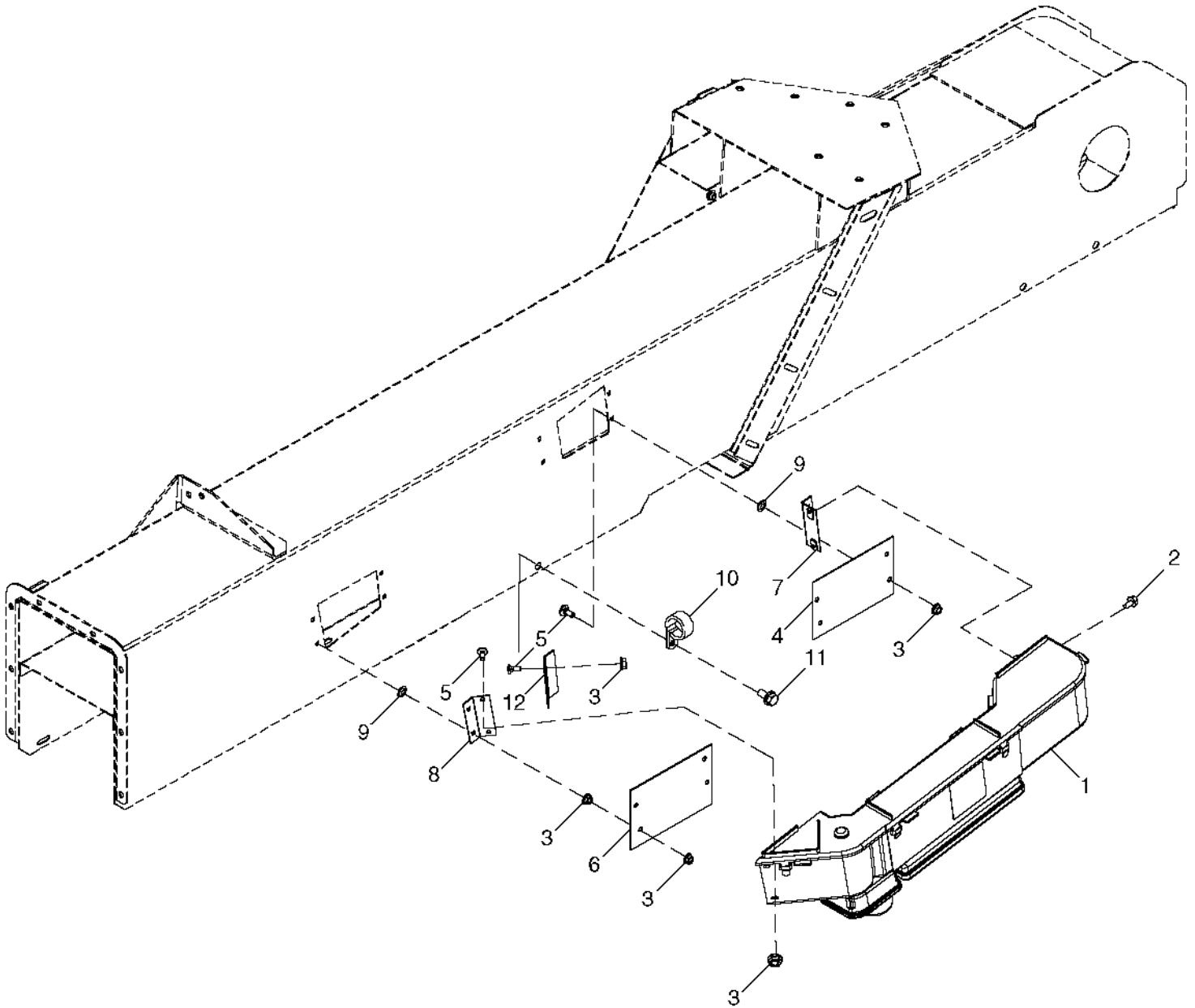
**CONCAVE INDICATOR - CONTINUED**

| KEY | PART NO. | PART NAME  | QTY | SERIAL NO. | REMARKS  |
|-----|----------|------------|-----|------------|--|
| 1   | H156936  | BRACKET    | 1   |            |  |
| 2   | R41076   | GROMMET    | 1   |            |  |
| 3   | R111692  | SHAFT      | 1   |            |  |
| 4   | R26871   | SNAP RING  | 1   |            |  |
| 5   | R112679  | SEAL       | 1   |            |  |
| 6   | R40915   | LEVER      | 1   |            |  |
| 7   | P48347   | O-RING     | 2   |            |  |
| 8   | R86457   | SUPPORT    | 1   |            |  |
| 9   | RE56165  | SENSOR     | 1   |            |  |
| 10  | 37M7084  | SCREW      | 2   | M8 X 25    |  |
| 11  | 21M7261  | SCREW      | 2   | M5 X 45    |  |
| 12  | 14M7297  | NUT        | 2   |            |  |
| 13  | AH150499 | BALL JOINT | 1   |            | SPIKE TOOTH, LONG LINK (AS SHOWN)                      |
|     | AH150498 | BALL JOINT | 1   |            | (INCLUDES H168732) CORN AND SMALL GRAIN,<br>SHORT LINK |
|     | AH160510 | LINKAGE    | 1   |            | (INCLUDES H168732) REGULAR CONCAVE                     |
| 14  | 14M7397  | LOCK NUT   | 1   | M6         |  |
| 15  | 12M7060  | WASHER     | 2   | 5.300 MM   |  |
| 16  | 34H305   | SPRING PIN | 1   |            |  |
| 17  | H168732  | BALL STUD  | 1   |            |  |

# 1H16

ELECTRICAL

MOISTURE SENSOR  
HP8339 -UN-10MAR99



HP8339



MOISTURE SENSOR - CONTINUED

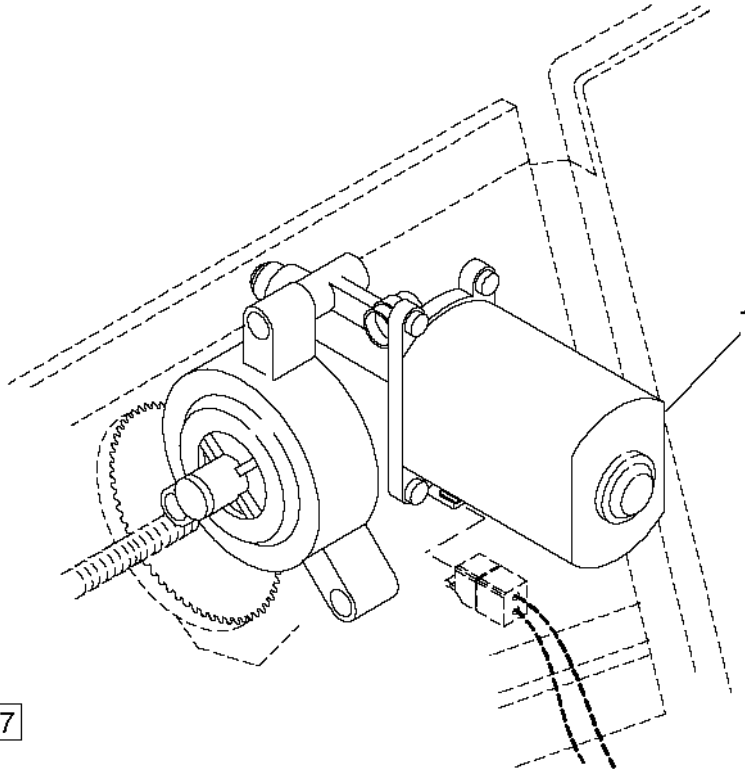
| KEY | PART NO. | PART NAME              | QTY | SERIAL NO. | REMARKS |
|-----|----------|------------------------|-----|------------|---------|
| 1   | PF80152  | MOISTURE SENSOR MODULE | 1   |            |         |
| 2   | 19M7774  | SCREW                  | 2   | M6 X 12    |         |
| 3   | 14M7303  | FLANGE NUT             | 12  | M6         |         |
| 4   | PF80173  | COVER                  | 1   |            |         |
| 5   | 03M7221  | BOLT                   | 12  | M6 X 16    |         |
| 6   | PF80174  | COVER                  | 1   |            |         |
| 7   | PF80022  | BRACKET                | 1   |            |         |
| 8   | PF10106  | BRACKET                | 1   |            |         |
| 9   | M80082   | NUT                    | 1   |            |         |
| 10  | AH96317  | CLIP                   | 1   |            |         |
| 11  | 19M7865  | SCREW                  | 1   |            |         |
| 12  | PF10218  | BRACKET                | 1   |            |         |
| ..  | AH163684 | WIRING HARNESS         | 1   |            |         |

# 1H18

ELECTRICAL

## SEPARATOR FAN DRIVE ADJUSTING MOTOR

HP9407 -UN-04JAN00



HP9407

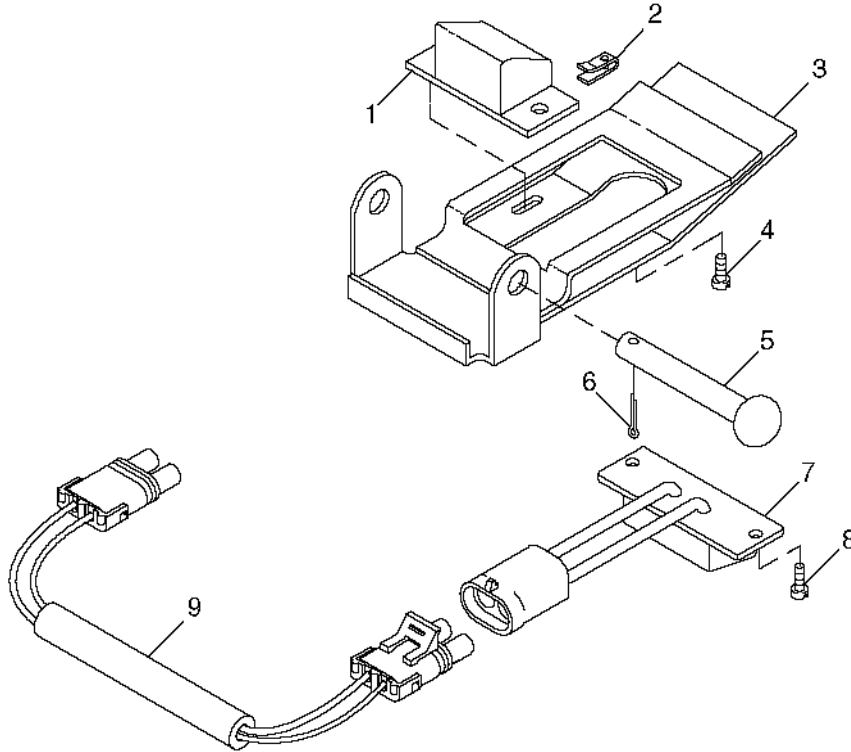
| KEY | PART NO. | PART NAME      | QTY | SERIAL NO. | REMARKS                                  |
|-----|----------|----------------|-----|------------|--|
| 1   | AH143903 | ELECTRIC MOTOR | 1   |            | (USE WITH AH143904, 19M8321 AND 14M7165) |

# 1H19

ELECTRICAL

## STRAW WALKER (PLUGGING) SENSING SWITCH

HP8313 -UN-10MAR99



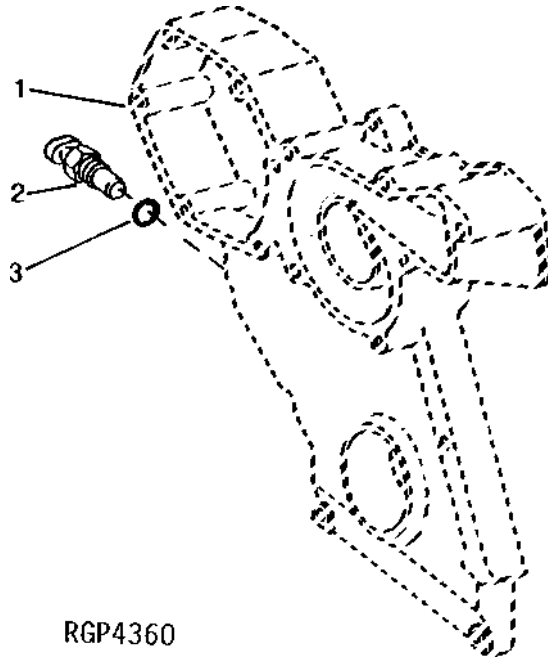
HP8313

| KEY | PART NO. | PART NAME      | QTY | SERIAL NO.    | REMARKS |
|-----|----------|----------------|-----|---------------|---------|
| 1   | AH150473 | ACTUATOR       | 1   |               |         |
| 2   | H140628  | NUT            | 2   | 4.826 MM      |         |
| 3   | AH134524 | ARM            | 1   |               |         |
| 4   | 37M7071  | SCREW          | 2   |               |         |
| 5   | 45M7035  | PIN            | 1   | 10 X 90 MM    |         |
| 6   | 11M7012  | COTTER PIN     | 1   | 3.200 X 16 MM |         |
| 7   | AH130602 | REED SWITCH    | 1   |               |         |
| 8   | 37M7215  | SCREW          | 2   |               |         |
| 9   | AH125036 | WIRING HARNESS | 1   |               |         |

# 1H20

ELECTRICAL

**MAGNETIC PICK-UP**  
RGP4360 -UN-01JAN94



RGP4360

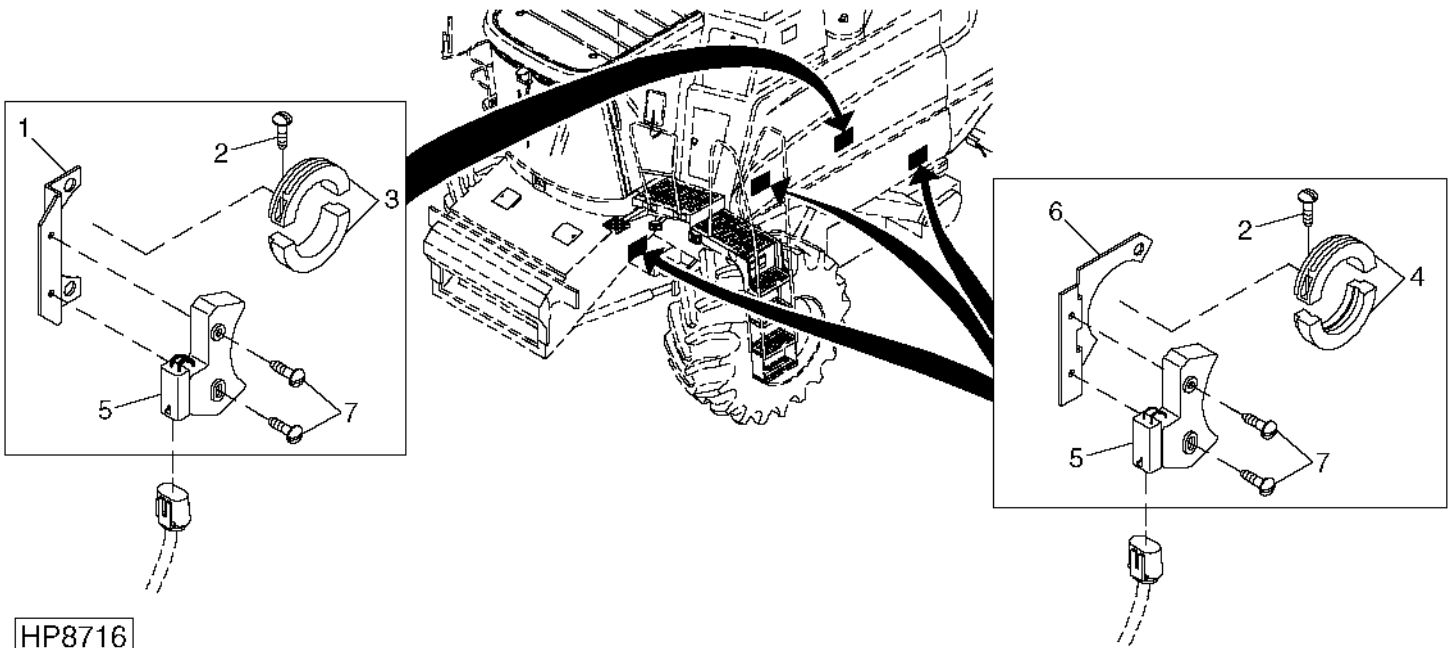
| KEY | PART NO. | PART NAME | QTY | ENGINE SERIAL NO. | REMARKS |
|-----|----------|-----------|-----|-------------------|---------|
| 1   | .....    | COVER     | 1   |                   |         |
| 2   | RE71121  | SENSOR    | 1   |                   |         |
| 3   | 51M7044  | O-RING    | 1   | 17.300 X 2.200 MM |         |

# 1H21

ELECTRICAL

## LOW SHAFT SPEED SENSORS AND BRACKETS

HP8716 -UN-25JUN99



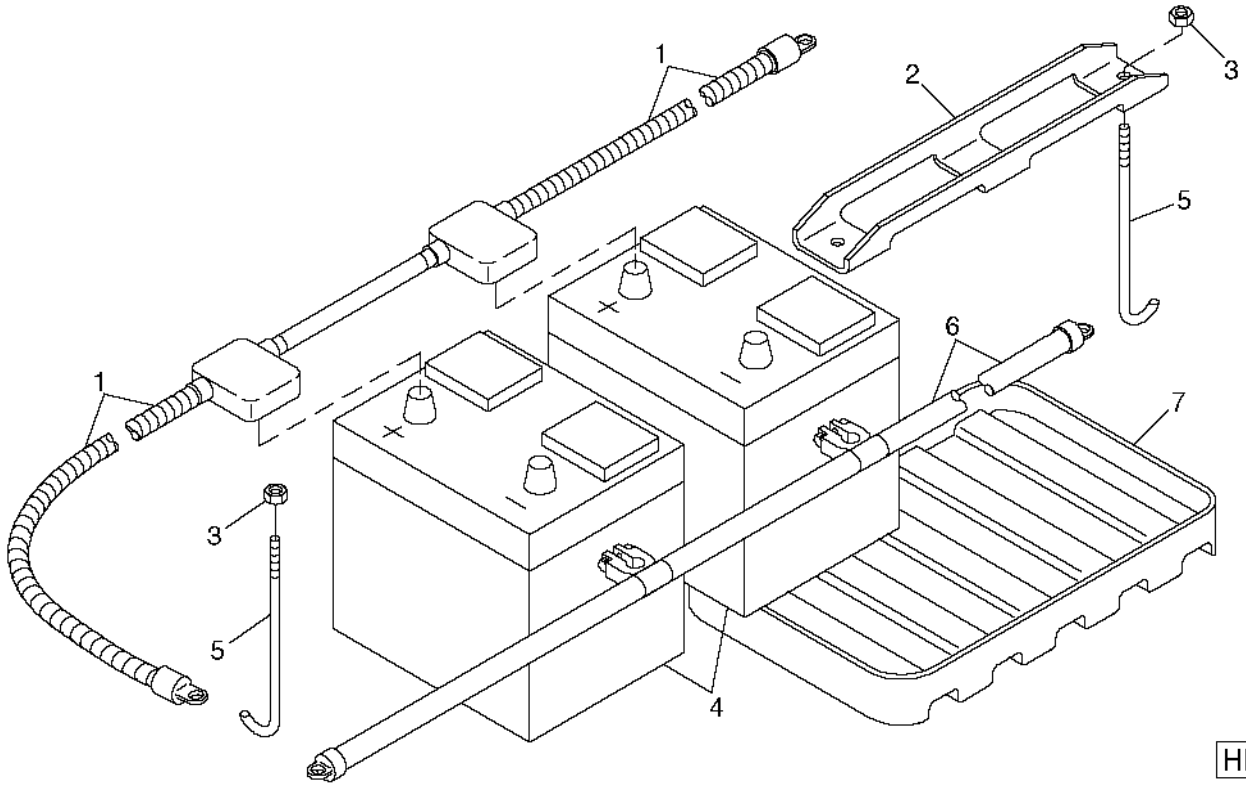
HP8716

| KEY | PART NO. | PART NAME | QTY | SERIAL NO. | REMARKS                        |
|-----|----------|-----------|-----|------------|--------------------------------|
| 1   | H148270  | BRACKET   | 2   |            |                                |
| 2   | H168924  | SCREW     | AR  |            |                                |
| 3   | AH161839 | MAGNET    | 1   |            | LARGE                          |
| 4   | AH161838 | MAGNET    | 1   |            | LARGE MAGNETIC                 |
| 5   | AH131320 | SWITCH    | 5   |            |                                |
| 6   | H148271  | BRACKET   | 3   |            |                                |
| 7   | 37M7077  | SCREW     | 10  |            | 4.8 X 32 MM (.1890" X 1.2598") |

# 1H22

ELECTRICAL

**BATTERIES AND CABLES**  
HP8185 -UN-16AUG99



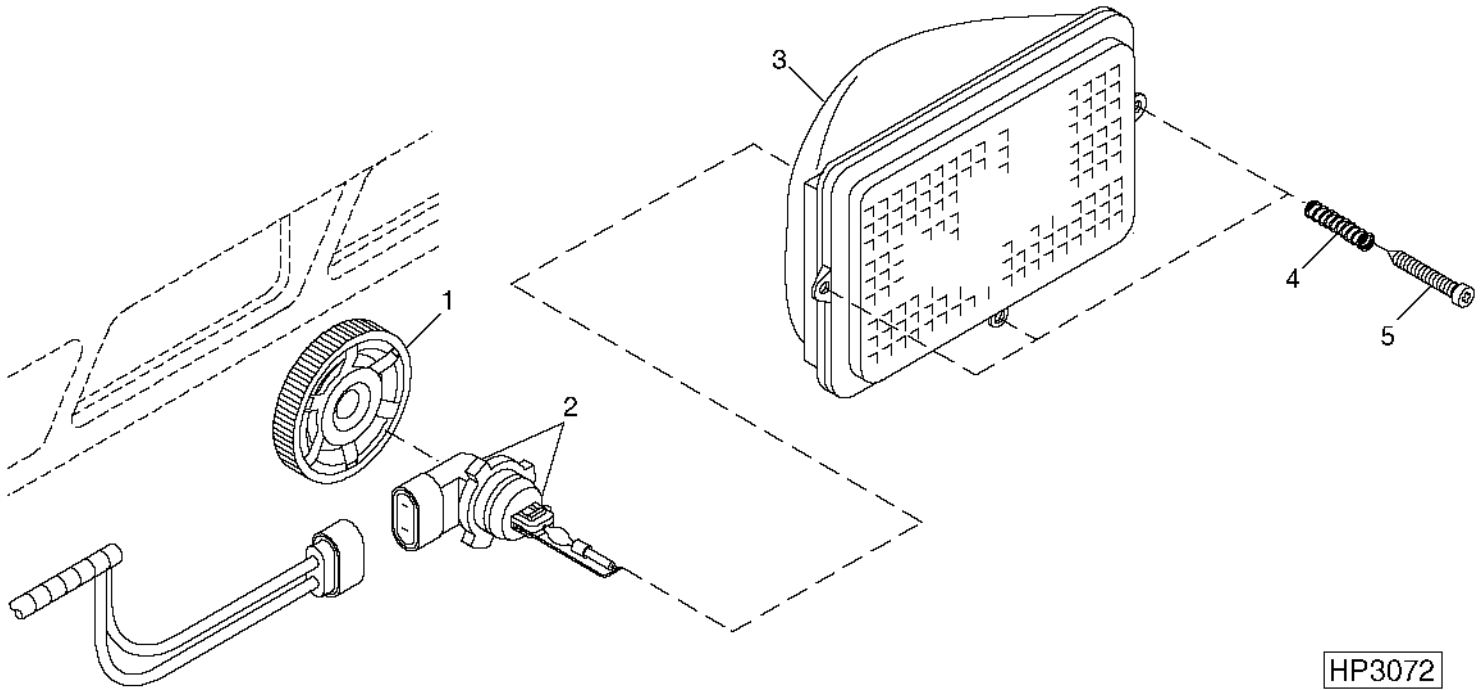
HP8185

| KEY | PART NO. | PART NAME | QTY | SERIAL NO. | REMARKS  |
|-----|----------|-----------|-----|------------|--|
| 1   | AH149801 | CABLE     | 1   |            | POSITIVE   |
| 2   | H134000  | CLAMP     | 1   |            |  |
| 3   | 14M7396  | LOCK NUT  | 2   |            | M8   |
| 4   | TY21765  | BATTERY   | 2   |            | 650 COLD CRANKING AMPS AT 0°F (-18°C),<br>120-MINUTE RESERVE CAPACITY AT 25 AMPS |
| 5   | H158292  | HOOK BOLT | 2   |            |  |
| 6   | AH164189 | CABLE     | 1   |            | NEGATIVE   |
| 7   | H144256  | TRAY      | 2   |            |  |

# 1H23

ELECTRICAL

**CAB ROOF LIGHTS**  
 HP3072 -UN-24AUG99



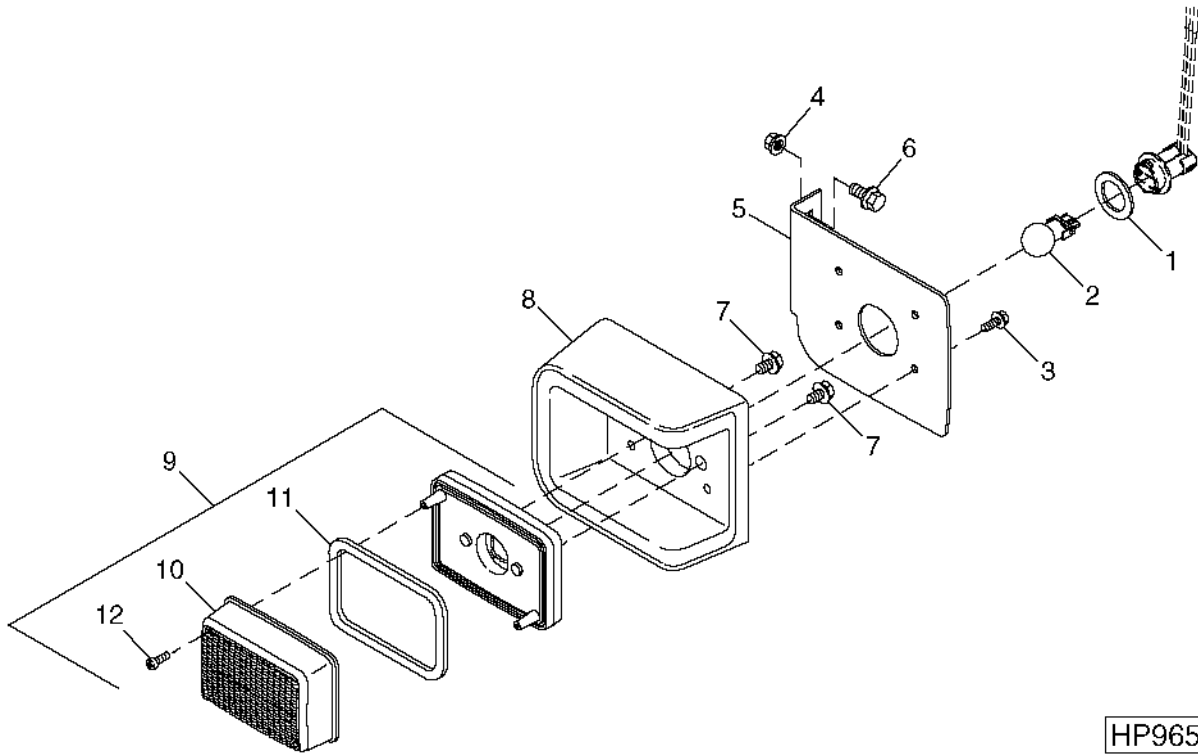
HP3072

| KEY | PART NO. | PART NAME | QTY | SERIAL NO. | REMARKS |
|-----|----------|-----------|-----|------------|---------|
| 1   | H132900  | RETAINER  | 1   |            |         |
| 2   | AH162232 | BULB      | 1   |            |         |
| 3   | AH159333 | LENS      | 1   |            | CENTER  |
|     | AH159332 | LENS      | 1   |            | OUTSIDE |
| 4   | H130299  | SPRING    | 3   |            |         |
| 5   | H130298  | SCREW     | 3   |            |         |

# 1H24

ELECTRICAL

**LIGHT (L.H. FRONT)**  
HP9653 -UN-29MAR00



HP9653

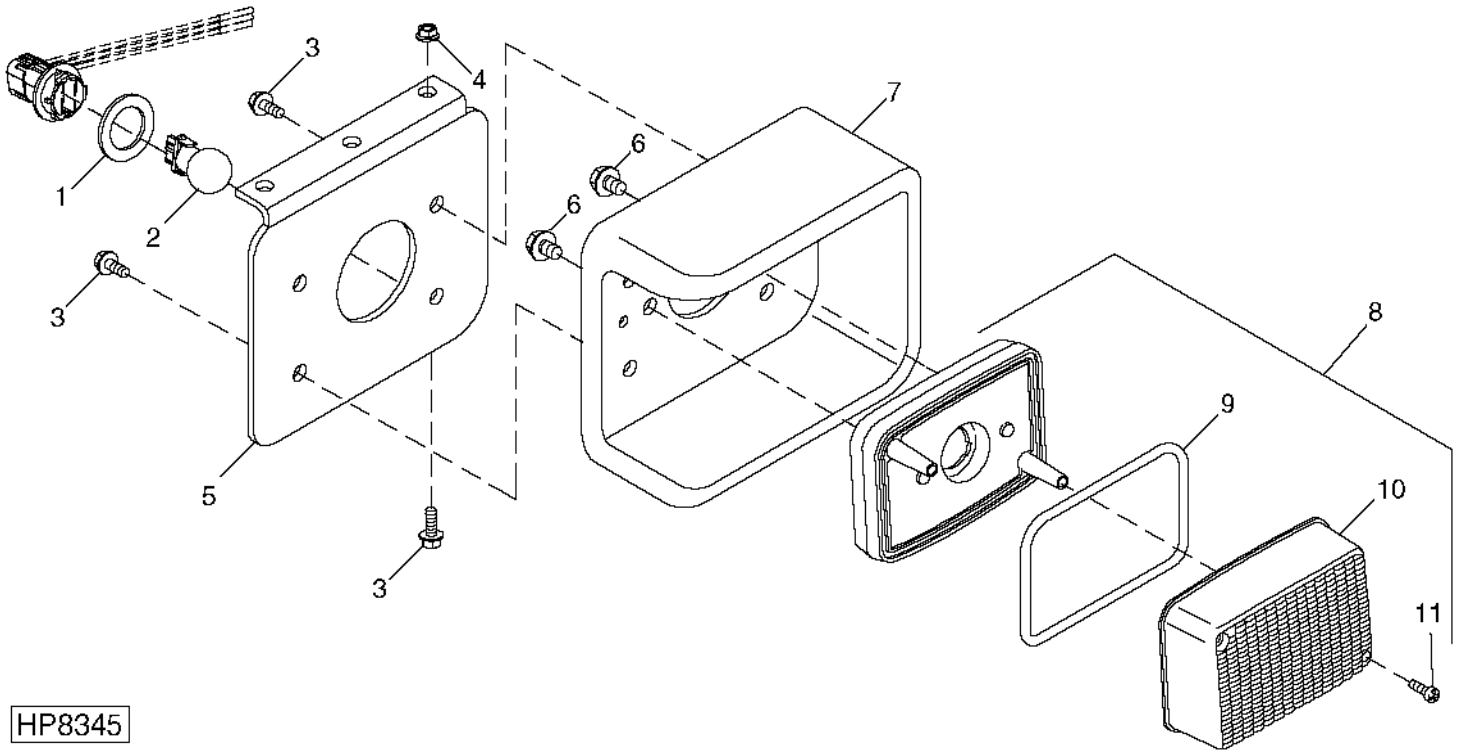
| KEY | PART NO. | PART NAME        | QTY | SERIAL NO.   | REMARKS |
|-----|----------|------------------|-----|--|---------|
| 1   | H141955  | SEAL             | 1   |  |         |
| 2   | H133384  | BULB             | 1   |  |         |
| 3   | 19M7775  | SCREW            | 4   | M6 X 16  |         |
| 4   | 14M7296  | FLANGE NUT       | 2   |  |         |
| 5   | H161128  | BRACKET          | 1   |  |         |
| 6   | 19M7784  | SCREW            | 2   |  |         |
| 7   | 19M7864  | SCREW            | 2   | M8 X 12  |         |
| 8   | AH154504 | HOUSING          | 1   |  |         |
| 9   | AA45032  | TURN SIGNAL LAMP | 1   |  |         |
| 10  | A63124   | LENS             | 1   | AMBER  |         |
| 11  | A63127   | GASKET           | 1   |  |         |
| 12  | A63635   | SCREW            | 2   |  |         |
| ..  | AH168190 | WIRING HARNESS   | 1   | (SUB FOR AH154914) TURN SIGNAL/WARNING LIGHT, L.H. |         |



# 1H25

ELECTRICAL

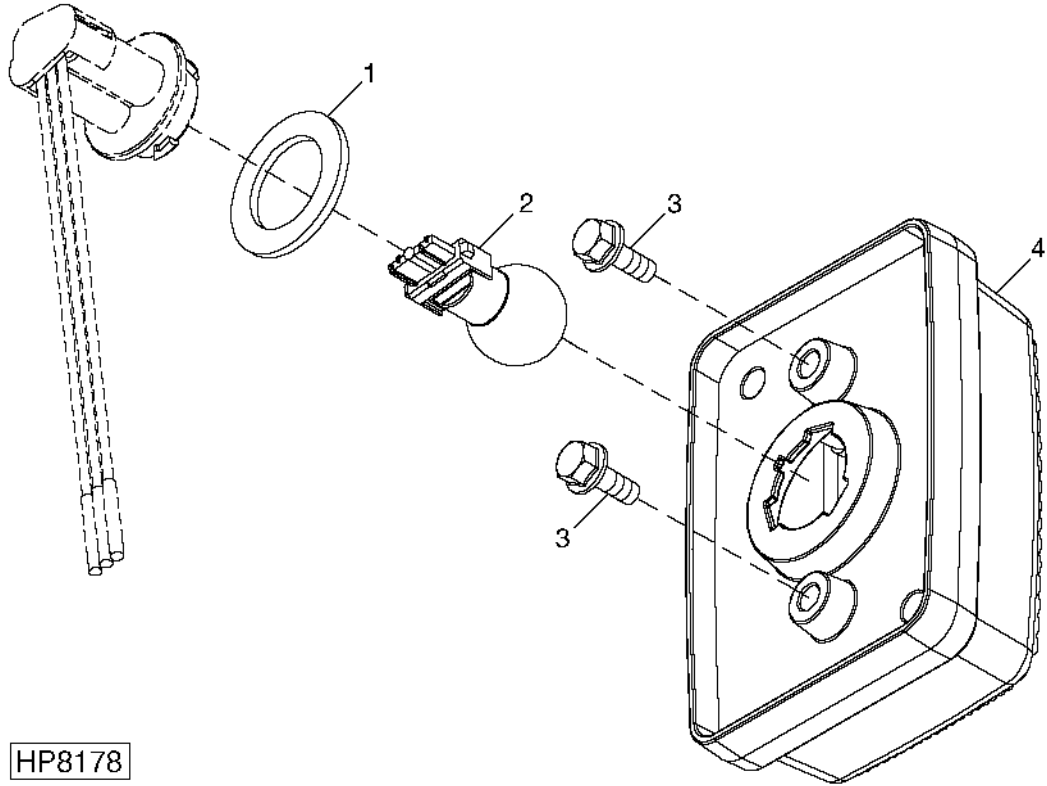
**LIGHT (R.H. FRONT)**  
 HP8345 -UN-04JUN99



HP8345

| KEY | PART NO. | PART NAME        | QTY | SERIAL NO. | REMARKS |
|-----|----------|------------------|-----|------------|---------|
| 1   | H141955  | SEAL             | 1   |            |         |
| 2   | H133384  | BULB             | 1   |            |         |
| 3   | 19M7775  | SCREW            | 7   | M6 X 16    |         |
| 4   | 14M7303  | FLANGE NUT       | 3   | M6         |         |
| 5   | H161130  | BRACKET          | 1   |            |         |
| 6   | 19M7864  | SCREW            | 2   |            |         |
| 7   | AH154504 | HOUSING          | 1   |            |         |
| 8   | AA45032  | TURN SIGNAL LAMP | 1   |            |         |
| 9   | A63127   | GASKET           | 1   |            |         |
| 10  | A63124   | LENS             | 1   | AMBER      |         |
| 11  | A63635   | SCREW            | 2   |            |         |

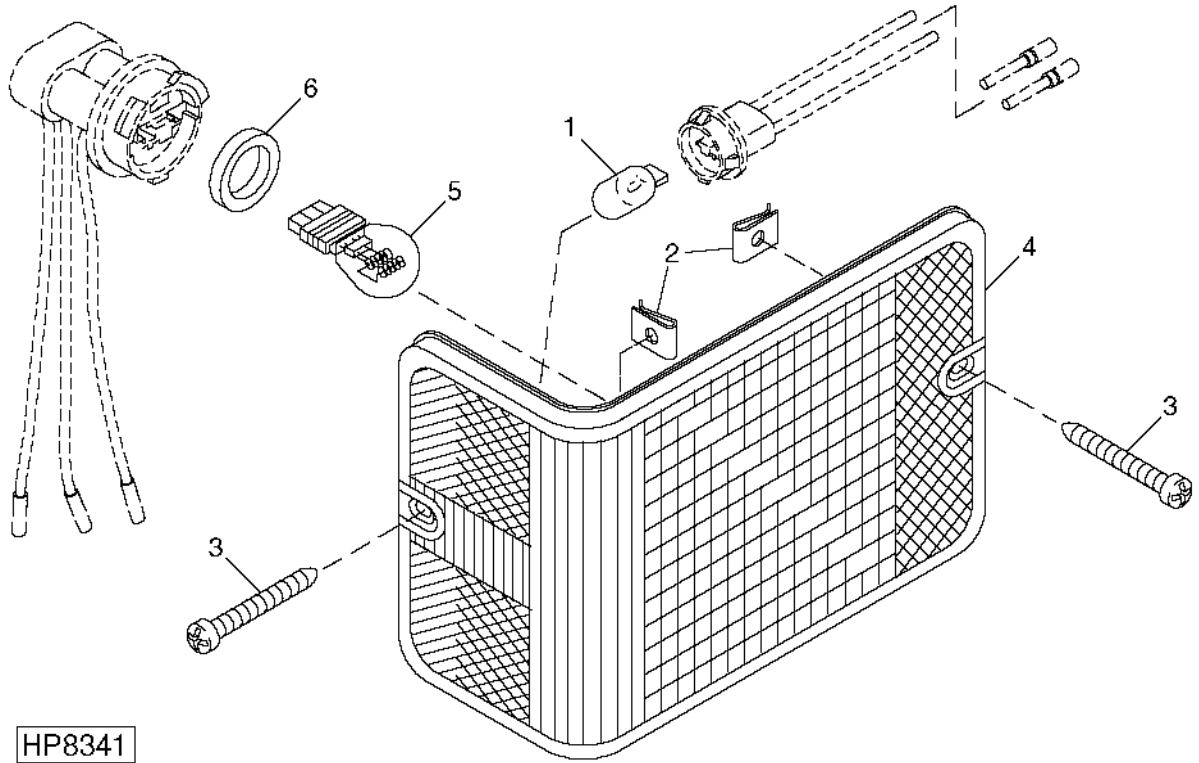
**REAR LIGHT - AMBER**  
 HP8178 -UN-20JAN99



HP8178

| KEY | PART NO. | PART NAME        | QTY | SERIAL NO. | REMARKS |
|-----|----------|------------------|-----|------------|---------|
| 1   | H141955  | SEAL             | 1   |            |         |
| 2   | H133384  | BULB             | 1   |            |         |
| 3   | 19M7775  | SCREW            | 2   | M6 X 16    |         |
| 4   | AA45032  | TURN SIGNAL LAMP | 1   |            |         |

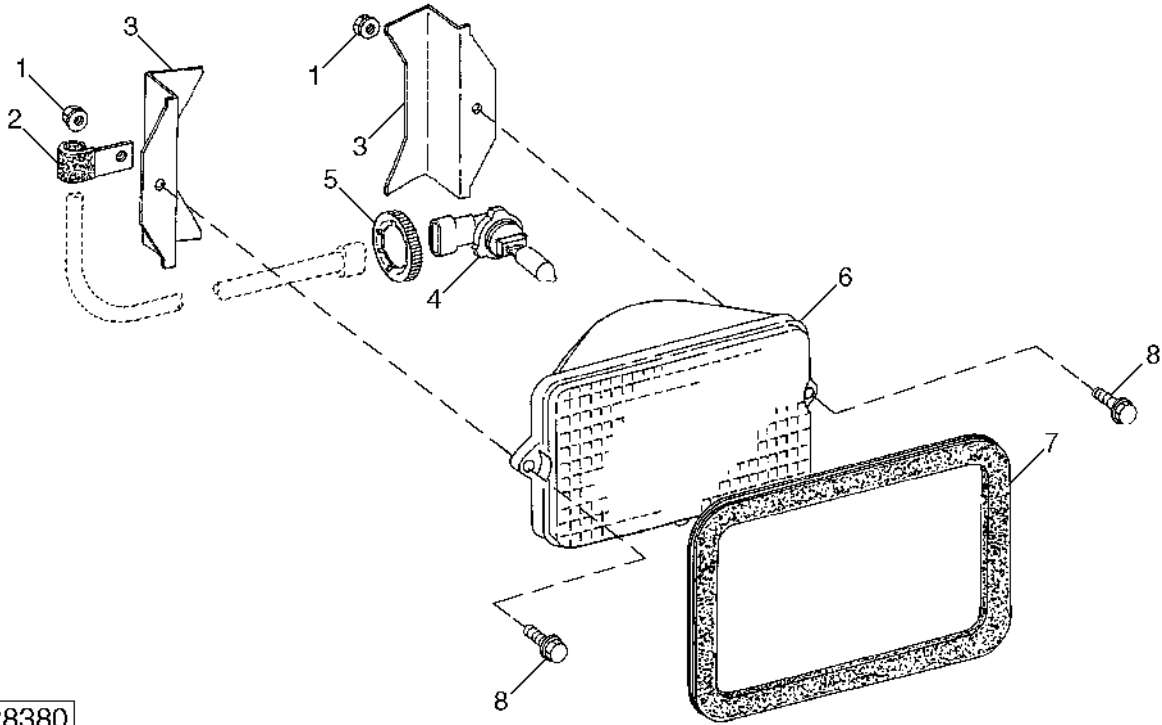
**REAR TURN AND TAIL LIGHTS**  
 HP8341 -UN-10MAR99



HP8341

| KEY | PART NO. | PART NAME | QTY | SERIAL NO. | REMARKS |
|-----|----------|-----------|-----|------------|---------|
| 1   | AR62407  | BULB      | 1   |            |         |
| 2   | H140628  | NUT       | 2   |            |         |
| 3   | H140627  | SCREW     | 2   |            |         |
| 4   | AH123016 | LAMP      | 1   | RED        |         |
| 5   | H133384  | BULB      | 2   |            |         |
| 6   | H141955  | SEAL      | 1   |            |         |

**SIDE FINDER LIGHTS**  
HP8380 -UN-27JUL99

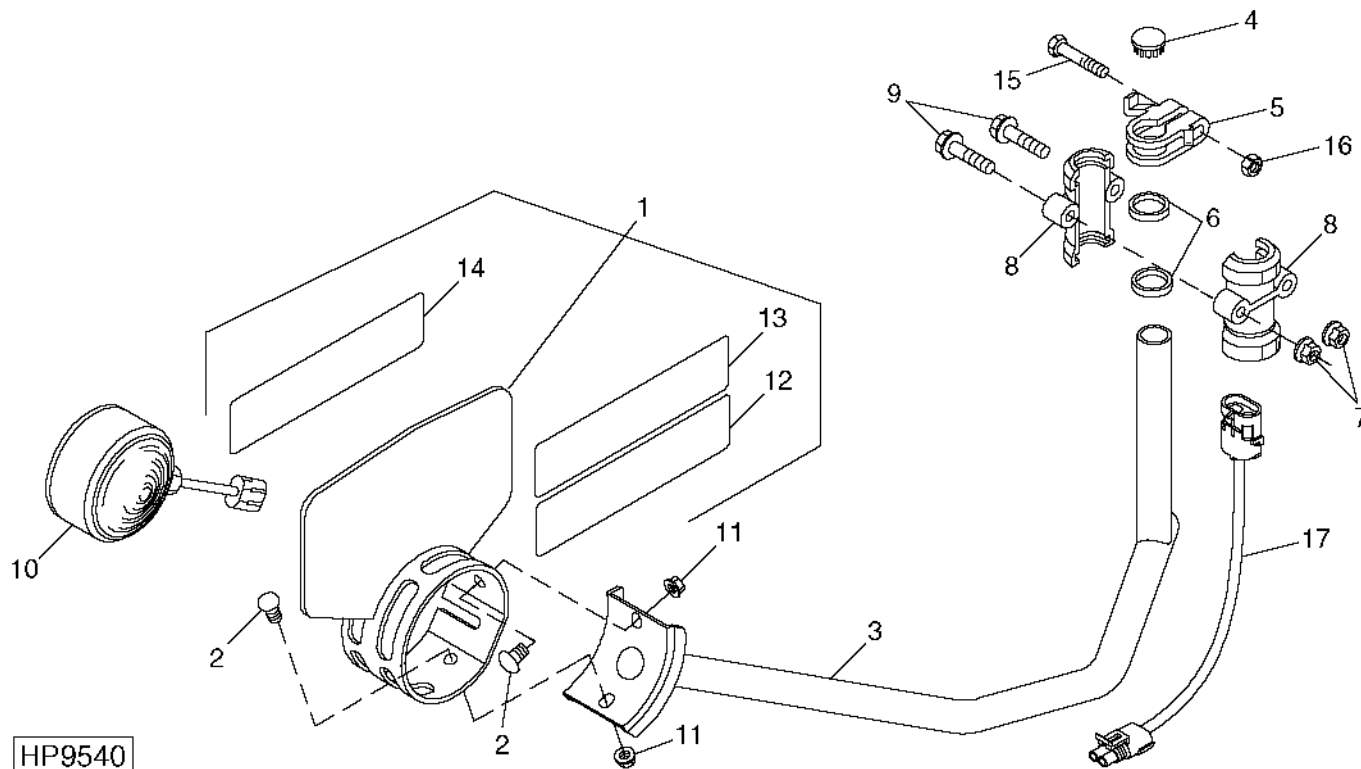


HP8380

| KEY | PART NO. | PART NAME  | QTY | SERIAL NO. | REMARKS          |
|-----|----------|------------|-----|------------|------------------|
| 1   | 14M7303  | FLANGE NUT | 8   | M6         |                  |
| 2   | AH89557  | CLIP       | 2   |            |                  |
| 3   | H132687  | RETAINER   | 4   |            |                  |
| 4   | AH162231 | BULB       | 2   |            |                  |
| 5   | H132900  | RETAINER   | 2   |            |                  |
| 6   | AH128328 | FLOODLAMP  | 4   |            |                  |
| 7   | H132686  | GROMMET    | 2   |            | SHOE LIGHT       |
|     | H165252  | GROMMET    | 2   |            | ROW FINDER LIGHT |
| 8   | 19M7774  | SCREW      | 4   |            | M6 X 12          |

**TRANSPORT WARNING LIGHTS**

HP9540 -UN-04FEB00

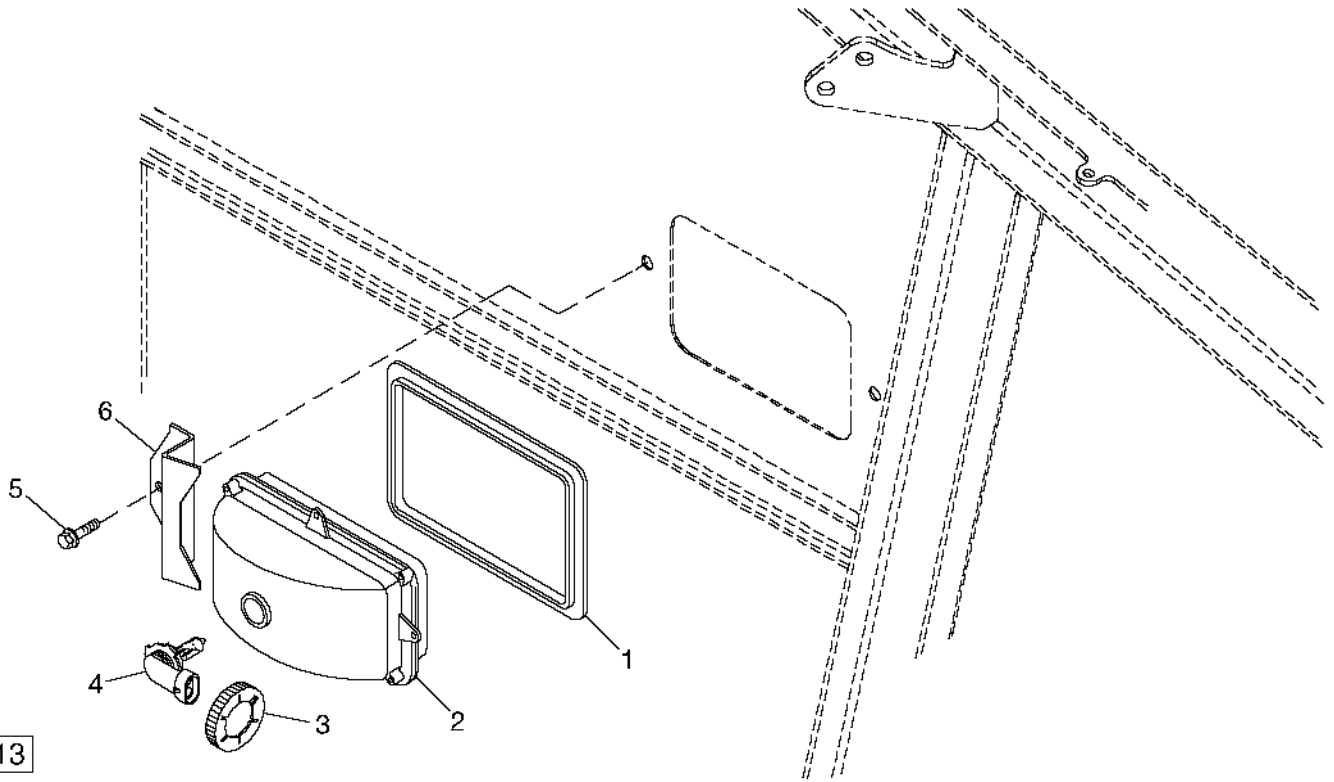


**HP9540**

| KEY | PART NO.       | PART NAME                          | QTY | SERIAL NO. | REMARKS                                 |
|-----|----------------|------------------------------------|-----|------------|---|
| 1   | AH163048       | SHIELD                             | 1   |            | L.H., LONG ARM & EXTRA LONG             |
|     | AH163049       | SHIELD                             | 1   |            | R.H., LONG ARM & EXTRA LONG             |
| 2   | 03M7183        | BOLT                               | 4   |            | M8 X 16                                 |
| 3   | AH166000       | TUBE                               | 1   |            | R.H., SHORT                             |
|     | AH160218       | TUBE                               | 1   |            | L.H., SHORT                             |
|     | AH166001       | TUBE                               | 1   |            | R.H., LONG                              |
|     | AH160219       | TUBE                               | 1   |            | L.H., LONG                              |
|     | AH166002       | TUBE                               | 1   |            | R.H., EXTRA LONG (1390)                 |
|     | AH164049       | TUBE                               | 1   |            | L.H., EXTRA LONG (1390)                 |
| 4   | H106000        | PLUG                               | 2   |            |   |
| 5   | H172549        | CLAMP                              | 1   |            | L.H.                                    |
|     | AT18904        | CLAMP                              | 1   |            | R.H.                                    |
| 6   | H136110        | ISOLATOR                           | 2   |            |   |
| 7   | 14M7296        | FLANGE NUT                         | 4   |            | M10                                     |
| 8   | H161618        | HOUSING                            | 4   |            |   |
| 9   | 19M7809        | SCREW                              | 4   |            | M10 X 70                                |
| 10  | AH164497       | LAMP                               | 2   |            |   |
| 11  | 14M7298        | FLANGE NUT                         | 4   |            | M8                                      |
| 12  | JD5922         | REFLECTOR                          | 2   |            | ORANGE                                  |
| 13  | JD5920         | REFLECTOR                          | 2   |            | RED                                     |
| 14  | JD5921         | REFLECTOR                          | 2   |            | YELLOW                                  |
| 15  | 19M7801        | SCREW                              | 1   |            |   |
| 16  | 14M7298        | FLANGE NUT                         | 1   |            |   |
| 17  | AH166924       | WIRING HARNESS                     | 2   |            | EXTENSION                               |
| ..  | <b>BH81586</b> | <b>COMPLETE GOODS/SHIP. BUNDLE</b> | 1   |            | <b>(1260) LONG LIGHT ARM CONVERSION</b> |
| ..  | <b>BH81588</b> | <b>COMPLETE GOODS/SHIP. BUNDLE</b> | 1   |            | <b>EXTRA LONG ASAE LIGHT</b>            |

**CLEANING SHOE INSPECTION LIGHTS**

HP9513 -UN-25JAN00



HP9513

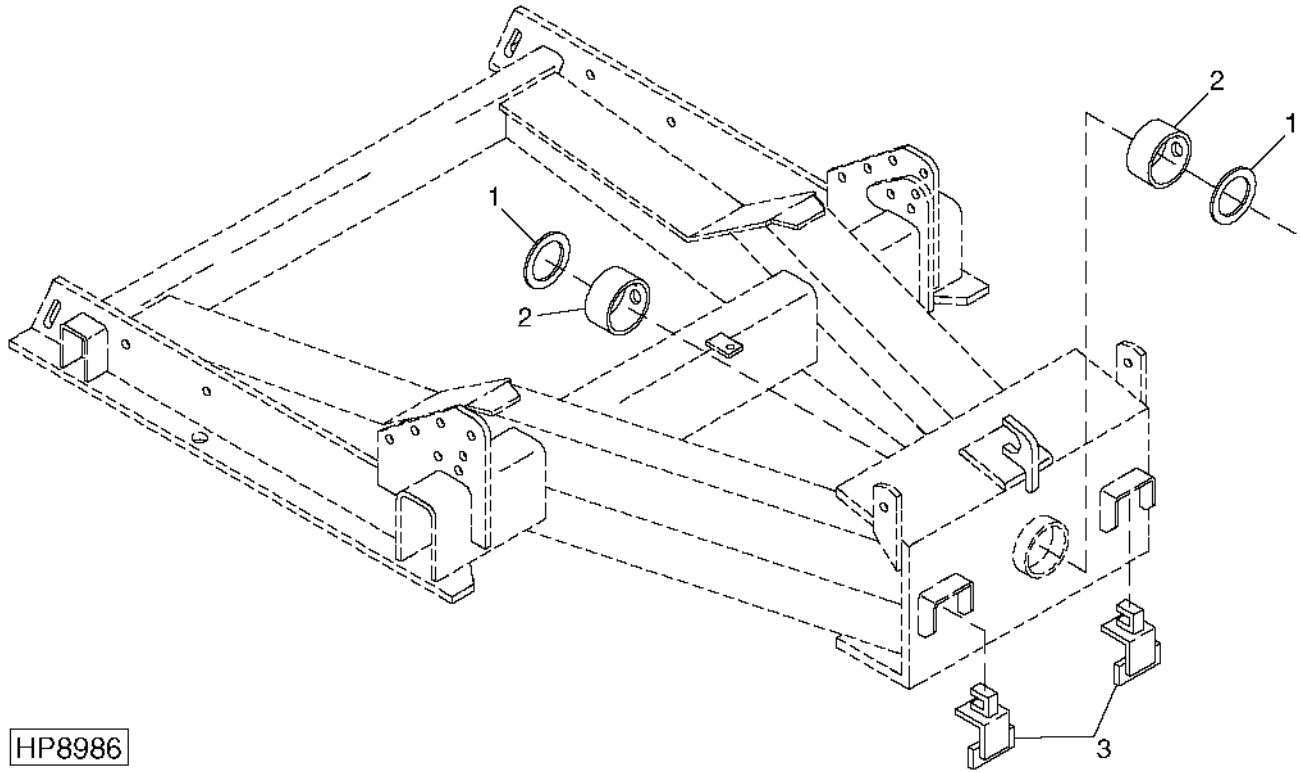
| KEY | PART NO. | PART NAME  | QTY | SERIAL NO. | REMARKS |
|-----|----------|------------|-----|------------|---------|
| 1   | H165252  | GROMMET    | 1   |            |         |
| 2   | AH128328 | FLOODLAMP  | 1   |            |         |
| 3   | H132900  | RETAINER   | 1   |            |         |
| 4   | AH162231 | BULB       | 1   |            |         |
| 5   | 14M7303  | FLANGE NUT | 2   | M6         |         |
| 6   | H132687  | RETAINER   | 2   |            |         |

NOTE: QUANTITIES SHOWN ARE FOR ONE UNIT. TWO UNITS USED PER MACHINE

# 2B4

POWER TRAIN

**REAR AXLE SUPPORT**  
HP8986 -UN-02SEP99



HP8986

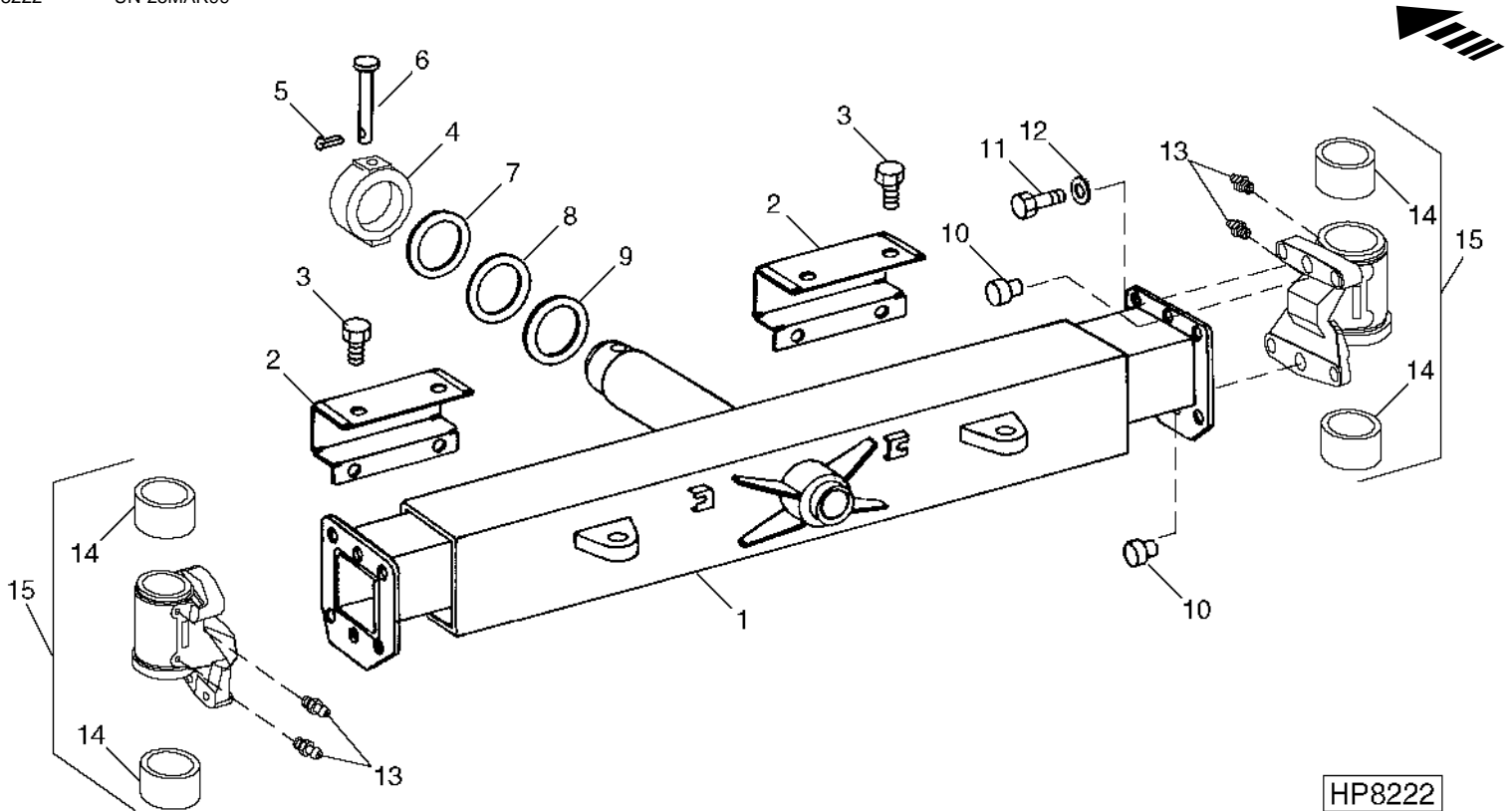
| KEY | PART NO.       | PART NAME                          | QTY      | SERIAL NO.             | REMARKS |
|-----|----------------|------------------------------------|----------|------------------------|---------|
| 1   | AH112284       | SEAL                               | 2        |                        |         |
| 2   | H146281        | BUSHING                            | 2        | (HEAT TREATED)         |         |
| 3   | H151739        | REINFORCEMENT                      | 2        |                        |         |
| ..  | <b>BH81801</b> | <b>COMPLETE GOODS/SHIP. BUNDLE</b> | <b>1</b> | <b>AXLE STOP BLOCK</b> |         |

# 2B5

POWER TRAIN

## FIXED REAR AXLE AND SPINDLE HOUSING (REGULAR DUTY SPINDLE)

HP8222 -UN-25MAR99

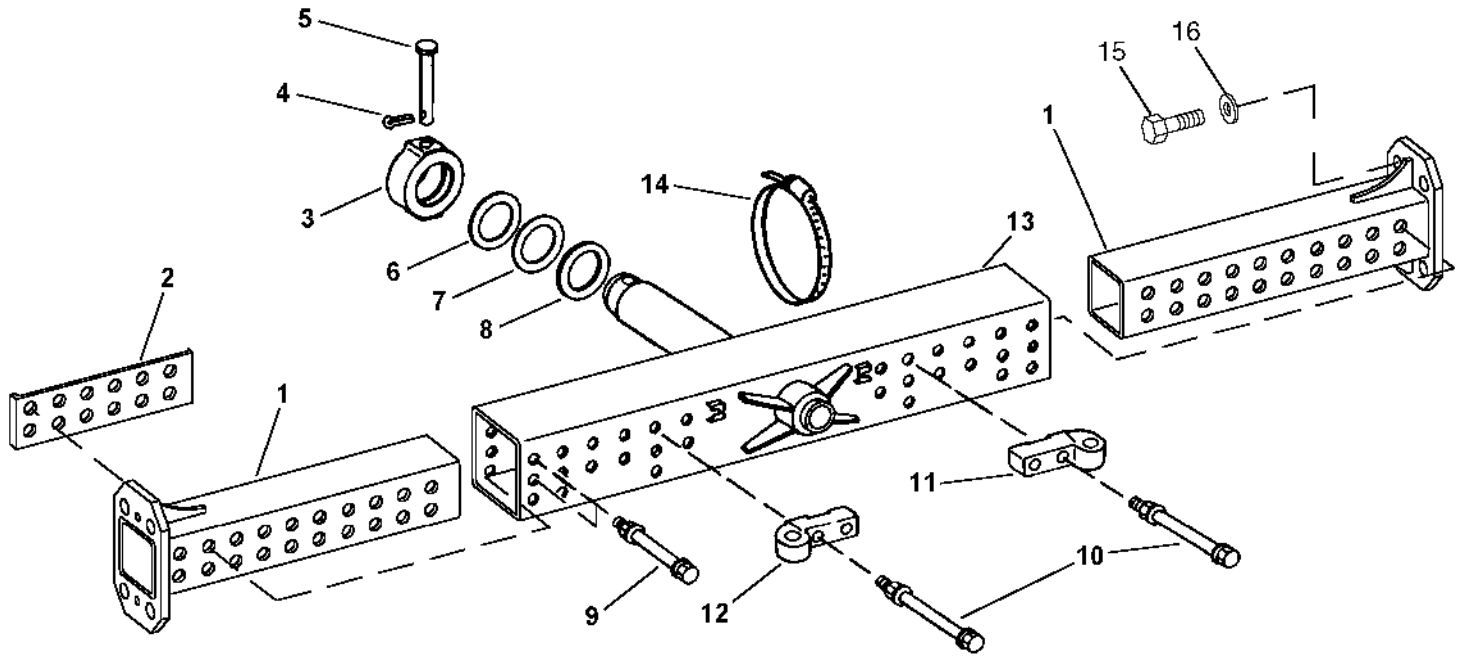


| KEY | PART NO.       | PART NAME                          | QTY      | SERIAL NO. | REMARKS                       |
|-----|----------------|------------------------------------|----------|------------|-------------------------------|
| 1   | AH134814       | AXLE                               | 1        |            |                               |
| 2   | H136115        | SHIELD                             | 2        |            | (4-WHEEL DRIVE ONLY)          |
| 3   | 37M7086        | SCREW                              | 8        |            | M10 X 20 (4-WHEEL DRIVE ONLY) |
| 4   | H134547        | BUSHING                            | 1        |            |                               |
| 5   | 11M7028        | COTTER PIN                         | 1        |            | 5 X 32 MM                     |
| 6   | H142107        | PIN                                | 1        |            |                               |
| 7   | H129709        | WASHER                             | AR       |            |                               |
| 8   | H115140        | SHIM                               | AR       |            |                               |
| 9   | H134548        | WASHER                             | 1        |            |                               |
| 10  | H75423         | PIN                                | 4        |            |                               |
| 11  | 19M8002        | CAP SCREW                          | 8        |            | M20 X 55                      |
| 12  | H166431        | WASHER                             | 8        |            | (SUB H174025)                 |
|     | H174025        | SPACER                             | 8        |            |                               |
| 13  | JD7759         | LUBRICATION FITTING                | 2        |            |                               |
| 14  | H158884        | BUSHING                            | 4        |            |                               |
| 15  | AH162576       | HOUSING                            | 2        |            | SPINDLE                       |
| ..  | C16071         | ADHESIVE                           | 1        |            |                               |
| ..  | <b>BH78882</b> | <b>COMPLETE GOODS/SHIP. BUNDLE</b> | <b>1</b> |            | <b>SHIELDS</b>                |



# 2B6

**REAR AXLE, ADJUSTABLE**  
HP8221 -UN-07MAY99

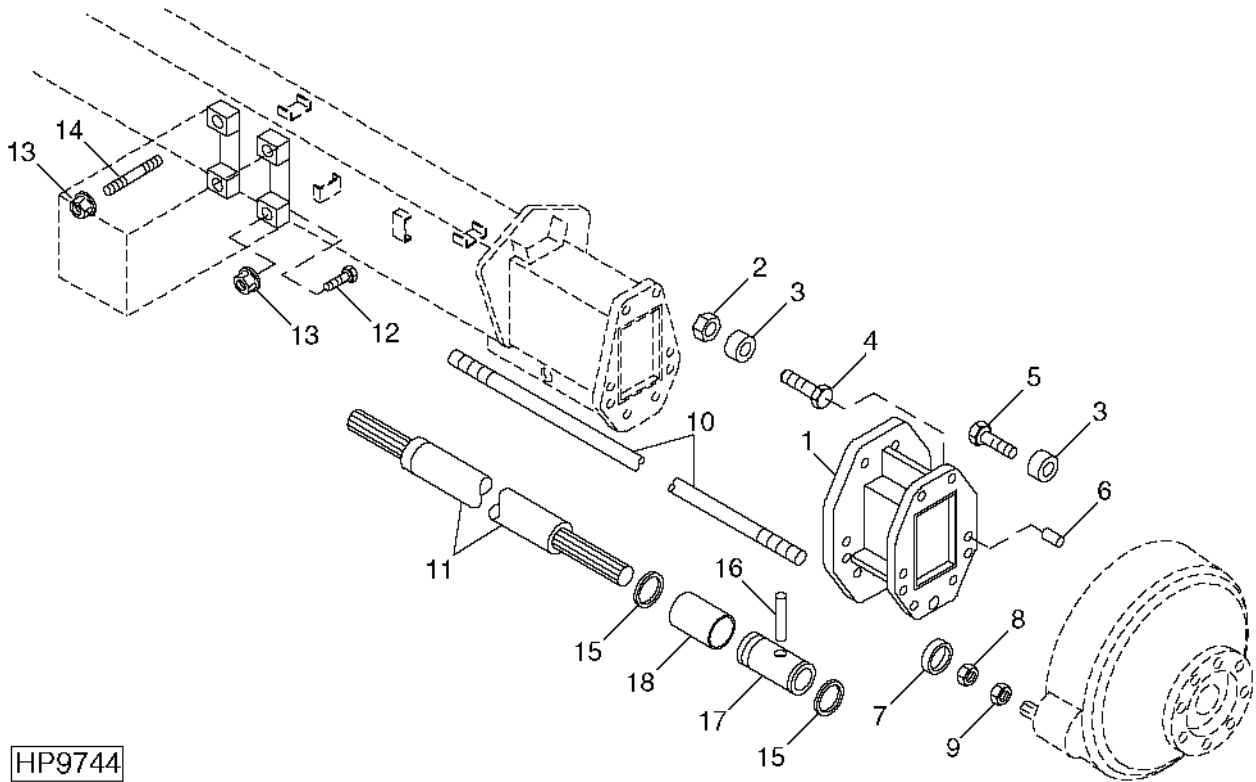


HP8221

| KEY | PART NO. | PART NAME  | QTY | SERIAL NO.                   | REMARKS |
|-----|----------|------------|-----|------------------------------|---------|
| 1   | AH156773 | TUBE       | 2   |                              |         |
| 2   | H134549  | PLATE      | 2   |                              |         |
| 3   | H134547  | BUSHING    | 1   |                              |         |
| 4   | 11M7028  | COTTER PIN | 1   | 5 X 32 MM                    |         |
| 5   | H142107  | PIN        | 1   | 20 X 180 MM                  |         |
| 6   | H129709  | WASHER     | AR  |                              |         |
| 7   | H115140  | SHIM       | AR  |                              |         |
| 8   | H134548  | WASHER     | 1   |                              |         |
| 9   | 19M7921  | CAP SCREW  | AR  | M20 X 150                    |         |
|     | 24M7242  | WASHER     | 8   | 21.400 X 42 X 5 MM           |         |
|     | H121472  | BOLT       | 4   | (4-WHEEL DRIVE) (CONVERSION) |         |
|     | 14M7300  | FLANGE NUT | 8   | M20                          |         |
| 10  | 19M7645  | SCREW      | 4   | M20 X 200                    |         |
|     | 14M7300  | FLANGE NUT | 4   | M20                          |         |
| 11  | H130224  | ANCHOR     | 1   | (R.H.)                       |         |
| 12  | H130223  | ANCHOR     | 1   | (L.H.)                       |         |
| 13  | AH134813 | REAR AXLE  | 1   |                              |         |
| 14  | AH130230 | HOSE CLAMP | 2   |                              |         |
| 15  | 19H3126  | CAP SCREW  | 4   | 3/4" X 2-1/4"                |         |
| 16  | H144293  | WASHER     | 4   |                              |         |

**AXLE SPACERS**

HP9744 -UN-05MAY00

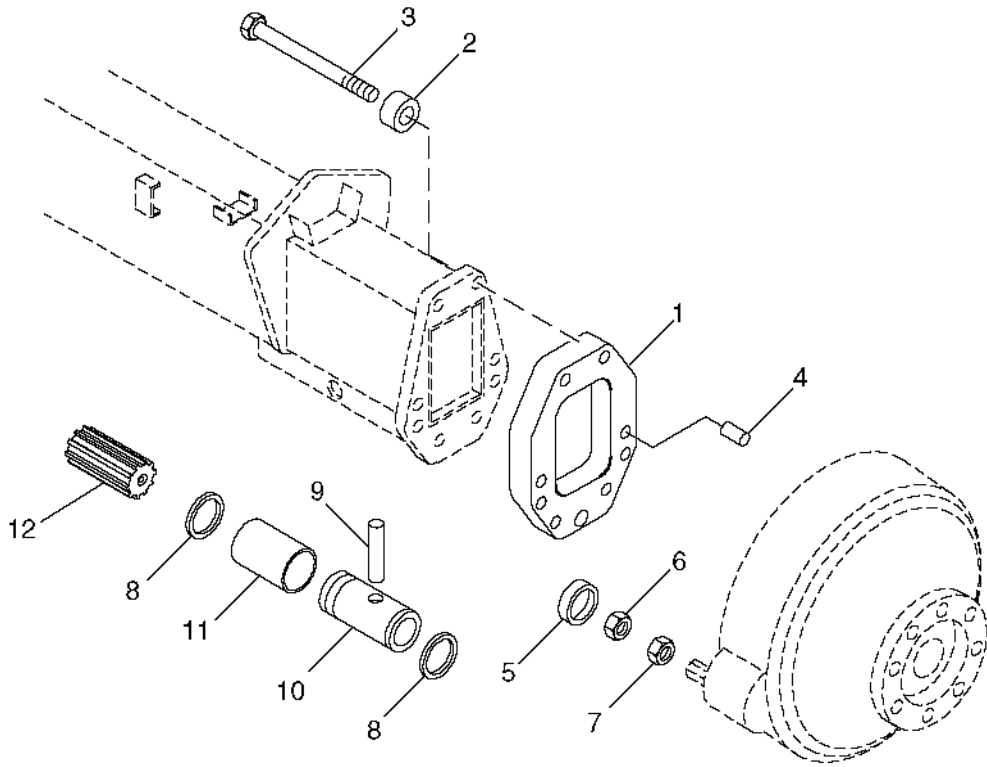


| KEY | PART NO.       | PART NAME                          | QTY      | SERIAL NO.                          | REMARKS |
|-----|----------------|------------------------------------|----------|-------------------------------------|---------|
| 1   | H168165        | SPACER                             | 2        | (165 MM)                            |         |
|     | H168744        | SPACER                             | 2        | (300 MM)                            |         |
|     | H168166        | SPACER                             | 2        | (400 MM)                            |         |
| 2   | 14M7300        | FLANGE NUT                         | 12       | M20                                 |         |
| 3   | H156127        | SLEEVE                             | 12       | (A) 21.500 X 45 X 22 MM             |         |
|     | H163561        | SPACER                             | 12       | (B) 25.400 X 45 X 18 MM, HEAVY DUTY |         |
| 4   | 19M7963        | CAP SCREW                          | 12       | M20 X 100                           |         |
| 5   | 19M7892        | CAP SCREW                          | 12       | (A) M20 X 80                        |         |
|     | 19M8287        | CAP SCREW                          | 12       | (B)                                 |         |
| 6   | H87691         | BUSHING                            | 8        |                                     |         |
| 7   | H130287        | SPACER                             | 2        |                                     |         |
| 8   | H130288        | NUT                                | 2        |                                     |         |
| 9   | 14M7431        | NUT                                | 2        | M30                                 |         |
| 10  | H133634        | STUD                               | 1        |                                     |         |
| 11  | H165661        | SHAFT                              | 2        | 165 MM                              |         |
|     | H165662        | SHAFT                              | 2        | 300 MM                              |         |
|     | H165663        | SHAFT                              | 2        | 400 MM                              |         |
| 12  | H107504        | BOLT                               | 2        |                                     |         |
| 13  | 14M7291        | FLANGE NUT                         | 4        | M16                                 |         |
| 14  | 42M7028        | STUD                               | 2        |                                     |         |
| 15  | H133229        | SNAP RING                          | 4        |                                     |         |
| 16  | H131754        | PIN                                | 2        |                                     |         |
| 17  | H165510        | SPLINED COUPLING                   | 2        |                                     |         |
| 18  | H134444        | SLEEVE                             | 2        |                                     |         |
| ..  | <b>BH81704</b> | <b>COMPLETE GOODS/SHIP. BUNDLE</b> | <b>2</b> | <b>(400 MM) AXLE SPACER</b>         |         |
| ..  | <b>BH81703</b> | <b>COMPLETE GOODS/SHIP. BUNDLE</b> | <b>2</b> | <b>(165 MM) AXLE SPACER</b>         |         |
| ..  | <b>BH81705</b> | <b>COMPLETE GOODS/SHIP. BUNDLE</b> | <b>2</b> | <b>(300 MM) AXLE SPACER</b>         |         |

(A) REGULAR DUTY  
(B) HEAVY DUTY

# 2B8

**AXLE SPACERS, 105MM (SOLID)**  
HP9777 -UN-25MAY00



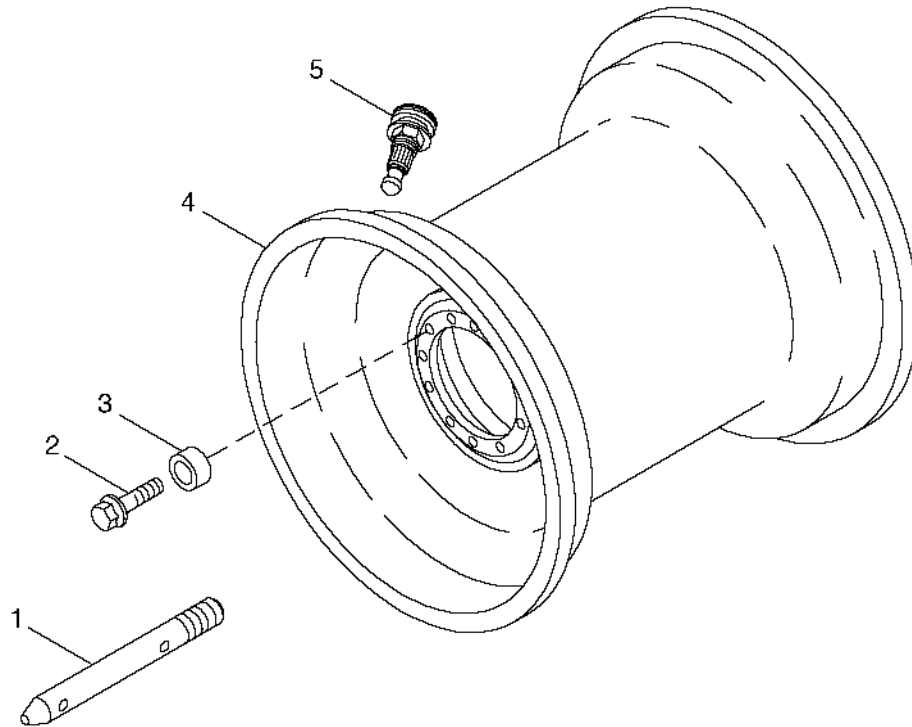
**HP9777**

| KEY | PART NO.       | PART NAME                          | QTY      | SERIAL NO. | REMARKS  |
|-----|----------------|------------------------------------|----------|------------|--|
| 1   | AH170484       | SPACER                             | 2        |            |  |
| 2   | 24M7243        | WASHER                             | 12       |            | 25.400 X 50 X 6 MM, HEAVY DUTY FINALS                |
|     | 24M7242        | WASHER                             | 2        |            | 21.400 X 42 X 5 MM, REGULAR DUTY FINALS              |
| 3   | 19M7782        | CAP SCREW                          | 12       |            | M24 X 180, HEAVY DUTY FINALS                         |
|     | 19M8100        | CAP SCREW                          | 12       |            | M20 X 180, REGULAR DUTY FINALS                       |
| 4   | H87691         | BUSHING                            | 8        |            |  |
| 5   | H130287        | SPACER                             | 2        |            |  |
| 6   | H130288        | NUT                                | 2        |            |  |
| 7   | 14M7431        | NUT                                | 2        | M30        |  |
| 8   | H133229        | SNAP RING                          | 4        |            |  |
| 9   | H131754        | PIN                                | 2        |            |  |
| 10  | H165510        | SPLINED COUPLING                   | 2        | 18 TEETH   |  |
| 11  | H134444        | SLEEVE                             | 2        |            |  |
| 12  | H176465        | SHAFT                              | 2        |            |  |
| ..  | <b>BH81867</b> | <b>COMPLETE GOODS/SHIP. BUNDLE</b> | <b>2</b> |            | <b>(105MM) AXLE SPACER</b>                           |
| ..  | <b>BH81869</b> | <b>COMPLETE GOODS/SHIP. BUNDLE</b> | <b>2</b> |            | <b>(105MM) AXLE SPACER BOLTS HEAVY DUTY FINALS</b>   |
| ..  | <b>BH81868</b> | <b>COMPLETE GOODS/SHIP. BUNDLE</b> | <b>2</b> |            | <b>(105MM) AXLE SPACER BOLTS REGULAR DUTY FINALS</b> |
| ..  | <b>BH81875</b> | <b>COMPLETE GOODS/SHIP. BUNDLE</b> | <b>2</b> |            | <b>(105MM) SPACER</b>                                |

# 2B9

**DRIVE WHEELS**

HP5527 -UN-23AUG99



HP5527

| KEY | PART NO.       | PART NAME                          | QTY | SERIAL NO. | REMARKS   |
|-----|----------------|------------------------------------|-----|------------|---|
| 1   | H138607        | STUD                               | 1   |            | USE FOR WHEEL MOUNTING ONLY                       |
| 2   | H170072        | SCREW                              | 10  |            |   |
| 3   | H134114        | SPACER                             | 10  |            |   |
| 4   | AH156626       | WHEEL                              | 1   |            | (32XDW27" 12"BC) (REGULAR DUTY FINAL DRIVE)       |
|     | AH154848       | WHEEL                              | 1   |            | (32XDW27" 335 BC) (HEAVY DUTY FINAL DRIVE)        |
|     | AH130625       | WHEEL                              | 1   |            | (32-DH27) (HEAVY DUTY FINAL DRIVE)                |
|     | AH127656       | WHEEL                              | 1   |            | (32-DH31) (HEAVY DUTY FINAL DRIVE)                |
|     | AH132128       | WHEEL                              | 1   |            | (32XDW21", 96MM INSET) (REGULAR DUTY FINAL DRIVE) |
| 5   | AT25226        | TIRE VALVE STEM                    | 1   |            |   |
| ..  | <b>BH79234</b> | <b>COMPLETE GOODS/SHIP. BUNDLE</b> | 1   |            | <b>TIRE/WHEEL-RH 35.5LX32 12PLY</b>               |
| ..  | <b>BH79235</b> | <b>COMPLETE GOODS/SHIP. BUNDLE</b> | 1   |            | <b>TIRE/WHEEL-LH 35.5LX32 12PLY</b>               |

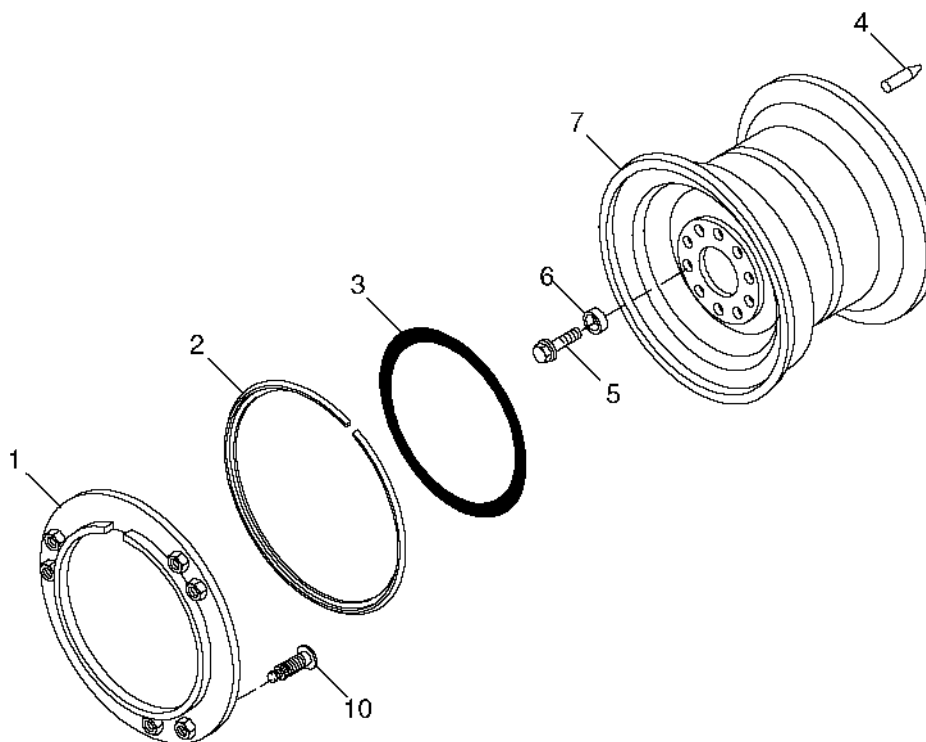
NOTE: REFERENCE SECTION 170 FOR TIRE/WHEEL LABELS AND DECALS  
 NOTE: QUANTITIES SHOWN ARE FOR ONE UNIT. TWO UNITS USED PER MACHINE.

# 2B10

**HIGH FLOATATION DRIVE WHEELS**

**HEAVY DUTY FINAL DRIVE**

HP9718 -UN-18APR00



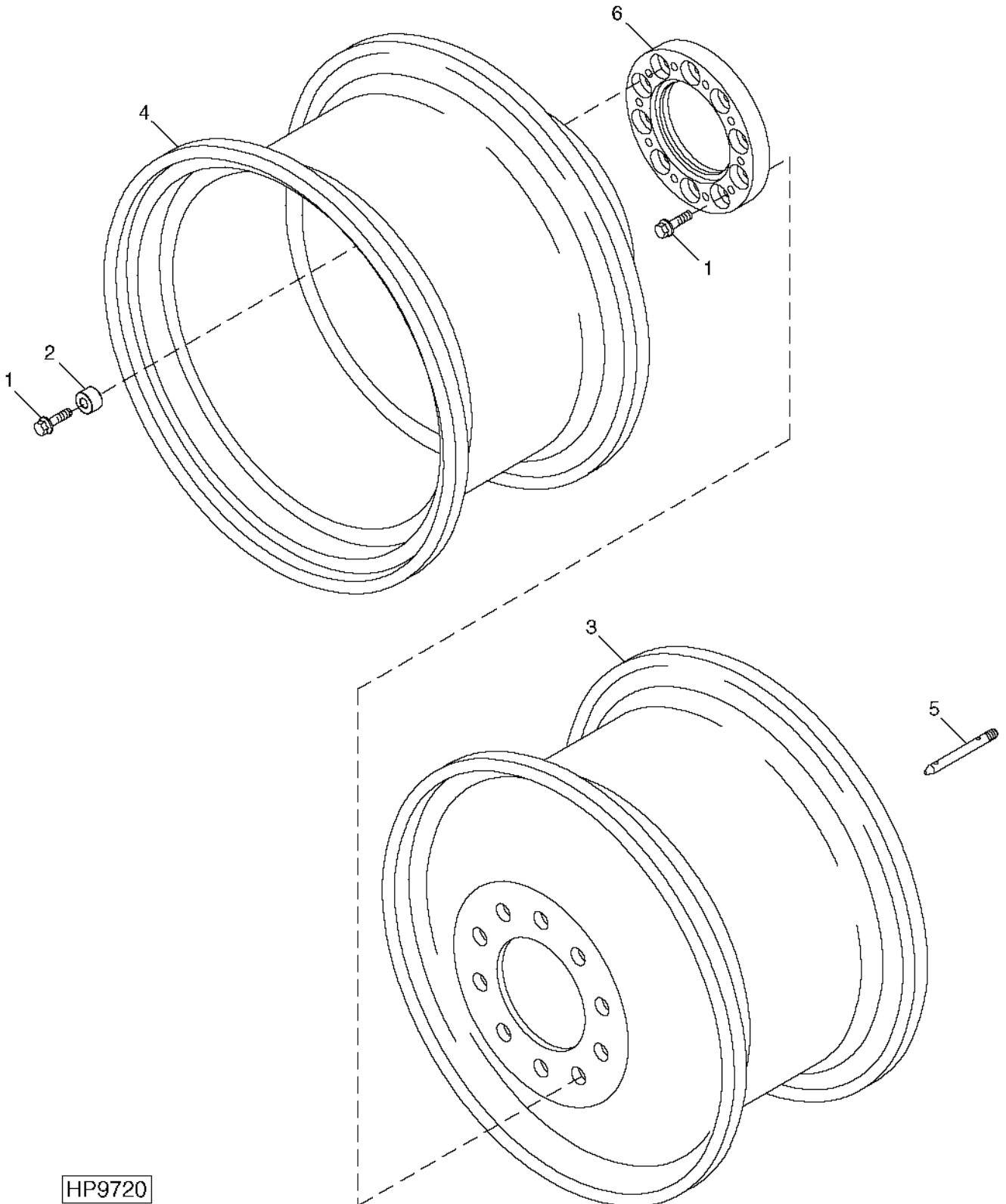
HP9718

| KEY | PART NO.       | PART NAME                          | QTY      | SERIAL NO.                         | REMARKS                               |
|-----|----------------|------------------------------------|----------|------------------------------------|---------------------------------------|
| 1   | AH147544       | FLANGE                             | 1        |                                    |                                       |
| 2   | H105822        | RING                               | 1        |                                    |                                       |
| 3   | H111500        | O-RING                             | 1        |                                    |                                       |
| 4   | H138607        | STUD                               | 1        |                                    |                                       |
| 5   | H170072        | SCREW                              | 10       |                                    |                                       |
| 6   | H134114        | SPACER                             | 10       |                                    |                                       |
| 7   | AH147545       | WHEEL                              | 1        | (32X44) (REGULAR DUTY FINAL DRIVE) |                                       |
|     | AH147546       | WHEEL                              | 1        | (32X44) (HEAVY DUTY FINAL DRIVE)   |                                       |
| 8   | AT36212        | TIRE VALVE STEM                    | 1        |                                    |                                       |
| ..  | <b>BH81148</b> | <b>COMPLETE GOODS/SHIP. BUNDLE</b> | <b>1</b> |                                    | <b>TIRE/WHEEL</b>                     |
| ..  | <b>BH81149</b> | <b>COMPLETE GOODS/SHIP. BUNDLE</b> | <b>1</b> |                                    | <b>TIRE/WHEEL</b>                     |
| ..  | <b>BH81146</b> | <b>COMPLETE GOODS/SHIP. BUNDLE</b> | <b>1</b> |                                    | <b>L.H. TIRE/WHEEL (68 X 50 - 32)</b> |
| ..  | <b>BH81147</b> | <b>COMPLETE GOODS/SHIP. BUNDLE</b> | <b>1</b> |                                    | <b>R.H. TIRE/WHEEL (68 X 50 - 32)</b> |
| ..  | <b>BH81537</b> | <b>COMPLETE GOODS/SHIP. BUNDLE</b> | <b>1</b> |                                    | <b>WHEEL BOLTS FLOTATION TIRES</b>    |

NOTE: REFERENCE SECTION 170 FOR TIRE/WHEEL LABELS AND DECALS  
 NOTE: QUANTITIES SHOWN ARE FOR ONE UNIT. TWO UNITS USED PER MACHINE.

# 2B11

WIDE-SPACED DUAL WHEELS  
HP9720 -UN-18APR00



HP9720

## WIDE-SPACED DUAL WHEELS - CONTINUED

| KEY | PART NO. | PART NAME                   | QTY | SERIAL NO. | REMARKS  |
|-----|----------|-----------------------------|-----|------------|--|
| 1   | H170072  | SCREW                       | 20  |            |  |
| 2   | H134114  | SPACER                      | 10  |            |  |
| 3   | AH130627 | WHEEL                       | 1   |            | (38 W16L)(REGULAR DUTY FINAL DRIVE)              |
|     | AH130626 | WHEEL                       | 1   |            | (42-DDWL 16")(HEAVY DUTY FINAL DRIVE)            |
|     | AH140253 | WHEEL                       | 1   |            | (38-WH18A)(REGULAR DUTY FINAL DRIVE)             |
|     | AH145348 | WHEEL                       | 1   |            | (42XDDWL18)(HEAVY DUTY FINAL DRIVE)              |
|     | AH163172 | WHEEL                       | 1   |            | (38XWH18A)(HEAVY DUTY FINAL DRIVE)               |
|     | AH160832 | WHEEL                       | 1   |            | (42XDD16, 335BC-11.070) (HEAVY DUTY FINAL DRIVE) |
| 4   | AH150343 | WHEEL                       | 1   |            | (38XWH16)(REGULAR DUTY FINAL DRIVE)              |
|     | AH150345 | WHEEL                       | 1   |            | (42XDD 16)(HEAVY DUTY FINAL DRIVE)               |
|     | AH150344 | WHEEL                       | 1   |            | (38XWH 18A)(REGULAR DUTY FINAL DRIVE)            |
|     | AH150346 | WHEEL                       | 1   |            | (42XDD 18)(HEAVY DUTY FINAL DRIVE)               |
|     | AH160832 | WHEEL                       | 1   |            | (42XDD16, 335BC-11.070) (HEAVY DUTY FINAL DRIVE) |
|     | AH163171 | WHEEL AND TIRE ASSEMBLY     | 1   |            | (38XWH18A)(HEAVY DUTY FINAL DRIVE)               |
| 5   | H138607  | STUD                        | 1   |            | USE FOR WHEEL MOUNTING ONLY                      |
| 6   | N276699  | SPACER                      | 1   |            | (REGULAR DUTY FINAL DRIVE)                       |
|     | H157698  | SPACER                      | 1   |            | (HEAVY DUTY FINAL DRIVE)                         |
| ..  | BH81543  | COMPLETE GOODS/SHIP. BUNDLE | 1   |            | L.H. INNER WHEEL (20.8 R38)                      |
| ..  | BH81544  | COMPLETE GOODS/SHIP. BUNDLE | 1   |            | R.H. INNER WHEEL (20.8 R38)                      |
| ..  | BH81545  | COMPLETE GOODS/SHIP. BUNDLE | 1   |            | R.H. OUTER WHEEL (20.8 R38)                      |
| ..  | BH81546  | COMPLETE GOODS/SHIP. BUNDLE | 1   |            | R.H. OUTER WHEEL (20.8 R38)                      |
| ..  | BH81211  | COMPLETE GOODS/SHIP. BUNDLE | 1   |            | L.H. OUTER TIRE/WHEEL 20.8R38 R2                 |
| ..  | BH81212  | COMPLETE GOODS/SHIP. BUNDLE | 1   |            | R.H. OUTER TIRE/WHEEL 20.8R38 R2                 |
| ..  | BH81240  | COMPLETE GOODS/SHIP. BUNDLE | 1   |            | R.H. TIRE/WHEEL 20.8X38 R2                       |
| ..  | BH81241  | COMPLETE GOODS/SHIP. BUNDLE | 1   |            | L.H. TIRE/WHEEL 20.8X38 R2                       |
| ..  | BH81514  | COMPLETE GOODS/SHIP. BUNDLE | 1   |            | L.H. OUTER/R.H. INNER TIRE/WHEEL 18.4R42         |
| ..  | BH81515  | COMPLETE GOODS/SHIP. BUNDLE | 1   |            | R.H. OUTER/L.H. INNER TIRE/WHEEL 18.4R42         |
| ..  | BH81209  | COMPLETE GOODS/SHIP. BUNDLE | 1   |            | L.H. OUTER TIRE/WHEEL 20.8R38 R1                 |
| ..  | BH81210  | COMPLETE GOODS/SHIP. BUNDLE | 1   |            | R.H. OUTER TIRE/WHEEL 20.8R38 R1                 |
| ..  | BH81238  | COMPLETE GOODS/SHIP. BUNDLE | 1   |            | L.H. TIRE/WHEEL 20.8X38 R1                       |
| ..  | BH81239  | COMPLETE GOODS/SHIP. BUNDLE | 1   |            | R.H. TIRE/WHEEL 20.8X38 R1                       |
| ..  | BH81538  | COMPLETE GOODS/SHIP. BUNDLE | 1   |            | WHEEL BOLTS (DUAL WHEELS)                        |
| ..  | BH81242  | COMPLETE GOODS/SHIP. BUNDLE | 1   |            | L.H. TIRE/WHEEL 20.8X42                          |
| ..  | BH81243  | COMPLETE GOODS/SHIP. BUNDLE | 1   |            | R.H. TIRE/WHEEL 20.8X42                          |
| ..  | BH81539  | COMPLETE GOODS/SHIP. BUNDLE | 1   |            | WHEEL BOLTS (INNER DUALS)                        |
| ..  | BH81751  | COMPLETE GOODS/SHIP. BUNDLE | 1   |            | L.H. INNER TIRE/WHEEL 18.4R38 R1                 |
| ..  | BH81752  | COMPLETE GOODS/SHIP. BUNDLE | 1   |            | R.H. INNER TIRE/WHEEL 18.4R38 R1                 |
| ..  | BH81749  | COMPLETE GOODS/SHIP. BUNDLE | 1   |            | L.H. OUTER TIRE/WHEEL 18.4R38 R1                 |
| ..  | BH81750  | COMPLETE GOODS/SHIP. BUNDLE | 1   |            | R.H. OUTER TIRE/WHEEL 18.4R38 R1                 |
| ..  | BH81774  | COMPLETE GOODS/SHIP. BUNDLE | 1   |            | L.H. INNER TIRE/WHEEL 20.8R42 R2                 |
| ..  | BH81776  | COMPLETE GOODS/SHIP. BUNDLE | 1   |            | R.H. INNER TIRE/WHEEL 20.8R42 R2                 |
| ..  | BH81775  | COMPLETE GOODS/SHIP. BUNDLE | 1   |            | L.H. OUTER TIRE/WHEEL 20.8R42 R2                 |
| ..  | BH81777  | COMPLETE GOODS/SHIP. BUNDLE | 1   |            | R.H. OUTER TIRE/WHEEL 20.8R42 R2                 |
| ..  | BH81215  | COMPLETE GOODS/SHIP. BUNDLE | 1   |            | L.H. OUTER TIRE/WHEEL 18.4R42 R1                 |
| ..  | BH81216  | COMPLETE GOODS/SHIP. BUNDLE | 1   |            | R.H. OUTER TIRE/WHEEL 18.4R42 R1                 |
| ..  | BH81236  | COMPLETE GOODS/SHIP. BUNDLE | 1   |            | L.H. TIRE/WHEEL 18.4R42                          |
| ..  | BH81237  | COMPLETE GOODS/SHIP. BUNDLE | 1   |            | R.H. TIRE/WHEEL 18.4R42                          |
| ..  | BH81217  | COMPLETE GOODS/SHIP. BUNDLE | 1   |            | L.H. OUTER TIRE/WHEEL 20.8R42 R1                 |
| ..  | BH81218  | COMPLETE GOODS/SHIP. BUNDLE | 1   |            | R.H. OUTER TIRE/WHEEL 20.8R42 R1                 |

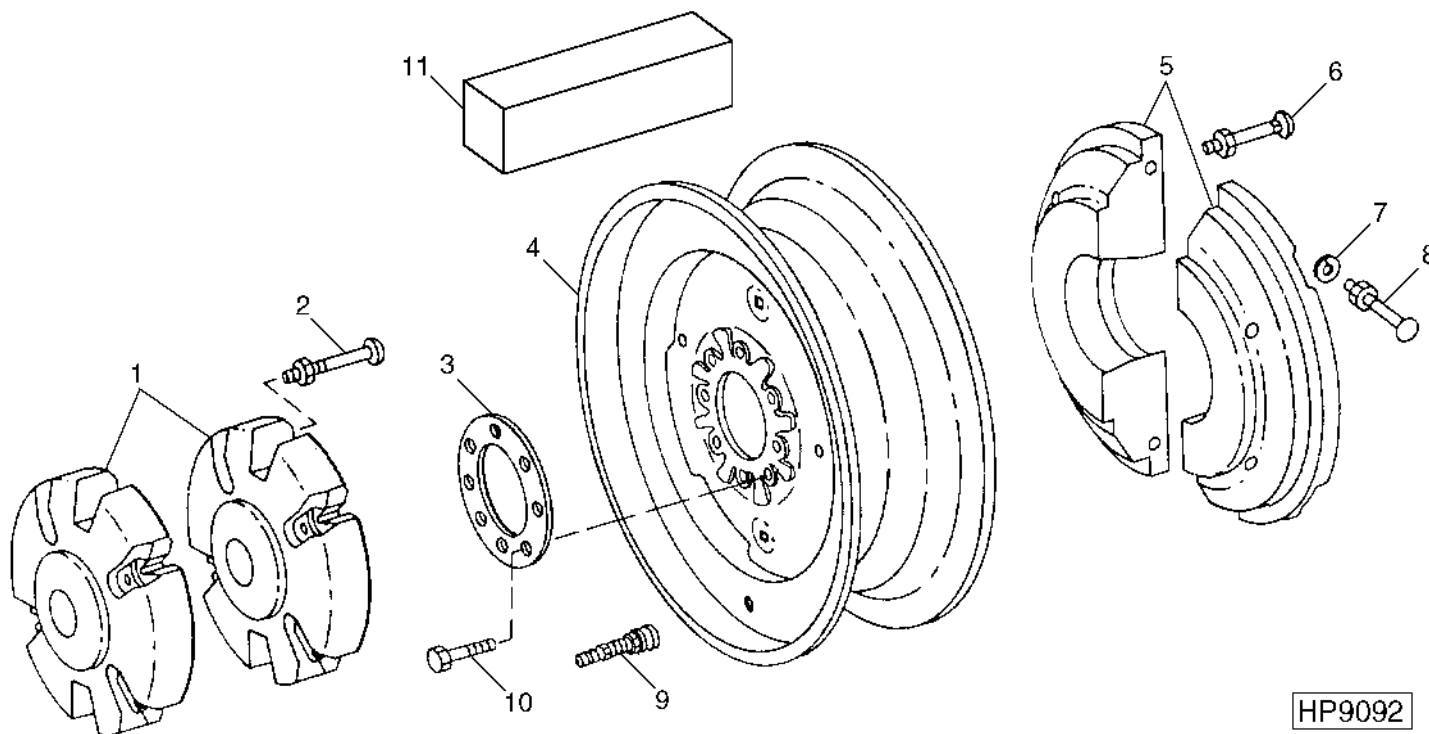
NOTE: REFERENCE SECTION 170 FOR TIRE/WHEEL LABELS AND DECALS  
 NOTE: QUANTITIES SHOWN ARE FOR ONE UNIT. TWO UNITS USED PER MACHINE.

# 2B13

POWER TRAIN

## REAR WHEELS AND WHEEL WEIGHTS

HP9092 -UN-22SEP99



| KEY | PART NO.       | PART NAME                          | QTY      | SERIAL NO. | REMARKS                                     |
|-----|----------------|------------------------------------|----------|------------|---|
| 1   | H174140        | WEIGHT                             | AR       |            | OUTSIDE, (SUB FOR H103543)                  |
| 2   | 03H1858        | BOLT                               | 4        |            | 5/8" X 3-1/2"                               |
|     | 12H294         | LOCK WASHER                        | 4        |            | 5/8"  |
|     | 14H1039        | NUT                                | 4        |            | 5/8"  |
| 3   | H84375         | RING                               | 1        |            |   |
| 4   | AH117662       | WHEEL                              | 1        |            | (W10H-24")                                  |
|     | AH122100       | WHEEL                              | 1        |            | (W12H-24)                                   |
|     | AH167434       | WHEEL                              | 1        |            | (DW14-26) (SUB FOR AH135217)                |
|     | AH144695       | WHEEL                              | 1        |            | (26XDW25A) (SUB AH167584)                   |
|     | AH167584       | WHEEL                              | 1        |            | (26XDW25A)                                  |
| 5   | H95547         | WEIGHT                             | 2        |            | INSIDE                                      |
| 6   | 03H1605        | BOLT                               | 4        |            | 5/8" X 4" (WITH INSIDE WEIGHTS)             |
|     | 03H1860        | BOLT                               | 4        |            | 5/8" X 6" (WITH INSIDE AND OUTSIDE WEIGHTS) |
|     | 12H294         | LOCK WASHER                        | 4        |            | 5/8"  |
|     | 14H1039        | NUT                                | 4        |            | 5/8"  |
| 7   | 24H1111        | WASHER                             | 2        |            | 17/32" X 1-1/16" X 0.090"                   |
| 8   | 03H1852        | BOLT                               | 2        |            | 1/2" X 4"                                   |
|     | 12H301         | LOCK WASHER                        | 2        |            | 1/2"  |
|     | 14H1040        | NUT                                | 2        |            | 1/2"  |
| 9   | AT25226        | TIRE VALVE STEM                    | 1        |            |   |
| 10  | H168476        | SCREW                              | 8        |            |   |
| 11  | H159791        | BAR                                | 1        |            |   |
| ..  | <b>BH81792</b> | <b>COMPLETE GOODS/SHIP. BUNDLE</b> | <b>1</b> |            | <b>L.H. TIRE/WHEEL (28 X 26 10 PLY)</b>     |
| ..  | <b>BH81793</b> | <b>COMPLETE GOODS/SHIP. BUNDLE</b> | <b>1</b> |            | <b>R.H. TIRE/WHEEL (28 X 26 10 PLY)</b>     |
| ..  | <b>BH81794</b> | <b>COMPLETE GOODS/SHIP. BUNDLE</b> | <b>1</b> |            | <b>L.H. TIRE/WHEEL (28 X 26 12 PLY)</b>     |
| ..  | <b>BH81795</b> | <b>COMPLETE GOODS/SHIP. BUNDLE</b> | <b>1</b> |            | <b>R.H. TIRE/WHEEL (28 X 26 12 PLY)</b>     |
| ..  | <b>BH81801</b> | <b>COMPLETE GOODS/SHIP. BUNDLE</b> | <b>1</b> |            | <b>AXLE STOP BLOCK</b>                      |

NOTE: QUANTITIES SHOWN ARE FOR ONE UNIT. TWO UNITS USED PER MACHINE.

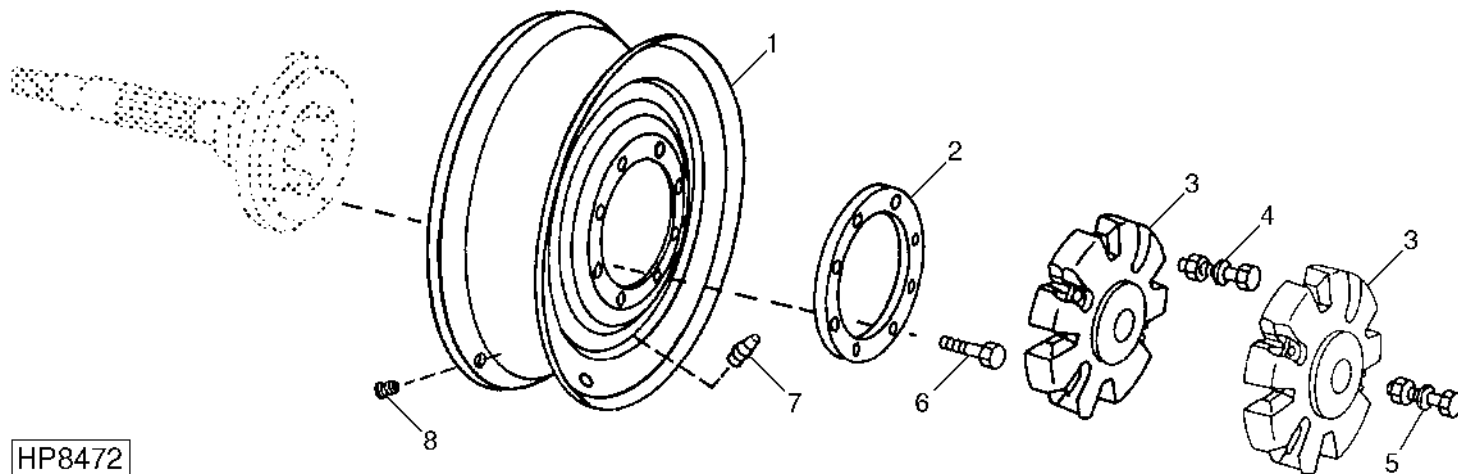
NOTE: REFERENCE SECTION 170 FOR TIRE/WHEEL LABELS AND DECALS



# 2B14

**REAR WHEELS**  
**(4-WHEEL DRIVE / CAM LOBE MOTOR)**

HP8472 -UN-21APR99

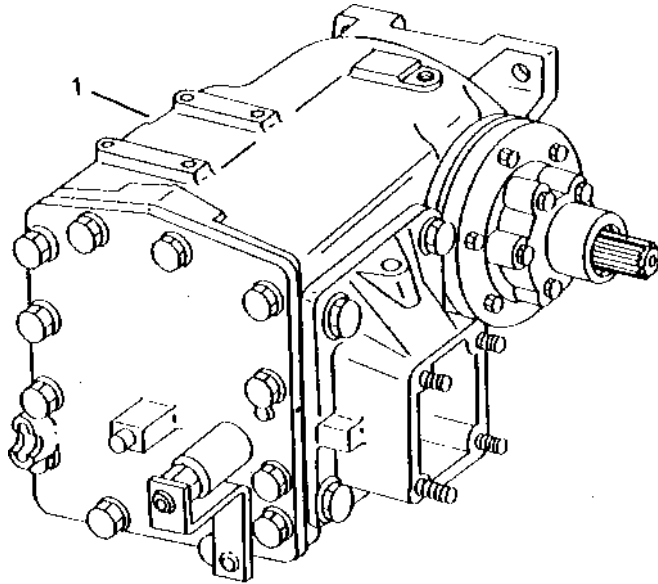


| KEY | PART NO.       | PART NAME                          | QTY      | SERIAL NO.                              | REMARKS |
|-----|----------------|------------------------------------|----------|---|---------|
| 1   | AH64610        | WHEEL                              | 1        | (DW16X26) (SUB AH167582)                |         |
|     | AH167582       | WHEEL CENTER                       | 1        | (DW16X26)                               |         |
|     | AH138809       | WHEEL                              | 1        | (DW16X30)                               |         |
| 2   | H84375         | RING                               | 1        |   |         |
| 3   | H174140        | WEIGHT                             | AR       | (SUB FOR H103543)                       |         |
| 4   | 03H2075        | BOLT                               | 4        | 5/8" X 3"                               |         |
|     | 12H294         | LOCK WASHER                        | 4        | 5/8"                                    |         |
|     | 14H1039        | NUT                                | 4        | 5/8"                                    |         |
| 5   | 03H1858        | BOLT                               | 4        | 5/8" X 3-1/2"                           |         |
|     | 12H294         | LOCK WASHER                        | 4        | 5/8"                                    |         |
|     | 14H1039        | NUT                                | 4        | 5/8"                                    |         |
| 6   | H163491        | CAP SCREW                          | 8        |   |         |
| 7   | AT25226        | TIRE VALVE STEM                    | 1        |   |         |
| 8   | AH86866        | PLUG                               | 1        |   |         |
| ..  | <b>BH81592</b> | <b>COMPLETE GOODS/SHIP. BUNDLE</b> | <b>1</b> | <b>WHEEL BOLTS - POWERED REAR AXLE</b>  |         |
| ..  | <b>BH81796</b> | <b>COMPLETE GOODS/SHIP. BUNDLE</b> | <b>1</b> | <b>L.H. TIRE/WHEEL (18.4 X 26 6P)</b>   |         |
| ..  | <b>BH81797</b> | <b>COMPLETE GOODS/SHIP. BUNDLE</b> | <b>1</b> | <b>R.H. TIRE/WHEEL (18.4 X 26 6P)</b>   |         |
| ..  | <b>BH81798</b> | <b>COMPLETE GOODS/SHIP. BUNDLE</b> | <b>1</b> | <b>L.H. TIRE/WHEEL (18.4 X 26 6PR2)</b> |         |
| ..  | <b>BH81799</b> | <b>COMPLETE GOODS/SHIP. BUNDLE</b> | <b>1</b> | <b>R.H. TIRE/WHEEL (18.4 X 26 6PR2)</b> |         |

NOTE: QUANTITIES SHOWN ARE FOR ONE UNIT. TWO UNITS USED PER MACHINE.  
 NOTE: REFERENCE SECTION 170 FOR TIRE/WHEEL LABELS AND DECALS

# 2B15

**TRANSMISSION**  
HP5722 -UN-01JAN94



**HP5722**

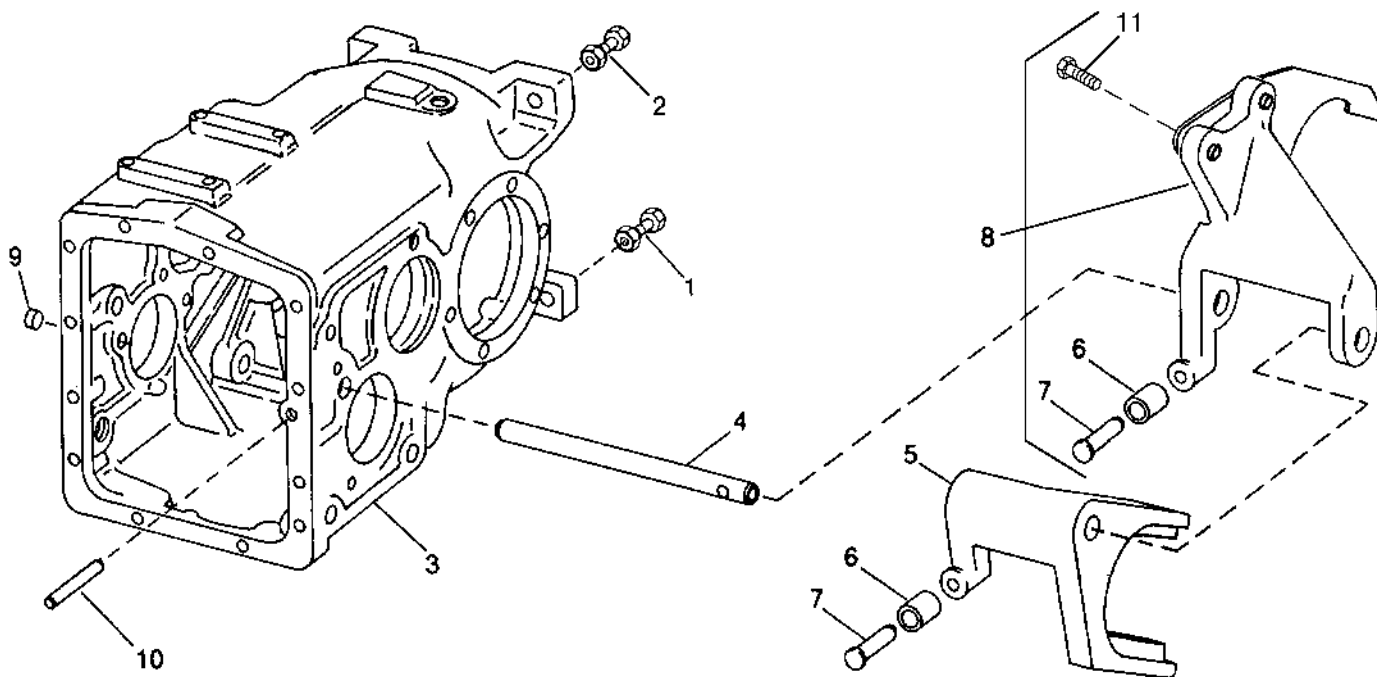
| KEY | PART NO. | PART NAME    | QTY | SERIAL NO. | REMARKS                                     |
|-----|----------|--------------|-----|------------|---|
| 1   | AH167499 | TRANSMISSION | 1   |            | SINGLE REDUCTION W/O HYDRO (REMANUFACTURED) |
|     | AH157698 | TRANSMISSION | 1   |            | 7MPH - 105 HYDRO-HEAVY DUTY BRAKE           |
|     | AH157699 | TRANSMISSION | 1   |            | 10MPH - 105 HYDRO - HEAVY DUTY BRAKE        |

# 2B16

POWER TRAIN

## TRANSMISSION AND SHIFTER FORKS

HP8036 -UN-27JUL99



HP8036

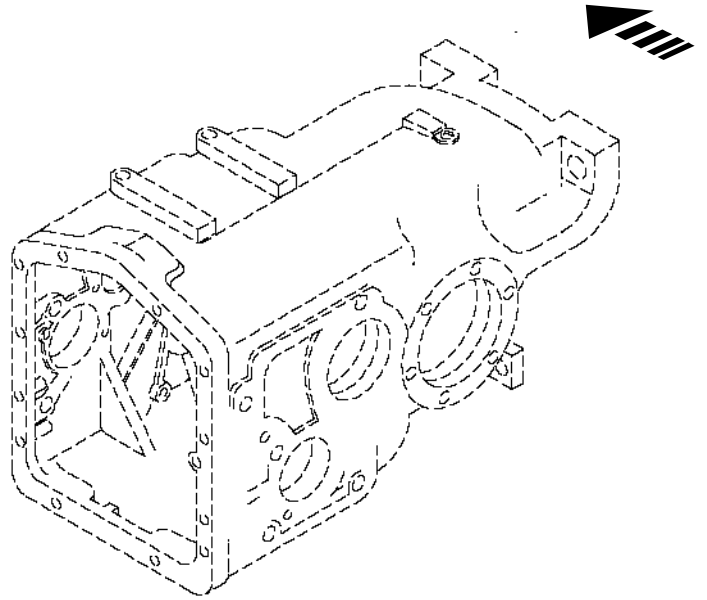
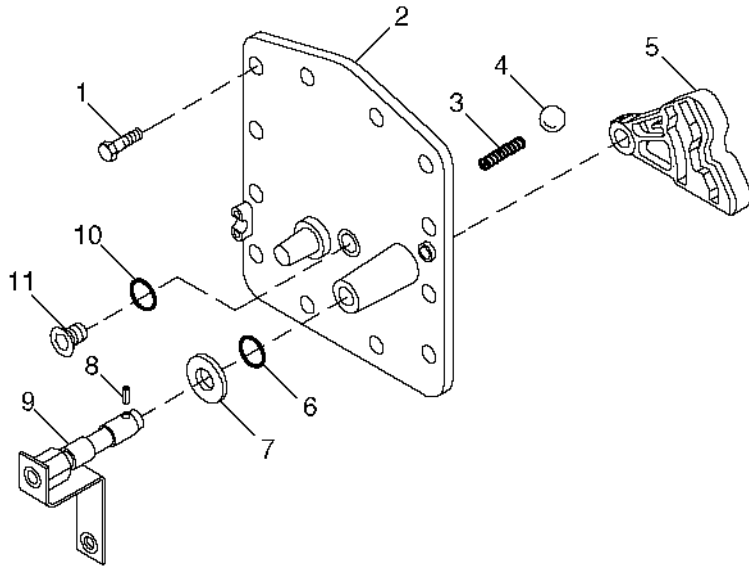
| KEY | PART NO. | PART NAME    | QTY | SERIAL NO. | REMARKS                            |
|-----|----------|--------------|-----|------------|------------------------------------|
| 1   | H107504  | BOLT         | 2   |            | M16 X 70, NOT USED ON HEAVY DUTY   |
|     | 14M7291  | FLANGE NUT   | 2   |            | M16                                |
| 2   | 42M7028  | STUD         | 2   |            |                                    |
|     | 14M7291  | FLANGE NUT   | 2   |            | M16                                |
| 3   | .....    | HOUSING      | 1   |            | (ORDER AH140410)                   |
| 4   | H146640  | RAIL         | 1   |            |                                    |
| 5   | H135112  | SHIFTER      | 1   |            |                                    |
| 6   | R26207   | ROLLER       | 2   |            |                                    |
| 7   | H76152   | PIN          | 2   |            | 9.512 X 27.686 MM                  |
| 8   | AH122575 | SHIFTER      | 1   |            |                                    |
| 9   | N102039  | CAP          | 1   |            |                                    |
| 10  | T76836   | PIN          | 1   |            | 10 X 74 MM                         |
| 11  | 19M7785  | SCREW        | 3   |            | M10 X 25                           |
| ..  | TY9371   | ADHESIVE     | 1   |            | 6 ML (0.2 OZ.) TUBE, HIGH STRENGTH |
| ..  | TY6304   | SEALANT      | 1   |            |                                    |
| ..  | AH167499 | TRANSMISSION | 1   |            | REMANUFACTURED                     |
| ..  | AH140410 | KIT          | 1   |            | TRANSMISSION REPAIR KIT            |

# 2B17

POWER TRAIN

## TRANSMISSION AND DIFFERENTIAL HOUSING COVER, AND SHIFTER CAM

HP8038 -UN-27JUL99



HP8038

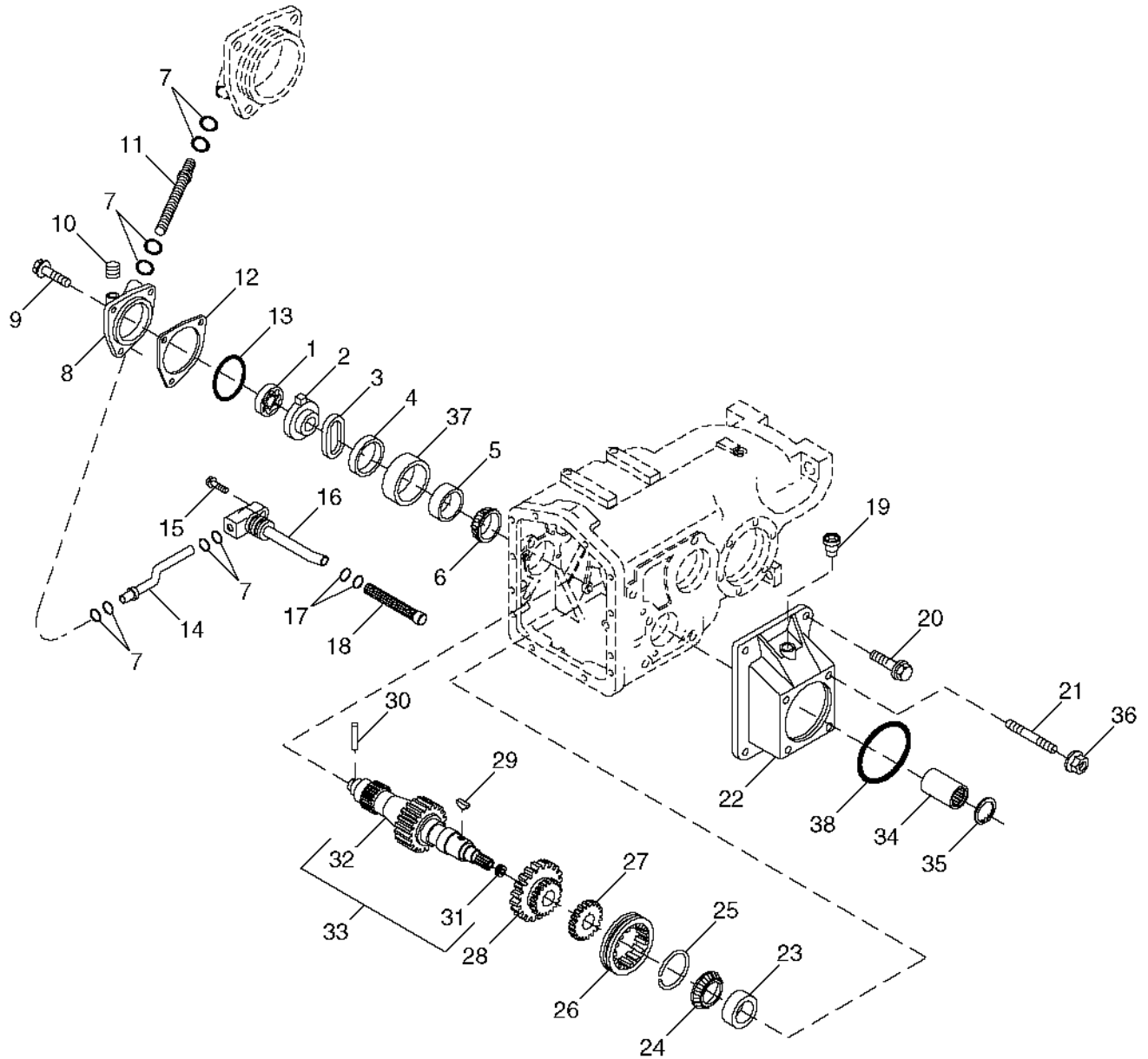
| KEY | PART NO. | PART NAME    | QTY | SERIAL NO.                 | REMARKS |
|-----|----------|--------------|-----|----------------------------|---------|
| 1   | 19M7786  | SCREW        | 12  | M10 X 30                   |         |
| 2   | N199920  | COVER        | 1   |                            |         |
| 3   | T27888   | SPRING       | 1   |                            |         |
| 4   | R1818R   | BALL         | 1   | 19.050 MM                  |         |
| 5   | H167375  | CAM          | 1   |                            |         |
| 6   | R71144   | O-RING       | 1   | 20.295 X 2.616 MM          |         |
| 7   | H75700   | WASHER       | 1   | 25.806 X 44.298 X 3.404 MM |         |
| 8   | CE18374  | SPRING PIN   | 1   |                            |         |
| 9   | AH128267 | ARM          | 1   |                            |         |
| 10  | R26375   | O-RING       | 1   | 16.358 X 2.210 MM          |         |
| 11  | R33138   | FITTING      | 1   |                            |         |
| ..  | AH167499 | TRANSMISSION | 1   | REMANUFACTURED             |         |

MEMORANDA

# 2B18

## TRANSMISSION INPUT SHAFT, GEARS, LUBE PUMP AND BEARINGS

HP8013 -UN-05MAY99



HP8013

# 2B19

POWER TRAIN

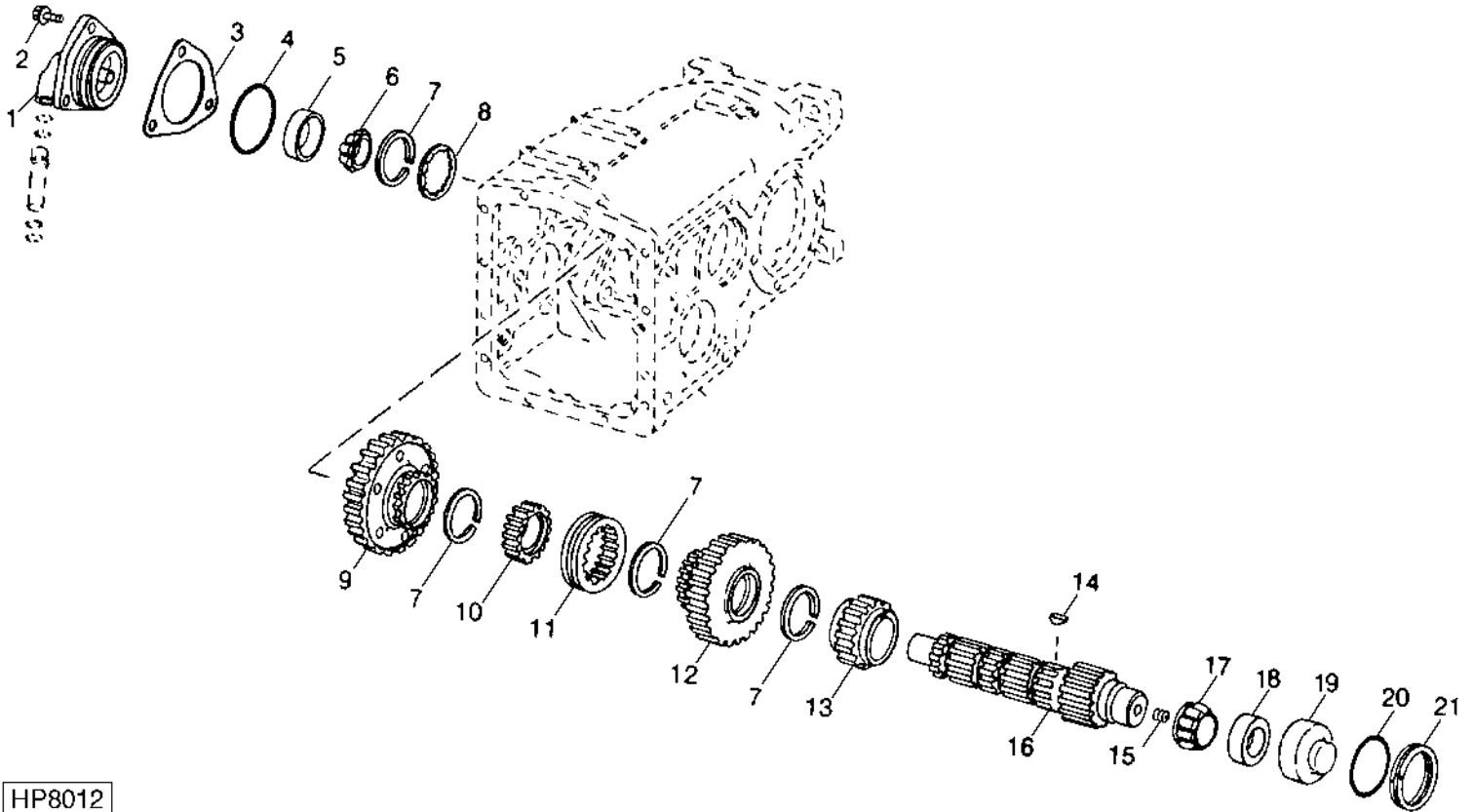
## TRANSMISSION INPUT SHAFT, GEARS, LUBE PUMP AND BEARINGS - CONTINUED

| KEY | PART NO. | PART NAME        | QTY | SERIAL NO. | REMARKS                                 |
|-----|----------|------------------|-----|------------|---|
| 1   | AH128528 | ROTOR            | 1   |            |   |
| 2   | H82234   | PLATE            | 1   |            | LUBE PUMP PORT                          |
| 3   | H82232   | WASHER           | 1   |            | 54.610 X 63.119 X 0.889 MM, (WAVE TYPE) |
| 4   | H82233   | BUSHING          | 1   |            |   |
| 5   | JD8257   | BEARING CUP      | 1   |            |   |
| 6   | AR94761  | BEARING CONE     | 1   |            |   |
| 7   | R394R    | O-RING           | 8   |            | 12.370 X 2.616 MM                       |
| 8   | H142030  | HOUSING          | 1   |            |   |
| 9   | 19M7786  | SCREW            | 3   |            | M10 X 30                                |
| 10  | 15H638   | PIPE PLUG        | 1   |            |   |
| 11  | H131296  | OIL TUBE         | 1   |            |   |
| 12  | H132892  | SHIM             | AR  |            | 0.076 (.003 ) THICK                     |
|     | H132893  | SHIM             | AR  |            | 0.127 (.005") THICK                     |
|     | H132894  | SHIM             | AR  |            | 0.508 (.02") THICK                      |
| 13  | TY6304   | SEALANT          | 1   |            | PLASTIC GASKET                          |
| 14  | H131297  | OIL TUBE         | 1   |            |   |
| 15  | 19M8162  | CAP SCREW        | 1   |            | M10 X 40                                |
| 16  | AH125228 | FITTING          | 1   |            |   |
| 17  | R495R    | O-RING           | 2   |            | 21.819 X 3.531 MM                       |
| 18  | AH121580 | SCREEN           | 1   |            |   |
| 19  | AH20868  | BREATHER         | 1   |            |   |
| 20  | 19M7844  | SCREW            | 4   |            | M16 X 45                                |
| 21  | 42M7029  | STUD             | 4   |            |   |
| 22  | H133165  | BRACKET          | 1   |            |   |
| 23  | JD8237   | BEARING CUP      | 1   |            |   |
| 24  | JD10182  | BEARING CONE     | 1   |            |   |
| 25  | P43969   | SNAP RING        | 1   |            |   |
| 26  | H129564  | SHIFT COLLAR     | 1   |            |   |
| 27  | H129565  | SHIFT COLLAR     | 1   |            | THIRD GEAR                              |
| 28  | H135943  | GEAR             | 1   |            | (36 TOOTH)                              |
| 29  | 26M4228  | SHAFT KEY        | 1   |            |   |
| 30  | H75358   | DOWEL PIN        | 1   |            |   |
| 31  | H110539  | ORIFICE          | 1   |            |   |
| 32  | .....    | SHAFT            | 1   |            |   |
| 33  | AH131861 | PINION SHAFT     | 1   |            |   |
| 34  | H129525  | SPLINED COUPLING | 1   |            |   |
| 35  | M41029   | SNAP RING        | 2   |            |   |
| 36  | 14M7299  | FLANGE NUT       | 4   |            | M12                                     |
| 37  | H142031  | SLEEVE           | 1   |            |   |
| 38  | R63308   | O-RING           | 1   |            |   |
| ..  | TY9371   | ADHESIVE         | 1   |            | HIGH STRENGTH 6 ML (0.2 OZ) TUBE        |
| ..  | TY6304   | SEALANT          | 1   |            |   |
| ..  | AH167499 | TRANSMISSION     | 1   |            | REMANUFACTURED                          |

# 2B20

## TRANSMISSION PINION SHAFT, GEARS AND BEARINGS

HP8012 -UN-12JUL99



HP8012



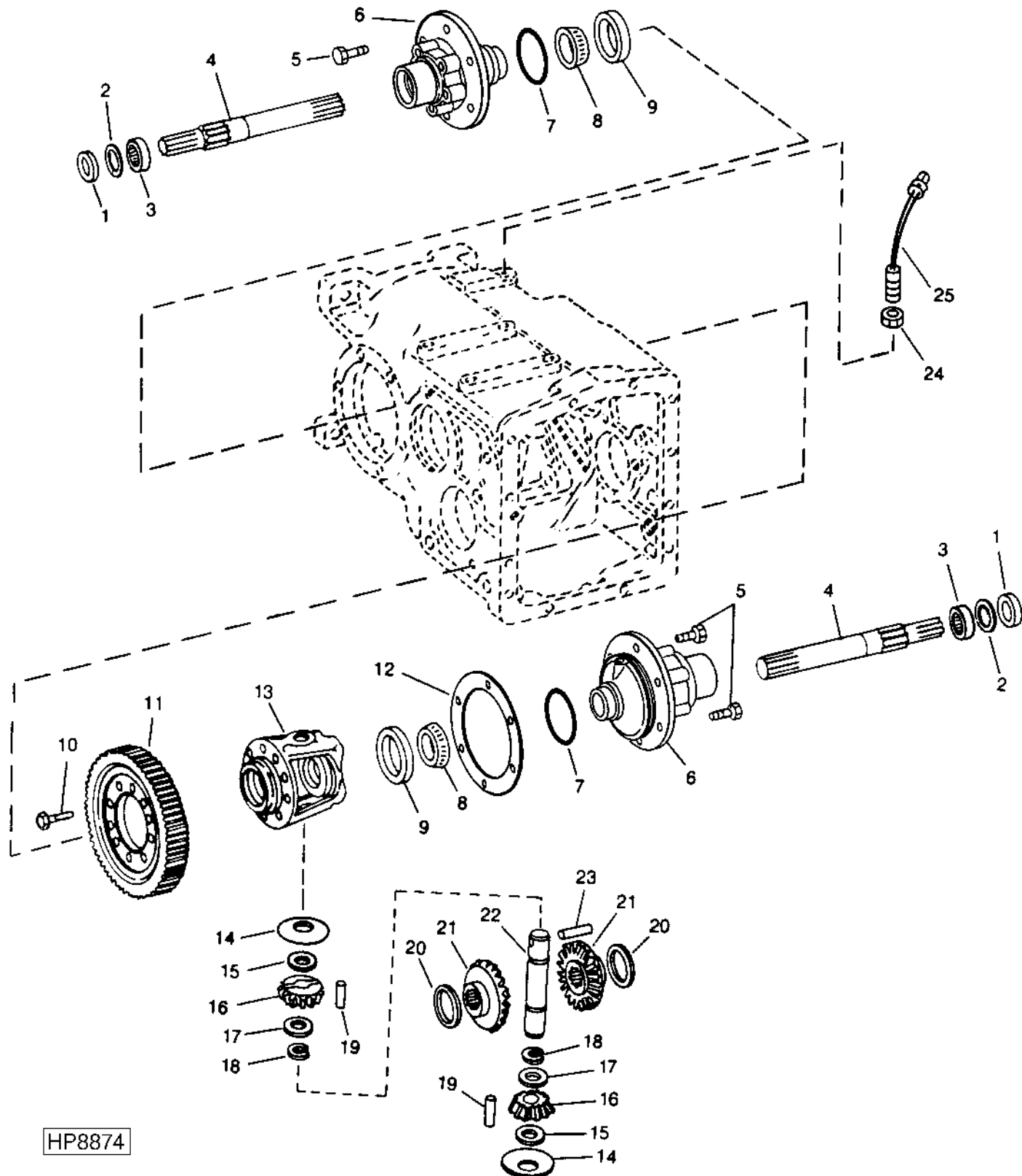
## TRANSMISSION PINION SHAFT, GEARS AND BEARINGS - CONTINUED

| KEY | PART NO. | PART NAME             | QTY | SERIAL NO.               | REMARKS |
|-----|----------|-----------------------|-----|--------------------------|---------|
| 1   | CE18201  | PLANET PINION CARRIER | 1   |                          |         |
| 2   | 19M7786  | SCREW                 | 3   | M10 X 30                 |         |
| 3   | H132892  | SHIM                  | AR  | 0.076MM                  |         |
|     | H132893  | SHIM                  | AR  | 0.127                    |         |
|     | H132894  | SHIM                  | AR  | 0.508                    |         |
| 4   | U10776   | O-RING                | 1   | 82.144 X 3.531 MM        |         |
| 5   | JD8267   | BEARING CUP           | 1   |                          |         |
| 6   | JD8979   | BEARING               | 1   |                          |         |
| 7   | R26265   | SNAP RING             | 4   |                          |         |
| 8   | H103167  | WASHER                | 1   |                          |         |
| 9   | H135944  | GEAR                  | 1   | (43 TOOTH)               |         |
| 10  | H133010  | SHIFT COLLAR          | 1   | (DRIVE)                  |         |
| 11  | H129564  | SHIFT COLLAR          | 1   |                          |         |
| 12  | H135942  | GEAR                  | 1   | (32-TOOTH)               |         |
| 13  | H132618  | GEAR                  | 1   | (24 TOOTH), FOR 3RD GEAR |         |
| 14  | 26M4228  | SHAFT KEY             | 1   | 8 X 28 MM                |         |
| 15  | H110539  | ORIFICE               | 1   |                          |         |
| 16  | CE18223  | PINION                | 1   | (13 TOOTH) HEAVY DUTY    |         |
|     | H133160  | PINION                | 1   | (12 TOOTH) REG DUTY      |         |
| 17  | JD8182   | BEARING CONE          | 1   |                          |         |
| 18  | JD8223   | BEARING CUP           | 1   |                          |         |
| 19  | H144385  | BEARING CAP           | 1   |                          |         |
| 20  | U10746   | O-RING                | 1   | 107.544 X 3.531 MM       |         |
| 21  | H129558  | SNAP RING             | 1   |                          |         |
| ..  | AH167499 | TRANSMISSION          | 1   | REMANUFACTURED           |         |

# 2B22

## TRANSMISSION DIFFERENTIAL GEARS AND SHAFTS

HP8874 -UN-29JUL99



HP8874

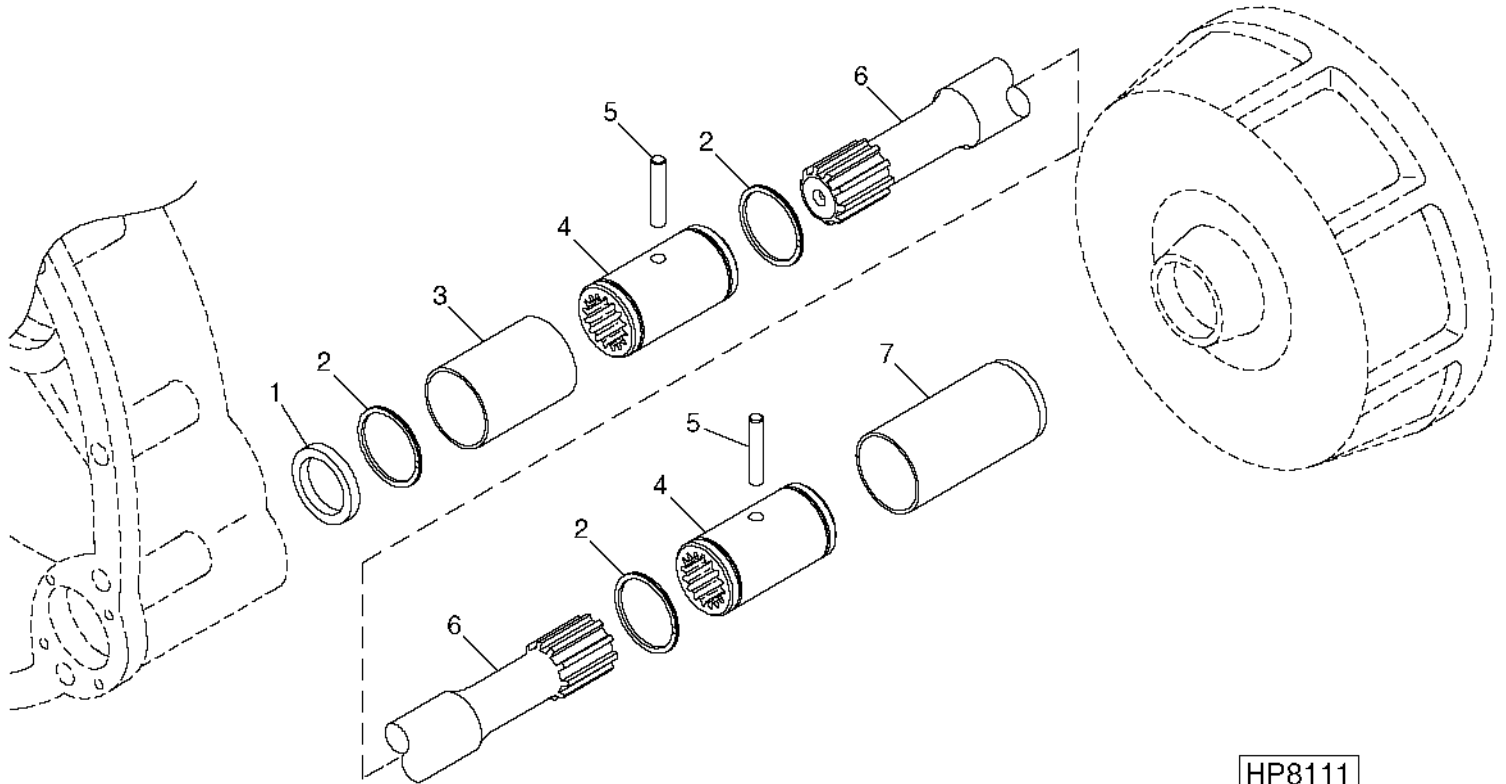
## TRANSMISSION DIFFERENTIAL GEARS AND SHAFTS - CONTINUED

| KEY | PART NO. | PART NAME      | QTY | SERIAL NO.             | REMARKS |
|-----|----------|----------------|-----|------------------------|---------|
| 1   | AT40603  | SEAL           | 2   |                        |         |
| 2   | C3936E   | SNAP RING      | 2   |                        |         |
| 3   | JD7502   | ROLLER BEARING | 2   |                        |         |
| 4   | H165508  | SHAFT          | 2   |                        |         |
| 5   | 19M7844  | SCREW          | 12  | M16 X 45               |         |
| 6   | H130407  | CRADLE         | 2   |                        |         |
| 7   | R27796   | O-RING         | 2   | 158.344 X 3.531 MM     |         |
| 8   | JD8147   | BEARING CONE   | 2   |                        |         |
| 9   | JD7425   | BEARING CUP    | 2   |                        |         |
| 10  | 19M7985  | SCREW          | 14  | M12 X 35               |         |
| 11  | CE18224  | GEAR           | 1   | (60 TOOTH) HEAVY DUTY  |         |
|     | H132554  | GEAR           | 1   | (62 TOOTH) REG DUTY    |         |
| 12  | H126572  | SHIM           | AR  | 0.076MM THICK          |         |
|     | H126573  | SHIM           | AR  | 0.127MM THICK          |         |
|     | H126575  | SHIM           | AR  | 0.508 THICK            |         |
| 13  | N197422  | HOUSING        | 1   |                        |         |
| 14  | H133202  | THRUST WASHER  | 2   | 32 X 70 X 1.650 MM     |         |
| 15  | R70112   | THRUST WASHER  | 2   | 31.480 X 38 X 2.500 MM |         |
| 16  | Z12964   | PINION         | 2   |                        |         |
| 17  | R70113   | THRUST WASHER  | 2   |                        |         |
| 18  | R70114   | SNAP RING      | 2   |                        |         |
| 19  | R70115   | NEEDLE ROLLER  | 52  |                        |         |
| 20  | H164794  | WASHER         | 2   |                        |         |
| 21  | H92308   | GEAR           | 2   |                        |         |
| 22  | H146646  | PIN            | 1   |                        |         |
| 23  | 34M7073  | SPRING PIN     | 1   | 10 X 65 MM             |         |
| 24  | H104418  | NUT            | 1   | 19.050 MM              |         |
| 25  | AH116104 | SENSOR         | 1   | GROUND SPEED           |         |
| ..  | AH167499 | TRANSMISSION   | 1   | REMANUFACTURED         |         |

# 2B24

POWER TRAIN

**DRIVE SHAFT, FINAL DRIVE**  
HP8111 -UN-13AUG99



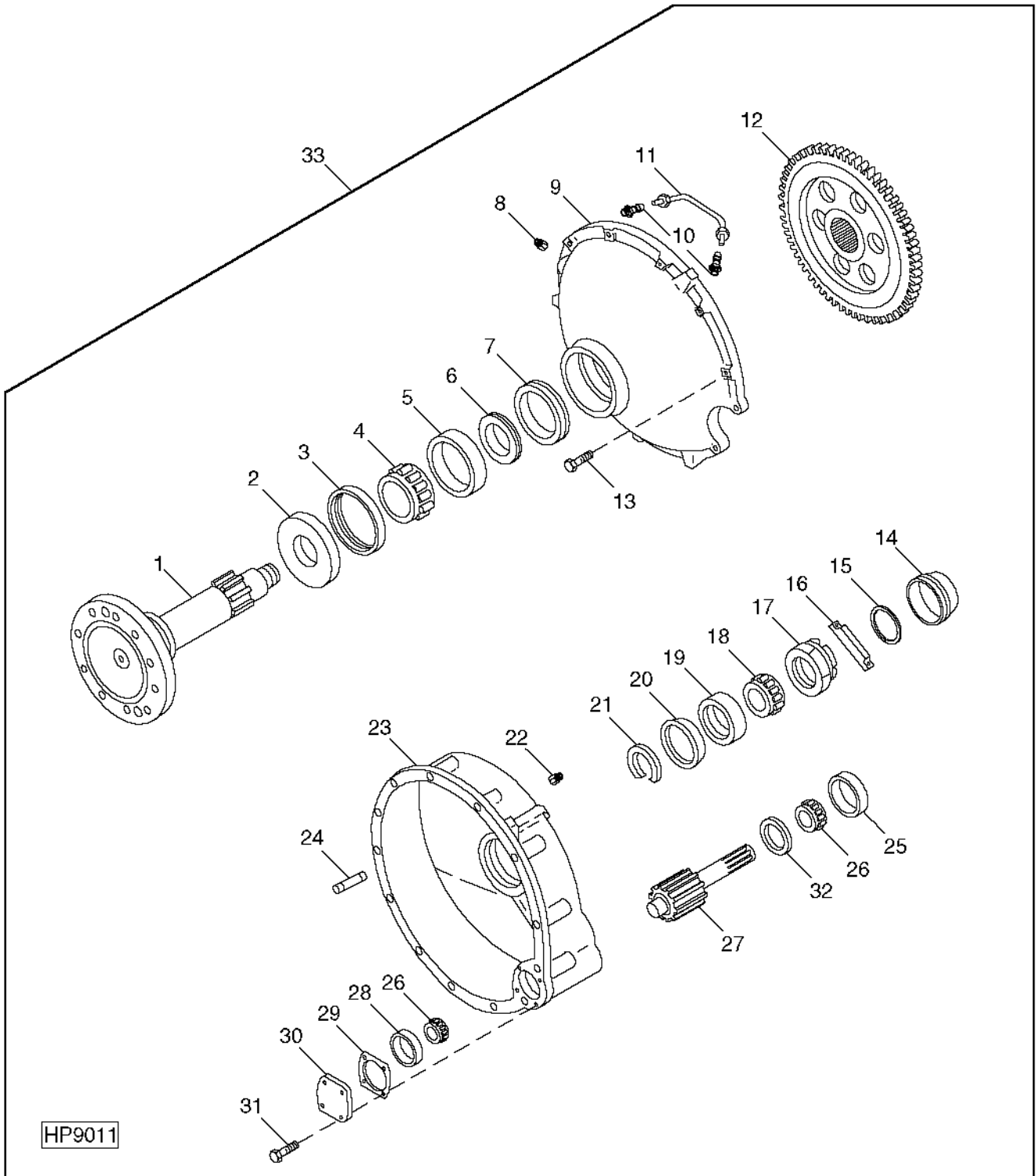
HP8111

| KEY | PART NO. | PART NAME        | QTY | SERIAL NO. | REMARKS |
|-----|----------|------------------|-----|------------|---------|
| 1   | AH128391 | SEAL             | 1   |            |         |
| 2   | H133229  | SNAP RING        | 3   |            |         |
| 3   | H134444  | SLEEVE           | 1   |            |         |
| 4   | H165510  | SPLINED COUPLING | 2   |            |         |
| 5   | H131754  | PIN              | 2   | 10 X 52 MM |         |
| 6   | H165509  | SHAFT            | 1   |            |         |
| 7   | H166201  | SLEEVE           | 1   |            |         |

MEMORANDA

# 2C1

FINAL DRIVE, SINGLE REDUCTION  
HP9011 -UN-07SEP99



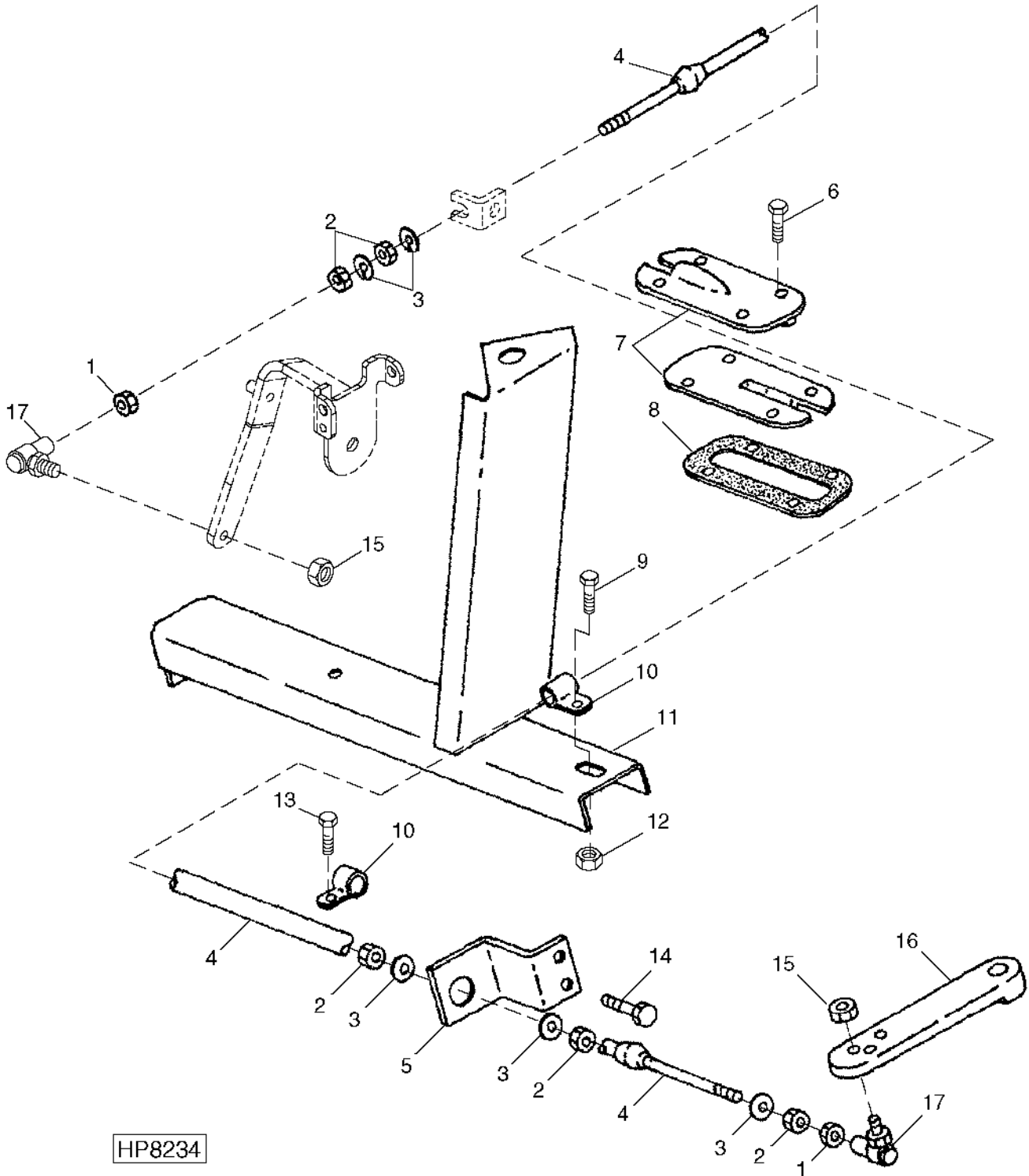
## FINAL DRIVE, SINGLE REDUCTION - CONTINUED

| KEY | PART NO. | PART NAME           | QTY | SERIAL NO.                   | REMARKS |
|-----|----------|---------------------|-----|------------------------------|---------|
| 1   | H133094  | SPINDLE             | 1   | (A)                          |         |
|     | H161534  | SPINDLE             | 1   | (B)                          |         |
| 2   | AH112402 | SEAL                | 1   | (A)                          |         |
|     | AH112401 | SEAL                | 1   | (B)                          |         |
| 3   | R52015   | SEAL                | 1   | (A)                          |         |
|     | R90080   | OIL CUP             | 1   | (B)                          |         |
| 4   | JD9092   | BEARING CONE        | 1   | (A)                          |         |
|     | JD10134  | BEARING CONE        | 1   | (B)                          |         |
| 5   | JD9147   | BEARING CUP         | 1   | (A)                          |         |
|     | JD10135  | BEARING CUP         | 1   | (B)                          |         |
| 6   | R99244   | V-RING SEAL         | 1   | (A)                          |         |
|     | H161871  | V-RING SEAL         | 1   | (B)                          |         |
| 7   | AH125233 | SEAL                | 1   | (A)                          |         |
|     | AH155232 | V-RING SEAL         | 1   | (B)                          |         |
| 8   | JD7760   | LUBRICATION FITTING | 1   |                              |         |
| 9   | H133092  | HOUSING             | 1   | (A) (OUTER)                  |         |
|     | H163694  | HOUSING             | 1   | (B) (OUTER)                  |         |
| 10  | R35352   | FITTING             | 2   |                              |         |
| 11  | AH120736 | OIL LINE            | 1   | (A)                          |         |
|     | AH156971 | LINE                | 1   | (B)                          |         |
| 12  | H167723  | GEAR                | 1   | 95 TOOTH                     |         |
| 13  | 19M7824  | SCREW               | 12  | M16 X 60                     |         |
| 14  | H154720  | PLUG                | 1   |                              |         |
| 15  | H22784   | SNAP RING           | 1   |                              |         |
| 16  | H125330  | SHAFT KEY           | 1   |                              |         |
| 17  | H129854  | NUT                 | 1   |                              |         |
| 18  | JD10266  | BEARING CONE        | 1   |                              |         |
| 19  | JD7298   | BEARING CUP         | 1   |                              |         |
| 20  | H129557  | SPACER              | 1   |                              |         |
| 21  | H118882  | SNAP RING           | 1   |                              |         |
| 22  | 15H584   | PIPE PLUG           | 2   | 1/2"                         |         |
|     | P46369   | FITTING             | 1   | 1/2", VENT PLUG              |         |
| 23  | N276475  | HOUSING             | 1   | (A) L.H.                     |         |
|     | H163692  | HOUSING             | 1   | (B) R.H.                     |         |
|     | N276474  | HOUSING             | 1   | (A) R.H.                     |         |
|     | H163693  | HOUSING             | 1   | (B) L.H.                     |         |
| 24  | R54380   | DOWEL PIN           | 2   |                              |         |
|     | T79098   | BEARING CUP         | 1   | (A)                          |         |
| 25  | JD7278   | BEARING CUP         | 1   | (B)                          |         |
|     | JD10401  | BEARING CONE        | 2   | (A)                          |         |
| 26  | JD7228   | BEARING CONE        | 2   | (B)                          |         |
|     | H168898  | PINION              | 1   | (A) 10 TOOTH                 |         |
| 27  | H167722  | PINION              | 1   | (B) 10 TOOTH                 |         |
|     | JD8222   | BEARING CUP         | 1   | (A)                          |         |
| 28  | JD7278   | BEARING CUP         | 1   | (B)                          |         |
|     | H133096  | SHIM                | AR  | 0.50 MM (STEEL)              |         |
| 29  | H133097  | SHIM                | AR  | (A) 0.25 MM (STEEL)          |         |
|     | H133098  | SHIM                | AR  | (A) 0.13 MM (PLASTIC) (BLUE) |         |
| 30  | H161541  | SHIM                | 2   | (B)                          |         |
|     | H161542  | SHIM                | 1   | (B)                          |         |
|     | H161543  | SHIM                | 2   | (B)                          |         |
|     | H163745  | SHIM                | 2   | (B)                          |         |
|     | H133089  | CAP                 | 1   | (A)                          |         |
| 31  | H161540  | CAP                 | 1   | (B)                          |         |
|     | 19M7835  | SCREW               | 4   | M10 X 35                     |         |
| 32  | AH128391 | SEAL                | 1   |                              |         |
| 33  | AH163026 | DRIVE               | 1   | (A) L.H.                     |         |
|     | AH163027 | DRIVE               | 1   | (A) R.H.                     |         |
|     | AH163029 | DRIVE               | 1   | (B) R.H.                     |         |
|     | AH163028 | DRIVE               | 1   | (B) L.H.                     |         |

(A) REGULAR DUTY  
(B) HEAVY DUTY

NOTE: QUANTITIES SHOWN ARE FOR ONE UNIT. TWO UNITS USED PER MACHINE.

**HYDROSTATIC DRIVE CONTROL CABLE**  
HP8234 -UN-23JUL99



HP8234



# 2C4

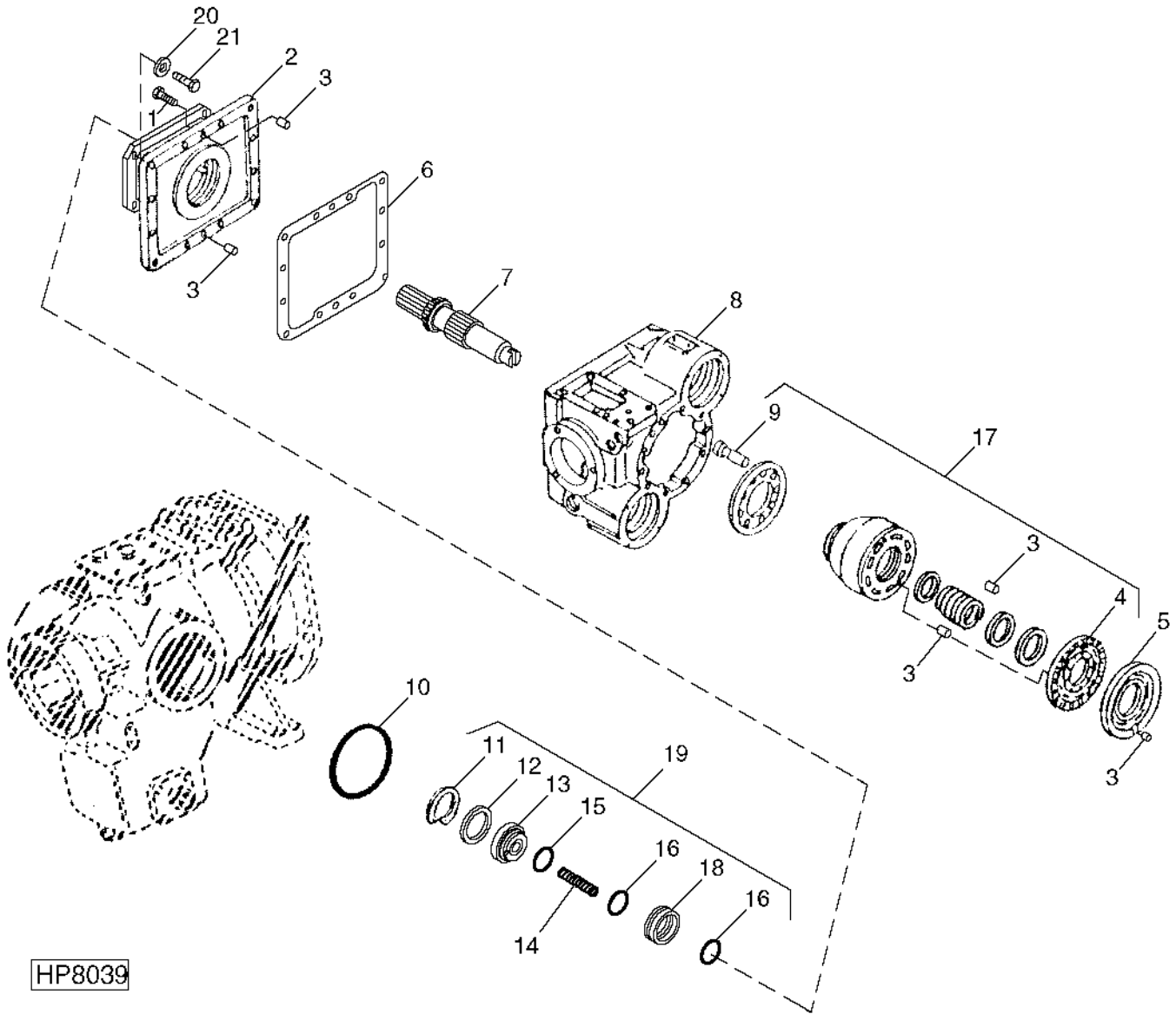
POWER TRAIN

## HYDROSTATIC DRIVE CONTROL CABLE - CONTINUED

| KEY | PART NO. | PART NAME  | QTY | SERIAL NO.     | REMARKS    |
|-----|----------|------------|-----|----------------|------------|
| 1   | 14M7272  | NUT        | 2   | M6             |            |
| 2   | 14M7260  | NUT        | 5   | M16            |            |
| 3   | 24M7241  | WASHER     | 5   | 17 X 34 X 4 MM |            |
| 4   | AH138048 | CABLE      | 1   |                |            |
| 5   | H142044  | SUPPORT    | 1   |                |            |
|     | H142045  | SUPPORT    | 1   |                | HEAVY DUTY |
| 6   | 37M7131  | SCREW      | 4   | M6 X 20        |            |
| 7   | H126124  | CLAMP      | 2   |                |            |
| 8   | H126123  | GASKET     | 1   |                |            |
| 9   | 19M7868  | SCREW      | 1   | M8 X 30        |            |
| 10  | AH80916  | CLIP       | 3   |                |            |
| 11  | AH136362 | SUPPORT    | 1   |                |            |
| 12  | 14M7298  | FLANGE NUT | 1   | M8             |            |
| 13  | 37M7058  | SCREW      | 1   | M8 X 20        |            |
| 14  | 19M7867  | SCREW      | 2   | M8 X 25        |            |
| 15  | H168961  | LOCK NUT   | 1   |                |            |
| 16  | H168988  | LEVER      | 2   |                |            |
| 17  | AH106933 | BALL JOINT | 2   |                |            |

## HYDROSTATIC DRIVE PUMP, FRONT COVER AND SHAFT

HP8039 -UN-26MAR99



HP8039

# 2C6

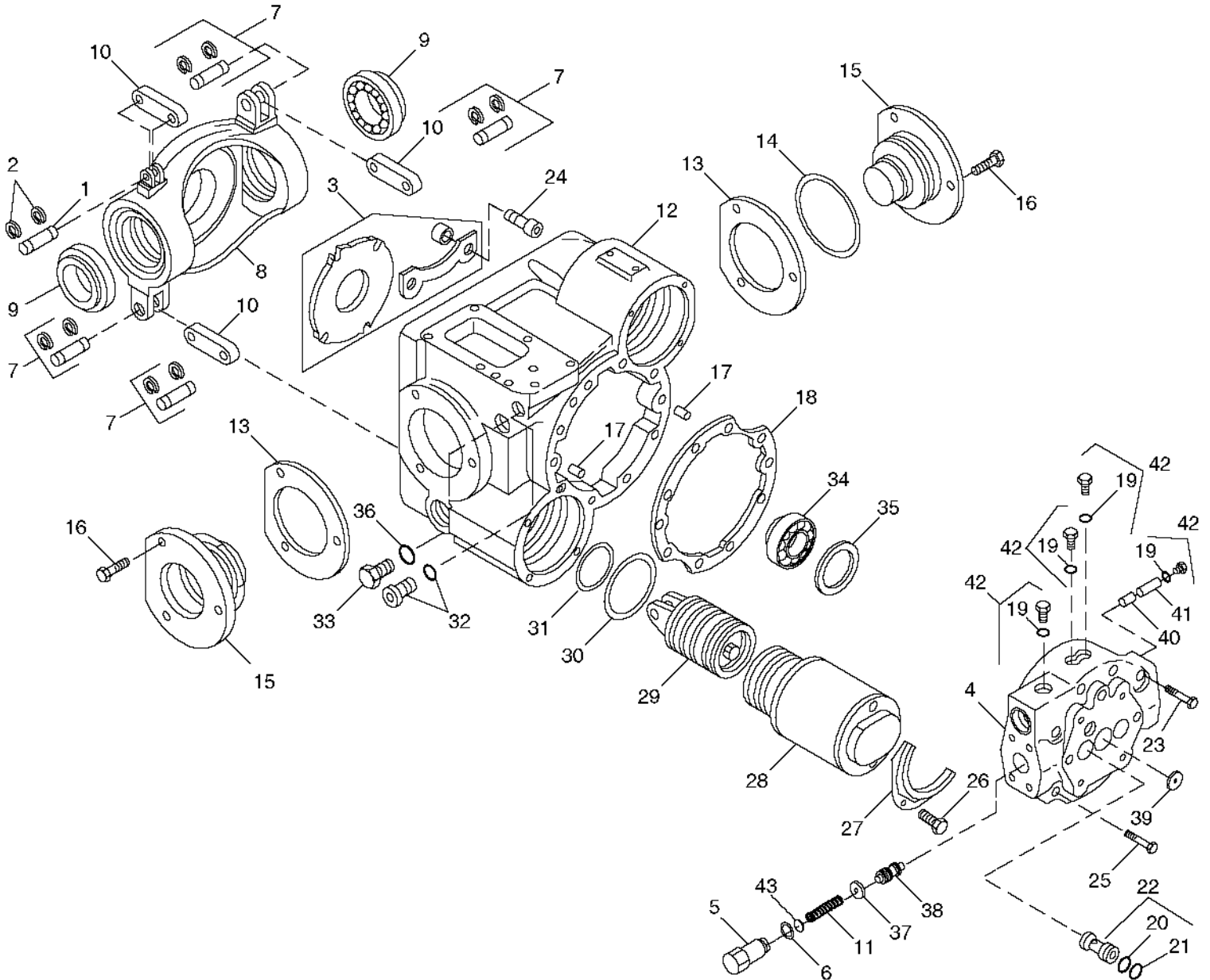
HYDROSTATIC DRIVE PUMP, FRONT COVER AND SHAFT - CONTINUED

| KEY | PART NO. | PART NAME      | QTY | SERIAL NO.               | REMARKS |
|-----|----------|----------------|-----|--------------------------|---------|
| 1   | 19H1731  | CAP SCREW      | 12  | (A) 3/8" X 1"            |         |
|     | 19H1821  | CAP SCREW      | 12  | (B) 7/16" X 1-1/4"       |         |
| 2   | .....    | FLANGE         | 1   |                          |         |
| 3   | H63271   | PIN            | 5   |                          |         |
| 4   | H135500  | PLATE          | 1   | (A)                      |         |
|     | H135700  | PLATE          | 1   | (B)                      |         |
| 5   | H135499  | PLATE          | 1   | (A)                      |         |
|     | H138900  | PLATE          | 1   | (B)                      |         |
| 6   | N126585  | GASKET         | 1   | (A)                      |         |
|     | H115060  | GASKET         | 1   | (B)                      |         |
| 7   | AH133660 | SHAFT          | 1   | (A)                      |         |
|     | AH133663 | SHAFT          | 1   | (B)                      |         |
| 8   | .....    | HOUSING        | 1   |                          |         |
| 9   | AH131169 | PISTON         | 1   | (A) (INCLUDES 9 PISTONS) |         |
|     | AH131388 | PISTON         | 1   | (B) (INCLUDES 9 PISTONS) |         |
| 10  | R63308   | O-RING         | 1   | 120.015 X 5.334 MM       |         |
| 11  | N126612  | SNAP RING      | 1   |                          |         |
| 12  | R112857  | O-RING         | 1   | 64.770 X 2.616 MM        |         |
| 13  | .....    | RETAINER       | 1   | (KIT AN193085)           |         |
| 14  | N191174  | SPRING         | 6   |                          |         |
| 15  | U15415   | O-RING         | 1   | 34.646 X 1.778 MM        |         |
| 16  | N196034  | O-RING         | 2   | 42.520 X 2.616 MM        |         |
| 17  | AH131171 | KIT            | 1   | (A)                      |         |
|     | AH131387 | KIT            | 1   | (B)                      |         |
| 18  | .....    | SEAL KIT       | 1   |                          |         |
| 19  | AN193085 | SEAL KIT       | 1   |                          |         |
| 20  | T29342   | WASHER         | 4   |                          |         |
| 21  | 19M7493  | CAP SCREW      | 4   | M12 X 40                 |         |
| ..  | AH164935 | HYDRAULIC PUMP | 1   | REMANUFACTURED (75CC)    |         |
| ..  | AH164940 | HYDRAULIC PUMP | 1   | REMANUFACTURED (105CC)   |         |

(A) 75CC  
(B) 105CC

## HYDROSTATIC DRIVE PUMP, HOUSING, SWASHPLATE, AND SERVO CYLINDERS

HP8037 -UN-12JUL99



HP8037

## HYDROSTATIC DRIVE PUMP, HOUSING, SWASHPLATE, AND SERVO CYLINDERS - CONTINUED

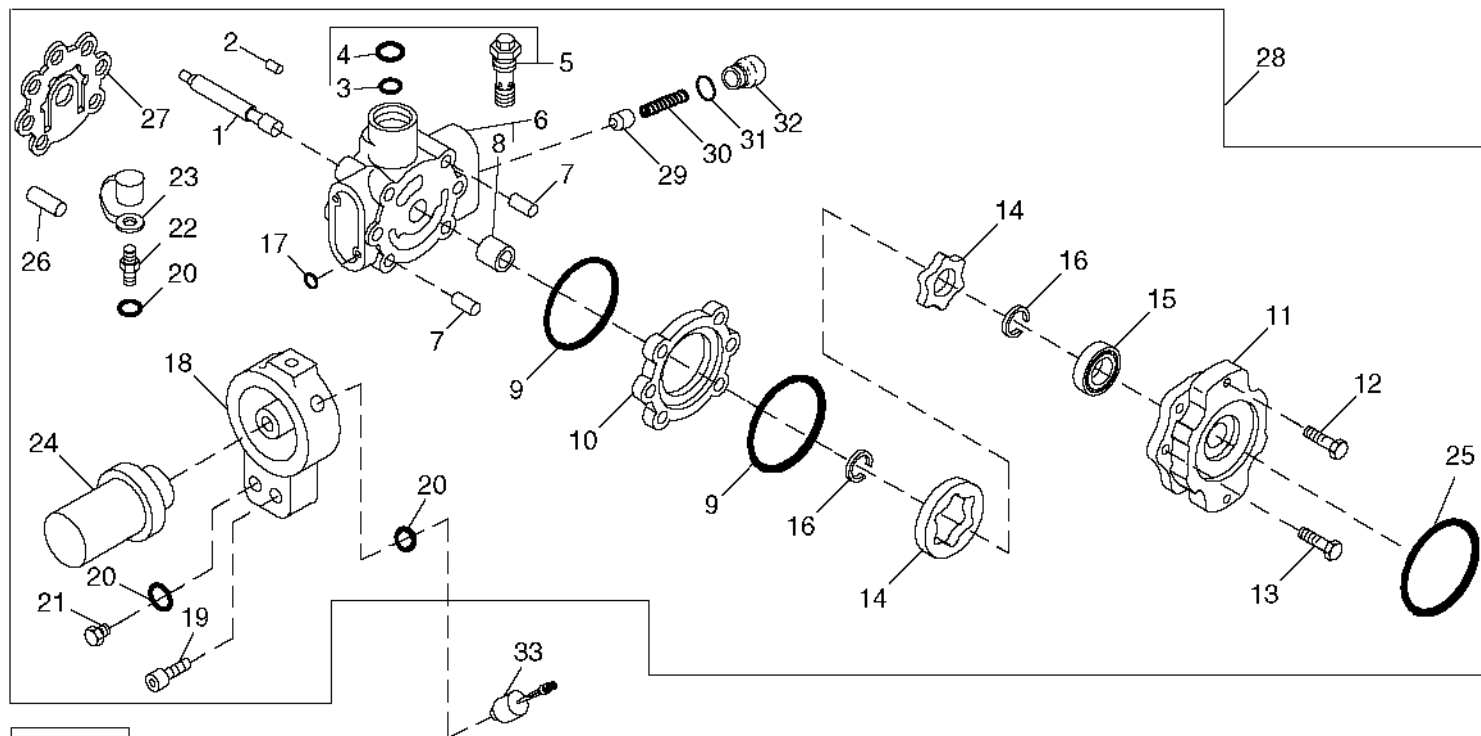
| KEY | PART NO. | PART NAME          | QTY | SERIAL NO. | REMARKS  |
|-----|----------|--------------------|-----|------------|--|
| 1   | N126603  | PIN                | 1   |            | 6.350 X 22.606 MM                                    |
| 2   | M48000   | SNAP RING          | 2   |            |  |
| 3   | AH131391 | KIT                | 1   |            | HOLD DOWN  |
| 4   | .....    | COVER              | 1   |            |  |
| 5   | H135215  | HOLDER             | 1   |            |  |
| 6   | R26906   | O-RING             | 1   |            |  |
| 7   | AN274375 | PIN                | 2   |            |  |
| 8   | .....    | SWASH PLATE        | 1   |            |  |
| 9   | JD9076   | BEARING CONE       | 2   |            |  |
|     | JD9133   | BEARING CUP        | 2   |            |  |
| 10  | N126600  | LINK               | 2   |            |  |
| 11  | H135211  | COMPRESSION SPRING | 1   |            |  |
| 12  | .....    | HOUSING            | 1   |            |  |
| 13  | AN122506 | SHIM               | AR  |            | (A) FOUR, .002", .005", .010" AND .015"              |
|     | AH112680 | SHIM               | AR  |            | (B) SIX, .002", FOUR, .005", .010", .015" AND .025"  |
| 14  | T14065   | O-RING             | 2   |            | (A) 66.269 X 3.531 MM                                |
|     | M4237T   | O-RING             | 2   |            | (B) 75.794 X 3.531 MM                                |
| 15  | .....    | TRUNNION           | 2   |            |  |
| 16  | 19H2284  | CAP SCREW          | 6   |            | (A) 3/8" X 7/8"                                      |
|     | 19H2666  | CAP SCREW          | 6   |            | (B) 7/16" X 7/8"                                     |
| 17  | H63271   | PIN                | 2   |            |  |
| 18  | N126584  | GASKET             | 1   |            | (A)  |
|     | H115049  | GASKET             | 1   |            | (B)  |
| 19  | R30903   | O-RING             | 1   |            |  |
| 20  | 32246    | O-RING             | 2   |            | 13.945 X 2.616 MM                                    |
| 21  | W23690   | BACK-UP RING       | 2   |            |  |
| 22  | AN122502 | CHECK VALVE        | 2   |            |  |
| 23  | 19H1944  | CAP SCREW          | 6   |            | (A) 3/8" X 2-3/4"                                    |
|     | 19H2347  | CAP SCREW          | 6   |            | (B) 7/16" X 3"                                       |
| 24  | 19H3053  | SCREW              | 4   |            | 5/16" X 1"   |
|     | 19H3352  | SCREW              | 4   |            | 5/16" X 1-1/4"                                       |
| 25  | 19H1800  | CAP SCREW          | 2   |            | (A) 3/8" X 1-1/2"                                    |
|     | 19H1899  | CAP SCREW          | 2   |            | (B) 7/16" X 2"                                       |
| 26  | 19H3176  | SCREW              | 6   |            | 0.164" X 0.380"                                      |
| 27  | N126602  | RETAINER           | 2   |            | (A)  |
|     | H115052  | RETAINER           | 2   |            | (B)  |
| 28  | AN122493 | SLEEVE             | 2   |            | (A)  |
|     | AH112668 | KIT                | 2   |            | (B)  |
| 29  | AH131172 | PISTON             | 2   |            | (A)  |
|     | AH112675 | PISTON             | 2   |            | (B)  |
| 30  | R53543   | O-RING             | 2   |            | (A) 67.945 X 2.619 MM                                |
|     | P48403   | O-RING             | 2   |            | (B) 85.319 X 3.531 MM                                |
| 31  | M43518   | O-RING             | 2   |            | 61.595 X 2.616 MM                                    |
| 32  | AN122518 | FITTING            | 1   |            |  |
| 33  | R51031   | FITTING            | 1   |            |  |
| 34  | AN122507 | ROLLER BEARING     | 1   |            | (A)  |
|     | AH65358  | BEARING            | 1   |            | (B)  |
| 35  | AN122509 | SHIM               | 1   |            | (A) FIVE, .002", .005", .010" AND .015"              |
|     | AH112678 | SHIM               | 1   |            | (B) SIX, .003", .005", .010", .015", .020" AND .030" |
| 36  | R28782   | O-RING             | 2   |            | 8.915 X 1.829 MM                                     |
| 37  | H135213  | WASHER             | 1   |            |  |
| 38  | H135214  | VALVE SPOOL        | 1   |            |  |
| 39  | H135567  | ORIFICE            | 1   |            | (A)  |
|     | N126644  | ORIFICE            | 1   |            | (B)  |
| 40  | H135503  | NEEDLE ROLLER      | 1   |            | (A)  |
|     | H135212  | NEEDLE ROLLER      | 1   |            | (B)  |
| 41  | H135504  | NEEDLE ROLLER      | 1   |            | (A)  |
|     | H135695  | NEEDLE ROLLER      | 1   |            | (B)  |
| 42  | AT63272  | FITTING            | 4   |            |  |
| 43  | AH129278 | KIT                | 1   |            | SHIM   |
| ..  | AH164935 | HYDRAULIC PUMP     | 1   |            | (75CC) REMANUFACTURED                                |
| ..  | AH164940 | HYDRAULIC PUMP     | 1   |            | (105CC) REMANUFACTURED                               |

(A) 75CC  
(B) 105CC

# 2C9

## HYDROSTATIC DRIVE CHARGE PUMP

HP8228 -UN-27JUL99



HP8228

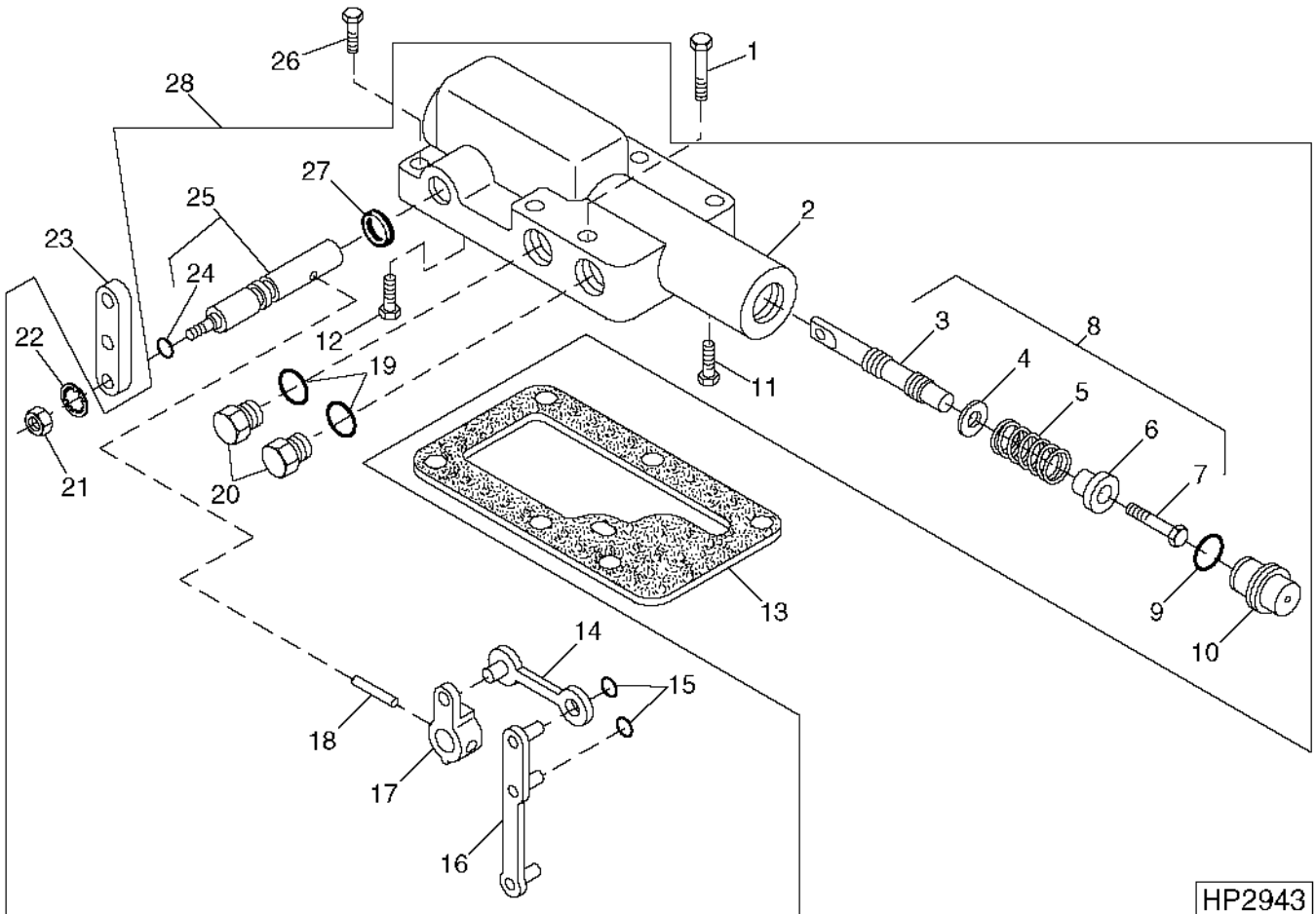
| KEY | PART NO. | PART NAME                  | QTY | SERIAL NO. | REMARKS           |
|-----|----------|----------------------------|-----|------------|-------------------|
| 1   | .....    | DRIVE SHAFT                | 1   |            |                   |
| 2   | H135706  | PIN                        | 1   |            |                   |
| 3   | H63289   | O-RING                     | 1   |            | 20.295 X 2.616 MM |
| 4   | U17409   | O-RING                     | 1   |            | 26.619 X 2.946 MM |
| 5   | AN122498 | RELIEF VALVE               | 1   |            |                   |
| 6   | .....    | HOUSING                    | 1   |            |                   |
| 7   | N126601  | BUSHING                    | 1   |            |                   |
| 8   | .....    | NEEDLE BEARING             | 1   |            |                   |
| 9   | H135570  | O-RING                     | 1   |            | 78.994 X 1.778 MM |
| 10  | .....    | SPACER                     | 1   |            |                   |
| 11  | .....    | COVER                      | 1   |            |                   |
| 12  | 19H1875  | CAP SCREW                  | 2   |            | 5/16" X 1-3/4"    |
| 13  | .....    | SCREW                      | 4   |            |                   |
| 14  | .....    | OIL PUMP                   | 1   |            |                   |
| 15  | .....    | BALL BEARING               | 1   |            |                   |
| 16  | .....    | SNAP RING                  | 2   |            |                   |
| 17  | P48347   | O-RING                     | 2   |            |                   |
| 18  | H171116  | FILTER HEAD                | 1   |            |                   |
| 19  | 19H3111  | SCREW                      | 2   |            | 9.525 X 35.052 MM |
| 20  | R26448   | O-RING                     | 3   |            | 11.887 X 1.981 MM |
| 21  | R27218   | FITTING PLUG               | 1   |            | (2WD ONLY)        |
| 22  | AH125760 | HYD. QUICK-CONNECT COUPLER | 1   |            |                   |
| 23  | R77175   | COVER                      | 1   |            |                   |
| 24  | AH128449 | HYDRAULIC FILTER           | 1   |            |                   |
| 25  | E65288   | O-RING                     | 1   |            |                   |
| 26  | H63271   | PIN                        | 2   |            |                   |
| 27  | H135497  | GASKET                     | 1   |            |                   |
| 28  | AH165115 | HYDRAULIC PUMP             | 1   |            | (75CC)            |
|     | AH165120 | HYDRAULIC PUMP             | 1   |            | (105CC)           |
| 29  | .....    | POPPET                     | 1   |            |                   |
| 30  | .....    | SPRING                     | 1   |            |                   |
| 31  | .....    | O-RING                     | 1   |            |                   |
| 32  | .....    | PLUG                       | 1   |            |                   |
| 33  | AH128929 | SWITCH                     | 1   |            |                   |

MEMORANDA

# 2C10

## HYDROSTATIC DRIVE DISPLACEMENT CONTROL VALVE

HP2943 -UN-13AUG99



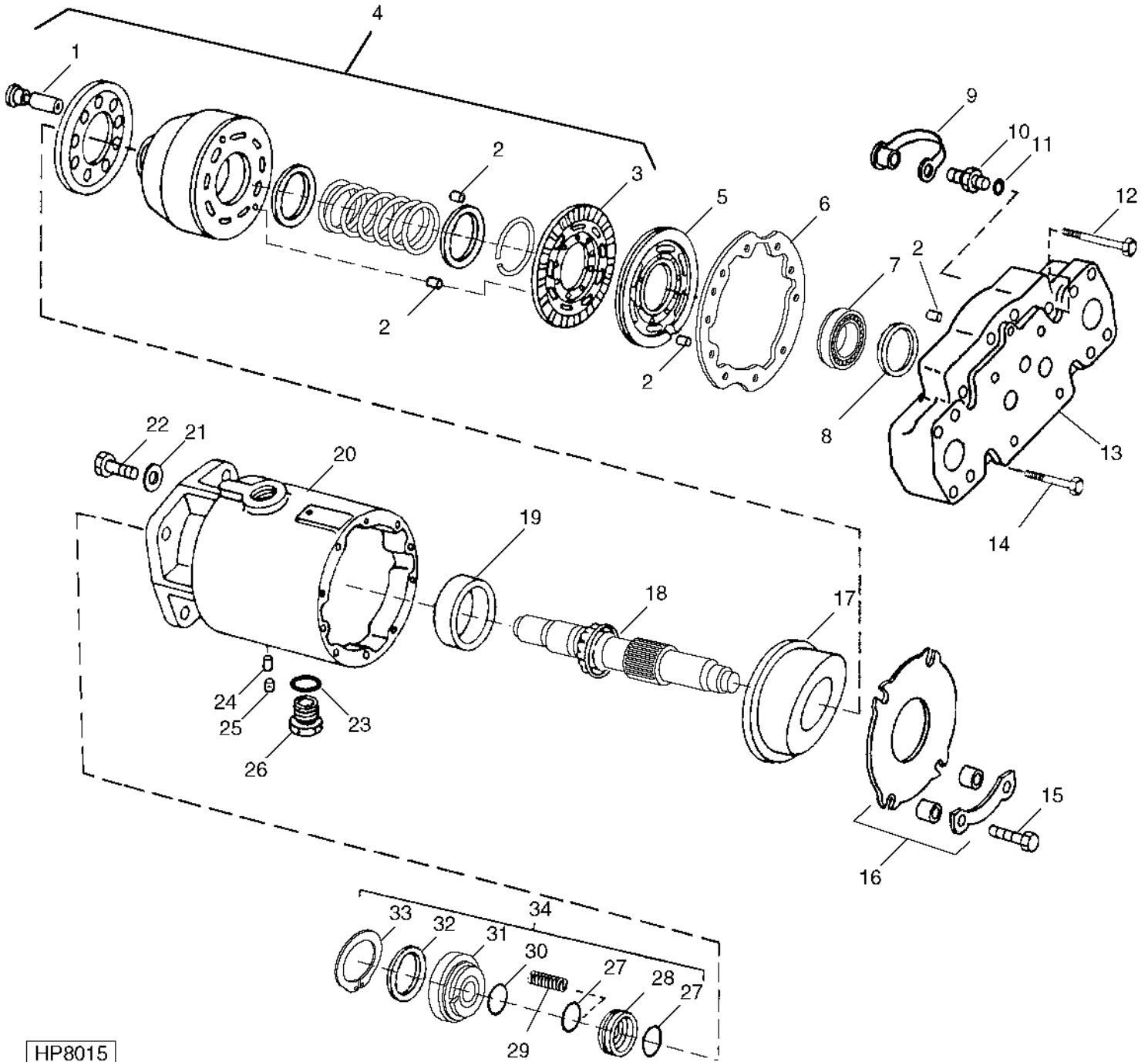


## HYDROSTATIC DRIVE DISPLACEMENT CONTROL VALVE - CONTINUED

| KEY | PART NO. | PART NAME     | QTY | SERIAL NO. | REMARKS           |
|-----|----------|---------------|-----|------------|-------------------|
| 1   | 19H1875  | CAP SCREW     | 2   |            | 5/16" X 1-3/4"    |
| 2   | .....    | HOUSING       | 1   |            |                   |
| 3   | .....    | SPOOL         | 1   |            |                   |
| 4   | .....    | WASHER        | 1   |            |                   |
| 5   | .....    | SPRING        | 1   |            |                   |
| 6   | .....    | RETAINER      | 1   |            |                   |
| 7   | .....    | CAP SCREW     | 1   |            |                   |
| 8   | AH129284 | KIT           | 1   |            |                   |
| 9   | R27166   | O-RING        | 1   |            | 15.596 X 1.778 MM |
| 10  | N126641  | SCREW         | 1   |            |                   |
| 11  | AN122494 | BOLT          | 1   |            |                   |
| 12  | AN122499 | BOLT          | 1   |            |                   |
| 13  | N126586  | GASKET        | 1   |            |                   |
| 14  | .....    | LINK          | 1   |            |                   |
| 15  | M48000   | SNAP RING     | 2   |            |                   |
| 16  | .....    | LINK          | 1   |            |                   |
| 17  | .....    | CONNECTOR     | 1   |            |                   |
| 18  | 34H311   | SPRING PIN    | 1   |            | 1/4" X 7/8"       |
| 19  | R26448   | O-RING        | 2   |            | 11.887 X 1.981 MM |
| 20  | R27218   | FITTING PLUG  | 2   |            |                   |
| 21  | 14H785   | NUT           | 1   |            | 5/16"             |
| 22  | 12M7032  | LOCK WASHER   | 1   |            | 8.400 MM          |
| 23  | H168988  | LEVER         | 1   |            |                   |
| 24  | A3917R   | O-RING        | 1   |            | 9.246 X 1.778 MM  |
| 25  | AN193084 | SHAFT         | 1   |            |                   |
| 26  | 19H1905  | CAP SCREW     | 4   |            | 5/16" X 1"        |
| 27  | H136163  | SEAL          | 1   |            |                   |
| 28  | AH131168 | CONTROL VALVE | 1   |            |                   |

# 2C12

HYDROSTATIC DRIVE MOTOR  
HP8015 -UN-03MAR99



HP8015

HYDROSTATIC DRIVE MOTOR - CONTINUED

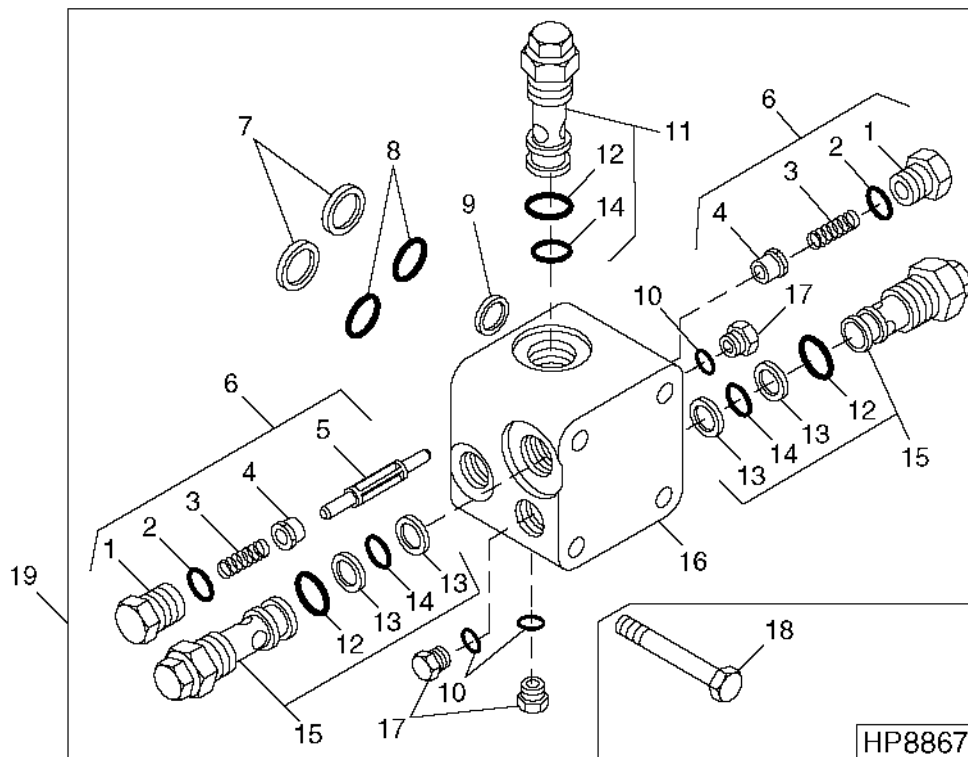
| KEY | PART NO. | PART NAME                  | QTY | SERIAL NO.         | REMARKS                                  |
|-----|----------|----------------------------|-----|--------------------|--|
| 1   | AH131169 | PISTON                     | 1   | (A)                |  |
|     | AH131388 | PISTON                     | 1   | (B)                |  |
| 2   | H63271   | PIN                        | 5   |                    |  |
| 3   | H135500  | PLATE                      | 1   | (A)                |  |
|     | H135700  | PLATE                      | 1   | (B)                |  |
| 4   | AH131171 | KIT                        | 1   | (A)                |  |
|     | AH131387 | KIT                        | 1   | (B)                |  |
| 5   | H135509  | PLATE                      | 1   | (A)                |  |
|     | H138901  | PLATE                      | 1   | (B)                |  |
| 6   | H135508  | GASKET                     | 1   | (A)                |  |
|     | H135702  | GASKET                     | 1   | (B)                |  |
| 7   | AN122507 | ROLLER BEARING             | 1   | (A)                |  |
|     | AH65358  | BEARING                    | 1   | (B)                |  |
| 8   | AN122509 | SHIM                       | 1   | (A)                |  |
|     | AH112678 | SHIM                       | 1   | (B)                |  |
| 9   | R77175   | COVER                      | 2   |                    |  |
| 10  | AH125760 | HYD. QUICK-CONNECT COUPLER | 2   |                    |  |
| 11  | R26448   | O-RING                     | 2   |                    |  |
| 12  | 19H1944  | CAP SCREW                  | 6   | (A) 3/8" X 2-3/4"  |  |
|     | 19H2347  | CAP SCREW                  | 6   | (B) 7/16" X 3"     |  |
| 13  | .....    | COVER                      | 1   |                    |  |
| 14  | 19H1800  | CAP SCREW                  | 2   | (A) 3/8" X 1-1/2"  |  |
|     | 19H1899  | CAP SCREW                  | 2   | (B) 7/16" X 2"     |  |
| 15  | 19H3053  | SCREW                      | 4   | (A) 5/16" X 1"     |  |
|     | 19H3352  | SCREW                      | 4   | (B) 5/16" X 1-1/4" |  |
| 16  | AH131391 | KIT                        | 1   | (A)                |  |
|     | AH131392 | KIT                        | 1   | (B)                |  |
| 17  | .....    | SWASH PLATE                | 1   |                    |  |
| 18  | AH133661 | SHAFT                      | 1   | (A)                |  |
|     | AH133662 | SHAFT                      | 1   | (B)                |  |
| 19  | JD9113   | BEARING CUP                | 1   | (A)                |  |
|     | JD7297   | BEARING CUP                | 1   | (B)                |  |
| 20  | .....    | HOUSING                    | 1   |                    |  |
| 21  | H135571  | SEALING WASHER             | 2   |                    |  |
| 22  | 19H3192  | SCREW                      | 2   |                    |  |
| 23  | U12547   | O-RING                     | 1   |                    |  |
| 24  | H64813   | DOWEL PIN                  | 1   |                    |  |
| 25  | 15H558   | PIPE PLUG                  | 1   | 1/8"               |  |
| 26  | R27175   | DRAIN PLUG                 | 1   |                    |  |
| 27  | N196034  | O-RING                     | 2   |                    |  |
| 28  | .....    | SEAL                       | 1   |                    |  |
| 29  | N191174  | SPRING                     | 6   |                    |  |
| 30  | U15415   | O-RING                     | 1   |                    |  |
| 31  | .....    | SEAL                       | 1   |                    |  |
| 32  | R112857  | O-RING                     | 1   | (A)                |  |
|     | T19832   | O-RING                     | 1   | (B)                |  |
| 33  | N126612  | SNAP RING                  | 1   |                    |  |
| 34  | AN193085 | SEAL KIT                   | 1   |                    |  |
| ..  | AH131310 | HYDRAULIC MOTOR            | 1   |                    | (INCLUDES AH141811) 75CC REMANUFACTURED  |
| ..  | AH131390 | HYDRAULIC MOTOR            | 1   |                    | (INCLUDES AH141811) 105CC REMANUFACTURED |

(A) 75CC  
(B) 105CC

# 2C14

## HYDROSTATIC MOTOR VALVE

HP8867 -UN-27JUL99



| KEY | PART NO. | PART NAME    | QTY | SERIAL NO. | REMARKS           |
|-----|----------|--------------|-----|------------|-------------------|
| 1   | R27175   | DRAIN PLUG   | 2   |            |                   |
| 2   | R26906   | O-RING       | 2   |            | 19.177 X 2.464 MM |
| 3   | .....    | SPRING       | 2   |            |                   |
| 4   | N126654  | VALVE        | 2   |            | SHUTTLE           |
| 5   | N128541  | SPOOL        | 1   |            | SHUTTLE           |
| 6   | AH131308 | KIT          | 1   |            |                   |
| 7   | U40729   | BACK-UP RING | 2   |            |                   |
| 8   | N130510  | O-RING       | 2   |            | 21.895 X 2.616 MM |
| 9   | AN272356 | SEAL KIT     | 1   |            |                   |
| 10  | R28782   | O-RING       | 3   |            | 8.915 X 1.829 MM  |
| 11  | AN122497 | RELIEF VALVE | 1   |            | LOW PRESSURE      |
| 12  | U17409   | O-RING       | 3   |            | 26.619 X 2.946 MM |
| 13  | H63288   | RING         | 4   |            |                   |
| 14  | H63289   | O-RING       | 3   |            | 20.295 X 2.616 MM |
| 15  | AH131174 | RELIEF VALVE | 2   |            | HIGH PRESSURE     |
| 16  | .....    | CASE         | 1   |            |                   |
| 17  | R51031   | FITTING      | 3   |            |                   |
| 18  | 19H2228  | CAP SCREW    | 4   |            | 3/8" X 4"         |
| 19  | AH141811 | VALVE        | 1   |            |                   |

MEMORANDA

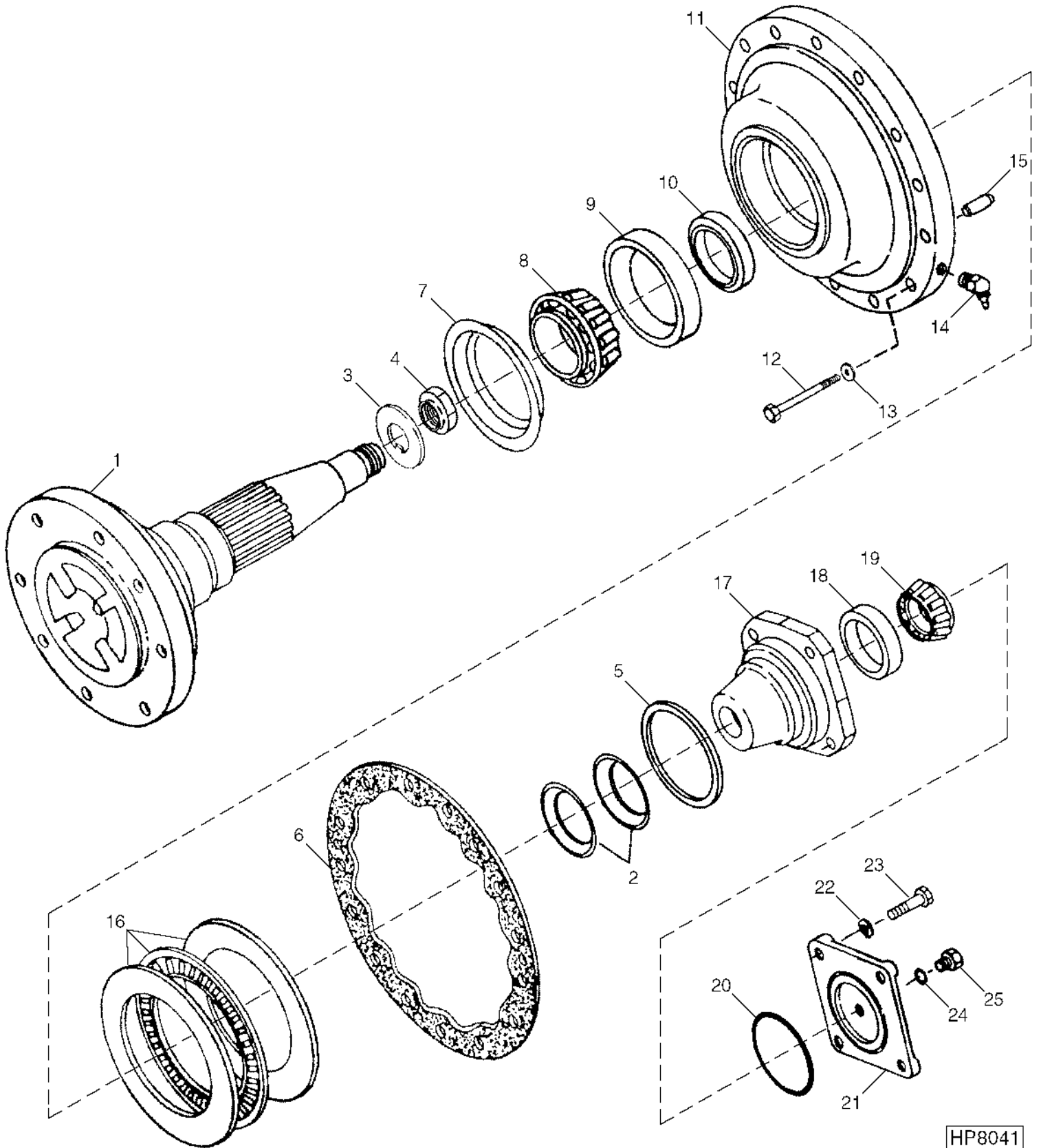
# 2C15

POWER TRAIN

SHAFT, COVERS, QUILL, BEARINGS AND SEALS

CAM LOBE MOTOR

HP8041 -UN-20NOV98



HP8041

# 2C16

POWER TRAIN

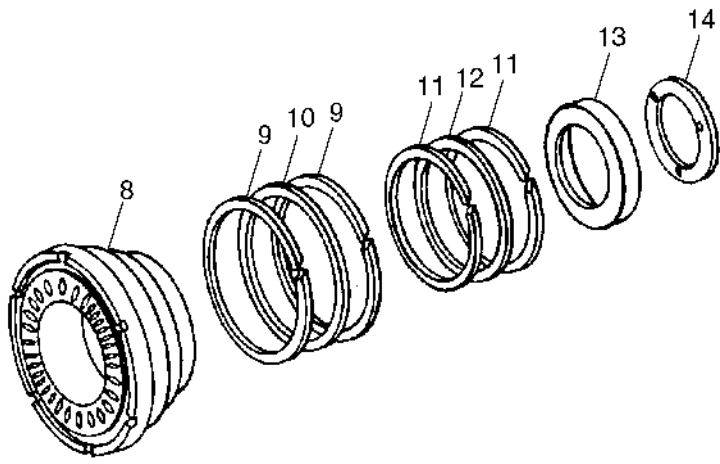
SHAFT, COVERS, QUILL, BEARINGS AND SEALS - CONTINUED  
CAM LOBE MOTOR

| KEY | PART NO. | PART NAME                   | QTY | SERIAL NO. | REMARKS                    |
|-----|----------|-----------------------------|-----|------------|----------------------------|
| 1   | R111995  | SPINDLE                     | 1   |            |                            |
|     | RE49243  | SEAL                        | 1   |            |                            |
| 2   | R85588   | WASHER                      | 2   |            | 78.700 X 112 X 1.780 MM    |
| 3   | R93180   | WASHER                      | 1   |            |                            |
| 4   | R92160   | NUT                         | 1   |            |                            |
| 5   | R39876   | PACKING                     | 1   |            |                            |
| 6   | R93142   | GASKET                      | 1   |            |                            |
| 7   | R57269   | OIL CUP                     | 1   |            |                            |
| 8   | JD10462  | BEARING CONE                | 1   |            |                            |
| 9   | JD7448   | BEARING CUP                 | 1   |            |                            |
| 10  | RE32824  | SEAL                        | 1   |            |                            |
| 11  | R88829   | COVER                       | 1   |            |                            |
| 12  | R89610   | CAP SCREW                   | 15  |            | 1/2" X 6"                  |
| 13  | R32214   | WASHER                      | 15  |            | 13.106 X 22.225 X 2.286 MM |
| 14  | JD7847   | LUBRICATION FITTING         | 1   |            |                            |
| 15  | R26650   | DOWEL PIN                   | 2   |            |                            |
| 16  | RE22642  | THRUST BEARING              | 1   |            |                            |
| 17  | R92104   | BEARING HOUSING W/O BEARING | 1   |            |                            |
| 18  | JD9109   | BEARING CUP                 | 1   |            |                            |
| 19  | JD9043   | BEARING CONE                | 1   |            |                            |
| 20  | E55758   | O-RING                      | 1   |            | 113.970 X 2.616 MM         |
| 21  | R100727  | COVER                       | 1   |            |                            |
| 22  | R69536   | WASHER                      | 6   |            | 10.500 X 18.500 X 3 MM     |
| 23  | 19H3065  | CAP SCREW                   | 6   |            | 3/8" X 2"                  |
| 24  | R28782   | O-RING                      | 1   |            | 8.915 X 1.829 MM           |
| 25  | R51031   | FITTING                     | 1   |            |                            |
| ..  | RE33336  | MOTOR                       | 1   |            | (1200CC) R.H.              |
| ..  | RE33337  | MOTOR                       | 1   |            | (1200CC) L.H.              |
| ..  | RE33338  | MOTOR                       | 1   |            | (1600CC) R.H.              |
| ..  | RE33339  | MOTOR                       | 1   |            | (1600CC) L.H.              |

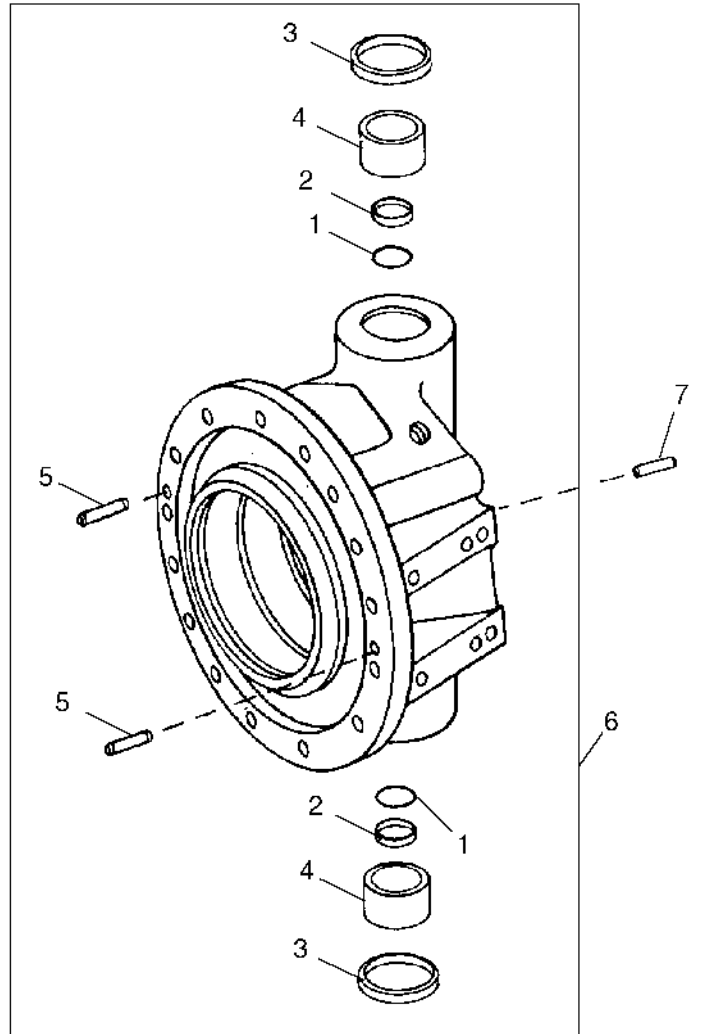
# 2C17

## INNER COVER, MANIFOLD AND PACKING

HP8043 -UN-29JUL99



HP8043





# 2C18

POWER TRAIN

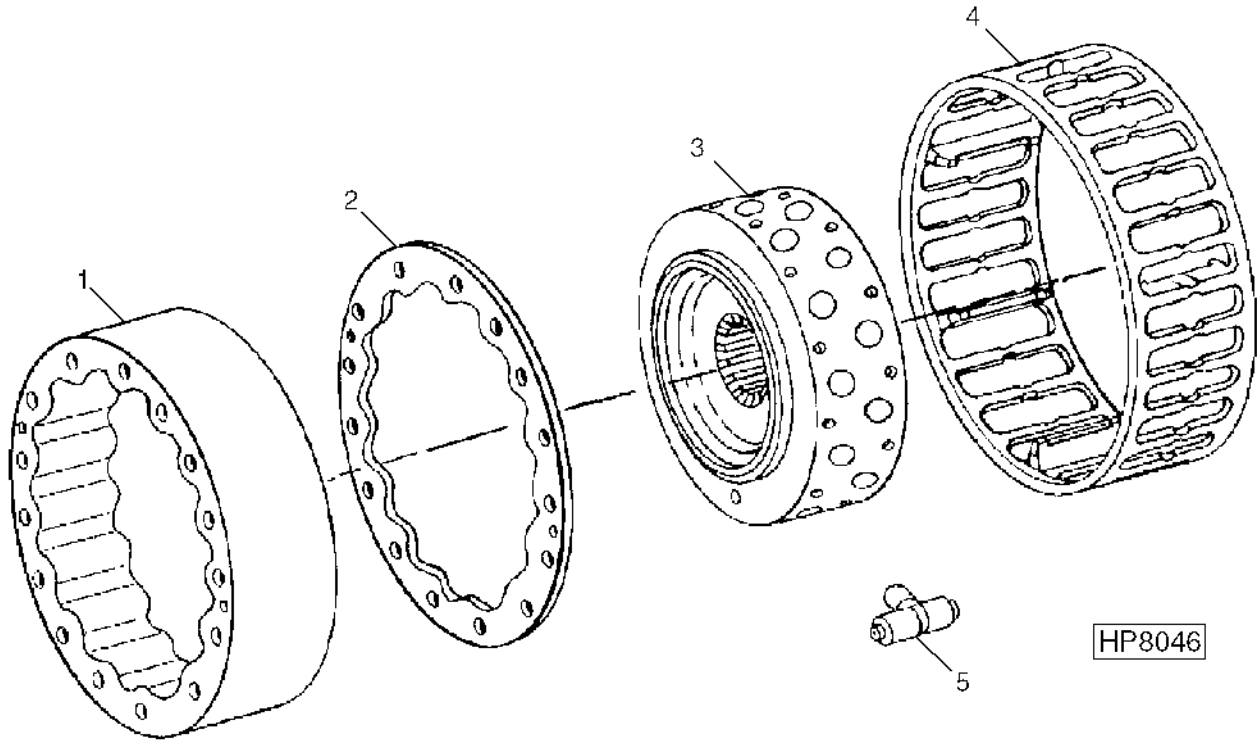
INNER COVER, MANIFOLD AND PACKING - CONTINUED

| KEY | PART NO. | PART NAME    | QTY | SERIAL NO. | REMARKS                    |
|-----|----------|--------------|-----|------------|----------------------------|
| 1   | U11647   | O-RING       | 2   |            | 21.819 X 3.531 MM          |
| 2   | R73102   | WASHER       | 2   |            | 22.300 X 28.300 X 1.270 MM |
| 3   | AR86539  | SEAL         | 2   |            |                            |
| 4   | R68102   | BUSHING      | 2   |            |                            |
| 5   | R26650   | DOWEL PIN    | 2   |            |                            |
| 6   | RE39131  | COVER        | 1   |            | (MARKED R93105)            |
| 7   | R71711   | DOWEL PIN    | 1   |            | 6.337 X 29 MM              |
| 8   | R99377   | MANIFOLD     | 1   |            |                            |
| 9   | R74690   | BACK-UP RING | 2   |            |                            |
| 10  | R74696   | WASHER       | 1   |            |                            |
| 11  | R74689   | BACK-UP RING | 2   |            |                            |
| 12  | R74697   | WASHER       | 1   |            |                            |
| 13  | R74693   | PACKING      | 1   |            | ALSO FURNISH R74694        |
| 14  | R74694   | BACK-UP RING | 1   |            | ALSO FURNISH R74693        |
| ..  | RE33336  | MOTOR        | 1   |            | (1200CC) R.H.              |
| ..  | RE33337  | MOTOR        | 1   |            | (1200CC) L.H.              |
| ..  | RE33338  | MOTOR        | 1   |            | (1600CC) R.H.              |
| ..  | RE33339  | MOTOR        | 1   |            | (1600CC) L.H.              |

# 2C19

POWER TRAIN

**CARRIER, PISTONS AND CAM**  
HP8046 -UN-20NOV98



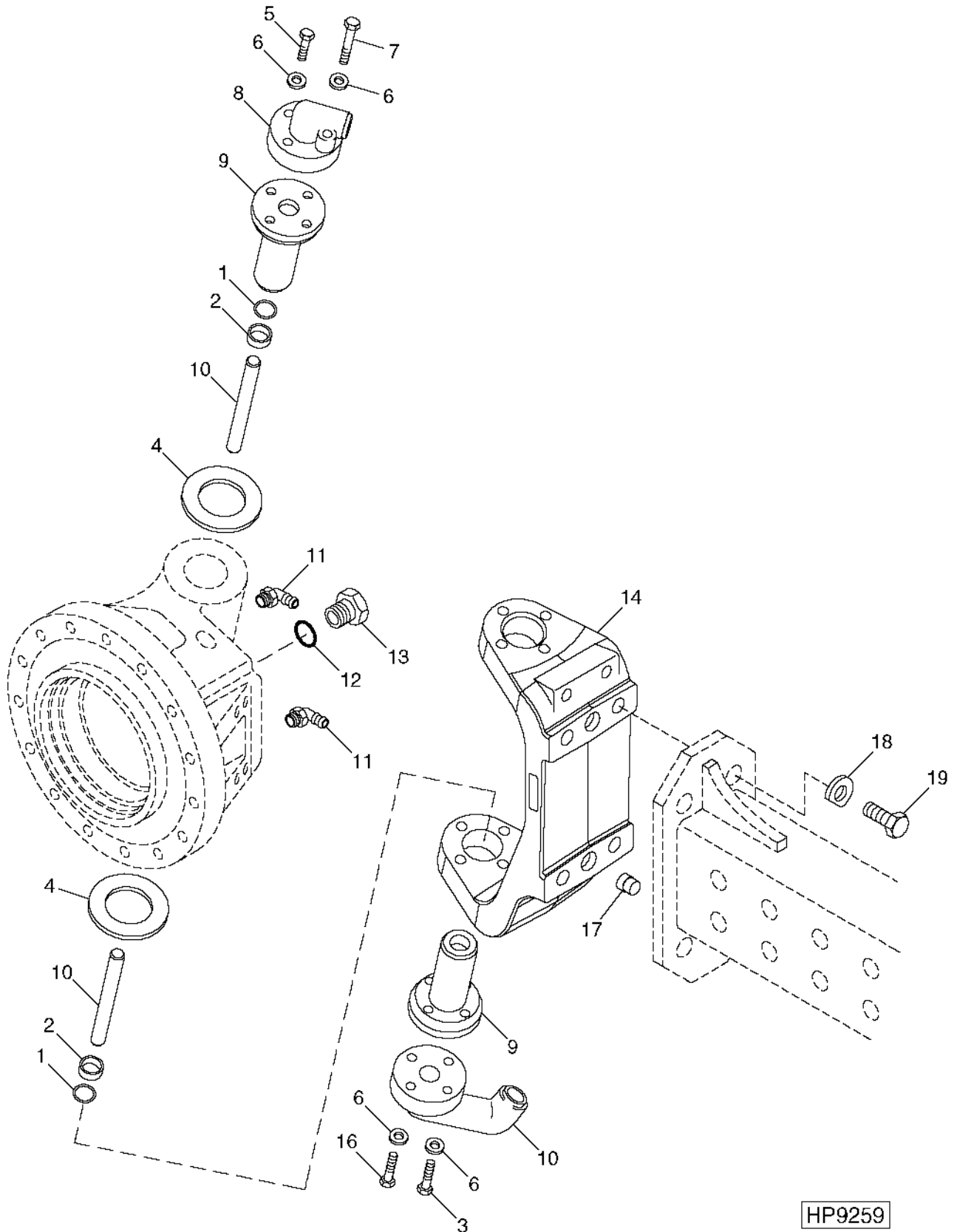
| KEY | PART NO. | PART NAME                 | QTY | SERIAL NO. | REMARKS |
|-----|----------|---------------------------|-----|------------|---------|
| 1   | R92148   | CAM                       | 1   |            |         |
| 2   | R93142   | GASKET                    | 1   |            |         |
| 3   | R88959   | HYD. MOTOR PISTON CARRIER | 1   | (A)        |         |
|     | R88960   | PLANET PINION CARRIER     | 1   | (B)        |         |
| 4   | R92979   | GUIDE                     | 1   | (A)        |         |
|     | R89012   | GUIDE                     | 1   | (B)        |         |
| 5   | RE27837  | HYD. MOTOR PISTON CARRIER | 18  | (A)        |         |
|     | RE27837  | HYD. MOTOR PISTON CARRIER | 24  | (B)        |         |

(A) 1200CC  
(B) 1600CC

MEMORANDA

# 2C20

YOKE, PIVOTS AND CAPS  
HP9259 -UN-12NOV99



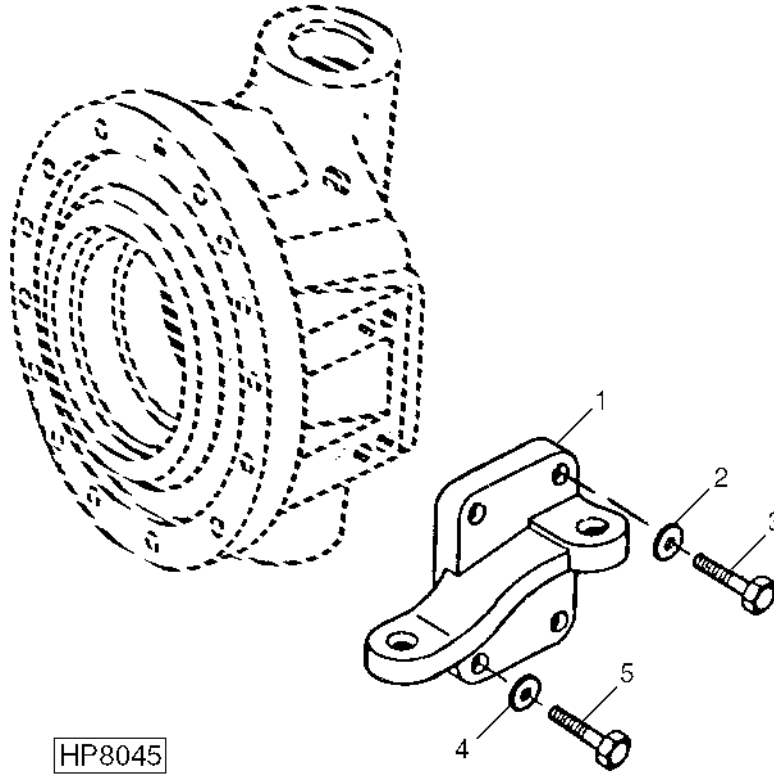
HP9259

## YOKE, PIVOTS AND CAPS - CONTINUED

| KEY | PART NO. | PART NAME           | QTY | SERIAL NO.                  | REMARKS |
|-----|----------|---------------------|-----|-----------------------------|---------|
| 1   | U11647   | O-RING              | 2   | 21.819 X 3.531 MM           |         |
| 2   | R73102   | WASHER              | 2   | 22.300 X 28.300 X 1.270 MM  |         |
| 3   | 19H3031  | CAP SCREW           | 2   | 3/8" X 2-1/2"               |         |
| 4   | R60239   | THRUST WASHER       | 2   | 51.500 X 101.500 X 3.040 MM |         |
| 5   | 19H3267  | CAP SCREW           | 2   | 3/8" X 1-5/8"               |         |
| 6   | R53668   | THRUST WASHER       | 8   | 9.525 MM                    |         |
| 7   | 19H2855  | CAP SCREW           | 2   | 3/8" X 3-1/4"               |         |
| 8   | R85374   | CAP                 | 1   |                             |         |
| 9   | R85376   | PIN                 | 2   |                             |         |
| 10  | R85378   | TUBE                | 2   |                             |         |
| 11  | JD7799   | LUBRICATION FITTING | 3   | 65° X 0.840" LONG           |         |
| 12  | R26375   | O-RING              | 1   | 16.358 X 2.210 MM           |         |
| 13  | R39112   | FITTING             | 1   |                             |         |
| 14  | R89015   | YOKE                | 1   |                             |         |
| 15  | R85373   | CAP                 | 1   |                             |         |
| 16  | 19H3267  | CAP SCREW           | 2   | 3/8" X 1-5/8"               |         |
| 17  | H75423   | PIN                 | 4   |                             |         |
| 18  | H166431  | WASHER              | 8   | (SUB H174025)               |         |
|     | H174025  | SPACER              | 8   |                             |         |
| 19  | 19M8002  | CAP SCREW           | 8   | M20 X 55                    |         |

**STEERING ARMS**

HP8045 -UN-20NOV98



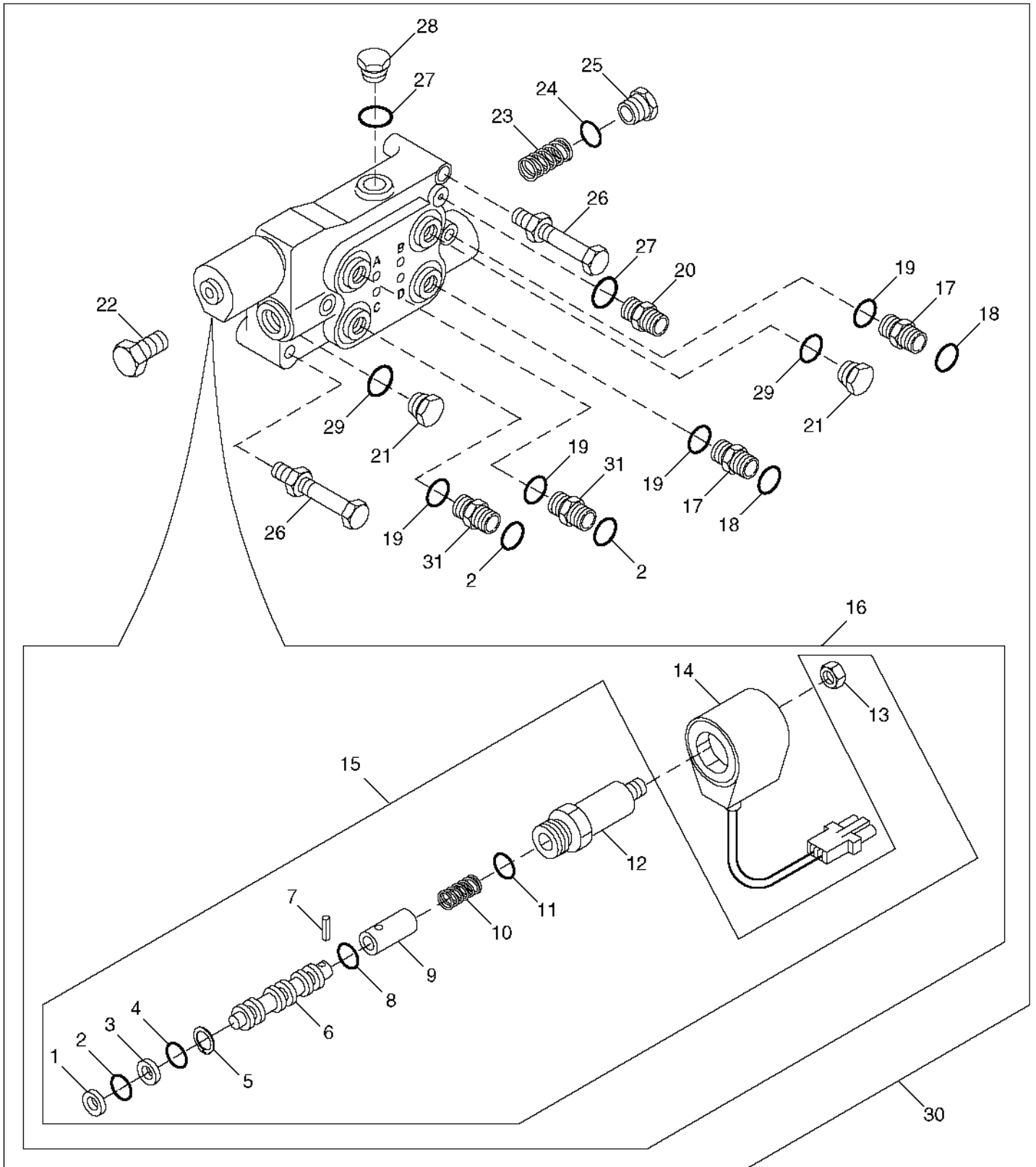
HP8045

| KEY | PART NO. | PART NAME    | QTY | SERIAL NO.                 | REMARKS |
|-----|----------|--------------|-----|----------------------------|---------|
| 1   | R92977   | STEERING ARM | 1   | L.H.                       |         |
|     | R92978   | STEERING ARM | 1   | R.H.                       |         |
| 2   | U41353   | WASHER       | 2   | 16.662 X 25.400 X 1.524 MM |         |
| 3   | 19H2710  | CAP SCREW    | 2   | 5/8" X 1-3/4"              |         |
| 4   | R32214   | WASHER       | 2   | 13.106 X 22.225 X 2.286 MM |         |
| 5   | 19H2993  | CAP SCREW    | 2   | 1/2" X 1-1/2"              |         |

MEMORANDA

# 2C23

**CONTROL VALVE**  
HP8031 -UN-12FEB99



HP8031



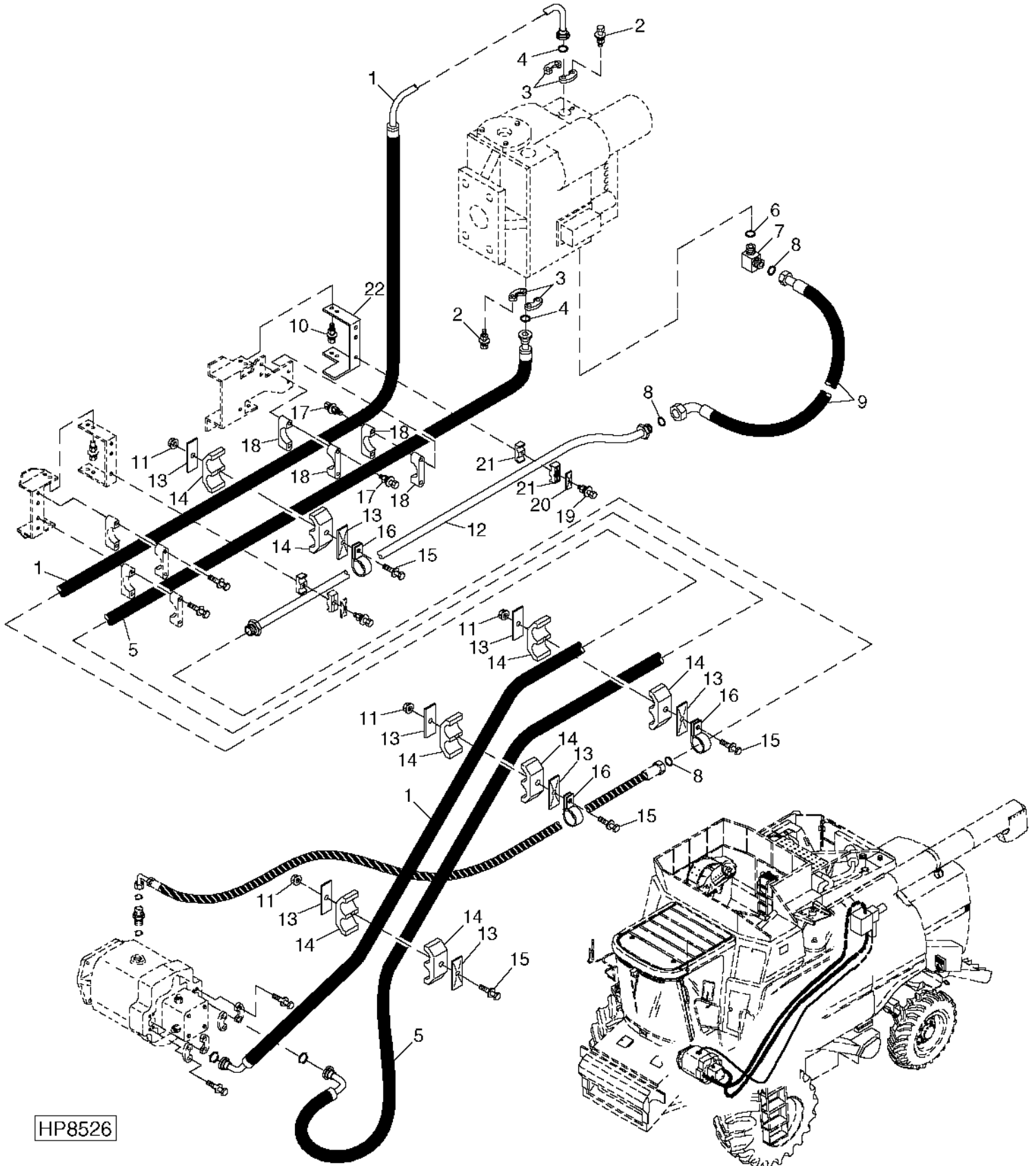
## CONTROL VALVE - CONTINUED

| KEY | PART NO.       | PART NAME                          | QTY      | SERIAL NO.                                 | REMARKS |
|-----|----------------|------------------------------------|----------|--|---------|
| 1   | R42926         | BACK-UP RING                       | 1        |  |         |
| 2   | T77857         | O-RING                             | 3        | 12.421 X 1.778 MM                          |         |
| 3   | R45187         | BACK-UP RING                       | 1        |  |         |
| 4   | R45638         | O-RING                             | 1        | 15.596 X 1.778 MM                          |         |
| 5   | R46701         | SNAP RING                          | 1        |  |         |
| 6   | .....          | VALVE SPOOL                        | 1        |  |         |
| 7   | 34H227         | SPRING PIN                         | 1        | 2.388 X 12.700 MM                          |         |
| 8   | N31772         | O-RING                             | 1        | 18.771 X 1.778 MM                          |         |
| 9   | .....          | PLUNGER                            | 1        |  |         |
| 10  | R64698         | SPRING                             | 1        |  |         |
| 11  | U12547         | O-RING                             | 1        | 23.470 X 2.946 MM                          |         |
| 12  | .....          | GUIDE                              | 1        |  |         |
| 13  | M63707         | LOCK NUT                           | 1        | 6.350 MM                                   |         |
| 14  | AH128654       | ELECTRICAL COIL                    | 1        |  |         |
|     | R78053         | PIN CONTACT CONNECTOR BODY         | 1        | (PKG OF 3)                                 |         |
|     | R78059         | ELECTRICAL PLUG                    | 1        | (PKG OF 40)                                |         |
|     | R78061         | PIN CONTACT                        | 1        | (PKG OF 40)                                |         |
| 15  | AH130949       | SOLENOID VALVE                     | 1        |  |         |
| 16  | AH128655       | SOLENOID VALVE                     | 1        |  |         |
| 17  | 38H1329        | ADAPTER                            | 2        | PORTS B AND D                              |         |
| 18  | T77932         | O-RING                             | 4        | 15.596 X 1.778 MM                          |         |
| 19  | U12547         | O-RING                             | 5        | 23.470 X 2.946 MM                          |         |
| 20  | 38H1168        | ADAPTER                            | 1        |  |         |
| 21  | R51031         | FITTING                            | 2        |  |         |
| 22  | AU40993        | FITTING                            | 1        |  |         |
| 23  | R45182         | SPRING                             | 1        |  |         |
| 24  | R31674         | O-RING                             | 1        | 25.070 X 2.616 MM                          |         |
| 25  | AH84695        | FITTING                            | 1        |  |         |
| 26  | 19M7803        | SCREW                              | 3        | M8 X 70                                    |         |
|     | 14M7298        | FLANGE NUT                         | 3        | M8   |         |
| 27  | R26448         | O-RING                             | 2        | 11.887 X 1.981 MM                          |         |
| 28  | R27218         | FITTING PLUG                       | 1        |  |         |
| 29  | R28782         | O-RING                             | 2        | 8.915 X 1.829 MM                           |         |
| 30  | AH128672       | VALVE                              | 1        | CONTROL WITH SOLENOID                      |         |
| 31  | 38H1175        | ADAPTER                            | 2        | PORTS A AND C                              |         |
| ..  | <b>BH81623</b> | <b>COMPLETE GOODS/SHIP. BUNDLE</b> | <b>1</b> | <b>POWER VALVE ASSEMBLY AND AXLE HOSES</b> |         |

# 2D1

## HYDROSTATIC DRIVE OIL LINES AND HOSES, LOWER (TWO WHEEL DRIVE)

HP8526 -UN-14JUL99



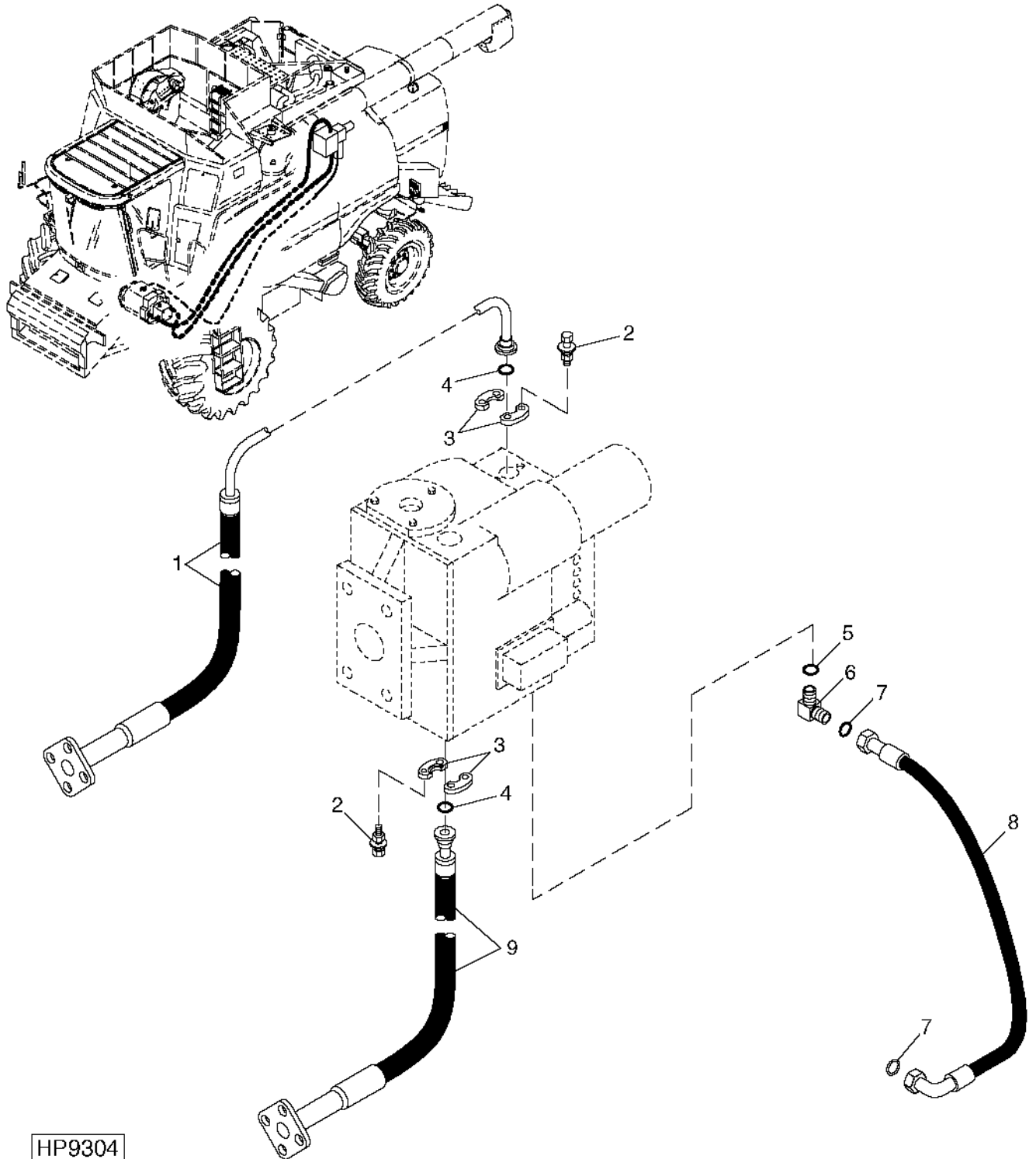
HP8526

**HYDROSTATIC DRIVE OIL LINES AND HOSES, LOWER - CONTINUED  
(TWO WHEEL DRIVE)**

| KEY | PART NO. | PART NAME             | QTY | SERIAL NO. | REMARKS  |
|-----|----------|-----------------------|-----|------------|--|
| 1   | AH143035 | HYDRAULIC HOSE        | 1   |            | 1" X 5 000 MM X 1", (REVERSE PRESSURE)         |
| 2   | 19H1740  | CAP SCREW             | 8   |            | 7/16" X 1-3/4"                                 |
|     | 12H293   | LOCK WASHER           | 8   |            | 7/16"  |
| 3   | H122182  | EXTERNAL HALF COUPLER | 4   |            |  |
| 4   | T78313   | O-RING                | 2   |            | 32.918 X 3.531 MM                              |
| 5   | AH143352 | HYDRAULIC HOSE        | 1   |            | 1" X 5 175 MM X 1", (FORWARD PRESSURE)         |
| 6   | U12547   | O-RING                | 1   |            | 0.924" X 0.116"                                |
| 7   | 38H1007  | ELBOW FITTING         | 1   |            |  |
| 8   | T77858   | O-RING                | 3   |            | 18.771 X 1.778 MM                              |
| 9   | AH124008 | HYDRAULIC HOSE        | 1   |            | 1-3/16" X 725 MM X 1-3/16", (UPPER DRAIN HOSE) |
| 10  | 19M7866  | SCREW                 | 4   |            | M8 X 20  |
|     | 14M7396  | LOCK NUT              | 4   |            | M8   |
| 11  | 14M7298  | FLANGE NUT            | 4   |            | M8   |
| 12  | AH152743 | LINE                  | 1   |            |  |
| 13  | H114901  | PLATE                 | 8   |            |  |
| 14  | H150222  | HOSE CLAMP            | 8   |            |  |
| 15  | 19M7970  | SCREW                 | 4   |            | M8 X 100                                       |
| 16  | T72393   | CLAMP                 | 3   |            |  |
| 17  | 19M8039  | SCREW                 | 4   |            | M8 X 80  |
|     | 14M7298  | FLANGE NUT            | 4   |            | M8   |
| 18  | H150223  | HOSE CLAMP            | 4   |            |  |
| 19  | 19M7979  | SCREW                 | 1   |            | M8 X 55  |
|     | 14M7298  | FLANGE NUT            | 1   |            | M8   |
| 20  | H112567  | PLATE                 | 1   |            |  |
| 21  | H111730  | CLAMP                 | 2   |            |  |
| 22  | H133659  | BRACKET               | 1   |            |  |

**HYDROSTATIC DRIVE HOSES, UPPER  
(FOUR WHEEL DRIVE)**

HP9304 -UN-23NOV99



HP9304

# 2D4

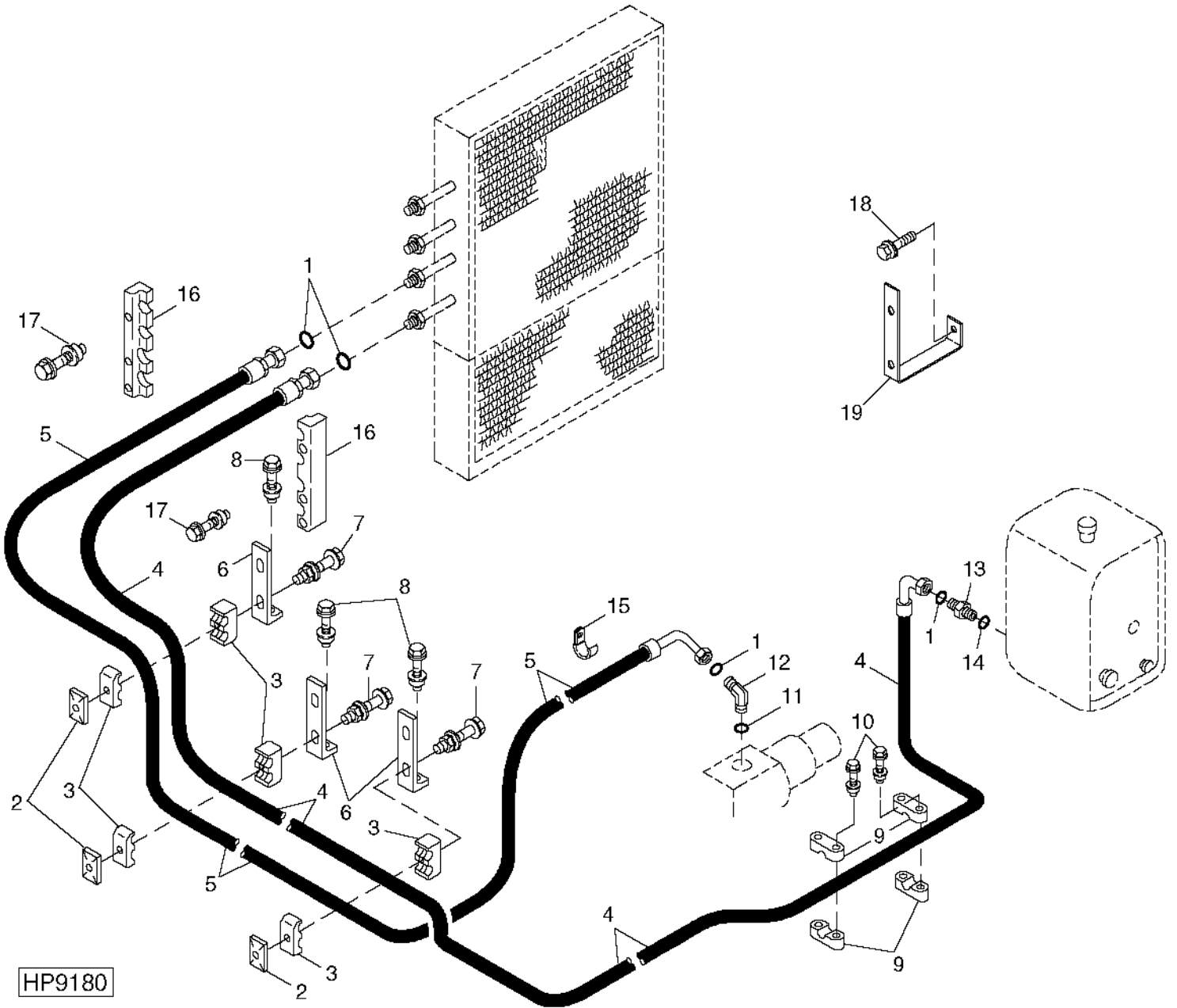
POWER TRAIN

**HYDROSTATIC DRIVE HOSES, UPPER - CONTINUED  
(FOUR WHEEL DRIVE)**

| KEY | PART NO.       | PART NAME                          | QTY      | SERIAL NO. | REMARKS   |
|-----|----------------|------------------------------------|----------|------------|---|
| 1   | AH144192       | HYDRAULIC HOSE                     | 1        |            | 1" X 975 MM X 1"  |
| 2   | 19H1740        | CAP SCREW                          | 8        |            | 7/16" X 1-3/4"  |
|     | 12H293         | LOCK WASHER                        | 8        |            | 7/16"   |
| 3   | H122182        | EXTERNAL HALF COUPLER              | 4        |            |   |
| 4   | T78313         | O-RING                             | 2        |            | 32.918 X 3.531 MM   |
| 5   | U12547         | O-RING                             | 1        |            | 23.470 X 2.946 MM   |
| 6   | 38H1007        | ELBOW FITTING                      | 1        |            |   |
| 7   | T77858         | O-RING                             | 2        |            | 18.771 X 1.778 MM   |
| 8   | AH124008       | HYDRAULIC HOSE                     | 1        |            | 1-3/16" X 725 MM X 1-3/16" (UPPER CASE DRAIN)                     |
| 9   | AH141544       | HYDRAULIC HOSE                     | 1        |            | 1-7/16" X 700 MM X 1-7/16" (PRESSURE)(FOR<br>POWERED REAR WHEELS) |
| ..  | <b>BH81286</b> | <b>COMPLETE GOODS/SHIP. BUNDLE</b> | <b>1</b> |            | <b>FOUR WHEEL DRIVE CONVERSION</b>                                |

## HYDROSTATIC OIL COOLER LINES AND HOSES

HP9180 -UN-13OCT99



# 2D6

POWER TRAIN

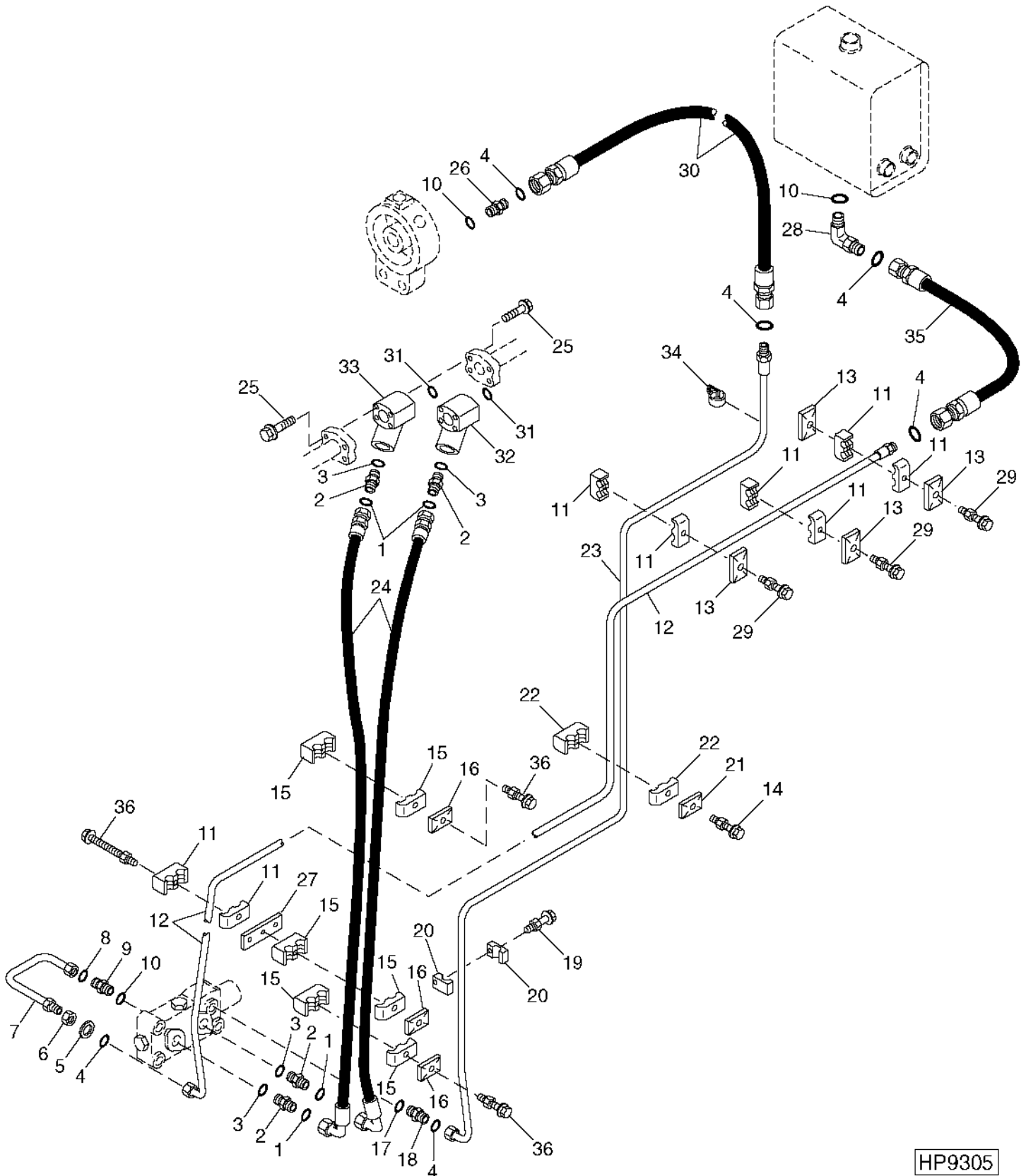
## HYDROSTATIC OIL COOLER LINES AND HOSES - CONTINUED

| KEY | PART NO. | PART NAME          | QTY | SERIAL NO. | REMARKS           |
|-----|----------|--------------------|-----|------------|-------------------|
| 1   | T77858   | O-RING             | 4   |            |                   |
| 2   | H114901  | PLATE              | 3   |            |                   |
| 3   | H150982  | CLAMP              | 6   |            |                   |
| 4   | AH145236 | HYDRAULIC HOSE     | 1   |            | 18.771 X 1.778 MM |
| 5   | AH145238 | HYDRAULIC HOSE     | 1   |            |                   |
| 6   | H150980  | BRACKET            | 3   |            |                   |
| 7   | 19M8039  | SCREW              | 3   |            | M8 X 80           |
|     | 14M7298  | FLANGE NUT         | 3   |            | M8                |
| 8   | 19M7866  | SCREW              | 3   |            | M8 X 20           |
|     | 14M7298  | FLANGE NUT         | 3   |            | M8                |
| 9   | H145247  | HALF CLAMP         | 4   |            |                   |
| 10  | 19M7801  | SCREW              | 4   |            | M8 X 60           |
|     | 14M7298  | FLANGE NUT         | 4   |            | M8                |
| 11  | U12547   | O-RING             | 1   |            | 23.470 X 2.946 MM |
| 12  | 38H1163  | ADAPTER            | 1   |            |                   |
| 13  | 38H1194  | ADAPTER            | 1   |            |                   |
| 14  | R29936   | O-RING             | 1   |            | 29.743 X 2.946 MM |
| 15  | AH90990  | CLIP               | 1   |            |                   |
| 16  | H151585  | CLAMP              | 2   |            |                   |
| 17  | 19M8318  | SCREW              | 6   |            | M8 X 45           |
|     | 14M7298  | FLANGE NUT         | 6   |            | M8                |
| 18  | N14822   | SELF-LOCKING SCREW | 1   |            |                   |
| 19  | H163211  | BRACKET            | 1   |            |                   |

# 2D7

## 4-WHEEL DRIVE HYDRAULIC LINES AND HOSES, L.H. SIDE

HP9305 -UN-23NOV99



HP9305



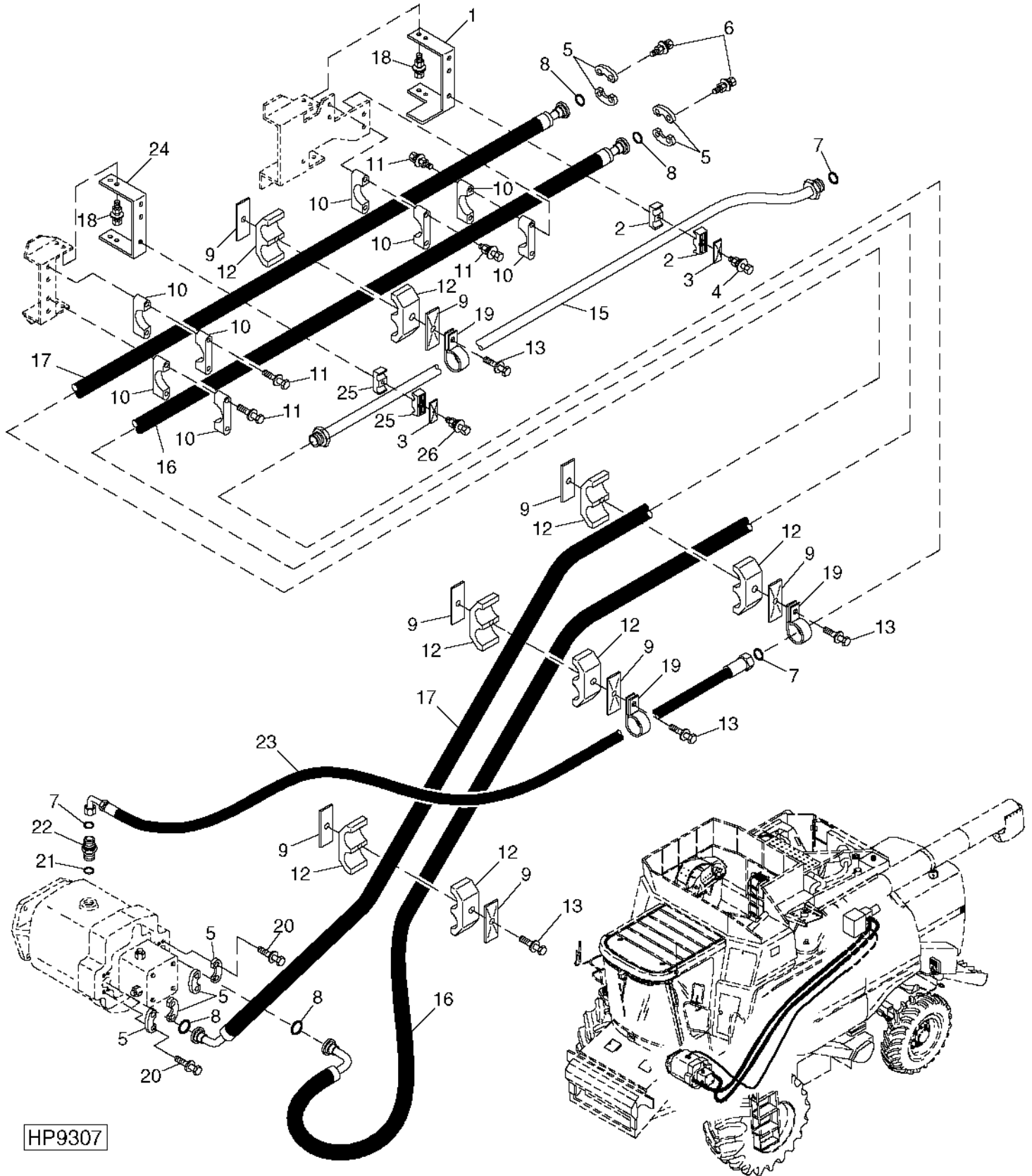
## 4-WHEEL DRIVE HYDRAULIC LINES AND HOSES, L.H. SIDE - CONTINUED

| KEY | PART NO.       | PART NAME                          | QTY      | SERIAL NO. | REMARKS                            |
|-----|----------------|------------------------------------|----------|------------|------------------------------------|
| 1   | T77858         | O-RING                             | 4        |            | 18.771 X 1.778 MM                  |
| 2   | 38H1163        | ADAPTER                            | 4        |            |                                    |
| 3   | U12547         | O-RING                             | 4        |            | 23.470 X 2.946 MM                  |
| 4   | T77613         | O-RING                             | 6        |            | 9.246 X 1.778 MM                   |
| 5   | 24M7114        | WASHER                             | 1        |            | 19 X 30 X 4 MM                     |
| 6   | T81029         | NUT                                | 1        |            | 17.475 MM                          |
| 7   | AH130611       | HYDRAULIC LINE                     | 1        |            |                                    |
| 8   | T77814         | O-RING                             | 1        |            | 7.645 X 1.778 MM                   |
| 9   | 38H1168        | ADAPTER                            | 1        |            |                                    |
| 10  | R26448         | O-RING                             | 3        |            | 11.887 X 1.981 MM                  |
| 11  | H114865        | CLAMP                              | 8        |            |                                    |
| 12  | AH152671       | HYDRAULIC LINE                     | 1        |            | (RETURN)                           |
| 13  | H112567        | PLATE                              | 4        |            |                                    |
| 14  | 03M7187        | BOLT                               | 1        |            | M8 X 35                            |
|     | 14M7298        | FLANGE NUT                         | 1        |            | M8                                 |
| 15  | H114898        | CLAMP                              | 6        |            |                                    |
| 16  | H114901        | PLATE                              | 3        |            |                                    |
| 17  | R28782         | O-RING                             | 1        |            | 8.915 X 1.829 MM                   |
| 18  | 38H1309        | ADAPTER                            | 1        |            |                                    |
| 19  | 19M8317        | SCREW                              | 1        |            | M8 X 40                            |
|     | 14M7298        | FLANGE NUT                         | 1        |            | M8                                 |
| 20  | H127589        | CLAMP                              | 2        |            |                                    |
| 21  | H121163        | COVER                              | 1        |            |                                    |
| 22  | H128515        | CLAMP                              | 2        |            |                                    |
| 23  | AH152672       | HYDRAULIC LINE                     | 1        |            | (PRESSURE)                         |
| 24  | AH139802       | HYDRAULIC HOSE                     | 2        |            | 1-3/16" X 1 575 MM X 1-3/16"       |
| 25  | 19M8162        | CAP SCREW                          | 16       |            | M10 X 40                           |
| 26  | 38H1160        | ADAPTER                            | 1        |            |                                    |
| 27  | H131163        | STRAP                              | 1        |            |                                    |
| 28  | 38H1004        | ELBOW FITTING                      | 1        |            |                                    |
| 29  | 19M7801        | SCREW                              | 3        |            | M8 X 60                            |
|     | 14M7298        | FLANGE NUT                         | 3        |            | M8                                 |
| 30  | AH128894       | HYDRAULIC HOSE                     | 1        |            | 11/16" X 505 MM X 11/16"           |
| 31  | T78313         | O-RING                             | 2        |            | 32.918 X 3.531 MM                  |
| 32  | AH133941       | MANIFOLD                           | 1        |            | 42 GPM, FWD PRESS.                 |
| 33  | AH133942       | MANIFOLD                           | 1        |            | 30 GPM, REV PRESS.                 |
| 34  | AH76882        | CLIP                               | 1        |            |                                    |
| 35  | AH155648       | HYDRAULIC HOSE                     | 1        |            | 11/16" X 950 MM X 11/16"           |
| 36  | 19M8039        | SCREW                              | 3        |            | M8 X 80                            |
|     | 14M7298        | FLANGE NUT                         | 3        |            | M8                                 |
| ..  | <b>BH81286</b> | <b>COMPLETE GOODS/SHIP. BUNDLE</b> | <b>1</b> |            | <b>FOUR WHEEL DRIVE CONVERSION</b> |

# 2D9

## HYDROSTATIC DRIVE OIL LINES AND HOSES, LOWER (FOUR WHEEL DRIVE)

HP9307 -UN-22NOV99



HP9307

# 2D10

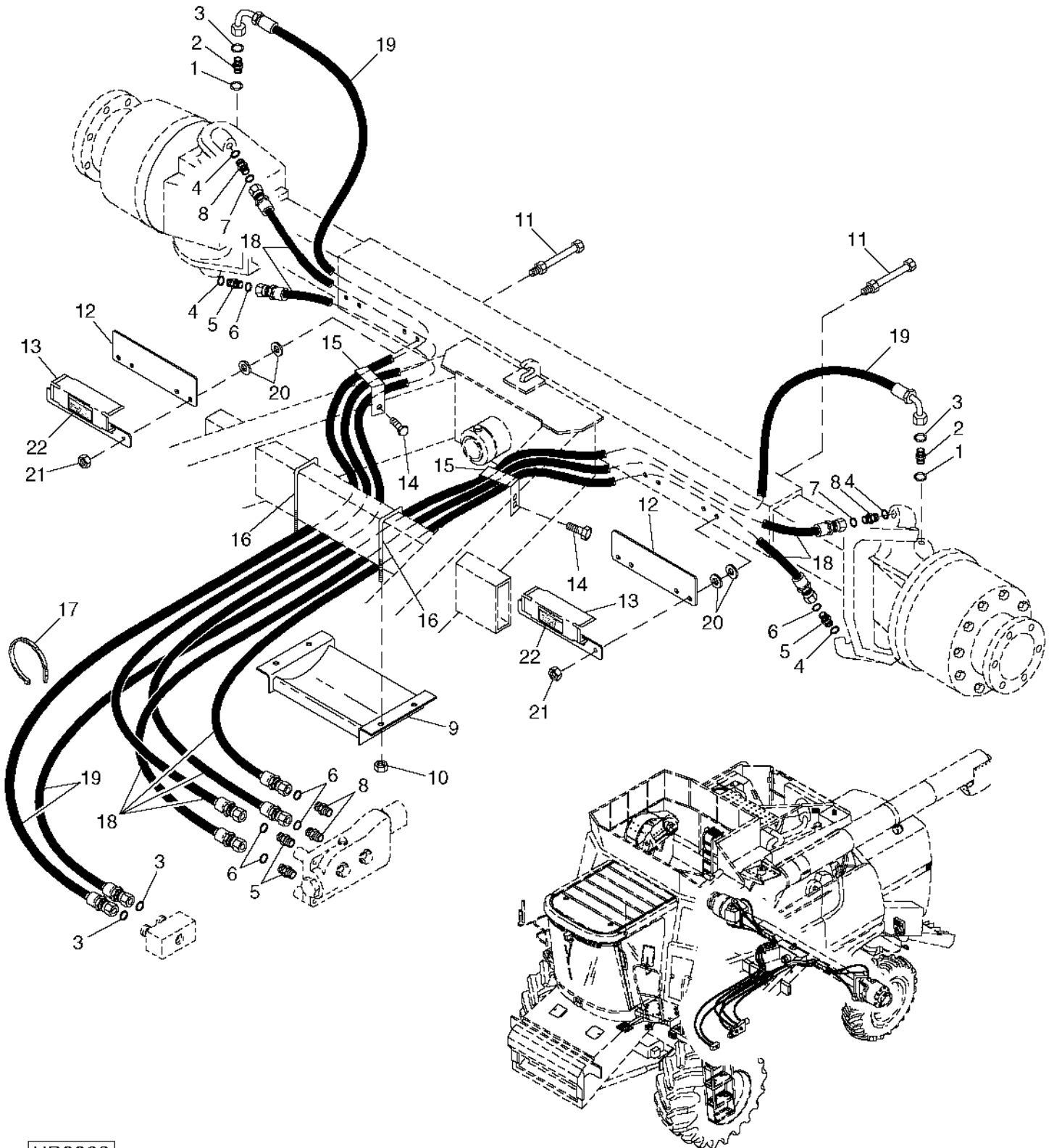
POWER TRAIN

**HYDROSTATIC DRIVE OIL LINES AND HOSES, LOWER - CONTINUED  
(FOUR WHEEL DRIVE)**

| KEY | PART NO. | PART NAME             | QTY | SERIAL NO.      | REMARKS                                  |
|-----|----------|-----------------------|-----|-----------------|--|
| 1   | H133659  | BRACKET               | 1   |                 |  |
| 2   | H111730  | CLAMP                 | 2   |                 |  |
| 3   | H112567  | PLATE                 | 2   |                 |  |
| 4   | 19M7979  | SCREW                 | 1   | M8 X 55         |  |
|     | 14M7298  | FLANGE NUT            | 1   | M8              |  |
| 5   | H122182  | EXTERNAL HALF COUPLER | 8   |                 |  |
| 6   | 19M8162  | CAP SCREW             | 8   | M10 X 40        |  |
| 7   | T77858   | O-RING                | 3   |                 |  |
| 8   | T78313   | O-RING                | 4   |                 |  |
| 9   | H114901  | PLATE                 | 8   |                 |  |
| 10  | H150223  | HOSE CLAMP            | 8   |                 |  |
| 11  | 19M8039  | SCREW                 | 8   | M8 X 80         |  |
|     | 14M7298  | FLANGE NUT            | 8   | M8              |  |
| 12  | H150222  | HOSE CLAMP            | 8   |                 |  |
| 13  | 19M7970  | SCREW                 | 4   | M8 X 100        |  |
| 14  | 14M7298  | FLANGE NUT            | 4   | M8              |  |
| 15  | AH152743 | LINE                  | 1   |                 |  |
| 16  | AH143353 | HYDRAULIC HOSE        | 1   |                 | 1" X 4 375 MM X 1", FORWARD PRESSURE     |
| 17  | AH142758 | HYDRAULIC HOSE        | 1   |                 | 1" X 3 875 MM X 1", REVERSE PRESSURE     |
| 18  | 19M7866  | SCREW                 | 8   | M8 X 20         |  |
|     | 14M7396  | LOCK NUT              | 8   | M8              |  |
| 19  | T72393   | CLAMP                 | 3   |                 |  |
| 20  | 19H1740  | CAP SCREW             | 8   | 7/16" X 1-3/4"  |  |
|     | 12H293   | LOCK WASHER           | 8   | 7/16"           |  |
| 21  | U12547   | O-RING                | 1   | 0.924" X 0.116" |  |
| 22  | 38H1163  | ADAPTER               | 1   |                 |  |
| 23  | AH142611 | HYDRAULIC HOSE        | 1   |                 | 1-3/16" X 75-3/4" X 1-3/16" (CASE DRAIN) |
| 24  | H131115  | BRACKET               | 1   |                 |  |
| 25  | H114897  | CLAMP                 | 2   |                 |  |
| 26  | 19M7913  | SCREW                 | 1   | M8 X 90         |  |
|     | 14M7298  | FLANGE NUT            | 1   | M8              |  |

## 4-WHEEL DRIVE LINES AND HOSES (FROM FLOW CONTROL VALVE TO CAM LOBE MOTORS)

HP9308 -UN-22NOV99

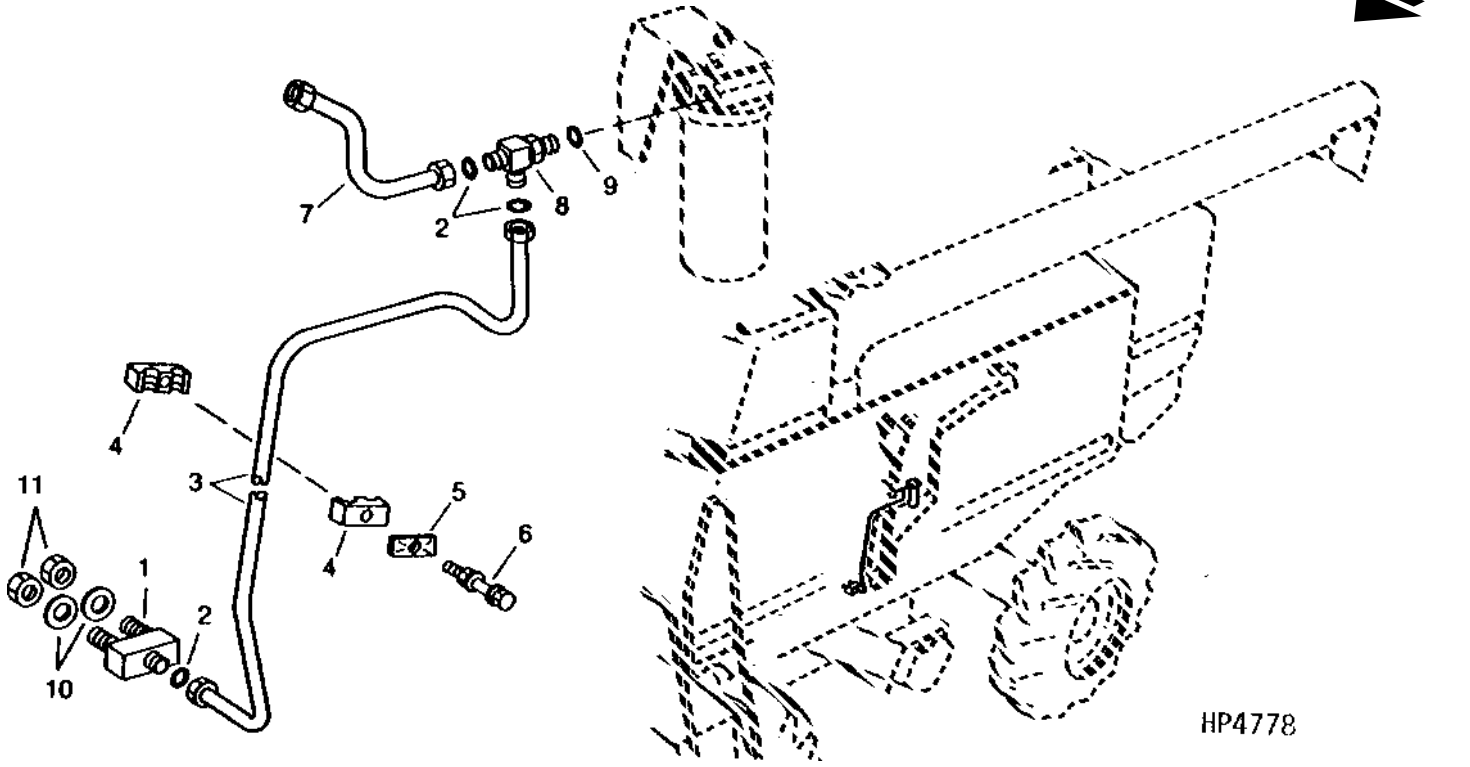


HP9308

**4-WHEEL DRIVE LINES AND HOSES - CONTINUED  
(FROM FLOW CONTROL VALVE TO CAM LOBE MOTORS)**

| KEY | PART NO.       | PART NAME                          | QTY      | SERIAL NO. | REMARKS                                    |
|-----|----------------|------------------------------------|----------|------------|--|
| 1   | R26375         | O-RING                             | 2        |            |  |
| 2   | 38H1178        | ADAPTER                            | 2        |            |  |
| 3   | T77858         | O-RING                             | 4        |            |  |
| 4   | U12547         | O-RING                             | 8        |            |  |
| 5   | 38H1329        | ADAPTER                            | 4        |            |  |
| 6   | T77932         | O-RING                             | 4        |            |  |
| 7   | T77857         | O-RING                             | 4        |            |  |
| 8   | 38H1175        | ADAPTER                            | 4        |            |  |
| 9   | AH128757       | SHIELD                             | 1        |            |  |
| 10  | 14M7296        | FLANGE NUT                         | 4        | M10        |  |
| 11  | H121472        | BOLT                               | 4        |            |  |
|     | 14M7300        | FLANGE NUT                         | 4        | M20        |  |
| 12  | H154755        | SHIELD                             | 2        |            |  |
| 13  | H154756        | SHIELD                             | 2        |            |  |
| 14  | 37M7058        | SCREW                              | 6        | M8 X 20    |  |
| 15  | AH117418       | STRAP                              | 2        |            |  |
| 16  | H133669        | U-BOLT                             | 2        |            |  |
| 17  | H113196        | TIE BAND                           | 1        |            |  |
| 18  | AH164755       | HYDRAULIC HOSE                     | 4        |            |  |
| 19  | AH164484       | HYDRAULIC HOSE                     | 2        |            | (CASE DRAIN)                               |
| 20  | 24M7242        | WASHER                             | 8        |            | 21.400 X 42 X 5 MM                         |
| 21  | 14M7300        | FLANGE NUT                         | 4        | M20        |  |
| 22  | H170211        | SIGN                               | 2        |            |  |
| ..  | <b>BH78881</b> | <b>COMPLETE GOODS/SHIP. BUNDLE</b> | <b>1</b> |            | <b>SHIELDS</b>                             |
| ..  | <b>BH81286</b> | <b>COMPLETE GOODS/SHIP. BUNDLE</b> | <b>1</b> |            | <b>FOUR WHEEL DRIVE CONVERSION</b>         |
| ..  | <b>BH81623</b> | <b>COMPLETE GOODS/SHIP. BUNDLE</b> | <b>1</b> |            | <b>POWER VALVE ASSEMBLY AND AXLE HOSES</b> |

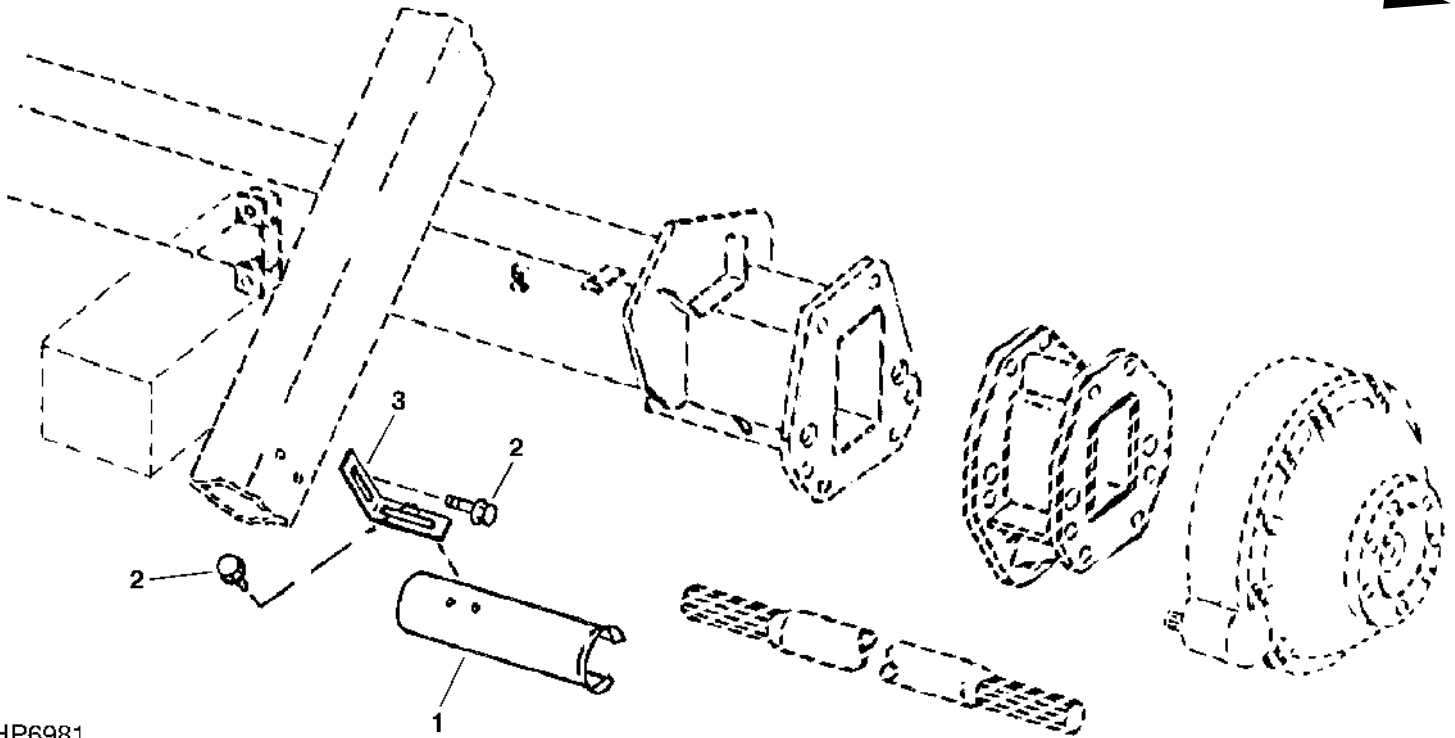
**4-WHEEL DRIVE CASE DRAIN HYDRAULIC LINES**  
 HP4778 -UN-01JAN94



HP4778

| KEY | PART NO.       | PART NAME                          | QTY      | SERIAL NO. | REMARKS                                   |
|-----|----------------|------------------------------------|----------|------------|---|
| 1   | AH128692       | MANIFOLD                           | 1        |            | (CASE DRAIN)                              |
| 2   | T77858         | O-RING                             | 3        |            | 18.771 X 1.778 MM                         |
| 3   | AH130449       | HYDRAULIC LINE                     | 1        |            | (CASE DRAIN RETURN)                       |
| 4   | H114865        | CLAMP                              | 2        |            |   |
| 5   | H112567        | PLATE                              | 1        |            |   |
| 6   | 03M7245        | BOLT                               | 1        |            | M8 X 55                                   |
|     | 14M7298        | FLANGE NUT                         | 1        |            | M8  |
| 7   | AH126169       | OIL LINE                           | 1        |            | (RETURN) (FROM VALVE STACK TO HYD FILTER) |
| 8   | 38H1438        | TEE FITTING                        | 1        |            |   |
| 9   | R29936         | O-RING                             | 1        |            | 29.743 X 2.946 MM                         |
| 10  | 28H1152        | BUSHING                            | 2        |            | 1.278" X 1.660" X 3/8"                    |
| 11  | T78707         | NUT                                | 2        |            | 30.175 MM                                 |
| ..  | <b>BH81286</b> | <b>COMPLETE GOODS/SHIP. BUNDLE</b> | <b>1</b> |            | <b>FOUR WHEEL DRIVE CONVERSION</b>        |

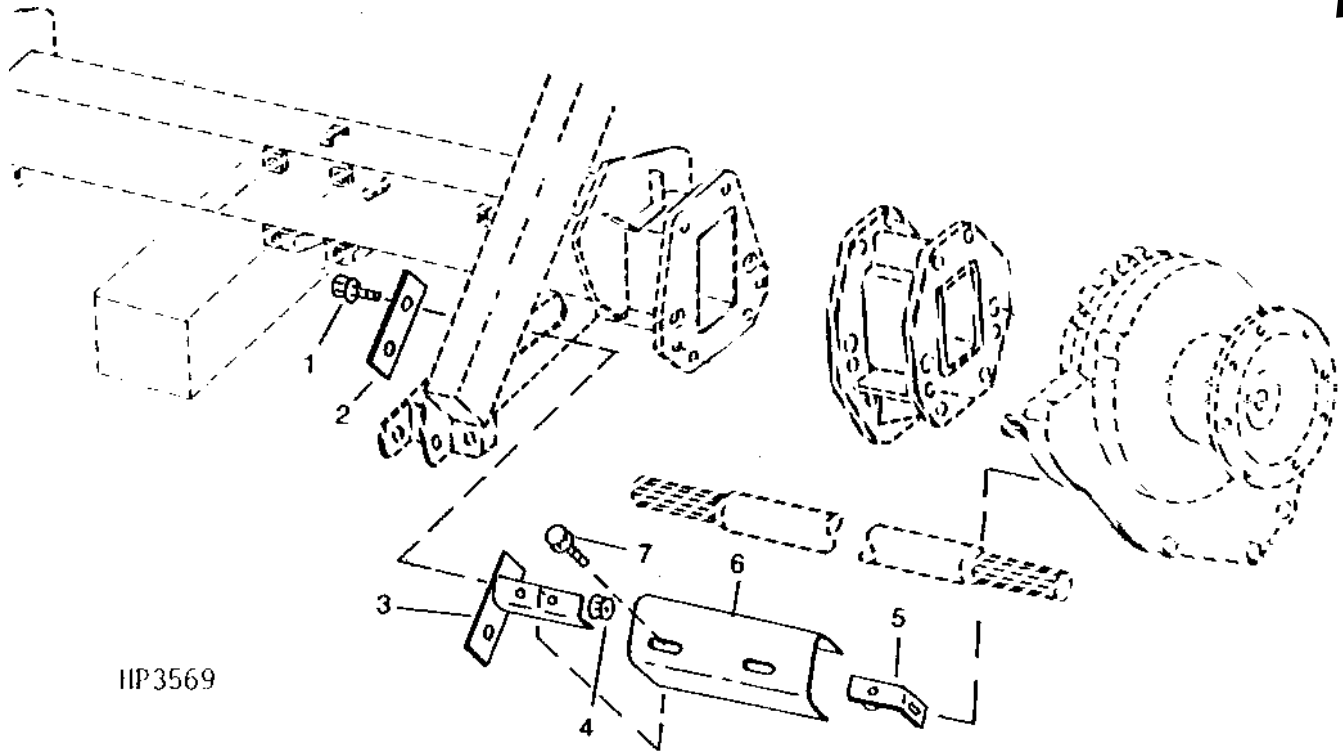
**FINAL DRIVE SHAFT SHIELDS - (SINGLE REDUCTION)  
(FOR RICE ONLY)  
(LEFT-HAND SIDE ILLUSTRATED)**  
HP6981 -UN-22SEP97



HP6981

| KEY | PART NO. | PART NAME         | QTY | SERIAL NO. | REMARKS                                       |
|-----|----------|-------------------|-----|------------|---|
| 1   | AH132239 | POWERSHAFT SHIELD | 2   |            | (USE WITH NO AXLE SPACER)(INCLUDES DIRECTION) |
|     | AH132240 | POWERSHAFT SHIELD | 2   |            | (USE WITH 165 MM AXLE SPACER)                 |
| 2   | 19M7783  | SCREW             | 4   |            | M10 X 16                                      |
| 3   | H147490  | ANGLE             | 2   |            |   |
|     | H166375  | BRACKET           | 2   |            | (FOR RICE ONLY)                               |

**FINAL DRIVE SHAFT SHIELDS  
(FOR RICE ONLY)  
(LEFT-HAND SIDE ILLUSTRATED)**  
HP3569 -UN-01JAN94



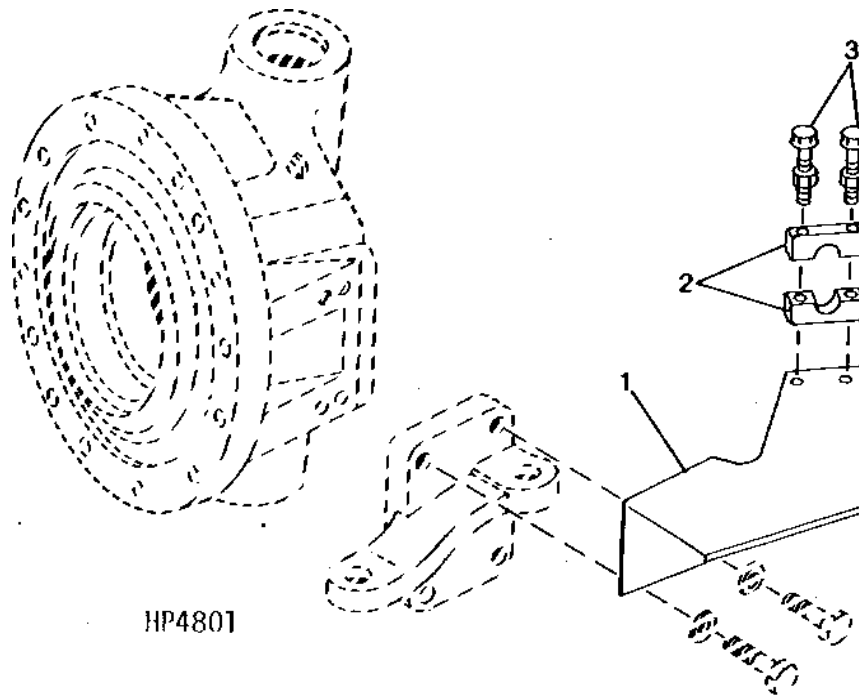
HP3569

| KEY | PART NO. | PART NAME       | QTY | SERIAL NO.                | REMARKS                       |
|-----|----------|-----------------|-----|---------------------------|-------------------------------|
| 1   | 19M7786  | SCREW           | 4   | M10 X 30                  |                               |
| 2   | H137782  | ADJUSTING STRAP | 2   |                           |                               |
| 3   | AH132365 | BRACKET         | 1   | L.H.                      |                               |
|     | AH132366 | BRACKET         | 1   | R.H.                      |                               |
| 4   | 14M7296  | FLANGE NUT      | 4   | M10                       |                               |
| 5   | AH132903 | BRACKET         | 2   |                           |                               |
| 6   | H137805  | SHIELD          | 2   |                           | (USE WITH NO AXLE SPACER)     |
|     | H137806  | SHIELD          | 2   |                           | (USE WITH 165 MM AXLE SPACER) |
|     | H137807  | SHIELD          | 2   |                           | (USE WITH 300 MM AXLE SPACER) |
| 7   | 19M7783  | SCREW           | 2   | M10 X 16, (INTO WELDNUTS) |                               |



**MUD SHIELDS-POWERED REAR WHEELS**

HP4801 -UN-01JAN94



HP4801

| KEY | PART NO.       | PART NAME                          | QTY | SERIAL NO. | REMARKS                            |
|-----|----------------|------------------------------------|-----|------------|------------------------------------|
| 1   | H146088        | SHIELD                             | 1   |            | LEFT-HAND                          |
|     | H146089        | SHIELD                             | 1   |            | RIGHT-HAND                         |
| 2   | H142721        | CLAMP                              | 2   |            |                                    |
| 3   | 19M7801        | SCREW                              | 2   |            | M8 X 60                            |
|     | 14M7298        | FLANGE NUT                         | 2   |            | M8                                 |
| ..  | <b>BH81286</b> | <b>COMPLETE GOODS/SHIP. BUNDLE</b> | 1   |            | <b>FOUR WHEEL DRIVE CONVERSION</b> |

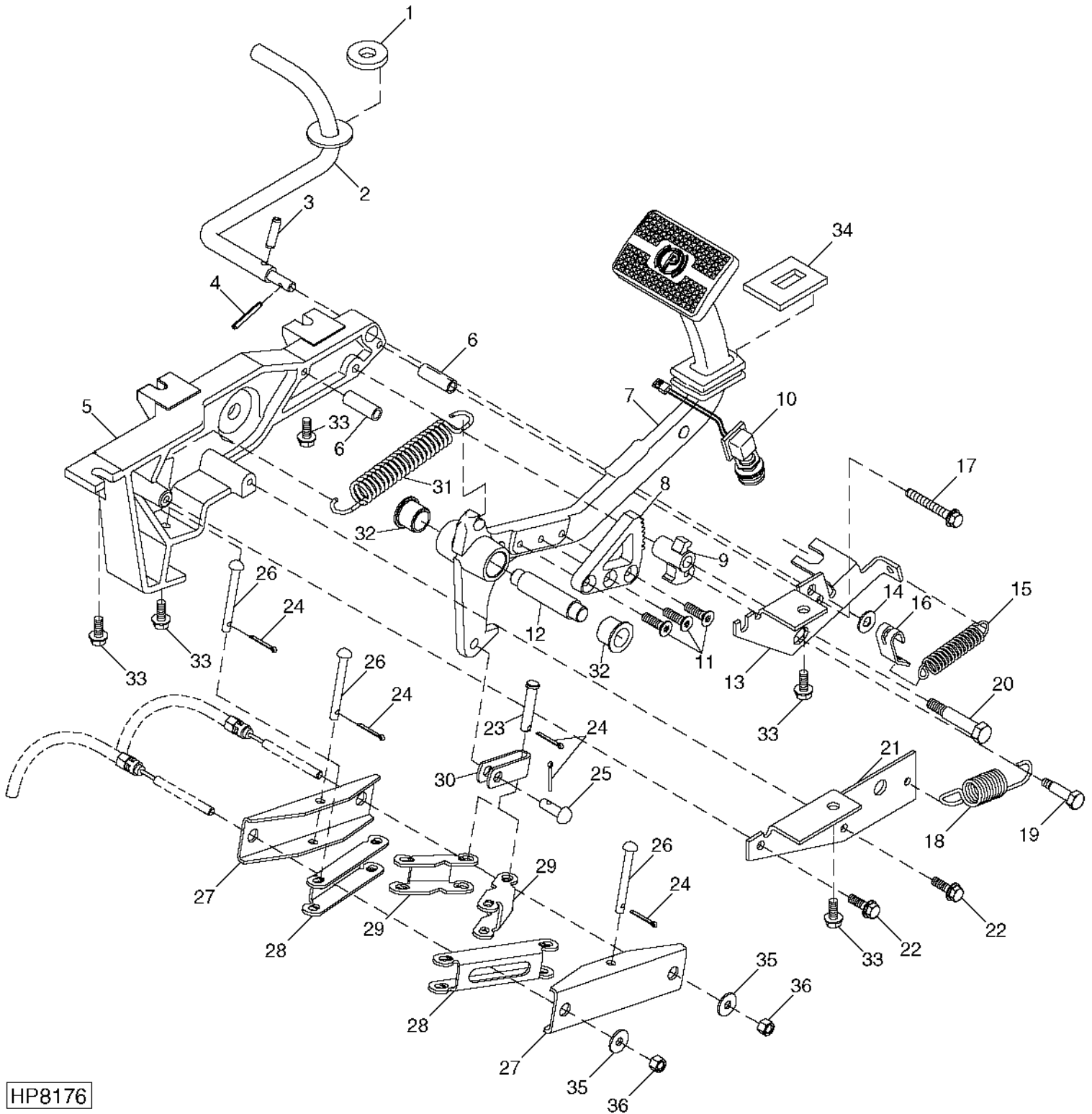
MEMORANDA

MEMORANDA

# 2D19

## PARKING BRAKE PEDAL AND SEAL

HP8176 -UN-08JUL99



HP8176

# 2D20

## STEERING AND BRAKES

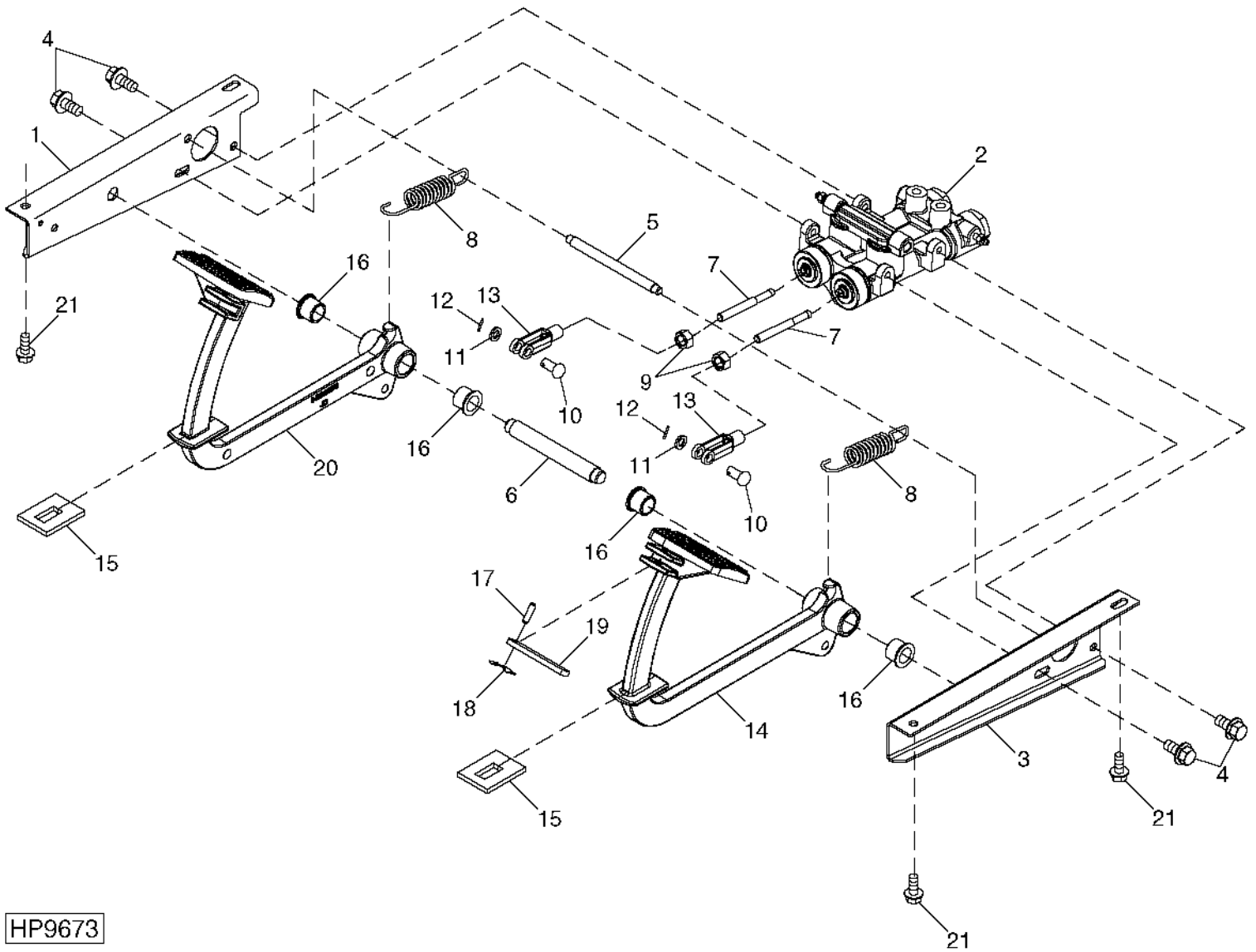
### PARKING BRAKE PEDAL AND SEAL - CONTINUED

| KEY | PART NO. | PART NAME  | QTY | SERIAL NO. | REMARKS                    |
|-----|----------|------------|-----|------------|----------------------------|
| 1   | H145847  | ISOLATOR   | 1   |            |                            |
| 2   | AH146492 | ARM        | 1   |            |                            |
| 3   | 34M7124  | SPRING PIN | 1   |            | 8 X 30 MM                  |
| 4   | 34M7116  | SPRING PIN | 1   |            | 3 X 24 MM                  |
| 5   | H140595  | FRAME      | 1   |            |                            |
| 6   | 28H1633  | BUSHING    | 2   |            | 9.246 X 13.716 X 39.675 MM |
| 7   | H152164  | PEDAL      | 1   |            |                            |
| 8   | H140746  | RATCHET    | 1   |            |                            |
| 9   | H140747  | PAWL       | 1   |            |                            |
| 10  | AH140605 | SWITCH     | 1   |            |                            |
| 11  | H140692  | SCREW      | 3   |            | M8 X 30                    |
| 12  | H140708  | PIN        | 1   |            | 20 X 92 MM                 |
| 13  | H146327  | PLATE      | 1   |            |                            |
| 14  | H110232  | WASHER     | 1   |            | 10.310 X 22.600 X 1.500 MM |
| 15  | R60730   | SPRING     | 1   |            |                            |
| 16  | H141069  | HOOK       | 1   |            |                            |
| 17  | 19M7801  | SCREW      | 2   |            | M8 X 60                    |
| 18  | H124258  | SPRING     | 1   |            |                            |
| 19  | H140715  | BOLT       | 1   |            | M8 X 40                    |
| 20  | H140712  | BOLT       | 1   |            | M10 X 67                   |
| 21  | H140691  | PLATE      | 1   |            |                            |
| 22  | 19M7867  | SCREW      | 2   |            | M8 X 25                    |
| 23  | M43649   | PIN        | 1   |            | 9.525 X 48.260 MM          |
| 24  | 11M7059  | COTTER PIN | 5   |            | 3.200 X 20 MM              |
| 25  | RV702A   | PIN        | 1   |            | 9.525 X 28.575 MM          |
| 26  | H109716  | PIN        | 3   |            | 8 X 69.850 MM              |
| 27  | H140694  | BALANCER   | 2   |            |                            |
| 28  | H140695  | LINK       | 2   |            |                            |
| 29  | H140696  | LINK       | 2   |            |                            |
| 30  | H140713  | CLEVIS     | 1   |            |                            |
| 31  | H104075  | SPRING     | 1   |            |                            |
| 32  | H105005  | BUSHING    | 2   |            |                            |
| 33  | 19M7866  | SCREW      | 5   |            | M8 X 20                    |
| 34  | H141422  | SEAL       | 1   |            |                            |
| 35  | 24M7207  | WASHER     | 2   |            | 8.400 X 24 X 2 MM          |
| 36  | E64256   | LOCK NUT   | 2   |            |                            |

# 2D21

## BRAKE PEDALS AND MASTER CYLINDERS

HP9673 -UN-03APR00



HP9673

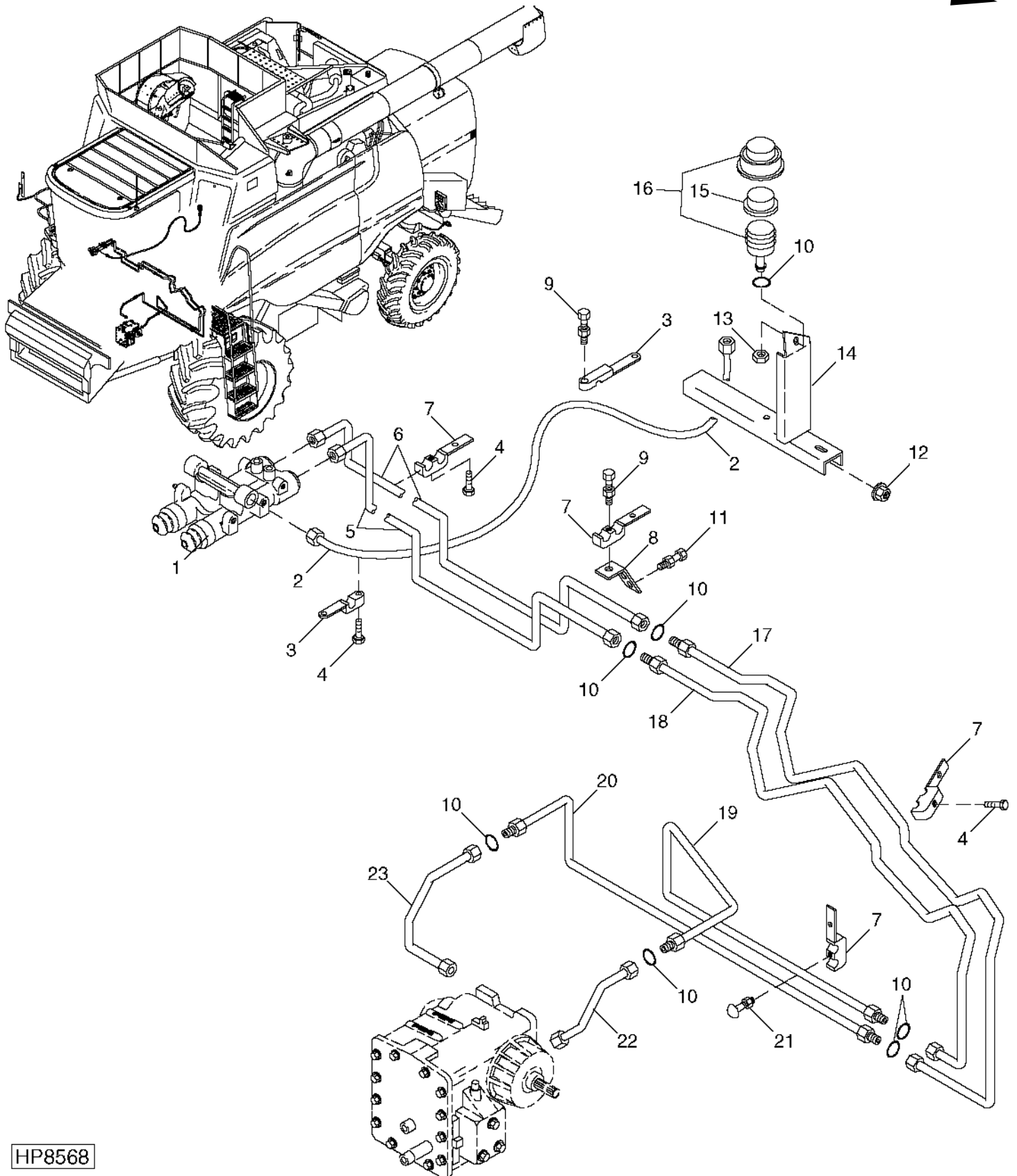
## BRAKE PEDALS AND MASTER CYLINDERS - CONTINUED

| KEY | PART NO. | PART NAME  | QTY | SERIAL NO. | REMARKS                       |
|-----|----------|------------|-----|------------|-------------------------------|
| 1   | H156514  | SUPPORT    | 1   |            | R.H.                          |
| 2   | AH155787 | CYLINDER   | 1   |            |                               |
| 3   | H156513  | SUPPORT    | 1   |            | L.H.                          |
| 4   | 19M7784  | SCREW      | 4   |            | M10 X 20                      |
| 5   | H120389  | PIN        | 1   |            |                               |
| 6   | H120388  | PIN        | 1   |            |                               |
| 7   | H124259  | PUSH ROD   | 2   |            |                               |
| 8   | H124258  | SPRING     | 2   |            |                               |
| 9   | 14M7274  | NUT        | 2   |            | M10                           |
| 10  | 45M7118  | PIN        | 2   |            | (SUB FOR H114331)             |
| 11  | 24M7028  | WASHER     | 2   |            | 10.500 X 20 X 2 MM            |
| 12  | 11M7059  | COTTER PIN | 2   |            | 3.200 X 20 MM                 |
| 13  | H114330  | YOKE       | 2   |            |                               |
| 14  | H172924  | PEDAL      | 1   |            | (SUB FOR H152166) L.H.        |
| 15  | H111234  | SEAL       | 2   |            |                               |
| 16  | H105005  | BUSHING    | 4   |            |                               |
| 17  | 34H312   | SPRING PIN | 1   |            | 1/4" X 1"                     |
| 18  | H95902   | SPRING     | 1   |            |                               |
| 19  | H99264   | STRAP      | 1   |            |                               |
| 20  | H172923  | PEDAL      | 1   |            | (SUB FOR H152165) R.H.        |
| 21  | 19M7866  | SCREW      | 4   |            | M8 X 20                       |
| ..  | AH162545 | KIT        | 1   |            | PISTON ASSEMBLY AND SNAP RING |

# 2D23

## BRAKE LINES, MASTER CYLINDER AND RESERVOIR

HP8568 -UN-29JUL99



HP8568

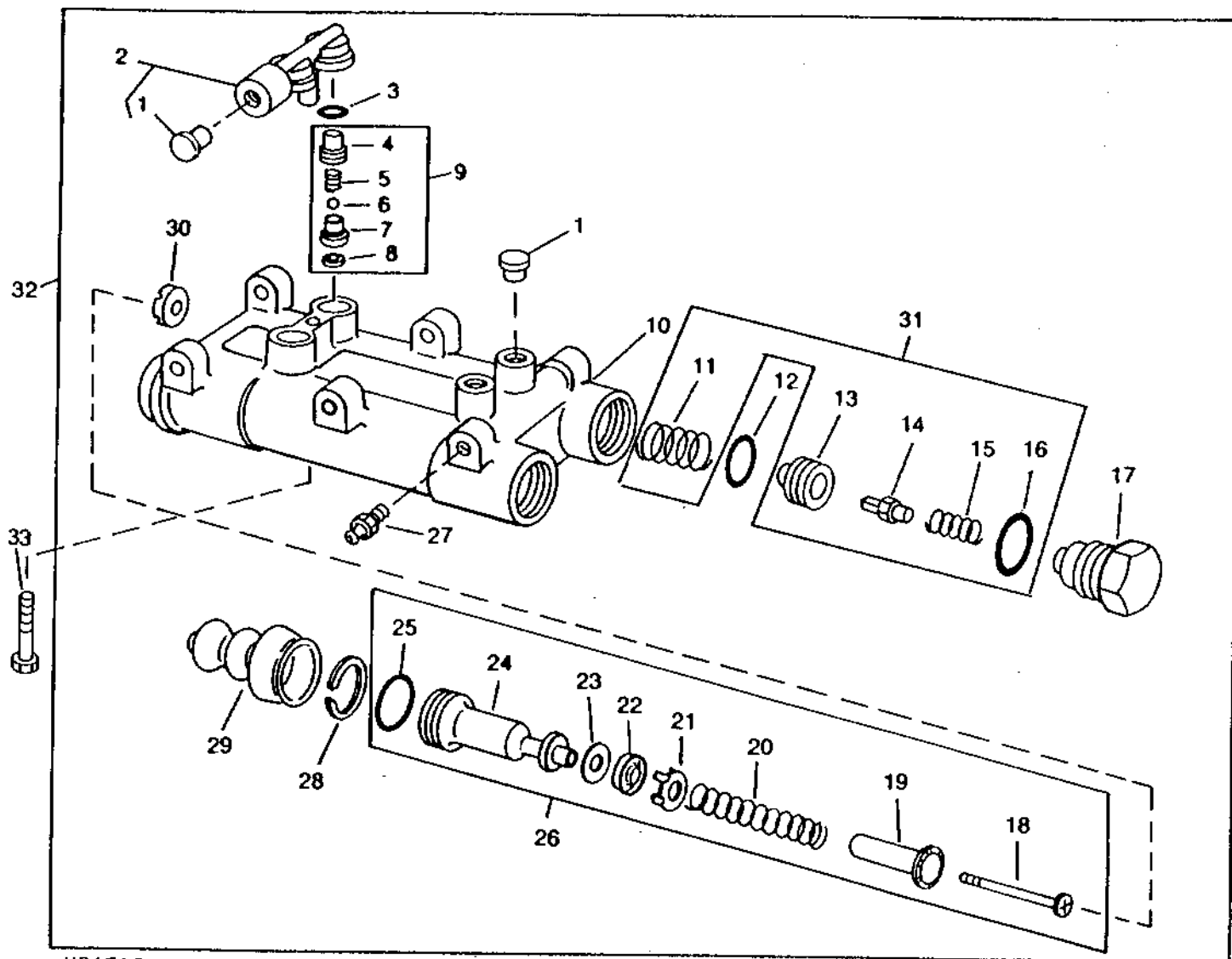


## BRAKE LINES, MASTER CYLINDER AND RESERVOIR - CONTINUED

| KEY | PART NO. | PART NAME  | QTY | SERIAL NO.       | REMARKS |
|-----|----------|------------|-----|------------------|---------|
| 1   | AH155787 | CYLINDER   | 1   |                  |         |
| 2   | AH141794 | OIL LINE   | 1   |                  |         |
| 3   | H112911  | CLAMP      | 4   |                  |         |
| 4   | 37M7131  | SCREW      | 9   | M6 X 20          |         |
| 5   | AH141686 | OIL LINE   | 1   | L.H.             |         |
| 6   | AH141687 | OIL LINE   | 1   | R.H.             |         |
| 7   | H112910  | CLAMP      | 9   |                  |         |
| 8   | H134343  | BRACKET    | 1   |                  |         |
| 9   | 19M7775  | SCREW      | 6   | M6 X 16          |         |
|     | 14M7303  | FLANGE NUT | 6   | M6               |         |
| 10  | H127752  | O-RING     | 7   | 7.645 X 1.778 MM |         |
| 11  | AH128843 | OIL LINE   | 1   |                  |         |
| 12  | 14M7296  | FLANGE NUT | 2   | M10              |         |
| 13  | 14H832   | NUT        | 1   | 9/16"            |         |
| 14  | AH136362 | SUPPORT    | 1   |                  |         |
| 15  | H109254  | DIAPHRAGM  | 1   |                  |         |
| 16  | AH130605 | RESERVOIR  | 1   |                  |         |
| 17  | AH130612 | OIL LINE   | 1   | R.H.             |         |
| 18  | AH130613 | OIL LINE   | 1   | L.H.             |         |
| 19  | AH130412 | OIL LINE   | 1   | L.H.             |         |
| 20  | AH130413 | OIL LINE   | 1   | R.H.             |         |
| 21  | 03M7290  | BOLT       | 3   | M6 X 30          |         |
|     | 14M7303  | FLANGE NUT | 3   | M6               |         |
| 22  | AH128842 | OIL LINE   | 1   |                  |         |

# 2E1

BRAKE MASTER CYLINDER  
HP4735 -UN-01JAN94



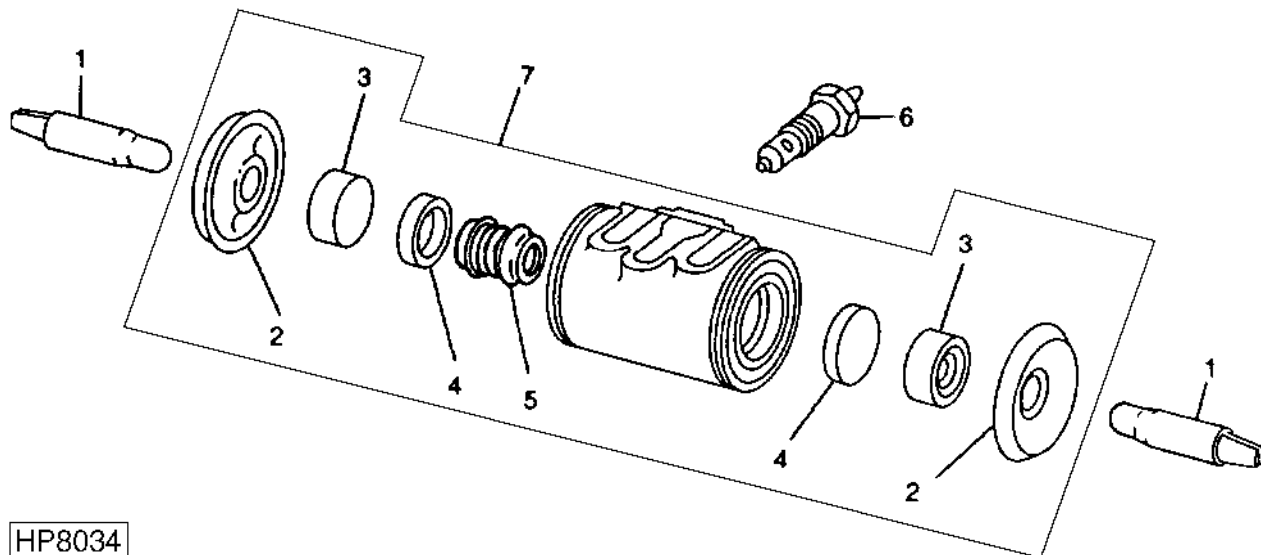
HP4735

## BRAKE MASTER CYLINDER - CONTINUED

| KEY | PART NO. | PART NAME   | QTY | SERIAL NO. | REMARKS                   |
|-----|----------|-------------|-----|------------|---------------------------|
| 1   | .....    | SEAT        | 3   |            |                           |
| 2   | AH136305 | DEVICE      | 1   |            |                           |
| 3   | .....    | O-RING      | 2   | (A)        |                           |
| 4   | .....    | VALVE       | 2   | (D)        |                           |
| 5   | .....    | SPRING      | 2   | (D)        |                           |
| 6   | .....    | BALL        | 2   | (D)        |                           |
| 7   | .....    | VALVE SEAT  | 2   | (D)        |                           |
| 8   | .....    | SEAL        | 2   | (D)        |                           |
| 9   | AH133126 | VALVE       | 2   |            | INCLUDES PARTS MARKED (D) |
| 10  | .....    | HOUSING     | 1   |            |                           |
| 11  | H141869  | SPRING      | 2   | (C)        |                           |
| 12  | .....    | O-RING      | 2   | (A)        |                           |
| 13  | .....    | BEARING     | 2   | (C)        |                           |
| 14  | .....    | POPPET      | 2   | (C)        |                           |
| 15  | .....    | SPRING      | 2   | (C)        |                           |
| 16  | .....    | O-RING      | 2   | (C)        |                           |
| 17  | H167988  | DRAIN PLUG  | 2   |            |                           |
| 18  | .....    | SCREW       | 2   | (B)        |                           |
| 19  | .....    | RETAINER    | 2   | (B)        |                           |
| 20  | .....    | SPRING      | 2   | (B)        |                           |
| 21  | .....    | RETAINER    | 2   | (B)        |                           |
| 22  | .....    | OIL CUP     | 2   | (B)        |                           |
| 23  | .....    | RETAINER    | 2   | (B)        |                           |
| 24  | .....    | PISTON      | 2   | (B)        |                           |
| 25  | .....    | O-RING      | 2   | (B)        |                           |
| 26  | AH162545 | KIT         | 2   |            | INCLUDES PARTS MARKED (B) |
| 27  | R21612   | BLEED SCREW | 1   |            |                           |
| 28  | .....    | SNAP RING   | 2   | (A) (B)    |                           |
| 29  | .....    | BOOT        | 2   | (A)        |                           |
| 30  | H81461   | RETAINER    | 2   |            |                           |
| 31  | AH161485 | KIT         | 1   |            | INCLUDES PARTS MARKED (C) |
| 32  | AH160136 | CYLINDER    | 1   |            |                           |
| 33  | .....    | BOLT        | 1   | (A)        |                           |
| ..  | AH133128 | KIT         | 1   |            | INCLUDES PARTS MARKED (A) |

**BRAKE SLAVE CYLINDER (HEAVY DUTY)**

HP8034 -UN-18DEC98

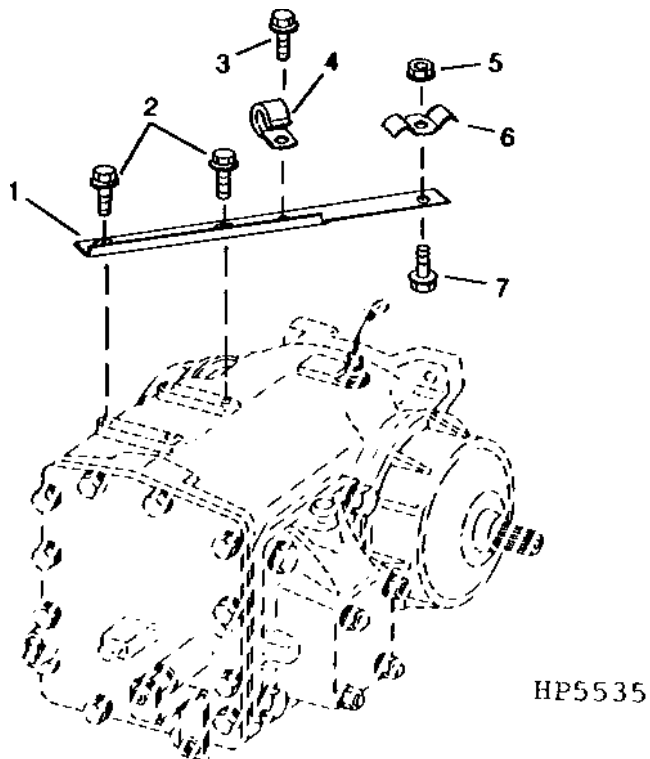


HP8034

| KEY | PART NO. | PART NAME   | QTY | SERIAL NO. | REMARKS     |
|-----|----------|-------------|-----|------------|-------------|
| 1   | H140135  | LINK        | 2   |            |             |
| 2   | .....    | BOOT        | 2   |            |             |
| 3   | .....    | PISTON      | 2   |            |             |
| 4   | .....    | SEAL        | 2   |            |             |
| 5   | .....    | SPRING      | 1   |            |             |
| 6   | W15277   | BLEED SCREW | 1   |            | REG DUTY    |
|     | H168933  | SCREW       | 1   |            | HEAVY DUTY  |
| 7   | AH160677 | CYLINDER    | 1   |            | R.H. (1.25) |
|     | AH160676 | CYLINDER    | 1   |            | L.H. (1.25) |

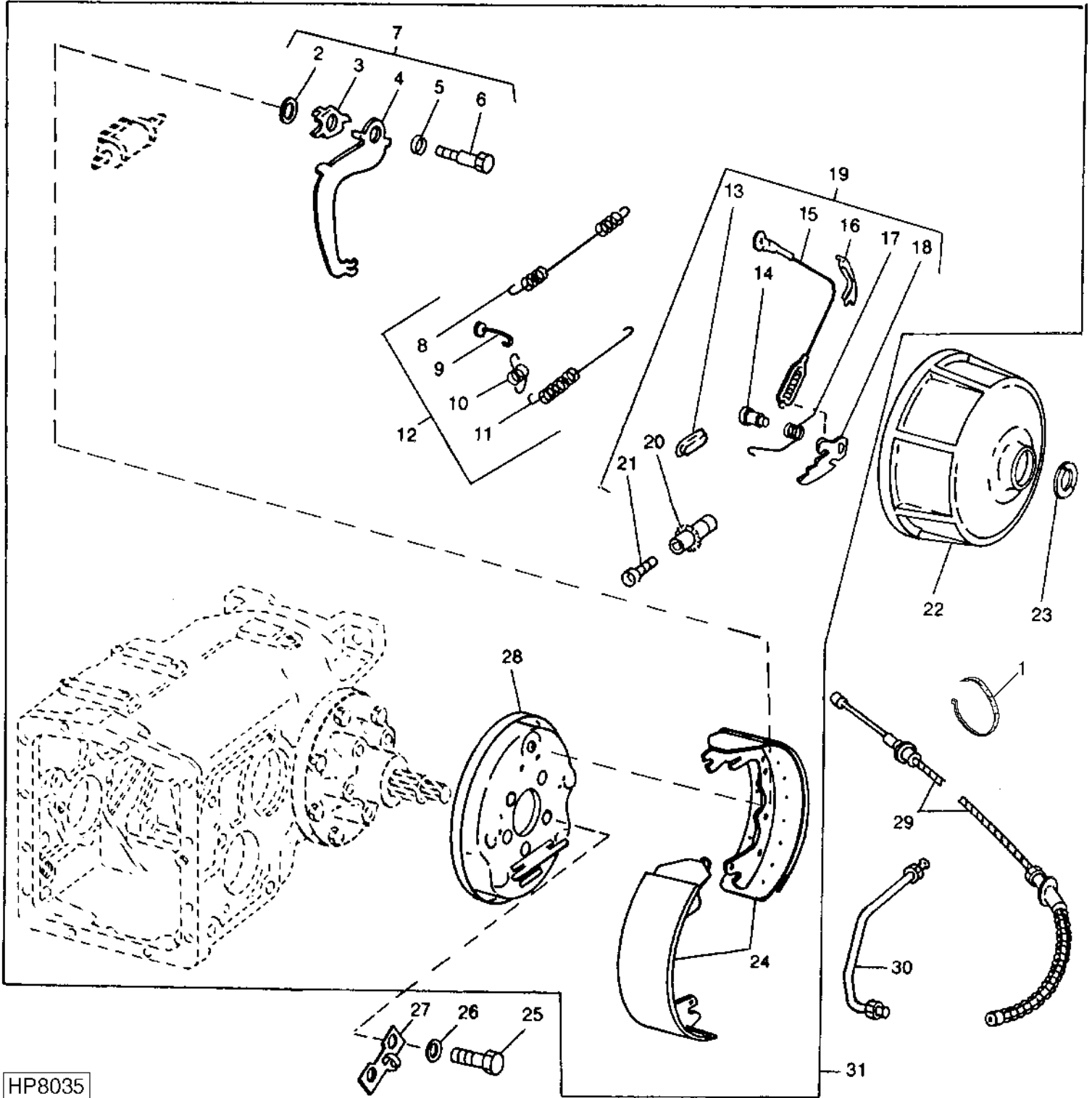
## BRAKE CABLE SUPPORT BRACKET

HP5535 -UN-01JAN94



| KEY | PART NO. | PART NAME  | QTY | SERIAL NO. | REMARKS |
|-----|----------|------------|-----|------------|---------|
| 1   | H147004  | SUPPORT    | 1   |            |         |
| 2   | 19M7865  | SCREW      | 2   | M8 X 16    |         |
| 3   | 37M7083  | SCREW      | 1   | M8 X 12    |         |
| 4   | AH89557  | CLIP       | 1   |            |         |
| 5   | 14M7298  | FLANGE NUT | 1   | M8         |         |
| 6   | R42009   | CLAMP      | 1   |            |         |
| 7   | 19M7867  | SCREW      | 1   | M8 X 25    |         |

**BRAKE SHOES AND DRUM**  
**(L.H. ILLUSTRATED)**  
HP8035 -UN-18DEC98



HP8035

# 2E6

## STEERING AND BRAKES

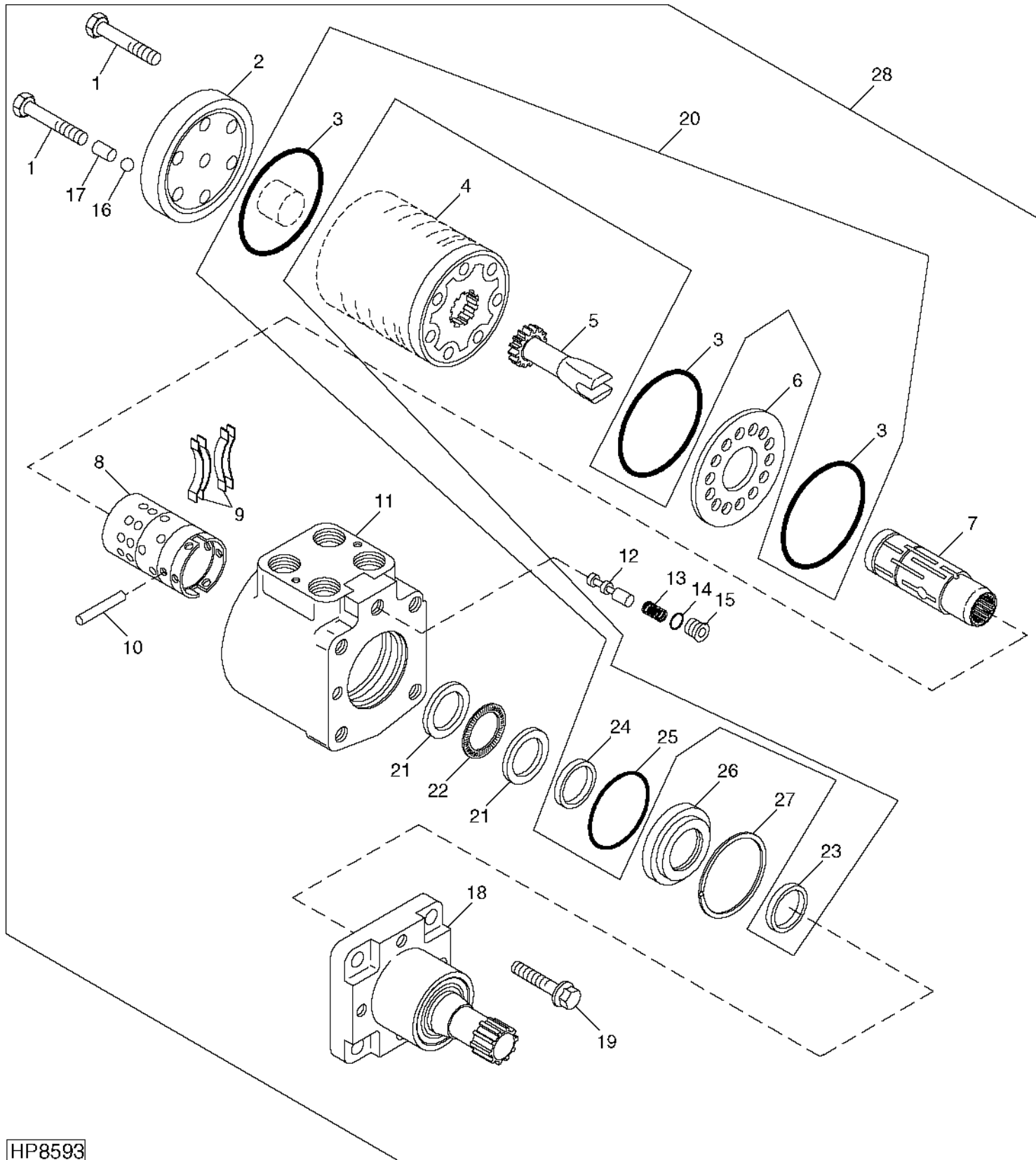
### BRAKE SHOES AND DRUM - CONTINUED (L.H. ILLUSTRATED)

| KEY | PART NO. | PART NAME  | QTY | SERIAL NO. | REMARKS                          |
|-----|----------|------------|-----|------------|----------------------------------|
| 1   | R44302   | TIE BAND   | 1   |            |                                  |
| 2   | .....    | WASHER     | 1   |            |                                  |
| 3   | .....    | CAM        | 1   |            |                                  |
| 4   | .....    | LEVER      | 1   |            |                                  |
| 5   | .....    | SPRING     | 1   |            |                                  |
| 6   | .....    | BOLT       | 1   |            | (ANCHOR PIN)                     |
| 7   | AH131058 | KIT        | 1   |            | R.H.                             |
|     | AH131059 | KIT        | 1   |            | L.H.                             |
| 8   | .....    | SPRING     | 1   |            | (UPPER SHOE-TO-SHOE)             |
| 9   | H140135  | LINK       | 2   |            |                                  |
| 10  | .....    | SPRING     | 2   |            | (LOWER SHOE-TO-SHOE)             |
| 11  | .....    | SPRING     | 2   |            | (HOLD DOWN)                      |
| 12  | AH131051 | KIT        | 1   |            |                                  |
| 13  | .....    | COVER      | 1   |            | (RUBBER)                         |
| 14  | .....    | PIN        | 1   |            |                                  |
| 15  | .....    | CABLE      | 1   |            |                                  |
| 16  | .....    | GUIDE      | 1   |            |                                  |
| 17  | .....    | SPRING     | 1   |            |                                  |
| 18  | .....    | PAWL       | 1   |            | (ADJUSTER)                       |
| 19  | AH131054 | KIT        | 1   |            | R.H.                             |
|     | AH131055 | KIT        | 1   |            | L.H.                             |
| 20  | .....    | WHEEL      | 1   |            |                                  |
| 21  | .....    | SCREW      | 1   |            |                                  |
| 22  | CE18206  | BRAKE DRUM | 2   |            |                                  |
| 23  | B32564   | RING       | 2   |            |                                  |
| 24  | AH132840 | BRAKE SHOE | 1   |            | REG DUTY                         |
|     | AH143333 | BRAKE SHOE | 1   |            | HEAVY DUTY                       |
| 25  | 19M7597  | CAP SCREW  | 5   |            | M20 X 50                         |
| 26  | N12679   | WASHER     | 5   |            | 20.625 X 38.100 X 3.404 MM       |
| 27  | H133351  | GUIDE      | 2   |            |                                  |
| 28  | AH149829 | KIT        | 1   |            | REG DUTY                         |
|     | H162536  | KIT        | 1   |            | HEAVY DUTY                       |
| 29  | AH141582 | CABLE      | 1   |            |                                  |
| 30  | AH128842 | OIL LINE   | 1   |            | L.H.                             |
|     | AH128843 | OIL LINE   | 1   |            | R.H.                             |
| 31  | AH134304 | BRAKE      | 1   |            | R.H. 12 X 2 1/2" (REG DUTY)      |
|     | AH134305 | BRAKE      | 1   |            | L.H. 12 X 2 1/2" (REG DUTY)      |
|     | AH155785 | BRAKE      | 1   |            | R.H. (HEAVY DUTY)                |
|     | AH155786 | BRAKE      | 1   |            | L.H. (HEAVY DUTY)                |
| ..  | AH160680 | KIT        | 2   |            | HOLD DOWN AND GUIDE (HEAVY DUTY) |

NOTE: QUANTITIES SHOWN ARE FOR ONE UNIT. TWO UNITS USED PER MACHINE.

# 2E7

STEERING PUMP  
HP8593 -UN-24AUG99



HP8593

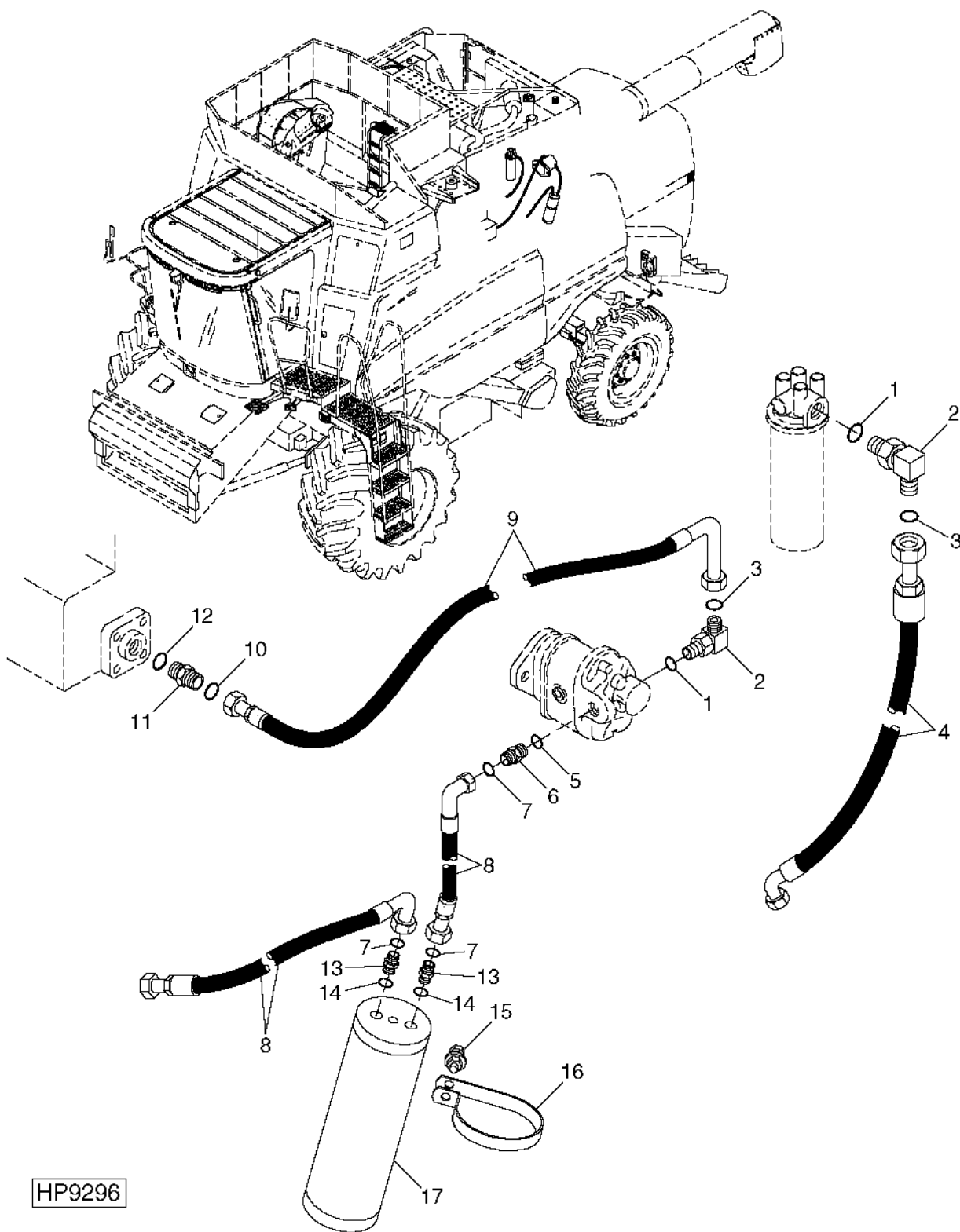


STEERING PUMP - CONTINUED

| KEY | PART NO. | PART NAME       | QTY | SERIAL NO. | REMARKS                   |
|-----|----------|-----------------|-----|------------|---------------------------|
| 1   | .....    | SCREW           | 7   |            |                           |
| 2   | .....    | CAP             | 1   |            |                           |
| 3   | .....    | SEAL            | 3   | (A)        |                           |
| 4   | .....    | ROTATOR         | 1   |            |                           |
| 5   | .....    | DRIVE           | 1   |            |                           |
| 6   | .....    | SPACER          | 1   |            |                           |
| 7   | .....    | SPOOL           | 1   |            |                           |
| 8   | .....    | SLEEVE          | 1   |            |                           |
| 9   | .....    | SPRING ASSEMBLY | 1   |            |                           |
| 10  | .....    | PIN             | 1   |            |                           |
| 11  | .....    | CONTROL         | 1   |            |                           |
| 12  | .....    | PLUNGER         | 1   |            |                           |
| 13  | .....    | SPRING          | 1   |            |                           |
| 14  | .....    | O-RING          | 1   |            |                           |
| 15  | .....    | CAP             | 1   |            |                           |
| 16  | .....    | BALL CHECK      | 1   |            |                           |
| 17  | .....    | ROD             | 1   | (A)        |                           |
| 18  | .....    | HOUSING         | 1   |            |                           |
| 19  | .....    | SCREW           | 1   |            |                           |
| 20  | AH142893 | SEAL KIT        | 1   |            | INCLUDES PARTS MARKED (A) |
| 21  | .....    | BEARING         | 2   |            |                           |
| 22  | .....    | NEEDLE BEARING  | 1   |            |                           |
| 23  | .....    | SEAL            | 1   | (A)        |                           |
| 24  | .....    | SEAL            | 1   | (A)        |                           |
| 25  | .....    | SEAL            | 1   | (A)        |                           |
| 26  | .....    | BUSHING         | 1   |            |                           |
| 27  | .....    | SNAP RING       | 1   |            |                           |
| 28  | AH142441 | PUMP            | 1   |            |                           |

## HYDRAULIC STEERING HOSES, UPPER AND ATTENUATOR

HP9296 -UN-19NOV99



HP9296

# 2E10

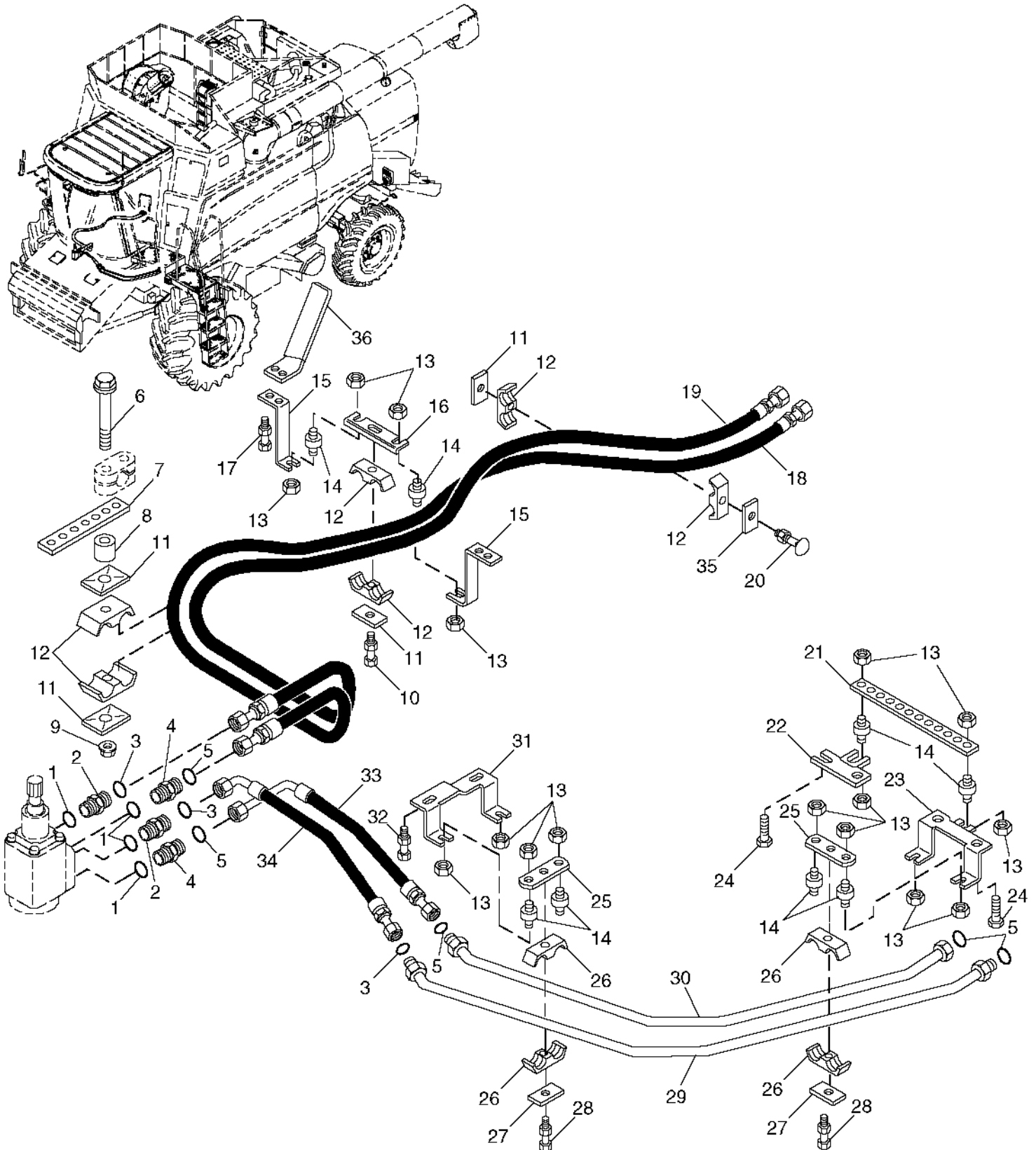
## STEERING AND BRAKES

### HYDRAULIC STEERING HOSES, UPPER AND ATTENUATOR - CONTINUED

| KEY | PART NO. | PART NAME      | QTY | SERIAL NO. | REMARKS                             |
|-----|----------|----------------|-----|------------|-------------------------------------|
| 1   | U12547   | O-RING         | 2   |            |                                     |
| 2   | 38H1007  | ELBOW FITTING  | 2   |            | 23.470 X 2.946 MM                   |
| 3   | T77858   | O-RING         | 2   |            | 18.771 X 1.778 MM                   |
| 4   | AH126254 | HYDRAULIC HOSE | 1   |            | 1-3/16" X 600 MM X 1" (RETURN)      |
| 5   | R26375   | O-RING         | 1   |            | 16.358 X 2.210 MM                   |
| 6   | 38H1161  | ADAPTER        | 1   |            |                                     |
| 7   | T77857   | O-RING         | 3   |            | 12.421 X 1.778 MM                   |
| 8   | AH133752 | HYDRAULIC HOSE | 2   |            | 13/16" X 530 MM X 13/16" (PRESSURE) |
| 9   | AH147935 | HYDRAULIC HOSE | 1   |            | (SUCTION)                           |
| 10  | T76938   | O-RING         | 1   |            | 23.520 X 1.778 MM                   |
| 11  | 38H1164  | ADAPTER        | 1   |            |                                     |
| 12  | R29936   | O-RING         | 1   |            | 29.743 X 2.946 MM                   |
| 13  | 38H1173  | ADAPTER        | 2   |            |                                     |
| 14  | R26448   | O-RING         | 2   |            | 11.887 X 1.981 MM                   |
| 15  | 14M7298  | FLANGE NUT     | 2   |            | M8                                  |
|     | 03M7223  | BOLT           | 2   |            | M8 X 60                             |
| 16  | R35794   | CLAMP          | 2   |            |                                     |
| 17  | AR75693  | ATTENUATOR     | 1   |            |                                     |

# 2E11

STEERING HOSES AND LINES, FRONT  
HP8547 -UN-05MAY99



HP8547

# 2E12

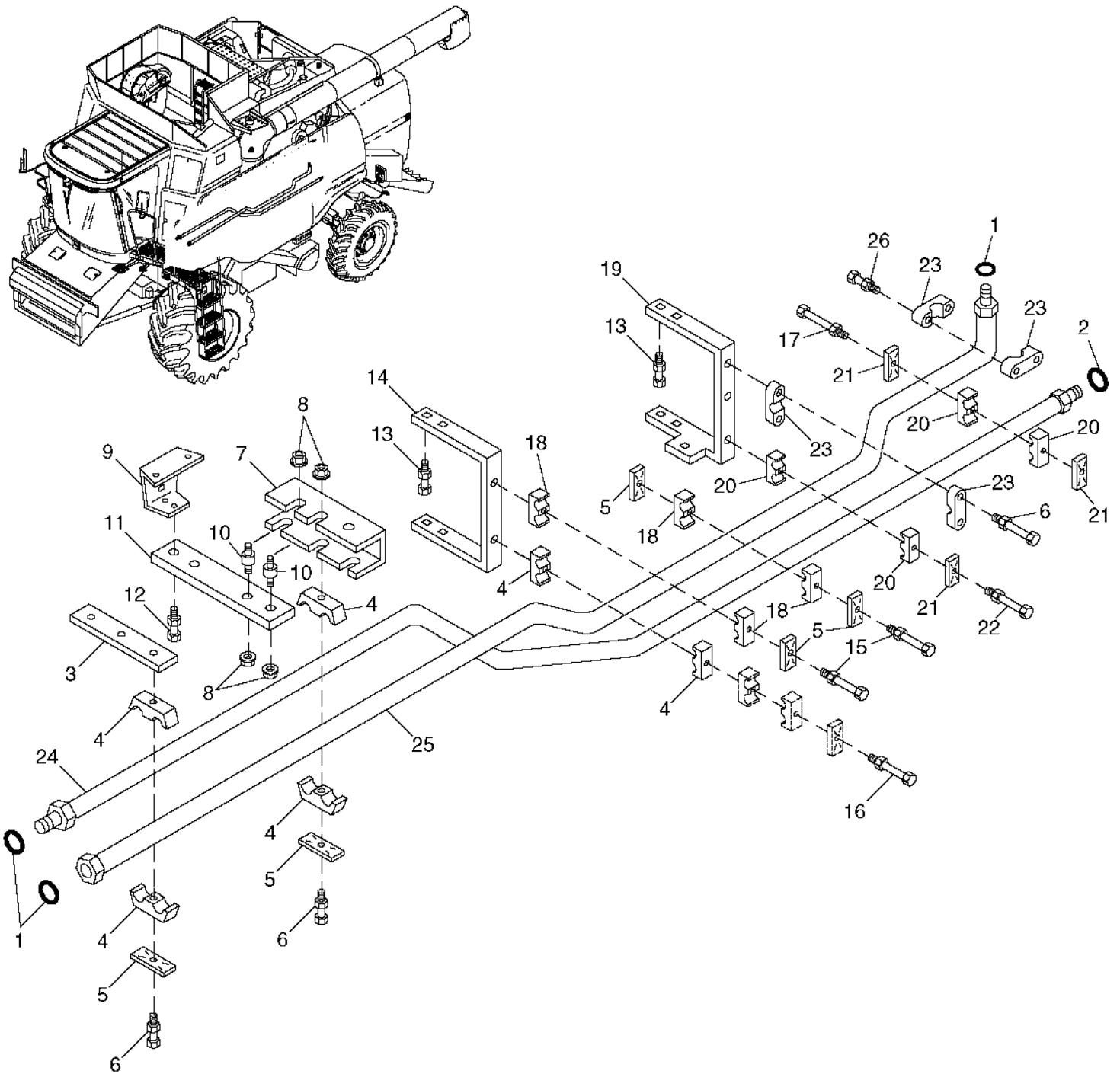
## STEERING AND BRAKES

### STEERING HOSES AND LINES, FRONT - CONTINUED

| KEY | PART NO. | PART NAME      | QTY | SERIAL NO.  | REMARKS |
|-----|----------|----------------|-----|---|---------|
| 1   | R26375   | O-RING         | 4   |   |         |
| 2   | 38H1161  | ADAPTER        | 2   |   |         |
| 3   | T77857   | O-RING         | 3   |   |         |
| 4   | 38H1317  | FITTING        | 2   |   |         |
| 5   | T77932   | O-RING         | 5   |   |         |
| 6   | 19M8006  | SCREW          | 1   | M8 X 120  |         |
| 7   | H134558  | STRAP          | 1   |   |         |
| 8   | H133060  | SLEEVE         | 1   |   |         |
| 9   | 14M7298  | FLANGE NUT     | 1   | M8  |         |
| 10  | 19M7801  | SCREW          | 1   | M8 X 60   |         |
|     | 14M7396  | LOCK NUT       | 1   | M8  |         |
| 11  | H112567  | PLATE          | 4   |   |         |
| 12  | H135155  | CLAMP          | 6   |   |         |
| 13  | N10217   | LOCK NUT       | 16  | 6.350 MM (1/4")                                   |         |
| 14  | AH126657 | ISOLATOR       | 8   |   |         |
| 15  | H135608  | BRACKET        | 2   |   |         |
| 16  | H134470  | STRAP          | 1   |   |         |
| 17  | 19M7865  | SCREW          | 4   | M8 X 16   |         |
|     | 14M7298  | FLANGE NUT     | 4   | M8  |         |
| 18  | AH131548 | HYDRAULIC HOSE | 1   | 11/16" X 2 075 MM (81-3/4") X 1", RIGHT           |         |
| 19  | AH131547 | HYDRAULIC HOSE | 1   | 13/16" X 2 075 MM (81-3/4") X 13/16", LEFT        |         |
| 20  | 03M7224  | BOLT           | 1   | M8 X 65   |         |
|     | 14M7298  | FLANGE NUT     | 1   | M8  |         |
| 21  | H134426  | STRAP          | 1   |   |         |
| 22  | H134427  | BRACKET        | 1   |   |         |
| 23  | H134424  | BRACKET        | 1   |   |         |
| 24  | 37M7058  | SCREW          | 4   | M8 X 20   |         |
| 25  | H134425  | STRAP          | 2   |   |         |
| 26  | H120847  | CLAMP          | 4   |   |         |
| 27  | H121168  | PLATE          | 2   |   |         |
| 28  | 19M8318  | SCREW          | 2   | M8 X 45   |         |
|     | 14M7298  | FLANGE NUT     | 2   | M8  |         |
| 29  | AH131382 | HYDRAULIC LINE | 1   | (RETURN)  |         |
| 30  | AH131381 | HYDRAULIC LINE | 1   | (PRESSURE)  |         |
| 31  | H135619  | BRACKET        | 1   |   |         |
| 32  | 19M7865  | SCREW          | 2   | M8 X 16   |         |
|     | 14M7298  | FLANGE NUT     | 2   | M8  |         |
| 33  | AH133161 | HYDRAULIC HOSE | 1   | 1" X 600 MM (23-1/2") X 1"                        |         |
| 34  | AH133160 | HYDRAULIC HOSE | 1   | 13/16" X 690 MM (27-1/4") X 13/16"                |         |
| 35  | 24H1347  | WASHER         | 1   | 13.487 X 50.800 X 4.928 MM (17/32" X 2" X 0.194") |         |
| 36  | AH133359 | BRACKET        | 1   |   |         |

# 2E13

STEERING LINES, L.H. SIDE  
HP8328 -UN-05MAY99



HP8328

# 2E14

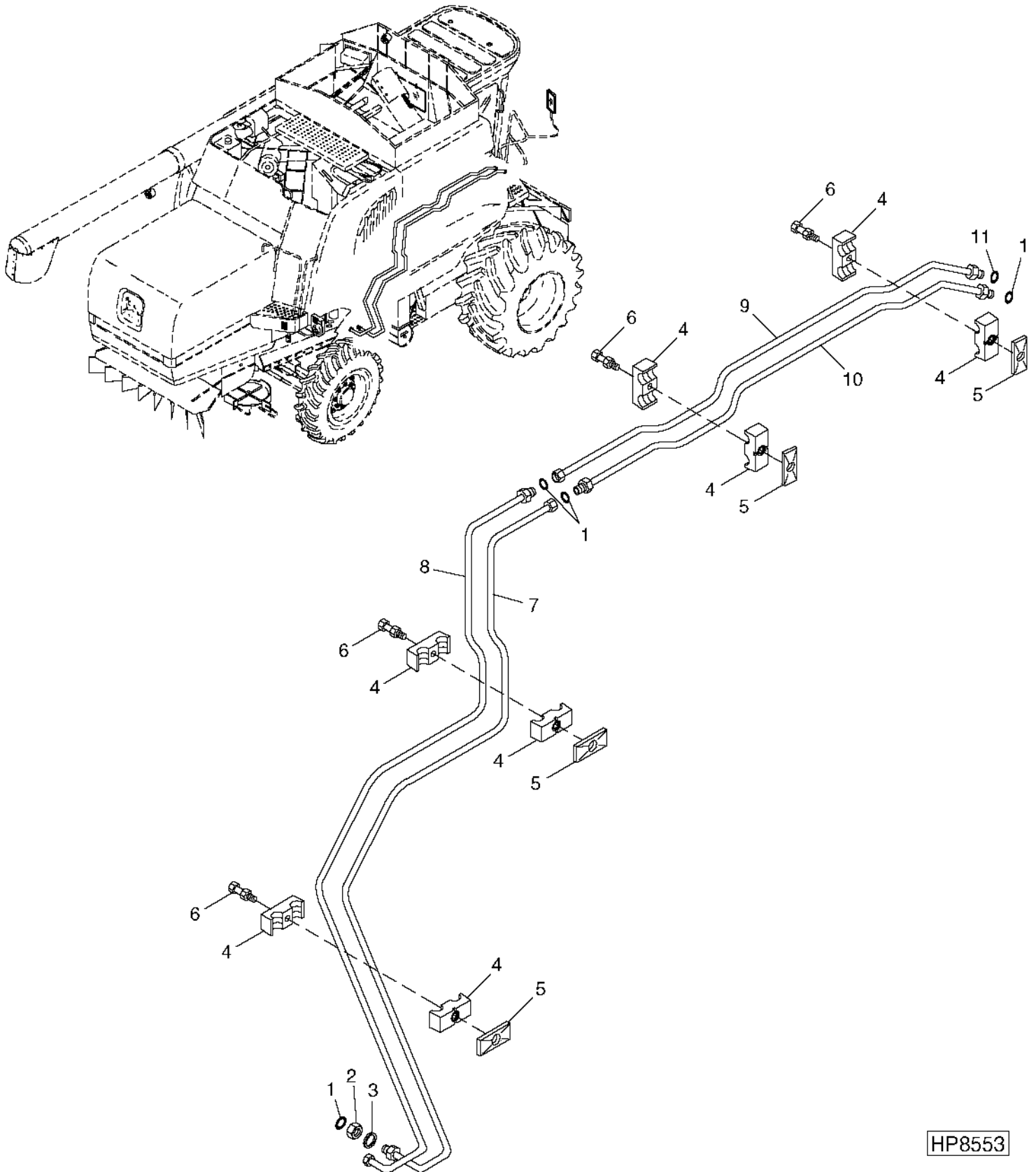
## STEERING AND BRAKES

### STEERING LINES, L.H. SIDE - CONTINUED

| KEY | PART NO. | PART NAME      | QTY | SERIAL NO. | REMARKS         |
|-----|----------|----------------|-----|------------|-----------------|
| 1   | T77932   | O-RING         | 3   |            |                 |
| 2   | T77857   | O-RING         | 1   |            |                 |
| 3   | H131163  | STRAP          | 1   |            |                 |
| 4   | H120847  | CLAMP          | 6   |            |                 |
| 5   | H121168  | PLATE          | 4   |            |                 |
| 6   | 03M7189  | BOLT           | 2   |            | M8 X 45         |
|     | 14M7298  | FLANGE NUT     | 2   |            | M8              |
| 7   | H134428  | BRACKET        | 1   |            |                 |
| 8   | N10217   | LOCK NUT       | 4   |            | 6.350 MM (1/4") |
| 9   | H138411  | BRACKET        | 1   |            |                 |
| 10  | AH126657 | ISOLATOR       | 2   |            |                 |
| 11  | H134434  | SUPPORT        | 1   |            |                 |
| 12  | 03M7184  | BOLT           | 2   |            | M8 X 20         |
|     | 14M7298  | FLANGE NUT     | 2   |            | M8              |
| 13  | 19M7866  | SCREW          | 8   |            | M8 X 20         |
|     | 14M7396  | LOCK NUT       | 8   |            | M8              |
| 14  | H131115  | BRACKET        | 1   |            |                 |
| 15  | 19M8318  | SCREW          | 2   |            | M8 X 45         |
|     | 19M8319  | SCREW          | 2   |            | M8 X 50         |
|     | 14M7298  | FLANGE NUT     | 2   |            | M8              |
| 16  | 19M7913  | SCREW          | 1   |            | M8 X 90         |
|     | 14M7298  | FLANGE NUT     | 1   |            | M8              |
| 17  | 19M7801  | SCREW          | 1   |            | M8 X 60         |
|     | 14M7298  | FLANGE NUT     | 1   |            | M8              |
| 18  | H109046  | CLAMP          | 4   |            |                 |
| 19  | H133659  | BRACKET        | 1   |            |                 |
| 20  | H111730  | CLAMP          | 4   |            |                 |
| 21  | H112567  | PLATE          | 3   |            |                 |
| 22  | 19M7979  | SCREW          | 1   |            | M8 X 55         |
|     | 14M7298  | FLANGE NUT     | 1   |            | M8              |
| 23  | H115533  | CLAMP          | 4   |            |                 |
| 24  | AH131316 | HYDRAULIC LINE | 1   |            | (PRESSURE)      |
| 25  | AH131302 | OIL LINE       | 1   |            | (RETURN)        |
| 26  | 03M7216  | BOLT           | 2   |            | M8 X 50         |
|     | 14M7298  | FLANGE NUT     | 2   |            | M8              |

# 2E15

STEERING LINES, R.H. SIDE  
HP8553 -UN-13MAY99



HP8553



# 2E16

## STEERING AND BRAKES

### STEERING LINES, R.H. SIDE - CONTINUED

| KEY | PART NO. | PART NAME      | QTY | SERIAL NO. | REMARKS               |
|-----|----------|----------------|-----|------------|-----------------------|
| 1   | T77613   | O-RING         | 4   |            | 9.246 X 1.778 MM      |
| 2   | T81029   | NUT            | 1   |            | 17.475 MM, (BULKHEAD) |
| 3   | 24M7114  | WASHER         | 1   |            | 19 X 30 X 4 MM        |
| 4   | H128515  | CLAMP          | 8   |            |                       |
| 5   | H121163  | COVER          | 4   |            |                       |
| 6   | 03M7188  | BOLT           | 4   |            | M8 X 40               |
|     | 14M7298  | FLANGE NUT     | 4   |            | M8                    |
| 7   | AH140715 | HYDRAULIC LINE | 1   |            | R.H.                  |
| 8   | AH140714 | HYDRAULIC LINE | 1   |            | L.H.                  |
| 9   | AH131874 | OIL LINE       | 1   |            | L.H.                  |
| 10  | AH131875 | OIL LINE       | 1   |            | R.H.                  |
| 11  | T77857   | O-RING         | 1   |            | 12.421 X 1.778 MM     |

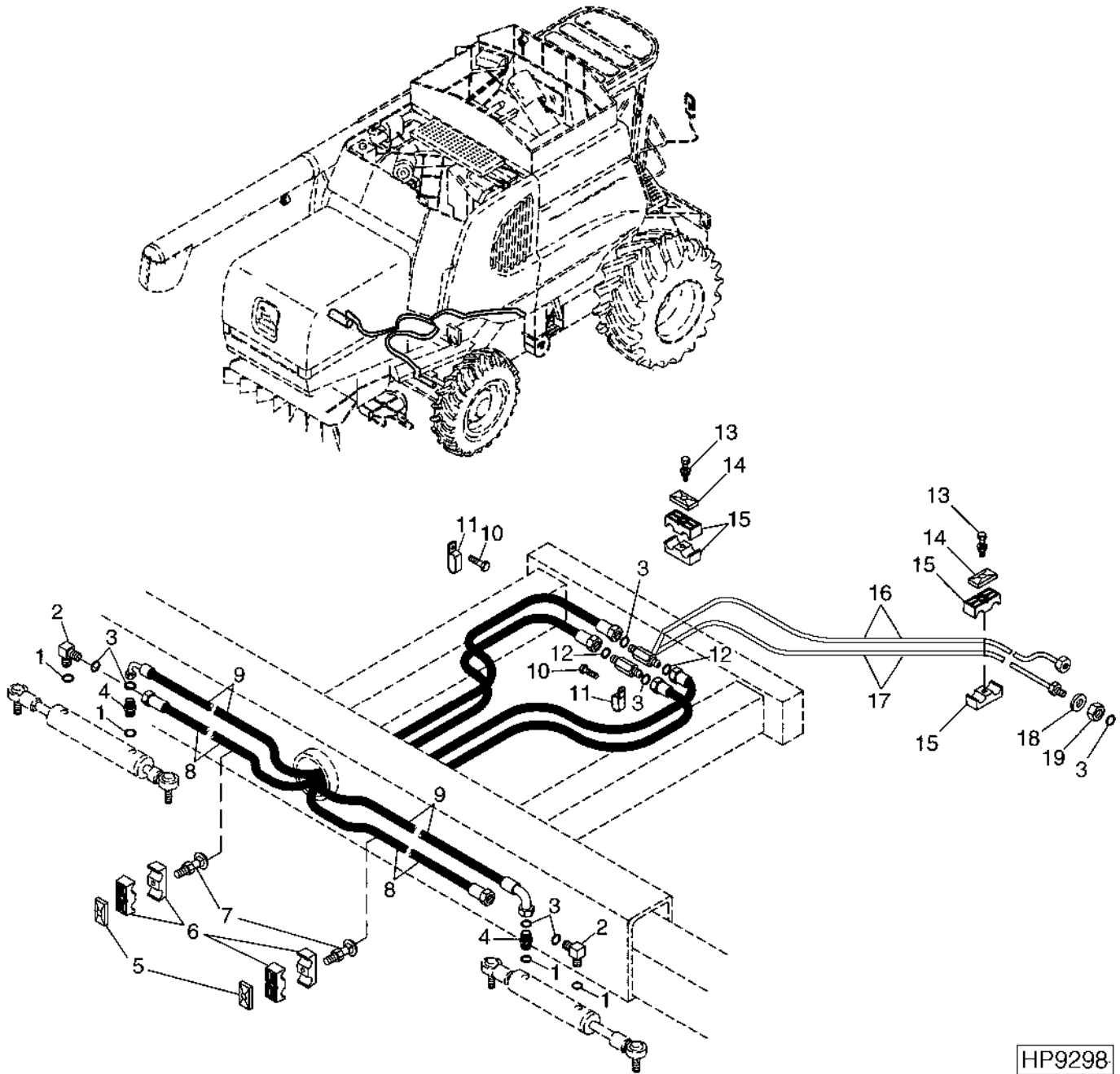
# 2E17

## STEERING LINES AND HOSES, REAR

(DUAL CYLINDER)

HP9298

-UN-19NOV99



HP9298

# 2E18

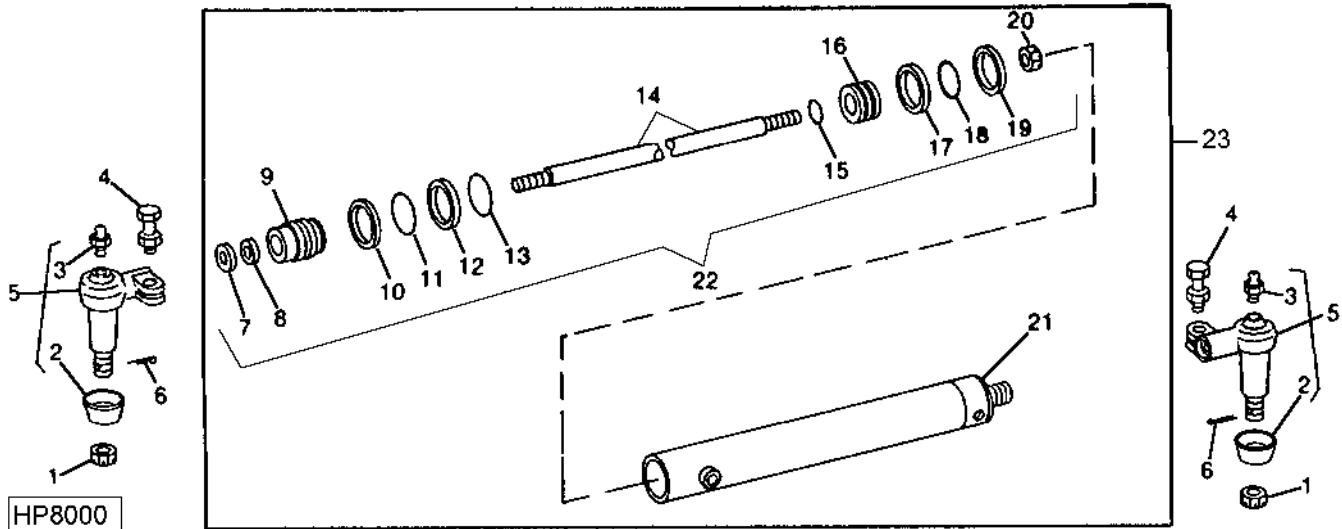
## STEERING AND BRAKES

### STEERING LINES AND HOSES, REAR - CONTINUED (DUAL CYLINDER)

| KEY | PART NO. | PART NAME      | QTY | SERIAL NO. | REMARKS                   |
|-----|----------|----------------|-----|------------|---------------------------|
| 1   | R26448   | O-RING         | 4   |            | 11.887 X 1.981 MM         |
| 2   | 38H1004  | ELBOW FITTING  | 2   |            |                           |
| 3   | T77613   | O-RING         | 7   |            | 9.246 X 1.778 MM          |
| 4   | 38H1160  | ADAPTER        | 2   |            |                           |
| 5   | H121168  | PLATE          | 2   |            |                           |
| 6   | H135156  | CLAMP          | 4   |            |                           |
| 7   | 03M7280  | BOLT           | 2   |            | M6 X 45                   |
|     | 14M7303  | FLANGE NUT     | 2   |            | M6                        |
| 8   | AH130890 | HYDRAULIC HOSE | 2   |            | 9/16" X 2 452 MM X 11/16" |
| 9   | AH130119 | HYDRAULIC HOSE | 2   |            |                           |
| 10  | 37M7058  | SCREW          | 2   |            | M8 X 20                   |
| 11  | AH97280  | CLIP           | 2   |            |                           |
| 12  | T77814   | O-RING         | 2   |            | 7.645 X 1.778 MM          |
| 13  | 19M8317  | SCREW          | 2   |            | M8 X 40                   |
|     | 14M7298  | FLANGE NUT     | 2   |            | M8                        |
| 14  | H121163  | COVER          | 2   |            |                           |
| 15  | H128515  | CLAMP          | 4   |            |                           |
| 16  | AH120871 | OIL LINE       | 1   |            | R.H.                      |
| 17  | AH120875 | OIL LINE       | 1   |            | L.H.                      |
| 18  | 24M7114  | WASHER         | 1   |            | 19 X 30 X 4 MM            |
| 19  | T81029   | NUT            | 1   |            | 17.475 MM                 |

# 2E19

**STEERING CYLINDER**  
HP8000 -UN-06JAN99



| KEY | PART NO. | PART NAME                 | QTY | SERIAL NO.                          | REMARKS     |
|-----|----------|---------------------------|-----|-------------------------------------|-------------|
| 1   | 14H902   | NUT                       | 2   | 3/4"                                |             |
| 2   | R78027   | COVER                     | 2   |                                     |             |
| 3   | JD7797   | LUBRICATION FITTING       | 2   |                                     |             |
| 4   | 19H1765  | CAP SCREW                 | 2   | 3/8" X 1-3/4" (USE WITH O.AND S.)   |             |
|     | H99923   | LOCK NUT                  | 2   | 9.525 MM (3/8") (USE WITH O.AND S.) |             |
|     | 19H1740  | CAP SCREW                 | 2   | 7/16" X 1-3/4" (USE WITH TRW)       |             |
|     | H80440   | LOCK NUT                  | 2   | 11.125 MM (7/16") (USE WITH TRW)    |             |
| 5   | AH117566 | TIE ROD END               | 2   |                                     |             |
| 6   | 11M7092  | COTTER PIN                | 2   | 3.200 X 40 MM                       |             |
| 7   | .....    | SEAL                      | 1   |                                     |             |
| 8   | .....    | SEAL                      | 1   |                                     |             |
| 9   | .....    | GUIDE                     | 1   |                                     |             |
| 10  | .....    | SNAP RING                 | 1   |                                     |             |
| 11  | .....    | RING                      | 1   |                                     |             |
| 12  | .....    | WASHER                    | 1   |                                     |             |
| 13  | .....    | O-RING                    | 1   |                                     |             |
| 14  | .....    | ROD                       | 1   |                                     |             |
| 15  | .....    | O-RING                    | 1   |                                     |             |
| 16  | .....    | PISTON                    | 1   |                                     |             |
| 17  | .....    | PISTON RING               | 1   |                                     |             |
| 18  | .....    | O-RING                    | 1   |                                     |             |
| 19  | .....    | WEAR RING                 | 1   |                                     |             |
| 20  | .....    | LOCK NUT                  | 1   |                                     |             |
| 21  | .....    | HYDRAULIC CYLINDER BARREL | 1   |                                     |             |
| 22  | AH101202 | KIT                       | 1   |                                     | SEAL REPAIR |
| 23  | AH125658 | HYDRAULIC CYLINDER        | 1   |                                     |             |

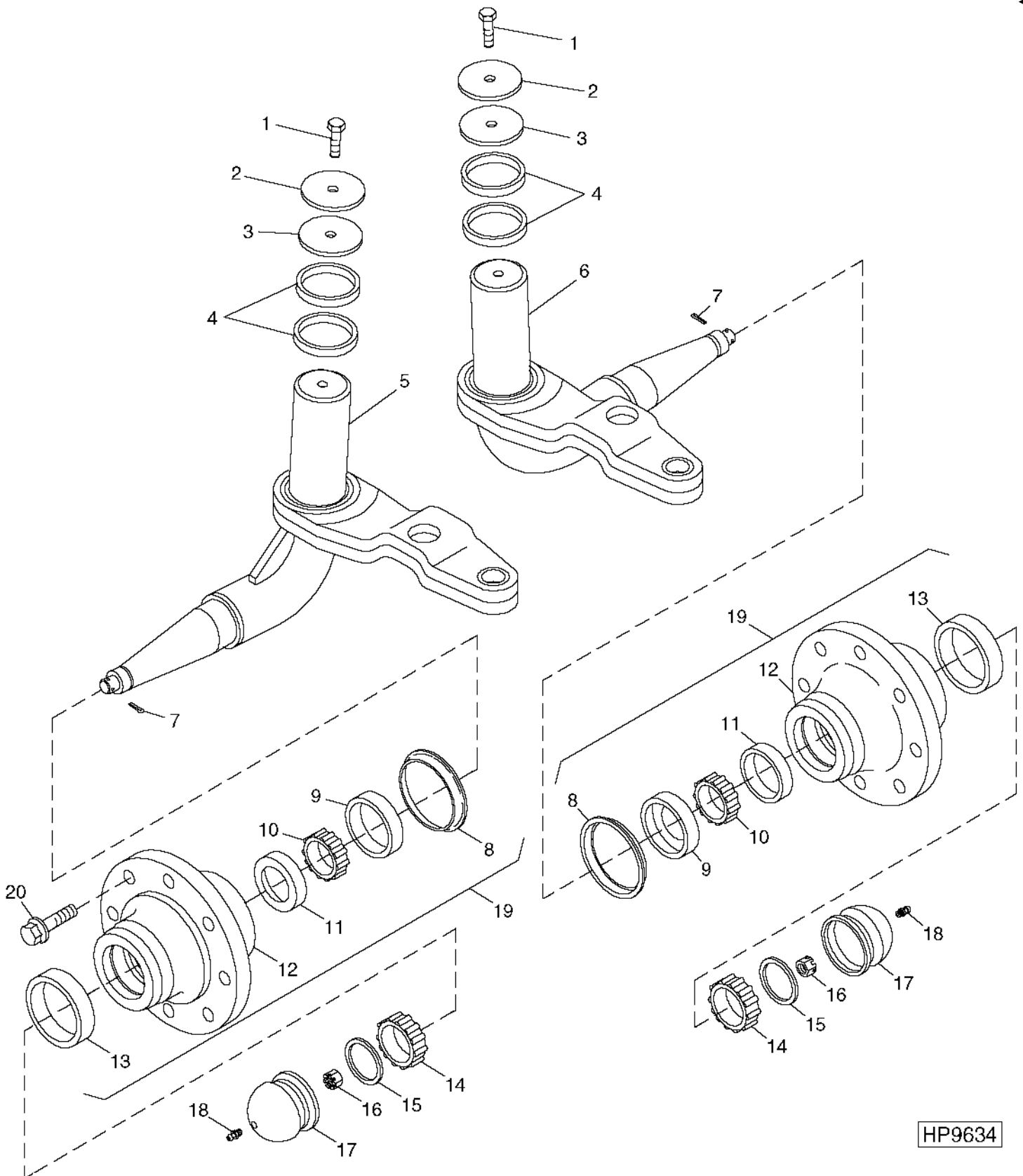
NOTE: QUANTITIES SHOWN ARE FOR ONE UNIT. TWO UNITS USED PER MACHINE.

MEMORANDA

# 2E20

REAR AXLE SPINDLES (REGULAR DUTY)  
(FIXED AND ADJUSTABLE REAR AXLE)

HP9634 -UN-24MAR00



HP9634

# 2E21

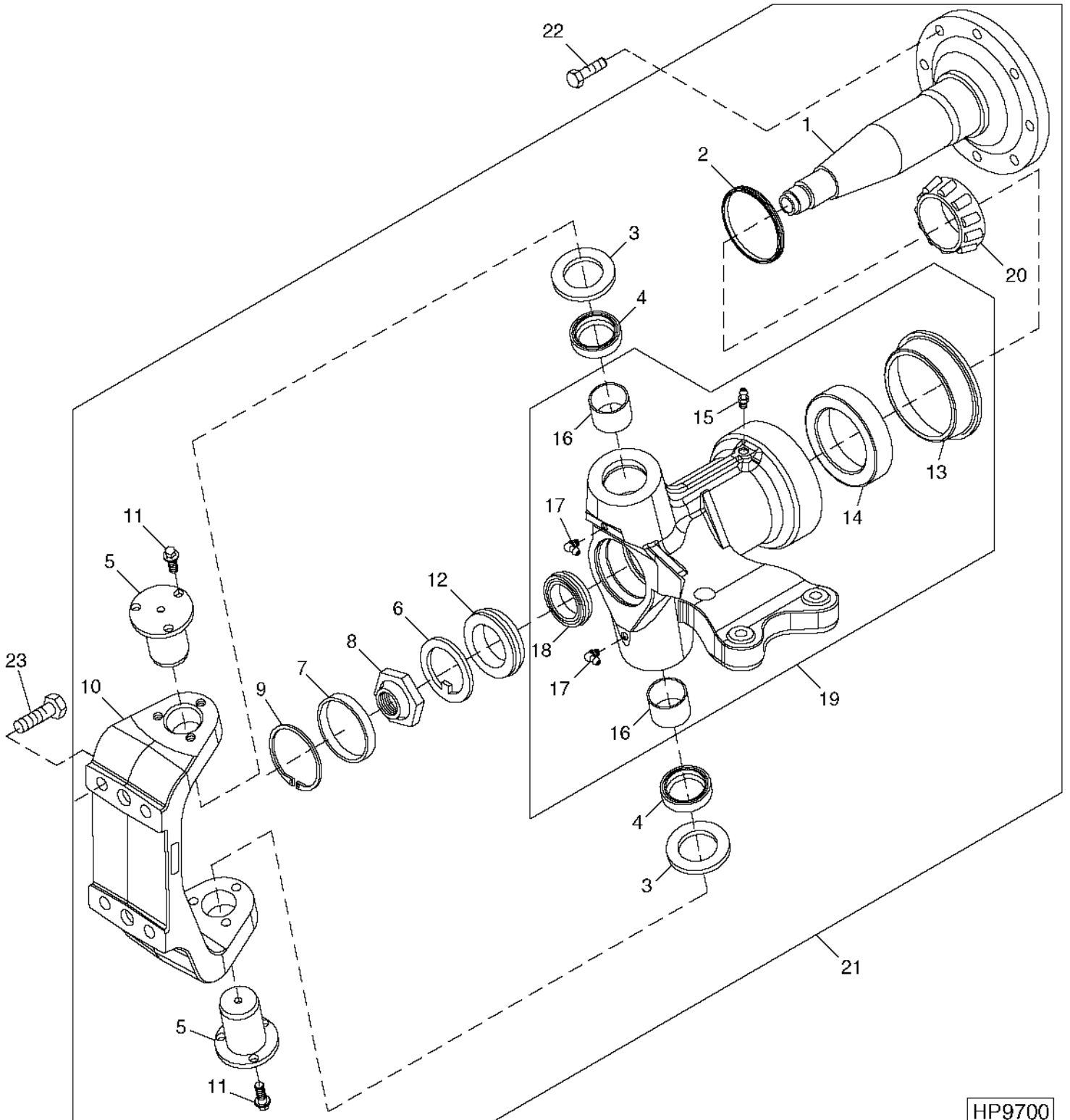
STEERING AND BRAKES

**REAR AXLE SPINDLES (REGULAR DUTY) - CONTINUED  
(FIXED AND ADJUSTABLE REAR AXLE)**

| KEY | PART NO. | PART NAME           | QTY | SERIAL NO. | REMARKS        |
|-----|----------|---------------------|-----|------------|----------------|
| 1   | 19M8017  | CAP SCREW           | 2   |            |                |
| 2   | 24H1916  | WASHER              | 2   |            |                |
| 3   | H96869   | CAP                 | 2   |            |                |
| 4   | H102206  | THRUST BEARING      | 4   |            |                |
| 5   | AH162571 | SPINDLE             | 1   |            | L.H.           |
| 6   | AH162572 | SPINDLE             | 1   |            | R.H.           |
| 7   | 11M7030  | COTTER PIN          | 2   |            | 5 X 40 MM      |
| 8   | H94951   | SLEEVE              | 2   |            |                |
| 9   | AH93892  | SEAL                | 2   |            |                |
| 10  | JD8952   | BEARING             | 2   |            |                |
| 11  | JD8258   | BEARING CUP         | 2   |            |                |
| 12  | .....    | HUB                 | 2   |            |                |
| 13  | JD8237   | BEARING CUP         | 2   |            |                |
| 14  | JD8902   | BEARING CONE        | 2   |            |                |
| 15  | R30399   | WASHER              | 2   |            |                |
| 16  | 14H920   | NUT                 | 2   |            | 1"             |
| 17  | H94950   | CAP                 | 2   |            |                |
| 18  | JD7759   | LUBRICATION FITTING | 2   |            | STRAIGHT, 1/8" |
| 19  | AH162573 | HUB                 | 2   |            |                |
| 20  | H168476  | SCREW               | 8   |            |                |

# 2E22

## REAR AXLE SPINDLES (HEAVY DUTY) HP9700 -UN-12APR00



HP9700



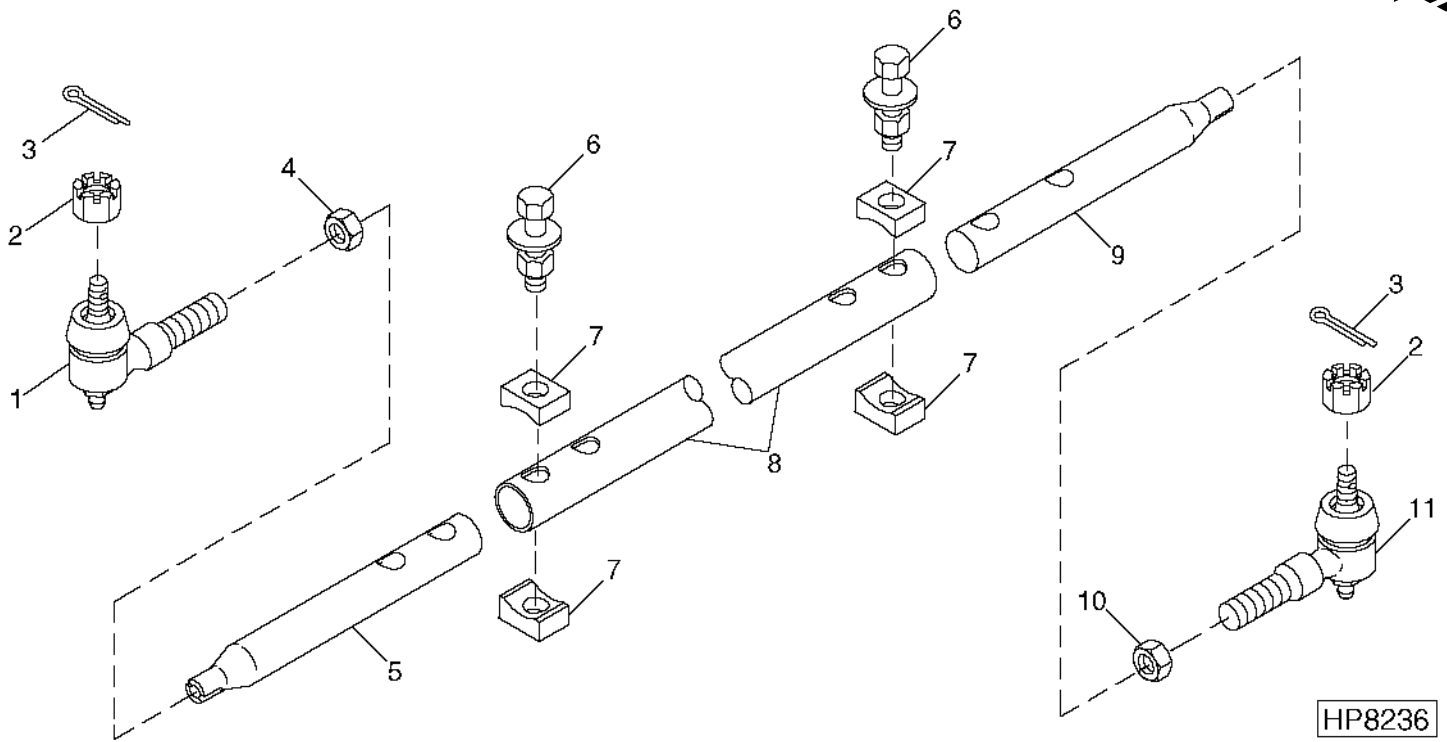
## REAR AXLE SPINDLES (HEAVY DUTY) - CONTINUED

| KEY | PART NO. | PART NAME           | QTY | SERIAL NO. | REMARKS           |
|-----|----------|---------------------|-----|------------|-------------------|
| 1   | H164559  | SPINDLE             | 1   |            |                   |
| 2   | RE49243  | SEAL                | 1   |            |                   |
| 3   | R60239   | THRUST WASHER       | 2   |            |                   |
| 4   | AR86539  | SEAL                | 2   |            |                   |
| 5   | H164561  | PIN                 | 2   |            |                   |
| 6   | H169128  | WASHER              | 1   |            |                   |
| 7   | T12529   | CAP                 | 2   |            |                   |
| 8   | H174361  | NUT                 | 1   |            |                   |
| 9   | 40M7117  | SNAP RING           | 1   |            |                   |
| 10  | H174081  | YOKE                | 1   |            | (SUB FOR H164562) |
| 11  | 19M7786  | SCREW               | 6   |            | M10 X 30          |
| 12  | JD9043   | BEARING CONE        | 1   |            |                   |
| 13  | R57269   | OIL CUP             | 1   |            |                   |
| 14  | JD7448   | BEARING CUP         | 1   |            |                   |
| 15  | JD7798   | LUBRICATION FITTING | 1   |            |                   |
| 16  | R68102   | BUSHING             | 2   |            |                   |
| 17  | JD7799   | LUBRICATION FITTING | 2   |            |                   |
| 18  | JD9109   | BEARING CUP         | 1   |            |                   |
| 19  | AH162466 | SPINDLE             | 1   |            | R.H.              |
|     | AH162467 | SPINDLE             | 1   |            | L.H.              |
| 20  | JD10462  | BEARING CONE        | 1   |            |                   |
| 21  | AH162146 | SPINDLE             | 1   |            | R.H.              |
|     | AH162147 | SPINDLE             | 1   |            | L.H.              |
| 22  | H168476  | SCREW               | 8   |            | M16 X 55          |
| 23  | 19M8002  | CAP SCREW           | 4   |            | M20 X 55          |

# 2E24

**STEERING TIE RODS  
(ADJUSTABLE REAR AXLE)**

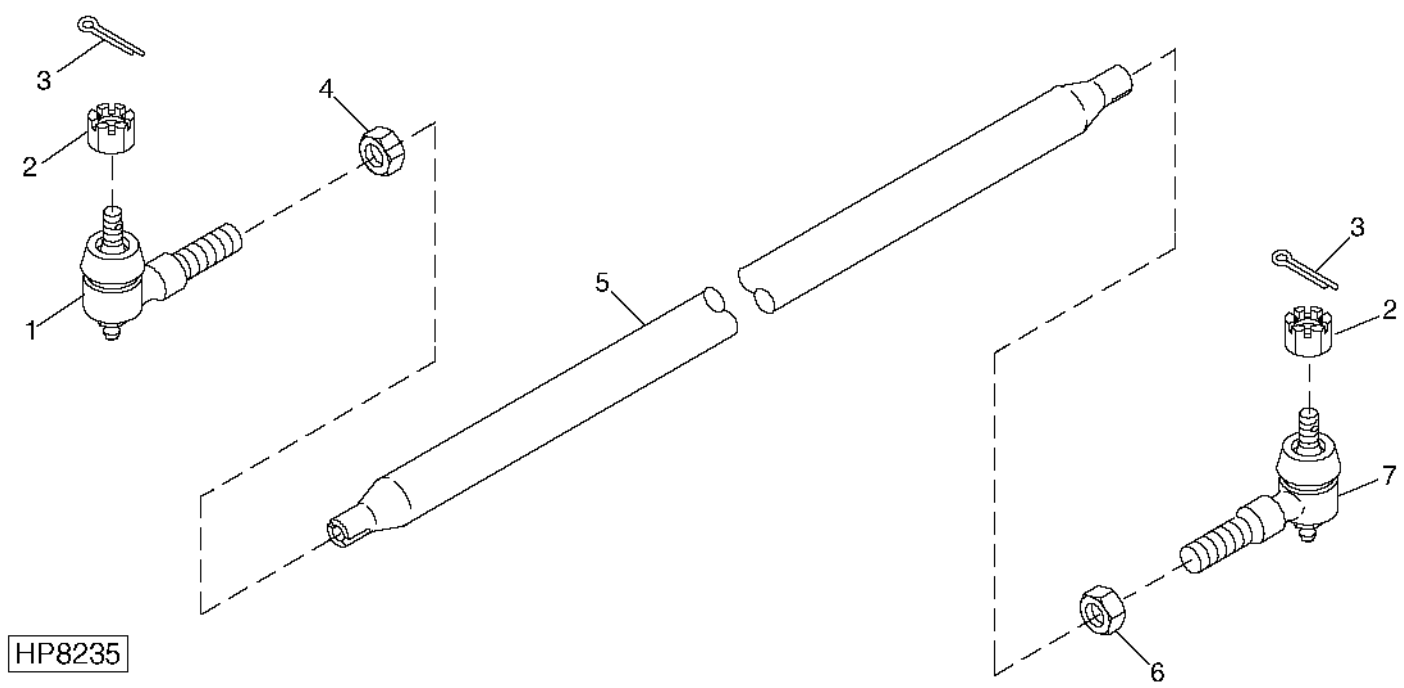
HP8236 -UN-24FEB99



| KEY | PART NO. | PART NAME   | QTY | SERIAL NO. | REMARKS                                      |
|-----|----------|-------------|-----|------------|--|
| 1   | RE12326  | TIE ROD END | 1   |            | (L.H. THREAD)                                |
| 2   | 14H902   | NUT         | 2   |            |  |
| 3   | 11M7087  | COTTER PIN  | 2   |            |  |
| 4   | R78026   | NUT         | 1   |            | (L.H.)                                       |
|     | 14M7401  | LOCK NUT    | 4   |            | M12  |
| 5   | H136335  | TUBE        | 1   |            | L.H. (4-WHEEL DRIVE REAR AXLE) (ILLUSTRATED) |
|     | H130227  | TUBE        | 1   |            | L.H. (ADJUSTABLE REAR AXLE)                  |
| 6   | 19M7820  | SCREW       | 4   |            | M12 X 100                                    |
| 7   | H139807  | CLAMP       | 8   |            |  |
| 8   | H140382  | TUBE        | 1   |            | CENTER (ADJUSTABLE REAR AXLE) (ILLUSTRATED)  |
|     | H140383  | TUBE        | 1   |            | CENTER (4-WHEEL DRIVE REAR AXLE)             |
| 9   | H136334  | TUBE        | 1   |            | R.H. (4-WHEEL DRIVE REAR AXLE) (ILLUSTRATED) |
|     | H130228  | TUBE        | 1   |            | R.H. (ADJUSTABLE REAR AXLE)                  |
| 10  | R78025   | LOCK NUT    | 1   |            | (R.H.)                                       |
| 11  | RE12325  | TIE ROD END | 1   |            | (R.H. THREAD)                                |

# 2E25

**STEERING TIE RODS  
(FIXED REAR AXLE)**  
HP8235 -UN-21APR99

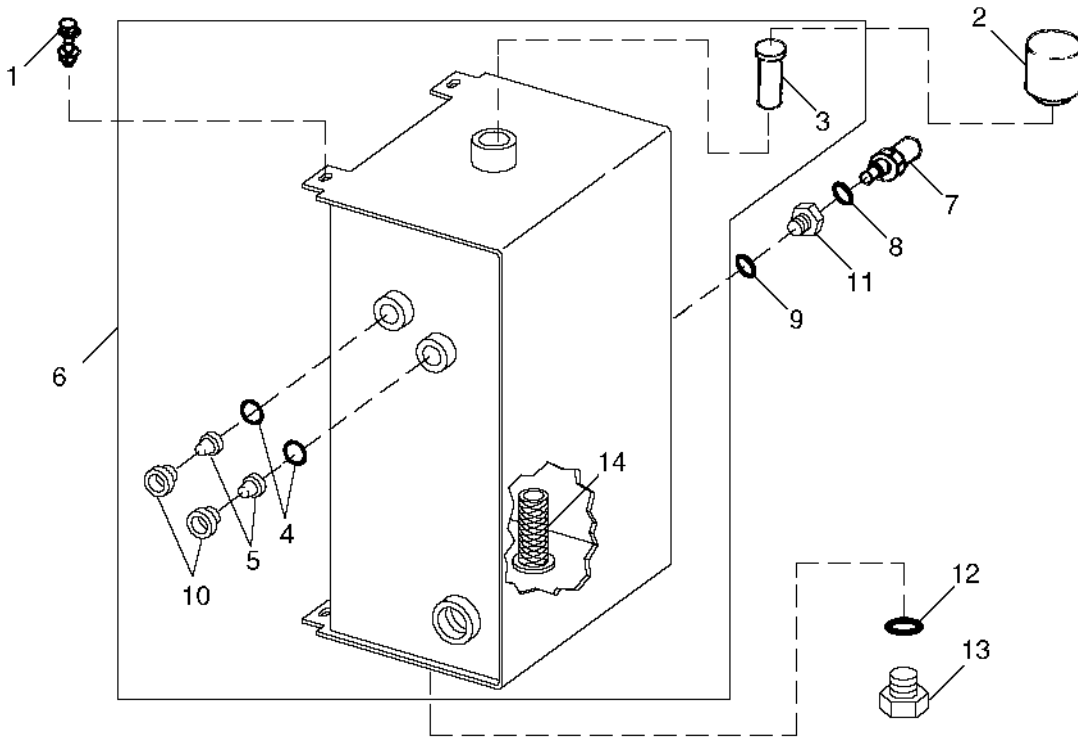


| KEY | PART NO.       | PART NAME                          | QTY      | SERIAL NO.                                    | REMARKS |
|-----|----------------|------------------------------------|----------|---|---------|
| 1   | RE12326        | TIE ROD END                        | 1        | (L.H.THREAD)                                  |         |
| 2   | 14H902         | NUT                                | 2        |   |         |
| 3   | 11M7087        | COTTER PIN                         | 2        |   |         |
| 4   | R78026         | NUT                                | 1        | (L.H.)  |         |
| 5   | H134557        | TUBE                               | 1        |   |         |
|     | H173218        | TUBE                               | 1        | HEAVY DUTY                                    |         |
| 6   | R78025         | LOCK NUT                           | 1        | (R.H.)  |         |
| 7   | RE12325        | TIE ROD END                        | 1        | (R.H.THREAD)                                  |         |
| ..  | <b>BH79199</b> | <b>COMPLETE GOODS/SHIP. BUNDLE</b> | <b>1</b> | <b>POWERED REAR AXLE CONVERSION (TIE ROD)</b> |         |

MEMORANDA

# 2F4

**HYDRAULIC / HYDROSTATIC OIL RESERVOIR AND MOUNTINGS**  
 HP9079 -UN-20SEP99

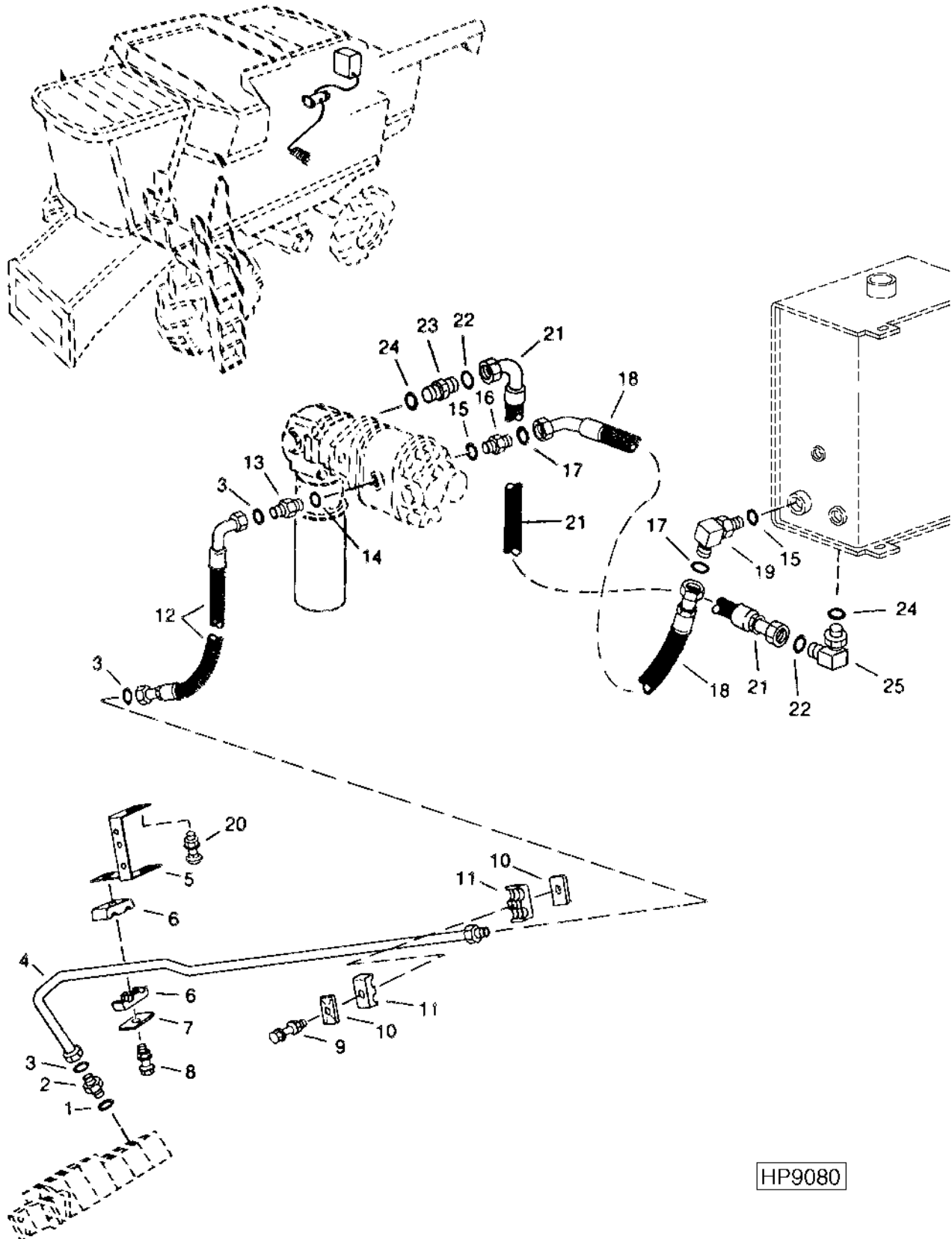


HP9079

| KEY | PART NO. | PART NAME                  | QTY | SERIAL NO. | REMARKS           |
|-----|----------|----------------------------|-----|------------|-------------------|
| 1   | 19M7866  | SCREW                      | 4   | M8 X 20    |                   |
|     | 14M7298  | FLANGE NUT                 | 4   | M8         |                   |
| 2   | AZ49144  | CAP                        | 1   |            |                   |
| 3   | AH135064 | STRAINER                   | 1   |            |                   |
| 4   | P48347   | O-RING                     | 2   |            |                   |
| 5   | N209312  | LENS                       | 2   |            | OIL LEVEL         |
| 6   | AH157973 | HYDRAULIC RESERVOIR        | 1   |            |                   |
| 7   | AH156144 | COOLANT TEMPERATURE SENSOR | 1   |            |                   |
| 8   | 51M7040  | O-RING                     | 1   |            |                   |
| 9   | R26375   | O-RING                     | 1   |            | 16.358 X 2.210 MM |
| 10  | N205022  | RETAINER                   | 2   |            |                   |
| 11  | T28256   | COUPLING                   | 1   |            |                   |
| 12  | R26448   | O-RING                     | 1   |            |                   |
| 13  | R27218   | FITTING PLUG               | 1   |            | 2-WHEEL DRIVE     |
| 14  | AH131334 | SCREEN                     | 1   |            |                   |

# 2F5

HYDRAULIC PRESSURE LINES AND HOSES  
HP9080 -UN-20SEP99



HP9080

# 2F6

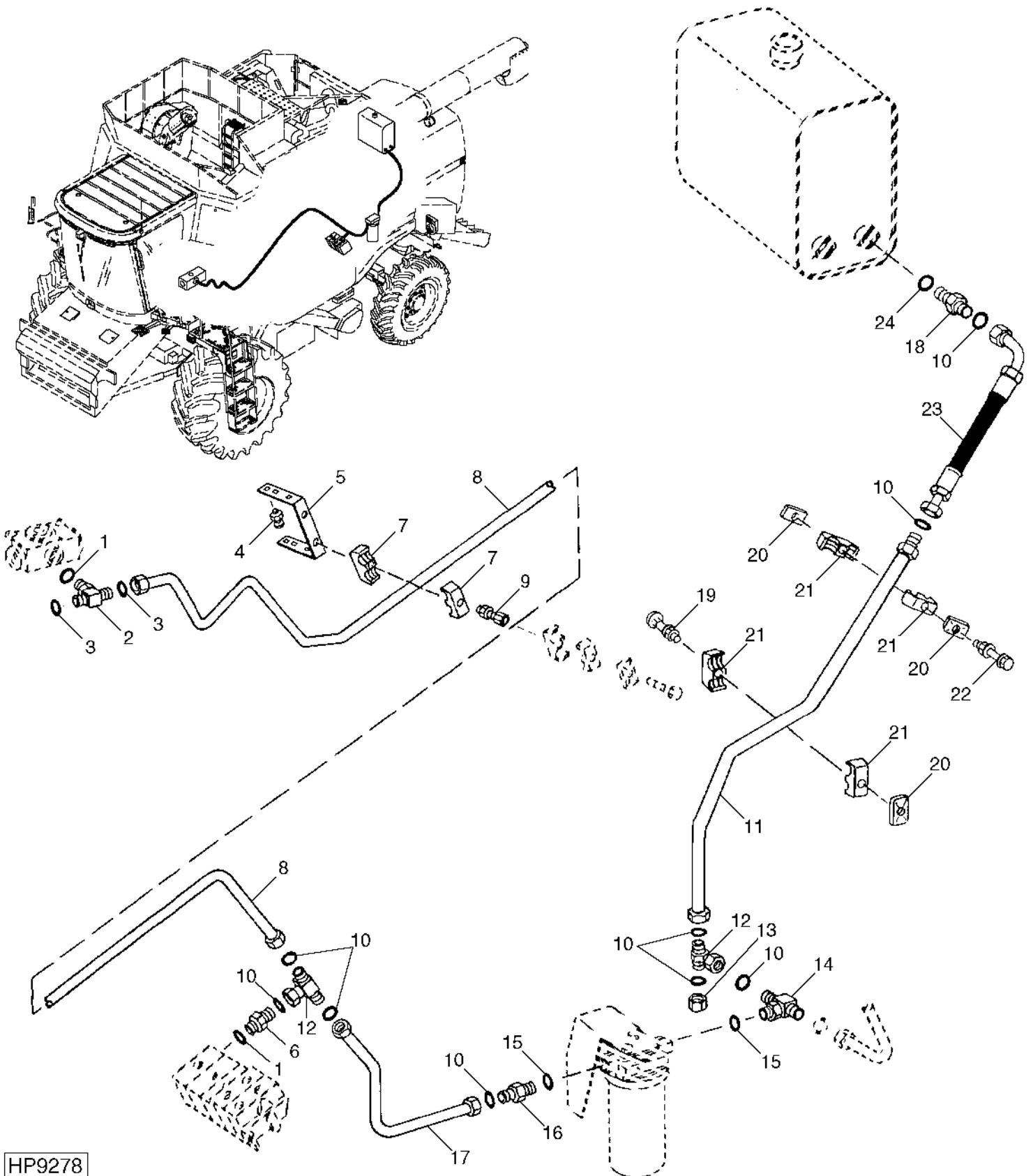
HYDRAULICS

## HYDRAULIC PRESSURE LINES AND HOSES - CONTINUED

| KEY | PART NO. | PART NAME      | QTY | SERIAL NO. | REMARKS                    |
|-----|----------|----------------|-----|------------|----------------------------|
| 1   | R26375   | O-RING         | 1   |            |                            |
| 2   | 38H1317  | FITTING        | 1   |            |                            |
| 3   | T77932   | O-RING         | 3   |            | 16.358 X 2.210 MM          |
| 4   | AH161714 | LINE           | 1   |            |                            |
| 5   | H133659  | BRACKET        | 1   |            |                            |
| 6   | H109046  | CLAMP          | 2   |            |                            |
| 7   | H121168  | PLATE          | 1   |            |                            |
| 8   | 19M8318  | SCREW          | 1   |            | M8 X 45                    |
|     | 14M7298  | FLANGE NUT     | 1   |            | M8                         |
| 9   | 19M7801  | SCREW          | 1   |            | M8 X 60                    |
|     | 14M7298  | FLANGE NUT     | 1   |            | M8                         |
| 10  | H112567  | PLATE          | 2   |            |                            |
| 11  | H111730  | CLAMP          | 2   |            |                            |
| 12  | AH166953 | HYDRAULIC HOSE | 1   |            |                            |
| 13  | 38H1162  | ADAPTER        | 1   |            |                            |
| 14  | R26906   | O-RING         | 1   |            | 19.177 X 2.464 MM          |
| 15  | R29936   | O-RING         | 2   |            | 29.743 X 2.946 MM          |
| 16  | 38H1164  | ADAPTER        | 1   |            |                            |
| 17  | T76938   | O-RING         | 2   |            | 23.520 X 1.778 MM          |
| 18  | AH126240 | HYDRAULIC HOSE | 1   |            | 1-7/16" X 600 MM X 1-7/16" |
| 19  | 38H1037  | ELBOW FITTING  | 1   |            |                            |
| 20  | 03M7184  | BOLT           | 4   |            | M8 X 20 (RD. HEAD)         |
|     | 14M7396  | LOCK NUT       | 4   |            | M8                         |
| 21  | AH126242 | HYDRAULIC HOSE | 1   |            | 1-7/16" X 730 MM X 1-7/16" |
| 22  | T76938   | O-RING         | 2   |            | 23.520 X 1.778 MM          |
| 23  | 38H1164  | ADAPTER        | 1   |            |                            |
| 24  | R29936   | O-RING         | 2   |            | 29.743 X 2.946 MM          |
| 25  | 38H1037  | ELBOW FITTING  | 1   |            |                            |

### HYDRAULIC RESERVOIR LINES AND HOSES

HP9278 -UN-17NOV99



HP9278



# 2F8

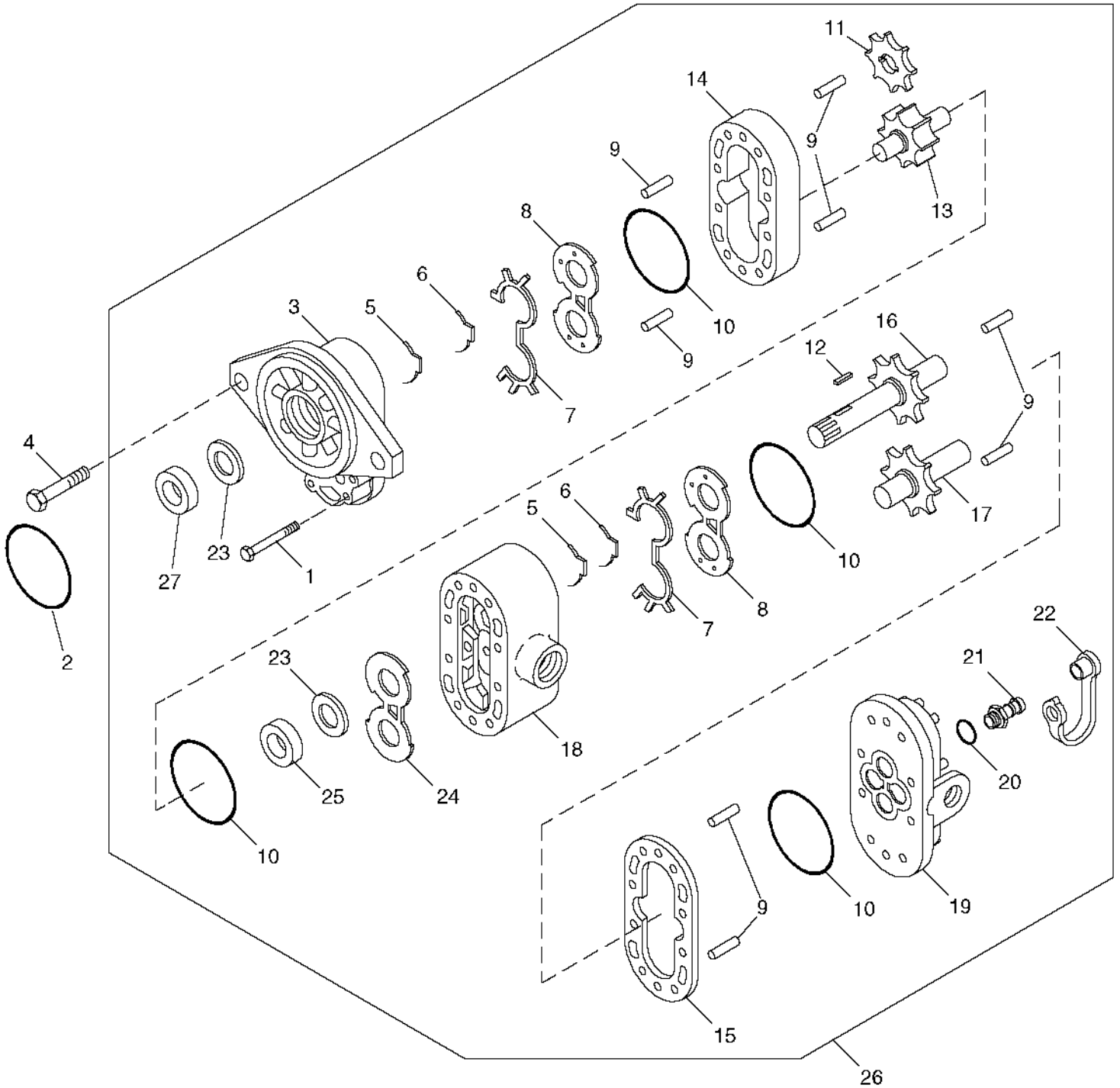
HYDRAULICS

## HYDRAULIC RESERVOIR LINES AND HOSES - CONTINUED

| KEY | PART NO. | PART NAME      | QTY | SERIAL NO.                                 | REMARKS |
|-----|----------|----------------|-----|--|---------|
| 1   | R26906   | O-RING         | 2   |  |         |
| 2   | 38H1018  | TEE FITTING    | 1   |  |         |
| 3   | T77932   | O-RING         | 2   |  |         |
| 4   | 03M7184  | BOLT           | 4   | M8 X 20                                    |         |
|     | 14M7298  | FLANGE NUT     | 4   | M8   |         |
| 5   | H131115  | BRACKET        | 1   | (RD. HEAD)                                 |         |
| 6   | 38H1193  | ADAPTER        | 1   |  |         |
| 7   | H120847  | CLAMP          | 2   |  |         |
| 8   | AH128851 | OIL LINE       | 1   | (REEL RETURN)                              |         |
| 9   | 19M7913  | SCREW          | 1   | M8 X 90                                    |         |
|     | 14M7298  | FLANGE NUT     | 1   | M8   |         |
| 10  | T77858   | O-RING         | 9   | 18.771 X 1.778 MM, (UPPER RETURN)          |         |
| 11  | AH152665 | LINE           | 1   | (RETURN)                                   |         |
| 12  | 38H1041  | TEE FITTING    | 2   |  |         |
| 13  | 38H1418  | FITTING PLUG   | 1   |  |         |
| 14  | 38H1437  | TEE FITTING    | 1   |  |         |
| 15  | R29936   | O-RING         | 2   |  |         |
| 16  | 38H1194  | ADAPTER        | 1   |  |         |
| 17  | AH126122 | HYDRAULIC LINE | 1   | (RETURN)                                   |         |
| 18  | 38H1163  | ADAPTER        | 1   |  |         |
| 19  | 03M7245  | BOLT           | 1   | M8 X 55                                    |         |
|     | 14M7298  | FLANGE NUT     | 1   | M8   |         |
| 20  | H112567  | PLATE          | 3   |  |         |
| 21  | H114865  | CLAMP          | 4   |  |         |
| 22  | 19M7801  | SCREW          | 1   | M8 X 60                                    |         |
|     | 14M7298  | FLANGE NUT     | 1   | M8   |         |
| 23  | AH152666 | HYDRAULIC HOSE | 8   | 1-3/16" X 785 MM X 1-3/16", (UPPER RETURN) |         |
| 24  | U12547   | O-RING         | 1   | (RETURN)                                   |         |

# 2F9

MAIN HYDRAULIC PUMP  
HP8298 -UN-16AUG99



HP8298

# 2F10

HYDRAULICS

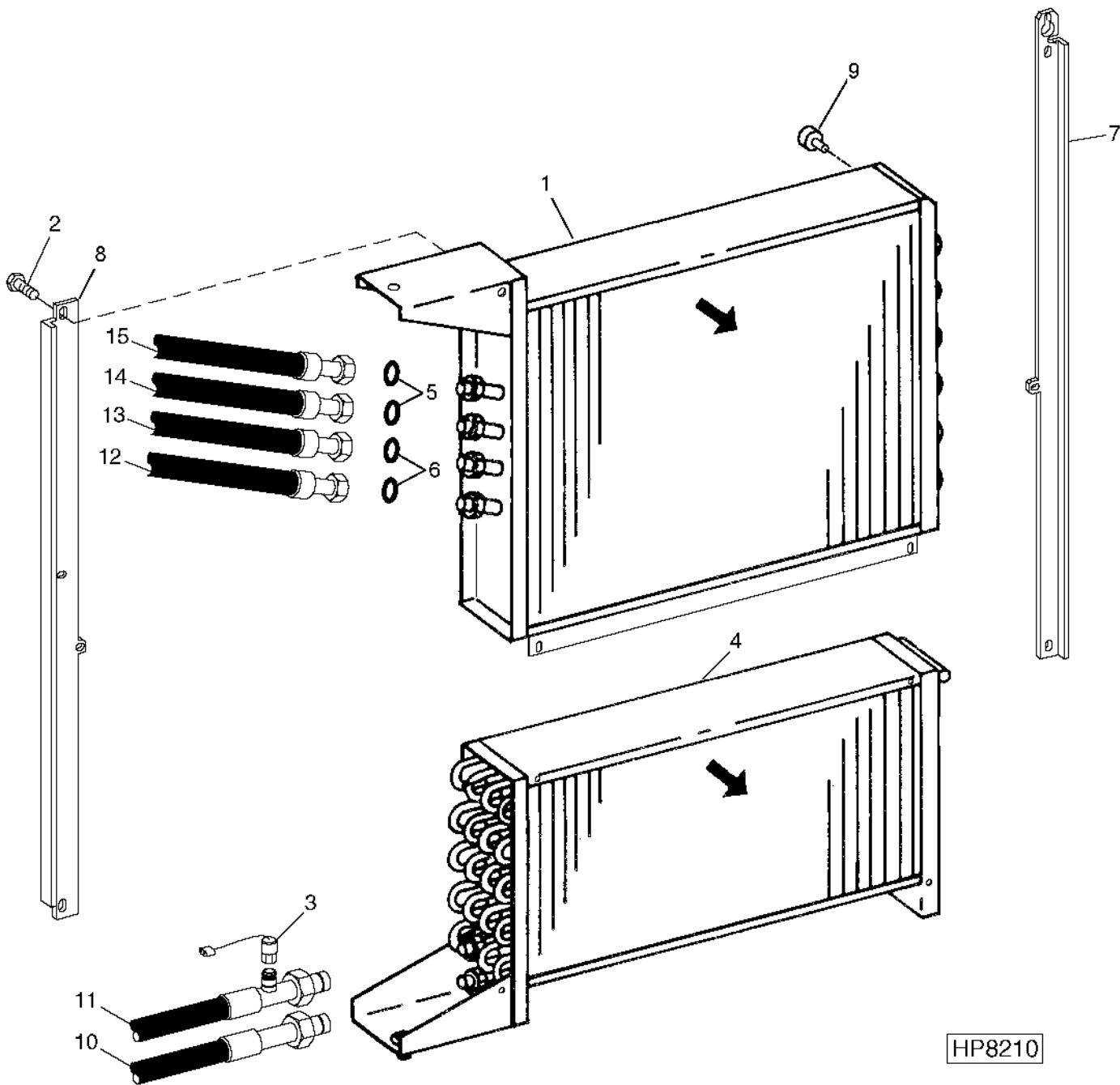
## MAIN HYDRAULIC PUMP - CONTINUED

| KEY | PART NO.               | PART NAME                  | QTY    | SERIAL NO. | REMARKS  |
|-----|------------------------|----------------------------|--------|------------|--|
| 1   | GG310-30411<br>H135569 | SCREW<br>CAP SCREW         | 8<br>8 |            | REGULAR DUTY FINAL DRIVE W/2-1/8" CYLINDER<br>7.925 X 133.350 MM, HEAVY DUTY FINAL DRIVE<br>W/2-3/8" LIFT CYLINDER |
| 2   | E65288                 | O-RING                     | 1      |            |  |
| 3   | .....                  | PLATE                      | 1      |            |  |
| 4   | 19H1732<br>12H304      | CAP SCREW<br>LOCK WASHER   | 2<br>2 |            | 3/8" X 1-1/4"<br>3/8"  |
| 5   | .....                  | SEAL                       | 2      |            | (A)  |
| 6   | .....                  | GASKET                     | 2      |            | (A)  |
| 7   | .....                  | GASKET                     | 2      |            | (A)  |
| 8   | .....                  | WEAR PLATE                 | 2      |            | (A)  |
| 9   | H116213                | DOWEL PIN                  | 8      |            |  |
| 10  | H80821                 | O-RING                     | 4      |            | (A) 75.921 X 1.778 MM  |
| 11  | .....                  | PARALLEL SHAFT GEAR DRIVE  | 1      |            |  |
| 12  | H125929<br>H135566     | SHAFT KEY<br>KEY           | 1<br>1 |            | REGULAR DUTY FINAL DRIVE<br>HEAVY DUTY FINAL DRIVE   |
| 13  | .....                  | GEAR                       | 1      |            |  |
| 14  | .....                  | HOUSING                    | 1      |            |  |
| 15  | .....                  | LINK BODY                  | 1      |            |  |
| 16  | .....                  | GEAR                       | 1      |            |  |
| 17  | .....                  | GEAR                       | 1      |            |  |
| 18  | .....                  | PLATE                      | 1      |            |  |
| 19  | .....                  | PLATE                      | 1      |            |  |
| 20  | R26448                 | O-RING                     | 1      |            | (A) 11.887 X 1.981 MM  |
| 21  | AH125760               | HYD. QUICK-CONNECT COUPLER | 1      |            |  |
| 22  | R77175                 | COVER                      | 1      |            |  |
| 23  | M48869                 | WASHER                     | 2      |            | (A) 19.215 X 25.337 X 0.813 MM   |
| 24  | .....                  | PLATE                      | 1      |            | (A)  |
| 25  | .....                  | SEAL                       | 1      |            | (A)  |
| 26  | AH131183               | HYDRAULIC PUMP             | 1      |            | REMANUFACTURED (EATON R25381-RAH) REGULAR<br>DUTY FINAL DRIVE W/2-1/8" LIFT CYLINDER                               |
|     | AH161647               | HYDRAULIC PUMP             | 1      |            | REMANUFACTURED (EATON R25389-RAN) HEAVY DUTY<br>FINAL DRIVE W/2-1/8" LIFT CYLINDER                                 |
|     | AH131175               | HYDRAULIC PUMP             | 1      |            | REMANUFACTURED (EATON R25382-RAN) HEAVY DUTY<br>FINAL DRIVE W/2-3/8" LIFT CYLINDER                                 |
| 27  | .....                  | SEAL                       | 1      |            | (A)  |
| ..  | AH162145               | SEAL KIT                   | 1      |            | INCLUDES PARTS MARKED (A)  |

# 2F11

## OIL COOLER AND A/C CONDENSER

HP8210 -UN-03MAR99



# 2F12

HYDRAULICS

## OIL COOLER AND A/C CONDENSER - CONTINUED

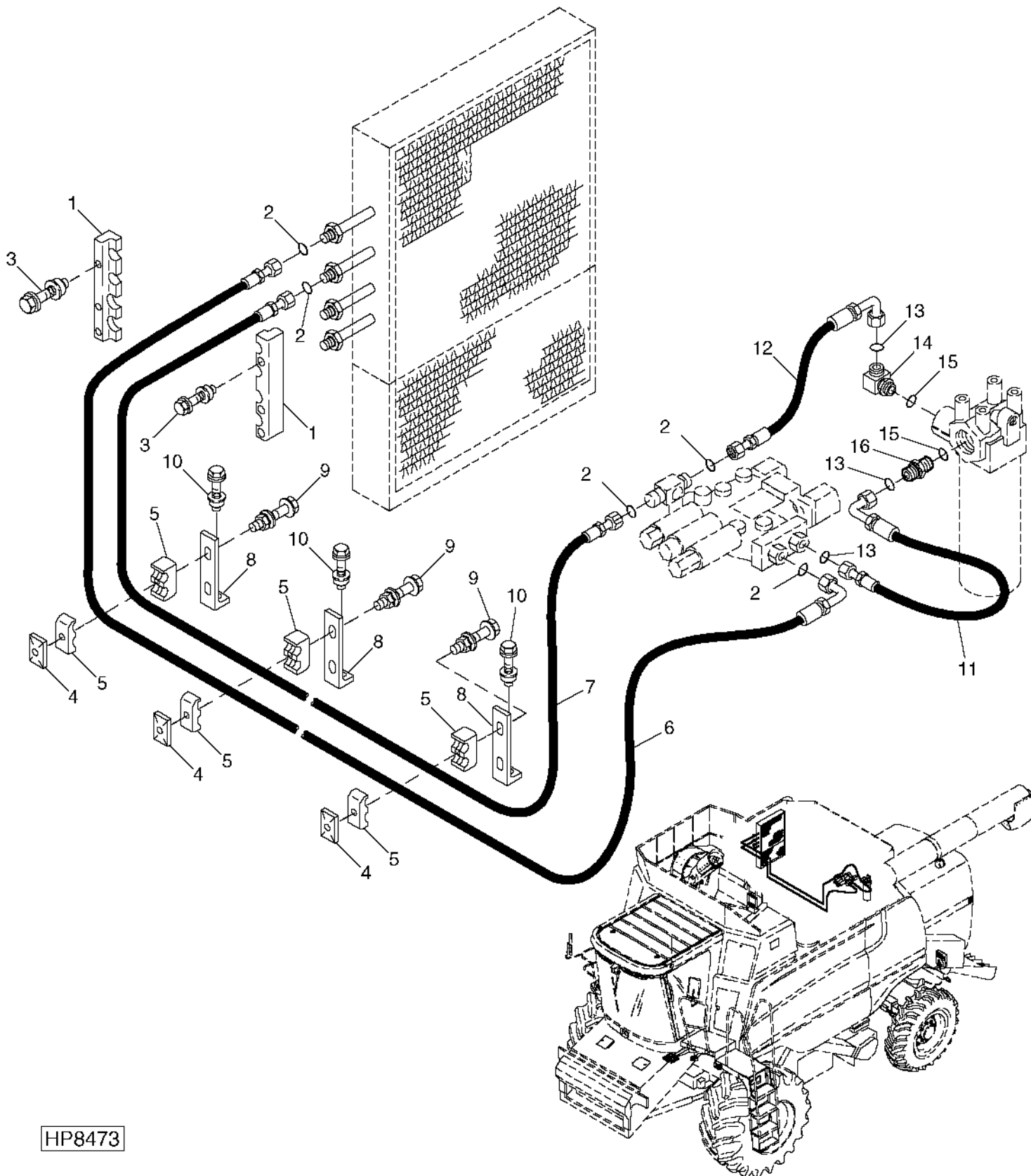
| KEY | PART NO. | PART NAME            | QTY | SERIAL NO. | REMARKS             |
|-----|----------|----------------------|-----|------------|---------------------|
| 1   | AH149588 | OIL COOLER           | 1   |            | WITHOUT FUEL COOLER |
|     | AH149226 | OIL COOLER           | 1   |            | WITH FUEL COOLER    |
| 2   | 19M7774  | SCREW                | 4   |            | M6 X 12             |
| 3   | RE24307  | HIGH PRESSURE SWITCH | 4   |            |                     |
| 4   | AH149618 | VAPOR CONDENSER      | 1   |            | W/O FUEL COOLER     |
|     | AH163522 | VAPOR CONDENSER      | 1   |            | WITH FUEL COOLER    |
| 5   | T77932   | O-RING               | 2   |            | 0.614" X 0.070"     |
| 6   | T77858   | O-RING               | 2   |            | 0.739" X 0.070"     |
| 7   | H162584  | BRACKET              | 1   |            | R.H.                |
| 8   | H162585  | BRACKET              | 1   |            | L.H.                |
| 9   | H158596  | STOP                 | 1   |            |                     |
| 10  | AH159026 | REFRIGERANT HOSE     | 1   |            |                     |
| 11  | AH159078 | REFRIGERANT HOSE     | 1   |            |                     |
| 12  | AH145236 | HYDRAULIC HOSE       | 1   |            |                     |
| 13  | AH145238 | HYDRAULIC HOSE       | 1   |            |                     |
| 14  | AH145242 | HYDRAULIC HOSE       | 1   |            |                     |
| 15  | AH145240 | HYDRAULIC HOSE       | 1   |            |                     |

# 2F13

HYDRAULICS

## WET CLUTCH OIL COOLER LINES AND HOSES

HP8473 -UN-21APR99



HP8473

# 2F14

HYDRAULICS

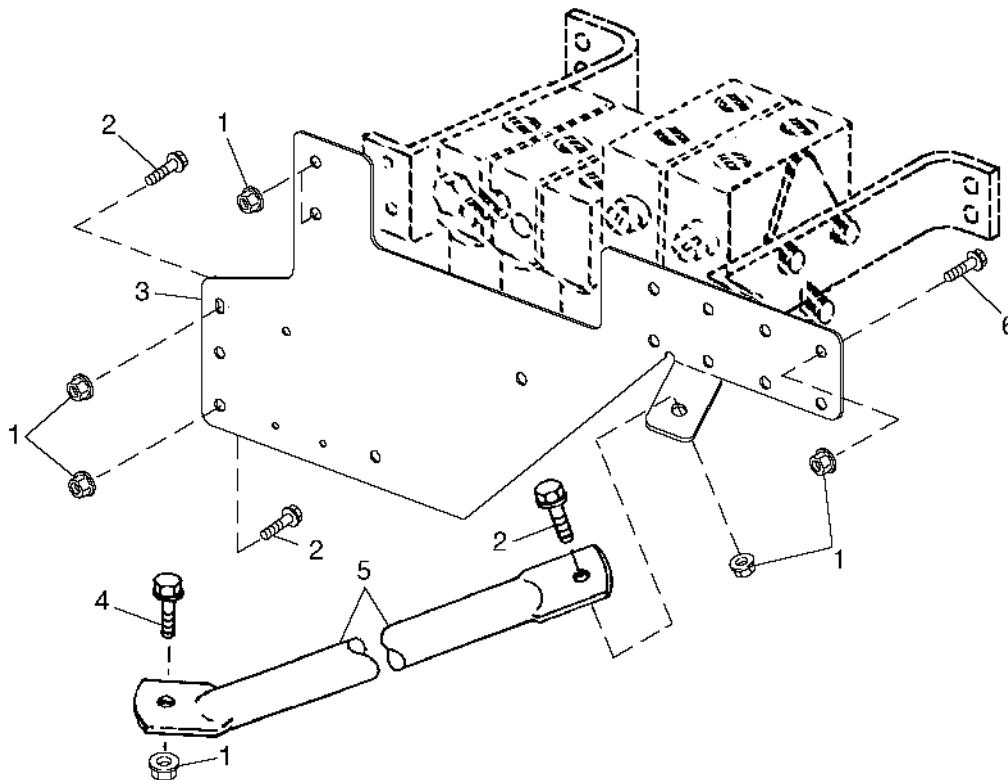
**WET CLUTCH OIL COOLER LINES AND HOSES - CONTINUED**

| KEY | PART NO. | PART NAME      | QTY | SERIAL NO. | REMARKS                  |
|-----|----------|----------------|-----|------------|--------------------------|
| 1   | H151585  | CLAMP          | 2   |            |                          |
| 2   | T77932   | O-RING         | 5   |            | 15.596 X 1.778 MM        |
| 3   | 19M8317  | SCREW          | 6   |            | M8 X 40                  |
|     | 14M7298  | FLANGE NUT     | 6   |            | M8                       |
| 4   | H112567  | PLATE          | 3   |            |                          |
| 5   | H150983  | CLAMP          | 6   |            |                          |
| 6   | AH145240 | HYDRAULIC HOSE | 1   |            |                          |
| 7   | AH145242 | HYDRAULIC HOSE | 1   |            |                          |
| 8   | H150980  | BRACKET        | 3   |            |                          |
| 9   | 19M7979  | SCREW          | 3   |            | M8 X 55                  |
|     | 14M7298  | FLANGE NUT     | 3   |            | M8                       |
| 10  | 19M7866  | SCREW          | 3   |            | M8 X 20                  |
|     | 14M7298  | FLANGE NUT     | 3   |            | M8                       |
| 11  | AH128780 | HYDRAULIC HOSE | 1   |            | 13/16" X 725 MM X 13/16" |
| 12  | AH128779 | HYDRAULIC HOSE | 1   |            | 1" X 275 MM X 13/16"     |
| 13  | T77857   | O-RING         | 3   |            | 12.421 X 1.778 MM        |
| 14  | 38H1013  | ELBOW FITTING  | 1   |            |                          |
| 15  | U12547   | O-RING         | 2   |            | 23.470 X 2.946 MM        |
| 16  | 38H1175  | ADAPTER        | 1   |            |                          |

# 2F15

**SOLENOID CONTROL VALVE BRACKETS**

HP8082 -UN-03MAR99



HP8082

| KEY | PART NO. | PART NAME  | QTY | SERIAL NO. | REMARKS |
|-----|----------|------------|-----|------------|---------|
| 1   | 14M7298  | FLANGE NUT | 8   | M8         |         |
| 2   | 19M7866  | SCREW      | 2   | M8 X 20    |         |
| 3   | H166148  | BRACKET    | 1   |            |         |
| 4   | 19M7803  | SCREW      | 1   | M8 X 70    |         |
| 5   | H158638  | BRACE      | 1   |            |         |
| 6   | 19M7897  | SCREW      | 4   | M8 X 35    |         |



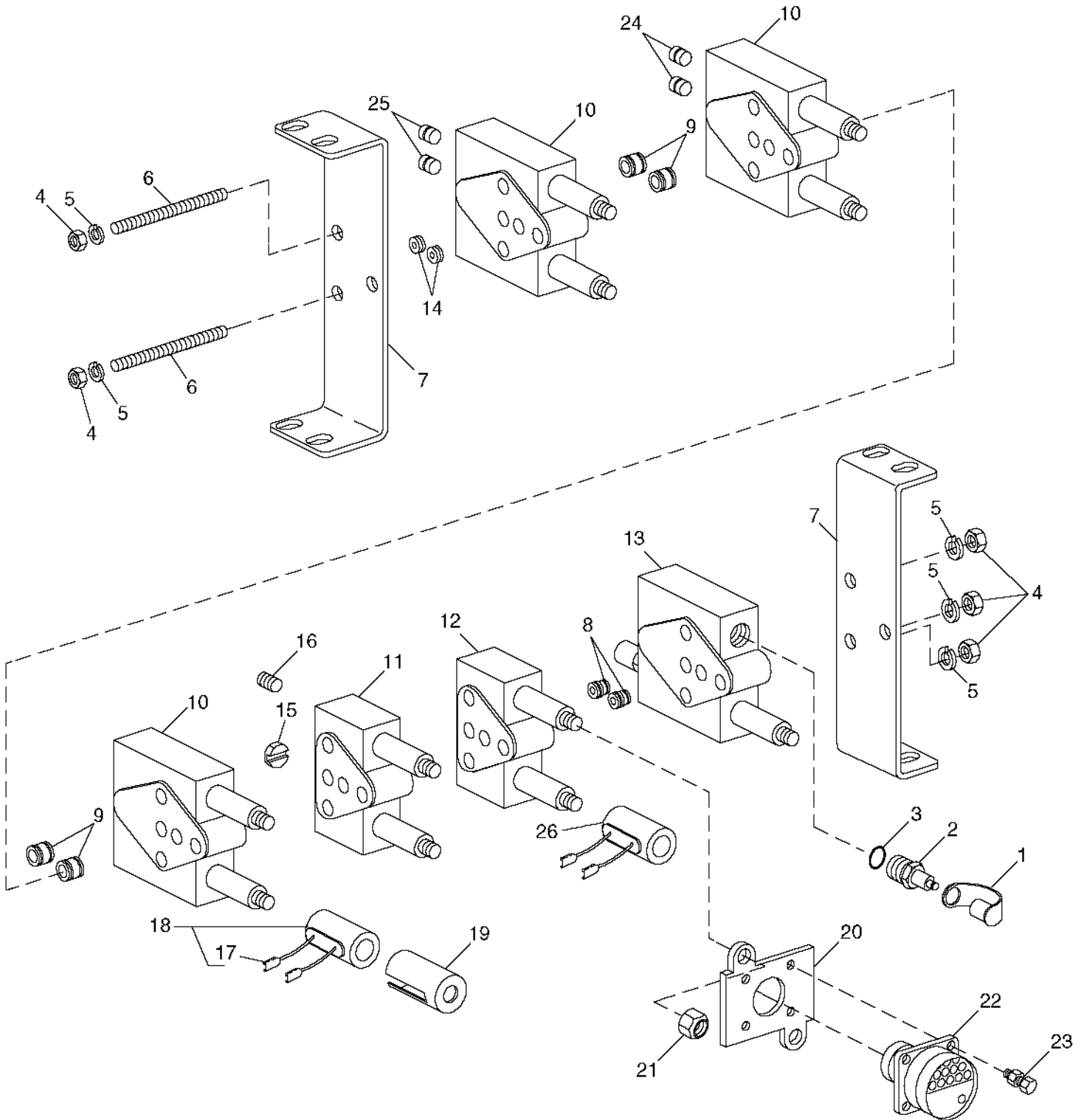
MEMORANDA

# 2F16

HYDRAULICS

## SIX STACK SOLENOID CONTROL VALVE MODULE ASSEMBLY AND MOUNTINGS

HP9499 -UN-14JAN00



HP9499

# 2F17

HYDRAULICS

**SOLENOID CONTROL VALVE MODULE ASSEMBLY AND MOUNTINGS - CONTINUED  
SIX STACK**

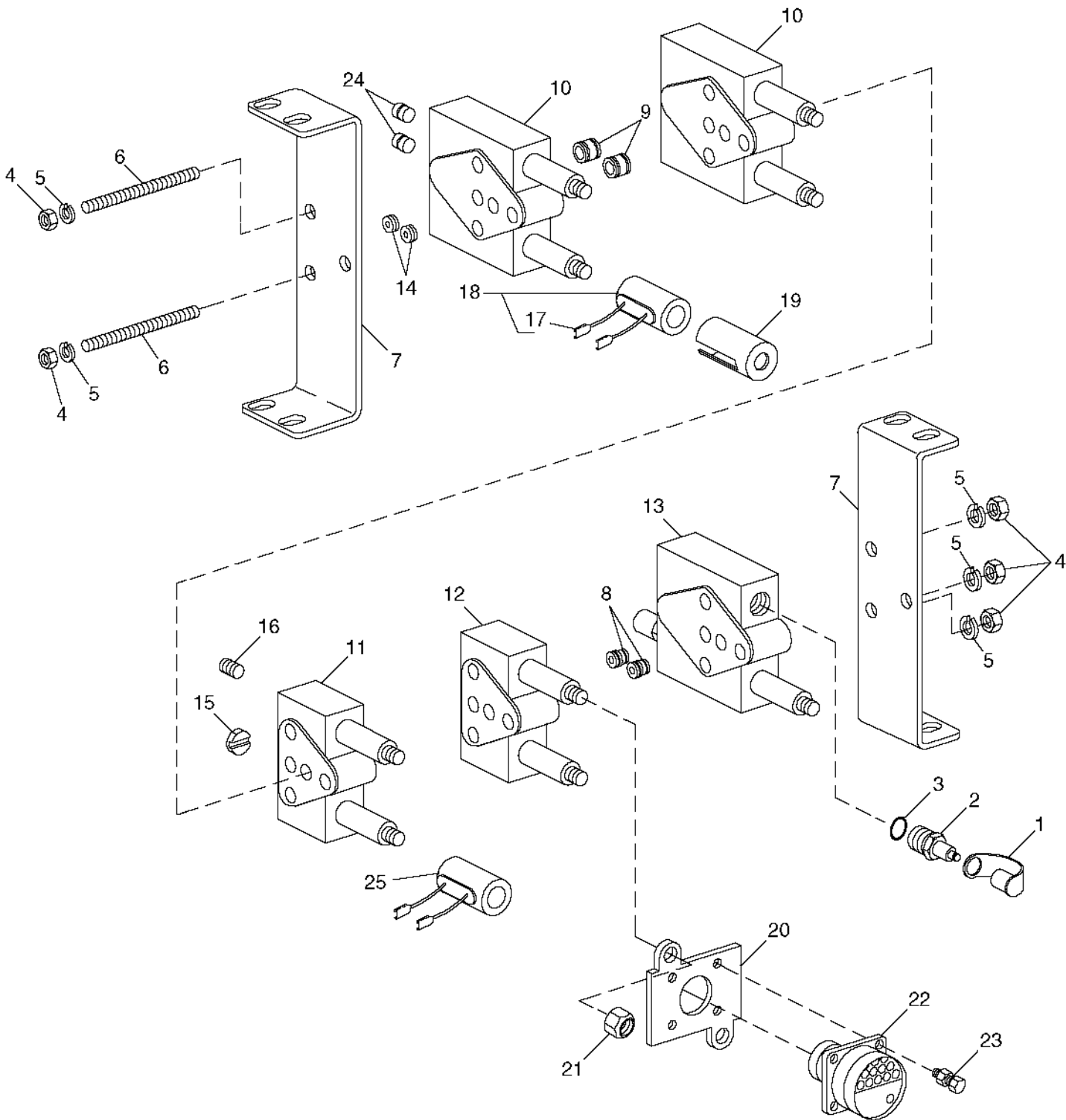
| KEY | PART NO. | PART NAME                  | QTY | SERIAL NO. | REMARKS  |
|-----|----------|----------------------------|-----|------------|--|
| 1   | R77175   | COVER                      | 1   |            | PLATE  |
| 2   | AH125760 | HYD. QUICK-CONNECT COUPLER | 1   |            |  |
| 3   | R26448   | O-RING                     | 1   |            | 11.887 X 1.981 MM                                    |
| 4   | 14H786   | NUT                        | 6   |            | 1/4"   |
| 5   | 12H297   | LOCK WASHER                | 6   |            | 1/4"   |
| 6   | E62892   | STUD                       | 3   |            | 1/4" X 11-3/4" (CUT TO LENGTH)                       |
| 7   | H168170  | BRACKET                    | 2   |            |  |
| 8   | AZ50073  | SEAL                       | 2   |            | (WITH O-RING)  |
| 9   | AH161527 | SEAL                       | 8   |            | (WITH O-RING)  |
| 10  | AH161526 | VALVE                      | 3   |            | (1) REEL FORE/AFT (1) AUGER SWING (1) CONTOUR MASTER |
| 11  | AH139060 | VALVE                      | 1   |            | REEL LIFT/VSC  |
| 12  | AH147084 | VALVE                      | 1   |            | HEADER LIFT  |
| 13  | AH164450 | VALVE                      | 1   |            | UNLOAD (RELIEF)                                      |
| 14  | AH161529 | SEAL                       | 2   |            |  |
| 15  | H145051  | APERTURE                   | 1   |            | .940 MM DIA.   |
| 16  | AH164500 | ORIFICE                    | 1   |            | .457 MM DIA.   |
| 17  | R77464   | PIN CONTACT                | AR  |            | (PACKAGE OF 50)                                      |
| 18  | AH161530 | ELECTRICAL COIL            | 7   |            | (USE ON MODULES 10 AND 13)                           |
| 19  | E62942   | COVER                      | 11  |            |  |
| 20  | H168171  | COVER                      | 2   |            |  |
| 21  | A4655R   | NUT                        | 7   |            | 12.700 MM  |
| 22  | 57M7199  | RECEPTACLE                 | 2   |            | (24 WAY)   |
| 23  | 21H1290  | SCREW                      | 8   |            | 0.138" X 1/2"  |
|     | 14H1026  | NUT                        | 8   |            | 0.138"   |
| 24  | H135777  | ORIFICE                    | 2   |            | 0.76MM DIA.  |
| 25  | Z60904   | ORIFICE                    | 2   |            | 0.66 MM DIA.   |
| 26  | AH124731 | ELECTRICAL COIL            | 4   |            | (USE ON MODULES 11 AND 12)                           |

# 2F18

## SOLENOID CONTROL VALVE MODULE ASSEMBLY AND MOUNTINGS

### FIVE STACK

HP9498 -UN-14JAN00



HP9498

# 2F19

HYDRAULICS

**SOLENOID CONTROL VALVE MODULE ASSEMBLY AND MOUNTINGS - CONTINUED  
FIVE STACK**

| KEY | PART NO. | PART NAME                  | QTY | SERIAL NO. | REMARKS                                |
|-----|----------|----------------------------|-----|------------|--|
| 1   | R77175   | COVER                      | 1   |            |  |
| 2   | AH125760 | HYD. QUICK-CONNECT COUPLER | 1   |            |  |
| 3   | R26448   | O-RING                     | 1   |            | 11.887 X 1.981 MM                      |
| 4   | 14H786   | NUT                        | 6   |            | 1/4"                                   |
| 5   | 12H297   | LOCK WASHER                | 6   |            | 1/4"                                   |
| 6   | E62892   | STUD                       | 3   |            | 1/4" X 11-3/4" (CUT TO LENGTH)         |
| 7   | H168170  | BRACKET                    | 2   |            |  |
| 8   | AZ50073  | SEAL                       | 2   |            | (WITH O-RING)                          |
| 9   | AH161527 | SEAL                       | 6   |            | (WITH O-RING)                          |
| 10  | AH161526 | VALVE                      | 2   |            | REEL FORE/AFT AND AUGER EXTEND/RETRACT |
| 11  | AH139060 | VALVE                      | 1   |            | REEL LIFT/VSC                          |
| 12  | AH147084 | VALVE                      | 1   |            | HEADER LIFT                            |
| 13  | AH164450 | VALVE                      | 1   |            | UNLOAD (RELIEF)                        |
| 14  | AH161529 | SEAL                       | 2   |            |  |
| 15  | H145051  | APERTURE                   | 1   |            | .940 MM DIA.                           |
| 16  | AH164500 | ORIFICE                    | 1   |            | .457 MM DIA.                           |
| 17  | R77464   | PIN CONTACT                | AR  |            | (PACKAGE OF 50)                        |
| 18  | AH161530 | ELECTRICAL COIL            | 5   |            | (USE ON MODULES 10 AND 13)             |
| 19  | E62942   | COVER                      | 9   |            |  |
| 20  | H168171  | COVER                      | 2   |            | PLATE                                  |
| 21  | A4655R   | NUT                        | 7   |            | 12.700 MM                              |
| 22  | 57M7199  | RECEPTACLE                 | 2   |            | (24 WAY)                               |
| 23  | 21H1290  | SCREW                      | 8   |            | 0.138" X 1/2"                          |
|     | 14H1026  | NUT                        | 8   |            | 0.138"                                 |
| 24  | H135777  | ORIFICE                    | 2   |            | 0.76MM DIA.                            |
| 25  | AH124731 | ELECTRICAL COIL            | 4   |            | (USE ON MODULES 11 AND 12)             |

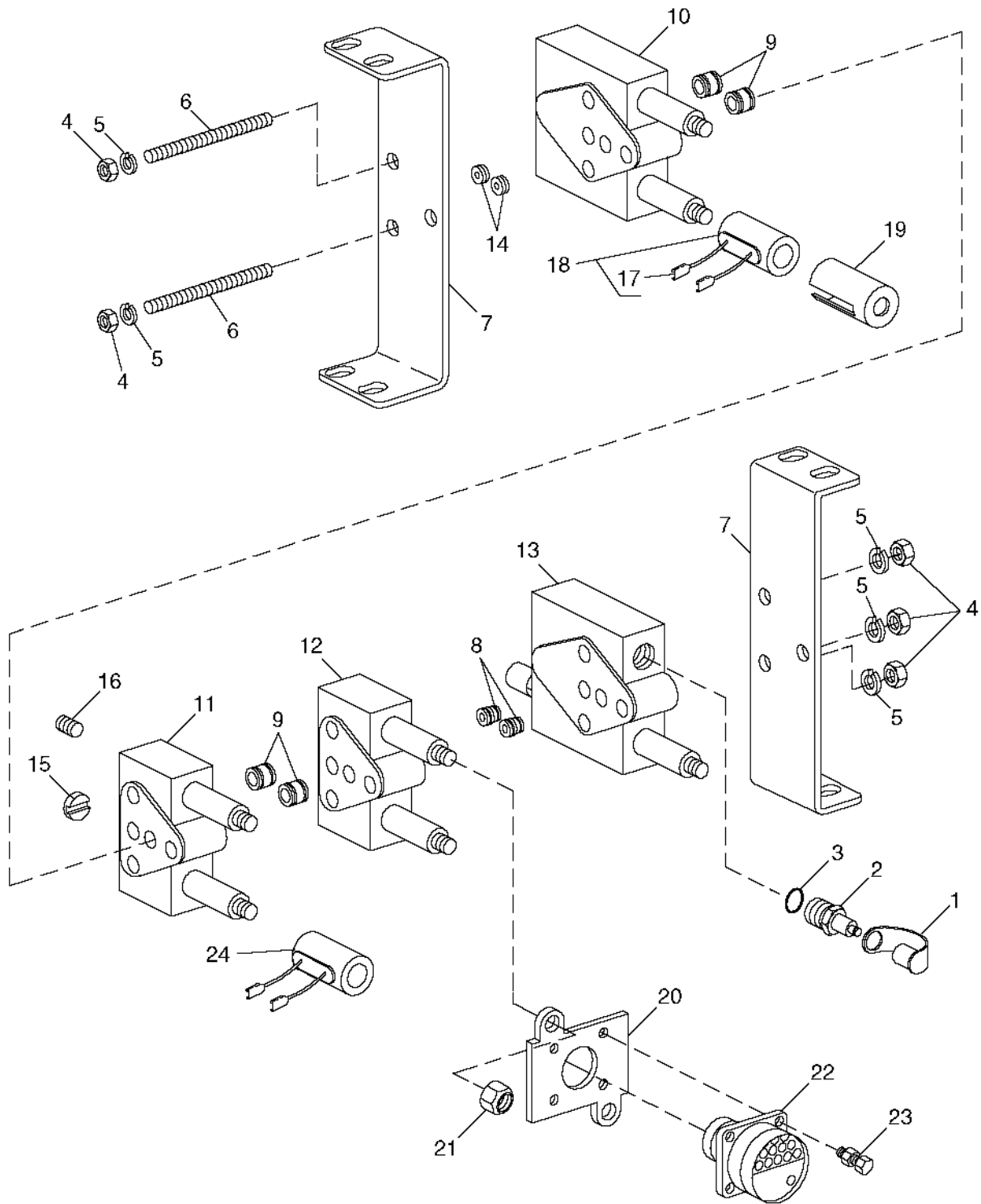
# 2F20

HYDRAULICS

## SOLENOID CONTROL VALVE MODULE ASSEMBLY AND MOUNTINGS

### FOUR STACK

HP9497 -UN-14JAN00



HP9497

# 2F21

HYDRAULICS

**SOLENOID CONTROL VALVE MODULE ASSEMBLY AND MOUNTINGS - CONTINUED  
FOUR STACK**

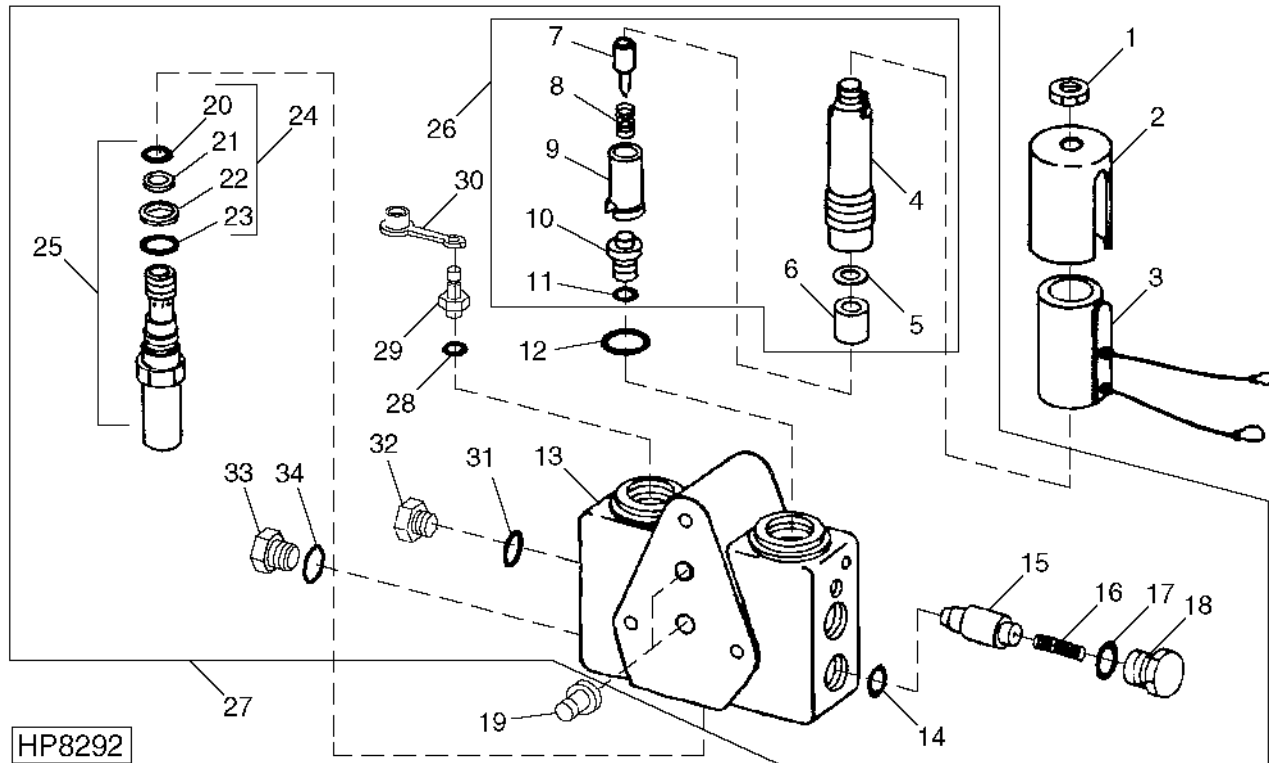
| KEY | PART NO. | PART NAME                  | QTY | SERIAL NO. | REMARKS                        |
|-----|----------|----------------------------|-----|------------|--------------------------------|
| 1   | R77175   | COVER                      | 1   |            |                                |
| 2   | AH125760 | HYD. QUICK-CONNECT COUPLER | 1   |            |                                |
| 3   | R26448   | O-RING                     | 1   |            | 11.887 X 1.981 MM              |
| 4   | 14H786   | NUT                        | 6   |            | 1/4"                           |
| 5   | 12H297   | LOCK WASHER                | 6   |            | 1/4"                           |
| 6   | E62892   | STUD                       | 3   |            | 1/4" X 11-3/4" (CUT TO LENGTH) |
| 7   | H168170  | BRACKET                    | 2   |            |                                |
| 8   | AZ50073  | SEAL                       | 2   |            | (WITH O-RING)                  |
| 9   | AH161527 | SEAL                       | 4   |            | (WITH O-RING)                  |
| 10  | AH161526 | VALVE                      | 1   |            | AUGER SWING                    |
| 11  | AH139060 | VALVE                      | 1   |            | REEL LIFT/VSC                  |
| 12  | AH147084 | VALVE                      | 1   |            | HEADER LIFT                    |
| 13  | AH164450 | VALVE                      | 1   |            | UNLOAD (RELIEF)                |
| 14  | AH161529 | SEAL                       | 2   |            |                                |
| 15  | H145051  | APERTURE                   | 1   |            | .940 MM DIA.                   |
| 16  | AH164500 | ORIFICE                    | 1   |            | .457 MM DIA.                   |
| 17  | R77464   | PIN CONTACT                | AR  |            | (PACKAGE OF 50)                |
| 18  | AH161530 | ELECTRICAL COIL            | 3   |            | (USE ON MODULES 10 AND 13)     |
| 19  | E62942   | COVER                      | 7   |            |                                |
| 20  | H168171  | COVER                      | 2   |            | PLATE                          |
| 21  | A4655R   | NUT                        | 7   |            | 12.700 MM                      |
| 22  | 57M7199  | RECEPTACLE                 | 2   |            | (24 WAY)                       |
| 23  | 21H1290  | SCREW                      | 8   |            | 0.138" X 1/2"                  |
|     | 14H1026  | NUT                        | 8   |            | 0.138"                         |
| 24  | AH124731 | ELECTRICAL COIL            | 4   |            | (USE ON MODULES 11 AND 12)     |

# 2F22

HYDRAULICS

## SOLENOID CONTROL RELIEF VALVE MODULE

HP8292 -UN-02JUL99



| KEY | PART NO. | PART NAME                  | QTY | SERIAL NO. | REMARKS                  |
|-----|----------|----------------------------|-----|------------|--------------------------|
| 1   | A4655R   | NUT                        | 1   |            | 12.700 MM                |
| 2   | E62942   | COVER                      | 1   |            |                          |
| 3   | AH161530 | ELECTRICAL COIL            | 1   |            |                          |
| 4   | .....    | SLEEVE                     | 1   |            |                          |
| 5   | .....    | WASHER                     | 1   |            |                          |
| 6   | .....    | ARMATURE                   | 1   |            |                          |
| 7   | .....    | POPPET                     | 1   |            |                          |
| 8   | .....    | SPRING                     | 1   |            |                          |
| 9   | .....    | GUIDE                      | 1   |            |                          |
| 10  | .....    | ORIFICE                    | 1   |            |                          |
| 11  | U40962   | O-RING                     | 1   |            | 6.071 X 1.778 MM         |
| 12  | T75984   | O-RING                     | 1   |            |                          |
| 13  | .....    | HOUSING                    | 1   |            |                          |
| 14  | R27564   | O-RING                     | 1   |            |                          |
| 15  | .....    | POPPET                     | 1   |            |                          |
| 16  | .....    | SPRING                     | 1   |            |                          |
| 17  | R26906   | O-RING                     | 1   |            | 19.177 X 2.464 MM        |
| 18  | .....    | PIPE PLUG                  | 1   |            |                          |
| 19  | AZ50073  | SEAL                       | 2   |            | (WITH O-RINGS)           |
| 20  | .....    | SEAL                       | 1   |            |                          |
| 21  | .....    | O-RING                     | 1   |            |                          |
| 22  | .....    | O-RING                     | 1   |            |                          |
| 23  | .....    | SEAL                       | 1   |            |                          |
| 24  | AH148472 | SEAL KIT                   | 1   |            |                          |
| 25  | AH147085 | RELIEF VALVE               | 1   |            |                          |
| 26  | AH134833 | KIT                        | 1   |            |                          |
| 27  | AH164450 | VALVE                      | 1   |            | SOLENOID UNLOAD (RELIEF) |
| 28  | R26448   | O-RING                     | 1   |            |                          |
| 29  | AH125760 | HYD. QUICK-CONNECT COUPLER | 1   |            |                          |
| 30  | R77175   | COVER                      | 1   |            |                          |
| 31  | R28782   | O-RING                     | 1   |            |                          |
| 32  | R51031   | FITTING                    | 1   |            |                          |
| 33  | R26906   | O-RING                     | 1   |            |                          |
| 34  | R27474   | DRAIN PLUG                 | 1   |            |                          |

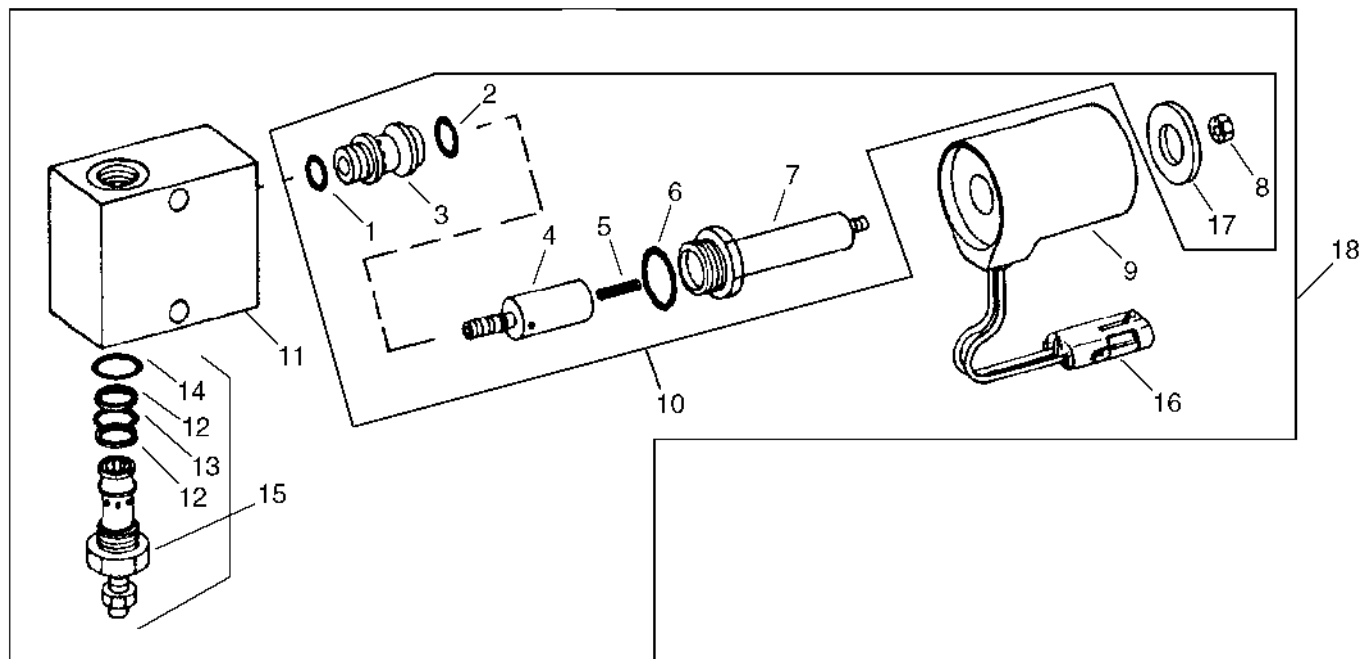


# 2F23

HYDRAULICS

## ACTIVE HEADER HEIGHT CONTROL VALVE

HP8033 -UN-21APR99

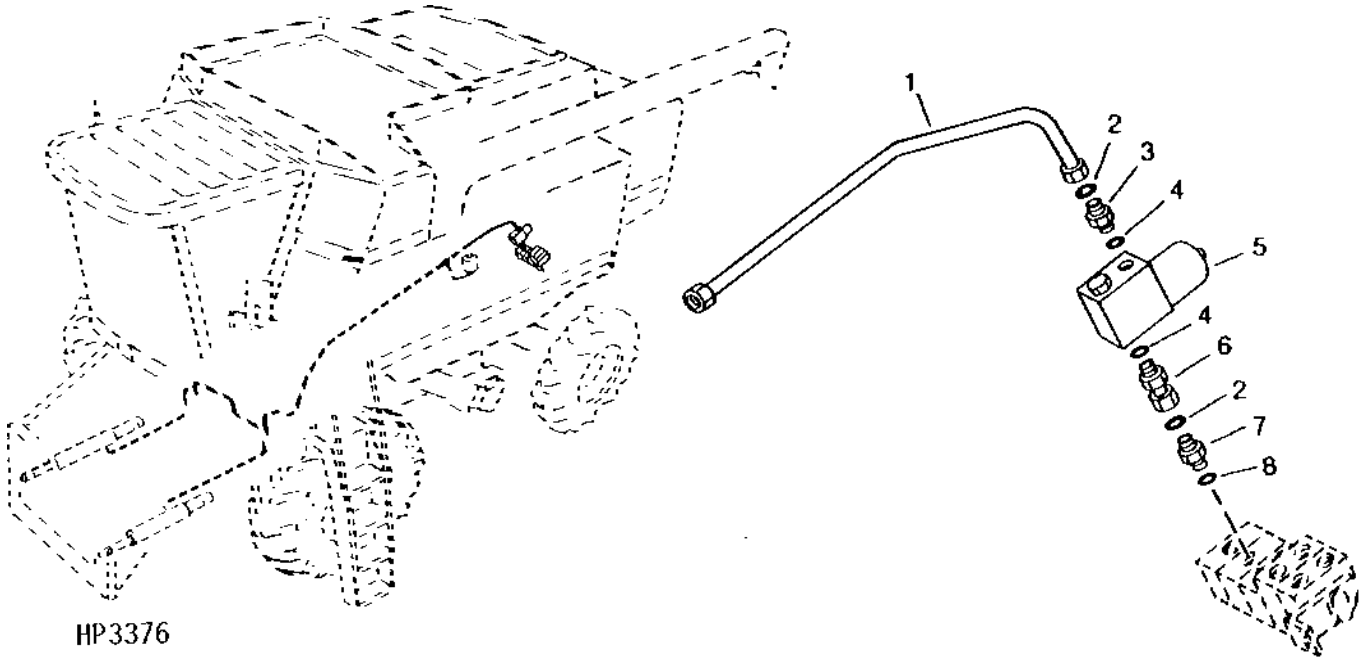


HP8033

| KEY | PART NO. | PART NAME                  | QTY | SERIAL NO. | REMARKS                   |
|-----|----------|----------------------------|-----|------------|---------------------------|
| 1   | R28776   | O-RING                     | 1   |            | 12.421 X 1.778 MM         |
| 2   | T75984   | O-RING                     | 1   |            | 20.345 X 1.778 MM         |
| 3   | .....    | VALVE SPOOL                | 1   |            |                           |
| 4   | .....    | PLUNGER                    | 1   |            |                           |
| 5   | .....    | SPRING                     | 1   |            |                           |
| 6   | R27928   | O-RING                     | 1   |            | 23.520 X 1.778 MM         |
| 7   | .....    | GUIDE                      | 1   |            |                           |
| 8   | 14H866   | NUT                        | 1   |            | 5/8"                      |
| 9   | AH131572 | ELECTRICAL COIL            | 1   |            |                           |
| 10  | AH131571 | VALVE                      | 1   |            |                           |
| 11  | H135964  | HOUSING                    | 1   |            |                           |
| 12  | .....    | BACK-UP RING               | 2   |            |                           |
| 13  | .....    | O-RING                     | 1   |            |                           |
| 14  | R26906   | O-RING                     | 1   |            | 19.177 X 2.464 MM         |
| 15  | AH131570 | VALVE                      | 1   |            |                           |
| 16  | R78053   | PIN CONTACT CONNECTOR BODY | 1   |            | (PKG OF 3)                |
|     | R78059   | ELECTRICAL PLUG            | 1   |            | (PKG OF 40)               |
|     | R78061   | PIN CONTACT                | 1   |            | (PKG OF 40)               |
| 17  | 24H1368  | WASHER                     | 1   |            | 21/32" X 1-5/16" X 0.090" |
| 18  | AH125910 | SOLENOID VALVE             | 1   |            |                           |

**HYDRAULIC LINE AND VALVE BLOCK  
(ACTIVE HEADER HEIGHT CONTROL)**

HP3376 -UN-01JAN94

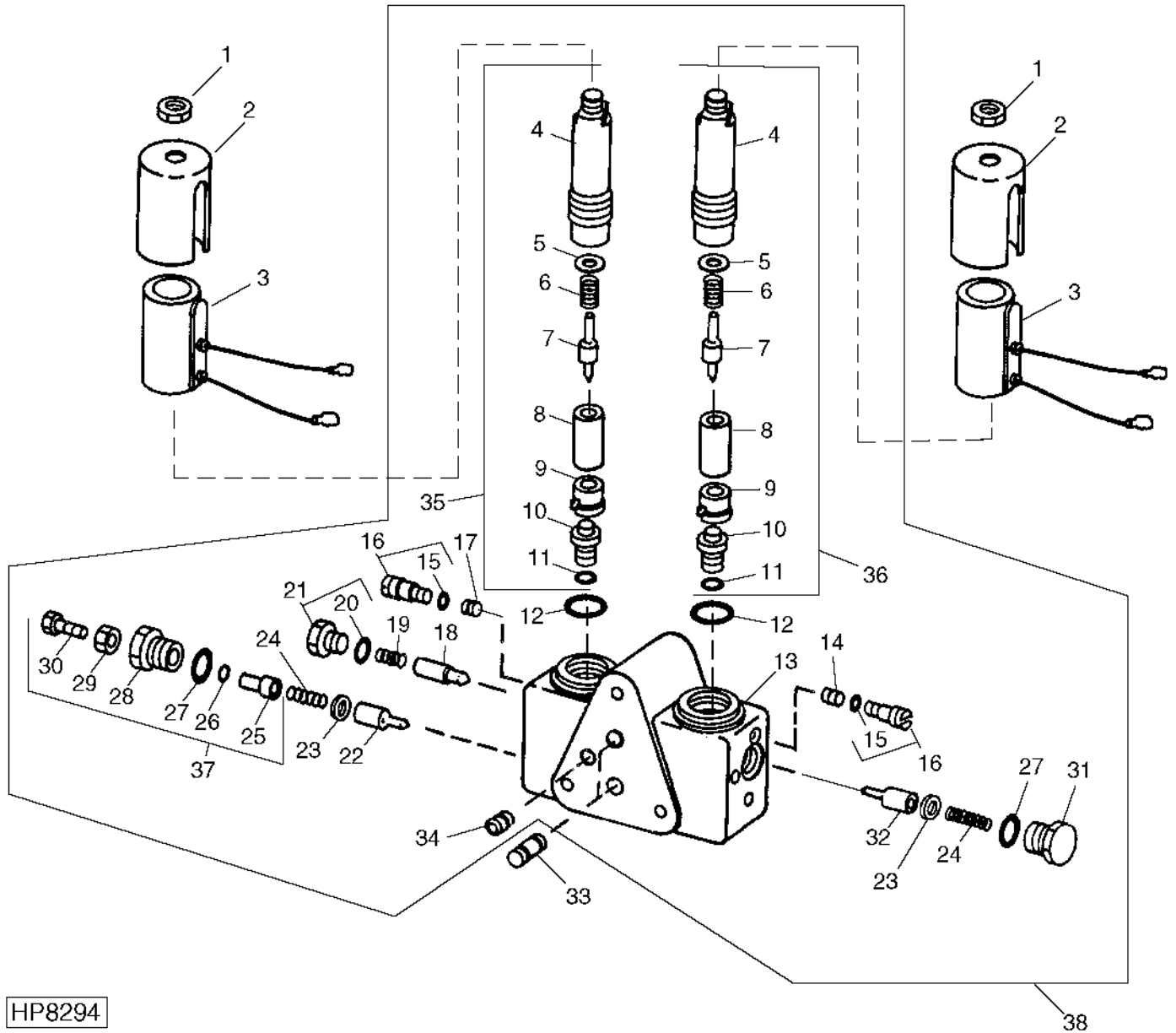


HP3376

| KEY | PART NO. | PART NAME      | QTY | SERIAL NO.        | REMARKS |
|-----|----------|----------------|-----|-------------------|---------|
| 1   | AH128727 | HYDRAULIC LINE | 1   |                   |         |
| 2   | T77857   | O-RING         | 2   | 12.421 X 1.778 MM |         |
| 3   | 38H1161  | ADAPTER        | 1   |                   |         |
| 4   | R26375   | O-RING         | 2   | 16.358 X 2.210 MM |         |
| 5   | AH125910 | SOLENOID VALVE | 1   |                   |         |
| 6   | 38H1068  | ADAPTER        | 1   |                   |         |
| 7   | 38H1173  | ADAPTER        | 1   |                   |         |
| 8   | R26448   | O-RING         | 1   | 11.887 X 1.981 MM |         |

MEMORANDA

**SOLENOID CONTROL VALVE FOR HEADER LIFT MODULE**  
HP8294 -UN-05MAR99



HP8294

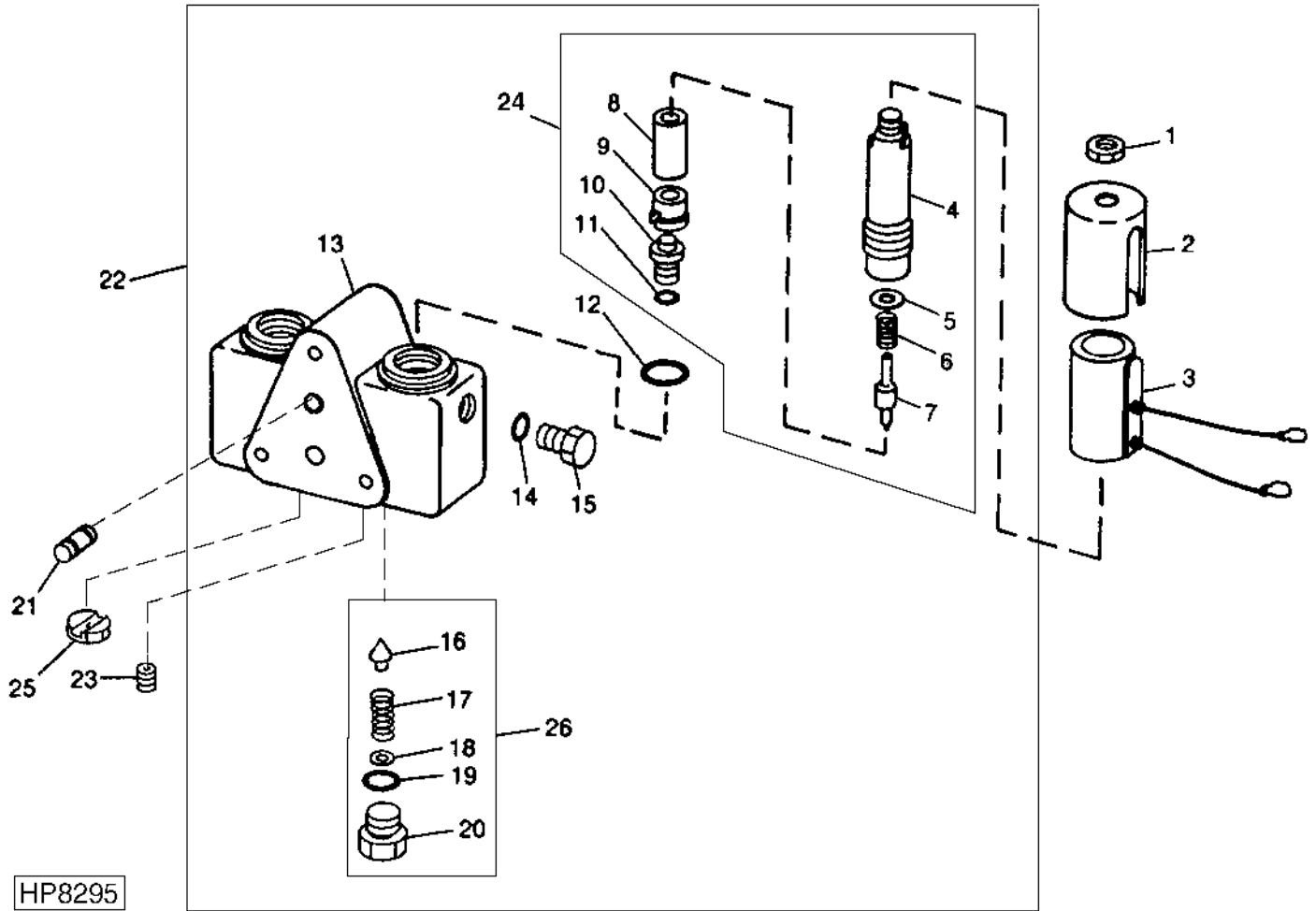
## SOLENOID CONTROL VALVE FOR HEADER LIFT MODULE - CONTINUED

| KEY | PART NO. | PART NAME       | QTY | SERIAL NO. | REMARKS                        |
|-----|----------|-----------------|-----|------------|--------------------------------|
| 1   | A4655R   | NUT             | 2   |            |                                |
| 2   | E62942   | COVER           | 2   |            | 12.700 MM                      |
| 3   | AH161530 | ELECTRICAL COIL | 2   |            |                                |
| 4   | .....    | SLEEVE          | 2   |            | (A)                            |
| 5   | .....    | WASHER          | 2   |            | (A)                            |
| 6   | E62089   | SPRING          | 2   |            | (A)                            |
| 7   | .....    | POPPET          | 2   |            | (A)                            |
| 8   | .....    | ARMATURE        | 2   |            | (A)                            |
| 9   | .....    | SOLENOID        | 2   |            | (A)                            |
| 10  | .....    | ORIFICE         | 2   |            | (A)                            |
| 11  | U40962   | O-RING          | 2   |            | (A) 6.071 X 1.778 MM           |
| 12  | T75984   | O-RING          | 2   |            | (A) 20.345 X 1.778 MM          |
| 13  | .....    | HOUSING         | 1   |            |                                |
| 14  | .....    | ORIFICE         | 1   |            |                                |
| 15  | T26257   | O-RING          | 2   |            | 2.565 X 1.778 MM               |
| 16  | AE38734  | PLUG            | 1   |            |                                |
| 17  | .....    | ORIFICE         | 1   |            |                                |
| 18  | E83620   | CHECK VALVE     | 1   |            | (A)                            |
| 19  | E66619   | SPRING          | 1   |            |                                |
| 20  | R28782   | O-RING          | 1   |            | 8.915 X 1.829 MM               |
| 21  | AN122518 | FITTING         | 1   |            |                                |
| 22  | H142183  | CHECK VALVE     | 1   |            | (A)                            |
| 23  | H148775  | O-RING          | 2   |            | (A) 10.668 X 13.716 X 1.524 MM |
| 24  | E66618   | SPRING          | 2   |            |                                |
| 25  | .....    | STOP            | 1   |            |                                |
| 26  | U42902   | RING            | 1   |            | 4.470 X 1.778 MM               |
| 27  | R26448   | O-RING          | 2   |            | 11.887 X 1.981 MM              |
| 28  | .....    | CAP             | 1   |            |                                |
| 29  | 14H850   | NUT             | 1   |            | 1/4"                           |
| 30  | 19H1914  | CAP SCREW       | 1   |            | 1/4" X 1"                      |
| 31  | .....    | CAP             | 1   |            |                                |
| 32  | .....    | POPPET          | 1   |            |                                |
| 33  | AH161527 | SEAL            | 2   |            | (WITH O-RING)                  |
| 34  | AH161529 | SEAL            | 1   |            | (WITH O-RING)                  |
| 35  | AE50995  | POPPET          | 1   |            | LOWER PILOT                    |
| 36  | AZ51851  | GUIDE           | 1   |            | RAISE PILOT                    |
| 37  | AE38021  | KIT             | 1   |            |                                |
| 38  | AH147084 | VALVE           | 1   |            |                                |
| ..  | AH151400 | SEAL KIT        | 1   |            | KIT INCLUDES PARTS MARKED (A)  |

# 2G3

## SOLENOID CONTROL VALVE FOR REEL LIFT / VARIABLE AND CYLINDER SPEED

HP8295 -UN-12JUL99



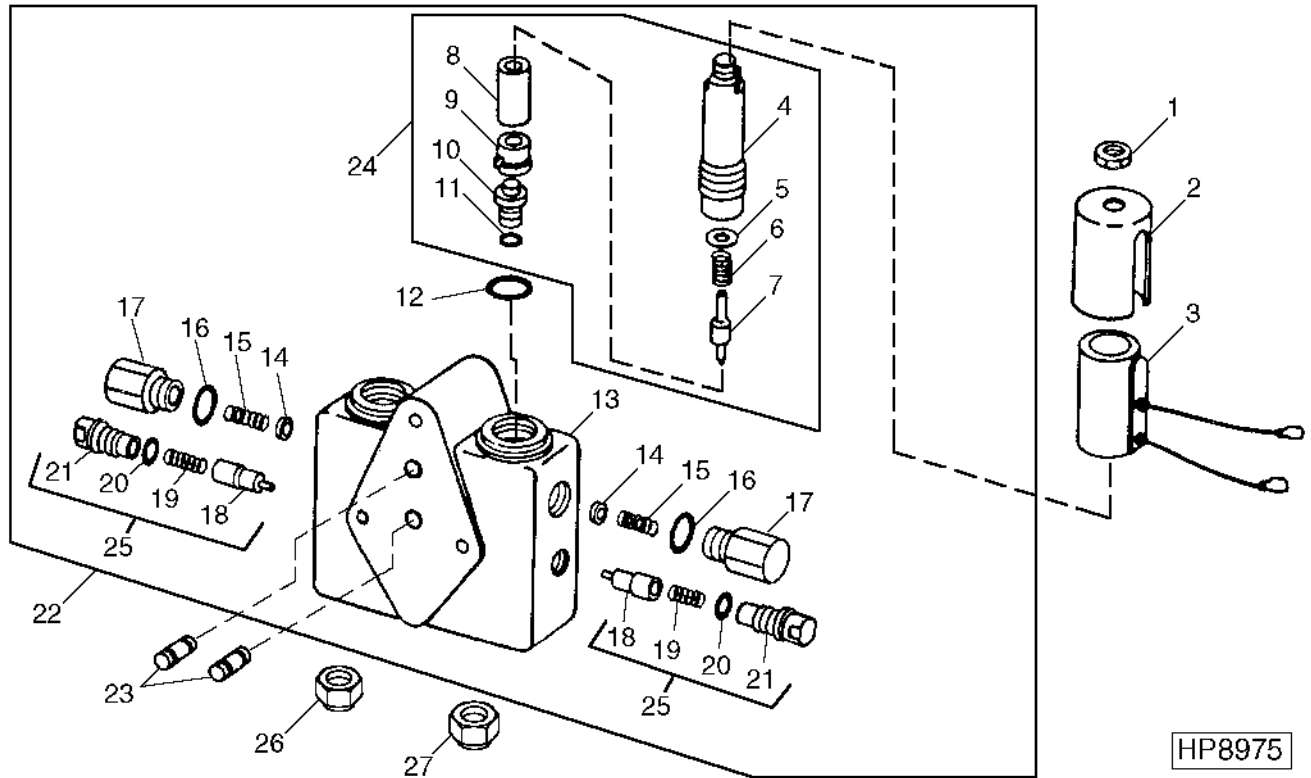
## SOLENOID CONTROL VALVE FOR REEL LIFT / VARIABLE AND CYLINDER SPEED - CONTINUED

| KEY | PART NO. | PART NAME       | QTY | SERIAL NO. | REMARKS                                 |
|-----|----------|-----------------|-----|------------|---|
| 1   | A4655R   | NUT             | 2   |            |   |
| 2   | E62942   | COVER           | 2   |            |   |
| 3   | AH124731 | ELECTRICAL COIL | 2   |            |   |
| 4   | .....    | SLEEVE          | 2   |            |   |
| 5   | .....    | WASHER          | 2   |            |   |
| 6   | E62089   | SPRING          | 2   |            |   |
| 7   | .....    | POPPET          | 2   |            |   |
| 8   | .....    | ARMATURE        | 2   |            |   |
| 9   | .....    | SOLENOID        | 2   |            |   |
| 10  | .....    | ORIFICE         | 2   |            |   |
| 11  | U40962   | O-RING          | 2   |            | 6.071 X 1.778 MM                        |
| 12  | T75984   | O-RING          | 2   |            | 20.345 X 1.778 MM                       |
| 13  | .....    | HOUSING         | 2   |            |   |
| 14  | R30903   | O-RING          | 1   |            | 6.071 X 1.626 MM                        |
| 15  | .....    | FITTING         | 1   |            | (SAE-2)                                 |
| 16  | .....    | POPPET          | 1   |            |   |
| 17  | .....    | SPRING          | 1   |            |   |
| 18  | .....    | SHIM            | AR  |            |   |
| 19  | R28782   | O-RING          | 1   |            | 8.915 X 1.829 MM                        |
| 20  | .....    | PLUG            | 1   |            |   |
| 21  | AH161527 | SEAL            | 2   |            | (WITH O-RING)                           |
| 22  | AH139060 | VALVE           | 1   |            | LESS COILS,CONNECTING TUBES AND ORIFICE |
| 23  | AH164500 | ORIFICE         | 1   |            | .457 MM DIA.                            |
| 24  | AH131420 | SEAT KIT        | 2   |            |   |
| 25  | H145051  | APERTURE        | 1   |            | .940 MM DIA.                            |
| 26  | AH131421 | SEAT KIT        | 1   |            |   |

# 2G5

HYDRAULICS

**SOLENOID CONTROL VALVE FOR AUGER SWING**  
**SOLENOID CONTROL VALVE FOR REEL FORE/AFT**  
 HP8975 -UN-17SEP99



| KEY | PART NO. | PART NAME       | QTY | SERIAL NO. | REMARKS                   |
|-----|----------|-----------------|-----|------------|---------------------------|
| 1   | A4655R   | NUT             | 2   |            | 12.700 MM                 |
| 2   | E62942   | COVER           | 2   |            |                           |
| 3   | AH161530 | ELECTRICAL COIL | 2   |            |                           |
| 4   | .....    | SLEEVE          | 2   |            |                           |
| 5   | .....    | WASHER          | 2   |            |                           |
| 6   | E62089   | SPRING          | 2   |            |                           |
| 7   | .....    | POPPET          | 2   |            |                           |
| 8   | .....    | ARMREST         | 2   |            |                           |
| 9   | .....    | SOLENOID        | 2   |            |                           |
| 10  | .....    | ORIFICE         | 2   |            |                           |
| 11  | U40962   | O-RING          | 2   |            | 6.071 X 1.778 MM          |
| 12  | T75984   | O-RING          | 2   |            | 20.345 X 1.778 MM         |
| 13  | .....    | HOUSING         | 1   |            |                           |
| 14  | E62094   | WASHER          | 2   |            | 7.620 X 17.526 X 2.388 MM |
| 15  | .....    | SPRING          | 2   |            |                           |
| 16  | R26906   | O-RING          | 2   |            | 19.177 X 2.464 MM         |
| 17  | .....    | PIPE PLUG       | 2   |            |                           |
| 18  | .....    | POPPET          | 2   |            |                           |
| 19  | .....    | SPRING          | 2   |            |                           |
| 20  | U40745   | O-RING          | 2   |            | 15.545 X 2.616 MM         |
| 21  | .....    | CAP             | 2   |            |                           |
| 22  | AH161526 | VALVE           | 1   |            |                           |
| 23  | AH161527 | SEAL            | 2   |            | (WITH O-RINGS)            |
| 24  | AZ51851  | GUIDE           | 2   |            |                           |
| 25  | AH142731 | KIT             | 2   |            |                           |
| 26  | 38H1414  | FITTING PLUG    | 1   |            | (SMALL PORT)              |
| 27  | 38H1415  | FITTING PLUG    | 1   |            | (LARGE PORT)              |

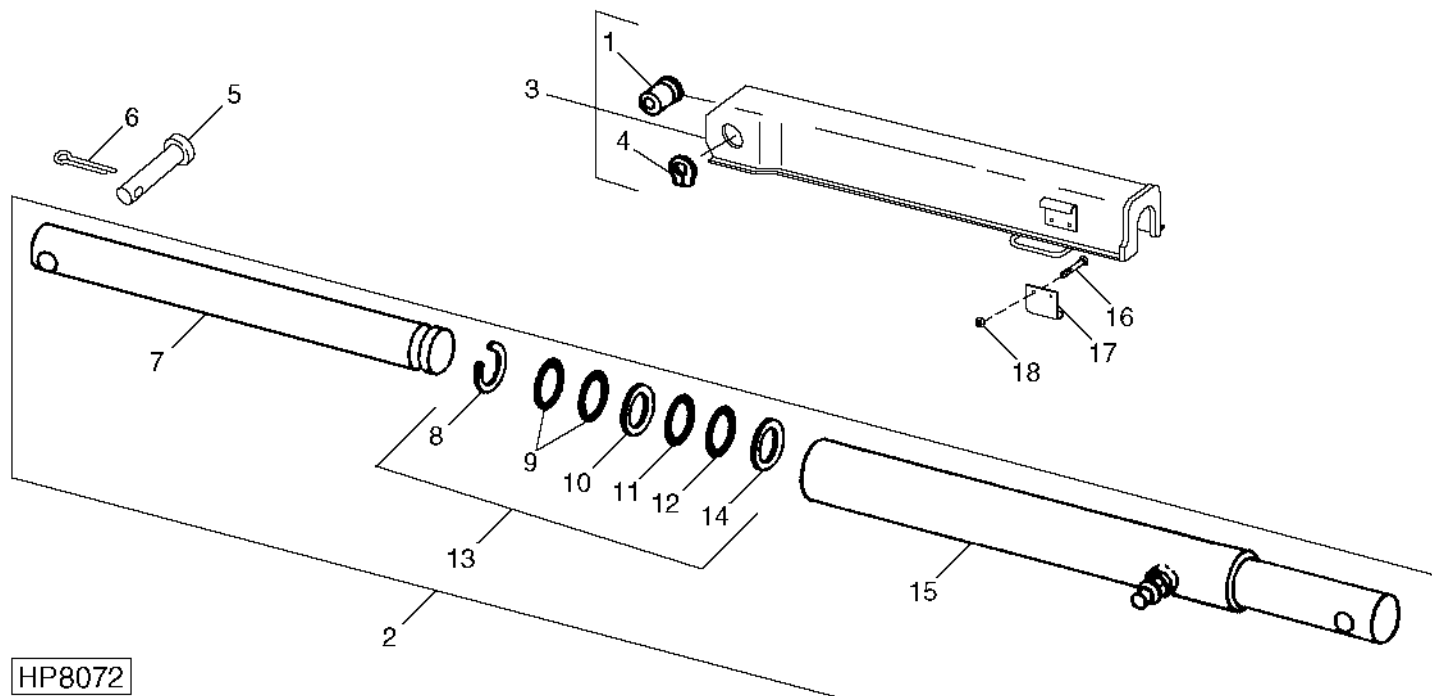


# 2G6

HYDRAULICS

## HEADER LIFT HYDRAULIC CYLINDER

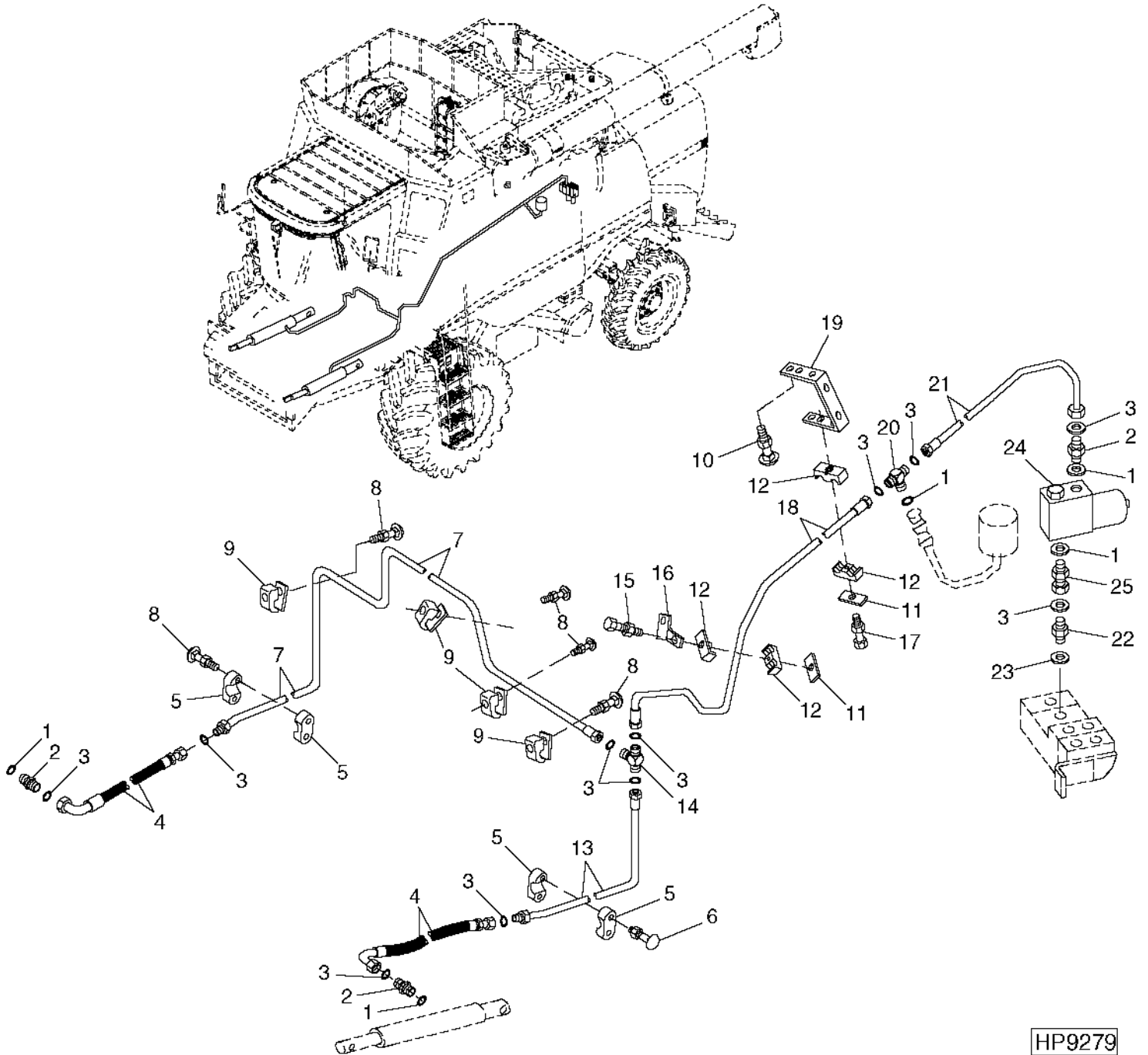
HP8072 -UN-08JUL99



HP8072

| KEY | PART NO. | PART NAME                 | QTY | SERIAL NO. | REMARKS |
|-----|----------|---------------------------|-----|------------|---------|
| 1   | H150054  | BUSHING                   | 2   |            |         |
| 2   | AH155264 | HYDRAULIC CYLINDER        | 1   | 53.98MM    |         |
|     | AH155265 | HYDRAULIC CYLINDER        | 1   | 60.33MM    |         |
| 3   | AH157492 | STOP                      | 1   |            |         |
| 4   | 40M1835  | SNAP RING                 | 2   |            |         |
| 5   | H166421  | PIN                       | 2   |            |         |
| 6   | H167311  | COTTER PIN                | 2   |            |         |
| 7   | .....    | ROD                       | 1   |            |         |
| 8   | .....    | SNAP RING                 | 1   |            |         |
| 9   | .....    | WEAR RING                 | 2   |            |         |
| 10  | .....    | SEAL                      | 1   |            |         |
| 11  | .....    | SEAL                      | 1   |            |         |
| 12  | .....    | SEAL                      | 1   |            |         |
| 13  | AH161885 | HYDRAULIC CYLINDER KIT    | 1   | 53.98MM    |         |
|     | AH162432 | HYDRAULIC CYLINDER KIT    | 1   | 60.33MM    |         |
| 14  | .....    | RING                      | 1   |            |         |
| 15  | .....    | HYDRAULIC CYLINDER BARREL | 1   |            |         |
| 16  | 03M7183  | BOLT                      | 2   | M8 X 16    |         |
| 17  | H150055  | SUPPORT                   | 1   |            |         |
| 18  | 14M7298  | FLANGE NUT                | 2   | M8         |         |

**HEADER LIFT HYDRAULIC LINES AND HOSES**  
HP9279 -UN-17NOV99



HP9279

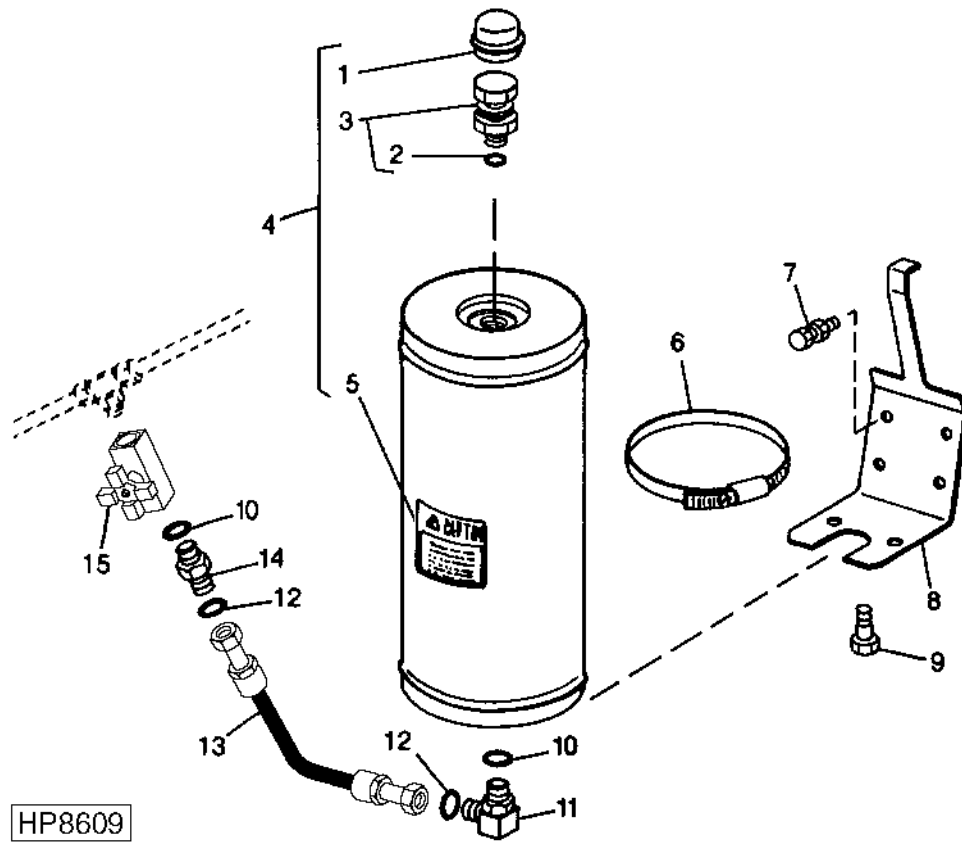
## HEADER LIFT HYDRAULIC LINES AND HOSES - CONTINUED

| KEY | PART NO. | PART NAME      | QTY | SERIAL NO. | REMARKS                  |
|-----|----------|----------------|-----|------------|--------------------------|
| 1   | R26375   | O-RING         | 5   |            | 16.358 X 2.210 MM        |
| 2   | 38H1161  | ADAPTER        | 3   |            |                          |
| 3   | T77857   | O-RING         | 11  |            | 12.421 X 1.778 MM        |
| 4   | AH121605 | HYDRAULIC HOSE | 2   |            | 13/16" X 515 MM X 13/16" |
| 5   | H117937  | CLAMP          | 4   |            |                          |
| 6   | 03M7189  | BOLT           | 4   |            | M8 X 45                  |
|     | 14M7298  | FLANGE NUT     | 4   |            | M8                       |
| 7   | AH131748 | HYDRAULIC LINE | 1   |            |                          |
| 8   | 03M7280  | BOLT           | 4   |            | M6 X 45                  |
|     | 14M7303  | FLANGE NUT     | 4   |            | M6                       |
| 9   | H116706  | CLAMP          | 4   |            |                          |
| 10  | 03M7184  | BOLT           | 4   |            | M8 X 20                  |
|     | 14M7396  | LOCK NUT       | 4   |            | M8                       |
| 11  | H121168  | PLATE          | 2   |            |                          |
| 12  | H135156  | CLAMP          | 4   |            |                          |
| 13  | AH130113 | HYDRAULIC LINE | 1   |            |                          |
| 14  | 38H1206  | TEE FITTING    | 1   |            |                          |
| 15  | 19M8317  | SCREW          | 1   |            | M8 X 40                  |
|     | 14M7298  | FLANGE NUT     | 1   |            | M8                       |
| 16  | H135974  | BRACKET        | 1   |            |                          |
| 17  | 19M8318  | SCREW          | 1   |            | M8 X 45                  |
|     | 14M7298  | FLANGE NUT     | 1   |            | M8                       |
| 18  | AH131576 | HYDRAULIC LINE | 1   |            |                          |
| 19  | H131115  | BRACKET        | 1   |            |                          |
| 20  | 38H1017  | TEE FITTING    | 1   |            |                          |
| 21  | AH128727 | HYDRAULIC LINE | 1   |            |                          |
| 22  | 38H1173  | ADAPTER        | 1   |            |                          |
| 23  | R26448   | O-RING         | 1   |            | 11.887 X 1.981 MM        |
| 24  | AH125910 | SOLENOID VALVE | 1   |            |                          |
| 25  | 38H1068  | ADAPTER        | 1   |            |                          |

# 2G9

## ONE HALF GALLON ACCUMULATOR AND MOUNTING

HP8609 -UN-28MAY99



# 2G10

HYDRAULICS

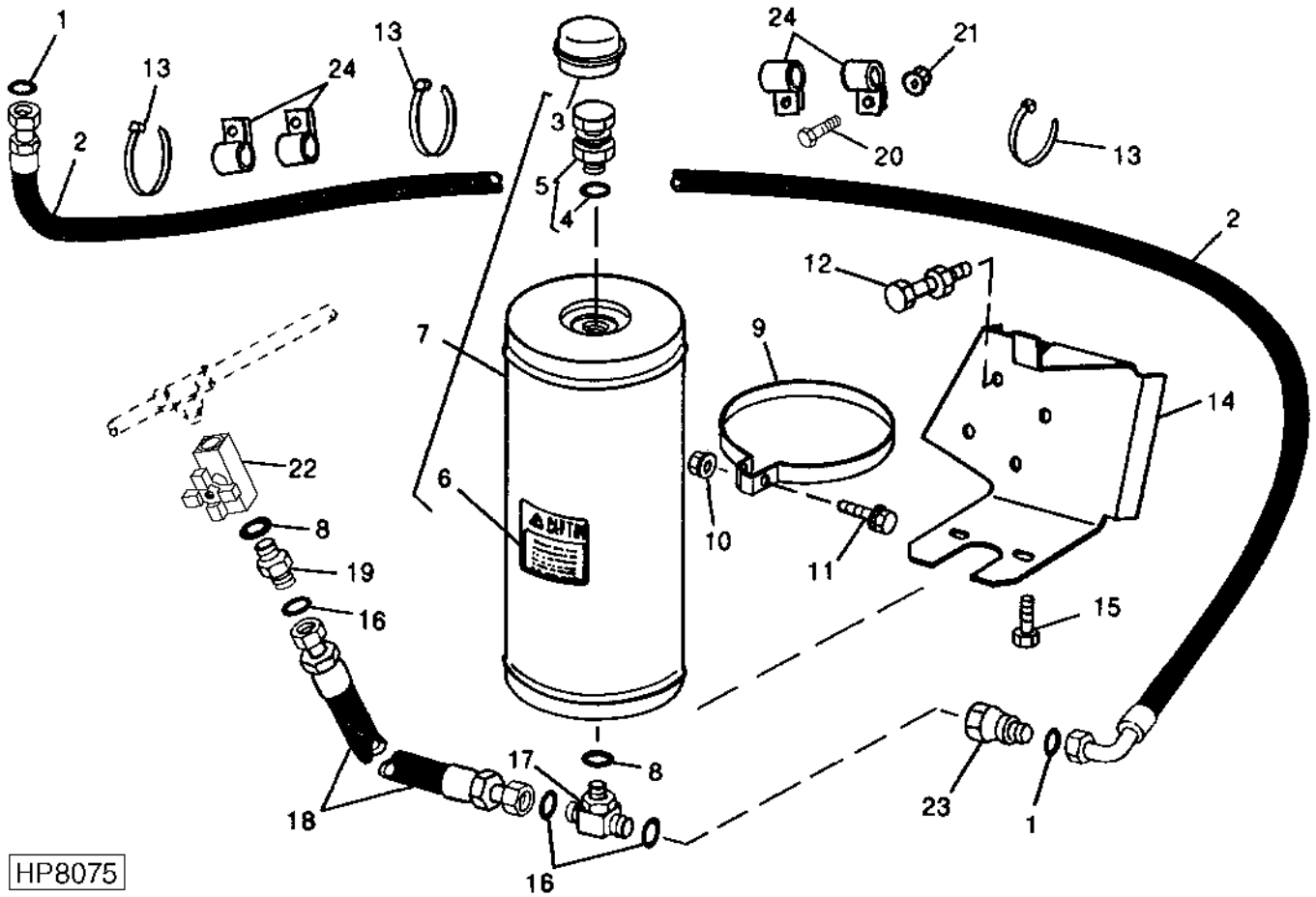
## ONE HALF GALLON ACCUMULATOR AND MOUNTING - CONTINUED

| KEY | PART NO. | PART NAME      | QTY | SERIAL NO. | REMARKS           |
|-----|----------|----------------|-----|------------|-------------------|
| 1   | J2375M   | CAP            | 1   |            |                   |
| 2   | H135641  | RING           | 1   |            | 7.650 X 1.630 MM  |
| 3   | AH131250 | BLEED VALVE    | 1   |            |                   |
| 4   | AH133265 | ACCUMULATOR    | 1   |            |                   |
| 5   | H149092  | LABEL          | 1   |            | "CAUTION"         |
| 6   | C16054   | CLAMP          | 1   |            |                   |
| 7   | 19M7866  | SCREW          | 4   |            | M8 X 20           |
|     | 14M7298  | FLANGE NUT     | 4   |            | M8                |
| 8   | H137593  | BRACKET        | 1   |            |                   |
| 9   | 19M7864  | SCREW          | 2   |            | M8 X 12           |
| 10  | R26375   | O-RING         | 2   |            | 16.358 X 2.210 MM |
| 11  | 38H1005  | ELBOW FITTING  | 1   |            |                   |
| 12  | T77857   | O-RING         | 2   |            | 12.421 X 1.778 MM |
| 13  | AH148124 | HYDRAULIC HOSE | 1   |            |                   |
| 14  | 38H1161  | ADAPTER        | 1   |            |                   |
| 15  | AH131535 | VALVE          | 1   |            |                   |

# 2G11

## ONE GALLON ACCUMULATOR, HOSE, LINE AND MOUNTING

HP8075 -UN-14DEC98



HP8075

# 2G12

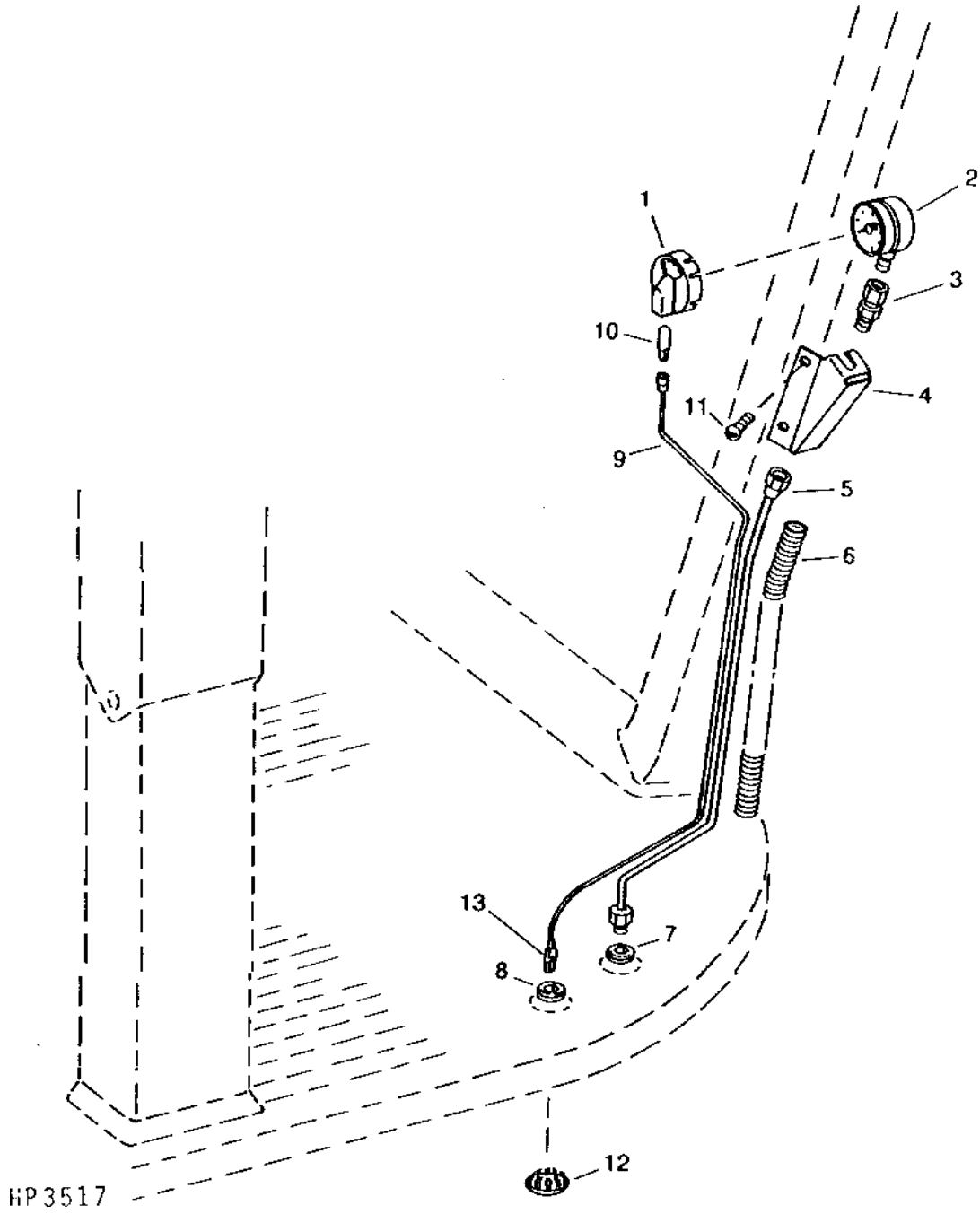
HYDRAULICS

**ONE GALLON ACCUMULATOR, HOSE, LINE AND MOUNTING - CONTINUED**

| KEY | PART NO. | PART NAME      | QTY | SERIAL NO. | REMARKS                    |
|-----|----------|----------------|-----|------------|----------------------------|
| 1   | T77613   | O-RING         | 2   |            | 9.246 X 1.778 MM           |
| 2   | AH133151 | HYDRAULIC HOSE | 1   |            | 11/16" X 3 940 MM X 11/16" |
| 3   | J2375M   | CAP            | 1   |            |                            |
| 4   | H135641  | RING           | 1   |            | 7.650 X 1.630 MM           |
| 5   | AH131250 | BLEED VALVE    | 1   |            |                            |
| 6   | H149092  | LABEL          | 1   |            | "CAUTION"                  |
| 7   | AH143455 | ACCUMULATOR    | 1   |            |                            |
| 8   | R26375   | O-RING         | 2   |            | 16.358 X 2.210 MM          |
| 9   | R77178   | CLAMP          | 1   |            |                            |
| 10  | 14M7296  | FLANGE NUT     | 1   |            | M10                        |
| 11  | 03M7196  | BOLT           | 1   |            | M10 X 50                   |
| 12  | 19M7866  | SCREW          | 4   |            | M8 X 20                    |
|     | 14M7298  | FLANGE NUT     | 4   |            | M8                         |
| 13  | R44302   | TIE BAND       | 3   |            |                            |
| 14  | H148366  | BRACKET        | 1   |            |                            |
| 15  | 19M7864  | SCREW          | 2   |            | M8 X 12                    |
| 16  | T77857   | O-RING         | 3   |            | 12.421 X 1.778 MM          |
| 17  | 38H1017  | TEE FITTING    | 1   |            |                            |
| 18  | AH148124 | HYDRAULIC HOSE | 1   |            | 13/16" X 460 MM X 13/16"   |
| 19  | 38H1161  | ADAPTER        | 1   |            |                            |
| 20  | 03M7183  | BOLT           | 1   |            | M8 X 16                    |
| 21  | 14M7298  | FLANGE NUT     | 1   |            | M8                         |
| 22  | AH131535 | VALVE          | 1   |            |                            |
| 23  | 38H1481  | REDUCER        | 1   |            |                            |
| 24  | AH89557  | CLIP           | 4   |            |                            |

# 2G13

**ACCUMULATOR PRESSURE GAUGE AND WIRING HARNESS**  
HP3517 -UN-01JAN94





# 2G14

HYDRAULICS

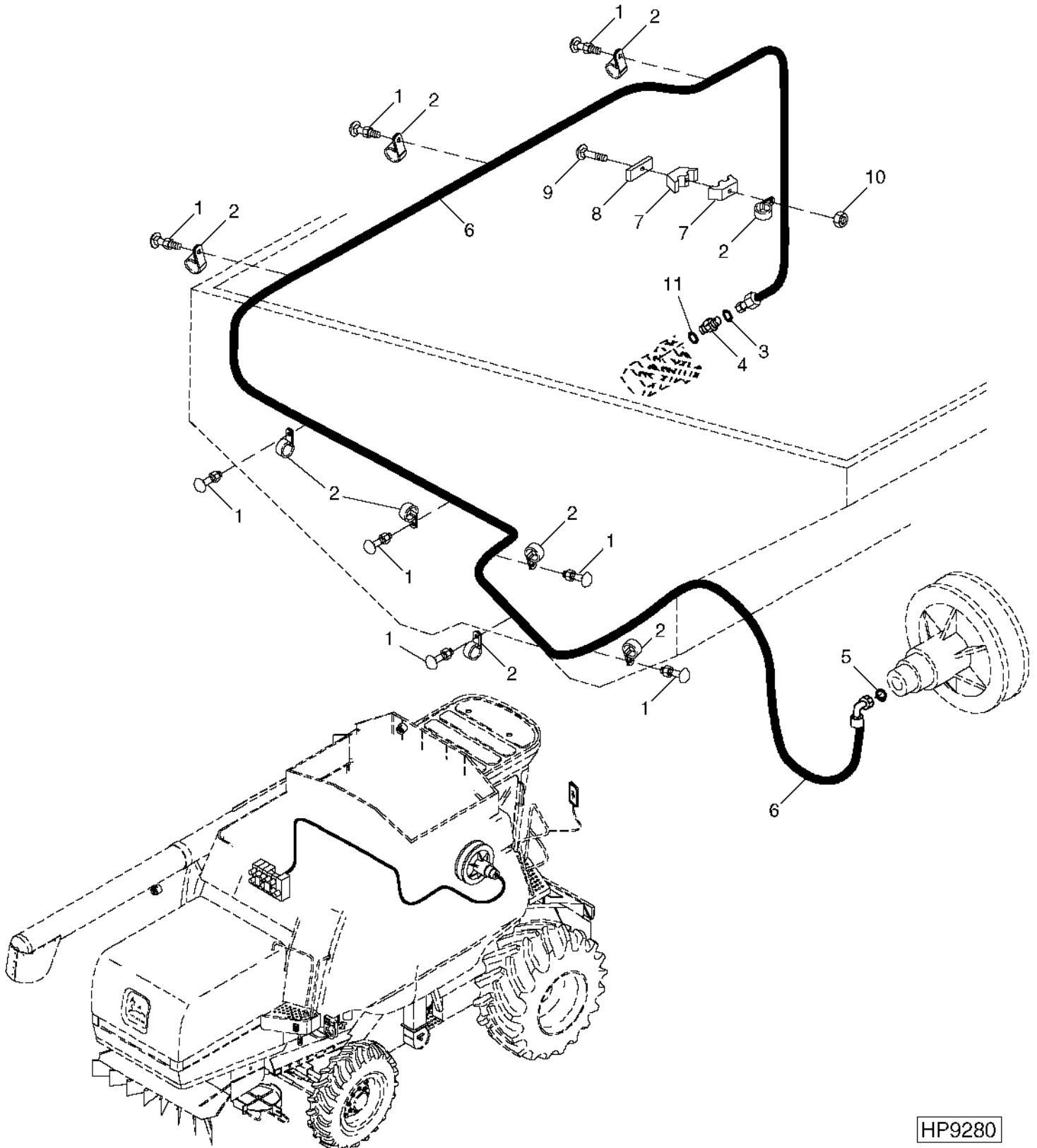
**ACCUMULATOR PRESSURE GAUGE AND WIRING HARNESS - CONTINUED**

| KEY | PART NO. | PART NAME       | QTY | SERIAL NO. | REMARKS                  |
|-----|----------|-----------------|-----|------------|--------------------------|
| 1   | H111378  | COVER           | 1   |            |                          |
| 2   | AH108080 | PRESSURE GAUGE  | 1   |            |                          |
| 3   | AB18206  | ADAPTER         | 1   |            | (WITH JAM NUT)           |
| 4   | AH132832 | BRACKET         | 1   |            |                          |
| 5   | AH132027 | OIL LINE        | 1   |            |                          |
| 6   | H137523  | CONDUIT         | 1   |            |                          |
| 7   | T65643   | GROMMET         | 1   |            |                          |
| 8   | T63817   | GROMMET         | 1   |            |                          |
| 9   | AH134205 | WIRING LEAD     | 1   |            |                          |
| 10  | AH108380 | BULB            | 1   |            |                          |
| 11  | H165691  | SCREW           | 2   |            | M6 X 20                  |
| 12  | R32239   | PLUG            | 2   |            | USE WITHOUT ACCUM. GAUGE |
| 13  | RE12363  | CONNECTOR       | 1   |            | (PKG OF 3)               |
|     | R78048   | TERMINAL NIPPLE | 1   |            | (PKG OF 5)               |

# 2G15

HYDRAULICS

CYLINDER SPEED HYDRAULIC HOSE  
HP9280 -UN-28MAR00



HP9280

# 2G16

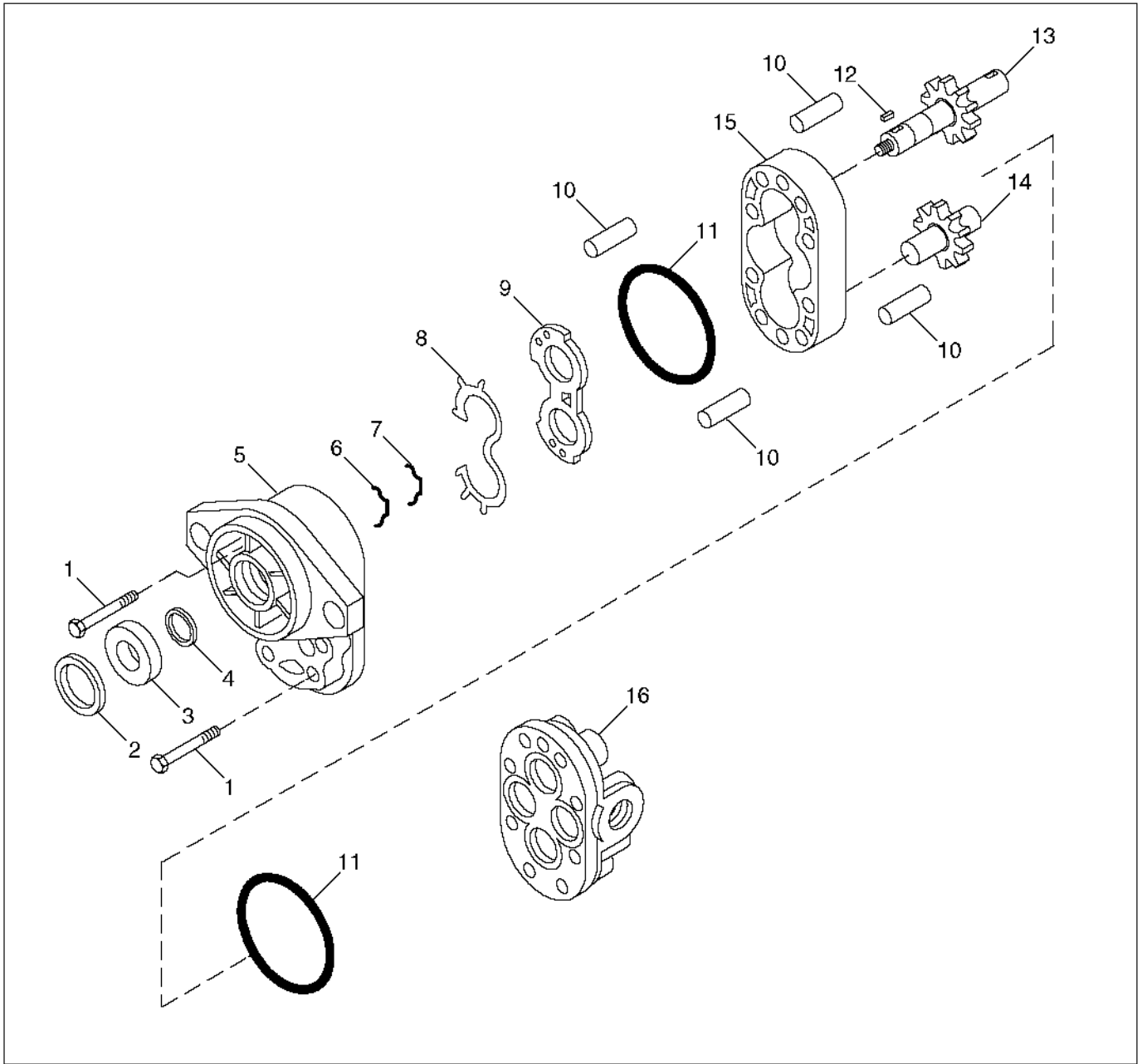
HYDRAULICS

## CYLINDER SPEED HYDRAULIC HOSE - CONTINUED

| KEY | PART NO. | PART NAME      | QTY | SERIAL NO. | REMARKS                    |
|-----|----------|----------------|-----|------------|----------------------------|
| 1   | 19M7865  | SCREW          | 8   |            |                            |
|     | 14M7298  | FLANGE NUT     | 8   |            | M8 X 16                    |
| 2   | H75541   | CLAMP          | 9   |            | M8                         |
| 3   | T77613   | O-RING         | 1   |            |                            |
| 4   | 38H1160  | ADAPTER        | 1   |            |                            |
| 5   | T77814   | O-RING         | 1   |            |                            |
| 6   | AH158927 | HYDRAULIC HOSE | 1   |            | 1 1/16" X 5 500 MM X 9/16" |
| 7   | H128515  | CLAMP          | 2   |            |                            |
| 8   | H121163  | COVER          | 1   |            |                            |
| 9   | 19M8317  | SCREW          | 1   |            | M8 X 40                    |
| 10  | 14M7298  | FLANGE NUT     | 1   |            | M8                         |
| 11  | R26448   | O-RING         | 1   |            |                            |

# 2G17

REEL / BELT PICKUP DRIVE, CHAFF SPREADER PUMP  
HP8488 -UN-20APR99



HP8488

# 2G18

HYDRAULICS

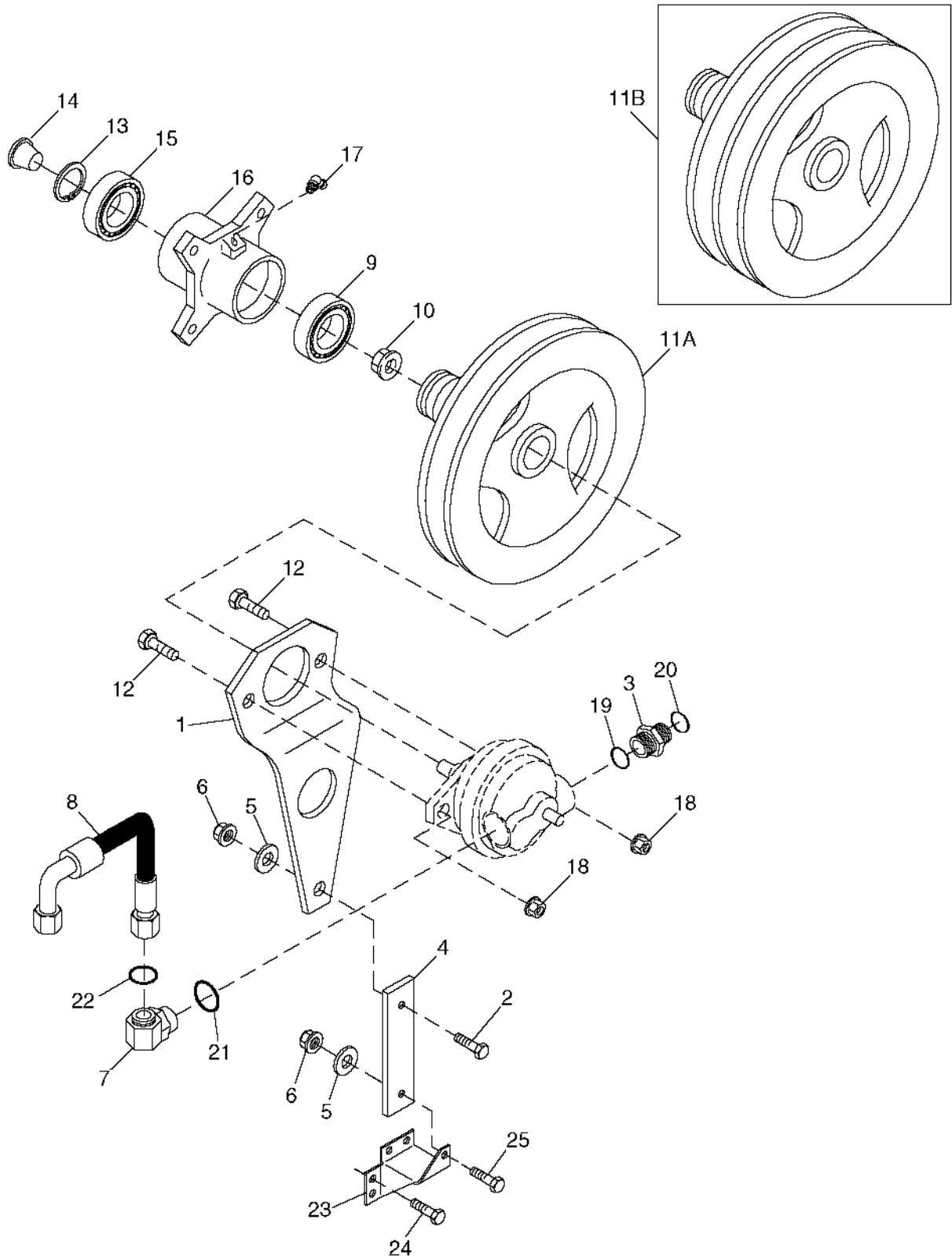
REEL / BELT PICKUP DRIVE, CHAFF SPREADER PUMP - CONTINUED

| KEY | PART NO. | PART NAME      | QTY | SERIAL NO.                          | REMARKS |
|-----|----------|----------------|-----|-------------------------------------|---------|
| 1   | E61791   | BOLT           | 8   | 7.925 X 69.850 MM                   |         |
| 2   | M41029   | SNAP RING      | 1   | (A)                                 |         |
| 3   | AH131842 | SEAL           | 1   | (A)                                 |         |
| 4   | M48869   | WASHER         | 1   | (A) 19.215 X 25.337 X 0.813 MM      |         |
| 5   | .....    | PLATE          | 1   |                                     |         |
| 6   | .....    | SEAL           | 1   | (A)                                 |         |
| 7   | .....    | GASKET         | 1   | (A)                                 |         |
| 8   | .....    | GASKET         | 1   | (A)                                 |         |
| 9   | .....    | WEAR PLATE     | 1   | (A)                                 |         |
| 10  | H116213  | DOWEL PIN      | 4   |                                     |         |
| 11  | H80821   | O-RING         | 2   | (A) 75.921 X 1.778 MM               |         |
| 12  | N34986   | SHAFT KEY      | 1   |                                     |         |
| 13  | AH131304 | SHAFT          | 1   |                                     |         |
| 14  | .....    | GEAR           | 1   |                                     |         |
| 15  | .....    | HOUSING        | 1   |                                     |         |
| 16  | .....    | PLATE          | 1   |                                     |         |
| 17  | AH131178 | HYDRAULIC PUMP | 1   | (EATON R25305-RAK) - REMANUFACTURED |         |
| ..  | AH131176 | SEAL KIT       | 1   | INCLUDES PARTS MARKED (A)           |         |

# 2G19

HYDRAULICS

REEL / BELT PICKUP PUMP MOUNTING AND SHEAVE  
HP8971 -UN-26AUG99



HP8971

# 2G20

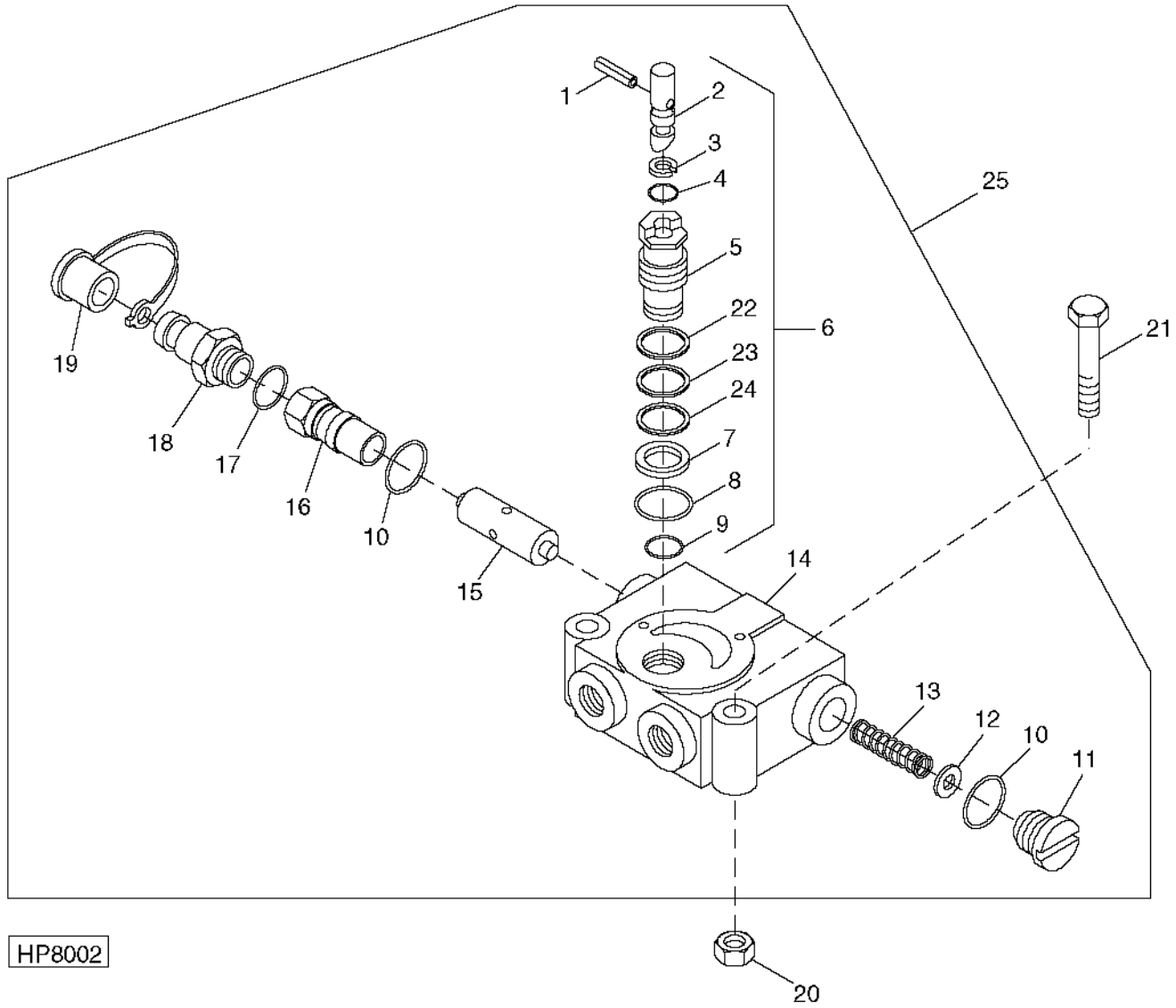
HYDRAULICS

## REEL / BELT PICKUP PUMP MOUNTING AND SHEAVE - CONTINUED

| KEY | PART NO. | PART NAME           | QTY | SERIAL NO.        | REMARKS |
|-----|----------|---------------------|-----|-------------------|---------|
| 1   | H157102  | ARM                 | 1   |                   |         |
| 2   | 03M7185  | BOLT                | 1   | M8 X 25           |         |
| 3   | 38H1174  | ADAPTER             | 1   |                   |         |
| 4   | H78340   | STRAP               | 1   |                   |         |
| 5   | 24M7207  | WASHER              | 3   | 8.400 X 24 X 2 MM |         |
| 6   | 14M7298  | FLANGE NUT          | 2   |                   |         |
| 7   | 38H1052  | ELBOW FITTING       | 1   |                   |         |
| 8   | AH128584 | HYDRAULIC HOSE      | 1   |                   |         |
| 9   | JD10312  | BALL BEARING        | 1   |                   |         |
| 10  | E59406   | FLANGE NUT          | 1   | 3/8"              |         |
| 11A | H132937  | SHEAVE              | 1   | STANDARD CAPACITY |         |
| 11B | H157101  | SHEAVE              | 1   | HI CAPACITY       |         |
| 12  | 03M7186  | BOLT                | 2   | M8 X 30           |         |
| 13  | BP13616  | SNAP RING           | 1   |                   |         |
| 14  | B2984R   | PLUG                | 1   |                   |         |
| 15  | AZ20216  | BALL BEARING        | 1   |                   |         |
| 16  | H132938  | HUB                 | 1   |                   |         |
| 17  | JD7788   | LUBRICATION FITTING | 1   |                   |         |
| 18  | 14M7396  | LOCK NUT            | 2   |                   |         |
| 19  | R26906   | O-RING              | 1   |                   |         |
| 20  | T77857   | O-RING              | 1   |                   |         |
| 21  | T77858   | O-RING              | 1   |                   |         |
| 22  | R29936   | O-RING              | 1   |                   |         |
| 23  | H128111  | BRACKET             | 1   |                   |         |
| 24  | 19M7865  | SCREW               | 4   | M8 X 16           |         |
| 25  | 19M7867  | SCREW               | 1   | M8 X 25           |         |

# 2G21

REEL DRIVE FLOW CONTROL VALVE  
HP8002 -UN-02MAR99





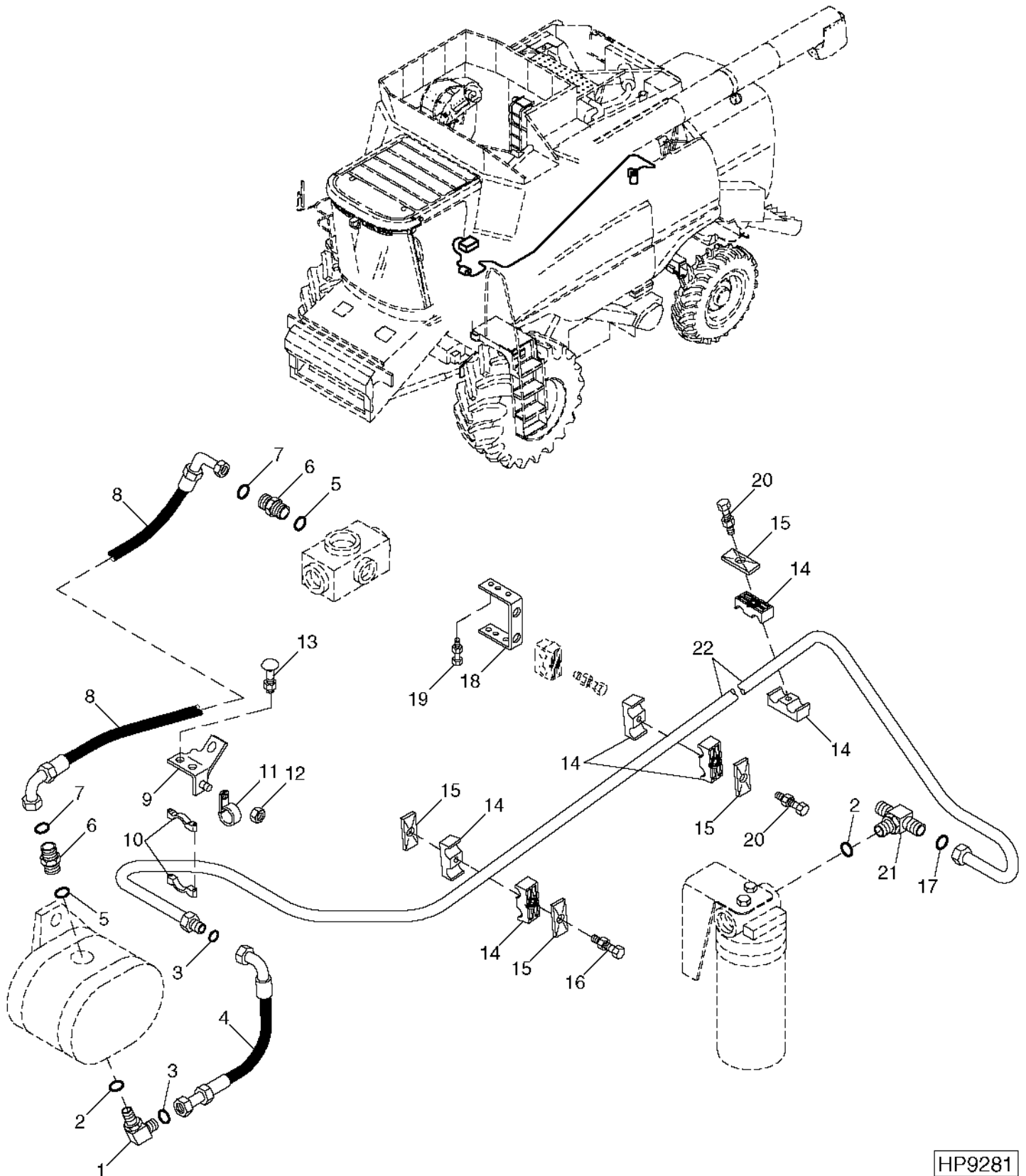
REEL DRIVE FLOW CONTROL VALVE - CONTINUED

| KEY | PART NO. | PART NAME                  | QTY | SERIAL NO. | REMARKS                   |
|-----|----------|----------------------------|-----|------------|---------------------------|
| 1   | .....    | GROOVE PIN                 | 1   |            |                           |
| 2   | .....    | STEM                       | 1   |            |                           |
| 3   | .....    | BACK-UP RING               | 1   | (A)        |                           |
| 4   | .....    | O-RING                     | 1   | (A)        |                           |
| 5   | .....    | PLUG                       | 1   |            |                           |
| 6   | AH140903 | KIT                        | 1   |            |                           |
| 7   | .....    | BACK-UP RING               | 1   | (A)        |                           |
| 8   | .....    | O-RING                     | 1   | (A)        |                           |
| 9   | .....    | O-RING                     | 1   | (A)        |                           |
| 10  | H63289   | O-RING                     | 2   | (A)        | 20.295 X 2.616 MM         |
| 11  | .....    | PLUG                       | 1   |            |                           |
| 12  | .....    | SHIM                       | 1   |            |                           |
| 13  | .....    | SPRING                     | 1   |            |                           |
| 14  | .....    | HOUSING                    | 1   |            |                           |
| 15  | .....    | SPOOL                      | 1   |            |                           |
| 16  | .....    | PLUG                       | 1   |            |                           |
| 17  | R26448   | O-RING                     | 1   | (A)        | 11.887 X 1.981 MM         |
| 18  | AH125760 | HYD. QUICK-CONNECT COUPLER | 1   |            | DIAGNOSTIC                |
| 19  | R77175   | COVER                      | 1   |            |                           |
| 20  | 14M7298  | FLANGE NUT                 | 2   |            | M8                        |
| 21  | 19M7801  | SCREW                      | 2   |            | M8 X 60                   |
| 22  | .....    | SHIM                       | AR  |            |                           |
| 23  | .....    | SHIM                       | AR  |            |                           |
| 24  | .....    | SHIM                       | AR  |            |                           |
| 25  | AH140902 | CHECK VALVE                | 1   |            |                           |
| ..  | AH136248 | SEAL KIT                   | 1   |            | INCLUDES PARTS MARKED (A) |

# 2G23

HYDRAULICS

REEL PUMP HYDRAULIC LINES AND HOSES  
HP9281 -UN-17NOV99



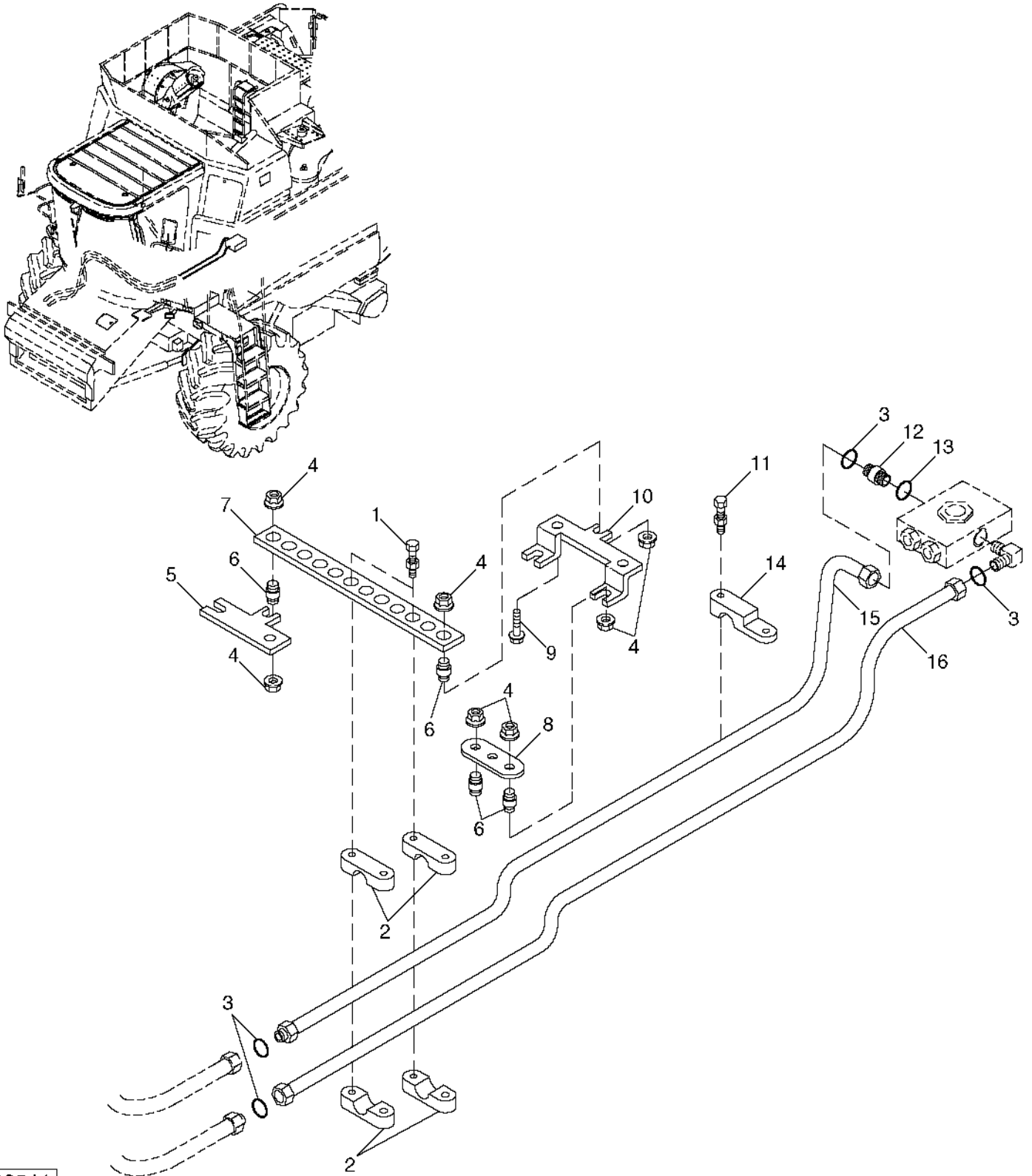
HP9281

## REEL PUMP HYDRAULIC LINES AND HOSES - CONTINUED

| KEY | PART NO. | PART NAME      | QTY | SERIAL NO.                                     | REMARKS |
|-----|----------|----------------|-----|--|---------|
| 1   | 38H1052  | ELBOW FITTING  | 1   |  |         |
| 2   | R29936   | O-RING         | 2   | 29.743 X 2.946 MM                              |         |
| 3   | T77858   | O-RING         | 2   | 18.771 X 1.778 MM                              |         |
| 4   | AH128584 | HYDRAULIC HOSE | 1   | 1-3/16" X 390 MM X 1-3/16" (REEL PUMP SUCTION) |         |
| 5   | R26906   | O-RING         | 2   | 19.177 X 2.464 MM                              |         |
| 6   | 38H1174  | ADAPTER        | 2   |  |         |
| 7   | T77857   | O-RING         | 2   | 12.421 X 1.778 MM                              |         |
| 8   | AH131876 | HYDRAULIC HOSE | 1   | 13/16" X 840 MM X 13/16" (REEL PUMP PRESSURE)  |         |
| 9   | AH126389 | BRACKET        | 1   |  |         |
| 10  | H114432  | CLAMP          | 2   |  |         |
| 11  | R46667   | CLAMP          | 1   |  |         |
| 12  | 14M7298  | FLANGE NUT     | 1   | M8   |         |
| 13  | 03M7280  | BOLT           | 2   | M6 X 45  |         |
|     | 14M7303  | FLANGE NUT     | 2   | M6   |         |
| 14  | H114897  | CLAMP          | 6   |  |         |
| 15  | H112567  | PLATE          | 4   |  |         |
| 16  | 19M7801  | SCREW          | 1   | M8 X 60  |         |
|     | 14M7298  | FLANGE NUT     | 1   | M8   |         |
| 17  | T76938   | O-RING         | 1   |  |         |
| 18  | H131115  | BRACKET        | 1   |  |         |
| 19  | 19M7866  | SCREW          | 4   | M8 X 20  |         |
|     | 14M7396  | LOCK NUT       | 4   | M8   |         |
| 20  | 19M7913  | SCREW          | 2   | M8 X 90  |         |
|     | 14M7298  | FLANGE NUT     | 2   | M8   |         |
| 21  | 38H1437  | TEE FITTING    | 1   |  |         |
| 22  | AH128859 | OIL LINE       | 1   | (REEL PUMP SUCTION)                            |         |

# 2H1

REEL DRIVE HYDRAULIC LINES AND HOSES, L.H. SIDE  
HP8511 -UN-21APR99



HP8511

# 2H2

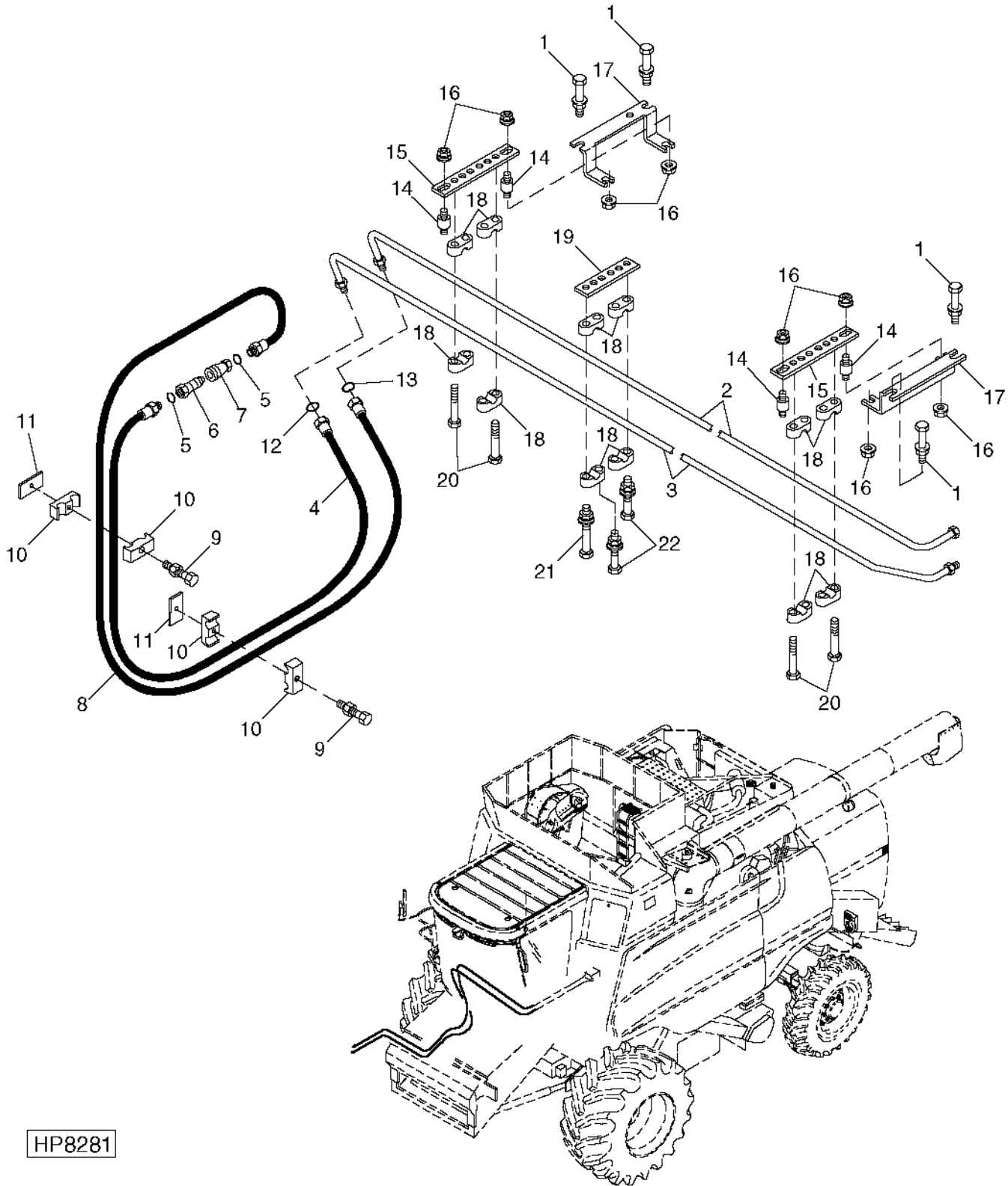
HYDRAULICS

## REEL DRIVE HYDRAULIC LINES AND HOSES, L.H. SIDE - CONTINUED

| KEY | PART NO. | PART NAME      | QTY | SERIAL NO. | REMARKS           |
|-----|----------|----------------|-----|------------|-------------------|
| 1   | 03M7189  | BOLT           | 4   |            | M8 X 45           |
|     | 14M7298  | FLANGE NUT     | 4   |            | M8                |
| 2   | H115533  | CLAMP          | 4   |            |                   |
| 3   | T77932   | O-RING         | 4   |            | 15.596 X 1.778 MM |
| 4   | N10217   | LOCK NUT       | 8   |            | 6.350 MM          |
| 5   | H134427  | BRACKET        | 1   |            |                   |
| 6   | AH126657 | ISOLATOR       | 4   |            |                   |
| 7   | H140298  | STRAP          | 1   |            |                   |
| 8   | H134425  | STRAP          | 1   |            |                   |
| 9   | 37M7058  | SCREW          | 4   |            | M8 X 20           |
| 10  | H140298  | STRAP          | 1   |            |                   |
| 11  | 19M7801  | SCREW          | 1   |            | M8 X 60           |
|     | 14M7298  | FLANGE NUT     | 1   |            | M8                |
| 12  | 38H1162  | ADAPTER        | 1   |            |                   |
| 13  | R26906   | O-RING         | 1   |            | 19.177 X 2.464 MM |
| 14  | H112162  | CLAMP          | 1   |            |                   |
| 15  | AH130209 | HYDRAULIC LINE | 1   |            | (PRESSURE)        |
| 16  | AH131317 | HYDRAULIC LINE | 1   |            | (RETURN)          |

# 2H3

REEL DRIVE HYDRAULIC LINES AND HOSES, FRONT  
HP8281 -UN-05MAY99



HP8281

# 2H4

HYDRAULICS

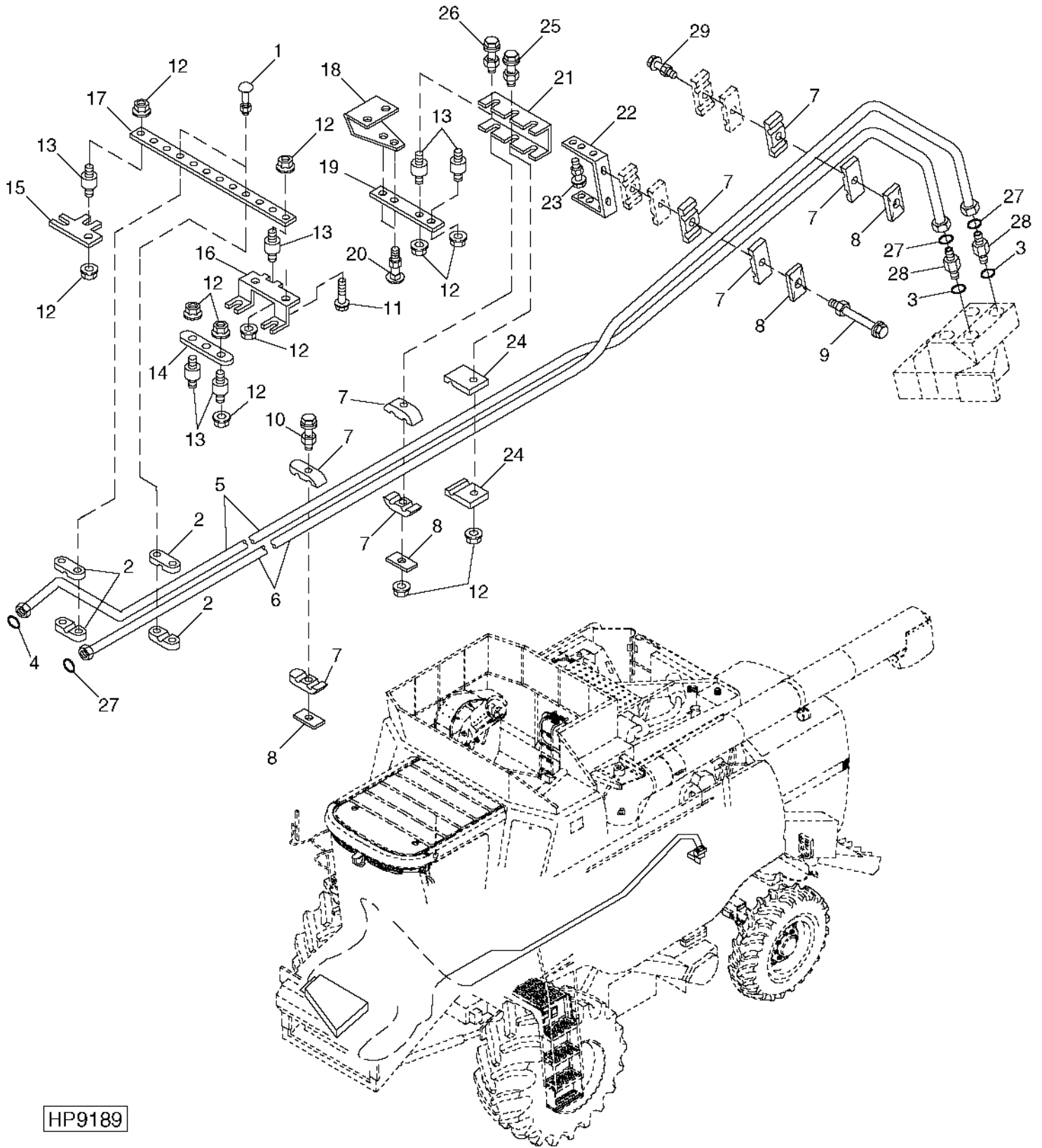
## REEL DRIVE HYDRAULIC LINES AND HOSES, FRONT - CONTINUED

| KEY | PART NO. | PART NAME                  | QTY | SERIAL NO.                          | REMARKS |
|-----|----------|----------------------------|-----|-------------------------------------|---------|
| 1   | 19M7865  | SCREW                      | 4   | M8 X 16                             |         |
|     | 14M7298  | FLANGE NUT                 | 4   | M8                                  |         |
| 2   | AH135685 | HYDRAULIC LINE             | 1   |                                     |         |
| 3   | AH135687 | HYDRAULIC LINE             | 1   |                                     |         |
| 4   | AH162139 | HYDRAULIC HOSE             | 1   | 3/4" X 3 102 MM X 1" (RETURN)       |         |
| 5   | R26375   | O-RING                     | 2   | 16.358 X 2.210 MM                   |         |
| 6   | AR94522  | INTERNAL HALF COUPLER      | 1   |                                     |         |
| 7   | AH75167  | HYD. QUICK-CONNECT COUPLER | 1   |                                     |         |
| 8   | AH162141 | HYDRAULIC HOSE             | 1   | 3/4" X 2 937 MM X 13/16" (PRESSURE) |         |
| 9   | 03M7245  | BOLT                       | 2   | M8 X 55                             |         |
|     | 14M7298  | FLANGE NUT                 | 2   | M8                                  |         |
| 10  | H122772  | CLAMP                      | 4   |                                     |         |
| 11  | H112567  | PLATE                      | 2   |                                     |         |
| 12  | T77932   | O-RING                     | 1   | 15.596 X 1.778 MM                   |         |
| 13  | T77857   | O-RING                     | 1   | 12.421 X 1.778 MM                   |         |
| 14  | AH126657 | ISOLATOR                   | 4   |                                     |         |
| 15  | H134429  | STRAP                      | 2   |                                     |         |
| 16  | N10217   | LOCK NUT                   | 8   | 6.350 MM                            |         |
| 17  | H135618  | BRACKET                    | 2   |                                     |         |
| 18  | H115533  | CLAMP                      | 12  |                                     |         |
| 19  | H134558  | STRAP                      | 1   |                                     |         |
| 20  | 37M7102  | SCREW                      | 8   | M8 X 40                             |         |
| 21  | 19M8006  | SCREW                      | 1   | M8 X 120                            |         |
|     | 14M7298  | FLANGE NUT                 | 1   | M8                                  |         |
| 22  | 19M8318  | SCREW                      | 3   | M8 X 45                             |         |
|     | 14M7298  | FLANGE NUT                 | 3   | M8                                  |         |

# 2H5

## REEL FORE-AND-AFT HYDRAULIC LINES, L.H. SIDE (OPTIONAL)

HP9189 -UN-21OCT99



HP9189



# 2H6

HYDRAULICS

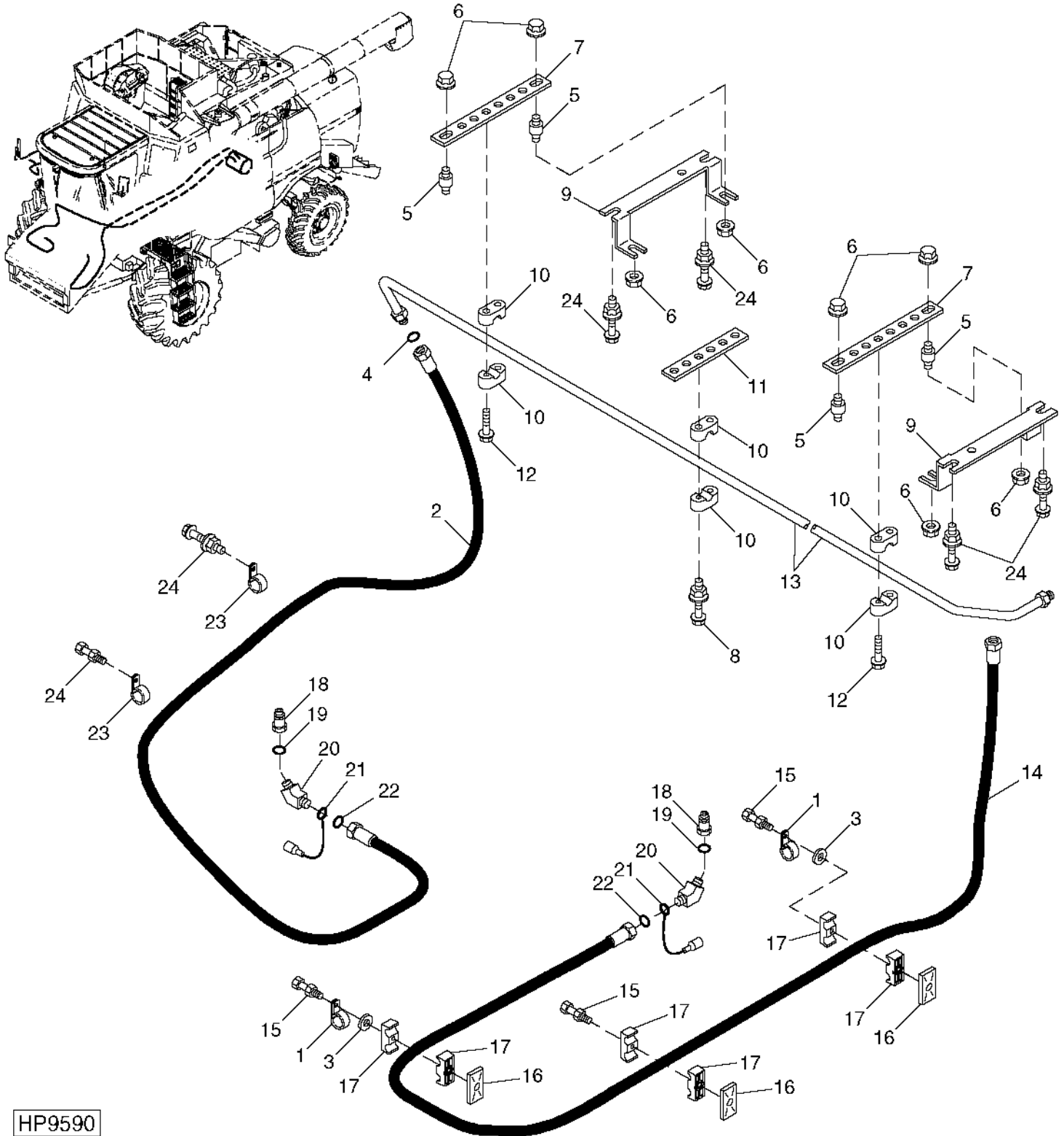
REEL FORE-AND-AFT HYDRAULIC LINES, L.H. SIDE - CONTINUED  
(OPTIONAL)

| KEY | PART NO. | PART NAME      | QTY | SERIAL NO.        | REMARKS |
|-----|----------|----------------|-----|-------------------|---------|
| 1   | 03M7188  | BOLT           | 4   | M8 X 40           |         |
|     | 14M7298  | FLANGE NUT     | 4   | M8                |         |
| 2   | H116717  | CLAMP          | 4   |                   |         |
| 3   | R26375   | O-RING         | 2   | 16.358 X 2.210 MM |         |
| 4   | T77814   | O-RING         | 1   | 7.645 X 1.778 MM  |         |
| 5   | AH149936 | OIL LINE       | 1   | (RETRACT)         |         |
| 6   | AH131311 | HYDRAULIC LINE | 1   | (EXTEND)          |         |
| 7   | H128515  | CLAMP          | 8   |                   |         |
| 8   | H121163  | COVER          | 4   |                   |         |
| 9   | 19M7803  | SCREW          | 2   | M8 X 70           |         |
|     | 14M7298  | FLANGE NUT     | 2   | M8                |         |
| 10  | 03M7189  | BOLT           | 1   | M8 X 45           |         |
|     | 14M7298  | FLANGE NUT     | 1   | M8                |         |
| 11  | 03M7184  | BOLT           | 2   | M8 X 20           |         |
|     | 14M7298  | FLANGE NUT     | 2   | M8                |         |
| 12  | N10217   | LOCK NUT       | 12  | 6.350 MM          |         |
| 13  | AH126657 | ISOLATOR       | 6   |                   |         |
| 14  | H134425  | STRAP          | 1   |                   |         |
| 15  | H134427  | BRACKET        | 1   |                   |         |
| 16  | H134424  | BRACKET        | 1   |                   |         |
| 17  | H140298  | STRAP          | 1   |                   |         |
| 18  | H138411  | BRACKET        | 1   |                   |         |
| 19  | H134434  | SUPPORT        | 1   |                   |         |
| 20  | 03M7184  | BOLT           | 2   | M8 X 20           |         |
|     | 14M7298  | FLANGE NUT     | 2   | M8                |         |
| 21  | H134428  | BRACKET        | 1   |                   |         |
| 22  | H131115  | BRACKET        | 1   |                   |         |
| 23  | 19M7866  | SCREW          | 4   | M8 X 20           |         |
|     | 14M7396  | LOCK NUT       | 4   | M8                |         |
| 24  | H127589  | CLAMP          | 2   |                   |         |
| 25  | 03M7216  | BOLT           | 1   | M8 X 50           |         |
| 26  | 19M8291  | SCREW          | 1   | M8 X 35           |         |
| 27  | T77613   | O-RING         | 3   | 9.246 X 1.778 MM  |         |
| 28  | 38H1171  | ADAPTER        | 2   |                   |         |
| 29  | 19M7801  | SCREW          | 1   | M8 X 60           |         |
|     | 14M7298  | FLANGE NUT     | 1   | M8                |         |

# 2H7

## REEL FORE-AND-AFT HYDRAULIC LINES AND HOSES, FRONT (OPTIONAL)

HP9590 -UN-22FEB00



HP9590

# 2H8

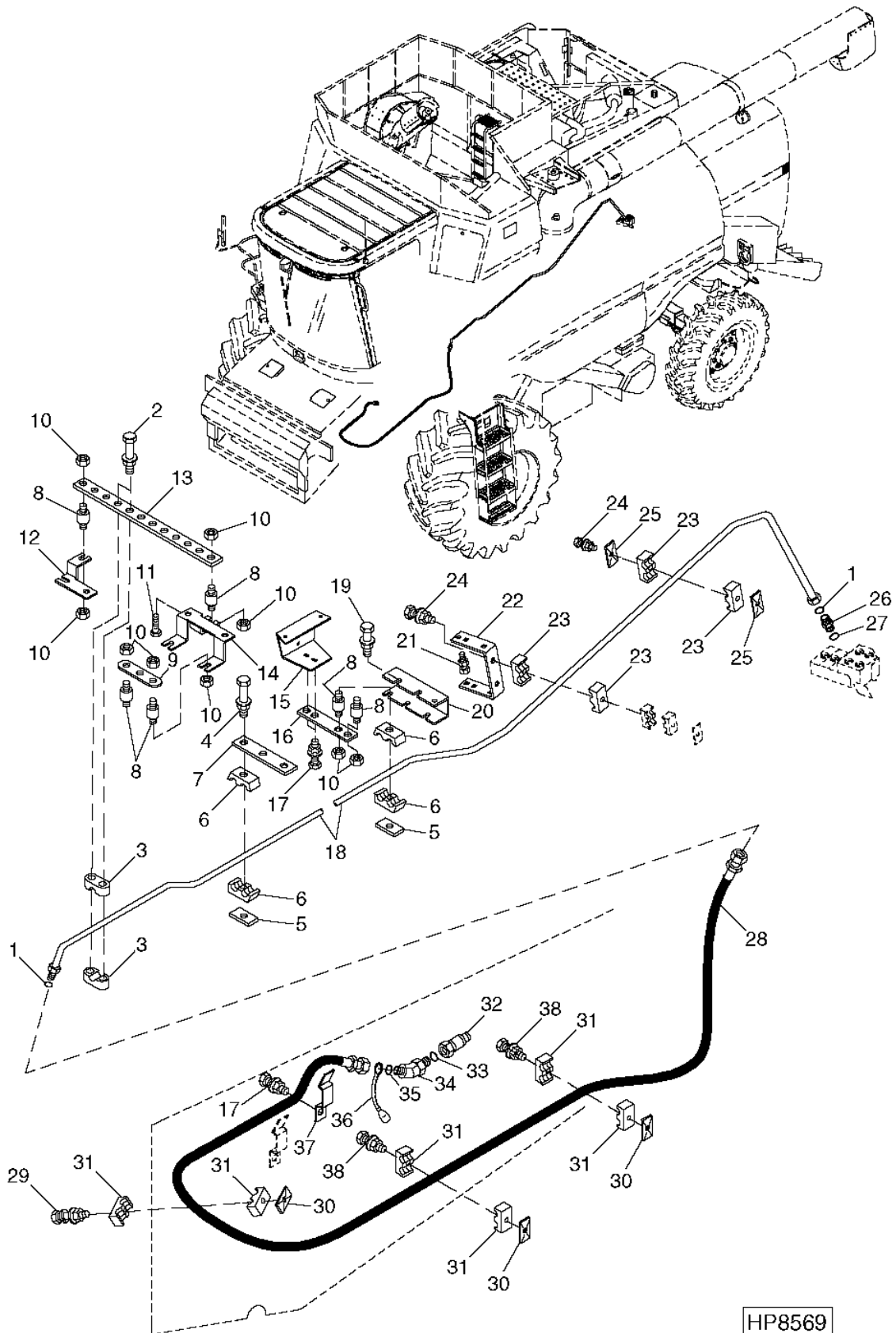
HYDRAULICS

**REEL FORE AND AFT HYDRAULIC LINES AND HOSES, FRONT - CONTINUED  
(OPTIONAL)**

| KEY | PART NO. | PART NAME                  | QTY | SERIAL NO.                          | REMARKS |
|-----|----------|----------------------------|-----|-------------------------------------|---------|
| 1   | AH96317  | CLIP                       | 3   |                                     |         |
| 2   | AH162137 | HYDRAULIC HOSE             | 1   | 9/16" X 3 056 MM X 11/16"           |         |
| 3   | 12M7032  | LOCK WASHER                | 3   | 8.400 MM                            |         |
| 4   | T77814   | O-RING                     | 1   | 7.645 X 1.778 MM                    |         |
| 5   | AH126657 | ISOLATOR                   | 4   |                                     |         |
| 6   | N10217   | LOCK NUT                   | 8   | 6.350 MM                            |         |
| 7   | H134429  | STRAP                      | 2   |                                     |         |
| 8   | 19M8317  | SCREW                      | 2   | M8 X 40                             |         |
|     | 14M7298  | FLANGE NUT                 | 2   | M8                                  |         |
| 9   | H135618  | BRACKET                    | 2   |                                     |         |
| 10  | H116717  | CLAMP                      | 6   |                                     |         |
| 11  | H134558  | STRAP                      | 1   |                                     |         |
| 12  | 37M7102  | SCREW                      | 4   | M8 X 40                             |         |
| 13  | AH135683 | HYDRAULIC LINE             | 1   |                                     |         |
| 14  | AH130555 | HYDRAULIC HOSE             | 1   | 9/16" X 3 148 MM X 11/16" (RETRACT) |         |
| 15  | 19M8319  | SCREW                      | 3   | M8 X 50                             |         |
|     | 14M7298  | FLANGE NUT                 | 3   | M8                                  |         |
| 16  | H121168  | PLATE                      | 3   |                                     |         |
| 17  | H120847  | CLAMP                      | 6   |                                     |         |
| 18  | AH116632 | HYD. QUICK-CONNECT COUPLER | 2   |                                     |         |
| 19  | R26448   | O-RING                     | 2   | 11.887 X 1.981 MM                   |         |
| 20  | 38H1045  | ELBOW FITTING              | 2   |                                     |         |
| 21  | AH124832 | CAP                        | 2   |                                     |         |
| 22  | T77613   | O-RING                     | 2   | 9.246 X 1.778 MM                    |         |
| 23  | AH78125  | CLIP                       | 2   |                                     |         |
| 24  | 19M7866  | SCREW                      | 6   | M8 X 20                             |         |
|     | 14M7298  | FLANGE NUT                 | 6   | M8                                  |         |

# 2H9

**REEL LIFT LINES AND HOSES**  
HP8569 -UN-10MAY99



HP8569

# 2H10

HYDRAULICS

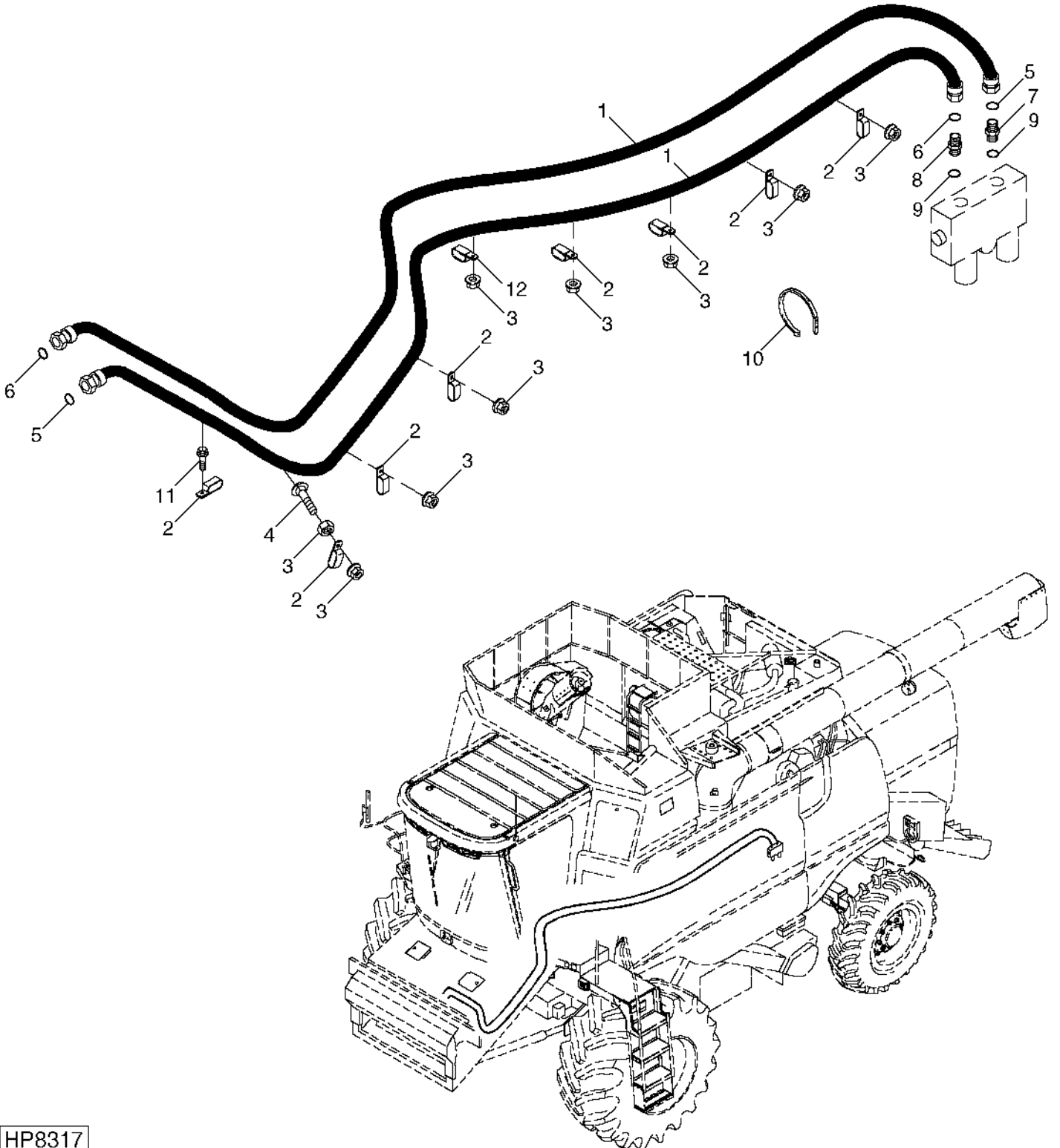
## REEL LIFT LINES AND HOSES - CONTINUED

| KEY | PART NO. | PART NAME             | QTY | SERIAL NO. | REMARKS                           |
|-----|----------|-----------------------|-----|------------|-----------------------------------|
| 1   | T77613   | O-RING                | 2   |            | 9.246 X 1.778 MM                  |
| 2   | 03M7188  | BOLT                  | 2   |            | M8 X 40                           |
|     | 14M7298  | FLANGE NUT            | 2   |            | M8                                |
| 3   | H116717  | CLAMP                 | 2   |            |                                   |
| 4   | 19M7803  | SCREW                 | 1   |            | M8 X 70                           |
|     | 14M7298  | FLANGE NUT            | 1   |            | M8                                |
| 5   | H121163  | COVER                 | 3   |            | W/ REEL FORE/AFT OPTION           |
|     | H121163  | COVER                 | 1   |            | W/O REEL FORE/AFT OPTION          |
| 6   | H128515  | CLAMP                 | 8   |            | W/ REEL FORE/AFT OPTION           |
|     | H127589  | CLAMP                 | 4   |            | W/O REEL FORE/AFT OPTION          |
| 7   | H131163  | STRAP                 | 1   |            |                                   |
| 8   | AH126657 | ISOLATOR              | 6   |            |                                   |
| 9   | H134425  | STRAP                 | 1   |            |                                   |
| 10  | N10217   | LOCK NUT              | 12  |            | 6.350 MM                          |
| 11  | 37M7058  | SCREW                 | 4   |            | M8 X 20                           |
| 12  | H134427  | BRACKET               | 1   |            |                                   |
| 13  | H140298  | STRAP                 | 1   |            |                                   |
| 14  | H134424  | BRACKET               | 1   |            |                                   |
| 15  | H138411  | BRACKET               | 1   |            |                                   |
| 16  | H134434  | SUPPORT               | 1   |            |                                   |
| 17  | 03M7184  | BOLT                  | 3   |            | M8 X 20                           |
|     | 14M7298  | FLANGE NUT            | 3   |            | M8                                |
| 18  | AH135688 | HYDRAULIC LINE        | 1   |            |                                   |
| 19  | 14M7298  | FLANGE NUT            | 1   |            | M8                                |
|     | 03M7216  | BOLT                  | 1   |            |                                   |
| 20  | H134428  | BRACKET               | 1   |            |                                   |
| 21  | 19M7866  | SCREW                 | 4   |            | M8 X 20                           |
|     | 14M7396  | LOCK NUT              | 4   |            | M8                                |
| 22  | H131115  | BRACKET               | 1   |            |                                   |
| 23  | H109046  | CLAMP                 | 4   |            |                                   |
| 24  | 19M7979  | SCREW                 | 2   |            | M8 X 55, W/O REEL FORE/AFT OPTION |
|     | 14M7298  | FLANGE NUT            | 2   |            | M8                                |
| 25  | H121168  | PLATE                 | 3   |            |                                   |
| 26  | 38H1160  | ADAPTER               | 1   |            |                                   |
| 27  | R26448   | O-RING                | 1   |            | 11.887 X 1.981 MM                 |
| 28  | AH130557 | HYDRAULIC HOSE        | 1   |            | 11/16" X 3 148 MM X 13/16"        |
| 29  | 19M8319  | SCREW                 | 1   |            | M8 X 50                           |
|     | 14M7298  | FLANGE NUT            | 1   |            | M8                                |
|     | 12M7032  | LOCK WASHER           | 1   |            | 8.400 MM                          |
| 30  | H121168  | PLATE                 | 3   |            |                                   |
| 31  | H120847  | CLAMP                 | 6   |            |                                   |
| 32  | AR94522  | INTERNAL HALF COUPLER | 1   |            |                                   |
| 33  | R26375   | O-RING                | 1   |            | 16.358 X 2.210 MM                 |
| 34  | 38H1046  | ELBOW FITTING         | 1   |            |                                   |
| 35  | T77857   | O-RING                | 1   |            | 12.421 X 1.778 MM                 |
| 36  | A15898   | CAP                   | 1   |            |                                   |
| 37  | H136336  | HOSE CLAMP            | 1   |            |                                   |
| 38  | 19M7979  | SCREW                 | 2   |            | M8 X 55                           |
|     | 14M7298  | FLANGE NUT            | 2   |            | M8                                |
|     | 12M7032  | LOCK WASHER           | 2   |            | 8.400 MM                          |

# 2H11

## CONTOUR MASTER HYDRAULIC HOSES, L.H. SIDE (OPTIONAL)

HP8317 -UN-14JUL99



HP8317

# 2H12

HYDRAULICS

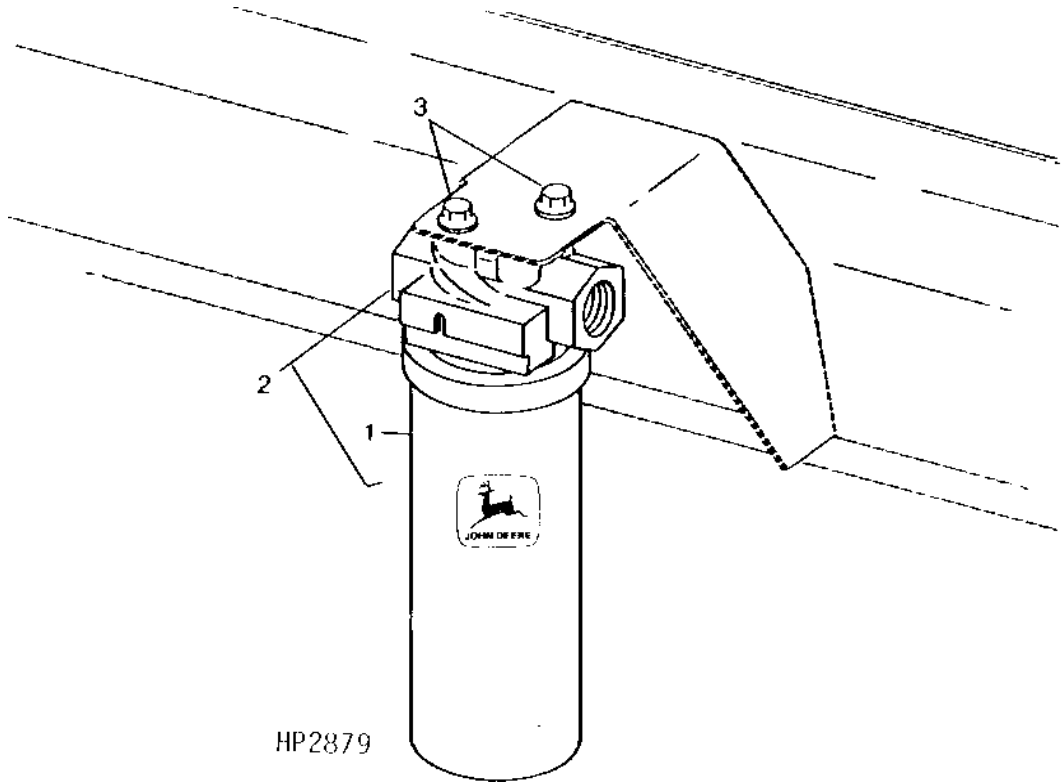
**CONTOUR MASTER HYDRAULIC HOSES, L.H. SIDE (OPTIONAL) - CONTINUED**

| KEY | PART NO. | PART NAME      | QTY | SERIAL NO. | REMARKS  |
|-----|----------|----------------|-----|------------|--|
| 1   | AH143682 | HYDRAULIC HOSE | 2   |            |  |
| 2   | AH97280  | CLIP           | 10  |            |  |
| 3   | 14M7298  | FLANGE NUT     | 10  |            |  |
| 4   | 03M7185  | BOLT           | 1   | M8         |  |
| 5   | T77613   | O-RING         | 2   |            | 9.246 X 1.778 MM, CONNECT HOSE TO PISTON END OF CYLINDER |
| 6   | T77814   | O-RING         | 2   |            | 7.645 X 1.778 MM, CONNECT HOSE TO ROD END OF CYLINDER    |
| 7   | 38H1445  | ADAPTER        | 1   |            | TO BOTTOM PORT OF VALVE                                  |
| 8   | 38H1171  | ADAPTER        | 1   |            | TO TOP PORT OF VALVE                                     |
| 9   | R26375   | O-RING         | 2   |            | 16.358 X 2.210 MM  |
| 10  | R44302   | TIE BAND       | 1   |            | 171 MM (6-3/4")  |
| 11  | 37M7084  | SCREW          | 1   | M8 X 25    |  |
| 12  | AH77869  | CLIP           | 1   |            |  |

# 2H13

HYDRAULICS

**MAIN HYDRAULIC FILTER ASSEMBLY**  
HP2879 -UN-01JAN94



HP2879

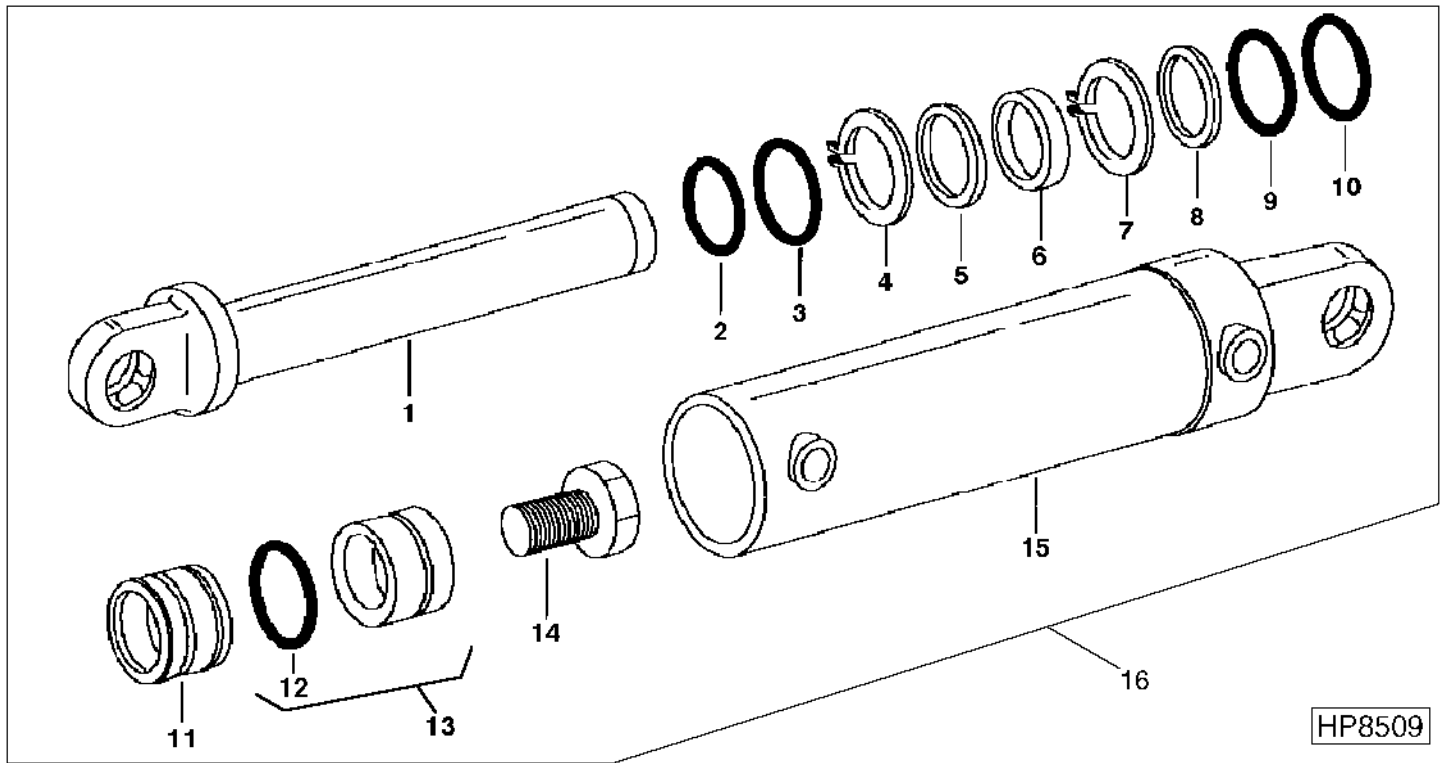
| KEY | PART NO. | PART NAME        | QTY | SERIAL NO. | REMARKS |
|-----|----------|------------------|-----|------------|---------|
| 1   | AH128449 | HYDRAULIC FILTER | 1   |            |         |
| 2   | AH125733 | FILTER HEAD      | 1   |            |         |
| 3   | 19M7784  | SCREW            | 2   | M10 X 20   |         |



# 2H14

HYDRAULICS

TILT CYLINDER - CONTOUR MASTER  
HP8509 -UN-21APR99



| KEY | PART NO. | PART NAME                 | QTY | SERIAL NO.                | REMARKS |
|-----|----------|---------------------------|-----|---------------------------|---------|
| 1   | AH144482 | ROD                       | 1   |                           |         |
| 2   | P45750   | O-RING                    | 1   |                           |         |
|     | T22828   | O-RING                    | 1   | (A)                       |         |
| 3   | H150411  | SEAL                      | 1   | (A)                       |         |
| 4   | R90565   | SNAP RING                 | 1   |                           |         |
| 5   | H169509  | BACK-UP RING              | 1   | (A)                       |         |
| 6   | H150412  | SEAL                      | 1   | (A)                       |         |
| 7   | R82571   | SNAP RING                 | 1   |                           |         |
| 8   | H151629  | WEAR RING                 | 1   | (A)                       |         |
| 9   | R79117   | WASHER                    | 1   | (A)                       |         |
| 10  | H158942  | O-RING                    | 1   | (A)                       |         |
| 11  | H151694  | HYDR. CYLINDER ROD GUIDE  | 1   |                           |         |
| 12  | H144342  | PISTON RING               | 1   | (A)                       |         |
| 13  | AH138200 | PISTON                    | 1   |                           |         |
| 14  | 19H2672  | CAP SCREW                 | 1   | 15.875 X 50.800 MM        |         |
| 15  | AH144480 | HYDRAULIC CYLINDER BARREL | 1   |                           |         |
| 16  | AH143322 | HYDRAULIC CYLINDER        | 1   |                           |         |
| ..  | AH167553 | HYDRAULIC CYLINDER KIT    | 1   | INCLUDES PARTS MARKED (A) |         |

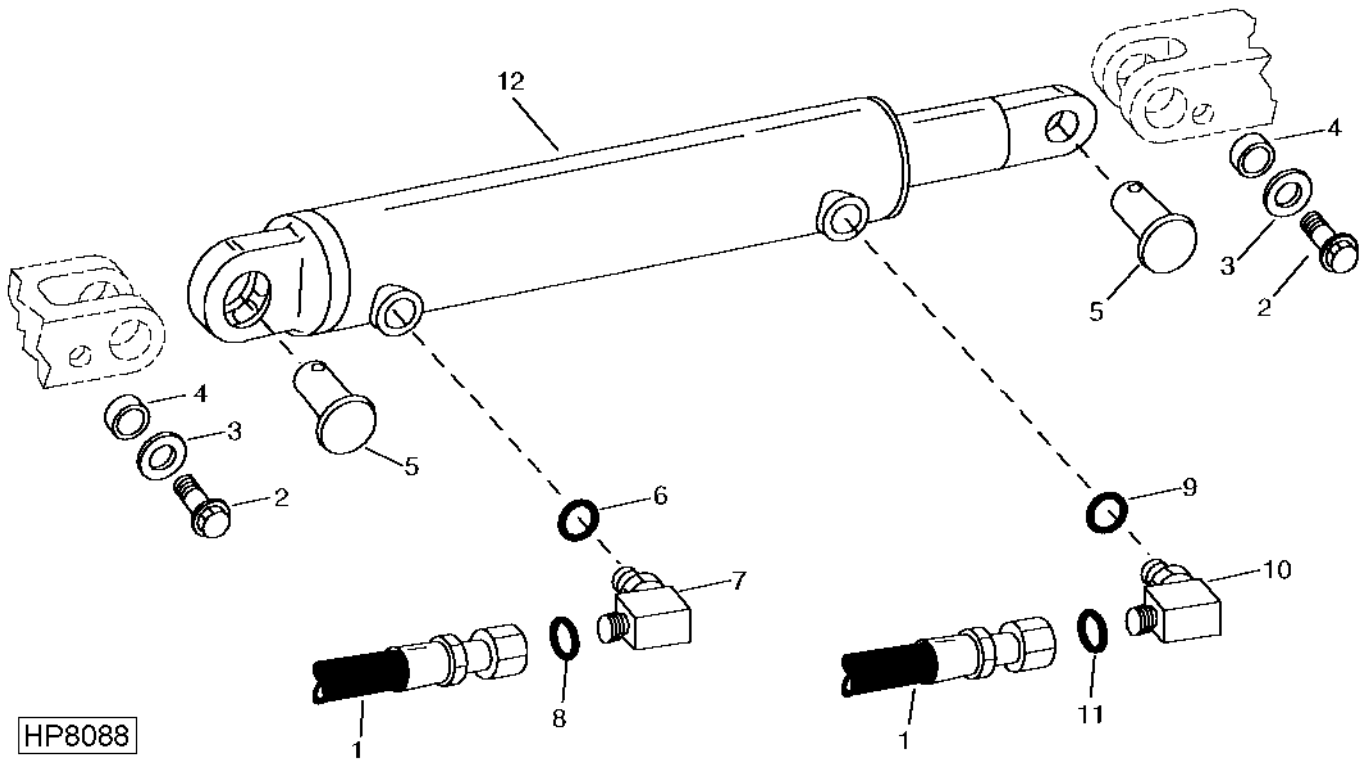


# 2H15

HYDRAULICS

## TILT CYLINDER HOSES AND FITTINGS - CONTOUR MASTER

HP8088 -UN-15DEC98

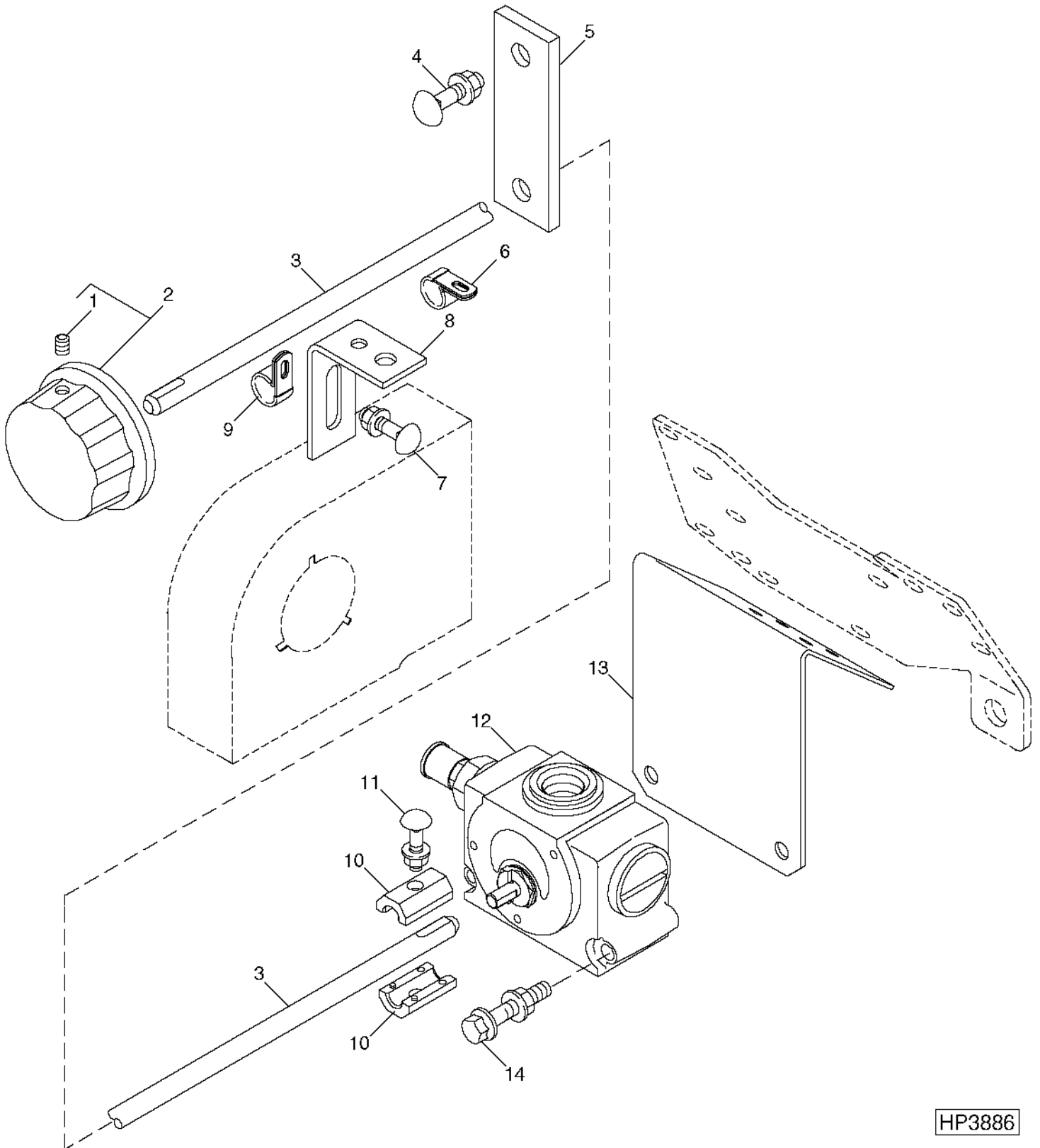


| KEY | PART NO. | PART NAME          | QTY | SERIAL NO.                | REMARKS |
|-----|----------|--------------------|-----|---------------------------|---------|
| 1   | AH143682 | HYDRAULIC HOSE     | 2   |                           |         |
| 2   | 19M7866  | SCREW              | 2   | M8 X 20                   |         |
| 3   | 24H1291  | WASHER             | 2   | 8.331 X 37.313 X 2.769 MM |         |
| 4   | 28H1511  | WASHER             | 2   | 9.246 X 13.716 X 6.350 MM |         |
| 5   | R56930   | PIN                | 2   | 18.948 X 69.850 MM        |         |
| 6   | R28782   | O-RING             | 1   | 8.915 X 1.829 MM          |         |
| 7   | 38H1003  | ELBOW FITTING      | 1   |                           |         |
| 8   | T77814   | O-RING             | 1   | 7.645 X 1.778 MM          |         |
| 9   | R26448   | O-RING             | 1   | 11.887 X 1.981 MM         |         |
| 10  | 38H1004  | ELBOW FITTING      | 1   |                           |         |
| 11  | T77613   | O-RING             | 1   | 9.246 X 1.778 MM          |         |
| 12  | AH143322 | HYDRAULIC CYLINDER | 1   |                           |         |

# 2H16

HYDRAULICS

CHAFF SPREADER CONTROL, CHECK VALVE, ROD AND KNOB  
HP3886 -UN-24AUG99



HP3886

# 2H17

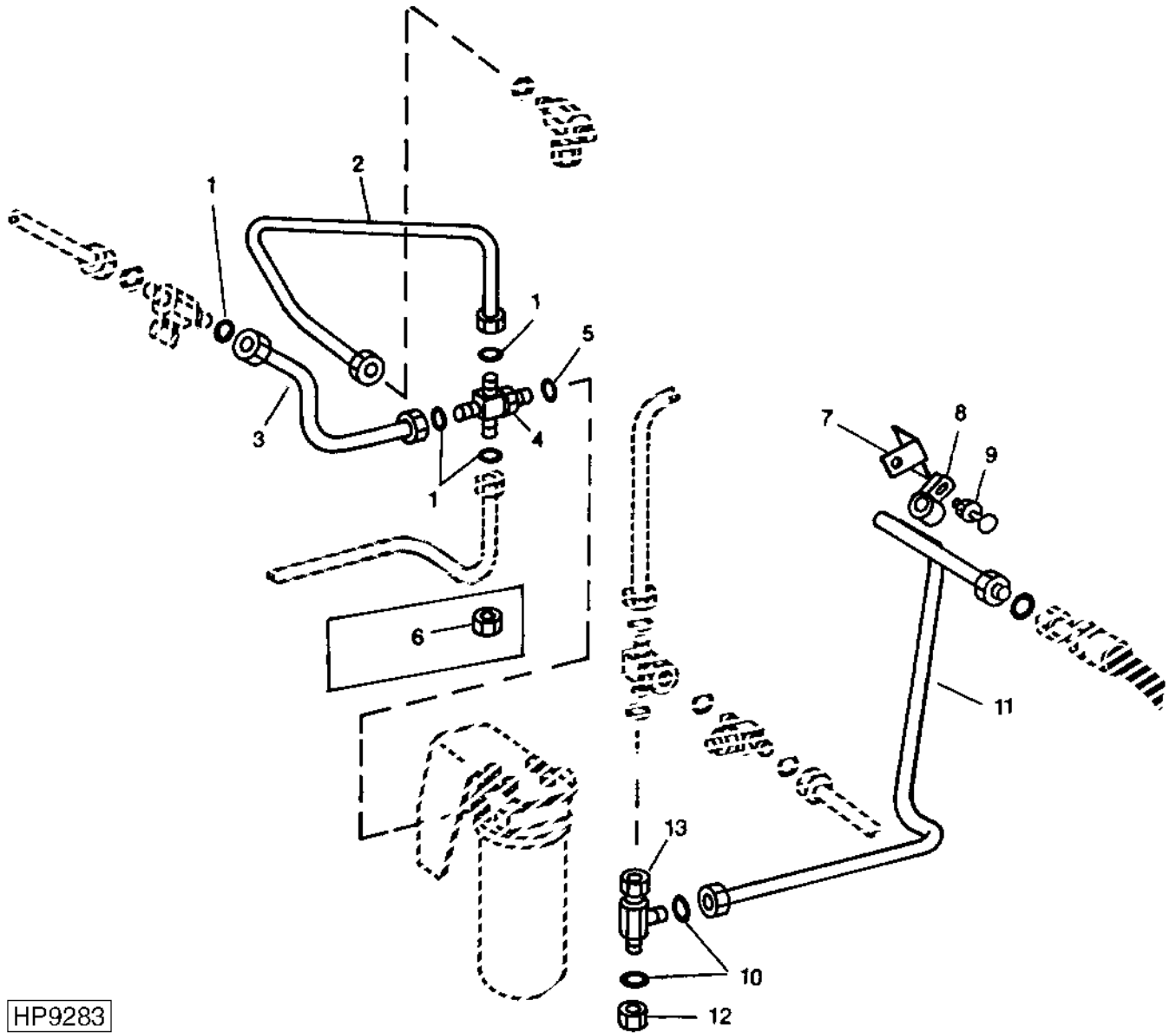
HYDRAULICS

## CHAFF SPREADER CONTROL, CHECK VALVE, ROD AND KNOB - CONTINUED

| KEY | PART NO. | PART NAME   | QTY | SERIAL NO. | REMARKS |
|-----|----------|-------------|-----|------------|---------|
| 1   | .....    | SET SCREW   | 2   |            |         |
| 2   | AH132988 | KNOB        | 1   |            |         |
| 3   | H144896  | PIN         | 1   |            |         |
| 4   | 03M7184  | BOLT        | 1   |            |         |
|     | 14M7298  | FLANGE NUT  | 1   | M8         |         |
| 5   | H139006  | STRAP       | 1   |            |         |
| 6   | H75541   | CLAMP       | 1   |            |         |
| 7   | 03M7290  | BOLT        | 1   | M6 X 30    |         |
|     | 14M7303  | FLANGE NUT  | 1   | M6         |         |
| 8   | H137866  | BRACKET     | 1   |            |         |
| 9   | AH76882  | CLIP        | 1   |            |         |
| 10  | H114020  | HALF CLAMP  | 2   |            |         |
| 11  | 19M7775  | SCREW       | 1   | M6 X 16    |         |
|     | 14M7303  | FLANGE NUT  | 1   | M6         |         |
| 12  | AH140902 | CHECK VALVE | 1   |            |         |
| 13  | H137865  | BRACKET     | 1   |            |         |
| 14  | 19M7979  | SCREW       | 2   | M8 X 55    |         |
|     | 14M7298  | FLANGE NUT  | 2   | M8         |         |

# 2H18

**CHAFF SPREADER LINES AND FITTINGS**  
HP9283 -UN-17NOV99



HP9283

# 2H19

HYDRAULICS

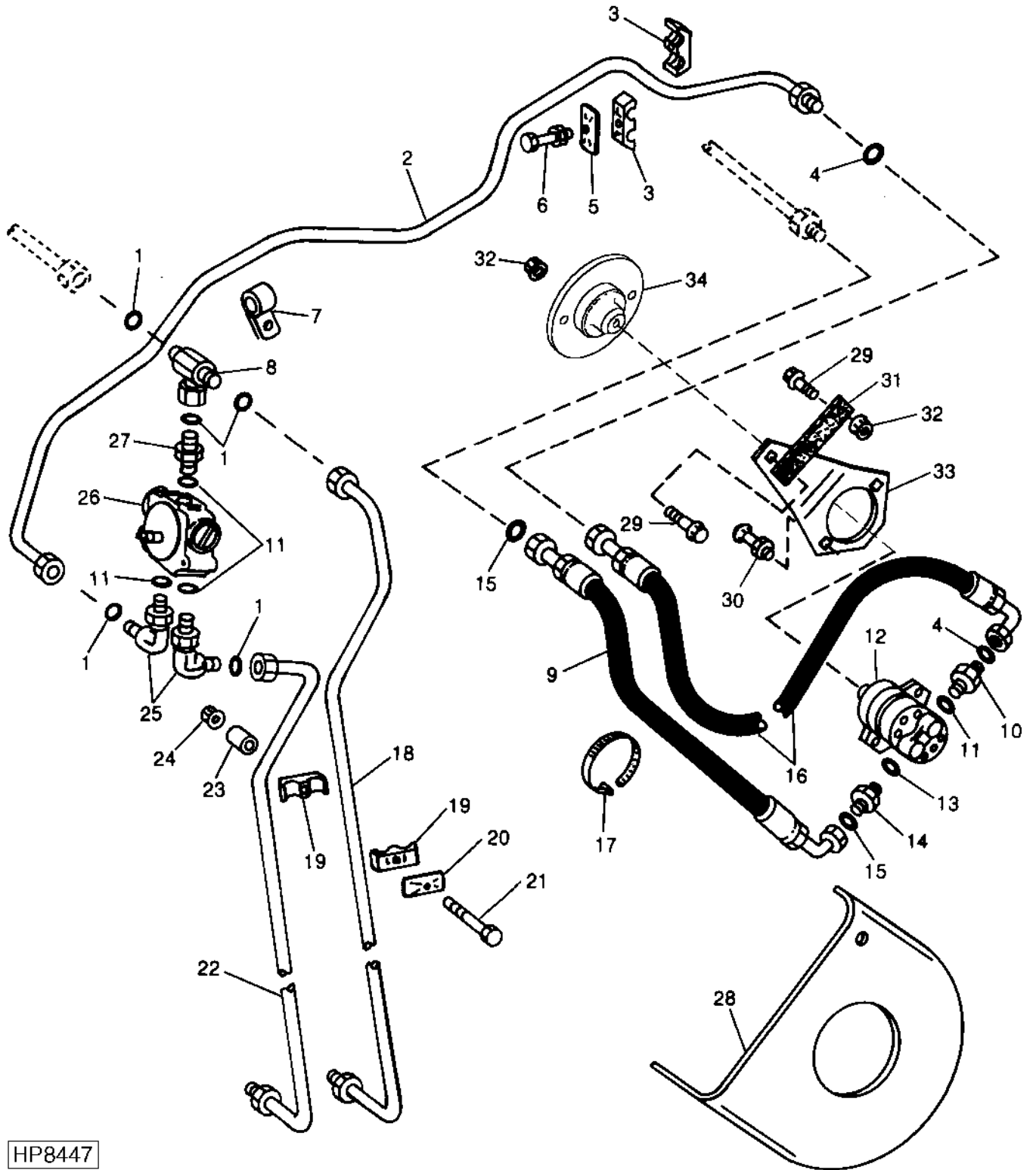
## CHAFF SPREADER LINES AND FITTINGS - CONTINUED

| KEY | PART NO. | PART NAME    | QTY | SERIAL NO. | REMARKS                 |
|-----|----------|--------------|-----|------------|-------------------------|
| 1   | T77858   | O-RING       | 5   |            |                         |
| 2   | AH166345 | LINE         | 1   |            |                         |
| 3   | AH126169 | OIL LINE     | 1   |            |                         |
| 4   | AH132031 | FITTING      | 1   |            |                         |
| 5   | R29936   | O-RING       | 1   |            |                         |
| 6   | 38H1418  | FITTING PLUG | 1   |            | W/O POWERED REAR WHEELS |
| 7   | H139964  | BRACKET      | 1   |            |                         |
| 8   | R72659   | CLAMP        | 1   |            |                         |
| 9   | 03M7183  | BOLT         | 1   |            | M8 X 16                 |
|     | 14M7298  | FLANGE NUT   | 1   |            | M8                      |
| 10  | T76938   | O-RING       | 2   |            |                         |
| 11  | AH133770 | LINE         | 1   |            |                         |
| 12  | 38H1419  | FITTING PLUG | 1   |            |                         |
| 13  | 38H1467  | TEE FITTING  | 1   |            |                         |

# 2H20

HYDRAULICS

CHAFF SPREADER LINES, HOSES, VALVE AND PUMP  
HP8447 -UN-12APR99



HP8447



# 2H21

HYDRAULICS

CHAFF SPREADER LINES, HOSES, VALVE AND PUMP - CONTINUED

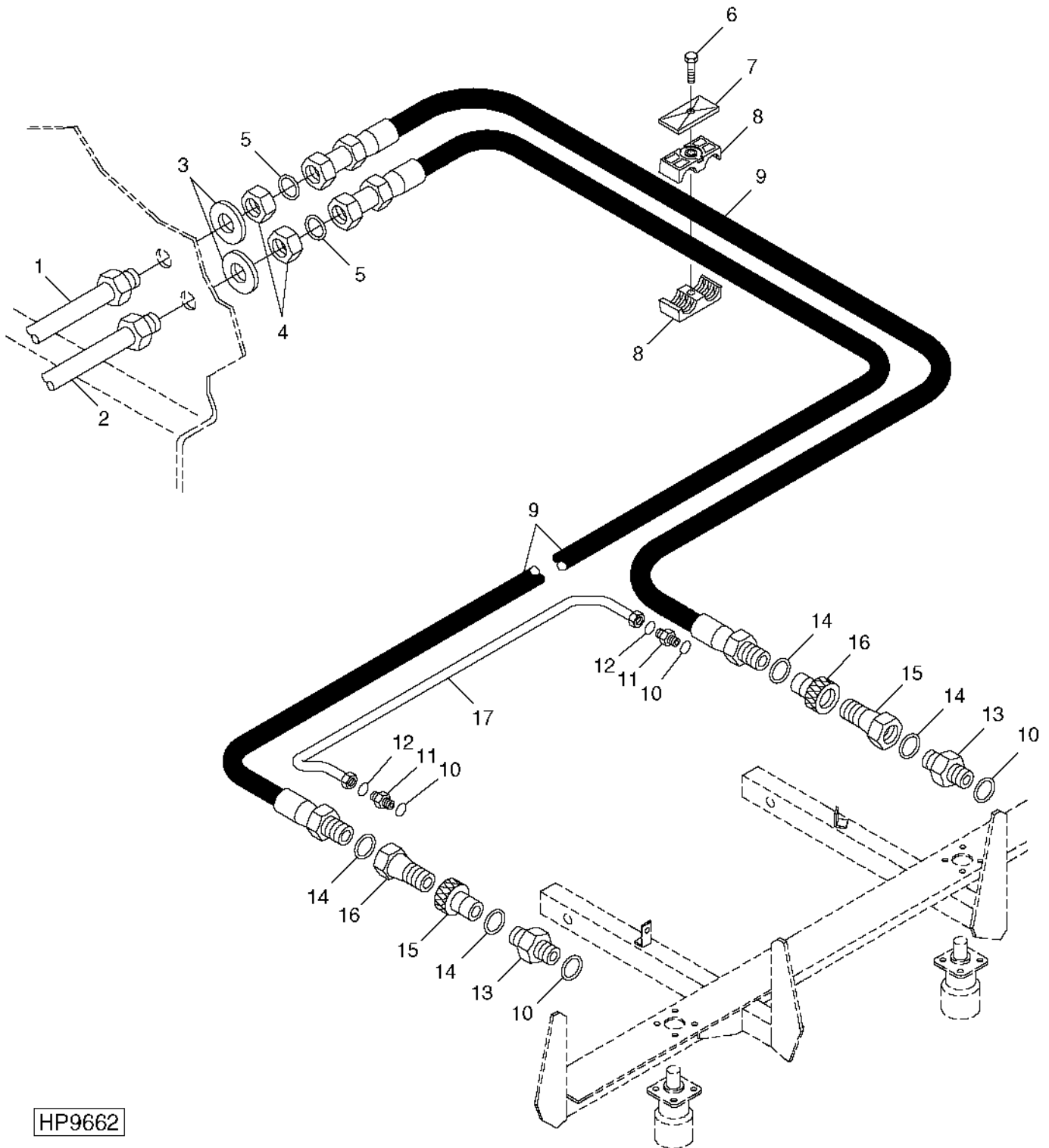
| KEY | PART NO. | PART NAME      | QTY | SERIAL NO. | REMARKS  |
|-----|----------|----------------|-----|------------|--|
| 1   | T77932   | O-RING         | 5   |            |  |
| 2   | AH133758 | OIL LINE       | 1   |            |  |
| 3   | H120362  | CLAMP          | 2   |            |  |
| 4   | T77857   | O-RING         | 2   |            |  |
| 5   | H112567  | PLATE          | 1   |            |  |
| 6   | 19M7801  | SCREW          | 1   |            | M8 X 60  |
|     | 14M7298  | FLANGE NUT     | 1   |            | M8   |
| 7   | T27523   | CLAMP          | 1   |            |  |
| 8   | 38H1040  | TEE FITTING    | 1   |            |  |
| 9   | AH132200 | HYDRAULIC HOSE | 1   |            | 1-3/16" X 975 MM (38-1/2") X 1-3/16",<br>(SUCTION) |
| 10  | 38H1174  | ADAPTER        | 1   |            |  |
| 11  | R26906   | O-RING         | 4   |            |  |
| 12  | AH131178 | HYDRAULIC PUMP | 1   |            | REMANUFACTURED (EATON R25305-RAK)                  |
| 13  | R29936   | O-RING         | 1   |            |  |
| 14  | 38H1194  | ADAPTER        | 1   |            |  |
| 15  | T77858   | O-RING         | 2   |            |  |
| 16  | AH132201 | HYDRAULIC HOSE | 1   |            | 13/16" X 980 MM (38-1/2") X 13/16",<br>(PRESSURE)  |
| 17  | H77698   | TIE BAND       | 1   |            |  |
| 18  | AH133949 | OIL LINE       | 1   |            |  |
| 19  | H120847  | CLAMP          | 2   |            |  |
| 20  | H121168  | PLATE          | 1   |            |  |
| 21  | 19M7873  | SCREW          | 1   |            | M8 X 110   |
| 22  | AH133948 | OIL LINE       | 1   |            |  |
| 23  | L3483N   | BUSHING        | 1   |            | USED W/O 4-WHEEL DRIVE                             |
| 24  | 14M7298  | FLANGE NUT     | 1   |            | M8   |
| 25  | 38H1006  | ELBOW FITTING  | 2   |            |  |
| 26  | AH140902 | CHECK VALVE    | 1   |            |  |
| 27  | 38H1162  | ADAPTER        | 1   |            |  |
| 28  | H137603  | SHIELD         | 1   |            |  |
| 29  | 19M7867  | SCREW          | 2   |            | M8 X 25  |
| 30  | 03M7186  | BOLT           | 1   |            | M8 X 30  |
|     | 14M7298  | FLANGE NUT     | 2   |            | M8   |
| 31  | H78340   | STRAP          | 1   |            |  |
| 32  | 14M7298  | FLANGE NUT     | 2   |            | M8   |
| 33  | H137602  | ARM            | 1   |            |  |
| 34  | H157247  | HUB            | 1   |            |  |

# 2H22

HYDRAULICS

## CHAFF SPREADER HOSES AND LINES (DUAL MOTOR)

HP9662 -UN-31MAR00



HP9662

# 2H23

HYDRAULICS

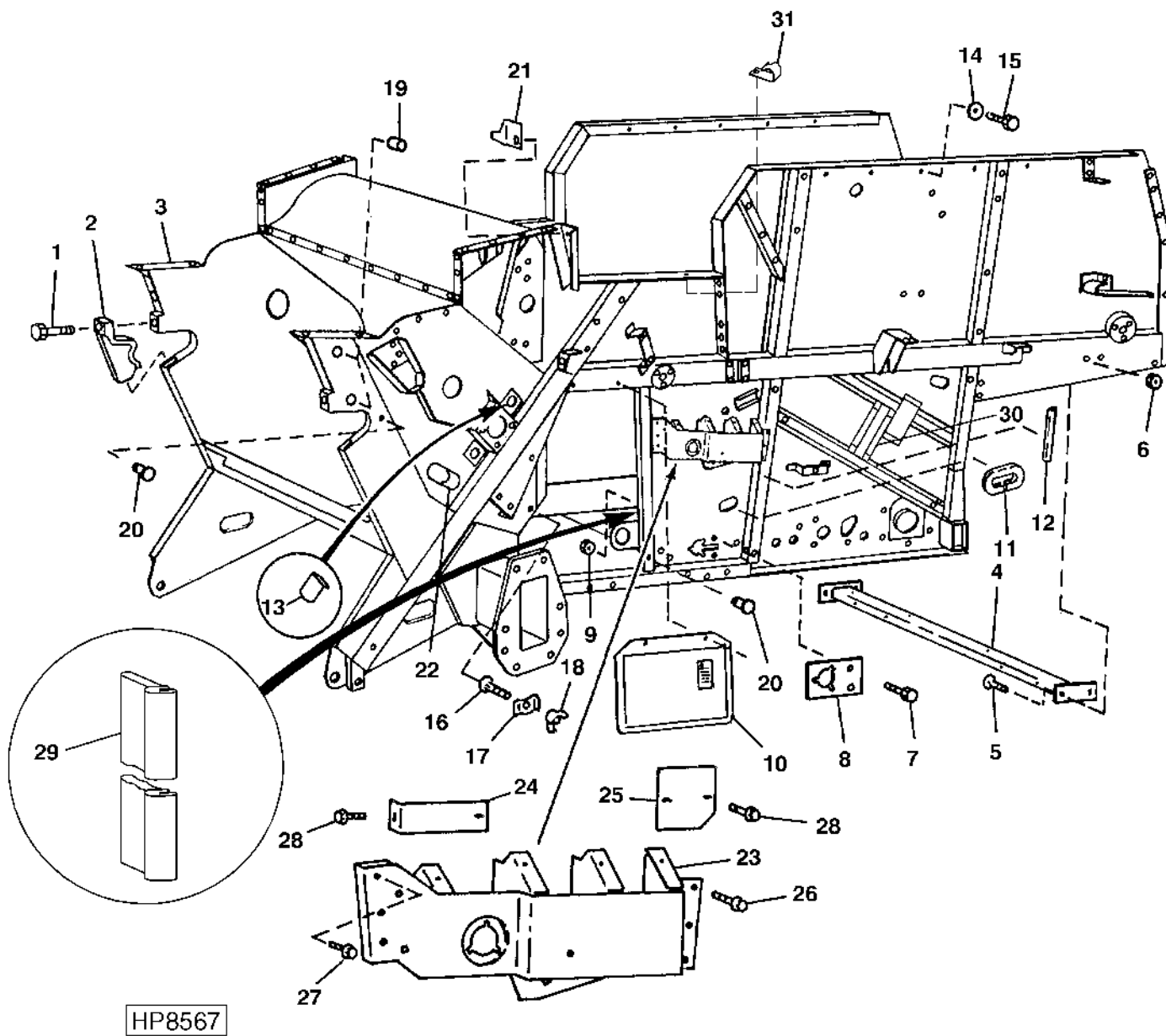
**CHAFF SPREADER HOSES AND LINES - CONTINUED**

| KEY | PART NO. | PART NAME                  | QTY | SERIAL NO. | REMARKS                             |
|-----|----------|----------------------------|-----|------------|-------------------------------------|
| 1   | AH133948 | OIL LINE                   | 1   |            | PRESSURE                            |
| 2   | AH133949 | OIL LINE                   | 1   |            | RETURN                              |
| 3   | 24M7051  | WASHER                     | 2   |            | 21 X 37 X 3 MM                      |
| 4   | T78716   | NUT                        | 2   |            |                                     |
| 5   | T77857   | O-RING                     | 2   |            |                                     |
| 6   | 19M7913  | SCREW                      | 1   |            | M8 X 90                             |
| 7   | H112567  | PLATE                      | 1   |            |                                     |
| 8   | H122772  | CLAMP                      | 2   |            |                                     |
| 9   | AH138718 | HYDRAULIC HOSE             | 2   |            | 3/4" X 2 800 MM (110-1/4") X 13/16" |
| 10  | R26906   | O-RING                     | 4   |            |                                     |
| 11  | 38H1162  | ADAPTER                    | 2   |            |                                     |
| 12  | T77932   | O-RING                     | 2   |            |                                     |
| 13  | T62843   | ADAPTER                    | 2   |            |                                     |
| 14  | R26375   | O-RING                     | 4   |            |                                     |
| 15  | AH75167  | HYD. QUICK-CONNECT COUPLER | 2   |            | (INCLUDES INTERNAL O-RING)          |
| 16  | AR94522  | INTERNAL HALF COUPLER      | 2   |            |                                     |
| 17  | AH137986 | OIL LINE                   | 1   |            |                                     |

MEMORANDA

MEMORANDA

**SEPARATOR FRAME**  
HP8567 -UN-13MAY99

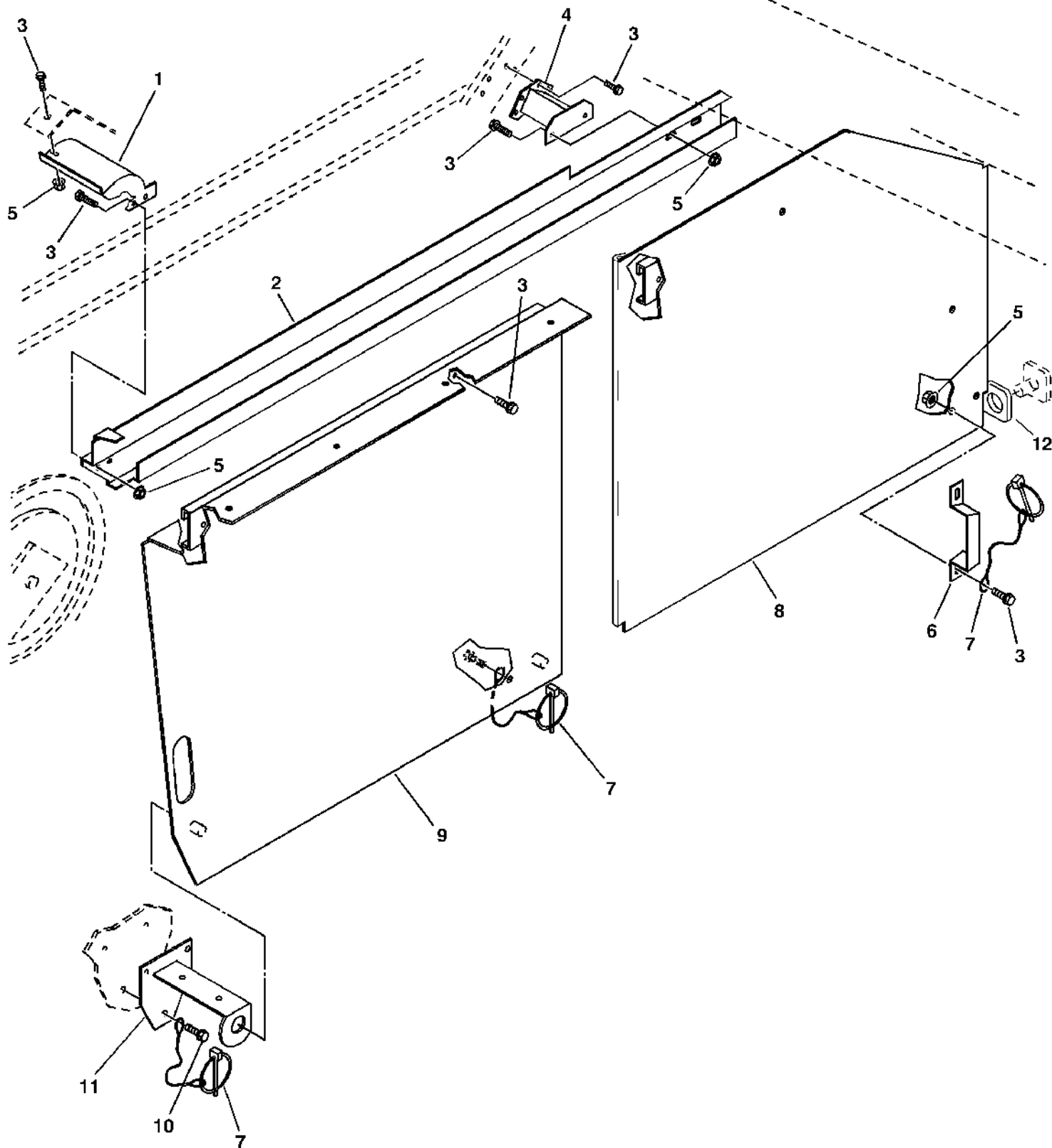


## SEPARATOR FRAME- CONTINUED

| KEY | PART NO. | PART NAME     | QTY | SERIAL NO.             | REMARKS                      |
|-----|----------|---------------|-----|------------------------|------------------------------|
| 1   | 19M7831  | SCREW         | 2   |                        |                              |
| 2   | H158749  | RETAINER      | 2   |                        |                              |
| 3   | .....    | FRAME         | 1   |                        |                              |
| 4   | AH132360 | CROSSBAR      | 2   |                        |                              |
| 5   | 19M7811  | SCREW         | 8   | M10 X 90               |                              |
| 6   | 14M7296  | FLANGE NUT    | 8   | M10                    |                              |
| 7   | 19M7865  | SCREW         | 2   | M8 X 16                |                              |
| 8   | H132539  | COVER         | 1   |                        |                              |
| 9   | 14M7298  | FLANGE NUT    | 2   | M8                     |                              |
| 10  | H171059  | COVER         | 2   |                        |                              |
| 11  | .....    | SEAL          | 2   |                        | (CUT FROM AH133091)          |
| 12  | .....    | SEAL          | 2   |                        | (CUT FROM AH133091)          |
| 13  | H89544   | DOOR          | 4   |                        |                              |
| 14  | 24M7178  | WASHER        | 10  | 10.500 X 30 X 2.500 MM |                              |
| 15  | 37M7080  | SCREW         | 10  | M10 X 30               |                              |
| 16  | 03M7185  | BOLT          | 4   | M8 X 25                |                              |
| 17  | P47159   | CLAMP         | 4   |                        |                              |
| 18  | 14M7020  | WING NUT      | 4   | M8                     |                              |
| 19  | H120379  | SPACER        | 4   |                        |                              |
| 20  | H132926  | PLUG          | 4   |                        |                              |
| 21  | H140866  | CLAMP         | 1   |                        |                              |
| 22  | H148000  | PLUG          | 1   |                        | (FOR CONVERSION TO RICE)     |
| 23  | AH165625 | BRACKET       | 1   |                        | L. H.                        |
|     | AH165624 | BRACKET       | 1   |                        | R.H.                         |
| 24  | H144715  | SHIELD        | 1   |                        | L. H.                        |
|     | H144716  | SHIELD        | 1   |                        | R.H.                         |
| 25  | H144717  | SHIELD        | 1   |                        | L.H.                         |
| 26  | 19M7785  | SCREW         | 2   | M10 X 25               |                              |
| 27  | 19M8292  | SCREW         | 3   | M10 X 50               |                              |
| 28  | 37M7089  | SCREW         | 2   | M6 X 12                |                              |
| 29  | .....    | SEAL          | 1   |                        | (180 MM) (CUT FROM AH133091) |
| 30  | H160265  | REINFORCEMENT | 2   |                        |                              |
| 31  | AH130222 | CLAMP         | 2   |                        |                              |

**LEFT SIDE FRONT SHIELD**

HP7403 -UN-11FEB98



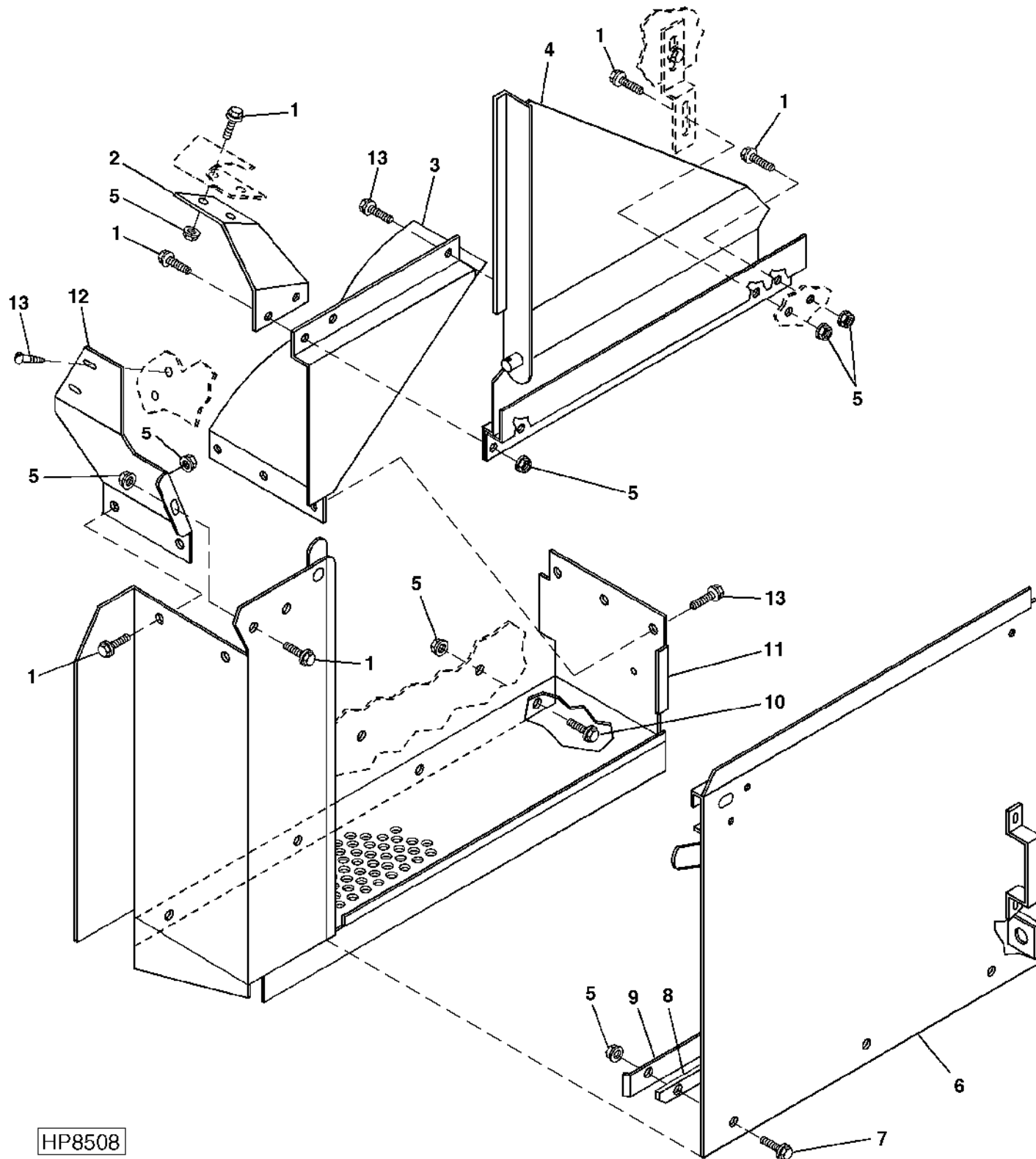
HP7403



## LEFT SIDE FRONT SHIELD - CONTINUED

| KEY | PART NO. | PART NAME      | QTY | SERIAL NO.      | REMARKS |
|-----|----------|----------------|-----|-----------------|---------|
| 1   | AH166873 | BRACKET        | 1   |                 |         |
| 2   | AH166872 | CHANNEL        | 1   |                 |         |
| 3   | 19M7865  | SCREW          | 10  | M8 X 16         |         |
| 4   | AH151339 | BRACKET        | 1   |                 |         |
| 5   | 14M7298  | FLANGE NUT     | 8   | M8              |         |
| 6   | H85184   | HANDLE         | 1   |                 |         |
| 7   | AH135290 | QUICK LOCK PIN | 3   |                 |         |
| 8   | AH158151 | SHIELD         | 1   | L.H. REAR UPPER |         |
| 9   | AH151340 | SHIELD         | 1   |                 |         |
| 10  | 37M7058  | SCREW          | 3   | M8 X 20         |         |
| 11  | AH151338 | BRACKET        | 1   |                 |         |
| 12  | H164508  | ANGLE          | 1   | SHIELD CLOSURE  |         |

**LEFT SIDE SHIELD ASSEMBLY**  
HP8508 -UN-21APR99



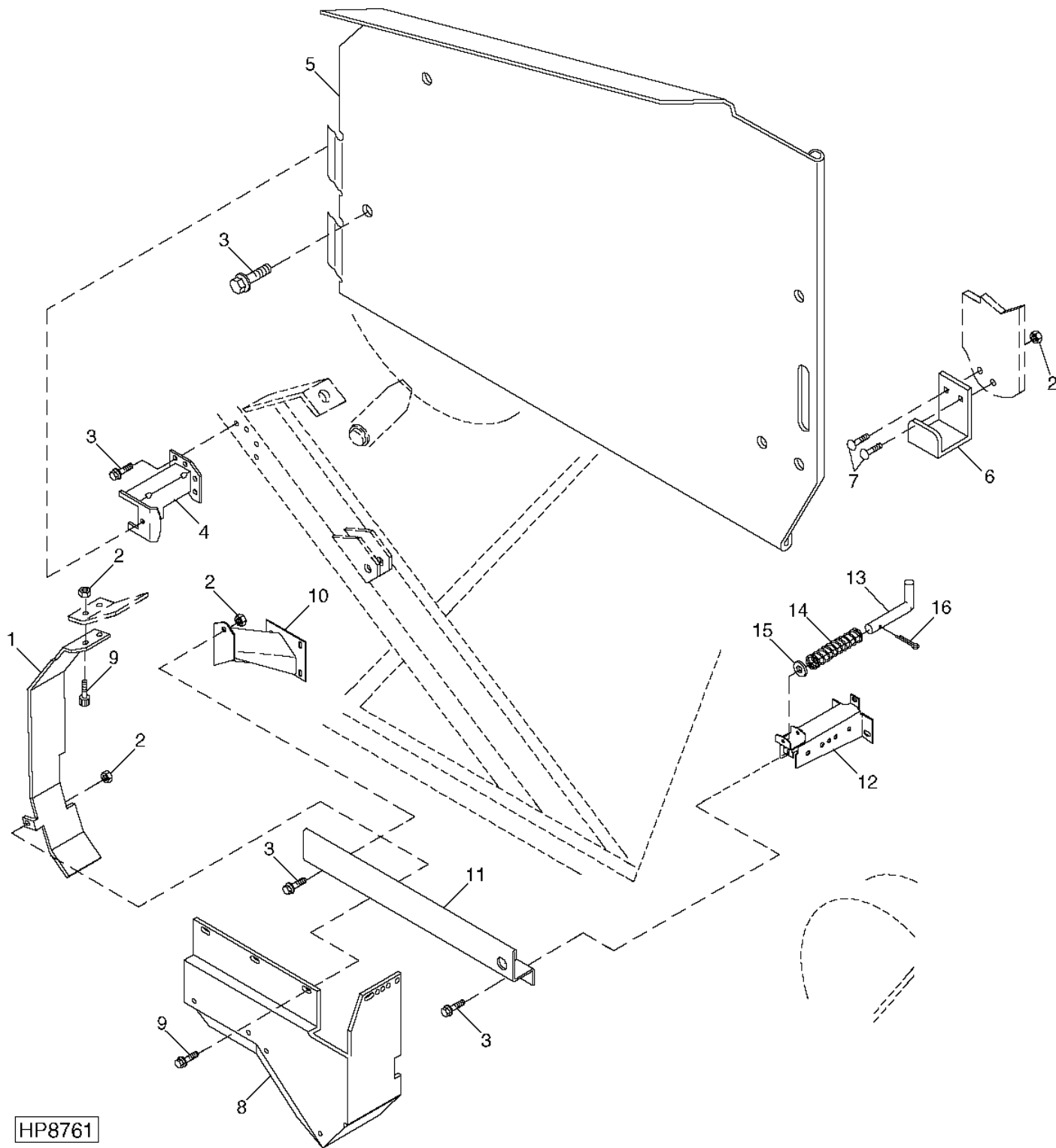
HP8508

## LEFT SIDE SHIELD ASSEMBLY - CONTINUED

| KEY | PART NO. | PART NAME  | QTY | SERIAL NO. | REMARKS  |
|-----|----------|------------|-----|------------|----------|
| 1   | 19M7865  | SCREW      | 9   |            |          |
| 2   | H158614  | BRACKET    | 1   |            |          |
| 3   | H158633  | SHIELD     | 1   |            |          |
| 4   | AH151347 | SUPPORT    | 1   |            |          |
| 5   | 14M7298  | FLANGE NUT | 17  |            | M8       |
| 6   | AH151342 | SHIELD     | 1   |            |          |
| 7   | 19M7866  | SCREW      | 3   |            | M8 X 20  |
| 8   | H160733  | STRIP      | 1   |            |          |
| 9   | H158627  | CHANNEL    | 1   |            |          |
| 10  | 37M7086  | SCREW      | 4   |            | M10 X 20 |
| 11  | AH151343 | SHIELD     | 1   |            |          |
| 12  | H158616  | SHIELD     | 1   |            |          |
| 13  | 37M7058  | SCREW      | 6   |            | M8 X 20  |

## RIGHT SIDE FRONT SHIELD ASSEMBLY

HP8761 -UN-08JUL99



HP8761

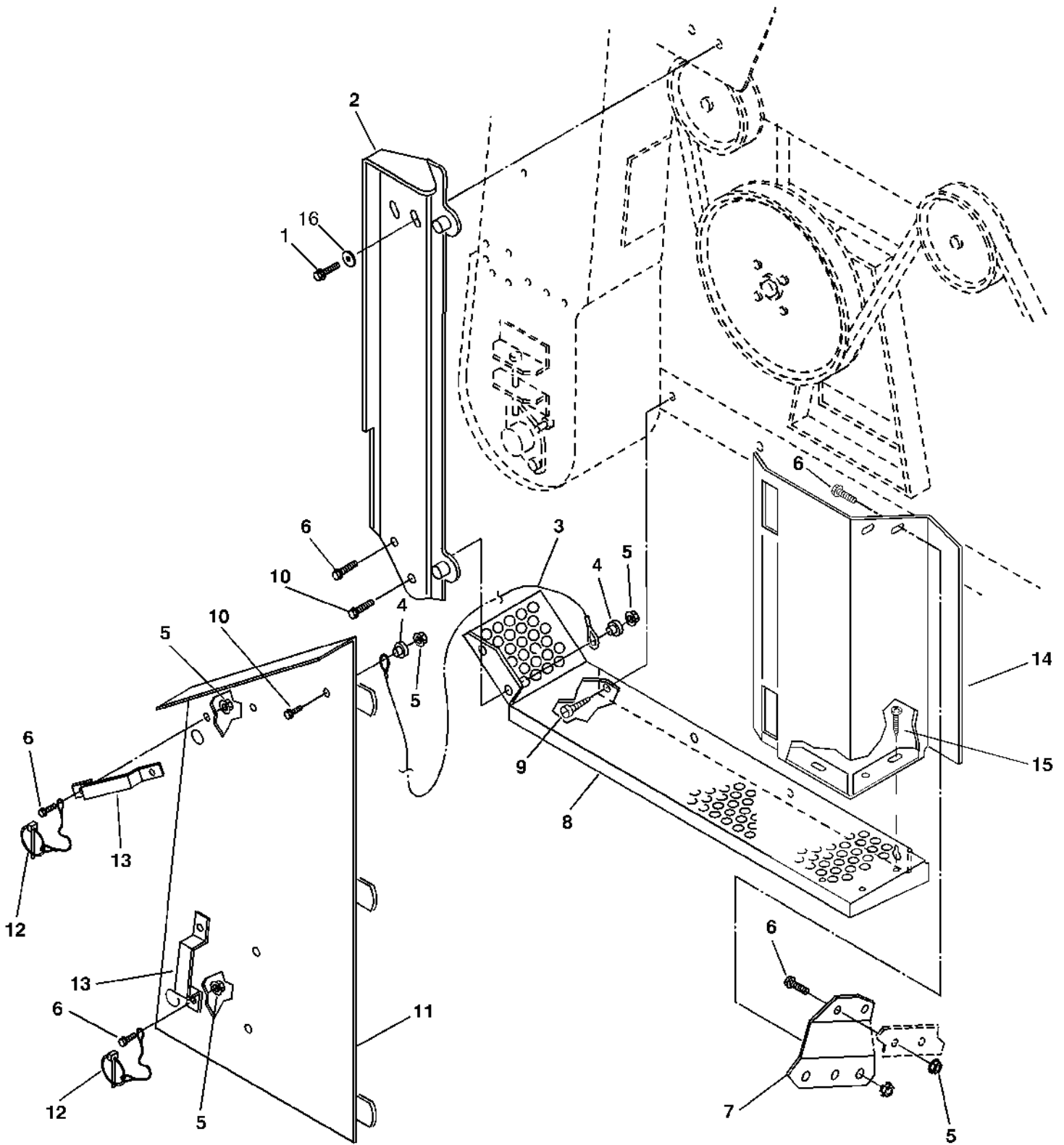
# 2110

BODY AND SHIELDS

## RIGHT SIDE FRONT SHIELD ASSEMBLY - CONTINUED

| KEY | PART NO. | PART NAME  | QTY | SERIAL NO.               | REMARKS |
|-----|----------|------------|-----|--------------------------|---------|
| 1   | H160978  | SHIELD     | 1   |                          |         |
| 2   | 14M7298  | FLANGE NUT | 8   | M8                       |         |
| 3   | 19M7865  | SCREW      | 12  | M8 X 16                  |         |
| 4   | AH151352 | BRACKET    | 1   |                          |         |
| 5   | AH151349 | SHIELD     | 1   |                          |         |
| 6   | H160187  | GUIDE      | 1   |                          |         |
| 7   | 03M7184  | BOLT       | 2   | M8 X 20                  |         |
| 8   | AH154567 | SHIELD     | 1   |                          |         |
| 9   | 19M7866  | SCREW      | 3   | M8 X 20                  |         |
| 10  | AH155669 | BRACKET    | 1   |                          |         |
| 11  | H152135  | GUIDE      | 1   |                          |         |
| 12  | AH136285 | BRACKET    | 1   |                          |         |
| 13  | H150746  | PIN        | 1   |                          |         |
| 14  | HZ5621H  | SPRING     | 1   |                          |         |
| 15  | 24H1305  | WASHER     | 1   | 13/32" X 13/16" X 0.065" |         |
| 16  | 11M1383  | COTTER PIN | 1   | 3.200 X 20 MM            |         |

**RIGHT SIDE SHIELD ASSEMBLY**  
HP9179 -UN-13OCT99



HP9179

# 2112

BODY AND SHIELDS

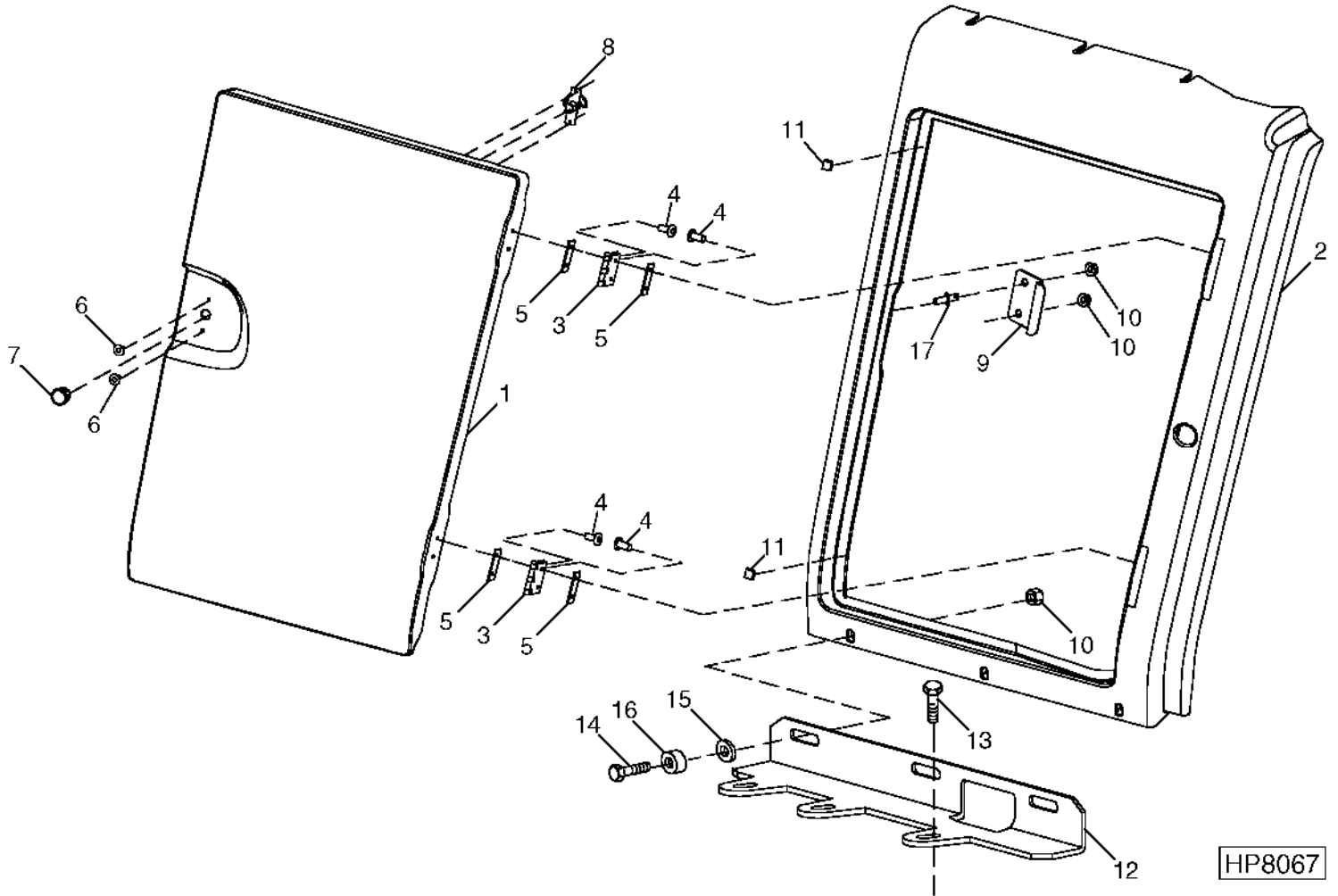
## RIGHT SIDE SHIELD ASSEMBLY - CONTINUED

| KEY | PART NO. | PART NAME      | QTY | SERIAL NO.        | REMARKS    |
|-----|----------|----------------|-----|-------------------|------------|
| 1   | 19M7866  | SCREW          | 2   |                   |            |
| 2   | AH151454 | SHIELD         | 1   |                   |            |
| 3   | AH151353 | CABLE          | 1   |                   |            |
| 4   | M93425   | SPACER         | 2   |                   |            |
| 5   | 14M7298  | FLANGE NUT     | 5   | M8                |            |
| 6   | 19M7865  | SCREW          | 7   | M8 X 16           |            |
| 7   | H158646  | SHIELD         | 1   |                   |            |
| 8   | AH159061 | SHIELD         | 1   |                   | R.H. LOWER |
| 9   | 37M7086  | SCREW          | 4   | M10 X 20          |            |
| 10  | 19M7868  | SCREW          | 1   | M8 X 30           |            |
| 11  | AH151455 | SHIELD         | 1   |                   |            |
| 12  | AH135290 | QUICK LOCK PIN | 2   |                   |            |
| 13  | H85184   | HANDLE         | 2   |                   |            |
| 14  | H165320  | SHIELD         | 1   |                   | R.H.       |
| 15  | 37M7058  | SCREW          | 3   | M8 X 20           |            |
| 16  | 24M7207  | WASHER         | 2   | 8.400 X 24 X 2 MM |            |

# 2113

## LEFT FRONT PANEL AND DOOR

HP8067 -UN-27JUL99



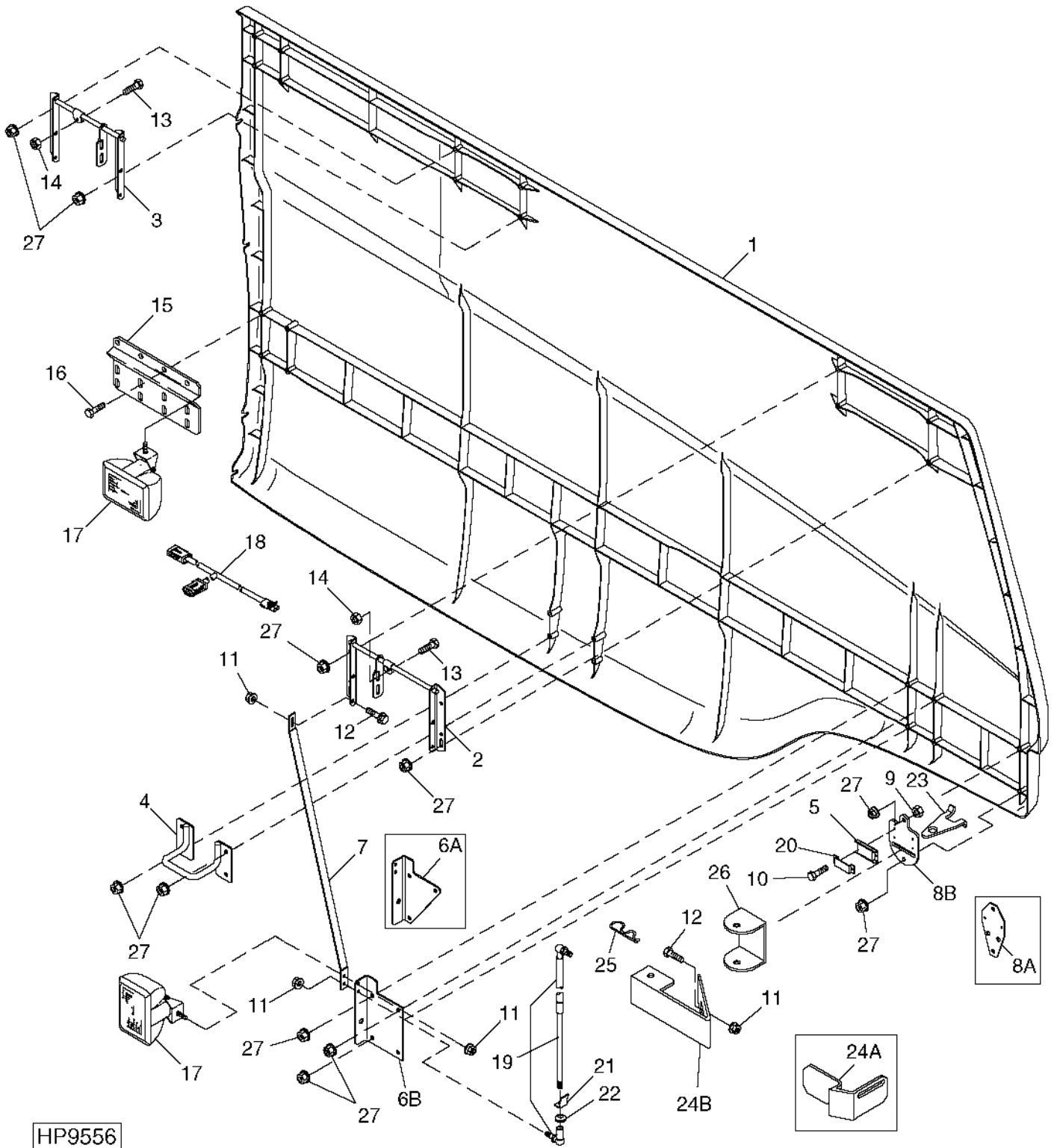


## LEFT FRONT PANEL AND DOOR - CONTINUED

| KEY | PART NO. | PART NAME | QTY | SERIAL NO. | REMARKS                |
|-----|----------|-----------|-----|------------|------------------------|
| 1   | AH151787 | PANEL     | 1   |            |                        |
| 2   | AH151786 | PANEL     | 1   |            | (INCLUDES (2) H170272) |
| 3   | AH166538 | HINGE     | 2   |            |                        |
| 4   | H172258  | RIVET     | 8   |            |                        |
| 5   | H161171  | STRAP     | 4   |            |                        |
| 6   | H161297  | RIVET     | 2   |            |                        |
| 7   | H121391  | KNOB      | 1   |            |                        |
| 8   | AH125644 | LATCH     | 1   |            |                        |
| 9   | H164572  | BRACKET   | 1   |            |                        |
| 10  | 14M7396  | LOCK NUT  | 5   |            | M8                     |
| 11  | N206575  | ISOLATOR  | 2   |            |                        |
| 12  | H159280  | BRACKET   | 1   |            |                        |
| 13  | 37M7058  | SCREW     | 3   |            | M8 X 20                |
| 14  | 19M7798  | SCREW     | 3   |            | M8 X 40                |
| 15  | T25122   | WASHER    | 3   |            |                        |
| 16  | 24M7207  | WASHER    | 3   |            |                        |
| 17  | H170272  | STUD      | 2   |            |                        |

# 2115

GULLWING DOOR (L.H.)  
HP9556 -UN-14FEB00



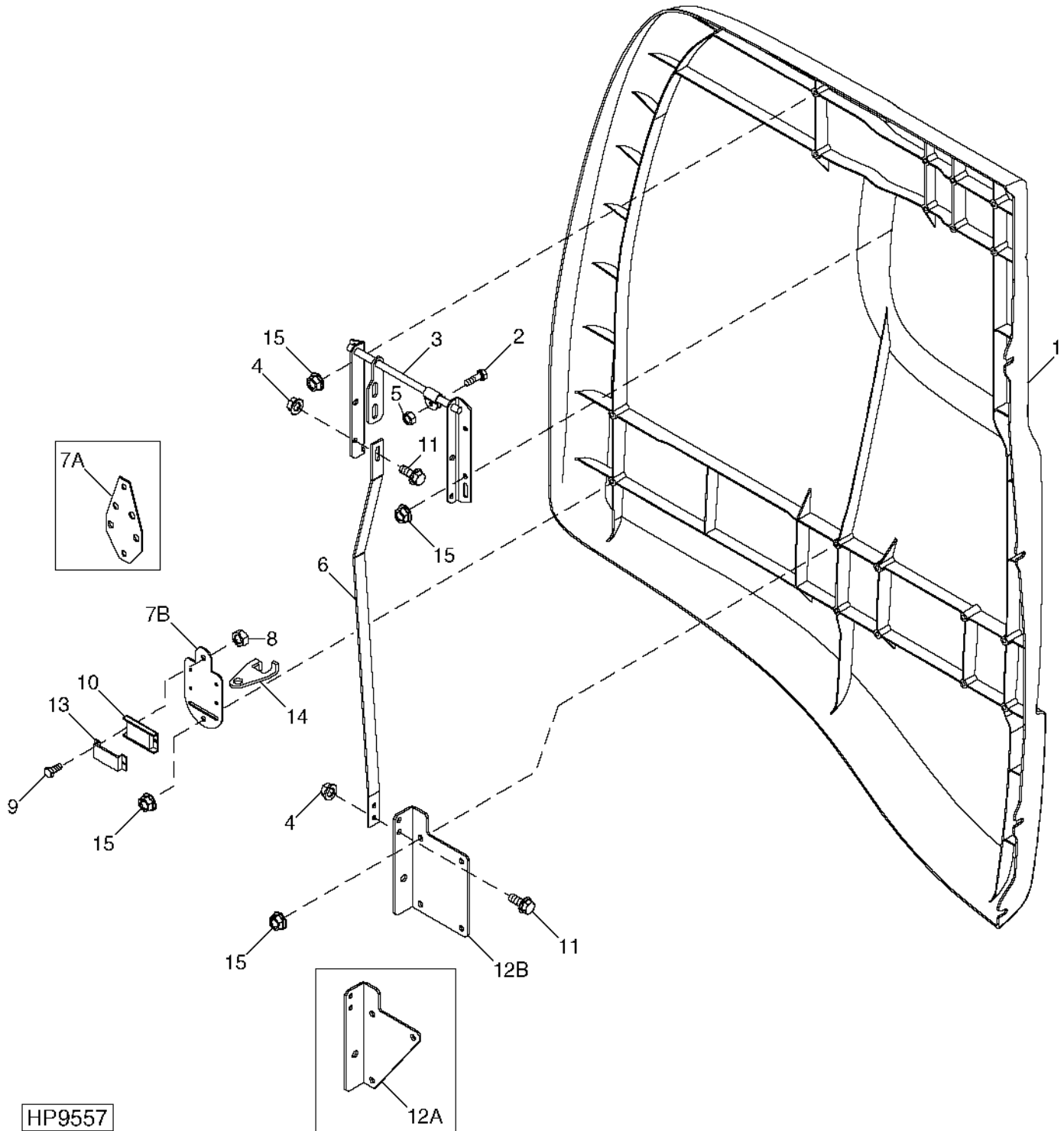
# 2116

BODY AND SHIELDS

**GULLWING DOOR (L.H.) - CONTINUED**

| KEY | PART NO.       | PART NAME                          | QTY | SERIAL NO. | REMARKS                          |
|-----|----------------|------------------------------------|-----|------------|----------------------------------|
| 1   | AH151780       | DOOR                               | 1   |            | LEFT                             |
| 2   | AH157617       | HINGE                              | 1   |            |                                  |
| 3   | AH157618       | HINGE                              | 1   |            |                                  |
| 4   | AH163305       | HANDLE                             | 1   |            |                                  |
| 5   | AM102170       | MAGNET                             | 2   |            |                                  |
| 6A  | H165444        | BRACKET                            | 1   |            | (SUB H173460)                    |
| 6B  | H173460        | BRACKET                            | 1   |            |                                  |
| 7   | H168726        | STRAP                              | 1   |            |                                  |
| 8A  | H171963        | PLATE                              | 1   |            | (SUB H173742)                    |
| 8B  | H173742        | PLATE                              | 1   |            |                                  |
| 9   | 14M7139        | NUT                                | 2   |            | M4                               |
| 10  | 19M7598        | CAP SCREW                          | 2   |            | M4 X 10                          |
| 11  | 14M7298        | FLANGE NUT                         | AR  |            | M8                               |
| 12  | 19M7866        | SCREW                              | AR  |            | M8 X 20                          |
| 13  | 19M7077        | CAP SCREW                          | 2   |            | M6 X 20                          |
| 14  | 14M7272        | NUT                                | 2   |            | M6                               |
| 15  | H159083        | BRACKET                            | 2   |            |                                  |
| 16  | 19M7867        | SCREW                              | 4   |            | M8 X 25                          |
| 17  | AH163668       | LAMP                               | 2   |            | (SUB AH168385)                   |
|     | AH168385       | LAMP                               | 2   |            |                                  |
|     | AH166909       | BULB                               | 1   |            |                                  |
| 18  | AH154911       | WIRING HARNESS                     | 1   |            | L.H., SERVICE LIGHT              |
| 19  | AH128597       | GAS OPERATED CYLINDER              | 1   |            |                                  |
| 20  | M91405         | SHIELD                             | 2   |            |                                  |
| 21  | H135965        | STOP                               | 1   |            |                                  |
| 22  | M68701         | GROMMET                            | 1   |            |                                  |
| 23  | H173743        | BRACKET                            | 1   |            |                                  |
| 24A | H167728        | BRACKET                            | 1   |            | (SUB H173784)                    |
| 24B | H173784        | HINGE                              | 1   |            |                                  |
| 25  | J16931         | SPRING LOCKING PIN                 | 1   |            |                                  |
| 26  | H173257        | BRACKET                            | 1   |            |                                  |
| 27  | 14M7396        | LOCK NUT                           | AR  |            | M8                               |
| ..  | <b>BH81522</b> | <b>COMPLETE GOODS/SHIP. BUNDLE</b> | 1   |            | <b>SERVICE LIGHTS CONVERSION</b> |

**LEFT REAR GULLWING DOOR**  
HP9557 -UN-14FEB00

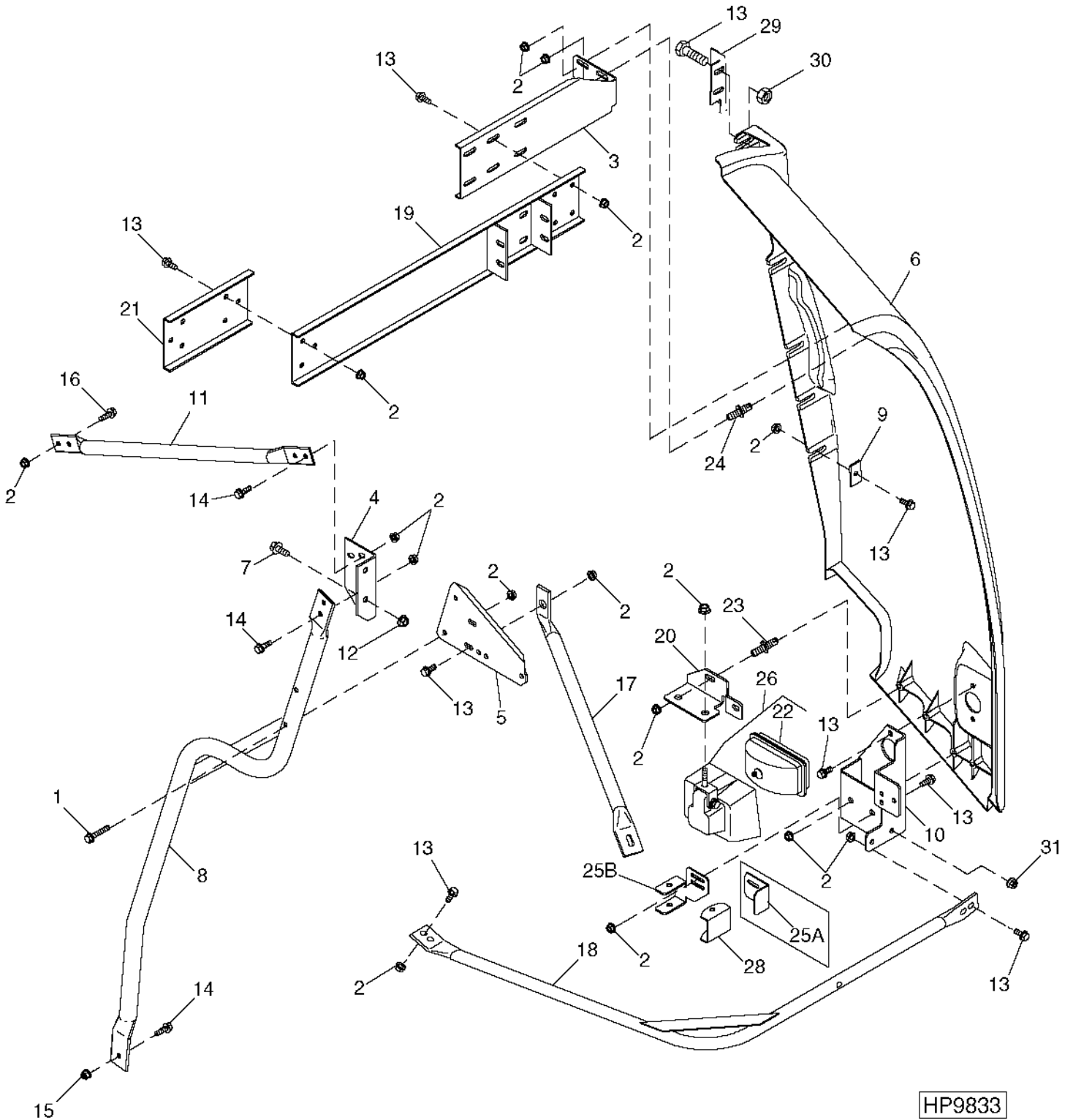


## LEFT REAR GULLWING DOOR - CONTINUED

| KEY | PART NO. | PART NAME  | QTY | SERIAL NO.    | REMARKS |
|-----|----------|------------|-----|---------------|---------|
| 1   | AH151785 | PANEL      | 1   |               |         |
| 2   | 19M7077  | CAP SCREW  | 1   | M6 X 20       |         |
| 3   | AH159937 | HINGE      | 1   |               |         |
| 4   | 14M7298  | FLANGE NUT | AR  | M8            |         |
| 5   | 14M7272  | NUT        | 1   | M6            |         |
| 6   | H168809  | STRAP      | 1   |               |         |
| 7A  | H171963  | PLATE      | 1   | (SUB H173742) |         |
| 7B  | H173742  | PLATE      | 1   |               |         |
| 8   | 14M7139  | NUT        | 4   | M4            |         |
| 9   | 19M7598  | CAP SCREW  | 4   | M4 X 10       |         |
| 10  | AM102170 | MAGNET     | 2   |               |         |
| 11  | 19M7866  | SCREW      | 2   | M8 X 20       |         |
| 12A | H165444  | BRACKET    | 1   | (SUB H173460) |         |
| 12B | H173460  | BRACKET    | 1   |               |         |
| 13  | M91405   | SHIELD     | 2   |               |         |
| 14  | H173743  | BRACKET    | 1   |               |         |
| 15  | 14M7396  | LOCK NUT   | AR  | M8            |         |

## LEFT REAR CORNER PANEL AND REAR LAMP ASSEMBLY

HP9833 -UN-14JUN00

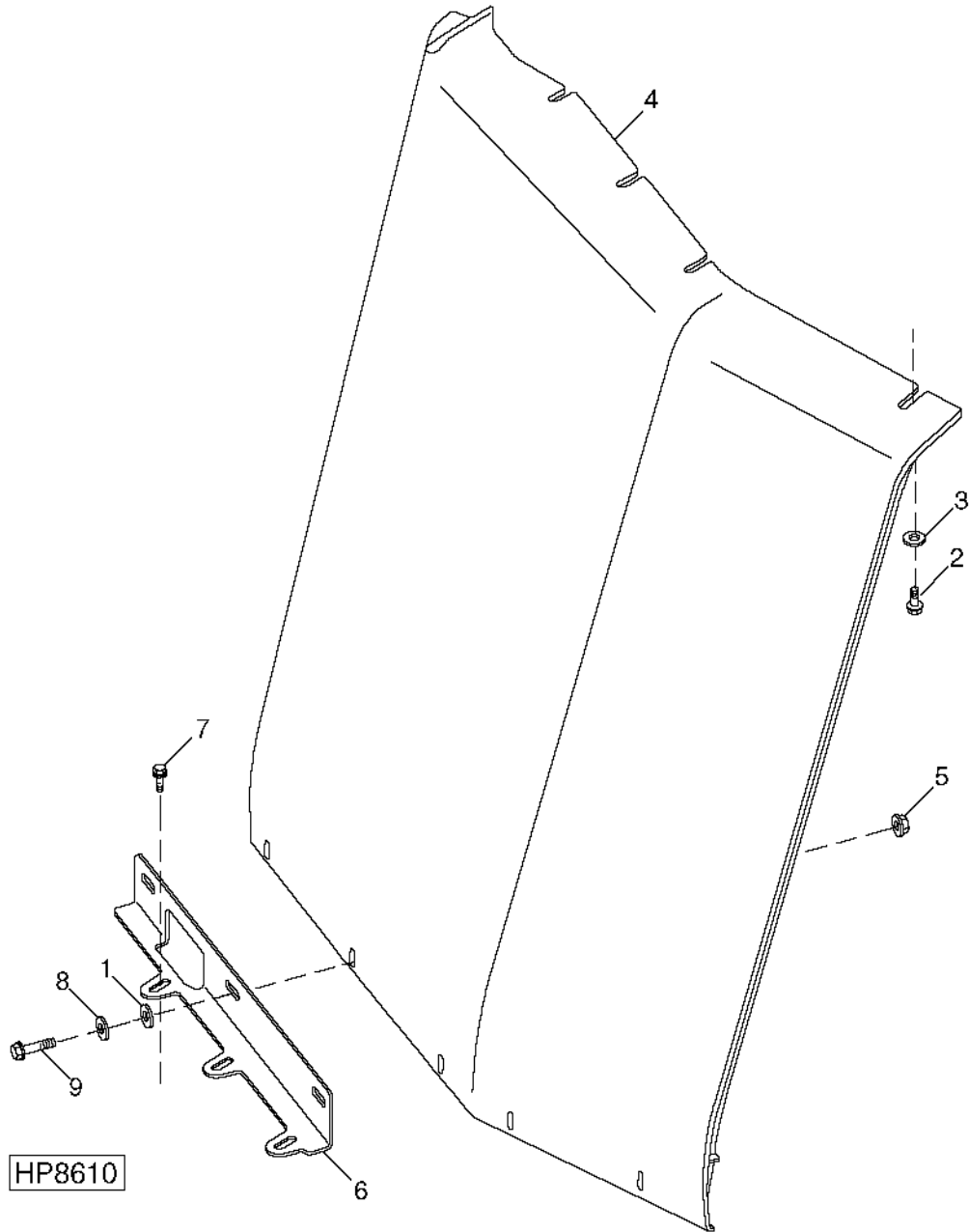


HP9833

## LEFT REAR CORNER PANEL AND REAR LAMP ASSEMBLY - CONTINUED

| KEY | PART NO. | PART NAME          | QTY | SERIAL NO. | REMARKS                                |
|-----|----------|--------------------|-----|------------|--|
| 1   | 19M8318  | SCREW              | 2   |            |  |
| 2   | 14M7298  | FLANGE NUT         | AR  |            | M8 X 45                                |
| 3   | H165155  | BRACKET            | 1   |            | M8                                     |
| 4   | H131543  | BRACKET            | 2   |            |  |
| 5   | H172742  | BRACKET            | 1   |            |  |
| 6   | AH151784 | PANEL              | 1   |            | (INCLUDES (2) H169900 AND (5) H170272) |
| 7   | 19M7785  | SCREW              | 2   |            | M10 X 25                               |
| 8   | AH126564 | BRACE              | 1   |            |  |
| 9   | H137534  | STRAP              | 4   |            |  |
| 10  | AH168476 | BRACKET            | 1   |            | (SUB FOR AH164136)                     |
| 11  | H132948  | BRACE              | 1   |            |  |
| 12  | 14M7296  | FLANGE NUT         | 2   |            | M10                                    |
| 13  | 19M7866  | SCREW              | AR  |            | M8 X 20                                |
| 14  | 19M7867  | SCREW              | 5   |            | M8 X 25                                |
| 15  | 14M7396  | LOCK NUT           | 1   |            | M8                                     |
| 16  | 19M7868  | SCREW              | 2   |            | M8 X 30                                |
| 17  | H165700  | TUBE               | 1   |            |  |
| 18  | AH166463 | TUBE               | 1   |            |  |
| 19  | AH160714 | CHANNEL            | 1   |            |  |
| 20  | H172205  | BRACKET            | 1   |            | L.H. REAR DISCHARGE LIGHT              |
| 21  | H132008  | CHANNEL            | 1   |            |  |
| 22  | AH165877 | BULB               | 1   |            |  |
| 23  | H169900  | STUD               | 2   |            |  |
| 24  | H170272  | STUD               | 4   |            |  |
| 25A | H170484  | BRACKET            | 1   |            | (SUB H173258) DOOR STOP                |
| 25B | H173258  | BRACKET            | 1   |            |  |
| 26  | AH158038 | FLOODLAMP          | 1   |            |  |
| 27  | J16931   | SPRING LOCKING PIN | 1   |            |  |
| 28  | H173257  | BRACKET            | 1   |            |  |
| 29  | H174047  | ANGLE              | 1   |            |  |
| 30  | 14M7298  | FLANGE NUT         | 3   |            |  |
| 31  | 14M7296  | FLANGE NUT         | 2   |            | M10                                    |

**RIGHT FRONT PANEL**  
HP8610 -UN-02JUN99

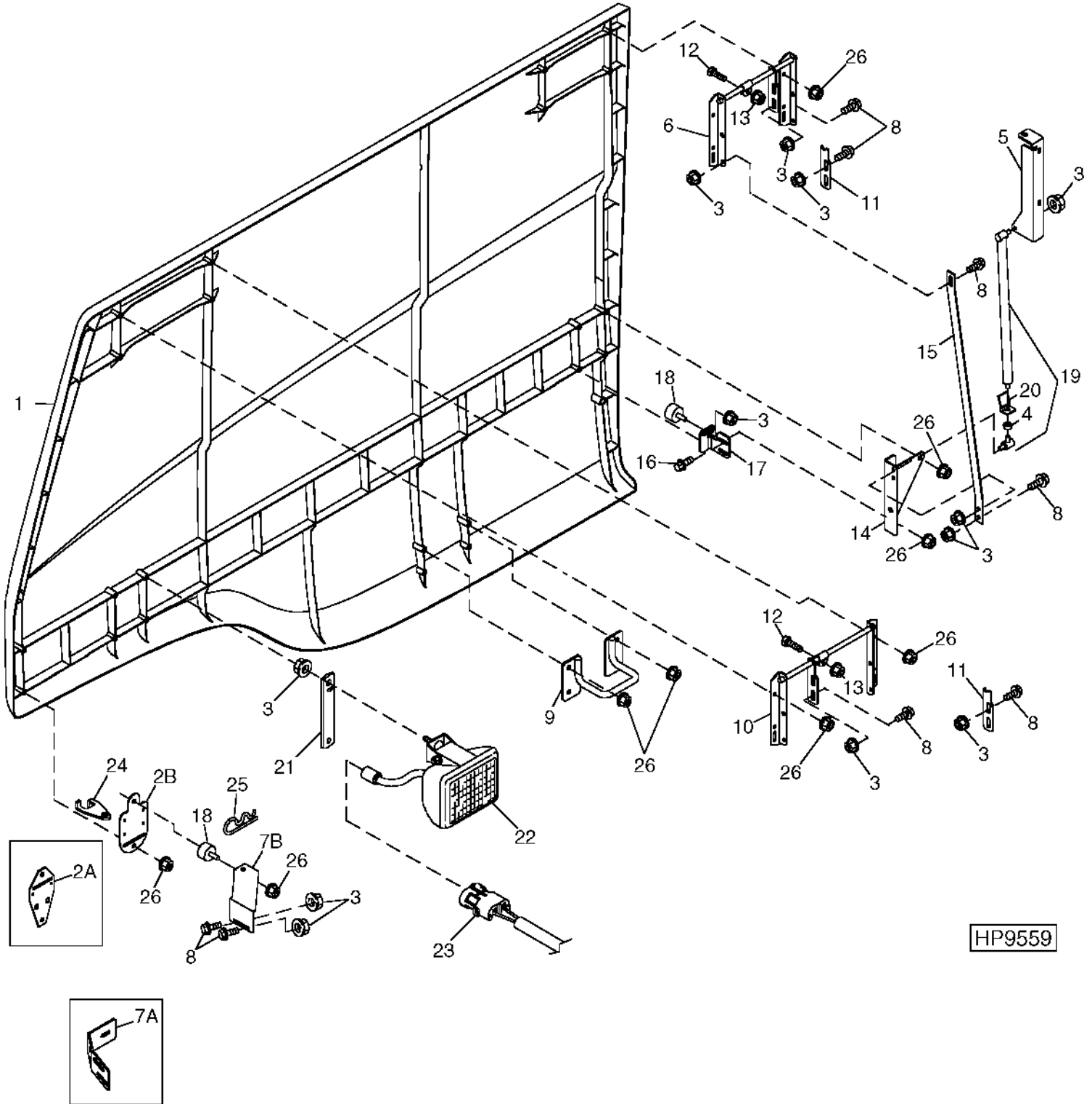




## RIGHT FRONT PANEL - CONTINUED

| KEY | PART NO. | PART NAME  | QTY | SERIAL NO. | REMARKS                   |
|-----|----------|------------|-----|------------|---------------------------|
| 1   | T25122   | WASHER     | 3   |            | 8.4 X 24 X 2 MM           |
| 2   | 19M7866  | SCREW      | 3   |            | M8 X 20                   |
| 3   | 24H1291  | WASHER     | 3   |            | 8.331 X 37.313 X 2.769 MM |
| 4   | AH151789 | PANEL      | 1   |            | WIDE                      |
| 5   | 14M7298  | FLANGE NUT | 4   |            | M8                        |
| 6   | H159281  | BRACKET    | 1   |            |                           |
| 7   | 37M7058  | SCREW      | 3   |            | M8 X 20                   |
| 8   | 24M7207  | WASHER     | 3   |            | 8.400 X 24 X 2 MM         |
| 9   | 19M7798  | SCREW      | 3   |            | M8 X 40                   |

GULLWING DOOR (R.H.)  
HP9559 -UN-14FEB00



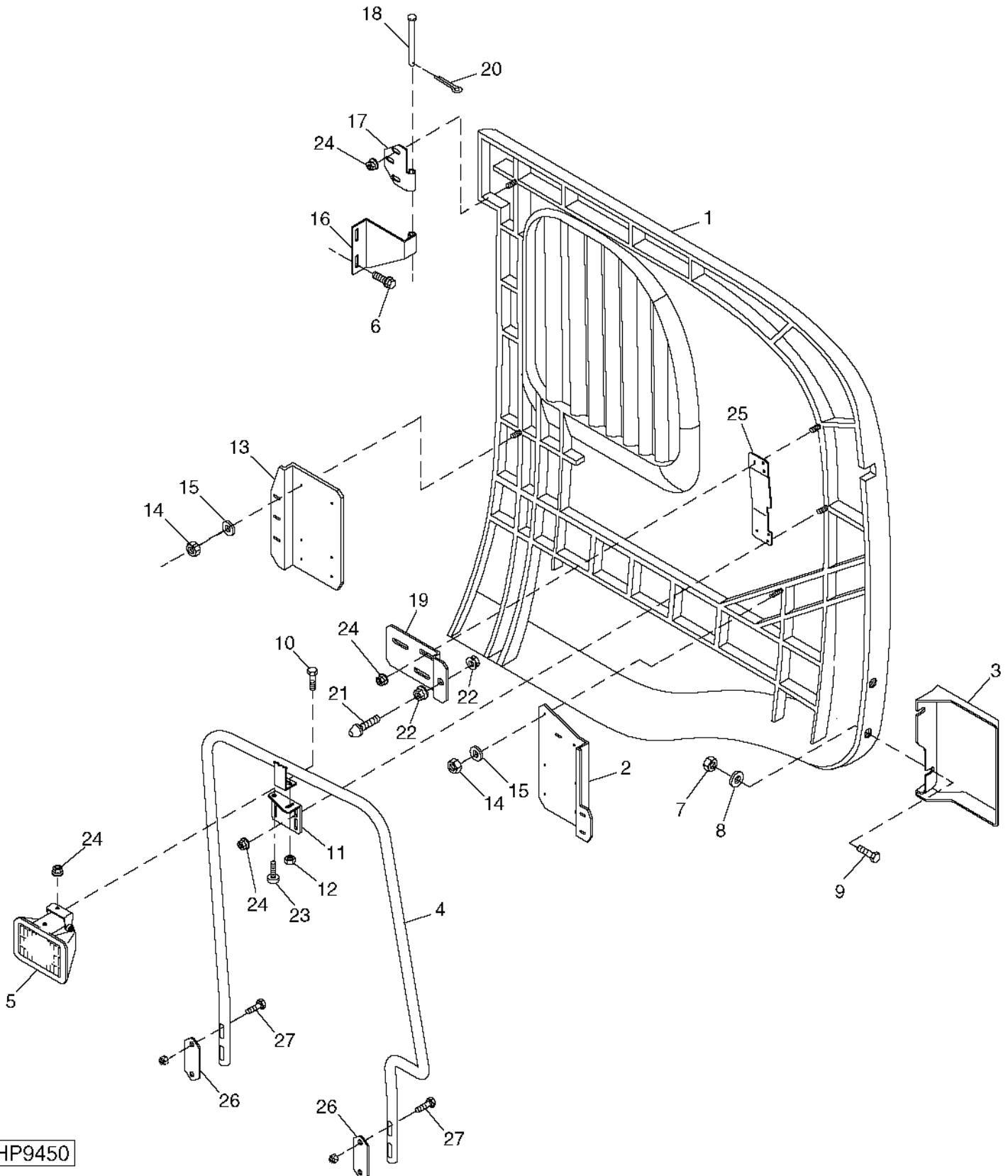
HP9559

## GULLWING DOOR (R.H.) - CONTINUED

| KEY | PART NO. | PART NAME          | QTY | SERIAL NO. | REMARKS                      |
|-----|----------|--------------------|-----|------------|------------------------------|
| 1   | AH151779 | DOOR               | 1   |            |                              |
| 2A  | H171963  | PLATE              | 1   |            | RIGHT                        |
| 2B  | H173742  | PLATE              | 1   |            | (SUB H173742)                |
| 3   | 14M7298  | FLANGE NUT         | AR  |            | M8                           |
| 4   | M68701   | GROMMET            | 1   |            |                              |
| 5   | H168811  | BRACKET            | 1   |            |                              |
| 6   | AH157618 | HINGE              | 1   |            |                              |
| 7A  | H167686  | BRACKET            | 1   |            | (SUB H174283)                |
| 7B  | H174283  | BRACKET            | 1   |            |                              |
| 8   | 19M7866  | SCREW              | 12  |            | M8 X 20                      |
| 9   | AH163305 | HANDLE             | 1   |            |                              |
| 10  | AH157617 | HINGE              | 1   |            |                              |
| 11  | H159011  | PLATE              | 2   |            |                              |
| 12  | 19M7077  | CAP SCREW          | 2   |            | M6 X 20                      |
| 13  | 14M7272  | NUT                | 2   |            | M6                           |
| 14  | H165444  | BRACKET            | 1   |            |                              |
| 15  | H168812  | STRAP              | 1   |            |                              |
| 16  | 37M7058  | SCREW              | 2   |            |                              |
| 17  | H167830  | BRACKET            | 1   |            |                              |
| 18  | AH154566 | BUMPER             | 2   |            |                              |
| 19  | AH161391 | SPRING ASSEMBLY    | 1   |            |                              |
| 20  | H135965  | STOP               | 1   |            |                              |
| 21  | H169896  | BRACKET            | 1   |            |                              |
| 22  | AH163668 | LAMP               | 1   |            | (SUB AH168385) SERVICE LIGHT |
|     | AH168385 | LAMP               | 1   |            |                              |
|     | AH166909 | BULB               | 1   |            |                              |
| 23  | AH154912 | WIRING HARNESS     | 1   |            | R.H., SERVICE LIGHT          |
| 24  | H173743  | BRACKET            | 1   |            |                              |
| 25  | J16931   | SPRING LOCKING PIN | 1   |            |                              |
| 26  | 14M7396  | LOCK NUT           | AR  |            | M8                           |

# 2J1

RADIATOR DOOR  
HP9450 -UN-22DEC99



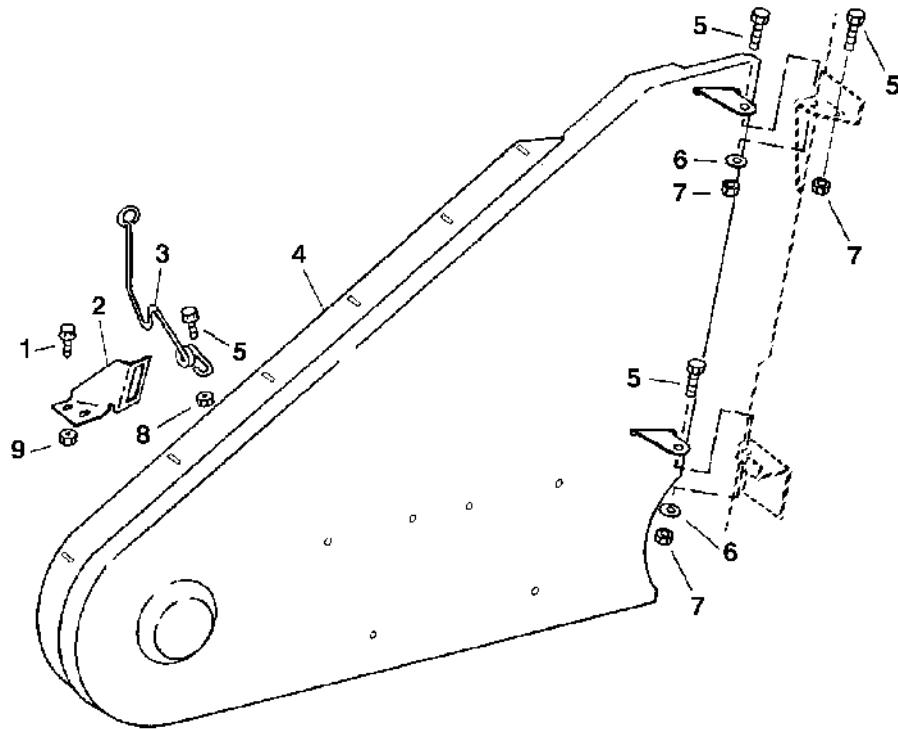
HP9450

## RADIATOR DOOR - CONTINUED

| KEY | PART NO. | PART NAME  | QTY | SERIAL NO. | REMARKS              |
|-----|----------|------------|-----|------------|----------------------|
| 1   | AH151781 | DOOR       | 1   |            | RADIATOR             |
| 2   | H159304  | BRACKET    | 1   |            |                      |
| 3   | AH160443 | PANEL      | 1   |            |                      |
| 4   | AH157036 | HANDRAIL   | 1   |            |                      |
| 5   | AH163668 | LAMP       | 1   |            | (SUB AH168385)       |
|     | AH168385 | LAMP       | 1   |            |                      |
|     | AH166909 | BULB       | 1   |            |                      |
| 6   | 19M7784  | SCREW      | 2   |            | M10 X 20             |
| 7   | 14M7296  | FLANGE NUT | AR  |            | M10                  |
| 8   | 24M7207  | WASHER     | AR  |            |                      |
| 9   | 19M7866  | SCREW      | AR  |            | M8 X 20              |
| 10  | 03M7091  | BOLT       | AR  |            | M6 X 40              |
| 11  | H170577  | ANGLE      | 1   |            |                      |
| 12  | 14M7272  | NUT        | AR  |            | M6                   |
| 13  | H159305  | BRACKET    | 1   |            | RADIATOR DOOR, FRONT |
| 14  | H141123  | NUT        | AR  |            | 10 MM                |
| 15  | 24M7207  | WASHER     | AR  |            |                      |
| 16  | H172308  | PLATE      | 1   |            |                      |
| 17  | H172309  | HINGE      | 1   |            |                      |
| 18  | 45M7048  | PIN        | 1   |            | HINGE                |
| 19  | H170578  | ANGLE      | 1   |            |                      |
| 20  | 11M7059  | COTTER PIN | 1   |            |                      |
| 21  | H133042  | PIN        | 1   |            |                      |
| 22  | 14M7299  | FLANGE NUT | 2   |            | M12                  |
| 23  | 19M7785  | SCREW      | 1   |            |                      |
| 24  | 14M7296  | FLANGE NUT | AR  |            | M10                  |
| 25  | H174129  | PLATE      | 1   |            |                      |
| 26  | H173723  | STRAP      | 2   |            |                      |
| 27  | 19M7805  | SCREW      | 4   |            | M10 X 45             |

MEMORANDA

**DRIVE SHIELD (R.H. REAR)**  
HP8824 -UN-14JUL99

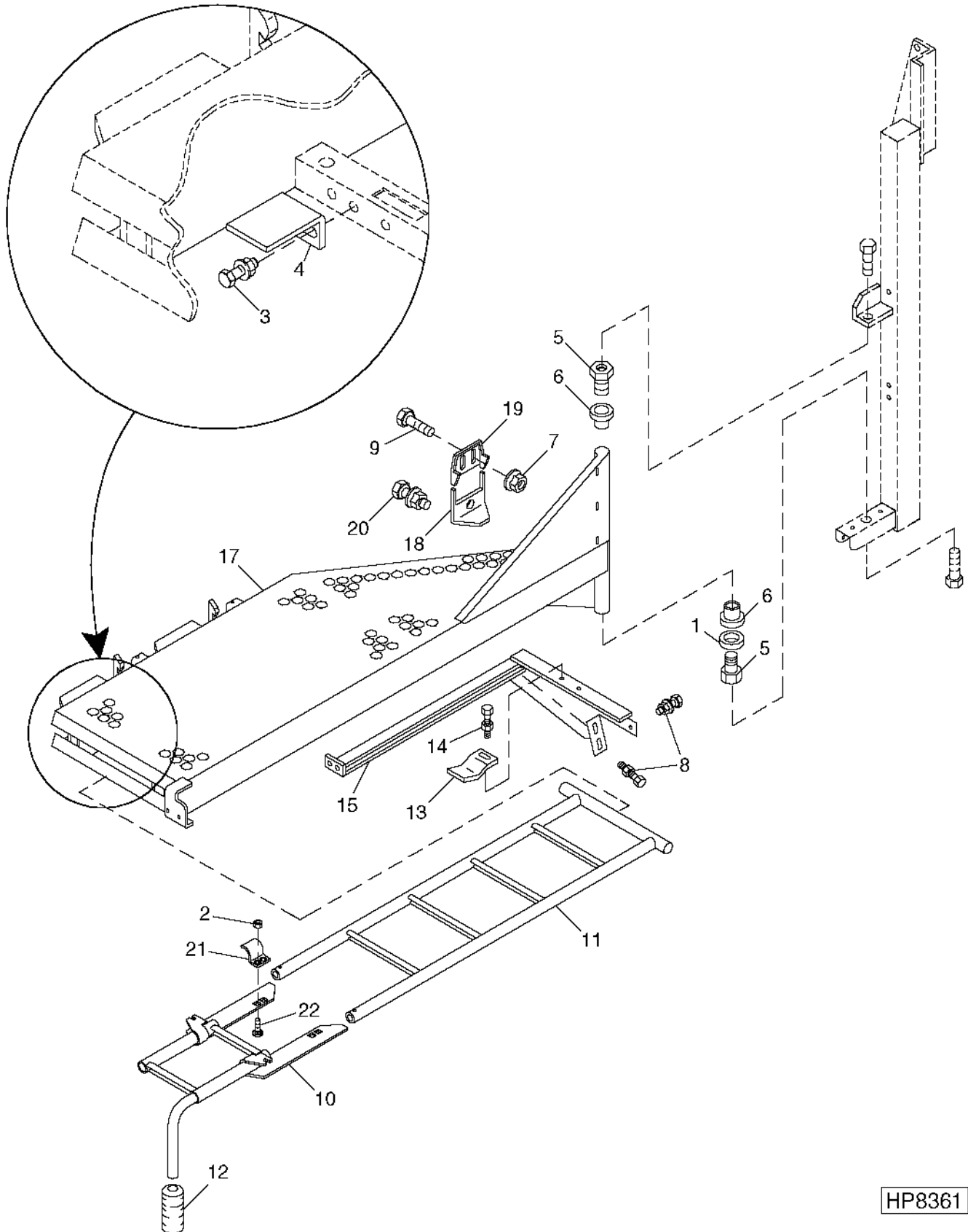


HP8824

| KEY | PART NO. | PART NAME  | QTY | SERIAL NO.         | REMARKS |
|-----|----------|------------|-----|--------------------|---------|
| 1   | 19M7866  | SCREW      | 2   | M8 X 20            |         |
| 2   | H141813  | BRACKET    | 1   |                    |         |
| 3   | H130930  | SPRING     | 1   |                    |         |
| 4   | AH150239 | SHIELD     | 1   |                    |         |
| 5   | 19M7785  | SCREW      | 3   | M10 X 25           |         |
| 6   | 24M7028  | WASHER     | 2   | 10.500 X 20 X 2 MM |         |
| 7   | 14M7400  | LOCK NUT   | 1   | M10                |         |
| 8   | 14M7296  | FLANGE NUT | 1   | M10                |         |
| 9   | 14M7298  | FLANGE NUT | 2   | M8                 |         |

# 2J4

REAR LANDING AND LADDER  
HP8361 -UN-19JUL99



HP8361



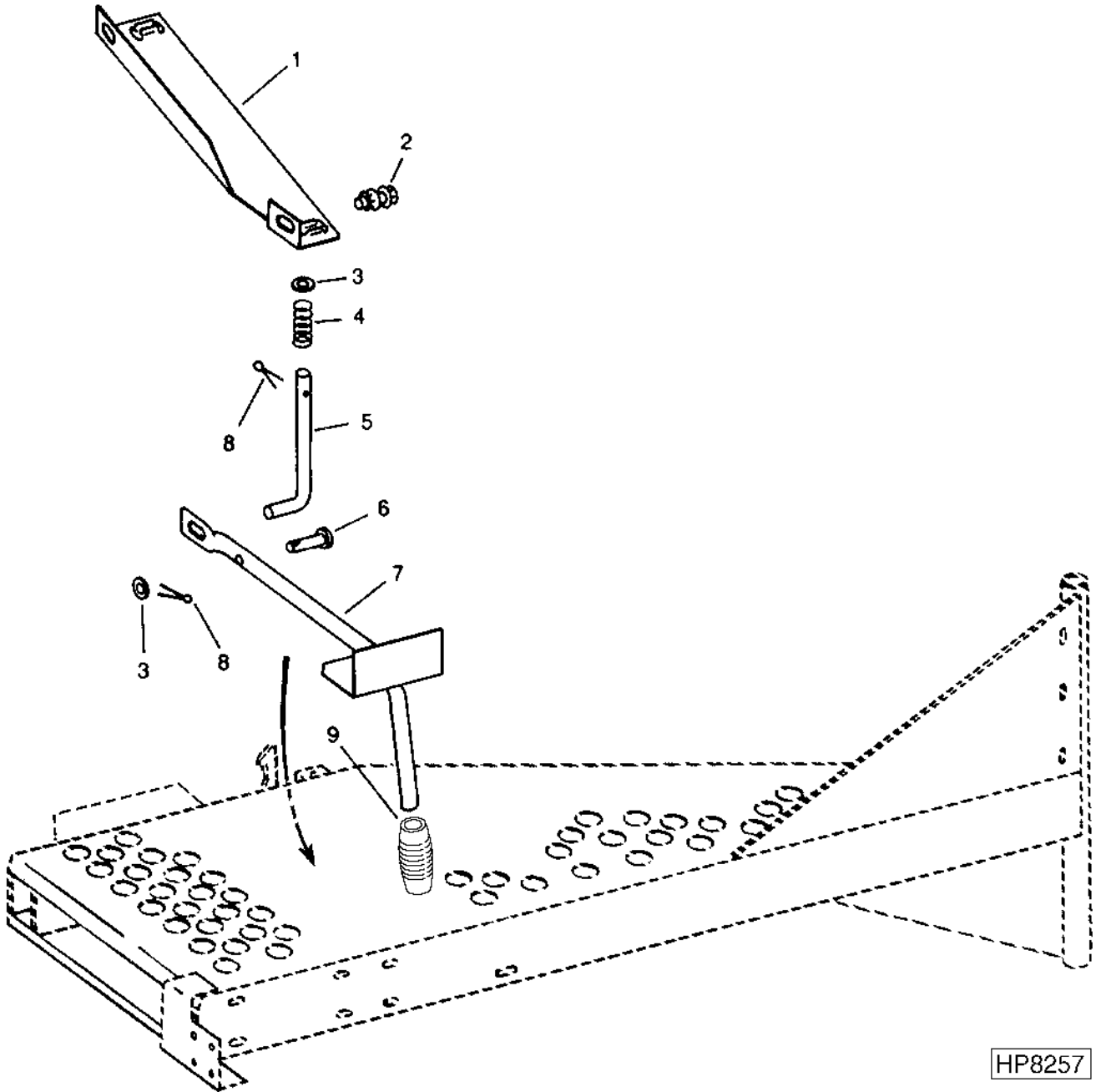
# 2J5

BODY AND SHIELDS

## REAR LANDING AND LADDER - CONTINUED

| KEY | PART NO. | PART NAME  | QTY | SERIAL NO. | REMARKS              |
|-----|----------|------------|-----|------------|----------------------|
| 1   | Z39386   | WASHER     | 4   |            |                      |
| 2   | 37M7060  | SCREW      | 4   | M4 X 10    |                      |
| 3   | 19M7775  | SCREW      | 2   | M6 X 16    |                      |
|     | 14M7303  | FLANGE NUT | 2   |            |                      |
| 4   | H167134  | ANGLE      | 2   |            |                      |
| 5   | H119411  | PIN        | 2   |            |                      |
| 6   | T40867   | BUSHING    | 2   |            |                      |
| 7   | 14M7296  | FLANGE NUT | 7   |            |                      |
| 8   | 19M7865  | SCREW      | 4   | M8 X 16    |                      |
|     | 14M7298  | FLANGE NUT | 4   | M8         |                      |
| 9   | 03M7190  | BOLT       | 2   | M10 X 20   |                      |
| 10  | AH160432 | LADDER     | 1   |            | REAR LOWER EXTENSION |
| 11  | AH140111 | LADDER     | 1   |            | REAR                 |
| 12  | C3203E   | GRIP       | 1   |            |                      |
| 13  | H120082  | LATCH      | 1   |            |                      |
| 14  | 19M7774  | SCREW      | 2   | M6 X 12    |                      |
|     | 14M7303  | FLANGE NUT | 2   | M6         |                      |
| 15  | AH130193 | CHANNEL    | 1   |            |                      |
| 17  | AH160152 | LADDER     | 1   |            | LANDING ASSEMBLY     |
| 18  | H142035  | CATCH      | 1   |            |                      |
| 19  | H133152  | BRACKET    | 1   |            |                      |
| 20  | 03M7190  | BOLT       | 2   | M10 X 20   |                      |
|     | 24M7178  | WASHER     | 2   |            |                      |
|     | 14M7296  | FLANGE NUT | 2   | M10        |                      |
| 21  | H167133  | BRACKET    | 2   |            |                      |
| 22  | 03M7184  | BOLT       | 4   | M8 X 20    |                      |
| ..  | AH160406 | TAPE       | 8   |            |                      |

REAR LADDER LANDING LATCH ARM  
HP8257 -UN-24FEB99



# 2J7

BODY AND SHIELDS

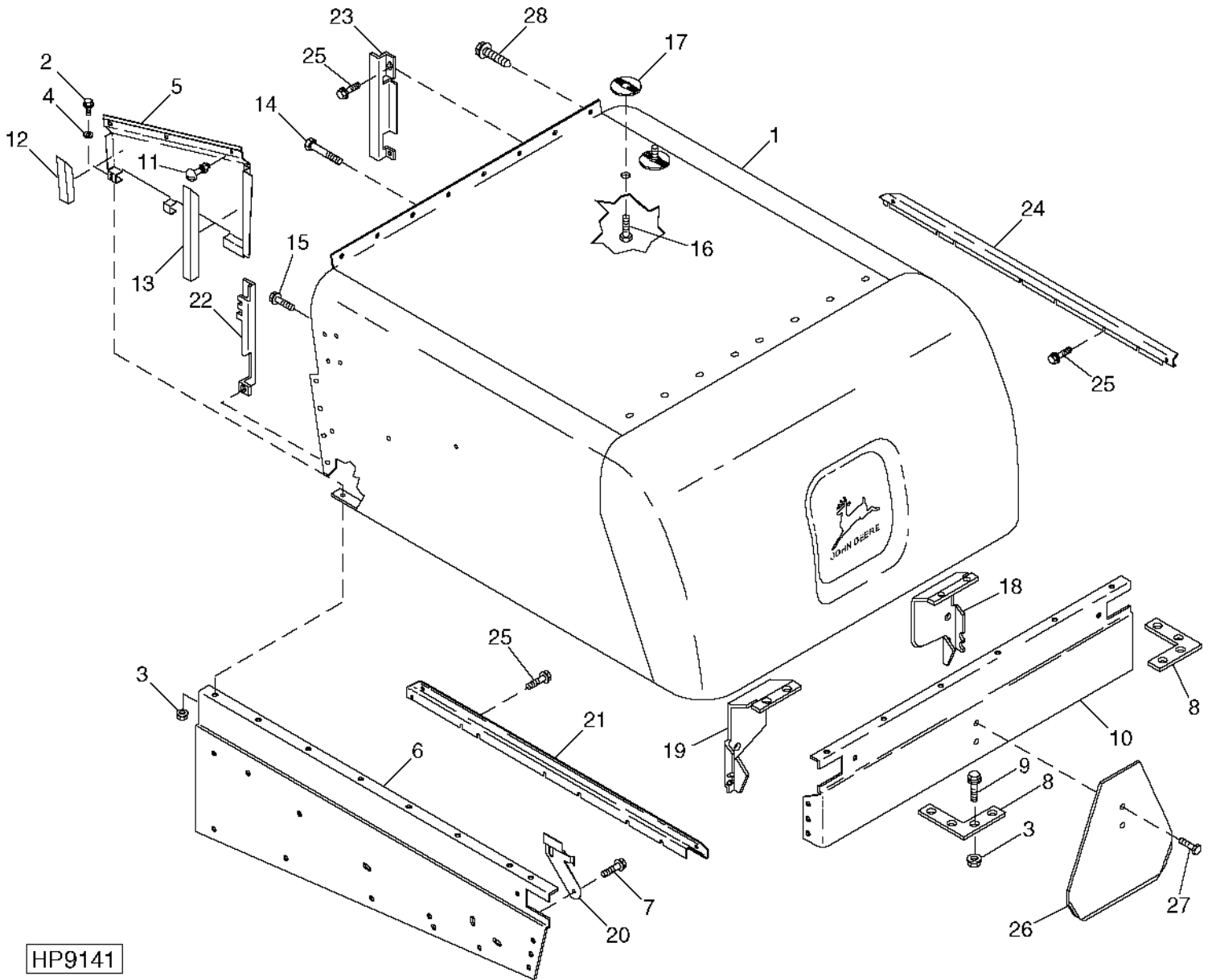
## REAR LADDER LANDING LATCH ARM - CONTINUED

| KEY | PART NO. | PART NAME  | QTY | SERIAL NO.               | REMARKS |
|-----|----------|------------|-----|--------------------------|---------|
| 1   | H140881  | CATCH      | 1   |                          |         |
| 2   | 19M7784  | SCREW      | 2   | M10 X 20                 |         |
|     | 14M7296  | FLANGE NUT | 2   | M10                      |         |
| 3   | 24H1341  | WASHER     | 2   | 17/32" X 15/16" X 0.060" |         |
| 4   | Y3082BN  | SPRING     | 1   |                          |         |
| 5   | H140872  | PIN        | 1   |                          |         |
| 6   | 45M7054  | PIN        | 1   | 10 X 50 MM               |         |
| 7   | AH167563 | ARM        | 1   | (SUB FOR AH163354)       |         |
| 8   | 11M7059  | COTTER PIN | 2   | 3.200 X 20 MM            |         |
| 9   | C3203E   | GRIP       | 1   |                          |         |

# 2J8

## REAR HOOD

HP9141 -UN-05OCT99



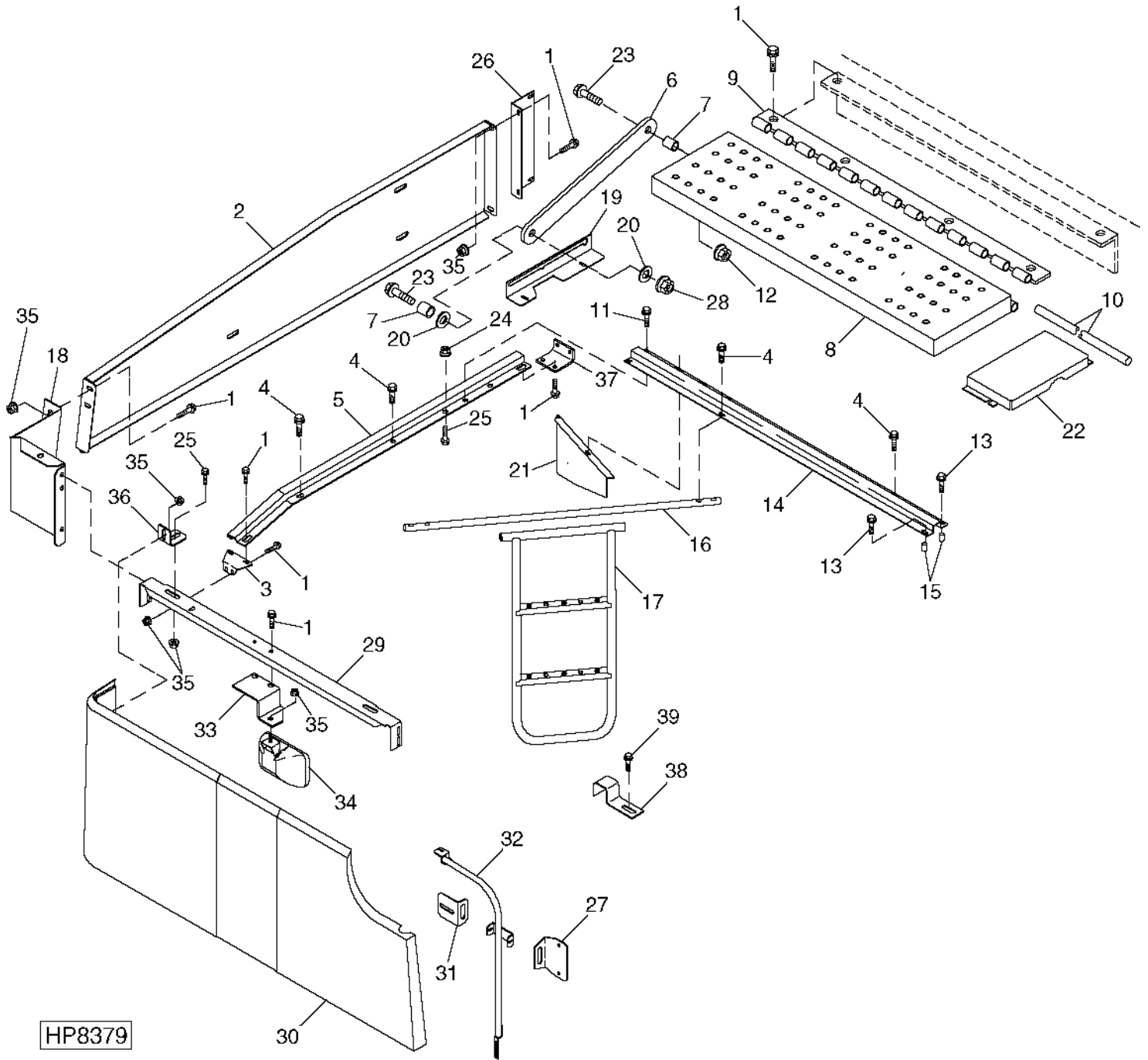
## REAR HOOD - CONTINUED

| KEY | PART NO. | PART NAME     | QTY | SERIAL NO.                             | REMARKS |
|-----|----------|---------------|-----|--|---------|
| 1   | AH161513 | HOOD          | 1   |  |         |
| 2   | 19M7867  | SCREW         | 10  | M8 X 25                                |         |
| 3   | 14M7298  | FLANGE NUT    | 10  | M8                                     |         |
| 4   | 24M7207  | WASHER        | 6   | 8.400 X 24 X 2 MM                      |         |
| 5   | AH158263 | PANEL         | 1   | L.H.                                   |         |
|     | AH158849 | PANEL         | 1   | R.H.                                   |         |
| 6   | AH135477 | SHEET         | 1   | L.H.                                   |         |
|     | AH135476 | SHEET         | 1   | R.H.                                   |         |
| 7   | H149096  | LABEL         | 3   | "PROJECTILE WARNING" ON R.H. REAR HOOD |         |
| 8   | H150749  | REINFORCEMENT | 1   |  |         |
| 9   | 19M7866  | SCREW         | 2   | M8 X 20                                |         |
| 10  | AH135480 | SHEET         | 1   |  |         |
| 11  | 21M7089  | SCREW         | 6   | M8 X 20                                |         |
|     | 14M7298  | FLANGE NUT    | 6   | M8                                     |         |
| 12  | AH125534 | WEATHERSTRIP  | 1   |  |         |
| 13  | AH125533 | WEATHERSTRIP  | 1   |  |         |
| 14  | 19M7865  | SCREW         | AR  | M8 X 16                                |         |
| 15  | 37M7080  | SCREW         | 6   | M10 X 30                               |         |
| 16  | 03M7307  | BOLT          | 2   | M10 X 25                               |         |
| 17  | H141123  | NUT           | 2   |  |         |
| 18  | H134171  | SHIELD        | 1   | R.H., REAR LIGHT                       |         |
| 19  | H134172  | SHIELD        | 1   | L.H., REAR LIGHT                       |         |
| 20  | H134831  | RETAINER      | 1   |  |         |
| 21  | H131017  | SHIELD        | 1   | R.H., HARNESS                          |         |
| 22  | H143462  | SHIELD        | 1   |  |         |
| 23  | H137731  | SHIELD        | 1   | R.H.                                   |         |
| 24  | H144013  | SHIELD        | 1   | L.H., HARNESS                          |         |
| 25  | 19M7867  | SCREW         | AR  | M8 X 25                                |         |
| 26  | H134667  | DEFLECTOR     | 1   | SMV SIGN                               |         |
| 27  | 37M7131  | SCREW         | 2   | M6 X 20                                |         |
| 28  | H171977  | SCREW         | 6   |  |         |

# 2J10

BODY AND SHIELDS

ENGINE COMPARTMENT  
HP8379 -UN-21JUN99



HP8379

# 2J11

BODY AND SHIELDS

ENGINE COMPARTMENT - CONTINUED

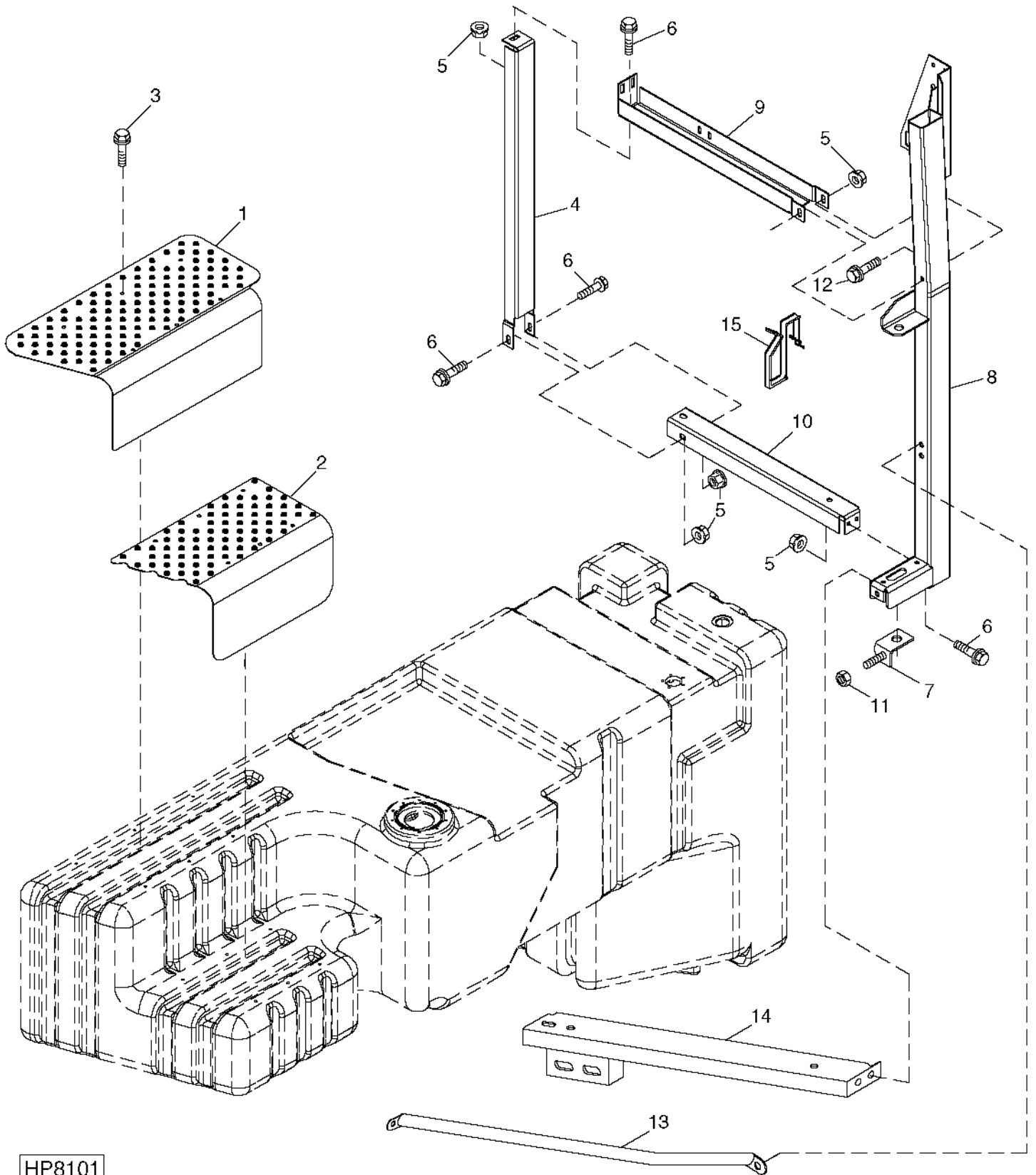
| KEY | PART NO. | PART NAME  | QTY | SERIAL NO.  | REMARKS |
|-----|----------|------------|-----|---|---------|
| 1   | 19M7865  | SCREW      | 110 | M8 X 16   |         |
|     | 14M7298  | FLANGE NUT | 110 | M8  |         |
| 2   | H167092  | PANEL      | 1   |   |         |
| 3   | H161524  | ANGLE      | 1   |   |         |
| 4   | 19M8290  | SCREW      | 4   | M6 X 35   |         |
| 5   | AH159205 | CHANNEL    | 1   |   |         |
| 6   | H168984  | STRAP      | 1   |   |         |
| 7   | 28H3381  | SPACER     | 2   | 0.493" X 0.675" X 5/8"  |         |
| 8   | AH139031 | DOOR       | 1   |   |         |
| 9   | H134739  | HINGE      | 1   |   |         |
| 10  | H134931  | PIN        | 1   | 8 X 1385 MM (.3179" X 54.5276") MAKE FROM H99599, CUT TO 1385 MM LONG |         |
| 11  | 03M7183  | BOLT       | 1   | M8 X 16   |         |
|     | 14M7298  | FLANGE NUT | 1   | M8  |         |
| 12  | 14M7396  | LOCK NUT   | 1   | M8  |         |
| 13  | 37M7102  | SCREW      | 2   | M8 X 40   |         |
| 14  | AH160641 | CHANNEL    | 1   |   |         |
| 15  | H141836  | BUSHING    | 2   |   |         |
| 16  | H155112  | TUBE       | 1   |   |         |
| 17  | AH155975 | LADDER     | 1   |   |         |
| 18  | H158443  | BRACKET    | 1   |   |         |
| 19  | H168985  | PLATE      | 1   |   |         |
| 20  | H158845  | WASHER     | 2   |   |         |
| 21  | H135610  | DEFLECTOR  | 1   |   |         |
| 22  | H167164  | COVER      | 1   |   |         |
| 23  | H140715  | BOLT       | 2   |   |         |
| 24  | 14M7298  | FLANGE NUT | 2   | M8  |         |
| 25  | 19M7866  | SCREW      | 4   | M8 X 20   |         |
| 26  | H167091  | ANGLE      | 1   |   |         |
| 27  | H167006  | ANGLE      | 1   |   |         |
| 28  | 14M7396  | LOCK NUT   | 1   | M8  |         |
| 29  | H172666  | CHANNEL    | 1   | (SUB FOR H161277)   |         |
| 30  | AH151782 | PANEL      | 1   |   |         |
| 31  | H172736  | ANGLE      | 1   |   |         |
| 32  | AH166969 | HANDRAIL   | 1   | (SUB FOR AH151143)  |         |
| 33  | H173644  | BRACKET    | 1   | (SUB FOR H166834)   |         |
| 34  | AH163668 | LAMP       | 1   | (SUB AH168385)  |         |
|     | AH168385 | LAMP       | 1   |   |         |
|     | AH166909 | BULB       | 1   |   |         |
| 35  | 14M7298  | FLANGE NUT | 5   | M8  |         |
| 36  | H172664  | ANGLE      | 2   |   |         |
| 37  | H164218  | ANGLE      | 1   |   |         |
| 38  | H167171  | RETAINER   | 1   |   |         |
| 39  | 37M7089  | SCREW      | 1   | M6 X 12   |         |

# 2J12

BODY AND SHIELDS

## FUEL TANK STEPS AND MOUNTING BRACKETS

HP8101 -UN-17MAR99



HP8101



# 2J13

BODY AND SHIELDS

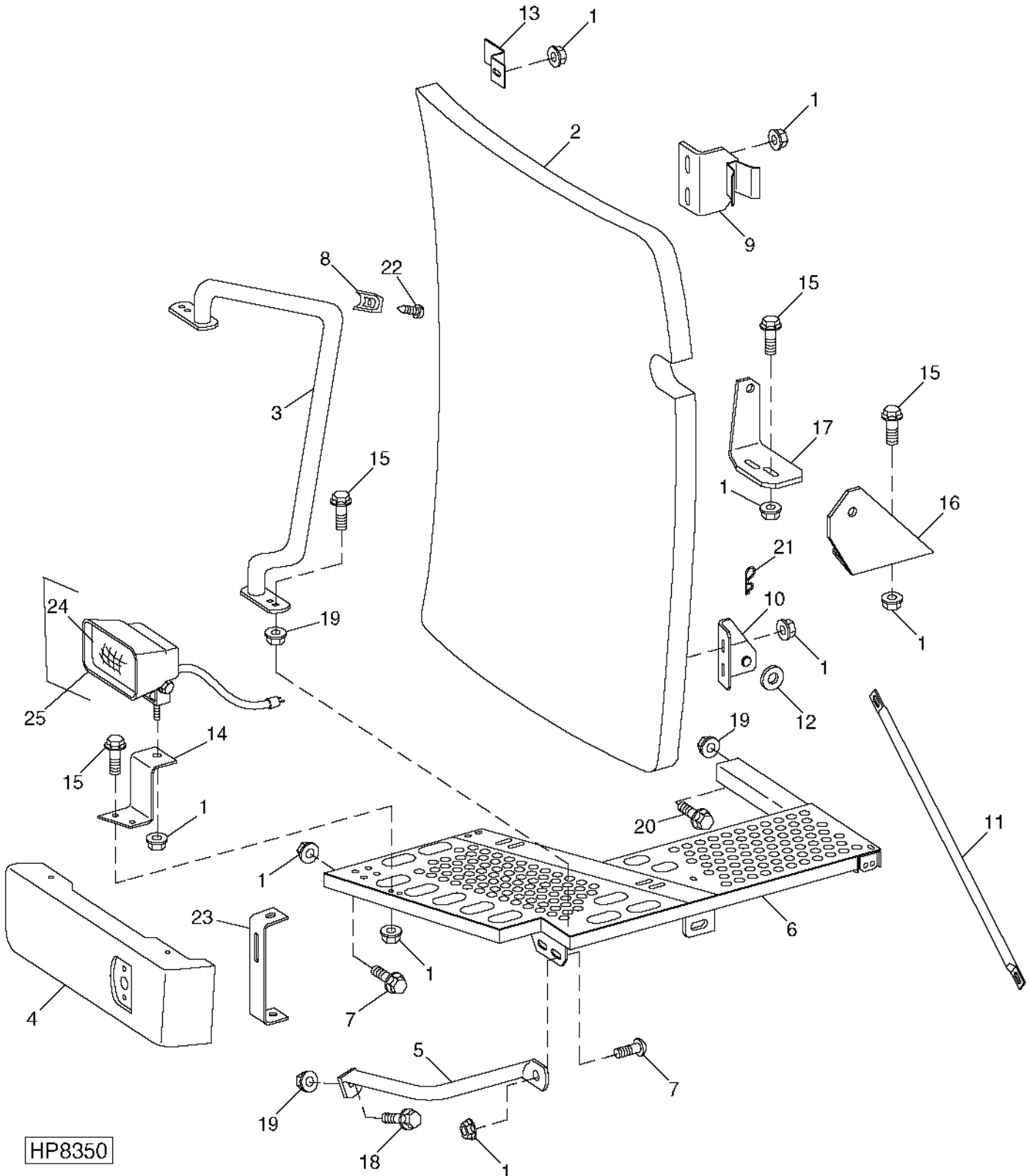
## FUEL TANK STEPS AND MOUNTING BRACKETS - CONTINUED

| KEY | PART NO. | PART NAME | QTY | SERIAL NO. | REMARKS |
|-----|----------|-----------|-----|------------|---------|
| 1   | H165731  | STEP      | 1   |            |         |
| 2   | H165732  | STEP      | 1   |            |         |
| 3   | 19M7774  | SCREW     | 12  | M6 X 12    |         |
| 4   | H134298  | CHANNEL   | 1   |            |         |
| 5   | 14M7400  | LOCK NUT  | 7   | M10        |         |
| 6   | 19M7785  | SCREW     | 7   | M10 X 25   |         |
| 7   | AH120216 | ADJUSTER  | 1   |            |         |
| 8   | AH155103 | SUPPORT   | 1   |            |         |
| 9   | H169794  | CHANNEL   | 1   |            |         |
| 10  | H169793  | CHANNEL   | 1   |            |         |
| 11  | A31867   | LOCK NUT  | 1   | M12        |         |
| 12  | 19M7812  | SCREW     | 1   | M10 X 100  |         |
| 13  | H129839  | BRACE     | 1   |            |         |
| 14  | AH136147 | CHANNEL   | 1   |            |         |
| 15  | H64612   | CLIP      | 4   |            |         |

# 2J14

## ENGINE ACCESS PLATFORM AND REAR LAMP ASSEMBLY

HP8350 -UN-13MAY99



HP8350

# 2J15

BODY AND SHIELDS

**ENGINE ACCESS PLATFORM AND REAR LAMP ASSEMBLY - CONTINUED**

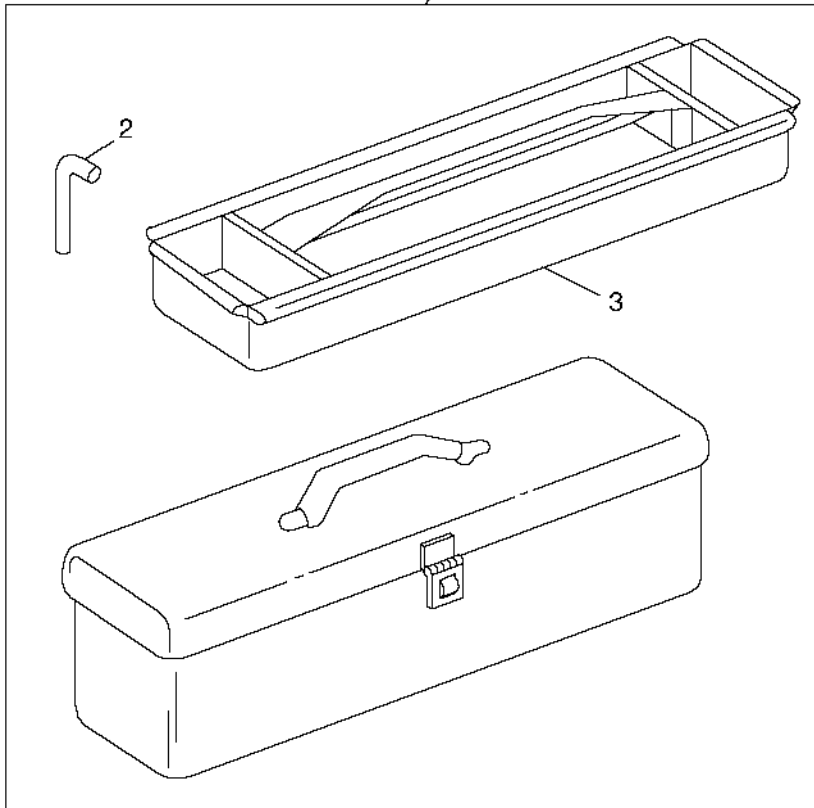
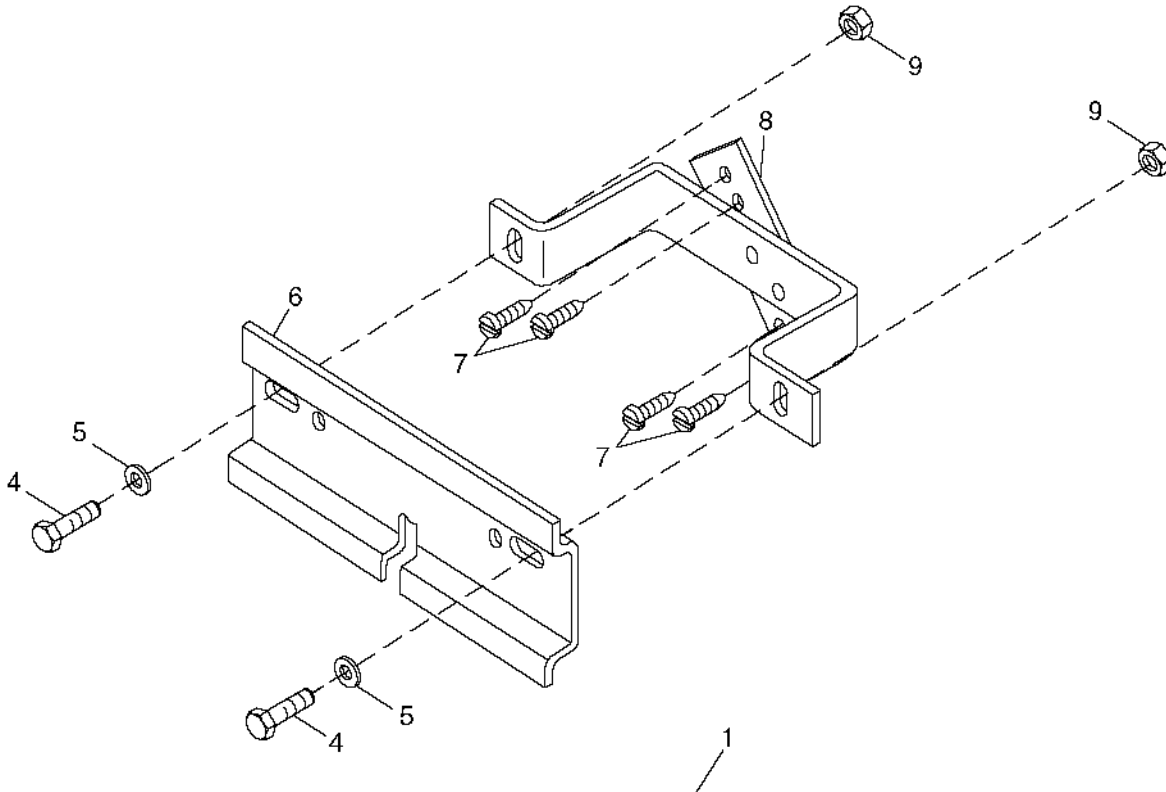
| KEY | PART NO. | PART NAME  | QTY | SERIAL NO.         | REMARKS |
|-----|----------|------------|-----|--------------------|---------|
| 1   | 14M7298  | FLANGE NUT | 11  |                    |         |
| 2   | AH160445 | DOOR       | 1   |                    |         |
| 3   | AH157425 | TUBE       | 1   |                    |         |
| 4   | AH151811 | PANEL      | 1   |                    |         |
| 5   | H130432  | BRACE      | 1   |                    |         |
| 6   | AH166836 | PLATFORM   | 1   |                    |         |
| 7   | 03M7185  | BOLT       | 1   |                    |         |
| 8   | AH163347 | BUMPER     | 1   |                    |         |
| 9   | AH166970 | ANGLE      | 1   | (SUB FOR AH157245) |         |
| 10  | AH157105 | PIVOT      | 2   |                    |         |
| 11  | H165282  | TUBE       | 1   |                    |         |
| 12  | 24M7180  | WASHER     | 2   |                    |         |
| 13  | H167223  | ANGLE      | 1   |                    |         |
| 14  | H169070  | BRACKET    | 1   |                    |         |
| 15  | 19M7866  | SCREW      | 6   |                    |         |
| 16  | H163841  | ANGLE      | 1   |                    |         |
| 17  | H163845  | ANGLE      | 1   |                    |         |
| 18  | 19M7785  | SCREW      | 1   |                    |         |
| 19  | 14M7296  | FLANGE NUT | 1   |                    |         |
| 20  | 19M7844  | SCREW      | 1   |                    |         |
| 21  | 11M7012  | COTTER PIN | 1   |                    |         |
| 22  | 37M7046  | SCREW      | 1   |                    |         |
| 23  | H168374  | STRAP      | 2   |                    |         |
| 24  | AH165877 | BULB       | 1   |                    |         |
| 25  | AH163667 | LAMP       | 1   | (SUB AH168403)     |         |
|     | AH168403 | LAMP       | 1   |                    |         |

# 2J16

BODY AND SHIELDS

TOOL BOX  
HP8819

-UN-15JUL99



HP8819

# 2J17

BODY AND SHIELDS

## TOOL BOX - CONTINUED

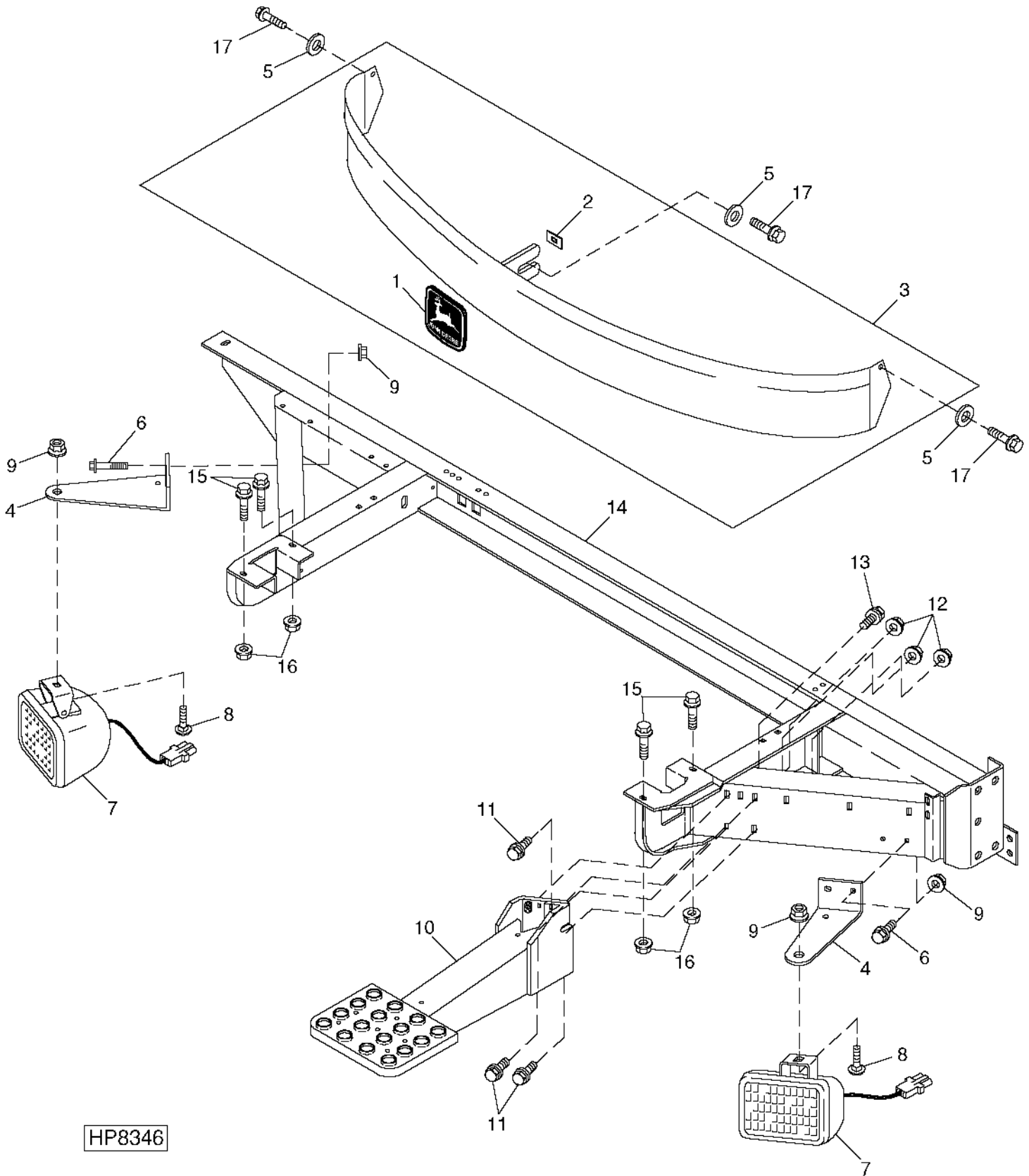
| KEY | PART NO. | PART NAME  | QTY | SERIAL NO.  | REMARKS |
|-----|----------|------------|-----|---|---------|
| 1   | AT22070  | TOOLBOX    | 1   |   |         |
| 2   | T23027   | PIN        | 1   |   |         |
| 3   | AT22073  | HOLDER     | 1   |   |         |
| 4   | 19M7785  | SCREW      | 2   | M10 X 25  |         |
| 5   | 24M7178  | WASHER     | 2   | 10.500 X 30 X 2.500 MM (0.413" X 1.181" X 0.098") |         |
| 6   | T23033   | BRACKET    | 1   |   |         |
| 7   | 37M7058  | SCREW      | 4   | M8 X 20   |         |
| 8   | AH145157 | BRACKET    | 1   |   |         |
| 9   | 14M7296  | FLANGE NUT | 2   | M10   |         |

MEMORANDA

MEMORANDA

# 3B3

CAB SUPPORT  
HP8346 -UN-09JUL99



HP8346



# 3B4

OPERATOR'S STATION

## CAB SUPPORT - CONTINUED

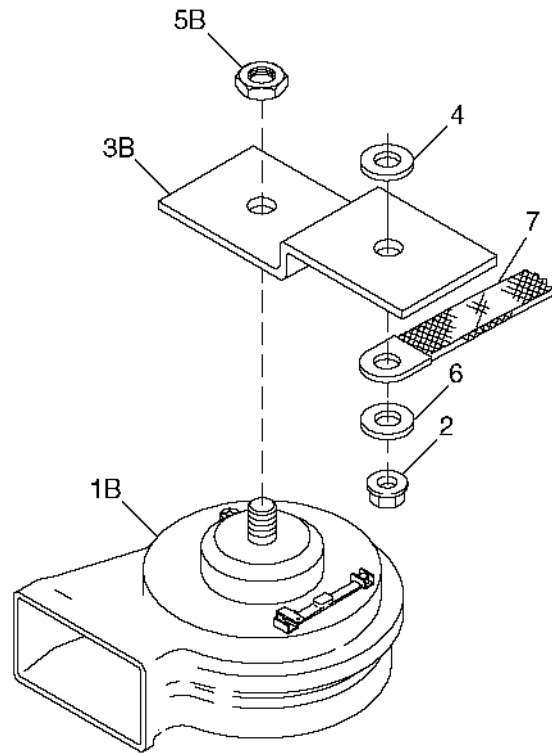
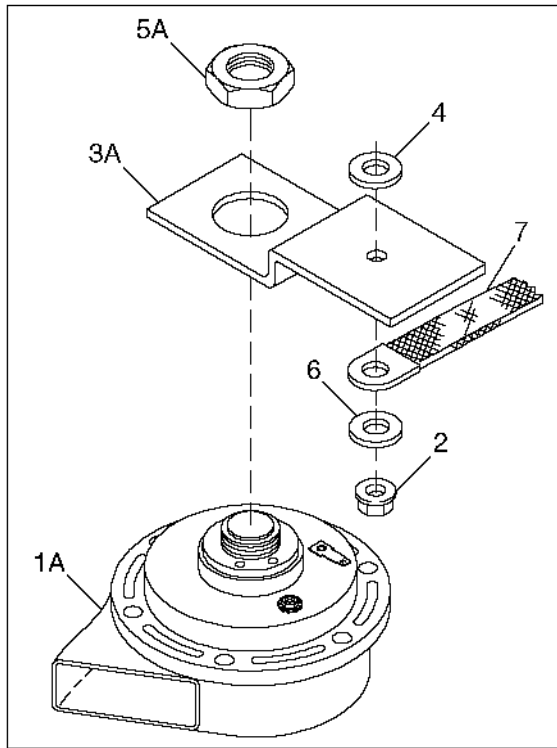
| KEY | PART NO. | PART NAME  | QTY | SERIAL NO.        | REMARKS |
|-----|----------|------------|-----|-------------------|---------|
| 1   | H149480  | LABEL      | 1   |                   |         |
| 2   | H98111   | NUT        | 8   |                   |         |
| 3   | AH154509 | SHIELD     | 1   |                   |         |
| 4   | H172003  | BRACKET    | 2   |                   |         |
| 5   | 24M7207  | WASHER     | 3   | 8.400 X 24 X 2 MM |         |
| 6   | 19M7865  | SCREW      | 6   | M8 X 16           |         |
| 7   | AH163667 | LAMP       | 2   | STUBBLE LIGHT     |         |
|     | AH166909 | BULB       | 1   |                   |         |
| 8   | 03M7183  | BOLT       | 2   | M8 X 16           |         |
| 9   | 14M7298  | FLANGE NUT | 8   | M8                |         |
| 10  | AH130594 | STEP       | 1   |                   |         |
| 11  | 19M7785  | SCREW      | 3   | M10 X 25          |         |
| 12  | 14M7296  | FLANGE NUT | 3   | M10               |         |
| 13  | 19M7784  | SCREW      | 1   | M10 X 20          |         |
| 14  | AH149582 | SUPPORT    | 1   |                   |         |
| 15  | 19M7789  | SCREW      | 4   | M12 X 30          |         |
| 16  | 14M7299  | FLANGE NUT | 4   | M12               |         |
| 17  | 37M7058  | SCREW      | 3   | M8 X 20           |         |

MEMORANDA

# 3B5

OPERATOR'S STATION

**HORN ASSEMBLY**  
HP9236 -UN-11NOV99



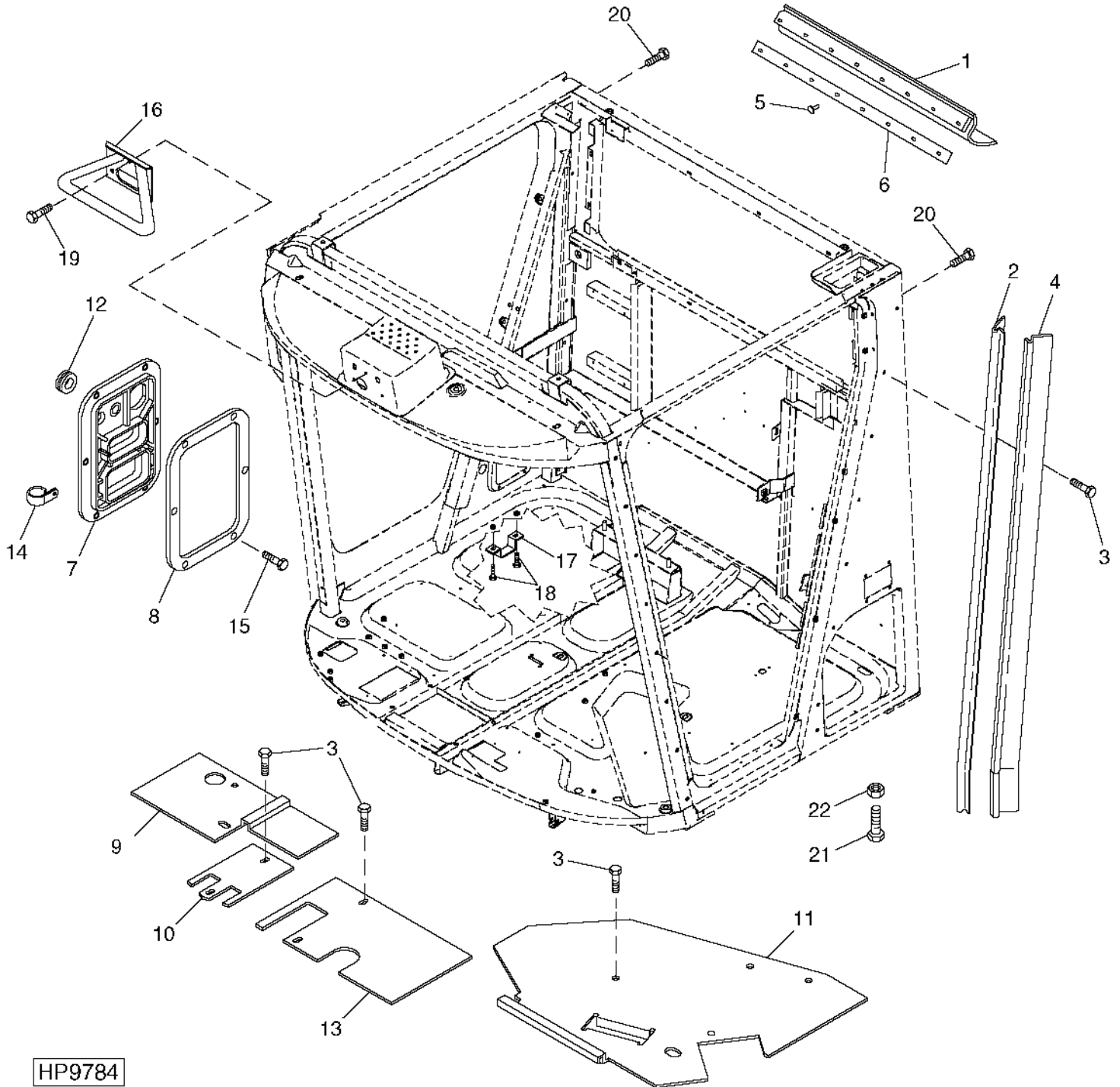
HP9236

| KEY | PART NO. | PART NAME      | QTY | SERIAL NO. | REMARKS                             |
|-----|----------|----------------|-----|------------|-------------------------------------|
| 1A  | AT39043  | HIGH NOTE HORN | 1   |            | (SUB AH166260, H160476 AND 14M7303) |
| 1B  | AH166260 | HORN           | 1   |            | (USE WITH H160476 AND 14M7303)      |
| 2   | 14M7303  | FLANGE NUT     | 1   |            | M6                                  |
| 3A  | H125930  | BRACKET        | 1   |            |                                     |
| 3B  | H160476  | BRACKET        | 1   |            | (USE WITH AH166260 AND 14M7303)     |
| 4   | PT2314   | WASHER         | 1   |            |                                     |
| 5A  | R11278   | NUT            | 1   |            |                                     |
| 5B  | 14M7303  | FLANGE NUT     | 1   |            | M6, (USE WITH AH166260 AND H160476) |
| 6   | 24M7139  | WASHER         | 1   |            | 6.400 X 18 X 1.600 MM               |
| 7   | AH165023 | JUMPER         | 1   |            | CAB                                 |

# 3B6

OPERATOR'S STATION

CAB REAR, SIDE AND FLOOR PANELS  
HP9784 -UN-06JUN00



HP9784

# 3B7

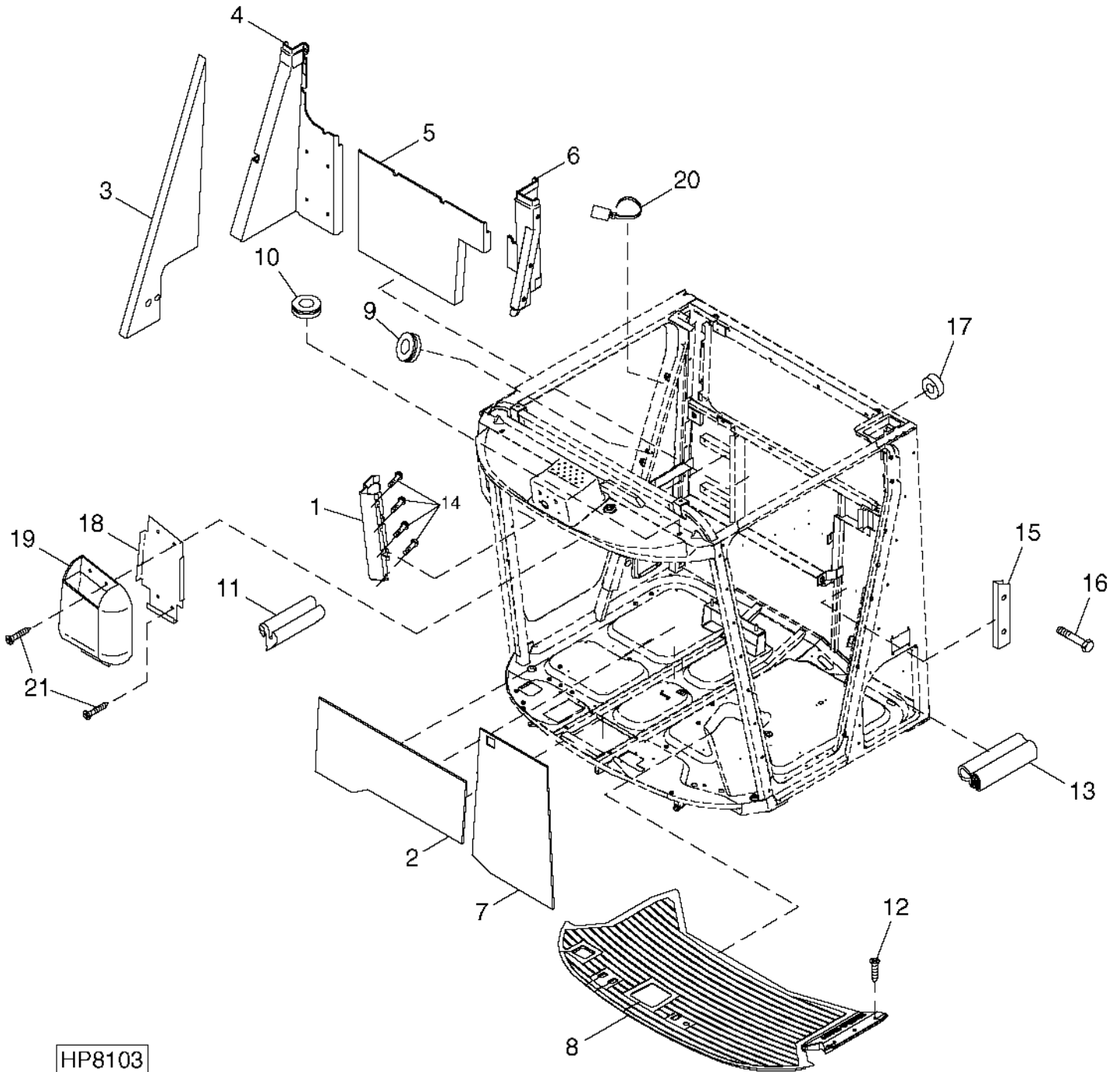
OPERATOR'S STATION

## CAB REAR, SIDE AND FLOOR PANELS - CONTINUED

| KEY | PART NO. | PART NAME | QTY | SERIAL NO. | REMARKS  |
|-----|----------|-----------|-----|------------|----------|
| 1   | H135614  | SEAL      | 2   |            |          |
| 2   | H133391  | BRACKET   | 1   |            |          |
| 3   | 37M7089  | SCREW     | 14  |            | M6 X 12  |
| 4   | AH141774 | SEAL      | 1   |            |          |
| 5   | H85233   | RIVET     | 16  |            |          |
| 6   | H135615  | RETAINER  | 2   |            |          |
| 7   | H169194  | PLATE     | 1   |            |          |
| 8   | H169613  | SEAL      | 1   |            |          |
| 9   | H133665  | SHEET     | 1   |            |          |
| 10  | H124260  | PLATE     | 1   |            |          |
| 11  | H133666  | SHEET     | 1   |            |          |
| 12  | H131300  | GROMMET   | 1   |            |          |
| 13  | H141292  | PLATE     | 1   |            |          |
| 14  | AH90990  | CLIP      | 1   |            |          |
| 15  | 37M7131  | SCREW     | 6   |            | M6 X 20  |
| 16  | AH162746 | HANDLE    | 1   |            |          |
| 17  | H131574  | RETAINER  | 1   |            |          |
| 18  | 19M7865  | SCREW     | 2   |            |          |
| 19  | H162748  | SCREW     | 3   |            |          |
| 20  | 19M7268  | CAP SCREW | 2   |            | M12 X 25 |
| 21  | 19M2972  | CAP SCREW | 1   |            | M8 X 45  |
| 22  | 14M7259  | NUT       | 1   |            | M16      |

# 3B8

CAB INTERIOR PANELS, SEALS AND FLOOR MAT  
HP8103 -UN-08JUL99



HP8103

# 3B9

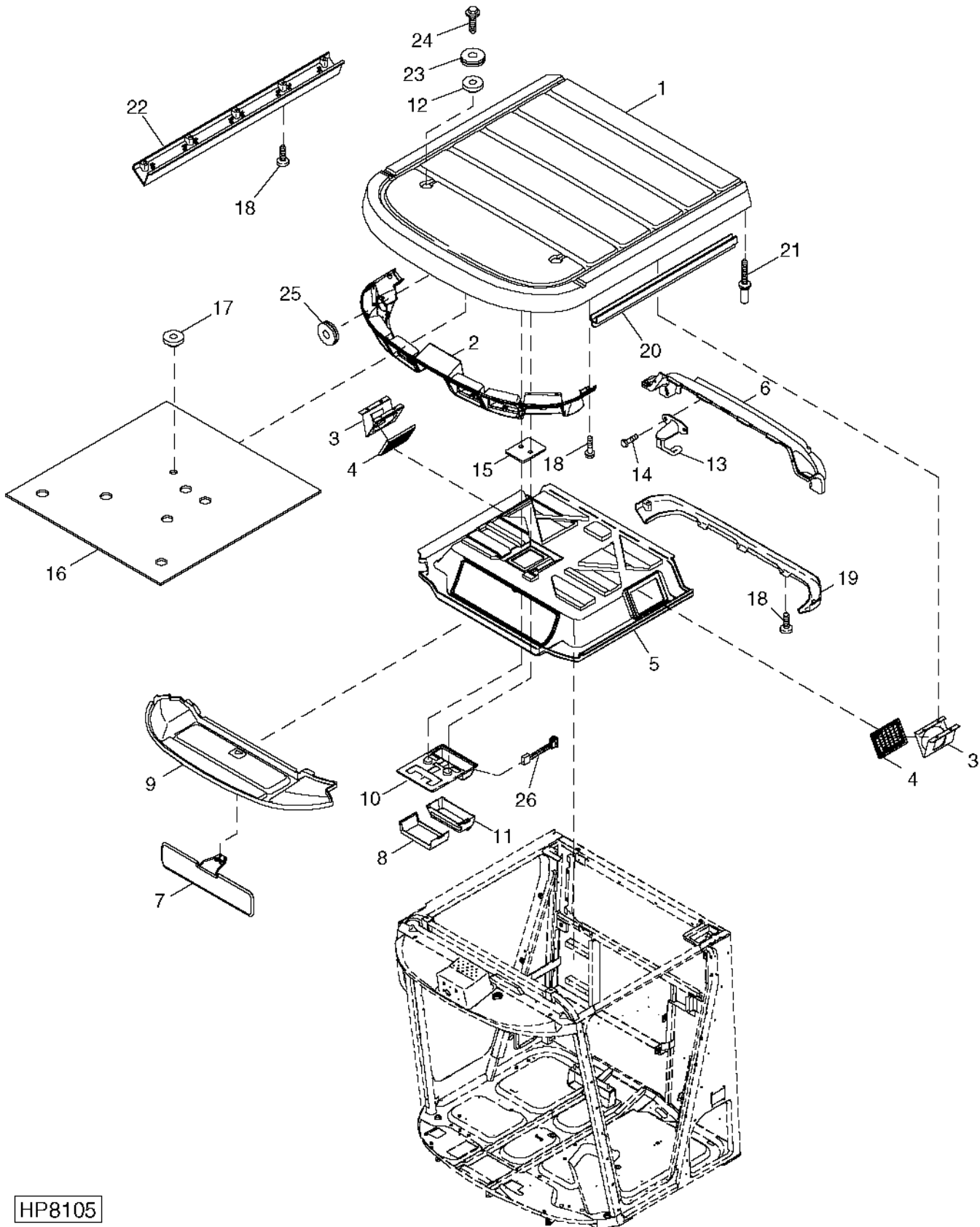
OPERATOR'S STATION

**CAB INTERIOR TRIM PANELS - CONTINUED**

| KEY | PART NO. | PART NAME    | QTY | SERIAL NO.            | REMARKS |
|-----|----------|--------------|-----|-----------------------|---------|
| 1   | AH155929 | BRACKET      | 1   |                       |         |
| 2   | AH159716 | BARRIER      | 1   | R.H.                  |         |
| 3   | H125511  | FOAM PAD     | 1   | R.H.                  |         |
|     | AH127674 | BARRIER      | 1   | L.H.                  |         |
| 4   | AH156943 | PANEL        | 1   |                       |         |
| 5   | AH146854 | PANEL        | 1   |                       |         |
| 6   | AH120891 | PANEL        | 1   |                       |         |
| 7   | AH159715 | BARRIER      | 1   | L.H.                  |         |
| 8   | AH165073 | MAT          | 1   |                       |         |
| 9   | R50456   | GROMMET      | 1   | SMALL                 |         |
| 10  | H36221   | GROMMET      | 1   | LARGE                 |         |
| 11  | AH106010 | WEATHERSTRIP | 1   | R.H. SIDE WINDOW      |         |
| 12  | 37M7160  | SCREW        | 3   |                       |         |
| 13  | AH80335  | WEATHERSTRIP | 1   |                       |         |
| 14  | 37M7089  | SCREW        | 4   |                       |         |
| 15  | H124210  | COVER        | 2   |                       |         |
| 16  | H132451  | CAP SCREW    | 6   | M6 X 50               |         |
| 17  | H987R    | GROMMET      | 1   |                       |         |
| 18  | H165215  | PANEL        | 1   |                       |         |
| 19  | H161126  | CONTAINER    | 1   |                       |         |
| 20  | H138297  | TIE BAND     | 1   | EMERGENCY EXIT HANDLE |         |
| 21  | H165249  | SCREW        | 4   | M6 X 20               |         |

# 3B10

INTERIOR CAB ROOF  
HP8105 -UN-08JUL99



HP8105



# 3B11

OPERATOR'S STATION

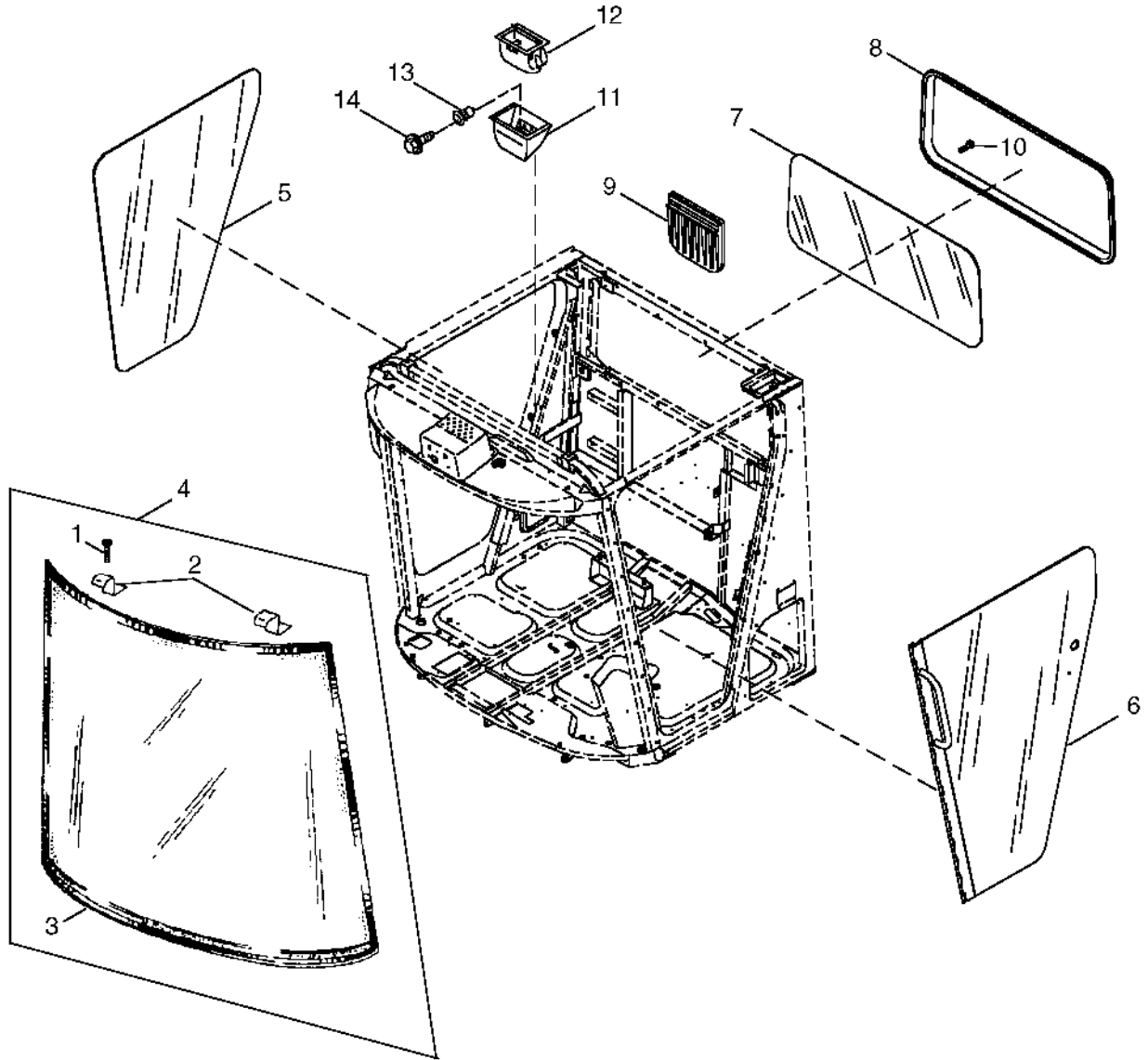
## INTERIOR CAB ROOF

| KEY | PART NO. | PART NAME      | QTY | SERIAL NO. | REMARKS                  |
|-----|----------|----------------|-----|------------|--------------------------|
| 1   | AH153796 | ROOF           | 1   |            |                          |
| 2   | H165400  | HOUSING        | 1   |            |                          |
| 3   | H144472  | SUPPORT        | 2   |            |                          |
| 4   | H153352  | GRILLE         | 2   |            | SPEAKER                  |
|     | H145264  | ISOLATOR       | 2   |            | FOAM PAD, SPEAKER GRILLE |
| 5   | AH159236 | HEADLINER      | 1   |            |                          |
| 6   | AH146852 | HEADLINER      | 1   |            |                          |
| 7   | AH151123 | SUN VISOR      | 1   |            |                          |
| 8   | H131982  | LENS           | 1   |            | DOMELIGHT                |
| 9   | AH159238 | HEADLINER      | 1   |            |                          |
| 10  | H160729  | BASE           | 1   |            | DOMELIGHT                |
|     | 57M7173  | BULB           | 2   |            | DOMELIGHT                |
| 11  | AH154218 | COVER          | 1   |            | DOMELIGHT                |
| 12  | H123991  | SEALING WASHER | 2   |            |                          |
| 13  | L113023  | HOOK           | 1   |            |                          |
| 14  | 37M7074  | SCREW          | 2   |            |                          |
| 15  | H169512  | SHEET          | 1   |            |                          |
| 16  | AH160592 | PLANE          | 1   |            |                          |
| 17  | 24M7178  | WASHER         | 1   |            |                          |
| 18  | H123995  | SCREW          | 23  |            |                          |
| 19  | H143460  | COVER          | 1   |            |                          |
| 20  | AH120541 | SEAL           | 1   |            |                          |
| 21  | H123740  | STUD           | 4   |            |                          |
| 22  | H130301  | COVER          | 2   |            |                          |
| 23  | 24M7051  | WASHER         | 2   |            |                          |
| 24  | 19M7789  | SCREW          | 2   |            | M12 X 30                 |
| 25  | H123796  | GROMMET        | 1   |            |                          |
| 26  | AH153910 | SWITCH         | 1   |            |                          |

# 3B12

OPERATOR'S STATION

CAB GLASS AND DOOR  
HP8102 -UN-14MAY99



HP8102

# 3B13

OPERATOR'S STATION

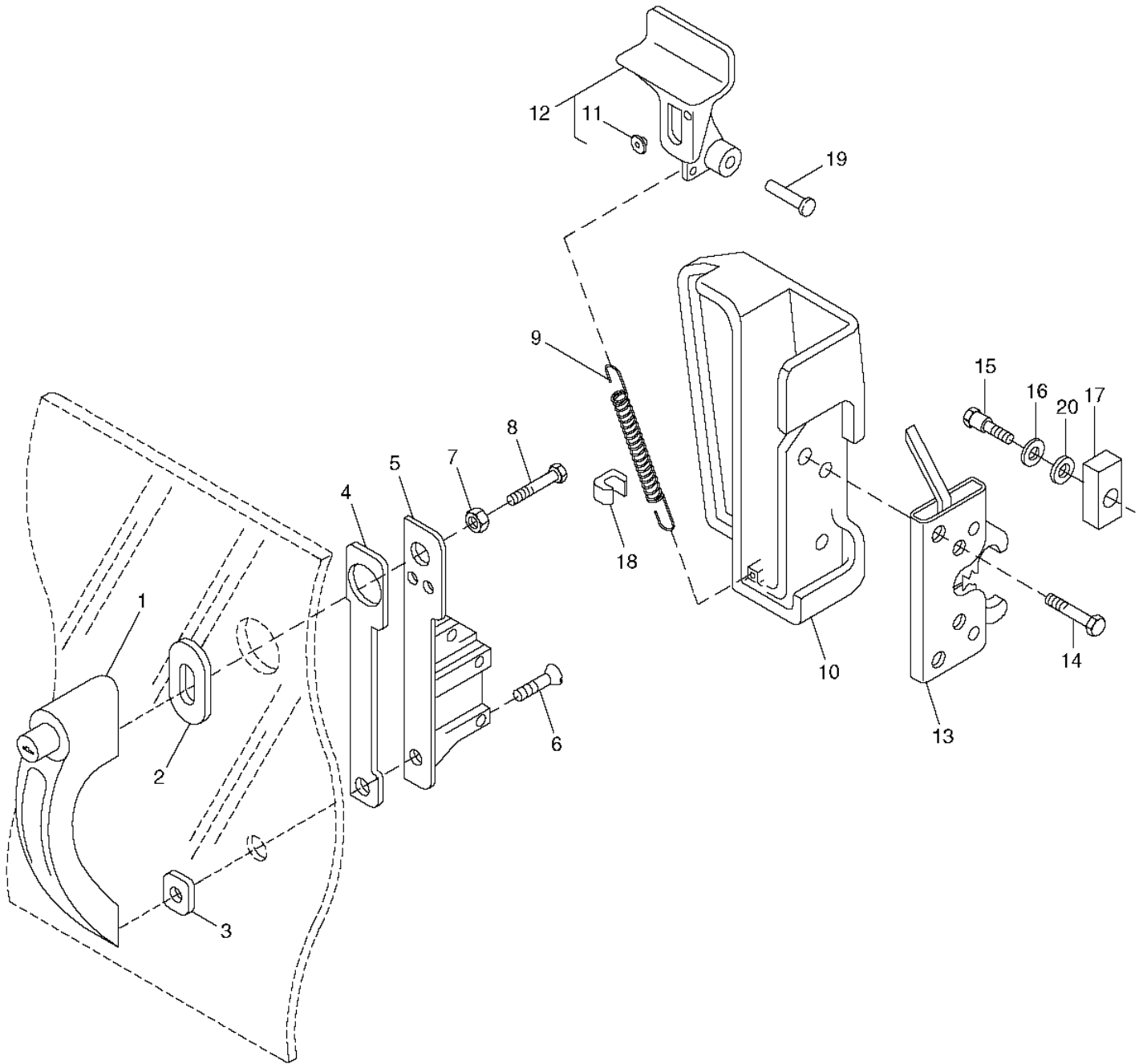
## CAB GLASS AND DOOR - CONTINUED

| KEY | PART NO. | PART NAME  | QTY | SERIAL NO. | REMARKS           |
|-----|----------|------------|-----|------------|-------------------|
| 1   | 19M7866  | SCREW      | 2   |            |                   |
| 2   | AH132819 | BRACKET    | 2   |            |                   |
| 3   | .....    | WINDSHIELD | 1   |            |                   |
| 4   | AH166648 | KIT        | 1   |            | GLASS REPLACEMENT |
| 5   | H123794  | WINDOWPANE | 1   |            |                   |
| 6   | AH154280 | DOOR       | 1   |            |                   |
| 7   | H125769  | WINDOWPANE | 1   |            |                   |
| 8   | H153394  | BEZEL      | 1   |            |                   |
| 9   | H169403  | PAD        | 1   |            |                   |
| 10  | H165689  | SCREW      | 12  |            |                   |
| 11  | H165490  | HOUSING    | 1   |            |                   |
| 12  | AH104259 | ASHTRAY    | 1   |            |                   |
| 13  | H169634  | NUT        | 2   |            |                   |
| 14  | 37M7160  | SCREW      | 2   |            |                   |

# 3B14

OPERATOR'S STATION

CAB DOOR LATCH  
HP8513 -UN-23APR99



HP8513

# 3B15

OPERATOR'S STATION

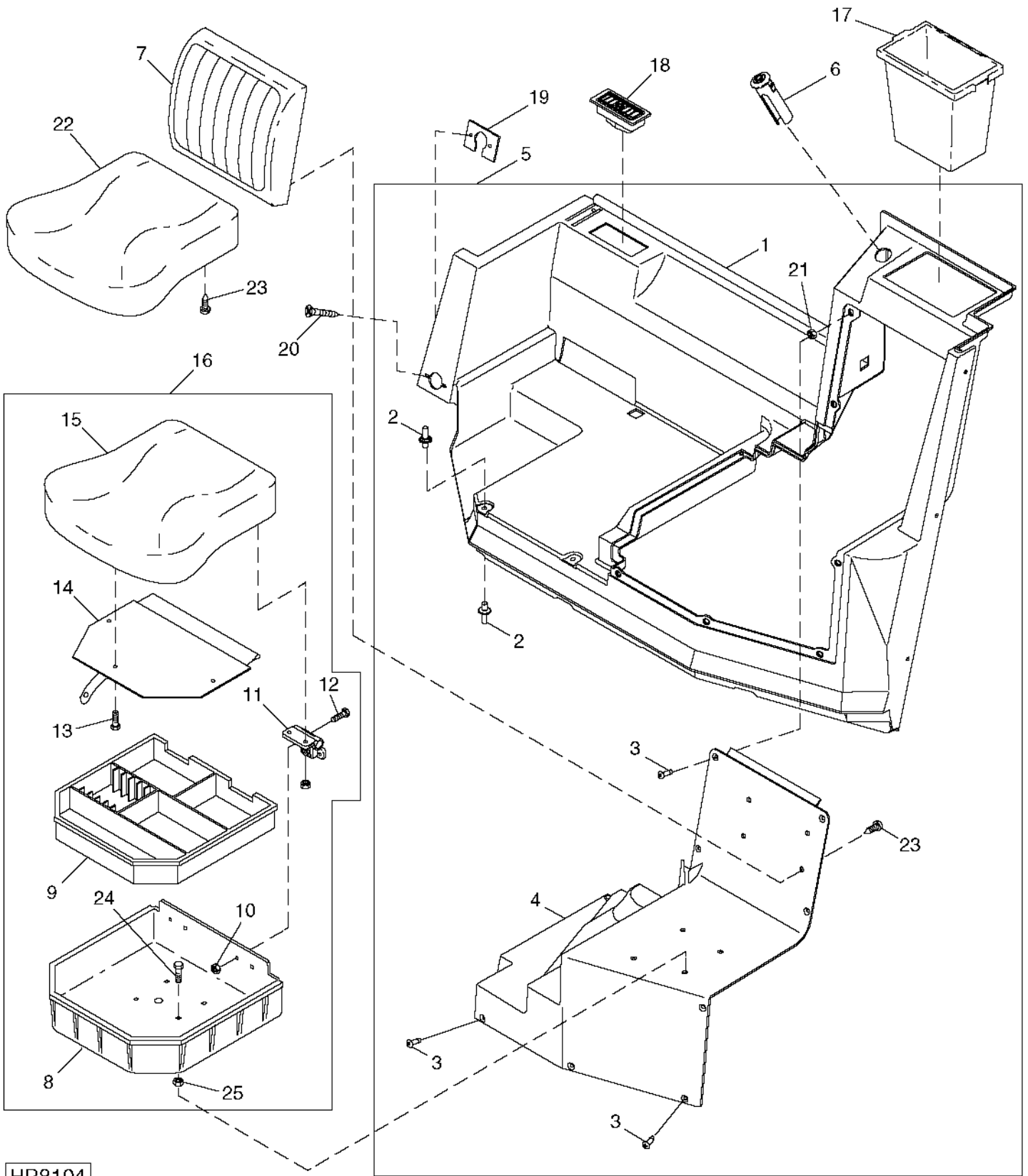
**CAB DOOR LATCH - CONTINUED**

| KEY | PART NO. | PART NAME        | QTY | SERIAL NO. | REMARKS                  |
|-----|----------|------------------|-----|------------|--------------------------|
| 1   | RE35161  | HANDLE           | 1   |            |                          |
| 2   | H126081  | BEZEL            | 1   |            |                          |
| 3   | H126082  | BEZEL            | 1   |            |                          |
| 4   | H126083  | ISOLATOR         | 1   |            |                          |
| 5   | H133414  | SUPPORT          | 1   |            |                          |
| 6   | 21M7334  | SCREW            | 3   |            | M6 X 25                  |
| 7   | 14H786   | NUT              | 1   |            | 1/4"                     |
| 8   | 19H1898  | CAP SCREW        | 1   |            | 1/4" X 1-1/2"            |
| 9   | H134671  | EXTENSION SPRING | 1   |            |                          |
| 10  | H150047  | HOUSING          | 1   |            |                          |
| 11  | H145893  | BUMPER           | 1   |            |                          |
| 12  | AH140838 | HANDLE           | 1   |            |                          |
| 13  | AH128585 | LATCH            | 1   |            |                          |
| 14  | 19M8326  | CAP SCREW        | 3   |            | M6 X 35                  |
| 15  | H136589  | BOLT             | 1   |            | 7/16" X 1.567"           |
| 16  | 24H1219  | WASHER           | AR  |            | 7/16" X 1" X 0.083"      |
| 17  | H133219  | ADJUSTING STRAP  | 1   |            |                          |
| 18  | H107566  | ISOLATOR         | 1   |            |                          |
| 19  | H136056  | PIN              | 1   |            | 0.236" X 1.457"          |
| 20  | H136590  | DISK SPRING      | 2   |            | 0.415" X 0.945" X 0.118" |
| ..  | TY9370   | ADHESIVE         | 1   |            | 6 OZ. MEDIUM STRENGTH    |

# 3B16

OPERATOR'S STATION

SEAT CONSOLE  
HP8104 -UN-09JUL99



HP8104

# 3B17

OPERATOR'S STATION

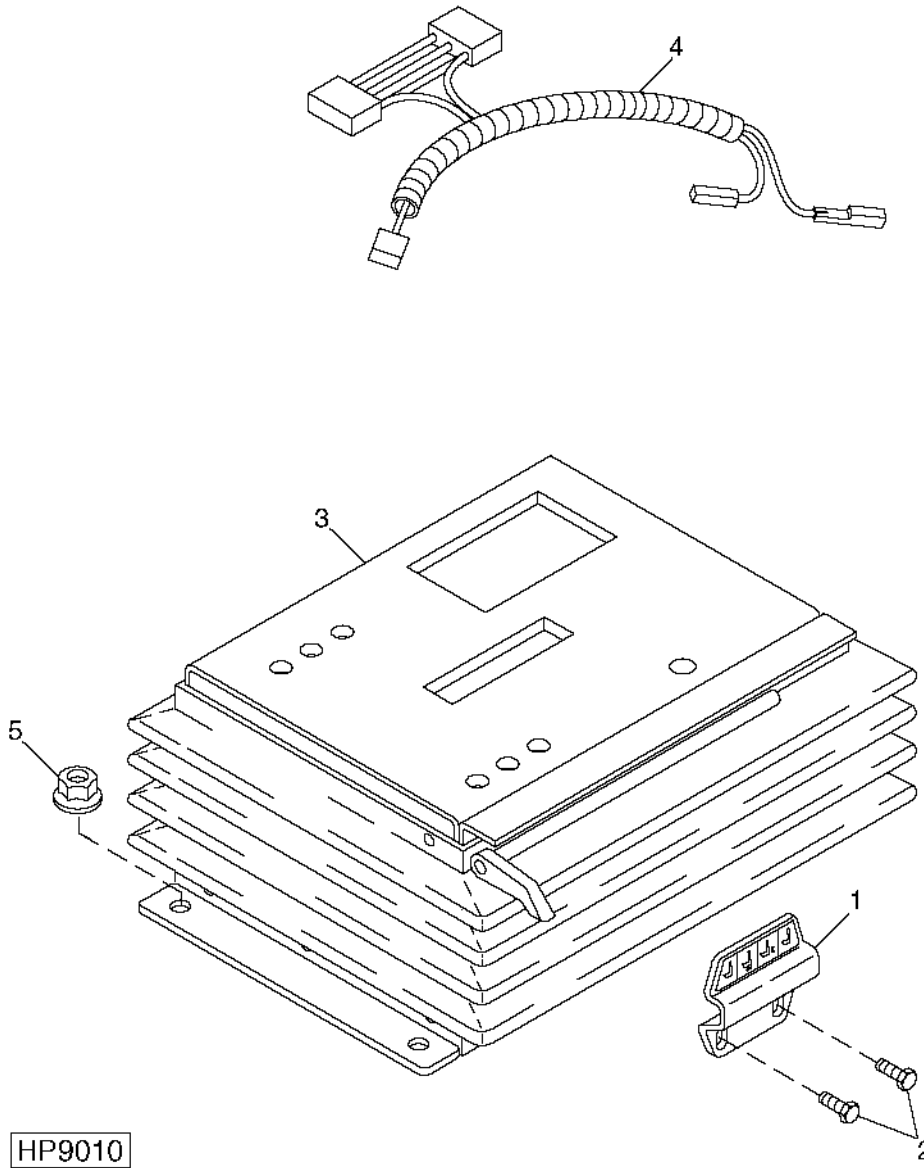
SEAT CONSOLE - CONTINUED

| KEY | PART NO. | PART NAME  | QTY | SERIAL NO.                      | REMARKS |
|-----|----------|------------|-----|---------------------------------|---------|
| 1   | .....    | CONSOLE    | 1   |                                 |         |
| 2   | H168781  | STUD       | 6   |                                 |         |
| 3   | H165691  | SCREW      | 8   | M6 X 20                         |         |
| 4   | H167912  | SPINDLE    | 1   |                                 |         |
| 5   | AH161348 | CONSOLE    | 1   |                                 |         |
| 6   | H161023  | FITTING    | 1   |                                 |         |
| 7   | AH147173 | SEAT       | 1   |                                 |         |
| 8   | H169083  | PAN        | 1   |                                 |         |
| 9   | H169082  | TRAY       | 1   |                                 |         |
| 10  | 14M7303  | FLANGE NUT | 8   | M6                              |         |
| 11  | AH162559 | HINGE      | 2   |                                 |         |
| 12  | 03M7221  | BOLT       | 4   | M6 X 16                         |         |
| 13  | 37M7214  | SCREW      | 3   | 4.8MM DIA. X 9.5MM              |         |
| 14  | AH165634 | FOLDER     | 1   |                                 |         |
| 15  | AH161755 | SEAT       | 1   |                                 |         |
| 16  | AH155276 | SEAT       | 1   | W/FIELD OFFICE                  |         |
| 17  | H168433  | CONTAINER  | 1   |                                 |         |
| 18  | AH134724 | LOUVER     | 1   |                                 |         |
| 19  | H167337  | BRACKET    | 1   |                                 |         |
| 20  | 37M7155  | SCREW      | 2   | 4.8 X 13 MM (0.1890" X 0.5118") |         |
| 21  | H169634  | NUT        | 8   |                                 |         |
| 22  | AH161754 | SEAT       | 1   |                                 |         |
| 23  | 19M8331  | CAP SCREW  | 8   | M8 X 20                         |         |
| 24  | 03M7184  | BOLT       | 4   | M8 X 20                         |         |
| 25  | 14M7298  | FLANGE NUT | 4   | M8                              |         |

# 3B18

OPERATOR'S STATION

AIR SEAT SUSPENSION  
HP9010 -UN-03SEP99



HP9010



# 3B19

OPERATOR'S STATION

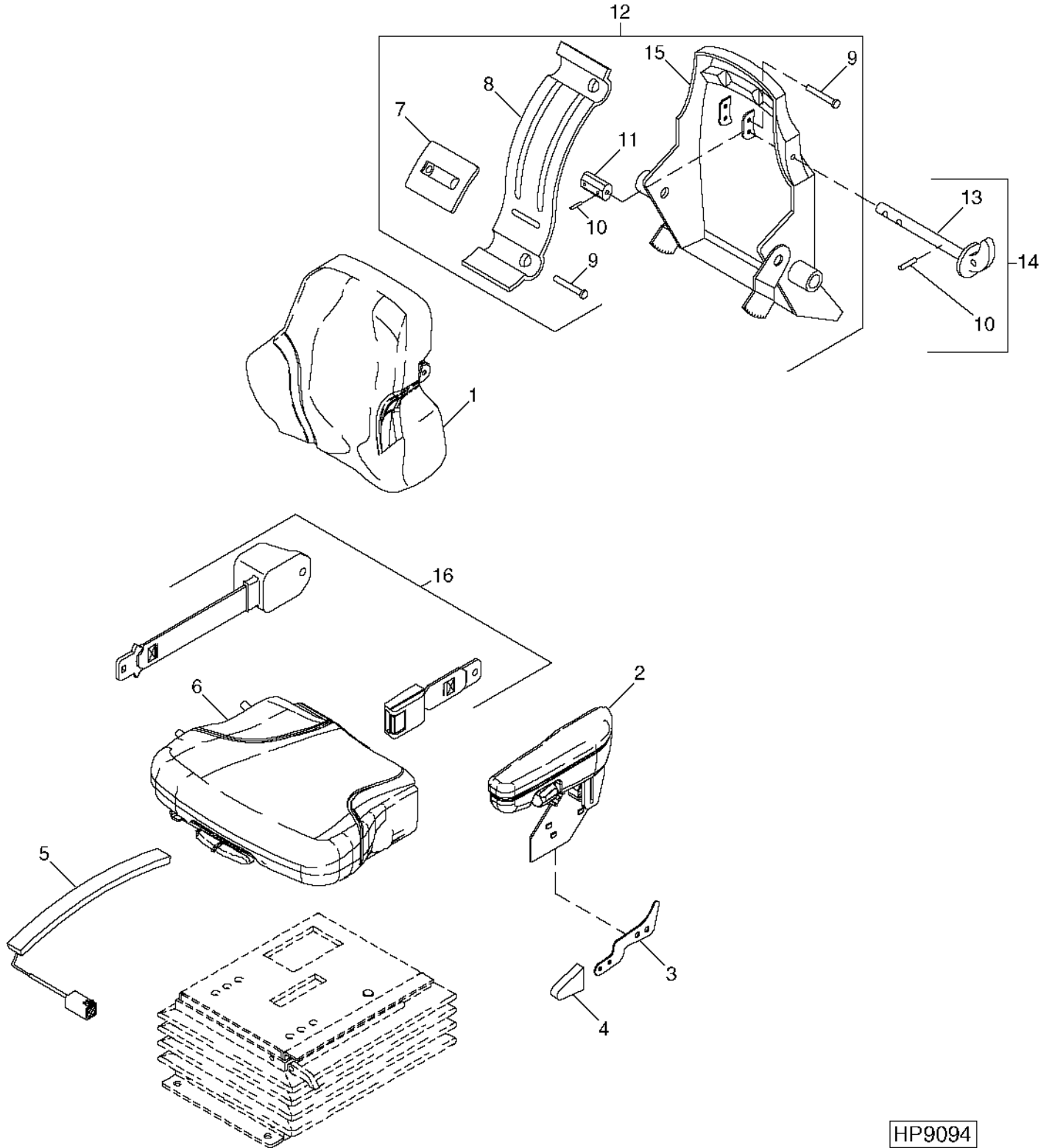
## AIR SEAT SUSPENSION - CONTINUED

| KEY | PART NO. | PART NAME       | QTY | SERIAL NO. | REMARKS |
|-----|----------|-----------------|-----|------------|---------|
| 1   | AH144778 | PANEL           | 1   |            |         |
| 2   | 37M7089  | SCREW           | 2   | M6 X 12    |         |
| 3   | AH162503 | SEAT SUSPENSION | 1   |            |         |
| 4   | AH146032 | WIRING HARNESS  | 1   | ADAPTER    |         |
| 5   | H137859  | FLANGE NUT      | 4   |            |         |

# 3B20

OPERATOR'S STATION

OPERATOR'S SEAT AND BACKREST  
HP9094 -UN-21SEP99



HP9094

# 3B21

OPERATOR'S STATION

## OPERATOR'S SEAT AND BACKREST - CONTINUED

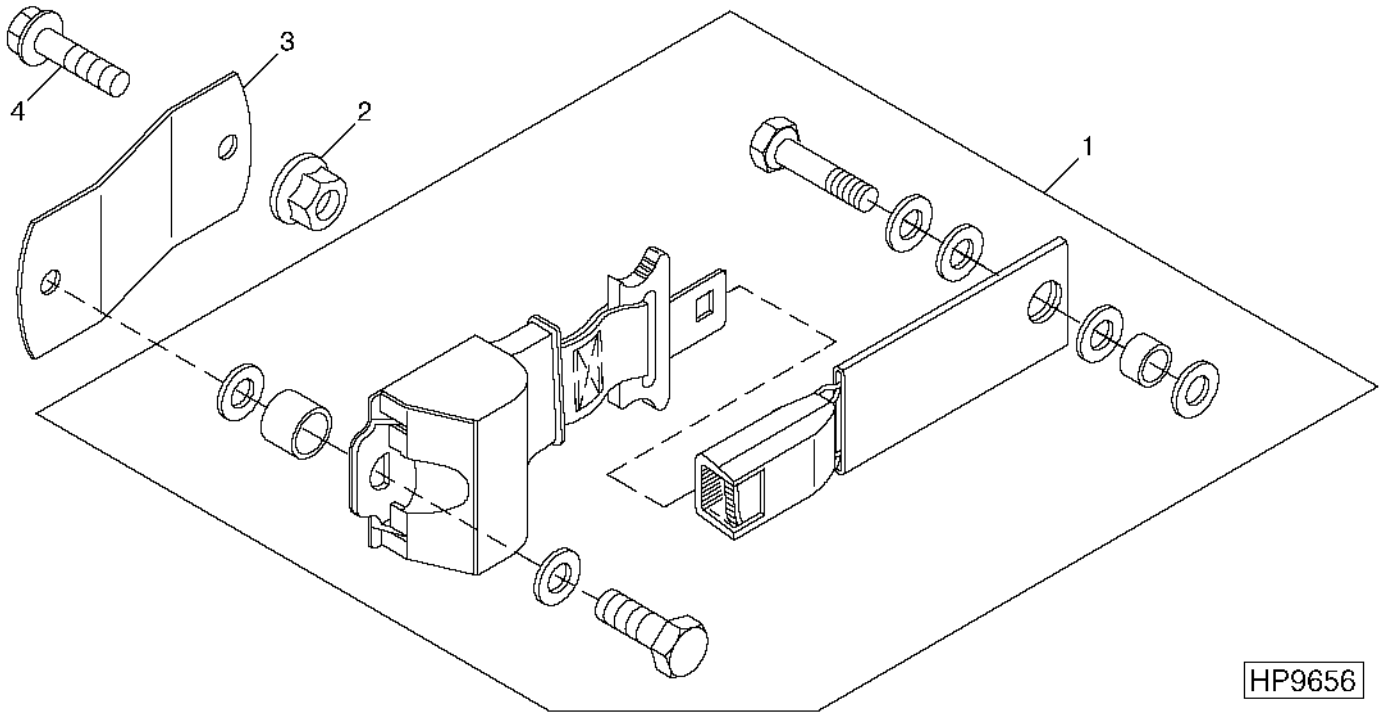
| KEY | PART NO. | PART NAME  | QTY | SERIAL NO. | REMARKS       |
|-----|----------|------------|-----|------------|---------------|
| 1   | AT209015 | CUSHION    | 1   |            | BACK          |
| 2   | AH164889 | ARMREST    | 1   |            | L.H.          |
| 3   | AT209225 | KIT        | 1   |            | RECLINER      |
| 4   | AT209025 | KIT        | 1   |            | GRIP          |
|     | 37H121   | SCREW      | 2   |            |               |
| 5   | RE43526  | SWITCH     | 1   |            |               |
| 6   | AH161679 | CUSHION    | 1   |            | SEAT          |
| 7   | .....    | ISOLATOR   | 1   |            |               |
| 8   | .....    | SUPPORT    | 1   |            |               |
| 9   | .....    | PIN        | 2   |            |               |
| 10  | 34H387   | SPRING PIN | 1   |            | 3/16" X 3/4"  |
| 11  | .....    | CAM        | 1   |            |               |
| 12  | AT209026 | KIT        | 1   |            | (LUMBAR)      |
| 13  | .....    | KNOB       | 1   |            | AND SHAFT     |
| 14  | AT209024 | KIT        | 1   |            | (LUMBAR KNOB) |
| 15  | .....    | SEAT BACK  | 1   |            |               |
| 16  | RE151331 | SEAT BELT  | 1   |            |               |

MEMORANDA

# 3B22

OPERATOR'S STATION

TRAINING SEAT SEATBELT  
HP9656 -UN-30MAR00



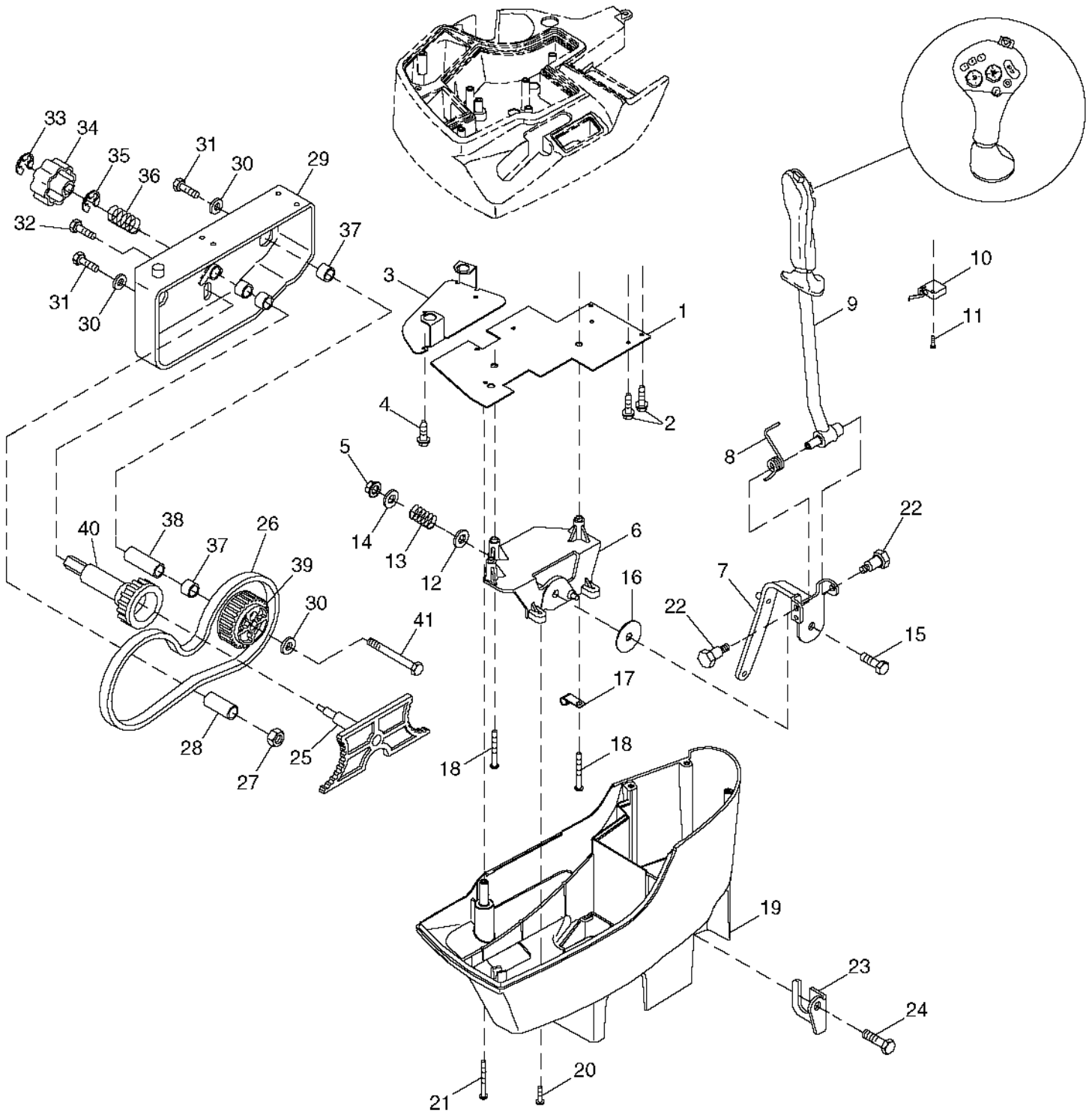
HP9656

| KEY | PART NO. | PART NAME | QTY | SERIAL NO. | REMARKS |
|-----|----------|-----------|-----|------------|---------|
| 1   | AH147153 | SEAT BELT | 1   |            |         |
| 2   | H135891  | LOCK NUT  | 1   |            |         |
| 3   | AH147030 | STRAP     | 1   |            |         |
| 4   | 19M7835  | SCREW     | 1   | M10 X 35   |         |

# 3B23

OPERATOR'S STATION

ARMREST CONTROL PANEL  
HP9075 -UN-21SEP99



HP9075

# 3B24

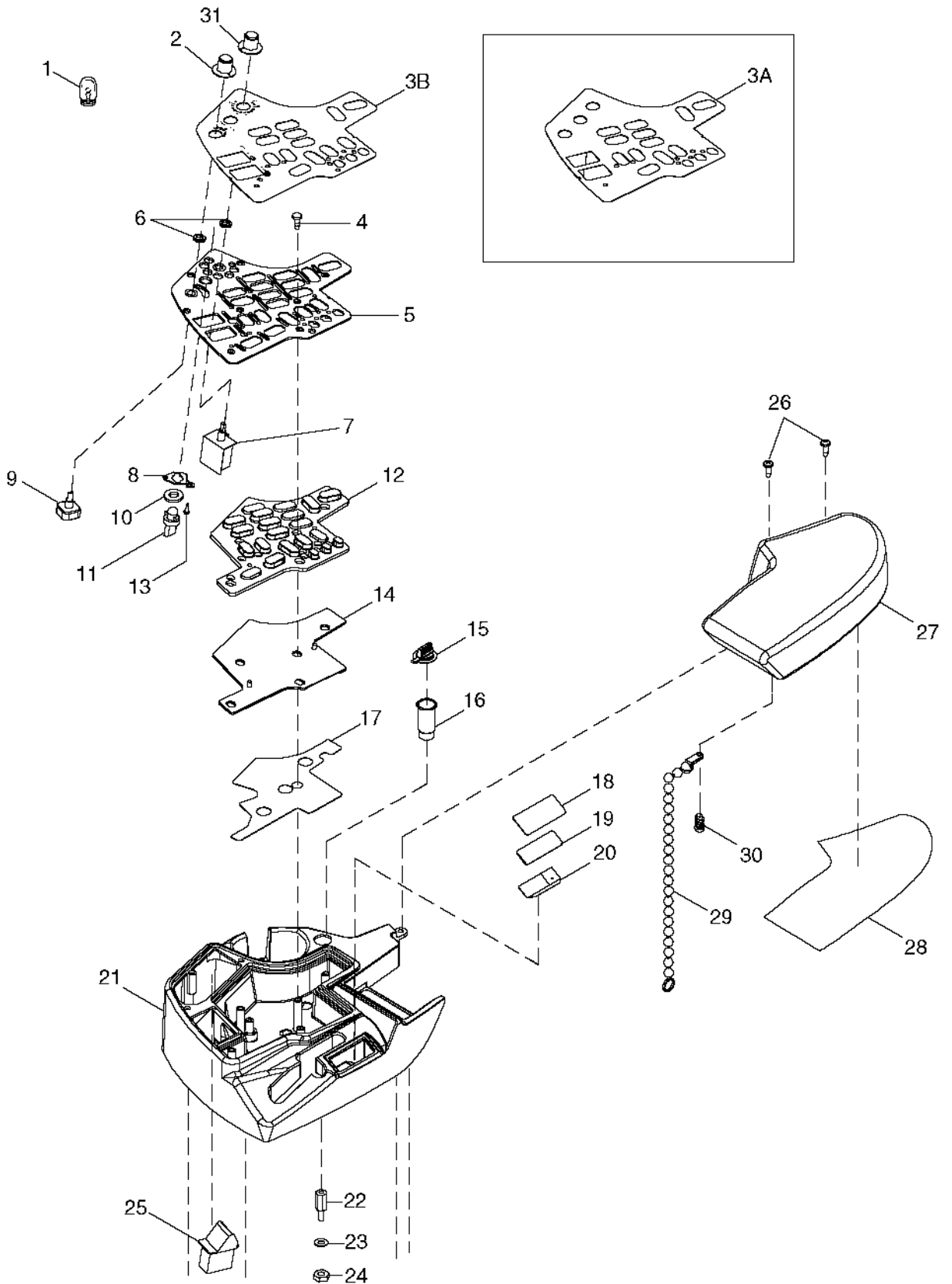
OPERATOR'S STATION

ARMREST CONTROL PANEL - CONTINUED

| KEY | PART NO. | PART NAME     | QTY | SERIAL NO. | REMARKS                               |
|-----|----------|---------------|-----|------------|---------------------------------------|
| 1   | AH159994 | CIRCUIT BOARD | 1   |            |                                       |
| 2   | H111364  | SCREW         | 5   |            |                                       |
| 3   | H165728  | COVER         | 1   |            |                                       |
| 4   | H111364  | SCREW         | 3   |            |                                       |
| 5   | 14M7396  | LOCK NUT      | 1   | M8         |                                       |
| 6   | H152673  | BRACKET       | 1   |            |                                       |
| 7   | AH146744 | ARM           | 1   |            |                                       |
| 8   | H154937  | SPRING        | 1   |            |                                       |
| 9   | AH163913 | HANDLE        | 1   |            | (SUB AH168439) WITH CONTOUR MASTER    |
|     | AH168439 | HANDLE        | 1   |            |                                       |
|     | AH163914 | HANDLE        | 1   |            | (SUB AH168440) WITHOUT CONTOUR MASTER |
|     | AH168440 | HANDLE        | 1   |            |                                       |
| 10  | AH161154 | SWITCH        | 1   |            |                                       |
| 11  | 37M7066  | SCREW         | 2   |            |                                       |
| 12  | 24H1305  | WASHER        | 1   |            | 13/32" X 13/16" X 0.065"              |
| 13  | 122SE    | SPRING        | 1   |            |                                       |
| 14  | 24M7207  | WASHER        | 1   |            | 8.400 X 24 X 2 MM                     |
| 15  | H119007  | SCREW         | 1   |            |                                       |
| 16  | R113364  | WASHER        | 1   |            |                                       |
| 17  | R114203  | CLAMP         | 1   |            |                                       |
| 18  | R124859  | SCREW         | 3   |            |                                       |
| 19  | R134138  | HOUSING       | 1   |            |                                       |
| 20  | R117569  | SCREW         | 2   |            |                                       |
| 21  | R124859  | SCREW         | 1   |            |                                       |
| 22  | H131424  | BOLT          | 2   |            |                                       |
| 23  | H152664  | SUPPORT       | 1   |            |                                       |
| 24  | 19M8319  | SCREW         | 1   | M8 X 50    |                                       |
| 25  | R150660  | PAWL          | 1   |            |                                       |
| 26  | R124898  | BELT          | 1   |            |                                       |
| 27  | 14M7416  | FLANGE NUT    | 1   | M8         |                                       |
| 28  | R128232  | BUSHING       | 1   |            |                                       |
| 29  | R130990  | HOUSING       | 1   |            |                                       |
| 30  | 24M7028  | WASHER        | 2   |            | 10.500 X 20 X 2 MM                    |
| 31  | 19M7875  | CAP SCREW     | 2   |            | M10 X 70                              |
| 32  | 19M7799  | SCREW         | 1   |            | M8 X 45                               |
| 33  | 40M7088  | SNAP RING     | 1   |            |                                       |
| 34  | R127224  | KNOB          | 1   |            |                                       |
| 35  | F2863    | RING          | 1   |            |                                       |
| 36  | R73094   | SPRING        | 1   |            |                                       |
| 37  | R130988  | BUSHING       | 10  |            |                                       |
| 38  | R124903  | SHAFT         | 2   |            |                                       |
| 39  | R130989  | CAM           | 2   |            |                                       |
| 40  | R150659  | DRIVER        | 1   |            |                                       |
| 41  | 19M7875  | CAP SCREW     | 2   |            | M10 X 70                              |

# 3C1

ARMREST CONTROL PANEL  
HP9811 -UN-15JUN00



HP9811



## ARMREST CONTROL PANEL - CONTINUED

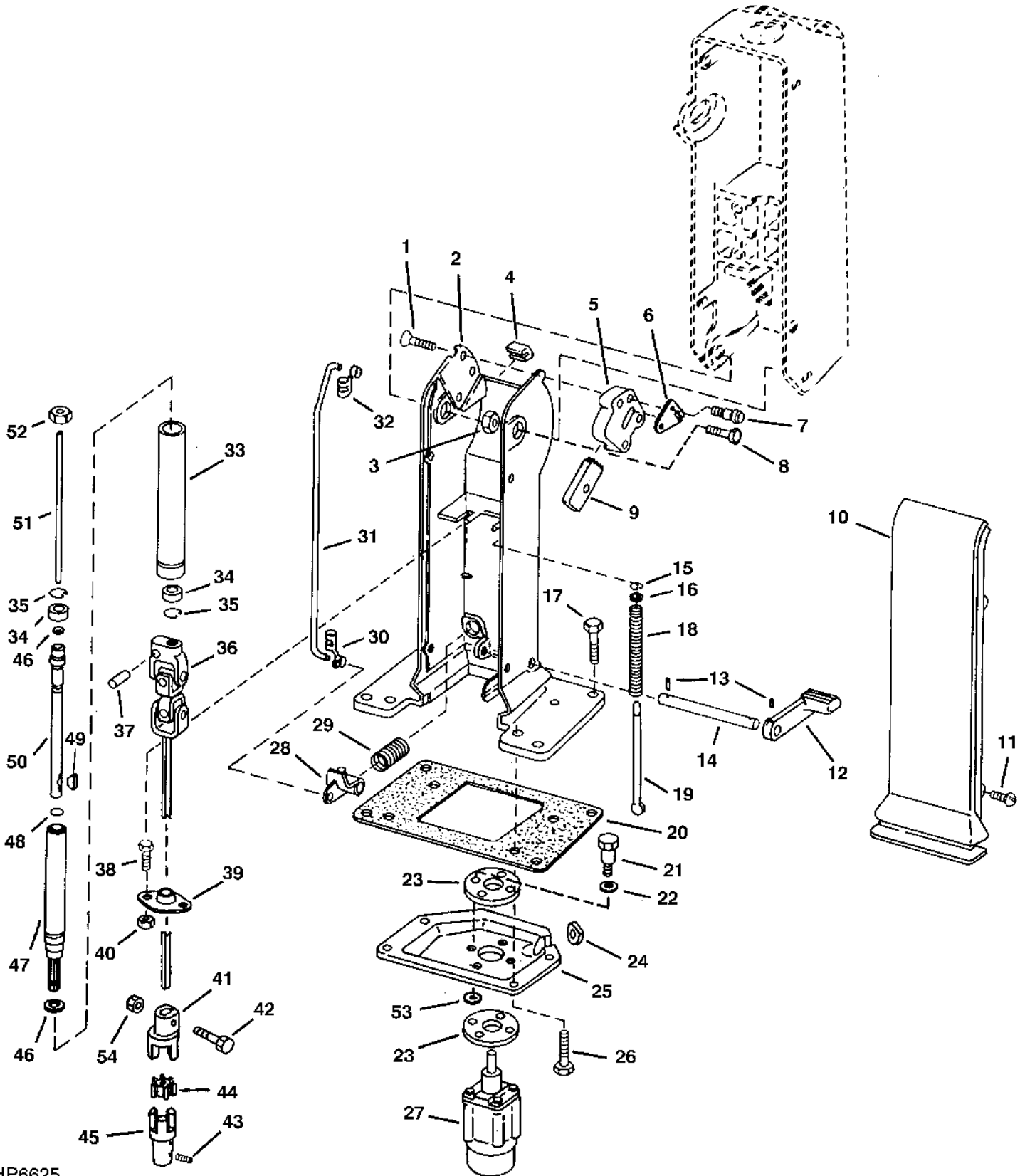
| KEY | PART NO. | PART NAME    | QTY | SERIAL NO. | REMARKS                        |
|-----|----------|--------------|-----|------------|--------------------------------|
| 1   | AA27536  | BULB         | 6   |            |                                |
| 2   | H169864  | KNOB         | 1   |            |                                |
| 3A  | H170912  | PANEL        | 1   | -690300    |                                |
| 3B  | H174192  | PANEL        | 1   | 690301-    |                                |
| 4   | H118166  | SCREW        | 8   |            |                                |
| 5   | AH163000 | BEZEL        | 1   |            |                                |
| 6   | H106246  | LOCK NUT     | 2   |            |                                |
| 7   | AH121190 | SWITCH       | 1   |            |                                |
| 8   | H160799  | CLIP         | 1   |            |                                |
| 9   | AH159180 | SWITCH       | 1   |            |                                |
| 10  | H172760  | WASHER       | 1   |            |                                |
| 11  | RE65816  | SENSOR       | 1   |            |                                |
| 12  | AH159241 | PAD          | 1   | -690300    |                                |
|     | AH164278 | PAD          | 1   | 690301-    |                                |
| 13  | H111364  | SCREW        | 1   |            |                                |
| 14  | AH154407 | SWITCH       | 1   |            |                                |
| 15  | H170373  | PLUG         | 1   |            |                                |
| 16  | AR56766  | HOUSING      | 1   |            |                                |
| 17  | H156363  | LABEL        | 1   |            |                                |
| 18  | H153453  | LABEL        | 1   |            |                                |
| 19  | H153457  | LENS         | 1   |            |                                |
| 20  | H168133  | LIGHT BAR    | 1   |            |                                |
| 21  | H153443  | COVER        | 1   |            |                                |
| 22  | H129367  | SPACER       | 1   |            |                                |
| 23  | 12M7084  | LOCK WASHER  | 1   |            |                                |
| 24  | 14H605   | NUT          | 1   |            |                                |
| 25  | AH155007 | SWITCH       | 2   |            |                                |
| 26  | R126355  | SCREW        | 2   |            |                                |
| 27  | AH147170 | CUSHION      | 1   |            |                                |
| 28  | H170073  | LABEL        | 1   |            | START SEQUENCE AND SEAT SAFETY |
| 29  | AR27940  | LINK CHAIN   | 1   |            |                                |
| 30  | H111706  | SCREW        | 2   |            |                                |
| 31  | AH126811 | KNOB         | 1   |            |                                |
| ..  | H171222  | INSTRUCTIONS | 1   |            |                                |

# 3C3

OPERATOR'S STATION

## STEERING COLUMN (LOWER)

HP6625 -UN-27JAN97



HP6625

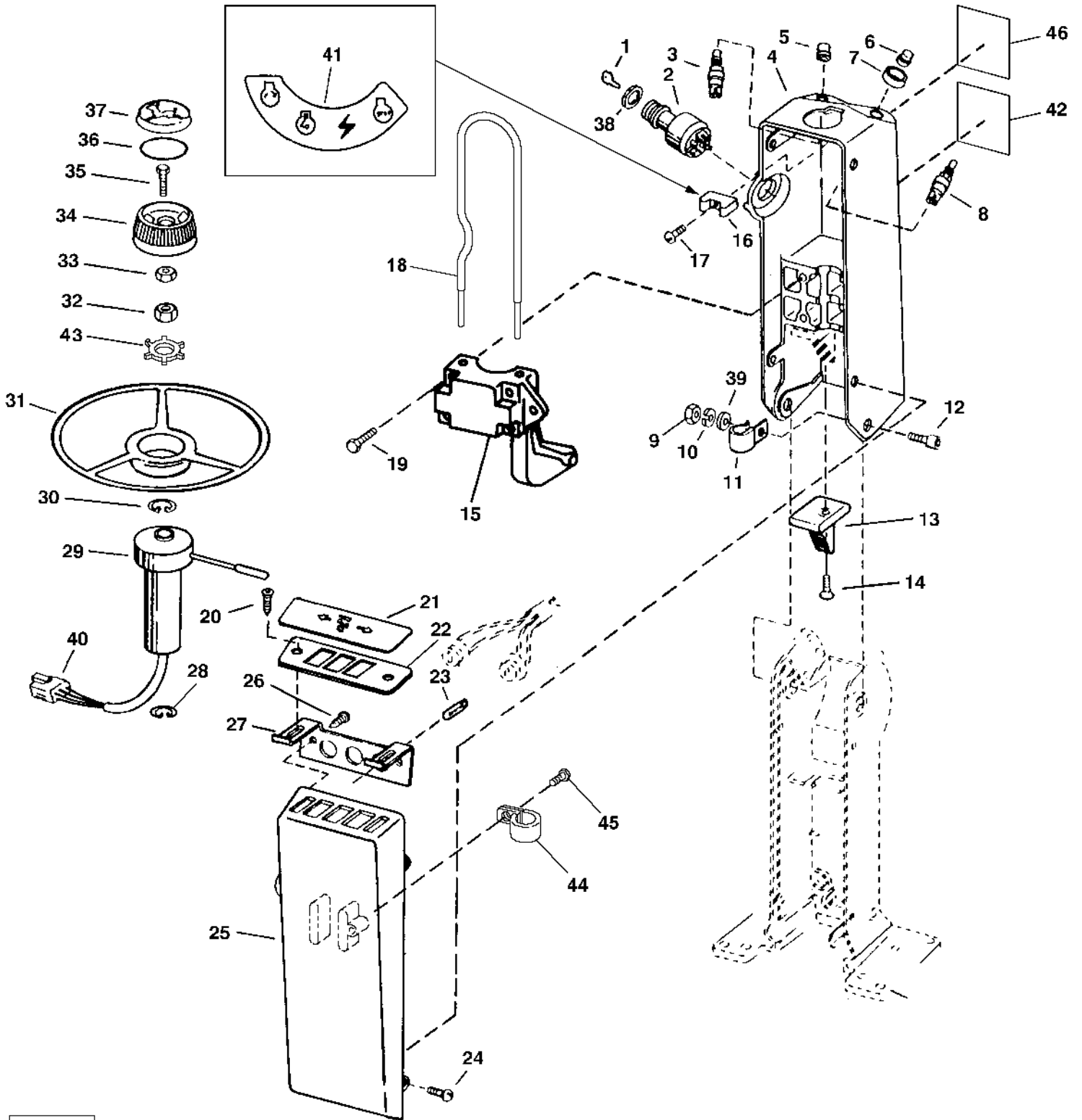
## STEERING COLUMN (LOWER) - CONTINUED

| KEY | PART NO. | PART NAME                   | QTY | SERIAL NO.            | REMARKS |
|-----|----------|-----------------------------|-----|-----------------------|---------|
| 1   | H133205  | SCREW                       | 3   |                       |         |
| 2   | H152173  | HOUSING                     | 1   |                       |         |
| 3   | 14M7274  | NUT                         | 2   | M10                   |         |
| 4   | H107566  | ISOLATOR                    | 1   |                       |         |
| 5   | H110310  | HOUSING                     | 1   |                       |         |
| 6   | H110229  | CRANK                       | 1   |                       |         |
| 7   | H170382  | BOLT                        | 2   |                       |         |
| 8   | H107687  | SCREW                       | 2   |                       |         |
| 9   | H141327  | PAWL                        | 1   |                       |         |
| 10  | H152172  | COVER                       | 1   |                       |         |
| 11  | H165693  | SCREW                       | 4   |                       |         |
| 12  | H152174  | PEDAL                       | 1   |                       |         |
| 13  | 34M7102  | SPRING PIN                  | 2   | 5 X 26 MM             |         |
| 14  | H113864  | PIN                         | 1   |                       |         |
| 15  | H133106  | SNAP RING                   | 1   |                       |         |
| 16  | 24M7055  | WASHER                      | 1   | 8.400 X 16 X 1.600 MM |         |
| 17  | 19M7800  | SCREW                       | 4   | M8 X 50               |         |
| 18  | H113404  | SPRING                      | 1   |                       |         |
| 19  | H113402  | ROD                         | 1   |                       |         |
| 20  | H123874  | SEAL                        | 1   |                       |         |
| 21  | H110700  | BOLT                        | 4   |                       |         |
| 22  | 24M7028  | WASHER                      | 4   | 10.500 X 20 X 2 MM    |         |
| 23  | H134353  | ISOLATOR                    | 2   |                       |         |
| 24  | H108725  | GROMMET                     | 1   |                       |         |
| 25  | H123875  | SUPPORT                     | 1   |                       |         |
| 26  | 19M7867  | SCREW                       | 4   | M8 X 25               |         |
| 27  | AH142441 | PUMP                        | 1   |                       |         |
| 28  | H107582  | ARM                         | 1   |                       |         |
| 29  | H107584  | SPRING                      | 1   |                       |         |
| 30  | R26501   | CLIP                        | 1   |                       |         |
| 31  | H131186  | ROD                         | 1   |                       |         |
| 32  | R26524   | CLIP                        | 1   |                       |         |
| 33  | H107567  | HOUSING                     | 1   |                       |         |
| 34  | AH97920  | BALL BEARING                | 2   |                       |         |
| 35  | H80753   | SNAP RING                   | 2   |                       |         |
| 36  | AH139065 | UNIVERSAL JOINT, WITH SHAFT | 1   |                       |         |
| 37  | 34M7124  | SPRING PIN                  | 1   | 8 X 30 MM             |         |
| 38  | 19M7866  | SCREW                       | 2   |                       |         |
| 39  | AH129236 | BEARING                     | 1   |                       |         |
| 40  | 14M7166  | LOCK NUT                    | 2   | M8                    |         |
| 41  | H162569  | COUPLING                    | 1   |                       |         |
| 42  | H162055  | SCREW                       | 1   | M8 X 40               |         |
| 43  | 22M7072  | SET SCREW                   | 2   | M6 X 10               |         |
| 44  | H134624  | ISOLATOR                    | 1   |                       |         |
| 45  | H134623  | SPLINED COUPLING            | 1   |                       |         |
| 46  | H99294   | WASHER                      | 2   |                       |         |
| 47  | AH130429 | STEERING SHAFT              | 1   |                       |         |
| 48  | H36256   | O-RING                      | 1   |                       |         |
| 49  | H137667  | SHAFT KEY                   | 1   |                       |         |
| 50  | H107570  | STEERING SHAFT              | 1   |                       |         |
| 51  | H107586  | PIN                         | 1   |                       |         |
| 52  | 14M7257  | NUT                         | 1   | M20                   |         |
| 53  | H141946  | WASHER                      | 4   |                       |         |
| 54  | 14M7396  | LOCK NUT                    | 1   | M8                    |         |

# 3C5

## STEERING COLUMN (UPPER)

HP8445 -UN-08JUL99



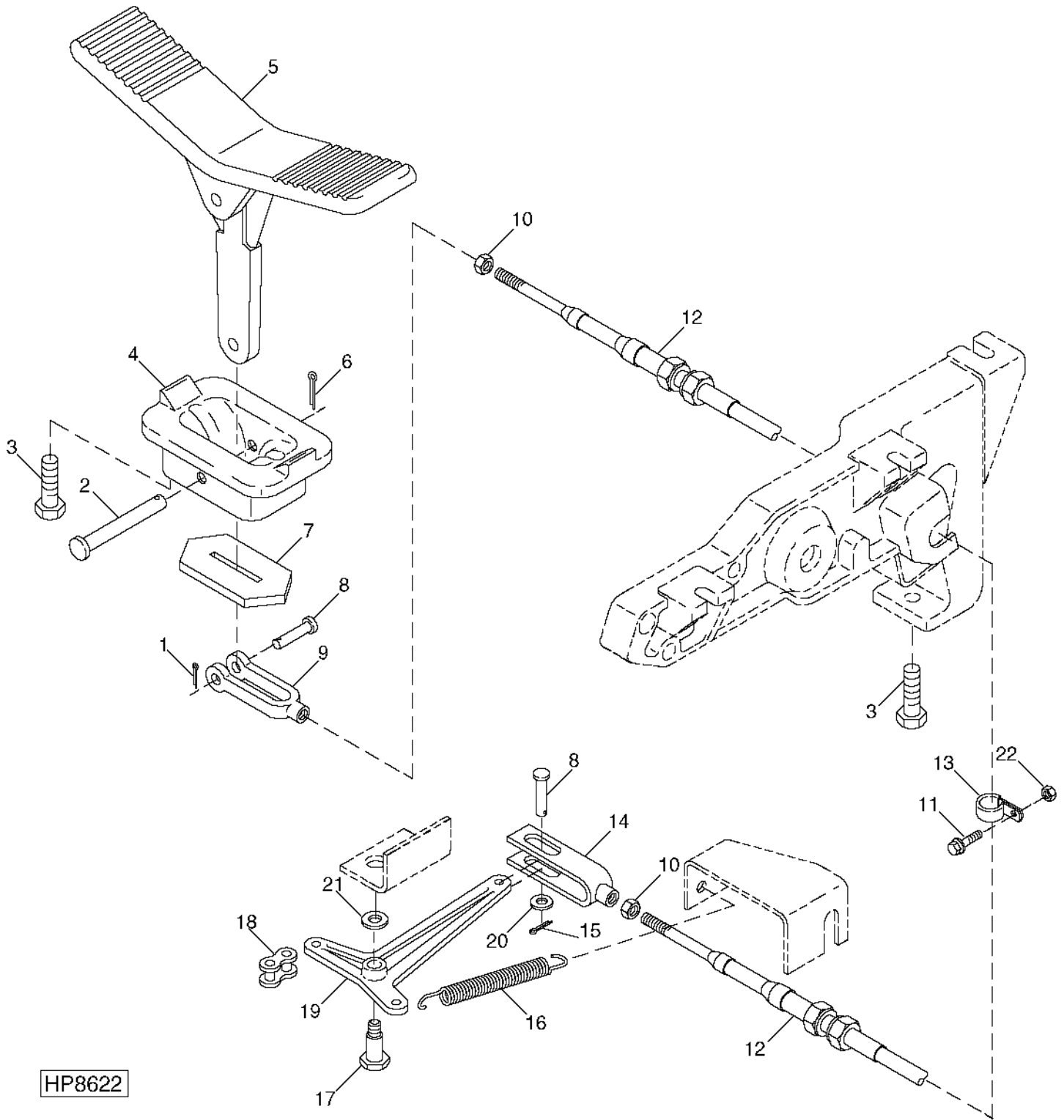
HP8445

## STEERING COLUMN (UPPER) - CONTINUED

| KEY | PART NO. | PART NAME              | QTY | SERIAL NO. | REMARKS                 |
|-----|----------|------------------------|-----|------------|-------------------------|
| 1   | AR51481  | KEY                    | 1   |            |                         |
| 2   | AH108816 | SWITCH                 | 1   |            | KEY START SWITCH        |
| 3   | R39554   | SWITCH                 | 1   |            | HORN BUTTON             |
| 4   | H152171  | HOUSING                | 1   |            |                         |
| 5   | T55501   | CAP                    | 1   |            |                         |
| 6   | T55585   | CAP                    | 1   |            |                         |
| 7   | H132895  | GUARD                  | 1   |            |                         |
| 8   | R39554   | SWITCH                 | 1   |            | EITHER AID START BUTTON |
| 9   | 14M7274  | NUT                    | 2   |            | M10                     |
| 10  | 12M7066  | LOCK WASHER            | 2   |            | 10.200 MM               |
| 11  | AH89486  | CLIP                   | 1   |            |                         |
| 12  | H107687  | SCREW                  | 2   |            | STEERING COLUMN PIVOT   |
| 13  | H110812  | GEAR                   | 1   |            |                         |
| 14  | H133205  | SCREW                  | 2   |            | M8 X 25                 |
| 15  | H150383  | CLAMP                  | 1   |            |                         |
| 16  | H113863  | GUIDE                  | 1   |            |                         |
| 17  | 37M7071  | SCREW                  | 1   |            |                         |
| 18  | AH129255 | GUARD                  | 1   |            |                         |
| 19  | 19M7800  | SCREW                  | 4   |            | M8 X 50                 |
| 20  | H132899  | SCREW                  | 1   |            |                         |
| 21  | H146392  | PANEL                  | 1   |            |                         |
| 22  | H146391  | PANEL                  | 1   |            |                         |
| 23  | AA27536  | BULB                   | 1   |            |                         |
| 24  | H165693  | SCREW                  | 4   |            | M6 X 12                 |
| 25  | H152170  | COVER                  | 1   |            |                         |
| 26  | 37H6     | SCREW                  | 2   |            |                         |
| 27  | H132897  | RETAINER               | 1   |            |                         |
| 28  | R26192   | SNAP RING              | 1   |            |                         |
| 29  | AH121340 | TURN SIGNAL CONTROLLER | 1   |            | TURN SIGNAL             |
|     | T23529   | SNAP RING              | 1   |            |                         |
| 30  | R26192   | SNAP RING              | 1   |            |                         |
| 31  | RE46962  | STEERING WHEEL         | 1   |            |                         |
| 32  | 14M7257  | NUT                    | 1   |            | M20                     |
| 33  | 14M7273  | NUT                    | 1   |            | M8                      |
| 34  | H108822  | KNOB                   | 1   |            |                         |
| 35  | 19M7164  | CAP SCREW              | 1   |            | M8 X 50                 |
| 36  | B3690R   | O-RING                 | 1   |            | 47.219 X 3.531 MM       |
| 37  | R47998   | CAP                    | 1   |            |                         |
| 38  | R44342   | NUT                    | 1   |            | 25.400 MM               |
| 39  | 24M7028  | WASHER                 | 1   |            | 10.500 X 20 X 2 MM      |
| 40  | AH116902 | CONNECTOR              | 1   |            |                         |
| 41  | H146042  | LABEL                  | 1   |            | FOR IGNITION SWITCH     |
| 42  | H156390  | LABEL                  | 1   |            |                         |
| 43  | T17148   | LOCK WASHER            | 1   |            |                         |
| 44  | AH89557  | CLIP                   | 1   |            |                         |
| 45  | 37M7083  | SCREW                  | 1   |            | M8 X 12                 |
| 46  | H155510  | SIGN                   | 1   |            | SEATBELT                |

## FEEDER HOUSE REVERSER FOOT CONTROL

HP8622 -UN-07JUN99



HP8622

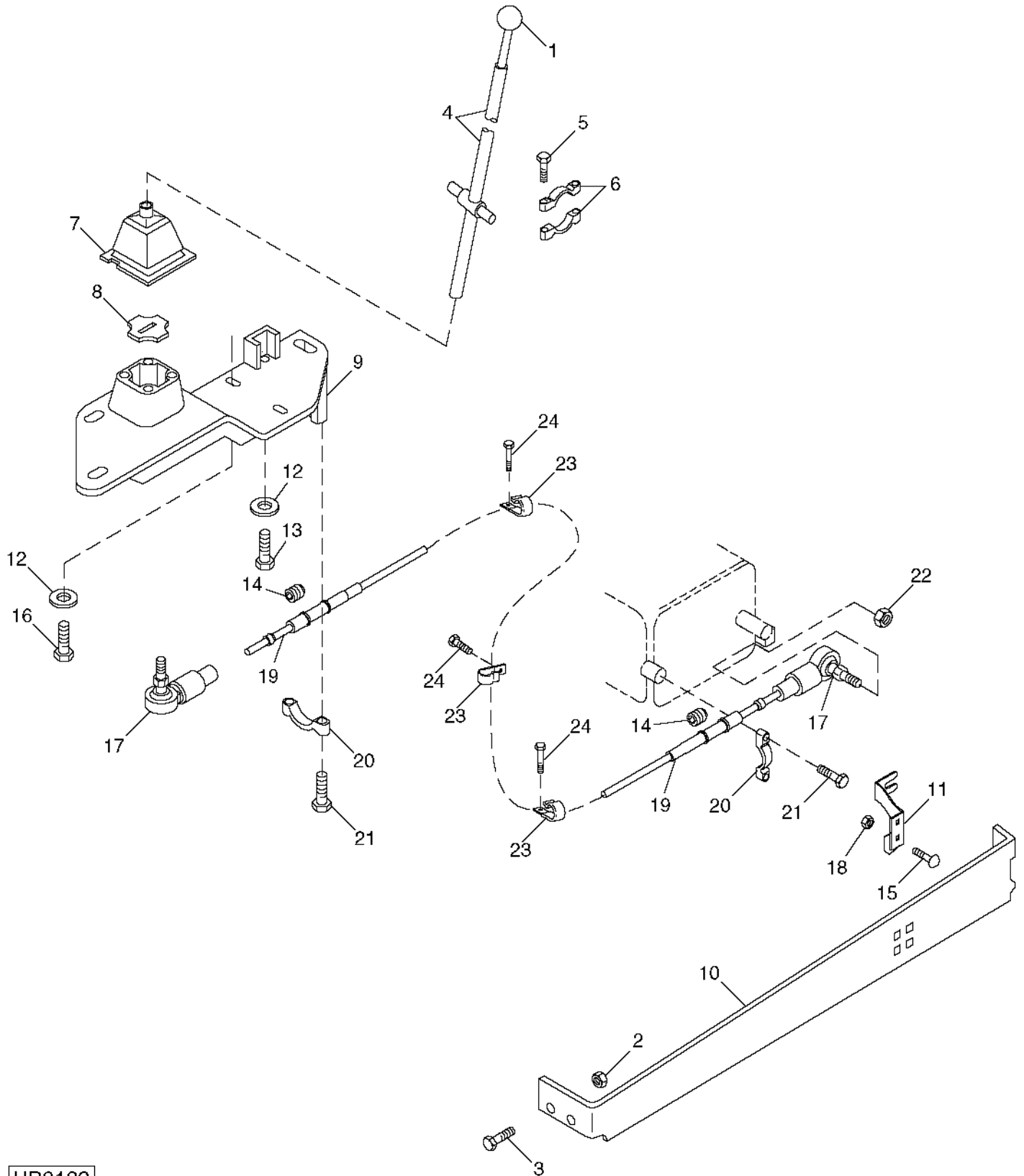
## FEEDER HOUSE REVERSER FOOT CONTROL - CONTINUED

| KEY | PART NO. | PART NAME       | QTY | SERIAL NO.            | REMARKS |
|-----|----------|-----------------|-----|-----------------------|---------|
| 1   | 11M7082  | COTTER PIN      | 1   | 2.500 X 25 MM         |         |
| 2   | R65569   | PIN             | 1   | 9.398 X 49.479 MM     |         |
| 3   | 19M7866  | SCREW           | 2   | M8 X 20               |         |
| 4   | H153480  | BEZEL           | 1   |                       |         |
| 5   | H153479  | PEDAL           | 1   |                       |         |
| 6   | 11M7081  | COTTER PIN      | 1   | 2.500 X 20 MM         |         |
| 7   | H133210  | SEAL            | 1   |                       |         |
| 8   | T16193   | PIN             | 2   | 6.248 X 29.362 MM     |         |
| 9   | H130646  | YOKE            | 1   |                       |         |
| 10  | 14M7273  | NUT             | 2   | M8                    |         |
| 11  | 19M7791  | SCREW           | 1   | M12 X 40              |         |
| 12  | AH128452 | PUSH PULL CABLE | 1   |                       |         |
| 13  | R73384   | CLAMP           | 1   |                       |         |
| 14  | AH127383 | YOKE            | 1   |                       |         |
| 15  | 11M7082  | COTTER PIN      | 1   | 2.500 X 25 MM         |         |
| 16  | H84948   | SPRING          | 1   |                       |         |
| 17  | H127749  | BOLT            | 1   | M12 X 45              |         |
| 18  | AE23791  | CHAIN LINK      | 1   |                       |         |
| 19  | H140836  | BELLCRANK       | 1   |                       |         |
| 20  | 24M7054  | WASHER          | 1   | 6.400 X 12 X 1.600 MM |         |
| 21  | 24M7047  | WASHER          | 1   | 13 X 24 X 2.500 MM    |         |
| 22  | 14M7299  | FLANGE NUT      | 1   | M12                   |         |

# 3C9

## GEARSHIFT LEVER AND LINKAGE

HP9183 -UN-15OCT99



HP9183



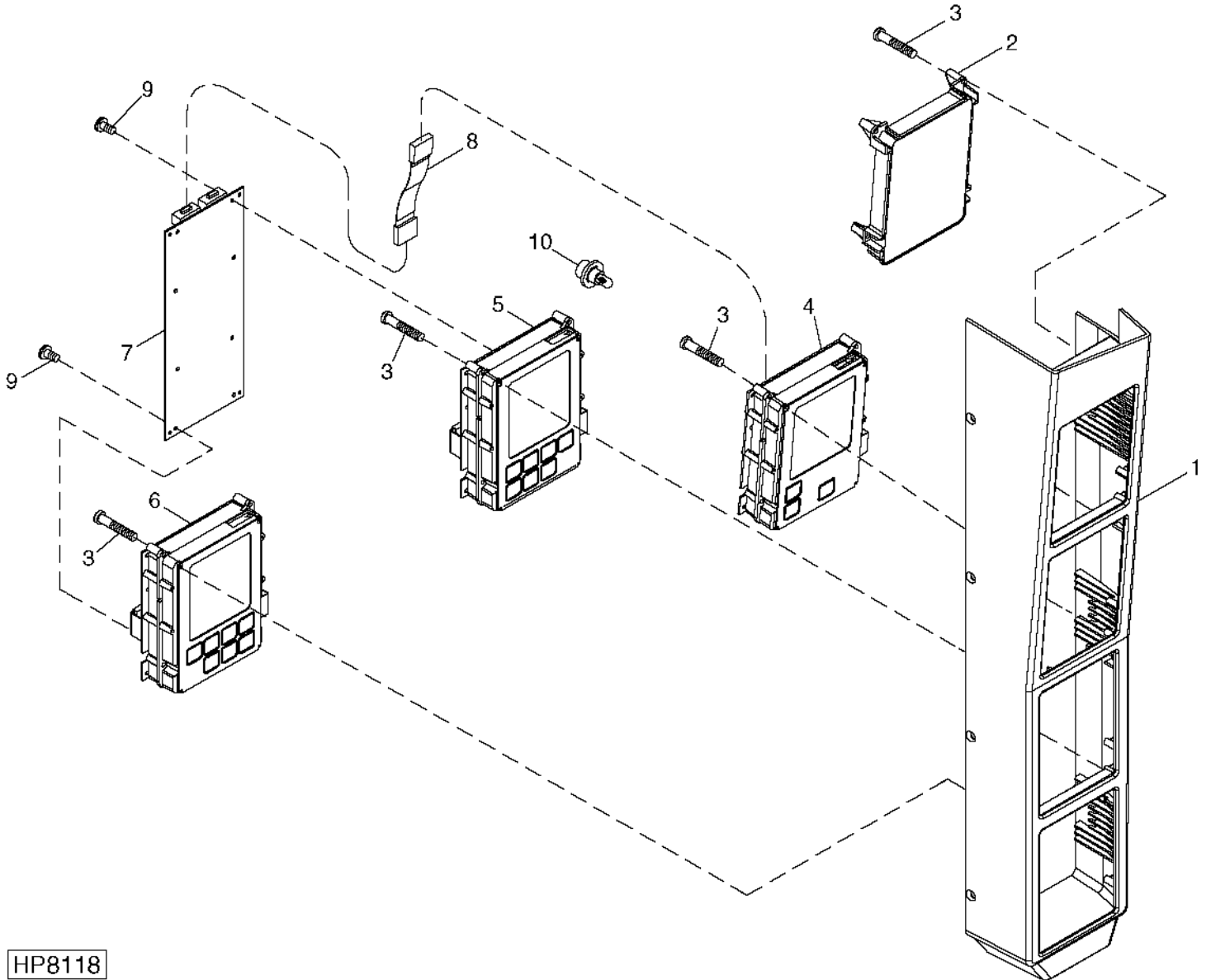
## GEARSHIFT LEVER AND LINKAGE - CONTINUED

| KEY | PART NO. | PART NAME  | QTY | SERIAL NO.               | REMARKS |
|-----|----------|------------|-----|--------------------------|---------|
| 1   | H125518  | KNOB       | 1   |                          |         |
| 2   | 14M7401  | LOCK NUT   | 1   | M12                      |         |
| 3   | 19M7789  | SCREW      | 1   | M12 X 30                 |         |
| 4   | AH138707 | ROD        | 1   |                          |         |
| 5   | 19M8318  | SCREW      | 4   | M8 X 45                  |         |
| 6   | H131040  | BEARING    | 4   |                          |         |
| 7   | H131041  | BOOT       | 1   |                          |         |
| 8   | H133660  | SEAL       | 1   |                          |         |
| 9   | H133636  | HOUSING    | 1   |                          |         |
| 10  | H140741  | GUARD      | 1   |                          |         |
| 11  | H141315  | BRACKET    | 1   |                          |         |
| 12  | 24H1296  | WASHER     | 5   | 11/32" X 1-3/8" X 0.134" |         |
| 13  | 19M8319  | SCREW      | 1   | M8 X 50                  |         |
| 14  | H133662  | ISOLATOR   | 2   |                          |         |
| 15  | 03M7190  | BOLT       | 2   | M10 X 20                 |         |
| 16  | 19M7867  | SCREW      | 4   | M8 X 25                  |         |
| 17  | AH125958 | BALL JOINT | 2   |                          |         |
| 18  | AH138329 | KIT        | 1   | GEARSHIFT CABLE GUARD    |         |
| 19  | AH128356 | CABLE      | 1   |                          |         |
| 20  | H133047  | CLAMP      | 2   |                          |         |
| 21  | 19M8291  | SCREW      | 4   | M8 X 35                  |         |
| 22  | 14M7296  | FLANGE NUT | 1   | M10                      |         |
| 23  | AH77724  | CLIP       | 3   |                          |         |
| 24  | 37M7058  | SCREW      | 3   | M8 X 20                  |         |
| 25  | 14M7400  | LOCK NUT   | 2   | M10                      |         |
| ..  | TY9371   | ADHESIVE   | 1   | 6 ML HIGH STRENGTH       |         |

# 3C11

OPERATOR'S STATION

R.H. CORNERPOST DISPLAY PANEL  
HP8118 -UN-08JUL99



HP8118

# 3C12

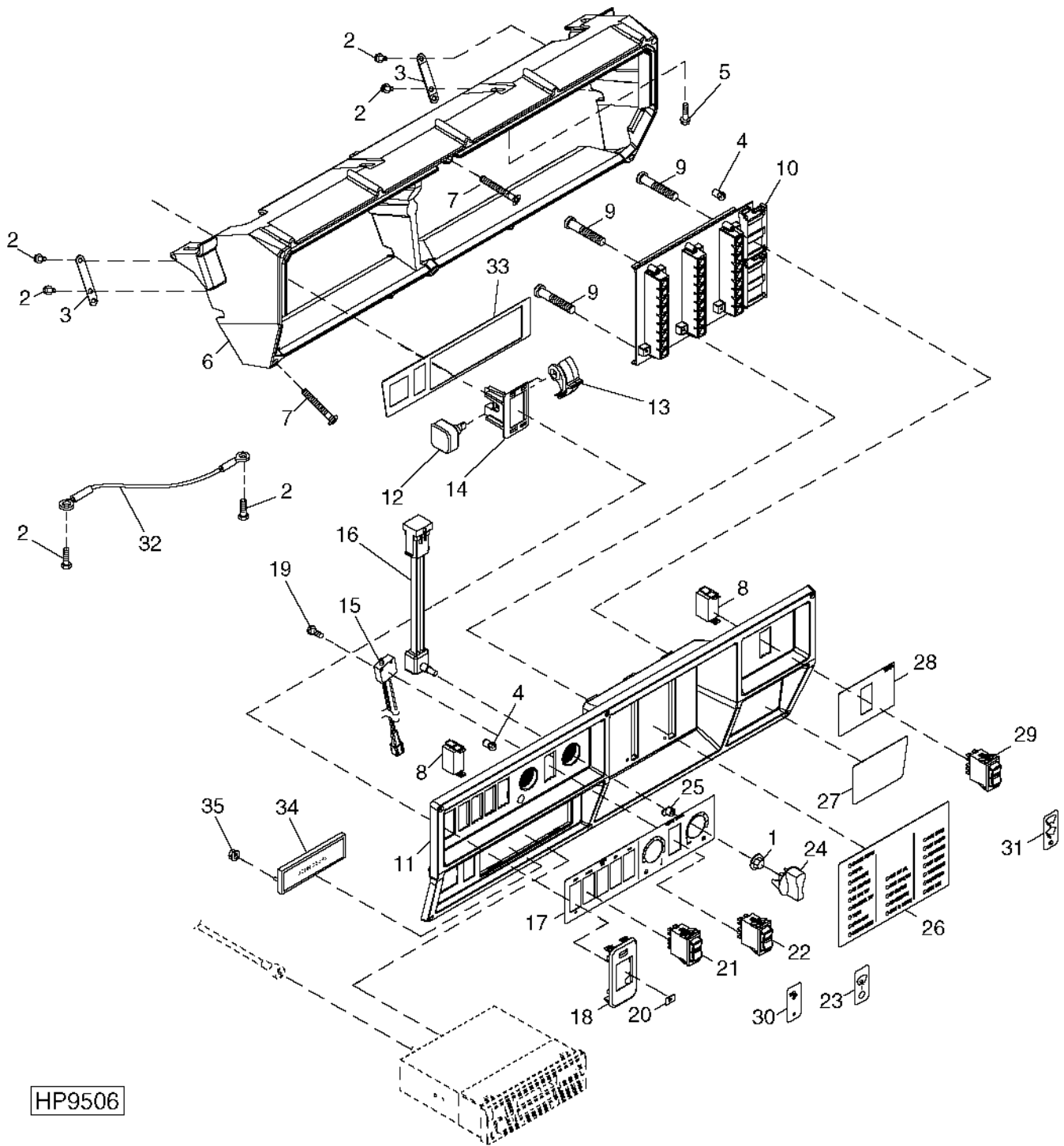
OPERATOR'S STATION

## R.H. CORNERPOST DISPLAY PANEL

| KEY | PART NO. | PART NAME      | QTY | SERIAL NO. | REMARKS                         |
|-----|----------|----------------|-----|------------|---------------------------------|
| 1   | H162559  | HOUSING        | 1   |            |                                 |
| 2   | H162560  | PANEL          | 1   |            |                                 |
| 3   | H171285  | BOLT           | 16  |            |                                 |
| 4   | AH161969 | MODULE         | 1   |            | AUTOMATIC HEADER HEIGHT CONTROL |
| 5   | AH155933 | MODULE         | 1   |            | GRAIN LOSS DISPLAY              |
| 6   | AH155932 | MODULE         | 1   |            | TACHOMETER DISPLAY              |
| 7   | AH161864 | CIRCUIT BOARD  | 1   |            |                                 |
| 8   | AH161865 | WIRING HARNESS | 1   |            |                                 |
| 9   | 21M7268  | SCREW          | 8   | M3 X 6     |                                 |
| 10  | R107890  | BULB           | 6   |            |                                 |

# 3C13

OVERHEAD CONSOLE  
HP9506 -UN-21JAN00



HP9506

# 3C14

OPERATOR'S STATION

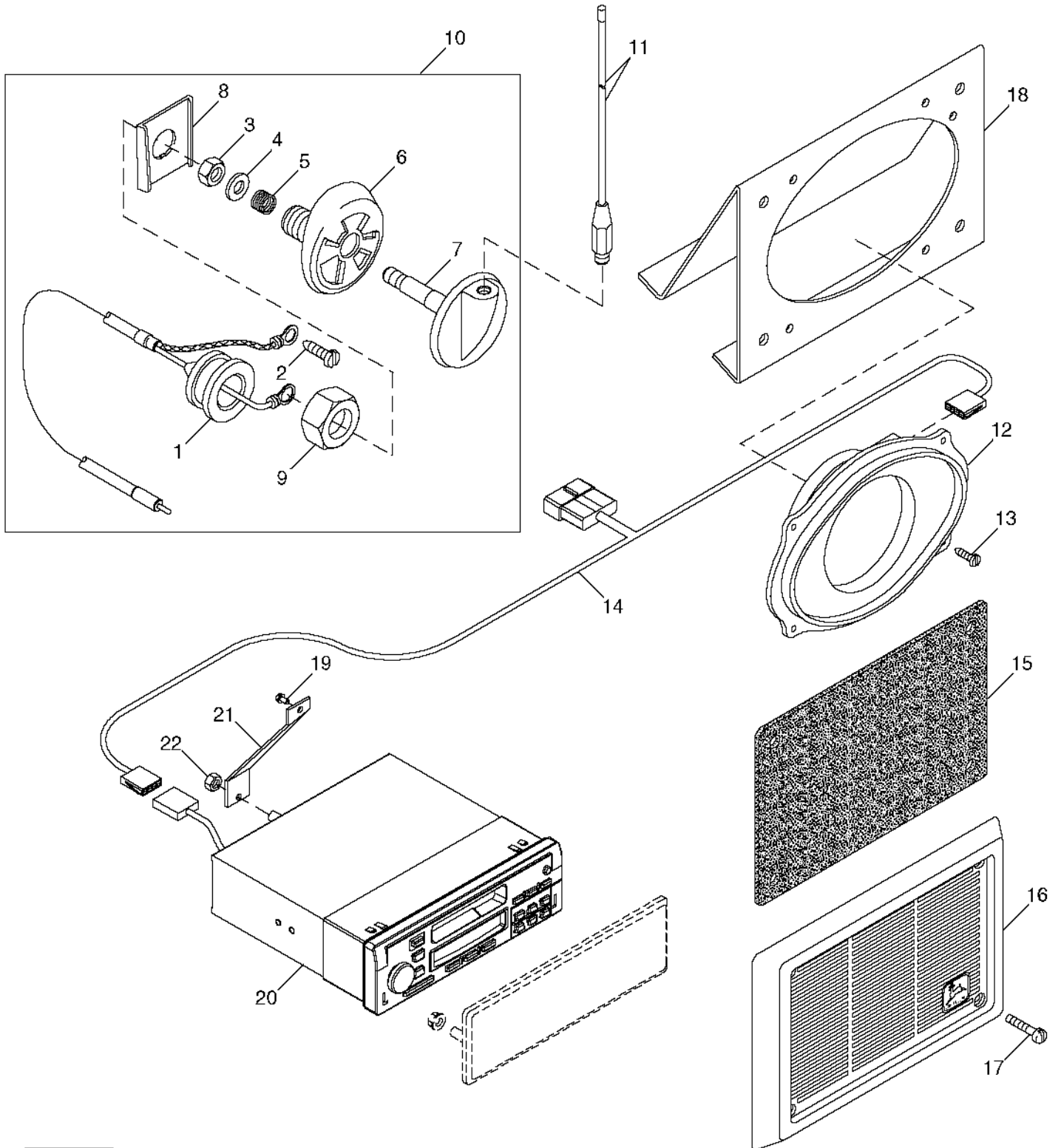
OVERHEAD CONSOLE - CONTINUED

| KEY | PART NO. | PART NAME      | QTY | SERIAL NO. | REMARKS  |
|-----|----------|----------------|-----|------------|--|
| 1   | H106246  | LOCK NUT       | 2   |            |  |
| 2   | H114038  | SCREW          | 9   |            |  |
| 3   | H164952  | STRAP          | 3   |            |  |
| 4   | AH108380 | BULB           | 28  |            |  |
| 5   | H116188  | SCREW          | 4   |            |  |
| 6   | AH154696 | SUPPORT        | 1   |            |  |
| 7   | H165690  | SCREW          | 6   |            |  |
| 8   | .....    | CONNECTOR      | 6   |            |  |
| 9   | H110842  | SCREW          | 6   |            |  |
| 10  | AH166773 | KIT            | 1   |            | (SUB FOR AH159037) WARNING DISPLAY PANEL                   |
| 11  | H161550  | CONSOLE        | 1   |            |  |
| 12  | AH160236 | SENSOR         | 1   |            |  |
| 13  | H166839  | WHEEL          | 1   |            |  |
| 14  | H166840  | FRAME          | 1   |            |  |
| 15  | AH162163 | SWITCH         | 1   |            |  |
| 16  | AH154221 | POTENTIOMETER  | 2   |            |  |
| 17  | H161163  | GRAPHICS PANEL | 1   |            |  |
| 18  | H176083  | PANEL          | 1   |            | (SUB FOR H166838)  |
| 19  | 37M7066  | SCREW          | 2   |            | WITH AM/FM/CD/WEATHERBAND &<br>AM/FM/CASS/WEATHERBAND ONLY |
| 20  | H166959  | LABEL          | 1   |            |  |
| 21  | AH158288 | ROCKER SWITCH  | 1   |            |  |
| 22  | AH158290 | ROCKER SWITCH  | 2   |            |  |
| 23  | H169067  | LABEL          | 1   |            |  |
| 24  | H168755  | KNOB           | 2   |            |  |
| 25  | H168757  | CAM            | 2   |            |  |
| 26  | H161105  | GRAPHICS PANEL | 1   |            |  |
|     | H143632  | PANEL          | 1   |            | FRENCH   |
| 27  | H161167  | GRAPHICS PANEL | 1   |            |  |
| 28  | H161165  | GRAPHICS PANEL | 1   |            |  |
| 29  | AH158291 | ROCKER SWITCH  | 1   |            |  |
| 30  | H161937  | LABEL          | 1   |            | HAZARD LIGHTS  |
|     | H161938  | LABEL          | 1   |            | ROAD LIGHTS  |
|     | H161939  | LABEL          | 1   |            | FIELD LIGHTS   |
|     | H161940  | LABEL          | 1   |            | WORK LIGHTS  |
| 31  | H164260  | LABEL          | 1   |            |  |
| 32  | AH124882 | CABLE          | 1   |            |  |
| 33  | H161166  | GRAPHICS PANEL | 1   |            |  |
| 34  | H153358  | PANEL          | 1   |            | COVER (WHERE RADIO IS NOT INSTALLED)                       |
| 35  | H117239  | FLANGE NUT     | 2   |            |  |

# 3C15

## RADIO, SPEAKER, AND ANTENNA (OPTIONAL)

HP9505 -UN-21JAN00



HP9505

# 3C16

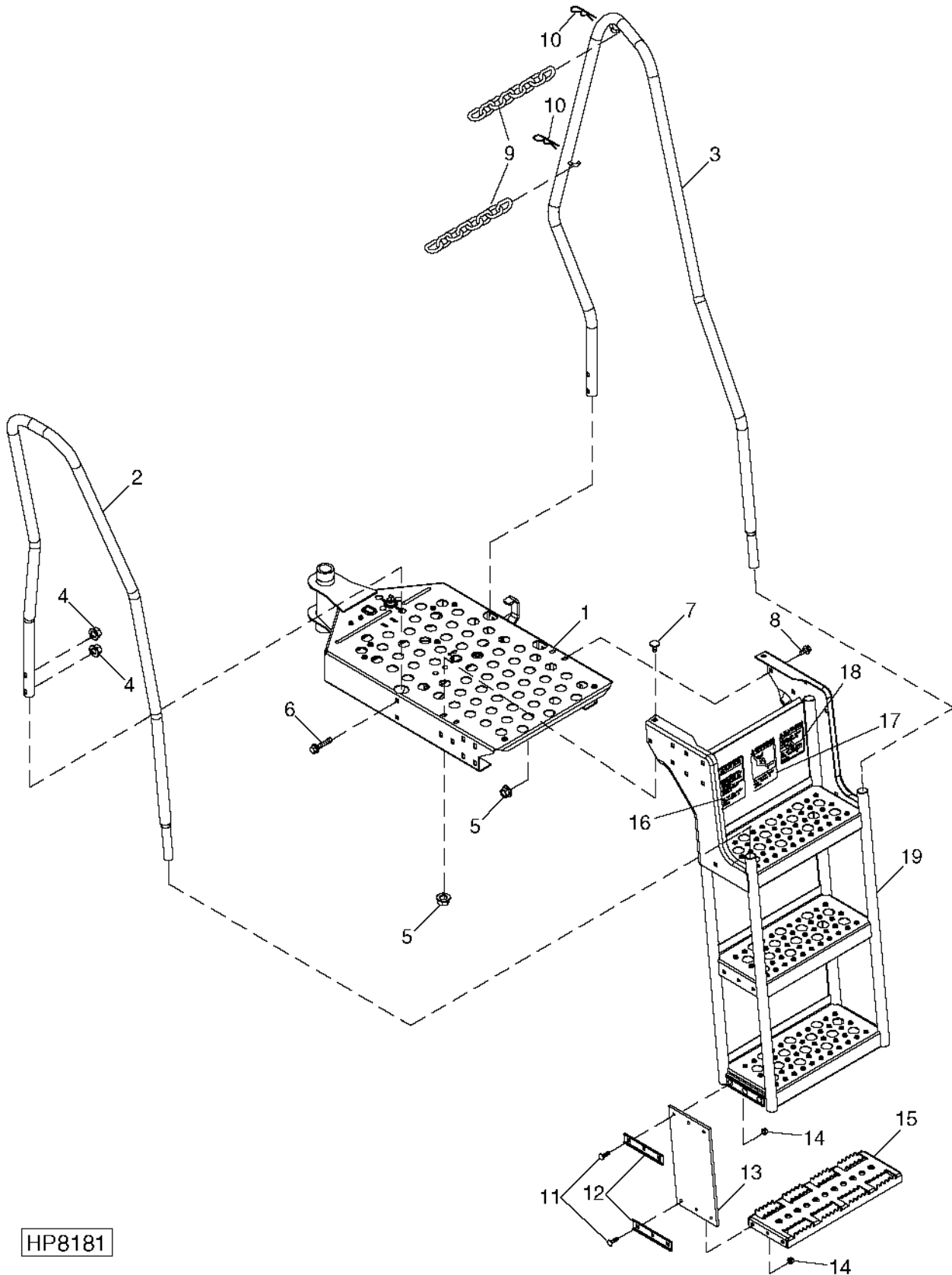
OPERATOR'S STATION

RADIO, SPEAKER, AND ANTENNA - CONTINUED

| KEY | PART NO. | PART NAME   | QTY | SERIAL NO.                 | REMARKS                                 |
|-----|----------|-------------|-----|----------------------------|---|
| 1   | .....    | WIRING LEAD | 1   | (A)                        |   |
| 2   | 37M7089  | SCREW       | 1   | (A) M6 X 12                |   |
| 3   | 14M7152  | NUT         | 1   | (A) M10                    |   |
| 4   | 24M7096  | WASHER      | 1   | (A) 10.500 X 18 X 1.600 MM |   |
| 5   | .....    | SPRING      | 1   | (A)                        |   |
| 6   | .....    | FLANGE      | 1   | (A)                        |   |
| 7   | .....    | BASE        | 1   | (A)                        |   |
| 8   | .....    | SPACER      | 1   | (A)                        |   |
| 9   | 14M7309  | NUT         | 1   | (A) M24                    |   |
| 10  | AH141012 | KIT         | 1   |                            | ANTENNA INCLUDES PARTS MARKED (A)       |
| 11  | AR104516 | ANTENNA     | 1   |                            |   |
| 12  | AH138098 | SPEAKER     | 2   |                            |   |
| 13  | 37M7215  | SCREW       | 4   |                            |   |
| 14  | AH166980 | JUMPER      | 1   |                            |   |
| 15  | H145264  | ISOLATOR    | 1   |                            |   |
| 16  | H153352  | GRILLE      | 2   |                            |   |
| 17  | 37M7100  | SCREW       | 4   |                            |   |
| 18  | H144472  | SUPPORT     | 1   |                            |   |
| 19  | H114038  | SCREW       | 1   |                            |   |
| 20  | .....    | RADIO       | 1   |                            | AM/FM/WB STEREO (ORDER FROM DELCO)      |
|     | .....    | RADIO       | 1   |                            | AM/FM/CASS/WB STEREO (ORDER FROM DELCO) |
|     | .....    | RADIO       | 1   |                            | AM/FM/CD/WB STEREO (ORDER FROM DELCO)   |
| 21  | H171011  | BRACKET     | 1   |                            |   |
| 22  | 14M7375  | FLANGE NUT  | 1   | M5                         |   |

# 3C17

LADDERS, HANDRAILS AND EXTENSIONS  
HP8181 -UN-07JUN99



HP8181



**HANDRAILS AND EXTENSION - CONTINUED**

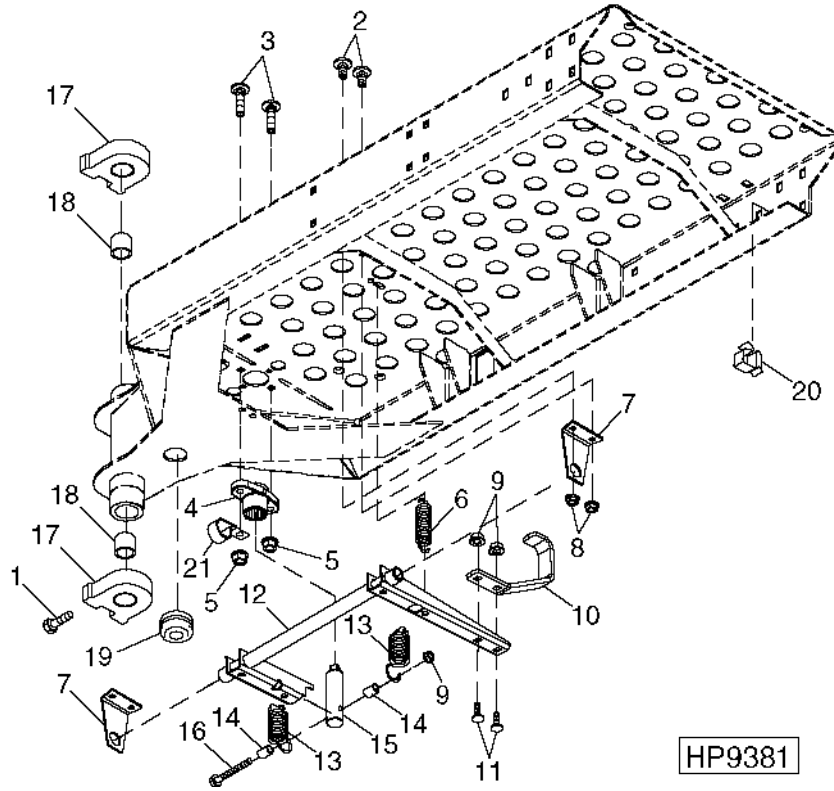
| KEY | PART NO.       | PART NAME                          | QTY      | SERIAL NO. | REMARKS   |
|-----|----------------|------------------------------------|----------|------------|---|
| 1   | AH159186       | EXTENSION                          | 1        | (940)      |   |
|     | AH159187       | EXTENSION                          | 1        | (1260)     |   |
|     | AH159188       | EXTENSION                          | 1        | (1390)     |   |
|     | AH157053       | EXTENSION                          | 1        | (1070)     |   |
|     | AH159185       | EXTENSION                          | 1        | (810)      |   |
| 2   | H167174        | HANDRAIL                           | 1        |            | USE WITH AH159186                                 |
|     | AH160469       | HANDRAIL                           | 1        |            | USE WITH AH159187                                 |
|     | AH160470       | HANDRAIL                           | 1        |            | USE WITH AH159188                                 |
| 3   | AH160473       | HANDRAIL                           | 1        |            | USE WITH AH159186                                 |
|     | AH160474       | HANDRAIL                           | 1        |            | USE WITH AH159187                                 |
|     | AH160475       | HANDRAIL                           | 1        |            | USE WITH AH159188                                 |
| 4   | 14M7400        | LOCK NUT                           | AR       |            |   |
| 5   | 14M7296        | FLANGE NUT                         | 8        | M10        |   |
| 6   | 19M8292        | SCREW                              | 8        | M10 X 50   |   |
| 7   | 03M7191        | BOLT                               | 2        | M10 X 25   |   |
| 8   | 19M7784        | SCREW                              | 6        | M10 X 20   |   |
| 9   | AH146041       | SAFETY CHAIN                       | 2        |            |   |
| 10  | B32630         | SPRING LOCKING PIN                 | 2        |            |   |
| 11  | 03M7186        | BOLT                               | 12       | M8 X 30    |   |
| 12  | H136127        | PLATE                              | 4        |            |   |
| 13  | H136126        | HANGER                             | 2        |            |   |
| 14  | 14M7396        | LOCK NUT                           | 12       | M8         |   |
| 15  | H136011        | STEP                               | 1        |            |   |
| 16  | H149064        | LABEL                              | 1        |            |   |
| 17  | H170654        | SAFETY SIGN                        | 1        |            |   |
| 18  | E82510         | LABEL                              | 1        |            |   |
| 19  | AH165990       | LADDER                             | 1        |            |   |
| ..  | <b>BH80683</b> | <b>COMPLETE GOODS/SHIP. BUNDLE</b> | <b>1</b> |            | <b>(1390) LADDER EXTENSION AND WARNING LIGHTS</b> |
| ..  | <b>BH81585</b> | <b>COMPLETE GOODS/SHIP. BUNDLE</b> | <b>1</b> |            | <b>(1390) LADDER EXTENSION ASSEMBLY</b>           |

MEMORANDA

# 3C19

OPERATOR'S STATION

**LADDER EXTENSION ASSEMBLY**  
HP9381 -UN-02DEC99

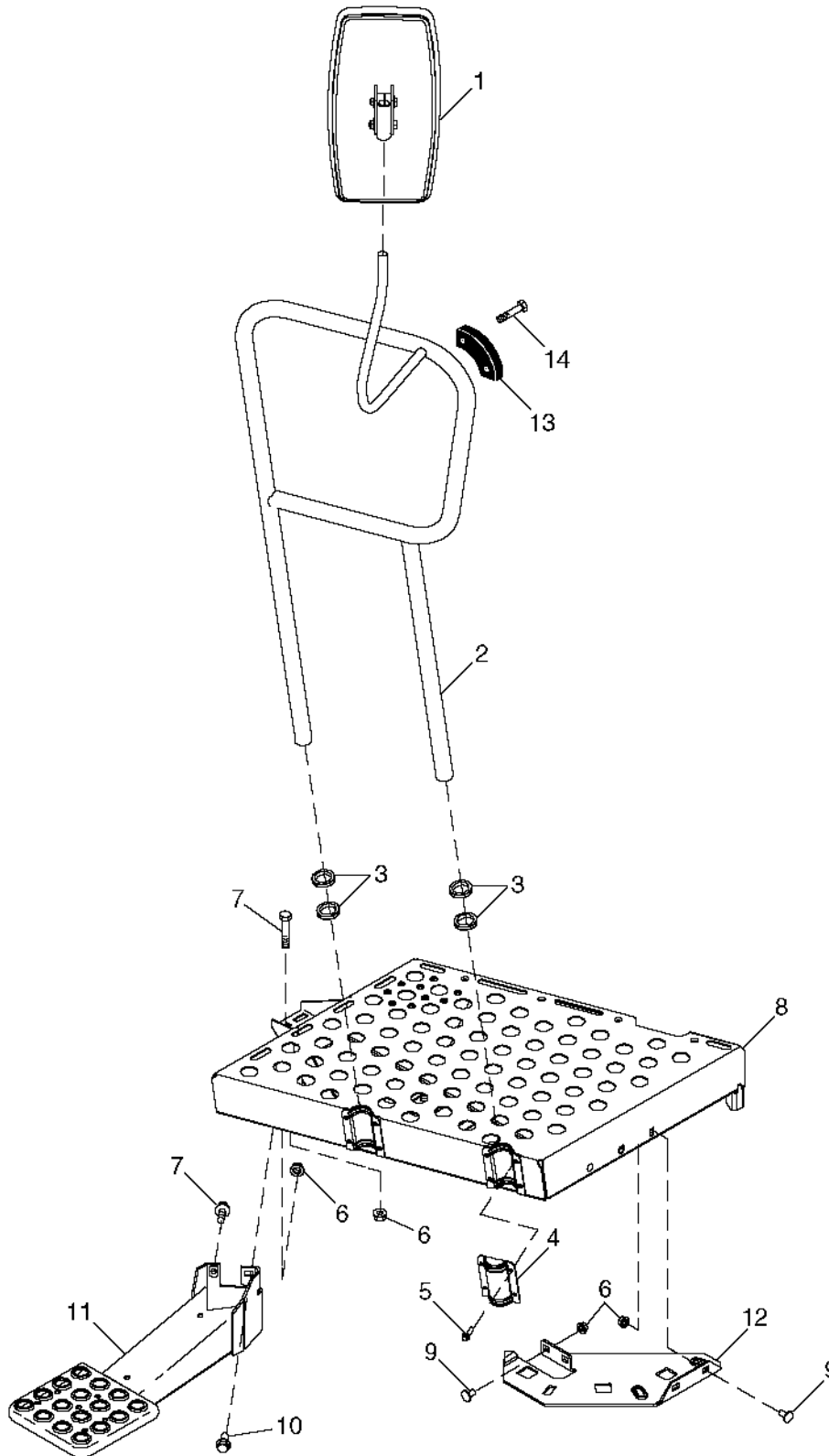


HP9381

| KEY | PART NO. | PART NAME        | QTY | SERIAL NO.             | REMARKS |
|-----|----------|------------------|-----|------------------------|---------|
| 1   | 19M7792  | SCREW            | 4   | M16 X 30               |         |
| 2   | 03M7251  | BOLT             | 4   | M6 X 12                |         |
| 3   | 03M7186  | BOLT             | 2   | M8 X 30                |         |
| 4   | H129761  | BUSHING          | 1   |                        |         |
| 5   | 14M7396  | LOCK NUT         | 2   | M8                     |         |
| 6   | R60730   | SPRING           | 1   |                        |         |
| 7   | H129763  | BRACKET          | 2   |                        |         |
| 8   | 14M7303  | FLANGE NUT       | 4   | M6                     |         |
| 9   | 14M7298  | FLANGE NUT       | 1   | M8                     |         |
| 10  | H133514  | LEVER            | 1   |                        |         |
| 11  | 03M7185  | BOLT             | 2   | M8 X 25                |         |
| 12  | AH128610 | LATCH            | 1   |                        |         |
| 13  | H137360  | EXTENSION SPRING | 2   |                        |         |
| 14  | 28H1686  | SPACER           | 2   | 0.364" X 0.540" X 5/8" |         |
| 15  | H129760  | PIN              | 1   |                        |         |
| 16  | 19M7803  | SCREW            | 1   | M8 X 70                |         |
| 17  | H129610  | BUSHING          | 2   |                        |         |
| 18  | H111478  | SLEEVE           | 2   |                        |         |
| 19  | H114603  | GROMMET          | 1   |                        |         |
| 20  | H172197  | HOSE CLAMP       | 6   |                        |         |
| 21  | T32231   | CLAMP            | 1   |                        |         |

# 3C20

LANDING AND MIRROR (L.H.)  
HP8183 -UN-08JUL99



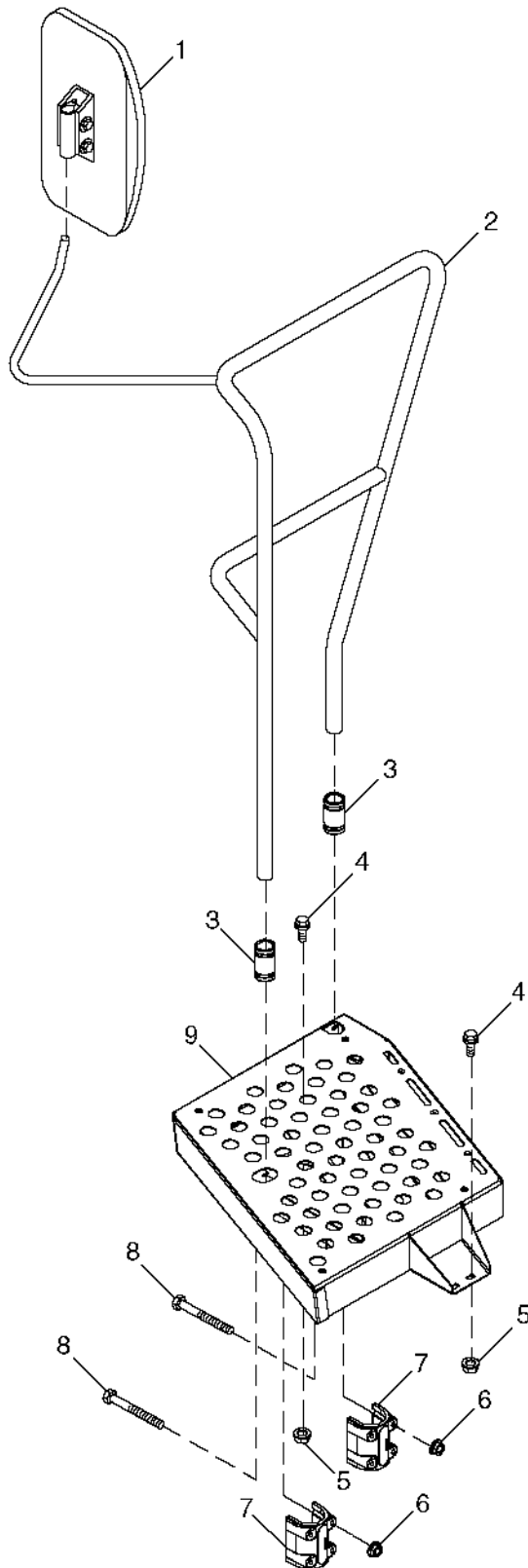
HP8183

## LANDING AND MIRROR (L.H.) - CONTINUED

| KEY | PART NO. | PART NAME        | QTY | SERIAL NO.        | REMARKS |
|-----|----------|------------------|-----|-------------------|---------|
| 1   | AH142404 | REAR VIEW MIRROR | 1   |                   |         |
| 2   | AH160115 | HANDRAIL         | 1   |                   |         |
| 3   | H136110  | ISOLATOR         | 4   |                   |         |
| 4   | H161289  | CLAMP            | 2   |                   |         |
| 5   | 37M7131  | SCREW            | 8   | M6 X 20           |         |
| 6   | 14M7296  | FLANGE NUT       | 15  | M10               |         |
| 7   | 19M7784  | SCREW            | 9   | M10 X 20          |         |
| 8   | AH155210 | PLATFORM         | 1   |                   |         |
| 9   | 03M7190  | BOLT             | 4   |                   |         |
| 10  | 19M7786  | SCREW            | 3   | M10 X 30          |         |
| 11  | AH130594 | STEP             | 1   |                   |         |
| 12  | H173616  | PLATE            | 1   | (SUB FOR H172944) |         |
| 13  | AH122099 | BUMPER           | 1   |                   |         |
| 14  | 37M7046  | SCREW            | 2   |                   |         |

# 3C22

LANDING AND MIRROR (R.H.)  
HP8182 -UN-07JUN99



HP8182

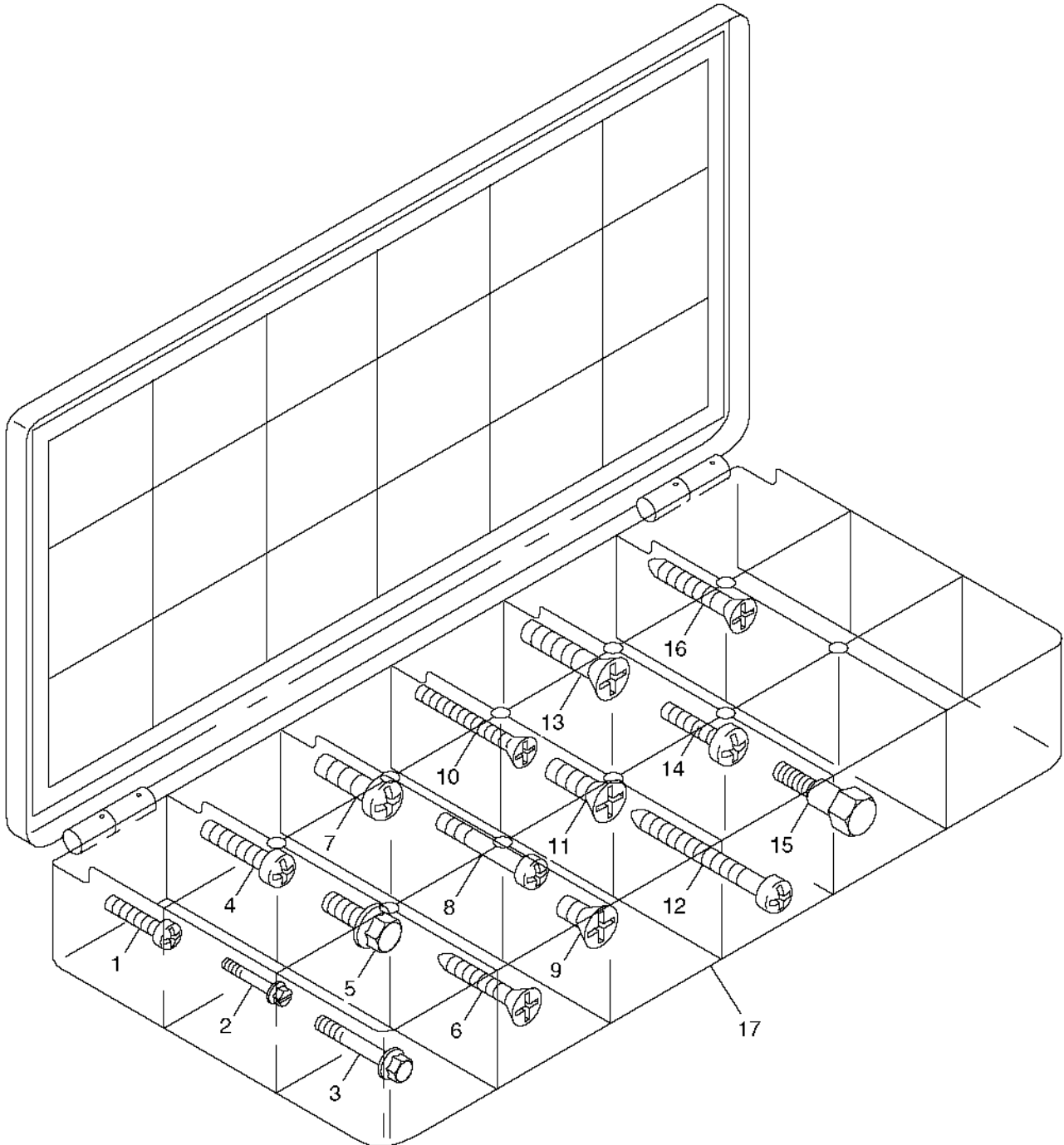
## LANDING AND MIRROR (R.H.) - CONTINUED

| KEY | PART NO. | PART NAME        | QTY | SERIAL NO. | REMARKS  |
|-----|----------|------------------|-----|------------|----------|
| 1   | AH142404 | REAR VIEW MIRROR | 1   |            |          |
| 2   | AH160113 | HANDRAIL         | 1   |            | NARROW   |
|     | AH160114 | HANDRAIL         | 1   |            | WIDE     |
| 3   | H167680  | ISOLATOR         | 2   |            |          |
| 4   | 19M7784  | SCREW            | 6   |            | M10 X 20 |
| 5   | 14M7296  | FLANGE NUT       | 6   |            | M10      |
| 6   | 14M7303  | FLANGE NUT       | 8   |            | M6       |
| 7   | H167681  | CLAMP            | 2   |            |          |
| 8   | 19M8040  | SCREW            | 8   |            | M6 X 60  |
| 9   | AH159741 | PLATFORM         | 1   |            |          |

# 3C24

OPERATOR'S STATION

CAB HARDWARE KIT  
HP3731 -UN-01SEP99



HP3731



# 3C25

OPERATOR'S STATION

## CAB HARDWARE KIT - CONTINUED

| KEY | PART NO. | PART NAME | QTY | SERIAL NO. | REMARKS |
|-----|----------|-----------|-----|------------|---------|
| 1   | H110842  | SCREW     | 10  |            |         |
| 2   | H111364  | SCREW     | 10  |            |         |
| 3   | H111705  | SCREW     | 10  |            |         |
| 4   | H111706  | SCREW     | 10  |            |         |
| 5   | H114038  | SCREW     | 5   |            |         |
| 6   | H165689  | SCREW     | 10  |            |         |
| 7   | H123995  | SCREW     | 10  |            |         |
| 8   | H128859  | SCREW     | 5   |            |         |
| 9   | H165693  | SCREW     | 5   |            |         |
| 10  | H165690  | SCREW     | 10  |            |         |
| 11  | H163401  | SCREW     | 5   |            |         |
| 12  | H130298  | SCREW     | 3   |            |         |
| 13  | H165691  | SCREW     | 10  |            |         |
| 14  | H140627  | SCREW     | 10  |            |         |
| 15  | H131424  | BOLT      | 3   |            |         |
| 16  | H132899  | SCREW     | 5   |            |         |
| 17  | AH151362 | KIT       | 1   |            |         |

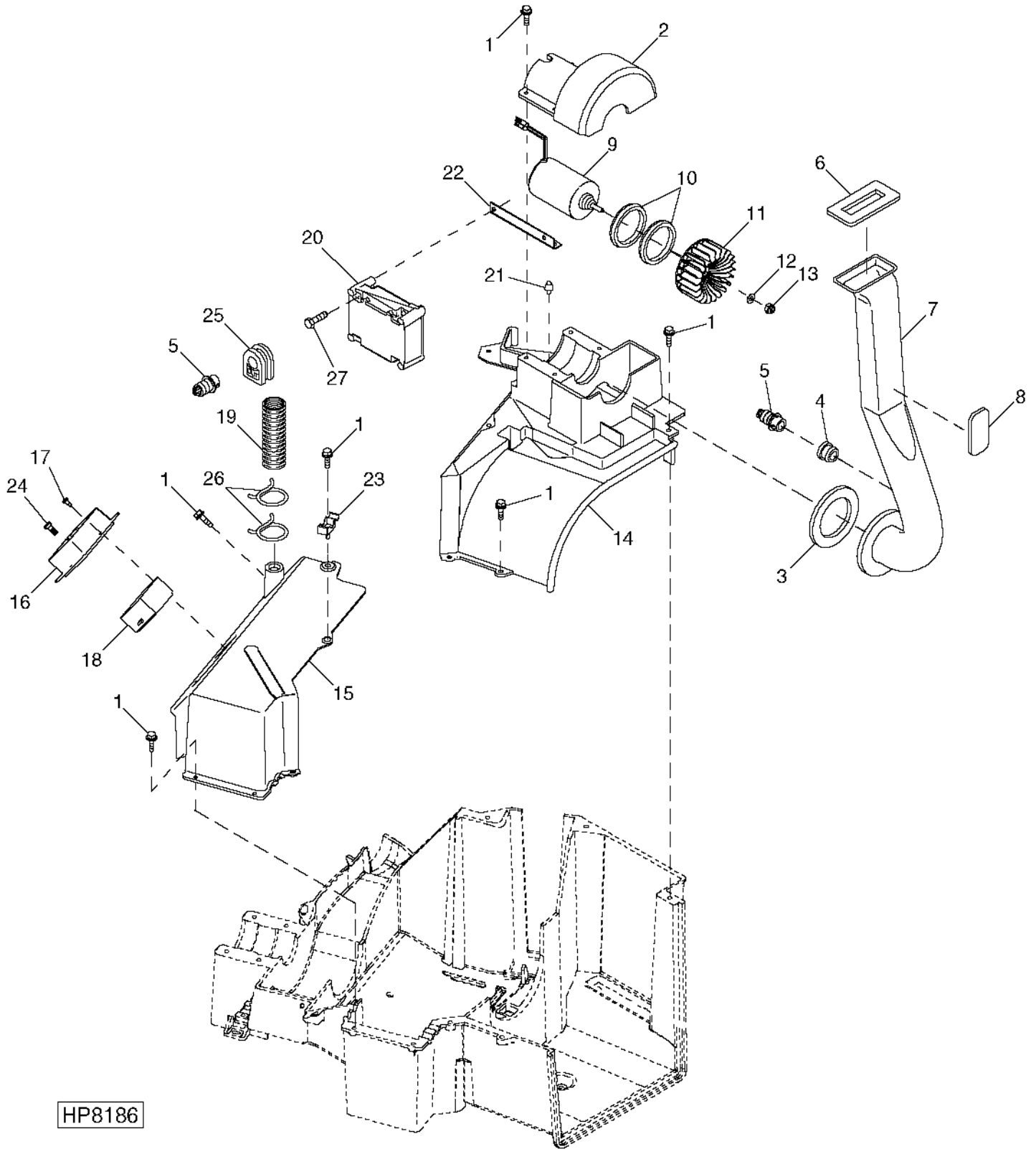
MEMORANDA

MEMORANDA

# 3D2

## AIR CONDITIONING AND HEATER HOUSING, UPPER

HP8186 -UN-23JUL99



HP8186

# 3D3

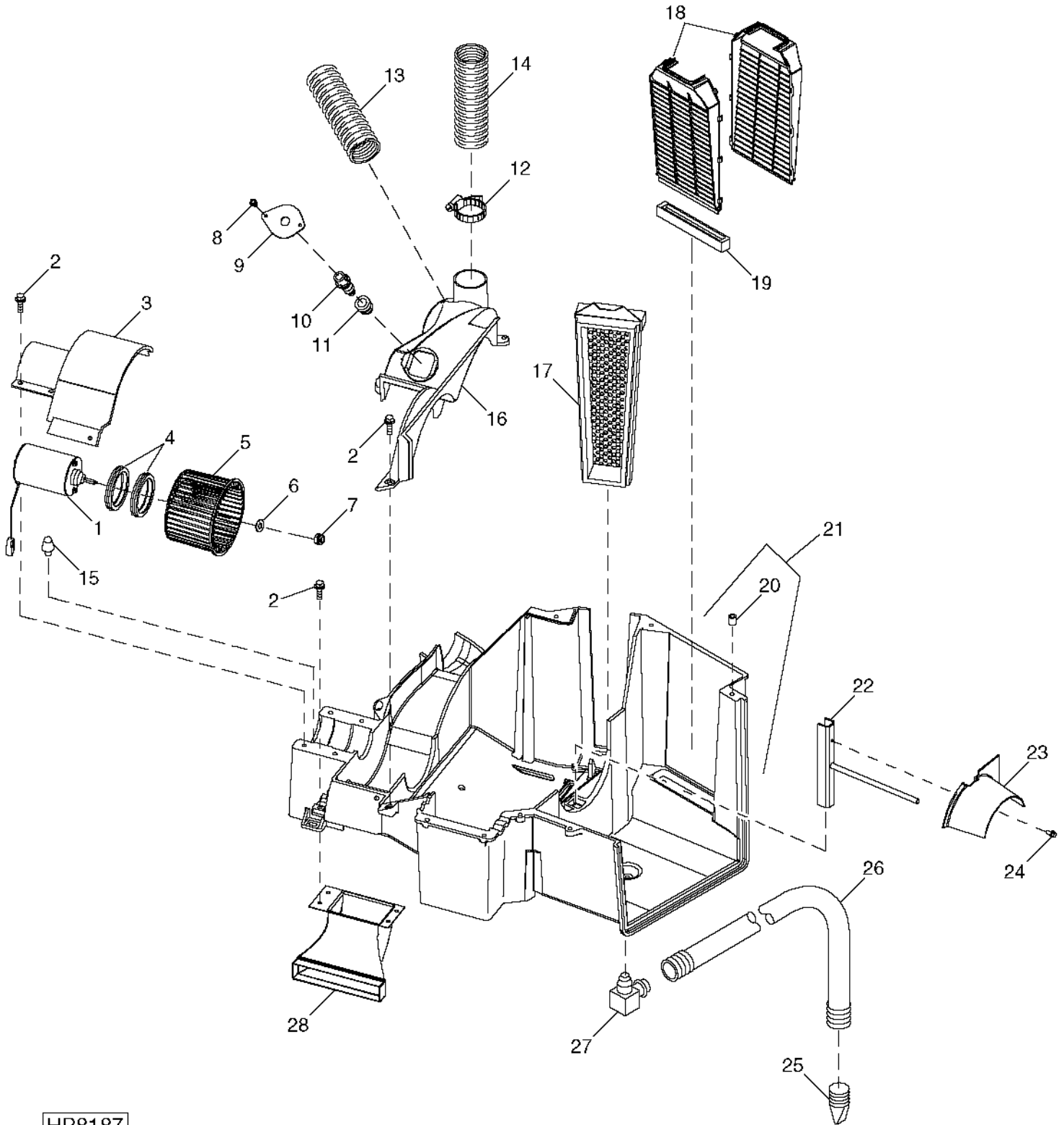
AIR CONDITIONING AND HEATER HOUSING, UPPER - CONTINUED

| KEY | PART NO. | PART NAME    | QTY | SERIAL NO.          | REMARKS |
|-----|----------|--------------|-----|---------------------|---------|
| 1   | 19M7862  | SCREW        | AR  | M6 X 20             |         |
|     | 19M7796  | SCREW        | AR  | M6 X 30             |         |
| 2   | H115031  | COVER        | 1   | PRESSURE BLOWER     |         |
| 3   | H163397  | SEAL         | 1   |                     |         |
| 4   | H159144  | GROMMET      | 1   |                     |         |
| 5   | RE65815  | SENSOR       | 2   | TEMPERATURE         |         |
| 6   | H153438  | SEAL         | 1   | (CUT FROM H88773)   |         |
| 7   | H166179  | AIR DUCT     | 1   | INTAKE              |         |
| 8   | H159743  | FOAM PAD     | 1   |                     |         |
| 9   | AH128925 | BLOWER MOTOR | 1   | PRESSURE BLOWER     |         |
| 10  | H115521  | ISOLATOR     | 2   |                     |         |
| 11  | H124185  | FAN          | 1   |                     |         |
| 12  | 24M7117  | WASHER       | AR  |                     |         |
| 13  | 14M7264  | LOCK NUT     | AR  | M4                  |         |
| 14  | AH163596 | HOUSING      | 1   | UPPER, L.H.         |         |
| 15  | H168986  | HOUSING      | 1   | UPPER, CENTER       |         |
| 16  | H169087  | FRAME        | 1   | BLOWER MOTOR DRIVER |         |
| 17  | 37M7067  | SCREW        | 3   |                     |         |
| 18  | RE153074 | DRIVER       | 1   | MOTOR               |         |
| 19  | H164702  | HOSE         | 1   | AMBIENT AIR         |         |
| 20  | AH165591 | CONTROL      | 1   | (SUB AH169642) ATC  |         |
|     | AH169642 | CONTROL      | 1   |                     |         |
| 21  | H129887  | ISOLATOR     | 1   | MOTOR GUIDE         |         |
| 22  | H163498  | BRACKET      | 1   | ATC CONTROLLER MTG  |         |
| 23  | H158830  | CLIP         | 1   |                     |         |
| 24  | 21M7250  | SCREW        | 2   | M4 X 12             |         |
| 25  | H170833  | GROMMET      | 1   |                     |         |
| 26  | M18356   | CLAMP        | 2   |                     |         |
| 27  | 19M8786  | SCREW        | 2   | M6 X 70             |         |

# 3D4

## AIR CONDITIONING AND HEATER HOUSING, LOWER

HP8187 -UN-08JUL99



HP8187

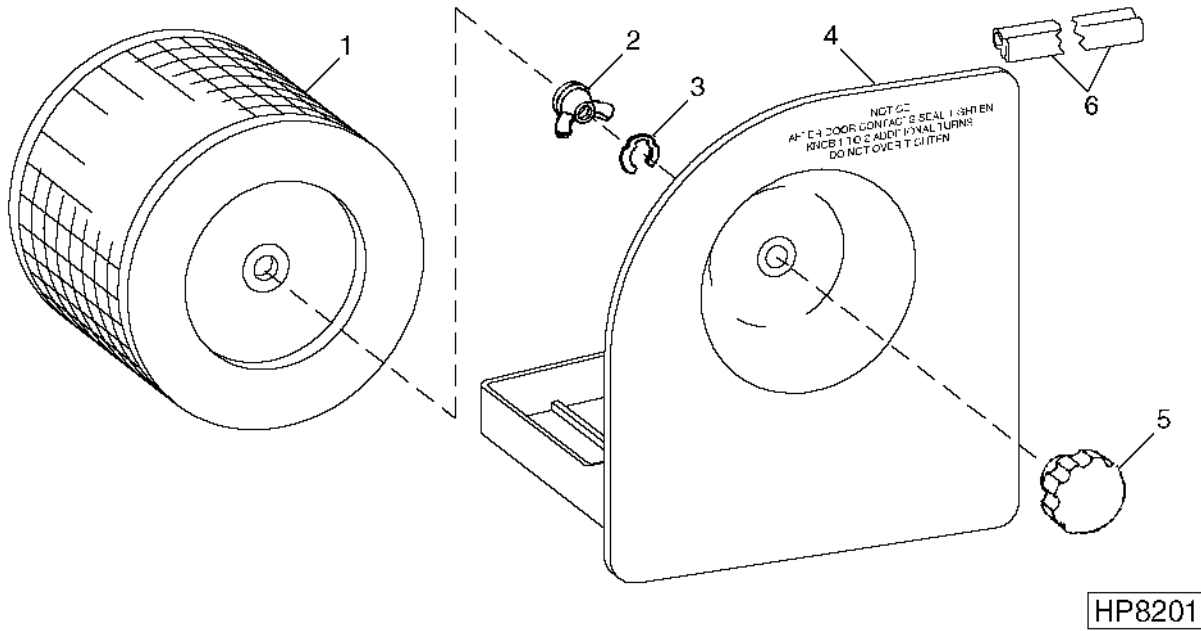
## AIR CONDITIONING AND HEATER HOUSING, LOWER - CONTINUED

| KEY | PART NO. | PART NAME    | QTY | SERIAL NO. | REMARKS                |
|-----|----------|--------------|-----|------------|------------------------|
| 1   | AH155852 | BLOWER MOTOR | 1   |            | RECIRCULATION BLOWER   |
| 2   | 19M7862  | SCREW        | AR  |            |                        |
| 3   | H126590  | COVER        | 1   |            | RECIRCULATION BLOWER   |
| 4   | H115521  | ISOLATOR     | 2   |            |                        |
| 5   | H114046  | BLOWER FAN   | 1   |            |                        |
| 6   | 24M7117  | WASHER       | AR  |            |                        |
| 7   | 14M7264  | LOCK NUT     | AR  |            | M4                     |
| 8   | H123998  | SCREW        | AR  |            |                        |
| 9   | H153349  | PLATE        | 1   |            | MOUNTING               |
| 10  | RE65815  | SENSOR       | 1   |            | TEMPERATURE            |
| 11  | R159807  | GROMMET      | 1   |            |                        |
| 12  | AR21999  | HOSE CLAMP   | 2   |            |                        |
| 13  | H118871  | LINE         | 1   |            | R.H.                   |
| 14  | H118872  | LINE         | 1   |            | REAR                   |
| 15  | H129887  | ISOLATOR     | AR  |            |                        |
| 16  | H158525  | HOUSING      | 1   | -685501    | EVAPORATOR, UPPER R.H. |
|     | H173793  | HOUSING      | 1   | 685502-    |                        |
| 17  | AH115836 | AIR FILTER   | 1   |            | RECIRCULATION          |
| 18  | H114142  | PRESCREENER  | 2   |            |                        |
| 19  | H118619  | SEAL         | 1   |            |                        |
| 20  | H119362  | INSERT       | 21  |            |                        |
| 21  | AH163317 | HOUSING      | 1   |            | LOWER                  |
| 22  | AH134884 | SUPPORT      | 1   |            | FILTER                 |
| 23  | H127978  | DUST SHIELD  | 1   |            |                        |
| 24  | 37M7089  | SCREW        | AR  |            | M6 X 12                |
| 25  | H150385  | CHECK VALVE  | 1   |            |                        |
| 26  | H159636  | TUBE         | 1   |            |                        |
| 27  | H146429  | FITTING      | 1   |            |                        |
| 28  | H126589  | AIR DUCT     | 1   |            | BLOWER                 |

# 3D6

AIR CONDITIONING AND HEATING

**CAB AIR FILTER AND HOUSING**  
 HP8201 -UN-27JUL99



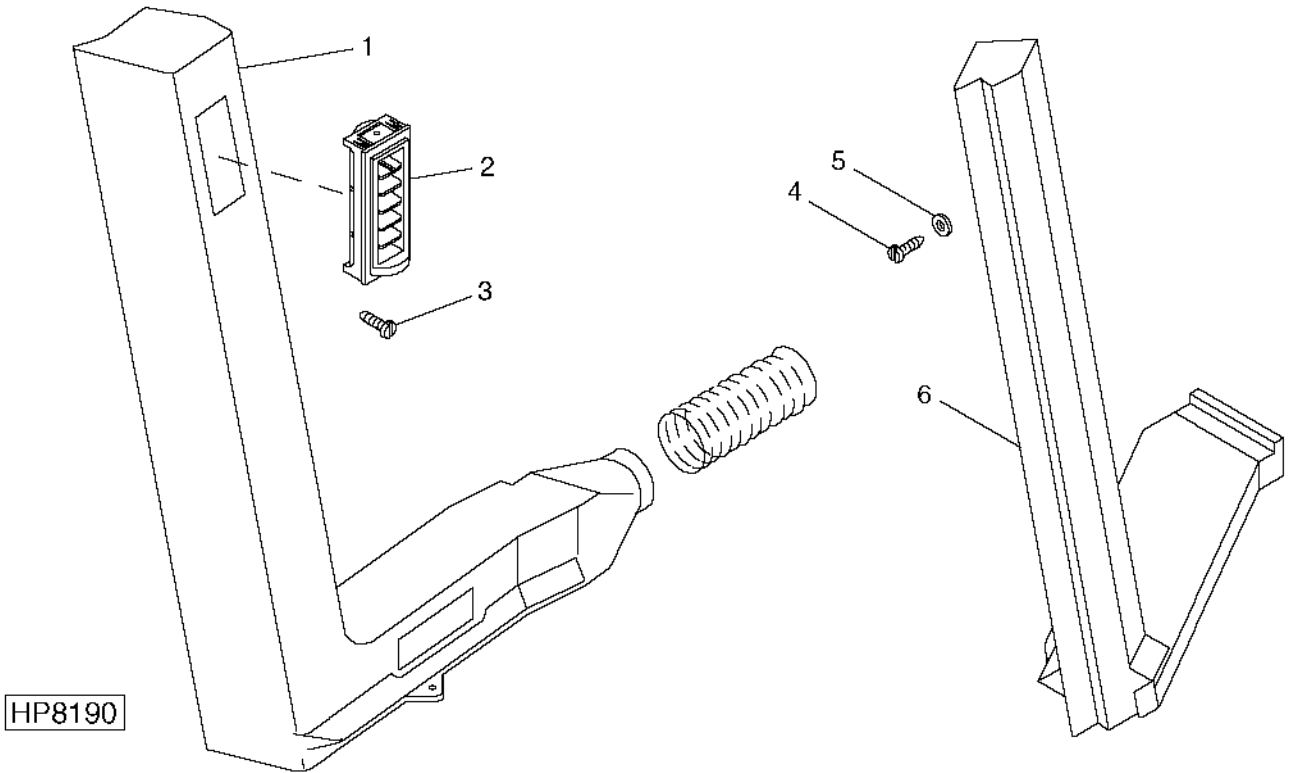
| KEY | PART NO. | PART NAME    | QTY | SERIAL NO. | REMARKS   |
|-----|----------|--------------|-----|------------|---|
| 1   | AH115833 | AIR FILTER   | 1   |            |   |
|     | AH168783 | AIR FILTER   | 1   | HEAVY DUTY |   |
| 2   | AH132783 | NUT          | 1   | M10        |   |
| 3   | R58806   | SNAP RING    | 1   |            |   |
| 4   | AH120419 | DOOR         | 1   |            | DECAL IS NOW EMBOSSED RIGHT ON DOOR                         |
| 5   | AH120446 | KNOB         | 1   |            |   |
| 6   | AH80335  | WEATHERSTRIP | 1   |            |   |
| ..  | H150119  | LABEL        | 1   |            | "CHECK PRECLEANER AND PRECLEANER OPENING IN FLOOR (50 HRS)" |



# 3D7

**AIR CONDITIONING AND HEATER DUCTS**

HP8190 -UN-27JUL99

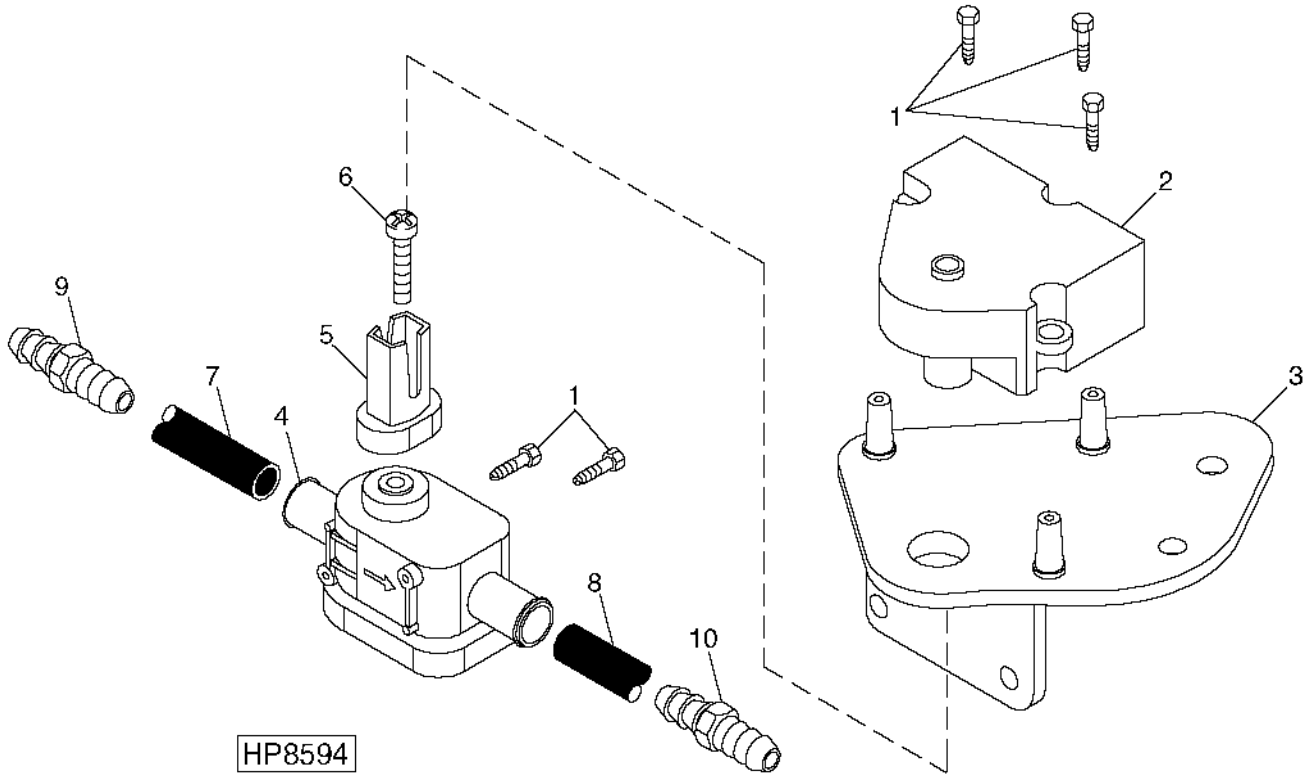


| KEY | PART NO. | PART NAME | QTY | SERIAL NO. | REMARKS                   |
|-----|----------|-----------|-----|------------|---------------------------|
| 1   | H168870  | AIR DUCT  | 1   |            | R.H.                      |
| 2   | AH149228 | LOUVER    | 6   |            |                           |
| 3   | 37M7160  | SCREW     | 1   |            | M6 X 16                   |
| 4   | H165691  | SCREW     | 1   |            | M6 X 20                   |
| 5   | H91315   | WASHER    | 1   |            | 5.842 X 14.224 X 2.540 MM |
| 6   | H168871  | HOUSING   | 1   |            | L.H.                      |

# 3D8

## AIR CONDITIONING SYSTEM - WATER VALVE ASSEMBLY

HP8594 -UN-20MAY99



**HP8594**

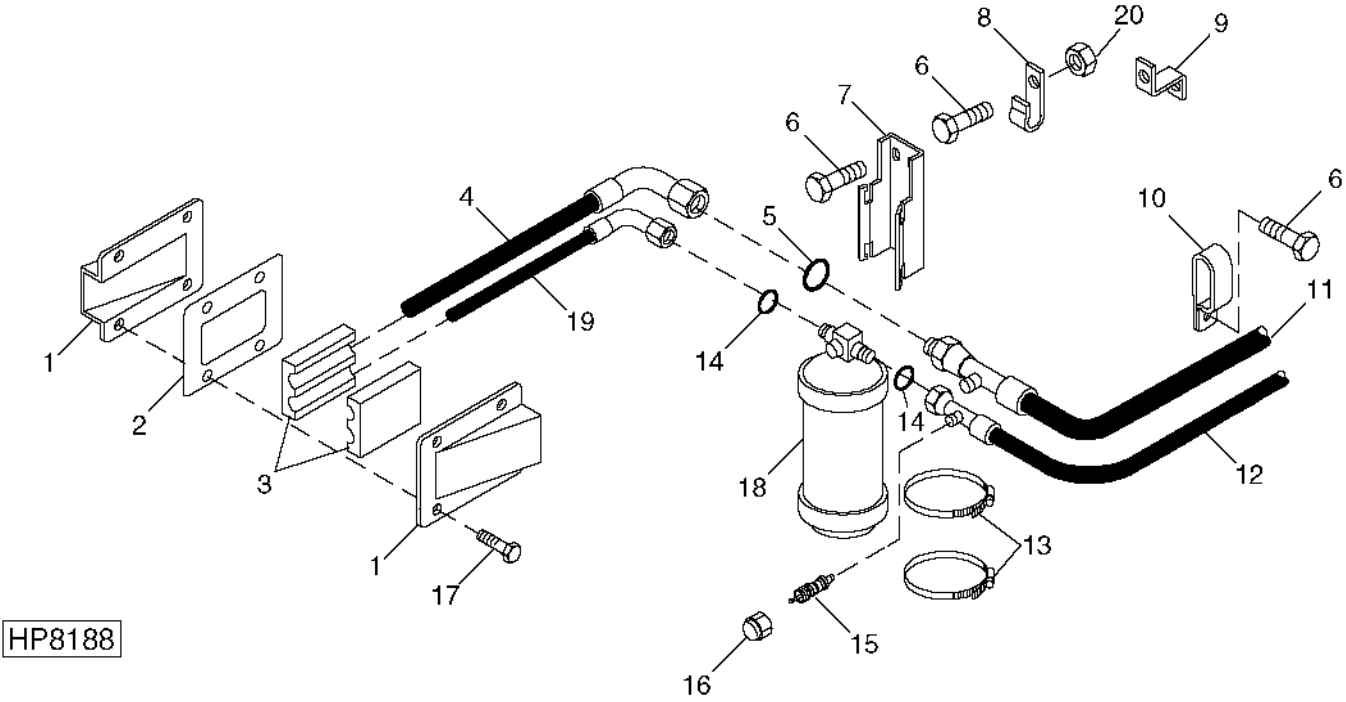
| KEY | PART NO. | PART NAME      | QTY | SERIAL NO. | REMARKS |
|-----|----------|----------------|-----|------------|---------|
| 1   | 37H43    | SCREW          | 5   |            |         |
| 2   | RE154319 | ACTUATOR       | 1   |            |         |
| 3   | H163391  | BRACKET        | 1   |            |         |
| 4   | RE154318 | VALVE          | 1   |            |         |
| 5   | R154320  | ADAPTER        | 1   |            |         |
| 6   | H110842  | SCREW          | 1   |            |         |
| 7   | H153888  | HYDRAULIC HOSE | 1   |            |         |
| 8   | H153889  | HOSE           | 1   |            |         |
| 9   | H153721  | COUPLING       | 1   |            |         |
| 10  | H153722  | COUPLING       | 1   |            |         |

# 3D9

AIR CONDITIONING AND HEATING

## AIR CONDITIONING SYSTEM - RECEIVER-DRYER

HP8188 -UN-28MAY99



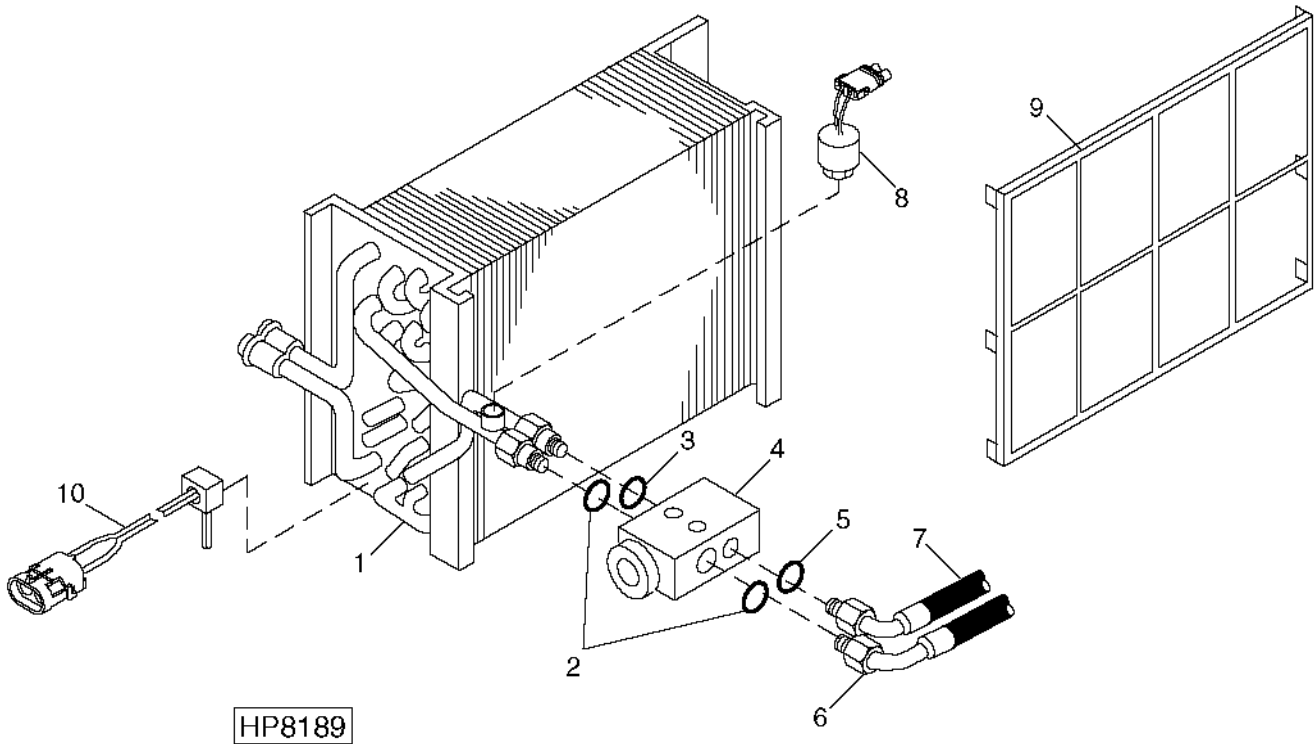
| KEY | PART NO. | PART NAME        | QTY | SERIAL NO. | REMARKS                       |
|-----|----------|------------------|-----|------------|-------------------------------|
| 1   | H129606  | RETAINER         | 2   |            |                               |
| 2   | H114525  | GASKET           | 1   |            |                               |
| 3   | H114523  | SEAL             | 2   |            |                               |
| 4   | AH127685 | HOSE             | 1   |            | 7/8" X 912 MM X 7/8", SUCTION |
| 5   | R33259   | O-RING           | 1   |            | 0.551" X 0.070"               |
| 6   | 19M7865  | SCREW            | 4   |            | M8 X 16                       |
| 7   | H136541  | HOSE SUPPORT     | 1   |            |                               |
| 8   | AH77724  | CLIP             | 1   |            |                               |
| 9   | H132538  | HOSE SUPPORT     | 1   |            |                               |
| 10  | AH77869  | CLIP             | 1   |            |                               |
| 11  | AH158180 | HOSE             | 1   |            | A/C SUCTION                   |
| 12  | AH159026 | REFRIGERANT HOSE | 1   |            | A/C/ LIQUID                   |
| 13  | AR21842  | CLAMP            | 2   |            |                               |
| 14  | R10093   | O-RING           | 1   |            | 7.645 X 1.778 MM              |
| 15  | R60170   | VALVE            | 1   |            |                               |
| 16  | R60172   | NUT              | 1   |            |                               |
| 17  | 37M7090  | SCREW            | 4   |            | M6 X 16                       |
| 18  | AH137486 | RECEIVER-DRYER   | 2   |            |                               |
| 19  | AH127684 | HOSE             | 1   |            | LIQUID                        |
| 20  | 14M7298  | FLANGE NUT       | 4   |            | M8                            |

# 3D10

AIR CONDITIONING AND HEATING

## AIR CONDITIONING SYSTEM - EVAPORATOR HEATER

HP8189 -UN-01FEB99



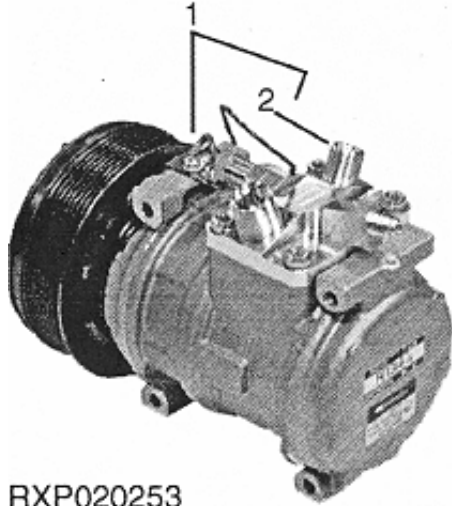
HP8189

| KEY | PART NO. | PART NAME  | QTY | SERIAL NO.             | REMARKS |
|-----|----------|------------|-----|------------------------|---------|
| 1   | AH150260 | EVAPORATOR | 1   | HEATER                 |         |
| 2   | R33259   | O-RING     | 2   | 0.551" X 0.070"        |         |
| 3   | R113050  | RING       | 1   |                        |         |
| 4   | AH137702 | VALVE      | 1   |                        |         |
| 5   | R10093   | O-RING     | 1   |                        |         |
| 6   | AH127684 | HOSE       | 1   |                        |         |
| 7   | AH127685 | HOSE       | 1   |                        |         |
| 8   | AH144084 | SWITCH     | 1   | LOW PRESSURE, A/C      |         |
| 9   | AH120547 | FILTER     | 1   | EVAPORATOR HEATER      |         |
| 10  | RE65814  | SENSOR     | 1   | EVAPORATOR TEMPERATURE |         |

# 3D11

## AIR CONDITIONING COMPRESSOR (FOR R134A REFRIGERANT)

RXP020253 -UN-01JAN94

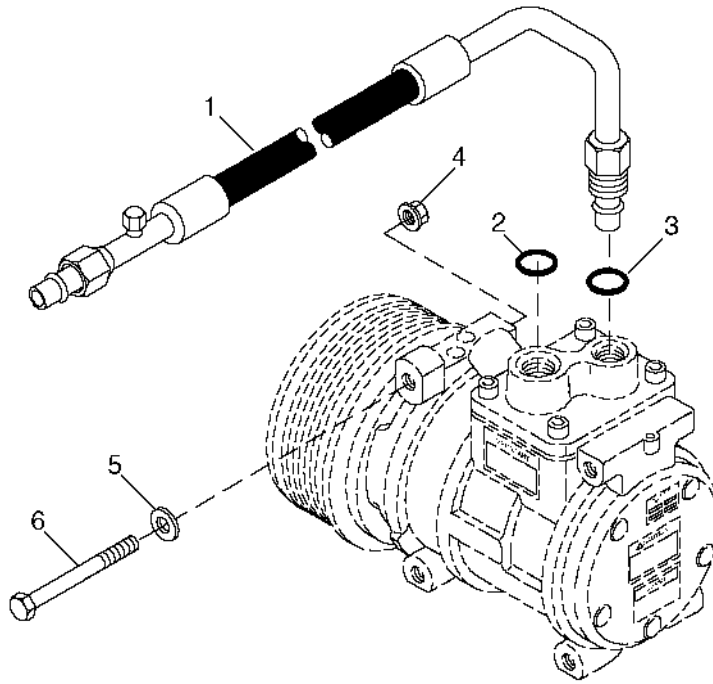


RXP020253

| KEY | PART NO. | PART NAME   | QTY | SERIAL NO. | REMARKS           |
|-----|----------|-------------|-----|------------|-------------------|
| 1   | RE52454  | COMPRESSOR  | 1   |            | (WITHOUT CLUTCH)  |
| 2   | RE51052  | MANIFOLD    | 1   |            | (WITH SEAL)       |
| ..  | R115742  | SEAL        | 1   |            |                   |
| ..  | TY22101  | OIL         | 1   |            | (SUB FOR TY22025) |
| ..  | TY15949  | REFRIGERANT | 1   |            | 12 LBS            |
| ..  | TY15950  | REFRIGERANT | 1   |            | 15 LBS            |
| ..  | TY15951  | REFRIGERANT | 1   |            | 30 LBS            |
| ..  | RE46609  | COMPRESSOR  | 1   |            | COMPLETE          |
| ..  | TY6764   | COMPRESSOR  | 1   |            | (REMANUFACTURED)  |

# 3D12

**AIR CONDITIONING COMPRESSOR HOSE**  
HP9077 -UN-17SEP99



HP9077

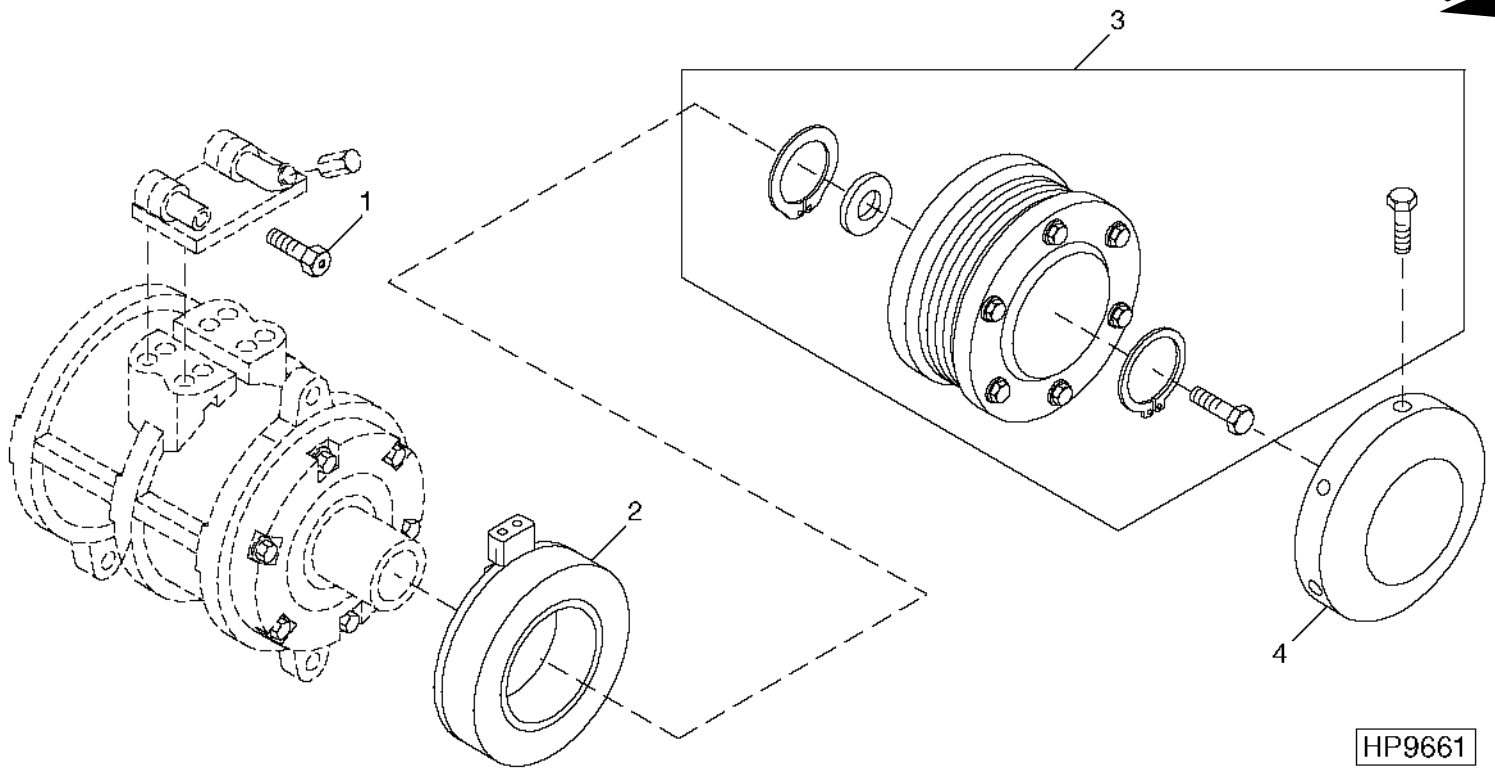
| KEY | PART NO. | PART NAME        | QTY | SERIAL NO. | REMARKS           |
|-----|----------|------------------|-----|------------|-------------------|
| 1   | AH159078 | REFRIGERANT HOSE | 1   |            | A/C PRESSURE      |
| 2   | R113050  | RING             | AR  |            | ON PRESSURE PORT  |
| 3   | R33259   | O-RING           | AR  |            | ON SUCTION PORT   |
| 4   | 34M7189  | SPRING PIN       | 3   |            | 11 X 8 MM         |
| 5   | 24M7238  | WASHER           | 3   |            | 8.700 X 17 X 2 MM |
| 6   | 19M7913  | SCREW            | 3   |            | M8 X 90           |

# 3D13

AIR CONDITIONING AND HEATING

## COMPRESSOR CLUTCH AND SERVICE VALVES (FOR R134A REFRIGERANT)

HP9661 -UN-30MAR00



HP9661

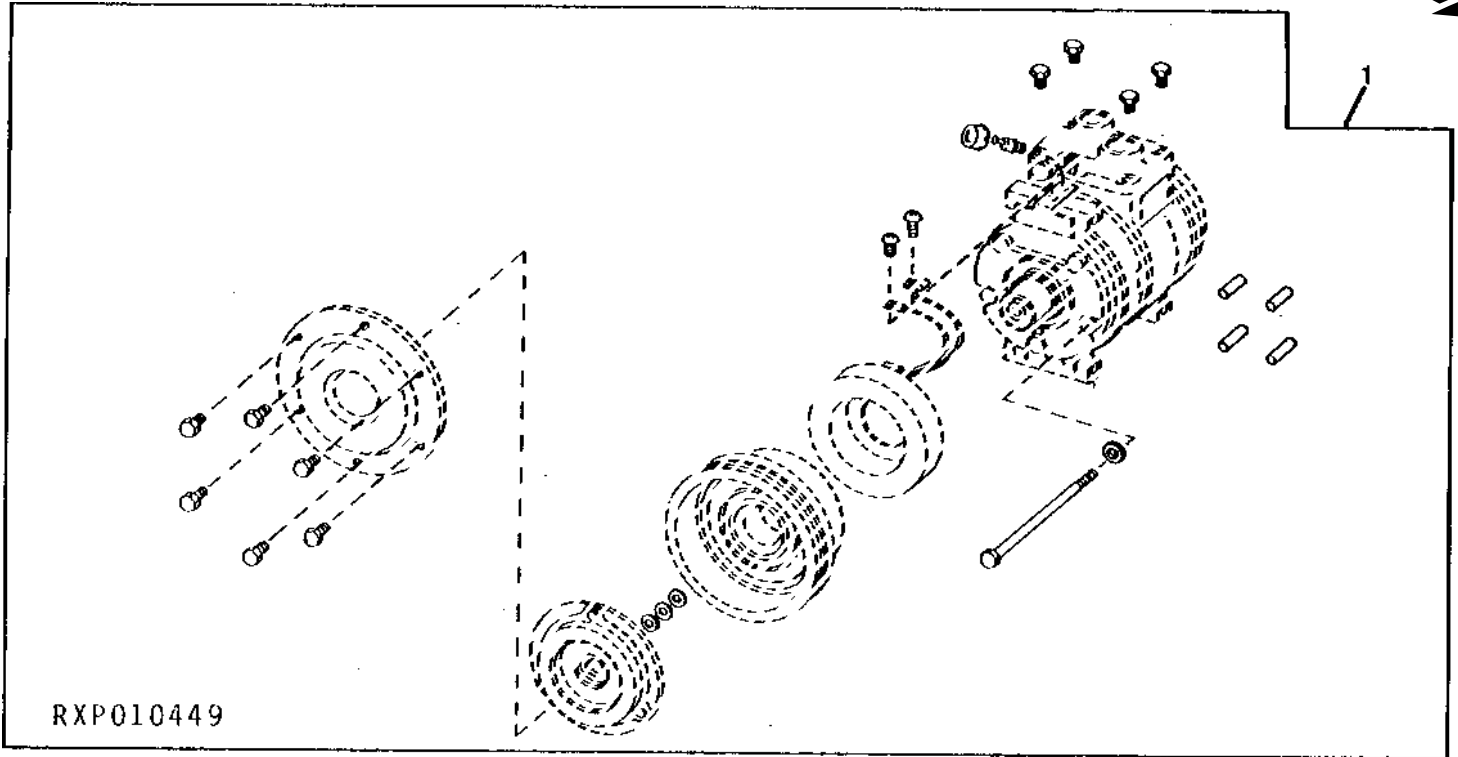
| KEY | PART NO. | PART NAME | QTY | SERIAL NO. | REMARKS       |
|-----|----------|-----------|-----|------------|---------------|
| 1   | RE52506  | VALVE     | 1   |            | (WITH O-RING) |
| 2   | RE52510  | STATOR    | 1   |            |               |
| 3   | RE52508  | KIT       | 4   |            | CLUTCH        |
| 4   | R115743  | COVER     | 1   |            |               |

# 3D14

AIR CONDITIONING AND HEATING

## COMPRESSOR HARDWARE SET (FOR R134A REFRIGERANT)

RXP010449 -UN-01JAN94



| KEY | PART NO. | PART NAME | QTY | SERIAL NO. | REMARKS |
|-----|----------|-----------|-----|------------|---------|
| 1   | RE52507  | KIT       | 1   |            |         |

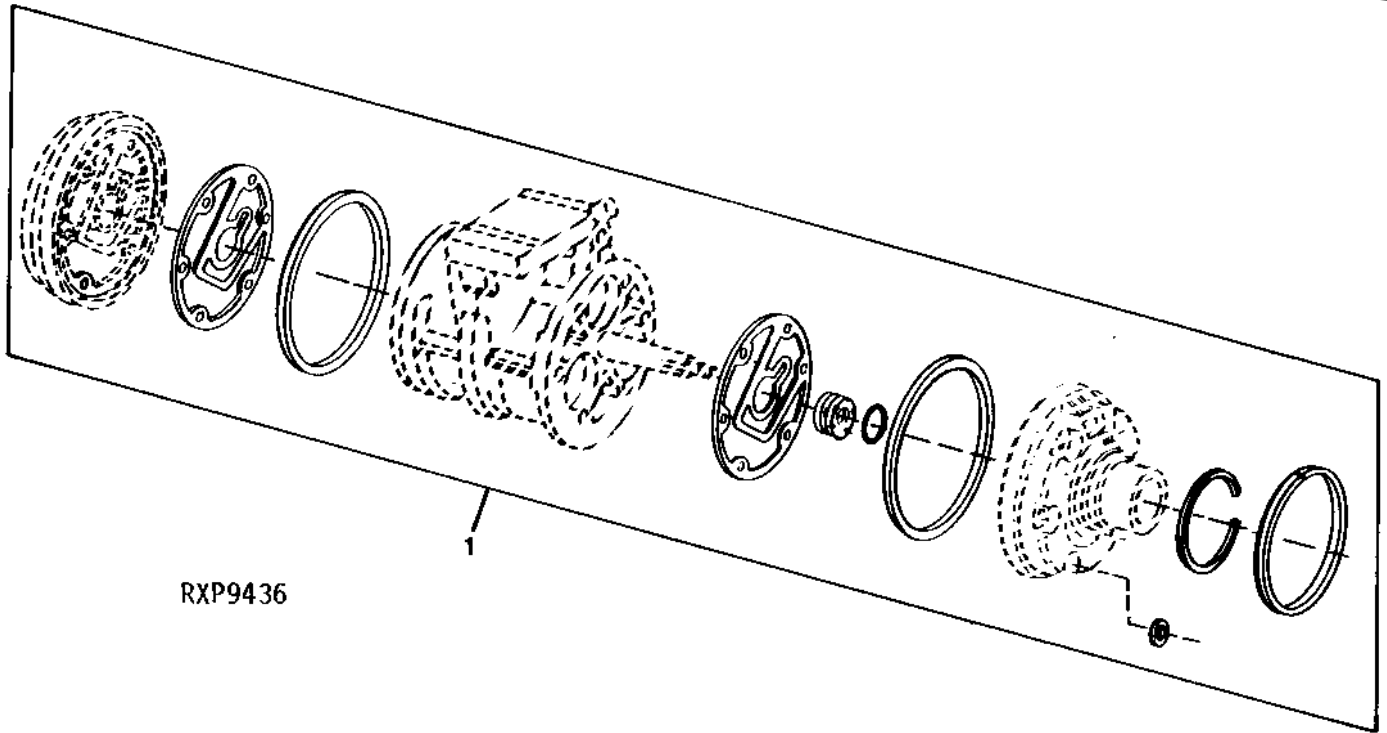


# 3D15

AIR CONDITIONING AND HEATING

## COMPRESSOR PARTS (FOR R134A REFRIGERANT)

RXP9436 -UN-01JAN94



RXP9436

| KEY | PART NO. | PART NAME | QTY | SERIAL NO. | REMARKS |
|-----|----------|-----------|-----|------------|---------|
| 1   | RE52509  | SEAL KIT  | 1   |            |         |

MEMORANDA

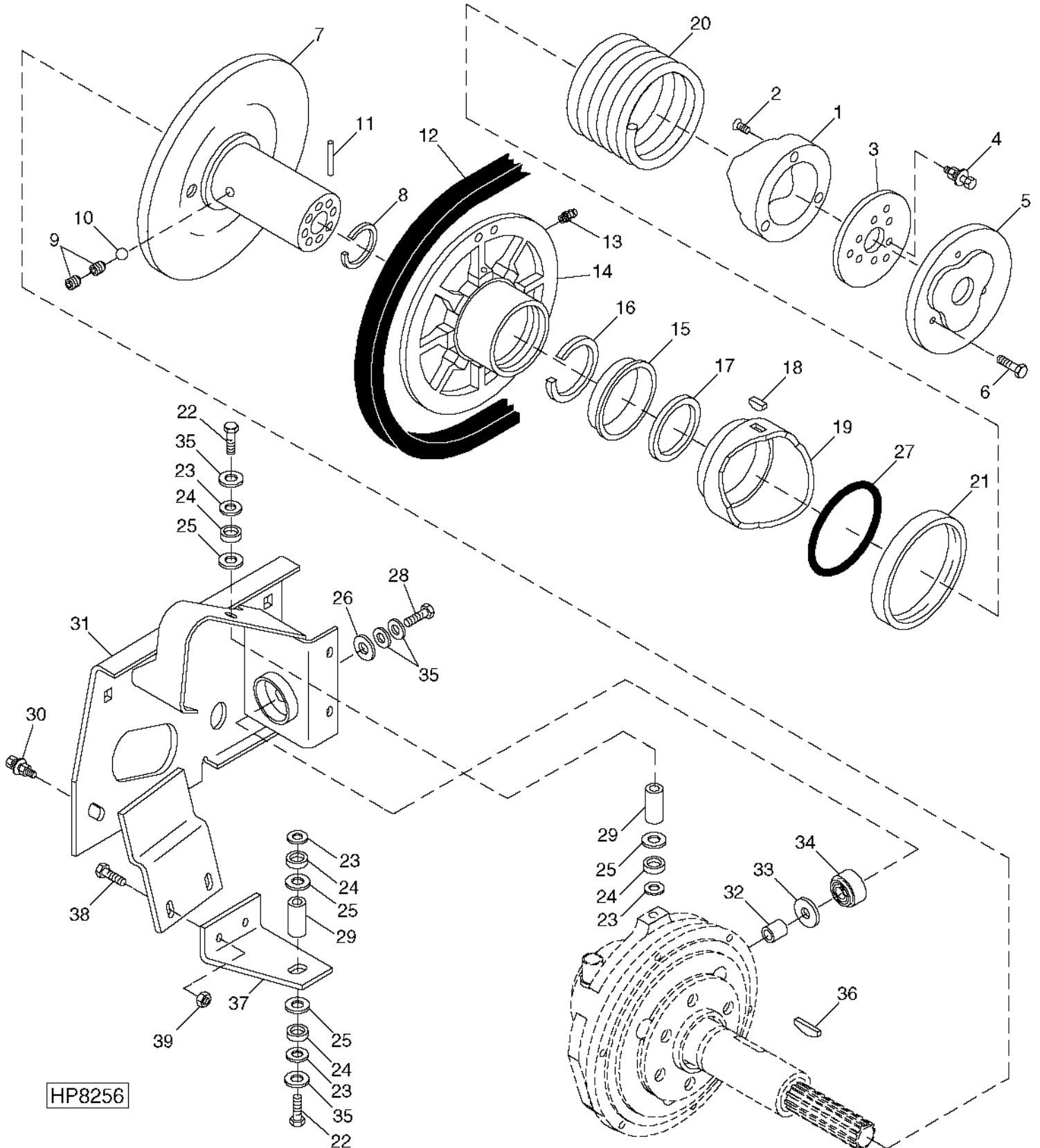
MEMORANDA

# 3D18

FEEDER HOUSE

## FRONT VARIABLE DRIVE SHEAVE AND MOUNTINGS

HP8256 -UN-12JUL99



**FRONT VARIABLE DRIVE SHEAVE AND MOUNTINGS - CONTINUED**

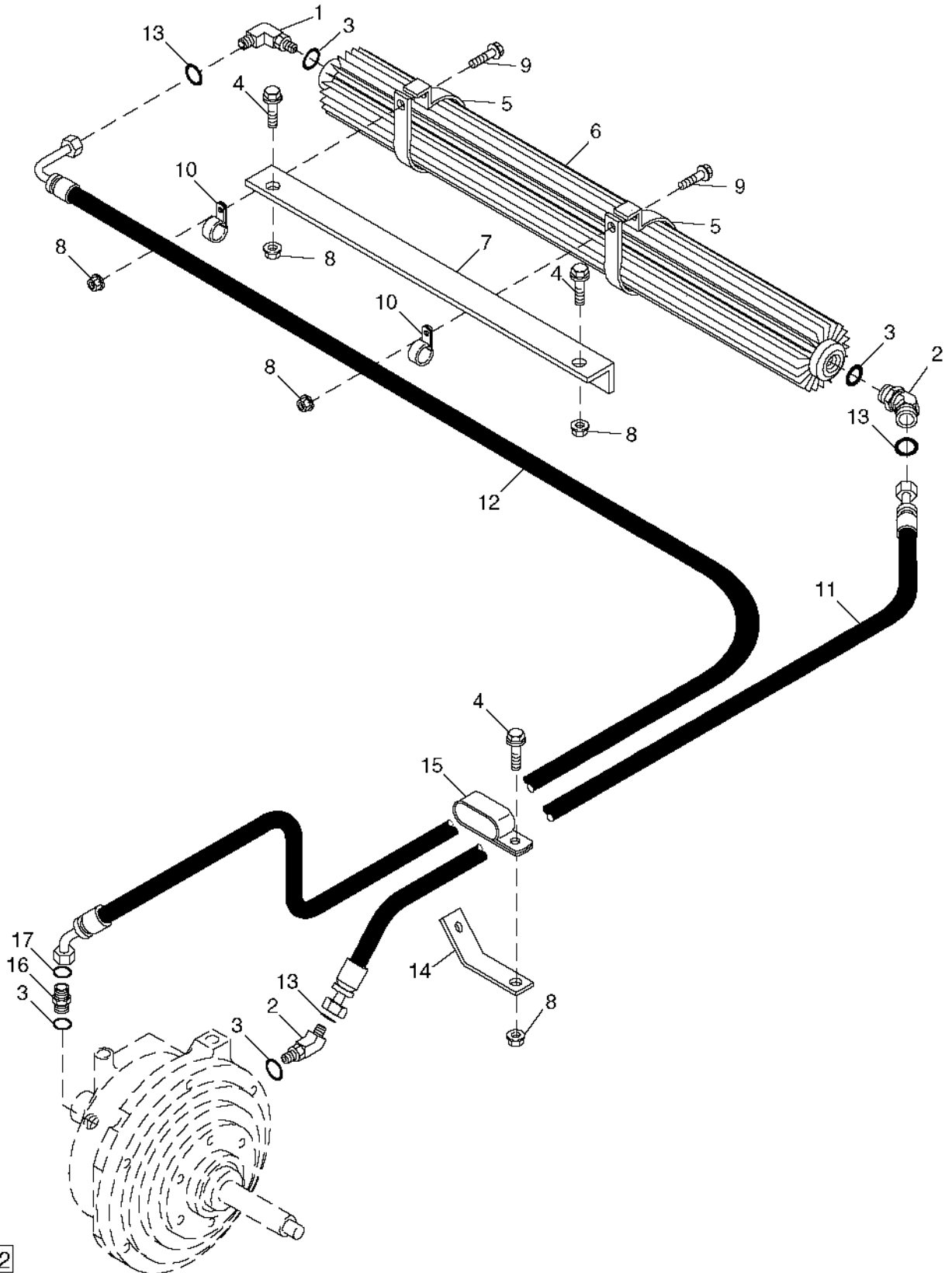
| KEY | PART NO. | PART NAME           | QTY | SERIAL NO.                | REMARKS |
|-----|----------|---------------------|-----|---------------------------|---------|
| 1   | .....    | CAM                 | 1   | (A) OUTER                 |         |
| 2   | 32243    | PLUG                | 1   |                           |         |
| 3   | H170645  | SPACER              | 1   |                           |         |
| 4   | 19M7938  | CAP SCREW           | 6   | M10 X 20                  |         |
|     | 12M7135  | LOCK WASHER         | 6   | 10.200 MM                 |         |
| 5   | H155459  | RETAINER            | 1   |                           |         |
| 6   | 19M9042  | CAP SCREW           | 3   | (A) M10 X 80              |         |
|     | 12M7135  | LOCK WASHER         | 3   | (A) 10.200 MM             |         |
| 7   | H158575  | SHEAVE              | 1   | (H) 318 MM                |         |
|     | H168126  | SHEAVE              | 1   | (S) 318 MM                |         |
| 8   | B3118R   | SNAP RING           | 1   |                           |         |
| 9   | 22H775   | SET SCREW           | 2   |                           |         |
| 10  | H110922  | BALL                | 1   |                           |         |
| 11  | 34M7255  | SPRING PIN          | 1   | 6 X 50 MM                 |         |
| 12  | H156863  | BELT                | 1   | (H)                       |         |
|     | H161648  | BELT                | 1   | (S)                       |         |
| 13  | JD7798   | LUBRICATION FITTING | 2   |                           |         |
| 14  | AH160615 | SHEAVE              | 1   | (H)                       |         |
|     | AH157933 | SHEAVE              | 1   | (S)                       |         |
| 15  | H110728  | RETAINER            | 1   |                           |         |
| 16  | H97308   | SNAP RING           | 1   |                           |         |
| 17  | AH108161 | SEAL                | 1   |                           |         |
| 18  | 26H104   | SHAFT KEY           | 2   | (H)                       |         |
|     | 26H104   | SHAFT KEY           | 1   | (S)                       |         |
| 19  | .....    | CAM                 | 1   | (A) INNER                 |         |
| 20  | H172267  | SPRING              | 1   |                           |         |
| 21  | AH96345  | SEAL                | 1   |                           |         |
| 22  | 19M7826  | SCREW               | 2   | (H) M16 X 70              |         |
|     | 19M7826  | SCREW               | 1   | (S) M16 X 70              |         |
| 23  | H163726  | WASHER              | 5   | (H)                       |         |
|     | H163726  | WASHER              | 3   | (S)                       |         |
| 24  | H148132  | BUSHING             | 4   | (H)                       |         |
|     | H148132  | BUSHING             | 2   | (S)                       |         |
| 25  | H148133  | RETAINER            | 4   | (H)                       |         |
|     | H148133  | RETAINER            | 2   | (S)                       |         |
| 26  | 14M7299  | FLANGE NUT          | 2   | (H)                       |         |
| 27  | .....    | GASKET              | 1   |                           |         |
| 28  | 19M7845  | SCREW               | 1   | M16 X 90                  |         |
| 29  | H148134  | SPACER              | 1   |                           |         |
| 30  | 03M7191  | BOLT                | 4   | M10 X 25                  |         |
|     | 14M7296  | FLANGE NUT          | 5   | M10                       |         |
|     | 03M7192  | BOLT                | 1   | M10 X 30                  |         |
| 31  | AH150451 | SUPPORT             | 1   |                           |         |
| 32  | H95417   | SPACER              | 1   |                           |         |
| 33  | H97410   | WASHER              | 1   |                           |         |
| 34  | R62502   | SUPPORT             | 1   |                           |         |
| 35  | 24M7241  | WASHER              | 4   | (H)                       |         |
|     | 24M7241  | WASHER              | 2   | (S)                       |         |
| 36  | Z61818   | SHAFT KEY           | 1   | (H)                       |         |
|     | 26H104   | SHAFT KEY           | 2   | (S)                       |         |
| 37  | H159818  | BRACKET             | 1   | (H)                       |         |
| 38  | 03M7198  | BOLT                | 2   | (H) M12 X 30              |         |
| ..  | TY6333   | GREASE              | 1   | 14 OZ. TUBE               |         |
| ..  | AH154890 | KIT                 | 1   | INCLUDES PARTS MARKED (A) |         |

(H) HI CAPACITY  
(S) STANDARD CAPACITY

# 3D20

FEEDER HOUSE

FEEDER HOUSE GEARCASE OIL COOLER AND HOSES  
HP8052 -UN-09MAR99



HP8052

## FEEDER HOUSE GEARCASE OIL COOLER AND HOSES - CONTINUED

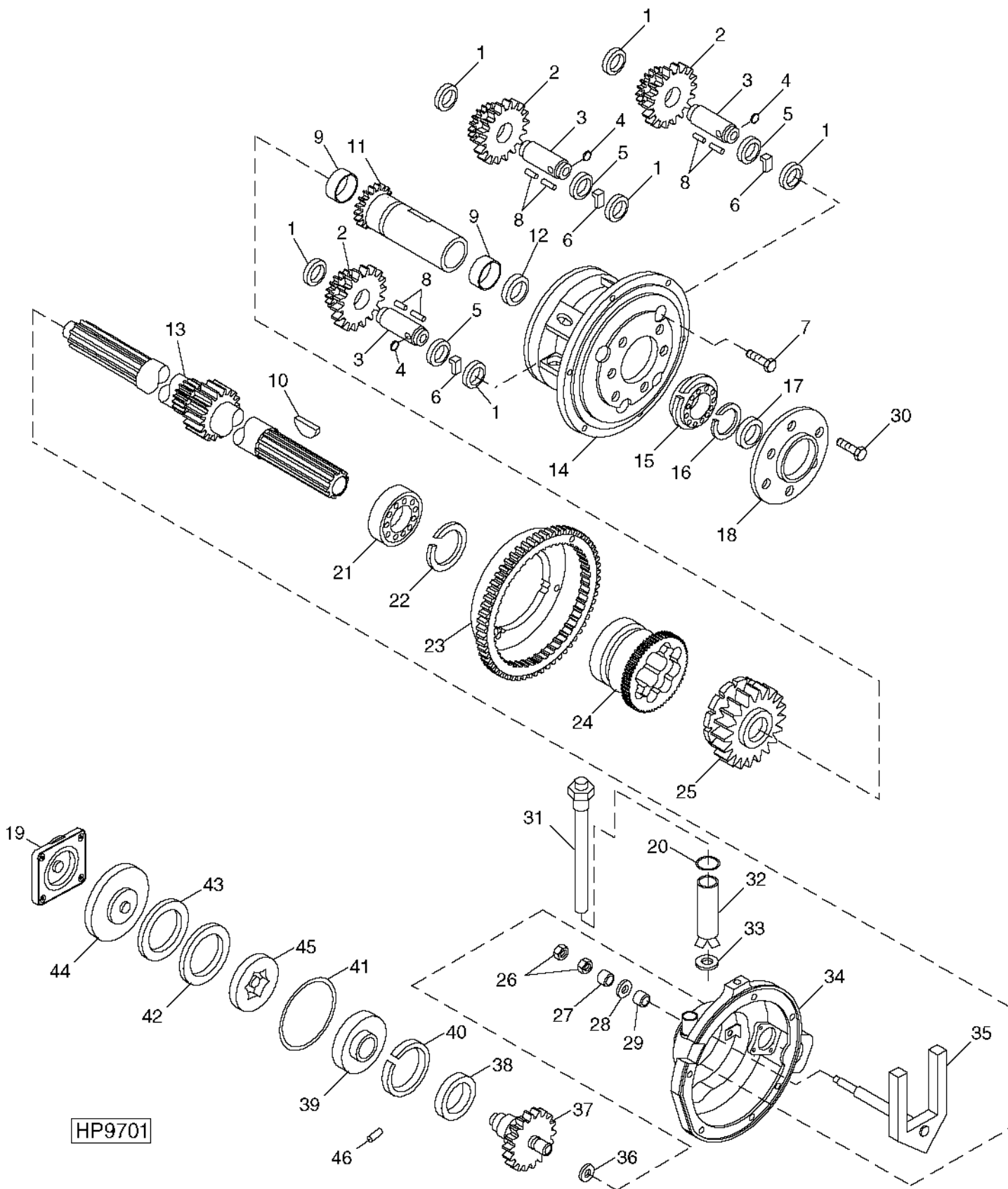
| KEY | PART NO. | PART NAME      | QTY | SERIAL NO. | REMARKS |
|-----|----------|----------------|-----|------------|---------|
| 1   | 38H1005  | ELBOW FITTING  | 1   |            |         |
| 2   | 38H1046  | ELBOW FITTING  | 2   |            |         |
| 3   | R26375   | O-RING         | 4   |            |         |
| 4   | 19M7866  | SCREW          | 3   | M8 X 20    |         |
| 5   | R111156  | CLIP           | 2   |            |         |
| 6   | AH150687 | OIL COOLER     | 1   |            |         |
| 7   | H163182  | ANGLE          | 1   |            |         |
| 8   | 14M7298  | FLANGE NUT     | 5   | M8         |         |
| 9   | 19M7800  | SCREW          | 2   | M8 X 50    |         |
| 10  | AH89486  | CLIP           | 2   |            |         |
| 11  | AH156475 | HYDRAULIC HOSE | 1   |            |         |
| 12  | AH156476 | HYDRAULIC HOSE | 1   |            |         |
| 13  | T77857   | O-RING         | 3   |            |         |
| 14  | H163604  | BRACKET        | 1   |            |         |
| 15  | AH97280  | CLIP           | 1   |            |         |
| 16  | 38H1171  | ADAPTER        | 1   |            |         |
| 17  | T77613   | O-RING         | 1   |            |         |

# 3D22

FEEDER HOUSE

## REVERSER GEAR BOX (HI CAPACITY)

HP9701 -UN-17APR00





## REVERSER GEAR BOX (HI CAPACITY) - CONTINUED

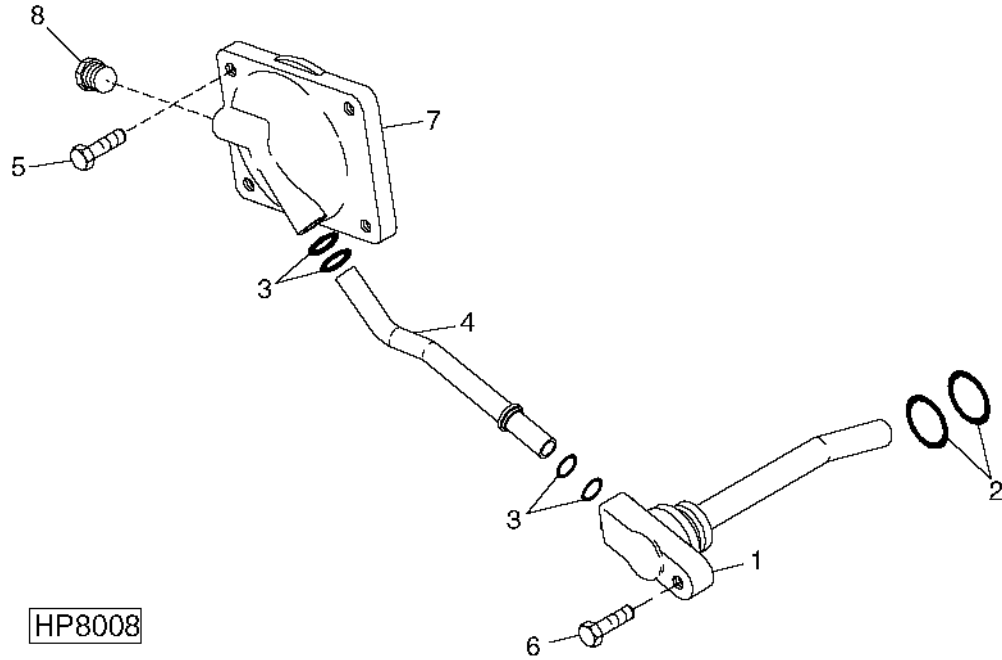
| KEY | PART NO. | PART NAME      | QTY | SERIAL NO. | REMARKS                     |
|-----|----------|----------------|-----|------------|-----------------------------|
| 1   | R66197   | THRUST WASHER  | 6   |            |                             |
| 2   | Z12714   | RING GEAR      | 3   |            |                             |
| 3   | Z61813   | SHAFT          | 3   |            |                             |
| 4   | H871R    | BALL           | 3   |            |                             |
| 5   | R33088   | WASHER         | 3   |            |                             |
| 6   | H89617   | SPACER         | 3   |            |                             |
| 7   | 19M7166  | CAP SCREW      | 6   |            | M10 X 20                    |
| 8   | Z61817   | PIN            | 174 |            | (6 SETS OF 29)              |
| 9   | AH150686 | NEEDLE BEARING | 2   |            |                             |
| 10  | Z61818   | SHAFT KEY      | 1   |            | WOODRUFF                    |
| 11  | H160953  | GEAR           | 1   |            | INPUT                       |
| 12  | E53699   | SEAL           | 1   |            |                             |
| 13  | AH163896 | SHAFT          | 1   |            |                             |
| 14  | H156091  | COVER          | 1   |            |                             |
| 15  | AZ49013  | BALL BEARING   | 1   |            |                             |
| 16  | R39081   | SNAP RING      | 2   |            |                             |
| 17  | AZ49370  | SEAL           | 2   |            |                             |
| 18  | Z12851   | COVER          | 1   |            |                             |
| 19  | H156095  | HOUSING        | 1   |            |                             |
| 20  | R26375   | O-RING         | 1   |            |                             |
| 21  | AZ49371  | BALL BEARING   | 1   |            |                             |
| 22  | Z62549   | SNAP RING      | 1   |            |                             |
| 23  | AH148894 | RING GEAR      | 1   |            |                             |
| 24  | Z62147   | COUPLING       | 1   |            |                             |
| 25  | H170781  | GEAR           | 1   |            | OUTPUT                      |
| 26  | 14H832   | NUT            | 2   |            | 9/16"                       |
| 27  | 28H2499  | BUSHING        | 1   |            | 18.847 X 26.670 X 15.875 MM |
| 28  | 24H1378  | WASHER         | 1   |            | 11/16" X 1-15/32" X 0.134"  |
| 29  | AN113330 | SEAL           | 1   |            |                             |
| 30  | 19M7810  | SCREW          | 6   |            | M10 X 80                    |
| 31  | AH167602 | DIPSTICK       | 1   |            |                             |
| 32  | H140195  | SPACER         | 1   |            |                             |
| 33  | R26906   | O-RING         | 1   |            |                             |
| 34  | H156090  | HOUSING        | 1   |            |                             |
| 35  | AZ51438  | SHIFTER        | 1   |            |                             |
| 36  | M800578  | BALL BEARING   | 1   |            |                             |
| 37  | H165464  | SPUR GEAR      | 1   |            |                             |
| 38  | JD7678   | BALL BEARING   | 1   |            |                             |
| 39  | H165463  | BEARING        | 1   |            |                             |
| 40  | M1007T   | SNAP RING      | 1   |            |                             |
| 41  | U10776   | O-RING         | 1   |            |                             |
| 42  | H82233   | BUSHING        | 1   |            |                             |
| 43  | H82232   | WASHER         | 1   |            |                             |
| 44  | H82234   | PLATE          | 1   |            |                             |
| 45  | AH128528 | ROTOR          | 1   |            |                             |
| 46  | H75358   | DOWEL PIN      | 1   |            |                             |
| ..  | TY9371   | ADHESIVE       | 1   |            | 3 OZ. SIZE                  |
| ..  | AH159171 | GEAR CASE      | 1   |            |                             |

# 3D24

FEEDER HOUSE

## REVERSER GEAR BOX (HI CAPACITY) - CONTINUED

HP8008 -UN-14JAN99



HP8008

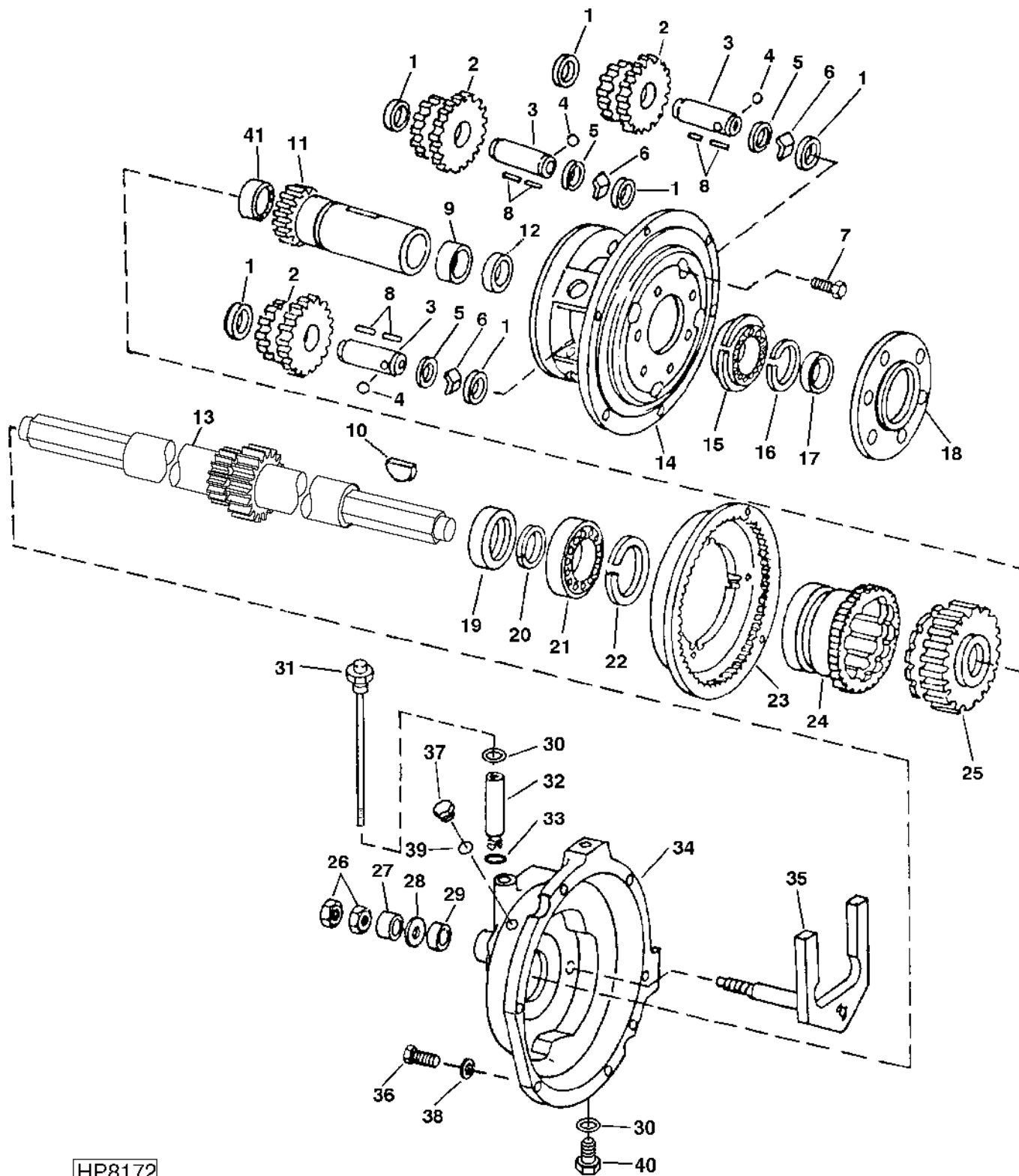
| KEY | PART NO. | PART NAME | QTY | SERIAL NO. | REMARKS |
|-----|----------|-----------|-----|------------|---------|
| 1   | AH125228 | FITTING   | 1   |            |         |
| 2   | R495R    | O-RING    | 2   |            |         |
| 3   | R394R    | O-RING    | 4   |            |         |
| 4   | H156096  | TUBE      | 1   |            |         |
| 5   | 19M7866  | SCREW     | 4   | M8 X 20    |         |
| 6   | 19M8162  | CAP SCREW | 1   | M10 X 40   |         |
| 7   | H156095  | HOUSING   | 1   |            |         |
| 8   | R39112   | FITTING   | 2   |            |         |
| ..  | AH159171 | GEAR CASE | 1   |            |         |

MEMORANDA

# 3E1

## REVERSER GEAR BOX (STANDARD)

HP8172 -UN-20JAN99



HP8172

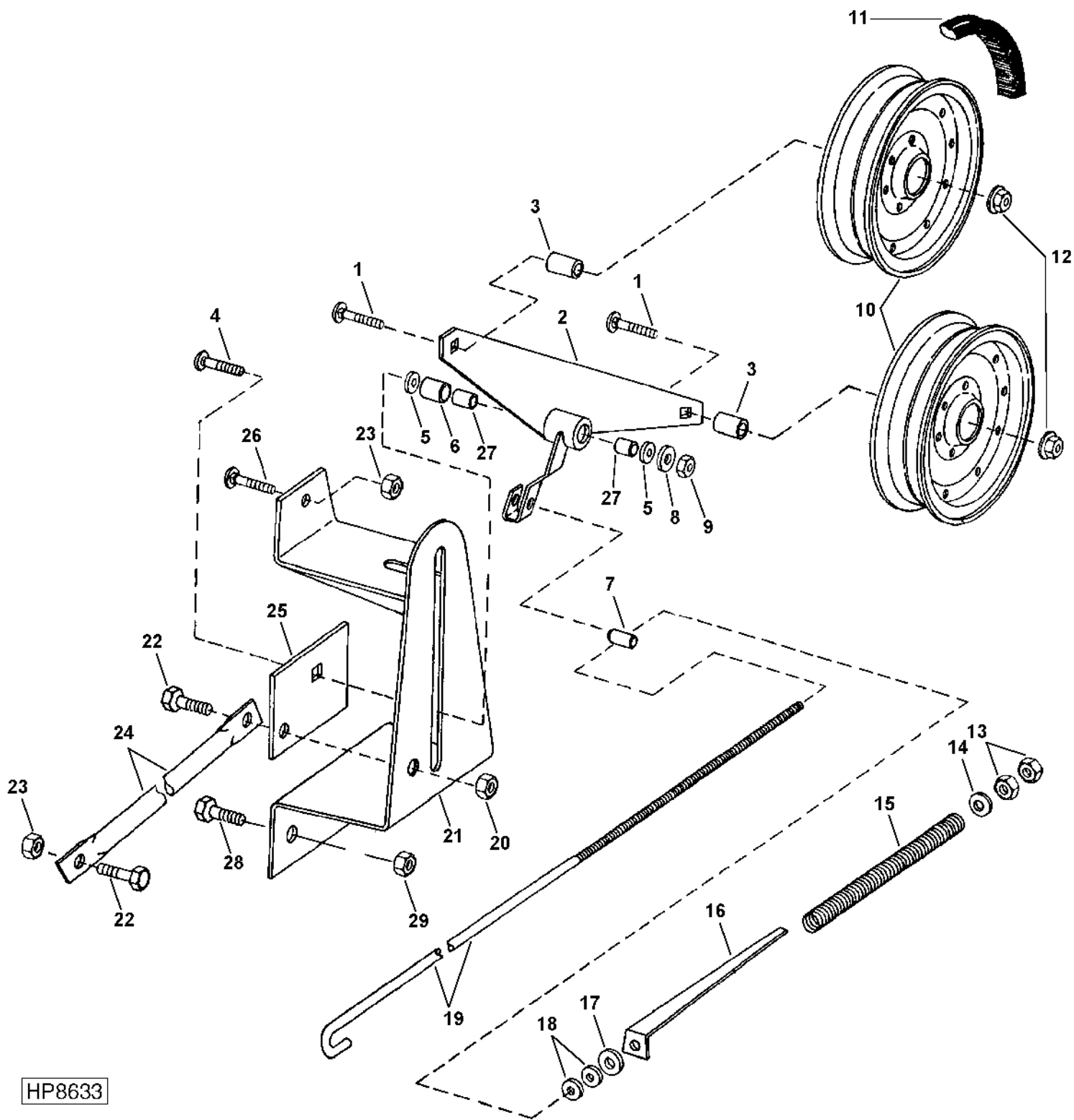
## REVERSER GEAR BOX (STANDARD) - CONTINUED

| KEY | PART NO. | PART NAME                   | QTY | SERIAL NO. | REMARKS                     |
|-----|----------|-----------------------------|-----|------------|-----------------------------|
| 1   | R66197   | THRUST WASHER               | 6   |            |                             |
| 2   | H168994  | PINION                      | 3   |            |                             |
| 3   | R33079   | PIN                         | 3   |            |                             |
| 4   | H871R    | BALL                        | 3   |            |                             |
| 5   | R33088   | WASHER                      | 3   |            |                             |
| 6   | H89617   | SPACER                      | 3   |            |                             |
| 7   | 19M7938  | CAP SCREW                   | 6   |            | M10 X 20                    |
| 8   | R33058   | NEEDLE ROLLER               | 186 |            | (6 SETS OF 31)              |
| 9   | AH150686 | NEEDLE BEARING              | 1   |            |                             |
| 10  | 26H104   | SHAFT KEY                   | 1   |            | 5/16" X 2-1/8", WOODRUFF    |
| 11  | H166216  | GEAR                        | 1   |            | INPUT                       |
| 12  | E53699   | SEAL                        | 1   |            |                             |
| 13  | AH152939 | SHAFT                       | 1   |            |                             |
| 14  | H168125  | COVER                       | 1   |            |                             |
| 15  | JD10010  | BALL BEARING                | 1   |            |                             |
| 16  | R39081   | SNAP RING                   | 1   |            |                             |
| 17  | AH144715 | SEAL                        | 1   |            |                             |
| 18  | H150662  | BEARING HOUSING W/O BEARING | 1   |            |                             |
| 19  | AH140185 | SEAL                        | 1   |            |                             |
| 20  | N71922   | SNAP RING                   | 1   |            |                             |
| 21  | JD10011  | BALL BEARING                | 1   |            |                             |
| 22  | BP13620  | SNAP RING                   | 1   |            |                             |
| 23  | AH105040 | GEAR                        | 1   |            |                             |
| 24  | H132328  | SHIFT COLLAR                | 1   |            |                             |
| 25  | H106073  | GEAR                        | 1   |            | OUTPUT                      |
| 26  | 14H832   | NUT                         | 2   |            | 9/16"                       |
| 27  | 28H2499  | BUSHING                     | 1   |            | 18.847 X 26.670 X 15.875 MM |
| 28  | 24H1378  | WASHER                      | 1   |            | 11/16" X 1-15/32" X 0.134"  |
| 29  | AN113330 | SEAL                        | 1   |            |                             |
| 30  | R26906   | O-RING                      | 2   |            |                             |
| 31  | AH140615 | INDICATOR LIGHT             | 1   |            |                             |
| 32  | H140195  | SPACER                      | 1   |            |                             |
| 33  | R26375   | O-RING                      | 1   |            |                             |
| 34  | AH159233 | HOUSING                     | 1   |            |                             |
| 35  | AH93110  | SHIFTER                     | 1   |            |                             |
| 36  | 19M7402  | CAP SCREW                   | 6   |            | M10 X 25                    |
| 37  | R27218   | FITTING PLUG                | 1   | -685665    |                             |
|     | R39112   | FITTING                     | 1   | 685666-    |                             |
| 38  | 12M7135  | LOCK WASHER                 | 6   |            | 10.200 MM                   |
| 39  | R26448   | O-RING                      | 1   | -685665    |                             |
|     | R26375   | O-RING                      | 1   | 685666-    |                             |
| 40  | R39112   | FITTING                     | 1   |            |                             |
| 41  | JD8819   | NEEDLE BEARING              | 1   |            |                             |
| ..  | TY15130  | SEALANT                     | 1   |            | 3 OZ. SIZE                  |
| ..  | AH153339 | GEAR CASE                   | 1   |            |                             |

# 3E3

FEEDER HOUSE

FIXED SPEED FEEDER HOUSE DRIVE TIGHTENER  
HP8633 -UN-14JUN99



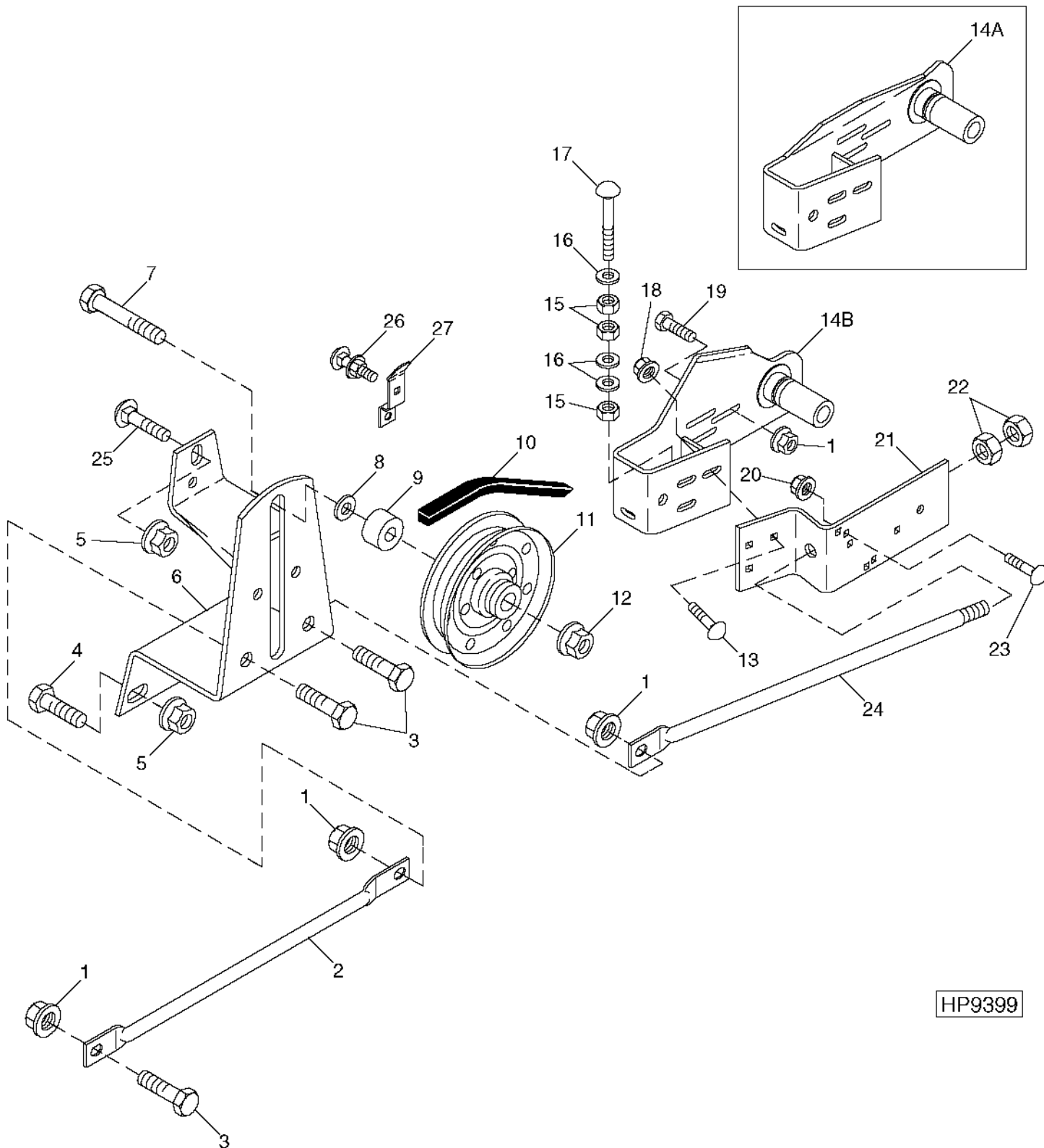
HP8633

## FIXED SPEED FEEDER HOUSE DRIVE TIGHTENER - CONTINUED

| KEY | PART NO. | PART NAME     | QTY | SERIAL NO.                  | REMARKS |
|-----|----------|---------------|-----|-----------------------------|---------|
| 1   | 03M7211  | BOLT          | 2   | M16 X 70                    |         |
| 2   | AH97340  | ARM           | 1   |                             |         |
| 3   | L1730N   | BUSHING       | 4   |                             |         |
| 4   | 03M7248  | BOLT          | 1   | M12 X 90                    |         |
| 5   | 24H1413  | WASHER        | 2   | 57/64" X 1-3/8" X 0.048"    |         |
| 6   | H89297   | BUSHING       | 1   | 13.487 X 22.200 X 53.340 MM |         |
| 7   | H132825  | PIVOT         | 1   |                             |         |
| 8   | 24H1748  | WASHER        | 1   | 1/2" X 1-1/4" X 0.105"      |         |
| 9   | A31867   | LOCK NUT      | 1   | M12                         |         |
| 10  | AH94450  | IDLER         | 2   |                             |         |
| 11  | H126345  | BELT          | 1   |                             |         |
| 12  | 14M7291  | FLANGE NUT    | 2   | M16                         |         |
| 13  | 14M7275  | NUT           | 2   | M12                         |         |
| 14  | 24H1789  | WASHER        | 1   | 17/32" X 1-1/4" X 0.105"    |         |
| 15  | A25695   | SPRING        | 1   |                             |         |
| 16  | H95499   | GAUGE         | 1   |                             |         |
| 17  | 24H1748  | WASHER        | 1   | 1/2" X 1-1/4" X 0.105"      |         |
| 18  | 24M7240  | WASHER        | 2   | 13 X 25 X 3 MM              |         |
| 19  | H126346  | BOLT          | 1   |                             |         |
| 20  | 14M7299  | FLANGE NUT    | 1   | M12                         |         |
| 21  | AH147476 | BRACKET       | 1   |                             |         |
| 22  | 19M7789  | SCREW         | 2   | M12 X 30                    |         |
| 23  | 14M7299  | FLANGE NUT    | 2   | M12                         |         |
| 24  | H126371  | BRACE         | 1   | FRONT                       |         |
| 25  | H126370  | REINFORCEMENT | 1   |                             |         |
| 26  | 03M7198  | BOLT          | 1   | M12 X 30                    |         |
| 27  | H98655   | BUSHING       | 2   |                             |         |
| 28  | 19M7789  | SCREW         | 2   | M12 X 30                    |         |
| 29  | 14M7299  | FLANGE NUT    | 2   | M12                         |         |

# 3E5

VARIABLE SPEED DRIVE TIGHTENER  
HP9399 -UN-07DEC99



HP9399



# 3E6

FEEDER HOUSE

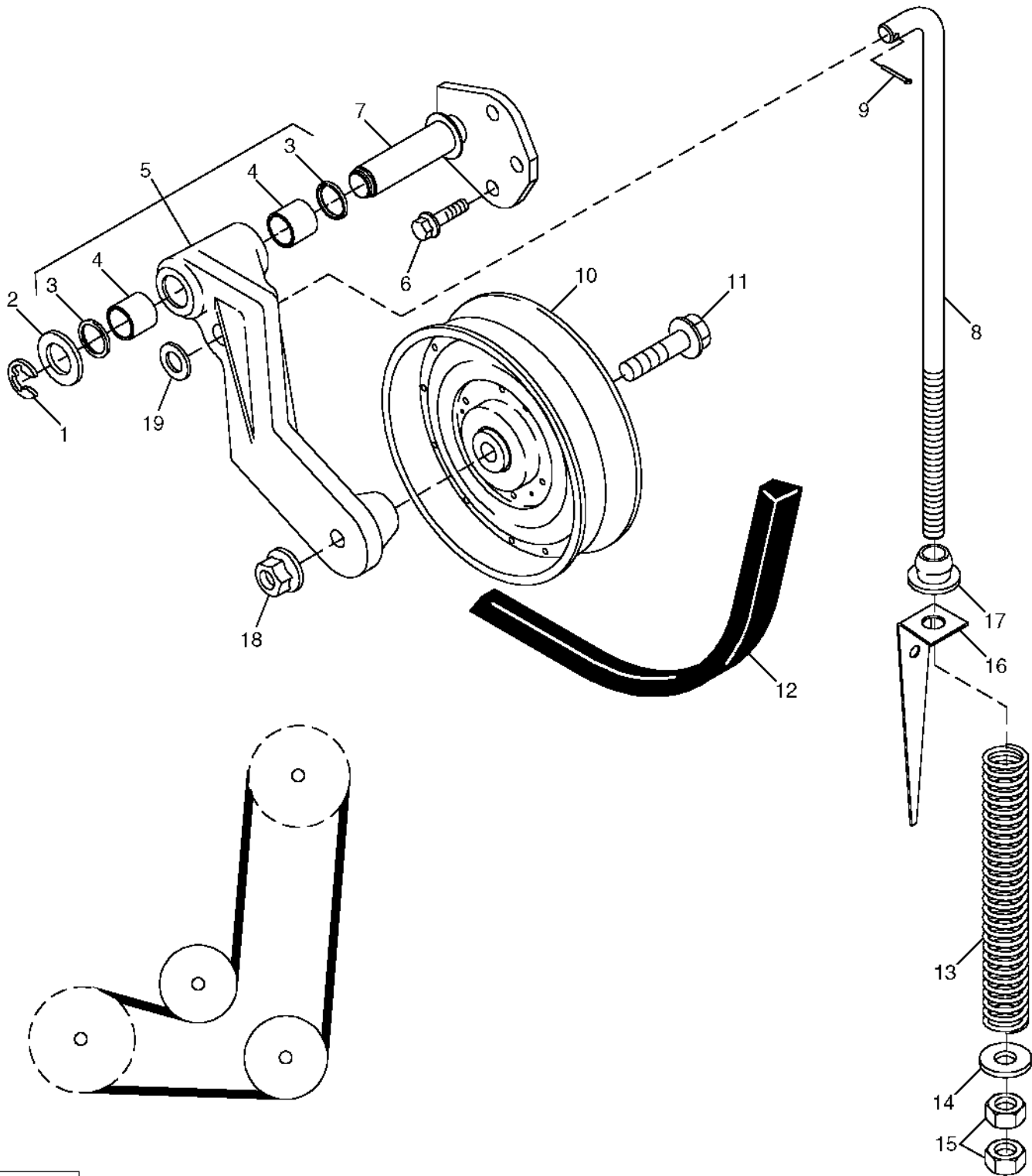
## VARIABLE SPEED DRIVE TIGHTENER - CONTINUED

| KEY | PART NO. | PART NAME  | QTY | SERIAL NO.             | REMARKS |
|-----|----------|------------|-----|------------------------|---------|
| 1   | 14M7299  | FLANGE NUT | 6   | M12                    |         |
| 2   | H126371  | BRACE      | 1   |                        |         |
| 3   | 19M7789  | SCREW      | 3   | M12 X 30               |         |
| 4   | 19M7789  | SCREW      | 2   | M12 X 30               |         |
| 5   | 14M7299  | FLANGE NUT | 3   | M12                    |         |
| 6   | AH139295 | BRACKET    | 1   |                        |         |
| 7   | 19M7845  | SCREW      | 1   | M16 X 90               |         |
| 8   | 24H1698  | WASHER     | 1   | 21/32" X 1-5/8" X 1/4" |         |
| 9   | H156850  | SPACER     | 1   |                        |         |
| 10  | H161648  | BELT       | 1   | STANDARD               |         |
|     | H156863  | BELT       | 1   | HIGH CAPACITY          |         |
| 11  | AH166439 | PULLEY     | 1   |                        |         |
| 12  | 14M7291  | FLANGE NUT | 1   | M16                    |         |
| 13  | 03M7192  | BOLT       | 3   | M10 X 30               |         |
| 14A | AH162787 | STRAP      | 1   | (SUB AH167579)         |         |
| 14B | AH167579 | STRAP      | 1   |                        |         |
| 15  | 14H821   | NUT        | 3   | 5/8"                   |         |
| 16  | 24M7053  | WASHER     | 3   | 17 X 30 X 3 MM         |         |
| 17  | 03H2308  | BOLT       | 1   | 5/8" X 3-1/4"          |         |
| 18  | 14M7296  | FLANGE NUT | 3   | M10                    |         |
| 19  | 19M7790  | SCREW      | 3   | M12 X 35               |         |
| 20  | 14M7298  | FLANGE NUT | 2   | M8                     |         |
| 21  | H166971  | STRAP      | 1   |                        |         |
| 22  | 14M7277  | NUT        | 2   | M20                    |         |
| 23  | 03M7185  | BOLT       | 2   | M8 X 25                |         |
| 24  | AH142407 | BRACE      | 1   |                        |         |
| 25  | 03M7198  | BOLT       | 1   | M12 X 30               |         |
| 26  | 03M7183  | BOLT       | 1   | M8 X 16                |         |
|     | 14M7298  | FLANGE NUT | 1   | M8                     |         |
| 27  | H136336  | HOSE CLAMP | 1   |                        |         |

# 3E7

FEEDER HOUSE

FEEDER HOUSE DRIVE TIGHTENER  
HP9479 -UN-23FEB00



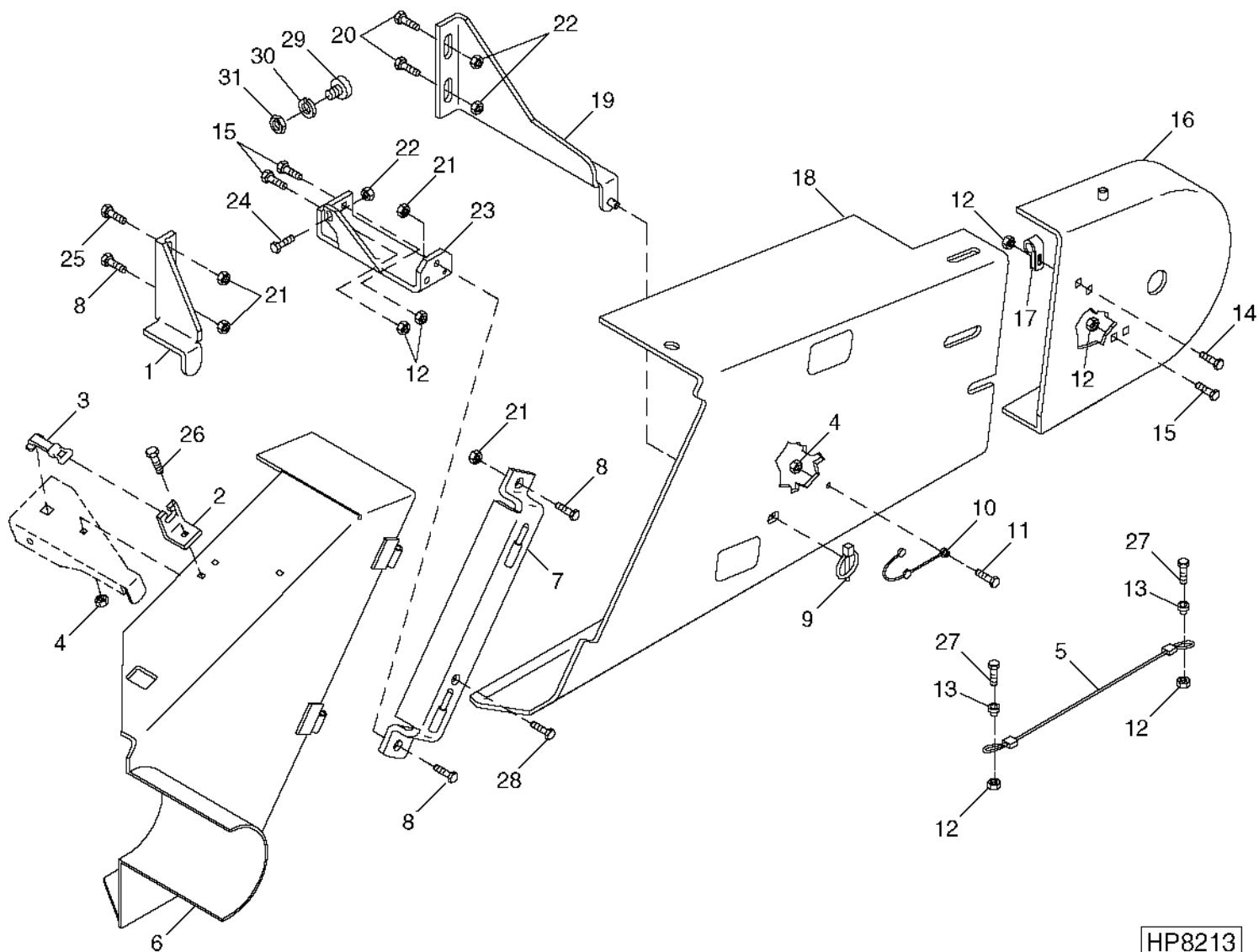
HP9479

## FEEDER HOUSE DRIVE TIGHTENER - CONTINUED

| KEY | PART NO. | PART NAME  | QTY | SERIAL NO.                     | REMARKS |
|-----|----------|------------|-----|--------------------------------|---------|
| 1   | P46402   | SNAP RING  | 1   |                                |         |
| 2   | 24M7091  | WASHER     | 1   | 26 X 44 X 4 MM                 |         |
| 3   | AA5607R  | SEAL       | 2   |                                |         |
| 4   | H99147   | BUSHING    | 2   | (SUB H171061)                  |         |
|     | H171061  | BEARING    | 2   |                                |         |
| 5   | AH168397 | ARM        | 1   | (SUB FOR AH156843 AND H163557) |         |
| 6   | 19M7784  | SCREW      | 3   | M10 X 20                       |         |
| 7   | AH156051 | SPRING PIN | 1   |                                |         |
| 8   | H126169  | BOLT       | 1   |                                |         |
| 9   | 11M7028  | COTTER PIN | 1   | 5 X 32 MM                      |         |
| 10  | AH166439 | IDLER      | 1   |                                |         |
| 11  | 19M7824  | SCREW      | 1   | M16 X 60                       |         |
| 12  | H151952  | BELT       | 1   | STANDARD                       |         |
|     | H155998  | BELT       | 1   | HIGH CAPACITY                  |         |
| 13  | N61654   | SPRING     | 1   |                                |         |
| 14  | 24H1373  | WASHER     | 1   | 21/32" X 1-9/16" X 0.180"      |         |
| 15  | 14M7276  | NUT        | 2   | M16                            |         |
| 16  | H116862  | GAUGE      | 1   |                                |         |
| 17  | H129208  | PIVOT      | 1   |                                |         |
| 18  | 14M7291  | FLANGE NUT | 1   | M16                            |         |
| 19  | 24M7053  | WASHER     | 1   | 17 X 30 X 3 MM                 |         |

## LEFT HAND DRIVE SHIELD - WITHOUT AIRFLOW

HP8213 -UN-10JUN99



HP8213

# 3E10

FEEDER HOUSE

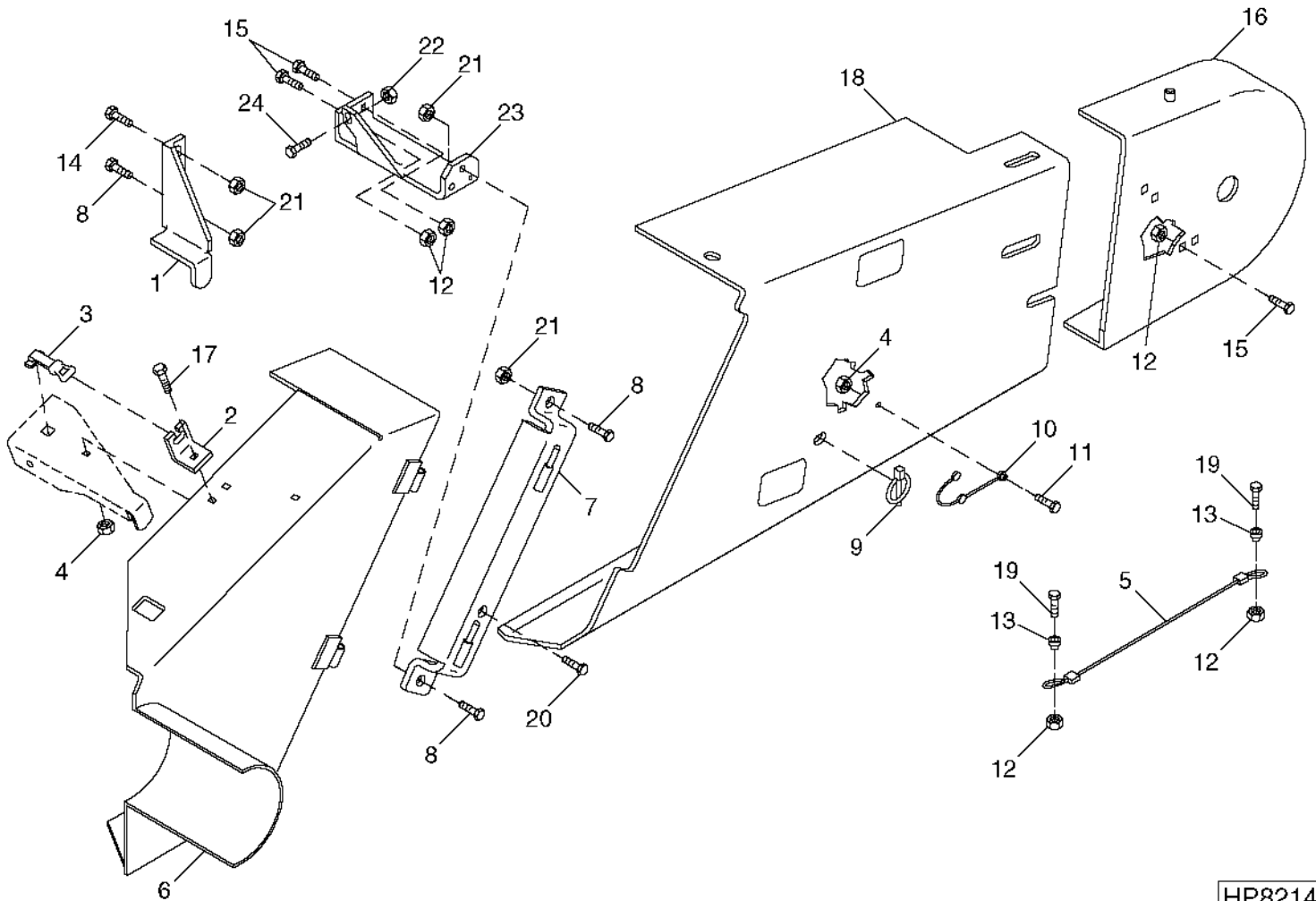
## LEFT HAND DRIVE SHIELD - WITHOUT AIRFLOW - CONTINUED

| KEY | PART NO. | PART NAME          | QTY | SERIAL NO.                     | REMARKS        |
|-----|----------|--------------------|-----|--------------------------------|----------------|
| 1   | H167451  | SUPPORT            | 1   |                                |                |
| 2   | H141549  | CLAMP              | 1   |                                |                |
| 3   | A44990   | LATCH              | 1   |                                |                |
| 4   | 14M7303  | FLANGE NUT         | 2   | M6                             |                |
| 5   | AH134121 | CABLE              | 1   |                                |                |
| 6   | AH161063 | SHIELD             | 1   |                                | LEVEL LAND     |
|     | AH161064 | SHIELD             | 1   |                                | CONTOUR MASTER |
| 7   | AH160798 | SUPPORT            | 1   |                                |                |
| 8   | 19M7788  | SCREW              | 3   | M12 X 25                       |                |
| 9   | M72598   | QUICK LOCK PIN     | 1   |                                |                |
| 10  | H167815  | STRAP              | 1   |                                |                |
| 11  | 21M7246  | SCREW              | 1   | M6 X 16                        |                |
| 12  | 14M7298  | FLANGE NUT         | 4   | M8                             |                |
| 13  | M93425   | SPACER             | 2   |                                |                |
| 14  | 03M7185  | BOLT               | 1   | M8 X 25                        |                |
| 15  | 03M7184  | BOLT               | 3   | M8 X 20                        |                |
| 16  | AH162340 | SHIELD             | 1   |                                |                |
| 17  | R46414   | CLAMP              | 1   |                                |                |
| 18  | H167655  | SHIELD             | 1   |                                |                |
| 19  | AH160799 | SUPPORT            | 1   |                                |                |
| 20  | 03M7190  | BOLT               | 2   | M10 X 20                       |                |
| 21  | 14M7299  | FLANGE NUT         | 4   | M12                            |                |
| 22  | 14M7296  | FLANGE NUT         | 3   | M10                            |                |
| 23  | H162401  | BRACKET            | 1   |                                |                |
| 24  | 19M7785  | SCREW              | 1   | M10 X 25                       |                |
| 25  | 19M7789  | SCREW              | 1   | M12 X 30                       |                |
| 26  | 03M7251  | BOLT               | 1   | M6 X 12                        |                |
| 27  | 21M7125  | SCREW              | 2   | M8 X 25                        |                |
| 28  | 37M7089  | SCREW              | 1   | M6 X 12, L.H, LEVEL LAND, WIDE |                |
| 29  | 57M7766  | INSULATING CAPSULE | 1   |                                |                |
| 30  | 57M7765  | LOCK WASHER        | 1   |                                |                |
| 31  | E73240   | NUT                | 1   |                                |                |

# 3E11

## LEFT HAND DRIVE SHIELD - WITH AIRFLOW

HP8214 -UN-23JUL99



HP8214

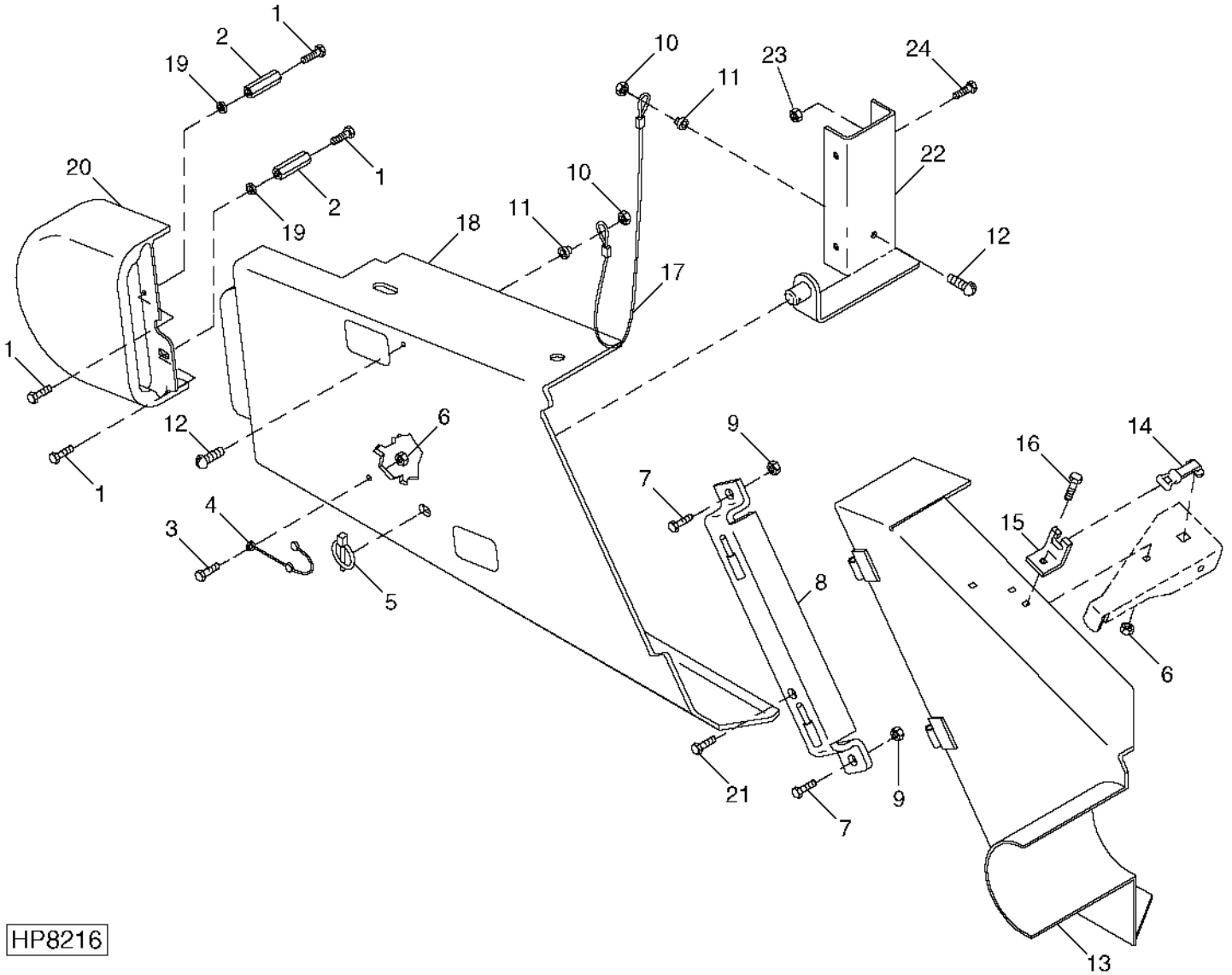
LEFT HAND DRIVE SHIELD - WITH AIRFLOW - CONTINUED

| KEY | PART NO. | PART NAME      | QTY | SERIAL NO. | REMARKS        |
|-----|----------|----------------|-----|------------|----------------|
| 1   | H167451  | SUPPORT        | 1   |            |                |
| 2   | H141549  | CLAMP          | 1   |            |                |
| 3   | A44990   | LATCH          | 1   |            |                |
| 4   | 14M7303  | FLANGE NUT     | 2   | M6         |                |
| 5   | AH134121 | CABLE          | 1   |            |                |
| 6   | AH161063 | SHIELD         | 1   |            | LEVEL LAND     |
|     | AH161064 | SHIELD         | 1   |            | CONTOUR MASTER |
| 7   | AH160798 | SUPPORT        | 1   |            |                |
| 8   | 19M7788  | SCREW          | 3   | M12 X 25   |                |
| 9   | M72598   | QUICK LOCK PIN | 1   |            |                |
| 10  | H167815  | STRAP          | 1   |            |                |
| 11  | 21M7246  | SCREW          | 1   | M6 X 16    |                |
| 12  | 14M7298  | FLANGE NUT     | 4   | M8         |                |
| 13  | M93425   | SPACER         | 2   |            |                |
| 14  | 19M7789  | SCREW          | 1   | M12 X 30   |                |
| 15  | 03M7184  | BOLT           | 3   | M8 X 20    |                |
| 16  | AH162340 | SHIELD         | 1   |            |                |
| 17  | 03M7251  | BOLT           | 1   | M6 X 12    |                |
| 18  | H167655  | SHIELD         | 1   |            |                |
| 19  | 21M7125  | SCREW          | 1   | M8 X 25    |                |
| 20  | 03M7191  | BOLT           | 1   | M10 X 25   |                |
| 21  | 14M7299  | FLANGE NUT     | 4   | M12        |                |
| 22  | 14M7296  | FLANGE NUT     | 3   | M10        |                |
| 23  | H162401  | BRACKET        | 1   |            |                |
| 24  | 19M7785  | SCREW          | 2   | M10 X 25   |                |

# 3E13

FEEDER HOUSE

RIGHT HAND DRIVE SHIELD  
HP8216 -UN-01JUL99



HP8216

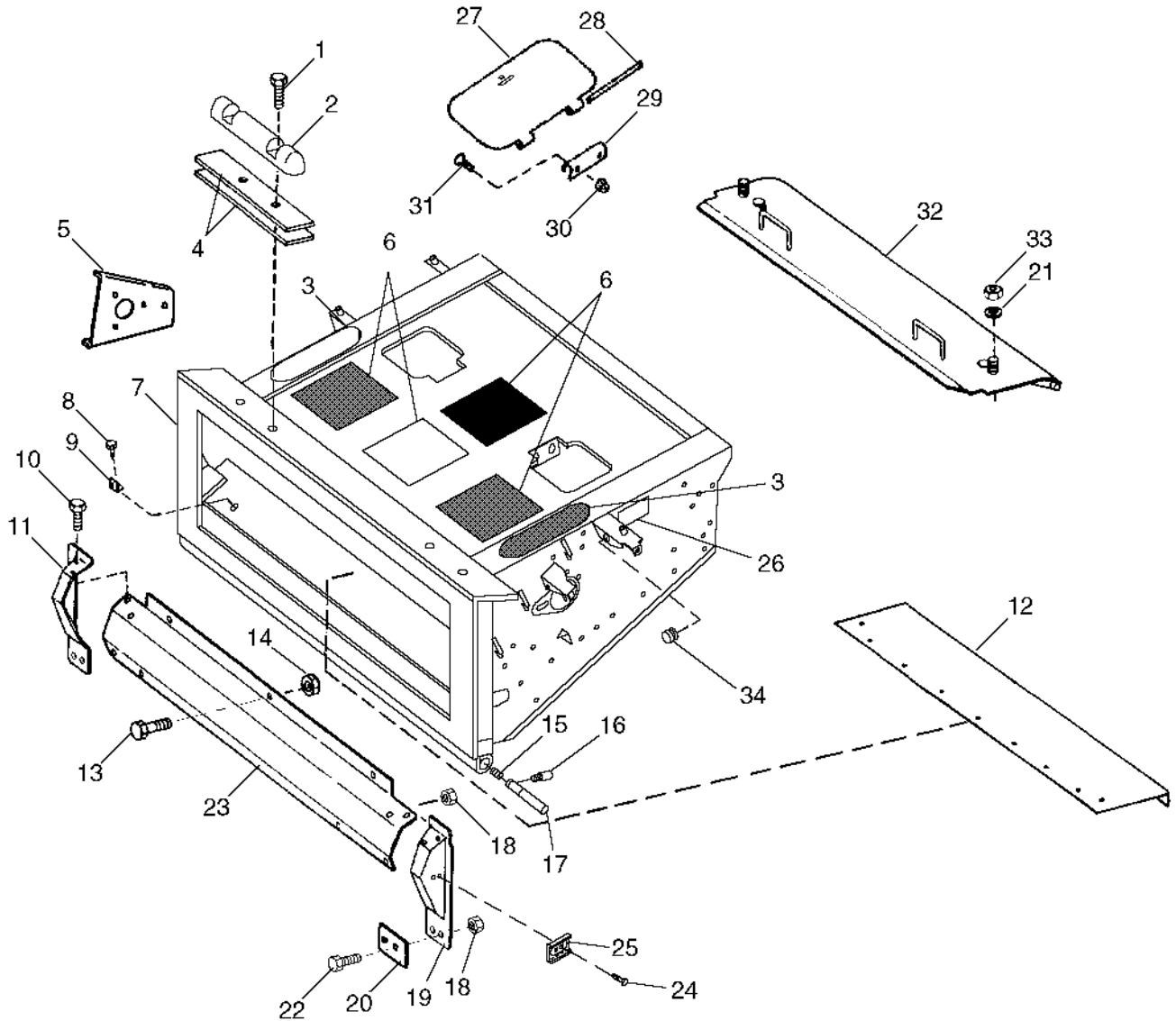


## RIGHT HAND DRIVE SHIELD - CONTINUED

| KEY | PART NO. | PART NAME         | QTY | SERIAL NO. | REMARKS                    |
|-----|----------|-------------------|-----|------------|----------------------------|
| 1   | 19M7785  | SCREW             | 4   |            |                            |
| 2   | H143489  | BUSHING           | 2   |            |                            |
| 3   | 21M7246  | SCREW             | 1   |            | M6 X 16                    |
| 4   | H167815  | STRAP             | 1   |            |                            |
| 5   | M72598   | QUICK LOCK PIN    | 1   |            |                            |
| 6   | 14M7303  | FLANGE NUT        | 2   |            | M6                         |
| 7   | 19M7788  | SCREW             | 2   |            | M12 X 25                   |
| 8   | AH160798 | SUPPORT           | 1   |            |                            |
| 9   | 14M7299  | FLANGE NUT        | 2   |            | M12                        |
| 10  | 14M7298  | FLANGE NUT        | 2   |            | M8                         |
| 11  | M93425   | SPACER            | 2   |            |                            |
| 12  | 21M7125  | SCREW             | 2   |            | M8 X 25                    |
| 13  | AH161062 | SHIELD            | 1   |            |                            |
| 14  | A44990   | LATCH             | 1   |            |                            |
| 15  | H141549  | CLAMP             | 1   |            |                            |
| 16  | 03M7251  | BOLT              | 1   |            | M6 X 12                    |
| 17  | AH134121 | CABLE             | 1   |            |                            |
| 18  | H167654  | SHIELD            | 1   |            |                            |
| 19  | 24H1311  | WASHER            | 2   |            | 10.312 X 31.750 X 5.588 MM |
| 20  | H146766  | POWERSHAFT SHIELD | 1   |            |                            |
| 21  | 37M7089  | SCREW             | 1   |            | M6 X 12                    |
| 22  | AH160796 | BRACKET           | 1   |            |                            |
| 23  | 14M7296  | FLANGE NUT        | 2   |            | M10                        |
| 24  | 03M7190  | BOLT              | 2   |            | M10 X 20                   |

# 3E15

FEEDER HOUSE FRAME  
HP9692 -UN-12APR00



HP9692

# 3E16

FEEDER HOUSE

FEEDER HOUSE FRAME - CONTINUED

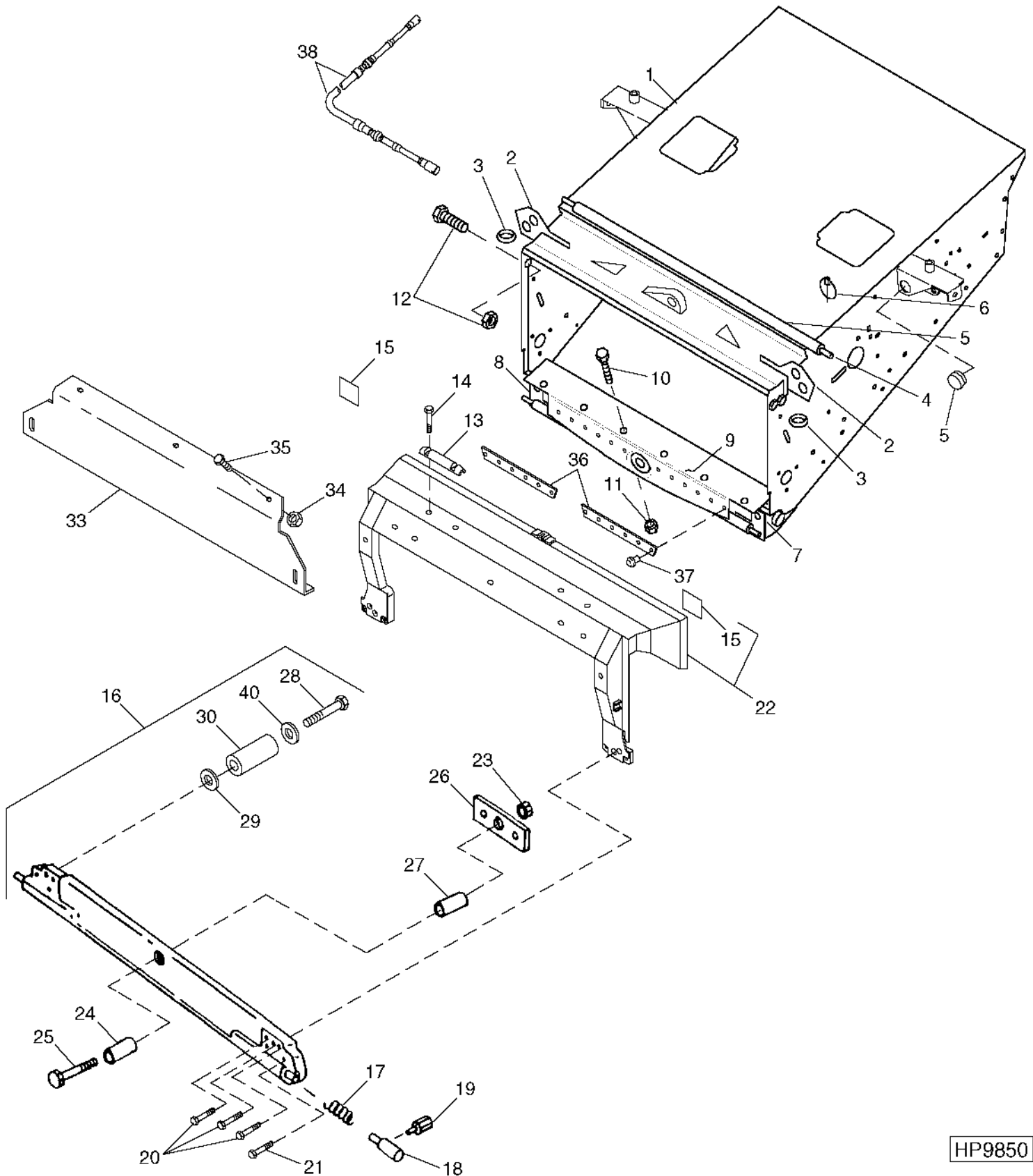
| KEY | PART NO. | PART NAME     | QTY | SERIAL NO. | REMARKS  |
|-----|----------|---------------|-----|------------|--|
| 1   | 19M7814  | SCREW         | 4   | -686341    | M12 X 50   |
|     | 19M7824  | SCREW         | 4   | 686342-    | M16 X 60   |
| 2   | H159975  | BLOCK CLAMP   | 2   | -686341    |  |
|     | H175547  | SUPPORT       | 2   | 686342-    |  |
| 3   | H136013  | MAT           | 1   |            |  |
| 4   | H175703  | SHIM          | 4   |            | (SUB FOR H133843)  |
| 5   | H141835  | REINFORCEMENT | 2   |            |  |
| 6   | H136014  | MAT           | 3   |            |  |
| 7   | AH169504 | FRAME         | 1   |            | (SUB FOR AH152357) LEVEL LAND WITH AIRFLOW                     |
|     | AH169507 | FRAME         | 1   |            | (SUB FOR AH160393) LEVEL LAND WITHOUT AIRFLOW<br>(ILLUSTRATED) |
| 8   | 03M7192  | BOLT          | 4   |            | M10 X 30   |
| 9   | H144063  | ANGLE         | 2   |            |  |
| 10  | 03M7190  | BOLT          | 1   |            | M10 X 20   |
| 11  | H159533  | DEFLECTOR     | 1   |            |  |
| 12  | H144051  | WEAR PLATE    | 1   |            |  |
| 13  | 19M7784  | SCREW         | 6   |            | M10 X 20   |
| 14  | 14M7296  | FLANGE NUT    | 6   |            | M10  |
| 15  | 124424   | SPRING        | 2   |            |  |
| 16  | H134140  | BOLT          | 2   |            |  |
| 17  | H130040  | PIN           | 2   |            | 25.400 X 277.500 MM  |
| 18  | 14M7296  | FLANGE NUT    | 4   |            | M10  |
| 19  | H159534  | DEFLECTOR     | 1   |            |  |
| 20  | H141713  | WEAR PLATE    | 2   |            | DOMESTIC AND EXPORT - FRANCE                                   |
| 21  | 24M7047  | WASHER        | 1   |            | 13 X 24 X 2.500 MM   |
| 22  | 19M7784  | SCREW         | 7   |            | M10 X 20   |
| 23  | H123632  | SHIELD        | 1   |            |  |
| 24  | 03M7184  | BOLT          | 4   |            |  |
| 25  | H158951  | STRIPPER      | 2   |            |  |
| 26  | H149063  | LABEL         | 2   |            |  |
| 27  | H152062  | DOOR          | 1   |            |  |
| 28  | .....    | PIN           | 1   |            | 6.88", (MAKE FROM H76083)                                      |
| 29  | H133989  | HINGE         | 1   |            |  |
| 30  | 14M7298  | FLANGE NUT    | 1   |            |  |
| 31  | 03M7183  | BOLT          | 1   |            |  |
| 32  | AH126416 | DOOR          | 1   |            |  |
| 33  | 14M7401  | LOCK NUT      | 1   |            |  |
| 34  | H173451  | CAP           | 1   |            |  |

# 3E17

FEEDER HOUSE

## FEEDER HOUSE SHELL, WEAR PLATES AND SEALS - CONTOUR MASTER

HP9850 -UN-12JUN00



HP9850

# 3E18

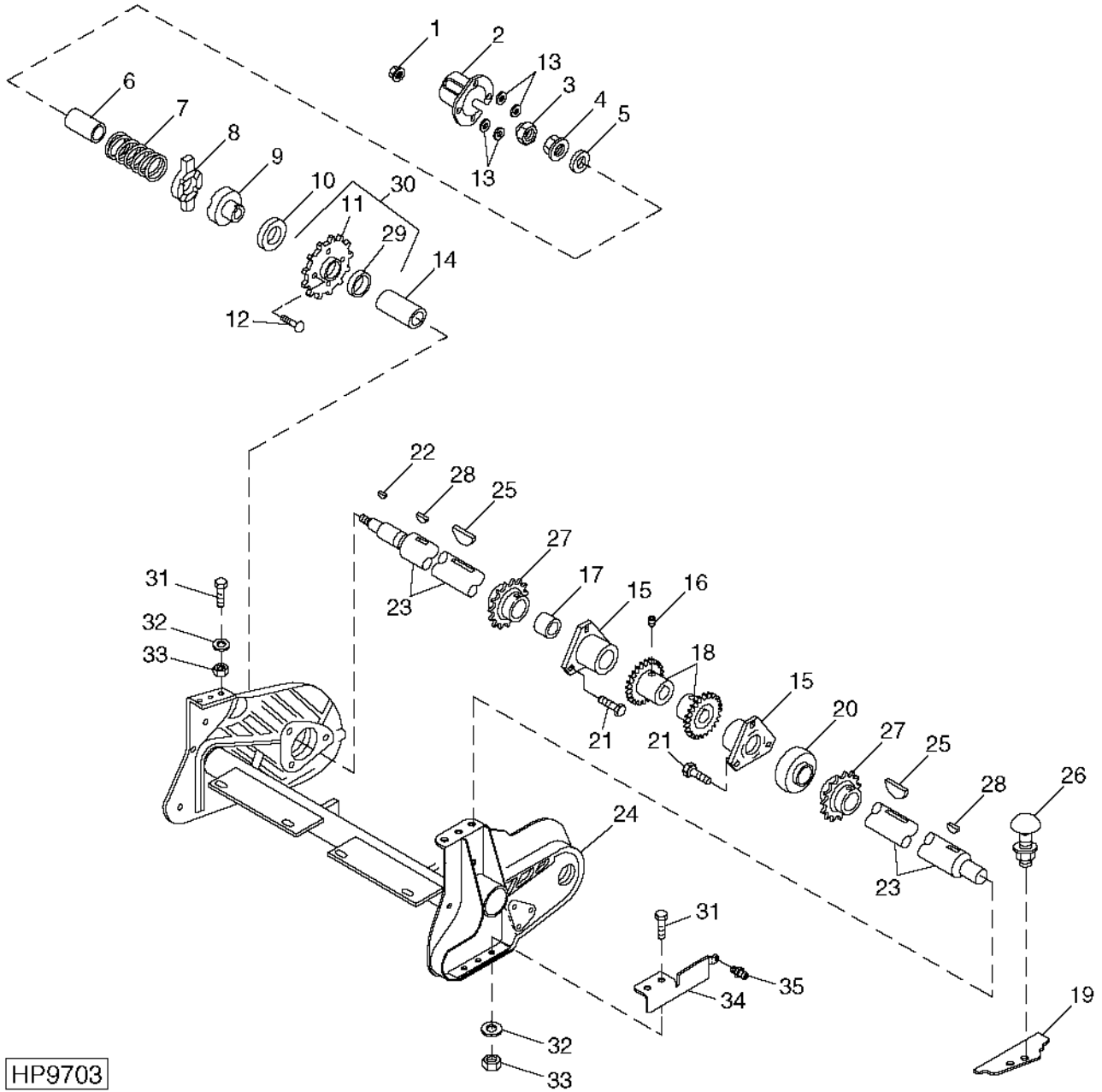
FEEDER HOUSE

FEEDER HOUSE SHELL, WEAR PLATES AND SEALS - CONTOUR MASTER - CONTINUED

| KEY | PART NO. | PART NAME           | QTY | SERIAL NO. | REMARKS                        |
|-----|----------|---------------------|-----|------------|--------------------------------|
| 1   | AH152361 | FRAME               | 1   |            | AIR FLOW                       |
|     | AH160396 | FRAME               | 1   |            | WITHOUT AIR FLOW (ILLUSTRATED) |
| 2   | H149461  | WEAR PLATE          | 2   |            |                                |
| 3   | R495R    | O-RING              | 2   |            | (USE WITH H149461)             |
| 4   | H144824  | PIPE                | 1   |            |                                |
| 5   | H148999  | SEAL                | 1   |            |                                |
| 6   | M72598   | QUICK LOCK PIN      | 2   |            |                                |
| 7   | H149459  | WEAR PLATE          | 1   |            | L.H. LOWER                     |
| 8   | H149460  | WEAR PLATE          | 1   |            | R.H. LOWER                     |
| 9   | H142862  | WEAR PLATE          | 1   |            | CONTOUR MASTER                 |
| 10  | 03M7184  | BOLT                | 7   |            | M8 X 20                        |
| 11  | 14M7298  | FLANGE NUT          | 7   |            | M8                             |
| 12  | 19M7790  | SCREW               | 4   |            | M12 X 35                       |
|     | 14M7299  | FLANGE NUT          | 4   |            | M12                            |
| 13  | H159975  | BLOCK CLAMP         | 2   | -686341    |                                |
|     | H175547  | SUPPORT             | 2   | 686342-    |                                |
| 14  | 19M7790  | SCREW               | 4   | -686341    | M12 X 35                       |
|     | 19M7844  | SCREW               | 4   | 686342-    | M16 X 45                       |
| 15  | H151607  | SIGN                | 4   |            | "CAUTION" HEADER TILT          |
| 16  | AH162724 | FRAME               | 1   |            |                                |
| 17  | 124424   | SPRING              | 2   |            |                                |
| 18  | H130040  | PIN                 | 2   |            |                                |
| 19  | H149523  | BOLT                | 2   |            |                                |
| 20  | 19M7844  | SCREW               | 6   |            | M16 X 45, (USE LOCTITE)        |
| 21  | 19M7815  | SCREW               | 2   |            | M12 X 60, (USE LOCTITE)        |
| 22  | AH145281 | FRAME               | 1   | -686341    |                                |
|     | AH169869 | ASSEMBLY LINE PARTS | 1   | 686342-    |                                |
| 23  | 14M7300  | FLANGE NUT          | 1   |            | M20                            |
| 24  | H142870  | BUSHING             | 1   |            |                                |
| 25  | 19M7921  | CAP SCREW           | 1   |            | M20 X 150                      |
| 26  | H149518  | STRAP               | 1   |            |                                |
| 27  | H149517  | PIN                 | 1   |            |                                |
| 28  | 19M7815  | SCREW               | 1   |            | M12 X 60                       |
| 29  | E81185   | WASHER              | 2   |            |                                |
| 30  | 28H3320  | BUSHING             | 1   |            | 0.546" X 0.840" X 1-3/16"      |
| 31  | 19M7818  | SCREW               | 1   |            | M12 X 80                       |
| 32  | 28H2618  | BUSHING             | 1   |            | 0.546" X 0.840" X 2-1/8"       |
| 33  | H142831  | WEATHER ENCLOSURE   | 1   |            |                                |
| 34  | H135891  | LOCK NUT            | 7   |            |                                |
| 35  | 19M7784  | SCREW               | 7   |            | M10 X 20                       |
| 36  | H162411  | STRIP               | 2   |            |                                |
| 37  | M64720   | RIVET               | 14  |            |                                |
| 38  | AH162587 | CABLE               | 1   |            | WITH AIR FLOW                  |
|     | AH162588 | CABLE               | 1   |            | W/O AIR FLOW                   |
| 39  | H173451  | CAP                 | 1   |            |                                |
| 40  | 24M7240  | WASHER              | 3   |            | 13 X 25 X 3 MM                 |

# 3E19

## FEEDER HOUSE UPPER SHAFT AND SLIP CLUTCH HP9703 -UN-18APR00



HP9703

## FEEDER HOUSE UPPER SHAFT - CONTINUED

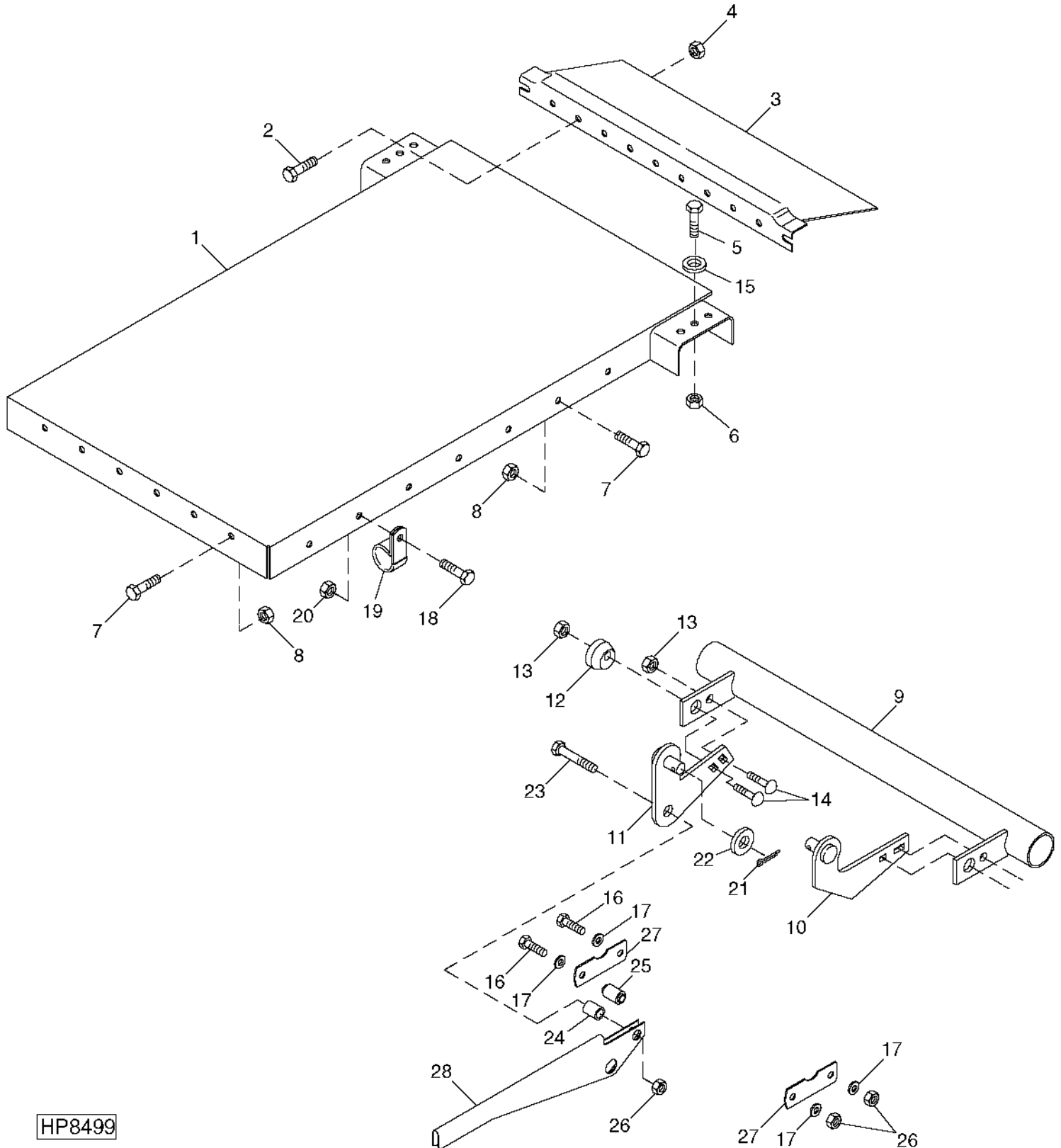
| KEY | PART NO. | PART NAME      | QTY | SERIAL NO.                 | REMARKS |
|-----|----------|----------------|-----|----------------------------|---------|
| 1   | 14M7299  | FLANGE NUT     | 4   | M12                        |         |
| 2   | H119710  | HOUSING        | 1   |                            |         |
| 3   | A31871   | LOCK NUT       | 1   |                            |         |
| 4   | 14M7278  | NUT            | 1   | M24                        |         |
| 5   | R90521   | WASHER         | 1   | 24.500 X 37 X 6.200 MM     |         |
| 6   | H129659  | SPACER         | 1   | 30.140 X 38.100 X 48 MM    |         |
| 7   | H109855  | SPRING         | 1   |                            |         |
| 8   | H101677  | JAW            | 1   |                            |         |
| 9   | H105590  | HUB            | 1   |                            |         |
| 10  | H99303   | WASHER         | 1   | 46.736 X 90.424 X 3.404 MM |         |
| 11  | H119709  | CHAIN SPROCKET | 1   |                            |         |
| 12  | 03M7200  | BOLT           | 4   | M12 X 40                   |         |
| 13  | 24H1341  | WASHER         | 4   | 17/32" X 15/16" X 0.060"   |         |
| 14  | H143354  | SPACER         | 1   |                            |         |
| 15  | H147593  | HOUSING        | 2   |                            |         |
| 16  | H156580  | SET SCREW      | 8   | M12 X 16                   |         |
| 17  | JD10020  | BALL BEARING   | 1   |                            |         |
| 18  | H159613  | CHAIN SPROCKET | 2   |                            |         |
| 19  | H147482  | BRACKET        | 2   |                            |         |
| 20  | JD9373   | BALL BEARING   | 1   |                            |         |
| 21  | 19M7789  | SCREW          | 6   | M12 X 30                   |         |
| 22  | 26H103   | SHAFT KEY      | 1   | 1/4" X 2-1/8"              |         |
| 23  | H156577  | SHAFT          | 1   |                            |         |
| 24  | AH167125 | TUBE           | 1   | (SUB FOR AH141398)         |         |
| 25  | H156579  | SHAFT KEY      | 2   |                            |         |
| 26  | 03M7191  | BOLT           | 4   | M10 X 25                   |         |
|     | 14M7296  | FLANGE NUT     | 4   | M10                        |         |
| 27  | H159614  | CHAIN SPROCKET | 2   |                            |         |
| 28  | H156578  | SHAFT KEY      | 2   |                            |         |
| 29  | H105584  | BUSHING        | 1   |                            |         |
| 30  | AH116232 | CHAIN SPROCKET | 1   |                            |         |
| 31  | 19M8002  | CAP SCREW      | 12  | M20 X 55                   |         |
| 32  | 24M7242  | WASHER         | 12  | 21.400 X 42 X 5 MM         |         |
| 33  | 14M7300  | FLANGE NUT     | 12  | M20                        |         |
| 34  | H172667  | BRACKET        | 1   |                            |         |
| 35  | H168732  | BALL STUD      | 1   |                            |         |

# 3E21

FEEDER HOUSE

## FEEDER HOUSE FLOOR AND LATCH HANDLE

HP8499 -UN-13JUL99



HP8499



## FEEDER HOUSE FLOOR AND LATCH HANDLE - CONTINUED

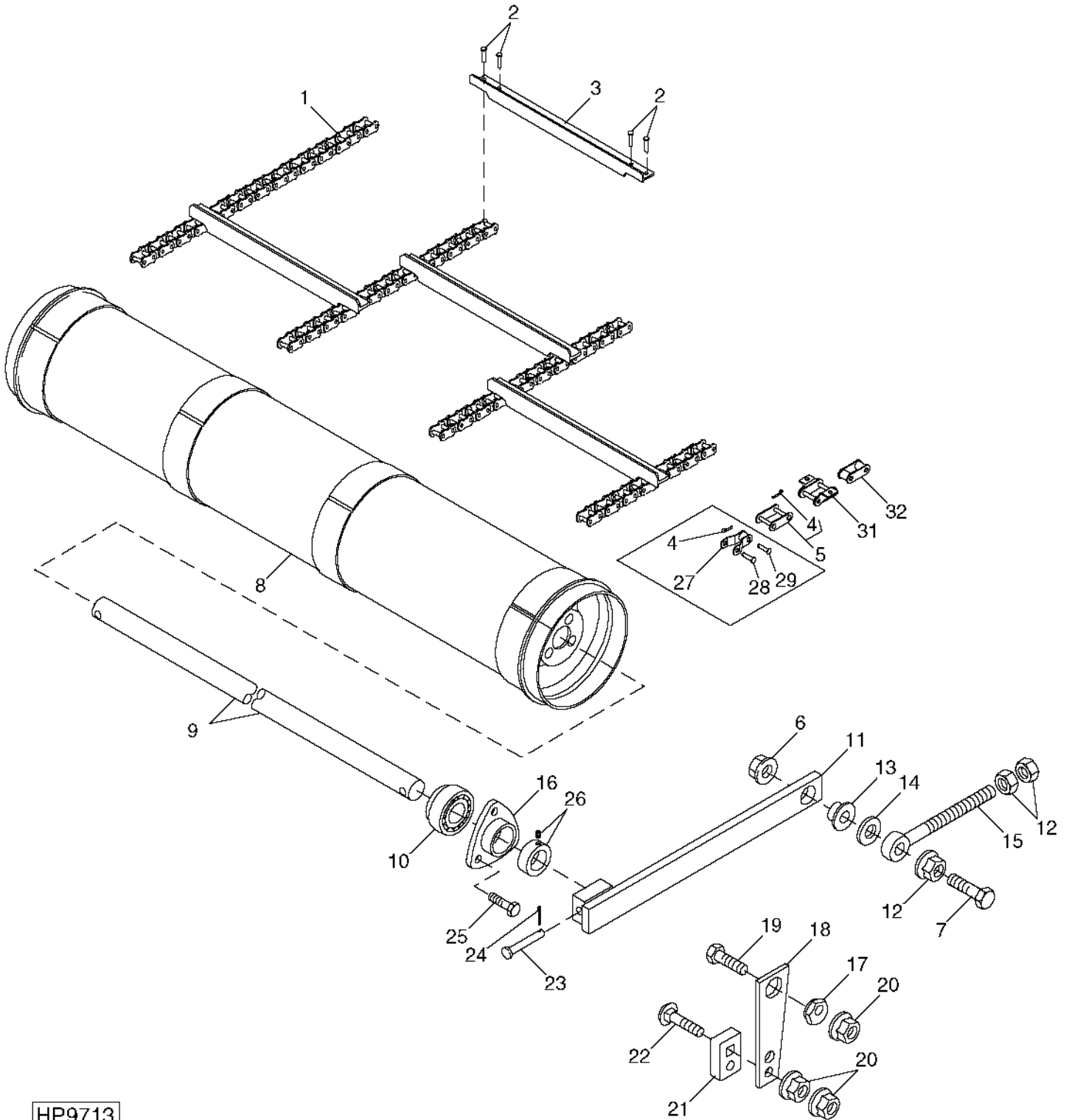
| KEY | PART NO. | PART NAME       | QTY | SERIAL NO.        | REMARKS |
|-----|----------|-----------------|-----|-------------------|---------|
| 1   | AH159704 | FLOOR           | 1   |                   |         |
| 2   | 03M7190  | BOLT            | 10  | M10 X 20          |         |
| 3   | H173903  | SEAL            | 1   | (SUB FOR H170736) |         |
| 4   | 14M7296  | FLANGE NUT      | 10  | M10               |         |
| 5   | 19M8002  | CAP SCREW       | 6   | M20 X 55          |         |
| 6   | 14M7300  | FLANGE NUT      | 6   | M20               |         |
| 7   | 19M7789  | SCREW           | 18  | M12 X 30          |         |
| 8   | 14M7299  | FLANGE NUT      | 18  | M12               |         |
| 9   | AH161017 | SUPPORT         | 1   |                   |         |
| 10  | AH141782 | ARM             | 1   | L.H.              |         |
| 11  | AH141781 | ARM             | 1   | R.H.              |         |
| 12  | H97322   | CAM             | 1   |                   |         |
| 13  | 14M7299  | FLANGE NUT      | 4   | M12               |         |
| 14  | 19M7790  | SCREW           | 4   | M12 X 35          |         |
| 15  | 24M7242  | WASHER          | 6   |                   |         |
| 16  | 19M8318  | SCREW           | 2   | M8 X 45           |         |
| 17  | 24M7207  | WASHER          | 4   | 8.400 X 24 X 2 MM |         |
| 18  | 19M7784  | SCREW           | 2   | M10 X 20          |         |
| 19  | AH77279  | CLIP            | 1   |                   |         |
| 20  | 14M7296  | FLANGE NUT      | 2   | M10               |         |
| 21  | 11M7028  | COTTER PIN      | 2   | 5 X 32 MM         |         |
| 22  | 24M7053  | WASHER          | 2   | 17 X 30 X 3 MM    |         |
| 23  | 19M8291  | SCREW           | 1   | M8 X 35           |         |
| 24  | H133060  | SLEEVE          | 1   |                   |         |
| 25  | H132988  | BUSHING         | 1   |                   |         |
| 26  | 14M7396  | LOCK NUT        | 3   | M8                |         |
| 27  | H136144  | ADJUSTING STRAP | 2   |                   |         |
| 28  | H132986  | HANDLE          | 1   |                   |         |

# 3E23

FEEDER HOUSE

## FEEDER CONVEYOR IDLER SHAFT, DRUM AND CHAIN

HP9713 -UN-26APR00



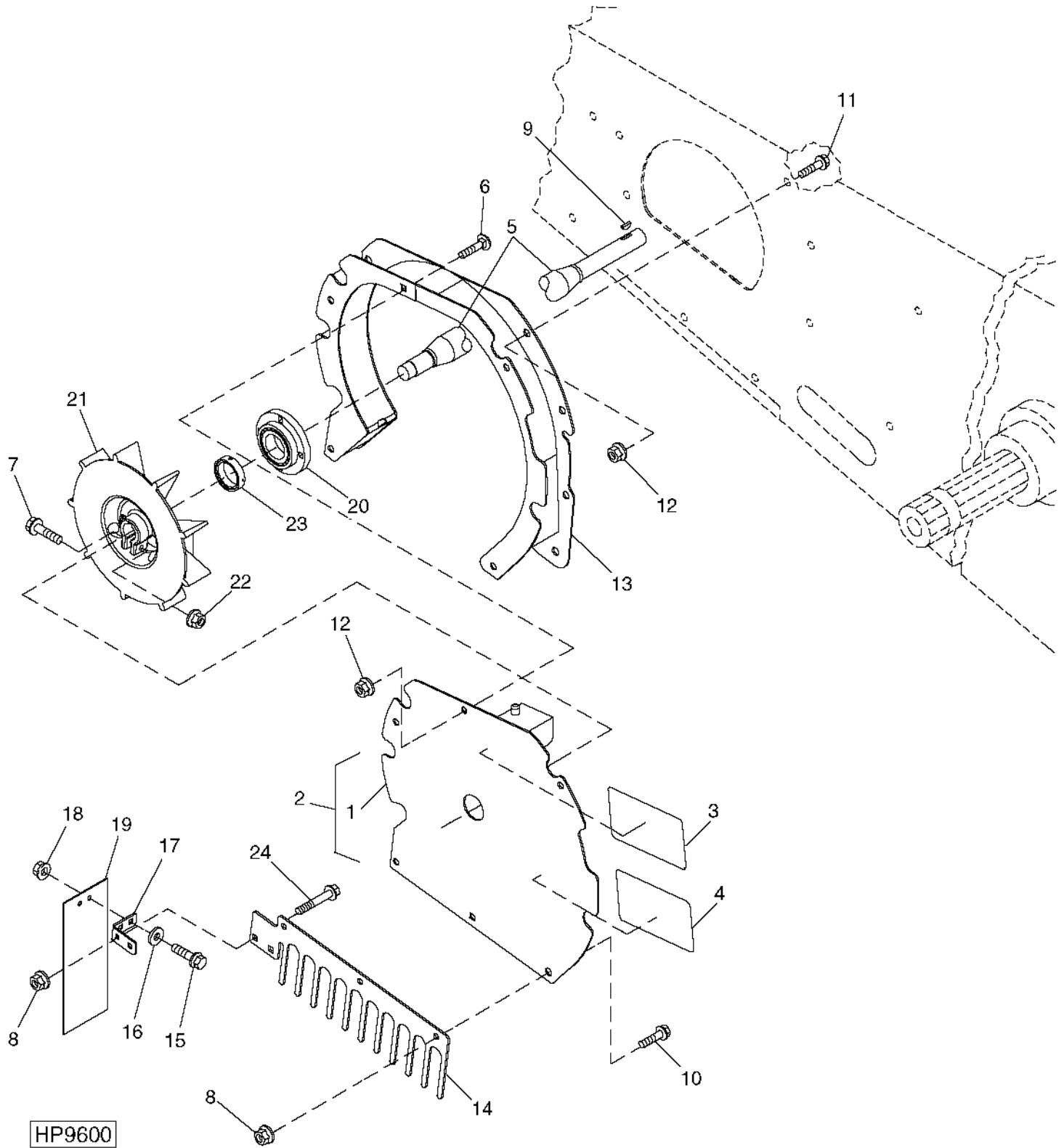
HP9713

FEEDER CONVEYOR IDLER SHAFT, DRUM AND CHAIN - CONTINUED

| KEY | PART NO. | PART NAME                | QTY | SERIAL NO. | REMARKS                    |
|-----|----------|--------------------------|-----|------------|----------------------------|
| 1   | AH138186 | CONVEYOR                 | 1   |            | (51 SLAT) LEVEL LAND       |
|     | AH143399 | ROLLER CHAIN             | 1   |            | (51 SLAT) (CONTOUR MASTER) |
| 2   | 16H1083  | RIVET                    | 296 |            | 5/16" X 5/8"               |
| 3   | H134003  | SLAT                     | AR  |            |                            |
|     | H149559  | SLAT                     | AR  |            |                            |
| 4   | H84026   | HOOK                     | 8   |            |                            |
| 5   | AH137630 | CHAIN LINK               | 4   |            |                            |
| 6   | W39621   | NUT                      | 2   |            | M16                        |
| 7   | 19M7399  | CAP SCREW                | 2   |            | M16 X 85                   |
| 8   | AH142393 | DRUM                     | 1   |            |                            |
|     | AH143365 | DRUM                     | 1   |            | CONTOUR MASTER             |
| 9   | H123733  | SHAFT                    | 1   |            |                            |
| 10  | JD8552   | BALL BEARING             | 2   |            |                            |
| 11  | AH126091 | ARM                      | 2   |            |                            |
| 12  | 14M7291  | FLANGE NUT               | 6   |            | M16                        |
| 13  | H131087  | BUSHING                  | 2   |            | 16.500 X 25.600 X 17 MM    |
| 14  | 24H1368  | WASHER                   | 2   |            | 21/32" X 1-5/16" X 0.090"  |
| 15  | H131088  | EYEBOLT                  | 2   |            |                            |
| 16  | H138753  | HOUSING                  | 2   |            |                            |
| 17  | H97322   | CAM                      | 2   |            |                            |
| 18  | H84942   | PLATE                    | 2   |            |                            |
| 19  | H139098  | BOLT                     | 2   |            |                            |
| 20  | 14M7299  | FLANGE NUT               | 6   |            | M12                        |
| 21  | H144201  | ADJUSTING STRAP          | 2   |            |                            |
| 22  | H154331  | BOLT                     | 2   |            |                            |
| 23  | 45M7040  | PIN                      | 2   |            | 10 X 60 MM                 |
| 24  | 11M7059  | COTTER PIN               | 2   |            | 3.200 X 20 MM              |
| 25  | 19M7790  | SCREW                    | 6   |            | M12 X 35                   |
| 26  | JD8551   | ECCENTRIC LOCKING COLLAR | 2   |            |                            |
| 27  | .....    | LINK                     | 1   |            |                            |
| 28  | .....    | PIN                      | 1   |            |                            |
| 29  | .....    | PIN                      | 1   |            |                            |
| 30  | AH137631 | CHAIN LINK               | 1   |            |                            |
| 31  | AH158328 | LINK                     | 1   |            |                            |
| 32  | AH158635 | CHAIN LINK               | 1   |            |                            |

# 3F1

R.H. SIDE FEEDER HOUSE DUST FAN  
HP9600 -UN-09MAR00



HP9600

# 3F2

FEEDER HOUSE

R.H. SIDE FEEDER HOUSE DUST FAN - CONTINUED

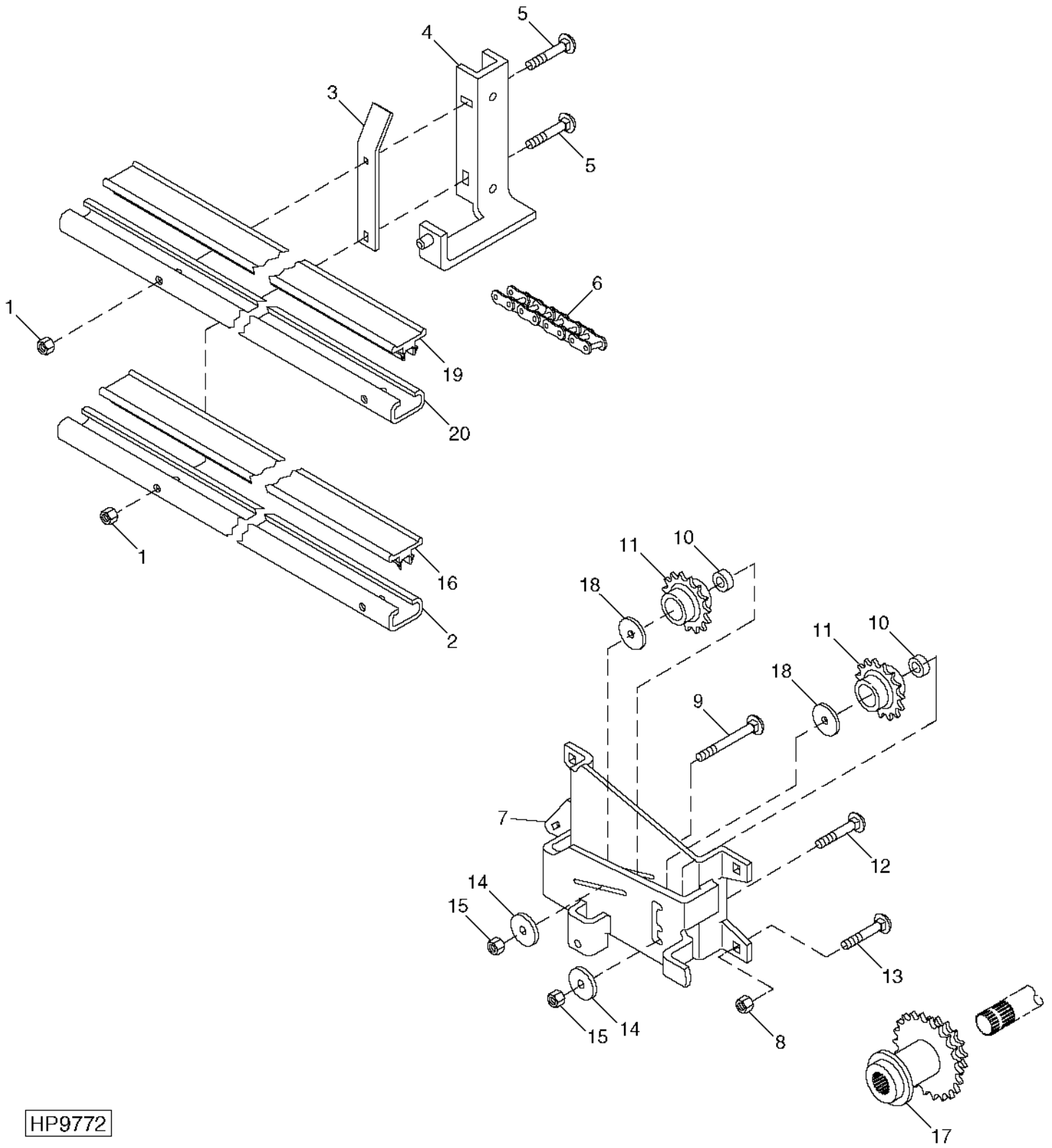
| KEY | PART NO. | PART NAME                | QTY | SERIAL NO.             | REMARKS |
|-----|----------|--------------------------|-----|------------------------|---------|
| 1   | H171318  | COVER                    | 1   |                        |         |
| 2   | AH155936 | COVER                    | 1   | R.H.                   |         |
| 3   | H149063  | LABEL                    | 1   |                        |         |
| 4   | H164537  | SIGN                     | 1   |                        |         |
| 5   | H171636  | SHAFT                    | 1   | WIDE AIRFLOW           |         |
| 6   | 19M7789  | SCREW                    | 1   | M12 X 30               |         |
| 7   | 19M7806  | SCREW                    | 1   | M10 X 50               |         |
| 8   | 14M7296  | FLANGE NUT               | 7   | M10                    |         |
| 9   | 26M6787  | SHAFT KEY                | 3   | 10 X 32 MM             |         |
| 10  | 19M7784  | SCREW                    | 3   | M10 X 20               |         |
| 11  | 03M7198  | BOLT                     | 6   | M12 X 30               |         |
| 12  | 14M7299  | FLANGE NUT               | 7   | M12                    |         |
| 13  | AH155659 | PLATE                    | 1   | R.H.                   |         |
| 14  | H172177  | FINGER                   | 1   |                        |         |
| 15  | 03M7191  | BOLT                     | 4   | M10 X 25               |         |
| 16  | 24M7178  | WASHER                   | 4   | 10.500 X 30 X 2.500 MM |         |
| 17  | H164009  | BRACKET                  | 1   |                        |         |
| 18  | 14M7400  | LOCK NUT                 | 4   | M10                    |         |
| 19  | H164018  | LIMIT CURTAIN            | 1   |                        |         |
| 20  | AH157168 | BEARING                  | 1   |                        |         |
| 21  | AH157415 | FAN                      | 1   |                        |         |
| 22  | H135891  | LOCK NUT                 | 1   |                        |         |
| 23  | AH133191 | ECCENTRIC LOCKING COLLAR | 1   |                        |         |

# 3F3

FEEDER HOUSE

## FEEDER CONVEYOR DRIVE CHAIN AND IDLER BRACKET

HP9772 -UN-24MAY00



HP9772

# 3F4

FEEDER HOUSE

## FEEDER CONVEYOR DRIVE CHAIN AND IDLER BRACKET - CONTINUED

| KEY | PART NO. | PART NAME      | QTY | SERIAL NO.         | REMARKS  |
|-----|----------|----------------|-----|--------------------|--|
| 1   | 14M7400  | LOCK NUT       | 4   | M10                |  |
| 2   | H172471  | SUPPORT        | 1   | 656MM              |  |
| 3   | H162320  | PLATE          | 1   |                    |  |
| 4   | AH160796 | BRACKET        | 1   |                    |  |
| 5   | 03M7233  | BOLT           | 4   | M10 X 70           |  |
| 6   | AH118228 | LINK CHAIN     | 1   |                    | ROLLER, TYPE 60, 19 MM (3/4") 220 LINKS<br>(SMALL SPROCKET) AND 223 LINKS (LARGE<br>SPROCKET); (OR ASSEMBLE FROM (4) AB1288H<br>AND AB1289H) |
| 7   | AH155666 | BRACKET        | 1   |                    |  |
| 8   | 14M7299  | FLANGE NUT     | 4   | M12                |  |
| 9   | 03M7211  | BOLT           | 1   | M16 X 70           |  |
| 10  | H84374   | BUSHING        | 2   |                    | 16.662 X 34.925 X 12.700 MM  |
| 11  | AE27909  | CHAIN SPROCKET | 2   |                    |  |
| 12  | 19M7826  | SCREW          | 1   | M16 X 70           |  |
| 13  | 03M7197  | BOLT           | 4   | M12 X 25           |  |
| 14  | 24M7103  | WASHER         | 2   | 17.500 X 56 X 5 MM |  |
| 15  | 14M7291  | FLANGE NUT     | 2   | M16                |  |
| 16  | H172474  | GUIDE          | 1   | 656MM              |  |
| 17  | AH149349 | DRIVE SPROCKET | 1   |                    |  |
| 18  | H129716  | WASHER         | 2   |                    |  |
| 19  | H172473  | GUIDE          | 1   | 935MM              |  |
| 20  | H172470  | SUPPORT        | 1   | 935MM              |  |

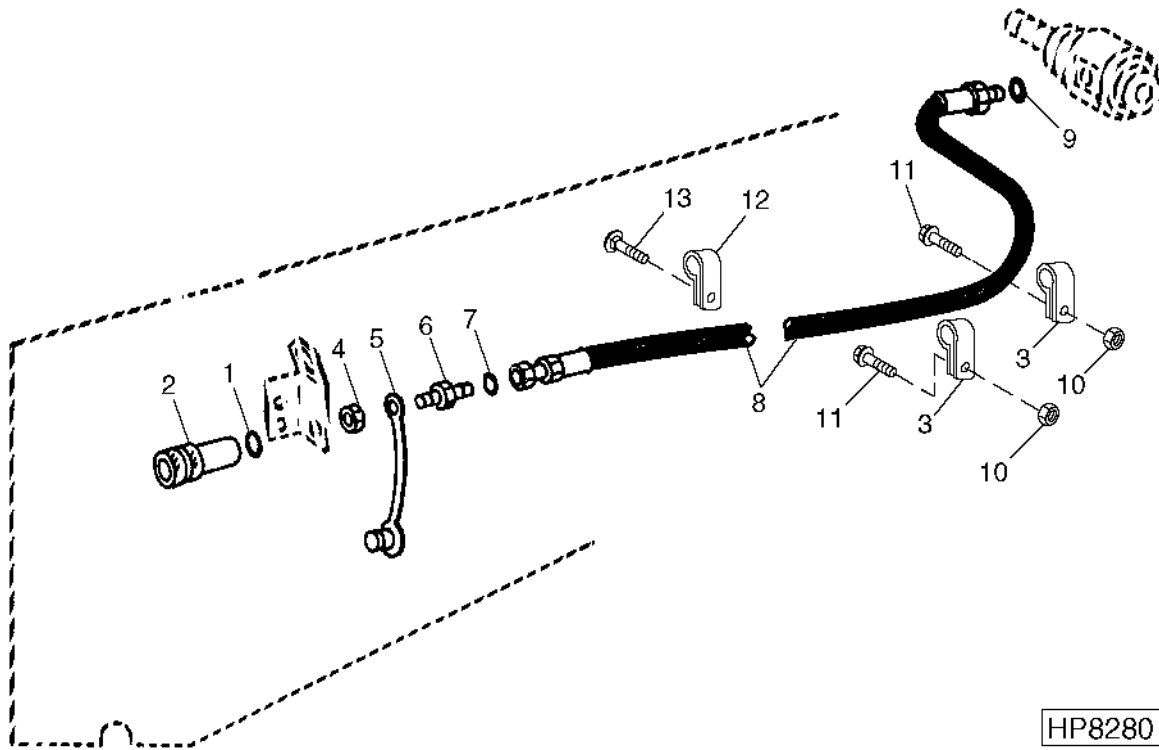
MEMORANDA



# 3F5

FEEDER HOUSE

**FEEDER HOUSE VARIABLE DRIVE HYDRAULIC HOSE**  
 HP8280 -UN-23JUL99



HP8280

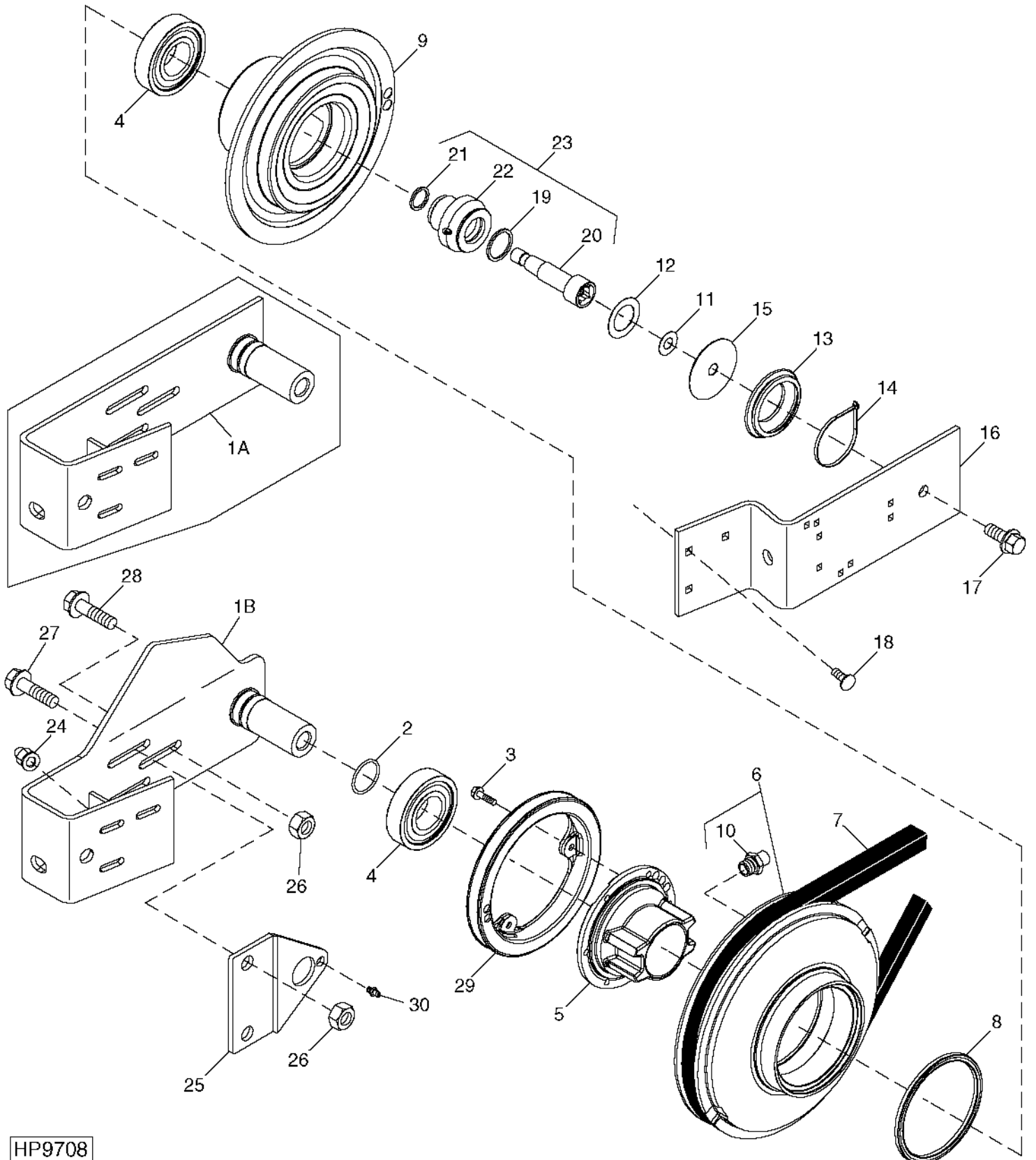
| KEY | PART NO. | PART NAME                  | QTY | SERIAL NO. | REMARKS                    |
|-----|----------|----------------------------|-----|------------|----------------------------|
| 1   | R26375   | O-RING                     | 1   |            | 16.358 X 2.210 MM          |
| 2   | AH75167  | HYD. QUICK-CONNECT COUPLER | 1   |            | (INCLUDES INTERNAL O-RING) |
| 3   | T27523   | CLAMP                      | 2   |            |                            |
| 4   | T81029   | NUT                        | 1   |            | 17.475 MM                  |
| 5   | H125403  | PLUG                       | 1   |            |                            |
| 6   | AH121643 | ORIFICE                    | 1   |            |                            |
| 7   | T77613   | O-RING                     | 1   |            | 9.246 X 1.778 MM           |
| 8   | AH165964 | HYDRAULIC HOSE             | 1   |            |                            |
| 9   | R28782   | O-RING                     | 1   |            | 8.915 X 1.829 MM           |
| 10  | 14M7299  | FLANGE NUT                 | 2   |            | M12                        |
| 11  | 19M7790  | SCREW                      | 2   |            | M12 X 35                   |
| 12  | T27523   | CLAMP                      | 1   |            |                            |
| 13  | 03M7192  | BOLT                       | 1   |            | M10 X 30                   |
|     | 14M7298  | FLANGE NUT                 | 1   |            | M8                         |

# 3F6

FEEDER HOUSE

## VARIABLE DRIVE UPPER COUNTERSHAFT, SHEAVES AND SUPPORTS

HP9708 -UN-18APR00



HP9708

# 3F7

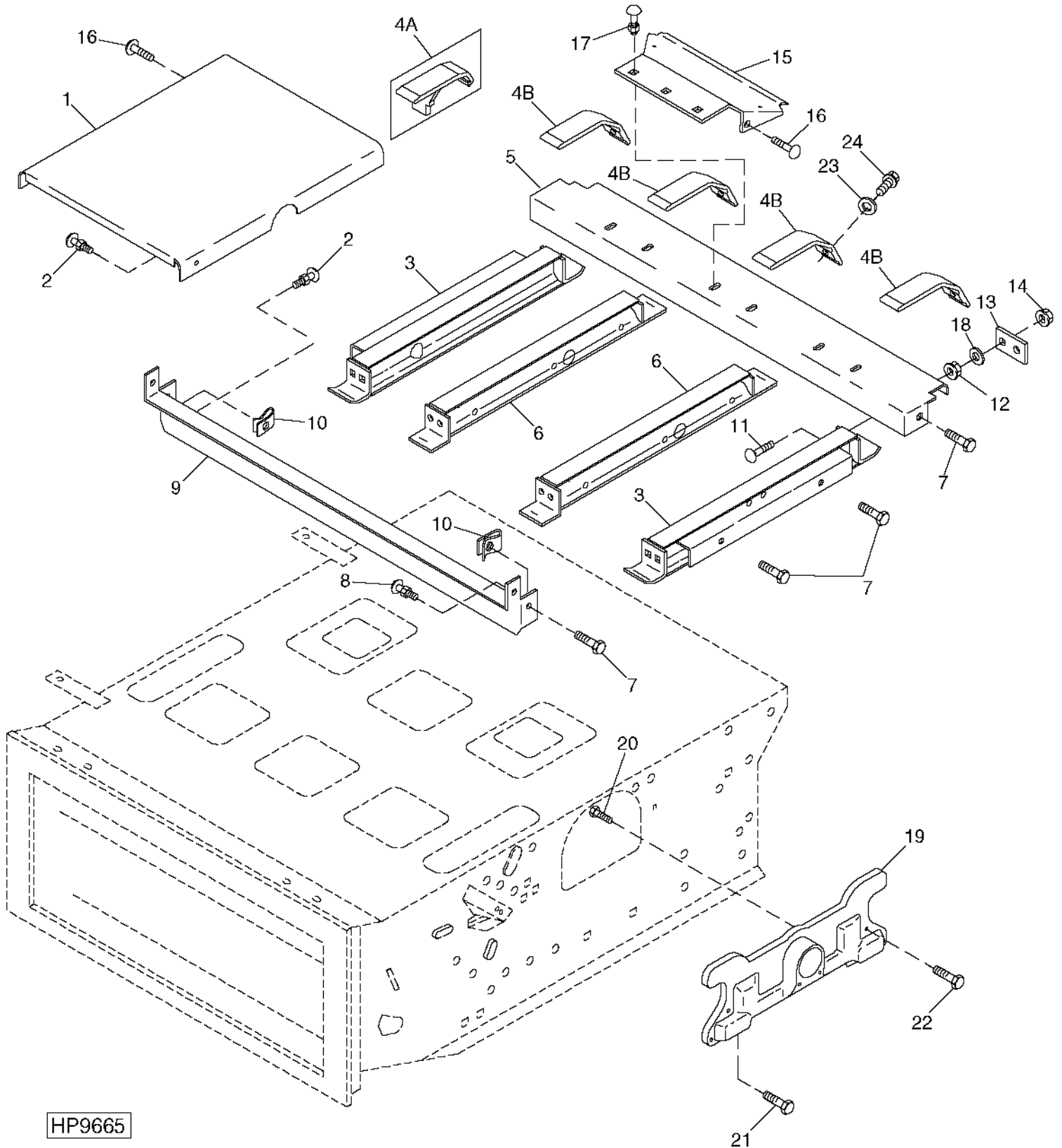
FEEDER HOUSE

## VARIABLE DRIVE UPPER COUNTERSHAFT, SHEAVES AND SUPPORTS - CONTINUED

| KEY | PART NO. | PART NAME           | QTY | SERIAL NO. | REMARKS                                     |
|-----|----------|---------------------|-----|------------|---|
| 1A  | AH162787 | STRAP               | 1   |            |   |
| 1B  | AH167579 | STRAP               | 1   |            | (SUB AH167579)                              |
| 2   | R31378   | O-RING              | 1   |            |   |
| 3   | 19M7868  | SCREW               | 6   |            | M8 X 30                                     |
| 4   | JD10018  | BEARING             | 2   |            |   |
| 5   | H97378   | HUB                 | 1   |            | W/O AIR FLOW                                |
|     | H171206  | HUB                 | 1   |            | WITH AIR FLOW                               |
| 6   | AH165220 | SHEAVE              | 1   |            | 360 MM (14-15/64") DIA. (STANDARD CAPACITY) |
|     | AH165221 | SHEAVE              | 1   |            | 380 MM (14-61/64") DIA. (HIGH CAPACITY)     |
| 7   | H151952  | BELT                | 1   |            | STANDARD                                    |
|     | H155998  | BELT                | 1   |            | HIGH CAPACITY                               |
| 8   | AH136497 | SEAL                | 1   |            |   |
| 9   | H160869  | HALF SHEAVE         | 1   |            | 318 MM (12-35/64") DIA. (STANDARD CAPACITY) |
|     | H158578  | SHEAVE              | 1   |            | 380 MM (14-61/64") DIA. (HIGH CAPACITY)     |
| 10  | JD7759   | LUBRICATION FITTING | 2   |            | STRAIGHT, 1/8"                              |
| 11  | 24H1740  | WASHER              | AR  |            | 21/32" X 1-3/8" X 0.032", STRAIGHT, 1/4"    |
| 12  | H101448  | WASHER              | AR  |            | 38.500 X 60 X 0.800 MM (SPECIAL)            |
| 13  | H93084   | BOOT                | 1   |            |   |
| 14  | H77698   | TIE BAND            | 1   |            | SELF-LOCKING                                |
| 15  | H161388  | WASHER              | 1   |            |   |
| 16  | H166971  | STRAP               | 1   |            |   |
| 17  | 19M7793  | SCREW               | 1   |            | M16 X 40                                    |
| 18  | 03M7192  | BOLT                | 3   |            | M10 X 30                                    |
| 19  | H100247  | SEAL                | 1   |            |   |
| 20  | H161544  | PISTON              | 1   |            |   |
| 21  | H100246  | SEAL                | 1   |            |   |
| 22  | H100245  | BARREL              | 1   |            |   |
| 23  | AH154960 | CYLINDER            | 1   |            |   |
| 24  | 14M7296  | FLANGE NUT          | 3   |            | M10   |
| 25  | H167257  | BRACKET             | 1   |            |   |
| 26  | 14M7299  | FLANGE NUT          | 3   |            | M12   |
| 27  | 19M7814  | SCREW               | 2   |            | M12 X 50                                    |
| 28  | 19M7790  | SCREW               | 3   |            | M12 X 35                                    |
| 29  | H171312  | SHEAVE              | 1   |            | WITH AIR FLOW                               |
| 30  | H168732  | BALL STUD           | 1   |            |   |

# 3F8

## FEEDER HOUSE RETURN FLOOR HP9665 -UN-31MAR00



HP9665

# 3F9

FEEDER HOUSE

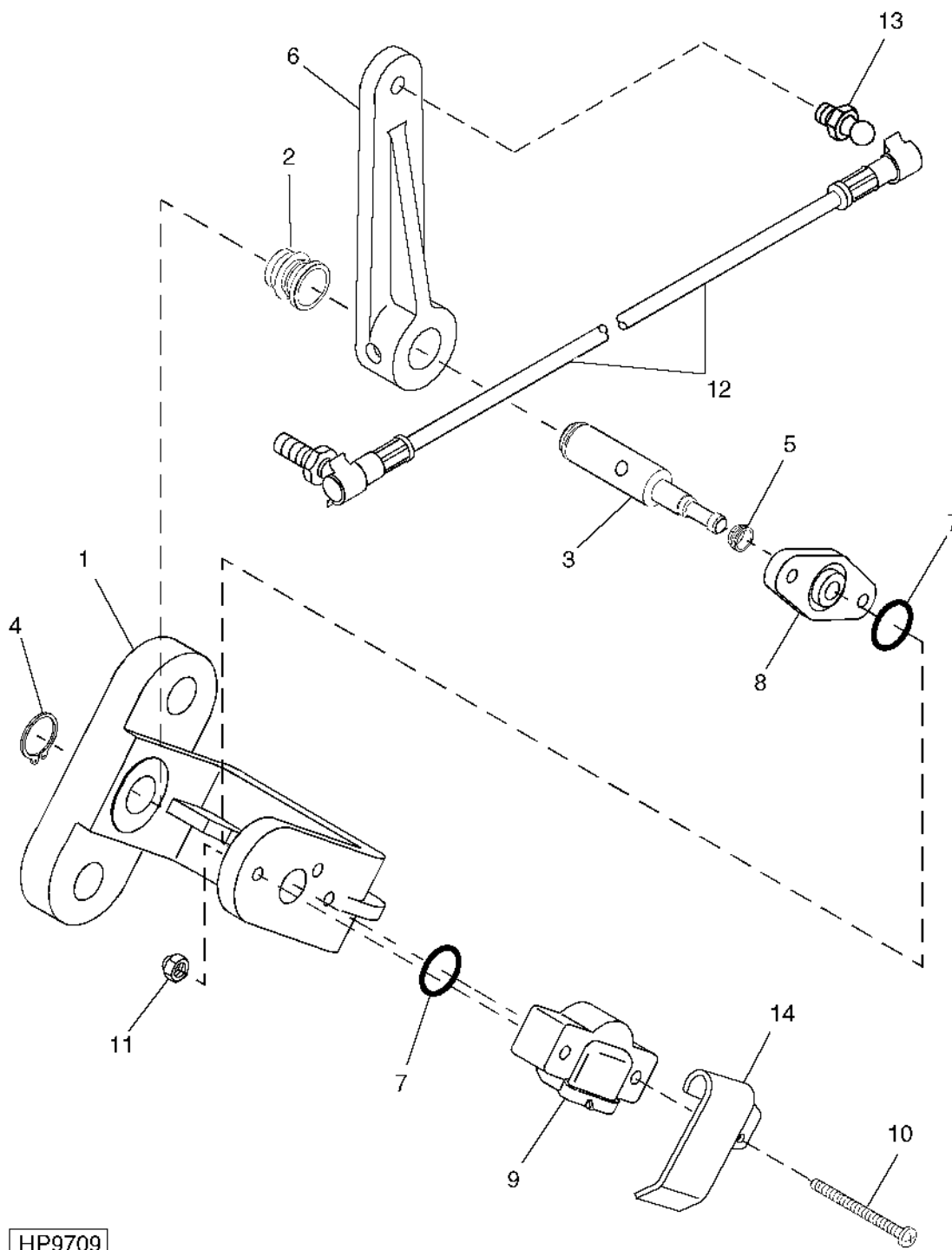
FEEDER HOUSE RETURN FLOOR - CONTINUED

| KEY | PART NO. | PART NAME  | QTY | SERIAL NO. | REMARKS              |
|-----|----------|------------|-----|------------|----------------------|
| 1   | AH154574 | FLOOR      | 1   |            |                      |
| 2   | 03M7190  | BOLT       | 10  |            | M10 X 20             |
|     | 14M7296  | FLANGE NUT | 10  |            | M10                  |
| 3   | AH139243 | RUNNER     | 2   |            | OUTSIDE RUNNER       |
| 4A  | H148187  | ANGLE      | 4   | -686075    |                      |
| 4B  | H171960  | STRIP      | 4   | 686076-    |                      |
| 5   | AH141860 | SUPPORT    | 1   |            |                      |
| 6   | AH157942 | RUNNER     | 2   |            | INSIDE RUNNER        |
| 7   | 19M7784  | SCREW      | 8   |            | M10 X 20             |
| 8   | 03M7191  | BOLT       | 2   |            | M10 X 25             |
|     | 14M7296  | FLANGE NUT | 2   |            | M10                  |
| 9   | H143357  | CHANNEL    | 1   |            |                      |
| 10  | H146457  | NUT        | 2   |            | 10 MM                |
| 11  | 03M7194  | BOLT       | 8   | -686075    | M10 X 40             |
|     | 03M7190  | BOLT       | 8   | 686076-    | M10 X 20             |
| 12  | 14M7296  | FLANGE NUT | 8   |            | M10                  |
| 13  | H150458  | STRAP      | 4   | -686075    |                      |
| 14  | 14M7400  | LOCK NUT   | 8   | -686075    | M10                  |
| 15  | H145463  | STRIPPER   | 3   |            | STRIPPER - TOP SHAFT |
| 16  | 19M7785  | SCREW      | 6   |            | M10 X 25             |
| 17  | 03M7191  | BOLT       | 6   |            | M10 X 25             |
|     | 14M7296  | FLANGE NUT | 6   |            | M10                  |
| 18  | 24M7028  | WASHER     | 8   | -686075    | 10.500 X 20 X 2 MM   |
| 19  | H168278  | SCOOP      | 2   |            |                      |
| 20  | H165317  | SCREW      | 2   |            |                      |
| 21  | 03M7198  | BOLT       | 2   |            | M12 X 30             |
| 22  | 03M7197  | BOLT       | 4   |            | M12 X 25             |
| 23  | 24M7101  | WASHER     | 4   | 686076-    | 11 X 34 X 3 MM       |
| 24  | H172222  | SCREW      | 4   | 686076-    |                      |

# 3F10

FEEDER HOUSE

FEEDER HOUSE POSITION SENSOR  
HP9709 -UN-18APR00



HP9709

# 3F11

FEEDER HOUSE

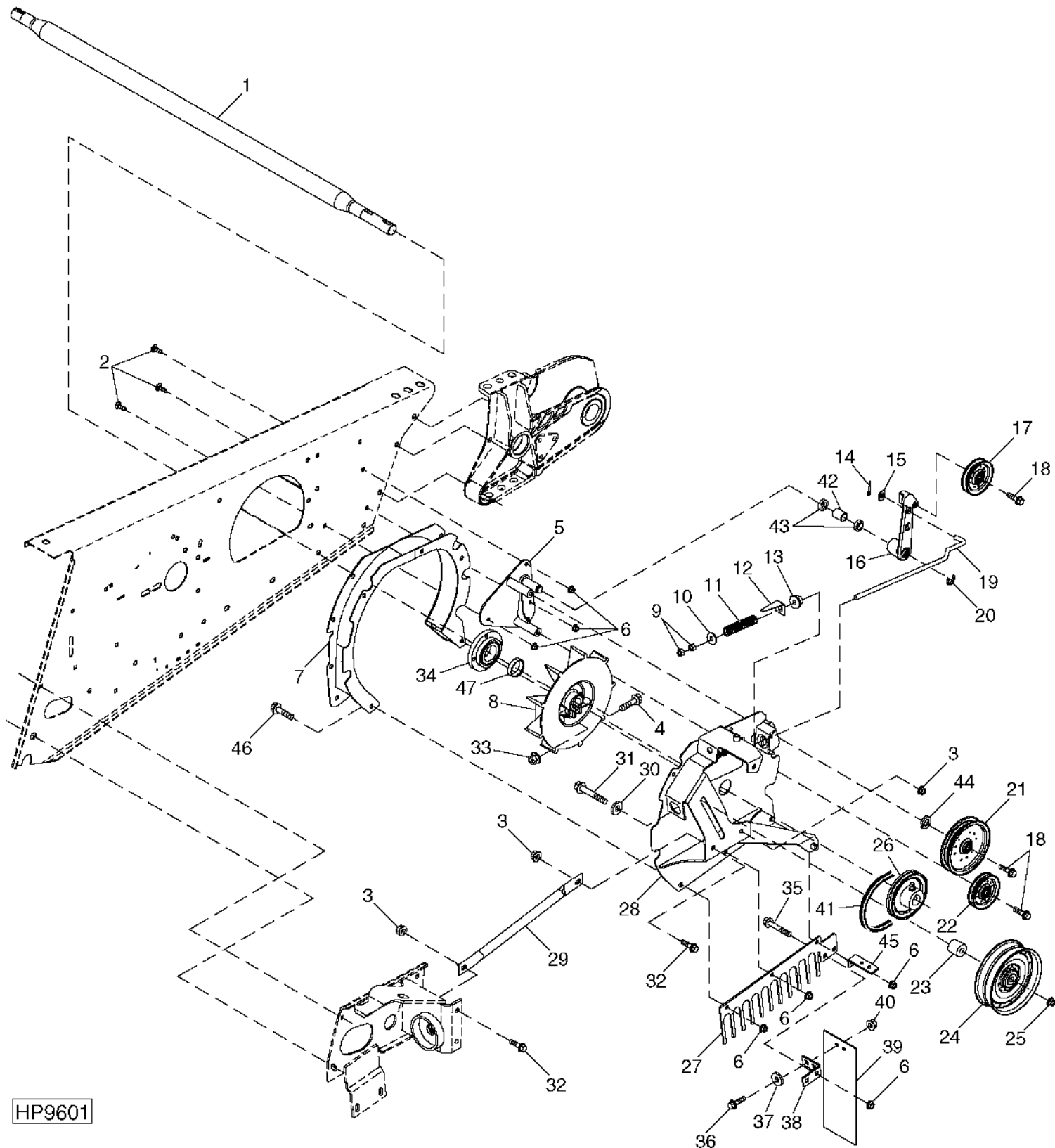
## FEEDER HOUSE POSITION SENSOR - CONTINUED

| KEY | PART NO. | PART NAME | QTY | SERIAL NO. | REMARKS                           |
|-----|----------|-----------|-----|------------|-----------------------------------|
| 1   | H156936  | BRACKET   | 1   |            |                                   |
| 2   | R41076   | GROMMET   | 1   |            |                                   |
| 3   | R111692  | SHAFT     | 1   |            |                                   |
| 4   | R26871   | SNAP RING | 1   |            |                                   |
| 5   | R112679  | SEAL      | 1   |            |                                   |
| 6   | H166313  | LEVER     | 1   |            |                                   |
| 7   | P48347   | O-RING    | 2   |            |                                   |
| 8   | R86457   | SUPPORT   | 1   |            |                                   |
| 9   | RE56165  | SENSOR    | 1   |            |                                   |
| 10  | 21M7261  | SCREW     | 2   |            | M5 X 45                           |
| 11  | 14M7297  | NUT       | 2   |            | M5                                |
| 12  | AH166038 | LINKAGE   | 1   |            | SPIKE TOOTH, LONG LINK (AS SHOWN) |
| 13  | H168732  | BALL STUD | 1   |            |                                   |
| 14  | H172460  | BRACKET   | 1   |            |                                   |

# 3F12

FEEDER HOUSE

L.H. SIDE FEEDER HOUSE DUST FAN  
HP9601 -UN-09MAR00



HP9601



# 3F13

FEEDER HOUSE

L.H. SIDE FEEDER HOUSE DUST FAN - CONTINUED

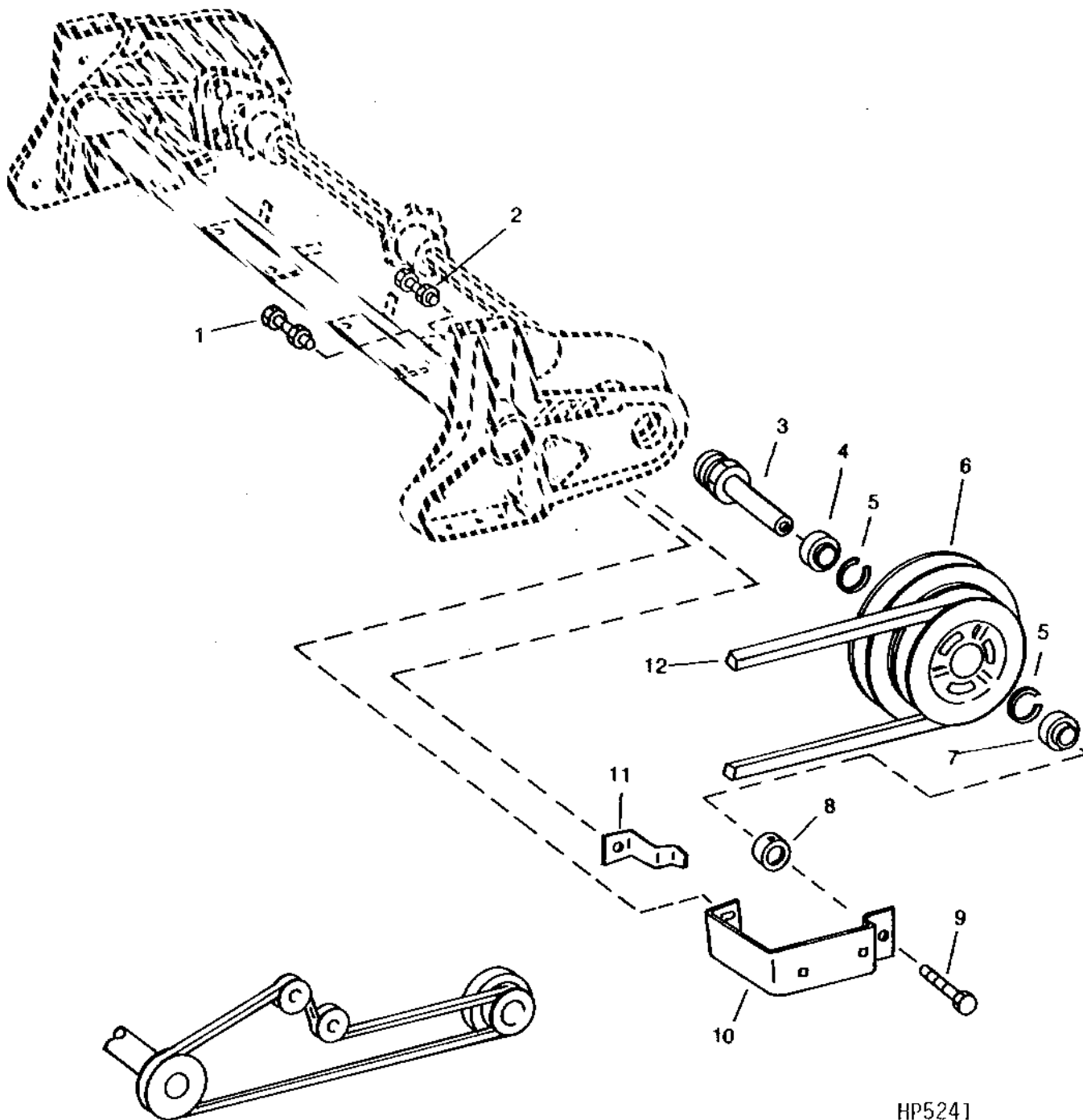
| KEY | PART NO. | PART NAME                | QTY | SERIAL NO.                 | REMARKS |
|-----|----------|--------------------------|-----|----------------------------|---------|
| 1   | H171635  | SHAFT                    | 1   |                            |         |
| 2   | 03M7192  | BOLT                     | 3   | M10 X 30                   |         |
| 3   | 14M7299  | FLANGE NUT               | AR  | M12                        |         |
| 4   | 19M7806  | SCREW                    | 1   | M10 X 50                   |         |
| 5   | AH165762 | BRACKET                  | 1   |                            |         |
| 6   | 14M7296  | FLANGE NUT               | 5   | M10                        |         |
| 7   | AH155657 | PLATE                    | 1   |                            |         |
| 8   | AH157415 | FAN                      | 1   |                            |         |
| 9   | 14M7275  | NUT                      | 2   | M12                        |         |
| 10  | 24M7180  | WASHER                   | 1   | 13 X 37 X 3 MM             |         |
| 11  | H173508  | SPRING                   | 1   |                            |         |
| 12  | H173899  | GAUGE                    | 1   | (SUB FOR H155062)          |         |
| 13  | H129207  | PIVOT                    | 1   |                            |         |
| 14  | 11M7021  | COTTER PIN               | 1   | 4 X 25 MM                  |         |
| 15  | 24M7047  | WASHER                   | 1   | 13 X 24 X 2.500 MM         |         |
| 16  | AH165787 | ARM                      | 1   |                            |         |
| 17  | AH165788 | SHEAVE                   | 1   |                            |         |
| 18  | 19M7813  | SCREW                    | 3   | M12 X 45                   |         |
| 19  | H171533  | BOLT                     | 1   |                            |         |
| 20  | P46402   | SNAP RING                | 1   |                            |         |
| 21  | AH14097  | SHEAVE                   | 1   |                            |         |
| 22  | AH165788 | SHEAVE                   | 1   |                            |         |
| 23  | H156850  | SPACER                   | 1   |                            |         |
| 24  | AH166439 | PULLEY                   | 1   |                            |         |
| 25  | 14M7291  | FLANGE NUT               | 1   | M16                        |         |
| 26  | AH155706 | SHEAVE                   | 1   |                            |         |
| 27  | H162425  | FINGER                   | 1   |                            |         |
| 28  | AH165496 | COVER                    | 1   |                            |         |
| 29  | H126371  | BRACE                    | 1   |                            |         |
| 30  | 24H1698  | WASHER                   | 1   | 16.662 X 41.275 X 6.350 MM |         |
| 31  | 19M7828  | SCREW                    | 1   | M16 X 100                  |         |
| 32  | 19M7789  | SCREW                    | 2   | M12 X 30                   |         |
| 33  | H135891  | LOCK NUT                 | 1   |                            |         |
| 34  | AH157168 | BEARING                  | 1   |                            |         |
| 35  | 19M7845  | SCREW                    | 1   | M16 X 90                   |         |
| 36  | 03M7191  | BOLT                     | 4   | M10 X 25                   |         |
| 37  | 24M7178  | WASHER                   | 4   | 10.500 X 30 X 2.500 MM     |         |
| 38  | H164009  | BRACKET                  | 1   |                            |         |
| 39  | H164018  | LIMIT CURTAIN            | 1   |                            |         |
| 40  | 14M7400  | LOCK NUT                 | 4   | M10                        |         |
| 41  | H171386  | BELT                     | 1   | AIR FLOW FAN DRIVE         |         |
| 42  | H98654   | BUSHING                  | 1   |                            |         |
| 43  | AA5607R  | SEAL                     | 2   |                            |         |
| 44  | 24M7180  | WASHER                   | 1   | 13 X 37 X 3 MM             |         |
| 45  | H171513  | BRACKET                  | 1   |                            |         |
| 46  | 19M7784  | SCREW                    | 3   | M10 X 20                   |         |
| 47  | AH133191 | ECCENTRIC LOCKING COLLAR | 1   |                            |         |

# 3F14

FEEDER HOUSE

## UPPER DRIVE SHAFT, SHEAVE AND MOUNTINGS (FIXED SPEED WITH REVERSER)

HP5241 -UN-01JAN94



HP5241

# 3F15

FEEDER HOUSE

UPPER DRIVE SHAFT, SHEAVE AND MOUNTINGS - CONTINUED  
(FIXED SPEED WITH REVERSER)

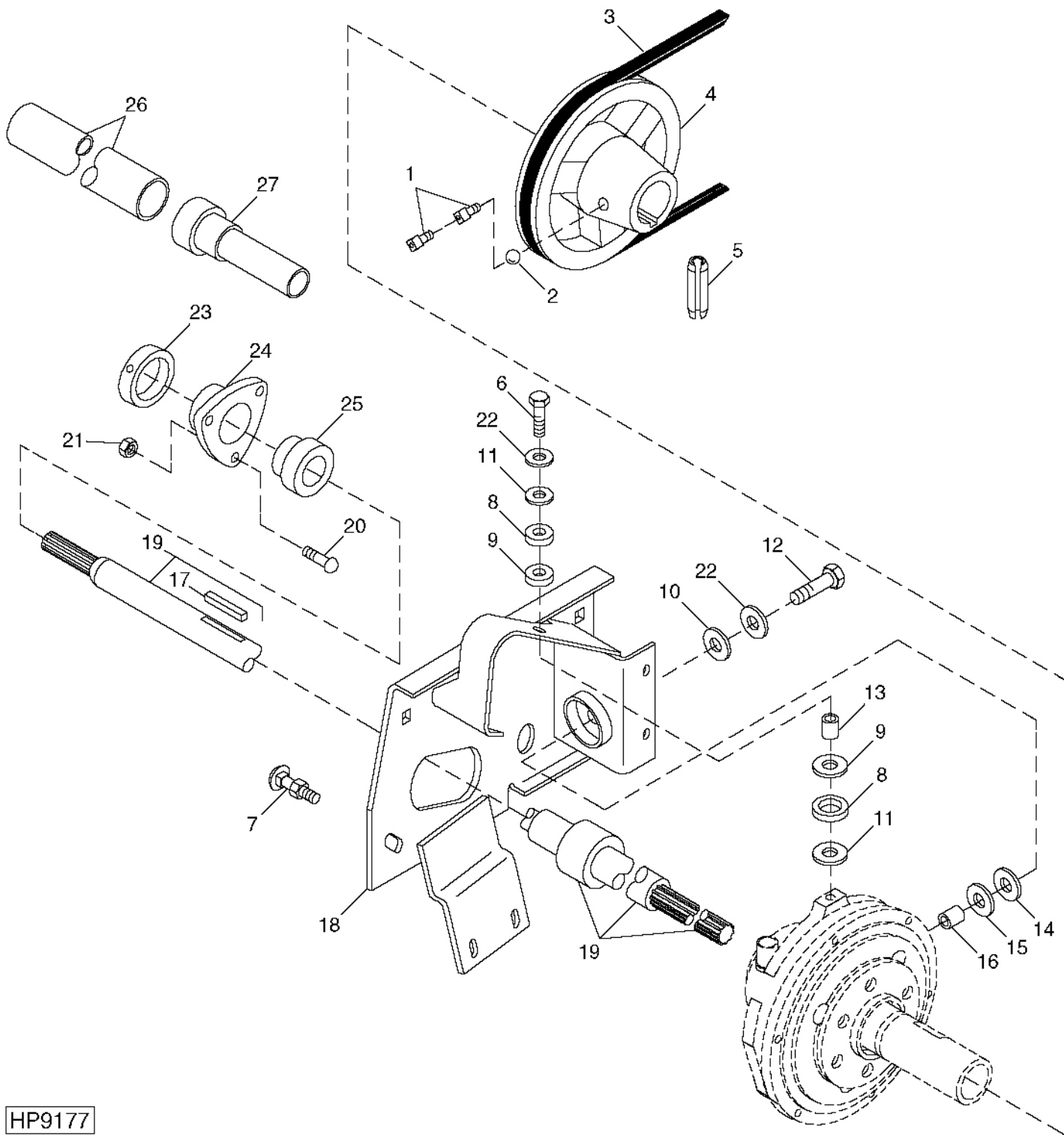
| KEY | PART NO. | PART NAME                | QTY | SERIAL NO. | REMARKS |
|-----|----------|--------------------------|-----|------------|---------|
| 1   | 19M7790  | SCREW                    | 1   | M12 X 35   |         |
|     | 14M7299  | FLANGE NUT               | 1   | M12        |         |
| 2   | 19M7789  | SCREW                    | 1   | M12 X 30   |         |
|     | 14M7299  | FLANGE NUT               | 1   | M12        |         |
| 3   | AH125454 | SHAFT                    | 1   |            |         |
| 4   | JD9301   | BALL BEARING             | 1   |            |         |
| 5   | P46874   | SNAP RING                | 2   |            |         |
| 6   | H126261  | SHEAVE                   | 1   |            |         |
| 7   | JD9356   | BALL BEARING             | 1   |            |         |
| 8   | JD8576   | ECCENTRIC LOCKING COLLAR | 1   |            |         |
| 9   | 19M7790  | SCREW                    | 1   | M12 X 35   |         |
| 10  | H172142  | STRAP                    | 1   |            |         |
| 11  | H126302  | SCRAPER                  | 1   |            |         |
| 12  | H126345  | BELT                     | 1   |            |         |

# 3F16

FEEDER HOUSE

## FRONT DRIVE SHAFT, SHEAVE AND MOUNTINGS (FIXED SPEED WITH REVERSER)

HP9177 -UN-15OCT99



HP9177

# 3F17

FEEDER HOUSE

**FRONT DRIVE SHAFT, SHEAVE AND MOUNTINGS - CONTINUED  
(FIXED SPEED WITH REVERSER)**

| KEY | PART NO. | PART NAME                | QTY | SERIAL NO. | REMARKS        |
|-----|----------|--------------------------|-----|------------|----------------|
| 1   | 22H775   | SET SCREW                | 2   |            |                |
| 2   | H110922  | BALL                     | 1   |            |                |
| 3   | H126345  | BELT                     | 1   |            |                |
| 4   | H108889  | SHEAVE                   | 1   |            |                |
| 5   | 34H305   | SPRING PIN               | 1   |            | 7/32" X 2"     |
| 6   | 19M7826  | SCREW                    | 1   |            | M16 X 70       |
| 7   | 03M7191  | BOLT                     | 4   |            | M10 X 25       |
|     | 14M7296  | FLANGE NUT               | 5   |            | M10            |
|     | 03M7192  | BOLT                     | 1   |            | M10 X 30       |
| 8   | H148132  | BUSHING                  | 2   |            |                |
| 9   | H148133  | RETAINER                 | 2   |            |                |
| 10  | T55761   | SUPPORT                  | 1   |            |                |
| 11  | H163726  | WASHER                   | 3   |            |                |
| 12  | 19M7845  | SCREW                    | 1   |            | M16 X 90       |
| 13  | H148134  | SPACER                   | 1   |            |                |
| 14  | R62502   | SUPPORT                  | 1   |            |                |
| 15  | H97410   | WASHER                   | 1   |            |                |
| 16  | H95417   | SPACER                   | 1   |            |                |
| 17  | 26H104   | SHAFT KEY                | 1   |            | 5/16" X 2-1/8" |
| 18  | AH150451 | SUPPORT                  | 1   |            |                |
| 19  | AH152939 | SHAFT                    | 1   |            | (WIDE)         |
| 20  | 03M7192  | BOLT                     | 3   |            | M10 X 30       |
| 21  | 14M7296  | FLANGE NUT               | 3   |            | M10            |
| 22  | 24M7241  | WASHER                   | 1   |            | 17 X 34 X 4 MM |
| 23  | JD9201   | ECCENTRIC LOCKING COLLAR | 1   |            |                |
| 24  | H93927   | HOUSING                  | 1   |            |                |
| 25  | JD9202   | BALL BEARING             | 1   |            |                |

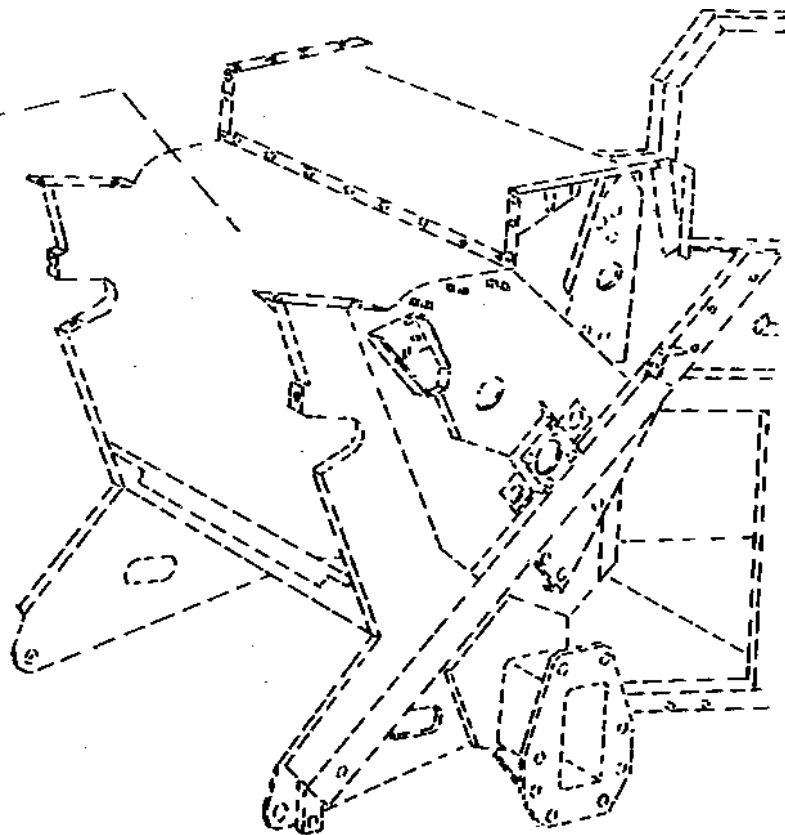
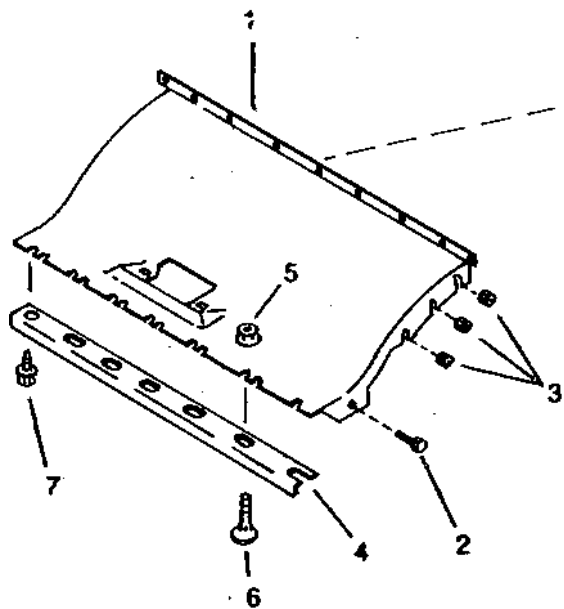
MEMORANDA

# 3F19

THRESHING AND SEPARATION

## THRESHING CYLINDER COVER

HP5192 -UN-01JAN94



HP5192

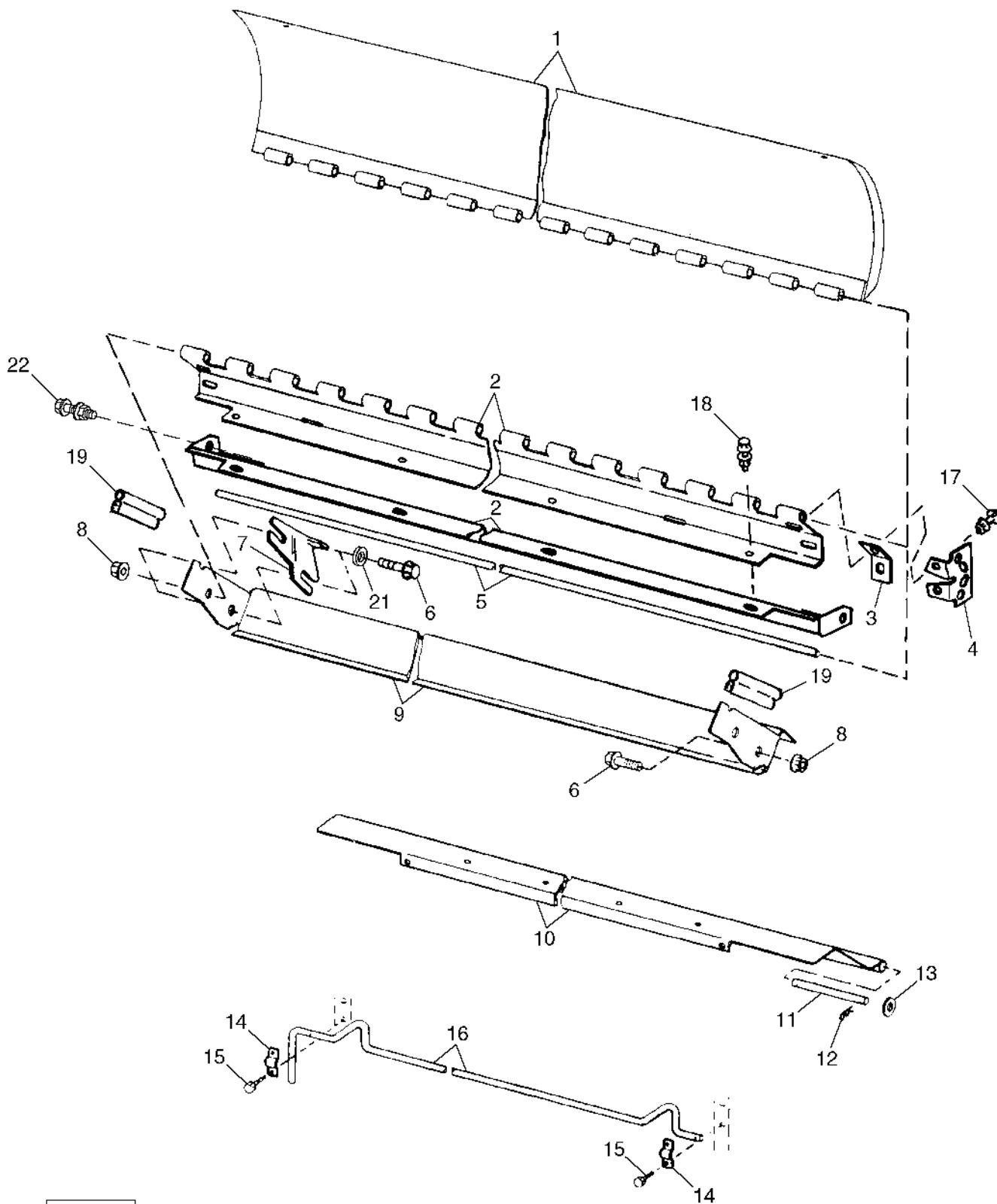
| KEY | PART NO. | PART NAME  | QTY | SERIAL NO. | REMARKS |
|-----|----------|------------|-----|------------|---------|
| 1   | H147844  | COVER      | 1   |            |         |
| 2   | 19M7785  | SCREW      | 2   | M10 X 25   |         |
| 3   | 14M7296  | FLANGE NUT | 8   | M10        |         |
| 4   | H134167  | SEAL       | 1   | CORN ONLY  |         |
| 5   | 14M7298  | FLANGE NUT | 6   | M8         |         |
| 6   | 19M7866  | SCREW      | 6   | M8 X 20    |         |
| 7   | 37M7058  | SCREW      | 1   | M8 X 20    |         |

# 3F20

THRESHING AND SEPARATION

SEPARATOR / FEEDER HOUSE SEAL, STONE TRAP AND DOOR

HP9791 -UN-01JUN00



HP9791



# 3F21

THRESHING AND SEPARATION

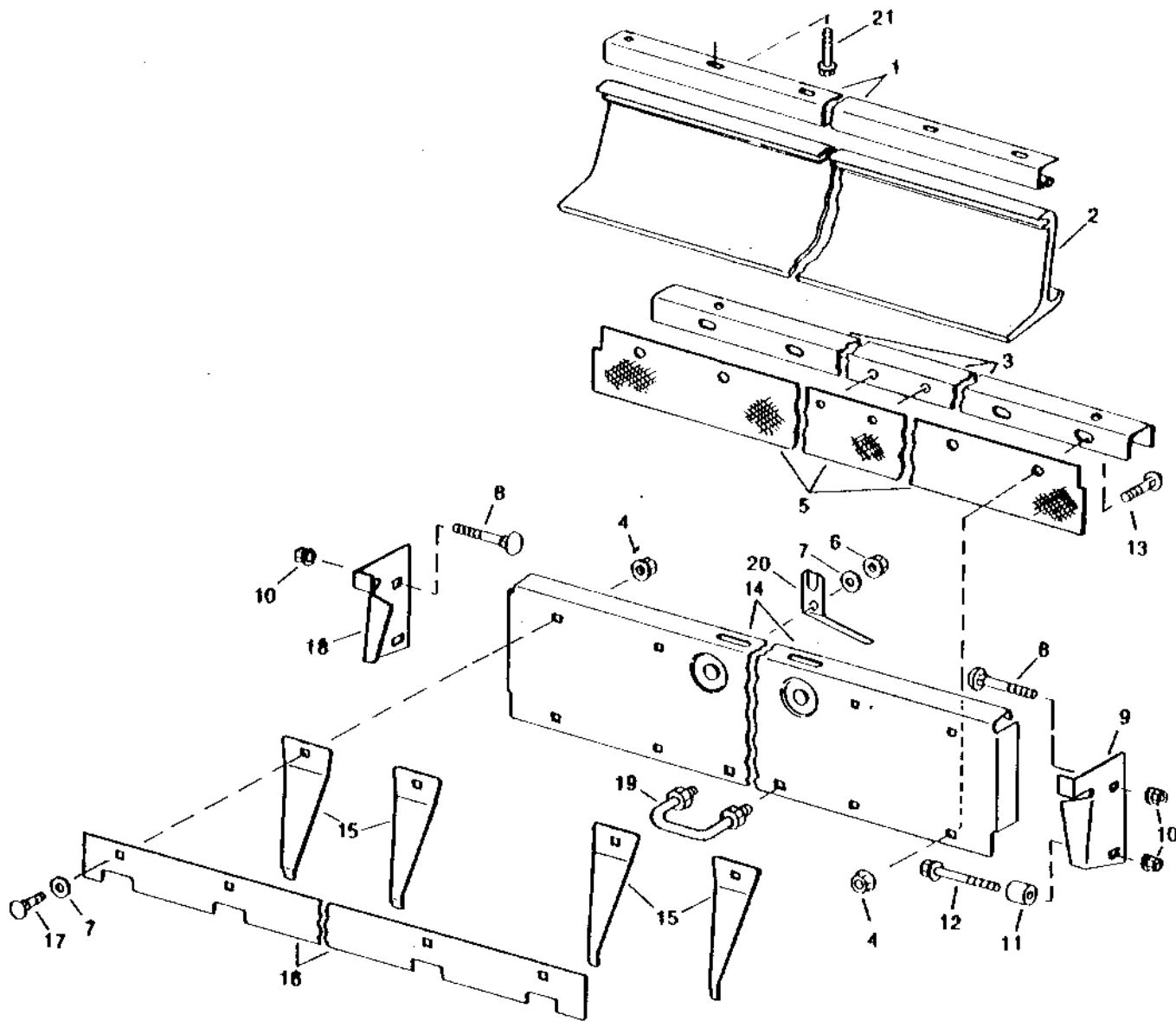
SEPARATOR / FEEDER HOUSE SEAL, STONE TRAP AND DOOR - CONTINUED

| KEY | PART NO. | PART NAME     | QTY | SERIAL NO.                | REMARKS |
|-----|----------|---------------|-----|---------------------------|---------|
| 1   | AH160605 | PLATE         | 1   |                           |         |
| 2   | AH162292 | HINGE         | 1   |                           |         |
| 3   | H148019  | REINFORCEMENT | 2   |                           |         |
| 4   | H148018  | SUPPORT       | 2   |                           |         |
| 5   | H130057  | PIN           | 1   |                           |         |
| 6   | 19M7812  | SCREW         | 6   | M10 X 100                 |         |
| 7   | H146730  | STOP          | 1   | CASTING                   |         |
| 8   | 14M7296  | FLANGE NUT    | 6   | M10                       |         |
| 9   | H151066  | DEFLECTOR     | 1   |                           |         |
| 10  | H134334  | DOOR          | 1   |                           |         |
| 11  | H148925  | PIN           | 2   |                           |         |
| 12  | 11M7030  | COTTER PIN    | 4   | 5 X 40 MM                 |         |
| 13  | 24M7051  | WASHER        | 2   | 21 X 37 X 3 MM            |         |
| 14  | H134339  | BRACKET       | 2   |                           |         |
| 15  | 37M7080  | SCREW         | 4   | M10 X 30                  |         |
| 16  | H134337  | ROD           | 1   |                           |         |
| 17  | 19M7785  | SCREW         | 4   | M10 X 25                  |         |
|     | 14M7296  | FLANGE NUT    | 4   | M10                       |         |
| 18  | 19M7866  | SCREW         | 4   | (A) M8 X 20               |         |
|     | 14M7298  | FLANGE NUT    | 4   | (A) M8                    |         |
| 19  | H151068  | SHIELD        | 2   |                           |         |
| 20  | H148022  | ANGLE         | 1   | (A)                       |         |
| 21  | 24M7178  | WASHER        | 2   | 10.500 X 30 X 2.500 MM    |         |
| 22  | 19M7812  | SCREW         | 2   | (A) M10 X 100             |         |
|     | 14M7296  | FLANGE NUT    | 2   | (A) M10                   |         |
| ..  | AH142781 | ANGLE         | 1   | INCLUDES PARTS MARKED (A) |         |

# 3F22

THRESHING AND SEPARATION

CYLINDER DOOR  
(GRAIN AND RICE)  
HP5678 -UN-01JAN94



HP5678

# 3F23

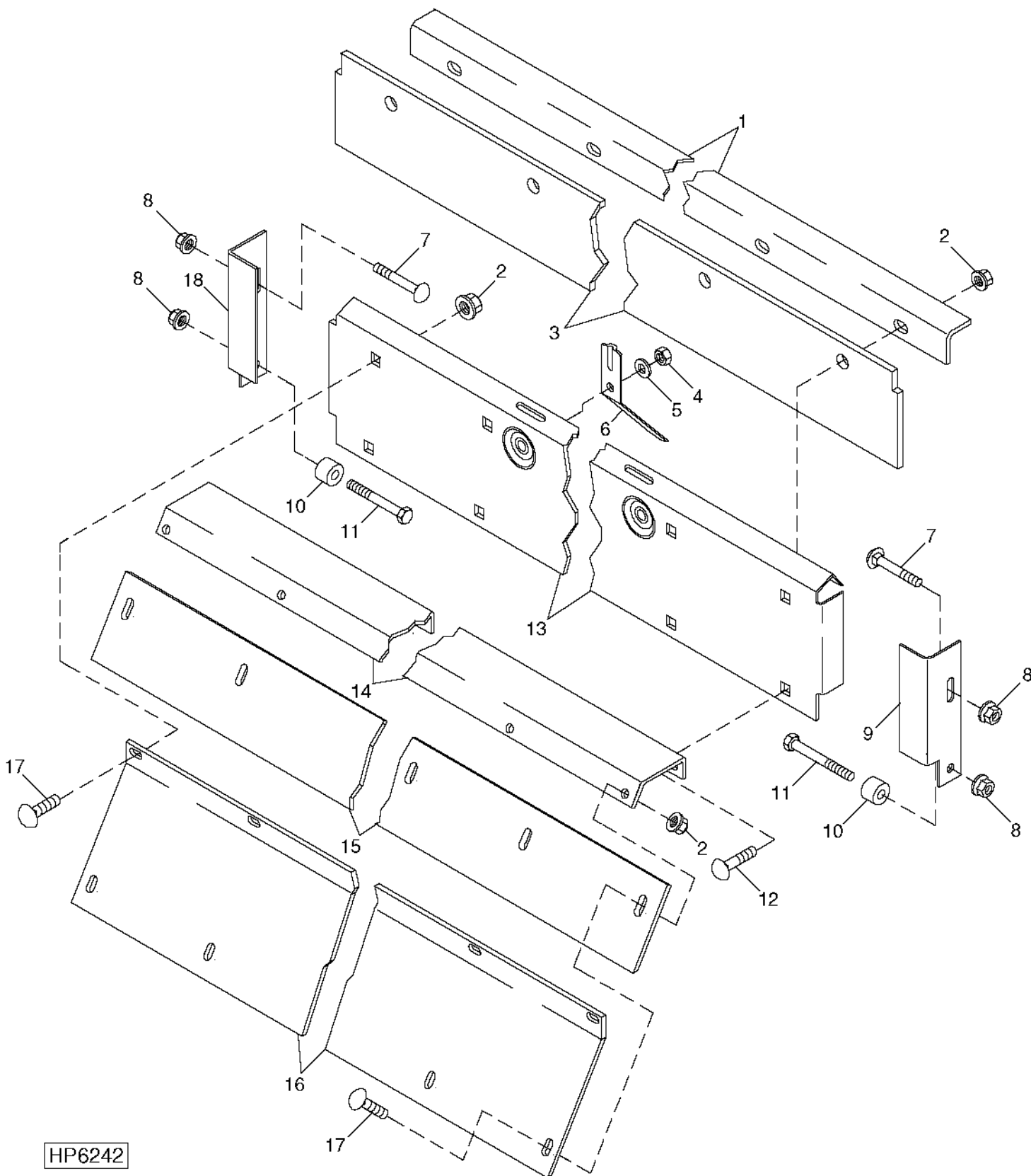
THRESHING AND SEPARATION

**CYLINDER DOOR - CONTINUED  
(GRAIN AND RICE)**

| KEY | PART NO. | PART NAME  | QTY | SERIAL NO.         | REMARKS   |
|-----|----------|------------|-----|--------------------|---|
| 1   | H150127  | HINGE      | 1   |                    |   |
| 2   | AH144103 | DEFLECTOR  | 1   |                    |   |
|     | H150134  | SEAL       | 2   |                    |   |
| 3   | H150129  | SUPPORT    | 1   |                    |   |
| 4   | 14M7298  | FLANGE NUT | 16  | M8                 |   |
| 5   | H150132  | SEAL       | 1   |                    |   |
| 6   | 14M7396  | LOCK NUT   | 2   | M8                 |   |
| 7   | 24M7047  | WASHER     | 2   | 13 X 24 X 2.500 MM |   |
| 8   | 03M7247  | BOLT       | 2   | M10 X 90           |   |
| 9   | .....    | SUPPORT    | 1   |                    | (ORDER AH144609) (INCLUDES BOTH R.H. AND L.H. SUPPORTS) |
| 10  | 14M7296  | FLANGE NUT | 4   | M10                |   |
| 11  | E50096   | BUSHING    | 2   |                    |   |
| 12  | 19M7944  | SCREW      | 2   | M10 X 120          |   |
| 13  | 03M7184  | BOLT       | 9   | M8 X 20            |   |
| 14  | AH130201 | DOOR       | 1   |                    |   |
| 15  | H148058  | SPRING     | 5   |                    |   |
| 16  | H148067  | STRIP      | 1   |                    |   |
| 17  | 03M7183  | BOLT       | 7   | M8 X 16            |   |
| 18  | .....    | SUPPORT    | 1   |                    | (ORDER AH144609) (INCLUDES BOTH R.H. AND L.H. SUPPORTS) |
| 19  | H150131  | U-BOLT     | 1   |                    |   |
|     | 14H785   | NUT        | 4   | 5/16"              |   |
| 20  | H134654  | HANDLE     | 2   |                    |   |
| 21  | 19M7866  | SCREW      | 7   | M8 X 20            |   |

# 3F24

CYLINDER DOOR (CORN)  
HP6242 -UN-24AUG99



HP6242

# 3F25

THRESHING AND SEPARATION

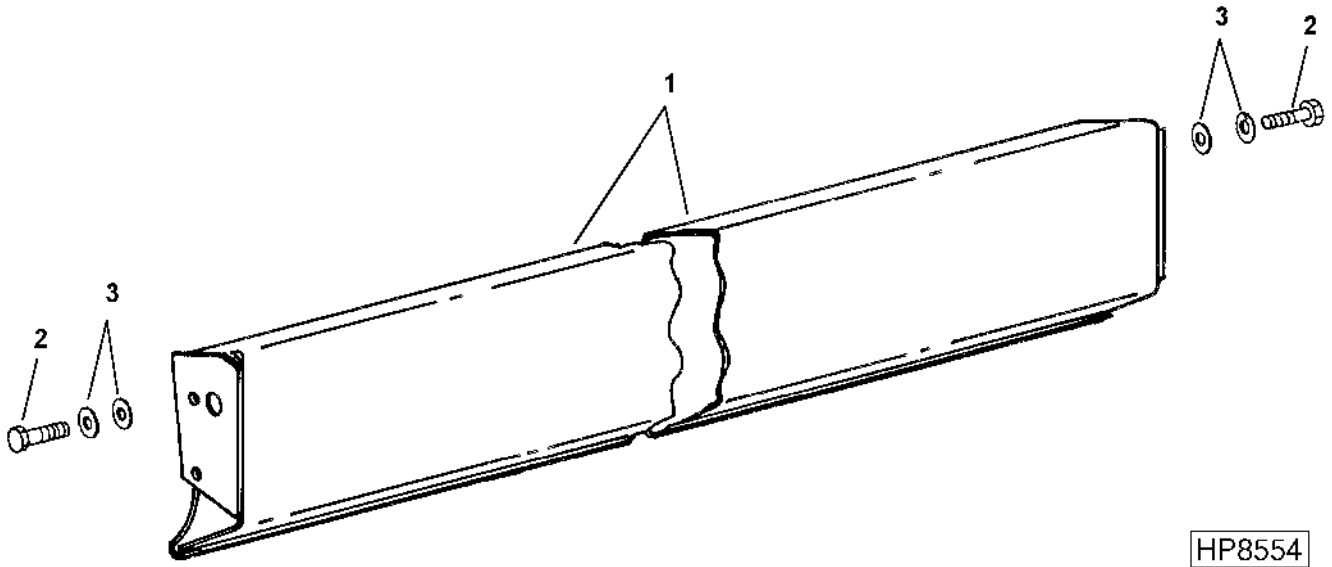
## CYLINDER DOOR (CORN) - CONTINUED

| KEY | PART NO. | PART NAME     | QTY | SERIAL NO.        | REMARKS |
|-----|----------|---------------|-----|-------------------|---------|
| 1   | H148064  | SUPPORT       | 1   |                   |         |
| 2   | 14M7298  | FLANGE NUT    | 27  | M8                |         |
| 3   | H150132  | SEAL          | 1   |                   |         |
| 4   | 14M7396  | LOCK NUT      | 2   | M8                |         |
| 5   | 24M7207  | WASHER        | 2   | 8.400 X 24 X 2 MM |         |
| 6   | H134654  | HANDLE        | 2   |                   |         |
| 7   | 03M7247  | BOLT          | 2   | M10 X 90          |         |
| 8   | 14M7296  | FLANGE NUT    | 4   | M10               |         |
| 9   | H134165  | SUPPORT       | 1   |                   |         |
| 10  | E50096   | BUSHING       | 2   |                   |         |
| 11  | 19M7944  | SCREW         | 2   | M10 X 120         |         |
| 12  | 03M7185  | BOLT          | 9   | M8 X 25           |         |
| 13  | AH130201 | DOOR          | 1   |                   |         |
| 14  | H134153  | REINFORCEMENT | 1   |                   |         |
| 15  | H134162  | STRIPPER      | 1   |                   |         |
| 16  | H134150  | ISOLATOR      | 1   |                   |         |
| 17  | 03M7183  | BOLT          | 18  | M8 X 16           |         |
| 18  | H134164  | SUPPORT       | 1   |                   |         |

# 3G1

THRESHING AND SEPARATION

CYLINDER SHEAR BAR  
HP8554 -UN-06MAY99

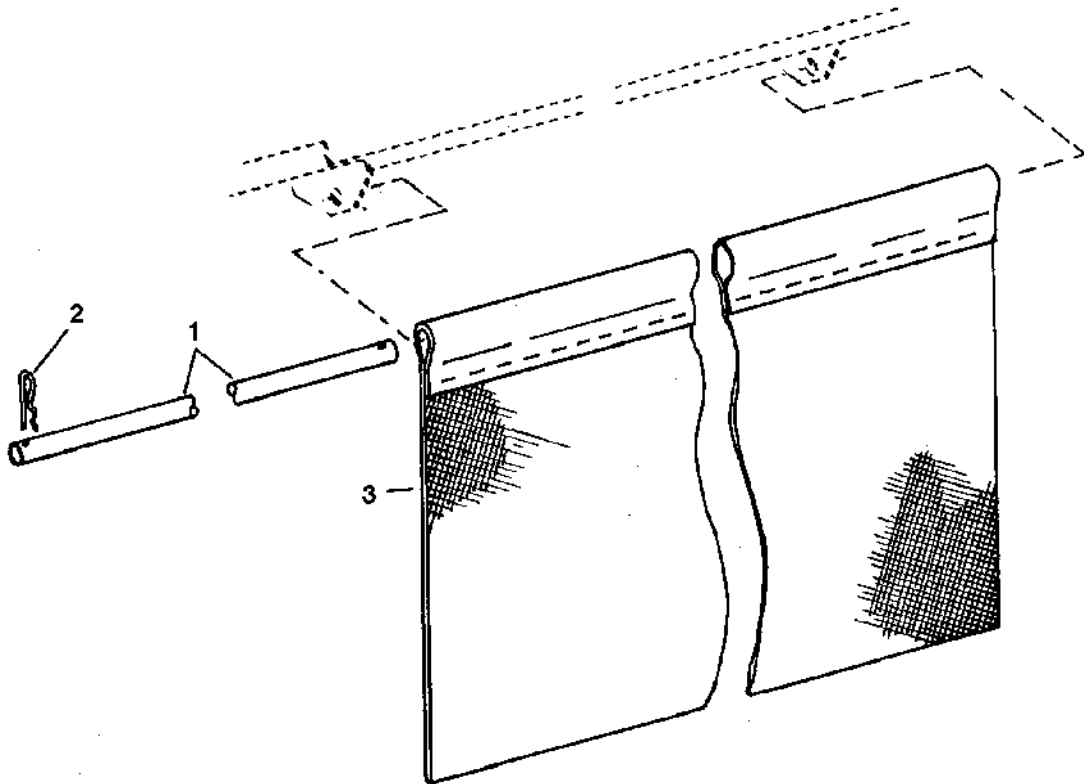


| KEY | PART NO. | PART NAME | QTY | SERIAL NO.     | REMARKS |
|-----|----------|-----------|-----|----------------|---------|
| 1   | AH141617 | STRIPPER  | 1   |                |         |
| 2   | 37M7080  | SCREW     | 4   |                |         |
| 3   | 24M7101  | WASHER    | 4   | 11 X 34 X 3 MM |         |

# 3G2

THRESHING AND SEPARATION

SEPARATOR CURTAIN  
(RASP BAR CYLINDER)  
HP6897 -UN-18AUG97



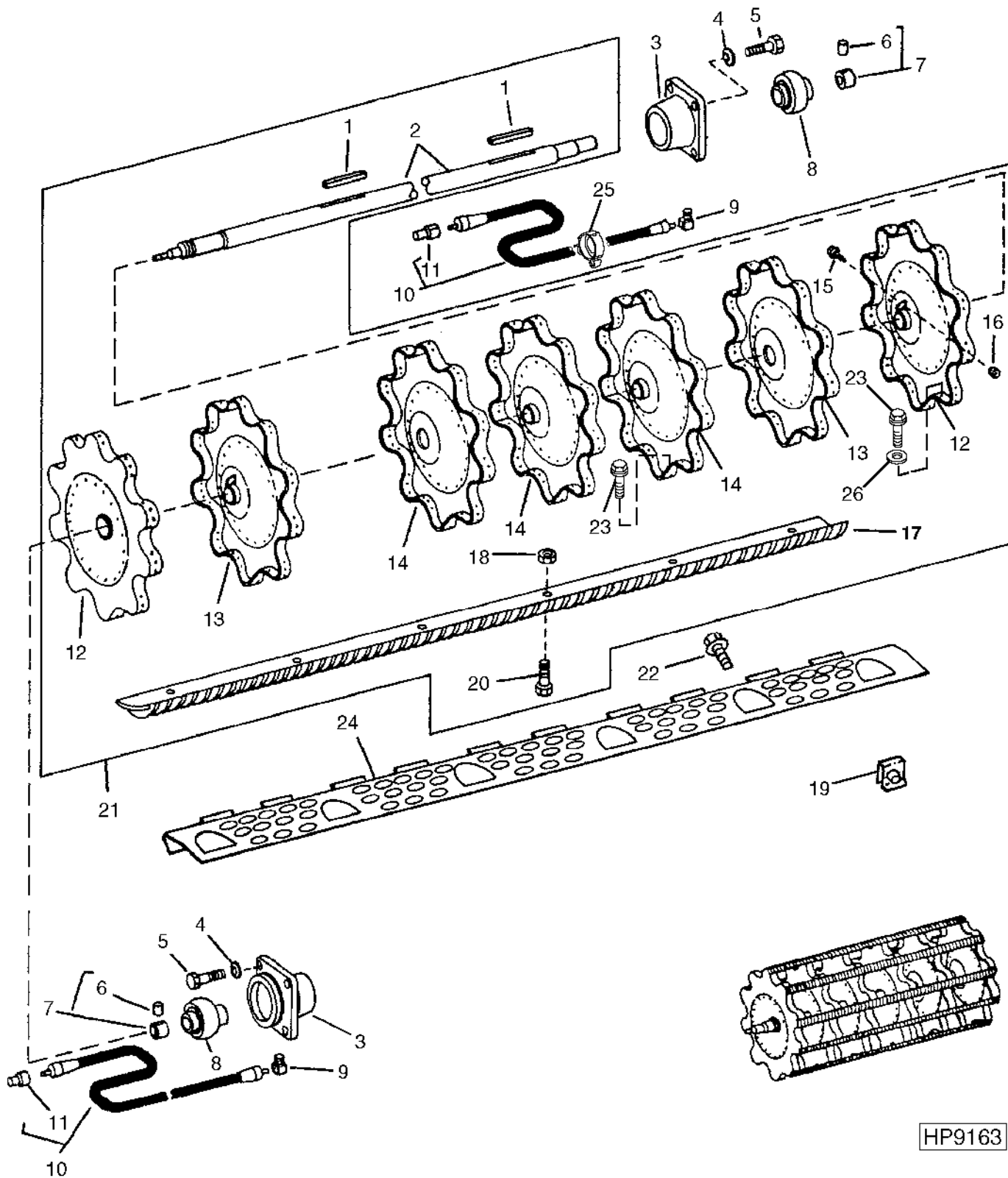
HP6897

| KEY | PART NO. | PART NAME          | QTY | SERIAL NO. | REMARKS                 |
|-----|----------|--------------------|-----|------------|-------------------------|
| 1   | H144824  | PIPE               | 1   |            |                         |
| 2   | A15147   | SPRING LOCKING PIN | 2   |            |                         |
| 3   | H144822  | LIMIT CURTAIN      | 1   |            | FOR CORN/GRAIN COMBINES |

# 3G3

THRESHING AND SEPARATION

RASP BAR THRESHING CYLINDER  
HP9163 -UN-11OCT99



HP9163

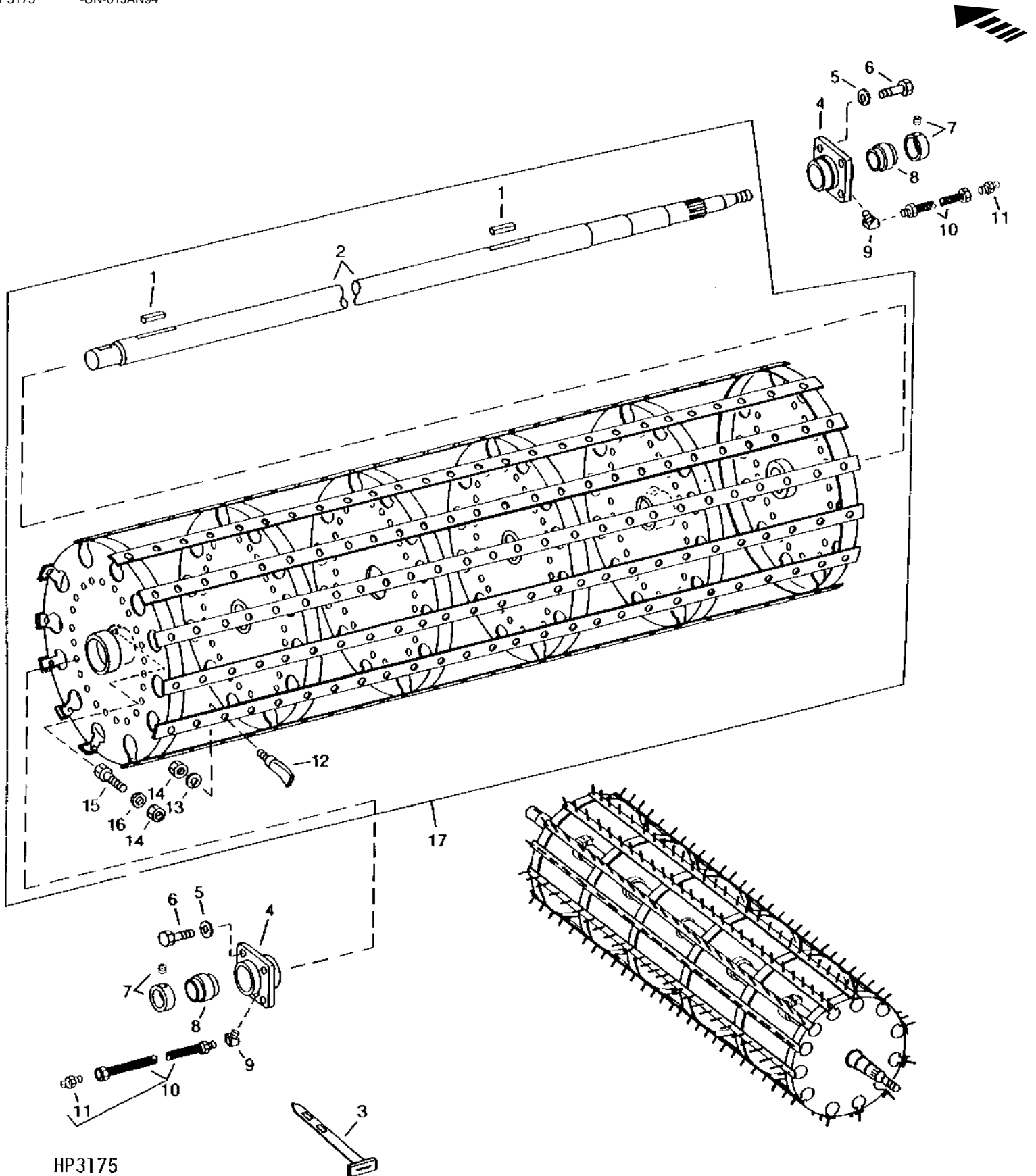


## RASP BAR THRESHING CYLINDER - CONTINUED

| KEY | PART NO.       | PART NAME                          | QTY      | SERIAL NO.                     | REMARKS   |
|-----|----------------|------------------------------------|----------|--------------------------------|---|
| 1   | .....          | SHAFT KEY                          | 2        |                                | (CUT FROM H64376) IN AH64587 KEY STOCK KIT                                |
| 2   | H140042        | SHAFT                              | 1        |                                | DUAL RANGE  |
|     | H145969        | SHAFT                              | 1        |                                | SINGLE RANGE  |
| 3   | H99149         | HOUSING                            | 2        |                                |   |
| 4   | 12H304         | LOCK WASHER                        | 8        | 3/8"                           |   |
| 5   | 19M7785        | SCREW                              | 8        | M10 X 25                       |   |
| 6   | .....          | SET SCREW                          | 2        |                                |   |
| 7   | JD10342        | ECCENTRIC LOCKING COLLAR           | 2        |                                |   |
| 8   | JD10343        | BALL BEARING                       | 2        |                                |   |
| 9   | JD7845         | ELBOW FITTING                      | 2        |                                |   |
| 10  | AH121009       | HOSE                               | 2        | 1/8" X 910 MM (35-3/4") X 1/8" |   |
| 11  | JD7759         | LUBRICATION FITTING                | 2        |                                |   |
| 12  | AH126720       | THRESHING CYLINDER HEAD            | 2        |                                | WITH PILOT HUB  |
| 13  | AH126719       | THRESHING CYLINDER HEAD            | 2        |                                | WITH KEYED HUB  |
| 14  | H131878        | THRESHING CYLINDER HEAD            | 3        |                                |   |
| 15  | 19M7753        | CAP SCREW                          | 2        | M12 X 70                       |   |
| 16  | 14M7401        | LOCK NUT                           | 2        | M12                            |   |
| 17  | AH161389       | RASP BAR                           | 1        |                                | LH CHROME (PKG OF 5)  |
|     | AH161390       | RASP BAR                           | 1        |                                | RH CHROME (PKG OF 5)  |
|     | AH161398       | RASP BAR                           | 1        |                                | RH BLACK (PKG OF 5)   |
|     | AH161395       | RASP BAR                           | 1        |                                | LH BLACK (PKG OF 5)   |
|     | AH161411       | RASP BAR                           | 1        |                                | SMOOTH  |
| 18  | H135891        | LOCK NUT                           | AR       | M10                            |   |
| 19  | H146457        | NUT                                | AR       |                                | WITH DEFLECTOR  |
| 20  | 19M7402        | CAP SCREW                          | AR       | M10 X 25                       |   |
| 21  | AH162857       | RASP-BAR CYLINDER                  | 1        |                                | DUAL RANGE W/CHROME BARS  |
|     | AH162845       | RASP-BAR CYLINDER                  | 1        |                                | DUAL RANGE W/BLACK BARS   |
|     | AH162869       | RASP-BAR CYLINDER                  | 1        |                                | SINGLE RANGE W/CHROME BARS  |
|     | AH162851       | RASP-BAR CYLINDER                  | 1        |                                | SINGLE RANGE W/BLACK BARS   |
| 22  | H145773        | SELF-LOCKING SCREW                 | AR       |                                |   |
| 23  | 19M7783        | SCREW                              | AR       | M10 X 16                       |   |
| 24  | H150836        | DEFLECTOR                          | 10       |                                | PERFORATED  |
| 25  | H140149        | HOLD-DOWN CLIP                     | 1        |                                |   |
| 26  | 24M7028        | WASHER                             | 2        |                                | 10.500 X 20 X 2 MM, QUANTITY PER RASP BAR                                 |
| ..  | AH163920       | KIT                                | 1        |                                | (INCLUDES (35) H135891, (35) 19M7402 AND (35) 19M7783) METRIC             |
| ..  | AH140416       | KIT                                | 1        |                                | INCLUDES (70) H145773 SCREWS, (70) H146457 CLIPS AND (70) 24H1308 WASHERS |
| ..  | <b>BH71876</b> | <b>COMPLETE GOODS/SHIP. BUNDLE</b> | <b>1</b> |                                | <b>RASPBAR TO SPIKE TOOTH CONVERSION</b>                                  |
| ..  | <b>BH81161</b> | <b>COMPLETE GOODS/SHIP. BUNDLE</b> | <b>1</b> |                                | <b>PERFORATED BODY PLATE</b>  |
| ..  | <b>BH81540</b> | <b>COMPLETE GOODS/SHIP. BUNDLE</b> | <b>1</b> |                                | <b>SPIKE TOOTH TO RASPBAR CONVERSION</b>                                  |

# 3G5

SPIKE TOOTH THRESHING CYLINDER  
HP3175 -UN-01JAN94



HP3175

# 3G6

## THRESHING AND SEPARATION

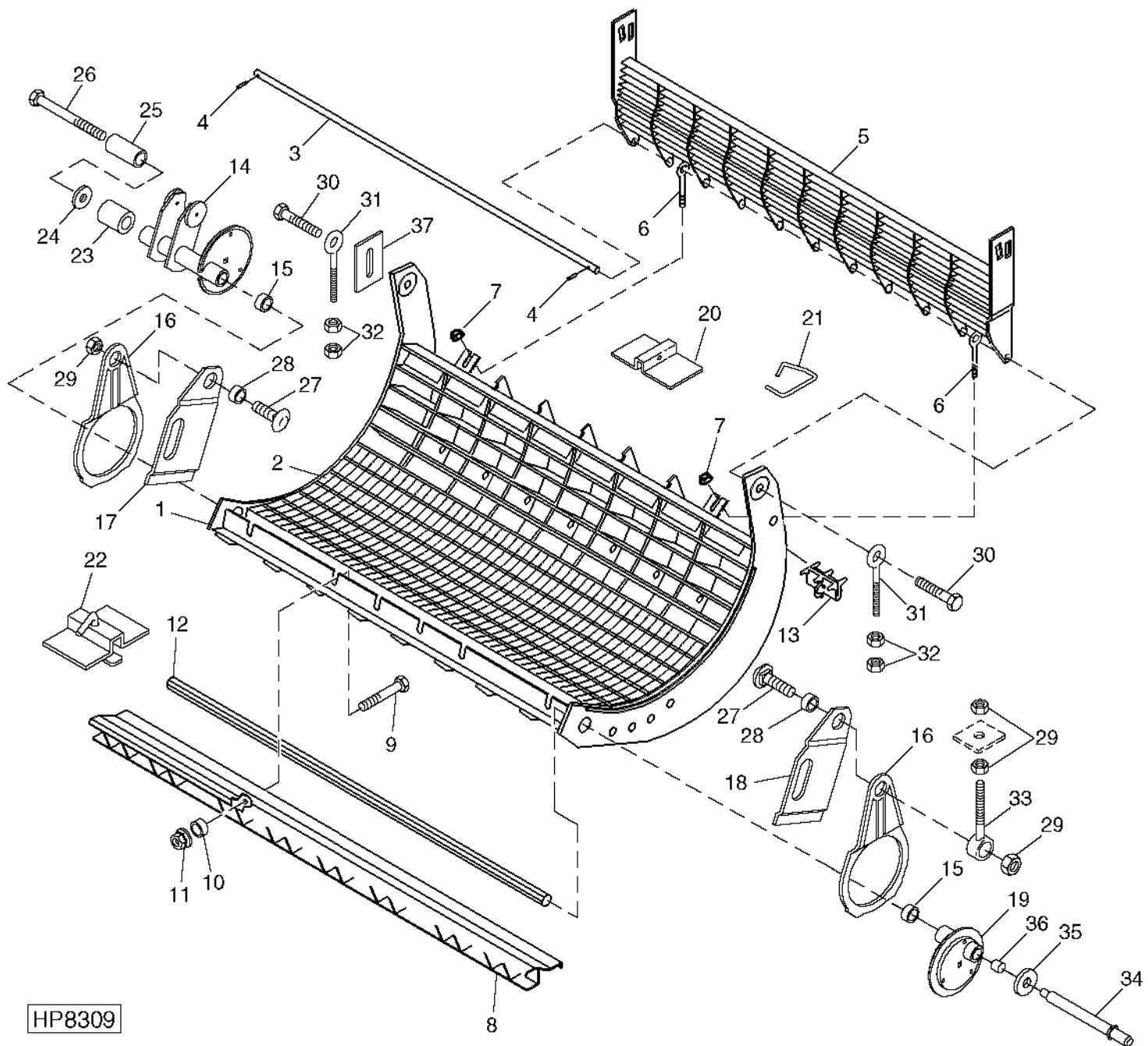
### SPIKE TOOTH THRESHING CYLINDER - CONTINUED

| KEY | PART NO. | PART NAME                | QTY | SERIAL NO.    | REMARKS                                    |
|-----|----------|--------------------------|-----|---------------|--|
| 1   | .....    | SHAFT KEY                | 2   |               | (CUT FROM H64376) IN AH64587 KEY STOCK KIT |
| 2   | H140042  | SHAFT                    | 1   |               | DUAL RANGE                                 |
| 3   | P5403H   | TOOL                     | 1   |               | TOOTH STRAIGHTENER                         |
| 4   | H99149   | HOUSING                  | 2   |               |  |
| 5   | 12H304   | LOCK WASHER              | 8   | 3/8"          |  |
| 6   | 19H2633  | CAP SCREW                | 8   | 3/8" X 1-1/2" |  |
| 7   | JD10342  | ECCENTRIC LOCKING COLLAR | 2   |               |  |
| 8   | JD10343  | BALL BEARING             | 2   |               |  |
| 9   | JD7845   | ELBOW FITTING            | 2   |               |  |
| 10  | AH121009 | HOSE                     | 2   |               | 1/8" X 910 MM (35-3/4") X 1/8"             |
| 11  | JD7759   | LUBRICATION FITTING      | 2   |               |  |
| 12  | H132057  | TOOTH                    | 378 |               | (A)  |
| 13  | 12H301   | LOCK WASHER              | 378 |               | (A) 1/2"                                   |
| 14  | 14H809   | NUT                      | 2   |               | 1/2", (INTO HEADER WITH KEYED HUB)         |
|     | 14H1040  | NUT                      | 380 |               | (A) 1/2"                                   |
| 15  | 19H1820  | CAP SCREW                | 2   |               | 1/2" X 3"                                  |
| 16  | 12H301   | LOCK WASHER              | 2   |               | 1/2"                                       |
| 17  | AH134661 | SPIKE-TOOTH CYLINDER     | 1   |               |  |
|     | 14M7396  | LOCK NUT                 | AR  |               | M8, (USE AS REQUIRED FOR BALANCING)        |
|     | 19M7513  | CAP SCREW                | AR  |               | M8 X 30, (USE AS REQUIRED FOR BALANCING)   |
| ..  | AH126869 | BAR                      | 1   |               | 32 SPIKE, (INCLUDES PARTS MARKED "A")      |
| ..  | AH126870 | BAR                      | 1   |               | 31 SPIKE, (INCLUDES PARTS MARKED "A")      |

# 3G7

## CONCAVE ASSEMBLY AND BEATER GRATE (WIDE)

HP8309 -UN-06MAY99



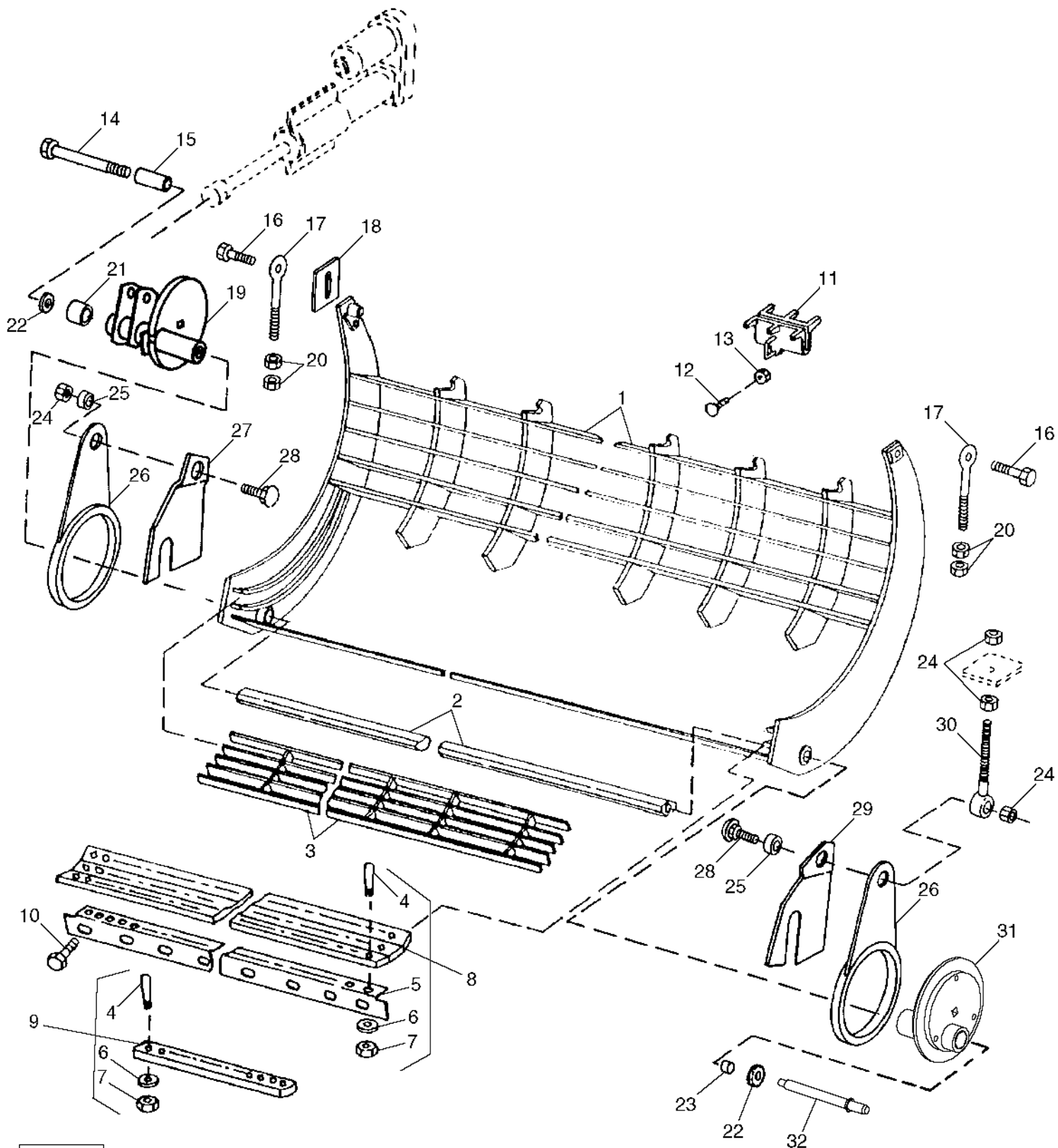
## CONCAVE ASSEMBLY AND BEATER GRATE (WIDE) - CONTINUED

| KEY | PART NO.       | PART NAME                          | QTY      | SERIAL NO. | REMARKS                               |
|-----|----------------|------------------------------------|----------|------------|---------------------------------------|
| 1   | AH150496       | CONCAVE                            | 1        |            | 13 BAR WIDE                           |
| 2   | H157967        | NAIL                               | 58       |            |                                       |
| 3   | H140802        | PIN                                | 1        |            |                                       |
| 4   | 11M7015        | COTTER PIN                         | 2        |            |                                       |
| 5   | AH151120       | GRATE                              | 1        |            |                                       |
| 6   | H144742        | EYEBOLT                            | 2        |            | M10 X 62                              |
| 7   | H135891        | LOCK NUT                           | 2        |            | M10                                   |
| 8   | AH151118       | ANGLE                              | 1        |            |                                       |
| 9   | H139098        | BOLT                               | 8        |            | M12 X 51.5                            |
| 10  | E47782         | SPACER                             | 8        |            |                                       |
| 11  | 14M7401        | LOCK NUT                           | 8        |            | M12                                   |
| 12  | H145638        | SHAFT                              | 1        |            |                                       |
| 13  | AH153688       | INSERT                             | 20       |            | CONCAVE GRID                          |
| 14  | AH133156       | CAM                                | 1        |            |                                       |
| 15  | 28H1517        | WASHER                             | 2        |            |                                       |
| 16  | H151484        | LINK                               | 2        |            |                                       |
| 17  | H131988        | COVER                              | 1        |            | FOR SPIKE TO RASP CONVERSION          |
| 18  | H131989        | COVER                              | 1        |            | FOR SPIKE TO RASP CONVERSION          |
| 19  | AH133157       | CAM                                | 1        |            |                                       |
| 20  | H134418        | COVER                              | 1        |            |                                       |
| 21  | H134420        | RETAINER                           | 1        |            |                                       |
| 22  | AH130465       | COVER                              | 1        |            |                                       |
| 23  | H134816        | SPACER                             | 1        |            |                                       |
| 24  | 24H1351        | WASHER                             | 2        |            | 9/16" X 1-1/2" X 0.164"               |
| 25  | 28H1597        | WASHER                             | 1        |            | 0.546" X 0.840" X 3/8"                |
| 26  | H132541        | SCREW                              | 1        |            |                                       |
| 27  | H137203        | BOLT                               | 2        |            |                                       |
| 28  | H137204        | BUSHING                            | 4        |            |                                       |
| 29  | 14M7300        | FLANGE NUT                         | 4        |            |                                       |
| 30  | 19M7597        | CAP SCREW                          | 2        |            |                                       |
| 31  | H143610        | EYEBOLT                            | 2        |            |                                       |
| 32  | 14M7296        | FLANGE NUT                         | 4        |            | M10                                   |
| 33  | H164222        | EYEBOLT                            | 1        |            |                                       |
| 34  | H147468        | ROD                                | 1        |            | (SUB H174617)                         |
|     | H174617        | ROD                                | 1        |            |                                       |
| 35  | 24H1351        | WASHER                             | 2        |            | 9/16" X 1-1/2" X 0.164"               |
| 36  | 28H2642        | SPACER                             | 1        |            | 0.546" X 0.840" X 2-1/2"              |
| ..  | <b>BH81381</b> | <b>COMPLETE GOODS/SHIP. BUNDLE</b> | <b>1</b> |            | <b>CONCAVE INSERTS (CARTON OF 20)</b> |
| ..  | <b>BH78495</b> | <b>COMPLETE GOODS/SHIP. BUNDLE</b> | <b>1</b> |            | <b>REAR CONCAVE FILLER STRIPS</b>     |
| ..  | <b>BH78486</b> | <b>COMPLETE GOODS/SHIP. BUNDLE</b> | <b>1</b> |            | <b>CONCAVE COVERS</b>                 |

# 3G9

THRESHING AND SEPARATION

SPIKE-TOOTH CONCAVE  
HP8267 -UN-06MAY99



HP8267

# 3G10

THRESHING AND SEPARATION

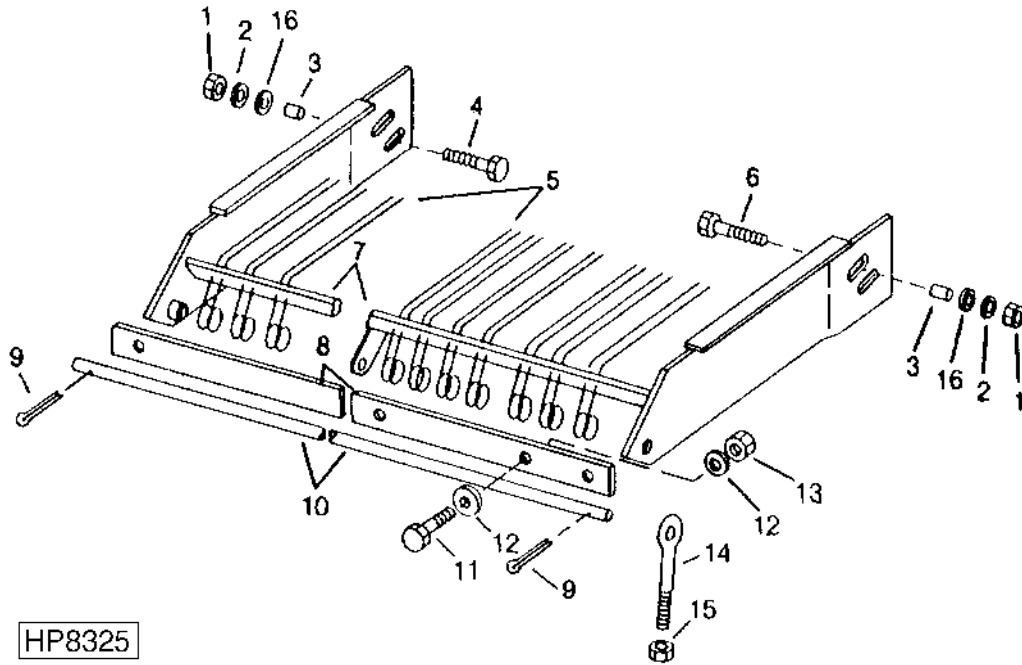
## SPIKE-TOOTH CONCAVE - CONTINUED

| KEY | PART NO.       | PART NAME                          | QTY      | SERIAL NO.                               | REMARKS |
|-----|----------------|------------------------------------|----------|--|---------|
| 1   | AH135646       | CONCAVE                            | 1        |  |         |
| 2   | H145638        | SHAFT                              | 1        |  |         |
| 3   | AH131330       | GRATE                              | 1        |  |         |
| 4   | H132057        | TOOTH                              | AR       |  |         |
| 5   | H145256        | ANGLE                              | 1        |  |         |
| 6   | 12H301         | LOCK WASHER                        | AR       | 1/2"                                     |         |
| 7   | 14H809         | NUT                                | AR       | 1/2"                                     |         |
| 8   | AH139245       | BAR                                | AR       |  |         |
| 9   | AH126869       | BAR                                | 6        |  |         |
|     | AH126870       | BAR                                | 6        |  |         |
| 10  | 19M7786        | SCREW                              | 8        | M10 X 30                                 |         |
| 11  | AH153688       | INSERT                             | 20       | (SHORT WIRE)                             |         |
| 12  | 03M7222        | BOLT                               | 2        | M6 X 20                                  |         |
| 13  | 14M7303        | FLANGE NUT                         | 2        | M6                                       |         |
| 14  | H132541        | SCREW                              | 1        |  |         |
| 15  | 28H1597        | WASHER                             | 1        | 0.546" X 0.840" X 3/8"                   |         |
| 16  | 19M7597        | CAP SCREW                          | 2        | M20 X 50                                 |         |
| 17  | H143610        | EYEBOLT                            | 2        |  |         |
| 18  | H146318        | ADJUSTING STRAP                    | 1        |  |         |
| 19  | AH135240       | CAM                                | 1        |  |         |
| 20  | 14M7296        | FLANGE NUT                         | 4        | M10                                      |         |
| 21  | H134816        | SPACER                             | 1        |  |         |
| 22  | 24H1351        | WASHER                             | 2        | 9/16" X 1-1/2" X 0.164"                  |         |
| 23  | 28H2642        | SPACER                             | 1        | 0.546" X 0.840" X 2-1/2"                 |         |
| 24  | 14M7300        | FLANGE NUT                         | 4        | M20                                      |         |
| 25  | H137204        | BUSHING                            | 4        |  |         |
| 26  | AH127829       | LINK                               | 2        |  |         |
| 27  | H131986        | COVER                              | 1        | LEFT-HAND                                |         |
| 28  | H137203        | BOLT                               | 2        | M20 X 65                                 |         |
| 29  | H131987        | COVER                              | 1        |  |         |
| 30  | H164222        | EYEBOLT                            | 1        |  |         |
| 31  | AH133157       | CAM                                | 1        |  |         |
| 32  | H147468        | ROD                                | 1        | (SUB H174617)                            |         |
|     | H174617        | ROD                                | 1        |  |         |
| ..  | <b>BH71876</b> | <b>COMPLETE GOODS/SHIP. BUNDLE</b> | <b>1</b> | <b>RASPBAR TO SPIKE TOOTH CONVERSION</b> |         |
| ..  | <b>BH81381</b> | <b>COMPLETE GOODS/SHIP. BUNDLE</b> | <b>1</b> | <b>CONCAVE INSERT, BOX OF 20</b>         |         |

# 3G11

THRESHING AND SEPARATION

**SPIKE-TOOTH FINGER GRATE**  
HP8325 -UN-08MAR99



| KEY | PART NO. | PART NAME   | QTY | SERIAL NO.               | REMARKS |
|-----|----------|-------------|-----|--------------------------|---------|
| 1   | 14M7299  | FLANGE NUT  | 2   | M12                      |         |
| 2   | 12H301   | LOCK WASHER | 2   | 1/2"                     |         |
| 3   | M44269   | BUSHING     | 2   |                          |         |
| 4   | 19M7813  | SCREW       | 1   | M12 X 45                 |         |
| 5   | H134758  | FINGER      | AR  |                          |         |
| 6   | 19M7813  | SCREW       | 1   | M12 X 45                 |         |
| 7   | AH130905 | SUPPORT     | 1   |                          |         |
| 8   | H135157  | COVER       | 1   |                          |         |
| 9   | 11M7015  | COTTER PIN  | 2   | 3.200 X 25 MM            |         |
| 10  | H134756  | PIN         | 1   |                          |         |
| 11  | 03M7193  | BOLT        | 4   | M10 X 35                 |         |
| 12  | 24H1311  | WASHER      | 8   | 13/32" X 1-1/4" X 0.220" |         |
| 13  | 14M7296  | FLANGE NUT  | 4   | M10                      |         |
| 14  | H144742  | EYEBOLT     | 2   |                          |         |
| 15  | 14M7400  | LOCK NUT    | 2   | M10                      |         |
| 16  | 24H1226  | WASHER      | 2   | 1/2" X 1-1/4" X 0.083"   |         |

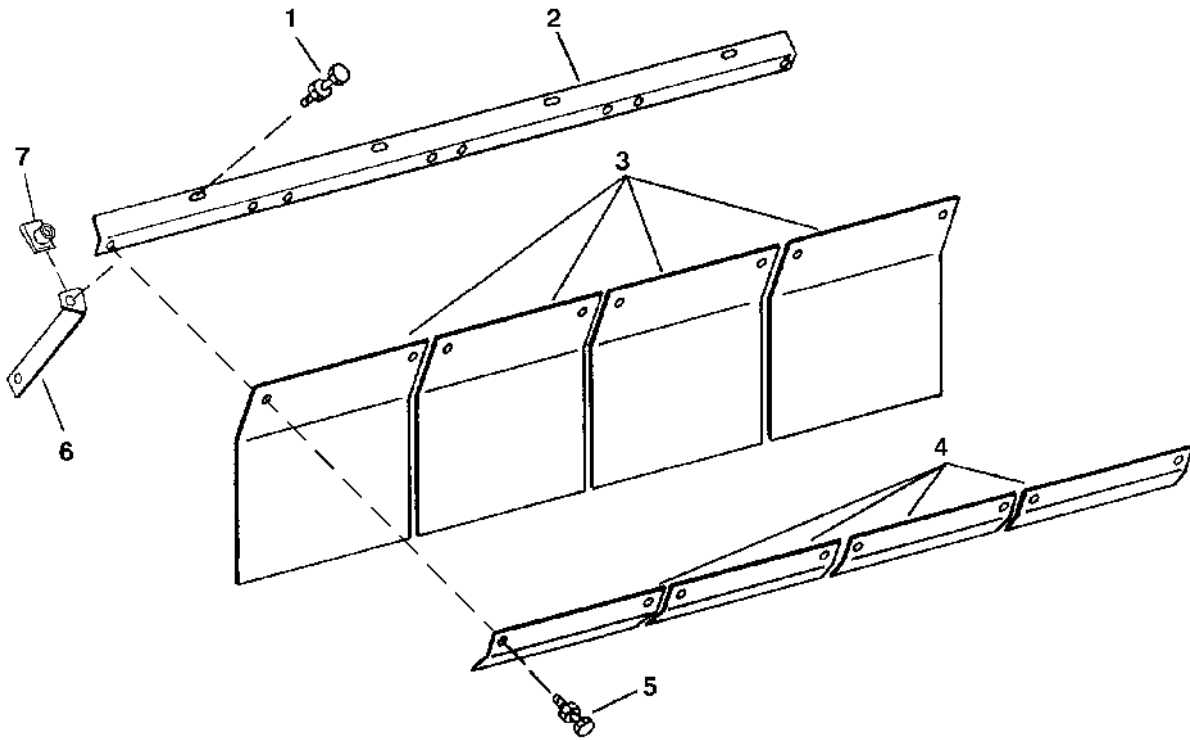


# 3G12

THRESHING AND SEPARATION

## BEATER GRATE CURTAIN

HP6882 -UN-12SEP97



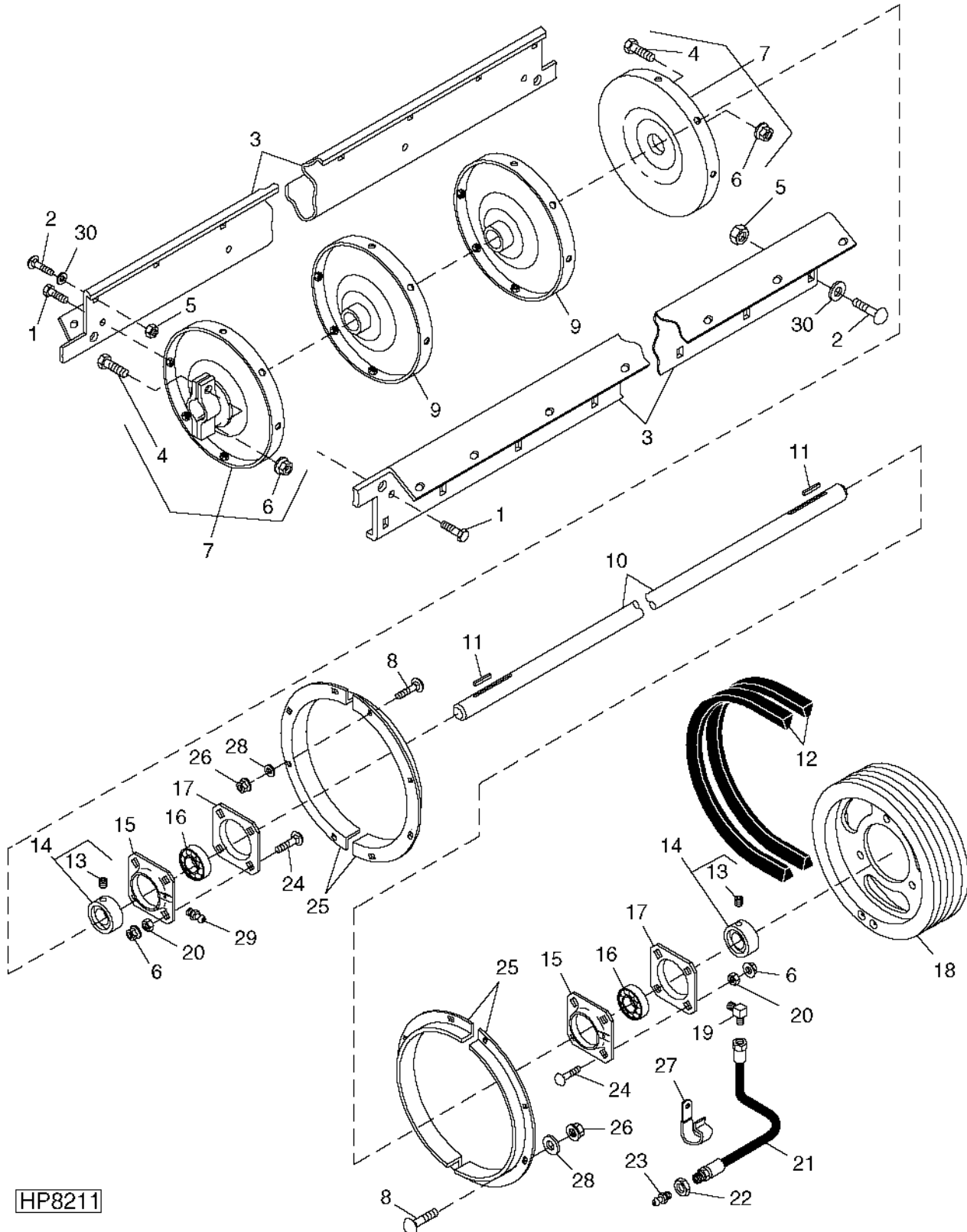
HP6882

| KEY | PART NO.       | PART NAME                          | QTY      | SERIAL NO. | REMARKS                          |
|-----|----------------|------------------------------------|----------|------------|----------------------------------|
| 1   | 19M7866        | SCREW                              | 10       | M8 X 20    |                                  |
|     | 14M7298        | FLANGE NUT                         | 10       | M8         |                                  |
| 2   | H148300        | ANGLE                              | 1        |            |                                  |
| 3   | H148305        | LIMIT CURTAIN                      | 5        |            |                                  |
| 4   | H148302        | ANGLE                              | 5        |            |                                  |
| 5   | 19M7866        | SCREW                              | 10       | M8 X 20    |                                  |
| 6   | H148304        | SUPPORT                            | 5        |            |                                  |
| 7   | H156360        | NUT                                | 5        | M8         |                                  |
| ..  | H151318        | SIGN                               | 1        |            | BEATER GRATE CURTAIN             |
| ..  | <b>BH80229</b> | <b>COMPLETE GOODS/SHIP. BUNDLE</b> | <b>1</b> |            | <b>WIDE BEATER GRATE CURTAIN</b> |
| ..  | <b>BH79942</b> | <b>COMPLETE GOODS/SHIP. BUNDLE</b> | <b>1</b> |            | <b>BEATER GRATE CURTAIN</b>      |

# 3G13

THRESHING AND SEPARATION

BEATER, SHAFT AND DRIVE BELT  
HP8211 -UN-23AUG99



HP8211

# 3G14

## THRESHING AND SEPARATION

### BEATER, SHAFT AND DRIVE BELT - CONTINUED

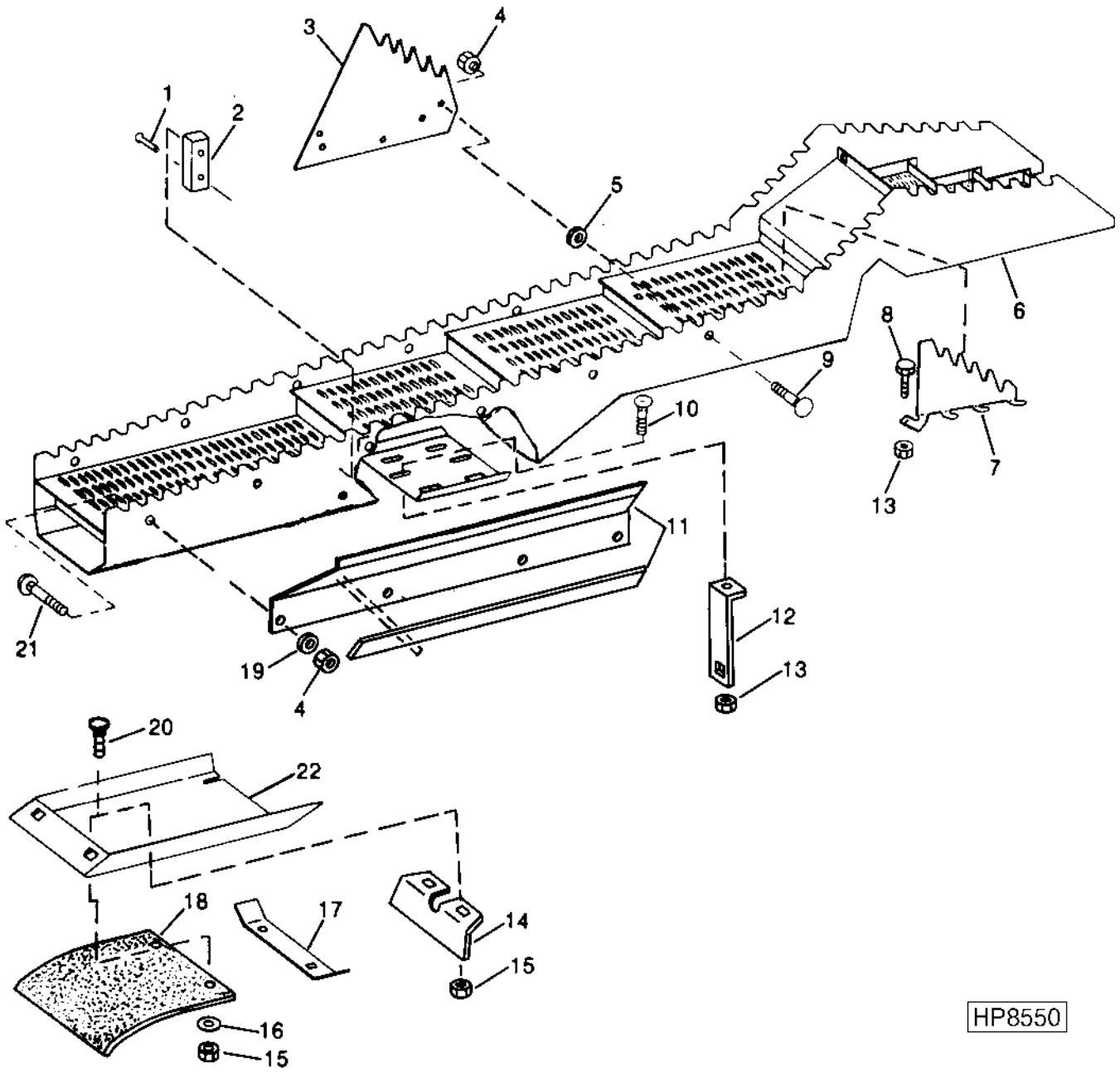
| KEY | PART NO. | PART NAME                | QTY | SERIAL NO. | REMARKS                         |
|-----|----------|--------------------------|-----|------------|---------------------------------|
| 1   | 19M7784  | SCREW                    | 32  | M10 X 20   |                                 |
| 2   | 03M7190  | BOLT                     | 58  | M10 X 20   |                                 |
| 3   | H147788  | BLADE                    | 8   |            |                                 |
| 4   | 03M7201  | BOLT                     | 1   | M12 X 45   |                                 |
| 5   | 14M7296  | FLANGE NUT               | AR  | M10        |                                 |
| 6   | 14M7299  | FLANGE NUT               | 8   | M12        |                                 |
| 7   | AH128360 | BEATER HEAD              | 2   |            |                                 |
| 8   | 03M7185  | BOLT                     | 24  | M8 X 25    |                                 |
| 9   | AH128361 | BEATER HEAD              | 2   |            |                                 |
| 10  | H126940  | SHAFT                    | 1   |            |                                 |
| 11  | 49M4121  | SHAFT KEY                | 2   |            |                                 |
| 12  | AH139436 | BELT SET                 | 1   |            | FOR 100 PERCENT BEATER DRIVE    |
|     | AH163931 | BELT                     | 1   |            | FOR 75 PERCENT BEATER DRIVE     |
| 13  | 22H979   | SET SCREW                | 1   |            |                                 |
| 14  | JD9201   | ECCENTRIC LOCKING COLLAR | 2   |            |                                 |
| 15  | H113625  | PRESSED FLANGED HOUSING  | 2   |            |                                 |
| 16  | JD9434   | BEARING                  | 2   |            |                                 |
| 17  | H113626  | PRESSED FLANGED HOUSING  | 2   |            |                                 |
| 18  | H135850  | SHEAVE                   | 1   |            |                                 |
| 19  | JD7845   | ELBOW FITTING            | 2   |            |                                 |
| 20  | H143731  | NUT                      | 8   |            |                                 |
| 21  | AH121009 | HOSE                     | 2   |            |                                 |
| 22  | E12379   | NUT                      | 2   |            |                                 |
| 23  | JD7759   | LUBRICATION FITTING      | 2   |            | L.H.                            |
| 24  | 03M7198  | BOLT                     | 8   |            | M12 X 30, USE ON R.H. SIDE ONLY |
| 25  | H130572  | SEAL                     | 4   |            |                                 |
| 26  | 14M7298  | FLANGE NUT               | 24  |            | M8                              |
| 27  | AH89557  | CLIP                     | 1   |            |                                 |
| 28  | 24M7207  | WASHER                   | 16  |            | 8.400 X 24 X 2 MM               |
| 29  | JD7788   | LUBRICATION FITTING      | 1   |            | R.H.                            |
| 30  | 24H1305  | WASHER                   | 14  |            |                                 |

# 3G15

THRESHING AND SEPARATION

## STRAW WALKERS

HP8550 -UN-06MAY99



HP8550

# 3G16

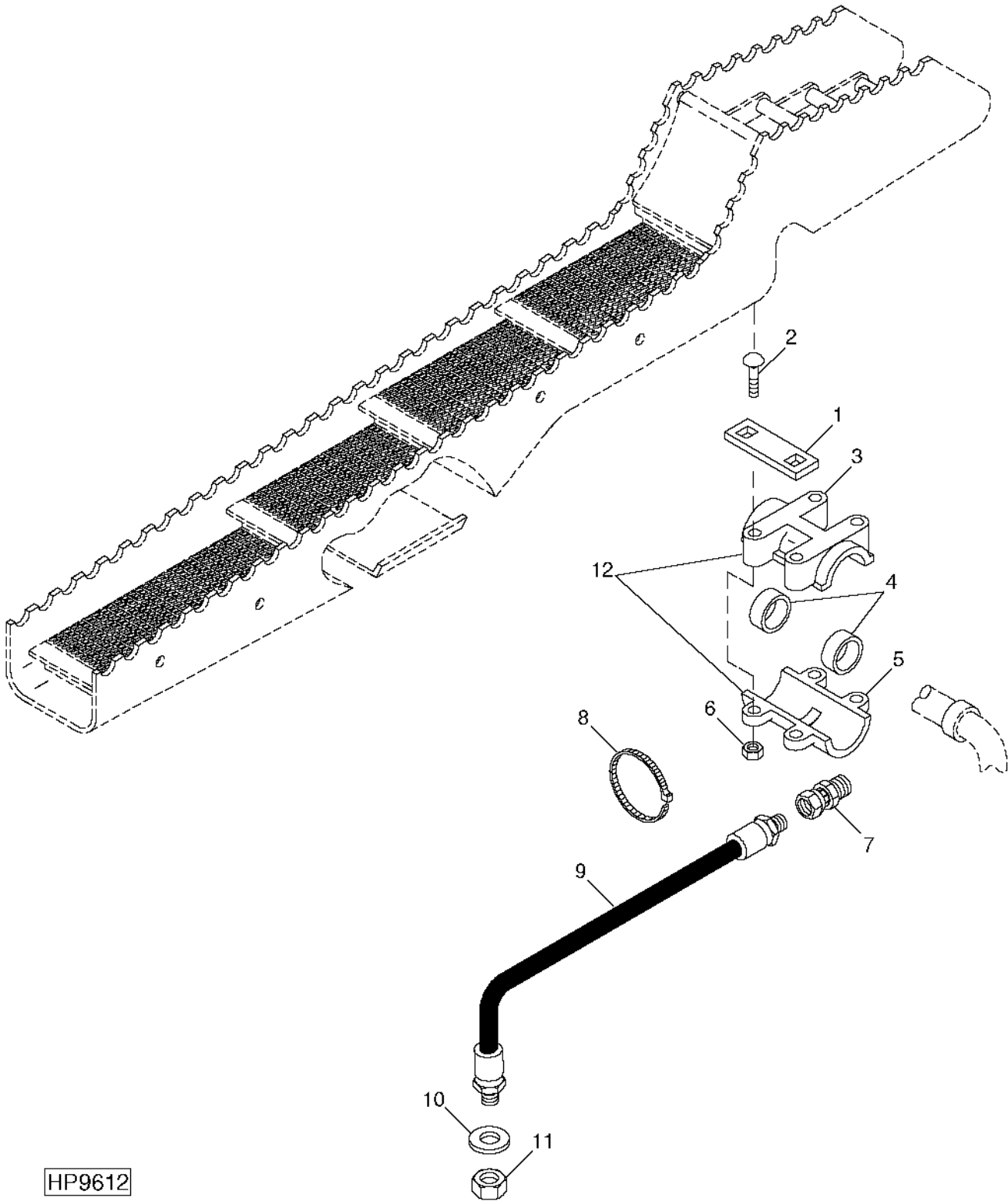
## THRESHING AND SEPARATION

### STRAW WALKERS - CONTINUED

| KEY | PART NO. | PART NAME     | QTY | SERIAL NO. | REMARKS   |
|-----|----------|---------------|-----|------------|---|
| 1   | H85233   | RIVET         | 2   |            |   |
| 2   | H135923  | STRIP         | AR  |            | BETWEEN WALKERS ONLY                            |
| 3   | .....    | RISER         | 1   |            | ONE PER WALKER EXCEPT R.H. OUTSIDE WALKER       |
| 4   | 14M7303  | FLANGE NUT    | 3   |            | M6  |
| 5   | 24H1292  | WASHER        | AR  |            | 11/32" X 3/4" X 0.120"                          |
| 6   | AH135380 | STRAW WALKER  | 5   |            | (ILLUSTRATED) LIP TYPE                          |
|     | AH140434 | STRAW WALKER  | 5   |            | RECTANGULAR GRID                                |
| 7   | H141883  | RISER         | 1   |            | CENTER (RICE) (DOMESTIC) (ILLUSTRATED) LIP TYPE |
|     | H146639  | RISER         | AR  |            | CENTER, RECTANGULAR GRID                        |
| 8   | 19M7865  | SCREW         | 1   |            | M8 X 16, TO ATTACH RISER                        |
| 9   | 03M7251  | BOLT          | 3   |            | M6 X 12   |
| 10  | 03M7184  | BOLT          | 2   |            | M8 X 20   |
| 11  | AH162250 | SEAL          | 1   |            | OUTSIDE WALKERS ONLY                            |
| 12  | H87268   | BRACKET       | 2   |            | LOSS MONITOR                                    |
| 13  | 14M7298  | FLANGE NUT    | AR  |            | M8  |
| 14  | H140414  | DEFLECTOR     | 1   |            | USE WITH CORN CHOPPER TO DEFLECT COBS           |
| 15  | 14M7396  | LOCK NUT      | 2   |            | M8  |
| 16  | M84309   | NUT           | 2   |            | TO RETAIN M8 BOLTS                              |
| 17  | H143615  | REINFORCEMENT | 1   |            |   |
| 18  | H140218  | FLAP          | 5   |            | FOR SUNFLOWERS                                  |
| 19  | 24M7055  | WASHER        | AR  |            | 8.400 X 16 X 1.600 MM                           |
| 20  | 03M7184  | BOLT          | AR  |            | M8 X 20, WITH EXTENSION PAN                     |
| 21  | 03M7221  | BOLT          | AR  |            | M6 X 16   |
| 22  | H131661  | PAN           | 1   |            |   |

# 3G17

STRAW WALKER BEARING KIT  
HP9612 -UN-09MAR00



HP9612

# 3G18

## THRESHING AND SEPARATION

### STRAW WALKER BEARING KIT - CONTINUED

| KEY | PART NO. | PART NAME           | QTY | SERIAL NO.                              | REMARKS |
|-----|----------|---------------------|-----|---|---------|
| 1   | H139667  | STRAP               | 1   | (B)                                     |         |
| 2   | 03M7359  | BOLT                | 4   | M10 X 85                                |         |
| 3   | H152464  | BEARING             | 1   | (SUB AH168158) (USE WITH H152465) UPPER |         |
| 4   | H154216  | SEAL                | 2   |   |         |
| 5   | H152465  | BEARING             | 1   | (SUB AH168158) (USE WITH H152464) LOWER |         |
| 6   | 14M7400  | LOCK NUT            | 4   | M10                                     |         |
| 7   | AN71222  | ADAPTER             | 1   | STRAIGHT (A)                            |         |
|     | JD7759   | LUBRICATION FITTING | 1   | STRAIGHT (B)                            |         |
| 8   | R44302   | TIE BAND            | 10  | (A)                                     |         |
| 9   | AH144816 | HOSE                | 1   | LUBRICATION (A)                         |         |
| 10  | 24H1307  | WASHER              | 1   | 13/32" X 1" X 1/16", (A)                |         |
| 11  | E12379   | NUT                 | 1   | 3.175MM (1/8") (A)                      |         |
| 12  | AH168158 | BEARING             | 1   |   |         |

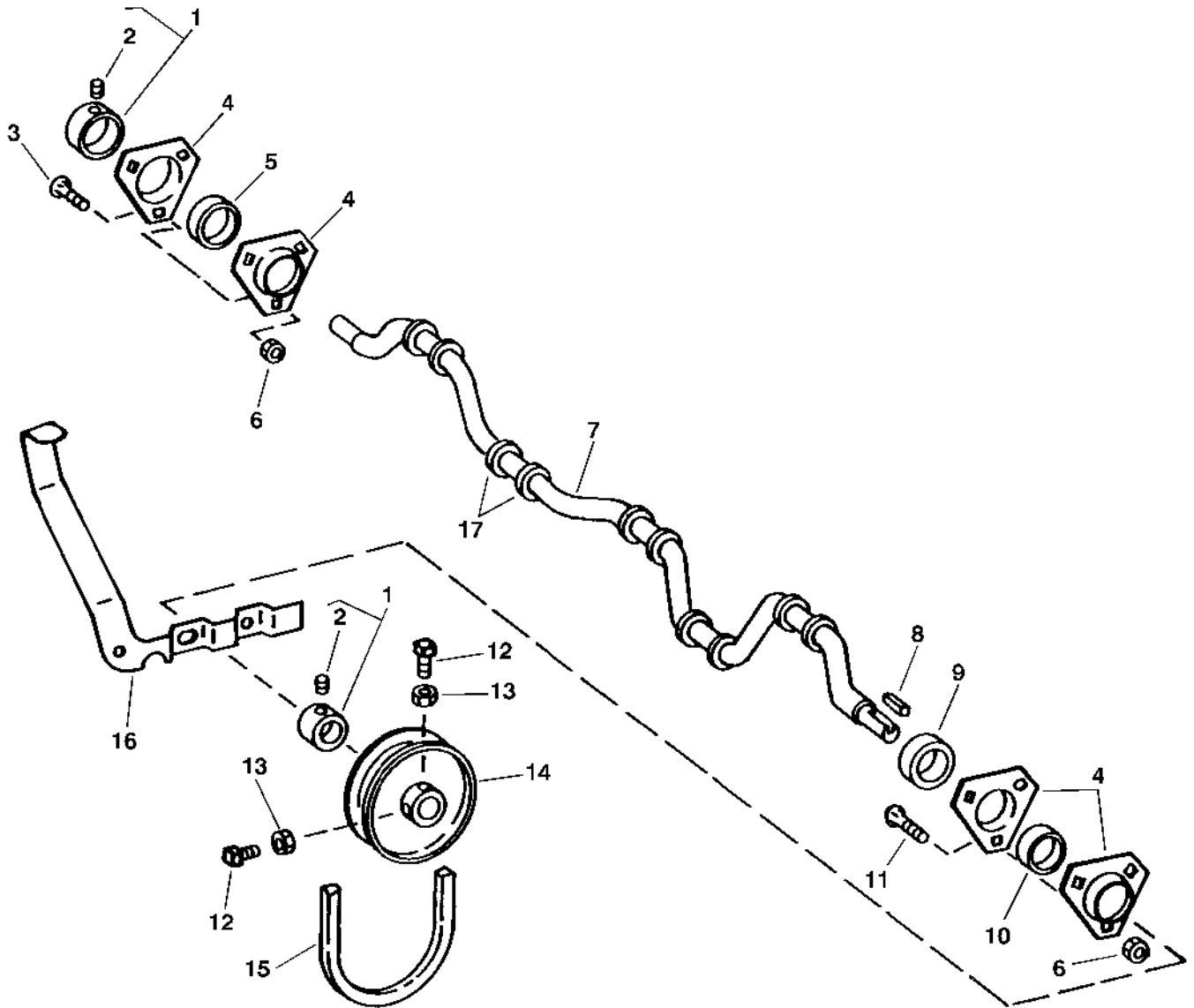
(A) USE WITH FRONT BEARING

(B) USE WITH REAR BEARING

# 3G19

THRESHING AND SEPARATION

STRAW WALKER CRANKS, STRAW SPREADER DRIVE AND SHIELD  
HP6965 -UN-08SEP97



HP6965



# 3G20

THRESHING AND SEPARATION

## STRAW WALKER CRANKS, STRAW SPREADER DRIVE AND SHIELD - CONTINUED

| KEY | PART NO. | PART NAME                | QTY | SERIAL NO. | REMARKS  |
|-----|----------|--------------------------|-----|------------|--|
| 1   | AH133191 | ECCENTRIC LOCKING COLLAR | 3   |            | L.H. ON FRONT CRANK AND BOTH ON REAR CRANK                             |
| 2   | 22M7081  | SET SCREW                | 3   |            | M10 X 10   |
| 3   | 03M7191  | BOLT                     | 3   |            | M10 X 25   |
| 4   | H103265  | PRESSED FLANGED HOUSING  | 8   |            |  |
| 5   | AZ19427  | BALL BEARING             | 1   |            | FRONT L.H. ONLY  |
|     | JD39104  | BALL BEARING             | 1   |            | R.H. REAR  |
| 6   | 14M7296  | FLANGE NUT               | 12  |            | M10  |
| 7   | AH145602 | SHAFT                    | 1   |            | REAR CRANK ONLY (HEAT TREATED)   |
|     | AH151331 | CRANKSHAFT               | 1   |            | (SUB AH151331, H155973 AND N134803) FRONT<br>CRANK ONLY (HEAT TREATED) |
| 8   | H138344  | SHAFT KEY                | 1   |            |  |
| 9   | H135519  | WASHER                   | 1   |            | FRONT R.H. ONLY  |
| 10  | AH132823 | BALL BEARING             | 1   |            | FRONT R.H. ONLY  |
|     | JD39104  | BALL BEARING             | 1   |            | L.H. REAR  |
| 11  | 03M7190  | BOLT                     | 6   |            | M10 X 20   |
|     | 03M7193  | BOLT                     | 3   |            | M10 X 35, R.H. REAR  |
| 12  | H138435  | SET SCREW                | 2   |            |  |
| 13  | 14M7274  | NUT                      | 2   |            | M10  |
| 14  | AH114359 | SHEAVE                   | 1   |            | STRAW SPREADER DRIVE (L.H. REAR)(I D 1.370)                            |
| 15  | H128234  | BELT                     | 1   |            | STRAW SPREADER DRIVE   |
| 16  | H140020  | GUIDE                    | 1   |            |  |
| 17  | AH141393 | LOCKING COLLAR           | 10  |            |  |

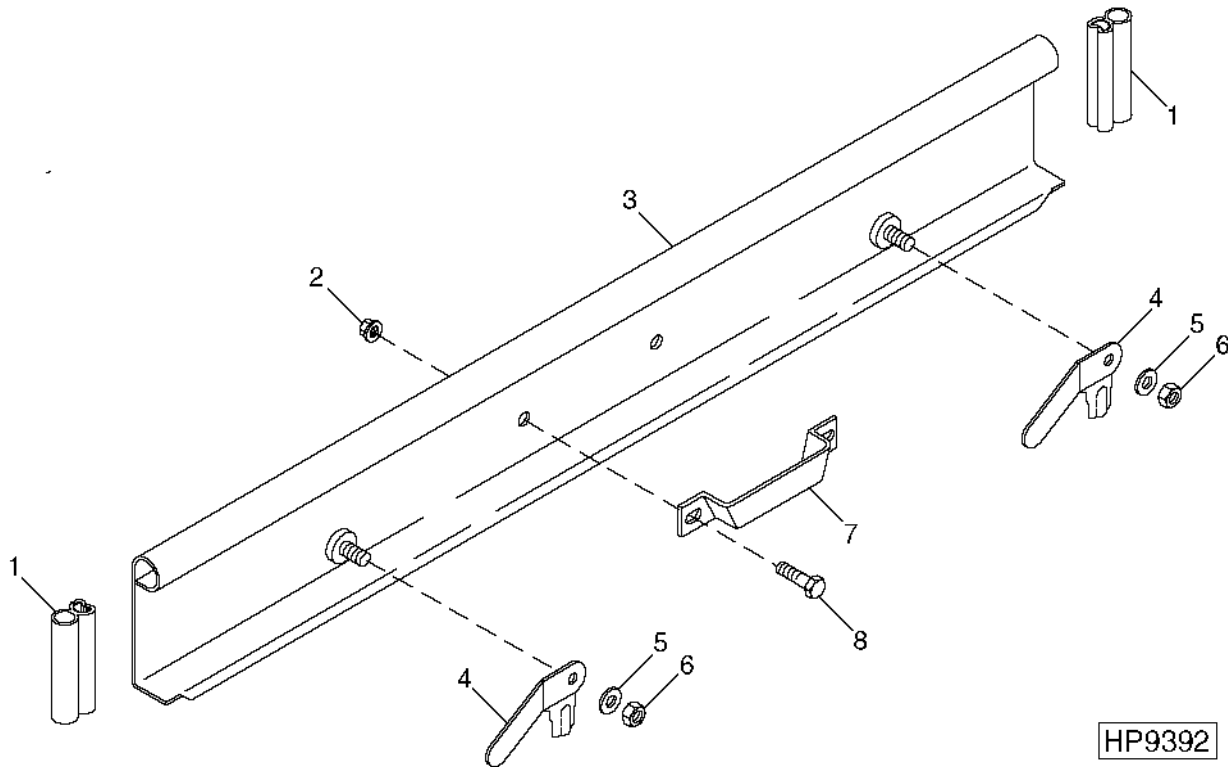
MEMORANDA

# 3G22

CLEANING SHOE

## SHOE GRAIN SUPPLY AUGER CLEANOUT DOOR, HANDLE AND LATCHES

HP9392 -UN-06DEC99

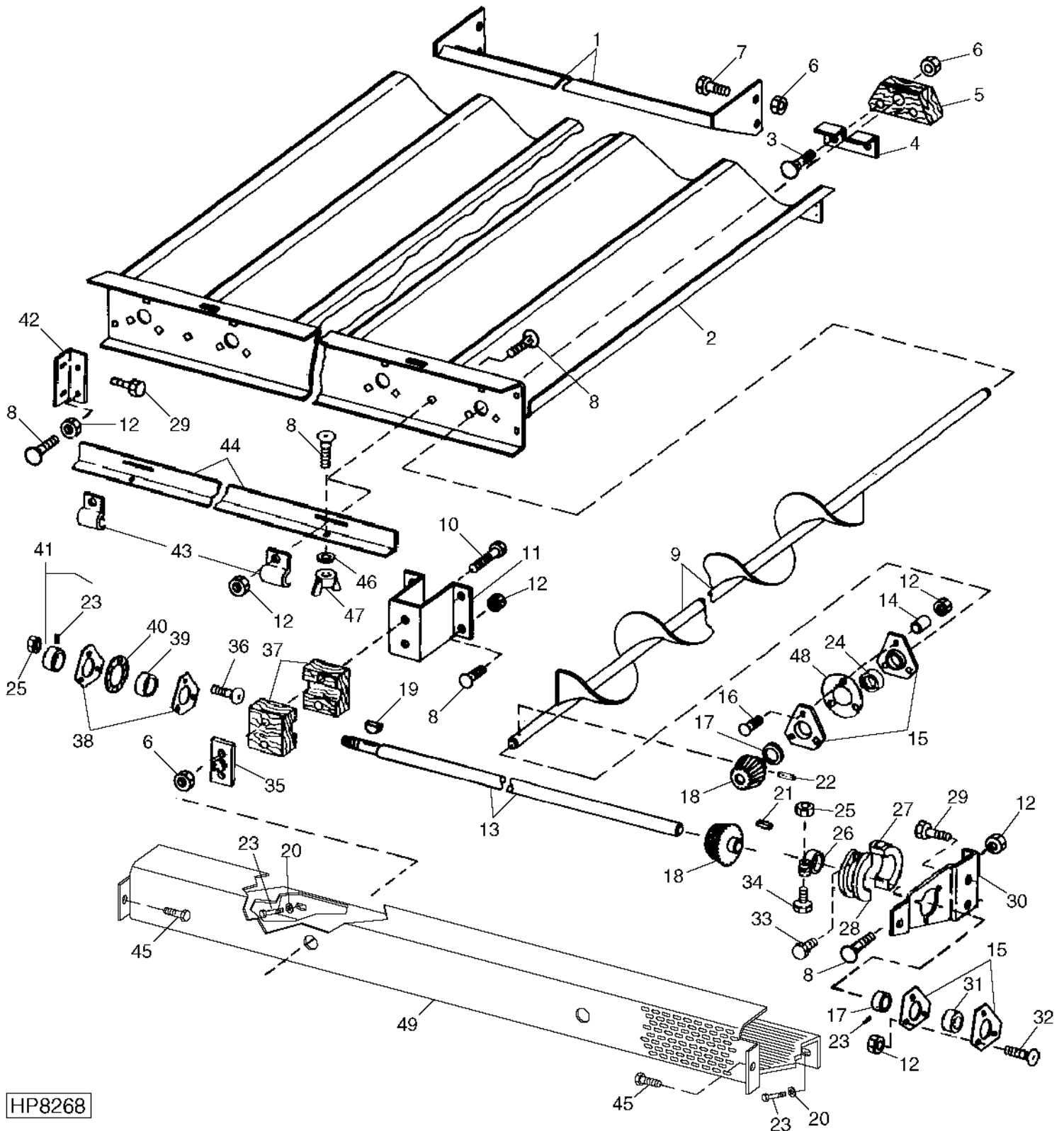


| KEY | PART NO. | PART NAME  | QTY | SERIAL NO.        | REMARKS |
|-----|----------|------------|-----|-------------------|---------|
| 1   | H131108  | ISOLATOR   | 2   |                   |         |
| 2   | 14M7298  | FLANGE NUT | 2   | M8                |         |
| 3   | AH160722 | DOOR       | 1   |                   |         |
| 4   | H127532  | HANDLE     | 2   |                   |         |
| 5   | 24M7207  | WASHER     | 2   | 8.400 X 24 X 2 MM |         |
| 6   | 14M7396  | LOCK NUT   | 2   | M8                |         |
| 7   | H85184   | HANDLE     | 1   |                   |         |
| 8   | 19M7865  | SCREW      | 2   | M8 X 16           |         |

# 3G23

CLEANING SHOE

SHOE GRAIN SUPPLY AUGERS AND HOUSING  
HP8268 -UN-27APR99



HP8268

# 3G24

CLEANING SHOE

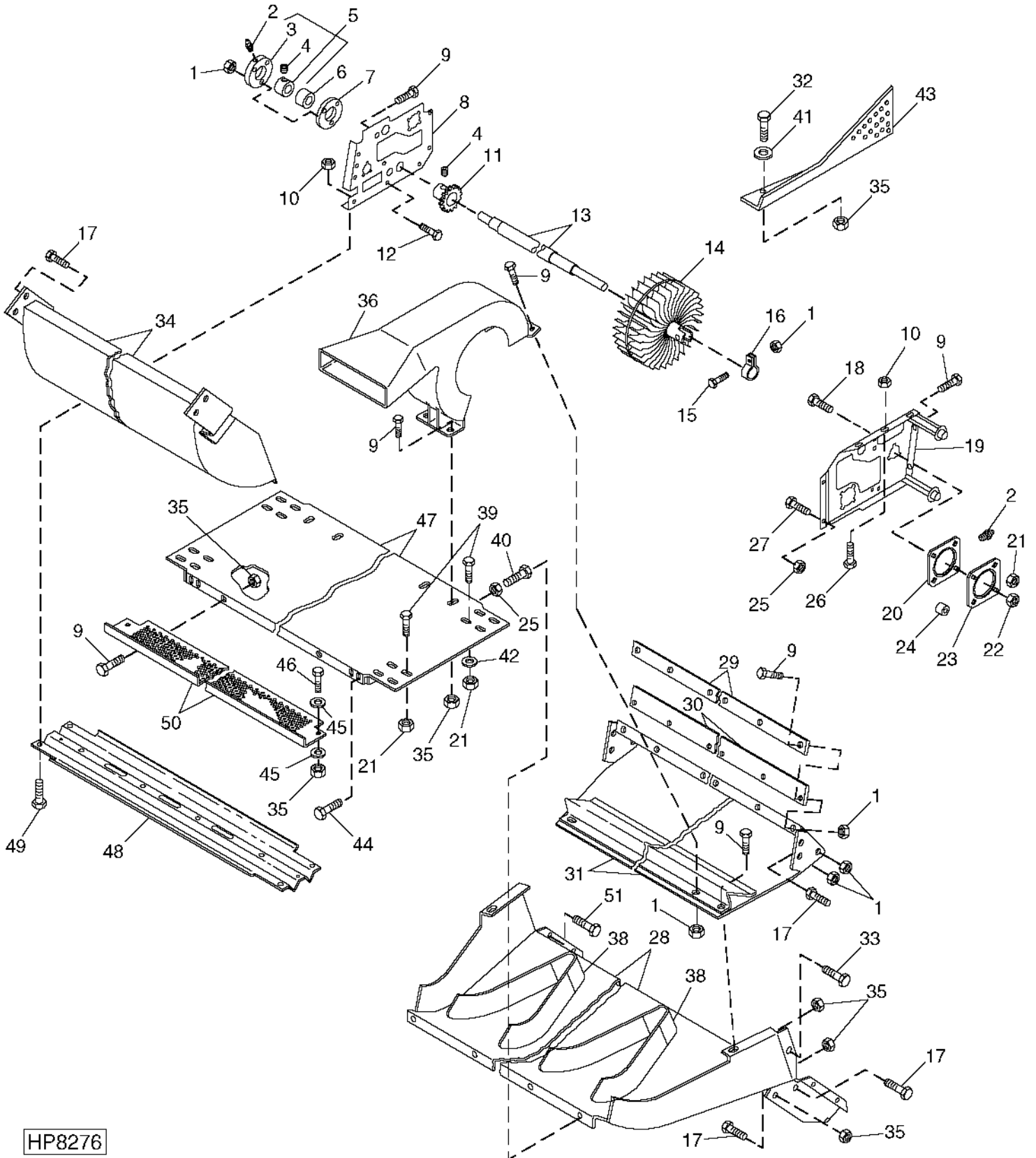
SHOE GRAIN SUPPLY AUGERS AND HOUSING - CONTINUED

| KEY | PART NO. | PART NAME                | QTY | SERIAL NO.               | REMARKS |
|-----|----------|--------------------------|-----|--------------------------|---------|
| 1   | AH126190 | SUPPORT                  | 1   |                          |         |
| 2   | AH146564 | TROUGH                   | 1   |                          |         |
| 3   | 03M7267  | BOLT                     | AR  | M8 X 80                  |         |
| 4   | H142189  | STRIPPER                 | 1   |                          |         |
| 5   | H142188  | BEARING                  | AR  | USE WITH TY6333 GREASE   |         |
| 6   | 14M7396  | LOCK NUT                 | 21  | M8                       |         |
| 7   | 19M7867  | SCREW                    | 4   | M8 X 25                  |         |
| 8   | 03M7183  | BOLT                     | AR  | M8 X 16                  |         |
| 9   | AH130424 | AUGER                    | 4   | R.H. FLIGHTING           |         |
|     | AH130425 | AUGER                    | 3   | L.H. FLIGHTING           |         |
| 10  | 19M7803  | SCREW                    | 4   | M8 X 70                  |         |
| 11  | H91205   | BRACKET                  | 2   |                          |         |
| 12  | 14M7298  | FLANGE NUT               | 36  | M8                       |         |
| 13  | H135421  | DRIVE SHAFT              | 1   |                          |         |
| 14  | 28H1720  | BUSHING                  | AR  | 0.423" X 0.675" X 27/32" |         |
| 15  | H103264  | PRESSED FLANGED HOUSING  | 16  |                          |         |
| 16  | 03M7189  | BOLT                     | AR  | M8 X 45                  |         |
| 17  | JD8554   | ECCENTRIC LOCKING COLLAR | 8   |                          |         |
| 18  | H137215  | GEAR                     | 14  |                          |         |
| 19  | 26M4226  | SHAFT KEY                | 2   | 5 X 19 MM, WOODRUFF      |         |
| 20  | 24M7178  | WASHER                   | 2   | 10.500 X 30 X 2.500 MM   |         |
| 21  | H167587  | KEY                      | 7   | 1/4 X 3/4 IN.            |         |
| 22  | E63018   | SPRING PIN               | AR  |                          |         |
| 23  | 37M7086  | SCREW                    | 2   | M10 X 20                 |         |
| 24  | JD9273   | BALL BEARING             | AR  |                          |         |
| 25  | 14M7296  | FLANGE NUT               | 10  | M10                      |         |
| 26  | H145112  | CLAMP                    | 7   |                          |         |
| 27  | H104795  | ACTUATOR                 | 1   |                          |         |
| 28  | H104796  | ACTUATOR                 | 1   |                          |         |
| 29  | 37M7096  | SCREW                    | 4   | M8 X 35                  |         |
| 30  | H127524  | BRACKET                  | 1   |                          |         |
| 31  | JD8665   | BALL BEARING             | 1   |                          |         |
| 32  | 03M7184  | BOLT                     | 3   | M8 X 20                  |         |
| 33  | H168924  | SCREW                    | 1   | 0.190" X 1"              |         |
| 34  | 19M7572  | CAP SCREW                | AR  |                          |         |
| 35  | AH155275 | FITTING                  | 2   |                          |         |
| 36  | 03M7191  | BOLT                     | 3   | M10 X 25                 |         |
| 37  | H135475  | BEARING                  | 4   |                          |         |
| 38  | E10018   | PRESSED FLANGED HOUSING  | 2   |                          |         |
| 39  | AH129451 | BALL BEARING             | 1   |                          |         |
| 40  | H102533  | SHIM                     | 1   |                          |         |
| 41  | AH129452 | ECCENTRIC LOCKING COLLAR | 1   |                          |         |
| 42  | H127525  | ANGLE                    | 1   |                          |         |
| 43  | H94167   | CLAMP                    | 2   |                          |         |
| 44  | H99638   | DOOR                     | 1   |                          |         |
| 45  | 37M7058  | SCREW                    | 2   | M8 X 20                  |         |
| 46  | 24M7139  | WASHER                   | 2   | 6.400 X 18 X 1.600 MM    |         |
| 47  | 14M7019  | WING NUT                 | 2   | M6                       |         |
| 48  | H36155   | SHIM                     | 1   | 0.762 MM                 |         |
| 49  | H164493  | SHIELD                   | 1   |                          |         |

# 3H1

CLEANING SHOE

CLEANING FANS AND SHROUDS  
HP8276 -UN-06MAY99



HP8276

# 3H2

CLEANING SHOE

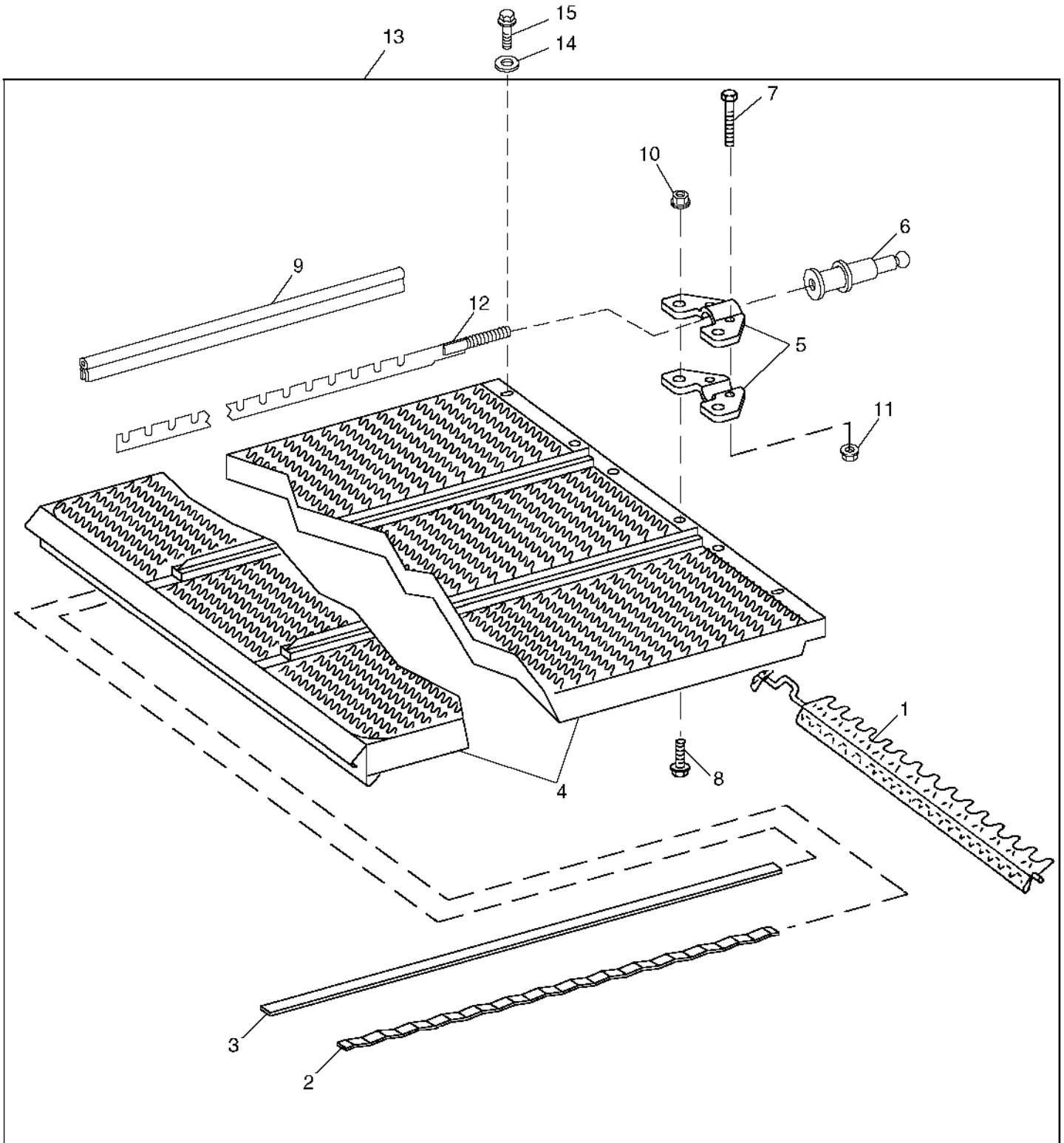
## CLEANING FANS AND SHROUDS - CONTINUED

| KEY | PART NO. | PART NAME                | QTY | SERIAL NO.                  | REMARKS |
|-----|----------|--------------------------|-----|-----------------------------|---------|
| 1   | 14M7396  | LOCK NUT                 | AR  | M8                          |         |
| 2   | JD7788   | LUBRICATION FITTING      | 2   |                             |         |
| 3   | AE26118  | PRESSED FLANGED HOUSING  | 1   |                             |         |
| 4   | 22M7027  | SET SCREW                | 2   | M6 X 16                     |         |
| 5   | AZ10044  | ECCENTRIC LOCKING COLLAR | 1   |                             |         |
| 6   | JD9490   | BALL BEARING             | 1   |                             |         |
| 7   | N52258   | PRESSED FLANGED HOUSING  | 1   |                             |         |
| 8   | H150091  | BRACKET                  | 1   | R.H.                        |         |
| 9   | 19M7865  | SCREW                    | AR  | M8 X 16                     |         |
| 10  | 14M7400  | LOCK NUT                 | 4   | M10                         |         |
| 11  | H122372  | WHEEL                    | 2   |                             |         |
| 12  | 03M7185  | BOLT                     | 3   | M8 X 25                     |         |
| 13  | AH131092 | TUBE                     | 1   | (SUB H171316)               |         |
|     | H171316  | TUBE                     | 1   |                             |         |
| 14  | H119211  | ROTOR                    | 4   |                             |         |
| 15  | 03M7188  | BOLT                     | 8   | M8 X 40                     |         |
| 16  | H130695  | CLAMP                    | 8   |                             |         |
| 17  | 19M7867  | SCREW                    | AR  | M8 X 25                     |         |
| 18  | 03M7198  | BOLT                     | 4   | M12 X 30                    |         |
| 19  | H150092  | BRACKET                  | 1   | L.H.                        |         |
| 20  | H113625  | PRESSED FLANGED HOUSING  | 1   |                             |         |
| 21  | 14M7299  | FLANGE NUT               | AR  | M12                         |         |
| 22  | AL14674  | ECCENTRIC LOCKING COLLAR | 1   |                             |         |
| 23  | H113626  | PRESSED FLANGED HOUSING  | 1   |                             |         |
| 24  | AH139297 | BALL BEARING             | 1   |                             |         |
| 25  | 14M7396  | LOCK NUT                 | AR  | M8                          |         |
| 26  | 19M7944  | SCREW                    | 4   | M10 X 120                   |         |
| 27  | 19M7803  | SCREW                    | 4   | M8 X 70                     |         |
| 28  | AH130476 | AIR DUCT                 | 1   | L.H.                        |         |
| 29  | H98546   | REINFORCEMENT            | 1   |                             |         |
| 30  | H133080  | SEAL                     | 1   |                             |         |
| 31  | AH128312 | AIR DUCT                 | 1   |                             |         |
| 32  | 19M7801  | SCREW                    | 2   | M8 X 60                     |         |
| 33  | 19M7800  | SCREW                    | 1   | M8 X 50, R.H.               |         |
|     | 19M7867  | SCREW                    | 1   | M8 X 25                     |         |
| 34  | AH126213 | AIR DUCT                 | 1   |                             |         |
| 35  | 14M7298  | FLANGE NUT               | AR  | M8                          |         |
| 36  | AH163761 | HOUSING                  | 4   |                             |         |
| 37  | 19M7865  | SCREW                    | AR  | M8 X 16                     |         |
| 38  | AH138385 | COVER                    | 1   |                             |         |
| 39  | 19M7818  | SCREW                    | AR  | M12 X 80                    |         |
| 40  | 19M7866  | SCREW                    | AR  | M8 X 20                     |         |
| 41  | 24H1296  | WASHER                   | 2   | 8.738 X 34.925 X 3.404 MM   |         |
| 42  | 28H2611  | SPACER                   | 18  | 0.546" X 0.840" X 2"        |         |
| 43  | H145950  | SHIELD                   | 1   | R.H.                        |         |
|     | H145949  | SHIELD                   | 1   | L.H.                        |         |
| 44  | 19M7789  | SCREW                    | 4   | M12 X 30                    |         |
| 45  | 24M7207  | WASHER                   | 4   | 8.400 X 24 X 2 MM           |         |
| 46  | 19M7868  | SCREW                    | 2   | M8 X 30                     |         |
| 47  | AH149823 | SUPPORT                  | 1   |                             |         |
| 48  | H134995  | PLATE                    | 1   | ( FOR CORN AND GRAIN ONLY ) |         |
|     | H137388  | PLATE                    | 1   | ( FOR RICE ONLY )           |         |
| 49  | 19M7898  | SCREW                    | 4   | M10 X 130                   |         |
| 50  | H144558  | SHIELD                   | 1   |                             |         |
| 51  | 19M8039  | SCREW                    | AR  | M8 X 80                     |         |
| 52  | AH130476 | AIR DUCT                 | 1   |                             |         |
| 53  | 19M7800  | SCREW                    | 1   | M8 X 50                     |         |
|     | 19M7867  | SCREW                    | 1   | M8 X 25                     |         |
| 54  | AH138385 | MOUNTING PARTS           | 1   | (CONTAINS 3 COVERS)         |         |

# 3H3

CLEANING SHOE

PRECLEANING CHAFFER  
HP9723 -UN-20APR00



HP9723



# 3H4

CLEANING SHOE

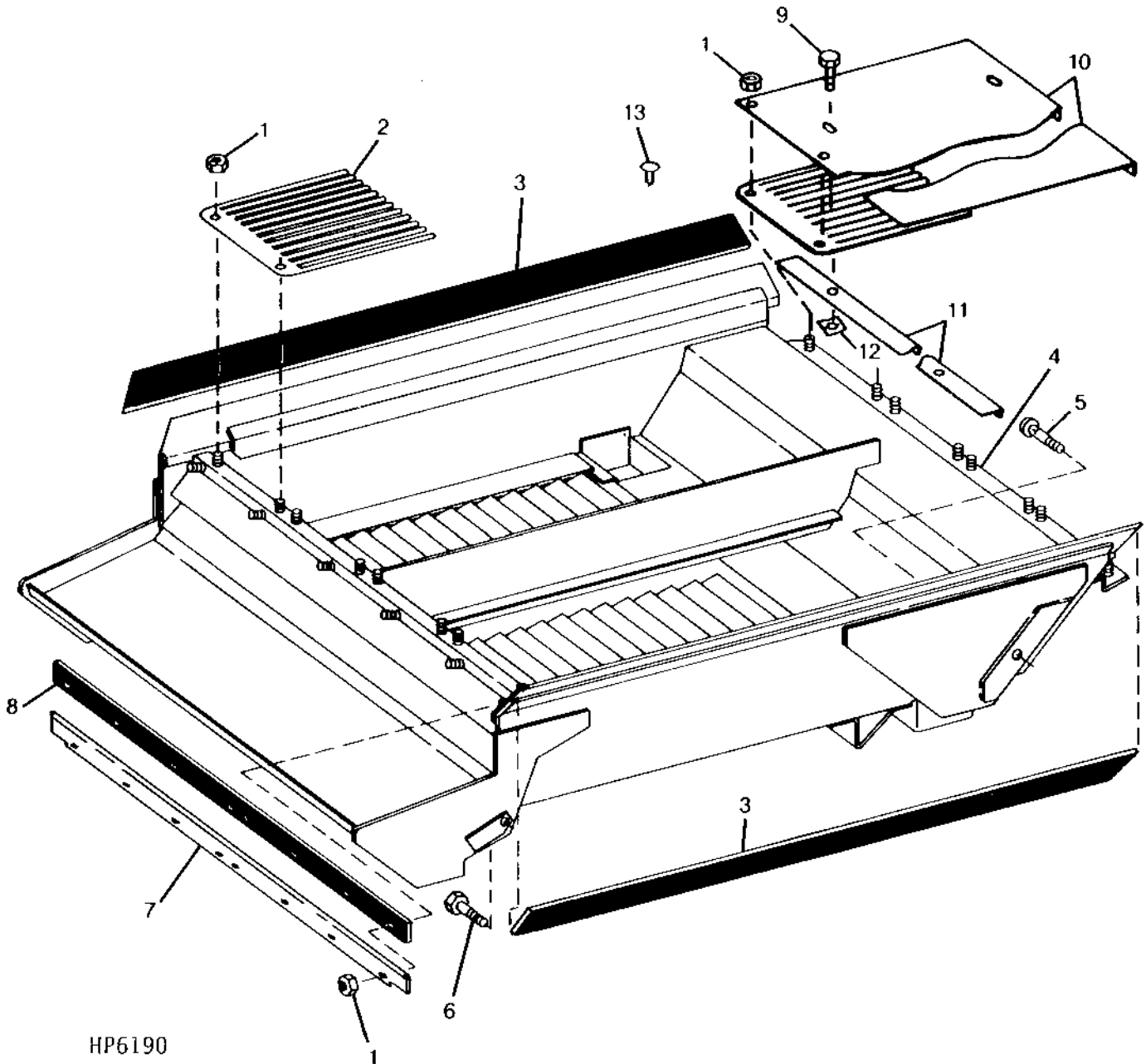
## PRECLEANING CHAFFER - CONTINUED

| KEY | PART NO. | PART NAME   | QTY | SERIAL NO. | REMARKS                     |
|-----|----------|-------------|-----|------------|-----------------------------|
| 1   | AH130184 | LOUVER      | 26  |            | PRECLEANER LOUVER           |
|     | AH127466 | LOUVER      | 1   |            | SEMI-DEEP TOOTH LOUVER      |
| 2   | H132291  | LEAF SPRING | 2   |            |                             |
| 3   | H132288  | STRIP       | 3   |            |                             |
| 4   | .....    | FRAME       | 1   |            |                             |
| 5   | H156800  | RETAINER    | 2   |            |                             |
| 6   | H156801  | ACTUATOR    | 1   |            |                             |
| 7   | 19M7775  | SCREW       | 2   |            | M6 X 16                     |
| 8   | 19M7784  | SCREW       | 2   |            | M10 X 20                    |
| 9   | AH140044 | ISOLATOR    | 1   |            | CUT TO LENGTH               |
| 10  | 14M7400  | LOCK NUT    | 2   |            | M10                         |
| 11  | 14M7397  | LOCK NUT    | 2   |            | M6                          |
| 12  | AH156717 | STRIP       | 1   |            |                             |
| 13  | AH149544 | CHAFFER     | 2   |            | ADJUSTABLE, GENERAL PURPOSE |
|     | AH127870 | CHAFFER     | 2   |            | STEP PAN                    |
|     | AH131214 | CHAFFER     | 2   |            | 3MM FIXED HOLE              |
|     | AH149548 | CHAFFER     | 2   |            | SEMI-DEEP TOOTH             |
| 14  | 24H1308  | WASHER      | 6   |            | 13/32" X 1" X 0.134"        |
| 15  | 19M7785  | SCREW       | 6   |            | M10 X 25                    |

# 3H5

CLEANING SHOE

PRECLEANER CHAFFER FRAME  
HP6190 -UN-03OCT95



HP6190

# 3H6

CLEANING SHOE

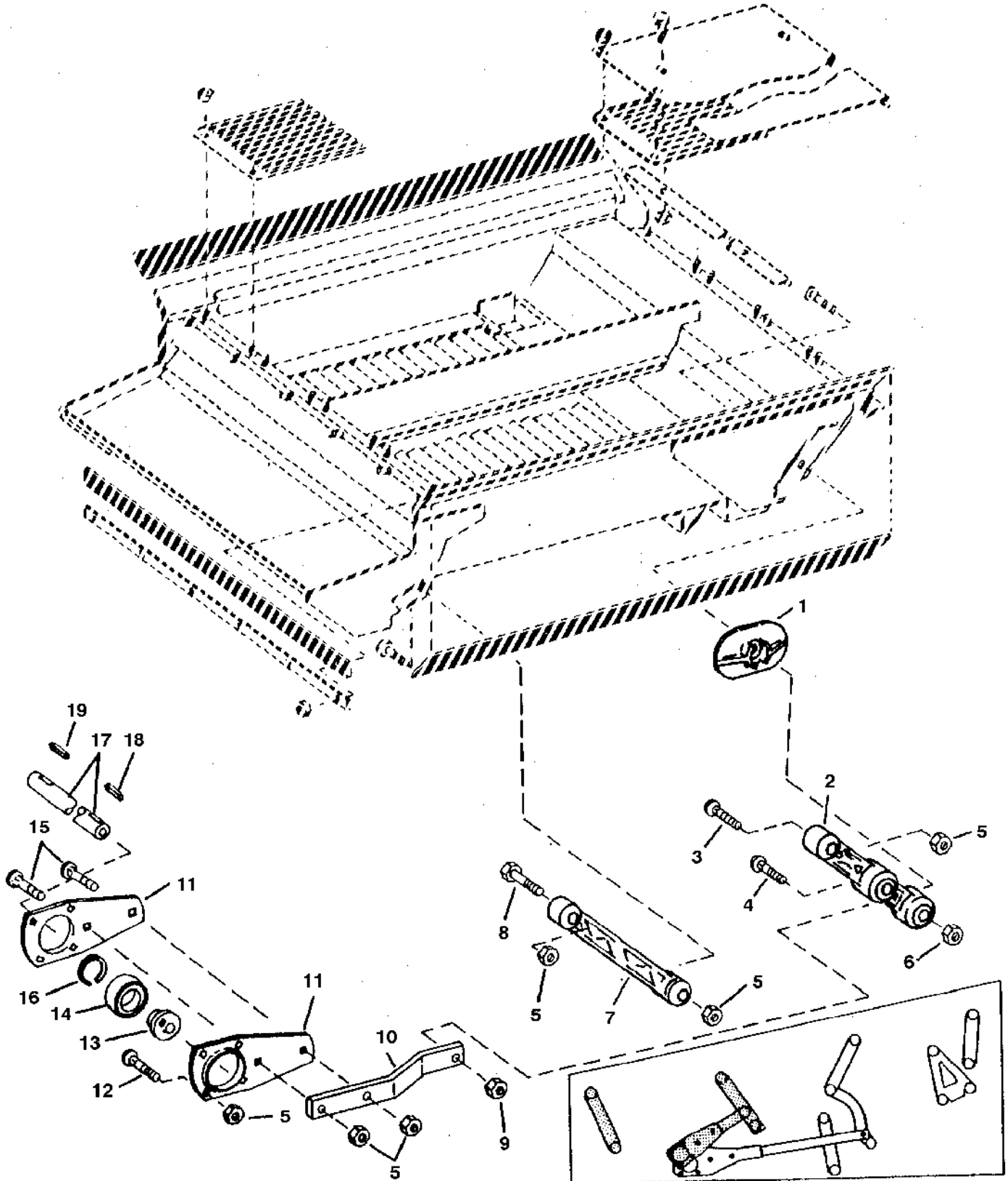
**PRECLEANER CHAFFER FRAME - CONTINUED**

| KEY | PART NO. | PART NAME | QTY | SERIAL NO.        | REMARKS |
|-----|----------|-----------|-----|-------------------|---------|
| 1   | 14M7396  | LOCK NUT  | AR  | M8                |         |
| 2   | H132161  | FINGER    | 4   | 15 FINGER (FRONT) |         |
|     | H156717  | FINGER    | 2   | 12 FINGER         |         |
|     | H156718  | FINGER    | 4   | 15 FINGER (REAR)  |         |
| 3   | H152232  | SEAL      | 2   | (ILLUSTRATED)     |         |
| 4   | AH153807 | FRAME     | 1   |                   |         |
| 5   | 03M7281  | BOLT      | 2   | M16 X 180         |         |
| 6   | 19M7758  | CAP SCREW | 2   | M12 X 130         |         |
| 7   | H152310  | STRIP     | 1   |                   |         |
| 8   | H152309  | SEAL      | 1   |                   |         |
| 9   | 19M7868  | SCREW     | AR  | M8 X 30           |         |
| 10  | H136608  | SHEET     | 1   |                   |         |
| 11  | H136610  | ANGLE     | 1   |                   |         |
| 12  | R87345   | LOCK NUT  | AR  |                   |         |
| 13  | R55326   | RIVET     | 6   |                   |         |

# 3H7

CLEANING SHOE

PRECLEANER CHAFFER FRAME ARMS  
HP6891 -UN-18AUG97



HP6891

# 3H8

CLEANING SHOE

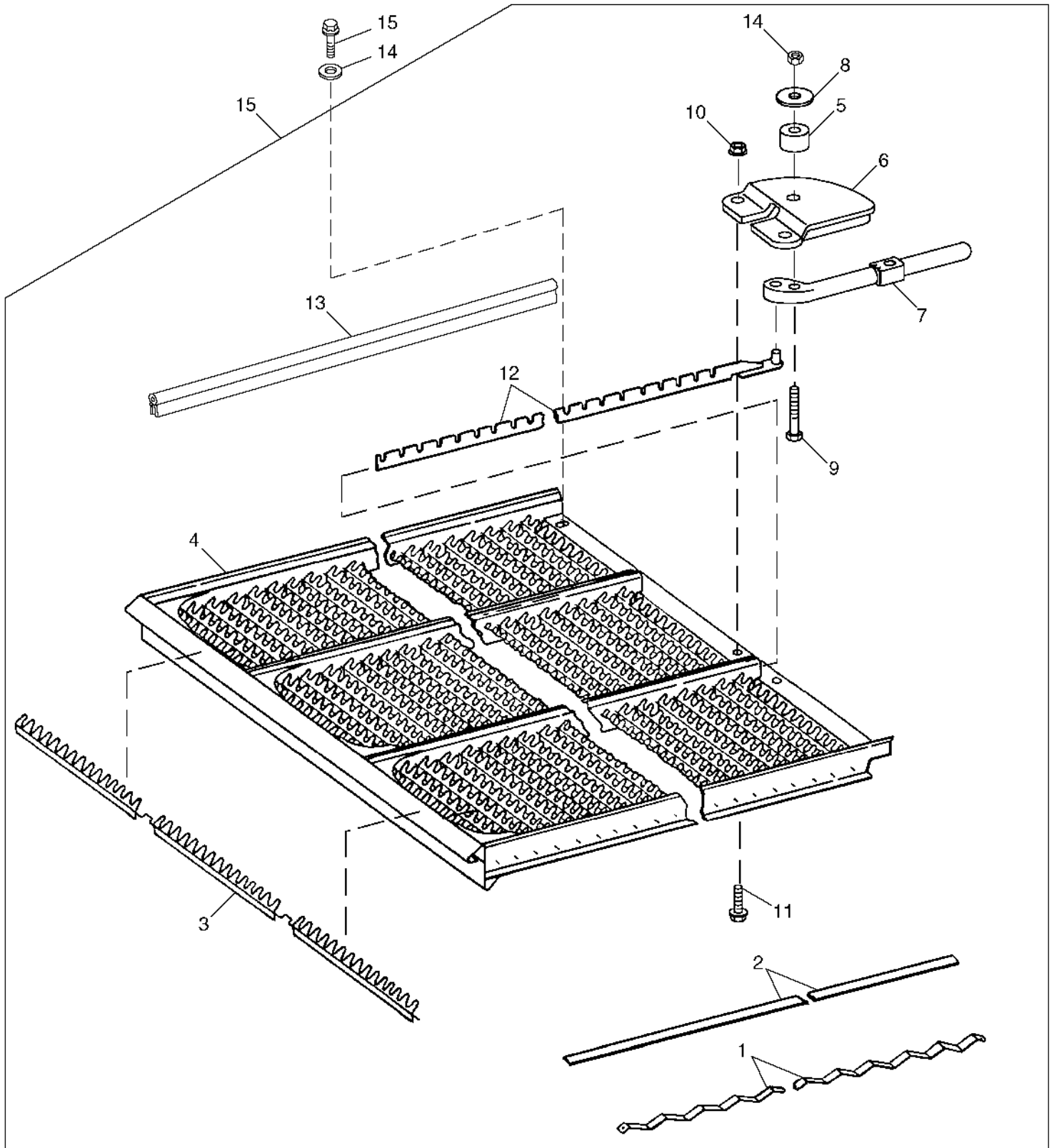
PRECLEANER CHAFFER FRAME ARMS - CONTINUED

| KEY | PART NO. | PART NAME               | QTY | SERIAL NO.  | REMARKS |
|-----|----------|-------------------------|-----|---|---------|
| 1   | H146672  | SEAL                    | 2   |   |         |
| 2   | AH138234 | LINK                    | 2   | CAST  |         |
| 3   | 03M7248  | BOLT                    | 2   | M12 X 90  |         |
| 4   | 19M8043  | CAP SCREW               | 2   | M16 X 140   |         |
| 5   | 14M7299  | FLANGE NUT              | AR  | M12   |         |
| 6   | 14M7276  | NUT                     | 2   | M16   |         |
| 7   | AH138231 | LINK                    | 2   | CAST  |         |
| 8   | 19M7818  | SCREW                   | 1   | M12 X 80  |         |
| 9   | 14M7291  | FLANGE NUT              | 2   | M16   |         |
| 10  | H130922  | PITMAN                  | 2   |   |         |
| 11  | H134118  | PRESSED FLANGED HOUSING | 4   |   |         |
| 12  | 03M7197  | BOLT                    | AR  | M12 X 25  |         |
| 13  | H133599  | CAM                     | 1   | L.H.  |         |
|     | H133602  | CAM                     | 1   | R.H.  |         |
| 14  | AH125975 | BALL BEARING            | 2   |   |         |
| 15  | 03M7200  | BOLT                    | AR  | M12 X 40  |         |
| 16  | R43383   | SNAP RING               | 2   |   |         |
| 17  | H133597  | SHAFT                   | 1   | CLEANING SHOE SHAFT                                       |         |
| 18  | .....    | SHAFT KEY               | 1   | 6 X 50 MM (IN AH141142 KEY STOCK KIT) (CUT FROM H150268)  |         |
| 19  | .....    | SHAFT KEY               | 1   | 6 X 100 MM (IN AH141142 KEY STOCK KIT) (CUT FROM H150268) |         |

# 3H9

CLEANING SHOE

CHAFFER ELEMENT  
HP9725 -UN-20APR00



HP9725

# 3H10

CLEANING SHOE

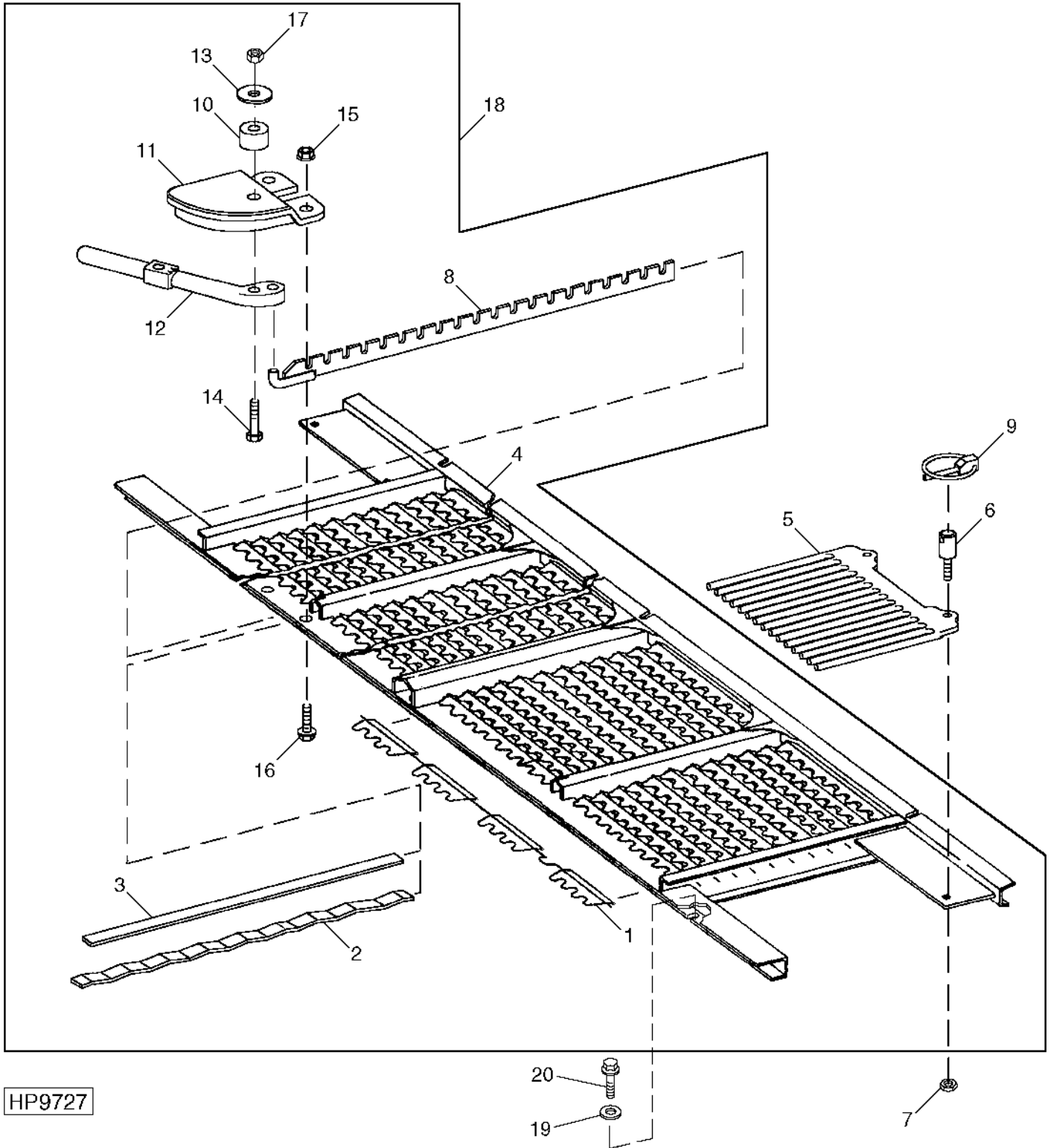
**CHAFFER ELEMENT - CONTINUED**

| KEY | PART NO. | PART NAME   | QTY | SERIAL NO. | REMARKS                     |
|-----|----------|-------------|-----|------------|-----------------------------|
| 1   | H132291  | LEAF SPRING | 2   |            |                             |
| 2   | H132288  | STRIP       | 2   |            |                             |
| 3   | AH132786 | LOUVER      | 26  |            | GENERAL PURPOSE LOUVERS     |
|     | AH127466 | LOUVER      | 27  |            | SEMI-DEEP TOOTH LOUVERS     |
| 4   | .....    | FRAME       | 1   |            | FIXED LOUVER                |
| 5   | A37576   | PAD         | 1   |            |                             |
| 6   | H157740  | BRACKET     | 1   |            |                             |
| 7   | H157743  | HANDLE      | 1   |            |                             |
| 8   | 24H1695  | WASHER      | 1   |            |                             |
| 9   | 19M7177  | CAP SCREW   | 1   |            | M6 X 35                     |
| 10  | 14M7296  | FLANGE NUT  | 2   |            | M10                         |
| 11  | 19M7784  | SCREW       | 2   |            | M10 X 20                    |
| 12  | AH150167 | STRIP       | 1   |            |                             |
| 13  | AH140044 | ISOLATOR    | 1   |            | CUT TO LENGTH               |
| 14  | 14M7397  | LOCK NUT    | 1   |            | M6                          |
| 15  | AH149550 | CHAFFER     | 2   |            | GENERAL PURPOSE, ADJUSTABLE |
|     | AH149552 | CHAFFER     | 2   |            | SEMI-DEEP TOOTH, ADJUSTABLE |
|     | AH130485 | CHAFFER     | 2   |            | FIXED LOUVER, NONADJUSTABLE |
| 16  | 24H1308  | WASHER      | 6   |            | 13/32" X 1" X 0.134"        |
| 17  | 19M7785  | SCREW       | 6   |            | M10 X 25                    |

# 3H11

CLEANING SHOE

CHAFFER EXTENSION ELEMENT  
HP9727 -UN-20APR00



HP9727



# 3H12

CLEANING SHOE

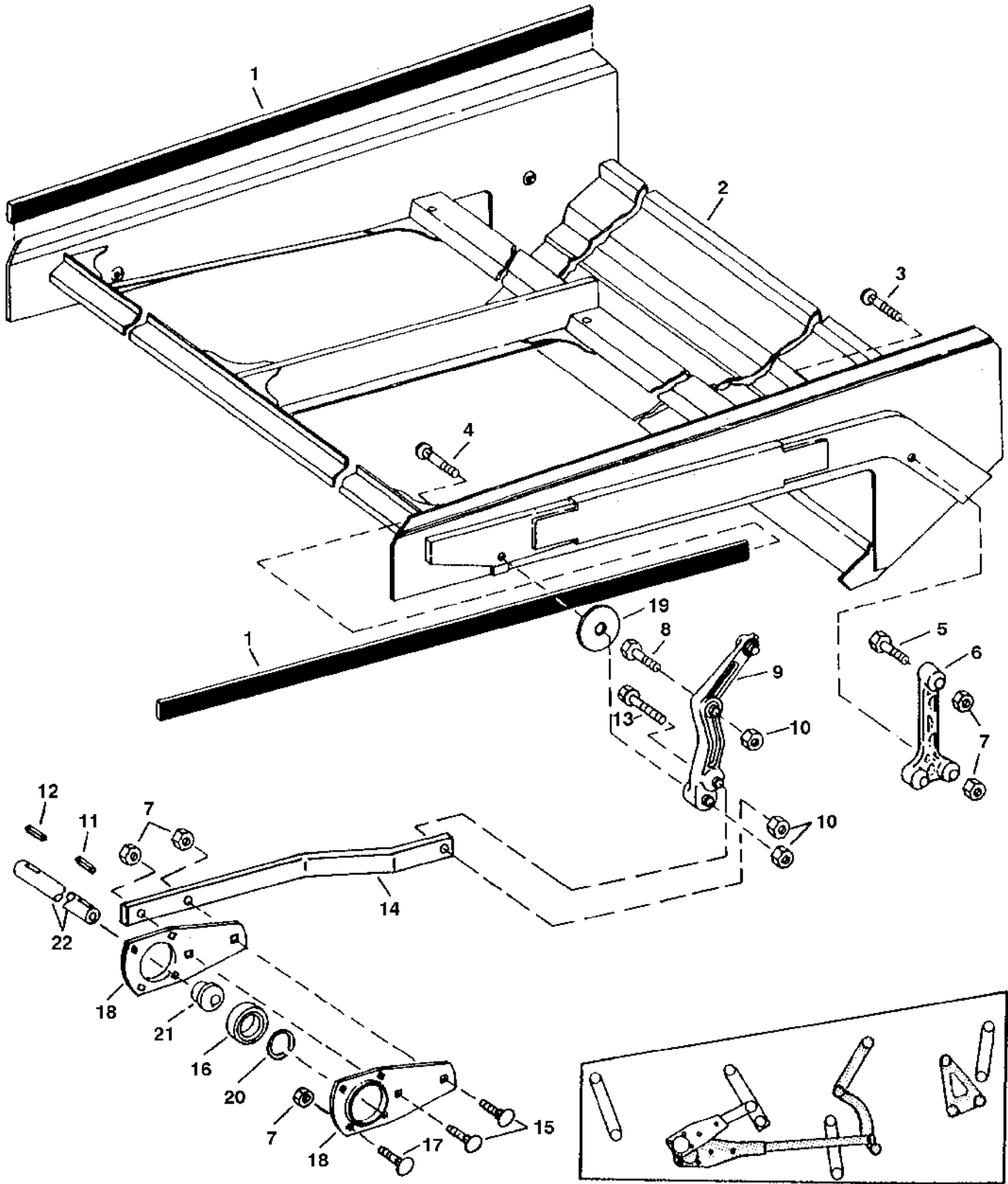
## CHAFFER EXTENSION ELEMENT - CONTINUED

| KEY | PART NO. | PART NAME      | QTY | SERIAL NO. | REMARKS                     |
|-----|----------|----------------|-----|------------|-----------------------------|
| 1   | AH127466 | LOUVER         | 12  |            |                             |
| 2   | H132293  | LEAF SPRING    | 3   |            |                             |
| 3   | H132290  | STRIP          | 3   |            |                             |
| 4   | AH130995 | CHAFFER        | 1   |            | FIXED ELEMENT               |
| 5   | H132161  | FINGER         | 2   |            | 15 FINGERS                  |
|     | H132160  | FINGER         | 2   |            | FOR FIXED LOUVER            |
| 6   | H157752  | STUD           | 2   |            |                             |
| 7   | 14M7298  | FLANGE NUT     | 2   |            | M8                          |
| 8   | AH150169 | STRIP          | 1   |            |                             |
| 9   | M72598   | QUICK LOCK PIN | 2   |            |                             |
| 10  | A37576   | PAD            | 1   |            |                             |
| 11  | H157740  | BRACKET        | 1   |            |                             |
| 12  | H157743  | HANDLE         | 1   |            |                             |
| 13  | 24H1695  | WASHER         | 1   |            | 9/32" X 1-3/8" X 0.065"     |
| 14  | 19M7177  | CAP SCREW      | 1   |            | M6 X 35                     |
| 15  | 14M7296  | FLANGE NUT     | 2   |            | M10                         |
| 16  | 19M7784  | SCREW          | 2   |            | M10 X 20                    |
| 17  | 14M7397  | LOCK NUT       | 1   |            | M6                          |
| 18  | AH149554 | EXTENSION      | 1   |            | GENERAL PURPOSE             |
|     | AH130995 | CHAFFER        | 1   |            | FIXED LOUVER, NONADJUSTABLE |
| 19  | 24H1308  | WASHER         | 3   |            | 13/32" X 1" X 0.134"        |
| 20  | 19M7785  | SCREW          | 3   |            | M10 X 25                    |

# 3H13

CLEANING SHOE

CHAFFER FRAME  
HP8232 -UN-10FEB99



HP8232

# 3H14

CLEANING SHOE

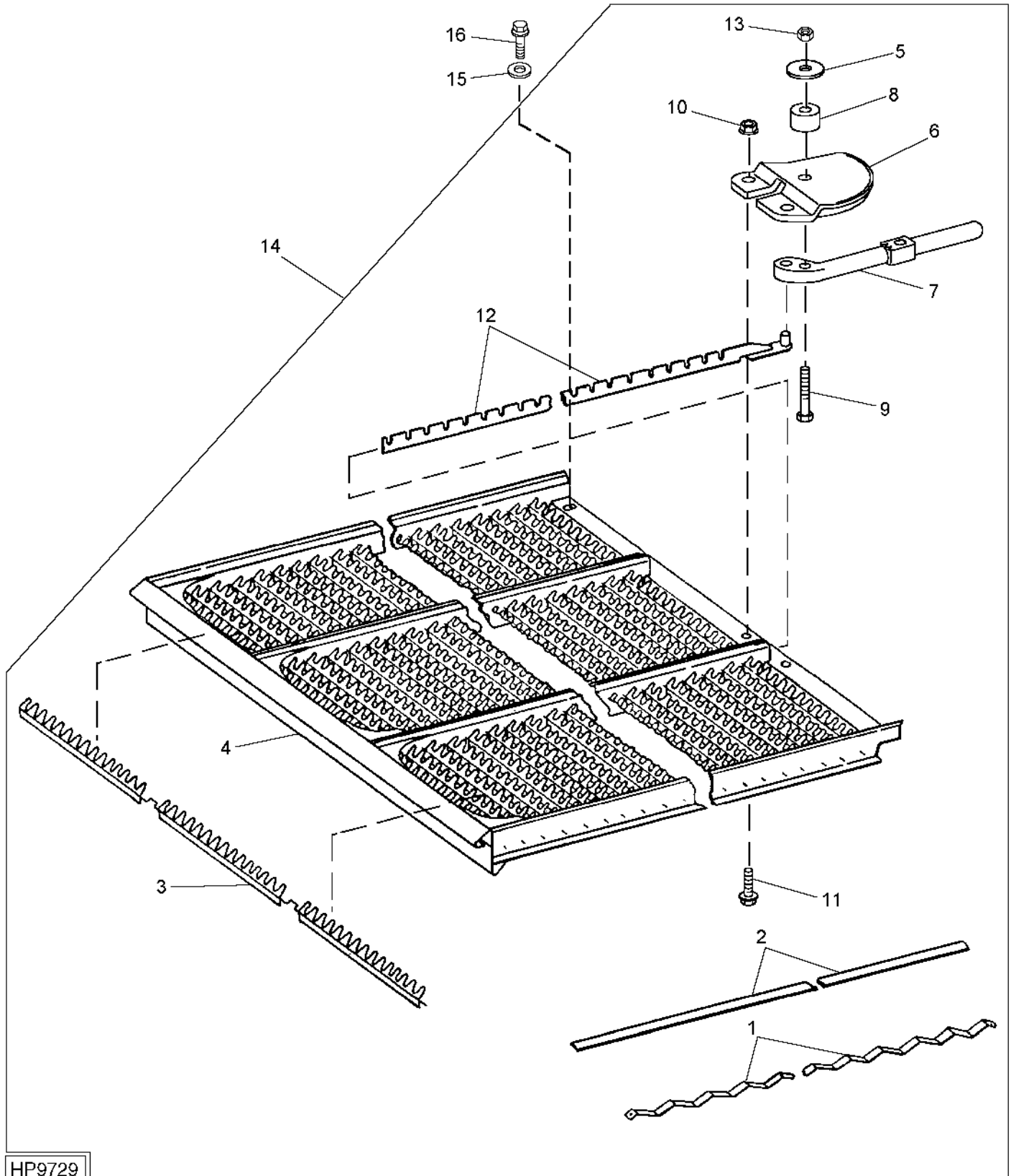
CHAFFER FRAME - CONTINUED

| KEY | PART NO. | PART NAME               | QTY | SERIAL NO. | REMARKS   |
|-----|----------|-------------------------|-----|------------|---|
| 1   | H175540  | SEAL                    | 2   |            | (SUB FOR H131319)   |
| 2   | AH151970 | FRAME                   | 1   |            |   |
| 3   | 19M7943  | CAP SCREW               | 2   |            | M12 X 90  |
| 4   | 19M7732  | CAP SCREW               | 2   |            | M16 X 130   |
| 5   | 03M7248  | BOLT                    | 2   |            | M12 X 90  |
| 6   | AH138232 | LINK                    | 2   |            |   |
| 7   | 14M7299  | FLANGE NUT              | AR  |            | M12   |
| 8   | H154929  | BOLT                    | 2   |            | M16 X 130   |
| 9   | AH125969 | ARM                     | 1   |            | L.H.  |
|     | AH125970 | ARM                     | 1   |            | R.H.  |
| 10  | 14M7291  | FLANGE NUT              | AR  |            | M16   |
| 11  | .....    | SHAFT KEY               | 1   |            | 6 X 100 MM (IN AH141142 KEY STOCK KIT) (CUT FROM H150268) |
| 12  | .....    | SHAFT KEY               | 1   |            | 6 X 50 MM (IN AH141142 KEY STOCK KIT) (CUT FROM H150268)  |
| 13  | 19M8486  | CAP SCREW               | 2   |            | M16 X 180   |
| 14  | H150034  | BAR                     | 2   |            |   |
| 15  | 03M7198  | BOLT                    | AR  |            | M12 X 30  |
|     | 03M7200  | BOLT                    | AR  |            | M12 X 40  |
| 16  | AH125975 | BALL BEARING            | 2   |            |   |
| 17  | 03M7198  | BOLT                    | AR  |            | M12 X 30  |
| 18  | H134118  | PRESSED FLANGED HOUSING | 4   |            |   |
| 19  | H137188  | SEAL                    | 2   |            |   |
| 20  | R43383   | SNAP RING               | 2   |            |   |
| 21  | H133600  | CAM                     | 1   |            | L.H.  |
|     | H133601  | CAM                     | 1   |            | R.H.  |
| 22  | H133597  | SHAFT                   | 1   |            |   |

# 3H15

CLEANING SHOE

SIEVE ELEMENT  
HP9729 -UN-20APR00



HP9729

# 3H16

CLEANING SHOE

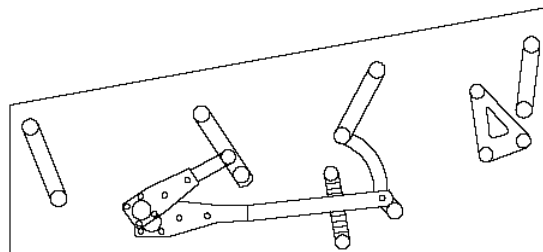
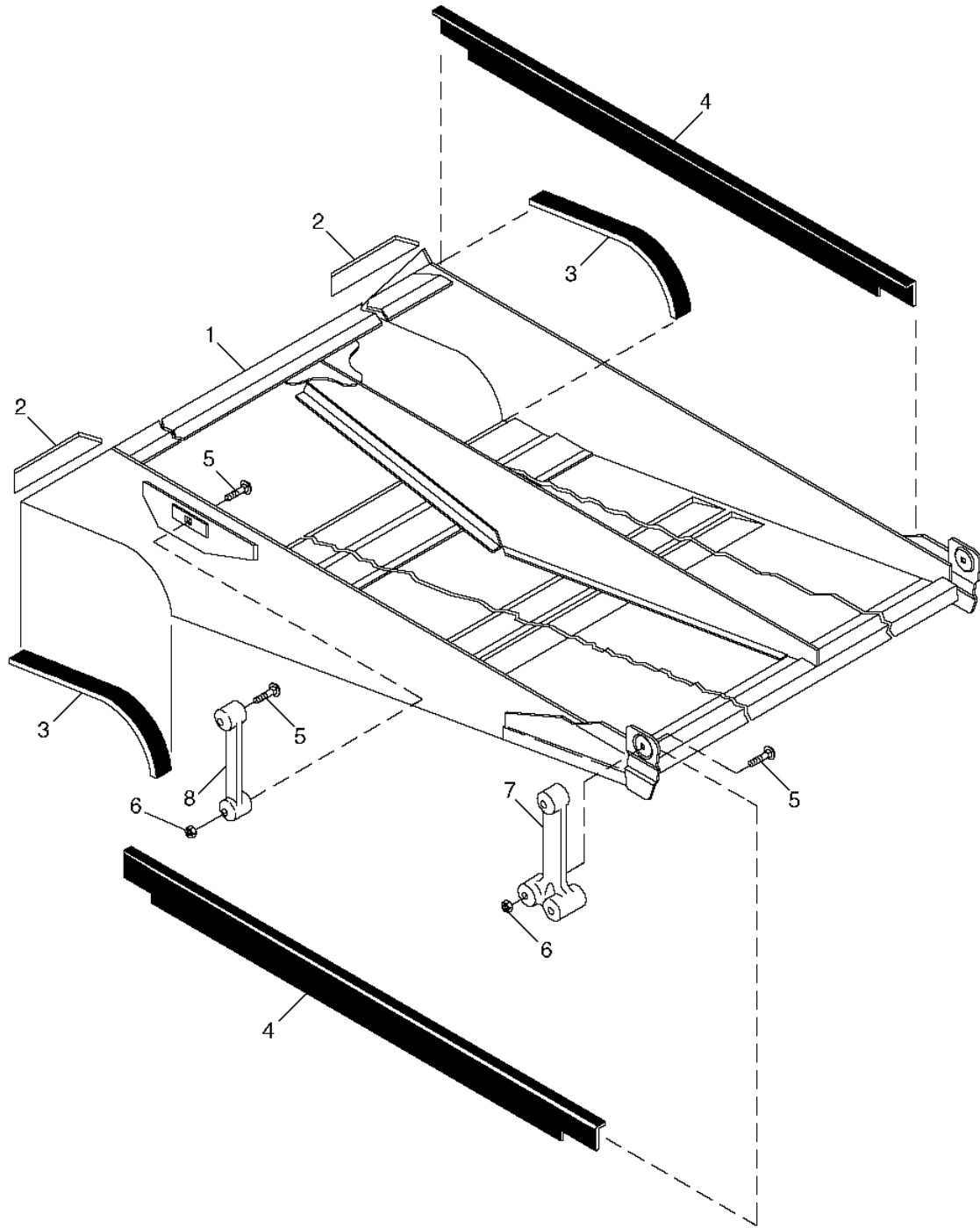
SIEVE ELEMENT - CONTINUED

| KEY | PART NO. | PART NAME   | QTY | SERIAL NO. | REMARKS                          |
|-----|----------|-------------|-----|------------|----------------------------------|
| 1   | H132292  | LEAF SPRING | 1   |            |                                  |
| 2   | H132289  | STRIP       | 1   |            |                                  |
| 3   | AH130165 | LOUVER      | 40  | L.H.       |                                  |
|     | AH150194 | LOUVER      | 40  | R.H.       |                                  |
| 4   | .....    | FRAME       | 2   |            |                                  |
| 5   | 24H1695  | WASHER      | 1   |            | 9/32" X 1-3/8" X 0.065"          |
| 6   | H157742  | BRACKET     | 1   | L.H.       |                                  |
|     | H157741  | BRACKET     | 1   | R.H.       |                                  |
| 7   | H157744  | HANDLE      | 1   |            |                                  |
| 8   | A37576   | PAD         | 1   |            |                                  |
| 9   | 19M7177  | CAP SCREW   | 1   | M6 X 35    |                                  |
| 10  | 14M7296  | FLANGE NUT  | 2   | M10        |                                  |
| 11  | 19M7784  | SCREW       | 2   |            |                                  |
| 12  | AH150168 | STRIP       | 1   |            |                                  |
| 13  | 14M7397  | LOCK NUT    | 1   | M6         |                                  |
| 14  | AH149556 | SIEVE       | 1   |            | R.H. GENERAL PURPOSE, ADJUSTABLE |
|     | AH149557 | SIEVE       | 1   |            | L.H. GENERAL PURPOSE, ADJUSTABLE |
|     | AH131216 | SIEVE       | 2   |            | 3 MM FIXED HOLE, NONADJUSTABLE   |
|     | AH131218 | SIEVE       | 2   |            | 10 MM FIXED HOLE, NONADJUSTABLE  |
| 15  | 24H1308  | WASHER      | 3   |            | 10.312 X 25.400 X 3.404 MM       |
| 16  | 19M7785  | SCREW       | 3   |            | M10 X 25                         |

# 3H17

CLEANING SHOE

SIEVE FRAME  
HP8500 -UN-21APR99



HP8500

# 3H18

CLEANING SHOE

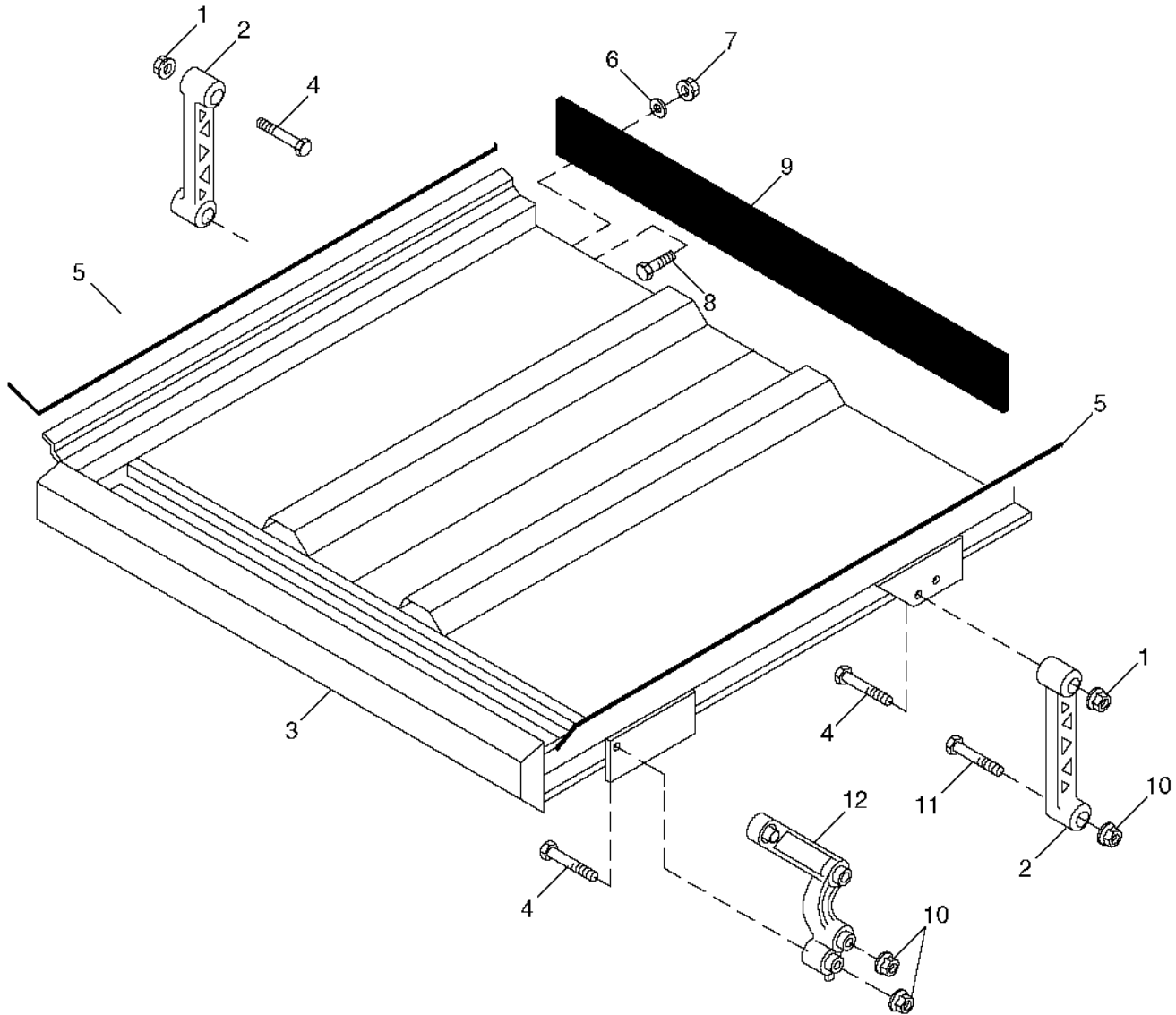
## SIEVE FRAME - CONTINUED

| KEY | PART NO. | PART NAME  | QTY | SERIAL NO. | REMARKS                             |
|-----|----------|------------|-----|------------|-------------------------------------|
| 1   | AH149702 | FRAME      | 1   |            |                                     |
| 2   | H133288  | SEAL       | 2   |            |                                     |
| 3   | AH159365 | SEAL       | 2   |            | CUT 340 MM (12-1/2 ") (50 FT. ROLL) |
| 4   | H133287  | SEAL       | 2   |            |                                     |
| 5   | H154928  | BOLT       | 6   |            | M12 X 90                            |
| 6   | 14M7299  | FLANGE NUT | 6   |            | M12                                 |
| 7   | AH138232 | LINK       | 2   |            |                                     |
| 8   | AH138230 | LINK       | 2   |            |                                     |

# 3H19

CLEANING SHOE

SHAKER PAN  
HP8523 -UN-20JUL99



HP8523



# 3H20

CLEANING SHOE

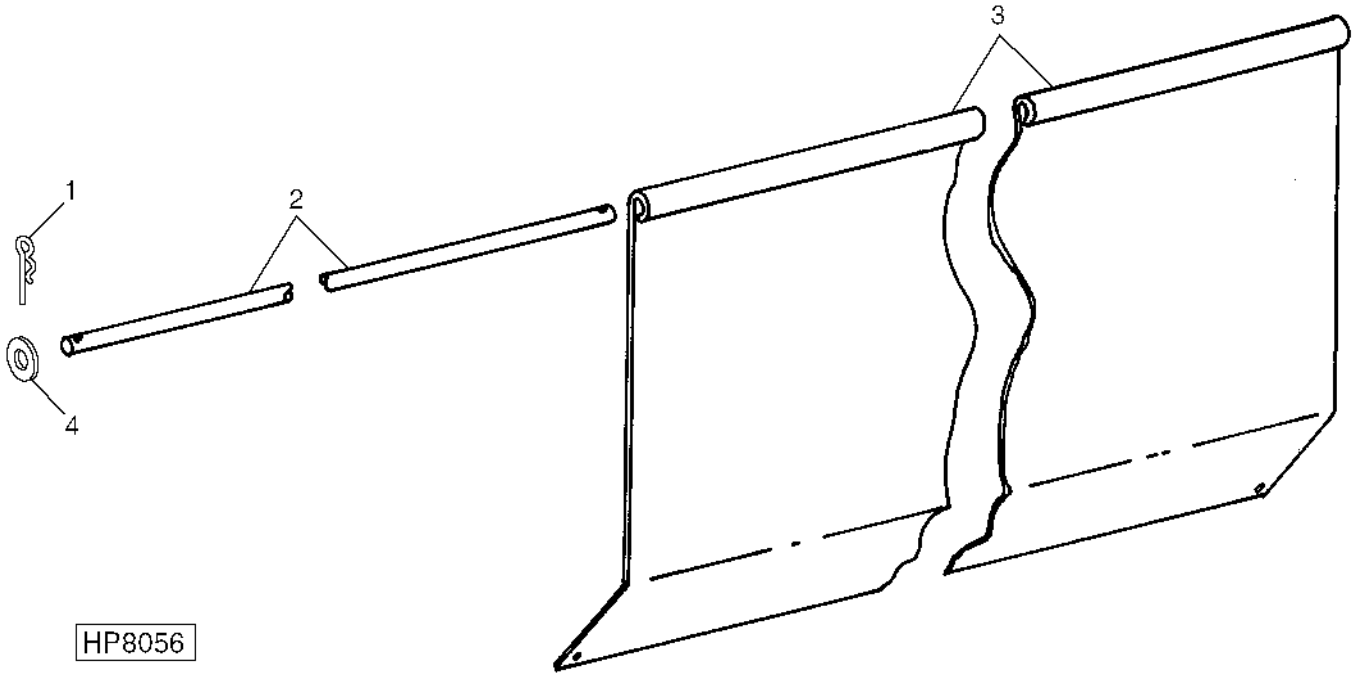
**SHAKER PAN - CONTINUED**

| KEY | PART NO. | PART NAME  | QTY | SERIAL NO.             | REMARKS |
|-----|----------|------------|-----|------------------------|---------|
| 1   | 14M7275  | NUT        | 5   | M12                    |         |
| 2   | AH138230 | LINK       | 2   |                        |         |
| 3   | AH128909 | GRAIN PAN  | 1   |                        |         |
| 4   | 19M7821  | SCREW      | 2   | M12 X 120              |         |
| 5   | H175590  | SEAL       | 2   | (SUB FOR H133768)      |         |
| 6   | 24H1299  | WASHER     | 8   | 3/8" X 1-1/4" X 0.065" |         |
| 7   | 14M7298  | FLANGE NUT | 8   | M8                     |         |
| 8   | 03M7184  | BOLT       | 8   | M8 X 20                |         |
| 9   | H133788  | SEAL       | 1   |                        |         |
| 10  | 14M7275  | NUT        | 4   | M12                    |         |
| 11  | 19M7819  | SCREW      | 2   | M12 X 90               |         |
| 12  | AH125970 | ARM        | 1   | R.H.                   |         |
|     | AH125969 | ARM        | 1   | L.H.                   |         |

# 3H21

CLEANING SHOE

SEPARATOR CURTAIN  
(SPIKE-TOOTH CYLINDER)  
HP8056 -UN-30NOV98

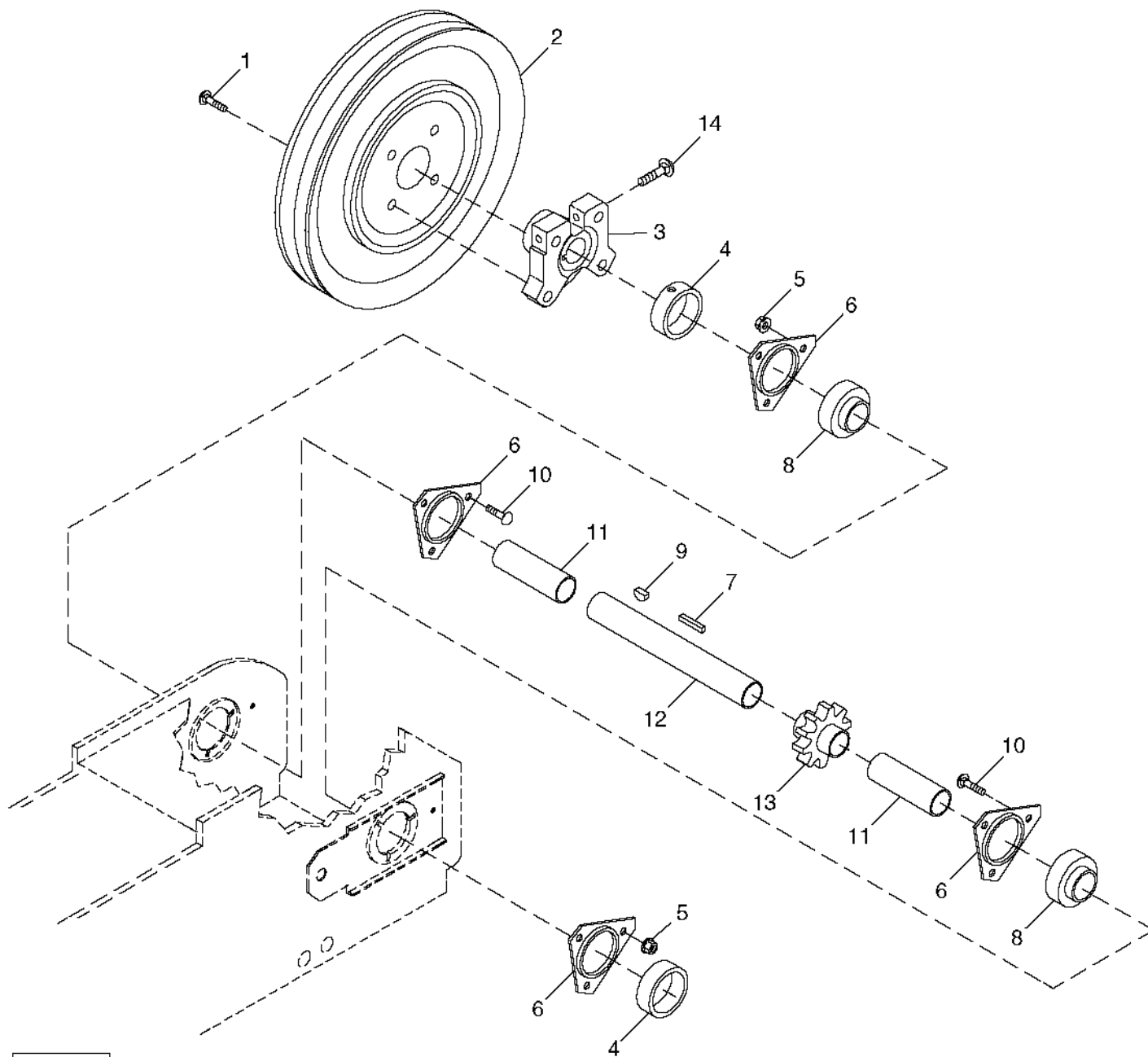


| KEY | PART NO. | PART NAME          | QTY | SERIAL NO. | REMARKS                        |
|-----|----------|--------------------|-----|------------|--------------------------------|
| 1   | A15147   | SPRING LOCKING PIN | 2   |            |                                |
| 2   | H100211  | PIN                | 1   |            |                                |
| 3   | H145515  | DEFLECTOR          | 1   |            | STEEL; FOR RICE/GRAIN COMBINES |
| 4   | T20217   | WASHER             | 2   |            |                                |

MEMORANDA

## UPPER CLEAN GRAIN ELEVATOR SHAFT, SPROCKET AND SHEAVE

HP9514 -UN-25JAN00



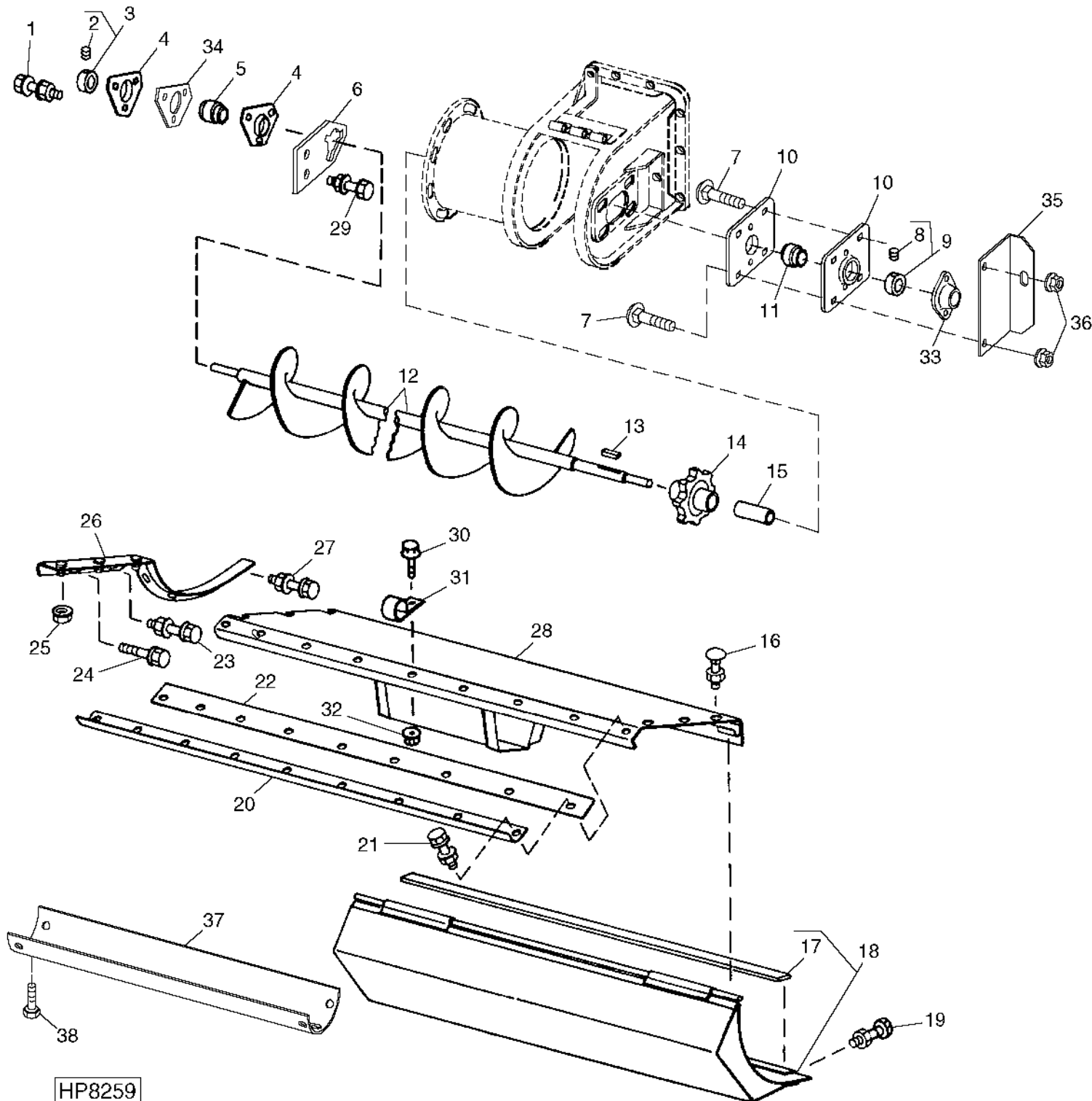
HP9514

## UPPER CLEAN GRAIN ELEVATOR SHAFT, SPROCKET AND SHEAVE - CONTINUED

| KEY | PART NO. | PART NAME                | QTY | SERIAL NO. | REMARKS       |
|-----|----------|--------------------------|-----|------------|---------------|
| 1   | 19M7784  | SCREW                    | 4   |            |               |
| 2   | AH135463 | SHEAVE                   | 1   |            |               |
| 3   | H134760  | HUB                      | 1   |            |               |
| 4   | AZ10045  | ECCENTRIC LOCKING COLLAR | 2   |            |               |
| 5   | 14M7296  | FLANGE NUT               | 6   | M10        |               |
| 6   | E10018   | PRESSED FLANGED HOUSING  | 4   |            |               |
| 7   | 49M6480  | SHAFT KEY                | 1   |            | 8 X 7 X 50 MM |
| 8   | JD10384  | BEARING                  | 2   |            |               |
| 9   | 26M4228  | SHAFT KEY                | 1   |            |               |
| 10  | 03M7190  | BOLT                     | 6   | M10 X 20   |               |
| 11  | H157044  | SPACER                   | 2   |            |               |
| 12  | H157043  | SHAFT                    | 1   |            |               |
| 13  | H164796  | SPROCKET SEGMENTS        | 1   |            |               |
| 14  | 19M7663  | CAP SCREW                | 1   | M8 X 70    |               |

**CLEAN GRAIN LOWER AUGER AND HINGED DOOR**

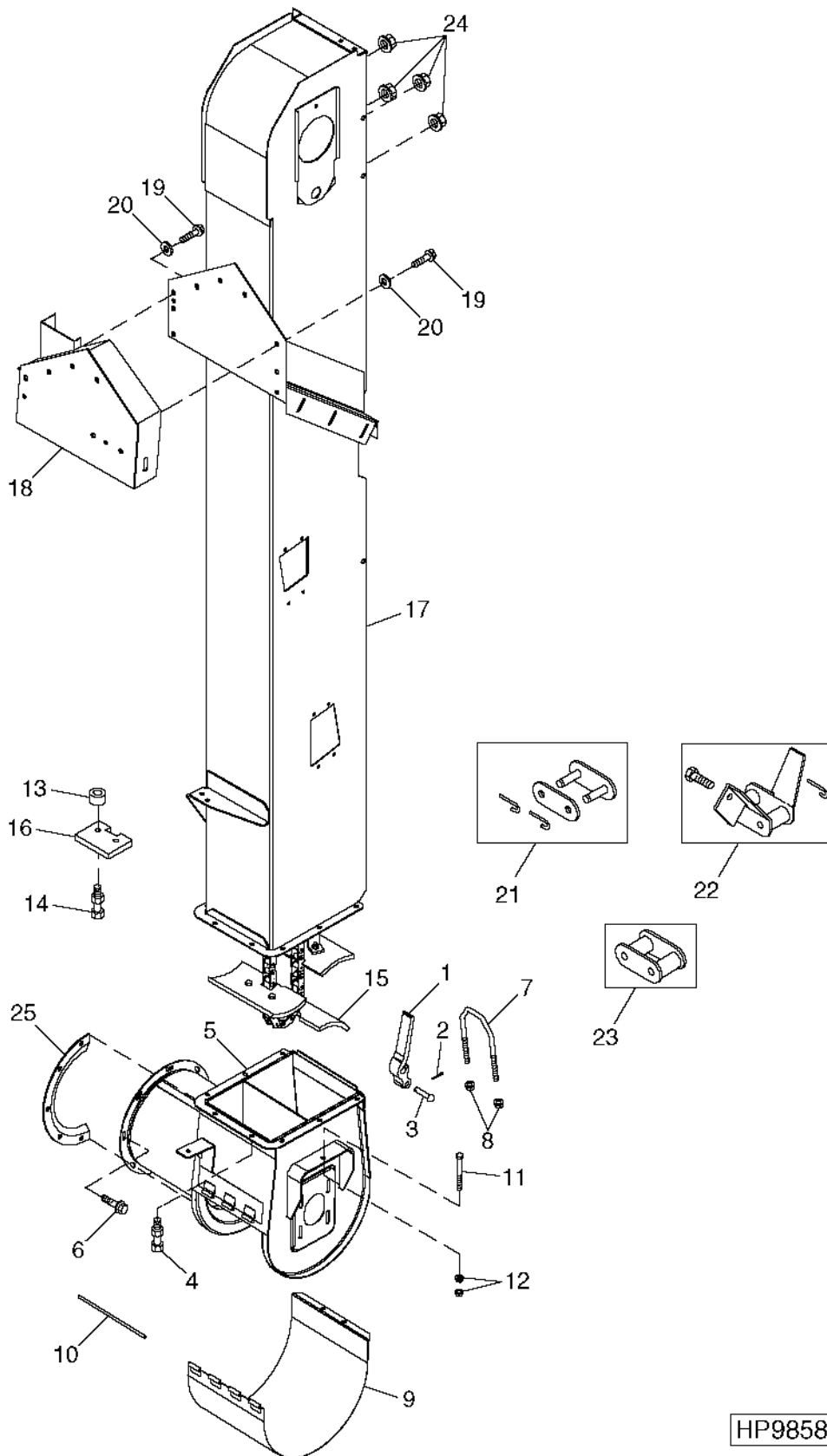
HP8259 -UN-23JUL99



HP8259

## CLEAN GRAIN LOWER AUGER AND HINGED DOOR - CONTINUED

| KEY | PART NO. | PART NAME                | QTY | SERIAL NO.                                  | REMARKS |
|-----|----------|--------------------------|-----|---|---------|
| 1   | 19M7867  | SCREW                    | 3   | M8 X 25                                     |         |
|     | 14M7298  | FLANGE NUT               | 3   | M8  |         |
| 2   | 22M7079  | SET SCREW                | 1   | M6 X 6                                      |         |
| 3   | AZ10044  | ECCENTRIC LOCKING COLLAR | 1   |   |         |
| 4   | H103264  | PRESSED FLANGED HOUSING  | 2   |   |         |
| 5   | JD39102  | BALL BEARING             | 1   |   |         |
| 6   | H153521  | PLATE                    | 1   |   |         |
| 7   | 03M7193  | BOLT                     | 3   | M10 X 35                                    |         |
|     | Z36140   | WASHER                   | 3   |   |         |
|     | 14M7296  | FLANGE NUT               | 3   | M10   |         |
| 8   | 22M7080  | SET SCREW                | 1   | M8 X 8                                      |         |
| 9   | AZ10045  | ECCENTRIC LOCKING COLLAR | 1   |   |         |
| 10  | H152916  | PRESSED FLANGED HOUSING  | 2   |   |         |
| 11  | JD39106  | BALL BEARING             | 1   |   |         |
| 12  | AH162153 | AUGER                    | 1   |   |         |
| 13  | .....    | SHAFT KEY                | 1   | 8 X 7 X 40 MM (CUT FROM H150269)            |         |
| 14  | H133143  | CHAIN SPROCKET           | 1   |   |         |
| 15  | H156711  | SPACER                   | 1   |   |         |
| 16  | 03M7183  | BOLT                     | 3   | M8 X 16                                     |         |
|     | 14M7298  | FLANGE NUT               | 3   | M8  |         |
| 17  | H88769   | ISOLATOR                 | AR  | (USE WITH AH139390) CUT TO 1565 MM, 61-5/8" |         |
| 18  | AH139386 | DOOR                     | 1   | SOLID                                       |         |
|     | AH139387 | DOOR                     | 1   | PERFORATED                                  |         |
|     | AH139390 | DOOR                     | 1   | SOLID, WITH PROTECTIVE PLATE                |         |
| 19  | 19M7799  | SCREW                    | 5   | M8 X 45                                     |         |
|     | 14M7396  | LOCK NUT                 | 5   | M8  |         |
| 20  | H98546   | REINFORCEMENT            | 1   |   |         |
| 21  | 19M7866  | SCREW                    | 10  | M8 X 20                                     |         |
|     | 14M7298  | FLANGE NUT               | 10  | M8  |         |
| 22  | H98547   | STRAP                    | 1   |   |         |
| 23  | 19M7865  | SCREW                    | 2   | M8 X 16                                     |         |
|     | 14M7298  | FLANGE NUT               | 2   | M8  |         |
| 24  | 19M7865  | SCREW                    | 1   | M8 X 16                                     |         |
| 25  | 14M7298  | FLANGE NUT               | 3   | M8  |         |
| 26  | AH122506 | REINFORCEMENT            | 1   |   |         |
| 27  | 19M8039  | SCREW                    | 3   | M8 X 80                                     |         |
|     | 24M7055  | WASHER                   | 3   |   |         |
|     | 14M7298  | FLANGE NUT               | 3   | M8  |         |
| 28  | AH165658 | HINGE                    | 1   |   |         |
| 29  | 19M7865  | SCREW                    | 2   | M8 X 16                                     |         |
|     | 14M7298  | FLANGE NUT               | 2   | M8  |         |
| 30  | 19M7865  | SCREW                    | 1   | M8 X 16                                     |         |
| 31  | AH77884  | CLIP                     | 1   |   |         |
| 32  | 14M7298  | FLANGE NUT               | 1   | M8  |         |
| 33  | H155968  | COVER                    | 1   |   |         |
| 34  | H152940  | GASKET                   | 1   |   |         |
| 35  | H152914  | BRACKET                  | 1   | CHAIN ADJUSTMENT                            |         |
| 36  | 14M7296  | FLANGE NUT               | 7   | M10   |         |
| 37  | H153052  | COVER                    | 1   |   |         |
| 38  | 19M7784  | SCREW                    | 6   | M10 X 20                                    |         |



HP9858

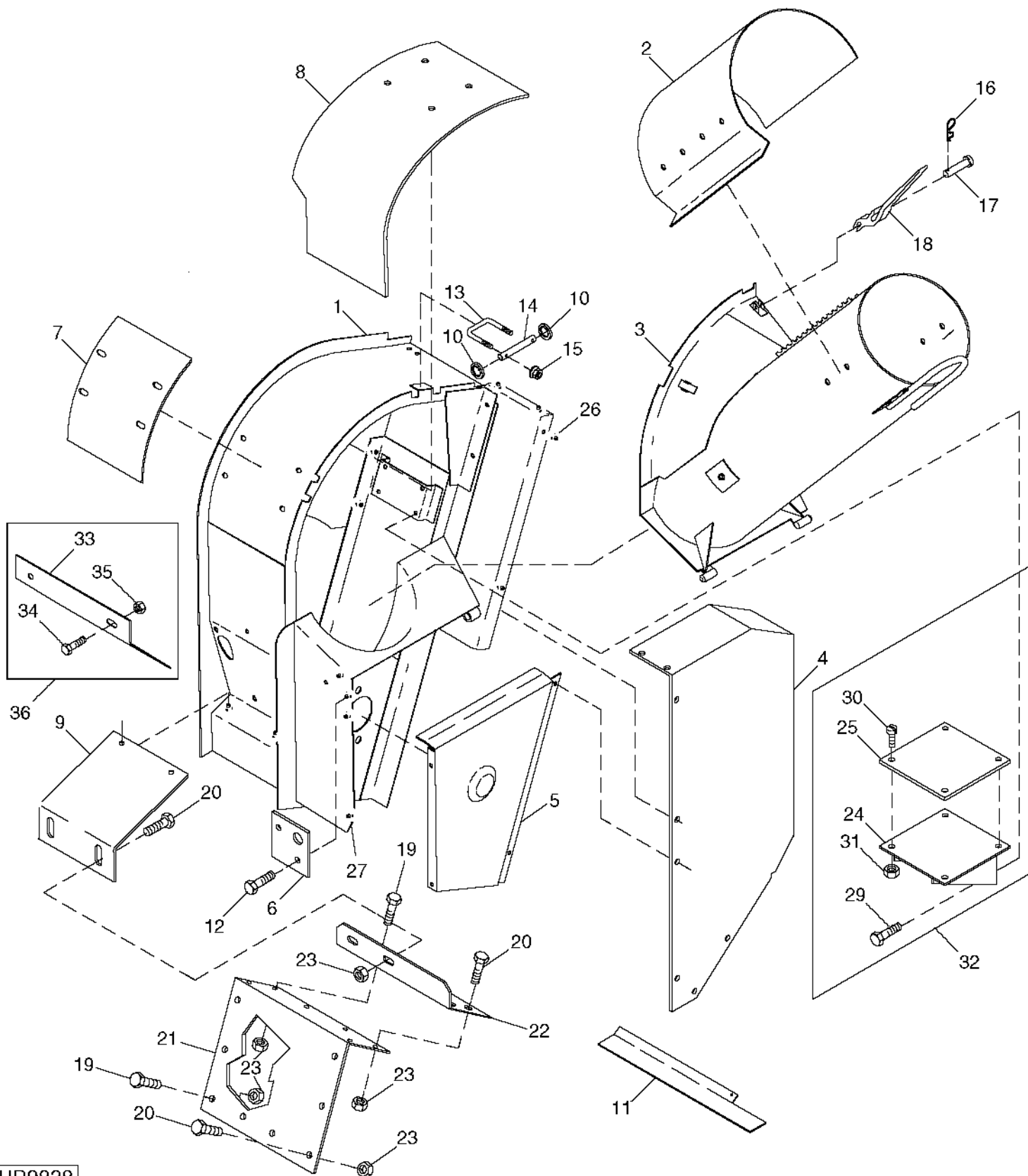


## CLEAN GRAIN ELEVATOR AND CONVEYOR CHAIN - CONTINUED

| KEY | PART NO. | PART NAME     | QTY | SERIAL NO.           | REMARKS |
|-----|----------|---------------|-----|----------------------|---------|
| 1   | H161342  | LEVER         | 1   |                      |         |
| 2   | 11M7081  | COTTER PIN    | 1   |                      |         |
| 3   | RV810A   | PIN           | 1   |                      |         |
| 4   | 19M7866  | SCREW         | 8   | M8 X 20              |         |
|     | 14M7298  | FLANGE NUT    | 8   | M8                   |         |
| 5   | AH171008 | BOOT          | 1   | (SUB FOR AH148999)   |         |
| 6   | 37M7058  | SCREW         | 8   | M8 X 20              |         |
| 7   | H128877  | U-BOLT        | 1   |                      |         |
| 8   | 14M7396  | LOCK NUT      | 2   | M8                   |         |
| 9   | AH138426 | DOOR          | 1   | SOLID                |         |
|     | AH154068 | DOOR          | 1   | PERFORATED           |         |
| 10  | H76083   | PIN           | 1   |                      |         |
| 11  | 19M8241  | CAP SCREW     | 1   | M10 X 100            |         |
| 12  | 14M7296  | FLANGE NUT    | 3   | M10                  |         |
| 13  | H168578  | SPACER        | 66  |                      |         |
| 14  | 19M7867  | SCREW         | 66  | M8 X 25              |         |
|     | E64256   | LOCK NUT      | 66  |                      |         |
| 15  | AH162058 | LINK CHAIN    | 1   |                      |         |
| 16  | H144667  | PADDLE        | 33  |                      |         |
| 17  | AH149626 | ELEVATOR      | 1   |                      |         |
|     | AH160427 | ELEVATOR      | 1   | STAINLESS STEEL      |         |
| 18  | AH166572 | SUPPORT       | 1   |                      |         |
| 19  | 19M7786  | SCREW         | 5   | M10 X 30             |         |
| 20  | 24H1308  | WASHER        | 5   | 13/32" X 1" X 0.134" |         |
| 21  | AH166638 | CHAIN LINK    | 1   |                      |         |
| 22  | AH166639 | CHAIN LINK    | 1   |                      |         |
| 23  | AH166640 | CHAIN LINK    | 1   |                      |         |
| 24  | H154071  | NUT           | 4   | M8                   |         |
| 25  | H175330  | REINFORCEMENT | 1   | WELD ON              |         |

## UPPER CLEAN GRAIN LOADING AUGER HOUSING

HP9838 -UN-22JUN00



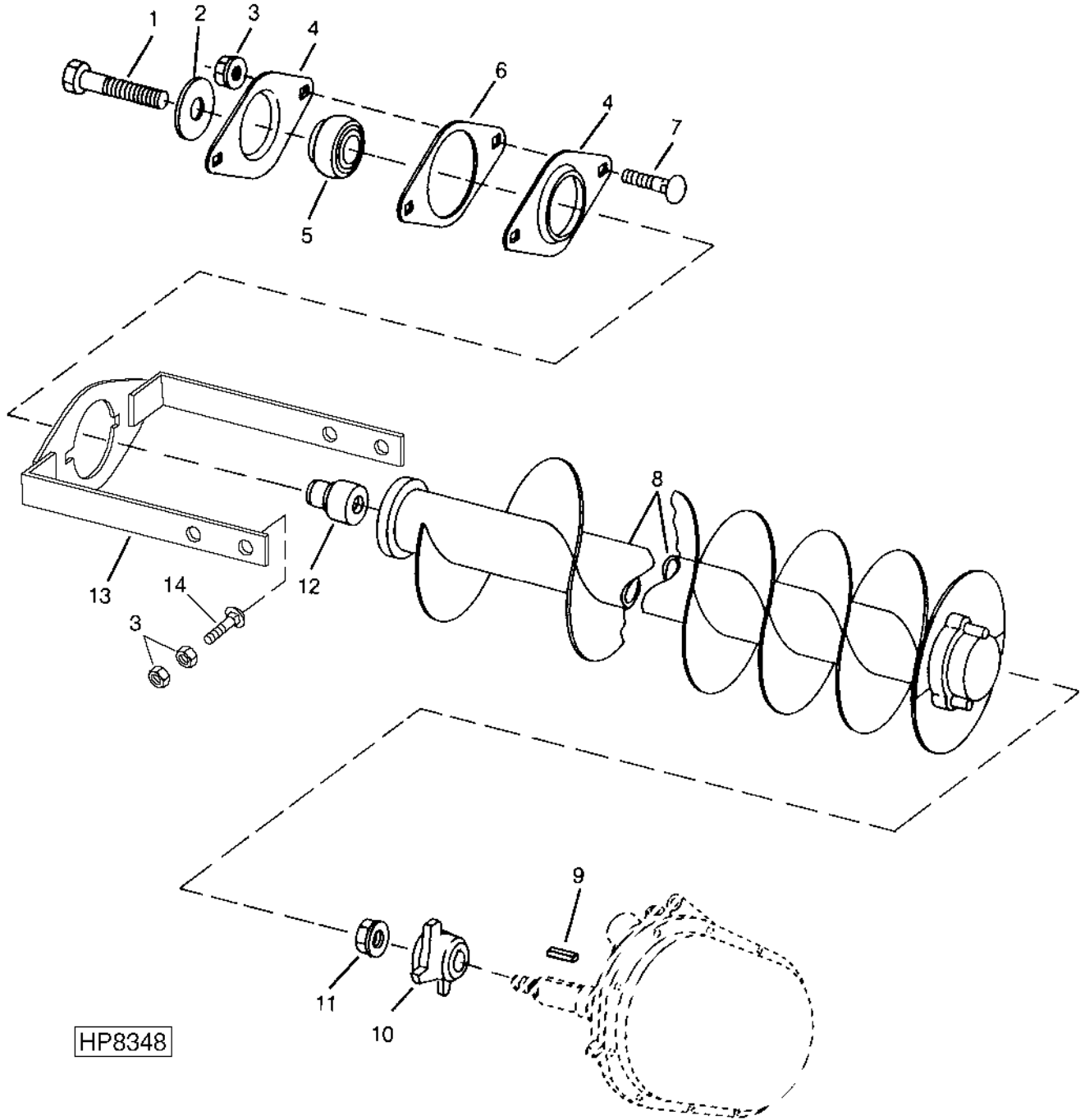
HP9838

## UPPER CLEAN GRAIN LOADING AUGER HOUSING - CONTINUED

| KEY | PART NO.       | PART NAME                          | QTY      | SERIAL NO.                            | REMARKS |
|-----|----------------|------------------------------------|----------|---------------------------------------|---------|
| 1   | AH149889       | HOUSING                            | 1        |                                       |         |
|     | AH160428       | HOUSING                            | 1        | STAINLESS STEEL                       |         |
| 2   | H157192        | DEFLECTOR                          | 1        |                                       |         |
| 3   | AH150237       | TUBE                               | 1        |                                       |         |
|     | AH160429       | TUBE                               | 1        | STAINLESS STEEL                       |         |
| 4   | AH150173       | SHIELD                             | 1        |                                       |         |
| 5   | AH150174       | SHIELD                             | 1        |                                       |         |
| 6   | H157762        | PLATE                              | 1        |                                       |         |
| 7   | H171004        | COVER                              | 1        | WITHOUT GREENSTAR                     |         |
| 8   | H167716        | SHEET                              | 1        | WITHOUT GREENSTAR                     |         |
| 9   | H157515        | SUPPORT                            | 1        |                                       |         |
| 10  | AH166999       | SEAL                               | 1        | LEFT HAND                             |         |
| 11  | H157196        | SEAL                               | 1        | FRONT                                 |         |
| 12  | 19M7785        | SCREW                              | 2        | M10 X 25                              |         |
| 13  | H161346        | U-BOLT                             | 1        |                                       |         |
| 14  | H161581        | PIN                                | 1        |                                       |         |
| 15  | 14M7165        | LOCK NUT                           | 2        | M6                                    |         |
| 16  | 11M7081        | COTTER PIN                         | 1        | 2.500 X 20 MM                         |         |
| 17  | RV810A         | PIN                                | 1        |                                       |         |
| 18  | H161342        | LEVER                              | 1        |                                       |         |
| 19  | 19M7868        | SCREW                              | 2        | M8 X 30                               |         |
| 20  | 19M7866        | SCREW                              | 12       | M8 X 20                               |         |
| 21  | H167668        | COVER                              | 1        |                                       |         |
| 22  | H169023        | PLATE                              | 1        |                                       |         |
| 23  | 14M7298        | FLANGE NUT                         | 14       | M8                                    |         |
| 24  | AH165187       | DEFLECTOR                          | 1        | WITH GREENSTAR                        |         |
| 25  | H171184        | SHEET                              | 1        | WITH GREENSTAR                        |         |
| 26  | H143731        | NUT                                | 2        |                                       |         |
| 27  | H154071        | NUT                                | 6        | M8                                    |         |
| 28  | H154370        | NUT                                | 6        | M10                                   |         |
| 29  | 19M7866        | SCREW                              | 4        | M8 X 20                               |         |
| 30  | 03M7184        | BOLT                               | 4        | M8 X 20                               |         |
| 31  | 14M7298        | FLANGE NUT                         | 4        | M8                                    |         |
| 32  | AH171007       | DEFLECTOR                          | 1        |                                       |         |
| 33  | H172045        | DEFLECTOR                          | 1        |                                       |         |
| 34  | 19M7774        | SCREW                              | 2        | M6 X 12                               |         |
| 35  | 14M7303        | FLANGE NUT                         | 2        | M6                                    |         |
| 36  | AH170085       | DEFLECTOR                          | 1        |                                       |         |
| ..  | <b>BH81742</b> | <b>COMPLETE GOODS/SHIP. BUNDLE</b> | <b>1</b> | <b>YIELD MAPPING FIELD CONVERSION</b> |         |
| ..  | <b>BH81758</b> | <b>COMPLETE GOODS/SHIP. BUNDLE</b> | <b>1</b> | <b>MAPPING CONVERSION KIT</b>         |         |
| ..  | <b>BH81760</b> | <b>COMPLETE GOODS/SHIP. BUNDLE</b> | <b>1</b> | <b>MONITOR CONVERSION KIT</b>         |         |

# 3111

CLEAN GRAIN LOADING AUGER  
HP8348 -UN-09JUL99



HP8348

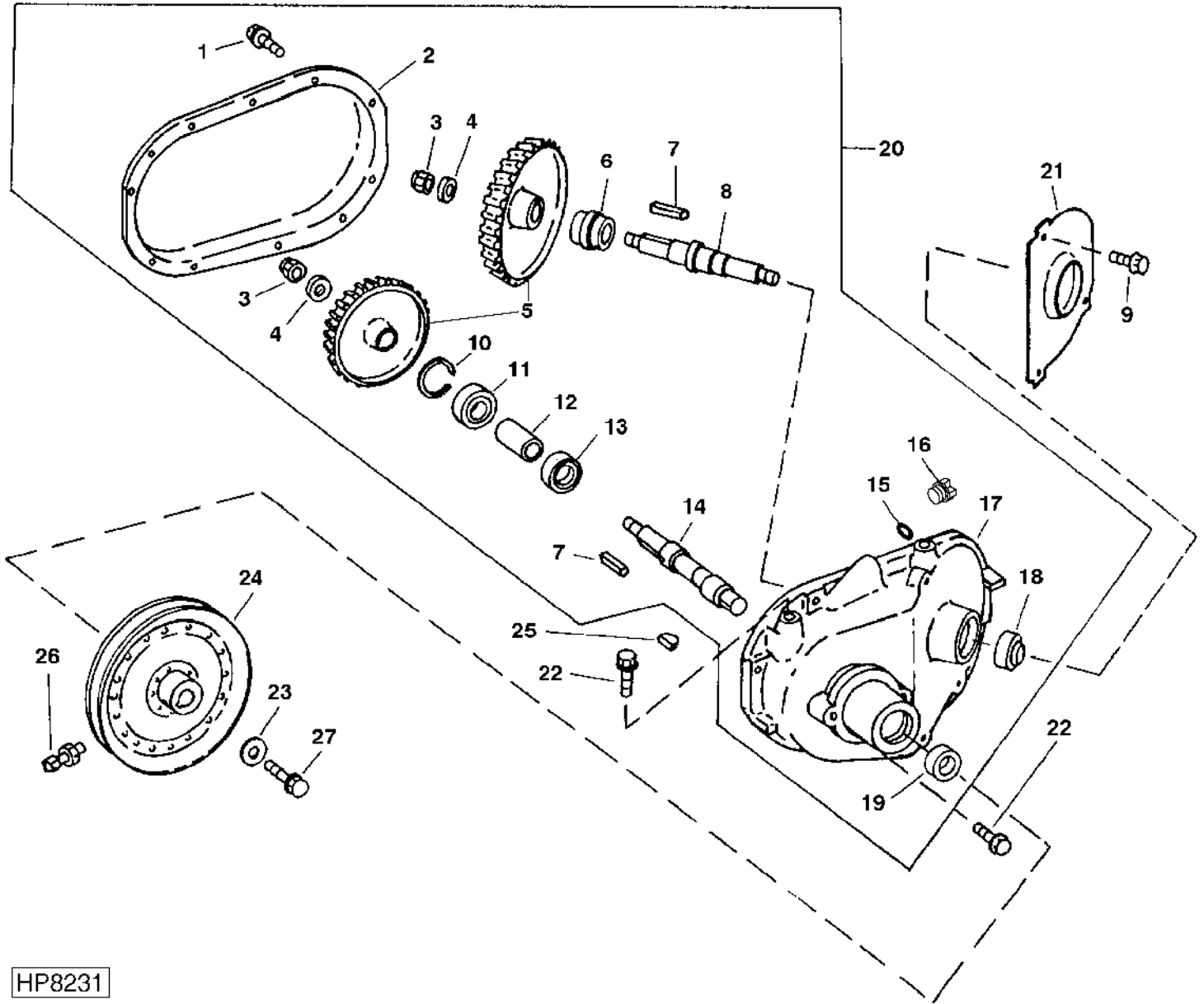
## CLEAN GRAIN LOADING AUGER - CONTINUED

| KEY | PART NO. | PART NAME               | QTY | SERIAL NO.     | REMARKS |
|-----|----------|-------------------------|-----|----------------|---------|
| 1   | 19M7818  | SCREW                   | 1   | M12 X 80       |         |
| 2   | 24M7180  | WASHER                  | 1   | 13 X 37 X 3 MM |         |
| 3   | 14M7296  | FLANGE NUT              | 10  | M10            |         |
| 4   | N15764   | PRESSED FLANGED HOUSING | 2   |                |         |
| 5   | JD9219   | BALL BEARING            | 1   |                |         |
| 6   | H137916  | SHIM                    | 2   |                |         |
| 7   | 03M7307  | BOLT                    | 2   | M10 X 25       |         |
| 8   | AH154330 | AUGER                   | 1   |                |         |
| 9   | 49M4821  | SHAFT KEY               | 1   |                |         |
| 10  | H136186  | AUGER                   | 1   |                |         |
| 11  | 14M7291  | FLANGE NUT              | 1   | M16            |         |
| 12  | H137919  | BUSHING                 | 1   |                |         |
| 13  | AH146834 | SUPPORT                 | 1   |                |         |
| 14  | 03M7193  | BOLT                    | 4   | M10 X 35       |         |

# 3113

ELEVATORS

CLEAN GRAIN ELEVATOR GEARCASE AND SHEAVE  
HP8231 -UN-15MAR99

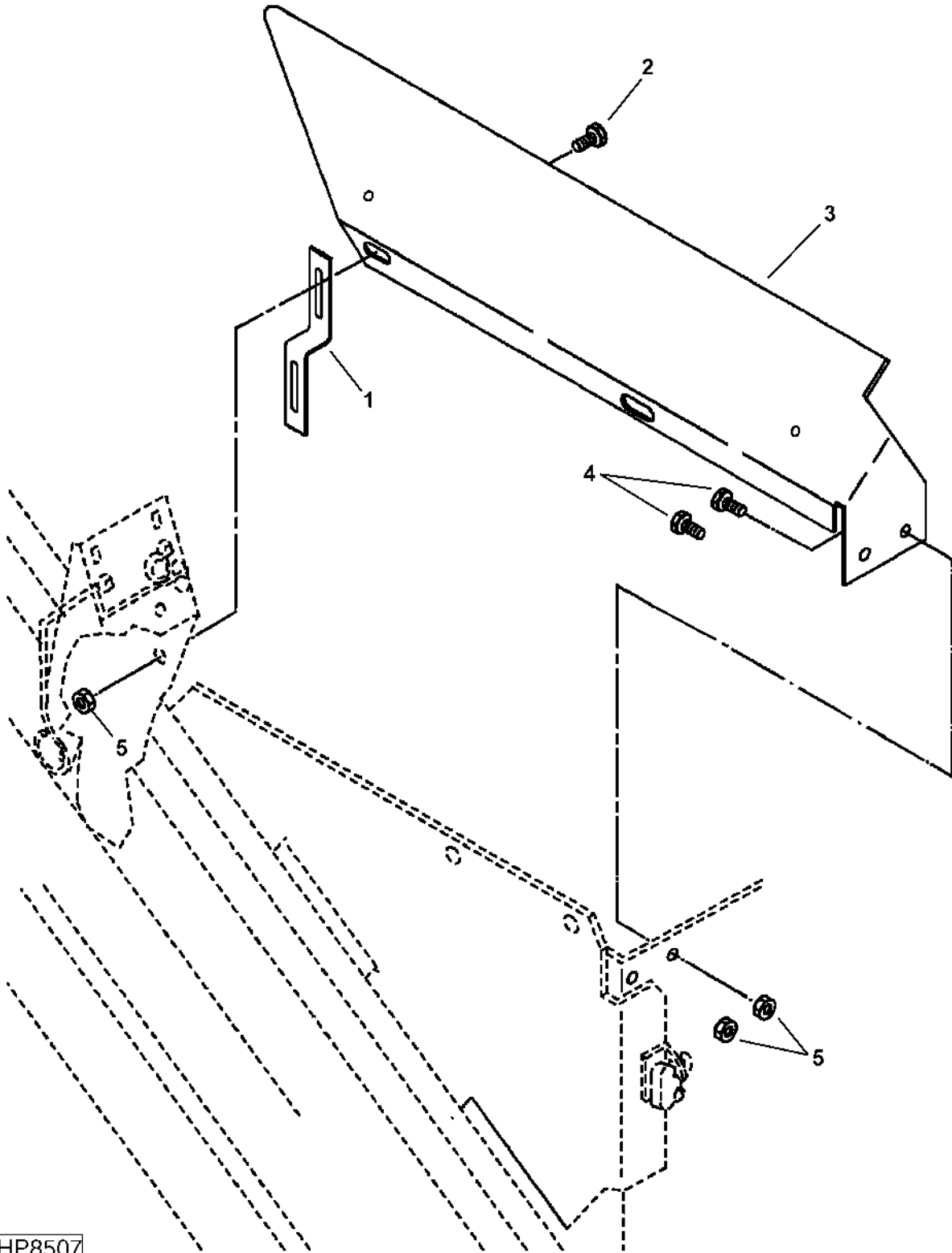


HP8231

## CLEAN GRAIN ELEVATOR GEARCASE AND SHEAVE - CONTINUED

| KEY | PART NO. | PART NAME    | QTY | SERIAL NO. | REMARKS  |
|-----|----------|--------------|-----|------------|--|
| 1   | 19M7407  | CAP SCREW    | 11  |            | M8 X 25  |
|     | 24H1685  | WASHER       | 22  |            | 8.738 X 18.644 X 2.108 MM                                |
| 2   | H135454  | COVER        | 1   |            |  |
| 3   | W39621   | NUT          | 2   |            | M16  |
| 4   | 24H1825  | WASHER       | 2   |            | 11/16" X 1-1/2" X 0.194"                                 |
| 5   | AH162230 | KIT          | 1   |            | MATCHED SET (46 TEETH, 53 TEETH)                         |
| 6   | AE42998  | BALL BEARING | 1   |            |  |
| 7   | 49M4821  | SHAFT KEY    | 2   |            | 6 X 6 X 32 MM  |
| 8   | H136209  | SHAFT        | 1   |            |  |
| 9   | 19M7866  | SCREW        | 3   |            | M8 X 20  |
| 10  | P46874   | SNAP RING    | 1   |            |  |
| 11  | JD7689   | BALL BEARING | 1   |            |  |
| 12  | 28H3054  | BUSHING      | 1   |            | 1.278" X 1.660" X 2-15/32"                               |
| 13  | JD7681   | BALL BEARING | 1   |            |  |
| 14  | H135452  | SHAFT        | 1   | -686232    | (USE WITH AH140127)                                      |
|     | H170967  | SHAFT        | 1   | 686232-    | (USE WITH DE19111)                                       |
| 15  | R26375   | O-RING       | 1   |            | 16.358 X 2.210 MM (0.644" X 0.087")                      |
| 16  | H139966  | HANDLE       | 1   |            |  |
| 17  | CE18015  | HOUSING      | 1   |            |  |
| 18  | AH131860 | SEAL         | 1   |            |  |
| 19  | AH21815  | SEAL         | 1   |            |  |
| 20  | AH140127 | GEAR CASE    | 1   | -686232    | (SUB DE19111) (ALSO ORDER AH164868, 26M7008 AND H170967) |
|     | DE19111  | GEAR CASE    | 1   | 686233-    |  |
| 21  | H137606  | PLATE        | 1   |            |  |
| 22  | 19M7789  | SCREW        | 4   |            | M12 X 30   |
| 23  | 24M7101  | WASHER       | 1   |            | 11 X 34 X 3 MM   |
| 24  | AH132372 | SHEAVE       | 1   | -686232    | (USE WITH AH140127) 11-INCH                              |
|     | AH164868 | SHEAVE       | 1   | 686233-    | (USE WITH DE19111)                                       |
| 25  | 26H85    | SHAFT KEY    | 1   | -686232    | 1/4" X 1", (USE WITH AH140127)                           |
|     | 26M7008  | SHAFT KEY    | 1   | 686233-    | 8 X 28 MM, (USE WITH DE19111)                            |
| 26  | 22H836   | SET SCREW    | 2   |            | 3/8" X 1"  |
|     | 14H732   | NUT          | 2   |            | 3/8"   |
| 27  | 19M7786  | SCREW        | 1   |            | M10 X 30   |
| ..  | TY15130  | SEALANT      | 1   |            | ( 03 OZ. TUBE) (CANADA PART NO TY9484)                   |
| ..  | TY6341   | GREASE       | 1   |            | (14 OZ.) MULTI-PURPOSE                                   |

**REAR LEFT SIDE TAILINGS SHIELD**  
HP8507 -UN-21APR99



HP8507



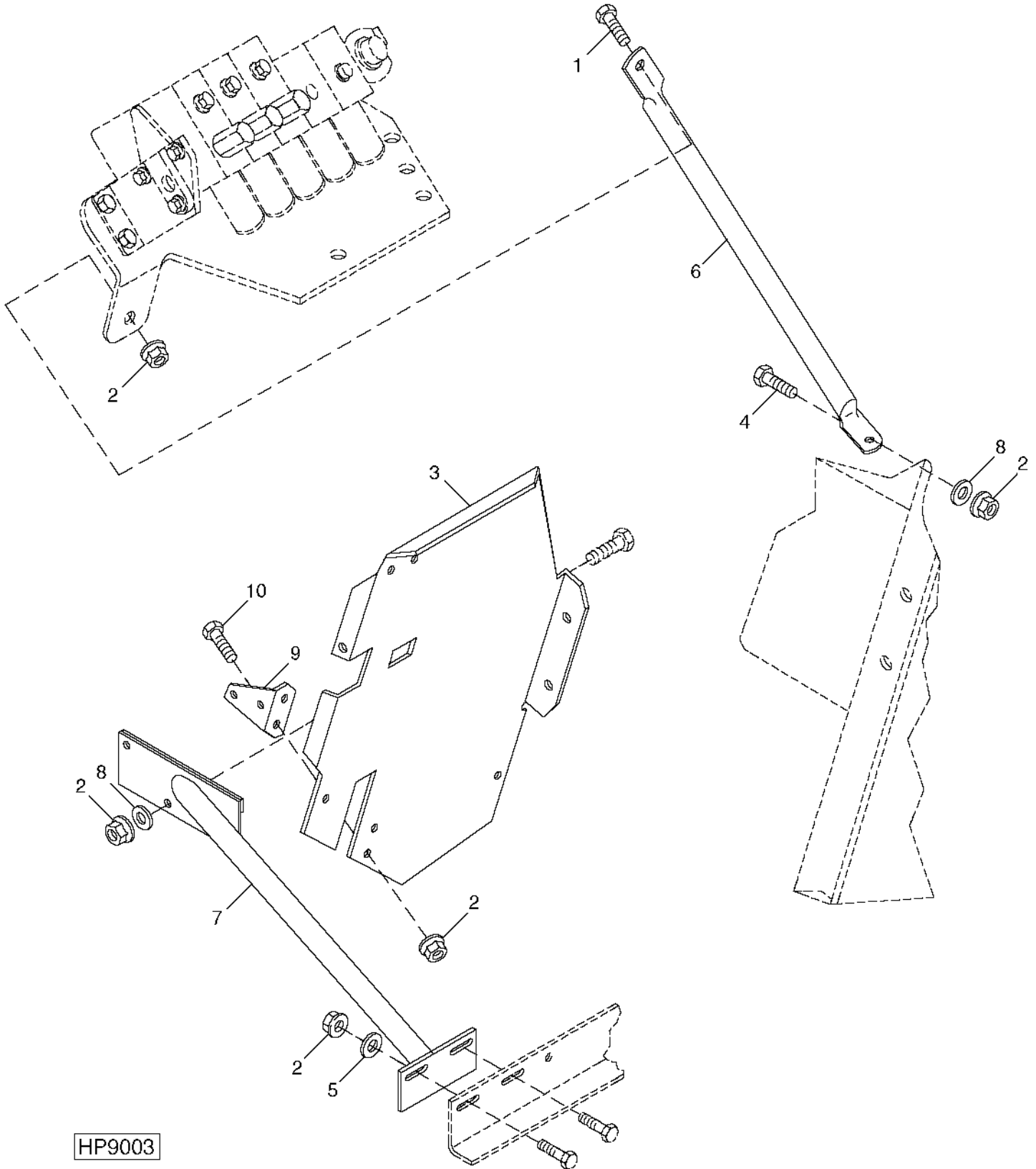
**REAR LEFT SIDE TAILINGS SHIELD - CONTINUED**

| KEY | PART NO. | PART NAME  | QTY | SERIAL NO. | REMARKS |
|-----|----------|------------|-----|------------|---------|
| 1   | H163757  | BRACKET    | 1   |            |         |
| 2   | 19M7866  | SCREW      | 1   | M8 X 20    |         |
| 3   | H164556  | SHIELD     | 1   | L.H. REAR  |         |
| 4   | 19M7865  | SCREW      | 2   | M8 X 16    |         |
| 5   | 14M7298  | FLANGE NUT | 3   | M8         |         |

# 3117

## UPPER REAR TAILINGS SHEILD

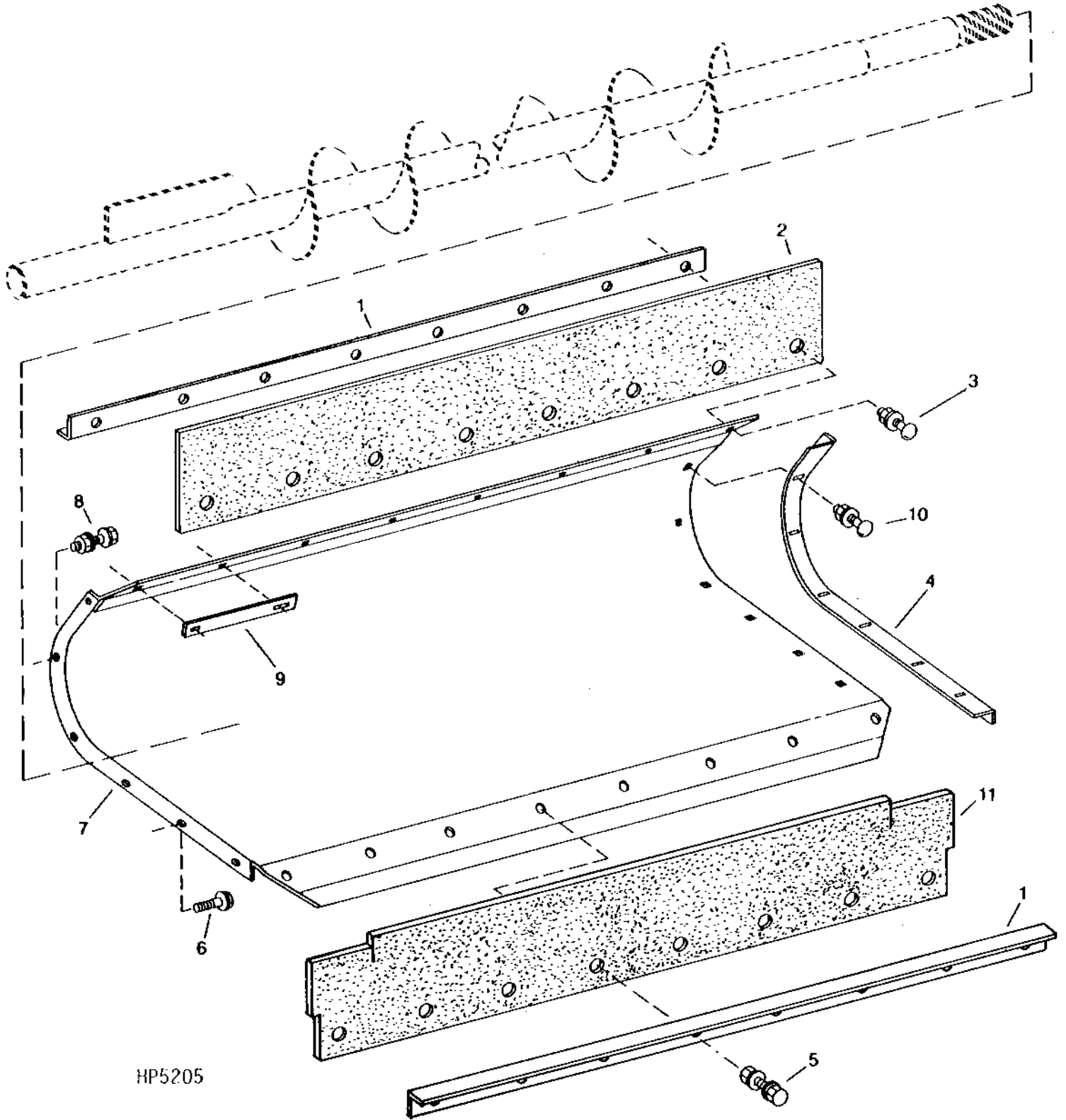
HP9003 -UN-07SEP99



## UPPER REAR TAILINGS SHEILD - CONTINUED

| KEY | PART NO. | PART NAME  | QTY | SERIAL NO. | REMARKS           |
|-----|----------|------------|-----|------------|-------------------|
| 1   | 19M7866  | SCREW      | 1   |            | M8 X 20           |
| 2   | 14M7298  | FLANGE NUT | 4   |            | M8                |
| 3   | H172116  | SHIELD     | 1   |            |                   |
| 4   | 19M7803  | SCREW      | 1   |            | M8 X 70           |
| 5   | 24M7241  | WASHER     | 2   |            | 17 X 34 X 4 MM    |
| 6   | H158638  | BRACE      | 1   |            |                   |
| 7   | AH151354 | SUPPORT    | 1   |            |                   |
| 8   | 24M7207  | WASHER     | 1   |            | 8.400 X 24 X 2 MM |
| 9   | H158615  | ANGLE      | 1   |            |                   |
| 10  | 19M7865  | SCREW      | 2   |            |                   |

**LOWER TAILINGS AUGER TROUGH**  
HP5205 -UN-01JAN94



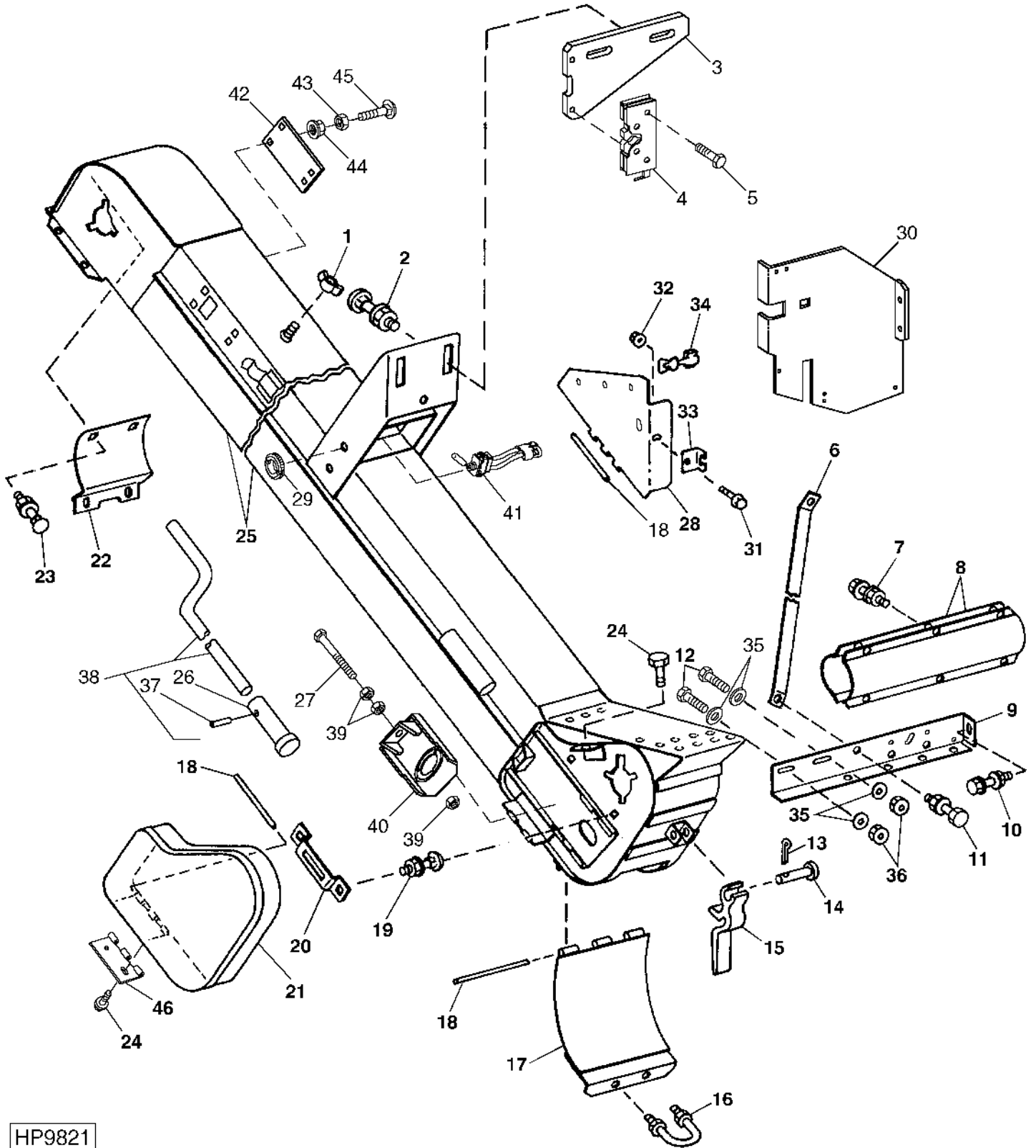
HP5205

## LOWER TAILINGS AUGER TROUGH - CONTINUED

| KEY | PART NO. | PART NAME       | QTY | SERIAL NO. | REMARKS |
|-----|----------|-----------------|-----|------------|---------|
| 1   | H134309  | REINFORCEMENT   | 2   |            |         |
| 2   | H134315  | SEAL            | 1   |            |         |
| 3   | 19M7865  | SCREW           | AR  | M8 X 16    |         |
|     | 14M7298  | FLANGE NUT      | AR  | M8         |         |
| 4   | H134317  | SUPPORT         | 1   |            |         |
| 5   | 19M7865  | SCREW           | AR  | M8 X 16    |         |
|     | 14M7298  | FLANGE NUT      | AR  | M8         |         |
| 6   | 19M7866  | SCREW           | 2   | M8 X 20    |         |
| 7   | AH138656 | TROUGH          | 1   |            |         |
| 8   | 19M7866  | SCREW           | 4   | M8 X 20    |         |
|     | 14M7298  | FLANGE NUT      | 4   | M8         |         |
| 9   | H137585  | STRAP           | 1   |            |         |
| 10  | 03M7183  | BOLT            | AR  | M8 X 16    |         |
|     | 14M7298  | FLANGE NUT      | AR  | M8         |         |
| 11  | H147661  | ADJUSTING STRAP | 1   |            |         |

# 3121

TAILINGS ELEVATOR HOUSING  
HP9821 -UN-20JUN00

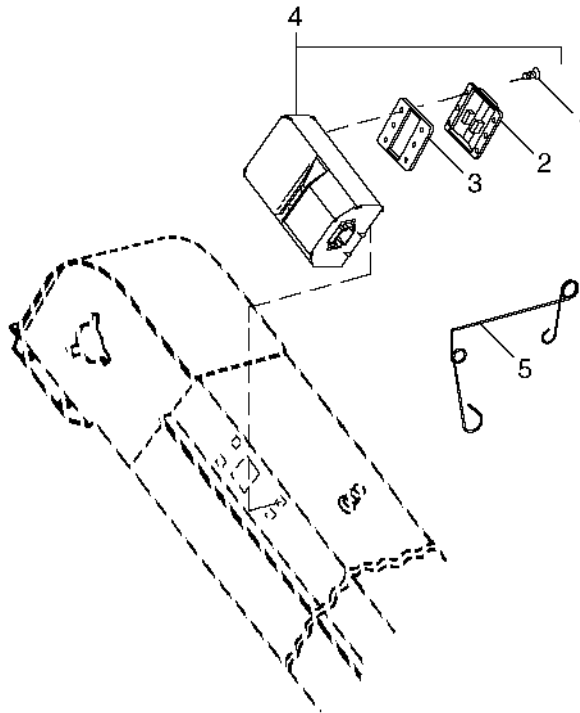


HP9821

## TAILINGS ELEVATOR HOUSING - CONTINUED

| KEY | PART NO. | PART NAME     | QTY | SERIAL NO.   | REMARKS |
|-----|----------|---------------|-----|--|---------|
| 1   | 14M7020  | WING NUT      | 1   | M8   |         |
| 2   | 19M7784  | SCREW         | 2   | M10 X 20   |         |
|     | 14M7296  | FLANGE NUT    | 2   | M10  |         |
| 3   | H167941  | PLATE         | 1   | (L.H.)   |         |
|     | H169652  | PLATE         | 1   | (R.H.)   |         |
| 4   | AH167030 | LATCH         | 1   |  |         |
|     | H169865  | PLUG          | 1   |  |         |
| 5   | 19M7796  | SCREW         | 2   | M6 X 30  |         |
|     | 14M7303  | FLANGE NUT    | 2   | M6   |         |
| 6   | H146536  | SUPPORT       | 1   |  |         |
| 7   | 19M7868  | SCREW         | AR  | M8 X 30  |         |
|     | 14M7298  | FLANGE NUT    | AR  | M8   |         |
| 8   | H136054  | HOUSING       | 2   | SOLID  |         |
|     | H136055  | HOUSING       | 2   | PERFORATED   |         |
| 9   | H171006  | SUPPORT       | 1   | ELEVATOR   |         |
| 10  | 19M7785  | SCREW         | 2   | M10 X 25   |         |
|     | 14M7296  | FLANGE NUT    | 2   | M10  |         |
| 11  | 19M7865  | SCREW         | 2   | M8 X 16  |         |
|     | 14M7298  | FLANGE NUT    | 2   | M8   |         |
| 12  | 19M7785  | SCREW         | 2   | M10 X 25   |         |
| 13  | 11M7081  | COTTER PIN    | 1   | 2.500 X 20 MM  |         |
| 14  | RV810A   | PIN           | 1   |  |         |
| 15  | H101297  | LEVER         | 1   |  |         |
| 16  | H105519  | U-BOLT        | 1   |  |         |
|     | 24M7139  | WASHER        | 2   | 6.400 X 18 X 1.600 MM  |         |
|     | 14M7397  | LOCK NUT      | 2   | M6   |         |
| 17  | AH130892 | DOOR          | 1   | SOLID  |         |
|     | AH130893 | DOOR          | 1   | PERFORATED   |         |
| 18  | H76083   | PIN           | 2   |  |         |
| 19  | 03M7184  | BOLT          | 2   | M8 X 20  |         |
|     | 14M7298  | FLANGE NUT    | 2   | M8   |         |
| 20  | H130661  | BRACKET       | 1   |  |         |
| 21  | AH130886 | SHIELD        | 1   | METAL, (SUB AH166698)  |         |
|     | AH166698 | SHIELD        | 1   | PLASTIC  |         |
| 22  | H147846  | DEFLECTOR     | 1   |  |         |
| 23  | 03M7183  | BOLT          | 2   | M8 X 16  |         |
|     | 14M7298  | FLANGE NUT    | 2   | M8   |         |
| 24  | 19M7865  | SCREW         | AR  | M8 X 16  |         |
| 25  | AH169233 | KIT           | 1   | COMPLETE TAILINGS ELEVATOR HOUSING INCLUDES PARTS MARKED (A) |         |
| 26  | .....    | SOCKET        | 1   |  |         |
| 27  | 19M7596  | CAP SCREW     | 2   | M16 X 160  |         |
| 28  | H160715  | SHIELD        | 1   | UPPER DOOR   |         |
| 29  | H140248  | NUT           | 1   |  |         |
| 30  | H172116  | SHIELD        | 1   |  |         |
| 31  | 19M7775  | SCREW         | 1   | M6 X 16  |         |
| 32  | 14M7303  | FLANGE NUT    | 1   | M6   |         |
| 33  | H141549  | CLAMP         | 1   |  |         |
| 34  | A44990   | LATCH         | 1   |  |         |
| 35  | 24M7239  | WASHER        | 4   | 10.700 X 21 X 2.500 MM                                       |         |
| 36  | 14M7296  | FLANGE NUT    | 2   | M10  |         |
| 37  | 34M7027  | SPRING PIN    | 1   | 4 X 20 MM, FRENCH GRAIN ONLY                                 |         |
| 38  | AH149543 | CRANK         | 1   |  |         |
| 39  | 14M7276  | NUT           | 6   | M16  |         |
| 40  | AH130884 | BRACKET       | 2   |  |         |
| 41  | AH158310 | TOGGLE SWITCH | 1   | LIGHT  |         |
| 42  | H168019  | COVER         | 2   | (A)  |         |
| 43  | M80082   | NUT           | 8   | (A)  |         |
| 44  | 14M7303  | FLANGE NUT    | 8   | (A)  |         |
| 45  | 03M7221  | BOLT          | 8   | (A)  |         |
| 46  | H172528  | HINGE         | 1   | USE WITH PLASTIC COVER                                       |         |

**TAILING ELEVATOR MATERIAL SENSOR AND COVER**  
 HP9768 -UN-18MAY00



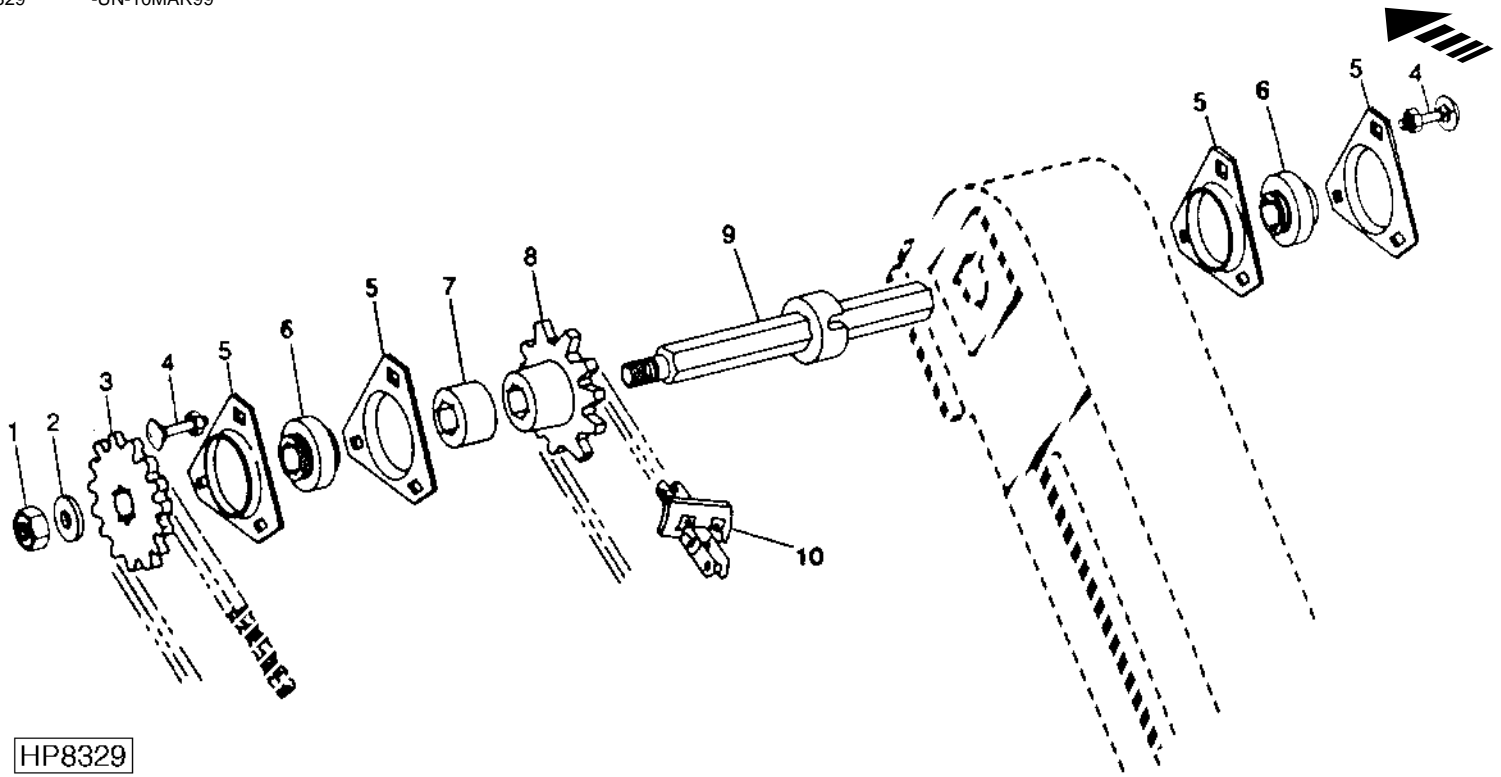
HP9768

| KEY | PART NO. | PART NAME | QTY | SERIAL NO. | REMARKS                   |
|-----|----------|-----------|-----|------------|---------------------------|
| 1   | M71770   | SCREW     | AR  |            | 2.9MM DIA. X 8MM          |
| 2   | H167390  | LENS      | 2   |            |                           |
| 3   | H170344  | GASKET    | 2   |            |                           |
| 4   | AH158580 | MODULE    | 1   |            | MASTER (12 PIN CONNECTOR) |
|     | AH158581 | MODULE    | 1   |            | SLAVE (8 PIN CONNECTOR)   |
| 5   | H164896  | SPRING    | 1   |            |                           |



**TAILINGS ELEVATOR CONVEYOR CHAIN, SPROCKETS AND BEARINGS**

HP8329 -UN-10MAR99



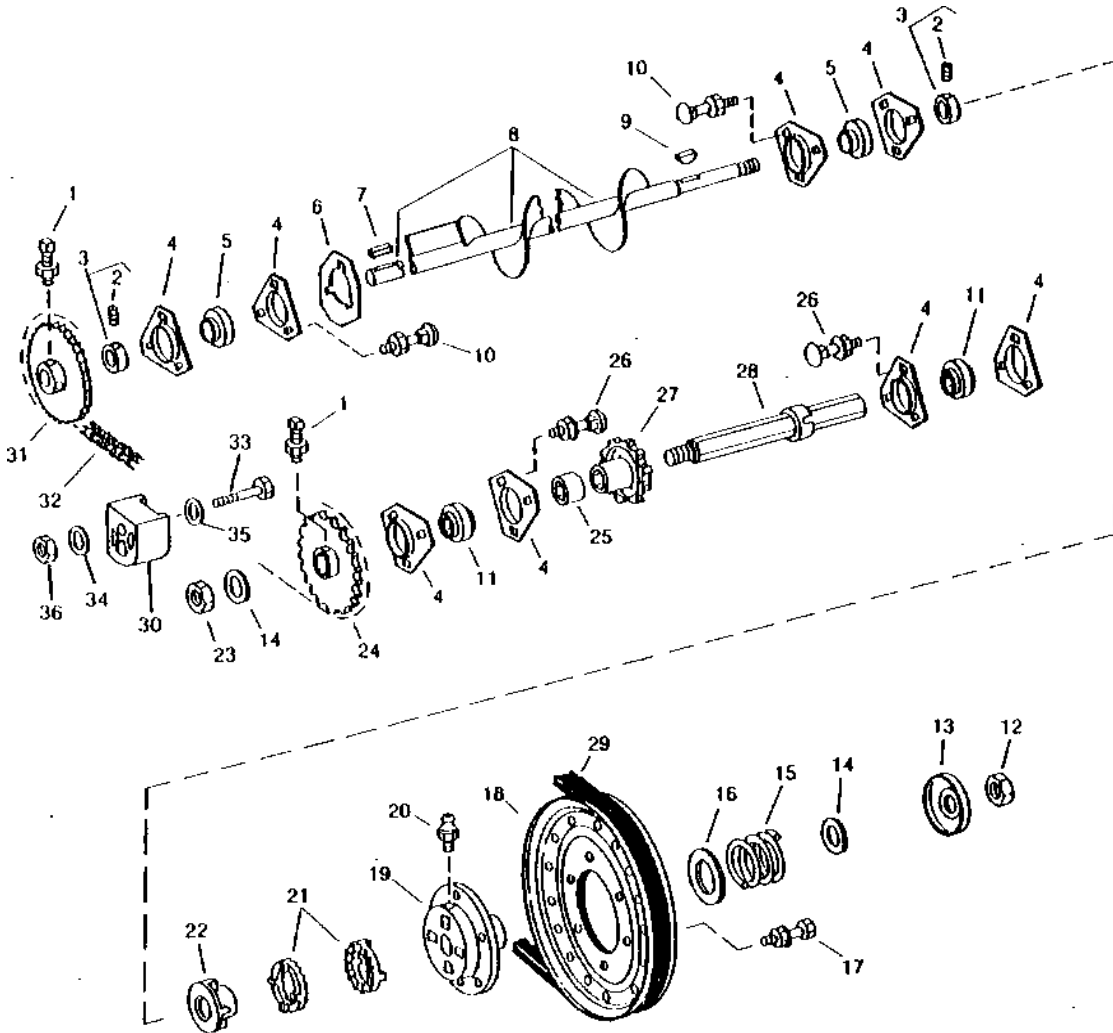
HP8329

| KEY | PART NO. | PART NAME               | QTY | SERIAL NO.                        | REMARKS |
|-----|----------|-------------------------|-----|-----------------------------------|---------|
| 1   | 14M7277  | NUT                     | 1   | M20                               |         |
| 2   | 24M7277  | WASHER                  | 1   | 21 X 60 X 4 MM                    |         |
| 3   | AH130571 | CHAIN SPROCKET          | 1   | 30 TOOTH, DRIVE                   |         |
| 4   | 03M7190  | BOLT                    | AR  | M10 X 20                          |         |
|     | 14M7296  | FLANGE NUT              | AR  | M10                               |         |
| 5   | E10018   | PRESSED FLANGED HOUSING | 4   |                                   |         |
| 6   | JD9313   | BALL BEARING            | 2   |                                   |         |
| 7   | H134606  | SPACER                  | 1   |                                   |         |
| 8   | H134603  | CHAIN SPROCKET          | 1   | 8 TOOTH (CONVEYOR)                |         |
| 9   | AH130570 | SHAFT                   | 1   | UPPER CONVEYOR                    |         |
| 10  | AH131074 | LINK CHAIN              | 1   | (CA550 ROLLER CHAIN) (25 PADDLES) |         |
|     | AH158635 | CHAIN LINK              | 1   | ROLLER                            |         |
|     | AH137630 | CHAIN LINK              | 1   |                                   |         |
|     | AH137631 | CHAIN LINK              | 1   | OFFSET                            |         |
|     | AC14974  | PIN                     | 1   |                                   |         |
|     | H135235  | PADDLE                  | 25  | RUBBER                            |         |
|     | H86760   | PADDLE                  | 1   | STEEL CLEANING                    |         |
|     | .....    | RIVET                   | 50  | (SUB AH86897)                     |         |
|     | AH87765  | CHAIN LINK              | 25  |                                   |         |

# 3J1

ELEVATORS

LOWER TAILINGS AUGER, SHAFT AND TIGHTENER  
HP5817 -UN-01JAN94



HP5817

## LOWER TAILINGS AUGER, SHAFT AND TIGHTENER - CONTINUED

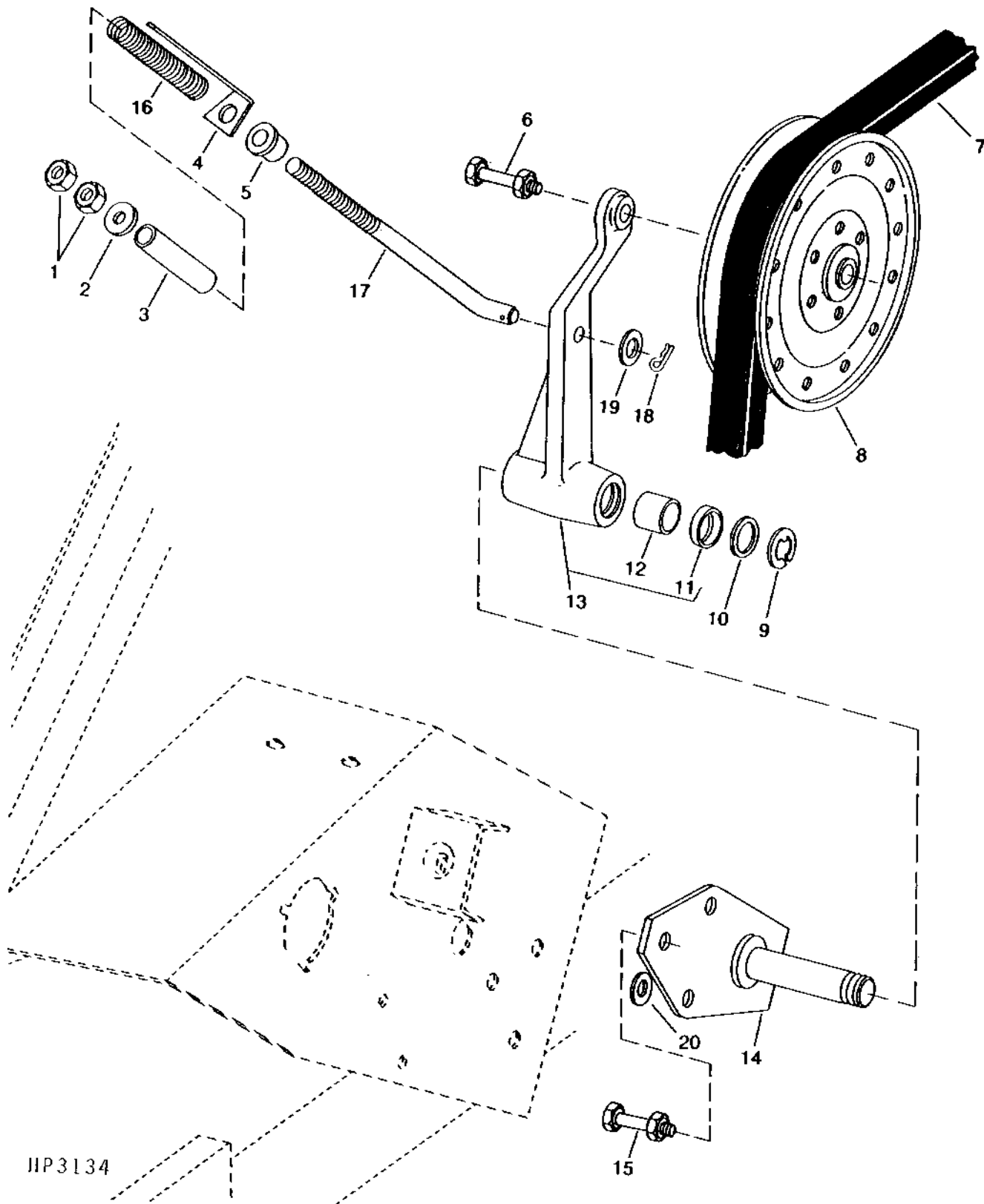
| KEY | PART NO. | PART NAME                | QTY | SERIAL NO.        | REMARKS |
|-----|----------|--------------------------|-----|-------------------|---------|
| 1   | H138435  | SET SCREW                | AR  |                   |         |
|     | 14M7274  | NUT                      | AR  | M10               |         |
| 2   | 22M7080  | SET SCREW                | 2   | M8 X 8            |         |
| 3   | AZ10045  | ECCENTRIC LOCKING COLLAR | 2   |                   |         |
| 4   | E10018   | PRESSED FLANGED HOUSING  | AR  |                   |         |
| 5   | JD39103  | BALL BEARING             | 2   |                   |         |
| 6   | H132906  | PLATE                    | 1   |                   |         |
| 7   | 49M4111  | SHAFT KEY                | 1   |                   |         |
| 8   | AH146313 | AUGER                    | 1   | (LOWER)           |         |
| 9   | 26H82    | SHAFT KEY                | 1   | 1/4" X 7/8"       |         |
| 10  | 03M7191  | BOLT                     | AR  | M10 X 25          |         |
|     | 14M7296  | FLANGE NUT               | AR  | M10               |         |
| 11  | JD9313   | BALL BEARING             | 2   |                   |         |
| 12  | 14M7300  | FLANGE NUT               | 1   | M20               |         |
| 13  | AH126677 | CAP                      | 1   |                   |         |
| 14  | 24M7051  | WASHER                   | 2   | 21 X 37 X 3 MM    |         |
| 15  | J21022   | SPRING                   | 1   |                   |         |
| 16  | 24M7176  | WASHER                   | 1   | 56 X 72 X 3 MM    |         |
| 17  | 19M7867  | SCREW                    | AR  | M8 X 25           |         |
|     | 14M7298  | FLANGE NUT               | AR  | M8                |         |
| 18  | AH126388 | SHEAVE                   | 1   |                   |         |
| 19  | H97574   | HUB                      | 1   |                   |         |
| 20  | JD7797   | LUBRICATION FITTING      | 1   | 1/4" STRAIGHT     |         |
| 21  | H128265  | SLIP CLUTCH              | 2   |                   |         |
| 22  | H85015   | HUB                      | 1   |                   |         |
| 23  | A31870   | LOCK NUT                 | 1   | M20               |         |
| 24  | AH130572 | CHAIN SPROCKET           | 1   | 18-TOOTH          |         |
| 25  | H134605  | SPACER                   | 1   |                   |         |
| 26  | 03M7190  | BOLT                     | AR  | M10 X 20          |         |
|     | 14M7296  | FLANGE NUT               | AR  | M10               |         |
| 27  | H134603  | CHAIN SPROCKET           | 1   | 8-TOOTH           |         |
| 28  | AH130570 | SHAFT                    | 1   | LOWER CONVEYOR    |         |
| 29  | N110085  | BELT                     | 1   |                   |         |
| 30  | H136582  | TIGHTENER                | 1   |                   |         |
| 31  | AH121047 | CHAIN SPROCKET           | 1   | 18-TOOTH          |         |
| 32  | AH126239 | ROLLER CHAIN             | 1   | ROLLER, TYPE 50   |         |
| 33  | 03M7245  | BOLT                     | 1   | M8 X 55           |         |
|     | 14M7298  | FLANGE NUT               | 1   | M8                |         |
| 34  | 24M7207  | WASHER                   | 1   | 8.400 X 24 X 2 MM |         |
| 35  | H75716   | LOCK WASHER              | 1   | 13.220 MM         |         |
| 36  | 14M7298  | FLANGE NUT               | 1   | M8                |         |

# 3J3

ELEVATORS

## LOWER TAILINGS AUGER DRIVE TIGHTENER

HP3134 -UN-01JAN94

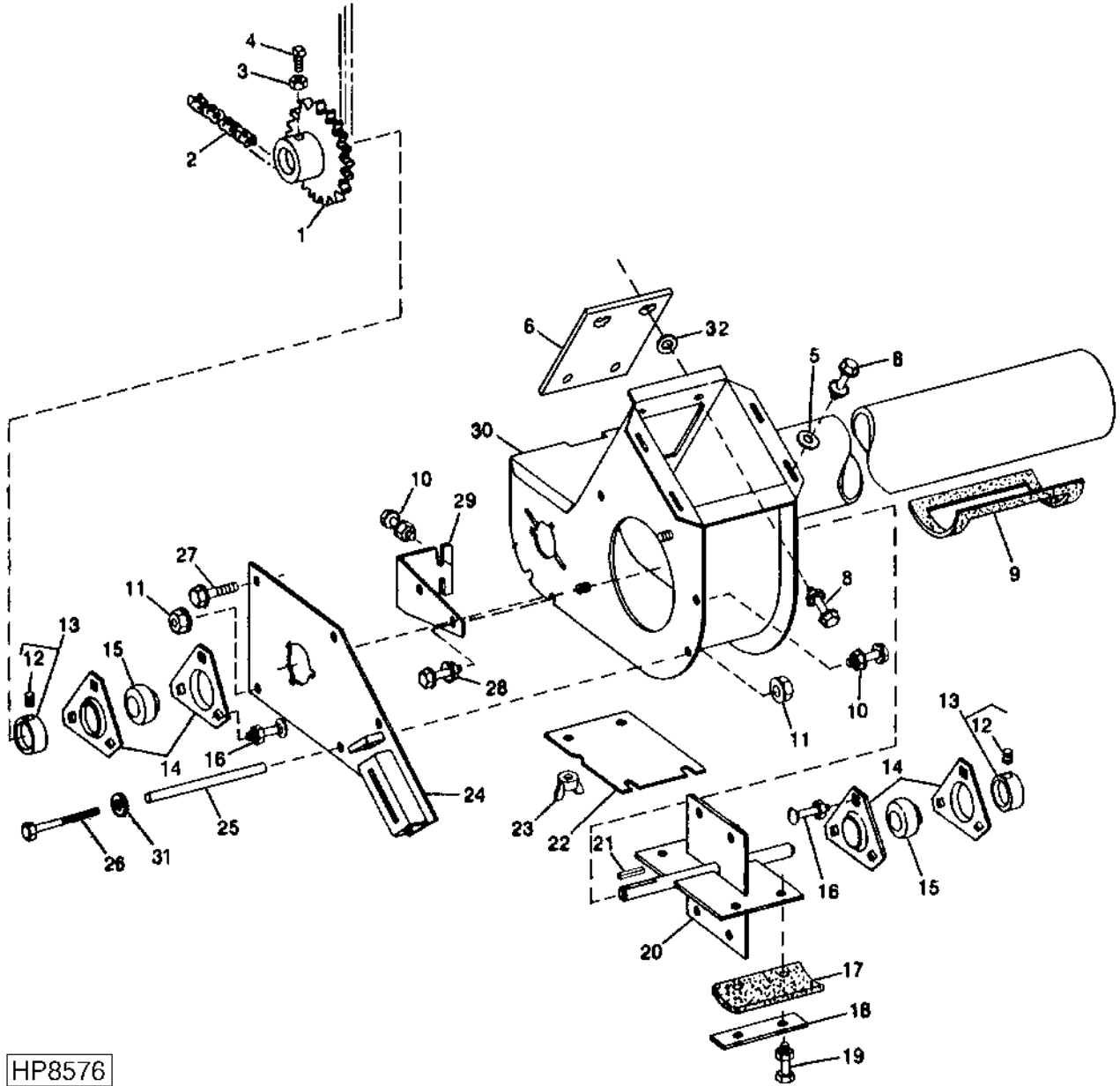


## LOWER TAILINGS AUGER DRIVE TIGHTENER - CONTINUED

| KEY | PART NO. | PART NAME  | QTY | SERIAL NO.  | REMARKS |
|-----|----------|------------|-----|---|---------|
| 1   | 14M7275  | NUT        | 2   | M12   |         |
| 2   | 24M7180  | WASHER     | 1   | 13 X 37 X 3 MM  |         |
| 3   | TY22326  | BULK HOSE  | AR  |   |         |
| 4   | H127872  | GAUGE      | 1   |   |         |
| 5   | H129207  | PIVOT      | 1   |   |         |
| 6   | 19M7824  | SCREW      | 1   | M16 X 60  |         |
|     | 14M7291  | FLANGE NUT | 1   | M16   |         |
| 7   | N110085  | BELT       | 1   |   |         |
| 8   | AH85276  | PULLEY     | 1   |   |         |
| 9   | P46402   | SNAP RING  | 1   |   |         |
| 10  | 24M7091  | WASHER     | 1   | 26 X 44 X 4 MM  |         |
| 11  | AA5607R  | SEAL       | 2   |   |         |
| 12  | H99147   | BUSHING    | 2   | (SUB H171061)   |         |
|     | H171061  | BEARING    | 2   |   |         |
| 13  | AH126865 | ARM        | 1   | ELEVATOR DRIVE  |         |
| 14  | AH156051 | SPRING PIN | 1   |   |         |
| 15  | 19M7785  | SCREW      | 3   | M10 X 25  |         |
|     | 14M7296  | FLANGE NUT | 3   | M10   |         |
| 16  | H26552   | SPRING     | 1   |   |         |
| 17  | H118948  | HOOK BOLT  | 1   | IDLER   |         |
| 18  | 11M7021  | COTTER PIN | 1   | 4 X 25 MM   |         |
| 19  | 24M7047  | WASHER     | 1   | 13 X 24 X 2.500 MM  |         |
| 20  | 24M7178  | WASHER     | AR  | 10.500 X 30 X 2.500 MM, (USE AS NEEDED IF REALIGNMENT IS NECESSARY) |         |

# 3J5

UPPER TAILINGS AUGER HOUSING AND PADDLE ASSEMBLY  
HP8576 -UN-26MAY99



HP8576

## UPPER TAILINGS AUGER HOUSING AND PADDLE ASSEMBLY - CONTINUED

| KEY | PART NO. | PART NAME                | QTY | SERIAL NO.  | REMARKS |
|-----|----------|--------------------------|-----|---|---------|
| 1   | AH126008 | CHAIN SPROCKET           | 1   |   |         |
| 2   | AH126007 | ROLLER CHAIN             | 1   |   |         |
| 3   | 14M7274  | NUT                      | 2   | M10   |         |
| 4   | H138435  | SET SCREW                | 2   |   |         |
| 5   | 24M7207  | WASHER                   | 4   | 8.400 X 24 X 2 MM   |         |
| 6   | H170823  | COVER                    | 1   |   |         |
| 7   | 19M7775  | SCREW                    | 1   | M6 X 16   |         |
| 8   | 19M7866  | SCREW                    | 8   | M8 X 20   |         |
|     | 14M7298  | FLANGE NUT               | 8   | M8  |         |
| 9   | H143735  | SEAL                     | 1   |   |         |
| 10  | 19M7866  | SCREW                    | 3   | M8 X 20   |         |
|     | 14M7298  | FLANGE NUT               | 3   | M8  |         |
| 11  | 14M7298  | FLANGE NUT               | 3   | M8  |         |
| 12  | 22M7080  | SET SCREW                | 2   | M8 X 8  |         |
| 13  | AZ10045  | ECCENTRIC LOCKING COLLAR | 2   |   |         |
| 14  | E10018   | PRESSED FLANGED HOUSING  | AR  |   |         |
| 15  | JD39103  | BALL BEARING             | 2   |   |         |
| 16  | 03M7191  | BOLT                     | AR  | M10 X 25  |         |
|     | 14M7296  | FLANGE NUT               | AR  | M10   |         |
| 17  | H131639  | PADDLE                   | 4   | RUBBER  |         |
| 18  | H131638  | STRAP                    | 4   |   |         |
| 19  | 19M7868  | SCREW                    | AR  | M8 X 30   |         |
|     | 14M7396  | LOCK NUT                 | AR  | M8  |         |
| 20  | AH128581 | PADDLE                   | 1   |   |         |
| 21  | .....    | SHAFT KEY                | AR  | 8 X 7 X 40 MM (IN AH141142 KEY STOCK KIT)<br>(CUT FROM H150269) |         |
| 22  | H135309  | COVER                    | 1   | CLEAN OUT   |         |
| 23  | 14M7020  | WING NUT                 | AR  | M8  |         |
| 24  | AH128664 | SUPPORT                  | 1   | IDLER   |         |
|     | H148633  | END PLATE                | 1   |   |         |
| 25  | H140467  | BUSHING                  | 1   |   |         |
| 26  | 19M8404  | CAP SCREW                | 1   | M8 X 130  |         |
| 27  | 19M7864  | SCREW                    | 1   | M8 X 12   |         |
| 28  | 19M7862  | SCREW                    | 2   | M6 X 20   |         |
|     | 14M7303  | FLANGE NUT               | 2   | M6  |         |
| 29  | H147967  | SUPPORT                  | 1   |   |         |
| 30  | AH149179 | TUBE                     | 1   |   |         |
| 31  | 24M7055  | WASHER                   | 1   | 8.400 X 16 X 1.600 MM   |         |
| 32  | M84309   | NUT                      | 4   |   |         |

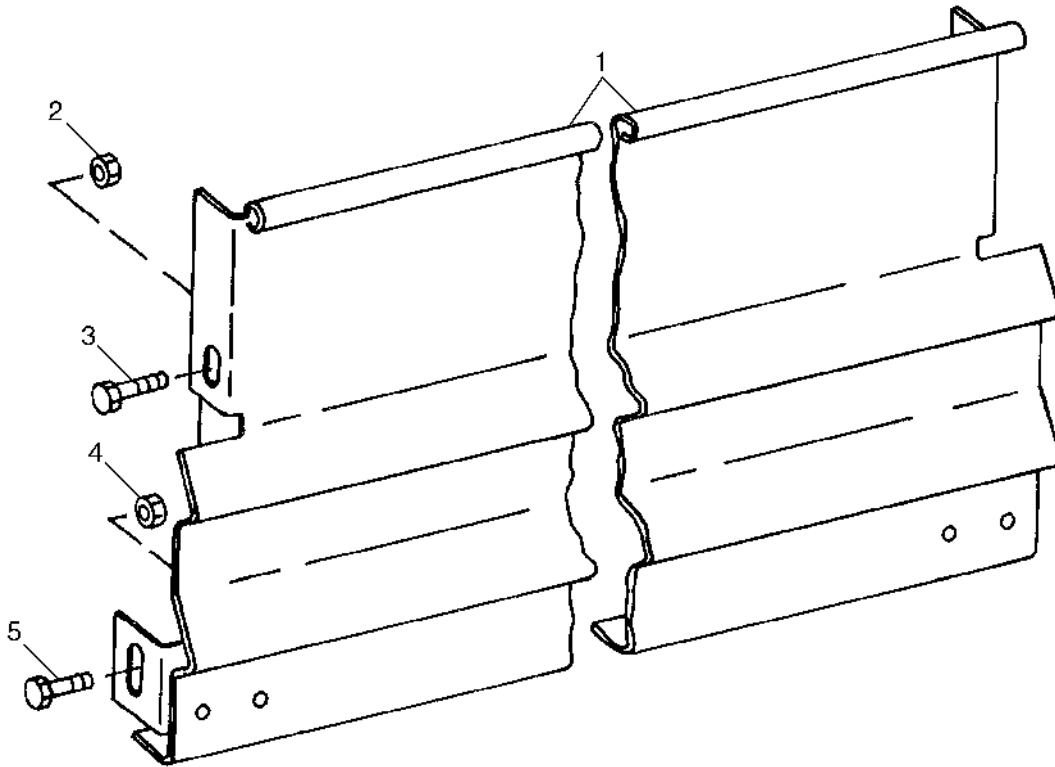




# 3J9

RESIDUE DISPOSAL

CHOPPER DOOR  
HP8351 -UN-21APR99



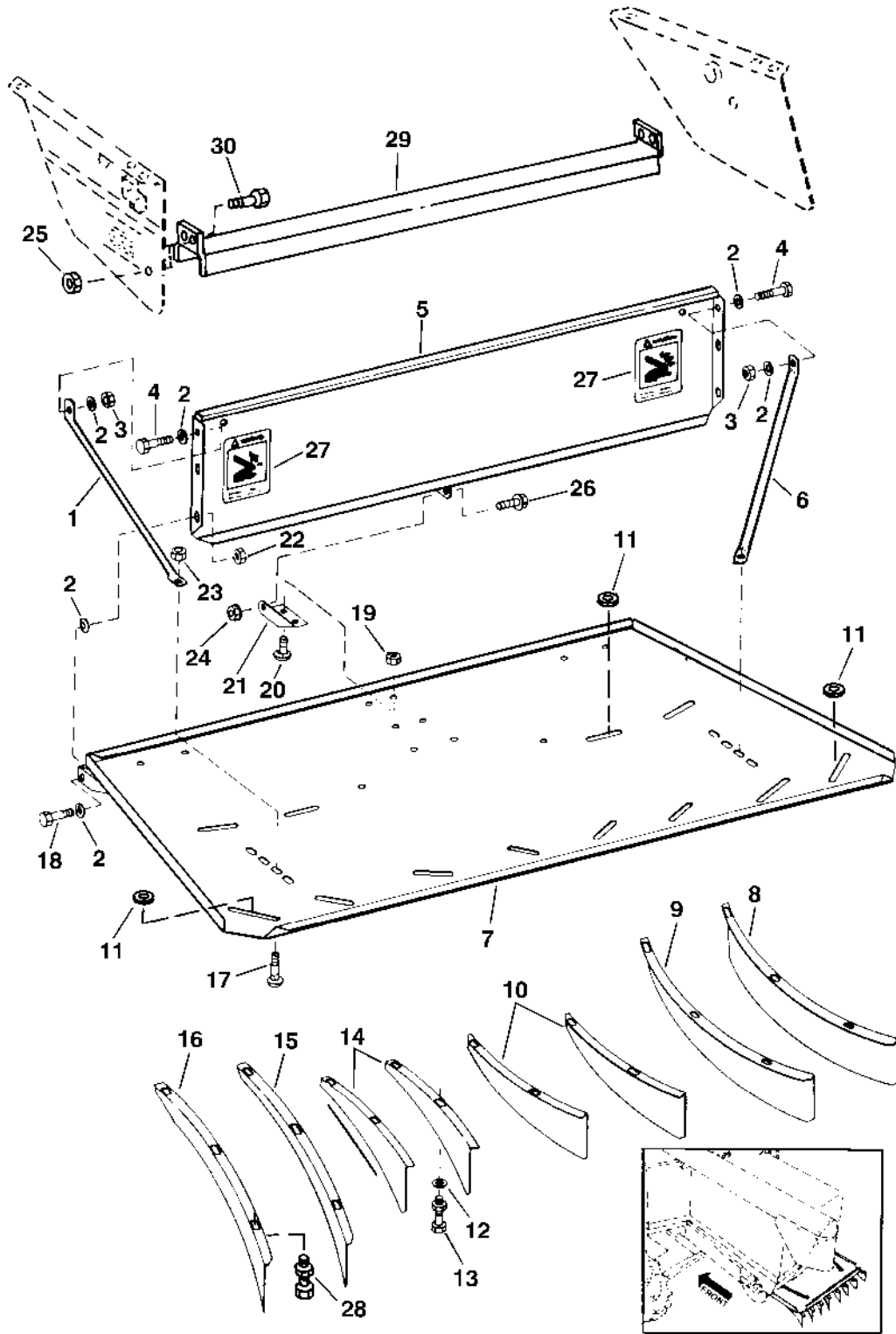
HP8351

| KEY | PART NO. | PART NAME  | QTY | SERIAL NO. | REMARKS  |
|-----|----------|------------|-----|------------|----------|
| 1   | AH142777 | EXTENSION  | 1   |            | FRONT    |
| 2   | 14M7296  | FLANGE NUT | 2   |            | M10      |
| 3   | 19M7784  | SCREW      | 2   |            | M10 X 20 |
| 4   | 14M7298  | FLANGE NUT | 1   |            | M8       |
| 5   | 19M7866  | SCREW      | 1   |            | M8 X 20  |

# 3J10

RESIDUE DISPOSAL

TAIL BOARD SUPPORTS AND VANES  
HP6993 -UN-12SEP97



HP6993

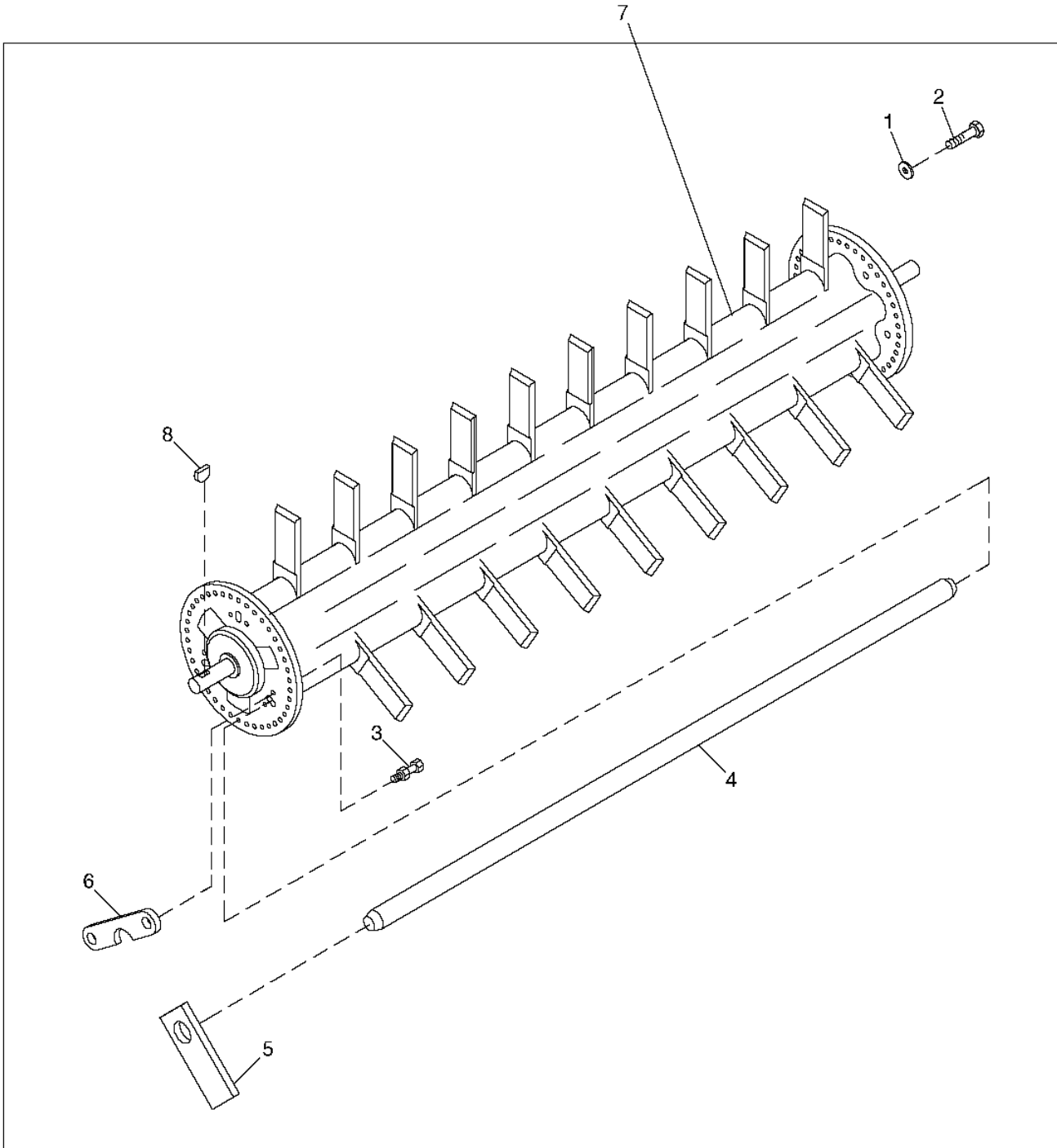
## TAIL BOARD SUPPORTS AND VANES - CONTINUED

| KEY | PART NO.       | PART NAME                          | QTY      | SERIAL NO. | REMARKS  |
|-----|----------------|------------------------------------|----------|------------|--|
| 1   | H126335        | PIPE                               | 1        | REGULAR    |  |
|     | H151182        | PIPE                               | 1        |            | FOR WIDE SPREAD STRAW CHOPPER AND FINE CUT     |
| 2   | H126334        | LOCK WASHER                        | 2        |            | 11.230 X 22.230 X 1.140 MM                     |
| 3   | A51212         | LOCK NUT                           | 2        | M10        |  |
| 4   | 19M7835        | SCREW                              | 2        | M10 X 35   |  |
| 5   | AH139790       | SHEET                              | 1        | REGULAR    |  |
|     | AH144477       | SHEET                              | 1        |            | FOR WIDE SPREAD STRAW CHOPPER AND FINE CUT     |
| 6   | H126336        | PIPE                               | 1        | REGULAR    |  |
|     | H151181        | PIPE                               | 1        |            | FOR WIDE SPREAD STRAW CHOPPER AND FINE CUT     |
| 7   | AH125998       | SUPPORT                            | 1        |            |  |
| 8   | H130949        | VANE                               | 1        | REGULAR    |  |
|     | H150401        | DEFLECTOR                          | 1        |            | FOR WIDE SPREAD STRAW CHOPPER AND FINE CUT     |
| 9   | H114535        | VANE                               | 1        | REGULAR    |  |
|     | H150401        | DEFLECTOR                          | 1        |            | FOR WIDE SPREAD STRAW CHOPPER AND FINE CUT     |
| 10  | H114537        | VANE                               | 2        | REGULAR    |  |
|     | H150403        | DEFLECTOR                          | 2        |            | FOR WIDE SPREAD STRAW CHOPPER AND FINE CUT     |
| 11  | 24H1300        | WASHER                             | 4        |            | 25/64" X 2" X 0.220"                           |
| 12  | 24M7207        | WASHER                             | 12       |            | 8.400 X 24 X 2 MM                              |
| 13  | 03M7183        | BOLT                               | 12       | M8 X 16    |  |
|     | 14M7396        | LOCK NUT                           | 12       | M8         |  |
| 14  | H114538        | VANE                               | 2        | REGULAR    |  |
|     | H150404        | DEFLECTOR                          | 2        |            | FOR WIDE SPREAD STRAW CHOPPER AND FINE CUT     |
| 15  | H114536        | VANE                               | 1        | REGULAR    |  |
|     | H150402        | DEFLECTOR                          | 1        |            | FOR WIDE SPREAD STRAW CHOPPER AND FINE CUT     |
| 16  | H130948        | VANE                               | 1        | REGULAR    |  |
|     | H150402        | DEFLECTOR                          | 1        |            | FOR WIDE SPREAD STRAW CHOPPER AND FINE CUT     |
| 17  | 03M7191        | BOLT                               | 2        | M10 X 25   |  |
| 18  | 19M7167        | CAP SCREW                          | 2        | M10 X 25   |  |
| 19  | 14M7298        | FLANGE NUT                         | 2        | M8         |  |
| 20  | 03M7184        | BOLT                               | 2        | M8 X 20    |  |
| 21  | H128124        | BRACKET                            | 1        |            |  |
| 22  | 14M7400        | LOCK NUT                           | 1        | M10        |  |
| 23  | 14M7296        | FLANGE NUT                         | 1        | M10        |  |
| 24  | 14M7396        | LOCK NUT                           | 1        |            |  |
| 25  | 14M7298        | FLANGE NUT                         | 2        |            | M8, FOR WIDE SPREAD STRAW CHOPPER AND FINE CUT |
| 26  | 19M7866        | SCREW                              | 1        | M8 X 20    |  |
| 27  | H149102        | DECAL                              | 2        |            | "WARNING" CHOPPER POSTION                      |
| 28  | 03M7184        | BOLT                               | 4        |            | M8 X 20, USE WITH H128083 WASHER               |
|     | 14M7396        | LOCK NUT                           | 4        | M8         |  |
| 29  | H128083        | WASHER                             | 4        |            |  |
|     | H150407        | SHEET                              | 1        | REGULAR    |  |
|     | H157108        | SHEET                              | 1        |            | FOR WIDE SPREAD STRAW CHOPPER AND FINE CUT     |
| 30  | 19M7866        | SCREW                              | 2        | M8 X 20    |  |
| ..  | <b>BH80515</b> | <b>COMPLETE GOODS/SHIP. BUNDLE</b> | <b>1</b> |            | <b>STRAW CHOPPER W/DEFLECTOR</b>               |
| ..  | <b>BH81039</b> | <b>COMPLETE GOODS/SHIP. BUNDLE</b> | <b>1</b> |            | <b>WIDE SPREAD CHOPPER CONVERSION</b>          |

# 3J12

RESIDUE DISPOSAL

TRI-ROD CHOPPER  
HP8629 -UN-14JUN99



HP8629

# 3J13

RESIDUE DISPOSAL

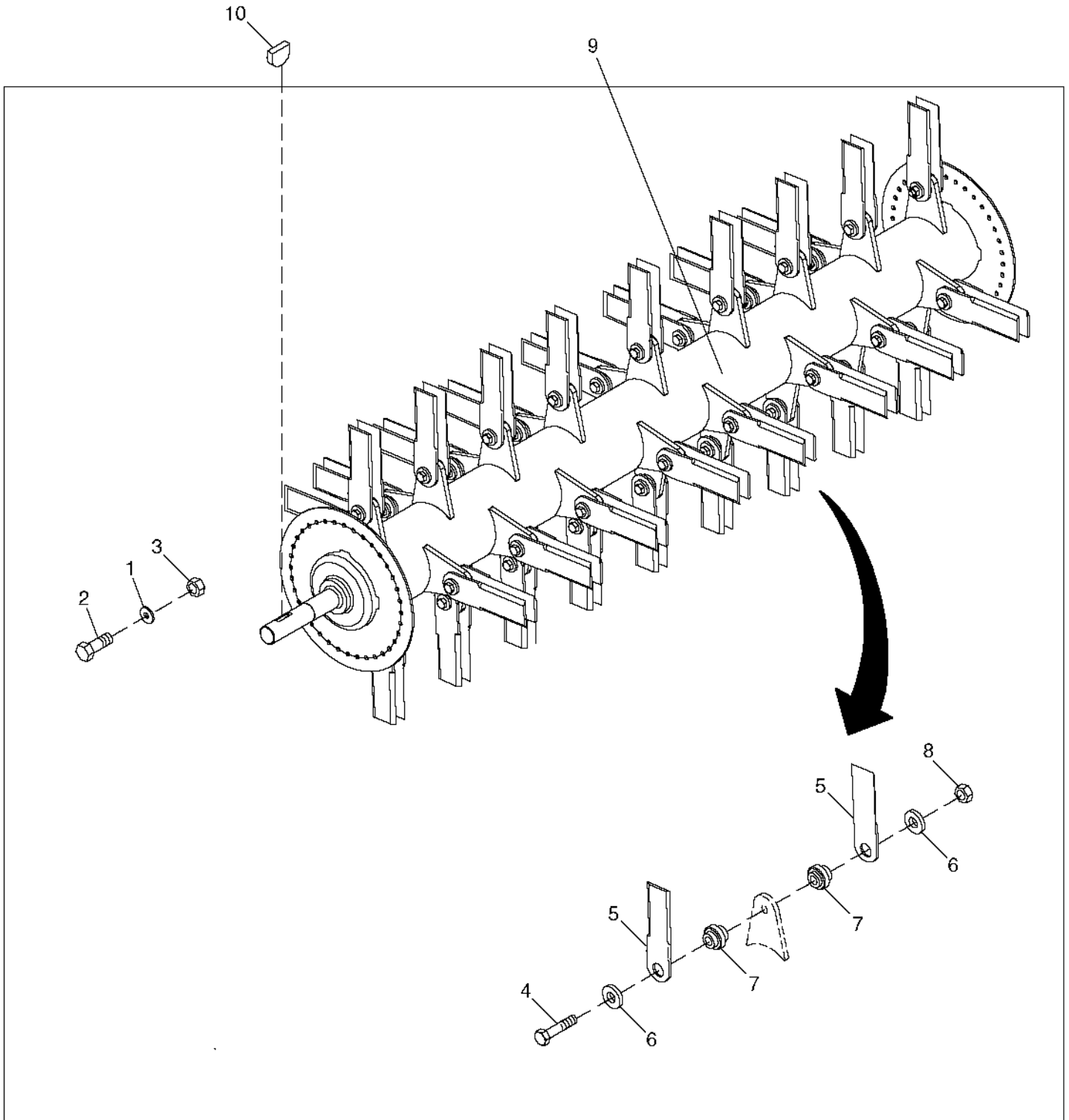
**TRI-ROD CHOPPER - CONTINUED**

| KEY | PART NO. | PART NAME | QTY | SERIAL NO. | REMARKS                                  |
|-----|----------|-----------|-----|------------|--|
| 1   | H128080  | WASHER    | AR  |            | 9 X 19 X 1.5; (USED FOR BALANCING SHAFT) |
|     | H128081  | WASHER    | AR  |            |  |
|     | H128082  | WASHER    | AR  |            |  |
|     | H128083  | WASHER    | AR  |            |  |
| 2   | H147302  | BOLT      | AR  |            | 9 X 31.8 X 1.5                           |
|     | H128357  | CAP SCREW | AR  |            |  |
|     | H128358  | CAP SCREW | AR  |            |  |
|     | H128359  | CAP SCREW | AR  |            |  |
| 3   | H128357  | CAP SCREW | AR  |            | 9 X 50.8 X 5                             |
|     | H143332  | LOCK NUT  | 13  |            |  |
| 4   | H132122  | PIN       | 3   |            |  |
| 5   | AH124635 | BLADE     | 6   |            | SET OF 6 BLADES                          |
|     | AH128359 | BLADE     | 1   |            | SET OF 36 BLADES                         |
| 6   | H146414  | RETAINER  | 3   |            |  |
| 7   | AH165769 | ROTOR     | 1   |            |  |
|     | AH168945 | ROTOR     | 1   |            |  |
| 8   | 26H103   | SHAFT KEY | 1   |            |  |

# 3J14

RESIDUE DISPOSAL

STRAIGHT BLADE, FINE CUT ROTOR CHOPPER  
HP8375 -UN-14JUN99



HP8375

# 3J15

RESIDUE DISPOSAL

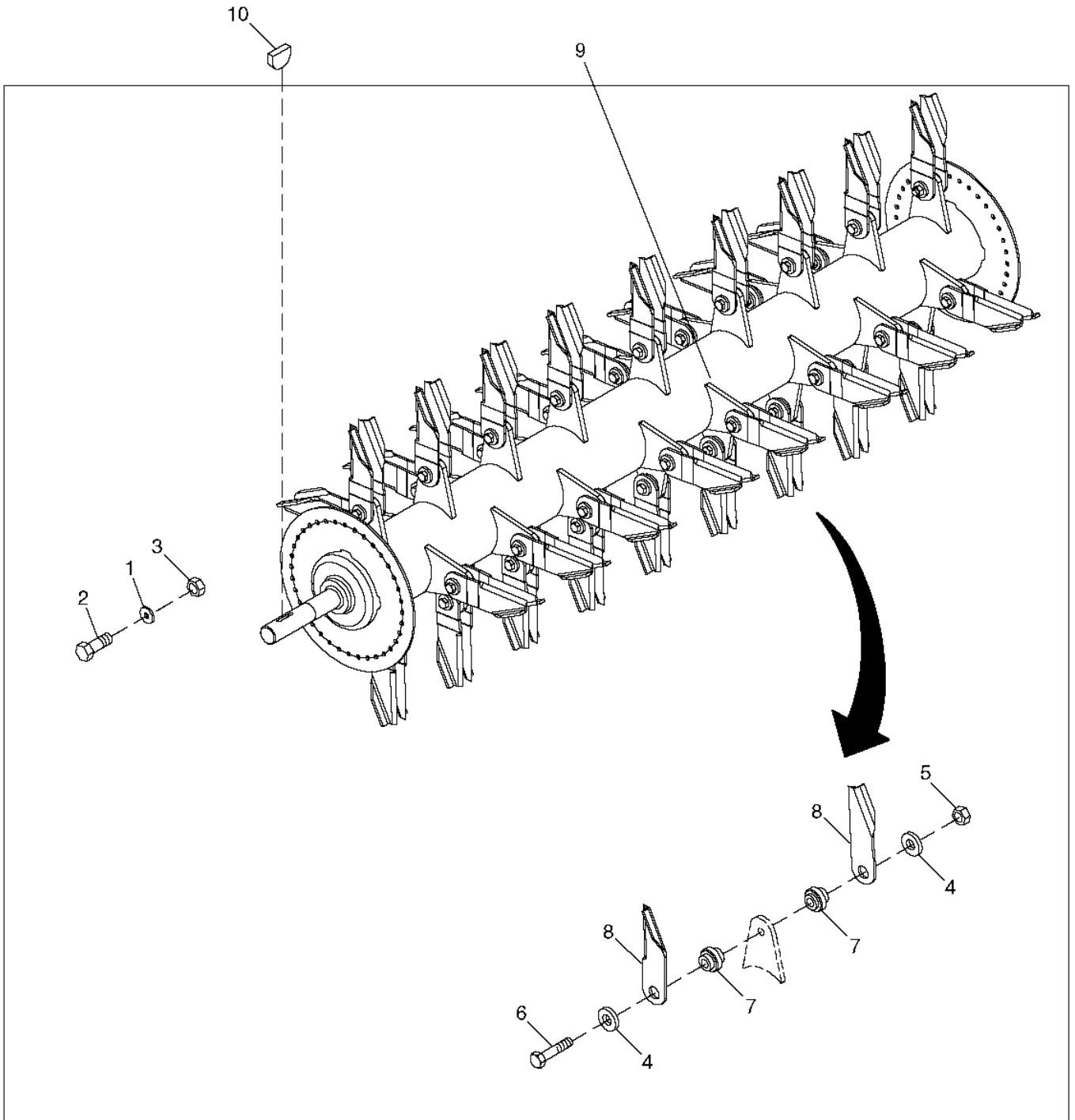
## STAIGHT BLADE, FINE CUT ROTOR CHOPPER - CONTINUED

| KEY | PART NO. | PART NAME | QTY | SERIAL NO. | REMARKS |
|-----|----------|-----------|-----|------------|---------|
| 1   | H128080  | WASHER    | AR  |            |         |
|     | H128081  | WASHER    | AR  |            |         |
|     | H128082  | WASHER    | AR  |            |         |
|     | H128083  | WASHER    | AR  |            |         |
|     | H147304  | WASHER    | AR  |            |         |
| 2   | H147302  | BOLT      | AR  | 3/4"       |         |
|     | H128357  | CAP SCREW | AR  | 1"         |         |
|     | H128358  | CAP SCREW | AR  | 1-1/4"     |         |
|     | H128359  | CAP SCREW | AR  | 1-1/2"     |         |
| 3   | H143332  | LOCK NUT  | AR  | 5/16"      |         |
| 4   | 19M7935  | CAP SCREW | 34  | M10 X 55   |         |
| 5   | H156098  | BLADE     | 68  |            |         |
| 6   | H156101  | WASHER    | 68  |            |         |
| 7   | H156100  | BUSHING   | 68  |            |         |
| 8   | A51212   | LOCK NUT  | 34  | M10        |         |
| 9   | AH151536 | ROTOR     | 1   |            |         |
| 10  | 26H103   | SHAFT KEY | 1   |            |         |

# 3J16

RESIDUE DISPOSAL

PADDLED BLADE, FINE CUT ROTOR CHOPPER  
HP8376 -UN-14JUN99



HP8376



# 3J17

RESIDUE DISPOSAL

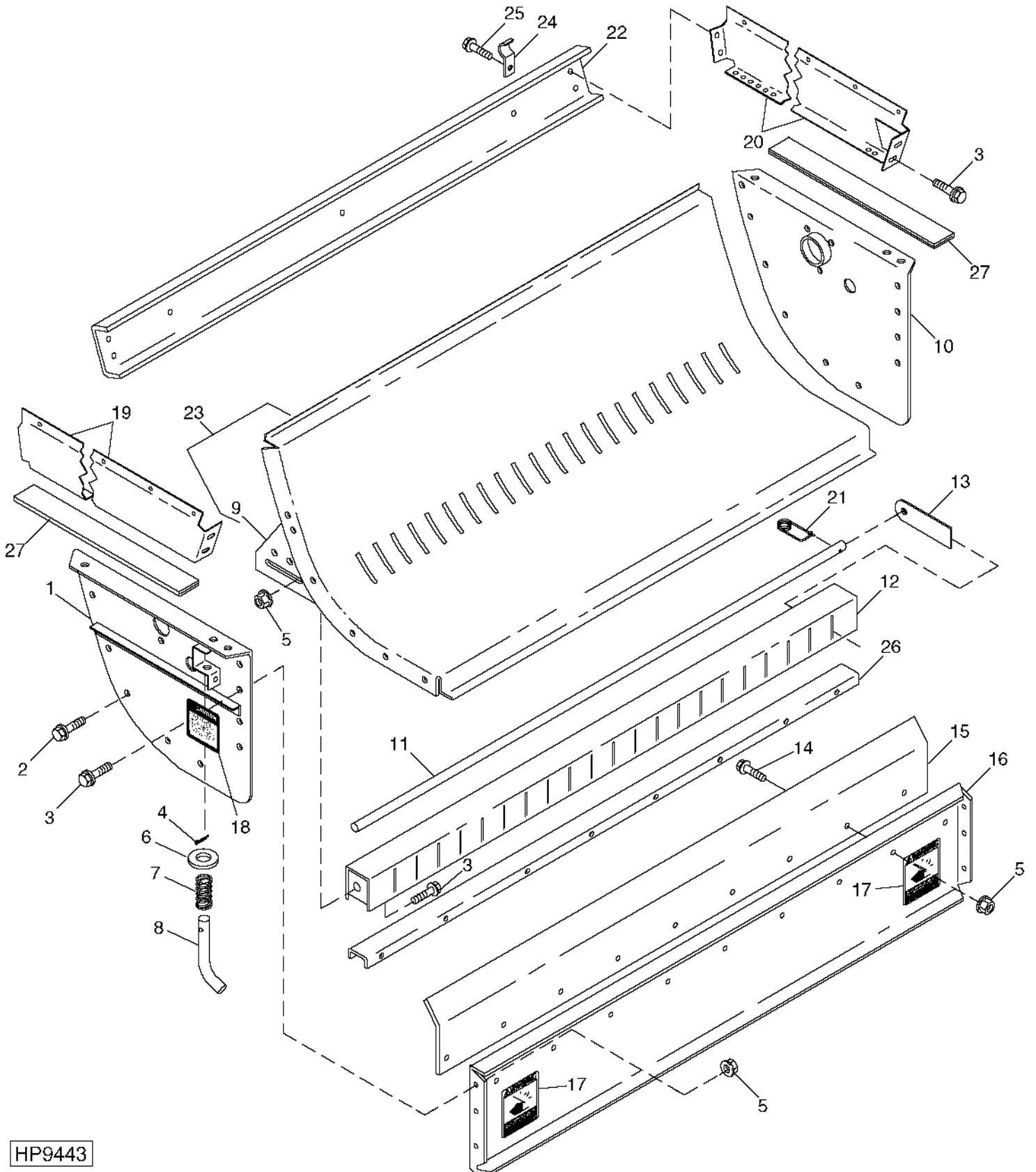
**PADDLED BLADE, FINE CUT ROTOR CHOPPER - CONTINUED**

| KEY | PART NO. | PART NAME | QTY | SERIAL NO.                 | REMARKS |
|-----|----------|-----------|-----|----------------------------|---------|
| 1   | H128080  | WASHER    | AR  | 9 X 19 X 1.5               |         |
|     | H128081  | WASHER    | AR  | 9 X 31.8 X 1.5             |         |
|     | H128082  | WASHER    | AR  | 9X 34.9 X 3                |         |
| 2   | H128083  | WASHER    | AR  | 9 X 50.8 X 5               |         |
|     | H147304  | WASHER    | AR  | 9 X 34.9 X 5               |         |
|     | H147302  | BOLT      | AR  | 3/4"                       |         |
|     | H128357  | CAP SCREW | AR  | 1"                         |         |
|     | H128358  | CAP SCREW | AR  | 1-1/4"                     |         |
|     | H128359  | CAP SCREW | AR  | 1-1/2"                     |         |
| 3   | H143332  | LOCK NUT  | AR  | 5/16"                      |         |
| 4   | H156101  | WASHER    | 68  | 10.300 X 28.600 X 4.800 MM |         |
| 5   | A51212   | LOCK NUT  | 34  |                            |         |
| 6   | 19M8499  | CAP SCREW | 34  | M10 X 60                   |         |
| 7   | H167127  | BUSHING   | 68  |                            |         |
| 8   | AH160606 | BLADE     | 17  | REPAIR KIT (SET OF 4)      |         |
| 9   | AH160425 | ROTOR     | 1   |                            |         |
| 10  | 26H103   | SHAFT KEY | 1   |                            |         |

# 3J18

RESIDUE DISPOSAL

CHOPPER HOUSING AND KNIFEBANK  
HP9443 -UN-17DEC99



HP9443

# 3J19

RESIDUE DISPOSAL

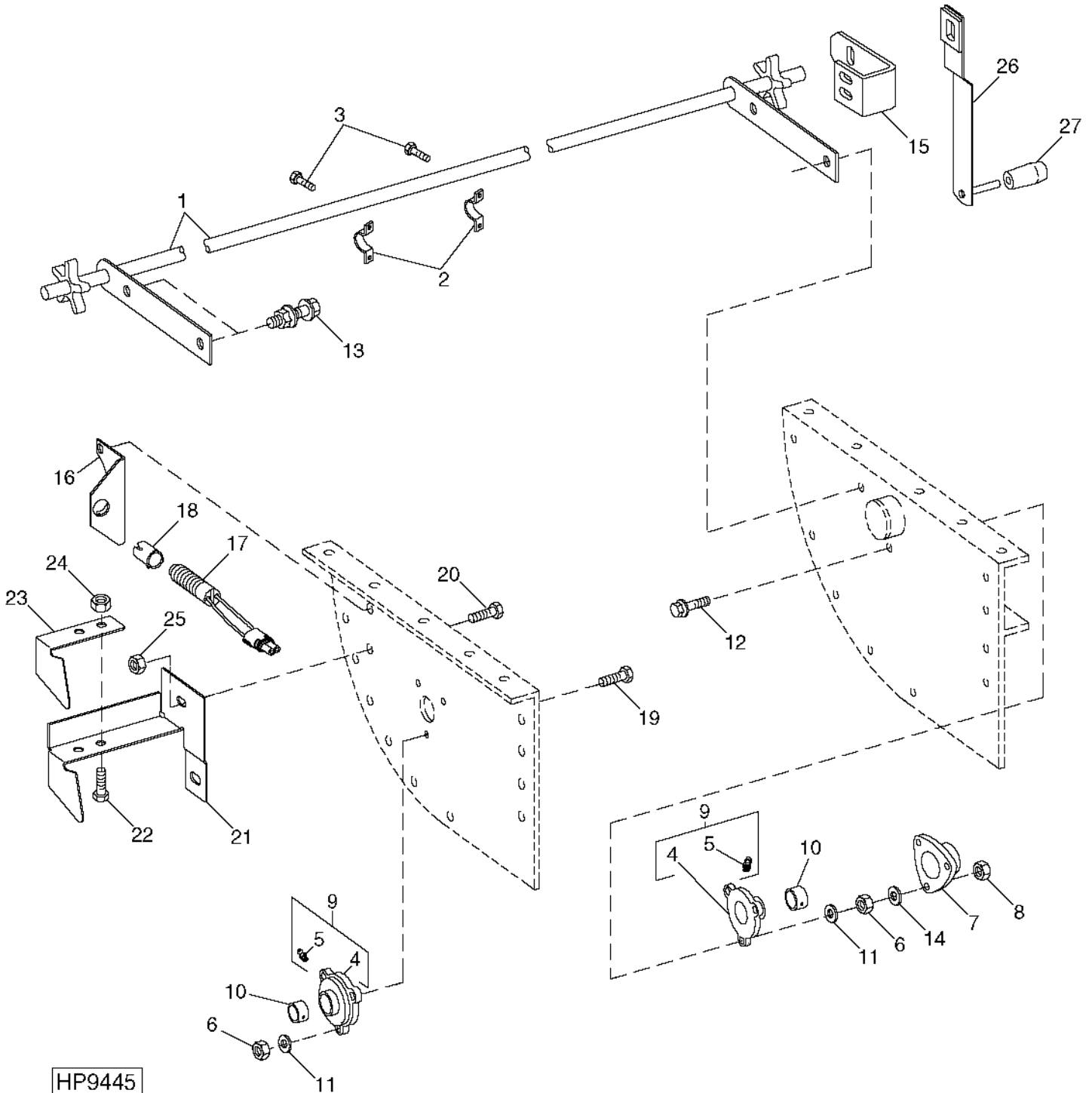
## CHOPPER HOUSING AND KNIFEBANK - CONTINUED

| KEY | PART NO.       | PART NAME                          | QTY      | SERIAL NO.                         | REMARKS |
|-----|----------------|------------------------------------|----------|------------------------------------|---------|
| 1   | AH138156       | SHEET                              | 1        | (SUB AH165937) L.H.                |         |
|     | AH165937       | SHEET                              | 1        | L.H. (CHOP TO BALE)                |         |
| 2   | 19M7866        | SCREW                              | AR       | M8 X 20                            |         |
| 3   | 19M7785        | SCREW                              | 4        | M10 X 25                           |         |
| 4   | 11M7059        | COTTER PIN                         | 2        | 3.200 X 20 MM                      |         |
| 5   | 14M7298        | FLANGE NUT                         | AR       | M8                                 |         |
| 6   | 24H1341        | WASHER                             | 2        | 17/32" X 15/16" X 0.060"           |         |
| 7   | B28970         | SPRING                             | 2        |                                    |         |
| 8   | H136179        | PIN                                | 2        |                                    |         |
| 9   | H149026        | SUPPORT                            | 1        | R.H.                               |         |
|     | H149027        | SUPPORT                            | 1        | L.H.                               |         |
| 10  | AH138157       | SHEET                              | 1        | (SUB AH165936) R.H.                |         |
|     | AH165936       | SHEET                              | 1        | R.H. (CHOP TO BALE)                |         |
| 11  | H172440        | PIN                                | 1        |                                    |         |
| 12  | AH140128       | CHANNEL                            | 1        | REGULAR CHOPPER                    |         |
|     | AH158820       | CHANNEL                            | 1        | FINE CUT CHOPPER                   |         |
| 13  | H142141        | KNIFE                              | 35       |                                    |         |
| 14  | 19M7866        | SCREW                              | AR       | M8 X 20                            |         |
| 15  | H146307        | SHIELD                             | 1        |                                    |         |
| 16  | AH139790       | SHEET                              | 1        |                                    |         |
| 17  | H149102        | DECAL                              | 2        | "WARNING" CHOPPER POSITION         |         |
| 18  | H171093        | LABEL                              | 2        |                                    |         |
| 19  | AH139680       | SUPPORT                            | 1        | L.H.                               |         |
| 20  | AH139679       | SUPPORT                            | 1        | R.H.                               |         |
| 21  | H114001        | QUICK LOCK PIN                     | 1        |                                    |         |
| 22  | H145779        | SUPPORT                            | 1        |                                    |         |
| 23  | AH143047       | SHEET                              | 1        |                                    |         |
| 24  | H157103        | CLIP                               | 7        | FINE CUT ONLY                      |         |
| 25  | 19M7867        | SCREW                              | 14       | M8 X 25                            |         |
| 26  | H157041        | SUPPORT                            | 1        | FINE CUT CHOPPER                   |         |
| 27  | H164519        | STRIP                              | 2        | CHOP TO BALE                       |         |
| ..  | <b>BH81702</b> | <b>COMPLETE GOODS/SHIP. BUNDLE</b> | <b>1</b> | <b>FINE CUT CHOPPER CONVERSION</b> |         |

# 3J20

RESIDUE DISPOSAL

CHOPPER TRANSPORT SPROCKETS  
HP9445 -UN-17DEC99



HP9445

## CHOPPER TRANSPORT SPROCKETS - CONTINUED

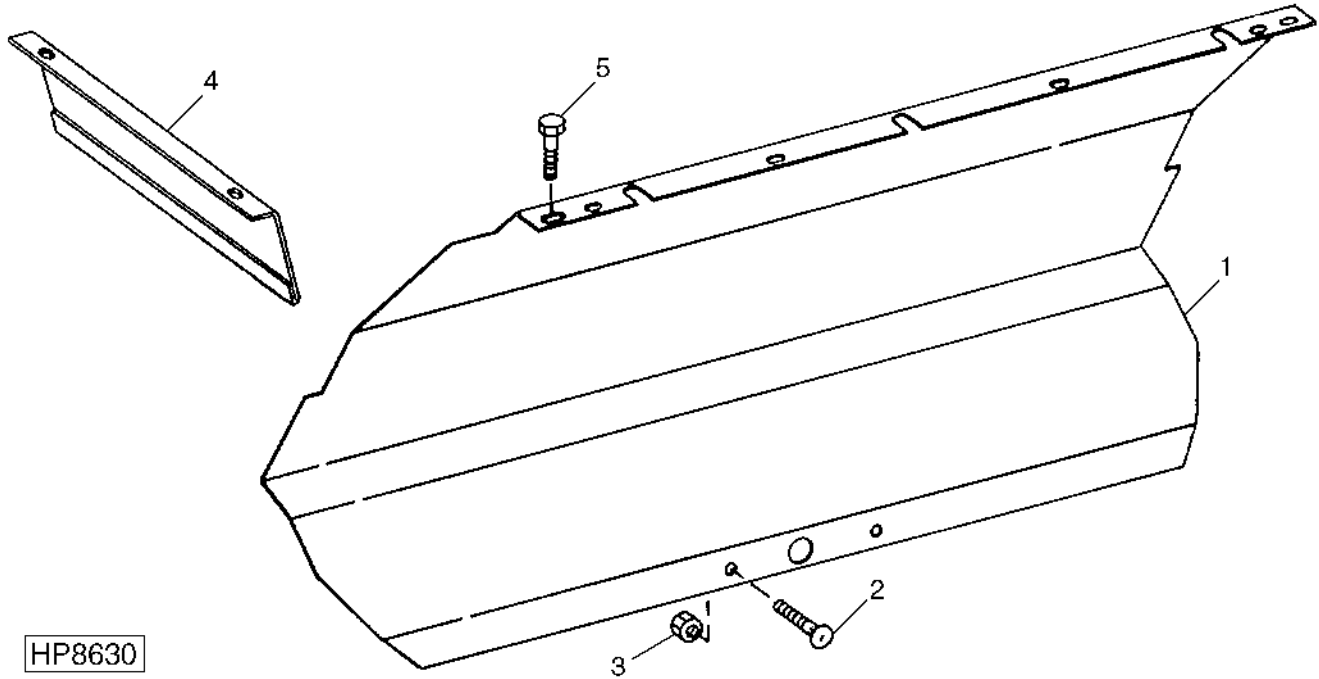
| KEY | PART NO. | PART NAME                | QTY | SERIAL NO.  | REMARKS |
|-----|----------|--------------------------|-----|---|---------|
| 1   | AH135836 | DRIVE SPROCKET           | 1   |   |         |
| 2   | H84990   | CLAMP                    | 2   |   |         |
| 3   | 03M7184  | BOLT                     | 2   | M8 X 20   |         |
| 4   | JD10387  | BALL BEARING             | 2   |   |         |
| 5   | JD7844   | LUBRICATION FITTING      | 2   |   |         |
| 6   | 14M7517  | LOCK NUT                 | 3   | M10   |         |
| 7   | H145319  | COVER                    | 1   |   |         |
| 8   | 14M7274  | NUT                      | 3   | M10   |         |
|     | A51212   | LOCK NUT                 | 6   | (USE WITH 19M7805 AND 19M7835) WIDE FINE<br>CHOPPER |         |
| 9   | AH139260 | BEARING                  | 2   |   |         |
| 10  | JD8576   | ECCENTRIC LOCKING COLLAR | 2   |   |         |
| 11  | 24M7239  | WASHER                   | 4   | 10.700 X 21 X 2.500 MM, (3-R.H., 1-L.H.)            |         |
| 12  | 19M7805  | SCREW                    | 3   | M10 X 45  |         |
| 13  | 19M7867  | SCREW                    | 4   | M8 X 25   |         |
|     | 14M7298  | FLANGE NUT               | 4   | M8  |         |
| 14  | 24M7028  | WASHER                   | 4   | 10.500 X 20 X 2 MM                                  |         |
|     | 24M7239  | WASHER                   | 3   | 10.700 X 21 X 2.500 MM, WIDE FINE CHOPPER           |         |
| 15  | H141388  | SHIELD                   | 1   |   |         |
| 16  | H165243  | BRACKET                  | 1   |   |         |
| 17  | AH116104 | SENSOR                   | 1   |   |         |
| 18  | H160880  | CLIP                     | 1   |   |         |
| 19  | 19M7835  | SCREW                    | 3   | M10 X 35  |         |
| 20  | 19M7785  | SCREW                    | 1   | M10 X 25  |         |
| 21  | H172749  | BRACKET                  | 1   | (REGULAR CHOPPER)                                   |         |
| 22  | 19M7865  | SCREW                    | 2   | M8 X 16   |         |
| 23  | H172793  | BRACKET                  | 1   | (FINE CUT)  |         |
| 24  | 14M7298  | FLANGE NUT               | 2   | M8  |         |
| 25  | 14M7296  | FLANGE NUT               | 1   | M10   |         |
| 26  | AH159356 | CRANK                    | 1   | CHOP TO BALE  |         |
| 27  | M71077   | KNOB                     | 1   | CHOP TO BALE  |         |

MEMORANDA

# 3J22

RESIDUE DISPOSAL

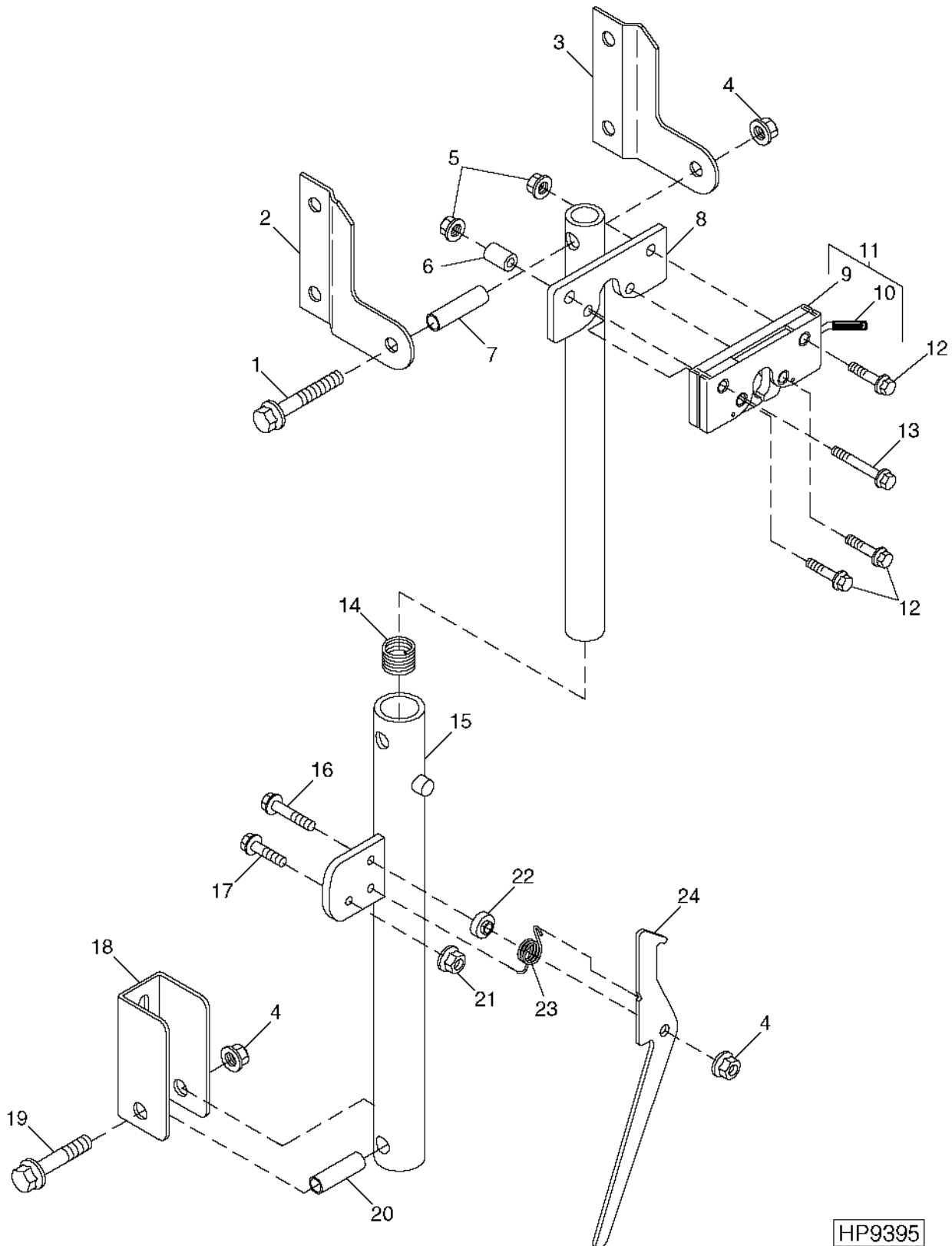
**CORN DEFLECTOR (OPTIONAL)**  
HP8630 -UN-14JUN99



| KEY | PART NO. | PART NAME  | QTY | SERIAL NO. | REMARKS |
|-----|----------|------------|-----|------------|---------|
| 1   | H141086  | DEFLECTOR  | 1   |            |         |
| 2   | 03M7183  | BOLT       | 2   | M8 X 16    |         |
| 3   | 14M7298  | FLANGE NUT | 2   | M8         |         |
| 4   | H134889  | DEFLECTOR  | 2   |            |         |
| 5   | 37M7058  | SCREW      | 6   | M8 X 20    |         |

# 3J23

**TAILBOARD ARMS - CHOP-TO-BALE**  
HP9395 -UN-10DEC99



HP9395



## TAILBOARD ARMS - CHOP-TO-BALE - CONTINUED

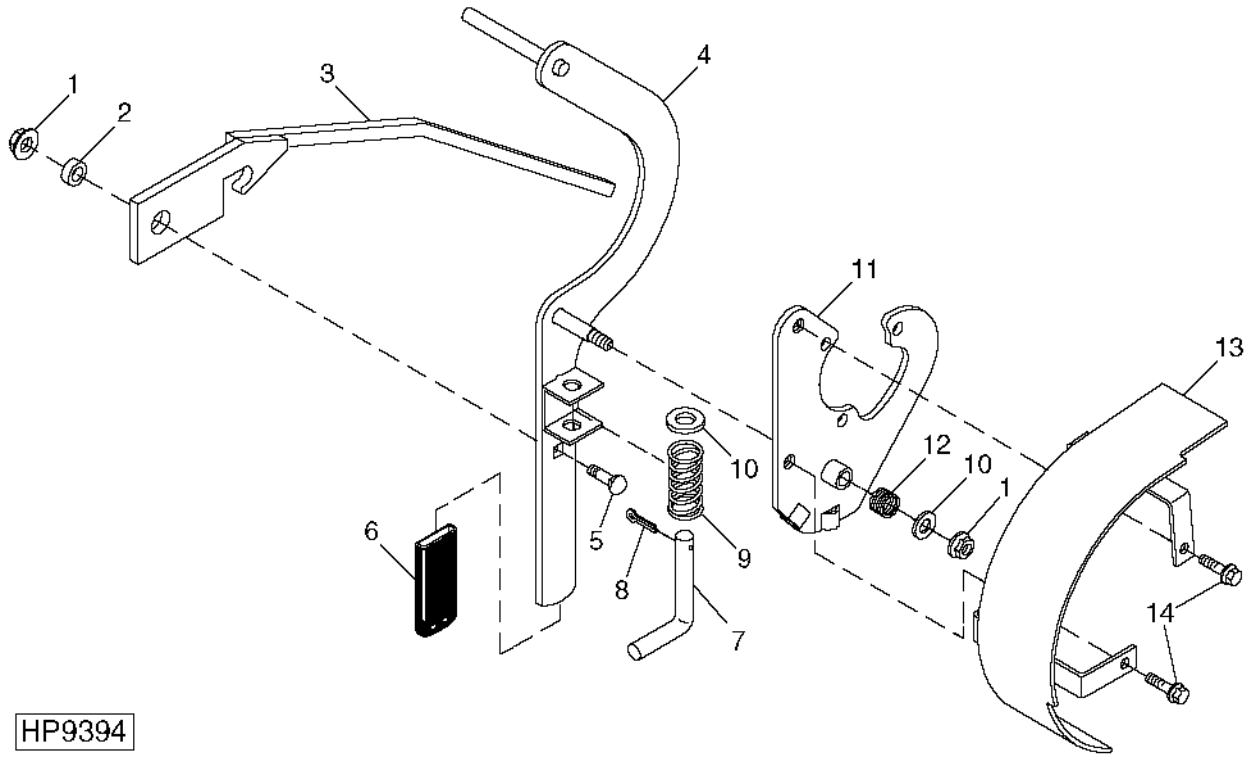
| KEY | PART NO.       | PART NAME                          | QTY      | SERIAL NO. | REMARKS             |
|-----|----------------|------------------------------------|----------|------------|---------------------|
| 1   | 19M8319        | SCREW                              | 2        |            |                     |
| 2   | H167426        | BRACKET                            | 2        |            |                     |
| 3   | H167425        | BRACKET                            | 2        |            |                     |
| 4   | 14M7298        | FLANGE NUT                         | 5        |            | M8                  |
| 5   | 14M7303        | FLANGE NUT                         | 4        |            | M6                  |
| 6   | L59635         | BUSHING                            | 1        |            | R.H. ONLY           |
| 7   | M90756         | BUSHING                            | 2        |            |                     |
| 8   | AH166172       | TUBE                               | 2        |            |                     |
| 9   | AH167030       | LATCH                              | 2        |            |                     |
| 10  | H169865        | CAP                                | 2        |            |                     |
| 11  | AH167031       | LATCH                              | 2        |            |                     |
| 12  | 19M7796        | SCREW                              | 3        |            | M6 X 30             |
| 13  | 19M8321        | SCREW                              | 1        |            | M6 X 45, R.H.       |
|     | 19M7796        | SCREW                              | 1        |            | M6 X 30, L.H.       |
| 14  | U44909         | SPRING                             | 2        |            |                     |
| 15  | AH166167       | TUBE                               | 1        |            | R.H.                |
|     | AH166711       | TUBE                               | 1        |            | L.H.                |
| 16  | 19M7867        | SCREW                              | 1        |            | M8 X 25, R.H. ONLY  |
| 17  | 19M7862        | SCREW                              | 1        |            | M6 X 20, R.H. ONLY  |
| 18  | AH168400       | SUPPORT                            | 2        |            | (SUB FOR H172025)   |
| 19  | 19M8319        | SCREW                              | 2        |            | M8 X 50             |
| 20  | E46013         | BUSHING                            | 2        |            |                     |
| 21  | 14M7303        | FLANGE NUT                         | 1        |            | M6, R.H. ONLY       |
| 22  | H170738        | SPACER                             | 1        |            | R.H. ONLY           |
| 23  | M82701         | TORSION SPRING                     | 1        |            | R.H. ONLY           |
| 24  | H172110        | LEVER                              | 1        |            | R.H. ONLY           |
| ..  | <b>BH81516</b> | <b>COMPLETE GOODS/SHIP. BUNDLE</b> | <b>1</b> |            | <b>CHOP-TO-BALE</b> |

NOTE: QUANTITIES ARE FOR BOTH SIDES. R.H. SIDE SHOWN

# 3J25

RESIDUE DISPOSAL

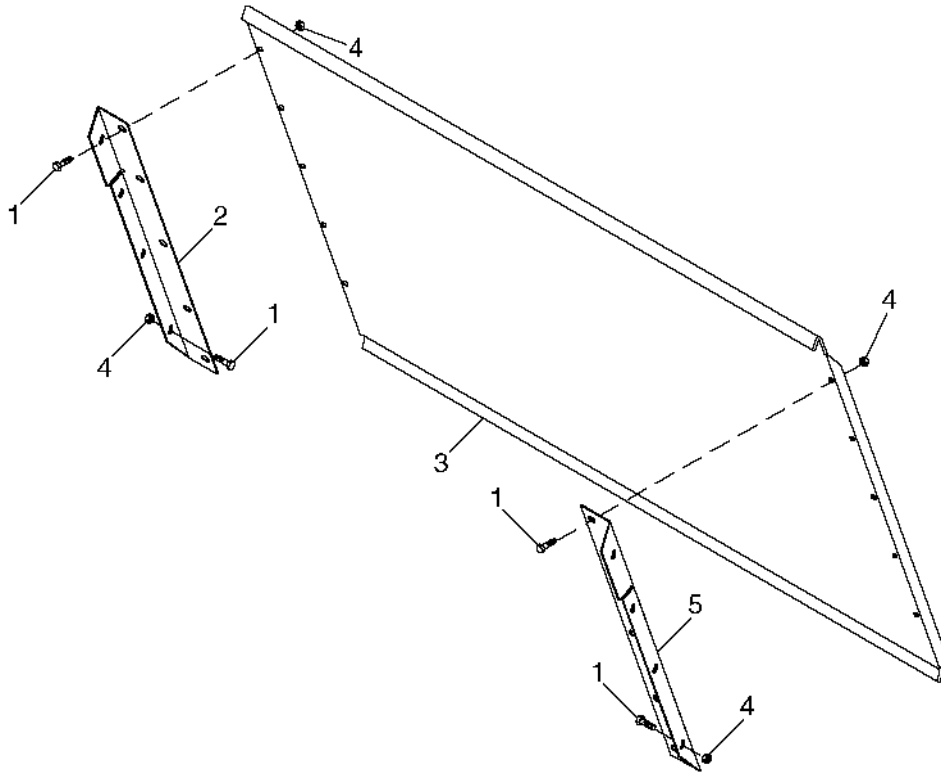
**DECLUTCHING LEVER - CHOP-TO-BALE**  
HP9394 -UN-17DEC99



HP9394

| KEY | PART NO. | PART NAME  | QTY | SERIAL NO.               | REMARKS |
|-----|----------|------------|-----|--------------------------|---------|
| 1   | 14M7296  | FLANGE NUT | 2   | M10                      |         |
| 2   | N15254   | WASHER     | 1   |                          |         |
| 3   | AH162060 | LATCH      | 1   |                          |         |
| 4   | AH161431 | ARM        | 1   |                          |         |
| 5   | 03M7192  | BOLT       | 1   | M10 X 30                 |         |
| 6   | W25634   | GRIP       | 1   |                          |         |
| 7   | H170940  | PIN        | 1   |                          |         |
| 8   | 11M7059  | COTTER PIN | 1   | 3.200 X 20 MM            |         |
| 9   | B28970   | SPRING     | 1   |                          |         |
| 10  | 24H1341  | WASHER     | 2   | 17/32" X 15/16" X 0.060" |         |
| 11  | AH161432 | PLATE      | 1   |                          |         |
| 12  | 192SE    | SPRING     | 1   |                          |         |
| 13  | AH161433 | SHIELD     | 1   |                          |         |
| 14  | 19M7801  | SCREW      | 2   | M8 X 60                  |         |

**CHOPPER COVER AND BRACKETS - CHOP-TO-BALE**  
 HP9447 -UN-20DEC99



HP9447

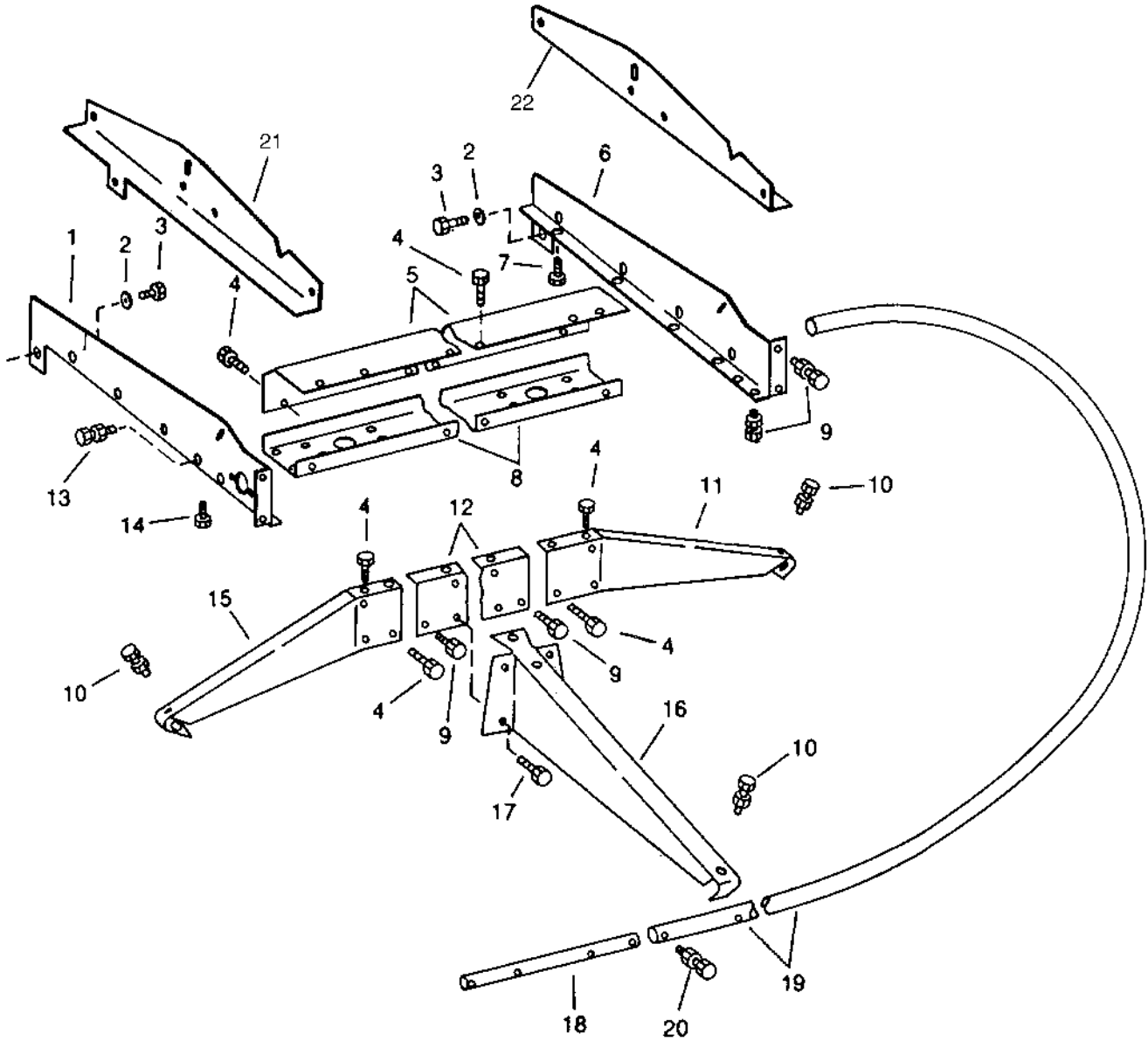
| KEY | PART NO. | PART NAME  | QTY | SERIAL NO. | REMARKS |
|-----|----------|------------|-----|------------|---------|
| 1   | 03M7184  | BOLT       | 18  | M8 X 20    |         |
| 2   | H166882  | ANGLE      | 1   |            |         |
| 3   | H164635  | COVER      | 1   |            |         |
| 4   | 14M7298  | FLANGE NUT | 18  | M8         |         |
| 5   | H166881  | ANGLE      | 1   |            |         |

# 3K2

RESIDUE DISPOSAL

## STRAW SPREADER MOUNTING AND GUARD

HP8512 -UN-14JUN99



HP8512

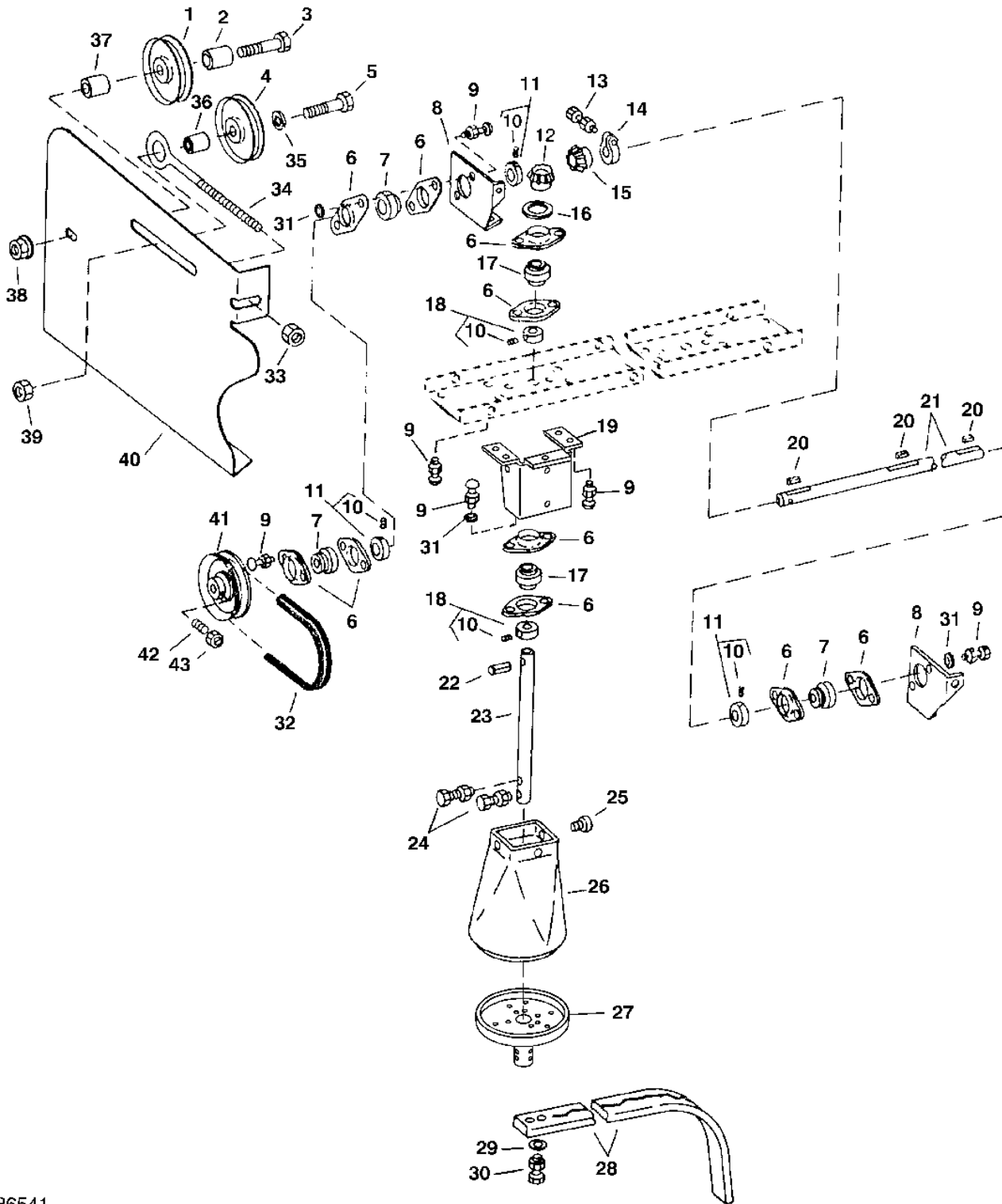
## STRAW SPREADER MOUNTING AND GUARD - CONTINUED

| KEY | PART NO. | PART NAME     | QTY | SERIAL NO. | REMARKS |
|-----|----------|---------------|-----|------------|---------|
| 1   | AH134439 | ANGLE         | 1   | L.H.       |         |
| 2   | 12H301   | LOCK WASHER   | 1   | 1/2"       |         |
| 3   | 19H1792  | CAP SCREW     | 1   | 1/2" X 1"  |         |
| 4   | H78354   | SCREW         | 1   |            |         |
| 5   | H117695  | SUPPORT       | 1   |            |         |
| 6   | AH134438 | ANGLE         | 1   | R.H.       |         |
| 7   | 19M7784  | SCREW         | 1   | M10 X 20   |         |
| 8   | H117691  | SUPPORT       | 1   |            |         |
| 9   | 19M7784  | SCREW         | 11  | M10 X 20   |         |
| 10  | 14M7296  | FLANGE NUT    | 1   | M10        |         |
|     | 19M7979  | SCREW         | 11  | M8 X 55    |         |
|     | 14M7396  | LOCK NUT      | 1   | M8         |         |
| 11  | H121575  | SUPPORT       | 1   |            |         |
| 12  | H117693  | SUPPORT       | 1   |            |         |
| 13  | 19M7866  | SCREW         | 4   | M8 X 20    |         |
|     | 14M7298  | FLANGE NUT    | 4   | M8         |         |
| 14  | 19M7785  | SCREW         | 4   | M10 X 25   |         |
| 15  | H121576  | SUPPORT       | 1   |            |         |
| 16  | H121574  | SUPPORT       | 1   |            |         |
| 17  | 37M7058  | SCREW         | 5   | M8 X 20    |         |
| 18  | H95203   | TUBE          | 1   |            |         |
| 19  | AH85415  | GUARD         | 2   |            |         |
| 20  | 19M7269  | CAP SCREW     | 1   | M8 X 50    |         |
|     | 14M7396  | LOCK NUT      | 1   | M8         |         |
| 21  | AH138971 | REINFORCEMENT | 1   | L.H.       |         |
| 22  | AH138972 | REINFORCEMENT | 2   | R.H.       |         |

# 3K4

RESIDUE DISPOSAL

STRAW SPREADER  
HP6541 -UN-23AUG96



HP6541

# 3K5

RESIDUE DISPOSAL

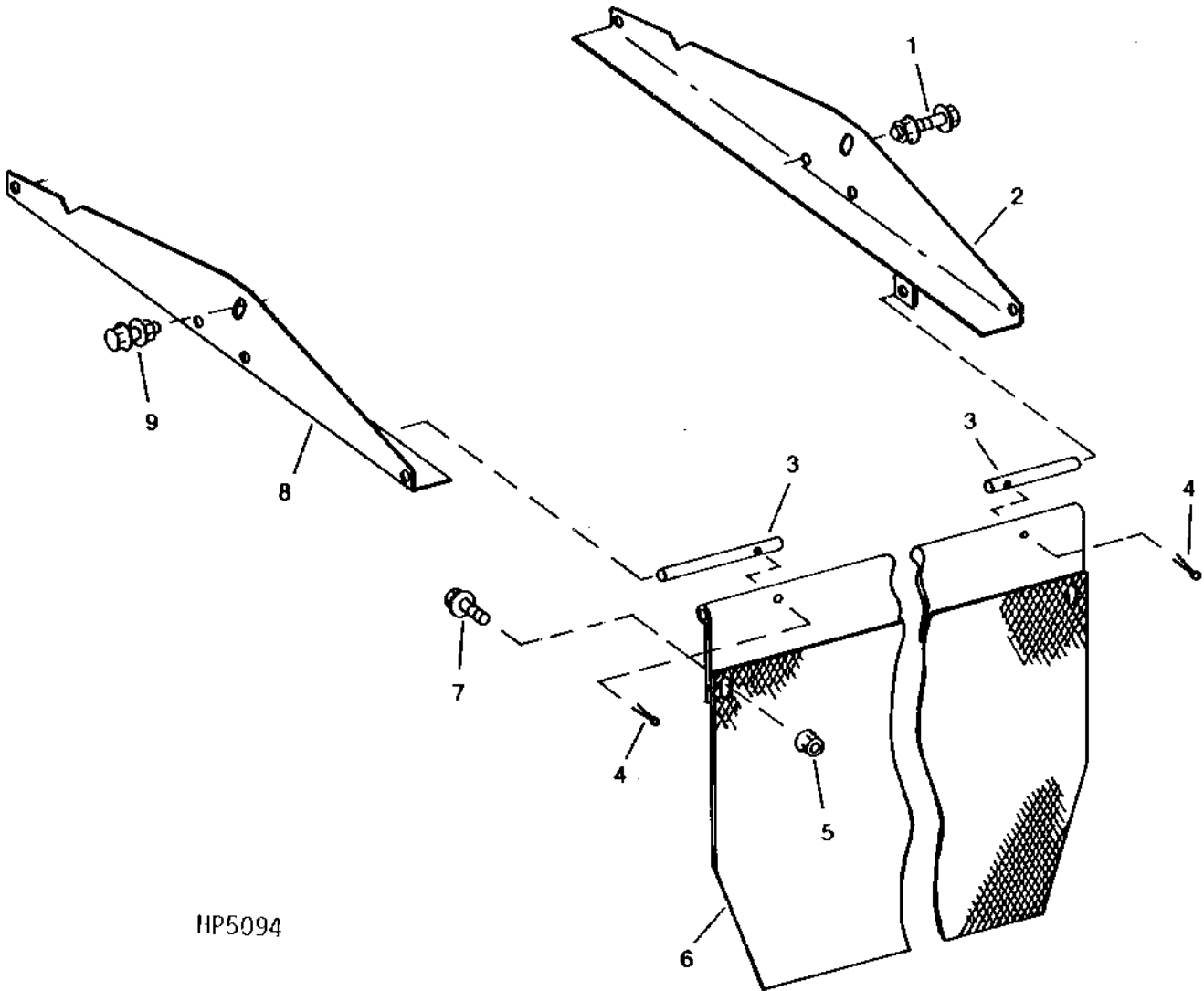
STRAW SPREADER - CONTINUED

| KEY | PART NO. | PART NAME                | QTY | SERIAL NO.             | REMARKS |
|-----|----------|--------------------------|-----|------------------------|---------|
| 1   | AH14097  | SHEAVE                   | 1   |                        |         |
| 2   | 28H1600  | SPACER                   | 1   | 0.546" X 0.840" X 1"   |         |
| 3   | 19M7819  | SCREW                    | 1   | M12 X 90               |         |
| 4   | AM103480 | IDLER                    | 1   |                        |         |
| 5   | 19M7825  | SCREW                    | 1   | M16 X 65               |         |
| 6   | P44439   | PRESSED FLANGED HOUSING  | 14  |                        |         |
| 7   | JD8665   | BALL BEARING             | 1   |                        |         |
| 8   | H135493  | SUPPORT                  | 3   |                        |         |
| 9   | 03H1540  | BOLT                     | 20  | 5/16" X 3/4"           |         |
| 10  | 14H785   | NUT                      | 8   | 5/16"                  |         |
| 11  | JD8554   | ECCENTRIC LOCKING COLLAR | 4   |                        |         |
| 12  | H91228   | GEAR                     | 2   |                        |         |
| 13  | 19M7572  | CAP SCREW                | 2   | M10 X 45               |         |
|     | 14M7296  | FLANGE NUT               | 2   | M10                    |         |
| 14  | H145112  | CLAMP                    | 2   |                        |         |
| 15  | H91796   | GEAR                     | 2   | SET OF TWO GEARS       |         |
| 16  | 24H1433  | WASHER                   | 2   | 29/32" X 2-1/4" X 1/4" |         |
| 17  | JD9442   | BALL BEARING             | 4   |                        |         |
| 18  | JD8563   | ECCENTRIC LOCKING COLLAR | 4   |                        |         |
| 19  | AH131166 | SUPPORT                  | 2   |                        |         |
| 20  | H167587  | KEY                      | 3   |                        |         |
| 21  | H134717  | DRIVE SHAFT              | 1   |                        |         |
| 22  | 25H1182  | GROOVE PIN               | 2   | 5/16" X 1-3/4"         |         |
| 23  | H135494  | PIN                      | 2   |                        |         |
| 24  | 19M8318  | SCREW                    | 2   | M8 X 45                |         |
|     | 14M7396  | LOCK NUT                 | 2   | M8                     |         |
| 25  | 37M7058  | SCREW                    | 6   | M8 X 20                |         |
| 26  | H83795   | GUARD                    | 2   |                        |         |
| 27  | AH141184 | CAP                      | 2   |                        |         |
| 28  | H131614  | BLADE                    | 1   |                        |         |
| 29  | 24M7207  | WASHER                   | 12  | 8.400 X 24 X 2 MM      |         |
| 30  | 19M7322  | CAP SCREW                | 12  | M8 X 35                |         |
|     | 14M7396  | LOCK NUT                 | 12  | M8                     |         |
| 31  | 24M7238  | WASHER                   | 10  | 8.700 X 17 X 2 MM      |         |
| 32  | H128234  | BELT                     | 1   |                        |         |
| 33  | 14M7291  | FLANGE NUT               | 1   | M16                    |         |
| 34  | H127583  | EYEBOLT                  | 1   |                        |         |
| 35  | 24H1365  | WASHER                   | 1   | 21/32" X 1" X 0.090"   |         |
| 36  | Z33404   | SPACER                   | 1   |                        |         |
| 37  | 28H2514  | BUSHING                  | 1   | 0.546" X 0.840" X 3/4" |         |
| 38  | 14M7299  | FLANGE NUT               | 1   | M12                    |         |
| 39  | 14M7291  | FLANGE NUT               | 1   | M16                    |         |
| 40  | H135017  | BRACKET                  | 1   |                        |         |
| 41  | AH130964 | SHEAVE                   | 2   |                        |         |
| 42  | H138435  | SET SCREW                | 4   | M10 X 25               |         |
| 43  | 14M7152  | NUT                      | 1   | M10                    |         |

# 3K6

RESIDUE DISPOSAL

SPREADER CURTAIN  
HP5094 -UN-01JAN94



HP5094



# 3K7

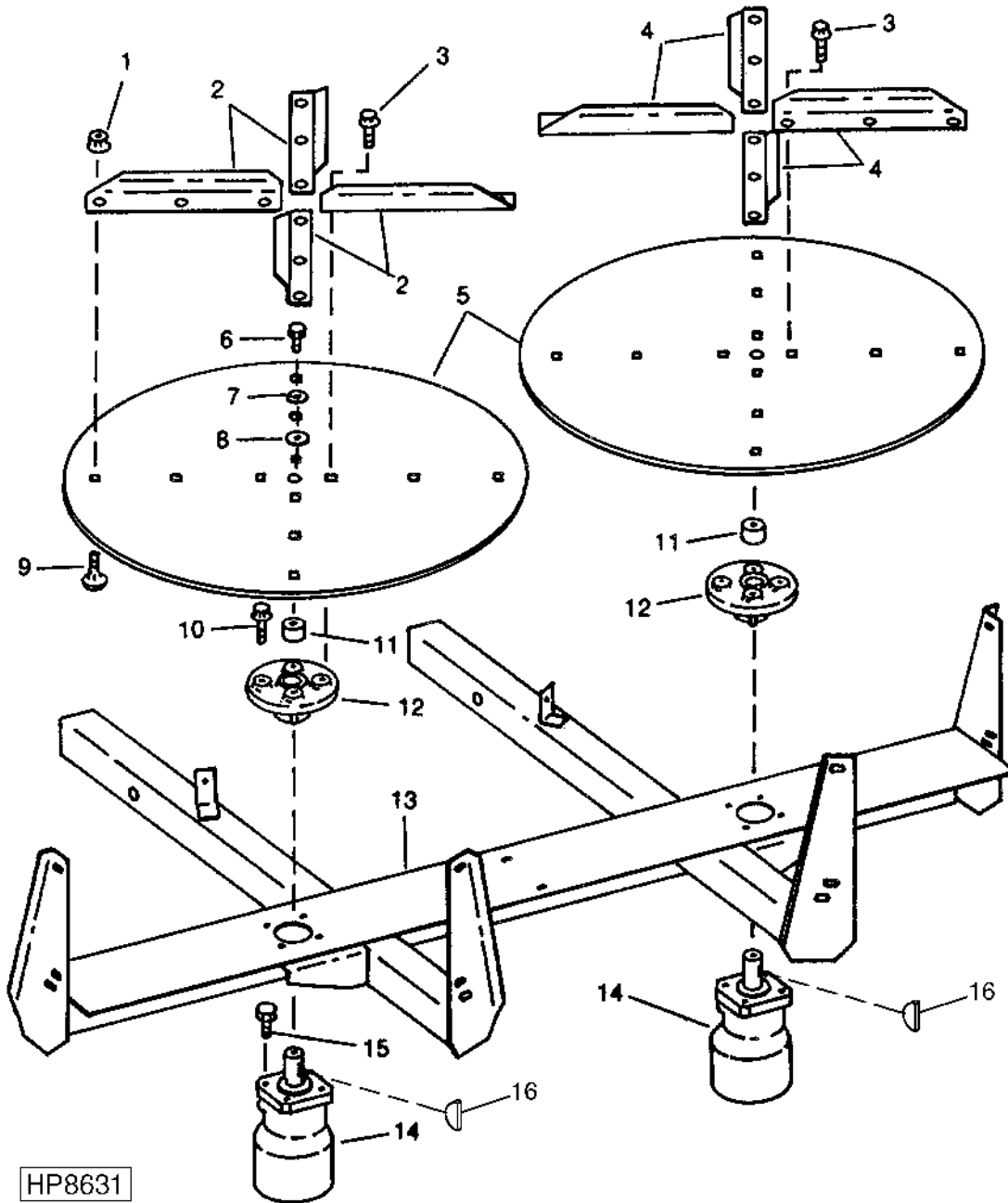
RESIDUE DISPOSAL

## SPREADER CURTAIN - CONTINUED

| KEY | PART NO. | PART NAME     | QTY | SERIAL NO.    | REMARKS |
|-----|----------|---------------|-----|---------------|---------|
| 1   | 19M7809  | SCREW         | 4   | M10 X 70      |         |
|     | 14M7296  | FLANGE NUT    | 4   | M10           |         |
| 2   | AH138971 | REINFORCEMENT | 1   |               |         |
| 3   | H131865  | PIN           | 2   |               |         |
| 4   | 11M7086  | COTTER PIN    | 2   | 2.500 X 50 MM |         |
| 5   | 14M7298  | FLANGE NUT    | 2   | M8            |         |
| 6   | AH135657 | LIMIT CURTAIN | 1   |               |         |
| 7   | 19M7865  | SCREW         | 2   | M8 X 16       |         |
| 8   | AH138972 | REINFORCEMENT | 1   |               |         |
| 9   | 19M7785  | SCREW         | 1   | M10 X 25      |         |
|     | 14M7296  | FLANGE NUT    | 1   | M10           |         |

# 3K8

CHAFF SPREADER DISC  
HP8631 -UN-15JUN99



# 3K9

RESIDUE DISPOSAL

**CHAFF SPREADER DISC - CONTINUED**

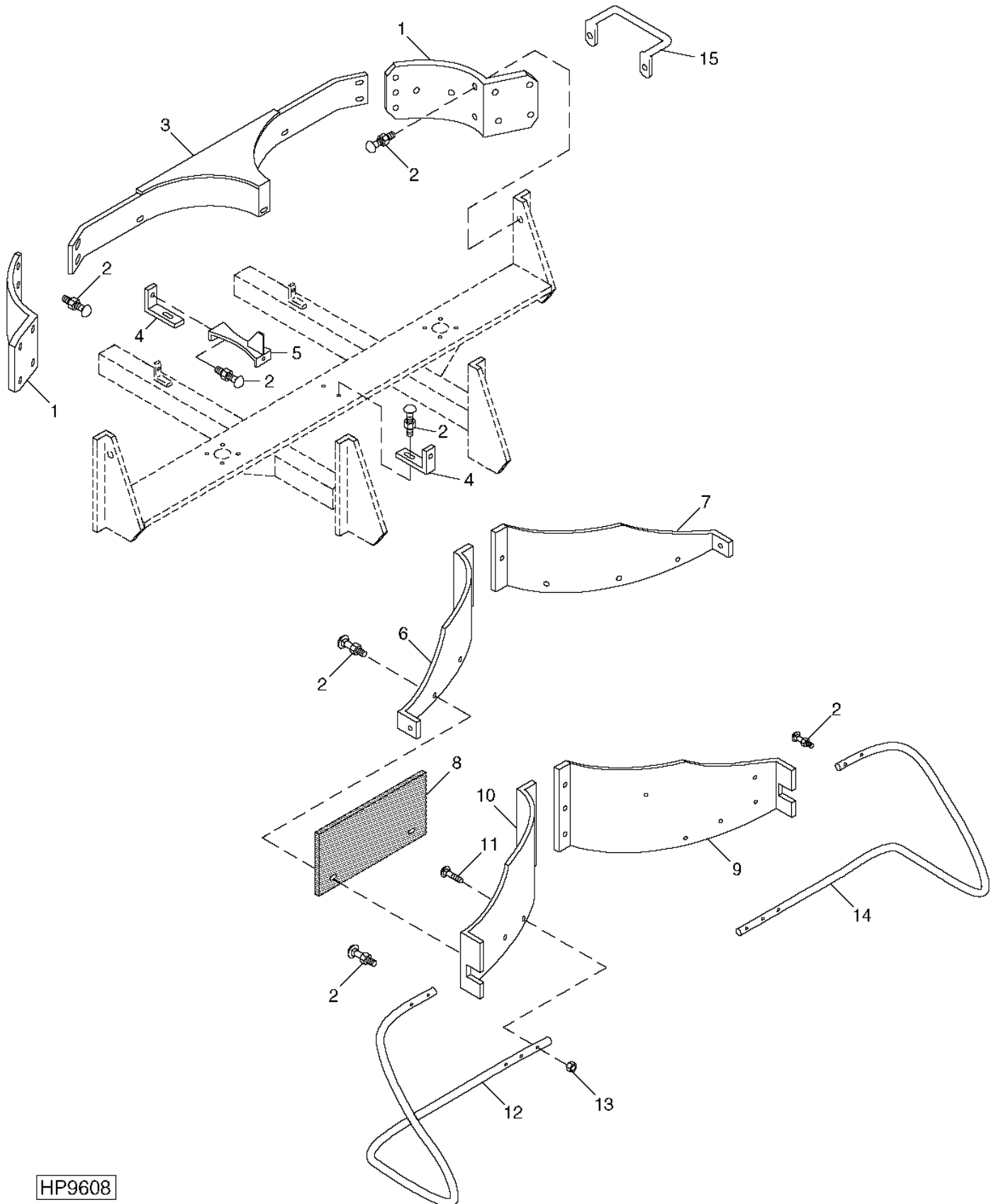
| KEY | PART NO. | PART NAME       | QTY | SERIAL NO. | REMARKS               |
|-----|----------|-----------------|-----|------------|-----------------------|
| 1   | 14M7396  | LOCK NUT        | 16  |            |                       |
| 2   | H140162  | ANGLE           | 4   |            | M8                    |
| 3   | 19M7865  | SCREW           | 8   |            | M8 X 16               |
| 4   | H140161  | ANGLE           | 4   |            |                       |
| 5   | H136257  | DISK            | 2   |            |                       |
| 6   | 19H1898  | CAP SCREW       | 2   |            | 1/4" X 1-1/2"         |
| 7   | 12H302   | LOCK WASHER     | 2   |            | 1/4"                  |
| 8   | 24H1287  | WASHER          | 2   |            | 9/32" X 5/8" X 0.065" |
| 9   | 03M7184  | BOLT            | 16  |            | M8 X 20               |
| 10  | 19M7784  | SCREW           | 8   |            | M10 X 20              |
| 11  | H123918  | SPACER          | 2   |            |                       |
| 12  | H143955  | HUB             | 2   |            |                       |
| 13  | AH137752 | FRAME           | 1   |            |                       |
| 14  | AH148944 | HYDRAULIC MOTOR | 1   |            |                       |
|     | AH163801 | SEAL KIT        | 1   |            |                       |
| 15  | 19M7784  | SCREW           | 8   |            | M10 X 20              |
| 16  | 26H22    | SHAFT KEY       | 2   |            | 1/4" X 1"             |

# 3K10

RESIDUE DISPOSAL

## CHAFF SPREADER SHIELDS AND HANDLES

HP9608 -UN-08MAR00



HP9608

# 3K11

RESIDUE DISPOSAL

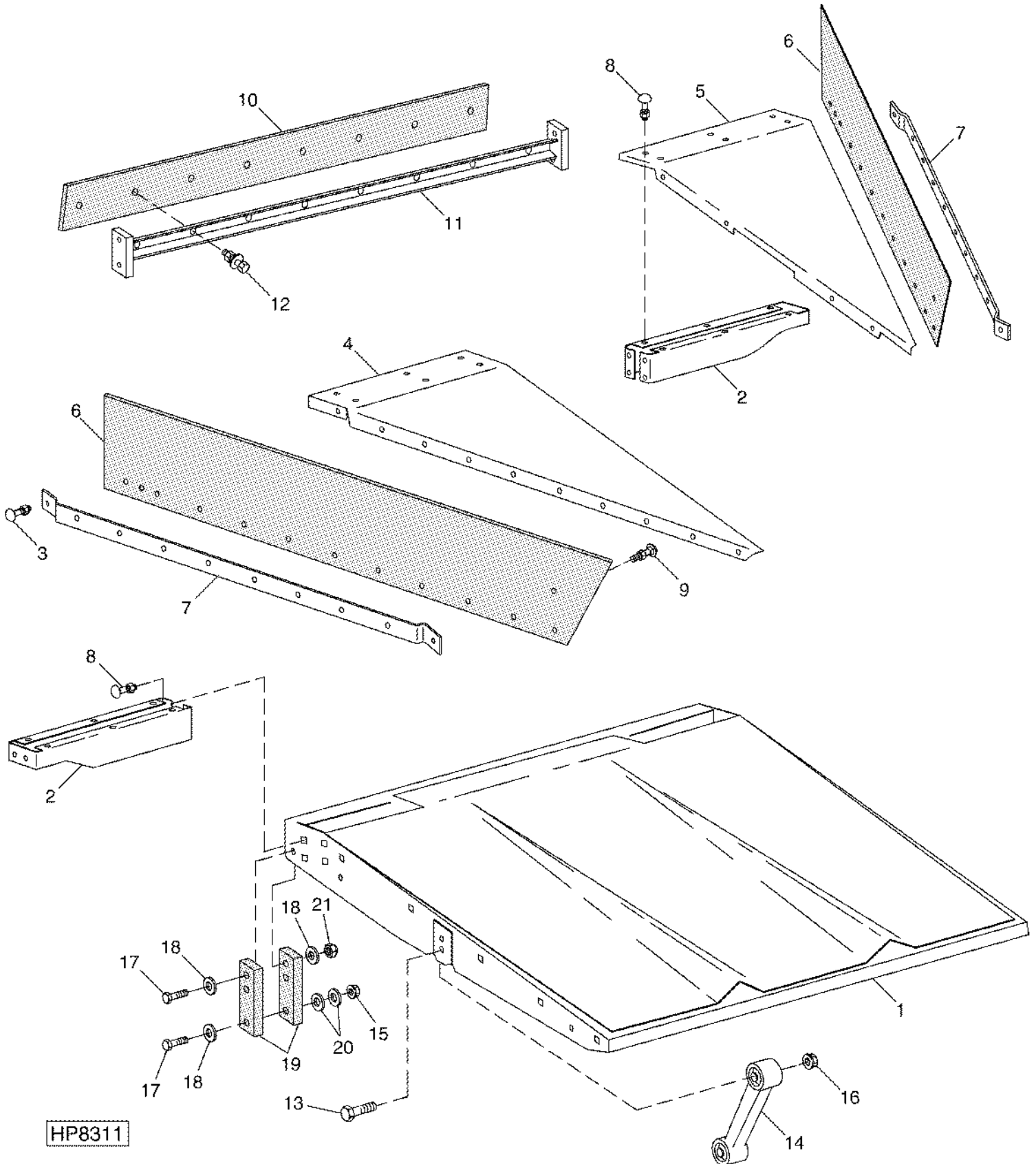
**CHAFF SPREADER (DUAL MOTOR) SHIELDS AND HANDLES - CONTINUED**

| KEY | PART NO. | PART NAME   | QTY | SERIAL NO. | REMARKS |
|-----|----------|-------------|-----|------------|---------|
| 1   | H146011  | SHIELD      | 2   |            |         |
| 2   | 03M7184  | BOLT        | 28  | M8 X 20    |         |
|     | 14M7298  | FLANGE NUT  | 28  | M8         |         |
| 3   | AH137753 | SHIELD      | 1   |            |         |
| 4   | H143948  | BRACKET     | 2   |            |         |
| 5   | AH141652 | DUST SHIELD | 1   |            |         |
| 6   | H145096  | SHIELD      | 1   | L.H.       |         |
| 7   | H145095  | SHIELD      | 1   | R.H.       |         |
| 8   | H148107  | DUST SHIELD | 1   |            |         |
| 9   | H143950  | SHIELD      | 1   | R.H.       |         |
| 10  | H143949  | SHIELD      | 1   | L.H.       |         |
| 11  | 03M7223  | BOLT        | 6   | M8 X 60    |         |
| 12  | H143952  | TUBE        | 1   | L.H.       |         |
| 13  | 14M7298  | FLANGE NUT  | 6   | M8         |         |
| 14  | H143951  | TUBE        | 1   | R.H.       |         |
| 15  | M112639  | STOP        | 2   |            |         |

# 3K12

RESIDUE DISPOSAL

CHAFF SPREADER PAN, WINGS AND SEALS  
HP8311 -UN-22APR99



HP8311

# 3K13

RESIDUE DISPOSAL

## CHAFF SPREADER PAN, WINGS AND SEALS - CONTINUED

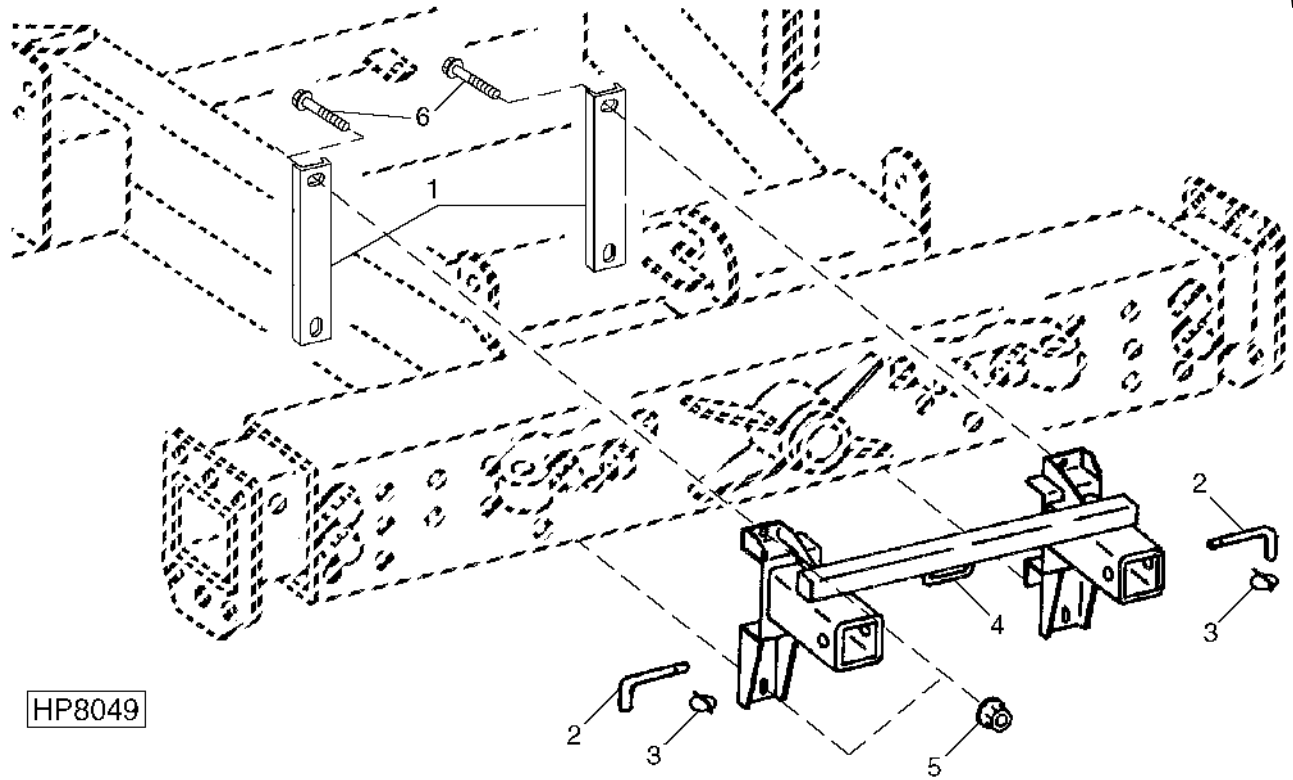
| KEY | PART NO.       | PART NAME                          | QTY      | SERIAL NO.        | REMARKS  |
|-----|----------------|------------------------------------|----------|-------------------|--|
| 1   | AH137975       | FRAME                              | 1        |                   |  |
| 2   | H144162        | SUPPORT                            | 2        |                   |  |
| 3   | 03M7184        | BOLT                               | 20       | M8 X 20           |  |
|     | 14M7396        | LOCK NUT                           | 20       | M8                |  |
| 4   | H144159        | SHEET                              | 1        |                   |  |
| 5   | H144160        | SHEET                              | 1        |                   |  |
| 6   | H148025        | DEFLECTOR                          | 2        |                   |  |
| 7   | H144164        | STRAP                              | 2        |                   |  |
| 8   | 03M7184        | BOLT                               | 28       | M8 X 20           |  |
|     | 14M7298        | FLANGE NUT                         | 28       | M8                |  |
| 9   | 03M7184        | BOLT                               | 2        | M8 X 20           |  |
|     | 24M7207        | WASHER                             | 2        | 8.400 X 24 X 2 MM |  |
|     | 14M7396        | LOCK NUT                           | 2        | M8                |  |
| 10  | H135843        | FLAP                               | 1        |                   |  |
| 11  | AH132360       | CROSSBAR                           | 1        |                   |  |
| 12  | 19M7863        | SCREW                              | 9        | M6 X 25           |  |
|     | 24M7207        | WASHER                             | 9        | 8.400 X 24 X 2 MM |  |
|     | 14M7303        | FLANGE NUT                         | 9        | M6                |  |
| 13  | 19M7819        | SCREW                              | 2        | M12 X 90          |  |
| 14  | AH138233       | LINK                               | 2        |                   |  |
| 15  | 14M7296        | FLANGE NUT                         | 4        |                   |  |
| 16  | 14M7299        | FLANGE NUT                         | 1        |                   |  |
| 17  | 19M8292        | SCREW                              | 6        |                   |  |
| 18  | 24M7178        | WASHER                             | 6        |                   |  |
| 19  | H130388        | STRAP                              | 4        |                   |  |
| 20  | 24M7180        | WASHER                             | 4        |                   |  |
| 21  | 14M7400        | LOCK NUT                           | 2        |                   |  |
| ..  | <b>BH79816</b> | <b>COMPLETE GOODS/SHIP. BUNDLE</b> | <b>1</b> |                   | <b>CHAFF PAN WING AND EXTERNAL BUNDLE - WIDE</b> |
| ..  | <b>BH80417</b> | <b>COMPLETE GOODS/SHIP. BUNDLE</b> | <b>1</b> |                   | <b>CHAFF SPREADER LESS FOUR WHEEL DRIVE</b>      |
| ..  | <b>BH80418</b> | <b>COMPLETE GOODS/SHIP. BUNDLE</b> | <b>1</b> |                   | <b>CHAFF SPREADER WITH FOUR WHEEL DRIVE</b>      |

# 3K14

RESIDUE DISPOSAL

## CHAFF SPREADER MOUNTING SUPPORT

HP8049 -UN-23JUL99



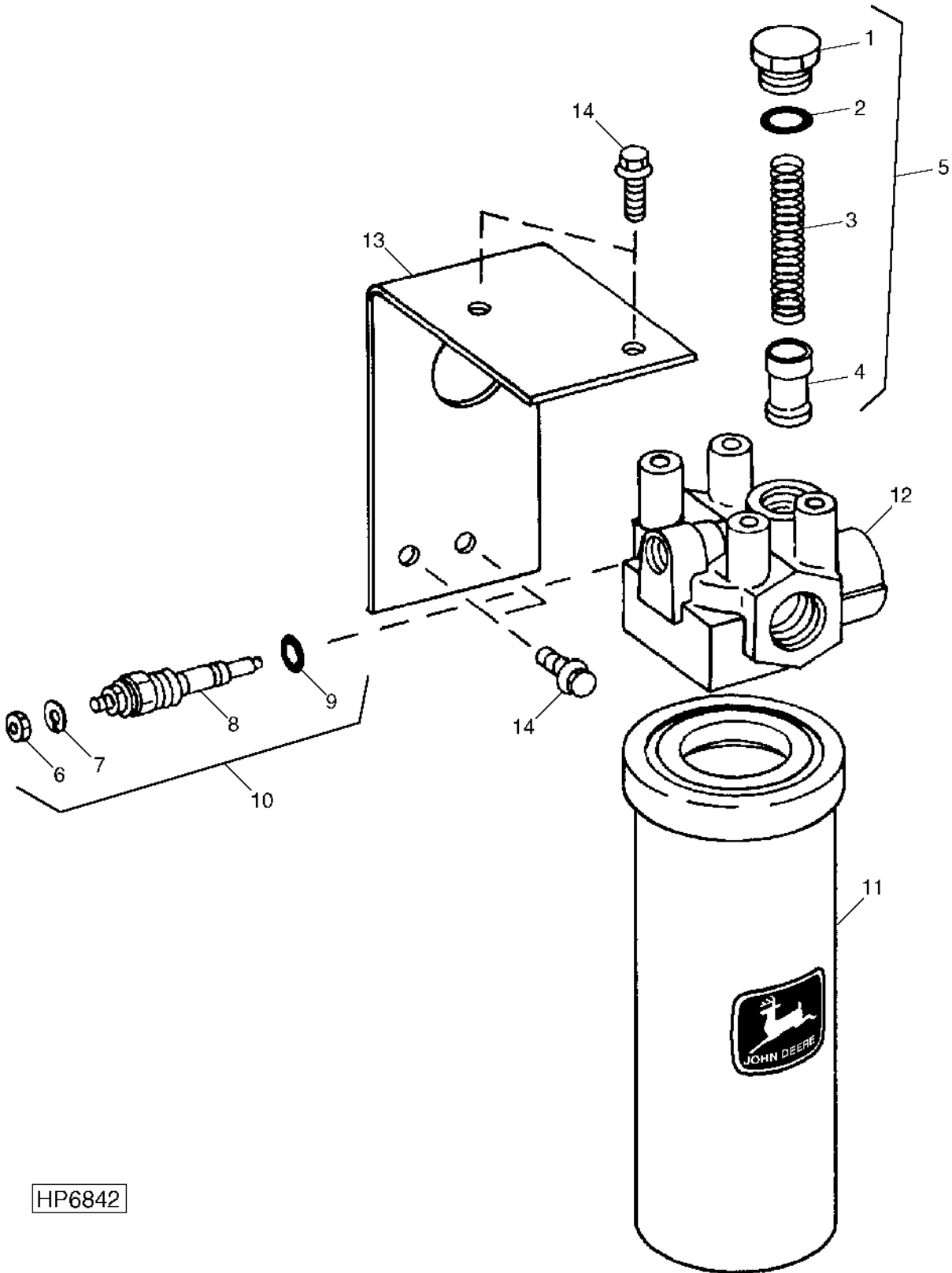
| KEY | PART NO. | PART NAME      | QTY | SERIAL NO. | REMARKS |
|-----|----------|----------------|-----|------------|---------|
| 1   | H164605  | CHANNEL        | 2   |            |         |
| 2   | H139005  | PIN            | 2   |            |         |
| 3   | M72598   | QUICK LOCK PIN | 2   |            |         |
| 4   | AH137751 | SUPPORT        | 1   |            |         |
| 5   | 14M7299  | FLANGE NUT     | 4   | M12        |         |
| 6   | 19M7822  | SCREW          | 4   | M12 X 160  |         |



MEMORANDA

# 4B3

ENGINE GEARCASE OIL FILTER ASSEMBLY  
HP6842 -UN-27JUL99



HP6842

# 4B4

DRIVES

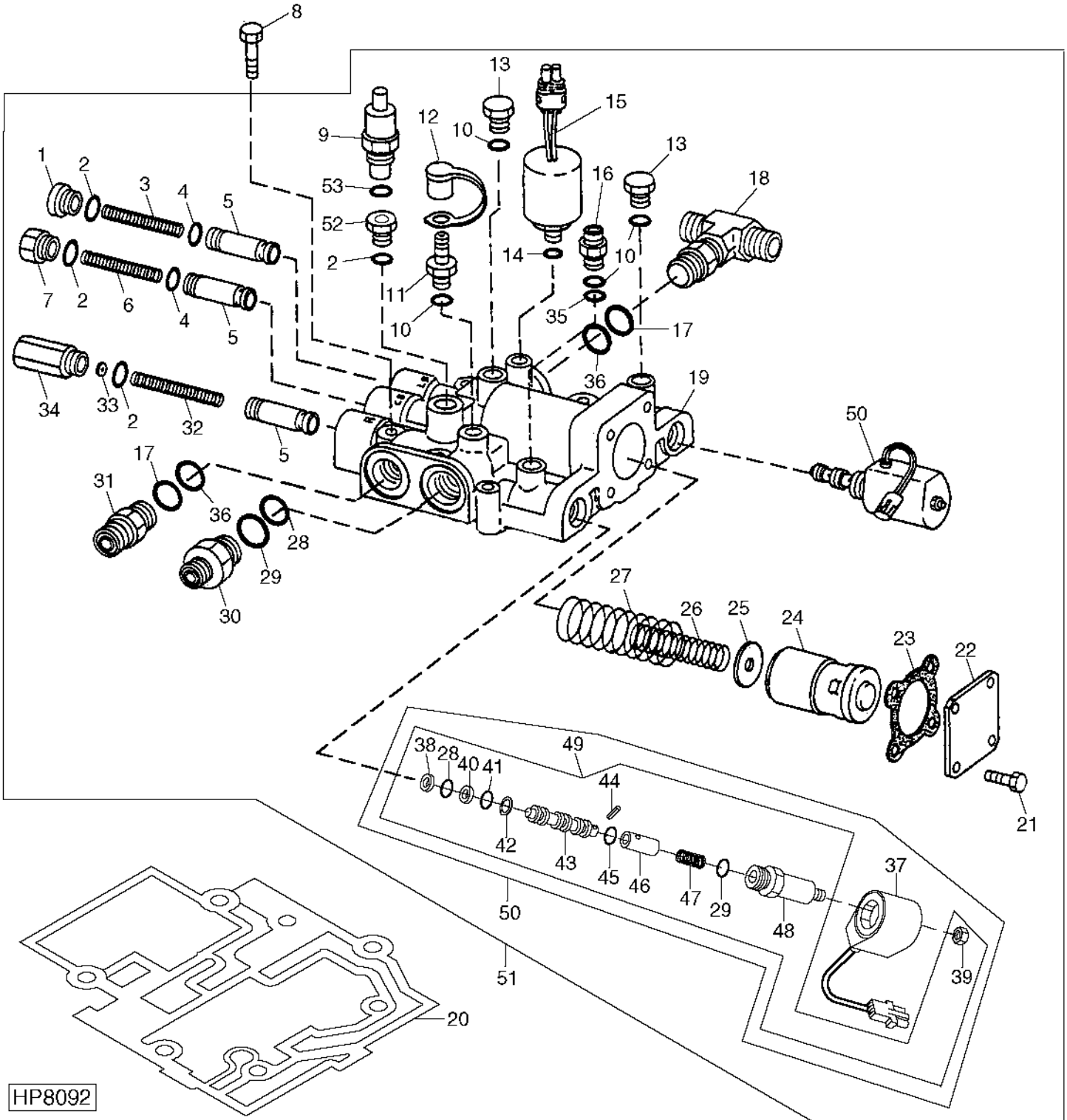
**ENGINE GEARCASE OIL FILTER ASSEMBLY - CONTINUED**

| KEY | PART NO. | PART NAME        | QTY | SERIAL NO.        | REMARKS |
|-----|----------|------------------|-----|-------------------|---------|
| 1   | .....    | PLUG             | 1   |                   |         |
| 2   | R26906   | O-RING           | 1   | 19.177 X 2.464 MM |         |
| 3   | .....    | SPRING           | 1   |                   |         |
| 4   | .....    | PISTON           | 1   |                   |         |
| 5   | AH128451 | VALVE            | 1   |                   |         |
| 6   | 14H631   | NUT              | 1   | 0.190"            |         |
| 7   | 12H295   | LOCK WASHER      | 1   | 0.190"            |         |
| 8   | .....    | SENDER           | 1   |                   |         |
| 9   | R26448   | O-RING           | 1   | 11.887 X 1.981 MM |         |
| 10  | AH128450 | TOUCH SWITCH     | 1   |                   |         |
| 11  | AH128449 | HYDRAULIC FILTER | 1   |                   |         |
| 12  | AH139434 | HYDRAULIC FILTER | 1   |                   |         |
| 13  | H133675  | BRACKET          | 1   |                   |         |
| 14  | 19M7784  | SCREW            | 4   | M10 X 20          |         |

# 4B5

DRIVES

## ENGINE GEARCASE PRESSURE REGULATOR HP8092 -UN-03MAR99



HP8092

# 4B6

DRIVES

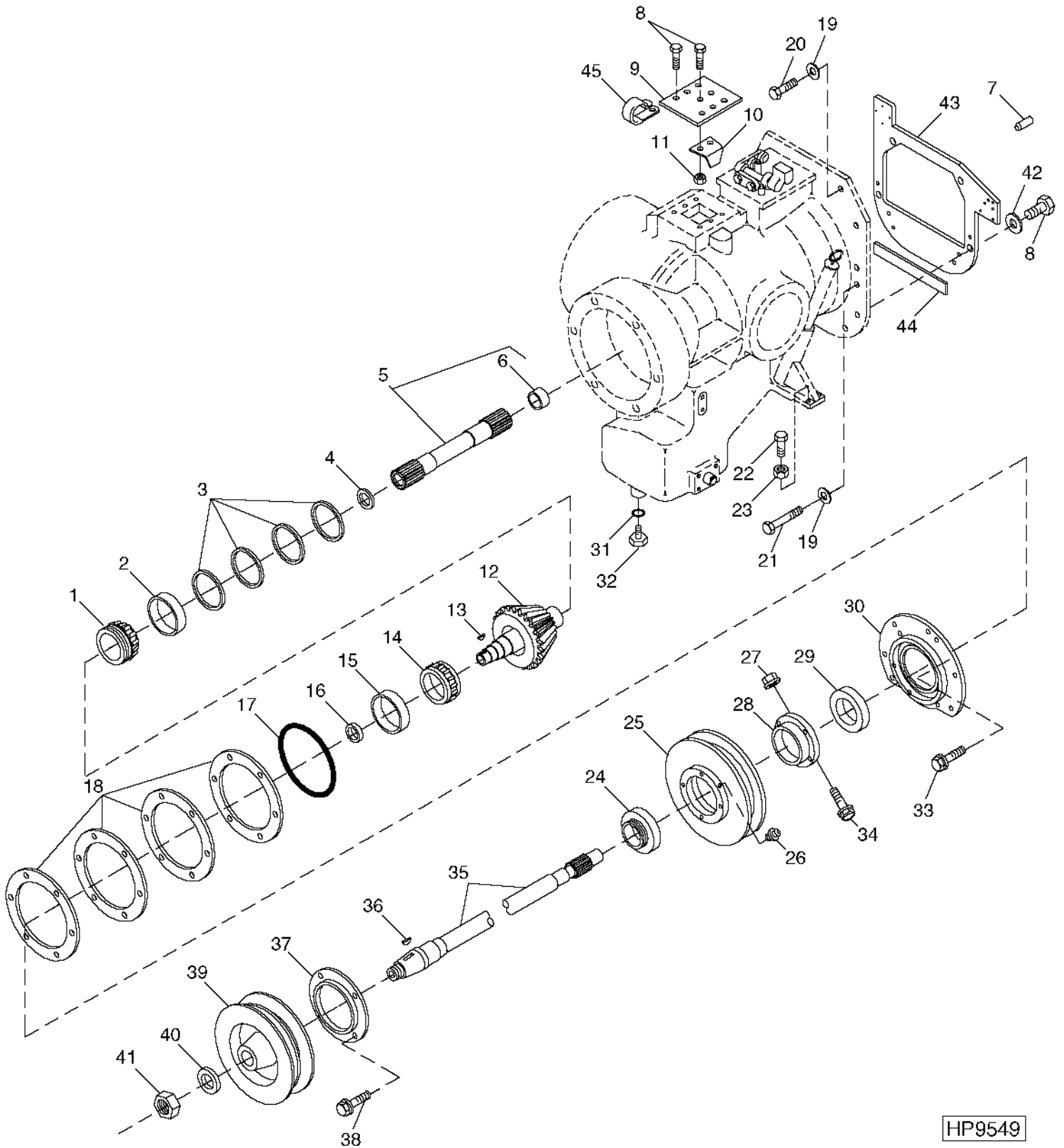
## ENGINE GEARCASE PRESSURE REGULATOR - CONTINUED

| KEY | PART NO. | PART NAME                  | QTY | SERIAL NO.                  | REMARKS |
|-----|----------|----------------------------|-----|-----------------------------|---------|
| 1   | R33138   | FITTING                    | 1   |                             |         |
| 2   | R26375   | O-RING                     | 4   | 16.358 X 2.210 MM           |         |
| 3   | H89241   | SPRING                     | 1   |                             |         |
| 4   | R28776   | O-RING                     | 2   | 12.421 X 1.778 MM           |         |
| 5   | R63980   | VALVE                      | 3   |                             |         |
| 6   | R56782   | SPRING                     | 1   |                             |         |
| 7   | H126026  | FITTING                    | 1   |                             |         |
| 8   | 19M7979  | SCREW                      | 7   | M8 X 55                     |         |
| 9   | AH156144 | COOLANT TEMPERATURE SENSOR | 1   | GEARCASE TEMPERATURE SWITCH |         |
|     | R78059   | ELECTRICAL PLUG            | 1   | (PKG OF 40)                 |         |
| 10  | R26448   | O-RING                     | 4   | 11.887 X 1.981 MM           |         |
| 11  | AH125760 | HYD. QUICK-CONNECT COUPLER | 1   |                             |         |
| 12  | R77175   | COVER                      | 1   |                             |         |
| 13  | R27218   | FITTING PLUG               | 2   |                             |         |
| 14  | R28782   | O-RING                     | 1   | 8.915 X 1.829 MM            |         |
| 15  | AH135744 | SWITCH                     | 1   |                             |         |
|     | RE12363  | CONNECTOR                  | 1   | (PKG OF 40)                 |         |
|     | R78063   | TERMINAL NIPPLE            | 1   |                             |         |
|     | R78060   | SOCKET CONTACT             | 1   |                             |         |
| 16  | 38H1160  | ADAPTER                    | 1   |                             |         |
| 17  | R26906   | O-RING                     | 2   | 19.177 X 2.464 MM           |         |
| 18  | 38H1018  | TEE FITTING                | 1   |                             |         |
| 19  | H132970  | HOUSING                    | 1   |                             |         |
| 20  | H129328  | GASKET                     | 1   |                             |         |
| 21  | 19M7867  | SCREW                      | 4   | M8 X 25                     |         |
| 22  | H118906  | COVER                      | 1   |                             |         |
| 23  | H129765  | GASKET                     | 1   |                             |         |
| 24  | T77514   | PISTON                     | 1   |                             |         |
| 25  | 24M7101  | WASHER                     | 1   | 0.433" X 1.339" X 0.118"    |         |
| 26  | R47449   | SPRING                     | 1   |                             |         |
| 27  | T45132   | SPRING                     | 1   |                             |         |
| 28  | T77857   | O-RING                     | 3   |                             |         |
| 29  | U12547   | O-RING                     | 3   | 23.470 X 2.946 MM           |         |
| 30  | 38H1175  | ADAPTER                    | 1   |                             |         |
| 31  | 38H1162  | ADAPTER                    | 1   |                             |         |
| 32  | T60314   | SPRING                     | 1   |                             |         |
| 33  | R33521   | SHIM                       | AR  |                             |         |
| 34  | H126028  | FITTING                    | 1   |                             |         |
| 35  | T77613   | O-RING                     | 1   |                             |         |
| 36  | T77932   | O-RING                     | 2   |                             |         |
| 37  | AH128654 | ELECTRICAL COIL            | 1   |                             |         |
| 38  | R42926   | BACK-UP RING               | 1   |                             |         |
| 39  | M63707   | LOCK NUT                   | 1   |                             |         |
| 40  | R45187   | BACK-UP RING               | 1   |                             |         |
| 41  | R45638   | O-RING                     | 1   |                             |         |
| 42  | R46701   | SNAP RING                  | 1   |                             |         |
| 43  | .....    | SPOOL                      | 1   |                             |         |
| 44  | 34H227   | SPRING PIN                 | 1   |                             |         |
| 45  | N31772   | O-RING                     | 1   |                             |         |
| 46  | .....    | PLUNGER                    | 1   |                             |         |
| 47  | R64698   | SPRING                     | 1   |                             |         |
| 48  | .....    | GUIDE                      | 1   |                             |         |
| 49  | AH130949 | SOLENOID VALVE             | 1   |                             |         |
| 50  | AH128655 | SOLENOID VALVE             | 2   |                             |         |
| 51  | AH165248 | SHUT-OFF VALVE             | 1   | PRESSURE REGULATOR          |         |
| 52  | T28256   | COUPLING                   | 1   |                             |         |
| 53  | 51M7040  | O-RING                     | 1   | 9.300 X 2.200 MM            |         |

# 4B7

DRIVES

MAIN GEARCASE  
HP9549 -UN-07FEB00



HP9549

# 4B8

DRIVES

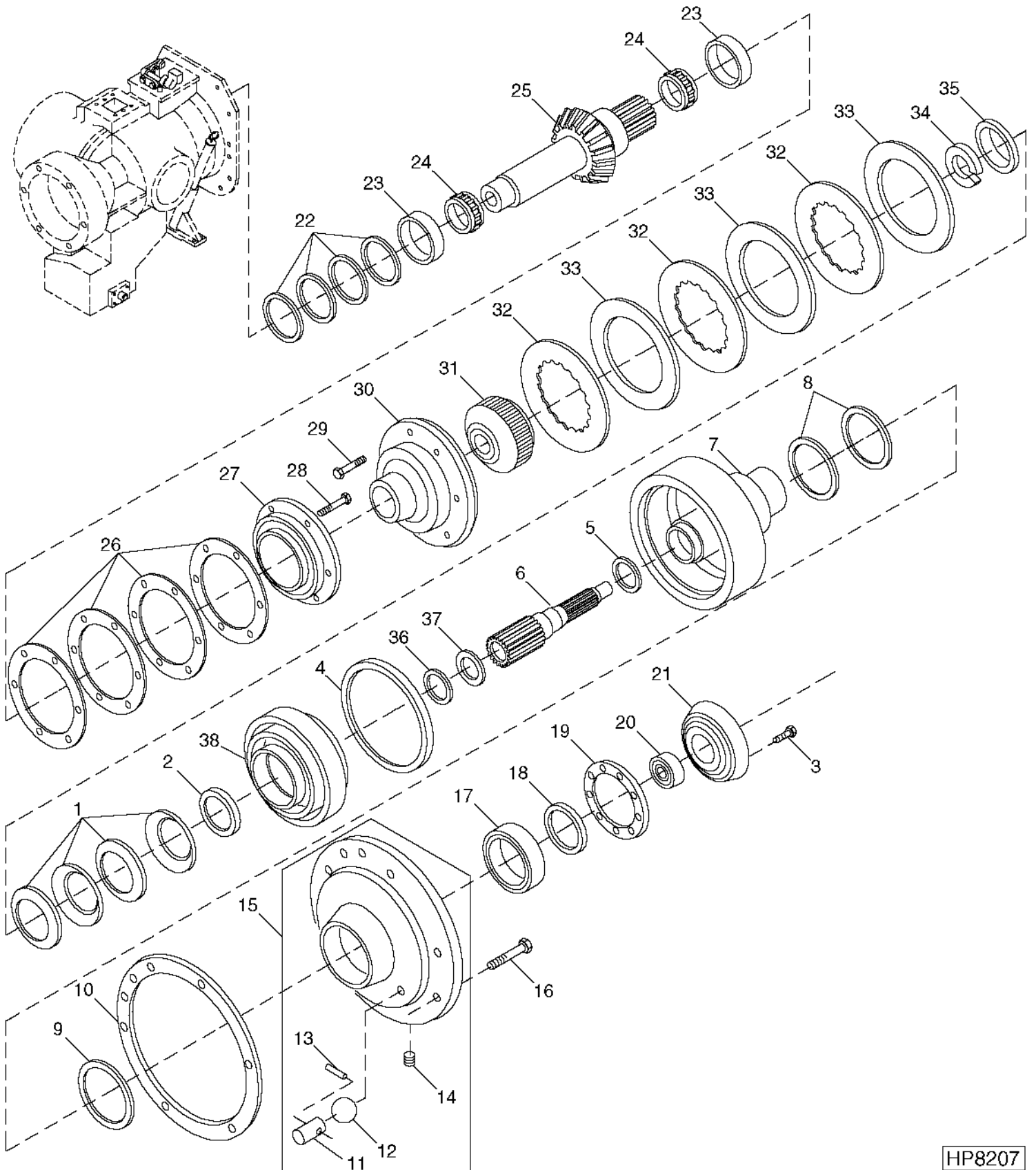
MAIN GEARCASE - CONTINUED

| KEY | PART NO. | PART NAME               | QTY | SERIAL NO.                                 | REMARKS |
|-----|----------|-------------------------|-----|--|---------|
| 1   | DE18609  | ROLLER BEARING          | 1   |  |         |
| 2   | CE18403  | ROLLER BEARING          | 1   |  |         |
| 3   | L29041   | SHIM                    | 1   | 0.08(MM)                                   |         |
|     | L29042   | SHIM                    | AR  | 0.13(MM)                                   |         |
|     | L29043   | SHIM                    | AR  | 0.25(MM)                                   |         |
|     | L29044   | SHIM                    | AR  | 0.50(MM)                                   |         |
| 4   | P46770   | SNAP RING               | 1   |  |         |
| 5   | AH139118 | SHAFT                   | 1   |  |         |
| 6   | R43305   | BUSHING                 | 1   |  |         |
| 7   | H79910   | DOWEL PIN               | 2   |  |         |
| 8   | 19M7866  | SCREW                   | 10  | M8 X 20                                    |         |
| 9   | H127159  | COVER                   | 1   | USE TY24345                                |         |
| 10  | H130140  | TROUGH                  | 1   |  |         |
| 11  | 14M7396  | LOCK NUT                | 2   | M8   |         |
| 12  | DE18718  | GEAR                    | 1   | (MATCHED SET, 37 TEETH, 56 TEETH)          |         |
| 13  | 26H105   | SHAFT KEY               | 1   | 3/8" X 2-1/8"                              |         |
| 14  | JD8162   | BEARING CONE            | 1   |  |         |
| 15  | JD8206   | BEARING CUP             | 1   |  |         |
| 16  | AT28975  | SEAL                    | 1   |  |         |
| 17  | H125838  | O-RING                  | 1   | 177.165 X 5.334 MM                         |         |
| 18  | H125740  | SHIM                    | 1   | 0.08(MM)                                   |         |
|     | H125741  | SHIM                    | AR  | 0.13(MM)                                   |         |
|     | H125742  | SHIM                    | AR  | 0.25(MM)                                   |         |
|     | H125743  | SHIM                    | AR  | 0.50(MM)                                   |         |
| 19  | 24M7242  | WASHER                  | 4   | 21.400 X 42 X 5 MM                         |         |
| 20  | 19H1782  | CAP SCREW               | 2   | 3/4" X 2-1/4"                              |         |
| 21  | 19H2000  | CAP SCREW               | 2   | 3/4" X 5"                                  |         |
| 22  | 19M7791  | SCREW                   | 4   | M12 X 40                                   |         |
| 23  | 14M7299  | FLANGE NUT              | 4   | M12  |         |
| 24  | AH151653 | BALL BEARING            | 1   |  |         |
| 25  | H139986  | SHEAVE                  | 1   |  |         |
| 26  | JD7797   | LUBRICATION FITTING     | 1   |  |         |
| 27  | 14M7296  | FLANGE NUT              | 2   | M10  |         |
| 28  | H101878  | HUB                     | 1   |  |         |
| 29  | AH117643 | SEAL                    | 1   |  |         |
| 30  | H144834  | HOUSING                 | 1   |  |         |
| 31  | R26906   | O-RING                  | 1   | 19.177 X 2.464 MM                          |         |
| 32  | R27474   | DRAIN PLUG              | 1   |  |         |
| 33  | 19M7835  | SCREW                   | 6   | M10 X 35                                   |         |
| 34  | 19M7812  | SCREW                   | 2   | M10 X 100                                  |         |
| 35  | H129934  | SHAFT                   | 1   |  |         |
| 36  | 26M6787  | SHAFT KEY               | 1   | 10 X 32 MM                                 |         |
| 37  | H75385   | PRESSED FLANGED HOUSING | 1   |  |         |
| 38  | 19M8306  | SCREW                   | 4   | M12 X 50                                   |         |
| 39  | H129935  | SHEAVE                  | 1   |  |         |
| 40  | 24H1481  | WASHER                  | 1   | 1-5/32" X 2" X 0.134"                      |         |
| 41  | H82619   | LOCK NUT                | 1   | 28.575 MM                                  |         |
| 42  | 24M7055  | WASHER                  | 4   | 8.400 X 16 X 1.600 MM                      |         |
| 43  | H170303  | COVER                   | 1   |  |         |
| 44  | H88771   | ISOLATOR                | 1   |  |         |
| 45  | AH90990  | CLIP                    | 1   |  |         |
| ..  | TY24345  | LIQUID GASKET           | 1   | (3 OZ.)                                    |         |
| ..  | DE18716  | GEAR CASE               | 1   | USE WITH REGULAR DUTY HYDRO, LESS DIPSTICK |         |
| ..  | DE18717  | GEAR CASE               | 1   | USE WITH HEAVY DUTY HYDRO, LESS DIPSTICK   |         |

# 4B9

DRIVES

MAIN GEARCASE  
HP8207 -UN-14MAY99



HP8207



# 4B10

DRIVES

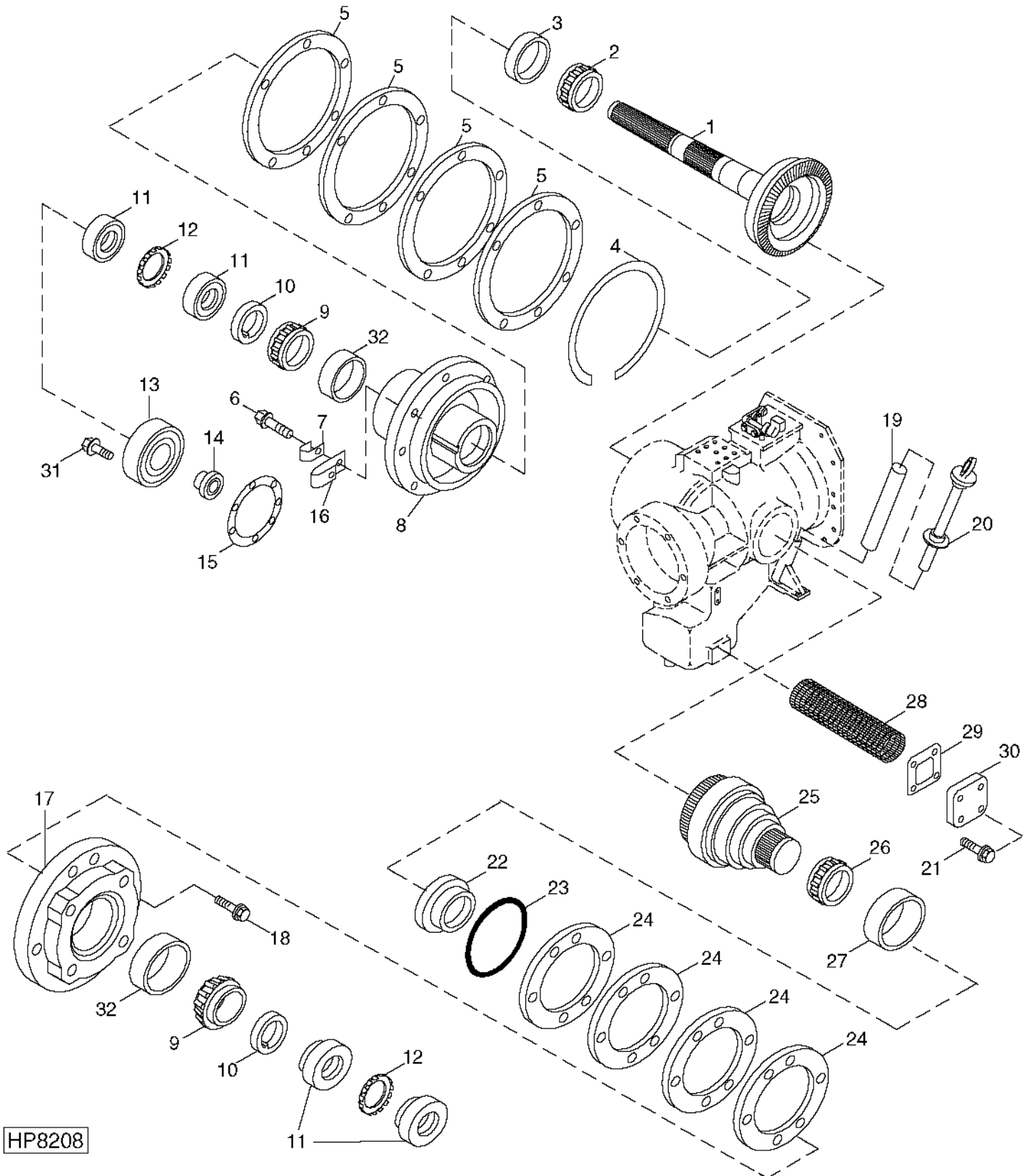
## MAIN GEARCASE - CONTINUED

| KEY | PART NO. | PART NAME    | QTY | SERIAL NO.   | REMARKS |
|-----|----------|--------------|-----|--|---------|
| 1   | T50415   | DISK SPRING  | 4   |  |         |
| 2   | T62508   | WASHER       | 1   |  |         |
| 3   | 19M7863  | SCREW        | 8   | M6 X 25  |         |
| 4   | T62509   | WASHER       | 1   |  |         |
| 5   | CE17940  | SNAP RING    | 1   |  |         |
| 6   | CE17888  | DRIVE SHAFT  | 1   |  |         |
| 7   | CE18181  | DRUM         | 1   |  |         |
| 8   | R77764   | RING         | 2   |  |         |
| 9   | R76937   | WASHER       | 1   |  |         |
| 10  | H125354  | GASKET       | 1   |  |         |
| 11  | R68824   | SEAT         | 1   |  |         |
| 12  | 400R     | BALL         | 1   |  |         |
| 13  | H111474  | PIN          | 1   |  |         |
| 14  | 15H559   | PIPE PLUG    | 1   |  |         |
| 15  | AH120737 | HOUSING      | 1   |  |         |
| 16  | 19M7835  | SCREW        | 6   | M10 X 35   |         |
| 17  | JD8676   | BALL BEARING | 1   |  |         |
| 18  | T14323   | SNAP RING    | 1   |  |         |
| 19  | H125356  | GASKET       | 1   |  |         |
| 20  | AH158595 | SEAL         | 1   |  |         |
| 21  | H148769  | HOUSING      | 1   |  |         |
| 22  | H119028  | SHIM         | 1   | 0.08(MM)   |         |
|     | H119029  | SHIM         | AR  | 0.13(MM)   |         |
|     | H119030  | SHIM         | AR  | 0.25(MM)   |         |
|     | H119031  | SHIM         | AR  | 0.50(MM)   |         |
| 23  | JD8206   | BEARING CUP  | 2   |  |         |
| 24  | JD8162   | BEARING CONE | 2   |  |         |
| 25  | DE18568  | GEAR         | 1   | (MATCHED SET, 22 TEETH, 33 TEETH) USE WITH<br>REG DUTY HYDRO   |         |
|     | DE18571  | GEAR         | AR  | (MATCHED SET, 26 TEETH, 35 TEETH) USE WITH<br>HEAVY DUTY HYDRO |         |
| 26  | H125740  | SHIM         | AR  | 0.08 (MM)  |         |
|     | H125741  | SHIM         | AR  | 0.13 (MM)  |         |
|     | H125742  | SHIM         | 1   | 0.25 (MM)  |         |
|     | H125743  | SHIM         | 4   | 0.50 (MM)  |         |
| 27  | H125733  | HOUSING      | 1   |  |         |
| 28  | 19M7835  | SCREW        | 6   | M10 X 35   |         |
| 29  | 19M7786  | SCREW        | 6   | M10 X 30   |         |
| 30  | H144762  | HUB          | 1   |  |         |
| 31  | DE19018  | HUB          | 1   |  |         |
| 32  | AH125490 | CLUTCH DISK  | 3   |  |         |
| 33  | T70309   | PLATE        | 3   |  |         |
| 34  | T50409   | SNAP RING    | 1   |  |         |
| 35  | T49676   | RETAINER     | 1   |  |         |
| 36  | 40M7090  | SNAP RING    | 1   |  |         |
| 37  | CE18399  | WASHER       | 1   |  |         |
| 38  | H128937  | PISTON       | 1   |  |         |
| ..  | TY9374   | SEALANT      | 1   | (6 ML)   |         |
| ..  | DE18716  | GEAR CASE    | 1   | USE WITH REGULAR DUTY HYDRO, LESS DIPSTICK                     |         |
| ..  | DE18717  | GEAR CASE    | 1   | USE WITH HEAVY DUTY HYDRO, LESS DIPSTICK                       |         |

# 4B11

DRIVES

MAIN GEARCASE  
HP8208 -UN-23JUL99



HP8208

# 4B12

DRIVES

## MAIN GEARCASE - CONTINUED

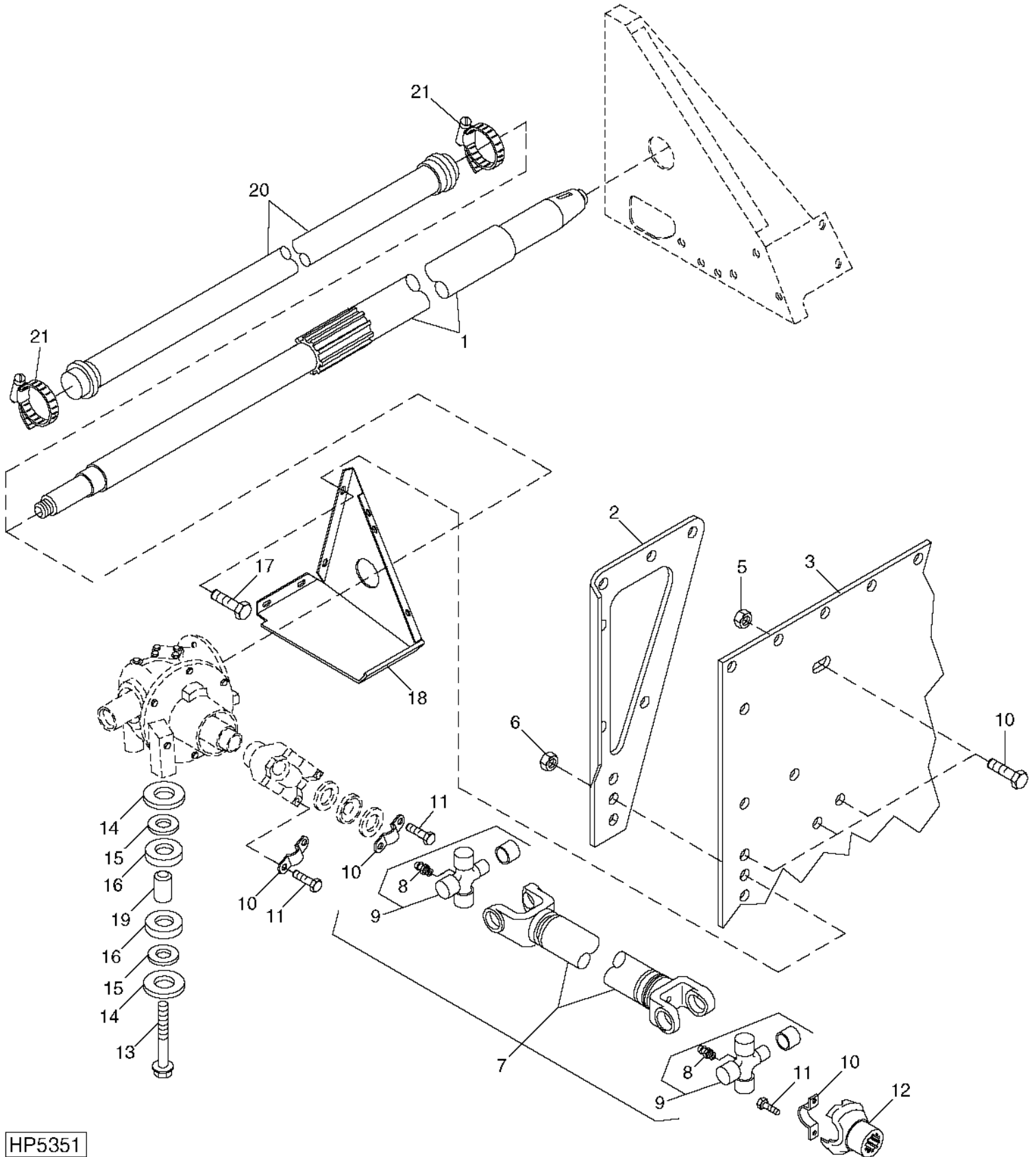
| KEY | PART NO. | PART NAME    | QTY | SERIAL NO. | REMARKS  |
|-----|----------|--------------|-----|------------|--|
| 1   | DE18718  | GEAR         | 1   |            | (MATCHED SET, 37 TEETH, 56 TEETH)                                |
| 2   | JD9075   | BEARING CONE | 1   |            |  |
| 3   | JD9132   | BEARING CUP  | 1   |            |  |
| 4   | H125839  | O-RING       | 1   |            |  |
| 5   | CE17450  | SHIM         | 1   | 0.08(MM)   |  |
|     | CE17451  | SHIM         | AR  | 0.13(MM)   |  |
|     | CE17452  | SHIM         | AR  | 0.25(MM)   |  |
|     | CE17453  | SHIM         | AR  | 0.50(MM)   |  |
| 6   | 19M7790  | SCREW        | 7   | M12 X 35   |  |
| 7   | AH96317  | CLIP         | 1   |            |  |
| 8   | CE17844  | HOUSING      | 1   |            |  |
| 9   | JD9007   | BEARING CONE | 2   |            |  |
| 10  | H110800  | LOCK WASHER  | 2   |            |  |
| 11  | H122650  | LOCK NUT     | 4   |            |  |
| 12  | H110801  | LOCK WASHER  | 2   |            |  |
| 13  | H148769  | HOUSING      | 1   |            |  |
| 14  | AH158595 | SEAL         | 1   |            |  |
| 15  | H125356  | GASKET       | 1   |            |  |
| 16  | AH117301 | CLAMP        | 1   |            |  |
| 17  | H125738  | HOUSING      | 1   |            |  |
| 18  | 19M7805  | SCREW        | 5   | M10 X 45   |  |
| 19  | H132995  | TUBE         | 1   |            |  |
| 20  | AH151652 | DIPSTICK     | 1   |            |  |
| 21  | 19M7868  | SCREW        | 4   | M8 X 30    |  |
| 22  | H125837  | OIL CUP      | 1   |            |  |
| 23  | R72032   | O-RING       | 1   |            |  |
| 24  | H125734  | SHIM         | 1   | 0.08(MM)   |  |
|     | H125735  | SHIM         | AR  | 0.13(MM)   |  |
|     | H125736  | SHIM         | AR  | 0.25(MM)   |  |
|     | H125737  | SHIM         | AR  | 0.50(MM)   |  |
| 25  | DE18568  | GEAR         | 1   |            | (MATCHED SET, 22 TEETH, 33 TEETH) USE WITH<br>REGULAR DUTY HYDRO |
|     | DE18571  | GEAR         | 1   |            | (MATCHED SET, 26 TEETH, 35 TEETH) USE WITH<br>HEAVY DUTY HYDRO   |
| 26  | JD9075   | BEARING CONE | 1   |            |  |
| 27  | JD9132   | BEARING CUP  | 1   |            |  |
| 28  | CE18104  | SCREEN       | 1   |            |  |
| 29  | H126792  | GASKET       | 1   |            |  |
| 30  | H126793  | COVER        | 1   |            |  |
| 31  | 19M7863  | SCREW        | 8   | M6 X 25    |  |
| 32  | JD8206   | BEARING CUP  | 2   |            |  |
| ..  | DE18716  | GEAR CASE    | 1   |            | USE WITH REGULAR DUTY HYDRO, LESS DIPSTICK                       |
| ..  | DE18717  | GEAR CASE    | 1   |            | USE WITH HEAVY DUTY HYDRO, LESS DIPSTICK                         |

# 4B13

DRIVES

## PRIMARY COUNTERSHAFT SUPPORTS AND GEARCASE MOUNTING

HP5351 -UN-17AUG99



HP5351

# 4B14

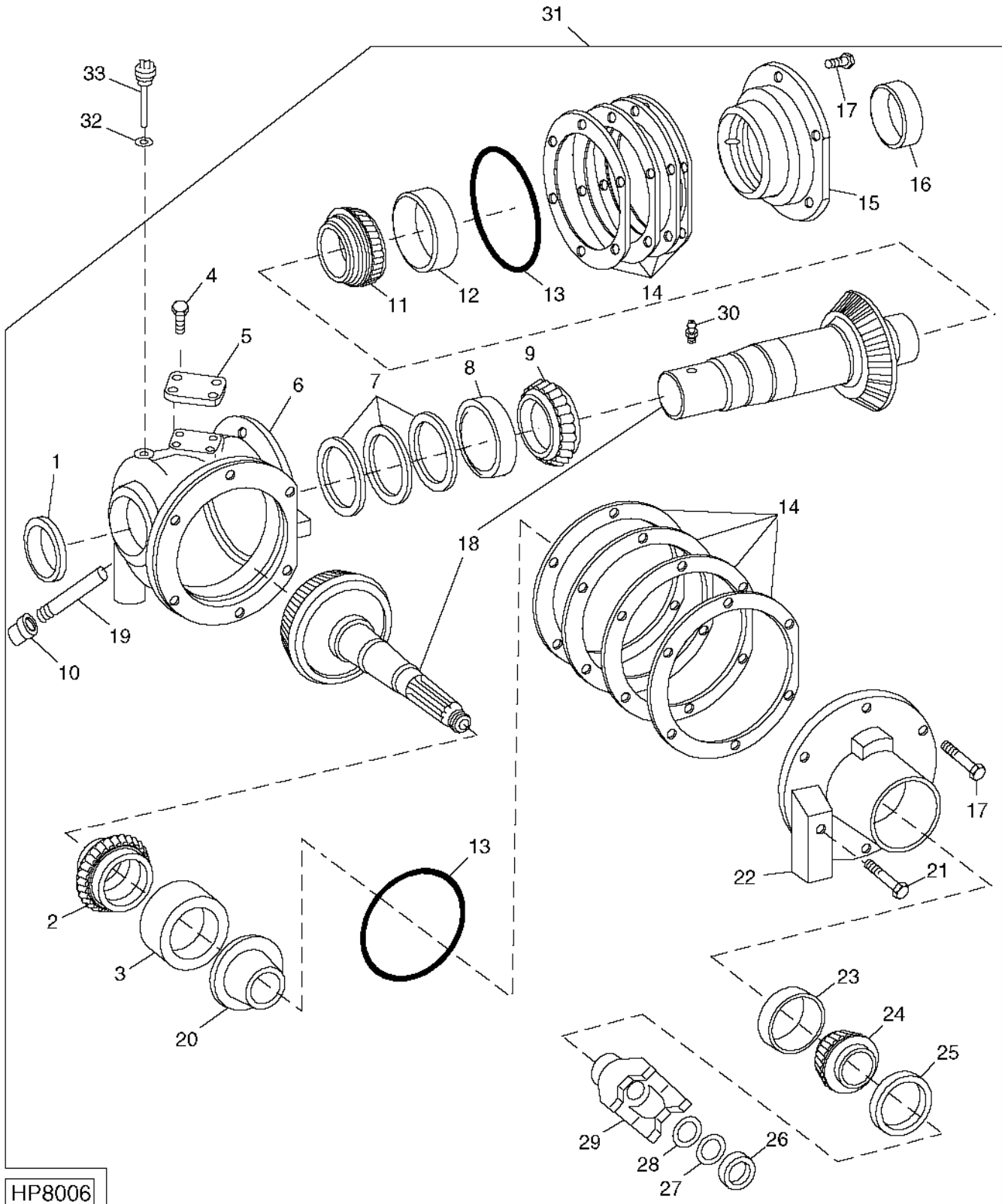
DRIVES

PRIMARY COUNTERSHAFT SUPPORT AND GEARCASE MOUNTING - CONTINUED

| KEY | PART NO. | PART NAME           | QTY | SERIAL NO.   | REMARKS |
|-----|----------|---------------------|-----|--|---------|
| 1   | AH122240 | JACKSHAFT           | 1   |  |         |
| 2   | H131228  | ANGLE               | 1   |  |         |
| 3   | H147910  | SHEET               | 1   |  |         |
| 4   | 19M7866  | SCREW               | 4   | M8 X 20  |         |
| 5   | 14M7298  | FLANGE NUT          | 4   | M8   |         |
| 6   | 14M7296  | FLANGE NUT          | 5   | M10  |         |
| 7   | AH125690 | DRIVE SHAFT         | 1   |  |         |
| 8   | JD7797   | LUBRICATION FITTING | 2   |  |         |
| 9   | AH128226 | UNIVERSAL JOINT     | 2   |  |         |
| 10  | R85168   | CLAMP               | 4   |  |         |
| 11  | R85169   | SELF-LOCKING SCREW  | 8   | 9.525 X 19.050 MM (3/8" X 3/4")                        |         |
| 12  | H130409  | YOKE                | 1   |  |         |
| 13  | 19M7827  | SCREW               | 2   | M16 X 80   |         |
| 14  | H163726  | WASHER              | 2   | 16.250 X 76 X 5 MM (0.640" X 2.992" X 0.197")          |         |
| 15  | H148132  | BUSHING             | 4   |  |         |
| 16  | H148133  | RETAINER            | 4   |  |         |
| 17  | 19M7785  | SCREW               | 5   | M10 X 25   |         |
| 18  | AH135565 | SHEET               | 1   |  |         |
| 19  | H148134  | SPACER              | 2   | 16.130 X 19.930 X 41.900 MM (0.635" X 0.785" X 1.650") |         |
| 20  | AH163803 | KIT                 | 1   | (INCLUDES (2) TY22494) (SUB FOR AH141390)              |         |
| 21  | TY22494  | HOSE CLAMP          | 2   |  |         |

# 4B15

**PRIMARY COUNTERSHAFT GEARCASE**  
HP8006 -UN-29APR99



# 4B16

DRIVES

PRIMARY COUNTERSHAFT GEARCASE - CONTINUED

| KEY | PART NO. | PART NAME       | QTY | SERIAL NO.   | REMARKS      |
|-----|----------|-----------------|-----|--|--------------|
| 1   | AH137772 | SEAL            | 1   |  |              |
| 2   | JD9078   | BEARING CONE    | 1   |  |              |
| 3   | JD8255   | BEARING CUP     | 1   |  |              |
| 4   | 19M7866  | SCREW           | 4   | M8 X 20  |              |
| 5   | H75267   | COVER           | 1   |  |              |
| 6   | H145001  | GEAR CASE       | 1   |  |              |
| 7   | T34354   | SHIM            | AR  | 0.05MM (0.002")  |              |
|     | T34355   | SHIM            | AR  | 0.13MM (0.005")  |              |
|     | T34356   | SHIM            | AR  | 0.25MM (0.010")  |              |
| 8   | JD8210   | BEARING CUP     | 1   |  |              |
| 9   | R120461  | BEARING CONE    | 1   |  |              |
| 10  | 15H3     | FITTING         | 1   | 1/2"   |              |
| 11  | JD7378   | BEARING CONE    | 1   |  |              |
| 12  | JD7292   | BEARING CUP     | 1   |  |              |
| 13  | H125838  | O-RING          | 1   |  |              |
| 14  | H114226  | SHIM            | 2   | 0.080MM (0.003")   | ONE PER SIDE |
|     | H114227  | SHIM            | AR  | 0.13MM (0.005")  |              |
|     | H114228  | SHIM            | AR  | 0.25MM (0.010")  |              |
|     | H118927  | SHIM            | AR  | 0.50MM (0.020")  |              |
| 15  | H126564  | HOUSING         | 1   |  |              |
| 16  | E56866   | SEAL            | 1   |  |              |
| 17  | 19M7786  | SCREW           | 6   | M10 X 30   |              |
| 18  | AH154701 | GEAR            | 1   | (MATCHED SET, 41 TEETH, 41 TEETH)                                |              |
| 19  | 29H217   | THREADED NIPPLE | 1   | 1/2"   |              |
| 20  | H129844  | RETAINER        | 1   |  |              |
| 21  | 19M7807  | SCREW           | 1   | M10 X 60   |              |
| 22  | CE18400  | HOUSING         | 1   |  |              |
| 23  | JD7418   | BEARING CUP     | 1   |  |              |
| 24  | JD7395   | BEARING CONE    | 1   |  |              |
| 25  | AH137771 | SEAL            | 1   |  |              |
| 26  | N139123  | NUT             | 1   |  |              |
| 27  | H118920  | LOCK WASHER     | 1   |  |              |
| 28  | H118919  | LOCK WASHER     | 1   |  |              |
| 29  | H130409  | YOKE            | 1   |  |              |
| 30  | H125838  | O-RING          | 1   |  |              |
| 31  | AH154770 | GEAR CASE       | 1   | LESS DIPSTICK  |              |
| 32  | R26375   | O-RING          | 1   |  |              |
| 33  | AH141022 | DIPSTICK        | 1   |  |              |
| ..  | 25M3827  | GROOVE PIN      | 1   | 3 X 8 MM, (INSERT THROUGH SERIAL NUMBER PLATE AND INTO GEARCASE) |              |

MEMORANDA

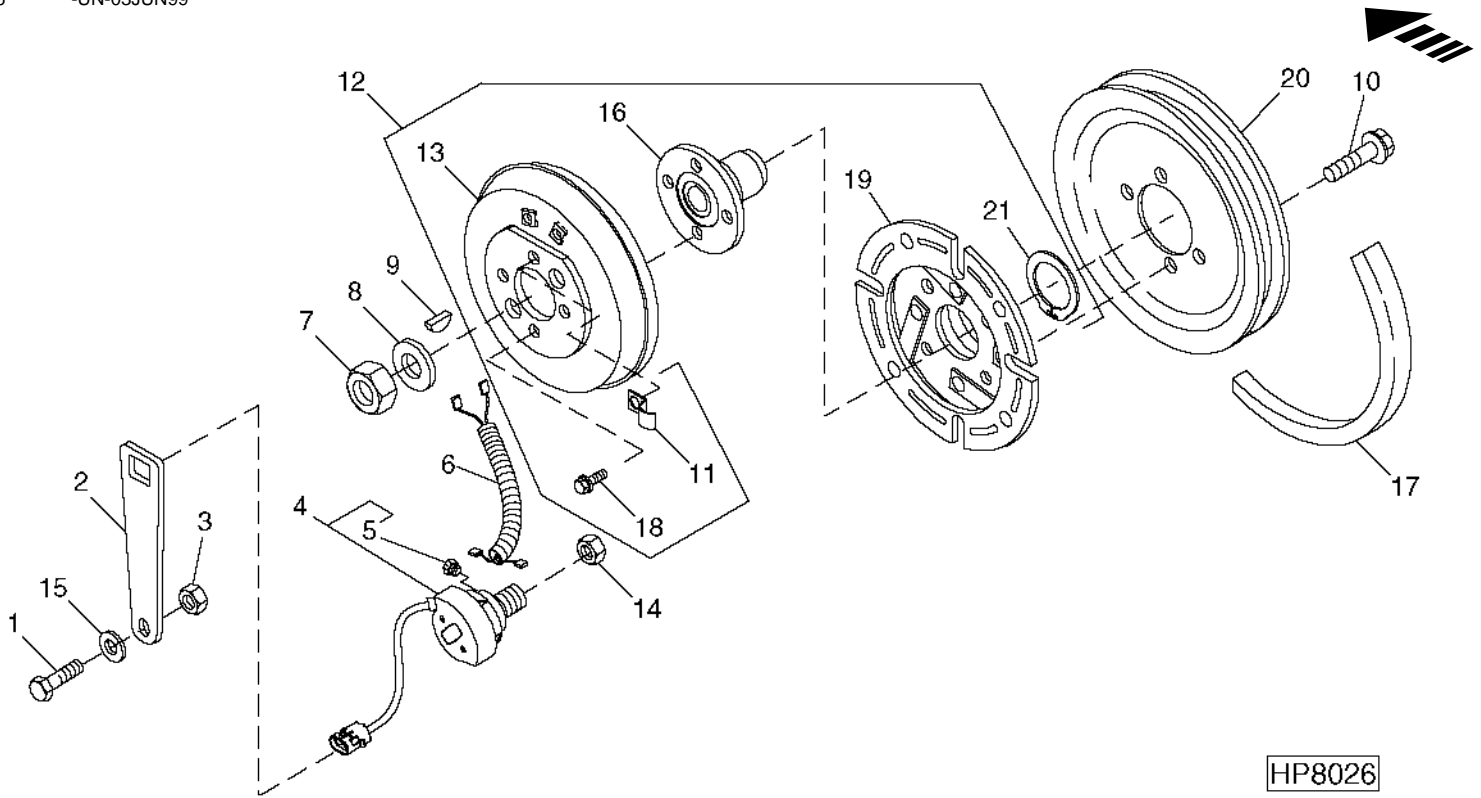


# 4B17

DRIVES

## HEADER ELECTROMAGNETIC CLUTCH

HP8026 -UN-03JUN99



HP8026

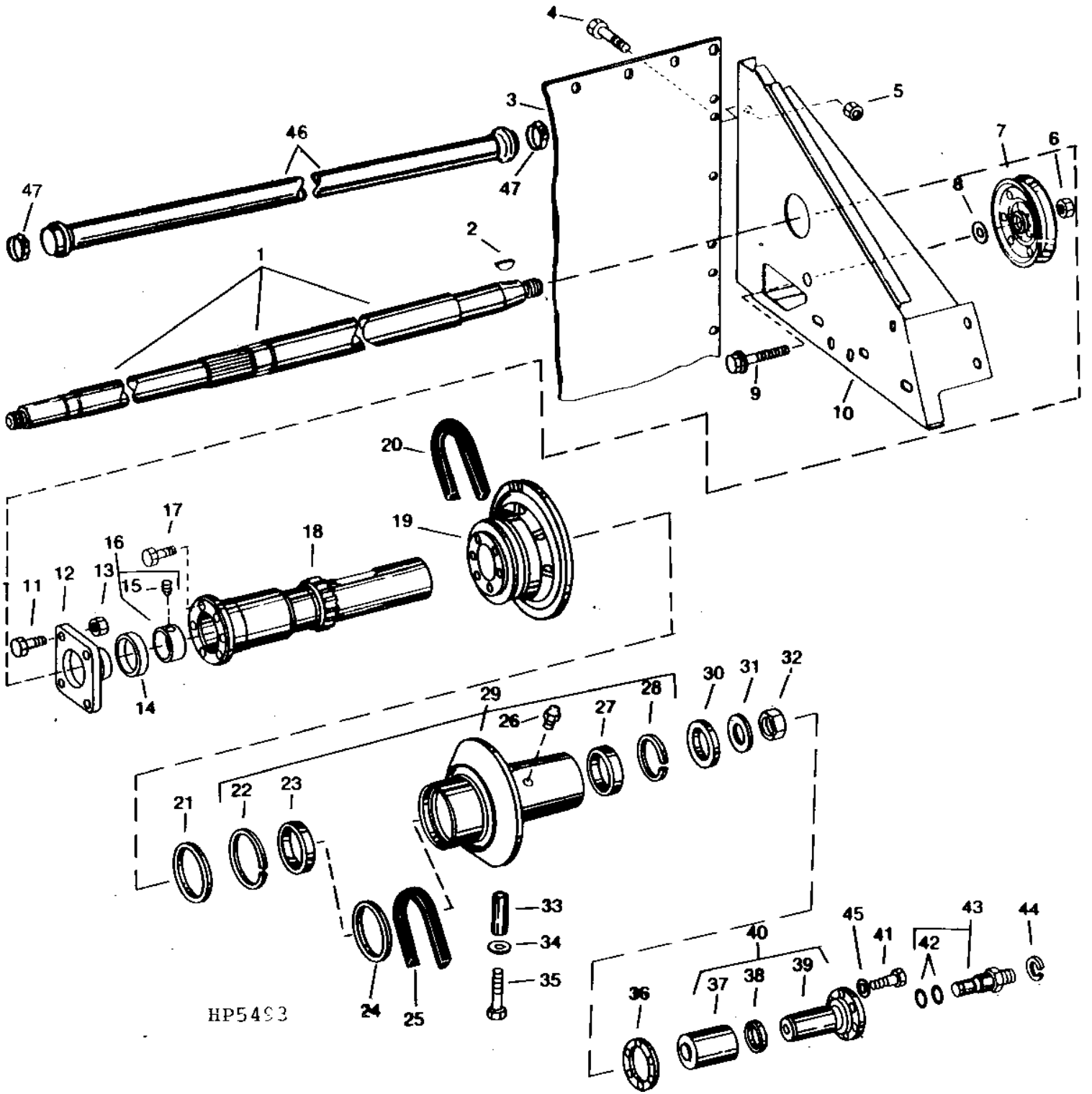
| KEY | PART NO. | PART NAME           | QTY | SERIAL NO.                 | REMARKS |
|-----|----------|---------------------|-----|----------------------------|---------|
| 1   | 19M7775  | SCREW               | 1   | M6 X 16                    |         |
| 2   | H171030  | STRAP               | 1   |                            |         |
| 3   | 14M7303  | FLANGE NUT          | 1   | M6                         |         |
| 4   | AH162068 | CARBON BRUSH HOLDER | 1   |                            |         |
| 5   | N10145   | FITTING PLUG        | 1   |                            |         |
| 6   | AH134207 | WIRING HARNESS      | 1   |                            |         |
| 7   | H165447  | LOCK NUT            | 1   | M30                        |         |
| 8   | 24H1668  | WASHER              | 1   | 1-17/64" X 2-1/4" X 0.134" |         |
| 9   | 26H105   | SHAFT KEY           | 1   | WOODRUFF                   |         |
| 10  | 19M7788  | SCREW               | 4   | M12 X 25                   |         |
| 11  | AH77279  | CLIP                | 1   |                            |         |
| 12  | AH167942 | CLUTCH              | 1   | (SUB FOR AH154805)         |         |
| 13  | AH121658 | FIELD WINDING COIL  | 1   |                            |         |
| 14  | 14H809   | NUT                 | 1   | 1/2"                       |         |
| 15  | 24M7207  | WASHER              | 1   | 8.400 X 24 X 2 MM          |         |
| 16  | H168499  | HUB                 | 1   |                            |         |
| 17  | H151952  | BELT                | 1   | STANDARD CAPACITY          |         |
|     | H155998  | BELT                | 1   | HI CAPACITY                |         |
| 18  | 19M7788  | SCREW               | 4   | M12 X 25                   |         |
| 19  | AH161981 | ARMATURE            | 1   | (SUB AH167942)             |         |
| 20  | H161270  | SHEAVE              | 1   | STANDARD CAPACITY          |         |
|     | H161293  | SHEAVE              | 1   | HI CAPACITY                |         |
| 21  | T44824   | SNAP RING           | 1   |                            |         |

# 4B18

DRIVES

## PRIMARY COUNTERSHAFT DRIVE SHAFT AND VARIABLE SHEAVE

HP5493 -UN-01JAN94



# 4B19

DRIVES

PRIMARY COUNTERSHAFT DRIVE SHAFT AND VARIABLE SHEAVE - CONTINUED

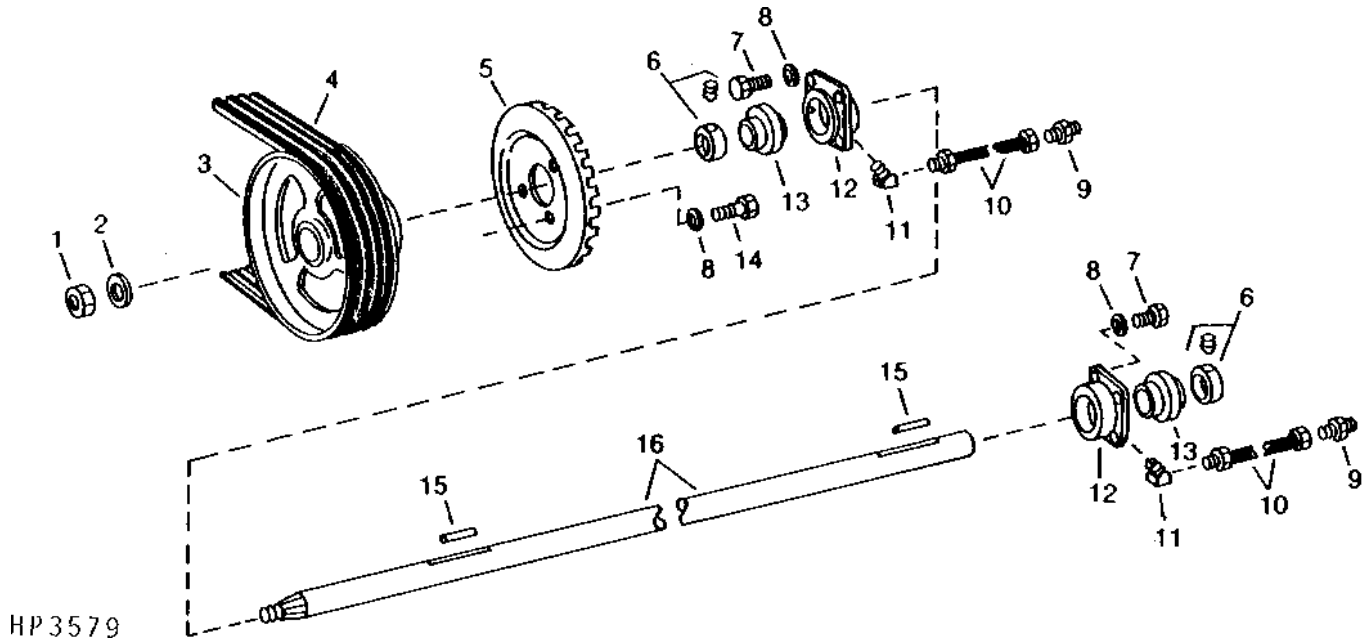
| KEY | PART NO. | PART NAME                | QTY | SERIAL NO.  | REMARKS                                 |
|-----|----------|--------------------------|-----|---|---|
| 1   | AH156738 | UNIVERSAL DRIVESHAFT     | 1   |   |   |
| 2   | 26H114   | SHAFT KEY                | 1   | 1/2" X 2-3/4"   |   |
| 3   | H147910  | SHEET                    | 1   |   |   |
| 4   | 19M7866  | SCREW                    | AR  | M8 X 20   |   |
| 5   | 14M7298  | FLANGE NUT               | AR  | M8  |   |
| 6   | 14M7291  | FLANGE NUT               | 1   | M16   |   |
| 7   | AH97031  | IDLER                    | 1   |   |   |
| 8   | 24M7053  | WASHER                   | AR  | 17 X 30 X 3 MM  |   |
| 9   | 19M7794  | SCREW                    | 1   | M16 X 50  |   |
| 10  | AH135296 | SHEET                    | 1   |   |   |
| 11  | 19M7786  | SCREW                    | 4   | M10 X 30  |   |
| 12  | H133618  | HOUSING                  | 1   |   |   |
| 13  | 14M7296  | FLANGE NUT               | 4   | M10   |   |
| 14  | JD10017  | BALL BEARING             | 1   |   |   |
| 15  | 22H821   | SET SCREW                | 1   | 1/2" X 1/2"   |   |
| 16  | JD8668   | ECCENTRIC LOCKING COLLAR | 1   |   |   |
| 17  | 19M7835  | SCREW                    | 6   | M10 X 35  |   |
| 18  | H127196  | HOUSING                  | 1   |   |   |
| 19  | H115755  | HALF SHEAVE              | 1   |   |   |
| 20  | H128010  | BELT                     | 1   |   | PRIMARY TO SECONDARY COUNTERSHAFT DRIVE |
| 21  | AH94853  | SEAL                     | 1   |   |   |
| 22  | H93631   | SNAP RING                | 1   |   |   |
| 23  | H93630   | BUSHING                  | 1   |   |   |
| 24  | H118617  | BUMPER                   | 1   |   | USED FOR SLOW SPEED CYLINDER DRIVE ONLY |
| 25  | H162629  | BELT                     | 1   |   |   |
| 26  | JD7798   | LUBRICATION FITTING      | 2   |   |   |
| 27  | H148131  | BUSHING                  | 1   |   |   |
| 28  | P48691   | SNAP RING                | 1   |   |   |
| 29  | AH141820 | HALF SHEAVE              | 1   |   |   |
| 30  | AH87141  | SEAL                     | 1   |   |   |
| 31  | 24H1668  | WASHER                   | 1   | 1-17/64" X 2-1/4" X 0.134"                              |   |
| 32  | H165447  | LOCK NUT                 | 1   | M30   |   |
| 33  | H110237  | PIN                      | 1   |   |   |
| 34  | 24M7178  | WASHER                   | 2   | 10.500 X 30 X 2.500 MM                                  |   |
| 35  | 19M7784  | SCREW                    | 2   | M10 X 20  |   |
| 36  | H102533  | SHIM                     | AR  | 0.762 MM (0.030")                                       |   |
| 37  | .....    | BARREL                   | 1   |   |   |
| 38  | H97306   | SEAL                     | 1   |   |   |
| 39  | .....    | PISTON                   | 1   |   |   |
| 40  | AH125193 | CYLINDER                 | 1   |   |   |
| 41  | 19H1732  | CAP SCREW                | 6   | 3/8" X 1-1/4"   |   |
| 42  | R27564   | O-RING                   | 2   |   |   |
| 43  | AH139238 | UNION FITTING            | 1   |   |   |
| 44  | H135292  | SNAP RING                | 1   |   |   |
| 45  | 12H304   | LOCK WASHER              | 6   | 3/8"  |   |
| 46  | AH163803 | KIT                      | 1   | (INCLUDES (2) TY22494) FOR COUNTERSHAFT DIRT PROTECTION |   |
| 47  | TY22494  | HOSE CLAMP               | 1   |   |   |

MEMORANDA

# 4B20

DRIVES

**SINGLE RANGE CYLINDER DRIVE**  
HP3579 -UN-01JAN94

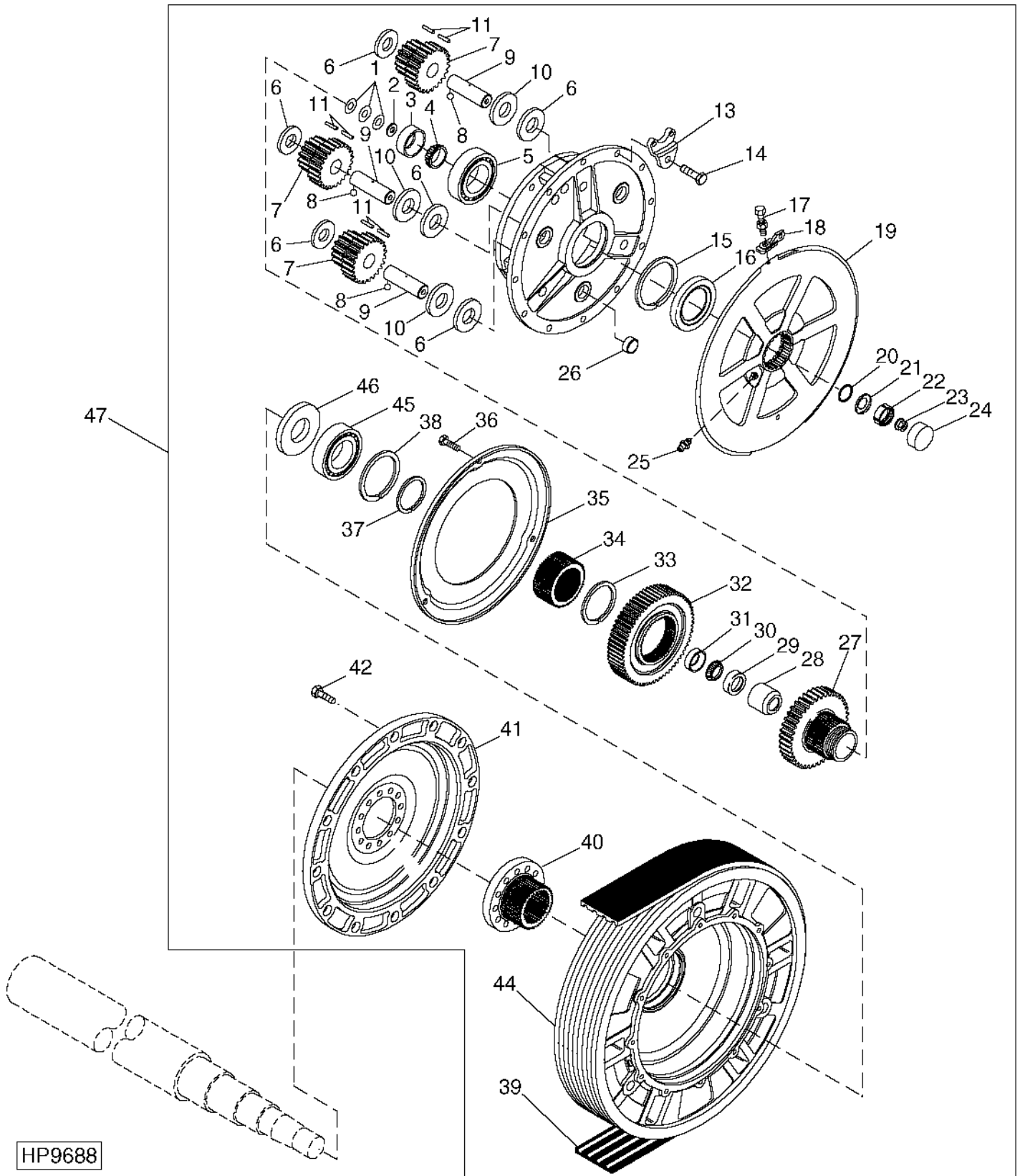


| KEY | PART NO. | PART NAME                | QTY | SERIAL NO.                                 | REMARKS |
|-----|----------|--------------------------|-----|--|---------|
| 1   | H138085  | LOCK NUT                 | 1   |  |         |
| 2   | 24H1509  | WASHER                   | 1   | 1-25/64" X 2-1/2" X 0.194"                 |         |
| 3   | H93645   | SHEAVE                   | 1   |  |         |
| 4   | H115881  | BELT                     | 1   |  |         |
| 5   | H128297  | WHEEL                    | 1   |  |         |
| 6   | JD10342  | ECCENTRIC LOCKING COLLAR | 1   |  |         |
| 7   | 19H1732  | CAP SCREW                | 4   | 3/8" X 1-1/4"                              |         |
| 8   | 12H304   | LOCK WASHER              | 4   | 3/8"                                       |         |
| 9   | JD7759   | LUBRICATION FITTING      | 2   |  |         |
| 10  | AH121009 | HOSE                     | 2   | 1/8" X 910 MM (35-3/4") X 1/8"             |         |
| 11  | JD7845   | ELBOW FITTING            | 2   |  |         |
| 12  | H99149   | HOUSING                  | 2   |  |         |
| 13  | JD10343  | BALL BEARING             | 2   |  |         |
| 14  | 19H1936  | CAP SCREW                | 3   | 3/8" X 3/4"                                |         |
| 15  | .....    | SHAFT KEY                | 2   | (CUT FROM H64376) IN AH64587 KEY STOCK KIT |         |
| 16  | H148241  | SHAFT                    | 1   |  |         |

# 4B21

DRIVES

DUAL-RANGE CYLINDER DRIVE GEAR CASE  
HP9688 -UN-11APR00



HP9688

# 4B22

DRIVES

## DUAL-RANGE CYLINDER DRIVE GEAR CASE - CONTINUED

| KEY | PART NO. | PART NAME                   | QTY | SERIAL NO. | REMARKS                              |
|-----|----------|-----------------------------|-----|------------|--------------------------------------|
| 1   | H111260  | SHIM                        | AR  | 0.05 THICK |                                      |
|     | H111261  | SHIM                        | AR  | 0.10 THICK |                                      |
|     | H111262  | SHIM                        | AR  | 0.25 THICK |                                      |
| 2   | H111041  | WASHER                      | 1   |            |                                      |
| 3   | JD8239   | BEARING CUP                 | 1   |            |                                      |
| 4   | JD8960   | BEARING CONE                | 1   |            |                                      |
| 5   | AH108801 | BALL BEARING                | 1   |            |                                      |
| 6   | R71758   | THRUST WASHER               | 6   |            |                                      |
| 7   | H113947  | PINION                      | 3   |            |                                      |
| 8   | H871R    | BALL                        | 3   |            |                                      |
| 9   | H113627  | PINION SHAFT                | 3   |            |                                      |
| 10  | R71756   | WASHER                      | 3   |            |                                      |
| 11  | R84261   | PIN                         | 132 |            |                                      |
| 12  | H118082  | COVER                       | 1   |            |                                      |
| 13  | H127855  | RETAINER                    | 3   |            |                                      |
| 14  | 19M8162  | CAP SCREW                   | 12  | M10 X 40   |                                      |
|     | 12H304   | LOCK WASHER                 | 9   | 3/8"       |                                      |
| 15  | H117703  | SHIM                        | 1   |            |                                      |
| 16  | AH112883 | SEAL                        | 1   |            |                                      |
| 17  | 19H2151  | CAP SCREW                   | 1   | 1/4" X 3"  |                                      |
|     | H120490  | BOLT                        | 1   |            | SLOW SPEED CYLINDER DRIVE OPTION     |
|     | M63707   | LOCK NUT                    | 1   |            |                                      |
| 18  | H127590  | LUG                         | 1   |            |                                      |
| 19  | H113208  | WHEEL                       | 1   |            |                                      |
| 20  | U10063   | O-RING                      | 1   |            |                                      |
| 21  | H112877  | LOCK WASHER                 | 1   |            |                                      |
| 22  | E12305   | NUT                         | 1   |            |                                      |
| 23  | H113238  | FLANGE NUT                  | 1   |            |                                      |
| 24  | H110521  | CAP                         | 1   |            |                                      |
| 25  | JD7797   | LUBRICATION FITTING         | 1   |            |                                      |
| 26  | H110462  | PLUG                        | 3   |            |                                      |
| 27  | H113063  | GEAR                        | 1   |            |                                      |
| 28  | H111042  | SPACER                      | 1   |            |                                      |
| 29  | JD7441   | BEARING                     | 1   |            |                                      |
| 30  | JD10214  | BEARING CONE                | 1   |            |                                      |
| 31  | AH110887 | SEAL                        | 1   |            |                                      |
| 32  | H113946  | GEAR                        | 1   |            |                                      |
| 33  | T47836   | SNAP RING                   | 1   |            |                                      |
| 34  | H114687  | BEARING HOUSING W/O BEARING | 1   |            |                                      |
| 35  | H110337  | RING                        | 1   |            |                                      |
| 36  | R38131   | CAP SCREW                   | 3   |            |                                      |
| 37  | R80R     | SNAP RING                   | 1   |            |                                      |
| 38  | H114688  | SNAP RING                   | 1   |            |                                      |
| 39  | H115881  | BELT                        | 1   |            |                                      |
|     | H118618  | BELT                        | 1   |            | SLOW SPEED CYLINDER DRIVE OPTION     |
| 40  | H126829  | HUB                         | 1   |            |                                      |
|     | H141588  | HUB                         | 1   |            | SLOW SPEED CYLINDER DRIVE OPTION     |
| 41  | H126722  | SHEAVE                      | 1   |            |                                      |
| 42  | H144962  | SCREW                       | 8   | M10 X 25   |                                      |
| 43  | AH109056 | PIPE PLUG                   | 1   |            |                                      |
| 44  | H114689  | SHEAVE                      | 1   |            |                                      |
|     | H118616  | SHEAVE                      | 1   |            | SLOW SPEED CYLINDER DRIVE OPTION     |
| 45  | JD10032  | BALL BEARING                | 1   |            |                                      |
| 46  | AF1466R  | SEAL                        | 1   |            |                                      |
| 47  | AH134859 | GEAR CASE                   | 1   |            |                                      |
| ..  | TY15130  | SEALANT                     | 1   |            | SIZE: 3 OZ. (CANADA PART NO. TY9484) |
| ..  | TY6304   | SEALANT                     | 1   |            | (CANADA PART NO. TY9483)             |
| ..  | TY6333   | GREASE                      | 1   |            | SIZE- 14 OZ. TUBE                    |

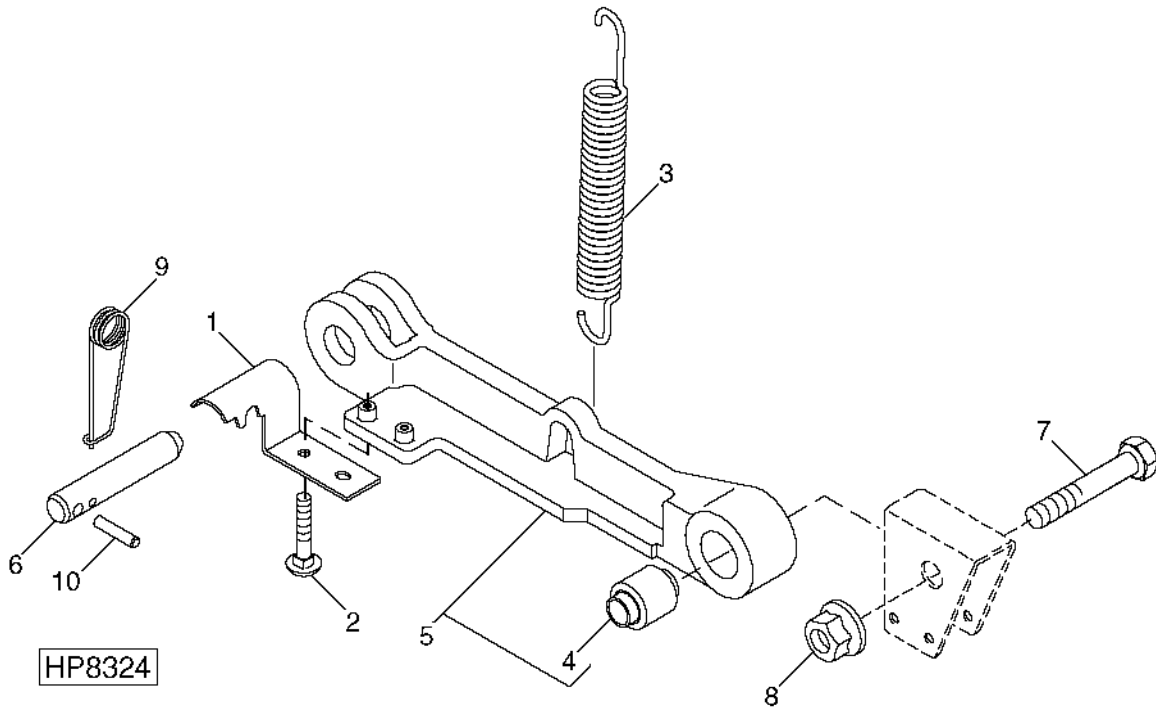
MEMORANDA



# 4B23

DRIVES

**DUAL-RANGE LOCKOUT ARM**  
 HP8324 -UN-19AUG99

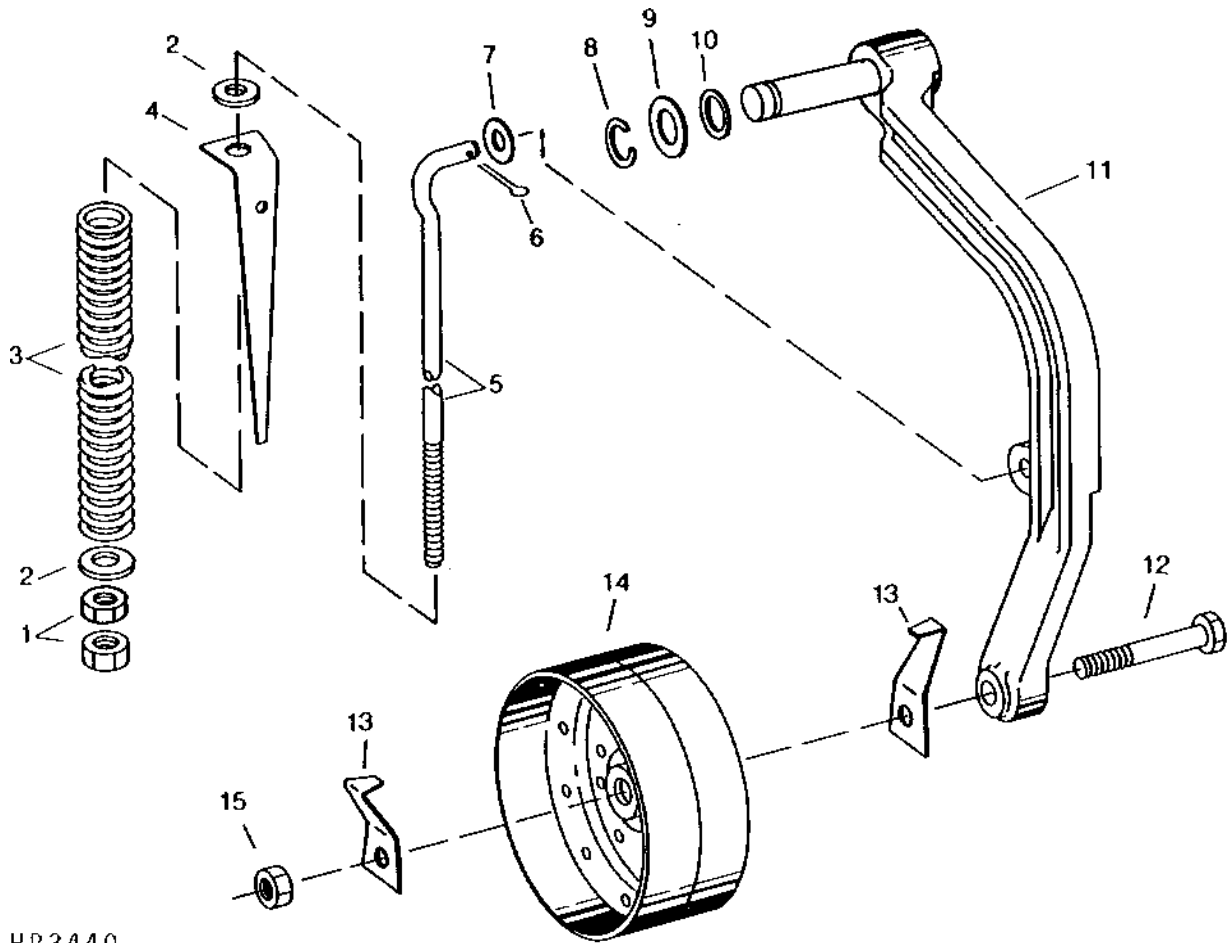


| KEY | PART NO. | PART NAME        | QTY | SERIAL NO.      | REMARKS |
|-----|----------|------------------|-----|-----------------|---------|
| 1   | H139709  | RETAINER         | 1   |                 |         |
| 2   | 19M7867  | SCREW            | 2   | M8 X 25         |         |
| 3   | M45123   | EXTENSION SPRING | 1   |                 |         |
| 4   | AH143746 | RUBBER MOUNT     | 1   |                 |         |
| 5   | AH143747 | ARM              | 1   |                 |         |
| 6   | H110542  | PIN              | 1   | 0.787" X 4.528" |         |
| 7   | 19M7826  | SCREW            | 1   | M16 X 70        |         |
| 8   | 14M7291  | FLANGE NUT       | 1   | M16             |         |
| 9   | H114001  | QUICK LOCK PIN   | 1   |                 |         |
| 10  | 34M7036  | SPRING PIN       | 1   | 5 X 45 MM       |         |

# 4B24

DRIVES

DUAL-RANGE CYLINDER DRIVE TIGHTENER  
HP3440 -UN-01JAN94



HP 3440

# 4B25

DRIVES

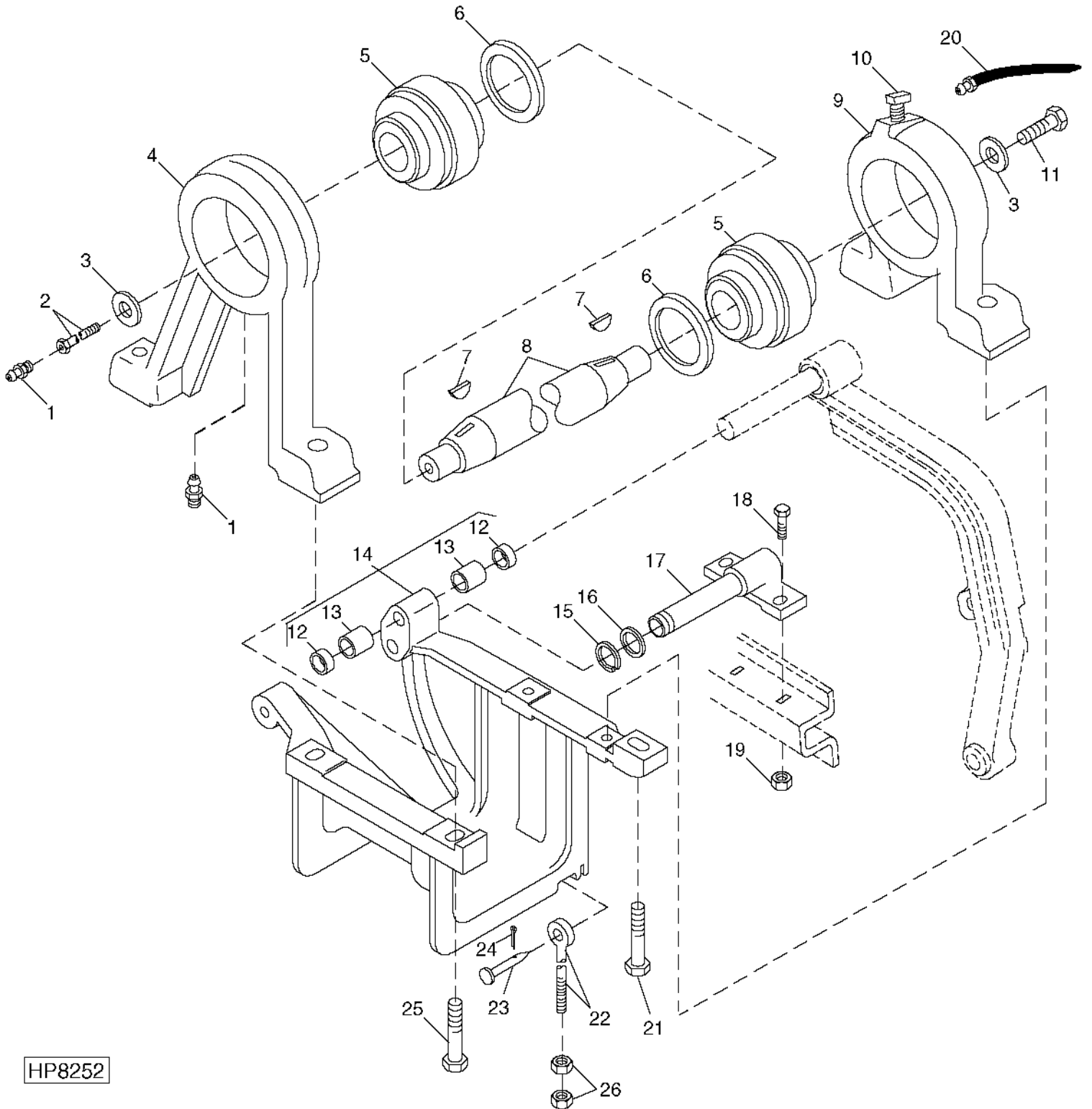
**DUAL-RANGE CYLINDER DRIVE TIGHTENER - CONTINUED**

| KEY | PART NO. | PART NAME  | QTY | SERIAL NO.                                   | REMARKS |
|-----|----------|------------|-----|--|---------|
| 1   | 14M7276  | NUT        | 1   | M16  |         |
| 2   | 24H1373  | WASHER     | 2   | 21/32" X 1-9/16" X 0.180"                    |         |
| 3   | N61654   | SPRING     | 1   |  |         |
| 4   | H116862  | GAUGE      | 1   |  |         |
| 5   | H116861  | HOOK BOLT  | 1   |  |         |
| 6   | 11M7028  | COTTER PIN | 1   | 5 X 32 MM                                    |         |
| 7   | 24M7053  | WASHER     | 1   | 17 X 30 X 3 MM                               |         |
| 8   | P46402   | SNAP RING  | 1   |  |         |
| 9   | 24H1447  | WASHER     | AR  | 1-1/32" X 1-1/2" X 0.036" (USE FOUR OR LESS) |         |
| 10  | 24H1448  | WASHER     | 1   | 1-1/32" X 1-1/2" X 0.120"                    |         |
| 11  | AH113139 | ARM        | 1   |  |         |
| 12  | 19M7818  | SCREW      | 1   | M12 X 80                                     |         |
| 13  | H94386   | BRACKET    | 2   |  |         |
| 14  | AH141762 | IDLER      | 1   |  |         |
| 15  | 14M7299  | FLANGE NUT | 1   | M12  |         |

# 4C1

DRIVES

DUAL-RANGE CYLINDER DRIVE INTERMEDIATE SHAFT MOUNTING  
HP8252 -UN-23APR99



HP8252

# 4C2

DRIVES

## DUAL-RANGE CYLINDER DRIVE INTERMEDIATE SHAFT MOUNTING - CONTINUED

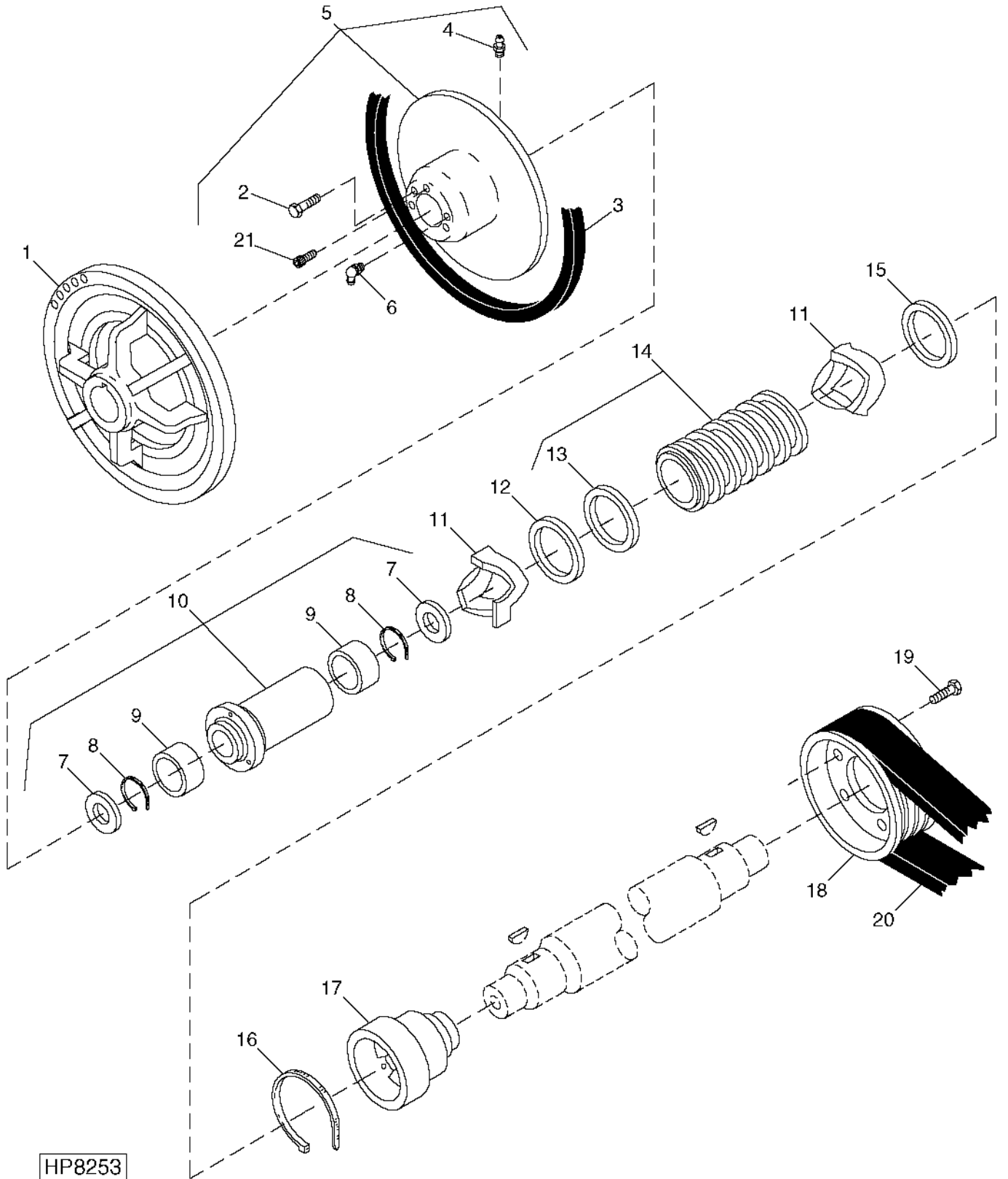
| KEY | PART NO. | PART NAME           | QTY | SERIAL NO. | REMARKS                              |
|-----|----------|---------------------|-----|------------|--------------------------------------|
| 1   | JD7759   | LUBRICATION FITTING | 2   |            |                                      |
| 2   | H110168  | SCREW               | 1   |            | 1/8" STRAIGHT                        |
| 3   | R20135   | WASHER              | 2   |            | M16 X 60                             |
| 4   | H121134  | HOUSING             | 1   |            |                                      |
| 5   | AH108813 | BALL BEARING        | 2   |            |                                      |
| 6   | E18993   | WASHER              | 2   |            |                                      |
| 7   | 26M6787  | SHAFT KEY           | 2   |            | 10 X 32 MM                           |
| 8   | H148241  | SHAFT               | 1   |            |                                      |
| 9   | H119210  | HOUSING             | 1   |            |                                      |
| 10  | JD7839   | LUBRICATION FITTING | 1   |            | 18" - 90 DEGREE                      |
| 11  | 19M7793  | SCREW               | 1   |            | M16 X 40                             |
| 12  | AA5607R  | SEAL                | 2   |            |                                      |
| 13  | H99147   | BUSHING             | 2   |            | (SUB H171061)                        |
|     | H171061  | BEARING             | 2   |            |                                      |
| 14  | AH122451 | SUPPORT             | 1   |            |                                      |
| 15  | M2353T   | SNAP RING           | 1   |            |                                      |
| 16  | 24H1513  | WASHER              | 1   |            | 1-13/32" X 2" X 0.060"               |
| 17  | H127596  | PIN                 | 1   |            |                                      |
| 18  | 19M7898  | SCREW               | 2   |            | M10 X 130                            |
| 19  | 14M7296  | FLANGE NUT          | 2   |            | M10                                  |
| 20  | AH121007 | HOSE                | 1   |            | 1/8" X 1 400 MM (55") X 1/8"         |
| 21  | 19H3057  | CAP SCREW           | 2   |            | 1/2" X 2-3/4"                        |
| 22  | H127583  | EYEBOLT             | 1   |            |                                      |
| 23  | T22714   | PIN                 | 1   |            | 15.748 X 66.040 MM (0.620" X 2.600") |
| 24  | 11M7028  | COTTER PIN          | 1   |            | 5 X 32 MM                            |
| 25  | 19M8306  | SCREW               | 2   |            | M12 X 50                             |
| 26  | 14M7291  | FLANGE NUT          | 2   |            | M16                                  |

# 4C3

DRIVES

## DUAL-RANGE CYLINDER DRIVE INTERMEDIATE SHEAVE

HP8253 -UN-01JUL99



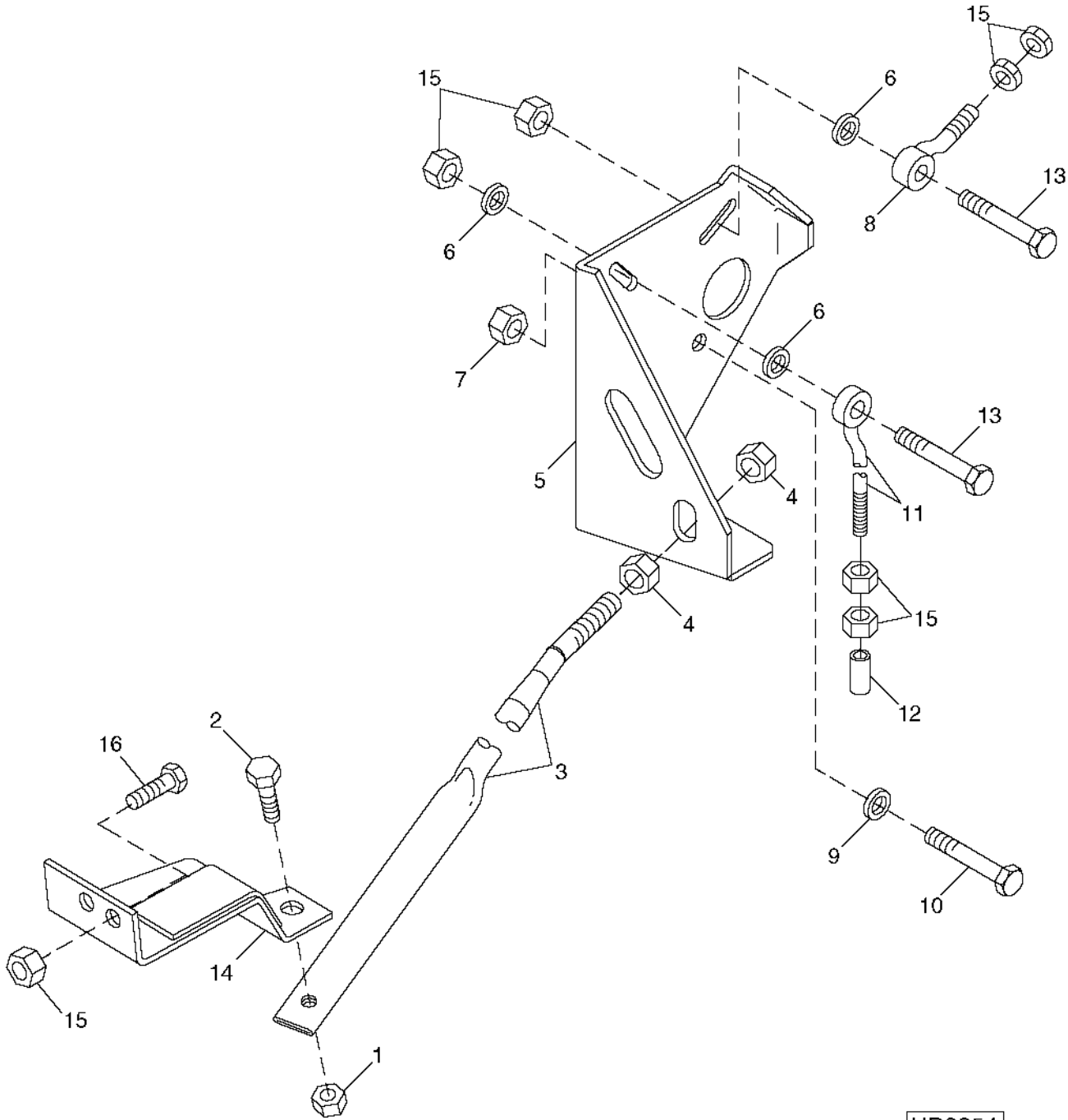
## DUAL-RANGE CYLINDER DRIVE INTERMEDIATE SHEAVE - CONTINUED

| KEY | PART NO. | PART NAME           | QTY | SERIAL NO.   | REMARKS  |
|-----|----------|---------------------|-----|--------------|--|
| 1   | H145955  | SHEAVE              | 1   |              |  |
| 2   | 19M7789  | SCREW               | 3   | M12 X 30     |  |
| 3   | H162629  | BELT                | 1   |              |  |
| 4   | JD7759   | LUBRICATION FITTING | 1   |              |  |
| 5   | AH141973 | HALF SHEAVE         | 1   |              | INCS H144038 SHEAVE, AH106296 BREATHER,<br>JD7759 ZERK, & JD7788 ZERK WITH ASSY<br>BALANCED<br>45 DEGREE |
| 6   | JD7788   | LUBRICATION FITTING | 1   |              |  |
| 7   | AH106110 | SEAL                | 2   |              |  |
| 8   | B3118R   | SNAP RING           | 2   |              |  |
| 9   | H125528  | BUSHING             | 2   |              |  |
| 10  | AH120907 | HUB                 | 1   |              |  |
| 11  | H145243  | CAM                 | 2   |              |  |
| 12  | H96227   | WASHER              | 1   |              |  |
| 13  | H96232   | WASHER              | 1   |              |  |
| 14  | AH148893 | SPRING ASSEMBLY     | 1   |              | (INCLUDES H96226)  |
| 15  | AH136497 | SEAL                | 1   |              |  |
| 16  | H107389  | RING                | 1   |              |  |
| 17  | H146394  | HUB                 | 1   |              |  |
|     | H141588  | HUB                 | 1   |              | (A)  |
| 18  | H125391  | SHEAVE              | 1   |              |  |
|     | H118616  | SHEAVE              | 1   |              | (A)  |
| 19  | 19M7818  | SCREW               | 3   | M12 X 80     |  |
|     | 19M8162  | CAP SCREW           | 3   | (A) M10 X 40 |  |
| 20  | H115881  | BELT                | 1   |              |  |
| 21  | AE38448  | RELIEF VALVE        | 1   |              |  |
| 22  | 19M8017  | CAP SCREW           | 3   | (A) M12 X 20 |  |

(A) SLOW SPEED CYLINDER DRIVE OPTION

# 4C5

**DUAL-RANGE CYLINDER DRIVE ADJUSTING BRACKET**  
HP8254 -UN-13JUL99



HP8254



# 4C6

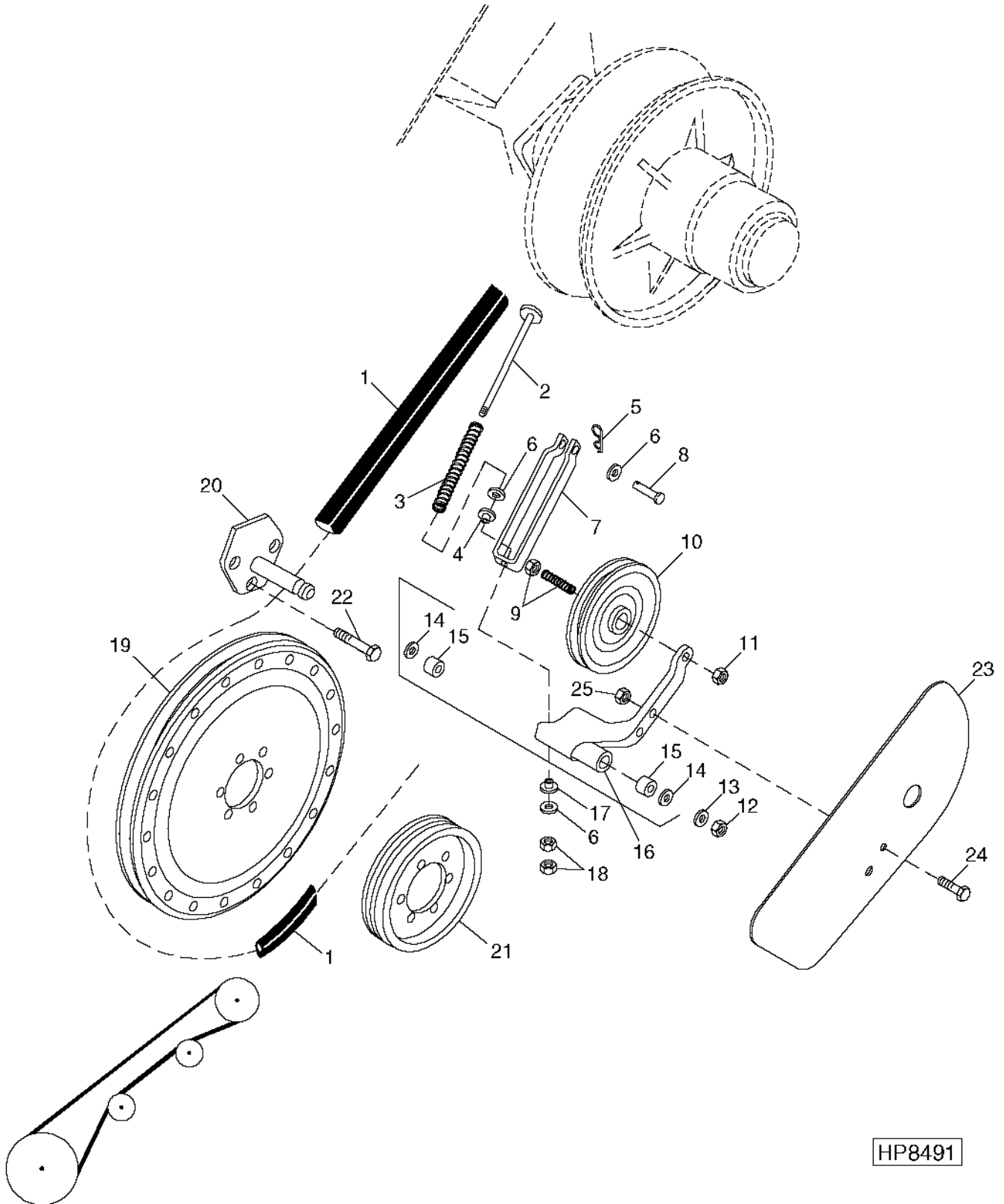
DRIVES

## DUAL-RANGE CYLINDER DRIVE ADJUSTING BRACKET - CONTINUED

| KEY | PART NO. | PART NAME  | QTY | SERIAL NO.     | REMARKS |
|-----|----------|------------|-----|----------------|---------|
| 1   | W39621   | NUT        | 1   | M16            |         |
| 2   | 19M7843  | SCREW      | 1   | M16 X 35       |         |
| 3   | AH161546 | BRACE      | 1   |                |         |
| 4   | 14M7300  | FLANGE NUT | 2   | M20            |         |
| 5   | H131482  | SUPPORT    | 1   |                |         |
| 6   | 24M7240  | WASHER     | 3   | 13 X 25 X 3 MM |         |
| 7   | 14M7291  | FLANGE NUT | 1   | M16            |         |
| 8   | H116065  | EYEBOLT    | 1   |                |         |
| 9   | 24M7053  | WASHER     | 1   | 17 X 30 X 3 MM |         |
| 10  | 19M8046  | CAP SCREW  | 1   | M16 X 70       |         |
| 11  | H131485  | EYEBOLT    | 1   |                |         |
| 12  | R50770   | PLUG       | 1   |                |         |
| 13  | 19M7791  | SCREW      | 2   | M12 X 40       |         |
| 14  | AH155661 | STRAP      | 1   |                |         |
| 15  | 14M7299  | FLANGE NUT | 8   | M12            |         |
| 16  | 19M7837  | SCREW      | 2   | M12 X 110      |         |

# 4C7

**SECONDARY COUNTERSHAFT DRIVE**  
HP8491 -UN-26APR99



HP8491

# 4C8

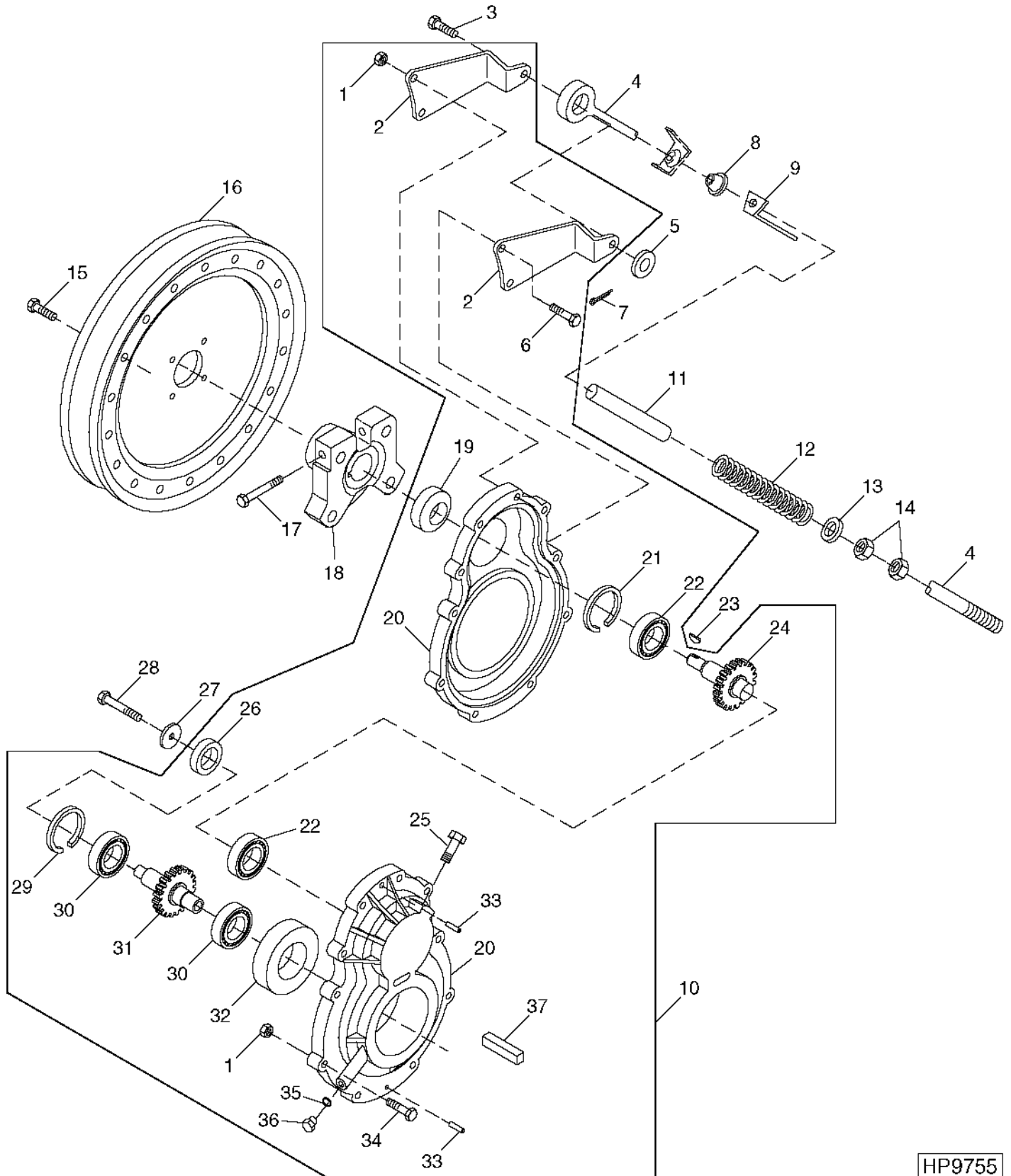
DRIVES

## SECONDARY COUNTERSHAFT DRIVE - CONTINUED

| KEY | PART NO. | PART NAME  | QTY | SERIAL NO.         | REMARKS |
|-----|----------|------------|-----|--------------------|---------|
| 1   | H128010  | BELT       | 1   |                    |         |
| 2   | AH124826 | STUD       | 1   |                    |         |
| 3   | B10604   | SPRING     | 1   |                    |         |
| 4   | H97513   | BUSHING    | 1   |                    |         |
| 5   | 11M7028  | COTTER PIN | 1   | 5 X 32 MM          |         |
| 6   | 24M7047  | WASHER     | 3   | 13 X 24 X 2.500 MM |         |
| 7   | H133667  | CLEVIS     | 1   |                    |         |
| 8   | H748DA   | PIN        | 1   |                    |         |
| 9   | 19M7824  | SCREW      | 1   | M16 X 60           |         |
| 10  | AH97031  | IDLER      | 1   |                    |         |
| 11  | 14M7291  | FLANGE NUT | 1   | M16                |         |
| 12  | P46402   | SNAP RING  | 1   |                    |         |
| 13  | 24M7091  | WASHER     | 1   | 26 X 44 X 4 MM     |         |
| 14  | AA5607R  | SEAL       | 2   |                    |         |
| 15  | H99147   | BUSHING    | 2   | (SUB H171061)      |         |
|     | H171061  | BEARING    | 2   |                    |         |
| 16  | AH124828 | ARM        | 1   |                    |         |
| 17  | H129207  | PIVOT      | 1   |                    |         |
| 18  | 14M7275  | NUT        | 2   | M12                |         |
| 19  | H159815  | SHEAVE     | 1   |                    |         |
| 20  | AH139816 | PIN        | 1   |                    |         |
| 21  | H142143  | SHEAVE     | 1   |                    |         |
| 22  | 19M7784  | SCREW      | 3   | M10 X 20           |         |
| 23  | H141772  | SHIELD     | 1   |                    |         |
| 24  | 19M7163  | CAP SCREW  | 2   | M8 X 25            |         |
| 25  | 14M7298  | FLANGE NUT | 2   | M8                 |         |

# 4C9

## STRAW WALKER DRIVE GEARCASE HP9755 -UN-11MAY00



HP9755

# 4C10

DRIVES

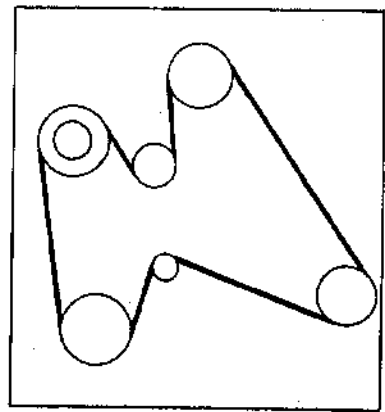
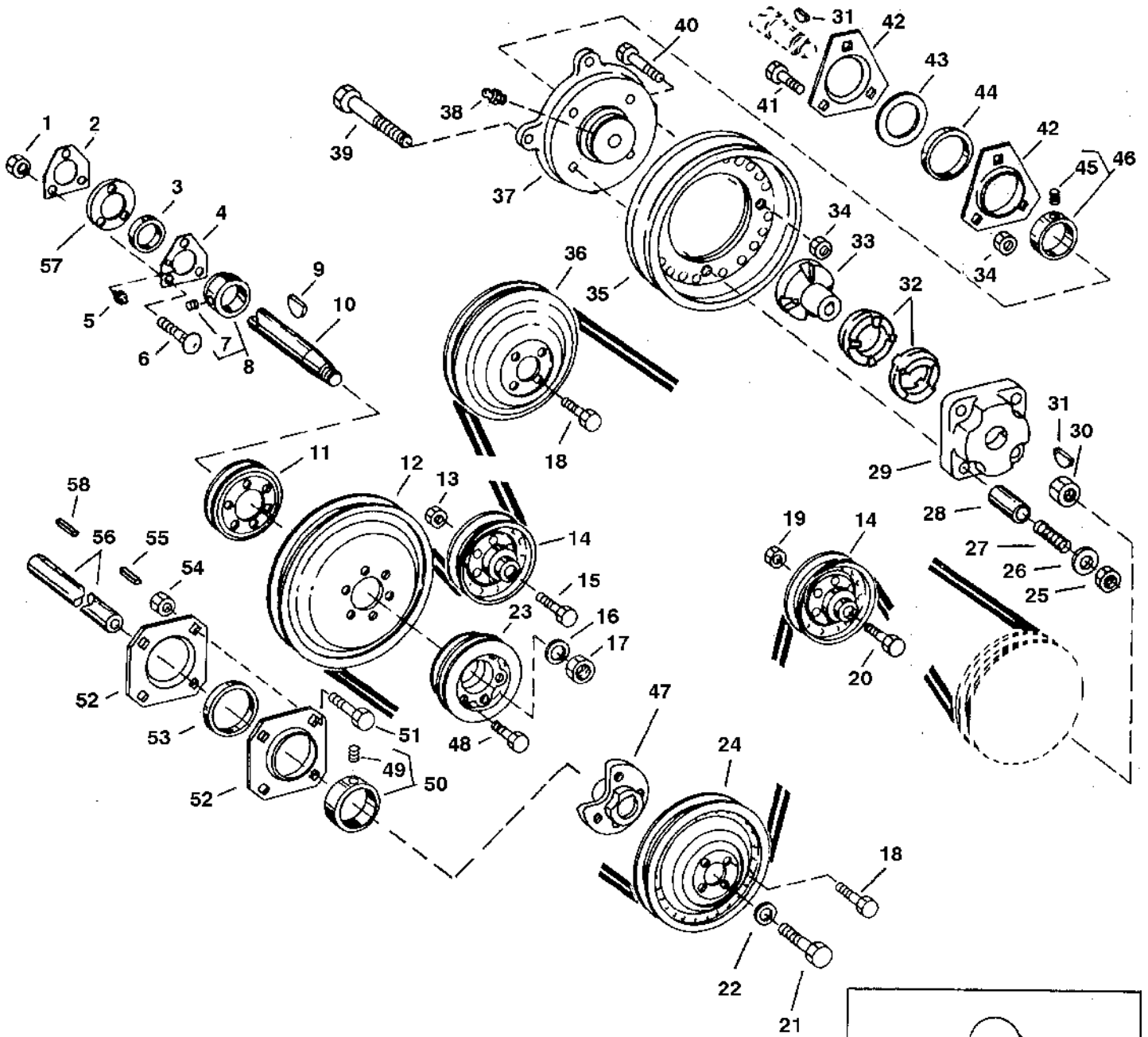
## STRAW WALKER DRIVE GEARCASE - CONTINUED

| KEY | PART NO. | PART NAME    | QTY | YEAR | REMARKS             |
|-----|----------|--------------|-----|------|---------------------|
| 1   | 14M7298  | FLANGE NUT   | 10  |      | M8                  |
| 2   | H129312  | ARM          | 2   |      |                     |
| 3   | 45M7084  | PIN          | 1   |      | 12 X 35 MM          |
| 4   | H129311  | EYEBOLT      | 1   |      |                     |
| 5   | 24M7047  | WASHER       | 1   |      | 13 X 24 X 2.500 MM  |
| 6   | 19M8317  | SCREW        | 2   |      | M8 X 40             |
| 7   | 11M7015  | COTTER PIN   | 1   |      | 3.200 X 25 MM       |
| 8   | H170141  | PIVOT        | 1   |      |                     |
| 9   | H170143  | GAUGE        | 1   |      |                     |
| 10  | AH162469 | GEAR CASE    | 1   |      |                     |
| 11  | TY22329  | BULK HOSE    | AR  |      |                     |
| 12  | H86783   | SPRING       | 1   |      |                     |
| 13  | 24M7180  | WASHER       | 1   |      | 13 X 37 X 3 MM      |
| 14  | 14M7275  | NUT          | 2   |      | M12                 |
| 15  | 19M7784  | SCREW        | 4   |      | M10 X 20            |
| 16  | AH122863 | SHEAVE       | 1   |      |                     |
| 17  | 19M7663  | CAP SCREW    | 1   |      | M8 X 70             |
| 18  | H134760  | HUB          | 1   |      |                     |
| 19  | AR90861  | SEAL         | 1   |      |                     |
| 20  | .....    | GEAR CASE    | 1   |      |                     |
| 21  | R62192   | SNAP RING    | 1   |      |                     |
| 22  | JD7686   | BALL BEARING | 2   |      |                     |
| 23  | 26M4228  | SHAFT KEY    | 1   |      | 8 X 28 MM, WOODRUFF |
| 24  | H114134  | PINION       | 1   |      |                     |
| 25  | 15H638   | PIPE PLUG    | 1   |      |                     |
| 26  | AH111970 | SEAL         | 1   |      |                     |
| 27  | N134803  | WASHER       | 1   |      |                     |
| 28  | H155973  | SCREW        | 1   |      |                     |
| 29  | BP13620  | SNAP RING    | 1   |      |                     |
| 30  | JD10011  | BALL BEARING | 2   |      |                     |
| 31  | H114100  | GEAR         | 1   |      |                     |
| 32  | AH111971 | SEAL         | 1   |      |                     |
| 33  | 34M7038  | SPRING PIN   | 2   |      | 6 X 20 MM           |
| 34  | 19M7868  | SCREW        | 8   |      | M8 X 30             |
| 35  | R26375   | O-RING       | 1   |      |                     |
| 36  | R39112   | FITTING      | 1   |      |                     |
| 37  | H138344  | SHAFT KEY    | 1   |      |                     |

# 4C11

DRIVES

STRAW WALKER, CONVEYOR AUGERS, SIEVE AND CHAFFER DRIVE  
HP6902 -UN-18AUG97



HP6902

# 4C12

DRIVES

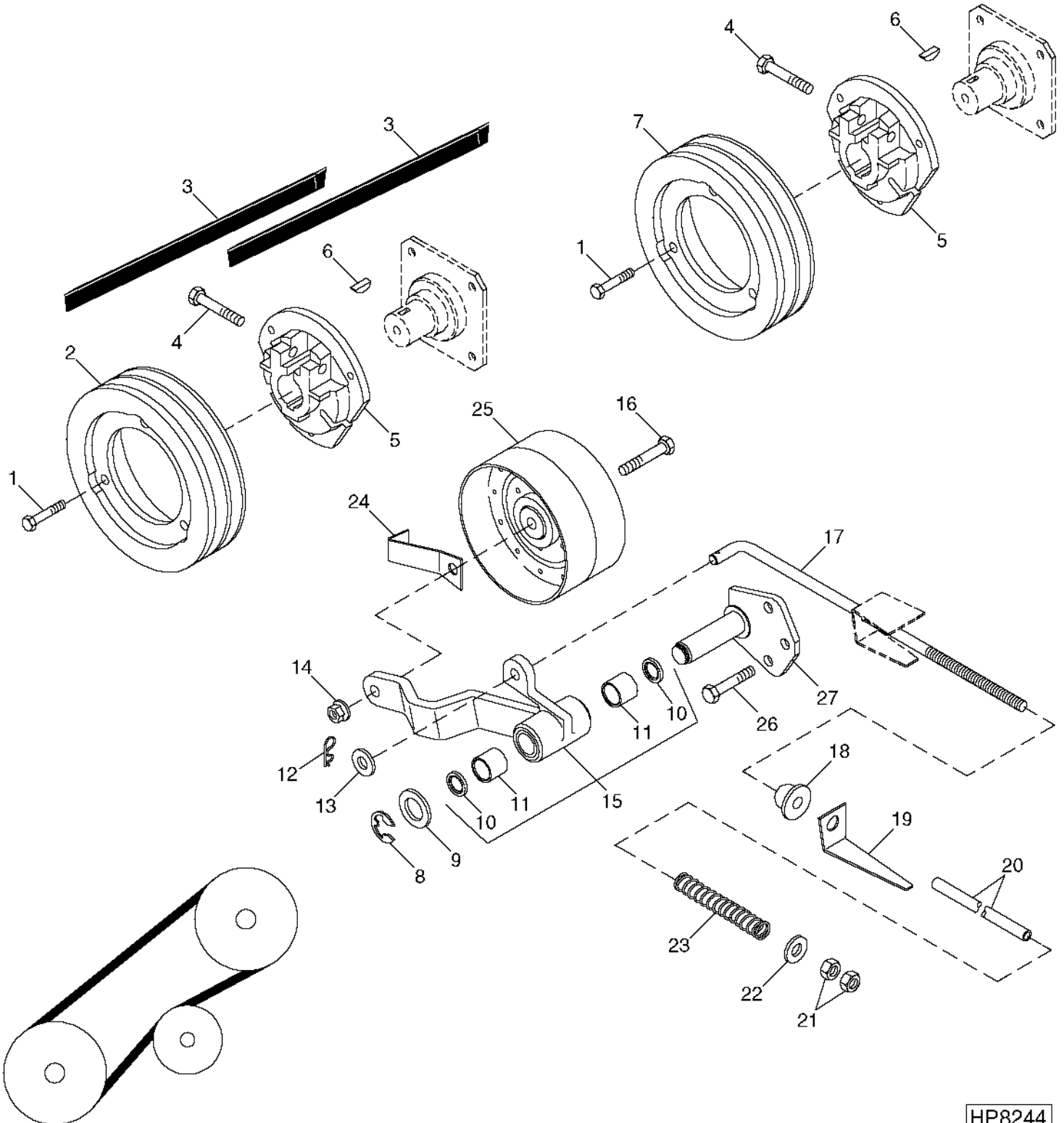
## STRAW WALKER, CONVEYOR AUGERS, SIEVE AND CHAFFER DRIVE - CONTINUED

| KEY | PART NO. | PART NAME                | QTY | SERIAL NO.          | REMARKS |
|-----|----------|--------------------------|-----|---------------------|---------|
| 1   | 14M7296  | FLANGE NUT               | 3   | M10                 |         |
| 2   | H135410  | PRESSED FLANGED HOUSING  | 1   |                     |         |
| 3   | AH139296 | BALL BEARING             | 1   |                     |         |
| 4   | AH129420 | PRESSED FLANGED HOUSING  | 1   |                     |         |
| 5   | JD7846   | LUBRICATION FITTING      | 1   |                     |         |
| 6   | 03M7191  | BOLT                     | 3   | M10 X 25            |         |
| 7   | 22M7081  | SET SCREW                | 1   | M10 X 10            |         |
| 8   | AH133191 | ECCENTRIC LOCKING COLLAR | 1   |                     |         |
| 9   | H153524  | KEY                      | 1   | WOODRUFF (HARDENED) |         |
| 10  | H132207  | JACKSHAFT                | 1   |                     |         |
| 11  | H131170  | SHEAVE                   | 1   |                     |         |
| 12  | H159815  | SHEAVE                   | 1   |                     |         |
| 13  | 14M7291  | FLANGE NUT               | 1   | M16                 |         |
| 14  | AH94450  | IDLER                    | 2   |                     |         |
| 15  | 19M7824  | SCREW                    | 1   | M16 X 60            |         |
| 16  | 24M7091  | WASHER                   | 1   | 26 X 44 X 4 MM      |         |
| 17  | 14M7413  | LOCK NUT                 | 1   | M24                 |         |
| 18  | 19M7784  | SCREW                    | 8   | M10 X 20            |         |
| 19  | 14M7291  | FLANGE NUT               | 1   | M16                 |         |
| 20  | 19M7824  | SCREW                    | 1   | M16 X 60            |         |
| 21  | 19M8035  | CAP SCREW                | 1   | M16 X 35            |         |
| 22  | T119912  | WASHER                   | 2   |                     |         |
| 23  | H142143  | SHEAVE                   | 1   |                     |         |
| 24  | AH126188 | SHEAVE                   | 1   |                     |         |
| 25  | 14M7400  | LOCK NUT                 | 4   | M10                 |         |
| 26  | 24M7101  | WASHER                   | 4   | 11 X 34 X 3 MM      |         |
| 27  | R56722   | SPRING                   | 4   |                     |         |
| 28  | H87206   | SPACER                   | 4   |                     |         |
| 29  | H89525   | RETAINER                 | 1   |                     |         |
| 30  | 14M7300  | FLANGE NUT               | 1   | M20                 |         |
| 31  | 26M4226  | SHAFT KEY                | 1   | 5 X 19 MM           |         |
| 32  | H128265  | SLIP CLUTCH              | 2   |                     |         |
| 33  | H131098  | HUB                      | 1   |                     |         |
| 34  | 14M7296  | FLANGE NUT               | 4   | M10                 |         |
| 35  | AH126094 | SHEAVE                   | 1   |                     |         |
| 36  | AH122863 | SHEAVE                   | 1   |                     |         |
| 37  | H135423  | HUB                      | 1   |                     |         |
| 38  | JD7797   | LUBRICATION FITTING      | 1   |                     |         |
| 39  | 19M8166  | CAP SCREW                | 4   | M10 X 110           |         |
| 40  | 19M7786  | SCREW                    | 4   | M10 X 30            |         |
| 41  | 03M7191  | BOLT                     | 3   | M10 X 25            |         |
| 42  | E10018   | PRESSED FLANGED HOUSING  | 2   |                     |         |
| 43  | H102533  | SHIM                     | 5   |                     |         |
| 44  | AH129451 | BALL BEARING             | 1   |                     |         |
| 45  | .....    | SET SCREW                | 1   |                     |         |
| 46  | AH129452 | ECCENTRIC LOCKING COLLAR | 1   |                     |         |
| 47  | H133603  | HUB                      | 1   |                     |         |
| 48  | 19M7810  | SCREW                    | 6   | M10 X 80            |         |
| 49  | 22M7081  | SET SCREW                | 2   |                     |         |
| 50  | AL14674  | ECCENTRIC LOCKING COLLAR | 2   |                     |         |
| 51  | 03M7198  | BOLT                     | 8   | M12 X 30            |         |
| 52  | H133621  | PRESSED FLANGED HOUSING  | 4   |                     |         |
| 53  | JD39109  | BALL BEARING             | 2   |                     |         |
| 54  | 14M7299  | FLANGE NUT               | 16  | M12                 |         |
| 55  | 49M5606  | SHAFT KEY                | 1   |                     |         |
| 56  | H133597  | SHAFT                    | 1   | CLEANING SHOE SHAFT |         |
| 57  | H105578  | SHIM                     | 1   |                     |         |
| 58  | 49M7040  | SHAFT KEY                | 1   |                     |         |
| ..  | H131169  | BELT                     | 1   |                     |         |

# 4C13

DRIVES

BEATER DRIVE, SHEAVES AND TIGHTENER  
HP8244 -UN-17AUG99



HP8244



# 4C14

DRIVES

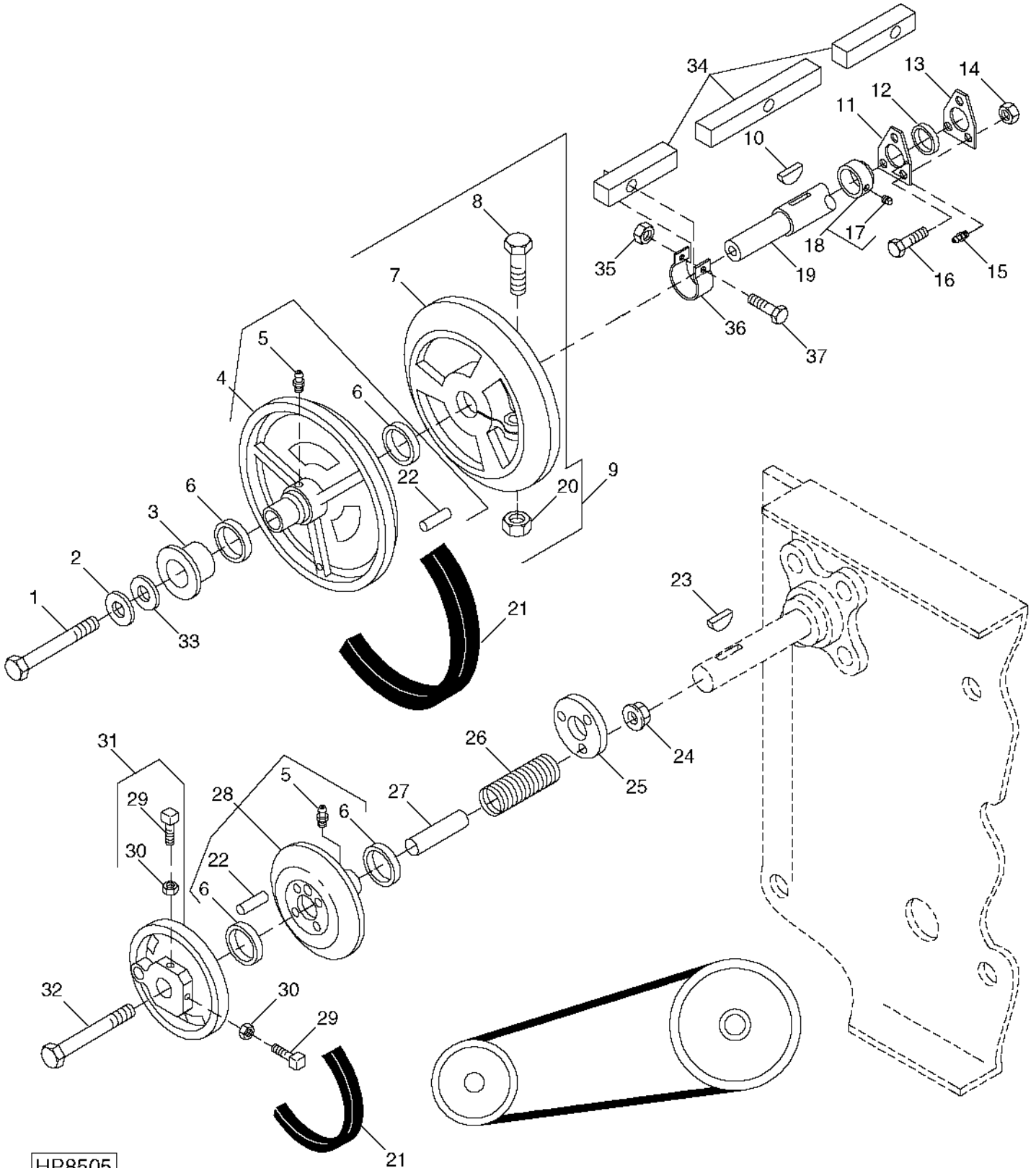
## BEATER DRIVE, SHEAVES AND TIGHTENER - CONTINUED

| KEY | PART NO. | PART NAME  | QTY | SERIAL NO.                   | REMARKS |
|-----|----------|------------|-----|------------------------------|---------|
| 1   | 19M7785  | SCREW      | 6   | M10 X 25                     |         |
| 2   | H159814  | SHEAVE     | 1   | FOR 100 PERCENT BEATER DRIVE |         |
|     | H135849  | SHEAVE     | 1   | FOR 75 PERCENT BEATER DRIVE  |         |
| 3   | AH139436 | BELT SET   | 1   | FOR 100 PERCENT BEATER DRIVE |         |
|     | AH163931 | BELT       | 1   | FOR 75 PERCENT BEATER DRIVE  |         |
| 4   | 19M7808  | SCREW      | 2   | M10 X 65                     |         |
| 5   | H128327  | HUB        | 2   |                              |         |
| 6   | H153524  | KEY        | 2   | 10 X 32 MM, WOODRUFF         |         |
| 7   | H159814  | SHEAVE     | 1   | FOR 100 PERCENT BEATER DRIVE |         |
|     | H135850  | SHEAVE     | 1   | FOR 75 PERCENT BEATER DRIVE  |         |
| 8   | P46402   | SNAP RING  | 1   |                              |         |
| 9   | 24M7091  | WASHER     | 1   | 26 X 44 X 4 MM               |         |
| 10  | AA5607R  | SEAL       | 2   |                              |         |
| 11  | H99147   | BUSHING    | 2   | (SUB H171061)                |         |
|     | H171061  | BEARING    | 2   |                              |         |
| 12  | 11M7021  | COTTER PIN | 1   | 4 X 25 MM                    |         |
| 13  | 24M7047  | WASHER     | 1   | 13 X 24 X 2.500 MM           |         |
| 14  | 14M7299  | FLANGE NUT | 1   | M12                          |         |
| 15  | AH131508 | ARM        | 1   |                              |         |
| 16  | 19M7817  | SCREW      | 1   | M12 X 70                     |         |
| 17  | H125560  | BOLT       | 1   |                              |         |
| 18  | H129207  | PIVOT      | 1   |                              |         |
| 19  | H140944  | GAUGE      | 1   |                              |         |
| 20  | TY22326  | BULK HOSE  | 1   | BULK HOSE                    |         |
| 21  | 14M7275  | NUT        | 2   | M12                          |         |
| 22  | 24M7180  | WASHER     | 1   | 13 X 37 X 3 MM               |         |
| 23  | R35542   | SPRING     | 1   |                              |         |
| 24  | H94386   | BRACKET    | 2   |                              |         |
| 25  | AH141762 | IDLER      | 1   |                              |         |
| 26  | 19M7784  | SCREW      | 3   | M10 X 20                     |         |
| 27  | AH156051 | SPRING PIN | 1   |                              |         |

# 4C15

DRIVES

SEPARATOR FAN DRIVE  
HP8505 -UN-21APR99



HP8505

# 4C16

DRIVES

## SEPARATOR FAN DRIVE - CONTINUED

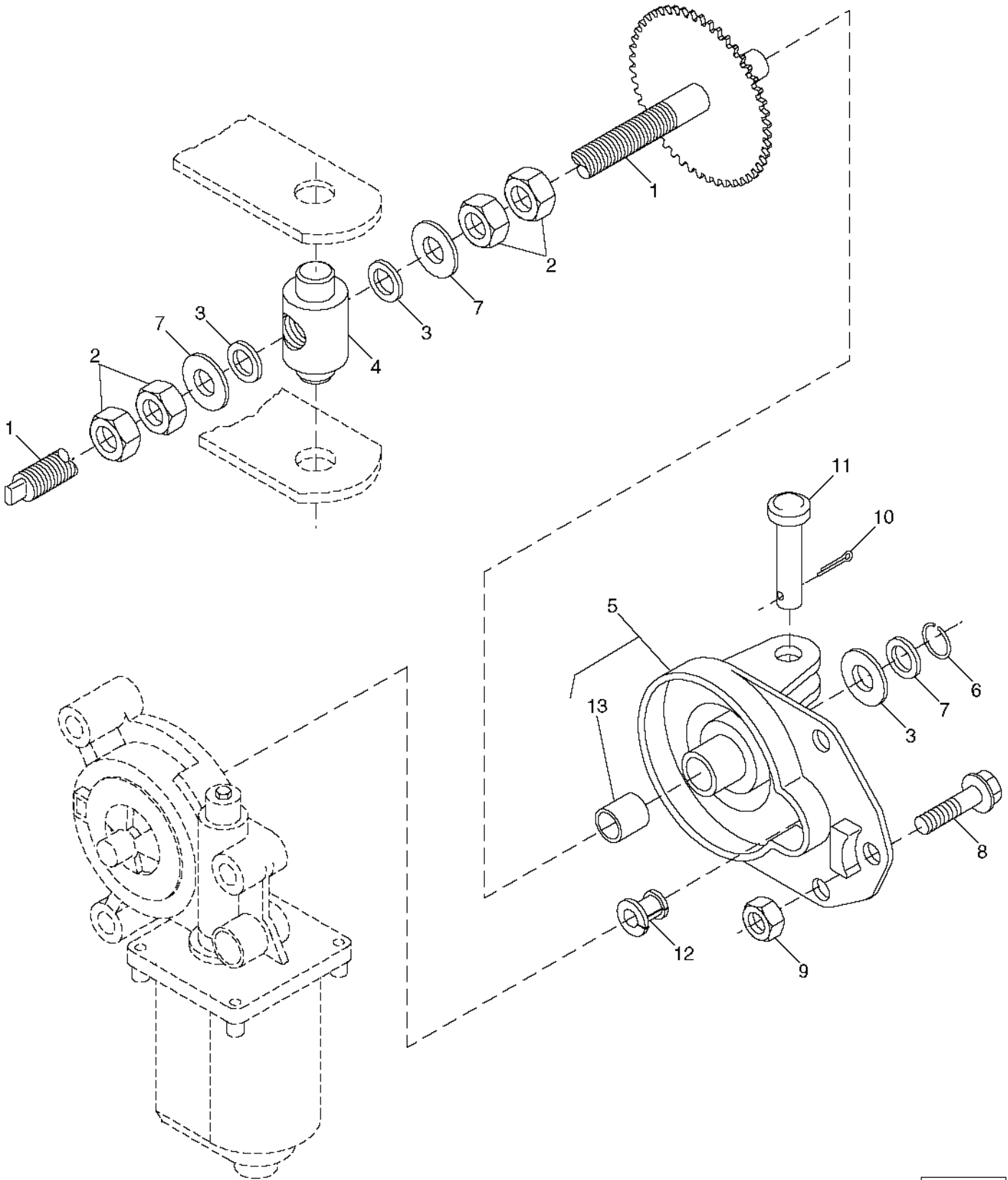
| KEY | PART NO.       | PART NAME                          | QTY      | SERIAL NO.                  | REMARKS     |
|-----|----------------|------------------------------------|----------|-----------------------------|-------------|
| 1   | 19M7786        | SCREW                              | 1        | M10 X 30                    |             |
| 2   | 24H1314        | WASHER                             | 1        | 13/32" X 1-3/4" X 7/64"     |             |
| 3   | AH124050       | THROW-OUT BEARING                  | 1        |                             |             |
| 4   | AH146463       | HALF SHEAVE                        | 1        | 460 MM O.D. (750-1350 RPM)  | OUTER DRIVE |
|     | AH153040       | SHEAVE                             | 1        | (490 - 980 RPM)             |             |
| 5   | JD7759         | LUBRICATION FITTING                | 2        | 1/8" STRAIGHT               |             |
| 6   | AH14080        | SEAL                               | 4        |                             |             |
| 7   | .....          | SHEAVE                             | 1        |                             |             |
| 8   | 19M8112        | SCREW                              | 1        | M12 X 55                    |             |
| 9   | AH149356       | HALF SHEAVE                        | 1        | (750 - 1350 RPM)            | INNER DRIVE |
|     | AH149357       | HALF SHEAVE                        | 1        | (490 - 980 RPM)             | INNER DRIVE |
| 10  | H153524        | KEY                                | 1        | WOODRUFF (HARDENED)         |             |
| 11  | AH129420       | PRESSED FLANGED HOUSING            | 1        |                             |             |
| 12  | AH139296       | BALL BEARING                       | 1        |                             |             |
| 13  | H135410        | PRESSED FLANGED HOUSING            | 1        |                             |             |
| 14  | 14M7296        | FLANGE NUT                         | 3        | M10                         |             |
| 15  | JD7846         | LUBRICATION FITTING                | 1        | 45 DEGREE                   |             |
| 16  | 03M7191        | BOLT                               | 3        | M10 X 25                    |             |
| 17  | 22M7081        | SET SCREW                          | 1        | M10 X 10                    |             |
| 18  | AH133191       | ECCENTRIC LOCKING COLLAR           | 1        |                             |             |
| 19  | H132207        | JACKSHAFT                          | 1        |                             |             |
| 20  | 14M7299        | FLANGE NUT                         | 1        | M12                         |             |
| 21  | H152146        | BELT                               | 1        | (750-1350 RPM)              |             |
|     | H152180        | BELT                               | 1        | (490-980 RPM)               |             |
| 22  | R1964R         | DOWEL PIN                          | 2        |                             |             |
| 23  | 26M6731        | SHAFT KEY                          | 1        | 6 X 25 MM, WOODRUFF         |             |
| 24  | 14M7396        | LOCK NUT                           | 4        | M8                          |             |
| 25  | H135599        | WASHER                             | 1        |                             |             |
| 26  | H93399         | SPRING                             | 4        |                             |             |
| 27  | H133489        | BUSHING                            | 4        |                             |             |
| 28  | AH157219       | HALF SHEAVE                        | 1        | INNER DRIVE                 |             |
| 29  | H138435        | SET SCREW                          | 2        | M10 X 25                    |             |
| 30  | 14M7152        | NUT                                | 2        | M10                         |             |
| 31  | AH146462       | HALF SHEAVE                        | 1        | OUTER DRIVE                 |             |
| 32  | 19M7873        | SCREW                              | 4        | M8 X 110                    |             |
| 33  | 24H1307        | WASHER                             | AR       | 13/32" X 1" X 1/16"         |             |
| 34  | H137816        | STRIPPER                           | 1        |                             |             |
| 35  | 14M7397        | LOCK NUT                           | 6        | M6                          |             |
| 36  | H137815        | CLAMP                              | 6        |                             |             |
| 37  | 19M7862        | SCREW                              | 6        | M6 X 20                     |             |
| ..  | <b>BH81191</b> | <b>COMPLETE GOODS/SHIP. BUNDLE</b> | <b>1</b> | <b>SLOW SPEED FAN DRIVE</b> |             |

# 4C17

DRIVES

## FAN DRIVE SPEED CONTROL LINKAGE

HP7550 -UN-16AUG99



HP7550

# 4C18

DRIVES

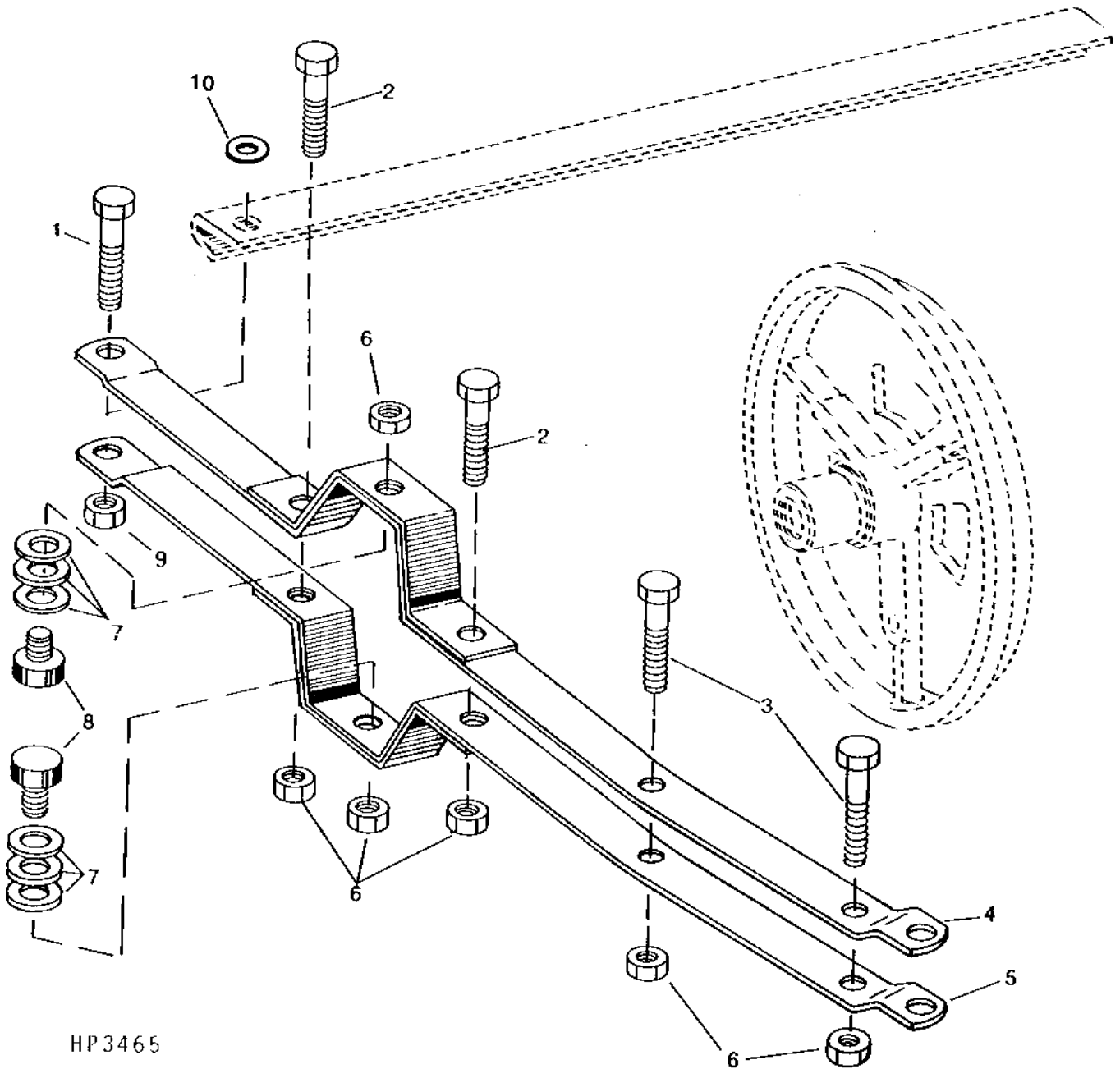
## FAN DRIVE SPEED CONTROL LINKAGE - CONTINUED

| KEY | PART NO. | PART NAME     | QTY | SERIAL NO.    | REMARKS |
|-----|----------|---------------|-----|---------------|---------|
| 1   | AH128384 | SHAFT         | 1   |               |         |
| 2   | 14M7382  | NUT           | 4   | M16           |         |
| 3   | H140397  | THRUST WASHER | 3   |               |         |
| 4   | H133199  | TRUNNION      | 1   |               |         |
| 5   | AH143904 | SUPPORT       | 1   |               |         |
| 6   | H25099   | SNAP RING     | 1   |               |         |
| 7   | H139132  | SPACER        | 3   |               |         |
| 8   | 19M8321  | SCREW         | 3   | M6 X 45       |         |
| 9   | 14M7165  | LOCK NUT      | 3   | M6            |         |
| 10  | 11M7059  | COTTER PIN    | 1   | 3.200 X 20 MM |         |
| 11  | 45M7045  | PIN           | 1   | 12 X 90 MM    |         |
| 12  | H89515   | WASHER        | 1   |               |         |
| 13  | H91788   | BUSHING       | 1   |               |         |

# 4C19

DRIVES

FAN DRIVE SPEED CONTROL SHEAVE LINKAGE  
HP3465 -UN-01JAN94



HP3465

# 4C20

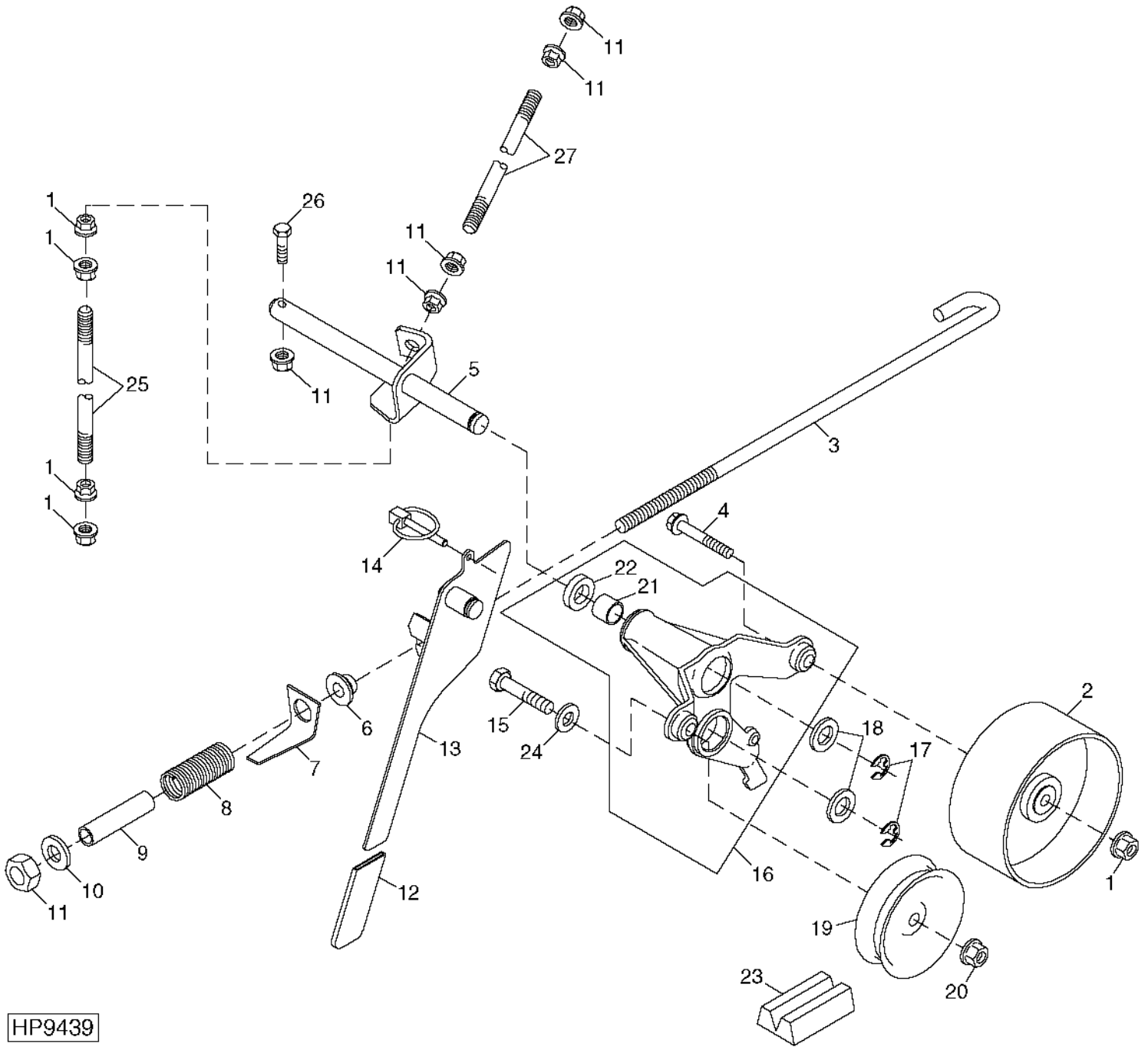
DRIVES

## FAN DRIVE SPEED CONTROL SHEAVE LINKAGE - CONTINUED

| KEY | PART NO. | PART NAME  | QTY | SERIAL NO. | REMARKS                |
|-----|----------|------------|-----|------------|------------------------|
| 1   | 19M7868  | SCREW      | 1   |            | M8 X 30                |
| 2   | 19M7790  | SCREW      | 2   |            | M12 X 35               |
| 3   | 19M7788  | SCREW      | 2   |            | M12 X 25               |
| 4   | AH134729 | ARM        | 1   |            |                        |
| 5   | AH134730 | ARM        | 1   |            |                        |
| 6   | 14M7299  | FLANGE NUT | 6   |            | M12                    |
| 7   | 24H1882  | WASHER     | 6   |            | 17/32" X 3/4" X 0.060" |
| 8   | 19M8169  | SCREW      | 2   |            | M12 X 30               |
| 9   | 14M7298  | FLANGE NUT | 1   |            | M8                     |
| 10  | 28H1511  | WASHER     | 1   |            | 0.364" X 0.540" X 1/4" |

# 4C21

CHOPPER DRIVES (FRONT)  
(STANDARD AND FINE CUT)  
HP9439 -UN-20DEC99



HP9439



**CHOPPER DRIVES (FRONT) - CONTINUED  
(STANDARD AND FINE CUT)**

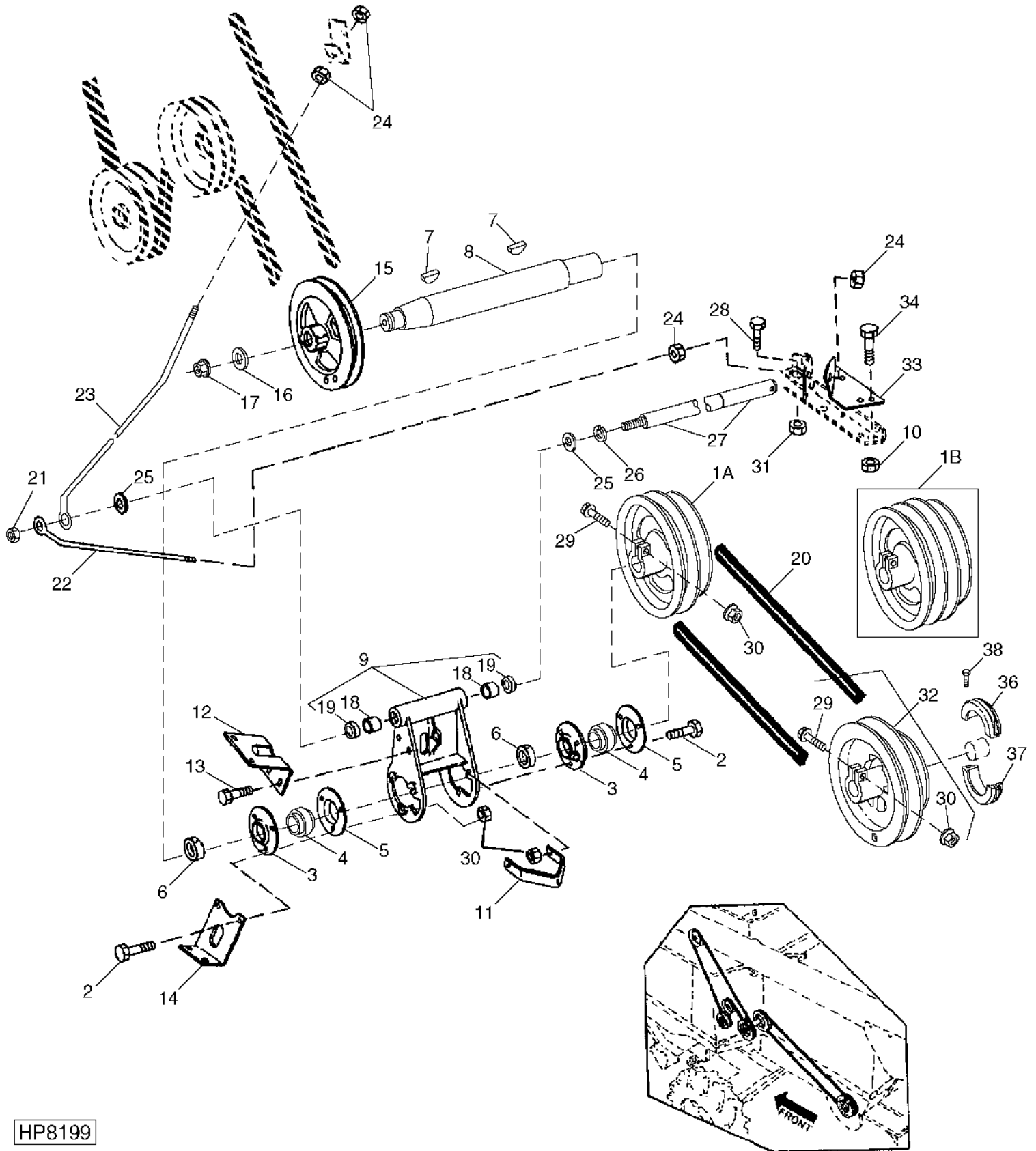
| KEY | PART NO. | PART NAME      | QTY | SERIAL NO.               | REMARKS                        |
|-----|----------|----------------|-----|--------------------------|--------------------------------|
| 1   | 14M7299  | FLANGE NUT     | 9   | M12                      |                                |
| 2   | AH93318  | IDLER          | 1   |                          |                                |
| 3   | H141673  | BOLT           | 1   |                          |                                |
| 4   | 19M7818  | SCREW          | 1   | M12 X 80                 |                                |
| 5   | AH134319 | PIN            | 1   |                          |                                |
| 6   | H173900  | PIVOT          | 1   |                          | (SUB FOR H129208)              |
| 7   | H173899  | GAUGE          | 1   |                          | (SUB FOR H159956 OR H155062)   |
| 8   | R35542   | SPRING         | 1   |                          | (SUB FOR H82418)               |
| 9   | H161813  | HOSE           | 1   |                          |                                |
| 10  | 24H1106  | WASHER         | 1   | 11/16" X 1-3/4" X 0.134" |                                |
| 11  | 14M7276  | NUT            | 7   | M16                      |                                |
| 12  | W25634   | GRIP           | 1   |                          |                                |
| 13  | AH168608 | ARM            | 1   |                          | (SUB FOR AH166367 OR AH167668) |
| 14  | M72598   | QUICK LOCK PIN | 1   |                          |                                |
| 15  | A50325   | SCREW          | 1   |                          |                                |
| 16  | AH167669 | ARM            | 1   |                          | (SUB FOR AH166780)             |
| 17  | P46402   | SNAP RING      | 2   |                          |                                |
| 18  | 24M7091  | WASHER         | 2   | 26 X 44 X 4 MM           |                                |
| 19  | AE22622  | PULLEY         | 1   |                          |                                |
| 20  | 14M7291  | FLANGE NUT     | 1   |                          |                                |
| 21  | H99147   | BUSHING        | 3   |                          | (SUB H171061)                  |
|     | H171061  | BEARING        | 2   |                          |                                |
| 22  | AA5607R  | SEAL           | 2   |                          |                                |
| 23  | H157726  | BELT           | 1   |                          |                                |
| 24  | 24M7053  | WASHER         | 1   | 17 X 30 X 3 MM           |                                |
| 25  | H120198  | STUD           | 1   |                          |                                |
| 26  | 19M8292  | SCREW          | 1   | M10 X 50                 |                                |
| 27  | H139545  | STUD           | 1   |                          |                                |

# 4C23

DRIVES

## STRAW CHOPPER DRIVES (REAR)

HP8199 -UN-13JUL99



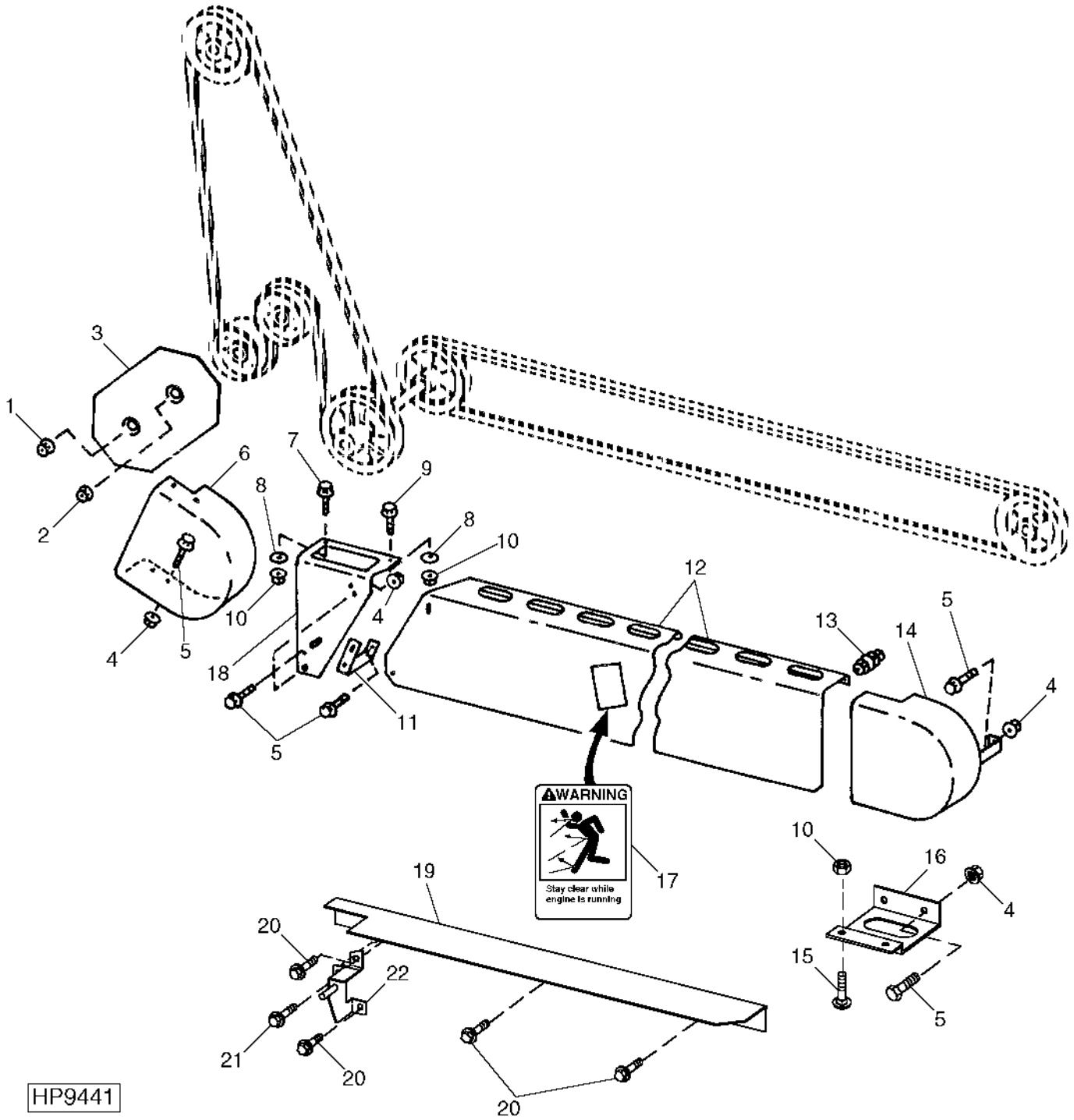
HP8199

## STRAW CHOPPER DRIVES (REAR) - CONTINUED

| KEY | PART NO. | PART NAME                | QTY | SERIAL NO.                 | REMARKS |
|-----|----------|--------------------------|-----|----------------------------|---------|
| 1A  | AH162528 | SHEAVE                   | 1   | REGULAR                    |         |
| 1B  | AH162548 | SHEAVE                   | 1   | FINE CUT                   |         |
| 2   | 19M8162  | CAP SCREW                | 6   | M10 X 40                   |         |
| 3   | H135410  | PRESSED FLANGED HOUSING  | 2   |                            |         |
| 4   | AH139296 | BALL BEARING             | 2   |                            |         |
| 5   | AH163686 | PRESSED FLANGED HOUSING  | 1   |                            |         |
| 6   | AH133191 | ECCENTRIC LOCKING COLLAR | 2   |                            |         |
| 7   | 26M6787  | SHAFT KEY                | 2   |                            |         |
| 8   | H169065  | JACKSHAFT                | 1   |                            |         |
| 9   | AH136126 | ARM                      | 1   |                            |         |
|     | AH169220 | ARM                      | 1   |                            |         |
| 10  | 14M7276  | NUT                      | 2   | M16                        |         |
| 11  | H129125  | STRAP                    | 1   |                            |         |
| 12  | H132901  | BRACKET                  | 1   |                            |         |
| 13  | 19M7865  | SCREW                    | 2   | M8 X 16                    |         |
| 14  | H132976  | BRACKET                  | 1   |                            |         |
| 15  | H157688  | SHEAVE                   | 1   |                            |         |
| 16  | 24H1236  | WASHER                   | 1   |                            |         |
| 17  | 14M7300  | FLANGE NUT               | 1   |                            |         |
| 18  | H99147   | BUSHING                  | 2   | (SUB H171061)              |         |
|     | H171061  | BEARING                  | 2   |                            |         |
| 19  | AA5607R  | SEAL                     | 2   |                            |         |
| 20  | H157727  | BELT                     | 1   | FINE CUT (4420MM)          |         |
|     | H22529   | BELT                     | 1   | FINE CUT - BALING (3124MM) |         |
|     | H160654  | BELT                     | 1   | REGULAR (4420MM)           |         |
|     | H23950   | BELT                     | 1   | REGULAR - BALING (3124MM)  |         |
| 21  | W39621   | NUT                      | 1   |                            |         |
| 22  | H164755  | EYEBOLT                  | 1   |                            |         |
| 23  | H170659  | EYEBOLT                  | 1   |                            |         |
| 24  | 14M7291  | FLANGE NUT               | 4   | M16                        |         |
| 25  | 24M7091  | WASHER                   | 2   | 26 X 44 X 4 MM             |         |
| 26  | P43363   | SNAP RING                | 1   |                            |         |
| 27  | H164756  | PIN                      | 1   |                            |         |
| 28  | 19M8292  | SCREW                    | 1   | M10 X 50                   |         |
| 29  | H139545  | STUD                     | 1   |                            |         |
| 30  | 14M7276  | NUT                      | 2   |                            |         |
| 31  | 14M7296  | FLANGE NUT               | 1   |                            |         |
| 32  | AH162529 | SHEAVE                   | 1   | REGULAR                    |         |
|     | AH162549 | SHEAVE                   | 1   | FINE CUT                   |         |
|     | AH119770 | SHEAVE                   | 1   | DEEP GROOVE                |         |
| 33  | H133812  | SUPPORT                  | 1   |                            |         |
| 34  | 19M7867  | SCREW                    | 2   |                            |         |
| 35  | 14M7298  | FLANGE NUT               | 2   | M8                         |         |
| 36  | H104794  | ACTUATOR                 | 1   |                            |         |
| 37  | H104793  | ACTUATOR                 | 1   |                            |         |
| 38  | H168924  | SCREW                    | 2   |                            |         |
| 39  | 19M8292  | SCREW                    | 1   | M10 X 50                   |         |
| 40  | 14M7296  | FLANGE NUT               | 1   | M10                        |         |
| 41  | H120198  | STUD                     | 1   |                            |         |
| 42  | 14M7299  | FLANGE NUT               | 4   | M12                        |         |

# 4D1

STRAW CHOPPER DRIVE SHIELDS  
HP9441 -UN-20DEC99



# 4D2

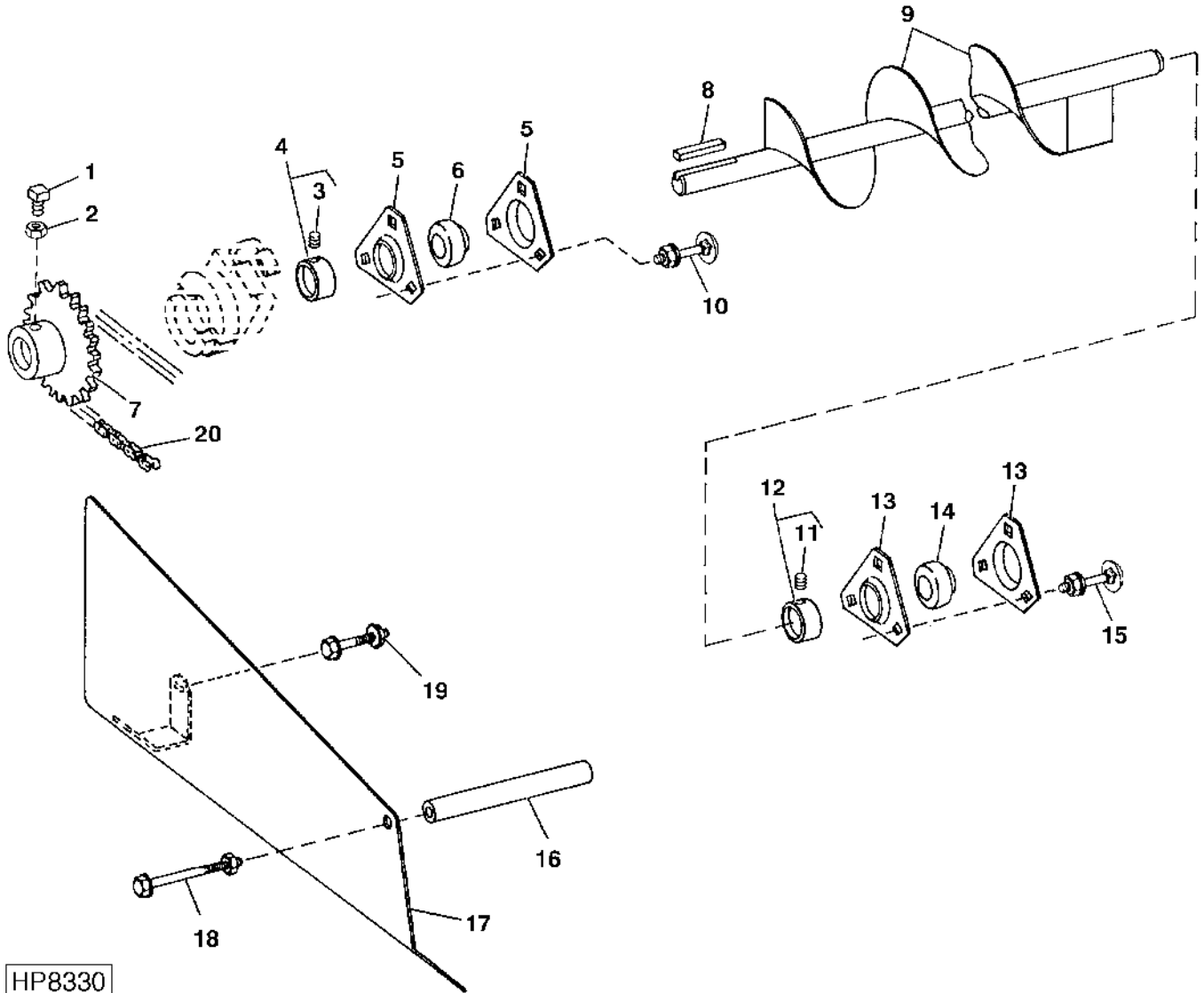
DRIVES

## STRAW CHOPPER DRIVE SHIELDS - CONTINUED

| KEY | PART NO. | PART NAME  | QTY | SERIAL NO.        | REMARKS                                |
|-----|----------|------------|-----|-------------------|--|
| 1   | 14M7291  | FLANGE NUT | 1   | M16               |  |
| 2   | 14M7299  | FLANGE NUT | 1   | M12               |  |
| 3   | AH167132 | SHIELD     | 1   |                   |  |
| 4   | 14M7298  | FLANGE NUT | 10  | M8                |  |
| 5   | 19M7865  | SCREW      | 11  | M8 X 16           |  |
| 6   | H132902  | CAP        | 1   |                   |  |
| 7   | 19M7866  | SCREW      | 1   | M8 X 20           |  |
| 8   | 24M7238  | WASHER     | 2   | 8.700 X 17 X 2 MM |  |
| 9   | 19M7867  | SCREW      | 1   | M8 X 25           |  |
| 10  | 14M7273  | NUT        | 2   | M8                |  |
| 11  | H141060  | BRACKET    | 1   |                   |  |
| 12  | H169307  | SHIELD     | 1   |                   |  |
| 13  | 19M7865  | SCREW      | 5   | M8 X 16           |  |
|     | 24M7207  | WASHER     | 5   | 8.400 X 24 X 2 MM |  |
|     | 14M7273  | NUT        | 5   | M8                |  |
| 14  | AH162886 | CAP        | 1   |                   |  |
|     | AH130592 | CAP        | 1   | (FINE CUT)        |  |
| 15  | 03M7183  | BOLT       | 2   | M8 X 16           |  |
| 16  | H169308  | BRACKET    | 1   |                   |  |
| 17  | H149096  | LABEL      | 1   |                   | "PROJECTILE WARNING" ON R.H. REAR HOOD |
| 18  | H141059  | SUPPORT    | 1   |                   |  |
| 19  | H166460  | GUIDE      | 1   |                   | CHOP TO BALE                           |
| 20  | 19M7785  | SCREW      | 4   |                   | M10 X 25, CHOP TO BALE                 |
| 21  | 19M7786  | SCREW      | 1   |                   | M10 X 30, CHOP TO BALE                 |
| 22  | AH162061 | BRACKET    | 1   |                   | CHOP TO BALE                           |

# 4D3

UPPER TAILINGS AUGER, DRIVE AND SHIELD  
HP8330 -UN-05MAR99



## UPPER TAILINGS AUGER, DRIVE AND SHIELD - CONTINUED

| KEY | PART NO. | PART NAME                | QTY | SERIAL NO.   | REMARKS |
|-----|----------|--------------------------|-----|--|---------|
| 1   | H138435  | SET SCREW                | 2   |  |         |
| 2   | 14M7274  | NUT                      | 2   | M10  |         |
| 3   | 22M7079  | SET SCREW                | 1   | M6 X 6   |         |
| 4   | AZ10044  | ECCENTRIC LOCKING COLLAR | 1   |  |         |
| 5   | H103264  | PRESSED FLANGED HOUSING  | 2   |  |         |
| 6   | JD39102  | BALL BEARING             | 1   |  |         |
| 7   | AH121046 | CHAIN SPROCKET           | 1   | 22 TOOTH   |         |
| 8   | 49M4111  | SHAFT KEY                | 1   | 8 X 7 X 40 MM  |         |
| 9   | AH125894 | AUGER                    | 1   |  |         |
| 10  | 03M7184  | BOLT                     | AR  | M8 X 20  |         |
|     | 14M7298  | FLANGE NUT               | AR  | M8   |         |
| 11  | 22M7079  | SET SCREW                | 1   | M6 X 6   |         |
| 12  | AZ10044  | ECCENTRIC LOCKING COLLAR | 1   |  |         |
| 13  | H103264  | PRESSED FLANGED HOUSING  | 2   |  |         |
| 14  | JD39102  | BALL BEARING             | 1   |  |         |
| 15  | 03M7184  | BOLT                     | 3   | M8 X 20  |         |
|     | 14M7298  | FLANGE NUT               | 3   | M8   |         |
| 16  | H140467  | BUSHING                  | 1   | 9.246 X 13.716 X 104.775 MM (0.364" X 0.540" X 4-1/8") |         |
| 17  | AH160994 | SHIELD                   | 1   |  |         |
| 18  | 19M8404  | CAP SCREW                | 1   | M8 X 130   |         |
|     | 14M7298  | FLANGE NUT               | 1   | M8   |         |
|     | 24M7055  | WASHER                   | 1   | 8.400 X 16 X 1.600 MM                                  |         |
| 19  | 19M7862  | SCREW                    | 1   | M6 X 20  |         |
|     | 14M7303  | FLANGE NUT               | 1   | M6   |         |
| 20  | AH126007 | ROLLER CHAIN             | 1   | ROLLER, TYPE 50, 124 LINKS                             |         |

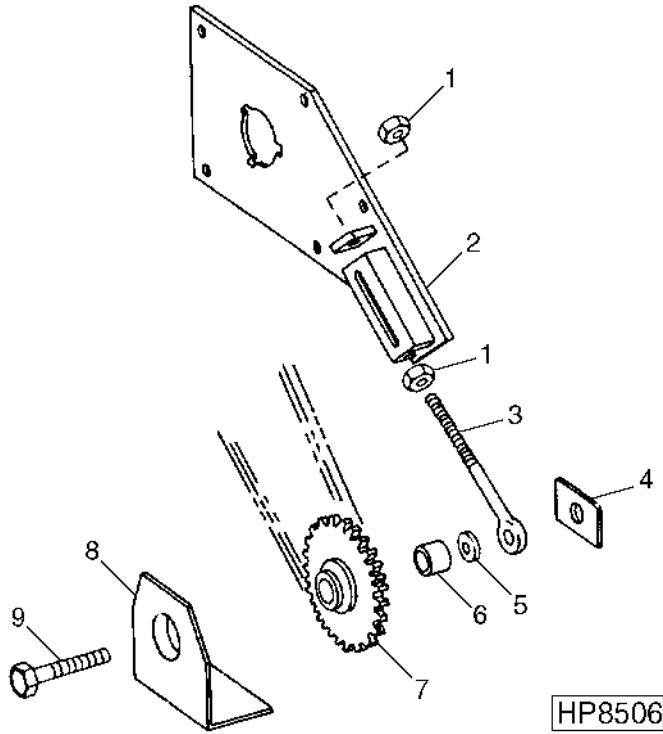
MEMORANDA



# 4D5

DRIVES

**UPPER TAILINGS DRIVE CHAIN TIGHTENER**  
 HP8506 -UN-21APR99

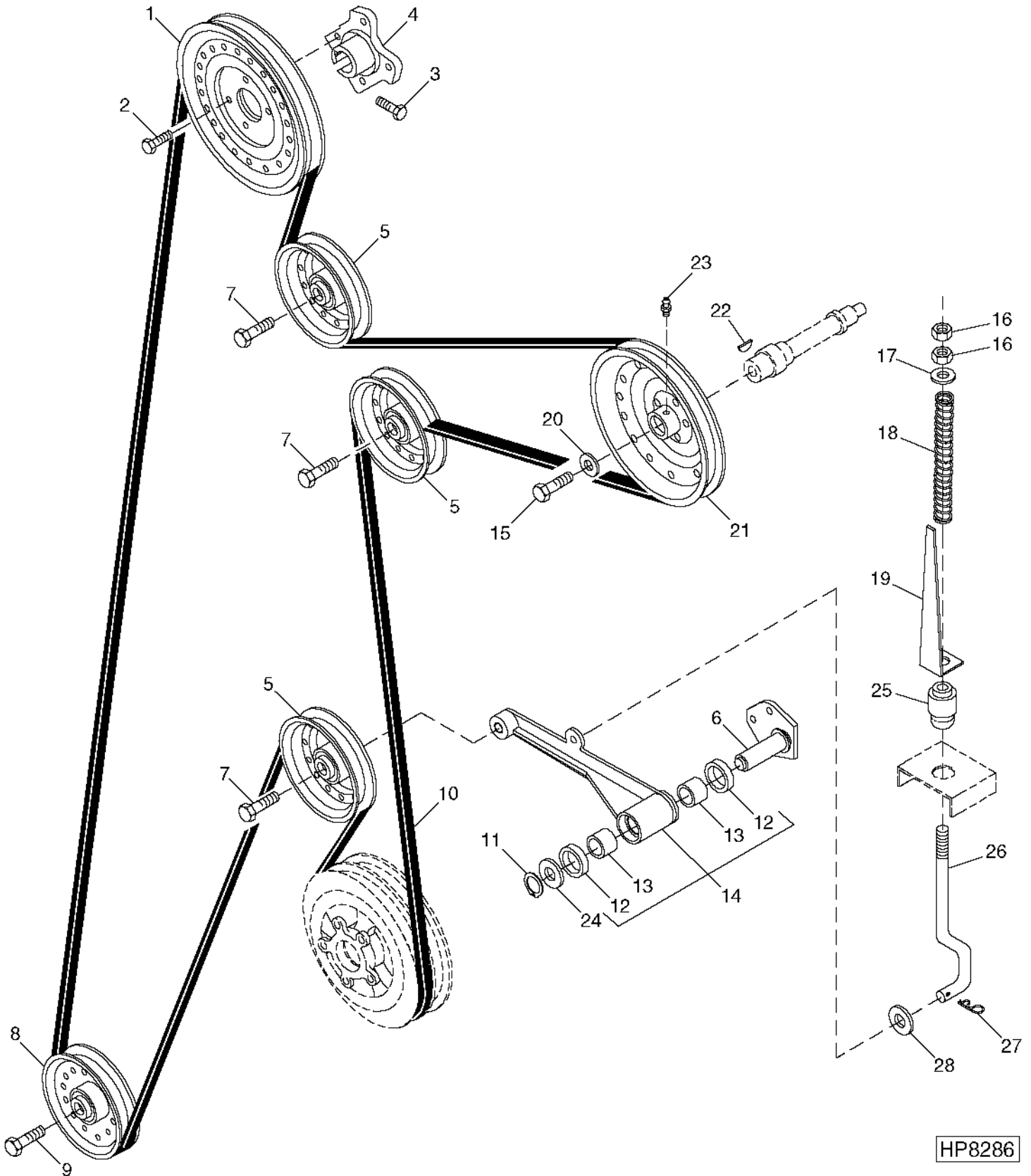


| KEY | PART NO. | PART NAME      | QTY | SERIAL NO. | REMARKS |
|-----|----------|----------------|-----|------------|---------|
| 1   | 14H809   | NUT            | 2   | 1/2"       |         |
| 2   | AH128664 | SUPPORT        | 1   | IDLER      |         |
| 3   | H130956  | EYEBOLT        | 1   |            |         |
| 4   | H130957  | NUT            | 1   | M12        |         |
| 5   | 24M7047  | WASHER         | 1   |            |         |
| 6   | 28H1597  | WASHER         | 1   |            |         |
| 7   | AH98176  | CHAIN SPROCKET | 1   | 17 TOOTH   |         |
| 8   | H133031  | SHIELD         | 1   |            |         |
| 9   | 19M7363  | CAP SCREW      | 1   | M12 X 60   |         |

# 4D6

DRIVES

CLEAN GRAIN ELEVATOR DRIVE TIGHTENER AND IDLER  
HP8286 -UN-23JUL99



HP8286

# 4D7

DRIVES

## CLEAN GRAIN ELEVATOR DRIVE TIGHTENER AND IDLER - CONTINUED

| KEY | PART NO. | PART NAME  | QTY | SERIAL NO.                 | REMARKS |
|-----|----------|------------|-----|----------------------------|---------|
| 1   | AH135463 | SHEAVE     | 1   |                            |         |
| 2   | 19M7784  | SCREW      | 4   | M10 X 20                   |         |
| 3   | 19M7663  | CAP SCREW  | 1   | M8 X 70                    |         |
| 4   | H134760  | HUB        | 1   |                            |         |
| 5   | AH94450  | IDLER      | 3   |                            |         |
| 6   | AH156051 | SPRING PIN | 1   |                            |         |
| 7   | 19M7824  | SCREW      | 3   | M16 X 60                   |         |
| 8   | AN15237  | IDLER      | 1   |                            |         |
| 9   | 19M7824  | SCREW      | 1   | M16 X 60                   |         |
| 10  | H141166  | BELT       | 1   |                            |         |
| 11  | P46402   | SNAP RING  | 1   |                            |         |
| 12  | AA5607R  | SEAL       | 2   |                            |         |
| 13  | H99147   | BUSHING    | 2   | (SUB H171061)              |         |
|     | H171061  | BEARING    | 2   |                            |         |
| 14  | AH146552 | ARM        | 1   |                            |         |
| 15  | 19M7786  | SCREW      | 2   | M10 X 30                   |         |
| 16  | 14M7275  | NUT        | 2   | M12                        |         |
| 17  | 24M7180  | WASHER     | 1   | 13 X 37 X 3 MM             |         |
| 18  | H86783   | SPRING     | 1   |                            |         |
| 19  | H170143  | GAUGE      | 1   |                            |         |
| 20  | 24H1351  | WASHER     | 1   | 14.275 X 38.100 X 4.166 MM |         |
| 21  | AH132372 | SHEAVE     | 1   | GEARCASE, 11-INCH          |         |
| 22  | 26M4228  | SHAFT KEY  | 1   | 8 X 28 MM                  |         |
| 23  | 22H836   | SET SCREW  | 2   | 3/8" X 1"                  |         |
|     | 14H732   | NUT        | 2   | 3/8"                       |         |
| 24  | 24M7091  | WASHER     | 1   | 26 X 44 X 4 MM             |         |
| 25  | H170141  | PIVOT      | 1   |                            |         |
| 26  | H155307  | BOLT       | 1   |                            |         |
| 27  | 11M7021  | COTTER PIN | 1   | 4 X 25 MM                  |         |
| 28  | 24M7047  | WASHER     | 1   | 13 X 24 X 2.500 MM         |         |

---

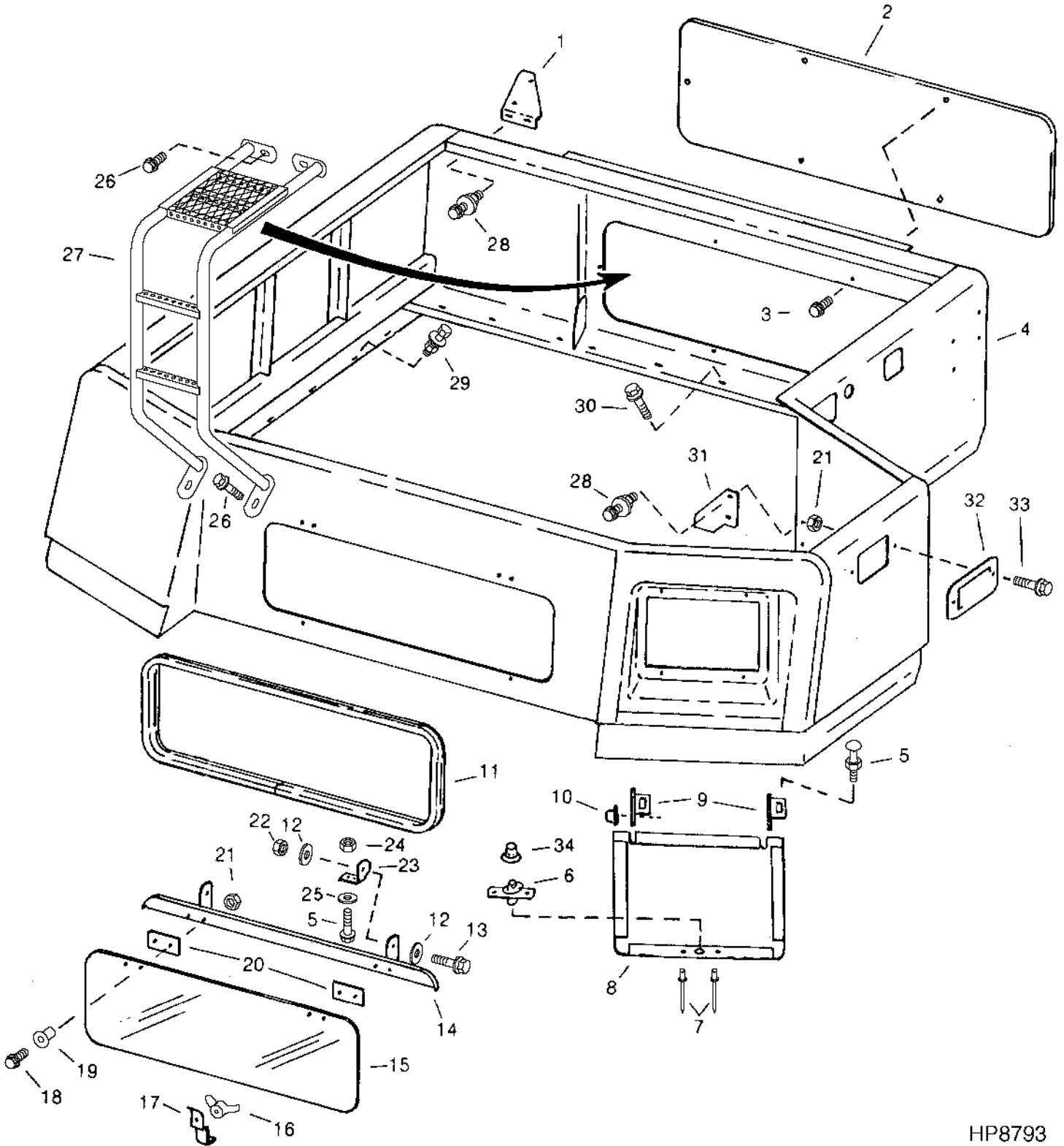
MEMORANDA

MEMORANDA

# 4D10

GRAIN TANK AND UNLOADING AUGER

GRAIN TANK TOP  
HP8793 -UN-09JUL99



HP8793

# 4D11

## GRAIN TANK AND UNLOADING AUGER

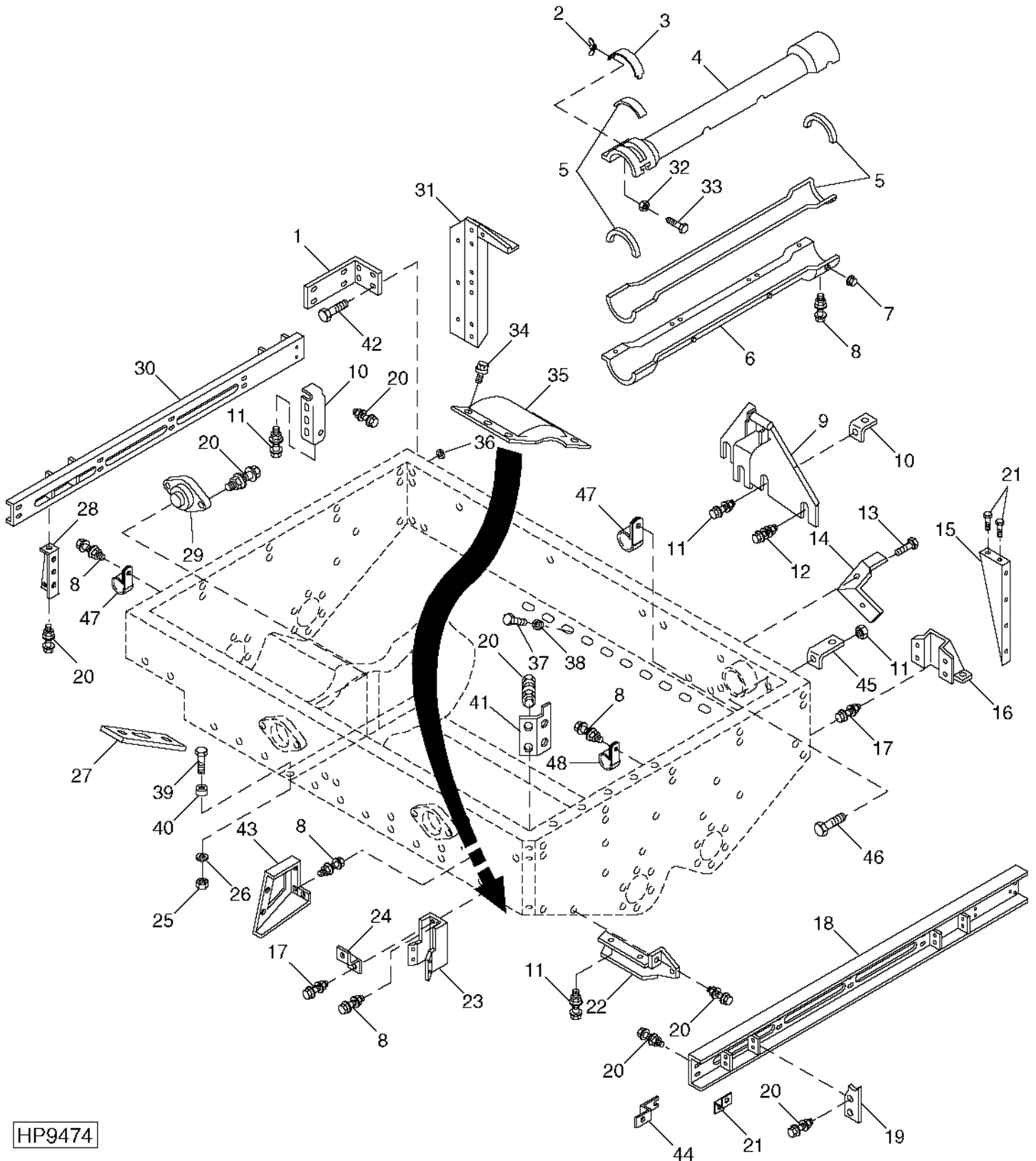
### GRAIN TANK TOP - CONTINUED

| KEY | PART NO. | PART NAME     | QTY | SERIAL NO.                              | REMARKS |
|-----|----------|---------------|-----|---|---------|
| 1   | .....    | BRACKET       | 1   |   |         |
| 2   | H127638  | PANEL         | 1   |   |         |
| 3   | 19M7865  | SCREW         | 6   | M8 X 16                                 |         |
| 4   | AH161173 | TANK          | 1   | TOP                                     |         |
| 5   | 03M7183  | BOLT          | 6   | M8 X 16                                 |         |
|     | 14M7298  | FLANGE NUT    | 2   | M8                                      |         |
| 6   | AH125644 | LATCH         | 1   |   |         |
| 7   | H64584   | RIVET         | 2   |   |         |
| 8   | AH122507 | DOOR          | 1   |   |         |
| 9   | H132024  | HINGE         | 2   |   |         |
| 10  | H120499  | NUT           | 2   |   |         |
| 11  | AH80335  | WEATHERSTRIP  | AR  |   |         |
| 12  | B27370   | WASHER        | 4   | 0.328" X 3/4" X 0.036"                  |         |
| 13  | 19M7867  | SCREW         | 2   | M8 X 25                                 |         |
| 14  | AH126619 | REINFORCEMENT | 1   |   |         |
| 15  | H131675  | WINDOWPANE    | 1   |   |         |
| 16  | 14M7019  | WING NUT      | 2   | M6                                      |         |
| 17  | H131674  | LATCH         | 2   |   |         |
| 18  | 19M7862  | SCREW         | 4   | M6 X 20                                 |         |
| 19  | R50642   | WASHER        | 4   |   |         |
| 20  | H131673  | GASKET        | 2   |   |         |
| 21  | 14M7303  | FLANGE NUT    | 8   | M6                                      |         |
| 22  | 14M7396  | LOCK NUT      | 2   | M8                                      |         |
| 23  | H132542  | ANGLE         | 2   |   |         |
| 24  | 14M7298  | FLANGE NUT    | 4   | M8                                      |         |
| 25  | M84309   | NUT           | 4   | 7.925 MM                                |         |
| 26  | 19M7866  | SCREW         | 4   | M8 X 20 M8                              |         |
| 27  | AH160622 | LADDER        | 1   |   |         |
| 28  | 19M7866  | SCREW         | 5   | M8 X 20                                 |         |
|     | 14M7298  | FLANGE NUT    | 5   | M8                                      |         |
| 29  | 19M7865  | SCREW         | 13  | M8 X 16                                 |         |
|     | 14M7298  | FLANGE NUT    | 15  | M8                                      |         |
| 30  | 37M7058  | SCREW         | 19  | M8 X 20                                 |         |
| 31  | H130262  | PANEL         | 1   |   |         |
| 32  | H132666  | PLATE         | 2   |   |         |
| 33  | 19M7774  | SCREW         | 4   | M6 X 12, (USED ONLY WITHOUT ROW LIGHTS) |         |
| 34  | H121391  | KNOB          | 1   |   |         |

# 4D12

GRAIN TANK AND UNLOADING AUGER

GRAIN TANK BASE  
HP9474 -UN-07JAN00



HP9474



# 4D13

GRAIN TANK AND UNLOADING AUGER

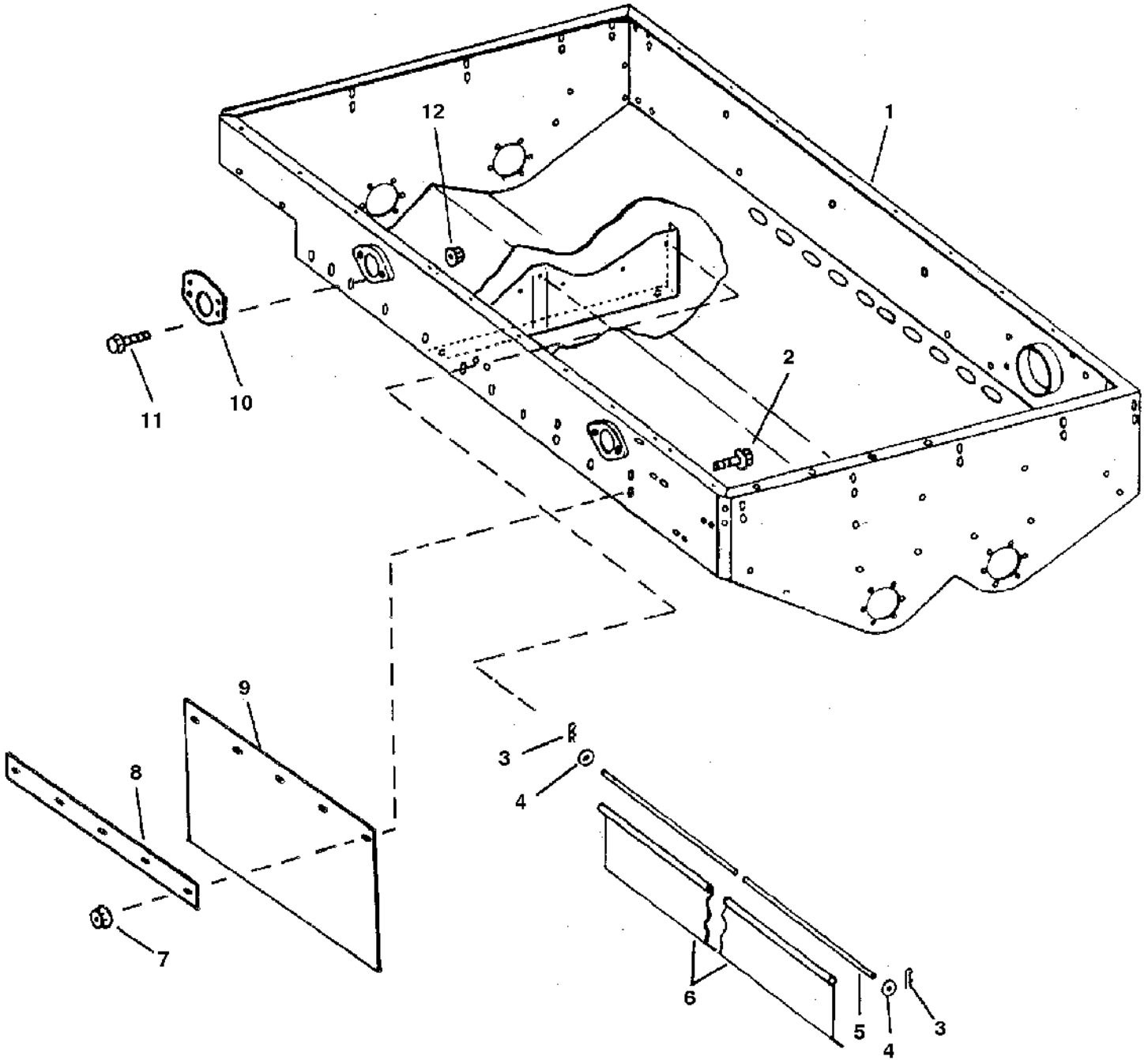
GRAIN TANK BASE - CONTINUED

| KEY | PART NO. | PART NAME          | QTY | SERIAL NO.           | REMARKS |
|-----|----------|--------------------|-----|----------------------|---------|
| 1   | H129885  | ANGLE              | 1   |                      |         |
| 2   | 14M7020  | WING NUT           | 1   | M8                   |         |
| 3   | H131264  | COVER              | 1   |                      |         |
| 4   | H131230  | HOUSING            | 1   | UPPER                |         |
| 5   | H81330   | ISOLATOR           | AR  |                      |         |
| 6   | AH126279 | DUST SHIELD        | 1   | LOWER                |         |
| 7   | 14M7298  | FLANGE NUT         | 4   | M8                   |         |
| 8   | 19M7865  | SCREW              | AR  | M8 X 16              |         |
|     | 14M7298  | FLANGE NUT         | AR  | M8                   |         |
| 9   | AH128037 | BRACKET            | 1   |                      |         |
| 10  | H168811  | BRACKET            | 1   |                      |         |
| 11  | 19M7788  | SCREW              | 6   | M12 X 25             |         |
|     | 14M7299  | FLANGE NUT         | 7   | M12                  |         |
| 12  | 19M7787  | SCREW              | 6   | M12 X 20             |         |
|     | 24M7180  | WASHER             | 5   | 13 X 37 X 3 MM       |         |
|     | 14M7299  | FLANGE NUT         | 5   | M12                  |         |
| 13  | 37M7083  | SCREW              | 2   |                      |         |
| 14  | H131227  | DEFLECTOR          | 1   |                      |         |
| 15  | H147299  | SUPPORT            | 1   |                      |         |
| 16  | H129588  | BRACKET            | 1   |                      |         |
| 17  | 19M7866  | SCREW              | AR  | M8 X 20              |         |
|     | 14M7298  | FLANGE NUT         | AR  | M8                   |         |
| 18  | AH166714 | CHANNEL            | 1   | L.H.                 |         |
| 19  | H159011  | PLATE              | 4   |                      |         |
| 20  | 19M7784  | SCREW              | AR  | M10 X 20             |         |
|     | 14M7296  | FLANGE NUT         | AR  | M10                  |         |
| 21  | 19M7788  | SCREW              | 2   | M12 X 25             |         |
| 22  | H127677  | BRACKET            | 1   | L.H.                 |         |
| 23  | H136541  | HOSE SUPPORT       | 1   |                      |         |
| 24  | H132538  | HOSE SUPPORT       | 1   |                      |         |
| 25  | 14M7299  | FLANGE NUT         | 4   | M12                  |         |
| 26  | 24M7240  | WASHER             | 4   | 13 X 25 X 3 MM       |         |
| 27  | H139972  | PLATE              | 1   |                      |         |
| 28  | H139056  | BRACKET            | 3   |                      |         |
| 29  | AH108299 | RUBBER MOUNT       | 2   | CAB ISOLATION        |         |
| 30  | AH166713 | CHANNEL            | 1   | R.H.                 |         |
| 31  | AH155088 | SUPPORT            | 1   |                      |         |
| 32  | M84309   | NUT                | 1   |                      |         |
| 33  | 03M7184  | BOLT               | 1   | M8 X 20              |         |
| 34  | H145773  | SELF-LOCKING SCREW | 2   | M10 X 35             |         |
| 35  | AH126275 | HOUSING            | 1   |                      |         |
| 36  | H141123  | NUT                | 5   | 10 MM                |         |
| 37  | 37M7080  | SCREW              | 5   | M10 X 30             |         |
| 38  | 24H1347  | WASHER             | 5   | 17/32" X 2" X 0.194" |         |
| 39  | 19M8112  | SCREW              | 4   | M12 X 55             |         |
| 40  | N61709   | BUSHING            | 4   |                      |         |
| 41  | AH125814 | SUPPORT            | 1   |                      |         |
| 42  | 19M7785  | SCREW              | 5   | M10 X 25             |         |
| 43  | H130363  | BRACKET            | 1   |                      |         |
| 44  | H131628  | BRACKET            | 1   |                      |         |
| 45  | H132662  | BRACKET            | 1   |                      |         |
| 46  | 19M7789  | SCREW              | 1   | M12 X 30             |         |
| 47  | AH89557  | CLIP               | AR  |                      |         |
| 48  | AH117301 | CLAMP              | 2   |                      |         |

# 4D14

GRAIN TANK AND UNLOADING AUGER

GRAIN TANK AND CURTAINS  
HP6915 -UN-18AUG97



HP6915

# 4D15

## GRAIN TANK AND UNLOADING AUGER

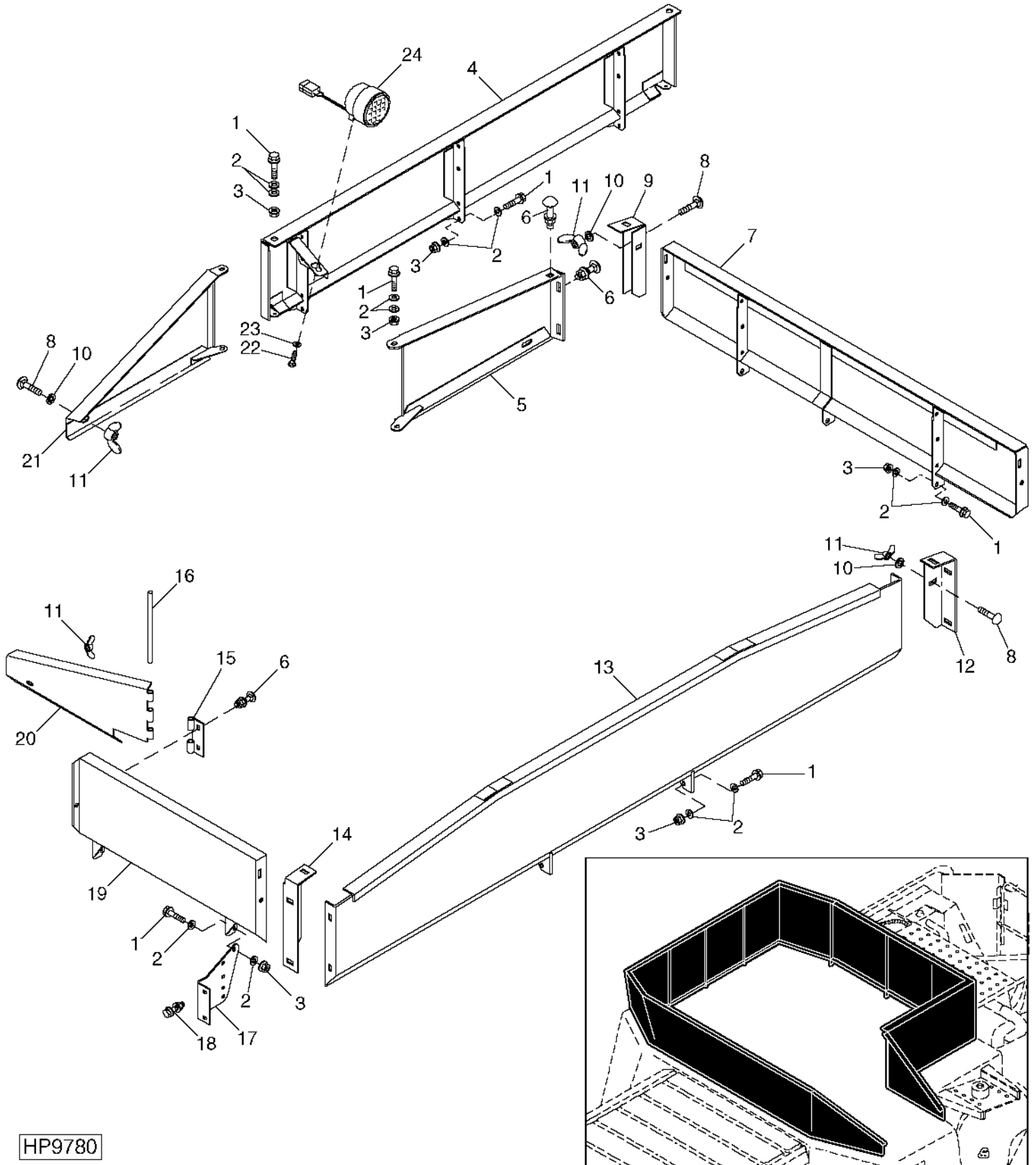
### GRAIN TANK AND CURTAINS - CONTINUED

| KEY | PART NO. | PART NAME          | QTY | SERIAL NO. | REMARKS                      |
|-----|----------|--------------------|-----|------------|------------------------------|
| 1   | AH151713 | TANK               | 1   |            | BASE                         |
| 2   | 03M7193  | BOLT               | 6   |            | M10 X 35                     |
| 3   | A15147   | SPRING LOCKING PIN | 2   |            |                              |
| 4   | T20217   | WASHER             | 2   |            | 12.954 X 43.942 X 6.350 MM   |
| 5   | H144824  | PIPE               | 1   |            | (USE WITH H144822)           |
|     | H100211  | PIN                | 1   |            | (USE WITH H145515)           |
| 6   | H144822  | LIMIT CURTAIN      | 1   |            | RUBBER (CORN AND GRAIN)      |
|     | H145515  | DEFLECTOR          | 1   |            | STEEL (RICE)                 |
| 7   | 14M7400  | LOCK NUT           | 1   |            | M10                          |
| 8   | H148114  | PLATE              | 1   |            |                              |
| 9   | H148055  | LIMIT CURTAIN      | 1   |            |                              |
| 10  | H147908  | PLATE              | 2   |            |                              |
| 11  | 19M7788  | SCREW              | 4   |            | M12 X 25                     |
| 12  | 14M7299  | FLANGE NUT         | 4   |            | M12                          |
| ..  | AH168093 | KIT                | 1   |            | STAINLESS STEEL TROUGH LINER |

# 4D16

GRAIN TANK AND UNLOADING AUGER

GRAIN TANK EXTENSIONS  
HP9780 -UN-31MAY00



HP9780

# 4D17

## GRAIN TANK AND UNLOADING AUGER

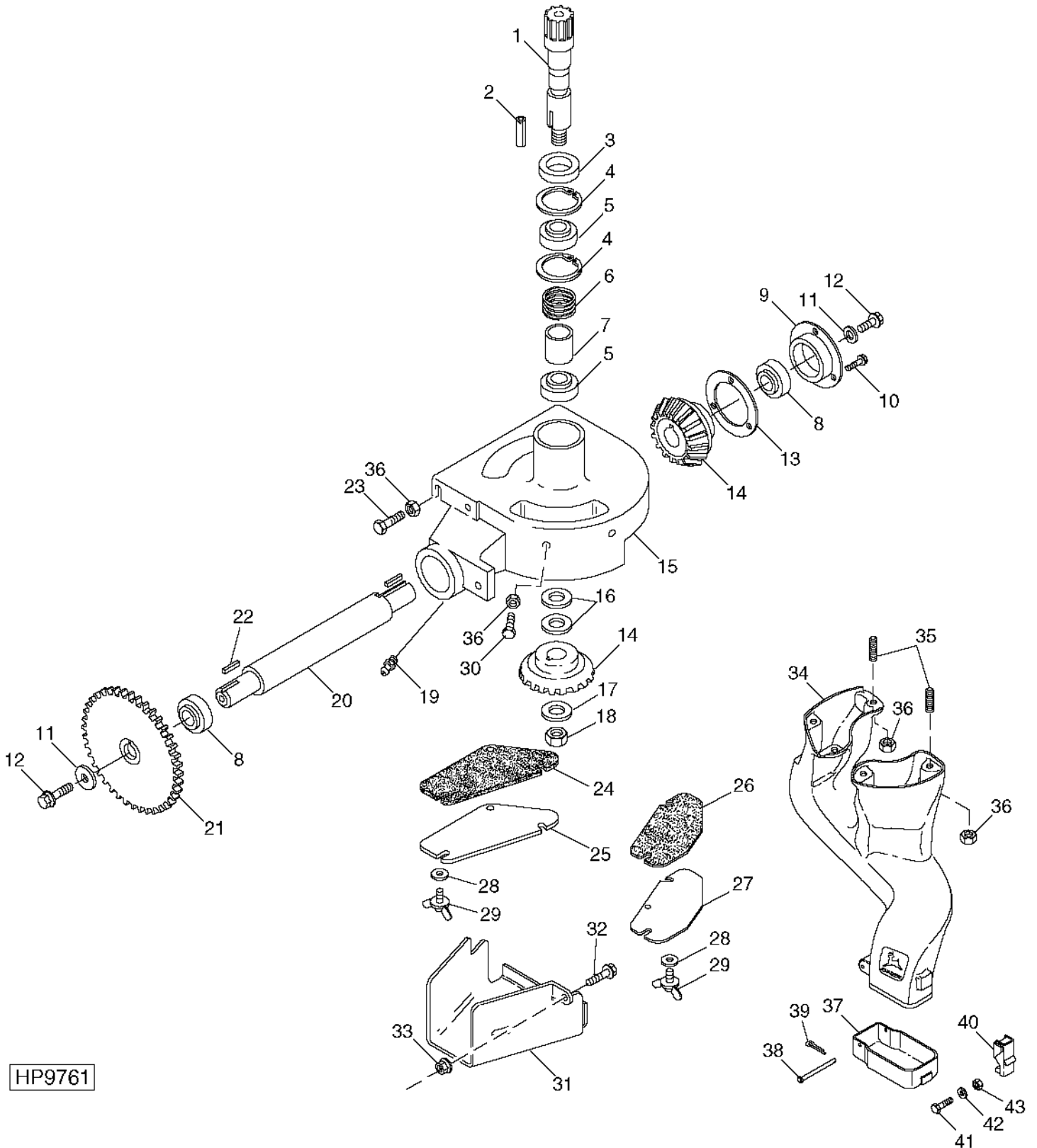
### GRAIN TANK EXTENSIONS - CONTINUED

| KEY | PART NO. | PART NAME     | QTY | SERIAL NO.             | REMARKS |
|-----|----------|---------------|-----|------------------------|---------|
| 1   | 19M7867  | SCREW         | AR  | M8 X 25                |         |
| 2   | 24H1290  | WASHER        | AR  | 21/64" X 3/4" X 0.035" |         |
| 3   | 14M7396  | LOCK NUT      | AR  | M8                     |         |
| 4   | AH151879 | PANEL         | 1   |                        |         |
| 5   | AH125905 | PANEL         | 1   | R.H. FRONT             |         |
| 6   | 03M7184  | BOLT          | AR  | M8 X 20                |         |
|     | 14M7298  | FLANGE NUT    | AR  | M8                     |         |
| 7   | AH163509 | PANEL         | 1   | R.H. EXTENSION         |         |
| 8   | 03M7184  | BOLT          | 6   | M8 X 20                |         |
| 9   | H129803  | REINFORCEMENT | 1   | R.H. FRONT CENTER      |         |
| 10  | M84309   | NUT           | 6   | 7.925 MM (5/16")       |         |
| 11  | 14M7020  | WING NUT      | 6   | M8                     |         |
| 12  | H129823  | BRACKET       | 1   | R.H. REAR CORNER       |         |
| 13  | AH135230 | PANEL         | 1   |                        |         |
| 14  | H129822  | BRACKET       | 1   | L.H. REAR CORNER       |         |
| 15  | H129814  | HINGE         | 1   |                        |         |
| 16  | H99599   | DOWEL PIN     | 1   |                        |         |
| 17  | H164404  | BRACKET       | 2   |                        |         |
| 18  | 19M7866  | SCREW         | AR  | M8 X 20                |         |
|     | 14M7298  | FLANGE NUT    | AR  | M8                     |         |
| 19  | AH135226 | PANEL         | 1   |                        |         |
| 20  | H129815  | PANEL         | 1   | L.H. OUTER             |         |
| 21  | AH126864 | PANEL         | 1   | L.H. FRONT             |         |
| 22  | 19H2351  | CAP SCREW     | 1   | 1/2" X 1/2"            |         |
| 23  | 24M7180  | WASHER        | 1   | 13 X 37 X 3 MM         |         |
| 24  | AH148210 | HEADLIGHT     | 1   |                        |         |

# 4D18

GRAIN TANK AND UNLOADING AUGER

VERTICAL AUGER LOWER GEAR CASE  
HP9761 -UN-23MAY00



HP9761

# 4D19

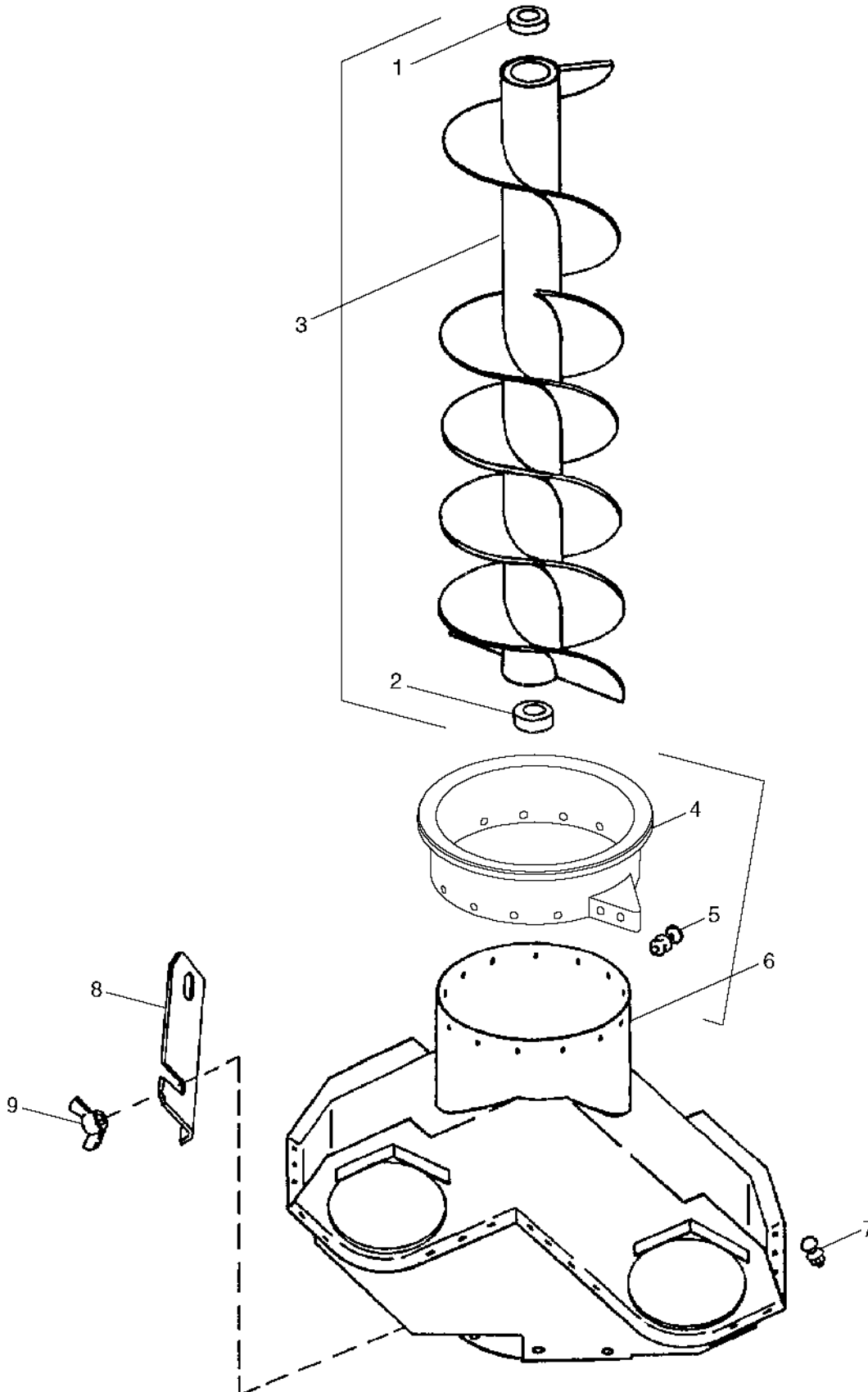
## GRAIN TANK AND UNLOADING AUGER

### VERTICAL AUGER LOWER GEAR CASE - CONTINUED

| KEY | PART NO. | PART NAME                   | QTY | SERIAL NO. | REMARKS  |
|-----|----------|-----------------------------|-----|------------|--|
| 1   | H96169   | SHAFT                       | 1   |            | LOWER  |
| 2   | .....    | KEY                         | 2   |            | 10 MM X 10 MM 32 MM (3/8" X 3/8" X 1-1/4")<br>(CUT FROM H64376 IN AH64587 KEY STOCK KIT) |
| 3   | AH90963  | SEAL                        | 1   |            |  |
| 4   | N71921   | SNAP RING                   | 2   |            |  |
| 5   | AH96585  | BEARING                     | 2   |            |  |
| 6   | H96267   | SPRING                      | 1   |            |  |
| 7   | H96149   | BUSHING                     | 1   |            |  |
| 8   | JD8524   | BEARING                     | 2   |            |  |
| 9   | H113053  | BEARING HOUSING W/O BEARING | 1   |            |  |
| 10  | 19M7785  | SCREW                       | 3   |            | M10 X 25   |
| 11  | H129716  | WASHER                      | 2   |            | 17 X 58 X 8 MM   |
| 12  | 19M7843  | SCREW                       | 2   |            | M16 X 35   |
| 13  | AH138955 | KIT                         | 1   |            | SHIM   |
| 14  | H96294   | GEAR                        | 2   |            | 23 TOOTH   |
| 15  | H130137  | CASE                        | 1   |            |  |
| 16  | 24H1533  | SHIM                        | 2   |            | 0.018"   |
| 17  | 24H1433  | WASHER                      | 1   |            | 29/32" X 2-1/4" X 1/4"   |
| 18  | H113238  | FLANGE NUT                  | 1   |            |  |
| 19  | JD7759   | LUBRICATION FITTING         | 1   |            | STRAIGHT   |
| 20  | H129653  | SHAFT                       | 1   |            |  |
| 21  | AH125080 | DRIVE SPROCKET              | 1   |            | REGULAR SPEED (46 TOOTH)   |
|     | AH146352 | DRIVE SPROCKET              | 1   |            | SLOW SPEED (40 TOOTH)  |
| 22  | .....    | KEY                         | 1   |            | 10 MM X 10 MM X 38 MM (3/8" X 3/8" X 1-1/2")<br>(CUT FROM H64376 IN AH64587 KEY STOCK)   |
| 23  | 19M7835  | SCREW                       | 1   |            | M10 X 35   |
| 24  | H135192  | SEAL                        | 1   |            | FRONT  |
| 25  | H136572  | COVER                       | 1   |            | FRONT  |
| 26  | H135193  | SEAL                        | 1   |            | REAR   |
| 27  | H136573  | COVER                       | 1   |            | REAR   |
| 28  | 24M7178  | WASHER                      | 5   |            | 10.500 X 30 X 2.500 MM   |
| 29  | 21M7236  | WING SCREW                  | 5   |            | M10 X 16   |
| 30  | 19M7786  | SCREW                       | 8   |            | M10 X 30   |
| 31  | H171385  | SHIELD                      | 1   |            |  |
| 32  | 19M7789  | SCREW                       | 1   |            | M12 X 30   |
| 33  | 14M7299  | FLANGE NUT                  | 1   |            | M12  |
| 34  | AH167433 | CHUTE                       | 1   |            |  |
| 35  | 22M7149  | SET SCREW                   | 5   |            | M10 X 30   |
| 36  | 14M7296  | FLANGE NUT                  | 14  |            | M10  |
| 37  | H173223  | CAP                         | 1   |            |  |
| 38  | M112271  | PIN                         | 1   |            |  |
| 39  | J16931   | SPRING LOCKING PIN          | 1   |            |  |
| 40  | AH168300 | LATCH                       | 1   |            |  |
| 41  | 21M7284  | SCREW                       | 4   |            | M3 X 16  |
| 42  | 24M7029  | SHIM                        | 4   |            |  |
| 43  | 14M7196  | NUT                         | 4   |            | M3   |

# 4D20

**VERTICAL UNLOADING AUGER AND CHARGE HOUSING**  
HP8269 -UN-13JUL99



HP8269



# 4D21

GRAIN TANK AND UNLOADING AUGER

## VERTICAL UNLOADING AUGER AND CHARGE HOUSING - CONTINUED

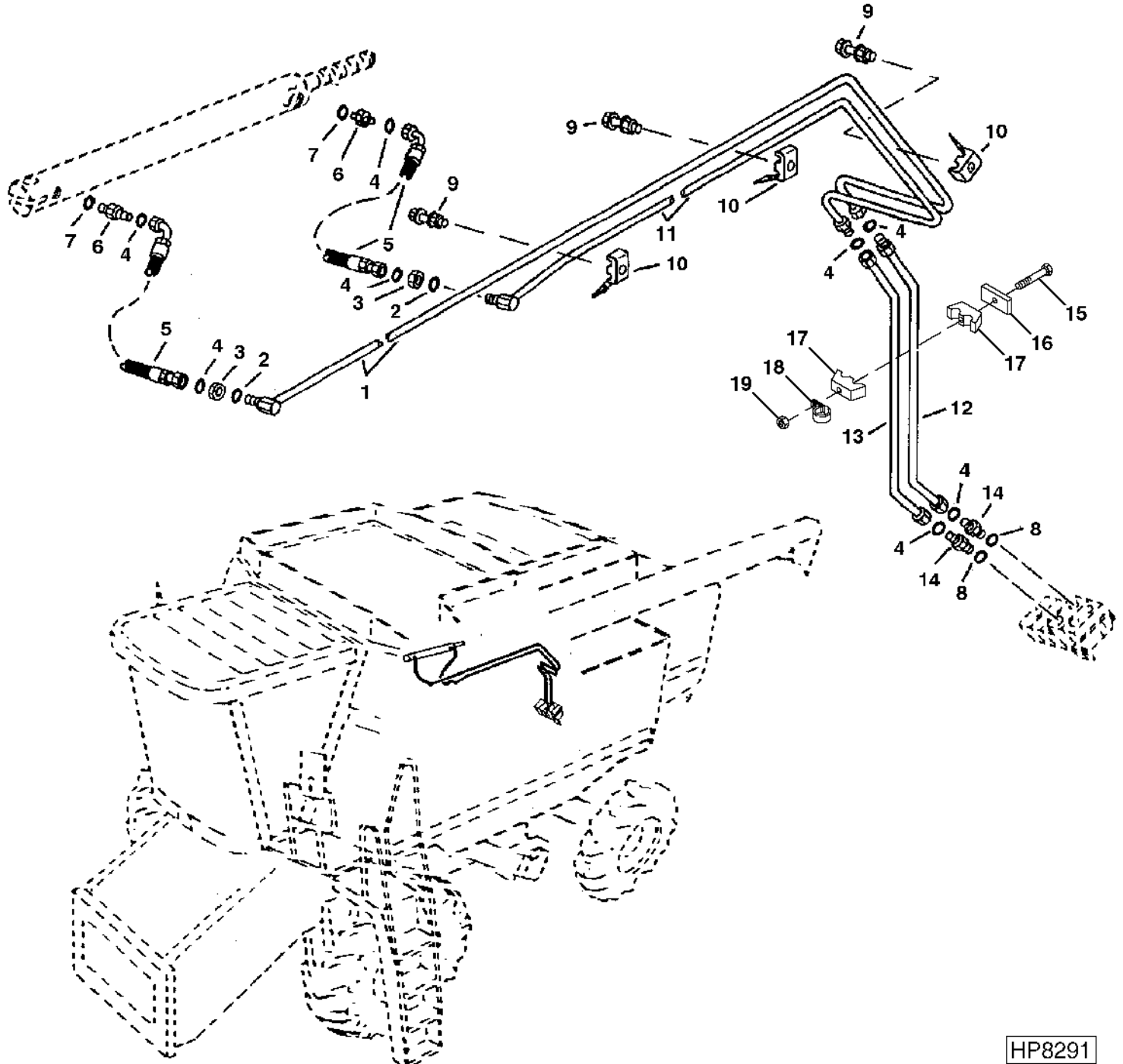
| KEY | PART NO. | PART NAME             | QTY | SERIAL NO. | REMARKS     |
|-----|----------|-----------------------|-----|------------|-------------|
| 1   | H128861  | SPLINED COUPLING      | 1   |            |             |
| 2   | AH124878 | EXTERNAL HALF COUPLER | 1   |            |             |
| 3   | AH124852 | AUGER                 | 1   |            | REGULAR     |
|     | AH140081 | AUGER                 | 1   |            | GRASS       |
|     | AH154962 | AUGER                 | 1   |            | (HIGH WEAR) |
| 4   | H146775  | RING                  | 1   |            |             |
| 5   | 03M7198  | BOLT                  | 12  |            | M12 X 30    |
|     | 14M7299  | FLANGE NUT            | 12  |            | M12         |
| 6   | AH140713 | HOUSING               | 1   |            |             |
| 7   | 03M7190  | BOLT                  | 30  |            | M10 X 20    |
|     | 14M7296  | FLANGE NUT            | 30  |            | M10         |
| 8   | H130771  | PLATE                 | 1   |            |             |
| 9   | 14M7020  | WING NUT              | 2   |            | M8          |

# 4D22

GRAIN TANK AND UNLOADING AUGER

## UNLOADING AUGER SWING CYLINDER LINES AND HOSES

HP8291 -UN-19MAR99



HP8291

# 4D23

GRAIN TANK AND UNLOADING AUGER

**UNLOADING AUGER SWING CYLINDER LINES AND HOSES - CONTINUED**

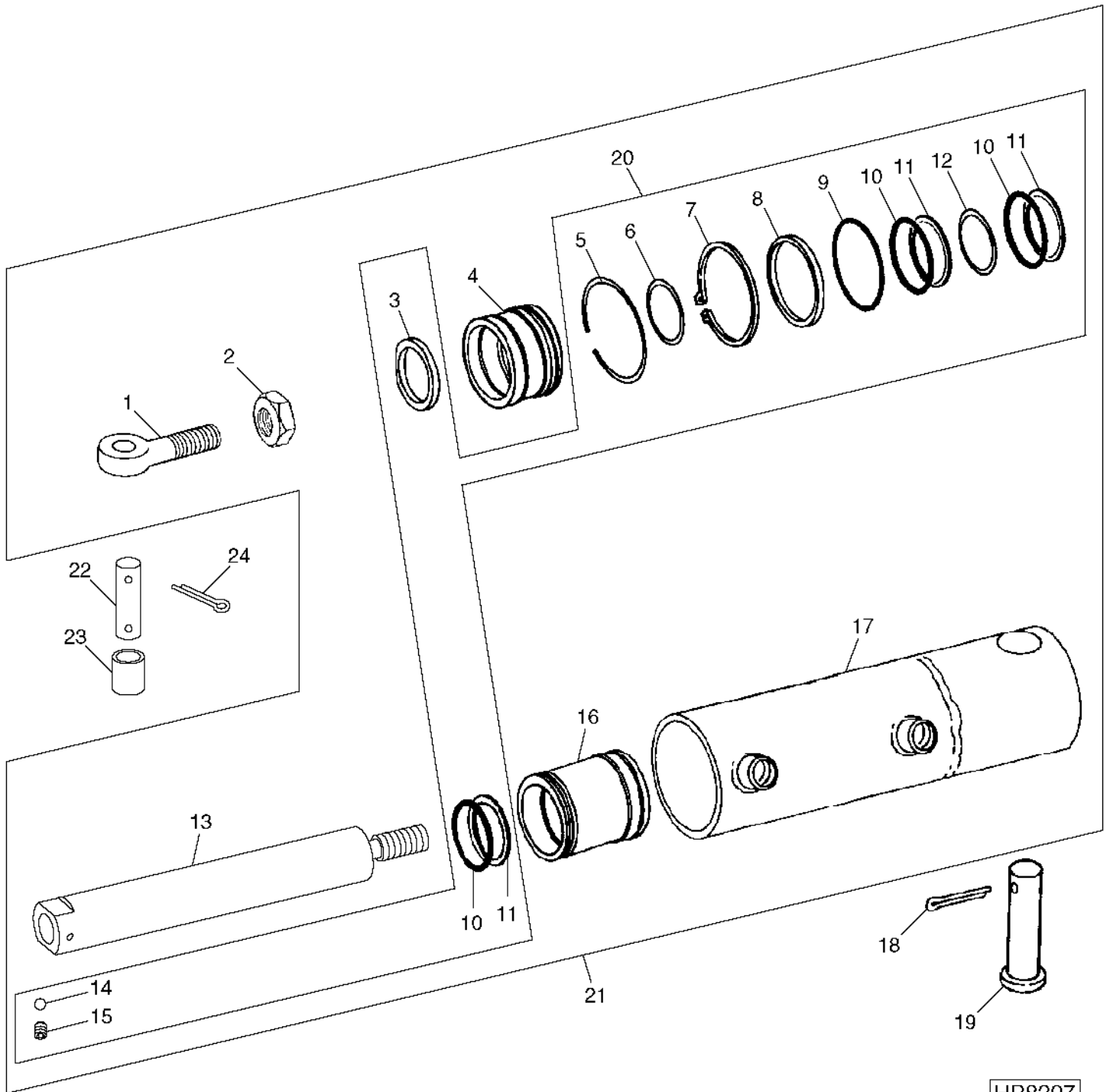
| KEY | PART NO. | PART NAME      | QTY | SERIAL NO. | REMARKS                  |
|-----|----------|----------------|-----|------------|--------------------------|
| 1   | AH128641 | HYDRAULIC LINE | 1   |            | (EXTEND)                 |
| 2   | 24M7114  | WASHER         | 2   |            | 19 X 30 X 4 MM           |
| 3   | T81029   | NUT            | 2   |            | 17.475 MM                |
| 4   | T77613   | O-RING         | 8   |            | 9.246 X 1.778 MM         |
| 5   | AH130581 | HYDRAULIC HOSE | 2   |            | 11/16" X 780 MM X 11/16" |
| 6   | 38H1160  | ADAPTER        | 2   |            |                          |
| 7   | R26448   | O-RING         | 2   |            | 11.887 X 1.981 MM        |
| 8   | R26375   | O-RING         | 2   |            | 16.358 X 2.210 MM        |
| 9   | 19M7868  | SCREW          | 3   |            | M8 X 30                  |
|     | 14M7298  | FLANGE NUT     | 3   |            | M8                       |
| 10  | H108745  | CLAMP          | 3   |            |                          |
| 11  | AH128642 | HYDRAULIC LINE | 1   |            | (RETRACT)                |
| 12  | AH128855 | HYDRAULIC LINE | 1   |            | (EXTEND)                 |
| 13  | AH128854 | HYDRAULIC LINE | 1   |            | (RETRACT)                |
| 14  | 38H1171  | ADAPTER        | 2   |            |                          |
| 15  | 19M8317  | SCREW          | 1   |            | M8 X 40                  |
| 16  | H121163  | COVER          | 1   |            |                          |
| 17  | H128515  | CLAMP          | 1   |            |                          |
| 18  | H75541   | CLAMP          | 1   |            |                          |
| 19  | 14M7298  | FLANGE NUT     | 1   |            | M8                       |

# 4D24

GRAIN TANK AND UNLOADING AUGER

## UNLOADING AUGER SWING CYLINDER AND MOUNTING

HP8297 -UN-02JUN99



HP8297

# 4D25

GRAIN TANK AND UNLOADING AUGER

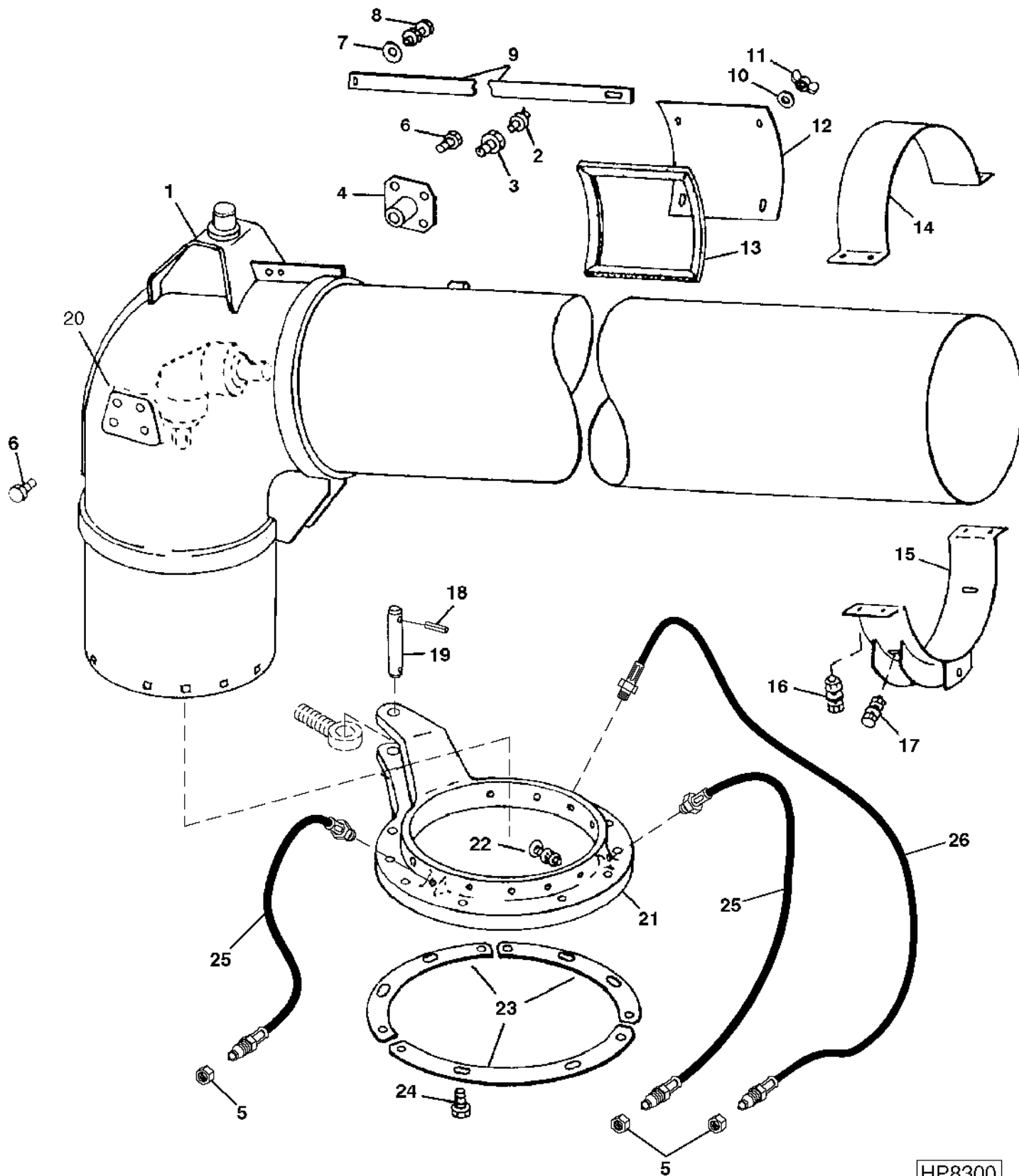
## UNLOADING AUGER SWING CYLINDER AND MOUNTING - CONTINUED

| KEY | PART NO. | PART NAME                 | QTY | SERIAL NO.       | REMARKS |
|-----|----------|---------------------------|-----|------------------|---------|
| 1   | H150926  | EYEBOLT                   | 1   |                  |         |
| 2   | 14H904   | NUT                       | 1   | 19.050 MM        |         |
| 3   | .....    | SEAL                      | 1   |                  |         |
| 4   | .....    | BEARING                   | 1   |                  |         |
| 5   | .....    | SNAP RING                 | 1   |                  |         |
| 6   | .....    | SEAL                      | 1   |                  |         |
| 7   | .....    | RING                      | 1   |                  |         |
| 8   | .....    | WASHER                    | 1   |                  |         |
| 9   | .....    | O-RING                    | 1   |                  |         |
| 10  | .....    | O-RING                    | 1   |                  |         |
| 11  | .....    | RING                      | 1   |                  |         |
| 12  | .....    | O-RING                    | 1   |                  |         |
| 13  | H150920  | ROD                       | 1   |                  |         |
| 14  | L36230   | BALL                      | 1   | 4.500 MM         |         |
| 15  | 22H897   | SET SCREW                 | 1   | 6.350 X 6.350 MM |         |
| 16  | .....    | PISTON                    | 1   |                  |         |
| 17  | .....    | HYDRAULIC CYLINDER BARREL | 1   |                  |         |
| 18  | 11H218   | COTTER PIN                | 1   |                  |         |
| 19  | R56930   | PIN                       | 1   |                  |         |
| 20  | AH146043 | KIT                       | 1   |                  |         |
| 21  | AH145030 | HYDRAULIC CYLINDER        | 1   |                  |         |
| 22  | H138930  | PIN                       | 1   |                  |         |
| 23  | M131544  | SPACER                    | 1   |                  |         |
| 24  | 11M7038  | COTTER PIN                | 2   | 6.300 X 40 MM    |         |

# 4E1

## HORIZONTAL UNLOADING AUGER SWIVEL

HP8300 -UN-21JUL99



HP8300

# 4E2

## GRAIN TANK AND UNLOADING AUGER

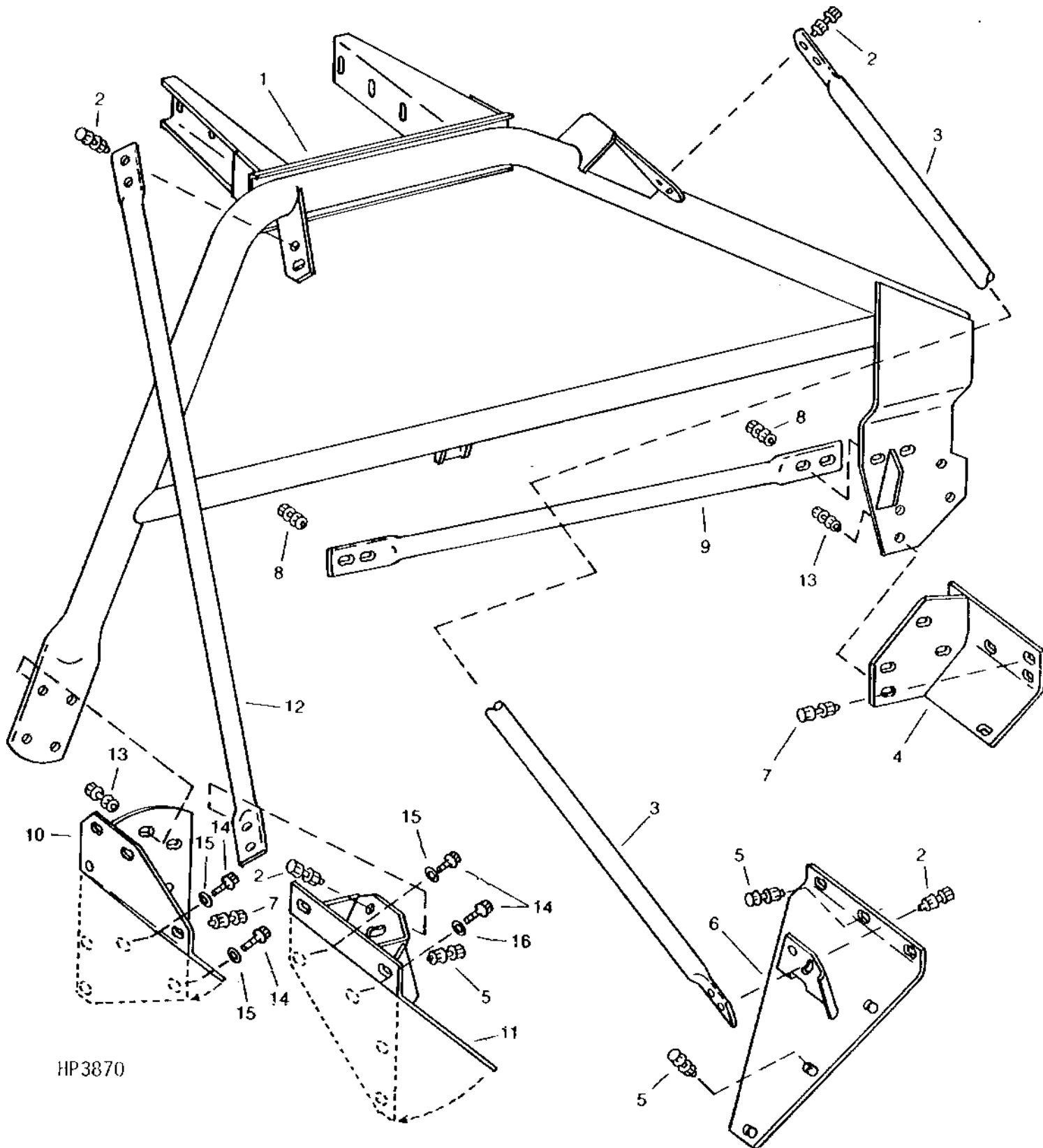
### HORIZONTAL UNLOADING AUGER SWIVEL - CONTINUED

| KEY | PART NO. | PART NAME           | QTY | SERIAL NO.                        | REMARKS                                      |
|-----|----------|---------------------|-----|-----------------------------------|--|
| 1   | AH162400 | HOUSING             | 1   |                                   |  |
| 2   | JD7781   | LUBRICATION FITTING | 1   |                                   | 90° X 21.336 MM LONG (0.840" LONG) 90 DEGREE |
| 3   | H110168  | SCREW               | 1   |                                   |  |
| 4   | AH123912 | SUPPORT             | 1   |                                   |  |
| 5   | E12379   | NUT                 | 6   | 1/8"                              |  |
| 6   | 19M7785  | SCREW               | 8   | M10 X 25                          |  |
| 7   | 24H1305  | WASHER              | 1   | 13/32" X 13/16" X 0.065"          |  |
| 8   | 19H1732  | CAP SCREW           | 1   | 3/8" X 1-1/4"                     |  |
|     | E55662   | FLANGE NUT          | 1   | 3/8"                              |  |
| 9   | H116351  | STRAP               | 1   |                                   |  |
| 10  | 24M7207  | WASHER              | 4   | 8.400 X 24 X 2 MM                 |  |
| 11  | 14H785   | NUT                 | 4   | 5/16"                             |  |
| 12  | H96652   | DOOR                | 1   |                                   |  |
| 13  | .....    | WEATHERSTRIP        | AR  |                                   | (CUT FROM H81330)                            |
| 14  | H133178  | CLAMP               | 1   |                                   |  |
| 15  | AH136153 | STRAP               | 1   |                                   |  |
| 16  | 19M7786  | SCREW               | 4   | M10 X 30                          |  |
|     | 24H1311  | WASHER              | 4   | 13/32" X 1-1/4" X 0.220"          |  |
|     | 14M7296  | FLANGE NUT          | 4   | M10                               |  |
| 17  | 03M7190  | BOLT                | 2   | M10 X 20                          |  |
|     | 14M7296  | FLANGE NUT          | 2   | M10                               |  |
| 18  | A15147   | SPRING LOCKING PIN  | 2   |                                   |  |
| 19  | H138930  | PIN                 | 1   | 22.070 X 118 MM (0.869" X 4.646") |  |
| 20  | H147752  | PLATE               | 1   |                                   |  |
| 21  | H137227  | RING                | 1   |                                   |  |
| 22  | 03M7353  | BOLT                | 12  | M12 X 30                          |  |
|     | 14M7299  | FLANGE NUT          | 12  | M12                               |  |
| 23  | H131356  | SECTOR              | 3   |                                   |  |
| 24  | 19M7784  | SCREW               | 8   | M10 X 20                          |  |
|     | 19M7783  | SCREW               | 4   | M10 X 16                          |  |
| 25  | AH136553 | HOSE                | 2   | 1/8" X 63" X 1/8"                 |  |
| 26  | AH136554 | HOSE                | 1   | 1/8" X 80-3/4" X 1/8"             |  |

# 4E3

GRAIN TANK AND UNLOADING AUGER

AUGER SWIVEL SUPPORT AND BRACES  
HP3870 -UN-01JAN94



HP3870



# 4E4

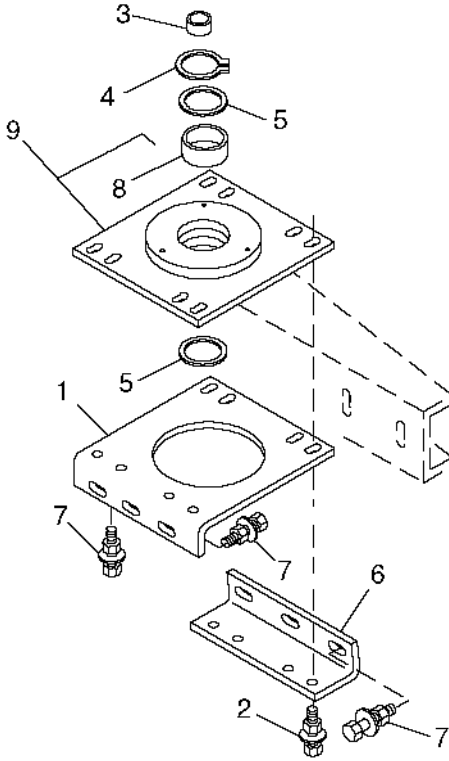
GRAIN TANK AND UNLOADING AUGER

## AUGER SWIVEL SUPPORT AND BRACES - CONTINUED

| KEY | PART NO. | PART NAME  | QTY | SERIAL NO.                           | REMARKS |
|-----|----------|------------|-----|--------------------------------------|---------|
| 1   | AH140790 | FRAME      | 1   |                                      |         |
| 2   | 19M7793  | SCREW      | 12  | M16 X 40                             |         |
|     | 14M7291  | FLANGE NUT | 12  | M16                                  |         |
| 3   | H131255  | BRACE      | 1   |                                      |         |
| 4   | AH126281 | ANCHOR     | 1   | L.H. FRONT                           |         |
| 5   | 19M7789  | SCREW      | 6   | M12 X 30                             |         |
|     | 14M7299  | FLANGE NUT | 6   | M12                                  |         |
| 6   | AH126283 | ANCHOR     | 1   | R.H. FRONT                           |         |
| 7   | 19M7788  | SCREW      | 6   | M12 X 25                             |         |
|     | 14M7299  | FLANGE NUT | 6   | M12                                  |         |
| 8   | 19M7843  | SCREW      | 4   | M16 X 35                             |         |
|     | 14M7291  | FLANGE NUT | 4   | M16                                  |         |
| 9   | H131261  | BRACE      | 1   | CHARGE HOUSING                       |         |
| 10  | AH126282 | ANCHOR     | 1   | L.H. REAR                            |         |
| 11  | AH126284 | ANCHOR     | 1   | R.H. REAR                            |         |
| 12  | H131258  | BRACE      | 1   |                                      |         |
| 13  | 19M7793  | SCREW      | 8   | M16 X 40                             |         |
|     | 14M7291  | FLANGE NUT | 8   | M16                                  |         |
| 14  | 19M7791  | SCREW      | 4   | M12 X 40                             |         |
| 15  | 24H1347  | WASHER     | 3   | 17/32" X 2" X 0.194"                 |         |
| 16  | 24H1380  | WASHER     | 1   | 11/16" X 1-3/4" X 0.194", R.H. OUTER |         |

# 4E5

**HORIZONTAL UNLOADING AUGER HUB SUPPORT**  
 HP9589 -UN-18FEB00



HP9589

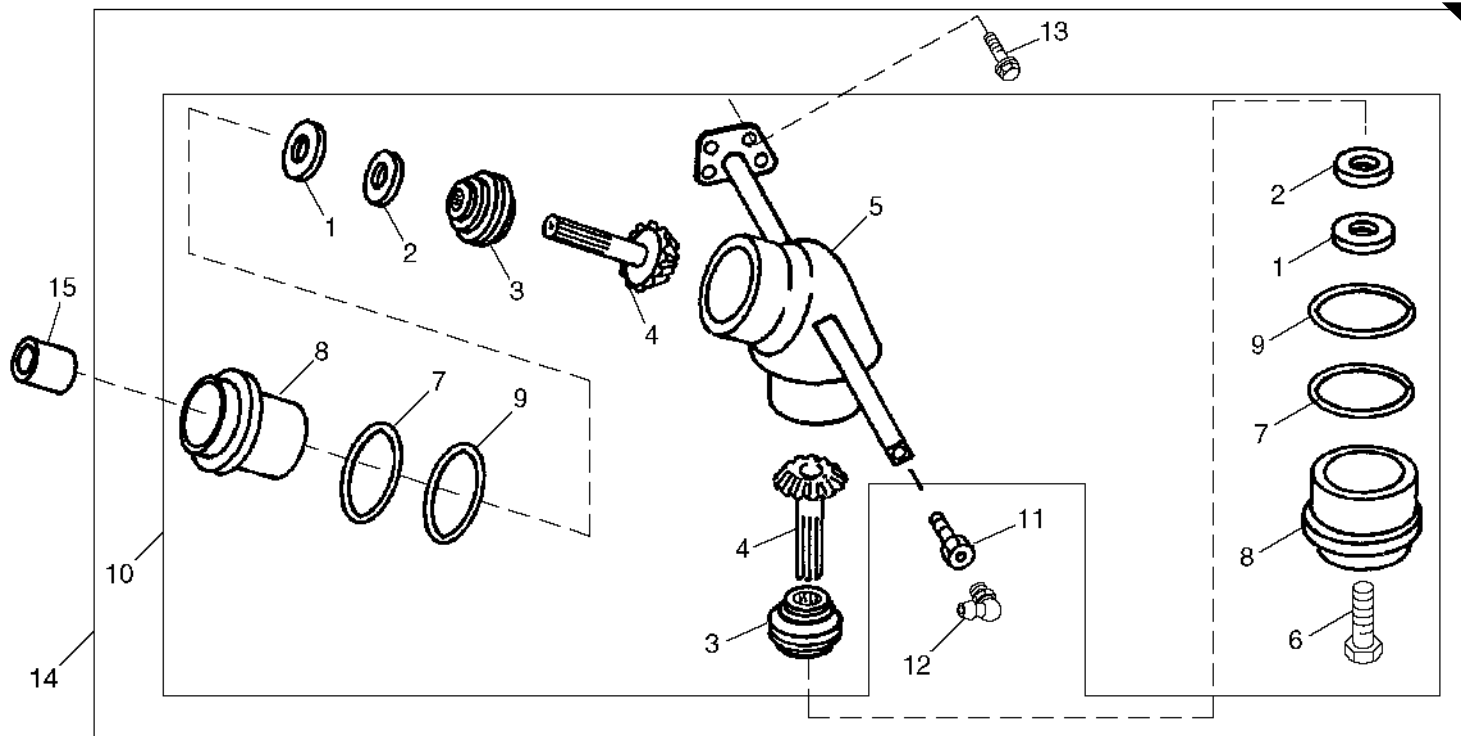
| KEY | PART NO. | PART NAME  | QTY | SERIAL NO.                                     | REMARKS |
|-----|----------|------------|-----|--|---------|
| 1   | H131263  | SUPPORT    | 1   |  |         |
| 2   | 19M7791  | SCREW      | 4   | M12 X 40                                       |         |
|     | 24M7180  | WASHER     | 4   | 13 X 37 X 3 MM                                 |         |
|     | 14M7299  | FLANGE NUT | 4   | M12  |         |
| 3   | 28H3377  | BUSHING    | 2   |  |         |
| 4   | 40M7166  | SNAP RING  | 1   |  |         |
| 5   | H132097  | WASHER     | 2   | 52 X 64 X 2 MM (2.047" X 2.520" X 0.079")      |         |
| 6   | H131262  | ANGLE      | 1   | HUB MOUNTING                                   |         |
| 7   | 19M7790  | SCREW      | 10  | M12 X 35                                       |         |
|     | 24M7180  | WASHER     | 10  | 13 X 37 X 3 MM                                 |         |
|     | 14M7299  | FLANGE NUT | 10  | M12  |         |
| 8   | H128479  | BUSHING    | 1   | 50.800 X 55.580 X 25.400 MM (2" X 2.188" X 1") |         |
| 9   | AH123602 | HUB        | 1   |  |         |

# 4E6

GRAIN TANK AND UNLOADING AUGER

## HORIZONTAL UNLOADING AUGER DRIVE GEAR CASE

HP8241 -UN-27JUL99



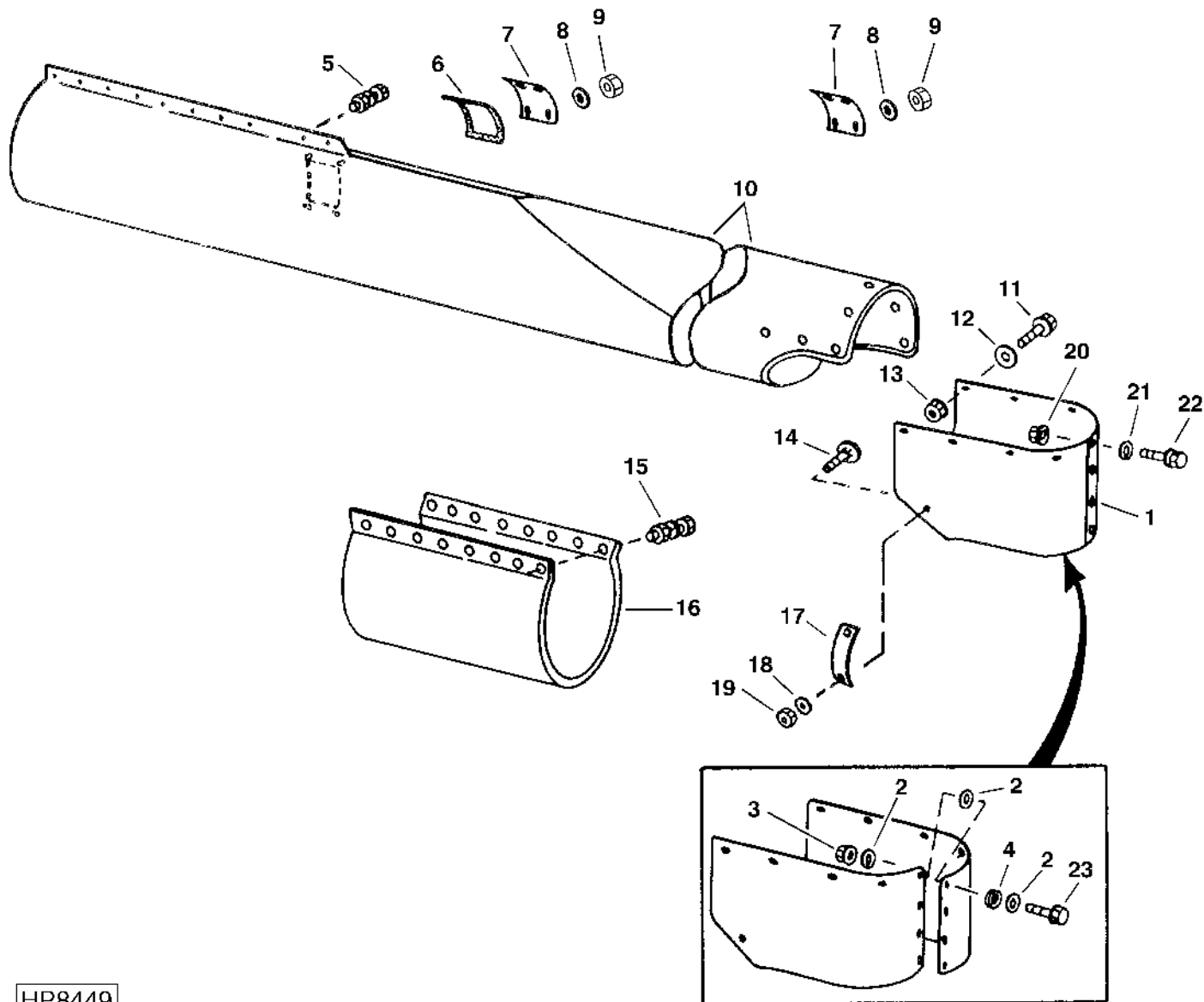
HP8241

| KEY | PART NO. | PART NAME           | QTY | SERIAL NO. | REMARKS                    |
|-----|----------|---------------------|-----|------------|----------------------------|
| 1   | AH98118  | SEAL                | 2   |            |                            |
| 2   | H99613   | WASHER              | 2   |            | 31.707 X 44.450 X 9.525 MM |
| 3   | DE18970  | BEARING             | 2   |            |                            |
| 4   | CE18278  | PINION SHAFT        | 2   |            |                            |
| 5   | CE18401  | HOUSING             | 1   |            |                            |
| 6   | 19M7881  | SCREW               | 6   |            | M8 X 20                    |
| 7   | CE16800  | O-RING              | 2   |            | 77 X 2 MM                  |
| 8   | CE18074  | SLEEVE              | 1   |            |                            |
| 9   | CE18075  | SHIM                | 2   |            |                            |
| 10  | DE19067  | GEAR CASE           | 1   |            |                            |
| 11  | H110168  | SCREW               | 1   |            | M16 X 60                   |
| 12  | JD7781   | LUBRICATION FITTING | 1   |            |                            |
| 13  | 19M7785  | SCREW               | 4   |            | M10 X 25                   |
| 14  | AH164609 | GEAR CASE           | 1   |            |                            |
| 15  | N72989   | BUSHING             | 1   |            |                            |

## HORIZONTAL UNLOADING AUGER HOUSING

(17 AND 20 FT.)

HP8449 -UN-09APR99



HP8449

# 4E8

## GRAIN TANK AND UNLOADING AUGER

### HORIZONTAL UNLOADING AUGER HOUSING - CONTINUED (17 AND 20 FT.)

| KEY | PART NO. | PART NAME    | QTY | SERIAL NO. | REMARKS   |
|-----|----------|--------------|-----|------------|---|
| 1   | H149780  | SPOUT        | 1   |            | (USE WITH 17FT AND 20FT AUGERS)                   |
| 2   | 28H5     | WASHER       | 3   |            | 0.269" X 0.405" X 1/4"                            |
| 3   | 14M7303  | FLANGE NUT   | 3   |            | M6  |
| 4   | 24H1291  | WASHER       | 9   |            |   |
| 5   | 19M7868  | SCREW        | 11  |            | M8 X 30   |
|     | 14M7396  | LOCK NUT     | 11  |            | M8  |
| 6   | .....    | WEATHERSTRIP | 1   |            | CUT FROM H81330 (USE WITH THE 20FT AUGER)         |
| 7   | H96652   | DOOR         | 2   |            | (USE WITH THE 20FT AUGER)                         |
| 8   | 24M7207  | WASHER       | 8   |            | (USE WITH THE 20FT AUGER)                         |
| 9   | 14H785   | NUT          | 8   |            | 5/16", (USE WITH THE 20FT AUGER)                  |
| 10  | AH145049 | HOUSING      | 1   |            | 5.2M RIGID  |
|     | AH140335 | HOUSING      | 1   |            | (17FT. AUGER) (PERFORATED, 3670MM LONG)           |
|     | AH145050 | HOUSING      | 1   |            | 6.1M RIGID  |
|     | AH113392 | HOUSING      | 1   |            | (20FT. AUGER) (PERFORATED, 4585MM LONG)           |
| 11  | 19M7867  | SCREW        | 8   |            | M8 X 25   |
| 12  | 24M7207  | WASHER       | 8   |            |   |
| 13  | 14M7298  | FLANGE NUT   | 8   |            | M8  |
| 14  | 03M7184  | BOLT         | 2   |            | M8 X 20   |
| 15  | 19M7897  | SCREW        | 10  |            | M8 X 35   |
|     | 14M7298  | FLANGE NUT   | 10  |            | M8  |
| 16  | H127998  | COVER        | 1   |            | (17FT. AUGER) (USE WITH PERFORATED AUGER HOUSING) |
|     | H100027  | COVER        | 1   |            | (20FT. AUGER) (USE WITH PERFORATED AUGER HOUSING) |
| 17  | H141450  | STRAP        | 1   |            |   |
| 18  | 24H1291  | WASHER       | 4   |            |   |
| 19  | 14M7298  | FLANGE NUT   | 2   |            | M8  |
| 20  | 14M7298  | FLANGE NUT   | 1   |            | M8  |
| 21  | 24H1291  | WASHER       | 1   |            |   |
| 22  | 19M7867  | SCREW        | 2   |            | M8 X 25   |
| 23  | 19M7863  | SCREW        | 3   |            | M6 X 25   |
|     | 19M7796  | SCREW        | 3   |            | M6 X 30   |

# 4E9

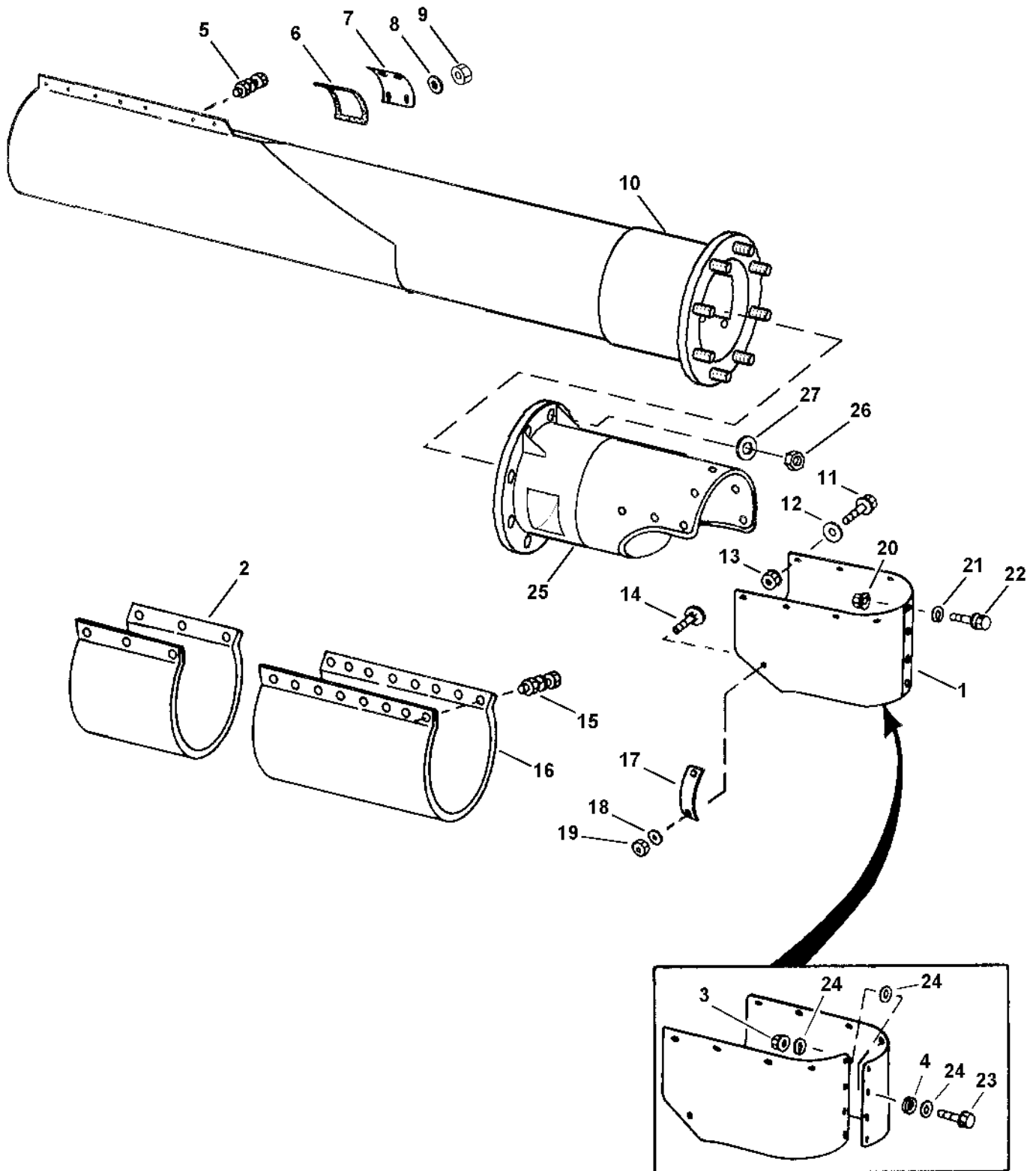
GRAIN TANK AND UNLOADING AUGER

## HORIZONTAL UNLOADING AUGER HOUSING (EXPORT)

(17 AND 20 FT.)

HP7526

-UN-04MAY98



HP7526

# 4E10

## GRAIN TANK AND UNLOADING AUGER

### HORIZONTAL UNLOADING AUGER HOUSING (EXPORT) - CONTINUED (17 AND 20 FT.)

| KEY | PART NO. | PART NAME    | QTY | SERIAL NO. | REMARKS   |
|-----|----------|--------------|-----|------------|---|
| 1   | H149780  | SPOUT        | 1   |            | USE WITH 17FT AND 20FT AUGERS                   |
| 2   | H159784  | COVER        | 1   |            | UNLOADING AUGER                                 |
| 3   | 14M7303  | FLANGE NUT   | 3   |            | M6  |
| 4   | 24H1291  | WASHER       | 9   |            | 21/64" X 1-15/32" X 7/64"                       |
| 5   | 19M7868  | SCREW        | 11  |            | M8 X 30   |
|     | 14M7396  | LOCK NUT     | 11  |            | M8  |
| 6   | .....    | WEATHERSTRIP | 1   |            | CUT FROM H81330 (USE WITH THE 20FT AUGER)       |
| 7   | H96652   | DOOR         | 2   |            | USE WITH THE 20FT AUGER                         |
| 8   | 24M7207  | WASHER       | 8   |            | 8.400 X 24 X 2 MM, USE WITH THE 20FT AUGER      |
| 9   | 14H785   | NUT          | 8   |            | 5/16", USE WITH THE 20FT AUGER                  |
| 10  | AH151407 | HOUSING      | 1   |            | INNER   |
|     | AH151411 | HOUSING      | 1   |            | 6.1M RIGID, OUTER                               |
| 11  | 19M7867  | SCREW        | 8   |            | M8 X 25   |
| 12  | 24M7207  | WASHER       | 8   |            | 8.400 X 24 X 2 MM                               |
| 13  | 14M7298  | FLANGE NUT   | 8   |            | M8  |
| 14  | 03M7184  | BOLT         | 2   |            | M8 X 20   |
| 15  | 19M7897  | SCREW        | 10  |            | M8 X 35   |
|     | 14M7298  | FLANGE NUT   | 10  |            | M8  |
| 16  | H127998  | COVER        | 1   |            | (17FT. AUGER) USE WITH PERFORATED AUGER HOUSING |
|     | H100027  | COVER        | 1   |            | (20FT. AUGER) USE WITH PERFORATED AUGER HOUSING |
| 17  | H141450  | STRAP        | 1   |            |   |
| 18  | 24H1291  | WASHER       | 4   |            | 21/64" X 1-15/32" X 7/64"                       |
| 19  | 14M7298  | FLANGE NUT   | 2   |            | M8  |
| 20  | 14M7298  | FLANGE NUT   | 1   |            | M8  |
| 21  | 24H1291  | WASHER       | 1   |            | 21/64" X 1-15/32" X 7/64"                       |
| 22  | 19M7867  | SCREW        | 2   |            | M8 X 25   |
| 23  | 19M7863  | SCREW        | 3   |            | M6 X 25   |
|     | 19M7796  | SCREW        | 3   |            | M6 X 30   |
| 24  | 28H5     | WASHER       | 3   |            | 0.269" X 0.405" X 1/4"                          |
| 25  | AH151408 | HOUSING      | 1   |            | 5.2M PERFORATED, INNER                          |
|     | AH151409 | HOUSING      | 1   |            | 6.1M PERFORATED, OUTER                          |
|     | AH151410 | HOUSING      | 1   |            | 5.2M RIGID, OUTER                               |
| 26  | 14M7296  | FLANGE NUT   | 8   |            | M10   |
| 27  | 24M7207  | WASHER       | 8   |            | 8.400 X 24 X 2 MM                               |

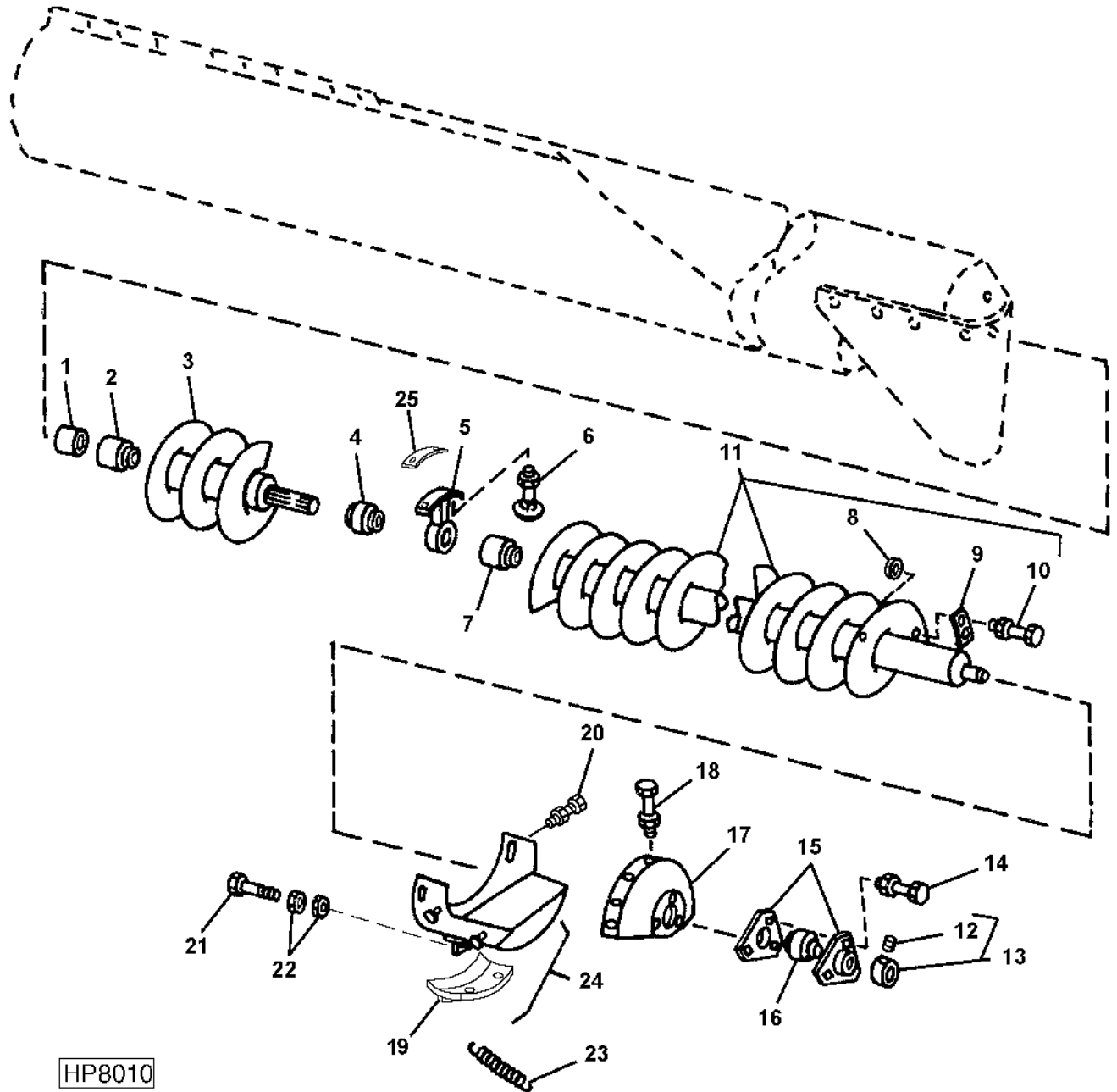
# 4E11

GRAIN TANK AND UNLOADING AUGER

## HORIZONTAL UNLOADING AUGER

(17- AND 20-FT.)

HP8010 -UN-27JUL99



HP8010



# 4E12

## GRAIN TANK AND UNLOADING AUGER

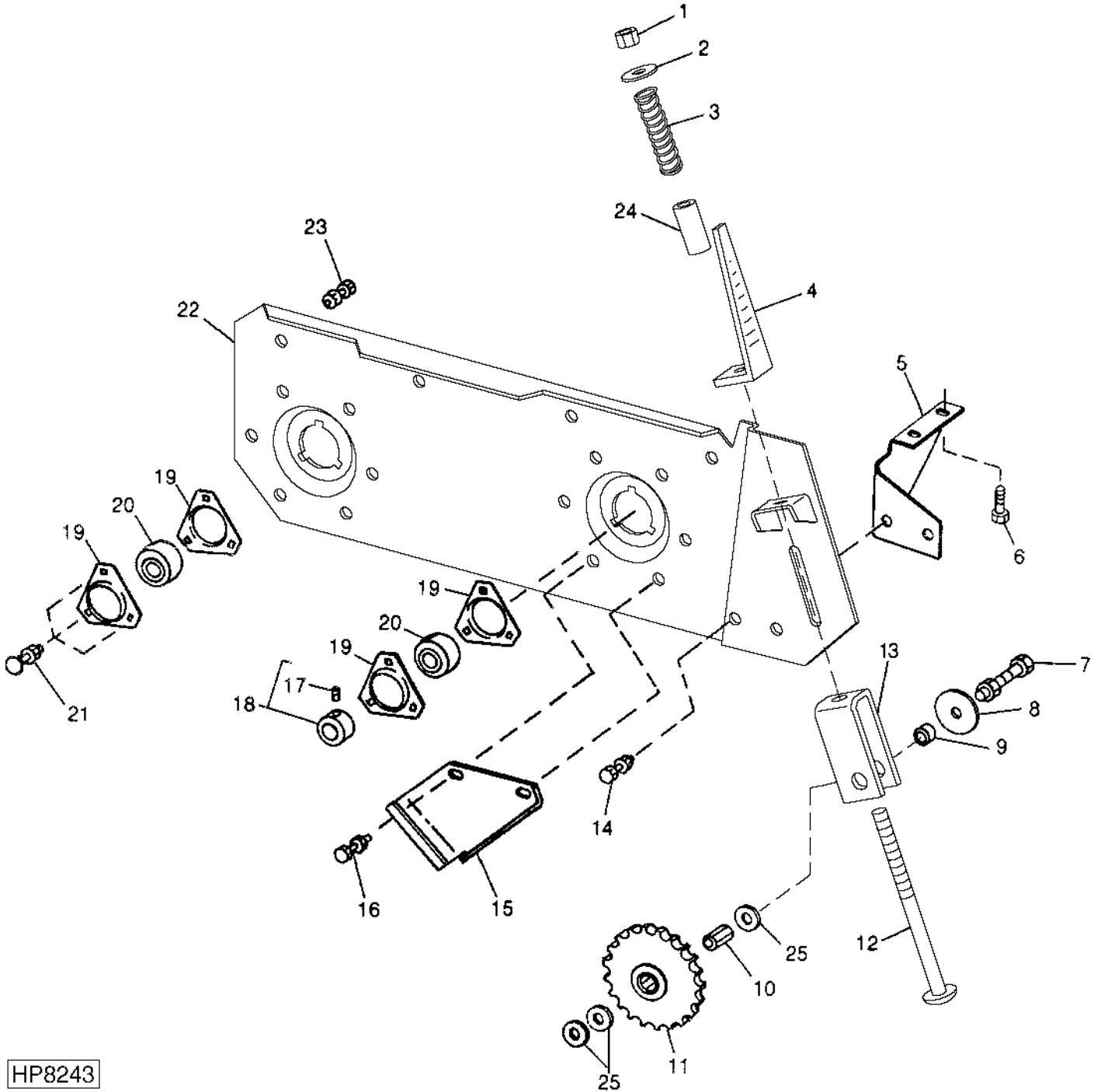
### HORIZONTAL UNLOADING AUGER - CONTINUED (17- AND 20- FT.)

| KEY | PART NO. | PART NAME                | QTY | SERIAL NO. | REMARKS                               |
|-----|----------|--------------------------|-----|------------|---------------------------------------|
| 1   | N72989   | BUSHING                  | 1   |            |                                       |
| 2   | AH122717 | GUDGEON                  | 1   |            |                                       |
| 3   | AH112435 | AUGER                    | 1   |            | (5.2M & 6.1M AUGER)                   |
|     | AH151413 | AUGER                    | 1   |            | (5.2M OUTER, EXPORT ONLY)             |
|     | AH151414 | AUGER                    | 1   |            | (6.1M OUTER, EXPORT ONLY)             |
| 4   | JD9373   | BALL BEARING             | 1   |            |                                       |
| 5   | H114873  | HOUSING                  | 1   |            |                                       |
| 6   | 03M7193  | BOLT                     | 2   |            | M10 X 35                              |
|     | 14M7296  | FLANGE NUT               | 2   |            | M10                                   |
| 7   | AH122717 | GUDGEON                  | 1   |            |                                       |
| 8   | 24H1300  | WASHER                   | 6   |            | 9.931 X 50.800 X 5.588 MM             |
|     | 24H1311  | WASHER                   | 6   |            | 10.312 X 31.750 X 5.588 MM            |
| 9   | H119566  | STRIP                    | 2   |            | 100 MM (4") LONG                      |
|     | H119567  | STRIP                    | 2   |            | 125 MM (5") LONG                      |
|     | H119568  | STRIP                    | 4   |            | 150 MM (6") LONG                      |
| 10  | 03H1495  | BOLT                     | 2   |            | 9.525 X 38.100 MM                     |
|     | 03H1557  | BOLT                     | 2   |            | 9.525 X 31.750 MM                     |
|     | K40003   | LOCK NUT                 | 4   |            | 9.525 MM                              |
| 11  | AH143727 | AUGER                    | 1   |            | (5.2M OUTER, INCLUDES BALANCE WEIGHT) |
|     | AH143731 | AUGER                    | 1   |            | (6.1 OUTER - INCLUDES BALANCE WEIGHT) |
|     | AH151403 | AUGER                    | 1   |            | (5.2M & 6.1M, INNER, EXPORT ONLY)     |
| 12  | 22H897   | SET SCREW                | 1   |            | 1/4" X 1/4"                           |
| 13  | JD8554   | ECCENTRIC LOCKING COLLAR | 1   |            |                                       |
| 14  | 03M7184  | BOLT                     | 3   |            | M8 X 20                               |
|     | 14M7298  | FLANGE NUT               | 3   |            | M8                                    |
| 15  | H103264  | PRESSED FLANGED HOUSING  | 2   |            |                                       |
| 16  | JD8665   | BALL BEARING             | 1   |            |                                       |
| 17  | H96645   | CAP                      | 1   |            |                                       |
| 18  | 19M7866  | SCREW                    | 5   |            | M8 X 20                               |
|     | 14M7298  | FLANGE NUT               | 5   |            | M8                                    |
| 19  | Z24604   | HINGE                    | 1   |            | (USE WITH AH132230)                   |
| 20  | 03M7183  | BOLT                     | 2   |            | M8 X 16                               |
|     | 14M7298  | FLANGE NUT               | 2   |            | M8                                    |
| 21  | 19M7868  | SCREW                    | 1   |            | M8 X 30                               |
| 22  | 14M7298  | FLANGE NUT               | 2   |            | M8                                    |
| 23  | J18468   | SPRING                   | 2   |            |                                       |
| 24  | AH132230 | DOOR                     | 1   |            | (INCLUDES Z24604)                     |
| 25  | H158817  | PLATE                    | 1   |            | (EXPORT ONLY)                         |

# 4E13

GRAIN TANK AND UNLOADING AUGER

CROSS AUGER BEARING PLATE - L.H.  
HP8243 -UN-05MAR99



HP8243

# 4E14

## GRAIN TANK AND UNLOADING AUGER

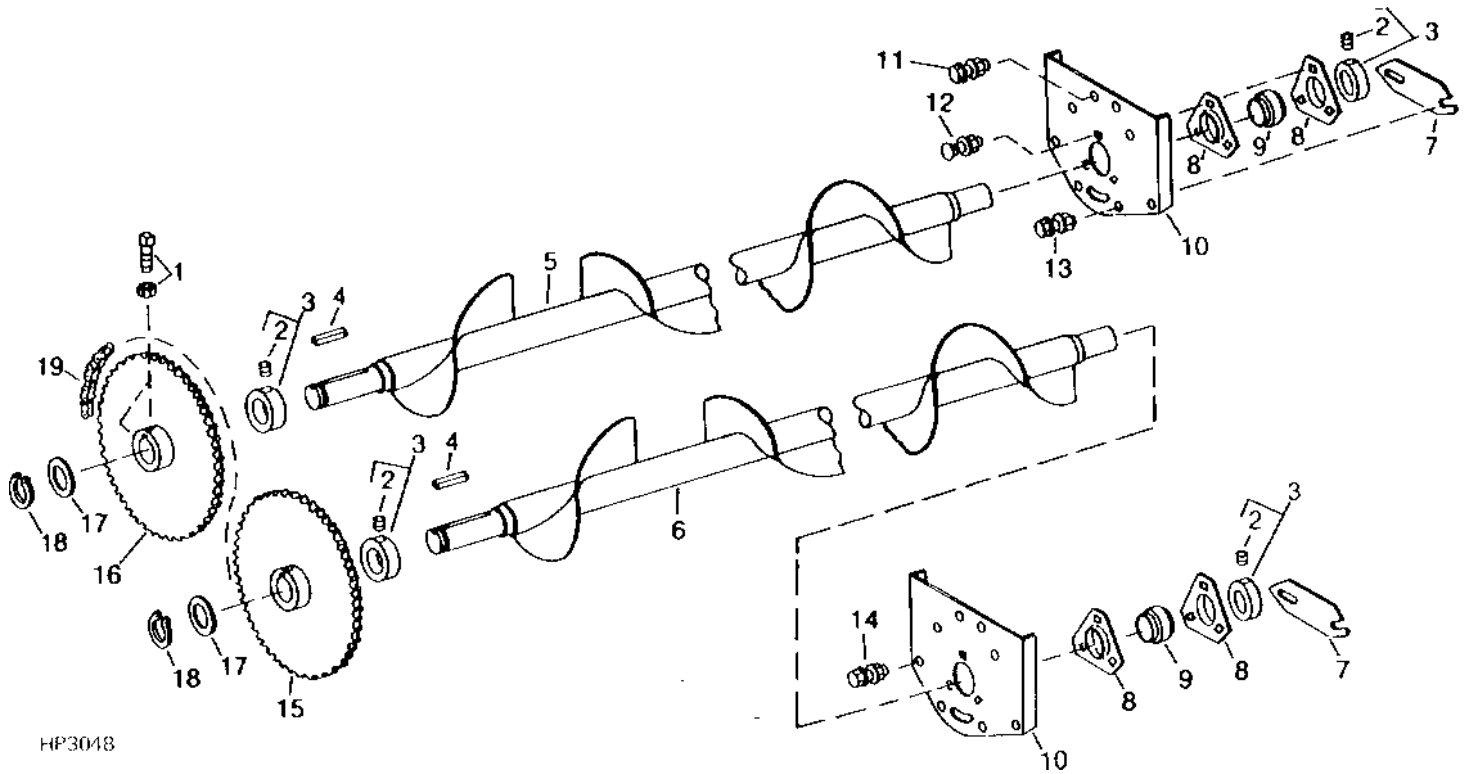
### CROSS AUGER BEARING PLATE - L.H. - CONTINUED

| KEY | PART NO. | PART NAME                | QTY | SERIAL NO.               | REMARKS |
|-----|----------|--------------------------|-----|--------------------------|---------|
| 1   | 14M7275  | NUT                      | 1   | M12                      |         |
| 2   | 24H1346  | WASHER                   | 1   | 17/32" X 1-3/4" X 0.120" |         |
| 3   | R35542   | SPRING                   | 1   |                          |         |
| 4   | H127923  | GAUGE                    | 1   |                          |         |
| 5   | H127922  | REINFORCEMENT            | 1   |                          |         |
| 6   | 19M7784  | SCREW                    | 2   | M10 X 20                 |         |
| 7   | 19M7364  | CAP SCREW                | 1   | M12 X 80                 |         |
|     | 14M7299  | FLANGE NUT               | 1   | M12                      |         |
| 8   | 24H1916  | WASHER                   | 1   | 17/32" X 3-1/2" X 0.180" |         |
| 9   | A22724   | WASHER                   | 1   | 0.510" X 3/4" X 0.210"   |         |
| 10  | H114395  | SPACER                   | 1   |                          |         |
| 11  | AH106606 | CHAIN SPROCKET           | 1   | 24-TOOTH                 |         |
| 12  | H163787  | BOLT                     | 1   |                          |         |
| 13  | H119996  | CHANNEL                  | 1   | IDLER SUPPORT            |         |
| 14  | 19M7866  | SCREW                    | 2   | M8 X 20                  |         |
|     | 14M7298  | FLANGE NUT               | 2   | M8                       |         |
| 15  | H133579  | STOP                     | 1   |                          |         |
| 16  | 19M7866  | SCREW                    | 4   | M8 X 20                  |         |
|     | 14M7396  | LOCK NUT                 | 4   | M8                       |         |
| 17  | 22M7081  | SET SCREW                | 2   | M10 X 10                 |         |
| 18  | AH133191 | ECCENTRIC LOCKING COLLAR | 2   |                          |         |
| 19  | H161529  | PRESSED FLANGED HOUSING  | 4   |                          |         |
| 20  | JD39104  | BALL BEARING             | 2   |                          |         |
| 21  | 03M7191  | BOLT                     | 6   | M10 X 25                 |         |
|     | 14M7296  | FLANGE NUT               | 6   | M10                      |         |
| 22  | AH157074 | PLATE                    | 1   |                          |         |
| 23  | 19M7784  | SCREW                    | 12  | M10 X 20                 |         |
|     | 14M7296  | FLANGE NUT               | 12  | M10                      |         |
| 24  | TY22326  | BULK HOSE                | AR  | BULK HOSE, CUT TO LENGTH |         |
| 25  | 24M7242  | WASHER                   | 3   | 21.400 X 42 X 5 MM       |         |

# 4E15

GRAIN TANK AND UNLOADING AUGER

GRAIN TANK CROSS AUGERS  
HP3048 -UN-01JAN94



HP3048

# 4E16

## GRAIN TANK AND UNLOADING AUGER

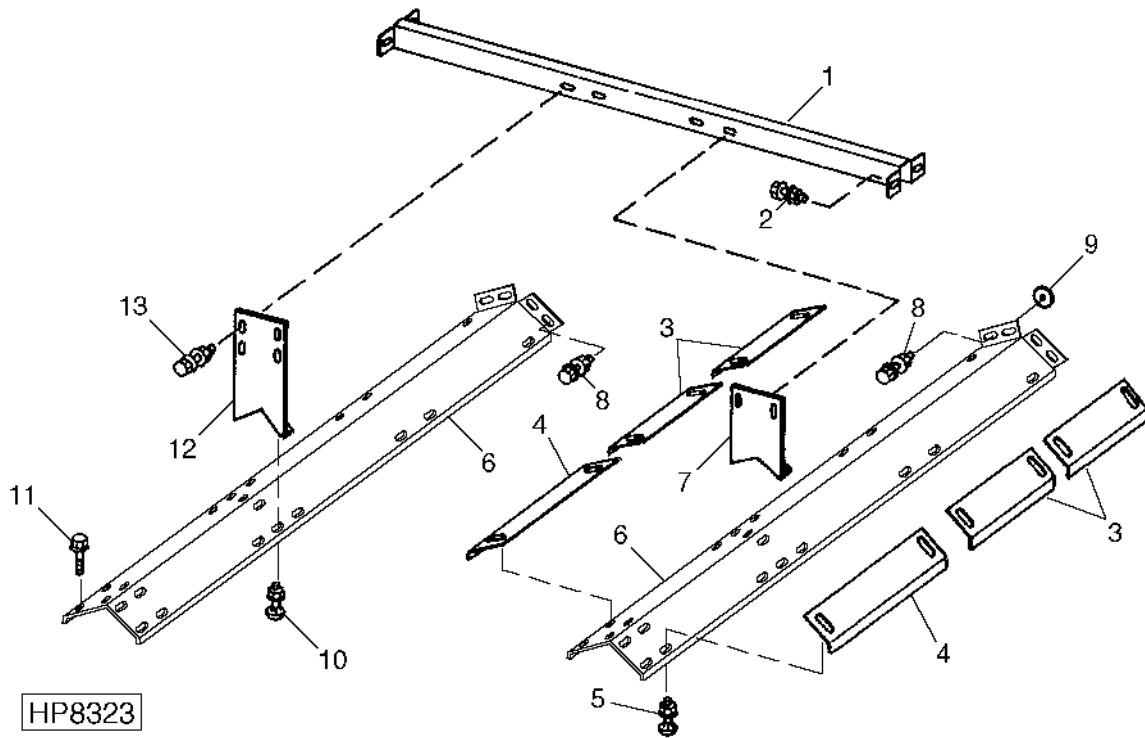
### GRAIN TANK CROSS AUGERS - CONTINUED

| KEY | PART NO. | PART NAME                | QTY | SERIAL NO.  | REMARKS              |
|-----|----------|--------------------------|-----|---|----------------------|
| 1   | H138435  | SET SCREW                | 4   | M10 X 25  |                      |
|     | 14M7152  | NUT                      | 4   | M10   |                      |
| 2   | 22M7081  | SET SCREW                | 4   | M10 X 10  |                      |
| 3   | AH133191 | ECCENTRIC LOCKING COLLAR | 4   |   |                      |
| 4   | .....    | SHAFT KEY                | 2   | 10 X 8 X 40 MM (IN AH141142 KEY STOCK KIT)<br>(CUT FROM H150270)      |                      |
| 5   | AH167849 | AUGER                    | 1   | (SUB FOR AH154967) FRONT  |                      |
| 6   | AH167850 | AUGER                    | 1   | (SUB FOR AH154968) REAR   |                      |
| 7   | H102909  | COVER                    | 2   |   |                      |
| 8   | H103265  | PRESSED FLANGED HOUSING  | 4   |   |                      |
| 9   | JD39104  | BALL BEARING             | 2   |   |                      |
| 10  | H126280  | REINFORCEMENT            | 2   |   | BEARING PLATE - R.H. |
| 11  | 19M7784  | SCREW                    | 8   | M10 X 20  |                      |
|     | 14M7296  | FLANGE NUT               | 8   | M10   |                      |
| 12  | 03M7190  | BOLT                     | 3   | M10 X 20  |                      |
|     | 14M7296  | FLANGE NUT               | 3   | M10   |                      |
| 13  | 19M7866  | SCREW                    | 4   | M8 X 20   |                      |
|     | 14M7396  | LOCK NUT                 | 4   | M8  |                      |
| 14  | 19M7866  | SCREW                    | 4   | M8 X 20   |                      |
|     | 14M7298  | FLANGE NUT               | 4   | M8  |                      |
| 15  | AH125070 | CHAIN SPROCKET           | 1   | 49-TOOTH (REAR), REGULAR  |                      |
|     | AH140001 | CHAIN SPROCKET           | 1   | 60-TOOTH (REAR), SLOW DOWN  |                      |
| 16  | AH125070 | CHAIN SPROCKET           | 1   | 49-TOOTH (FRONT), REGULAR   |                      |
|     | AH146352 | DRIVE SPROCKET           | 1   | 40-TOOTH (REAR), SLOW DOWN  |                      |
| 17  | 24H1511  | WASHER                   | AR  | 1-13/32" X 1-3/4" X 0.060"  |                      |
| 18  | 40M7046  | SNAP RING                | 1   |   |                      |
| 19  | AH157083 | CHAIN LINK               | 1   | ROLLER, TYPE 60H - 19 MM (3/4") PITCH, 198<br>LINKS (REGULAR SPEED)   |                      |
|     | AH157084 | CHAIN LINK               | 1   | ROLLER, TYPE 60H - 19 MM (3/4") PITCH, 206<br>LINKS (SLOW DOWN SPEED) |                      |

# 4E17

GRAIN TANK AND UNLOADING AUGER

**CROSS AUGER COVERS AND CHANNEL**  
HP8323 -UN-09JUL99



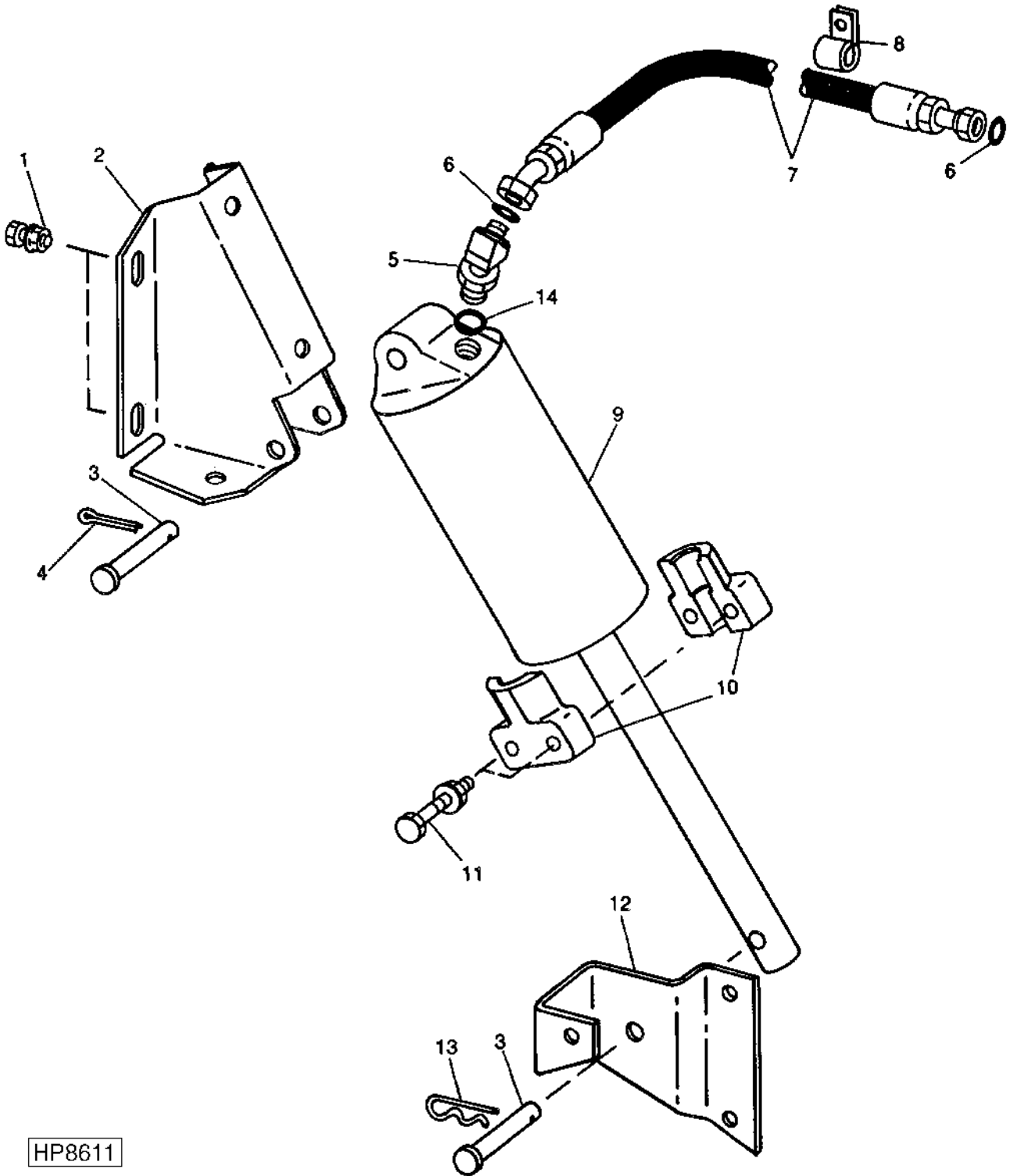
| KEY | PART NO. | PART NAME  | QTY | SERIAL NO. | REMARKS          |
|-----|----------|------------|-----|------------|------------------|
| 1   | H126801  | CHANNEL    | 1   |            |                  |
| 2   | 19M7784  | SCREW      | 4   | M10 X 20   |                  |
|     | 14M7296  | FLANGE NUT | 4   | M10        |                  |
| 3   | H129472  | COVER      | 1   |            | SMALL ADJUSTABLE |
| 4   | H129471  | COVER      | 8   |            | LARGE ADJUSTABLE |
| 5   | 03M7183  | BOLT       | 20  | M8 X 16    |                  |
|     | 14M7298  | FLANGE NUT | 20  | M8         |                  |
| 6   | H152875  | COVER      | 2   |            | AUGER            |
| 7   | H126802  | SUPPORT    | 1   |            | REAR COVER       |
| 8   | 19M7784  | SCREW      | 4   | M10 X 20   |                  |
|     | 14M7296  | FLANGE NUT | 4   | M10        |                  |
| 9   | H141123  | NUT        | 8   |            |                  |
| 10  | 03M7183  | BOLT       | 8   | M8 X 16    |                  |
|     | 14M7298  | FLANGE NUT | 8   | M8         |                  |
| 11  | 37M7058  | SCREW      | 8   | M8 X 20    |                  |
| 12  | H126804  | SUPPORT    | 1   |            | FRONT COVER      |
| 13  | 19M7865  | SCREW      | 4   | M8 X 16    |                  |
|     | 14M7298  | FLANGE NUT | 4   | M8         |                  |

MEMORANDA

# 4E18

GRAIN TANK AND UNLOADING AUGER

GRAIN TANK UNLOADING DRIVE CYLINDER WITH MOUNTING AND HOSE  
HP8611 -UN-02JUN99



HP8611



# 4E19

GRAIN TANK AND UNLOADING AUGER

**GRAIN TANK UNLOADING DRIVE CYLINDER WITH MOUNTING AND HOSE - CONTINUED**

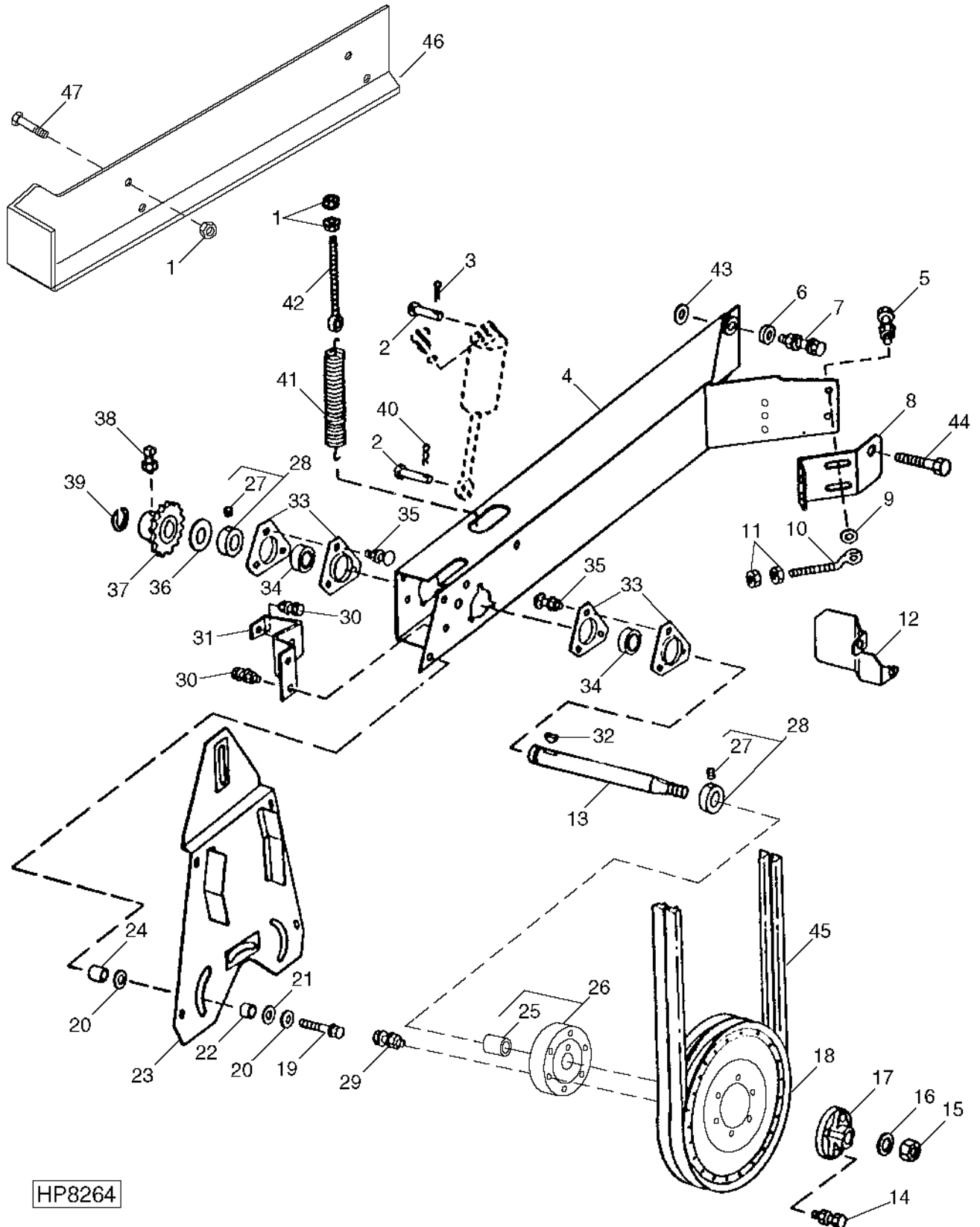
| KEY | PART NO. | PART NAME          | QTY | SERIAL NO.                 | REMARKS |
|-----|----------|--------------------|-----|----------------------------|---------|
| 1   | 19M7866  | SCREW              | 4   | M8 X 20                    |         |
|     | 14M7298  | FLANGE NUT         | 4   | M8                         |         |
| 2   | H129588  | BRACKET            | 1   |                            |         |
| 3   | H148340  | PIN                | 2   |                            |         |
| 4   | 11M7059  | COTTER PIN         | 1   | 3.200 X 20 MM              |         |
| 5   | 38H1045  | ELBOW FITTING      | 1   |                            |         |
| 6   | T77613   | O-RING             | 2   | 9.246 X 1.778 MM           |         |
| 7   | AH120160 | HYDRAULIC HOSE     | 1   | 11/16" X 1 050 MM X 11/16" |         |
| 8   | AH96317  | CLIP               | 1   |                            |         |
| 9   | AH116006 | HYDRAULIC CYLINDER | 1   |                            |         |
| 10  | H133688  | STOP               | 2   |                            |         |
| 11  | 19M8319  | SCREW              | 2   | M8 X 50                    |         |
|     | 14M7298  | FLANGE NUT         | 2   | M8                         |         |
| 12  | H133690  | BRACKET            | 1   |                            |         |
| 13  | J16931   | SPRING LOCKING PIN | 1   |                            |         |
| 14  | R26448   | O-RING             | 1   | 11.887 X 1.981 MM          |         |

# 4E20

GRAIN TANK AND UNLOADING AUGER

## UNLOADING AUGER COUNTERSHAFT DRIVE

HP8264 -UN-23FEB99



HP8264

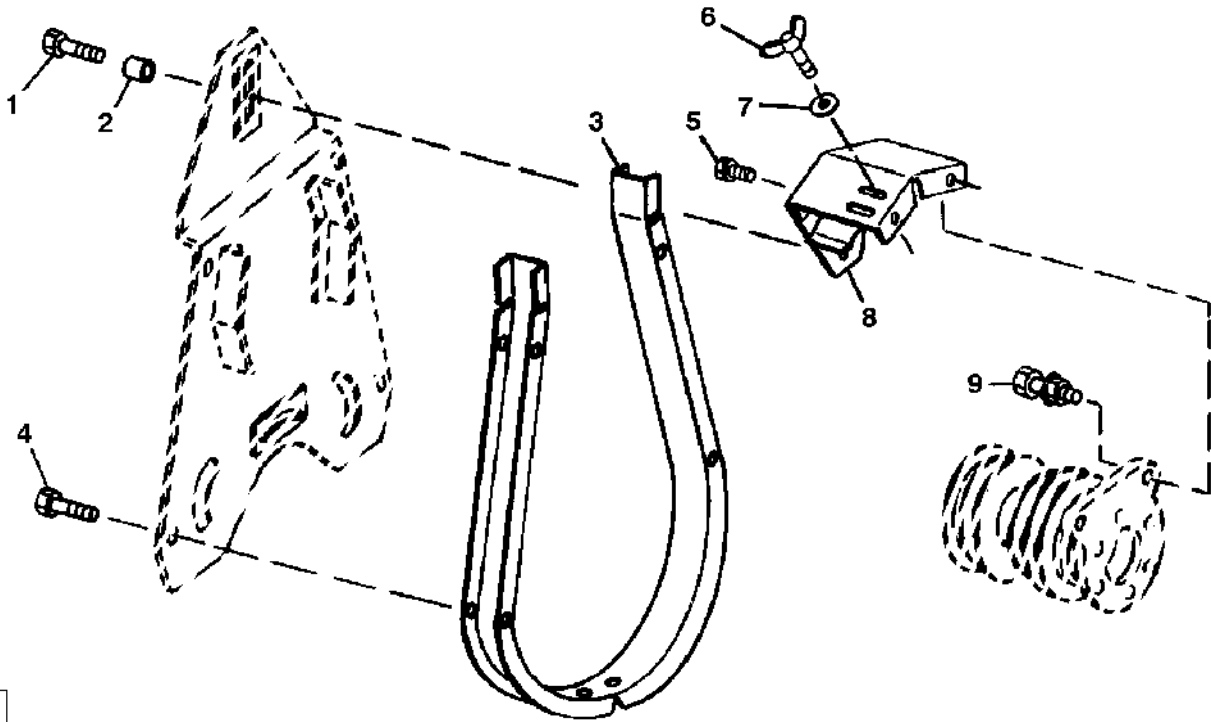
## UNLOADING AUGER COUNTERSHAFT DRIVE - CONTINUED

| KEY | PART NO. | PART NAME                | QTY | SERIAL NO.                          | REMARKS |
|-----|----------|--------------------------|-----|-------------------------------------|---------|
| 1   | 14M7296  | FLANGE NUT               | 2   | M10                                 |         |
| 2   | H148340  | PIN                      | 2   | 1/2" X 2.382"                       |         |
| 3   | 11M7059  | COTTER PIN               | 1   | 3.200 X 20 MM                       |         |
| 4   | AH164841 | ARM                      | 1   |                                     |         |
| 5   | 19M7835  | SCREW                    | 2   | M10 X 35                            |         |
|     | 14M7296  | FLANGE NUT               | 2   | M10                                 |         |
| 6   | Z33404   | SPACER                   | 2   |                                     |         |
| 7   | 19M7794  | SCREW                    | 1   | M16 X 50                            |         |
|     | A31869   | LOCK NUT                 | 2   | M16                                 |         |
| 8   | AH118993 | BRACKET                  | 1   |                                     |         |
| 9   | 24M7178  | WASHER                   | 2   | 10.500 X 30 X 2.500 MM              |         |
| 10  | H116262  | EYEBOLT                  | 2   |                                     |         |
| 11  | 14M7274  | NUT                      | 4   | M10                                 |         |
| 12  | H137869  | SHIELD                   | 1   |                                     |         |
| 13  | H164212  | JACKSHAFT                | 1   |                                     |         |
| 14  | 19M7185  | CAP SCREW                | 1   | M8 X 60                             |         |
|     | E64256   | LOCK NUT                 | 1   | M8                                  |         |
| 15  | A31871   | LOCK NUT                 | 1   | M24                                 |         |
| 16  | 24M7091  | WASHER                   | 1   | 26 X 44 X 4 MM                      |         |
| 17  | H133026  | HUB                      | 1   |                                     |         |
| 18  | H161415  | SHEAVE                   | 1   |                                     |         |
| 19  | 19M8318  | SCREW                    | 3   | M8 X 45                             |         |
| 20  | 24M7207  | WASHER                   | 6   | 8.400 X 24 X 2 MM                   |         |
| 21  | 24H1357  | WASHER                   | 2   | 19/32" X 1-5/32" X 0.090"           |         |
| 22  | 28H1511  | WASHER                   | 3   | 0.364" X 0.540" X 1/4"              |         |
| 23  | AH140901 | GUARD                    | 2   |                                     |         |
| 24  | 28H2531  | BUSHING                  | 3   | 0.546" X 0.840" X 7/8"              |         |
| 25  | H164213  | BUSHING                  | 1   |                                     |         |
| 26  | AH155812 | HUB                      | 1   |                                     |         |
| 27  | 22M7081  | SET SCREW                | 2   | M10 X 10                            |         |
| 28  | AH133191 | ECCENTRIC LOCKING COLLAR | 2   |                                     |         |
| 29  | 19M8317  | SCREW                    | 6   | M8 X 40                             |         |
|     | 14M7298  | FLANGE NUT               | 6   | M8                                  |         |
| 30  | 19M7866  | SCREW                    | 3   | M8 X 20                             |         |
|     | 14M7298  | FLANGE NUT               | 3   | M8                                  |         |
| 31  | H133690  | BRACKET                  | 1   |                                     |         |
| 32  | 26M6787  | SHAFT KEY                | 2   | 10 X 32 MM                          |         |
| 33  | H161529  | PRESSED FLANGED HOUSING  | 4   | (SUB FOR H103265, THIS APPLICATION) |         |
| 34  | JD39104  | BALL BEARING             | 2   |                                     |         |
| 35  | 03M7190  | BOLT                     | 6   | M10 X 20                            |         |
|     | 14M7296  | FLANGE NUT               | 6   | M10                                 |         |
| 36  | 24H1510  | WASHER                   | 2   | 1-13/32" X 1-3/4" X 0.120"          |         |
| 37  | AH128075 | CHAIN SPROCKET           | 1   | 19 TOOTH                            |         |
|     | AH128074 | CHAIN SPROCKET           | 1   | (RICE ONLY) 17 TOOTH                |         |
| 38  | H138435  | SET SCREW                | 2   | M10 X 25                            |         |
|     | 14M7274  | NUT                      | 2   | M10                                 |         |
| 39  | 40M7046  | SNAP RING                | 1   |                                     |         |
| 40  | J16931   | SPRING LOCKING PIN       | 1   |                                     |         |
| 41  | H173011  | LEAF SPRING              | 1   |                                     |         |
| 42  | H114738  | EYEBOLT                  | 1   |                                     |         |
| 43  | 24H1684  | WASHER                   | 2   | 11/16" X 2" X 0.105"                |         |
| 44  | 19M7824  | SCREW                    | 1   | M16 X 60                            |         |
| 45  | AH158880 | BELT SET                 | 1   |                                     |         |
| 46  | H170670  | SHIELD                   | 1   |                                     |         |
| 47  | 19M7786  | SCREW                    | 2   |                                     |         |

# 4E22

GRAIN TANK AND UNLOADING AUGER

**UNLOADING AUGER DRIVE BELT GUIDE**  
HP8335 -UN-07APR99



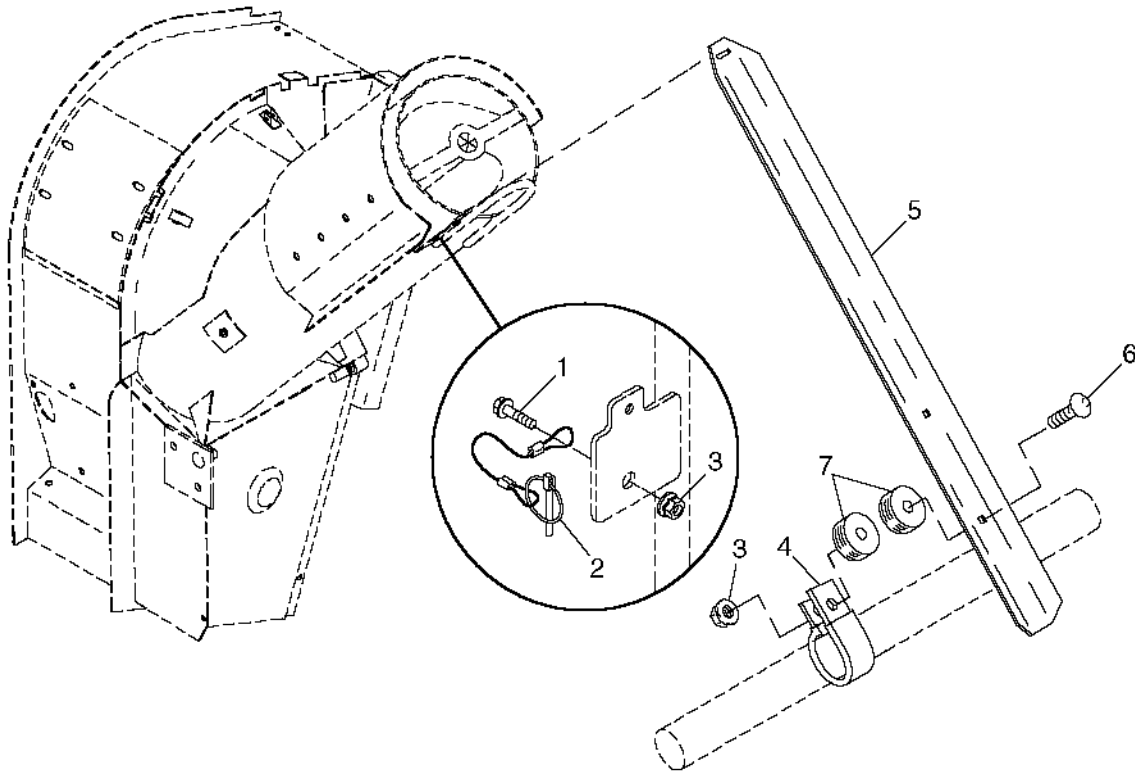
HP8335

| KEY | PART NO. | PART NAME  | QTY | SERIAL NO. | REMARKS                  |
|-----|----------|------------|-----|------------|--------------------------|
| 1   | 19M7866  | SCREW      | 1   |            | M8 X 20                  |
| 2   | H159104  | WASHER     | 1   |            | 0.364" X 0.540" X 0.375" |
| 3   | AH116390 | GUIDE      | 1   |            |                          |
| 4   | 19M7865  | SCREW      | 6   |            | M8 X 16, (INTO WELDNUTS) |
| 5   | 37M7058  | SCREW      | 2   |            | M8 X 20                  |
| 6   | 21M7269  | WING SCREW | 2   |            | M8 X 20                  |
| 7   | 24M7207  | WASHER     | 2   |            | 8.400 X 24 X 2 MM        |
| 8   | AH152654 | SUPPORT    | 1   |            |                          |
| 9   | 19M7785  | SCREW      | 2   |            | M10 X 25                 |
|     | 14M7296  | FLANGE NUT | 2   |            | M10                      |

# 4E23

GRAIN TANK AND UNLOADING AUGER

GRAIN TANK SAMPLING TROUGH  
HP8503 -UN-23APR99



HP8503

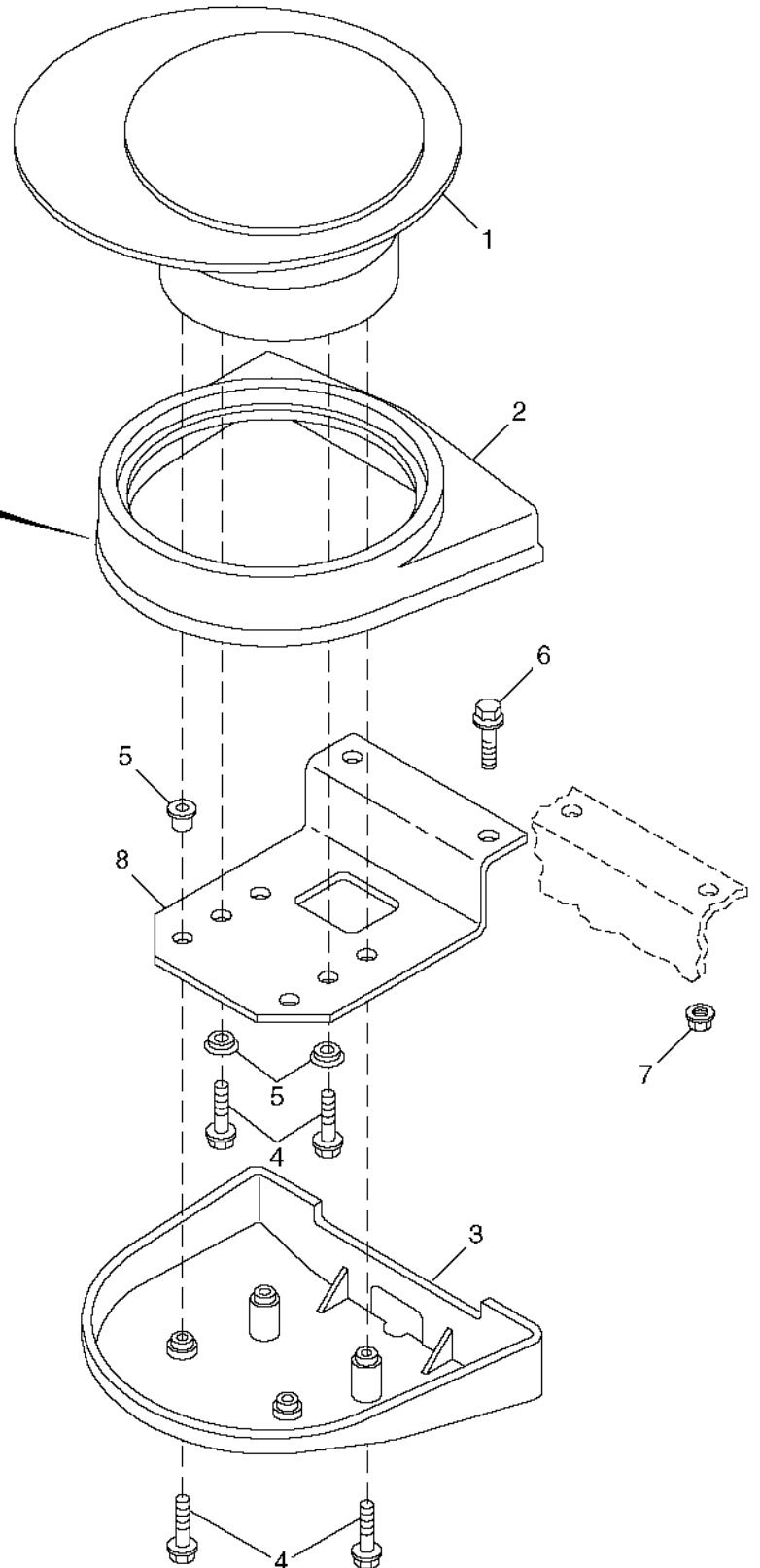
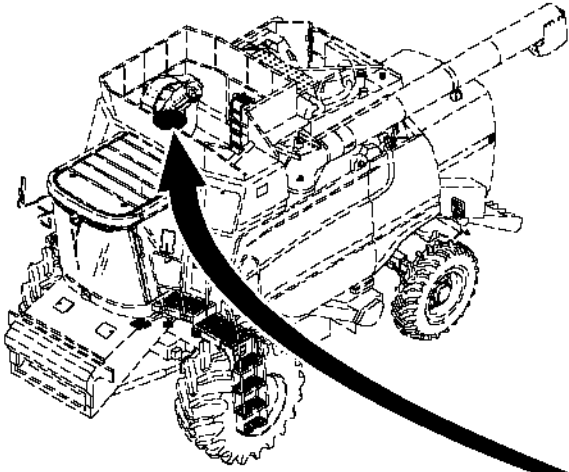
| KEY | PART NO. | PART NAME      | QTY | SERIAL NO. | REMARKS |
|-----|----------|----------------|-----|------------|---------|
| 1   | 03M7184  | BOLT           | 1   | M8 X 20    |         |
| 2   | AH135290 | QUICK LOCK PIN | 1   |            |         |
| 3   | 14M7396  | LOCK NUT       | 1   | M8         |         |
| 4   | AH77714  | CLIP           | 1   |            |         |
| 5   | H152923  | TROUGH         | 1   |            |         |
| 6   | 03M7188  | BOLT           | 1   | M8 X 40    |         |
| 7   | H28031   | WASHER         | 2   |            |         |

MEMORANDA

MEMORANDA

# 4F2

**POSITION RECEIVER**  
HP9732 -UN-28APR00



HP9732



# 4F3

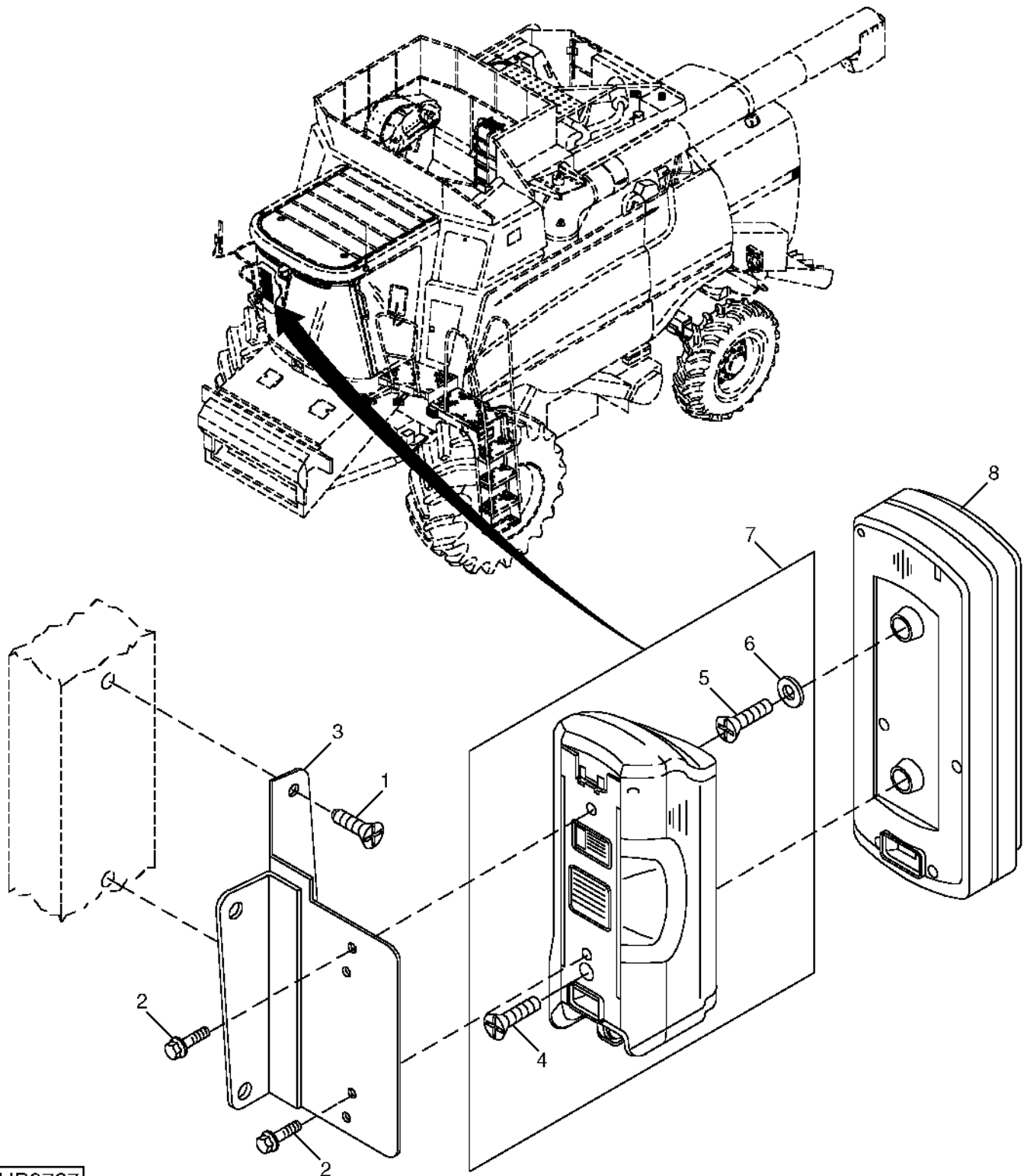
GREENSTAR YIELD MAPPING AND MONITOR SYSTEMS

## POSITION RECEIVER - CONTINUED

| KEY | PART NO. | PART NAME         | QTY | SERIAL NO.  | REMARKS                   |
|-----|----------|-------------------|-----|-------------|---------------------------|
| 1   | PF80314  | POSITION RECEIVER | 1   |             |                           |
| 2   | PF10134  | COVER             | 1   |             |                           |
| 3   | PF10135  | COVER             | 1   |             |                           |
| 4   | 21M7267  | SCREW             | 6   | (A) M6 X 20 |                           |
| 5   | PF10240  | WASHER            | 6   | (A)         |                           |
| 6   | 19M7865  | SCREW             | 2   | (A) M8 X 16 |                           |
| 7   | 14M7298  | FLANGE NUT        | 2   | (A) M8      |                           |
| 8   | PF10123  | BRACKET           | 1   |             |                           |
| ..  | PF80016  | PACKAGE OF PARTS  | 1   |             | INCLUDES PARTS MARKED (A) |

# 4F4

GREENSTAR™ DISPLAY AND MOBILE PROCESSOR  
HP9737 -UN-28APR00



HP9737

# 4F5

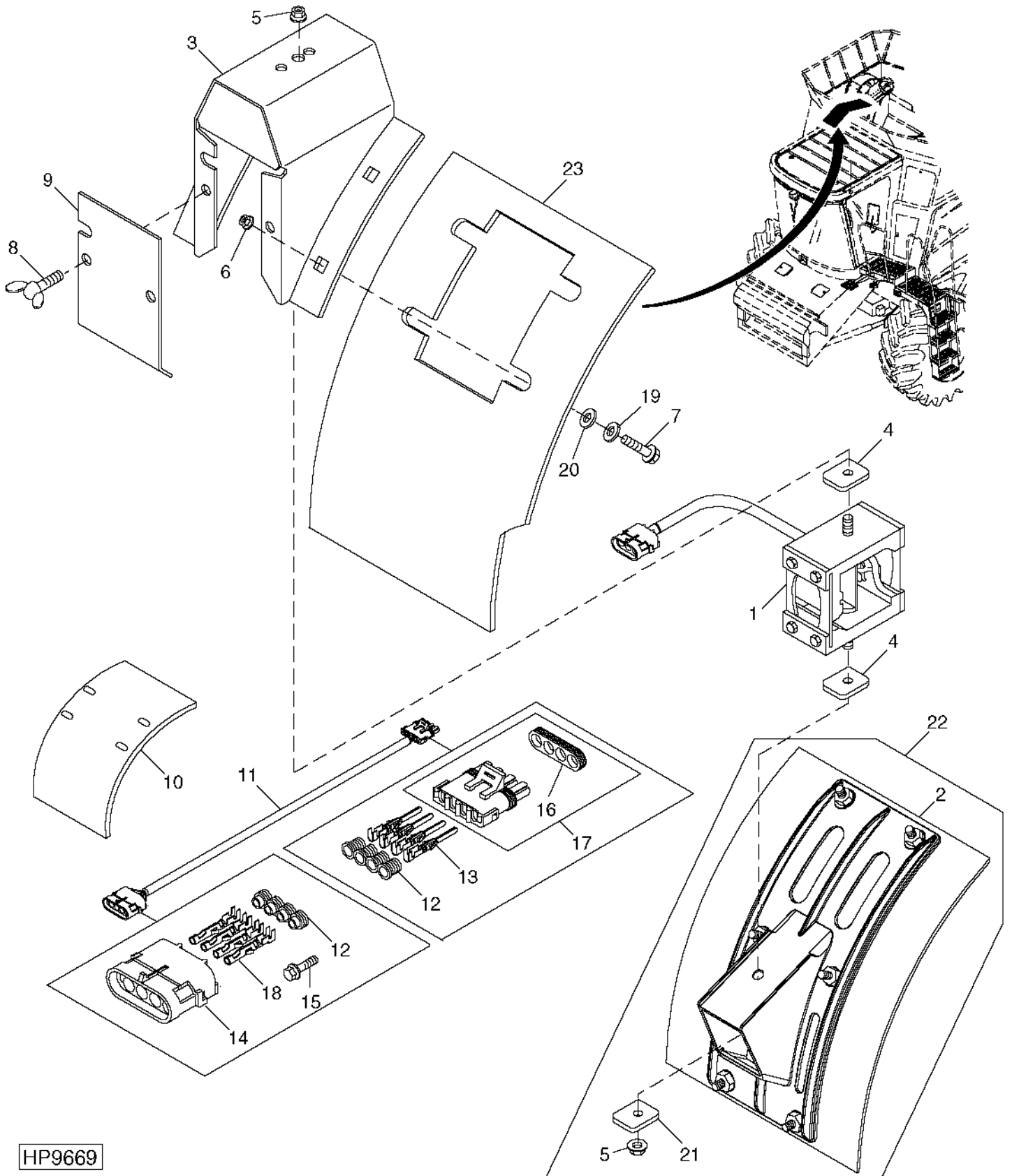
**GREENSTAR™ DISPLAY AND MOBILE PROCESSOR - CONTINUED**

| KEY | PART NO.       | PART NAME                          | QTY      | SERIAL NO.   | REMARKS |
|-----|----------------|------------------------------------|----------|--|---------|
| 1   | H168424        | SCREW                              | 2        |  |         |
| 2   | 19M7774        | SCREW                              | 2        | M6 X 12  |         |
| 3   | PF80209        | BRACKET                            | 1        |  |         |
| 4   | 21M7327        | SCREW                              | 1        | M6 X 35  |         |
| 5   | 21M7305        | SCREW                              | 1        | M6 X 12  |         |
| 6   | 24M7100        | WASHER                             | 1        | 6.600 X 22 X 2 MM  |         |
| 7   | PF80316        | MOBILE PROCESSOR MODULE            | 1        | (SUB FOR PF80156)  |         |
| 8   | PF80370        | GREENSTAR DISPLAY MODULE           | 1        | (SUB FOR PF80150)  |         |
| ..  | PF90091        | GREENSTAR DISPLAY MODULE           | 1        | KIT FOR THE CONVERSION OF 2.5V AND 4.5V<br>GREENSTAR™ DISPLAYS TO DUAL CAN |         |
| ..  | <b>BH81758</b> | <b>COMPLETE GOODS/SHIP. BUNDLE</b> | <b>1</b> | <b>MAPPING CONVERSION KIT</b>  |         |
| ..  | <b>BH81760</b> | <b>COMPLETE GOODS/SHIP. BUNDLE</b> | <b>1</b> | <b>MONITOR CONVERSION KIT</b>  |         |

# 4F6

GREENSTAR YIELD MAPPING AND MONITOR SYSTEMS

MASS FLOW SENSOR  
HP9669 -UN-31MAR00



HP9669

# 4F7

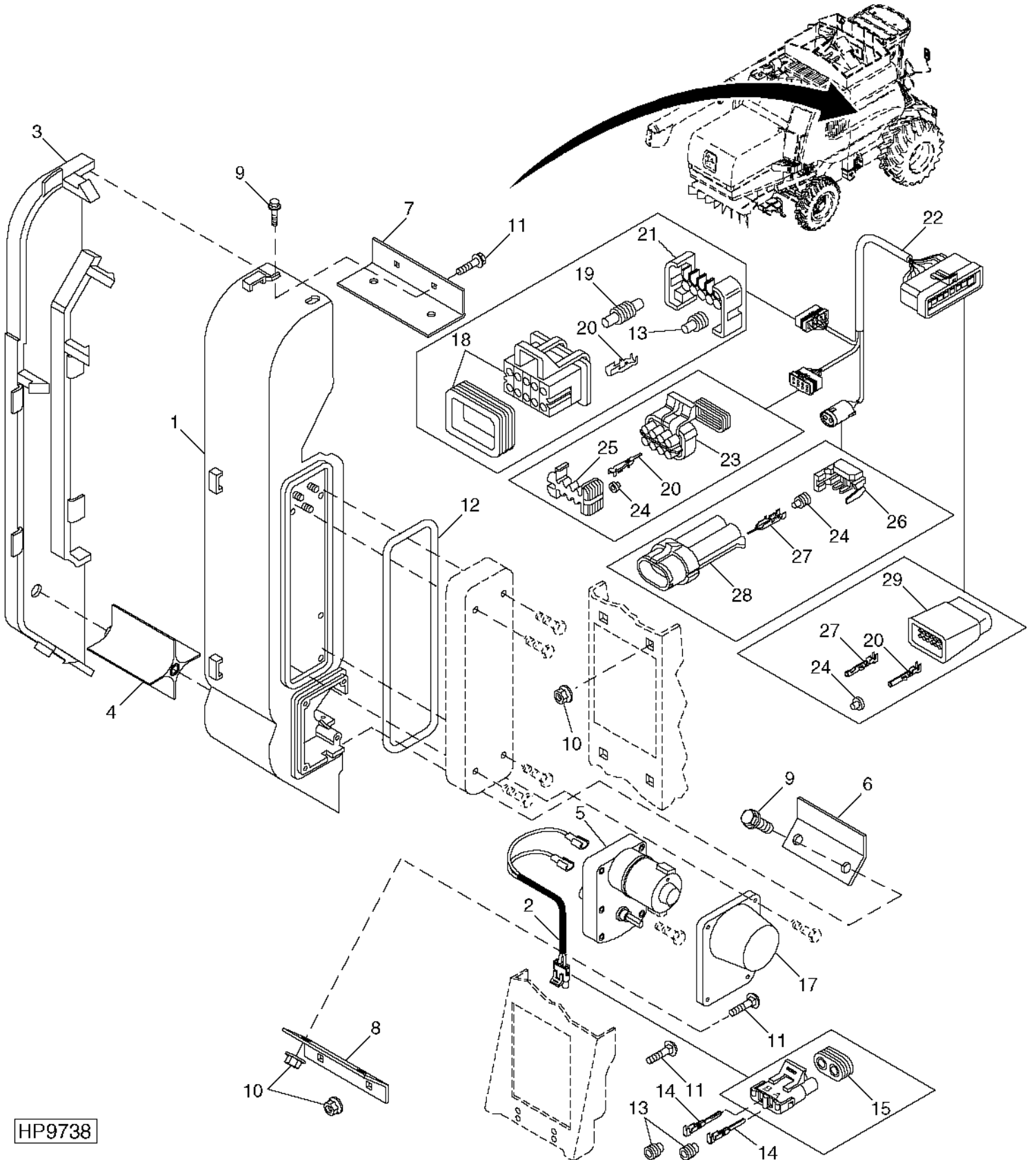
**MASS FLOW SENSOR - CONTINUED**

| KEY | PART NO.       | PART NAME                          | QTY      | SERIAL NO. | REMARKS                                   |
|-----|----------------|------------------------------------|----------|------------|---|
| 1   | AH163359       | SENSOR                             | 1        |            | (SUB FOR PF80000)                         |
| 2   | AH165256       | BRACKET                            | 1        | -686306    |   |
|     | AH164349       | BRACKET                            | 1        | 686307-    |   |
| 3   | PF80047        | BRACKET                            | 1        |            |   |
| 4   | PF10350        | SPACER                             | 2        |            |   |
| 5   | H135891        | LOCK NUT                           | AR       |            |   |
| 6   | 14M7303        | FLANGE NUT                         | 4        | M6         |   |
| 7   | 03M7190        | BOLT                               | 4        | M10 X 20   |   |
| 8   | 21M1690        | WING SCREW                         | 2        | M6 X 16    |   |
| 9   | PF10173        | COVER                              | 1        |            |   |
| 10  | H171004        | COVER                              | 1        |            | WHEN MASS-FLOW SENSOR IS NOT USED         |
| 11  | AH165189       | WIRING HARNESS                     | 1        |            |   |
| 12  | R78059         | ELECTRICAL PLUG                    | 1        |            | (PKG. OF 40) (18 OR 20 GA. WIRE) (GREEN)  |
| 13  | R78057         | SOCKET CONTACT                     | 1        |            | (PKG. OF 40) (18 OR 20 GA. WIRE) (NO. 19) |
| 14  | R78055         | PIN CONTACT CONNECTOR BODY         | 1        |            | (PKG. OF 2)                               |
| 15  | R78064         | ELECTRICAL PLUG                    | 1        |            | (PKG. OF 40)                              |
| 16  | R78049         | SEAL                               | 1        |            | (PKG. OF 5)                               |
| 17  | RE12364        | SOCKET CONT.CONNECTOR BODY         | 1        |            | (PKG. OF 3)                               |
| 18  | R78058         | PIN CONTACT                        | 1        |            | (PKG. OR 40) (18 OR 20 GA. WIRE) (NO. 19) |
| 19  | Z36140         | WASHER                             | 4        |            |   |
| 20  | 24H1313        | WASHER                             | 4        |            | 13/32" X 1-3/4" X 0.065"                  |
| 21  | PF10350        | SPACER                             | 1        | -686306    |   |
|     | H172113        | SPACER                             | 1        | 686307-    |   |
| 22  | AH164288       | MASS FLOW SENSOR MODULE            | 1        | 686307-    |   |
| 23  | H167717        | SHEET                              | 1        |            |   |
| ..  | <b>BH81742</b> | <b>COMPLETE GOODS/SHIP. BUNDLE</b> | <b>1</b> |            | <b>YIELD MAP KIT</b>                      |
| ..  | <b>BH81758</b> | <b>COMPLETE GOODS/SHIP. BUNDLE</b> | <b>1</b> |            | <b>MAPPING CONVERSION KIT</b>             |
| ..  | <b>BH81760</b> | <b>COMPLETE GOODS/SHIP. BUNDLE</b> | <b>1</b> |            | <b>MONITOR CONVERSION KIT</b>             |

# 4F8

GREENSTAR YIELD MAPPING AND MONITOR SYSTEMS

**MOISTURE SENSOR**  
HP9738 -UN-28APR00



# 4F9

## GREENSTAR YIELD MAPPING AND MONITOR SYSTEMS

### MOISTURE SENSOR - CONTINUED

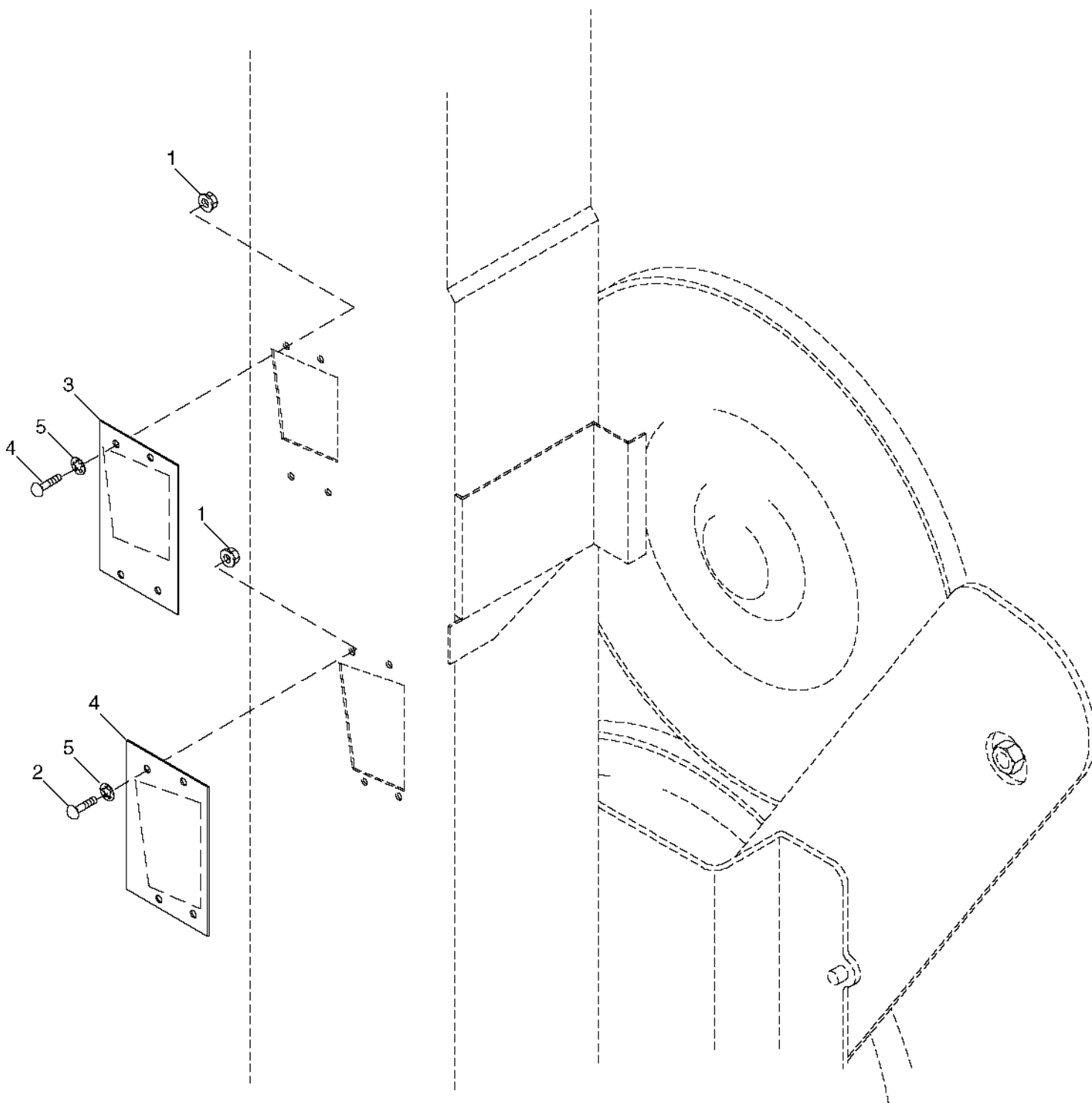
| KEY | PART NO.       | PART NAME                          | QTY      | SERIAL NO. | REMARKS                                   |
|-----|----------------|------------------------------------|----------|------------|---|
| 1   | PF80152        | MOISTURE SENSOR MODULE             | 1        | -686306    |   |
|     | AH167407       | SENSOR                             | 1        | 686307-    |   |
| 2   | PF80058        | MOTOR WIRING HARNESS               | 1        |            |   |
| 3   | PF10034        | COVER                              | 1        |            |   |
| 4   | PF80045        | PADDLE WHEEL ASSEMBLY              | 1        |            |   |
| 5   | AH128865       | ELECTRIC MOTOR                     | 1        |            |   |
| 6   | PF10218        | BRACKET                            | 1        |            | MIDDLE                                    |
| 7   | PF80022        | BRACKET                            | 1        |            | TOP                                       |
| 8   | PF10106        | BRACKET                            | 1        |            | BOTTOM                                    |
| 9   | 19M7774        | SCREW                              | 2        |            | M6 X 12                                   |
| 10  | 14M7303        | FLANGE NUT                         | 8        |            | M6  |
| 11  | 03M7221        | BOLT                               | 8        |            | M6 X 16                                   |
| 12  | PF10349        | O-RING                             | 1        |            |   |
| 13  | R78063         | TERMINAL NIPPLE                    | 1        |            | (PKG. OF 40) (16 GA. WIRE) (GRAY)         |
| 14  | R78060         | SOCKET CONTACT                     | 1        |            | (PKG. OF 40) (14 OR 16 GA. WIRE) (NO. 15) |
| 15  | R78048         | TERMINAL NIPPLE                    | 1        |            | (PKG. OF 5)                               |
| 16  | RE12363        | CONNECTOR                          | 1        |            | (PKG. OF 3)                               |
| 17  | PF10035        | COVER                              | 1        |            |   |
| 18  | 57M7262        | RECEPTACLE CONNECTOR BODY          | 1        |            |   |
| 19  | 57M7259        | ELECTRICAL PLUG                    | 1        |            |   |
| 20  | R104846        | SOCKET CONTACT                     | 1        |            | (PKG. OF 10) (16 GA WIRE)                 |
| 21  | 57M7281        | CONNECTOR                          | 1        |            |   |
| 22  | AH163684       | WIRING HARNESS                     | 1        |            |   |
| 23  | 57M7261        | RECEPTACLE CONNECTOR BODY          | 1        |            |   |
| 24  | 57M7258        | ELECTRICAL PLUG                    | 1        |            |   |
| 25  | 57M7296        | CONNECTOR                          | 1        |            |   |
| 26  | 57M7316        | CONNECTOR                          | 1        |            |   |
| 27  | R104919        | PIN CONTACT                        | 1        |            |   |
| 28  | 57M7256        | PIN CONTACT CONNECTOR BODY         | 1        |            |   |
| 29  | .....          | CONNECTOR                          | 1        |            |   |
| ..  | <b>BH81742</b> | <b>COMPLETE GOODS/SHIP. BUNDLE</b> | <b>1</b> |            | <b>YIELD MAP KIT</b>                      |

# 4F10

GREENSTAR YIELD MAPPING AND MONITOR SYSTEMS

**MOISTURE SENSOR COVERS**  
**WHEN MOISTURE SENSOR IS NOT USED**

HP9465 -UN-14FEB00



HP9465



# 4F11

GREENSTAR YIELD MAPPING AND MONITOR SYSTEMS

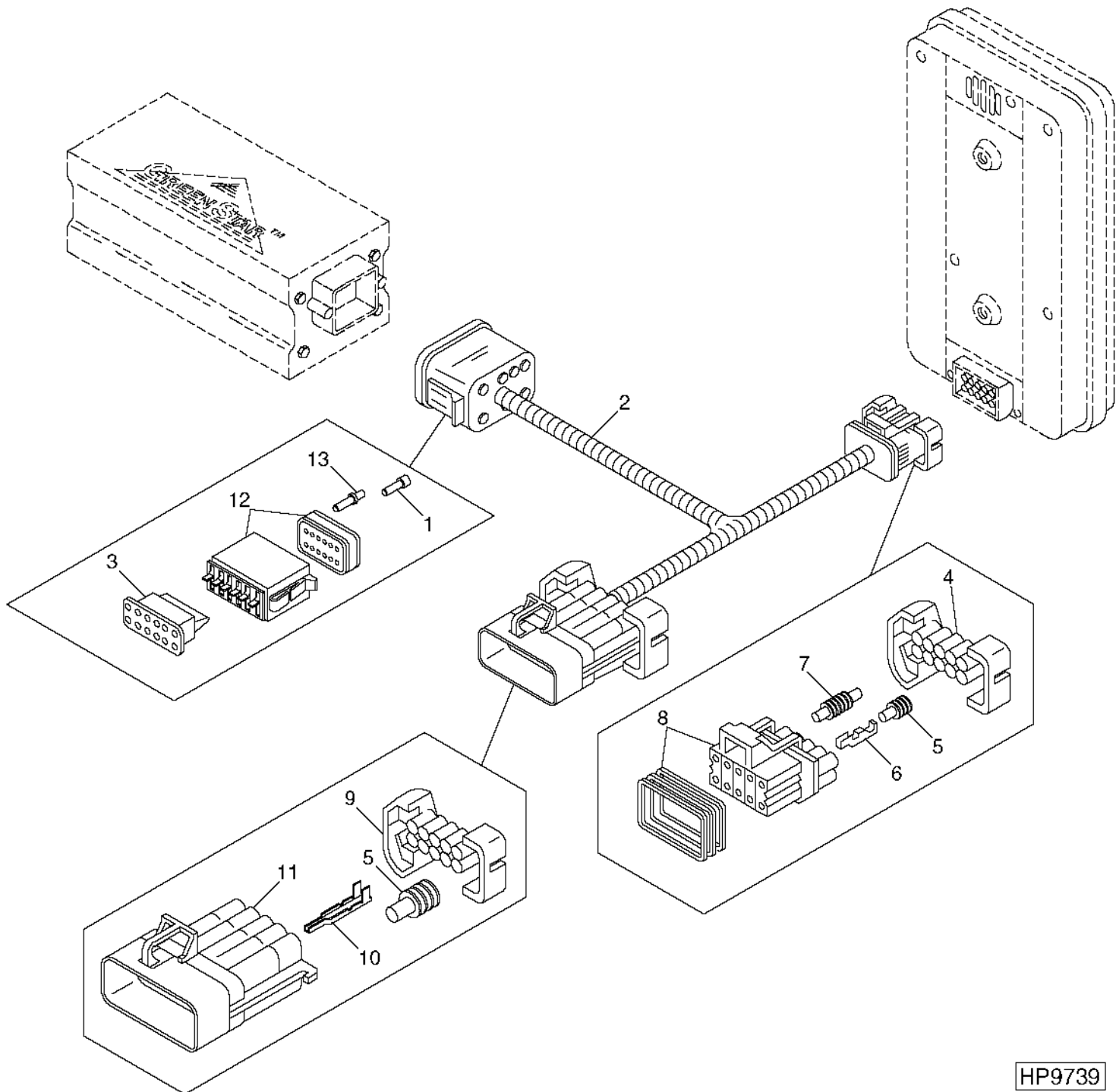
**MOISTURE SENSOR COVERS  
WHEN MOISTURE SENSOR IS NOT USED**

| KEY | PART NO. | PART NAME  | QTY | SERIAL NO. | REMARKS |
|-----|----------|------------|-----|------------|---------|
| 1   | 14M7303  | FLANGE NUT | 8   | M6         |         |
| 2   | 03M7221  | BOLT       | 8   | M6 X 16    |         |
| 3   | PF80173  | COVER      | 1   | UPPER      |         |
| 4   | PF80174  | COVER      | 1   | LOWER      |         |
| 5   | M80082   | NUT        | 8   |            |         |

# 4F12

GREENSTAR YIELD MAPPING AND MONITOR SYSTEMS

**DATASTORE HARNESS**  
HP9739 -UN-28APR00



HP9739

# 4F13

GREENSTAR YIELD MAPPING AND MONITOR SYSTEMS

## DATASTORE HARNESS - CONTINUED

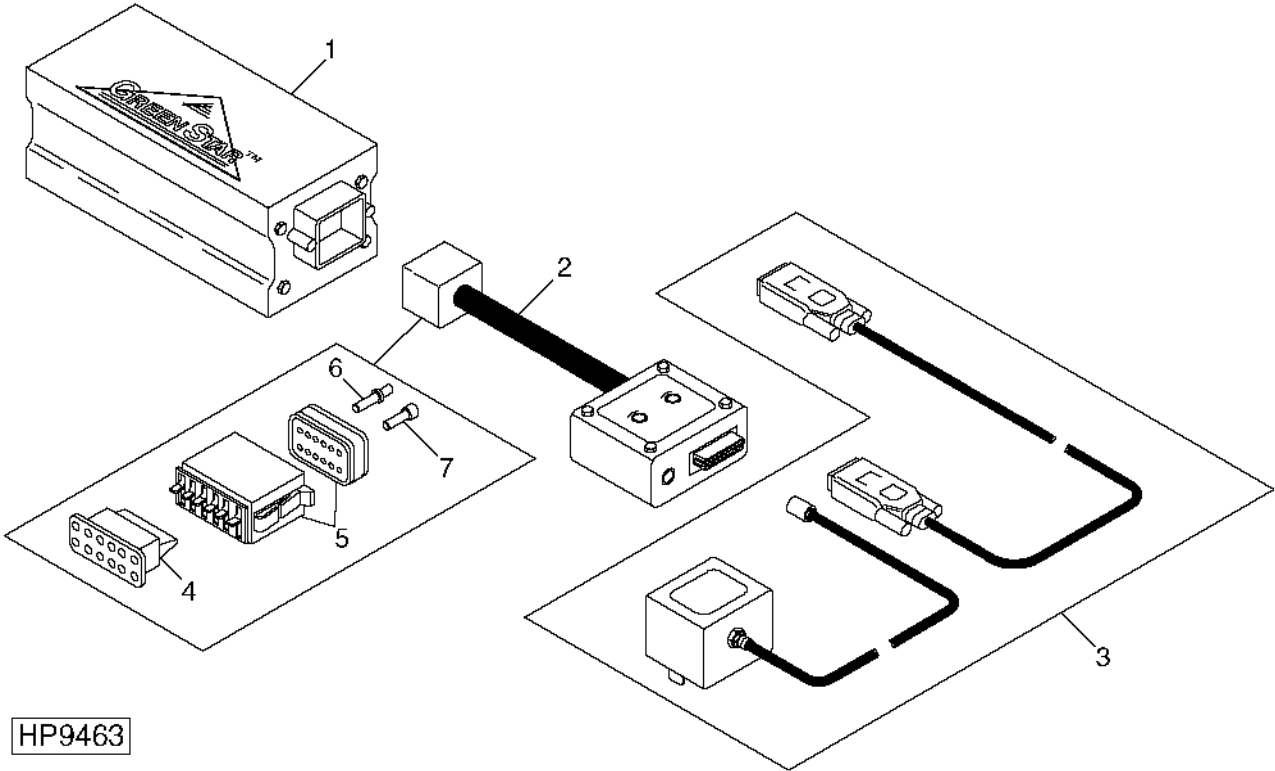
| KEY | PART NO. | PART NAME         | QTY | SERIAL NO. | REMARKS                    |
|-----|----------|-------------------|-----|------------|----------------------------|
| 1   | R78069   | ELECTRICAL PLUG   | 1   |            |                            |
| 2   | PF80136  | WIRING HARNESS    | 1   |            |                            |
| 3   | 57M7681  | INSULATING SLEEVE | 1   |            |                            |
| 4   | 57M7281  | CONNECTOR         | 1   |            |                            |
| 5   | R78063   | TERMINAL NIPPLE   | 1   |            |                            |
| 6   | R104846  | SOCKET CONTACT    | 1   |            | (PKG. OF 10) (16 GA. WIRE) |
| 7   | 57M7259  | ELECTRICAL PLUG   | 1   |            |                            |
| 8   | RE42195  | CONNECTOR         | 1   |            |                            |
| 9   | 57M7281  | CONNECTOR         | 1   |            |                            |
| 10  | R104919  | PIN CONTACT       | 1   |            |                            |
| 11  | RE42196  | CONNECTOR         | 1   |            |                            |
| 12  | 57M8039  | ELECTRICAL PLUG   | 1   |            |                            |
| 13  | R78965   | FITTING           | 1   |            |                            |

# 4F14

GREENSTAR YIELD MAPPING AND MONITOR SYSTEMS

**DATASTORE**

HP9463 -UN-10JAN00



**HP9463**

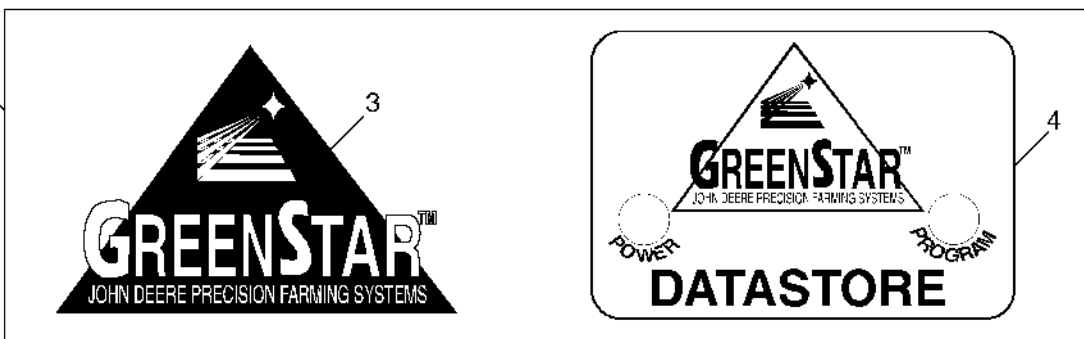
| KEY | PART NO. | PART NAME         | QTY | SERIAL NO. | REMARKS           |
|-----|----------|-------------------|-----|------------|-------------------|
| 1   | PF80335  | MODULE            | 1   |            | (SUB FOR PF80139) |
| 2   | PF80334  | MODULE            | 1   |            | (SUB FOR PF80137) |
| 3   | PF80338  | POWER SUPPLY      | 1   |            |                   |
| 4   | 57M7681  | INSULATING SLEEVE | 1   |            |                   |
| 5   | 57M8039  | ELECTRICAL PLUG   | 1   |            |                   |
| 6   | R78965   | FITTING           | 1   |            |                   |
| 7   | R78069   | ELECTRICAL PLUG   | 1   |            |                   |

# 4F15

GREENSTAR YIELD MAPPING AND MONITOR SYSTEMS

**DECALS**

HP9461 -UN-11JAN00



HP9461

| KEY | PART NO. | PART NAME | QTY | SERIAL NO. | REMARKS                             |
|-----|----------|-----------|-----|------------|-------------------------------------|
| 1   | PF10144  | DECAL     | 1   |            | MOISTURE SENSOR                     |
| 2   | H163216  | LABEL     | 2   |            | COMBINE GREENSTAR                   |
| 3   | .....    | DECAL     | 1   |            | (ORDER PF80339) DATASTORE UNIT      |
| 4   | .....    | DECAL     | 1   |            | (ORDER PF80339) DATASTORE INTERFACE |
| 5   | PF80339  | DECAL     | 1   |            | DATA STOR DECAL KIT                 |

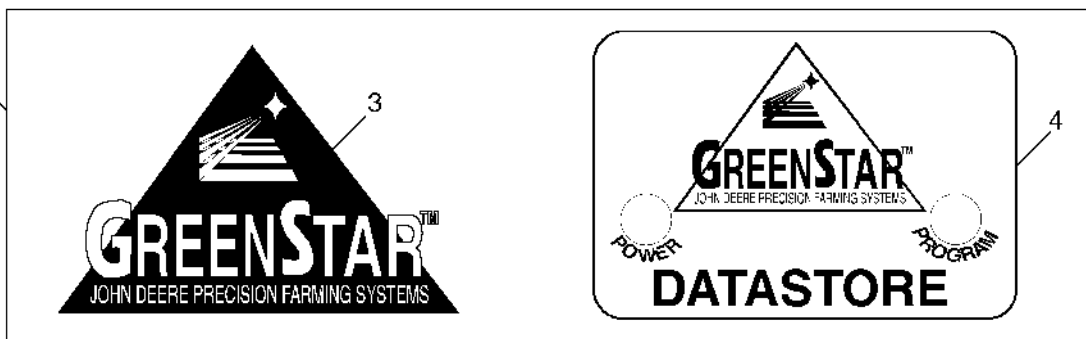
MEMORANDA

# 4F16

GREENSTAR YIELD MAPPING AND MONITOR SYSTEMS

**DECALS**

HP9461 -UN-11JAN00



HP9461

| KEY | PART NO. | PART NAME | QTY | SERIAL NO. | REMARKS                             |
|-----|----------|-----------|-----|------------|-------------------------------------|
| 1   | PF10144  | DECAL     | 1   |            | MOISTURE SENSOR                     |
| 2   | H163216  | LABEL     | 2   |            | COMBINE GREENSTAR                   |
| 3   | .....    | DECAL     | 1   |            | (ORDER PF80339) DATASTORE UNIT      |
| 4   | .....    | DECAL     | 1   |            | (ORDER PF80339) DATASTORE INTERFACE |
| 5   | PF80339  | DECAL     | 1   |            | DATA STOR DECAL KIT                 |

MEMORANDA

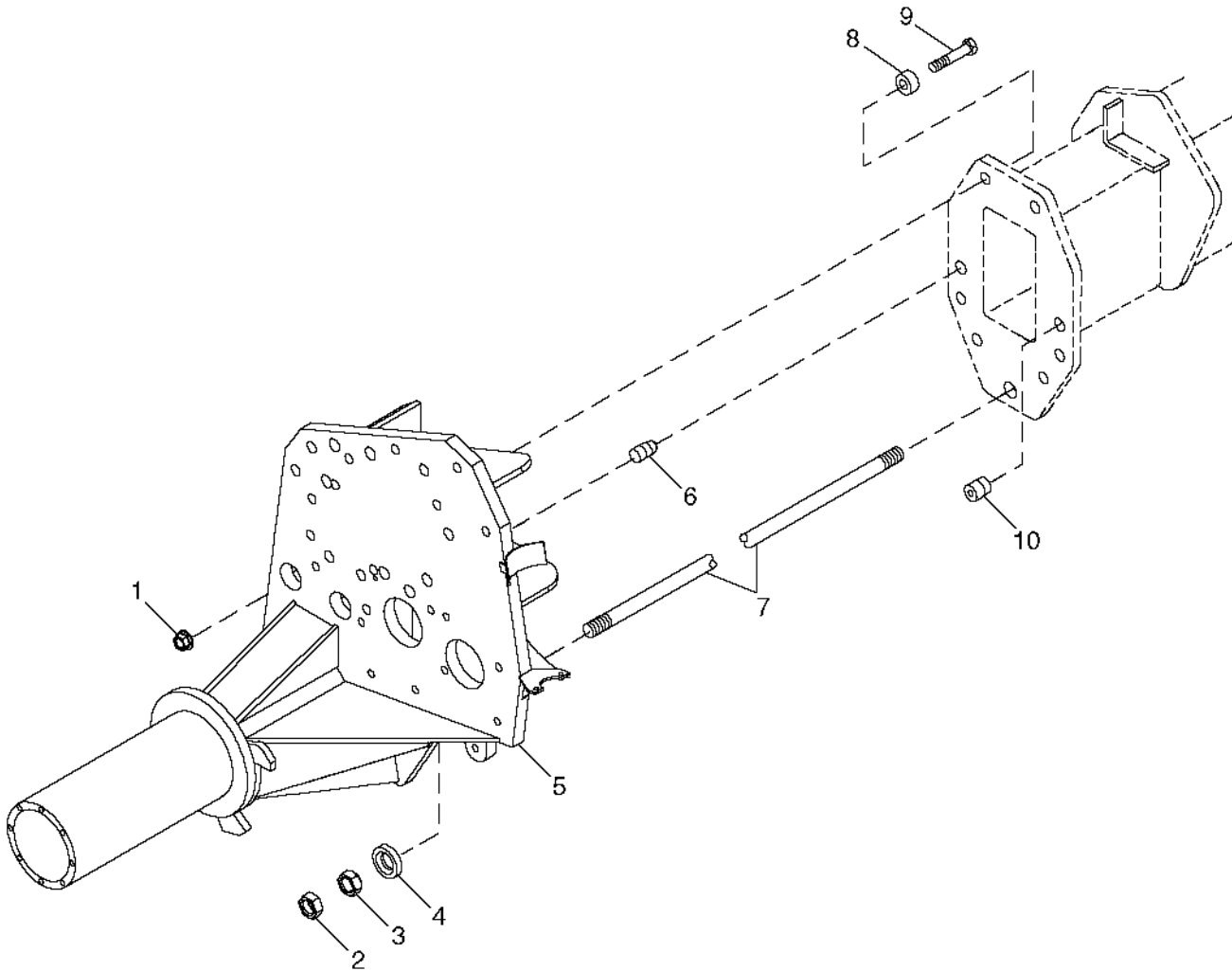


MEMORANDA

# 4F18

RUBBER TRACK SYSTEM

TRACK FRAME MOUNTING  
HP8805 -UN-08JUL99



HP8805

# 4F19

RUBBER TRACK SYSTEM

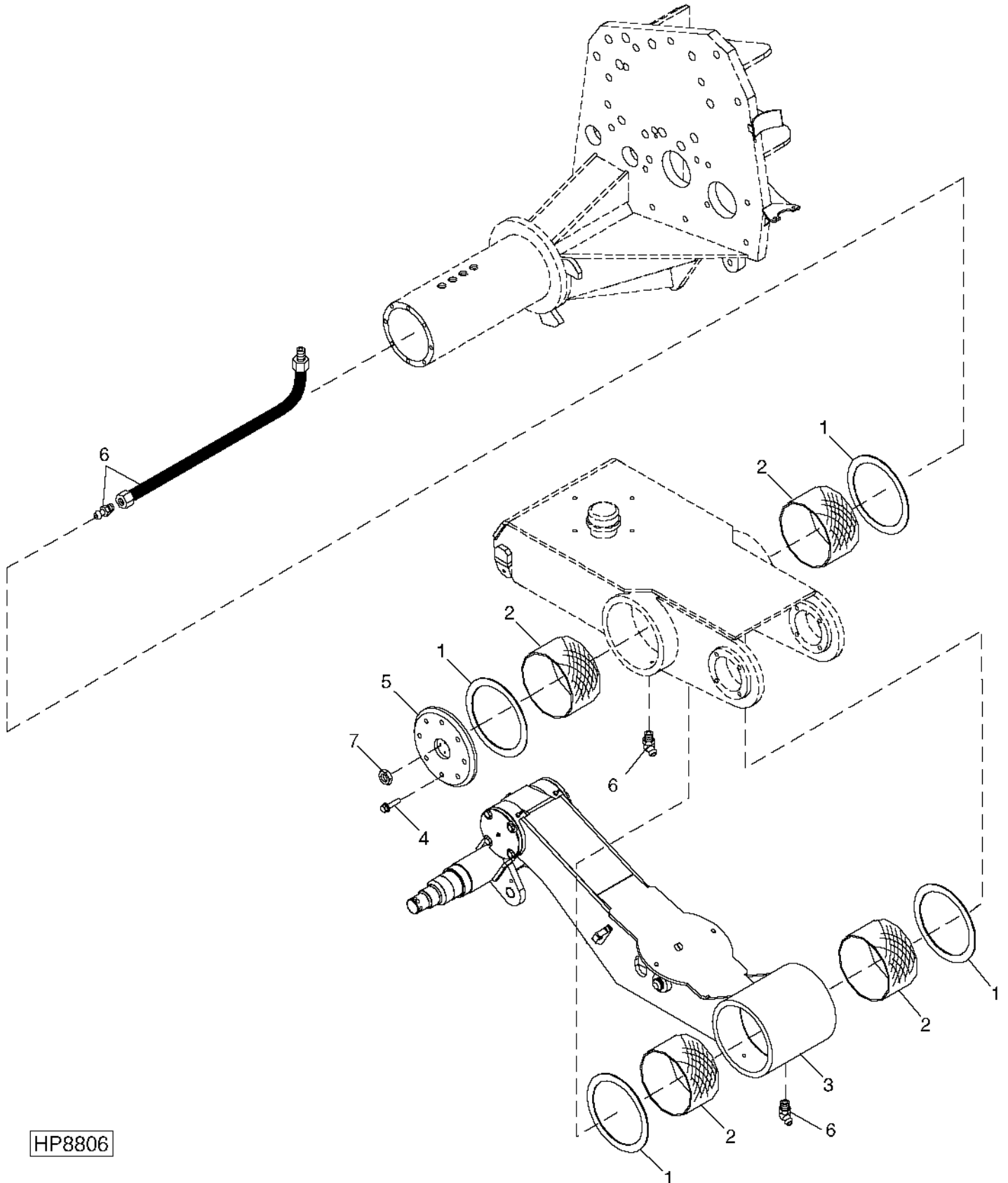
## TRACK FRAME MOUNTING - CONTINUED

| KEY | PART NO.        | PART NAME                          | QTY      | SERIAL NO. | REMARKS                           |
|-----|-----------------|------------------------------------|----------|------------|-----------------------------------|
| 1   | 14M7300         | FLANGE NUT                         | 12       |            | M20, SINGLE REDUCTION FINAL DRIVE |
| 2   | 14M7431         | NUT                                | 2        |            | M30                               |
| 3   | H130288         | NUT                                | 2        |            | M30                               |
| 4   | H130287         | SPACER                             | 2        |            | 36 X 69.850 X 14 MM               |
| 5   | AH164391        | FRAME                              | 1        |            | R.H.                              |
|     | AH165202        | FRAME                              | 1        |            | L.H.                              |
| 6   | H146868         | DOWEL PIN                          | 4        |            | SINGLE REDUCTION FINAL DRIVE      |
| 7   | H133635         | ROD                                | 1        |            |                                   |
| 8   | H156127         | SLEEVE                             | 12       |            |                                   |
| 9   | 19M7963         | CAP SCREW                          | 12       |            | M20 X 100                         |
| 10  | H87691          | BUSHING                            | 2        |            |                                   |
| ..  | <b>AH150593</b> | <b>COMPLETE GOODS/SHIP. BUNDLE</b> | <b>1</b> |            | <b>SHIPPING FRAME</b>             |

# 4F20

RUBBER TRACK SYSTEM

MAIN FRAME PIVOT BUSHINGS  
HP8806 -UN-09JUL99



HP8806

# 4F21

RUBBER TRACK SYSTEM

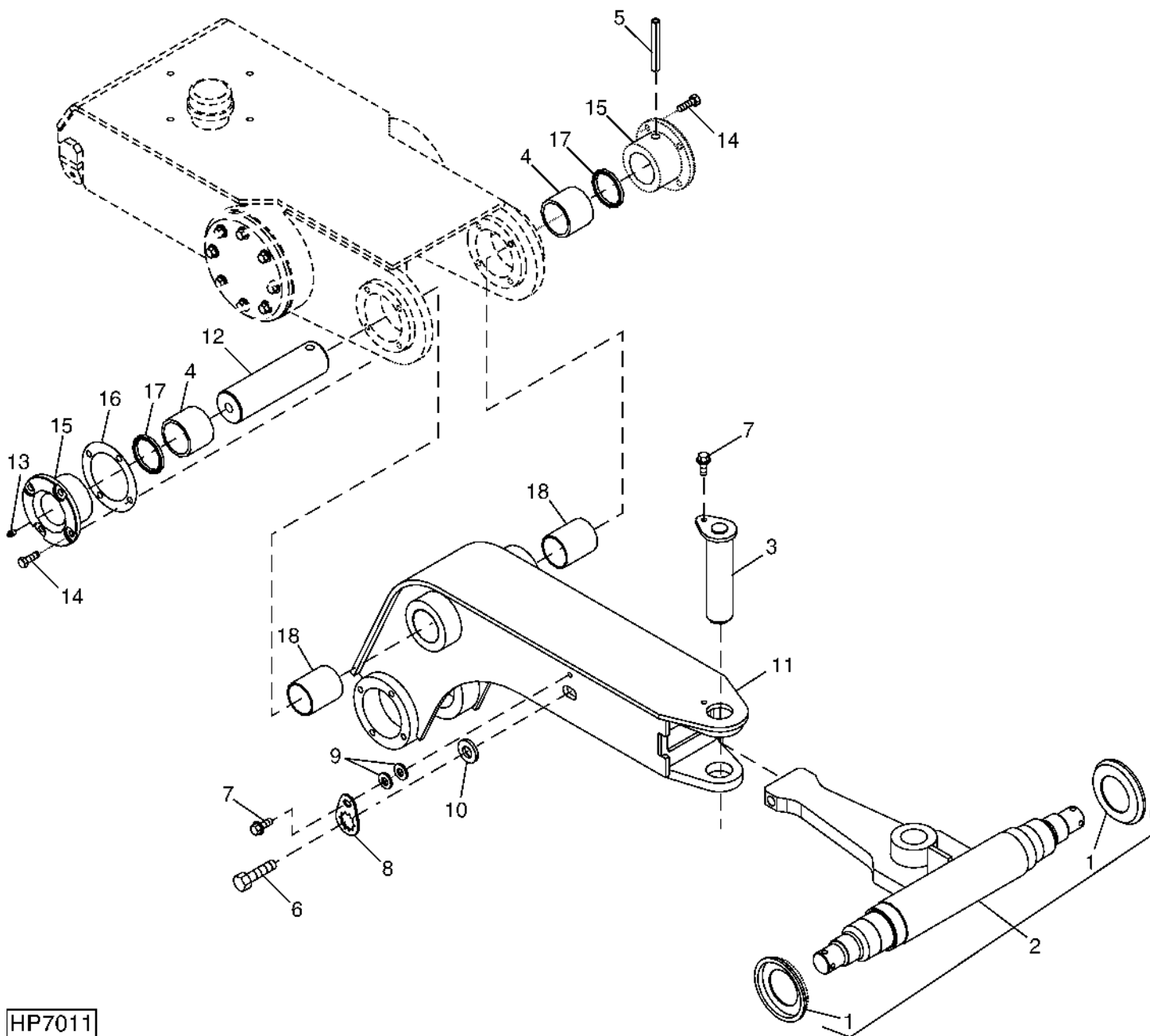
## MAIN FRAME PIVOT BUSHINGS - CONTINUED

| KEY | PART NO. | PART NAME           | QTY | SERIAL NO. | REMARKS |
|-----|----------|---------------------|-----|------------|---------|
| 1   | H152745  | WASHER              | 4   |            |         |
| 2   | H170357  | BUSHING             | 4   |            |         |
| 3   | JD7763   | LUBRICATION FITTING | 4   |            |         |
| 4   | 19M7814  | SCREW               | 8   | M12 X 50   |         |
| 5   | AH163817 | CAP                 | 1   |            |         |
| 6   | AT184336 | HYDRAULIC HOSE      | 4   |            |         |
| 7   | E12379   | NUT                 | 4   |            |         |

# 4F22

## FRONT ARM AND ADJUSTABLE IDLER ASSEMBLY

HP7011 -UN-15JUL97



HP7011

# 4F23

RUBBER TRACK SYSTEM

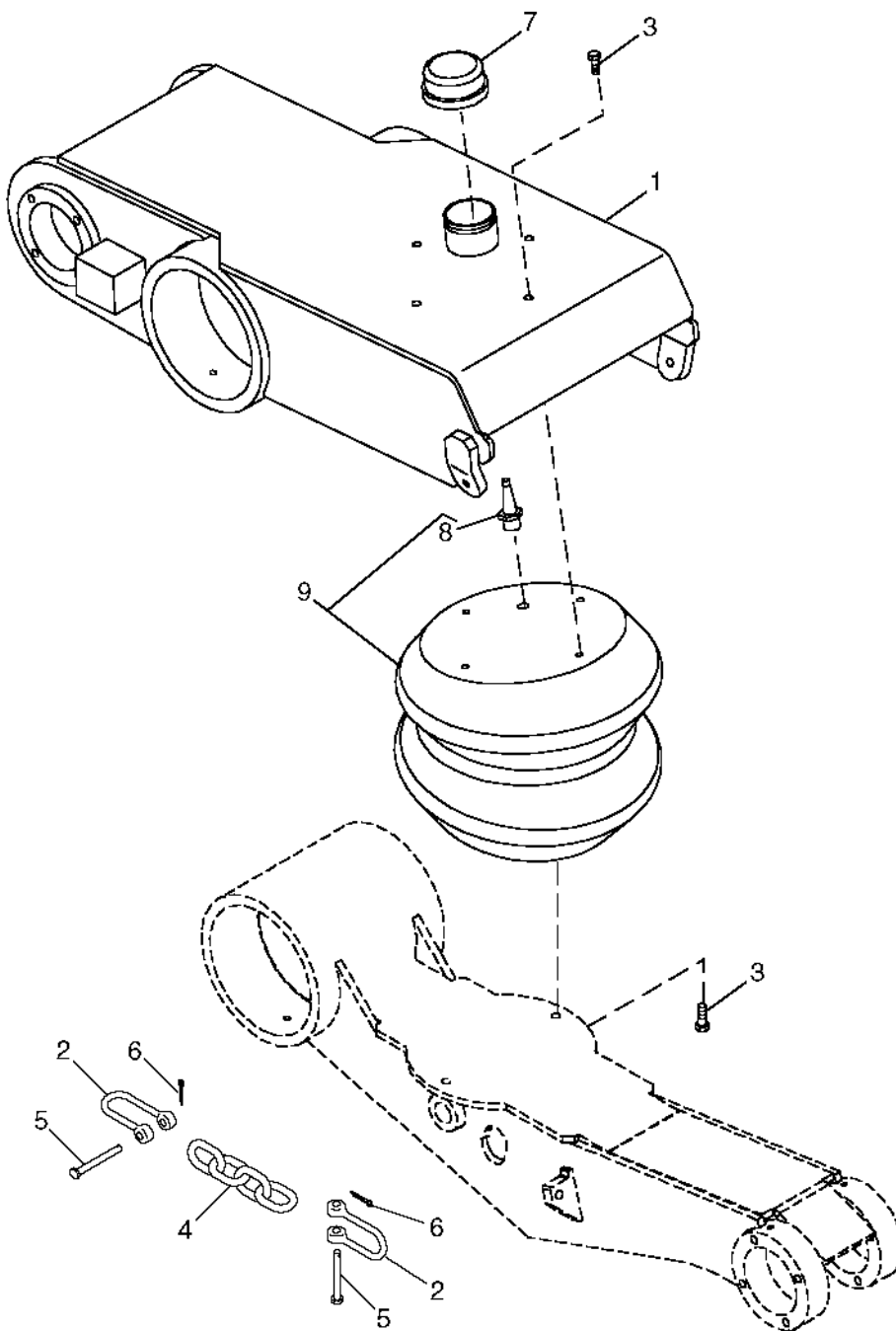
## FRONT ARM AND ADJUSTABLE IDLER ASSEMBLY - CONTINUED

| KEY | PART NO. | PART NAME           | QTY | SERIAL NO.   | REMARKS |
|-----|----------|---------------------|-----|--|---------|
| 1   | H152741  | RETAINER            | 2   |  |         |
| 2   | AH146864 | AXLE                | 1   |  |         |
| 3   | AH149752 | KINGPIN             | 1   |  |         |
| 4   | T122720  | BUSHING             | 2   | (A)  |         |
| 5   | 34M7254  | SPRING PIN          | 1   | (A) 16 X 90 MM   |         |
| 6   | 19M8639  | CAP SCREW           | 2   | M20 X 70   |         |
| 7   | 19M7785  | SCREW               | 3   | M10 X 25   |         |
| 8   | H157868  | RETAINER            | 2   |  |         |
| 9   | 24M7028  | WASHER              | 4   | 10.500 X 20 X 2 MM   |         |
| 10  | H170552  | WASHER              | 2   |  |         |
| 11  | AH165222 | SUPPORT             | 1   |  |         |
| 12  | H163999  | PIN                 | 1   | (A)  |         |
| 13  | JD7759   | LUBRICATION FITTING | 1   | (A)  |         |
| 14  | 19M8011  | CAP SCREW           | 8   | (A) M12 X 30   |         |
| 15  | H164001  | BEARING CAP         | 2   | (A)  |         |
| 16  | H157615  | SHIM                | AR  | (A) .508 MM  |         |
|     | H157616  | SHIM                | AR  | (A) .254 MM  |         |
|     | H157617  | SHIM                | AR  | (A) .127 MM  |         |
|     | H157696  | WASHER              | AR  | (A) 1.0 MM   |         |
| 17  | T68818   | SEAL                | 2   | (A)  |         |
| 18  | H164002  | SLEEVE              | 2   | (A) REQUIRES TY15969 MAXIMUM STRENGTH<br>RETAINING COMPOUND FOR INSTALLATION         |         |
| ..  | TY15969  | ADHESIVE            | 1   | MAXIMUM STRENGTH RETAINING COMPOUND; REQUIRED<br>FOR INSTALLATION OF SLEEVES H164002 |         |
| ..  | AH157937 | KIT                 | 1   | TRACK DRIVE BUSHING REPLACEMENT KIT; INCLUDES<br>ALL PARTS MARKED (A)                |         |

# 4F24

RUBBER TRACK SYSTEM

AIR SUSPENSION  
HP8807 -UN-08JUL99



HP8807



# 4F25

RUBBER TRACK SYSTEM

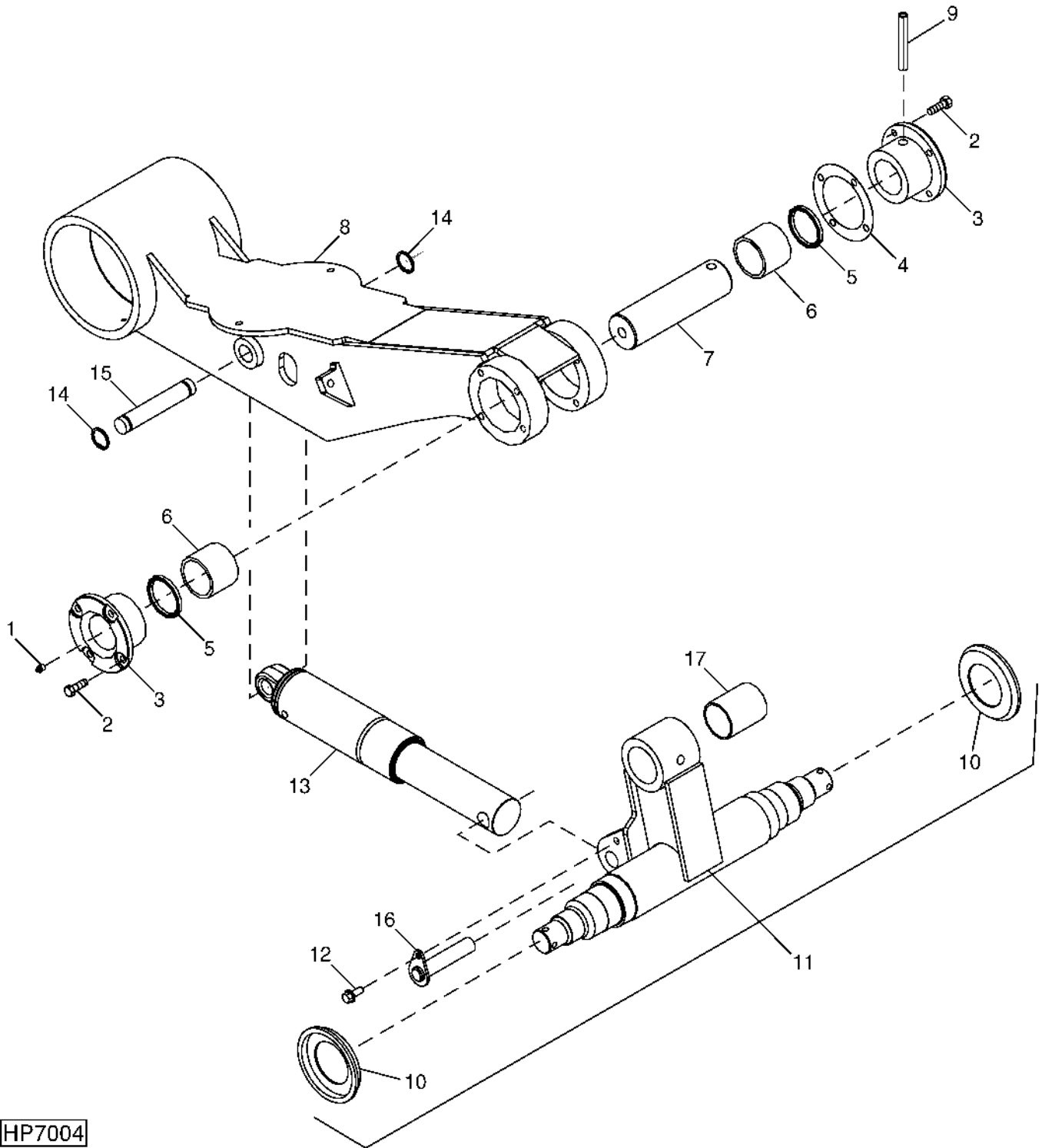
## AIR SUSPENSION - CONTINUED

| KEY | PART NO. | PART NAME       | QTY | SERIAL NO. | REMARKS            |
|-----|----------|-----------------|-----|------------|--------------------|
| 1   | AH146871 | HOUSING         | 1   |            | R.H.               |
|     | AH147118 | HOUSING         | 1   |            | L.H.               |
| 2   | H170718  | CLEVIS          | 8   |            |                    |
| 3   | 19H2676  | CAP SCREW       | 6   |            | 3/8" X 1"          |
| 4   | AH146979 | LINK CHAIN      | 2   |            |                    |
| 5   | A15719   | PIN             | 4   |            | 11.125 X 50.800 MM |
| 6   | 11M7084  | COTTER PIN      | 4   |            | 5 X 25 MM          |
| 7   | 15H658   | FITTING         | 1   |            |                    |
| 8   | AH150490 | TIRE VALVE STEM | 1   |            |                    |
| 9   | AH168710 | ABSORBER        | 1   |            | (SUB FOR AH145385) |

# 4G1

RUBBER TRACK SYSTEM

## REAR ARM, TENSION CYLINDER AND IDLER AXLE HP7004 -UN-15JUL97



HP7004

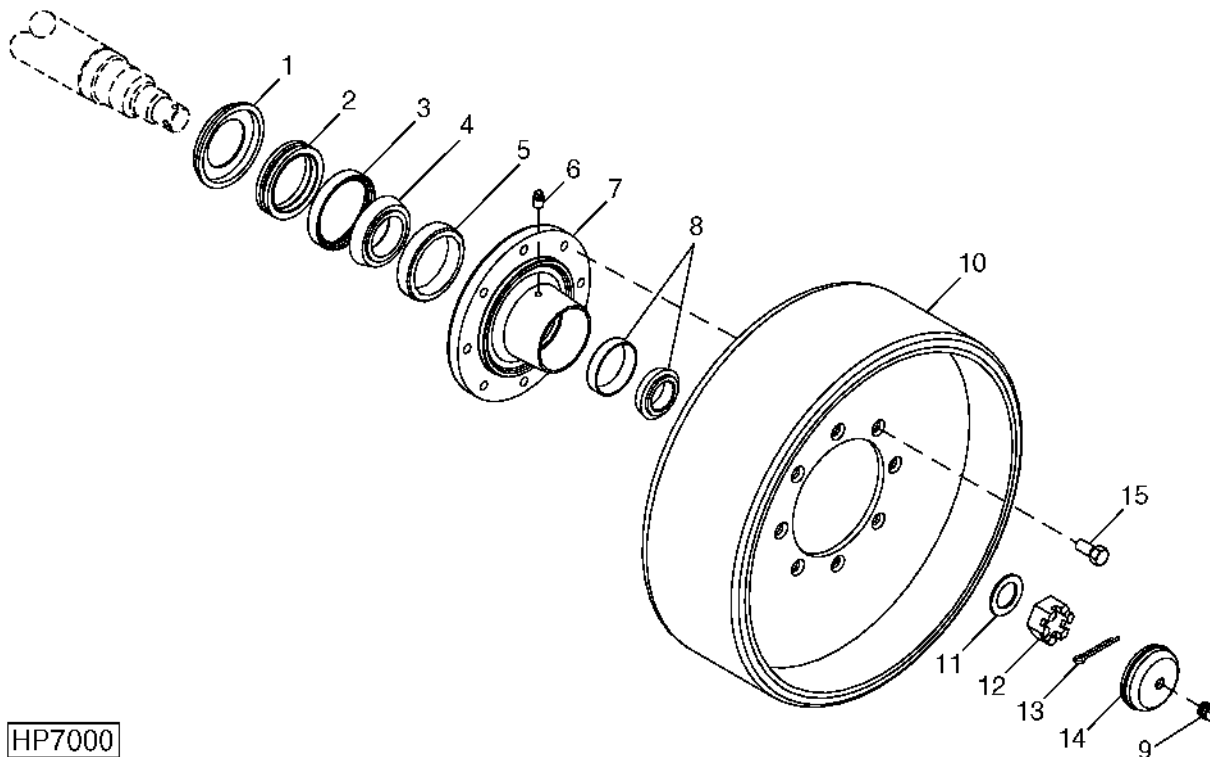
# 4G2

## RUBBER TRACK SYSTEM

### REAR ARM, TENSION CYLINDER AND IDLER AXLE - CONTINUED

| KEY | PART NO. | PART NAME           | QTY | SERIAL NO. | REMARKS   |
|-----|----------|---------------------|-----|------------|---|
| 1   | JD7759   | LUBRICATION FITTING | 1   | (A)        |   |
| 2   | 19M8011  | CAP SCREW           | 8   | (A)        | M12 X 30  |
| 3   | H164001  | BEARING CAP         | 2   | (A)        |   |
| 4   | H157615  | SHIM                | AR  | (A)        | .508 MM   |
|     | H157616  | SHIM                | AR  | (A)        | .254 MM   |
|     | H157617  | SHIM                | AR  | (A)        | .127 MM   |
|     | H157696  | WASHER              | AR  | (A)        | 1.0 MM  |
| 5   | T68818   | SEAL                | 2   | (A)        |   |
| 6   | T122720  | BUSHING             | 2   | (A)        |   |
| 7   | H164000  | PIN                 | 1   | (A)        |   |
| 8   | AH165223 | CYLINDER            | 1   |            |   |
| 9   | 34M7254  | SPRING PIN          | 1   | (A)        | 16 X 90 MM  |
| 10  | H152741  | RETAINER            | 2   |            |   |
| 11  | AH164289 | AXLE                | 1   |            |   |
| 12  | 19M7785  | SCREW               | 1   |            | M10 X 25  |
| 13  | AH149862 | HYDRAULIC CYLINDER  | 1   |            |   |
| 14  | T140425  | SNAP RING           | 2   |            |   |
| 15  | H159887  | PIN                 | 1   |            |   |
| 16  | AH150166 | PIN                 | 1   |            |   |
| 17  | H164002  | SLEEVE              | 1   |            | (A) REQUIRES TY15969 MAXIMUM STRENGTH<br>RETAINING COMPOUND FOR INSTALLATION        |
| ..  | TY15969  | ADHESIVE            | 1   |            | MAXIMUM STRENGTH RETAINING COMPOUND; REQUIRED<br>FOR INSTALLATION OF SLEEVE H164002 |

**IDLER WHEEL ASSEMBLY**  
HP7000 -UN-11SEP97



HP7000

| KEY | PART NO. | PART NAME      | QTY | SERIAL NO.  | REMARKS |
|-----|----------|----------------|-----|-------------|---------|
| 1   | H152741  | RETAINER       | 1   |             |         |
| 2   | RE62719  | SEAL           | 1   |             |         |
| 3   | H152740  | RETAINER       | 1   |             |         |
| 4   | JD10266  | BEARING CONE   | 1   |             |         |
| 5   | JD7298   | BEARING CUP    | 1   |             |         |
| 6   | 15H638   | PIPE PLUG      | 2   | 1/8"        |         |
| 7   | H152409  | HUB            | 1   |             |         |
| 8   | AT121137 | ROLLER BEARING | 1   | MATCHED SET |         |
| 9   | 15H254   | PIPE PLUG      | 1   | 1/4"        |         |
| 10  | AH146764 | WHEEL          | 1   |             |         |
| 11  | CA25242  | WASHER         | 1   |             |         |
| 12  | T46438   | NUT            | 1   |             |         |
| 13  | 11H227   | COTTER PIN     | 1   |             |         |
| 14  | AH160573 | BEARING CAP    | 1   |             |         |
| 15  | R35192   | WHEEL BOLT     | 8   |             |         |

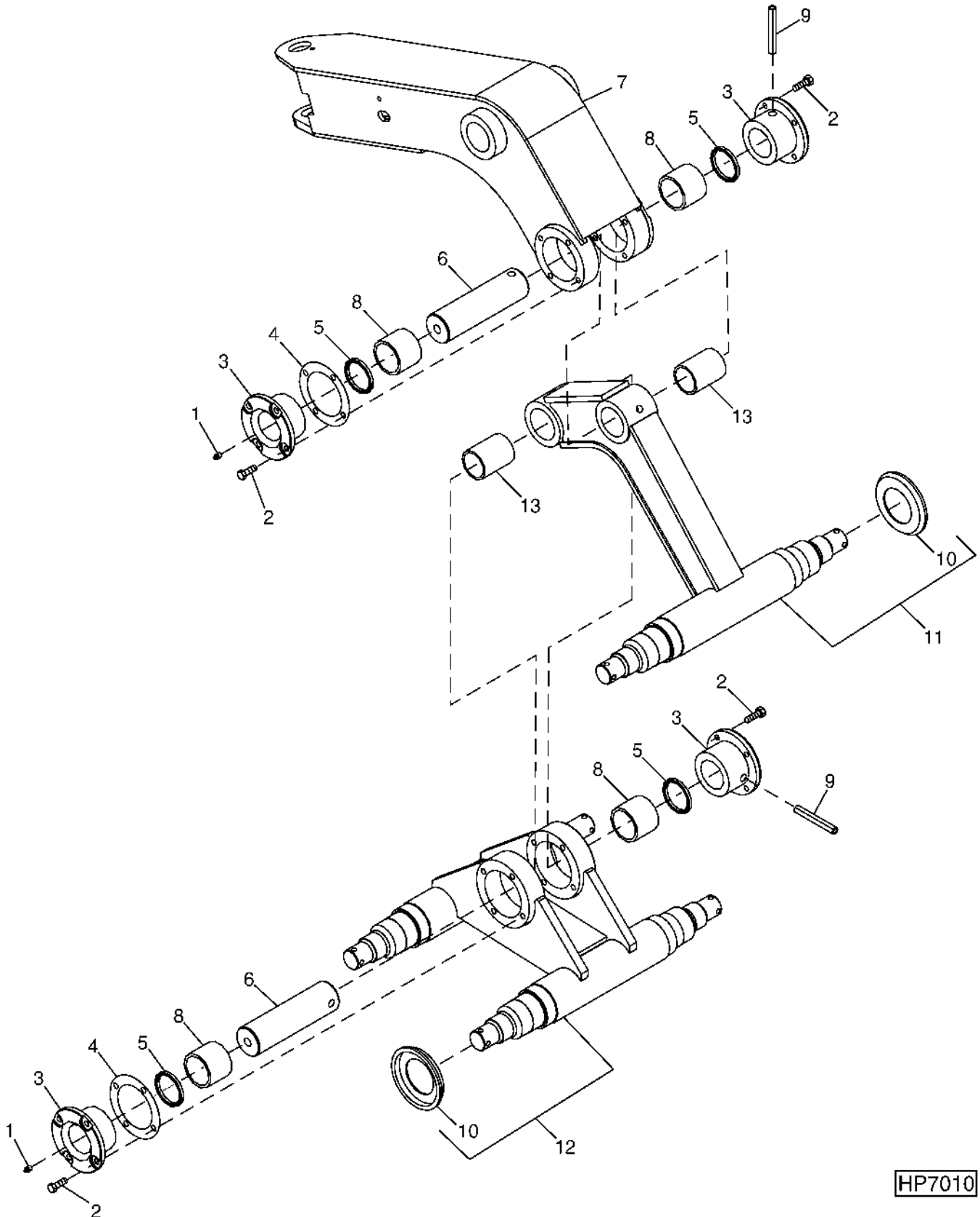
NOTE: QUANTITIES SHOWN FOR ONE ASSEMBLY.

MEMORANDA

# 4G4

RUBBER TRACK SYSTEM

**BOGEY WHEEL AXLES**  
HP7010 -UN-15JUL97



**HP7010**

# 4G5

RUBBER TRACK SYSTEM

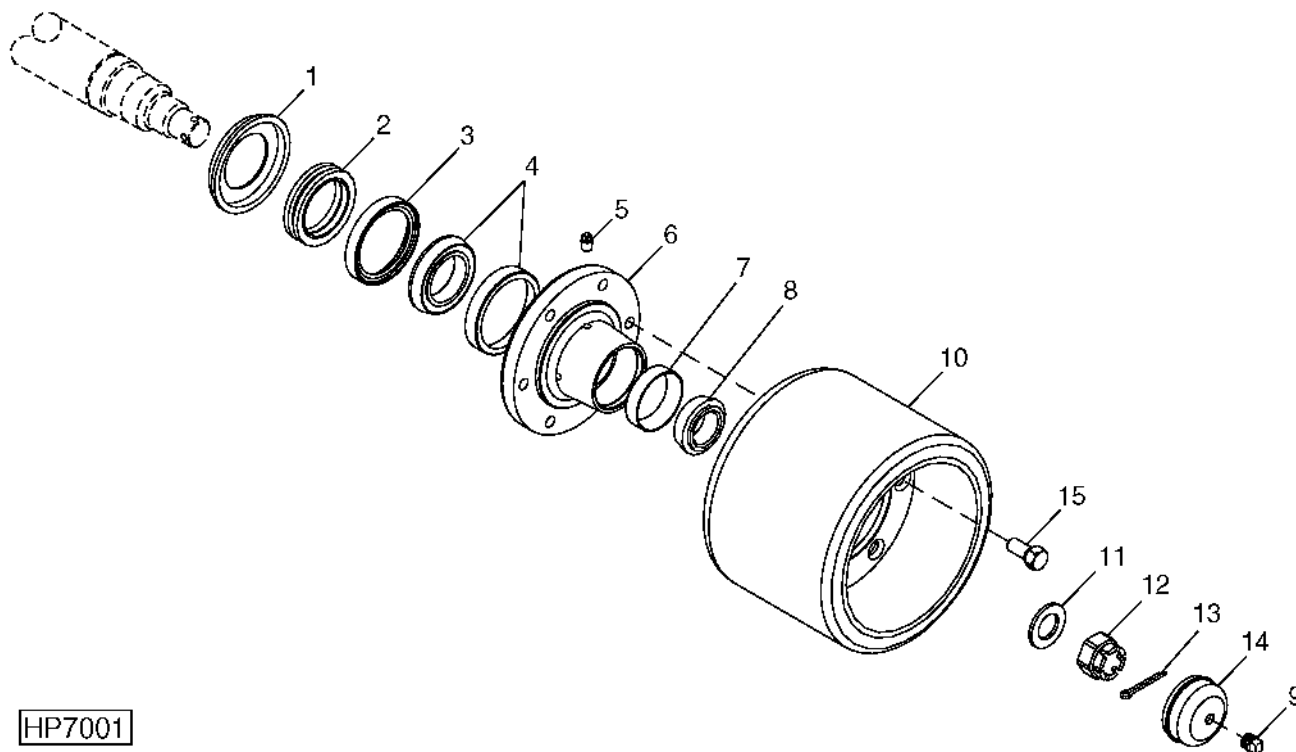
## BOGEY WHEEL AXLES - CONTINUED

| KEY | PART NO. | PART NAME           | QTY | SERIAL NO.   | REMARKS |
|-----|----------|---------------------|-----|--|---------|
| 1   | JD7759   | LUBRICATION FITTING | 2   | (A)  |         |
| 2   | 19M8011  | CAP SCREW           | 16  | (A) M12 X 30   |         |
| 3   | H164001  | BEARING CAP         | 4   | (A)  |         |
| 4   | H157615  | SHIM                | AR  | (A) 0.50 MM  |         |
|     | H157616  | SHIM                | AR  | (A) 0.25 MM  |         |
|     | H157617  | SHIM                | AR  | (A) 0.13 MM  |         |
| 5   | T68818   | SEAL                | 4   | (A)  |         |
| 6   | H164000  | PIN                 | 2   | (A)  |         |
| 7   | AH165222 | SUPPORT             | 1   |  |         |
| 8   | T122720  | BUSHING             | 4   | (A)  |         |
| 9   | 34M7254  | SPRING PIN          | 2   | (A) 16 X 90 MM   |         |
| 10  | H152743  | RETAINER            | 6   | 0.50 MM  |         |
| 11  | AH164228 | AXLE KNEE           | 1   |  |         |
| 12  | AH164303 | SPOUT               | 1   |  |         |
| 13  | H164002  | SLEEVE              | 2   | (A) REQUIRES TY15969 MAXIMUM STRENGTH<br>RETAINING COMPOUND FOR INSTALLATION         |         |
| ..  | TY15969  | ADHESIVE            | 1   | MAXIMUM STRENGTH RETAINING COMPOUND; REQUIRED<br>FOR INSTALLATION OF SLEEVES H164002 |         |

# 4G6

RUBBER TRACK SYSTEM

**BOGEY WHEEL ASSEMBLY**  
HP7001 -UN-11SEP97



HP7001

| KEY | PART NO. | PART NAME      | QTY | SERIAL NO. | REMARKS     |
|-----|----------|----------------|-----|------------|-------------|
| 1   | H152743  | RETAINER       | 1   |            |             |
| 2   | RE62718  | SEAL           | 1   |            |             |
| 3   | H152742  | RETAINER       | 1   |            |             |
| 4   | JD37125  | ROLLER BEARING | 1   |            | MATCHED SET |
| 5   | 15H638   | PIPE PLUG      | 2   |            |             |
| 6   | H152410  | HUB            | 1   |            |             |
| 7   | JD9121   | BEARING CUP    | 1   |            |             |
| 8   | JD9058   | BEARING CONE   | 1   |            |             |
| 9   | 15H254   | PIPE PLUG      | 1   |            |             |
| 10  | AH146765 | WHEEL          | 1   |            |             |
| 11  | 24M7230  | WASHER         | 1   |            |             |
| 12  | 14M7419  | NUT            | 1   |            |             |
| 13  | 11M7085  | COTTER PIN     | 1   |            |             |
| 14  | AH160572 | BEARING CAP    | 1   |            |             |
| 15  | R35192   | WHEEL BOLT     | 6   |            |             |

NOTE: QUANTITIES SHOWN FOR ONE ASSEMBLY.

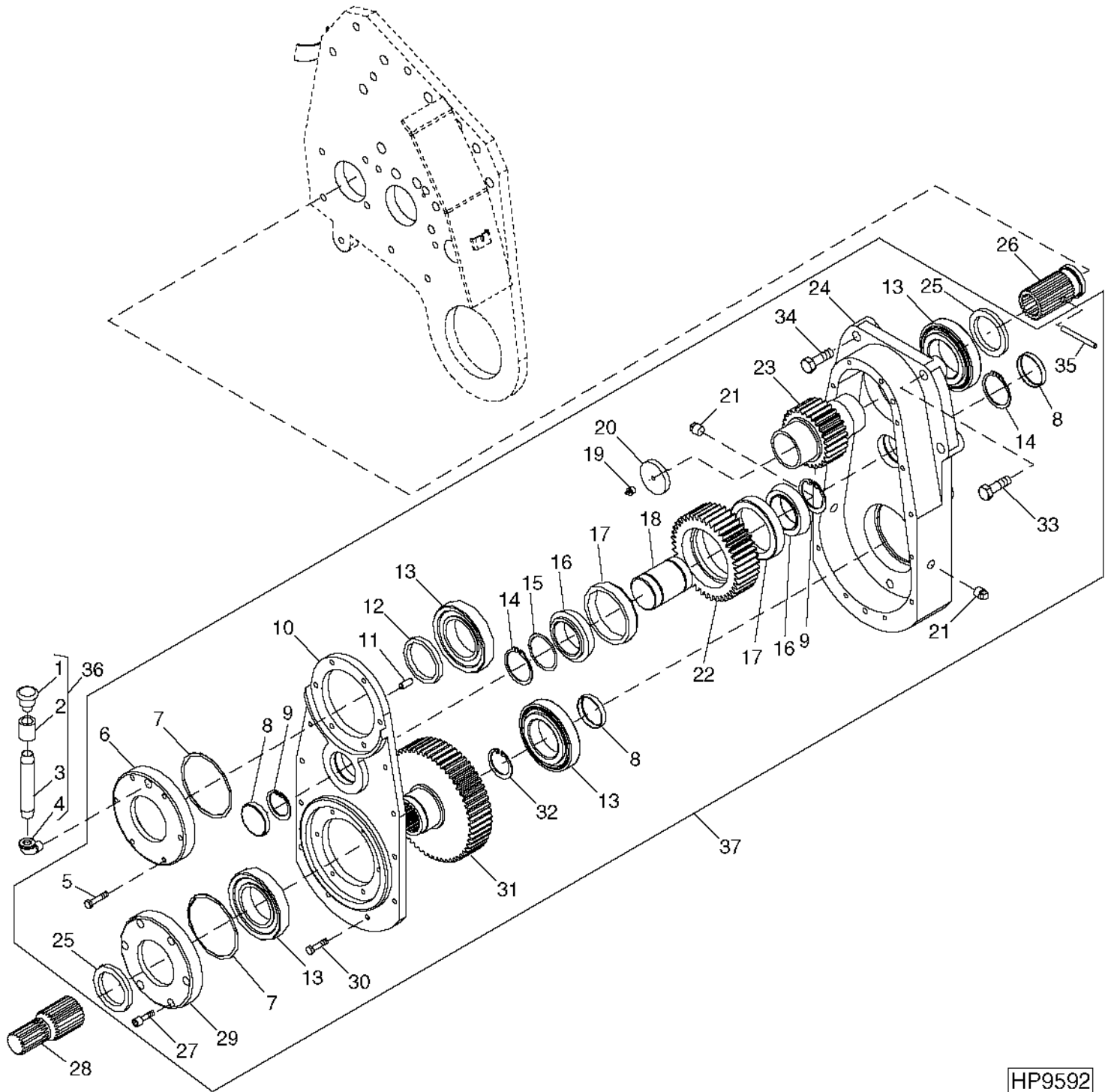


MEMORANDA

# 4G7

RUBBER TRACK SYSTEM

TRANSFER GEAR CASE  
HP9592 -UN-25FEB00



HP9592

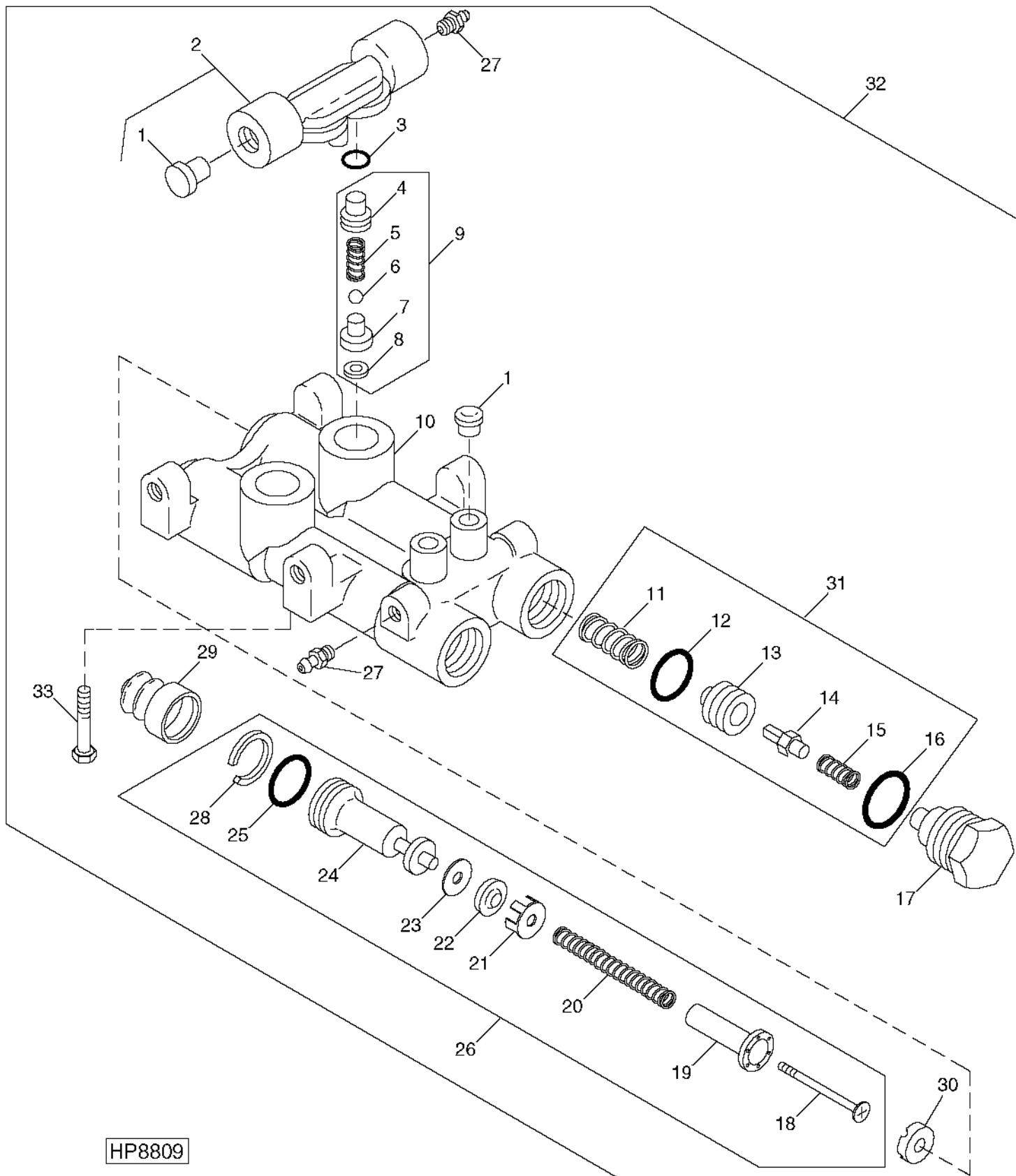
## TRANSFER GEAR CASE - CONTINUED

| KEY | PART NO. | PART NAME           | QTY | SERIAL NO.                          | REMARKS  |
|-----|----------|---------------------|-----|-------------------------------------|--|
| 1   | AH20868  | BREATHER            | 1   |                                     |  |
| 2   | 15H579   | COUPLING            | 1   | 3/8"                                |  |
| 3   | 29H217   | THREADED NIPPLE     | 1   | 1/2"                                |  |
| 4   | CE17939  | ELBOW FITTING       | 1   |                                     |  |
| 5   | 19M7981  | CAP SCREW           | 4   | M8 X 55                             |  |
|     | 19M7922  | CAP SCREW           | 2   | M8 X 40                             |  |
| 6   | CE17916  | BEARING CAP         | 1   |                                     |  |
| 7   | CE17923  | SHIM                | AR  | .05                                 |  |
|     | CE17924  | SHIM                | AR  | .01                                 |  |
|     | CE17925  | SHIM                | AR  | .03                                 |  |
|     | CE17926  | SHIM                | AR  | .50                                 |  |
| 8   | CE17685  | PLUG                | 3   |                                     |  |
| 9   | 40M7229  | SNAP RING           | 2   |                                     |  |
| 10  | CE17915  | CAP                 | 1   |                                     |  |
| 11  | R26650   | DOWEL PIN           | 2   | 3/8" X 1"                           |  |
| 12  | DE18750  | SEAL                | 1   |                                     |  |
| 13  | JD37125  | ROLLER BEARING      | 4   |                                     |  |
| 14  | 40M7048  | SNAP RING           | 2   |                                     |  |
| 15  | CE16825  | SHIM                | AR  | .20                                 |  |
|     | CE16623  | SHIM                | AR  | .30                                 |  |
|     | CE16624  | SHIM                | AR  | .40                                 |  |
|     | CE16625  | SHIM                | AR  | .50                                 |  |
| 16  | JD7366   | BEARING CONE        | 2   |                                     |  |
| 17  | JD8206   | BEARING CUP         | 2   |                                     |  |
| 18  | CE17918  | JACKSHAFT           | 1   |                                     |  |
| 19  | JD7798   | LUBRICATION FITTING | 1   |                                     |  |
| 20  | CE17922  | PLUG                | 1   |                                     |  |
| 21  | 15H255   | PIPE PLUG           | 3   | 3/8"                                |  |
| 22  | CE17920  | SPUR GEAR           | 1   |                                     |  |
| 23  | CE17919  | SPUR GEAR           | 1   |                                     |  |
| 24  | CE17914  | HOUSING             | 1   |                                     |  |
| 25  | AB4462R  | SEAL                | 2   |                                     |  |
| 26  | H151608  | SPUR GEAR           | 1   |                                     | FOR SINGLE REDUCTION FINAL DRIVE                       |
| 27  | CE17927  | CAP SCREW           | 6   |                                     |  |
| 28  | H152256  | SPUR GEAR           | 1   |                                     | FOR SINGLE REDUCTION FINAL DRIVE                       |
| 29  | CE17917  | BEARING CAP         | 1   |                                     |  |
| 30  | 19M8008  | CAP SCREW           | 10  | M8 X 35                             |  |
| 31  | CE17921  | SPUR GEAR           | 1   |                                     |  |
| 32  | 40M7216  | SNAP RING           | 1   |                                     |  |
| 33  | 19M8306  | SCREW               | 1   | M12 X 50, FOR PLANETARY FINAL DRIVE |  |
| 34  | 19M7794  | SCREW               | 5   | M16 X 50, FOR PLANETARY FINAL DRIVE |  |
| 35  | CE18118  | PIN                 | 1   |                                     |  |
| 36  | DE19160  | MOUNTING PARTS      | 1   |                                     |  |
| 37  | DE19159  | GEAR CASE           | 1   |                                     | SUB FOR DE18748; ALSO NEED DE19160 AND KEYS 26 AND 28. |

# 4G9

RUBBER TRACK SYSTEM

FINAL DRIVE MOUNTING  
(SINGLE REDUCTION)  
HP8809 -UN-08JUL99



HP8809

# 4G10

RUBBER TRACK SYSTEM

**FINAL DRIVE MOUNTING - CONTINUED  
(SINGLE REDUCTION)**

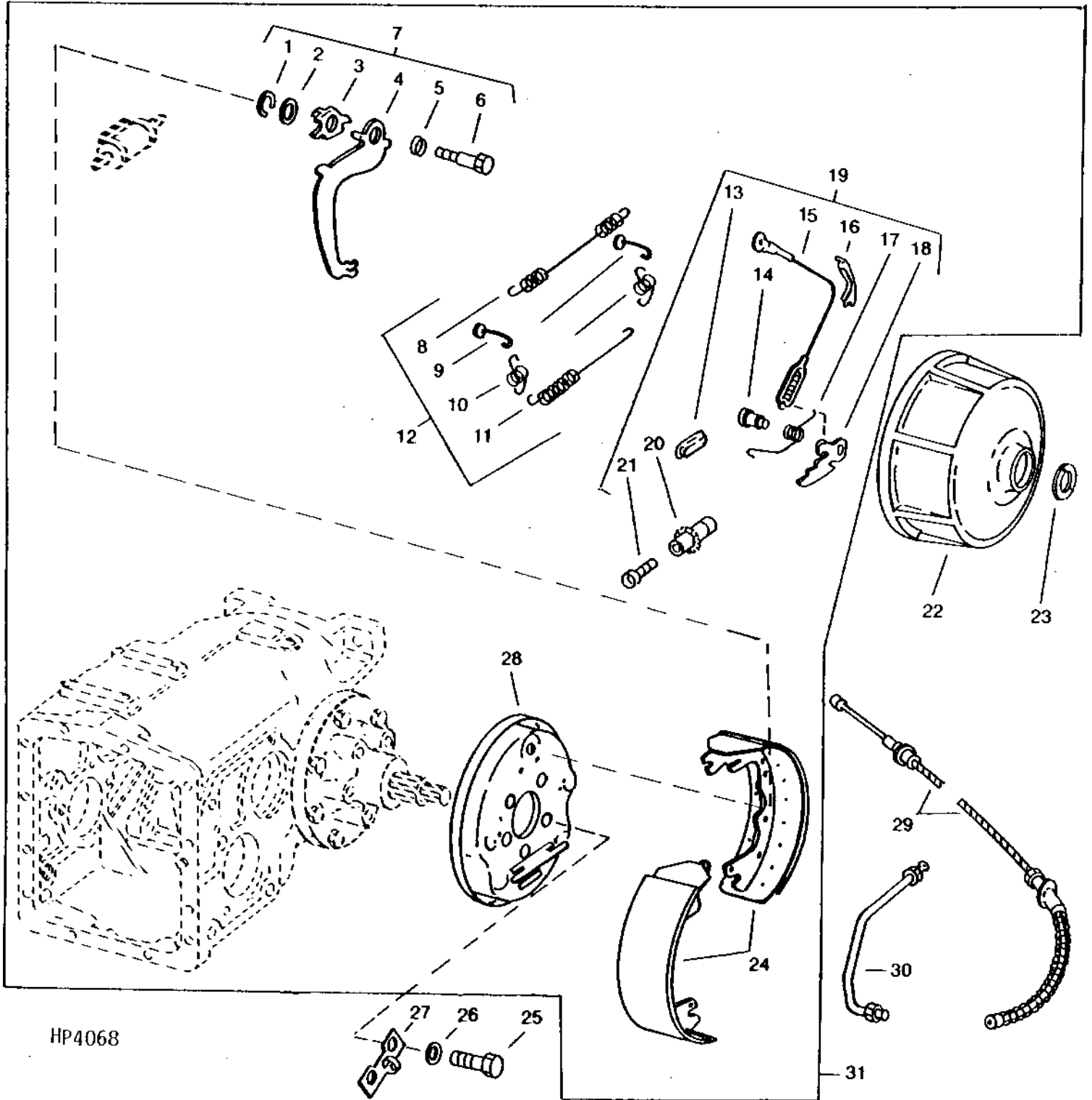
| KEY | PART NO. | PART NAME | QTY | SERIAL NO. | REMARKS  |
|-----|----------|-----------|-----|------------|----------|
| 1   | AH163026 | DRIVE     | 1   |            | L.H.     |
|     | AH163027 | DRIVE     | 1   |            | R.H.     |
| 2   | AH146183 | BREATHER  | 1   |            |          |
| 3   | H87691   | BUSHING   | 2   |            |          |
| 4   | 15H561   | PIPE PLUG | 1   |            | 1/2"     |
| 5   | H156127  | SLEEVE    | 6   |            |          |
| 6   | 19M7892  | CAP SCREW | 6   |            | M20 X 80 |

NOTE: REFER TO APPROPRIATE COMBINE PARTS CATALOG FOR INDIVIDUAL REPAIR PARTS.

# 4G11

RUBBER TRACK SYSTEM

**BRAKE SHOES AND DRUM**  
(L.H. ILLUSTRATED)  
HP4068 -UN-01JAN94



HP4068

# 4G12

RUBBER TRACK SYSTEM

**BRAKE SHOES AND DRUM - CONTINUED  
(L.H. ILLUSTRATED)**

| KEY | PART NO. | PART NAME  | QTY | SERIAL NO. | REMARKS   |
|-----|----------|------------|-----|------------|---|
| 1   | .....    | SNAP RING  | 1   |            |   |
| 2   | .....    | WASHER     | 1   |            |   |
| 3   | .....    | CAM        | 1   |            |   |
| 4   | .....    | LEVER      | 1   |            |   |
| 5   | .....    | SPRING     | 1   |            |   |
| 6   | .....    | BOLT       | 1   |            | (ANCHOR PIN)  |
| 7   | AH131058 | KIT        | 1   |            | R.H.  |
|     | AH131059 | KIT        | 1   |            | L.H.  |
| 8   | .....    | SPRING     | 1   |            | (UPPER SHOE-TO-SHOE)  |
| 9   | H140315  | LINK       | 2   |            |   |
| 10  | .....    | SPRING     | 2   |            | (LOWER SHOE-TO-SHOE)  |
| 11  | .....    | SPRING     | 2   |            | (HOLD DOWN)   |
| 12  | AH131051 | KIT        | 1   |            |   |
| 13  | .....    | COVER      | 1   |            | (RUBBER)  |
| 14  | .....    | PIN        | 1   |            |   |
| 15  | .....    | CABLE      | 1   |            |   |
| 16  | .....    | GUIDE      | 1   |            |   |
| 17  | .....    | SPRING     | 1   |            |   |
| 18  | .....    | PAWL       | 1   |            | (ADJUSTER)  |
| 19  | AH131054 | KIT        | 1   |            | R.H.  |
|     | AH131055 | KIT        | 1   |            | L.H.  |
| 20  | .....    | WHEEL      | 1   |            |   |
| 21  | .....    | SCREW      | 1   |            |   |
| 22  | CE18206  | BRAKE DRUM | 2   |            |   |
| 23  | B32564   | RING       | 2   |            |   |
| 24  | AH143333 | BRAKE SHOE | 1   |            | R.H. AND L.H. (SET OF 4); FOR USE WITH RUBBER TRACK SYSTEM ONLY |
| 25  | 19M7597  | CAP SCREW  | 5   |            | M20 X 50  |
| 26  | N12679   | WASHER     | 5   |            |   |
| 27  | H133351  | GUIDE      | 2   |            |   |
| 28  | AH149829 | PLATE      | 1   |            |   |
| 29  | AH141582 | CABLE      | 1   |            |   |
| 30  | AH128842 | OIL LINE   | 1   |            | L.H.  |
|     | AH128843 | OIL LINE   | 1   |            | R.H.  |
| 31  | AH134304 | BRAKE      | 1   |            | (A) R.H.  |
|     | AH134305 | BRAKE      | 1   |            | (A) L.H.  |

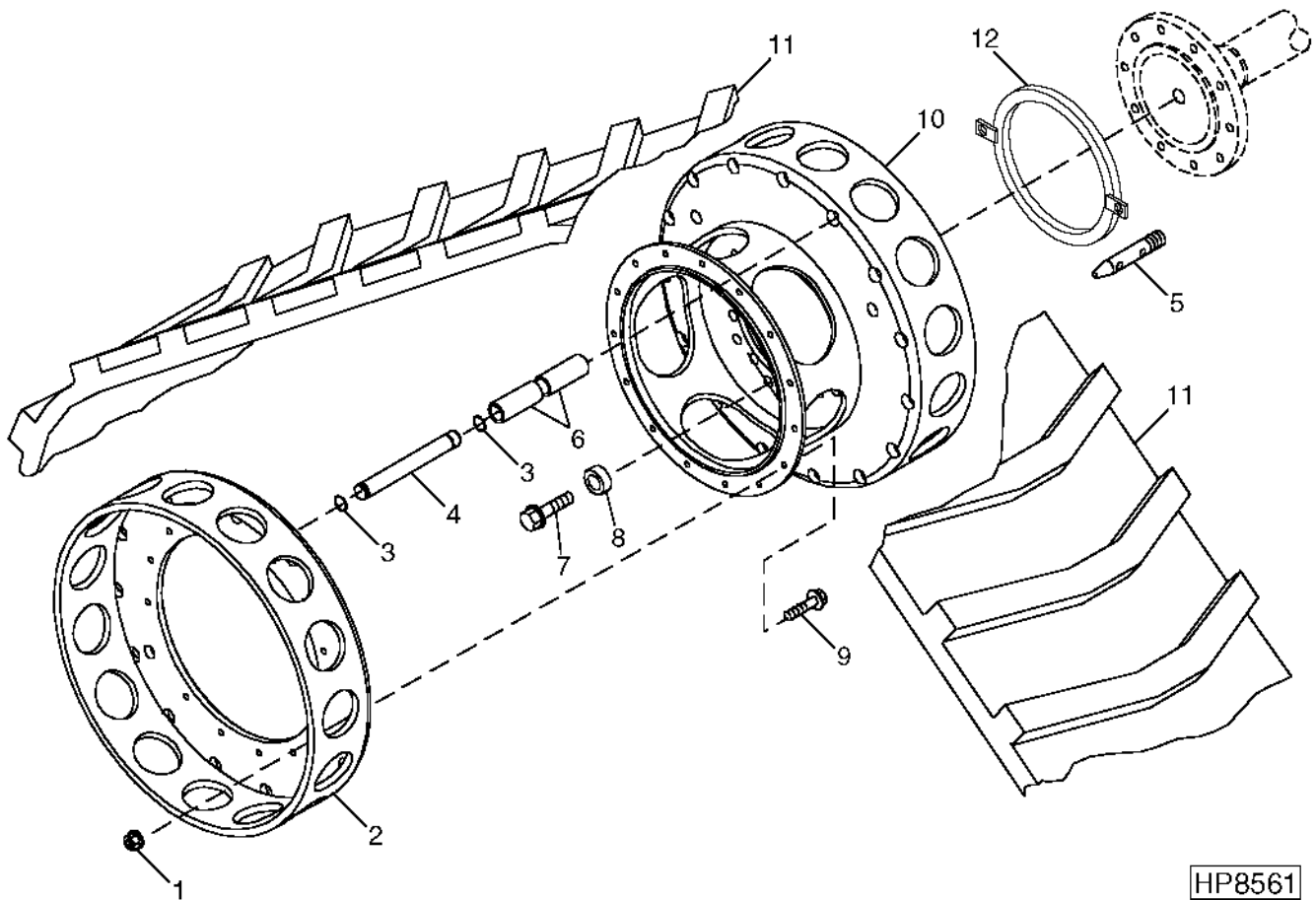
(A) DOES NOT INCLUDE AH143333 BRAKE SHOES REQUIRED FOR TRACK SYSTEM. ORDER SEPARATELY.

NOTE: QUANTITIES SHOWN ARE FOR ONE UNIT. TWO UNITS USED PER MACHINE.

# 4G13

RUBBER TRACK SYSTEM

DRIVE WHEEL AND BELT  
HP8561 -UN-07MAY99



HP8561



# 4G14

RUBBER TRACK SYSTEM

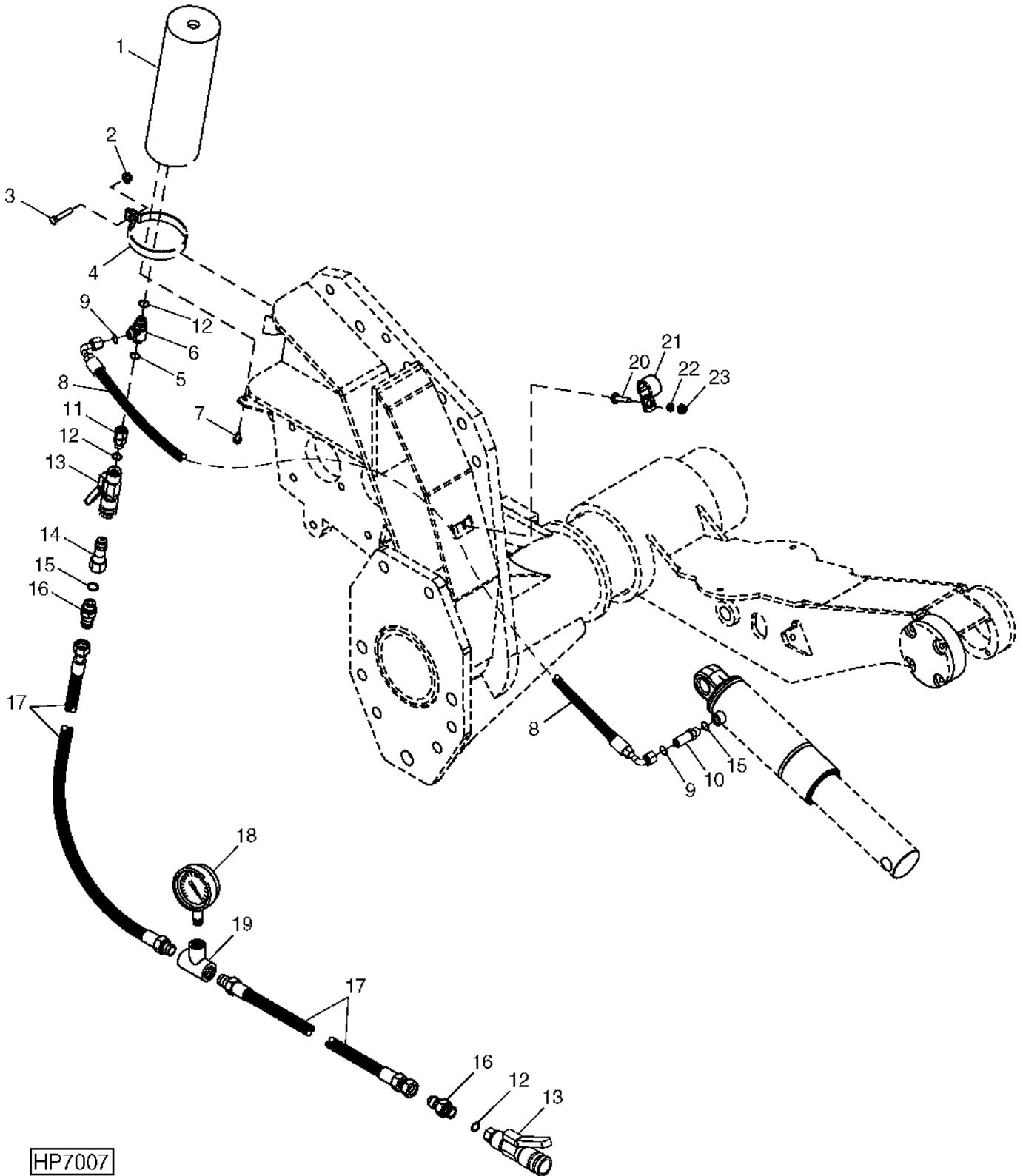
DRIVE WHEEL AND BELT - CONTINUED

| KEY | PART NO. | PART NAME  | QTY | SERIAL NO.                    | REMARKS  |
|-----|----------|------------|-----|-------------------------------|--|
| 1   | 14M7299  | FLANGE NUT | 15  | M12                           |  |
| 2   | AH150171 | WHEEL      | 1   |                               |  |
| 3   | T30424   | O-RING     | 30  | 28.296 X 1.778 MM             |  |
| 4   | H157716  | PIN        | 15  |                               |  |
| 5   | H138607  | STUD       | 1   | (USE FOR WHEEL MOUNTING ONLY) |  |
| 6   | H157718  | BUSHING    | 30  |                               |  |
| 7   | H170072  | SCREW      | 10  |                               |  |
| 8   | H134114  | SPACER     | 10  | 21.500 X 50 X 28 MM           |  |
| 9   | 19M7791  | SCREW      | 15  | M12 X 40                      |  |
| 10  | AH150172 | WHEEL      | 1   |                               |  |
| 11  | .....    | BELT       | 1   |                               | NFS; 30" X 276" X 46 PITCH; CONTACT FIRESTONE FOR PART INFORMATION AT 1-800-745-1739 |
|     | .....    | BELT       | 1   |                               | NFS; 34" X 276" X 46 PITCH; CONTACT FIRESTONE FOR PART INFORMATION AT 1-800-745-1739 |
| 12  | AH160669 | RING       | 1   |                               |  |

# 4G15

RUBBER TRACK SYSTEM

TENSION CYLINDER HYDRAULICS  
HP7007 -UN-10OCT97



HP7007

# 4G16

RUBBER TRACK SYSTEM

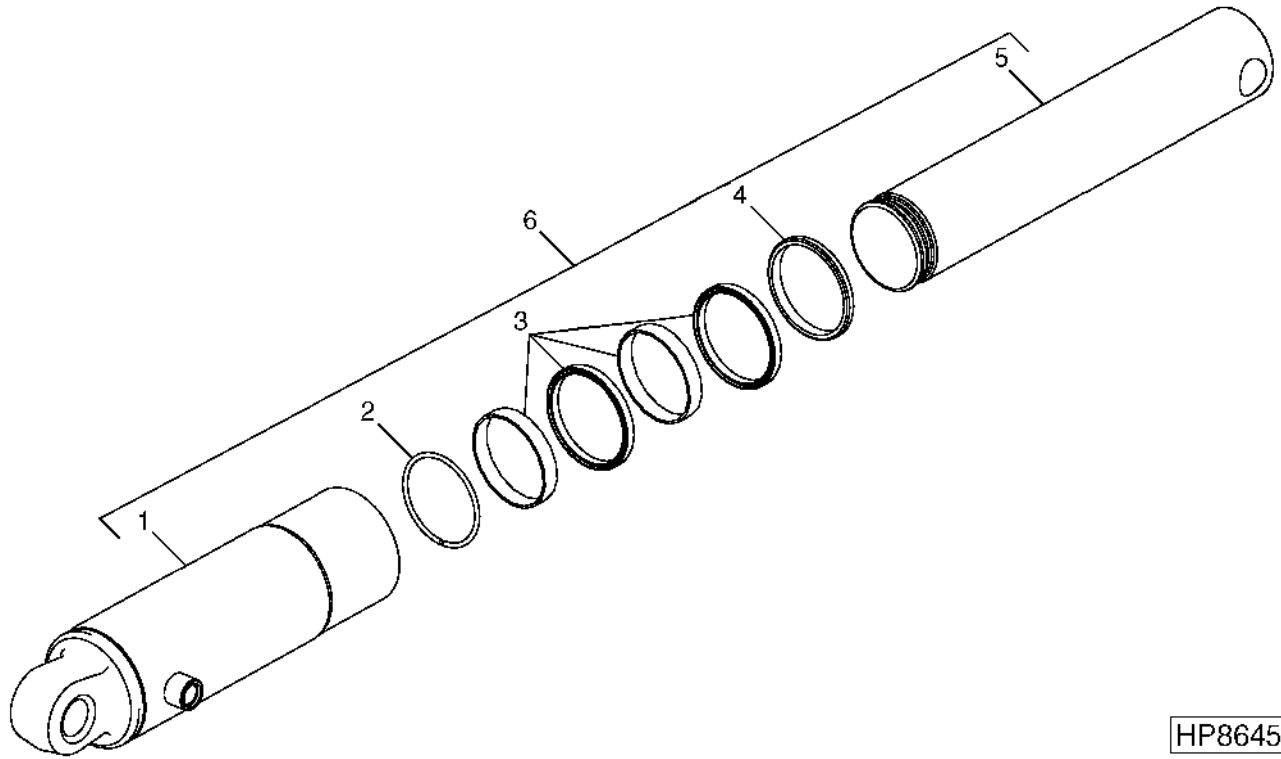
**TENSION CYLINDER HYDRAULICS - CONTINUED**

| KEY | PART NO. | PART NAME                  | QTY | SERIAL NO.                           | REMARKS |
|-----|----------|----------------------------|-----|--------------------------------------|---------|
| 1   | AH133265 | ACCUMULATOR                | 1   |                                      |         |
| 2   | 14M7296  | FLANGE NUT                 | 1   | M10                                  |         |
| 3   | 19M8162  | CAP SCREW                  | 1   | M10 X 40                             |         |
| 4   | R77178   | CLAMP                      | 1   |                                      |         |
| 5   | T77857   | O-RING                     | 1   | 0.489" X 0.070"                      |         |
| 6   | 38H1024  | TEE FITTING                | 1   |                                      |         |
| 7   | 19M7865  | SCREW                      | 2   | M8 X 16                              |         |
| 8   | AT135291 | HYDRAULIC HOSE - FABRICATE | 1   | 13/16" X 1 925 MM (75-3/4") X 13/16" |         |
| 9   | T77857   | O-RING                     | 2   | 0.489" X 0.070"                      |         |
| 10  | 38H1213  | ADAPTER                    | 1   |                                      |         |
| 11  | 38H1068  | ADAPTER                    | 1   |                                      |         |
| 12  | R21722   | O-RING                     | 2   |                                      |         |
| 13  | AH128241 | HYD. QUICK-CONNECT COUPLER | 2   |                                      |         |
| 14  | AR94522  | INTERNAL HALF COUPLER      | 1   |                                      |         |
| 15  | R26375   | O-RING                     | 2   | 0.644" X 0.087"                      |         |
| 16  | R36426   | FITTING                    | 2   |                                      |         |
| 17  | AH112931 | HYDRAULIC HOSE             | 2   | 9/16" X 2 300 MM (90-1/2") X 1/4"    |         |
| 18  | AH108080 | PRESSURE GAUGE             | 1   |                                      |         |
| 19  | 15H689   | TEE FITTING                | 1   |                                      |         |
| 20  | 03M7232  | BOLT                       | 1   | M6 X 25                              |         |
| 21  | T72393   | CLAMP                      | 1   |                                      |         |
| 22  | 24M7054  | WASHER                     | 1   | 6.400 X 12 X 1.600 MM                |         |
| 23  | 14M7303  | FLANGE NUT                 | 1   | M6                                   |         |

# 4G17

RUBBER TRACK SYSTEM

**TENSION CYLINDER**  
HP8645 -UN-11JUN99



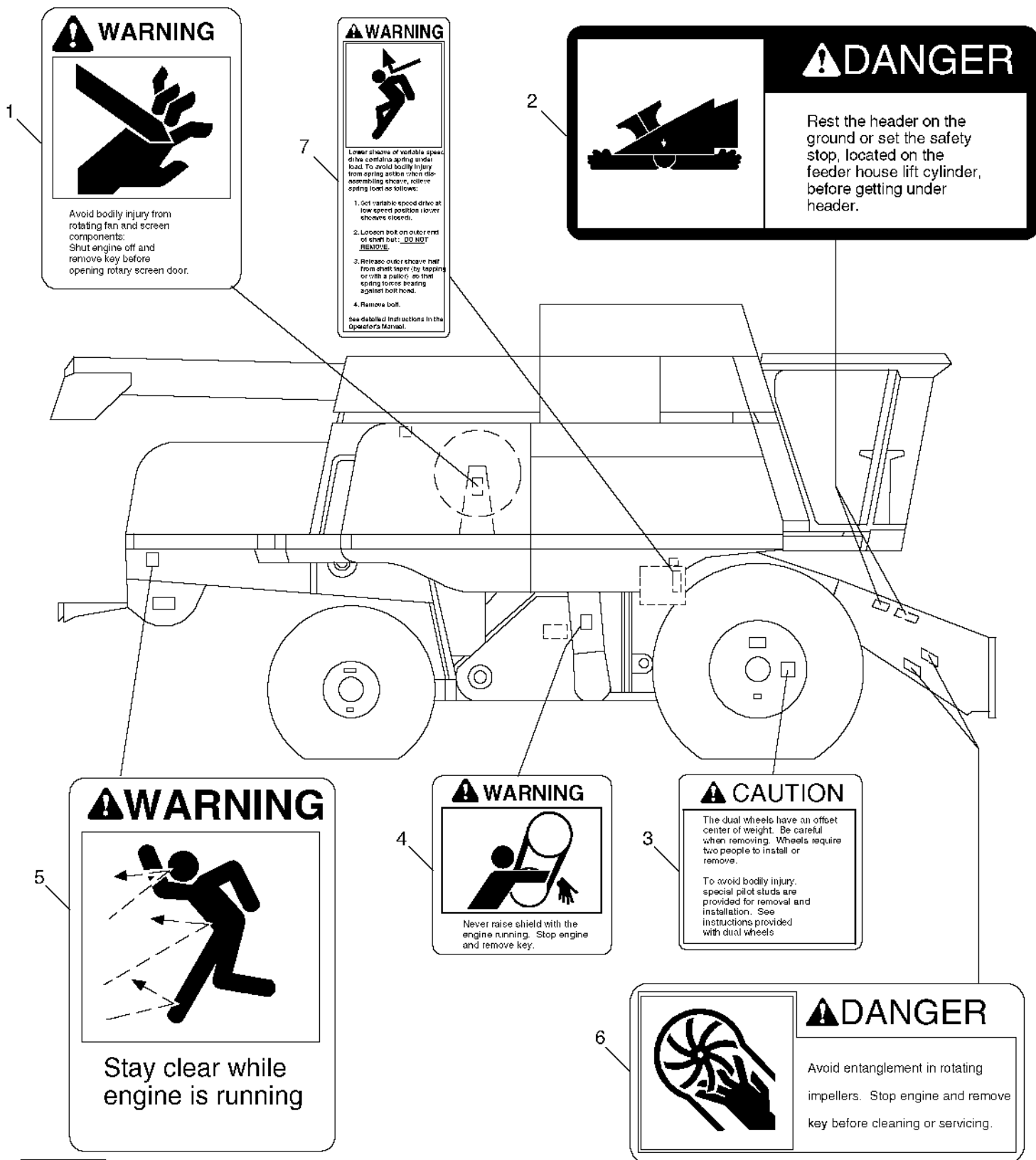
HP8645

| KEY | PART NO. | PART NAME                 | QTY | SERIAL NO. | REMARKS |
|-----|----------|---------------------------|-----|------------|---------|
| 1   | .....    | HYDRAULIC CYLINDER BARREL | 1   |            |         |
| 2   | H145548  | SNAP RING                 | 1   |            |         |
| 3   | AH140063 | HYDRAULIC CYLINDER KIT    | 1   |            |         |
| 4   | F3450R   | O-RING                    | 1   |            |         |
| 5   | .....    | ROD                       | 1   |            |         |
| 6   | AH149862 | HYDRAULIC CYLINDER        | 1   |            |         |

---

MEMORANDA

**SAFETY DECALS AND LOCATIONS**  
HP9630 -UN-24MAR00



HP9630

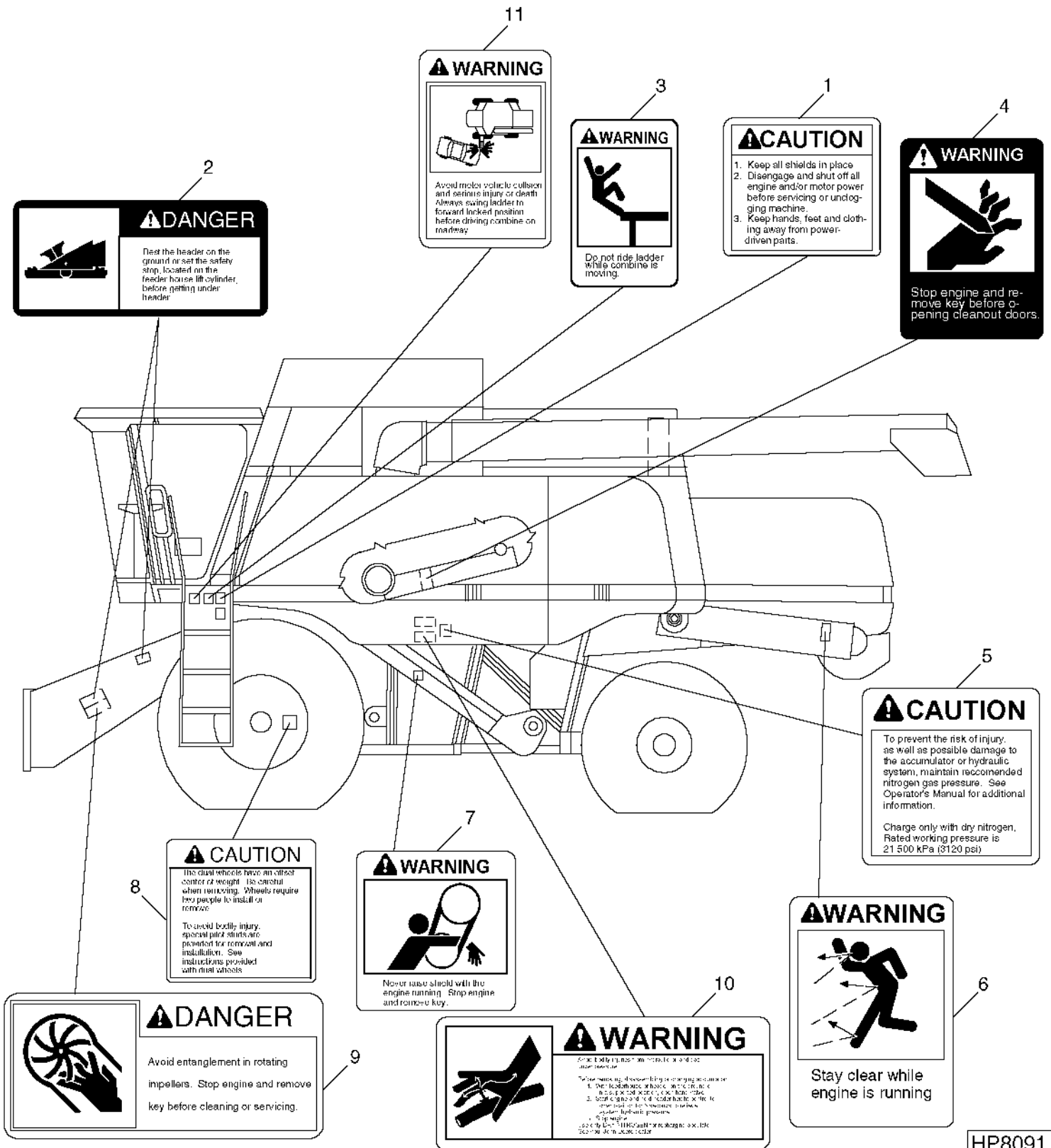
# 4G21

DECALS

## SAFETY DECALS AND LOCATIONS - CONTINUED

| KEY | PART NO. | PART NAME   | QTY | SERIAL NO. | REMARKS                             |
|-----|----------|-------------|-----|------------|-------------------------------------|
| 1   | H149088  | DECAL       | 1   |            | ROTARY SCREEN                       |
| 2   | H149063  | LABEL       | 1   |            | HEADER                              |
| 3   | H158975  | DECAL       | 1   |            | DUAL WHEELS                         |
| 4   | H149099  | DECAL       | 1   |            | CLEAN GRAIN ELEVATOR                |
| 5   | H149096  | LABEL       | 1   |            | PROJECTILE                          |
| 6   | H164537  | SIGN        | 2   |            | AIR FLOW                            |
| 7   | H173241  | SAFETY SIGN | 1   |            | (SUB FOR H149037) COMPRESSED SPRING |

**SAFETY DECALS AND LOCATIONS**  
HP8091 -UN-27JUL99



HP8091



# 4G23

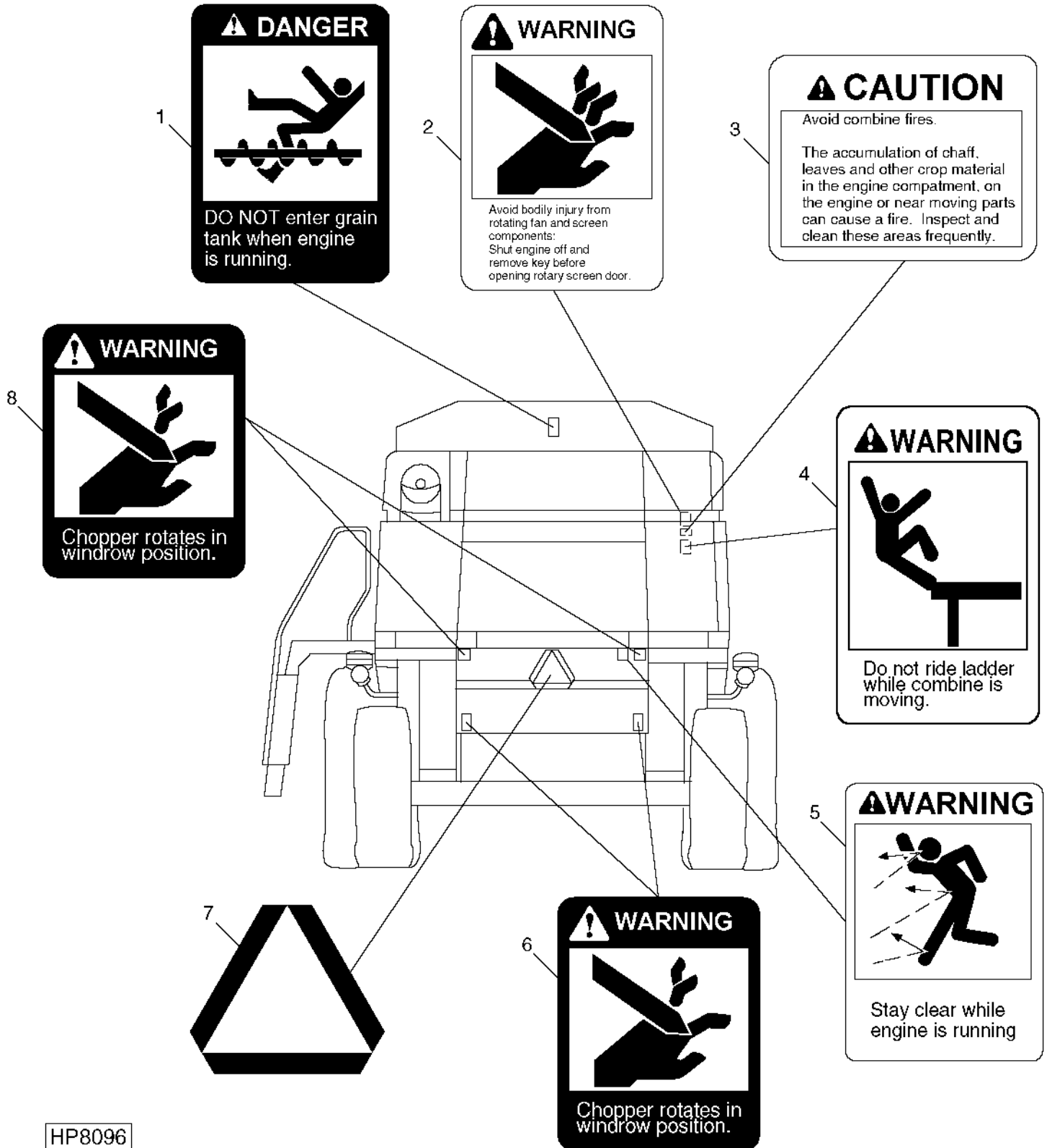
DECALS

## SAFETY DECALS AND LOCATIONS - CONTINUED

| KEY | PART NO. | PART NAME   | QTY | SERIAL NO. | REMARKS                         |
|-----|----------|-------------|-----|------------|---------------------------------|
| 1   | E82510   | LABEL       | 1   |            | GENERAL RULES                   |
| 2   | H149063  | LABEL       | 2   |            | HEADER                          |
| 3   | H149064  | LABEL       | 1   |            | LADDER                          |
| 4   | H149066  | LABEL       | 1   |            | CLEANOUT DOOR                   |
| 5   | H149092  | LABEL       | 1   |            | ACCUMULATOR                     |
| 6   | H149096  | LABEL       | 1   |            | PROJECTILE                      |
| 7   | H149099  | DECAL       | 1   |            | SHIELD REMOVAL                  |
| 8   | H158975  | DECAL       | 1   |            | DUAL WHEELS                     |
| 9   | H164537  | SIGN        | 2   |            | FEEDERHOUSE & FAN HOUSING COVER |
| 10  | H149067  | LABEL       | 1   |            | FLUID INJECTION                 |
| 11  | H170654  | SAFETY SIGN | 1   |            | TRANSPORT POSITION              |

# 4G24

**SAFETY DECALS AND LOCATIONS**  
HP8096 -UN-15MAR99



HP8096

# 4G25

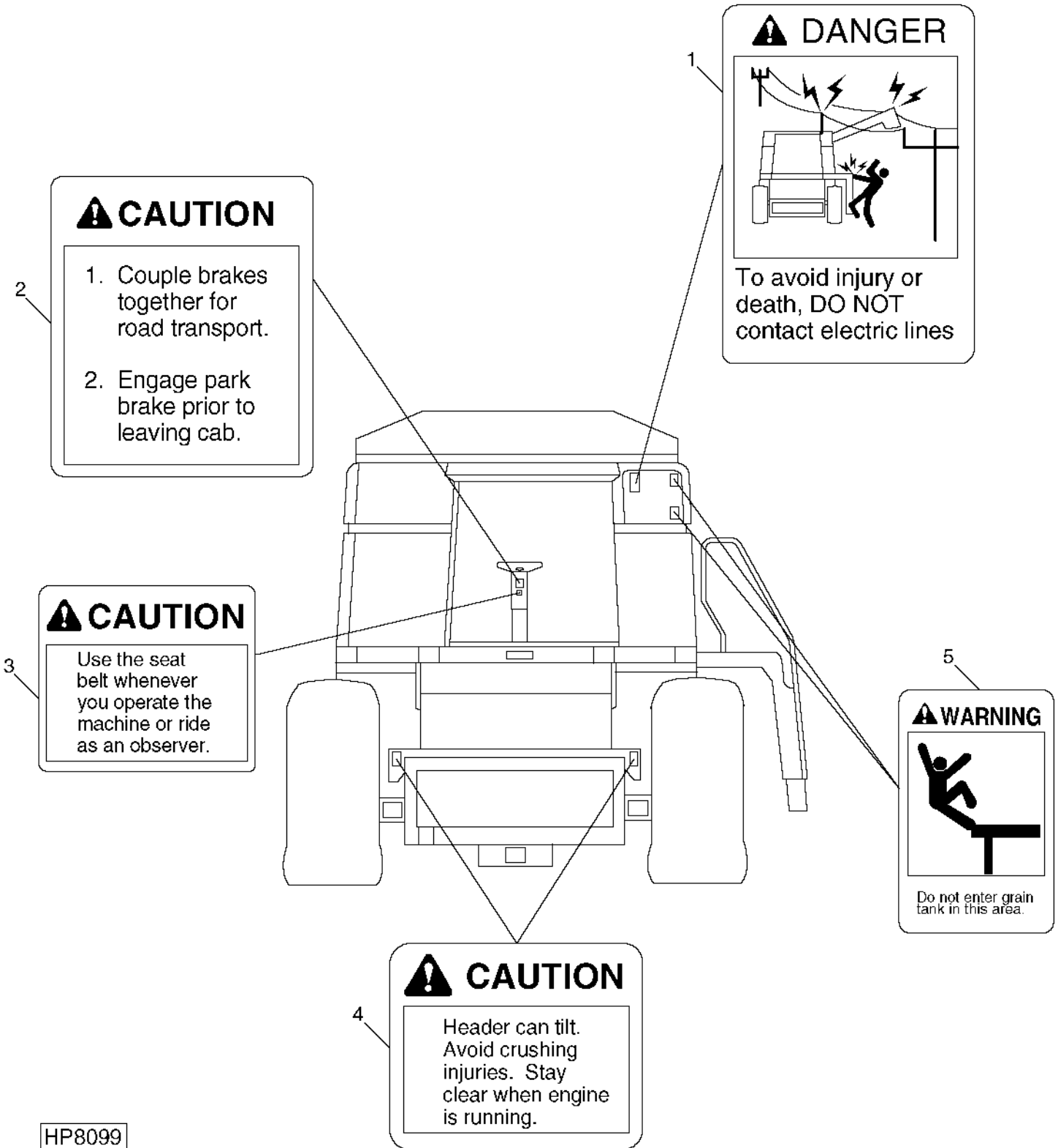
DECALS

## SAFETY DECALS AND LOCATIONS - CONTINUED

| KEY | PART NO. | PART NAME   | QTY | SERIAL NO. | REMARKS                              |
|-----|----------|-------------|-----|------------|--------------------------------------|
| 1   | H149062  | DECAL       | 1   |            | GRAIN TANK                           |
| 2   | H149088  | DECAL       | 1   |            | ROTARY SCREEN                        |
| 3   | H169516  | SAFETY SIGN | 1   |            | CAUTION (COMBINE FIRES)              |
| 4   | H149064  | LABEL       | 1   |            | LADDER                               |
| 5   | H149096  | LABEL       | 1   |            | PROJECTILE                           |
| 6   | H149102  | DECAL       | 2   |            | CHOPPER (EXCEPT WIDE SPREAD CHOPPER) |
| 7   | JD5927   | SMV EMBLEM  | 1   |            | EMBLEM (SLOW MOVING VEHICLE)         |
| 8   | H149102  | DECAL       | 2   |            | WIDE SPREAD CHOPPER (ONLY)           |

# 4H1

**SAFETY DECALS AND LOCATIONS**  
HP8099 -UN-04JAN99



HP8099

# 4H2

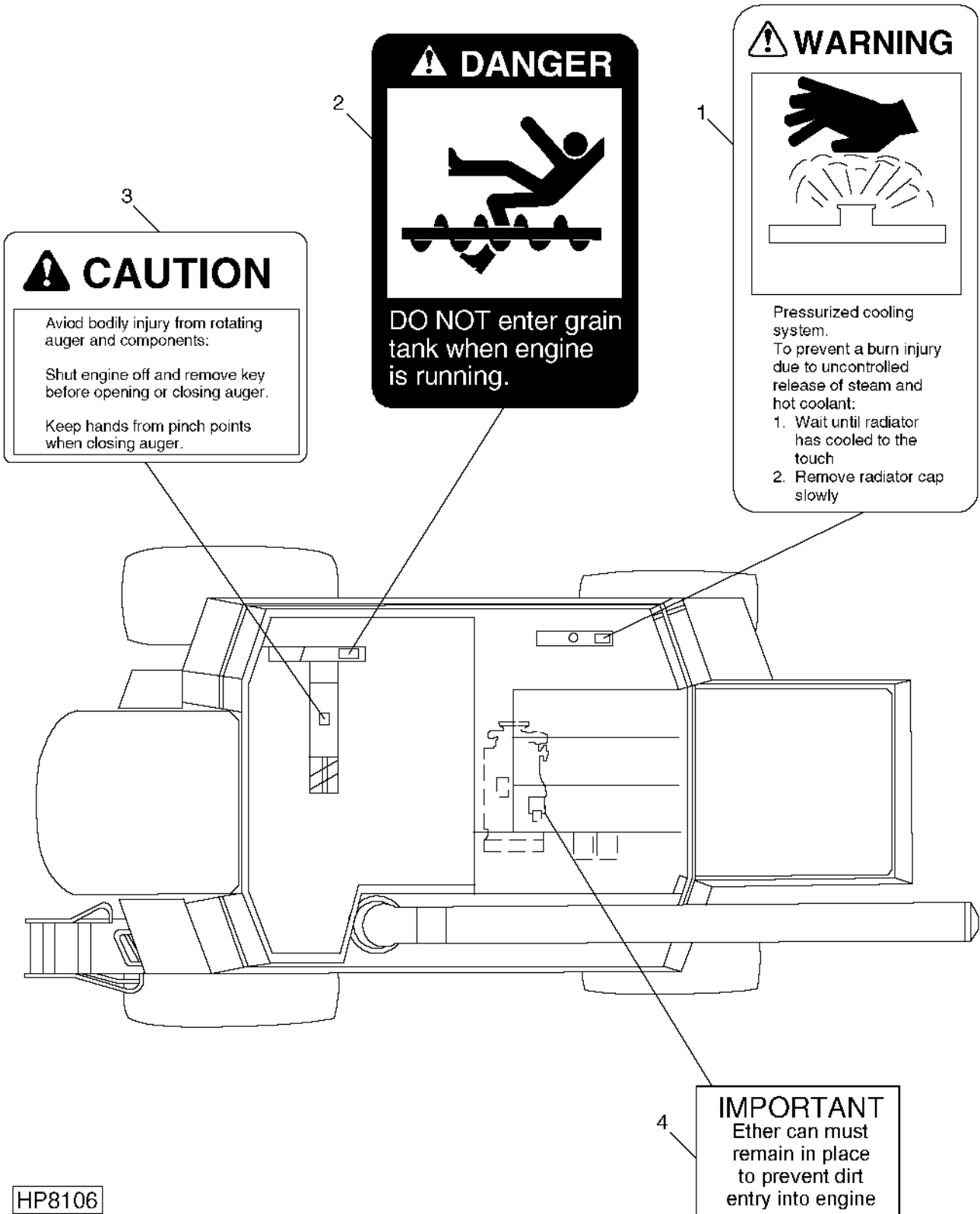
DECALS

## SAFETY DECALS AND LOCATIONS - CONTINUED

| KEY | PART NO. | PART NAME | QTY | SERIAL NO. | REMARKS                         |
|-----|----------|-----------|-----|------------|---------------------------------|
| 1   | H149090  | LABEL     | 1   |            | POWERLINE CONTACT               |
| 2   | H156390  | LABEL     | 1   |            | BRAKE TRANSPORT INFORMATION     |
| 3   | H155510  | SIGN      | 1   |            | SEAT BELT                       |
| 4   | H151607  | SIGN      | 4   |            | CAUTION HEADER (CONTOUR MASTER) |
| 5   | H149065  | LABEL     | 2   |            | GRAIN TANK                      |

# 4H3

**SAFETY DECALS AND LOCATIONS**  
HP8106 -UN-03JUN99



HP8106

# 4H4

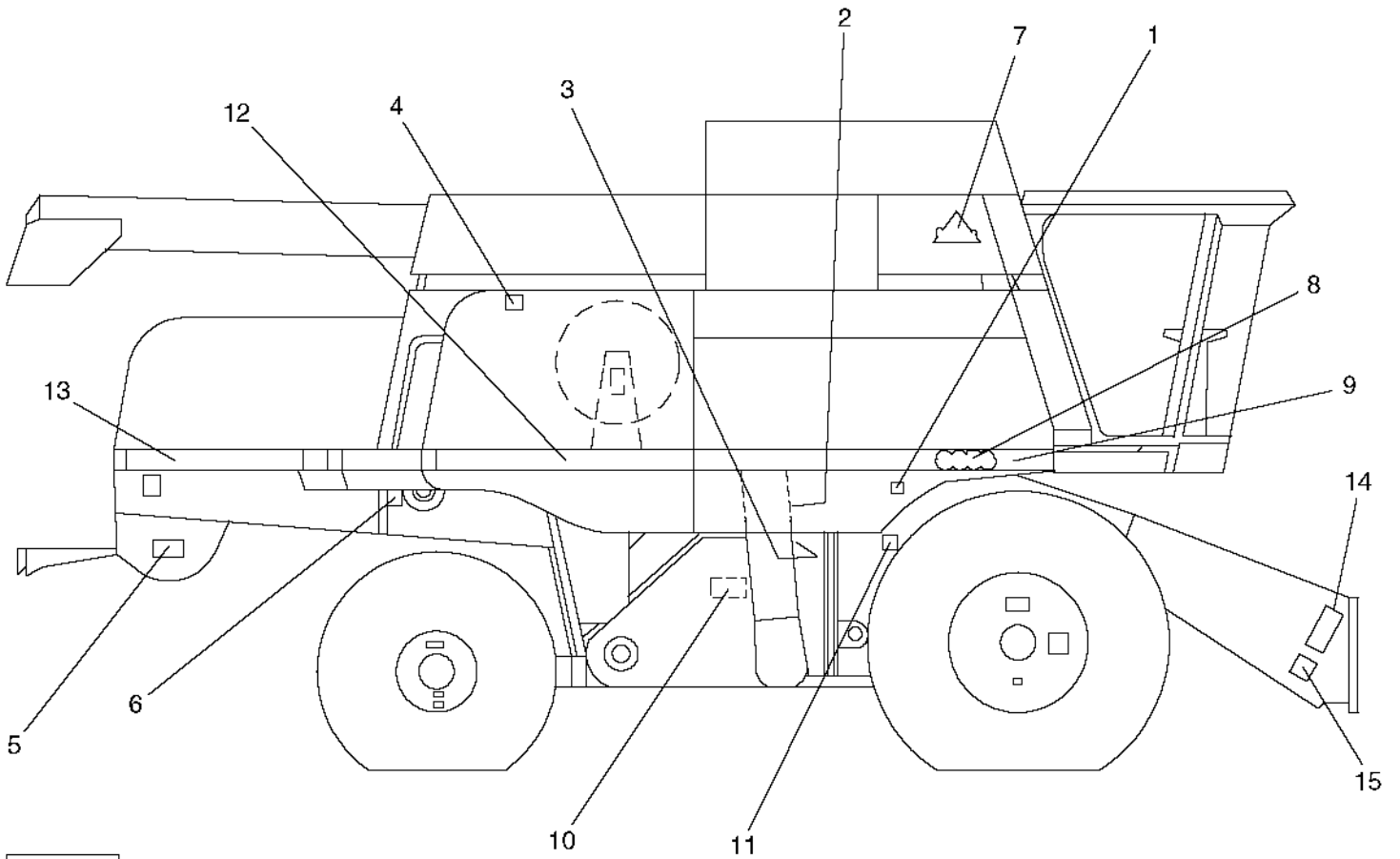
DECALS

## SAFETY DECALS AND LOCATIONS - CONTINUED

| KEY | PART NO. | PART NAME | QTY | SERIAL NO. | REMARKS                    |
|-----|----------|-----------|-----|------------|----------------------------|
| 1   | H169344  | DECAL     | 1   |            | PRESSURIZED COOLING SYSTEM |
| 2   | H149062  | DECAL     | 1   |            | GRAIN TANK                 |
| 3   | H151397  | SIGN      | 1   |            | FOLDING AUGER              |
| 4   | H86896   | DECAL     | 1   |            | ETHER CAN                  |

# 4H5

RIGHT-HAND DECALS  
HP9246 -UN-11NOV99



HP9246



# 4H6

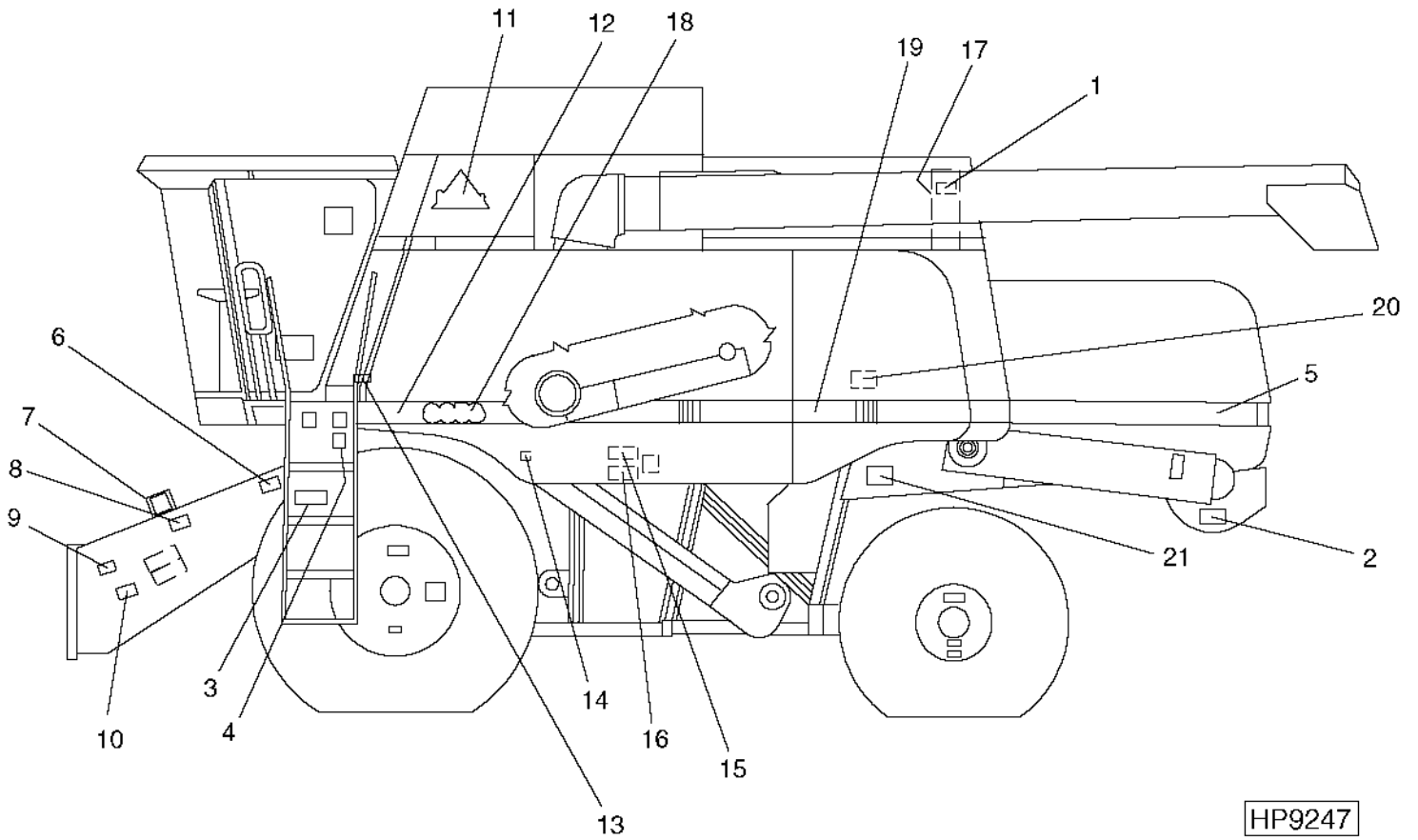
DECALS

**RIGHT-HAND DECALS - CONTINUED**

| KEY | PART NO. | PART NAME | QTY | SERIAL NO. | REMARKS  |
|-----|----------|-----------|-----|------------|--|
| 1   | H151318  | SIGN      | 1   |            | IMPORTANT (BEATER CURTAIN REMOVAL)                       |
| 2   | H139393  | LABEL     | 1   |            | INSTRUCTION (SHOE, WALKERS, AUGERS BELT ROUTING DIAGRAM) |
| 3   | H163235  | LABEL     | 1   |            | INSTRUCTION (CLEAN GRAIN ELEVATOR BELT ROUTING DIAGRAM)  |
| 4   | H144692  | LABEL     | 1   |            | INSTRUCTION (ROTARY SCREEN BELT ROUTING DIAGRAM)         |
| 5   | H171093  | LABEL     | 1   |            | IMPORTANT (CHOPPER POSITION)                             |
| 6   | H167691  | LABEL     | 1   |            | LIGHT SWITCH   |
| 7   | H163216  | LABEL     | 1   |            | GREENSTAR  |
| 8   | H168457  | LABEL     | 1   |            | "9650"   |
| 9   | H167835  | LABEL     | 1   |            | GULLWING   |
| 10  | H155154  | LABEL     | 1   |            | LUBRICATION CHART (SINGLE RANGE)                         |
|     | H155153  | LABEL     | 1   |            | LUBRICATION CHART (DUAL RANGE)                           |
| 11  | H114270  | DECAL     | 1   |            | INSTRUCTION (CYLINDER GEARBOX)                           |
| 12  | H167719  | LABEL     | 1   |            | "JOHN DEERE"   |
| 13  | H167842  | LABEL     | 1   |            | REAR HOOD  |
| 14  | H123351  | LABEL     | 1   |            | FEEDER DRUM HEIGHT ADJUSTMENT                            |
| 15  | H150434  | LABEL     | 1   |            | IMPORTANT (LUBRICATE UNIVERSAL)                          |

# 4H7

LEFT-HAND DECALS  
HP9247 -UN-11NOV99



HP9247

# 4H8

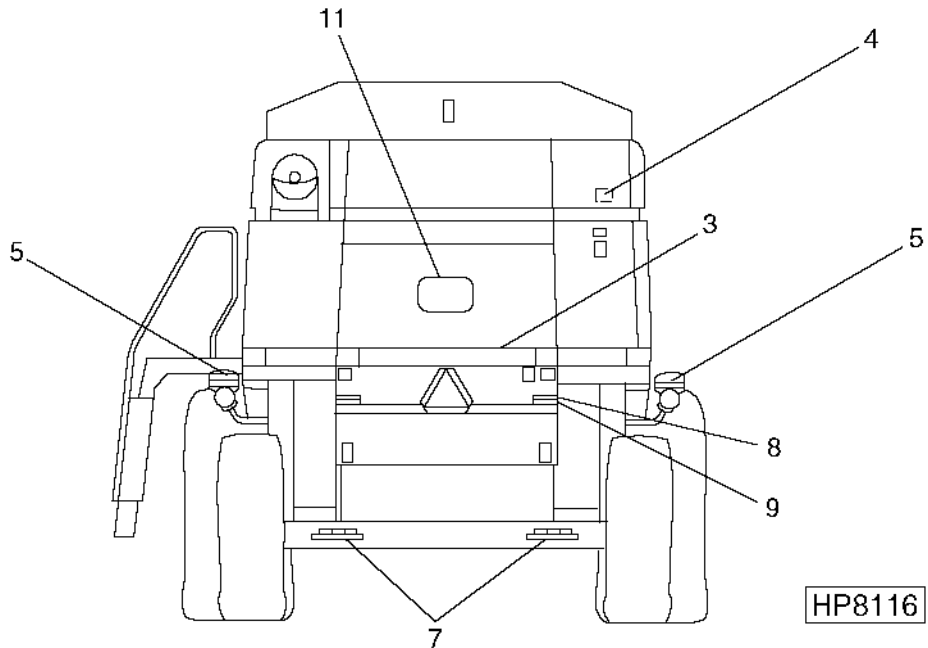
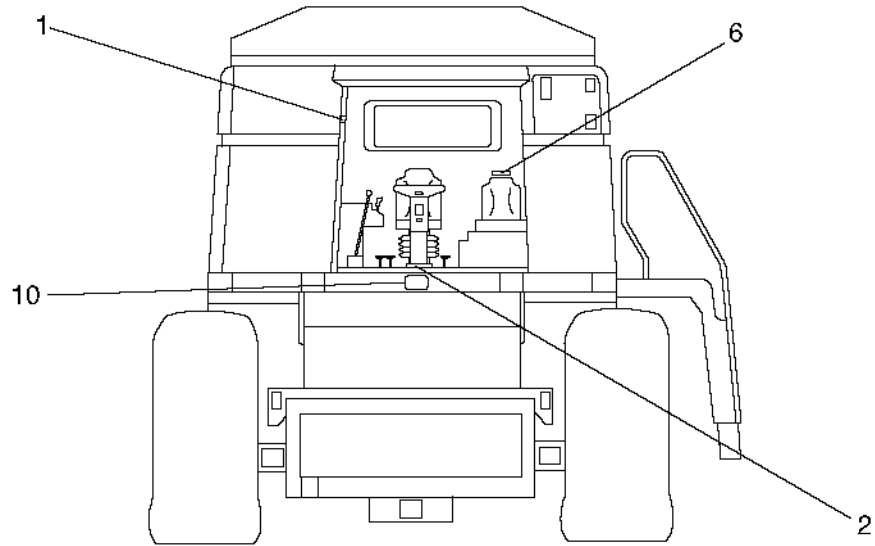
DECALS

**LEFT-HAND DECALS - CONTINUED**

| KEY | PART NO. | PART NAME | QTY | SERIAL NO. | REMARKS                                    |
|-----|----------|-----------|-----|------------|--|
| 1   | H110923  | LABEL     | 1   |            | IMPORTANT (CHECK HYD. OIL LEVEL)           |
| 2   | H171093  | LABEL     | 1   |            | IMPORTANT (CHOPPER POSITION)               |
| 3   | H169349  | DECAL     | 1   |            | LUBRICATION CHART-LH                       |
| 4   | H173111  | LABEL     | 1   |            | (SUB FOR H169492) IMPORTANT (TIRE LOADING) |
| 5   | H167843  | LABEL     | 1   |            | REAR HOOD                                  |
| 6   | H158840  | LABEL     | 1   |            | SERVICE (LUBE VARIABLE SPEED DRIVE)        |
| 7   | H160701  | LABEL     | 1   |            | IMPORTANT (FEEDERHOUSE CHAIN ADJUSTMENT)   |
| 8   | H137939  | LABEL     | 1   |            | IMPORTANT (HARNESS & HOSE STORAGE)         |
| 9   | H123351  | LABEL     | 1   |            | INSTRUCTION (DRUM ADJUSTMENT)              |
| 10  | H150434  | LABEL     | 1   |            | IMPORTANT (LUBRICATE UNIVERSAL)            |
| 11  | H163216  | LABEL     | 1   |            | GREENSTAR                                  |
| 12  | H167834  | LABEL     | 1   |            | GULLWING                                   |
| 13  | H150119  | LABEL     | 1   |            | SERVICE (CAB AIR PRECLEANER)               |
| 14  | H151318  | SIGN      | 1   |            | IMPORTANT (BEATER CURTAIN REMOVAL)         |
| 15  | H171624  | LABEL     | 1   |            | INSTRUCTION (ACCUMULATOR SETTINGS)         |
| 16  | H166949  | LABEL     | 1   |            | LABEL (LIGHT SWITCH)                       |
| 17  | H128315  | LABEL     | 1   |            | INSTRUCTION (DIAGNOSTIC PORTS)             |
| 18  | H168457  | LABEL     | 1   |            | "9650"                                     |
| 19  | H167840  | LABEL     | 1   |            | "JOHN DEERE"                               |
| 20  | H171311  | DECAL     | 1   |            | INSTRUCTION (VALVE STACK DIAGNOSTICS)      |
| 21  | H169764  | DECAL     | 1   |            | INSTRUCTION (CLEANING SHOE SETTINGS)       |

# 4H9

FRONT AND REAR DECALS  
HP8116 -UN-03JUN99



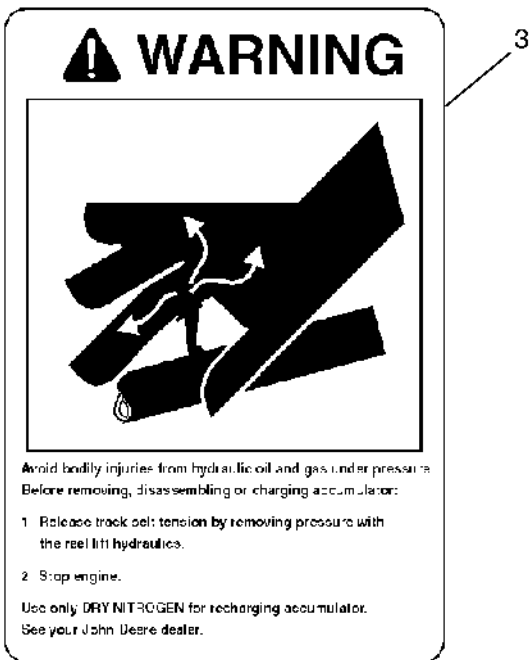
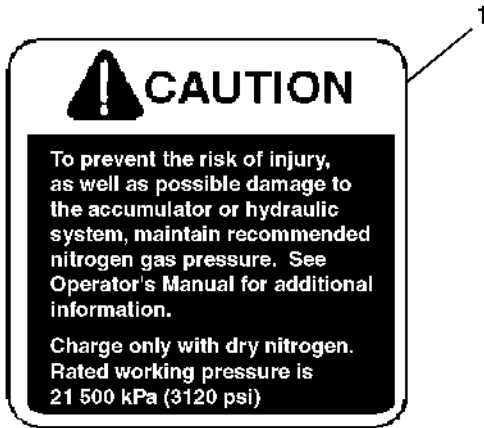
HP8116

# 4H10

DECALS

**FRONT & REAR DECALS - CONTINUED**

| KEY | PART NO. | PART NAME | QTY | SERIAL NO. | REMARKS                              |
|-----|----------|-----------|-----|------------|--------------------------------------|
| 1   | H134535  | LABEL     | 1   |            | INSTRUCTION (EMERGENCY EXIT)         |
|     | H161209  | LABEL     | 1   |            | PICTOGRAM                            |
| 2   | H137823  | PANEL     | 1   |            | INSTRUCTION (FEEDERHOUSE REVERSER)   |
| 3   | H169447  | LABEL     | 1   |            | STYLING                              |
| 4   | H137201  | DECAL     | 1   |            | IMPORTANT (COOLING PACKAGE CLEANOUT) |
| 5   | JD5921   | REFLECTOR | 2   |            | YELLOW (ON FRONT OF MOUNTING PLATE)  |
|     | JD5920   | REFLECTOR | 2   |            | RED (ON REAR OF MOUNTING PLATE)      |
|     | JD5922   | REFLECTOR | 2   |            | ORANGE (ON REAR OF MOUNTING PLATE)   |
| 6   | H136583  | LABEL     | 1   |            | FRENCH "CLEAN FILTER"                |
| 7   | H170211  | SIGN      | 2   |            | INSTRUCTION (HOSE ADJUSTMENT)        |
| 8   | JD5920   | REFLECTOR | 2   |            | RED                                  |
| 9   | JD5922   | REFLECTOR | 2   |            | ORANGE                               |
| 10  | H149480  | LABEL     | 1   |            | LEAPING DEER                         |
| 11  | JD5592   | DECAL     | 1   |            | LEAPING DEER                         |



HP7002

# 4H12

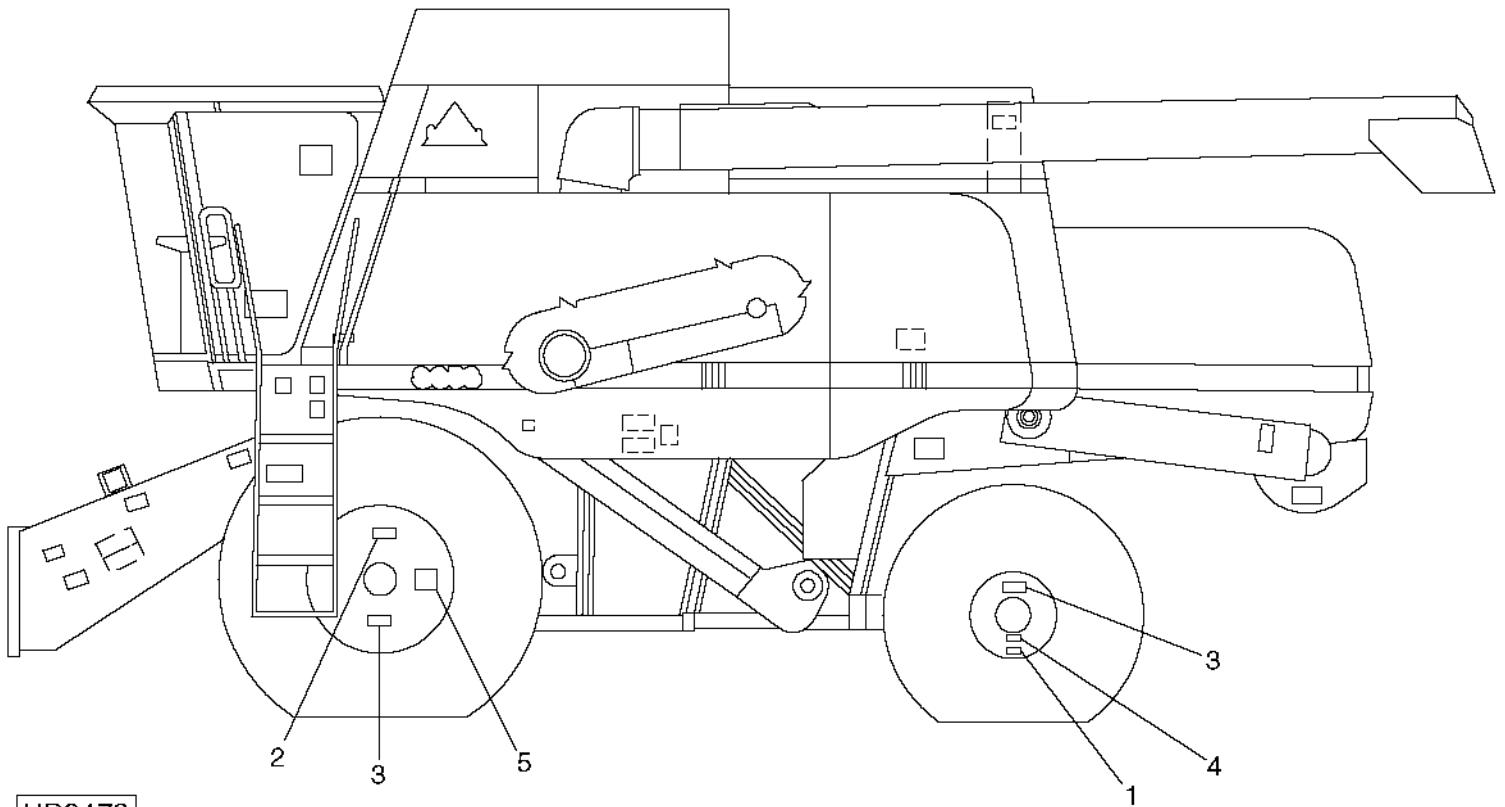
DECALS

## RUBBER TRACK SAFETY DECALS AND LABELS - CONTINUED

| KEY | PART NO. | PART NAME | QTY | SERIAL NO. | REMARKS                                 |
|-----|----------|-----------|-----|------------|---|
| 1   | H149092  | LABEL     | 1   |            | "CAUTION" - LOCATED ON ACCUMULATOR      |
| 2   | H152954  | DECAL     | 1   |            | "WARNING" - LOCATED ON MAIN FRAME PIVOT |
| 3   | H152953  | DECAL     | 1   |            | "WARNING" - LOCATED ON MAIN FRAME PIVOT |
| ..  | H152951  | DECAL     | 1   |            | TRACK LUBE CHART                        |
| ..  | H152955  | DECAL     | 1   |            | AIR BAG PRESSURE                        |

# 4H13

**FRONT AND REAR TIRE/WHEEL DECALS**  
HP9472 -UN-06JAN00



HP9472



# 4H14

DECALS

**FRONT AND REAR TIRE/WHEEL DECALS - CONTINUED**

| KEY | PART NO. | PART NAME | QTY | SERIAL NO. | REMARKS                                 |
|-----|----------|-----------|-----|------------|---|
| 1   | H174266  | LABEL     | 2   |            | (SUB FOR H151575) TIRE CLEARANCE        |
|     | H153728  | LABEL     | 2   |            | AXLE STOP AND TIRE CLEARANCE            |
| 2   | H134442  | LABEL     | 2   |            | IMPORTANT (WHEEL BOLT TORQUE)           |
| 3   | H150646  | DECAL     | 2   |            | IMPORTANT (TIRE PRESSURE 15 PSI)        |
|     | H108604  | LABEL     | 2   |            | IMPORTANT (TIRE PRESSURE 20 PSI)        |
|     | H108605  | LABEL     | 2   |            | IMPORTANT (TIRE PRESSURE 24 PSI)(FRONT) |
|     | H140709  | LABEL     | 2   |            | IMPORTANT (TIRE PRESSURE 26 PSI)        |
|     | H116639  | DECAL     | 2   |            | IMPORTANT (TIRE PRESSURE 28 PSI)(FRONT) |
|     | H111538  | LABEL     | 2   |            | IMPORTANT (TIRE PRESSURE 30 PSI)        |
|     | H116640  | LABEL     | 2   |            | IMPORTANT (TIRE PRESSURE 32 PSI)(FRONT) |
|     | H140710  | LABEL     | 2   |            | IMPORTANT (TIRE PRESSURE 34 PSI)(FRONT) |
|     | H111541  | LABEL     | 2   |            | IMPORTANT (TIRE PRESSURE 40 PSI)        |
|     | H140711  | LABEL     | 2   |            | IMPORTANT (TIRE PRESSURE 36 PSI)(REAR)  |
| 4   | H145995  | LABEL     | 2   |            | IMPORTANT (WHEEL BOLT TORQUE)           |
| 5   | H158975  | DECAL     | 2   |            | DUAL WHEELS                             |

# 4H15

DECALS

## FRENCH CANADIAN DECALS AND LABELS

| KEY | PART NO. | PART NAME      | QTY | SERIAL NO. | REMARKS                            |
|-----|----------|----------------|-----|------------|------------------------------------|
| ..  | H170105  | LABEL          | 1   |            | (SAFETY) PRESSURE COOLING SYSTEM   |
| ..  | H173824  | LABEL          | 1   |            | BRAKE                              |
| ..  | E82575   | LABEL          | 1   |            | (CAUTION)                          |
| ..  | H134620  | LABEL          | 1   |            | EXIT                               |
| ..  | H173293  | SAFETY SIGN    | 1   |            | (SAFETY)                           |
| ..  | H149076  | DECAL          | 2   |            | (DANGER) GRAIN TANK                |
| ..  | H149077  | DECAL          | 4   |            | (DANGER) HEADER                    |
| ..  | H149075  | LABEL          | 2   |            | (WARNING) FRONT ENTRY              |
| ..  | H149074  | LABEL          | 2   |            | (WARNING) FRONT ENTRY              |
| ..  | H149078  | LABEL          | 1   |            | (DANGER) AUGER                     |
| ..  | H149079  | LABEL          | 1   |            | (WARNING) ACCUMULATOR              |
| ..  | H149089  | SIGN           | 2   |            | (WARNING) ROTARY SCREEN FAN        |
| ..  | H149091  | LABEL          | 1   |            | (DANGER) POWER LINE                |
| ..  | H149098  | LABEL          | 1   |            | (CAUTION) ACCUMULATOR              |
| ..  | H149097  | LABEL          | 3   |            | (WARNING) PROJECTILE               |
| ..  | H149100  | LABEL          | 2   |            | (WARNING)                          |
| ..  | H170117  | LABEL          | 1   |            | (CAUTION) FOLDING AUGER            |
| ..  | H169283  | LABEL          | 1   |            | (CAUTION) SEAT BELT                |
| ..  | H170115  | LABEL          | 1   |            | (CAUTION)                          |
| ..  | H173702  | LABEL          | 1   |            | (WARNING)                          |
| ..  | H114320  | DECAL          | 1   |            | (INSTRUTION)                       |
| ..  | H140768  | LABEL          | 2   |            | TIRE PRESSURE (46 PSI)             |
| ..  | H127073  | LABEL          | 2   |            | TIRE PRESSURE (40 PSI)             |
| ..  | H140751  | LABEL          | 2   |            | TIRE PRESSURE (36 PSI)             |
| ..  | H140750  | LABEL          | 2   |            | TIRE PRESSURE (34 PSI)             |
| ..  | H127075  | LABEL          | 2   |            | TIRE PRESSURE (32 PSI)             |
| ..  | H127070  | LABEL          | 2   |            | TIRE PRESSURE (30 PSI)             |
| ..  | H127074  | LABEL          | 2   |            | TIRE PRESSURE (28 PSI)             |
| ..  | H140749  | LABEL          | 2   |            | TIRE PRESSURE (26 PSI)             |
| ..  | H127068  | LABEL          | 2   |            | TIRE PRESSURE (24 PSI)             |
| ..  | H127067  | LABEL          | 2   |            | TIRE PRESSURE (20 PSI)             |
| ..  | H135141  | LABEL          | 4   |            | WHEEL BOLT TORQUE                  |
| ..  | H145996  | LABEL          | 2   |            | REAR WHEEL BOLT TORQUE             |
| ..  | H129094  | LABEL          | 2   |            | FEEDERHOUSE DRUM HEIGHT ADJUSTMENT |
| ..  | H129099  | LABEL          | 1   |            | DIAGNOSTIC LOCATIONS               |
| ..  | H173849  | LABEL          | 1   |            | HYDRAULIC DIAGNOSTICS              |
| ..  | H127078  | LABEL          | 1   |            | HYDRAULIC RESERVIOR                |
| ..  | H174086  | LABEL          | 1   |            | ACCUMULATOR ADJUSTMENT             |
| ..  | H173336  | LABEL          | 1   |            | TIRE LOADING                       |
| ..  | H160795  | LABEL          | 1   |            | FEEDERHOUSE CHAIN ADJUSTMENT       |
| ..  | H137940  | LABEL          | 1   |            | HARNESS AND HOSE STORAGE           |
| ..  | H136583  | LABEL          | 2   |            | RECIRCULATING FILTER TRAY          |
| ..  | H135167  | LABEL          | 1   |            | FILTER DOOR                        |
| ..  | H137364  | DECAL          | 1   |            | COOLING PACKAGE CLEANOUT           |
| ..  | H95273   | DECAL          | 1   |            | (INSTRUCTION)                      |
| ..  | H174077  | LABEL          | 1   |            | CLEANING SHOE                      |
| ..  | H149103  | DECAL          | 3   |            | (WARNING) CHOPPER POSITION         |
| ..  | H173850  | LABEL          | 2   |            | CHOPPER POSITION                   |
| ..  | H169230  | LABEL          | 4   |            | (DANGER) IMPELLERS                 |
| ..  | H173885  | LABEL          | 2   |            | (CAUTION) DUAL WHEELS              |
| ..  | H173908  | LABEL          | 4   |            | (CAUTION) HEADER TILT              |
| ..  | H161111  | GRAPHICS PANEL | 1   |            | GRAPHICS PANEL                     |
| ..  | AH167852 | KIT            | 1   |            | FRENCH CANADIAN                    |

# 4H16

DECALS

## PORTUGUESE DECALS AND LABELS

| KEY | PART NO. | PART NAME | QTY | SERIAL NO. | REMARKS                         |
|-----|----------|-----------|-----|------------|---------------------------------|
| ..  | H152240  | MEDALLION | 1   |            | RADIATOR                        |
| ..  | H165170  | LABEL     | 1   |            | (CAUTION)                       |
| ..  | H152238  | MEDALLION | 1   |            | CYLINDER SPRING                 |
| ..  | H161209  | LABEL     | 1   |            | EXIT                            |
| ..  | H151671  | LABEL     | 4   |            | REEL LIFT                       |
| ..  | H152243  | MEDALLION | 1   |            | HYDRAULIC                       |
| ..  | H161208  | LABEL     | 1   |            | (CAUTION) BRAKES                |
| ..  | H152239  | MEDALLION | 1   |            | ELECTRIC SHOCK                  |
| ..  | H165174  | LABEL     | 1   |            | (CAUTION) ACCUMULATOR           |
| ..  | H154128  | LABEL     | 5   |            | LATERAL TILT                    |
| ..  | H165175  | LABEL     | 1   |            | (CAUTION) SEAT BELT             |
| ..  | H173574  | LABEL     | 1   |            | (CAUTION)                       |
| ..  | H174284  | LABEL     | 1   |            | (WARNING)                       |
| ..  | H165176  | DECAL     | 1   |            | (INSTRUCTION) TWO-SPEED GEARBOX |
| ..  | H165177  | LABEL     | 1   |            | CLEAN GRAIN ELEVATOR BELT       |
| ..  | H165178  | LABEL     | 1   |            | WALKER, SHOE, AND AUGER DRIVE   |
| ..  | H165179  | LABEL     | 1   |            | ROTARY SCREEN DRIVE             |
| ..  | H165180  | LABEL     | 4   |            | TIRE PRESSURE (26 PSI)          |
| ..  | H170800  | LABEL     | 2   |            | TIRE PRESSURE (24 PSI)          |
| ..  | H170799  | LABEL     | 4   |            | TIRE PRESSURE (15 PSI)          |
| ..  | H165181  | LABEL     | 4   |            | WHEEL BOLT TORQUE               |
| ..  | H165182  | LABEL     | 2   |            | REAR WHEEL BOLT TORQUE          |
| ..  | H165183  | LABEL     | 2   |            | FEEDERHOUSE DRUM ADJUSTMENT     |
| ..  | H165184  | LABEL     | 1   |            | DIAGNOSTIC PORTS                |
| ..  | H173597  | LABEL     | 1   |            | HYDRAULIC DIAGNOSTICS           |
| ..  | H165186  | LABEL     | 1   |            | HYDRAULIC RESERVIOR             |
| ..  | H165188  | LABEL     | 1   |            | ACCUMULATOR                     |
| ..  | H173337  | LABEL     | 1   |            | TIRE LOADING                    |
| ..  | H165190  | LABEL     | 1   |            | FEEDERHOUSE ADJUSTMENT          |
| ..  | H165191  | LABEL     | 1   |            | HARNESS AND HOSE STORAGE        |
| ..  | H165285  | LABEL     | 2   |            | LUBE                            |
| ..  | H165192  | LABEL     | 2   |            | RECIRCULATING FILTER TRAY       |
| ..  | H165193  | LABEL     | 1   |            | FILTER DOOR                     |
| ..  | H165570  | LABEL     | 1   |            | CLOSE DOOR FILTER               |
| ..  | H165571  | LABEL     | 1   |            | PRECLEANER FILTER CHECK         |
| ..  | H165197  | SIGN      | 2   |            | BEATER GRATE CURTAIN            |
| ..  | H173577  | LABEL     | 1   |            | CLEANING SHOE                   |
| ..  | H173633  | LABEL     | 2   |            | CHOPPER POSITION                |
| ..  | H165284  | DECAL     | 1   |            | STARTING AID                    |
| ..  | H165199  | DECAL     | 1   |            | COOLING PACKAGE CLEANOUT        |
| ..  | Z60327   | LABEL     | 2   |            | GRAIN TANK ENTANGLEMENT         |
| ..  | L64995   | LABEL     | 3   |            | LANDING LADDER                  |
| ..  | Z60326   | LABEL     | 2   |            | BELT ENTANGLEMENT               |
| ..  | Z59868   | LABEL     | 3   |            | DISENGAGE POWER                 |
| ..  | Z60329   | LABEL     | 3   |            | STRAW CHOPPER DISCHARGE         |

# 4H17

DECALS

**ROMANIAN DECALS AND LABELS**

| KEY | PART NO. | PART NAME | QTY | SERIAL NO. | REMARKS                          |
|-----|----------|-----------|-----|------------|----------------------------------|
| ..  | H161206  | BRACKET   | 1   |            | (CAUTION) BRAKES                 |
| ..  | H161209  | LABEL     | 1   |            | EXIT                             |
| ..  | H171079  | SIGN      | 1   |            | (CAUTION) SEAT BELT              |
| ..  | H144254  | LABEL     | 1   |            | R.H. LUBE CHART                  |
| ..  | H151671  | LABEL     | 4   |            | REEL LIFT                        |
| ..  | H152238  | MEDALLION | 1   |            | CYLINDER SPRING                  |
| ..  | H152239  | MEDALLION | 1   |            | ELECTRIC SHOCK                   |
| ..  | H152240  | MEDALLION | 1   |            | RADIATOR                         |
| ..  | H152243  | MEDALLION | 1   |            | HYDRAULIC                        |
| ..  | H154128  | LABEL     | 1   |            | LATERAL TILT                     |
| ..  | H155133  | LABEL     | 1   |            | R.H. LUBE CHART                  |
| ..  | H155154  | LABEL     | 1   |            | R.H. LUBE CHART                  |
| ..  | H158840  | LABEL     | 1   |            | FEEDERHOUSE VARIABLE SPEED DRIVE |
| ..  | H166949  | LABEL     | 1   |            | LIGHT SWITCH                     |
| ..  | H167691  | LABEL     | 1   |            | ENGINE LIGHT                     |
| ..  | H169349  | DECAL     | 1   |            | L.H. LUBE CHART                  |
| ..  | H171081  | SIGN      | 1   |            | (WARNING) ACCUMULATOR            |
| ..  | H171082  | LABEL     | 1   |            | (CAUTION)                        |
| ..  | H174284  | LABEL     | 1   |            | (WARNING)                        |
| ..  | Z60332   | LABEL     | 7   |            | HAND ENTANGLEMENT                |

# 4H18

DECALS

## RUSSIAN DECALS AND LABELS

| KEY | PART NO. | PART NAME         | QTY | SERIAL NO. | REMARKS                            |
|-----|----------|-------------------|-----|------------|------------------------------------|
| ..  | H157916  | SIGN              | 1   |            | (CAUTION) SEAT BELT                |
| ..  | H158044  | LABEL             | 1   |            | FILTER DOOR                        |
| ..  | H158046  | DECAL             | 1   |            | FILTER SERVICE                     |
| ..  | H158048  | LABEL             | 2   |            | RECIRCULATING FILTER TRAY          |
| ..  | H158053  | LABEL             | 1   |            | FILTER DOOR                        |
| ..  | H161208  | LABEL             | 1   |            | (CAUTION) BRAKES                   |
| ..  | H161209  | LABEL             | 1   |            | EXIT                               |
| ..  | H137823  | PANEL             | 1   |            | FEEDERHOUSE REVERSER               |
| ..  | H151671  | LABEL             | 4   |            | REEL LIFT                          |
| ..  | H152238  | MEDALLION         | 1   |            | CYLINDER SPRING                    |
| ..  | H152239  | MEDALLION         | 1   |            | ELECTRIC SHOCK                     |
| ..  | H152240  | MEDALLION         | 1   |            | RADIATOR                           |
| ..  | H152243  | MEDALLION         | 1   |            | HYDRAULIC                          |
| ..  | H154128  | LABEL             | 5   |            | LATERAL TILT                       |
| ..  | H157293  | LABEL             | 1   |            | DIAGNOSTIC LOCATION                |
| ..  | H157313  | LABEL             | 1   |            | (CAUTION)                          |
| ..  | H157319  | SIGN              | 2   |            | BEATER GRATE CURTAIN               |
| ..  | H157321  | LABEL             | 2   |            | TIRE PRESSURE (26 PSI)             |
| ..  | H157323  | LABEL             | 2   |            | REAR WHEEL BOLT TORQUE             |
| ..  | H157327  | LABEL             | 1   |            | ROTARY SCREEN DRIVE                |
| ..  | H157329  | LABEL             | 1   |            | WALKER, SHOE, AND AUGER DRIVE      |
| ..  | H157331  | LABEL             | 1   |            | CLEAN GRAIN ELEVATOR BELT          |
| ..  | H157333  | DECAL             | 1   |            | COOLING PACKAGE CLEANOUT           |
| ..  | H157335  | LABEL             | 1   |            | HARNESS AND HOSE STORAGE           |
| ..  | H157341  | LABEL             | 4   |            | WHEEL BOLT TORQUE                  |
| ..  | H157345  | LABEL             | 2   |            | FEEDERHOUSE DRUM HIEGHT ADJUSTMENT |
| ..  | H157349  | LABEL             | 1   |            | HYDRAULIC RESERVIOR                |
| ..  | H157351  | DECAL             | 1   |            | (INSTRUCTION) TWO-SPEED GEARBOX    |
| ..  | H157985  | SIGN              | 1   |            | (WARNING) ACCUMULATOR              |
| ..  | H158011  | DECAL             | 1   |            | (INSTRUCTION)                      |
| ..  | H158840  | LABEL             | 1   |            | FEEDERHOUSE VARIABLE SPEED DRIVE   |
| ..  | H160269  | LABEL             | 4   |            | TIRE PRESSURE (32 PSI)             |
| ..  | H160270  | LABEL             | 2   |            | TIRE PRESSURE (20 PSI)             |
| ..  | H160448  | LABEL             | 2   |            | TIRE CLEARANCE                     |
| ..  | H160797  | LABEL             | 1   |            | FEEDERHOUSE CHAIN ADJUSTMENT       |
| ..  | H166949  | LABEL             | 1   |            | LIGHT SWITCH                       |
| ..  | H167446  | INSTRUCTION PLATE | 2   |            | LATERAL TILT FEEDERHOUSE LUBE      |
| ..  | H167691  | LABEL             | 1   |            | ENGINE LIGHT                       |
| ..  | H169349  | DECAL             | 1   |            | L.H. LUBE CHART                    |
| ..  | H173334  | LABEL             | 1   |            | TIRE LOADING                       |
| ..  | H174284  | LABEL             | 1   |            | (WARNING)                          |
| ..  | Z60332   | LABEL             | 7   |            | HAND ENTANGLEMENT                  |

# 4H19

DECALS

## SPANISH DECALS AND LABELS

| KEY | PART NO. | PART NAME           | QTY | SERIAL NO. | REMARKS                            |
|-----|----------|---------------------|-----|------------|------------------------------------|
| ..  | H173075  | LABEL               | 1   |            | (CAUTION) BRAKES                   |
| ..  | H156224  | LABEL               | 1   |            | EXIT                               |
| ..  | H156226  | SIGN                | 1   |            | (DANGER) POWER LINE                |
| ..  | H159348  | SIGN                | 1   |            | (CAUTION) SEAT BELT                |
| ..  | H173072  | LABEL               | 4   |            | WHEEL BOLT TORQUE                  |
| ..  | H173071  | LABEL               | 2   |            | REAR WHEEL BOLT TORQUE             |
| ..  | H173088  | DECAL               | 2   |            | FEEDERHOUSE DRUM HIEGHT ADJUSTMENT |
| ..  | H173102  | LABEL               | 2   |            | TIRE CLEARANCE                     |
| ..  | H173103  | LABEL               | 2   |            | AXLE STOP AND TIRE CLEARANCE       |
| ..  | H159349  | SIGN                | 2   |            | DUAL WHEELS                        |
| ..  | H156223  | SIGN                | 4   |            |                                    |
| ..  | H173087  | LABEL               | 2   |            | LATERAL TILT FEEDERHOUSE           |
| ..  | H173090  | LABEL               | 1   |            | HARNES AND HOSE STORAGE            |
| ..  | H173094  | LABEL               | 1   |            | FEEDERHOUSE ADJUSTMENT             |
| ..  | H173106  | SERIAL NUMBER PLATE | 1   |            | LADDER TRANSPORT POSITION          |
| ..  | H159347  | SIGN                | 4   |            | (CAUTION) HEADER TILT              |
| ..  | H173101  | LABEL               | 1   |            | TIRE LOADING                       |
| ..  | H156231  | LABEL               | 1   |            | (CAUTION)                          |
| ..  | H173096  | DECAL               | 1   |            | FILTER SERVICE                     |
| ..  | H173083  | DECAL               | 1   |            | HYDRAULIC DIAGNOSTICS              |
| ..  | H173079  | DECAL               | 1   |            | CLEANING SHOE SETTINGS             |
| ..  | H156230  | SIGN                | 2   |            | (WARNING)                          |
| ..  | H156229  | SIGN                | 1   |            | (WARNING) ACCUMULATOR              |
| ..  | H173093  | DECAL               | 1   |            | ACCUMULATOR ADJUSTMENT             |
| ..  | H173082  | LABEL               | 1   |            | DIAGNOSTIC PORTS                   |
| ..  | H173081  | LABEL               | 1   |            | HYDRAULIC RESERVIOR                |
| ..  | H156228  | SIGN                | 1   |            | (WARNING) ACCUMULATOR              |
| ..  | H156222  | SIGN                | 1   |            | (DANGER) AUGER                     |
| ..  | H156234  | SIGN                | 2   |            | FAN AND ROTARY SCREEN              |
| ..  | H173084  | DECAL               | 1   |            | (INSTRUCTION)                      |
| ..  | H173099  | DECAL               | 1   |            | COOLING PACKAGE CLEANOUT           |
| ..  | H170116  | SAFETY SIGN         | 1   |            | (CAUTION)                          |
| ..  | H173104  | DECAL               | 1   |            | POWER HOSE ADJUSTMENT              |
| ..  | H156232  | SIGN                | 2   |            | (WARNING) LADDER                   |
| ..  | H156225  | SIGN                | 2   |            | (DANGER) GRAIN TANK                |
| ..  | H170118  | SIGN                | 1   |            | (CAUTION) FOLDING AUGER            |
| ..  | H156221  | SIGN                | 3   |            | (WARNING) PROJECTILE               |
| ..  | H170106  | DECAL               | 1   |            | (SAFETY) PRESSURE COOLING SYSTEM   |
| ..  | H156227  | SIGN                | 1   |            | (WARNING) FRONT ENTRY              |
| ..  | H173085  | LABEL               | 2   |            | CHOPPER POSITION                   |
| ..  | H173098  | DECAL               | 1   |            | (INSTRUCTION)                      |
| ..  | H159343  | SIGN                | 4   |            | (WARNING) CHOPPER POSITION         |
| ..  | H169231  | SIGN                | 4   |            | (DANGER) IMPELLERS                 |
| ..  | H173077  | SIGN                | 2   |            | BEATER GRATE CURTAIN               |
| ..  | AH167573 | KIT                 | 1   |            | SPANISH DECALS                     |
| ..  | H174357  | LABEL               | 2   |            | AXLE STOP                          |
| ..  | H173294  | SAFETY SIGN         | 1   |            | WARNING                            |

# 4H20

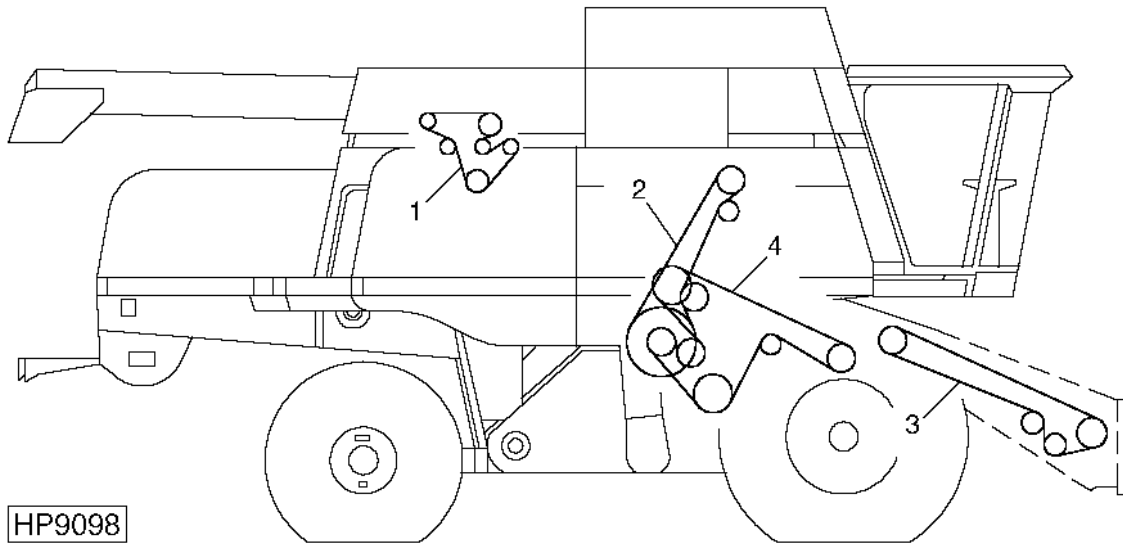
DECALS

## UKRAINIAN DECALS AND LABELS

| KEY | PART NO. | PART NAME         | QTY | SERIAL NO. | REMARKS                            |
|-----|----------|-------------------|-----|------------|------------------------------------|
| ..  | H157915  | SIGN              | 1   |            | (CAUTION) SEAT BELT                |
| ..  | H158043  | LABEL             | 1   |            | FILTER DOOR                        |
| ..  | H158045  | DECAL             | 1   |            | FILTER SERVICE                     |
| ..  | H158047  | LABEL             | 2   |            | RECIRCULATING FILTER TRAY          |
| ..  | H158052  | LABEL             | 1   |            | FILTER DOOR                        |
| ..  | H161208  | LABEL             | 1   |            | (CAUTION) BRAKES                   |
| ..  | H161209  | LABEL             | 1   |            | EXIT                               |
| ..  | H137823  | PANEL             | 1   |            | FEEDERHOUSE REVERSER               |
| ..  | H151318  | SIGN              | 2   |            | BEATER GRATE CURTAIN               |
| ..  | H151671  | LABEL             | 4   |            | REEL LIFT                          |
| ..  | H152238  | MEDALLION         | 1   |            | CYLINDER SPRING                    |
| ..  | H152239  | MEDALLION         | 1   |            | ELECTRIC SHOCK                     |
| ..  | H152240  | MEDALLION         | 1   |            | RADIATOR                           |
| ..  | H152243  | MEDALLION         | 1   |            | HYDRAULIC                          |
| ..  | H154128  | LABEL             | 5   |            | LATERAL TILT                       |
| ..  | H155133  | LABEL             | 1   |            | R.H. LUBE CHART                    |
| ..  | H155154  | LABEL             | 1   |            | R.H. LUBE CHART                    |
| ..  | H157292  | LABEL             | 1   |            | DIAGNOSTIC PORTS                   |
| ..  | H157312  | LABEL             | 1   |            | (CAUTION)                          |
| ..  | H157320  | LABEL             | 4   |            | TIRE PRESSURE                      |
| ..  | H157322  | LABEL             | 2   |            | REAR WHEEL BOLT TORQUE             |
| ..  | H157326  | LABEL             | 1   |            | ROTARY SCREEN DRIVE                |
| ..  | H157328  | LABEL             | 1   |            | WALKER, SHOE, AND AUGER DRIVE      |
| ..  | H157330  | LABEL             | 1   |            | CLEAN GRAIN ELEVATOR BELT          |
| ..  | H157332  | DECAL             | 1   |            | COOLING PACKAGE CLEANOUT           |
| ..  | H157334  | LABEL             | 1   |            | HARNESS AND HOSE STORAGE           |
| ..  | H157340  | LABEL             | 4   |            | WHEEL BOLT TORQUE                  |
| ..  | H157344  | LABEL             | 2   |            | FEEDERHOUSE DRUM HIEGHT ADJUSTMENT |
| ..  | H157348  | LABEL             | 1   |            | HYDRAULIC RESERVIOR                |
| ..  | H157350  | DECAL             | 1   |            | (INSTRUCTION)                      |
| ..  | H157984  | SIGN              | 1   |            | (WARNING) ACCUMULATOR              |
| ..  | H158010  | DECAL             | 1   |            | (INSTRUCTION)                      |
| ..  | H158840  | LABEL             | 1   |            | FEEDERHOUSE VARIABLE SPEED DRIVE   |
| ..  | H160796  | LABEL             | 1   |            | FEEDERHOUSE CHAIN ADJUSTMENT       |
| ..  | H166949  | LABEL             | 1   |            | LIGHT SWITCH                       |
| ..  | H167447  | INSTRUCTION PLATE | 2   |            | LATERAL TILT FEEDERHOUSE LUBE      |
| ..  | H167691  | LABEL             | 1   |            | ENGINE LIGHT                       |
| ..  | H169349  | DECAL             | 1   |            | L.H. LUBE CHART                    |
| ..  | H173335  | LABEL             | 1   |            | TIRE LOADING                       |
| ..  | H174284  | LABEL             | 1   |            | (WARNING)                          |
| ..  | Z60332   | LABEL             | 7   |            | HAND ENTANGLEMENT                  |

# 4H21

R.H. BELT ROUTINGS REFERENCE  
HP9098 -UN-22SEP99



HP9098



# 4H22

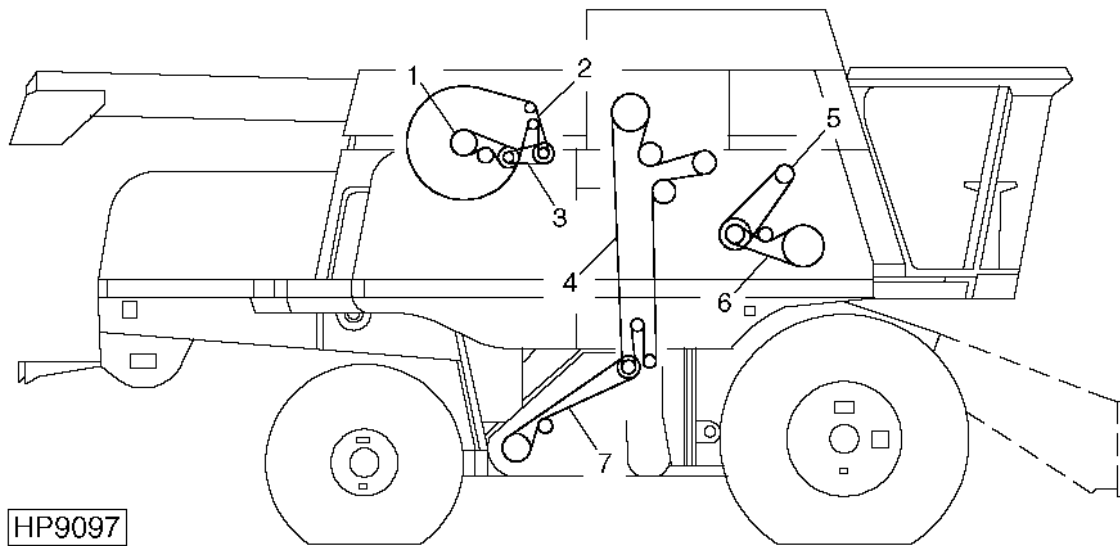
DECALS

## R.H. BELT ROUTINGS REFERENCE - CONTINUED

| KEY | PART NO. | PART NAME  | QTY | SERIAL NO. | REMARKS                           |
|-----|----------|------------|-----|------------|-----------------------------------|
| 1   | H163515  | BELT       | 1   |            | ALTERNATOR (95 AMP)               |
|     | H166870  | BELT       | 1   |            | ALTERNATOR (185 AMP)              |
| 2   | H128010  | BELT       | 1   |            | SECONDARY COUNTERSHAFT            |
| 3   | AH118228 | LINK CHAIN | 1   |            | FEEDER CONVEYOR                   |
| 4   | H131169  | BELT       | 1   |            | SHOE, WALKER, AND CONVEYOR AUGERS |

# 4H23

R.H. BELT ROUTINGS REFERENCE  
HP9097 -UN-22SEP99



HP9097

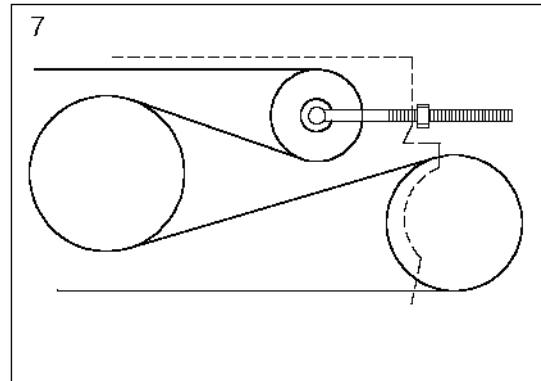
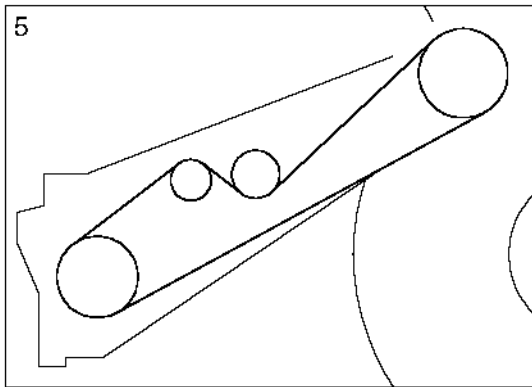
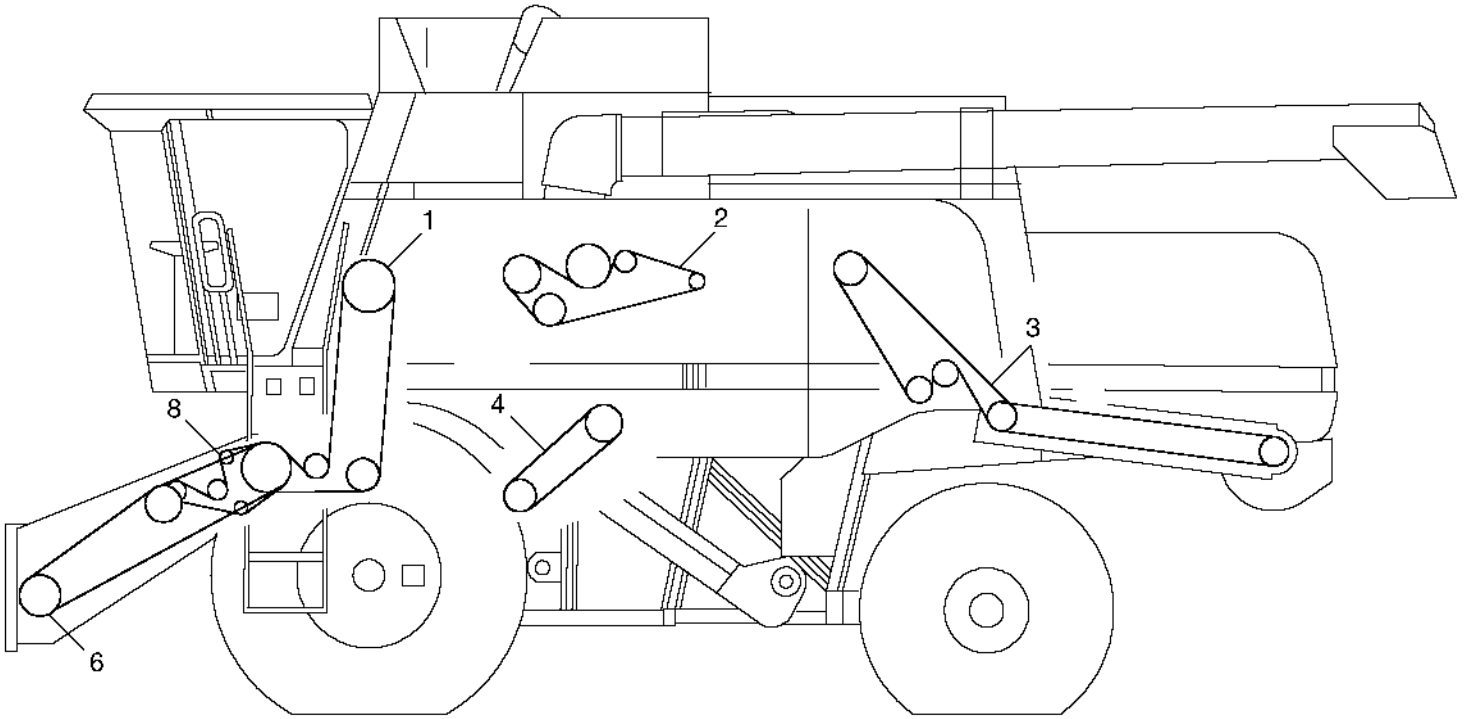
# 4H24

DECALS

## R.H. BELT ROUTINGS REFERENCE - CONTINUED

| KEY | PART NO. | PART NAME | QTY | SERIAL NO. | REMARKS                           |
|-----|----------|-----------|-----|------------|-----------------------------------|
| 1   | H153297  | BELT      | 1   |            | COOLING FAN                       |
| 2   | H145158  | BELT      | 1   |            | ROTARY SCREEN                     |
| 3   | H146636  | BELT      | 1   |            | ROTARY SCREEN DRIVE               |
| 4   | H141166  | BELT      | 1   |            | CLEAN GRAIN ELEVATOR              |
| 5   | H162629  | BELT      | 1   |            | CYLINDER INTERMEDIATE DRIVE       |
| 6   | H115881  | BELT      | 1   |            | CYLINDER DRIVE (240 - 960 RPM)    |
|     | H118618  | BELT      | 1   |            | CYLINDER DRIVE (150 - 500 RPM)    |
| 7   | N110085  | BELT      | 1   |            | LOWER TAILINGS AUGER AND ELEVATOR |
| ..  | H163515  | BELT      | 1   |            | AIR CONDITIONING COMPRESSOR       |

**L.H. BELT ROUTINGS REFERENCE**  
HP9100 -UN-24SEP99

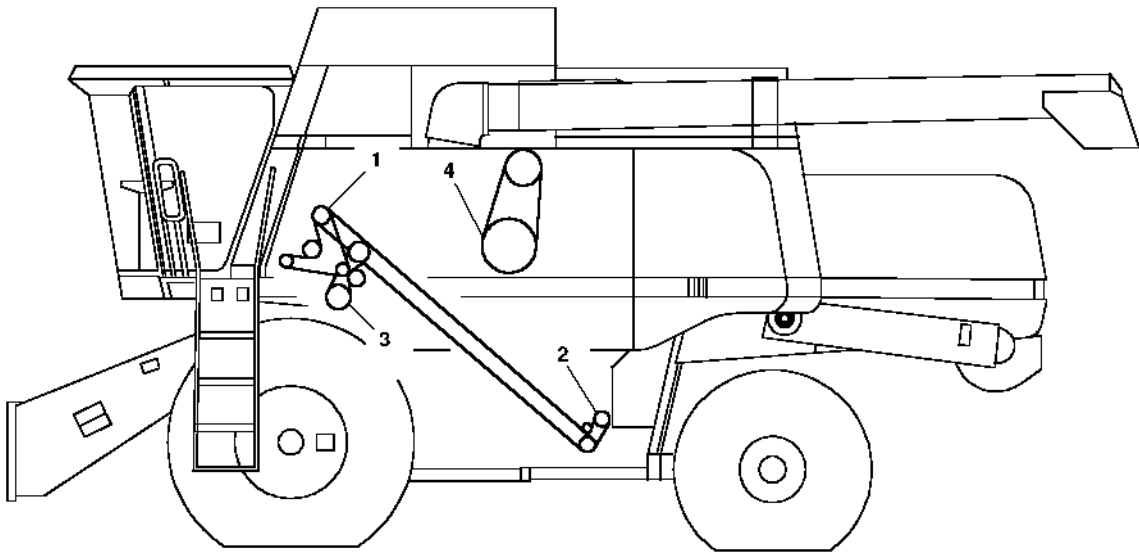


HP9100

## L.H. BELT ROUTINGS REFERENCE - CONTINUED

| KEY | PART NO. | PART NAME  | QTY | SERIAL NO. | REMARKS                                 |
|-----|----------|------------|-----|------------|---|
| 1   | H151952  | BELT       | 1   |            | HEADER AND REEL PUMP(STANDARD CAPACITY) |
|     | H155998  | BELT       | 1   |            | HEADER AND REEL PUMP(HIGH CAPACITY)     |
| 2   | AH157085 | CHAIN LINK | 1   |            | UNLOADING AUGERS                        |
| 3   | H157727  | BELT       | 1   |            | STRAW CHOPPER (FINE CUT)                |
|     | H27433   | BELT       | 1   |            | STRAW CHOPPER (FINE CUT BALING)         |
|     | H160654  | BELT       | 1   |            | STRAW CHOPPER (STANDARD)                |
|     | H23950   | BELT       | 1   |            | STRAW CHOPPER (STANDARD BALING)         |
| 4   | H152146  | BELT       | 1   |            | CLEANING FAN (750 - 1350 RPM)           |
|     | H152180  | BELT       | 1   |            | CLEANING FAN (490 - 980 RPM)            |
| 5   | H126345  | BELT       | 1   |            | FIXED SPEED FEEDERHOUSE W/REVERSER      |
| 6   | H161648  | BELT       | 1   |            | VARIABLE SPEED (STANDARD CAPACITY)      |
|     | H156863  | BELT       | 1   |            | VARIABLE SPEED (HIGH CAPACITY)          |
| 7   | H128234  | BELT       | 1   |            | STRAW SPREADER                          |
| 8   | H171386  | BELT       | 1   |            | AIR FLOW DRIVE                          |

**L.H. BELT ROUTINGS REFERENCE**  
HP9099 -UN-22SEP99



HP9099

## L.H. BELT ROUTINGS REFERENCE - CONTINUED

| KEY | PART NO. | PART NAME    | QTY | SERIAL NO. | REMARKS              |
|-----|----------|--------------|-----|------------|----------------------|
| 1   | AH131074 | LINK CHAIN   | 1   |            | UPPER TAILINGS AUGER |
| 2   | AH126239 | ROLLER CHAIN | 1   |            | LOWER TAILINGS AUGER |
| 3   | AH139436 | BELT SET     | 1   |            | BEATER               |
| 4   | AH158880 | BELT SET     | 1   |            | UNLOADING SYSTEM     |

---

MEMORANDA



## NUMERICAL INDEX

| PART NO. | GRID | KEY | PAGE     | PART NO. | GRID | KEY | PAGE     | PART NO. | GRID | KEY | PAGE     |
|----------|------|-----|----------|----------|------|-----|----------|----------|------|-----|----------|
| AA27536  | 3C2  | 1   | 90 - 27  | AH113392 | 4E8  | 10  | 150 - 25 | AH123902 | 1G14 | 2   | 40 - 41  |
| AA27536  | 3C6  | 23  | 90 - 31  | AH114359 | 3G20 | 14  | 110 - 27 | AH123904 | 1G14 | 35  | 40 - 41  |
| AA45032  | 1H24 | 9   | 40 - 78  | AH115639 | 1B5  | 29  | 20 - 3   | AH123905 | 1G14 | 24  | 40 - 41  |
| AA45032  | 1H25 | 8   | 40 - 79  | AH115833 | 3D6  | 1   | 95 - 6   | AH123908 | 1G14 | 17  | 40 - 41  |
| AA45032  | 1I1  | 4   | 40 - 80  | AH115836 | 3D5  | 17  | 95 - 5   | AH123910 | 1G14 | 27  | 40 - 41  |
| AA5607R  | 1B5  | 47  | 20 - 3   | AH115943 | 1G21 | 4   | 40 - 49  | AH123911 | 1G14 | 29  | 40 - 41  |
| AA5607R  | 1B17 | 15  | 20 - 15  | AH116006 | 4E19 | 9   | 150 - 37 | AH123912 | 4E2  | 4   | 150 - 19 |
| AA5607R  | 3E8  | 3   | 100 - 17 | AH116104 | 1H10 | 12  | 40 - 63  | AH124008 | 2D2  | 9   | 50 - 53  |
| AA5607R  | 3F13 | 43  | 100 - 47 | AH116104 | 2B23 | 25  | 50 - 21  | AH124008 | 2D4  | 8   | 50 - 55  |
| AA5607R  | 3J4  | 11  | 125 - 27 | AH116104 | 3J21 | 17  | 130 - 13 | AH124050 | 4C16 | 3   | 140 - 43 |
| AA5607R  | 4C2  | 12  | 140 - 29 | AH116232 | 3E20 | 30  | 100 - 29 | AH124635 | 3J13 | 5   | 130 - 5  |
| AA5607R  | 4C8  | 14  | 140 - 35 | AH116390 | 4E22 | 3   | 150 - 40 | AH124731 | 2F17 | 26  | 70 - 15  |
| AA5607R  | 4C14 | 10  | 140 - 41 | AH116632 | 2H8  | 18  | 70 - 55  | AH124731 | 2F19 | 25  | 70 - 17  |
| AA5607R  | 4C22 | 22  | 140 - 49 | AH116902 | 1G6  | 20  | 40 - 33  | AH124731 | 2F21 | 24  | 70 - 19  |
| AA5607R  | 4C24 | 19  | 140 - 51 | AH116902 | 3C6  | 40  | 90 - 31  | AH124731 | 2G4  | 3   | 70 - 27  |
| AA5607R  | 4D7  | 12  | 140 - 59 | AH117301 | 1G19 | 11  | 40 - 46  | AH124826 | 4C8  | 2   | 140 - 35 |
| AB18206  | 2G14 | 3   | 70 - 37  | AH117301 | 4B12 | 16  | 140 - 11 | AH124828 | 4C8  | 16  | 140 - 35 |
| AB4462R  | 4G8  | 25  | 160 - 19 | AH117301 | 4D13 | 48  | 150 - 5  | AH124832 | 2H8  | 21  | 70 - 55  |
| AC14974  | 3I24 | 10  | 125 - 23 | AH117418 | 2D12 | 15  | 50 - 63  | AH124852 | 4D21 | 3   | 150 - 13 |
| AC15595  | 1E20 | 3   | 30 - 19  | AH117566 | 2E19 | 5   | 60 - 26  | AH124878 | 4D21 | 2   | 150 - 13 |
| AE22622  | 4C22 | 19  | 140 - 49 | AH117643 | 4B8  | 29  | 140 - 7  | AH124882 | 3C14 | 32  | 90 - 39  |
| AE23791  | 3C8  | 18  | 90 - 33  | AH117662 | 2B13 | 4   | 50 - 10  | AH125036 | 1H19 | 9   | 40 - 73  |
| AE26118  | 3H2  | 3   | 120 - 5  | AH118228 | 3F4  | 6   | 100 - 37 | AH125070 | 4E16 | 15  | 150 - 33 |
| AE27909  | 3F4  | 11  | 100 - 37 | AH118228 | 4H22 | 3   | 170 - 29 | AH125070 | 4E16 | 16  | 150 - 33 |
| AE38021  | 2G2  | 37  | 70 - 25  | AH118993 | 4E21 | 8   | 150 - 39 | AH125080 | 4D19 | 21  | 150 - 11 |
| AE38448  | 4C4  | 21  | 140 - 31 | AH119770 | 4C24 | 32  | 140 - 51 | AH125193 | 4B19 | 40  | 140 - 19 |
| AE38734  | 2G2  | 16  | 70 - 25  | AH120160 | 4E19 | 7   | 150 - 37 | AH125228 | 2B19 | 16  | 50 - 17  |
| AE42998  | 3I14 | 6   | 125 - 13 | AH120216 | 2J13 | 7   | 80 - 37  | AH125228 | 3D24 | 1   | 100 - 8  |
| AE44392  | 1F21 | 64  | 40 - 21  | AH120419 | 3D6  | 4   | 95 - 6   | AH125233 | 2C2  | 7   | 50 - 25  |
| AE50995  | 2G2  | 35  | 70 - 25  | AH120446 | 3D6  | 5   | 95 - 6   | AH125454 | 3F15 | 3   | 100 - 49 |
| AF1466R  | 4B22 | 46  | 140 - 23 | AH120541 | 3B11 | 20  | 90 - 11  | AH125490 | 4B10 | 32  | 140 - 9  |
| AH101202 | 2E19 | 22  | 60 - 26  | AH120547 | 3D10 | 9   | 95 - 10  | AH125533 | 2J9  | 13  | 80 - 33  |
| AH104259 | 3B13 | 12  | 90 - 13  | AH120736 | 2C2  | 11  | 50 - 25  | AH125534 | 2J9  | 12  | 80 - 33  |
| AH105040 | 3E2  | 23  | 100 - 11 | AH120737 | 4B10 | 15  | 140 - 9  | AH125644 | 2I14 | 8   | 80 - 13  |
| AH106010 | 3B9  | 11  | 90 - 9   | AH120815 | 1B17 | 5   | 20 - 15  | AH125644 | 4D11 | 6   | 150 - 3  |
| AH106110 | 4C4  | 7   | 140 - 31 | AH120871 | 2E18 | 16  | 60 - 25  | AH125658 | 2E19 | 23  | 60 - 26  |
| AH106606 | 4E14 | 11  | 150 - 31 | AH120875 | 2E18 | 17  | 60 - 25  | AH125672 | 1G16 | 10  | 40 - 43  |
| AH106933 | 2C4  | 17  | 50 - 27  | AH120891 | 3B9  | 6   | 90 - 9   | AH125673 | 1B17 | 6   | 20 - 15  |
| AH106982 | 1E16 | 17  | 30 - 15  | AH120907 | 4C4  | 10  | 140 - 31 | AH125690 | 4B14 | 7   | 140 - 13 |
| AH108080 | 2G14 | 2   | 70 - 37  | AH121007 | 4C2  | 20  | 140 - 29 | AH125733 | 2H13 | 2   | 70 - 60  |
| AH108080 | 4G16 | 18  | 160 - 27 | AH121009 | 3G4  | 10  | 110 - 11 | AH125760 | 2C9  | 22  | 50 - 32  |
| AH108161 | 3D19 | 17  | 100 - 3  | AH121009 | 3G6  | 10  | 110 - 13 | AH125760 | 2C13 | 10  | 50 - 37  |
| AH108299 | 4D13 | 29  | 150 - 5  | AH121009 | 3G14 | 21  | 110 - 21 | AH125760 | 2F10 | 21  | 70 - 7   |
| AH108380 | 2G14 | 10  | 70 - 37  | AH121009 | 4B20 | 10  | 140 - 21 | AH125760 | 2F17 | 2   | 70 - 15  |
| AH108380 | 3C14 | 4   | 90 - 39  | AH121046 | 4D4  | 7   | 140 - 55 | AH125760 | 2F19 | 2   | 70 - 17  |
| AH108801 | 4B22 | 5   | 140 - 23 | AH121047 | 3J2  | 31  | 125 - 25 | AH125760 | 2F21 | 2   | 70 - 19  |
| AH108813 | 4C2  | 5   | 140 - 29 | AH121190 | 3C2  | 7   | 90 - 27  | AH125760 | 2F22 | 29  | 70 - 20  |
| AH108816 | 3C6  | 2   | 90 - 31  | AH121340 | 3C6  | 29  | 90 - 31  | AH125760 | 2G22 | 18  | 70 - 45  |
| AH10888  | 1B5  | 16  | 20 - 3   | AH121475 | 1G19 | 3   | 40 - 46  | AH125760 | 4B6  | 11  | 140 - 5  |
| AH109056 | 4B22 | 43  | 140 - 23 | AH121580 | 2B19 | 18  | 50 - 17  | AH125814 | 4D13 | 41  | 150 - 5  |
| AH109788 | 1B7  | 9   | 20 - 5   | AH121605 | 2G8  | 4   | 70 - 31  | AH125894 | 4D4  | 9   | 140 - 55 |
| AH110887 | 4B22 | 31  | 140 - 23 | AH121643 | 3F5  | 6   | 100 - 39 | AH125905 | 4D17 | 5   | 150 - 9  |
| AH111970 | 4C10 | 26  | 140 - 37 | AH121658 | 4B17 | 13  | 140 - 17 | AH125910 | 2F23 | 18  | 70 - 21  |
| AH111971 | 4C10 | 32  | 140 - 37 | AH122099 | 3C21 | 13  | 90 - 47  | AH125910 | 2F24 | 5   | 70 - 22  |
| AH112189 | 1G23 | 2   | 40 - 51  | AH122100 | 2B13 | 4   | 50 - 10  | AH125910 | 2G8  | 24  | 70 - 31  |
| AH112284 | 2B4  | 1   | 50 - 1   | AH122240 | 4B14 | 1   | 140 - 13 | AH125958 | 3C10 | 17  | 90 - 35  |
| AH112401 | 2C2  | 2   | 50 - 25  | AH122244 | 1E18 | 10  | 30 - 17  | AH125969 | 3H14 | 9   | 120 - 17 |
| AH112402 | 2C2  | 2   | 50 - 25  | AH122451 | 4C2  | 14  | 140 - 29 | AH125969 | 3H20 | 12  | 120 - 23 |
| AH112435 | 4E12 | 3   | 150 - 29 | AH122506 | 3I6  | 26  | 125 - 5  | AH125970 | 3H14 | 9   | 120 - 17 |
| AH112668 | 2C8  | 28  | 50 - 31  | AH122507 | 4D11 | 8   | 150 - 3  | AH125970 | 3H20 | 12  | 120 - 23 |
| AH112675 | 2C8  | 29  | 50 - 31  | AH122575 | 2B16 | 8   | 50 - 13  | AH125975 | 3H8  | 14  | 120 - 11 |
| AH112678 | 2C8  | 35  | 50 - 31  | AH122717 | 4E12 | 2   | 150 - 29 | AH125975 | 3H14 | 16  | 120 - 17 |
| AH112678 | 2C13 | 8   | 50 - 37  | AH122717 | 4E12 | 7   | 150 - 29 | AH125998 | 3J11 | 7   | 130 - 3  |
| AH112680 | 2C8  | 13  | 50 - 31  | AH122863 | 4C10 | 16  | 140 - 37 | AH126007 | 3J6  | 2   | 125 - 29 |
| AH112883 | 4B22 | 16  | 140 - 23 | AH122863 | 4C12 | 36  | 140 - 39 | AH126007 | 4D4  | 20  | 140 - 55 |
| AH112931 | 4G16 | 17  | 160 - 27 | AH123016 | 1I2  | 4   | 40 - 81  | AH126008 | 3J6  | 1   | 125 - 29 |
| AH113139 | 4B25 | 11  | 140 - 27 | AH123602 | 4E5  | 9   | 150 - 22 | AH126091 | 3E24 | 11  | 100 - 33 |

## NUMERICAL INDEX - CONTINUED

| PART NO. | GRID | KEY | PAGE     | PART NO. | GRID | KEY | PAGE     | PART NO. | GRID | KEY | PAGE     |
|----------|------|-----|----------|----------|------|-----|----------|----------|------|-----|----------|
| AH126094 | 4C12 | 35  | 140 - 39 | AH128361 | 3G14 | 9   | 110 - 21 | AH130193 | 2J5  | 15  | 80 - 29  |
| AH126122 | 2F8  | 17  | 70 - 5   | AH128384 | 4C18 | 1   | 140 - 45 | AH130201 | 3F23 | 14  | 110 - 5  |
| AH126169 | 2D13 | 7   | 50 - 64  | AH128391 | 2B24 | 1   | 50 - 22  | AH130201 | 3F25 | 13  | 110 - 7  |
| AH126169 | 2H19 | 3   | 70 - 67  | AH128391 | 2C2  | 32  | 50 - 25  | AH130209 | 2H2  | 15  | 70 - 49  |
| AH126188 | 4C12 | 24  | 140 - 39 | AH128449 | 2C9  | 24  | 50 - 32  | AH130222 | 2I4  | 31  | 80 - 3   |
| AH126190 | 3G24 | 1   | 120 - 3  | AH128449 | 2H13 | 1   | 70 - 60  | AH130230 | 1E20 | 2   | 30 - 19  |
| AH126213 | 3H2  | 34  | 120 - 5  | AH128449 | 4B4  | 11  | 140 - 3  | AH130230 | 2B6  | 14  | 50 - 3   |
| AH126239 | 3J2  | 32  | 125 - 25 | AH128450 | 4B4  | 10  | 140 - 3  | AH130412 | 2D24 | 19  | 60 - 7   |
| AH126239 | 4I4  | 2   | 170 - 35 | AH128451 | 4B4  | 5   | 140 - 3  | AH130413 | 2D24 | 20  | 60 - 7   |
| AH126240 | 2F6  | 18  | 70 - 3   | AH128452 | 3C8  | 12  | 90 - 33  | AH130424 | 3G24 | 9   | 120 - 3  |
| AH126242 | 2F6  | 21  | 70 - 3   | AH128528 | 2B19 | 1   | 50 - 17  | AH130425 | 3G24 | 9   | 120 - 3  |
| AH126254 | 2E10 | 4   | 60 - 17  | AH128528 | 3D23 | 45  | 100 - 7  | AH130429 | 3C4  | 47  | 90 - 29  |
| AH126272 | 1G16 | 3   | 40 - 43  | AH128581 | 3J6  | 20  | 125 - 29 | AH130449 | 2D13 | 3   | 50 - 64  |
| AH126275 | 4D13 | 35  | 150 - 5  | AH128584 | 2G20 | 8   | 70 - 43  | AH130465 | 3G8  | 22  | 110 - 15 |
| AH126279 | 4D13 | 6   | 150 - 5  | AH128584 | 2G24 | 4   | 70 - 47  | AH130476 | 3H2  | 28  | 120 - 5  |
| AH126281 | 4E4  | 4   | 150 - 21 | AH128585 | 3B15 | 13  | 90 - 15  | AH130476 | 3H2  | 52  | 120 - 5  |
| AH126282 | 4E4  | 10  | 150 - 21 | AH128597 | 2I16 | 19  | 80 - 15  | AH130485 | 3H10 | 15  | 120 - 13 |
| AH126283 | 4E4  | 6   | 150 - 21 | AH128610 | 3C19 | 12  | 90 - 45  | AH130506 | 1E18 | 12  | 30 - 17  |
| AH126284 | 4E4  | 11  | 150 - 21 | AH128641 | 4D23 | 1   | 150 - 15 | AH130555 | 2H8  | 14  | 70 - 55  |
| AH126388 | 3J2  | 18  | 125 - 25 | AH128642 | 4D23 | 11  | 150 - 15 | AH130557 | 2H10 | 28  | 70 - 57  |
| AH126389 | 2G24 | 9   | 70 - 47  | AH128654 | 2C24 | 14  | 50 - 51  | AH130570 | 3I24 | 9   | 125 - 23 |
| AH126416 | 3E16 | 32  | 100 - 25 | AH128654 | 4B6  | 37  | 140 - 5  | AH130570 | 3J2  | 28  | 125 - 25 |
| AH126541 | 1G17 | 7   | 40 - 44  | AH128655 | 2C24 | 16  | 50 - 51  | AH130571 | 3I24 | 3   | 125 - 23 |
| AH126564 | 2I20 | 8   | 80 - 19  | AH128655 | 4B6  | 50  | 140 - 5  | AH130572 | 3J2  | 24  | 125 - 25 |
| AH126619 | 4D11 | 14  | 150 - 3  | AH128664 | 3J6  | 24  | 125 - 29 | AH130581 | 4D23 | 5   | 150 - 15 |
| AH126657 | 2E12 | 14  | 60 - 19  | AH128664 | 4D5  | 2   | 140 - 57 | AH130592 | 4D2  | 14  | 140 - 53 |
| AH126657 | 2E14 | 10  | 60 - 21  | AH128672 | 2C24 | 30  | 50 - 51  | AH130594 | 3B4  | 10  | 90 - 3   |
| AH126657 | 2H2  | 6   | 70 - 49  | AH128692 | 2D13 | 1   | 50 - 64  | AH130594 | 3C21 | 11  | 90 - 47  |
| AH126657 | 2H4  | 14  | 70 - 51  | AH128727 | 2F24 | 1   | 70 - 22  | AH130602 | 1H19 | 7   | 40 - 73  |
| AH126657 | 2H6  | 13  | 70 - 53  | AH128727 | 2G8  | 21  | 70 - 31  | AH130605 | 2D24 | 16  | 60 - 7   |
| AH126657 | 2H8  | 5   | 70 - 55  | AH128757 | 2D12 | 9   | 50 - 63  | AH130611 | 2D8  | 7   | 50 - 59  |
| AH126657 | 2H10 | 8   | 70 - 57  | AH128779 | 2F14 | 12  | 70 - 11  | AH130612 | 2D24 | 17  | 60 - 7   |
| AH126677 | 3J2  | 13  | 125 - 25 | AH128780 | 2F14 | 11  | 70 - 11  | AH130613 | 2D24 | 18  | 60 - 7   |
| AH126719 | 3G4  | 13  | 110 - 11 | AH128842 | 2D24 | 22  | 60 - 7   | AH130625 | 2B9  | 4   | 50 - 6   |
| AH126720 | 3G4  | 12  | 110 - 11 | AH128842 | 2E6  | 30  | 60 - 13  | AH130626 | 2B12 | 3   | 50 - 9   |
| AH126811 | 3C2  | 31  | 90 - 27  | AH128842 | 4G12 | 30  | 160 - 23 | AH130627 | 2B12 | 3   | 50 - 9   |
| AH126864 | 4D17 | 21  | 150 - 9  | AH128843 | 2D24 | 11  | 60 - 7   | AH130884 | 3I22 | 40  | 125 - 21 |
| AH126865 | 3J4  | 13  | 125 - 27 | AH128843 | 2E6  | 30  | 60 - 13  | AH130886 | 3I22 | 21  | 125 - 21 |
| AH126869 | 3G6  | ..  | 110 - 13 | AH128843 | 4G12 | 30  | 160 - 23 | AH130890 | 2E18 | 8   | 60 - 25  |
| AH126869 | 3G10 | 9   | 110 - 17 | AH128851 | 2F8  | 8   | 70 - 5   | AH130892 | 3I22 | 17  | 125 - 21 |
| AH126870 | 3G6  | ..  | 110 - 13 | AH128854 | 4D23 | 13  | 150 - 15 | AH130893 | 3I22 | 17  | 125 - 21 |
| AH126870 | 3G10 | 9   | 110 - 17 | AH128855 | 4D23 | 12  | 150 - 15 | AH130905 | 3G11 | 7   | 110 - 18 |
| AH127383 | 3C8  | 14  | 90 - 33  | AH128859 | 2G24 | 22  | 70 - 47  | AH130949 | 2C24 | 15  | 50 - 51  |
| AH127466 | 3H4  | 1   | 120 - 7  | AH128865 | 1H12 | 13  | 40 - 65  | AH130949 | 4B6  | 49  | 140 - 5  |
| AH127466 | 3H10 | 3   | 120 - 13 | AH128865 | 4F9  | 5   | 155 - 9  | AH130964 | 3K5  | 41  | 130 - 23 |
| AH127466 | 3H12 | 1   | 120 - 15 | AH128894 | 2D8  | 30  | 50 - 59  | AH130995 | 3H12 | 4   | 120 - 15 |
| AH127656 | 2B9  | 4   | 50 - 6   | AH128909 | 3H20 | 3   | 120 - 23 | AH130995 | 3H12 | 18  | 120 - 15 |
| AH127674 | 3B9  | 3   | 90 - 9   | AH128925 | 3D3  | 9   | 95 - 3   | AH131051 | 2E6  | 12  | 60 - 13  |
| AH127684 | 3D9  | 19  | 95 - 9   | AH128929 | 2C9  | 33  | 50 - 32  | AH131051 | 4G12 | 12  | 160 - 23 |
| AH127684 | 3D10 | 6   | 95 - 10  | AH128977 | 1E22 | 3   | 30 - 21  | AH131054 | 2E6  | 19  | 60 - 13  |
| AH127685 | 3D9  | 4   | 95 - 9   | AH128986 | 1G19 | 10  | 40 - 46  | AH131054 | 4G12 | 19  | 160 - 23 |
| AH127685 | 3D10 | 7   | 95 - 10  | AH129056 | 1E16 | 18  | 30 - 15  | AH131055 | 2E6  | 19  | 60 - 13  |
| AH127829 | 3G10 | 26  | 110 - 17 | AH129236 | 3C4  | 39  | 90 - 29  | AH131055 | 4G12 | 19  | 160 - 23 |
| AH127870 | 3H4  | 13  | 120 - 7  | AH129255 | 3C6  | 18  | 90 - 31  | AH131058 | 2E6  | 7   | 60 - 13  |
| AH128037 | 4D13 | 9   | 150 - 5  | AH129278 | 2C8  | 43  | 50 - 31  | AH131058 | 4G12 | 7   | 160 - 23 |
| AH128074 | 4E21 | 37  | 150 - 39 | AH129284 | 2C11 | 8   | 50 - 35  | AH131059 | 2E6  | 7   | 60 - 13  |
| AH128075 | 4E21 | 37  | 150 - 39 | AH129420 | 4C12 | 4   | 140 - 39 | AH131059 | 4G12 | 7   | 160 - 23 |
| AH128226 | 4B14 | 9   | 140 - 13 | AH129420 | 4C16 | 11  | 140 - 43 | AH131074 | 3I24 | 10  | 125 - 23 |
| AH128241 | 4G16 | 13  | 160 - 27 | AH129451 | 3G24 | 39  | 120 - 3  | AH131074 | 4I4  | 1   | 170 - 35 |
| AH128257 | 1B13 | 5   | 20 - 11  | AH129451 | 4C12 | 44  | 140 - 39 | AH131092 | 3H2  | 13  | 120 - 5  |
| AH128267 | 2B17 | 9   | 50 - 14  | AH129452 | 3G24 | 41  | 120 - 3  | AH131166 | 3K5  | 19  | 130 - 23 |
| AH128312 | 3H2  | 31  | 120 - 5  | AH129452 | 4C12 | 46  | 140 - 39 | AH131168 | 2C11 | 28  | 50 - 35  |
| AH128328 | 1I3  | 6   | 40 - 82  | AH130113 | 2G8  | 13  | 70 - 31  | AH131169 | 2C6  | 9   | 50 - 29  |
| AH128328 | 1I5  | 2   | 40 - 84  | AH130119 | 2E18 | 9   | 60 - 25  | AH131169 | 2C13 | 1   | 50 - 37  |
| AH128356 | 3C10 | 19  | 90 - 35  | AH130127 | 1E16 | 25  | 30 - 15  | AH131171 | 2C6  | 17  | 50 - 29  |
| AH128359 | 3J13 | 5   | 130 - 5  | AH130165 | 3H16 | 3   | 120 - 19 | AH131171 | 2C13 | 4   | 50 - 37  |
| AH128360 | 3G14 | 7   | 110 - 21 | AH130184 | 3H4  | 1   | 120 - 7  | AH131172 | 2C8  | 29  | 50 - 31  |

## NUMERICAL INDEX - CONTINUED

| PART NO. | GRID | KEY | PAGE   | PART NO. | GRID | KEY | PAGE   | PART NO. | GRID | KEY | PAGE   |
|----------|------|-----|--------|----------|------|-----|--------|----------|------|-----|--------|
| AH131174 | 2C14 | 15  | 50-38  | AH132819 | 3B13 | 2   | 90-13  | AH135064 | 2F4  | 3   | 70-1   |
| AH131175 | 2F10 | 26  | 70-7   | AH132823 | 3G20 | 10  | 110-27 | AH135217 | 2B13 | 4   | 50-10  |
| AH131176 | 2G18 | ..  | 70-41  | AH132832 | 2G14 | 4   | 70-37  | AH135226 | 4D17 | 19  | 150-9  |
| AH131178 | 2G18 | 17  | 70-41  | AH132840 | 2E6  | 24  | 60-13  | AH135230 | 4D17 | 13  | 150-9  |
| AH131178 | 2H21 | 12  | 70-69  | AH132903 | 2D15 | 5   | 50-66  | AH135240 | 3G10 | 19  | 110-17 |
| AH131183 | 2F10 | 26  | 70-7   | AH132988 | 2H17 | 2   | 70-65  | AH135290 | 2I6  | 7   | 80-5   |
| AH131214 | 3H4  | 13  | 120-7  | AH133091 | 2I4  | 11  | 80-3   | AH135290 | 2I12 | 12  | 80-11  |
| AH131216 | 3H16 | 14  | 120-19 | AH133091 | 2I4  | 12  | 80-3   | AH135290 | 4E23 | 2   | 150-41 |
| AH131218 | 3H16 | 14  | 120-19 | AH133091 | 2I4  | 29  | 80-3   | AH135296 | 4B19 | 10  | 140-19 |
| AH131250 | 2G10 | 3   | 70-33  | AH133126 | 2E2  | 9   | 60-9   | AH135380 | 3G16 | 6   | 110-23 |
| AH131250 | 2G12 | 5   | 70-35  | AH133128 | 2E2  | ..  | 60-9   | AH135463 | 3I4  | 2   | 125-3  |
| AH131301 | 1B11 | 15  | 20-9   | AH133151 | 2G12 | 2   | 70-35  | AH135463 | 4D7  | 1   | 140-59 |
| AH131302 | 2E14 | 25  | 60-21  | AH133156 | 3G8  | 14  | 110-15 | AH135476 | 2J9  | 6   | 80-33  |
| AH131304 | 2G18 | 13  | 70-41  | AH133157 | 3G8  | 19  | 110-15 | AH135477 | 2J9  | 6   | 80-33  |
| AH131308 | 2C14 | 6   | 50-38  | AH133157 | 3G10 | 31  | 110-17 | AH135480 | 2J9  | 10  | 80-33  |
| AH131310 | 2C13 | ..  | 50-37  | AH133160 | 2E12 | 34  | 60-19  | AH135565 | 4B14 | 18  | 140-13 |
| AH131311 | 2H6  | 6   | 70-53  | AH133161 | 2E12 | 33  | 60-19  | AH135646 | 3G10 | 1   | 110-17 |
| AH131316 | 2E14 | 24  | 60-21  | AH133191 | 3F2  | 23  | 100-35 | AH135657 | 3K7  | 6   | 130-25 |
| AH131317 | 2H2  | 16  | 70-49  | AH133191 | 3F13 | 47  | 100-47 | AH135683 | 2H8  | 13  | 70-55  |
| AH131320 | 1H21 | 5   | 40-75  | AH133191 | 3G20 | 1   | 110-27 | AH135685 | 2H4  | 2   | 70-51  |
| AH131330 | 3G10 | 3   | 110-17 | AH133191 | 4C12 | 8   | 140-39 | AH135687 | 2H4  | 3   | 70-51  |
| AH131334 | 2F4  | 14  | 70-1   | AH133191 | 4C16 | 18  | 140-43 | AH135688 | 2H10 | 18  | 70-57  |
| AH131381 | 2E12 | 30  | 60-19  | AH133191 | 4C24 | 6   | 140-51 | AH135744 | 4B6  | 15  | 140-5  |
| AH131382 | 2E12 | 29  | 60-19  | AH133191 | 4E14 | 18  | 150-31 | AH135787 | 1F19 | 6   | 40-19  |
| AH131387 | 2C6  | 17  | 50-29  | AH133191 | 4E16 | 3   | 150-33 | AH135787 | 1F19 | 16  | 40-19  |
| AH131387 | 2C13 | 4   | 50-37  | AH133191 | 4E21 | 28  | 150-39 | AH135836 | 3J21 | 1   | 130-13 |
| AH131388 | 2C6  | 9   | 50-29  | AH133265 | 2G10 | 4   | 70-33  | AH136126 | 4C24 | 9   | 140-51 |
| AH131388 | 2C13 | 1   | 50-37  | AH133265 | 4G16 | 1   | 160-27 | AH136147 | 2J13 | 14  | 80-37  |
| AH131390 | 2C13 | ..  | 50-37  | AH133359 | 2E12 | 36  | 60-19  | AH136153 | 4E2  | 15  | 150-19 |
| AH131391 | 2C8  | 3   | 50-31  | AH133660 | 2C6  | 7   | 50-29  | AH136248 | 2G22 | ..  | 70-45  |
| AH131391 | 2C13 | 16  | 50-37  | AH133661 | 2C13 | 18  | 50-37  | AH136285 | 2I10 | 12  | 80-9   |
| AH131392 | 2C13 | 16  | 50-37  | AH133662 | 2C13 | 18  | 50-37  | AH136305 | 2E2  | 2   | 60-9   |
| AH131420 | 2G4  | 24  | 70-27  | AH133663 | 2C6  | 7   | 50-29  | AH136362 | 2C4  | 11  | 50-27  |
| AH131421 | 2G4  | 26  | 70-27  | AH133752 | 2E10 | 8   | 60-17  | AH136362 | 2D24 | 14  | 60-7   |
| AH131508 | 4C14 | 15  | 140-41 | AH133758 | 2H21 | 2   | 70-69  | AH136497 | 3F7  | 8   | 100-41 |
| AH131535 | 2G10 | 15  | 70-33  | AH133770 | 2H19 | 11  | 70-67  | AH136497 | 4C4  | 15  | 140-31 |
| AH131535 | 2G12 | 22  | 70-35  | AH133896 | 1B21 | 1   | 20-19  | AH136553 | 4E2  | 25  | 150-19 |
| AH131547 | 2E12 | 19  | 60-19  | AH133941 | 2D8  | 32  | 50-59  | AH136554 | 4E2  | 26  | 150-19 |
| AH131548 | 2E12 | 18  | 60-19  | AH133942 | 2D8  | 33  | 50-59  | AH137486 | 3D9  | 18  | 95-9   |
| AH131570 | 2F23 | 15  | 70-21  | AH133948 | 2H21 | 22  | 70-69  | AH137630 | 3E24 | 5   | 100-33 |
| AH131571 | 2F23 | 10  | 70-21  | AH133948 | 2H23 | 1   | 70-71  | AH137630 | 3I24 | 10  | 125-23 |
| AH131572 | 2F23 | 9   | 70-21  | AH133949 | 2H21 | 18  | 70-69  | AH137631 | 3E24 | 30  | 100-33 |
| AH131576 | 2G8  | 18  | 70-31  | AH133949 | 2H23 | 2   | 70-71  | AH137631 | 3I24 | 10  | 125-23 |
| AH131748 | 2G8  | 7   | 70-31  | AH134121 | 3E10 | 5   | 100-19 | AH137702 | 3D10 | 4   | 95-10  |
| AH131842 | 2G18 | 3   | 70-41  | AH134121 | 3E12 | 5   | 100-21 | AH137704 | 1B17 | 17  | 20-15  |
| AH131860 | 3I14 | 18  | 125-13 | AH134121 | 3E14 | 17  | 100-23 | AH137751 | 3K14 | 4   | 130-32 |
| AH131861 | 2B19 | 33  | 50-17  | AH134205 | 2G14 | 9   | 70-37  | AH137752 | 3K9  | 13  | 130-27 |
| AH131874 | 2E16 | 9   | 60-23  | AH134207 | 4B17 | 6   | 140-17 | AH137753 | 3K11 | 3   | 130-29 |
| AH131875 | 2E16 | 10  | 60-23  | AH134304 | 2E6  | 31  | 60-13  | AH137771 | 4B16 | 25  | 140-15 |
| AH131876 | 2G24 | 8   | 70-47  | AH134304 | 4G12 | 31  | 160-23 | AH137772 | 4B16 | 1   | 140-15 |
| AH131965 | 1B9  | 6   | 20-7   | AH134305 | 2E6  | 31  | 60-13  | AH137975 | 3K13 | 1   | 130-31 |
| AH132027 | 2G14 | 5   | 70-37  | AH134305 | 4G12 | 31  | 160-23 | AH137986 | 2H23 | 17  | 70-71  |
| AH132031 | 2H19 | 4   | 70-67  | AH134319 | 4C22 | 5   | 140-49 | AH138048 | 2C4  | 4   | 50-27  |
| AH132128 | 2B9  | 4   | 50-6   | AH134438 | 3K3  | 6   | 130-21 | AH138098 | 3C16 | 12  | 90-41  |
| AH132200 | 2H21 | 9   | 70-69  | AH134439 | 3K3  | 1   | 130-21 | AH138156 | 3J19 | 1   | 130-11 |
| AH132201 | 2H21 | 16  | 70-69  | AH134524 | 1H19 | 3   | 40-73  | AH138157 | 3J19 | 10  | 130-11 |
| AH132230 | 4E12 | 24  | 150-29 | AH134642 | 1B7  | 7   | 20-5   | AH138186 | 3E24 | 1   | 100-33 |
| AH132239 | 2D14 | 1   | 50-65  | AH134661 | 3G6  | 17  | 110-13 | AH138200 | 2H14 | 13  | 70-61  |
| AH132240 | 2D14 | 1   | 50-65  | AH134724 | 3B17 | 18  | 90-17  | AH138230 | 3H18 | 8   | 120-21 |
| AH132360 | 2I4  | 4   | 80-3   | AH134729 | 4C20 | 4   | 140-47 | AH138230 | 3H20 | 2   | 120-23 |
| AH132360 | 3K13 | 11  | 130-31 | AH134730 | 4C20 | 5   | 140-47 | AH138231 | 3H8  | 7   | 120-11 |
| AH132365 | 2D15 | 3   | 50-66  | AH134813 | 2B6  | 13  | 50-3   | AH138232 | 3H14 | 6   | 120-17 |
| AH132366 | 2D15 | 3   | 50-66  | AH134814 | 2B5  | 1   | 50-2   | AH138232 | 3H18 | 7   | 120-21 |
| AH132372 | 3I14 | 24  | 125-13 | AH134833 | 2F22 | 26  | 70-20  | AH138233 | 3K13 | 14  | 130-31 |
| AH132372 | 4D7  | 21  | 140-59 | AH134859 | 4B22 | 47  | 140-23 | AH138234 | 3H8  | 2   | 120-11 |
| AH132783 | 3D6  | 2   | 95-6   | AH134884 | 3D5  | 22  | 95-5   | AH138257 | 1B7  | 6   | 20-5   |
| AH132786 | 3H10 | 3   | 120-13 | AH135035 | 1B5  | 4   | 20-3   | AH138291 | 1H2  | 13  | 40-55  |

**NUMERICAL INDEX - CONTINUED**

| PART NO. | GRID | KEY | PAGE     | PART NO. | GRID | KEY | PAGE     | PART NO. | GRID | KEY | PAGE     |
|----------|------|-----|----------|----------|------|-----|----------|----------|------|-----|----------|
| AH138329 | 3C10 | 18  | 90 - 35  | AH140410 | 2B16 | ..  | 50 - 13  | AH143047 | 3J19 | 23  | 130 - 11 |
| AH138385 | 3H2  | 38  | 120 - 5  | AH140416 | 3G4  | ..  | 110 - 11 | AH143322 | 2H14 | 16  | 70 - 61  |
| AH138385 | 3H2  | 54  | 120 - 5  | AH140434 | 3G16 | 6   | 110 - 23 | AH143322 | 2H15 | 12  | 70 - 63  |
| AH138426 | 3I8  | 9   | 125 - 7  | AH140497 | 1B5  | 31  | 20 - 3   | AH143333 | 2E6  | 24  | 60 - 13  |
| AH138656 | 3I20 | 7   | 125 - 19 | AH140605 | 2D20 | 10  | 60 - 3   | AH143333 | 4G12 | 24  | 160 - 23 |
| AH138707 | 3C10 | 4   | 90 - 35  | AH140615 | 3E2  | 31  | 100 - 11 | AH143352 | 2D2  | 5   | 50 - 53  |
| AH138718 | 2H23 | 9   | 70 - 71  | AH140713 | 4D21 | 6   | 150 - 13 | AH143353 | 2D10 | 16  | 50 - 61  |
| AH138809 | 2B14 | 1   | 50 - 11  | AH140714 | 2E16 | 8   | 60 - 23  | AH143365 | 3E24 | 8   | 100 - 33 |
| AH138955 | 4D19 | 13  | 150 - 11 | AH140715 | 2E16 | 7   | 60 - 23  | AH143399 | 3E24 | 1   | 100 - 33 |
| AH138971 | 3K3  | 21  | 130 - 21 | AH140790 | 4E4  | 1   | 150 - 21 | AH143455 | 2G12 | 7   | 70 - 35  |
| AH138971 | 3K7  | 2   | 130 - 25 | AH14080  | 4C16 | 6   | 140 - 43 | AH143682 | 2H12 | 1   | 70 - 59  |
| AH138972 | 3K3  | 22  | 130 - 21 | AH140838 | 3B15 | 12  | 90 - 15  | AH143682 | 2H15 | 1   | 70 - 63  |
| AH138972 | 3K7  | 8   | 130 - 25 | AH140901 | 4E21 | 23  | 150 - 39 | AH143727 | 4E12 | 11  | 150 - 29 |
| AH139031 | 2J11 | 8   | 80 - 35  | AH140902 | 2G22 | 25  | 70 - 45  | AH143731 | 4E12 | 11  | 150 - 29 |
| AH139060 | 2F17 | 11  | 70 - 15  | AH140902 | 2H17 | 12  | 70 - 65  | AH143746 | 4B23 | 4   | 140 - 25 |
| AH139060 | 2F19 | 11  | 70 - 17  | AH140902 | 2H21 | 26  | 70 - 69  | AH143747 | 4B23 | 5   | 140 - 25 |
| AH139060 | 2F21 | 11  | 70 - 19  | AH140903 | 2G22 | 6   | 70 - 45  | AH143903 | 1H18 | 1   | 40 - 72  |
| AH139060 | 2G4  | 22  | 70 - 27  | AH140931 | 1B13 | 3   | 20 - 11  | AH143904 | 1H18 | 1   | 40 - 72  |
| AH139065 | 3C4  | 36  | 90 - 29  | AH140967 | 1B9  | 10  | 20 - 7   | AH143904 | 4C18 | 5   | 140 - 45 |
| AH139118 | 4B8  | 5   | 140 - 7  | AH14097  | 3F13 | 21  | 100 - 47 | AH144084 | 3D10 | 8   | 95 - 10  |
| AH139238 | 4B19 | 43  | 140 - 19 | AH14097  | 3K5  | 1   | 130 - 23 | AH144103 | 3F23 | 2   | 110 - 5  |
| AH139243 | 3F9  | 3   | 100 - 43 | AH141012 | 3C16 | 10  | 90 - 41  | AH144192 | 2D4  | 1   | 50 - 55  |
| AH139245 | 3G10 | 8   | 110 - 17 | AH141022 | 4B16 | 33  | 140 - 15 | AH144477 | 3J11 | 5   | 130 - 3  |
| AH139260 | 3J21 | 9   | 130 - 13 | AH141038 | 1G16 | 13  | 40 - 43  | AH144480 | 2H14 | 15  | 70 - 61  |
| AH139295 | 3E6  | 6   | 100 - 15 | AH141142 | 3H8  | 18  | 120 - 11 | AH144482 | 2H14 | 1   | 70 - 61  |
| AH139296 | 4C12 | 3   | 140 - 39 | AH141142 | 3H8  | 19  | 120 - 11 | AH144609 | 3F23 | 9   | 110 - 5  |
| AH139296 | 4C16 | 12  | 140 - 43 | AH141184 | 3K5  | 27  | 130 - 23 | AH144609 | 3F23 | 18  | 110 - 5  |
| AH139296 | 4C24 | 4   | 140 - 51 | AH141390 | 4B14 | 20  | 140 - 13 | AH144695 | 2B13 | 4   | 50 - 10  |
| AH139297 | 3H2  | 24  | 120 - 5  | AH141393 | 3G20 | 17  | 110 - 27 | AH144715 | 3E2  | 17  | 100 - 11 |
| AH139386 | 3I6  | 18  | 125 - 5  | AH141398 | 3E20 | 24  | 100 - 29 | AH144719 | 1B13 | 5   | 20 - 11  |
| AH139387 | 3I6  | 18  | 125 - 5  | AH141544 | 2D4  | 9   | 50 - 55  | AH144778 | 3B19 | 1   | 90 - 19  |
| AH139390 | 3I6  | 17  | 125 - 5  | AH141580 | 1E20 | 12  | 30 - 19  | AH144816 | 3G18 | 9   | 110 - 25 |
| AH139390 | 3I6  | 18  | 125 - 5  | AH141582 | 2E6  | 29  | 60 - 13  | AH145030 | 4D25 | 21  | 150 - 17 |
| AH139434 | 4B4  | 12  | 140 - 3  | AH141582 | 4G12 | 29  | 160 - 23 | AH145049 | 4E8  | 10  | 150 - 25 |
| AH139436 | 3G14 | 12  | 110 - 21 | AH141617 | 3G1  | 1   | 110 - 8  | AH145050 | 4E8  | 10  | 150 - 25 |
| AH139436 | 4C14 | 3   | 140 - 41 | AH141652 | 3K11 | 5   | 130 - 29 | AH145157 | 2J17 | 8   | 80 - 41  |
| AH139436 | 4I4  | 3   | 170 - 35 | AH141671 | 1B7  | 11  | 20 - 5   | AH145236 | 2D6  | 4   | 50 - 57  |
| AH139679 | 3J19 | 20  | 130 - 11 | AH141686 | 2D24 | 5   | 60 - 7   | AH145236 | 2F12 | 12  | 70 - 9   |
| AH139680 | 3J19 | 19  | 130 - 11 | AH141687 | 2D24 | 6   | 60 - 7   | AH145238 | 2D6  | 5   | 50 - 57  |
| AH139790 | 3J11 | 5   | 130 - 3  | AH141762 | 4B25 | 14  | 140 - 27 | AH145238 | 2F12 | 13  | 70 - 9   |
| AH139790 | 3J19 | 16  | 130 - 11 | AH141762 | 4C14 | 25  | 140 - 41 | AH145240 | 2F12 | 15  | 70 - 9   |
| AH139802 | 2D8  | 24  | 50 - 59  | AH141774 | 3B7  | 4   | 90 - 7   | AH145240 | 2F14 | 6   | 70 - 11  |
| AH139816 | 4C8  | 20  | 140 - 35 | AH141781 | 3E22 | 11  | 100 - 31 | AH145242 | 2F12 | 14  | 70 - 9   |
| AH139987 | 1H12 | 2   | 40 - 65  | AH141782 | 3E22 | 10  | 100 - 31 | AH145242 | 2F14 | 7   | 70 - 11  |
| AH140001 | 4E16 | 15  | 150 - 33 | AH141794 | 2D24 | 2   | 60 - 7   | AH145281 | 3E18 | 22  | 100 - 27 |
| AH140044 | 3H4  | 9   | 120 - 7  | AH141808 | 1B7  | 17  | 20 - 5   | AH145348 | 2B12 | 3   | 50 - 9   |
| AH140044 | 3H10 | 13  | 120 - 13 | AH141811 | 2C13 | ..  | 50 - 37  | AH145385 | 4F25 | 9   | 160 - 9  |
| AH140063 | 4G17 | 3   | 160 - 28 | AH141811 | 2C14 | 19  | 50 - 38  | AH145602 | 3G20 | 7   | 110 - 27 |
| AH140081 | 4D21 | 3   | 150 - 13 | AH141813 | 1H12 | 10  | 40 - 65  | AH145964 | 1G21 | 11  | 40 - 49  |
| AH140111 | 2J5  | 11  | 80 - 29  | AH141820 | 4B19 | 29  | 140 - 19 | AH146032 | 3B19 | 4   | 90 - 19  |
| AH140118 | 1B7  | 2   | 20 - 5   | AH141849 | 1B7  | 8   | 20 - 5   | AH146041 | 3C18 | 9   | 90 - 43  |
| AH140119 | 1B5  | 2   | 20 - 3   | AH141860 | 3F9  | 5   | 100 - 43 | AH146043 | 4D25 | 20  | 150 - 17 |
| AH140120 | 1F21 | 37  | 40 - 21  | AH141973 | 4C4  | 5   | 140 - 31 | AH146183 | 4G10 | 2   | 160 - 21 |
| AH140120 | 1F24 | 6   | 40 - 25  | AH142393 | 3E24 | 8   | 100 - 33 | AH146313 | 3J2  | 8   | 125 - 25 |
| AH140120 | 1F24 | ..  | 40 - 25  | AH142404 | 3C21 | 1   | 90 - 47  | AH146352 | 4D19 | 21  | 150 - 11 |
| AH140120 | 1G2  | 6   | 40 - 29  | AH142404 | 3C23 | 1   | 90 - 49  | AH146352 | 4E16 | 16  | 150 - 33 |
| AH140120 | 1G2  | ..  | 40 - 29  | AH142407 | 3E6  | 24  | 100 - 15 | AH146462 | 4C16 | 31  | 140 - 43 |
| AH140127 | 3I14 | 14  | 125 - 13 | AH142441 | 2E8  | 28  | 60 - 15  | AH146463 | 4C16 | 4   | 140 - 43 |
| AH140127 | 3I14 | 20  | 125 - 13 | AH142441 | 3C4  | 27  | 90 - 29  | AH146492 | 2D20 | 2   | 60 - 3   |
| AH140127 | 3I14 | 24  | 125 - 13 | AH142527 | 1B7  | 14  | 20 - 5   | AH146552 | 4D7  | 14  | 140 - 59 |
| AH140127 | 3I14 | 25  | 125 - 13 | AH142611 | 2D10 | 23  | 50 - 61  | AH146564 | 3G24 | 2   | 120 - 3  |
| AH140128 | 3J19 | 12  | 130 - 11 | AH142731 | 2G5  | 25  | 70 - 28  | AH146744 | 3B24 | 7   | 90 - 25  |
| AH140170 | 1B5  | 18  | 20 - 3   | AH142758 | 2D10 | 17  | 50 - 61  | AH146764 | 4G3  | 10  | 160 - 12 |
| AH140185 | 3E2  | 19  | 100 - 11 | AH142777 | 3J9  | 1   | 130 - 1  | AH146765 | 4G6  | 10  | 160 - 16 |
| AH140253 | 2B12 | 3   | 50 - 9   | AH142781 | 3F21 | ..  | 110 - 3  | AH146788 | 1E16 | 26  | 30 - 15  |
| AH140335 | 4E8  | 10  | 150 - 25 | AH142893 | 2E8  | 20  | 60 - 15  | AH146834 | 3I12 | 13  | 125 - 11 |
| AH140410 | 2B16 | 3   | 50 - 13  | AH143035 | 2D2  | 1   | 50 - 53  | AH146852 | 3B11 | 6   | 90 - 11  |

**NUMERICAL INDEX - CONTINUED**

| PART NO. | GRID | KEY | PAGE     | PART NO. | GRID | KEY | PAGE     | PART NO. | GRID | KEY | PAGE     |
|----------|------|-----|----------|----------|------|-----|----------|----------|------|-----|----------|
| AH146854 | 3B9  | 5   | 90 - 9   | AH150166 | 4G2  | 16  | 160 - 11 | AH151789 | 2I22 | 4   | 80 - 21  |
| AH146864 | 4F23 | 2   | 160 - 7  | AH150167 | 3H10 | 12  | 120 - 13 | AH151811 | 2J15 | 4   | 80 - 39  |
| AH146871 | 4F25 | 1   | 160 - 9  | AH150168 | 3H16 | 12  | 120 - 19 | AH151879 | 4D17 | 4   | 150 - 9  |
| AH146979 | 4F25 | 4   | 160 - 9  | AH150169 | 3H12 | 8   | 120 - 15 | AH151970 | 3H14 | 2   | 120 - 17 |
| AH147030 | 3B22 | 3   | 90 - 23  | AH150171 | 4G14 | 2   | 160 - 25 | AH152357 | 3E16 | 7   | 100 - 25 |
| AH147084 | 2F17 | 12  | 70 - 15  | AH150172 | 4G14 | 10  | 160 - 25 | AH152361 | 3E18 | 1   | 100 - 27 |
| AH147084 | 2F19 | 12  | 70 - 17  | AH150173 | 3I10 | 4   | 125 - 9  | AH152654 | 4E22 | 8   | 150 - 40 |
| AH147084 | 2F21 | 12  | 70 - 19  | AH150174 | 3I10 | 5   | 125 - 9  | AH152665 | 2F8  | 11  | 70 - 5   |
| AH147084 | 2G2  | 38  | 70 - 25  | AH150194 | 3H16 | 3   | 120 - 19 | AH152666 | 2F8  | 23  | 70 - 5   |
| AH147085 | 2F22 | 25  | 70 - 20  | AH150237 | 3I10 | 3   | 125 - 9  | AH152668 | 1F14 | 2   | 40 - 13  |
| AH147118 | 4F25 | 1   | 160 - 9  | AH150239 | 2J3  | 4   | 80 - 27  | AH152671 | 2D8  | 12  | 50 - 59  |
| AH147153 | 3B22 | 1   | 90 - 23  | AH150260 | 3D10 | 1   | 95 - 10  | AH152672 | 2D8  | 23  | 50 - 59  |
| AH147170 | 3C2  | 27  | 90 - 27  | AH150343 | 2B12 | 4   | 50 - 9   | AH152743 | 2D2  | 12  | 50 - 53  |
| AH147173 | 3B17 | 7   | 90 - 17  | AH150344 | 2B12 | 4   | 50 - 9   | AH152743 | 2D10 | 15  | 50 - 61  |
| AH147476 | 3E4  | 21  | 100 - 13 | AH150345 | 2B12 | 4   | 50 - 9   | AH152939 | 3E2  | 13  | 100 - 11 |
| AH147544 | 2B10 | 1   | 50 - 7   | AH150346 | 2B12 | 4   | 50 - 9   | AH152939 | 3F17 | 19  | 100 - 51 |
| AH147545 | 2B10 | 7   | 50 - 7   | AH150451 | 3D19 | 31  | 100 - 3  | AH153040 | 4C16 | 4   | 140 - 43 |
| AH147546 | 2B10 | 7   | 50 - 7   | AH150451 | 3F17 | 18  | 100 - 51 | AH153133 | 1F14 | 4   | 40 - 13  |
| AH147935 | 2E10 | 9   | 60 - 17  | AH150473 | 1H19 | 1   | 40 - 73  | AH153311 | 1F14 | 3   | 40 - 13  |
| AH148106 | 1C3  | 4   | 20 - 26  | AH150490 | 4F25 | 8   | 160 - 9  | AH153339 | 3E2  | ..  | 100 - 11 |
| AH148124 | 2G10 | 13  | 70 - 33  | AH150496 | 3G8  | 1   | 110 - 15 | AH153659 | 1C2  | 1   | 20 - 25  |
| AH148124 | 2G12 | 18  | 70 - 35  | AH150498 | 1H15 | 13  | 40 - 69  | AH153688 | 3G8  | 13  | 110 - 15 |
| AH148210 | 1G17 | 12  | 40 - 44  | AH150499 | 1H15 | 13  | 40 - 69  | AH153688 | 3G10 | 11  | 110 - 17 |
| AH148210 | 4D17 | 24  | 150 - 9  | AH150593 | 4F19 | ..  | 160 - 3  | AH153796 | 3B11 | 1   | 90 - 11  |
| AH148259 | 1E20 | 21  | 30 - 19  | AH150686 | 3D23 | 9   | 100 - 7  | AH153807 | 3H6  | 4   | 120 - 9  |
| AH148472 | 2F22 | 24  | 70 - 20  | AH150686 | 3E2  | 9   | 100 - 11 | AH153910 | 3B11 | 26  | 90 - 11  |
| AH148633 | 1H4  | 1   | 40 - 57  | AH150687 | 3D21 | 6   | 100 - 5  | AH154068 | 3I8  | 9   | 125 - 7  |
| AH148649 | 1B13 | 4   | 20 - 11  | AH151118 | 3G8  | 8   | 110 - 15 | AH154195 | 1F16 | 37  | 40 - 15  |
| AH148758 | 1G21 | 8   | 40 - 49  | AH151120 | 3G8  | 5   | 110 - 15 | AH154207 | 1G18 | 8   | 40 - 45  |
| AH148879 | 1E20 | 1   | 30 - 19  | AH151123 | 3B11 | 7   | 90 - 11  | AH154218 | 3B11 | 11  | 90 - 11  |
| AH148880 | 1E20 | 5   | 30 - 19  | AH151143 | 2J11 | 32  | 80 - 35  | AH154221 | 3C14 | 16  | 90 - 39  |
| AH148893 | 4C4  | 14  | 140 - 31 | AH151331 | 3G20 | 7   | 110 - 27 | AH154278 | 1G14 | 5   | 40 - 41  |
| AH148894 | 3D23 | 23  | 100 - 7  | AH151338 | 2I6  | 11  | 80 - 5   | AH154280 | 3B13 | 6   | 90 - 13  |
| AH148944 | 3K9  | 14  | 130 - 27 | AH151339 | 2I6  | 4   | 80 - 5   | AH154330 | 3I12 | 8   | 125 - 11 |
| AH148999 | 3I8  | 5   | 125 - 7  | AH151340 | 2I6  | 9   | 80 - 5   | AH154383 | 1H2  | 18  | 40 - 55  |
| AH149179 | 3J6  | 30  | 125 - 29 | AH151342 | 2I8  | 6   | 80 - 7   | AH154383 | 1H4  | 13  | 40 - 57  |
| AH149226 | 2F12 | 1   | 70 - 9   | AH151343 | 2I8  | 11  | 80 - 7   | AH154407 | 3C2  | 14  | 90 - 27  |
| AH149228 | 3D7  | 2   | 95 - 7   | AH151347 | 2I8  | 4   | 80 - 7   | AH154504 | 1H24 | 8   | 40 - 78  |
| AH149229 | 1C2  | 7   | 20 - 25  | AH151349 | 2I10 | 5   | 80 - 9   | AH154504 | 1H25 | 7   | 40 - 79  |
| AH149349 | 3F4  | 17  | 100 - 37 | AH151352 | 2I10 | 4   | 80 - 9   | AH154509 | 3B4  | 3   | 90 - 3   |
| AH149356 | 4C16 | 9   | 140 - 43 | AH151353 | 2I12 | 3   | 80 - 11  | AH154566 | 2I24 | 18  | 80 - 23  |
| AH149357 | 4C16 | 9   | 140 - 43 | AH151354 | 3I18 | 7   | 125 - 17 | AH154567 | 2I10 | 8   | 80 - 9   |
| AH149543 | 3I22 | 38  | 125 - 21 | AH151362 | 3C25 | 17  | 90 - 51  | AH154574 | 3F9  | 1   | 100 - 43 |
| AH149544 | 3H4  | 13  | 120 - 7  | AH151400 | 2G2  | ..  | 70 - 25  | AH154696 | 3C14 | 6   | 90 - 39  |
| AH149548 | 3H4  | 13  | 120 - 7  | AH151403 | 4E12 | 11  | 150 - 29 | AH154701 | 4B16 | 18  | 140 - 15 |
| AH149550 | 3H10 | 15  | 120 - 13 | AH151407 | 4E10 | 10  | 150 - 27 | AH154770 | 4B16 | 31  | 140 - 15 |
| AH149552 | 3H10 | 15  | 120 - 13 | AH151408 | 4E10 | 25  | 150 - 27 | AH154805 | 4B17 | 12  | 140 - 17 |
| AH149554 | 3H12 | 18  | 120 - 15 | AH151409 | 4E10 | 25  | 150 - 27 | AH154848 | 2B9  | 4   | 50 - 6   |
| AH149556 | 3H16 | 14  | 120 - 19 | AH151410 | 4E10 | 25  | 150 - 27 | AH154856 | 1G15 | 6   | 40 - 42  |
| AH149557 | 3H16 | 14  | 120 - 19 | AH151411 | 4E10 | 10  | 150 - 27 | AH154890 | 3D19 | ..  | 100 - 3  |
| AH149582 | 3B4  | 14  | 90 - 3   | AH151413 | 4E12 | 3   | 150 - 29 | AH154911 | 2I16 | 18  | 80 - 15  |
| AH149588 | 2F12 | 1   | 70 - 9   | AH151414 | 4E12 | 3   | 150 - 29 | AH154912 | 2I24 | 23  | 80 - 23  |
| AH149618 | 2F12 | 4   | 70 - 9   | AH151454 | 2I12 | 2   | 80 - 11  | AH154914 | 1H24 | ..  | 40 - 78  |
| AH149626 | 3I8  | 17  | 125 - 7  | AH151455 | 2I12 | 11  | 80 - 11  | AH154960 | 3F7  | 23  | 100 - 41 |
| AH149702 | 3H18 | 1   | 120 - 21 | AH151458 | 1B23 | 1   | 20 - 21  | AH154962 | 4D21 | 3   | 150 - 13 |
| AH149752 | 4F23 | 3   | 160 - 7  | AH151536 | 3J15 | 9   | 130 - 7  | AH154967 | 4E16 | 5   | 150 - 33 |
| AH149801 | 1H22 | 1   | 40 - 76  | AH151652 | 4B12 | 20  | 140 - 11 | AH154968 | 4E16 | 6   | 150 - 33 |
| AH149823 | 3H2  | 47  | 120 - 5  | AH151653 | 4B8  | 24  | 140 - 7  | AH154992 | 1C2  | 8   | 20 - 25  |
| AH149829 | 2E6  | 28  | 60 - 13  | AH151713 | 4D15 | 1   | 150 - 7  | AH155007 | 3C2  | 25  | 90 - 27  |
| AH149829 | 4G12 | 28  | 160 - 23 | AH151779 | 2I24 | 1   | 80 - 23  | AH155088 | 4D13 | 31  | 150 - 5  |
| AH149833 | 1G14 | 30  | 40 - 41  | AH151780 | 2I16 | 1   | 80 - 15  | AH155103 | 2J13 | 8   | 80 - 37  |
| AH149834 | 1G14 | 3   | 40 - 41  | AH151781 | 2J2  | 1   | 80 - 25  | AH155210 | 3C21 | 8   | 90 - 47  |
| AH149835 | 1G14 | 1   | 40 - 41  | AH151782 | 2J11 | 30  | 80 - 35  | AH155217 | 1B19 | 3   | 20 - 17  |
| AH149862 | 4G2  | 13  | 160 - 11 | AH151784 | 2I20 | 6   | 80 - 19  | AH155232 | 2C2  | 7   | 50 - 25  |
| AH149862 | 4G17 | 6   | 160 - 28 | AH151785 | 2I18 | 1   | 80 - 17  | AH155264 | 2G6  | 2   | 70 - 29  |
| AH149889 | 3I10 | 1   | 125 - 9  | AH151786 | 2I14 | 2   | 80 - 13  | AH155265 | 2G6  | 2   | 70 - 29  |
| AH149936 | 2H6  | 5   | 70 - 53  | AH151787 | 2I14 | 1   | 80 - 13  | AH155275 | 3G24 | 35  | 120 - 3  |

## NUMERICAL INDEX - CONTINUED

| PART NO. | GRID | KEY | PAGE     | PART NO. | GRID | KEY | PAGE     | PART NO. | GRID | KEY | PAGE     |
|----------|------|-----|----------|----------|------|-----|----------|----------|------|-----|----------|
| AH155276 | 3B17 | 16  | 90 - 17  | AH158263 | 2J9  | 5   | 80 - 33  | AH160236 | 3C14 | 12  | 90 - 39  |
| AH155483 | 1H8  | 13  | 40 - 61  | AH158288 | 3C14 | 21  | 90 - 39  | AH160278 | 1G23 | 11  | 40 - 51  |
| AH155648 | 2D8  | 35  | 50 - 59  | AH158290 | 3C14 | 22  | 90 - 39  | AH160279 | 1B21 | 2   | 20 - 19  |
| AH155657 | 3F13 | 7   | 100 - 47 | AH158291 | 3C14 | 29  | 90 - 39  | AH160291 | 1G23 | 1   | 40 - 51  |
| AH155659 | 3F2  | 13  | 100 - 35 | AH158310 | 3I22 | 41  | 125 - 21 | AH160291 | 1G24 | 2   | 40 - 52  |
| AH155661 | 4C6  | 14  | 140 - 33 | AH158321 | 1E20 | 14  | 30 - 19  | AH160393 | 3E16 | 7   | 100 - 25 |
| AH155666 | 3F4  | 7   | 100 - 37 | AH158328 | 3E24 | 31  | 100 - 33 | AH160396 | 3E18 | 1   | 100 - 27 |
| AH155669 | 2I10 | 10  | 80 - 9   | AH158580 | 3I23 | 4   | 125 - 22 | AH160406 | 2J5  | ..  | 80 - 29  |
| AH155706 | 3F13 | 26  | 100 - 47 | AH158581 | 3I23 | 4   | 125 - 22 | AH160425 | 3J17 | 9   | 130 - 9  |
| AH155785 | 2E6  | 31  | 60 - 13  | AH158595 | 4B10 | 20  | 140 - 9  | AH160427 | 3I8  | 17  | 125 - 7  |
| AH155786 | 2E6  | 31  | 60 - 13  | AH158595 | 4B12 | 14  | 140 - 11 | AH160428 | 3I10 | 1   | 125 - 9  |
| AH155787 | 2D22 | 2   | 60 - 5   | AH158635 | 3E24 | 32  | 100 - 33 | AH160429 | 3I10 | 3   | 125 - 9  |
| AH155787 | 2D24 | 1   | 60 - 7   | AH158635 | 3I24 | 10  | 125 - 23 | AH160432 | 2J5  | 10  | 80 - 29  |
| AH155812 | 4E21 | 26  | 150 - 39 | AH158673 | 1E20 | 17  | 30 - 19  | AH160443 | 2J2  | 3   | 80 - 25  |
| AH155852 | 3D5  | 1   | 95 - 5   | AH158721 | 1E16 | 1   | 30 - 15  | AH160445 | 2J15 | 2   | 80 - 39  |
| AH155929 | 3B9  | 1   | 90 - 9   | AH158820 | 3J19 | 12  | 130 - 11 | AH160469 | 3C18 | 2   | 90 - 43  |
| AH155932 | 3C12 | 6   | 90 - 37  | AH158849 | 2J9  | 5   | 80 - 33  | AH160470 | 3C18 | 2   | 90 - 43  |
| AH155933 | 3C12 | 5   | 90 - 37  | AH158880 | 4E21 | 45  | 150 - 39 | AH160473 | 3C18 | 3   | 90 - 43  |
| AH155936 | 3F2  | 2   | 100 - 35 | AH158880 | 4I4  | 4   | 170 - 35 | AH160474 | 3C18 | 3   | 90 - 43  |
| AH155975 | 2J11 | 17  | 80 - 35  | AH158927 | 2G16 | 6   | 70 - 39  | AH160475 | 3C18 | 3   | 90 - 43  |
| AH156051 | 3E8  | 7   | 100 - 17 | AH159026 | 2F12 | 10  | 70 - 9   | AH160510 | 1H15 | 13  | 40 - 69  |
| AH156051 | 3J4  | 14  | 125 - 27 | AH159026 | 3D9  | 12  | 95 - 9   | AH160572 | 4G6  | 14  | 160 - 16 |
| AH156051 | 4C14 | 27  | 140 - 41 | AH159037 | 3C14 | 10  | 90 - 39  | AH160573 | 4G3  | 14  | 160 - 12 |
| AH156051 | 4D7  | 6   | 140 - 59 | AH159061 | 2I12 | 8   | 80 - 11  | AH160592 | 3B11 | 16  | 90 - 11  |
| AH156144 | 2F4  | 7   | 70 - 1   | AH159078 | 2F12 | 11  | 70 - 9   | AH160605 | 3F21 | 1   | 110 - 3  |
| AH156144 | 4B6  | 9   | 140 - 5  | AH159078 | 3D12 | 1   | 95 - 12  | AH160606 | 3J17 | 8   | 130 - 9  |
| AH156145 | 1C4  | 6   | 20 - 27  | AH159105 | 1G23 | 3   | 40 - 51  | AH160615 | 3D19 | 14  | 100 - 3  |
| AH156475 | 3D21 | 11  | 100 - 5  | AH159110 | 1G23 | 14  | 40 - 51  | AH160622 | 4D11 | 27  | 150 - 3  |
| AH156476 | 3D21 | 12  | 100 - 5  | AH159171 | 3D23 | ..  | 100 - 7  | AH160628 | 1G23 | 12  | 40 - 51  |
| AH156626 | 2B9  | 4   | 50 - 6   | AH159171 | 3D24 | ..  | 100 - 8  | AH160641 | 2J11 | 14  | 80 - 35  |
| AH156717 | 3H4  | 12  | 120 - 7  | AH159180 | 3C2  | 9   | 90 - 27  | AH160669 | 4G14 | 12  | 160 - 25 |
| AH156738 | 4B19 | 1   | 140 - 19 | AH159185 | 3C18 | 1   | 90 - 43  | AH160676 | 2E3  | 7   | 60 - 10  |
| AH156773 | 2B6  | 1   | 50 - 3   | AH159186 | 3C18 | 1   | 90 - 43  | AH160677 | 2E3  | 7   | 60 - 10  |
| AH156843 | 3E8  | 5   | 100 - 17 | AH159187 | 3C18 | 1   | 90 - 43  | AH160680 | 2E6  | ..  | 60 - 13  |
| AH156943 | 3B9  | 4   | 90 - 9   | AH159188 | 3C18 | 1   | 90 - 43  | AH160714 | 2I20 | 19  | 80 - 19  |
| AH156971 | 2C2  | 11  | 50 - 25  | AH159205 | 2J11 | 5   | 80 - 35  | AH160722 | 3G22 | 3   | 120 - 1  |
| AH157036 | 2J2  | 4   | 80 - 25  | AH159233 | 3E2  | 34  | 100 - 11 | AH160796 | 3E14 | 22  | 100 - 23 |
| AH157053 | 3C18 | 1   | 90 - 43  | AH159236 | 3B11 | 5   | 90 - 11  | AH160796 | 3F4  | 4   | 100 - 37 |
| AH157074 | 4E14 | 22  | 150 - 31 | AH159238 | 3B11 | 9   | 90 - 11  | AH160798 | 3E10 | 7   | 100 - 19 |
| AH157083 | 4E16 | 19  | 150 - 33 | AH159241 | 3C2  | 12  | 90 - 27  | AH160798 | 3E12 | 7   | 100 - 21 |
| AH157084 | 4E16 | 19  | 150 - 33 | AH159244 | 1B15 | 5   | 20 - 13  | AH160798 | 3E14 | 8   | 100 - 23 |
| AH157085 | 4I2  | 2   | 170 - 33 | AH159332 | 1H23 | 3   | 40 - 77  | AH160799 | 3E10 | 19  | 100 - 19 |
| AH157105 | 2J15 | 10  | 80 - 39  | AH159333 | 1H23 | 3   | 40 - 77  | AH160832 | 2B12 | 3   | 50 - 9   |
| AH157168 | 3F2  | 20  | 100 - 35 | AH159356 | 3J21 | 26  | 130 - 13 | AH160832 | 2B12 | 4   | 50 - 9   |
| AH157168 | 3F13 | 34  | 100 - 47 | AH159365 | 3H18 | 3   | 120 - 21 | AH160994 | 4D4  | 17  | 140 - 55 |
| AH157219 | 4C16 | 28  | 140 - 43 | AH159447 | 1E16 | 8   | 30 - 15  | AH161017 | 3E22 | 9   | 100 - 31 |
| AH157232 | 1G21 | 8   | 40 - 49  | AH159448 | 1E16 | 9   | 30 - 15  | AH161062 | 3E14 | 13  | 100 - 23 |
| AH157245 | 2J15 | 9   | 80 - 39  | AH159573 | 1E16 | 10  | 30 - 15  | AH161063 | 3E10 | 6   | 100 - 19 |
| AH157415 | 3F2  | 21  | 100 - 35 | AH159704 | 3E22 | 1   | 100 - 31 | AH161063 | 3E12 | 6   | 100 - 21 |
| AH157415 | 3F13 | 8   | 100 - 47 | AH159715 | 3B9  | 7   | 90 - 9   | AH161064 | 3E10 | 6   | 100 - 19 |
| AH157425 | 2J15 | 3   | 80 - 39  | AH159716 | 3B9  | 2   | 90 - 9   | AH161064 | 3E12 | 6   | 100 - 21 |
| AH157492 | 2G6  | 3   | 70 - 29  | AH159741 | 3C23 | 9   | 90 - 49  | AH161154 | 3B24 | 10  | 90 - 25  |
| AH157554 | 1E20 | 20  | 30 - 19  | AH159937 | 2I18 | 3   | 80 - 17  | AH161173 | 4D11 | 4   | 150 - 3  |
| AH157555 | 1E20 | 7   | 30 - 19  | AH159991 | 1B5  | 39  | 20 - 3   | AH161348 | 3B17 | 5   | 90 - 17  |
| AH157617 | 2I16 | 2   | 80 - 15  | AH159992 | 1B5  | 34  | 20 - 3   | AH161389 | 3G4  | 17  | 110 - 11 |
| AH157617 | 2I24 | 10  | 80 - 23  | AH159994 | 3B24 | 1   | 90 - 25  | AH161390 | 3G4  | 17  | 110 - 11 |
| AH157618 | 2I16 | 3   | 80 - 15  | AH160058 | 1G17 | 4   | 40 - 44  | AH161391 | 2I24 | 19  | 80 - 23  |
| AH157618 | 2I24 | 6   | 80 - 23  | AH160084 | 1B11 | 1   | 20 - 9   | AH161395 | 3G4  | 17  | 110 - 11 |
| AH157698 | 2B15 | 1   | 50 - 12  | AH160107 | 1H13 | 3   | 40 - 66  | AH161398 | 3G4  | 17  | 110 - 11 |
| AH157699 | 2B15 | 1   | 50 - 12  | AH160113 | 3C23 | 2   | 90 - 49  | AH161411 | 3G4  | 17  | 110 - 11 |
| AH157933 | 3D19 | 14  | 100 - 3  | AH160114 | 3C23 | 2   | 90 - 49  | AH161431 | 3J25 | 4   | 130 - 18 |
| AH157937 | 4F23 | ..  | 160 - 7  | AH160115 | 3C21 | 2   | 90 - 47  | AH161432 | 3J25 | 11  | 130 - 18 |
| AH157942 | 3F9  | 6   | 100 - 43 | AH160136 | 2E2  | 32  | 60 - 9   | AH161433 | 3J25 | 13  | 130 - 18 |
| AH157973 | 2F4  | 6   | 70 - 1   | AH160152 | 2J5  | 17  | 80 - 29  | AH161455 | 1B9  | 3   | 20 - 7   |
| AH158038 | 2I20 | 26  | 80 - 19  | AH160198 | 1B13 | 2   | 20 - 11  | AH161456 | 1B11 | 7   | 20 - 9   |
| AH158151 | 2I6  | 8   | 80 - 5   | AH160218 | 1I4  | 3   | 40 - 83  | AH161463 | 1E22 | 2   | 30 - 21  |
| AH158180 | 3D9  | 11  | 95 - 9   | AH160219 | 1I4  | 3   | 40 - 83  | AH161474 | 1G21 | 7   | 40 - 49  |

# 1K23

9650 SELF-PROPELLED COMBINE

## NUMERICAL INDEX - CONTINUED

| PART NO. | GRID | KEY | PAGE     | PART NO. | GRID | KEY | PAGE     | PART NO. | GRID | KEY | PAGE     |
|----------|------|-----|----------|----------|------|-----|----------|----------|------|-----|----------|
| AH161485 | 2E2  | 31  | 60 - 9   | AH162545 | 2E2  | 26  | 60 - 9   | AH163931 | 3G14 | 12  | 110 - 21 |
| AH161513 | 2J9  | 1   | 80 - 33  | AH162548 | 4C24 | 1B  | 140 - 51 | AH163931 | 4C14 | 3   | 140 - 41 |
| AH161526 | 2F17 | 10  | 70 - 15  | AH162549 | 4C24 | 32  | 140 - 51 | AH164049 | 1I4  | 3   | 40 - 83  |
| AH161526 | 2F19 | 10  | 70 - 17  | AH162559 | 3B17 | 11  | 90 - 17  | AH164136 | 2I20 | 10  | 80 - 19  |
| AH161526 | 2F21 | 10  | 70 - 19  | AH162571 | 2E21 | 5   | 60 - 29  | AH164189 | 1H22 | 6   | 40 - 76  |
| AH161526 | 2G5  | 22  | 70 - 28  | AH162572 | 2E21 | 6   | 60 - 29  | AH164228 | 4G5  | 11  | 160 - 15 |
| AH161527 | 2F17 | 9   | 70 - 15  | AH162573 | 2E21 | 19  | 60 - 29  | AH164278 | 3C2  | 12  | 90 - 27  |
| AH161527 | 2F19 | 9   | 70 - 17  | AH162576 | 2B5  | 15  | 50 - 2   | AH164288 | 4F7  | 22  | 155 - 7  |
| AH161527 | 2F21 | 9   | 70 - 19  | AH162587 | 3E18 | 38  | 100 - 27 | AH164289 | 4G2  | 11  | 160 - 11 |
| AH161527 | 2G2  | 33  | 70 - 25  | AH162588 | 3E18 | 38  | 100 - 27 | AH164303 | 4G5  | 12  | 160 - 15 |
| AH161527 | 2G4  | 21  | 70 - 27  | AH162665 | 1E16 | 22  | 30 - 15  | AH164349 | 4F7  | 2   | 155 - 7  |
| AH161527 | 2G5  | 23  | 70 - 28  | AH162666 | 1E16 | 19  | 30 - 15  | AH164391 | 4F19 | 5   | 160 - 3  |
| AH161529 | 2F17 | 14  | 70 - 15  | AH162723 | 1E10 | 1   | 30 - 9   | AH164450 | 2F17 | 13  | 70 - 15  |
| AH161529 | 2F19 | 14  | 70 - 17  | AH162724 | 3E18 | 16  | 100 - 27 | AH164450 | 2F19 | 13  | 70 - 17  |
| AH161529 | 2F21 | 14  | 70 - 19  | AH162746 | 3B7  | 16  | 90 - 7   | AH164450 | 2F21 | 13  | 70 - 19  |
| AH161529 | 2G2  | 34  | 70 - 25  | AH162785 | 1G6  | 10  | 40 - 33  | AH164450 | 2F22 | 27  | 70 - 20  |
| AH161530 | 2F17 | 18  | 70 - 15  | AH162787 | 3E6  | 14A | 100 - 15 | AH164484 | 2D12 | 19  | 50 - 63  |
| AH161530 | 2F19 | 18  | 70 - 17  | AH162787 | 3F7  | 1A  | 100 - 41 | AH164497 | 1I4  | 10  | 40 - 83  |
| AH161530 | 2F21 | 18  | 70 - 19  | AH162845 | 3G4  | 21  | 110 - 11 | AH164500 | 2F17 | 16  | 70 - 15  |
| AH161530 | 2F22 | 3   | 70 - 20  | AH162851 | 3G4  | 21  | 110 - 11 | AH164500 | 2F19 | 16  | 70 - 17  |
| AH161530 | 2G2  | 3   | 70 - 25  | AH162857 | 3G4  | 21  | 110 - 11 | AH164500 | 2F21 | 16  | 70 - 19  |
| AH161530 | 2G5  | 3   | 70 - 28  | AH162869 | 3G4  | 21  | 110 - 11 | AH164500 | 2G4  | 23  | 70 - 27  |
| AH161546 | 4C6  | 3   | 140 - 33 | AH162886 | 4D2  | 14  | 140 - 53 | AH164609 | 4E6  | 14  | 150 - 23 |
| AH161601 | 1G6  | 28  | 40 - 33  | AH163000 | 3C2  | 5   | 90 - 27  | AH164755 | 2D12 | 18  | 50 - 63  |
| AH161647 | 2F10 | 26  | 70 - 7   | AH163026 | 2C2  | 33  | 50 - 25  | AH164841 | 4E21 | 4   | 150 - 39 |
| AH161679 | 3B21 | 6   | 90 - 21  | AH163026 | 4G10 | 1   | 160 - 21 | AH164868 | 3I14 | 20  | 125 - 13 |
| AH161714 | 2F6  | 4   | 70 - 3   | AH163027 | 2C2  | 33  | 50 - 25  | AH164868 | 3I14 | 24  | 125 - 13 |
| AH161754 | 3B17 | 22  | 90 - 17  | AH163027 | 4G10 | 1   | 160 - 21 | AH164889 | 3B21 | 2   | 90 - 21  |
| AH161755 | 3B17 | 15  | 90 - 17  | AH163028 | 2C2  | 33  | 50 - 25  | AH164935 | 2C6  | ..  | 50 - 29  |
| AH161838 | 1H21 | 4   | 40 - 75  | AH163029 | 2C2  | 33  | 50 - 25  | AH164935 | 2C8  | ..  | 50 - 31  |
| AH161839 | 1H21 | 3   | 40 - 75  | AH163048 | 1I4  | 1   | 40 - 83  | AH164940 | 2C6  | ..  | 50 - 29  |
| AH161864 | 3C12 | 7   | 90 - 37  | AH163049 | 1I4  | 1   | 40 - 83  | AH164940 | 2C8  | ..  | 50 - 31  |
| AH161865 | 3C12 | 8   | 90 - 37  | AH163157 | 1B15 | 16  | 20 - 13  | AH165007 | 1F25 | 1   | 40 - 27  |
| AH161885 | 2G6  | 13  | 70 - 29  | AH163171 | 2B12 | 4   | 50 - 9   | AH165007 | 1G2  | 23  | 40 - 29  |
| AH161969 | 3C12 | 4   | 90 - 37  | AH163172 | 2B12 | 3   | 50 - 9   | AH165008 | 1F22 | 1   | 40 - 23  |
| AH161981 | 4B17 | 19  | 140 - 17 | AH163173 | 1E16 | 6   | 30 - 15  | AH165008 | 1F24 | 21  | 40 - 25  |
| AH162058 | 3I8  | 15  | 125 - 7  | AH163305 | 2I16 | 4   | 80 - 15  | AH165023 | 3B5  | 7   | 90 - 5   |
| AH162060 | 3J25 | 3   | 130 - 18 | AH163305 | 2I24 | 9   | 80 - 23  | AH165073 | 3B9  | 8   | 90 - 9   |
| AH162061 | 4D2  | 22  | 140 - 53 | AH163317 | 3D5  | 21  | 95 - 5   | AH165115 | 2C9  | 28  | 50 - 32  |
| AH162068 | 4B17 | 4   | 140 - 17 | AH163347 | 2J15 | 8   | 80 - 39  | AH165120 | 2C9  | 28  | 50 - 32  |
| AH162137 | 2H8  | 2   | 70 - 55  | AH163354 | 2J7  | 7   | 80 - 31  | AH165187 | 3I10 | 24  | 125 - 9  |
| AH162139 | 2H4  | 4   | 70 - 51  | AH163359 | 4F7  | 1   | 155 - 7  | AH165189 | 4F7  | 11  | 155 - 7  |
| AH162141 | 2H4  | 8   | 70 - 51  | AH163373 | 1E10 | 10  | 30 - 9   | AH165202 | 4F19 | 5   | 160 - 3  |
| AH162145 | 2F10 | ..  | 70 - 7   | AH163400 | 1G2  | 16  | 40 - 29  | AH165220 | 3F7  | 6   | 100 - 41 |
| AH162146 | 2E23 | 21  | 60 - 31  | AH163488 | 1H4  | 4   | 40 - 57  | AH165221 | 3F7  | 6   | 100 - 41 |
| AH162147 | 2E23 | 21  | 60 - 31  | AH163509 | 4D17 | 7   | 150 - 9  | AH165222 | 4F23 | 11  | 160 - 7  |
| AH162153 | 3I6  | 12  | 125 - 5  | AH163518 | 1B13 | 2   | 20 - 11  | AH165222 | 4G5  | 7   | 160 - 15 |
| AH162163 | 3C14 | 15  | 90 - 39  | AH163522 | 2F12 | 4   | 70 - 9   | AH165223 | 4G2  | 8   | 160 - 11 |
| AH162210 | 1E16 | 29  | 30 - 15  | AH163596 | 3D3  | 14  | 95 - 3   | AH165248 | 4B6  | 51  | 140 - 5  |
| AH162230 | 3I14 | 5   | 125 - 13 | AH163667 | 2J15 | 25  | 80 - 39  | AH165250 | 1H10 | 5   | 40 - 63  |
| AH162231 | 1I3  | 4   | 40 - 82  | AH163667 | 3B4  | 7   | 90 - 3   | AH165256 | 4F7  | 2   | 155 - 7  |
| AH162231 | 1I5  | 4   | 40 - 84  | AH163668 | 2I16 | 17  | 80 - 15  | AH165496 | 3F13 | 28  | 100 - 47 |
| AH162232 | 1H23 | 2   | 40 - 77  | AH163668 | 2I24 | 22  | 80 - 23  | AH165526 | 1F21 | 32  | 40 - 21  |
| AH162250 | 3G16 | 11  | 110 - 23 | AH163668 | 2J2  | 5   | 80 - 25  | AH165536 | 1G16 | 2   | 40 - 43  |
| AH162292 | 3F21 | 2   | 110 - 3  | AH163668 | 2J11 | 34  | 80 - 35  | AH165583 | 1G8  | 14  | 40 - 35  |
| AH162340 | 3E10 | 16  | 100 - 19 | AH163684 | 1H17 | ..  | 40 - 71  | AH165591 | 3D3  | 20  | 95 - 3   |
| AH162340 | 3E12 | 16  | 100 - 21 | AH163684 | 4F9  | 22  | 155 - 9  | AH165624 | 2I4  | 23  | 80 - 3   |
| AH162400 | 4E2  | 1   | 150 - 19 | AH163686 | 4C24 | 5   | 140 - 51 | AH165625 | 2I4  | 23  | 80 - 3   |
| AH162432 | 2G6  | 13  | 70 - 29  | AH163761 | 3H2  | 36  | 120 - 5  | AH165634 | 3B17 | 14  | 90 - 17  |
| AH162464 | 1H10 | 5   | 40 - 63  | AH163801 | 3K9  | 14  | 130 - 27 | AH165658 | 3I6  | 28  | 125 - 5  |
| AH162466 | 2E23 | 19  | 60 - 31  | AH163803 | 4B14 | 20  | 140 - 13 | AH165691 | 1G12 | 1   | 40 - 39  |
| AH162467 | 2E23 | 19  | 60 - 31  | AH163803 | 4B19 | 46  | 140 - 19 | AH165762 | 3F13 | 5   | 100 - 47 |
| AH162469 | 4C10 | 10  | 140 - 37 | AH163817 | 4F21 | 5   | 160 - 5  | AH165769 | 3J13 | 7   | 130 - 5  |
| AH162503 | 3B19 | 3   | 90 - 19  | AH163896 | 3D23 | 13  | 100 - 7  | AH165787 | 3F13 | 16  | 100 - 47 |
| AH162528 | 4C24 | 1A  | 140 - 51 | AH163913 | 3B24 | 9   | 90 - 25  | AH165788 | 3F13 | 17  | 100 - 47 |
| AH162529 | 4C24 | 32  | 140 - 51 | AH163914 | 3B24 | 9   | 90 - 25  | AH165788 | 3F13 | 22  | 100 - 47 |
| AH162545 | 2D22 | ..  | 60 - 5   | AH163920 | 3G4  | ..  | 110 - 11 | AH165877 | 2I20 | 22  | 80 - 19  |

## NUMERICAL INDEX - CONTINUED

| PART NO. | GRID | KEY | PAGE     | PART NO. | GRID | KEY | PAGE     | PART NO. | GRID | KEY | PAGE     |
|----------|------|-----|----------|----------|------|-----|----------|----------|------|-----|----------|
| AH165877 | 2J15 | 24  | 80 - 39  | AH167434 | 2B13 | 4   | 50 - 10  | AH65358  | 2C8  | 34  | 50 - 31  |
| AH165936 | 3J19 | 10  | 130 - 11 | AH167499 | 2B15 | 1   | 50 - 12  | AH65358  | 2C13 | 7   | 50 - 37  |
| AH165937 | 3J19 | 1   | 130 - 11 | AH167499 | 2B16 | ..  | 50 - 13  | AH75167  | 2H4  | 7   | 70 - 51  |
| AH165964 | 3F5  | 8   | 100 - 39 | AH167499 | 2B17 | ..  | 50 - 14  | AH75167  | 2H23 | 15  | 70 - 71  |
| AH165984 | 1F21 | 49  | 40 - 21  | AH167499 | 2B19 | ..  | 50 - 17  | AH75167  | 3F5  | 2   | 100 - 39 |
| AH165990 | 3C18 | 19  | 90 - 43  | AH167499 | 2B21 | ..  | 50 - 19  | AH76882  | 2D8  | 34  | 50 - 59  |
| AH166000 | 1I4  | 3   | 40 - 83  | AH167499 | 2B23 | ..  | 50 - 21  | AH76882  | 2H17 | 9   | 70 - 65  |
| AH166001 | 1I4  | 3   | 40 - 83  | AH167553 | 2H14 | ..  | 70 - 61  | AH77279  | 1H10 | 3   | 40 - 63  |
| AH166002 | 1I4  | 3   | 40 - 83  | AH167563 | 2J7  | 7   | 80 - 31  | AH77279  | 3E22 | 19  | 100 - 31 |
| AH166038 | 3F11 | 12  | 100 - 45 | AH167573 | 4H19 | ..  | 170 - 26 | AH77279  | 4B17 | 11  | 140 - 17 |
| AH166124 | 1G21 | 6   | 40 - 49  | AH167579 | 3E6  | 14A | 100 - 15 | AH77714  | 4E23 | 4   | 150 - 41 |
| AH166125 | 1G21 | 6   | 40 - 49  | AH167579 | 3E6  | 14B | 100 - 15 | AH77724  | 1G15 | 7   | 40 - 42  |
| AH166126 | 1G21 | 6   | 40 - 49  | AH167579 | 3F7  | 1A  | 100 - 41 | AH77724  | 3C10 | 23  | 90 - 35  |
| AH166144 | 1G10 | 21  | 40 - 37  | AH167579 | 3F7  | 1B  | 100 - 41 | AH77724  | 3D9  | 8   | 95 - 9   |
| AH166145 | 1G4  | 42  | 40 - 31  | AH167582 | 2B14 | 1   | 50 - 11  | AH77869  | 2H12 | 12  | 70 - 59  |
| AH166167 | 3J24 | 15  | 130 - 17 | AH167584 | 2B13 | 4   | 50 - 10  | AH77869  | 3D9  | 10  | 95 - 9   |
| AH166172 | 3J24 | 8   | 130 - 17 | AH167602 | 3D23 | 31  | 100 - 7  | AH77884  | 3I6  | 31  | 125 - 5  |
| AH166246 | 1E18 | 7   | 30 - 17  | AH167604 | 1H4  | ..  | 40 - 57  | AH78125  | 2H8  | 23  | 70 - 55  |
| AH166260 | 3B5  | 1A  | 90 - 5   | AH167668 | 4C22 | 13  | 140 - 49 | AH80335  | 3B9  | 13  | 90 - 9   |
| AH166260 | 3B5  | 1B  | 90 - 5   | AH167669 | 4C22 | 16  | 140 - 49 | AH80335  | 3D6  | 6   | 95 - 6   |
| AH166260 | 3B5  | 3B  | 90 - 5   | AH167722 | 1G16 | 2   | 40 - 43  | AH80335  | 4D11 | 11  | 150 - 3  |
| AH166260 | 3B5  | 5B  | 90 - 5   | AH167768 | 1G21 | 6   | 40 - 49  | AH80916  | 2C4  | 10  | 50 - 27  |
| AH166345 | 2H19 | 2   | 70 - 67  | AH167769 | 1G21 | 6   | 40 - 49  | AH84695  | 2C24 | 25  | 50 - 51  |
| AH166367 | 4C22 | 13  | 140 - 49 | AH167770 | 1G21 | 6   | 40 - 49  | AH85276  | 3J4  | 8   | 125 - 27 |
| AH166439 | 3E6  | 11  | 100 - 15 | AH167849 | 4E16 | 5   | 150 - 33 | AH85415  | 3K3  | 19  | 130 - 21 |
| AH166439 | 3E8  | 10  | 100 - 17 | AH167850 | 4E16 | 6   | 150 - 33 | AH86866  | 2B14 | 8   | 50 - 11  |
| AH166439 | 3F13 | 24  | 100 - 47 | AH167852 | 4H15 | ..  | 170 - 22 | AH86897  | 3I24 | 10  | 125 - 23 |
| AH166463 | 2I20 | 18  | 80 - 19  | AH167942 | 4B17 | 12  | 140 - 17 | AH87141  | 4B19 | 30  | 140 - 19 |
| AH166469 | 1F17 | 1   | 40 - 17  | AH167942 | 4B17 | 19  | 140 - 17 | AH87272  | 1B11 | 10  | 20 - 9   |
| AH166469 | 1F19 | 31  | 40 - 19  | AH168093 | 4D15 | ..  | 150 - 7  | AH87765  | 3I24 | 10  | 125 - 23 |
| AH166469 | 1F21 | 30  | 40 - 21  | AH168158 | 3G18 | 3   | 110 - 25 | AH89486  | 3C6  | 11  | 90 - 31  |
| AH166538 | 2I14 | 3   | 80 - 13  | AH168158 | 3G18 | 5   | 110 - 25 | AH89486  | 3D21 | 10  | 100 - 5  |
| AH166546 | 1G16 | 3   | 40 - 43  | AH168158 | 3G18 | 12  | 110 - 25 | AH89557  | 1B13 | 14  | 20 - 11  |
| AH166572 | 3I8  | 18  | 125 - 7  | AH168190 | 1H24 | ..  | 40 - 78  | AH89557  | 1G15 | 9   | 40 - 42  |
| AH166638 | 3I8  | 21  | 125 - 7  | AH168232 | 1F19 | 18B | 40 - 19  | AH89557  | 1G17 | 2   | 40 - 44  |
| AH166639 | 3I8  | 22  | 125 - 7  | AH168300 | 4D19 | 40  | 150 - 11 | AH89557  | 1G17 | 6   | 40 - 44  |
| AH166640 | 3I8  | 23  | 125 - 7  | AH168385 | 2I16 | 17  | 80 - 15  | AH89557  | 1I3  | 2   | 40 - 82  |
| AH166648 | 3B13 | 4   | 90 - 13  | AH168385 | 2I24 | 22  | 80 - 23  | AH89557  | 2E4  | 4   | 60 - 11  |
| AH166698 | 3I22 | 21  | 125 - 21 | AH168385 | 2J2  | 5   | 80 - 25  | AH89557  | 2G12 | 24  | 70 - 35  |
| AH166711 | 3J24 | 15  | 130 - 17 | AH168385 | 2J11 | 34  | 80 - 35  | AH89557  | 3C6  | 44  | 90 - 31  |
| AH166713 | 4D13 | 30  | 150 - 5  | AH168397 | 3E8  | 5   | 100 - 17 | AH89557  | 3G14 | 27  | 110 - 21 |
| AH166714 | 4D13 | 18  | 150 - 5  | AH168400 | 3J24 | 18  | 130 - 17 | AH89557  | 4D13 | 47  | 150 - 5  |
| AH166773 | 3C14 | 10  | 90 - 39  | AH168403 | 2J15 | 25  | 80 - 39  | AH90963  | 4D19 | 3   | 150 - 11 |
| AH166780 | 4C22 | 16  | 140 - 49 | AH168439 | 3B24 | 9   | 90 - 25  | AH90990  | 1G23 | 13  | 40 - 51  |
| AH166836 | 2J15 | 6   | 80 - 39  | AH168440 | 3B24 | 9   | 90 - 25  | AH90990  | 2D6  | 15  | 50 - 57  |
| AH166872 | 2I6  | 2   | 80 - 5   | AH168456 | 1B19 | 3   | 20 - 17  | AH90990  | 3B7  | 14  | 90 - 7   |
| AH166873 | 2I6  | 1   | 80 - 5   | AH168476 | 2I20 | 10  | 80 - 19  | AH90990  | 4B8  | 45  | 140 - 7  |
| AH166909 | 2I16 | 17  | 80 - 15  | AH168608 | 4C22 | 13  | 140 - 49 | AH93110  | 3E2  | 35  | 100 - 11 |
| AH166909 | 2I24 | 22  | 80 - 23  | AH168710 | 4F25 | 9   | 160 - 9  | AH93318  | 4C22 | 2   | 140 - 49 |
| AH166909 | 2J2  | 5   | 80 - 25  | AH168783 | 3D6  | 1   | 95 - 6   | AH93892  | 2E21 | 9   | 60 - 29  |
| AH166909 | 2J11 | 34  | 80 - 35  | AH168939 | 1G21 | 7   | 40 - 49  | AH94450  | 3E4  | 10  | 100 - 13 |
| AH166909 | 3B4  | 7   | 90 - 3   | AH168945 | 3J13 | 7   | 130 - 5  | AH94450  | 4C12 | 14  | 140 - 39 |
| AH166924 | 1I4  | 17  | 40 - 83  | AH169220 | 4C24 | 9   | 140 - 51 | AH94450  | 4D7  | 5   | 140 - 59 |
| AH166949 | 1E16 | 36  | 30 - 15  | AH169233 | 3I22 | 25  | 125 - 21 | AH94853  | 4B19 | 21  | 140 - 19 |
| AH166953 | 2F6  | 12  | 70 - 3   | AH169504 | 3E16 | 7   | 100 - 25 | AH96292  | 1B17 | 14  | 20 - 15  |
| AH166969 | 2J11 | 32  | 80 - 35  | AH169507 | 3E16 | 7   | 100 - 25 | AH96317  | 1B11 | 8   | 20 - 9   |
| AH166970 | 2J15 | 9   | 80 - 39  | AH169642 | 3D3  | 20  | 95 - 3   | AH96317  | 1H17 | 10  | 40 - 71  |
| AH166980 | 3C16 | 14  | 90 - 41  | AH169733 | 1H2  | 6   | 40 - 55  | AH96317  | 2H8  | 1   | 70 - 55  |
| AH166999 | 3I10 | 10  | 125 - 9  | AH169869 | 3E18 | 22  | 100 - 27 | AH96317  | 4B12 | 7   | 140 - 11 |
| AH167030 | 3I22 | 4   | 125 - 21 | AH170085 | 3I10 | 36  | 125 - 9  | AH96317  | 4E19 | 8   | 150 - 37 |
| AH167030 | 3J24 | 9   | 130 - 17 | AH170484 | 2B8  | 1   | 50 - 5   | AH96345  | 3D19 | 21  | 100 - 3  |
| AH167031 | 3J24 | 11  | 130 - 17 | AH171007 | 3I10 | 32  | 125 - 9  | AH96585  | 4D19 | 5   | 150 - 11 |
| AH167108 | 1G21 | 12  | 40 - 49  | AH171008 | 3I8  | 5   | 125 - 7  | AH97031  | 4B19 | 7   | 140 - 19 |
| AH167125 | 3E20 | 24  | 100 - 29 | AH20868  | 2B19 | 19  | 50 - 17  | AH97031  | 4C8  | 10  | 140 - 35 |
| AH167132 | 4D2  | 3   | 140 - 53 | AH20868  | 4G8  | 1   | 160 - 19 | AH97280  | 1E10 | 2   | 30 - 9   |
| AH167407 | 4F9  | 1   | 155 - 9  | AH21815  | 3I14 | 19  | 125 - 13 | AH97280  | 2E18 | 11  | 60 - 25  |
| AH167433 | 4D19 | 34  | 150 - 11 | AH64610  | 2B14 | 1   | 50 - 11  | AH97280  | 2H12 | 2   | 70 - 59  |



# 1K25

9650 SELF-PROPELLED COMBINE

## NUMERICAL INDEX - CONTINUED

| PART NO. | GRID | KEY | PAGE     | PART NO. | GRID | KEY | PAGE     | PART NO. | GRID | KEY | PAGE     |
|----------|------|-----|----------|----------|------|-----|----------|----------|------|-----|----------|
| AH97280  | 3D21 | 15  | 100 - 5  | AR93173  | 1D2  | 6   | 25 - 21  | AZ51851  | 2G5  | 24  | 70 - 28  |
| AH97340  | 3E4  | 2   | 100 - 13 | AR94522  | 2H4  | 6   | 70 - 51  | A15147   | 3G2  | 2   | 110 - 9  |
| AH97920  | 3C4  | 34  | 90 - 29  | AR94522  | 2H10 | 32  | 70 - 57  | A15147   | 3H21 | 1   | 120 - 24 |
| AH98118  | 4E6  | 1   | 150 - 23 | AR94522  | 2H23 | 16  | 70 - 71  | A15147   | 4D15 | 3   | 150 - 7  |
| AH98176  | 4D5  | 7   | 140 - 57 | AR94522  | 4G16 | 14  | 160 - 27 | A15147   | 4E2  | 18  | 150 - 19 |
| AL14674  | 3H2  | 22  | 120 - 5  | AR94761  | 2B19 | 6   | 50 - 17  | A15719   | 4F25 | 5   | 160 - 9  |
| AL14674  | 4C12 | 50  | 140 - 39 | AR98850  | 1C15 | 9   | 25 - 8   | A15898   | 2H10 | 36  | 70 - 57  |
| AL2976T  | 1F11 | 20  | 40 - 9   | AT106413 | 1B13 | 10  | 20 - 11  | A22724   | 4E14 | 9   | 150 - 31 |
| AM102170 | 2I16 | 5   | 80 - 15  | AT107509 | 1C25 | 11  | 25 - 19  | A24915   | 1B25 | 5   | 20 - 23  |
| AM102170 | 2I18 | 10  | 80 - 17  | AT112176 | 1C2  | 10  | 20 - 25  | A25695   | 3E4  | 15  | 100 - 13 |
| AM103480 | 3K5  | 4   | 130 - 23 | AT121137 | 4G3  | 8   | 160 - 12 | A27238   | 1B25 | 3   | 20 - 23  |
| AN113330 | 3D23 | 29  | 100 - 7  | AT131716 | 1C2  | 11  | 20 - 25  | A31867   | 2J13 | 11  | 80 - 37  |
| AN113330 | 3E2  | 29  | 100 - 11 | AT135291 | 4G16 | 8   | 160 - 27 | A31867   | 3E4  | 9   | 100 - 13 |
| AN122493 | 2C8  | 28  | 50 - 31  | AT13740  | 1B13 | 6   | 20 - 11  | A31869   | 4E21 | 7   | 150 - 39 |
| AN122494 | 2C11 | 11  | 50 - 35  | AT13740  | 1C10 | 4   | 25 - 3   | A31870   | 3J2  | 23  | 125 - 25 |
| AN122497 | 2C14 | 11  | 50 - 38  | AT13740  | 1D15 | 17  | 25 - 37  | A31871   | 3E20 | 3   | 100 - 29 |
| AN122498 | 2C9  | 5   | 50 - 32  | AT13740  | 1D17 | 1   | 25 - 39  | A31871   | 4E21 | 15  | 150 - 39 |
| AN122499 | 2C11 | 12  | 50 - 35  | AT13740  | 1E10 | 4   | 30 - 9   | A37576   | 3H10 | 5   | 120 - 13 |
| AN122502 | 2C8  | 22  | 50 - 31  | AT13740  | 1E16 | 15  | 30 - 15  | A37576   | 3H12 | 10  | 120 - 15 |
| AN122506 | 2C8  | 13  | 50 - 31  | AT162597 | 1B13 | 9   | 20 - 11  | A37576   | 3H16 | 8   | 120 - 19 |
| AN122507 | 2C8  | 34  | 50 - 31  | AT184336 | 4F21 | 6   | 160 - 5  | A3917R   | 2C11 | 24  | 50 - 35  |
| AN122507 | 2C13 | 7   | 50 - 37  | AT18904  | 1B25 | 2   | 20 - 23  | A4365R   | 1C10 | 18  | 25 - 3   |
| AN122509 | 2C8  | 35  | 50 - 31  | AT18904  | 1E16 | 13  | 30 - 15  | A44990   | 3E10 | 3   | 100 - 19 |
| AN122509 | 2C13 | 8   | 50 - 37  | AT18904  | 1I4  | 5   | 40 - 83  | A44990   | 3E12 | 3   | 100 - 21 |
| AN122518 | 2C8  | 32  | 50 - 31  | AT207952 | 1H2  | 13  | 40 - 55  | A44990   | 3E14 | 14  | 100 - 23 |
| AN122518 | 2G2  | 21  | 70 - 25  | AT209015 | 3B21 | 1   | 90 - 21  | A44990   | 3I22 | 34  | 125 - 21 |
| AN130930 | 1E20 | 18  | 30 - 19  | AT209024 | 3B21 | 14  | 90 - 21  | A4655R   | 2F17 | 21  | 70 - 15  |
| AN15237  | 4D7  | 8   | 140 - 59 | AT209025 | 3B21 | 4   | 90 - 21  | A4655R   | 2F19 | 21  | 70 - 17  |
| AN152467 | 1G8  | 1   | 40 - 35  | AT209026 | 3B21 | 12  | 90 - 21  | A4655R   | 2F21 | 21  | 70 - 19  |
| AN193084 | 2C11 | 25  | 50 - 35  | AT209225 | 3B21 | 3   | 90 - 21  | A4655R   | 2F22 | 1   | 70 - 20  |
| AN193085 | 2C6  | 13  | 50 - 29  | AT22070  | 2J17 | 1   | 80 - 41  | A4655R   | 2G2  | 1   | 70 - 25  |
| AN193085 | 2C6  | 19  | 50 - 29  | AT22073  | 2J17 | 3   | 80 - 41  | A4655R   | 2G4  | 1   | 70 - 27  |
| AN193085 | 2C13 | 34  | 50 - 37  | AT25226  | 2B9  | 5   | 50 - 6   | A4655R   | 2G5  | 1   | 70 - 28  |
| AN220289 | 1H2  | 6   | 40 - 55  | AT25226  | 2B13 | 9   | 50 - 10  | A50325   | 4C22 | 15  | 140 - 49 |
| AN272356 | 2C14 | 9   | 50 - 38  | AT25226  | 2B14 | 7   | 50 - 11  | A50743   | 1H10 | 7   | 40 - 63  |
| AN274375 | 2C8  | 7   | 50 - 31  | AT28975  | 4B8  | 16  | 140 - 7  | A50744   | 1B5  | 27  | 20 - 3   |
| AN71222  | 3G18 | 7   | 110 - 25 | AT36212  | 2B10 | 8   | 50 - 7   | A51212   | 3J11 | 3   | 130 - 3  |
| AR100124 | 1D2  | 2   | 25 - 21  | AT37476  | 1C2  | 5   | 20 - 25  | A51212   | 3J15 | 8   | 130 - 7  |
| AR104516 | 3C16 | 11  | 90 - 41  | AT37476  | 1C2  | 6   | 20 - 25  | A51212   | 3J17 | 5   | 130 - 9  |
| AR21839  | 1E22 | 6   | 30 - 21  | AT39043  | 3B5  | 1A  | 90 - 5   | A51212   | 3J21 | 8   | 130 - 13 |
| AR21842  | 3D9  | 13  | 95 - 9   | AT39141  | 1C2  | 2   | 20 - 25  | A60341   | 1E10 | 5   | 30 - 9   |
| AR21999  | 1B13 | 1   | 20 - 11  | AT40603  | 2B23 | 1   | 50 - 21  | A60341   | 1E16 | 16  | 30 - 15  |
| AR21999  | 3D5  | 12  | 95 - 5   | AT63272  | 2C8  | 42  | 50 - 31  | A63124   | 1H24 | 10  | 40 - 78  |
| AR27940  | 3C2  | 29  | 90 - 27  | AT73296  | 1B23 | 1   | 20 - 21  | A63124   | 1H25 | 10  | 40 - 79  |
| AR48236  | 1B13 | 12  | 20 - 11  | AT74407  | 1E22 | 1   | 30 - 21  | A63127   | 1H24 | 11  | 40 - 78  |
| AR48236  | 1E16 | 37  | 30 - 15  | AU40993  | 2C24 | 22  | 50 - 51  | A63127   | 1H25 | 9   | 40 - 79  |
| AR49025  | 1C22 | 1   | 25 - 15  | AZ10044  | 1B5  | 36  | 20 - 3   | A63635   | 1H24 | 12  | 40 - 78  |
| AR51481  | 3C6  | 1   | 90 - 31  | AZ10044  | 3H2  | 5   | 120 - 5  | A63635   | 1H25 | 11  | 40 - 79  |
| AR55394  | 1D8  | 16  | 25 - 28  | AZ10044  | 3I6  | 3   | 125 - 5  | BH71876  | 3G4  | ..  | 110 - 11 |
| AR56766  | 3C2  | 16  | 90 - 27  | AZ10044  | 4D4  | 4   | 140 - 55 | BH71876  | 3G10 | ..  | 110 - 17 |
| AR58952  | 1D8  | 15  | 25 - 28  | AZ10044  | 4D4  | 12  | 140 - 55 | BH71948  | 1G14 | ..  | 40 - 41  |
| AR58952  | 1D23 | 36  | 25 - 47  | AZ10045  | 3I4  | 4   | 125 - 3  | BH78464  | 1G19 | ..  | 40 - 46  |
| AR61533  | 1C10 | 17  | 25 - 3   | AZ10045  | 3I6  | 9   | 125 - 5  | BH78486  | 3G8  | ..  | 110 - 15 |
| AR61589  | 1C10 | 19  | 25 - 3   | AZ10045  | 3J2  | 3   | 125 - 25 | BH78495  | 3G8  | ..  | 110 - 15 |
| AR62407  | 1I2  | 1   | 40 - 81  | AZ10045  | 3J6  | 13  | 125 - 29 | BH78881  | 2D12 | ..  | 50 - 63  |
| AR65005  | 1F12 | 1   | 40 - 10  | AZ19427  | 3G20 | 5   | 110 - 27 | BH78882  | 2B5  | ..  | 50 - 2   |
| AR65006  | 1F12 | 2   | 40 - 10  | AZ20216  | 2G20 | 15  | 70 - 43  | BH79199  | 2E25 | ..  | 60 - 33  |
| AR75693  | 2E10 | 17  | 60 - 17  | AZ49013  | 3D23 | 15  | 100 - 7  | BH79234  | 2B9  | ..  | 50 - 6   |
| AR79549  | 1G12 | 17  | 40 - 39  | AZ49144  | 2F4  | 2   | 70 - 1   | BH79235  | 2B9  | ..  | 50 - 6   |
| AR79550  | 1G12 | 11  | 40 - 39  | AZ49370  | 3D23 | 17  | 100 - 7  | BH79816  | 3K13 | ..  | 130 - 31 |
| AR85519  | 1E4  | 22  | 30 - 3   | AZ49371  | 3D23 | 21  | 100 - 7  | BH79942  | 3G12 | ..  | 110 - 19 |
| AR86539  | 2C18 | 3   | 50 - 43  | AZ50073  | 2F17 | 8   | 70 - 15  | BH80229  | 3G12 | ..  | 110 - 19 |
| AR86539  | 2E23 | 4   | 60 - 31  | AZ50073  | 2F19 | 8   | 70 - 17  | BH80417  | 3K13 | ..  | 130 - 31 |
| AR86745  | 1E12 | 7   | 30 - 11  | AZ50073  | 2F21 | 8   | 70 - 19  | BH80418  | 3K13 | ..  | 130 - 31 |
| AR88903  | 1E6  | 12  | 30 - 5   | AZ50073  | 2F22 | 19  | 70 - 20  | BH80515  | 3J11 | ..  | 130 - 3  |
| AR90861  | 4C10 | 19  | 140 - 37 | AZ51438  | 3D23 | 35  | 100 - 7  | BH80683  | 3C18 | ..  | 90 - 43  |
| AR91793  | 1F9  | 42  | 40 - 7   | AZ51851  | 2G2  | 36  | 70 - 25  | BH81039  | 3J11 | ..  | 130 - 3  |

## NUMERICAL INDEX - CONTINUED

| PART NO. | GRID | KEY | PAGE   | PART NO. | GRID | KEY | PAGE   | PART NO. | GRID | KEY | PAGE   |
|----------|------|-----|--------|----------|------|-----|--------|----------|------|-----|--------|
| BH81146  | 2B10 | ..  | 50-7   | BH81775  | 2B12 | ..  | 50-9   | CE18201  | 2B21 | 1   | 50-19  |
| BH81147  | 2B10 | ..  | 50-7   | BH81776  | 2B12 | ..  | 50-9   | CE18206  | 2E6  | 22  | 60-13  |
| BH81148  | 2B10 | ..  | 50-7   | BH81777  | 2B12 | ..  | 50-9   | CE18206  | 4G12 | 22  | 160-23 |
| BH81149  | 2B10 | ..  | 50-7   | BH81792  | 2B13 | ..  | 50-10  | CE18223  | 2B21 | 16  | 50-19  |
| BH81161  | 3G4  | ..  | 110-11 | BH81793  | 2B13 | ..  | 50-10  | CE18224  | 2B23 | 11  | 50-21  |
| BH81191  | 4C16 | ..  | 140-43 | BH81794  | 2B13 | ..  | 50-10  | CE18278  | 4E6  | 4   | 150-23 |
| BH81209  | 2B12 | ..  | 50-9   | BH81795  | 2B13 | ..  | 50-10  | CE18374  | 2B17 | 8   | 50-14  |
| BH81210  | 2B12 | ..  | 50-9   | BH81796  | 2B14 | ..  | 50-11  | CE18399  | 4B10 | 37  | 140-9  |
| BH81211  | 2B12 | ..  | 50-9   | BH81797  | 2B14 | ..  | 50-11  | CE18400  | 4B16 | 22  | 140-15 |
| BH81212  | 2B12 | ..  | 50-9   | BH81798  | 2B14 | ..  | 50-11  | CE18401  | 4E6  | 5   | 150-23 |
| BH81215  | 2B12 | ..  | 50-9   | BH81799  | 2B14 | ..  | 50-11  | CE18403  | 4B8  | 2   | 140-7  |
| BH81216  | 2B12 | ..  | 50-9   | BH81801  | 2B4  | ..  | 50-1   | C16054   | 2G10 | 6   | 70-33  |
| BH81217  | 2B12 | ..  | 50-9   | BH81801  | 2B13 | ..  | 50-10  | C16071   | 2B5  | ..  | 50-2   |
| BH81218  | 2B12 | ..  | 50-9   | BH81867  | 2B8  | ..  | 50-5   | C3203E   | 2J5  | 12  | 80-29  |
| BH81236  | 2B12 | ..  | 50-9   | BH81868  | 2B8  | ..  | 50-5   | C3203E   | 2J7  | 9   | 80-31  |
| BH81237  | 2B12 | ..  | 50-9   | BH81869  | 2B8  | ..  | 50-5   | C3936E   | 2B23 | 2   | 50-21  |
| BH81238  | 2B12 | ..  | 50-9   | BH81875  | 2B8  | ..  | 50-5   | DE18568  | 4B10 | 25  | 140-9  |
| BH81239  | 2B12 | ..  | 50-9   | BP13616  | 2G20 | 13  | 70-43  | DE18568  | 4B12 | 25  | 140-11 |
| BH81240  | 2B12 | ..  | 50-9   | BP13620  | 3E2  | 22  | 100-11 | DE18571  | 4B10 | 25  | 140-9  |
| BH81241  | 2B12 | ..  | 50-9   | BP13620  | 4C10 | 29  | 140-37 | DE18571  | 4B12 | 25  | 140-11 |
| BH81242  | 2B12 | ..  | 50-9   | B10604   | 4C8  | 3   | 140-35 | DE18609  | 4B8  | 1   | 140-7  |
| BH81243  | 2B12 | ..  | 50-9   | B27370   | 4D11 | 12  | 150-3  | DE18716  | 4B8  | ..  | 140-7  |
| BH81286  | 2D4  | ..  | 50-55  | B28970   | 3J19 | 7   | 130-11 | DE18716  | 4B10 | ..  | 140-9  |
| BH81286  | 2D8  | ..  | 50-59  | B28970   | 3J25 | 9   | 130-18 | DE18716  | 4B12 | ..  | 140-11 |
| BH81286  | 2D12 | ..  | 50-63  | B2984R   | 2G20 | 14  | 70-43  | DE18717  | 4B8  | ..  | 140-7  |
| BH81286  | 2D13 | ..  | 50-64  | B3118R   | 3D19 | 8   | 100-3  | DE18717  | 4B10 | ..  | 140-9  |
| BH81286  | 2D16 | ..  | 50-67  | B3118R   | 4C4  | 8   | 140-31 | DE18717  | 4B12 | ..  | 140-11 |
| BH81381  | 3G8  | ..  | 110-15 | B32564   | 2E6  | 23  | 60-13  | DE18718  | 4B8  | 12  | 140-7  |
| BH81381  | 3G10 | ..  | 110-17 | B32564   | 4G12 | 23  | 160-23 | DE18718  | 4B12 | 1   | 140-11 |
| BH81514  | 2B12 | ..  | 50-9   | B32630   | 1H13 | 2   | 40-66  | DE18750  | 4G8  | 12  | 160-19 |
| BH81515  | 2B12 | ..  | 50-9   | B32630   | 3C18 | 10  | 90-43  | DE18970  | 4E6  | 3   | 150-23 |
| BH81516  | 3J24 | ..  | 130-17 | B3690R   | 3C6  | 36  | 90-31  | DE19018  | 4B10 | 31  | 140-9  |
| BH81522  | 2I16 | ..  | 80-15  | CA25242  | 4G3  | 11  | 160-12 | DE19067  | 4E6  | 10  | 150-23 |
| BH81537  | 2B10 | ..  | 50-7   | CE16623  | 4G8  | 15  | 160-19 | DE19111  | 3I14 | 14  | 125-13 |
| BH81538  | 2B12 | ..  | 50-9   | CE16624  | 4G8  | 15  | 160-19 | DE19111  | 3I14 | 20  | 125-13 |
| BH81539  | 2B12 | ..  | 50-9   | CE16625  | 4G8  | 15  | 160-19 | DE19111  | 3I14 | 24  | 125-13 |
| BH81540  | 3G4  | ..  | 110-11 | CE16800  | 4E6  | 7   | 150-23 | DE19111  | 3I14 | 25  | 125-13 |
| BH81543  | 2B12 | ..  | 50-9   | CE16825  | 4G8  | 15  | 160-19 | DE19159  | 4G8  | 37  | 160-19 |
| BH81544  | 2B12 | ..  | 50-9   | CE17450  | 4B12 | 5   | 140-11 | DE19160  | 4G8  | 36  | 160-19 |
| BH81545  | 2B12 | ..  | 50-9   | CE17451  | 4B12 | 5   | 140-11 | ET15766  | 1G10 | 14  | 40-37  |
| BH81546  | 2B12 | ..  | 50-9   | CE17452  | 4B12 | 5   | 140-11 | E10018   | 3G24 | 38  | 120-3  |
| BH81578  | 1G12 | ..  | 40-39  | CE17453  | 4B12 | 5   | 140-11 | E10018   | 3I4  | 6   | 125-3  |
| BH81585  | 3C18 | ..  | 90-43  | CE17685  | 4G8  | 8   | 160-19 | E10018   | 3I24 | 5   | 125-23 |
| BH81586  | 1I4  | ..  | 40-83  | CE17844  | 4B12 | 8   | 140-11 | E10018   | 3J2  | 4   | 125-25 |
| BH81588  | 1I4  | ..  | 40-83  | CE17888  | 4B10 | 6   | 140-9  | E10018   | 3J6  | 14  | 125-29 |
| BH81592  | 2B14 | ..  | 50-11  | CE17914  | 4G8  | 24  | 160-19 | E10018   | 4C12 | 42  | 140-39 |
| BH81599  | 1H4  | ..  | 40-57  | CE17915  | 4G8  | 10  | 160-19 | E12305   | 4B22 | 22  | 140-23 |
| BH81623  | 2C24 | ..  | 50-51  | CE17916  | 4G8  | 6   | 160-19 | E12379   | 3G14 | 22  | 110-21 |
| BH81623  | 2D12 | ..  | 50-63  | CE17917  | 4G8  | 29  | 160-19 | E12379   | 3G18 | 11  | 110-25 |
| BH81702  | 3J19 | ..  | 130-11 | CE17918  | 4G8  | 18  | 160-19 | E12379   | 4E2  | 5   | 150-19 |
| BH81703  | 2B7  | ..  | 50-4   | CE17919  | 4G8  | 23  | 160-19 | E12379   | 4F21 | 7   | 160-5  |
| BH81704  | 2B7  | ..  | 50-4   | CE17920  | 4G8  | 22  | 160-19 | E1343FN  | 1C15 | 1   | 25-8   |
| BH81705  | 2B7  | ..  | 50-4   | CE17921  | 4G8  | 31  | 160-19 | E18993   | 4C2  | 6   | 140-29 |
| BH81742  | 3I10 | ..  | 125-9  | CE17922  | 4G8  | 20  | 160-19 | E46013   | 3J24 | 20  | 130-17 |
| BH81742  | 4F7  | ..  | 155-7  | CE17923  | 4G8  | 7   | 160-19 | E47782   | 3G8  | 10  | 110-15 |
| BH81742  | 4F9  | ..  | 155-9  | CE17924  | 4G8  | 7   | 160-19 | E50096   | 3F23 | 11  | 110-5  |
| BH81749  | 2B12 | ..  | 50-9   | CE17925  | 4G8  | 7   | 160-19 | E50096   | 3F25 | 10  | 110-7  |
| BH81750  | 2B12 | ..  | 50-9   | CE17926  | 4G8  | 7   | 160-19 | E53699   | 3D23 | 12  | 100-7  |
| BH81751  | 2B12 | ..  | 50-9   | CE17927  | 4G8  | 27  | 160-19 | E53699   | 3E2  | 12  | 100-11 |
| BH81752  | 2B12 | ..  | 50-9   | CE17939  | 4G8  | 4   | 160-19 | E55662   | 1D20 | 4   | 25-43  |
| BH81758  | 3I10 | ..  | 125-9  | CE17940  | 4B10 | 5   | 140-9  | E55662   | 1H8  | 1   | 40-61  |
| BH81758  | 4F5  | ..  | 155-5  | CE18015  | 3I14 | 17  | 125-13 | E55662   | 4E2  | 8   | 150-19 |
| BH81758  | 4F7  | ..  | 155-7  | CE18074  | 4E6  | 8   | 150-23 | E55758   | 2C16 | 20  | 50-41  |
| BH81760  | 3I10 | ..  | 125-9  | CE18075  | 4E6  | 9   | 150-23 | E56866   | 4B16 | 16  | 140-15 |
| BH81760  | 4F5  | ..  | 155-5  | CE18104  | 4B12 | 28  | 140-11 | E59406   | 2G20 | 10  | 70-43  |
| BH81760  | 4F7  | ..  | 155-7  | CE18118  | 4G8  | 35  | 160-19 | E61791   | 2G18 | 1   | 70-41  |
| BH81774  | 2B12 | ..  | 50-9   | CE18181  | 4B10 | 7   | 140-9  | E62089   | 2G2  | 6   | 70-25  |

## NUMERICAL INDEX - CONTINUED

| PART NO.    | GRID | KEY | PAGE   | PART NO. | GRID | KEY | PAGE   | PART NO. | GRID | KEY | PAGE   |
|-------------|------|-----|--------|----------|------|-----|--------|----------|------|-----|--------|
| E62089      | 2G4  | 6   | 70-27  | H104855  | 1F7  | 9   | 40-5   | H111364  | 3B24 | 2   | 90-25  |
| E62089      | 2G5  | 6   | 70-28  | H104855  | 1F16 | 12  | 40-15  | H111364  | 3B24 | 4   | 90-25  |
| E62094      | 2G5  | 14  | 70-28  | H105005  | 2D20 | 32  | 60-3   | H111364  | 3C2  | 13  | 90-27  |
| E62892      | 2F17 | 6   | 70-15  | H105005  | 2D22 | 16  | 60-5   | H111364  | 3C25 | 2   | 90-51  |
| E62892      | 2F19 | 6   | 70-17  | H105519  | 3I22 | 16  | 125-21 | H111378  | 2G14 | 1   | 70-37  |
| E62892      | 2F21 | 6   | 70-19  | H105578  | 4C12 | 57  | 140-39 | H111474  | 4B10 | 13  | 140-9  |
| E62942      | 2F17 | 19  | 70-15  | H105584  | 3E20 | 29  | 100-29 | H111478  | 3C19 | 18  | 90-45  |
| E62942      | 2F19 | 19  | 70-17  | H105590  | 3E20 | 9   | 100-29 | H111500  | 2B10 | 3   | 50-7   |
| E62942      | 2F21 | 19  | 70-19  | H105822  | 2B10 | 2   | 50-7   | H111538  | 4H14 | 3   | 170-21 |
| E62942      | 2F22 | 2   | 70-20  | H106000  | 1I4  | 4   | 40-83  | H111541  | 4H14 | 3   | 170-21 |
| E62942      | 2G2  | 2   | 70-25  | H106073  | 3E2  | 25  | 100-11 | H111705  | 3C25 | 3   | 90-51  |
| E62942      | 2G4  | 2   | 70-27  | H106246  | 3C2  | 6   | 90-27  | H111706  | 3C2  | 30  | 90-27  |
| E62942      | 2G5  | 2   | 70-28  | H106246  | 3C14 | 1   | 90-39  | H111706  | 3C25 | 4   | 90-51  |
| E63018      | 3G24 | 22  | 120-3  | H107389  | 4C4  | 16  | 140-31 | H111730  | 2D2  | 21  | 50-53  |
| E64256      | 2D20 | 36  | 60-3   | H107504  | 2B7  | 12  | 50-4   | H111730  | 2D10 | 2   | 50-61  |
| E64256      | 3I8  | 14  | 125-7  | H107504  | 2B16 | 1   | 50-13  | H111730  | 2E14 | 20  | 60-21  |
| E64256      | 4E21 | 14  | 150-39 | H107566  | 3B15 | 18  | 90-15  | H111730  | 2F6  | 11  | 70-3   |
| E65288      | 2C9  | 25  | 50-32  | H107566  | 3C4  | 4   | 90-29  | H112162  | 2H2  | 14  | 70-49  |
| E65288      | 2F10 | 2   | 70-7   | H107567  | 3C4  | 33  | 90-29  | H112567  | 1B25 | 12  | 20-23  |
| E66618      | 2G2  | 24  | 70-25  | H107570  | 3C4  | 50  | 90-29  | H112567  | 2D2  | 20  | 50-53  |
| E66619      | 2G2  | 19  | 70-25  | H107582  | 3C4  | 28  | 90-29  | H112567  | 2D8  | 13  | 50-59  |
| E73240      | 3E10 | 31  | 100-19 | H107584  | 3C4  | 29  | 90-29  | H112567  | 2D10 | 3   | 50-61  |
| E81185      | 3E18 | 29  | 100-27 | H107586  | 3C4  | 51  | 90-29  | H112567  | 2D13 | 5   | 50-64  |
| E82510      | 3C18 | 18  | 90-43  | H107687  | 3C4  | 8   | 90-29  | H112567  | 2E12 | 11  | 60-19  |
| E82510      | 4G23 | 1   | 170-5  | H107687  | 3C6  | 12  | 90-31  | H112567  | 2E14 | 21  | 60-21  |
| E82575      | 4H15 | ..  | 170-22 | H108604  | 4H14 | 3   | 170-21 | H112567  | 2F6  | 10  | 70-3   |
| E83620      | 2G2  | 18  | 70-25  | H108605  | 4H14 | 3   | 170-21 | H112567  | 2F8  | 20  | 70-5   |
| F1743R      | 1C10 | 11  | 25-3   | H108725  | 3C4  | 24  | 90-29  | H112567  | 2F14 | 4   | 70-11  |
| F2863       | 3B24 | 35  | 90-25  | H108745  | 4D23 | 10  | 150-15 | H112567  | 2G24 | 15  | 70-47  |
| F3220R      | 1G14 | 22  | 40-41  | H108822  | 3C6  | 34  | 90-31  | H112567  | 2H4  | 11  | 70-51  |
| F3450R      | 4G17 | 4   | 160-28 | H108889  | 3F17 | 4   | 100-51 | H112567  | 2H21 | 5   | 70-69  |
| GG310-30411 | 2F10 | 1   | 70-7   | H109046  | 2E14 | 18  | 60-21  | H112567  | 2H23 | 7   | 70-71  |
| HZ5621H     | 2I10 | 14  | 80-9   | H109046  | 2F6  | 6   | 70-3   | H112877  | 4B22 | 21  | 140-23 |
| H100027     | 4E8  | 16  | 150-25 | H109046  | 2H10 | 23  | 70-57  | H112910  | 2D24 | 7   | 60-7   |
| H100027     | 4E10 | 16  | 150-27 | H109254  | 2D24 | 15  | 60-7   | H112911  | 2D24 | 3   | 60-7   |
| H100211     | 3H21 | 2   | 120-24 | H109716  | 2D20 | 26  | 60-3   | H113053  | 4D19 | 9   | 150-11 |
| H100211     | 4D15 | 5   | 150-7  | H109855  | 3E20 | 7   | 100-29 | H113063  | 4B22 | 27  | 140-23 |
| H100245     | 3F7  | 22  | 100-41 | H110168  | 4C2  | 2   | 140-29 | H113196  | 2D12 | 17  | 50-63  |
| H100246     | 3F7  | 21  | 100-41 | H110168  | 4E2  | 3   | 150-19 | H113208  | 4B22 | 19  | 140-23 |
| H100247     | 3F7  | 19  | 100-41 | H110168  | 4E6  | 11  | 150-23 | H113238  | 4B22 | 23  | 140-23 |
| H101297     | 3I22 | 15  | 125-21 | H110229  | 3C4  | 6   | 90-29  | H113238  | 4D19 | 18  | 150-11 |
| H101448     | 3F7  | 12  | 100-41 | H110232  | 2D20 | 14  | 60-3   | H113402  | 3C4  | 19  | 90-29  |
| H101677     | 3E20 | 8   | 100-29 | H110237  | 4B19 | 33  | 140-19 | H113404  | 3C4  | 18  | 90-29  |
| H101878     | 4B8  | 28  | 140-7  | H110310  | 3C4  | 5   | 90-29  | H113625  | 3G14 | 15  | 110-21 |
| H102206     | 2E21 | 4   | 60-29  | H110337  | 4B22 | 35  | 140-23 | H113625  | 3H2  | 20  | 120-5  |
| H102533     | 3G24 | 40  | 120-3  | H110462  | 4B22 | 26  | 140-23 | H113626  | 3G14 | 17  | 110-21 |
| H102533     | 4B19 | 36  | 140-19 | H110521  | 4B22 | 24  | 140-23 | H113626  | 3H2  | 23  | 120-5  |
| H102533     | 4C12 | 43  | 140-39 | H110539  | 2B19 | 31  | 50-17  | H113627  | 4B22 | 9   | 140-23 |
| H102909     | 4E16 | 7   | 150-33 | H110539  | 2B21 | 15  | 50-19  | H113863  | 3C6  | 16  | 90-31  |
| H103167     | 2B21 | 8   | 50-19  | H110542  | 4B23 | 6   | 140-25 | H113864  | 3C4  | 14  | 90-29  |
| H103264     | 1B5  | 37  | 20-3   | H110700  | 3C4  | 21  | 90-29  | H113946  | 4B22 | 32  | 140-23 |
| H103264     | 3G24 | 15  | 120-3  | H110728  | 3D19 | 15  | 100-3  | H113947  | 4B22 | 7   | 140-23 |
| H103264     | 3I6  | 4   | 125-5  | H110800  | 4B12 | 10  | 140-11 | H114001  | 3J19 | 21  | 130-11 |
| H103264     | 4D4  | 5   | 140-55 | H110801  | 4B12 | 12  | 140-11 | H114001  | 4B23 | 9   | 140-25 |
| H103264     | 4D4  | 13  | 140-55 | H110812  | 3C6  | 13  | 90-31  | H114020  | 1H12 | 11  | 40-65  |
| H103264     | 4E12 | 15  | 150-29 | H110842  | 3C14 | 9   | 90-39  | H114020  | 2H17 | 10  | 70-65  |
| H103265     | 3G20 | 4   | 110-27 | H110842  | 3C25 | 1   | 90-51  | H114038  | 3C14 | 2   | 90-39  |
| H103265     | 4E16 | 8   | 150-33 | H110842  | 3D8  | 6   | 95-8   | H114038  | 3C16 | 19  | 90-41  |
| H103265     | 4E21 | 33  | 150-39 | H110922  | 3D19 | 10  | 100-3  | H114038  | 3C25 | 5   | 90-51  |
| H103543     | 2B13 | 1   | 50-10  | H110922  | 3F17 | 2   | 100-51 | H114046  | 3D5  | 5   | 95-5   |
| H103543     | 2B14 | 3   | 50-11  | H110923  | 4H8  | 1   | 170-15 | H114100  | 4C10 | 31  | 140-37 |
| H104075     | 2D20 | 31  | 60-3   | H111041  | 4B22 | 2   | 140-23 | H114134  | 4C10 | 24  | 140-37 |
| H104418     | 2B23 | 24  | 50-21  | H111042  | 4B22 | 28  | 140-23 | H114142  | 3D5  | 18  | 95-5   |
| H104793     | 4C24 | 37  | 140-51 | H111234  | 2D22 | 15  | 60-5   | H114226  | 4B16 | 14  | 140-15 |
| H104794     | 4C24 | 36  | 140-51 | H111260  | 4B22 | 1   | 140-23 | H114227  | 4B16 | 14  | 140-15 |
| H104795     | 3G24 | 27  | 120-3  | H111261  | 4B22 | 1   | 140-23 | H114228  | 4B16 | 14  | 140-15 |
| H104796     | 3G24 | 28  | 120-3  | H111262  | 4B22 | 1   | 140-23 | H114270  | 4H6  | 11  | 170-13 |

**NUMERICAL INDEX - CONTINUED**

| PART NO. | GRID | KEY | PAGE     | PART NO. | GRID | KEY | PAGE     | PART NO. | GRID | KEY | PAGE     |
|----------|------|-----|----------|----------|------|-----|----------|----------|------|-----|----------|
| H114320  | 4H15 | ..  | 170 - 22 | H117693  | 3K3  | 12  | 130 - 21 | H121168  | 2G8  | 11  | 70 - 31  |
| H114330  | 2D22 | 13  | 60 - 5   | H117695  | 3K3  | 5   | 130 - 21 | H121168  | 2H8  | 16  | 70 - 55  |
| H114331  | 2D22 | 10  | 60 - 5   | H117703  | 4B22 | 15  | 140 - 23 | H121168  | 2H10 | 25  | 70 - 57  |
| H114395  | 4E14 | 10  | 150 - 31 | H117937  | 2G8  | 5   | 70 - 31  | H121168  | 2H10 | 30  | 70 - 57  |
| H114411  | 1G16 | 8   | 40 - 43  | H117952  | 1E10 | 11  | 30 - 9   | H121168  | 2H21 | 20  | 70 - 69  |
| H114432  | 1B25 | 15  | 20 - 23  | H117952  | 1F24 | ..  | 40 - 25  | H121391  | 2I14 | 7   | 80 - 13  |
| H114432  | 2G24 | 10  | 70 - 47  | H117952  | 1G2  | ..  | 40 - 29  | H121391  | 4D11 | 34  | 150 - 3  |
| H114523  | 3D9  | 3   | 95 - 9   | H118082  | 4B22 | 12  | 140 - 23 | H121472  | 2B6  | 9   | 50 - 3   |
| H114525  | 3D9  | 2   | 95 - 9   | H118166  | 3C2  | 4   | 90 - 27  | H121472  | 2D12 | 11  | 50 - 63  |
| H114535  | 3J11 | 9   | 130 - 3  | H118426  | 1F21 | 51  | 40 - 21  | H121574  | 3K3  | 16  | 130 - 21 |
| H114536  | 3J11 | 15  | 130 - 3  | H118426  | 1F21 | 52  | 40 - 21  | H121575  | 3K3  | 11  | 130 - 21 |
| H114537  | 3J11 | 10  | 130 - 3  | H118616  | 4B22 | 44  | 140 - 23 | H121576  | 3K3  | 15  | 130 - 21 |
| H114538  | 3J11 | 14  | 130 - 3  | H118616  | 4C4  | 18  | 140 - 31 | H122182  | 2D2  | 3   | 50 - 53  |
| H114603  | 3C19 | 19  | 90 - 45  | H118617  | 4B19 | 24  | 140 - 19 | H122182  | 2D4  | 3   | 50 - 55  |
| H114687  | 4B22 | 34  | 140 - 23 | H118618  | 4B22 | 39  | 140 - 23 | H122182  | 2D10 | 5   | 50 - 61  |
| H114688  | 4B22 | 38  | 140 - 23 | H118618  | 4H24 | 6   | 170 - 31 | H122372  | 3H2  | 11  | 120 - 5  |
| H114689  | 4B22 | 44  | 140 - 23 | H118619  | 3D5  | 19  | 95 - 5   | H122650  | 4B12 | 11  | 140 - 11 |
| H114738  | 4E21 | 42  | 150 - 39 | H118871  | 3D5  | 13  | 95 - 5   | H122772  | 2H4  | 10  | 70 - 51  |
| H114865  | 2D8  | 11  | 50 - 59  | H118872  | 3D5  | 14  | 95 - 5   | H122772  | 2H23 | 8   | 70 - 71  |
| H114865  | 2D13 | 4   | 50 - 64  | H118882  | 2C2  | 21  | 50 - 25  | H123297  | 1B13 | 11  | 20 - 11  |
| H114865  | 2F8  | 21  | 70 - 5   | H118906  | 4B6  | 22  | 140 - 5  | H123351  | 4H6  | 14  | 170 - 13 |
| H114873  | 4E12 | 5   | 150 - 29 | H118919  | 4B16 | 28  | 140 - 15 | H123351  | 4H8  | 9   | 170 - 15 |
| H114897  | 1B25 | 13  | 20 - 23  | H118920  | 4B16 | 27  | 140 - 15 | H123632  | 3E16 | 23  | 100 - 25 |
| H114897  | 2D10 | 25  | 50 - 61  | H118927  | 4B16 | 14  | 140 - 15 | H123733  | 3E24 | 9   | 100 - 33 |
| H114897  | 2G24 | 14  | 70 - 47  | H118948  | 3J4  | 17  | 125 - 27 | H123740  | 3B11 | 21  | 90 - 11  |
| H114898  | 2D8  | 15  | 50 - 59  | H119007  | 3B24 | 15  | 90 - 25  | H123794  | 3B13 | 5   | 90 - 13  |
| H114901  | 2D2  | 13  | 50 - 53  | H119028  | 4B10 | 22  | 140 - 9  | H123796  | 3B11 | 25  | 90 - 11  |
| H114901  | 2D6  | 2   | 50 - 57  | H119029  | 4B10 | 22  | 140 - 9  | H123874  | 3C4  | 20  | 90 - 29  |
| H114901  | 2D8  | 16  | 50 - 59  | H119030  | 4B10 | 22  | 140 - 9  | H123875  | 3C4  | 25  | 90 - 29  |
| H114901  | 2D10 | 9   | 50 - 61  | H119031  | 4B10 | 22  | 140 - 9  | H123918  | 3K9  | 11  | 130 - 27 |
| H115031  | 3D3  | 2   | 95 - 3   | H119210  | 4C2  | 9   | 140 - 29 | H123991  | 3B11 | 12  | 90 - 11  |
| H115049  | 2C8  | 18  | 50 - 31  | H119211  | 3H2  | 14  | 120 - 5  | H123995  | 3B11 | 18  | 90 - 11  |
| H115052  | 2C8  | 27  | 50 - 31  | H119362  | 3D5  | 20  | 95 - 5   | H123995  | 3C25 | 7   | 90 - 51  |
| H115060  | 2C6  | 6   | 50 - 29  | H119411  | 2J5  | 5   | 80 - 29  | H123998  | 3D5  | 8   | 95 - 5   |
| H115140  | 2B5  | 8   | 50 - 2   | H119566  | 4E12 | 9   | 150 - 29 | H124185  | 3D3  | 11  | 95 - 3   |
| H115140  | 2B6  | 7   | 50 - 3   | H119567  | 4E12 | 9   | 150 - 29 | H124205  | 1G21 | 9   | 40 - 49  |
| H115521  | 3D3  | 10  | 95 - 3   | H119568  | 4E12 | 9   | 150 - 29 | H124210  | 3B9  | 15  | 90 - 9   |
| H115521  | 3D5  | 4   | 95 - 5   | H119709  | 3E20 | 11  | 100 - 29 | H124258  | 2D20 | 18  | 60 - 3   |
| H115533  | 2E14 | 23  | 60 - 21  | H119710  | 3E20 | 2   | 100 - 29 | H124258  | 2D22 | 8   | 60 - 5   |
| H115533  | 2H2  | 2   | 70 - 49  | H119996  | 4E14 | 13  | 150 - 31 | H124259  | 2D22 | 7   | 60 - 5   |
| H115533  | 2H4  | 18  | 70 - 51  | H120082  | 2J5  | 13  | 80 - 29  | H124260  | 3B7  | 10  | 90 - 7   |
| H115755  | 4B19 | 19  | 140 - 19 | H120198  | 4C22 | 25  | 140 - 49 | H125330  | 2C2  | 16  | 50 - 25  |
| H115881  | 4B20 | 4   | 140 - 21 | H120198  | 4C24 | 41  | 140 - 51 | H125347  | 1G23 | 4   | 40 - 51  |
| H115881  | 4B22 | 39  | 140 - 23 | H120362  | 2H21 | 3   | 70 - 69  | H125354  | 4B10 | 10  | 140 - 9  |
| H115881  | 4C4  | 20  | 140 - 31 | H120379  | 2I4  | 19  | 80 - 3   | H125356  | 4B10 | 19  | 140 - 9  |
| H115881  | 4H24 | 6   | 170 - 31 | H120388  | 2D22 | 6   | 60 - 5   | H125356  | 4B12 | 15  | 140 - 11 |
| H116065  | 4C6  | 8   | 140 - 33 | H120389  | 2D22 | 5   | 60 - 5   | H125391  | 4C4  | 18  | 140 - 31 |
| H116160  | 1G24 | ..  | 40 - 52  | H120490  | 4B22 | 17  | 140 - 23 | H125403  | 3F5  | 5   | 100 - 39 |
| H116188  | 3C14 | 5   | 90 - 39  | H120499  | 4D11 | 10  | 150 - 3  | H125466  | 1B17 | 1   | 20 - 15  |
| H116213  | 2F10 | 9   | 70 - 7   | H120847  | 2E12 | 26  | 60 - 19  | H125467  | 1B17 | 2   | 20 - 15  |
| H116213  | 2G18 | 10  | 70 - 41  | H120847  | 2E14 | 4   | 60 - 21  | H125511  | 3B9  | 3   | 90 - 9   |
| H116262  | 4E21 | 10  | 150 - 39 | H120847  | 2F8  | 7   | 70 - 5   | H125518  | 3C10 | 1   | 90 - 35  |
| H116351  | 4E2  | 9   | 150 - 19 | H120847  | 2H8  | 17  | 70 - 55  | H125528  | 4C4  | 9   | 140 - 31 |
| H116639  | 4H14 | 3   | 170 - 21 | H120847  | 2H10 | 31  | 70 - 57  | H125560  | 4C14 | 17  | 140 - 41 |
| H116640  | 4H14 | 3   | 170 - 21 | H120847  | 2H21 | 19  | 70 - 69  | H125733  | 4B10 | 27  | 140 - 9  |
| H116706  | 2G8  | 9   | 70 - 31  | H121134  | 4C2  | 4   | 140 - 29 | H125734  | 4B12 | 24  | 140 - 11 |
| H116717  | 2H6  | 2   | 70 - 53  | H121163  | 2D8  | 21  | 50 - 59  | H125735  | 4B12 | 24  | 140 - 11 |
| H116717  | 2H8  | 10  | 70 - 55  | H121163  | 2E16 | 5   | 60 - 23  | H125736  | 4B12 | 24  | 140 - 11 |
| H116717  | 2H10 | 3   | 70 - 57  | H121163  | 2E18 | 14  | 60 - 25  | H125737  | 4B12 | 24  | 140 - 11 |
| H116740  | 1B9  | 8   | 20 - 7   | H121163  | 2G16 | 8   | 70 - 39  | H125738  | 4B12 | 17  | 140 - 11 |
| H116740  | 1B11 | 19  | 20 - 9   | H121163  | 2H6  | 8   | 70 - 53  | H125740  | 4B8  | 18  | 140 - 7  |
| H116740  | 1G23 | 7   | 40 - 51  | H121163  | 2H10 | 5   | 70 - 57  | H125740  | 4B10 | 26  | 140 - 9  |
| H116861  | 4B25 | 5   | 140 - 27 | H121163  | 4D23 | 16  | 150 - 15 | H125741  | 4B8  | 18  | 140 - 7  |
| H116862  | 3E8  | 16  | 100 - 17 | H121168  | 2E12 | 27  | 60 - 19  | H125741  | 4B10 | 26  | 140 - 9  |
| H116862  | 4B25 | 4   | 140 - 27 | H121168  | 2E14 | 5   | 60 - 21  | H125742  | 4B8  | 18  | 140 - 7  |
| H117239  | 3C14 | 35  | 90 - 39  | H121168  | 2E18 | 5   | 60 - 25  | H125742  | 4B10 | 26  | 140 - 9  |
| H117691  | 3K3  | 8   | 130 - 21 | H121168  | 2F6  | 7   | 70 - 3   | H125743  | 4B8  | 18  | 140 - 7  |

## NUMERICAL INDEX - CONTINUED

| PART NO. | GRID | KEY | PAGE     | PART NO. | GRID | KEY | PAGE     | PART NO. | GRID | KEY | PAGE     |
|----------|------|-----|----------|----------|------|-----|----------|----------|------|-----|----------|
| H125743  | 4B10 | 26  | 140 - 9  | H127677  | 4D13 | 22  | 150 - 5  | H129207  | 3F13 | 13  | 100 - 47 |
| H125769  | 3B13 | 7   | 90 - 13  | H127749  | 3C8  | 17  | 90 - 33  | H129207  | 3J4  | 5   | 125 - 27 |
| H125837  | 4B12 | 22  | 140 - 11 | H127752  | 2D24 | 10  | 60 - 7   | H129207  | 4C8  | 17  | 140 - 35 |
| H125838  | 4B8  | 17  | 140 - 7  | H127855  | 4B22 | 13  | 140 - 23 | H129207  | 4C14 | 18  | 140 - 41 |
| H125838  | 4B16 | 13  | 140 - 15 | H127872  | 3J4  | 4   | 125 - 27 | H129208  | 3E8  | 17  | 100 - 17 |
| H125838  | 4B16 | 30  | 140 - 15 | H127922  | 4E14 | 5   | 150 - 31 | H129208  | 4C22 | 6   | 140 - 49 |
| H125839  | 4B12 | 4   | 140 - 11 | H127923  | 4E14 | 4   | 150 - 31 | H129311  | 4C10 | 4   | 140 - 37 |
| H125929  | 2F10 | 12  | 70 - 7   | H127978  | 3D5  | 23  | 95 - 5   | H129312  | 4C10 | 2   | 140 - 37 |
| H125930  | 3B5  | 3A  | 90 - 5   | H127998  | 4E8  | 16  | 150 - 25 | H129328  | 4B6  | 20  | 140 - 5  |
| H126026  | 4B6  | 7   | 140 - 5  | H127998  | 4E10 | 16  | 150 - 27 | H129367  | 3C2  | 22  | 90 - 27  |
| H126028  | 4B6  | 34  | 140 - 5  | H128010  | 4B19 | 20  | 140 - 19 | H129471  | 4E17 | 4   | 150 - 34 |
| H126081  | 3B15 | 2   | 90 - 15  | H128010  | 4C8  | 1   | 140 - 35 | H129472  | 4E17 | 3   | 150 - 34 |
| H126082  | 3B15 | 3   | 90 - 15  | H128010  | 4H22 | 2   | 170 - 29 | H129525  | 2B19 | 34  | 50 - 17  |
| H126083  | 3B15 | 4   | 90 - 15  | H128080  | 3J13 | 1   | 130 - 5  | H129557  | 2C2  | 20  | 50 - 25  |
| H126123  | 2C4  | 8   | 50 - 27  | H128080  | 3J15 | 1   | 130 - 7  | H129558  | 2B21 | 21  | 50 - 19  |
| H126124  | 2C4  | 7   | 50 - 27  | H128080  | 3J17 | 1   | 130 - 9  | H129564  | 2B19 | 26  | 50 - 17  |
| H126169  | 3E8  | 8   | 100 - 17 | H128081  | 3J13 | 1   | 130 - 5  | H129564  | 2B21 | 11  | 50 - 19  |
| H126261  | 3F15 | 6   | 100 - 49 | H128081  | 3J15 | 1   | 130 - 7  | H129565  | 2B19 | 27  | 50 - 17  |
| H126280  | 4E16 | 10  | 150 - 33 | H128081  | 3J17 | 1   | 130 - 9  | H129588  | 4D13 | 16  | 150 - 5  |
| H126302  | 3F15 | 11  | 100 - 49 | H128082  | 3J13 | 1   | 130 - 5  | H129588  | 4E19 | 2   | 150 - 37 |
| H126334  | 3J11 | 2   | 130 - 3  | H128082  | 3J15 | 1   | 130 - 7  | H129606  | 3D9  | 1   | 95 - 9   |
| H126335  | 3J11 | 1   | 130 - 3  | H128082  | 3J17 | 1   | 130 - 9  | H129610  | 3C19 | 17  | 90 - 45  |
| H126336  | 3J11 | 6   | 130 - 3  | H128083  | 3J11 | 28  | 130 - 3  | H129653  | 4D19 | 20  | 150 - 11 |
| H126345  | 3E4  | 11  | 100 - 13 | H128083  | 3J13 | 1   | 130 - 5  | H129659  | 3E20 | 6   | 100 - 29 |
| H126345  | 3F15 | 12  | 100 - 49 | H128083  | 3J15 | 1   | 130 - 7  | H129709  | 2B5  | 7   | 50 - 2   |
| H126345  | 3F17 | 3   | 100 - 51 | H128083  | 3J17 | 1   | 130 - 9  | H129709  | 2B6  | 6   | 50 - 3   |
| H126345  | 4I2  | 5   | 170 - 33 | H128111  | 2G20 | 23  | 70 - 43  | H129716  | 3F4  | 18  | 100 - 37 |
| H126346  | 3E4  | 19  | 100 - 13 | H128124  | 3J11 | 21  | 130 - 3  | H129716  | 4D19 | 11  | 150 - 11 |
| H126370  | 3E4  | 25  | 100 - 13 | H128234  | 3G20 | 15  | 110 - 27 | H129760  | 3C19 | 15  | 90 - 45  |
| H126371  | 3E4  | 24  | 100 - 13 | H128234  | 3K5  | 32  | 130 - 23 | H129761  | 3C19 | 4   | 90 - 45  |
| H126371  | 3E6  | 2   | 100 - 15 | H128234  | 4I2  | 7   | 170 - 33 | H129763  | 3C19 | 7   | 90 - 45  |
| H126371  | 3F13 | 29  | 100 - 47 | H128265  | 3J2  | 21  | 125 - 25 | H129765  | 4B6  | 23  | 140 - 5  |
| H126564  | 4B16 | 15  | 140 - 15 | H128265  | 4C12 | 32  | 140 - 39 | H129803  | 4D17 | 9   | 150 - 9  |
| H126572  | 2B23 | 12  | 50 - 21  | H128297  | 4B20 | 5   | 140 - 21 | H129814  | 4D17 | 15  | 150 - 9  |
| H126573  | 2B23 | 12  | 50 - 21  | H128315  | 4H8  | 17  | 170 - 15 | H129815  | 4D17 | 20  | 150 - 9  |
| H126575  | 2B23 | 12  | 50 - 21  | H128327  | 4C14 | 5   | 140 - 41 | H129822  | 4D17 | 14  | 150 - 9  |
| H126589  | 3D5  | 28  | 95 - 5   | H128357  | 3J13 | 2   | 130 - 5  | H129823  | 4D17 | 12  | 150 - 9  |
| H126590  | 3D5  | 3   | 95 - 5   | H128357  | 3J13 | 3   | 130 - 5  | H129839  | 2J13 | 13  | 80 - 37  |
| H126722  | 4B22 | 41  | 140 - 23 | H128357  | 3J15 | 2   | 130 - 7  | H129844  | 4B16 | 20  | 140 - 15 |
| H126792  | 4B12 | 29  | 140 - 11 | H128357  | 3J17 | 2   | 130 - 9  | H129854  | 2C2  | 17  | 50 - 25  |
| H126793  | 4B12 | 30  | 140 - 11 | H128358  | 3J13 | 2   | 130 - 5  | H129885  | 4D13 | 1   | 150 - 5  |
| H126801  | 4E17 | 1   | 150 - 34 | H128358  | 3J15 | 2   | 130 - 7  | H129887  | 3D3  | 21  | 95 - 3   |
| H126802  | 4E17 | 7   | 150 - 34 | H128358  | 3J17 | 2   | 130 - 9  | H129887  | 3D5  | 15  | 95 - 5   |
| H126804  | 4E17 | 12  | 150 - 34 | H128359  | 3J13 | 2   | 130 - 5  | H129934  | 4B8  | 35  | 140 - 7  |
| H126829  | 4B22 | 40  | 140 - 23 | H128359  | 3J15 | 2   | 130 - 7  | H129935  | 4B8  | 39  | 140 - 7  |
| H126940  | 3G14 | 10  | 110 - 21 | H128359  | 3J17 | 2   | 130 - 9  | H130040  | 3E16 | 17  | 100 - 25 |
| H127067  | 4H15 | ..  | 170 - 22 | H128479  | 4E5  | 8   | 150 - 22 | H130040  | 3E18 | 18  | 100 - 27 |
| H127068  | 4H15 | ..  | 170 - 22 | H128502  | 1B9  | 12  | 20 - 7   | H130057  | 1E18 | 11  | 30 - 17  |
| H127070  | 4H15 | ..  | 170 - 22 | H128515  | 2D8  | 22  | 50 - 59  | H130057  | 3F21 | 5   | 110 - 3  |
| H127073  | 4H15 | ..  | 170 - 22 | H128515  | 2E16 | 4   | 60 - 23  | H130137  | 4D19 | 15  | 150 - 11 |
| H127074  | 4H15 | ..  | 170 - 22 | H128515  | 2E18 | 15  | 60 - 25  | H130140  | 4B8  | 10  | 140 - 7  |
| H127075  | 4H15 | ..  | 170 - 22 | H128515  | 2G16 | 7   | 70 - 39  | H130223  | 2B6  | 12  | 50 - 3   |
| H127078  | 4H15 | ..  | 170 - 22 | H128515  | 2H6  | 7   | 70 - 53  | H130224  | 2B6  | 11  | 50 - 3   |
| H127159  | 4B8  | 9   | 140 - 7  | H128515  | 2H10 | 6   | 70 - 57  | H130227  | 2E24 | 5   | 60 - 32  |
| H127196  | 4B19 | 18  | 140 - 19 | H128515  | 4D23 | 17  | 150 - 15 | H130228  | 2E24 | 9   | 60 - 32  |
| H127524  | 3G24 | 30  | 120 - 3  | H128820  | 1G14 | 10  | 40 - 41  | H130262  | 4D11 | 31  | 150 - 3  |
| H127525  | 3G24 | 42  | 120 - 3  | H128821  | 1G14 | 12  | 40 - 41  | H130287  | 2B7  | 7   | 50 - 4   |
| H127532  | 3G22 | 4   | 120 - 1  | H128823  | 1G14 | 25  | 40 - 41  | H130287  | 2B8  | 5   | 50 - 5   |
| H127578  | 1E16 | 38  | 30 - 15  | H128841  | 1G14 | 18  | 40 - 41  | H130287  | 4F19 | 4   | 160 - 3  |
| H127583  | 3K5  | 34  | 130 - 23 | H128859  | 1G14 | 26  | 40 - 41  | H130288  | 2B7  | 8   | 50 - 4   |
| H127583  | 4C2  | 22  | 140 - 29 | H128859  | 3C25 | 8   | 90 - 51  | H130288  | 2B8  | 6   | 50 - 5   |
| H127589  | 2D8  | 20  | 50 - 59  | H128861  | 4D21 | 1   | 150 - 13 | H130288  | 4F19 | 3   | 160 - 3  |
| H127589  | 2H6  | 24  | 70 - 53  | H128877  | 3I8  | 7   | 125 - 7  | H130298  | 1H23 | 5   | 40 - 77  |
| H127589  | 2H10 | 6   | 70 - 57  | H128937  | 4B10 | 38  | 140 - 9  | H130298  | 3C25 | 12  | 90 - 51  |
| H127590  | 4B22 | 18  | 140 - 23 | H129094  | 4H15 | ..  | 170 - 22 | H130299  | 1H23 | 4   | 40 - 77  |
| H127596  | 4C2  | 17  | 140 - 29 | H129099  | 4H15 | ..  | 170 - 22 | H130301  | 3B11 | 22  | 90 - 11  |
| H127638  | 4D11 | 2   | 150 - 3  | H129125  | 4C24 | 11  | 140 - 51 | H130363  | 4D13 | 43  | 150 - 5  |

## NUMERICAL INDEX - CONTINUED

| PART NO. | GRID | KEY | PAGE     | PART NO. | GRID | KEY | PAGE     | PART NO. | GRID | KEY | PAGE     |
|----------|------|-----|----------|----------|------|-----|----------|----------|------|-----|----------|
| H130388  | 3K13 | 19  | 130 - 31 | H131743  | 1E18 | 13  | 30 - 17  | H132900  | 1I5  | 3   | 40 - 84  |
| H130407  | 2B23 | 6   | 50 - 21  | H131754  | 2B7  | 16  | 50 - 4   | H132901  | 4C24 | 12  | 140 - 51 |
| H130409  | 4B14 | 12  | 140 - 13 | H131754  | 2B8  | 9   | 50 - 5   | H132902  | 4D2  | 6   | 140 - 53 |
| H130409  | 4B16 | 29  | 140 - 15 | H131754  | 2B24 | 5   | 50 - 22  | H132906  | 3J2  | 6   | 125 - 25 |
| H130432  | 2J15 | 5   | 80 - 39  | H131865  | 3K7  | 3   | 130 - 25 | H132926  | 2I4  | 20  | 80 - 3   |
| H130572  | 3G14 | 25  | 110 - 21 | H131878  | 3G4  | 14  | 110 - 11 | H132937  | 2G20 | 11A | 70 - 43  |
| H130637  | 1G19 | 1   | 40 - 46  | H131948  | 1B5  | 24  | 20 - 3   | H132938  | 2G20 | 16  | 70 - 43  |
| H130646  | 3C8  | 9   | 90 - 33  | H131949  | 1B5  | 22  | 20 - 3   | H132948  | 2I20 | 11  | 80 - 19  |
| H130661  | 3I22 | 20  | 125 - 21 | H131982  | 3B11 | 8   | 90 - 11  | H132970  | 4B6  | 19  | 140 - 5  |
| H130695  | 3H2  | 16  | 120 - 5  | H131986  | 3G10 | 27  | 110 - 17 | H132976  | 4C24 | 14  | 140 - 51 |
| H130771  | 4D21 | 8   | 150 - 13 | H131987  | 3G10 | 29  | 110 - 17 | H132986  | 3E22 | 28  | 100 - 31 |
| H130922  | 3H8  | 10  | 120 - 11 | H131988  | 3G8  | 17  | 110 - 15 | H132988  | 3E22 | 25  | 100 - 31 |
| H130930  | 2J3  | 3   | 80 - 27  | H131989  | 3G8  | 18  | 110 - 15 | H132995  | 4B12 | 19  | 140 - 11 |
| H130948  | 3J11 | 16  | 130 - 3  | H132008  | 2I20 | 21  | 80 - 19  | H133010  | 2B21 | 10  | 50 - 19  |
| H130949  | 3J11 | 8   | 130 - 3  | H132024  | 4D11 | 9   | 150 - 3  | H133026  | 4E21 | 17  | 150 - 39 |
| H130956  | 4D5  | 3   | 140 - 57 | H132057  | 3G6  | 12  | 110 - 13 | H133031  | 4D5  | 8   | 140 - 57 |
| H130957  | 4D5  | 4   | 140 - 57 | H132057  | 3G10 | 4   | 110 - 17 | H133042  | 2J2  | 21  | 80 - 25  |
| H131017  | 2J9  | 21  | 80 - 33  | H132097  | 4E5  | 5   | 150 - 22 | H133047  | 3C10 | 20  | 90 - 35  |
| H131040  | 3C10 | 6   | 90 - 35  | H132122  | 3J13 | 4   | 130 - 5  | H133060  | 2E12 | 8   | 60 - 19  |
| H131041  | 3C10 | 7   | 90 - 35  | H132160  | 3H12 | 5   | 120 - 15 | H133060  | 3E22 | 24  | 100 - 31 |
| H131087  | 3E24 | 13  | 100 - 33 | H132161  | 3H6  | 2   | 120 - 9  | H133080  | 3H2  | 30  | 120 - 5  |
| H131088  | 3E24 | 15  | 100 - 33 | H132161  | 3H12 | 5   | 120 - 15 | H133089  | 2C2  | 30  | 50 - 25  |
| H131098  | 4C12 | 33  | 140 - 39 | H132207  | 4C12 | 10  | 140 - 39 | H133092  | 2C2  | 9   | 50 - 25  |
| H131108  | 3G22 | 1   | 120 - 1  | H132207  | 4C16 | 19  | 140 - 43 | H133094  | 2C2  | 1   | 50 - 25  |
| H131115  | 2D10 | 24  | 50 - 61  | H132288  | 3H4  | 3   | 120 - 7  | H133096  | 2C2  | 29  | 50 - 25  |
| H131115  | 2E14 | 14  | 60 - 21  | H132288  | 3H10 | 2   | 120 - 13 | H133097  | 2C2  | 29  | 50 - 25  |
| H131115  | 2F8  | 5   | 70 - 5   | H132289  | 3H16 | 2   | 120 - 19 | H133098  | 2C2  | 29  | 50 - 25  |
| H131115  | 2G8  | 19  | 70 - 31  | H132290  | 3H12 | 3   | 120 - 15 | H133106  | 3C4  | 15  | 90 - 29  |
| H131115  | 2G24 | 18  | 70 - 47  | H132291  | 3H4  | 2   | 120 - 7  | H133143  | 3I6  | 14  | 125 - 5  |
| H131115  | 2H6  | 22  | 70 - 53  | H132291  | 3H10 | 1   | 120 - 13 | H133152  | 2J5  | 19  | 80 - 29  |
| H131115  | 2H10 | 22  | 70 - 57  | H132292  | 3H16 | 1   | 120 - 19 | H133160  | 2B21 | 16  | 50 - 19  |
| H131163  | 2D8  | 27  | 50 - 59  | H132293  | 3H12 | 2   | 120 - 15 | H133165  | 2B19 | 22  | 50 - 17  |
| H131163  | 2E14 | 3   | 60 - 21  | H132328  | 3E2  | 24  | 100 - 11 | H133178  | 1G17 | 11  | 40 - 44  |
| H131163  | 2H10 | 7   | 70 - 57  | H132451  | 3B9  | 16  | 90 - 9   | H133178  | 4E2  | 14  | 150 - 19 |
| H131169  | 4C12 | ..  | 140 - 39 | H132513  | 1F19 | 2   | 40 - 19  | H133199  | 4C18 | 4   | 140 - 45 |
| H131169  | 4H22 | 4   | 170 - 29 | H132513  | 1F19 | 4   | 40 - 19  | H133202  | 2B23 | 14  | 50 - 21  |
| H131170  | 4C12 | 11  | 140 - 39 | H132513  | 1F19 | 27  | 40 - 19  | H133205  | 3C4  | 1   | 90 - 29  |
| H131186  | 3C4  | 31  | 90 - 29  | H132538  | 3D9  | 9   | 95 - 9   | H133205  | 3C6  | 14  | 90 - 31  |
| H131227  | 4D13 | 14  | 150 - 5  | H132538  | 4D13 | 24  | 150 - 5  | H133210  | 3C8  | 7   | 90 - 33  |
| H131228  | 4B14 | 2   | 140 - 13 | H132539  | 2I4  | 8   | 80 - 3   | H133219  | 3B15 | 17  | 90 - 15  |
| H131230  | 4D13 | 4   | 150 - 5  | H132541  | 3G8  | 26  | 110 - 15 | H133229  | 2B7  | 15  | 50 - 4   |
| H131255  | 4E4  | 3   | 150 - 21 | H132541  | 3G10 | 14  | 110 - 17 | H133229  | 2B8  | 8   | 50 - 5   |
| H131258  | 4E4  | 12  | 150 - 21 | H132542  | 4D11 | 23  | 150 - 3  | H133229  | 2B24 | 2   | 50 - 22  |
| H131261  | 4E4  | 9   | 150 - 21 | H132554  | 2B23 | 11  | 50 - 21  | H133287  | 3H18 | 4   | 120 - 21 |
| H131262  | 4E5  | 6   | 150 - 22 | H132597  | 1G12 | 8   | 40 - 39  | H133288  | 3H18 | 2   | 120 - 21 |
| H131263  | 4E5  | 1   | 150 - 22 | H132618  | 2B21 | 13  | 50 - 19  | H133351  | 2E6  | 27  | 60 - 13  |
| H131264  | 4D13 | 3   | 150 - 5  | H132662  | 4D13 | 45  | 150 - 5  | H133351  | 4G12 | 27  | 160 - 23 |
| H131296  | 2B19 | 11  | 50 - 17  | H132666  | 4D11 | 32  | 150 - 3  | H133384  | 1H24 | 2   | 40 - 78  |
| H131297  | 2B19 | 14  | 50 - 17  | H132686  | 1I3  | 7   | 40 - 82  | H133384  | 1H25 | 2   | 40 - 79  |
| H131300  | 3B7  | 12  | 90 - 7   | H132687  | 1I3  | 3   | 40 - 82  | H133384  | 1I1  | 2   | 40 - 80  |
| H131319  | 3H14 | 1   | 120 - 17 | H132687  | 1I5  | 6   | 40 - 84  | H133384  | 1I2  | 5   | 40 - 81  |
| H131356  | 4E2  | 23  | 150 - 19 | H132800  | 1H10 | 4   | 40 - 63  | H133391  | 3B7  | 2   | 90 - 7   |
| H131424  | 3B24 | 22  | 90 - 25  | H132812  | 1G15 | 10  | 40 - 42  | H133414  | 3B15 | 5   | 90 - 15  |
| H131424  | 3C25 | 15  | 90 - 51  | H132813  | 1G15 | 10  | 40 - 42  | H133489  | 4C16 | 27  | 140 - 43 |
| H131482  | 4C6  | 5   | 140 - 33 | H132825  | 3E4  | 7   | 100 - 13 | H133514  | 3C19 | 10  | 90 - 45  |
| H131485  | 4C6  | 11  | 140 - 33 | H132892  | 2B19 | 12  | 50 - 17  | H133579  | 4E14 | 15  | 150 - 31 |
| H131543  | 2I20 | 4   | 80 - 19  | H132892  | 2B21 | 3   | 50 - 19  | H133597  | 3H8  | 17  | 120 - 11 |
| H131574  | 3B7  | 17  | 90 - 7   | H132893  | 2B19 | 12  | 50 - 17  | H133597  | 3H14 | 22  | 120 - 17 |
| H131595  | 1G12 | 19  | 40 - 39  | H132893  | 2B21 | 3   | 50 - 19  | H133597  | 4C12 | 56  | 140 - 39 |
| H131614  | 3K5  | 28  | 130 - 23 | H132894  | 2B19 | 12  | 50 - 17  | H133599  | 3H8  | 13  | 120 - 11 |
| H131628  | 4D13 | 44  | 150 - 5  | H132894  | 2B21 | 3   | 50 - 19  | H133600  | 3H14 | 21  | 120 - 17 |
| H131638  | 3J6  | 18  | 125 - 29 | H132895  | 3C6  | 7   | 90 - 31  | H133601  | 3H14 | 21  | 120 - 17 |
| H131639  | 3J6  | 17  | 125 - 29 | H132897  | 3C6  | 27  | 90 - 31  | H133602  | 3H8  | 13  | 120 - 11 |
| H131661  | 3G16 | 22  | 110 - 23 | H132899  | 3C6  | 20  | 90 - 31  | H133603  | 4C12 | 47  | 140 - 39 |
| H131673  | 4D11 | 20  | 150 - 3  | H132899  | 3C25 | 16  | 90 - 51  | H133618  | 4B19 | 12  | 140 - 19 |
| H131674  | 4D11 | 17  | 150 - 3  | H132900  | 1H23 | 1   | 40 - 77  | H133621  | 4C12 | 52  | 140 - 39 |
| H131675  | 4D11 | 15  | 150 - 3  | H132900  | 1I3  | 5   | 40 - 82  | H133634  | 2B7  | 10  | 50 - 4   |

# 1L6

9650 SELF-PROPELLED COMBINE

## NUMERICAL INDEX - CONTINUED

| PART NO. | GRID | KEY | PAGE   | PART NO. | GRID | KEY | PAGE   | PART NO. | GRID | KEY | PAGE   |
|----------|------|-----|--------|----------|------|-----|--------|----------|------|-----|--------|
| H133635  | 4F19 | 7   | 160-3  | H134426  | 2E12 | 21  | 60-19  | H135157  | 3G11 | 8   | 110-18 |
| H133636  | 3C10 | 9   | 90-35  | H134427  | 2E12 | 22  | 60-19  | H135167  | 4H15 | ..  | 170-22 |
| H133645  | 1G19 | 2   | 40-46  | H134427  | 2H2  | 5   | 70-49  | H135192  | 4D19 | 24  | 150-11 |
| H133659  | 2D2  | 22  | 50-53  | H134427  | 2H6  | 15  | 70-53  | H135193  | 4D19 | 26  | 150-11 |
| H133659  | 2D10 | 1   | 50-61  | H134427  | 2H10 | 12  | 70-57  | H135211  | 2C8  | 11  | 50-31  |
| H133659  | 2E14 | 19  | 60-21  | H134428  | 2E14 | 7   | 60-21  | H135212  | 2C8  | 40  | 50-31  |
| H133659  | 2F6  | 5   | 70-3   | H134428  | 2H6  | 21  | 70-53  | H135213  | 2C8  | 37  | 50-31  |
| H133660  | 3C10 | 8   | 90-35  | H134428  | 2H10 | 20  | 70-57  | H135214  | 2C8  | 38  | 50-31  |
| H133662  | 3C10 | 14  | 90-35  | H134429  | 2H4  | 15  | 70-51  | H135215  | 2C8  | 5   | 50-31  |
| H133665  | 3B7  | 9   | 90-7   | H134429  | 2H8  | 7   | 70-55  | H135235  | 3I24 | 10  | 125-23 |
| H133666  | 3B7  | 11  | 90-7   | H134434  | 2E14 | 11  | 60-21  | H135245  | 1E18 | 18  | 30-17  |
| H133667  | 4C8  | 7   | 140-35 | H134434  | 2H6  | 19  | 70-53  | H135292  | 4B19 | 44  | 140-19 |
| H133669  | 2D12 | 16  | 50-63  | H134434  | 2H10 | 16  | 70-57  | H135309  | 3J6  | 22  | 125-29 |
| H133675  | 4B4  | 13  | 140-3  | H134442  | 4H14 | 2   | 170-21 | H135392  | 1E18 | 20  | 30-17  |
| H133688  | 4E19 | 10  | 150-37 | H134444  | 2B7  | 18  | 50-4   | H135393  | 1E18 | 16  | 30-17  |
| H133690  | 4E19 | 12  | 150-37 | H134444  | 2B8  | 11  | 50-5   | H135410  | 4C12 | 2   | 140-39 |
| H133690  | 4E21 | 31  | 150-39 | H134444  | 2B24 | 3   | 50-22  | H135410  | 4C16 | 13  | 140-43 |
| H133768  | 3H20 | 5   | 120-23 | H134470  | 2E12 | 16  | 60-19  | H135410  | 4C24 | 3   | 140-51 |
| H133788  | 3H20 | 9   | 120-23 | H134506  | 1E18 | 14  | 30-17  | H135421  | 3G24 | 13  | 120-3  |
| H133812  | 4C24 | 33  | 140-51 | H134520  | 1B9  | 9   | 20-7   | H135423  | 4C12 | 37  | 140-39 |
| H133824  | 1G19 | 4   | 40-46  | H134526  | 1B11 | 12  | 20-9   | H135452  | 3I14 | 14  | 125-13 |
| H133843  | 3E16 | 4   | 100-25 | H134535  | 4H10 | 1   | 170-17 | H135454  | 3I14 | 2   | 125-13 |
| H133851  | 1H12 | 3   | 40-65  | H134547  | 2B5  | 4   | 50-2   | H135475  | 3G24 | 37  | 120-3  |
| H133852  | 1H12 | 1   | 40-65  | H134547  | 2B6  | 3   | 50-3   | H135493  | 3K5  | 8   | 130-23 |
| H133981  | 1H12 | 6   | 40-65  | H134548  | 2B5  | 9   | 50-2   | H135494  | 3K5  | 23  | 130-23 |
| H133989  | 3E16 | 29  | 100-25 | H134548  | 2B6  | 8   | 50-3   | H135497  | 2C9  | 27  | 50-32  |
| H134000  | 1H22 | 2   | 40-76  | H134549  | 2B6  | 2   | 50-3   | H135499  | 2C6  | 5   | 50-29  |
| H134003  | 3E24 | 3   | 100-33 | H134557  | 2E25 | 5   | 60-33  | H135500  | 2C6  | 4   | 50-29  |
| H134105  | 1E18 | 1   | 30-17  | H134558  | 2E12 | 7   | 60-19  | H135500  | 2C13 | 3   | 50-37  |
| H134114  | 2B9  | 3   | 50-6   | H134558  | 2H4  | 19  | 70-51  | H135503  | 2C8  | 40  | 50-31  |
| H134114  | 2B10 | 6   | 50-7   | H134558  | 2H8  | 11  | 70-55  | H135504  | 2C8  | 41  | 50-31  |
| H134114  | 2B12 | 2   | 50-9   | H134603  | 3I24 | 8   | 125-23 | H135508  | 2C13 | 6   | 50-37  |
| H134114  | 4G14 | 8   | 160-25 | H134603  | 3J2  | 27  | 125-25 | H135509  | 2C13 | 5   | 50-37  |
| H134117  | 1E22 | 5   | 30-21  | H134605  | 3J2  | 25  | 125-25 | H135519  | 3G20 | 9   | 110-27 |
| H134118  | 3H8  | 11  | 120-11 | H134606  | 3I24 | 7   | 125-23 | H135566  | 2F10 | 12  | 70-7   |
| H134118  | 3H14 | 18  | 120-17 | H134620  | 4H15 | ..  | 170-22 | H135567  | 2C8  | 39  | 50-31  |
| H134140  | 3E16 | 16  | 100-25 | H134623  | 3C4  | 45  | 90-29  | H135569  | 2F10 | 1   | 70-7   |
| H134143  | 1B17 | 7   | 20-15  | H134624  | 3C4  | 44  | 90-29  | H135570  | 2C9  | 9   | 50-32  |
| H134144  | 1B17 | 10  | 20-15  | H134654  | 3F23 | 20  | 110-5  | H135571  | 2C13 | 21  | 50-37  |
| H134150  | 3F25 | 16  | 110-7  | H134654  | 3F25 | 6   | 110-7  | H135599  | 4C16 | 25  | 140-43 |
| H134153  | 3F25 | 14  | 110-7  | H134667  | 2J9  | 26  | 80-33  | H135608  | 2E12 | 15  | 60-19  |
| H134162  | 3F25 | 15  | 110-7  | H134671  | 3B15 | 9   | 90-15  | H135610  | 2J11 | 21  | 80-35  |
| H134164  | 3F25 | 18  | 110-7  | H134717  | 3K5  | 21  | 130-23 | H135614  | 3B7  | 1   | 90-7   |
| H134165  | 3F25 | 9   | 110-7  | H134739  | 2J11 | 9   | 80-35  | H135615  | 3B7  | 6   | 90-7   |
| H134167  | 3F19 | 4   | 110-1  | H134756  | 3G11 | 10  | 110-18 | H135618  | 2H4  | 17  | 70-51  |
| H134171  | 2J9  | 18  | 80-33  | H134758  | 3G11 | 5   | 110-18 | H135618  | 2H8  | 9   | 70-55  |
| H134172  | 2J9  | 19  | 80-33  | H134760  | 3I4  | 3   | 125-3  | H135619  | 2E12 | 31  | 60-19  |
| H134214  | 1B5  | 25  | 20-3   | H134760  | 4C10 | 18  | 140-37 | H135641  | 2G10 | 2   | 70-33  |
| H134214  | 1B17 | 21  | 20-15  | H134760  | 4D7  | 4   | 140-59 | H135641  | 2G12 | 4   | 70-35  |
| H134298  | 2J13 | 4   | 80-37  | H134816  | 3G8  | 23  | 110-15 | H135695  | 2C8  | 41  | 50-31  |
| H134309  | 3I20 | 1   | 125-19 | H134816  | 3G10 | 21  | 110-17 | H135700  | 2C6  | 4   | 50-29  |
| H134315  | 3I20 | 2   | 125-19 | H134831  | 2J9  | 20  | 80-33  | H135700  | 2C13 | 3   | 50-37  |
| H134317  | 3I20 | 4   | 125-19 | H134856  | 1C3  | 3   | 20-26  | H135702  | 2C13 | 6   | 50-37  |
| H134334  | 3F21 | 10  | 110-3  | H134889  | 3J22 | 4   | 130-15 | H135706  | 2C9  | 2   | 50-32  |
| H134337  | 3F21 | 16  | 110-3  | H134913  | 1B11 | 13  | 20-9   | H135773  | 1H10 | 10  | 40-63  |
| H134339  | 3F21 | 14  | 110-3  | H134916  | 1B11 | 16  | 20-9   | H135777  | 2F17 | 24  | 70-15  |
| H134343  | 2D24 | 8   | 60-7   | H134917  | 1B11 | 14  | 20-9   | H135777  | 2F19 | 24  | 70-17  |
| H134353  | 3C4  | 23  | 90-29  | H134931  | 2J11 | 10  | 80-35  | H135843  | 3K13 | 10  | 130-31 |
| H134418  | 3G8  | 20  | 110-15 | H134995  | 3H2  | 48  | 120-5  | H135849  | 4C14 | 2   | 140-41 |
| H134420  | 3G8  | 21  | 110-15 | H135017  | 3K5  | 40  | 130-23 | H135850  | 3G14 | 18  | 110-21 |
| H134424  | 2E12 | 23  | 60-19  | H135112  | 2B16 | 5   | 50-13  | H135850  | 4C14 | 7   | 140-41 |
| H134424  | 2H6  | 16  | 70-53  | H135141  | 4H15 | ..  | 170-22 | H135891  | 3B22 | 2   | 90-23  |
| H134424  | 2H10 | 14  | 70-57  | H135147  | 1E20 | 8   | 30-19  | H135891  | 3E18 | 34  | 100-27 |
| H134425  | 2E12 | 25  | 60-19  | H135148  | 1E18 | 6   | 30-17  | H135891  | 3F2  | 22  | 100-35 |
| H134425  | 2H2  | 8   | 70-49  | H135155  | 2E12 | 12  | 60-19  | H135891  | 3F13 | 33  | 100-47 |
| H134425  | 2H6  | 14  | 70-53  | H135156  | 2E18 | 6   | 60-25  | H135891  | 3G4  | 18  | 110-11 |
| H134425  | 2H10 | 9   | 70-57  | H135156  | 2G8  | 12  | 70-31  | H135891  | 3G4  | ..  | 110-11 |

## NUMERICAL INDEX - CONTINUED

| PART NO. | GRID | KEY | PAGE     | PART NO. | GRID | KEY | PAGE     | PART NO. | GRID | KEY | PAGE     |
|----------|------|-----|----------|----------|------|-----|----------|----------|------|-----|----------|
| H135891  | 3G8  | 7   | 110 - 15 | H137815  | 4C16 | 36  | 140 - 43 | H140298  | 2H6  | 17  | 70 - 53  |
| H135891  | 4F7  | 5   | 155 - 7  | H137816  | 4C16 | 34  | 140 - 43 | H140298  | 2H10 | 13  | 70 - 57  |
| H135923  | 3G16 | 2   | 110 - 23 | H137823  | 4H10 | 2   | 170 - 17 | H140315  | 4G12 | 9   | 160 - 23 |
| H135942  | 2B21 | 12  | 50 - 19  | H137823  | 4H18 | ..  | 170 - 25 | H140380  | 1B7  | 12  | 20 - 5   |
| H135943  | 2B19 | 28  | 50 - 17  | H137823  | 4H20 | ..  | 170 - 27 | H140382  | 2E24 | 8   | 60 - 32  |
| H135944  | 2B21 | 9   | 50 - 19  | H137859  | 3B19 | 5   | 90 - 19  | H140383  | 2E24 | 8   | 60 - 32  |
| H135964  | 2F23 | 11  | 70 - 21  | H137865  | 2H17 | 13  | 70 - 65  | H140397  | 4C18 | 3   | 140 - 45 |
| H135965  | 2I16 | 21  | 80 - 15  | H137866  | 2H17 | 8   | 70 - 65  | H140414  | 3G16 | 14  | 110 - 23 |
| H135965  | 2I24 | 20  | 80 - 23  | H137869  | 4E21 | 12  | 150 - 39 | H140467  | 3J6  | 25  | 125 - 29 |
| H135974  | 2G8  | 16  | 70 - 31  | H137916  | 3I12 | 6   | 125 - 11 | H140467  | 4D4  | 16  | 140 - 55 |
| H136011  | 3C18 | 15  | 90 - 43  | H137919  | 3I12 | 12  | 125 - 11 | H140595  | 2D20 | 5   | 60 - 3   |
| H136013  | 3E16 | 3   | 100 - 25 | H137939  | 4H8  | 8   | 170 - 15 | H140627  | 1I2  | 3   | 40 - 81  |
| H136014  | 1B11 | 17  | 20 - 9   | H137940  | 4H15 | ..  | 170 - 22 | H140627  | 3C25 | 14  | 90 - 51  |
| H136014  | 3E16 | 6   | 100 - 25 | H138085  | 4B20 | 1   | 140 - 21 | H140628  | 1H19 | 2   | 40 - 73  |
| H136054  | 3I22 | 8   | 125 - 21 | H138297  | 3B9  | 20  | 90 - 9   | H140628  | 1I2  | 2   | 40 - 81  |
| H136055  | 3I22 | 8   | 125 - 21 | H138344  | 3G20 | 8   | 110 - 27 | H140664  | 1G8  | 1   | 40 - 35  |
| H136056  | 3B15 | 19  | 90 - 15  | H138344  | 4C10 | 37  | 140 - 37 | H140664  | 1G18 | 3   | 40 - 45  |
| H136110  | 1I4  | 6   | 40 - 83  | H138411  | 2E14 | 9   | 60 - 21  | H140691  | 2D20 | 21  | 60 - 3   |
| H136110  | 3C21 | 3   | 90 - 47  | H138411  | 2H6  | 18  | 70 - 53  | H140692  | 2D20 | 11  | 60 - 3   |
| H136115  | 2B5  | 2   | 50 - 2   | H138411  | 2H10 | 15  | 70 - 57  | H140694  | 2D20 | 27  | 60 - 3   |
| H136126  | 3C18 | 13  | 90 - 43  | H138435  | 3G20 | 12  | 110 - 27 | H140695  | 2D20 | 28  | 60 - 3   |
| H136127  | 3C18 | 12  | 90 - 43  | H138435  | 3J2  | 1   | 125 - 25 | H140696  | 2D20 | 29  | 60 - 3   |
| H136144  | 3E22 | 27  | 100 - 31 | H138435  | 3J6  | 4   | 125 - 29 | H140708  | 2D20 | 12  | 60 - 3   |
| H136163  | 2C11 | 27  | 50 - 35  | H138435  | 3K5  | 42  | 130 - 23 | H140709  | 4H14 | 3   | 170 - 21 |
| H136179  | 3J19 | 8   | 130 - 11 | H138435  | 4C16 | 29  | 140 - 43 | H140710  | 4H14 | 3   | 170 - 21 |
| H136186  | 3I12 | 10  | 125 - 11 | H138435  | 4D4  | 1   | 140 - 55 | H140711  | 4H14 | 3   | 170 - 21 |
| H136209  | 3I14 | 8   | 125 - 13 | H138435  | 4E16 | 1   | 150 - 33 | H140712  | 2D20 | 20  | 60 - 3   |
| H136257  | 3K9  | 5   | 130 - 27 | H138435  | 4E21 | 38  | 150 - 39 | H140713  | 2D20 | 30  | 60 - 3   |
| H136334  | 2E24 | 9   | 60 - 32  | H138607  | 2B9  | 1   | 50 - 6   | H140715  | 1B5  | 11  | 20 - 3   |
| H136335  | 2E24 | 5   | 60 - 32  | H138607  | 2B10 | 4   | 50 - 7   | H140715  | 2D20 | 19  | 60 - 3   |
| H136336  | 2H10 | 37  | 70 - 57  | H138607  | 2B12 | 5   | 50 - 9   | H140715  | 2J11 | 23  | 80 - 35  |
| H136336  | 3E6  | 27  | 100 - 15 | H138607  | 4G14 | 5   | 160 - 25 | H140741  | 3C10 | 10  | 90 - 35  |
| H136541  | 3D9  | 7   | 95 - 9   | H138753  | 3E24 | 16  | 100 - 33 | H140746  | 2D20 | 8   | 60 - 3   |
| H136541  | 4D13 | 23  | 150 - 5  | H138900  | 2C6  | 5   | 50 - 29  | H140747  | 2D20 | 9   | 60 - 3   |
| H136572  | 4D19 | 25  | 150 - 11 | H138901  | 2C13 | 5   | 50 - 37  | H140749  | 4H15 | ..  | 170 - 22 |
| H136573  | 4D19 | 27  | 150 - 11 | H138930  | 4D25 | 22  | 150 - 17 | H140750  | 4H15 | ..  | 170 - 22 |
| H136582  | 3J2  | 30  | 125 - 25 | H138930  | 4E2  | 19  | 150 - 19 | H140751  | 4H15 | ..  | 170 - 22 |
| H136583  | 4H10 | 6   | 170 - 17 | H139005  | 3K14 | 2   | 130 - 32 | H140768  | 4H15 | ..  | 170 - 22 |
| H136583  | 4H15 | ..  | 170 - 22 | H139006  | 2H17 | 5   | 70 - 65  | H140802  | 3G8  | 3   | 110 - 15 |
| H136589  | 3B15 | 15  | 90 - 15  | H139056  | 4D13 | 28  | 150 - 5  | H140836  | 3C8  | 19  | 90 - 33  |
| H136590  | 3B15 | 20  | 90 - 15  | H139098  | 3E24 | 19  | 100 - 33 | H140848  | 1B17 | 19  | 20 - 15  |
| H136608  | 3H6  | 10  | 120 - 9  | H139098  | 3G8  | 9   | 110 - 15 | H140866  | 2I4  | 21  | 80 - 3   |
| H136610  | 3H6  | 11  | 120 - 9  | H139132  | 4C18 | 7   | 140 - 45 | H140872  | 2J7  | 5   | 80 - 31  |
| H137188  | 3H14 | 19  | 120 - 17 | H139393  | 4H6  | 2   | 170 - 13 | H140881  | 2J7  | 1   | 80 - 31  |
| H137201  | 4H10 | 4   | 170 - 17 | H139545  | 4C22 | 27  | 140 - 49 | H140944  | 4C14 | 19  | 140 - 41 |
| H137203  | 3G8  | 27  | 110 - 15 | H139545  | 4C24 | 29  | 140 - 51 | H141059  | 4D2  | 18  | 140 - 53 |
| H137203  | 3G10 | 28  | 110 - 17 | H139667  | 3G18 | 1   | 110 - 25 | H141060  | 4D2  | 11  | 140 - 53 |
| H137204  | 3G8  | 28  | 110 - 15 | H139709  | 4B23 | 1   | 140 - 25 | H141069  | 2D20 | 16  | 60 - 3   |
| H137204  | 3G10 | 25  | 110 - 17 | H139807  | 2E24 | 7   | 60 - 32  | H141086  | 3J22 | 1   | 130 - 15 |
| H137215  | 3G24 | 18  | 120 - 3  | H139964  | 2H19 | 7   | 70 - 67  | H141123  | 2J2  | 14  | 80 - 25  |
| H137227  | 4E2  | 21  | 150 - 19 | H139966  | 3I14 | 16  | 125 - 13 | H141123  | 2J9  | 17  | 80 - 33  |
| H137360  | 3C19 | 13  | 90 - 45  | H139972  | 4D13 | 27  | 150 - 5  | H141123  | 4D13 | 36  | 150 - 5  |
| H137364  | 4H15 | ..  | 170 - 22 | H139986  | 4B8  | 25  | 140 - 7  | H141123  | 4E17 | 9   | 150 - 34 |
| H137388  | 3H2  | 48  | 120 - 5  | H140020  | 3G20 | 16  | 110 - 27 | H141166  | 4D7  | 10  | 140 - 59 |
| H137523  | 2G14 | 6   | 70 - 37  | H140042  | 3G4  | 2   | 110 - 11 | H141166  | 4H24 | 4   | 170 - 31 |
| H137534  | 2I20 | 9   | 80 - 19  | H140042  | 3G6  | 2   | 110 - 13 | H141292  | 3B7  | 13  | 90 - 7   |
| H137585  | 3I20 | 9   | 125 - 19 | H140135  | 2E3  | 1   | 60 - 10  | H141315  | 3C10 | 11  | 90 - 35  |
| H137593  | 2G10 | 8   | 70 - 33  | H140135  | 2E6  | 9   | 60 - 13  | H141327  | 3C4  | 9   | 90 - 29  |
| H137602  | 2H21 | 33  | 70 - 69  | H140149  | 3G4  | 25  | 110 - 11 | H141388  | 3J21 | 15  | 130 - 13 |
| H137603  | 2H21 | 28  | 70 - 69  | H140161  | 3K9  | 4   | 130 - 27 | H141411  | 1F21 | 39  | 40 - 21  |
| H137606  | 3I14 | 21  | 125 - 13 | H140162  | 3K9  | 2   | 130 - 27 | H141422  | 2D20 | 34  | 60 - 3   |
| H137667  | 3C4  | 49  | 90 - 29  | H140195  | 3D23 | 32  | 100 - 7  | H141450  | 4E8  | 17  | 150 - 25 |
| H137731  | 2J9  | 23  | 80 - 33  | H140195  | 3E2  | 32  | 100 - 11 | H141450  | 4E10 | 17  | 150 - 27 |
| H137782  | 2D15 | 2   | 50 - 66  | H140218  | 3G16 | 18  | 110 - 23 | H141549  | 3E10 | 2   | 100 - 19 |
| H137805  | 2D15 | 6   | 50 - 66  | H140248  | 3I22 | 29  | 125 - 21 | H141549  | 3E12 | 2   | 100 - 21 |
| H137806  | 2D15 | 6   | 50 - 66  | H140298  | 2H2  | 7   | 70 - 49  | H141549  | 3E14 | 15  | 100 - 23 |
| H137807  | 2D15 | 6   | 50 - 66  | H140298  | 2H2  | 10  | 70 - 49  | H141549  | 3I22 | 33  | 125 - 21 |



## NUMERICAL INDEX - CONTINUED

| PART NO. | GRID | KEY | PAGE     | PART NO. | GRID | KEY | PAGE     | PART NO. | GRID | KEY | PAGE     |
|----------|------|-----|----------|----------|------|-----|----------|----------|------|-----|----------|
| H141588  | 4B22 | 40  | 140 - 23 | H144254  | 4H17 | ..  | 170 - 24 | H146089  | 2D16 | 1   | 50 - 67  |
| H141588  | 4C4  | 17  | 140 - 31 | H144256  | 1H22 | 7   | 40 - 76  | H146260  | 1B9  | 4   | 20 - 7   |
| H141673  | 4C22 | 3   | 140 - 49 | H144293  | 2B6  | 16  | 50 - 3   | H146281  | 2B4  | 2   | 50 - 1   |
| H141713  | 3E16 | 20  | 100 - 25 | H144342  | 2H14 | 12  | 70 - 61  | H146307  | 3J19 | 15  | 130 - 11 |
| H141772  | 4C8  | 23  | 140 - 35 | H144385  | 2B21 | 19  | 50 - 19  | H146318  | 3G10 | 18  | 110 - 17 |
| H141813  | 2J3  | 2   | 80 - 27  | H144472  | 3B11 | 3   | 90 - 11  | H146327  | 2D20 | 13  | 60 - 3   |
| H141835  | 3E16 | 5   | 100 - 25 | H144472  | 3C16 | 18  | 90 - 41  | H146391  | 3C6  | 22  | 90 - 31  |
| H141836  | 2J11 | 15  | 80 - 35  | H144558  | 3H2  | 50  | 120 - 5  | H146392  | 3C6  | 21  | 90 - 31  |
| H141869  | 2E2  | 11  | 60 - 9   | H144667  | 3I8  | 16  | 125 - 7  | H146394  | 4C4  | 17  | 140 - 31 |
| H141883  | 3G16 | 7   | 110 - 23 | H144692  | 1B7  | 20  | 20 - 5   | H146414  | 3J13 | 6   | 130 - 5  |
| H141946  | 3C4  | 53  | 90 - 29  | H144692  | 4H6  | 4   | 170 - 13 | H146429  | 3D5  | 27  | 95 - 5   |
| H141955  | 1H24 | 1   | 40 - 78  | H144715  | 2I4  | 24  | 80 - 3   | H146457  | 3F9  | 10  | 100 - 43 |
| H141955  | 1H25 | 1   | 40 - 79  | H144716  | 2I4  | 24  | 80 - 3   | H146457  | 3G4  | 19  | 110 - 11 |
| H141955  | 1I1  | 1   | 40 - 80  | H144717  | 2I4  | 25  | 80 - 3   | H146536  | 3I22 | 6   | 125 - 21 |
| H141955  | 1I2  | 6   | 40 - 81  | H144742  | 3G8  | 6   | 110 - 15 | H146636  | 1B5  | 45  | 20 - 3   |
| H142030  | 2B19 | 8   | 50 - 17  | H144742  | 3G11 | 14  | 110 - 18 | H146636  | 1B15 | 20  | 20 - 13  |
| H142031  | 2B19 | 37  | 50 - 17  | H144762  | 4B10 | 30  | 140 - 9  | H146636  | 4H24 | 3   | 170 - 31 |
| H142035  | 2J5  | 18  | 80 - 29  | H144822  | 3G2  | 3   | 110 - 9  | H146639  | 3G16 | 7   | 110 - 23 |
| H142044  | 2C4  | 5   | 50 - 27  | H144822  | 4D15 | 5   | 150 - 7  | H146640  | 2B16 | 4   | 50 - 13  |
| H142045  | 2C4  | 5   | 50 - 27  | H144822  | 4D15 | 6   | 150 - 7  | H146646  | 2B23 | 22  | 50 - 21  |
| H142107  | 2B5  | 6   | 50 - 2   | H144824  | 3E18 | 4   | 100 - 27 | H146672  | 3H8  | 1   | 120 - 11 |
| H142107  | 2B6  | 5   | 50 - 3   | H144824  | 3G2  | 1   | 110 - 9  | H146730  | 1H13 | 4   | 40 - 66  |
| H142141  | 3J19 | 13  | 130 - 11 | H144824  | 4D15 | 5   | 150 - 7  | H146730  | 3F21 | 7   | 110 - 3  |
| H142143  | 4C8  | 21  | 140 - 35 | H144834  | 4B8  | 30  | 140 - 7  | H146750  | 1B17 | 3   | 20 - 15  |
| H142143  | 4C12 | 23  | 140 - 39 | H144896  | 2H17 | 3   | 70 - 65  | H146766  | 3E14 | 20  | 100 - 23 |
| H142167  | 1G21 | 5   | 40 - 49  | H144962  | 4B22 | 42  | 140 - 23 | H146775  | 4D21 | 4   | 150 - 13 |
| H142168  | 1G21 | 2   | 40 - 49  | H145001  | 4B16 | 6   | 140 - 15 | H146868  | 4F19 | 6   | 160 - 3  |
| H142169  | 1G21 | 10  | 40 - 49  | H145051  | 2F17 | 15  | 70 - 15  | H146950  | 1H12 | 9   | 40 - 65  |
| H142183  | 2G2  | 22  | 70 - 25  | H145051  | 2F19 | 15  | 70 - 17  | H147004  | 2E4  | 1   | 60 - 11  |
| H142188  | 3G24 | 5   | 120 - 3  | H145051  | 2F21 | 15  | 70 - 19  | H147115  | 1C3  | 8   | 20 - 26  |
| H142189  | 3G24 | 4   | 120 - 3  | H145051  | 2G4  | 25  | 70 - 27  | H147299  | 4D13 | 15  | 150 - 5  |
| H142721  | 2D16 | 2   | 50 - 67  | H145095  | 3K11 | 7   | 130 - 29 | H147302  | 3J13 | 2   | 130 - 5  |
| H142831  | 3E18 | 33  | 100 - 27 | H145096  | 3K11 | 6   | 130 - 29 | H147302  | 3J15 | 2   | 130 - 7  |
| H142862  | 3E18 | 9   | 100 - 27 | H145112  | 3G24 | 26  | 120 - 3  | H147302  | 3J17 | 2   | 130 - 9  |
| H142870  | 3E18 | 24  | 100 - 27 | H145112  | 3K5  | 14  | 130 - 23 | H147304  | 3J15 | 1   | 130 - 7  |
| H143332  | 3J13 | 3   | 130 - 5  | H145158  | 1B5  | 5   | 20 - 3   | H147304  | 3J17 | 1   | 130 - 9  |
| H143332  | 3J15 | 3   | 130 - 7  | H145158  | 4H24 | 2   | 170 - 31 | H147468  | 3G8  | 34  | 110 - 15 |
| H143332  | 3J17 | 3   | 130 - 9  | H145221  | 1G12 | 2   | 40 - 39  | H147468  | 3G10 | 32  | 110 - 17 |
| H143354  | 3E20 | 14  | 100 - 29 | H145243  | 4C4  | 11  | 140 - 31 | H147482  | 3E20 | 19  | 100 - 29 |
| H143357  | 3F9  | 9   | 100 - 43 | H145247  | 2D6  | 9   | 50 - 57  | H147490  | 2D14 | 3   | 50 - 65  |
| H143460  | 3B11 | 19  | 90 - 11  | H145256  | 3G10 | 5   | 110 - 17 | H147593  | 3E20 | 15  | 100 - 29 |
| H143462  | 2J9  | 22  | 80 - 33  | H145264  | 3B11 | 4   | 90 - 11  | H147661  | 3I20 | 11  | 125 - 19 |
| H143489  | 3E14 | 2   | 100 - 23 | H145264  | 3C16 | 15  | 90 - 41  | H147752  | 4E2  | 20  | 150 - 19 |
| H143610  | 3G8  | 31  | 110 - 15 | H145319  | 3J21 | 7   | 130 - 13 | H147788  | 3G14 | 3   | 110 - 21 |
| H143610  | 3G10 | 17  | 110 - 17 | H145463  | 3F9  | 15  | 100 - 43 | H147844  | 3F19 | 1   | 110 - 1  |
| H143615  | 3G16 | 17  | 110 - 23 | H145515  | 3H21 | 3   | 120 - 24 | H147846  | 3I22 | 22  | 125 - 21 |
| H143632  | 3C14 | 26  | 90 - 39  | H145515  | 4D15 | 5   | 150 - 7  | H147908  | 4D15 | 10  | 150 - 7  |
| H143731  | 3G14 | 20  | 110 - 21 | H145515  | 4D15 | 6   | 150 - 7  | H147910  | 4B14 | 3   | 140 - 13 |
| H143731  | 3I10 | 26  | 125 - 9  | H145548  | 4G17 | 2   | 160 - 28 | H147910  | 4B19 | 3   | 140 - 19 |
| H143735  | 3J6  | 9   | 125 - 29 | H145638  | 3G8  | 12  | 110 - 15 | H147967  | 3J6  | 29  | 125 - 29 |
| H143757  | 1C3  | 10  | 20 - 26  | H145638  | 3G10 | 2   | 110 - 17 | H148000  | 2I4  | 22  | 80 - 3   |
| H143948  | 3K11 | 4   | 130 - 29 | H145773  | 3G4  | 22  | 110 - 11 | H148018  | 3F21 | 4   | 110 - 3  |
| H143949  | 3K11 | 10  | 130 - 29 | H145773  | 3G4  | ..  | 110 - 11 | H148019  | 3F21 | 3   | 110 - 3  |
| H143950  | 3K11 | 9   | 130 - 29 | H145773  | 4D13 | 34  | 150 - 5  | H148022  | 3F21 | 20  | 110 - 3  |
| H143951  | 3K11 | 14  | 130 - 29 | H145779  | 3J19 | 22  | 130 - 11 | H148025  | 3K13 | 6   | 130 - 31 |
| H143952  | 3K11 | 12  | 130 - 29 | H145847  | 2D20 | 1   | 60 - 3   | H148055  | 4D15 | 9   | 150 - 7  |
| H143955  | 3K9  | 12  | 130 - 27 | H145893  | 3B15 | 11  | 90 - 15  | H148058  | 3F23 | 15  | 110 - 5  |
| H144013  | 2J9  | 24  | 80 - 33  | H145949  | 3H2  | 43  | 120 - 5  | H148064  | 3F25 | 1   | 110 - 7  |
| H144032  | 1H12 | 18  | 40 - 65  | H145950  | 3H2  | 43  | 120 - 5  | H148067  | 3F23 | 16  | 110 - 5  |
| H144051  | 3E16 | 12  | 100 - 25 | H145955  | 4C4  | 1   | 140 - 31 | H148107  | 3K11 | 8   | 130 - 29 |
| H144063  | 3E16 | 9   | 100 - 25 | H145969  | 3G4  | 2   | 110 - 11 | H148114  | 4D15 | 8   | 150 - 7  |
| H144159  | 3K13 | 4   | 130 - 31 | H145995  | 4H14 | 4   | 170 - 21 | H148131  | 4B19 | 27  | 140 - 19 |
| H144160  | 3K13 | 5   | 130 - 31 | H145996  | 4H15 | ..  | 170 - 22 | H148132  | 3D19 | 24  | 100 - 3  |
| H144162  | 3K13 | 2   | 130 - 31 | H146011  | 3K11 | 1   | 130 - 29 | H148132  | 3F17 | 8   | 100 - 51 |
| H144164  | 3K13 | 7   | 130 - 31 | H146042  | 3C6  | 41  | 90 - 31  | H148132  | 4B14 | 15  | 140 - 13 |
| H144201  | 3E24 | 21  | 100 - 33 | H146064  | 1B5  | 14  | 20 - 3   | H148133  | 3D19 | 25  | 100 - 3  |
| H144242  | 1G21 | 3   | 40 - 49  | H146088  | 2D16 | 1   | 50 - 67  | H148133  | 3F17 | 9   | 100 - 51 |

## NUMERICAL INDEX - CONTINUED

| PART NO. | GRID | KEY | PAGE     | PART NO. | GRID | KEY | PAGE     | PART NO. | GRID | KEY | PAGE     |
|----------|------|-----|----------|----------|------|-----|----------|----------|------|-----|----------|
| H148133  | 4B14 | 16  | 140 - 13 | H149102  | 3J11 | 27  | 130 - 3  | H151318  | 4H6  | 1   | 170 - 13 |
| H148134  | 3D19 | 29  | 100 - 3  | H149102  | 3J19 | 17  | 130 - 11 | H151318  | 4H8  | 14  | 170 - 15 |
| H148134  | 3F17 | 13  | 100 - 51 | H149102  | 4G25 | 6   | 170 - 7  | H151318  | 4H20 | ..  | 170 - 27 |
| H148134  | 4B14 | 19  | 140 - 13 | H149102  | 4G25 | 8   | 170 - 7  | H151397  | 4H4  | 3   | 170 - 11 |
| H148166  | 1E16 | 39  | 30 - 15  | H149103  | 4H15 | ..  | 170 - 22 | H151484  | 3G8  | 16  | 110 - 15 |
| H148187  | 3F9  | 4A  | 100 - 43 | H149459  | 3E18 | 7   | 100 - 27 | H151575  | 4H14 | 1   | 170 - 21 |
| H148241  | 4B20 | 16  | 140 - 21 | H149460  | 3E18 | 8   | 100 - 27 | H151585  | 2D6  | 16  | 50 - 57  |
| H148241  | 4C2  | 8   | 140 - 29 | H149461  | 3E18 | 2   | 100 - 27 | H151585  | 2F14 | 1   | 70 - 11  |
| H148270  | 1H21 | 1   | 40 - 75  | H149461  | 3E18 | 3   | 100 - 27 | H151607  | 3E18 | 15  | 100 - 27 |
| H148271  | 1H21 | 6   | 40 - 75  | H149480  | 3B4  | 1   | 90 - 3   | H151607  | 4H2  | 4   | 170 - 9  |
| H148300  | 3G12 | 2   | 110 - 19 | H149480  | 4H10 | 10  | 170 - 17 | H151608  | 4G8  | 26  | 160 - 19 |
| H148302  | 3G12 | 4   | 110 - 19 | H149517  | 3E18 | 27  | 100 - 27 | H151629  | 2H14 | 8   | 70 - 61  |
| H148304  | 3G12 | 6   | 110 - 19 | H149518  | 3E18 | 26  | 100 - 27 | H151671  | 4H16 | ..  | 170 - 23 |
| H148305  | 3G12 | 3   | 110 - 19 | H149523  | 3E18 | 19  | 100 - 27 | H151671  | 4H17 | ..  | 170 - 24 |
| H148340  | 1H13 | 1   | 40 - 66  | H149559  | 3E24 | 3   | 100 - 33 | H151671  | 4H18 | ..  | 170 - 25 |
| H148340  | 1H13 | 5   | 40 - 66  | H149780  | 4E8  | 1   | 150 - 25 | H151671  | 4H20 | ..  | 170 - 27 |
| H148340  | 4E19 | 3   | 150 - 37 | H149780  | 4E10 | 1   | 150 - 27 | H151694  | 2H14 | 11  | 70 - 61  |
| H148340  | 4E21 | 2   | 150 - 39 | H150034  | 3H14 | 14  | 120 - 17 | H151739  | 2B4  | 3   | 50 - 1   |
| H148366  | 2G12 | 14  | 70 - 35  | H150047  | 3B15 | 10  | 90 - 15  | H151952  | 3E8  | 12  | 100 - 17 |
| H148633  | 3J6  | 24  | 125 - 29 | H150054  | 2G6  | 1   | 70 - 29  | H151952  | 3F7  | 7   | 100 - 41 |
| H148769  | 4B10 | 21  | 140 - 9  | H150055  | 2G6  | 17  | 70 - 29  | H151952  | 4B17 | 17  | 140 - 17 |
| H148769  | 4B12 | 13  | 140 - 11 | H150091  | 3H2  | 8   | 120 - 5  | H151952  | 4I2  | 1   | 170 - 33 |
| H148775  | 2G2  | 23  | 70 - 25  | H150092  | 3H2  | 19  | 120 - 5  | H152062  | 3E16 | 27  | 100 - 25 |
| H148776  | 1E20 | 13  | 30 - 19  | H150119  | 3D6  | ..  | 95 - 6   | H152135  | 2I10 | 11  | 80 - 9   |
| H148925  | 3F21 | 11  | 110 - 3  | H150119  | 4H8  | 13  | 170 - 15 | H152146  | 4C16 | 21  | 140 - 43 |
| H148999  | 3E18 | 5   | 100 - 27 | H150127  | 3F23 | 1   | 110 - 5  | H152146  | 4I2  | 4   | 170 - 33 |
| H149026  | 3J19 | 9   | 130 - 11 | H150129  | 3F23 | 3   | 110 - 5  | H152164  | 2D20 | 7   | 60 - 3   |
| H149027  | 3J19 | 9   | 130 - 11 | H150131  | 3F23 | 19  | 110 - 5  | H152165  | 2D22 | 20  | 60 - 5   |
| H149037  | 4G21 | 7   | 170 - 3  | H150132  | 3F23 | 5   | 110 - 5  | H152166  | 2D22 | 14  | 60 - 5   |
| H149062  | 4G25 | 1   | 170 - 7  | H150132  | 3F25 | 3   | 110 - 7  | H152170  | 3C6  | 25  | 90 - 31  |
| H149062  | 4H4  | 2   | 170 - 11 | H150134  | 3F23 | 2   | 110 - 5  | H152171  | 3C6  | 4   | 90 - 31  |
| H149063  | 3E16 | 26  | 100 - 25 | H150222  | 2D2  | 14  | 50 - 53  | H152172  | 3C4  | 10  | 90 - 29  |
| H149063  | 3F2  | 3   | 100 - 35 | H150222  | 2D10 | 12  | 50 - 61  | H152173  | 3C4  | 2   | 90 - 29  |
| H149063  | 4G21 | 2   | 170 - 3  | H150223  | 2D2  | 18  | 50 - 53  | H152174  | 3C4  | 12  | 90 - 29  |
| H149063  | 4G23 | 2   | 170 - 5  | H150223  | 2D10 | 10  | 50 - 61  | H152180  | 4C16 | 21  | 140 - 43 |
| H149064  | 3C18 | 16  | 90 - 43  | H150268  | 3H8  | 18  | 120 - 11 | H152180  | 4I2  | 4   | 170 - 33 |
| H149064  | 4G23 | 3   | 170 - 5  | H150268  | 3H8  | 19  | 120 - 11 | H152232  | 3H6  | 3   | 120 - 9  |
| H149064  | 4G25 | 4   | 170 - 7  | H150383  | 3C6  | 15  | 90 - 31  | H152238  | 4H16 | ..  | 170 - 23 |
| H149065  | 4H2  | 5   | 170 - 9  | H150385  | 3D5  | 25  | 95 - 5   | H152238  | 4H17 | ..  | 170 - 24 |
| H149066  | 4G23 | 4   | 170 - 5  | H150401  | 3J11 | 8   | 130 - 3  | H152238  | 4H18 | ..  | 170 - 25 |
| H149067  | 4G23 | 10  | 170 - 5  | H150401  | 3J11 | 9   | 130 - 3  | H152238  | 4H20 | ..  | 170 - 27 |
| H149074  | 4H15 | ..  | 170 - 22 | H150402  | 3J11 | 15  | 130 - 3  | H152239  | 4H16 | ..  | 170 - 23 |
| H149075  | 4H15 | ..  | 170 - 22 | H150402  | 3J11 | 16  | 130 - 3  | H152239  | 4H17 | ..  | 170 - 24 |
| H149076  | 4H15 | ..  | 170 - 22 | H150403  | 3J11 | 10  | 130 - 3  | H152239  | 4H18 | ..  | 170 - 25 |
| H149077  | 4H15 | ..  | 170 - 22 | H150404  | 3J11 | 14  | 130 - 3  | H152239  | 4H20 | ..  | 170 - 27 |
| H149078  | 4H15 | ..  | 170 - 22 | H150407  | 3J11 | 29  | 130 - 3  | H152240  | 4H16 | ..  | 170 - 23 |
| H149079  | 4H15 | ..  | 170 - 22 | H150411  | 2H14 | 3   | 70 - 61  | H152240  | 4H17 | ..  | 170 - 24 |
| H149088  | 1B7  | 25  | 20 - 5   | H150412  | 2H14 | 6   | 70 - 61  | H152240  | 4H18 | ..  | 170 - 25 |
| H149088  | 4G21 | 1   | 170 - 3  | H150434  | 4H6  | 15  | 170 - 13 | H152240  | 4H20 | ..  | 170 - 27 |
| H149088  | 4G25 | 2   | 170 - 7  | H150434  | 4H8  | 10  | 170 - 15 | H152243  | 4H16 | ..  | 170 - 23 |
| H149089  | 4H15 | ..  | 170 - 22 | H150458  | 3F9  | 13  | 100 - 43 | H152243  | 4H17 | ..  | 170 - 24 |
| H149090  | 4H2  | 1   | 170 - 9  | H150646  | 4H14 | 3   | 170 - 21 | H152243  | 4H18 | ..  | 170 - 25 |
| H149091  | 4H15 | ..  | 170 - 22 | H150662  | 3E2  | 18  | 100 - 11 | H152243  | 4H20 | ..  | 170 - 27 |
| H149092  | 2G10 | 5   | 70 - 33  | H150746  | 2I10 | 13  | 80 - 9   | H152256  | 4G8  | 28  | 160 - 19 |
| H149092  | 2G12 | 6   | 70 - 35  | H150749  | 2J9  | 8   | 80 - 33  | H152309  | 3H6  | 8   | 120 - 9  |
| H149092  | 4G23 | 5   | 170 - 5  | H150836  | 3G4  | 24  | 110 - 11 | H152310  | 3H6  | 7   | 120 - 9  |
| H149092  | 4H12 | 1   | 170 - 19 | H150920  | 4D25 | 13  | 150 - 17 | H152403  | 1C2  | 3   | 20 - 25  |
| H149096  | 2J9  | 7   | 80 - 33  | H150926  | 4D25 | 1   | 150 - 17 | H152409  | 4G3  | 7   | 160 - 12 |
| H149096  | 4D2  | 17  | 140 - 53 | H150980  | 2D6  | 6   | 50 - 57  | H152410  | 4G6  | 6   | 160 - 16 |
| H149096  | 4G21 | 5   | 170 - 3  | H150980  | 2F14 | 8   | 70 - 11  | H152464  | 3G18 | 3   | 110 - 25 |
| H149096  | 4G23 | 6   | 170 - 5  | H150982  | 2D6  | 3   | 50 - 57  | H152464  | 3G18 | 5   | 110 - 25 |
| H149096  | 4G25 | 5   | 170 - 7  | H150983  | 2F14 | 5   | 70 - 11  | H152465  | 3G18 | 3   | 110 - 25 |
| H149097  | 4H15 | ..  | 170 - 22 | H151066  | 3F21 | 9   | 110 - 3  | H152465  | 3G18 | 5   | 110 - 25 |
| H149098  | 4H15 | ..  | 170 - 22 | H151068  | 3F21 | 19  | 110 - 3  | H152664  | 3B24 | 23  | 90 - 25  |
| H149099  | 4G21 | 4   | 170 - 3  | H151181  | 3J11 | 6   | 130 - 3  | H152673  | 3B24 | 6   | 90 - 25  |
| H149099  | 4G23 | 7   | 170 - 5  | H151182  | 3J11 | 1   | 130 - 3  | H152740  | 4G3  | 3   | 160 - 12 |
| H149100  | 4H15 | ..  | 170 - 22 | H151318  | 3G12 | ..  | 110 - 19 | H152741  | 4F23 | 1   | 160 - 7  |

# 1L10

9650 SELF-PROPELLED COMBINE

## NUMERICAL INDEX - CONTINUED

| PART NO. | GRID | KEY | PAGE     | PART NO. | GRID | KEY | PAGE     | PART NO. | GRID | KEY | PAGE     |
|----------|------|-----|----------|----------|------|-----|----------|----------|------|-----|----------|
| H152741  | 4G2  | 10  | 160 - 11 | H155459  | 3D19 | 5   | 100 - 3  | H157292  | 4H20 | ..  | 170 - 27 |
| H152741  | 4G3  | 1   | 160 - 12 | H155510  | 3C6  | 46  | 90 - 31  | H157293  | 4H18 | ..  | 170 - 25 |
| H152742  | 4G6  | 3   | 160 - 16 | H155510  | 4H2  | 3   | 170 - 9  | H157312  | 4H20 | ..  | 170 - 27 |
| H152743  | 4G5  | 10  | 160 - 15 | H155968  | 3I6  | 33  | 125 - 5  | H157313  | 4H18 | ..  | 170 - 25 |
| H152743  | 4G6  | 1   | 160 - 16 | H155973  | 3G20 | 7   | 110 - 27 | H157319  | 4H18 | ..  | 170 - 25 |
| H152745  | 4F21 | 1   | 160 - 5  | H155973  | 4C10 | 28  | 140 - 37 | H157320  | 4H20 | ..  | 170 - 27 |
| H152868  | 1B25 | 1   | 20 - 23  | H155998  | 3E8  | 12  | 100 - 17 | H157321  | 4H18 | ..  | 170 - 25 |
| H152875  | 4E17 | 6   | 150 - 34 | H155998  | 3F7  | 7   | 100 - 41 | H157322  | 4H20 | ..  | 170 - 27 |
| H152914  | 3I6  | 35  | 125 - 5  | H155998  | 4B17 | 17  | 140 - 17 | H157323  | 4H18 | ..  | 170 - 25 |
| H152916  | 3I6  | 10  | 125 - 5  | H155998  | 4I2  | 1   | 170 - 33 | H157326  | 4H20 | ..  | 170 - 27 |
| H152923  | 4E23 | 5   | 150 - 41 | H156090  | 3D23 | 34  | 100 - 7  | H157327  | 4H18 | ..  | 170 - 25 |
| H152940  | 3I6  | 34  | 125 - 5  | H156091  | 3D23 | 14  | 100 - 7  | H157328  | 4H20 | ..  | 170 - 27 |
| H152951  | 4H12 | ..  | 170 - 19 | H156095  | 3D23 | 19  | 100 - 7  | H157329  | 4H18 | ..  | 170 - 25 |
| H152953  | 4H12 | 3   | 170 - 19 | H156095  | 3D24 | 7   | 100 - 8  | H157330  | 4H20 | ..  | 170 - 27 |
| H152954  | 4H12 | 2   | 170 - 19 | H156096  | 3D24 | 4   | 100 - 8  | H157331  | 4H18 | ..  | 170 - 25 |
| H152955  | 4H12 | ..  | 170 - 19 | H156098  | 3J15 | 5   | 130 - 7  | H157332  | 4H20 | ..  | 170 - 27 |
| H153052  | 3I6  | 37  | 125 - 5  | H156100  | 3J15 | 7   | 130 - 7  | H157333  | 4H18 | ..  | 170 - 25 |
| H153297  | 1B15 | 19  | 20 - 13  | H156101  | 3J15 | 6   | 130 - 7  | H157334  | 4H20 | ..  | 170 - 27 |
| H153297  | 1B17 | 4   | 20 - 15  | H156101  | 3J17 | 4   | 130 - 9  | H157335  | 4H18 | ..  | 170 - 25 |
| H153297  | 4H24 | 1   | 170 - 31 | H156127  | 2B7  | 3   | 50 - 4   | H157340  | 4H20 | ..  | 170 - 27 |
| H153349  | 3D5  | 9   | 95 - 5   | H156127  | 4F19 | 8   | 160 - 3  | H157341  | 4H18 | ..  | 170 - 25 |
| H153352  | 3B11 | 4   | 90 - 11  | H156127  | 4G10 | 5   | 160 - 21 | H157344  | 4H20 | ..  | 170 - 27 |
| H153352  | 3C16 | 16  | 90 - 41  | H156221  | 4H19 | ..  | 170 - 26 | H157345  | 4H18 | ..  | 170 - 25 |
| H153358  | 3C14 | 34  | 90 - 39  | H156222  | 4H19 | ..  | 170 - 26 | H157348  | 4H20 | ..  | 170 - 27 |
| H153394  | 3B13 | 8   | 90 - 13  | H156223  | 4H19 | ..  | 170 - 26 | H157349  | 4H18 | ..  | 170 - 25 |
| H153438  | 3D3  | 6   | 95 - 3   | H156224  | 4H19 | ..  | 170 - 26 | H157350  | 4H20 | ..  | 170 - 27 |
| H153443  | 3C2  | 21  | 90 - 27  | H156225  | 4H19 | ..  | 170 - 26 | H157351  | 4H18 | ..  | 170 - 25 |
| H153453  | 3C2  | 18  | 90 - 27  | H156226  | 4H19 | ..  | 170 - 26 | H157351  | 3I10 | 9   | 125 - 9  |
| H153457  | 3C2  | 19  | 90 - 27  | H156227  | 4H19 | ..  | 170 - 26 | H157615  | 4F23 | 16  | 160 - 7  |
| H153479  | 3C8  | 5   | 90 - 33  | H156228  | 4H19 | ..  | 170 - 26 | H157615  | 4G2  | 4   | 160 - 11 |
| H153480  | 3C8  | 4   | 90 - 33  | H156229  | 4H19 | ..  | 170 - 26 | H157615  | 4G5  | 4   | 160 - 15 |
| H153521  | 3I6  | 6   | 125 - 5  | H156230  | 4H19 | ..  | 170 - 26 | H157616  | 4F23 | 16  | 160 - 7  |
| H153524  | 4C12 | 9   | 140 - 39 | H156231  | 4H19 | ..  | 170 - 26 | H157616  | 4G2  | 4   | 160 - 11 |
| H153524  | 4C14 | 6   | 140 - 41 | H156232  | 4H19 | ..  | 170 - 26 | H157616  | 4G5  | 4   | 160 - 15 |
| H153524  | 4C16 | 10  | 140 - 43 | H156234  | 4H19 | ..  | 170 - 26 | H157617  | 4F23 | 16  | 160 - 7  |
| H153721  | 3D8  | 9   | 95 - 8   | H156360  | 3G12 | 7   | 110 - 19 | H157617  | 4G2  | 4   | 160 - 11 |
| H153722  | 3D8  | 10  | 95 - 8   | H156363  | 3C2  | 17  | 90 - 27  | H157617  | 4G5  | 4   | 160 - 15 |
| H153728  | 4H14 | 1   | 170 - 21 | H156390  | 3C6  | 42  | 90 - 31  | H157688  | 4C24 | 15  | 140 - 51 |
| H153888  | 3D8  | 7   | 95 - 8   | H156390  | 4H2  | 2   | 170 - 9  | H157696  | 4F23 | 16  | 160 - 7  |
| H153889  | 3D8  | 8   | 95 - 8   | H156513  | 2D22 | 3   | 60 - 5   | H157696  | 4G2  | 4   | 160 - 11 |
| H154071  | 3I8  | 24  | 125 - 7  | H156514  | 2D22 | 1   | 60 - 5   | H157698  | 2B12 | 6   | 50 - 9   |
| H154071  | 3I10 | 27  | 125 - 9  | H156577  | 3E20 | 23  | 100 - 29 | H157716  | 4G14 | 4   | 160 - 25 |
| H154128  | 4H16 | ..  | 170 - 23 | H156578  | 3E20 | 28  | 100 - 29 | H157718  | 4G14 | 6   | 160 - 25 |
| H154128  | 4H17 | ..  | 170 - 24 | H156579  | 3E20 | 25  | 100 - 29 | H157726  | 4C22 | 23  | 140 - 49 |
| H154128  | 4H18 | ..  | 170 - 25 | H156580  | 3E20 | 16  | 100 - 29 | H157727  | 4C24 | 20  | 140 - 51 |
| H154128  | 4H20 | ..  | 170 - 27 | H156711  | 3I6  | 15  | 125 - 5  | H157727  | 4I2  | 3   | 170 - 33 |
| H154195  | 1B11 | 5   | 20 - 9   | H156717  | 3H6  | 2   | 120 - 9  | H157740  | 3H10 | 6   | 120 - 13 |
| H154216  | 3G18 | 4   | 110 - 25 | H156718  | 3H6  | 2   | 120 - 9  | H157740  | 3H12 | 11  | 120 - 15 |
| H154331  | 3E24 | 22  | 100 - 33 | H156800  | 3H4  | 5   | 120 - 7  | H157741  | 3H16 | 6   | 120 - 19 |
| H154370  | 3I10 | 28  | 125 - 9  | H156801  | 3H4  | 6   | 120 - 7  | H157742  | 3H16 | 6   | 120 - 19 |
| H154720  | 2C2  | 14  | 50 - 25  | H156850  | 3E6  | 9   | 100 - 15 | H157743  | 3H10 | 7   | 120 - 13 |
| H154755  | 2D12 | 12  | 50 - 63  | H156850  | 3F13 | 23  | 100 - 47 | H157743  | 3H12 | 12  | 120 - 15 |
| H154756  | 2D12 | 13  | 50 - 63  | H156863  | 3D19 | 12  | 100 - 3  | H157744  | 3H16 | 7   | 120 - 19 |
| H154825  | 1C2  | 5   | 20 - 25  | H156863  | 3E6  | 10  | 100 - 15 | H157752  | 3H12 | 6   | 120 - 15 |
| H154928  | 3H18 | 5   | 120 - 21 | H156863  | 4I2  | 6   | 170 - 33 | H157762  | 3I10 | 6   | 125 - 9  |
| H154929  | 3H14 | 8   | 120 - 17 | H156936  | 1H15 | 1   | 40 - 69  | H157866  | 1E20 | 9   | 30 - 19  |
| H154937  | 3B24 | 8   | 90 - 25  | H156936  | 3F11 | 1   | 100 - 45 | H157868  | 4F23 | 8   | 160 - 7  |
| H155062  | 3F13 | 12  | 100 - 47 | H157041  | 3J19 | 26  | 130 - 11 | H157915  | 4H20 | ..  | 170 - 27 |
| H155062  | 4C22 | 7   | 140 - 49 | H157043  | 3I4  | 12  | 125 - 3  | H157916  | 4H18 | ..  | 170 - 25 |
| H155112  | 2J11 | 16  | 80 - 35  | H157044  | 3I4  | 11  | 125 - 3  | H157967  | 3G8  | 2   | 110 - 15 |
| H155133  | 4H17 | ..  | 170 - 24 | H157101  | 2G20 | 11B | 70 - 43  | H157984  | 4H20 | ..  | 170 - 27 |
| H155133  | 4H20 | ..  | 170 - 27 | H157102  | 2G20 | 1   | 70 - 43  | H157985  | 4H18 | ..  | 170 - 25 |
| H155153  | 4H6  | 10  | 170 - 13 | H157103  | 3J19 | 24  | 130 - 11 | H158010  | 4H20 | ..  | 170 - 27 |
| H155154  | 4H6  | 10  | 170 - 13 | H157108  | 3J11 | 29  | 130 - 3  | H158011  | 4H18 | ..  | 170 - 25 |
| H155154  | 4H17 | ..  | 170 - 24 | H157192  | 3I10 | 2   | 125 - 9  | H158043  | 4H20 | ..  | 170 - 27 |
| H155154  | 4H20 | ..  | 170 - 27 | H157196  | 3I10 | 11  | 125 - 9  | H158044  | 4H18 | ..  | 170 - 25 |
| H155307  | 4D7  | 26  | 140 - 59 | H157247  | 2H21 | 34  | 70 - 69  | H158045  | 4H20 | ..  | 170 - 27 |

## NUMERICAL INDEX - CONTINUED

| PART NO. | GRID | KEY | PAGE     | PART NO. | GRID | KEY | PAGE     | PART NO. | GRID | KEY | PAGE     |
|----------|------|-----|----------|----------|------|-----|----------|----------|------|-----|----------|
| H158046  | 4H18 | ..  | 170 - 25 | H159975  | 3E18 | 13  | 100 - 27 | H161544  | 3F7  | 20  | 100 - 41 |
| H158047  | 4H20 | ..  | 170 - 27 | H160024  | 1B25 | 6   | 20 - 23  | H161550  | 3C14 | 11  | 90 - 39  |
| H158048  | 4H18 | ..  | 170 - 25 | H160187  | 2I10 | 6   | 80 - 9   | H161576  | 1C2  | 4   | 20 - 25  |
| H158052  | 4H20 | ..  | 170 - 27 | H160265  | 2I4  | 30  | 80 - 3   | H161581  | 3I10 | 14  | 125 - 9  |
| H158053  | 4H18 | ..  | 170 - 25 | H160269  | 4H18 | ..  | 170 - 25 | H161618  | 1I4  | 8   | 40 - 83  |
| H158292  | 1H22 | 5   | 40 - 76  | H160270  | 4H18 | ..  | 170 - 25 | H161648  | 3D19 | 12  | 100 - 3  |
| H158369  | 1E18 | 23  | 30 - 17  | H160448  | 4H18 | ..  | 170 - 25 | H161648  | 3E6  | 10  | 100 - 15 |
| H158443  | 2J11 | 18  | 80 - 35  | H160476  | 3B5  | 1A  | 90 - 5   | H161648  | 4I2  | 6   | 170 - 33 |
| H158525  | 3D5  | 16  | 95 - 5   | H160476  | 3B5  | 1B  | 90 - 5   | H161813  | 4C22 | 9   | 140 - 49 |
| H158575  | 3D19 | 7   | 100 - 3  | H160476  | 3B5  | 3B  | 90 - 5   | H161871  | 2C2  | 6   | 50 - 25  |
| H158578  | 3F7  | 9   | 100 - 41 | H160476  | 3B5  | 5B  | 90 - 5   | H161937  | 3C14 | 30  | 90 - 39  |
| H158596  | 2F12 | 9   | 70 - 9   | H160654  | 4C24 | 20  | 140 - 51 | H161938  | 3C14 | 30  | 90 - 39  |
| H158614  | 2I8  | 2   | 80 - 7   | H160654  | 4I2  | 3   | 170 - 33 | H161939  | 3C14 | 30  | 90 - 39  |
| H158615  | 3I18 | 9   | 125 - 17 | H160701  | 4H8  | 7   | 170 - 15 | H161940  | 3C14 | 30  | 90 - 39  |
| H158616  | 2I8  | 12  | 80 - 7   | H160715  | 3I22 | 28  | 125 - 21 | H162010  | 1E18 | 3   | 30 - 17  |
| H158627  | 2I8  | 9   | 80 - 7   | H160727  | 1E18 | 9   | 30 - 17  | H162012  | 1B17 | 25  | 20 - 15  |
| H158633  | 2I8  | 3   | 80 - 7   | H160729  | 3B11 | 10  | 90 - 11  | H162055  | 3C4  | 42  | 90 - 29  |
| H158638  | 2F15 | 5   | 70 - 12  | H160733  | 2I8  | 8   | 80 - 7   | H162132  | 1G23 | 6   | 40 - 51  |
| H158638  | 3I18 | 6   | 125 - 17 | H160795  | 4H15 | ..  | 170 - 22 | H162320  | 3F4  | 3   | 100 - 37 |
| H158646  | 2I12 | 7   | 80 - 11  | H160796  | 4H20 | ..  | 170 - 27 | H162401  | 3E10 | 23  | 100 - 19 |
| H158749  | 2I4  | 2   | 80 - 3   | H160797  | 4H18 | ..  | 170 - 25 | H162401  | 3E12 | 23  | 100 - 21 |
| H158817  | 4E12 | 25  | 150 - 29 | H160799  | 3C2  | 8   | 90 - 27  | H162411  | 3E18 | 36  | 100 - 27 |
| H158830  | 3D3  | 23  | 95 - 3   | H160869  | 3F7  | 9   | 100 - 41 | H162425  | 3F13 | 27  | 100 - 47 |
| H158840  | 4H8  | 6   | 170 - 15 | H160880  | 1H10 | 11  | 40 - 63  | H162536  | 2E6  | 28  | 60 - 13  |
| H158840  | 4H17 | ..  | 170 - 24 | H160880  | 3J21 | 18  | 130 - 13 | H162559  | 3C12 | 1   | 90 - 37  |
| H158840  | 4H18 | ..  | 170 - 25 | H160953  | 3D23 | 11  | 100 - 7  | H162560  | 3C12 | 2   | 90 - 37  |
| H158840  | 4H20 | ..  | 170 - 27 | H160978  | 2I10 | 1   | 80 - 9   | H162569  | 3C4  | 41  | 90 - 29  |
| H158845  | 1B5  | 9   | 20 - 3   | H161023  | 3B17 | 6   | 90 - 17  | H162584  | 2F12 | 7   | 70 - 9   |
| H158845  | 1G23 | 18  | 40 - 51  | H161105  | 3C14 | 26  | 90 - 39  | H162585  | 2F12 | 8   | 70 - 9   |
| H158845  | 2J11 | 20  | 80 - 35  | H161111  | 4H15 | ..  | 170 - 22 | H162629  | 4B19 | 25  | 140 - 19 |
| H158884  | 2B5  | 14  | 50 - 2   | H161126  | 3B9  | 19  | 90 - 9   | H162629  | 4C4  | 3   | 140 - 31 |
| H158942  | 2H14 | 10  | 70 - 61  | H161128  | 1H24 | 5   | 40 - 78  | H162629  | 4H24 | 5   | 170 - 31 |
| H158951  | 3E16 | 25  | 100 - 25 | H161130  | 1H25 | 5   | 40 - 79  | H162748  | 3B7  | 19  | 90 - 7   |
| H158975  | 4G21 | 3   | 170 - 3  | H161155  | 1B25 | 10  | 20 - 23  | H163182  | 3D21 | 7   | 100 - 5  |
| H158975  | 4G23 | 8   | 170 - 5  | H161163  | 3C14 | 17  | 90 - 39  | H163211  | 2D6  | 19  | 50 - 57  |
| H158975  | 4H14 | 5   | 170 - 21 | H161165  | 3C14 | 28  | 90 - 39  | H163216  | 4F15 | 2   | 155 - 15 |
| H159011  | 2I24 | 11  | 80 - 23  | H161166  | 3C14 | 33  | 90 - 39  | H163216  | 4F16 | 2   | 155 - 17 |
| H159011  | 4D13 | 19  | 150 - 5  | H161167  | 3C14 | 27  | 90 - 39  | H163216  | 4H6  | 7   | 170 - 13 |
| H159083  | 2I16 | 15  | 80 - 15  | H161171  | 2I14 | 5   | 80 - 13  | H163216  | 4H8  | 11  | 170 - 15 |
| H159104  | 4E22 | 2   | 150 - 40 | H161206  | 4H17 | ..  | 170 - 24 | H163235  | 4H6  | 3   | 170 - 13 |
| H159144  | 3D3  | 4   | 95 - 3   | H161208  | 4H16 | ..  | 170 - 23 | H163391  | 3D8  | 3   | 95 - 8   |
| H159224  | 1B5  | 44  | 20 - 3   | H161208  | 4H18 | ..  | 170 - 25 | H163397  | 3D3  | 3   | 95 - 3   |
| H159280  | 2I14 | 12  | 80 - 13  | H161208  | 4H20 | ..  | 170 - 27 | H163401  | 3C25 | 11  | 90 - 51  |
| H159281  | 2I22 | 6   | 80 - 21  | H161209  | 4H10 | 1   | 170 - 17 | H163491  | 2B14 | 6   | 50 - 11  |
| H159304  | 2J2  | 2   | 80 - 25  | H161209  | 4H16 | ..  | 170 - 23 | H163498  | 3D3  | 22  | 95 - 3   |
| H159305  | 2J2  | 13  | 80 - 25  | H161209  | 4H17 | ..  | 170 - 24 | H163515  | 1B15 | 7   | 20 - 13  |
| H159343  | 4H19 | ..  | 170 - 26 | H161209  | 4H18 | ..  | 170 - 25 | H163515  | 1H2  | 3   | 40 - 55  |
| H159347  | 4H19 | ..  | 170 - 26 | H161209  | 4H20 | ..  | 170 - 27 | H163515  | 4H22 | 1   | 170 - 29 |
| H159348  | 4H19 | ..  | 170 - 26 | H161270  | 4B17 | 20  | 140 - 17 | H163515  | 4H24 | ..  | 170 - 31 |
| H159349  | 4H19 | ..  | 170 - 26 | H161277  | 2J11 | 29  | 80 - 35  | H163557  | 3E8  | 5   | 100 - 17 |
| H159533  | 3E16 | 11  | 100 - 25 | H161278  | 1E18 | 19  | 30 - 17  | H163561  | 2B7  | 3   | 50 - 4   |
| H159534  | 3E16 | 19  | 100 - 25 | H161289  | 3C21 | 4   | 90 - 47  | H163604  | 3D21 | 14  | 100 - 5  |
| H159613  | 3E20 | 18  | 100 - 29 | H161293  | 4B17 | 20  | 140 - 17 | H163652  | 1C4  | 2   | 20 - 27  |
| H159614  | 3E20 | 27  | 100 - 29 | H161297  | 2I14 | 6   | 80 - 13  | H163692  | 2C2  | 23  | 50 - 25  |
| H159636  | 3D5  | 26  | 95 - 5   | H161342  | 3I8  | 1   | 125 - 7  | H163693  | 2C2  | 23  | 50 - 25  |
| H159743  | 3D3  | 8   | 95 - 3   | H161342  | 3I10 | 18  | 125 - 9  | H163694  | 2C2  | 9   | 50 - 25  |
| H159784  | 4E10 | 2   | 150 - 27 | H161346  | 3I10 | 13  | 125 - 9  | H163726  | 3D19 | 23  | 100 - 3  |
| H159791  | 2B13 | 11  | 50 - 10  | H161388  | 3F7  | 15  | 100 - 41 | H163726  | 3F17 | 11  | 100 - 51 |
| H159806  | 1F14 | 7   | 40 - 13  | H161415  | 4E21 | 18  | 150 - 39 | H163726  | 4B14 | 14  | 140 - 13 |
| H159814  | 4C14 | 2   | 140 - 41 | H161524  | 2J11 | 3   | 80 - 35  | H163745  | 2C2  | 29  | 50 - 25  |
| H159814  | 4C14 | 7   | 140 - 41 | H161529  | 4E14 | 19  | 150 - 31 | H163757  | 3I16 | 1   | 125 - 15 |
| H159815  | 4C8  | 19  | 140 - 35 | H161529  | 4E21 | 33  | 150 - 39 | H163787  | 4E14 | 12  | 150 - 31 |
| H159815  | 4C12 | 12  | 140 - 39 | H161534  | 2C2  | 1   | 50 - 25  | H163841  | 2J15 | 16  | 80 - 39  |
| H159818  | 3D19 | 37  | 100 - 3  | H161540  | 2C2  | 30  | 50 - 25  | H163845  | 2J15 | 17  | 80 - 39  |
| H159887  | 4G2  | 15  | 160 - 11 | H161541  | 2C2  | 29  | 50 - 25  | H163999  | 4F23 | 12  | 160 - 7  |
| H159956  | 4C22 | 7   | 140 - 49 | H161542  | 2C2  | 29  | 50 - 25  | H164000  | 4G2  | 7   | 160 - 11 |
| H159975  | 3E16 | 2   | 100 - 25 | H161543  | 2C2  | 29  | 50 - 25  | H164000  | 4G5  | 6   | 160 - 15 |

**NUMERICAL INDEX - CONTINUED**

| PART NO. | GRID | KEY | PAGE     | PART NO. | GRID | KEY | PAGE     | PART NO. | GRID | KEY | PAGE     |
|----------|------|-----|----------|----------|------|-----|----------|----------|------|-----|----------|
| H164001  | 4F23 | 15  | 160 - 7  | H165252  | 1I3  | 7   | 40 - 82  | H166870  | 1H4  | 3   | 40 - 57  |
| H164001  | 4G2  | 3   | 160 - 11 | H165252  | 1I5  | 1   | 40 - 84  | H166870  | 4H22 | 1   | 170 - 29 |
| H164001  | 4G5  | 3   | 160 - 15 | H165276  | 1B15 | 2   | 20 - 13  | H166878  | 1H4  | 2   | 40 - 57  |
| H164002  | 4F23 | 18  | 160 - 7  | H165277  | 1B15 | 21  | 20 - 13  | H166881  | 3K1  | 5   | 130 - 19 |
| H164002  | 4G2  | 17  | 160 - 11 | H165282  | 2J15 | 11  | 80 - 39  | H166882  | 3K1  | 2   | 130 - 19 |
| H164002  | 4G5  | 13  | 160 - 15 | H165284  | 4H16 | ..  | 170 - 23 | H166949  | 4H8  | 16  | 170 - 15 |
| H164009  | 3F2  | 17  | 100 - 35 | H165285  | 4H16 | ..  | 170 - 23 | H166949  | 4H17 | ..  | 170 - 24 |
| H164009  | 3F13 | 38  | 100 - 47 | H165317  | 3F9  | 20  | 100 - 43 | H166949  | 4H18 | ..  | 170 - 25 |
| H164018  | 3F2  | 19  | 100 - 35 | H165320  | 2I12 | 14  | 80 - 11  | H166949  | 4H20 | ..  | 170 - 27 |
| H164018  | 3F13 | 39  | 100 - 47 | H165400  | 3B11 | 2   | 90 - 11  | H166959  | 3C14 | 20  | 90 - 39  |
| H164212  | 4E21 | 13  | 150 - 39 | H165411  | 1G23 | 10  | 40 - 51  | H166971  | 3E6  | 21  | 100 - 15 |
| H164213  | 4E21 | 25  | 150 - 39 | H165444  | 2I16 | 6A  | 80 - 15  | H166971  | 3F7  | 16  | 100 - 41 |
| H164218  | 2J11 | 37  | 80 - 35  | H165444  | 2I18 | 12A | 80 - 17  | H167006  | 2J11 | 27  | 80 - 35  |
| H164222  | 3G8  | 33  | 110 - 15 | H165444  | 2I24 | 14  | 80 - 23  | H167091  | 2J11 | 26  | 80 - 35  |
| H164222  | 3G10 | 30  | 110 - 17 | H165447  | 4B17 | 7   | 140 - 17 | H167092  | 2J11 | 2   | 80 - 35  |
| H164260  | 3C14 | 31  | 90 - 39  | H165447  | 4B19 | 32  | 140 - 19 | H167127  | 3J17 | 7   | 130 - 9  |
| H164404  | 4D17 | 17  | 150 - 9  | H165463  | 3D23 | 39  | 100 - 7  | H167133  | 2J5  | 21  | 80 - 29  |
| H164493  | 3G24 | 49  | 120 - 3  | H165464  | 3D23 | 37  | 100 - 7  | H167134  | 2J5  | 4   | 80 - 29  |
| H164508  | 2I6  | 12  | 80 - 5   | H165490  | 3B13 | 11  | 90 - 13  | H167159  | 1B11 | 4   | 20 - 9   |
| H164519  | 3J19 | 27  | 130 - 11 | H165508  | 2B23 | 4   | 50 - 21  | H167164  | 2J11 | 22  | 80 - 35  |
| H164537  | 3F2  | 4   | 100 - 35 | H165509  | 2B24 | 6   | 50 - 22  | H167171  | 2J11 | 38  | 80 - 35  |
| H164537  | 4G21 | 6   | 170 - 3  | H165510  | 2B7  | 17  | 50 - 4   | H167174  | 3C18 | 2   | 90 - 43  |
| H164537  | 4G23 | 9   | 170 - 5  | H165510  | 2B8  | 10  | 50 - 5   | H167223  | 2J15 | 13  | 80 - 39  |
| H164556  | 3I16 | 3   | 125 - 15 | H165510  | 2B24 | 4   | 50 - 22  | H167257  | 3F7  | 25  | 100 - 41 |
| H164559  | 2E23 | 1   | 60 - 31  | H165570  | 4H16 | ..  | 170 - 23 | H167311  | 2G6  | 6   | 70 - 29  |
| H164561  | 2E23 | 5   | 60 - 31  | H165571  | 4H16 | ..  | 170 - 23 | H167337  | 3B17 | 19  | 90 - 17  |
| H164562  | 2E23 | 10  | 60 - 31  | H165585  | 1E18 | 15  | 30 - 17  | H167375  | 2B17 | 5   | 50 - 14  |
| H164572  | 2I14 | 9   | 80 - 13  | H165587  | 1E18 | 21  | 30 - 17  | H167390  | 3I23 | 2   | 125 - 22 |
| H164605  | 3K14 | 1   | 130 - 32 | H165661  | 2B7  | 11  | 50 - 4   | H167425  | 3J24 | 3   | 130 - 17 |
| H164612  | 1B17 | 23  | 20 - 15  | H165662  | 2B7  | 11  | 50 - 4   | H167426  | 3J24 | 2   | 130 - 17 |
| H164635  | 3K1  | 3   | 130 - 19 | H165663  | 2B7  | 11  | 50 - 4   | H167446  | 4H18 | ..  | 170 - 25 |
| H164702  | 3D3  | 19  | 95 - 3   | H165678  | 1E16 | 7   | 30 - 15  | H167447  | 4H20 | ..  | 170 - 27 |
| H164755  | 4C24 | 22  | 140 - 51 | H165689  | 3B13 | 10  | 90 - 13  | H167451  | 3E10 | 1   | 100 - 19 |
| H164756  | 4C24 | 27  | 140 - 51 | H165689  | 3C25 | 6   | 90 - 51  | H167451  | 3E12 | 1   | 100 - 21 |
| H164771  | 1E20 | 19  | 30 - 19  | H165690  | 3C14 | 7   | 90 - 39  | H167587  | 3G24 | 21  | 120 - 3  |
| H164794  | 2B23 | 20  | 50 - 21  | H165690  | 3C25 | 10  | 90 - 51  | H167587  | 3K5  | 20  | 130 - 23 |
| H164796  | 3I4  | 13  | 125 - 3  | H165691  | 2G14 | 11  | 70 - 37  | H167654  | 3E14 | 18  | 100 - 23 |
| H164808  | 1B5  | 8   | 20 - 3   | H165691  | 3B17 | 3   | 90 - 17  | H167655  | 3E10 | 18  | 100 - 19 |
| H164849  | 1E20 | 16  | 30 - 19  | H165691  | 3C25 | 13  | 90 - 51  | H167655  | 3E12 | 18  | 100 - 21 |
| H164854  | 1C4  | 1   | 20 - 27  | H165691  | 3D7  | 4   | 95 - 7   | H167668  | 3I10 | 21  | 125 - 9  |
| H164872  | 1G23 | 5   | 40 - 51  | H165693  | 3C4  | 11  | 90 - 29  | H167680  | 3C23 | 3   | 90 - 49  |
| H164896  | 3I23 | 5   | 125 - 22 | H165693  | 3C6  | 24  | 90 - 31  | H167681  | 3C23 | 7   | 90 - 49  |
| H164952  | 3C14 | 3   | 90 - 39  | H165693  | 3C25 | 9   | 90 - 51  | H167686  | 2I24 | 7A  | 80 - 23  |
| H165155  | 2I20 | 3   | 80 - 19  | H165700  | 2I20 | 17  | 80 - 19  | H167691  | 4H6  | 6   | 170 - 13 |
| H165170  | 4H16 | ..  | 170 - 23 | H165716  | 1B15 | 12  | 20 - 13  | H167691  | 4H17 | ..  | 170 - 24 |
| H165174  | 4H16 | ..  | 170 - 23 | H165717  | 1B15 | 18  | 20 - 13  | H167691  | 4H18 | ..  | 170 - 25 |
| H165175  | 4H16 | ..  | 170 - 23 | H165718  | 1B15 | 17  | 20 - 13  | H167691  | 4H20 | ..  | 170 - 27 |
| H165176  | 4H16 | ..  | 170 - 23 | H165728  | 3B24 | 3   | 90 - 25  | H167716  | 3I10 | 8   | 125 - 9  |
| H165177  | 4H16 | ..  | 170 - 23 | H165731  | 2J13 | 1   | 80 - 37  | H167717  | 4F7  | 23  | 155 - 7  |
| H165178  | 4H16 | ..  | 170 - 23 | H165732  | 2J13 | 2   | 80 - 37  | H167719  | 4H6  | 12  | 170 - 13 |
| H165179  | 4H16 | ..  | 170 - 23 | H166148  | 2F15 | 3   | 70 - 12  | H167722  | 2C2  | 27  | 50 - 25  |
| H165180  | 4H16 | ..  | 170 - 23 | H166179  | 3D3  | 7   | 95 - 3   | H167723  | 2C2  | 12  | 50 - 25  |
| H165181  | 4H16 | ..  | 170 - 23 | H166201  | 2B24 | 7   | 50 - 22  | H167728  | 2I16 | 24A | 80 - 15  |
| H165182  | 4H16 | ..  | 170 - 23 | H166216  | 3E2  | 11  | 100 - 11 | H167815  | 3E10 | 10  | 100 - 19 |
| H165183  | 4H16 | ..  | 170 - 23 | H166313  | 3F11 | 6   | 100 - 45 | H167815  | 3E12 | 10  | 100 - 21 |
| H165184  | 4H16 | ..  | 170 - 23 | H166375  | 2D14 | 3   | 50 - 65  | H167815  | 3E14 | 4   | 100 - 23 |
| H165186  | 4H16 | ..  | 170 - 23 | H166395  | 1B11 | 6   | 20 - 9   | H167830  | 2I24 | 17  | 80 - 23  |
| H165188  | 4H16 | ..  | 170 - 23 | H166421  | 2G6  | 5   | 70 - 29  | H167834  | 4H8  | 12  | 170 - 15 |
| H165190  | 4H16 | ..  | 170 - 23 | H166431  | 2B5  | 12  | 50 - 2   | H167835  | 4H6  | 9   | 170 - 13 |
| H165191  | 4H16 | ..  | 170 - 23 | H166431  | 2C21 | 18  | 50 - 47  | H167840  | 4H8  | 19  | 170 - 15 |
| H165192  | 4H16 | ..  | 170 - 23 | H166437  | 1B5  | 42  | 20 - 3   | H167842  | 4H6  | 13  | 170 - 13 |
| H165193  | 4H16 | ..  | 170 - 23 | H166460  | 4D2  | 19  | 140 - 53 | H167843  | 4H8  | 5   | 170 - 15 |
| H165197  | 4H16 | ..  | 170 - 23 | H166499  | 1G23 | 9   | 40 - 51  | H167912  | 3B17 | 4   | 90 - 17  |
| H165199  | 4H16 | ..  | 170 - 23 | H166834  | 2J11 | 33  | 80 - 35  | H167941  | 3I22 | 3   | 125 - 21 |
| H165215  | 3B9  | 18  | 90 - 9   | H166838  | 3C14 | 18  | 90 - 39  | H167988  | 2E2  | 17  | 60 - 9   |
| H165243  | 3J21 | 16  | 130 - 13 | H166839  | 3C14 | 13  | 90 - 39  | H168019  | 3I22 | 42  | 125 - 21 |
| H165249  | 3B9  | 21  | 90 - 9   | H166840  | 3C14 | 14  | 90 - 39  | H168083  | 1B9  | 13  | 20 - 7   |

## NUMERICAL INDEX - CONTINUED

| PART NO. | GRID | KEY | PAGE     | PART NO. | GRID | KEY | PAGE     | PART NO. | GRID | KEY | PAGE     |
|----------|------|-----|----------|----------|------|-----|----------|----------|------|-----|----------|
| H168125  | 3E2  | 14  | 100 - 11 | H169307  | 4D2  | 12  | 140 - 53 | H170738  | 3J24 | 22  | 130 - 17 |
| H168126  | 3D19 | 7   | 100 - 3  | H169308  | 4D2  | 16  | 140 - 53 | H170781  | 3D23 | 25  | 100 - 7  |
| H168133  | 3C2  | 20  | 90 - 27  | H169344  | 4H4  | 1   | 170 - 11 | H170799  | 4H16 | ..  | 170 - 23 |
| H168165  | 2B7  | 1   | 50 - 4   | H169349  | 4H8  | 3   | 170 - 15 | H170800  | 4H16 | ..  | 170 - 23 |
| H168166  | 2B7  | 1   | 50 - 4   | H169349  | 4H17 | ..  | 170 - 24 | H170823  | 3J6  | 6   | 125 - 29 |
| H168170  | 2F17 | 7   | 70 - 15  | H169349  | 4H18 | ..  | 170 - 25 | H170833  | 3D3  | 25  | 95 - 3   |
| H168170  | 2F19 | 7   | 70 - 17  | H169349  | 4H20 | ..  | 170 - 27 | H170912  | 3C2  | 3A  | 90 - 27  |
| H168170  | 2F21 | 7   | 70 - 19  | H169403  | 3B13 | 9   | 90 - 13  | H170940  | 3J25 | 7   | 130 - 18 |
| H168171  | 2F17 | 20  | 70 - 15  | H169447  | 4H10 | 3   | 170 - 17 | H170967  | 3I14 | 14  | 125 - 13 |
| H168171  | 2F19 | 20  | 70 - 17  | H169492  | 4H8  | 4   | 170 - 15 | H170967  | 3I14 | 20  | 125 - 13 |
| H168171  | 2F21 | 20  | 70 - 19  | H169509  | 2H14 | 5   | 70 - 61  | H171004  | 3I10 | 7   | 125 - 9  |
| H168256  | 1B5  | 41  | 20 - 3   | H169512  | 3B11 | 15  | 90 - 11  | H171004  | 4F7  | 10  | 155 - 7  |
| H168278  | 3F9  | 19  | 100 - 43 | H169516  | 4G25 | 3   | 170 - 7  | H171006  | 3I22 | 9   | 125 - 21 |
| H168359  | 1C2  | 5   | 20 - 25  | H169549  | 1E10 | 9   | 30 - 9   | H171011  | 3C16 | 21  | 90 - 41  |
| H168374  | 2J15 | 23  | 80 - 39  | H169549  | 1E13 | 11  | 30 - 12  | H171030  | 4B17 | 2   | 140 - 17 |
| H168424  | 4F5  | 1   | 155 - 5  | H169613  | 3B7  | 8   | 90 - 7   | H171059  | 2I4  | 10  | 80 - 3   |
| H168433  | 3B17 | 17  | 90 - 17  | H169634  | 3B13 | 13  | 90 - 13  | H171061  | 1B5  | 48  | 20 - 3   |
| H168457  | 4H6  | 8   | 170 - 13 | H169634  | 3B17 | 21  | 90 - 17  | H171061  | 1B17 | 16  | 20 - 15  |
| H168457  | 4H8  | 18  | 170 - 15 | H169652  | 3I22 | 3   | 125 - 21 | H171061  | 3E8  | 4   | 100 - 17 |
| H168476  | 2B13 | 10  | 50 - 10  | H169733  | 1B7  | 24  | 20 - 5   | H171061  | 3J4  | 12  | 125 - 27 |
| H168476  | 2E21 | 20  | 60 - 29  | H169764  | 4H8  | 21  | 170 - 15 | H171061  | 4C2  | 13  | 140 - 29 |
| H168476  | 2E23 | 22  | 60 - 31  | H169793  | 2J13 | 10  | 80 - 37  | H171061  | 4C8  | 15  | 140 - 35 |
| H168499  | 4B17 | 16  | 140 - 17 | H169794  | 2J13 | 9   | 80 - 37  | H171061  | 4C14 | 11  | 140 - 41 |
| H168578  | 3I8  | 13  | 125 - 7  | H169864  | 3C2  | 2   | 90 - 27  | H171061  | 4C22 | 21  | 140 - 49 |
| H168724  | 1E16 | 28  | 30 - 15  | H169865  | 3I22 | 4   | 125 - 21 | H171061  | 4C24 | 18  | 140 - 51 |
| H168726  | 2I16 | 7   | 80 - 15  | H169865  | 3J24 | 10  | 130 - 17 | H171061  | 4D7  | 13  | 140 - 59 |
| H168732  | 1H15 | 13  | 40 - 69  | H169896  | 2I24 | 21  | 80 - 23  | H171079  | 4H17 | ..  | 170 - 24 |
| H168732  | 1H15 | 17  | 40 - 69  | H169900  | 2I20 | 6   | 80 - 19  | H171081  | 4H17 | ..  | 170 - 24 |
| H168732  | 3E20 | 35  | 100 - 29 | H169900  | 2I20 | 23  | 80 - 19  | H171082  | 4H17 | ..  | 170 - 24 |
| H168732  | 3F7  | 30  | 100 - 41 | H170072  | 2B9  | 2   | 50 - 6   | H171093  | 3J19 | 18  | 130 - 11 |
| H168732  | 3F11 | 13  | 100 - 45 | H170072  | 2B10 | 5   | 50 - 7   | H171093  | 4H6  | 5   | 170 - 13 |
| H168744  | 2B7  | 1   | 50 - 4   | H170072  | 2B12 | 1   | 50 - 9   | H171093  | 4H8  | 2   | 170 - 15 |
| H168751  | 1B13 | 16  | 20 - 11  | H170072  | 4G14 | 7   | 160 - 25 | H171116  | 2C9  | 18  | 50 - 32  |
| H168752  | 1B13 | 8   | 20 - 11  | H170073  | 3C2  | 28  | 90 - 27  | H171184  | 3I10 | 25  | 125 - 9  |
| H168755  | 3C14 | 24  | 90 - 39  | H170105  | 4H15 | ..  | 170 - 22 | H171206  | 3F7  | 5   | 100 - 41 |
| H168757  | 3C14 | 25  | 90 - 39  | H170106  | 4H19 | ..  | 170 - 26 | H171222  | 3C2  | ..  | 90 - 27  |
| H168781  | 3B17 | 2   | 90 - 17  | H170115  | 4H15 | ..  | 170 - 22 | H171285  | 3C12 | 3   | 90 - 37  |
| H168809  | 2I18 | 6   | 80 - 17  | H170116  | 4H19 | ..  | 170 - 26 | H171311  | 4H8  | 20  | 170 - 15 |
| H168811  | 2I24 | 5   | 80 - 23  | H170117  | 4H15 | ..  | 170 - 22 | H171312  | 3F7  | 29  | 100 - 41 |
| H168811  | 4D13 | 10  | 150 - 5  | H170118  | 4H19 | ..  | 170 - 26 | H171316  | 3H2  | 13  | 120 - 5  |
| H168812  | 2I24 | 15  | 80 - 23  | H170141  | 4C10 | 8   | 140 - 37 | H171318  | 3F2  | 1   | 100 - 35 |
| H168870  | 3D7  | 1   | 95 - 7   | H170141  | 4D7  | 25  | 140 - 59 | H171385  | 4D19 | 31  | 150 - 11 |
| H168871  | 3D7  | 6   | 95 - 7   | H170143  | 4C10 | 9   | 140 - 37 | H171386  | 3F13 | 41  | 100 - 47 |
| H168898  | 2C2  | 27  | 50 - 25  | H170143  | 4D7  | 19  | 140 - 59 | H171386  | 4I2  | 8   | 170 - 33 |
| H168924  | 1H21 | 2   | 40 - 75  | H170211  | 2D12 | 22  | 50 - 63  | H171513  | 3F13 | 45  | 100 - 47 |
| H168924  | 3G24 | 33  | 120 - 3  | H170211  | 4H10 | 7   | 170 - 17 | H171533  | 3F13 | 19  | 100 - 47 |
| H168924  | 4C24 | 38  | 140 - 51 | H170272  | 2I14 | 2   | 80 - 13  | H171555  | 1G12 | 4   | 40 - 39  |
| H168933  | 2E3  | 6   | 60 - 10  | H170272  | 2I14 | 17  | 80 - 13  | H171624  | 4H8  | 15  | 170 - 15 |
| H168961  | 2C4  | 15  | 50 - 27  | H170272  | 2I20 | 6   | 80 - 19  | H171635  | 3F13 | 1   | 100 - 47 |
| H168984  | 2J11 | 6   | 80 - 35  | H170272  | 2I20 | 24  | 80 - 19  | H171636  | 3F2  | 5   | 100 - 35 |
| H168985  | 2J11 | 19  | 80 - 35  | H170303  | 4B8  | 43  | 140 - 7  | H171960  | 3F9  | 4B  | 100 - 43 |
| H168986  | 3D3  | 15  | 95 - 3   | H170344  | 3I23 | 3   | 125 - 22 | H171963  | 2I16 | 8A  | 80 - 15  |
| H168988  | 2C4  | 16  | 50 - 27  | H170357  | 4F21 | 2   | 160 - 5  | H171963  | 2I18 | 7A  | 80 - 17  |
| H168988  | 2C11 | 23  | 50 - 35  | H170373  | 3C2  | 15  | 90 - 27  | H171963  | 2I24 | 2A  | 80 - 23  |
| H168994  | 3E2  | 2   | 100 - 11 | H170382  | 3C4  | 7   | 90 - 29  | H171977  | 2J9  | 28  | 80 - 33  |
| H169023  | 3I10 | 22  | 125 - 9  | H170484  | 2I20 | 25A | 80 - 19  | H172003  | 3B4  | 4   | 90 - 3   |
| H169065  | 4C24 | 8   | 140 - 51 | H170552  | 4F23 | 10  | 160 - 7  | H172025  | 3J24 | 18  | 130 - 17 |
| H169067  | 3C14 | 23  | 90 - 39  | H170577  | 2J2  | 11  | 80 - 25  | H172031  | 1B15 | 9   | 20 - 13  |
| H169070  | 2J15 | 14  | 80 - 39  | H170578  | 2J2  | 19  | 80 - 25  | H172045  | 3I10 | 33  | 125 - 9  |
| H169082  | 3B17 | 9   | 90 - 17  | H170634  | 1H10 | 9   | 40 - 63  | H172110  | 3J24 | 24  | 130 - 17 |
| H169083  | 3B17 | 8   | 90 - 17  | H170645  | 3D19 | 3   | 100 - 3  | H172113  | 4F7  | 21  | 155 - 7  |
| H169087  | 3D3  | 16  | 95 - 3   | H170654  | 3C18 | 17  | 90 - 43  | H172116  | 3I18 | 3   | 125 - 17 |
| H169128  | 2E23 | 6   | 60 - 31  | H170654  | 4G23 | 11  | 170 - 5  | H172116  | 3I22 | 30  | 125 - 21 |
| H169194  | 3B7  | 7   | 90 - 7   | H170659  | 4C24 | 23  | 140 - 51 | H172142  | 3F15 | 10  | 100 - 49 |
| H169230  | 4H15 | ..  | 170 - 22 | H170670  | 4E21 | 46  | 150 - 39 | H172177  | 3F2  | 14  | 100 - 35 |
| H169231  | 4H19 | ..  | 170 - 26 | H170718  | 4F25 | 2   | 160 - 9  | H172197  | 1G12 | 20  | 40 - 39  |
| H169283  | 4H15 | ..  | 170 - 22 | H170736  | 3E22 | 3   | 100 - 31 | H172197  | 3C19 | 20  | 90 - 45  |

## NUMERICAL INDEX - CONTINUED

| PART NO. | GRID | KEY | PAGE     | PART NO. | GRID | KEY | PAGE     | PART NO. | GRID | KEY | PAGE     |
|----------|------|-----|----------|----------|------|-----|----------|----------|------|-----|----------|
| H172205  | 2I20 | 20  | 80 - 19  | H173460  | 2I16 | 6A  | 80 - 15  | H23196   | 1C4  | 5   | 20 - 27  |
| H172222  | 3F9  | 24  | 100 - 43 | H173460  | 2I16 | 6B  | 80 - 15  | H23950   | 4C24 | 20  | 140 - 51 |
| H172258  | 2I14 | 4   | 80 - 13  | H173460  | 2I18 | 12A | 80 - 17  | H23950   | 4I2  | 3   | 170 - 33 |
| H172267  | 3D19 | 20  | 100 - 3  | H173460  | 2I18 | 12B | 80 - 17  | H25099   | 4C18 | 6   | 140 - 45 |
| H172308  | 2J2  | 16  | 80 - 25  | H173508  | 3F13 | 11  | 100 - 47 | H26552   | 3J4  | 16  | 125 - 27 |
| H172309  | 2J2  | 17  | 80 - 25  | H173574  | 4H16 | ..  | 170 - 23 | H27433   | 4I2  | 3   | 170 - 33 |
| H172337  | 1B7  | 1   | 20 - 5   | H173577  | 4H16 | ..  | 170 - 23 | H28031   | 4E23 | 7   | 150 - 41 |
| H172440  | 3J19 | 11  | 130 - 11 | H173597  | 4H16 | ..  | 170 - 23 | H36155   | 3G24 | 48  | 120 - 3  |
| H172460  | 3F11 | 14  | 100 - 45 | H173616  | 3C21 | 12  | 90 - 47  | H36221   | 3B9  | 10  | 90 - 9   |
| H172470  | 3F4  | 20  | 100 - 37 | H173633  | 4H16 | ..  | 170 - 23 | H36256   | 3C4  | 48  | 90 - 29  |
| H172471  | 3F4  | 2   | 100 - 37 | H173644  | 2J11 | 33  | 80 - 35  | H63271   | 2C6  | 3   | 50 - 29  |
| H172473  | 3F4  | 19  | 100 - 37 | H173702  | 4H15 | ..  | 170 - 22 | H63271   | 2C8  | 17  | 50 - 31  |
| H172474  | 3F4  | 16  | 100 - 37 | H173723  | 2J2  | 26  | 80 - 25  | H63271   | 2C9  | 26  | 50 - 32  |
| H172528  | 3I22 | 46  | 125 - 21 | H173742  | 2I16 | 8A  | 80 - 15  | H63271   | 2C13 | 2   | 50 - 37  |
| H172549  | 1I4  | 5   | 40 - 83  | H173742  | 2I16 | 8B  | 80 - 15  | H63288   | 2C14 | 13  | 50 - 38  |
| H172664  | 2J11 | 36  | 80 - 35  | H173742  | 2I18 | 7A  | 80 - 17  | H63289   | 2C9  | 3   | 50 - 32  |
| H172666  | 2J11 | 29  | 80 - 35  | H173742  | 2I18 | 7B  | 80 - 17  | H63289   | 2C14 | 14  | 50 - 38  |
| H172667  | 3E20 | 34  | 100 - 29 | H173742  | 2I24 | 2A  | 80 - 23  | H63289   | 2G22 | 10  | 70 - 45  |
| H172736  | 2J11 | 31  | 80 - 35  | H173742  | 2I24 | 2B  | 80 - 23  | H64376   | 3G4  | 1   | 110 - 11 |
| H172742  | 2I20 | 5   | 80 - 19  | H173743  | 2I16 | 23  | 80 - 15  | H64376   | 3G6  | 1   | 110 - 13 |
| H172749  | 3J21 | 21  | 130 - 13 | H173743  | 2I18 | 14  | 80 - 17  | H64376   | 4B20 | 15  | 140 - 21 |
| H172760  | 3C2  | 10  | 90 - 27  | H173743  | 2I24 | 24  | 80 - 23  | H64376   | 4D19 | 2   | 150 - 11 |
| H172793  | 3J21 | 23  | 130 - 13 | H173784  | 2I16 | 24A | 80 - 15  | H64584   | 4D11 | 7   | 150 - 3  |
| H172923  | 2D22 | 20  | 60 - 5   | H173784  | 2I16 | 24B | 80 - 15  | H64612   | 2J13 | 15  | 80 - 37  |
| H172924  | 2D22 | 14  | 60 - 5   | H173793  | 3D5  | 16  | 95 - 5   | H64813   | 2C13 | 24  | 50 - 37  |
| H172944  | 3C21 | 12  | 90 - 47  | H173824  | 4H15 | ..  | 170 - 22 | H748DA   | 4C8  | 8   | 140 - 35 |
| H173011  | 4E21 | 41  | 150 - 39 | H173849  | 4H15 | ..  | 170 - 22 | H75267   | 4B16 | 5   | 140 - 15 |
| H173034  | 1E18 | 23  | 30 - 17  | H173850  | 4H15 | ..  | 170 - 22 | H75358   | 2B19 | 30  | 50 - 17  |
| H173071  | 4H19 | ..  | 170 - 26 | H173885  | 4H15 | ..  | 170 - 22 | H75358   | 3D23 | 46  | 100 - 7  |
| H173072  | 4H19 | ..  | 170 - 26 | H173899  | 3F13 | 12  | 100 - 47 | H75385   | 4B8  | 37  | 140 - 7  |
| H173075  | 4H19 | ..  | 170 - 26 | H173899  | 4C22 | 7   | 140 - 49 | H75423   | 2B5  | 10  | 50 - 2   |
| H173077  | 4H19 | ..  | 170 - 26 | H173900  | 4C22 | 6   | 140 - 49 | H75423   | 2C21 | 17  | 50 - 47  |
| H173079  | 4H19 | ..  | 170 - 26 | H173903  | 3E22 | 3   | 100 - 31 | H75541   | 1B23 | 8   | 20 - 21  |
| H173081  | 4H19 | ..  | 170 - 26 | H173908  | 4H15 | ..  | 170 - 22 | H75541   | 2G16 | 2   | 70 - 39  |
| H173082  | 4H19 | ..  | 170 - 26 | H174011  | 1E16 | 12  | 30 - 15  | H75541   | 2H17 | 6   | 70 - 65  |
| H173083  | 4H19 | ..  | 170 - 26 | H174025  | 2B5  | 12  | 50 - 2   | H75541   | 4D23 | 18  | 150 - 15 |
| H173084  | 4H19 | ..  | 170 - 26 | H174025  | 2C21 | 18  | 50 - 47  | H75700   | 2B17 | 7   | 50 - 14  |
| H173085  | 4H19 | ..  | 170 - 26 | H174047  | 2I20 | 29  | 80 - 19  | H75716   | 3J2  | 35  | 125 - 25 |
| H173087  | 4H19 | ..  | 170 - 26 | H174077  | 4H15 | ..  | 170 - 22 | H76064   | 1G19 | 7   | 40 - 46  |
| H173088  | 4H19 | ..  | 170 - 26 | H174081  | 2E23 | 10  | 60 - 31  | H76083   | 3E16 | 28  | 100 - 25 |
| H173090  | 4H19 | ..  | 170 - 26 | H174086  | 4H15 | ..  | 170 - 22 | H76083   | 3I8  | 10  | 125 - 7  |
| H173093  | 4H19 | ..  | 170 - 26 | H174129  | 2J2  | 25  | 80 - 25  | H76083   | 3I22 | 18  | 125 - 21 |
| H173094  | 4H19 | ..  | 170 - 26 | H174140  | 2B13 | 1   | 50 - 10  | H76152   | 2B16 | 7   | 50 - 13  |
| H173096  | 4H19 | ..  | 170 - 26 | H174140  | 2B14 | 3   | 50 - 11  | H77698   | 2H21 | 17  | 70 - 69  |
| H173098  | 4H19 | ..  | 170 - 26 | H174144  | 1E18 | 19  | 30 - 17  | H77698   | 3F7  | 14  | 100 - 41 |
| H173099  | 4H19 | ..  | 170 - 26 | H174192  | 3C2  | 3B  | 90 - 27  | H78340   | 2G20 | 4   | 70 - 43  |
| H173101  | 4H19 | ..  | 170 - 26 | H174266  | 4H14 | 1   | 170 - 21 | H78340   | 2H21 | 31  | 70 - 69  |
| H173102  | 4H19 | ..  | 170 - 26 | H174283  | 2I24 | 7A  | 80 - 23  | H78354   | 3K3  | 4   | 130 - 21 |
| H173103  | 4H19 | ..  | 170 - 26 | H174283  | 2I24 | 7B  | 80 - 23  | H79910   | 4B8  | 7   | 140 - 7  |
| H173104  | 4H19 | ..  | 170 - 26 | H174284  | 4H16 | ..  | 170 - 23 | H80440   | 2E19 | 4   | 60 - 26  |
| H173106  | 4H19 | ..  | 170 - 26 | H174284  | 4H17 | ..  | 170 - 24 | H80753   | 3C4  | 35  | 90 - 29  |
| H173111  | 4H8  | 4   | 170 - 15 | H174284  | 4H18 | ..  | 170 - 25 | H80821   | 2F10 | 10  | 70 - 7   |
| H173218  | 2E25 | 5   | 60 - 33  | H174284  | 4H20 | ..  | 170 - 27 | H80821   | 2G18 | 11  | 70 - 41  |
| H173223  | 4D19 | 37  | 150 - 11 | H174357  | 4H19 | ..  | 170 - 26 | H81330   | 4D13 | 5   | 150 - 5  |
| H173241  | 4G21 | 7   | 170 - 3  | H174361  | 2E23 | 8   | 60 - 31  | H81461   | 2E2  | 30  | 60 - 9   |
| H173257  | 2I16 | 26  | 80 - 15  | H174617  | 3G8  | 34  | 110 - 15 | H82232   | 2B19 | 3   | 50 - 17  |
| H173257  | 2I20 | 28  | 80 - 19  | H174617  | 3G10 | 32  | 110 - 17 | H82232   | 3D23 | 43  | 100 - 7  |
| H173258  | 2I20 | 25A | 80 - 19  | H175330  | 3I8  | 25  | 125 - 7  | H82233   | 2B19 | 4   | 50 - 17  |
| H173258  | 2I20 | 25B | 80 - 19  | H175540  | 3H14 | 1   | 120 - 17 | H82233   | 3D23 | 42  | 100 - 7  |
| H173293  | 4H15 | ..  | 170 - 22 | H175547  | 3E16 | 2   | 100 - 25 | H82234   | 2B19 | 2   | 50 - 17  |
| H173294  | 4H19 | ..  | 170 - 26 | H175547  | 3E18 | 13  | 100 - 27 | H82234   | 3D23 | 44  | 100 - 7  |
| H173334  | 4H18 | ..  | 170 - 25 | H175590  | 3H20 | 5   | 120 - 23 | H82418   | 4C22 | 8   | 140 - 49 |
| H173335  | 4H20 | ..  | 170 - 27 | H175703  | 3E16 | 4   | 100 - 25 | H82619   | 4B8  | 41  | 140 - 7  |
| H173336  | 4H15 | ..  | 170 - 22 | H176083  | 3C14 | 18  | 90 - 39  | H83285   | 1B7  | 10  | 20 - 5   |
| H173337  | 4H16 | ..  | 170 - 23 | H176465  | 2B8  | 12  | 50 - 5   | H83795   | 3K5  | 26  | 130 - 23 |
| H173451  | 3E16 | 34  | 100 - 25 | H22529   | 4C24 | 20  | 140 - 51 | H84026   | 3E24 | 4   | 100 - 33 |
| H173451  | 3E18 | 39  | 100 - 27 | H22784   | 2C2  | 15  | 50 - 25  | H84374   | 3F4  | 10  | 100 - 37 |

# 1L15

9650 SELF-PROPELLED COMBINE

## NUMERICAL INDEX - CONTINUED

| PART NO. | GRID | KEY | PAGE     | PART NO. | GRID | KEY | PAGE     | PART NO. | GRID | KEY | PAGE     |
|----------|------|-----|----------|----------|------|-----|----------|----------|------|-----|----------|
| H84375   | 2B13 | 3   | 50 - 10  | H96645   | 4E12 | 17  | 150 - 29 | JD10462  | 2E23 | 20  | 60 - 31  |
| H84375   | 2B14 | 2   | 50 - 11  | H96652   | 4E2  | 12  | 150 - 19 | JD37125  | 4G6  | 4   | 160 - 16 |
| H84942   | 3E24 | 18  | 100 - 33 | H96652   | 4E8  | 7   | 150 - 25 | JD37125  | 4G8  | 13  | 160 - 19 |
| H84948   | 3C8  | 16  | 90 - 33  | H96652   | 4E10 | 7   | 150 - 27 | JD39102  | 1B5  | 38  | 20 - 3   |
| H84990   | 3J21 | 2   | 130 - 13 | H96869   | 2E21 | 3   | 60 - 29  | JD39102  | 3I6  | 5   | 125 - 5  |
| H85015   | 3J2  | 22  | 125 - 25 | H97306   | 4B19 | 38  | 140 - 19 | JD39102  | 4D4  | 6   | 140 - 55 |
| H85184   | 2I6  | 6   | 80 - 5   | H97308   | 3D19 | 16  | 100 - 3  | JD39102  | 4D4  | 14  | 140 - 55 |
| H85184   | 2I12 | 13  | 80 - 11  | H97322   | 3E22 | 12  | 100 - 31 | JD39103  | 3J2  | 5   | 125 - 25 |
| H85184   | 3G22 | 7   | 120 - 1  | H97322   | 3E24 | 17  | 100 - 33 | JD39103  | 3J6  | 15  | 125 - 29 |
| H85233   | 3B7  | 5   | 90 - 7   | H97378   | 3F7  | 5   | 100 - 41 | JD39104  | 3G20 | 5   | 110 - 27 |
| H85233   | 3G16 | 1   | 110 - 23 | H97410   | 3D19 | 33  | 100 - 3  | JD39104  | 3G20 | 10  | 110 - 27 |
| H86760   | 3I24 | 10  | 125 - 23 | H97410   | 3F17 | 15  | 100 - 51 | JD39104  | 4E14 | 20  | 150 - 31 |
| H86775   | 1B9  | 1   | 20 - 7   | H97513   | 4C8  | 4   | 140 - 35 | JD39104  | 4E16 | 9   | 150 - 33 |
| H86783   | 4C10 | 12  | 140 - 37 | H97574   | 3J2  | 19  | 125 - 25 | JD39104  | 4E21 | 34  | 150 - 39 |
| H86783   | 4D7  | 18  | 140 - 59 | H98111   | 3B4  | 2   | 90 - 3   | JD39106  | 3I6  | 11  | 125 - 5  |
| H86896   | 4H4  | 4   | 170 - 11 | H98546   | 3H2  | 29  | 120 - 5  | JD39109  | 4C12 | 53  | 140 - 39 |
| H871R    | 3D23 | 4   | 100 - 7  | H98546   | 3I6  | 20  | 125 - 5  | JD5592   | 4H10 | 11  | 170 - 17 |
| H871R    | 3E2  | 4   | 100 - 11 | H98547   | 3I6  | 22  | 125 - 5  | JD5920   | 1I4  | 13  | 40 - 83  |
| H871R    | 4B22 | 8   | 140 - 23 | H98654   | 3F13 | 42  | 100 - 47 | JD5920   | 4H10 | 5   | 170 - 17 |
| H87206   | 4C12 | 28  | 140 - 39 | H98655   | 3E4  | 27  | 100 - 13 | JD5920   | 4H10 | 8   | 170 - 17 |
| H87268   | 3G16 | 12  | 110 - 23 | H987R    | 1G12 | 7   | 40 - 39  | JD5921   | 1I4  | 14  | 40 - 83  |
| H87691   | 2B7  | 6   | 50 - 4   | H987R    | 3B9  | 17  | 90 - 9   | JD5921   | 4H10 | 5   | 170 - 17 |
| H87691   | 2B8  | 4   | 50 - 5   | H99147   | 1B5  | 48  | 20 - 3   | JD5922   | 1I4  | 12  | 40 - 83  |
| H87691   | 4F19 | 10  | 160 - 3  | H99147   | 1B17 | 16  | 20 - 15  | JD5922   | 4H10 | 5   | 170 - 17 |
| H87691   | 4G10 | 3   | 160 - 21 | H99147   | 3E8  | 4   | 100 - 17 | JD5922   | 4H10 | 9   | 170 - 17 |
| H88769   | 3I6  | 17  | 125 - 5  | H99147   | 3J4  | 12  | 125 - 27 | JD5927   | 4G25 | 7   | 170 - 7  |
| H88771   | 4B8  | 44  | 140 - 7  | H99147   | 4C2  | 13  | 140 - 29 | JD7147   | 1B19 | 4   | 20 - 17  |
| H88773   | 3D3  | 6   | 95 - 3   | H99147   | 4C8  | 15  | 140 - 35 | JD7228   | 2C2  | 26  | 50 - 25  |
| H89241   | 4B6  | 3   | 140 - 5  | H99147   | 4C14 | 11  | 140 - 41 | JD7278   | 2C2  | 25  | 50 - 25  |
| H89297   | 3E4  | 6   | 100 - 13 | H99147   | 4C22 | 21  | 140 - 49 | JD7278   | 2C2  | 28  | 50 - 25  |
| H89515   | 4C18 | 12  | 140 - 45 | H99147   | 4C24 | 18  | 140 - 51 | JD7292   | 4B16 | 12  | 140 - 15 |
| H89525   | 4C12 | 29  | 140 - 39 | H99147   | 4D7  | 13  | 140 - 59 | JD7297   | 2C13 | 19  | 50 - 37  |
| H89544   | 2I4  | 13  | 80 - 3   | H99149   | 3G4  | 3   | 110 - 11 | JD7298   | 2C2  | 19  | 50 - 25  |
| H89617   | 3D23 | 6   | 100 - 7  | H99149   | 3G6  | 4   | 110 - 13 | JD7298   | 4G3  | 5   | 160 - 12 |
| H89617   | 3E2  | 6   | 100 - 11 | H99149   | 4B20 | 12  | 140 - 21 | JD7366   | 4G8  | 16  | 160 - 19 |
| H91205   | 3G24 | 11  | 120 - 3  | H99264   | 2D22 | 19  | 60 - 5   | JD7378   | 4B16 | 11  | 140 - 15 |
| H91228   | 3K5  | 12  | 130 - 23 | H99294   | 3C4  | 46  | 90 - 29  | JD7395   | 4B16 | 24  | 140 - 15 |
| H91315   | 3D7  | 5   | 95 - 7   | H99303   | 3E20 | 10  | 100 - 29 | JD7418   | 4B16 | 23  | 140 - 15 |
| H91788   | 4C18 | 13  | 140 - 45 | H99599   | 4D17 | 16  | 150 - 9  | JD7425   | 2B23 | 9   | 50 - 21  |
| H91796   | 3K5  | 15  | 130 - 23 | H99613   | 4E6  | 2   | 150 - 23 | JD7441   | 4B22 | 29  | 140 - 23 |
| H92308   | 2B23 | 21  | 50 - 21  | H99638   | 3G24 | 44  | 120 - 3  | JD7448   | 2C16 | 9   | 50 - 41  |
| H93084   | 3F7  | 13  | 100 - 41 | H99923   | 2E19 | 4   | 60 - 26  | JD7448   | 2E23 | 14  | 60 - 31  |
| H93399   | 1B17 | 22  | 20 - 15  | JD10010  | 3E2  | 15  | 100 - 11 | JD7502   | 2B23 | 3   | 50 - 21  |
| H93399   | 4C16 | 26  | 140 - 43 | JD10011  | 3E2  | 21  | 100 - 11 | JD7678   | 3D23 | 38  | 100 - 7  |
| H93630   | 4B19 | 23  | 140 - 19 | JD10011  | 4C10 | 30  | 140 - 37 | JD7681   | 3I14 | 13  | 125 - 13 |
| H93631   | 4B19 | 22  | 140 - 19 | JD10017  | 4B19 | 14  | 140 - 19 | JD7686   | 4C10 | 22  | 140 - 37 |
| H93645   | 4B20 | 3   | 140 - 21 | JD10018  | 3F7  | 4   | 100 - 41 | JD7689   | 3I14 | 11  | 125 - 13 |
| H93927   | 3F17 | 24  | 100 - 51 | JD10020  | 3E20 | 17  | 100 - 29 | JD7759   | 2B5  | 13  | 50 - 2   |
| H94167   | 3G24 | 43  | 120 - 3  | JD10032  | 4B22 | 45  | 140 - 23 | JD7759   | 2E21 | 18  | 60 - 29  |
| H94386   | 4B25 | 13  | 140 - 27 | JD10058  | 1B18 | 1   | 20 - 16  | JD7759   | 3F7  | 10  | 100 - 41 |
| H94386   | 4C14 | 24  | 140 - 41 | JD10134  | 2C2  | 4   | 50 - 25  | JD7759   | 3G4  | 11  | 110 - 11 |
| H94950   | 2E21 | 17  | 60 - 29  | JD10135  | 2C2  | 5   | 50 - 25  | JD7759   | 3G6  | 11  | 110 - 13 |
| H94951   | 2E21 | 8   | 60 - 29  | JD10182  | 2B19 | 24  | 50 - 17  | JD7759   | 3G14 | 23  | 110 - 21 |
| H95203   | 3K3  | 18  | 130 - 21 | JD10214  | 4B22 | 30  | 140 - 23 | JD7759   | 3G18 | 7   | 110 - 25 |
| H95273   | 4H15 | ..  | 170 - 22 | JD10266  | 2C2  | 18  | 50 - 25  | JD7759   | 4B20 | 9   | 140 - 21 |
| H95417   | 3D19 | 32  | 100 - 3  | JD10266  | 4G3  | 4   | 160 - 12 | JD7759   | 4C2  | 1   | 140 - 29 |
| H95417   | 3F17 | 16  | 100 - 51 | JD10312  | 2G20 | 9   | 70 - 43  | JD7759   | 4C4  | 4   | 140 - 31 |
| H95499   | 3E4  | 16  | 100 - 13 | JD10342  | 3G4  | 7   | 110 - 11 | JD7759   | 4C16 | 5   | 140 - 43 |
| H95547   | 2B13 | 5   | 50 - 10  | JD10342  | 3G6  | 7   | 110 - 13 | JD7759   | 4D19 | 19  | 150 - 11 |
| H95902   | 2D22 | 18  | 60 - 5   | JD10342  | 4B20 | 6   | 140 - 21 | JD7759   | 4F23 | 13  | 160 - 7  |
| H96149   | 4D19 | 7   | 150 - 11 | JD10343  | 3G4  | 8   | 110 - 11 | JD7759   | 4G2  | 1   | 160 - 11 |
| H96169   | 4D19 | 1   | 150 - 11 | JD10343  | 3G6  | 8   | 110 - 13 | JD7759   | 4G5  | 1   | 160 - 15 |
| H96226   | 4C4  | 14  | 140 - 31 | JD10343  | 4B20 | 13  | 140 - 21 | JD7760   | 2C2  | 8   | 50 - 25  |
| H96227   | 4C4  | 12  | 140 - 31 | JD10384  | 3I4  | 8   | 125 - 3  | JD7763   | 4F21 | 3   | 160 - 5  |
| H96232   | 4C4  | 13  | 140 - 31 | JD10387  | 3J21 | 4   | 130 - 13 | JD7781   | 4E2  | 2   | 150 - 19 |
| H96267   | 4D19 | 6   | 150 - 11 | JD10401  | 2C2  | 26  | 50 - 25  | JD7781   | 4E6  | 12  | 150 - 23 |
| H96294   | 4D19 | 14  | 150 - 11 | JD10462  | 2C16 | 8   | 50 - 41  | JD7788   | 1B17 | 26  | 20 - 15  |



## NUMERICAL INDEX - CONTINUED

| PART NO. | GRID | KEY | PAGE     | PART NO. | GRID | KEY | PAGE     | PART NO. | GRID | KEY | PAGE     |
|----------|------|-----|----------|----------|------|-----|----------|----------|------|-----|----------|
| JD7788   | 2G20 | 17  | 70 - 43  | JD9075   | 4B12 | 2   | 140 - 11 | M47293   | 1F19 | 11  | 40 - 19  |
| JD7788   | 3G14 | 29  | 110 - 21 | JD9075   | 4B12 | 26  | 140 - 11 | M48000   | 2C8  | 2   | 50 - 31  |
| JD7788   | 3H2  | 2   | 120 - 5  | JD9076   | 2C8  | 9   | 50 - 31  | M48000   | 2C11 | 15  | 50 - 35  |
| JD7788   | 4C4  | 6   | 140 - 31 | JD9078   | 4B16 | 2   | 140 - 15 | M48869   | 2F10 | 23  | 70 - 7   |
| JD7797   | 1B15 | 3   | 20 - 13  | JD9092   | 2C2  | 4   | 50 - 25  | M48869   | 2G18 | 4   | 70 - 41  |
| JD7797   | 2E19 | 3   | 60 - 26  | JD9109   | 2C16 | 18  | 50 - 41  | M61266   | 1G14 | 8   | 40 - 41  |
| JD7797   | 3J2  | 20  | 125 - 25 | JD9109   | 2E23 | 18  | 60 - 31  | M63707   | 2C24 | 13  | 50 - 51  |
| JD7797   | 4B8  | 26  | 140 - 7  | JD9113   | 2C13 | 19  | 50 - 37  | M63707   | 4B6  | 39  | 140 - 5  |
| JD7797   | 4B14 | 8   | 140 - 13 | JD9121   | 4G6  | 7   | 160 - 16 | M63707   | 4B22 | 17  | 140 - 23 |
| JD7797   | 4B22 | 25  | 140 - 23 | JD9132   | 4B12 | 3   | 140 - 11 | M64720   | 3E18 | 37  | 100 - 27 |
| JD7797   | 4C12 | 38  | 140 - 39 | JD9132   | 4B12 | 27  | 140 - 11 | M68701   | 1G12 | 5   | 40 - 39  |
| JD7798   | 2E23 | 15  | 60 - 31  | JD9133   | 2C8  | 9   | 50 - 31  | M68701   | 2I16 | 22  | 80 - 15  |
| JD7798   | 3D19 | 13  | 100 - 3  | JD9147   | 2C2  | 5   | 50 - 25  | M68701   | 2I24 | 4   | 80 - 23  |
| JD7798   | 4B19 | 26  | 140 - 19 | JD9201   | 3F17 | 23  | 100 - 51 | M71077   | 3J21 | 27  | 130 - 13 |
| JD7798   | 4G8  | 19  | 160 - 19 | JD9201   | 3G14 | 14  | 110 - 21 | M71770   | 3I23 | 1   | 125 - 22 |
| JD7799   | 2C21 | 11  | 50 - 47  | JD9202   | 3F17 | 25  | 100 - 51 | M72490   | 1D12 | 4   | 25 - 33  |
| JD7799   | 2E23 | 17  | 60 - 31  | JD9219   | 3I12 | 5   | 125 - 11 | M72490   | 1E6  | 10  | 30 - 5   |
| JD7839   | 4C2  | 10  | 140 - 29 | JD9273   | 3G24 | 24  | 120 - 3  | M72598   | 3E10 | 9   | 100 - 19 |
| JD7844   | 3J21 | 5   | 130 - 13 | JD9301   | 3F15 | 4   | 100 - 49 | M72598   | 3E12 | 9   | 100 - 21 |
| JD7845   | 3G4  | 9   | 110 - 11 | JD9313   | 3I24 | 6   | 125 - 23 | M72598   | 3E14 | 5   | 100 - 23 |
| JD7845   | 3G6  | 9   | 110 - 13 | JD9313   | 3J2  | 11  | 125 - 25 | M72598   | 3E18 | 6   | 100 - 27 |
| JD7845   | 3G14 | 19  | 110 - 21 | JD9356   | 3F15 | 7   | 100 - 49 | M72598   | 3H12 | 9   | 120 - 15 |
| JD7845   | 4B20 | 11  | 140 - 21 | JD9373   | 3E20 | 20  | 100 - 29 | M72598   | 3K14 | 3   | 130 - 32 |
| JD7846   | 4C12 | 5   | 140 - 39 | JD9373   | 4E12 | 4   | 150 - 29 | M72598   | 4C22 | 14  | 140 - 49 |
| JD7846   | 4C16 | 15  | 140 - 43 | JD9434   | 3G14 | 16  | 110 - 21 | M800578  | 3D23 | 36  | 100 - 7  |
| JD7847   | 2C16 | 14  | 50 - 41  | JD9442   | 3K5  | 17  | 130 - 23 | M80082   | 1H17 | 9   | 40 - 71  |
| JD8147   | 2B23 | 8   | 50 - 21  | JD9490   | 3H2  | 6   | 120 - 5  | M80082   | 3I22 | 43  | 125 - 21 |
| JD8162   | 4B8  | 14  | 140 - 7  | J16931   | 1B5  | 21  | 20 - 3   | M80082   | 4F11 | 5   | 155 - 11 |
| JD8162   | 4B10 | 24  | 140 - 9  | J16931   | 1B7  | 26  | 20 - 5   | M82701   | 3J24 | 23  | 130 - 17 |
| JD8182   | 2B21 | 17  | 50 - 19  | J16931   | 1B17 | 24  | 20 - 15  | M84309   | 3G16 | 16  | 110 - 23 |
| JD8206   | 4B8  | 15  | 140 - 7  | J16931   | 2I16 | 25  | 80 - 15  | M84309   | 3J6  | 32  | 125 - 29 |
| JD8206   | 4B10 | 23  | 140 - 9  | J16931   | 2I20 | 27  | 80 - 19  | M84309   | 4D11 | 25  | 150 - 3  |
| JD8206   | 4B12 | 32  | 140 - 11 | J16931   | 2I24 | 25  | 80 - 23  | M84309   | 4D13 | 32  | 150 - 5  |
| JD8206   | 4G8  | 17  | 160 - 19 | J16931   | 4D19 | 39  | 150 - 11 | M84309   | 4D17 | 10  | 150 - 9  |
| JD8210   | 4B16 | 8   | 140 - 15 | J16931   | 4E19 | 13  | 150 - 37 | M84971   | 1B11 | ..  | 20 - 9   |
| JD8222   | 2C2  | 28  | 50 - 25  | J16931   | 4E21 | 40  | 150 - 39 | M90451   | 1B5  | 46  | 20 - 3   |
| JD8223   | 2B21 | 18  | 50 - 19  | J18468   | 4E12 | 23  | 150 - 29 | M90756   | 3J24 | 7   | 130 - 17 |
| JD8237   | 2B19 | 23  | 50 - 17  | J21022   | 3J2  | 15  | 125 - 25 | M91405   | 2I16 | 20  | 80 - 15  |
| JD8237   | 2E21 | 13  | 60 - 29  | J2375M   | 2G10 | 1   | 70 - 33  | M91405   | 2I18 | 13  | 80 - 17  |
| JD8239   | 4B22 | 3   | 140 - 23 | J2375M   | 2G12 | 3   | 70 - 35  | M93425   | 2I12 | 4   | 80 - 11  |
| JD8255   | 4B16 | 3   | 140 - 15 | K40003   | 4E12 | 10  | 150 - 29 | M93425   | 3E10 | 13  | 100 - 19 |
| JD8257   | 2B19 | 5   | 50 - 17  | L113023  | 3B11 | 13  | 90 - 11  | M93425   | 3E12 | 13  | 100 - 21 |
| JD8258   | 2E21 | 11  | 60 - 29  | L1730N   | 3E4  | 3   | 100 - 13 | M93425   | 3E14 | 11  | 100 - 23 |
| JD8267   | 2B21 | 5   | 50 - 19  | L29041   | 4B8  | 3   | 140 - 7  | N10145   | 4B17 | 5   | 140 - 17 |
| JD8524   | 4D19 | 8   | 150 - 11 | L29042   | 4B8  | 3   | 140 - 7  | N102039  | 1D17 | ..  | 25 - 39  |
| JD8551   | 3E24 | 26  | 100 - 33 | L29043   | 4B8  | 3   | 140 - 7  | N102039  | 2B16 | 9   | 50 - 13  |
| JD8552   | 3E24 | 10  | 100 - 33 | L29044   | 4B8  | 3   | 140 - 7  | N10217   | 2E12 | 13  | 60 - 19  |
| JD8554   | 3G24 | 17  | 120 - 3  | L3483N   | 2H21 | 23  | 70 - 69  | N10217   | 2E14 | 8   | 60 - 21  |
| JD8554   | 3K5  | 11  | 130 - 23 | L36230   | 4D25 | 14  | 150 - 17 | N10217   | 2H2  | 4   | 70 - 49  |
| JD8554   | 4E12 | 13  | 150 - 29 | L38238   | 1G8  | 9   | 40 - 35  | N10217   | 2H4  | 16  | 70 - 51  |
| JD8563   | 3K5  | 18  | 130 - 23 | L59635   | 3J24 | 6   | 130 - 17 | N10217   | 2H6  | 12  | 70 - 53  |
| JD8576   | 3F15 | 8   | 100 - 49 | L64995   | 4H16 | ..  | 170 - 23 | N10217   | 2H8  | 6   | 70 - 55  |
| JD8576   | 3J21 | 10  | 130 - 13 | M1007T   | 3D23 | 40  | 100 - 7  | N10217   | 2H10 | 10  | 70 - 57  |
| JD8665   | 3G24 | 31  | 120 - 3  | M111701  | 1B5  | 20  | 20 - 3   | N110085  | 3J2  | 29  | 125 - 25 |
| JD8665   | 3K5  | 7   | 130 - 23 | M112271  | 4D19 | 38  | 150 - 11 | N110085  | 3J4  | 7   | 125 - 27 |
| JD8665   | 4E12 | 16  | 150 - 29 | M112639  | 3K11 | 15  | 130 - 29 | N110085  | 4H24 | 7   | 170 - 31 |
| JD8668   | 4B19 | 16  | 140 - 19 | M131544  | 4D25 | 23  | 150 - 17 | N115096  | 1F7  | 11  | 40 - 5   |
| JD8676   | 4B10 | 17  | 140 - 9  | M18356   | 3D3  | 26  | 95 - 3   | N126584  | 2C8  | 18  | 50 - 31  |
| JD8819   | 3E2  | 41  | 100 - 11 | M2353T   | 4C2  | 15  | 140 - 29 | N126585  | 2C6  | 6   | 50 - 29  |
| JD8902   | 2E21 | 14  | 60 - 29  | M41029   | 2B19 | 35  | 50 - 17  | N126586  | 2C11 | 13  | 50 - 35  |
| JD8952   | 2E21 | 10  | 60 - 29  | M41029   | 2G18 | 2   | 70 - 41  | N126600  | 2C8  | 10  | 50 - 31  |
| JD8960   | 4B22 | 4   | 140 - 23 | M4237T   | 2C8  | 14  | 50 - 31  | N126601  | 2C9  | 7   | 50 - 32  |
| JD8979   | 2B21 | 6   | 50 - 19  | M43518   | 2C8  | 31  | 50 - 31  | N126602  | 2C8  | 27  | 50 - 31  |
| JD9007   | 4B12 | 9   | 140 - 11 | M43649   | 2D20 | 23  | 60 - 3   | N126603  | 2C8  | 1   | 50 - 31  |
| JD9043   | 2C16 | 19  | 50 - 41  | M43835   | 1F7  | 2   | 40 - 5   | N126612  | 2C6  | 11  | 50 - 29  |
| JD9043   | 2E23 | 12  | 60 - 31  | M44269   | 3G11 | 3   | 110 - 18 | N126612  | 2C13 | 33  | 50 - 37  |
| JD9058   | 4G6  | 8   | 160 - 16 | M45123   | 4B23 | 3   | 140 - 25 | N126641  | 2C11 | 10  | 50 - 35  |

**NUMERICAL INDEX - CONTINUED**

| PART NO. | GRID | KEY | PAGE   | PART NO. | GRID | KEY | PAGE   | PART NO. | GRID | KEY | PAGE   |
|----------|------|-----|--------|----------|------|-----|--------|----------|------|-----|--------|
| N126644  | 2C8  | 39  | 50-31  | PF80173  | 4F11 | 3   | 155-11 | RE12363  | 1F21 | 57  | 40-21  |
| N126654  | 2C14 | 4   | 50-38  | PF80174  | 1H17 | 6   | 40-71  | RE12363  | 1F21 | 58  | 40-21  |
| N12679   | 2E6  | 26  | 60-13  | PF80174  | 4F11 | 4   | 155-11 | RE12363  | 1F21 | 63  | 40-21  |
| N12679   | 4G12 | 26  | 160-23 | PF80209  | 4F5  | 3   | 155-5  | RE12363  | 1F24 | 3   | 40-25  |
| N128541  | 2C14 | 5   | 50-38  | PF80314  | 4F3  | 1   | 155-3  | RE12363  | 1F24 | 8   | 40-25  |
| N130510  | 2C14 | 8   | 50-38  | PF80316  | 4F5  | 7   | 155-5  | RE12363  | 1F24 | 9   | 40-25  |
| N134803  | 3G20 | 7   | 110-27 | PF80334  | 4F14 | 2   | 155-14 | RE12363  | 1G2  | 3   | 40-29  |
| N134803  | 4C10 | 27  | 140-37 | PF80335  | 4F14 | 1   | 155-14 | RE12363  | 1G2  | 8   | 40-29  |
| N139123  | 4B16 | 26  | 140-15 | PF80338  | 4F14 | 3   | 155-14 | RE12363  | 1G2  | 9   | 40-29  |
| N14822   | 2D6  | 18  | 50-57  | PF80339  | 4F15 | 3   | 155-15 | RE12363  | 1G4  | 34  | 40-31  |
| N15254   | 3J25 | 2   | 130-18 | PF80339  | 4F15 | 4   | 155-15 | RE12363  | 1G6  | 4   | 40-33  |
| N15764   | 3I12 | 4   | 125-11 | PF80339  | 4F15 | 5   | 155-15 | RE12363  | 1G8  | 11  | 40-35  |
| N191174  | 2C6  | 14  | 50-29  | PF80339  | 4F16 | 3   | 155-17 | RE12363  | 1G10 | 15  | 40-37  |
| N191174  | 2C13 | 29  | 50-37  | PF80339  | 4F16 | 4   | 155-17 | RE12363  | 1G17 | 1   | 40-44  |
| N196034  | 2C6  | 16  | 50-29  | PF80339  | 4F16 | 5   | 155-17 | RE12363  | 1G18 | 2   | 40-45  |
| N196034  | 2C13 | 27  | 50-37  | PF80370  | 4F5  | 8   | 155-5  | RE12363  | 1G19 | 6   | 40-46  |
| N197422  | 2B23 | 13  | 50-21  | PF90091  | 4F5  | ..  | 155-5  | RE12363  | 1H13 | 6   | 40-66  |
| N199920  | 2B17 | 2   | 50-14  | PM797NA  | 1F9  | 57  | 40-7   | RE12363  | 2G14 | 13  | 70-37  |
| N205022  | 2F4  | 10  | 70-1   | PM797NA  | 1F11 | 40  | 40-9   | RE12363  | 4B6  | 15  | 140-5  |
| N206575  | 2I14 | 11  | 80-13  | PT2314   | 3B5  | 4   | 90-5   | RE12363  | 4F9  | 16  | 155-9  |
| N209312  | 2F4  | 5   | 70-1   | P43363   | 4C24 | 26  | 140-51 | RE12364  | 1F5  | 16  | 40-3   |
| N218670  | 1G6  | 9   | 40-33  | P43969   | 2B19 | 25  | 50-17  | RE12364  | 1F19 | 14  | 40-19  |
| N276474  | 2C2  | 23  | 50-25  | P44439   | 3K5  | 6   | 130-23 | RE12364  | 1F19 | 15  | 40-19  |
| N276475  | 2C2  | 23  | 50-25  | P45750   | 2H14 | 2   | 70-61  | RE12364  | 1F24 | 18  | 40-25  |
| N276699  | 2B12 | 6   | 50-9   | P46369   | 2C2  | 22  | 50-25  | RE12364  | 1G2  | 19  | 40-29  |
| N31772   | 2C24 | 8   | 50-51  | P46402   | 3E8  | 1   | 100-17 | RE12364  | 4F7  | 17  | 155-7  |
| N31772   | 4B6  | 45  | 140-5  | P46402   | 3F13 | 20  | 100-47 | RE12365  | 1F5  | 20  | 40-3   |
| N34986   | 2G18 | 12  | 70-41  | P46402   | 3J4  | 9   | 125-27 | RE12365  | 1F16 | 29  | 40-15  |
| N52258   | 3H2  | 7   | 120-5  | P46402   | 4B25 | 8   | 140-27 | RE12366  | 1F5  | 25  | 40-3   |
| N61654   | 3E8  | 13  | 100-17 | P46402   | 4C8  | 12  | 140-35 | RE12366  | 1F16 | 34  | 40-15  |
| N61654   | 4B25 | 3   | 140-27 | P46402   | 4C14 | 8   | 140-41 | RE12366  | 1H10 | 1   | 40-63  |
| N61709   | 4D13 | 40  | 150-5  | P46402   | 4C22 | 17  | 140-49 | RE151331 | 3B21 | 16  | 90-21  |
| N71921   | 4D19 | 4   | 150-11 | P46402   | 4D7  | 11  | 140-59 | RE153074 | 3D3  | 18  | 95-3   |
| N71922   | 3E2  | 20  | 100-11 | P46770   | 4B8  | 4   | 140-7  | RE154318 | 3D8  | 4   | 95-8   |
| N72989   | 4E6  | 15  | 150-23 | P46874   | 3F15 | 5   | 100-49 | RE154319 | 3D8  | 2   | 95-8   |
| N72989   | 4E12 | 1   | 150-29 | P46874   | 3I14 | 10  | 125-13 | RE155577 | 1B20 | 6   | 20-18  |
| PF10034  | 4F9  | 3   | 155-9  | P47159   | 2I4  | 17  | 80-3   | RE160416 | 1G21 | 6   | 40-49  |
| PF10035  | 4F9  | 17  | 155-9  | P48347   | 1H15 | 7   | 40-69  | RE160421 | 1G21 | 6   | 40-49  |
| PF10106  | 1H17 | 8   | 40-71  | P48347   | 2C9  | 17  | 50-32  | RE160425 | 1G21 | 6   | 40-49  |
| PF10106  | 4F9  | 8   | 155-9  | P48347   | 2F4  | 4   | 70-1   | RE21364  | 1F16 | 33  | 40-15  |
| PF10123  | 4F3  | 8   | 155-3  | P48347   | 3F11 | 7   | 100-45 | RE21790  | 1E13 | 9   | 30-12  |
| PF10134  | 4F3  | 2   | 155-3  | P48403   | 2C8  | 30  | 50-31  | RE21790  | 1E14 | 4   | 30-13  |
| PF10135  | 4F3  | 3   | 155-3  | P48691   | 4B19 | 28  | 140-19 | RE22642  | 2C16 | 16  | 50-41  |
| PF10144  | 4F15 | 1   | 155-15 | P5403H   | 3G6  | 3   | 110-13 | RE22764  | 1C20 | 5   | 25-13  |
| PF10144  | 4F16 | 1   | 155-17 | RE10258  | 1E8  | 4   | 30-7   | RE24045  | 1D1  | 11  | 25-20  |
| PF10173  | 4F7  | 9   | 155-7  | RE11156  | 1F9  | 36  | 40-7   | RE24046  | 1D1  | 13  | 25-20  |
| PF10218  | 1H17 | 12  | 40-71  | RE11157  | 1F9  | 37  | 40-7   | RE24307  | 2F12 | 3   | 70-9   |
| PF10218  | 4F9  | 6   | 155-9  | RE12325  | 2E24 | 11  | 60-32  | RE27837  | 2C19 | 5   | 50-44  |
| PF10240  | 4F3  | 5   | 155-3  | RE12325  | 2E25 | 7   | 60-33  | RE28217  | 1E6  | 20  | 30-5   |
| PF10349  | 4F9  | 12  | 155-9  | RE12326  | 2E24 | 1   | 60-32  | RE32824  | 2C16 | 10  | 50-41  |
| PF10350  | 4F7  | 4   | 155-7  | RE12326  | 2E25 | 1   | 60-33  | RE32856  | 1D12 | 12  | 25-33  |
| PF10350  | 4F7  | 21  | 155-7  | RE12330  | 1F5  | 14  | 40-3   | RE33336  | 2C16 | ..  | 50-41  |
| PF80000  | 4F7  | 1   | 155-7  | RE12331  | 1F5  | 12  | 40-3   | RE33336  | 2C18 | ..  | 50-43  |
| PF80016  | 4F3  | ..  | 155-3  | RE12332  | 1F5  | 18  | 40-3   | RE33337  | 2C16 | ..  | 50-41  |
| PF80022  | 1H17 | 7   | 40-71  | RE12333  | 1F5  | 21  | 40-3   | RE33337  | 2C18 | ..  | 50-43  |
| PF80022  | 4F9  | 7   | 155-9  | RE12334  | 1F5  | 8   | 40-3   | RE33338  | 2C16 | ..  | 50-41  |
| PF80045  | 4F9  | 4   | 155-9  | RE12362  | 1F5  | 4   | 40-3   | RE33338  | 2C18 | ..  | 50-43  |
| PF80047  | 4F7  | 3   | 155-7  | RE12363  | 1F5  | 11  | 40-3   | RE33339  | 2C16 | ..  | 50-41  |
| PF80058  | 4F9  | 2   | 155-9  | RE12363  | 1F19 | 10  | 40-19  | RE33339  | 2C18 | ..  | 50-43  |
| PF80136  | 4F13 | 2   | 155-13 | RE12363  | 1F19 | 12  | 40-19  | RE33636  | 1E13 | 8   | 30-12  |
| PF80137  | 4F14 | 2   | 155-14 | RE12363  | 1F19 | 26  | 40-19  | RE34128  | 1E8  | 4   | 30-7   |
| PF80139  | 4F14 | 1   | 155-14 | RE12363  | 1F21 | 39  | 40-21  | RE35161  | 3B15 | 1   | 90-15  |
| PF80150  | 4F5  | 8   | 155-5  | RE12363  | 1F21 | 42  | 40-21  | RE36151  | 1E7  | 4   | 30-6   |
| PF80152  | 1H17 | 1   | 40-71  | RE12363  | 1F21 | 46  | 40-21  | RE39131  | 2C18 | 6   | 50-43  |
| PF80152  | 4F9  | 1   | 155-9  | RE12363  | 1F21 | 47  | 40-21  | RE39134  | 1D15 | 10  | 25-37  |
| PF80156  | 4F5  | 7   | 155-5  | RE12363  | 1F21 | 54  | 40-21  | RE40048  | 1E22 | 4   | 30-21  |
| PF80173  | 1H17 | 4   | 40-71  | RE12363  | 1F21 | 55  | 40-21  | RE42195  | 4F13 | 8   | 155-13 |

**NUMERICAL INDEX - CONTINUED**

| PART NO. | GRID | KEY | PAGE     | PART NO. | GRID | KEY | PAGE     | PART NO. | GRID | KEY | PAGE     |
|----------|------|-----|----------|----------|------|-----|----------|----------|------|-----|----------|
| RE42196  | 4F13 | 11  | 155 - 13 | RE57167  | 1C15 | 7   | 25 - 8   | RE70689  | 1C12 | 1   | 25 - 5   |
| RE43526  | 3B21 | 5   | 90 - 21  | RE57167  | 1C17 | 7   | 25 - 10  | RE70689  | 1C14 | 1   | 25 - 7   |
| RE46252  | 1E6  | 18  | 30 - 5   | RE57170  | 1C19 | 3   | 25 - 12  | RE70756  | 1H8  | 6   | 40 - 61  |
| RE46375  | 1E8  | 6   | 30 - 7   | RE57172  | 1C18 | 3   | 25 - 11  | RE70773  | 1F19 | 30  | 40 - 19  |
| RE46609  | 3D11 | ..  | 95 - 11  | RE57172  | 1C19 | 3   | 25 - 12  | RE70773  | 1G10 | 20  | 40 - 37  |
| RE46962  | 3C6  | 31  | 90 - 31  | RE57173  | 1C19 | 3   | 25 - 12  | RE70957  | 1H8  | 7   | 40 - 61  |
| RE48310  | 1E13 | 5   | 30 - 12  | RE57175  | 1C19 | 2   | 25 - 12  | RE71121  | 1H20 | 2   | 40 - 74  |
| RE48321  | 1E13 | 3   | 30 - 12  | RE57177  | 1C18 | 5   | 25 - 11  | RE71255  | 1D10 | 20  | 25 - 31  |
| RE49243  | 2C16 | 1   | 50 - 41  | RE57177  | 1C19 | 2   | 25 - 12  | RE71255  | 1D18 | 1   | 25 - 40  |
| RE49243  | 2E23 | 2   | 60 - 31  | RE57178  | 1C19 | 2   | 25 - 12  | RG24026  | 1C25 | ..  | 25 - 19  |
| RE500186 | 1E16 | 20  | 30 - 15  | RE57186  | 1D23 | 19  | 25 - 47  | RV702A   | 2D20 | 25  | 60 - 3   |
| RE500187 | 1E16 | 21  | 30 - 15  | RE57187  | 1D23 | 38  | 25 - 47  | RV810A   | 3I8  | 3   | 125 - 7  |
| RE500216 | 1D13 | 1   | 25 - 34  | RE57190  | 1D15 | 2   | 25 - 37  | RV810A   | 3I10 | 17  | 125 - 9  |
| RE500318 | 1D12 | 11  | 25 - 33  | RE57394  | 1D10 | 9   | 25 - 31  | RV810A   | 3I22 | 14  | 125 - 21 |
| RE500803 | 1E4  | 21  | 30 - 3   | RE57561  | 1D10 | 1   | 25 - 31  | R100569  | 1D5  | 10  | 25 - 25  |
| RE500917 | 1D24 | 3   | 25 - 48  | RE57561  | 1D20 | 10  | 25 - 43  | R100569  | 1D6  | 1   | 25 - 26  |
| RE501513 | 1C15 | 6   | 25 - 8   | RE57604  | 1D24 | 6   | 25 - 48  | R100569  | 1D23 | 31  | 25 - 47  |
| RE501737 | 1C25 | 15  | 25 - 19  | RE57733  | 1C21 | 4   | 25 - 14  | R100727  | 2C16 | 21  | 50 - 41  |
| RE501970 | 1E4  | 17  | 30 - 3   | RE57750  | 1C25 | 18  | 25 - 19  | R100747  | 1D20 | 18  | 25 - 43  |
| RE502154 | 1D15 | 9   | 25 - 37  | RE57836  | 1D15 | 12  | 25 - 37  | R10093   | 3D9  | 14  | 95 - 9   |
| RE502404 | 1E6  | 1   | 30 - 5   | RE58780  | 1C17 | 9   | 25 - 10  | R10093   | 3D10 | 5   | 95 - 10  |
| RE502510 | 1C21 | 4   | 25 - 14  | RE58781  | 1C18 | 9   | 25 - 11  | R102882  | 1C25 | 5   | 25 - 19  |
| RE502650 | 1E6  | 4   | 30 - 5   | RE60546  | 1D6  | 2   | 25 - 26  | R104587  | 1C16 | 3   | 25 - 9   |
| RE502932 | 1E4  | 7   | 30 - 3   | RE60577  | 1E6  | 16  | 30 - 5   | R104587  | 1C17 | 2   | 25 - 10  |
| RE502933 | 1E4  | 6   | 30 - 3   | RE60622  | 1D5  | 15  | 25 - 25  | R104587  | 1C18 | 2   | 25 - 11  |
| RE503234 | 1E6  | 1   | 30 - 5   | RE61253  | 1C17 | 4   | 25 - 10  | R104589  | 1C23 | 6   | 25 - 16  |
| RE503234 | 1G24 | 4   | 40 - 52  | RE61253  | 1C19 | 1   | 25 - 12  | R104592  | 1C10 | 12  | 25 - 3   |
| RE503256 | 1E4  | 20  | 30 - 3   | RE61267  | 1C17 | 9   | 25 - 10  | R104621  | 1D10 | 18  | 25 - 31  |
| RE503256 | 1E10 | 6   | 30 - 9   | RE61268  | 1C18 | 9   | 25 - 11  | R104628  | 1D5  | 14  | 25 - 25  |
| RE503528 | 1C15 | 8   | 25 - 8   | RE61658  | 1E6  | 24  | 30 - 5   | R104628  | 1D6  | 3   | 25 - 26  |
| RE504121 | 1B23 | 7   | 20 - 21  | RE61693  | 1E12 | 13  | 30 - 11  | R104656  | 1C22 | 9   | 25 - 15  |
| RE504122 | 1B23 | 7   | 20 - 21  | RE61851  | 1C18 | 4   | 25 - 11  | R104656  | 1C23 | 5   | 25 - 16  |
| RE504139 | 1E12 | 2   | 30 - 11  | RE61851  | 1C19 | 1   | 25 - 12  | R104846  | 4F9  | 20  | 155 - 9  |
| RE504195 | 1C17 | 3   | 25 - 10  | RE62718  | 4G6  | 2   | 160 - 16 | R104846  | 4F13 | 6   | 155 - 13 |
| RE504198 | 1C17 | 5   | 25 - 10  | RE62719  | 4G3  | 2   | 160 - 12 | R104859  | 1C22 | 5   | 25 - 15  |
| RE504202 | 1C14 | 1   | 25 - 7   | RE62776  | 1D23 | 3   | 25 - 47  | R104919  | 4F9  | 27  | 155 - 9  |
| RE504203 | 1C12 | 1   | 25 - 5   | RE62777  | 1D23 | 4   | 25 - 47  | R104919  | 4F13 | 10  | 155 - 13 |
| RE504635 | 1E6  | 3   | 30 - 5   | RE62791  | 1C14 | 1   | 25 - 7   | R104927  | 1G4  | 6   | 40 - 31  |
| RE51052  | 3D11 | 2   | 95 - 11  | RE62791  | 1C15 | 10  | 25 - 8   | R104927  | 1G4  | 31  | 40 - 31  |
| RE51234  | 1G4  | 43  | 40 - 31  | RE63439  | 1D12 | 2   | 25 - 33  | R105346  | 1D20 | 11  | 25 - 43  |
| RE52454  | 3D11 | 1   | 95 - 11  | RE63439  | 1D12 | 15  | 25 - 33  | R105346  | 1D23 | 14  | 25 - 47  |
| RE52504  | 1E16 | 2   | 30 - 15  | RE63932  | 1E20 | 6   | 30 - 19  | R107890  | 3C12 | 10  | 90 - 37  |
| RE52506  | 3D13 | 1   | 95 - 13  | RE64134  | 1D20 | 12  | 25 - 43  | R108699  | 1E9  | 7   | 30 - 8   |
| RE52507  | 3D14 | 1   | 95 - 14  | RE64767  | 1D20 | 2   | 25 - 43  | R108700  | 1E9  | 8   | 30 - 8   |
| RE52508  | 3D13 | 3   | 95 - 13  | RE65265  | 1E8  | 1   | 30 - 7   | R108701  | 1E9  | 9   | 30 - 8   |
| RE52509  | 3D15 | 1   | 95 - 15  | RE65407  | 1C15 | 10  | 25 - 8   | R108867  | 1D8  | 5   | 25 - 28  |
| RE52510  | 3D13 | 2   | 95 - 13  | RE65787  | 1E12 | 5   | 30 - 11  | R109625  | 1D7  | 1   | 25 - 27  |
| RE52702  | 1C2  | 6   | 20 - 25  | RE65814  | 3D10 | 10  | 95 - 10  | R109625  | 1D23 | 32  | 25 - 47  |
| RE54244  | 1E12 | 10  | 30 - 11  | RE65815  | 3D3  | 5   | 95 - 3   | R110126  | 1C23 | 2   | 25 - 16  |
| RE54245  | 1E12 | 12  | 30 - 11  | RE65815  | 3D5  | 10  | 95 - 5   | R110126  | 1D1  | 15  | 25 - 20  |
| RE55475  | 1C25 | 19  | 25 - 19  | RE65816  | 3C2  | 11  | 90 - 27  | R11086   | 1C22 | 6   | 25 - 15  |
| RE55475  | 1D23 | 11  | 25 - 47  | RE66351  | 1D20 | 2   | 25 - 43  | R11086   | 1D15 | 5   | 25 - 37  |
| RE55522  | 1C16 | 5   | 25 - 9   | RE67013  | 1F14 | 5   | 40 - 13  | R111156  | 3D21 | 5   | 100 - 5  |
| RE55522  | 1D24 | 1   | 25 - 48  | RE67014  | 1F14 | 8   | 40 - 13  | R111692  | 1H15 | 3   | 40 - 69  |
| RE55662  | 1E4  | 11  | 30 - 3   | RE67015  | 1F14 | 6   | 40 - 13  | R111692  | 3F11 | 3   | 100 - 45 |
| RE56165  | 1H15 | 9   | 40 - 69  | RE67934  | 1E6  | 9   | 30 - 5   | R111995  | 2C16 | 1   | 50 - 41  |
| RE56165  | 3F11 | 9   | 100 - 45 | RE68318  | 1D15 | 6   | 25 - 37  | R112053  | 1C23 | 7   | 25 - 16  |
| RE57054  | 1C23 | 3   | 25 - 16  | RE68495  | 1F14 | 1   | 40 - 13  | R112268  | 1H6  | 17  | 40 - 59  |
| RE57148  | 1E4  | 5   | 30 - 3   | RE68715  | 1H6  | 4   | 40 - 59  | R112679  | 1H15 | 5   | 40 - 69  |
| RE57149  | 1E4  | 3   | 30 - 3   | RE68722  | 1H6  | 2   | 40 - 59  | R112679  | 3F11 | 5   | 100 - 45 |
| RE57150  | 1E4  | 2   | 30 - 3   | RE68767  | 1D20 | 5   | 25 - 43  | R11278   | 3B5  | 5A  | 90 - 5   |
| RE57151  | 1E4  | 1   | 30 - 3   | RE68767  | 1D21 | 8   | 25 - 44  | R112857  | 2C6  | 12  | 50 - 29  |
| RE57152  | 1E4  | 14  | 30 - 3   | RE68844  | 1D20 | 9   | 25 - 43  | R112857  | 2C13 | 32  | 50 - 37  |
| RE57152  | 1E9  | 5   | 30 - 8   | RE69581  | 1D17 | 16  | 25 - 39  | R113050  | 3D10 | 3   | 95 - 10  |
| RE57152  | 1E9  | 13  | 30 - 8   | RE69704  | 1H8  | 7   | 40 - 61  | R113050  | 3D12 | 2   | 95 - 12  |
| RE57153  | 1E9  | 10  | 30 - 8   | RE70486  | 1H8  | 12  | 40 - 61  | R113164  | 1B21 | 3   | 20 - 19  |
| RE57154  | 1D15 | 11  | 25 - 37  | RE70487  | 1H8  | 10  | 40 - 61  | R113364  | 3B24 | 16  | 90 - 25  |

# 1L19

9650 SELF-PROPELLED COMBINE

## NUMERICAL INDEX - CONTINUED

| PART NO. | GRID | KEY | PAGE     | PART NO. | GRID | KEY | PAGE    | PART NO. | GRID | KEY | PAGE     |
|----------|------|-----|----------|----------|------|-----|---------|----------|------|-----|----------|
| R114022  | 1E16 | 12  | 30 - 15  | R121342  | 1C19 | 3   | 25 - 12 | R130990  | 3B24 | 29  | 90 - 25  |
| R114023  | 1E16 | 11  | 30 - 15  | R121343  | 1C19 | 3   | 25 - 12 | R131002  | 1H6  | 12  | 40 - 59  |
| R114130  | 1C10 | 2   | 25 - 3   | R121346  | 1C18 | 3   | 25 - 11 | R131003  | 1H6  | 10  | 40 - 59  |
| R114130  | 1E6  | 8   | 30 - 5   | R121346  | 1C19 | 3   | 25 - 12 | R131890  | 1H6  | 16  | 40 - 59  |
| R114130  | 1H8  | 14  | 40 - 61  | R121347  | 1C19 | 3   | 25 - 12 | R131949  | 1B18 | 2   | 20 - 16  |
| R114160  | 1D17 | 4   | 25 - 39  | R121350  | 1C18 | 5   | 25 - 11 | R131950  | 1B18 | 3   | 20 - 16  |
| R114203  | 3B24 | 17  | 90 - 25  | R121350  | 1C19 | 2   | 25 - 12 | R132290  | 1D18 | 2   | 25 - 40  |
| R114837  | 1H6  | 3   | 40 - 59  | R121351  | 1C19 | 2   | 25 - 12 | R132396  | 1D8  | 17  | 25 - 28  |
| R115129  | 1C22 | 3   | 25 - 15  | R121354  | 1C18 | 5   | 25 - 11 | R132396  | 1D23 | 37  | 25 - 47  |
| R115471  | 1C12 | 1   | 25 - 5   | R121354  | 1C19 | 2   | 25 - 12 | R132981  | 1H4  | 5   | 40 - 57  |
| R115742  | 3D11 | ..  | 95 - 11  | R121355  | 1C19 | 2   | 25 - 12 | R133998  | 1D17 | 14  | 25 - 39  |
| R115743  | 3D13 | 4   | 95 - 13  | R121489  | 1C25 | 10  | 25 - 19 | R134010  | 1H6  | 14  | 40 - 59  |
| R116081  | 1C15 | 7   | 25 - 8   | R121490  | 1C25 | 7   | 25 - 19 | R134138  | 3B24 | 19  | 90 - 25  |
| R116081  | 1C18 | 7   | 25 - 11  | R121491  | 1C25 | 6   | 25 - 19 | R134602  | 1D8  | 4   | 25 - 28  |
| R116082  | 1C19 | 3   | 25 - 12  | R121765  | 1C10 | 3   | 25 - 3  | R135175  | 1D24 | 7   | 25 - 48  |
| R116083  | 1C19 | 3   | 25 - 12  | R121765  | 1C12 | 1   | 25 - 5  | R135423  | 1H6  | 11  | 40 - 59  |
| R116084  | 1C17 | 4   | 25 - 10  | R121765  | 1D13 | 2   | 25 - 34 | R135509  | 1H8  | 11  | 40 - 61  |
| R116084  | 1C19 | 2   | 25 - 12  | R122364  | 1C10 | 20  | 25 - 3  | R135510  | 1H8  | 9   | 40 - 61  |
| R116085  | 1C17 | 4   | 25 - 10  | R122419  | 1C25 | 18  | 25 - 19 | R135728  | 1B20 | 1   | 20 - 18  |
| R116085  | 1C17 | 5   | 25 - 10  | R122430  | 1D15 | 8   | 25 - 37 | R135895  | 1D12 | 7   | 25 - 33  |
| R116085  | 1C19 | 2   | 25 - 12  | R122492  | 1C25 | 18  | 25 - 19 | R136083  | 1D1  | 3   | 25 - 20  |
| R116233  | 1D7  | 2   | 25 - 27  | R122595  | 1D21 | 2   | 25 - 44 | R136320  | 1C25 | 3   | 25 - 19  |
| R116311  | 1C16 | 4   | 25 - 9   | R122618  | 1D20 | 14  | 25 - 43 | R150659  | 3B24 | 40  | 90 - 25  |
| R116311  | 1C17 | 8   | 25 - 10  | R122653  | 1C17 | 9   | 25 - 10 | R150660  | 3B24 | 25  | 90 - 25  |
| R116311  | 1C18 | 8   | 25 - 11  | R122654  | 1C18 | 9   | 25 - 11 | R154320  | 3D8  | 5   | 95 - 8   |
| R116311  | 1D24 | 2   | 25 - 48  | R12363   | 1F16 | 2   | 40 - 15 | R159807  | 3D5  | 11  | 95 - 5   |
| R116718  | 1D5  | 12  | 25 - 25  | R12363   | 1F16 | 3   | 40 - 15 | R1612R   | 1C10 | 10  | 25 - 3   |
| R116718  | 1D7  | 6   | 25 - 27  | R12363   | 1F16 | 9   | 40 - 15 | R1818R   | 2B17 | 4   | 50 - 14  |
| R117073  | 1D10 | 6   | 25 - 31  | R12363   | 1F16 | 18  | 40 - 15 | R1964R   | 4C16 | 22  | 140 - 43 |
| R117569  | 3B24 | 20  | 90 - 25  | R12365   | 1G18 | 5   | 40 - 45 | R20135   | 4C2  | 3   | 140 - 29 |
| R117879  | 1B15 | 22  | 20 - 13  | R124186  | 1D10 | 13  | 25 - 31 | R21612   | 2E2  | 27  | 60 - 9   |
| R119132  | 1C25 | 12  | 25 - 19  | R124211  | 1D17 | 6   | 25 - 39 | R21722   | 4G16 | 12  | 160 - 27 |
| R119223  | 1E12 | 11  | 30 - 11  | R124211  | 1D23 | 8   | 25 - 47 | R26058   | 1C20 | 4   | 25 - 13  |
| R119383  | 1D15 | 4   | 25 - 37  | R124328  | 1D5  | 15  | 25 - 25 | R26058   | 1D23 | 33  | 25 - 47  |
| R119383  | 1D23 | 20  | 25 - 47  | R124381  | 1C19 | 1   | 25 - 12 | R26079   | 1D1  | 8   | 25 - 20  |
| R119384  | 1C22 | 2   | 25 - 15  | R124607  | 1D17 | 15  | 25 - 39 | R26081   | 1D1  | 2   | 25 - 20  |
| R119384  | 1D23 | 22  | 25 - 47  | R124607  | 1D23 | 7   | 25 - 47 | R26192   | 3C6  | 28  | 90 - 31  |
| R119847  | 1D10 | 12  | 25 - 31  | R124741  | 1D15 | 21  | 25 - 37 | R26192   | 3C6  | 30  | 90 - 31  |
| R119847  | 1D23 | 28  | 25 - 47  | R124842  | 1C18 | 4   | 25 - 11 | R26207   | 2B16 | 6   | 50 - 13  |
| R120181  | 1E4  | 4   | 30 - 3   | R124842  | 1C19 | 1   | 25 - 12 | R26265   | 2B21 | 7   | 50 - 19  |
| R120182  | 1E4  | 4   | 30 - 3   | R124859  | 3B24 | 18  | 90 - 25 | R26333   | 1D24 | 4   | 25 - 48  |
| R120183  | 1E4  | 8   | 30 - 3   | R124859  | 3B24 | 21  | 90 - 25 | R26375   | 2B17 | 10  | 50 - 14  |
| R120183  | 1E4  | 9   | 30 - 3   | R124898  | 3B24 | 26  | 90 - 25 | R26375   | 2C21 | 12  | 50 - 47  |
| R120183  | 1E4  | 10  | 30 - 3   | R124903  | 3B24 | 38  | 90 - 25 | R26375   | 2D12 | 1   | 50 - 63  |
| R120184  | 1E4  | 8   | 30 - 3   | R124963  | 1B20 | 3   | 20 - 18 | R26375   | 2E10 | 5   | 60 - 17  |
| R120184  | 1E4  | 9   | 30 - 3   | R125025  | 1D15 | 1   | 25 - 37 | R26375   | 2E12 | 1   | 60 - 19  |
| R120185  | 1E4  | 4   | 30 - 3   | R125025  | 1D17 | 12  | 25 - 39 | R26375   | 2F4  | 9   | 70 - 1   |
| R120185  | 1E4  | 10  | 30 - 3   | R125027  | 1C20 | 3   | 25 - 13 | R26375   | 2F6  | 1   | 70 - 3   |
| R120186  | 1E4  | 8   | 30 - 3   | R125072  | 1D15 | 22  | 25 - 37 | R26375   | 2F24 | 4   | 70 - 22  |
| R120186  | 1E4  | 9   | 30 - 3   | R125183  | 1C21 | 4   | 25 - 14 | R26375   | 2G8  | 1   | 70 - 31  |
| R120187  | 1D20 | 13  | 25 - 43  | R126337  | 1D7  | 5   | 25 - 27 | R26375   | 2G10 | 10  | 70 - 33  |
| R120461  | 4B16 | 9   | 140 - 15 | R126355  | 3C2  | 26  | 90 - 27 | R26375   | 2G12 | 8   | 70 - 35  |
| R120752  | 1C16 | 2   | 25 - 9   | R127181  | 1E9  | 11  | 30 - 8  | R26375   | 2H4  | 5   | 70 - 51  |
| R120752  | 1C17 | 1   | 25 - 10  | R127224  | 3B24 | 34  | 90 - 25 | R26375   | 2H6  | 3   | 70 - 53  |
| R120752  | 1C18 | 1   | 25 - 11  | R127297  | 1D8  | 11  | 25 - 28 | R26375   | 2H10 | 33  | 70 - 57  |
| R120872  | 1C23 | 3   | 25 - 16  | R127873  | 1D12 | 2   | 25 - 33 | R26375   | 2H12 | 9   | 70 - 59  |
| R120953  | 1C10 | 21  | 25 - 3   | R127873  | 1D12 | 16  | 25 - 33 | R26375   | 2H23 | 14  | 70 - 71  |
| R120954  | 1C10 | 21  | 25 - 3   | R128232  | 3B24 | 28  | 90 - 25 | R26375   | 3D21 | 3   | 100 - 5  |
| R121163  | 1D8  | 8   | 25 - 28  | R128662  | 1B21 | 5   | 20 - 19 | R26375   | 3D23 | 20  | 100 - 7  |
| R121164  | 1E6  | 6   | 30 - 5   | R128694  | 1D10 | 2   | 25 - 31 | R26375   | 3E2  | 33  | 100 - 11 |
| R121193  | 1C25 | 13  | 25 - 19  | R128893  | 1B20 | 5   | 20 - 18 | R26375   | 3E2  | 39  | 100 - 11 |
| R121195  | 1E6  | 5   | 30 - 5   | R129820  | 1D10 | 10  | 25 - 31 | R26375   | 3F5  | 1   | 100 - 39 |
| R121316  | 1D15 | 7   | 25 - 37  | R129821  | 1D10 | 16  | 25 - 31 | R26375   | 3I14 | 15  | 125 - 13 |
| R121320  | 1C25 | 8   | 25 - 19  | R130573  | 1D18 | 4   | 25 - 40 | R26375   | 4B6  | 2   | 140 - 5  |
| R121338  | 1C15 | 7   | 25 - 8   | R130573  | 1D23 | 13  | 25 - 47 | R26375   | 4B16 | 32  | 140 - 15 |
| R121338  | 1C17 | 7   | 25 - 10  | R130988  | 3B24 | 37  | 90 - 25 | R26375   | 4C10 | 35  | 140 - 37 |
| R121342  | 1C18 | 3   | 25 - 11  | R130989  | 3B24 | 39  | 90 - 25 | R26375   | 4D23 | 8   | 150 - 15 |

## NUMERICAL INDEX - CONTINUED

| PART NO. | GRID | KEY | PAGE   | PART NO. | GRID | KEY | PAGE   | PART NO. | GRID | KEY | PAGE   |
|----------|------|-----|--------|----------|------|-----|--------|----------|------|-----|--------|
| R26375   | 4G16 | 15  | 160-27 | R27474   | 1D12 | 14  | 25-33  | R35192   | 4G3  | 15  | 160-12 |
| R26448   | 1E8  | 3   | 30-7   | R27474   | 2F22 | 34  | 70-20  | R35192   | 4G6  | 15  | 160-16 |
| R26448   | 1E16 | 31  | 30-15  | R27474   | 4B8  | 32  | 140-7  | R35352   | 2C2  | 10  | 50-25  |
| R26448   | 2C9  | 20  | 50-32  | R27564   | 2F22 | 14  | 70-20  | R35542   | 4C14 | 23  | 140-41 |
| R26448   | 2C11 | 19  | 50-35  | R27564   | 4B19 | 42  | 140-19 | R35542   | 4C22 | 8   | 140-49 |
| R26448   | 2C13 | 11  | 50-37  | R27796   | 2B23 | 7   | 50-21  | R35542   | 4E14 | 3   | 150-31 |
| R26448   | 2C24 | 27  | 50-51  | R27928   | 2F23 | 6   | 70-21  | R35794   | 2E10 | 16  | 60-17  |
| R26448   | 2D8  | 10  | 50-59  | R28776   | 2F23 | 1   | 70-21  | R36119   | 1B5  | 17  | 20-3   |
| R26448   | 2E10 | 14  | 60-17  | R28776   | 4B6  | 4   | 140-5  | R36426   | 4G16 | 16  | 160-27 |
| R26448   | 2E18 | 1   | 60-25  | R28782   | 2C8  | 36  | 50-31  | R36599   | 1C10 | 5   | 25-3   |
| R26448   | 2F4  | 12  | 70-1   | R28782   | 2C14 | 10  | 50-38  | R38131   | 4B22 | 36  | 140-23 |
| R26448   | 2F10 | 20  | 70-7   | R28782   | 2C16 | 24  | 50-41  | R39081   | 3D23 | 16  | 100-7  |
| R26448   | 2F17 | 3   | 70-15  | R28782   | 2C24 | 29  | 50-51  | R39081   | 3E2  | 16  | 100-11 |
| R26448   | 2F19 | 3   | 70-17  | R28782   | 2D8  | 17  | 50-59  | R39112   | 2C21 | 13  | 50-47  |
| R26448   | 2F21 | 3   | 70-19  | R28782   | 2F22 | 31  | 70-20  | R39112   | 3D24 | 8   | 100-8  |
| R26448   | 2F22 | 28  | 70-20  | R28782   | 2G2  | 20  | 70-25  | R39112   | 3E2  | 37  | 100-11 |
| R26448   | 2F24 | 8   | 70-22  | R28782   | 2G4  | 19  | 70-27  | R39112   | 3E2  | 40  | 100-11 |
| R26448   | 2G2  | 27  | 70-25  | R28782   | 2H15 | 6   | 70-63  | R39112   | 4C10 | 36  | 140-37 |
| R26448   | 2G8  | 23  | 70-31  | R28782   | 3F5  | 9   | 100-39 | R394R    | 2B19 | 7   | 50-17  |
| R26448   | 2G16 | 11  | 70-39  | R28782   | 4B6  | 14  | 140-5  | R394R    | 3D24 | 3   | 100-8  |
| R26448   | 2G22 | 17  | 70-45  | R28811   | 1C21 | 3   | 25-14  | R39554   | 3C6  | 3   | 90-31  |
| R26448   | 2H8  | 19  | 70-55  | R29936   | 2D6  | 14  | 50-57  | R39554   | 3C6  | 8   | 90-31  |
| R26448   | 2H10 | 27  | 70-57  | R29936   | 2D13 | 9   | 50-64  | R39741   | 1B23 | 2   | 20-21  |
| R26448   | 2H15 | 9   | 70-63  | R29936   | 2E10 | 12  | 60-17  | R39741   | 1C10 | 6   | 25-3   |
| R26448   | 3E2  | 39  | 100-11 | R29936   | 2F6  | 15  | 70-3   | R39876   | 2C16 | 5   | 50-41  |
| R26448   | 4B4  | 9   | 140-3  | R29936   | 2F6  | 24  | 70-3   | R40236   | 1D7  | 4   | 25-27  |
| R26448   | 4B6  | 10  | 140-5  | R29936   | 2F8  | 15  | 70-5   | R40915   | 1H15 | 6   | 40-69  |
| R26448   | 4D23 | 7   | 150-15 | R29936   | 2G20 | 22  | 70-43  | R41076   | 1H15 | 2   | 40-69  |
| R26448   | 4E19 | 14  | 150-37 | R29936   | 2G24 | 2   | 70-47  | R41076   | 3F11 | 2   | 100-45 |
| R26501   | 3C4  | 30  | 90-29  | R29936   | 2H19 | 5   | 70-67  | R41934   | 1C16 | 1   | 25-9   |
| R26524   | 3C4  | 32  | 90-29  | R29936   | 2H21 | 13  | 70-69  | R41934   | 1C17 | 6   | 25-10  |
| R26559   | 1D1  | 4   | 25-20  | R30378   | 1F9  | 43  | 40-7   | R41934   | 1C18 | 6   | 25-11  |
| R26650   | 2C16 | 15  | 50-41  | R30399   | 2E21 | 15  | 60-29  | R42009   | 2E4  | 6   | 60-11  |
| R26650   | 2C18 | 5   | 50-43  | R30903   | 2C8  | 19  | 50-31  | R42340   | 1C10 | 9   | 25-3   |
| R26650   | 4G8  | 11  | 160-19 | R30903   | 2G4  | 14  | 70-27  | R42408   | 1B15 | 4   | 20-13  |
| R26748   | 1D1  | 12  | 25-20  | R31378   | 3F7  | 2   | 100-41 | R42729   | 1B19 | 2   | 20-17  |
| R26871   | 1H15 | 4   | 40-69  | R31674   | 2C24 | 24  | 50-51  | R42926   | 2C24 | 1   | 50-51  |
| R26871   | 3F11 | 4   | 100-45 | R32011   | 1F11 | 8   | 40-9   | R42926   | 4B6  | 38  | 140-5  |
| R26906   | 2C8  | 6   | 50-31  | R32016   | 1F11 | 10  | 40-9   | R43305   | 4B8  | 6   | 140-7  |
| R26906   | 2C14 | 2   | 50-38  | R32017   | 1F11 | 11  | 40-9   | R43383   | 3H8  | 16  | 120-11 |
| R26906   | 2F6  | 14  | 70-3   | R32017   | 1F16 | 16  | 40-15  | R43383   | 3H14 | 20  | 120-17 |
| R26906   | 2F8  | 1   | 70-5   | R32018   | 1F11 | 12  | 40-9   | R43409   | 1C10 | 1   | 25-3   |
| R26906   | 2F22 | 17  | 70-20  | R32019   | 1F11 | 13  | 40-9   | R43621   | 1C10 | 13  | 25-3   |
| R26906   | 2F22 | 33  | 70-20  | R32021   | 1F11 | 14  | 40-9   | R43660   | 1D10 | 9A  | 25-31  |
| R26906   | 2F23 | 14  | 70-21  | R32022   | 1F11 | 15  | 40-9   | R44302   | 1G19 | 9   | 40-46  |
| R26906   | 2G5  | 16  | 70-28  | R32023   | 1F11 | 16  | 40-9   | R44302   | 2E6  | 1   | 60-13  |
| R26906   | 2G20 | 19  | 70-43  | R32023   | 1F16 | 36  | 40-15  | R44302   | 2G12 | 13  | 70-35  |
| R26906   | 2G24 | 5   | 70-47  | R32024   | 1F12 | 3   | 40-10  | R44302   | 2H12 | 10  | 70-59  |
| R26906   | 2H2  | 13  | 70-49  | R32025   | 1F12 | 4   | 40-10  | R44302   | 3G18 | 8   | 110-25 |
| R26906   | 2H21 | 11  | 70-69  | R32026   | 1F9  | 48  | 40-7   | R44342   | 3C6  | 38  | 90-31  |
| R26906   | 2H23 | 10  | 70-71  | R32026   | 1F11 | 17  | 40-9   | R45182   | 2C24 | 23  | 50-51  |
| R26906   | 3D23 | 33  | 100-7  | R32027   | 1F11 | 18  | 40-9   | R45187   | 2C24 | 3   | 50-51  |
| R26906   | 3E2  | 30  | 100-11 | R32028   | 1F11 | 19  | 40-9   | R45187   | 4B6  | 40  | 140-5  |
| R26906   | 4B4  | 2   | 140-3  | R32176   | 1G23 | 8   | 40-51  | R45638   | 2C24 | 4   | 50-51  |
| R26906   | 4B6  | 17  | 140-5  | R32214   | 2C16 | 13  | 50-41  | R45638   | 4B6  | 41  | 140-5  |
| R26906   | 4B8  | 31  | 140-7  | R32214   | 2C22 | 4   | 50-48  | R46414   | 3E10 | 17  | 100-19 |
| R27149   | 1C10 | 16  | 25-3   | R32239   | 2G14 | 12  | 70-37  | R46667   | 2G24 | 11  | 70-47  |
| R27166   | 2C11 | 9   | 50-35  | R33058   | 3E2  | 8   | 100-11 | R46701   | 2C24 | 5   | 50-51  |
| R27175   | 2C13 | 26  | 50-37  | R33079   | 3E2  | 3   | 100-11 | R46701   | 4B6  | 42  | 140-5  |
| R27175   | 2C14 | 1   | 50-38  | R33088   | 3D23 | 5   | 100-7  | R47151   | 1D12 | 10  | 25-33  |
| R27218   | 2C9  | 21  | 50-32  | R33088   | 3E2  | 5   | 100-11 | R47151   | 1D12 | 13  | 25-33  |
| R27218   | 2C11 | 20  | 50-35  | R33138   | 2B17 | 11  | 50-14  | R47153   | 1D8  | 9   | 25-28  |
| R27218   | 2C24 | 28  | 50-51  | R33138   | 4B6  | 1   | 140-5  | R47153   | 1D10 | 7   | 25-31  |
| R27218   | 2F4  | 13  | 70-1   | R33259   | 3D9  | 5   | 95-9   | R47153   | 1D23 | 27  | 25-47  |
| R27218   | 3E2  | 37  | 100-11 | R33259   | 3D10 | 2   | 95-10  | R47160   | 1E14 | 3   | 30-13  |
| R27218   | 4B6  | 13  | 140-5  | R33259   | 3D12 | 3   | 95-12  | R47449   | 4B6  | 26  | 140-5  |
| R27443   | 1D1  | 9   | 25-20  | R33521   | 4B6  | 33  | 140-5  | R47693   | 1B23 | 5   | 20-21  |

## NUMERICAL INDEX - CONTINUED

| PART NO. | GRID | KEY | PAGE     | PART NO. | GRID | KEY | PAGE     | PART NO. | GRID | KEY | PAGE     |
|----------|------|-----|----------|----------|------|-----|----------|----------|------|-----|----------|
| R47998   | 3C6  | 37  | 90 - 31  | R56782   | 4B6  | 6   | 140 - 5  | R66197   | 3E2  | 1   | 100 - 11 |
| R48887   | 1F7  | 17  | 40 - 5   | R56930   | 2H15 | 5   | 70 - 63  | R66319   | 1F11 | 1   | 40 - 9   |
| R48887   | 1G4  | 5   | 40 - 31  | R56930   | 4D25 | 19  | 150 - 17 | R66320   | 1F7  | 24  | 40 - 5   |
| R49376   | 1D12 | 1   | 25 - 33  | R57269   | 2C16 | 7   | 50 - 41  | R66320   | 1F11 | 5   | 40 - 9   |
| R49377   | 1D23 | 30  | 25 - 47  | R57269   | 2E23 | 13  | 60 - 31  | R66321   | 1F7  | 24  | 40 - 5   |
| R495R    | 2B19 | 17  | 50 - 17  | R57696   | 1D5  | 5   | 25 - 25  | R66321   | 1F11 | 4   | 40 - 9   |
| R495R    | 3D24 | 2   | 100 - 8  | R57725   | 1B19 | 1   | 20 - 17  | R66718   | 1B9  | 7   | 20 - 7   |
| R495R    | 3E18 | 3   | 100 - 27 | R57771   | 1C15 | 2   | 25 - 8   | R67092   | 1E12 | 1   | 30 - 11  |
| R49866   | 1D2  | 7   | 25 - 21  | R58186   | 1E4  | 4   | 30 - 3   | R67264   | 1E6  | 13  | 30 - 5   |
| R49866   | 1D23 | 6   | 25 - 47  | R58806   | 3D6  | 3   | 95 - 6   | R67264   | 1E6  | 15  | 30 - 5   |
| R500055  | 1D10 | 3   | 25 - 31  | R59297   | 1E4  | 8   | 30 - 3   | R67377   | 1G17 | 10  | 40 - 44  |
| R500197  | 1D17 | 9   | 25 - 39  | R59297   | 1E4  | 9   | 30 - 3   | R67879   | 1E7  | 8   | 30 - 6   |
| R500330  | 1D10 | 14  | 25 - 31  | R59297   | 1E4  | 10  | 30 - 3   | R67879   | 1E8  | 5   | 30 - 7   |
| R500354  | 1D12 | 2   | 25 - 33  | R60170   | 3D9  | 15  | 95 - 9   | R68102   | 2C18 | 4   | 50 - 43  |
| R500355  | 1D12 | 2   | 25 - 33  | R60172   | 3D9  | 16  | 95 - 9   | R68102   | 2E23 | 16  | 60 - 31  |
| R500355  | 1D12 | 15  | 25 - 33  | R60239   | 2C21 | 4   | 50 - 47  | R68824   | 4B10 | 11  | 140 - 9  |
| R500355  | 1D12 | 16  | 25 - 33  | R60239   | 2E23 | 3   | 60 - 31  | R69536   | 2C16 | 22  | 50 - 41  |
| R500355  | 1D12 | 17  | 25 - 33  | R60277   | 1E9  | 1   | 30 - 8   | R69936   | 1D21 | 3   | 25 - 44  |
| R500413  | 1H2  | 11  | 40 - 55  | R60278   | 1E9  | 4   | 30 - 8   | R70112   | 2B23 | 15  | 50 - 21  |
| R500413  | 1H4  | 19  | 40 - 57  | R60279   | 1E9  | 3   | 30 - 8   | R70113   | 2B23 | 17  | 50 - 21  |
| R500413  | 1H6  | 6   | 40 - 59  | R60730   | 2D20 | 15  | 60 - 3   | R70114   | 2B23 | 18  | 50 - 21  |
| R500642  | 1C10 | 15  | 25 - 3   | R60730   | 3C19 | 6   | 90 - 45  | R70115   | 2B23 | 19  | 50 - 21  |
| R500642  | 1D5  | 1   | 25 - 25  | R61288   | 1C10 | 24  | 25 - 3   | R70210   | 1F9  | 40  | 40 - 7   |
| R501034  | 1C15 | 6   | 25 - 8   | R61497   | 1D3  | 1   | 25 - 22  | R70210   | 1F9  | 41  | 40 - 7   |
| R501035  | 1C14 | 1   | 25 - 7   | R62192   | 4C10 | 21  | 140 - 37 | R70211   | 1F9  | 40  | 40 - 7   |
| R501035  | 1C15 | 4   | 25 - 8   | R62502   | 3D19 | 34  | 100 - 3  | R70211   | 1F9  | 41  | 40 - 7   |
| R501414  | 1C21 | 4   | 25 - 14  | R62502   | 3F17 | 14  | 100 - 51 | R70212   | 1F9  | 40  | 40 - 7   |
| R501465  | 1D15 | 23  | 25 - 37  | R62938   | 1D5  | 2   | 25 - 25  | R70212   | 1F9  | 41  | 40 - 7   |
| R502011  | 1D23 | 21  | 25 - 47  | R63016   | 1E7  | 6   | 30 - 6   | R70213   | 1F9  | 40  | 40 - 7   |
| R502011  | 1H6  | 15  | 40 - 59  | R63308   | 2B19 | 38  | 50 - 17  | R70214   | 1F9  | 40  | 40 - 7   |
| R502081  | 1C22 | 4   | 25 - 15  | R63308   | 2C6  | 10  | 50 - 29  | R70214   | 1F9  | 41  | 40 - 7   |
| R502288  | 1H4  | 6   | 40 - 57  | R63666   | 1G14 | 13  | 40 - 41  | R70215   | 1F9  | 40  | 40 - 7   |
| R50424   | 1D8  | 12  | 25 - 28  | R63667   | 1G14 | 14  | 40 - 41  | R70216   | 1F9  | 40  | 40 - 7   |
| R50424   | 1D23 | 35  | 25 - 47  | R63668   | 1G14 | 15  | 40 - 41  | R70216   | 1F9  | 41  | 40 - 7   |
| R50456   | 3B9  | 9   | 90 - 9   | R63669   | 1G14 | 16  | 40 - 41  | R70217   | 1F9  | 40  | 40 - 7   |
| R50642   | 4D11 | 19  | 150 - 3  | R63670   | 1G14 | 34  | 40 - 41  | R70218   | 1F9  | 40  | 40 - 7   |
| R50770   | 4C6  | 12  | 140 - 33 | R63845   | 1D21 | 5   | 25 - 44  | R70218   | 1F9  | 41  | 40 - 7   |
| R51031   | 2C8  | 33  | 50 - 31  | R63980   | 4B6  | 5   | 140 - 5  | R70219   | 1F9  | 40  | 40 - 7   |
| R51031   | 2C14 | 17  | 50 - 38  | R64056   | 1G12 | 13  | 40 - 39  | R70220   | 1F9  | 50  | 40 - 7   |
| R51031   | 2C16 | 25  | 50 - 41  | R64058   | 1G12 | 16  | 40 - 39  | R70221   | 1F9  | 39  | 40 - 7   |
| R51031   | 2C24 | 21  | 50 - 51  | R64059   | 1G12 | 12  | 40 - 39  | R70222   | 1F9  | 38  | 40 - 7   |
| R51031   | 2F22 | 32  | 70 - 20  | R64060   | 1G12 | 10  | 40 - 39  | R70826   | 1D1  | 6   | 25 - 20  |
| R51053   | 1D8  | 10  | 25 - 28  | R64698   | 2C24 | 10  | 50 - 51  | R71144   | 2B17 | 6   | 50 - 14  |
| R51603   | 1E9  | 2   | 30 - 8   | R64698   | 4B6  | 47  | 140 - 5  | R71208   | 1D1  | 7   | 25 - 20  |
| R51936   | 1E4  | 19  | 30 - 3   | R65569   | 3C8  | 2   | 90 - 33  | R71210   | 1C2  | 9   | 20 - 25  |
| R51936   | 1E6  | 2   | 30 - 5   | R65593   | 1F11 | 2   | 40 - 9   | R71212   | 1E4  | 8   | 30 - 3   |
| R51937   | 1E4  | 23  | 30 - 3   | R65594   | 1F11 | 9   | 40 - 9   | R71212   | 1E4  | 9   | 30 - 3   |
| R52015   | 2C2  | 3   | 50 - 25  | R65595   | 1F11 | 21  | 40 - 9   | R71351   | 1E10 | 7   | 30 - 9   |
| R53108   | 1D23 | 34  | 25 - 47  | R65596   | 1F11 | 22  | 40 - 9   | R71711   | 2C18 | 7   | 50 - 43  |
| R53436   | 1B20 | 7   | 20 - 18  | R65597   | 1F11 | 23  | 40 - 9   | R71732   | 1D5  | 11  | 25 - 25  |
| R53543   | 2C8  | 30  | 50 - 31  | R65598   | 1F11 | 24  | 40 - 9   | R71732   | 1D5  | 13  | 25 - 25  |
| R53668   | 2C21 | 6   | 50 - 47  | R65599   | 1F11 | 25  | 40 - 9   | R71732   | 1D7  | 7   | 25 - 27  |
| R53899   | 1D23 | 25  | 25 - 47  | R65599   | 1G8  | 10  | 40 - 35  | R71756   | 4B22 | 10  | 140 - 23 |
| R53899   | 1E6  | 19  | 30 - 5   | R65600   | 1F11 | 26  | 40 - 9   | R71758   | 4B22 | 6   | 140 - 23 |
| R53899   | 1E7  | 3   | 30 - 6   | R65601   | 1F11 | 27  | 40 - 9   | R72032   | 4B12 | 23  | 140 - 11 |
| R53901   | 1E7  | 5   | 30 - 6   | R65602   | 1F9  | 49  | 40 - 7   | R72328   | 1D17 | 11  | 25 - 39  |
| R54025   | 1E8  | 2   | 30 - 7   | R65602   | 1F11 | 28  | 40 - 9   | R72328   | 1D23 | 9   | 25 - 47  |
| R54123   | 1B23 | 4   | 20 - 21  | R65603   | 1F11 | 29  | 40 - 9   | R72659   | 2H19 | 8   | 70 - 67  |
| R54380   | 2C2  | 24  | 50 - 25  | R65604   | 1F11 | 30  | 40 - 9   | R73094   | 3B24 | 36  | 90 - 25  |
| R54445   | 1G12 | 3   | 40 - 39  | R65605   | 1F11 | 31  | 40 - 9   | R73102   | 2C18 | 2   | 50 - 43  |
| R54445   | 1G12 | 6   | 40 - 39  | R65606   | 1F11 | 32  | 40 - 9   | R73102   | 2C21 | 2   | 50 - 47  |
| R54445   | 1G12 | 9   | 40 - 39  | R65607   | 1F9  | 46  | 40 - 7   | R73384   | 3C8  | 13  | 90 - 33  |
| R54565   | 1D1  | 1   | 25 - 20  | R65607   | 1F11 | 33  | 40 - 9   | R73498   | 1E13 | 4   | 30 - 12  |
| R54856   | 1D23 | 24  | 25 - 47  | R65608   | 1F11 | 3   | 40 - 9   | R74008   | 1C15 | 3   | 25 - 8   |
| R55326   | 3H6  | 13  | 120 - 9  | R65609   | 1F11 | 6   | 40 - 9   | R74689   | 2C18 | 11  | 50 - 43  |
| R56101   | 1E16 | 3   | 30 - 15  | R65610   | 1F11 | 7   | 40 - 9   | R74690   | 2C18 | 9   | 50 - 43  |
| R56722   | 4C12 | 27  | 140 - 39 | R66197   | 3D23 | 1   | 100 - 7  | R74693   | 2C18 | 13  | 50 - 43  |

## NUMERICAL INDEX - CONTINUED

| PART NO. | GRID | KEY | PAGE   | PART NO. | GRID | KEY | PAGE  | PART NO. | GRID | KEY | PAGE   |
|----------|------|-----|--------|----------|------|-----|-------|----------|------|-----|--------|
| R74694   | 2C18 | 14  | 50-43  | R77498   | 1F7  | 24  | 40-5  | R78058   | 1G14 | 33  | 40-41  |
| R74696   | 2C18 | 10  | 50-43  | R77499   | 1F7  | 24  | 40-5  | R78058   | 1G19 | 8   | 40-46  |
| R74697   | 2C18 | 12  | 50-43  | R77500   | 1F7  | 24  | 40-5  | R78058   | 4F7  | 18  | 155-7  |
| R76358   | 1E6  | 7   | 30-5   | R77501   | 1F7  | 24  | 40-5  | R78059   | 1F5  | 1   | 40-3   |
| R76358   | 1E7  | 2   | 30-6   | R77502   | 1F9  | 56  | 40-7  | R78059   | 2C24 | 14  | 50-51  |
| R76937   | 4B10 | 9   | 140-9  | R77503   | 1F9  | 56  | 40-7  | R78059   | 2F23 | 16  | 70-21  |
| R77175   | 2C9  | 23  | 50-32  | R77551   | 1D23 | 5   | 25-47 | R78059   | 4B6  | 9   | 140-5  |
| R77175   | 2C13 | 9   | 50-37  | R77738   | 1G6  | 3   | 40-33 | R78059   | 4F7  | 12  | 155-7  |
| R77175   | 2F10 | 22  | 70-7   | R77764   | 4B10 | 8   | 140-9 | R78060   | 1F5  | 2   | 40-3   |
| R77175   | 2F17 | 1   | 70-15  | R78025   | 2E24 | 10  | 60-32 | R78060   | 1F5  | 9   | 40-3   |
| R77175   | 2F19 | 1   | 70-17  | R78025   | 2E25 | 6   | 60-33 | R78060   | 1G17 | 1   | 40-44  |
| R77175   | 2F21 | 1   | 70-19  | R78026   | 2E24 | 4   | 60-32 | R78060   | 1H10 | 1   | 40-63  |
| R77175   | 2F22 | 30  | 70-20  | R78026   | 2E25 | 4   | 60-33 | R78060   | 1H13 | 6   | 40-66  |
| R77175   | 2G22 | 19  | 70-45  | R78027   | 2E19 | 2   | 60-26 | R78060   | 4B6  | 15  | 140-5  |
| R77175   | 4B6  | 12  | 140-5  | R78047   | 1F5  | 3   | 40-3  | R78060   | 4F9  | 14  | 155-9  |
| R77178   | 2G12 | 9   | 70-35  | R78048   | 1F5  | 10  | 40-3  | R78061   | 1F5  | 6   | 40-3   |
| R77178   | 4G16 | 4   | 160-27 | R78048   | 1G17 | 1   | 40-44 | R78061   | 1F5  | 23  | 40-3   |
| R77456   | 1F7  | 27  | 40-5   | R78048   | 1G19 | 6   | 40-46 | R78061   | 2C24 | 14  | 50-51  |
| R77457   | 1F7  | 29  | 40-5   | R78048   | 1H13 | 6   | 40-66 | R78061   | 2F23 | 16  | 70-21  |
| R77458   | 1F7  | 28  | 40-5   | R78048   | 2G14 | 13  | 70-37 | R78062   | 1F5  | 1   | 40-3   |
| R77459   | 1F7  | 28  | 40-5   | R78048   | 4F9  | 15  | 155-9 | R78063   | 1F5  | 1   | 40-3   |
| R77460   | 1F7  | 28  | 40-5   | R78049   | 1F5  | 15  | 40-3  | R78063   | 1F5  | 7   | 40-3   |
| R77461   | 1F7  | 28  | 40-5   | R78049   | 4F7  | 16  | 155-7 | R78063   | 1G14 | 33  | 40-41  |
| R77462   | 1F7  | 25  | 40-5   | R78050   | 1F5  | 19  | 40-3  | R78063   | 1G19 | 8   | 40-46  |
| R77463   | 1F7  | 30  | 40-5   | R78051   | 1F5  | 24  | 40-3  | R78063   | 1H10 | 13  | 40-63  |
| R77464   | 1F7  | 26  | 40-5   | R78051   | 1H10 | 1   | 40-63 | R78063   | 4B6  | 15  | 140-5  |
| R77464   | 2F17 | 17  | 70-15  | R78052   | 1F5  | 5   | 40-3  | R78063   | 4F9  | 13  | 155-9  |
| R77464   | 2F19 | 17  | 70-17  | R78053   | 1F5  | 13  | 40-3  | R78063   | 4F13 | 5   | 155-13 |
| R77464   | 2F21 | 17  | 70-19  | R78053   | 1F16 | 4   | 40-15 | R78064   | 1F5  | 27  | 40-3   |
| R77465   | 1F7  | 31  | 40-5   | R78053   | 1F16 | 19  | 40-15 | R78064   | 4F7  | 15  | 155-7  |
| R77466   | 1F7  | 33  | 40-5   | R78053   | 1F16 | 28  | 40-15 | R78069   | 4F13 | 1   | 155-13 |
| R77467   | 1F7  | 34  | 40-5   | R78053   | 1F16 | 31  | 40-15 | R78069   | 4F14 | 7   | 155-14 |
| R77468   | 1F7  | 32  | 40-5   | R78053   | 1F19 | 8   | 40-19 | R78965   | 4F13 | 13  | 155-13 |
| R77469   | 1F9  | 35  | 40-7   | R78053   | 1F19 | 17  | 40-19 | R78965   | 4F14 | 6   | 155-14 |
| R77470   | 1F9  | 45  | 40-7   | R78053   | 1F21 | 31  | 40-21 | R79060   | 1E6  | 14  | 30-5   |
| R77471   | 1F9  | 45  | 40-7   | R78053   | 1F21 | 40  | 40-21 | R79117   | 2H14 | 9   | 70-61  |
| R77472   | 1F9  | 45  | 40-7   | R78053   | 1F21 | 41  | 40-21 | R79604   | 1E4  | 18  | 30-3   |
| R77473   | 1F9  | 45  | 40-7   | R78053   | 1F21 | 62  | 40-21 | R79846   | 1D24 | 5   | 25-48  |
| R77474   | 1F9  | 44  | 40-7   | R78053   | 1F24 | 4   | 40-25 | R80R     | 4B22 | 37  | 140-23 |
| R77475   | 1F7  | 13  | 40-5   | R78053   | 1F24 | 14  | 40-25 | R82007   | 1C10 | 22  | 25-3   |
| R77476   | 1F7  | 3   | 40-5   | R78053   | 1F24 | 16  | 40-25 | R82571   | 2H14 | 7   | 70-61  |
| R77477   | 1F7  | 4   | 40-5   | R78053   | 1F24 | 17  | 40-25 | R83020   | 1D21 | 7   | 25-44  |
| R77478   | 1F7  | 15  | 40-5   | R78053   | 1F24 | 19  | 40-25 | R83021   | 1D21 | 6   | 25-44  |
| R77479   | 1F7  | 5   | 40-5   | R78053   | 1G2  | 4   | 40-29 | R83489   | 1D23 | 25  | 25-47  |
| R77479   | 1F16 | 32  | 40-15  | R78053   | 1G2  | 14  | 40-29 | R83489   | 1E7  | 7   | 30-6   |
| R77480   | 1F7  | 6   | 40-5   | R78053   | 1G2  | 17  | 40-29 | R83489   | 1E12 | 4   | 30-11  |
| R77480   | 1G8  | 2   | 40-35  | R78053   | 1G2  | 18  | 40-29 | R83720   | 1E9  | 6   | 30-8   |
| R77480   | 1G8  | 3   | 40-35  | R78053   | 1G2  | 20  | 40-29 | R83721   | 1E9  | 6   | 30-8   |
| R77481   | 1F7  | 7   | 40-5   | R78053   | 1G8  | 13  | 40-35 | R83722   | 1E9  | 6   | 30-8   |
| R77482   | 1F7  | 8   | 40-5   | R78053   | 1G10 | 12  | 40-37 | R83723   | 1E9  | 6   | 30-8   |
| R77483   | 1F7  | 16  | 40-5   | R78053   | 1G14 | 33  | 40-41 | R83724   | 1E9  | 6   | 30-8   |
| R77484   | 1F7  | 19  | 40-5   | R78053   | 1G18 | 1   | 40-45 | R83725   | 1E9  | 6   | 30-8   |
| R77485   | 1F7  | 21  | 40-5   | R78053   | 1G19 | 8   | 40-46 | R83726   | 1E9  | 6   | 30-8   |
| R77486   | 1F7  | 22  | 40-5   | R78053   | 1H10 | 13  | 40-63 | R83727   | 1E9  | 6   | 30-8   |
| R77487   | 1F7  | 23  | 40-5   | R78053   | 2C24 | 14  | 50-51 | R83728   | 1E9  | 6   | 30-8   |
| R77488   | 1F9  | 51  | 40-7   | R78053   | 2F23 | 16  | 70-21 | R83729   | 1E9  | 6   | 30-8   |
| R77489   | 1F9  | 51  | 40-7   | R78054   | 1F5  | 17  | 40-3  | R83730   | 1E9  | 6   | 30-8   |
| R77489   | 1F16 | 7   | 40-15  | R78055   | 1F5  | 22  | 40-3  | R83731   | 1E9  | 6   | 30-8   |
| R77489   | 1F16 | 15  | 40-15  | R78055   | 1F21 | 53  | 40-21 | R83732   | 1E9  | 6   | 30-8   |
| R77490   | 1F9  | 51  | 40-7   | R78055   | 4F7  | 14  | 155-7 | R83733   | 1E9  | 6   | 30-8   |
| R77491   | 1F9  | 54  | 40-7   | R78056   | 1F5  | 26  | 40-3  | R83734   | 1E9  | 6   | 30-8   |
| R77492   | 1F9  | 54  | 40-7   | R78056   | 1F16 | 30  | 40-15 | R83735   | 1E9  | 6   | 30-8   |
| R77493   | 1F9  | 51  | 40-7   | R78056   | 1F19 | 25  | 40-19 | R83736   | 1E9  | 6   | 30-8   |
| R77494   | 1F9  | 55  | 40-7   | R78057   | 1F5  | 2   | 40-3  | R83737   | 1E9  | 6   | 30-8   |
| R77495   | 1F9  | 52  | 40-7   | R78057   | 1G19 | 6   | 40-46 | R83738   | 1E9  | 6   | 30-8   |
| R77496   | 1F9  | 52  | 40-7   | R78057   | 4F7  | 13  | 155-7 | R83739   | 1E9  | 6   | 30-8   |
| R77497   | 1F9  | 53  | 40-7   | R78058   | 1F5  | 23  | 40-3  | R84261   | 4B22 | 11  | 140-23 |

**NUMERICAL INDEX - CONTINUED**

| PART NO. | GRID | KEY | PAGE   | PART NO. | GRID | KEY | PAGE   | PART NO. | GRID | KEY | PAGE   |
|----------|------|-----|--------|----------|------|-----|--------|----------|------|-----|--------|
| R84472   | 1D23 | 10  | 25-47  | R98527   | 1C22 | 8   | 25-15  | TY6764   | 3D11 | ..  | 95-11  |
| R84472   | 1E4  | 15  | 30-3   | R99047   | 1E6  | 22  | 30-5   | TY9370   | 3B15 | ..  | 90-15  |
| R84472   | 1E9  | 12  | 30-8   | R99244   | 2C2  | 6   | 50-25  | TY9371   | 2B16 | ..  | 50-13  |
| R84618   | 1C25 | 16  | 25-19  | R99377   | 2C18 | 8   | 50-43  | TY9371   | 2B19 | ..  | 50-17  |
| R84619   | 1C25 | 17  | 25-19  | R99590   | 1B20 | 4   | 20-18  | TY9371   | 3C10 | ..  | 90-35  |
| R85027   | 1D1  | 14  | 25-20  | TY15130  | 3E2  | ..  | 100-11 | TY9371   | 3D23 | ..  | 100-7  |
| R85168   | 4B14 | 10  | 140-13 | TY15130  | 3I14 | ..  | 125-13 | TY9374   | 4B10 | ..  | 140-9  |
| R85169   | 4B14 | 11  | 140-13 | TY15130  | 4B22 | ..  | 140-23 | T106409  | 1G10 | 3   | 40-37  |
| R85373   | 2C21 | 15  | 50-47  | TY15949  | 3D11 | ..  | 95-11  | T10745   | 1H2  | 4   | 40-55  |
| R85374   | 2C21 | 8   | 50-47  | TY15950  | 3D11 | ..  | 95-11  | T11180   | 1D20 | 1   | 25-43  |
| R85376   | 2C21 | 9   | 50-47  | TY15951  | 3D11 | ..  | 95-11  | T119912  | 4C12 | 22  | 140-39 |
| R85378   | 2C21 | 10  | 50-47  | TY15969  | 4F23 | ..  | 160-7  | T122720  | 4F23 | 4   | 160-7  |
| R85588   | 2C16 | 2   | 50-41  | TY15969  | 4G2  | ..  | 160-11 | T122720  | 4G2  | 6   | 160-11 |
| R86061   | 1D17 | 3   | 25-39  | TY15969  | 4G5  | ..  | 160-15 | T122720  | 4G5  | 8   | 160-15 |
| R86063   | 1D10 | 8   | 25-31  | TY16086  | 1F7  | 24  | 40-5   | T12529   | 2E23 | 7   | 60-31  |
| R86457   | 1H15 | 8   | 40-69  | TY16302  | 1G14 | 28  | 40-41  | T13119   | 1E13 | 2   | 30-12  |
| R86457   | 3F11 | 8   | 100-45 | TY21765  | 1H22 | 4   | 40-76  | T140425  | 4G2  | 14  | 160-11 |
| R86571   | 1D3  | 2   | 25-22  | TY22007  | 1C8  | 2   | 25-1   | T14065   | 2C8  | 14  | 50-31  |
| R87345   | 3H6  | 12  | 120-9  | TY22008  | 1C8  | 2   | 25-1   | T14323   | 4B10 | 18  | 140-9  |
| R87561   | 1C10 | 23  | 25-3   | TY22010  | 1C8  | 2   | 25-1   | T146102  | 1H8  | 4   | 40-61  |
| R87561   | 1C23 | 1   | 25-16  | TY22011  | 1C8  | 2   | 25-1   | T146104  | 1H8  | 8   | 40-61  |
| R88397   | 1D17 | 5   | 25-39  | TY22025  | 3D11 | ..  | 95-11  | T146515  | 1H8  | 8   | 40-61  |
| R88397   | 1D23 | 12  | 25-47  | TY22041  | 1C8  | ..  | 25-1   | T146516  | 1H8  | 8   | 40-61  |
| R88829   | 2C16 | 11  | 50-41  | TY22042  | 1C8  | ..  | 25-1   | T146517  | 1H8  | 8   | 40-61  |
| R88959   | 2C19 | 3   | 50-44  | TY22064  | 1C8  | 1   | 25-1   | T155858  | 1E14 | 2   | 30-13  |
| R88960   | 2C19 | 3   | 50-44  | TY22065  | 1C8  | 1   | 25-1   | T15712   | 1E13 | 1   | 30-12  |
| R89012   | 2C19 | 4   | 50-44  | TY22066  | 1C8  | 1   | 25-1   | T158584  | 1H2  | 16  | 40-55  |
| R89014   | 1E6  | 23  | 30-5   | TY22067  | 1C8  | 1   | 25-1   | T16193   | 3C8  | 8   | 90-33  |
| R89015   | 2C21 | 14  | 50-47  | TY22068  | 1C8  | 1   | 25-1   | T17148   | 3C6  | 43  | 90-31  |
| R89439   | 1D17 | 17  | 25-39  | TY22069  | 1C8  | 1   | 25-1   | T17568   | 1E10 | 8   | 30-9   |
| R89610   | 2C16 | 12  | 50-41  | TY22070  | 1C8  | 1   | 25-1   | T17568   | 1E16 | 14  | 30-15  |
| R89879   | 1D23 | 16  | 25-47  | TY22073  | 1C8  | 1   | 25-1   | T18012   | 1E6  | 17  | 30-5   |
| R89927   | 1E12 | 6   | 30-11  | TY22074  | 1C8  | 1   | 25-1   | T19832   | 2C13 | 32  | 50-37  |
| R90080   | 2C2  | 3   | 50-25  | TY22101  | 3D11 | ..  | 95-11  | T20077   | 1C25 | 2   | 25-19  |
| R90521   | 3E20 | 5   | 100-29 | TY22326  | 3J4  | 3   | 125-27 | T20129   | 1C25 | 1   | 25-19  |
| R90565   | 2H14 | 4   | 70-61  | TY22326  | 4C14 | 20  | 140-41 | T20217   | 3H21 | 4   | 120-24 |
| R91519   | 1D21 | 1   | 25-44  | TY22326  | 4E14 | 24  | 150-31 | T20217   | 4D15 | 4   | 150-7  |
| R91822   | 1C25 | 4   | 25-19  | TY22329  | 4C10 | 11  | 140-37 | T20294   | 1D2  | 4   | 25-21  |
| R92097   | 1D20 | 3   | 25-43  | TY22424  | 1B25 | 4   | 20-23  | T20328   | 1D2  | 5   | 25-21  |
| R92097   | 1D23 | 15  | 25-47  | TY22467  | 1D2  | 3   | 25-21  | T21242   | 1C21 | 2   | 25-14  |
| R92104   | 2C16 | 17  | 50-41  | TY22494  | 4B14 | 20  | 140-13 | T21242   | 1D5  | 3   | 25-25  |
| R92148   | 2C19 | 1   | 50-44  | TY22494  | 4B14 | 21  | 140-13 | T22714   | 4C2  | 23  | 140-29 |
| R92160   | 2C16 | 4   | 50-41  | TY22494  | 4B19 | 46  | 140-19 | T22828   | 2H14 | 2   | 70-61  |
| R92977   | 2C22 | 1   | 50-48  | TY22494  | 4B19 | 47  | 140-19 | T23027   | 2J17 | 2   | 80-41  |
| R92978   | 2C22 | 1   | 50-48  | TY22551  | 1E16 | 4   | 30-15  | T23033   | 2J17 | 6   | 80-41  |
| R92979   | 2C19 | 4   | 50-44  | TY24345  | 4B8  | ..  | 140-7  | T23529   | 3C6  | 29  | 90-31  |
| R93008   | 1E7  | 11  | 30-6   | TY24446  | 1D2  | ..  | 25-21  | T24210   | 1E7  | 1   | 30-6   |
| R93008   | 1E12 | 3   | 30-11  | TY24485  | 1H2  | 1   | 40-55  | T25122   | 2I14 | 15  | 80-13  |
| R93105   | 2C18 | 6   | 50-43  | TY24485  | 1H2  | 13  | 40-55  | T25122   | 2I22 | 1   | 80-21  |
| R93142   | 2C16 | 6   | 50-41  | TY6280   | 1C8  | 1   | 25-1   | T26257   | 2G2  | 15  | 70-25  |
| R93142   | 2C19 | 2   | 50-44  | TY6304   | 2B16 | ..  | 50-13  | T27523   | 2H21 | 7   | 70-69  |
| R93180   | 2C16 | 3   | 50-41  | TY6304   | 2B19 | 13  | 50-17  | TY7523   | 3F5  | 3   | 100-39 |
| R93238   | 1C21 | 1   | 25-14  | TY6304   | 2B19 | ..  | 50-17  | T27523   | 3F5  | 12  | 100-39 |
| R93308   | 1C25 | 16  | 25-19  | TY6304   | 4B22 | ..  | 140-23 | T27550   | 1B25 | 9   | 20-23  |
| R93311   | 1C25 | 17  | 25-19  | TY6333   | 3D19 | ..  | 100-3  | T27860   | 1C20 | 2   | 25-13  |
| R93312   | 1C25 | 16  | 25-19  | TY6333   | 3G24 | 5   | 120-3  | T27888   | 2B17 | 3   | 50-14  |
| R93313   | 1C25 | 17  | 25-19  | TY6333   | 4B22 | ..  | 140-23 | T28256   | 2F4  | 11  | 70-1   |
| R93314   | 1C25 | 16  | 25-19  | TY6341   | 3I14 | ..  | 125-13 | T28256   | 4B6  | 52  | 140-5  |
| R93315   | 1C25 | 17  | 25-19  | TY6364   | 1C8  | 1   | 25-1   | T28583   | 1F7  | 1   | 40-5   |
| R93948   | 1C15 | 5   | 25-8   | TY6389   | 1C8  | 2   | 25-1   | T28583   | 1F11 | 34  | 40-9   |
| R94350   | 1H2  | 2   | 40-55  | TY6390   | 1C8  | 2   | 25-1   | T28583   | 1F24 | 11  | 40-25  |
| R94351   | 1H2  | 15  | 40-55  | TY6391   | 1C8  | 2   | 25-1   | T28583   | 1G2  | 11  | 40-29  |
| R96703   | 1H8  | 5   | 40-61  | TY6392   | 1C8  | 2   | 25-1   | T28583   | 1G8  | 7   | 40-35  |
| R98064   | 1D8  | 6   | 25-28  | TY6393   | 1C8  | 2   | 25-1   | T28585   | 1F7  | 12  | 40-5   |
| R98064   | 1D10 | 4   | 25-31  | TY6394   | 1C8  | 2   | 25-1   | T28585   | 1F11 | 35  | 40-9   |
| R98250   | 1H6  | 1   | 40-59  | TY6750   | 1H2  | 1   | 40-55  | T28586   | 1F7  | 14  | 40-5   |
| R98500   | 1E6  | 21  | 30-5   | TY6750   | 1H2  | 13  | 40-55  | T28862   | 1D20 | 16  | 25-43  |



## NUMERICAL INDEX - CONTINUED

| PART NO. | GRID | KEY | PAGE   | PART NO. | GRID | KEY | PAGE   | PART NO. | GRID | KEY | PAGE   |
|----------|------|-----|--------|----------|------|-----|--------|----------|------|-----|--------|
| T29342   | 2C6  | 20  | 50-29  | T77814   | 2G16 | 5   | 70-39  | U10776   | 2B21 | 4   | 50-19  |
| T30424   | 4G14 | 3   | 160-25 | T77814   | 2H6  | 4   | 70-53  | U10776   | 3D23 | 41  | 100-7  |
| T32231   | 1D18 | 7   | 25-40  | T77814   | 2H8  | 4   | 70-55  | U11647   | 2C18 | 1   | 50-43  |
| T32231   | 3C19 | 21  | 90-45  | T77814   | 2H12 | 6   | 70-59  | U11647   | 2C21 | 1   | 50-47  |
| T32255   | 1G14 | 19  | 40-41  | T77814   | 2H15 | 8   | 70-63  | U12547   | 2C13 | 23  | 50-37  |
| T34067   | 1F7  | 18  | 40-5   | T77857   | 2C24 | 2   | 50-51  | U12547   | 2C24 | 11  | 50-51  |
| T34354   | 4B16 | 7   | 140-15 | T77857   | 2D12 | 7   | 50-63  | U12547   | 2C24 | 19  | 50-51  |
| T34355   | 4B16 | 7   | 140-15 | T77857   | 2E10 | 7   | 60-17  | U12547   | 2D2  | 6   | 50-53  |
| T34356   | 4B16 | 7   | 140-15 | T77857   | 2E12 | 3   | 60-19  | U12547   | 2D4  | 5   | 50-55  |
| T35390   | 1C10 | 14  | 25-3   | T77857   | 2E14 | 2   | 60-21  | U12547   | 2D6  | 11  | 50-57  |
| T40867   | 2J5  | 6   | 80-29  | T77857   | 2E16 | 11  | 60-23  | U12547   | 2D8  | 3   | 50-59  |
| T44604   | 1E4  | 16  | 30-3   | T77857   | 2F14 | 13  | 70-11  | U12547   | 2D10 | 21  | 50-61  |
| T44824   | 4B17 | 21  | 140-17 | T77857   | 2F24 | 2   | 70-22  | U12547   | 2D12 | 4   | 50-63  |
| T45132   | 4B6  | 27  | 140-5  | T77857   | 2G8  | 3   | 70-31  | U12547   | 2E10 | 1   | 60-17  |
| T46438   | 4G3  | 12  | 160-12 | T77857   | 2G10 | 12  | 70-33  | U12547   | 2F8  | 24  | 70-5   |
| T47836   | 4B22 | 33  | 140-23 | T77857   | 2G12 | 16  | 70-35  | U12547   | 2F14 | 15  | 70-11  |
| T49676   | 4B10 | 35  | 140-9  | T77857   | 2G20 | 20  | 70-43  | U12547   | 4B6  | 29  | 140-5  |
| T50409   | 4B10 | 34  | 140-9  | T77857   | 2G24 | 7   | 70-47  | U13639   | 1B23 | 6   | 20-21  |
| T50415   | 4B10 | 1   | 140-9  | T77857   | 2H4  | 13  | 70-51  | U13639   | 1C10 | 7   | 25-3   |
| T531T    | 1G14 | 20  | 40-41  | T77857   | 2H10 | 35  | 70-57  | U13639   | 1D23 | 23  | 25-47  |
| T53268   | 1D17 | 2   | 25-39  | T77857   | 2H21 | 4   | 70-69  | U15415   | 2C6  | 15  | 50-29  |
| T55501   | 3C6  | 5   | 90-31  | T77857   | 2H23 | 5   | 70-71  | U15415   | 2C13 | 30  | 50-37  |
| T55585   | 3C6  | 6   | 90-31  | T77857   | 3D21 | 13  | 100-5  | U17409   | 1D8  | 7   | 25-28  |
| T55761   | 3F17 | 10  | 100-51 | T77857   | 4B6  | 28  | 140-5  | U17409   | 1D10 | 5   | 25-31  |
| T60314   | 4B6  | 32  | 140-5  | T77857   | 4G16 | 5   | 160-27 | U17409   | 1D10 | 15  | 25-31  |
| T62508   | 4B10 | 2   | 140-9  | T77857   | 4G16 | 9   | 160-27 | U17409   | 1D23 | 26  | 25-47  |
| T62509   | 4B10 | 4   | 140-9  | T77858   | 2D2  | 8   | 50-53  | U17409   | 2C9  | 4   | 50-32  |
| T62843   | 2H23 | 13  | 70-71  | T77858   | 2D4  | 7   | 50-55  | U17409   | 2C14 | 12  | 50-38  |
| T63817   | 2G14 | 8   | 70-37  | T77858   | 2D6  | 1   | 50-57  | U40729   | 2C14 | 7   | 50-38  |
| T65643   | 2G14 | 7   | 70-37  | T77858   | 2D8  | 1   | 50-59  | U40745   | 2G5  | 20  | 70-28  |
| T68818   | 4F23 | 17  | 160-7  | T77858   | 2D10 | 7   | 50-61  | U40962   | 2F22 | 11  | 70-20  |
| T68818   | 4G2  | 5   | 160-11 | T77858   | 2D12 | 3   | 50-63  | U40962   | 2G2  | 11  | 70-25  |
| T68818   | 4G5  | 5   | 160-15 | T77858   | 2D13 | 2   | 50-64  | U40962   | 2G4  | 11  | 70-27  |
| T70309   | 4B10 | 33  | 140-9  | T77858   | 2E10 | 3   | 60-17  | U40962   | 2G5  | 11  | 70-28  |
| T72393   | 2D2  | 16  | 50-53  | T77858   | 2F8  | 10  | 70-5   | U41353   | 2C22 | 2   | 50-48  |
| T72393   | 2D10 | 19  | 50-61  | T77858   | 2F12 | 6   | 70-9   | U42902   | 2G2  | 26  | 70-25  |
| T72393   | 4G16 | 21  | 160-27 | T77858   | 2G20 | 21  | 70-43  | U44909   | 3J24 | 14  | 130-17 |
| T75984   | 2F22 | 12  | 70-20  | T77858   | 2G24 | 3   | 70-47  | U46370   | 1F7  | 20  | 40-5   |
| T75984   | 2F23 | 2   | 70-21  | T77858   | 2H19 | 1   | 70-67  | U46370   | 1F11 | 36  | 40-9   |
| T75984   | 2G2  | 12  | 70-25  | T77858   | 2H21 | 15  | 70-69  | U46662   | 1F7  | 10  | 40-5   |
| T75984   | 2G4  | 12  | 70-27  | T77932   | 2C24 | 18  | 50-51  | U46662   | 1F11 | 37  | 40-9   |
| T75984   | 2G5  | 12  | 70-28  | T77932   | 2D12 | 6   | 50-63  | U46662   | 1G6  | 11  | 40-33  |
| T76836   | 2B16 | 10  | 50-13  | T77932   | 2E12 | 5   | 60-19  | U46663   | 1F11 | 38  | 40-9   |
| T76938   | 2E10 | 10  | 60-17  | T77932   | 2E14 | 1   | 60-21  | U46664   | 1F9  | 47  | 40-7   |
| T76938   | 2F6  | 17  | 70-3   | T77932   | 2F6  | 3   | 70-3   | U46664   | 1F11 | 39  | 40-9   |
| T76938   | 2F6  | 22  | 70-3   | T77932   | 2F8  | 3   | 70-5   | W15277   | 2E3  | 6   | 60-10  |
| T76938   | 2G24 | 17  | 70-47  | T77932   | 2F12 | 5   | 70-9   | W23690   | 2C8  | 21  | 50-31  |
| T76938   | 2H19 | 10  | 70-67  | T77932   | 2F14 | 2   | 70-11  | W25634   | 3J25 | 6   | 130-18 |
| T77514   | 4B6  | 24  | 140-5  | T77932   | 2H2  | 3   | 70-49  | W25634   | 4C22 | 12  | 140-49 |
| T77613   | 1E16 | 32  | 30-15  | T77932   | 2H4  | 12  | 70-51  | W39621   | 3E24 | 6   | 100-33 |
| T77613   | 2D8  | 4   | 50-59  | T77932   | 2H21 | 1   | 70-69  | W39621   | 3I14 | 3   | 125-13 |
| T77613   | 2E16 | 1   | 60-23  | T77932   | 2H23 | 12  | 70-71  | W39621   | 4C6  | 1   | 140-33 |
| T77613   | 2E18 | 3   | 60-25  | T77932   | 4B6  | 36  | 140-5  | W39621   | 4C24 | 21  | 140-51 |
| T77613   | 2G12 | 1   | 70-35  | T78313   | 2D2  | 4   | 50-53  | Y3082BN  | 2J7  | 4   | 80-31  |
| T77613   | 2G16 | 3   | 70-39  | T78313   | 2D4  | 4   | 50-55  | Z12714   | 3D23 | 2   | 100-7  |
| T77613   | 2H6  | 27  | 70-53  | T78313   | 2D8  | 31  | 50-59  | Z12851   | 3D23 | 18  | 100-7  |
| T77613   | 2H8  | 22  | 70-55  | T78313   | 2D10 | 8   | 50-61  | Z12964   | 2B23 | 16  | 50-21  |
| T77613   | 2H10 | 1   | 70-57  | T78707   | 2D13 | 11  | 50-64  | Z24604   | 4E12 | 19  | 150-29 |
| T77613   | 2H12 | 5   | 70-59  | T78716   | 2H23 | 4   | 70-71  | Z33404   | 3K5  | 36  | 130-23 |
| T77613   | 2H15 | 11  | 70-63  | T79098   | 2C2  | 25  | 50-25  | Z33404   | 4E21 | 6   | 150-39 |
| T77613   | 3D21 | 17  | 100-5  | T81029   | 2D8  | 6   | 50-59  | Z36140   | 3I6  | 7   | 125-5  |
| T77613   | 3F5  | 7   | 100-39 | T81029   | 2E16 | 2   | 60-23  | Z36140   | 4F7  | 19  | 155-7  |
| T77613   | 4B6  | 35  | 140-5  | T81029   | 2E18 | 19  | 60-25  | Z39386   | 2J5  | 1   | 80-29  |
| T77613   | 4D23 | 4   | 150-15 | T81029   | 3F5  | 4   | 100-39 | Z51633   | 1G16 | 7   | 40-43  |
| T77613   | 4E19 | 6   | 150-37 | T81029   | 4D23 | 3   | 150-15 | Z55270   | 1G4  | 36  | 40-31  |
| T77814   | 2D8  | 8   | 50-59  | U10063   | 4B22 | 20  | 140-23 | Z55270   | 1G4  | 37  | 40-31  |
| T77814   | 2E18 | 12  | 60-25  | U10746   | 2B21 | 20  | 50-19  | Z55272   | 1G10 | 18  | 40-37  |

# 1L25

9650 SELF-PROPELLED COMBINE

## NUMERICAL INDEX - CONTINUED

| <i>PART NO.</i> | <i>GRID</i> | <i>KEY</i> | <i>PAGE</i> | <i>PART NO.</i> | <i>GRID</i> | <i>KEY</i> | <i>PAGE</i> | <i>PART NO.</i> | <i>GRID</i> | <i>KEY</i> | <i>PAGE</i> |
|-----------------|-------------|------------|-------------|-----------------|-------------|------------|-------------|-----------------|-------------|------------|-------------|
| Z59868          | 4H16        | ..         | 170 - 23    |                 |             |            |             |                 |             |            |             |
| Z60326          | 4H16        | ..         | 170 - 23    |                 |             |            |             |                 |             |            |             |
| Z60327          | 4H16        | ..         | 170 - 23    |                 |             |            |             |                 |             |            |             |
| Z60329          | 4H16        | ..         | 170 - 23    |                 |             |            |             |                 |             |            |             |
| Z60332          | 4H17        | ..         | 170 - 24    |                 |             |            |             |                 |             |            |             |
| Z60332          | 4H18        | ..         | 170 - 25    |                 |             |            |             |                 |             |            |             |
| Z60332          | 4H20        | ..         | 170 - 27    |                 |             |            |             |                 |             |            |             |
| Z60904          | 2F17        | 25         | 70 - 15     |                 |             |            |             |                 |             |            |             |
| Z61813          | 3D23        | 3          | 100 - 7     |                 |             |            |             |                 |             |            |             |
| Z61817          | 3D23        | 8          | 100 - 7     |                 |             |            |             |                 |             |            |             |
| Z61818          | 3D19        | 36         | 100 - 3     |                 |             |            |             |                 |             |            |             |
| Z61818          | 3D23        | 10         | 100 - 7     |                 |             |            |             |                 |             |            |             |
| Z62147          | 3D23        | 24         | 100 - 7     |                 |             |            |             |                 |             |            |             |
| Z62206          | 1F21        | 56         | 40 - 21     |                 |             |            |             |                 |             |            |             |
| Z62549          | 3D23        | 22         | 100 - 7     |                 |             |            |             |                 |             |            |             |
| 122SE           | 3B24        | 13         | 90 - 25     |                 |             |            |             |                 |             |            |             |
| 124424          | 3E16        | 15         | 100 - 25    |                 |             |            |             |                 |             |            |             |
| 124424          | 3E18        | 17         | 100 - 27    |                 |             |            |             |                 |             |            |             |
| 192SE           | 3J25        | 12         | 130 - 18    |                 |             |            |             |                 |             |            |             |
| 32243           | 3D19        | 2          | 100 - 3     |                 |             |            |             |                 |             |            |             |
| 32246           | 2C8         | 20         | 50 - 31     |                 |             |            |             |                 |             |            |             |
| 400R            | 4B10        | 12         | 140 - 9     |                 |             |            |             |                 |             |            |             |